

Model	Year	MG	SG	Illustration	Restrictions	UPD	15:06	26.01.2010
GT3-2	2010	0	01	001-00		248		

Pos	Part Number	Description	Remark	Qty	Model
1	997 721 115 00	tool jack fire extinguisher		1	
-	-	double-end spanner 10 X 13		1	
-	-	screwdriver		1	
-	-	handle for screwdriver		1	
-	999 571 077 02	socket wrench - 5 - for headlamp		1	
2	996 721 211 00	scissors type jack	10-	1	I447
3	997 722 101 00	foam part	10-	1	I447
-	999 571 074 30	threaded bolt for assembly wheels	-08	2	
-	997 361 181 52	wheel bolt	10-	1	I430/447
-	997 361 069 02	tool for wheel bolt	10-	1	I430
-	997 361 161 00	extension for tool wheel bolt	10-	1	I430/447
-	997 362 193 00	spacer	/V 10-	1	I430/447
-	997 362 195 00	spacer	/H 10-	1	I430/447
-	997 722 061 02	cover emergency wheel	10-	1	I447
4	997 721 551 00	towing lug		1	
5	000 722 722 05	warning triangle		1	
-	997 722 709 00	support warning triangle		2	
-	993 722 041 00	first-aid kit		1	
-	K 993 722 115 70	fire extinguisher		1	I003

PORSCHE

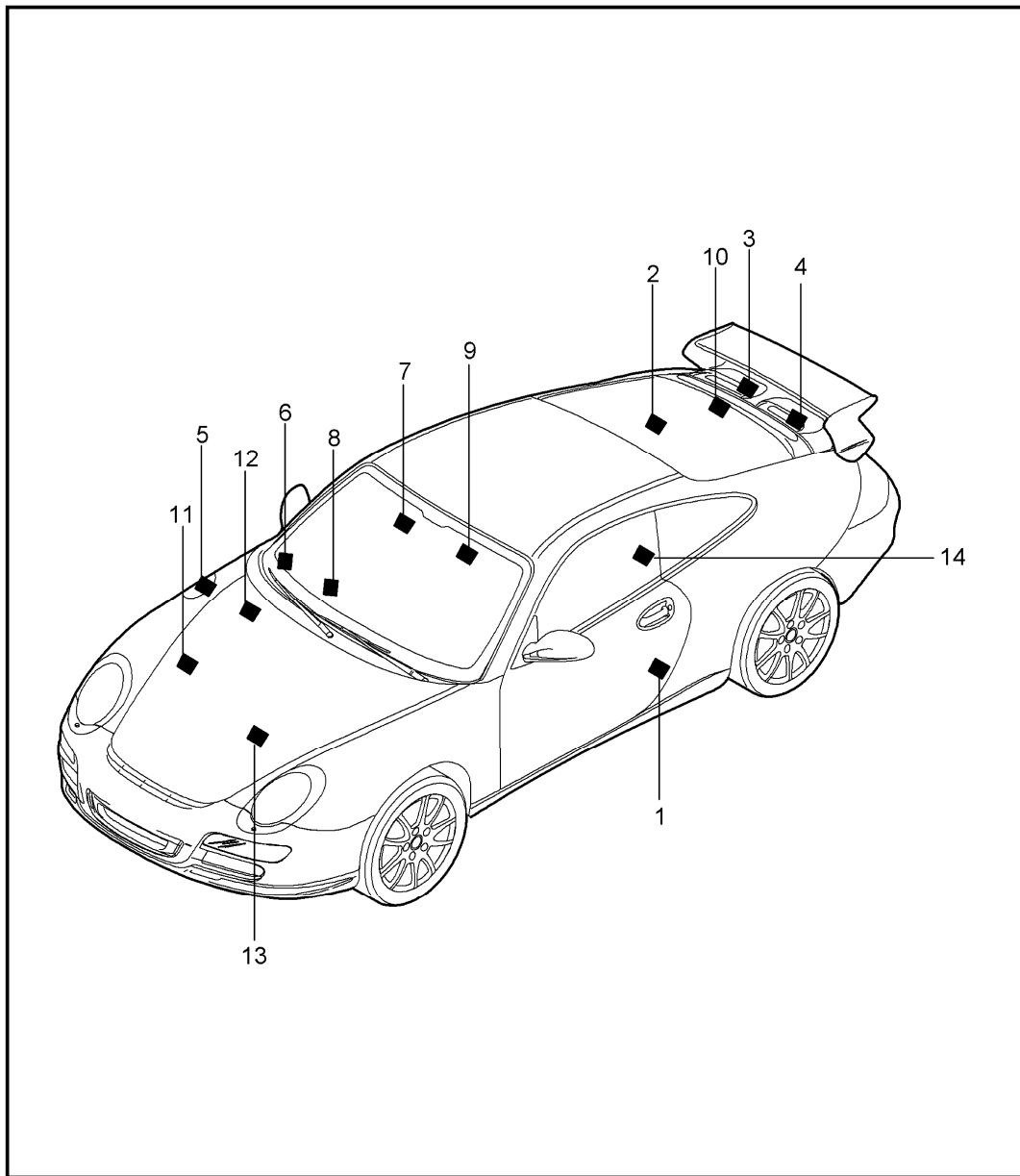
PET

PORSCHE

Model	Year	MG	SG	Illustration	Restrictions	UPD	15:06	26.01.2010
GT3-2	2010	0	01	001-00		248		

Pos	Part Number	Description	Remark	Qty	Model
-	K 996 722 211 90	spacer sleeve		2	I003
-	K 996 722 213 90	stopper		2	I003
-	996 722 233 90	spacer		2	I003

Model	Year	MG	SG	Illustration	Restrictions	UPD	15:06	26.01.2010	PORSCHE	PET	PORSCHE
GT3-2	2010	0	01	001-05		248					

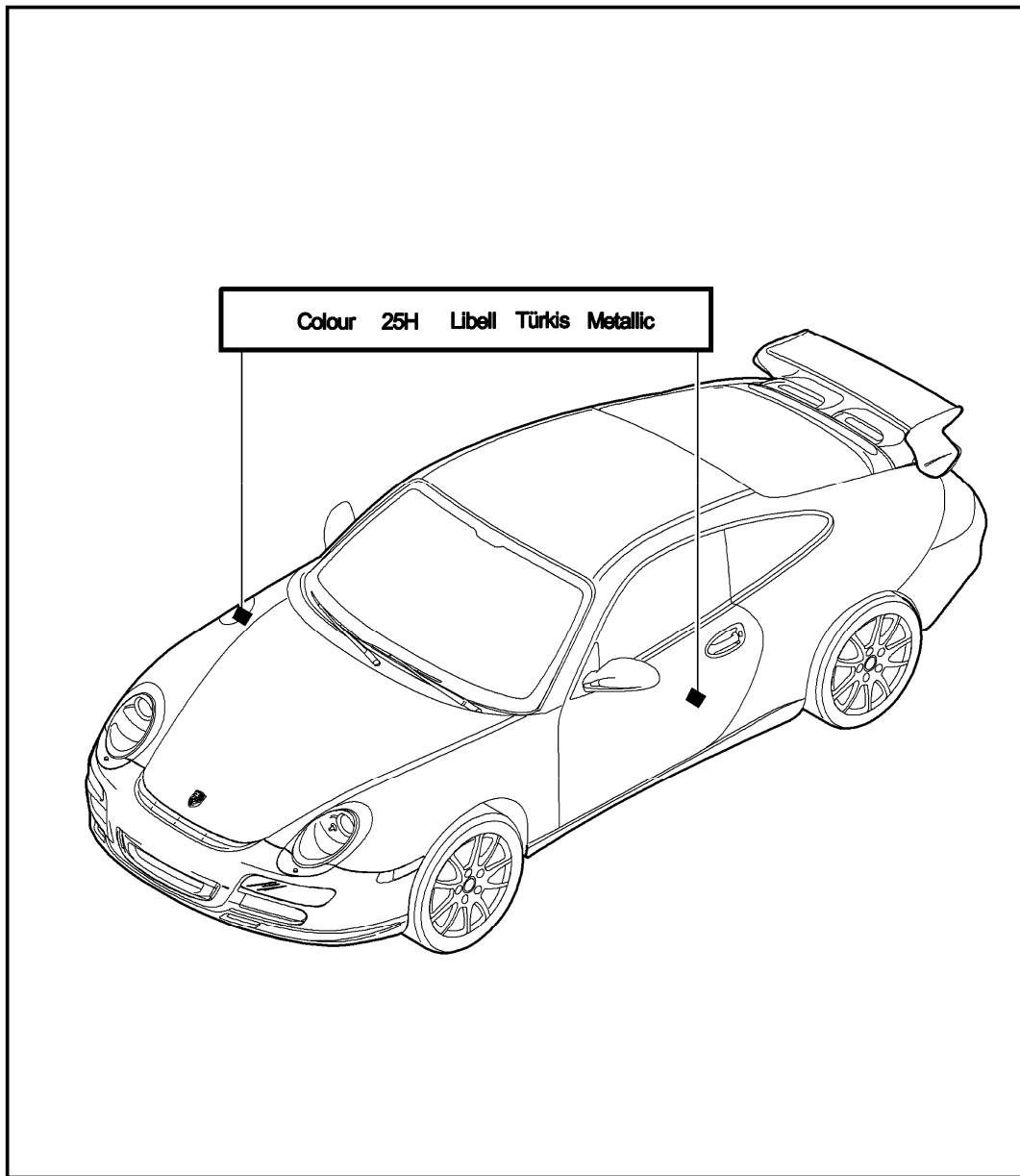


Pos	Part Number	Description	Remark	Qty	Model
		stickers			
2	7PP 010 707 K	sticker emergency wheel	10-	1	I430/447
		stickers engine specifications			
3	997 006 108 00	sticker		1	I068
3	955 701 675 00	sticker expansion tank		1	I193
4	997 006 544 00	sticker engine oil - MOBIL 1 -		1	
4	997 701 535 00	sticker engine-oil level		1	I193
		stickers type of fuel			
5	996 006 117 00	sticker 98 ROZ		1	
5	996 006 117 02	sticker 96 ROZ	(AUS)	1	
5	996 006 117 03	sticker 93 RON/MON/2		1	I193
5	955 701 676 15	sticker fuel		1	I193
5	955 701 676 10	sticker fuel filler flap		1	I193
		stickers airbag			
6	3B0 010 219 B	sticker child car seat		1	
6	8D0 010 141 Q	sticker child car seat	(AUS)	1	
6	997 701 430 00	sticker child car seat german		1	
6	997 701 430 01	sticker child car seat english		1	

Model	Year	MG	SG	Illustration	Restrictions	UPD	15:06	26.01.2010	PORSCHE	PET	PORSCHE
GT3-2	2010	0	01	001-05		248					

Pos	Part Number	Description	Remark	Qty	Model	Pos	Part Number	Description	Remark	Qty	Model
6	997 701 430 02	sticker child car seat french		1							
6	997 701 430 03	sticker child car seat italian		1							
6	997 701 430 04	sticker child car seat swedish		1							
6	997 701 430 05	sticker child car seat spanish		1							
6	997 701 430 06	sticker child car seat arabic		1							
6	997 701 430 07	sticker child car seat chinese		1							
6	955 701 675 10	sticker Recycling		1	I193						
9	997 701 531 00	sticker airbag		1	I193						
9	955 701 676 00	sticker warning light engine		1	I193						
10	955 701 675 15	sticker import japan		1	I193						
11	996 701 141 01	sticker air conditioner		1							
11	997 701 521 00	sticker air conditioner		1	I193						
12	955 701 673 00	sticker battery		1	I193						
12	997 701 170 00	sticker first-aid kit		1							
13	997 701 527 00	sticker headlamp		1	I193						
13	955 701 675 05	sticker brake fluid		1	I193						

Model	Year	MG	SG	Illustration	Restrictions	UPD	15:06	26.01.2010	PORSCHE	PET	PORSCHE
GT3-2	2010	0	04	004-00		248					

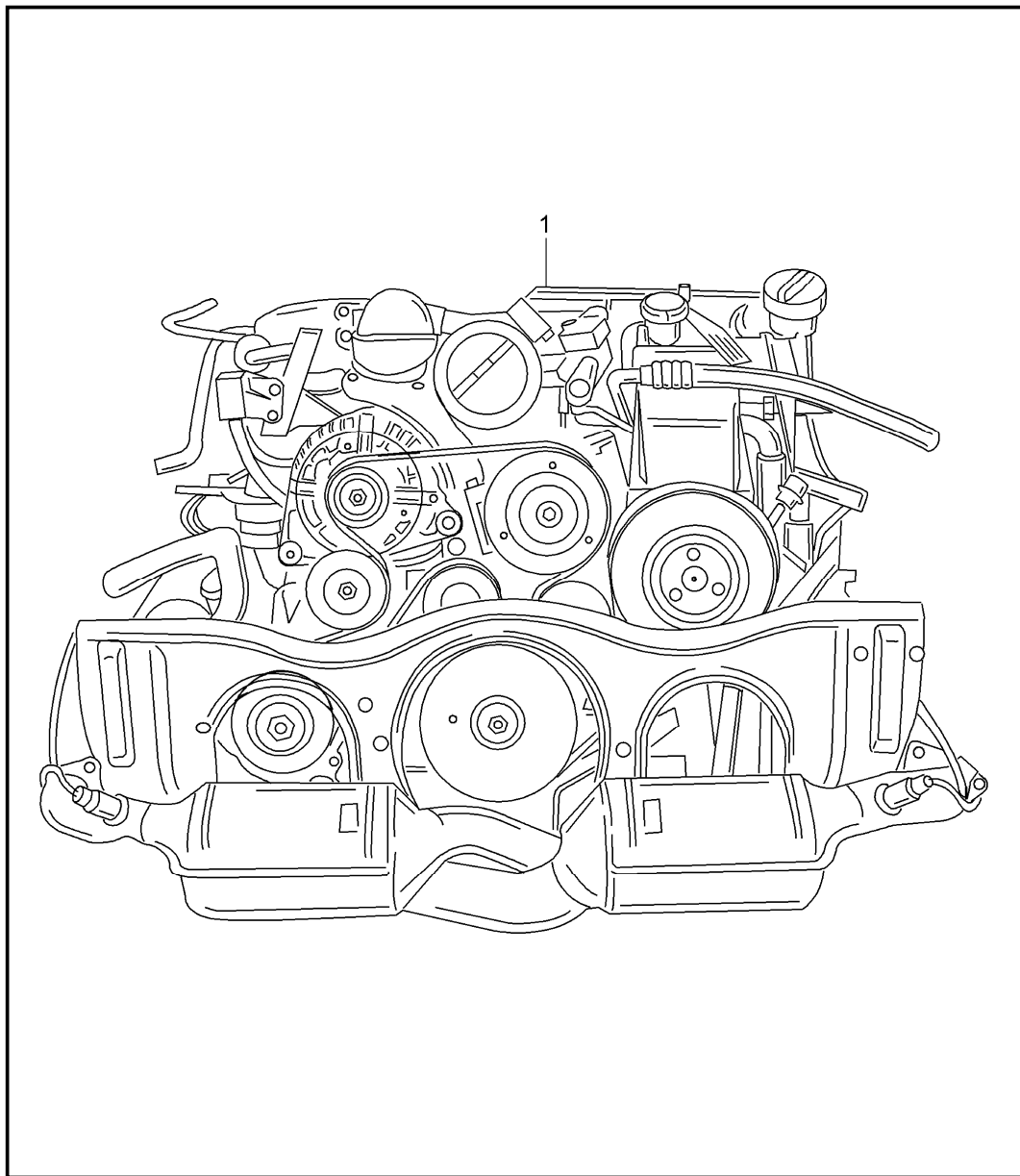


Pos	Part Number	Description	Remark	Qty	Model
-	911 095 932 20	paint touch-up applicator lacquers		X	
	041	black			A 1
	80K	guards red			G 1
	B9A	carrara white			B 4
	12G	speed yellow			X 4
	8C6	orange			N 2
	2D8	green			J 5
	51A	creamy white			T 2
	7A1	Grey/Black			A 4
-	911 095 933 20	paint touch-up applicator set comprising: paint touch-up applicator primer paint touch-up applicator clear lacquer		X	
	92T	arctic silver metallic			X 1
	M3W	carmon red metallic			E 4
	M5W	lapis blue metallic			J 2
	M6W	lagoon green metallic			G 4
	C9Z	basalt black metallic			Z 4
	M7X	atlas grey metallic			E 7
	37W	midnight blue metallic			E 9
	22E	forest green metallic			53
	37U	cobalt blue metallic			56
	22D	slate grey metallic			59
	M7Z	gt silver metallic			U 2
	M6X	dark olive-metallic			7 G
	M7W	Meteor Grey Metallic			9 Q
	M8W	Macadamia Metallic			9 S

Model	Year	MG	SG	Illustration	Restrictions	UPD	15:06	26.01.2010	PORSCHE	PET	PORSCHE
GT3-2	2010	0	04	004-00		248					

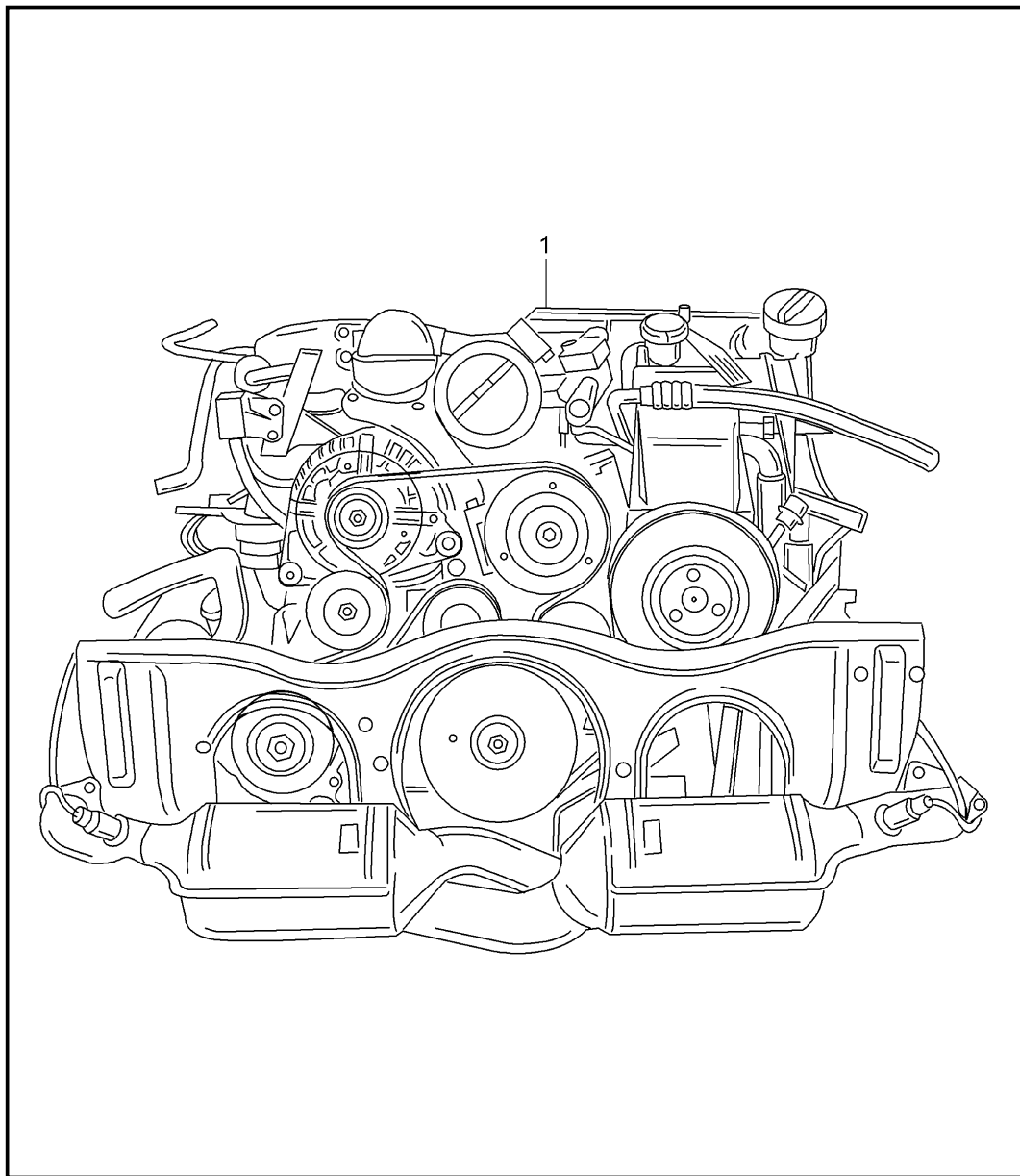
Pos	Part Number	Description	Remark	Qty	Model	Pos	Part Number	Description	Remark	Qty	Model
	2B5	Malachite Green Metallic			H 1						
	M2Z	Nordic Gold Metallic			8 W						
	M5R	Aqua Blue Metallic			D 2						
	22G	porsche Racing Green Metallic			J 1						
	M3X	ruby red metallic			A 6						
	M4Z	amethyst metallic			N 6						
	M5X	Dark Blue Metallic			N 4						

Model	Year	MG	SG	Illustration	Restrictions	UPD	15:07	26.01.2010	PORSCHE	PET	PORSCHE
GT3-2	2010	1	01	101-00		248					



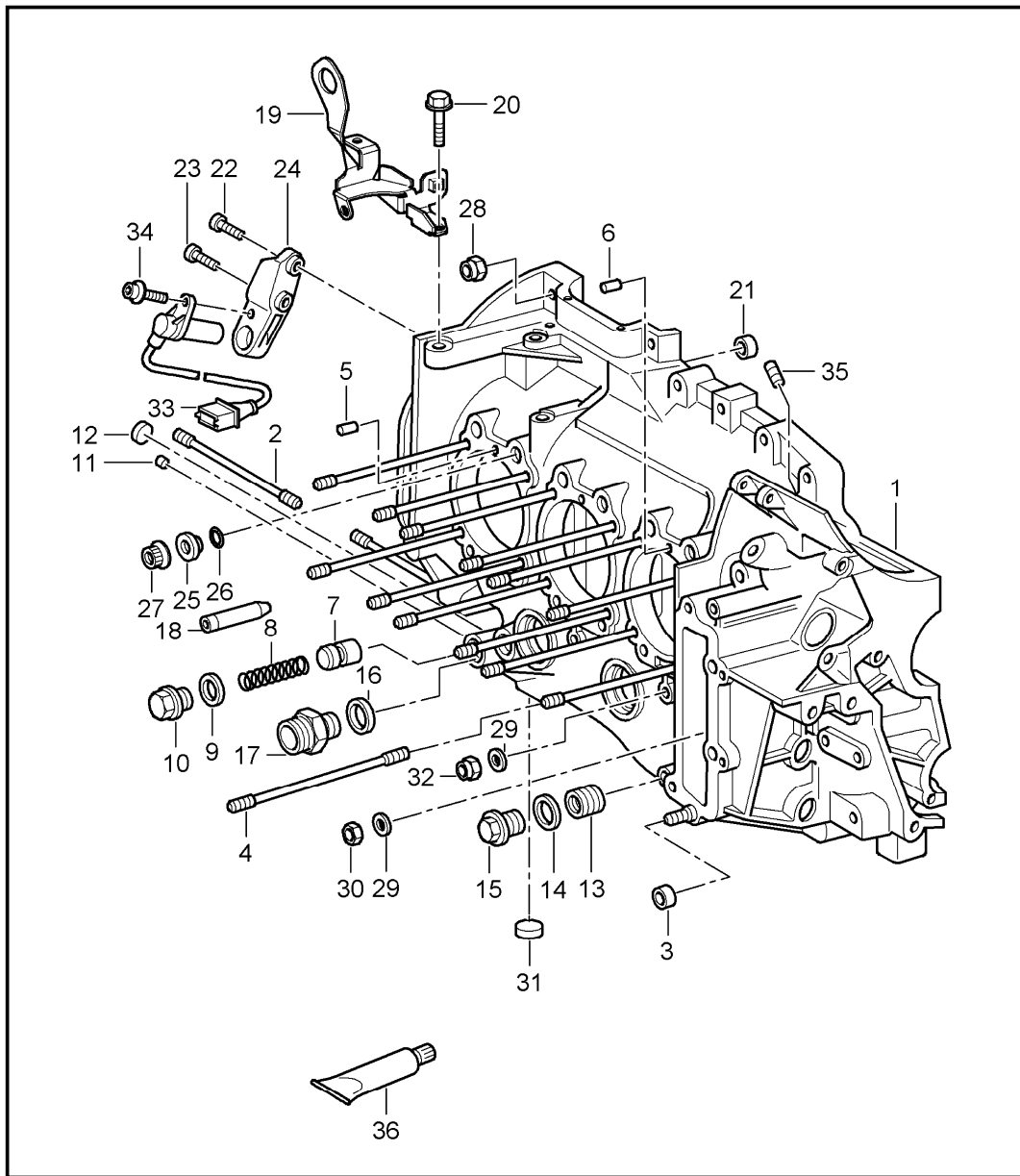
Pos	Part Number	Description	Remark	Qty	Model
		replacement engine ready for installation			M97.76
1	> 997 100 976 00	replacement engine		07	1 M97.76
1	> 997 100 976 02	replacement engine		08	1 M97.76
1	> 997 100 976 90	replacement engine		07	1 M97.76 I004
1	> 997 100 976 91	replacement engine		08	1 M97.76 I004

Model	Year	MG	SG	Illustration	Restrictions	UPD	15:07	26.01.2010	PORSCHE	PET	PORSCHE
GT3-2	2010	1	01	101-01		248					



Pos	Part Number	Description	Remark	Qty	Model
		replacement engine ready for installation			M97.77
1	> 997 100 977 00	replacement engine		1	M97.77 I573
(1)	997 100 977 X	replacement engine		1	M97.77 I573

Model	Year	MG	SG	Illustration	Restrictions	UPD	15:07	26.01.2010	PORSCHE	PET	PORSCHE
GT3-2	2010	1	01	101-05		248					

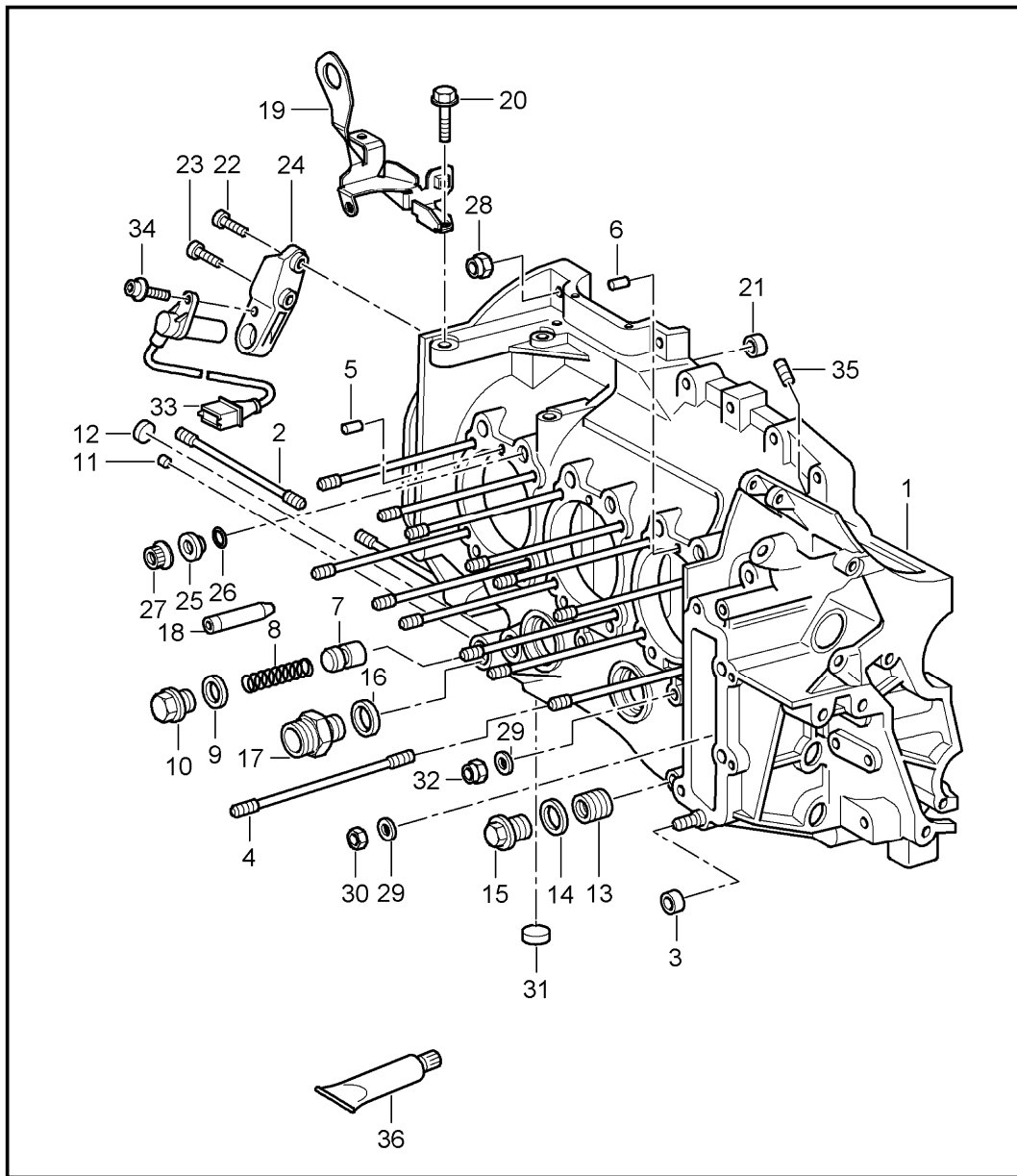


Pos	Part Number	Description	Remark	Qty	Model
1	K 997 101 901 92	crankcase left		1	M97.76
2	999 062 099 02	stud BM 10 X 105		2	
3	901 101 145 00	dowel sleeve		4	
4	996 101 172 70	stud		24	
5	900 012 057 00	straight pin A 8,0 X 14		1	
6	900 012 046 00	straight pin A 6,0 X 14		1	
7	911 107 512 00	piston		1	
8	901 107 531 01	compression spring		1	
9	900 123 106 30	sealing ring A 18 X 24		1	
10	999 064 026 02	screw plug M 18 X 24		1	
11	911 101 186 00	stopper 7,5 X 8,0		1	
12	900 036 047 02	lid 13,00 X 8,5		1	
13	999 504 127 00	threaded insert 20 X 1,5		1	
14	900 123 118 30	sealing ring A 22 X 27		1	
15	944 107 197 02	screw plug		1	
16	900 123 011 30	sealing ring A 22 X 27		1	
17	999 136 044 09	union 18		1	
18	K 997 101 018 90	splash valve		3	
(18)	K 997 101 018 91	splash valve		3	
19	997 101 251 73	retaining bar		1	
20	900 074 040 02	hexagon-head bolt M 8 X 50		1	

Model	Year	MG	SG	Illustration	Restrictions	UPD	15:07	26.01.2010	PORSCHE	PET	PORSCHE
GT3-2	2010	1	01	101-05		248					

Pos	Part Number	Description	Remark	Qty	Model	Pos	Part Number	Description	Remark	Qty	Model
21	901 101 195 00	dowel sleeve		2							
22	900 385 072 01	torx screw M 6 X 25		1							
23	900 385 270 01	hexagon-head bolt M 6 X 35		1							
24	964 101 187 01	support		1							
25	964 101 313 71	washer		15							
26	999 701 006 41	o-ring 8 X 2		15							
27	959 101 172 70	nut M 10 X 1,25		11							
28	999 084 202 01	lock nut M 8		21							
29	900 025 008 09	washer A 10,5		1							
30	900 076 078 01	hexagon nut M 10 X 1,25		1							
31	A 900 036 045 02	lid 19,00 X 13		1							
32	999 084 096 02	lock nut M 10		1							
33	996 606 105 01	pulse sender		1							
34	900 387 264 01	pan-head screw M 6 X 16		1							
35	999 501 065 30	stopper 9,2		1							
36	000 043 203 73	sealing compound 30 GR. Drei Bond Silicon 1209		X							
37	999 507 842 40	support pulse sender		1							

Model	Year	MG	SG	Illustration	Restrictions	UPD	15:07	26.01.2010	PORSCHE	PET	PORSCHE
GT3-2	2010	1	01	101-06		248					

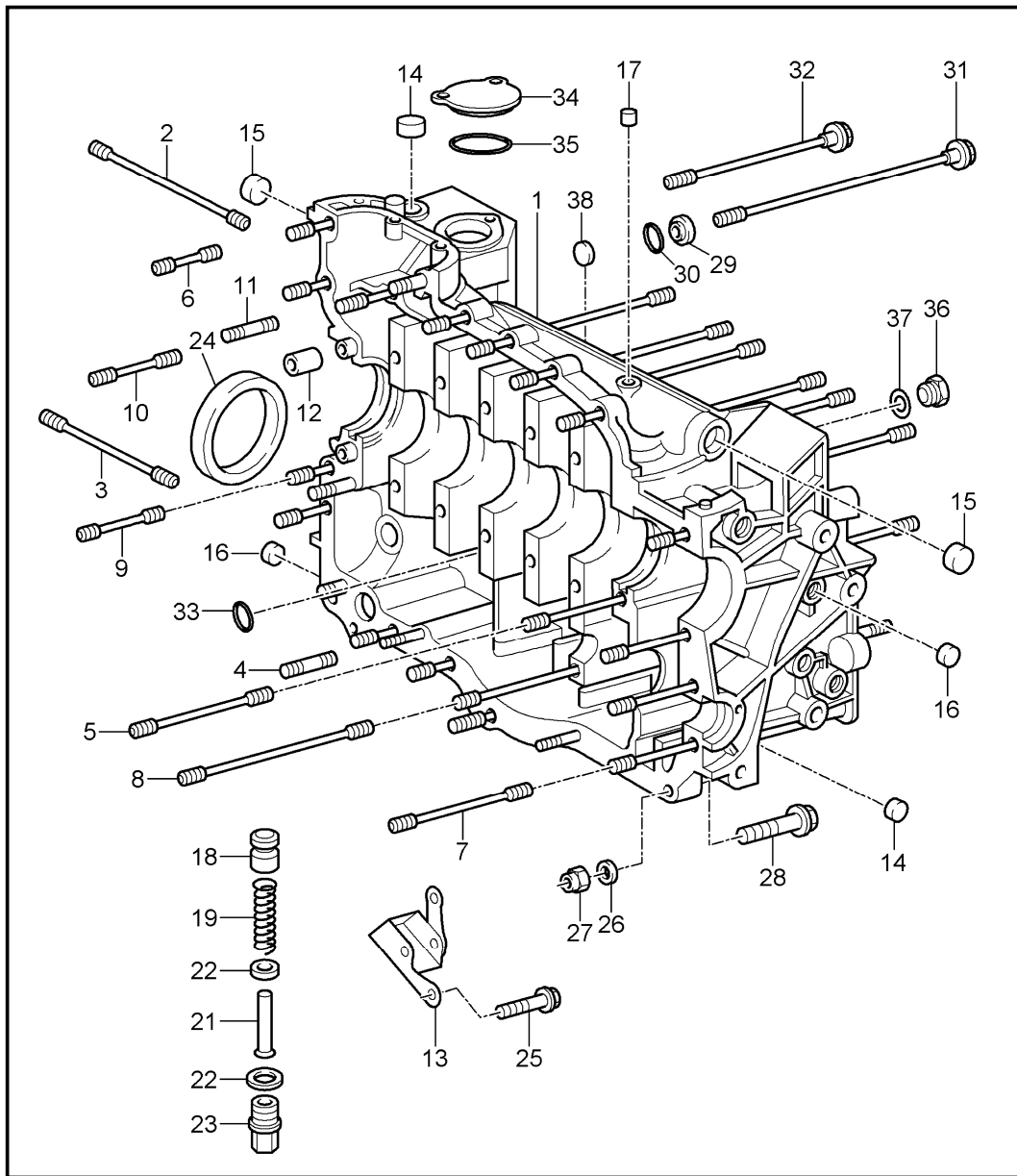


Pos	Part Number	Description	Remark	Qty	Model
1	997 101 977 90	crankcase left		1	M97.77
2	900 060 096 01	stud BM 10FO X 105		2	
3	901 101 145 00	dowel sleeve		4	
4	996 101 172 70	stud		24	
5	900 012 057 00	straight pin A 8,0 X 14		1	
6	900 012 046 00	straight pin A 6,0 X 14		1	
7	911 107 512 00	piston		1	
8	901 107 531 01	compression spring		1	
9	900 123 106 30	sealing ring A 18 X 24		1	
10	997 107 105 90	screw plug AM 18 X 1,5		1	
11	911 101 186 02	stopper 7,5 X 8,0		1	
12	900 036 047 01	lid 13,00 X 8,5		1	
13	999 504 127 00	threaded insert 20 X 1,5		1	
14	900 123 118 30	sealing ring A 22 X 27		1	
15	944 107 197 03	screw plug		1	
16	900 123 011 30	sealing ring A 22 X 27		1	
17	999 136 044 01	union 18		1	
18	K 997 101 018 92	splash valve 1,2 mm		3	
19	997 101 251 73	retaining bar		1	
20	900 074 040 03	hexagon-head bolt M 8 X 50		1	

Model	Year	MG	SG	Illustration	Restrictions	UPD	15:07	26.01.2010	PORSCHE	PET	PORSCHE
GT3-2	2010	1	01	101-06		248					

Pos	Part Number	Description	Remark	Qty	Model	Pos	Part Number	Description	Remark	Qty	Model
21	901 101 195 00	dowel sleeve		2							
22	900 385 072 01	torx screw M 6 X 25		1							
23	900 385 270 01	hexagon-head bolt M 6 X 35		1							
24	964 101 187 01	support		1	I480						
25	964 101 313 71	washer		15							
26	999 701 006 41	o-ring 8 X 2		15							
27	959 101 172 70	nut M 10 X 1,25		11							
28	999 084 202 01	lock nut M 8		21							
29	900 025 008 03	washer A 10,5		1							
30	900 076 078 01	hexagon nut M 10 X 1,25		1							
31	900 036 045 01	lid 19,00 X 13		1							
32	999 084 096 02	lock nut M 10		1							
33	996 606 105 01	pulse sender		1							
34	900 387 264 01	pan-head screw M 6 X 16		1							
35	999 501 065 30	stopper 9,2		1							
36	000 043 203 73	sealing compound 30 GR. Drei Bond Silicon 1209		X							
37	999 507 842 40	support pulse sender		1							
38	X 997 101 018 93	splash valve 0,8 mm		1							

Model	Year	MG	SG	Illustration	Restrictions	UPD	15:07	26.01.2010	PORSCHE	PET	PORSCHE
GT3-2	2010	1	01	101-10		248					

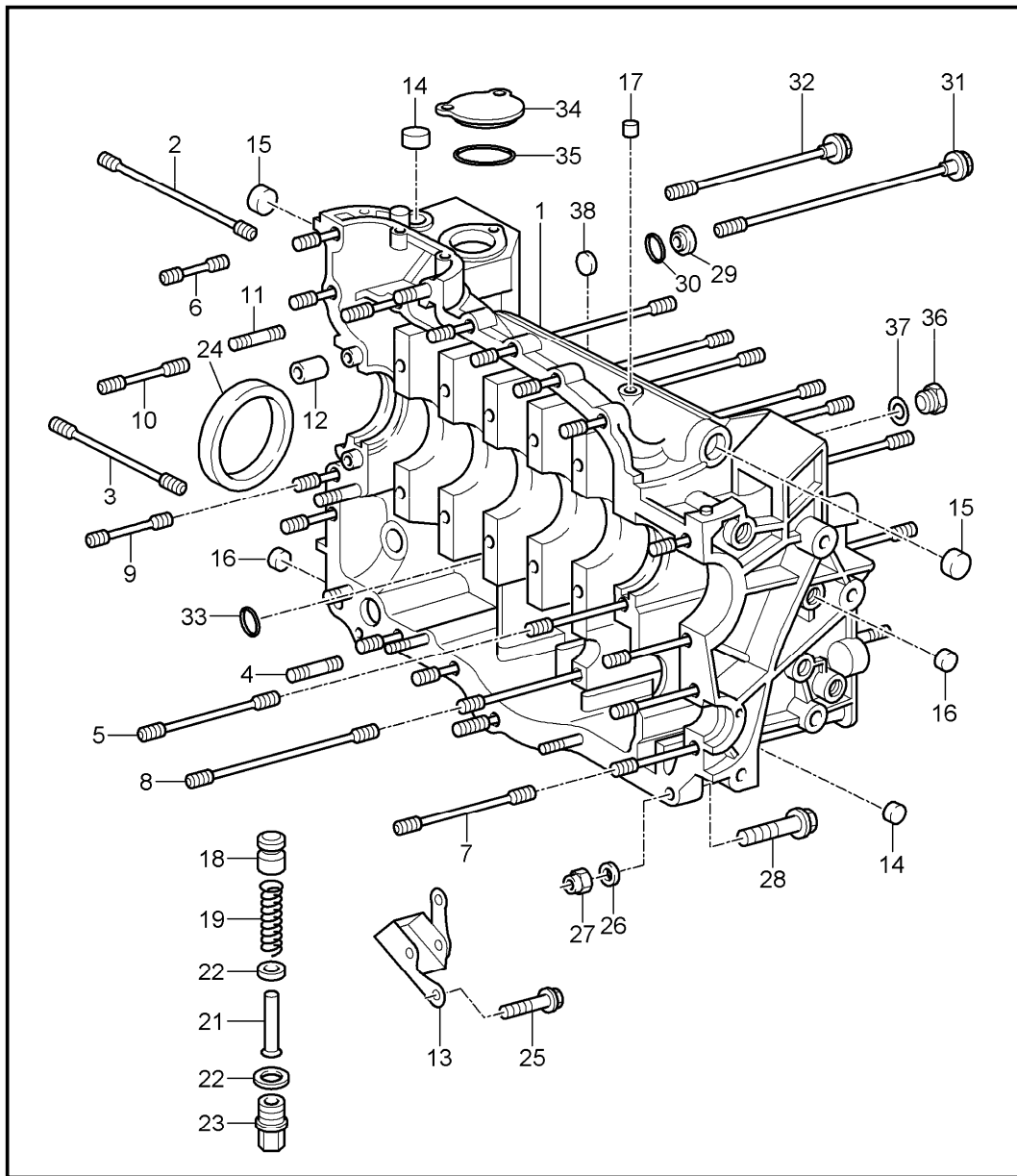


Pos	Part Number	Description	Remark	Qty	Model
1	K 997 101 901 92	crankcase right		1	M97.76
2	999 062 225 02	stud BM 10 X 140		1	
3	999 062 099 02	stud BM 10 X 105		1	
4	999 062 007 02	stud BM 8 X 22		3	
5	996 101 175 70	stud		1	
6	999 062 115 02	stud BM 8 X 32		13	
7	999 062 156 02	stud BM 8 X 78		3	
8	999 062 276 02	stud BM 10 X 110		1	
9	999 062 075 02	stud BM 8 X 48		2	
10	999 062 138 02	stud BM 8 X 52		1	
11	999 062 009 02	stud BM 8 X 28		1	
12	901 101 195 00	dowel sleeve		2	
13	996 101 206 71	hook		1	
14	900 036 045 02	lid A 19		2	
15	900 036 046 02	lid A 22		2	
16	900 036 047 02	lid A 13		2	
17	911 101 186 00	stopper 7,50 X 8		2	
18	911 107 512 00	piston		1	
19	996 107 127 80	compression spring		1	
20	996 107 532 81	spacer ring		1	

Model	Year	MG	SG	Illustration	Restrictions	UPD	15:07	26.01.2010	PORSCHE	PET	PORSCHE
GT3-2	2010	1	01	101-10		248					

Pos	Part Number	Description	Remark	Qty	Model	Pos	Part Number	Description	Remark	Qty	Model
21	996 107 533 91	guide sleeve		1		40	999 707 315 41	o-ring 33,3 X 2,4		1	
22	900 123 106 30	sealing ring A 18 X 24		1							
23	996 107 105 80	screw plug		1							
24	997 102 264 91	shaft sealing ring 90 X 110 X 12 use also:		1							
-	997 101 264 90	spacer ring see technical information service group 1 1359 3/08		1							
25	900 378 150 09	hexagon-head bolt AM 8 X 55		1							
26	900 031 001 02	washer 8,4		4							
27	999 084 202 01	lock nut M 8		4							
28	900 074 134 02	hexagon-head bolt M 8 X 45		1							
29	964 101 313 71	washer		13							
30	999 701 006 41	o-ring 8 X 2		13							
31	959 101 173 70	screw		11							
32	964 101 174 70	screw		2							
33	999 701 596 40	o-ring 8,3 X 2,4		4							
34	930 105 165 00	cover		1							
35	999 707 315 41	o-ring 33,3 X 2,4		1							
36	900 219 004 01	screw plug M 16 X 1,5		1							
37	900 123 018 30	sealing ring A 16 X 20		1							
38	900 036 008 02	lid B 15		1							
39	930 105 165 00	cover		1							

Model	Year	MG	SG	Illustration	Restrictions	UPD	15:08	26.01.2010	PORSCHE	PET	PORSCHE
GT3-2	2010	1	01	101-11		248					

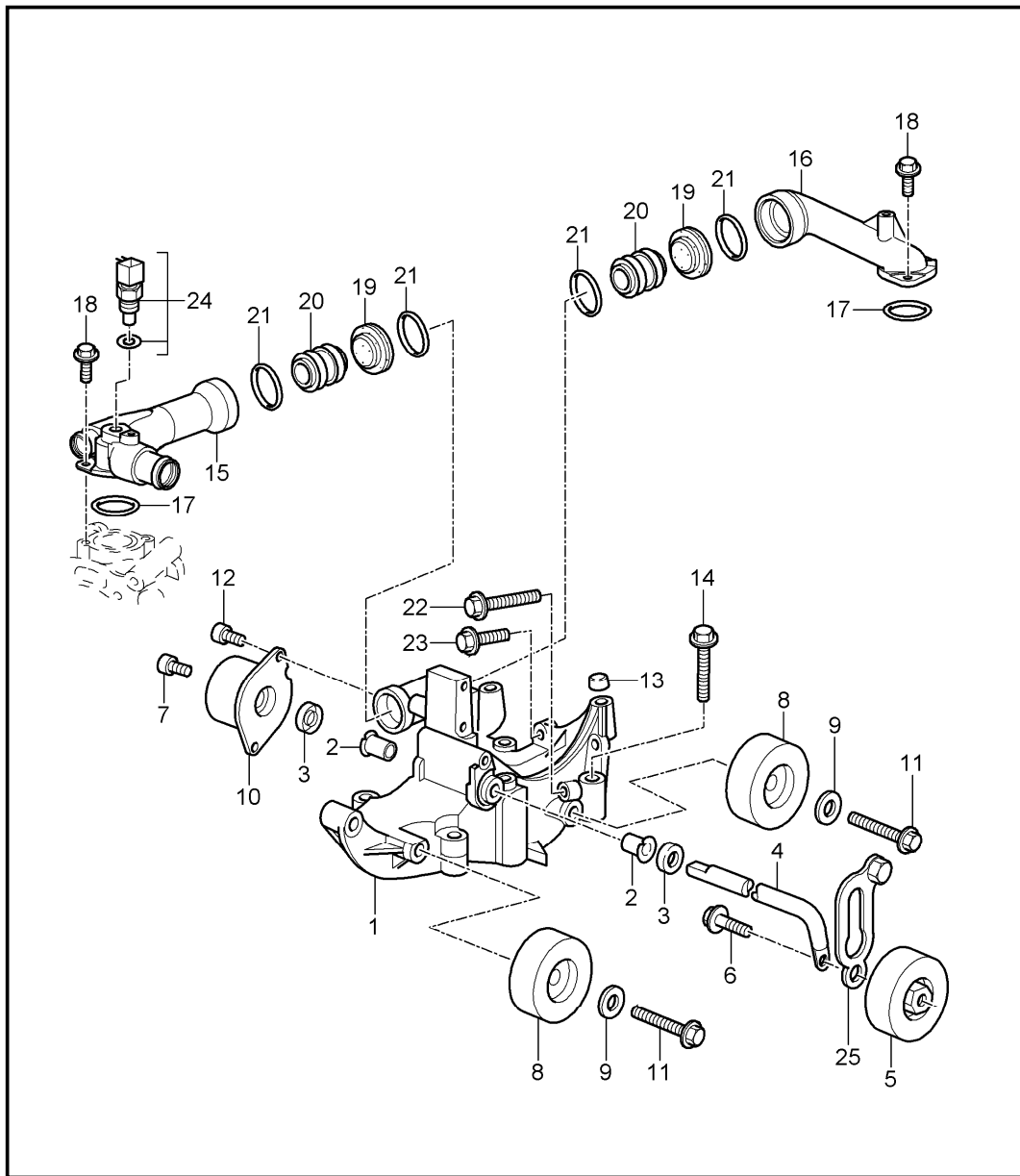


Pos	Part Number	Description	Remark	Qty	Model
1	997 101 977 90	crankcase right		1	M97.77
2	900 060 095 01	stud M 10 X 140		1	
3	900 060 096 01	stud M 10 X 105		3	
4	900 060 106 01	stud M 8 x 22		3	
5	996 101 175 70	stud		1	
6	900 060 104 01	stud M 8 x 32		13	
7	900 060 101 01	stud M 8 X 78		3	
8	900 060 099 01	stud M 10 X 110		1	
9	900 060 103 01	stud M 8 X 48		2	
10	900 060 102 01	stud M 8 x 52		1	
11	900 060 105 01	stud M 8 X 28		1	
12	901 101 195 00	dowel sleeve		2	
13	996 101 206 71	hook		1	
14	900 036 045 01	lid A 19		2	
15	900 036 046 01	lid A 22		2	
16	900 036 047 01	lid A 13		2	
17	911 101 186 02	stopper 7,5 X 8,0		1	
18	911 107 512 00	piston		1	
19	996 107 127 80	compression spring		1	
20	996 107 532 82	spacer ring		1	

Model	Year	MG	SG	Illustration	Restrictions	UPD	15:08	26.01.2010	PORSCHE	PET	PORSCHE
GT3-2	2010	1	01	101-11		248					

Pos	Part Number	Description	Remark	Qty	Model	Pos	Part Number	Description	Remark	Qty	Model
21	996 107 533 91	guide sleeve		1							
22	900 123 106 30	sealing ring A 18 X 24		1							
23	996 107 105 82	screw plug		1							
24	997 102 264 91	shaft sealing ring 90 X 110 X 12		1							
25	900 378 150 01	hexagon-head bolt M 8 X 55		1							
26	900 031 105 01	washer 8,4 X 15 X 1,6		2							
27	999 084 202 01	lock nut M 8		4							
28	900 378 150 09	hexagon-head bolt M 8 X 55		1							
29	964 101 313 71	washer		13							
30	999 701 006 41	o-ring 8 X 2		13							
31	959 101 173 70	screw		11							
32	964 101 174 70	screw		2							
33	999 701 596 40	o-ring 8,3 X 2,4		4							
34	930 105 165 00	cover		1							
35	999 707 315 41	o-ring 33,3 X 2,4		1							
36	900 219 004 01	screw plug M 16 X 1,5		1							
37	900 123 018 30	sealing ring A 16 X 20		1							
38	900 036 008 03	lid B 15		1							

Model	Year	MG	SG	Illustration	Restrictions	UPD	15:08	26.01.2010	PORSCHE	PET	PORSCHE
GT3-2	2010	1	01	101-15		248					

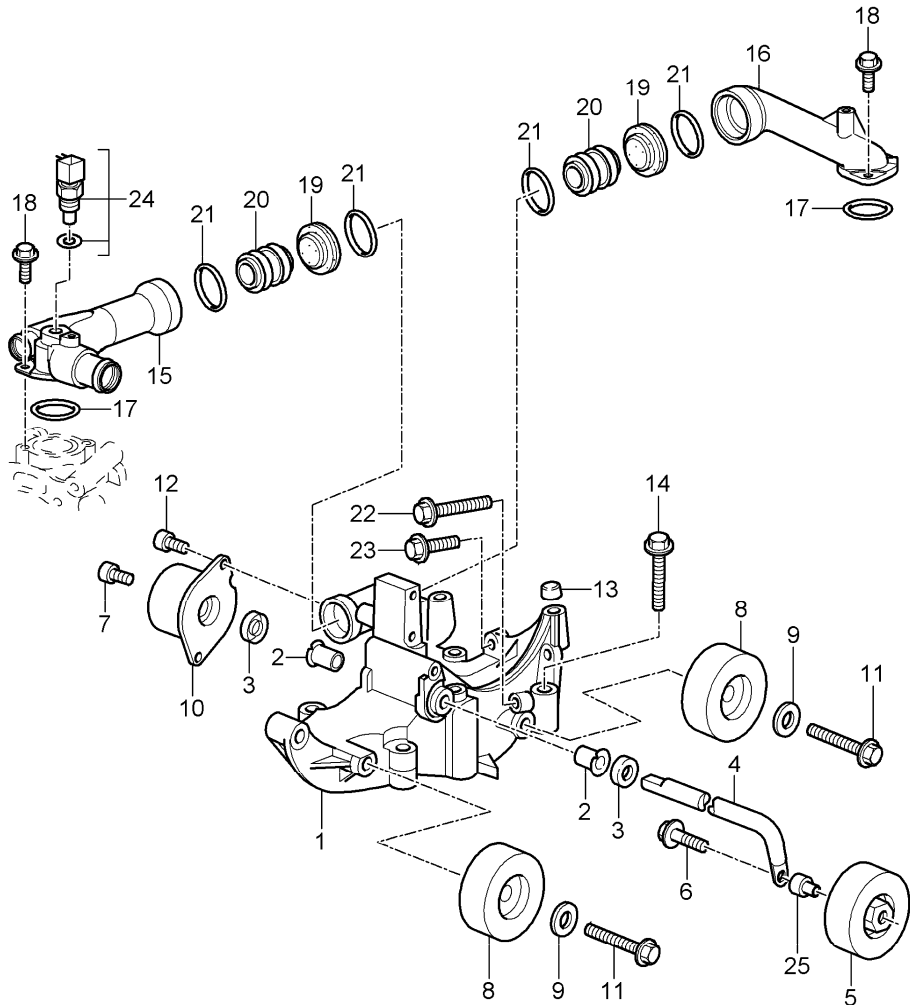


Pos	Part Number	Description	Remark	Qty	Model
		belt tensioner belt drive			M97.76
1	996 115 112 70	bracket		1	
2	997 102 167 00	bush		2	
3	996 102 365 50	dust boot		2	
4	996 115 913 70	lever		1	
5	996 115 016 72	tensioning roller		1	
6	999 072 039 01	hexagon-head bolt M 10 X 30		1	
7	900 067 117 05	pan-head screw M 6 X 16		1	
8	A 996 115 015 71	deflection roller		2	
(8)	996 115 015 76	deflection roller		2	
9	996 102 125 52	cover disc		2	
10	996 115 221 72	tensioner		1	
11	900 385 120 01	hexagon socket head bolt M 10 X 55		2	
12	900 067 131 03	pan-head screw M 8 X 16		2	
13	999 095 063 02	dowel sleeve 11 M 6 X 10	07	4	
(13)	999 095 063 01	dowel sleeve 11 M 6 X 10	08-	4	
14	900 385 004 01	torx screw AM 10 X 60		4	
15	997 106 039 90	connection piece		1	
16	997 106 440 70	connection piece		1	
17	999 707 410 40	o-ring 39,20 X 3,00		2	
18	900 385 019 01	torx screw M 6 X 20		4	
19	996 106 214 70	protective ring		2	
20	996 106 238 71	joining socket		2	

Model	Year	MG	SG	Illustration	Restrictions	UPD	15:08	26.01.2010	PORSCHE	PET	PORSCHE
GT3-2	2010	1	01	101-15		248					

Pos	Part Number	Description	Remark	Qty	Model	Pos	Part Number	Description	Remark	Qty	Model
21	999 707 411 40	o-ring 28,00 X 4,50		4							
22	900 385 036 01	hexagon socket head bolt M 8 X 55		1							
23	900 385 098 01	torx screw M 8 X 25		2							
24	996 606 410 00	temperature sensor		1							
25	996 115 213 71	driver		1							

Model	Year	MG	SG	Illustration	Restrictions	UPD	15:08	26.01.2010	PORSCHE	PET	PORSCHE
GT3-2	2010	1	01	101-16		248					

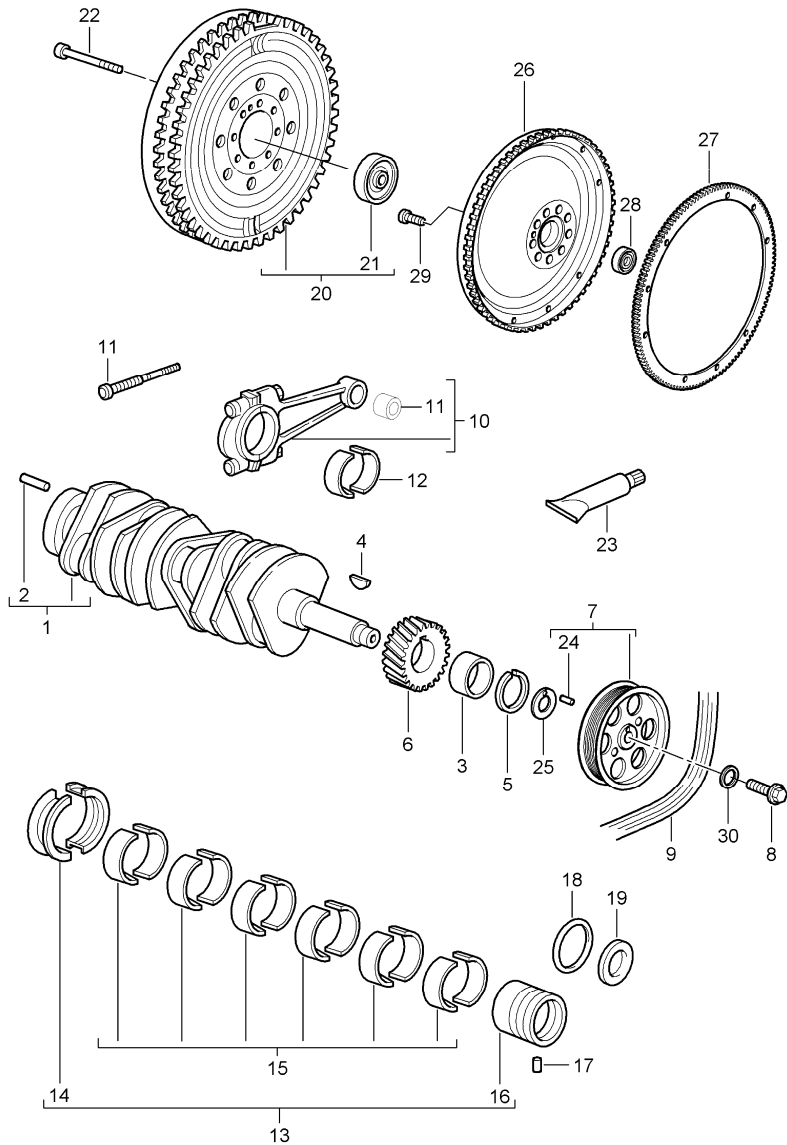


Pos	Part Number	Description	Remark	Qty	Model
		belt tensioner belt drive			M97.77
1	996 115 112 70	bracket		1	
2	997 102 167 00	bush		2	
3	996 102 365 50	dust boot		2	
4	996 115 913 71	lever		1	
5	996 115 016 72	tensioning roller		1	
6	999 072 039 01	hexagon-head bolt M 10 X 30		1	
7	900 067 117 05	pan-head screw M 6 X 16		1	
8	996 115 015 76	deflection roller		1	I574
(8)	996 115 015 76	deflection roller		2	I573
9	996 102 125 52	cover disc		1	I574
(9)	996 102 125 52	cover disc		2	I573
10	996 115 221 72	tensioner		1	
11	900 385 120 01	hexagon socket head bolt M 10 X 55		2	
12	900 067 131 03	pan-head screw M 8 X 16		2	
13	999 095 063 02	dowel sleeve 11 M 6 X 10		4	
14	900 385 004 01	torx screw AM 10 X 60		4	
15	997 106 039 90	connection piece		1	
16	997 106 440 70	connection piece		1	
17	999 707 410 40	o-ring 39,20 X 3,00		2	
18	900 385 019 01	torx screw M 6 X 20		4	
19	996 106 214 70	protective ring		4	
20	996 106 238 71	joining socket		4	
21	999 707 411 40	o-ring 28,00 X 4,50		8	

Model	Year	MG	SG	Illustration	Restrictions	UPD	15:08	26.01.2010	PORSCHE	PET	PORSCHE
GT3-2	2010	1	01	101-16		248					

Pos	Part Number	Description	Remark	Qty	Model	Pos	Part Number	Description	Remark	Qty	Model
22	900 385 036 01	hexagon socket head bolt M 8 X 55		1							
23	900 385 098 01	torx screw M 8 X 25		2							
24	996 606 410 00	temperature sensor		1							
25	996 115 215 72	spacer bolt		1							

Model	Year	MG	SG	Illustration	Restrictions	UPD	15:08	26.01.2010	PORSCHE	PET	PORSCHE
GT3-2	2010	1	02	102-00		248					

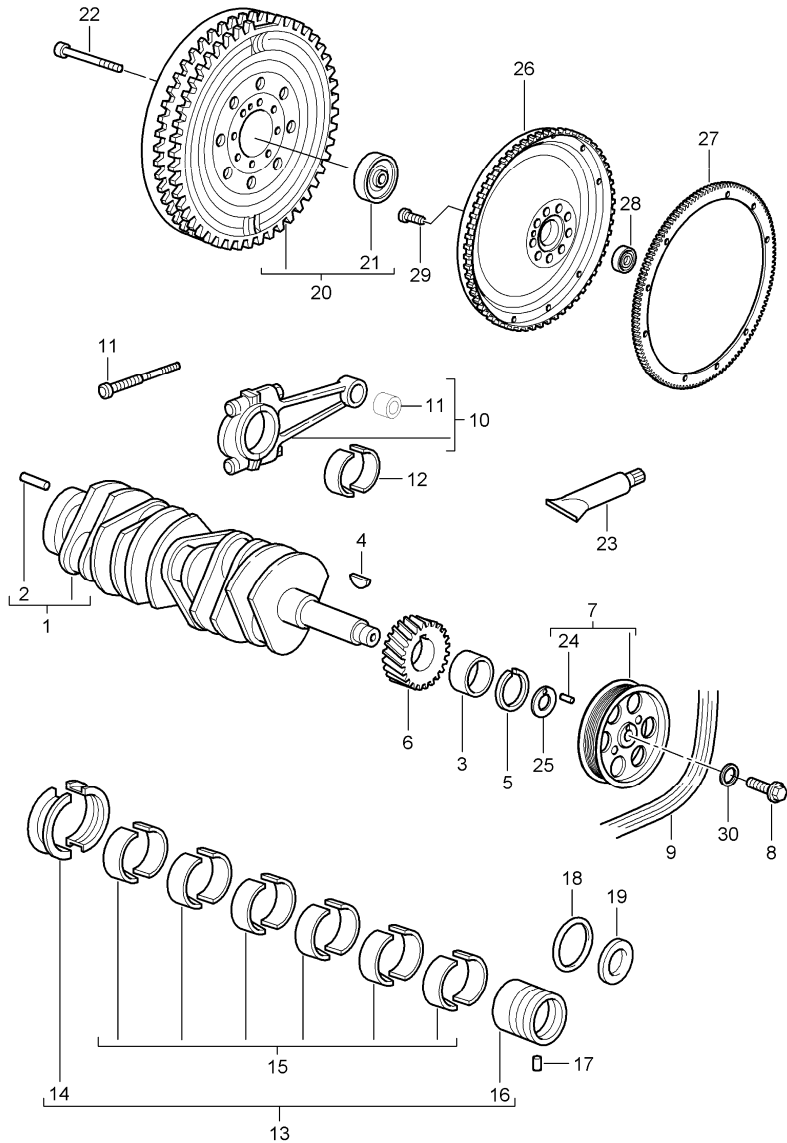


Pos	Part Number	Description	Remark	Qty	Model
		crankshaft			M97.76
1	A 996 102 021 93	crankshaft		1	
1	K 996 102 021 94	crankshaft		1	
2	900 095 031 00	tensioning sleeve 6 X 16		1	
3	959 102 321 00	intermediate ring		1	
4	901 102 147 00	woodruff key		1	
5	901 102 148 00	circlip number 0		1	
5	901 102 148 01	circlip number 1		1	
5	901 102 148 02	circlip number 2		1	
5	901 102 148 03	circlip number 3		1	
6		see group 1/03/15		1	
7	996 102 017 93	pulley		1	
(7)	K 996 102 017 95	pulley		1	I004
8	A 999 217 128 01	hexagon-head bolt M 14 X 1,5 X 33		1	
8	999 217 128 02	hexagon-head bolt M 14 X 1,5 X 33		1	
(8)	993 102 550 80	hexagon-head bolt M 14 X 1,5 X 40		1	I004
9	K 996 102 151 92	poly-rib belt		1	M574
9	K 996 102 151 93	poly-rib belt		1	M573
10	U 997 103 020 90	connecting rod		6	
10	A 996 103 012 88	connecting rod		6	
10	K 996 103 012 89	connecting rod		6	
11	U 997 103 176 91	connecting rod bolt		12	
11	A 997 103 176 90	connecting rod bolt		12	
11	K 997 103 176 92	connecting rod bolt		12	

Model	Year	MG	SG	Illustration	Restrictions	UPD	15:08	26.01.2010	PORSCHE	PET	PORSCHE
GT3-2	2010	1	02	102-00		248					

Pos	Part Number	Description	Remark	Qty	Model	Pos	Part Number	Description	Remark	Qty	Model
12	K 996 103 121 94	connecting-rod bearing		12		28	931 102 111 00	deep-groove ball bearing		1	I004
13	997 101 901 00	set of crankshaft bearings		1		29	928 102 151 01	pan-head screw		9	I004
14	996 101 231 92	thrust bearing I		2		30	999 025 174 01	washer 14,5 X 30 X 5,0		1	
15	996 101 232 92	main bearing II-VII		12							
16	964 101 138 01	bearing sleeve VIII		1							
17	900 012 061 00	straight pin 5 H 8 X 10		1							
18	999 707 285 41	o-ring 51 X 4,5		1							
19	U 999 113 290 41	sealing ring 30 X 50 X 10		1							
(19)	997 102 265 91	shaft sealing ring 30 X 50 X 10 see workshop manual group 1 13-74		1							
20	996 114 012 50	double-mass flywheel		1							
21	999 052 169 00	deep-groove ball bearing 30 X 37 X 4		1							
22	999 119 017 01	pan-head screw M 10 X 1,25 X 62		9							
23	000 043 300 21	grease 100 Gr. for titanium connecting rod bolt		1							
(23)	000 043 024 00	extreme-pressure grease 1 tube 80 Gr. for connecting-rod bearing		1							
24	900 012 071 00	straight pin A 4 X 8		1							
25	996 102 203 90	washer		1							
26	> 964 102 239 31	flywheel		1	I004						
27	964 114 143 31	ring gear		1	I004						

Model	Year	MG	SG	Illustration	Restrictions	UPD	14:28	28.01.2010	PORSCHE	PET	PORSCHE
GT3-2	2010	1	02	102-01		248					

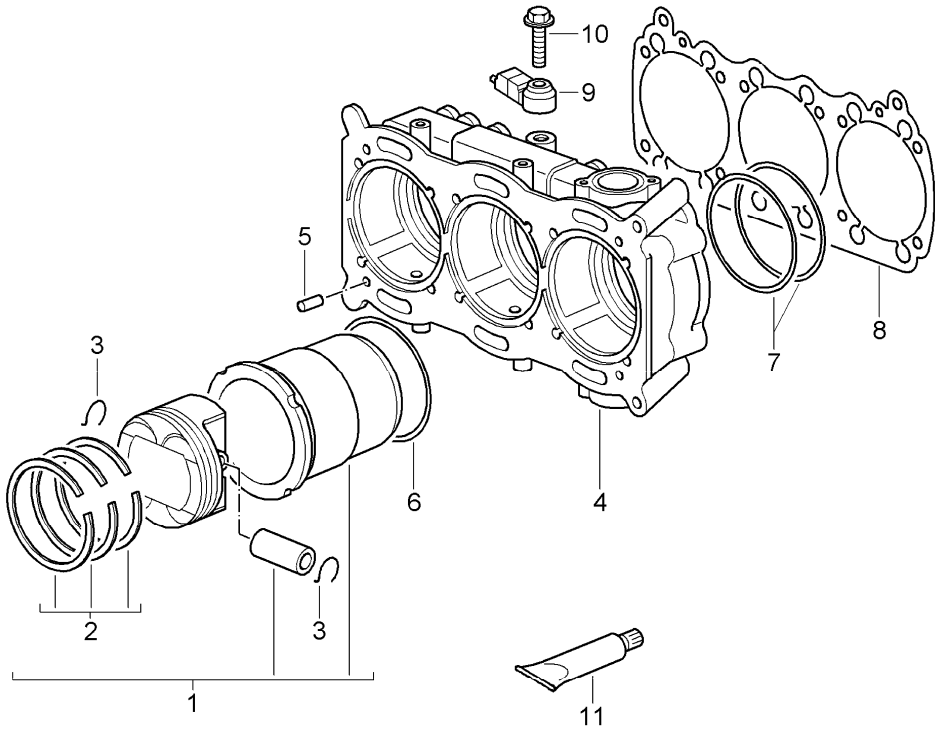


Pos	Part Number	Description	Remark	Qty	Model
		crankshaft			M97.77
1	K 996 102 021 95	crankshaft		1	
2	900 095 031 00	tensioning sleeve 6 X 16		1	
3	997 102 321 90	intermediate ring		1	
4	901 102 147 00	woodruff key		1	
5	901 102 148 00	circlip number 0		1	
5	901 102 148 01	circlip number 1		1	
5	901 102 148 02	circlip number 2		1	
5	901 102 148 03	circlip number 3		1	
6		see group 1/03/15		1	
7	K 997 102 017 90	pulley		1	
8	993 102 550 80	hexagon-head bolt M 14 X 1,5 X 40		1	
9	K 996 102 151 92	poly-rib belt		1	M574
(9)	997 102 151 90	poly-rib belt		1	M573
10	K 997 103 020 95	connecting rod		6	
11	K 997 103 176 95	connecting rod bolt		12	
12	K 996 103 121 94	connecting-rod bearing		12	
13	997 101 901 00	set of crankshaft bearings		1	
14	996 101 231 92	thrust bearing I		2	
15	996 101 232 92	main bearing II-VII		12	
16	964 101 138 01	bearing sleeve VIII		1	
17	900 012 061 00	straight pin 5 H 8 X 10		1	
18	999 707 285 41	o-ring 51 X 4,5		1	

Model	Year	MG	SG	Illustration	Restrictions	UPD	14:28	28.01.2010	PORSCHE	PET	PORSCHE
GT3-2	2010	1	02	102-01		248					

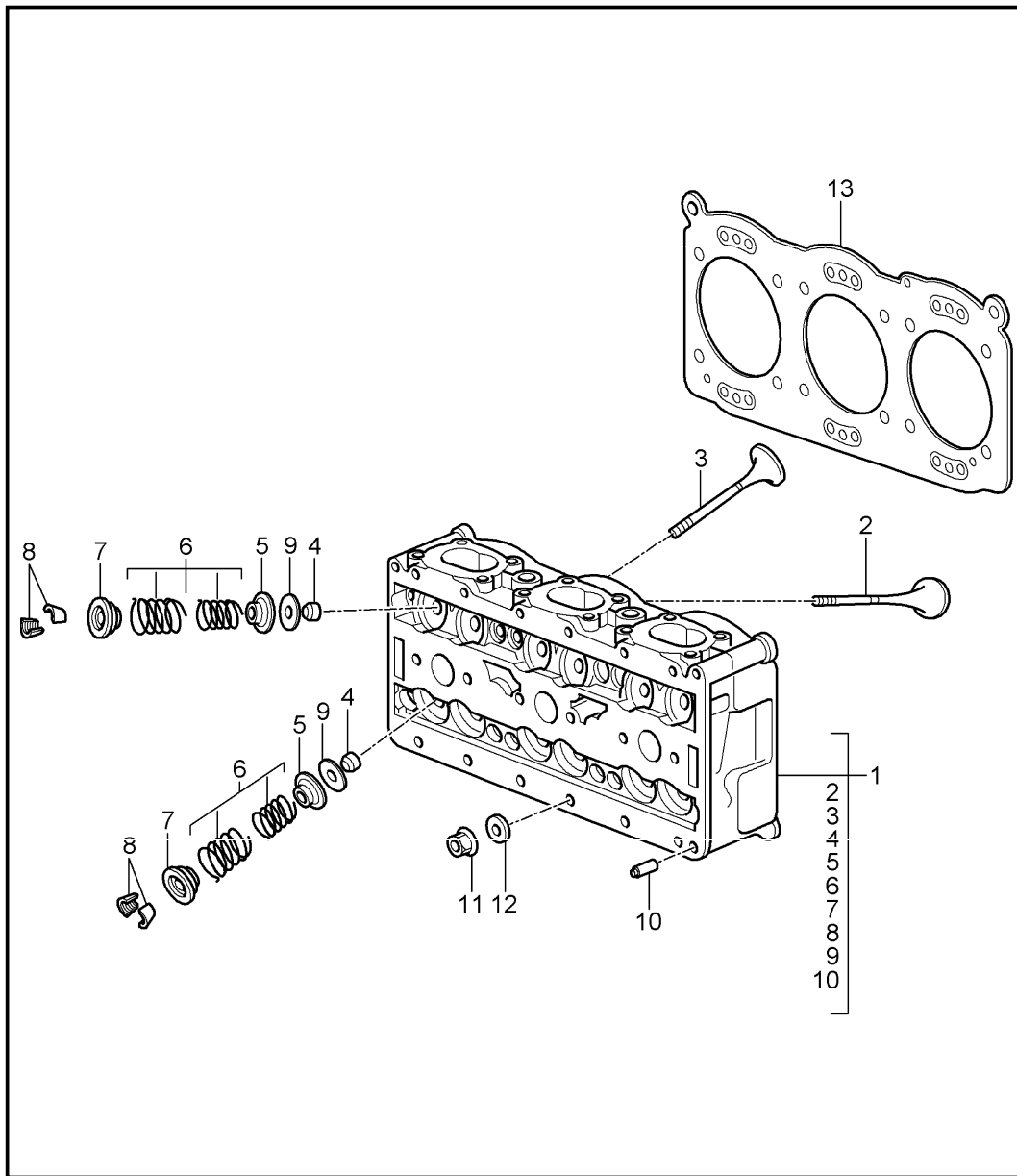
Pos	Part Number	Description	Remark	Qty	Model	Pos	Part Number	Description	Remark	Qty	Model
19	997 102 265 91	shaft sealing ring 30 X 50 X 10 see workshop manual group 1 13-74		1							
20	997 114 012 90	double-mass flywheel		1							
21	999 052 169 00	deep-groove ball bearing 30 X 37 X 4		1							
22	999 119 017 01	pan-head screw M 10 X 1,25 X 62		9							
23	000 043 300 21	grease 100 Gr. for titanium connecting rod bolt		1							
(23)	000 043 024 00	extreme-pressure grease 1 tube 80 Gr. for connecting-rod bearing		1							
24	900 012 068 00	roll pin 4,0 x 10		1							
25	996 102 203 90	washer		1							
26	964 102 239 81	flywheel		1	I004						
27	964 114 143 31	ring gear		1	I004						
29	928 102 151 01	pan-head screw		9	I004						
30	999 025 174 01	washer 14,5 X 30 X 5,0		1							

Model	Year	MG	SG	Illustration	Restrictions	UPD	15:28	26.01.2010	PORSCHE	PET	PORSCHE
GT3-2	2010	1	02	102-05		248					



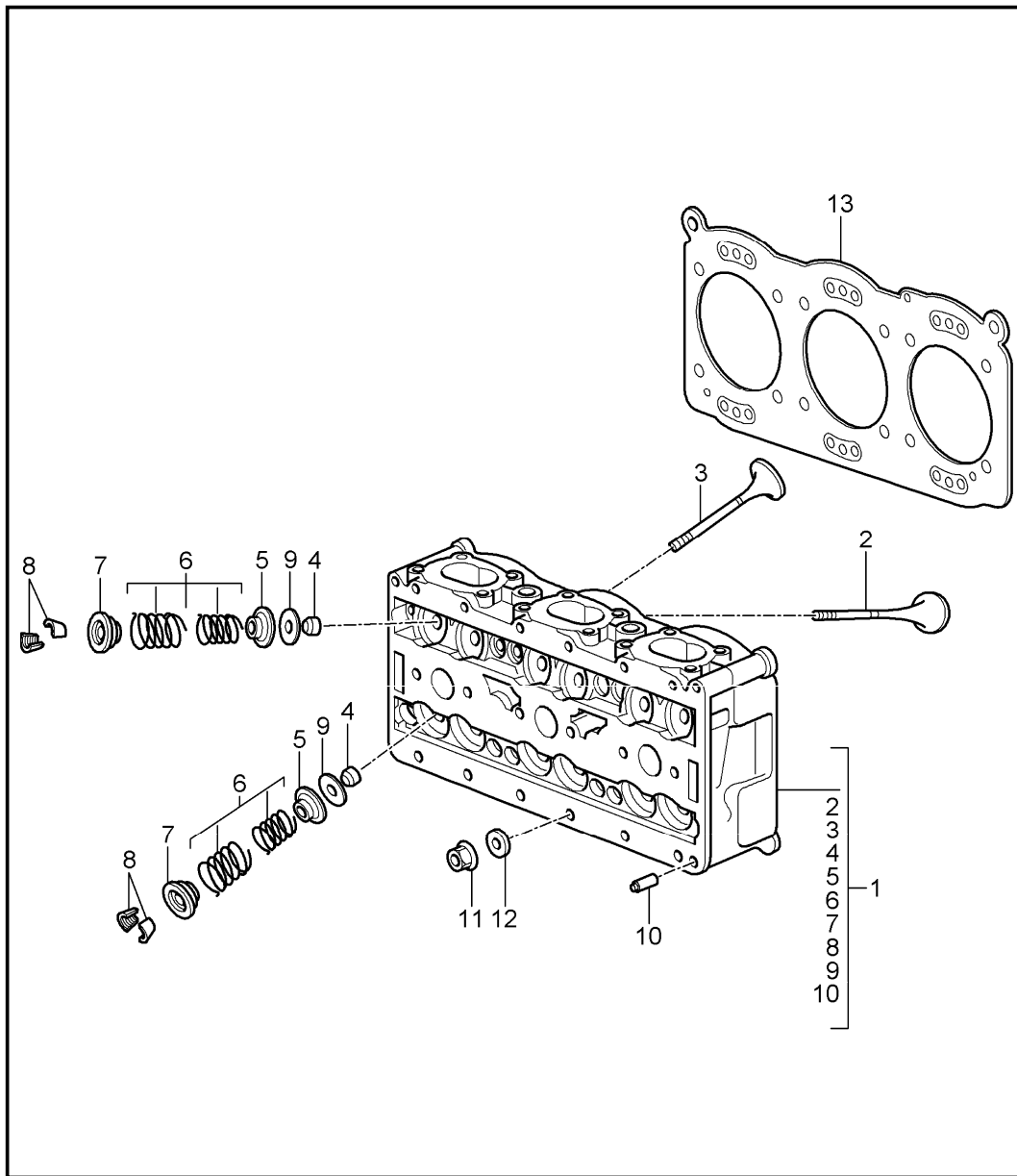
Pos	Part Number	Description	Remark	Qty	Model
		cylinder with piston			M97.76
1	997 103 915 95	cylinder with piston number plate -- / -		6	
-	K 997 103 371 90	piston ring groove 1		6	
-	K 997 103 374 90	piston ring groove 2		6	
-	K 997 103 372 90	piston ring groove 3		6	
3	K 999 178 020 00	circlip		12	
-	K 997 103 160 92	piston pin		6	
4	996 101 911 75	housing		2	
5	900 012 046 00	straight pin A 8,0 X 14		8	
6	999 707 393 40	o-ring 104,00 X 2,00		6	
7	999 707 394 40	o-ring 110,00 X 2,50		12	
8	997 101 193 71	cylinder base gasket		2	
9	997 606 121 00	knock sensor		2	
10	900 385 042 01	torx screw AM 8 X 35		2	
11	000 043 205 10	grease 80 GR.		1	

Model	Year	MG	SG	Illustration	Restrictions	UPD	15:29	26.01.2010	PORSCHE	PET	PORSCHE
GT3-2	2010	1	03	103-00		248					



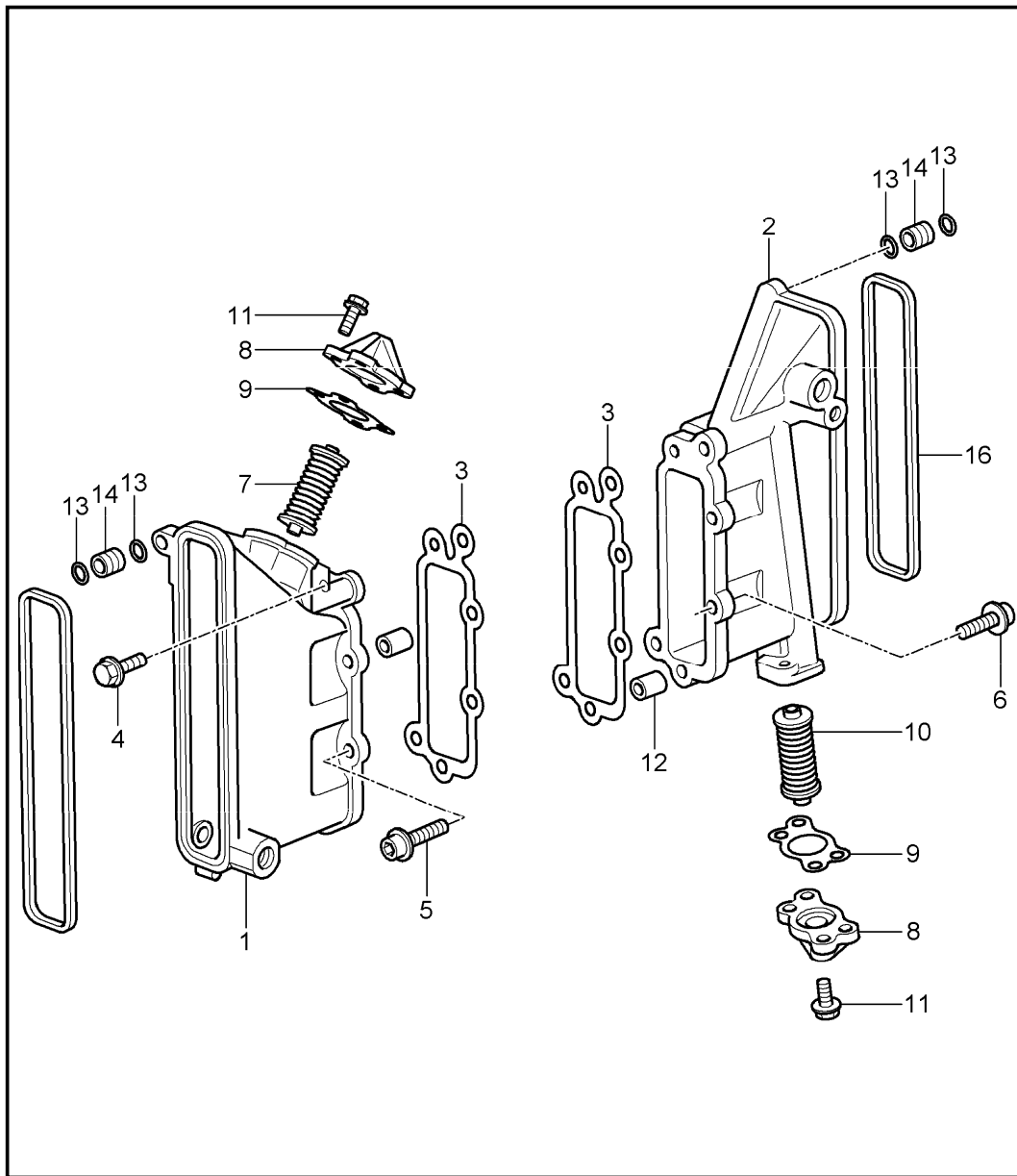
Pos	Part Number	Description	Remark	Qty	Model
		cylinder head			M97.76
1	K 997 104 001 92	cylinder head ready for installation		2	
2	K 997 105 111 90	intake valve		12	
3	K 997 105 113 90	exhaust valve		12	
4	996 105 115 52	valve stem seal		24	
5	K 997 105 117 90	concave washer lower		24	
6	K 997 105 093 90	set of valve springs		24	
7	K 997 105 121 90	concave washer upper		24	
8	996 105 123 52	valve collet		48	
9	K 996 105 461 90	washer		24	
9	K 996 105 461 93	washer		24	
10	900 012 046 00	straight pin A 8,0 X 14		4	
11	996 104 382 80	cylinder head nut		24	
12	K 996 104 351 90	washer		24	
13	997 104 170 71	cylinder head gasket		2	

Model	Year	MG	SG	Illustration	Restrictions	UPD	15:29	26.01.2010	PORSCHE	PET	PORSCHE
GT3-2	2010	1	03	103-01		248					



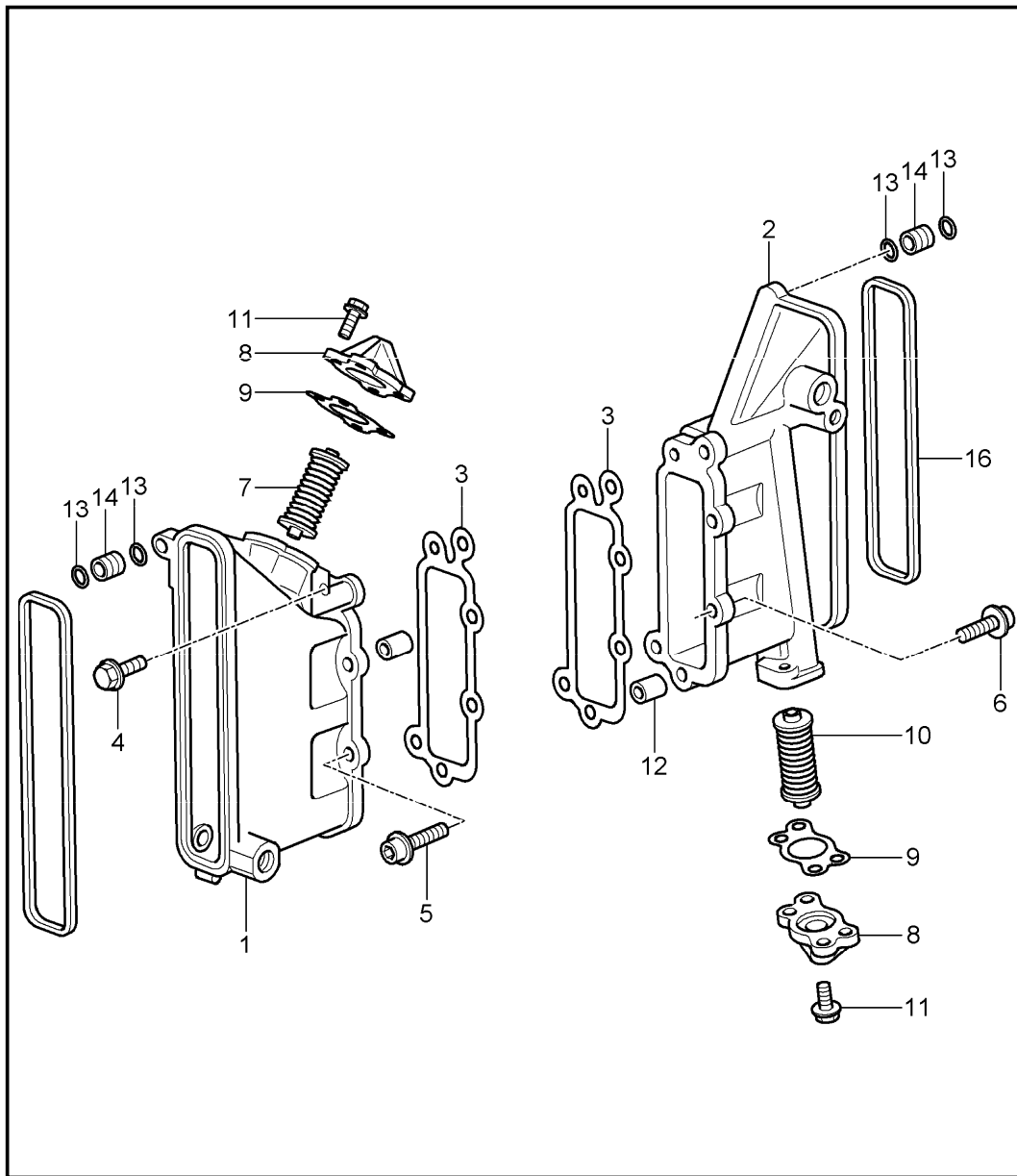
Pos	Part Number	Description	Remark	Qty	Model
		cylinder head			M97.77
1	997 104 001 96	cylinder head ready for installation		2	
(1)	997 104 001 85	cylinder head ready for installation		2	I004
2	K 997 105 111 90	intake valve D = 41		12	
3	K 997 105 113 90	exhaust valve D = 35,5		12	
4	996 105 115 52	valve stem seal		24	
5	K 997 105 117 90	concave washer lower		24	
6	K 997 105 093 96	set of valve springs		24	
7	K 997 105 121 90	concave washer upper		24	
8	996 105 123 52	valve collet		48	
9	K 996 105 461 91	washer		24	
10	900 012 046 00	straight pin A 8,0 X 14		4	
11	K 996 104 382 81	cylinder head nut		24	
12	K 996 104 351 90	washer		24	
13	K 997 104 170 8A	cylinder head gasket		2	

Model	Year	MG	SG	Illustration	Restrictions	UPD	15:29	26.01.2010	PORSCHE	PET	PORSCHE
GT3-2	2010	1	03	103-05		248					



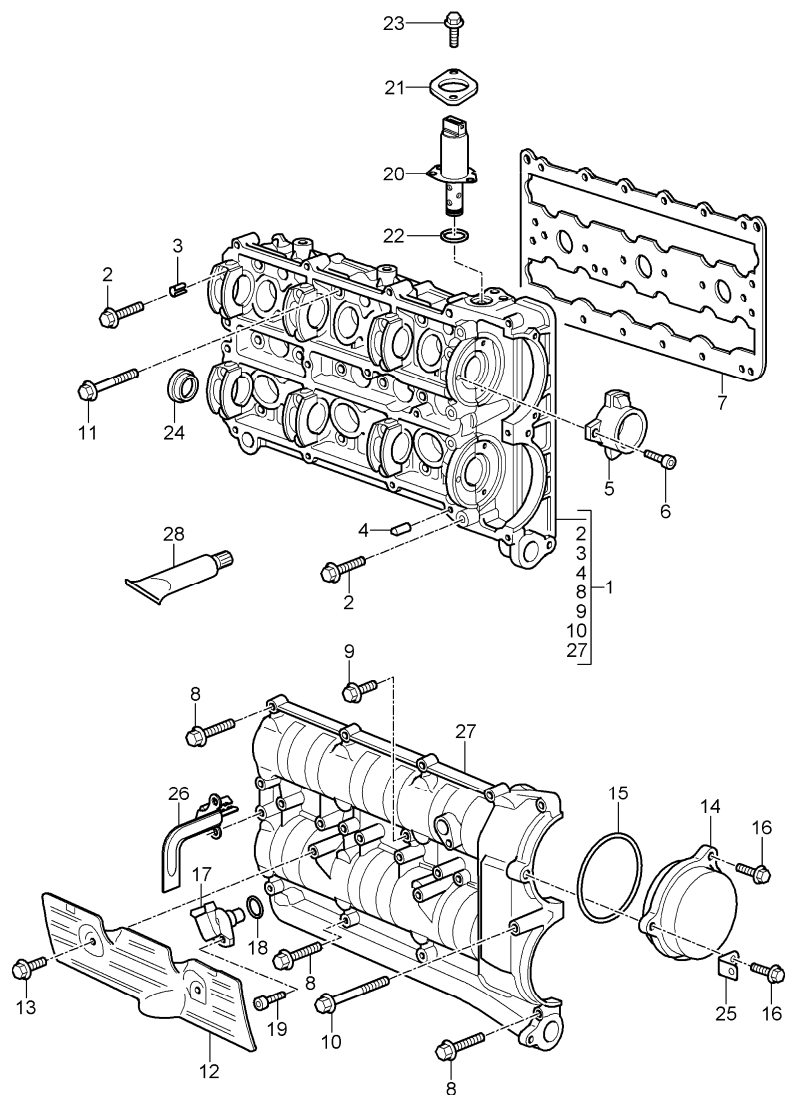
Pos	Part Number	Description	Remark	Qty	Model
		chain case chain adjuster			M97.76
1	996 105 143 79	chain case	/L	1	
2	K 997 105 144 90	chain case	/R	1	
3	996 105 192 71	gasket		2	
4	900 385 098 01	torx screw AM 8 X 25		1	
5	900 067 276 01	combination screw M 8 X 35		4	
6	900 067 247 01	combination screw M 8 X 30		5	
7	959 105 051 01	chain adjuster	/L	1	
8	993 105 022 01	lid		2	
9	996 105 172 70	gasket		2	
10	959 105 052 01	chain adjuster	/R	1	
11	900 385 019 01	torx screw M 6 X 20		4	
12	901 101 145 00	dowel sleeve		4	
13	999 707 229 41	o-ring 9,25 X 1,78		4	
14	996 105 229 90	intermediate piece		2	
15	996 105 513 72	gasket	/L	1	
16	996 105 514 72	gasket	/R	1	

Model	Year	MG	SG	Illustration	Restrictions	UPD	15:29	26.01.2010	PORSCHE	PET	PORSCHE
GT3-2	2010	1	03	103-06		248					



Pos	Part Number	Description	Remark	Qty	Model
		chain case chain adjuster			M97.77
1	997 105 143 70	chain case	/L	1	
2	997 105 144 91	chain case	/R	1	
3	996 105 192 71	gasket		2	
4	900 385 098 01	torx screw AM 8 X 25		1	
5	900 067 276 01	combination screw M 8 X 35		4	
6	900 067 247 01	combination screw M 8 X 30		5	
7	997 105 061 70	chain adjuster cyl. 1 - 3		1	
8	993 105 022 01	lid		2	
9	996 105 172 70	gasket		2	
10	997 105 062 70	chain adjuster cyl. 4 - 6		1	
11	900 385 019 01	torx screw M 6 X 20		4	
12	901 101 145 00	dowel sleeve		4	
13	999 707 229 41	o-ring 9,25 X 1,78		4	
14	996 105 229 90	intermediate piece		2	
15	996 105 513 72	gasket	/L	1	
16	996 105 514 72	gasket	/R	1	

Model	Year	MG	SG	Illustration	Restrictions	UPD	15:29	26.01.2010	PORSCHE	PET	PORSCHE
GT3-2	2010	1	03	103-10		248					

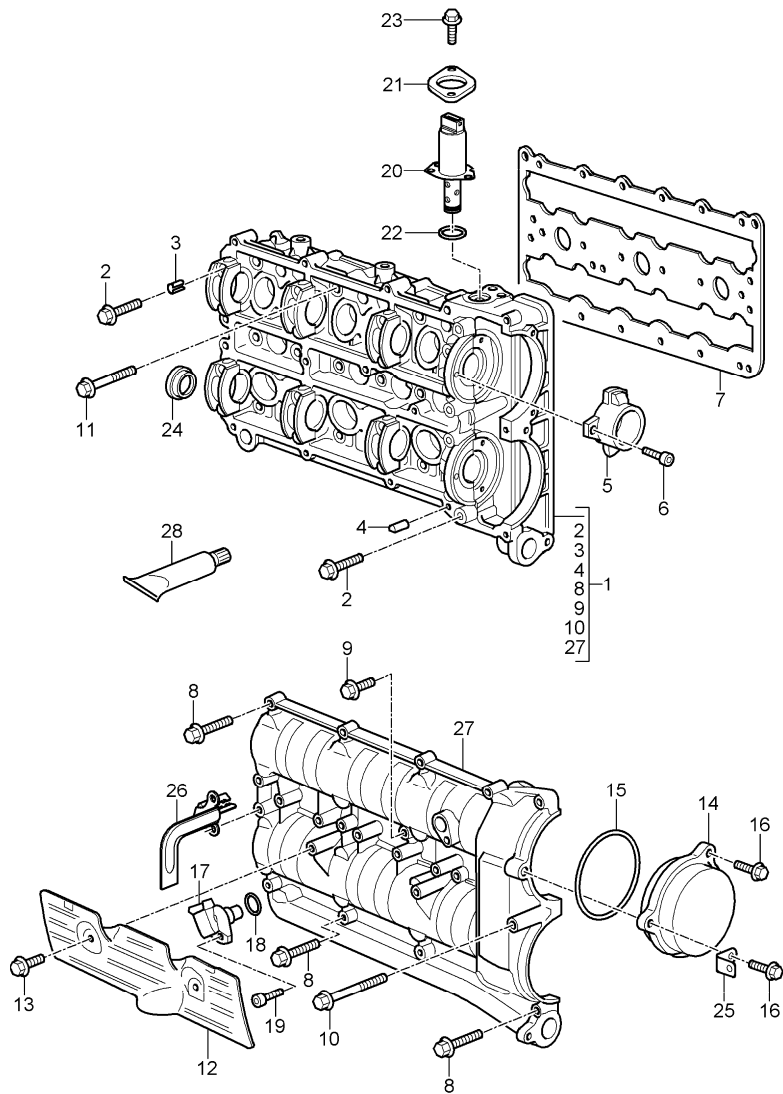


Pos	Part Number	Description	Remark	Qty	Model
		camshaft housing			M97.76
1	K 997 105 907 90	camshaft housing	/L	1	
(1)	K 997 105 908 90	camshaft housing	/R	1	
2	900 385 048 01	hexagon-head bolt AM 6 X 30		40	
3	944 104 361 00	dowel sleeve		28	
4	900 012 071 00	straight pin A 4,0 X 8		4	
5	996 105 233 72	Oil-conducting housing	/L	1	
(5)	996 105 234 72	Oil-conducting housing	/R	1	
6	900 067 051 03	pan-head screw M 5 X 10		6	
7	996 105 613 91	gasket		2	
8	900 385 270 01	hexagon-head bolt AM 6 X 35		28	
9	900 385 072 01	torx screw AM 6 X 25		4	
10	900 385 118 01	hexagon-head bolt M 6 X 75		2	
11	900 385 071 01	torx screw AM 8 X 50		36	
12	996 104 426 73	heat shield		2	
13	900 385 041 01	torx screw M 6 X 12		4	
14	997 105 315 71	lid		2	
15	999 707 482 41	o-ring 90,00 X 2,50		2	
16	900 385 019 01	torx screw M 6 X 20		6	
17	997 606 106 01	hall sender		2	
18	999 707 404 40	o-ring 17,05 X 1,78		2	
19	900 387 264 01	pan-head screw M 6 X 16		2	
20	A 997 105 303 72	actuator		2	

Model	Year	MG	SG	Illustration	Restrictions	UPD	15:29	26.01.2010	PORSCHE	PET	PORSCHE
GT3-2	2010	1	03	103-10		248					

Pos	Part Number	Description	Remark	Qty	Model	Pos	Part Number	Description	Remark	Qty	Model
21	997 105 305 75	support		2							
22	U 999 707 504 40	o-ring 24 X 2,50		2							
22	996 105 903 05	o-ring 18,72 x 2,62		2							
23	900 385 275 01	torx screw M 6 X 20		4							
24	996 105 329 70	lid		4							
25	477 971 881 A	retaining bracket		1							
26	996 607 117 00	support		1							
27	---	lid matching with: camshaft housing									
28	000 043 204 58	sealing compound Silicon FD 2210 container 30 gr.		X							
(28)	000 043 024 00	extreme-pressure grease 1 tube 80 Gr. for camshaft		1							

Model	Year	MG	SG	Illustration	Restrictions	UPD	15:30	26.01.2010	PORSCHE	PET	PORSCHE
GT3-2	2010	1	03	103-11		248					

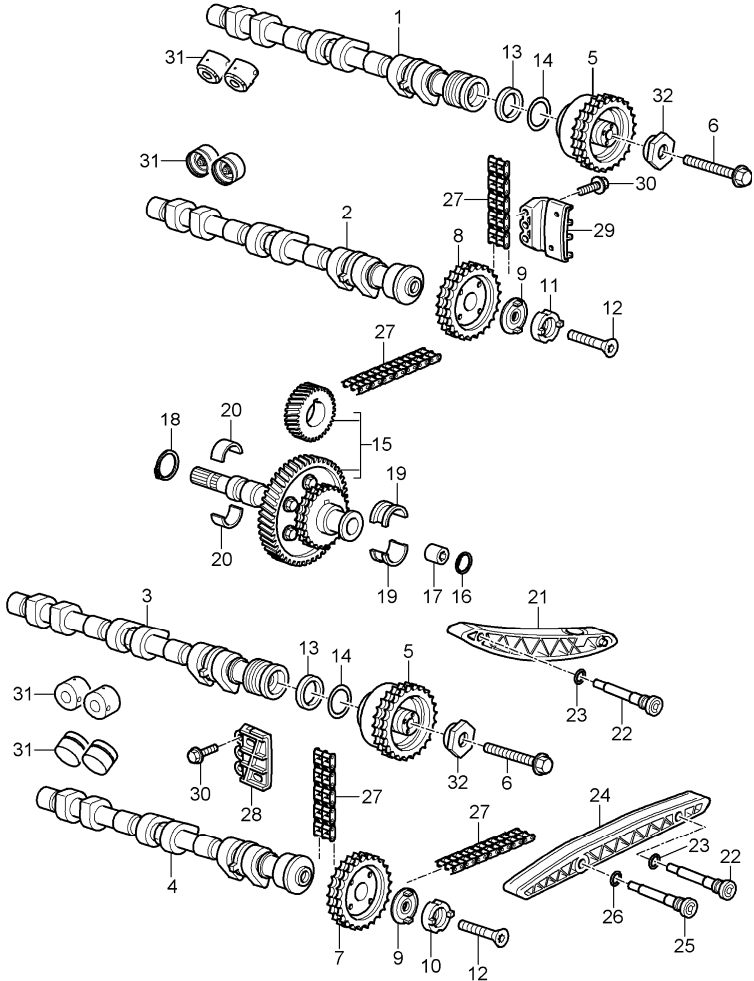
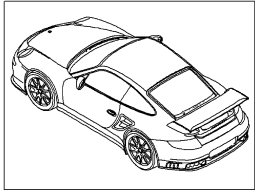


Pos	Part Number	Description	Remark	Qty	Model
		camshaft housing			M97.77
1	997 105 909 90	camshaft housing cyl. 1 - 3	/L	1	
(1)	997 105 910 90	camshaft housing cyl. 4 - 6	/R	1	
2	900 385 048 01	hexagon-head bolt AM 6 X 30		20	
3	944 104 361 00	dowel sleeve		14	
4	900 012 071 00	straight pin A 4,0 X 8		2	
5	997 105 233 91	Oil-conducting housing		2	
6	900 067 051 03	pan-head screw M 5 X 10		3	
7	K 996 105 613 93	gasket		1	
8	900 385 270 01	hexagon-head bolt AM 6 X 35		14	
9	900 385 072 01	torx screw AM 6 X 25		2	
10	900 385 118 01	hexagon-head bolt M 6 X 75		1	
11	900 385 071 01	torx screw AM 8 X 50		18	
12	997 104 435 90	heat shield cyl. 1 - 3		1	
(12)	997 104 436 90	heat shield cyl. 4 - 6		1	
13	900 385 041 01	torx screw M 6 X 12		4	
14	997 105 315 71	lid		1	
15	999 707 482 41	o-ring 90,00 X 2,50		1	
16	900 385 019 01	torx screw M 6 X 20		3	
17	997 606 106 01	hall sender		1	
18	999 707 404 40	o-ring 17,05 X 1,78		1	

Model	Year	MG	SG	Illustration	Restrictions	UPD	15:30	26.01.2010	PORSCHE	PET	PORSCHE
GT3-2	2010	1	03	103-11		248					

Pos	Part Number	Description	Remark	Qty	Model	Pos	Part Number	Description	Remark	Qty	Model
19	999 073 103 01	screw M 6 X 16		1							
20	997 105 303 73	actuator		2							
21	997 105 305 75	support		2							
22	996 105 903 05	o-ring 18,72 x 2,62		2							
23	900 385 275 01	torx screw M 6 X 20		2							
24	996 105 329 70	lid		2							
25	997 110 597 90	retaining bracket		1							
26	996 607 117 00	support		1							
		matching with: camshaft housing									
28	000 043 204 58	sealing compound Silicon FD 2210 container 30 gr.		X							
(28)	000 043 024 00	extreme-pressure grease 1 tube 80 Gr. for camshaft		1							

Model	Year	MG	SG	Illustration	Restrictions	UPD	15:30	26.01.2010	PORSCHE	PET	PORSCHE
GT3-2	2010	1	03	103-15		248					

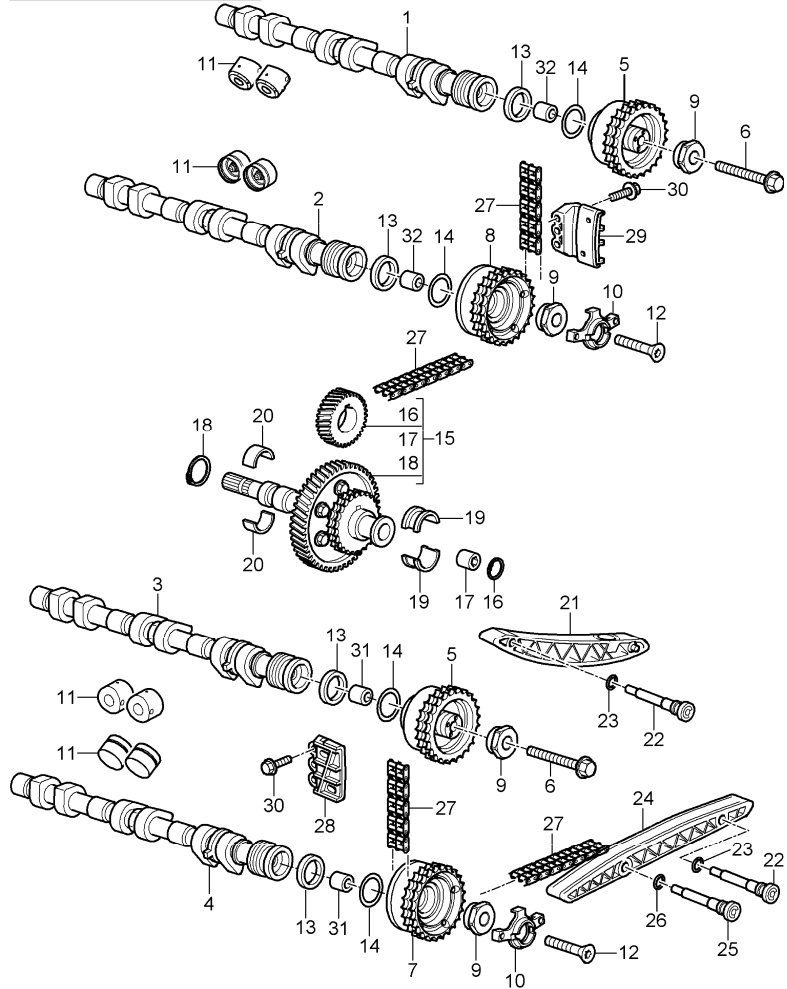
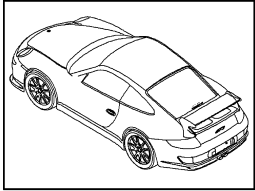


Pos	Part Number	Description	Remark	Qty	Model
		valve control			M97.76
1	997 105 020 91	camshaft intake cyl. 4 - 6		1	
2	K 996 105 245 90	camshaft exhaust cyl. 4 - 6		1	
3	997 105 019 91	camshaft intake cyl. 1 - 3		1	
4	K 997 105 245 90	camshaft exhaust cyl. 1 - 3		1	
5	997 105 051 91	actuator		2	
6	987 105 254 00	hexagon-head bolt M 12 X 1,5 X 130		2	
7	996 105 177 72	sprocket camshaft exhaust cyl. 1 - 3		1	
8	996 105 178 72	sprocket camshaft exhaust cyl. 4 - 6		1	
9	996 105 647 81	washer		2	
10	959 105 161 03	drive plate camshaft exhaust cyl. 1 - 3		1	
11	959 105 161 04	drive plate camshaft exhaust cyl. 4 - 6		1	
12	997 105 317 71	pan-head screw M 12 X 1,5 X 43		2	
13	996 105 280 90	ring		6	
14	997 105 203 70	washer		2	
15	959 105 911 90	intermediate shaft with timing gear size 0		1	

Model	Year	MG	SG	Illustration	Restrictions	UPD	15:30	26.01.2010	PORSCHE	PET	PORSCHE
GT3-2	2010	1	03	103-15		248					

Pos	Part Number	Description	Remark	Qty	Model	Pos	Part Number	Description	Remark	Qty	Model
15	959 105 911 12	intermediate shaft with timing gear size 1		1							
16	900 041 026 01	circlip 13 X 1		1							
17	901 105 275 00	stopper		1							
18	900 042 017 01	circlip 16 X 1		1							
19	996 101 137 80	bearing		2							
20	996 101 435 70	bearing shell		2							
21	996 105 165 71	tensioner blade		2							
22	964 105 171 03	bolt		4							
23	900 123 131 30	sealing ring		4							
24	996 105 167 70	guide rail	/L	1							
(24)	996 105 166 70	guide rail	/R	1							
25	996 105 175 70	bearing pin		2							
26	900 123 152 30	sealing ring		2							
27	959 105 552 01	timing chain		2							
28	996 105 037 75	guide rail	/L	1							
29	996 105 038 75	guide rail	/R	1							
30	900 385 072 01	torx screw AM 6 X 25		6							
31	948 105 071 02	hydraulic valve tappet		24							
32	997 105 260 70	intermediate piece camshaft adjuster		2							
--	000 043 024 00	extreme-pressure grease 1 tube 80 Gr. for camshaft		1							

Model	Year	MG	SG	Illustration	Restrictions	UPD	15:30	26.01.2010	PORSCHE	PET	PORSCHE
GT3-2	2010	1	03	103-16		248					

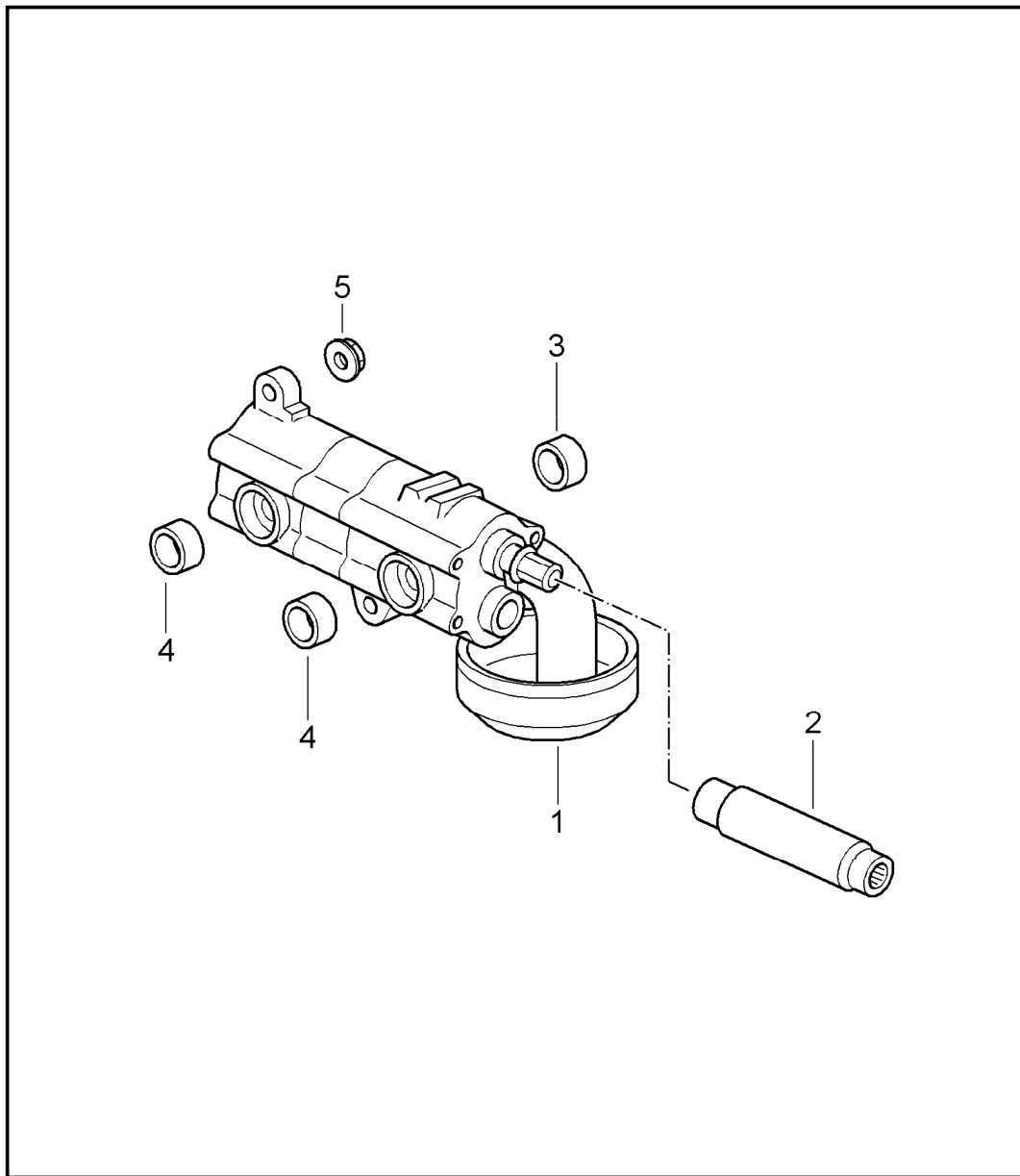


Pos	Part Number	Description	Remark	Qty	Model
		valve control			M97.77
1	997 105 020 92	camshaft intake cyl. 4 - 6		1	
2	997 105 108 90	camshaft exhaust cyl. 4 - 6		1	
3	997 105 019 92	camshaft intake cyl. 1 - 3		1	
4	997 105 107 90	camshaft exhaust cyl. 1 - 3		1	
5	997 105 051 91	actuator		2	
6	987 105 254 00	hexagon-head bolt M 12 X 1,5 X 130		2	
7	997 105 053 91	actuator camshaft exhaust cyl. 1 - 3		1	
8	997 105 054 91	actuator camshaft exhaust cyl. 4 - 6		1	
9	997 105 260 70	intermediate piece camshaft adjuster		2	
10	997 105 227 90	drive plate vacuum pump		1	
11	9A1 105 071 00	hydraulic valve tappet		24	
12	997 105 317 90	pan-head screw M12 x 1,5 x 130		2	
13	996 105 280 90	ring		6	
14	997 105 203 70	washer		2	
15	959 105 914 90	intermediate shaft with timing gear		1	
16	900 041 026 01	circlip 13 X 1		1	
17	993 105 275 52	stopper M18 x 1,5		1	

Model	Year	MG	SG	Illustration	Restrictions	UPD	15:30	26.01.2010	PORSCHE	PET	PORSCHE
GT3-2	2010	1	03	103-16		248					

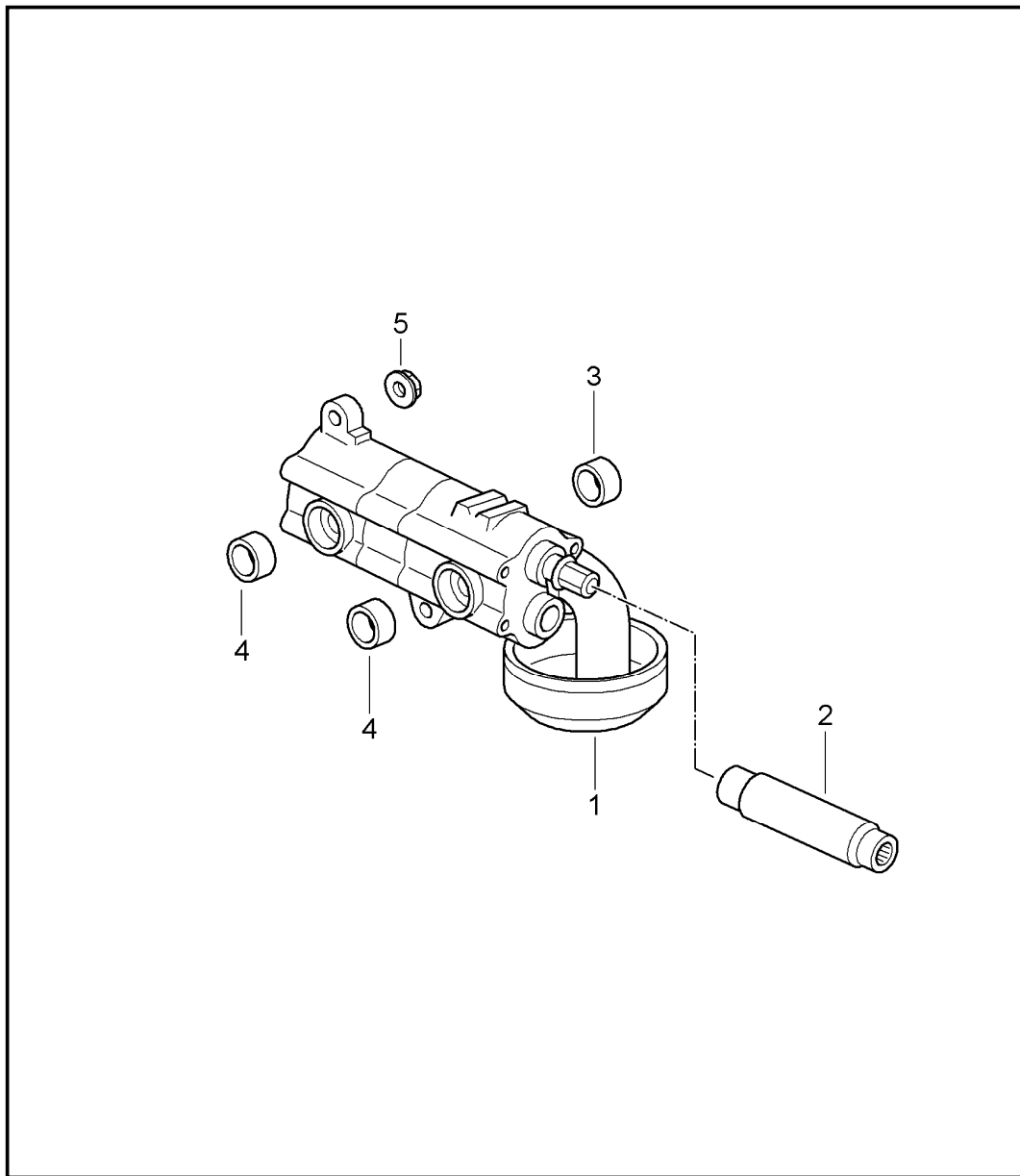
Pos	Part Number	Description	Remark	Qty	Model	Pos	Part Number	Description	Remark	Qty	Model
18	900 041 025 01	circlip 36 X 1,75		2							
19	996 101 137 80	bearing		2							
20	996 101 435 70	bearing shell		2							
21	996 105 165 71	tensioner blade		2							
22	964 105 171 03	bolt		4							
23	900 123 131 30	sealing ring 16 x 20		4							
24	996 105 167 70	guide rail	/L	1							
(24)	996 105 166 70	guide rail	/R	1							
25	996 105 175 70	bearing pin		2							
26	900 123 152 30	sealing ring 16 x 22		2							
27	K 997 105 551 90	timing chain		2							
28	996 105 037 75	guide rail	/L	1							
29	996 105 038 75	guide rail	/R	1							
30	900 385 072 01	torx screw AM 6 X 25		6							
31	997 105 219 90	sleeve camshaft cyl. 1 - 3		2							
32	997 105 220 90	sleeve camshaft cyl. 4 - 6		2							
--	000 043 024 00	extreme-pressure grease 1 tube 80 Gr. for camshaft		1							

Model	Year	MG	SG	Illustration	Restrictions	UPD	15:30	26.01.2010	PORSCHE	PET	PORSCHE
GT3-2	2010	1	04	104-00		248					



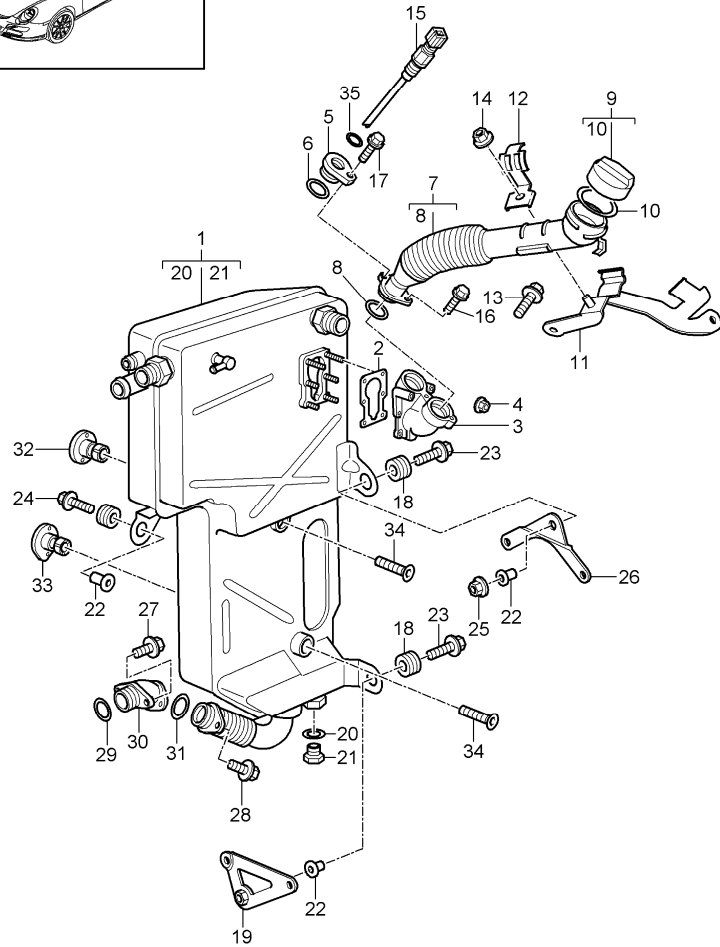
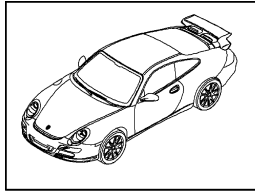
Pos	Part Number	Description	Remark	Qty	Model
		oil pump			M97.76
1	K 996 107 007 94	oil pump		1	
2	930 107 143 03	connecting shaft		1	
3	999 704 173 50	sealing ring 19,5 X 26		1	
4	999 704 172 50	sealing ring 16,3 X 22		2	
5	900 380 005 09	hexagon nut M 8		3	

Model	Year	MG	SG	Illustration	Restrictions	UPD	15:30	26.01.2010	PORSCHE	PET	PORSCHE
GT3-2	2010	1	04	104-01		248					



Pos	Part Number	Description	Remark	Qty	Model
		oil pump			M97.77
1	997 107 007 90	oil pump		1	
2	930 107 143 03	connecting shaft		1	
3	999 704 173 50	sealing ring 19,5 X 26		1	
4	999 704 172 50	sealing ring 16,3 X 22		2	
5	900 380 005 09	hexagon nut M 8		3	

Model	Year	MG	SG	Illustration	Restrictions	UPD	15:31	26.01.2010	PORSCHE	PET	PORSCHE
GT3-2	2010	1	04	104-05		248					

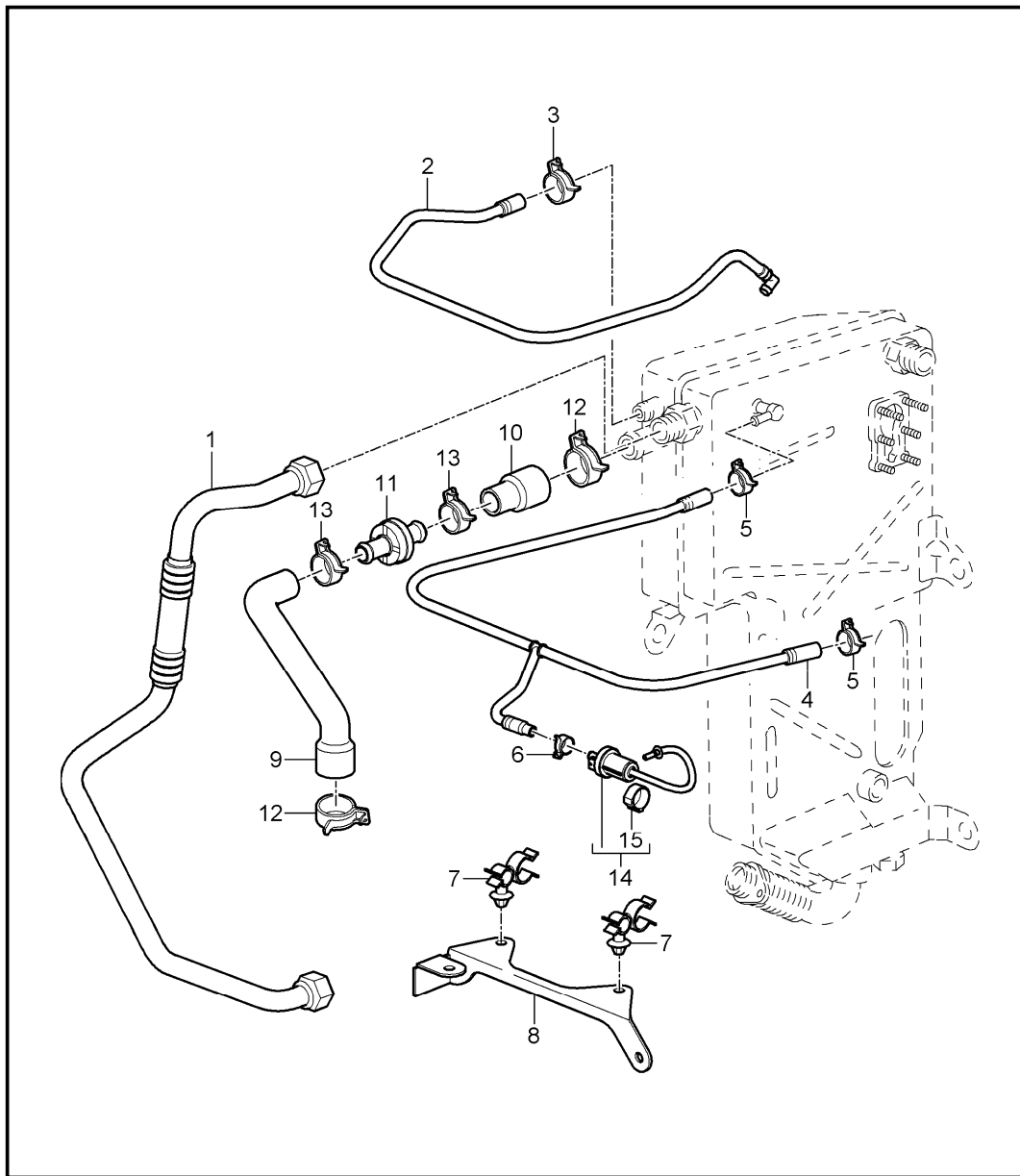


Pos	Part Number	Description	Remark	Qty	Model
		engine lubrication oil tank			M97.76
1	K 997 207 070 91	oil tank		1	
2	993 207 226 00	gasket		1	
3	996 207 150 73	intermediate piece		1	
4	900 377 019 02	hexagon nut M 5		6	
5	996 207 212 70	flange		1	
6	999 707 343 41	o-ring 25,07 X 2,62		1	
7	997 207 016 70	filler tube		1	
8	999 707 481 40	o-ring 24 X 3,0		1	
9	996 107 035 52	lid		1	
10	996 107 336 00	gasket		1	
11	997 207 216 93	support		1	
12	997 207 293 90	clamping bow		1	
13	900 385 041 01	hexagon-head bolt M 6 X 12		2	
14	900 377 010 02	hexagon nut M 6		1	
15	996 606 140 00	oil-level sender		1	
16	900 385 050 01	hexagon socket head bolt M 6 X 16		1	
17	900 385 275 01	torx screw M 6 X 20		1	
18	999 702 193 40	rubber sleeve 12,2 X 24,0 X 6,0		3	
19	997 207 417 71	support		1	
20	900 123 010 20	sealing ring 20 X 24		1	
21	900 065 018 00	screw plug M 20 X 1,5		1	
22	999 209 037 02	spacer sleeve 8,4 X 1,8		3	

Model	Year	MG	SG	Illustration	Restrictions	UPD	15:31	26.01.2010	PORSCHE	PET	PORSCHE
GT3-2	2010	1	04	104-05		248					

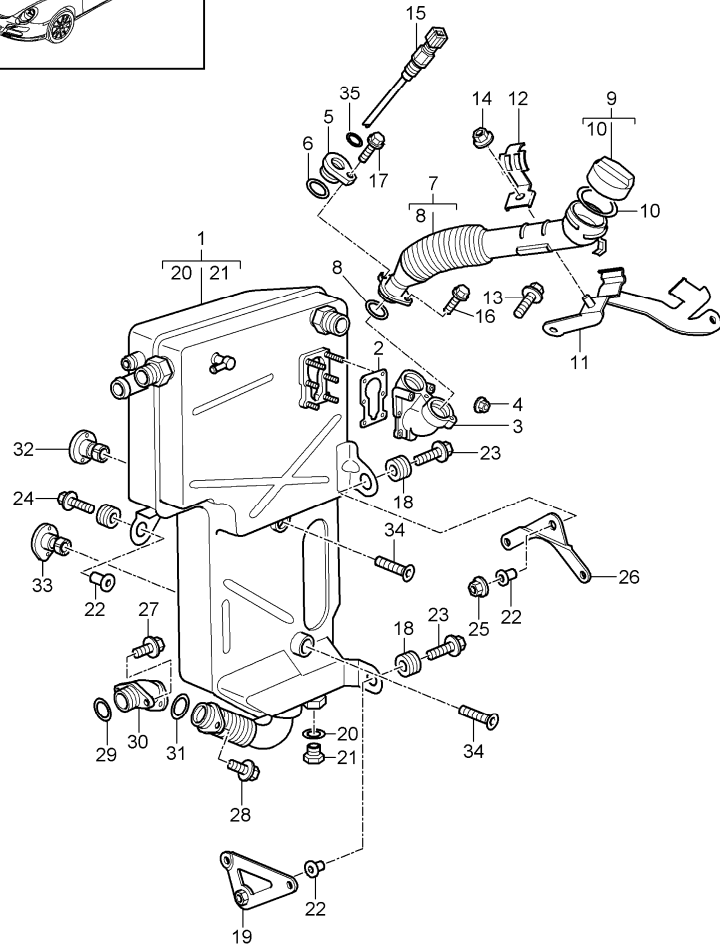
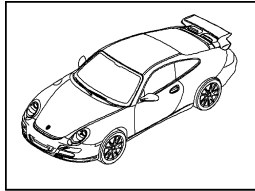
Pos	Part Number	Description	Remark	Qty	Model	Pos	Part Number	Description	Remark	Qty	Model
23	900 385 042 01	torx screw M 8 X 35		2							
24	900 385 116 01	torx screw M 8 X 30		1							
25	999 084 210 02	lock nut M 8		1							
26	997 207 421 90	support		1							
27	900 385 001 01	torx screw M 8 X 20		1							
28	900 385 050 01	hexagon socket head bolt M 6 X 16		2							
29	999 707 316 41	o-ring 21,89 X 2,62		1							
30	996 207 112 73	intake connection		1							
31	999 707 364 41	sealing ring 30 X 2,5		1							
32	996 207 207 73	spacer upper		1							
33	996 207 206 73	spacer lower		1							
34	900 249 061 01	countersunk-head screw M 12 X 40		2							

Model	Year	MG	SG	Illustration	Restrictions	UPD	15:31	26.01.2010	PORSCHE	PET	PORSCHE
GT3-2	2010	1	04	104-06		248					



Pos	Part Number	Description	Remark	Qty	Model
		lines oil tank			M97.76
1	K 996 107 027 94	return line		1	
2	997 207 037 90	vent line full load		1	
3	999 512 656 09	hose clamp 25 X 12		2	
4	997 207 039 90	vent line Teillast		1	
5	999 512 686 09	hose clamp 17 X 2		2	
6	999 512 651 09	hose clamp 15 X 12		1	
7	999 507 843 40	hose holder 16,0 / 10,0		2	
8	997 207 675 90	support		1	
9	997 207 143 91	moulded hose bleeding crankcase		1	
10	997 207 145 91	moulded hose		1	
11	997 107 491 90	check valve		1	
12	999 512 662 09	hose clamp 32 X 12		2	
13	999 512 656 09	hose clamp 25 X 12		2	
14	997 110 129 91	vent line		1	
15	997 110 201 90	support ring		1	

Model	Year	MG	SG	Illustration	Restrictions	UPD	15:31	26.01.2010	PORSCHE	PET	PORSCHE
GT3-2	2010	1	04	104-07		248					

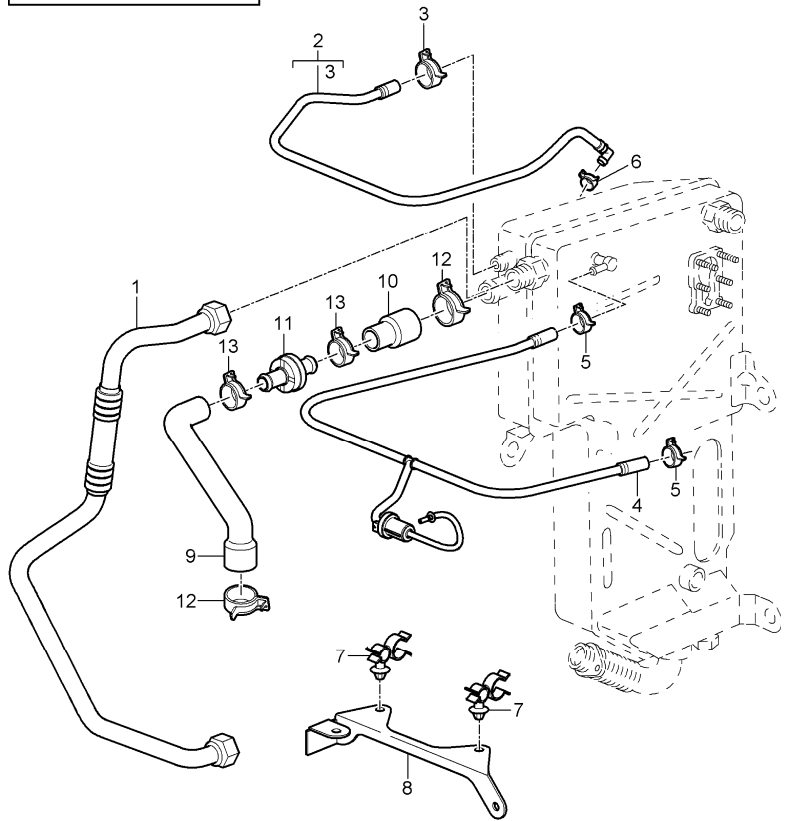
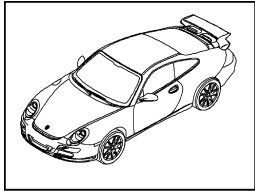


Pos	Part Number	Description	Remark	Qty	Model
		engine lubrication oil tank			M97.77
1	997 207 070 91	oil tank		1	
2	993 207 226 00	gasket		1	
3	996 207 150 73	intermediate piece		1	
4	900 377 009 01	hexagon nut M 5		6	
5	996 207 212 70	flange		1	
6	999 707 343 41	o-ring 25,07 X 2,62		1	
7	997 207 016 70	filler tube		1	
8	999 707 481 40	o-ring 24 X 3,0		1	
9	996 107 035 52	lid		1	
10	996 107 336 00	gasket		1	
11	997 207 216 93	support		1	
12	997 207 293 90	clamping bow		1	
13	900 385 041 01	hexagon-head bolt M 6 X 12		2	
14	900 377 010 02	hexagon nut M 6		1	
15	996 606 140 00	oil-level sender		1	
16	900 385 050 01	hexagon socket head bolt M 6 X 16		1	
17	900 385 275 01	torx screw M 6 X 20		1	
18	999 702 193 40	rubber sleeve 12,2 X 24,0 X 6,0		3	
19	997 207 417 71	support		1	
20	900 123 010 20	sealing ring 20 X 24		1	
21	900 065 018 00	screw plug M 20 X 1,5		1	
22	999 209 037 01	spacer sleeve 8,4 X 1,8		3	

Model	Year	MG	SG	Illustration	Restrictions	UPD	15:31	26.01.2010	PORSCHE	PET	PORSCHE
GT3-2	2010	1	04	104-07		248					

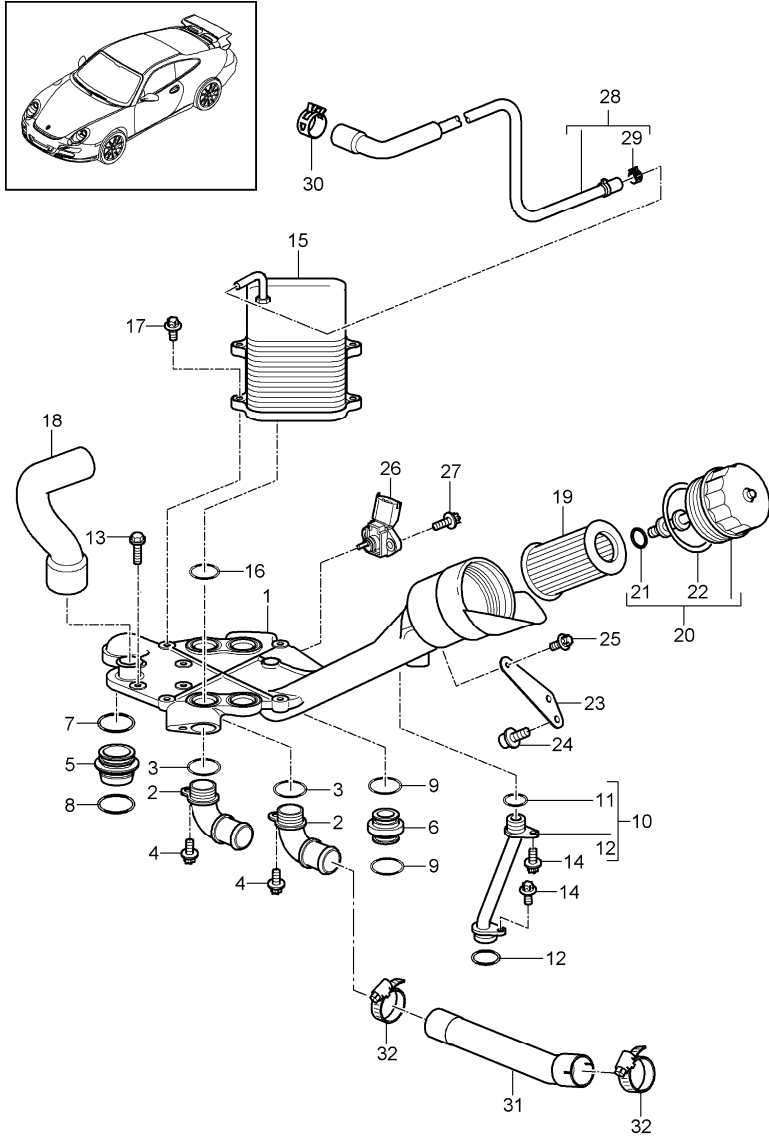
Pos	Part Number	Description	Remark	Qty	Model	Pos	Part Number	Description	Remark	Qty	Model
23	900 385 042 01	torx screw M 8 X 35		2							
24	900 385 116 01	torx screw M 8 X 30		1							
25	999 084 210 01	lock nut M 8		1							
26	997 207 421 90	support		1							
27	900 385 001 01	torx screw M 8 X 20		1							
28	900 385 009 01	hexagon socket head bolt M 6 X 16		2							
29	999 707 316 41	o-ring 21,89 X 2,62		2							
30	996 207 112 73	intake connection		1							
31	999 707 364 41	sealing ring 30 X 2,5		1							
32	996 207 207 73	spacer upper		1							
33	996 207 206 73	spacer lower		1							
34	900 249 061 01	countersunk-head screw M 12 X 40		2							
35	900 123 010 30	sealing ring A20 x 24		1							

Model	Year	MG	SG	Illustration	Restrictions	UPD	15:31	26.01.2010	PORSCHE	PET	PORSCHE
GT3-2	2010	1	04	104-08		248					



Pos	Part Number	Description	Remark	Qty	Model
		lines oil tank			M97.77
1	996 107 027 94	return line		1	
2	997 207 037 90	vent line full load		1	
3	999 512 656 09	hose clamp 25 X 12		2	
4	997 207 039 91	vent line Teillast		1	
5	999 512 686 09	hose clamp 17 X 2		2	
7	999 507 843 40	hose holder 16,0 / 10,0		2	
8	997 207 675 90	support		1	
9	997 207 143 91	moulded hose bleeding crankcase		1	
10	997 207 145 91	moulded hose		1	
10	997 207 145 92	moulded hose		1	
11	997 107 491 90	check valve		1	
12	999 512 662 09	hose clamp 32 X 12		2	
13	999 512 455 00	clamp 24-27,1		2	

Model	Year	MG	SG	Illustration	Restrictions	UPD	15:31	26.01.2010	PORSCHE	PET	PORSCHE
GT3-2	2010	1	04	104-10		248					



Pos	Part Number	Description	Remark	Qty	Model
		oil filter bracket			M97.76
1	K 997 107 033 90	bracket		1	
2	997 106 313 72	connecting piece		2	
3	999 707 478 40	o-ring 24,0 X 3,0		4	
4	900 385 009 01	torx screw M 6 X 16		2	
5	996 107 441 71	joining socket		1	
6	A 997 107 451 70	joining socket		1	
7	999 707 422 41	o-ring 32,92 X 3,53		1	
8	999 707 426 41	o-ring 37,69 X 3,53		1	
9	999 707 113 41	o-ring 20,22 X 3,53		2	
10	997 107 311 90	oil tube		1	
11	999 701 789 40	o-ring 12,00 X 2,00		1	
12	999 707 446 40	o-ring 18 X 2,5		2	
13	900 075 341 01	combination screw M 6 X 25		4	
14	900 385 041 01	torx screw M 6 X 12		2	
15	K 997 107 025 90	heat exchanger		1	
16	999 707 409 40	o-ring 26,00 X 3,00		4	
17	900 385 009 01	torx screw M 6 X 16		4	
18	---	see illustrations 1/04/06		1	
19	996 107 225 53	filter element		1	
20	996 107 285 70	lid		1	
21	999 707 465 40	o-ring 10 X 2		1	

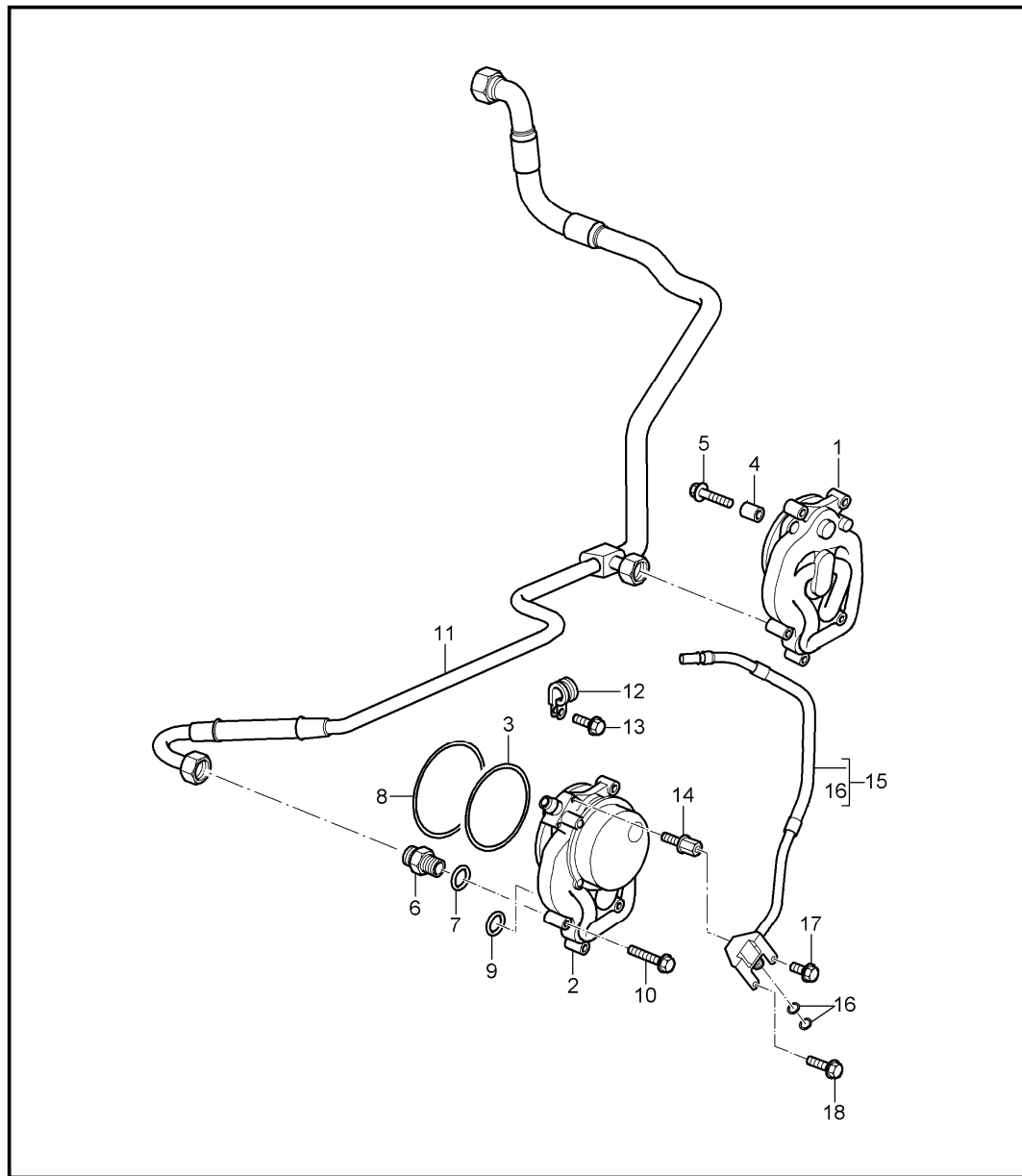
Model	Year	MG	SG	Illustration	Restrictions	UPD	15:31	26.01.2010	PORSCHE	PET	PORSCHE
GT3-2	2010	1	04	104-10		248					

Pos	Part Number	Description	Remark	Qty	Model	Pos	Part Number	Description	Remark	Qty	Model
22	996 107 313 51	sealing ring 71,5 X 3,5		1							
23	997 107 301 90	support		1							
24	900 067 291 01	combination screw M 8 X 16		2							
25	900 385 009 01	torx screw M 6 X 16		1							
26	997 606 203 01	oil pressure sender		1							
27	900 385 019 01	torx screw M 6 X 20		2							
28	997 106 049 90	vent line		1							
29	999 512 651 09	hose clamp B 15 X 12		1							
30	999 512 653 09	hose clamp B 20 X 12		1							
31	997 106 328 72	water hose return line		1							
32	999 512 552 00	hose clamp 20- 32/9		2							

Model	Year	MG	SG	Illustration	Restrictions	UPD	15:32	26.01.2010	PORSCHE	PET	PORSCHE
GT3-2	2010	1	04	104-11		248					

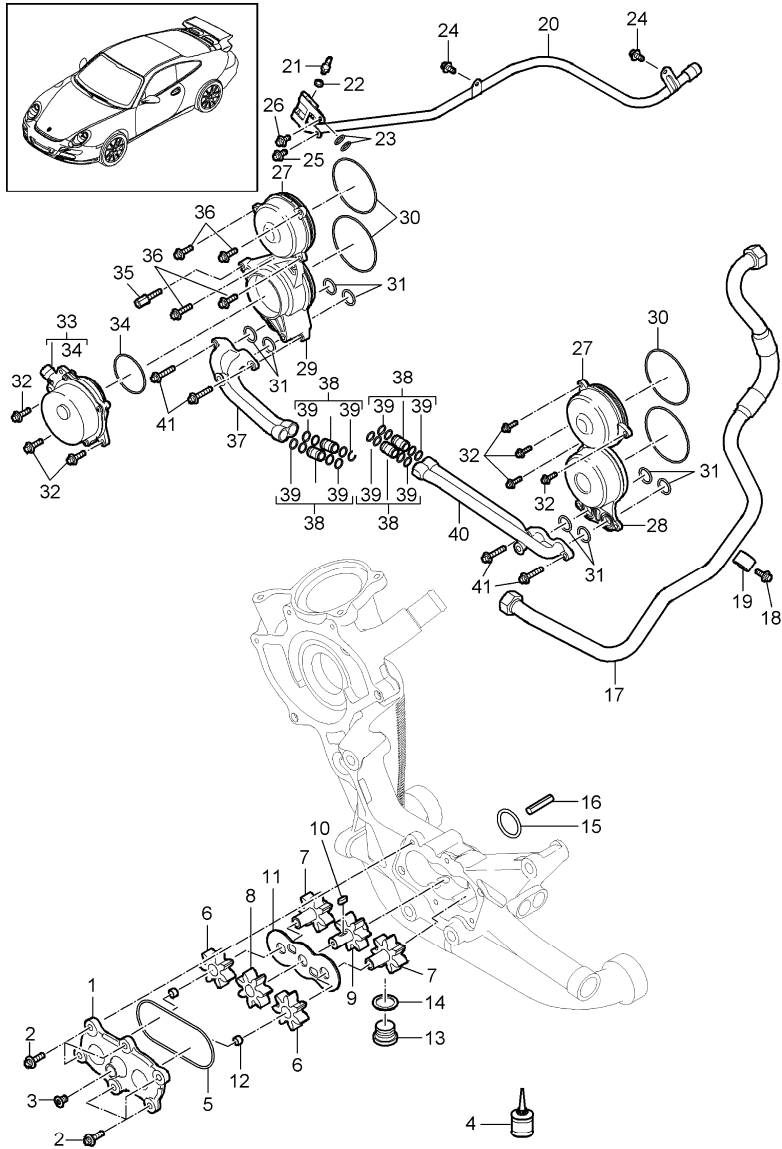
Pos	Part Number	Description	Remark	Qty	Model	Pos	Part Number	Description	Remark	Qty	Model
22	996 107 313 51	sealing ring 71,5 X 3,5		1							
23	997 107 301 90	support		1							
24	900 067 291 01	combination screw M 8 X 16		2							
25	999 512 552 00	hose clamp 20 - 32/9		2							
26	997 606 203 01	oil pressure sender		1							
27	900 385 019 01	torx screw M 6 X 20		2							
28	997 106 049 91	vent line		1							
29	999 512 651 09	hose clamp B 15 X 12		1							
30	999 512 653 09	hose clamp B 20 X 12		1							

Model	Year	MG	SG	Illustration	Restrictions	UPD	15:32	26.01.2010	PORSCHE	PET	PORSCHE
GT3-2	2010	1	04	104-20		248					



Pos	Part Number	Description	Remark	Qty	Model
		oil supply return line			M97.76
1	K 996 107 021 91	oil pump cyl. 4 - 6		1	
2	997 107 022 91	tandem pump cyl. 1 - 3		1	
3	999 707 425 40	o-ring 85,32 X 3,53		2	
4	996 104 117 50	dowel sleeve		4	
5	900 378 225 01	hexagon-head bolt M 6 X 30		8	
6	900 915 006 01	union A 15		2	
7	900 123 106 30	sealing ring A 18 X 24		2	
8	999 707 482 41	o-ring 90,00 X 2,5		2	
9	999 707 499 40	o-ring 21,00 X 3,00		4	
10	900 385 270 01	Outer hexagon round screw M 6 X 35		6	
11	K 997 107 019 90	return line		1	
12	999 511 250 02	pipe clamp		1	
13	900 385 041 01	torx screw M 6 X 12		1	
14	997 107 357 70	combination screw M 6 X 25		1	
15	997 105 116 73	vacuum line tandem pump		1	
--	999 651 394 40	cable holder vacuum line		1	
16	999 701 789 40	o-ring 12 X 2		2	
17	900 385 130 01	hexagon socket head bolt M 6 X 10		1	
18	900 385 050 01	hexagon socket head bolt M 6 X 16		1	

Model	Year	MG	SG	Illustration	Restrictions	UPD	15:32	26.01.2010	PORSCHE	PET	PORSCHE
GT3-2	2010	1	04	104-21		248					

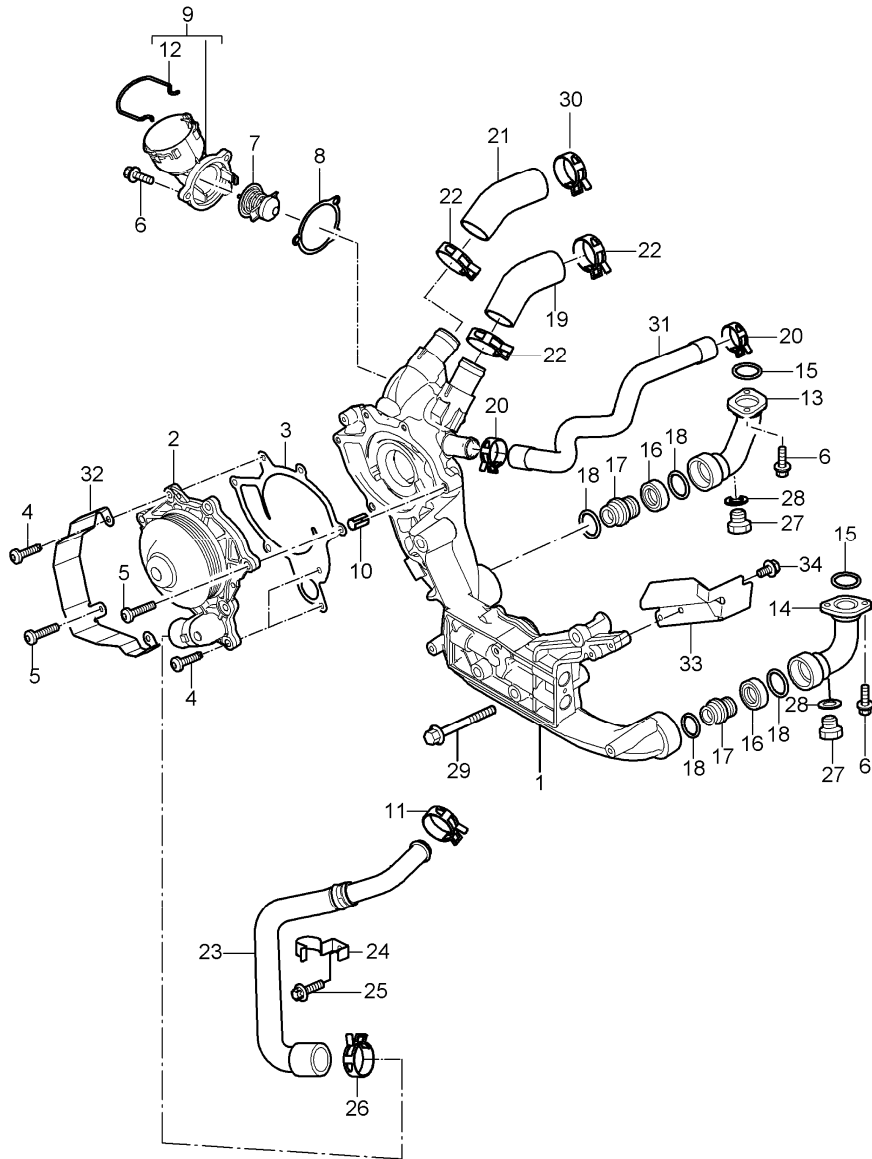


Pos	Part Number	Description	Remark	Qty	Model
		oil supply return line			M97.77
1	997 107 106 90	lid		1	
2	900 385 143 01	screw M 5 x 16		6	
3	999 073 013 01	countersunk-head screw M 6 x 10		1	
4	999 915 281 40	loctite 574		1	
5	999 707 032 40	o-ring 80 x 2		1	
6	997 107 257 90	gear wheel		2	
7	997 107 253 90	shaft with drive pinion		2	
8	997 107 255 90	gear wheel		1	
9	997 107 251 90	shaft with drive pinion		1	
10	997 107 258 8A	feather key A 4 x 4 x 10		1	
11	997 107 259 90	gasket oil pump		1	
12	997 107 265 90	dowel sleeve		2	
13	900 219 009 30	screw plug M 18 x 1,5		1	
14	900 123 106 30	sealing ring A 18 x 24		1	
15	999 707 315 41	o-ring 33,4 x 2,4		1	
16	997 107 252 90	drive shaft		1	
17	997 107 019 94	return line		1	
18	900 385 009 01	torx screw M 6 x 16		1	
19	999 511 080 01	support 22 x 15		1	

Model	Year	MG	SG	Illustration	Restrictions	UPD	15:32	26.01.2010	PORSCHE	PET	PORSCHE
GT3-2	2010	1	04	104-21		248					

Pos	Part Number	Description	Remark	Qty	Model	Pos	Part Number	Description	Remark	Qty	Model
20	997 110 055 92	vacuum line brake booster		1		40	997 107 352 90	return line cyl. 4 - 6		1	
21	997 110 728 90	nipple		1		41	900 385 048 01	torx screw M 6 x 30		4	
22	N 013 802 1	sealing ring 5 x 9 A1		1							
23	999 701 789 40	o-ring 12 x 2		2							
24	900 385 041 01	torx screw M 6 x 12		2							
25	900 385 130 01	hexagon socket head bolt M 6 x 10		1							
26	900 385 050 01	hexagon socket head bolt M 6 x 16		1							
27	997 105 315 71	lid camshaft adjuster		2							
28	997 105 516 90	lid camshaft adjuster		1							
29	997 105 515 90	flange vacuum pump		1							
30	999 707 482 41	o-ring 90 x 2,5		4							
31	999 707 499 40	o-ring 21 x 3		8							
32	900 385 019 01	torx screw M 6 x 20		7							
33	997 105 016 90	vacuum pump		1							
34	999 701 339 40	o-ring 63,17 x 2,62		1							
35	997 107 357 70	combination screw		1							
36	900 385 023 01	torx screw M 6 x 25		5							
37	997 107 351 90	return line cyl. 1 - 3		1							
38	997 107 153 90	connecting piece		4							
39	999 701 948 40	o-ring 11 x 2		4							

Model	Year	MG	SG	Illustration	Restrictions	UPD	15:32	26.01.2010	PORSCHE	PET	PORSCHE
GT3-2	2010	1	05	105-00		248					

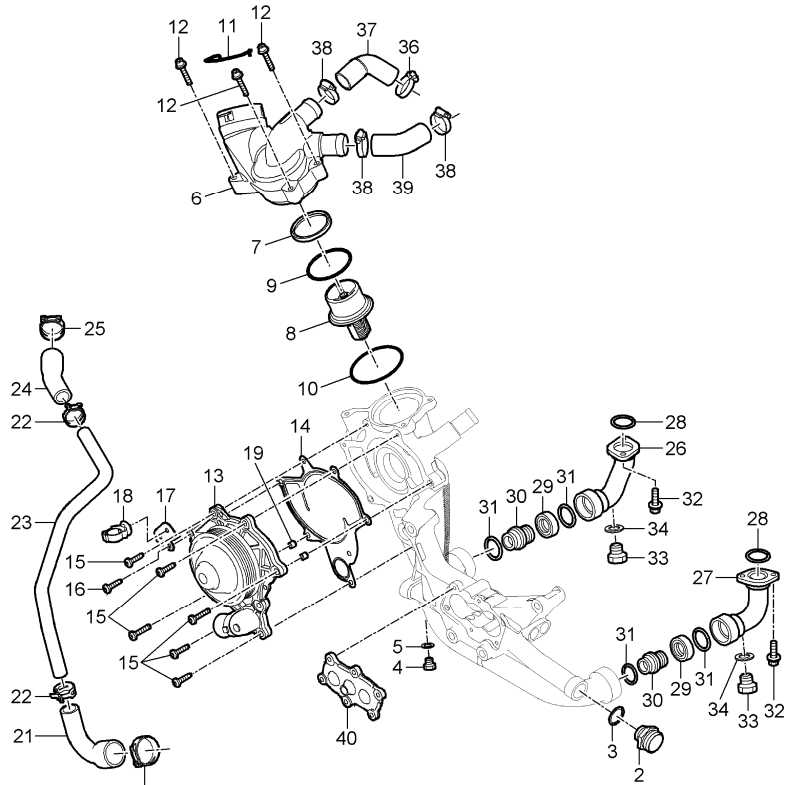
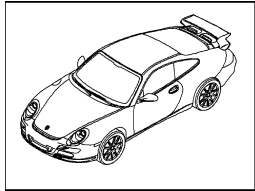


Pos	Part Number	Description	Remark	Qty	Model
		water pump			M97.76
		water pump housing			
1	997 106 061 70	water pump housing		1	
2	997 106 011 70	water pump		1	
3	997 106 340 00	gasket		1	
4	999 073 102 01	round head screw M 6 X 25		5	
5	999 073 110 01	round head screw M 6 X 30		2	
6	900 385 019 01	torx screw AM 6 X 20		7	
7	996 106 125 72	thermostat insert		1	
8	996 106 326 71	gasket		1	
9	996 106 121 72	lid		1	
10	996 106 103 50	dowel sleeve 8,2 X 7		2	
11	999 512 660 09	hose clamp 29 X 12		1	
12	997 106 802 03	spring		1	
13	996 106 139 71	connection piece		1	
14	996 106 140 71	connection piece		1	
15	999 707 410 40	o-ring 39,20 X 3,00		2	
16	996 106 214 70	protective ring		2	
17	996 106 238 71	joining socket		2	
18	999 707 411 40	o-ring 28,00 X 4,50		4	
19	996 106 529 73	hose		1	
20	999 512 552 00	hose clamp 20 - 32/9		2	
21	996 106 512 74	hose		1	
22	999 512 551 00	hose clamp 25 - 40/9		3	
23	997 106 250 72	hose		1	

Model	Year	MG	SG	Illustration	Restrictions	UPD	15:32	26.01.2010	PORSCHE	PET	PORSCHE
GT3-2	2010	1	05	105-00		248					

Pos	Part Number	Description	Remark	Qty	Model	Pos	Part Number	Description	Remark	Qty	Model
24	996 106 550 72	support		1							
25	900 385 041 01	torx screw M 6 X 12		1							
26	999 512 551 00	hose clamp 25 - 40/9		1							
27	900 219 007 01	screw plug M 10 X 1		2							
28	900 123 144 30	sealing ring A 10 X 13,5		2							
29	900 385 119 01	hexagon-head bolt M 10 X 70		4							
30	999 512 252 02	hose clamp 23- 35/9		1							
31	997 106 477 72	hose supply		1							
32	996 115 521 73	protective plate left		1							
33	997 115 661 70	protective plate right		1							
34	900 385 041 01	torx screw M 6 X 12		2							

Model	Year	MG	SG	Illustration	Restrictions	UPD	15:32	26.01.2010	PORSCHE	PET	PORSCHE
GT3-2	2010	1	05	105-01		248					

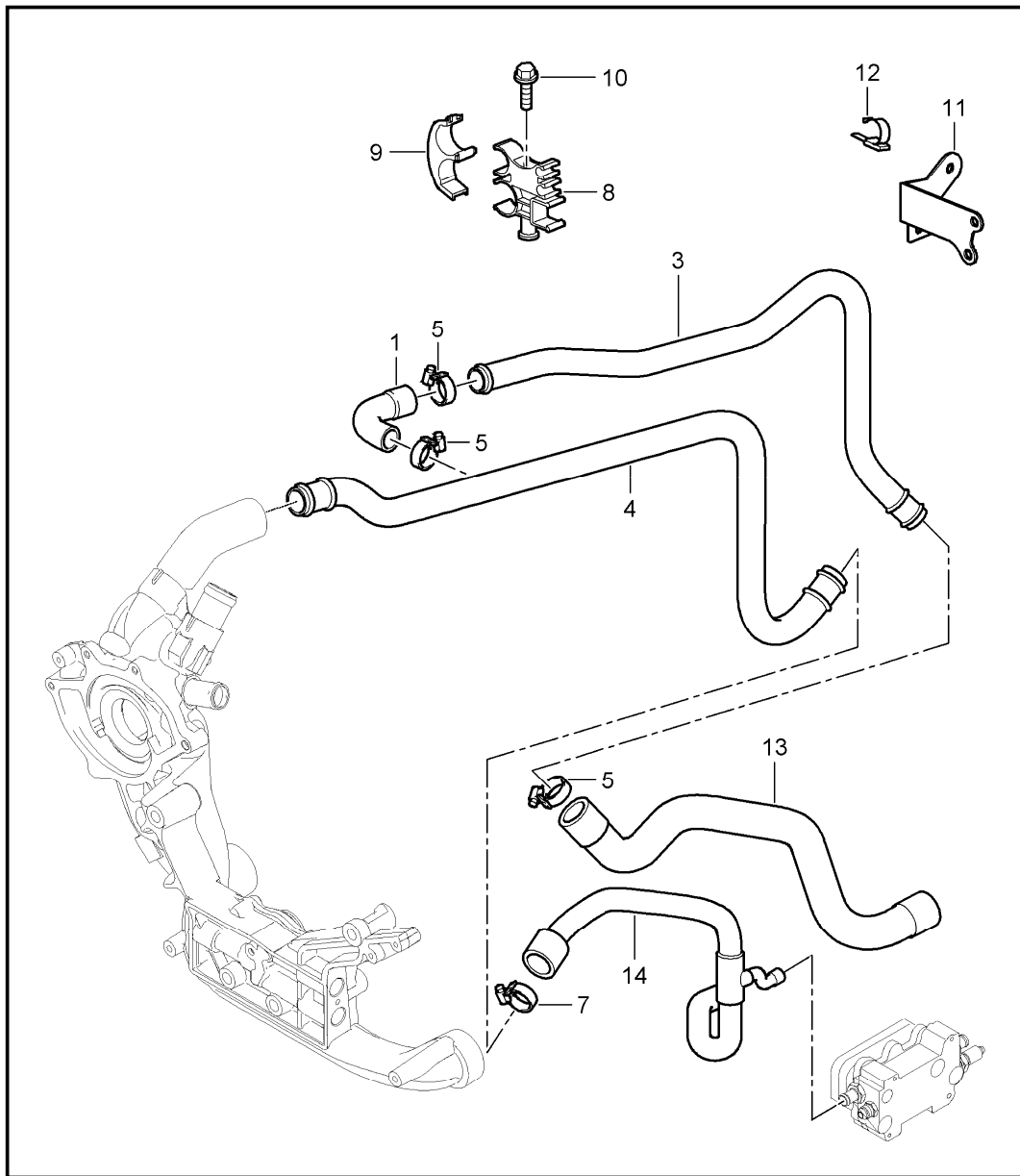


Pos	Part Number	Description	Remark	Qty	Model
		water pump water pump housing			M97.77
1	997 106 117 90	water pump housing		1	
2	999 136 044 01	joining socket		1	
3	900 123 011 30	sealing ring A22 x 27		1	
4	900 219 009 30	screw plug M18 x 1,5		1	
5	900 123 106 30	sealing ring A18 x 24		1	
6	997 106 119 90	thermostat housing		1	
7	9A1 106 558 00	sealing ring thermostat		1	
8	9A1 106 225 90	thermostat insert		1	
9	999 707 625 40	o-ring 59 x 2,5 thermostat insert		1	
10	999 701 145 40	o-ring 70 x 2 thermostat housing		1	
11	997 106 802 03	spring		1	
12	900 067 316 01	screw M6 x 35		3	
13	997 106 011 70	water pump		1	
14	997 106 340 90	gasket		1	
15	999 073 102 01	round head screw M 6 X 25		6	
16	999 073 110 01	round head screw M 6 x 30		1	
17	997 106 669 90	retaining bracket		1	
18	999 511 240 40	cable holder		1	
19	996 106 103 50	dowel sleeve 8,2 X 7		2	
20	999 512 551 00	hose clamp 25 - 40/9		1	

Model	Year	MG	SG	Illustration	Restrictions	UPD	15:32	26.01.2010	PORSCHE	PET	PORSCHE
GT3-2	2010	1	05	105-01		248					

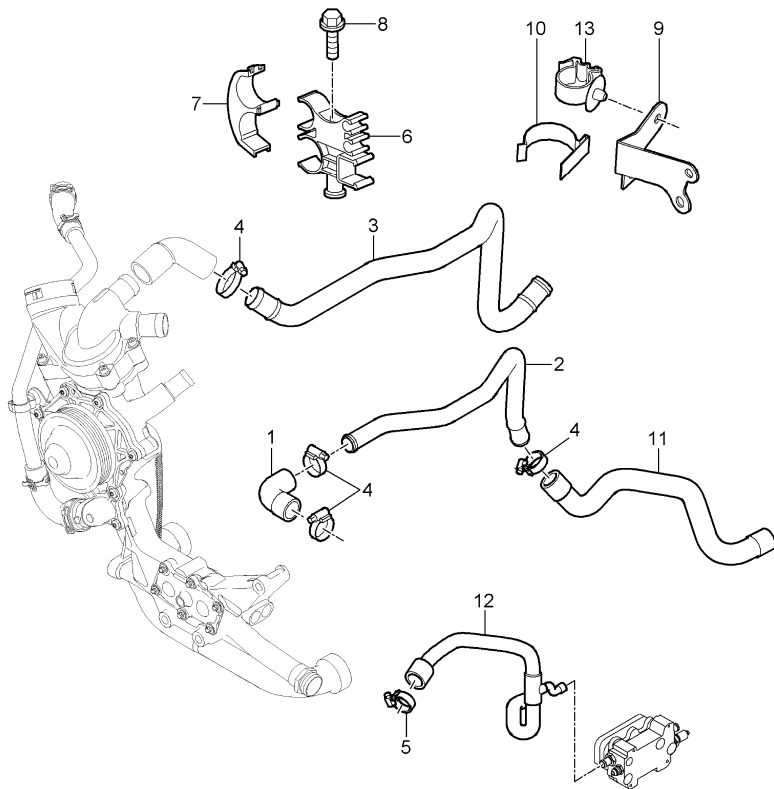
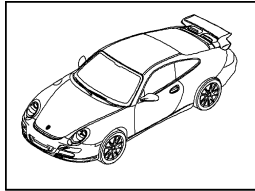
Pos	Part Number	Description	Remark	Qty	Model	Pos	Part Number	Description	Remark	Qty	Model
21	997 106 358 90	hose Bef•llleitung		1		40		lid see illustrations 104-21			
22	999 512 656 09	hose clamp B25 x 12		2							
23	997 106 257 90	hose Bef•llleitung		1							
24	997 106 357 90	hose Bef•llleitung		1							
25	999 512 660 09	hose clamp B29 x 12		1							
26	996 106 139 71	connection piece		1							
27	996 106 140 71	connection piece		1							
28	999 707 410 40	o-ring 39,20 X 3,00		2							
29	996 106 214 70	protective ring		2							
30	996 106 238 71	joining socket		2							
31	999 707 411 40	o-ring 28,00 X 4,50		4							
32	900 385 019 01	screw M6 x 20		2							
33	900 219 007 01	screw plug M10 x 1		2							
34	900 123 144 30	sealing ring A10 x 13,5		2							
35	997 106 477 90	hose supply heat exchanger		1							
36	999 512 552 01	hose clamp 20 - 32/9		2							
37	997 106 514 91	hose heating return line		1							
38	999 512 551 01	hose clamp 25 - 40/9		3							
39	997 106 529 90	hose Kurzschlusskreislauf		1							

Model	Year	MG	SG	Illustration	Restrictions	UPD	15:33	26.01.2010	PORSCHE	PET	PORSCHE
GT3-2	2010	1	05	105-03		248					



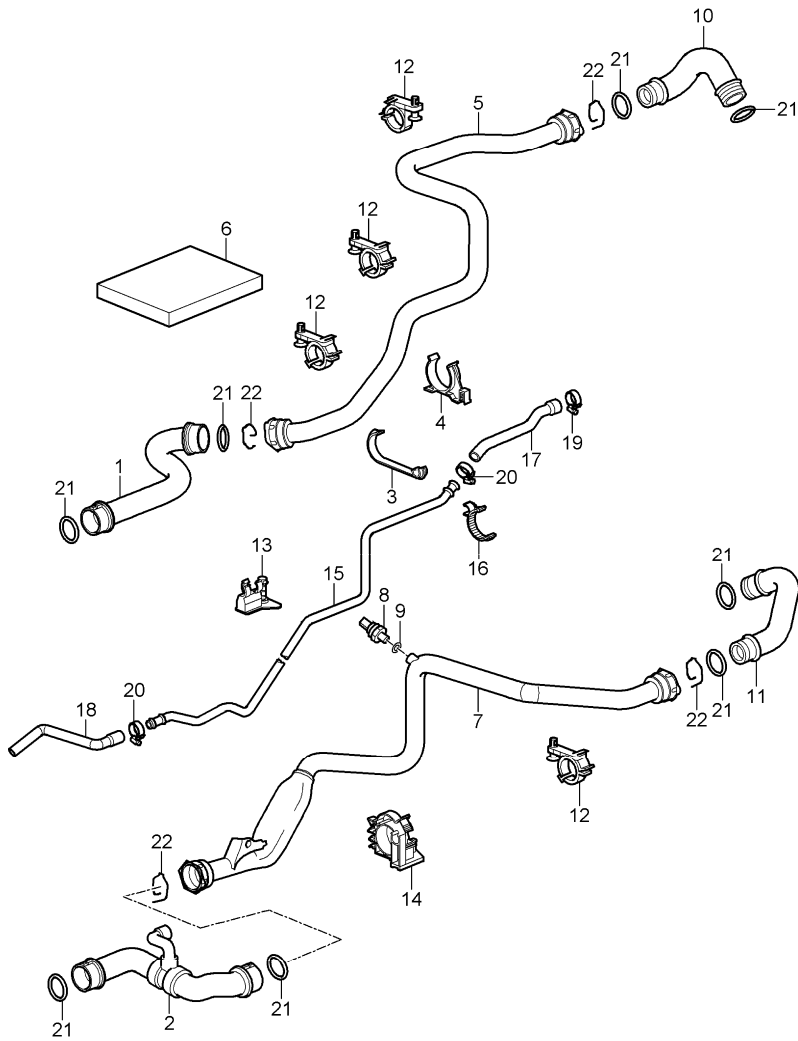
Pos	Part Number	Description	Remark	Qty	Model
		lines heating			M97.76
1	997 106 233 72	hose supply		1	
3	997 106 252 90	water tube supply		1	
4	997 106 254 90	water tube return line		1	
5	999 512 552 00	hose clamp 20- 32/9		3	
7	999 512 551 00	hose clamp		1	
8	997 106 455 71	support		2	
9	997 106 456 71	retaining bar		2	
10	900 385 111 01	torx screw M 6 X 55		2	
11	997 106 451 90	support		1	
12	999 651 300 40	hose holder 25,0 - 30,0		1	
13	996 106 434 72	hose supply		1	
14	996 106 422 75	hose return line		1	

Model	Year	MG	SG	Illustration	Restrictions	UPD	15:33	26.01.2010	PORSCHE	PET	PORSCHE
GT3-2	2010	1	05	105-04		248					



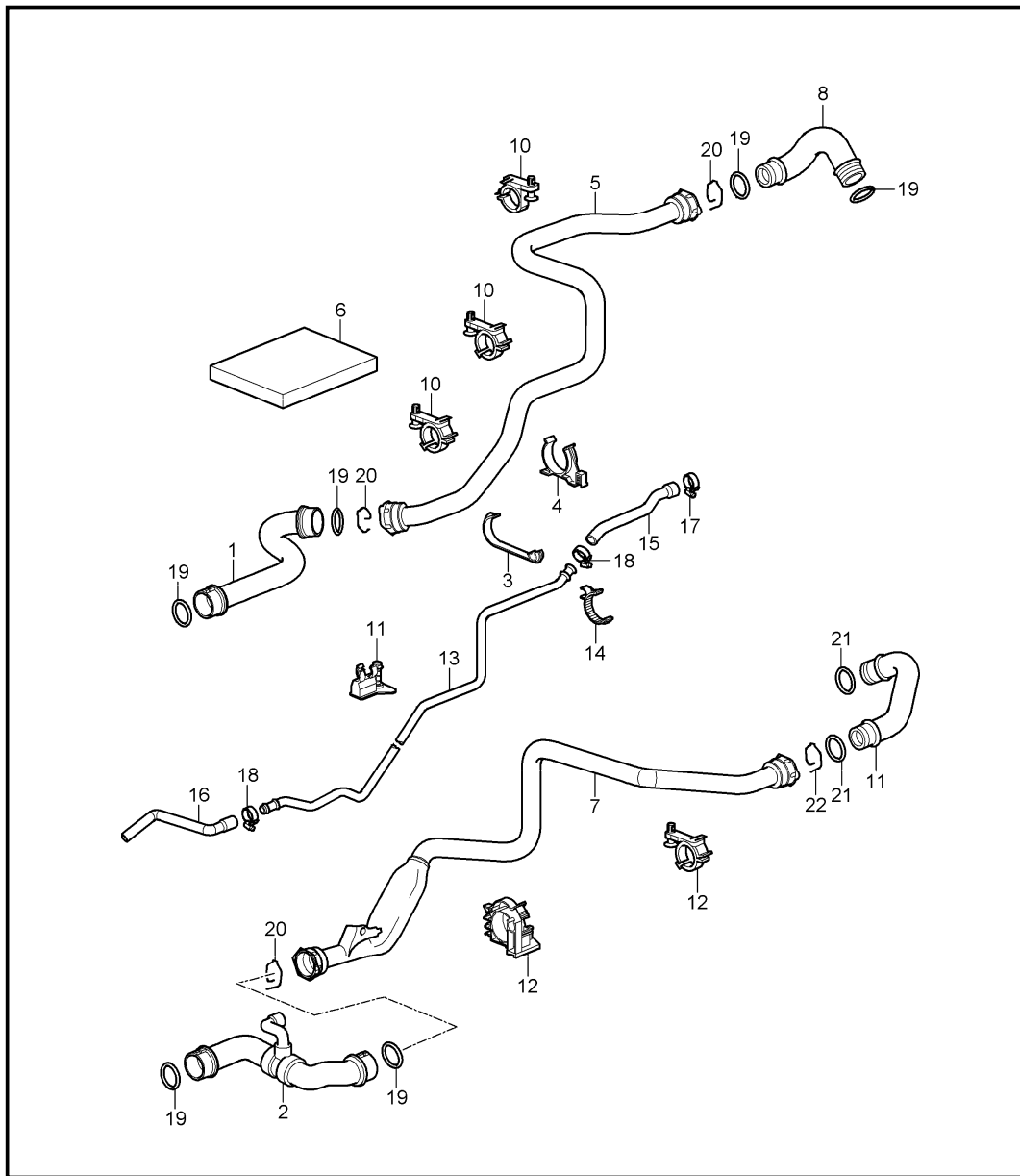
Pos	Part Number	Description	Remark	Qty	Model
		lines heating			M97.77
1	997 106 233 72	hose heating supply		1	
2	997 106 252 90	heater pipeline supply		1	
3	997 106 254 91	heater pipeline return line		1	
4	999 512 552 01	hose clamp 20- 32/9		3	
5	999 512 551 01	hose clamp 25 - 40/9		1	
6	997 106 455 71	support		2	
7	997 106 456 71	retaining bar		2	
8	900 385 111 01	torx screw M 6 X 55		2	
9	997 106 451 91	support		1	
10	999 651 300 40	hose holder 25,0 - 30,0		1	
11	996 106 434 74	hose supply		1	
12	996 106 422 78	hose return line		1	
13	999 507 728 40	support 18 - 19		1	

Model	Year	MG	SG	Illustration	Restrictions	UPD	15:33	26.01.2010	PORSCHE	PET	PORSCHE
GT3-2	2010	1	05	105-05		248					



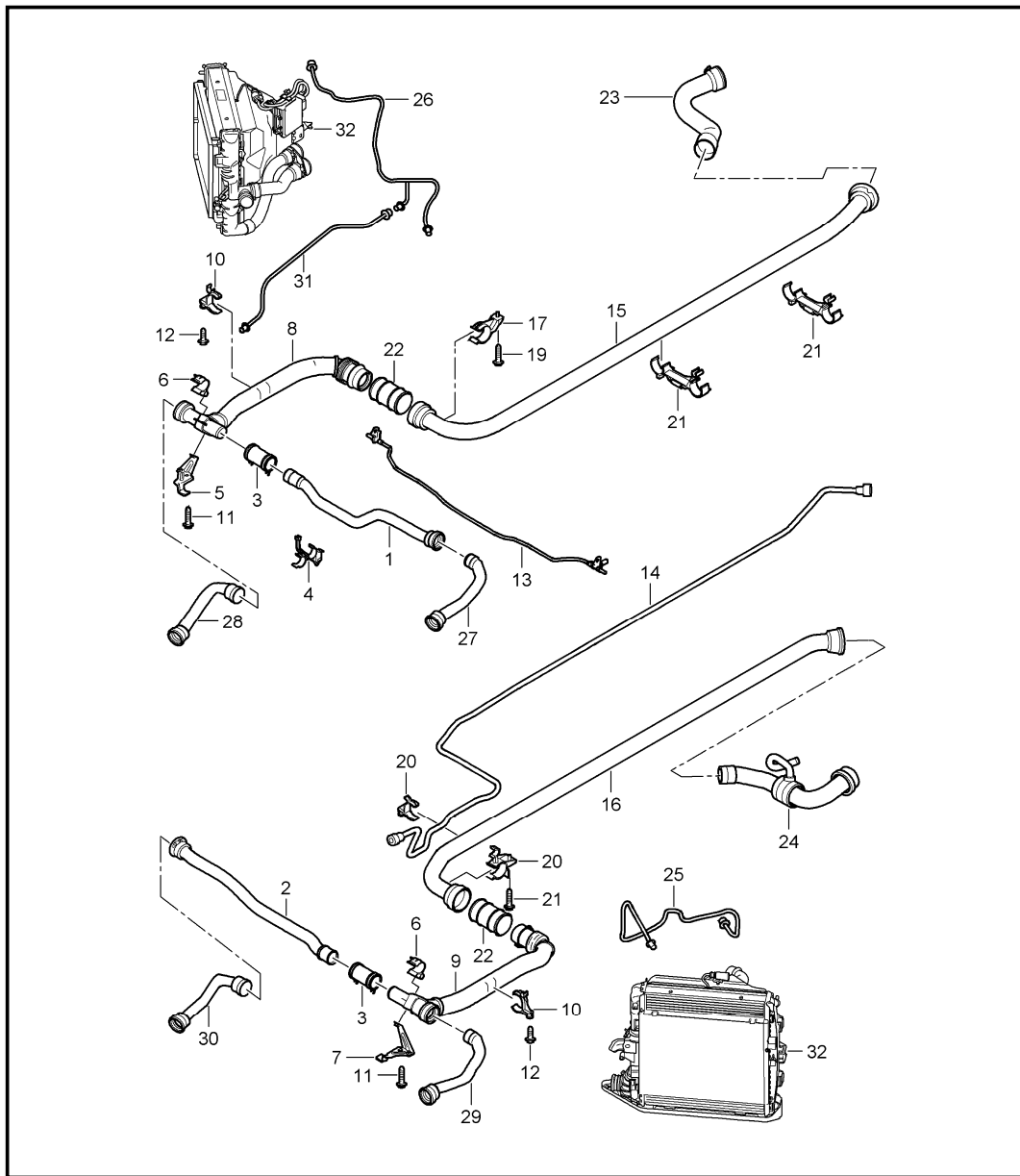
Pos	Part Number	Description	Remark	Qty	Model
		water cooling 1			M97.76
1	997 106 740 05	water hose supply		1	
2	997 106 889 92	water hose return line	07	1	
(2)	997 106 889 95	water hose return line	08-	1	
3	997 106 426 00	support		1	
4	997 106 427 01	support		1	
5	997 106 610 02	cooling water tube supply		1	
6	999 551 166 40	felt strip		1	
7	997 106 069 00	cooling water tube return line		1	
10	997 106 501 01	water hose supply		1	
11	997 106 502 00	water hose return line		1	
12	996 106 417 73	support		4	
13	997 106 428 01	support		1	
14	997 106 429 01	support		1	
15	997 106 682 03	vent line		1	
16	997 106 512 03	connection piece		1	
17	997 106 251 00	breather hose		1	
19	999 512 656 09	hose clamp 25 X 12		1	
20	999 512 463 00	hose clamp		2	
21	996 106 801 03	o-ring		8	
22	997 106 802 03	spring		4	

Model	Year	MG	SG	Illustration	Restrictions	UPD	15:33	26.01.2010	PORSCHE	PET	PORSCHE
GT3-2	2010	1	05	105-06		248					



Pos	Part Number	Description	Remark	Qty	Model
		water cooling 1			M97.77
1	997 106 740 06	water hose supply		1	
2	997 106 889 96	water hose return line		1	
3	997 106 426 00	support		1	
4	997 106 427 01	support		1	
5	997 106 610 31	cooling water tube supply		1	
7	997 106 809 91	cooling water tube return line		1	
8	997 106 501 01	water hose supply		1	
9	997 106 502 90	water hose return line		1	
10	996 106 417 73	support		4	
11	997 106 428 01	support		1	
12	997 106 429 01	support		1	
13	997 106 681 32	vent line		1	
14	997 106 512 03	connection piece		1	
15	997 106 251 01	breather hose		1	
17	999 512 656 09	hose clamp 25 X 12		1	
18	999 512 463 00	hose clamp		2	
19	996 106 801 03	o-ring		8	
20	997 106 802 03	spring		4	

Model	Year	MG	SG	Illustration	Restrictions	UPD	15:33	26.01.2010	PORSCHE	PET	PORSCHE
GT3-2	2010	1	05	105-10		248					



Pos	Part Number	Description	Remark	Qty	Model
		water cooling 2			M97.76
1	997 106 711 02	water tube cross tube supply		1	
2	997 106 720 02	water tube cross tube return line		1	
3	A 997 106 723 05	water hose		2	
4	997 106 525 01	support water tube cross tube centre		1	
5	997 106 574 02	support distributor tube right		1	
6	997 106 526 01	support cross tube upper		2	
7	997 106 573 02	support distributor tube left		1	
8	997 106 752 04	distributor tube supply		1	
9	997 106 751 04	distributor tube return line		1	
10	997 106 413 01	support distributor tube		2	
(10)	997 106 413 01	support distributor tube	/R	1	I601
(10)	997 106 414 00	support distributor tube	/L	1	I601
11	900 378 013 09	hexagon-head bolt M6 X 25		2	
12	900 378 036 09	hexagon-head bolt M6 X 12		2	
13	997 106 767 02	vent line transverse		1	
14	997 106 227 03	vent line tunnel		1	

Model	Year	MG	SG	Illustration	Restrictions	UPD	15:33	26.01.2010	PORSCHE	PET	PORSCHE
GT3-2	2010	1	05	105-10		248					

Pos	Part Number	Description	Remark	Qty	Model	Pos	Part Number	Description	Remark	Qty	Model
15	997 106 651 03	water tube supply tunnel		1							
16	997 106 652 03	return pipe tunnel		1							
17	997 106 520 02	support bulkhead right		1							
18	997 106 521 01	support bulkhead left		1							
19	900 378 035 01	hexagon-head bolt M6 X 16		2							
20	997 106 512 03	connection piece vent line		1							
21	997 106 540 02	support tunnel		2							
22	997 106 551 03	sleeve		2							
23	see illustrations 1/05/05		X							
24	see illustrations 1/05/05		X							
25	997 106 765 02	line	/L	1							
26	K 997 106 766 90	line	/R	1							
27	997 106 623 03	water hose supply	/L	1							
28	997 106 627 03	water hose supply	/R	1							
29	997 106 728 03	water hose return line	/L	1							
30	997 106 624 03	water hose return line	/R	1							
31	997 106 866 90	vent line	/R	1							
32		see illustrations 1/05/15									

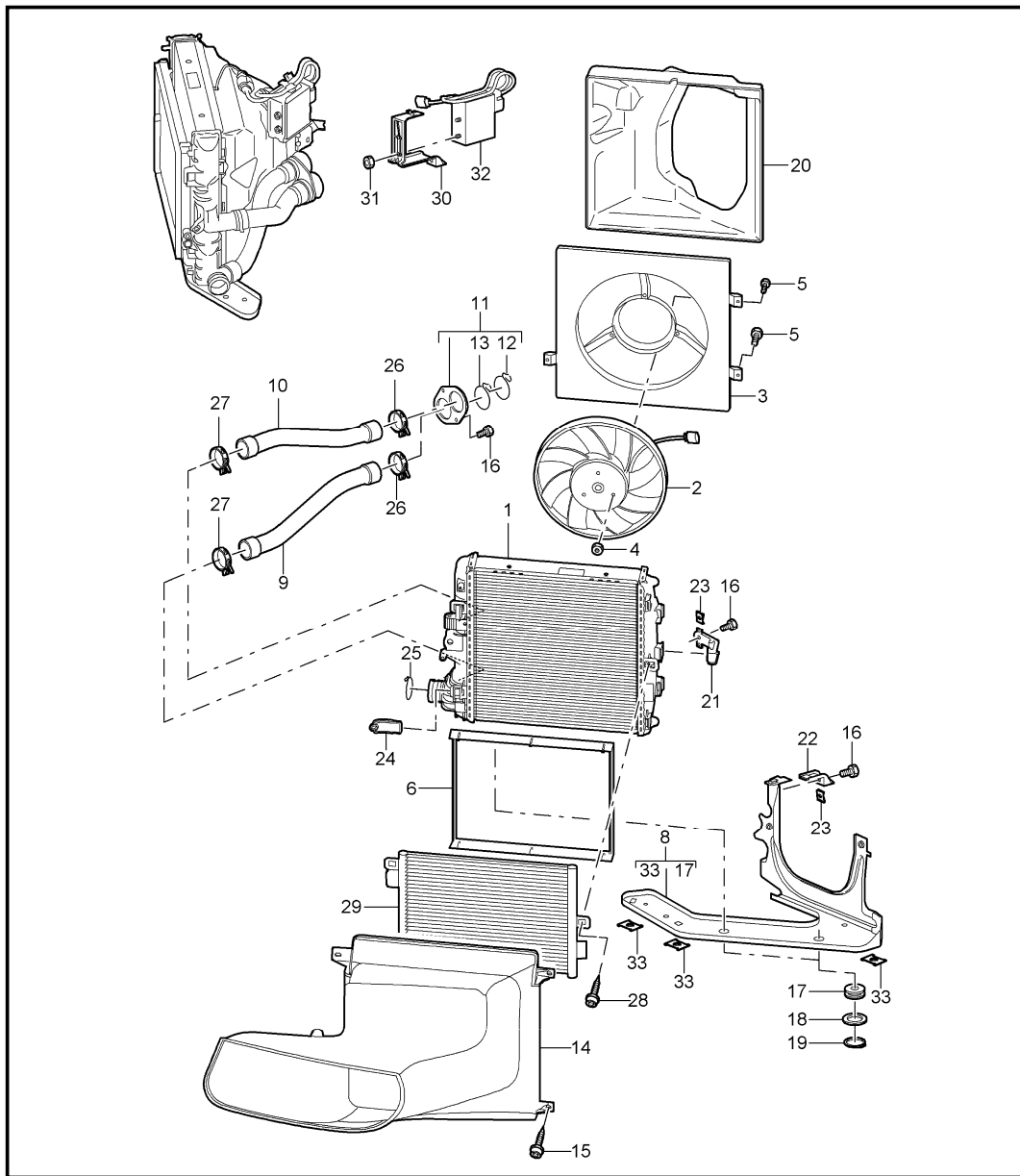
Model	Year	MG	SG	Illustration	Restrictions	UPD	15:34	26.01.2010
GT3-2	2010	1	05	105-11		248		

Pos	Part Number	Description	Remark	Qty	Model
		water cooling 2			M97.77
1	997 106 711 02	water tube cross tube supply		1	
2	997 106 720 02	water tube cross tube return line		1	
3	997 106 723 07	water hose		2	
4	997 106 525 01	support water tube cross tube centre		1	
5	997 106 574 02	support distributor tube right		1	
6	997 106 526 01	support cross tube upper		2	
7	997 106 573 02	support distributor tube left		1	
8	997 106 752 04	distributor tube supply	/L	1	
9	997 106 751 04	distributor tube return line	/R	1	
10	997 106 413 01	support distributor tube		2	
(10)	997 106 413 01	support distributor tube	/R	1	I601
(10)	997 106 414 00	support distributor tube	/L	1	I603
11	900 378 013 01	hexagon-head bolt M6 X 25		2	
12	900 378 036 01	hexagon-head bolt M6 X 12		2	
13	997 106 767 02	vent line transverse		1	
14	997 106 227 03	vent line tunnel		1	
15	997 106 651 90	water tube supply tunnel		1	

Model	Year	MG	SG	Illustration	Restrictions	UPD	15:34	26.01.2010
GT3-2	2010	1	05	105-11		248		

Pos	Part Number	Description	Remark	Qty	Model
16	997 106 652 90	return pipe tunnel		1	
17	997 106 520 02	support bulkhead right		1	
18	997 106 521 01	support bulkhead left		1	
19	900 378 035 01	hexagon-head bolt M6 X 16		2	
20	997 106 512 03	connection piece vent line		1	
(20)	997 106 512 03	connection piece vent line		2	I474
21	997 106 540 02	support tunnel		2	
22	997 106 551 03	sleeve		2	
23		see illustrations 1/05/06		X	
24		see illustrations 1/05/06		X	
25	997 106 765 02	line	/L	1	
26	997 106 766 02	line	/R	1	
27	997 106 623 03	water hose supply	/L	1	
28	997 106 627 03	water hose supply	/R	1	
29	997 106 728 03	water hose return line	/L	1	
30	997 106 624 03	water hose return line	/R	1	
31		see illustrations 105-16			
33	997 106 866 90	vent line	/R	1	

Model	Year	MG	SG	Illustration	Restrictions	UPD	15:34	26.01.2010	PORSCHE	PET	PORSCHE
GT3-2	2010	1	05	105-15		248					

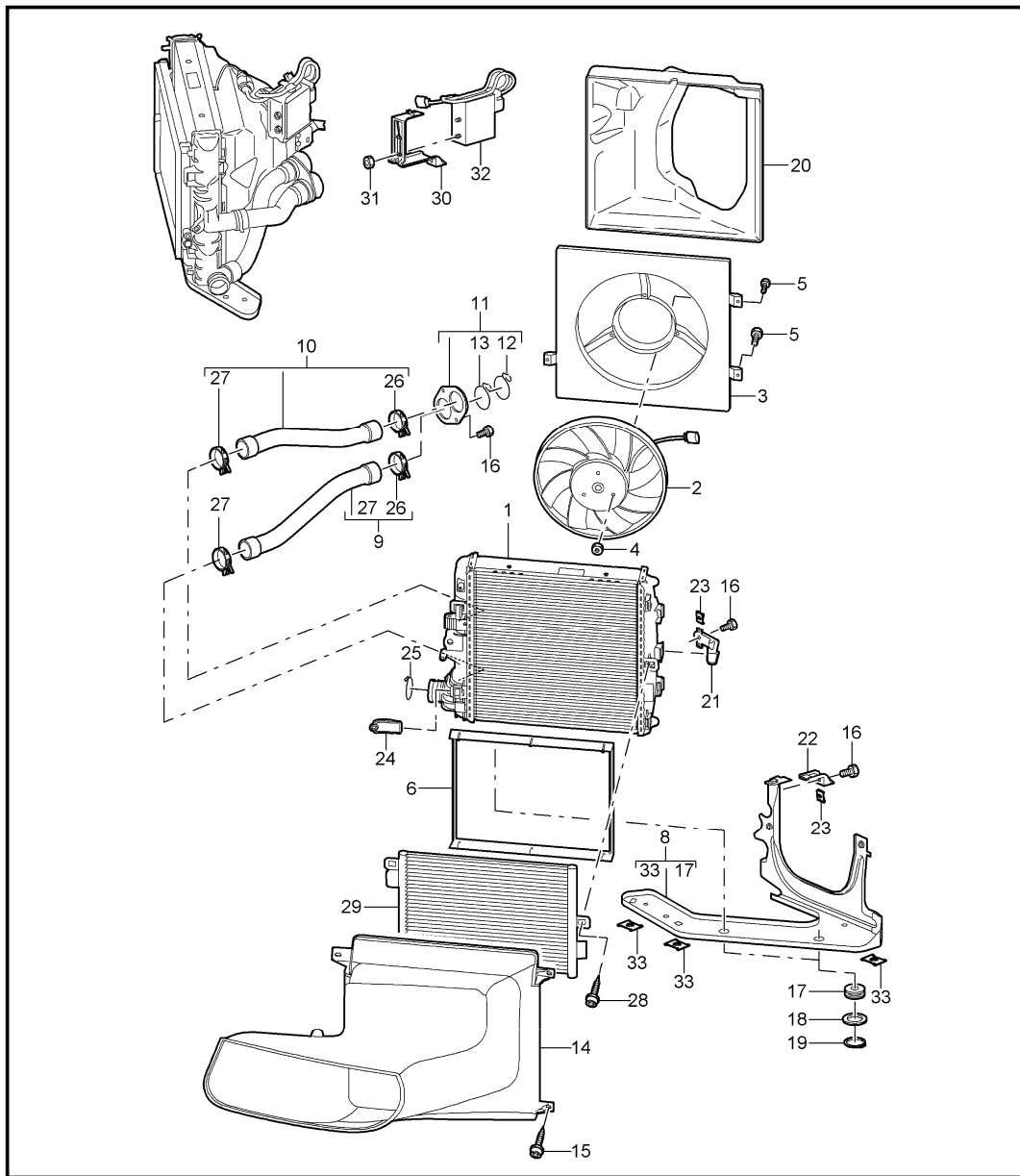


Pos	Part Number	Description	Remark	Qty	Model
		water cooling 3			M97.76
1	997 106 131 02	radiator	/L	1	
(1)	997 106 132 02	radiator	/R	1	
2	997 624 136 02	fan	/R	1	
(3) K	997 106 135 90	sealing frame	/L	1	
3	997 624 132 02	air box	/R	1	
4	900 377 001 02	hexagon nut M 6		6	
5	999 919 125 09	hexagon-head bolt M 6 X 16		4	
6	997 573 711 00	sealing frame		2	
8	997 106 155 01	bracket	/L	1	
(8)	997 106 156 01	bracket	/R	1	
9	997 106 621 03	water hose supply	/L	1	
(9)	997 106 622 03	water hose supply	/R	1	
10	997 106 625 03	water hose return line	/L	1	
10	997 106 626 03	water hose return line	/R	1	
11	997 106 255 02	connecting piece		2	
12	997 106 802 01	spring SCB 33		2	
13	997 106 802 02	spring SCB 36		2	
14	997 575 321 02	air duct	/L	1	
(14)	997 575 322 02	air duct	/R	1	
15	999 919 134 09	oval-head screw M 6 X 16		6	
16	900 385 009 01	torx screw M 6 X 16		6	
17	999 703 494 40	rubber mounting 15 X 19,5		4	

Model	Year	MG	SG	Illustration	Restrictions	UPD	15:34	26.01.2010	PORSCHE	PET	PORSCHE
GT3-2	2010	1	05	105-15		248					

Pos	Part Number	Description	Remark	Qty	Model	Pos	Part Number	Description	Remark	Qty	Model
18	999 025 255 02	washer 16,1 X 32 X 0,5		4							
19	999 166 083 09	tab washer B 25		4							
20	997 575 341 00	air duct	/L	1							
(20)	997 575 342 00	air duct	/R	1							
21	997 106 232 01	support outer		2							
22	997 106 455 00	support left		1							
23	999 591 350 02	speed nut ST 4,8		4							
24	997 106 231 02	support inner		2							
25	997 106 802 00	spring SCB 26 42-12-08		2							
28	999 919 125 09	hexagon-head bolt 6 X 16		1							
29		condenser see illustrations 8/13/25		1							
30	997 106 456 00	support right		1							
31	900 377 010 01	hexagon nut M 6		2							
32		control unit cooling air control see illustrations 9/01/03		1							
33	999 591 329 01	speed nut ST 4,8		3							

Model	Year	MG	SG	Illustration	Restrictions	UPD	15:34	26.01.2010	PORSCHE	PET	PORSCHE
GT3-2	2010	1	05	105-16		248					

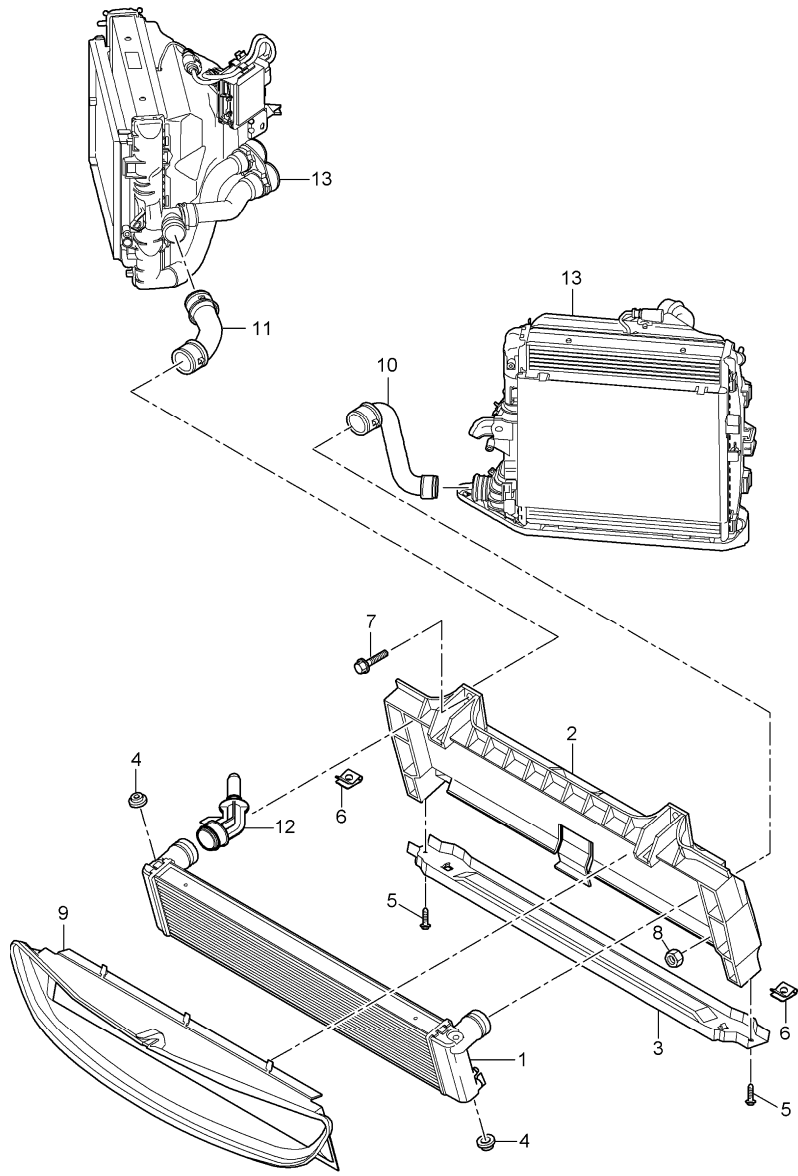


Pos	Part Number	Description	Remark	Qty	Model
		water cooling 3			M97.77
1	997 106 131 02	radiator	/L	1	
(1)	997 106 132 02	radiator	/R	1	
2	997 624 128 02	fan	/R	1	
4	900 377 001 02	hexagon nut M 6		6	
5	999 919 125 09	hexagon-head bolt M 6 X 16		4	
6	997 573 711 00	sealing frame		2	I573
8	997 106 155 01	bracket	/L	1	
(8)	997 106 156 01	bracket	/R	1	
9	997 106 621 05	water hose supply with clamp	/L	1	
(9)	997 106 622 04	water hose supply with clamp	/R	1	
10	997 106 625 04	water hose return line with clamp	/L	1	
(10)	997 106 626 05	water hose return line with clamp	/R	1	
11	997 106 255 02	connecting piece		2	
12	997 106 802 01	spring SCB 33		2	
13	997 106 802 02	spring SCB 36		2	
14	997 575 321 91	air duct	/L	1	
(14)	997 575 322 91	air duct	/R	1	
15	999 919 134 09	oval-head screw M 6 X 16		6	
16	900 385 009 01	torx screw M 6 X 16		6	

Model	Year	MG	SG	Illustration	Restrictions	UPD	15:34	26.01.2010	PORSCHE	PET	PORSCHE
GT3-2	2010	1	05	105-16		248					

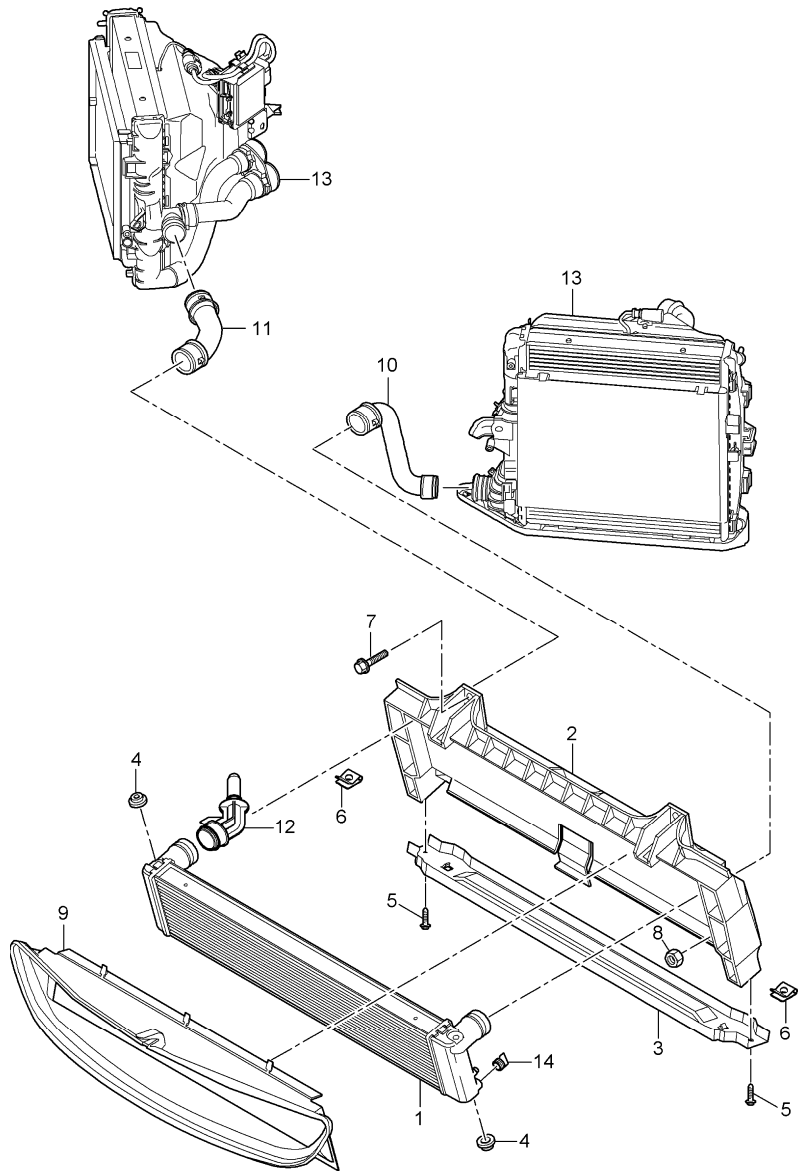
Pos	Part Number	Description	Remark	Qty	Model	Pos	Part Number	Description	Remark	Qty	Model
17	999 703 494 40	rubber mounting 15 X 19,5		4							
18	999 025 255 01	washer 16,1 X 32 X 0,5		4							
19	999 166 083 09	tab washer B 25		4							
20	997 575 341 00	air duct	/L	1							
(20)	997 575 342 00	air duct	/R	1							
21	997 106 232 01	support outer		2							
22	997 106 455 00	support left		1							
23	999 591 350 01	speed nut ST 4,8		4							
24	997 106 231 02	support inner		2							
25	997 106 802 00	spring SCB 26		2							
28	999 919 125 09	hexagon-head bolt M6 X 16		4							
(28)	999 919 125 09	hexagon-head bolt M6 X 16		2	I573						
29		condenser see illustrations 8/13/25		1							
30	997 106 456 00	support right		1							
31	900 377 010 01	hexagon nut M 6		2							
32		control unit cooling air control see illustrations 9/01/03		1							
33	999 591 329 01	speed nut ST 4,8		3							

Model	Year	MG	SG	Illustration	Restrictions	UPD	15:34	26.01.2010	PORSCHE	PET	PORSCHE
GT3-2	2010	1	05	105-17		248					



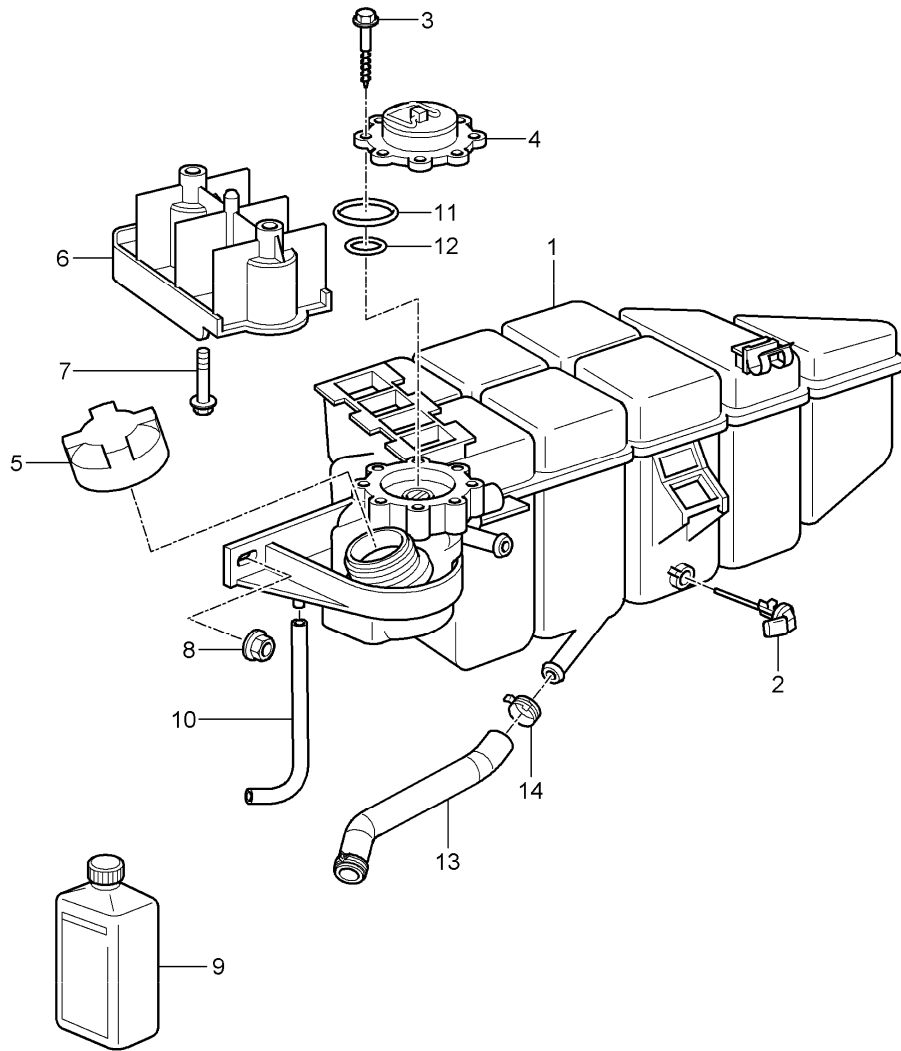
Pos	Part Number	Description	Remark	Qty	Model
		radiator centre			M97.76
1	A 996 106 037 73	radiator		1	
1	996 106 037 75	radiator		1	
2	997 504 487 90	retaining frame		1	
3	997 504 485 80	retaining frame		1	
4	930 113 430 00	rubber mounting		4	
5	900 378 035 01	hexagon-head bolt M 6 X 16		2	
6	999 591 882 02	speed nut M 6		2	
7	999 072 048 09	hexagon-head bolt M 8 X 25		2	
8	999 084 447 09	hexagon nut M 8		2	
9	997 575 141 90	air duct		1	
10	997 106 638 90	water hose supply		1	
11	997 106 639 90	water hose return line		1	
12	997 106 565 00	adapter radiator		1	
13		see illustrations 1/05/15			

Model	Year	MG	SG	Illustration	Restrictions	UPD	15:34	26.01.2010	PORSCHE	PET	PORSCHE
GT3-2	2010	1	05	105-18		248					



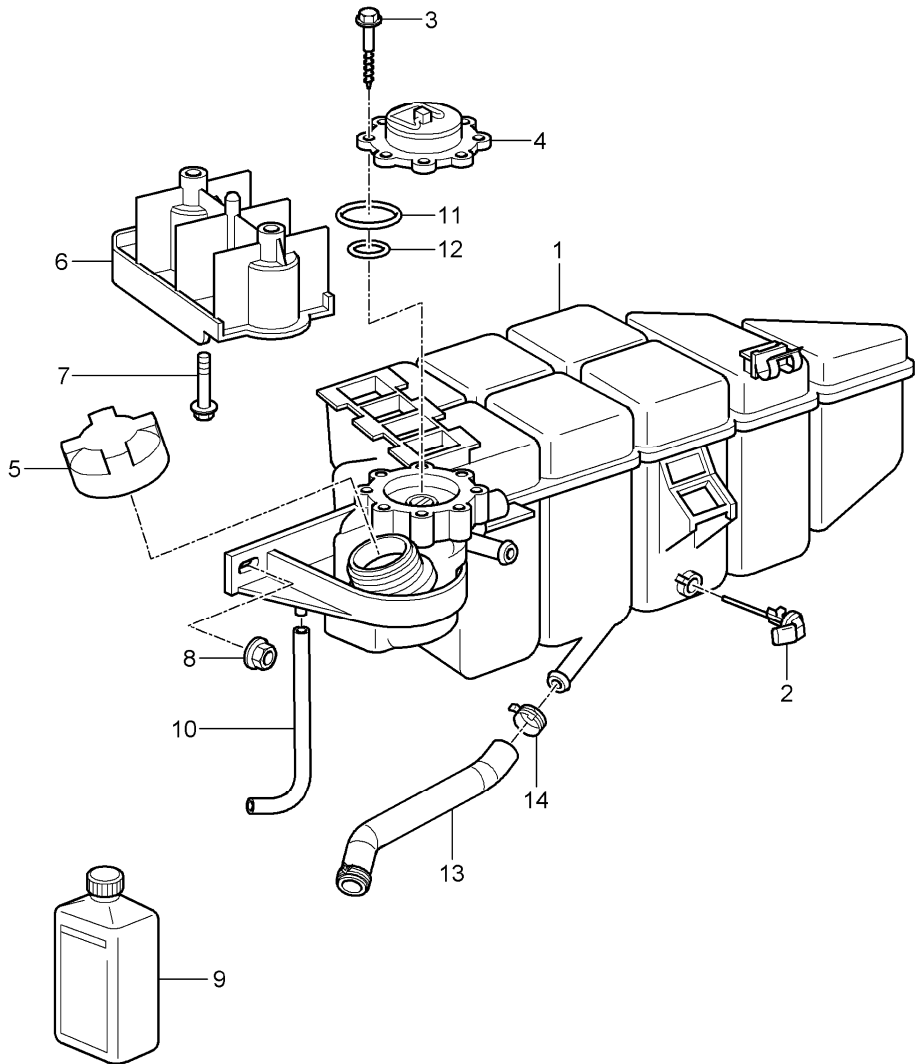
Pos	Part Number	Description	Remark	Qty	Model
		radiator centre			M97.77
1	996 106 037 75	radiator		1	
2	997 504 487 92	retaining frame		1	
3	997 504 485 80	retaining frame		1	
4	930 113 430 00	rubber mounting		4	
5	900 378 035 01	hexagon-head bolt M 6 X 16		2	
6	999 591 882 01	speed nut M 6		2	
7	999 072 048 01	hexagon-head bolt M 8 X 25		2	
8	999 084 447 01	hexagon nut M 8		2	
9	997 575 141 91	air duct		1	
10	997 106 638 91	water hose supply		1	
11	997 106 639 91	water hose return line		1	
12	997 106 565 00	adapter radiator		1	
13		see illustrations 1/05/15			
14	996 106 545 71	stopper radiator		1	
-- P	997 504 489 80	air duct		1	
-- P	999 049 029 01	hexagon nut T5		2	

Model	Year	MG	SG	Illustration	Restrictions	UPD	15:34	26.01.2010	PORSCHE	PET	PORSCHE
GT3-2	2010	1	05	105-20		248					



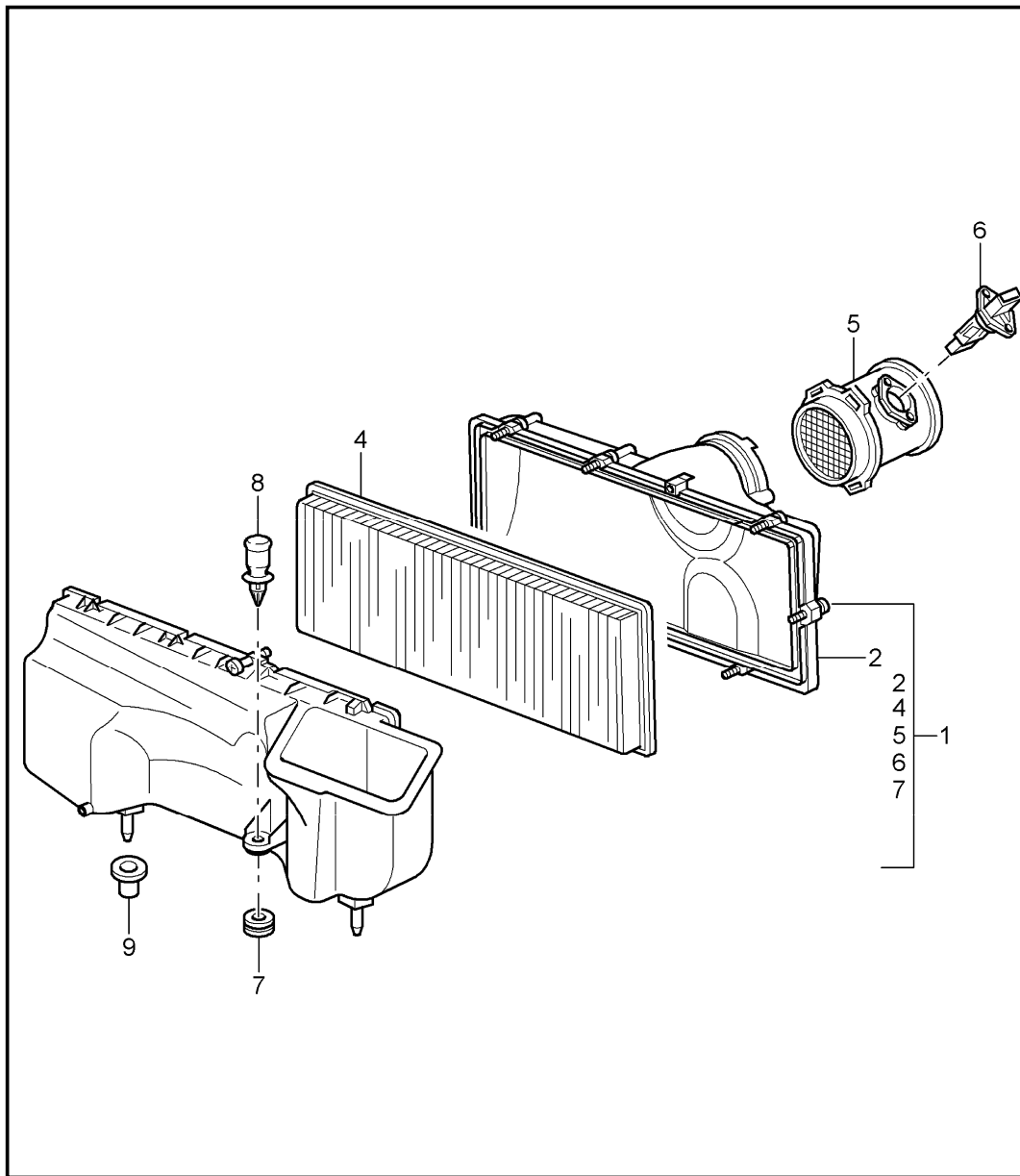
Pos	Part Number	Description	Remark	Qty	Model
		water cooling 4			M97.76
1	996 106 157 03	water reservoir		1	
2	997 641 503 00	switch		1	
3	999 919 058 02	hexagon-head bolt 5,0 X 40		8	
4	996 106 347 02	bleeder valve		1	
5	996 106 447 01	lid see technical manual group 1 Nr.190101		1	
6	996 106 405 52	support		1	
7	900 378 141 09	hexagon-head bolt M 6 X 35		2	
8	999 076 071 02	hexagon nut M 6		1	
9	000 043 301 03	antifreeze 1 LTR. container		X	
(9)	000 043 301 04	antifreeze 20 LTR. container		X	
10	996 106 297 04	overflow hose		1	
11	999 707 370 40	o-ring 47 X 4		1	
12	999 707 371 40	o-ring 17 X 4		1	
13	997 106 350 00	water hose		1	
14	999 512 660 09	hose clamp 29 X 12		1	

Model	Year	MG	SG	Illustration	Restrictions	UPD	15:35	26.01.2010	PORSCHE	PET	PORSCHE
GT3-2	2010	1	05	105-21		248					



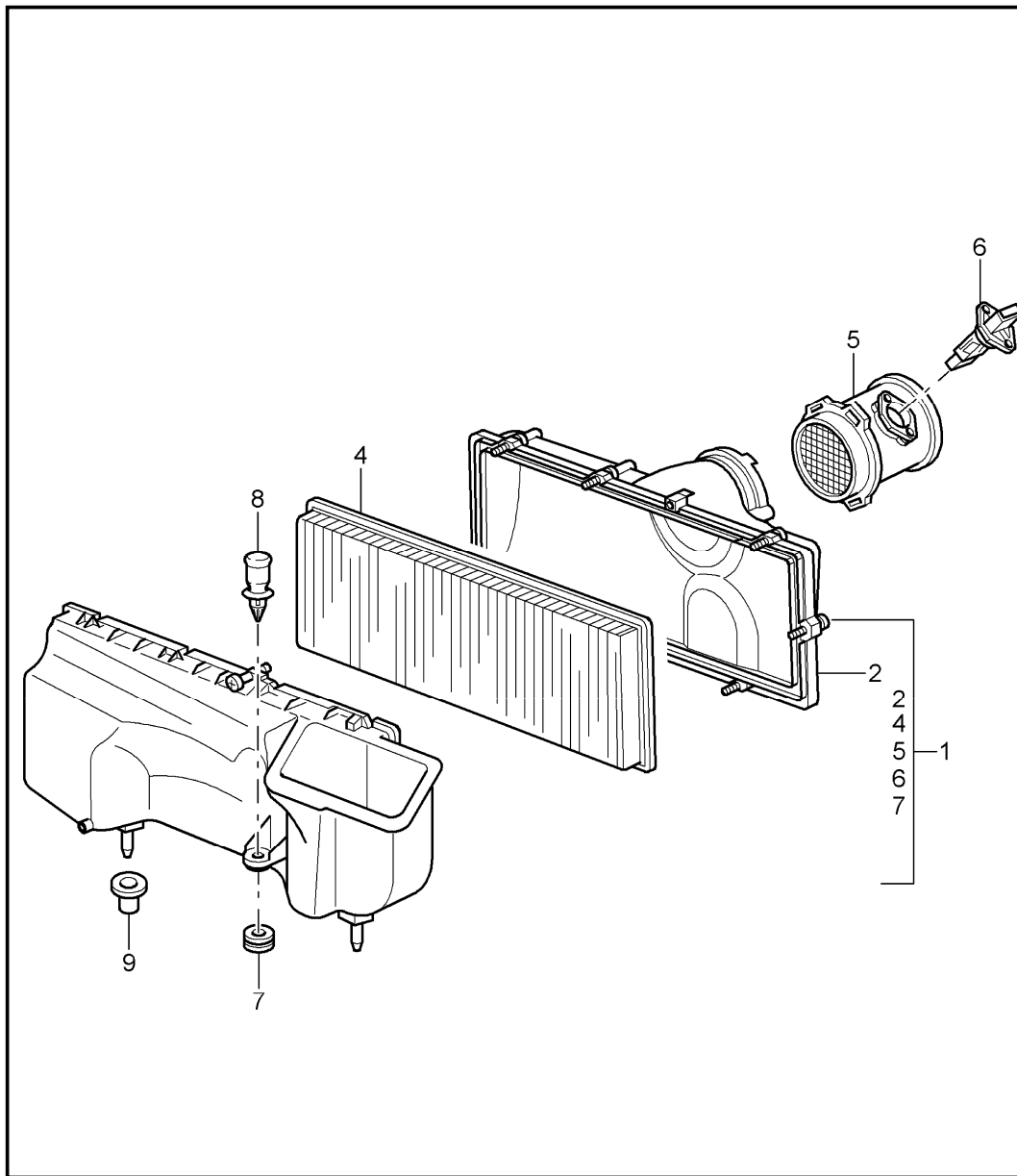
Pos	Part Number	Description	Remark	Qty	Model
		water cooling 4			M97.77
1	996 106 157 03	water reservoir		1	
2	997 641 503 00	switch		1	
3	999 919 058 01	hexagon-head bolt 5,0 X 40		8	
4	996 106 347 02	bleeder valve		1	
5	996 106 447 04	lid see technical manual group 1 Nr.190101		1	
6	996 106 405 52	support		1	
7	900 378 141 01	hexagon-head bolt M 6 X 35		2	
8	999 076 071 02	hexagon nut M 6		1	
9	000 043 301 03	antifreeze 1 LTR. container		X	
(9)	000 043 301 04	antifreeze 20 LTR. container		X	
10	996 106 297 05	overflow hose		1	
11	999 707 370 40	o-ring 47 X 4		1	
12	999 707 371 40	o-ring 17 X 4		1	
13		water hose see illustrations 105-01 / POS.24			
14	999 512 660 09	hose clamp 29 X 12		1	

Model	Year	MG	SG	Illustration	Restrictions	UPD	15:35	26.01.2010	PORSCHE	PET	PORSCHE
GT3-2	2010	1	06	106-00		248					



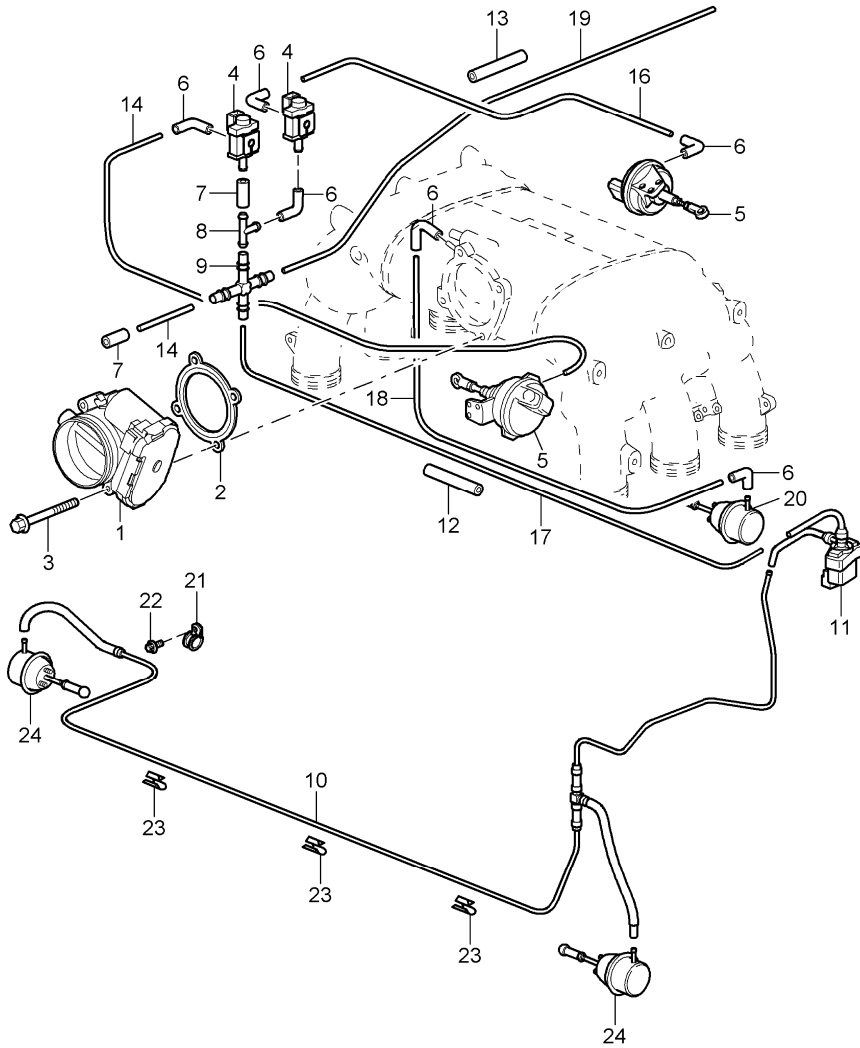
Pos	Part Number	Description	Remark	Qty	Model
		air cleaner			M97.76
1	997 110 021 90	air cleaner		1	
2	996 110 121 93	air cleaner		1	
4	996 110 131 71	air cleaner cartridge		1	
5	997 110 321 90	pipe for mass air flow meter		1	
6	986 606 125 01	mass air flow meter		1	
7	999 702 246 40	grommet 12,0 X 25,6 X 17		1	
8	997 110 137 01	clip		1	
9	999 703 478 40	bush		1	

Model	Year	MG	SG	Illustration	Restrictions	UPD	15:35	26.01.2010	PORSCHE	PET	PORSCHE
GT3-2	2010	1	06	106-01		248					



Pos	Part Number	Description	Remark	Qty	Model
		air cleaner			M97.77
1	997 110 021 92	air cleaner		1	I004
2	997 110 121 92	air cleaner housing		1	I004
3	997 110 122 92	air cleaner housing lower part		1	I004
4	997 110 131 74	air cleaner cartridge		1	I004
5	997 110 321 92	pipe for mass air flow meter		1	I004
6	997 606 125 00	mass air flow meter		1	
7	999 702 246 40	grommet 12,0 X 25,6 X 17		1	
8	997 110 137 01	clip		1	
9	999 703 267 40	bush		1	

Model	Year	MG	SG	Illustration	Restrictions	UPD	15:35	26.01.2010	PORSCHE	PET	PORSCHE
GT3-2	2010	1	07	107-00		248					



Pos	Part Number	Description	Remark	Qty	Model
		throttle body			M97.76
1	997 605 116 01	throttle body		1	
2	997 110 319 90	gasket		1	
3	900 385 070 01	torx screw M 6 X 50		4	
4	996 605 123 01	change-over valve		2	
5		see illustrations 1/07/10		1	
6	928 574 717 03	moulded hose		7	
7	999 239 040 40	connecting piece		2	
8	999 137 004 40	t-piece		1	
9	928 573 729 03	distributing piece		1	
10	997 110 161 91	control line		1	
11	997 110 163 90	control line with change-over valve		1	
12	999 614 015 40	insulating hose 10 X 0,7 X 150		1	
13	999 614 013 40	insulating hose 10 X 0,7 X 250		1	
--	999 181 742 40	pipe 4,0 X 1,0		X	
14		230 MM		1	
15		335 MM		1	
16		360 MM		1	
17		450 MM		1	
18		580 MM		1	
19	900 918 011 40	pipe 4,0 X 1,0 1200 MM		1	
20		see illustrations 1/07/05			
21	999 512 429 01	clamp 6 X 15		1	

Model	Year	MG	SG	Illustration	Restrictions	UPD	15:35	26.01.2010	PORSCHE	PET	PORSCHE
GT3-2	2010	1	07	107-00		248					

Pos	Part Number	Description	Remark	Qty	Model	Pos	Part Number	Description	Remark	Qty	Model
22	900 385 041 01	torx screw M 6 X 12		1							
23	999 652 326 03	cable clamp 3,5 - 4,0		3							
24		vacuum unit not available front muffler use see illustrations 2/02/00		2							

Model	Year	MG	SG	Illustration	Restrictions	UPD	15:35	26.01.2010
GT3-2	2010	1	07	107-01		248		

Pos	Part Number	Description	Remark	Qty	Model
		throttle body control line flap exhaust gas			M97.77
1	997 605 116 01	throttle body		1	
2	997 110 319 90	gasket		1	
3	900 385 070 01	torx screw M 6 X 50		4	
4	996 605 123 01	change-over valve		2	
5		see illustrations 1/07/11		1	
6	928 574 717 05	moulded hose		6	
7	999 239 040 40	connecting piece		2	
8	928 573 727 05	y-piece triple		1	
9	928 573 729 05	distributing piece fourfold		1	
10	997 110 161 93	control line		1	
11	997 110 163 90	control line with change-over valve		1	
12	900 918 078 40	pipe 4 x 1 x 75		1	
13	999 614 013 40	insulating hose 10 X 0,7 X 250		1	
14	900 918 060 40	pipe 4 x 1 x 300		2	
15	900 918 067 40	pipe 4 x 1 x 350		1	
16	900 918 080 40	pipe 4 x 1 x 530		1	
17	900 918 017 40	pipe 4 x 1 x 580		1	
18	900 385 009 01	torx screw M 6 x 16		3	
19	999 512 429 01	clamp 6 x 15		3	
20	900 377 010 01	hexagon nut M 6		3	

PORSCHE

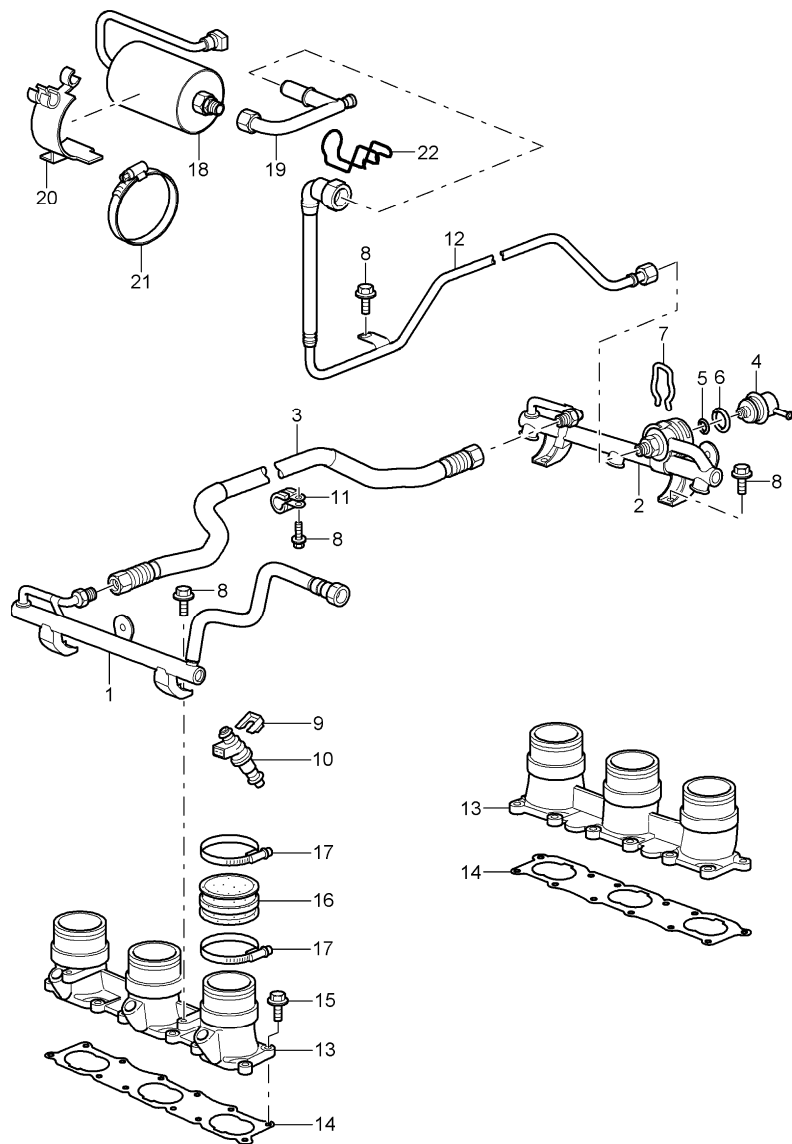
PET

PORSCHE

Model	Year	MG	SG	Illustration	Restrictions	UPD	15:35	26.01.2010
GT3-2	2010	1	07	107-01		248		

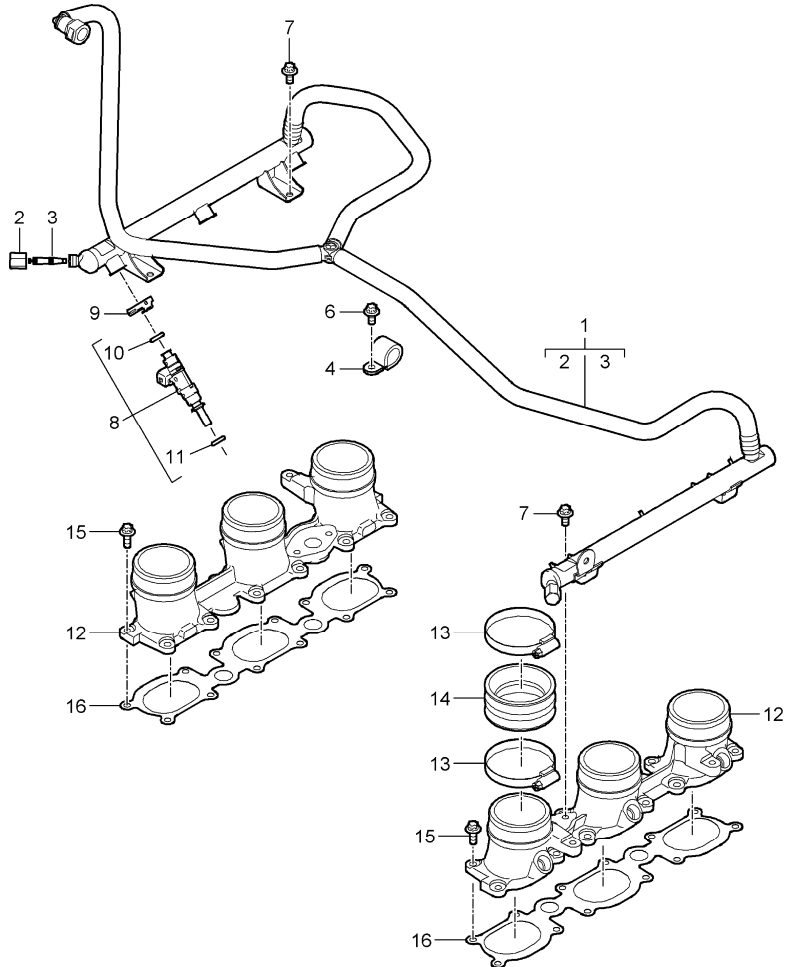
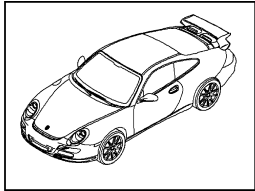
Pos	Part Number	Description	Remark	Qty	Model
21	997 110 597 90	retaining bracket		2	
22	999 507 506 40	cable holder		2	
23	999 512 527 00	clamp 8,5 - 10		2	
24		vacuum unit not available front muffler use see illustrations 2/02/01		2	

Model	Year	MG	SG	Illustration	Restrictions	UPD	15:36	26.01.2010	PORSCHE	PET	PORSCHE
GT3-2	2010	1	07	107-05		248					



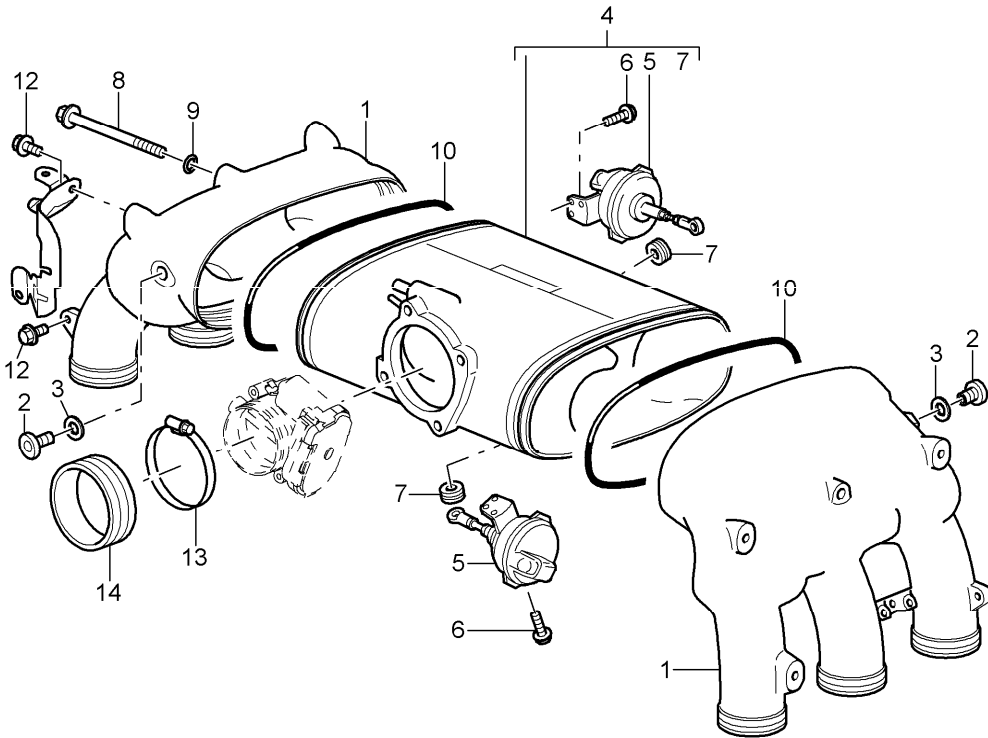
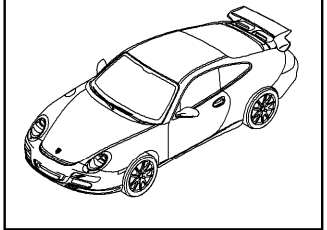
Pos	Part Number	Description	Remark	Qty	Model
		fuel collection pipe			M97.76
1	K 997 110 307 91	fuel collection pipe cyl. 1 - 3		1	
2	K 997 110 308 90	fuel collection pipe cyl. 4 - 6		1	
3	K 997 110 309 90	fuel hose		1	
4	997 110 199 70	pressure regulator		1	
5	999 707 276 40	o-ring 5 X 2,5		1	
6	999 707 277 40	o-ring 20 X 2,5		1	
7	993 110 196 00	retaining clip		1	
8	900 385 041 01	torx screw M 6 X 12		7	
9	996 110 113 52	retaining clip		6	
10	997 605 132 90	injector valve		6	
11	999 511 177 02	clamp 20 X 15		1	
12	K 997 110 324 91	return line		1	
13	K 997 110 101 90	intake manifold		2	
14	996 110 103 93	gasket		2	
15	900 385 009 01	torx screw M 6 X 16		24	
16	K 996 110 687 90	rubber sleeve		6	
17	999 512 349 02	hose clamp 50 - 70/9		12	
18	996 110 253 52	fuel filter		1	
19	997 110 065 00	bleeder valve		1	
20	997 110 257 03	support		1	
21	999 512 390 00	hose clamp 60- 80/13		1	
22	997 110 267 70	safety clip		1	

Model	Year	MG	SG	Illustration	Restrictions	UPD	15:36	26.01.2010	PORSCHE	PET	PORSCHE
GT3-2	2010	1	07	107-06		248					



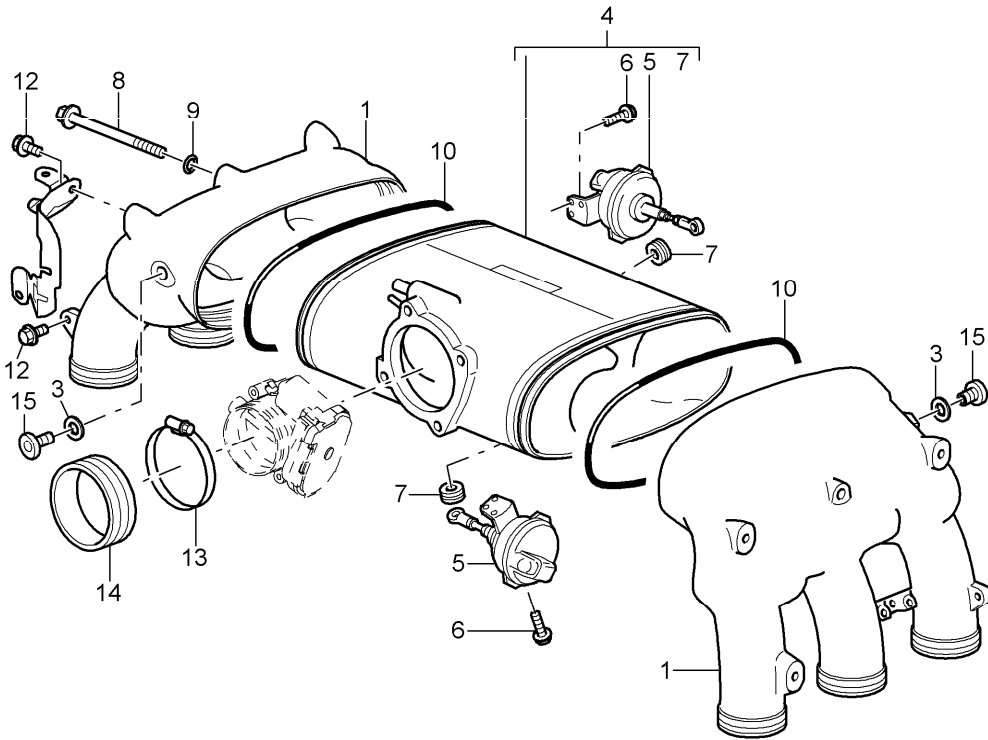
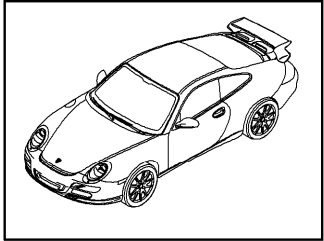
Pos	Part Number	Description	Remark	Qty	Model
		fuel collection pipe			M97.77
1	997 110 031 91	fuel collection pipe		1	
2	997 110 218 00	cap valve		2	
3	993 110 217 00	valve		2	
4	999 511 066 01	clamp 18 x 15		1	
6	900 385 009 01	torx screw M6 x 16		1	
7	900 385 041 01	torx screw M6 x 12		4	
8	997 605 132 90	injector valve		6	
9	996 110 113 53	retaining clip		6	
12	997 110 101 90	intake manifold		2	
13	999 512 349 02	hose clamp 50 - 70/9		12	
14	996 110 687 90	rubber sleeve		6	
15	900 385 019 01	torx screw M6 x 20		24	
16	996 110 103 93	gasket		2	

Model	Year	MG	SG	Illustration	Restrictions	UPD	15:36	26.01.2010	PORSCHE	PET	PORSCHE
GT3-2	2010	1	07	107-10		248					



Pos	Part Number	Description	Remark	Qty	Model
		intake distributor			M97.76
1	997 110 619 90	intake distributor		2	
2	900 219 004 01	screw plug M 16 X 1,5		2	
3	900 123 131 30	sealing ring A 16 X 20		2	
4	997 110 116 90	distributor tube		1	
5	993 110 462 02	vacuum unit		2	
6	999 146 007 01	round head screw M 5 X 16		4	
7	999 113 477 40	shaft sealing ring 8 X 16 X 7		2	
8	900 378 280 02	hexagon-head bolt M 6 X 130		2	
9	N 013 804 2	sealing ring 6 X 10		2	
10	900 331 056 40	o-ring 180 X 3,0		2	
11	997 605 665 90	support change-over valve		1	
12	900 385 041 01	torx screw M 6 X 12		2	
13	A 999 512 539 00	hose clamp 90 - 110/9		1	
13	999 512 539 01	hose clamp 90 - 110/9		1	
14	997 110 621 90	rubber sleeve		1	
15	997 110 728 90	nipple		1	
16	N 013 802 1	sealing ring		1	

Model	Year	MG	SG	Illustration	Restrictions	UPD	15:36	26.01.2010	PORSCHE	PET	PORSCHE
GT3-2	2010	1	07	107-11		248					

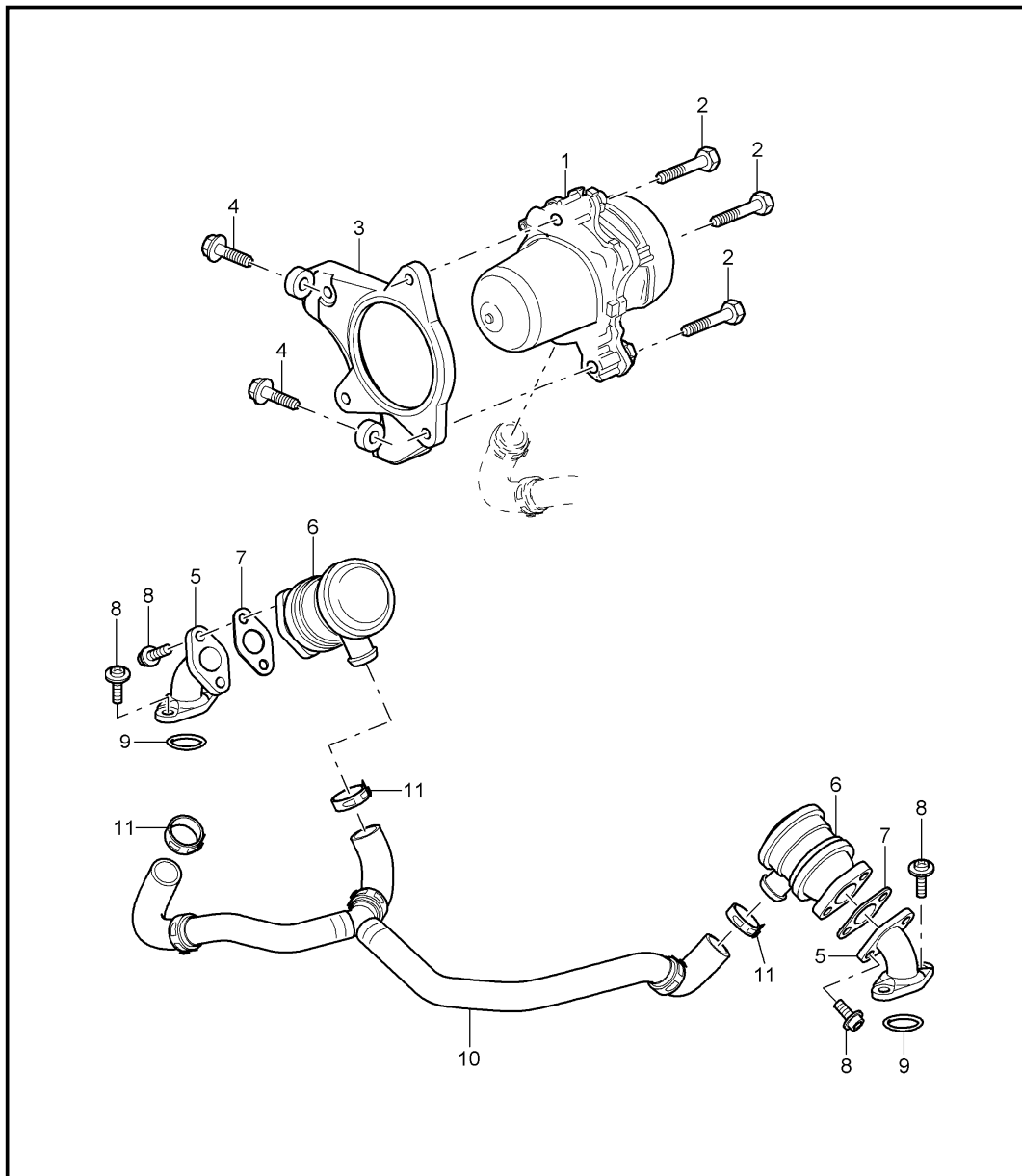


Pos	Part Number	Description	Remark	Qty	Model
		intake distributor			M97.77
1	997 110 619 90	intake distributor		2	
1	997 110 619 91	intake distributor cyl. 1 - 3		1	I004
2	997 110 620 91	intake distributor cyl. 4 - 6		1	I004
3	900 123 131 30	sealing ring A 16 x 20		2	
4	997 110 116 90	distributor tube		1	
4	997 110 116 91	distributor tube		1	I004
5	993 110 462 02	vacuum unit		2	
6	999 146 007 01	round head screw M 5 X 16		4	
7	999 113 477 40	shaft sealing ring 8 X 16 X 7		2	
8	900 385 122 01	torx screw M 6 X 100		2	I004
9	N 013 804 2	sealing ring 6 X 10		2	
10	900 331 056 40	o-ring 180 X 3,0		2	
11	997 605 665 92	support change-over valve		1	
12	900 385 041 01	torx screw M 6 X 12		2	
13	999 512 539 01	hose clamp 90 - 110/9		1	
14	997 110 621 90	rubber sleeve		1	
15	900 219 004 01	screw plug M 16 x 1,5		2	
16	996 110 530 90	grommet temperature sensor		1	
(16)	993 110 530 01	grommet temperature sensor		1	I004
17	997 110 728 90	nipple		1	
18	N 013 802 1	sealing ring		1	

Model	Year	MG	SG	Illustration	Restrictions	UPD	15:36	26.01.2010	PORSCHE	PET	PORSCHE
GT3-2	2010	1	07	107-11		248					

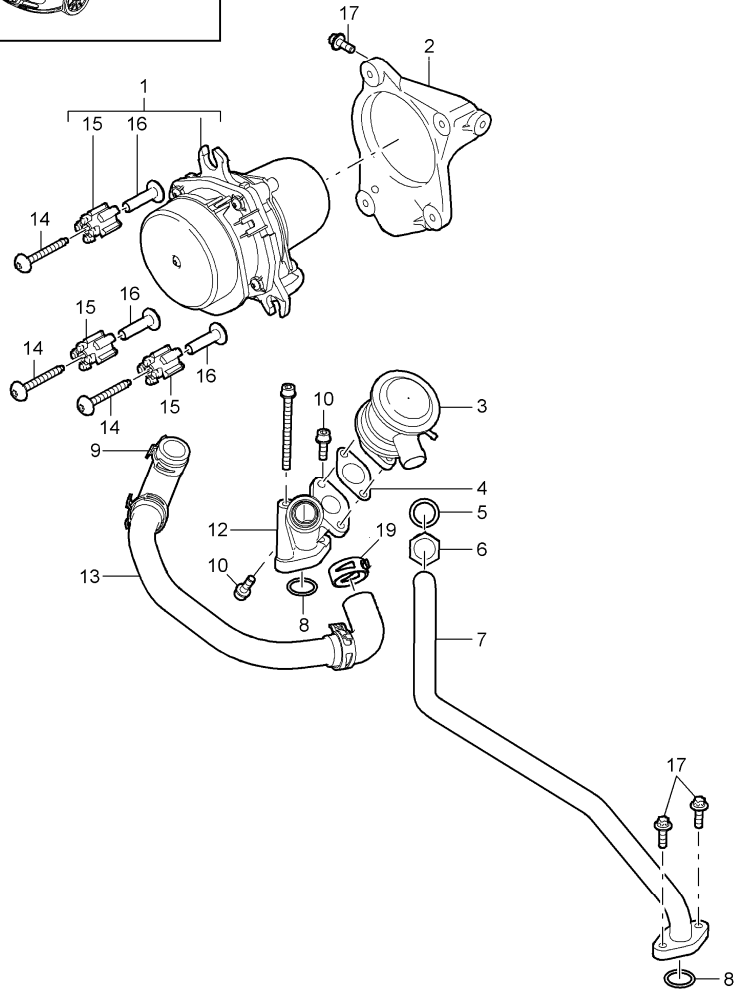
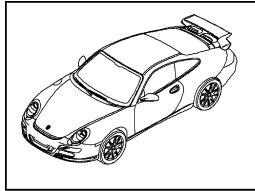
Pos	Part Number	Description	Remark	Qty	Model	Pos	Part Number	Description	Remark	Qty	Model
19	997 606 213 00	temperature sensor		1							

Model	Year	MG	SG	Illustration	Restrictions	UPD	15:36	26.01.2010	PORSCHE	PET	PORSCHE
GT3-2	2010	1	08	108-05		248					



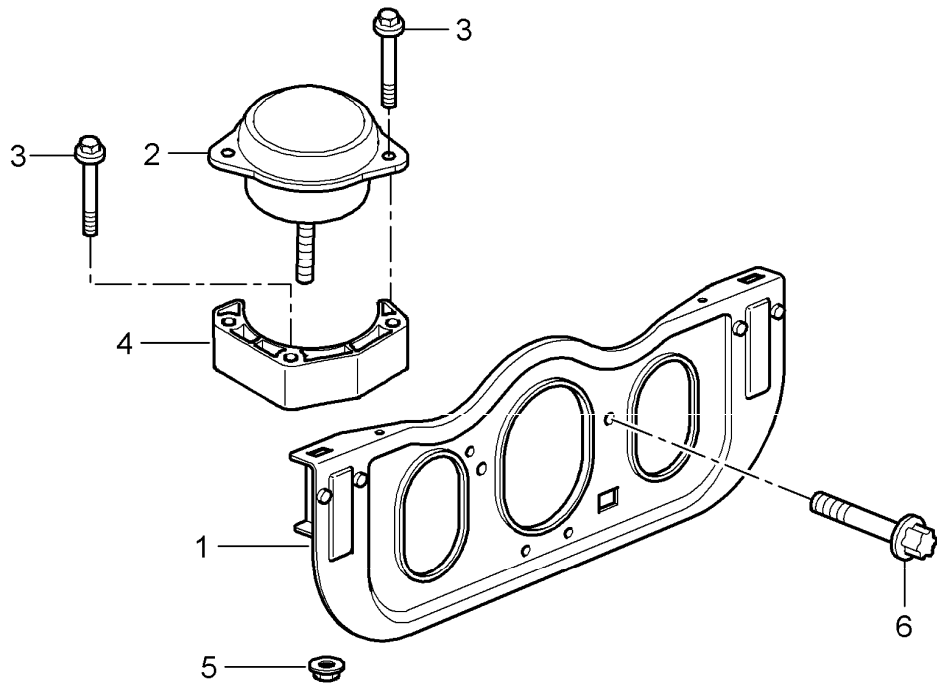
Pos	Part Number	Description	Remark	Qty	Model
		air injection			M97.76
1	997 605 104 00	secondary pump	07	1	
(1)	997 605 104 02	secondary pump	08-	1	
2	955 113 325 00	oval-head screw M 6 X 50		3	
3	997 113 240 90	support		1	
4	900 385 019 01	torx screw M 6 X 20		2	
5	997 113 101 90	bracket		2	
6	948 113 203 01	valve		2	
7	993 113 258 51	gasket		2	
8	900 067 207 01	combination screw M 6 X 20		8	
9	999 707 472 40	o-ring 20,0 X 2,5		2	
10	997 113 107 90	air hose		1	
11	999 512 658 09	hose clamp 27 X 12		6	

Model	Year	MG	SG	Illustration	Restrictions	UPD	15:37	26.01.2010	PORSCHE	PET	PORSCHE
GT3-2	2010	1	08	108-06		248					



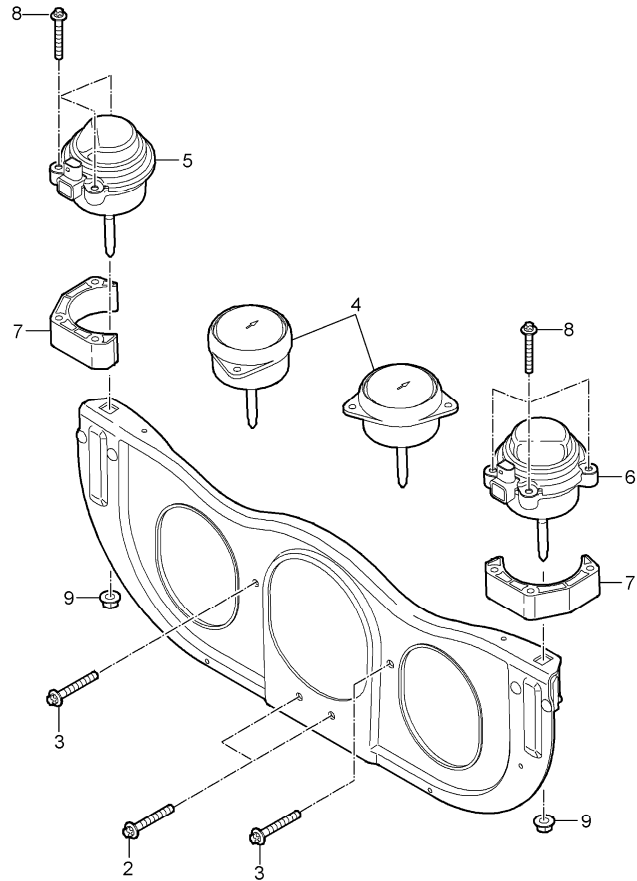
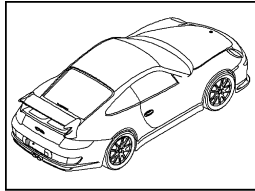
Pos	Part Number	Description	Remark	Qty	Model
		air injection			M97.77
1	997 605 104 02	secondary pump		1	
2	997 113 240 90	retaining frame		1	
3	997 113 249 90	valve		1	
4	993 113 258 51	gasket		1	
5	900 102 011 03	cutting ring		1	
6	999 261 025 01	cap screw		1	
7	997 113 117 90	connecting line		1	
8	999 707 472 40	o-ring 20 x 2,5		2	
9	999 512 658 09	clamp B27 x 12		1	
10	900 067 207 01	screw M 6 X 20		3	
11	900 067 331 01	screw M 6 x 75		2	
12	997 113 101 91	bracket		1	
13	997 113 107 91	air hose		1	
14	7L5 951 541	round head screw M 6 X 50		3	
15	999 703 868 40	rubber mounting		3	
16	999 209 077 01	spacer sleeve		3	
17	900 385 019 01	torx screw M6 x 20		4	
19	999 512 346 01	hose clamp 16 - 27		1	

Model	Year	MG	SG	Illustration	Restrictions	UPD	15:37	26.01.2010	PORSCHE	PET	PORSCHE
GT3-2	2010	1	09	109-00		248					



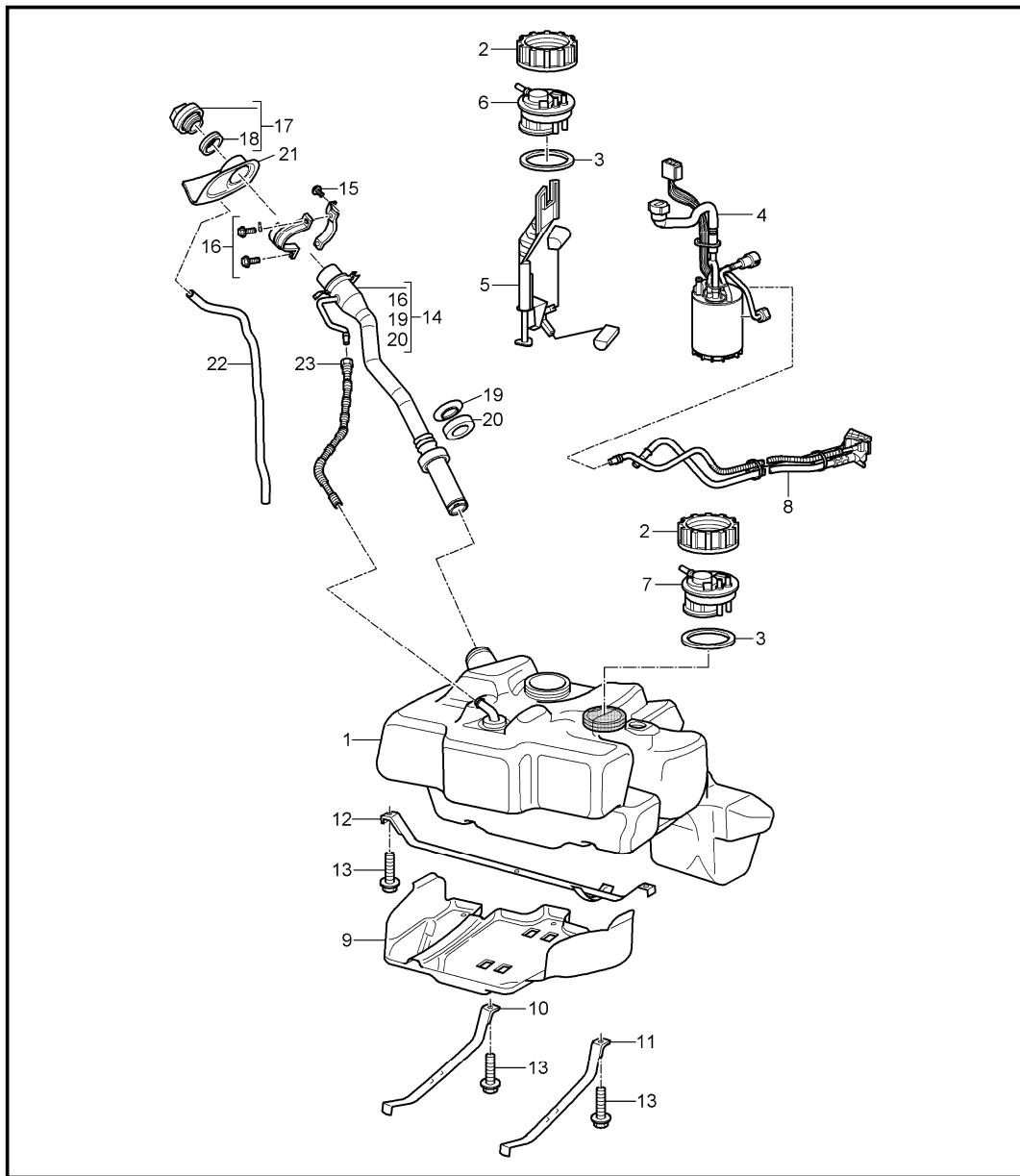
Pos	Part Number	Description	Remark	Qty	Model
		engine suspension			M97.76
1	996 375 013 01	engine carrier		1	
2	980 375 351 01	hydraulic mount		2	
3	900 378 159 01	hexagon-head bolt AM 8 X 60		12	
4	996 375 221 02	adapter		2	
5	999 084 215 09	hexagon nut M 12 X 1,5		2	
6	900 385 119 01	hexagon-head bolt M 10X 70		4	

Model	Year	MG	SG	Illustration	Restrictions	UPD	15:37	26.01.2010	PORSCHE	PET	PORSCHE
GT3-2	2010	1	09	109-01		248					



Pos	Part Number	Description	Remark	Qty	Model
		engine suspension			M97.77
1	997 375 011 91	engine carrier		1	
2	900 385 062 01	Outer hexagon round screw M 10 x 80		2	
3	900 385 119 01	Outer hexagon round screw M 10 x 70		2	
3	900 385 119 01	Outer hexagon round screw M 10 x 70		2	
4	980 375 351 02	hydraulic mount		2	
5	997 375 059 91	hydraulic mount	/L	1	I140
6	997 375 060 91	hydraulic mount	/R	1	I140
7	996 375 221 02	adapter		2	
8	900 378 159 01	hexagon-head bolt M 8 x 60		6	
(8)	900 385 121 01	Outer hexagon round screw M 8 x 75		6	I140
9	999 084 215 09	hexagon nut M 12 X 1,5		2	

Model	Year	MG	SG	Illustration	Restrictions	UPD	15:37	26.01.2010	PORSCHE	PET	PORSCHE
GT3-2	2010	2	01	201-00		248					

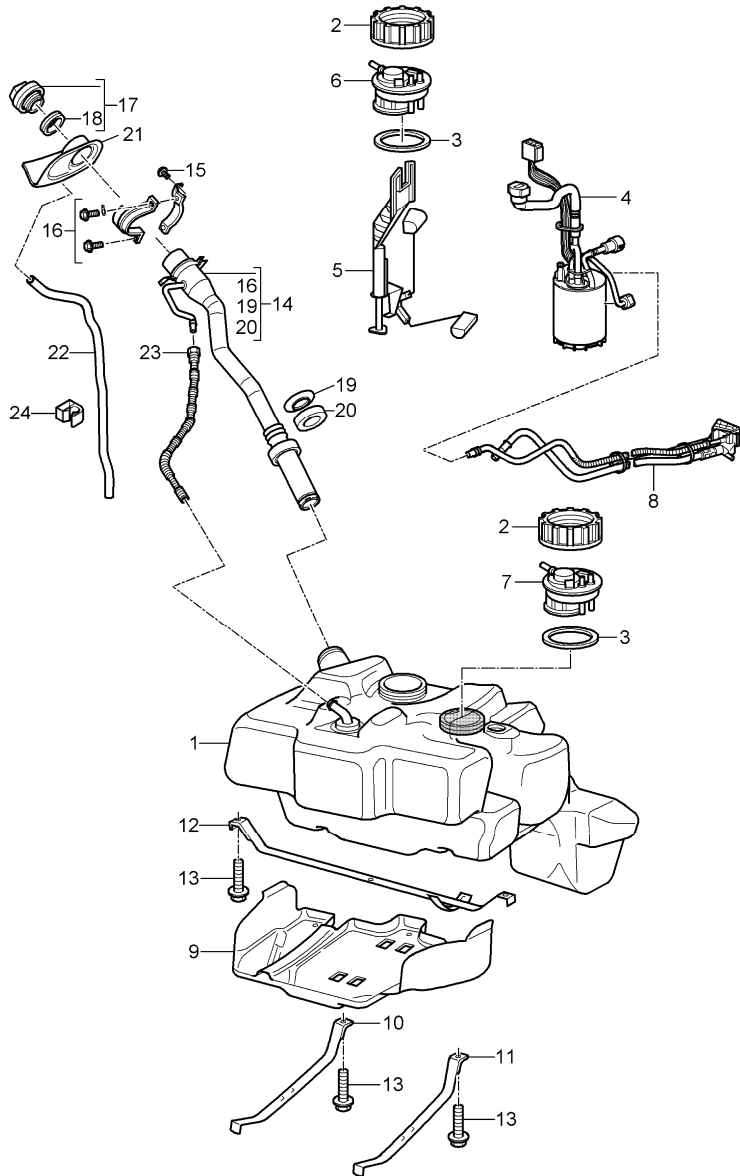


Pos	Part Number	Description	Remark	Qty	Model
1	997 201 021 90	fuel tank	/LL	1	M97.76
-	997 201 543 90	fuel tank use also: pipe inner		1	
1	997 201 022 00	fuel tank	/RL	1	
(2)	997 201 623 00	union nut		1	
2	997 201 623 00	union nut	/LL	2	
(3)	997 201 733 00	sealing ring		1	
3	997 201 733 00	sealing ring	/LL	2	
4	997 620 129 00	fuel pump		1	
5	997 620 831 02	tank gauge without flange	/LL	1	
(5)	997 620 833 00	tank gauge without flange		1	
6	997 201 421 01	flange for tank gauge		1	
7	997 201 421 03	flange for tank gauge	/LL	1	
8	997 620 116 00	venturi tube		1	
9	997 201 331 90	protective plate	/LL	1	
(9)	997 201 331 00	protective plate	/RL	1	
10	997 201 106 00	restraining strap right		1	
11	997 201 105 00	restraining strap left		1	
12	997 201 107 00	restraining strap	/LL	1	
13	900 075 479 01	combination screw M 8 X 40		4	
14	997 201 043 12	filler neck		1	
(14)	997 201 043 10	filler neck		1	I150/193

Model	Year	MG	SG	Illustration	Restrictions	UPD	15:37	26.01.2010	PORSCHE	PET	PORSCHE
GT3-2	2010	2	01	201-00		248					

Pos	Part Number	Description	Remark	Qty	Model	Pos	Part Number	Description	Remark	Qty	Model
15	999 073 348 09	oval-head screw M 6 X 20		1							
16	997 201 951 02	support complete		1							
17	996 201 241 03	fuel tank cap with clip		1							
-	999 507 499 40	expansion rivet		1							
18	191 201 557	gasket		1							
19	996 201 755 00	support washer		1							
20	996 201 753 00	gasket		1							
21	997 201 667 00	sleeve		1							
22	996 201 153 00	hose		1							
23	997 201 711 90	vent line	/LL	1							
(23)	996 201 613 00	vent line	/RL	1							
24	000 043 206 89	Additive fuel 100 ml Beh,,lter	CHINA	1							

Model	Year	MG	SG	Illustration	Restrictions	UPD	15:37	26.01.2010	PORSCHE	PET	PORSCHE
GT3-2	2010	2	01	201-01		248					

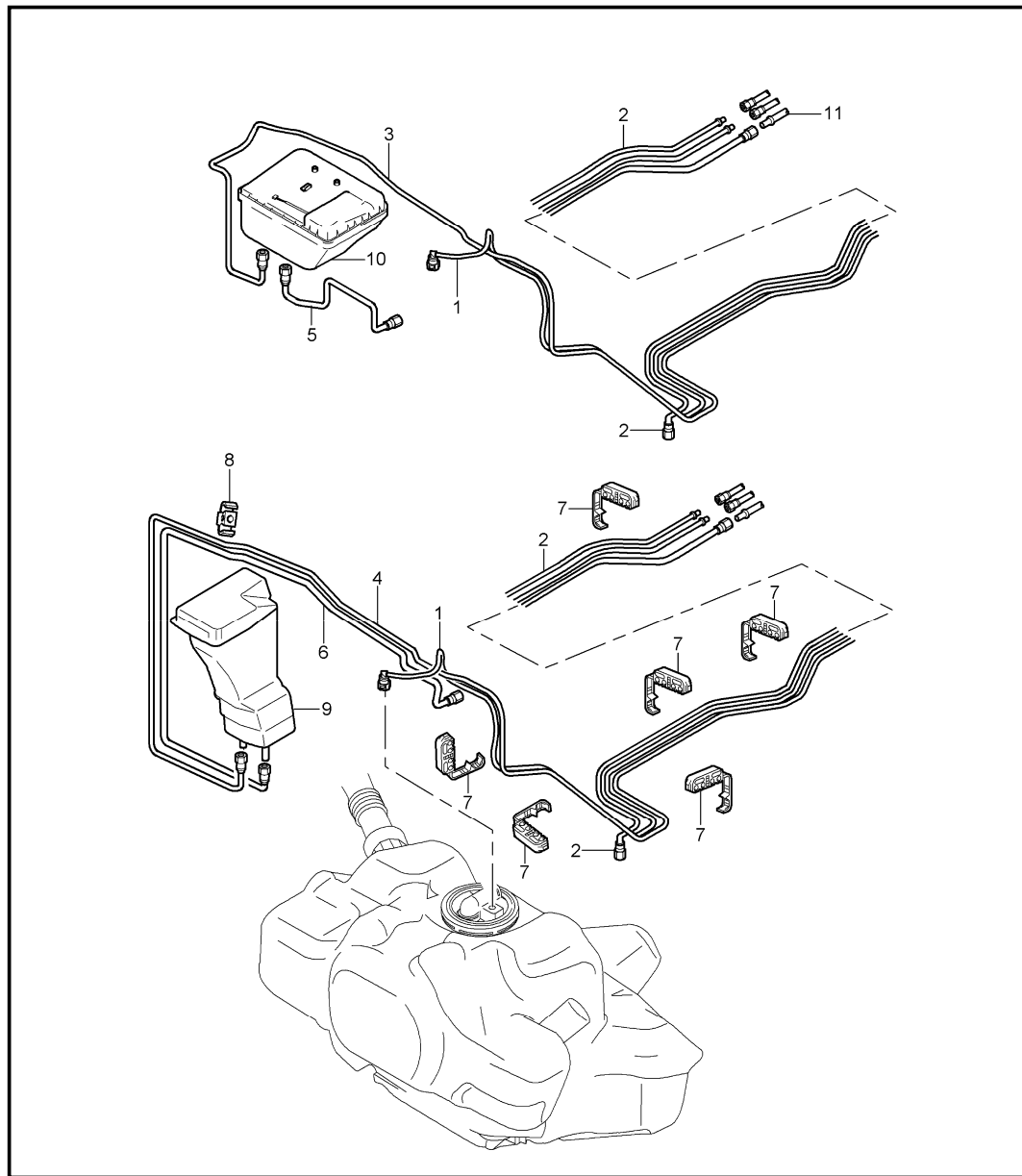


Pos	Part Number	Description	Remark	Qty	Model
		fuel tank			M97.77
1	997 201 021 01	fuel tank	/LL	1	
1	997 201 021 90	fuel tank use also:	/LL	1	I082
-	997 201 543 02	pipe inner		1	
1	997 201 022 00	fuel tank	/RL	1	
2	997 201 623 00	union nut		1	
(2)	997 201 623 00	union nut		2	I082
3	997 201 733 00	sealing ring		1	
(3)	997 201 733 00	sealing ring		2	I082
4	997 620 141 00	fuel pump		1	I082
5	997 620 831 02	tank gauge without flange	/LL	1	I082
(5)	997 620 833 00	tank gauge without flange		1	
6	997 201 421 01	flange for tank gauge		1	
(6)	997 201 421 91	flange for tank gauge upper		1	I082
7	997 201 421 03	flange for tank gauge		1	I082
8	997 620 116 00	venturi tube		1	
9	997 201 331 90	protective plate	/LL	1	
(9)	997 201 331 00	protective plate	/RL	1	
10	997 201 106 00	restraining strap right		1	
11	997 201 105 00	restraining strap left		1	
12	997 201 107 00	restraining strap	/LL	1	

Model	Year	MG	SG	Illustration	Restrictions	UPD	15:37	26.01.2010	PORSCHE	PET	PORSCHE
GT3-2	2010	2	01	201-01		248					

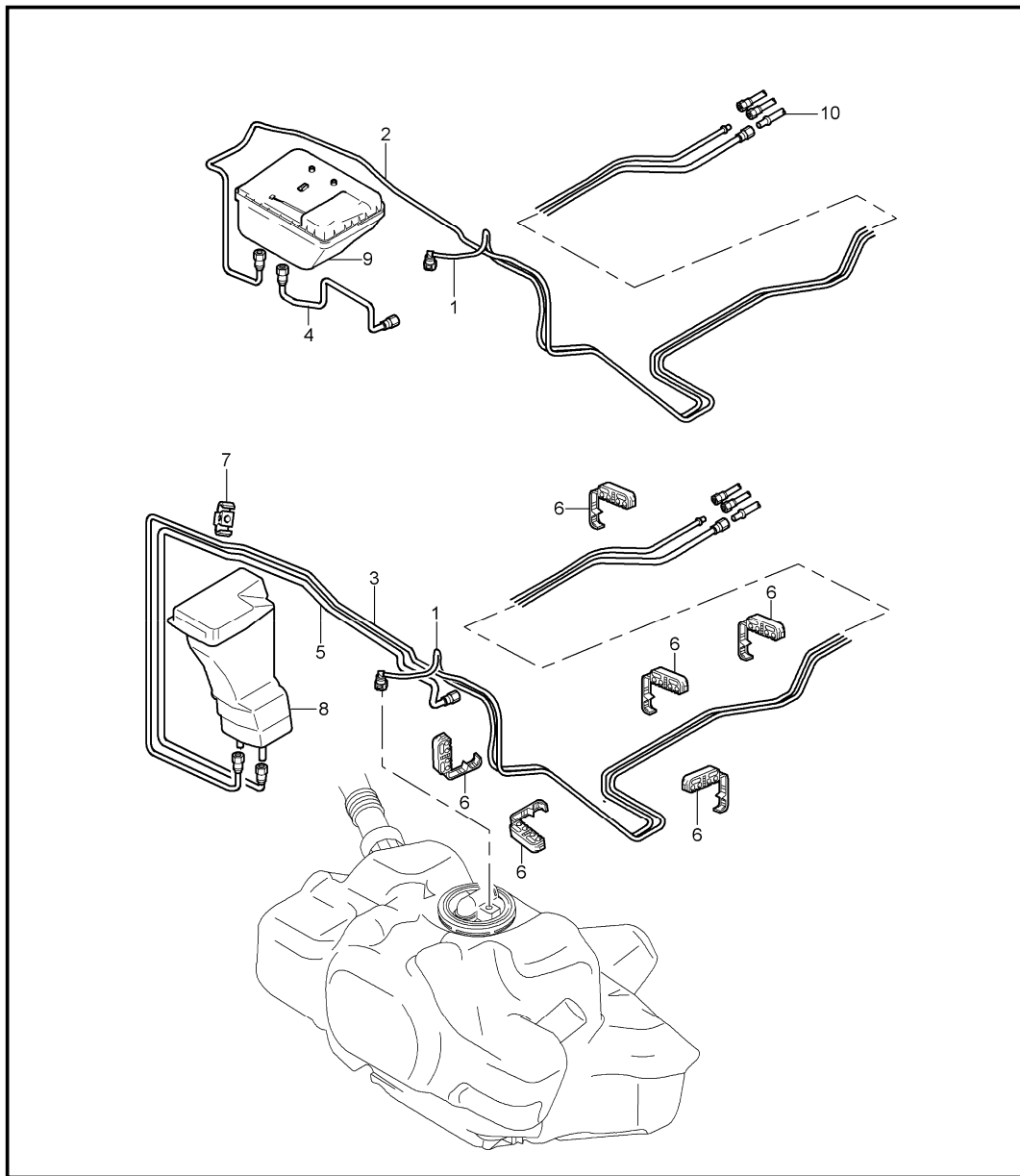
Pos	Part Number	Description	Remark	Qty	Model	Pos	Part Number	Description	Remark	Qty	Model
13	900 075 479 01	combination screw M 8 X 40		4							
14	997 201 043 12	filler neck		1							
(14)	997 201 043 10	filler neck		1	I150/193						
15	999 073 348 09	oval-head screw M 6 X 20		1							
16	997 201 951 02	support complete		1							
17	997 201 980 00	fuel tank cap with clip		1							
-	999 507 499 40	expansion rivet		1							
18	191 201 557	gasket		1							
19	996 201 755 00	support washer		1							
20	996 201 753 00	gasket		1							
21	997 201 667 00	sleeve		1							
22	996 201 153 00	hose		1							
23	997 201 711 00	vent line	/LL	1							
(23)	997 201 711 90	vent line	/LL	1	I082						
(23)	996 201 613 00	vent line	/RL	1							
25	000 043 206 89	Additive fuel 100 ml Beh,lter	CHINA	1							

Model	Year	MG	SG	Illustration	Restrictions	UPD	15:38	26.01.2010	PORSCHE	PET	PORSCHE
GT3-2	2010	2	01	201-05		248					



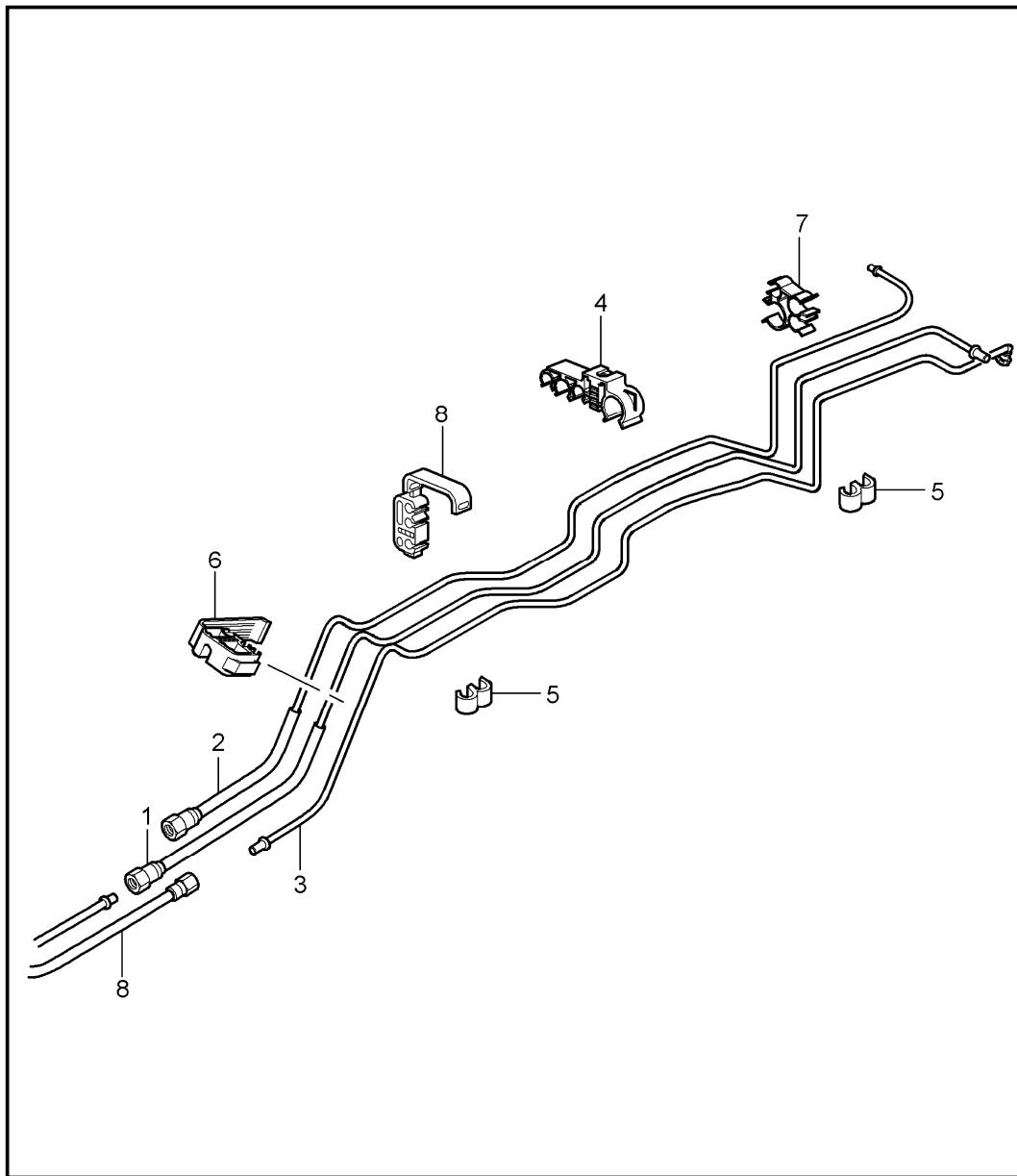
Pos	Part Number	Description	Remark	Qty	Model
1	997 201 261 03	fuel system front		1	M97.76
(2) K	997 201 271 90	fuel line pressure line for engine		1	
4	997 201 351 02	fuel line return line to tank		1	
6	997 201 251 01	purge-air line front carbon canister for engine		1	
7	999 507 521 40	vent line front carbon canister for fuel tank		1	
7	999 507 521 40	cable holder 8,0/8/10		9	
8	999 507 727 40	cable holder 8,0/10,0		3	
-	999 507 488 40	cable holder 5,00/10,0		1	
9	...	carbon canister see illustrations 2/01/20		1	
11	...	lines rear		1	

Model	Year	MG	SG	Illustration	Restrictions	UPD	15:38	26.01.2010	PORSCHE	PET	PORSCHE
GT3-2	2010	2	01	201-06		248					



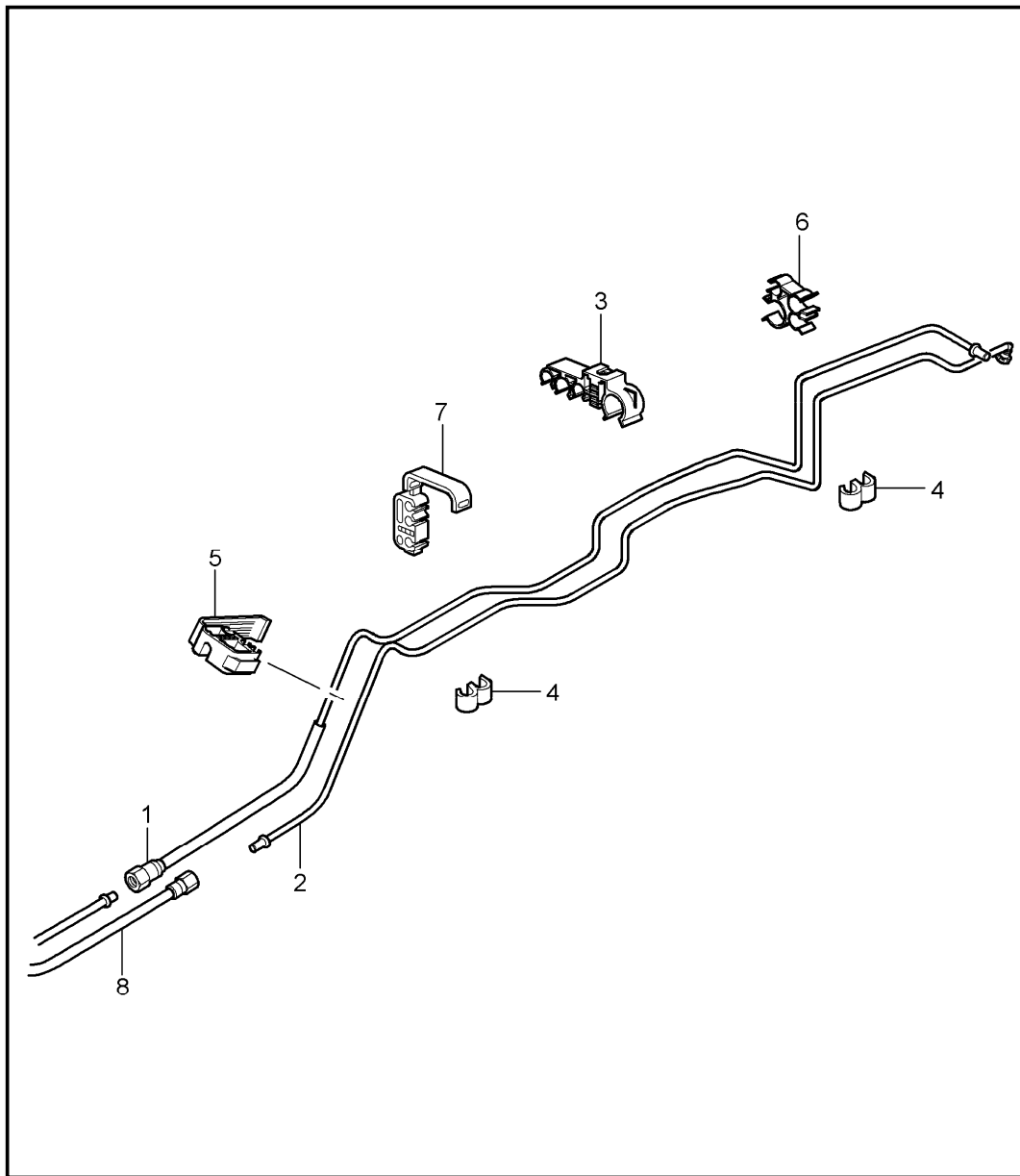
Pos	Part Number	Description	Remark	Qty	Model
1	997 201 261 03	fuel system front		1	M97.77
1	997 201 261 91	fuel line pressure line for engine		1	I082
3	997 201 351 02	purge-air line front carbon canister for engine		1	
5	997 201 251 01	vent line front carbon canister for fuel tank		1	
6	999 507 521 40	cable holder 8,0/8/10		1	
7	999 507 727 40	cable holder 8,0/10,0		3	
-	999 507 488 40	cable holder 5,00/10,0		1	
9		carbon canister see illustrations 2/01/21		1	
11		lines rear		1	

Model	Year	MG	SG	Illustration	Restrictions	UPD	15:38	26.01.2010	PORSCHE	PET	PORSCHE
GT3-2	2010	2	01	201-10		248					



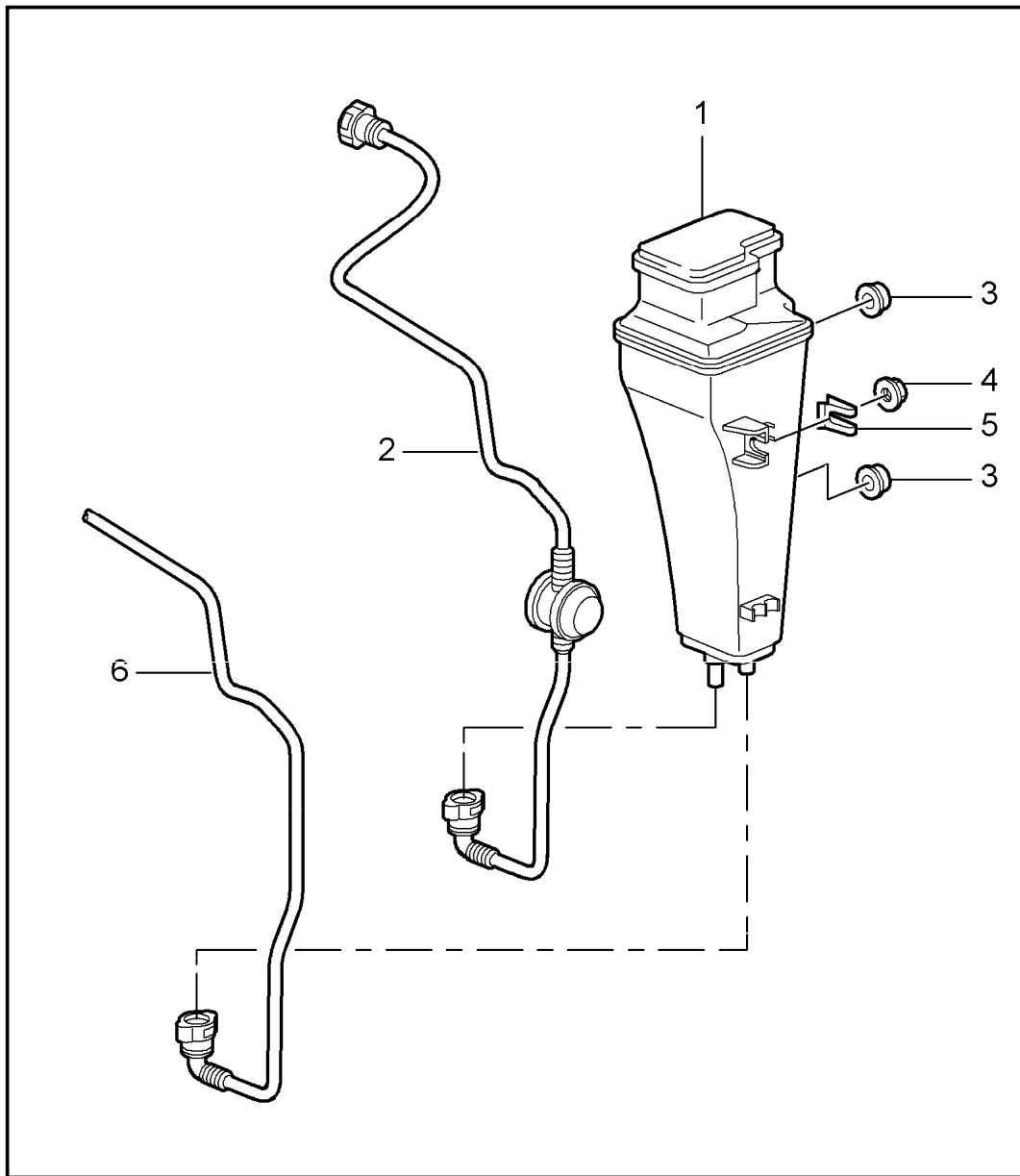
Pos	Part Number	Description	Remark	Qty	Model
		fuel system rear			M97.76
1	997 201 265 01	fuel line rear fuel pump for engine		1	
2	997 201 275 00	fuel line rear return line		1	
3	997 201 355 01	air tube rear carbon canister for engine		1	
4	999 507 833 40	cable holder 15-8-10-8		1	
(5)	999 507 488 40	cable holder 5,00/10,0		2	
6	999 507 521 40	cable holder 8/8/10		1	
7	999 507 850 40	cable holder 8,0-15,0		1	
8	999 507 727 40	cable holder 8/10		1	
9	...	lines front see illustrations 2/01/05		1	

Model	Year	MG	SG	Illustration	Restrictions	UPD	15:38	26.01.2010	PORSCHE	PET	PORSCHE
GT3-2	2010	2	01	201-11		248					



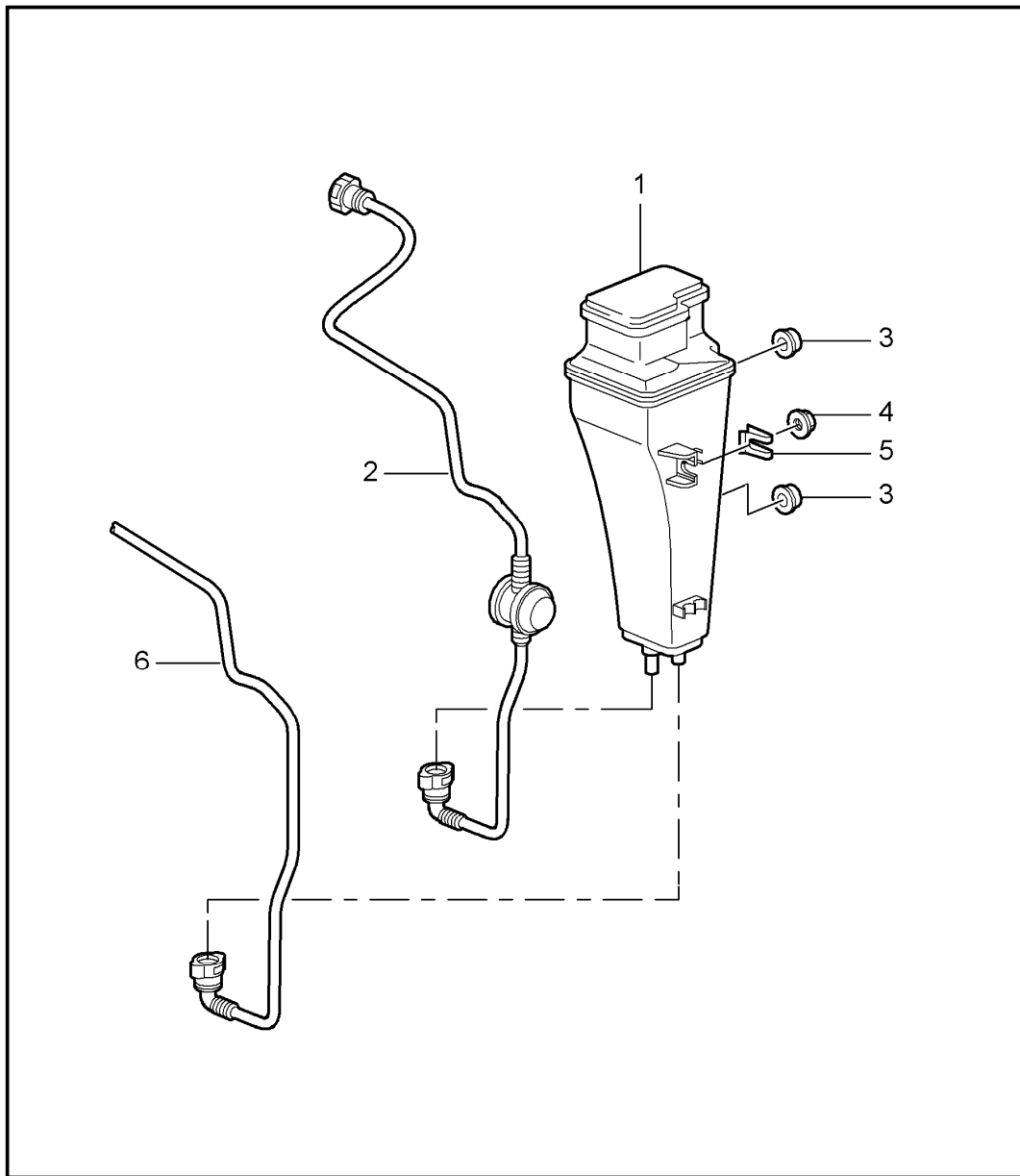
Pos	Part Number	Description	Remark	Qty	Model
		fuel system rear			M97.77
1	997 201 265 02	fuel line rear fuel pump for engine		1	
2	997 201 355 90	air tube rear carbon canister for engine		1	
3	999 507 833 40	cable holder 15-8-10-8		1	
4	999 507 488 40	cable holder 5,00/10,0		2	
5	999 507 521 40	cable holder 8/8/10		1	
6	999 507 850 40	cable holder 8,0-15,0		1	
7	999 507 727 40	cable holder 8/10		1	
8		lines front see illustrations 2/01/06		1	

Model	Year	MG	SG	Illustration	Restrictions	UPD	15:38	26.01.2010	PORSCHE	PET	PORSCHE
GT3-2	2010	2	01	201-20		248					



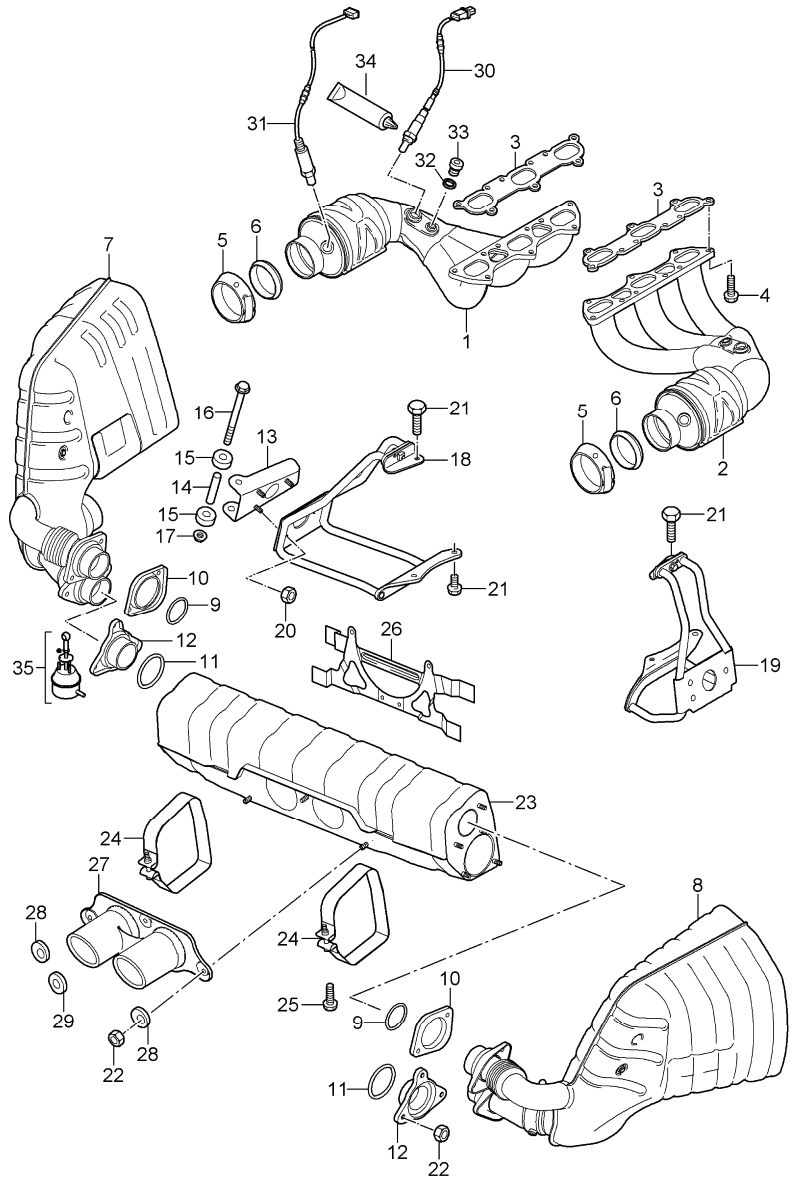
Pos	Part Number	Description	Remark	Qty	Model
		carbon canister			M97.76
1	997 201 221 01	carbon canister complete		1	
2	997 201 251 01	vent line fuel tank for carbon canister		1	
3	999 702 221 40	grommet		2	
4	999 084 629 01	hexagon nut M 6		1	
5	999 507 543 02	clamp 2,00 - 3,00		1	
6	---	purge-air line front see illustrations 2/01/05		1	

Model	Year	MG	SG	Illustration	Restrictions	UPD	15:39	26.01.2010	PORSCHE	PET	PORSCHE
GT3-2	2010	2	01	201-21		248					



Pos	Part Number	Description	Remark	Qty	Model
		carbon canister			M97.77
1	997 201 221 01	carbon canister complete		1	
2	997 201 251 01	vent line fuel tank for carbon canister		1	
3	999 702 221 40	grommet		2	
4	999 084 629 01	hexagon nut M 6		1	
5	999 507 543 02	clamp 2,00 - 3,00		1	
6		purge-air line front see illustrations 2/01/06		1	

Model	Year	MG	SG	Illustration	Restrictions	UPD	15:39	26.01.2010	PORSCHE	PET	PORSCHE
GT3-2	2010	2	02	202-00		248					

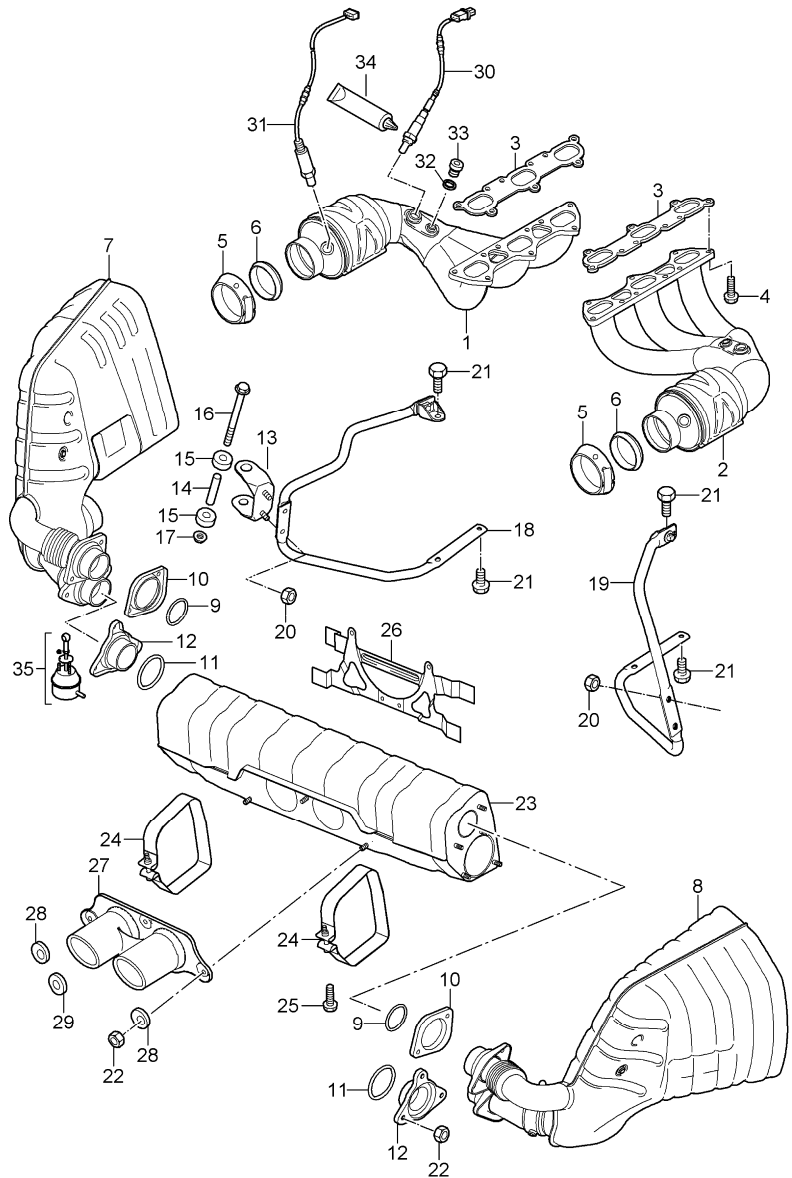


Pos	Part Number	Description	Remark	Qty	Model
		exhaust system			M97.76
1	997 113 021 91	catalytic converter cyl. 1 - 3		1	
2	997 113 022 91	catalytic converter cyl. 4 - 6		1	
3	996 111 107 71	gasket exhaust manifold		2	
4	900 378 131 00	hexagon-head bolt M 8 X 28		18	
5	997 111 336 90	clip		2	
6	980 111 561 00	sealing ring		2	
7	997 111 047 90	front muffler cyl. 1 - 3		1	
8	997 111 048 90	front muffler cyl. 4 - 6		1	
9	997 111 561 90	sealing ring		2	
10	997 111 461 90	flange		2	
11	997 111 563 90	sealing ring		2	
12	997 111 463 90	flange		2	
13	997 111 451 90	retaining bar		2	
14	997 111 551 90	sleeve		2	
15	996 111 229 00	damping piece		4	
16	900 385 102 01	torx screw M 8 X 90		2	
17	900 377 003 01	hexagon nut M 8		2	
18	997 111 247 90	support	/L	1	
19	997 111 248 90	support	/R	1	
20	900 377 003 01	hexagon nut M 8		6	
21	900 385 001 01	torx screw M 8 X 20		6	
22	999 084 649 01	hexagon nut M 8		13	

Model	Year	MG	SG	Illustration	Restrictions	UPD	15:39	26.01.2010	PORSCHE	PET	PORSCHE
GT3-2	2010	2	02	202-00		248					

Pos	Part Number	Description	Remark	Qty	Model	Pos	Part Number	Description	Remark	Qty	Model
23	997 111 027 90	muffler		1							
24	997 111 119 70	restraining strap		2							
25	900 067 362 01	pan-head screw M 8 X 50		2							
26	996 111 024 71	support		1							
27	997 111 253 90	tail pipe		1							
28	997 111 753 91	washer		2							
29	997 111 755 91	washer		1							
30	987 606 123 01	oxygen sensor in front of catalytic converter		2							
31	987 606 124 00	oxygen sensor after catalytic converter		2							
32	900 123 050 20	sealing ring 8 X 11,5		2	I660						
33	900 083 080 00	hexagon-head bolt M 8 X 1		2	I660						
34	000 043 207 07	grease for oxygen sensor		1							
35	997 111 901 90	vacuum unit for muffler	/L/R	2							

Model	Year	MG	SG	Illustration	Restrictions	UPD	15:39	26.01.2010	PORSCHE	PET	PORSCHE
GT3-2	2010	2	02	202-01		248					

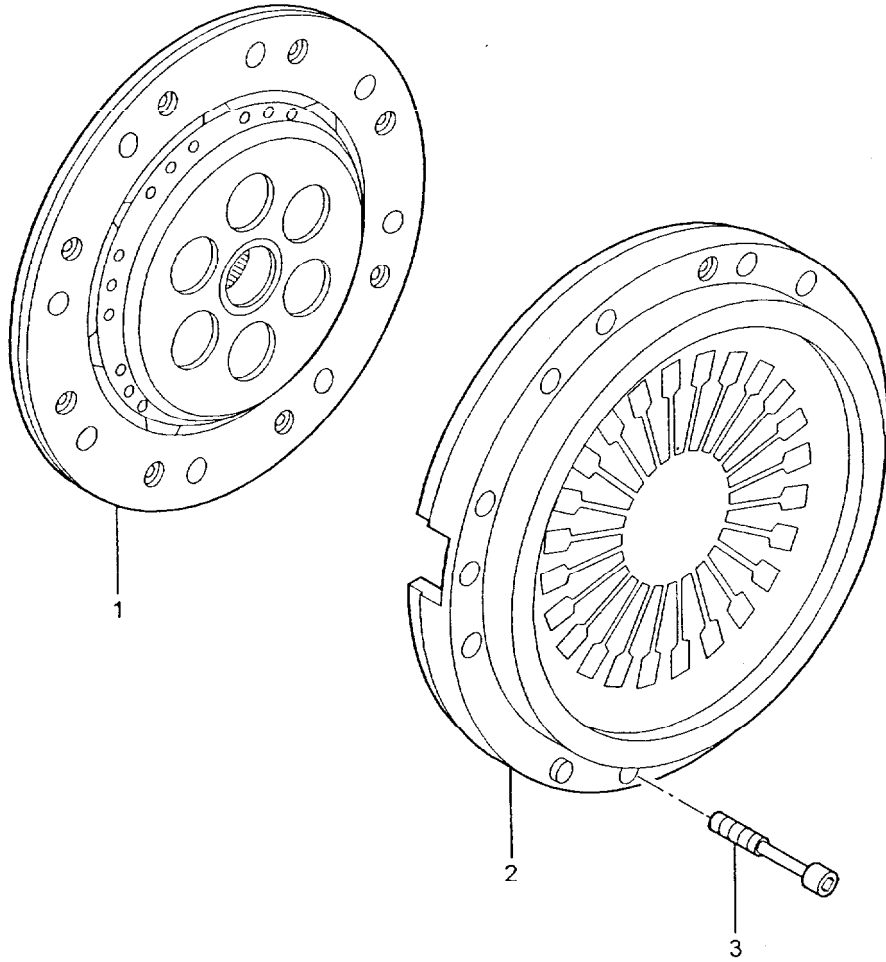


Pos	Part Number	Description	Remark	Qty	Model
		exhaust system			M97.77
1	997 113 021 94	catalytic converter cyl. 1 - 3		1	
2	997 113 022 94	catalytic converter cyl. 4 - 6		1	
3	996 111 107 71	gasket exhaust manifold		2	
4	900 378 131 00	hexagon-head bolt M 8 X 28		18	
5	997 111 336 90	clip		2	
6	980 111 561 00	sealing ring		2	
7	997 111 047 94	front muffler cyl. 1 - 3		1	
(7)	997 111 047 98	front muffler cyl. 1 - 3		1	I004
8	997 111 048 94	front muffler cyl. 4 - 6		1	
(8)	997 111 048 98	front muffler cyl. 4 - 6		1	I004
9	997 111 561 90	sealing ring		2	
10	997 111 461 90	flange		2	
(10)	997 111 461 93	flange		2	I004
11	997 111 563 90	sealing ring		2	
12	997 111 463 90	flange		2	
(12)	997 111 463 93	flange		2	I004
13	997 111 451 91	retaining bar		2	
14	997 111 551 90	sleeve		2	
15	996 111 229 00	damping piece		4	
16	900 385 102 01	torx screw M 8 X 90		2	
17	900 377 003 01	hexagon nut M 8		2	
18	997 111 127 91	support cyl. 1 - 3	/L	1	

Model	Year	MG	SG	Illustration	Restrictions	UPD	15:39	26.01.2010	PORSCHE	PET	PORSCHE
GT3-2	2010	2	02	202-01		248					

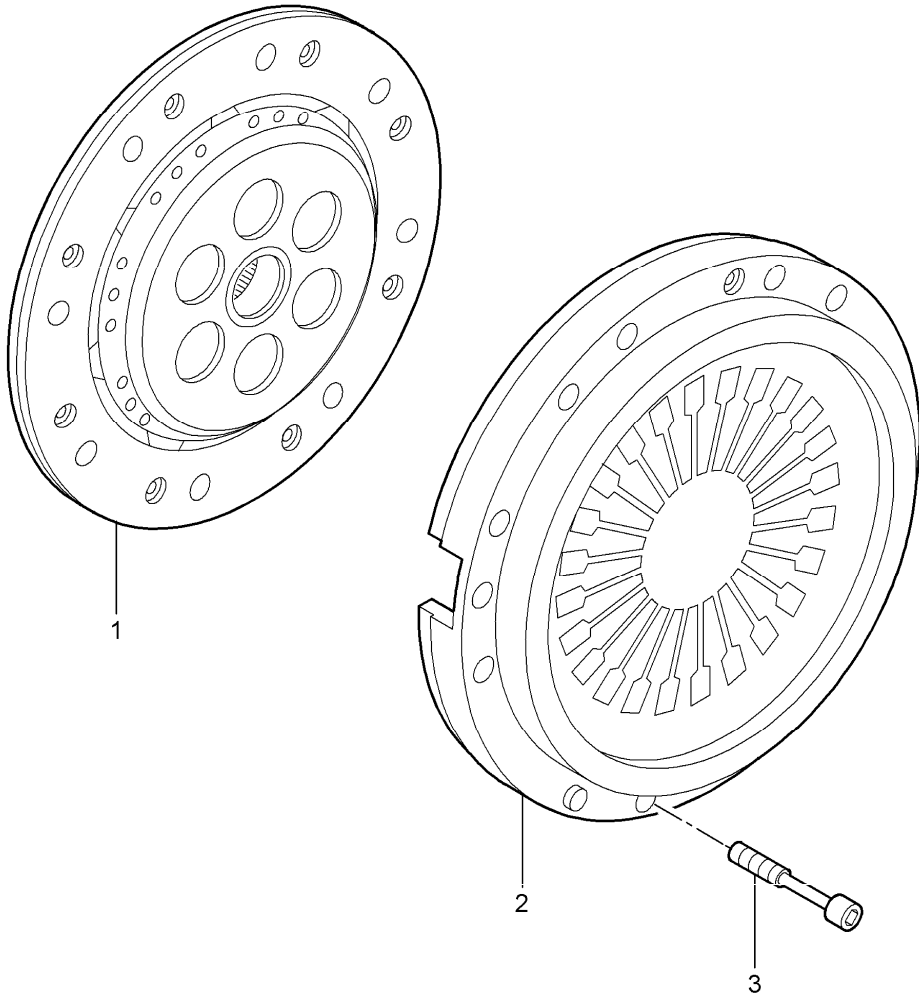
Pos	Part Number	Description	Remark	Qty	Model	Pos	Part Number	Description	Remark	Qty	Model
19	997 111 128 91	support cyl. 4 - 6	/R	1							
20	900 377 003 01	hexagon nut M 8		6							
21	900 385 001 01	torx screw M 8 X 20		6							
22	999 084 649 01	hexagon nut M 8		13							
23	997 111 027 92	muffler		1							
(23)	997 111 027 93	muffler		1	I004						
24	997 111 119 70	restraining strap		2							
25	900 067 362 01	pan-head screw M 8 X 50		2							
26	997 111 024 90	support		1							
27	997 111 253 90	tail pipe		1							
(27)	997 111 253 93	tail pipe		1	I004						
28	997 111 753 91	washer		2							
(28)	997 111 753 93	washer		2	I004						
29	997 111 755 91	washer		1							
(29)	997 111 755 93	washer		1	I004						
30	9A1 606 168 01	oxygen sensor in front of catalytic converter		2							
31	987 606 124 00	oxygen sensor after catalytic converter		2							
32	900 123 050 20	sealing ring 8 X 11,5		2	I660						
33	900 124 021 00	screw plug M 8 X 1		2	I660						
34	000 043 207 07	grease for oxygen sensor		1							

Model	Year	MG	SG	Illustration	Restrictions	UPD	15:39	26.01.2010	PORSCHE	PET	PORSCHE
GT3-2	2010	3	01	301-00		248					



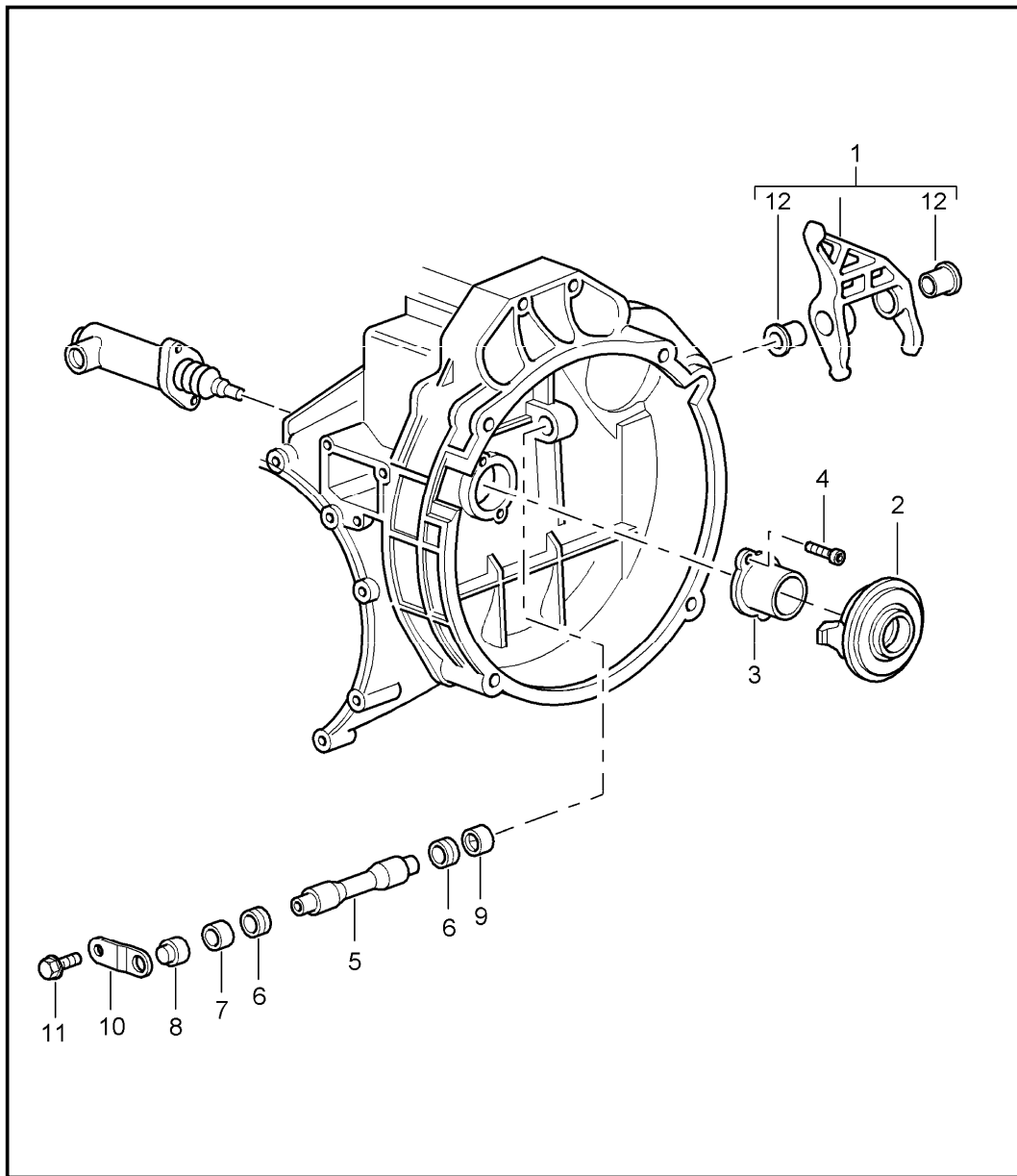
Pos	Part Number	Description	Remark	Qty	Model
		clutch			M97.76
1	996 116 015 01	clutch plate		1	
1	996 116 015 32	clutch plate		1	I004
2	996 116 027 51	pressure plate		1	
3	999 510 015 02	pan-head screw M 8 X 40		9	
(3)	N 014 715 3	pan-head screw M 8 X 45		9	I004

Model	Year	MG	SG	Illustration	Restrictions	UPD	15:39	26.01.2010	PORSCHE	PET	PORSCHE
GT3-2	2010	3	01	301-01		248					



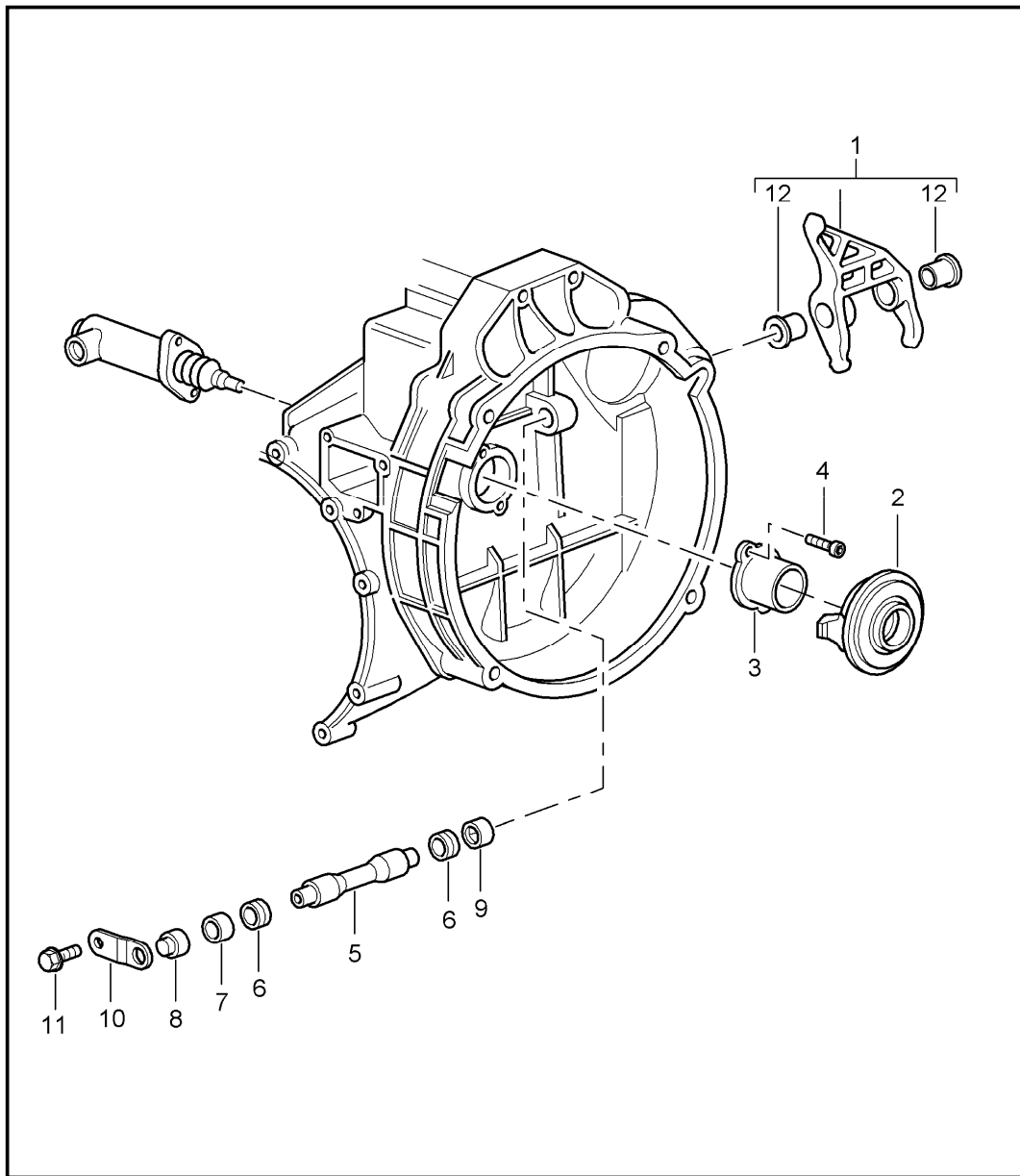
Pos	Part Number	Description	Remark	Qty	Model
		clutch			M97.77
1	996 116 015 01	clutch plate		1	
2	996 116 027 51	pressure plate		1	
3	999 510 015 01	pan-head screw M 8 X 40		9	

Model	Year	MG	SG	Illustration	Restrictions	UPD	15:40	26.01.2010	PORSCHE	PET	PORSCHE
GT3-2	2010	3	01	301-05		248					



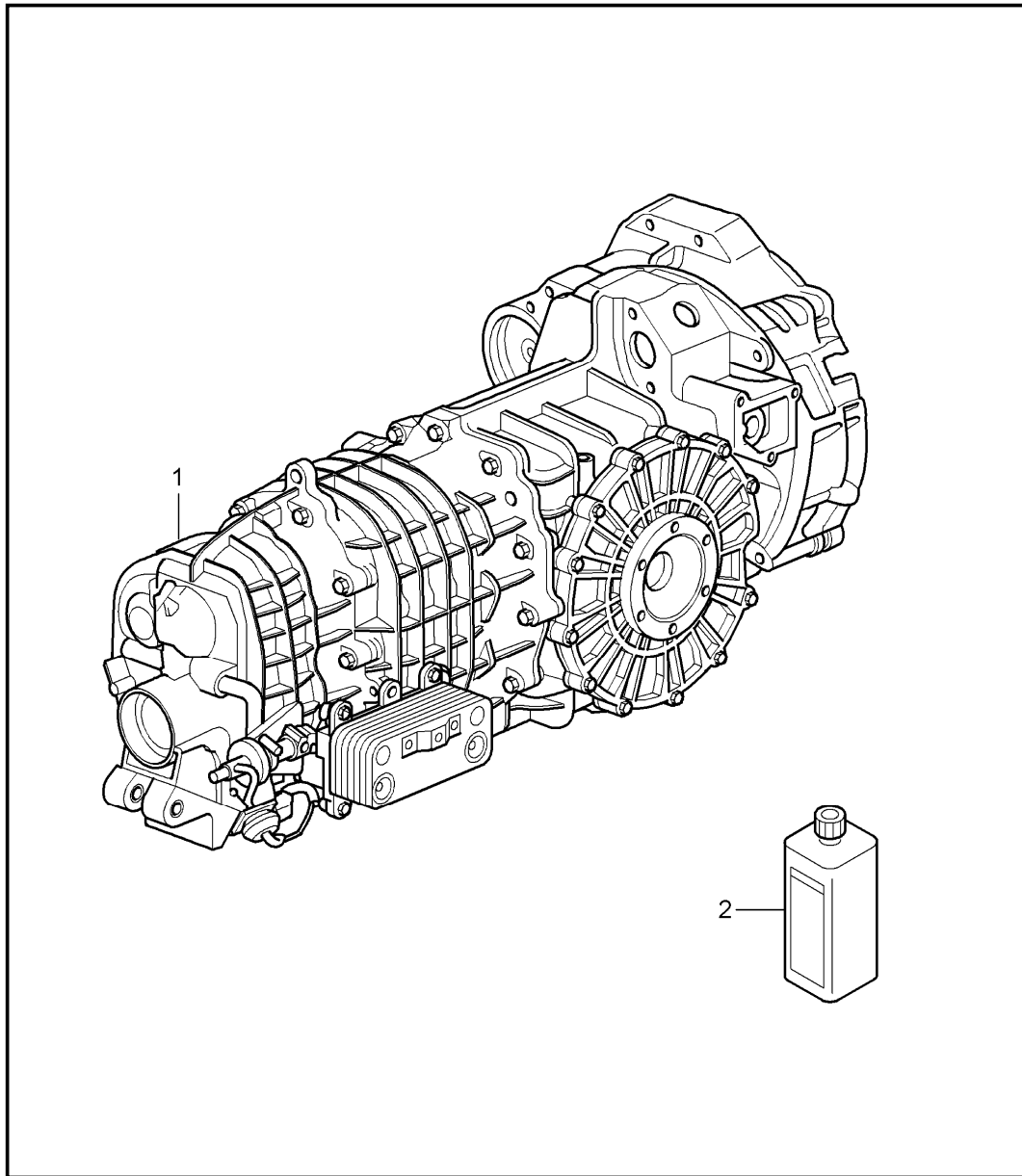
Pos	Part Number	Description	Remark	Qty	Model
		clutch release	-09		G97.90
		clutch operating cylinder see group 7/02/08			
1	950 116 086 06	release fork		1	
2	950 116 080 08	clutch release bearing		1	
(2)	944 116 080 01	clutch release bearing		1	I004
3	950 116 813 06	guide tube		1	
(3)	950 116 813 30	guide tube		1	I004
4	999 270 070 02	oval-head screw M 6 X 14		2	
5	950 116 710 04	clutch control shaft		1	
6	999 113 418 40	gasket 13,02 X 16,4		2	
7	999 201 339 00	articulated bush		1	
8	950 116 725 00	cover		1	
9	999 201 365 00	articulated bush		1	
9	900 623 007 00	hexagon socket head bolt M 6 X 12		1	
10	950 116 713 02	retaining bracket		1	
11	900 075 057 02	hexagon-head bolt M 6 X 16		1	
12	950 116 715 01	bush		2	

Model	Year	MG	SG	Illustration	Restrictions	UPD	15:40	26.01.2010	PORSCHE	PET	PORSCHE
GT3-2	2010	3	01	301-06		248					



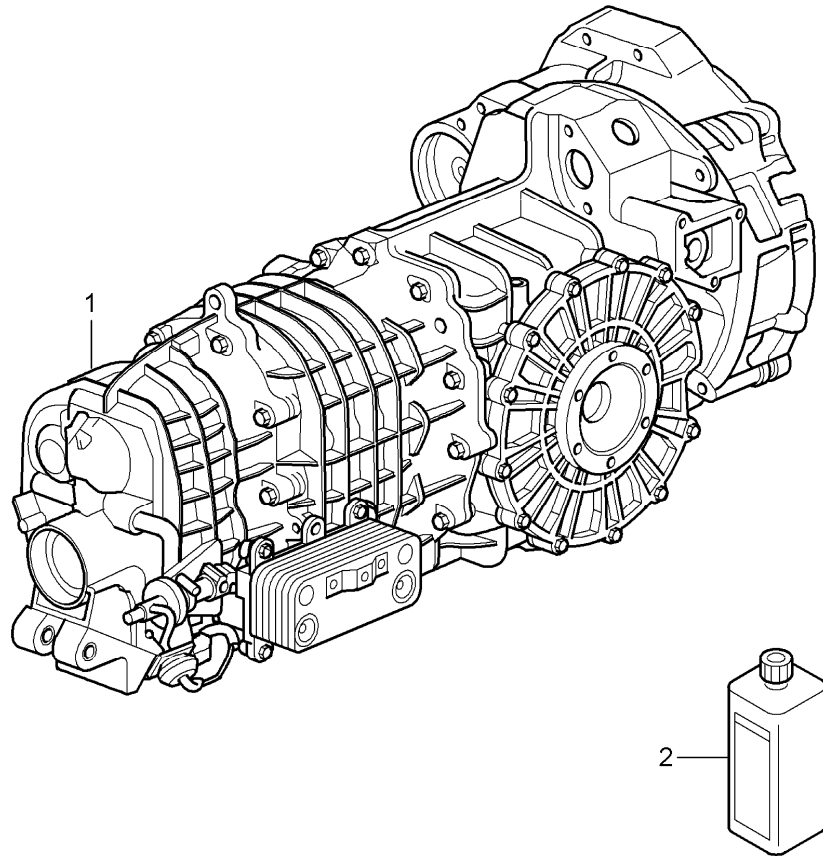
Pos	Part Number	Description	Remark	Qty	Model
		clutch release	10-		G97.90
		clutch operating cylinder see group 7/02/08			
1	950 116 086 06	release fork		1	
2	950 116 080 08	clutch release bearing		1	
3	950 116 813 06	guide tube		1	
4	999 270 070 01	oval-head screw M 6 X 14		2	
5	950 116 710 04	clutch control shaft		1	
6	999 113 418 40	gasket 12,3 X 16,4		2	
7	999 201 339 00	articulated bush		1	
8	950 116 725 00	cover		1	
9	999 201 365 00	articulated bush		1	
10	950 116 713 02	retaining bracket		1	
11	900 075 057 03	hexagon-head bolt M 6 X 16		1	
12	950 116 715 01	bush		2	

Model	Year	MG	SG	Illustration	Restrictions	UPD	15:40	26.01.2010	PORSCHE	PET	PORSCHE
GT3-2	2010	3	02	302-00		248					



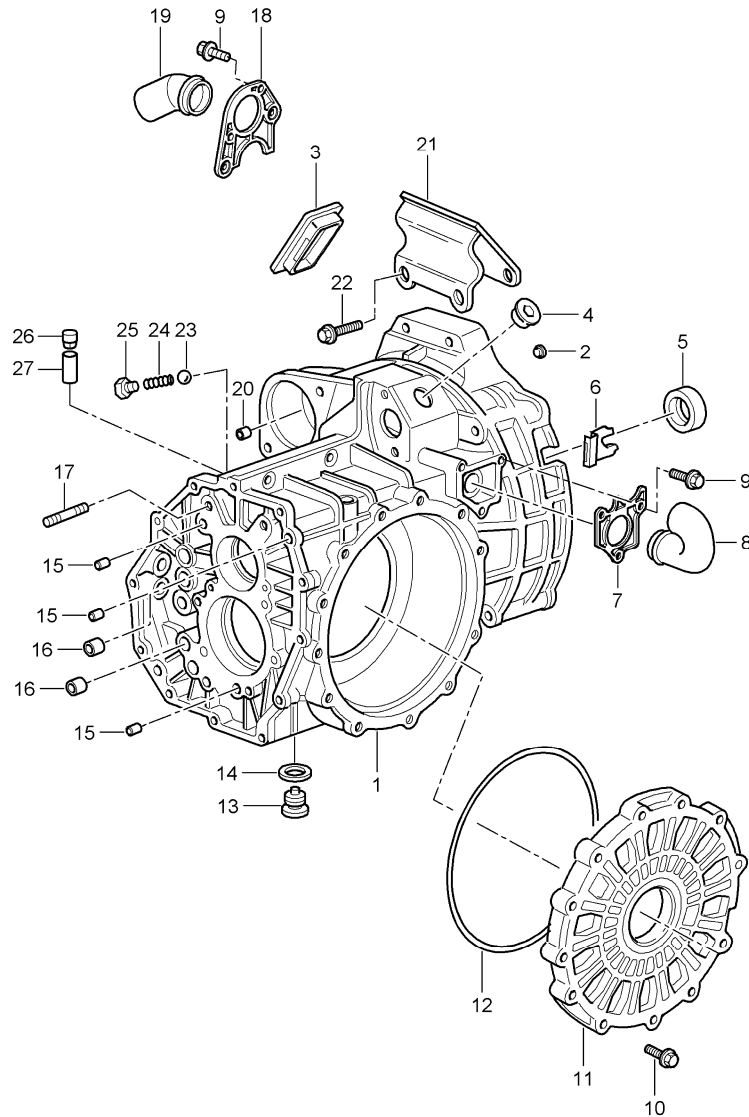
Pos	Part Number	Description	Remark	Qty	Model
		replacement transmission ready for installation	-09		G97.90
1	> 997 300 020 90	manual transmission with limited-slip differential		1	G97.90
2	000 043 204 20	transmission oil MOBILUBE PTX 75 W 90 container 20 LTR.		X	

Model	Year	MG	SG	Illustration	Restrictions	UPD	15:40	26.01.2010	PORSCHE	PET	PORSCHE
GT3-2	2010	3	02	302-01		248					



Pos	Part Number	Description	Remark	Qty	Model
		replacement transmission ready for installation	10-		G97.90
1	> 997 300 020 91	manual transmission with limited-slip differential	10-	1	G97.90
(1)	997 300 020 2X	manual transmission with limited-slip differential	10-	1	G97.90
2	000 043 204 20	transmission oil MOBILUBE PTX 75 W 90 container 20 LTR.		X	

Model	Year	MG	SG	Illustration	Restrictions	UPD	15:40	26.01.2010	PORSCHE	PET	PORSCHE
GT3-2	2010	3	02	302-05		248					

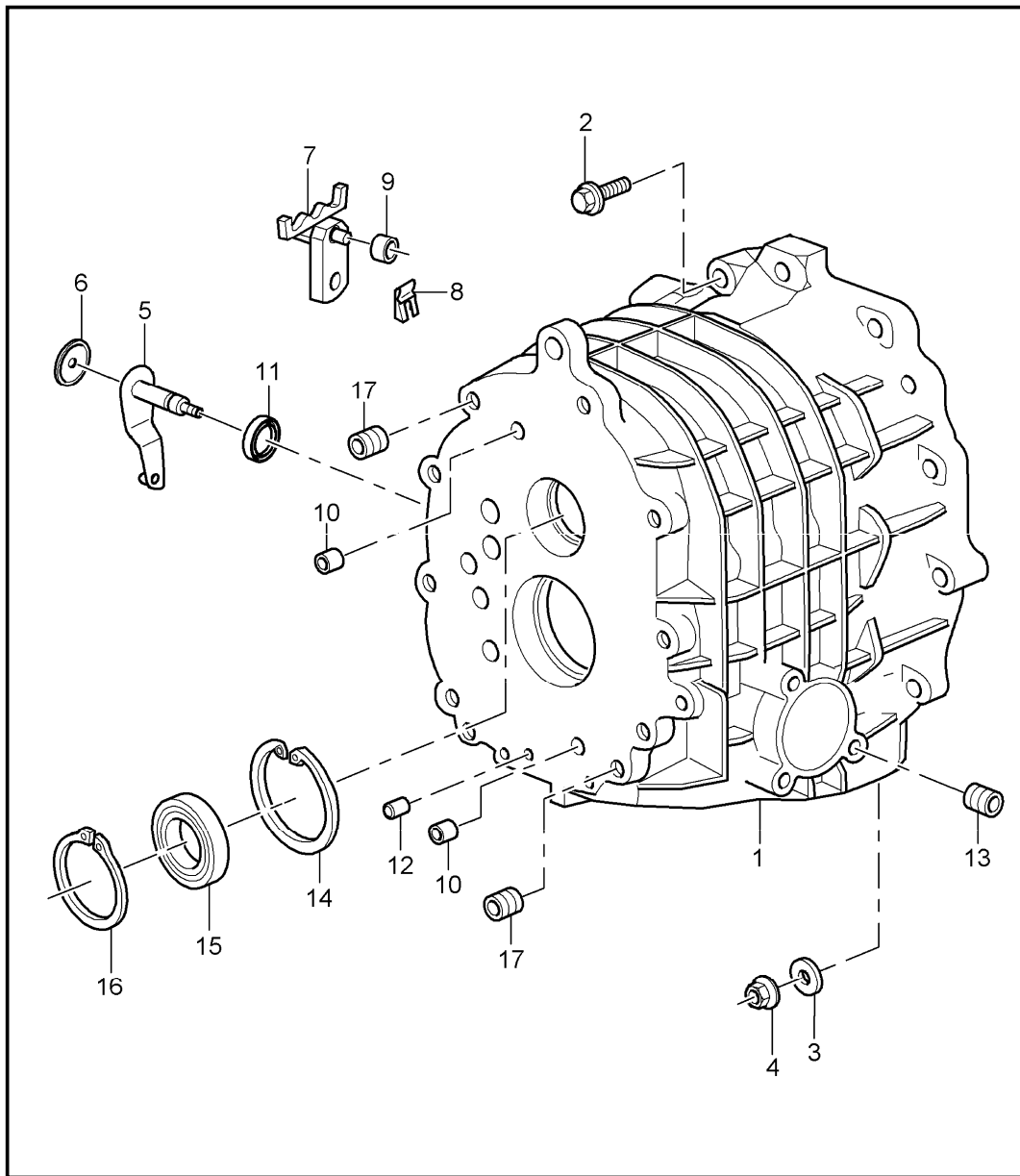


Pos	Part Number	Description	Remark	Qty	Model
		transmission case front	-09		G97.90
1	996 301 101 88	transmission case		1	G97.90
2	999 036 002 40	lid A 14		1	
3	950 301 151 01	cap		1	
4	999 703 490 40	lid 30 X 42		1	
5	999 113 326 41	shaft sealing ring 26,5 X 40		1	
6	993 116 630 00	cap		1	
7	996 116 612 00	flange		1	
8	993 116 610 00	intake manifold		1	
9	900 378 035 09	hexagon-head bolt M 6 X 16		5	
10	996 301 317 00	hexagon-head bolt M 8 X 35		12	
11	996 301 312 50	transmission cover		1	
11	996 301 312 51	transmission cover		1	
12	999 707 328 40	o-ring 205 X 3,5		1	
13	999 063 008 02	screw plug with magnet M 22 X 1,5		1	
14	900 123 118 30	sealing ring A 22 X 27		1	
15	900 012 144 00	straight pin 12 M 6 X 14		4	
16	996 303 513 00	round socket 15 X 21 X 22		4	
17	900 081 042 02	stud BM 8 X 42		1	
18	996 116 710 00	flange socket		1	
19	993 116 610 00	intake manifold		1	
20	999 531 017 10	bush 12,1 X 14		1	

Model	Year	MG	SG	Illustration	Restrictions	UPD	15:40	26.01.2010	PORSCHE	PET	PORSCHE
GT3-2	2010	3	02	302-05		248					

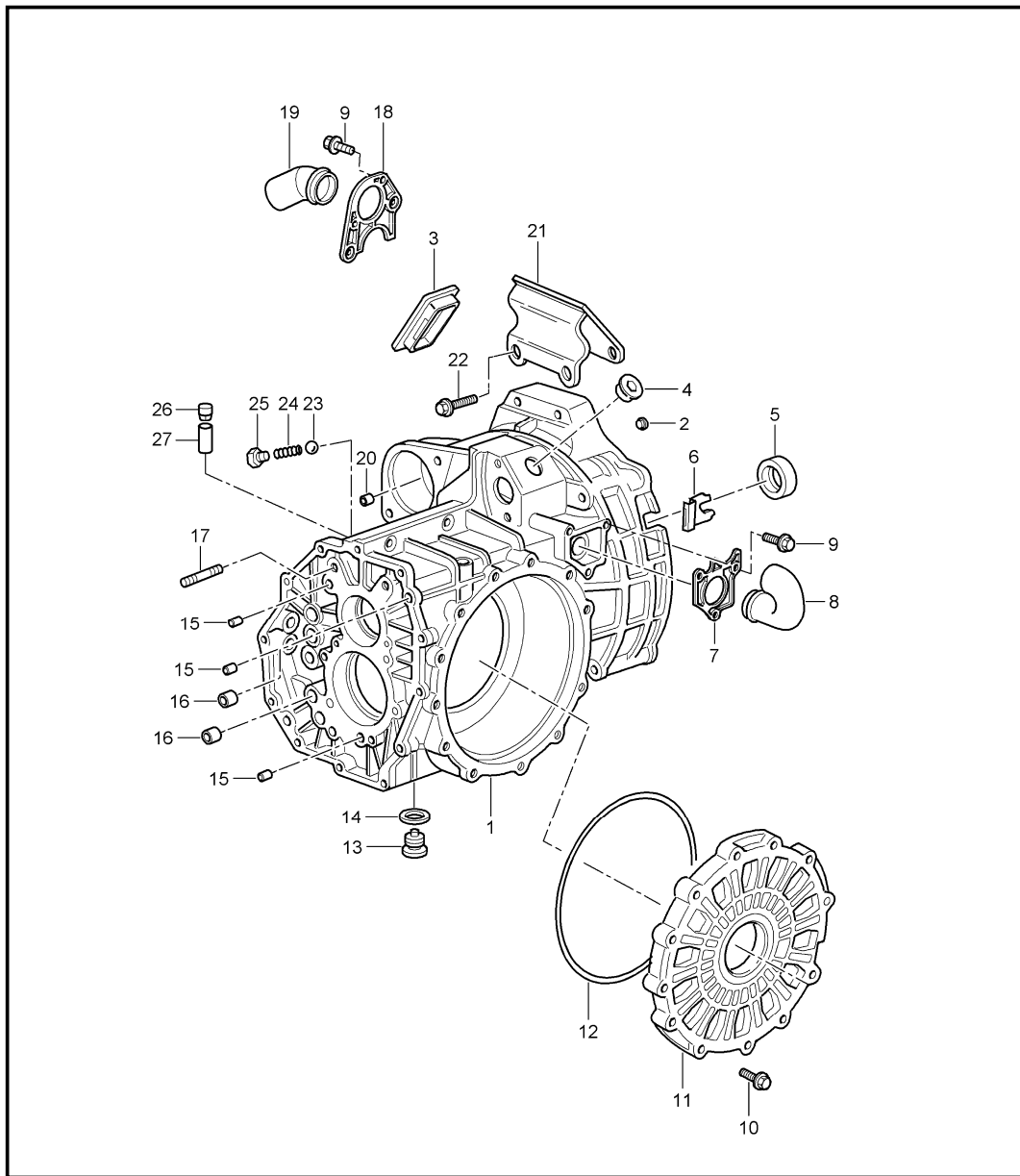
Pos	Part Number	Description	Remark	Qty	Model	Pos	Part Number	Description	Remark	Qty	Model
21	U 996 449 101 50	hook		2							
21	997 449 101 50	hook		2							
22	999 073 190 09	oval-head screw M 8 X 60		2							
23	900 108 064 00	ball 8		4							
24	996 303 245 00	compression spring		4							
25	900 124 023 02	screw plug M 10 X 1		4							
26	014 301 485	cap		1							
27	014 301 473	guide sleeve 12 X 30		1							

Model	Year	MG	SG	Illustration	Restrictions	UPD	15:41	26.01.2010	PORSCHE	PET	PORSCHE
GT3-2	2010	3	02	302-06		248					



Pos	Part Number	Description	Remark	Qty	Model
		gear housing transmission cover	-09		G97.90
1	996 301 102 9A	gear housing		1	
2	900 378 281 01	hexagon-head bolt M 8 X 35		10	
3	900 025 007 07	washer A 8,4		2	
4	900 076 025 02	hexagon nut M 8		2	
5	996 303 031 9A	gearshift lever		1	
6	986 424 133 00	washer		1	
7	996 303 033 00	shift segment		1	
8	996 303 383 00	lock		1	
9	996 303 303 00	roller 20 X 8 X 8		1	
10	996 303 515 00	bush 15 X 17 X 12		2	
11	996 303 517 00	shaft sealing ring 15 X 21 X 7		1	
12	996 303 515 00	bush		2	
13	900 012 144 00	straight pin A 12,0 X 14		2	
14	999 152 031 01	circlip SB 68 X 1,50		1	
15	999 110 181 00	cylindrical-roller bearing 30 X 62 X 16		1	
16	900 111 001 00	circlip SP 62		1	
17	999 504 004 00	threaded insert M 8 X 16		3	
18	999 062 009 02	stud BM 8 X 28		10	
--	996 606 133 00	switch back-up light		1	

Model	Year	MG	SG	Illustration	Restrictions	UPD	15:41	26.01.2010	PORSCHE	PET	PORSCHE
GT3-2	2010	3	02	302-07		248					

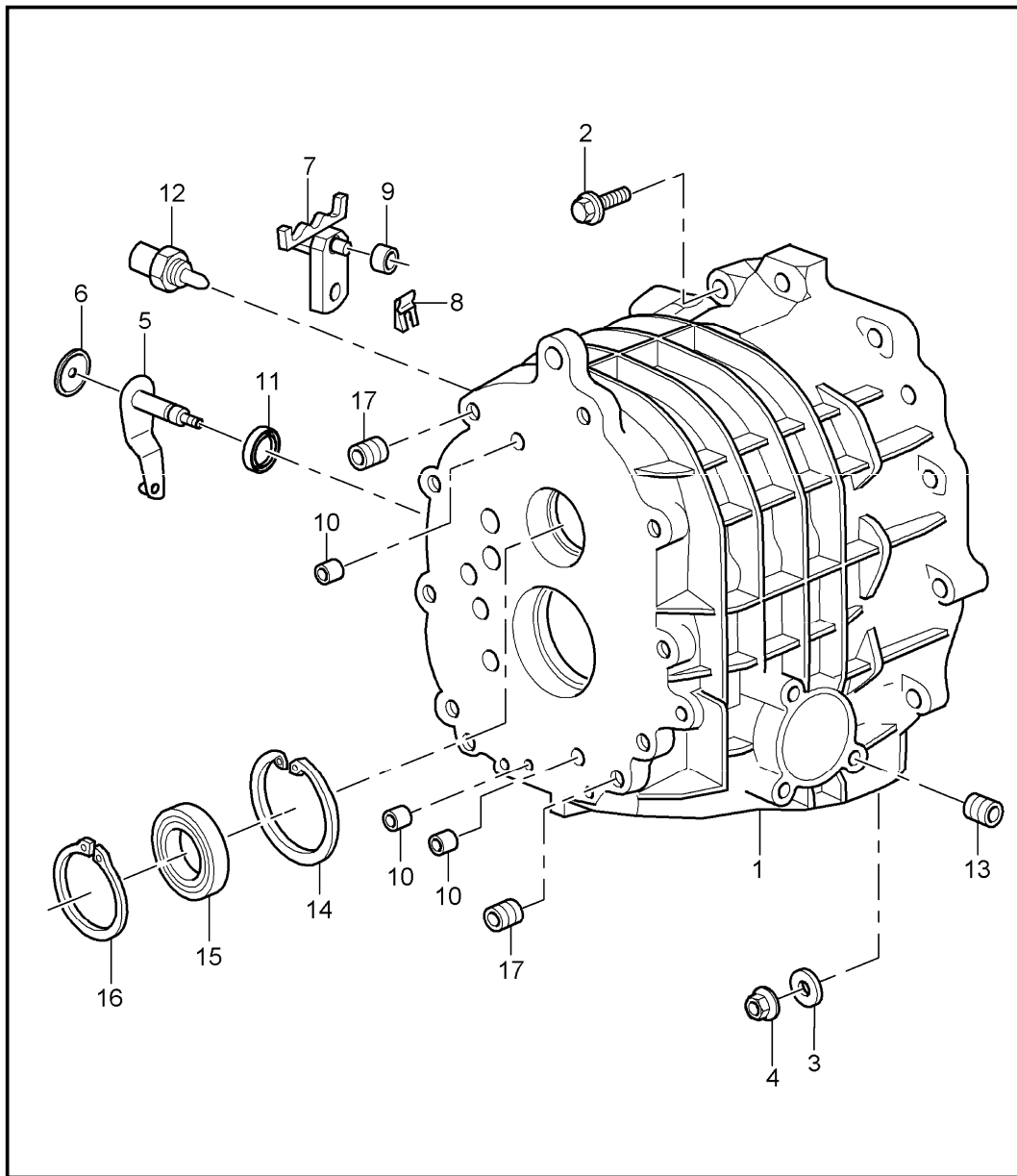


Pos	Part Number	Description	Remark	Qty	Model
		transmission case front	10-		G97.90
1	996 301 101 88	transmission case		1	
2	999 036 002 40	lid A 14		1	
3	950 301 151 01	cap		1	
4	999 703 490 40	lid 30 X 42		1	
5	999 113 326 41	shaft sealing ring 26,5 X 40		1	
6	993 116 630 00	cap		1	
7	996 116 612 00	flange		1	
8	993 116 610 00	intake manifold		1	
9	900 378 035 01	hexagon-head bolt M 6 X 16		5	
10	900 378 281 01	hexagon-head bolt M 8 X 35		12	
11	996 301 312 51	transmission cover		1	
12	999 707 480 40	o-ring 205 X 3,5		1	
13	999 063 008 02	screw plug with magnet M 22 X 1,5		1	
14	900 123 118 30	sealing ring A 22 X 27		1	
15	900 012 144 00	straight pin 12 M 6 X 14		4	
16	996 303 513 00	round socket 15 X 21 X 22		4	
17	900 081 042 02	stud BM 8 X 42		1	
18	996 116 710 00	flange socket		1	
19	993 116 610 00	intake manifold		1	
20	999 531 017 10	bush 12,1 X 14		1	
21	997 449 101 50	hook		2	

Model	Year	MG	SG	Illustration	Restrictions	UPD	15:41	26.01.2010	PORSCHE	PET	PORSCHE
GT3-2	2010	3	02	302-07		248					

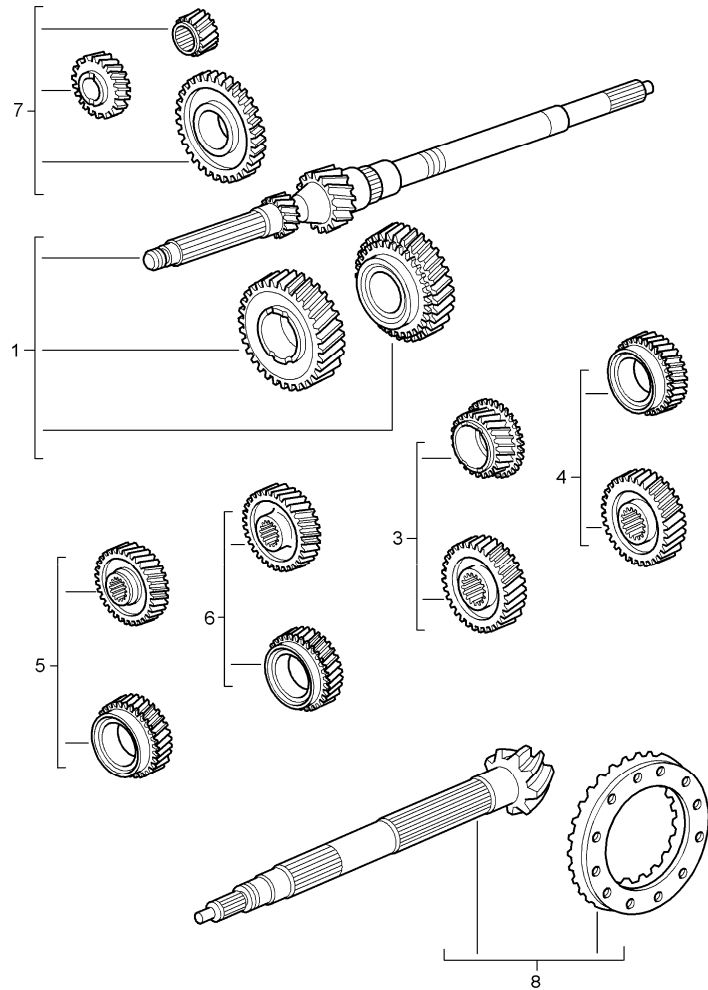
Pos	Part Number	Description	Remark	Qty	Model	Pos	Part Number	Description	Remark	Qty	Model
22	999 073 374 01	oval-head screw M 8 X 60		2							
23	900 108 064 00	ball 8		4							
24	996 303 245 00	compression spring		4							
25	900 124 023 02	screw plug M 10 X 1		4							
26	014 301 485	cap		1							
27	014 301 473	guide sleeve 12 X 30		1							

Model	Year	MG	SG	Illustration	Restrictions	UPD	15:41	26.01.2010	PORSCHE	PET	PORSCHE
GT3-2	2010	3	02	302-08		248					



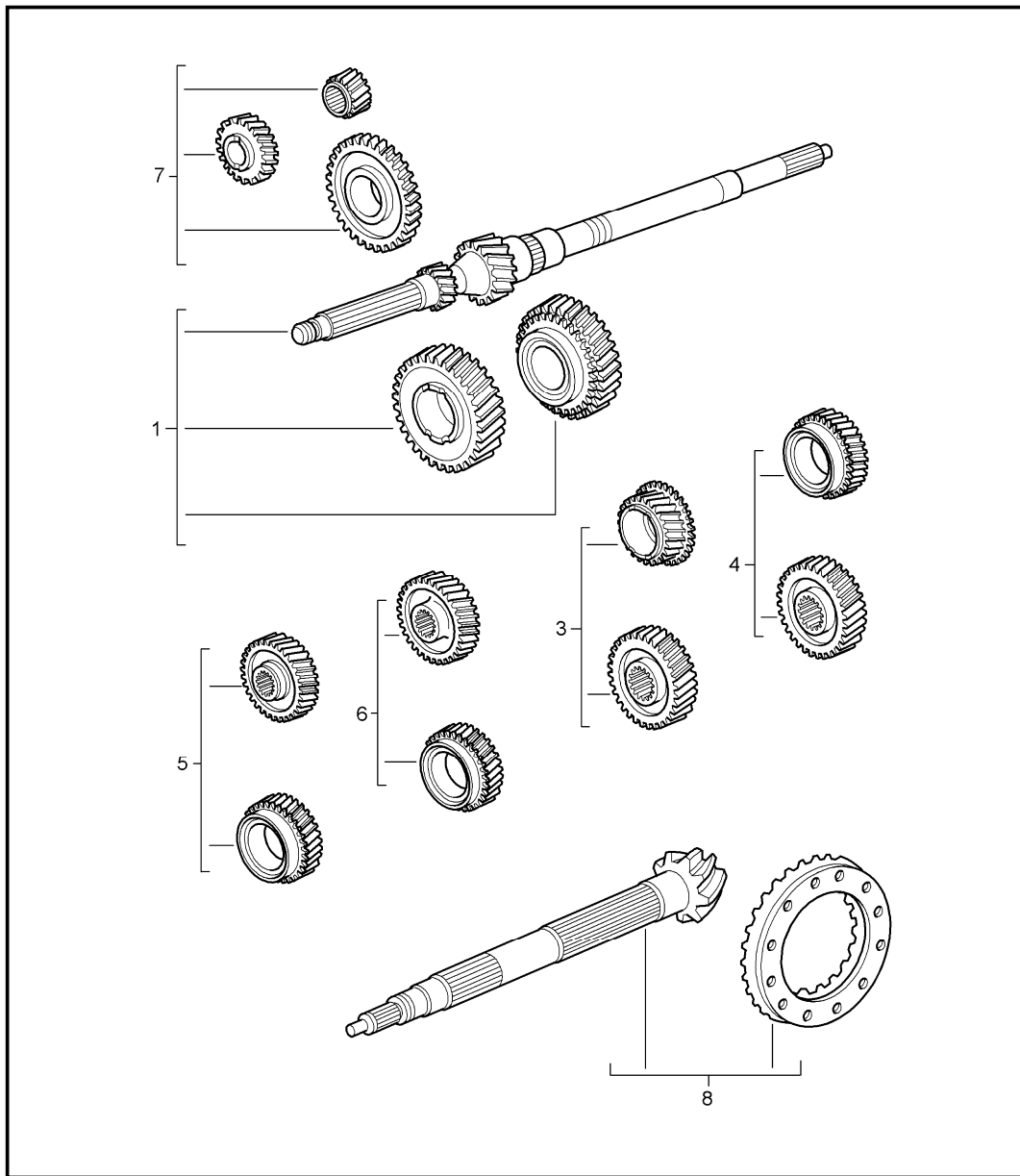
Pos	Part Number	Description	Remark	Qty	Model
		gear housing transmission cover	10-		G97.90
1	996 301 102 9A	gear housing		1	
2	900 378 281 01	hexagon-head bolt M 8 X 35		10	
3	900 025 007 02	washer A 8,4		2	
4	900 076 025 02	hexagon nut M 8		2	
5	996 303 031 9A	gearshift lever		1	
6	986 424 133 00	washer		1	
7	996 303 033 00	shift segment		1	
8	996 303 383 00	lock		1	
9	996 303 303 00	roller 20 X 8 X 8		1	
10	996 303 515 00	bush 15 X 17 X 12		2	
11	996 303 517 00	shaft sealing ring 15 X 21 X 7		1	
12	996 606 133 00	back-up light switch		1	
13	900 012 144 00	straight pin A 12,0 X 14		2	
14	999 152 031 01	circlip SB 68 X 1,50		1	
15	999 110 181 00	cylindrical-roller bearing 30 X 62 X 16		1	
16	900 111 001 00	circlip SP 62		1	
17	999 504 004 00	threaded insert M 8 X 16		3	
18	900 060 105 01	stud BM 8FO X 28		10	

Model	Year	MG	SG	Illustration	Restrictions	UPD	15:41	26.01.2010	PORSCHE	PET	PORSCHE
GT3-2	2010	3	03	303-00		248					



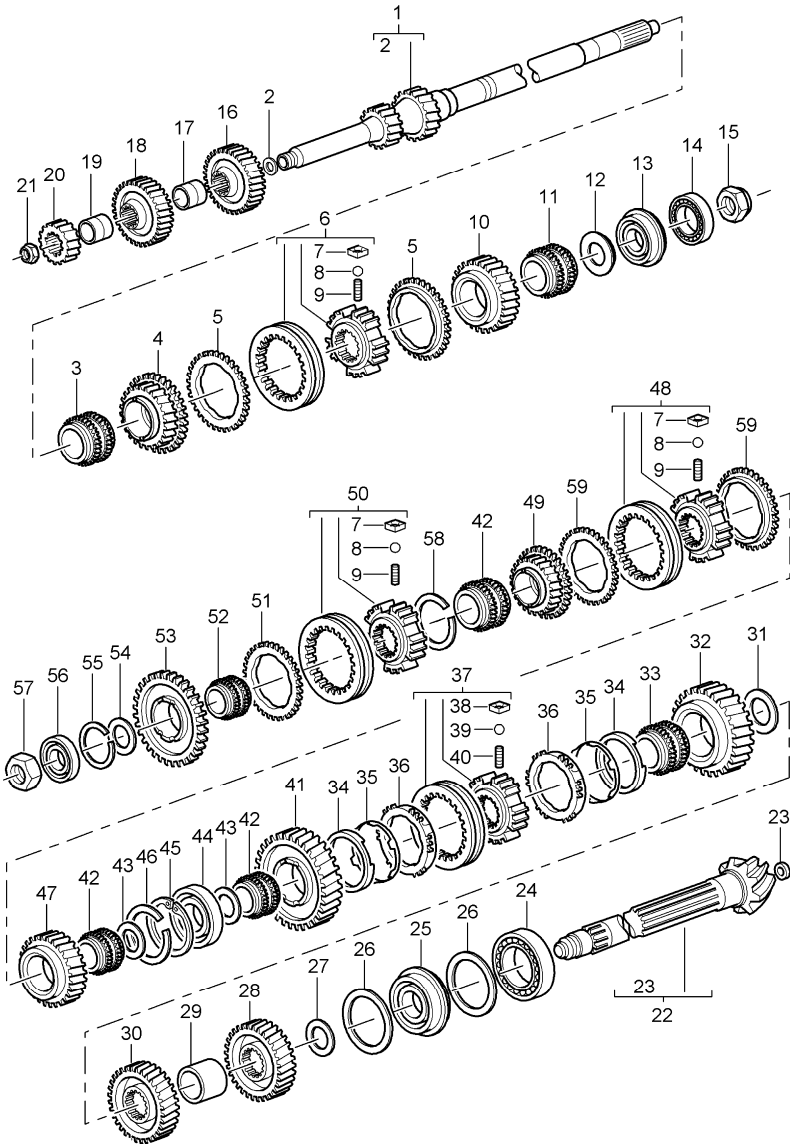
Pos	Part Number	Description	Remark	Qty	Model
		gear wheel sets	-09		G97.90
1	997 302 901 90	gear set 1st/2nd gear 1st gear Z = 42 : 11 2nd gear Z = 43 : 19	07	1	
(1)	997 302 901 91	gear set 1st/2nd gear 1st gear Z = 42 : 11 2nd gear Z = 43 : 19	08-	1	
3	997 302 953 90	gear set 3rd gear Z = 41 : 25		1	
4	997 302 954 90	gear set 4th speed Z = 40 : 31		1	
5	997 302 955 90	gear set 5th gear Z = 34 : 32		1	
6	996 302 955 50	gear set 6th gear Z = 34 : 37		1	
7	996 302 907 50	gear set reverse gear		1	
8	996 302 911 71	ring gear and pinion shaft 31 : 9		1	

Model	Year	MG	SG	Illustration	Restrictions	UPD	15:41	26.01.2010	PORSCHE	PET	PORSCHE
GT3-2	2010	3	03	303-01		248					



Pos	Part Number	Description	Remark	Qty	Model
		gear wheel sets	10-		G97.90
1	997 302 901 91	gear set 1st/2nd gear 1st gear Z = 42 : 11 2nd gear Z = 43 : 19		1	
3	997 302 953 90	gear set 3rd gear Z = 41 : 25		1	
4	997 302 954 90	gear set 4th speed Z = 40 : 31		1	
5	997 302 955 90	gear set 5th gear Z = 34 : 32		1	
6	996 302 955 50	gear set 6th gear Z = 34 : 37		1	
7	997 302 907 88	gear set reverse gear		1	
8	996 302 911 71	ring gear and pinion shaft 31 : 9		1	

Model	Year	MG	SG	Illustration	Restrictions	UPD	15:42	26.01.2010	PORSCHE	PET	PORSCHE
GT3-2	2010	3	03	303-10		248					



Pos	Part Number	Description	Remark	Qty	Model
		gears and shafts	-09		G97.90
		gear wheel sets see group 3/03/00			
1	---	drive shaft		1	
2	964 302 335 02	washer 7 MM		1	
3	999 201 442 00	needle-roller bearing 42 X 47 X 32		1	
4	---	loose gear wheel 3rd gear		1	
5	928 304 211 23	synchroniser ring		4	
6	996 304 021 51	guide sleeve 3rd/4th gear		1	
7	928 304 251 00	stone		9	
8	N 025 653 2	ball 6,5 MM		9	
9	928 304 261 01	compression spring		9	
10	---	loose gear wheel 4th speed		1	
11	999 201 437 06	needle-roller bearing 35 X 47 X 32,2		1	
12	996 302 294 50	thrust washer 4th speed		1	
13	999 052 094 00	four-point bearing 30 X 62 X 16		1	
14	999 110 117 01	cylindrical-roller bearing 30 X 62 X 20		1	
15	999 034 033 00	hexagon nut M 30 X 1,5		1	
16	---	fixed gear wheel 6th gear		1	
17	950 302 268 12	spacer sleeve 5th gear and 6th gear		1	
18	---	fixed gear wheel 5th gear			

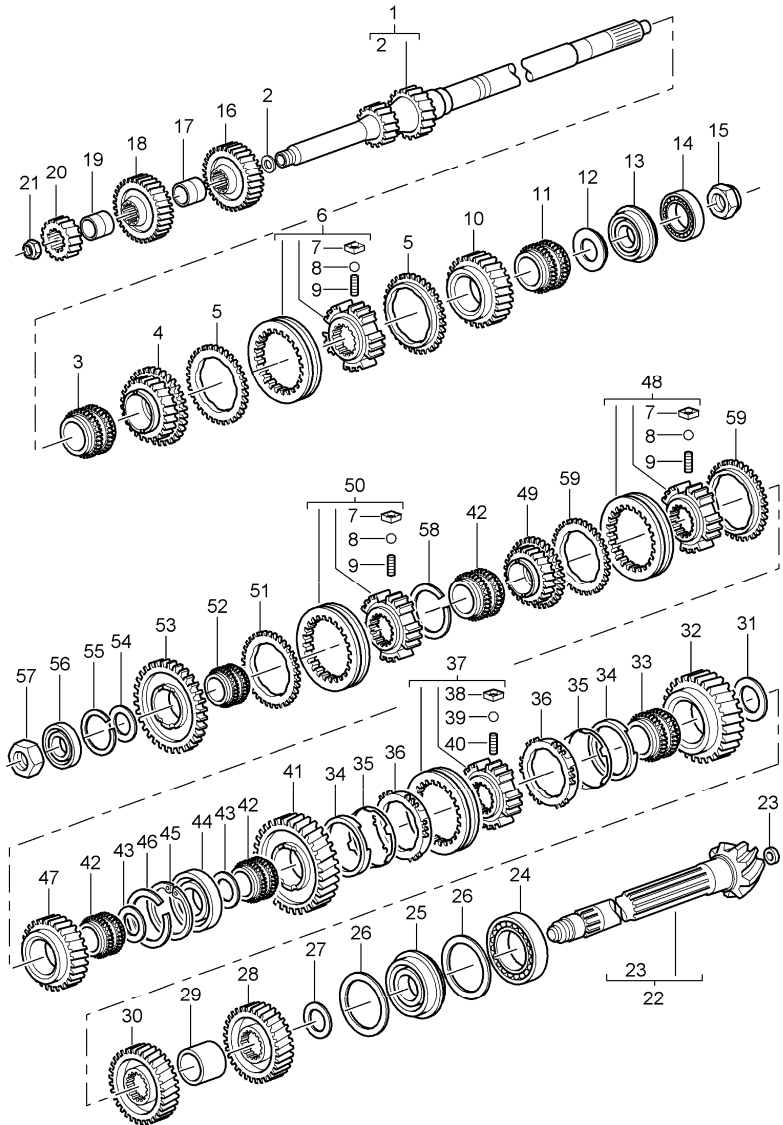
Model	Year	MG	SG	Illustration	Restrictions	UPD	15:42	26.01.2010	PORSCHE	PET	PORSCHE
GT3-2	2010	3	03	303-10		248					

Pos	Part Number	Description	Remark	Qty	Model	Pos	Part Number	Description	Remark	Qty	Model
19	950 302 270 02	spacer sleeve		1		26	996 302 163 63	shim 90 X 97 X 1,15		X	
20	---	fixed gear wheel reverse gear		1		26	996 302 163 64	shim 90 X 97 X 1,20		X	
21	999 034 035 00	lock nut M 22 X 1,5		1		26	996 302 163 65	shim 90 X 97 X 1,25		X	
22	---	pinion shaft		1		26	996 302 163 66	shim 90 X 97 X 1,30		X	
23	964 302 335 01	washer 14,5		1		26	996 302 163 67	shim 90 X 97 X 1,35		X	
24	999 110 119 01	cylindrical-roller bearing 40 X 90 X 23		1		26	996 302 163 68	shim 90 X 97 X 1,40		X	
25	999 052 164 00	four-point bearing 40 X 82 X 18		1		26	996 302 163 69	shim 90 X 97 X 1,45		X	
26	996 302 163 50	shim 90 X 97 X 0,50		X		26	996 302 163 70	shim 90 X 97 X 1,50		X	
26	996 302 163 51	shim 90 X 97 X 0,55		X		26	996 302 163 71	shim 90 X 97 X 1,55		X	
26	996 302 163 52	shim 90 X 97 X 0,60		X		26	996 302 163 72	shim 90 X 97 X 1,60		X	
26	996 302 163 53	shim 90 X 97 X 0,65		X		27	996 302 151 50	shim 40 X 50 X 0,40		X	
26	996 302 163 54	shim 90 X 97 X 0,70		X		27	996 302 151 51	shim 40 X 50 X 0,45		X	
26	996 302 163 55	shim 90 X 97 X 0,75		X		27	996 302 151 52	shim 40 X 50 X 0,50		X	
26	996 302 163 56	shim 90 X 97 X 0,80		X		27	996 302 151 53	shim 40 X 50 X 0,55		X	
26	996 302 163 57	shim 90 X 97 X 0,85		X		27	996 302 151 54	shim 40 X 50 X 0,60		X	
26	996 302 163 58	shim 90 X 97 X 0,90		X		27	996 302 151 55	shim 40 X 50 X 0,65		X	
26	996 302 163 59	shim 90 X 97 X 0,95		X		27	996 302 151 56	shim 40 X 50 X 0,70		X	
26	996 302 163 60	shim 90 X 97 X 1,00		X		27	996 302 151 57	shim 40 X 50 X 0,80		X	
26	996 302 163 61	shim 90 X 97 X 1,05		X		27	996 302 151 58	shim 40 X 50 X 0,90		X	
26	996 302 163 62	shim 90 X 97 X 1,10		X							

Model	Year	MG	SG	Illustration	Restrictions	UPD	15:42	26.01.2010	PORSCHE	PET	PORSCHE
GT3-2	2010	3	03	303-10		248					

Pos	Part Number	Description	Remark	Qty	Model	Pos	Part Number	Description	Remark	Qty	Model
27	996 302 151 59	shim 40 X 50 X 1,00		X		43	950 302 295 07	thrust washer 1st gear and 6th gear		2	
27	996 302 151 60	shim 40 X 50 X 1,10		X		44	999 110 109 01	cylindrical-roller bearing 35 X 80 X 18		1	
27	996 302 151 61	shim 40 X 50 X 1,20		X		45	999 152 106 00	circlip		1	
27	996 302 151 62	shim 40 X 50 X 1,30		X		46	N 100 709 01	circlip SP 80		1	
27	996 302 151 63	shim 40 X 50 X 0,75		X		47	---	loose gear wheel 6th gear		1	
28	---	fixed gear wheel 4th speed		1		48	950 304 021 23	guide sleeve 5th gear and 6th gear		1	
29	950 302 267 02	spacer sleeve		1		49	---	loose gear wheel 5th gear		1	
30	---	fixed gear wheel 3rd gear		1		50	996 304 021 50	guide sleeve reverse gear		1	
31	950 302 292 00	thrust washer 2nd gear		1		51	928 304 211 24	synchroniser ring reverse gear		1	
32	---	loose gear wheel 2nd gear		1		52	999 201 253 00	needle cage 32 X 45 X 27,2		1	
33	999 201 225 04	needle-roller bearing 39,68 X 50		1		53	---	loose gear wheel reverse gear		1	
34	950 304 617 20	ring		2		54	950 302 296 07	thrust washer reverse gear		1	
35	996 304 613 20	cone ring		2		55	999 152 024 01	circlip 62 X 1,50		1	
36	950 304 611 20	synchroniser ring		2		56	999 110 192 00	cylindrical-roller bearing 30 X 62 X 16		1	
37	996 304 061 50	guide sleeve 1st/2nd gear		1		57	999 034 034 00	hexagon nut M 30 X 1,25		1	
38	U 950 304 651 00	stone		3		58	999 152 111 00	circlip 78 X 1,50		1	
38	996 304 651 00	stone		3		59	928 304 211 30	synchroniser ring		3	
39	900 108 058 00	ball 5 MM		3							
40	950 304 661 03	compression spring		3							
41	---	loose gear wheel 1st gear		1							
42	999 201 239 06	needle-roller bearing 35 X 50 X 32,2		3							

Model	Year	MG	SG	Illustration	Restrictions	UPD	15:42	26.01.2010	PORSCHE	PET	PORSCHE
GT3-2	2010	3	03	303-11		248					



Pos	Part Number	Description	Remark	Qty	Model
		gears and shafts		10-	G97.90
		gear wheel sets see group 3/03/00			
1	---	drive shaft		1	
2	964 302 335 02	washer 7 MM		1	
3	999 201 442 00	needle-roller bearing 42 X 47 X 32		1	
4	---	loose gear wheel 3rd gear		1	
5	928 304 211 30	synchroniser ring		4	
6	996 304 021 51	guide sleeve 3rd/4th gear		1	
7	928 304 251 00	stone		9	
8	N 025 653 2	ball 6,5 MM		9	
9	928 304 261 01	compression spring		9	
10	---	loose gear wheel 4th speed		1	
11	999 201 437 06	needle-roller bearing 35 X 47 X 32,2		1	
12	996 302 294 50	thrust washer 4th speed		1	
13	999 052 094 00	four-point bearing 30 X 62 X 16		1	
14	999 110 117 01	cylindrical-roller bearing 30 X 62 X 20		1	
15	999 034 033 00	hexagon nut M 30 X 1,5		1	
16	---	fixed gear wheel 6th gear		1	
17	950 302 268 12	spacer sleeve 5th gear and 6th gear		1	
18	---	fixed gear wheel 5th gear			

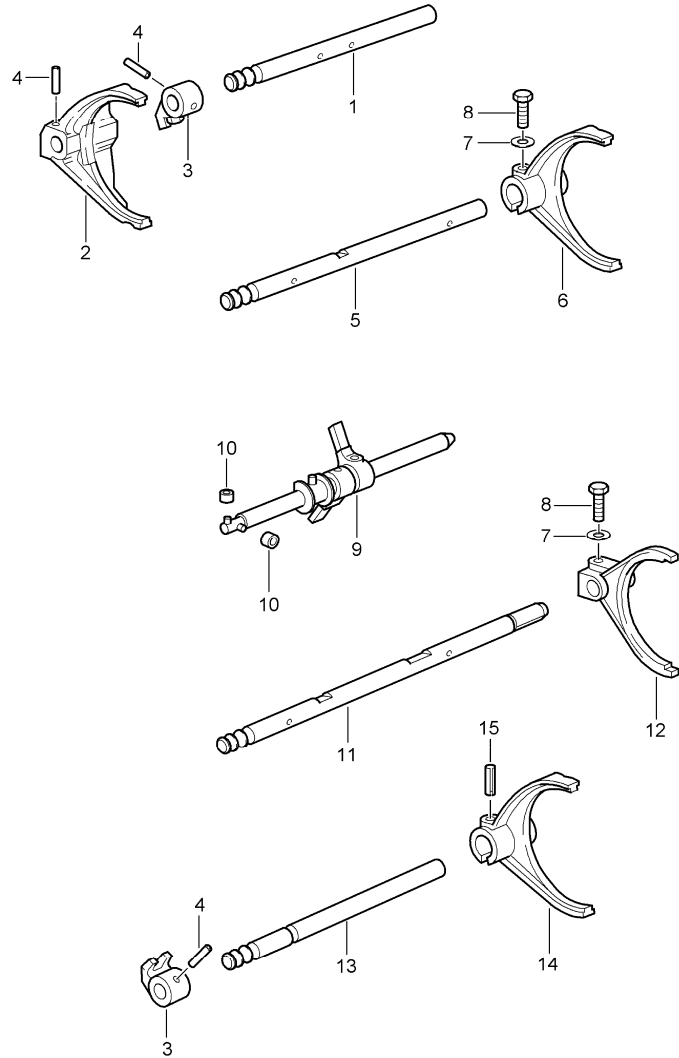
Model	Year	MG	SG	Illustration	Restrictions	UPD	15:42	26.01.2010	PORSCHE	PET	PORSCHE
GT3-2	2010	3	03	303-11		248					

Pos	Part Number	Description	Remark	Qty	Model	Pos	Part Number	Description	Remark	Qty	Model
19	950 302 270 02	spacer sleeve		1		26	996 302 163 63	shim 90 X 97 X 1,15		X	
20	---	fixed gear wheel reverse gear		1		26	996 302 163 64	shim 90 X 97 X 1,20		X	
21	999 034 035 00	lock nut M 22 X 1,5		1		26	996 302 163 65	shim 90 X 97 X 1,25		X	
22	---	pinion shaft		1		26	996 302 163 66	shim 90 X 97 X 1,30		X	
23	964 302 335 01	washer 14,5		1		26	996 302 163 67	shim 90 X 97 X 1,35		X	
24	999 110 132 01	cylindrical-roller bearing 40 X 90 X 23		1		26	996 302 163 68	shim 90 X 97 X 1,40		X	
25	999 052 164 00	four-point bearing 40 X 82 X 18		1		26	996 302 163 69	shim 90 X 97 X 1,45		X	
26	996 302 163 50	shim 90 X 97 X 0,50		X		26	996 302 163 70	shim 90 X 97 X 1,50		X	
26	996 302 163 51	shim 90 X 97 X 0,55		X		26	996 302 163 71	shim 90 X 97 X 1,55		X	
26	996 302 163 52	shim 90 X 97 X 0,60		X		26	996 302 163 72	shim 90 X 97 X 1,60		X	
26	996 302 163 53	shim 90 X 97 X 0,65		X		27	996 302 151 50	shim 40 X 50 X 0,40		X	
26	996 302 163 54	shim 90 X 97 X 0,70		X		27	996 302 151 51	shim 40 X 50 X 0,45		X	
26	996 302 163 55	shim 90 X 97 X 0,75		X		27	996 302 151 52	shim 40 X 50 X 0,50		X	
26	996 302 163 56	shim 90 X 97 X 0,80		X		27	996 302 151 53	shim 40 X 50 X 0,55		X	
26	996 302 163 57	shim 90 X 97 X 0,85		X		27	996 302 151 54	shim 40 X 50 X 0,60		X	
26	996 302 163 58	shim 90 X 97 X 0,90		X		27	996 302 151 55	shim 40 X 50 X 0,65		X	
26	996 302 163 59	shim 90 X 97 X 0,95		X		27	996 302 151 56	shim 40 X 50 X 0,70		X	
26	996 302 163 60	shim 90 X 97 X 1,00		X		27	996 302 151 57	shim 40 X 50 X 0,80		X	
26	996 302 163 61	shim 90 X 97 X 1,05		X		27	996 302 151 58	shim 40 X 50 X 0,90		X	
26	996 302 163 62	shim 90 X 97 X 1,10		X							

Model	Year	MG	SG	Illustration	Restrictions	UPD	15:42	26.01.2010	PORSCHE	PET	PORSCHE
GT3-2	2010	3	03	303-11		248					

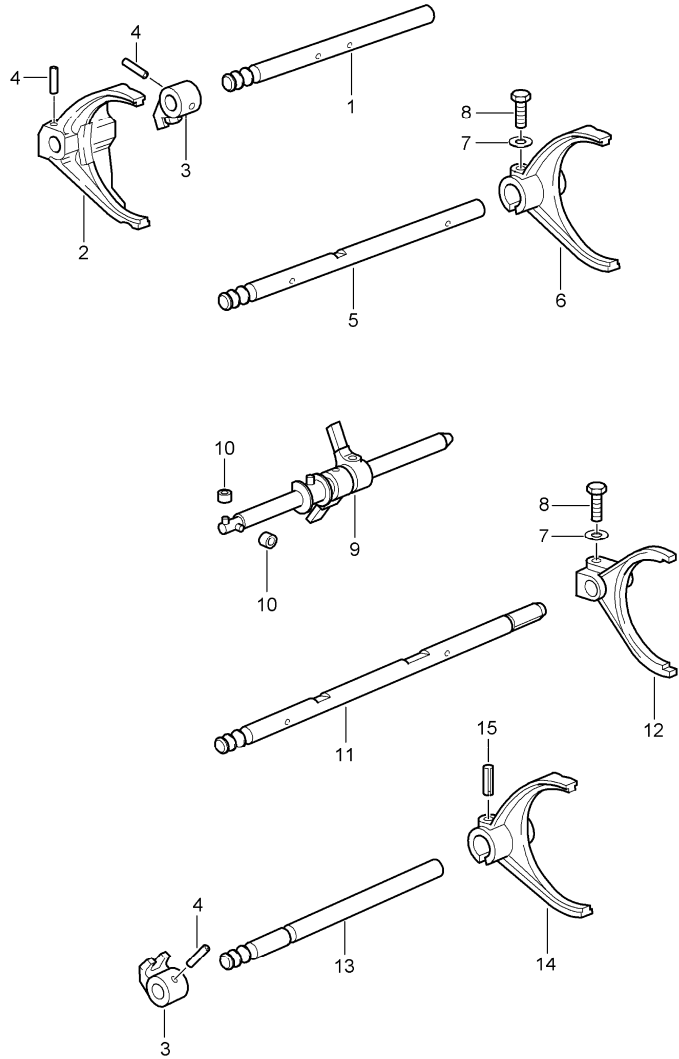
Pos	Part Number	Description	Remark	Qty	Model	Pos	Part Number	Description	Remark	Qty	Model
27	996 302 151 59	shim 40 X 50 X 1,00		X		43	950 302 295 07	thrust washer 1st gear and 6th gear		2	
27	996 302 151 60	shim 40 X 50 X 1,10		X		44	999 110 109 01	cylindrical-roller bearing 35 X 80 X 18		1	
27	996 302 151 61	shim 40 X 50 X 1,20		X		45	999 152 106 00	circlip		1	
27	996 302 151 62	shim 40 X 50 X 1,30		X		46	N 100 709 01	circlip SP 80		1	
27	996 302 151 63	shim 40 X 50 X 0,75		X		47	---	loose gear wheel 6th gear		1	
28	---	fixed gear wheel 4th speed		1		48	950 304 021 23	guide sleeve 5th gear and 6th gear		1	
29	950 302 267 02	spacer sleeve		1		49	---	loose gear wheel 5th gear		1	
30	---	fixed gear wheel 3rd gear		1		50	996 304 021 50	guide sleeve reverse gear		1	
31	950 302 292 00	thrust washer 2nd gear		1		51	928 304 211 24	synchroniser ring reverse gear		1	
32	---	loose gear wheel 2nd gear		1		52	999 201 253 00	needle cage 32 X 45 X 27,2		1	
33	999 201 225 04	needle-roller bearing 39,68 X 50		1		53	---	loose gear wheel reverse gear		1	
34	950 304 617 20	ring		2		54	950 302 296 07	thrust washer reverse gear		1	
35	996 304 613 20	cone ring		2		55	999 152 024 01	circlip 62 X 1,50		1	
36	950 304 611 20	synchroniser ring		2		56	999 110 192 00	cylindrical-roller bearing 30 X 62 X 16		1	
37	996 304 061 50	guide sleeve 1st/2nd gear		1		57	999 034 034 00	hexagon nut M 30 X 1,25		1	
38	996 304 651 00	stone		3		58	999 152 111 00	circlip 78 X 1,50		1	
39	900 108 058 00	ball 5 MM		3		59	928 304 211 30	synchroniser ring		3	
40	950 304 661 03	compression spring		3							
41	---	loose gear wheel 1st gear		1							
42	999 201 239 06	needle-roller bearing 35 X 50 X 32,2		3							

Model	Year	MG	SG	Illustration	Restrictions	UPD	15:42	26.01.2010	PORSCHE	PET	PORSCHE
GT3-2	2010	3	04	304-00		248					



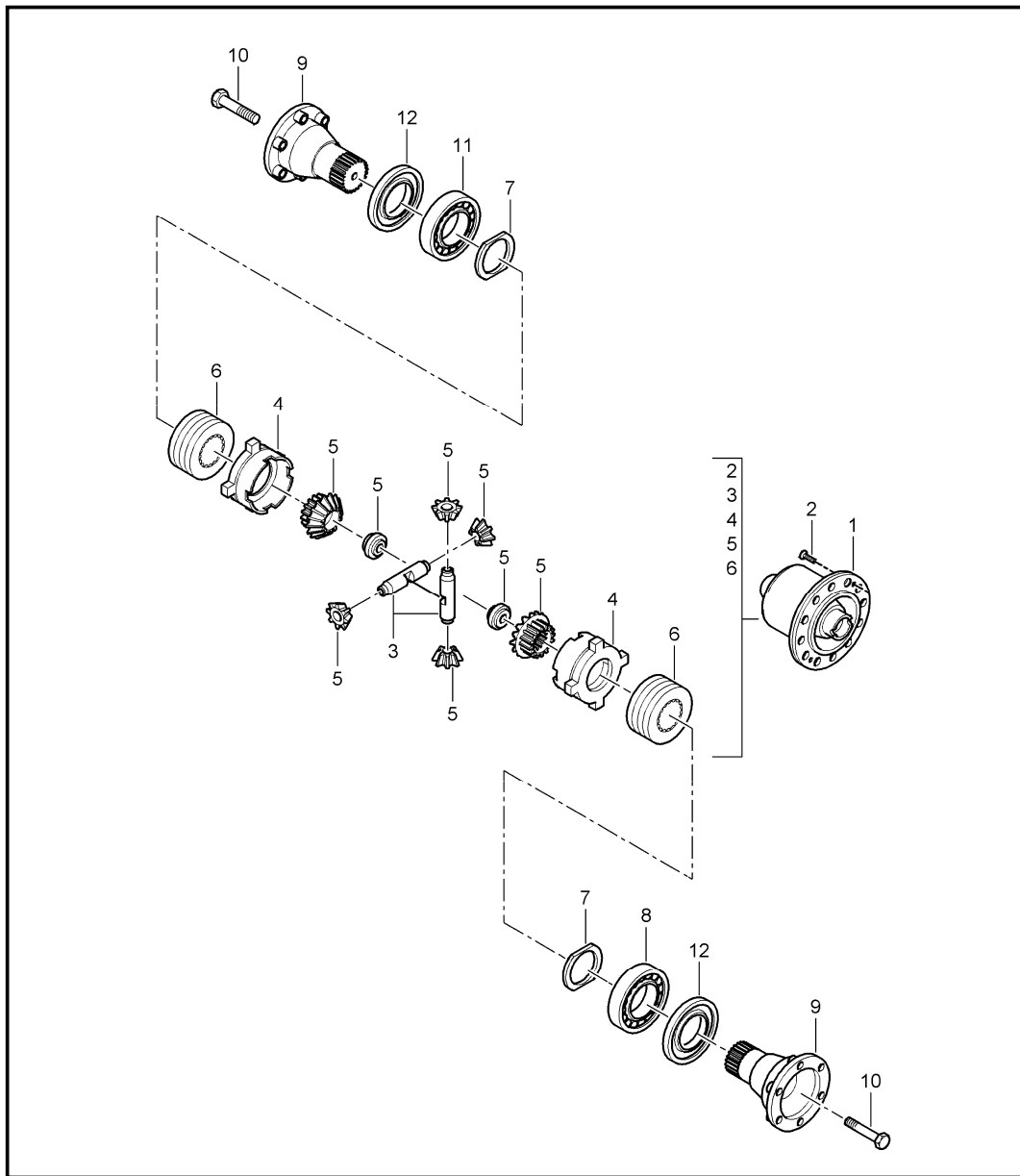
Pos	Part Number	Description	Remark	Qty	Model
		gear shift rod shift fork shift rod	-09		G97.90
1	996 303 103 52	gear shift rod 3rd/4th gear		1	
2	996 303 113 88	shift fork 3rd/4th gear		1	
3	996 303 121 50	driver		2	
4	900 309 008 00	roll pin 6 X 24		3	
5	996 303 106 51	gear shift rod 5th gear and 6th gear		1	
6	996 303 116 50	shift fork 5th gear and 6th gear		1	
7	900 025 007 02	washer A 8,4		2	
8	900 075 099 02	hexagon-head bolt M 8 X 30		2	
9	996 303 021 52	shift rod		1	
10	996 303 403 00	roller 10 X 5 X 3		4	
11	996 303 105 52	gear shift rod reverse gear		1	
12	996 303 115 50	shift fork reverse gear		1	
13	996 303 101 51	gear shift rod 1st/2nd gear		1	
14	996 303 111 51	shift fork 1st/2nd gear		1	
15	900 095 017 01	roll pin 5,0 X 24		2	

Model	Year	MG	SG	Illustration	Restrictions	UPD	15:42	26.01.2010	PORSCHE	PET	PORSCHE
GT3-2	2010	3	04	304-01		248					



Pos	Part Number	Description	Remark	Qty	Model
		gear shift rod shift fork shift rod	10-		G97.90
1	996 303 103 52	gear shift rod 3rd/4th gear		1	
2	996 303 113 88	shift fork 3rd/4th gear		1	
3	996 303 121 50	driver		2	
4	900 309 008 00	roll pin 6 X 24		3	
5	996 303 106 51	gear shift rod 5th gear and 6th gear		1	
6	996 303 116 50	shift fork 5th gear and 6th gear		1	
7	900 025 007 02	washer A 8,4		2	
8	900 075 099 02	hexagon-head bolt M 8 X 30		2	
9	996 303 021 52	shift rod		1	
10	996 303 403 00	roller 10 X 5 X 3		4	
11	996 303 105 52	gear shift rod reverse gear		1	
12	996 303 115 50	shift fork reverse gear		1	
13	996 303 101 51	gear shift rod 1st/2nd gear		1	
14	996 303 111 51	shift fork 1st/2nd gear		1	
15	900 095 017 01	roll pin 5,0 X 24		2	

Model	Year	MG	SG	Illustration	Restrictions	UPD	15:42	26.01.2010	PORSCHE	PET	PORSCHE
GT3-2	2010	3	05	305-05		248					

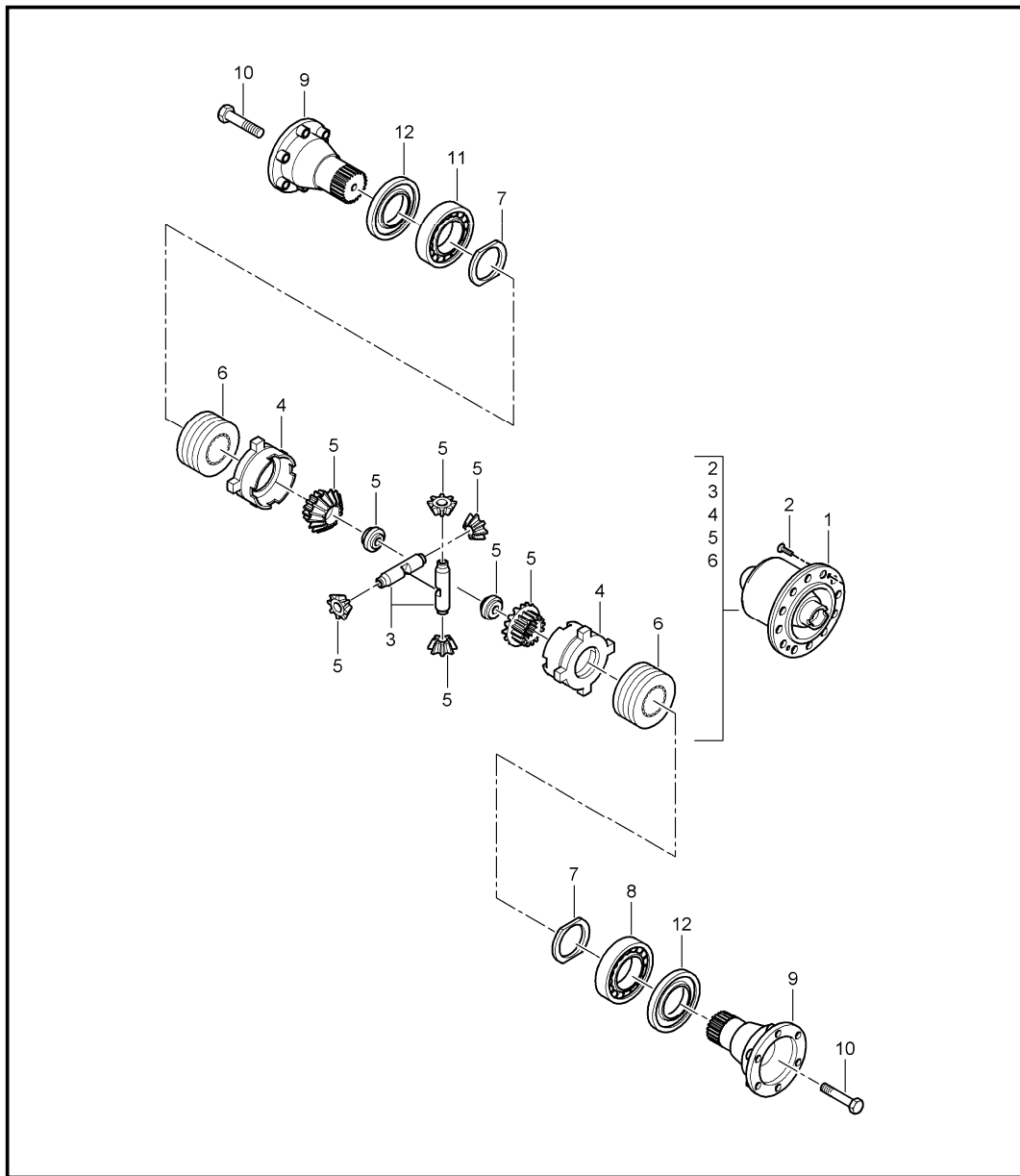


Pos	Part Number	Description	Remark	Qty	Model
		limited-slip differential complete and repair kits	-09		G97.90
1	997 332 083 91	limited-slip differential 28/40 % FA. GKN		1	
(2)	999 217 152 01	hexagon-head bolt M 12 X 1,25		12	
2	950 332 983 03	countersunk-head screw set FA.GKN		1	
3	950 332 983 06	axle set		1	
4	950 332 983 05	ring set		1	
5	950 332 983 02	gear set		1	
6	950 332 983 36	vanes		1	
7	996 332 266 50	adjusting ring 50,4 X 65 X 1,50		X	
7	996 332 266 51	adjusting ring 50,4 X 65 X 1,55		X	
7	996 332 266 52	adjusting ring 50,4 X 65 X 1,60		X	
7	996 332 266 53	adjusting ring 50,4 X 65 X 1,65		X	
7	996 332 266 54	adjusting ring 50,4 X 65 X 1,70		X	
7	996 332 266 55	adjusting ring 50,4 X 65 X 1,75		X	
7	996 332 266 56	adjusting ring 50,4 X 65 X 1,80		X	
7	996 332 266 57	adjusting ring 50,4 X 65 X 1,85		X	
7	996 332 266 58	adjusting ring 50,4 X 65 X 1,90		X	
7	996 332 266 59	adjusting ring 50,4 X 65 X 1,95		X	

Model	Year	MG	SG	Illustration	Restrictions	UPD	15:42	26.01.2010	PORSCHE	PET	PORSCHE
GT3-2	2010	3	05	305-05		248					

Pos	Part Number	Description	Remark	Qty	Model	Pos	Part Number	Description	Remark	Qty	Model
7	996 332 266 60	adjusting ring 50,4 X 65 X 2,00		X		10	999 217 027 01	hexagon-head bolt M 10 X 85		2	
7	996 332 266 61	adjusting ring 50,4 X 65 X 2,05		X		11	999 059 066 02	taper roller bearing 50 X 80 X 20		1	
7	996 332 266 62	adjusting ring 50,4 X 65 X 2,10		X		12	999 113 356 40	shaft sealing ring 48 X 68 X 10		2	
7	996 332 266 63	adjusting ring 50,4 X 65 X 2,15		X							
7	996 332 266 64	adjusting ring 50,4 X 65 X 2,20		X							
7	996 332 266 65	adjusting ring 50,4 X 65 X 2,25		X							
7	996 332 266 66	adjusting ring 50,4 X 65 X 2,30		X							
7	996 332 266 67	adjusting ring 50,4 X 65 X 2,35		X							
7	996 332 266 68	adjusting ring 50,4 X 65 X 2,40		X							
7	996 332 266 69	adjusting ring 50,4 X 65 X 2,45		X							
7	996 332 266 70	adjusting ring 50,4 X 65 X 2,50		X							
7	996 332 266 71	adjusting ring 50,4 X 65 X 2,55		X							
7	996 332 266 72	adjusting ring 50,4 X 65 X 2,60		X							
7	996 332 266 73	adjusting ring 50,4 X 65 X 2,65		X							
7	996 332 266 74	adjusting ring 50,4 X 65 X 2,70		X							
7	996 332 266 75	adjusting ring 50,4 X 65 X 2,75		X							
7	996 332 266 76	adjusting ring 50,4 X 65 X 2,80		X							
8	999 059 064 00	taper roller bearing 50 X 90 X 20		1							
9	997 332 209 51	joint flange		2							

Model	Year	MG	SG	Illustration	Restrictions	UPD	15:43	26.01.2010	PORSCHE	PET	PORSCHE
GT3-2	2010	3	05	305-06		248					

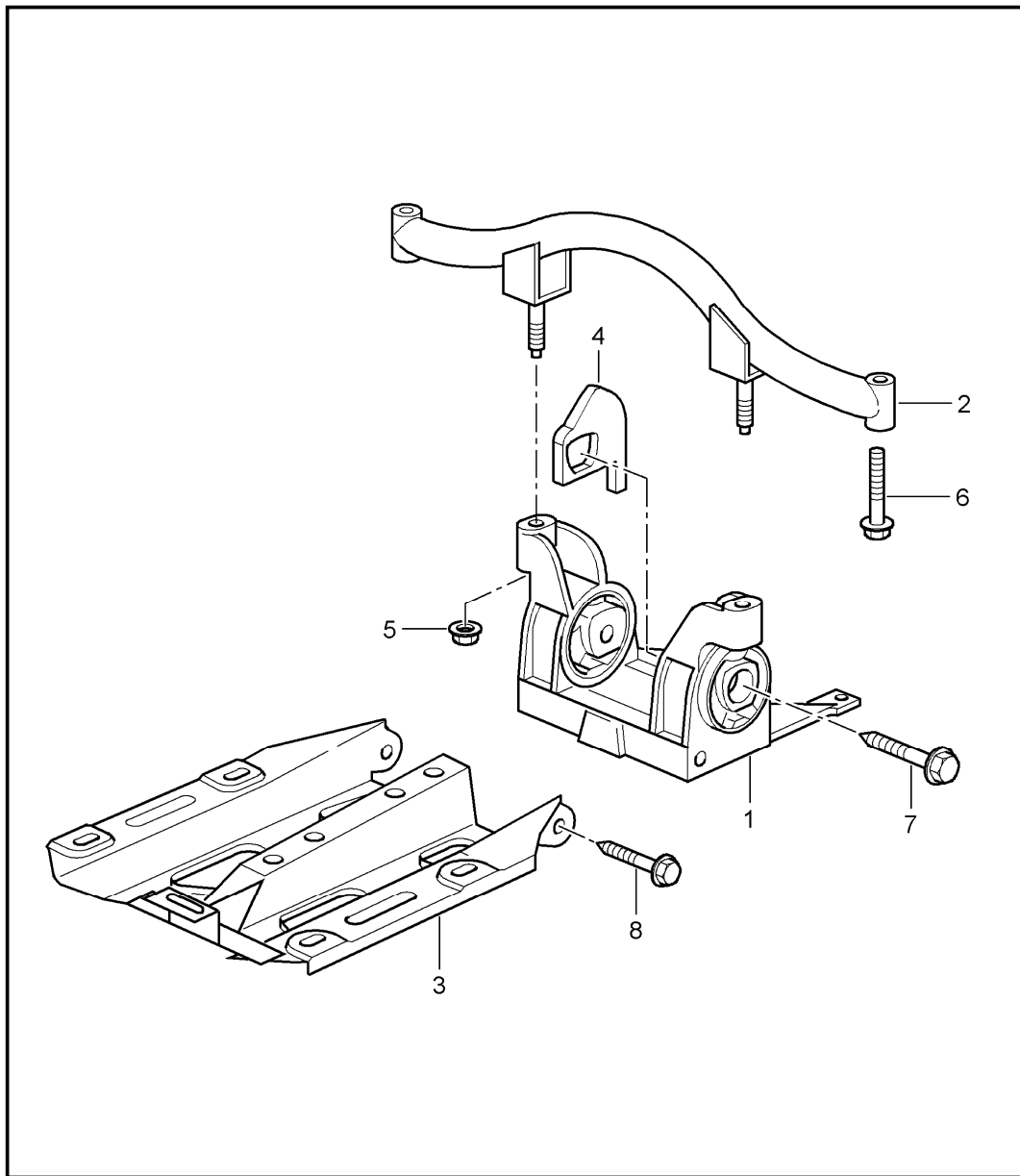


Pos	Part Number	Description	Remark	Qty	Model
		limited-slip differential complete and repair kits	10-		G97.90
1	997 332 083 91	limited-slip differential 28/40 % FA. GKN		1	
(2)	999 217 152 01	hexagon-head bolt M 12 X 1,25		12	
2	950 332 983 03	countersunk-head screw set FA.GKN		1	
3	950 332 983 06	axle set		1	
4	950 332 983 05	ring set		1	
5	950 332 983 02	gear set		1	
6	950 332 983 36	vanes		1	
7	996 332 266 50	adjusting ring 50,4 X 65 X 1,50		X	
7	996 332 266 51	adjusting ring 50,4 X 65 X 1,55		X	
7	996 332 266 52	adjusting ring 50,4 X 65 X 1,60		X	
7	996 332 266 53	adjusting ring 50,4 X 65 X 1,65		X	
7	996 332 266 54	adjusting ring 50,4 X 65 X 1,70		X	
7	996 332 266 55	adjusting ring 50,4 X 65 X 1,75		X	
7	996 332 266 56	adjusting ring 50,4 X 65 X 1,80		X	
7	996 332 266 57	adjusting ring 50,4 X 65 X 1,85		X	
7	996 332 266 58	adjusting ring 50,4 X 65 X 1,90		X	
7	996 332 266 59	adjusting ring 50,4 X 65 X 1,95		X	

Model	Year	MG	SG	Illustration	Restrictions	UPD	15:43	26.01.2010	PORSCHE	PET	PORSCHE
GT3-2	2010	3	05	305-06		248					

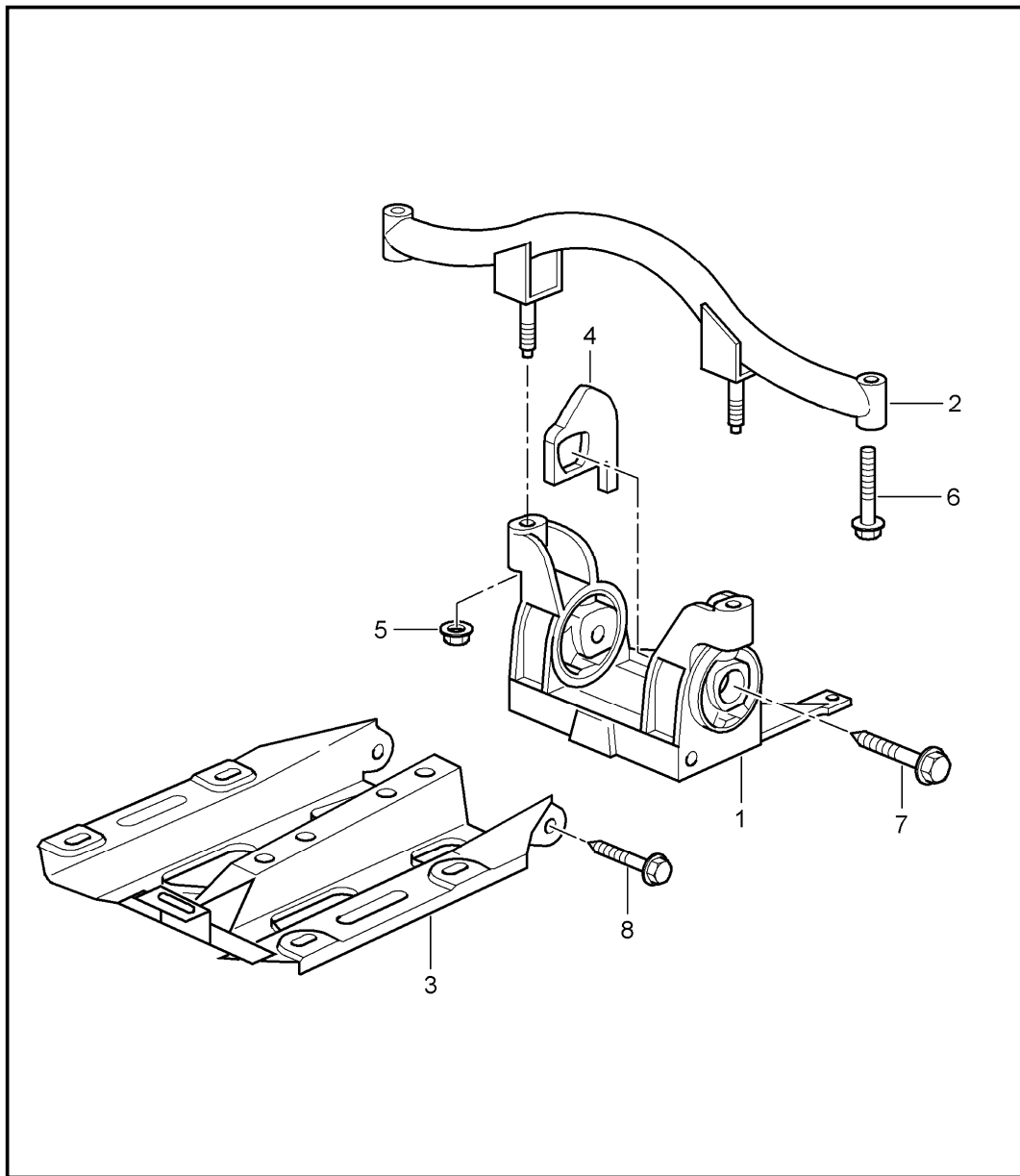
Pos	Part Number	Description	Remark	Qty	Model	Pos	Part Number	Description	Remark	Qty	Model
7	996 332 266 60	adjusting ring 50,4 X 65 X 2,00		X		10	999 217 027 01	hexagon-head bolt M 10 X 85		2	
7	996 332 266 61	adjusting ring 50,4 X 65 X 2,05		X		11	999 059 066 02	taper roller bearing 50 X 80 X 20		1	
7	996 332 266 62	adjusting ring 50,4 X 65 X 2,10		X		12	999 113 356 40	shaft sealing ring 48 X 68 X 10		2	
7	996 332 266 63	adjusting ring 50,4 X 65 X 2,15		X							
7	996 332 266 64	adjusting ring 50,4 X 65 X 2,20		X							
7	996 332 266 65	adjusting ring 50,4 X 65 X 2,25		X							
7	996 332 266 66	adjusting ring 50,4 X 65 X 2,30		X							
7	996 332 266 67	adjusting ring 50,4 X 65 X 2,35		X							
7	996 332 266 68	adjusting ring 50,4 X 65 X 2,40		X							
7	996 332 266 69	adjusting ring 50,4 X 65 X 2,45		X							
7	996 332 266 70	adjusting ring 50,4 X 65 X 2,50		X							
7	996 332 266 71	adjusting ring 50,4 X 65 X 2,55		X							
7	996 332 266 72	adjusting ring 50,4 X 65 X 2,60		X							
7	996 332 266 73	adjusting ring 50,4 X 65 X 2,65		X							
7	996 332 266 74	adjusting ring 50,4 X 65 X 2,70		X							
7	996 332 266 75	adjusting ring 50,4 X 65 X 2,75		X							
7	996 332 266 76	adjusting ring 50,4 X 65 X 2,80		X							
8	999 059 064 00	taper roller bearing 50 X 90 X 20		1							
9	997 332 209 51	joint flange		2							

Model	Year	MG	SG	Illustration	Restrictions	UPD	15:43	26.01.2010	PORSCHE	PET	PORSCHE
GT3-2	2010	3	06	306-00		248					



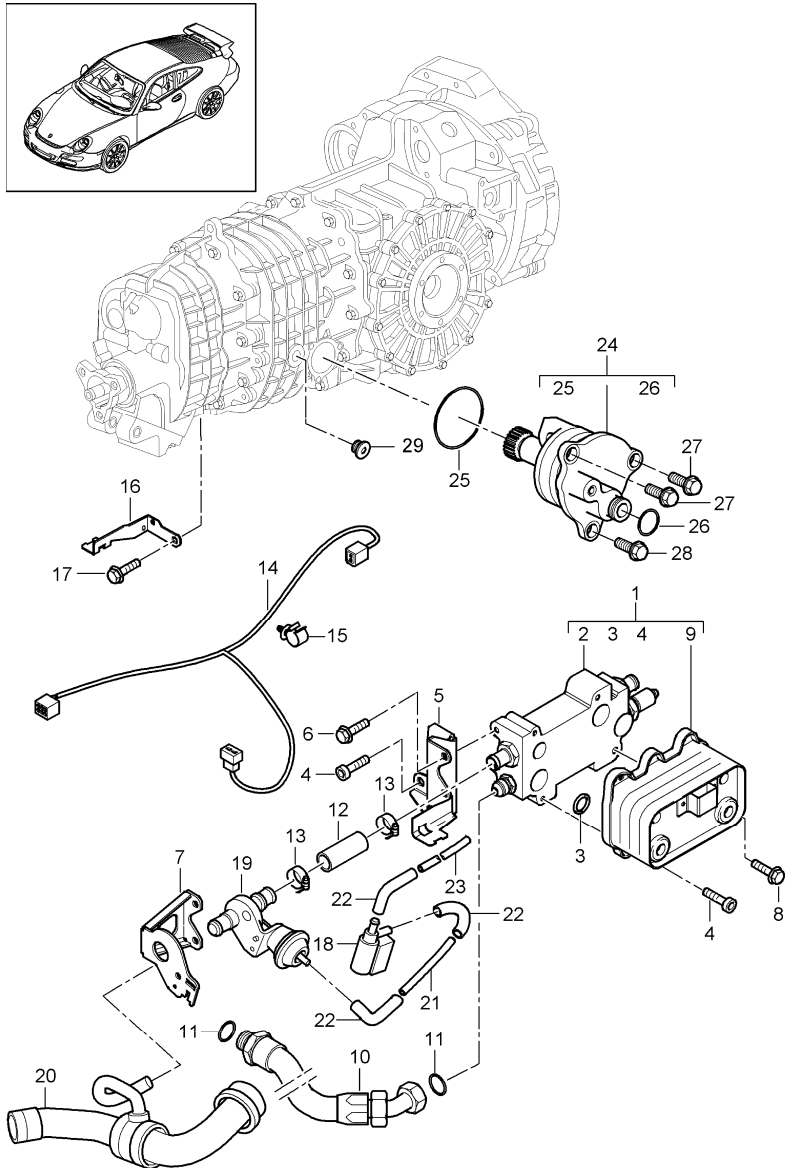
Pos	Part Number	Description	Remark	Qty	Model
		transmission suspension	-09		G97.90
1	997 375 033 03	transmission carrier		1	
2	996 375 317 06	bracket upper		1	
3	997 375 115 00	side member		1	
4	997 375 259 01	stop		2	
5	999 084 648 01	hexagon nut M 10		2	
6	A 900 378 098 09	hexagon-head bolt M 10 X 60		2	
7	900 378 208 09	hexagon-head bolt M 12 X 1,5 X 75		2	
8	900 378 200 09	hexagon-head bolt M 10 X 55		2	

Model	Year	MG	SG	Illustration	Restrictions	UPD	15:43	26.01.2010	PORSCHE	PET	PORSCHE
GT3-2	2010	3	06	306-01		248					



Pos	Part Number	Description	Remark	Qty	Model
		transmission suspension	10-		G97.90
1	997 375 033 03	transmission carrier		1	
2	996 375 317 06	bracket upper		1	
3	997 375 115 00	side member		1	
4	997 375 259 01	stop		2	
5	999 084 648 01	hexagon nut M 10		2	
6	900 378 098 01	hexagon-head bolt AM 10 X 60		4	
7	900 378 315 01	hexagon-head bolt M 12 X 1,5 X 75		2	
8	900 378 313 01	hexagon-head bolt M 10 X 55		2	

Model	Year	MG	SG	Illustration	Restrictions	UPD	15:43	26.01.2010	PORSCHE	PET	PORSCHE
GT3-2	2010	3	07	307-00		248					

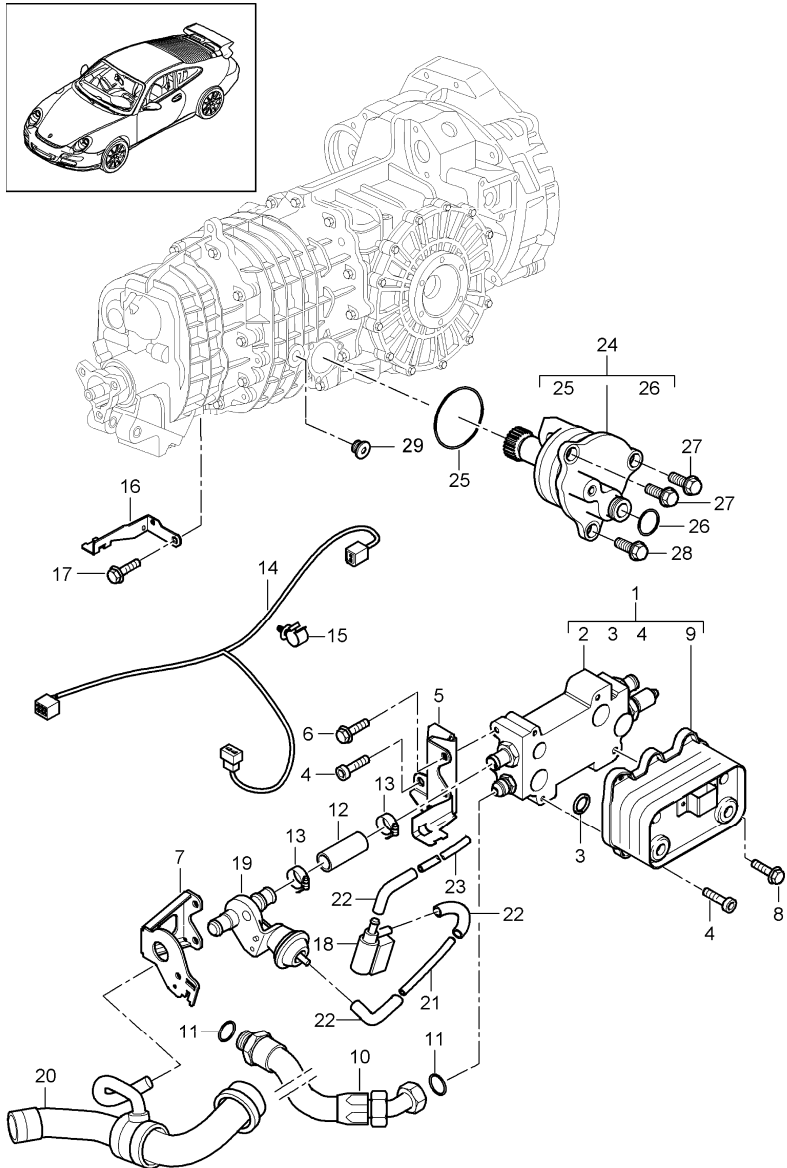


Pos	Part Number	Description	Remark	Qty	Model
		transmission oil cooler lines oil pump	-09		G97.90
1	996 307 015 8A	transmission oil cooler complete		1	
2	996 307 020 8A	port plate		1	
3	900 331 021 40	o-ring 20 X 3,55		4	
4	999 073 103 01	round head screw M 6 X 16		5	
5	996 307 141 88	support		1	
6	900 378 017 01	hexagon-head bolt M 8 X 20		2	
7	996 307 145 88	support		1	
8	900 378 191 01	hexagon-head bolt M 6 X 55		1	
9	996 307 209 88	transmission oil cooler		1	
10	996 307 333 88	oil hose		1	
11	900 123 152 30	sealing ring A 16 X 22		2	
12	900 181 067 50	water hose B18 X 3,5 X47		1	
13	999 512 552 00	hose clamp A 20-32 / 9		2	
14	996 612 401 70	wiring harness		1	
15	811 971 848 B	cable terminal		3	
16	996 106 536 72	support		1	
17	900 378 074 01	hexagon-head bolt M 8 X 16		2	
18	996 605 123 01	change-over valve		1	
19	928 574 573 03	disc valve		1	
20	...	see illustrations 1/05/10		1	
--	000 043 205 01	pipe 4,0 X 1,0		*	

Model	Year	MG	SG	Illustration	Restrictions	UPD	15:43	26.01.2010	PORSCHE	PET	PORSCHE
GT3-2	2010	3	07	307-00		248					

Pos	Part Number	Description	Remark	Qty	Model	Pos	Part Number	Description	Remark	Qty	Model
21	...	75 MM		1							
22	928 574 717 05	moulded hose		3							
--	000 043 205 01	pipe 4,0 X 1,0		*							
23	...	1100 MM		1							
24	997 307 023 90	oil pump		1							
25	999 701 799 40	round seal 65,0 X 3,0		1							
26	K 999 701 123 50	ring 15,0 X 3,0		1							
27	900 378 022 01	hexagon-head bolt M8 X 25		2							
28	900 378 033 01	hexagon-head bolt M8 X 30		1							
29	N 016 163 2	screw plug CM 22 X 1,5		1							

Model	Year	MG	SG	Illustration	Restrictions	UPD	15:43	26.01.2010	PORSCHE	PET	PORSCHE
GT3-2	2010	3	07	307-01		248					

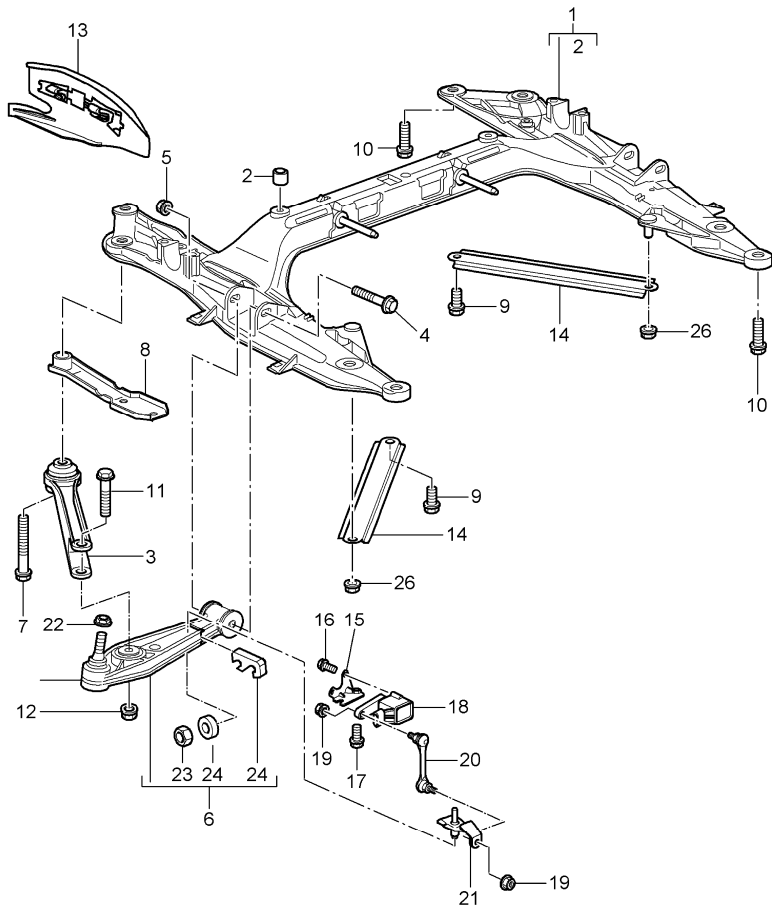
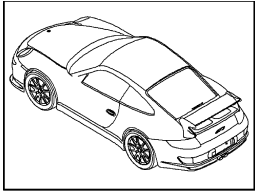


Pos	Part Number	Description	Remark	Qty	Model
		transmission oil cooler lines oil pump	10-		G97.90
1	996 307 015 8A	transmission oil cooler complete		1	
2	996 307 020 8A	port plate		1	
3	900 331 021 40	o-ring 20 X 3,55		4	
4	999 073 103 01	round head screw M 6 X 16		5	
5	996 307 141 88	support		1	
6	900 378 017 01	hexagon-head bolt M 8 X 20		2	
7	996 307 145 88	support		1	
8	900 378 191 01	hexagon-head bolt M 6 X 55		1	
9	996 307 209 88	transmission oil cooler		1	
10	996 307 333 88	oil hose		1	
11	900 123 152 30	sealing ring A 16 X 22		2	
12	900 181 067 50	water hose B18 X 3,5 X47		1	
13	999 512 552 01	hose clamp A 20-32 / 9		2	
14	996 612 401 70	wiring harness		1	
15	811 971 848 B	cable terminal		3	
16	996 106 536 73	support		1	
17	900 378 074 01	hexagon-head bolt M 8 X 16		2	
18	996 605 123 01	change-over valve		1	
19	928 574 573 03	disc valve		1	
20		see illustrations 1/05/11		1	
--	000 043 205 01	pipe 4,0 X 1,0		*	

Model	Year	MG	SG	Illustration	Restrictions	UPD	15:43	26.01.2010	PORSCHE	PET	PORSCHE
GT3-2	2010	3	07	307-01		248					

Pos	Part Number	Description	Remark	Qty	Model	Pos	Part Number	Description	Remark	Qty	Model
21	...	75 MM		1							
22	928 574 717 05	moulded hose		3							
--	000 043 205 01	pipe 4,0 X 1,0		*							
23	...	1100 MM		1							
24	997 307 023 90	oil pump		1							
25	999 701 799 40	round seal 65,0 X 3,0		1							
26	999 701 123 50	ring 15,0 X 3,0		1							
27	900 378 022 01	hexagon-head bolt M8 X 25		2							
28	900 378 033 01	hexagon-head bolt M8 X 30		1							
29	N 016 163 2	screw plug CM 22 X 1,5		1							

Model	Year	MG	SG	Illustration	Restrictions	UPD	15:44	26.01.2010	PORSCHE	PET	PORSCHE
GT3-2	2010	4	01	401-00		248					

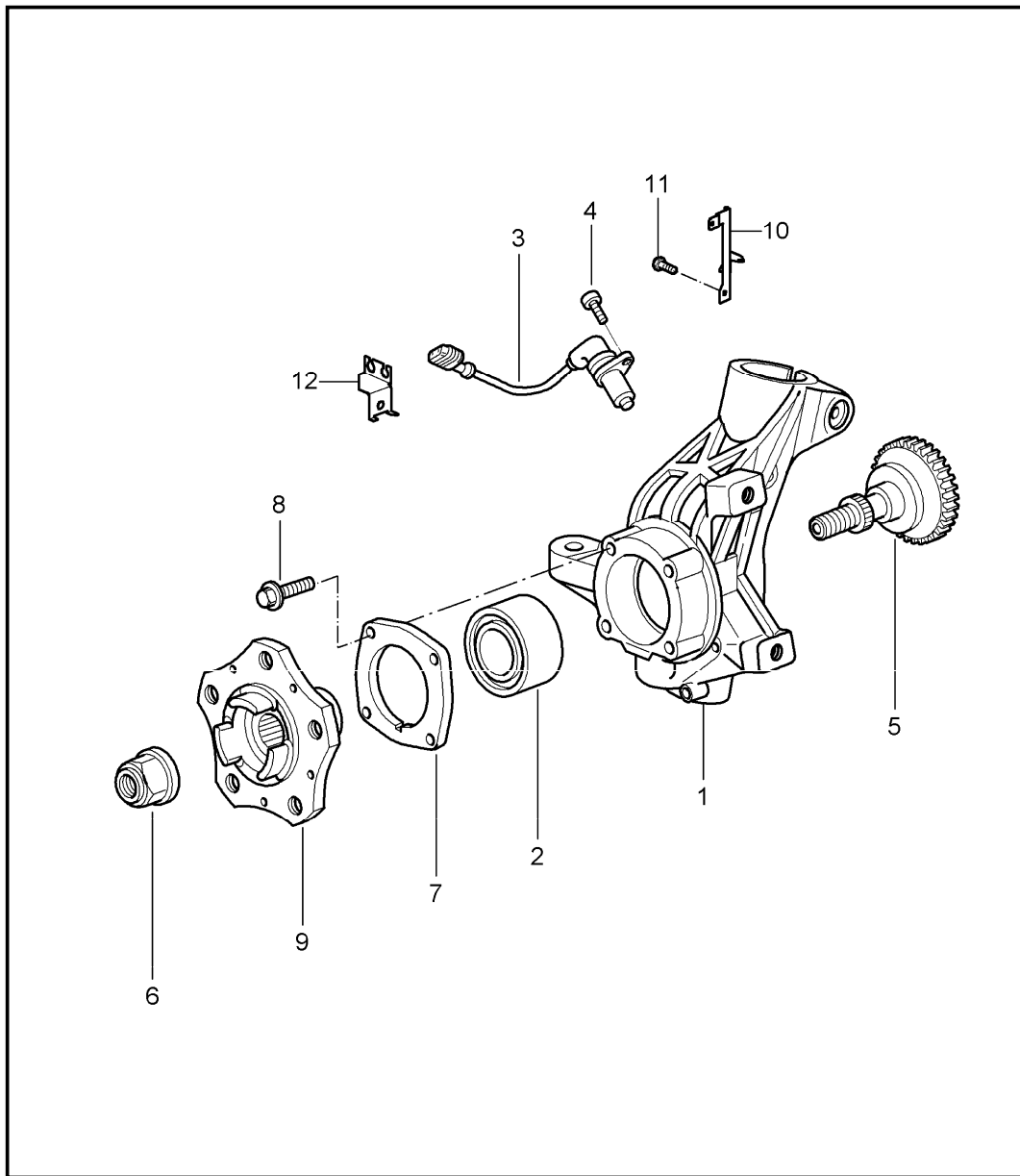


Pos	Part Number	Description	Remark	Qty	Model
1	997 341 081 06	cross member wishbone		1	
2	900 197 070 00	roll pin 13 X 14		1	
3	996 341 043 06	control arm		2	
4	900 378 165 01	hexagon-head bolt M 12 X 1,5 X 95		2	
5	999 084 445 01	lock nut M 12 X 1,5		2	
6	997 341 041 94	wishbone	/L -08	1	
(6)	997 341 041 96	wishbone	/L 10-	1	
(6)	997 341 042 94	wishbone	/R	1	
(6)	997 341 041 98	wishbone	/L 10-	1	I004
(6)	997 341 042 98	wishbone	/R 10-	1	I004
(7)	999 072 050 01	hexagon-head bolt M 14 X 1,5 X 120		2	
8	997 341 145 05	plate		2	
(9)	999 072 047 01	hexagon-head bolt M 12 x 1,5 x 30		4	
(10)	900 378 192 01	hexagon-head bolt M 14 x 1,5 x 50		4	
11	900 378 135 01	hexagon-head bolt M 14 X 1,5 X 75		2	
12	900 380 012 01	hexagon nut M 14 X 1,5		2	
13	K 997 341 483 92	spoiler	/L	1	
(13)	K 997 341 484 92	spoiler	/R	1	
14	997 504 433 00	strut		2	
15	P	support see illustrations 1/05/11 Pos.10		1	I601/603
16	900 146 003 03	oval-head screw M 5 X 10		2	I601/603

Model	Year	MG	SG	Illustration	Restrictions	UPD	15:44	26.01.2010	PORSCHE	PET	PORSCHE
GT3-2	2010	4	01	401-00		248					

Pos	Part Number	Description	Remark	Qty	Model	Pos	Part Number	Description	Remark	Qty	Model
17	900 378 036 01	hexagon-head bolt M 6 X 12		1	I601/603						
18	997 631 121 00	sensor		1	I601/603						
19	900 380 015 01	hexagon nut VM 6		2	I601/603						
20	997 341 375 01	strut		1	I601/603						
21	996 341 371 03	support		1	I601/603						
22	999 084 449 09	hexagon nut M 12 X 1,5		2							
23	900 076 064 02	hexagon nut M 8		4							
24	999 025 269 02	washer		X							
(24) K	996 341 543 90	adjusting shim 1 mm		-08	2						
(24) K	997 341 543 90	adjusting shim 1 mm		10-	2						
(24) K	996 341 543 93	adjusting shim 7 mm		-08	X						
(24) K	996 341 543 99	adjusting shim 5 mm		10-	X	I004					
26	999 084 445 01	lock nut M 12 X 1,5		2							

Model	Year	MG	SG	Illustration	Restrictions	UPD	15:44	26.01.2010	PORSCHE	PET	PORSCHE
GT3-2	2010	4	01	401-05		248					

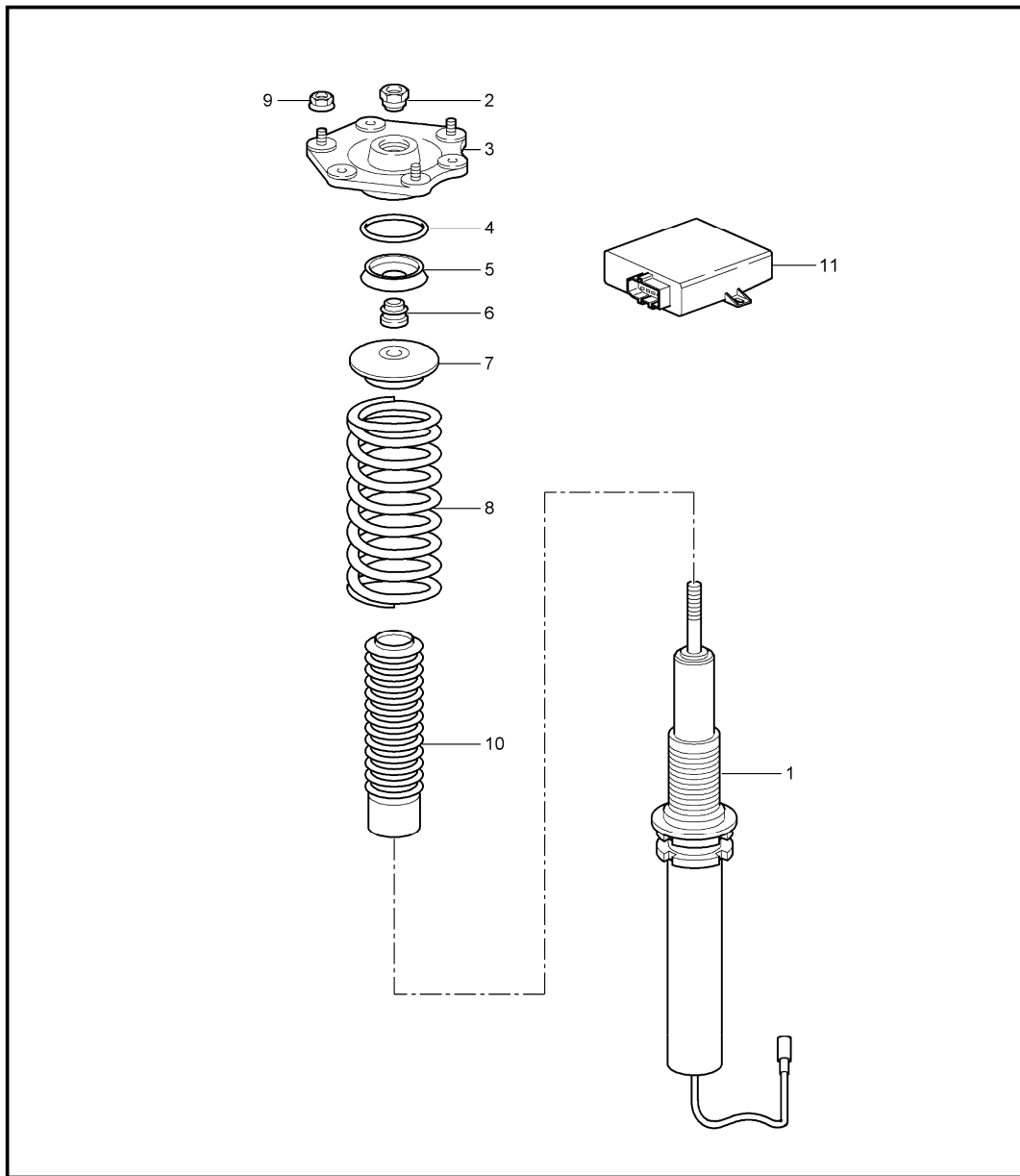


Pos	Part Number	Description	Remark	Qty	Model
		wheel carrier wheel hub			
1	997 341 157 93	wheel carrier	/L	-08	1
(1)	997 341 157 94	wheel carrier	/L	-08	1 I450
(1)	997 341 157 95	wheel carrier	/L	10-	1
(1)	997 341 158 93	wheel carrier	/R	-08	1
(1)	997 341 158 94	wheel carrier	/R	-08	1 I450
(1)	997 341 158 95	wheel carrier	/R	10-	1
2	999 053 054 05	angular-contact bearing			2
3	997 606 407 01	speed sensor			2
-	996 606 235 91	heat protection for speed sensor	/L		1
-	996 606 236 91	heat protection for speed sensor	/R		1
4	900 067 117 09	pan-head screw M 6 X 16		-08	2
(4)	900 067 117 04	pan-head screw M 6 x 16		10-	2
5	996 341 131 04	tension bolt		-08	2
(5)	997 341 131 00	tension bolt		10-	2
6	999 084 634 02	hexagon nut M 22 X 1,5			2
7	996 341 661 90	lid		-08	2
(7)	997 341 661 90	lid		10-	2
8	A 999 217 042 03	hexagon-head bolt M 8 X 35			12
8	999 217 042 04	hexagon-head bolt M 8 X 35			12
9	997 341 605 01	wheel hub		-08	2
(9)	997 341 607 02	wheel hub		10-	2
10	997 351 801 90	support	/L	-07	1
(10)	997 351 801 91	support	/L	08-	1

Model	Year	MG	SG	Illustration	Restrictions	UPD	15:44	26.01.2010	PORSCHE	PET	PORSCHE
GT3-2	2010	4	01	401-05		248					

Pos	Part Number	Description	Remark	Qty	Model	Pos	Part Number	Description	Remark	Qty	Model
(10)	997 351 802 90	support	/R	-07	1						
(10)	997 351 802 91	support	/R	08-	1						
		mount cable holder									
-	900 378 202 01	hexagon-head bolt M 10 x 20			2						
11	999 217 116 09	hexagon-head bolt M 6 x 16		-08	6						
(11)	999 217 116 01	hexagon-head bolt M 6 x 16		10-	X						
12	997 341 321 90	support	/L		1						
(12)	997 341 322 90	support	/R		1						

Model	Year	MG	SG	Illustration	Restrictions	UPD	15:44	26.01.2010	PORSCHE	PET	PORSCHE
GT3-2	2010	4	02	402-00		248					

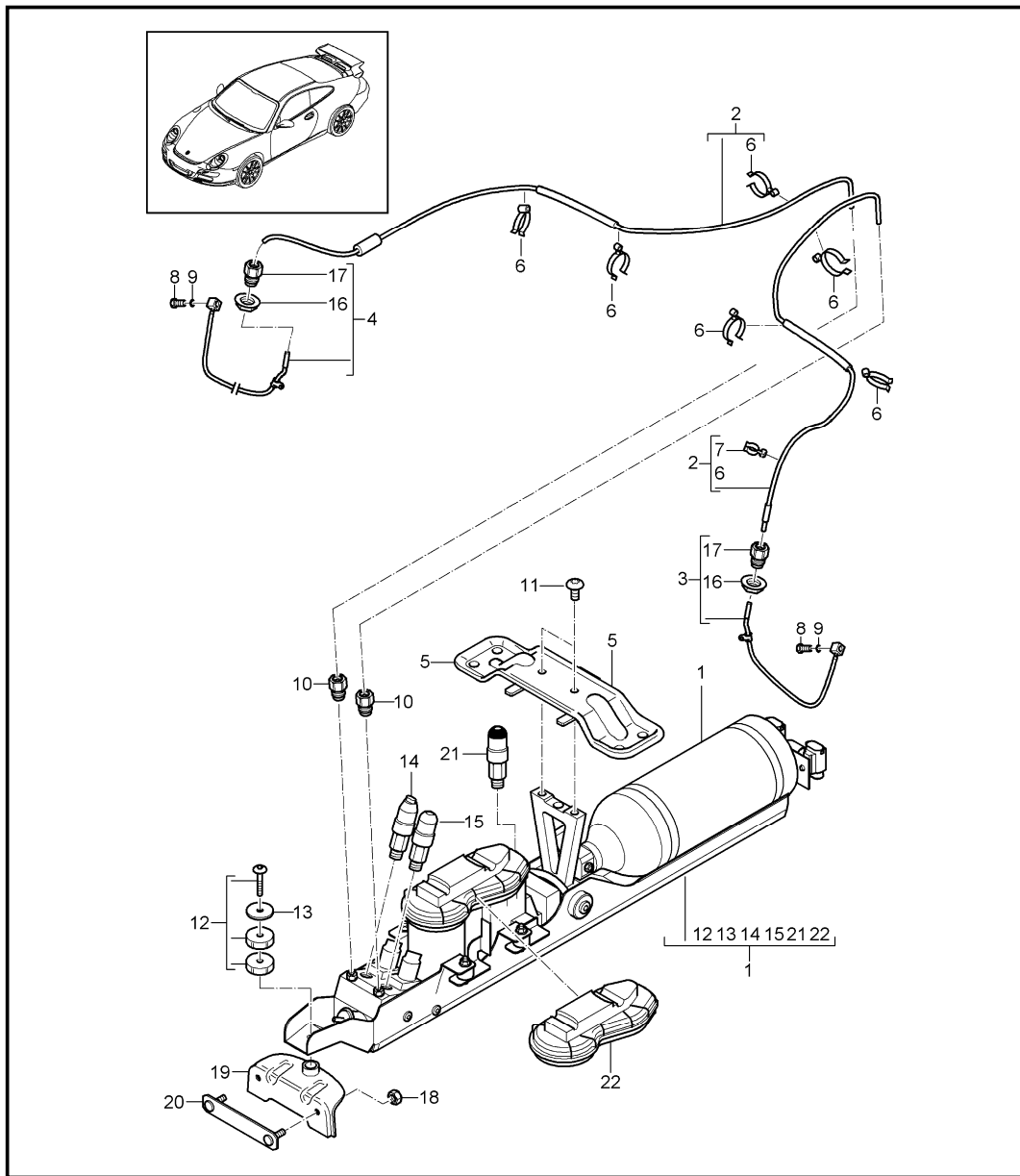


Pos	Part Number	Description	Remark	Qty	Model
		suspension shock absorber strut			
1	997 343 041 92	vibration damper		07	2
(1)	997 343 041 95	vibration damper		08	2
(1)	997 343 041 97	vibration damper F >>99AS7 80811		10-	2 I475
(1)	997 343 043 92	vibration damper F 99AS7 80812>>		10-	2 I475
(1)	997 343 043 90	vibration damper F >>99AS7 80811		10-	2 I474/475
(1)	997 343 043 93	vibration damper F 99AS7 80812>>		10-	2 I474/475
(1)	997 343 043 92	vibration damper		10-	2 I004/475
(1)	997 343 043 93	vibration damper		10-	2 I004/474/475
		mount shock absorber			
-	900 378 138 01	hexagon-head bolt M 12 x 1,5 x 70			2
2	K 997 343 561 90	washer			2
3	997 343 011 94	supporting mount			2
-	999 084 447 09	hexagon nut M 8	-08		6
-	999 084 447 01	hexagon nut M 8	10-		6
4	964 343 188 80	retainer spring			2
5	964 343 186 80	sealing cap			2
6	K 997 343 563 90	washer			2
7	K 996 343 511 90	spring hanger	-08		1
7	997 343 511 92	spring hanger use also: 997.343.521.90	10-		1
-	997 343 521 90	friction ring	10-		2
8	996 343 531 95	coil spring	-08		1
	504	1 set			

Model	Year	MG	SG	Illustration	Restrictions	UPD	15:44	26.01.2010	PORSCHE	PET	PORSCHE
GT3-2	2010	4	02	402-00		248					

Pos	Part Number	Description	Remark	Qty	Model	Pos	Part Number	Description	Remark	Qty	Model
(8)	997 343 531 94	coil spring	10-	1							
	504	1 set									
9	999 084 447 09	hexagon nut M 8	-08	6							
(9)	999 084 447 01	hexagon nut M 8	10-	6							
10	997 343 567 90	bellows for spring hanger		2							
11	997 618 105 90	control unit shock absorber	-07	1							
(11)	997 618 105 91	control unit shock absorber	08	1							
(11)	997 618 105 95	control unit shock absorber	10-	1	I475						
12	997 606 111 01	acceleration sensor body		1	I475						
13 A	997 606 212 00	support acceleration sensor	07	1	I475						
(13)	997 606 212 01	support acceleration sensor	08-	1	I475						
-	999 507 122 40	support 7,5 / 48 / 3		2							
15	999 703 457 40	lid		2							

Model	Year	MG	SG	Illustration	Restrictions	UPD	15:44	26.01.2010	PORSCHE	PET	PORSCHE
GT3-2	2010	4	02	402-03		248					

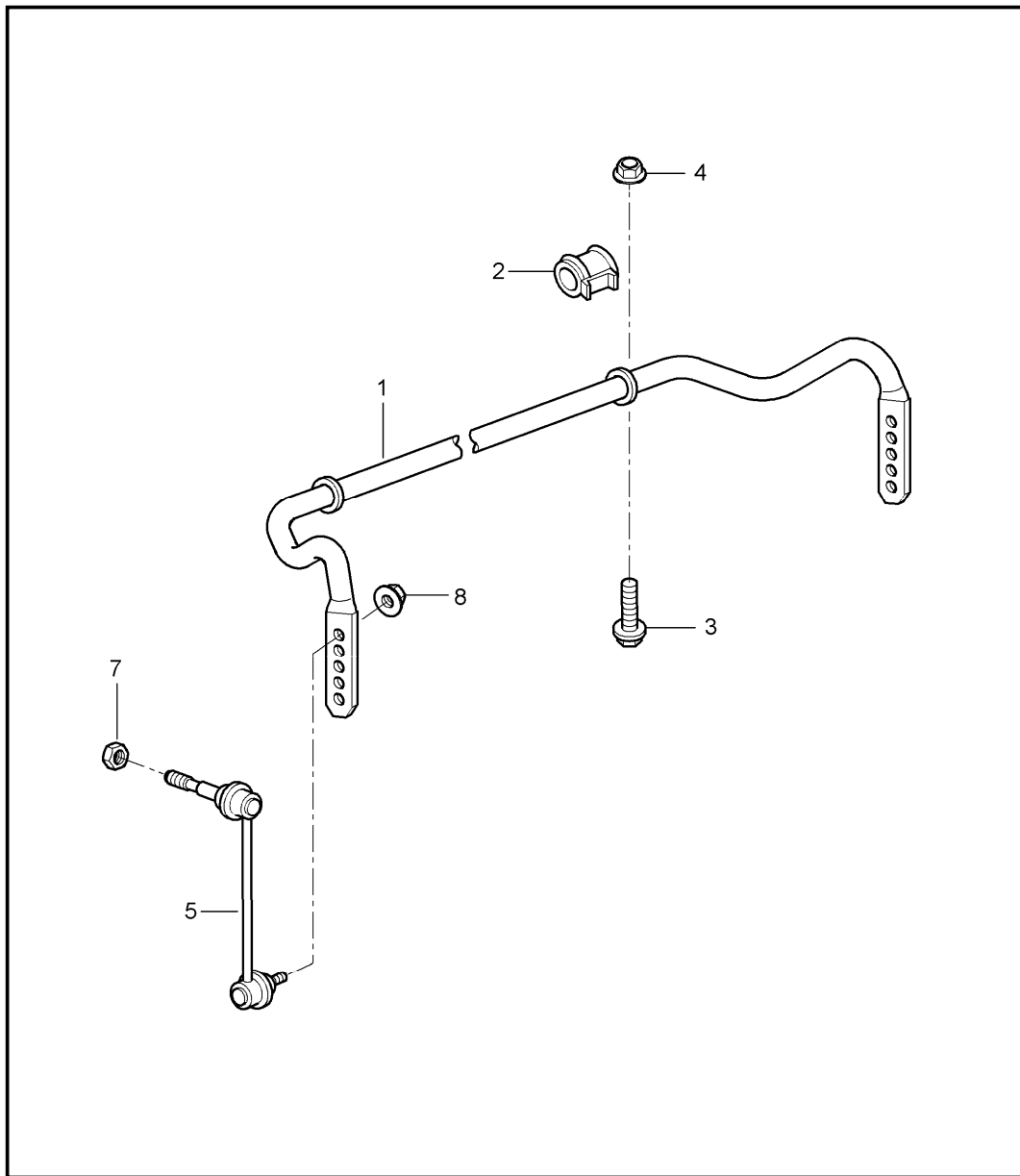


Pos	Part Number	Description	Remark	Qty	Model
		Level adjustment front axle		10-	I474
1	997 341 263 90	pump complete		1	
2	997 341 267 90	line pump		1	
3	997 341 265 90	line pump shock absorber	/L	1	
4	997 341 266 90	line pump shock absorber	/R	1	
5	997 504 823 90	support		1	
6	997 341 912 90	clip		X	
7	997 341 913 90	clip		X	
8	997 341 923 90	banjo bolt		2	
9	N 013 807 1	sealing ring		4	
10	999 230 598 10	connecting piece		4	
11	997 341 969 90	lens-head screw M 8 X 16		2	
12	997 341 945 90	screw with rubber mounting		1	
13	997 341 985 90	washer		1	
14	997 341 964 90	pressure switch until pump 000 111		1	
14	997 341 967 90	pressure switch from pump 000 112		1	
15	997 341 963 90	pressure switch		1	
16	997 341 763 90	hexagon nut		2	
17	999 230 598 10	connecting piece		4	
18	999 076 048 01	hexagon nut M 6		2	

Model	Year	MG	SG	Illustration	Restrictions	UPD	15:44	26.01.2010	PORSCHE	PET	PORSCHE
GT3-2	2010	4	02	402-03		248					

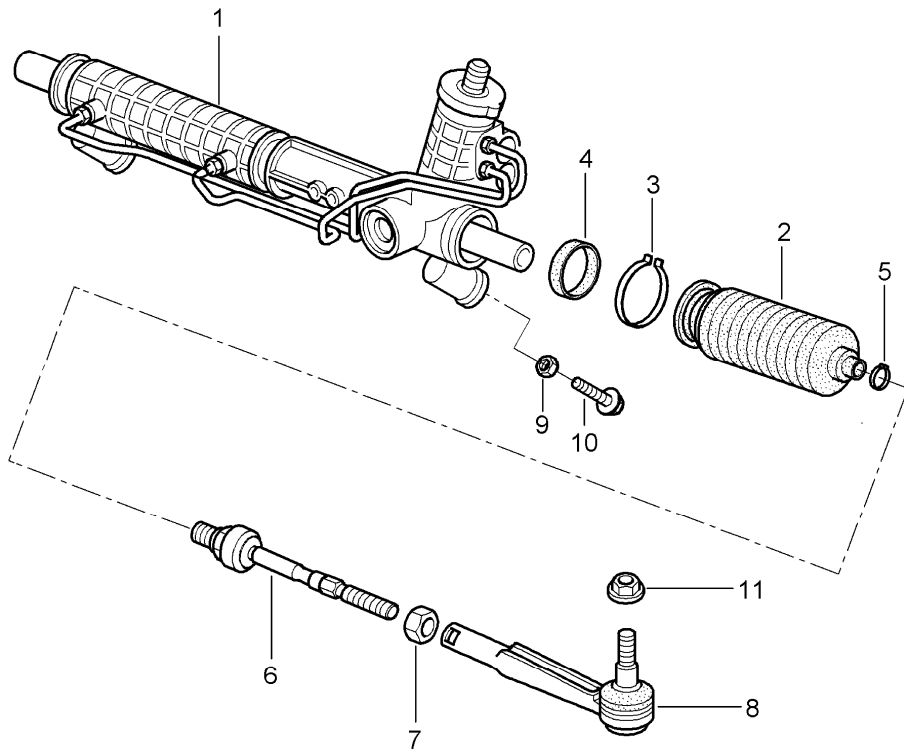
Pos	Part Number	Description	Remark	Qty	Model	Pos	Part Number	Description	Remark	Qty	Model
19	997 504 473 90	support		1							
20	997 504 675 90	reinforcement		1							
21	997 341 965 90	pressure switch		1							
22	997 341 961 90	cover		1							

Model	Year	MG	SG	Illustration	Restrictions	UPD	15:44	26.01.2010	PORSCHE	PET	PORSCHE
GT3-2	2010	4	02	402-05		248					



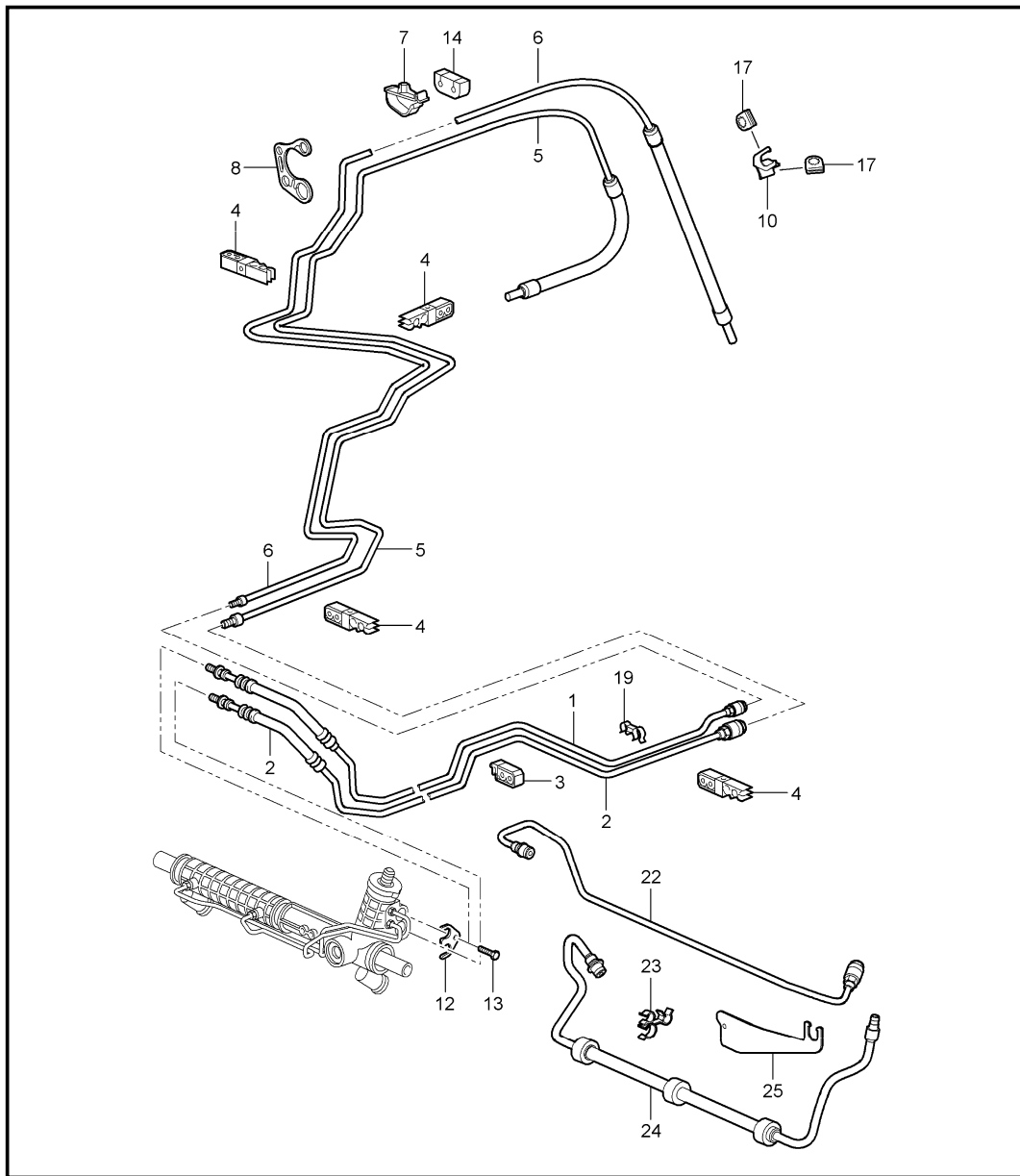
Pos	Part Number	Description	Remark	Qty	Model
		stabiliser			
1	A 997 343 701 91	stabiliser		1	
(1)	997 343 701 93	stabiliser	-08	1	
(1)	997 343 701 94	stabiliser	10-	1	
2	996 343 792 16	stabiliser mounting	-08	2	
2	997 343 792 00	stabiliser mounting	10-	2	
3	900 378 098 01	hexagon-head bolt M 10 x 60		4	
4	900 380 008 01	hexagon nut M 10		4	
5	997 343 069 03	stabiliser mounting	/L	1	
(5)	997 343 070 03	stabiliser mounting	/R	1	
7	999 084 445 01	lock nut M 12 X 1,5		2	
8	999 084 123 09	hexagon nut M 10		2	

Model	Year	MG	SG	Illustration	Restrictions	UPD	15:44	26.01.2010	PORSCHE	PET	PORSCHE
GT3-2	2010	4	03	403-00		248					



Pos	Part Number	Description	Remark	Qty	Model
		power steering steering gear steering parts			
1	> 997 347 011 05	steering gear power steering	-08	1	I098
1	> 997 347 011 06	steering gear power steering	10-	1	I098
(1)	A 997 347 012 03	steering gear power steering		1	I099
(1)	> 997 347 012 04	steering gear power steering	-08	1	I099
(1)	> 997 347 012 05	steering gear power steering	10-	1	I099
-	996 347 110 02	clip pinion steering gear	-08	1	
2	997 347 191 00	bellows		2	
3	996 347 293 04	clamping ring	-08	2	
3	996 347 293 05	clamping ring	10-	2	
4	997 347 373 00	sealing ring		2	
5	999 512 693 09	clamping ring		2	
6	997 347 322 00	joint	-08	2	
6	997 347 322 01	joint	10-	2	
7	999 034 037 09	hexagon nut M 14 X 1,5		2	
8	996 347 131 04	track rod		2	
9	-	see illustrations 4/01/00 POS.2			
10	900 378 100 01	hexagon-head bolt AM 10 X 45		2	
11	999 084 449 09	hexagon nut M 12 X 1,5		2	

Model	Year	MG	SG	Illustration	Restrictions	UPD	15:45	26.01.2010	PORSCHE	PET	PORSCHE
GT3-2	2010	4	03	403-01		248					

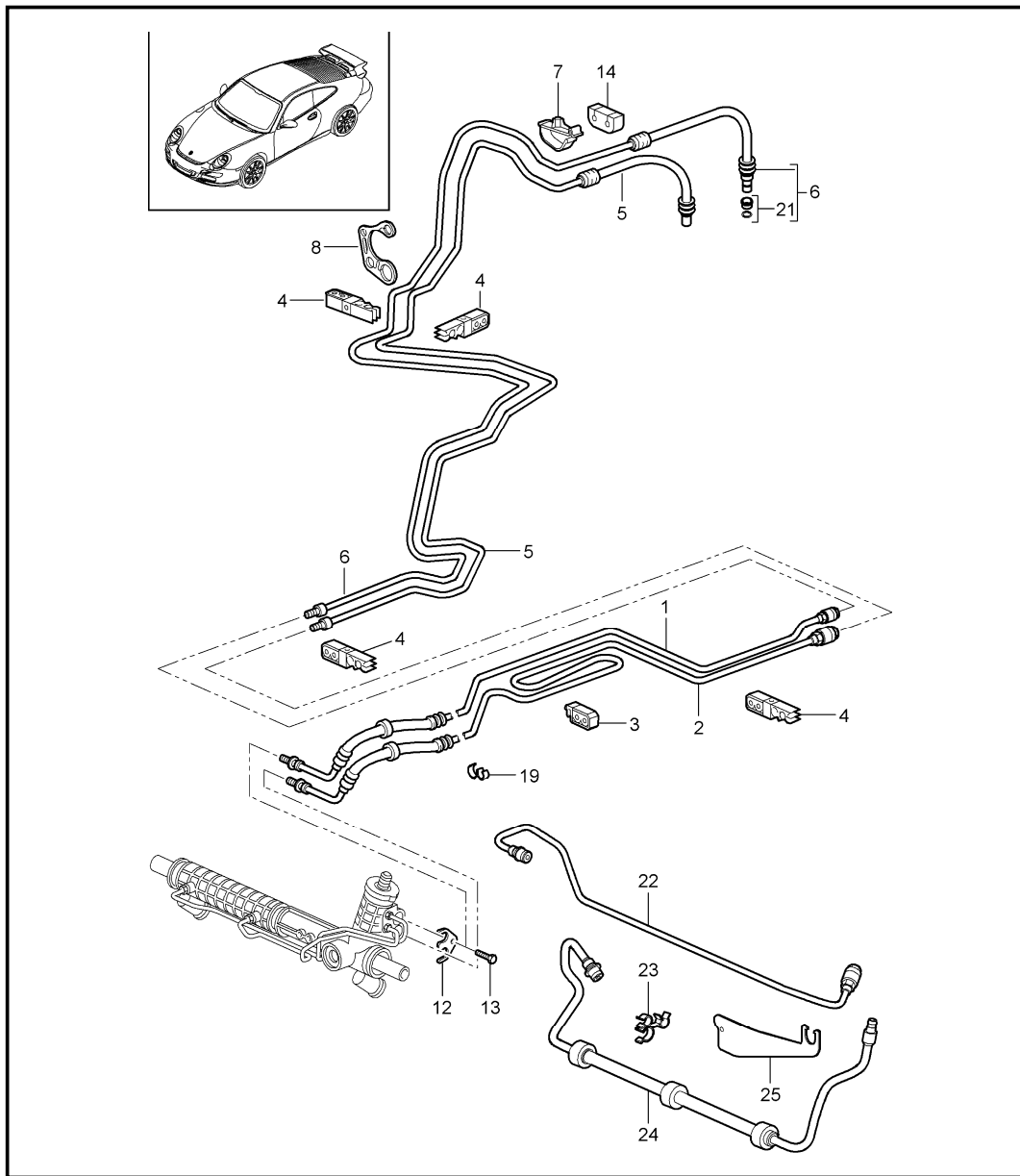


Pos	Part Number	Description	Remark	Qty	Model
		power steering lines	-08		
1	997 347 451 03	pressure line		1	I098
(1)	997 347 452 02	pressure line		1	I099
-	999 230 539 10	threaded joint pressure line		1	
2	987 347 449 03	return line		1	I098
(2)	987 347 650 03	return line		1	I099
-	999 230 540 10	threaded joint return line		1	
3	996 347 543 00	cable holder		4	
4	996 355 543 00	support		3	
(4)	999 507 091 40	cable holder simple		3	
5	997 347 439 51	return line centre		1	
6	997 347 445 51	pressure line		1	
7	996 347 549 01	support		2	
8	997 347 544 00	support		1	
-	999 230 683 40	safety clip for threaded joint pressure line		1	
-	999 230 584 40	circlip for threaded joint return line		1	I098
-	999 230 584 40	circlip for threaded joint return line		2	I099
10	997 347 749 00	support		1	
12	996 347 769 01	tension shackle		1	
13	900 067 063 02	pan-head screw M 10 X 20		1	
14	996 347 551 01	retainer plate		1	

Model	Year	MG	SG	Illustration	Restrictions	UPD	15:45	26.01.2010	PORSCHE	PET	PORSCHE
GT3-2	2010	4	03	403-01		248					

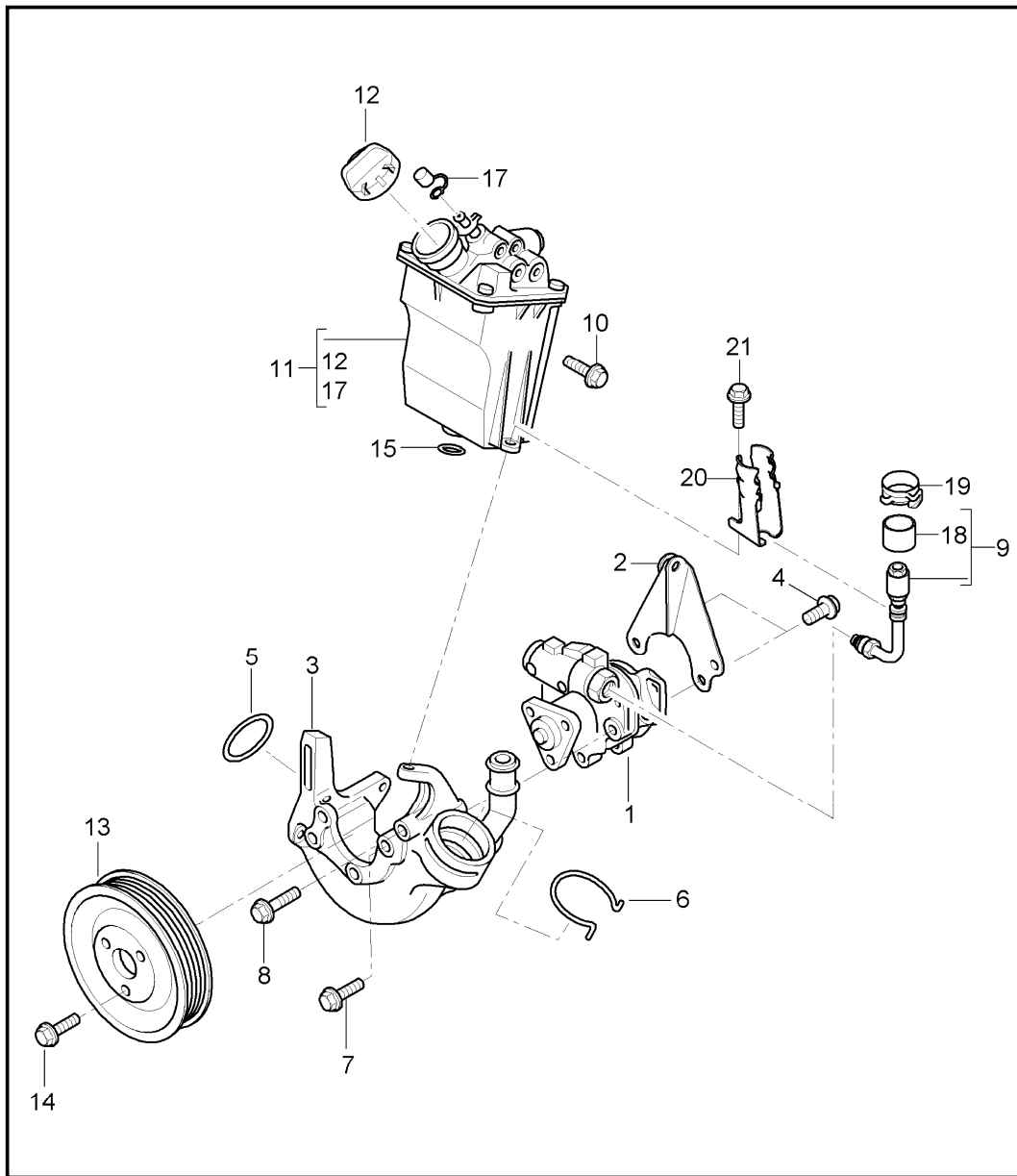
Pos	Part Number	Description	Remark	Qty	Model	Pos	Part Number	Description	Remark	Qty	Model
17	999 702 210 40	rubber sleeve		2							
19	999 507 575 40	hose holder		1							
22	997 347 564 03	pressure line		1	I099						
23	999 507 963 40	support		1	I099						
24	997 347 462 02	return line	07	1	I099						
(24)	997 347 462 03	return line	08-	1	I099						
25	997 347 560 00	support		1	I099						

Model	Year	MG	SG	Illustration	Restrictions	UPD	15:45	26.01.2010	PORSCHE	PET	PORSCHE
GT3-2	2010	4	03	403-02		248					



Pos	Part Number	Description	Remark	Qty	Model
		power steering lines	10-		
1	997 347 451 11	pressure line		1	I098
(1)	997 347 452 11	pressure line		1	I099
2	997 347 449 11	return line		1	I098
(2)	997 347 650 11	return line		1	I099
3	996 347 543 00	cable holder		X	
4	996 355 543 00	support		1	
5	997 347 439 90	return line centre		1 1	
6	997 347 445 11	pressure line centre		1 1	
7	996 347 549 01	support		2	
8	997 347 544 00	support		1	
12	996 347 769 01	tension shackle		1	
13	900 067 063 03	pan-head screw M 10 x 20		1	
14	996 347 551 01	retainer plate		1	
19	999 507 091 40	cable holder		3	
21	997 347 945 00	repair kit -PENTOSIN-		X	
22	997 347 564 11	pressure line		1	I099
23	999 507 963 40	support		1	I099
24	997 347 462 12	return line		1	I099
25	997 347 560 00	support		1	I099

Model	Year	MG	SG	Illustration	Restrictions	UPD	15:45	26.01.2010	PORSCHE	PET	PORSCHE
GT3-2	2010	4	03	403-03		248					

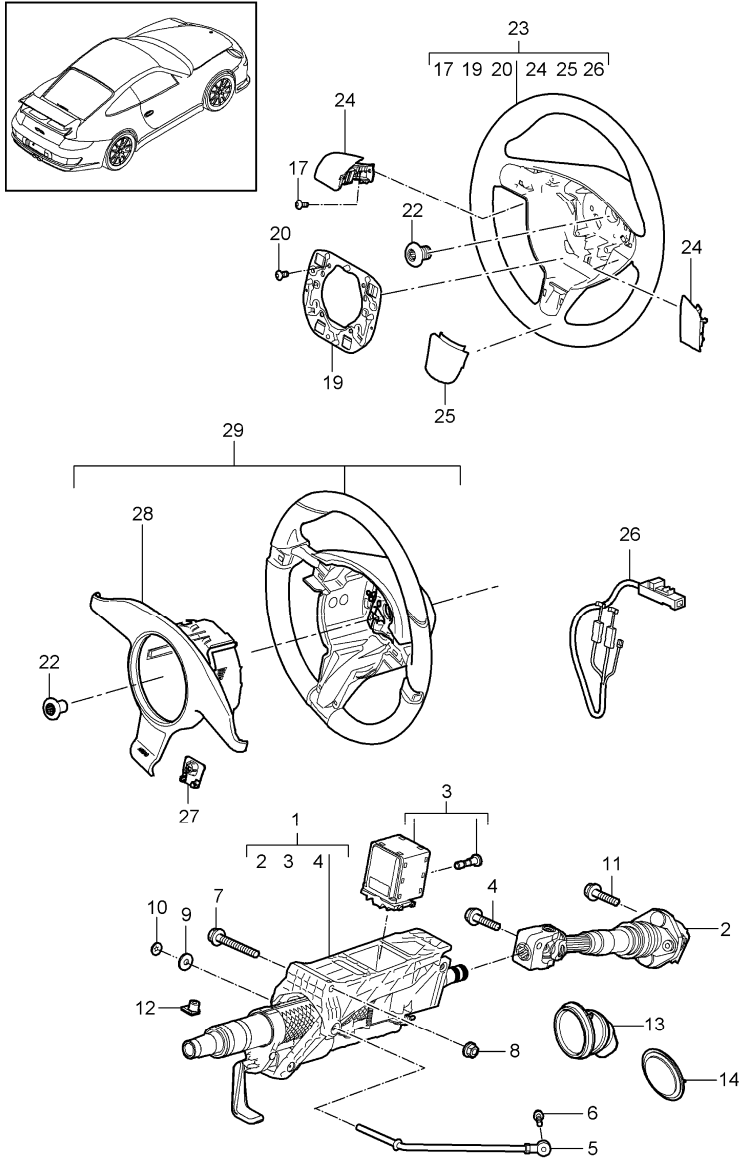


Pos	Part Number	Description	Remark	Qty	Model
		power steering power-steering pump container			
1	> 996 314 050 51	power-steering pump		1	
(2)	997 314 431 91	bracket		1	
(3)	A 997 115 091 71	bracket	-08	1	
(3)	997 115 091 72	bracket	10-	1	
4	900 385 044 01	torx screw M 8 X 16		4	
				1	
5	999 707 298 40	o-ring		1	
6	996 106 802 10	retainer spring	-08	1	
7	900 385 098 01	torx screw M 8 X 25		3	
8	900 385 108 01	torx screw M 6 X 80		1	
9	997 347 643 90	pressure line		1	
10	900 385 009 01	torx screw M 6 X 16		1	
11	997 314 920 50	container		1	
-	996 314 331 00	drip pan for pentosin		1	
12	997 314 223 50	lid		1	
13	996 147 223 71	pulley		1	
14	900 385 099 04	torx screw M 8 X 12		3	
-	000 043 203 33	pentosin 1000 ML		X	
-	U 997 347 747 50	support	-08	1	
17	997 314 332 00	rubber cap		1	
18	997 347 748 52	rubber ring		1	
19	999 512 740 01	clip		1	
20	997 347 747 51	support		1	

Model	Year	MG	SG	Illustration	Restrictions	UPD	15:45	26.01.2010	PORSCHE	PET	PORSCHE
GT3-2	2010	4	03	403-03		248					

Pos	Part Number	Description	Remark	Qty	Model	Pos	Part Number	Description	Remark	Qty	Model
21	999 073 104 01	torx screw M 8 X 16		1							

Model	Year	MG	SG	Illustration	Restrictions	UPD	15:45	26.01.2010	PORSCHE	PET	PORSCHE
GT3-2	2010	4	03	403-05		248					

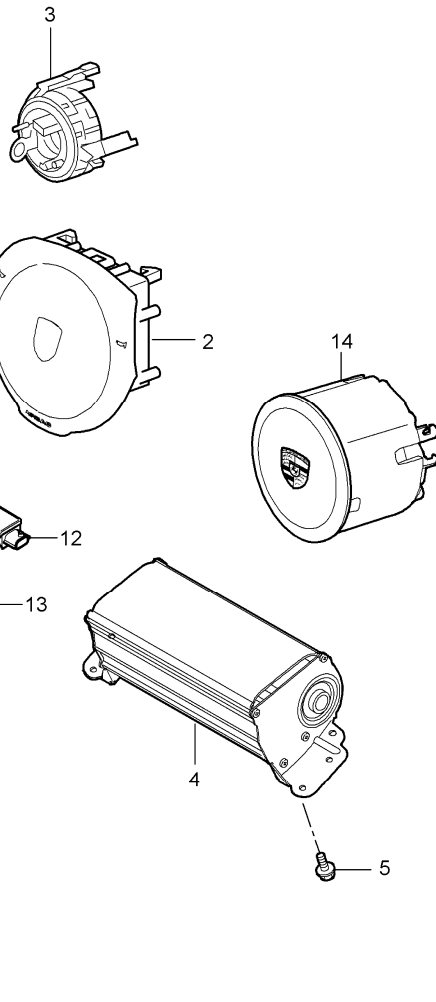
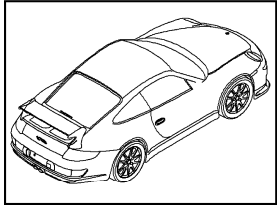


Pos	Part Number	Description	Remark	Qty	Model
(1)	997 347 007 08	steering outer tube steering shaft steering wheels		07	1
(1)	997 347 007 10	steering column complete with steering shaft		08-	1
(2)	997 347 023 04	intermed. steering shaft			1
3	997 618 158 04	control unit steering column with screw			1
4	A 999 217 042 03	hexagon-head bolt M 8 X 35			1
4	999 217 042 04	hexagon-head bolt M 8 X 35			1
5	997 347 243 00	support			1
6	900 378 173 09	hexagon-head bolt AM 6 X 20		-08	1
(6)	900 378 173 01	hexagon-head bolt M 6 x 20		10-	1
7	900 378 095 09	hexagon-head bolt M 10 X 100		-08	1
(7)	900 378 095 01	hexagon-head bolt M 10 X 100		10-	1
8	A 900 380 008 09	hexagon nut M 10			1
8	900 380 008 01	hexagon nut M 10			1
9	900 151 006 09	washer		-08	1
(9)	900 151 006 03	washer		10-	1
10	999 507 217 07	clamping washer			1
11	A 999 217 042 03	hexagon-head bolt M 8 X 35			1

Model	Year	MG	SG	Illustration	Restrictions	UPD	15:45	26.01.2010	PORSCHE	PET	PORSCHE
GT3-2	2010	4	03	403-05		248					

Pos	Part Number	Description	Remark	Qty	Model	Pos	Part Number	Description	Remark	Qty	Model
11	999 217 042 04	hexagon-head bolt M 8 X 35		1			T24	sand beige			
12	999 920 019 40	plug-in nut 3,5 X 2,5 X 9		1			T34	brown/natural			
13	986 347 037 01	bellows		1		24	997 347 837 40	cover	/L	-08	1
14	996 347 339 02	rubber seal bulkhead		1			V04	galvano silver			
17	999 073 318 09	half-round screw M 4 X 10		2		(24)	997 347 837 90	cover	/L	-08	1 I433
19	997 347 880 00	retaining frame		1			D07	volcano grey			
20	999 141 022 09	round head screw M 5 X 12,5		4		(24)	997 347 838 40	cover	/R	-08	1
22	N 910 207 01	screw M 18 X 1,5 X 26		1			V04	galvano silver			
23	997 347 804 42	sports steering wheel plain leather		1		(24)	997 347 838 90	cover	/R	-08	1 I433
	FOK	black/grey					D07	volcano grey			
	FOR	darkgrey natural/grey				25	997 347 821 40	cover		-08	1
(23)	997 347 804 91	sports steering wheel leather	-08	1	I433		V04	galvano silver			
	A15	black alcantara				(25)	997 347 821 90	cover		-08	1 I433
	A15	black alcantara					D07	volcano grey			
(23)	997 347 804 92	sports steering wheel leather	-08	1	I004	26	997 612 672 00	wiring harness 3-spoke steering wheel sports steering wheel		-08	1
	A15	black alcantara				27	997 613 425 00	tip switch			1 I345
(23)	997 347 980 00	sports steering wheel leather	-08	1	IXPA		A05	black			
	A34	black				28	997 613 459 00	module		10-	1
	B24	stone grey					D07	volcano grey			
	D14	dark grey/natural				29	997 347 803 51	steering wheel leather		10-	1 I841
	E24	sea blue					A34	black			
	J24	palmgreen				(29)	997 347 804 95	sports steering wheel leather		10-	1 I839
	M24	terracotta					A15	black alcantara			
	R24	cocoa				(29)	997 347 804 96	sports steering wheel leather		10-	1 I004/839
							A15	black alcantara			

Model	Year	MG	SG	Illustration	Restrictions	UPD	15:45	26.01.2010	PORSCHE	PET	PORSCHE
GT3-2	2010	4	03	403-06		248					

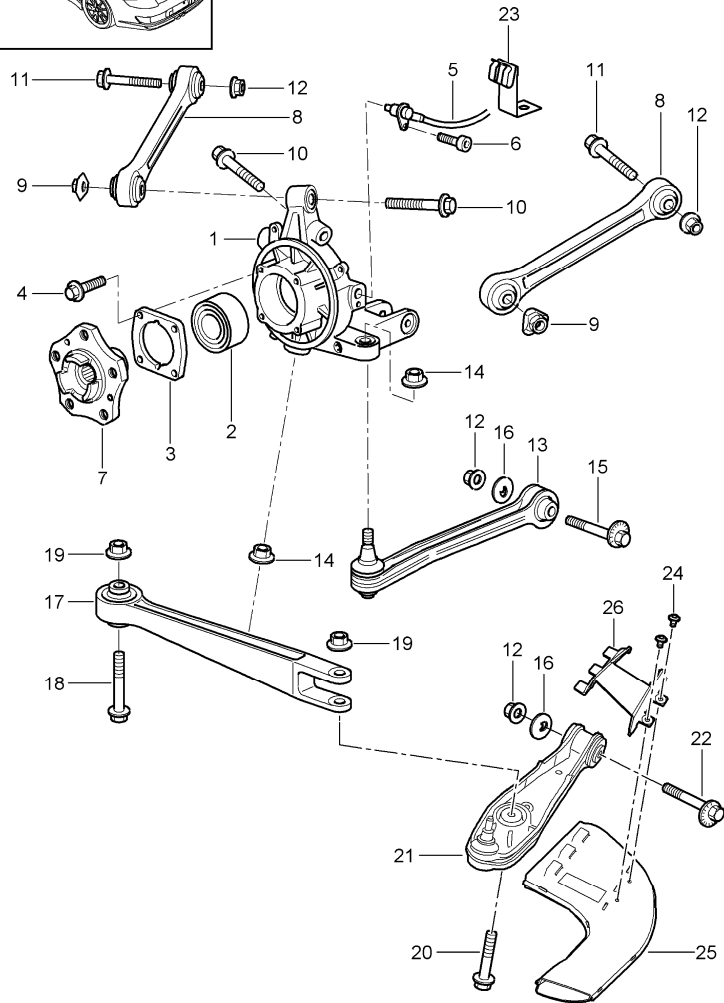
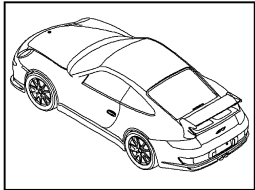


Pos	Part Number	Description	Remark	Qty	Model
		airbag			
2	997 803 089 16	airbag unit sports steering wheel plastic material crest coloured	-08	1	I433
	A32	black			
(2)	997 803 089 17	airbag unit sports steering wheel leather crest coloured	-08	1	I460/991 IXPA/991
	A34	black			
(2)	997 803 089 91	airbag unit leather alcantara	-08	1	I433
	A34	black			
3	955 652 211 11	spring with steering-angle sensor		1	
(4)	997 803 071 07	airbag unit passenger's side		1	
5	900 378 222 01	hexagon-head bolt M 6 X 16		4	
6	997 803 091 03	side airbag for head airbag	/L	1	
(6)	997 803 092 03	side airbag for head airbag	/R	1	
7	900 378 035 01	hexagon-head bolt M 6 X 16		6	
(8)	997 618 217 08	control unit		1	
9	999 070 015 02	cap nut M 6		3	
10	997 618 221 01	sensor side airbag		2	
11	999 084 629 01	hexagon nut M 6		8	

Model	Year	MG	SG	Illustration	Restrictions	UPD	15:45	26.01.2010	PORSCHE	PET	PORSCHE
GT3-2	2010	4	03	403-06		248					

Pos	Part Number	Description	Remark	Qty	Model	Pos	Part Number	Description	Remark	Qty	Model
12	997 618 223 02	acceleration sensor airbag front		2							
13	999 084 638 01	hexagon nut M 6 SB		2							
14	997 803 089 12	airbag unit leather	10-	1	I839/841/991 I991						
	A34	black									

Model	Year	MG	SG	Illustration	Restrictions	UPD	15:46	26.01.2010	PORSCHE	PET	PORSCHE
GT3-2	2010	5	01	501-00		248					

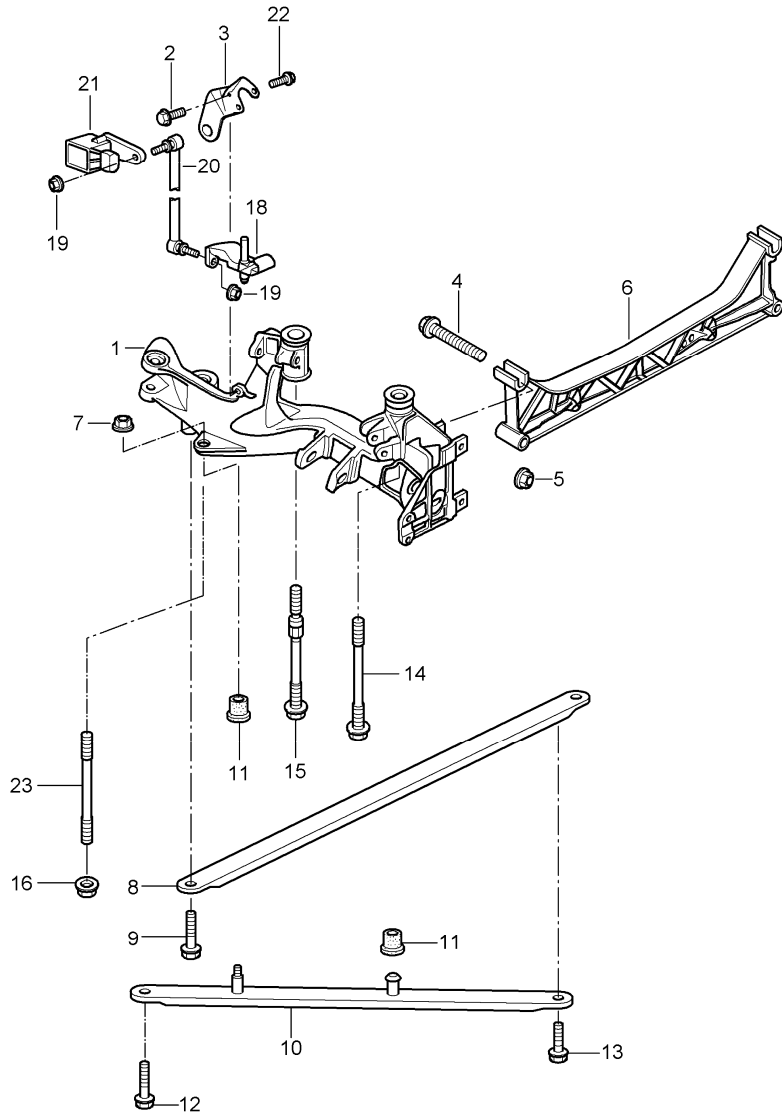


Pos	Part Number	Description	Remark	Qty	Model
		rear axle wheel carrier control arm wheel hub			
1	997 331 111 07	wheel carrier	/L	1	
(1)	997 331 112 07	wheel carrier	/R	1	
2	999 053 055 02	angular-contact bearing		2	
3	996 331 661 01	lid		2	
4	999 217 042 09	hexagon-head bolt M 8 X 35		8	
5	997 606 407 01	speed sensor		2	
6	900 067 117 09	pan-head screw M 6 X 16	-08	2	
(6)	900 067 117 04	pan-head screw M 6 x 16	10-	2	
7	997 331 605 00	wheel hub	-08	2	
(7)	997 331 607 02	wheel hub	10-	2	
-	997 361 605 90	spacer ring 5 mm	-08	2	
8	997 331 047 00	wishbone	-08	2	
8	997 331 047 01	wishbone	10-	2	
9	999 084 445 01	lock nut M 12 X 1,5		4	
10	900 378 138 01	hexagon-head bolt M 12 X 70		4	
11	900 378 165 01	hexagon-head bolt M 12 X 95		4	
12	999 084 445 01	lock nut M 12 X 1,5		10	
13	997 331 045 04	track rod		2	
14	999 084 449 09	hexagon nut M 12 X 1,5		4	
15	996 331 217 02	eccentric screw M 12 X 83	-08	2	
15	997 331 217 02	eccentric screw M 12 X 83	10-	2	

Model	Year	MG	SG	Illustration	Restrictions	UPD	15:46	26.01.2010	PORSCHE	PET	PORSCHE
GT3-2	2010	5	01	501-00		248					

Pos	Part Number	Description	Remark	Qty	Model	Pos	Part Number	Description	Remark	Qty	Model
16	996 331 219 00	eccentric washer		2		24	999 073 516 01	oval-head screw M 6 X 10		4	
17	997 331 043 01	control arm		2		25	997 575 531 90	air duct	/L	10-	1
18	900 378 051 09	hexagon-head bolt M 14 X 100		2		(25)	997 575 532 90	air duct	/R	10-	1
19	900 380 012 01	hexagon nut M 14 X 1,5		4		26	997 575 631 90	support	/L	10-	1
20	900 378 135 09	hexagon-head bolt M 14 X 1,5 x 75	-08	2		(26)	997 575 631 91	support	/L	10-	1 I004
(20)	900 378 135 01	hexagon-head bolt M 14 x 1,5 x 75	10-	2		(26)	997 575 632 90	support	/R	10-	1
21	997 331 053 01	wishbone	-08	2		(26)	997 575 632 91	support	/R	10-	1 I004
21	997 331 053 02	wishbone	10-	2							
(21)	997 331 041 92	wishbone	/L	-08	1 I004						
(21)	997 331 041 94	wishbone	/L	10-	1 I004						
(21)	997 331 042 92	wishbone	/R	-08	1 I004						
(21)	997 331 042 94	wishbone	/R	10-	1 I004						
-	900 076 025 02	hexagon nut		4	I004						
-	999 025 269 02	washer		4	I004						
- K	996 341 543 90	adjusting shim 1 mm		2	I004						
22	996 331 217 03	eccentric screw	-08	2							
(22)	997 331 217 03	eccentric screw	10-	2							
- A	997 331 487 91	spoiler	/L	1							
- K	997 331 487 92	spoiler for position 17	/L	1							
- A	997 331 488 91	spoiler	/R	1							
- K	997 331 488 92	spoiler for position 17	/R	1							
23	999 507 530 00	cable holder speed sensor		2							

Model	Year	MG	SG	Illustration	Restrictions	UPD	15:46	26.01.2010	PORSCHE	PET	PORSCHE
GT3-2	2010	5	01	501-01		248					

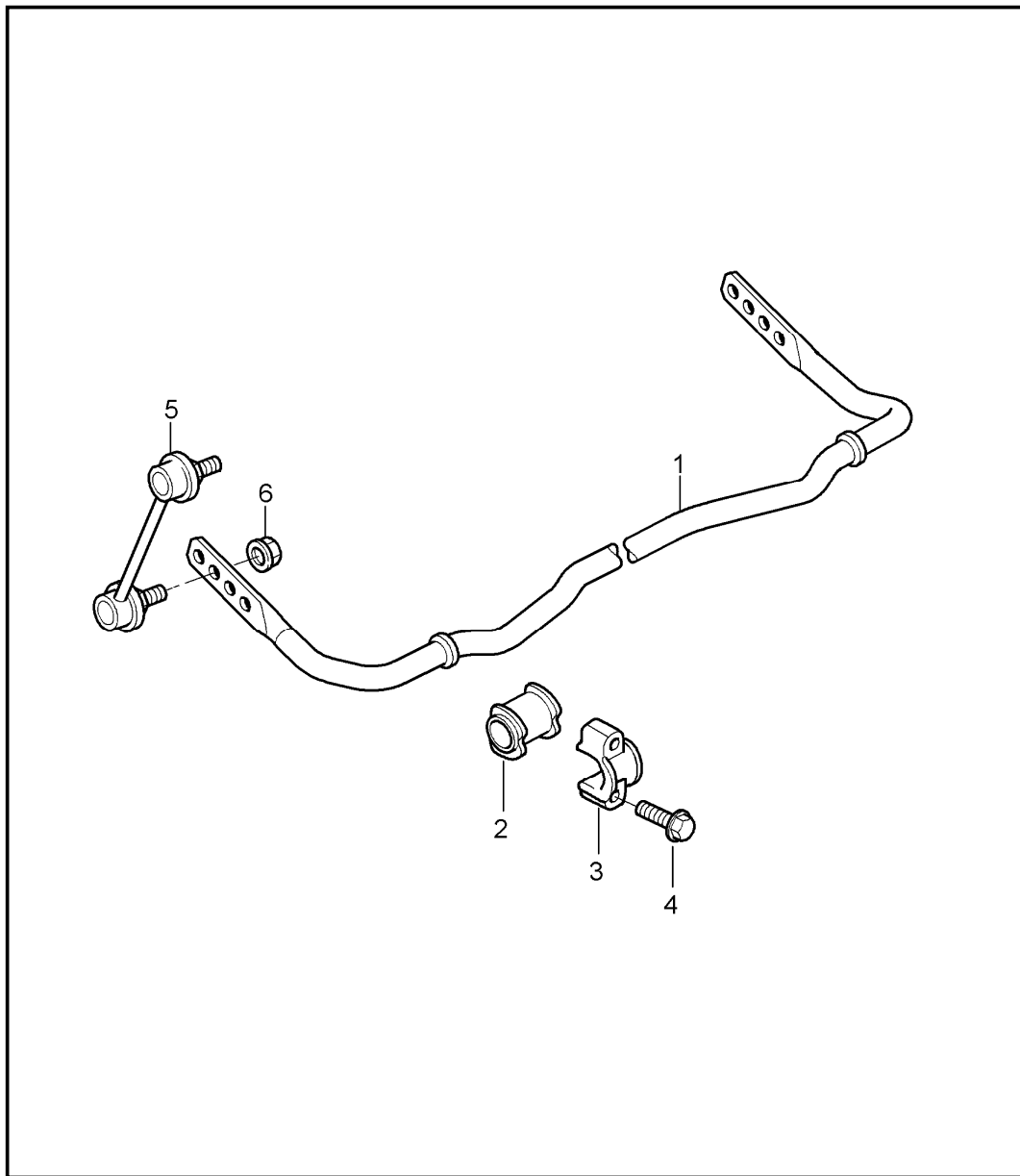


Pos	Part Number	Description	Remark	Qty	Model
		rear axle side section bracket			
1	997 331 051 94	side section	/L	1	
(1)	997 331 052 94	side section	/R	1	
2	900 067 117 09	pan-head screw M 6 X 16	-08	2	
(2)	900 067 117 04	pan-head screw M 6 x 16	10-	2	
3	997 355 505 02	support for brake hose	/L	1	
(3)	997 355 506 02	support for brake hose	/R	1	
4	900 378 139 09	hexagon-head bolt M 12 X 1,5 x 80	-08	4	
(4)	900 378 139 01	hexagon-head bolt M 12 x 1,5 x 80	10-	4	
5	999 084 445 01	lock nut M 12 X 1,5		4	
(6)	997 331 261 02	cross member		1	
7	999 076 053 09	hexagon nut M 10		2	
8	996 331 171 03	transverse strut		1	
-	999 591 629 01	captive nut underbody protection		X	
9	999 072 020 09	hexagon-head bolt M 10 X 40		2	
10	997 331 081 02	strut		2	
-	999 591 629 01	captive nut underbody protection		X	
11	996 331 385 00	rubber mounting		6	
12	999 072 031 01	hexagon-head bolt M 10 x 45 F >>998S7 90500		2	

Model	Year	MG	SG	Illustration	Restrictions	UPD	15:46	26.01.2010	PORSCHE	PET	PORSCHE
GT3-2	2010	5	01	501-01		248					

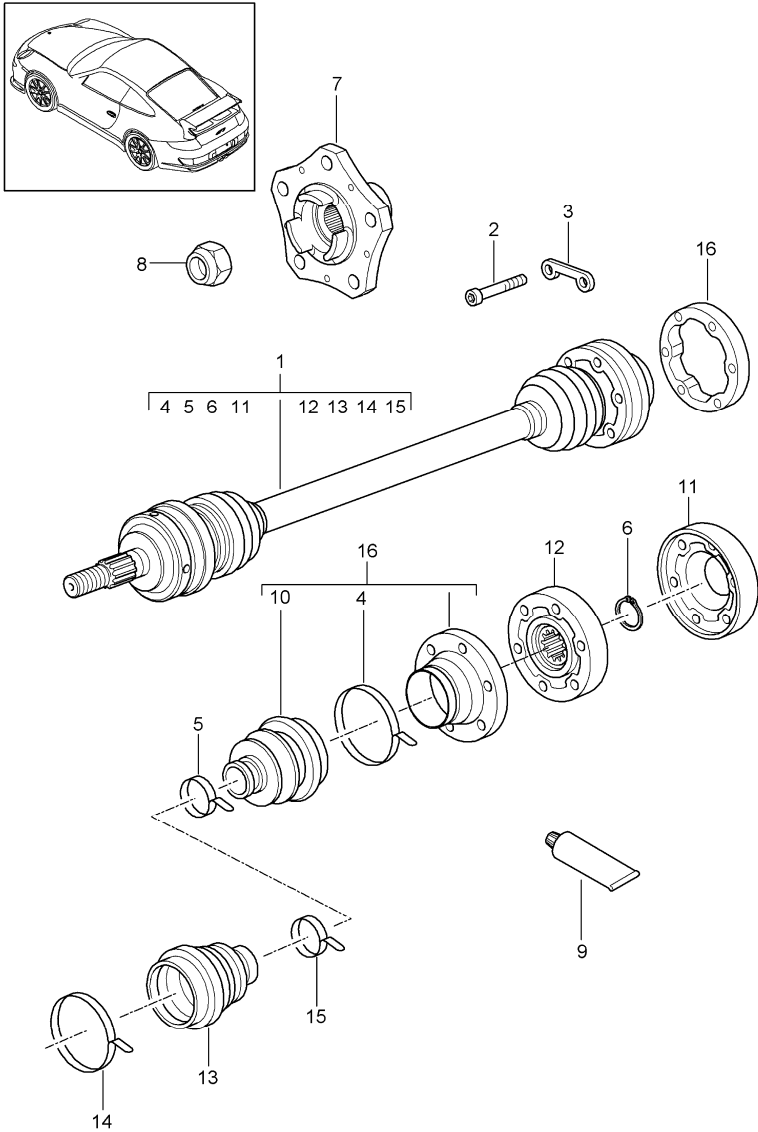
Pos	Part Number	Description	Remark	Qty	Model	Pos	Part Number	Description	Remark	Qty	Model
(12)	999 073 443 01	combination screw M 12 X 1,5 X 40 F 998S7 90501>>		2							
13	A 900 378 072 09	hexagon-head bolt M 12 X 30		2							
13	900 378 072 01	hexagon-head bolt M 12 X 30		2							
14	A 900 178 010 09	hexagon-head bolt M 12 X 130	-08	2							
(14)	900 178 010 01	hexagon-head bolt M 12 x 130	10-	2							
15	A 900 178 010 09	hexagon-head bolt M 12 X 130	-08	2							
(15)	900 178 010 01	hexagon-head bolt M 12 x 130	10-	2							
16	999 084 445 01	lock nut M 12 X 1,5		2							
18	996 341 371 03	support		1	I601/603						
19	900 380 015 01	hexagon nut VM 6		2							
20	997 331 375 03	strut		1	I601/603						
21	997 631 121 00	sensor		1	I601/603						
22	N 014 129 12	oval-head screw		2	I601/603						
23	999 061 103 09	stud M 12 X 1,5	-08	2							
(23)	999 061 103 01	stud M 12 X 1,5	10-	2							

Model	Year	MG	SG	Illustration	Restrictions	UPD	15:46	26.01.2010	PORSCHE	PET	PORSCHE
GT3-2	2010	5	01	501-03		248					



Pos	Part Number	Description	Remark	Qty	Model
		stabiliser			
1	A 997 333 701 92	stabiliser	-08	1	
1	997 333 701 95	stabiliser		1	
(1)	997 333 701 96	stabiliser	-08	1	I475
(1)	997 333 701 96	stabiliser	10-	1	
2	997 333 792 95	stabiliser mounting		2	
3	996 333 777 01	bearing clamp		2	
4	900 378 055 01	hexagon-head bolt		4	
5	997 333 069 05	stabiliser mounting	-08	1	
5	997 333 069 06	stabiliser mounting	10-	1	
(5)	997 333 070 05	stabiliser mounting	-08	1	
(5)	997 333 070 06	stabiliser mounting	10-	1	
6	999 084 123 09	hexagon nut m 10		2	

Model	Year	MG	SG	Illustration	Restrictions	UPD	15:46	26.01.2010	PORSCHE	PET	PORSCHE
GT3-2	2010	5	01	501-05		248					

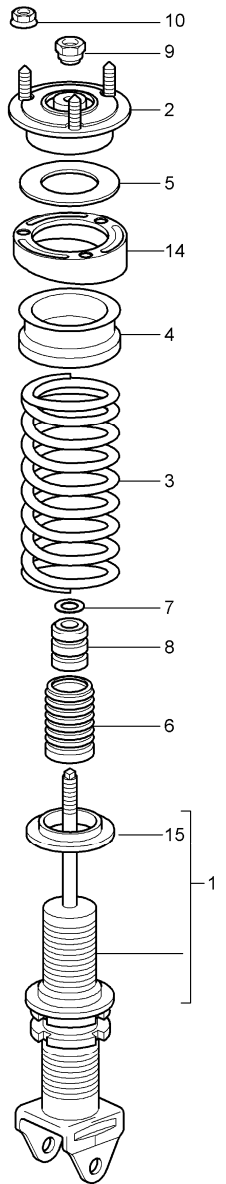
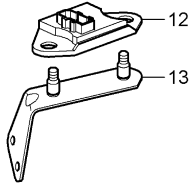
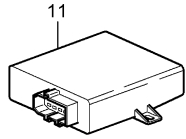
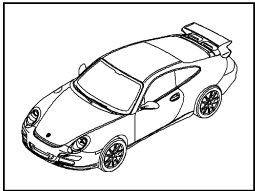


Pos	Part Number	Description	Remark	Qty	Model
		drive shaft wheel hub			
1	997 332 024 02	drive shaft	-08	2	
1	997 332 024 04	drive shaft	10-	2	
2	999 073 449 01	pan-head screw M 10 x 1 x 49		12	
(3)	996 332 191 00	plate		6	
4	911 332 257 00	clip	-08	2	
(4)	996 332 957 00	clip	10-	2	
5	996 332 257 00	clip		2	
6	900 041 014 00	circlip		2	
7	997 331 605 00	wheel hub	-08	2	
(7)	997 331 607 02	wheel hub	10-	2	
8	999 084 641 02	lock nut M 22 X 1,5	-08	2	
9	000 043 110 01	grease 1 100-gramme tube	-08	X	
9	000 043 110 02	grease 1 100-gramme tube	10-	X	
(9)	000 043 205 36	sealing compound 1 100-gramme tube		X	
10	996 332 293 00	dust bellows		2	
11	A 928 332 267 01	lid		2	
11	997 332 267 00	lid		2	
12	996 332 030 00	joint		2	
13	996 332 293 00	dust bellows		2	
14	911 332 257 00	clip	-08	2	
(14)	996 332 957 00	clip	10-	2	
15	996 332 257 00	clip	-08	2	
-	911 332 259 01	flange dust bellows	-08	2	

Model	Year	MG	SG	Illustration	Restrictions	UPD	15:46	26.01.2010	PORSCHE	PET	PORSCHE
GT3-2	2010	5	01	501-05		248					

Pos	Part Number	Description	Remark	Qty	Model	Pos	Part Number	Description	Remark	Qty	Model
16	997 332 955 00	bellows with cap	10-	2							

Model	Year	MG	SG	Illustration	Restrictions	UPD	15:46	26.01.2010	PORSCHE	PET	PORSCHE
GT3-2	2010	5	02	502-00		248					

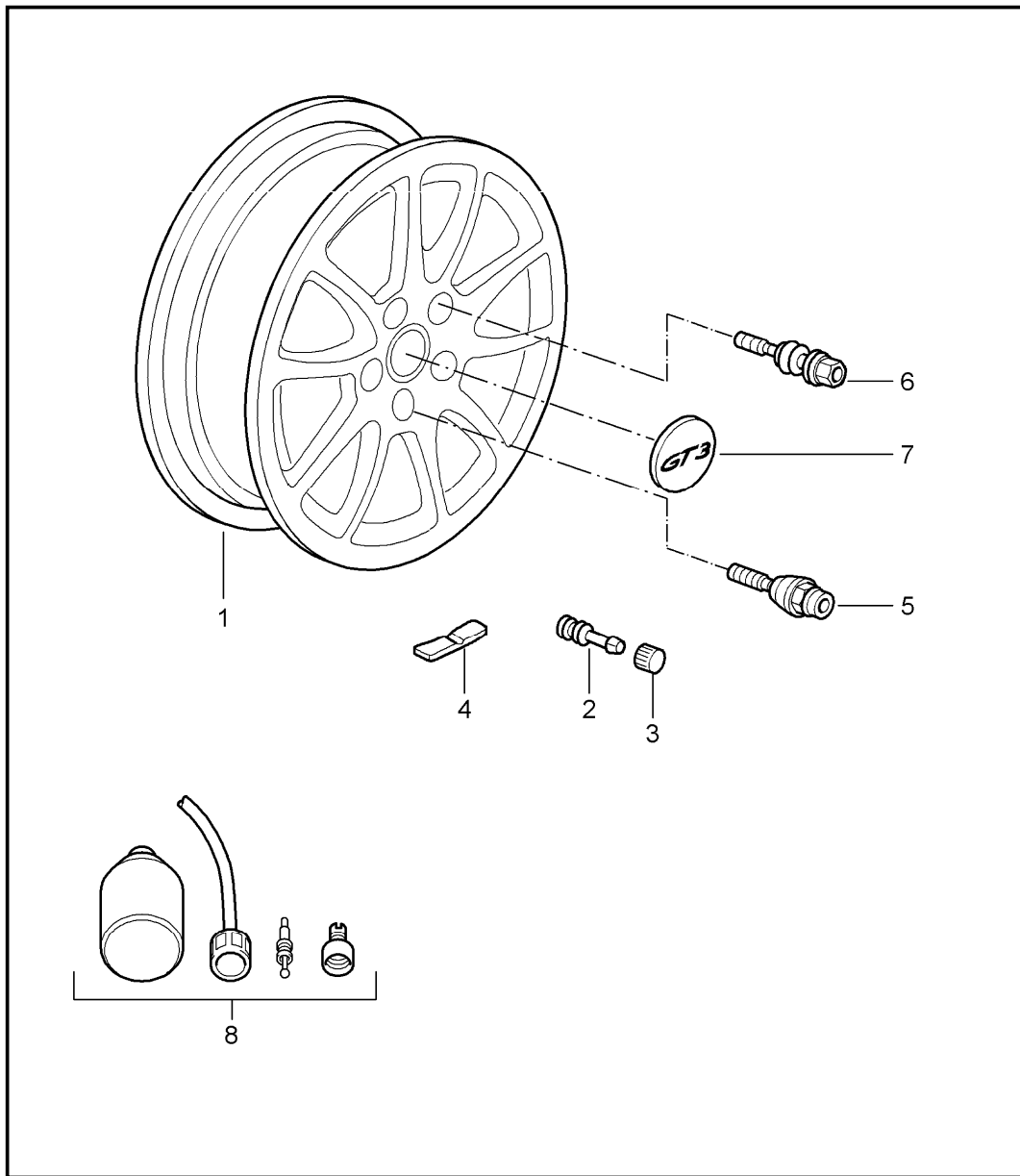


Pos	Part Number	Description	Remark	Qty	Model
1	997 333 051 91	shock absorber		07	
(1)	997 333 051 94	shock absorber		08	
(1)	997 333 051 95	shock absorber		10-	
(1)	997 333 051 99	shock absorber use also: 996.343.509.01		10-	
-	900 378 138 01	hexagon-head bolt M 12 X 1,5 X 70		2	
-	999 084 445 01	lock nut M 12 X 1,5		2	
2	997 333 061 01	supporting mount		2	
2	997 333 061 01	supporting mount	-08	2	
2	997 333 061 80	supporting mount	10-	2	
3	997 333 531 91	coil spring 1 set		1	
	504	identification red F >>99ZS7 90741			
(3)	997 333 531 93	coil spring 1 set	-08	1	
	504	identification red F 99ZS7 90742>>			
(3)	997 333 531 93	coil spring 1 set	-08	1	I004
	504	identification red			
(3)	997 333 531 95	coil spring 1 set	10-	1	
	504	identification yellow blue			
4	K 996 333 529 92	spring hanger	-08	2	

Model	Year	MG	SG	Illustration	Restrictions	UPD	15:46	26.01.2010	PORSCHE	PET	PORSCHE
GT3-2	2010	5	02	502-00		248					

Pos	Part Number	Description	Remark	Qty	Model	Pos	Part Number	Description	Remark	Qty	Model
(4)	997 333 504 00	spring hanger		10-	2	I475					
5	K 996 333 551 90	rubber support		-08	2						
6	997 333 539 90	bellows F >>99ZS7 90741		-08	2						
(6)	993 333 107 01	bellows only together with shock absorber 997.333.051.95		10-	2						
(6)	996 343 509 01	bellows only together with shock absorber 997.333.051.99		10-	2						
7	999 025 271 02	washer			2						
8	997 333 105 01	additional spring			2						
9	999 084 050 02	hexagon nut M 12 X 1			2						
10	900 380 008 01	hexagon nut M 10			6						
11	997 618 105 90	control unit shock absorber		-07	1						
(11)	997 618 105 91	control unit shock absorber		08-	1						
(11)	997 618 105 95	control unit		10-	1						
(11)	997 618 105 96	control unit		10-	1	I004					
-	997 618 205 00	support for control unit			1						
12	997 606 111 01	acceleration sensor body			1						
13	997 606 214 01	support acceleration sensor			1						
14	996 333 511 02	compensating plate 0,5 MM		10-	X						
(14)	996 333 511 03	compensating plate 4,0 MM		10-	X						
15	997 333 504 90	rubber pad for coil spring		10-	2						

Model	Year	MG	SG	Illustration	Restrictions	UPD	15:47	26.01.2010	PORSCHE	PET	PORSCHE
GT3-2	2010	6	01	601-00		248					

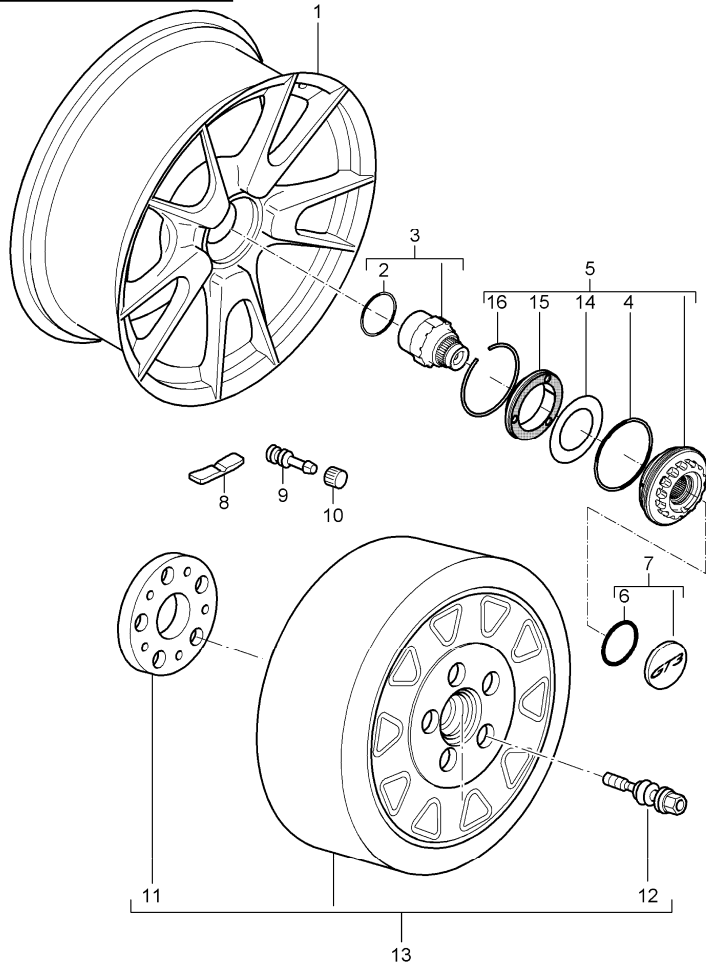
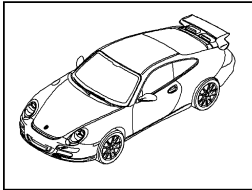


Pos	Part Number	Description	Remark	Qty	Model
		wheels	-08		
(1)	997 362 156 95	disc wheel silver 8,5 J x 19 Et 53	/V	2	
(1)	997 362 164 90	disc wheel silver 12 J x 19 ET 68	/H	2	
(1)	997 362 156 95	disc wheel silver 8,5 J x 19 Et 53	/V	2	I004/346/420
(1)	997 362 156 96	disc wheel 041 black 8,5 x 19 ET 53	/V	2	I004/420
(1) K	997 362 156 96	disc wheel 8C6 orange 8,5 J x 19 ET 53	/V	2	I004/420
(1)	997 362 164 91	disc wheel silver 12 J x 19 ET 51	/H	2	I004/346/420
(1) K	997 362 164 92	disc wheel 041 black 12 J x 19 ET 51	/H	2	I004/420
(1)	997 362 164 92	disc wheel 8C6 orange 12 J x 19 ET 51	/H	2	I004/420
2	900 265 001 50	rubber valve rubber		4	
(2)	valve tyre pressure monitoring see group 6/01/05		4	I482/483
3	993 361 163 10	cap for rubber valve		4	

Model	Year	MG	SG	Illustration	Restrictions	UPD	15:47	26.01.2010	PORSCHE	PET	PORSCHE
GT3-2	2010	6	01	601-00		248					

Pos	Part Number	Description	Remark	Qty	Model	Pos	Part Number	Description	Remark	Qty	Model
4	997 361 405 00	balance stick-on weight 5 G.		X		(5) A	997 361 980 00	set anti-theft protection 1 set	(GB)	1	I444
(4)	997 361 410 00	balance stick-on weight 10 G.		X		(5)	997 361 980 09	set anti-theft protection 1 set	(GB)	1	I444
(4)	997 361 415 00	balance stick-on weight 15 G.		X		6	996 361 980 00	wheel bolt		16	
(4)	997 361 420 00	balance stick-on weight 20 G.		X		7 K	996 361 303 91	hub cap		4	
(4)	997 361 425 00	balance stick-on weight 25 G.		X			9A1	silver			
(4)	997 361 430 00	balance stick-on weight 30 G.		X		(7)	955 361 303 05	hub cap		4	I446
(4)	997 361 435 00	balance stick-on weight 35 G.		X			9A1	silver it is necessary to rework paint			
(4)	997 361 440 00	balance stick-on weight 40 G.		X		(7)	997 361 303 90	hub cap silver logo black		4	I004
(4)	997 361 445 00	balance stick-on weight 45 G.		X		(7)	997 361 303 91	hub cap		4	I004
(4)	997 361 450 00	balance stick-on weight 50 G.		X			041	orange logo black			
(4)	997 361 455 00	balance stick-on weight 55 G.		X		(7) K	997 361 303 91	hub cap		4	I004
(4)	997 361 460 00	balance stick-on weight 60 G.		X			8C6	black logo orange			
(4)	997 361 465 00	balance stick-on weight 65 G.		X		(7) K	997 361 303 91	hub cap		4	I004
(4)	997 361 470 00	balance stick-on weight 70 G.		X			2D8	black logo green			
(4)	997 361 475 00	balance stick-on weight 75 G.		X		(8)	955 722 631 00	compressed air bottle		1	
(4)	997 361 480 00	balance stick-on weight 80 G.		X		-	911 722 201 02	tyre pressure gauge		1	
(4)	997 361 485 00	balance stick-on weight 85 G.		X		-	997 362 050 00	emergency wheel		1	I447
(4)	997 361 490 00	balance stick-on weight 90 G.		X		-	996 361 521 00	boot housing emergency wheel		1	I447
5	996 361 980 02	set anti-theft protection 1 set		1		-	999 914 001 40	plastic gloves		1	I447
						-	997 652 057 00	compressor		1	I447

Model	Year	MG	SG	Illustration	Restrictions	UPD	15:47	26.01.2010	PORSCHE	PET	PORSCHE
GT3-2	2010	6	01	601-01		248					



Pos	Part Number	Description	Remark	Qty	Model
		central locking		10-	I430
1	A 997 362 157 95	disc wheel titanium metallic 8,5 J X 19 ET 53 paint it is necessary to rework	/V	2	
1	997 362 157 95	disc wheel EP8 titanium metallic 8,5 J X 19 ET 53 paint it is necessary to rework	/V	2	
1	997 362 157 95	disc wheel 9A1 silver 8,5 J X 19 ET 53 paint it is necessary to rework	/V	2	I346
1	997 362 157 96	disc wheel 9A1 silver 8,5 J X 19 ET 53	/V	2	I004/346
1	997 362 157 96	disc wheel 539 white gold metallic 8,5 J X 19 ET 53	/V	2	I004/510
1	997 362 157 96	disc wheel 84A guards red 8,5 J X 19 ET 53	/V	2	I004/511
1	A 997 362 165 90	disc wheel titanium metallic 12 J X 19 ET 63 paint it is necessary to rework	/H	2	
1	997 362 165 90	disc wheel EP8 titanium metallic 12 J X 19 ET 63 paint it is necessary to rework	/H	2	

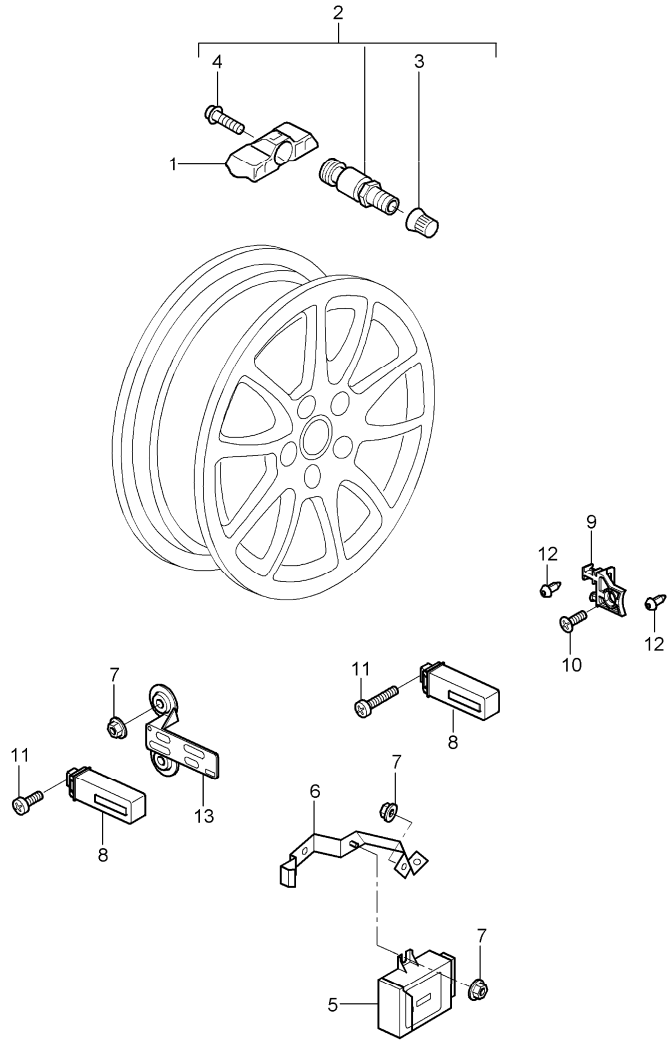
Model	Year	MG	SG	Illustration	Restrictions	UPD	15:47	26.01.2010	PORSCHE	PET	PORSCHE
GT3-2	2010	6	01	601-01		248					

Pos	Part Number	Description	Remark	Qty	Model	Pos	Part Number	Description	Remark	Qty	Model
1	997 362 165 90	disc wheel	/H	2	I346	7	997 361 207 91	hub cap RS logo red		4	I004/510
	9A1	silver 12 J X 19 ET 63 paint it is necessary to rework				7	997 361 207 92	hub cap RS logo gold-coloured		4	I004/511
1	997 362 163 90	disc wheel 11 j X 19 ET 67 for winter use not for carrera rs	/H	2		8	997 361 405 00	balance stick-on weight 5.G.		X	
1	997 362 165 91	disc wheel	/H	2	I004/346	(8)	997 361 410 00	balance stick-on weight 10 G.		X	
	9A1	silver 12 J X 19 ET 48				(8)	997 361 415 00	balance stick-on weight 15 G.		X	
1	997 362 165 91	disc wheel	/H	2	I004/510	(8)	997 361 420 00	balance stick-on weight 20 G.		X	
	539	white gold metallic 12 J X 19 ET 48				(8)	997 361 425 00	balance stick-on weight 25 G.		X	
1	997 362 165 91	disc wheel	/H	2	I004/511	(8)	997 361 430 00	balance stick-on weight 30 G.		X	
	84A	guards red 12 J X 19 ET 48				(8)	997 361 435 00	balance stick-on weight 35 G.		X	
2	999 707 012 40	o-ring 37 X 2,5 N		4		(8)	997 361 440 00	balance stick-on weight 40 G.		X	
3	997 341 251 04	locking device		2		(8)	997 361 445 00	balance stick-on weight 45 G.		X	
4	999 707 648 40	o-ring 92,00 X 3,5		4		(8)	997 361 450 00	balance stick-on weight 50 G.		X	
5	997 361 081 05	wheel bolt		4		(8)	997 361 455 00	balance stick-on weight 55 G.		X	
5	997 361 081 92	wheel bolt		4	I004	(8)	997 361 460 00	balance stick-on weight 60 G.		X	
6	999 701 045 40	o-ring 32 X 2,0 N		4		(8)	997 361 465 00	balance stick-on weight 65 G.		X	
7	997 361 207 03	hub cap crest coloured		4		(8)	997 361 470 00	balance stick-on weight 70 G.		X	
7	997 361 207 90	hub cap logo GT-3		4		(8)	997 361 475 00	balance stick-on weight 75 G.		X	
						(8)	997 361 480 00	balance stick-on weight 80 G.		X	

Model	Year	MG	SG	Illustration	Restrictions	UPD	15:47	26.01.2010	PORSCHE	PET	PORSCHE
GT3-2	2010	6	01	601-01		248					

Pos	Part Number	Description	Remark	Qty	Model	Pos	Part Number	Description	Remark	Qty	Model
(8)	997 361 485 00	balance stick-on weight 85 G.		X							
(8)	997 361 490 00	balance stick-on weight 90 G.		X							
9	900 265 001 50	rubber valve rubber		4							
10	955 361 163 00	cap for rubber valve		4							
11	997 362 191 00	adapter emergency wheel		1	I447						
12	997 361 203 01	wheel bolt adapter		5	I447						
13	997 362 021 00	emergency wheel		1	I447						
14	997 361 189 00	washer		4							
15		cone ring									
16	997 361 187 00	circlip 2,0		4							

Model	Year	MG	SG	Illustration	Restrictions	UPD	15:47	26.01.2010	PORSCHE	PET	PORSCHE
GT3-2	2010	6	01	601-05		248					

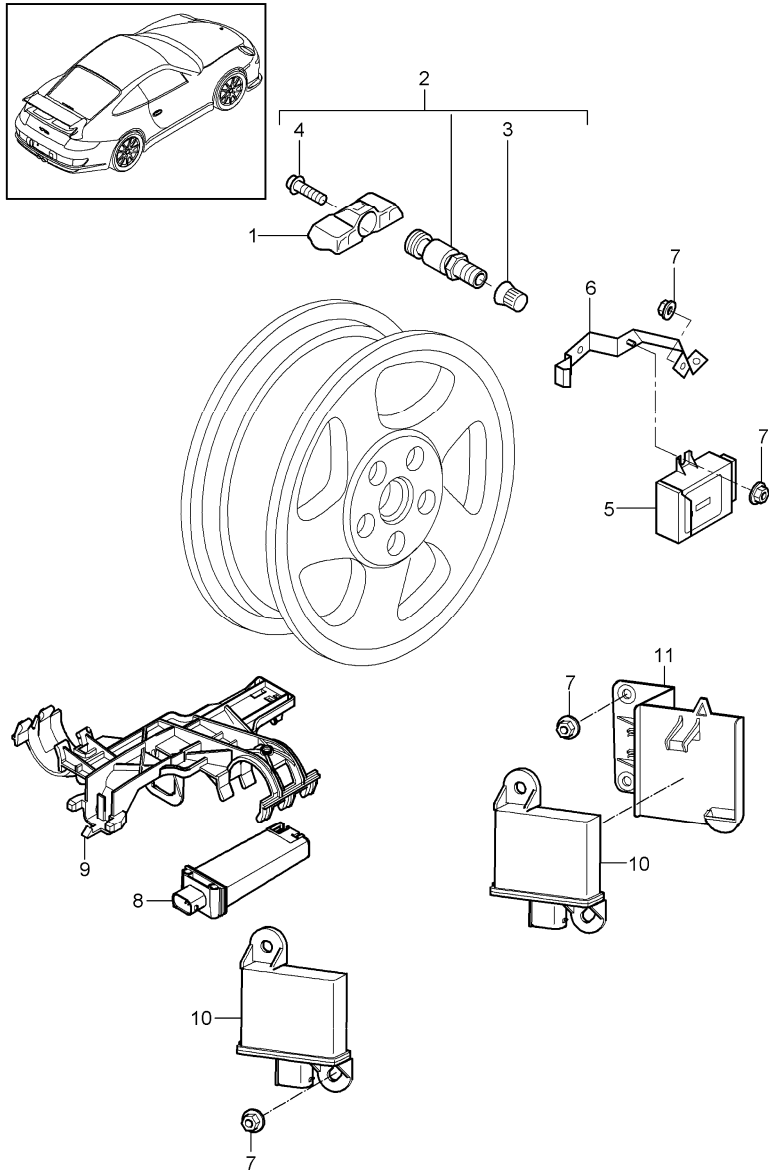


Pos	Part Number	Description	Remark	Qty	Model
		tyre pressure monitoring	-08		I482/483
1	997 606 021 00	sensor	-07	4	I482
		tyre pressure monitoring use also: 955.361.053.00			
(1)	997 606 021 01	sensor	08-	4	I482
		tyre pressure monitoring use also: 955.361.053.00			
(1)	997 606 023 00	sensor	-07	4	I483
		tyre pressure monitoring use also: 955.361.053.00			
(1)	997 606 023 01	sensor	08-	4	I483
		tyre pressure monitoring use also: 955.361.053.00			
(1)	997 606 025 00	sensor		4	I483 I074/193
		tyre pressure monitoring use also: 955.361.053.00			
2	955 361 053 00	valve aluminium		4	
3	N 908 729 01	cap		4	
4	4D0 601 365	fastening screw		4	
5	997 618 103 06	control unit		1	
6	997 618 203 01	support control unit		1	
7	999 076 081 40	plastic nut T5 16 X 11, 2		7	
8	997 606 101 00	antenna 433 MHZ use also: rear axle clip 997.606.225.00		4	I482
(8)	997 606 103 00	antenna 315 MHZ use also: rear axle clip 997.606.225.00		4	I483

Model	Year	MG	SG	Illustration	Restrictions	UPD	15:47	26.01.2010	PORSCHE	PET	PORSCHE
GT3-2	2010	6	01	601-05		248					

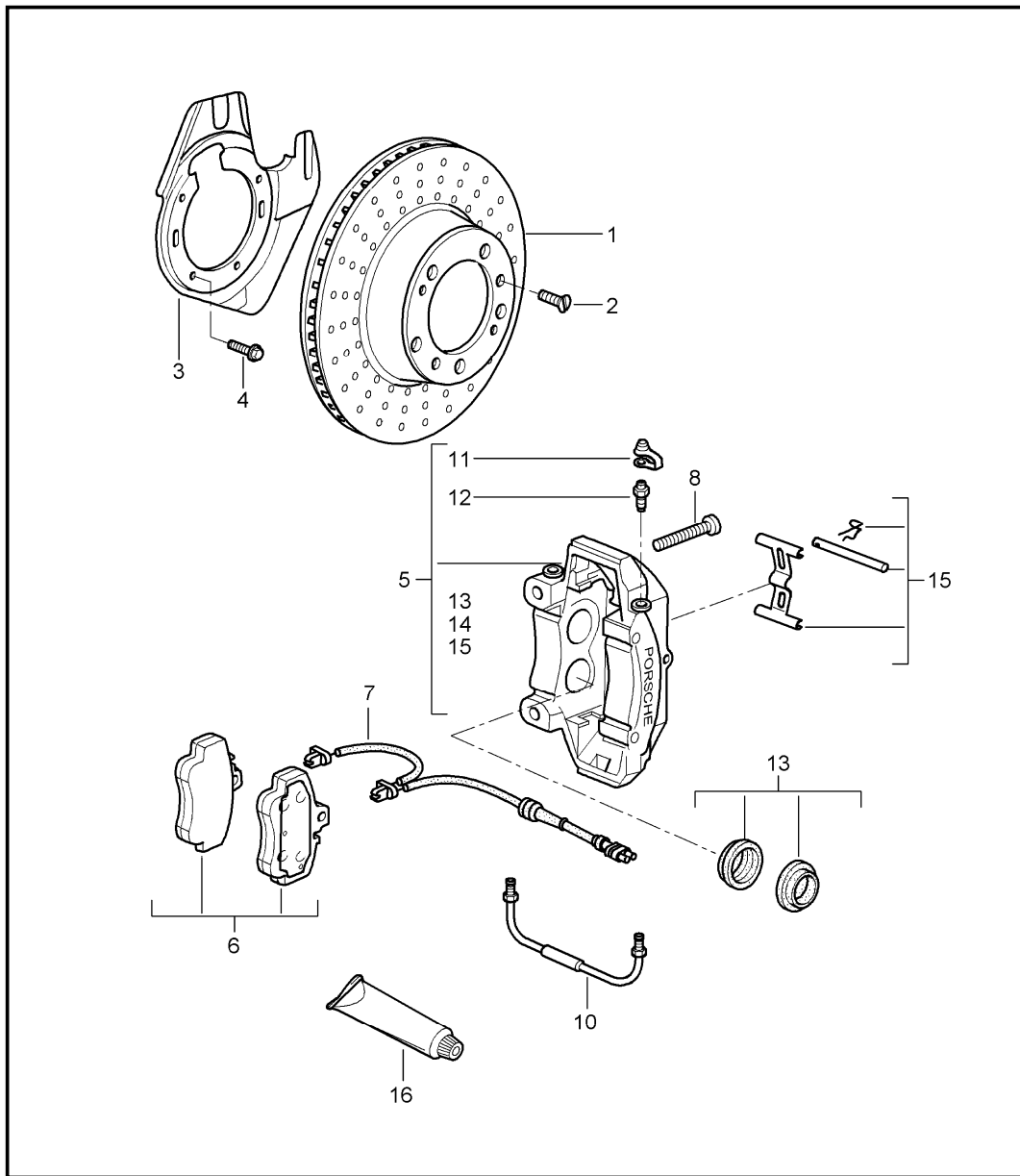
Pos	Part Number	Description	Remark	Qty	Model	Pos	Part Number	Description	Remark	Qty	Model
9	997 606 225 00	clip for antenna rear axle		2							
10	999 919 121 09	oval-head screw M 5 X 16		2							
11	999 919 023 09	oval-head screw M 5 X 35		4							
12	N 105 168 01	expander nut ST 4,8		4							
13	997 606 141 00	support antenna front		2							

Model	Year	MG	SG	Illustration	Restrictions	UPD	15:47	26.01.2010	PORSCHE	PET	PORSCHE
GT3-2	2010	6	01	601-06		248					



Pos	Part Number	Description	Remark	Qty	Model
		tyre pressure monitoring	10-		I482/483
1	997 606 021 20	sensor tyre pressure monitoring use also: 955.361.053.00		4	I482
(1)	997 606 023 20	sensor tyre pressure monitoring use also: 955.361.053.00		4	I483
2	955 361 053 00	valve aluminium		4	
3	N 908 729 01	cap		4	
4	4D0 601 365	fastening screw		4	
5	997 618 103 23	control unit		1	
6	997 618 203 02	support control unit		1	
7	999 076 081 40	plastic nut T5 16 X 11, 2		8	
8	955 606 101 00	antenna 433 MHZ		1	I482
(8)	955 606 103 00	antenna 315 MHZ		1	I483
9	997 606 259 00	support antenna		1	
10	955 618 113 00	transmitter		4	
11	997 606 242 00	support front	/R	1	
(11)	997 606 241 00	support front	/L	1	
-	997 652 057 00	compressor for emergency wheel		1	

Model	Year	MG	SG	Illustration	Restrictions	UPD	15:47	26.01.2010	PORSCHE	PET	PORSCHE
GT3-2	2010	6	02	602-00		248					



Pos	Part Number	Description	Remark	Qty	Model
		disc brake front axle			
		brake disc only in pairs replace technical manual attention			I450
1	997 351 409 90	brake disc	/L	-08	1
(1)	997 351 409 91	brake disc only together with grey cast iron brake use also: 997.341.901.00 see technical manual group 46 50 19	/L	10-	1
(1)	997 351 031 91	brake disc	/L	-08	1 I450
(1)	997 351 031 96	brake disc use also: 997.341.901.00 see technical manual group 46 51 19	/L	10-	1 I450
(1)	997 351 410 90	brake disc	/R	-08	1
(1)	997 351 410 91	brake disc only together with grey cast iron brake use also: 997.341.901.00 see technical manual group 46 50 19	/R	10-	1
(1)	997 351 032 91	brake disc	/R	-08	1 I450
(1)	997 351 032 96	brake disc use also: 997.341.901.00 see technical manual group 46 51 19	/R	10-	1 I450
2	A 900 269 047 09	countersunk-head screw M 6 X 12		-08	4
2	900 269 047 01	countersunk-head screw M 6 X 12			4

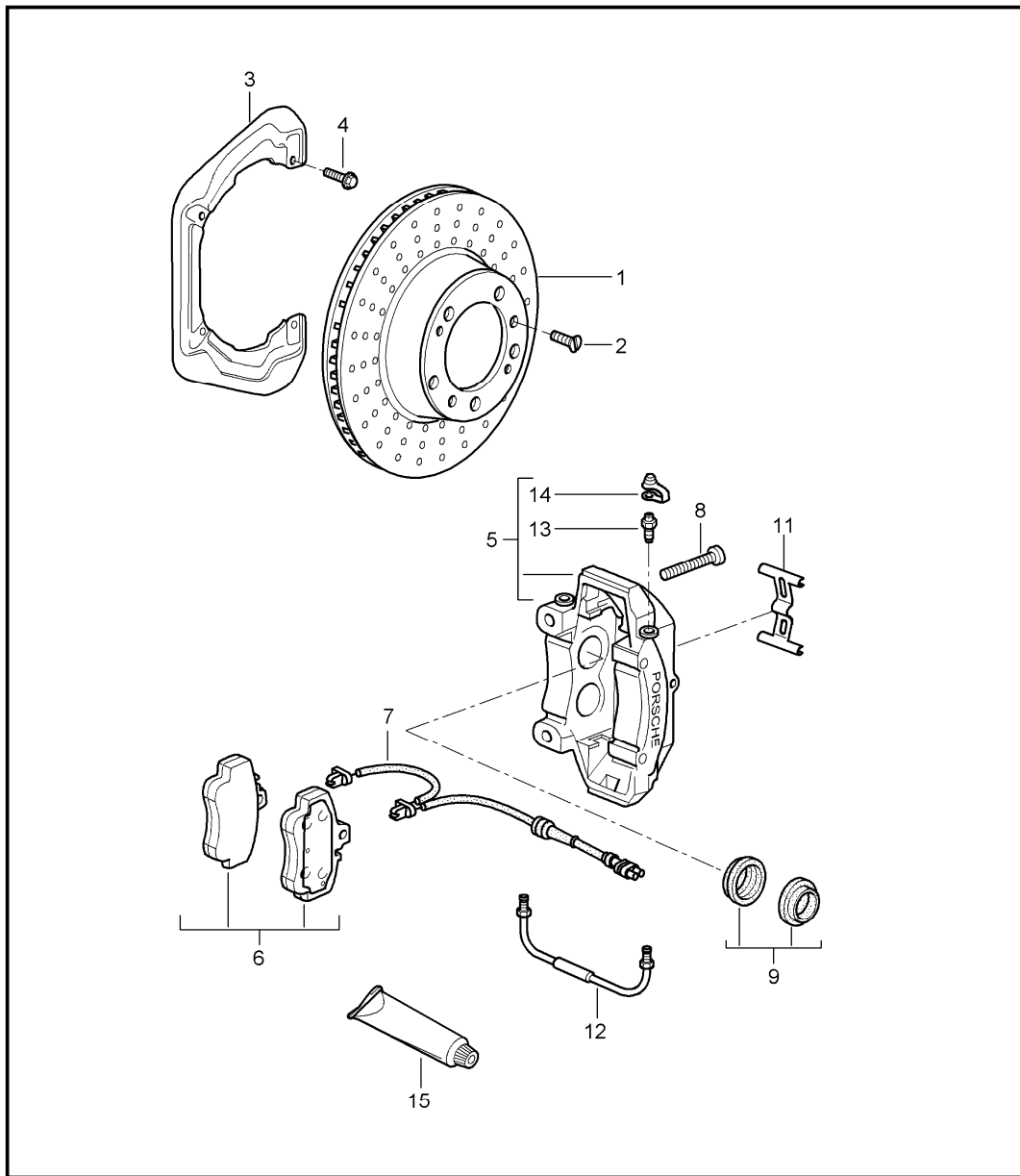
Model	Year	MG	SG	Illustration	Restrictions	UPD	15:47	26.01.2010	PORSCHE	PET	PORSCHE
GT3-2	2010	6	02	602-00		248					

Pos	Part Number	Description	Remark	Qty	Model	Pos	Part Number	Description	Remark	Qty	Model	
2	999 015 025 09	lens-head screw M 6 X 12		-10	4	(5)	996 351 432 90	fixed calliper without pad use also: mounting parts fastening screw 999.067.047.09	/R	1		
3	996 351 813 90	cover plate lower	/L	07	1					4		
(3)	997 351 813 90	cover plate lower	/L	08-	1	(5)	997 351 432 94	fixed calliper without pad use also: mounting parts fastening screw 999.067.054.09	/R	10-	1	
(3)	996 351 815 90	air baffle plate	/L		1							
(3)	996 351 814 90	cover plate lower	/R	07	1					4		
(3)	997 351 814 90	cover plate lower	/R	08-	1	(5)	997 351 432 92	fixed calliper without pad use also: mounting parts fastening screw 999.067.054.09	/R		1	I450
(3)	996 351 816 90	air baffle plate	/R		1							
-	900 378 036 09	hexagon-head bolt M 6 x 16		07	4					4		
-	900 378 036 01	hexagon-head bolt M 6 x 16		08-	4	6 K	996 351 948 00	brake pad repair set use also: mounting parts use also: mounting parts fastening screw 999.067.047.09		-08	1	
-	900 380 015 09	hexagon nut M 6		07	4					4		
-	900 380 015 01	hexagon nut M 6		08-	4	(6)	997 351 948 91	brake pad repair set use also: mounting parts use also: mounting parts fastening screw 999.067.054.09		10-	1	
4	999 217 116 09	hexagon-head bolt M 6 X 16		07	X							
(4)	999 217 116 01	hexagon-head bolt M 6 x 16		08-	X					4		
5	996 351 431 90	fixed calliper without pad use also: mounting parts fastening screw 999.067.047.09	/L	-08	1	(6)	997 351 948 02	brake pad repair set use also: mounting parts fastening screw 999.067.054.09		07	1	I450
					4					4		
(5)	997 351 431 94	fixed calliper without pad use also: mounting parts fastening screw 999.067.054.09	/L	10-	1	(6)	997 351 948 90	brake pad repair set use also: mounting parts fastening screw 999.067.054.09		08-	1	I450
					4					4		
(5)	997 351 431 92	fixed calliper without pad use also: mounting parts fastening screw 999.067.054.09	/L		1	I450	-	996 352 086 01	damping plate only together with brake pad repair set 996.351.948.00	-08	12	
					4		7	997 612 677 90	warning contact		2	
							-	999 507 464 40	support		2	

Model	Year	MG	SG	Illustration	Restrictions	UPD	15:47	26.01.2010	PORSCHE	PET	PORSCHE
GT3-2	2010	6	02	602-00		248					

Pos	Part Number	Description	Remark	Qty	Model	Pos	Part Number	Description	Remark	Qty	Model
-	944 612 627 00	line bracket for warning contact		3		(13)	951 352 917 01	repair kit protection caps 30 mm		X	I450
8	999 067 047 09	pan-head screw M 12 X 1,5 X 85	07	4		15	996 351 959 30	repair kit mounting parts bolt expanding spring screw		1	
(8)	999 067 053 09	pan-head screw m 12 x 1,5 x 85	08-	4							
(8)	999 067 054 09	pan-head screw M 12 X 1,5 X 62		4	I450	16	000 043 117 00	brake cylinder paste 50 G		X	
10	996 351 961 30	connecting line	-08	2		16	000 043 020 00	optimoly 100 G		X	
10	997 351 961 91	connecting line	10-	2							
(10)	980 351 961 00	connecting line		2	I450	17	997 341 901 00	assembly kit comprising: driving pin sleeve fastening screw see technical manual 46 50 19 46 51 19	10-	2	I430
11	930 351 927 00	dust boot		2						5 5 5	
12	997 352 919 00	ventilation valve		2							
13	951 352 917 00	repair kit protection caps 28 MM	-08	X							
(13)	996 351 915 00	repair kit protection caps 32 MM	-08	X							
(13)	996 351 915 01	repair kit protection caps 38 MM	-08	X							
13	951 352 917 00	repair kit protection caps 28 MM	10-	X							
(13)	951 352 917 01	repair kit protection caps 30 MM	10-	X							
(13)	996 351 915 00	repair kit protection caps 32 MM	10-	X							
(13)	951 352 917 00	repair kit protection caps 28 MM		X	I450						
(13)	996 351 915 00	repair kit protection caps 32 MM		X	I450						

Model	Year	MG	SG	Illustration	Restrictions	UPD	15:48	26.01.2010	PORSCHE	PET	PORSCHE
GT3-2	2010	6	03	603-00		248					

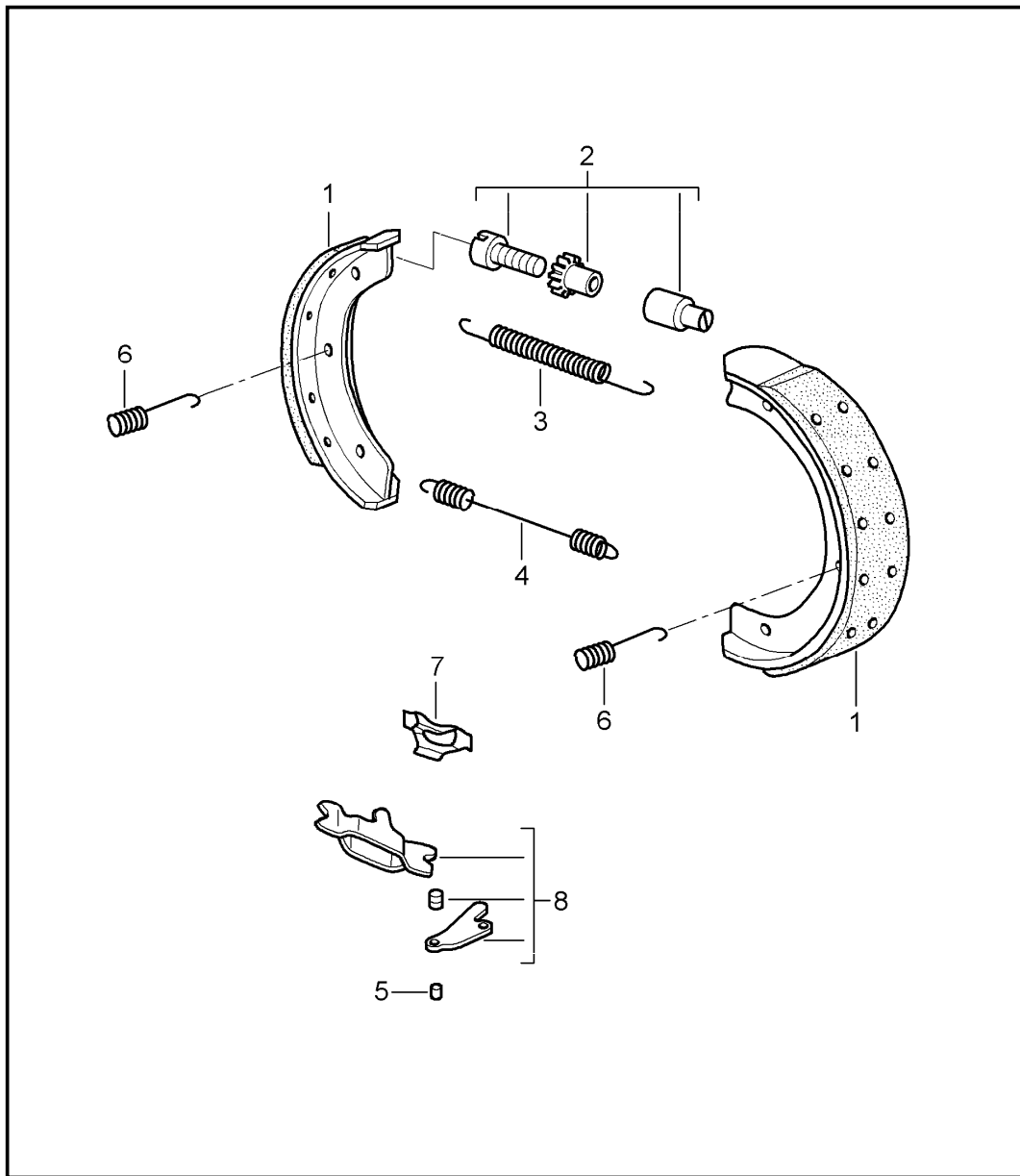


Pos	Part Number	Description	Remark	Qty	Model
		disc brake rear axle			
		brake disc only in pairs replace technical manual attention			I450
1	997 352 405 01	brake disc	/L -08	1	
1	997 352 405 92	brake disc only together with with grey cast iron brake use also: 997.341.901.00 see technical manual group 46 53 19	/L 10-	1	
(1) >	996 352 031 04	brake disc	/L 07	1	I450
(1)	997 352 031 00	brake disc	/L 08	1	I450
(1)	997 352 031 94	brake disc use also: 997.341.901.00 see technical manual group 46 54 19	/L 10-	1	I450
(1)	997 352 406 01	brake disc	/R -08	1	
1	997 352 406 92	brake disc only together with with grey cast iron brake use also: 997.341.901.00 see technical manual group 46 53 19	/R 10-	1	
(1) >	996 352 032 04	brake disc	/R 07	1	I450
(1)	997 352 032 00	brake disc	/R 08	1	I450
(1)	997 352 032 94	brake disc use also: 997.341.901.00 see technical manual group 46 54 19	/R 10-	1	I450

Model	Year	MG	SG	Illustration	Restrictions	UPD	15:48	26.01.2010	PORSCHE	PET	PORSCHE
GT3-2	2010	6	03	603-00		248					

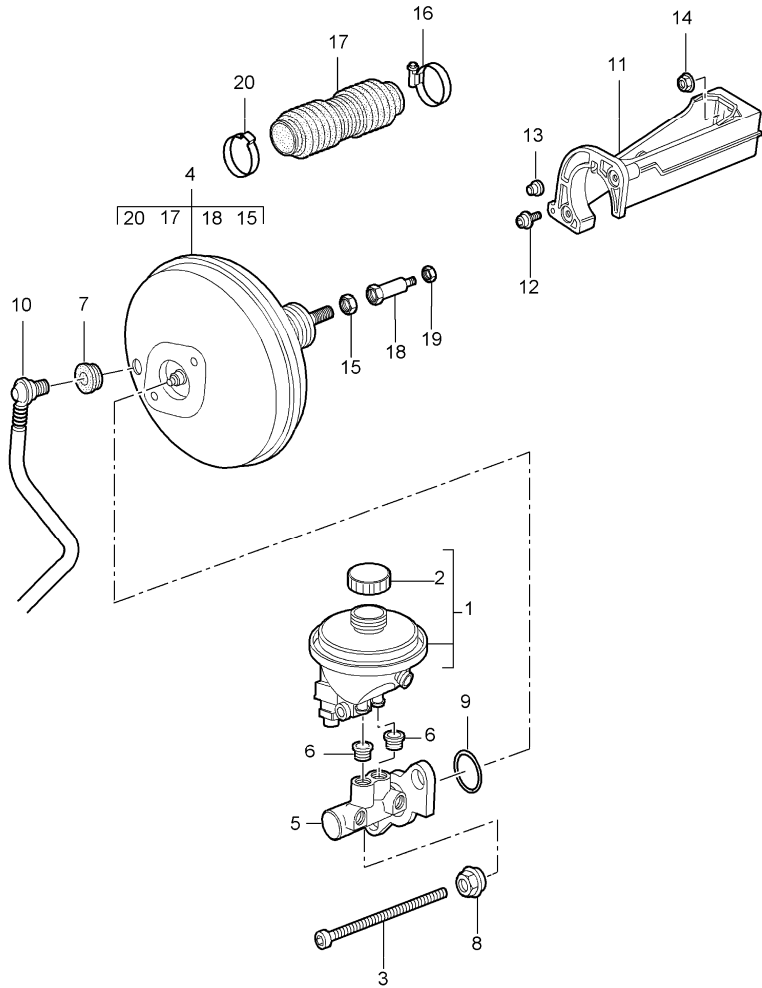
Pos	Part Number	Description	Remark	Qty	Model	Pos	Part Number	Description	Remark	Qty	Model
(6)	997 352 947 95	brake pad repair set use also: mounting parts fastening screw 999.067.040.01 see technical information group 4 Nr.50/09	10-	1		12	996 355 585 01	connecting line	/L 10-	2	
				4		(12)	996 351 962 00	connecting line	/R -08	2	
						12	996 355 586 01	connecting line	/R 10-	2	
						13	997 352 919 00	ventilation valve		4	
						14	930 351 927 00	dust boot		4	
(6)	997 352 947 92	brake pad repair set use also: mounting parts fastening screw 999.067.040.01 see technical information group 4 Nr.50/09	10-	1		15	000 043 117 00	brake cylinder paste 50 G		X	
				4		(15)	000 043 020 00	optimoly 100 G		X	
						16	997 341 901 00	assembly kit comprising: driving pin sleeve fastening screw see technical manual 46 50 19 46 51 19	10-	2	I430
										5	
										5	
										5	
(6)	997 352 949 01	brake pad repair set use also: mounting parts fastening screw 999.067.040.01 see technical information group 4 Nr.50/09	10-	1							
				4							
-	996 352 086 01	damping plate 28 MM only together with 997.352.947.01 grey cast iron brake		X							
-	996 352 086 02	damping plate 28 mm only together with 997.352.947.01 grey cast iron brake		X							
7	997 612 754 00	warning contact		2							
8	999 067 040 01	pan-head screw M 12 X 1,5 X 95		4							
9	965 352 917 00	repair kit protection caps 34 MM		2							
				2							
11	997 352 959 10	spring		1							
12	996 351 961 00	connecting line	/L -08	2							

Model	Year	MG	SG	Illustration	Restrictions	UPD	15:48	26.01.2010	PORSCHE	PET	PORSCHE
GT3-2	2010	6	03	603-05		248					



Pos	Part Number	Description	Remark	Qty	Model
		handbrake see technical manual group 46 83 20			
(1)	997 352 993 01	repair kit 1 set only together with compression spring 997.352.741.00	-08	1	
(1)	997 352 993 02	repair kit 1 set	10-	1	
2	993 352 071 00	adjusting screw		2	
3	997 352 721 01	tension spring short		2	
4	997 352 723 02	tension spring long		2	
5	993 352 737 00	bolt		2	
6	997 352 741 00	compression spring only together with brake shoe 997.352.993.01	-08	4	
6	997 352 741 02	compression spring	10-	4	
7	997 352 807 00	support panel		2	
8	928 352 090 01	push-button lock complete		2	

Model	Year	MG	SG	Illustration	Restrictions	UPD	15:48	26.01.2010	PORSCHE	PET	PORSCHE
GT3-2	2010	6	04	604-00		248					

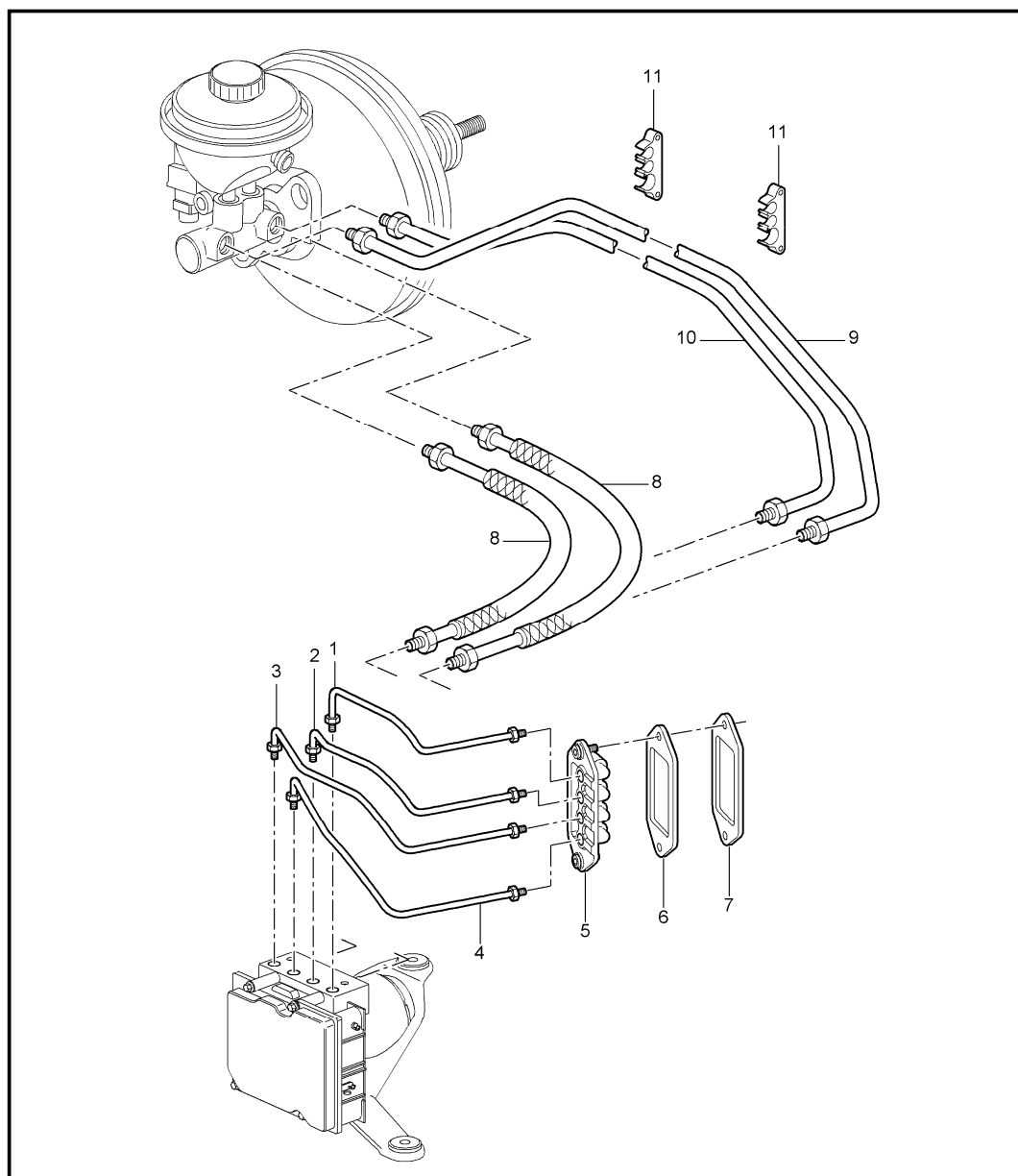


Pos	Part Number	Description	Remark	Qty	Model
-	000 043 203 66	brake master cylinder brake booster			
-		brake fluid DOT 4 1 Ltr.		X	
1	997 355 013 01	expansion tank		1	
2	996 355 119 01	catch		1	
-	997 355 125 00	support for contact for container		1	
3	999 073 327 09	pan-head screw M 8 X 197 X 29		2	
4	997 355 923 90	brake booster		1	
-	996 355 137 01	catch threaded joint brake booster		1	
5	997 355 910 30	brake master cylinder		1	
6	993 355 922 00	grommet		2	
7	999 702 182 40	rubber bush		1	
8	997 355 925 00	hexagon nut		2	
9	993 355 212 00	gasket		1	
10	997 355 577 26	vacuum line		1	I098
(10)	997 355 578 26	vacuum line		1	I099
11	997 423 251 00	intermediate piece		1	
12	999 073 189 01	round head screw M 6 X 12		2	
13	999 703 448 50	stopper	/R	1	
14	900 380 005 01	hexagon nut M 8		2	
15	900 183 015 02	hexagon nut M 12 X 1,5		1	
-	996 355 901 01	gasket brake booster bulkhead		1	
16	999 512 478 00	hose clamp		1	

Model	Year	MG	SG	Illustration	Restrictions	UPD	15:48	26.01.2010	PORSCHE	PET	PORSCHE
GT3-2	2010	6	04	604-00		248					

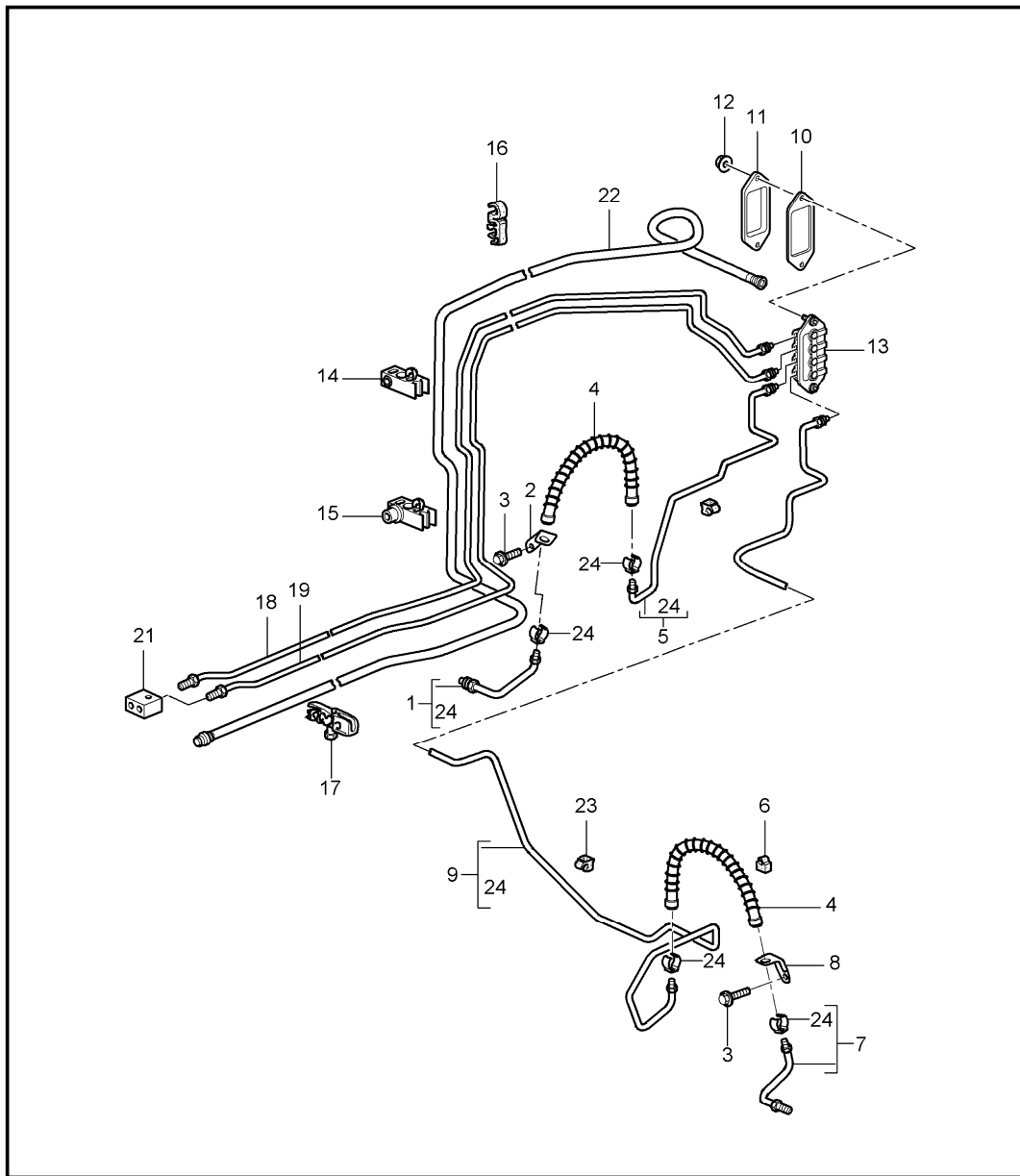
Pos	Part Number	Description	Remark	Qty	Model	Pos	Part Number	Description	Remark	Qty	Model
17	997 355 969 00	bellows		1							
18	996 355 927 01	connecting piece		1							
19	900 380 015 09	hexagon nut M 6	-08	1							
(19)	900 380 015 01	hexagon nut M 6	10-	1							
20	999 512 672 00	clamp		1							

Model	Year	MG	SG	Illustration	Restrictions	UPD	15:48	26.01.2010	PORSCHE	PET	PORSCHE
GT3-2	2010	6	04	604-05		248					



Pos	Part Number	Description	Remark	Qty	Model
		brake lines body front section			
(1)	997 355 315 26	brake line	-08	1	I098
(1)	997 355 315 30	brake line	10-	1	I098
1	997 355 315 00	brake line	-08	1	I099
1	997 355 315 10	brake line	10-	1	I099
(2)	997 355 316 26	brake line	-08	1	I098
(2)	997 355 316 30	brake line	10-	1	I098
2	997 355 316 00	brake line	-08	1	I099
2	997 355 316 10	brake line	10-	1	I099
(3)	997 355 327 27	brake line	-08	1	I098
(3)	997 355 327 30	brake line	10-	1	I098
3	997 355 327 00	brake line	-08	1	I099
3	997 355 327 10	brake line	10-	1	I099
(4)	997 355 326 27	brake line	-08	1	I098
(4)	997 355 326 30	brake line	10-	1	I098
4	997 355 326 00	brake line	-08	1	I099
4	997 355 326 10	brake line	10-	1	I099
5	997 355 650 00	intermediate piece		1	
6	997 355 752 00	gasket		1	
7	997 355 753 00	reinforcement		1	
8	997 355 311 00	pressure line	-08	2	I098
8	997 355 311 10	pressure line	10-	2	I098
9	997 355 312 25	pressure line	-08	1	I099
9	997 355 312 30	pressure line	10-	1	I099
10	997 355 314 25	pressure line	-08	1	I099
10	997 355 314 30	pressure line	10-	1	I099
11	999 507 632 40	cable holder		2	I099

Model	Year	MG	SG	Illustration	Restrictions	UPD	15:48	26.01.2010	PORSCHE	PET	PORSCHE
GT3-2	2010	6	04	604-10		248					

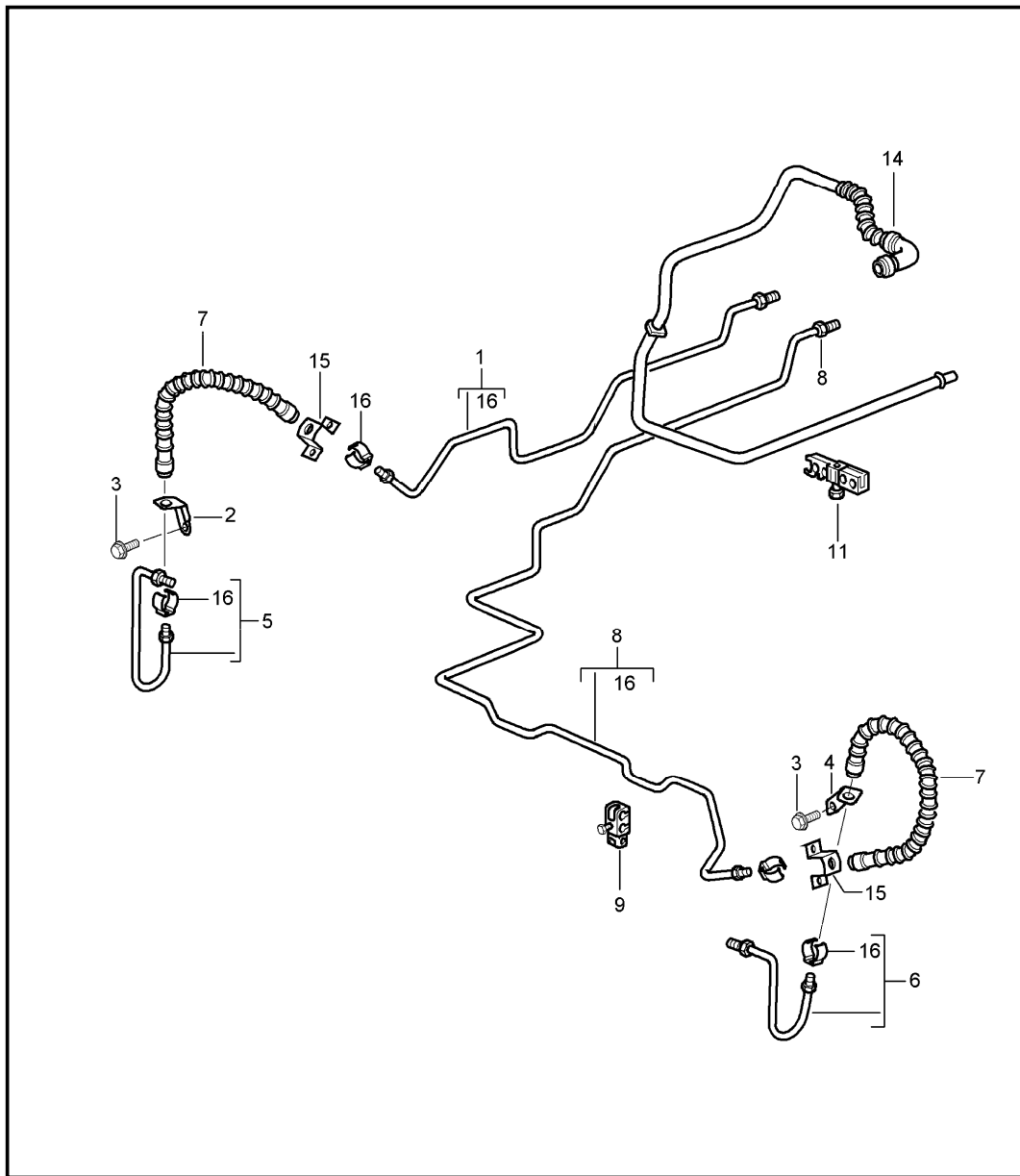


Pos	Part Number	Description	Remark	Qty	Model
		brake lines brake lines underbody vacuum line			
1	996 355 581 9B	brake line	/L	1	
(1)	997 355 581 92	brake line	/L	1	I450
2	996 355 501 06	brake hose bracket	/L	-08	1
2	997 355 501 90	brake hose bracket	/L	10-	1
3	999 217 116 09	hexagon-head bolt M 6 X 16		-08	2
(3)	999 217 116 01	hexagon-head bolt M 6 x 16		10-	2
4	996 355 139 00	brake hose		2	
5	997 355 175 02	brake line	/L	-08	1
5	997 355 175 10	brake line	/L	10-	1
6	999 591 930 40	support		X	
7	996 355 584 9B	brake line	/R	1	
(7)	997 355 582 92	brake line	/R	1	I450
(8)	996 355 502 06	brake hose bracket	/R	-08	1
(8)	997 355 502 90	brake hose bracket	/R	10-	1
9	997 355 176 90	brake line		1	
10	997 355 753 00	reinforcement		1	
11	997 355 752 00	gasket		1	
12	900 380 015 09	hexagon nut M 6	-08	3	
(12)	900 380 015 01	hexagon nut M 6	10-	3	
13	997 355 650 00	intermediate piece		1	
14	996 355 545 00	support		3	
15	996 355 549 00	support		1	
16	996 355 547 01	support		2	
17	996 355 543 00	support		1	

Model	Year	MG	SG	Illustration	Restrictions	UPD	15:48	26.01.2010	PORSCHE	PET	PORSCHE
GT3-2	2010	6	04	604-10		248					

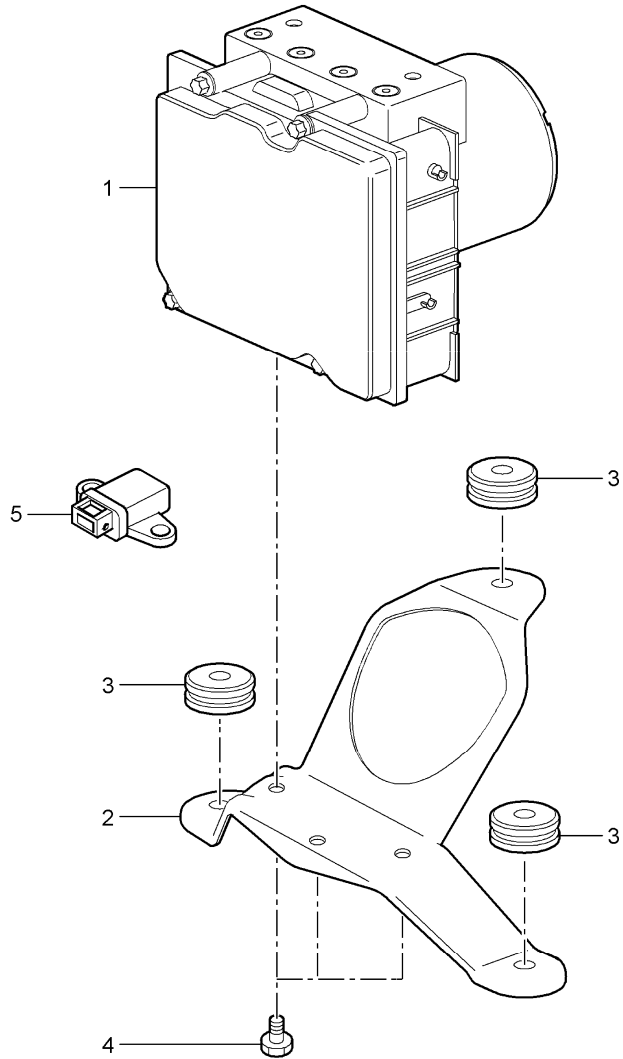
Pos	Part Number	Description	Remark	Qty	Model	Pos	Part Number	Description	Remark	Qty	Model
18	997 355 177 01	brake line	-08	1							
18	997 355 177 10	brake line	10-	1							
19	997 355 179 01	brake line	-08	1							
19	997 355 179 10	brake line	10-	1							
21	996 355 760 31	connecting piece		1							
22	997 355 571 01	vacuum line		1							
-	999 702 289 41	grommet wheel housing		1							
23	999 651 331 40	cable holder		5							
24	997 355 331 01	retainer spring for brake line		X							

Model	Year	MG	SG	Illustration	Restrictions	UPD	15:49	26.01.2010	PORSCHE	PET	PORSCHE
GT3-2	2010	6	04	604-15		248					



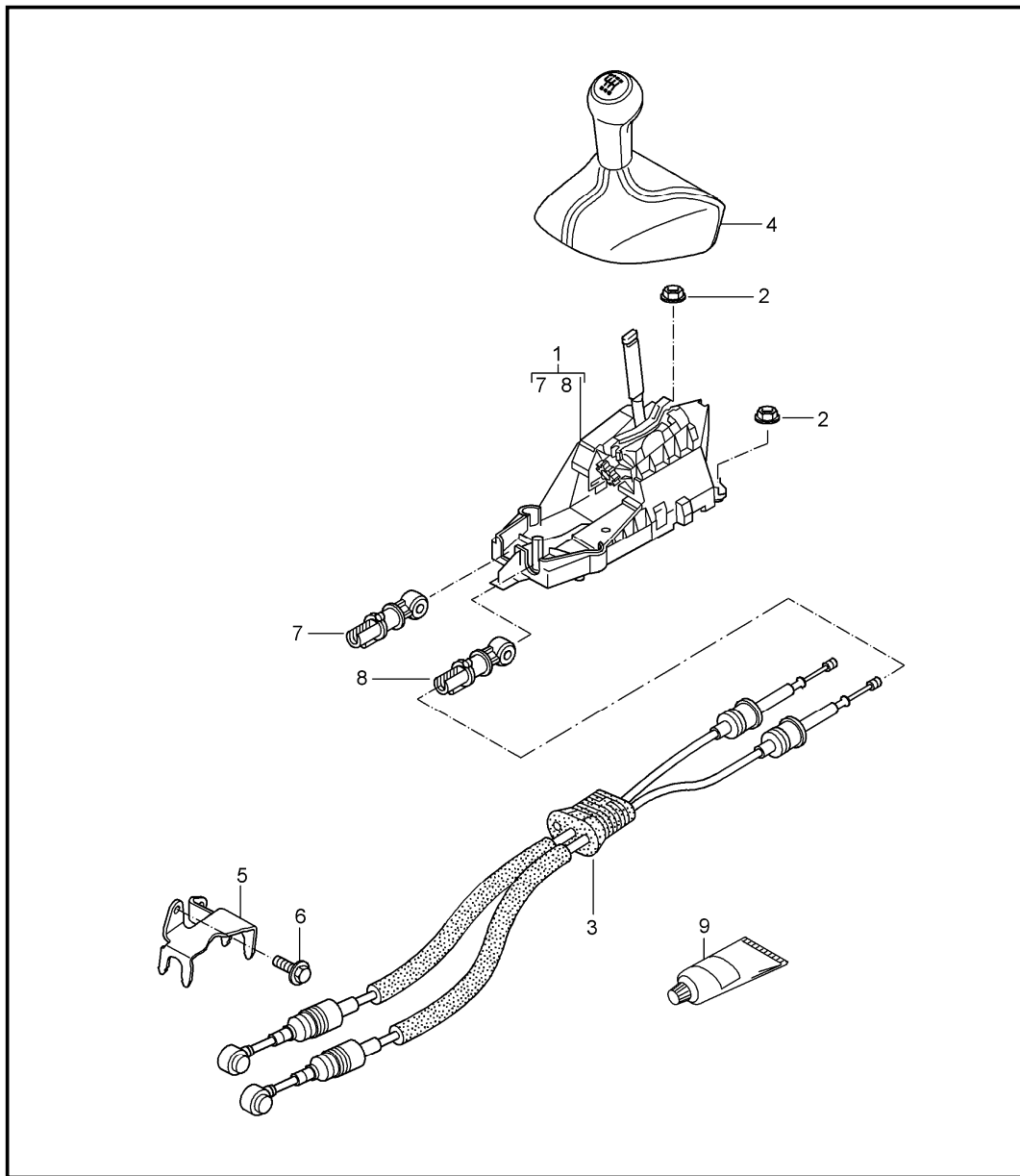
Pos	Part Number	Description	Remark	Qty	Model
		brake line underbody rear axle vacuum line			
1	997 355 189 00	brake line	/L	-08	1
1	997 355 189 10	brake line	/L	10-	1
2	997 355 503 10	support	/L		1
3	900 067 117 09	pan-head screw M 6 X 16		-08	2
(3)	900 067 117 04	pan-head screw M 6 x 16		10-	2
4	997 355 504 10	support	/R		1
5	996 355 585 10	brake line	/L	-08	1
(5)	996 355 585 11	brake line	/L	10-	1
6	996 355 586 10	brake line	/R	-08	1
(6)	996 355 586 11	brake line	/R	10-	1
7	996 355 139 00	brake hose			2
8	997 355 190 02	brake line		-08	1
8	997 355 190 11	brake line		10-	1
9	996 347 543 00	cable holder			3
11	996 355 543 00	support			1
14	997 355 575 51	vacuum line		-08	1
14	997 355 575 91	vacuum line		10-	1
-	999 507 495 40	support			1
15	996 501 815 02	support			2
		GRV prime coated			
16	997 355 331 01	retainer spring for brake hose			X

Model	Year	MG	SG	Illustration	Restrictions	UPD	15:49	26.01.2010	PORSCHE	PET	PORSCHE
GT3-2	2010	6	05	605-00		248					



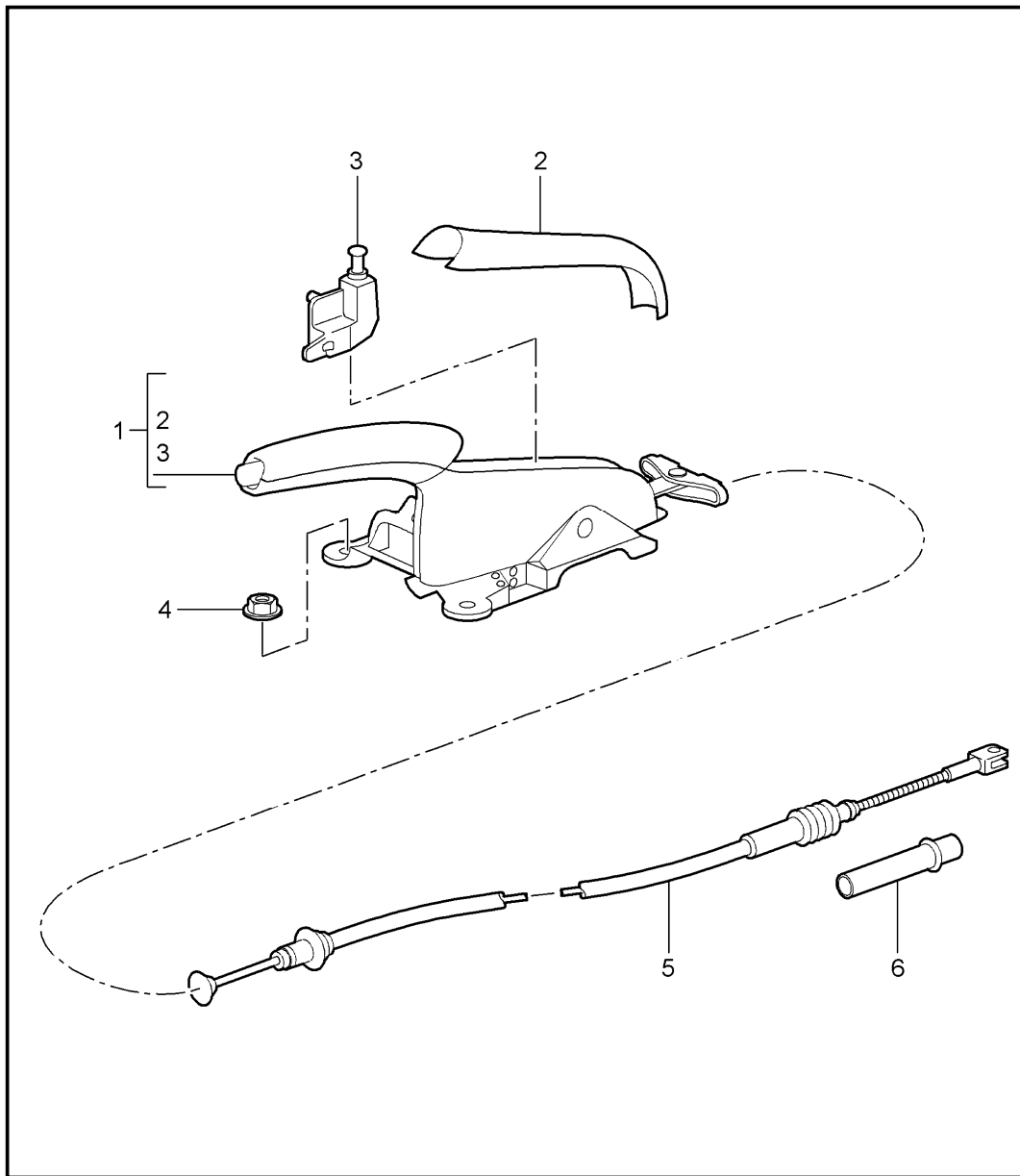
Pos	Part Number	Description	Remark	Qty	Model
		hydraulic unit anti-lock brake system control			
1	997 355 955 93	hydraulic unit	-08	1	
1	997 355 955 96	hydraulic unit	10-	1	
2	997 355 033 25	support with rubber mounting		1	I098
(2)	997 355 033 00	support with rubber mounting		1	I099
3	964 356 635 00	rubber mounting		3	
-	999 045 004 40	hexagon nut plastic material		3	
4	A 900 385 060 09	screw BM 6 X 10	-08	3	
(4)	900 385 060 01	screw BM 6 x 10	10-	3	
5	996 606 145 00	sensor	-08	1	
5	997 606 145 05	sensor	10-	1	

Model	Year	MG	SG	Illustration	Restrictions	UPD	15:49	26.01.2010	PORSCHE	PET	PORSCHE
GT3-2	2010	7	01	701-00		248					



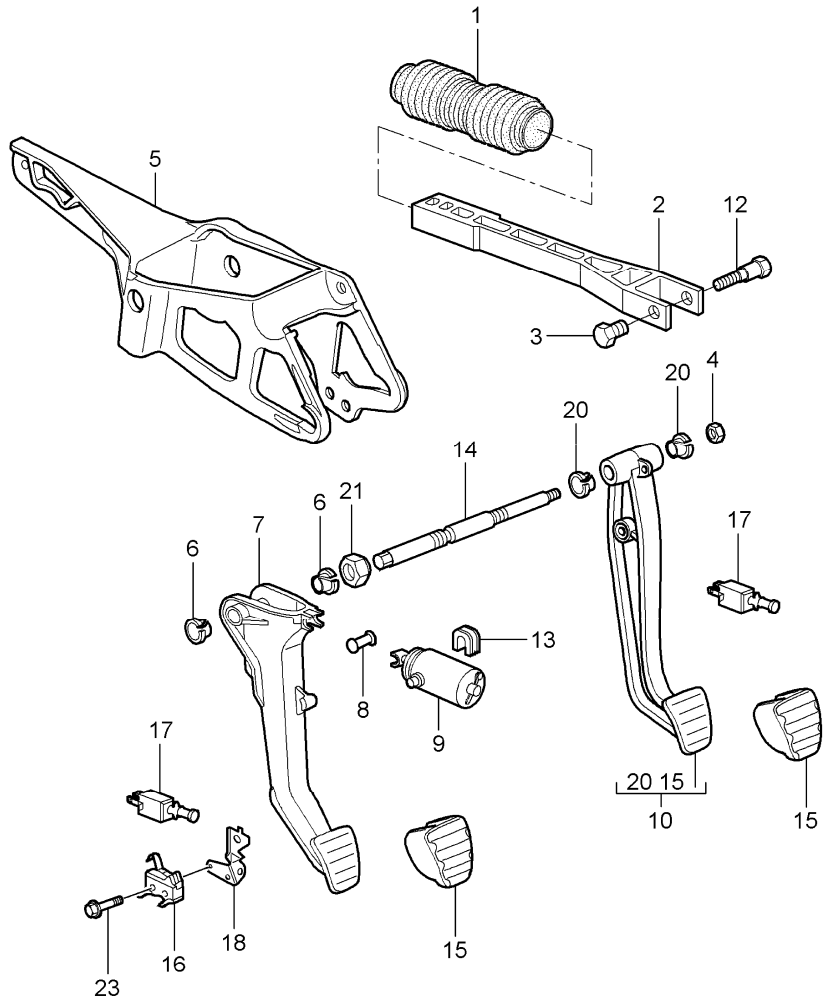
Pos	Part Number	Description	Remark	Qty	Model
		transmission control manual transmission			
1	997 424 010 00	gearshift bracket	-08	1	
1	997 424 010 91	gearshift bracket	10-	1	
2	999 084 629 01	hexagon nut M 6 SB		4	
3	996 424 041 90	cable transmission control	-08	1	
3	997 424 041 88	cable transmission control	10-	1	
4	997 424 075 90	gearshift knob		1	
	A15	black			
(4)	997 424 981 90	gearshift knob		1	IXGC
	A15	black			
-	996 424 445 00	clip for fastening part		X	
5	996 424 165 9B	bearing bracket		12	
6	900 378 017 09	hexagon-head bolt M 8 X 20		2	
7	996 424 145 01	fastening part for cable adjustable		1	
8	996 424 147 00	fastening part for cable adjustable		1	
9	000 043 205 93	grease 1 100-gramme tube		X	

Model	Year	MG	SG	Illustration	Restrictions	UPD	15:49	26.01.2010	PORSCHE	PET	PORSCHE
GT3-2	2010	7	01	701-05		248					



Pos	Part Number	Description	Remark	Qty	Model
		handbrake actuator			
1	K 997 424 031 90	parking-brake lever complete	-08	1	
	A15	black			
(1)	997 424 031 92	parking-brake lever complete	10-	1	
	A15	black			
(1)	997 424 980 90	parking-brake lever complete	/LL	1	IXGD/098
	A15	black			
(1)	997 424 980 91	parking-brake lever complete	/RL	1	IXGD/099
	A15	black			
2	997 424 155 90	cover		1	
	A15	black			
3	996 613 112 01	switch		1	
4	999 084 630 09	hexagon nut m 8		4	
5	997 424 141 06	parking-brake cable		2	
6	996 424 721 02	guide tube		2	

Model	Year	MG	SG	Illustration	Restrictions	UPD	15:49	26.01.2010	PORSCHE	PET	PORSCHE
GT3-2	2010	7	02	702-00		248					

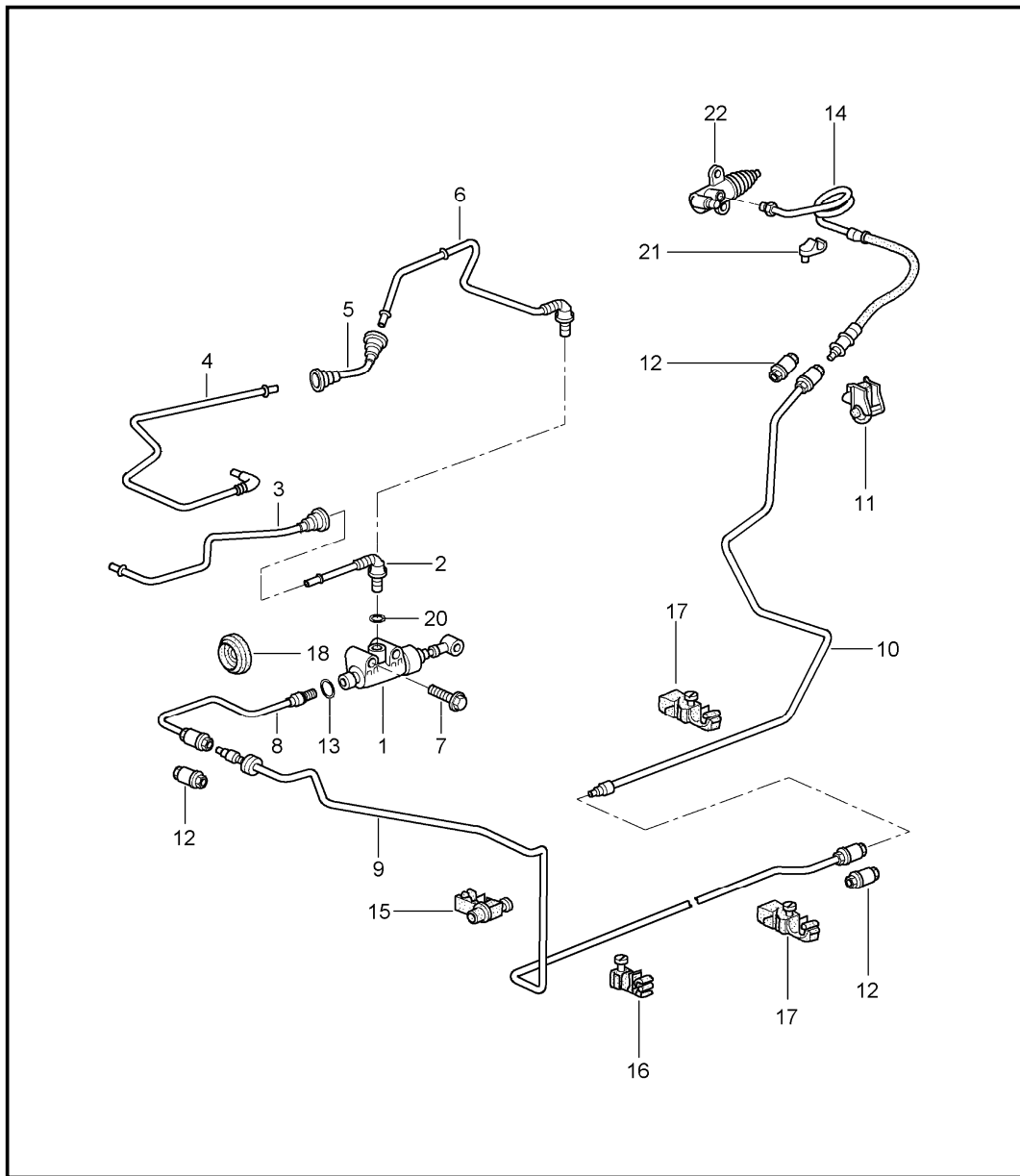


Pos	Part Number	Description	Remark	Qty	Model
-	000 043 206 17	grease 1 tube		X	
1	...	bellows see illustrations 6/04/00		1	
2	996 423 165 05	push rod		1	
3	996 423 307 00	sleeve		1	
4	900 380 005 09	hexagon nut M 8	-08	3 2	
4	999 084 457 01	hexagon nut M 8	10-	3 2	
5	997 423 571 02	bracket for clutch power spring		1	
6	997 423 399 01	bush		2	
7	997 423 139 01	clutch pedal		1	
8	996 423 315 06	bolt		1	
-	999 166 022 01	kl-lock for bolt		1	
9	997 423 081 06	clutch power spring		1	
10	997 423 091 04	brake pedal		1	I098
(10)	997 423 092 04	brake pedal		1	I099
12	996 423 308 00	bolt		1	
13	997 423 581 00	bearing shell		1	
14	997 423 281 00	axle		1	I098
(14)	997 423 284 00	axle		1	I099
-	996 423 277 00	bearing sleeve brake pedal		1	I099
15	997 423 910 00	pedal cap		2	
16	997 613 109 00	switch		1	
17	996 613 113 01	switch brake pedal	-08	2	

Model	Year	MG	SG	Illustration	Restrictions	UPD	15:49	26.01.2010	PORSCHE	PET	PORSCHE
GT3-2	2010	7	02	702-00		248					

Pos	Part Number	Description	Remark	Qty	Model	Pos	Part Number	Description	Remark	Qty	Model
(17)	996 613 113 02	switch brake pedal	10-	2							
(17)	996 613 114 01	switch clutch pedal		1							
18	997 423 541 00	support		1							
20	997 423 401 00	bush		2	I098						
(20)	997 423 402 00	bush		2	I099						
21	997 423 275 01	screw plug		1							
22	900 378 273 09	hexagon-head bolt M 6 X 18	-08	1							
(22)	900 378 273 01	hexagon-head bolt M 6 x 18	10-	1							
23	900 146 159 02	round head screw M 3 X 20		1							
24	997 423 695 00	rubber stop		1							
25	997 423 697 00	rubber stop		1							

Model	Year	MG	SG	Illustration	Restrictions	UPD	15:50	26.01.2010	PORSCHE	PET	PORSCHE
GT3-2	2010	7	02	702-08		248					

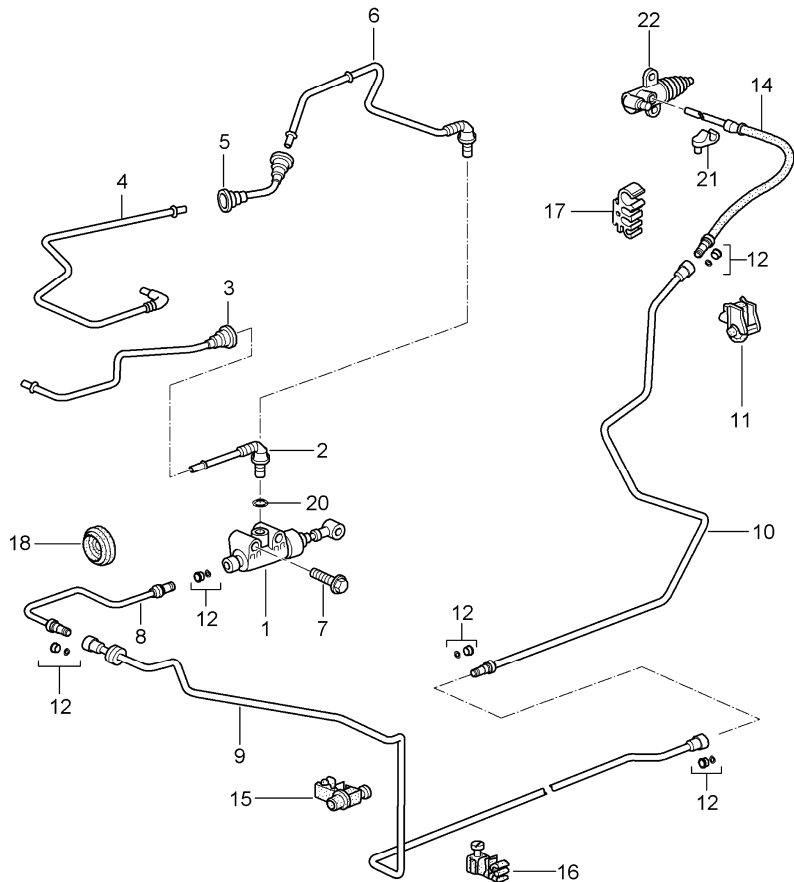
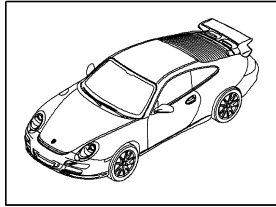


Pos	Part Number	Description	Remark	Qty	Model
		clutch actuation clutch master cylinder clutch pipeline	-08		
1	997 423 171 01	clutch master cylinder		1	
-	996 423 614 00	circlip pressure line		1	
-	996 423 315 06	bolt		1	
-	999 166 022 01	kl-lock for bolt		1	
2	997 423 147 00	feed line		1	I098
3	997 423 137 25	feed line		1	I098
4	997 423 138 25	line		1	I099
5	996 423 140 02	line		1	I099
6	996 423 142 02	feed line		1	I099
7	900 378 217 09	hexagon-head bolt M 6 X 40		2	
8	996 423 107 10	clutch pipeline		1	I098
(8)	997 423 108 00	clutch pipeline		1	I099
-	999 702 174 50	grommet		1	I098
9	997 423 109 00	clutch pipeline		1	
10	997 423 113 00	clutch pipeline		1	
-	999 591 964 40	support clutch pipeline		1	
11	999 507 495 40	support		1	
12	999 230 541 10	threaded joint		3	
13	999 707 333 40	sealing ring		1	
14	996 423 377 90	clutch hose		1	
15	996 355 549 00	support		1	
16	996 355 545 00	support		2	
17	996 355 543 00	support		4	
18	999 702 216 42	grommet		1	

Model	Year	MG	SG	Illustration	Restrictions	UPD	15:50	26.01.2010	PORSCHE	PET	PORSCHE
GT3-2	2010	7	02	702-08		248					

Pos	Part Number	Description	Remark	Qty	Model	Pos	Part Number	Description	Remark	Qty	Model
-	999 507 586 40	cable holder		1							
20	999 707 333 40	sealing ring 6,07 X 1,78N		1							
21	999 507 586 40	cable holder		1							
22	996 116 237 90	clutch operating cylinder		1							
-	900 075 222 09	hexagon-head bolt M 8 X 30		2							

Model	Year	MG	SG	Illustration	Restrictions	UPD	15:50	26.01.2010	PORSCHE	PET	PORSCHE
GT3-2	2010	7	02	702-09		248					

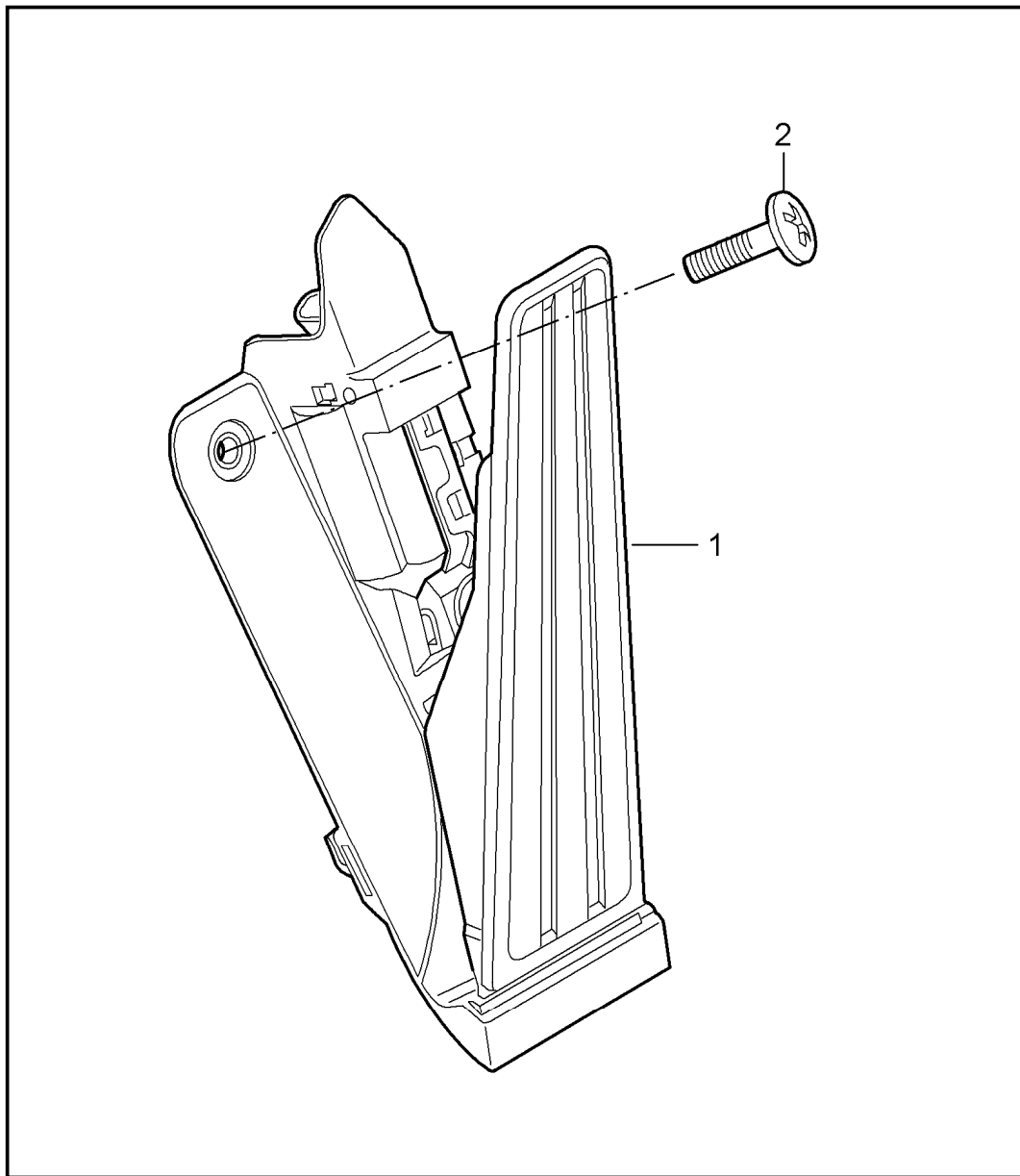


Pos	Part Number	Description	Remark	Qty	Model
		clutch actuation clutch master cylinder clutch pipeline	10-		
1	997 423 171 01	clutch master cylinder		1	
-	996 423 614 00	circlip pressure line		1	
-	996 423 315 06	bolt		1	
-	999 166 022 01	kl-lock for bolt		1	
2	997 423 147 00	feed line		1	I098
3	997 423 191 21	feed line		1	I098
4	997 423 138 25	line		1	I099
5	996 423 140 02	line		1	I099
6	996 423 142 02	feed line		1	I099
7	900 378 217 09	hexagon-head bolt M 6 X 40		2	
8	997 423 107 11	clutch pipeline		1	I098
(8)	997 423 108 11	clutch pipeline		1	I099
-	999 702 174 50	grommet		1	I098
9	997 423 109 11	clutch pipeline		1	
10	997 423 113 12	clutch pipeline		1	
11	999 507 495 40	support		1	
12	999 230 541 10	threaded joint		3	
14	997 423 377 91	clutch hose		1	
15	996 355 549 00	support		1	
16	996 355 545 00	support		2	
17	996 355 543 00	support		4	
18	999 702 216 42	grommet		1	
-	999 507 586 40	cable holder		1	
20	999 707 333 40	sealing ring 6,07 X 1,78N		1	

Model	Year	MG	SG	Illustration	Restrictions	UPD	15:50	26.01.2010	PORSCHE	PET	PORSCHE
GT3-2	2010	7	02	702-09		248					

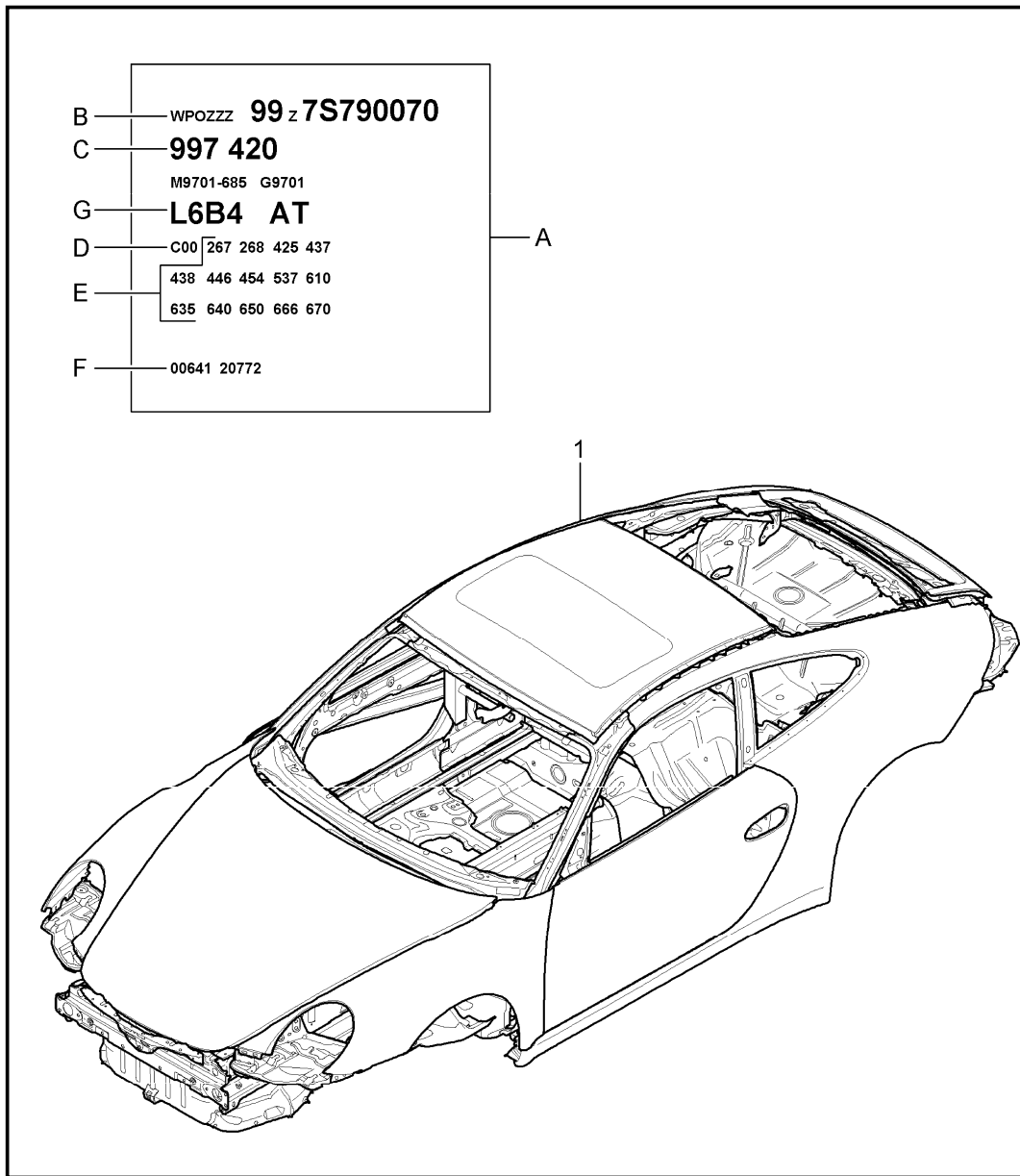
Pos	Part Number	Description	Remark	Qty	Model	Pos	Part Number	Description	Remark	Qty	Model
21	999 507 586 40	cable holder		1							
22	996 116 237 90	clutch operating cylinder		1							
-	900 075 222 09	combination screw M 8 X 30		2							

Model	Year	MG	SG	Illustration	Restrictions	UPD	15:50	26.01.2010	PORSCHE	PET	PORSCHE
GT3-2	2010	7	02	702-10		248					



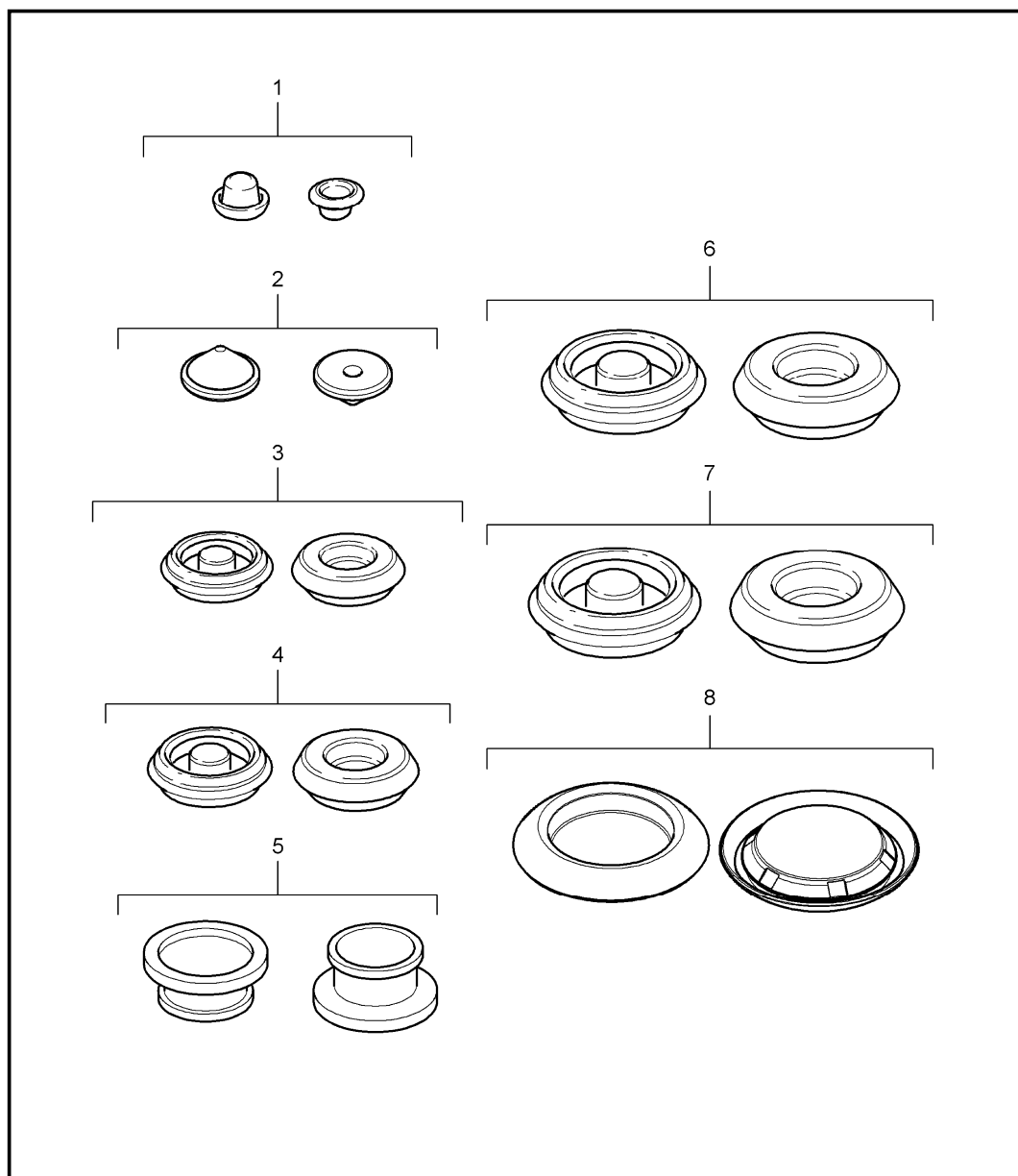
Pos	Part Number	Description	Remark	Qty	Model
1	997 423 019 02	pedals accelerator control accelerator control		1	
2	900 146 161 09	round head screw M 6 X 20		1	

Model	Year	MG	SG	Illustration	Restrictions	UPD	15:50	26.01.2010	PORSCHE	PET	PORSCHE
GT3-2	2010	8	01	801-00		248					



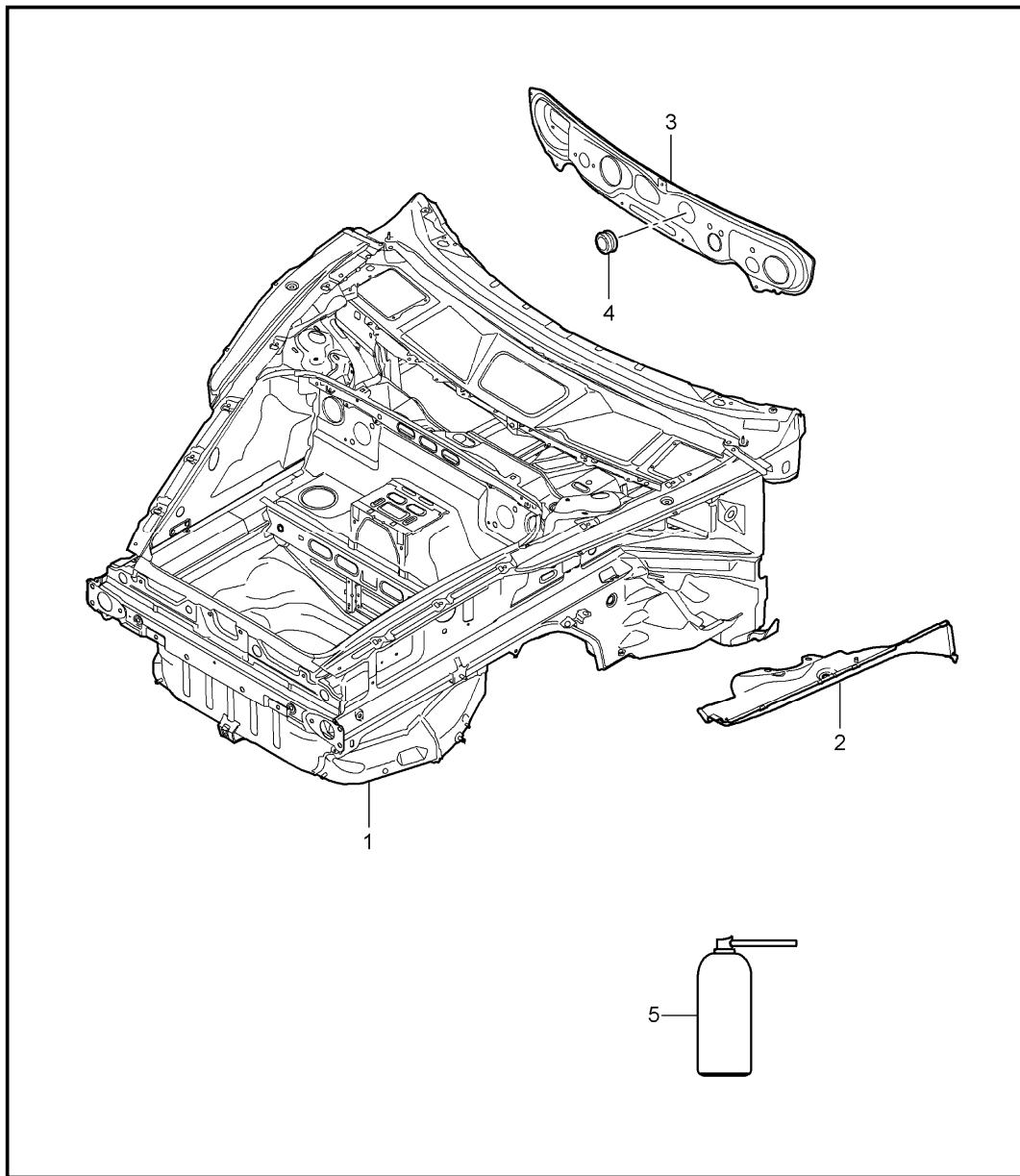
Pos	Part Number	Description	Remark	Qty	Model
		body in white prime coated sealed with underbody protection with doors/lids/wings			
		bodyshells can only only available from current model year available			
		the data required for your order can be found on the vehicle data carrier in on-board folder please indicate this data in your order			
		GT3 RS without rear lid			
A	-	vehicle data carrier			
B	-	vehicle identification no.			
C	-	order type			
D	-	country equipment			
E	-	optional extras			
F	-	additional applications			
G	-	indicate colour			
1	997 500 900 00 GRV	body in white prime coated		1	

Model	Year	MG	SG	Illustration	Restrictions	UPD	15:50	26.01.2010	PORSCHE	PET	PORSCHE
GT3-2	2010	8	01	801-02		248					



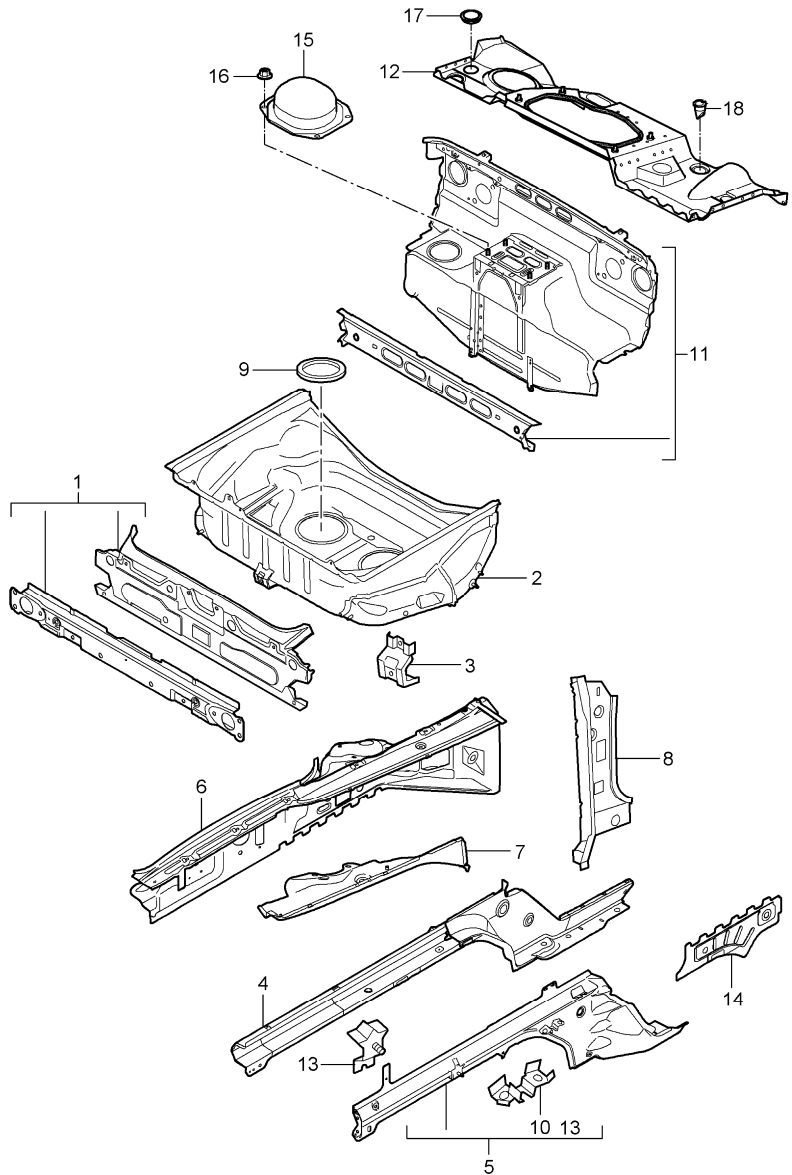
Pos	Part Number	Description	Remark	Qty	Model
		stopper plane see workshop manual			
1	999 703 462 40	lid 10 x 6,5		X	
2	999 703 421 40	grommet 15 mm		X	
4	803 803 583 A	lid 20 x 30		X	
5	999 703 420 40	stopper 20,3 x 30 x 11		X	
6	803 803 583	rubber sleeve 30 x 40		X	
7	999 703 433 40	stopper 30 x 42		X	
8	999 703 454 40	lid 55 x 70		X	

Model	Year	MG	SG	Illustration	Restrictions	UPD	15:51	26.01.2010	PORSCHE	PET	PORSCHE
GT3-2	2010	8	01	801-05		248					



Pos	Part Number	Description	Remark	Qty	Model
1	997 501 911 91	body front section	/LL	1	
	GRV	prime coated use also: sealing compound Pos. 5 processing instructions see technical manual			
1	997 501 911 92	body front section	/RL	1	
	GRV	prime coated use also: sealing compound Pos. 5 processing instructions see technical manual			
2	997 501 945 00	lower part	/L	1	
	GRV	prime coated			
(2)	997 501 946 01	lower part	/R	1	
	GRV	prime coated			
3	997 504 121 00	lid	/LL	1	
(3)	997 504 121 01	lid	/RL	1	
		use also:			
--	000 043 300 94	adhesive set		1	
4	999 702 255 41	lid 62,5 X 72,6		1	
5	999 915 337 40	sealing compound		1	

Model	Year	MG	SG	Illustration	Restrictions	UPD	15:51	26.01.2010	PORSCHE	PET	PORSCHE
GT3-2	2010	8	01	801-10		248					

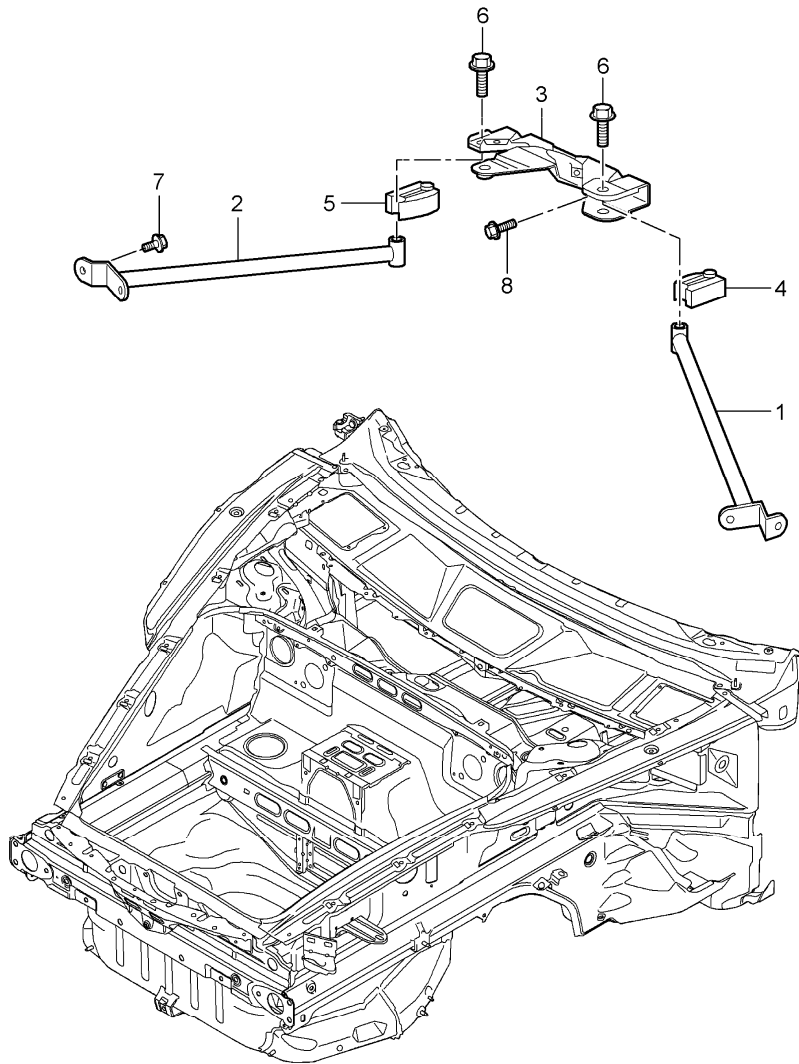


Pos	Part Number	Description	Remark	Qty	Model
		body front section single parts			
1	997 501 931 00	terminal piece		1	
	GRV	prime coated			
2	997 501 979 00	spare-wheel well		1	
	GRV	prime coated			
3	996 501 621 00	support		3	
	GRV	prime coated			
4	997 501 305 01	side member	/L	1	
	GRV	prime coated			
(4)	997 501 306 01	side member	/R	1	
	GRV	prime coated			
5	997 501 915 01	side member	/L	1	
	GRV	prime coated			
(5)	997 501 916 01	side member	/R	1	
	GRV	prime coated			
6	997 501 935 00	wheel housing	/L	1	
	GRV	prime coated			
(6)	997 501 936 01	wheel housing	/R	1	
	GRV	prime coated			
7	997 501 945 00	lower part	/L	1	
	GRV	prime coated			
(7)	997 501 946 01	lower part	/R	1	
	GRV	prime coated			
8	997 501 937 00	hinge pillar	/L	1	
	GRV	prime coated			
(8)	997 501 938 00	hinge pillar	/R	1	
	GRV	prime coated			
9	996 504 201 01	lid \$ 145 MM		2	

Model	Year	MG	SG	Illustration	Restrictions	UPD	15:51	26.01.2010	PORSCHE	PET	PORSCHE
GT3-2	2010	8	01	801-10		248					

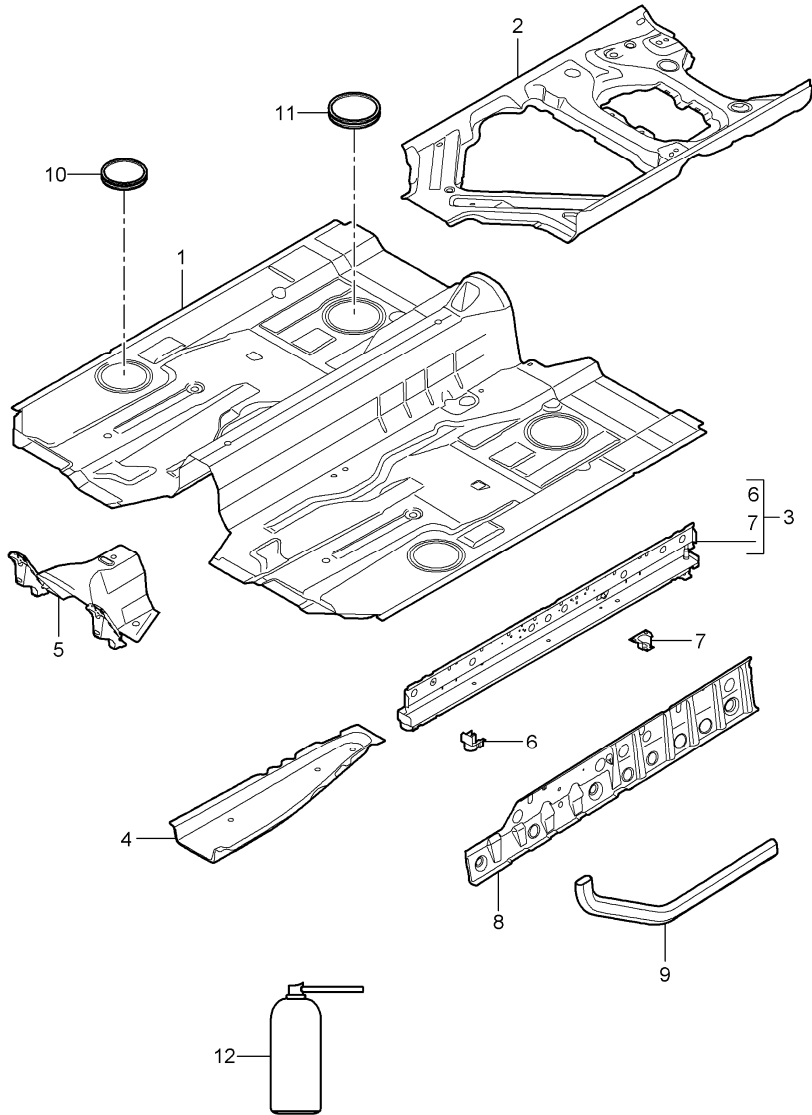
Pos	Part Number	Description	Remark	Qty	Model	Pos	Part Number	Description	Remark	Qty	Model
10	996 501 815 02	support		2							
	GRV	prime coated									
11	997 502 915 00	bulkhead	/LL	1							
	GRV	prime coated									
(11)	997 502 915 01	bulkhead	/RL	1							
	GRV	prime coated									
12	997 502 017 00	cross panel		1							
	GRV	prime coated									
13	996 501 341 00	support		2							
	GRV	prime coated									
14	997 501 665 01	separator	/L	1							
	GRV	prime coated									
(14)	997 501 666 01	separator	/R	1							
	GRV	prime coated									
15	997 504 471 00	lid bulkhead		1							
16	900 380 015 09	hexagon nut M 6		3							
17	803 803 583	rubber sleeve 30,0 X 40,0		1							
18	999 703 476 40	grommet 29,8 X 1,0		4							

Model	Year	MG	SG	Illustration	Restrictions	UPD	15:51	26.01.2010	PORSCHE	PET	PORSCHE
GT3-2	2010	8	01	801-15		248					



Pos	Part Number	Description	Remark	Qty	Model
		dome strut			
1	996 504 233 01	dome strut	/L	1	
2	996 504 234 01	dome strut	/R	1	
3	997 504 359 00	bracket		1	
4	996 504 633 00	filler piece	/L	1	
5	996 504 634 00	filler piece	/R	1	
6	900 378 100 09	hexagon-head bolt AM 10 X 45		2	
7	900 075 010 09	hexagon-head bolt M 6 X 12		4	
8	900 378 173 01	hexagon-head bolt M 6 X 20		4	

Model	Year	MG	SG	Illustration	Restrictions	UPD	15:51	26.01.2010	PORSCHE	PET	PORSCHE
GT3-2	2010	8	01	801-20		248					

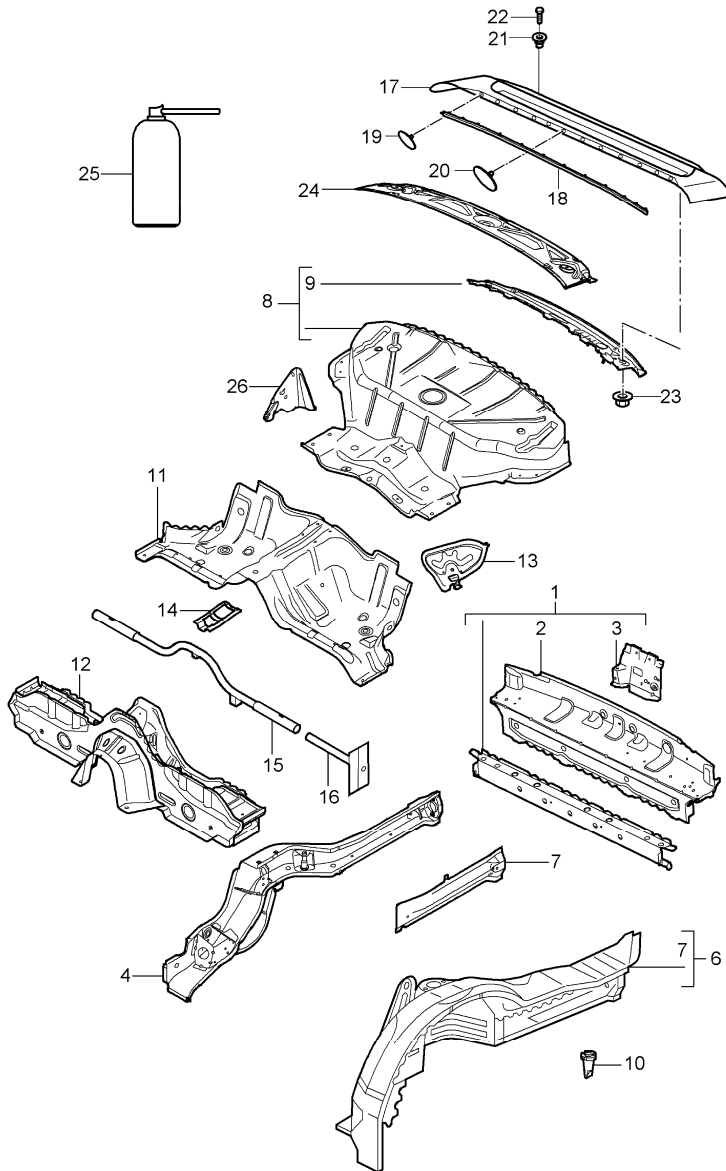


Pos	Part Number	Description	Remark	Qty	Model
-	000 043 206 29	floor centre adhesive set body comprising:		X	
-	000 043 206 30	adhesive		1	
-	000 043 206 31	tool		1	
-	000 043 206 32	tool		1	
-	000 043 206 33	activator		1	
1	997 501 551 01	floor GRV prime coated		1	
(2)	997 501 953 01	seat support GRV prime coated	/L	1	
2	997 501 954 01	seat support GRV prime coated	/R	1	
3	997 501 157 00	side member GRV prime coated	/L	1	
(3)	997 501 158 00	side member GRV prime coated	/R	1	
4	997 501 525 00	side member GRV prime coated	/L	1	
(4)	997 501 526 00	side member GRV prime coated	/R	1	
5	996 501 751 00	extension GRV prime coated		1	
6	996 501 785 00	jacking point GRV prime coated	/L/V	1	
(6)	996 501 786 00	jacking point GRV prime coated	/R/V	1	
7	996 501 481 01	jacking point	/L/H	1	

Model	Year	MG	SG	Illustration	Restrictions	UPD	15:51	26.01.2010	PORSCHE	PET	PORSCHE
GT3-2	2010	8	01	801-20		248					

Pos	Part Number	Description	Remark	Qty	Model	Pos	Part Number	Description	Remark	Qty	Model
		GRV prime coated									
(7)	996 501 482 01	jacking point	/R/H	1							
		GRV prime coated									
8	997 501 329 00	retaining bracket	/L	1							
		GRV prime coated									
(8)	997 501 330 00	retaining bracket	/R	1							
		GRV prime coated									
9	997 501 439 00	support tube		2							
		GRV prime coated									
		use also:									
		sealing compound									
		Pos. 12									
		processing instructions									
		see technical manual									
		51 49 55									
10	996 504 205 01	lid		2							
		\$ 125 MM									
11	996 504 201 01	lid		2							
		\$ 145 MM									
12	999 915 337 40	sealing compound		1							

Model	Year	MG	SG	Illustration	Restrictions	UPD	15:51	26.01.2010	PORSCHE	PET	PORSCHE
GT3-2	2010	8	01	801-35		248					

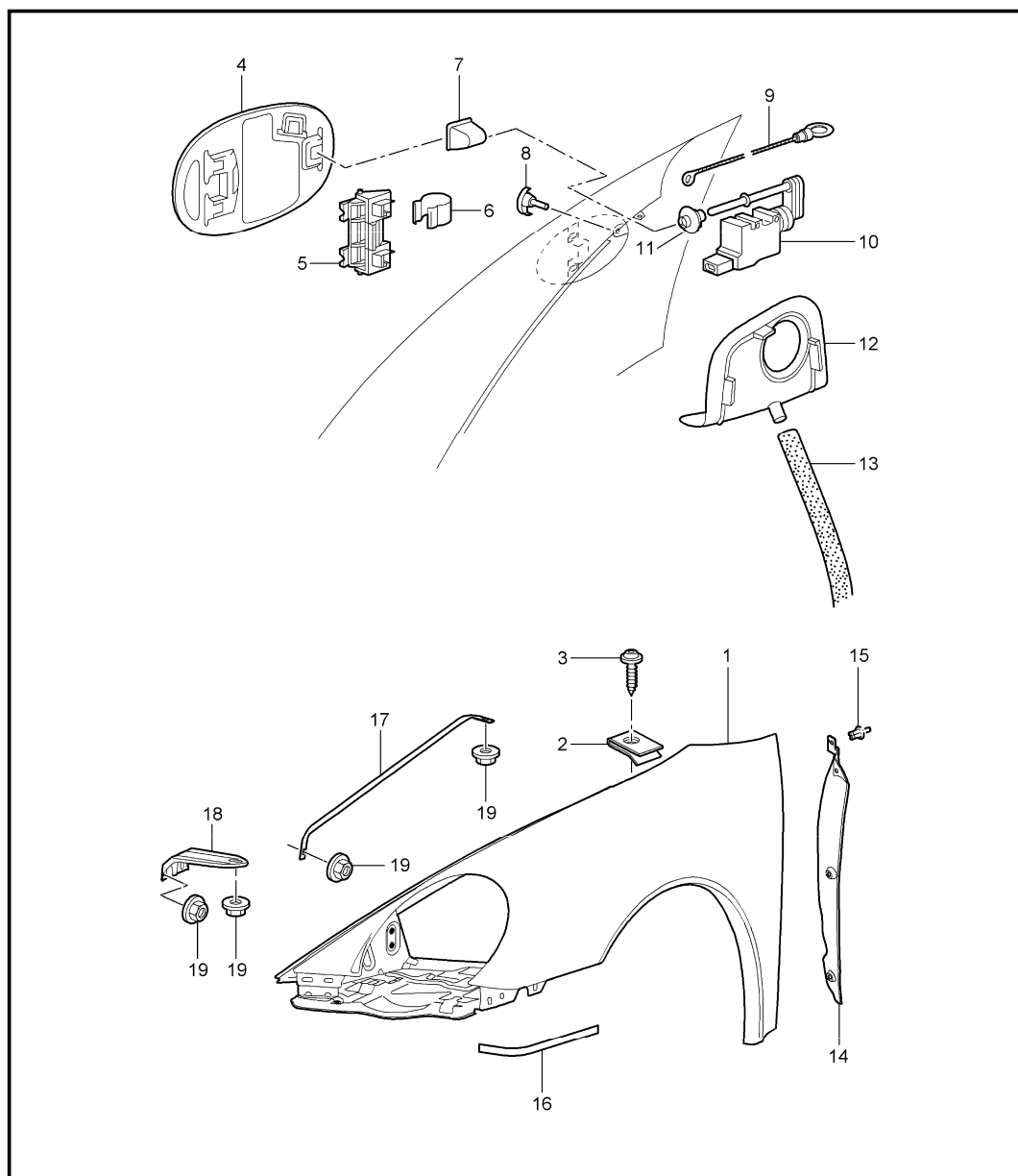


Pos	Part Number	Description	Remark	Qty	Model
1	997 501 973 01	rear end terminal piece		1	
	GRV	prime coated			
2	997 501 273 00	end plate		1	
	GRV	prime coated			
3	997 501 247 00	lock carrier		1	
	GRV	prime coated			
4	997 501 977 00	side member	/L	1	
	GRV	prime coated use also: sealing compound Pos. 25 processing instructions see technical manual 53 48 55			
(4)	997 501 978 00	side member	/R	1	
	GRV	prime coated use also: sealing compound Pos. 25 processing instructions see technical manual 53 48 55			
6	997 501 943 00	wheel housing	/L	1	
	GRV	prime coated it is necessary to rework see workshop manual			
(6)	997 501 944 00	wheel housing	/R	1	
	GRV	prime coated it is necessary to rework see workshop manual			
7	996 501 595 01	side member	/L	1	
	GRV	prime coated			
(7)	996 501 596 01	side member	/R	1	
	GRV	prime coated			
8	997 502 911 02	rear wall		1	

Model	Year	MG	SG	Illustration	Restrictions	UPD	15:51	26.01.2010	PORSCHE	PET	PORSCHE
GT3-2	2010	8	01	801-35		248					

Pos	Part Number	Description	Remark	Qty	Model	Pos	Part Number	Description	Remark	Qty	Model
		GRV prime coated order also: POS. 12 see workshop manual				21	999 500 109 02	blind rivet nut M 6/0,8 - 3		3	
9	997 502 673 00	cross member		1		22	999 073 263 09	combination screw M 6 X 12		3	
	GRV prime coated					23	999 076 029 02	hexagon nut M 6		2	
10	996 561 825 00	water drain valve wheel housing rear		2	I650	24	997 502 409 01	filler plate		1	
	GRV prime coated						GRV prime coated rear centre panel use also:				
11	997 501 549 00	seat well		1		-	999 915 650 40	adhesive TEROMIX 6700		X	
	GRV prime coated					-	000 043 300 48	tool		X	
12	997 501 955 00	cross member seat well		1				use also:			
	GRV prime coated		/L			-	000 043 206 29	adhesive set body comprising:		X	
13	996 501 461 02	reinforcement seat well		1				adhesive		1	
	GRV prime coated		/R			-	000 043 206 30	adhesive		1	
(13)	996 501 462 02	reinforcement seat well		1		-	000 043 206 31	tool		1	
	GRV prime coated					-	000 043 206 32	tool		1	
14	996 501 659 01	bracket		1		-	000 043 206 33	activator		1	
	GRV prime coated					25	999 915 337 40	sealing compound		1	
15	996 501 411 00	pipe		1		(26)	997 504 797 00	bracket	/L	1	
	GRV prime coated						GRV prime coated belt				
16	996 501 415 00	sleeve		2		26	997 504 798 00	bracket	/R	1	
	GRV prime coated						GRV prime coated belt				
17	997 504 345 03	rear centre panel		1							
	GRV prime coated										
18	997 504 612 00	gasket rear centre panel prime coated		1							
19	999 507 973 40	mount 2,8 X 6 X 30		2							
20	999 507 974 40	mount 2,8 X 6 X 50		10							

Model	Year	MG	SG	Illustration	Restrictions	UPD	15:52	26.01.2010	PORSCHE	PET	PORSCHE
GT3-2	2010	8	01	801-40		248					

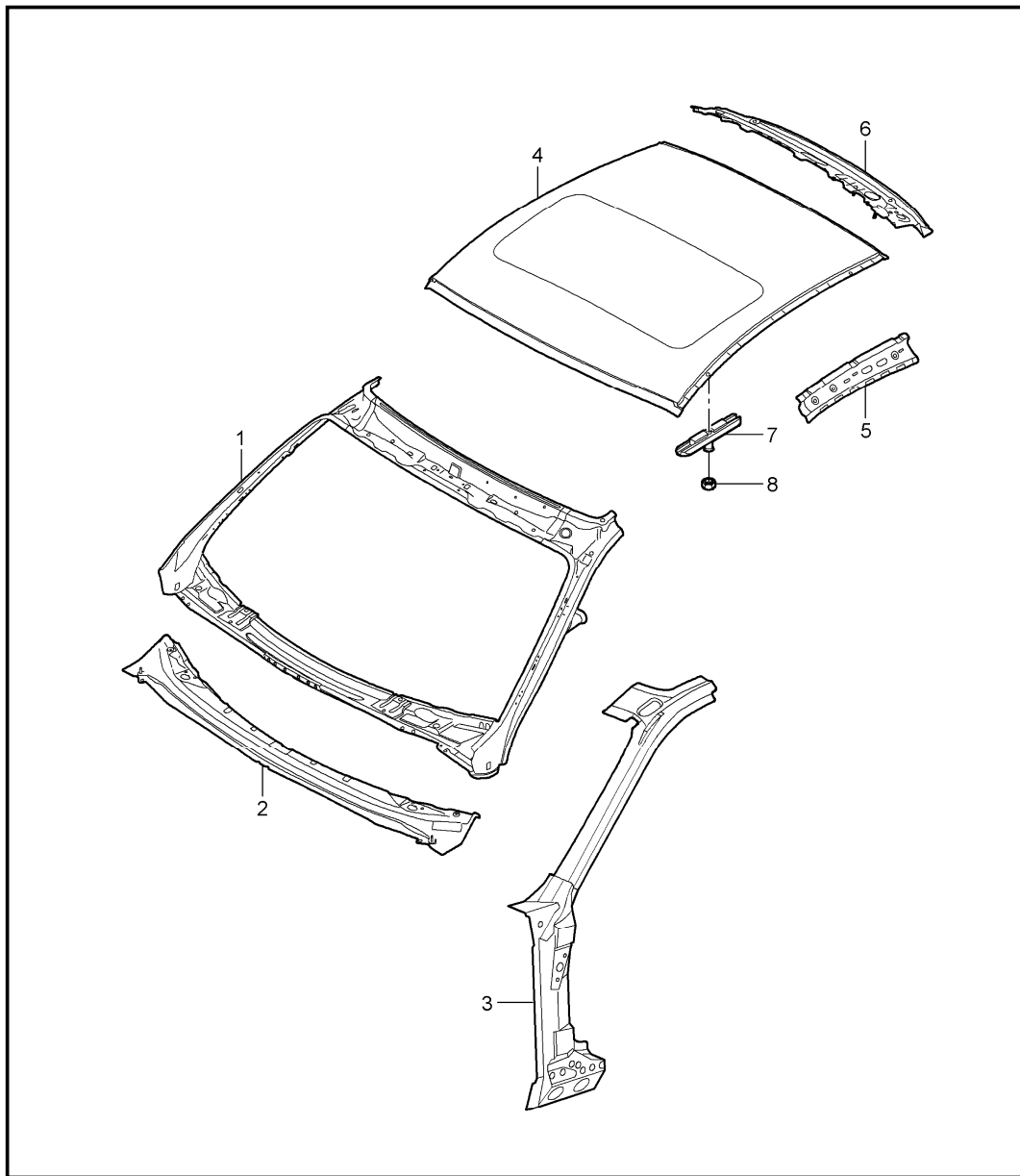


Pos	Part Number	Description	Remark	Qty	Model
1	997 503 031 00	wing	/L	1	
	GRV	prime coated			
(1)	997 503 032 02	wing	/R	1	
	GRV	prime coated			
2	999 507 003 02	speed nut ST 6,3		22	
3	999 073 128 02	tapping screw ST 6,3 X 14		22	
4	997 504 134 00	fuel filler flap		1	
	GRV	prime coated			
5	996 201 063 00	hinge		1	
6	997 504 711 00	spring		1	
7	996 201 423 00	cap		1	
8	997 504 888 01	rubber stop		1	
9	996 201 493 00	emergency operation		1	
10	997 624 113 00	actuator		1	
11	997 624 505 00	guide rose		1	
12	997 201 667 00	sleeve		1	
13	996 201 153 00	hose		1	
14	997 504 641 02	cover	/L	1	
	01C	black			
(14)	997 504 642 02	cover	/R	1	
	01C	black			
15	999 591 712 40	expansion rivet A 6,0 X 12,0		6	
16	997 504 531 00	protective film	/L	1	
(16)	997 504 532 00	protective film	/R	1	
17	997 504 441 00	strut		2	
	GRV	prime coated			

Model	Year	MG	SG	Illustration	Restrictions	UPD	15:52	26.01.2010	PORSCHE	PET	PORSCHE
GT3-2	2010	8	01	801-40		248					

Pos	Part Number	Description	Remark	Qty	Model	Pos	Part Number	Description	Remark	Qty	Model
18	997 504 555 00	bracket		2							
	GRV	prime coated									
19	999 076 066 09	hexagon nut M 6		10							

Model	Year	MG	SG	Illustration	Restrictions	UPD	15:52	26.01.2010	PORSCHE	PET	PORSCHE
GT3-2	2010	8	01	801-45		248					

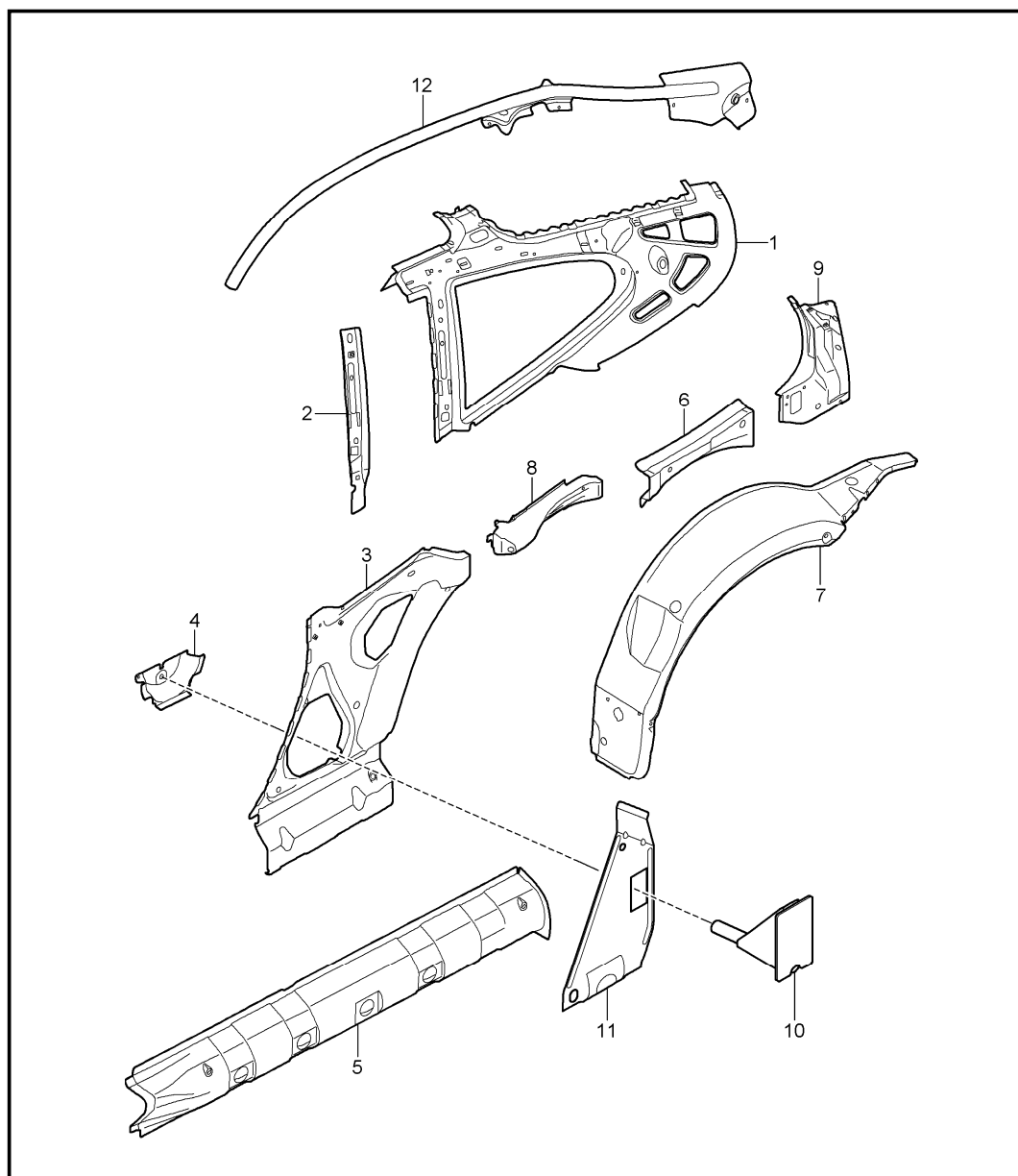


Pos	Part Number	Description	Remark	Qty	Model
1	997 502 137 00	cowl		1	
	GRV	prime coated inner			
2	997 502 437 00	cowl		1	
	GRV	prime coated outer			
3	997 502 135 03	reinforcement	/L	1	
	GRV	prime coated inner			
		use also:			
(3)	997 502 136 03	reinforcement	/R	1	
	GRV	prime coated inner			
		use also:			
-	000 043 206 29	adhesive set body comprising:		X	
-	000 043 206 30	adhesive		1	
-	000 043 206 31	tool		1	
-	000 043 206 32	tool		1	
-	000 043 206 33	activator		1	
(4)	996 503 501 00	outer roof panel		1	
	GRV	prime coated			
		use also:			
(4)	997 503 501 00	outer roof panel		1	I461
	GRV	prime coated			
		use also:			
4	996 503 087 03	outer roof panel		1	I650
	GRV	prime coated			
		use also:			
(4)	997 503 087 00	outer roof panel		1	I461/650
	GRV	prime coated			
		use also:			

Model	Year	MG	SG	Illustration	Restrictions	UPD	15:52	26.01.2010	PORSCHE	PET	PORSCHE
GT3-2	2010	8	01	801-45		248					

Pos	Part Number	Description	Remark	Qty	Model	Pos	Part Number	Description	Remark	Qty	Model
-	000 043 204 38	sealing material 70 ML processing instructions see technical manual		X							
5	996 502 305 03	roof frame	/L	1							
	GRV	prime coated									
(5)	996 502 306 03	roof frame	/R	1							
	GRV	prime coated									
6	997 502 505 00	roof frame		1							
	GRV	prime coated									
7	996 504 911 00	plate with threaded pin		X							
8	900 377 021 02	threaded bush M10 X 1		X							

Model	Year	MG	SG	Illustration	Restrictions	UPD	15:52	26.01.2010	PORSCHE	PET	PORSCHE
GT3-2	2010	8	01	801-50		248					

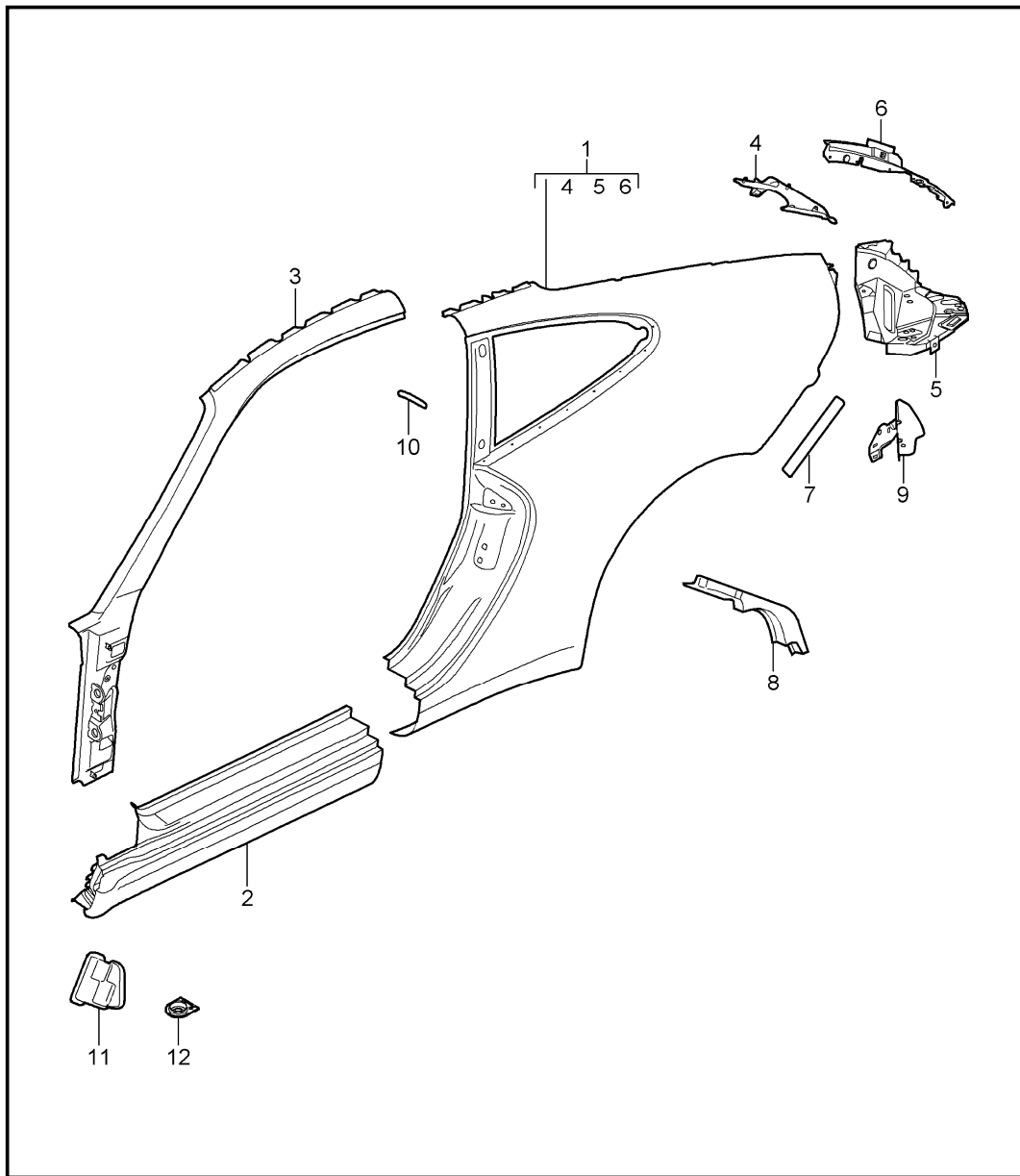


Pos	Part Number	Description	Remark	Qty	Model
1	997 502 153 00	side section inner		1	
	GRV	prime coated	/L		
(1)	997 502 154 00	side section	/R	1	
	GRV	prime coated			
2	997 502 423 00	reinforcement	/L	1	
	GRV	prime coated			
(2)	997 502 424 00	reinforcement	/R	1	
	GRV	prime coated			
3	996 502 083 02	side section	/L	1	
	GRV	prime coated			
(3)	996 502 084 02	side section	/R	1	
	GRV	prime coated			
4	996 502 383 01	bracket		2	
	GRV	prime coated			
5	996 502 733 01	reinforcement	/L	1	
	GRV	prime coated			
(5)	996 502 734 01	reinforcement	/R	1	
	GRV	prime coated			
-	000 043 206 29	adhesive set body comprising:		X	
-	000 043 206 30	adhesive		1	
-	000 043 206 31	tool		1	
-	000 043 206 32	tool		1	
-	000 043 206 33	activator		1	
-	999 703 433 40	stopper 30 X 42 for POS. 5		10	

Model	Year	MG	SG	Illustration	Restrictions	UPD	15:52	26.01.2010	PORSCHE	PET	PORSCHE
GT3-2	2010	8	01	801-50		248					

Pos	Part Number	Description	Remark	Qty	Model	Pos	Part Number	Description	Remark	Qty	Model
6	997 502 115 00	side section	/L	1			GRV	prime coated			
	GRV	prime coated									
(6)	997 502 116 00	side section	/R	1							
	GRV	prime coated									
7	997 502 215 00	wheel housing	/L	1							
	GRV	prime coated									
(7)	997 502 215 01	wheel housing	/L	1	I004						
	GRV	prime coated									
(7)	997 502 216 00	wheel housing	/R	1							
	GRV	prime coated									
(7)	997 502 216 01	wheel housing	/R	1	I004						
	GRV	prime coated									
8	997 502 707 00	reinforcement	/L	1							
	GRV	prime coated									
(8)	997 502 708 00	reinforcement	/R	1							
	GRV	prime coated									
9	997 502 161 00	side section	/L	1							
	GRV	prime coated									
(9)	997 502 162 00	side section	/R	1							
	GRV	prime coated									
10	997 502 711 00	pipe		2							
	GRV	prime coated									
11	997 502 745 00	reinforcement plate	/L	1							
	GRV	prime coated									
(11)	997 502 746 00	reinforcement plate	/R	1							
	GRV	prime coated									
12	997 502 619 00	pipe	/L	1							
	GRV	prime coated									
(12)	997 502 620 00	pipe	/R	1							

Model	Year	MG	SG	Illustration	Restrictions	UPD	15:52	26.01.2010	PORSCHE	PET	PORSCHE
GT3-2	2010	8	01	801-55		248					

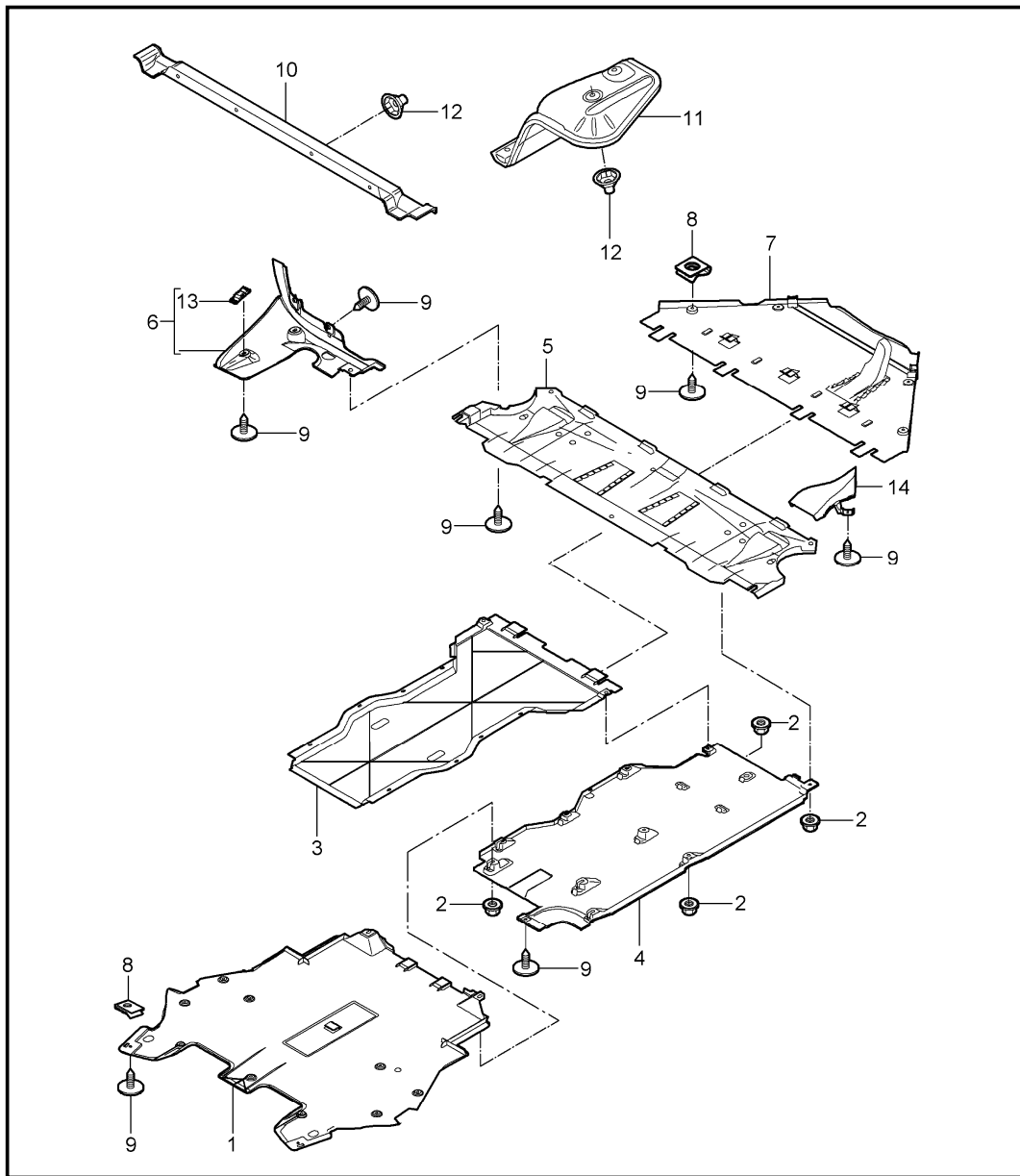


Pos	Part Number	Description	Remark	Qty	Model
1	997 503 961 00	side section outer		1	
	GRV	prime coated	/L		
(1)	997 503 961 02	side section	/L	1	I004
	GRV	prime coated			
(1)	997 503 962 00	side section	/R	1	
	GRV	prime coated			
(1)	997 503 962 02	side section	/R	1	I004
	GRV	prime coated			
-	999 915 650 40	adhesive TEROMIX 6700		X	
-	000 043 300 48	tool see technical manual group 5 53 55 55		X	
2	997 503 963 00	door sill	/L	1	
	GRV	prime coated			
(2)	997 503 963 02	door sill	/L	1	I004
	GRV	prime coated			
(2)	997 503 964 00	door sill	/R	1	
	GRV	prime coated			
(2)	997 503 964 02	door sill	/R	1	I004
	GRV	prime coated			
3	997 503 965 00	roof frame	/L	1	
	GRV	prime coated			
(3)	997 503 966 00	roof frame	/R	1	
	GRV	prime coated			
4	997 502 365 00	sealing channel	/L	1	
	GRV	prime coated			

Model	Year	MG	SG	Illustration	Restrictions	UPD	15:52	26.01.2010	PORSCHE	PET	PORSCHE
GT3-2	2010	8	01	801-55		248					

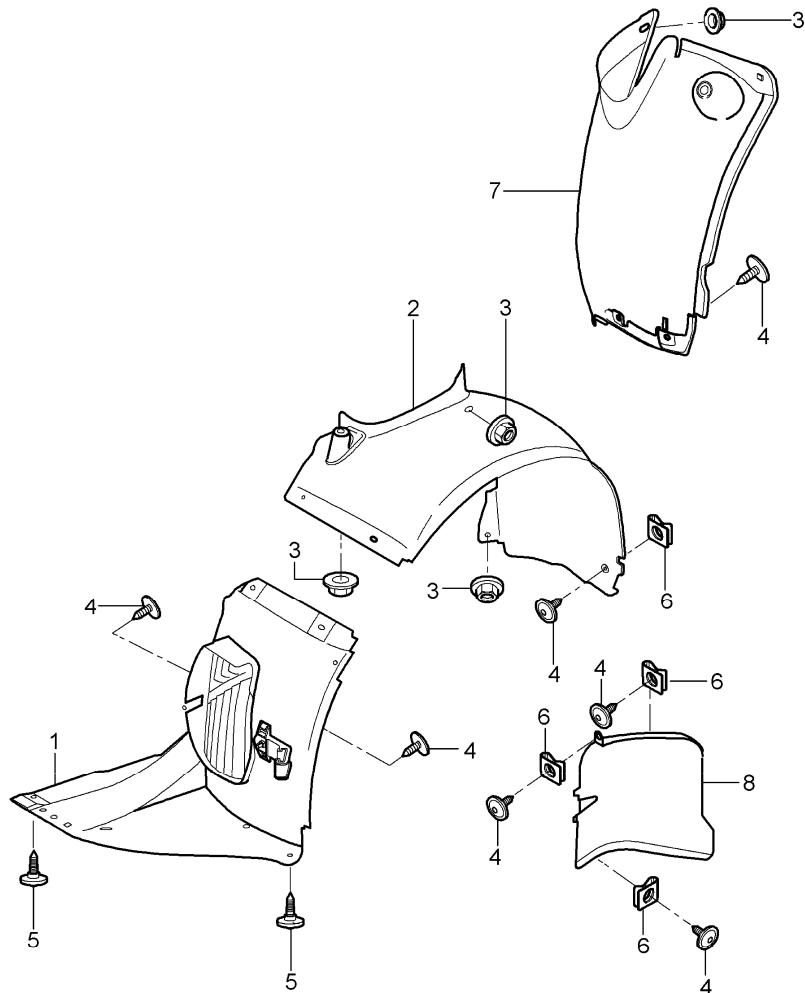
Pos	Part Number	Description	Remark	Qty	Model	Pos	Part Number	Description	Remark	Qty	Model
(4)	997 502 366 00	sealing channel	/R	1							
	GRV	prime coated									
5	997 502 461 00	frame for light	/L	1							
	GRV	prime coated									
(5)	997 502 462 00	frame for light	/R	1							
	GRV	prime coated									
6	997 502 213 02	bracket gas-pressure spring	/L	1							
	GRV	prime coated									
(6)	997 502 214 01	bracket gas-pressure spring	/R	1							
	GRV	prime coated									
7	997 504 631 00	protective film		2							
8	997 504 907 00	seal see workshop manual		2							
9	997 501 487 00	reinforcement	/L	1							
	GRV	prime coated									
(9)	997 501 488 00	reinforcement	/R	1							
	GRV	prime coated									
		use also:									
-	000 043 206 29	adhesive set body comprising:		X							
-	000 043 206 30	adhesive		1							
-	000 043 206 31	tool		1							
-	000 043 206 32	tool		1							
-	000 043 206 33	activator		1							
10	996 537 237 00	protective film		2							
11	997 572 311 01	water protection	/L	1							
(11)	997 572 312 01	water protection	/R	1							
12	999 703 475 40	water drain sleeve door sill		2							

Model	Year	MG	SG	Illustration	Restrictions	UPD	15:52	26.01.2010	PORSCHE	PET	PORSCHE
GT3-2	2010	8	01	801-70		248					



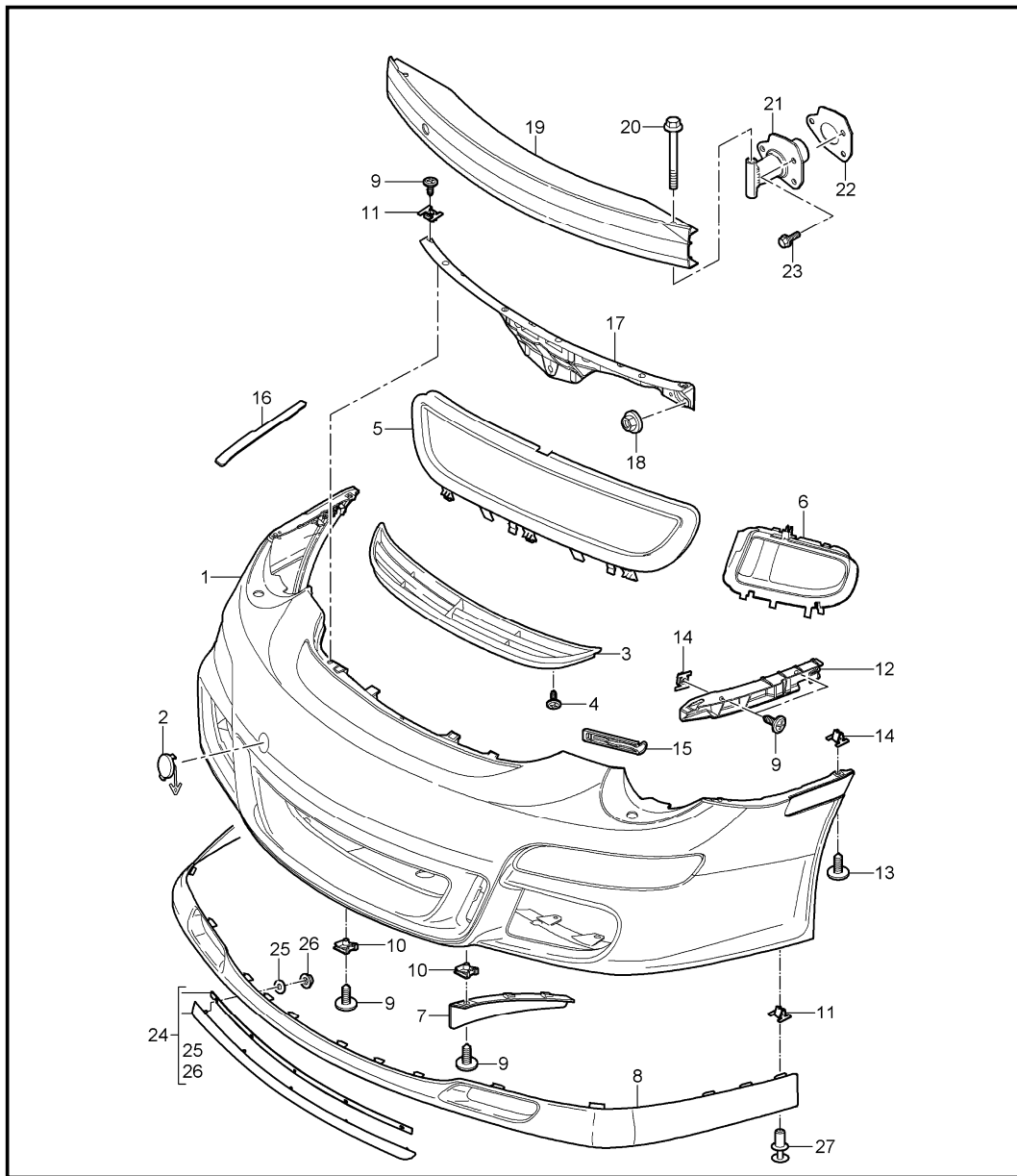
Pos	Part Number	Description	Remark	Qty	Model
1	997 504 527 02	linings underbody cover	/LL	1	
(1)	997 504 527 01	cover front	/RL	1	
2	999 049 028 40	plastic nut T 5		26	
3	997 504 043 00	cover centre		1	
4	997 504 343 03	cover centre	/L	1	
(4)	997 504 344 03	cover centre	/R	1	
5	997 504 629 92	cover rear		1	
6	997 504 393 90	cover	/L	1	
	01C	satin black			
(6)	997 504 394 90	cover	/R	1	
	01C	satin black			
7	997 504 429 01	cover transmission		1	
8	999 507 795 09	speed nut ST 4,8		4	
9	999 073 231 09	tapping screw ST 4,8 X 16		X	
10	996 505 471 00	heat protection centre		1	
11	997 505 477 02	heat protection	/L	1	
(11)	997 505 478 02	heat protection	/R	1	
12	999 049 025 09	collar nut T 5		12	
13	997 504 635 00	clamp		2	
14	997 575 183 00	air duct brake		1	
(14)	997 575 184 00	air duct brake		1	

Model	Year	MG	SG	Illustration	Restrictions	UPD	15:53	26.01.2010	PORSCHE	PET	PORSCHE
GT3-2	2010	8	01	801-75		248					



Pos	Part Number	Description	Remark	Qty	Model
		linings wheel housing			
1	997 504 123 90	wheel-housing liner	/L/V	1	-08
1	997 504 123 93	wheel-housing liner	/L/V	1	09-
(1)	997 504 124 90	wheel-housing liner front	/R/V	1	-08
(1)	997 504 124 93	wheel-housing liner front	/R/V	1	09-
2	997 504 203 00	wheel-housing liner	/L/H	1	
(2)	997 504 203 01	wheel-housing liner	/L/H	1	I004
(2)	997 504 204 00	wheel-housing liner	/R/H	1	
(2)	997 504 204 01	wheel-housing liner front	/R/H	1	I004
3	999 049 028 40	plastic nut T5		12	
4	999 073 231 09	tapping screw ST 4,8 X 16		18	
5	999 073 227 09	tapping screw ST 4,8 X 19		4	
6	999 507 795 09	speed nut ST 4,8		2	
7	997 504 573 03	wheel-housing liner	/H/L	1	
(7)	997 504 573 02	wheel-housing liner	/H/L	1	I004
(7)	997 504 574 03	wheel-housing liner	/H/R	1	
(7)	997 504 574 02	wheel-housing liner	/H/R	1	I004
8	997 575 231 91	air distributor	/L	1	
(8)	997 575 232 91	air distributor	/R	1	

Model	Year	MG	SG	Illustration	Restrictions	UPD	15:53	26.01.2010	PORSCHE	PET	PORSCHE
GT3-2	2010	8	02	802-00		248					

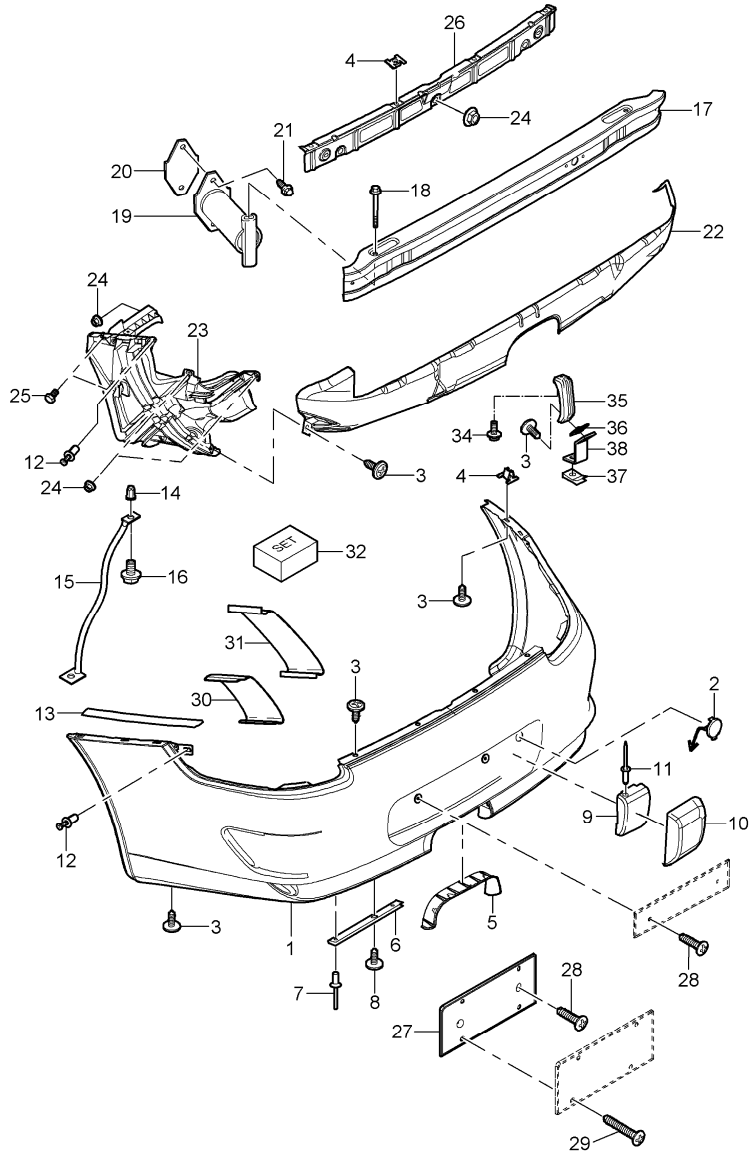


Pos	Part Number	Description	Remark	Qty	Model
1	997 505 961 90	bumper front			
		lining	-09	1	
(1)	997 505 961 91	lining prime coated	-09	1	I288
(1)	997 505 191 90	lining prime coated	10-	1	
(1)	997 505 191 91	lining prime coated	10-	1	I288
2	997 505 991 01	cover towing lug	-09	1	
2	997 505 703 05	cover towing lug		1	
		G2L prime coated	10-		
3	997 575 327 90	cover air exhaust	-09	1	
		01C satin black			
4	999 919 118 09	oval-head screw 4,0 X 14	-09	8	
29	997 575 717 92	grille air exhaust front apron upper	-10	1	
30	997 575 567 92	set retaining frame upper 3-part	-10	1	
5	997 505 541 01	retaining frame ventilation grille centre	-09	1	
		01C satin black			
5	997 505 561 92	retaining frame ventilation grille centre	10-	1	
-	997 505 711 92	ventilation grille centre	10-	1	
6	997 505 985 00	retaining frame lateral	/L -09	1	
		01C satin black			

Model	Year	MG	SG	Illustration	Restrictions	UPD	15:53	26.01.2010	PORSCHE	PET	PORSCHE
GT3-2	2010	8	02	802-00		248					

Pos	Part Number	Description	Remark	Qty	Model	Pos	Part Number	Description	Remark	Qty	Model
(6)	997 505 563 92	retaining frame lateral	/L	10-	1	17	997 505 531 00	retaining strip centre		1	
-	997 505 713 92	ventilation grille lateral	/L	10-	1	18	999 076 078 09	hexagon nut M 6		3	
(6)	997 505 986 00	retaining frame lateral	/R	-09	1	19	997 505 141 00	bumper reinforcement		1	
	01C	satin black				20	900 378 088 09	hexagon-head bolt M 12 X 100		2	
(6)	997 505 564 92	retaining frame lateral	/R	10-	1	21	997 505 319 00	impact pipe		2	
-	997 505 714 92	ventilation grille lateral	/R	10-	1	22	997 505 751 02	seal impact absorber		2	
7	997 504 651 90	air duct brake	/L		1	23	900 378 267 09	combination screw M 8 X 30		6	
(7)	997 504 652 90	air duct brake	/R		1	24	997 505 996 90	spoiler set comprising: lower part with attachment strip		1	I004
8	997 505 983 92	spoiler		-09	1						
(8)	997 505 557 90	spoiler		10-	1	25	900 025 003 04	washer	-09	5	I004
(8)	997 505 983 93	spoiler		-09	1	I004					
(8)	997 505 557 91	spoiler		10-	1	I004					
	01C					26	900 084 095 02	hexagon nut	-09	5	I004
9	999 073 227 09	tapping screw ST 4,8 X 19			X	27	999 507 616 40	expander nut	-09	2	I004
10	999 507 795 09	speed nut ST 4,8			2	-	997 701 981 00	retaining frame number plate	-09	1	I211
11	999 507 590 02	captive nut ST 4,8			4		01C	satin black			
12	997 505 535 01	retaining strip	/L		1	-	997 701 105 90	retaining frame number plate	10-	1	I211
(12)	997 505 536 01	retaining strip	/R		1		01C	satin black			
13	999 073 418 01	tapping screw ST 4,8 X 19-C			4	-	997 701 981 02	support number plate	-09	1	I210
14	999 507 849 01	captive nut ST 4,8			X		01C	satin black			
15	997 505 719 00	fixing device			2	-	997 701 109 90	support number plate	10-	1	I210
(16)	997 504 531 00	protective film	/L		1		01C	satin black			
16	997 504 531 00	protective film	/R		1	28	997 505 993 00	mounting	-09	1	

Model	Year	MG	SG	Illustration	Restrictions	UPD	15:53	26.01.2010	PORSCHE	PET	PORSCHE
GT3-2	2010	8	02	802-05		248					



Pos	Part Number	Description	Remark	Qty	Model
1	A 997 505 411 93	bumper rear			
		lining prime coated	-09	1	
1	997 505 411 9A	lining prime coated	10-	1	
(1)	A 997 505 411 95	lining prime coated	-09	1	I004
		G2X			
2	997 505 803 00	cover	-09	1	
		G2X			
(2)	997 505 803 02	cover	10-	1	
		G2L			
3	999 073 227 09	tapping screw 4,8 X 16		10	
4	999 507 590 02	captive nut ST 4,8		6	
5	997 505 811 90	heat shield muffler	-09	1	
(5)	997 505 811 91	heat shield muffler	10-	1	
6	997 505 837 90	retaining strip lower	-09	2	
(6)	997 505 837 91	retaining strip lower left	/L 10-	2	
(6)	997 505 838 91	retaining strip lower left	/R 10-	2	
7	999 190 104 30	blind rivet 3,2 X 7,9		2	
8	999 073 314 09	tapping screw ST 4,8 X 16		4	
12	999 591 941 40	expansion rivet ST 4,2		4	
13	997 504 631 00	protective film		2	
14	999 500 084 01	special nut		6	

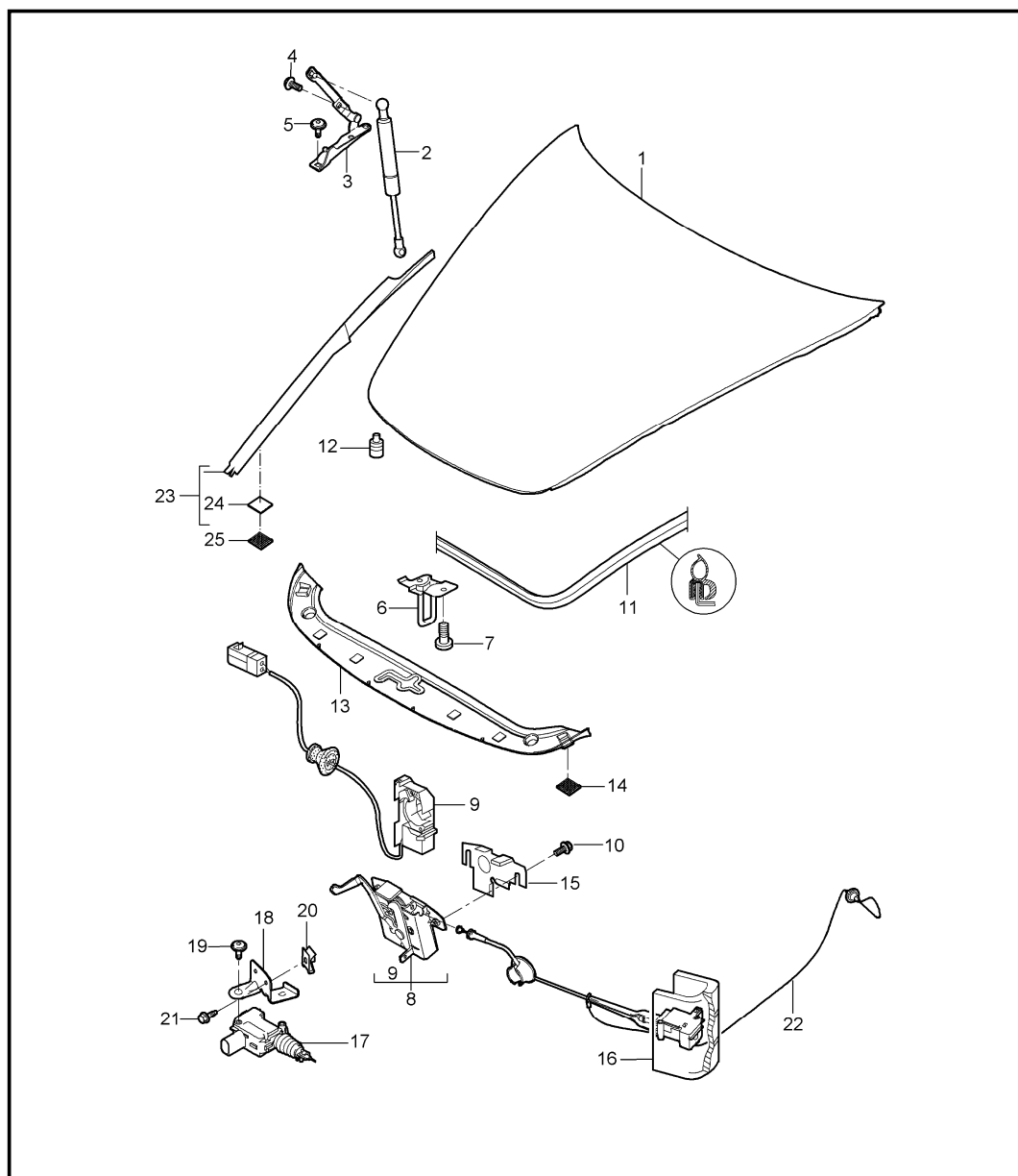
Model	Year	MG	SG	Illustration	Restrictions	UPD	15:53	26.01.2010	PORSCHE	PET	PORSCHE
GT3-2	2010	8	02	802-05		248					

Pos	Part Number	Description	Remark	Qty	Model	Pos	Part Number	Description	Remark	Qty	Model
15	997 505 681 01	strut	/L	1		26	997 505 641 02	attachment strip centre	-09	1	
(15)	997 505 682 01	strut	/R	1		26	997 505 641 03	attachment strip centre	10-	1	
16	900 378 035 01	hexagon-head bolt M6 X 16		2		27	997 701 113 00	support		1	I218
17	997 505 121 90	bracket	-09	1			01C	black			
17	997 505 121 92	bracket	10-	1		28	999 919 228 A2	screw support number plate 5 X 28		X	
18	900 378 088 01	hexagon-head bolt M 12 X 100		2		29	999 919 227 A2	screw support number plate 5 X 13		X	
19	996 505 019 01	impact pipe		2		30	997 505 823 90	air exhaust	/L	-09	1
20	996 505 775 00	desk pad		2		30	997 505 817 90	grille	/L	10-	1
21	900 378 267 01	hexagon-head bolt M 8 X 30		4		(30)	997 505 824 90	air exhaust lateral lower	/R	-09	1
22	997 505 475 90	heat protection centre	-09	1		(30)	997 505 818 90	grille lateral lower	/R	10-	1
(22)	997 505 475 91	heat protection centre	10-	1		31	997 505 813 90	air exhaust	/L	-09	1
23	997 505 631 90	support lateral	/L	-09	1	31	997 505 851 90	retaining frame	/L	10-	1
23	997 505 631 92	support lateral	/L	10-	1	(31)	997 505 814 90	air exhaust lateral upper	/R	-09	1
(23)	997 505 631 91	support lateral	/L	-09	1	I004					
(23)	997 505 631 93	support lateral	/L	10-	1	I004					
(23)	997 505 632 90	support lateral	/R	-09	1	-	999 919 268 01	screw for retaining frame air exhaust		10-	3
(23)	997 505 632 92	support lateral	/R	10-	1	32	000 043 206 04	adhesive tape air exhaust processing instructions group 63 55 37			1
(23)	997 505 632 91	support lateral	/R	-09	1	I004					
(23)	997 505 632 93	support lateral	/R	10-	1	I004					
24	999 076 078 09	hexagon nut M 6		6		33	997 505 829 90	grille air exhaust upper			1
25	900 075 459 09	combination screw M 6 X 12		2							

Model	Year	MG	SG	Illustration	Restrictions	UPD	15:53	26.01.2010	PORSCHE	PET	PORSCHE
GT3-2	2010	8	02	802-05		248					

Pos	Part Number	Description	Remark	Qty	Model	Pos	Part Number	Description	Remark	Qty	Model
34	997 505 835 90	retaining frame for grille air exhaust upper		1 1 1							
35	999 075 056 01	combination screw M8		1							
36	997 505 639 00	bracket	-09	1							
(36)	997 505 639 92	bracket	10-	2							
37	900 075 335 02	combination screw		1							
38	999 507 795 09	speed nut		1							
39	997 505 649 00	bracket	-09	2							
(39)	997 505 649 91	bracket	10-	2							

Model	Year	MG	SG	Illustration	Restrictions	UPD	15:53	26.01.2010	PORSCHE	PET	PORSCHE
GT3-2	2010	8	03	803-00		248					

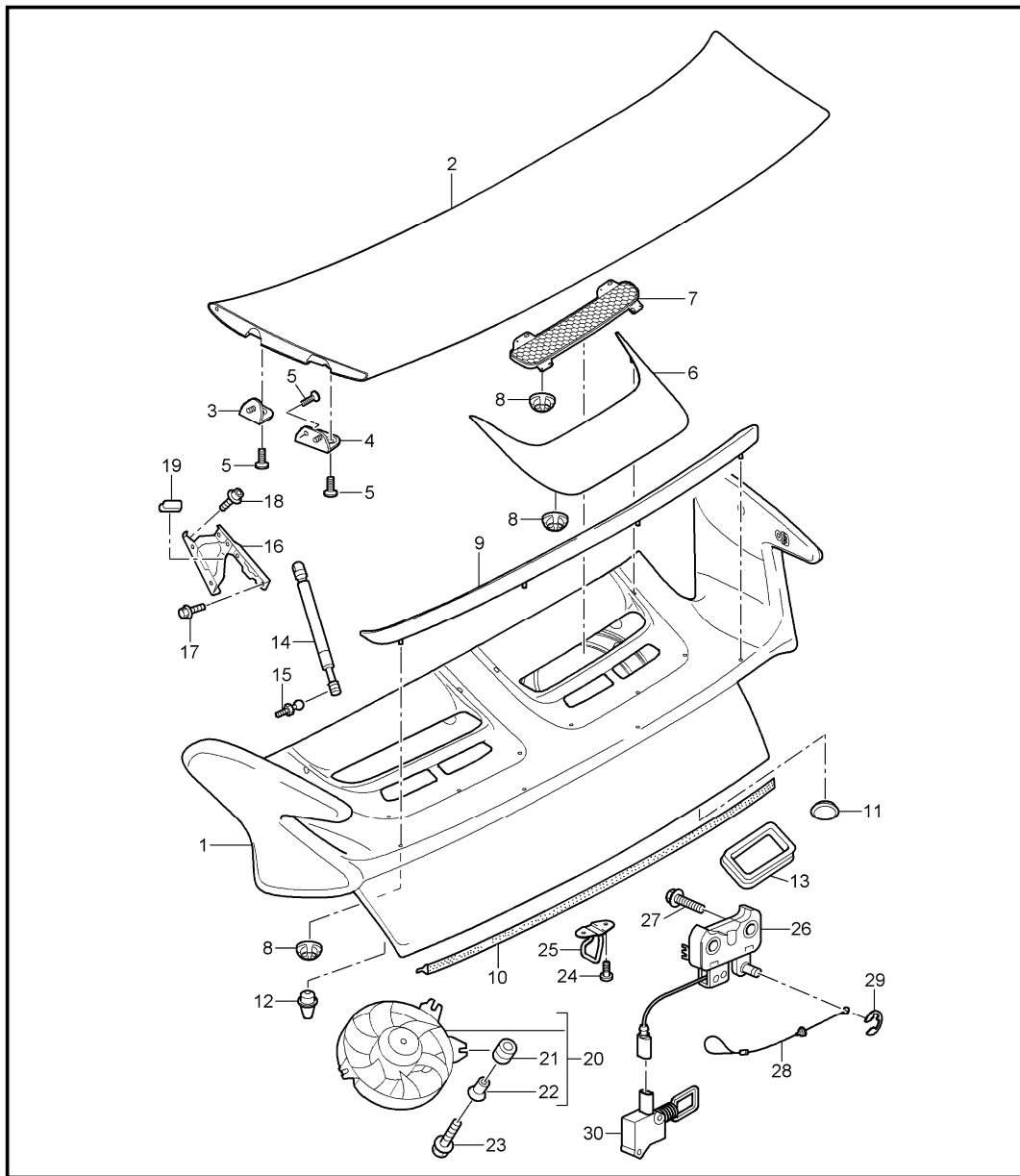


Pos	Part Number	Description	Remark	Qty	Model
1	997 511 011 00	lid front		1	
		GRV prime coated			
2	997 511 551 01	gas-pressure spring		2	
3	997 511 151 01	hinge	/L	1	
(3)	997 511 152 01	hinge	/R	1	
4	999 073 357 09	oval-head screw M 6 X 12		4	
5	999 073 348 09	oval-head screw M 6 X 20		4	
6	997 511 051 00	lock upper part		1	
7	999 073 378 02	round head screw M 6 X 20		2	
8	997 511 053 00	lock lower part		1	
9	997 613 206 00	microswitch		1	
10	900 075 466 09	combination screw M 6 X 16		2	
11	997 511 611 00	gasket		1	
12	999 703 140 41	rubber buffer		2	
13	997 504 811 03	trim cover		1	
		FMT satin black			
14	999 902 049 40	velcro fastener		4	
15	996 511 653 00	cover		1	
16	997 511 117 00	actuator		1	
(23)	997 572 465 02	trim cover	/L	1	
		02A black			
23	997 572 466 02	trim cover	/R	1	
		02A black			
24	999 902 052 40	velcro fastener cover 20 X 20		4	

Model	Year	MG	SG	Illustration	Restrictions	UPD	15:53	26.01.2010	PORSCHE	PET	PORSCHE
GT3-2	2010	8	03	803-00		248					

Pos	Part Number	Description	Remark	Qty	Model	Pos	Part Number	Description	Remark	Qty	Model
25	999 902 051 40	velcro fastener wing 20 X 20		4							

Model	Year	MG	SG	Illustration	Restrictions	UPD	15:53	26.01.2010	PORSCHE	PET	PORSCHE
GT3-2	2010	8	03	803-05		248					

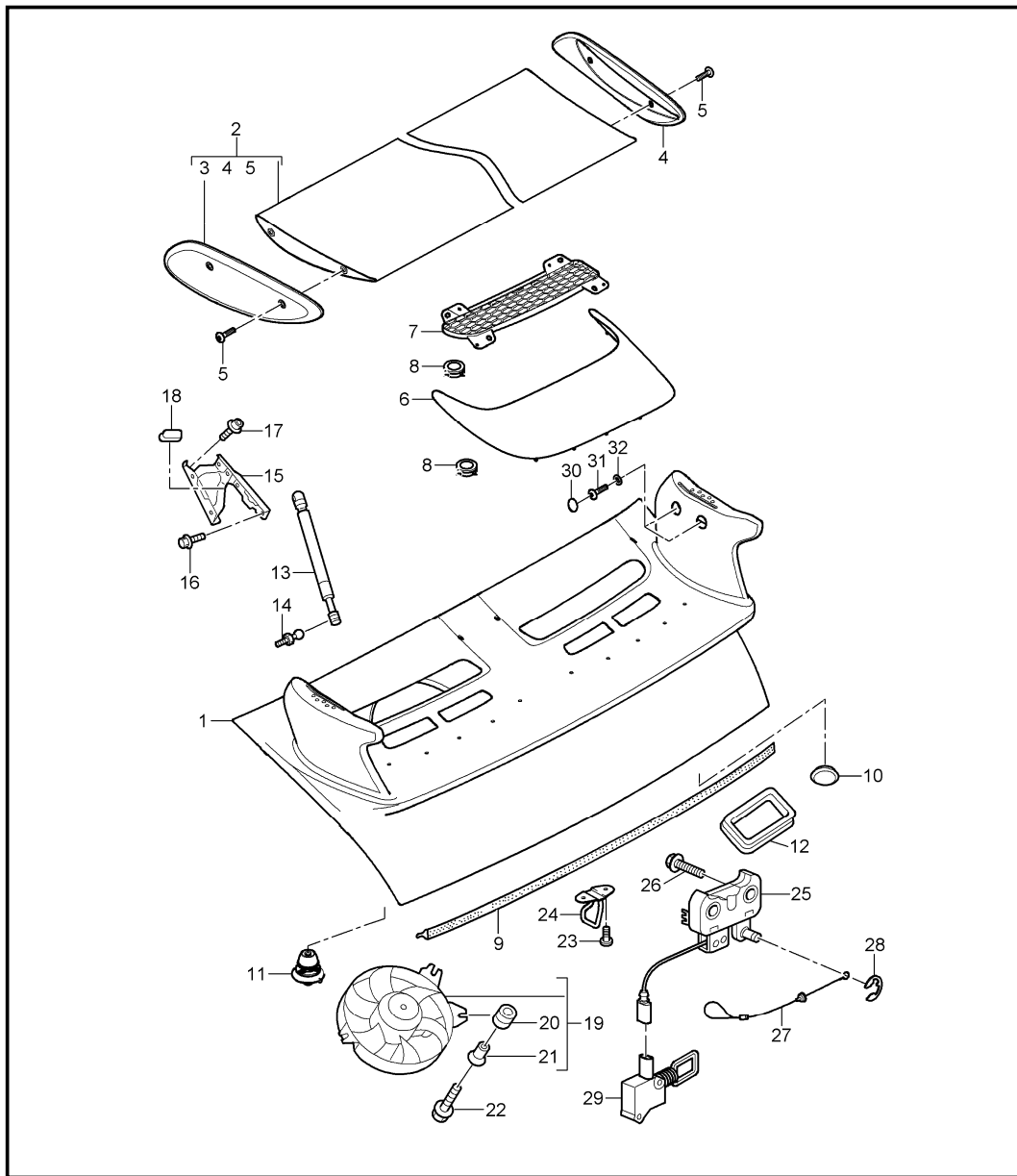


Pos	Part Number	Description	Remark	Qty	Model
1	997 512 225 92	lid rear prime coated		1	-08
(1)	997 512 225 96	lid prime coated		1	09-
2	997 512 265 92	spoiler prime coated		1	-08
(2)	997 512 265 A2	spoiler prime coated		1	09-
3	997 512 633 01	fastening angle front prime coated		2	
4	997 512 635 90	fastening angle rear	/L	1	
		GRV prime coated			
(4)	997 512 636 90	fastening angle rear	/R	1	
		GRV prime coated			
5	900 249 073 01	countersunk-head screw fastening angle M6 X 20		10	
(6)	997 512 435 92	air box	/L	1	
6	997 512 436 92	air box prime coated	/R	1	
(7)	997 512 625 90	grille	/L	1	
7	997 512 626 90	grille	/R	1	
8	999 076 082 40	cap T5/16 X 7,0		22	
9	997 512 365 90	spoiler		1	
10	997 512 611 01	gasket		1	
11	999 703 019 40	lid 25,5 X 37,0		3	
12	996 512 987 00	adjusting screw lid		2	
13	997 512 443 90	gasket air cleaner system		1	

Model	Year	MG	SG	Illustration	Restrictions	UPD	15:53	26.01.2010	PORSCHE	PET	PORSCHE
GT3-2	2010	8	03	803-05		248					

Pos	Part Number	Description	Remark	Qty	Model	Pos	Part Number	Description	Remark	Qty	Model
14	996 512 551 03	gas-pressure spring		1							
15	999 167 051 02	ball pin		1							
15	999 167 051 03	ball pin		1							
16	997 512 151 02	hinge	/L	1							
(16)	997 512 152 01	hinge	/R	1							
17	900 378 214 01	hexagon-head bolt M 6 X 18		4							
18	900 075 466 09	combination screw M 6 X 16		6							
19	997 512 153 00	stop hinge		2							
20	997 624 056 01	blower engine compartment		1							
21	999 703 451 40	rubber sleeve 9,0 X 14,0 X 1,5		3							
22	999 209 049 02	spacer sleeve 7,0 X 1,0 X 12		3							
23	999 073 417 01	oval-head screw M6 X 30		4							
24	900 378 214 01	hexagon-head bolt M6 x 18		2							
25	997 512 213 01	lock upper part		1							
26	997 512 053 00	lock lower part		1							
27	N 910 664 01	combination screw M6 x 40		3							
28	997 512 521 00	cable emergency operation		1							
29	900 116 002 02	lock washer 3,2		1							
30	997 624 118 00	actuator		1							

Model	Year	MG	SG	Illustration	Restrictions	UPD	15:54	26.01.2010	PORSCHE	PET	PORSCHE
GT3-2	2010	8	03	803-06		248					

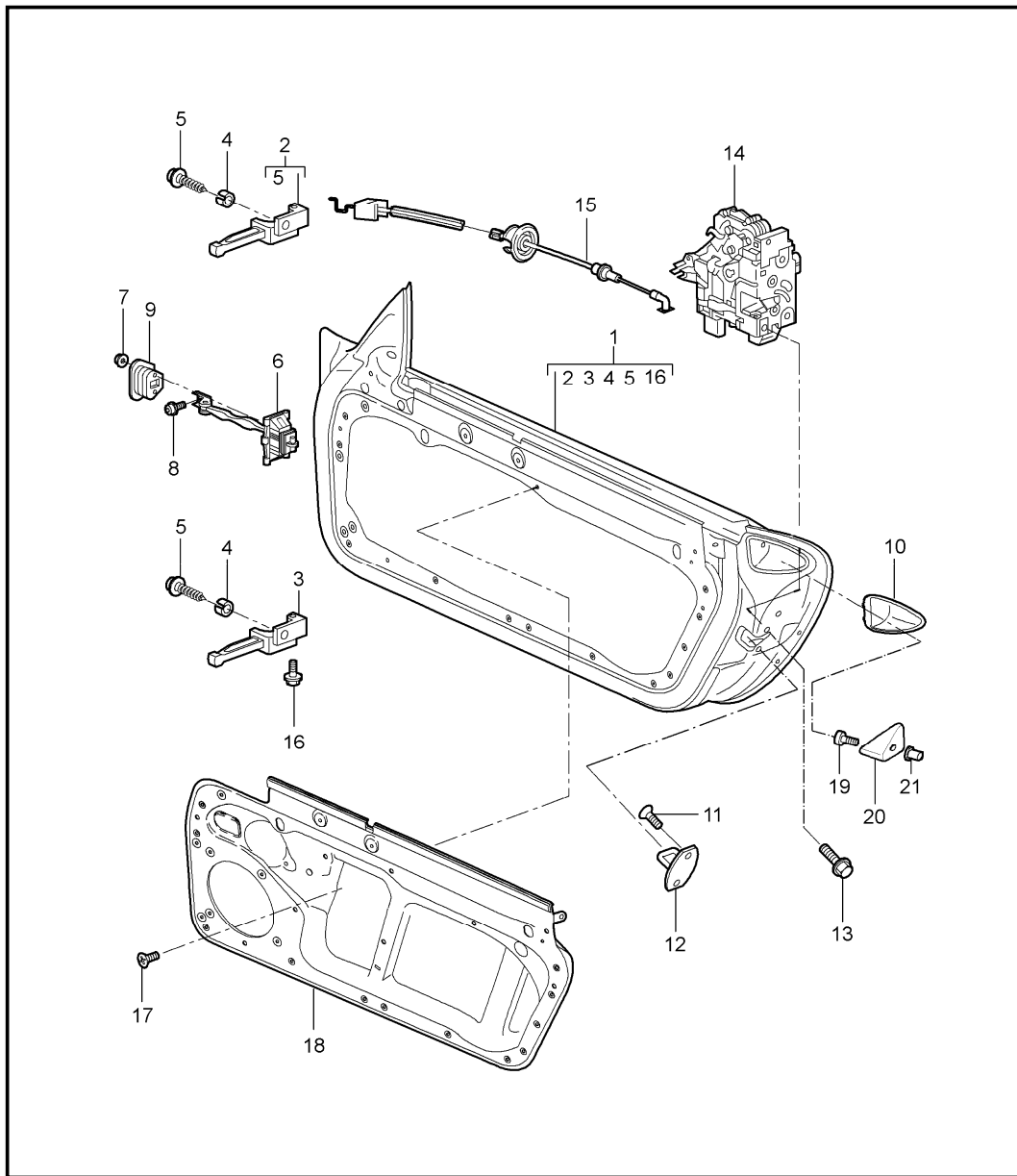


Pos	Part Number	Description	Remark	Qty	Model
		lid rear			I004
1	997 512 225 94	lid prime coated		1	
2	997 512 165 92	spoiler complete		1	
(2)	997 512 165 93	spoiler complete		1	I193
3	997 512 463 01	spoiler side section	/L	1	
4	997 512 464 01	spoiler side section	/R	1	
5	999 073 427 01	round head screw M6 X 25		10	
(6)	997 512 435 92	air box	/L	1	
6	997 512 436 92	air box prime coated	/R	1	
(7)	997 512 625 90	grille	/L	1	
7	997 512 626 90	grille	/R	1	
8	999 076 082 40	cap T5/16 X 7,0		26	
9	997 512 611 01	gasket		1	
10	999 703 019 40	lid 25,5 X 37,0		3	
11	996 512 987 00	adjusting screw lid		2	
12	997 512 443 90	gasket air cleaner system		1	
(13)	997 512 551 90	gas-pressure spring		1	I004
14	999 167 051 03	ball pin		1	
15	997 512 151 02	hinge	/L	1	
(15)	997 512 152 01	hinge	/R	1	
16	900 378 214 01	hexagon-head bolt M 6 X 18		4	
17	900 075 466 09	combination screw M 6 X 16		6	

Model	Year	MG	SG	Illustration	Restrictions	UPD	15:54	26.01.2010	PORSCHE	PET	PORSCHE
GT3-2	2010	8	03	803-06		248					

Pos	Part Number	Description	Remark	Qty	Model	Pos	Part Number	Description	Remark	Qty	Model
18	997 512 153 00	stop hinge		2							
19	997 624 056 01	blower engine compartment		1							
20	999 703 451 40	rubber sleeve 9,0 X 14,0 X 1,5		3							
21	999 209 093 01	spacer sleeve 7,0 X 1,0 X 12		3							
22	999 073 417 01	oval-head screw M6 X 30		4							
23	900 378 214 01	hexagon-head bolt M6 x 18		2							
24	997 512 213 01	lock upper part		1							
25	997 512 053 00	lock lower part		1							
26	N 910 664 01	combination screw M6 x 40		3							
27	997 512 521 00	cable emergency operation		1							
28	900 116 002 02	lock washer 3,2		1							
29	997 624 118 00	actuator		1							
30	997 512 444 00	stopper		4							
31	999 073 430 01	round head screw m 8 x 18		4							
32	900 336 006 01	washer		4							

Model	Year	MG	SG	Illustration	Restrictions	UPD	15:54	26.01.2010	PORSCHE	PET	PORSCHE
GT3-2	2010	8	04	804-00		248					

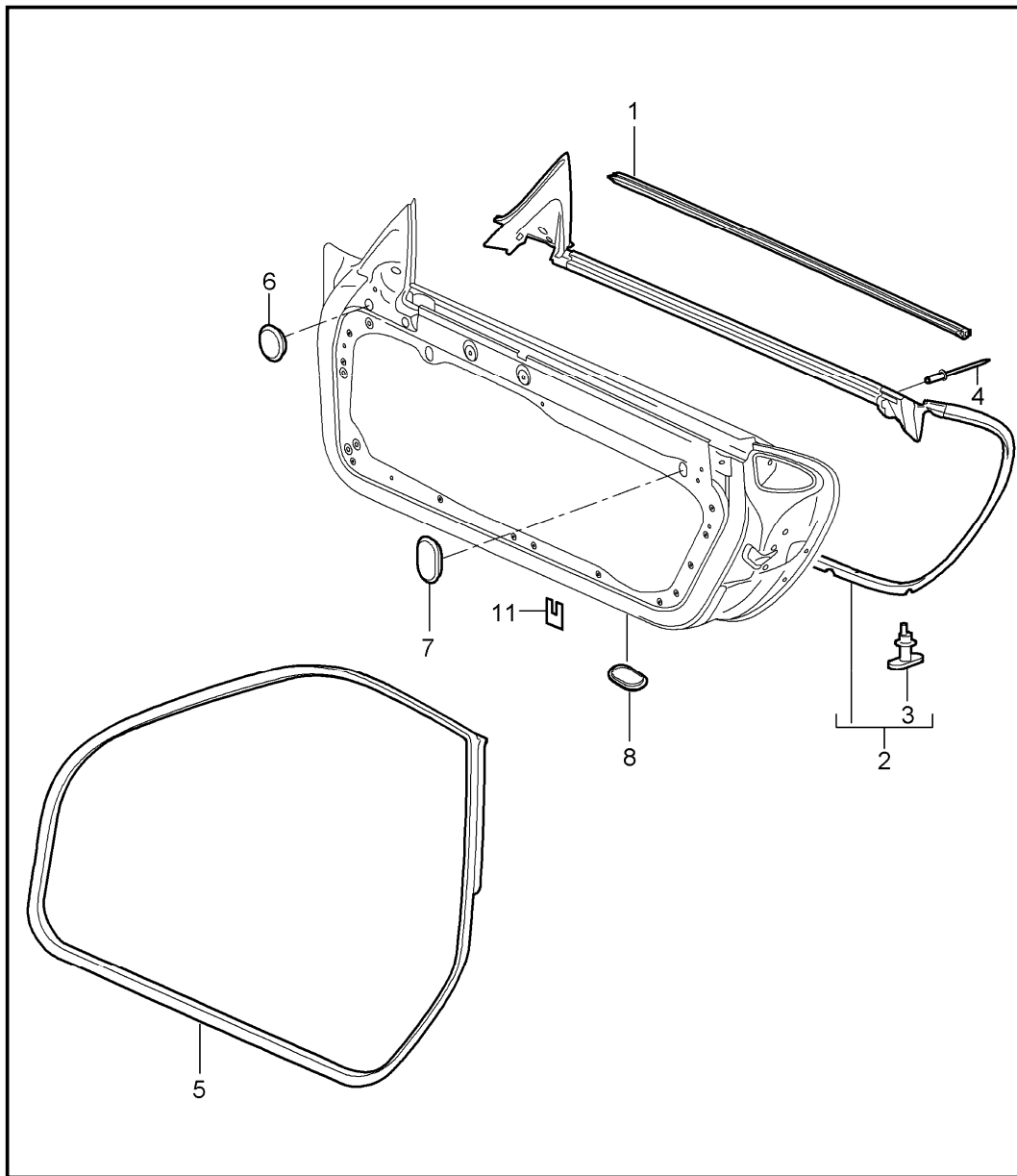


Pos	Part Number	Description	Remark	Qty	Model
		door in white installation parts door lock			
(1)	997 531 011 03	door in white	/L	1	
		GRV prime coated			
1	997 531 012 03	door in white	/R	1	
		GRV prime coated			
		use also:			
-	000 043 204 38	sealing material		1	
(2)	997 531 321 01	hinge	/L	1	
2	997 531 322 01	hinge upper	/R	1	
(3)	997 531 319 01	hinge	/L	1	
3	997 531 320 01	hinge lower	/R	1	
4	996 531 831 00	sleeve		4	
5	999 073 192 01	pan-head screw M 8 X 33		2	
6	997 537 151 01	door arrester		2	
7	999 084 212 03	hexagon nut M 6		4	
8	999 073 138 01	screw M 8 X 25		2	
9	996 537 751 00	seal		2	
(10)	997 537 331 00	support	/L	1	
		01C satin black			
10	997 537 332 00	support	/R	1	
		01C satin black			
11	N 910 174 01	countersunk-head screw M 8 X 22		4	
12	3C0 837 767 A	closing element		2	
13	WHT 000 439	combination screw M 8 X 20		2	

Model	Year	MG	SG	Illustration	Restrictions	UPD	15:54	26.01.2010	PORSCHE	PET	PORSCHE
GT3-2	2010	8	04	804-00		248					

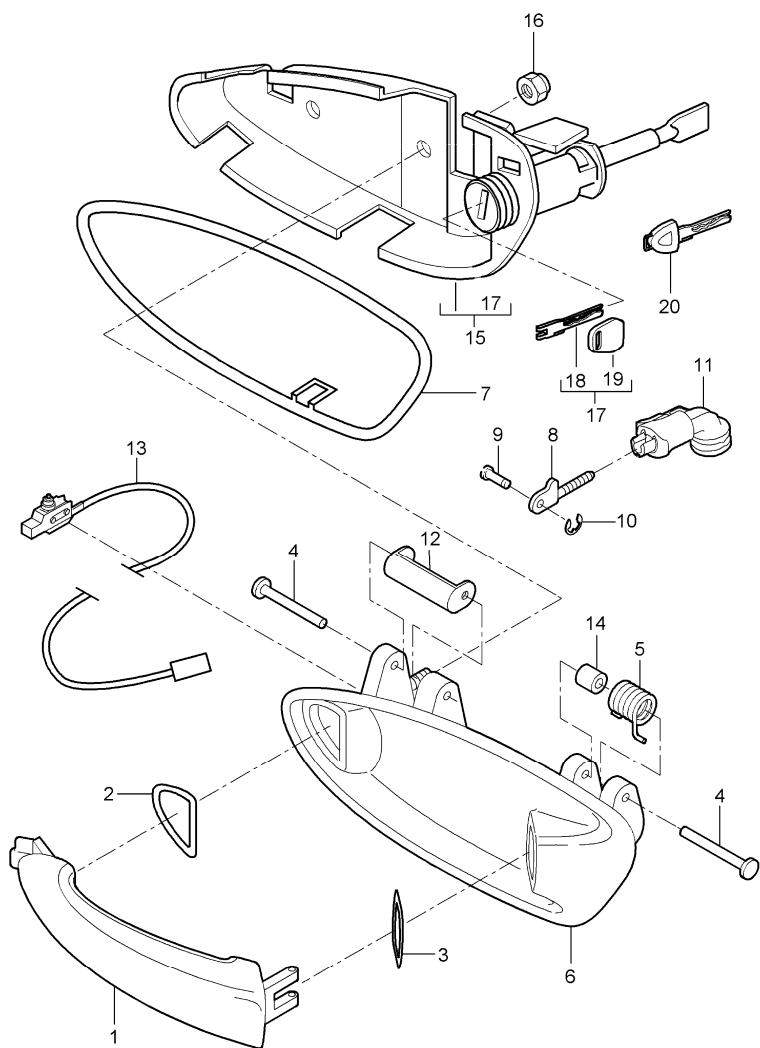
Pos	Part Number	Description	Remark	Qty	Model	Pos	Part Number	Description	Remark	Qty	Model
(14)	3D1 837 015	door lock	/LL/L	1	I098						
14	3D1 837 016	door lock	/LL/R	1	I098						
(14)	3D1 837 015 C	door lock	/L	1	I072						
(14)	3D1 837 016 C	door lock	/R	1	I072						
(14)	3D2 837 015	door lock	/RL/L	1	I099						
(14)	3D2 837 016	door lock	/RL/R	1	I099						
15	997 537 319 01	bowden cable		2							
16	999 072 043 09	hexagon-head bolt M 6 X 12 micro-self-locking		2							
17	999 073 333 09	oval-head screw M 6 X 16		8							
(18) U	987 537 201 00	inner panel	/L	1							
18 U	987 537 202 00	inner panel	/R	1							
18	987 537 201 01	inner panel	/L	1							
18	987 537 202 01	inner panel	/R	1							
19	900 119 072 00	pan-head screw M8 X 16		2							
(20)	997 537 333 01	support side section	/L	1							
20	997 537 334 01	support side section prime coated	/R	1							
21	999 500 121 02	blind rivet nut M8 / 0,8 - 3		2							
-	999 551 172 40	lining strap 25 x 1,3 x 730 for inner panel		2							

Model	Year	MG	SG	Illustration	Restrictions	UPD	15:54	26.01.2010	PORSCHE	PET	PORSCHE
GT3-2	2010	8	04	804-10		248					



Pos	Part Number	Description	Remark	Qty	Model
		door seal gasket windscreen			
(1)	997 537 085 03	gasket	/L	1	
1	997 537 086 03	gasket outer	/R	1	
(2) A	997 537 531 05	gasket	/L	1	
(2)	997 537 531 08	gasket	/L	1	
2 A	997 537 532 05	gasket	/R	1	
2	997 537 532 08	gasket inner	/R	1	
3	999 507 304 40	clip 5,0 X 4,9		X	
(5)	997 537 075 05	gasket	/L	1	
5	997 537 076 05	gasket	/R	1	
6	803 803 583 A	lid 20,0 X 30,0		2	
7	999 703 541 40	lid 20 X 28 X 1		4	
8	999 703 542 40	lid 23,8 X 38,7		8	
11	996 537 337 00	protective film		4	

Model	Year	MG	SG	Illustration	Restrictions	UPD	15:54	26.01.2010	PORSCHE	PET	PORSCHE
GT3-2	2010	8	04	804-20		248					

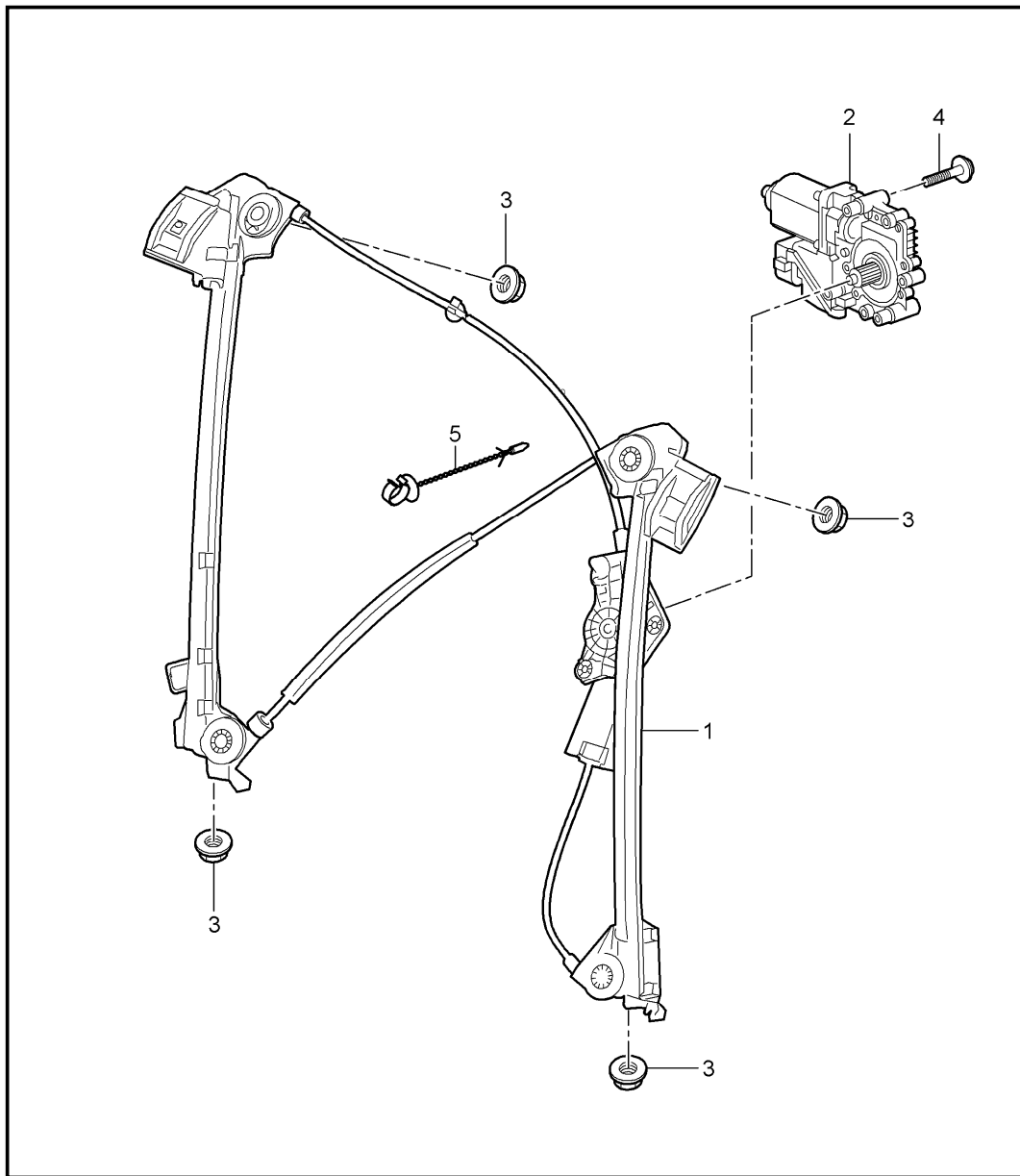


Pos	Part Number	Description	Remark	Qty	Model
		door handle			
1	997 537 613 01	outer door handle	/L	1	
(1)	997 537 614 01	outer door handle prime coated	/R	1	
2	997 537 623 00	buffer		2	
3	997 537 625 00	buffer		2	
4	997 537 621 00	axle		2	
5	997 537 611 00	return spring	/L	1	
(5)	997 537 612 00	return spring	/R	1	
(6)	997 537 645 02	handle liner	/LL/L	1	
(6)	997 537 646 02	handle liner	/RL/R	1	
(6)	997 537 645 03	handle liner	/RL/L	1	
(6)	997 537 646 03	handle liner prime coated	/LL/R	1	
7	997 537 637 00	desk pad	/L	1	
(7)	997 537 638 00	desk pad	/R	1	
8	997 537 627 00	operating rod		2	
9	997 537 629 00	bolt		2	
10	996 537 641 00	lock washer		2	
11	997 537 445 03	connecting piece		2	
12	997 537 653 00	actuating lever	/L	1	
(12)	997 537 654 00	actuating lever	/R	1	
13	997 613 125 00	microswitch power windows		2	
14	997 537 633 00	bush		2	
15	997 538 963 00	support with lock cylinder	/LL/L	1	
(15)	997 538 964 00	support with stipulated lock number with lock cylinder	/RL/R	1	
(15)	997 538 963 01	support	/LL/L	1	

Model	Year	MG	SG	Illustration	Restrictions	UPD	15:54	26.01.2010	PORSCHE	PET	PORSCHE
GT3-2	2010	8	04	804-20		248					

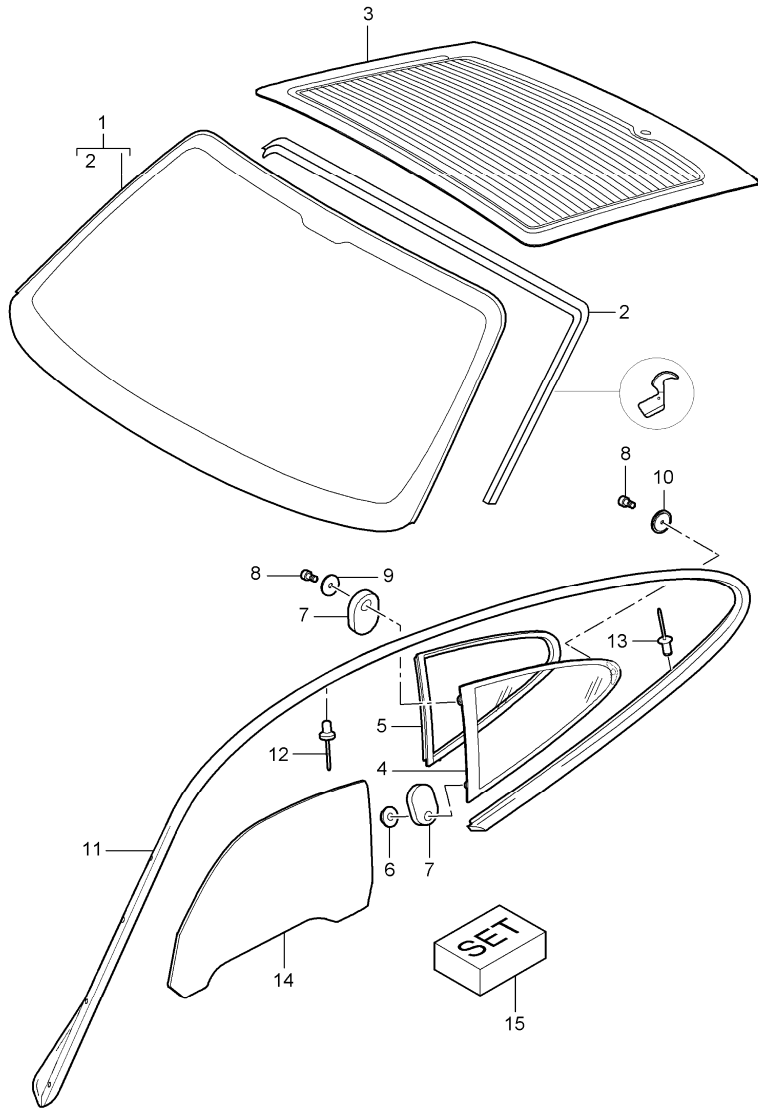
Pos	Part Number	Description	Remark	Qty	Model	Pos	Part Number	Description	Remark	Qty	Model
(15)	997 538 964 01	support with lock cylinder w/o stipulated lock number	/RL/R	1							
(15)	997 537 463 01	support	/RL/L	1							
(15)	997 537 464 01	support without lock cylinder	/LL/R	1							
16	900 380 015 09	hexagon nut M 6		2							
17	997 538 931 00	replacement key with stipulated lock number state lock number		X							
18	997 538 531 00	blank key		X							
19	944 538 431 00	key cap		X							

Model	Year	MG	SG	Illustration	Restrictions	UPD	15:54	26.01.2010	PORSCHE	PET	PORSCHE
GT3-2	2010	8	04	804-30		248					



Pos	Part Number	Description	Remark	Qty	Model
		power windows			
1	997 542 075 02	power windows	/L	1	
(1)	997 542 076 02	power windows	/R	1	
2	997 624 181 03	electric motor	/LL/L	1	
(2)	997 624 182 03	electric motor	/LL/R	1	
(2)	997 624 181 03	electric motor	/RL/R	1	
(2)	997 624 182 03	electric motor	/RL/L	1	
3	900 380 015 09	hexagon nut M6		4	
4	999 919 209 09	oval-head screw M 5 X 22		3	
5	987 542 941 00	clip bowden cable power windows		1	

Model	Year	MG	SG	Illustration	Restrictions	UPD	15:54	26.01.2010	PORSCHE	PET	PORSCHE
GT3-2	2010	8	05	805-00		248					

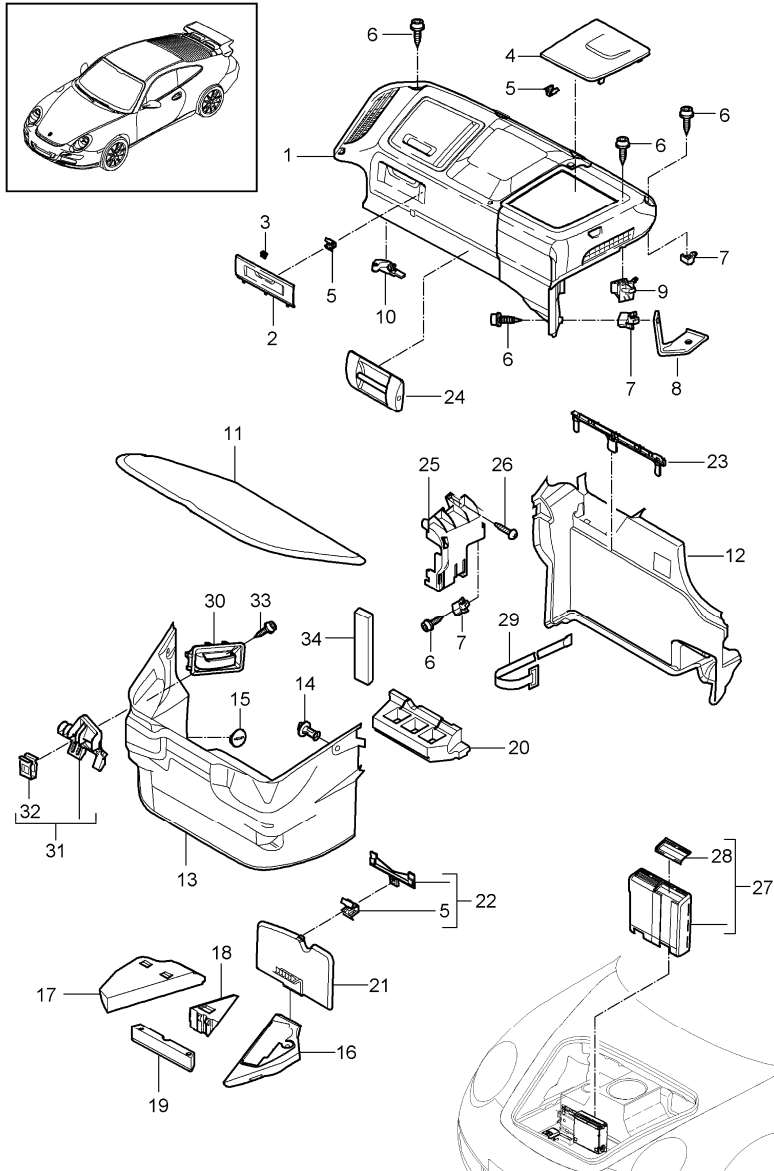


Pos	Part Number	Description	Remark	Qty	Model
1	997 541 911 00	window glazing		1	I440/568
(1)	997 541 911 01	windscreen tinted Information available		1	I440/567
2	997 541 901 09	gasket windscreen		1	
3	997 545 911 00	rear window		1	I426
-	997 545 901 00	gasket rear window		1	
(3)	997 545 111 91	rear window		1	I004
4	997 543 111 00	rear window	/L	1	
(4)	997 543 112 00	rear window	/R	1	
5	996 543 325 00	sealing frame	/L	1	
(5)	996 543 326 00	sealing frame rear window	/R	1	
6	999 084 210 02	lock nut M 8		1	
7	996 543 611 02	gasket		2	
8	999 218 011 02	pan-head screw M 6 X 12		2	
9	999 025 270 02	washer 6,4 X 30 X 1,5		1	
10	996 543 625 00	sealing washer		1	
11	997 537 481 00	roof frame seal	/L	1	
(11)	997 537 482 00	roof frame seal	/R	1	
12	999 190 445 37	blind rivet 4,0 X 7,9		13	
13	999 190 450 37	blind rivet 4,0 X 6,3		7	
14	997 542 511 00	door window glass	/L	1	
(14)	997 542 512 00	door window glass	/R	1	

Model	Year	MG	SG	Illustration	Restrictions	UPD	15:54	26.01.2010	PORSCHE	PET	PORSCHE
GT3-2	2010	8	05	805-00		248					

Pos	Part Number	Description	Remark	Qty	Model	Pos	Part Number	Description	Remark	Qty	Model
15	000 043 300 94	adhesive set TEROSTAT 8593		1							
-	000 043 206 47	car care set side window see technical manual		X							

Model	Year	MG	SG	Illustration	Restrictions	UPD	15:55	26.01.2010	PORSCHE	PET	PORSCHE
GT3-2	2010	8	07	807-00		248					

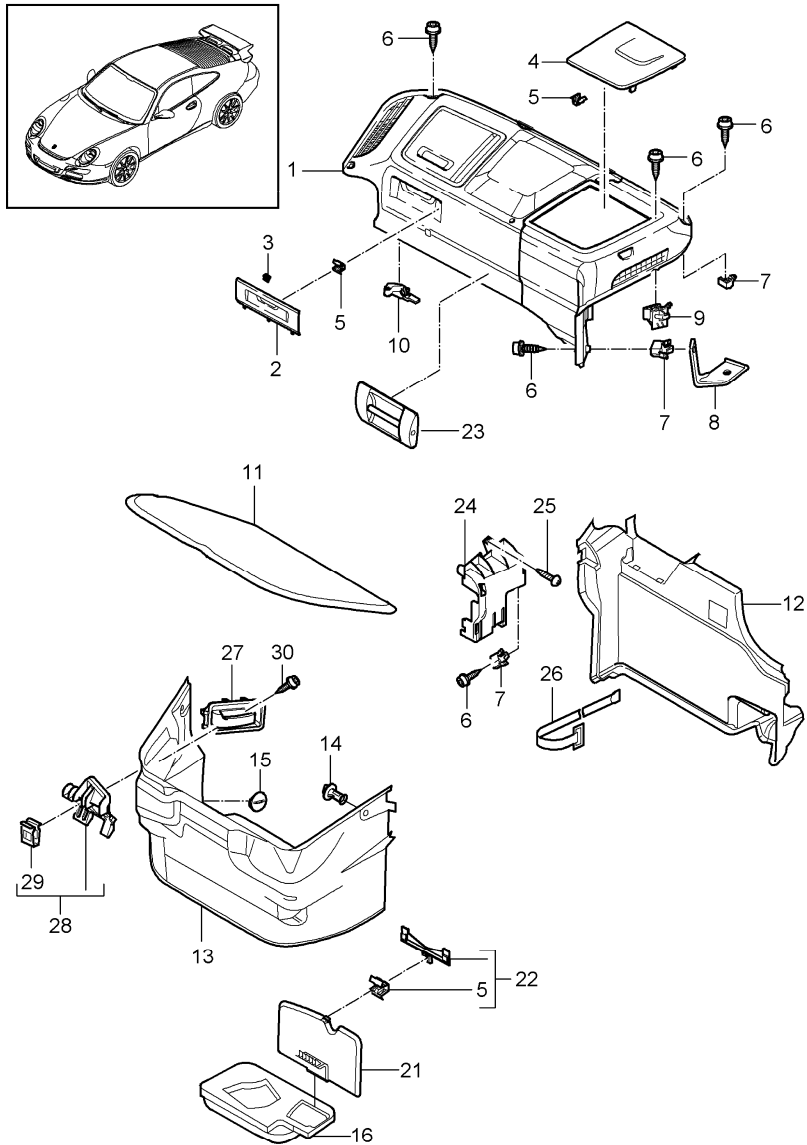


Pos	Part Number	Description	Remark	Qty	Model
		luggage compartment front	-09		
1	997 551 630 00	lining luggage compartment FMU black/black	/LL	1	I098
1	997 551 630 01	lining luggage compartment FMU black/black	/RL	1	I099
2	997 551 304 00	lid lining lower 02A black	/LL	1	I098
3	997 551 817 00	support hinge	/LL	2	I098
4	997 551 309 00	lid brake booster 02A black	/LL	1	I098
(4)	997 551 310 00	lid brake booster 02A black	/RL	1	I099
5	999 507 552 01	spring clamp 9 X 13/3,0		X	
6	999 073 048 02	tapping screw ST 3,5 X 13		X	
7	999 507 734 40	support ST 3,5		X	
8	997 551 771 02	support lining luggage compartment		1	
9	999 507 512 40	support ST 3,5		X	
10	997 551 772 02	support lining		1	
11	997 551 351 00	cover tool carpet A31 black	-08	1	

Model	Year	MG	SG	Illustration	Restrictions	UPD	15:55	26.01.2010	PORSCHE	PET	PORSCHE
GT3-2	2010	8	07	807-00		248					

Pos	Part Number	Description	Remark	Qty	Model	Pos	Part Number	Description	Remark	Qty	Model
(11)	997 551 351 06	cover tool carpet	/RL -08	1	I099/670/672	(17)	997 551 407 00	foam part luggage compartment liner	/RL/L	1	I099
	A31	black				18	997 551 405 00	foam part compressor rear		1	
(11)	997 551 351 00	cover tool carpet	09-	1		19	997 551 403 00	foam part compressor front		1	
	A31	black				20	997 551 412 01	foam part bulkhead	-09	1	
12	997 551 051 29	lining bulkhead carpet	/LL	1	I098/441	21	997 551 501 00	cover compressed air bottle	/LL	1	I098
	A31	black					A31	black			
(12)	997 551 051 20	lining bulkhead carpet	/LL -08	1	I098/490	(21)	997 551 502 00	cover compressed air bottle	/RL	1	I099
	A31	black					A31	black			
(12)	997 551 051 21	lining bulkhead carpet	/LL -08	1	I098/490/670 I672	22	997 551 415 00	adapter compressed air bottle		1	
	A31	black				24	997 551 805 01	eye luggage compartment front		1	
(12)	997 551 051 23	lining bulkhead carpet	/RL -08	1	I099/670/672		02A	black			
	A31	black				25	997 551 736 01	cover control unit		1	
(13)	997 551 045 90	lining luggage compartment liner carpet		1		26	999 073 061 02	tapping screw ST 4,8 X 16		X	
	A31	black				(27)	997 551 105 00	lining dvd	/RL	1	I099/670/672
14	999 049 006 40	plastic nut T5 / 30 X 7,5		2			02A	black			
15	997 551 807 00	cap nut		1		(28)	997 551 811 00	lid lining dvd	/RL	1	I099/670/672
(15)	999 703 455 41	lid		1	I490		02A	black			
(16)	997 551 121 90	foam part tool		1		29	997 551 741 00	retaining strap		1	I024
17	997 551 408 00	foam part luggage compartment liner	/LL/R	1	I098	(29)	997 551 741 00	retaining strap first-aid kit		1	I499
						34	997 556 623 00	plastic foam strip		2	I670/672

Model	Year	MG	SG	Illustration	Restrictions	UPD	15:55	26.01.2010	PORSCHE	PET	PORSCHE
GT3-2	2010	8	07	807-01		248					

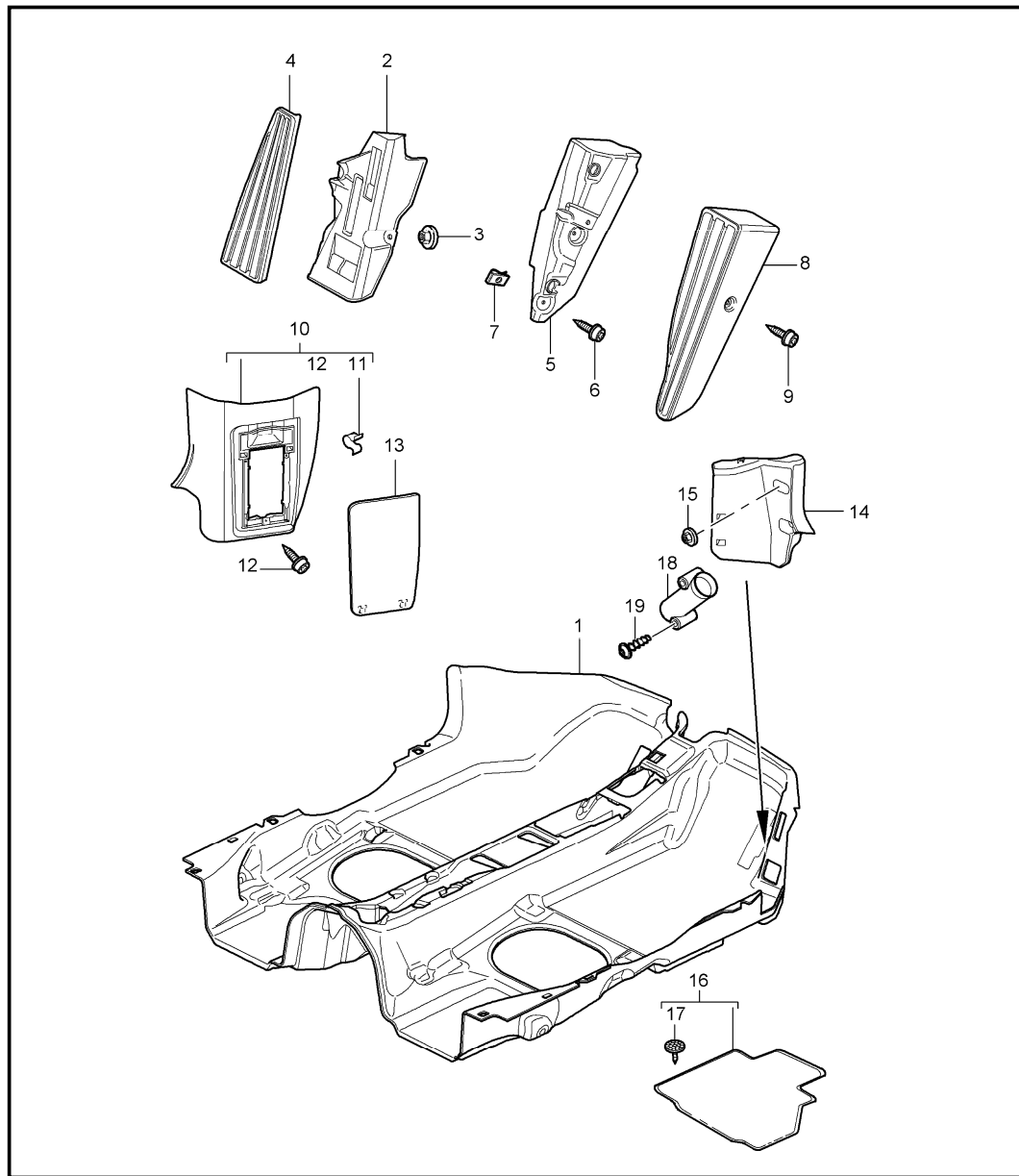


Pos	Part Number	Description	Remark	Qty	Model
		luggage compartment front	10-		
1	997 551 630 00	lining luggage compartment FMU black/black	/LL	1	I098
(1)	997 551 630 01	lining luggage compartment FMU black/black	/RL	1	I099
2	997 551 304 00	lid lining lower 02A black	/LL	1	I098
3	997 551 817 00	support hinge	/LL	2	I098
4	997 551 309 00	lid brake booster 02A black	/LL	1	I098
(4)	997 551 310 00	lid brake booster 02A black	/RL	1	I099
5	999 507 552 01	spring clamp 9 X 13/3,0		X	
6	999 073 048 02	tapping screw ST 3,5 X 13		X	
7	999 507 734 40	support ST 3,5		X	
8	997 551 771 02	support lining luggage compartment		1	
9	999 507 512 40	support ST 3,5		X	
10	997 551 772 02	support lining		1	
11	997 551 351 00	cover tool carpet A31 black		1	

Model	Year	MG	SG	Illustration	Restrictions	UPD	15:55	26.01.2010	PORSCHE	PET	PORSCHE
GT3-2	2010	8	07	807-01		248					

Pos	Part Number	Description	Remark	Qty	Model	Pos	Part Number	Description	Remark	Qty	Model
(12)	997 551 051 31	lining bulkhead carpet	/LL	1	I098/430	24	997 551 736 01	cover control unit		1	
	A31	black				25	999 073 061 02	tapping screw ST 4,8 X 16		X	
(12)	997 551 051 32	lining bulkhead carpet	/RL	1	I099/430	26	997 551 741 00	retaining strap first-aid kit		1	I024
	A31	black				26	997 551 741 00	retaining strap first-aid kit		1	I499
13	997 551 045 90	lining luggage compartment liner carpet		1							
	A31	black									
14	999 049 006 40	plastic nut T5 / 30 X 7,5		2							
(15)	999 703 455 41	lid		1							
(16)	997 551 121 90	foam part tool		1							
21	997 551 501 00	cover compressed air bottle	/LL	1	I098						
	A31	black									
(21)	997 551 501 00	cover compressed air bottle	/RL	1	I099/430						
	A31	black									
(21)	997 551 502 00	cover compressed air bottle	/LL	1	I098/430						
	A31	black									
(21)	997 551 502 00	cover compressed air bottle	/RL	1	I099						
	A31	black									
22	997 551 415 00	adapter compressed air bottle		1							
(22)	997 551 415 00	adapter compressed air bottle		1	I430						
23	997 551 805 01	eye luggage compartment front		1							
	02A	black									

Model	Year	MG	SG	Illustration	Restrictions	UPD	15:55	26.01.2010	PORSCHE	PET	PORSCHE
GT3-2	2010	8	07	807-02		248					

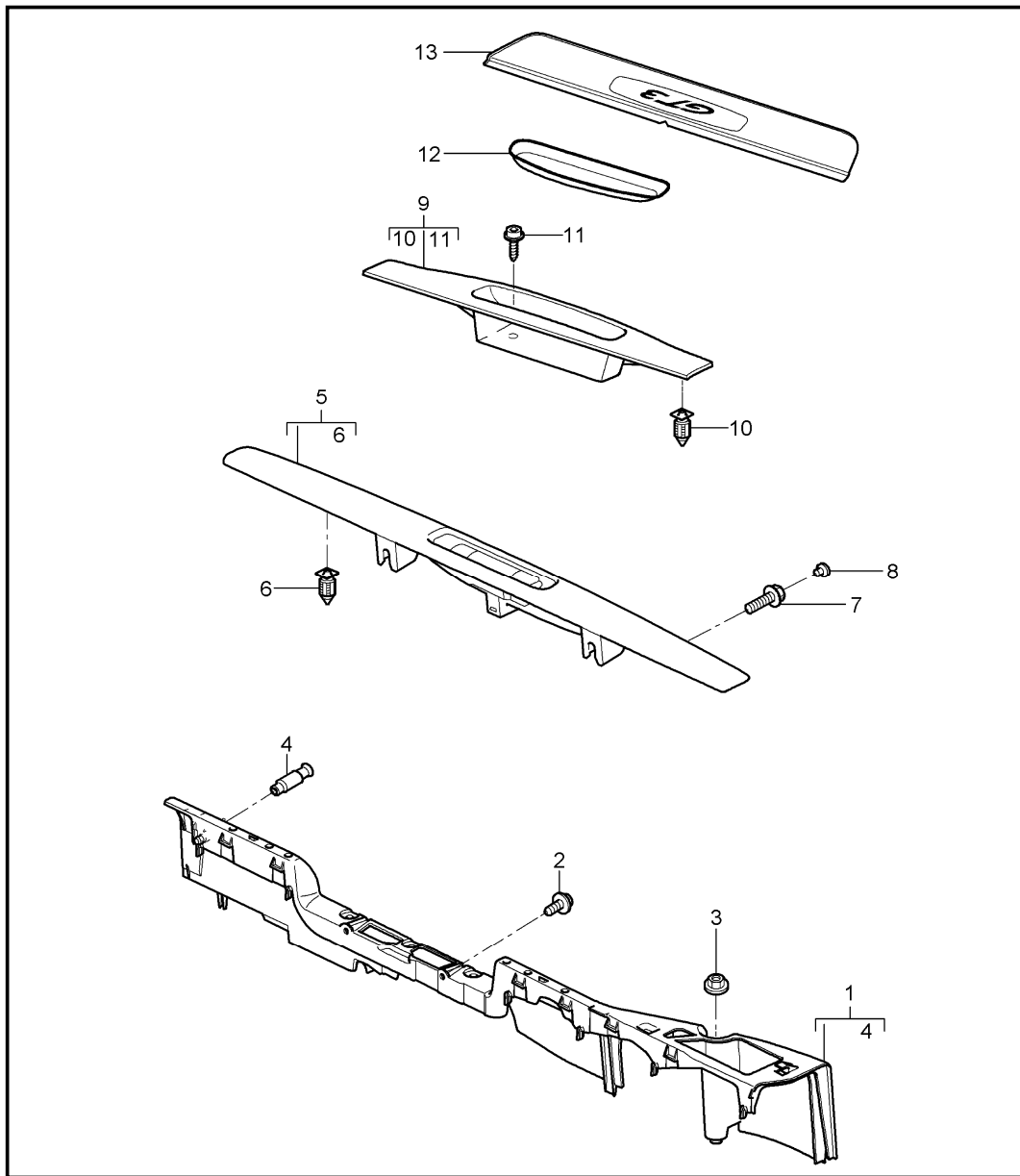


Pos	Part Number	Description	Remark	Qty	Model
1	997 551 011 08	carpet linings carpet carpet FLW black FMD dark grey/natural	/LL -09	1	I098
1	997 551 011 08	carpet carpet FLW black FMD dark grey/natural	/LL 10-	1	I098/703
(1)	997 551 011 09	carpet carpet FLW black FMD dark grey/natural	/RL -09	1	I099
(1)	997 551 011 09	carpet carpet FLW black FMD dark grey/natural	/RL 10-	1	I099/703
(1)	997 551 011 90	carpet carpet FLW black FMD dark grey/natural	/LL	1	I003/098
(1)	997 551 011 91	carpet carpet FLW black FMD dark grey/natural	/RL	1	I003/099
--	997 551 813 00	protective film carpet	/LL -07	1	
--	997 551 813 01	protective film carpet	/LL 08-	1	
--	997 551 815 00	protective film carpet	/RL	1	
2	997 551 211 01	foot support	/LL	1	

Model	Year	MG	SG	Illustration	Restrictions	UPD	15:55	26.01.2010	PORSCHE	PET	PORSCHE
GT3-2	2010	8	07	807-02		248					

Pos	Part Number	Description	Remark	Qty	Model	Pos	Part Number	Description	Remark	Qty	Model
3	999 076 081 40	plastic nut T5/16 X 11,2 for mount foot support	/LL	2		11	999 507 552 01	spring clamp 9,0 X 13/4,0		2	
4	997 551 611 00	cover foot support	/LL	1	I098	12	999 919 161 09	oval-head screw 5,0 X 18 for mount lining fusebox		3	
	01C	satin black				13	997 551 621 00	lid lining fusebox	/LL	1	I098
(4)	997 551 986 00	cover foot support	/LL	1	IXXZ/098		01C	satin black			
5	997 551 212 00	foot support	/RL	1	I099	(13)	997 551 622 00	lid lining fusebox	/RL	1	I099
6	999 073 060 02	tapping screw ST 4,8 X 13 for mount foot support	/RL	2	I099		01C	satin black			
7	999 591 485 01	speed nut ST 4,8 for mount foot support	/RL	2		(14)	997 551 712 02	support carpet	/LL	1	I098
8	997 551 612 00	cover foot support	/RL	1	I099	(14)	997 551 711 02	support carpet	/RL	1	I099
	01C	satin black				15	999 076 081 40	plastic nut T5/16 X 11,2 mount support carpet		2	
9	999 919 188 09	oval-head screw 5,0 X 30 for mount cover foot support	/RL	1	I099	16	--- --- --- ---	floor mats set see group TEG/8/07/06		1	
10	997 551 101 00	lining fusebox carpet	/LL	1	I098	17	999 902 054 40	fastening plate for floor mats		4	
	A10	black				18	964 551 751 00	support warning light	/RL	1	I099/193
	D11	dark grey/natural				(18)	997 551 852 00	support warning light	/LL	1	I098/193
(10)	997 551 102 00	lining fusebox carpet	/RL	1	I099	19	999 919 254 01	oval-head screw 4,0 x 36,5		2	I193
	A10	black									
	D11	dark grey/natural									

Model	Year	MG	SG	Illustration	Restrictions	UPD	15:55	26.01.2010	PORSCHE	PET	PORSCHE
GT3-2	2010	8	07	807-03		248					

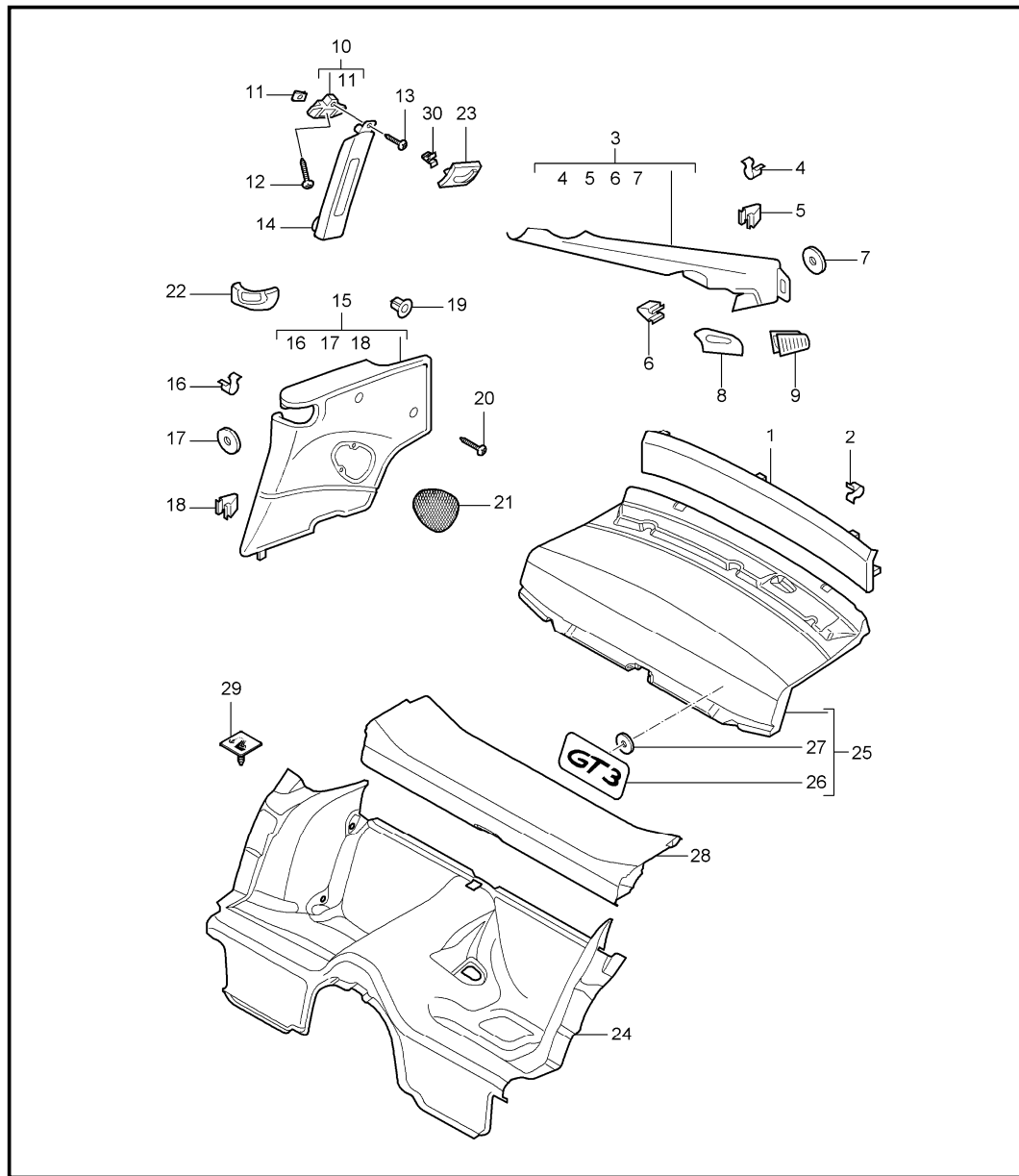


Pos	Part Number	Description	Remark	Qty	Model
1	997 551 619 02	lining door sill	/L	1	
(1)	997 551 620 01	support door sill	/R	1	
2	900 143 082 01	tapping screw ST 6,3 X 13 for mount support door sill		4	
3	999 076 081 40	plastic nut T5 16 X 11,2 for mount support door sill		2	
4	996 551 873 00	locating peg for mount support door sill		2	
5	997 551 019 04	lining door sill driver's side	/LL	1	I098
	A03	black			
(5)	997 551 019 05	lining door sill driver's side	/RL	1	I099
	A03	black			
(5)	997 551 982 00	lining door sill driver's side leather	/LL	10-	1 GT3 IXTG/098
	A11	black			
	D12	dark grey/natural			
(5)	997 551 982 01	lining door sill driver's side leather	/RL	10-	1 GT3 IXTG/099

Model	Year	MG	SG	Illustration	Restrictions	UPD	15:55	26.01.2010	PORSCHE	PET	PORSCHE
GT3-2	2010	8	07	807-03		248					

Pos	Part Number	Description	Remark	Qty	Model	Pos	Part Number	Description	Remark	Qty	Model
	A11	black					A03	black scuff plate exclusive without illumination see catalogue tequipment 8/07/06			
	D12	dark grey/natural									
6	999 507 484 40	expander nut 9 X 22		6							
7	999 067 046 01	combination screw M 6 X 20		2							
8	999 703 443 40	stopper 8,0 X 11		2		13	997 551 303 93	scuff plate lacquered	10-	2	GT3 RS I004
	01C	satin black					A03	black scuff plate exclusive without illumination see catalogue tequipment 8/07/06			
9	997 551 120 01	lining door sill passenger's side		1							
9	997 551 983 00	A03 black lining door sill passenger's side leather	10-	1	GT3 IXTG	(13)	997 551 990 36	scuff plate set stainless steel with illumination	10-	1	GT3 IXXB
	A11	black									
	D12	dark grey/natural									
10	999 507 484 40	expander nut 9 X 22		6		(13)	997 551 991 36	scuff plate set carbon with illumination	10-	1	GT3 IXXD
11	999 919 164 09	oval-head screw 5,0 X 12		1							
12	996 551 513 00	mat		1							
13	997 551 303 90	scuff plate lacquered		2	GT3						
	A03	black scuff plate exclusive without illumination see catalogue tequipment 8/07/06									
13	997 551 303 91	scuff plate lacquered	-08	2	GT3 RS I004						

Model	Year	MG	SG	Illustration	Restrictions	UPD	15:55	26.01.2010	PORSCHE	PET	PORSCHE
GT3-2	2010	8	07	807-05		248					



Pos	Part Number	Description	Remark	Qty	Model
1	997 555 081 00	linings rear rear wall carpet		1	I426
	A10	black			
	D11	dark grey/natural			
2	999 507 687 05	fixing clip 11,3		5	
3	997 555 187 00	lining c-pillar leatherette	/L	1	
	1MZ	black			
(3)	997 555 188 00	lining c-pillar leatherette	/R	1	
	1MZ	black			
3	997 555 187 01	lining c-pillar leather	/L	1	I981
	A11	black			
	D12	dark grey/natural			
(3)	997 555 188 01	lining c-pillar leather	/R	1	I981
	A11	black			
	D12	dark grey/natural			
4	999 507 533 02	clamp 8,0 X10,0/2,5		4	
5	999 507 479 01	clamp 2,5/09		6	
(5)	999 507 676 09	clamp 2,5/2,2 18,0		2	
6	999 651 307 01	cable clamp 18,0		2	
7	999 551 609 40	plastic washer 8,0 X 23 X 3,0		7	

Model	Year	MG	SG	Illustration	Restrictions	UPD	15:55	26.01.2010	PORSCHE	PET	PORSCHE
GT3-2	2010	8	07	807-05		248					

Pos	Part Number	Description	Remark	Qty	Model	Pos	Part Number	Description	Remark	Qty	Model
8	997 555 545 90	rosette seat belt rear	/L	1			1MZ	black			
	01C	satin black				14	997 555 183 01	lining b-pillar leather	/L	1	I981
(8)	997 555 546 90	rosette seat belt rear	/R	1			A11	black			
	01C	satin black					D12	dark grey/natural			
9	996 555 645 00	grille bleeding lacquered	/L	1		(14)	997 555 184 01	lining b-pillar leather	/R	1	I981
	A03	black					A11	black			
(9)	996 555 646 00	grille bleeding lacquered	/R	1		--	996 555 859 00	grommet b-pillar		2	
	A03	black				15	997 555 071 09	side trim panel leatherette	/L	1	
10	996 555 821 02	bracket coat hook	/L	1			1MZ	black			
(10)	996 555 822 02	bracket coat hook	/R	1		(15)	997 555 072 09	side trim panel leatherette	/R	1	
11	999 507 695 01	speed nut ST 4,8		2			1MZ	black			
12	999 073 128 01	tapping screw 6,3 X 14 mount bracket coat hook		2		15	997 555 071 10	side trim panel leather	/L	1	I981
(12)	999 025 268 01	washer 6,4 X 18 mount bracket coat hook	07-	2			FSA	black/grey			
							FSH	darkgrey natural/grey			
13	999 073 060 02	tapping screw 4,8 X 13		2		(15)	997 555 072 10	side trim panel leather	/R	1	I981
							FSA	black/grey			
							FSH	darkgrey natural/grey			
14	997 555 183 00	lining b-pillar leatherette	/L	1		16	999 507 479 01	clamp 2,5/0,88		2	
	1MZ	black				17	999 551 609 40	plastic washer 8,0 X 23 X 3,0		2	
(14)	997 555 184 00	lining b-pillar leatherette	/R	1		18	999 507 533 02	clamp 8.0 X 10 /2,5		1	
						19	999 507 050 40	expander nut ST 4,2		2	

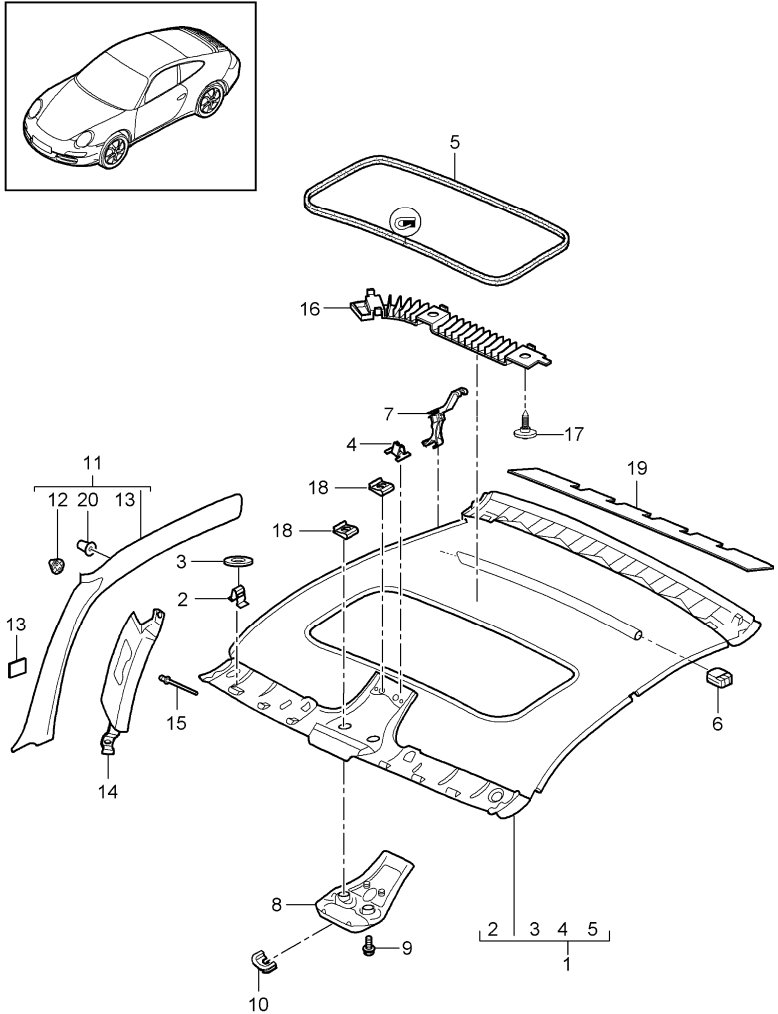
Model	Year	MG	SG	Illustration	Restrictions	UPD	15:55	26.01.2010	PORSCHE	PET	PORSCHE
GT3-2	2010	8	07	807-05		248					

Pos	Part Number	Description	Remark	Qty	Model	Pos	Part Number	Description	Remark	Qty	Model
20	999 073 142 09	tapping screw ST 4,2 X 19		2		(22)	997 555 998 02	rosette	/R	10-	1 GT3 IXDU
21	997 555 049 00	loudspeaker grille side trim panel lacquered	/L	1				seat belt leather			
	A03	black					A11	black			
	D12	dark grey/natural					D12	dark grey/natural			
(21)	997 555 050 00	loudspeaker grille side trim panel lacquered	/R	1		(22)	997 555 998 09	rosette seat belt	/L	10-	1 IXDR
	A03	black					G2X	prime coated			
(21)	997 555 049 01	loudspeaker grille side trim panel leather	/L	10-	1 GT3 IXVT	(22)	997 555 998 10	rosette seat belt	/R	10-	1 IXDR
	A11	black					G2X	prime coated			
	D12	dark grey/natural				(22)	997 555 998 21	rosette seat belt carbon	/L	10-	1 IXJJ
(21)	997 555 050 01	loudspeaker grille side trim panel leather	/R	10-	1 GT3 IXVT		A35	black			
	A11	black				(22)	997 555 998 22	rosette seat belt carbon	/R	10-	1 IXJJ
	D12	dark grey/natural					A35	black			
22	997 555 061 00	rosette seat belt lacquered	/L	1		23	997 555 573 00	coat hook lacquered	/L		1
	A03	black					A03	black			
(22)	997 555 062 00	rosette seat belt lacquered	/R	1		(23)	997 555 574 00	coat hook lacquered	/R		1
	A03	black					A03	black			
(22)	997 555 998 01	rosette seat belt leather	/L	10-	1 GT3 IXDU	24	997 551 021 90	adhesive carpet seat well carpet			1
	A11	black					A10	black			
	D12	dark grey/natural					D11	dark grey/natural			
						(25)	997 551 031 94	adhesive carpet rear wall carpet			1 GT3
							A10	black			
							D11	dark grey/natural			

Model	Year	MG	SG	Illustration	Restrictions	UPD	15:55	26.01.2010	PORSCHE	PET	PORSCHE
GT3-2	2010	8	07	807-05		248					

Pos	Part Number	Description	Remark	Qty	Model	Pos	Part Number	Description	Remark	Qty	Model
(25)	997 551 031 95	adhesive carpet rear wall carpet A10 black D11 dark grey/natural		1	GT3 I479	(28)	997 551 033 90	lining control units carpet A10 black		1	I003
(25)	997 551 031 97	adhesive carpet rear wall carpet A10 black	-08	1	GT3 RS I004	30	999 507 476 01	clamp 8,0 x 10 / 2,5 mount coat hook		2	
(25)	997 551 031 98	adhesive carpet rear wall carpet A10 black	10-	1	GT3 RS I004						
--	996 551 561 00	desk pad		1							
26	996 551 305 90	logo gt3 A03 black		1	GT3						
(26)	997 551 355 90	logo RS A03 black	-08	1	GT3 RS I004						
(26)	997 551 355 91	logo RS 3.8 A03 black	10-	1	GT3 RS I004						
27	997 551 897 01	lock washer for mount logo		3							
28	997 551 033 00	lining control units carpet A10 black D11 dark grey/natural		1							

Model	Year	MG	SG	Illustration	Restrictions	UPD	15:56	26.01.2010	PORSCHE	PET	PORSCHE
GT3-2	2010	8	07	807-08		248					

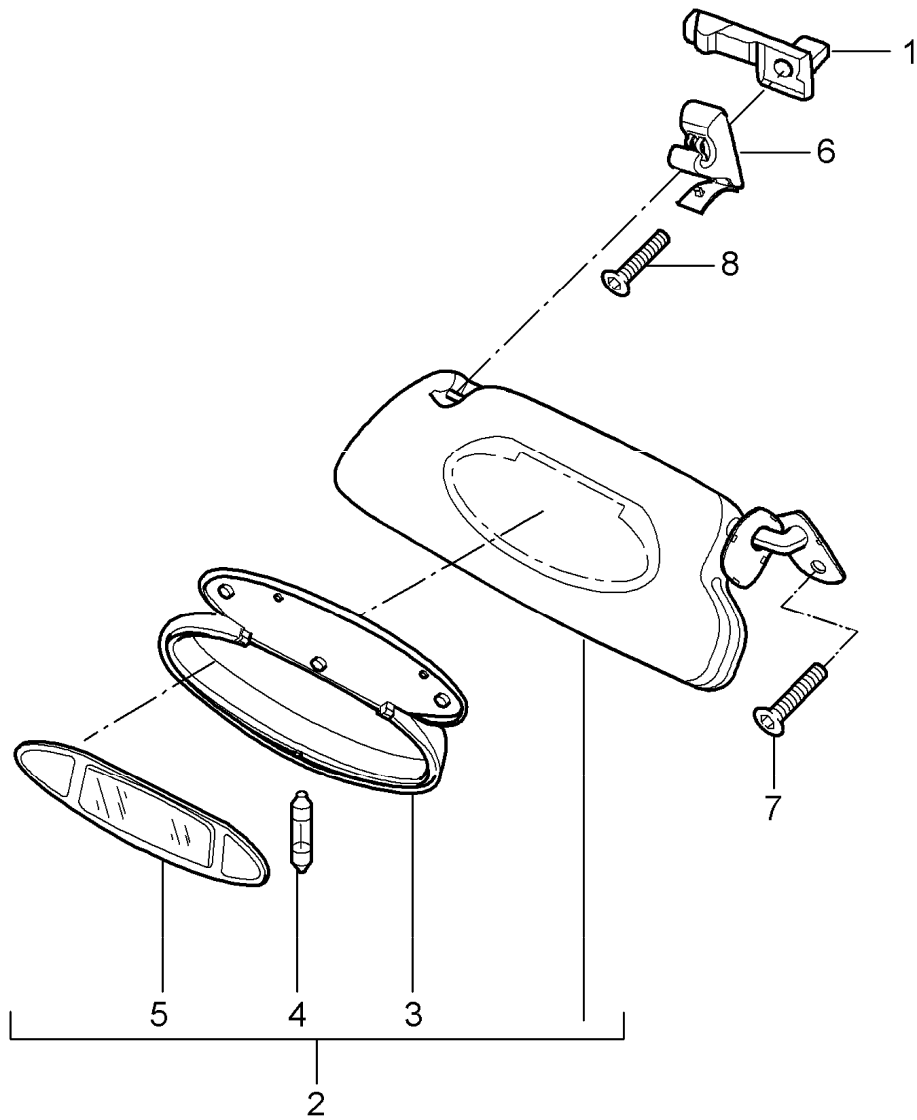


Pos	Part Number	Description	Remark	Qty	Model
1	997 555 091 02	rooflining a-pillar		1	I652
	A14	black			
(1)	997 555 091 03	rooflining alcantara	-08	1	GT3 I650
	A14	black			
(1)	997 555 980 02	rooflining leather	10-	1	GT3 IXMA/652
	A11	black			
	D12	dark grey/natural			
2	999 507 479 01	clamp 2,5/0,9		6	
3	999 551 609 40	plastic washer 8,0 X 23 X 3,0		6	
4	999 507 533 02	clamp 8 X 10/2,5	-08	2	GT3 I650
5	996 564 231 02	pipng	-08	1	GT3 I650
6	997 555 823 00	support transverse strut	-08	2	GT3 I650
7	996 555 691 02	clip mount rooflining		8	
(8)	996 555 557 09	cover interior light	-08	1	GT3 I650
	A03	black			
8	996 555 557 11	cover interior light		1	I652
	A03	black			
(8)	996 555 993 03	cover interior light	10-	1	GT3 IXZD/652

Model	Year	MG	SG	Illustration	Restrictions	UPD	15:56	26.01.2010	PORSCHE	PET	PORSCHE
GT3-2	2010	8	07	807-08		248					

Pos	Part Number	Description	Remark	Qty	Model	Pos	Part Number	Description	Remark	Qty	Model
	A11	black				19	997 556 603 00	sound absorber tensioner rear		1	
	D12	dark grey/natural									
9	999 073 061 02	tapping screw 4,8 X 16		X		20	997 555 857 00	grommet a-pillar		x	
10	996 555 619 00	grommet wiring harness rain sensor		1							
(11)	997 555 181 04	lining a-pillar leatherette	/L	1							
	1MZ	black									
(11)	997 555 182 04	lining a-pillar leatherette	/R	1							
	1MZ	black									
(11)	997 555 181 05	lining a-pillar leather	/L	1	I981						
	A11	black									
	D12	dark grey/natural									
(11)	997 555 182 05	lining a-pillar leather	/R	1	I981						
	A11	black									
	D12	dark grey/natural									
12	999 507 681 01	clamp 2,5/3,0		5							
(12)	999 507 839 01	clamp 3,5		2							
(12)	999 507 047 09	clamp 3,6		3							
13	999 551 134 40	adhesive tape 20 X 65		5							
15	999 190 184 01	blind rivet 4,0 X 8,5		8							
18	999 591 348 01	speed nut St 4,8		X							

Model	Year	MG	SG	Illustration	Restrictions	UPD	15:56	26.01.2010	PORSCHE	PET	PORSCHE
GT3-2	2010	8	07	807-09		248					

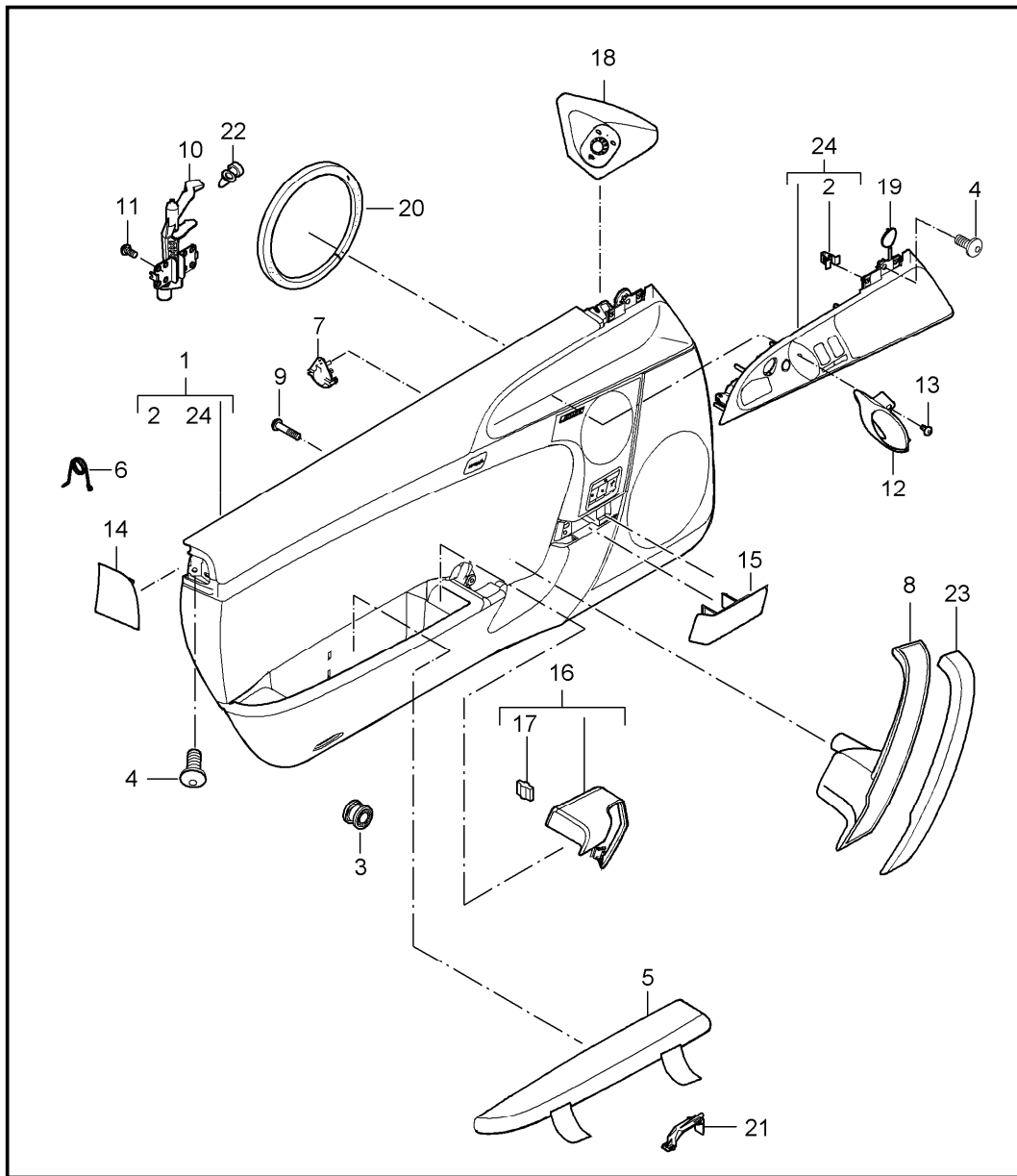


Pos	Part Number	Description	Remark	Qty	Model
1	986 731 541 01	sun visors plate for sun visors		2	
2	997 731 031 15	sun visor leatherette	/L	1	
	A12	black			
(2)	997 731 032 15	sun visor leatherette	/R	1	
	A12	black			
(2)	997 731 981 00	sun visor leather	/L	10-	1 GT3 IXMP
	A11	black			
	D12	dark grey/natural			
(2)	997 731 982 00	sun visor leather	/R	10-	1 GT3 IXMP
	A11	black			
	D12	dark grey/natural			
3	996 731 903 00	mirror housing with illumination	-08	1	
	01C	satin black			
(3)	996 731 903 00	mirror housing with illumination	10-	1	
	01C	satin black			
4	999 631 147 90	bulb 3 W		4	
5	996 731 531 01	mirror glass with frame		2	
	01C	satin black			
6	996 731 341 00	support sun visor	/L	1	
	01C	satin black			

Model	Year	MG	SG	Illustration	Restrictions	UPD	15:56	26.01.2010	PORSCHE	PET	PORSCHE
GT3-2	2010	8	07	807-09		248					

Pos	Part Number	Description	Remark	Qty	Model	Pos	Part Number	Description	Remark	Qty	Model
(6)	996 731 342 00	support sun visor	/R	1							
	01C	satin black									
7	999 073 326 09	oval-head screw M 5 X 10		2							
(7)	999 500 093 02	nut M 5		2							
8	999 919 120 09	oval-head screw 4 x 18		1							

Model	Year	MG	SG	Illustration	Restrictions	UPD	15:56	26.01.2010	PORSCHE	PET	PORSCHE
GT3-2	2010	8	07	807-10		248					



Pos	Part Number	Description	Remark	Qty	Model
		door trim panel accessories for cars with sports seat			I375/376/377 I378/388/389 GT3 RS I004
		door trim panel accessories for cars with sports seat see illustrations 8/07/12		10-	
1	997 555 201 00	door trim panel leatherette	/LL/L	09-	1 I098/375/377 I441
		9L4 black			
1	997 555 201 00	door trim panel leatherette	/LL/L	10-	1 I098/388/441
		9L4 black			
1	997 555 201 04	door trim panel leatherette	/LL/L		1 I098/375/377 I490
		9L4 black			
1	997 555 201 04	door trim panel leatherette	/LL/L	10-	1 I098/388/490
		9L4 black			
(1)	997 555 202 24	door trim panel leatherette	/LL/R	09-	1 I098/376/378 I441
		9L4 black			
(1)	997 555 202 24	door trim panel leatherette	/LL/R	10-	1 I098/389/441
		9L4 black			
(1)	997 555 202 26	door trim panel leatherette	/LL/R		1 I098/376/378 I490
		9L4 black			
(1)	997 555 202 26	door trim panel leatherette	/LL/R	10-	1 I098/389/490
		9L4 black			

Model	Year	MG	SG	Illustration	Restrictions	UPD	15:56	26.01.2010	PORSCHE	PET	PORSCHE
GT3-2	2010	8	07	807-10		248					

Pos	Part Number	Description	Remark	Qty	Model	Pos	Part Number	Description	Remark	Qty	Model
(1)	997 555 202 00	door trim panel leatherette 9L4 black	/RL/R 09-	1	I099/376/378 I441		FSM	black/black			
(1)	997 555 202 00	door trim panel leatherette 9L4 black	/RL/R 10-	1	I099/389/441	(1)	997 555 202 52	door trim panel leather/ alcantara	/LL/R 10-	1	-IXVT/I098/ I376/378/981
(1)	997 555 202 04	door trim panel leatherette 9L4 black	/RL/R	1	I099/376/378 I490	(1)	997 555 202 52	door trim panel leather/ alcantara	/LL/R 10-	1	-IXVT/I098/ I389/981
(1)	997 555 202 04	door trim panel leatherette 9L4 black	/RL/R 10-	1	I099/389/490		FSM	black/black			
(1)	997 555 201 24	door trim panel leatherette 9L4 black	/RL/L 09-	1	I099/375/377 I441	(1)	997 555 202 50	door trim panel leather/ alcantara	/RL/R 10-	1	-IXVT/I099/ I376/378/981
(1)	997 555 201 24	door trim panel leatherette 9L4 black	/RL/L 10-	1	I099/388/441		FSM	black/black			
(1)	997 555 201 26	door trim panel leatherette 9L4 black	/RL/L	1	I099/375/377 I490	(1)	997 555 202 50	door trim panel leather/ alcantara	/RL/R 10-	1	-IXVT/I099/ I389/981
(1)	997 555 201 26	door trim panel leatherette 9L4 black	/RL/L 10-	1	I099/388/490		FSM	black/black			
1	997 555 201 50	door trim panel leather/ alcantara	/LL/L 10-	1	-IXVT/I098/ I375/377/981		FSN	dark grey natural/black			
1	997 555 201 50	door trim panel leather/ alcantara	/LL/L 10-	1	-IXVT/I098/ I388/981	(1)	997 555 201 52	door trim panel leather/ alcantara	/RL/L 10-	1	-IXVT/I099/ I375/377/981
							FSM	black/black			
							FSN	dark grey natural/black			
						(1)	997 555 201 52	door trim panel leather/ alcantara	/RL/L 10-	1	-IXVT/I099/ I388/981
							FSM	black/black			
							FSN	dark grey natural/black			

Model	Year	MG	SG	Illustration	Restrictions	UPD	15:56	26.01.2010	PORSCHE	PET	PORSCHE
GT3-2	2010	8	07	807-10		248					

Pos	Part Number	Description	Remark	Qty	Model	Pos	Part Number	Description	Remark	Qty	Model
(1)	997 555 981 50	door trim panel leather A11 black D12 dark grey/natural	/LL/L	10-	1 IXVT/098/375 I377/981	(1)	997 555 981 55	door trim panel leather A11 black D12 dark grey/natural	/RL/L	10-	1 IXTV/XVT/099 I375/377/981
(1)	997 555 982 51	door trim panel leather A11 black D12 dark grey/natural	/LL/R	10-	1 IXVT/098/376 I378/981	(1)	997 555 981 58	door trim panel leather A11 black D12 dark grey/natural	/LL/L	10-	1 IXGE/XVT/098 I375/377/981
(1)	997 555 982 50	door trim panel leather A11 black D12 dark grey/natural	/RL/R	10-	1 IXVT/099/376 I378/981	(1)	997 555 982 58	door trim panel leather A11 black D12 dark grey/natural	/LL/R	10-	1 IXGE/XVT/098 I376/378/981
(1)	997 555 981 51	door trim panel leather A11 black D12 dark grey/natural	/RL/L	10-	1 IXVT/099/376 I378/981	(1)	997 555 982 59	door trim panel leather A11 black D12 dark grey/natural	/RL/R	10-	1 IXGE/XVT/099 I376/378/981
(1)	997 555 981 54	door trim panel leather A11 black D12 dark grey/natural	/LL/L	10-	1 IXTV/XVT/098 I375/377/981	(1)	997 555 981 59	door trim panel leather A11 black D12 dark grey/natural	/RL/L	10-	1 IXGE/XVT/099 I375/377/981
(1)	997 555 982 55	door trim panel leather A11 black D12 dark grey/natural	/LL/R	10-	1 IXTV/XVT/098 I376/378/981	2	999 507 533 02	clamp 8,0X 10/2,5			2
(1)	997 555 982 54	door trim panel leather A11 black D12 dark grey/natural	/RL/R	10-	1 IXTV/XVT/099 I376/378/981	3	955 555 243 00	fixing clip for mount door trim panel			9
						4	999 073 322 02	oval-head screw M 6 X 20 for mount door trim panel			5
						(5)	997 555 221 02	lid shelf	/L	10-	1 I375/377/388

Model	Year	MG	SG	Illustration	Restrictions	UPD	15:56	26.01.2010	PORSCHE	PET	PORSCHE
GT3-2	2010	8	07	807-10		248					

Pos	Part Number	Description	Remark	Qty	Model	Pos	Part Number	Description	Remark	Qty	Model
(5)	997 555 222 02	FS0 black lid shelf	/R 10-	1	I376/378/389	11	999 919 164 09	oval-head screw 5 X 12 for mount axle bearing		3	
6	997 555 833 00	FS0 black steering knuckle spring for lid shelf	/L	1	I375/377/388	12	997 555 461 01	lever door opener	/L 10-	1	I375/377/388
(6)	997 555 834 00	steering knuckle spring for lid shelf	/R	1	I376/378/389	(12)	997 555 462 01	lever door opener	/R 10-	1	I376/378/389
7	997 555 841 00	damper shelf		1	I375/376/377 I378/388/389	13	999 919 164 09	oval-head screw 5 X 12 for mount lever door opener		1	
8	997 555 261 02	handle lower part	/L 10-	1	I375/377/388	14	997 555 683 00	cap airbag	/L	1	
(8)	997 555 262 02	A14 black handle lower part	/R 10-	1	I376/378/389		A03	black			
9	999 919 229 02	A14 black oval-head screw 6,0 X 40,0 for mount handle		2		(14)	997 555 684 00	cap airbag	/R	1	
10	997 555 381 02	axle bearing valid up to: F >>99AS7 80076	/L	1			A03	black	/L	1	
10	997 555 382 02	axle bearing valid up to: F >>99AS7 80076	/R	1		15	997 555 643 01	cover front lacquered	/L	1	
(10)	997 555 381 03	axle bearing valid from: F 99AS7 80077>>	/L	1		(15)	997 555 644 01	cover front lacquered	/R	1	
(10)	997 555 382 03	axle bearing valid from: F 99AS7 80077>>	/R	1			A03	black			
						(15)	997 555 643 02	cover front leather	/L 10-	1	IXVT
							A11	black			
							D12	dark grey/natural			
						(15)	997 555 644 02	cover front leather	/R 10-	1	IXVT

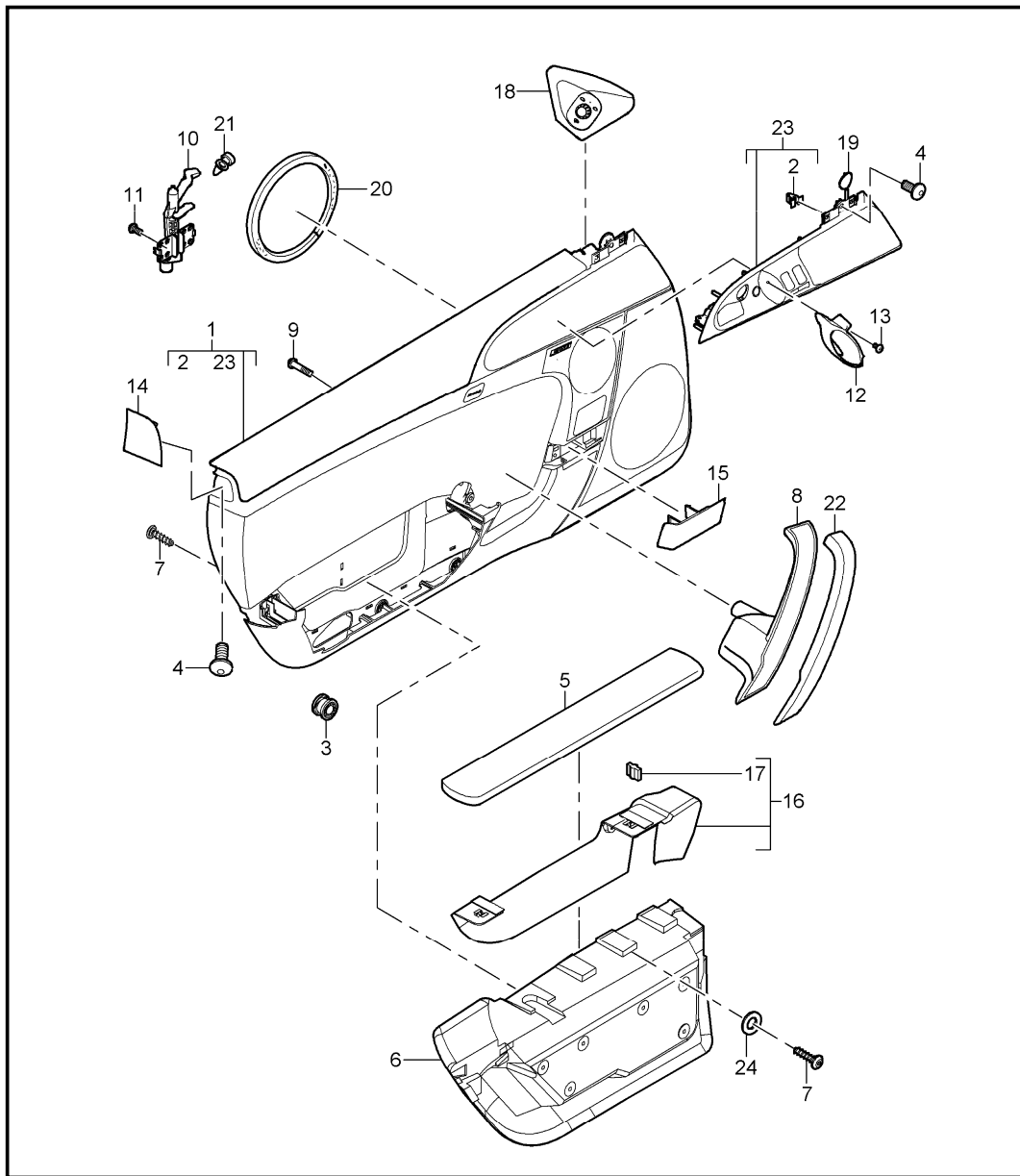
Model	Year	MG	SG	Illustration	Restrictions	UPD	15:56	26.01.2010	PORSCHE	PET	PORSCHE
GT3-2	2010	8	07	807-10		248					

Pos	Part Number	Description	Remark	Qty	Model	Pos	Part Number	Description	Remark	Qty	Model
	A11	black				(18)	997 555 685 03	cover door mirror passenger's side lacquered	/RL	1	I099
	D12	dark grey/natural					A03	black			
(16)	997 555 431 03	cover door handle	/L	10-	1 I375/377/388	(18)	997 555 996 00	cover door mirror passenger's side leather	/LL	10-	1 IXDX/098
	FSO	black					A11	black			
(16)	997 555 432 03	cover door handle	/R	10-	1 I376/378/389		D12	dark grey/natural			
	FSO	black				17	999 591 380 01	cable clamp		4	
18	997 555 685 02	cover door mirror driver's side lacquered	/LL		1 I098	(18)	997 555 995 01	cover door mirror passenger's side leather	/RL	10-	1 IXDX/099
	A03	black					A11	black			
(18)	997 555 686 03	cover door mirror driver's side lacquered	/RL		1 I099		D12	dark grey/natural			
	A03	black				19	997 555 577 00	cap handle liner			1
(18)	997 555 995 00	cover door mirror driver's side leather	/LL	10-	1 IXDX/098		A03	black			
	A11	black				20	997 555 895 00	plastic foam strip for woofer			1
	D12	dark grey/natural				21	997 555 597 00	spacer lid hinge			2 I375/376/377 I378
(18)	997 555 996 01	cover door mirror driver's side leather	/RL	10-	1 IXDX/099	21	997 555 597 00	spacer lid hinge		10-	2 I388/389
	A11	black				22	999 702 281 41	grommet axle bearing			1
	D12	dark grey/natural				(23)	997 555 271 02	handle upper part	/L	10-	1 I375/377/388
(18)	997 555 686 02	cover door mirror passenger's side lacquered	/LL		1 I098		FSO	black			
	A03	black				(23)	997 555 272 02	handle upper part	/R	10-	1 I376/378/389
							FSO	black			
						24	997 555 351 03	insert handle liner lacquered	/LL/L		1 I098

Model	Year	MG	SG	Illustration	Restrictions	UPD	15:56	26.01.2010	PORSCHE	PET	PORSCHE
GT3-2	2010	8	07	807-10		248					

Pos	Part Number	Description	Remark	Qty	Model	Pos	Part Number	Description	Remark	Qty	Model
	A03	black				(24)	997 555 986 03	insert handle liner carbon	/LL/R	1	IXGE/098
24	997 555 352 04	insert handle liner lacquered	/LL/R	1	I098		A35	black			
	A03	black				(24)	997 555 986 04	insert handle liner carbon	/RL/R	1	IXGE/099
(24)	997 555 352 03	insert handle liner lacquered	/RL/R	1	I099		A35	black			
	A03	black				(24)	997 555 985 05	insert handle liner carbon	/RL/L	1	IXGE/099
(24)	997 555 351 04	insert handle liner lacquered	/RL/L	1	I099		A35	black			
	A03	black									
24	997 555 985 00	insert handle liner leather	/LL/L	1	IXTV/098						
	A11	black									
	D12	dark grey/natural									
(24)	997 555 986 00	insert handle liner leather	/LL/R	1	IXTV/098						
	A11	black									
	D12	dark grey/natural									
(24)	997 555 986 01	insert handle liner leather	/RL/R	1	IXTV/099						
	A11	black									
	D12	dark grey/natural									
(24)	997 555 985 02	insert handle liner leather	/RL/L	1	IXTV/099						
	A11	black									
	D12	dark grey/natural									
24	997 555 985 03	insert handle liner carbon	/LL/L	1	IXGE/098						
	A35	black									

Model	Year	MG	SG	Illustration	Restrictions	UPD	15:56	26.01.2010	PORSCHE	PET	PORSCHE
GT3-2	2010	8	07	807-11		248					



Pos	Part Number	Description	Remark	Qty	Model
		door trim panel accessories for cars with bucket seat gt			I384/385
		door trim panel accessories for cars with bucket seat gt see illustrations 8/07/13		10-	GT3 RS I004/384/385
(1)	997 555 201 58	door trim panel leatherette	/LL/L	09-	1 I098/384/441
		9L4 black			
(1)	997 555 201 67	door trim panel leatherette	/LL/L		1 I098/384/490
		9L4 black			
(1)	997 555 202 59	door trim panel leatherette	/LL/R	09-	1 I098/385/441
		9L4 black			
(1)	997 555 202 70	door trim panel leatherette	/LL/R		1 I098/385/490
		9L4 black			
(1)	997 555 202 58	door trim panel leatherette	/RL/R	09-	1 I099/385/441
		9L4 black			
(1)	997 555 202 67	door trim panel leatherette	/RL/R		1 I099/385/490
		9L4 black			
(1)	997 555 201 59	door trim panel leatherette	/RL/L	09-	1 I099/384/441
		9L4 black			
(1)	997 555 201 70	door trim panel leatherette	/RL/L		1 I099/384/490
		9L4 black			

Model	Year	MG	SG	Illustration	Restrictions	UPD	15:56	26.01.2010	PORSCHE	PET	PORSCHE
GT3-2	2010	8	07	807-11		248					

Pos	Part Number	Description	Remark	Qty	Model	Pos	Part Number	Description	Remark	Qty	Model
(1)	997 555 201 62	door trim panel leather/ alcantara FSM black/black FSN dark grey natural/black	/LL/L	10-	1 -IXVT/I098/ I384/490/981		D12	dark grey/natural			
(1)	997 555 202 63	door trim panel leather/ alcantara FSM black/black FSN dark grey natural/black	/LL/R	10-	1 -IXVT/I098/ I385/490/981	(1)	997 555 981 53	door trim panel leather A11 black D12 dark grey/natural	/RL/L	10-	1 IXVT/099/384 I490/981
(1)	997 555 202 62	door trim panel leather/ alcantara FSM black/black FSN dark grey natural/black	/RL/R	10-	1 -IXVT/I099/ I385/490/981	(1)	997 555 981 56	door trim panel leather A11 black D12 dark grey/natural	/LL/L	10-	1 IXTV/XVT/098 I384/490/981
(1)	997 555 201 63	door trim panel leather/ alcantara FSM black/black FSN dark grey natural/black	/RL/L	10-	1 -IXVT/I099/ I384/490/981	(1)	997 555 982 56	door trim panel leather A11 black D12 dark grey/natural	/LL/R	10-	1 IXTV/XVT/098 I385/490/981
(1)	997 555 981 52	door trim panel leather A11 black D12 dark grey/natural	/LL/L	10-	1 IXVT/098/384 I490/981	(1)	997 555 982 57	door trim panel leather A11 black D12 dark grey/natural	/RL/R	10-	1 IXTV/XVT/099 I385/490/981
(1)	997 555 982 53	door trim panel leather A11 black D12 dark grey/natural	/LL/R	10-	1 IXVT/098/385 I490/981	(1)	997 555 981 57	door trim panel leather A11 black D12 dark grey/natural	/RL/L	10-	1 IXTV/XVT/099 I384/490/981
(1)	997 555 982 52	door trim panel leather A11 black	/RL/R	10-	1 IXVT/099/385 I490/981	(1)	997 555 981 60	door trim panel leather A11 black D12 dark grey/natural	/LL/L	10-	1 IXGE/XVT/098 I384/981
						(1)	997 555 982 60	door trim panel leather A11 black D12 dark grey/natural	/LL/R	10-	1 IXGE/XVT/098 I385/981

Model	Year	MG	SG	Illustration	Restrictions	UPD	15:56	26.01.2010	PORSCHE	PET	PORSCHE
GT3-2	2010	8	07	807-11		248					

Pos	Part Number	Description	Remark	Qty	Model	Pos	Part Number	Description	Remark	Qty	Model
(1)	997 555 982 61	door trim panel leather A11 black D12 dark grey/natural	/RL/R	10-	1 IXGE/XVT/099 I385/981	6	997 555 491 90	padding door trim panel FSA black/grey FSH darkgrey natural/grey	/L	1	I384
(1)	997 555 981 61	door trim panel leather A11 black D12 dark grey/natural	/RL/L	10-	1 IXGE/XVT/099 I384/981	(6)	997 555 492 90	padding door trim panel FSA black/grey FSH darkgrey natural/grey	/R	1	I385
2	999 507 533 02	clamp 8,0X 10/2,5		2		7	999 919 237 00	oval-head screw 5 x 20		X	I384/385
3	955 555 243 00	fixing clip for mount door trim panel		9		8	997 555 261 02	handle lower part A14 black	/L	10-	1 I384
4	999 073 322 02	oval-head screw M 6 X 20 for mount door trim panel		5		(8)	997 555 262 02	handle lower part A14 black	/R	10-	1 I385
5	997 555 241 90	armrest alcantara valid up to: F >>997S7 90648 A14 black	/L	1	I384	9	999 919 229 02	oval-head screw 6,0 X 40,0 for mount handle		2	
5	997 555 242 90	armrest alcantara valid up to: F >>997S7 90648 A14 black	/R	1	I385	10	997 555 381 02	axle bearing valid up to: F >>99AS7 80076	/L	1	
5	997 555 241 91	armrest alcantara valid from: F 997S7 90649>> A14 black	/L	1	I384	(10)	997 555 382 02	axle bearing valid up to: F >>99AS7 80076	/R	1	
5	997 555 242 91	armrest alcantara valid from: F 997S7 90649>> A14 black	/R	1	I385	(10)	997 555 381 03	axle bearing valid from: F 99AS7 80077>>	/L	1	
						(10)	997 555 382 03	axle bearing valid from: F 99AS7 80077>>	/R	1	
						11	999 919 164 09	oval-head screw 5 X 12 for mount axle bearing		3	
						12	997 555 461 01	lever door opener	/L	10-	1 I384

Model	Year	MG	SG	Illustration	Restrictions	UPD	15:56	26.01.2010	PORSCHE	PET	PORSCHE
GT3-2	2010	8	07	807-11		248					

Pos	Part Number	Description	Remark	Qty	Model	Pos	Part Number	Description	Remark	Qty	Model
	V05	galvano silver				(16)	997 555 432 90	cover padding valid up to: F >>997S7 90648	/R	1	I385
(12)	997 555 462 01	lever door opener	/R 10-	1	I385		A14	black			
	V05	galvano silver				(16)	997 555 431 91	cover padding valid from: F 997S7 90649>>	/L	1	I385
13	999 919 164 09	oval-head screw 5 X 12 for mount lever door opener		1			A14	black			
14	997 555 683 00	cap airbag	/L	1		(16)	997 555 432 91	cover padding valid from: F 997S7 90649>>	/R	1	I385
	A03	black					A14	black			
(14)	997 555 684 00	cap airbag	/R	1		17	999 591 380 01	cable clamp		4	
	A03	black				18	997 555 685 02	cover door mirror driver's side lacquered	/LL	1	I098
15	997 555 643 01	cover front lacquered	/L	1			A03	black			
(15)	997 555 644 01	cover front lacquered	/R	1		(18)	997 555 686 03	cover door mirror driver's side lacquered	/RL	1	I099
	A03	black					A03	black			
(15)	997 555 643 02	cover front leather	/L 10-	1	IXVT	(18)	997 555 995 00	cover door mirror driver's side leather	/LL 10-	1	IXDX/098
	A11	black					A11	black			
	D12	dark grey/natural					D12	dark grey/natural			
(15)	997 555 644 02	cover front leather	/R 10-	1	IXVT	(18)	997 555 996 01	cover door mirror driver's side leather	/RL 10-	1	IXDX/099
	A11	black					A11	black			
	D12	dark grey/natural					D12	dark grey/natural			
(16)	997 555 431 90	cover padding valid up to:	/L	1	I384		A11	black			
	A14	black					D12	dark grey/natural			

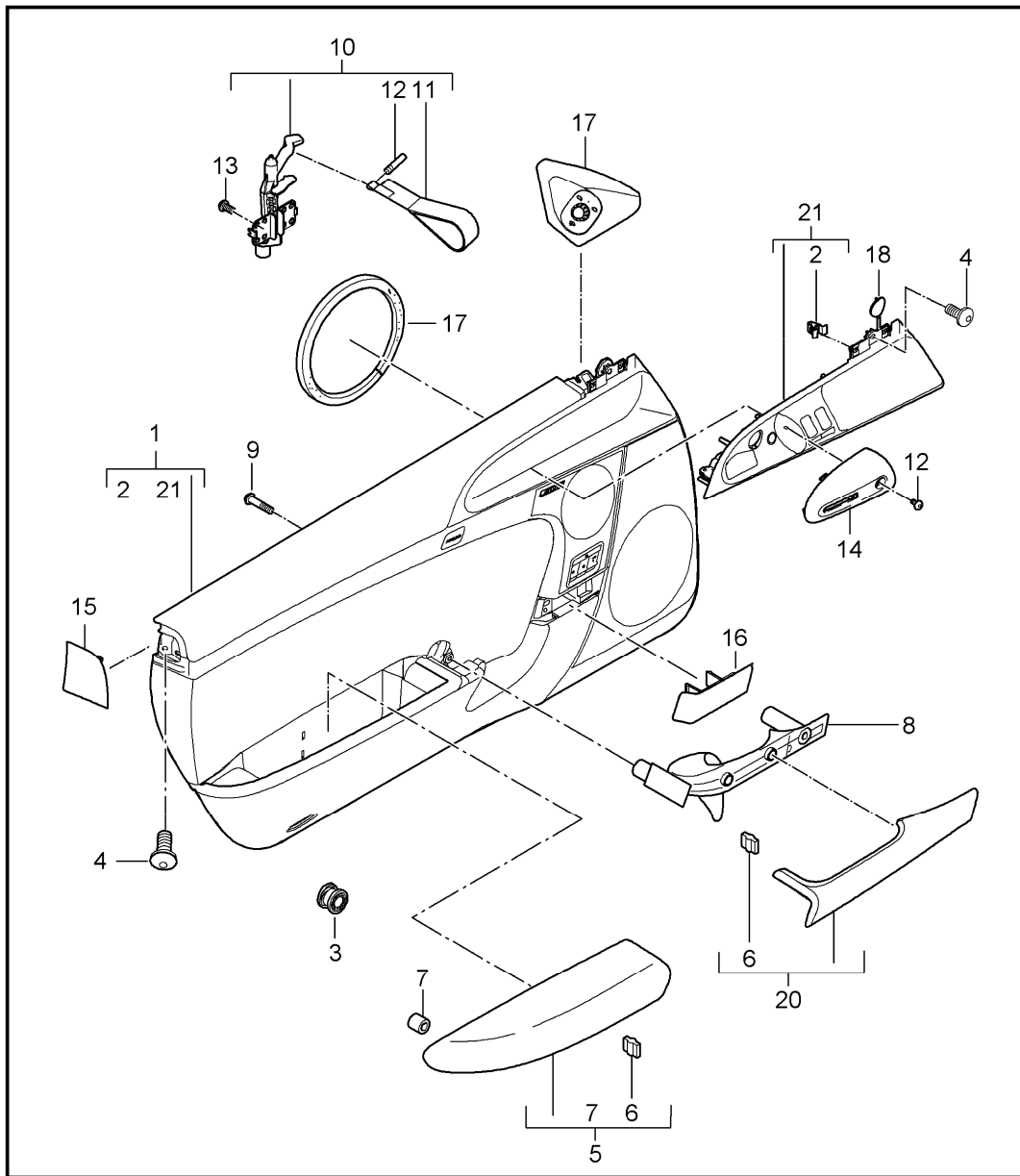
Model	Year	MG	SG	Illustration	Restrictions	UPD	15:56	26.01.2010	PORSCHE	PET	PORSCHE
GT3-2	2010	8	07	807-11		248					

Pos	Part Number	Description	Remark	Qty	Model	Pos	Part Number	Description	Remark	Qty	Model
(18)	997 555 686 02	cover door mirror passenger's side lacquered	/LL	1	I098		A03	black			
	A03	black				23	997 555 352 04	insert handle liner lacquered	/LL/R	1	I098
(18)	997 555 685 03	cover door mirror passenger's side lacquered	/RL	1	I099		A03	black			
	A03	black				(23)	997 555 352 03	insert handle liner lacquered	/RL/R	1	I099
(18)	997 555 996 00	cover door mirror passenger's side leather	/LL	10-	1 IXDX/098		A03	black			
	A11	black				(23)	997 555 351 04	insert handle liner lacquered	/RL/L	1	I099
	D12	dark grey/natural					A03	black			
(18)	997 555 995 01	cover door mirror passenger's side leather	/RL	10-	1 IXDX/099		23	997 555 985 00	insert handle liner leather	/LL/L	1 IXTV/098
	A11	black					A11	black			
	D12	dark grey/natural					D12	dark grey/natural			
19	997 555 577 00	cap handle liner		1			(23)	997 555 986 00	insert handle liner leather	/LL/R	1 IXTV/098
	A03	black					A11	black			
20	997 555 895 00	plastic foam strip for woofer		1			D12	dark grey/natural			
21	999 702 281 41	grommet axle bearing		1			(23)	997 555 986 01	insert handle liner leather	/RL/R	1 IXTV/099
(22)	997 555 271 02	handle upper part	/L	10-	1 I385		A11	black			
	FSO	black					D12	dark grey/natural			
(22)	997 555 272 02	handle upper part	/R	10-	1 I385		(23)	997 555 985 02	insert handle liner leather	/RL/L	1 IXTV/099
	FSO	black					A11	black			
23	997 555 351 03	insert handle liner lacquered	/LL/L	1	I098		D12	dark grey/natural			
						23	997 555 985 03	insert handle liner carbon	/LL/L	1	IXGE/098
							A35	black			

Model	Year	MG	SG	Illustration	Restrictions	UPD	15:56	26.01.2010	PORSCHE	PET	PORSCHE
GT3-2	2010	8	07	807-11		248					

Pos	Part Number	Description	Remark	Qty	Model	Pos	Part Number	Description	Remark	Qty	Model
23	997 555 986 03	insert handle liner carbon	/LL/R	1	IXGE/098						
	A35	black									
(23)	997 555 986 04	insert handle liner carbon	/RL/R	1	IXGE/099						
	A35	black									
(23)	997 555 985 05	insert handle liner carbon	/RL/L	1	IXGE/098						
	A35	black									
24	900 151 027 03	washer		7							

Model	Year	MG	SG	Illustration	Restrictions	UPD	15:56	26.01.2010	PORSCHE	PET	PORSCHE
GT3-2	2010	8	07	807-12		248					



Pos	Part Number	Description	Remark	Qty	Model
		door trim panel		10-	GT3 RS I004/375/376 I377/378/388 I389
		accessories			
1	997 555 201 90	door trim panel	/LL/L	10-	1 GT3 RS I004/098/377 I441
		leatherette			
		9L4 black			
1	997 555 201 90	door trim panel	/LL/L	10-	1 GT3 RS I004/098/388 I441
		leatherette			
		9L4 black			
1	997 555 201 92	door trim panel	/LL/L	10-	1 GT3 RS I004/098/377 I490
		leatherette			
		9L4 black			
1	997 555 201 92	door trim panel	/LL/L	10-	1 GT3 RS I004/098/388 I490
		leatherette			
		9L4 black			
(1)	997 555 202 94	door trim panel	/LL/R	10-	1 GT3 RS I004/098/378 I441
		leatherette			
		9L4 black			
(1)	997 555 202 94	door trim panel	/LL/R	10-	1 GT3 RS I004/098/389 I441
		leatherette			
		9L4 black			
(1)	997 555 202 95	door trim panel	/LL/R	10-	1 GT3 RS I004/098/378 I490
		leatherette			
		9L4 black			

Model	Year	MG	SG	Illustration	Restrictions	UPD	15:56	26.01.2010	PORSCHE	PET	PORSCHE
GT3-2	2010	8	07	807-12		248					

Pos	Part Number	Description	Remark	Qty	Model	Pos	Part Number	Description	Remark	Qty	Model
(1)	997 555 202 95	door trim panel leatherette 9L4 black	/LL/R	10-	1 GT3 RS I004/098/389 I490	(1)	997 555 201 95	door trim panel leatherette 9L4 black	/RL/L	10-	1 GT3 RS I004/099/388 I490
(1)	997 555 202 90	door trim panel leatherette 9L4 black	/RL/R	10-	1 GT3 RS I004/099/378 I441	1	997 555 201 A9	door trim panel leather/ alcantara FSM black/black	/LL/L	10-	1 GT3 RS I004/098/377 I981
(1)	997 555 202 90	door trim panel leatherette 9L4 black	/RL/R	10-	1 GT3 RS I004/099/389 I441	1	997 555 201 A9	door trim panel leather/ alcantara FSM black/black	/LL/L	10-	1 GT3 RS I004/098/388 I981
(1)	997 555 202 92	door trim panel leatherette 9L4 black	/RL/R	10-	1 GT3 RS I004/099/378 I490	(1)	997 555 202 B9	door trim panel leather/ alcantara FSM black/black	/LL/R	10-	1 GT3 RS I004/098/378 I981
(1)	997 555 202 92	door trim panel leatherette 9L4 black	/RL/R	10-	1 GT3 RS I004/099/389 I490	(1)	997 555 202 B9	door trim panel leather/ alcantara FSM black/black	/LL/R	10-	1 GT3 RS I004/098/389 I981
(1)	997 555 201 94	door trim panel leatherette 9L4 black	/RL/L	10-	1 GT3 RS I004/099/377 I441	(1)	997 555 202 A9	door trim panel leather/ alcantara FSM black/black	/RL/R	10-	1 GT3 RS I004/099/378 I981
(1)	997 555 201 94	door trim panel leatherette 9L4 black	/RL/L	10-	1 GT3 RS I004/099/388 I441	(1)	997 555 202 A9	door trim panel leather/ alcantara FSM black/black	/RL/R	10-	1 GT3 RS I004/099/389 I981
(1)	997 555 201 95	door trim panel leatherette 9L4 black	/RL/L	10-	1 GT3 RS I004/099/377 I490	(1)	997 555 202 A9	door trim panel leather/ alcantara FSM black/black	/RL/R	10-	1 GT3 RS I004/099/389 I981

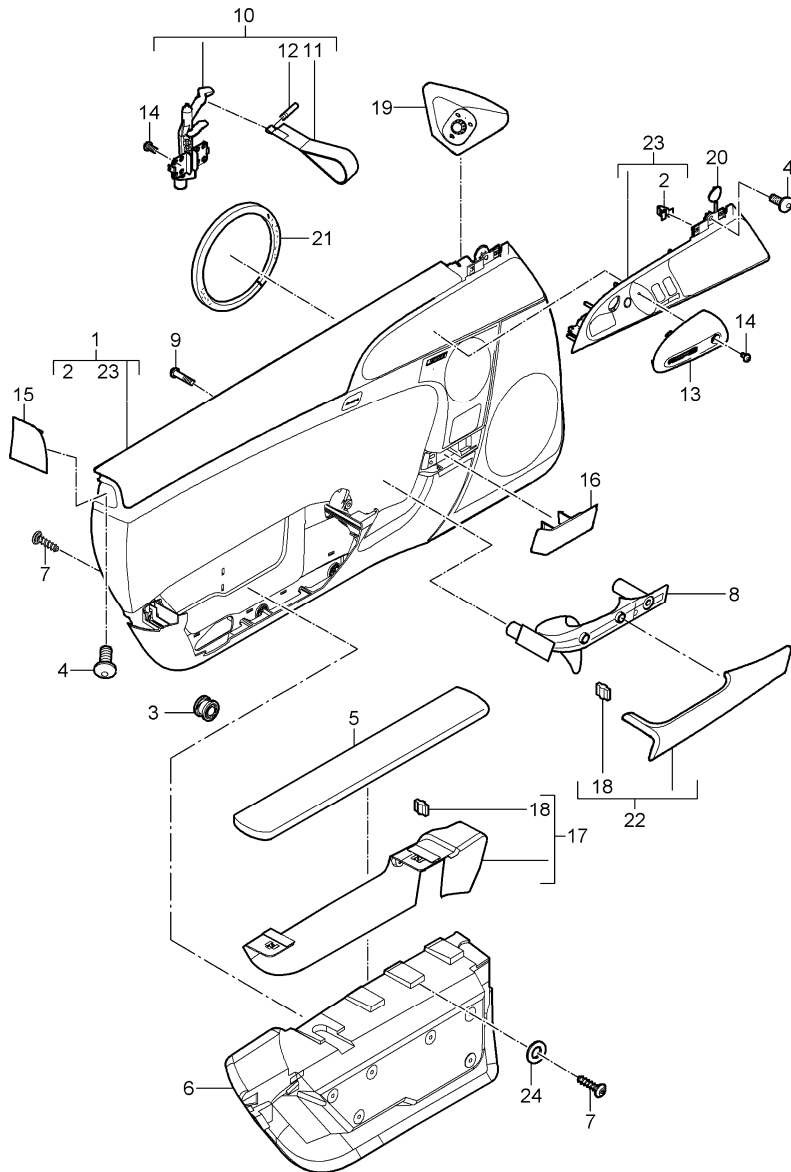
Model	Year	MG	SG	Illustration	Restrictions	UPD	15:56	26.01.2010	PORSCHE	PET	PORSCHE
GT3-2	2010	8	07	807-12		248					

Pos	Part Number	Description	Remark	Qty	Model	Pos	Part Number	Description	Remark	Qty	Model		
(1)	997 555 201 B9	door trim panel leather/ alcantara FSM black/black	/RL/L	10-	1	GT3 RS I004/099/377 I981	9	999 919 229 02	oval-head screw 6,0 X 40,0 for mount handle		2		
(1)	997 555 201 B9	door trim panel leather/ alcantara FSM black/black	/RL/L	10-	1	GT3 RS I004/099/388 I981	10	987 555 381 00	axle bearing	/L	10-	1	GT3 RS I004
								N13	guards red				
							(10)	987 555 382 00	axle bearing	/R	10-	1	GT3 RS I004
								N13	guards red				
2	999 507 533 02	clamp 8,0X 10/2,5			2		11	987 555 563 00	door opener		10-	2	GT3 RS I004
3	955 555 243 00	fixing clip for mount door trim panel			9			N13	guards red				
4	999 073 322 02	oval-head screw M 6 X 20 for mount door trim panel			5		12	987 555 879 00	axle for mount door opener			2	GT3 RS I004
							13	999 919 164 09	oval-head screw 5 X 12			X	
(5)	997 555 403 00	armrest door trim panel FS0 black	/L	10-	1	GT3 RS I004/377/388	14	987 555 463 00	cover door opener A03 black	/L	10-	1	GT3 RS I004
(5)	997 555 404 00	armrest door trim panel FS0 black	/R	10-	1	GT3 RS I004/378/389	(14)	987 555 464 00	cover door opener A03 black	/R	10-	1	GT RS I004
6	999 591 380 01	cable clamp			X	I004	15	997 555 683 00	cap airbag	/L		1	
7	997 555 857 00	grommet			X	I004		A03	black				
8	997 555 261 90	handle lower part A25 black	/L	10-	1	GT3 RS I004/377/388	(15)	997 555 684 00	cap airbag A03 black	/R		1	
(8)	997 555 262 90	handle lower part A25 black	/R	10-	1	GT3 RS I004/378/389	16	997 555 643 01	cover front lacquered A03 black	/L		1	

Model	Year	MG	SG	Illustration	Restrictions	UPD	15:56	26.01.2010	PORSCHE	PET	PORSCHE
GT3-2	2010	8	07	807-12		248					

Pos	Part Number	Description	Remark	Qty	Model	Pos	Part Number	Description	Remark	Qty	Model	
(16)	997 555 644 01	cover front lacquered	/R	1		21	987 555 351 01	insert	/LL/L	10-	1	GT3 RS I004/098
	A03	black						handle liner lacquered				
17	997 555 685 02	cover door mirror driver's side lacquered	/LL	1	I098		A03	black				
	A03	black				(21)	987 555 352 01	insert	/RL/R	10-	1	GT3 RS I004/099
								handle liner lacquered				
							A03	black				
(17)	997 555 686 03	cover door mirror driver's side lacquered	/RL	1	I099	(21)	987 555 352 02	insert	/LL/R	10-	1	GT3 RS I004/098
	A03	black						handle liner lacquered				
(17)	997 555 686 02	cover door mirror passenger's side lacquered	/LL	1	I098	(21)	987 555 351 02	insert	/RL/L	10-	1	GT3 RS I004/099
	A03	black						handle liner lacquered				
							A03	black				
(17)	997 555 685 03	cover door mirror passenger's side lacquered	/RL	1	I099							
	A03	black										
18	997 555 577 00	cap handle liner		1								
	A03	black										
19	997 555 895 00	plastic foam strip for woofer		1								
20	997 555 271 90	handle	/L	10-	1	GT3 RS I004/377/388						
		upper part										
	FS0	black										
(20)	997 555 272 90	handle	/R	10-	1	GT3 RS I004/378/389						
		upper part										
	FS0	black										

Model	Year	MG	SG	Illustration	Restrictions	UPD	15:57	26.01.2010	PORSCHE	PET	PORSCHE
GT3-2	2010	8	07	807-13		248					



Pos	Part Number	Description	Remark	Qty	Model
		door trim panel		10-	GT3 RS I004/384/385
		accessories for cars with bucket seat gt			
(1)	997 555 201 96	door trim panel	/LL/L	10-	1 GT3 RS I004/098/384 I441
		leatherette			
		9L4 black			
(1)	997 555 201 98	door trim panel	/LL/L	10-	1 GT3 RS I004/098/384 I490
		leatherette			
		9L4 black			
(1)	997 555 202 97	door trim panel	/LL/R	10-	1 GT3 RS I004/098/385 I441
		leatherette			
		9L4 black			
(1)	997 555 202 99	door trim panel	/LL/R	10-	1 GT3 RS I004/098/385 I490
		leatherette			
		9L4 black			
(1)	997 555 202 96	door trim panel	/RL/R	10-	1 GT3 RS I004/099/385 I441
		leatherette			
		9L4 black			
(1)	997 555 202 98	door trim panel	/RL/R	10-	1 GT3 RS I004/099/385 I490
		leatherette			
		9L4 black			
(1)	997 555 201 97	door trim panel	/RL/L	10-	1 GT3 RS I004/099/384 I441
		leatherette			
		9L4 black			

Model	Year	MG	SG	Illustration	Restrictions	UPD	15:57	26.01.2010	PORSCHE	PET	PORSCHE
GT3-2	2010	8	07	807-13		248					

Pos	Part Number	Description	Remark	Qty	Model	Pos	Part Number	Description	Remark	Qty	Model		
(1)	997 555 201 99	door trim panel leatherette 9L4 black	/RL/L	10-	1	GT3 RS I004/099/384 I490	5	997 555 242 91 A14	armrest alcantara black	/R	1	I385	
(1)	997 555 201 C9	door trim panel leather/ alcantara FSM black/black	/LL/L	10-	1	GT3 RS I004/098/384 I490/981	6	997 555 491 90 FSA FSH	padding door trim panel black/grey darkgrey natural/grey	/L	1	I384	
(1)	997 555 202 D9	door trim panel leather/ alcantara FSM black/black	/LL/R	10-	1	GT3 RS I004/098/385 I490/981	(6)	997 555 492 90 FSA FSH	padding door trim panel black/grey darkgrey natural/grey	/R	1	I385	
(1)	997 555 202 C9	door trim panel leather/ alcantara FSM black/black	/RL/R	10-	1	GT3 RS I004/099/385 I490/981	7	999 919 237 00	oval-head screw 5 x 20		X	I384/385	
(1)	997 555 201 D9	door trim panel leather/ alcantara FSM black/black	/RL/L	10-	1	GT3 RS I004/099/384 I490/981	8	997 555 261 02 A14	handle lower part black	/L	10-	1	I384
2	999 507 533 02	clamp 8,0X 10/2,5			2		(8)	997 555 262 02 A14	handle lower part black	/R	10-	1	I385
3	955 555 243 00	fixing clip for mount door trim panel			9		9	999 919 229 02	oval-head screw 6,0 X 40,0 for mount handle			2	
4	999 073 322 02	oval-head screw M 6 X 20 for mount door trim panel			5		10	987 555 381 00 N13	axle bearing guards red	/L	10-	1	GT3 RS I004
5	997 555 241 91 A14	armrest alcantara black	/L		1	I384	(10)	987 555 382 00 N13	axle bearing guards red	/R	10-	1	GT3 RS I004
							11	987 555 563 00 N13	door opener guards red		10-	2	GT3 RS I004
							12	987 555 879 00	axle for mount door opener			2	I004

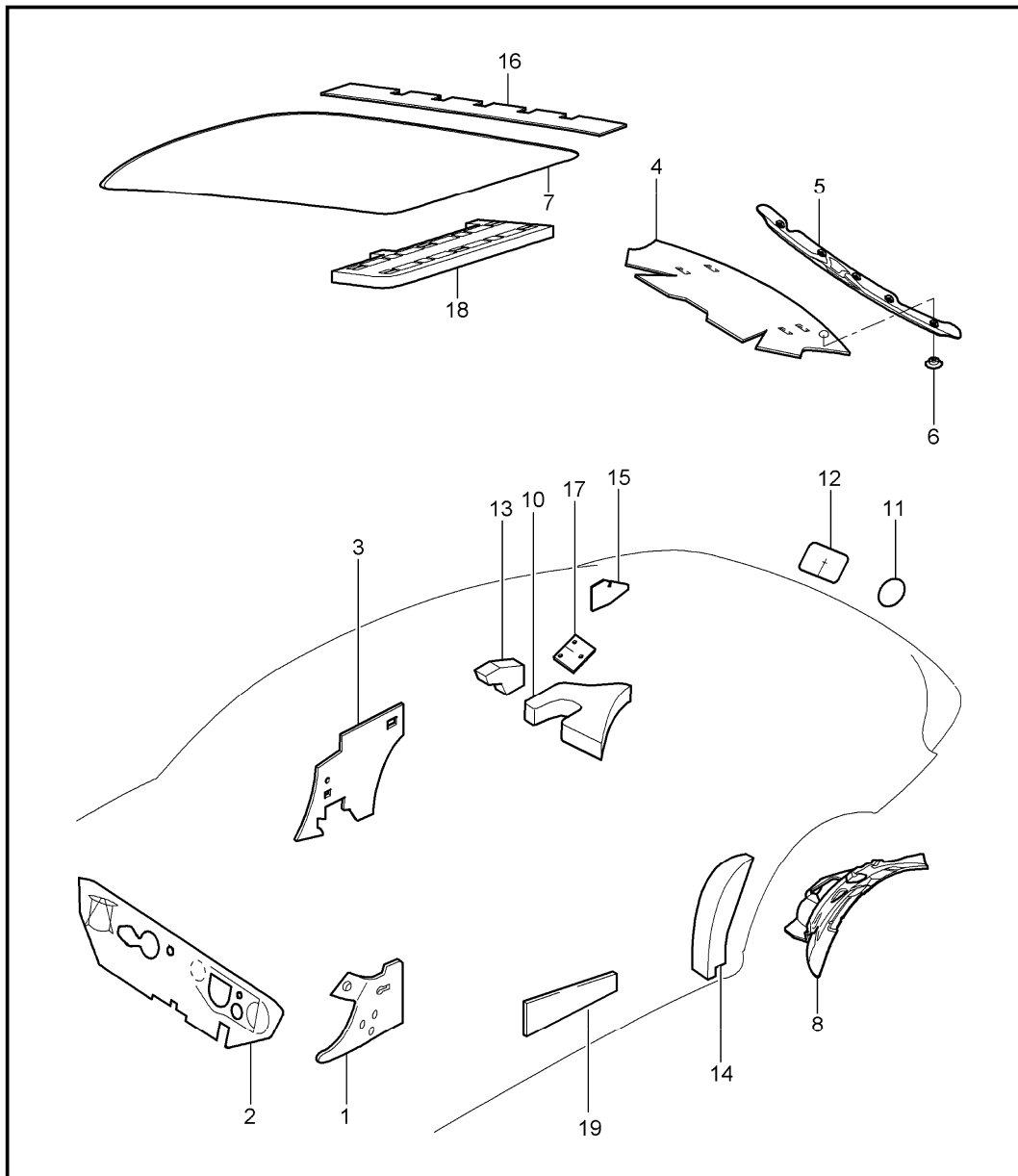
Model	Year	MG	SG	Illustration	Restrictions	UPD	15:57	26.01.2010	PORSCHE	PET	PORSCHE
GT3-2	2010	8	07	807-13		248					

Pos	Part Number	Description	Remark	Qty	Model	Pos	Part Number	Description	Remark	Qty	Model
13	987 555 463 00	cover door opener A03 black	/L 10-	1	GT3 RS I004	(19)	997 555 686 03	cover door mirror driver's side lacquered A03 black	/RL	1	I099
(13)	987 555 464 00	cover door opener A03 black	/R 10-	1	GT3 RS I004	(19)	997 555 686 02	cover door mirror passenger's side lacquered A03 black	/LL	1	I098
14	999 919 164 09	oval-head screw 5 X 12		X		(19)	997 555 685 03	cover door mirror passenger's side lacquered A03 black	/RL	1	I099
15	997 555 683 00	cap airbag A03 black	/L	1		20	997 555 577 00	cap handle liner A03 black		1	
(15)	997 555 684 00	cap airbag A03 black	/R	1		21	997 555 895 00	plastic foam strip for woofer		1	
16	997 555 643 01	cover front lacquered A03 black	/L	1		(22)	997 555 271 02	handle upper part FSO black	/L 10-	1	I384
(16)	997 555 644 01	cover front lacquered A03 black	/R	1		(22)	997 555 272 02	handle upper part FSO black	/R 10-	1	I385
(17)	997 555 431 91	cover padding A14 black	/L	1	I385	23	987 555 351 01	insert handle liner lacquered A03 black	/LL/L 10-	1	GT3 RS I004/098
(17)	997 555 432 91	cover padding A14 black	/R	1	I385	(23)	987 555 352 01	insert handle liner lacquered A03 black	/RL/R 10-	1	GT3 RS I004/099
18	999 591 380 01	cable clamp		4							
19	997 555 685 02	cover door mirror driver's side lacquered A03 black	/LL	1	I098						

Model	Year	MG	SG	Illustration	Restrictions	UPD	15:57	26.01.2010	PORSCHE	PET	PORSCHE
GT3-2	2010	8	07	807-13		248					

Pos	Part Number	Description	Remark	Qty	Model	Pos	Part Number	Description	Remark	Qty	Model
(23)	987 555 352 02	insert handle liner lacquered A03 black	/LL/R	10-	1						
					GT3 RS I004/098						
(23)	987 555 351 02	insert handle liner lacquered A03 black	/RL/L	10-	1						
					Gt3 RS I004/099						
24	900 151 027 03	washer			7						

Model	Year	MG	SG	Illustration	Restrictions	UPD	14:48	28.01.2010	PORSCHE	PET	PORSCHE
GT3-2	2010	8	07	807-15		248					

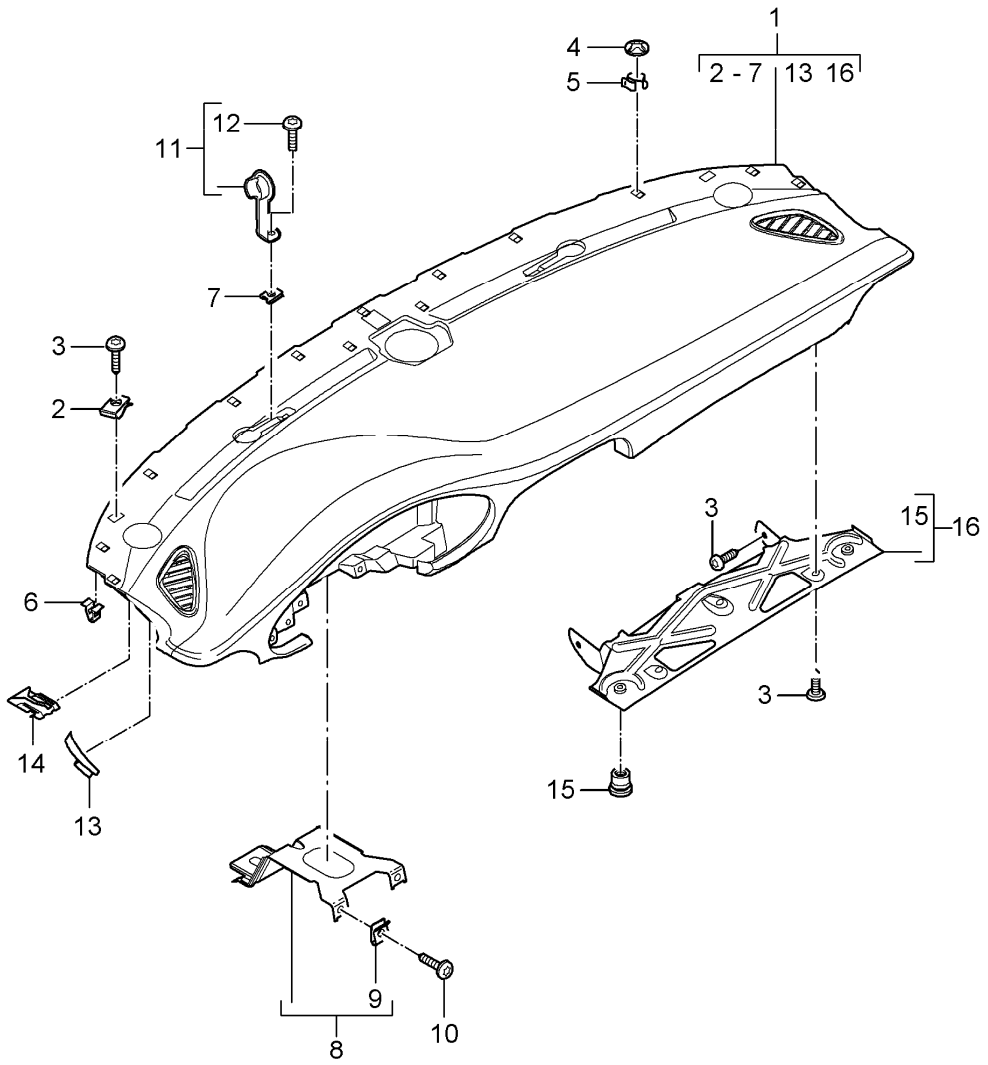


Pos	Part Number	Description	Remark	Qty	Model
1	997 556 605 00	body sound proofing 1		1	
(1)	997 556 606 00	sound absorber wheel housing front	/L	1	
2	997 556 723 00	sound absorber firewall	/LL	1	I098
(2)	997 556 724 00	sound absorber firewall	/RL	1	I099
3	997 556 655 00	sound absorber side trim panel	/L	1	
(3)	997 556 656 00	sound absorber side trim panel	/R	1	
4	997 556 711 02	sound absorber		1	07
4	997 556 711 03	sound absorber engine compartment	08-	1	
5	996 556 761 01	retaining strip engine compartment		1	
6	999 049 020 40	plastic nut T5/30 X 5,1		5	
7	997 556 647 00	sound absorber roof		1	I652
8	997 556 657 00	sound absorber wheel-housing liner rear	/L	1	
(8)	997 556 658 00	sound absorber wheel-housing liner rear	/R	1	
9	997 556 571 02	sound absorber side trim panel		2	
10	997 556 811 01	filler piece wheel housing	/L	1	
(10)	997 556 812 01	filler piece wheel housing	/R	1	

Model	Year	MG	SG	Illustration	Restrictions	UPD	14:48	28.01.2010	PORSCHE	PET	PORSCHE
GT3-2	2010	8	07	807-15		248					

Pos	Part Number	Description	Remark	Qty	Model	Pos	Part Number	Description	Remark	Qty	Model
11	997 556 807 00	sound absorber 40,0 end plate rear end		2							
12	997 556 805 00	sound absorber 120 X 90 end plate rear end		1							
13	997 556 803 00	filler piece seat well		2							
14	997 556 513 02	sound absorber b-pillar		2							
15	997 556 619 00	sound absorber air duct	/L	1							
(15)	997 556 620 00	sound absorber air duct	/R	1							
16	997 556 603 00	sound absorber tensioner rear		1							
17	997 556 613 00	sound absorber mounting spring strut	/L	1							
(17)	997 556 614 00	sound absorber mounting spring strut	/R	1							
19	997 556 531 01	insulation door		1							
20	999 049 027 40	plastic nut 30 X 1,8		2							

Model	Year	MG	SG	Illustration	Restrictions	UPD	16:35	26.01.2010	PORSCHE	PET	PORSCHE
GT3-2	2010	8	09	809-00		248					



Pos	Part Number	Description	Remark	Qty	Model
		dashboard trim upper part with mounting parts			
		accessories see group 8/09/01			
1	997 552 101 06	dashboard upper part leatherette valid up to: F >>998S7 90399	/LL	1	I 098
	9L4	black			
(1)	997 552 102 06	dashboard upper part leatherette valid up to: F >>998S7 90399	/RL	1	I 099
	9L4	black			
1	997 552 101 10	dashboard upper part leatherette valid from: F 998S7 90400>>	/LL	1	I 098
	9L4	black			
(1)	997 552 102 10	dashboard upper part leatherette valid from: F 998S7 90400>>	/RL	1	I 099
	9L4	black			
1	997 552 101 08	dashboard upper part leatherette valid up to: F >>998S7 90399	/LL	1	I 098/639/640
	9L4	black			
1	997 552 102 08	dashboard upper part leatherette valid up to: F >>998S7 90399	/RL	1	I 099/639/640
	9L4	black			

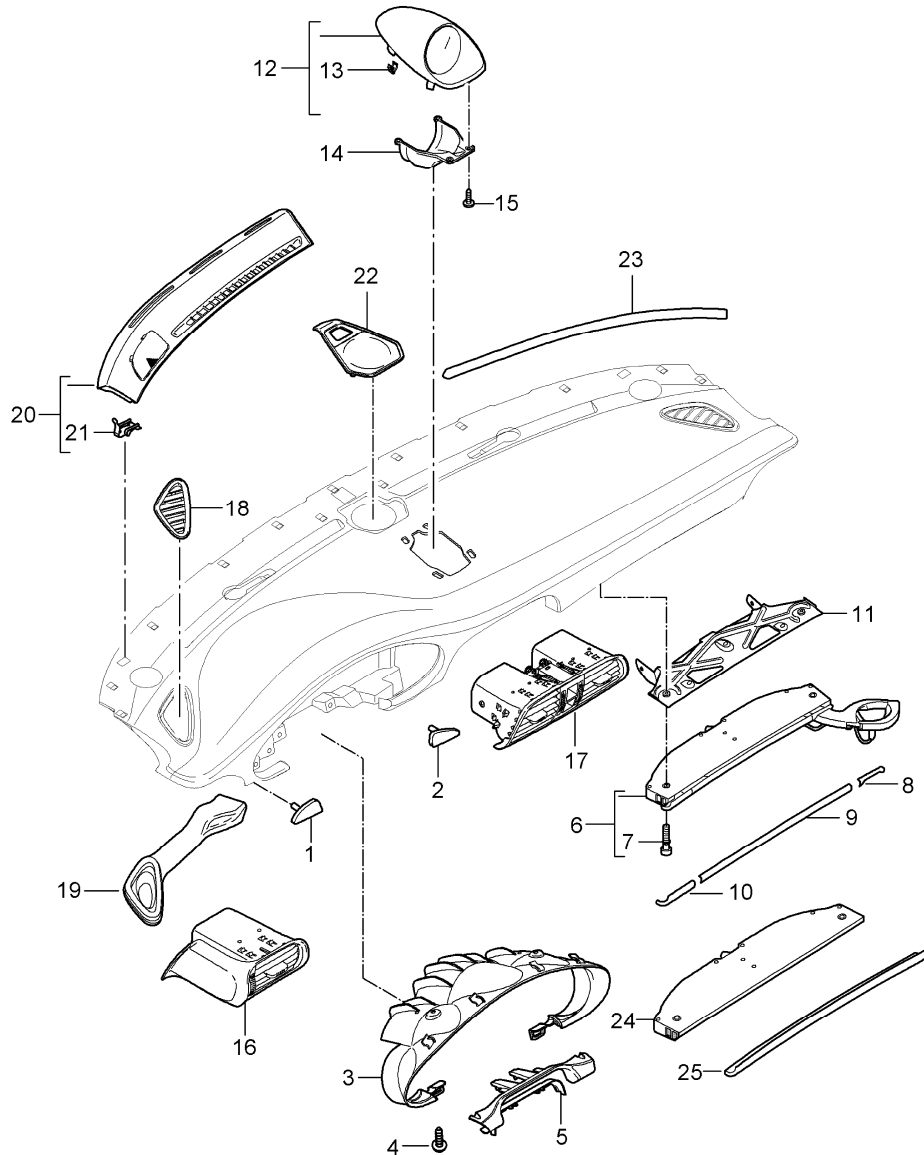
Model	Year	MG	SG	Illustration	Restrictions	UPD	16:35	26.01.2010	PORSCHE	PET	PORSCHE
GT3-2	2010	8	09	809-00		248					

Pos	Part Number	Description	Remark	Qty	Model	Pos	Part Number	Description	Remark	Qty	Model
1	997 552 101 12	dashboard upper part leatherette valid from: F 998S7 90400>> 9L4 black	/LL	1	I098/639/640	1	997 552 101 09	dashboard upper part leather valid up to: F >>998S7 90399	/LL	1	I098/639/640 I981
(1)	997 552 102 12	dashboard upper part leatherette valid from: F 998S7 90400>> 9L4 black	/RL	1	I099/639/640		FSA black FSH dark grey/natural				
1	997 552 101 07	dashboard upper part leather valid up to: F >>998S7 90399 FSA black FSH dark grey/natural	/LL	1	I098/981	(1)	997 552 102 09	dashboard upper part leather valid up to: F >>998S7 90399	/RL	1	I099/639/640 I981
(1)	997 552 102 07	dashboard upper part leather valid up to: F >>998S7 90399 FSA black FSH dark grey/natural	/RL	1	I099/981	1	997 552 101 13	dashboard upper part leather valid from: F 998S7 90400>> FSA black FSH dark grey/natural	/LL	1	I098/639/640 I981
1	997 552 101 11	dashboard upper part leather valid from: F 998S7 90400>> FSA black FSH dark grey/natural	/LL	1	I098/981	(1)	997 552 102 13	dashboard upper part leather valid from: F 998S7 90400>> FSA black FSH dark grey/natural	/RL	1	I099/639/640 I981
1	997 552 102 11	dashboard upper part leather valid from: F 998S7 90400>> FSA black FSH dark grey/natural	/RL	1	I099/981	2	999 507 971 01	speed nut ST 4,2		X	
						3	999 073 155 09	tapping screw ST 4,2 X 13		X	
						4	999 507 106 02	clamping washer 8,0		X	
						5	999 507 573 02	clamp 6,7 - 8,1		X	

Model	Year	MG	SG	Illustration	Restrictions	UPD	16:35	26.01.2010	PORSCHE	PET	PORSCHE
GT3-2	2010	8	09	809-00		248					

Pos	Part Number	Description	Remark	Qty	Model	Pos	Part Number	Description	Remark	Qty	Model
6	999 507 732 01	clamp 8,0 X 12,0 /4,0		X		(16)	997 552 359 02	retaining bracket for beverages support valid up to: F >>998S7 90399	/RL	1	I099
7	999 507 020 01	speed nut ST 4,2 for mount dashboard		X							
8	997 552 617 01	support dashboard driver's side		1		16	997 552 360 03	retaining bracket for beverages support valid from: F 998S7 90400>>	/LL	1	I098
9	999 507 020 01	speed nut ST 4,2		2							
10	999 073 155 09	tapping screw ST 4,2 X 13		2		16	997 552 359 03	retaining bracket for beverages support valid from: F 998S7 90400>>	/RL	1	I099
11	997 552 673 00	lid defroster trim		2							
12	999 073 226 09	tapping screw ST 4,2 X 16		2							
13	997 552 481 00	insert a-pillar	/L	1							
(13)	997 552 482 00	insert a-pillar	/R	1							
14	8E0 857 117	clamp mount dashboard cowl panel		2							
15	999 500 132 00	grooved nut M 5 valid up to: F >>998S7 90399		2							
(15)	999 507 319 01	captive nut M 5 valid from: F 998S7 90400>>		2							
16	997 552 360 02	retaining bracket for beverages support valid up to: F >>998S7 90399	/LL	1	I098						

Model	Year	MG	SG	Illustration	Restrictions	UPD	16:35	26.01.2010	PORSCHE	PET	PORSCHE
GT3-2	2010	8	09	809-01		248					



Pos	Part Number	Description	Remark	Qty	Model
		accessories dashboard trim upper part			
1	997 552 381 01	moulding driver's side outer	/LL	1	I098
		D07 volcano grey			
(1)	997 552 382 01	moulding driver's side outer	/RL	1	I099
		D07 volcano grey			
1	997 552 381 05	moulding driver's side outer	/LL	1	IXGB/098
		A35 black			
(1)	997 552 382 05	moulding driver's side outer	/RL	1	IXGB/099
		A35 black			
1	997 552 986 00	moulding driver's side outer	/LL	1	GT3 IXVP/098
		A11 black			
		D12 dark grey/natural			
(1)	997 552 986 01	moulding driver's side outer	/RL	1	GT3 IXVP/099
		A11 black			
		D12 dark grey/natural			
(1)	997 552 986 50	moulding driver's side outer	/LL	10-	1 GT3 IXDM/098
		G2X prime coated			
(1)	997 552 986 51	moulding driver's side outer	/RL	10-	1 GT3 IXDM/099

Model	Year	MG	SG	Illustration	Restrictions	UPD	16:35	26.01.2010	PORSCHE	PET	PORSCHE
GT3-2	2010	8	09	809-01		248					

Pos	Part Number	Description	Remark	Qty	Model	Pos	Part Number	Description	Remark	Qty	Model
	G2X	prime coated				3	997 552 325 01	cover instrument cluster	/LL	1	I098
2	997 552 383 01	moulding driver's side centre	/LL	1	I098		A03	black			
	D07	volcano grey				(3)	997 552 326 01	cover instrument cluster	/RL	1	I099
(2)	997 552 384 01	moulding driver's side centre	/RL	1	I099		A03	black			
	D07	volcano grey				(3)	997 552 989 00	cover instrument cluster leather	/LL	10-	1 GT3 IXNG/098
2	997 552 383 05	moulding driver's side centre	/LL	1	IXGB/098		A11	black			
	A35	black					D12	dark grey/natural			
(2)	997 552 384 05	moulding driver's side centre	/RL	1	IXGB/099	(3)	997 552 989 01	cover instrument cluster leather	/RL	10-	1 GT3 IXNG/099
	A35	black					A11	black			
2	997 552 987 00	moulding driver's side centre	/LL	1	GT3 IXVP/098		D12	dark grey/natural			
	A11	black				(3)	997 552 995 00	cover instrument cluster	/LL	10-	1 IXDP/099
	D12	dark grey/natural					G2X	prime coated			
(2)	997 552 987 01	moulding driver's side centre	/RL	1	GT3 IXVP/099	(3)	997 552 995 01	cover instrument cluster	/RL	10-	1 IXDP/099
	A11	black					G2X	prime coated			
	D12	dark grey/natural				4	999 073 155 09	tapping screw ST 4,2 X 13		2	
(2)	997 552 987 50	moulding driver's side centre	/LL	10-	1 GT3 IXDM/098	5	997 552 271 01	bridge		1	
	G2X	prime coated					A03	black			
(2)	997 552 987 51	moulding driver's side centre	/RL	1	GT3 IXDM/099	5	997 552 978 00	bridge leather		10-	1 GT3 IXNS
	G2X	prime coated					A11	black			
	G2X	prime coated					D12	dark grey/natural			
						6	997 552 294 03	support beverages	/LL	-09	1 I098

Model	Year	MG	SG	Illustration	Restrictions	UPD	16:35	26.01.2010	PORSCHE	PET	PORSCHE
GT3-2	2010	8	09	809-01		248					

Pos	Part Number	Description	Remark	Qty	Model	Pos	Part Number	Description	Remark	Qty	Model
6	997 552 294 03	support beverages	/LL	10-	1 I098/585	(8)	997 552 993 01	cover	/RL/R	1	GT3 IXVP/099
(6)	997 552 293 04	support beverages	/RL	-09	1 I099		A11	black			
(6)	997 552 293 04	support beverages	/RL	10-	1 I099/585		D12	dark grey/natural			
--	997 552 905 00	repair kit flap torsion spring for beverages support		1		(8)	997 552 993 50	cover	/LL/R	1	GT3 IXDM/098
							G2X	prime coated			
7	900 067 416 01	pan-head screw M5 X 27		2		(8)	997 552 993 51	cover	/RL/R	1	GT3 IXDM/099
							G2X	prime coated			
8	997 552 394 01	cover	/LL/R	-09	1 I098	9	997 552 398 00	cover centre	/LL	-09	1 I098
	D07	volcano grey					D07	volcano grey			
8	997 552 394 01	cover	/LL/R	10-	1 I098/585	9	997 552 398 00	cover centre	/LL	10-	1 I098/585
	D07	volcano grey					D07	volcano grey			
(8)	997 552 393 01	cover	/RL/R	-09	1 I099	(9)	997 552 397 00	cover centre	/RL	-09	1 I099
	D07	volcano grey					D07	volcano grey			
(8)	997 552 393 01	cover	/RL/R	10-	1 I099/585	(9)	997 552 397 00	cover centre	/RL	10-	1 I099/585
	D07	volcano grey					D07	volcano grey			
8	997 552 396 05	cover	/LL/R	-09	1 IXGB/098	9	997 552 398 04	cover centre	/LL	-09	1 IXGB/098
	A35	black					A35	black			
8	997 552 396 05	cover	/LL/R	10-	1 IXGB/098/585	9	997 552 398 04	cover centre	/LL	10-	1 IXGB/098/585
	A35	black					A35	black			
(8)	997 552 395 05	cover	/RL/R	-09	1 IXGB/099	(9)	997 552 397 04	cover centre	/RL	-09	1 IXGB/099
	A35	black					A35	black			
(8)	997 552 395 05	cover	/RL/R	10-	1 IXGB/099/585	(9)	997 552 397 04	cover centre	/RL	-09	1 IXGB/099
	A35	black					A35	black			
8	997 552 993 00	cover	/LL/R		1 GT3 IXVP/098	(9)	997 552 397 04	cover centre	/RL	10-	1 IXGB/099/585
	A11	black					A35	black			
	D12	dark grey/natural					A35	black			

Model	Year	MG	SG	Illustration	Restrictions	UPD	16:35	26.01.2010	PORSCHE	PET	PORSCHE
GT3-2	2010	8	09	809-01		248					

Pos	Part Number	Description	Remark	Qty	Model	Pos	Part Number	Description	Remark	Qty	Model
9	997 552 994 00	cover centre A11 black D12 dark grey/natural	/LL	1	GT3 IXVP/098	10	997 552 992 00	cover A11 black D12 dark grey/natural	/LL/L	1	GT3 IXVP/098
9	997 552 994 01	cover centre A11 black D12 dark grey/natural	/RL	1	GT3 IXVP/099	(10)	997 552 992 01	cover A11 black D12 dark grey/natural	/RL/L	1	GT3 IXVP/099
9	997 552 994 50	cover centre G2X prime coated	/LL	10-	GT3 IXDM/098	(10)	997 552 992 50	cover G2X prime coated	/LL/L	10-	GT3 IXDM/098
9	997 552 994 51	cover centre G2X prime coated	/RL	10-	GT3 IXDM/099	(10)	997 552 992 51	cover G2X prime coated	/RL/L	10-	GT3 IXDM/099
10	997 552 396 01	cover D07 volcano grey	/LL/L	-09	I098	11	--- --- --- --	retaining bracket for beverages see group 8/09/00		1	
10	997 552 396 01	cover D07 volcano grey	/LL/L	10-	I098/585	12	997 552 371 00	air box upper part		1	I639/640
(10)	997 552 395 01	cover D07 volcano grey	/RL/L	-09	I099	(12)	997 552 371 01	A03 black air box upper part		1	I639/640/981
(10)	997 552 395 01	cover D07 volcano grey	/RL/L	10-	I099/585		A11 black D12 dark grey/natural				
10	997 552 394 05	cover A35 black	/LL/L	-09	IXGB/098	13	999 507 920 01	u-clamp 1,7-2,1		4	I639/640
10	997 552 394 05	cover A35 black	/LL/L	10-	IXGB/098/585	14	997 552 373 01	support for air box upper part		1	I639/640
(10)	997 552 393 05	cover A35 black	/RL/L	-09	IXGB/099						
(10)	997 552 393 05	cover	/RL/L	10-	IXGB/099/585						

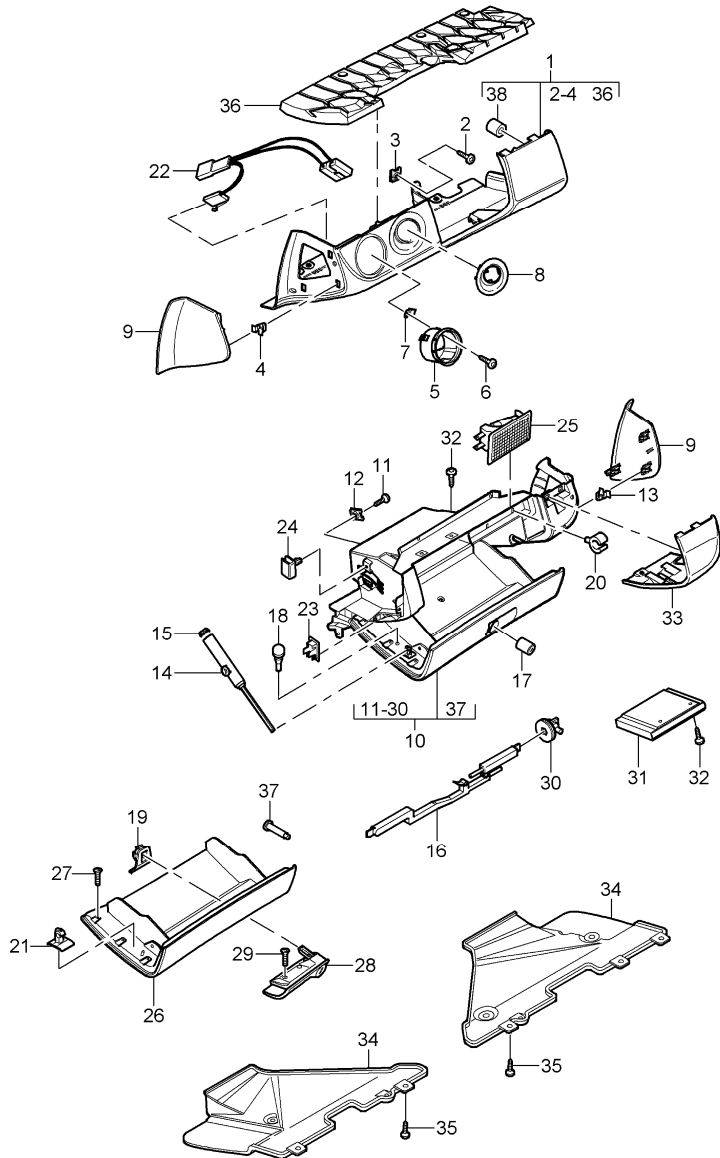
Model	Year	MG	SG	Illustration	Restrictions	UPD	16:35	26.01.2010	PORSCHE	PET	PORSCHE
GT3-2	2010	8	09	809-01		248					

Pos	Part Number	Description	Remark	Qty	Model	Pos	Part Number	Description	Remark	Qty	Model
15	999 919 167 09	oval-head screw 3,0 X 10 for mount support air box		4		17	997 552 141 09	centre nozzle	10-	1	
							D07	volcano grey			
16	997 552 131 05	side vent	/L	-09	1	(17)	997 552 980 00	centre nozzle	07	1	IXVM
	D07	volcano grey					A11	black			
16	997 552 131 07	side vent	/L	10-	1	(17)	997 552 980 05	centre nozzle	08-	1	GT3 IXVM
	D07	volcano grey					D12	dark grey/natural			
(16)	997 552 132 05	side vent	/R	-09	1	(17)	997 552 980 01	centre nozzle	07	1	IXZB
	D07	volcano grey					A11	black			
(16)	997 552 132 07	side vent	/R	10-	1		D12	dark grey/natural			
	D07	volcano grey				(17)	997 552 980 06	centre nozzle	08-	1	IXZB
16	997 552 981 00	side vent	/L		1		A11	black			
	A11	black					D12	dark grey/natural			
(16)	997 552 982 00	side vent	/R		1	18	997 552 455 01	cover defroster vent	/L	1	
	A11	black					A03	black			
	D12	dark grey/natural				(18)	997 552 456 01	cover defroster vent	/R	1	
16	997 552 981 01	side vent	/L		1		A03	black			
	A11	black				19	997 552 315 02	air duct lateral	/L	1	
	D12	dark grey/natural				(19)	997 552 316 02	air duct lateral	/R	1	
(16)	997 552 982 01	side vent	/R		1	20	997 552 175 01	defroster trim	/L	1	
	A11	black					A03	black			
	D12	dark grey/natural				(20)	997 552 176 01	defroster trim	/R	1	
17	997 552 141 05	centre nozzle		07	1		A03	black			
	D07	volcano grey				20	997 552 983 00	defroster trim	/L	1	GT3 IXV1
17	997 552 141 07	centre nozzle	08-09	1			A11	black			
	D07	volcano grey									

Model	Year	MG	SG	Illustration	Restrictions	UPD	16:35	26.01.2010	PORSCHE	PET	PORSCHE
GT3-2	2010	8	09	809-01		248					

Pos	Part Number	Description	Remark	Qty	Model	Pos	Part Number	Description	Remark	Qty	Model
(20)	997 552 984 00	D12 dark grey/natural defroster trim	/R	1	GT3 IXV1	25	997 552 318 90	cover	/LL 10-	1	GT3 RS IXGB/004/098
	A11	black				(25)	A35	carbon			
20	997 552 983 01	D12 dark grey/natural defroster trim	/L -08	1	IXKJ		997 552 319 90	cover	/RL 10-	1	GT3 RS IXGB/004/099
	A11	black					A35	carbon			
(20)	997 552 984 01	D12 dark grey/natural defroster trim	/R -08	1	IXKJ						
	A11	black									
21	999 591 307 01	D12 dark grey/natural u-clamp mount defroster trim		2							
22	997 552 351 01	cover centre		1							
	A03	black									
(22)	997 552 985 00	cover centre		1	GT3 IXV1						
	A11	black									
(22)	997 552 985 00	D12 dark grey/natural cover centre	-08	1	IXKJ						
	A11	black									
	D12	dark grey/natural									
23	997 552 645 00	gasket cowl		1							
24	987 552 374 00	support cover	/LL 10-	1	GT3 RS IXGB/004/098						
(24)	987 552 373 00	support cover	/RL 10-	1	GT3 RS IXGB/004/099						

Model	Year	MG	SG	Illustration	Restrictions	UPD	16:35	26.01.2010	PORSCHE	PET	PORSCHE
GT3-2	2010	8	09	809-03		248					



Pos	Part Number	Description	Remark	Qty	Model
1	997 552 201 02	glove compartment lid and lining driver's side leatherette 1MZ black	/LL	1	I098
(1)	997 552 202 02	leatherette 1MZ black	/RL	1	I099
1	997 552 201 03	lining leather A11 black D12 dark grey/natural	/LL	-09	1 I098/981
1	997 552 202 03	lining leather A11 black D12 dark grey/natural	/RL	-09	1 I099/981
(1)	997 552 201 91	lining A14 black	/LL	10-	1 I098/981
(1)	997 552 202 90	lining A14 black	/RL	10-	1 I099/981
2	999 073 155 09	tapping screw 4,2 X 13 for mount lining		8	
3	999 507 971 01	speed nut 4,2 for mount lining		8	
4	999 507 732 01	clamp 8 X 12/ 4 for mount lining		7	

Model	Year	MG	SG	Illustration	Restrictions	UPD	16:35	26.01.2010	PORSCHE	PET	PORSCHE
GT3-2	2010	8	09	809-03		248					

Pos	Part Number	Description	Remark	Qty	Model	Pos	Part Number	Description	Remark	Qty	Model
5	997 552 427 01	cover light switch		1		(9)	997 552 996 01	cover leather	/L	10-	1 GT3 IXDV
	A03	black					A11	black			
6	999 073 155 09	tapping screw 4,2 X 13 for mount cover light switch		3			D12	dark grey/natural			
7	999 507 971 01	speed nut 4,2 for mount cover light switch		3		(9)	997 552 996 02	cover leather	/R	10-	1 GT3 IXDV
							A11	black			
							D12	dark grey/natural			
8	997 552 425 01	cover ignition starter lock	/LL	1	I098	10	997 552 204 04	glove compartment leatherette complete valid up to: F >>998S7 90399	/LL		1 I098
	A03	black					1MZ	black			
(8)	997 552 426 01	cover ignition starter lock	/RL	1	I099	(10)	997 552 203 04	glove compartment leatherette complete valid up to: F >>998S7 90399	/RL		1 I099
	A03	black					1MZ	black			
(8)	997 552 998 00	cover ignition starter lock leather	/LL	10-	1 GT3 IXDS/098	10	997 552 204 06	glove compartment leatherette complete valid from: F 998S7 90400>>	/LL		1 I098
	A11	black					1MZ	black			
	D12	dark grey/natural									
(8)	997 552 999 00	cover ignition starter lock leather	/RL	10-	1 GT3 IXDS/099	(10)	997 552 203 06	glove compartment leatherette complete valid from: F 998S7 90400>>	/RL		1 I099
	A11	black					1MZ	black			
	D12	dark grey/natural									
9	997 552 405 02	cover	/L	1		10	997 552 204 05	glove compartment leather complete valid up to: F >>998S7 90399	/LL		1 I098/981
	A03	black					A11	black			
(9)	997 552 406 02	cover lateral driver's side	/R	1			D12	dark grey/natural			
	A03	black									

Model	Year	MG	SG	Illustration	Restrictions	UPD	16:35	26.01.2010	PORSCHE	PET	PORSCHE
GT3-2	2010	8	09	809-03		248					

Pos	Part Number	Description	Remark	Qty	Model	Pos	Part Number	Description	Remark	Qty	Model
(10)	997 552 203 05	glove compartment leather complete valid up to: F >>998S7 90399	/RL	1	I099/981	13	999 507 732 01	clamp 8 X 12 /4 for mount glove compartment		X	
	A11	black				14	997 552 484 01	damper glove compartment		1	
	D12	dark grey/natural				15	997 552 612 00	cover damper		1	
10	997 552 204 07	glove compartment leather complete valid from: F 998S7 90400>>	/LL -09	1	I098/981	16	997 552 410 01	release glove compartment	/LL	1	I098
	A11	black				(16)	997 552 409 01	release glove compartment	/RL	1	I099
	D12	dark grey/natural				17	996 552 915 01	lock cylinder glove compartment vehicle identification no. indicate		1	
(10)	997 552 203 07	glove compartment leather complete valid from: F 998S7 90400>>	/RL -09	1	I098/981	18	999 703 068 40	buffer 3,7 x 10,3 glove compartment		2	
	A11	black				19	997 552 509 02	mounting closing element	/LL/L	1	I098
	D12	dark grey/natural				(19)	997 552 510 02	mounting closing element	/LL/R	1	I098
(10)	997 552 204 90	glove compartment alcantara complete	/LL 10-	1	I098/981	(19)	997 552 509 03	mounting closing element	/RL/L	1	I099
	A14	black				(19)	997 552 510 03	mounting closing element	/RL/R	1	I099
(10)	997 552 203 90	glove compartment alcantara complete	/LL 10-	1	I099/981	20	996 552 813 00	support pin		2	
	A14	black				21	996 552 879 00	adapter for damper		2	
11	999 073 155 09	tapping screw 4,2 X 13 for mount glove compartment		X		22	997 612 651 00	wiring harness glove compartment light		1	
12	999 507 971 01	speed nut 4,2 for mount glove compartment		X		23	999 650 564 40	clip for wiring harness microswitch		1	
						24	999 650 565 40	clip for wiring harness		1	

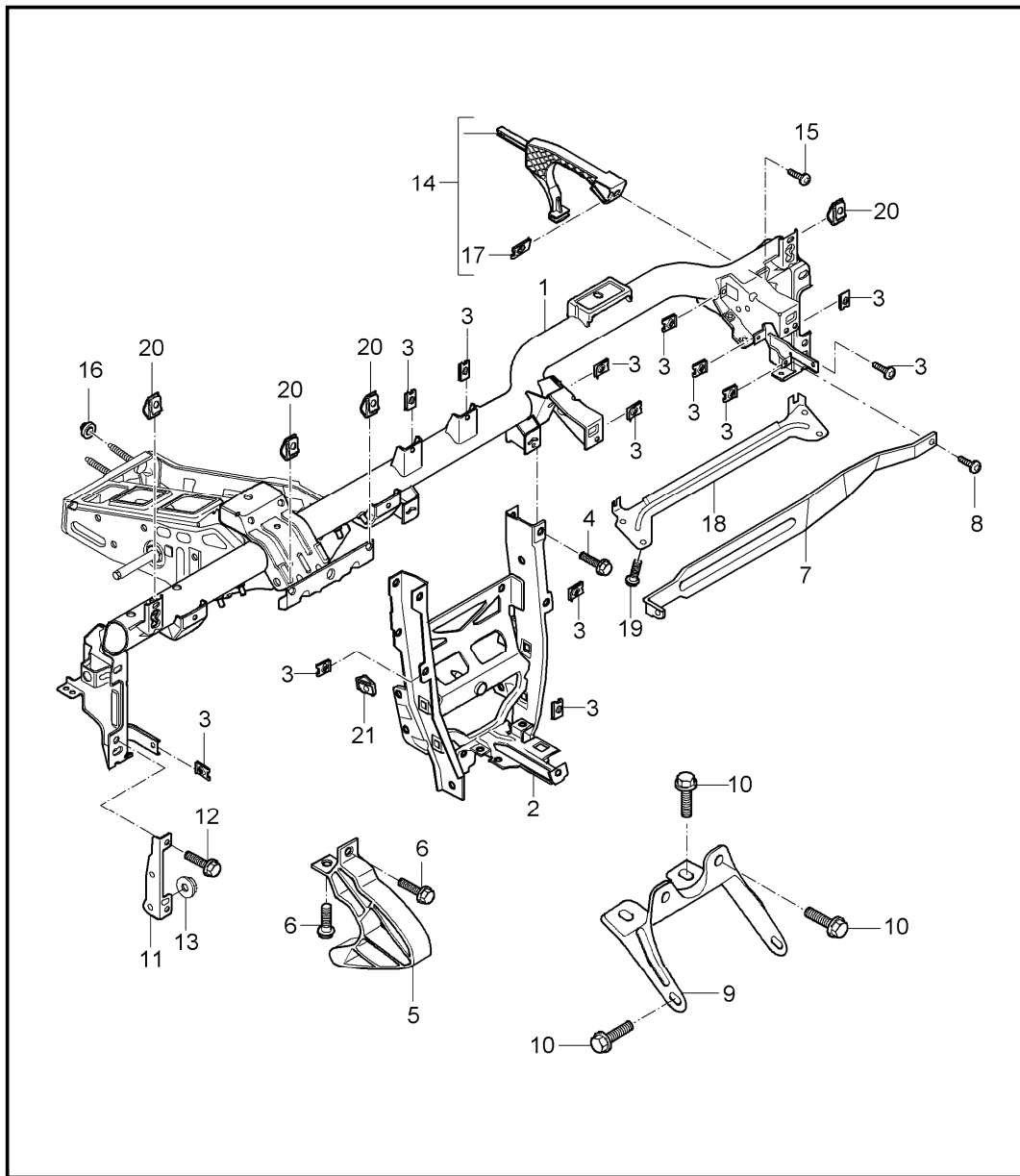
Model	Year	MG	SG	Illustration	Restrictions	UPD	16:35	26.01.2010	PORSCHE	PET	PORSCHE
GT3-2	2010	8	09	809-03		248					

Pos	Part Number	Description	Remark	Qty	Model	Pos	Part Number	Description	Remark	Qty	Model	
25	997 632 071 00	glove compartment light		1		31	997 552 663 00	box for cds		1	I424	
26	997 552 252 02	glove compartment cover leatherette	/LL	1	I098	(31)	997 552 665 00	cover box for cds	10-	1		
	1MZ	black				32	999 073 240 01	screw M 4 X 10 for mount box for cds		2		
(26)	997 552 251 02	glove compartment cover leatherette	/RL	1	I099							
	1MZ	black										
(26)	997 552 252 03	glove compartment cover leather	/LL	-09	1	I098/981	33	997 552 256 02	cover passenger's side leatherette	/LL	1	I098
	A11	black					1MZ	black				
	D12	dark grey/natural				(33)	997 552 255 02	cover passenger's side leatherette	/RL	1	I099	
(26)	997 552 251 03	glove compartment cover leather	/RL	-09	1	I099/981						
	A11	black					1MZ	black				
	D12	dark grey/natural				33	997 552 256 03	cover passenger's side leather	/LL	-09	1	I098/981
(26)	997 552 252 90	glove compartment cover	/LL	10-	1	I098/981						
	A14	black					A11	black				
(26)	997 552 251 90	glove compartment cover	/RL	10-	1	I099/981						
	A14	black				(33)	997 552 255 03	cover passenger's side leather	/RL	-09	1	I099/981
27	999 073 249 07	tapping screw 3.5 X 12 for mount glove compartment cover		11			A11	black				
							D12	dark grey/natural				
28	997 552 362 01	handle complete	/LL	1	I098	(33)	997 552 256 90	cover passenger's side	/LL	10-	1	I098/981
	A03	black					A14	black				
(28)	997 552 361 01	handle complete	/RL	1	I099	(33)	997 552 255 90	cover passenger's side	/RL	10-	1	I099/981
	A03	black					A14	black				
29	999 073 240 01	screw M 4 X 10 for mount handle		2		34	997 552 414 01	lining footwell passenger's side	/LL	1	I098	
30	997 552 448 00	stop		1		(34)	997 552 413 01	lining footwell passenger's side	/RL	1	I099	

Model	Year	MG	SG	Illustration	Restrictions	UPD	16:35	26.01.2010	PORSCHE	PET	PORSCHE
GT3-2	2010	8	09	809-03		248					

Pos	Part Number	Description	Remark	Qty	Model	Pos	Part Number	Description	Remark	Qty	Model
35	1H0 819 943	screw for mount lining footwell		X							
36	997 552 451 01	insert	/LL	1	I098						
36	997 552 452 01	insert	/RL	1	I099						
37	997 552 649 01	hinge bolt glove compartment		2							
38	997 552 821 00	grommet		3							

Model	Year	MG	SG	Illustration	Restrictions	UPD	16:36	26.01.2010	PORSCHE	PET	PORSCHE
GT3-2	2010	8	09	809-04		248					

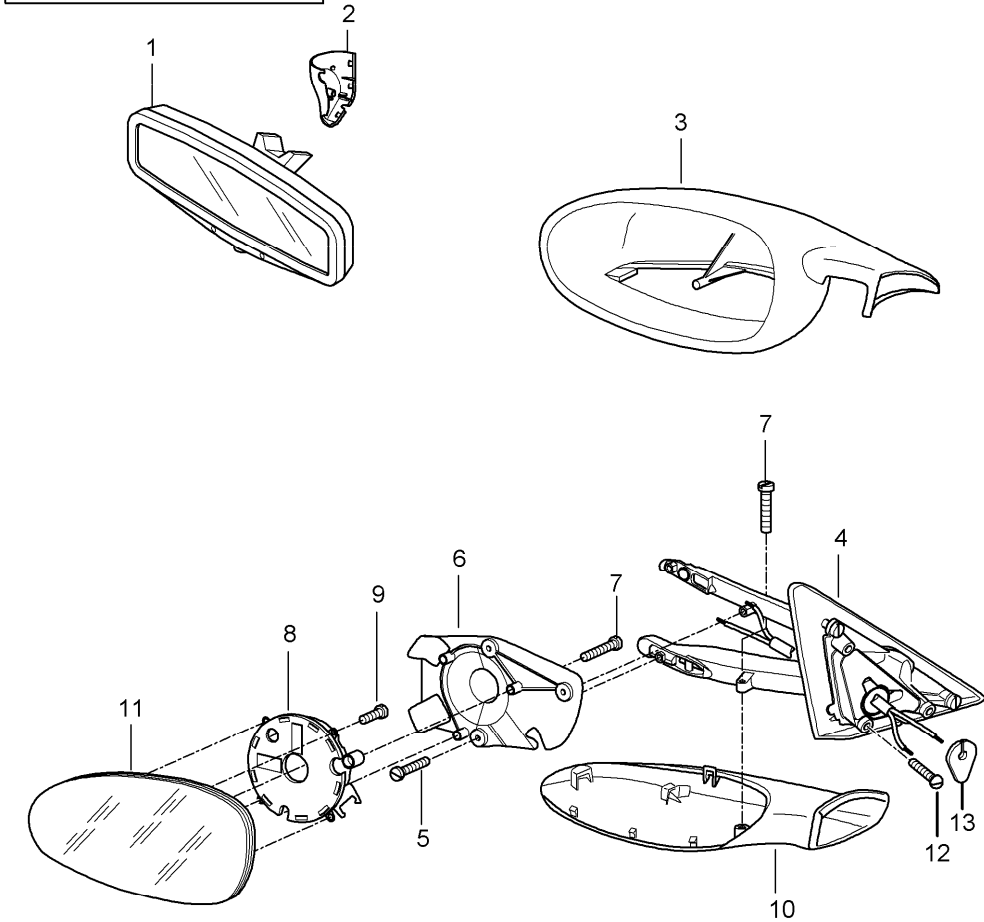
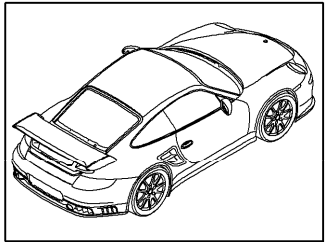


Pos	Part Number	Description	Remark	Qty	Model
1	997 552 063 08	retaining frame dashboard			
(1)	997 552 063 06	retaining frame	/LL	1	I098
(1)	997 552 063 10	retaining frame	/RL -08	1	I099
2	997 552 163 05	support tunnel	/RL 10-	1	I099
(2)	997 552 163 06	support tunnel	/LL	1	I098
3	999 507 020 01	speed nut ST 4,2 for mount retaining frame and support tunnel		X	
4	900 378 305 01	hexagon-head bolt M 8 X 65 for mount support		2	
9	997 552 515 01	support tunnel		1	
10	999 073 442 01	screw M 6 X 25 for mount support tunnel		X	
11	997 552 407 01	support a-pillar	/L	1	
(11)	997 552 408 01	support a-pillar	/R	1	
12	900 378 176 01	hexagon-head bolt M 8 X 20 for mount support a-pillar		4	

Model	Year	MG	SG	Illustration	Restrictions	UPD	16:36	26.01.2010	PORSCHE	PET	PORSCHE
GT3-2	2010	8	09	809-04		248					

Pos	Part Number	Description	Remark	Qty	Model	Pos	Part Number	Description	Remark	Qty	Model
13	999 084 630 09	hexagon nut M 8 for mount support a-pillar		4							
14	997 552 401 00	support heating		1							
15	999 073 155 09	tapping screw ST 4,2 X 13 for mount support heating		1							
16	997 423 299 01	nut for adjustment retaining frame firewall		2							
17	999 507 971 01	speed nut ST 4,2 for mount support heating		1							
18	997 552 603 01	reinforcement plate support airbag		1							
19	900 378 222 09	hexagon-head bolt M 6 X 16		4							
20	999 591 850 01	speed nut ST 4,2		X							
21	999 591 951 03	speed nut ST 4,2		X							

Model	Year	MG	SG	Illustration	Restrictions	UPD	16:36	26.01.2010	PORSCHE	PET	PORSCHE
GT3-2	2010	8	09	809-10		248					



Pos	Part Number	Description	Remark	Qty	Model
		interior mirror	-09		
	door mirror				
1	997 731 511 03	interior mirror		1	I267
(1)	997 731 511 02	interior mirror		1	
	01C	satin black			
2	997 731 811 00	cover	/L	1	
	interior mirror				
	01C	satin black			
(2)	997 731 812 00	cover	/R	1	
	interior mirror				
	01C	satin black			
3	997 731 619 00	housing	/L	1	
	G2L	prime coated			
(3)	997 731 620 00	housing	/R	1	
	G2L	prime coated			
4	997 731 219 00	mirror base	/LL/L	1	I098
	G2L	prime coated			
(4)	997 731 220 00	mirror base	/LL/R	1	I098
	door mirror				
	G2L	prime coated			
(4)	997 731 219 02	mirror base	/LL/L	1	I098/267
	door mirror				
	G2L	prime coated			
(4)	997 731 220 02	mirror base	/LL/R	1	I098/267
	door mirror				
	G2L	prime coated			
(4)	997 731 219 04	mirror base	/RL/L	1	I099
	door mirror				
	G2L	prime coated			
(4)	997 731 220 04	mirror base	/RL/R	1	I099
	door mirror				
	G2L	prime coated			

Model	Year	MG	SG	Illustration	Restrictions	UPD	16:36	26.01.2010	PORSCHE	PET	PORSCHE
GT3-2	2010	8	09	809-10		248					

Pos	Part Number	Description	Remark	Qty	Model	Pos	Part Number	Description	Remark	Qty	Model
(4)	997 731 219 06	mirror base door mirror	/RL/L	1	I099/267	(11)	997 731 038 00	mirror glass convex	/LL/R	1	I098
	G2L	prime coated				(11)	997 731 038 01	mirror glass convex	/LL/R (ROK)	1	
(4)	997 731 220 06	mirror base door mirror	/RL/R	1	I099/267	(11)	997 731 038 02	mirror glass convex	/LL/R	1	I215
	G2L	prime coated				(11)	997 731 038 06	mirror glass convex dimnable	/LL/R 07-	1	I098/267
5	999 919 024 09	oval-head screw 3,0 X 12		3		(11)	997 731 038 07	mirror glass convex dimnable	/LL/R (ROK) 07-	1	I267
6	997 731 519 00	plate door mirror	/L	1		(11)	997 731 038 08	mirror glass convex dimnable	/LL/R 07-	1	I215/267
(6)	997 731 520 00	plate door mirror	/R	1		(11)	997 731 036 00	mirror glass plane	/RL/R	1	I099/270
7	999 141 043 02	oval-head screw M 3 X 14		4		(11)	997 731 036 01	mirror glass aspherical	/RL/R	1	I099/271
8	997 624 047 00	adjusting motor		2		(11)	997 731 036 04	mirror glass plane dimnable	/RL/R 07-	1	I099/267/270
9	999 141 043 02	oval-head screw M 3,0 X 14		3		(11)	997 731 036 05	mirror glass aspherical dimnable	/RL/R 07-	1	I099/267/271
10	997 731 719 00	cover lower	/L	1		12	999 073 345 09	lens-head screw M 5 X 18		3	
	G2L	prime coated				13	997 537 733 00	seal cable plug mirror base	07-	1	
(10)	997 731 720 00	cover lower	/R	1							
	G2L	prime coated									
11	997 731 035 00	mirror glass plane	/LL/L	1	I098/270						
(11)	997 731 035 01	mirror glass aspherical	/LL/L	1	I098/271						
(11)	997 731 035 04	mirror glass plane dimnable	/LL/L 07-	1	I098/267/270						
(11)	997 731 035 05	mirror glass aspherical dimnable	/LL/L 07-	1	I098/267/271						
(11)	997 731 037 00	mirror glass convex	/RL/L	1	I099						
(11)	997 731 037 02	mirror glass convex dimnable	/RL/L 07-	1	I099/267						

Model	Year	MG	SG	Illustration	Restrictions	UPD	16:36	26.01.2010
GT3-2	2010	8	09	809-11		248		

Pos	Part Number	Description	Remark	Qty	Model
		interior mirror door mirror	10-		
1	997 731 511 05	interior mirror		1	I267
(1)	997 731 511 02	interior mirror		1	
	01C	satin black			
2	997 731 811 00	cover interior mirror	/L	1	
	01C	satin black			
(2)	997 731 812 00	cover interior mirror	/R	1	
	01C	satin black			
3	997 731 619 02	housing	/L	1	
	G2L	prime coated			
(3)	997 731 620 02	housing	/R	1	
	G2L	prime coated			
4	997 731 719 02	cover	/L	1	
	G2L	prime coated			
(4)	997 731 720 02	cover	/R	1	
	G2L	prime coated			
4	997 731 219 00	mirror base	/LL/L	1	I098
	G2L	prime coated			
(4)	997 731 220 00	mirror base door mirror	/LL/R	1	I098
	G2L	prime coated			
(4)	997 731 219 01	mirror base door mirror	/LL/L	1	I537
	G2L	prime coated			
(4)	997 731 220 01	mirror base door mirror	/LL/R	1	I537
	G2L	prime coated			
(4)	997 731 219 02	mirror base door mirror	/LL/L	1	I098/267
	G2L	prime coated			

Model	Year	MG	SG	Illustration	Restrictions	UPD	16:36	26.01.2010
GT3-2	2010	8	09	809-11		248		

Pos	Part Number	Description	Remark	Qty	Model
(4)	997 731 220 02	mirror base door mirror	/LL/R	1	I098/267
	G2L	prime coated			
(4)	997 731 219 03	mirror base door mirror	/LL/L	1	I267/537
	G2L	prime coated			
(4)	997 731 220 03	mirror base door mirror	/LL/R	1	I267/537
	G2L	prime coated			
(4)	997 731 219 04	mirror base door mirror	/RL/L	1	I099
	G2L	prime coated			
(4)	997 731 220 04	mirror base door mirror	/RL/R	1	I099
	G2L	prime coated			
(4)	997 731 219 05	mirror base door mirror	/RL/L	1	I099/538
	G2L	prime coated			
(4)	997 731 220 05	mirror base door mirror	/RL/R	1	I099/538
	G2L	prime coated			
(4)	997 731 219 06	mirror base door mirror	/RL/L	1	I099/267
	G2L	prime coated			
(4)	997 731 220 06	mirror base door mirror	/RL/R	1	I099/267
	G2L	prime coated			
(4)	997 731 219 07	mirror base door mirror	/RL/L	1	I267/538
	G2L	prime coated			
(4)	997 731 220 07	mirror base door mirror	/RL/R	1	I267/538
	G2L	prime coated			
5	999 919 024 09	oval-head screw 3,0 X 12		3	
6	997 731 519 00	plate door mirror	/L	1	

Model	Year	MG	SG	Illustration	Restrictions	UPD	16:36	26.01.2010
GT3-2	2010	8	09	809-11		248		

Pos	Part Number	Description	Remark	Qty	Model
(6)	997 731 520 00	plate door mirror	/R	1	
7	999 141 043 02	oval-head screw M 3 X 14		4	
8	997 624 047 00	adjusting motor		2	
(8)	997 624 048 00	adjusting motor		2	I537/538
9	999 141 043 02	oval-head screw M 3,0 X 14		3	
10	997 731 719 02	cover lower	/L	1	
	G2L	prime coated			
(10)	997 731 720 02	cover lower	/R	1	
	G2L	prime coated			
11	997 731 035 06	mirror glass	/LL/L	1	I098/270
(11)	997 731 035 08	mirror glass plane	/LL/L	1	I098/267/270
(11)	997 731 035 07	mirror glass aspherical	/LL/L	1	I098/271
(11)	997 731 035 09	mirror glass aspherical	/LL/L	1	I098/267/271
(11)	997 731 036 07	mirror glass	/RL/R	1	I099/271
(11)	997 731 036 09	mirror glass aspherical	/RL/R	1	I099/267/271
(11)	997 731 038 09	mirror glass	/LL/R	1	I098
(11)	997 731 038 10	mirror glass	/LL/R	1	I074
(11)	997 731 038 11	mirror glass	/LL/R	1	I215
(11)	997 731 038 12	mirror glass	/LL/R	1	I098/267
(11)	997 731 038 13	mirror glass	/LL/R	1	I074/267
(11)	997 731 038 14	mirror glass convex	/LL/R	1	I215/267
(11)	997 731 037 03	mirror glass	/RL/L	1	I099
(11)	997 731 037 04	mirror glass convex	/RL/L	1	I099/267
(11)	997 731 038 01	mirror glass convex	/LL/R (ROK)	1	

PORSCHE

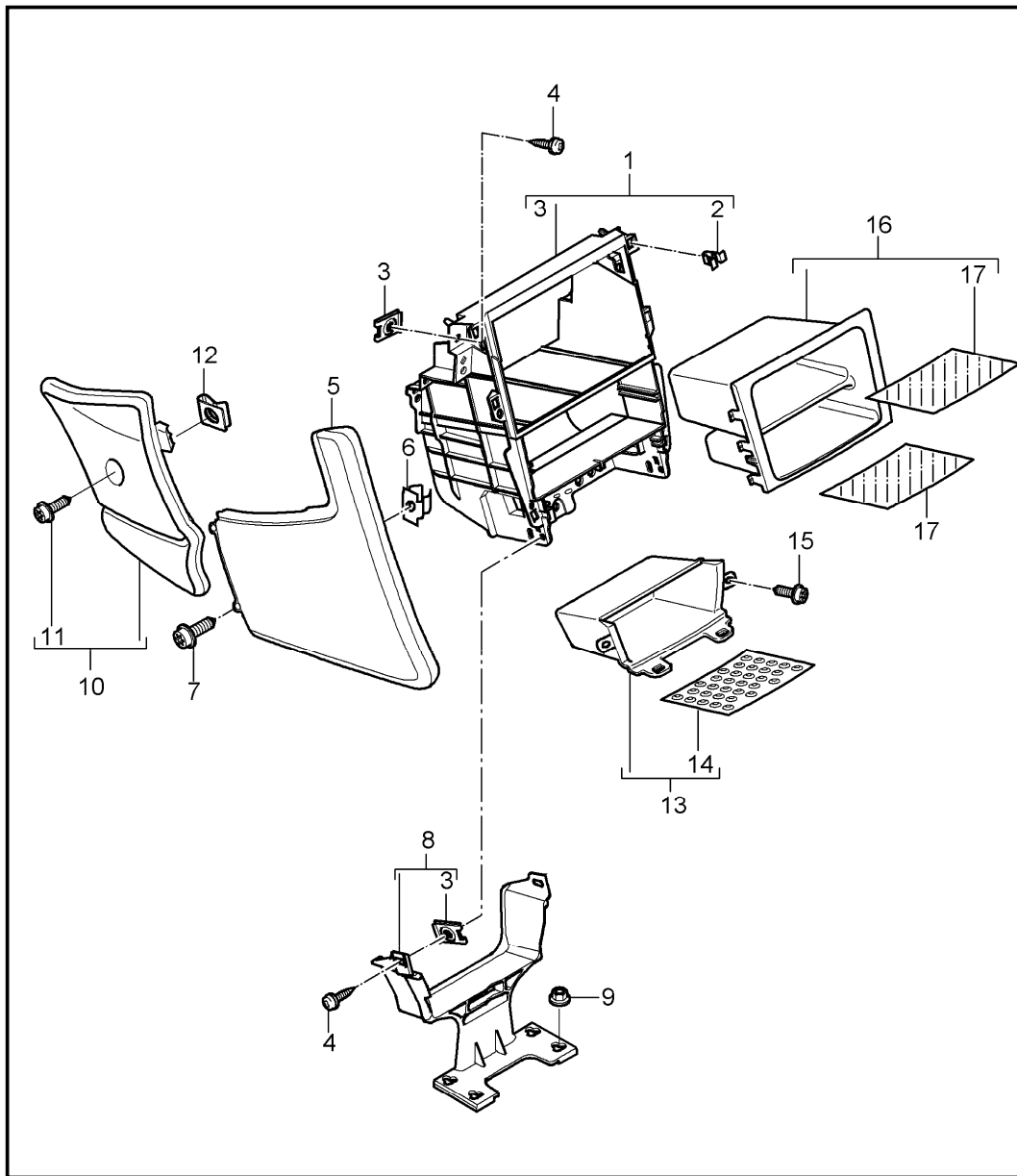
PET

PORSCHE

Model	Year	MG	SG	Illustration	Restrictions	UPD	16:36	26.01.2010
GT3-2	2010	8	09	809-11		248		

Pos	Part Number	Description	Remark	Qty	Model
12	999 073 345 09	lens-head screw M 5 X 18		3	
13	997 537 733 00	seal cable plug mirror base		1	

Model	Year	MG	SG	Illustration	Restrictions	UPD	16:36	26.01.2010	PORSCHE	PET	PORSCHE
GT3-2	2010	8	09	809-15		248					

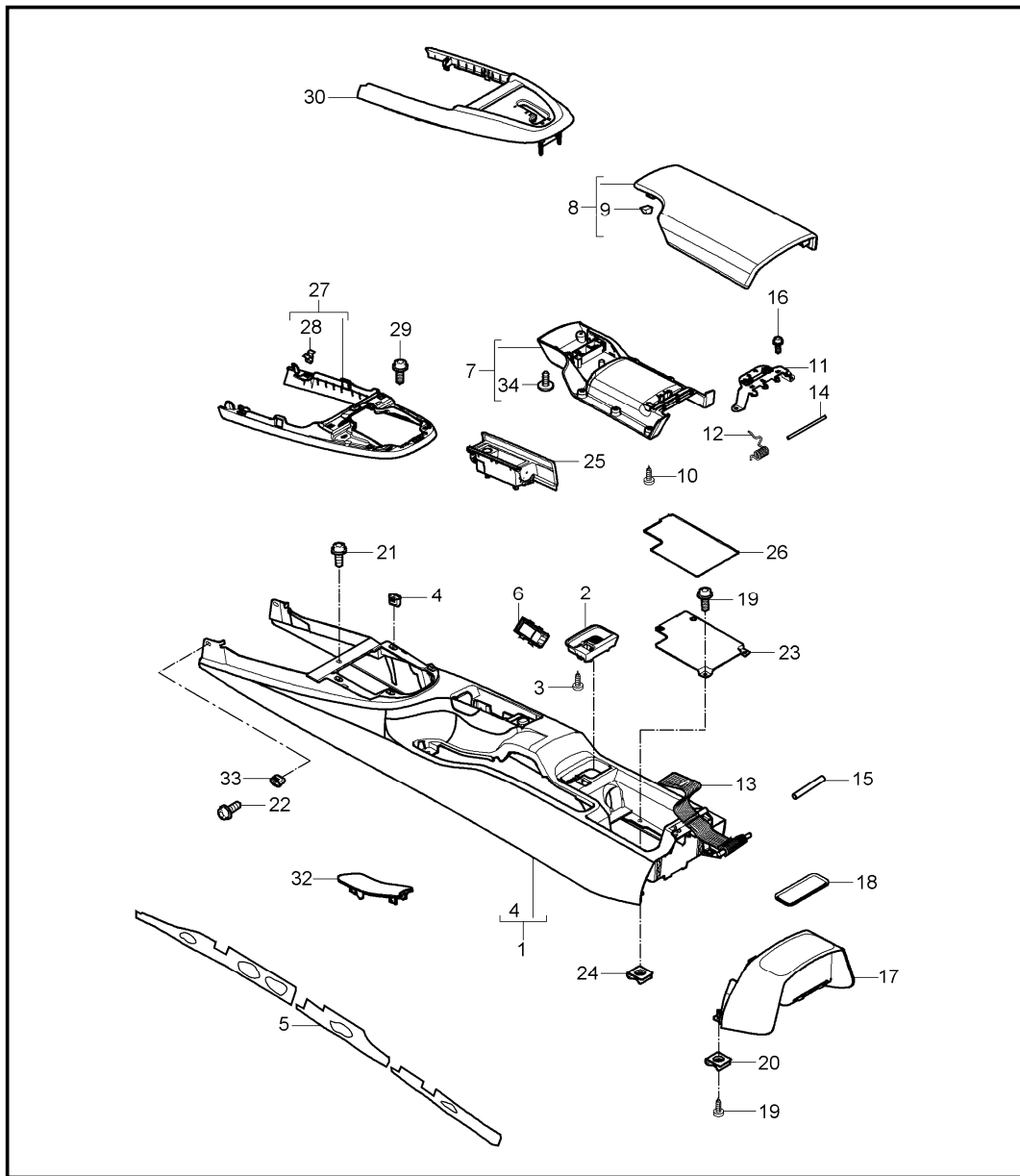


Pos	Part Number	Description	Remark	Qty	Model
1	997 553 111 03	centre console front		1	
2	999 507 476 01	bracket centre console front		6	
3	999 507 971 01	clamp 8,0 X 10,0/2,5		X	
4	999 073 155 09	speed nut st 4,2		X	
5	997 553 117 05	tapping screw st 4,2 x 13	/L	1	
		cover lateral leatherette			
		9L4 black			
(5)	997 553 118 05	cover lateral leatherette	/R	1	
		9L4 black			
5	997 553 117 06	cover lateral leather	/L	1	I981
		FSA black/grey			
		FSH darkgrey natural/grey			
(5)	997 553 118 06	cover lateral leather	/R	1	I981
		FSA black/grey			
		FSH darkgrey natural/grey			
		cover lateral with preparation for telephone see group 9/11/10		1	
6	999 591 508 01	captive nut st 4,2 for mount cover lateral	07-	4	

Model	Year	MG	SG	Illustration	Restrictions	UPD	16:36	26.01.2010	PORSCHE	PET	PORSCHE
GT3-2	2010	8	09	809-15		248					

Pos	Part Number	Description	Remark	Qty	Model	Pos	Part Number	Description	Remark	Qty	Model
7	999 073 226 09	tapping screw ST 4,2 X 16 for mount cover lateral		4		13	997 553 143 02	shelf centre console front	09-	1	
							A05	black			
8	997 553 361 01	support centre		1		14	997 553 543 01	insert shelf		1	
9	999 084 629 01	hexagon nut m 6		4		15	999 919 164 09	oval-head screw 5,0 X 12,0 for mount shelf		3	
10	997 553 131 01	cover footwell outlet vent carpet	/L	1		16	987 553 671 00	shelf centre	10-	1	I609
	A10	black					A05	black mat			
	D11	dark grey/natural				17	987 553 871 00	insert shelf centre	10-	2	I609
(10)	997 553 132 01	cover footwell outlet vent carpet	/LL/R	1	I098/621						
	A10	black									
	D11	dark grey/natural									
(10)	997 553 132 02	cover footwell outlet vent carpet	/R	1							
	A10	black									
	D11	dark grey/natural									
11	999 073 223 07	oval-head screw M 6 X 25 for mount cover footwell outlet vent		2							
12	999 507 766 02	speed nut M 6 for mount cover footwell outlet vent		2							
13	997 553 143 01	shelf centre console front		1					-08		
	D07	volcano grey									

Model	Year	MG	SG	Illustration	Restrictions	UPD	16:36	26.01.2010	PORSCHE	PET	PORSCHE
GT3-2	2010	8	09	809-20		248					



Pos	Part Number	Description	Remark	Qty	Model
		centre console rear	-08		
(1)	997 553 901 00	centre console		1	
	A03	black			
(1)	997 553 980 24	centre console leather	-07	1	IXMZ
	A11	black			
	D12	dark grey/natural			
(1)	997 553 980 48	centre console leather	08-	1	IXMZ
	A11	black			
	D12	dark grey/natural			
(1)	997 553 980 28	centre console carbon	-07	1	IXMJ
	A35	black			
(1)	997 553 980 52	centre console carbon	08-	1	IXMJ
	A35	black			
(1)	997 553 980 64	centre console		1	IXME
	041	black			
	84A	guards red			
	B9A	carrara white			
	12H	speed yellow			
	92U	arctic silver metallic			
	M3W	carmon red metallic	-07		
	M5W	lapis blue metallic	-07		
	M6W	lagoon green metallic	-07		
	C9Z	basalt black metallic			
	M7X	atlas grey metallic			
	39C	midnight blue metallic			
	M7W	Meteor Grey Metallic			

Model	Year	MG	SG	Illustration	Restrictions	UPD	16:36	26.01.2010	PORSCHE	PET	PORSCHE
GT3-2	2010	8	09	809-20		248					

Pos	Part Number	Description	Remark	Qty	Model	Pos	Part Number	Description	Remark	Qty	Model
	2B4	forest green metallic	-08			(8)	997 553 231 90	lid outer alcantara		1	I981
	3C8	cobalt blue metallic	-08								
	23F	slate grey metallic	-08				A25	black			
	M7Z	gt silver metallic				9	999 507 972 01	speed nut 3,5 for mount		8	
	M6X	dark olive-metallic	-08					lid outer			
	8C6	orange									
	2D8	green									
(1)	997 553 997 01	protective film centre console see technical manual 681749		2		10	999 073 153 01	tapping screw 3,5 X 14 for mount lid outer		8	
2	997 553 575 02	insert locking device centre console		1		11	997 553 437 01	hinge		1	
	01C	satin black				12	997 553 439 00	steering knuckle spring		1	
3	999 919 159 09	oval-head screw 4 X 12 for mount insert locking device		1		13	997 553 441 00	belt		1	
						14	997 553 447 00	axle		1	
						15	997 553 733 00	retaining pin		1	
4	999 591 210 40	expander nut 4,2		4		16	999 919 159 09	oval-head screw M4X12		X	
5	997 553 843 00	sound absorber	/L	1		17	997 553 221 01	extension centre console lacquered		1	
(5)	997 553 844 00	sound absorber	/R	1			A03	black			
6	997 553 579 00	cover lacquered	-08	1		(17)	997 553 983 00	extension centre console leather		1	IXMZ
	A03	black					A11	black			
7	997 553 433 01	lid inner		1			D12	dark grey/natural			
	01C	satin black				(17)	997 553 983 01	extension centre console leather		1	IXMJ
8	997 553 231 01	lid outer leather		1			A11	black			
	A11	black					D12	dark grey/natural			

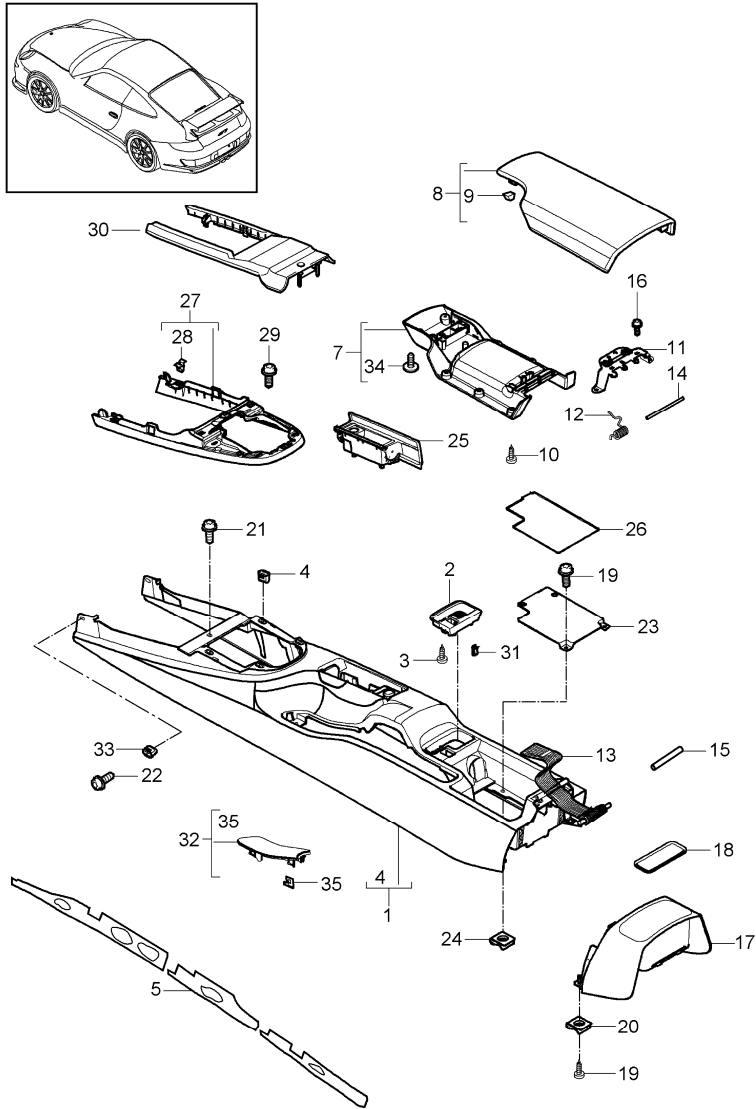
Model	Year	MG	SG	Illustration	Restrictions	UPD	16:36	26.01.2010	PORSCHE	PET	PORSCHE
GT3-2	2010	8	09	809-20		248					

Pos	Part Number	Description	Remark	Qty	Model	Pos	Part Number	Description	Remark	Qty	Model
(17)	997 553 983 05	extension centre console lacquered		1	IXME	23	997 553 615 01	floor centre console		1	
	041	black				24	999 507 028 01	speed nut 4,2		X	
	84A	guards red				25	997 553 902 00	ashtray lacquered		1	
	B9A	carrara white					A03	black			
	12H	speed yellow				(25)	997 553 982 00	ashtray leather		1	IXMZ
	92U	arctic silver metallic					A11	black			
	M3W	carmon red metallic	-07				D12	dark grey/natural			
	M5W	lapis blue metallic	-07			(25)	997 553 982 01	ashtray carbon		1	IXMJ
	M6W	lagoon green metallic	-07				A35	black			
	C9Z	basalt black metallic				(25)	997 553 982 05	ashtray lacquered		1	IXME
	M7X	atlas grey metallic					041	black			
	39C	midnight blue metallic					84A	guards red			
	M7W	Meteor Grey Metallic					B9A	carrara white			
	2B4	forest green metallic	-08				12H	speed yellow			
	3C8	cobalt blue metallic	-08				92U	arctic silver metallic			
	23F	slate grey metallic	-08				M3W	carmon red metallic	-07		
	M7Z	gt silver metallic					M5W	coral metallic	-07		
	M6X	dark olive-metallic	-08				M6W	lagoon green metallic	-07		
	8C6	orange					C9Z	basalt black metallic			
	2D8	green					M7X	atlas grey metallic			
18	997 553 625 01	insert extension		1			39C	midnight blue metallic			
19	999 073 226 09	tapping screw 4,2 X 16		X			M7W	Meteor Grey Metallic			
20	999 507 020 01	speed nut 4,2		X			2B4	forest green metallic	-08		
21	999 919 121 09	oval-head screw 5 X 16		2			3C8	cobalt blue metallic	-08		
22	999 073 155 09	tapping screw 4,2 X 13		2			23F	slate grey metallic	-08		
							M7Z	gt silver metallic			

Model	Year	MG	SG	Illustration	Restrictions	UPD	16:36	26.01.2010	PORSCHE	PET	PORSCHE
GT3-2	2010	8	09	809-20		248					

Pos	Part Number	Description	Remark	Qty	Model	Pos	Part Number	Description	Remark	Qty	Model
	M6X	dark olive-metallic	-08			34	997 553 732 00	rubber buffer lid inner		2	
	8C6	orange									
	2D8	green									
26	997 553 611 01	insert		1							
27	997 553 261 05	frame lacquered		1							
	D07	volcano grey									
28	999 507 533 02	clamp 8,0 X 10,0/2,5		7							
29	999 073 155 09	tapping screw 4,2 X 13 for mount frame		4							
(30)	997 553 243 01	cover shift gate lacquered		1	I480						
	A03	black									
32	997 553 903 00	cover parking-brake lever lacquered		1							
	A03	black									
(32)	997 553 981 00	cover parking-brake lever		1	IXME						
	A11	black									
	D12	dark grey/natural									
(32)	997 553 981 00	cover parking-brake lever		1	IXMJ						
	A11	black									
	D12	dark grey/natural									
(32)	997 553 981 06	cover parking-brake lever		1	IXMZ						
	A11	black									
	D12	dark grey/natural									
33	999 591 215 40	expander nut 4,2		2							

Model	Year	MG	SG	Illustration	Restrictions	UPD	16:37	26.01.2010	PORSCHE	PET	PORSCHE
GT3-2	2010	8	09	809-21		248					



Pos	Part Number	Description	Remark	Qty	Model
		centre console rear	10-		
(1)	997 553 901 00	centre console		1	
	A03	black			
(1)	997 553 980 69	centre console		1	GT3 IXMZ
		leather			
	A11	black			
	D12	dark grey/natural			
(1)	997 553 980 52	centre console		1	IXMJ
		carbon			
	A35	black			
(1)	997 553 980 64	centre console		1	IXME
	041	black			
	84A	guards red			
	B9A	carrara white			
	12H	speed yellow			
	92U	arctic silver metallic			
	C9Z	basalt black metallic			
	M7W	Meteor Grey Metallic			
	M7Z	gt silver metallic			
	M8W	Macadamia Metallic			
	M3X	ruby red metallic			
	M5X	Dark Blue Metallic			
	22G	Racing Green Metallic			
	M5R	Aqua Blue Metallic			
	51A	creamy white			
	M2Z	Nordic Gold Metallic			
	2B5	Malachite Green Metallic			
	M4Z	amethyst metallic			
	7A1	grey/black	10-		

Model	Year	MG	SG	Illustration	Restrictions	UPD	16:37	26.01.2010	PORSCHE	PET	PORSCHE
GT3-2	2010	8	09	809-21		248					

Pos	Part Number	Description	Remark	Qty	Model	Pos	Part Number	Description	Remark	Qty	Model
(1)	997 553 997 01	protective film centre console see technical manual 681749		2		9	999 507 972 01	speed nut 3,5 for mount lid outer		8	
2	997 553 575 02	insert locking device centre console		1		10	999 073 153 01	tapping screw 3,5 X 14 for mount lid outer		8	
	01C	satin black									
3	999 919 159 09	oval-head screw 4 X 12 for mount insert locking device		1		11	997 553 437 01	hinge		1	
4	999 591 210 40	expander nut 4,2		4		12	997 553 439 00	steering knuckle spring		1	
5	997 553 843 00	sound absorber	/L	1		13	997 553 441 00	belt		1	
(5)	997 553 844 00	sound absorber	/R	1		14	997 553 447 00	axle		1	
7	997 553 433 01	lid inner		1		15	997 553 733 00	retaining pin		1	
	01C	satin black				16	999 919 159 09	oval-head screw M4X12		X	
8	997 553 231 01	lid outer leather		1		17	997 553 221 01	extension centre console lacquered		1	
	A11	black					A03	black			
(8)	997 553 231 90	lid outer alcantara		1	I981	(17)	997 553 983 06	extension centre console leather		1	GT3 IXMZ
	A25	black					A11	black			
(8)	997 553 991 20	lid outer alcantara	/LL	10-	1	IXLG/098	(17)	997 553 983 01	extension centre console leather	1	IXMJ
	A25	black					A11	black			
(8)	997 553 991 21	lid outer alcantara	/RL	10-	1	IXLG/099	(17)	997 553 983 05	extension centre console lacquered	1	IXME
	A25	black					041	black			
							84A	guards red			

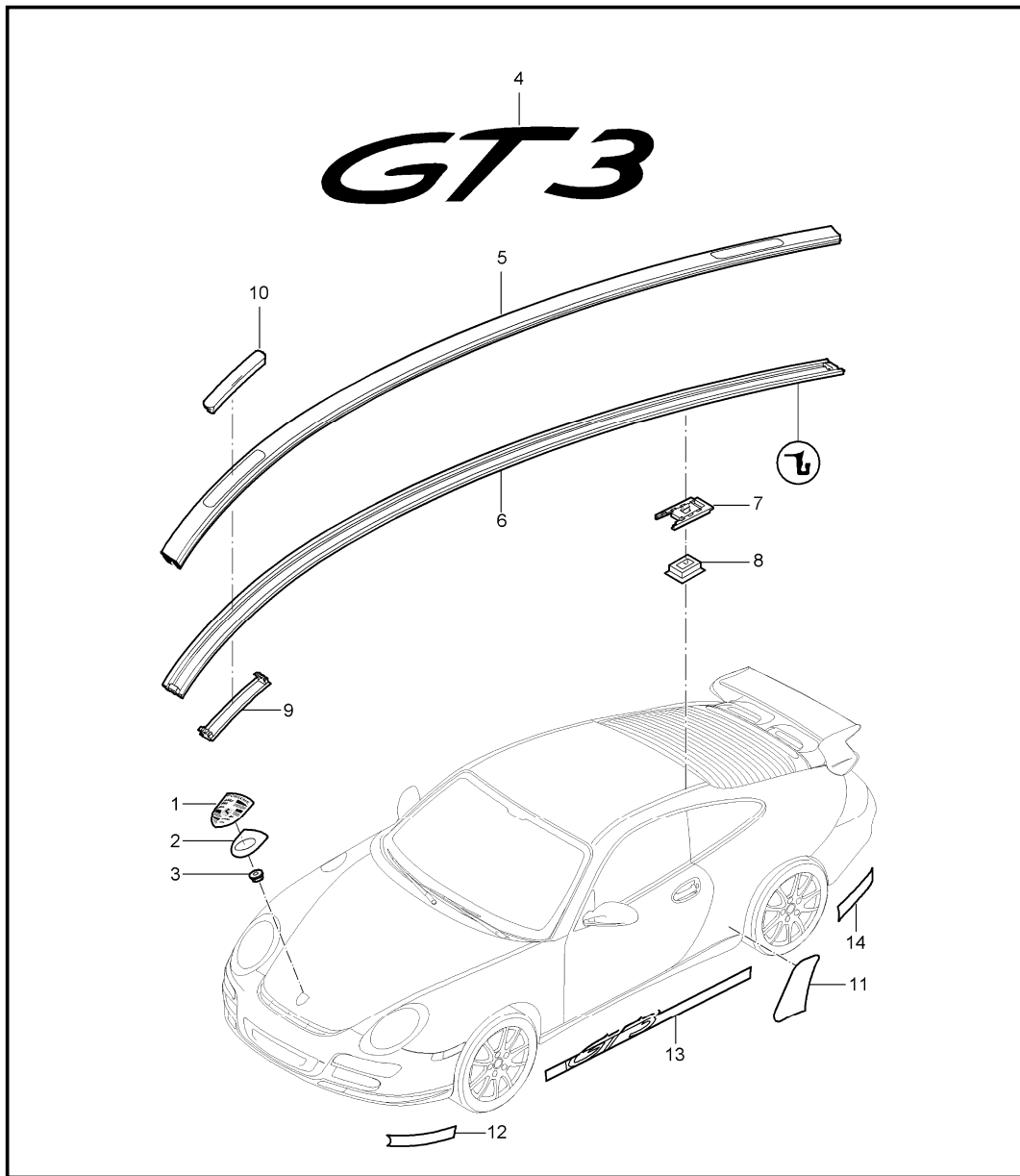
Model	Year	MG	SG	Illustration	Restrictions	UPD	16:37	26.01.2010	PORSCHE	PET	PORSCHE
GT3-2	2010	8	09	809-21		248					

Pos	Part Number	Description	Remark	Qty	Model	Pos	Part Number	Description	Remark	Qty	Model
	B9A	carrara white				(25)	997 553 982 06	ashtray		1	GT3 IXMZ
	12H	speed yellow						leather			
	92U	arctic silver metallic					A11	black			
	C9Z	basalt black metallic					D12	dark grey/natural			
	M7W	Meteor Grey Metallic				(25)	997 553 982 01	ashtray carbon		1	IXMJ
	M7Z	gt silver metallic					A35	black			
	M8W	Macadamia Metallic				(25)	997 553 982 05	ashtray lacquered		1	IXME
	M3X	ruby red metallic					041	black			
	M5X	Dark Blue Metallic					84A	guards red			
	22G	Racing Green Metallic					B9A	carrara white			
	M5R	Aqua Blue Metallic					12H	speed yellow			
	51A	creamy white					92U	arctic silver metallic			
	M2Z	Nordic Gold Metallic					C9Z	basalt black metallic			
	2B5	Malachite Green Metallic					M7W	Meteor Grey Metallic			
	M4Z	amethyst metallic					M7Z	gt silver metallic			
	7A1	grey/black	10-				M8W	Macadamia Metallic			
18	997 553 625 01	insert extension		1			M3X	ruby red metallic			
19	999 073 226 09	tapping screw 4,2 X 16		X			M5X	Dark Blue Metallic			
20	999 507 020 01	speed nut 4,2		X			22G	Racing Green Metallic			
21	999 919 121 09	oval-head screw 5 X 16		2			M5R	Aqua Blue Metallic			
22	999 073 155 09	tapping screw 4,2 X 13		2			51A	creamy white			
23	997 553 615 01	floor centre console		1			M2Z	Nordic Gold Metallic			
24	999 507 028 01	speed nut 4,2		X			2B5	Malachite Green Metallic			
25	997 553 902 00	ashtray lacquered		1			M4Z	amethyst metallic			
	A03	black					7A1	grey/black	10-		
						26	997 553 611 01	insert		1	
						(26)	997 553 613 00	insert		1	GT3 I870

Model	Year	MG	SG	Illustration	Restrictions	UPD	16:37	26.01.2010	PORSCHE	PET	PORSCHE
GT3-2	2010	8	09	809-21		248					

Pos	Part Number	Description	Remark	Qty	Model	Pos	Part Number	Description	Remark	Qty	Model
27	997 553 261 05	frame lacquered		1		(32)	997 553 981 07	cover		1	GT3 IXMZ
	D07	volcano grey					A11	black			
(27)	987 553 261 01	frame	10-	1	IXDJ		D12	dark grey/natural			
	G2X	prime coated									
28	999 507 533 02	clamp 8,0 X 10,0/2,5		7		33	999 591 215 40	expander nut 4,2		2	
29	999 073 155 09	tapping screw 4,2 X 13 for mount frame		4		34	997 553 732 00	rubber buffer lid inner		2	
(30)	997 553 243 01	cover shift gate lacquered		1	I480	35	997 553 861 00	clamp		4	GT3 IXMZ
	A03	black									
(30)	997 553 996 00	cover shift gate leather	10-	1	GT3 IXDZ/480						
	A11	black									
	D12	dark grey/natural									
31	999 507 922 01	u-clamp 4,0		1	GT3 I870						
32	997 553 903 00	cover parking-brake lever lacquered		1							
	A03	black									
(32)	997 553 981 00	cover parking-brake lever		1	IXME						
	A11	black									
	D12	dark grey/natural									
(32)	997 553 981 00	cover parking-brake lever		1	IXMJ						
	A11	black									
	D12	dark grey/natural									

Model	Year	MG	SG	Illustration	Restrictions	UPD	16:37	26.01.2010	PORSCHE	PET	PORSCHE
GT3-2	2010	8	10	810-00		248					

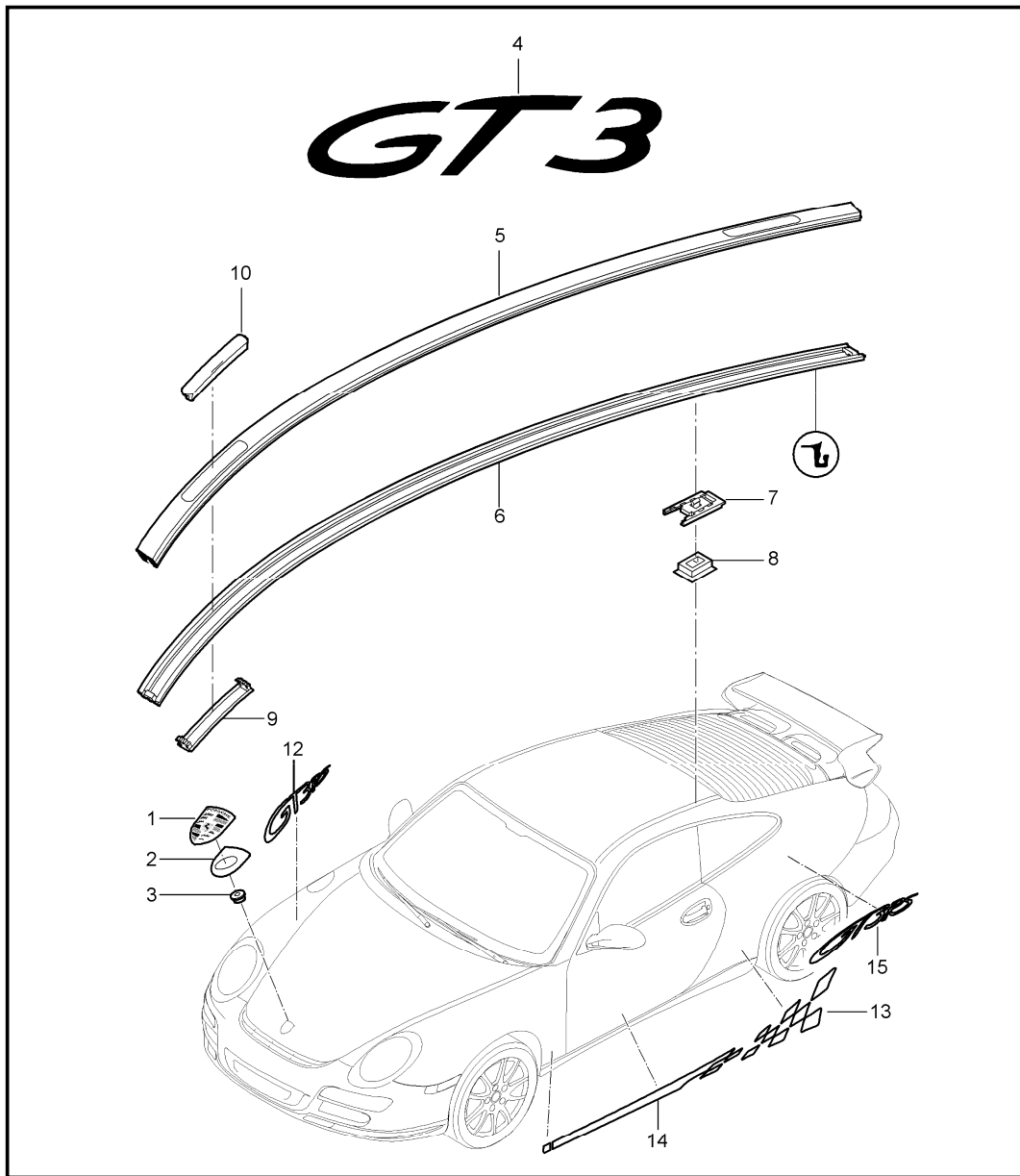


Pos	Part Number	Description	Remark	Qty	Model
		insignias decorative fittings stone guard film	-09		
1	997 559 211 00	lid emblem Information available	WW	1	
(1)	996 559 211 01	lid emblem Information available	WW	1	
2	7L5 853 611 B	desk pad		1	
3	999 591 423 03	tapping nut		2	
4	K 996 559 237 90	logo *GT3* lacquered		1	
		70C rally black			
(4)	997 559 237 92	logo *GT3RS* lacquered		1	I004
		8C8 orange			
		041 black			
5	997 559 401 00	roof edge strip	/L -09	1	
		G2X prime coated			
(5)	997 559 402 00	roof edge strip	/R -09	1	
		G2X prime coated			
(6)	997 559 721 00	gasket roof edge strip	/L -09	1	
(6)	997 559 722 00	gasket roof edge strip	/R -09	1	
7	996 559 403 01	clip		10	
8	996 559 405 01	adapter		10	
9	996 559 729 00	bracket for flap		4	
10	996 559 501 00	flap front		2	
		G2X prime coated			
(10)	996 559 503 00	flap rear		2	

Model	Year	MG	SG	Illustration	Restrictions	UPD	16:37	26.01.2010	PORSCHE	PET	PORSCHE
GT3-2	2010	8	10	810-00		248					

Pos	Part Number	Description	Remark	Qty	Model	Pos	Part Number	Description	Remark	Qty	Model
	G2X	prime coated									
11	997 504 825 02	stone guard film side section	/L	1							
(11)	997 504 826 02	stone guard film side section	/R	1							
12	997 559 331 90	decorative film front	/L	1	I004						
	8C6	orange									
	041	black									
(12)	997 559 332 90	decorative film front	/R	1	I004						
	8C6	orange									
	041	black									
13	997 559 333 90	decorative film lateral	/L	1	I004						
	8C6	orange									
	041	black									
(13)	997 559 334 90	decorative film lateral	/R	1	I004						
	8C6	orange									
	041	black									
14	997 559 335 90	decorative film rear	/L	1	I004						
	8C6	orange									
	041	black									
(14)	997 559 336 90	decorative film rear	/R	1	I004						
	8C6	orange									
	041	black									

Model	Year	MG	SG	Illustration	Restrictions	UPD	16:37	26.01.2010	PORSCHE	PET	PORSCHE
GT3-2	2010	8	10	810-02		248					

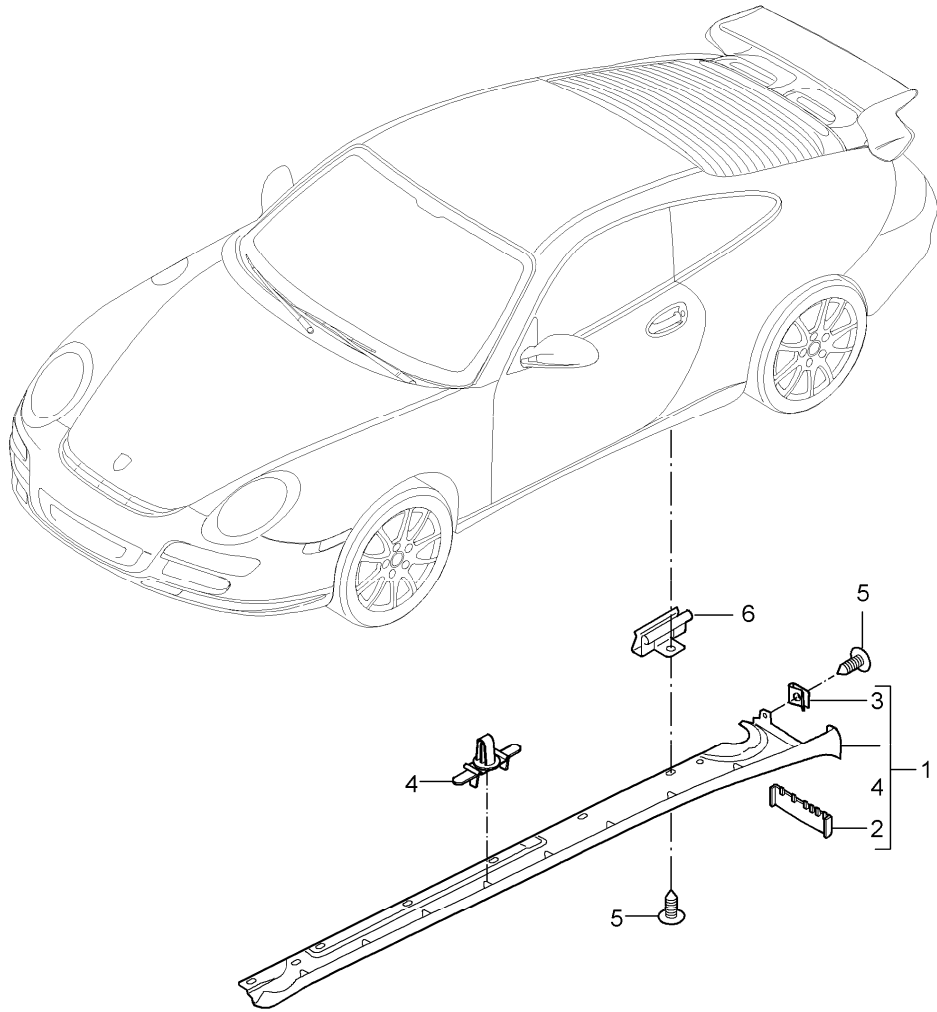


Pos	Part Number	Description	Remark	Qty	Model
		insignias decorative fittings stone guard film	10-		
1	997 559 211 00	lid emblem Information available	WW	1	
(1)	996 559 211 01	lid emblem Information available	WW	1	
2	7L5 853 611 B	desk pad		1	
3	999 591 423 03	tapping nut		2	
4	K 996 559 237 90	logo *GT3* lacquered		1	
		70C rally black			
(4)	997 559 237 92	logo *GT3RS* lacquered		1	I004
		8C8 orange			
		041 black			
(5)	997 559 401 91	roof edge strip	/L	1	
		G2L prime coated			
(5)	997 559 402 91	roof edge strip	/R	1	
		G2L prime coated			
(6)	997 559 721 01	gasket roof edge strip	/L	1	
(6)	997 559 722 01	gasket roof edge strip	/R	1	
7	996 559 403 01	clip		10	
8	996 559 405 01	adapter		10	
9	996 559 729 00	bracket for flap		4	
10	996 559 501 00	flap front		2	
		G2X prime coated			
(10)	996 559 503 00	flap rear		2	

Model	Year	MG	SG	Illustration	Restrictions	UPD	16:37	26.01.2010	PORSCHE	PET	PORSCHE
GT3-2	2010	8	10	810-02		248					

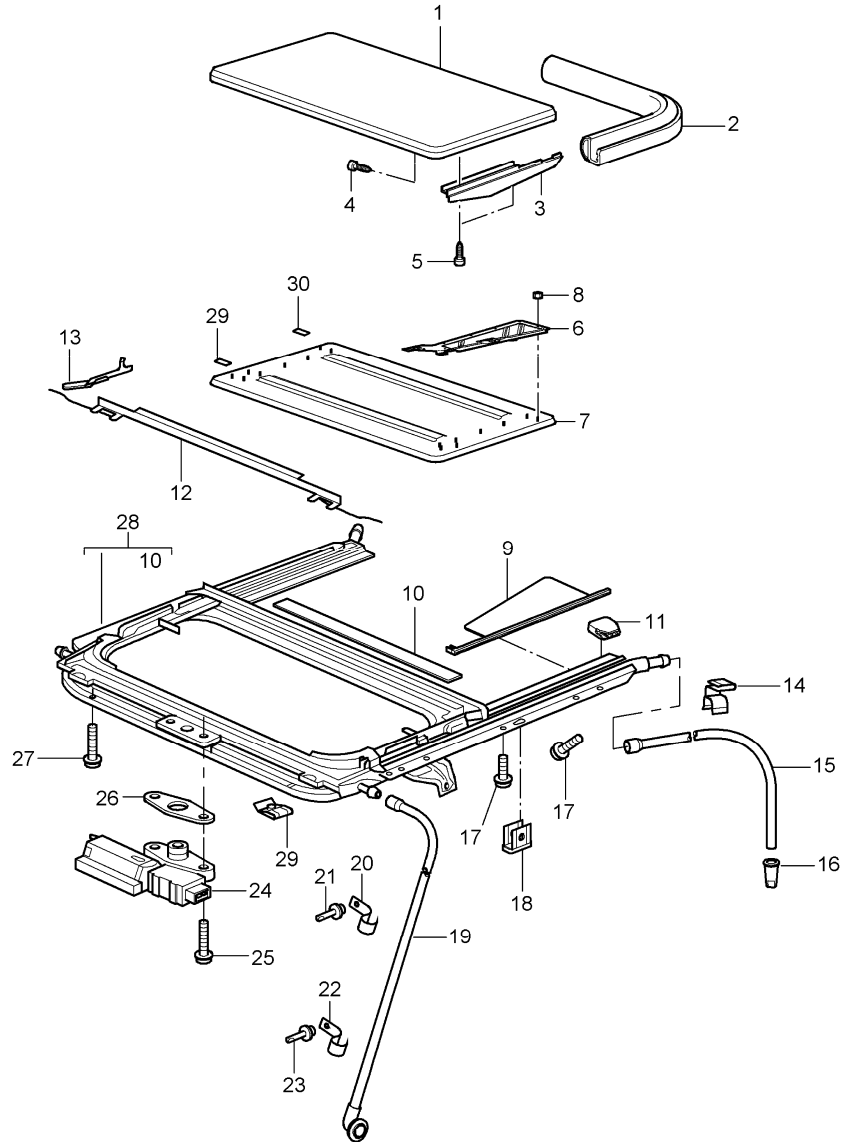
Pos	Part Number	Description	Remark	Qty	Model	Pos	Part Number	Description	Remark	Qty	Model
	G2X	prime coated				15	997 559 335 91	decorative film logo gt3 side section left	/R	1	I004
11	997 504 825 02	stone guard film side section	/L	1							
(11)	997 504 826 02	stone guard film side section	/R	1			539	white gold metallic			
12	997 559 332 91	decorative film logo gt3 wing front right	/R	1	I004		84A	guards red			
	539	white gold metallic									
	84A	guards red									
13	997 559 333 91	decorative film door and wing left	/L	1	I004						
	539	white gold metallic									
	84A	guards red									
(13)	997 559 334 91	decorative film door and wing right	/L	1	I004						
	539	white gold metallic									
	84A	guards red									
(14)	997 559 337 91	decorative film side section left	/R	1	I004						
	539	white gold metallic									
	84A	guards red									
14	997 559 338 91	decorative film side section right	/R	1	I004						
	539	white gold metallic									
	84A	guards red									

Model	Year	MG	SG	Illustration	Restrictions	UPD	16:37	26.01.2010	PORSCHE	PET	PORSCHE
GT3-2	2010	8	10	810-05		248					



Pos	Part Number	Description	Remark	Qty	Model
		sill cover			
1	997 504 363 00	sill cover	/L	1	I004
	01C	satin black			
(1)	997 504 364 00	sill cover	/R	1	I004
	01C	satin black			
1	997 504 981 00	sill cover	/L	08-	IXAJ/004
	G2X	prime coated			
1	997 504 982 00	sill cover	/R	08-	IXAJ/004
	G2X	prime coated			
2	997 504 863 00	rubber lip sill cover	/L	1	I004
	01C	satin black			
(2)	997 504 864 00	rubber lip sill cover	/R	1	I004
	01C	satin black			
3	999 507 795 09	speed nut ST 4,8		4	I004
4	999 507 986 40	fixing clip sill cover 9,0 x 1,5		18	I004
5	999 073 231 09	tapping screw st 4,8 x 16		24	I004
6	999 507 640 09	u-clamp		18	I004
7	997 505 365 A1	wheel cover vorne left prime coated		1	I004
(7)	997 505 366 A1	wheel cover vorne right prime coated		1	I004
		use also:			I004
-	997 503 901 01	adhesive tape 750 x 10 mm		1	I004
-	999 915 575 41	Primer 15 ml		1	I004

Model	Year	MG	SG	Illustration	Restrictions	UPD	16:37	26.01.2010	PORSCHE	PET	PORSCHE
GT3-2	2010	8	11	811-00		248					

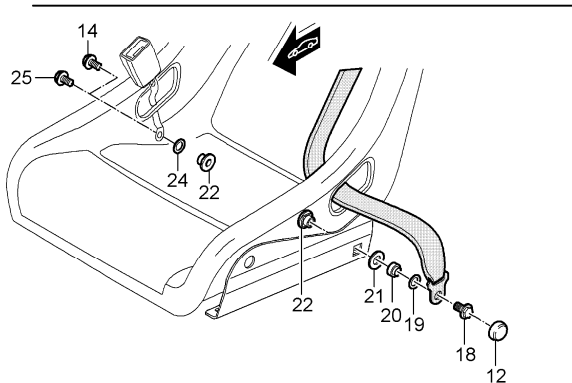
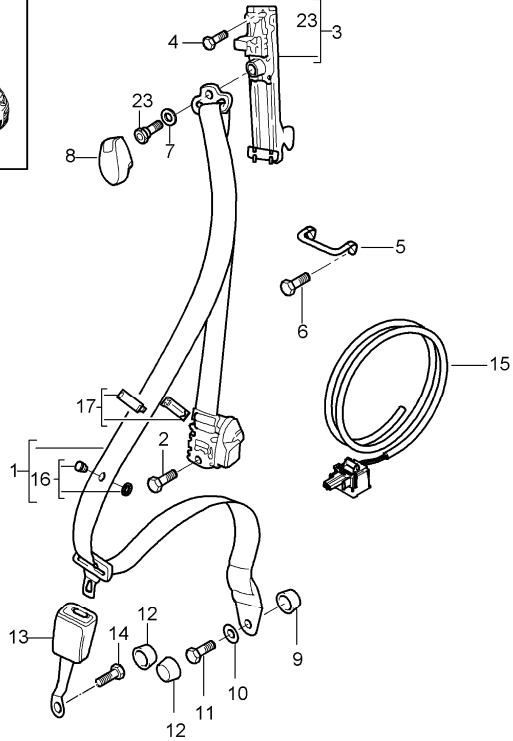
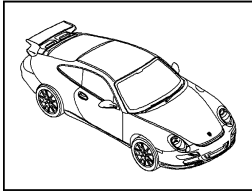


Pos	Part Number	Description	Remark	Qty	Model
		sunroof			I650
1	996 564 941 01	lid		1	
		GRV			
		prime coated			
2	997 564 211 00	gasket		1	
3	996 564 181 00	cover	/L	1	
		01C			
		black			
(3)	996 564 182 00	cover	/R	1	
		01C			
		black			
4	996 564 245 00	combination screw		4	
5	900 143 189 09	tapping screw		4	
6	996 564 321 01	guide plate	/L	1	
(6)	996 564 322 01	guide plate	/R	1	
7	997 564 021 00	roofliner		1	
		alcantara			
		A14			
8	900 076 084 07	nut		16	
9	996 564 241 00	interior lining	/L	1	
(9)	996 564 242 00	interior lining	/R	1	
10	997 564 671 00	edge protection		11	
11	997 555 823 00	support		2	
12	997 564 161 00	air deflector		10	
13	996 564 522 01	hinge	/R	1	
(13)	996 564 521 01	hinge	/L	1	
14	999 507 631 02	cable holder		6	
15	996 564 205 01	water drain hose		2	
		rear			
16	996 561 825 00	water drain valve		2	
		rear			
17	999 073 130 02	oval-head screw		6	
18	999 703 258 42	clip		2	

Model	Year	MG	SG	Illustration	Restrictions	UPD	16:37	26.01.2010	PORSCHE	PET	PORSCHE
GT3-2	2010	8	11	811-00		248					

Pos	Part Number	Description	Remark	Qty	Model	Pos	Part Number	Description	Remark	Qty	Model
19	996 564 207 00	water drain hose front		2							
20	997 564 301 00	support upper		2							
21	999 190 184 01	blind rivet 4,0X8,5		2							
22	997 564 303 00	support lower		2							
23	999 190 450 37	blind rivet 4,0X6,3		1							
24	997 624 211 00	driving mechanism		1							
25	999 073 135 07	countersunk-head screw		1							
26	996 564 213 00	spacer		1							
27	999 073 366 02	oval-head screw		4							
28	997 564 911 00	frame		1							

Model	Year	MG	SG	Illustration	Restrictions	UPD	14:55	28.01.2010	PORSCHE	PET	PORSCHE
GT3-2	2010	8	12	812-00		248					

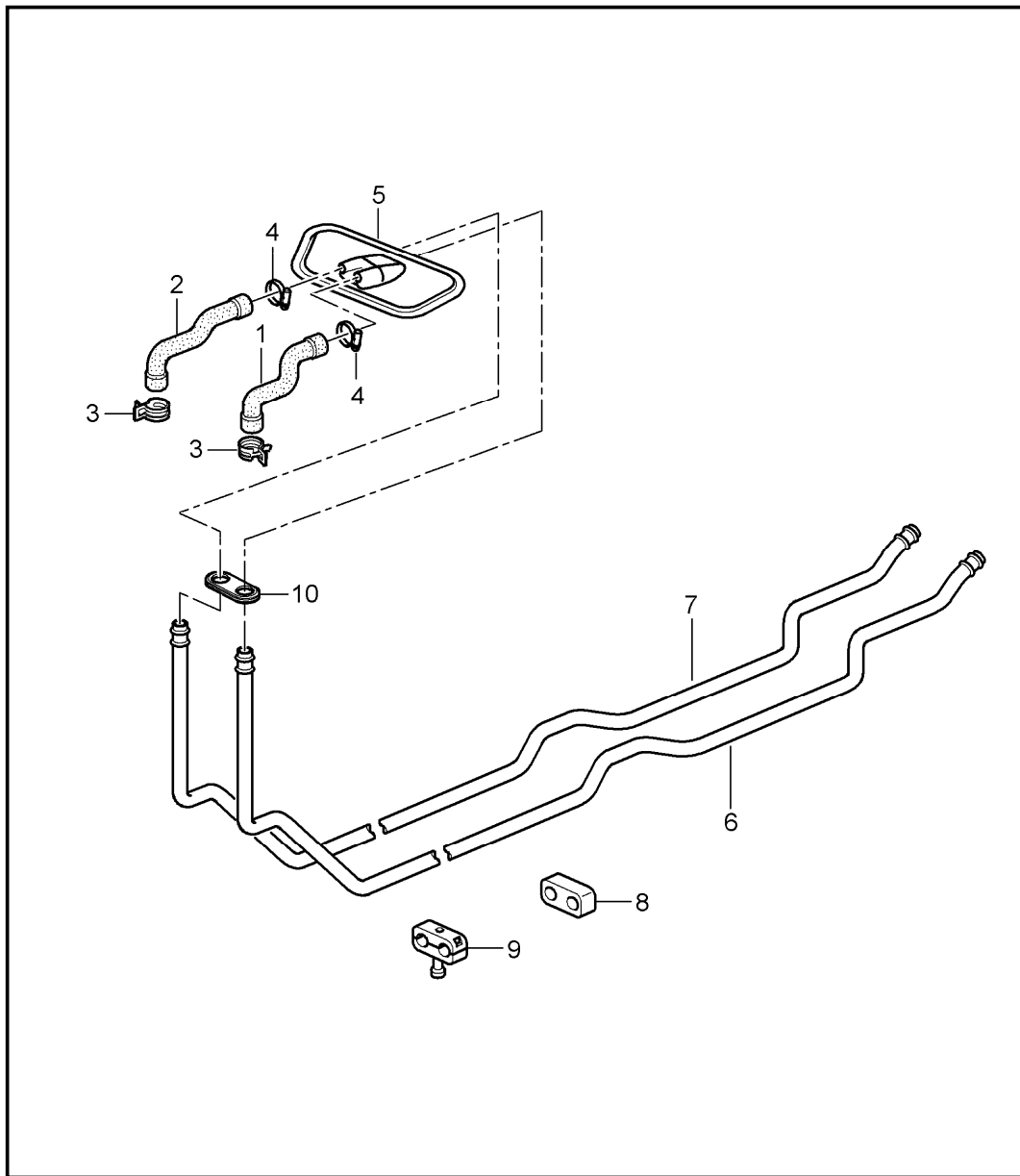


Pos	Part Number	Description	Remark	Qty	Model
1	997 803 033 02	seat belt 3-point automat. seat belt 6-point seat belt roll cage	/L -09	1	
	A23	black			I555
	N13	guards red			IXSX
	U01	silver			IXSH
	V02	speed yellow			IXSY
1	997 803 033 05	seat belt	/L 10-	1	
	A23	black			I555
	N13	guards red			IXSX
	U01	silver			IXSH
	V02	speed yellow			IXSY
(1)	997 803 034 04	seat belt	/R -09	1	
	A23	black			I555
	N13	guards red			IXSX
	U01	silver			IXSH
	V02	speed yellow			IXSY
(1)	997 803 034 10	seat belt	/R 10-	1	
	A23	black			I555
	N13	guards red			IXSX
	U01	silver			IXSH
	V02	speed yellow			IXSY
2	999 075 070 09	hexagon-head bolt		2	
3	997 803 231 01	front vertical adjustment with fastening screw belt		2	
--	999 075 078 01	fastening screw		2	
4	900 067 131 02	screw		2	
5	996 803 825 01	relay lever		2	

Model	Year	MG	SG	Illustration	Restrictions	UPD	14:55	28.01.2010	PORSCHE	PET	PORSCHE
GT3-2	2010	8	12	812-00		248					

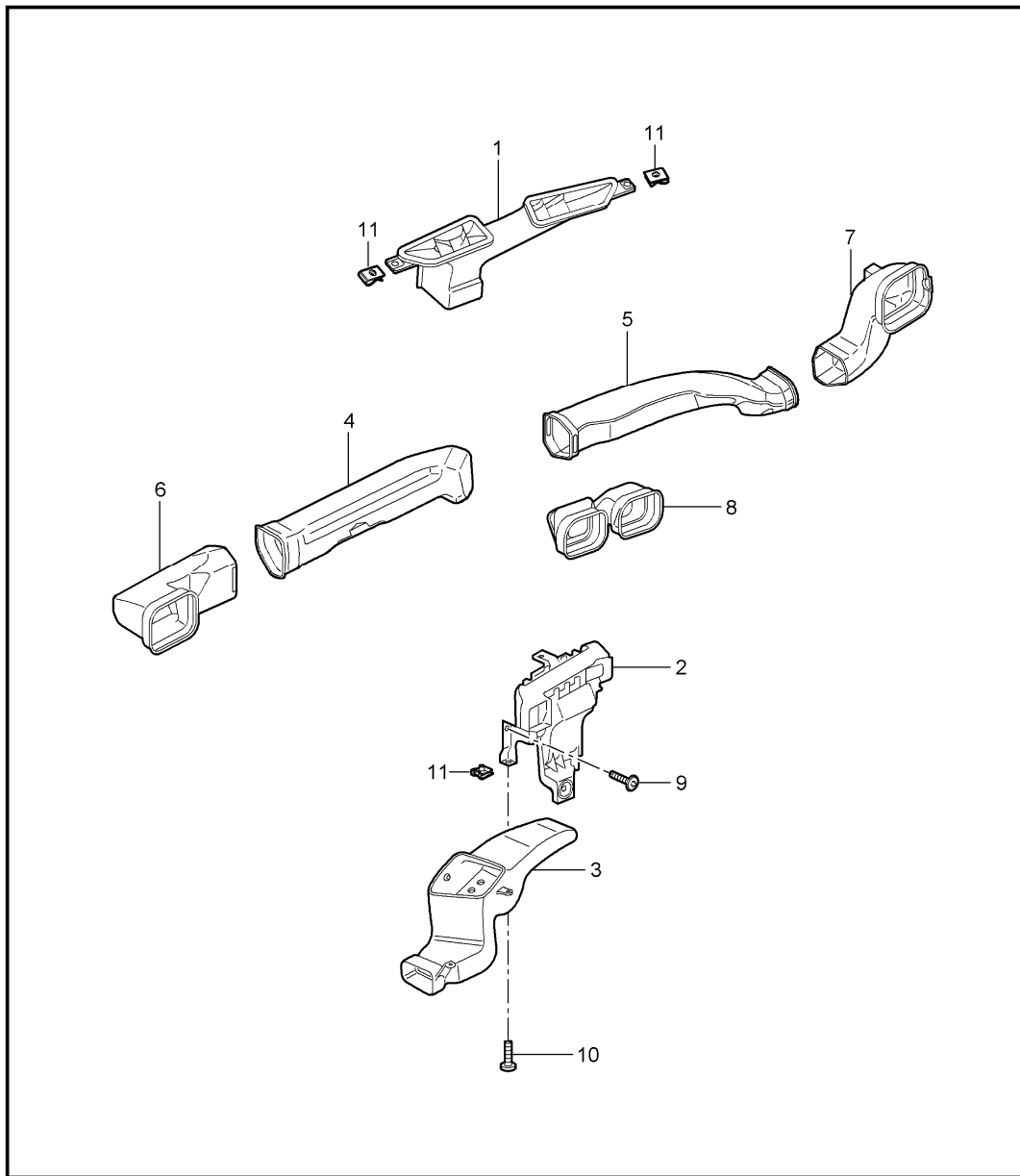
Pos	Part Number	Description	Remark	Qty	Model	Pos	Part Number	Description	Remark	Qty	Model
6	900 378 036 09	hexagon-head bolt		4		17	997 803 334 00	clamping piece		2	
7	999 028 022 01	spring washer B 14,2	-08	2			01C	black			
7	999 031 052 40	adjusting shim	09-	2		18	999 075 072 09	hexagon-head bolt		2	I384/385/388 I389
8	997 803 521 00	cover		2		19	999 028 022 01	spring washer		1	I384/385/388 I389
	A03	black				20	980 803 664 00	spacer sleeve		1	I384/385
9	999 924 064 02	bush		2		20	997 803 663 00	spacer sleeve		1	I388/389
10	211 857 771	washer		2		21	999 025 275 A2	washer		2	I384/385/388 I389
11	999 075 073 09	hexagon-head bolt		2		22	999 048 012 01	threaded bush		2	I384/385
12	811 857 845	cap		2	I384/385	23	999 075 078 01	fastening screw belt		1	
	01C	black				24	999 025 275 A2	washer		1	I384/385
13	996 803 183 08	seat-belt buckle passenger's side		1	I375/376/377 I378	25	999 075 072 09	hexagon-head bolt		1	I384/385
(13)	997 803 183 02	seat-belt buckle driver's side		1	I384/385	-- K	997 803 037 90	seat belt 6-point seat belt		1	
(13)	997 803 183 01	seat-belt buckle driver's side		1	I375/376/377 I378	-- K	997 580 986 02	roll cage		1	
13	997 803 183 03	seat-belt buckle passenger's side		1	I384/385						
(13)	997 803 183 04	seat-belt buckle driver's side	10-	1	I389						
(13)	997 803 183 04	seat-belt buckle driver's side	10-	1	I388						
(13)	997 803 183 05	seat-belt buckle passenger's side	10-	1	I388/389						
14	999 218 101 02	hexagon-head bolt		2							
14	999 218 101 02	hexagon-head bolt		2	I388/389						
15	--- --- --- --	cable for seat-belt tensioner see group 9/02/10		X							
16	955 803 056 00	knob		2							
	HCP	black									

Model	Year	MG	SG	Illustration	Restrictions	UPD	16:39	26.01.2010	PORSCHE	PET	PORSCHE
GT3-2	2010	8	13	813-00		248					



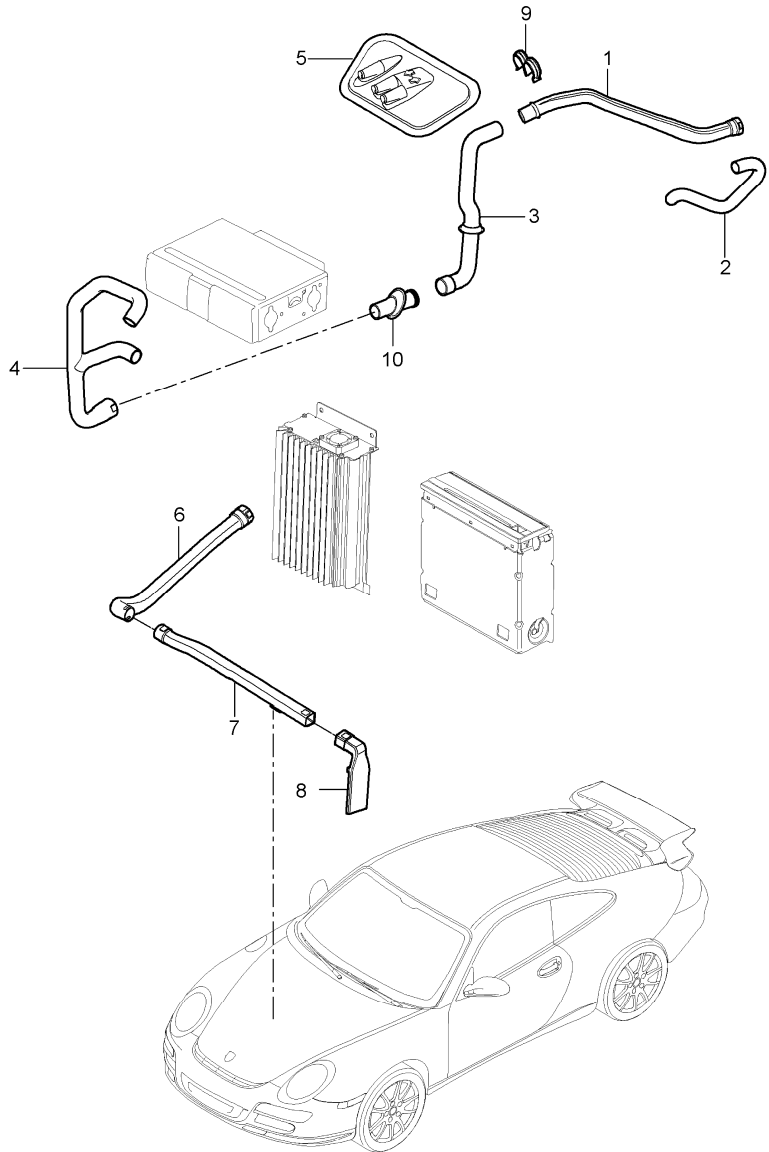
Pos	Part Number	Description	Remark	Qty	Model
		heating system 1 feed line return line			
1	996 572 583 04	heater hose intake	/LL	1	I098
(1)	996 572 583 05	heater hose intake	/RL	1	I099
2	996 572 585 04	heater hose return line	/LL	1	I098
(2)	996 572 585 05	heater hose return line	/RL	1	I099
3	999 512 656 09	hose clamp B25 X 12		2	
4	999 512 346 01	hose clamp A16-27/9		2	
5	996 572 263 02	gasket	/LL	1	I098
(5)	996 572 263 03	gasket	/RL	1	I099
6	997 572 681 00	heater pipeline supply		1	
7	997 572 683 00	heater pipeline return line		1	
8	996 572 785 00	connection piece		X	
9	999 511 230 40	cable holder		4	
--	999 511 232 41	rubber mounting 19/19		4	
10	996 572 765 02	grommet		1	

Model	Year	MG	SG	Illustration	Restrictions	UPD	16:39	26.01.2010	PORSCHE	PET	PORSCHE
GT3-2	2010	8	13	813-01		248					



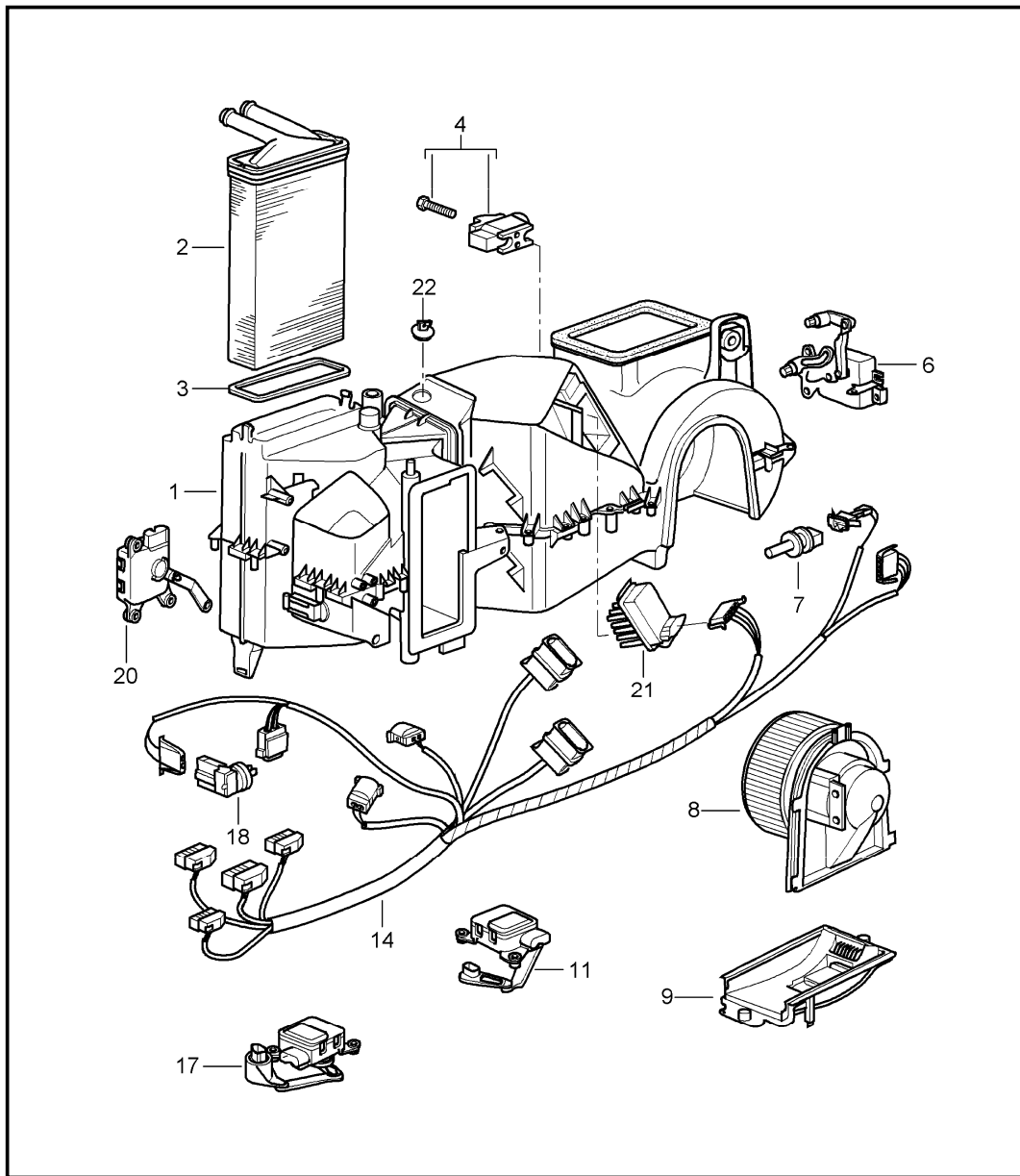
Pos	Part Number	Description	Remark	Qty	Model
		air distributor passenger compartment			
1	997 572 631 00	intermediate piece	/LL	1	I098
(1)	997 572 631 01	intermediate piece	/RL	1	I099
2	997 572 171 00	air distributor	/LL	1	I098
(2)	997 572 171 01	air distributor	/RL	1	I099
3	997 572 793 00	footwell outlet vent	/LL	1	I098
(3)	997 572 793 02	footwell outlet vent	/LL	1	I098/680
(3)	997 572 793 01	footwell outlet vent	/RL	1	I099
(3)	997 572 793 03	footwell outlet vent	/RL	1	I099/680
4	997 572 463 01	air duct	/LL /L	1	I098
(4)	997 572 463 00	air duct	/RL /L	1	I099
5	997 572 464 00	air duct	/LL /R	1	I098
(5)	997 572 464 01	air duct	/RL /R	1	I099
6	997 572 767 00	air duct	/LL /L	1	I098
(6)	997 572 767 01	air duct	/RL /L	1	I099
7	997 572 768 00	air duct	/RL /R	1	I099
(7)	997 572 768 01	air duct	/LL /L	1	I098
8	997 572 769 00	air duct	/LL /L	1	I098
(8)	997 572 769 01	air duct	/RL /R	1	I099
9	999 919 118 09	oval-head screw		2	
10	999 073 155 09	tapping screw		2	
11	999 507 785 02	speed nut ST 4.2		3	
11	999 507 785 01	speed nut ST 4.2		3	

Model	Year	MG	SG	Illustration	Restrictions	UPD	16:39	26.01.2010	PORSCHE	PET	PORSCHE
GT3-2	2010	8	13	813-02		248					



Pos	Part Number	Description	Remark	Qty	Model
		luggage compartment cooling			I575
1	997 572 582 00	air duct plenum panel		1	
2	997 572 580 00	air duct air conditioner		1	
3	997 572 584 01	air duct bulkhead		1	
4	997 572 586 02	air duct booster		1	
5	997 572 263 00	gasket		1	
6	997 572 586 03	air duct booster		1	I664
7	997 572 586 04	air duct booster		1	I664
8	997 572 586 05	air duct booster		1	I664
9	999 507 830 40	cable holder 21,5 X 21,5		1	

Model	Year	MG	SG	Illustration	Restrictions	UPD	16:39	26.01.2010	PORSCHE	PET	PORSCHE
GT3-2	2010	8	13	813-05		248					

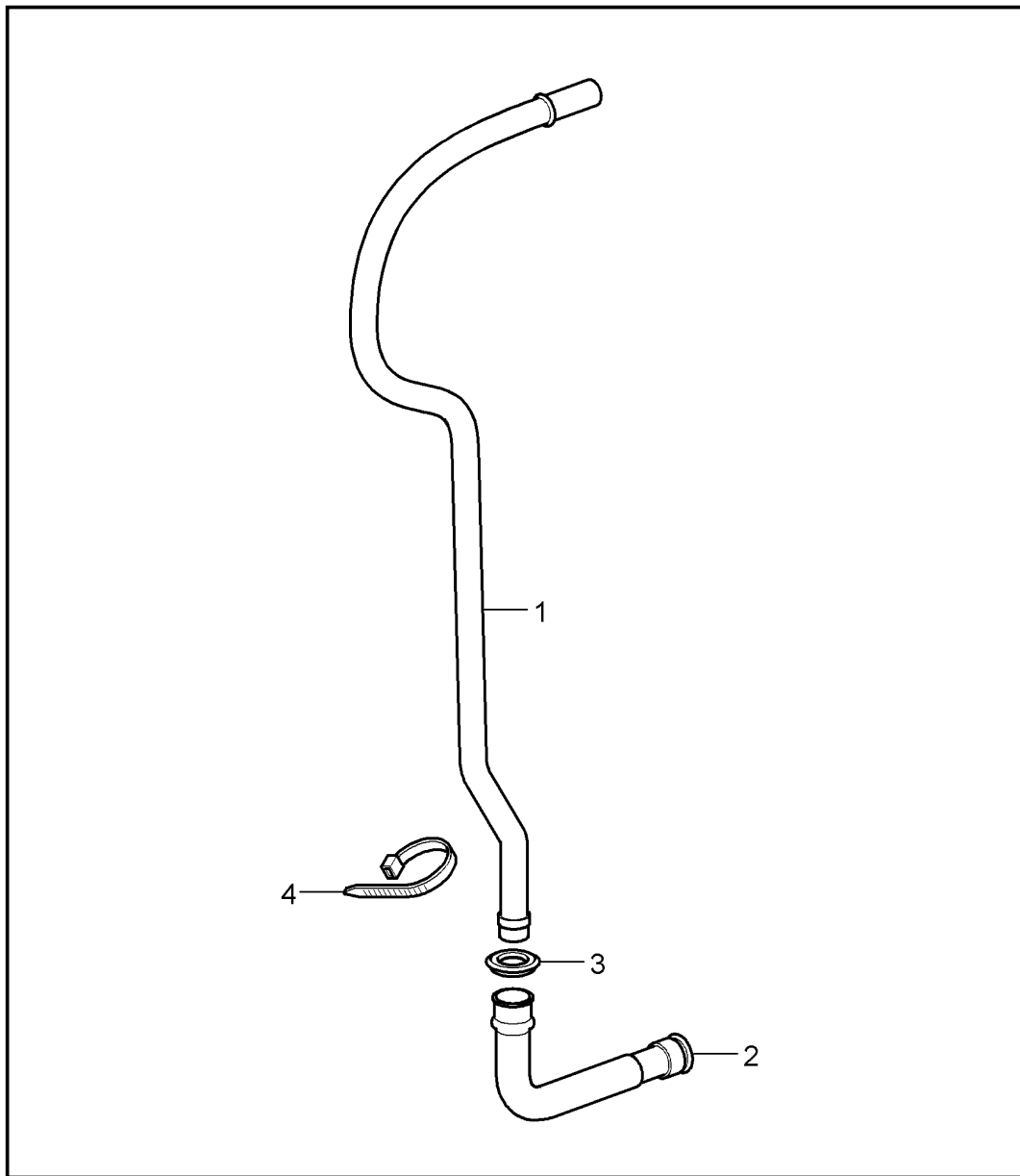


Pos	Part Number	Description	Remark	Qty	Model
		air conditioner single parts			
1	987 573 901 00	air conditioner	/LL	1	I098/572
1	997 573 901 00	air conditioner	/LL	1	I098/573
1	987 573 901 01	air conditioner	/RL	1	I099/572
1	996 573 901 01	air conditioner without heat exchanger with evaporator	/RL	1	I099/573
2	996 572 129 00	heat exchanger		1	
2	997 572 129 00	heat exchanger		1	
3	996 572 913 00	gasket		1	
4	996 573 929 01	expansion valve		1	
5	900 143 102 02	combination screw		2	
6	996 573 915 00	electric motor fresh-air flap identification black	/LL	1	I098
				1	
				1	
				1	
(6)	996 573 915 01	electric motor fresh-air flap identification black	/LL	1	I099
7	955 572 304 10	temperature sensor		1	
8	996 624 107 01	blower	/LL	1	
8	996 624 108 01	blower	/RL	1	
9	996 573 905 00	lid		1	
10	900 143 102 02	combination screw		1	
11	996 573 919 02	electric motor temperature valve	/LL	1	I098
(11)	996 573 919 02	electric motor temperature valve identification pink	/LL	1	I098
(11)	996 573 919 03	electric motor temperature valve identification pink	/RL	1	I099

Model	Year	MG	SG	Illustration	Restrictions	UPD	16:39	26.01.2010	PORSCHE	PET	PORSCHE
GT3-2	2010	8	13	813-05		248					

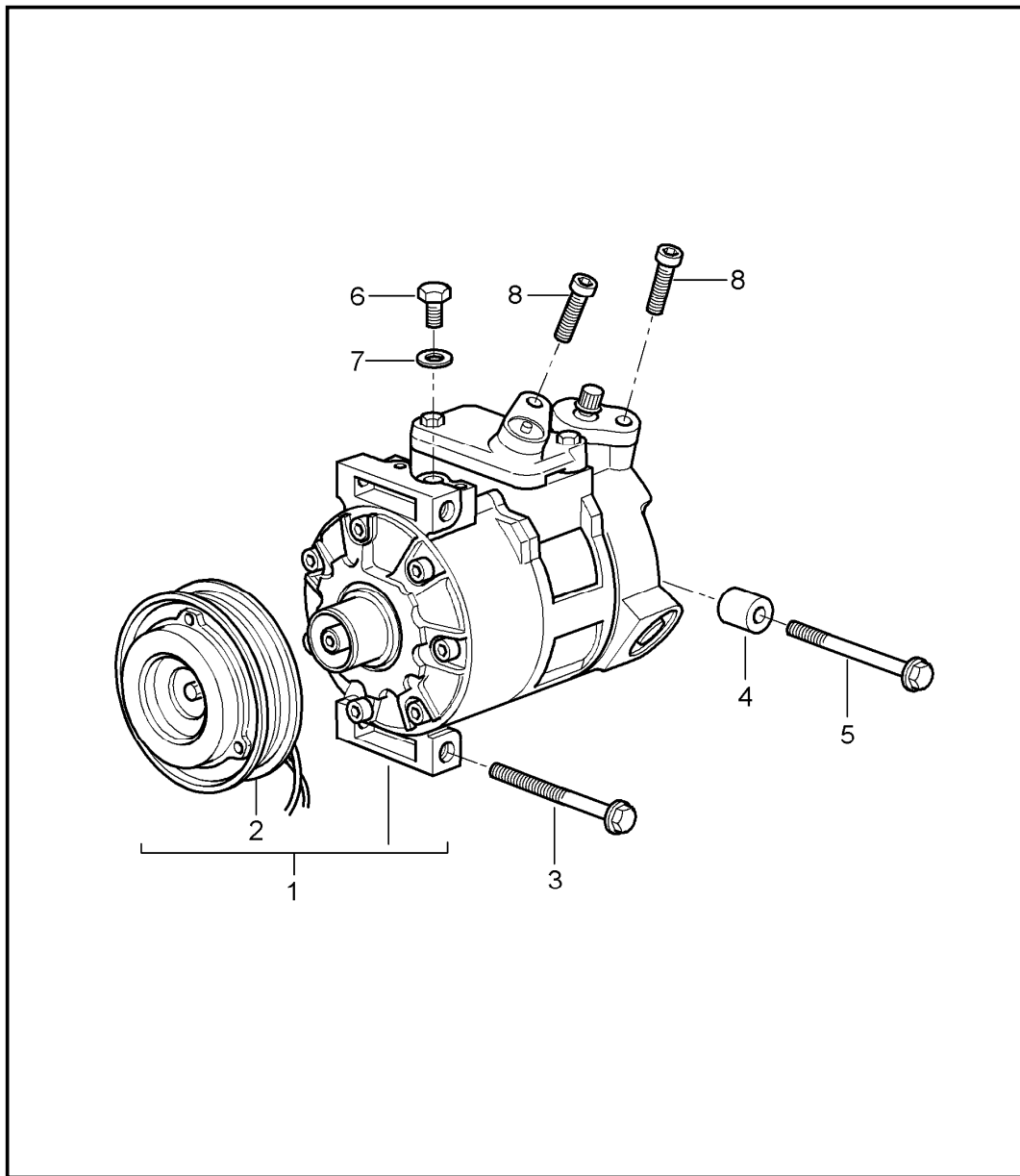
Pos	Part Number	Description	Remark	Qty	Model	Pos	Part Number	Description	Remark	Qty	Model
12	900 143 102 02	combination screw		1							
13	900 143 102 02	combination screw		1							
14	997 612 655 02	wiring harness		1	I098/573						
(14)	997 612 656 02	wiring harness		1	I099/573						
(14)	987 612 655 02	wiring harness		1	I098/099/572						
15	900 143 102 02	combination screw		1							
16	900 143 102 02	combination screw		1							
17	996 573 921 02	electric motor defroster flap identification yellow	/LL	1	I098						
(17)	996 573 921 03	electric motor defroster flap identification yellow	/RL	1	I099						
18	1H0 907 543 A	temperature sensor		1							
19	900 143 102 02	combination screw		1							
20	996 573 917 02	electric motor central valve identification green	/LL	1	I098						
(20)	996 573 917 03	electric motor central valve identification green	/RL	1	I099						
21	996 573 923 00	resistor		1							
--	996 573 927 00	blower outlet sensor		1							
--	1H0 819 943	screw		2							
22	997 573 935 00	stopper		1							

Model	Year	MG	SG	Illustration	Restrictions	UPD	16:39	26.01.2010	PORSCHE	PET	PORSCHE
GT3-2	2010	8	13	813-10		248					



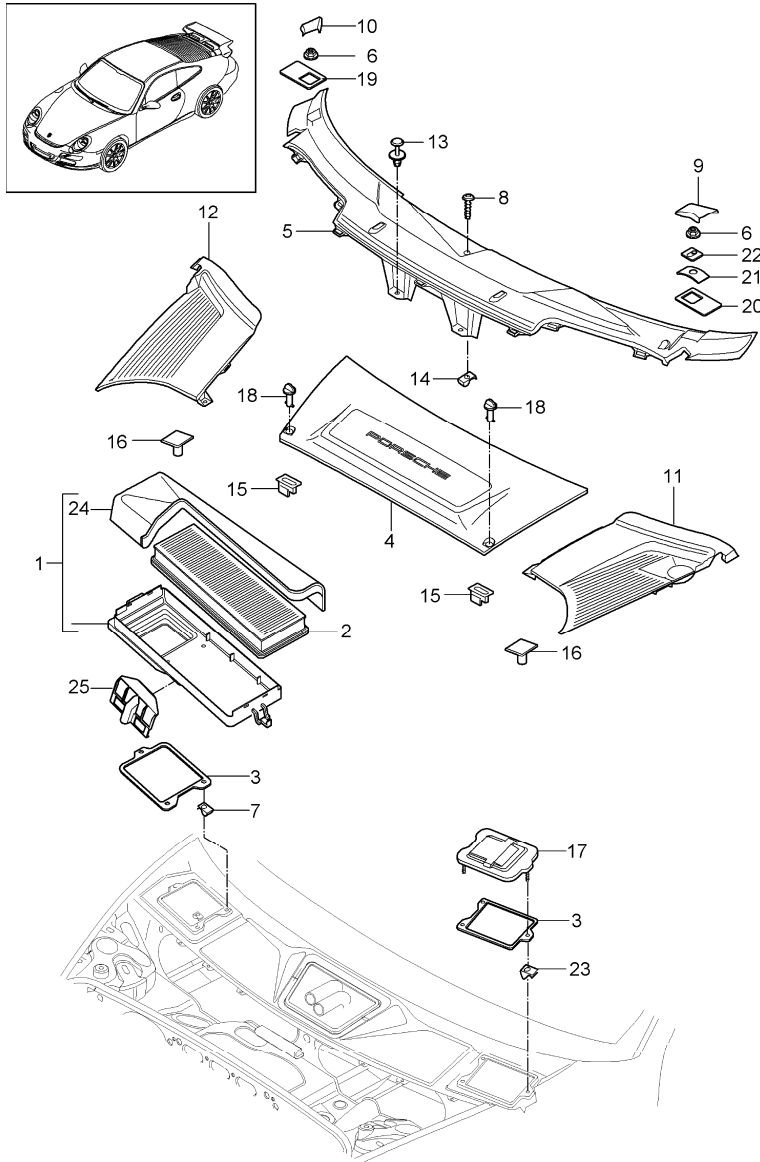
Pos	Part Number	Description	Remark	Qty	Model
		water drain tube mount air conditioner			
1	996 573 793 01	water drain tube	/LL	1	I098
1	996 573 794 01	water drain tube	/RL	1	I099
2	996 573 797 02	connecting piece		1	
3	996 573 795 01	grommet		1	
4	999 513 049 40	tie-wrap		1	

Model	Year	MG	SG	Illustration	Restrictions	UPD	16:40	26.01.2010	PORSCHE	PET	PORSCHE
GT3-2	2010	8	13	813-15		248					



Pos	Part Number	Description	Remark	Qty	Model
		compressor			
1 >	996 126 011 52	compressor		1	
(1) N	997 126 011 90	compressor	A-	1	
2	996 573 926 00	repair kit		1	
3	900 385 102 01	torx screw Bm 8 X 90		2	
4	996 126 102 71	spacer		1	
5	900 385 281 01	torx screw M 8X120		1	
6	996 573 926 01	oil filler screw		1	
--	000 043 200 04	oil for compressor 250 ml		1	

Model	Year	MG	SG	Illustration	Restrictions	UPD	16:40	26.01.2010	PORSCHE	PET	PORSCHE
GT3-2	2010	8	13	813-20		248					

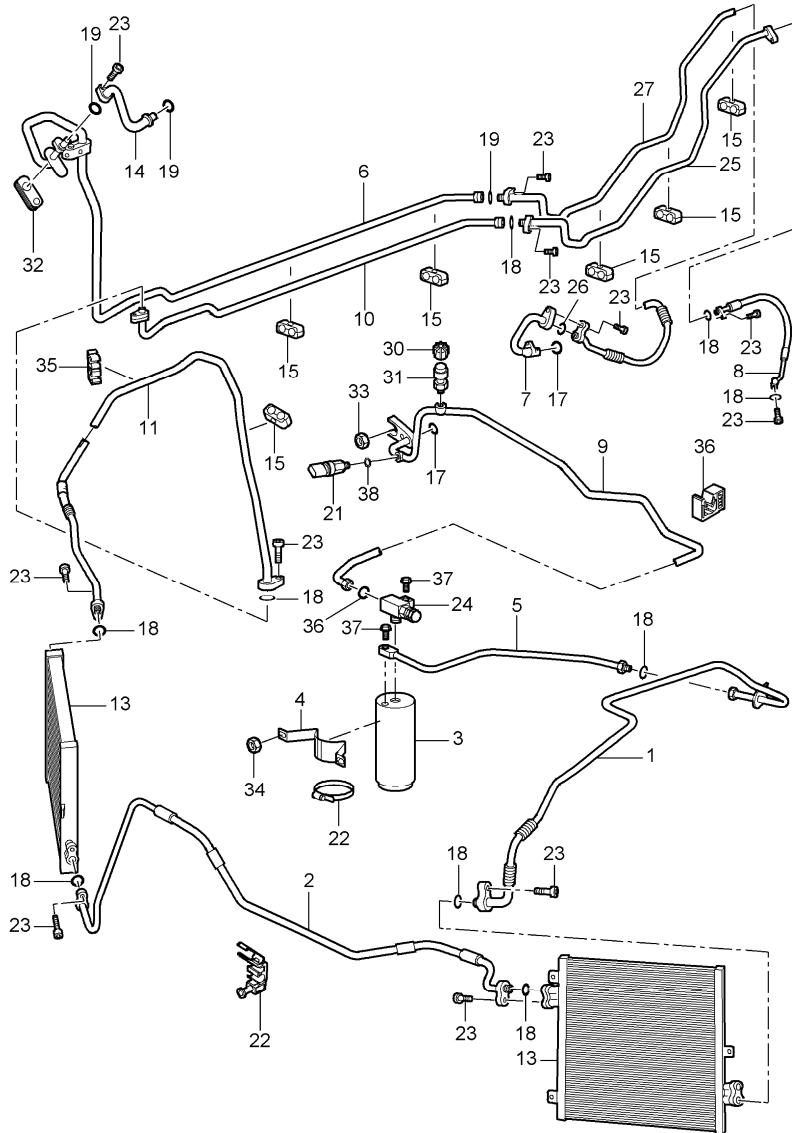


Pos	Part Number	Description	Remark	Qty	Model
		particle filter cowl panel covering			
1	997 572 019 04	housing	/LL	1	I098
1	997 572 019 05	housing	/RL	1	I099
2	997 571 219 01	particle filter		1	
3	997 572 221 00	gasket		1	
4	997 572 567 04	cover		1	
	FMT	black battery			
(4)	997 572 729 02	cover particle filter	/LL	1	I098
(4)	997 572 729 03	cover particle filter	/RL	1	I099
5	997 572 563 08	cover cowl	/LL	1	I098
	FMT	black			
(5)	997 572 563 09	cover cowl	/RL	1	I099
	FMT	black			
6	999 076 071 02	hexagon nut M6		2	
7	999 507 348 01	speed nut		3	
8	N 906 487 02	tapping screw		1	
9	997 572 569 04	cap	/L	2	I098
	FMT	black			
9	997 572 569 05	cap	/L	2	I099
	FMT	black			
10	997 572 570 04	cap	/R	1	I098
	FMT	black			
10	997 572 570 05	cap	/R	1	I099
	FMT	black			
11	997 572 361 06	cover	/L	1	

Model	Year	MG	SG	Illustration	Restrictions	UPD	16:40	26.01.2010	PORSCHE	PET	PORSCHE
GT3-2	2010	8	13	813-20		248					

Pos	Part Number	Description	Remark	Qty	Model	Pos	Part Number	Description	Remark	Qty	Model
	02A	black									
12	997 572 362 07	cover	/R	1							
	02A	black									
13	999 507 497 40	expansion rivet 8 X 14		2							
14	999 507 834 41	expander nut ST 4,8		1							
15	999 590 046 40	disc cam		2							
16	999 902 046 40	catch		1							
17	997 572 419 02	lid	07	2							
17	997 572 419 03	lid	08	2							
18	997 572 867 00	locking bolt		2							
	02A	black									
--	997 572 763 00	cover		1							
19 A	997 572 842 00	pressure plate passenger's side	-07	1							
19	997 572 842 01	pressure plate passenger's side	/LL/R 08-	1	I098						
19	997 572 842 02	pressure plate passenger's side	/RL/L 08-	1	I099						
20	997 572 841 00	pressure plate driver's side		1							
21	997 572 837 00	spring plate driver's side		1							
22	997 572 533 00	retainer plate driver's side		1							
23	999 591 855 02	speed nut		3							
24	997 572 729 02	cover particle filter	/LL	1	I098						
(24)	997 572 729 03	cover particle filter	/RL	1	I099						
25	997 572 862 01	support		1							

Model	Year	MG	SG	Illustration	Restrictions	UPD	16:40	26.01.2010	PORSCHE	PET	PORSCHE
GT3-2	2010	8	13	813-25		248					

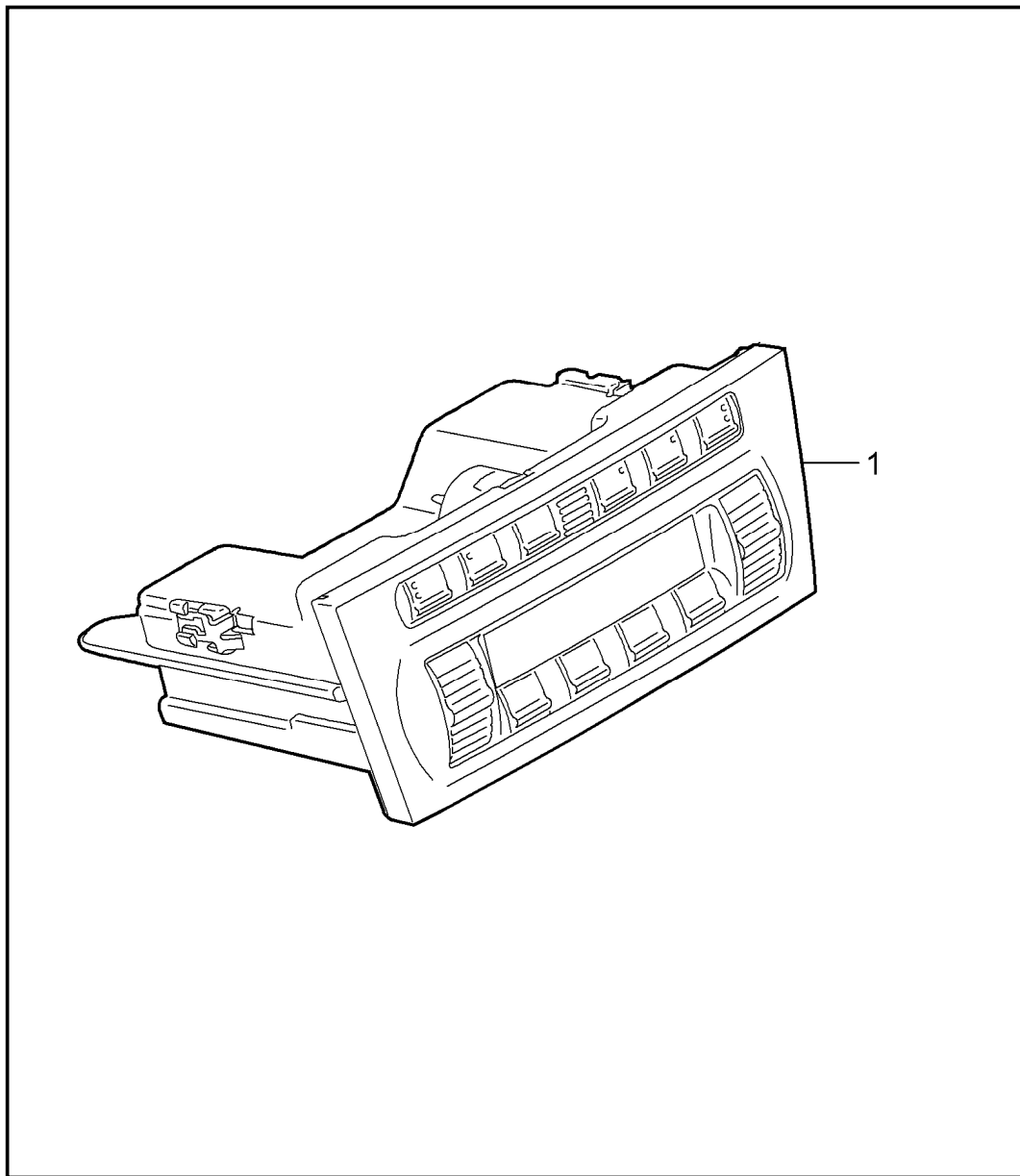


Pos	Part Number	Description	Remark	Qty	Model
		refrigerant circuit			
1	997 573 105 02	pressure line		1	
1	997 573 105 03	pressure line		1	
2	997 573 103 02	pressure line		1	
3	944 573 143 01	desiccator		1	
4	996 573 451 00	support		1	
5	996 573 106 00	refrigerant line		1	
6	996 573 091 01	intake pipe		1	
7	997 573 099 90	intake pipe		1	I573
8	997 573 097 03	pressure line		1	I573
9	997 573 108 02	pressure line	/LL	1	I098
(9)	997 573 108 01	pressure line	/RL	1	I099
10	996 573 092 02	pressure line		1	
11	997 573 094 02	pressure line		1	
12	996 347 543 00	cable holder		1	
13	996 573 111 03	condenser		2	
14	996 573 093 06	intake pipe	/LL	1	I098
14	996 573 093 07	intake pipe	/RL	1	I099
15	999 511 230 40	cable holder use also:		X	
--	999 511 231 41	rubber mounting		2	
16	999 707 531 41	o-ring 7,5X2		2	
17	999 707 439 41	o-ring 23,8X2,4		2	
18	999 707 434 41	o-ring 10,6X2		X	
19	999 707 534 41	o-ring 17X2		3	
20	999 707 262 40	o-ring 6,7X1,8		X	
21	1K0 959 126 B	pressure sensor		1	

Model	Year	MG	SG	Illustration	Restrictions	UPD	16:40	26.01.2010	PORSCHE	PET	PORSCHE
GT3-2	2010	8	13	813-25		248					

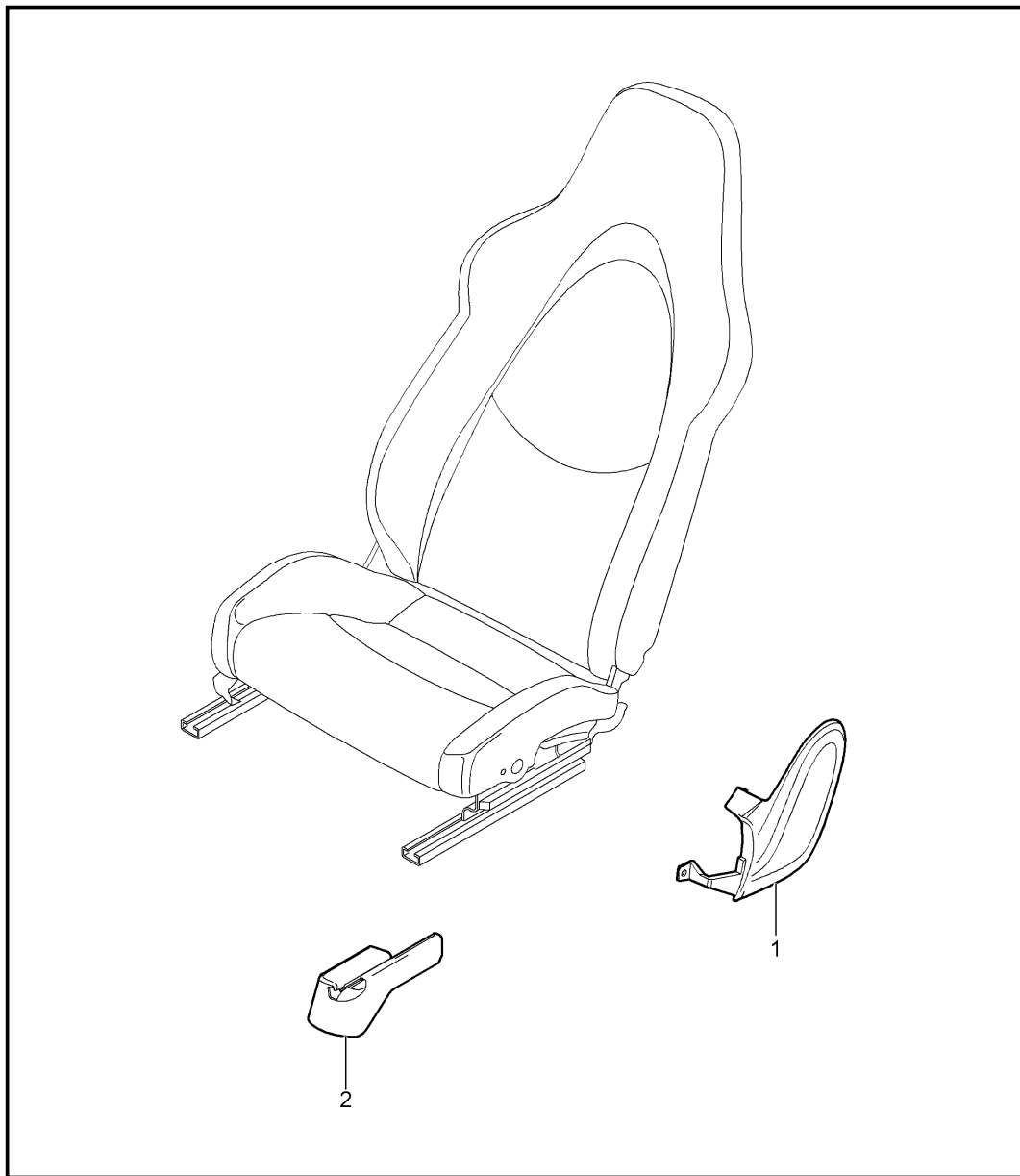
Pos	Part Number	Description	Remark	Qty	Model	Pos	Part Number	Description	Remark	Qty	Model
22	999 512 349 02	hose clamp A50 - 70/9		1							
23	900 067 247 02	combination screw m8 x 30		X							
24	997 573 243 00	distributing piece		1							
25	997 573 096 03	pressure line		1							
26	999 707 558 41	o-ring 13,7x2,5		X							
27	997 573 095 01	intake pipe		1							
30	944 573 663 02	cap		1							
31	996 573 666 00	valve		1							
32	996 573 769 01	grommet		1							
33	900 377 010 09	hexagon nut M 6		1							
34	900 380 015 09	hexagon nut M6		2							
35	996 355 547 01	support		1							
36	999 591 922 40	support		1							
(36)	999 513 049 40	tie-wrap	/RL	1	I098						
37	900 075 340 02	hexagon-head bolt M6 x 22		2							
38	999 707 555 41	o-ring 10,8 X 1,8		1							

Model	Year	MG	SG	Illustration	Restrictions	UPD	16:40	26.01.2010	PORSCHE	PET	PORSCHE
GT3-2	2010	8	13	813-45		248					



Pos	Part Number	Description	Remark	Qty	Model
		control switch			
1	997 653 101 12	control part	-07	1	I573
	FMH	volcano grey/black mat			
1	997 653 101 13	control part	08	1	I573
	FMH	volcano grey/black mat			
1	997 653 111 11	control part	-07	1	I342/573
	FMH	volcano grey/black mat			
(1)	997 653 103 91	control part heating	08-	1	
	FMH	volcano grey/black mat			

Model	Year	MG	SG	Illustration	Restrictions	UPD	16:40	26.01.2010	PORSCHE	PET	PORSCHE
GT3-2	2010	8	17	817-20		248					



Pos	Part Number	Description	Remark	Qty	Model
		front seat complete not available sports seat	07-		GT3
1	997 521 315 02	trim cover D07 volcano grey	/L	1	
(1)	997 521 316 02	trim cover D07 volcano grey	/R	1	
(1)	997 521 316 03	trim cover mounting component advanced airbag D07 volcano grey		1	I560
2	997 521 359 01	rail 01C satin black		1	I369/375
(2)	997 521 360 01	rail seat rail manually 01C satin black	/R	1	I370/376
(2)	997 521 361 00	rail seat rail 01C satin black		1	I377/378
(2)	997 521 362 00	rail seat rail 01C satin black		1	I377/378

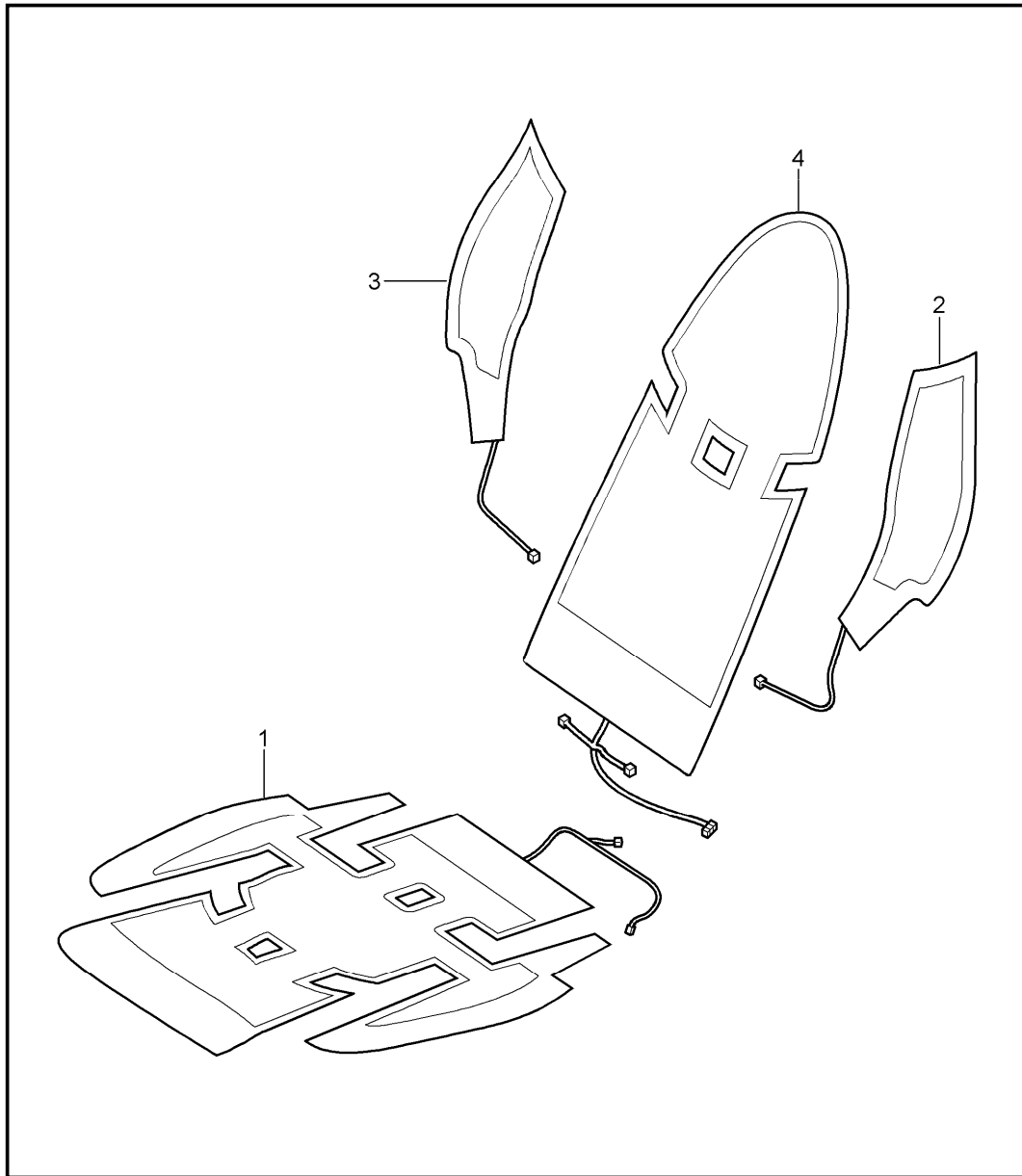
Model	Year	MG	SG	Illustration	Restrictions	UPD	16:41	26.01.2010	PORSCHE	PET	PORSCHE
GT3-2	2010	8	17	817-25		248					

Pos	Part Number	Description	Remark	Qty	Model
		foam part cover sports seat	07-		GT3
1	997 521 535 01	foam part		1	I375/376
1	997 521 535 02	foam part backrest outer		1	I377/378
2	997 521 581 00	foam part backrest centre		1	
3	997 521 571 01	foam part		1	I375/376
(3)	997 521 571 02	foam part		1	I377/378
(3)	997 521 571 04	foam part		1	I376/560
(3)	997 521 571 05	foam part seat cushion		1	
4	997 521 551 01	cushion carrier backrest		1	
5	997 521 161 07	cover for cushion alcantara		1	I375/376/951
		RAA black			
		RAB dark grey/natural			
(5)	997 521 161 08	cover for cushion alcantara		1	I377/378/951
		RAA black			
		RAB dark grey/natural			
6	987 521 151 00	backrest cushion cover centre part alcantara		1	I375/376/377 I378/951
		A15 black			
7	997 521 155 01	backrest cover outer part		1	I376/377/378 I951
		FLC black			
		VAA dark grey/natural			
(7)	997 521 941 02	backrest cover outer part		1	IXSC/375/376 I377/378

Model	Year	MG	SG	Illustration	Restrictions	UPD	16:41	26.01.2010	PORSCHE	PET	PORSCHE
GT3-2	2010	8	17	817-25		248					

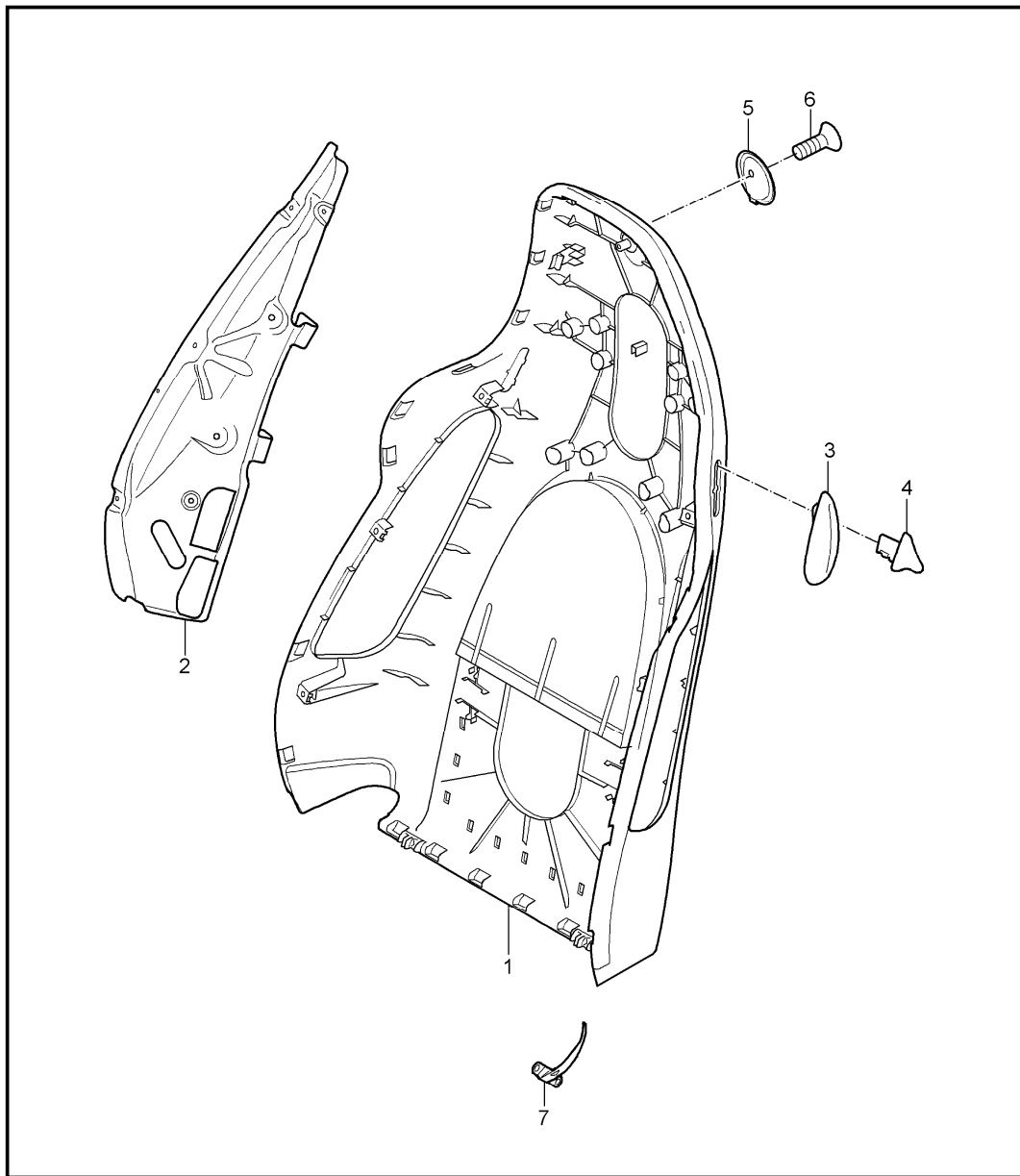
Pos	Part Number	Description	Remark	Qty	Model	Pos	Part Number	Description	Remark	Qty	Model
	8YR	black									
	D11	dark grey/natural									
8	997 521 837 00	clip padding seat		6							
9	997 521 897 00	clip backrest cover		5							

Model	Year	MG	SG	Illustration	Restrictions	UPD	16:41	26.01.2010	PORSCHE	PET	PORSCHE
GT3-2	2010	8	17	817-28		248					



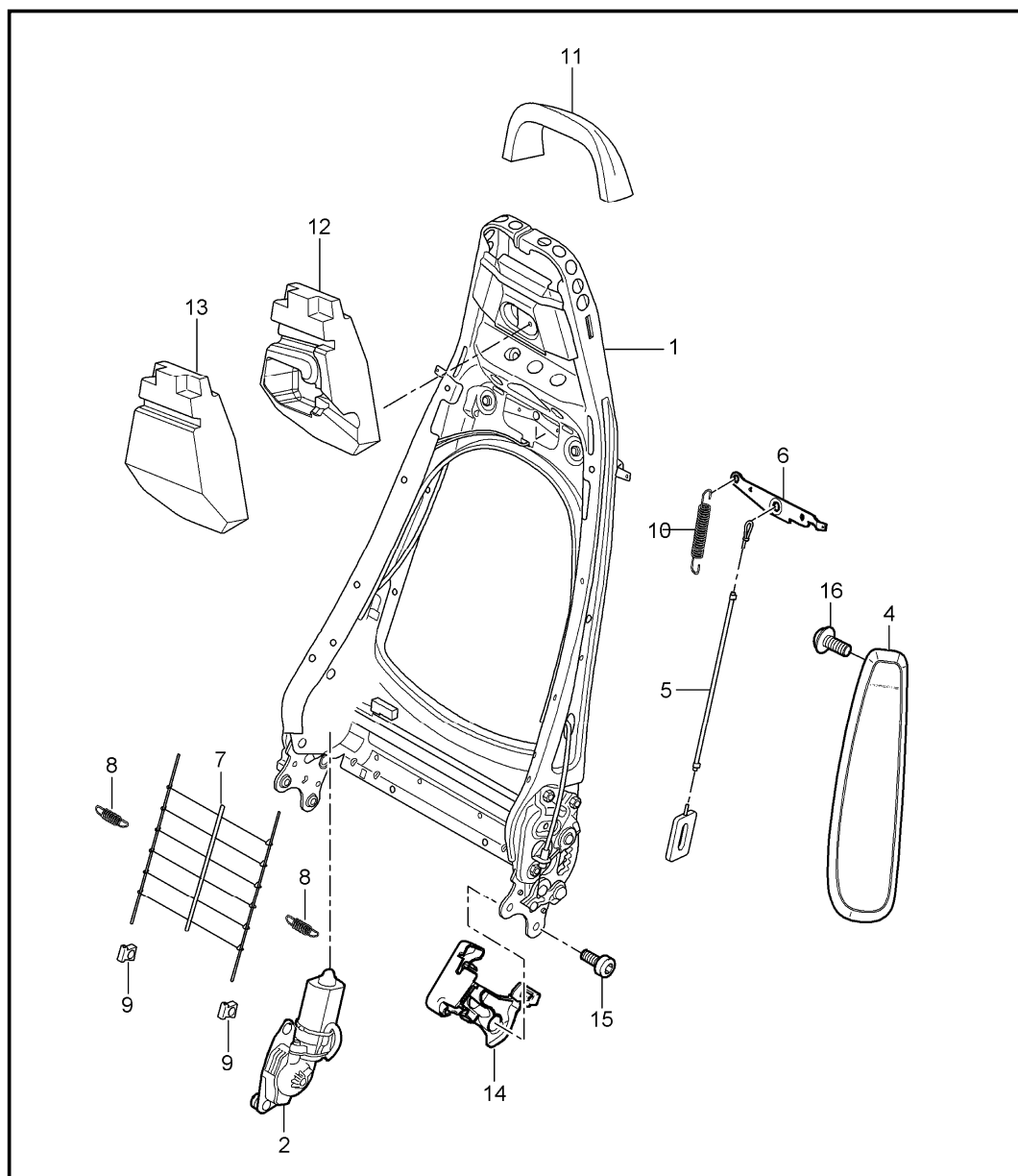
Pos	Part Number	Description	Remark	Qty	Model
		heating sports seat front seat	07-		GT3
2	997 653 105 03	heating element seat cushion sports seat	/L/R	2	I375/376/377 I342/378
2	997 653 109 01	heating element backrest side bolster sports seat	/L	1	I375/376/377 I342/378
3	997 653 110 01	heating element backrest side bolster sports seat	/R	1	I375/376/377 I342/378
4	997 653 107 00	heating element backrest cushion	/L/R	2	I342

Model	Year	MG	SG	Illustration	Restrictions	UPD	16:41	26.01.2010	PORSCHE	PET	PORSCHE
GT3-2	2010	8	17	817-30		248					



Pos	Part Number	Description	Remark	Qty	Model
		backrest shell sports seat	07-		GT3
1	997 521 303 13	backrest shell D07 volcano grey	/L	1	I375/377
(1)	997 521 304 13	backrest shell D07 volcano grey	/R	1	I376/378
2	997 521 319 00	bracket	/L	1	
(2)	997 521 320 00	bracket backrest side bolster	/R	1	
3	997 521 621 03	rosette D07 volcano grey	/L	1	
(3)	997 521 622 03	rosette backrest locking lever D07 volcano grey	/R	1	
4	997 521 623 02	control button V05 galvano silver	/L	1	
(4)	997 521 624 02	control button V05 galvano silver	/R	1	
5	997 521 373 01	coat hook D07 volcano grey	/L/R	2	
6	999 919 232 09	screw coat hook		2	
7	997 521 783 00	support panel	/L	1	
(7)	997 521 784 00	support panel backrest shell	/R	1	

Model	Year	MG	SG	Illustration	Restrictions	UPD	16:41	26.01.2010	PORSCHE	PET	PORSCHE
GT3-2	2010	8	17	817-40		248					

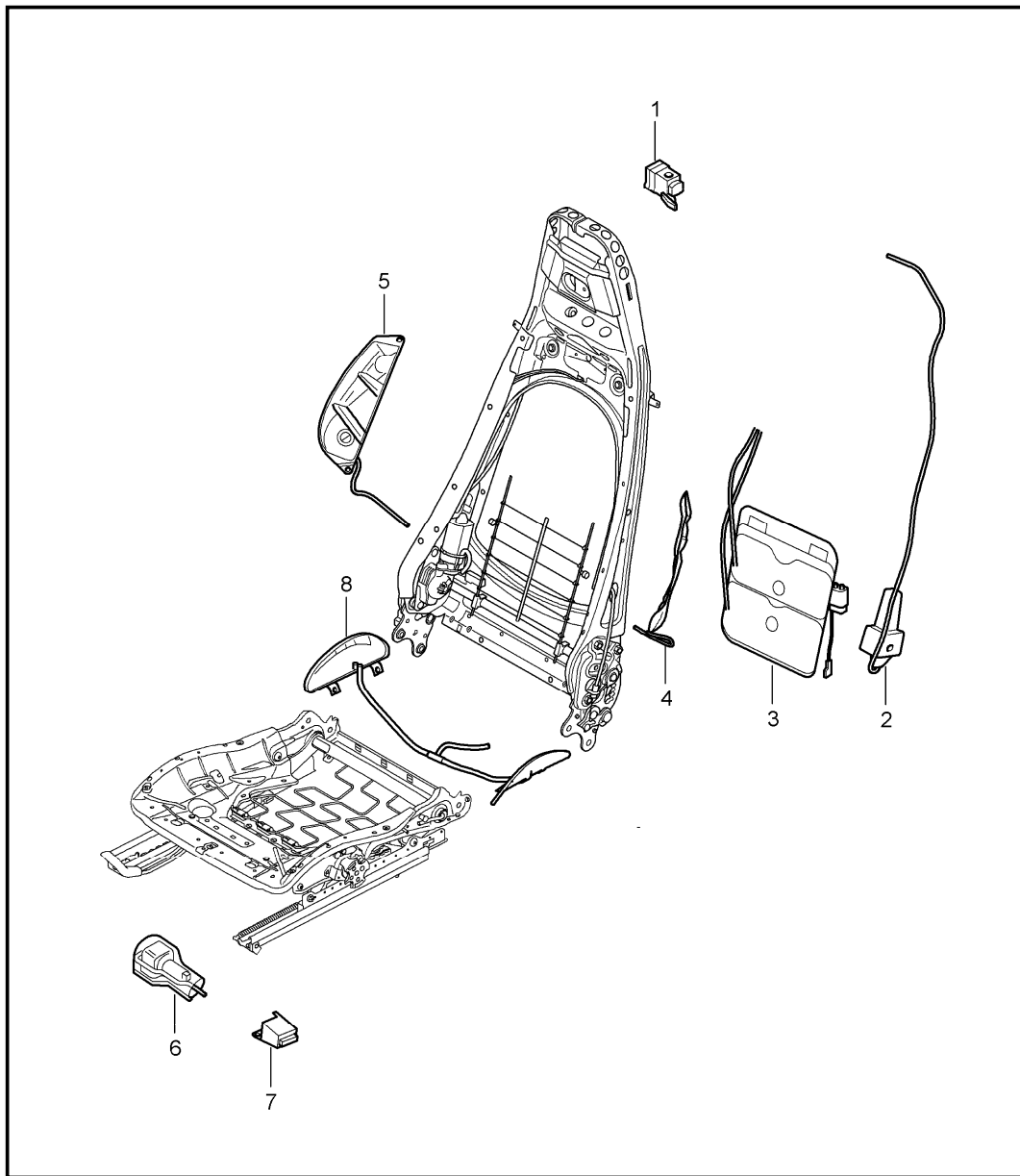


Pos	Part Number	Description	Remark	Qty	Model
		backrest frame sports seat	07-		GT3
1	997 521 329 00	backrest frame	/L/R -07	2	I375/376
(1)	997 521 329 02	backrest frame without memory	/L/R 08-	2	I375/376
(1)	997 521 329 03	backrest frame with memory	/L/R 08-	2	I537/538
2	997 624 321 00	electric motor backrest without memory	/L/R	1	I377/378
4	997 803 081 01	side airbag	/L	1	I375/377
		D07 volcano grey			
(4)	997 803 082 01	side airbag	/R	1	I376/378
		D07 volcano grey			
5	997 521 485 00	bowden cable backrest frame		2	
6	997 521 375 00	release backrest frame		2	
7	997 521 855 00	grille backrest frame		2	
8	997 521 893 00	tension spring grille		2	
9	997 521 895 00	clip grille		2	
10	997 521 797 00	tension spring release backrest		1	
11	997 521 885 00	foam part head rest upper		1	
12	997 521 887 01	foam part head rest centre		1	I377/378
13	997 521 887 00	foam part head rest centre		1	I375/376

Model	Year	MG	SG	Illustration	Restrictions	UPD	16:41	26.01.2010	PORSCHE	PET	PORSCHE
GT3-2	2010	8	17	817-40		248					

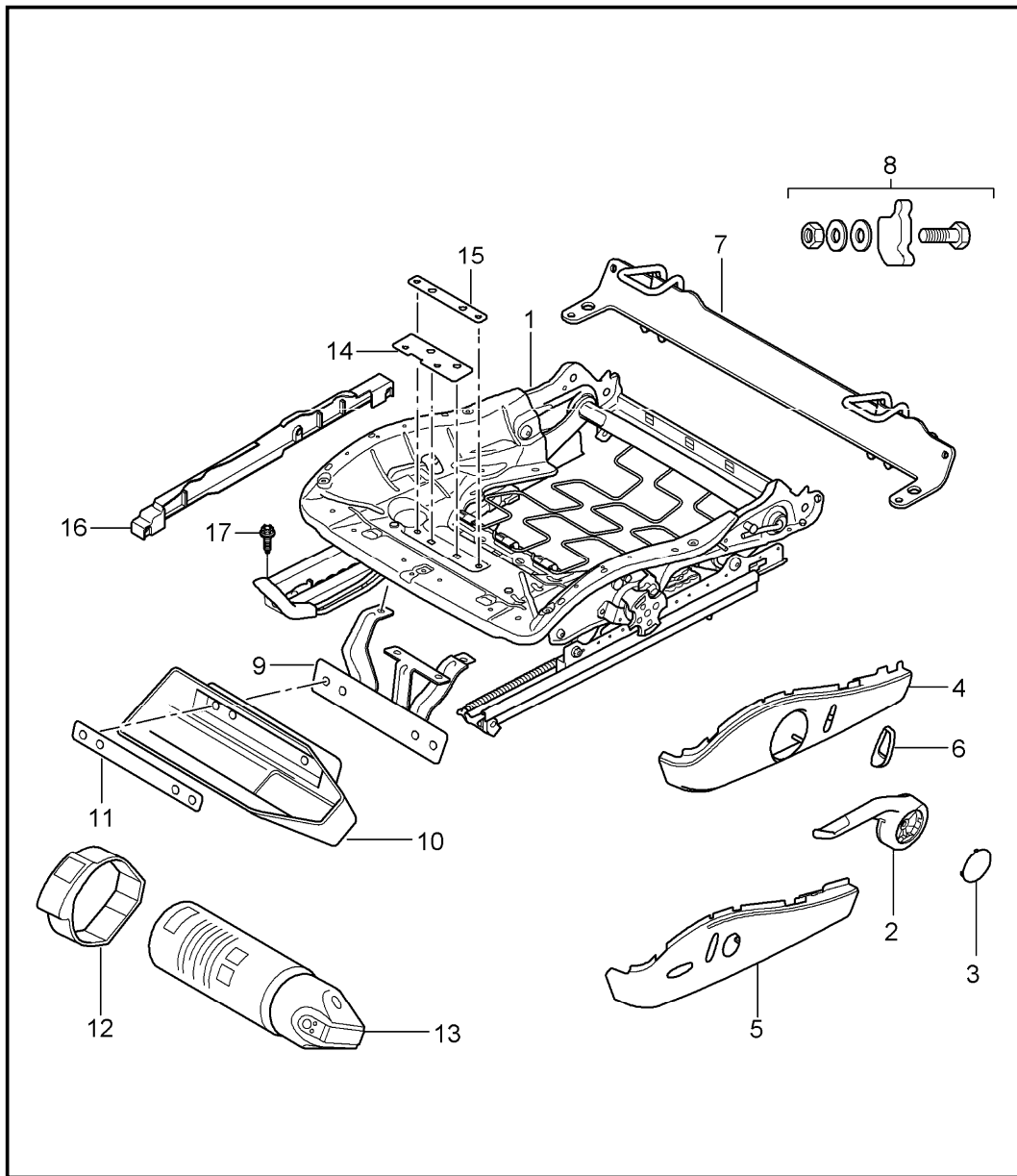
Pos	Part Number	Description	Remark	Qty	Model	Pos	Part Number	Description	Remark	Qty	Model
14	997 521 335 01	cover mounting component inner	/L	1							
	D07	volcano grey									
(14)	997 521 336 01	cover mounting component inner	/R	1							
	D07	volcano grey									
15	999 073 375 09	screw mount backrest seat adjuster		4							
16	999 073 306 09	screw mount side airbag		2							

Model	Year	MG	SG	Illustration	Restrictions	UPD	16:41	26.01.2010	PORSCHE	PET	PORSCHE
GT3-2	2010	8	17	817-43		248					



Pos	Part Number	Description	Remark	Qty	Model
		lumbar support sports seat	07-		GT3
1	997 617 725 00	valve lumbar support		1	
2	997 620 725 00	compressor lumbar		1	
3	997 521 709 00	lumbar support backrest		1	
4	997 521 711 00	container air distributor backrest side bolster	/L	1	
5	997 521 712 00	container air distributor backrest side bolster	/R	1	
6	997 620 727 00	compressor adjustment seat side bolster		1	
7	997 617 727 00	valve adjustment seat wide		1	
8	997 521 713 01	container air distributor seat side bolster		1	

Model	Year	MG	SG	Illustration	Restrictions	UPD	16:42	26.01.2010	PORSCHE	PET	PORSCHE
GT3-2	2010	8	17	817-45		248					

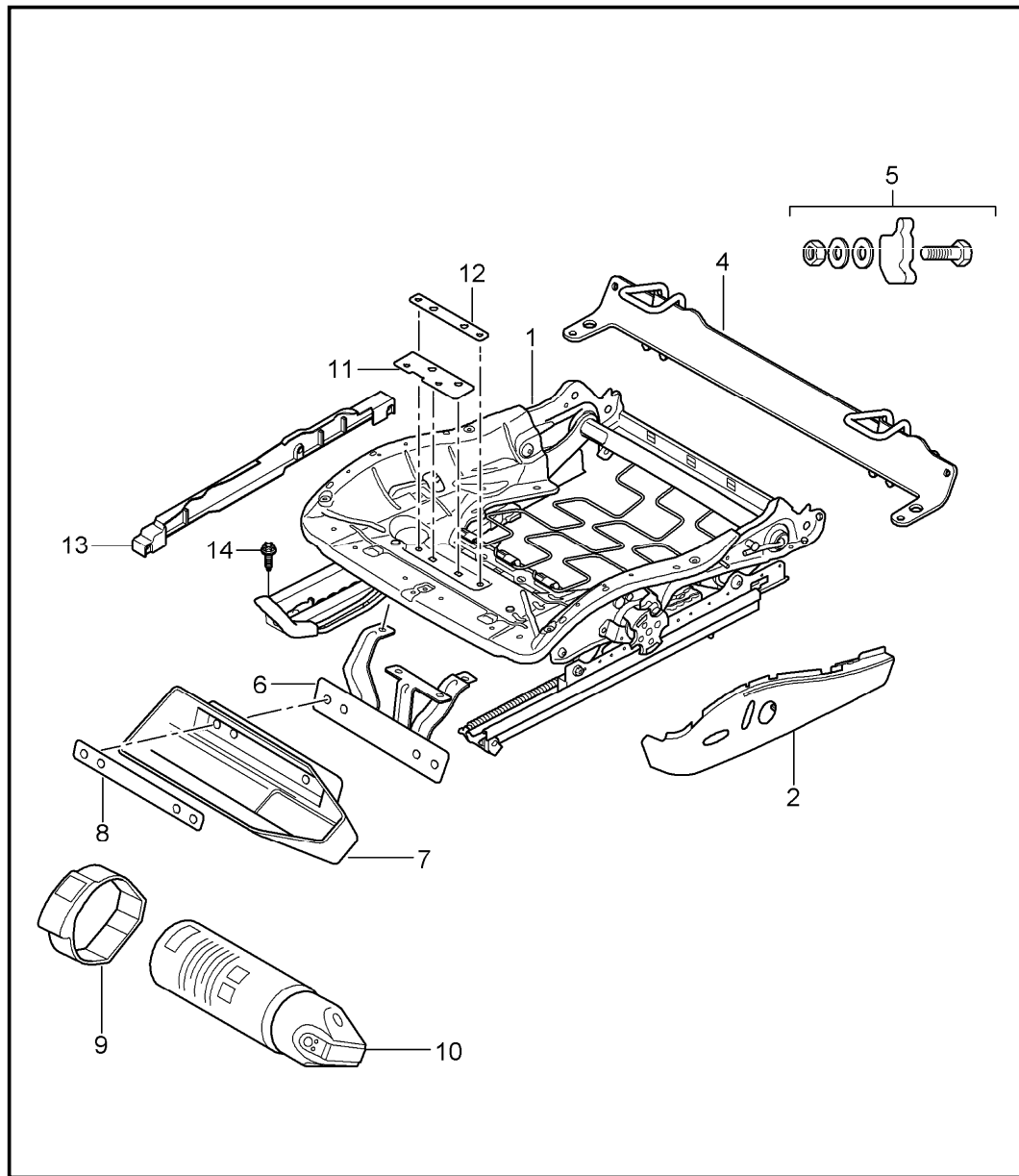


Pos	Part Number	Description	Remark	Qty	Model
		seat adjuster sports seat manually	07-		GT3
1	997 521 201 00	seat adjuster	/LL/L	1	I098/375
(1)	997 521 201 10	seat adjuster manually left-hand drive driver's side	/LL/L 07-	1	I098/375
(1)	997 521 202 00	seat adjuster manually right-hand drive driver's side	-07	1	I099/376
(1)	997 521 202 19	seat adjuster manually right-hand drive driver's side	08-	1	I099/376
(1)	997 521 201 03	seat adjuster	/RL/L	1	I099/375
(1)	997 521 201 11	seat adjuster manually right-hand drive passenger's side	/RL/L 07-	1	I099/375
(1)	997 521 202 05	seat adjuster	/LL/R	1	I098/376
(1)	997 521 202 20	seat adjuster manually left-hand drive passenger's side	/LL/R 07-	1	I098/376
(1)	997 521 202 06	seat adjuster	/R	1	I376/560
(1)	997 521 202 23	seat adjuster manually seat occupancy detection	/R 07-	1	I376/560
(2)	997 521 627 01	actuating lever	/L	1	I375
	V05	galvano silver			
(2)	997 521 628 01	actuating lever height adjustment	/R	1	I376
	V05	galvano silver			
3	997 521 629 01	cap height adjustment	/L/R	1	
	D07	volcano grey			
4	997 521 325 06	trim for switch	/L	1	I375

Model	Year	MG	SG	Illustration	Restrictions	UPD	16:42	26.01.2010	PORSCHE	PET	PORSCHE
GT3-2	2010	8	17	817-45		248					

Pos	Part Number	Description	Remark	Qty	Model	Pos	Part Number	Description	Remark	Qty	Model
	D07	volcano grey				12	997 521 851 00	restraining strap fire extinguisher		1	I509
(4)	997 521 326 06	trim for switch	/R	1	I376	13	996 722 115 00	fire extinguisher Information available Information available		1	I509
	D07	volcano grey									
5	997 521 325 08	trim for switch elect. backrest adjustment		1	I377	14	997 521 841 00	reinforcement front		1	I509
	D07	volcano grey									
	V04	galvano silver				15	997 521 843 00	reinforcement rear		1	I509
(5)	997 521 326 08	trim for switch elect. backrest adjustment		1	I378	16	997 521 427 01	cover sensor weight	/L	1	I376/378/560
	D07	volcano grey					01C	satin black			
	V04	galvano silver				(16)	997 521 426 01	cover sensor weight	/R	1	I376/378/560
(5)	997 521 326 09	trim for switch advanced airbag	/R	1	I376/560		01C	satin black			
	D07	volcano grey									
(5)	997 521 326 11	trim for switch advanced airbag	/R	1	I378/560	17	999 141 047 01	torx screw mount seat rail		4	
	D07	volcano grey									
(6)	997 521 631 01	control button backrest	/L/R	1							
	V05	galvano silver									
7	997 521 061 01	retaining bow child car seat not for Australien		1							
8	997 521 961 01	set of fastening parts retaining bow child car seat		1							
9	997 521 251 00	support fire extinguisher		1	I098/509						
(9)	997 521 252 00	support fire extinguisher		1	I099/509						
10	997 521 607 00	cup fire extinguisher		1	I509						
11	997 521 881 00	support cup fire extinguisher		1	I509						

Model	Year	MG	SG	Illustration	Restrictions	UPD	16:42	26.01.2010	PORSCHE	PET	PORSCHE
GT3-2	2010	8	17	817-50		248					

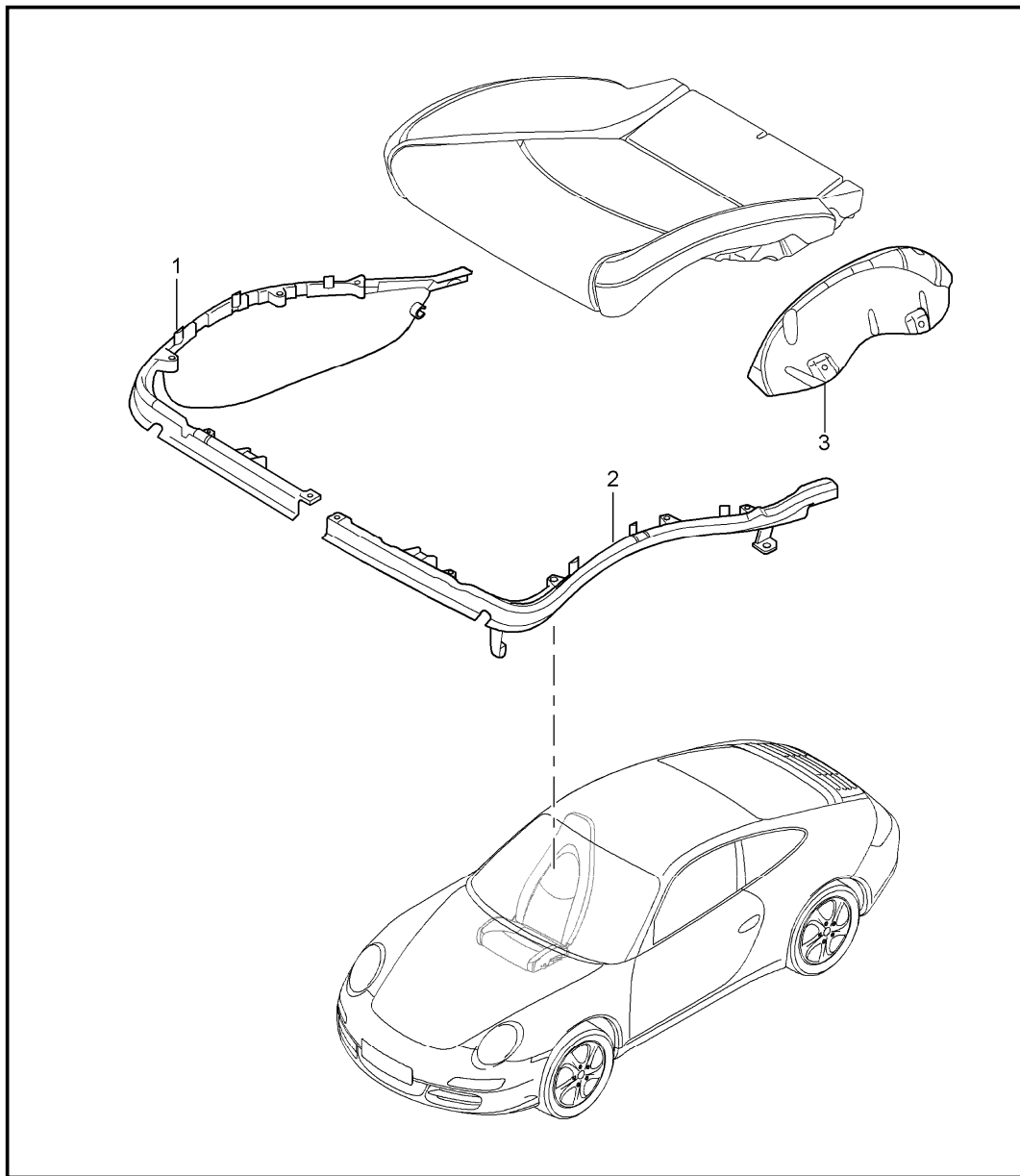


Pos	Part Number	Description	Remark	Qty	Model
		seat adjuster sports seat elect. vertical adjustment	07-		GT3
1	997 521 201 04	seat adjuster	/L	1	I377
(1)	997 521 201 12	seat adjuster	/L	07-	I377
(1)	997 521 202 10	seat adjuster	/R	1	I378
(1)	997 521 202 21	seat adjuster electric without memory	/R	07-	I378
(1)	997 521 202 12	seat adjuster	/R	1	I378/560
(1)	997 521 202 24	seat adjuster with advanced airbag	/R	07-	I378/560
(1)	997 521 201 24	seat adjuster with advanced airbag	/L/RL	07-	I377
2	997 521 325 06	trim for switch D07 volcano grey	/L	1	I375
(2)	997 521 326 06	trim for switch D07 volcano grey	/R	1	I376
(2)	997 521 325 08	trim for switch D07 volcano grey	/L	1	I377
(2)	997 521 326 08	trim for switch D07 volcano grey V04 galvano silver	/R	1	I378
(2)	997 521 326 09	trim for switch D07 volcano grey advanced airbag		1	I376/560
(2)	997 521 326 11	trim for switch D07 volcano grey advanced airbag		1	I378/560
3	997 521 631 01	control button backrest		1	

Model	Year	MG	SG	Illustration	Restrictions	UPD	16:42	26.01.2010	PORSCHE	PET	PORSCHE
GT3-2	2010	8	17	817-50		248					

Pos	Part Number	Description	Remark	Qty	Model	Pos	Part Number	Description	Remark	Qty	Model
	V05	galvano silver									
4	997 521 061 01	retaining bow child car seat not for Australien		1							
5	997 521 961 01	set of fastening parts retaining bow child car seat		1							
6	997 521 251 00	support fire extinguisher		1	I098/509						
(6)	997 521 252 00	support fire extinguisher		1	I099/509						
7	997 521 607 00	cup fire extinguisher		1	I509						
8	997 521 881 00	support cup fire extinguisher		1	I509						
9	997 521 851 00	restraining strap fire extinguisher		1	I509						
10	996 722 115 00	fire extinguisher Information available Information available		1	I509						
11	997 521 841 00	reinforcement front		1	I509						
12	997 521 843 00	reinforcement rear		1							
13	997 521 427 01	cover	/L	1	I376/378/560						
	01C	satin black									
(13)	997 521 426 01	cover sensor weight	/R	1	I376/378/560						
	01C	satin black									
14	999 141 047 01	torx screw mount seat rail		4							

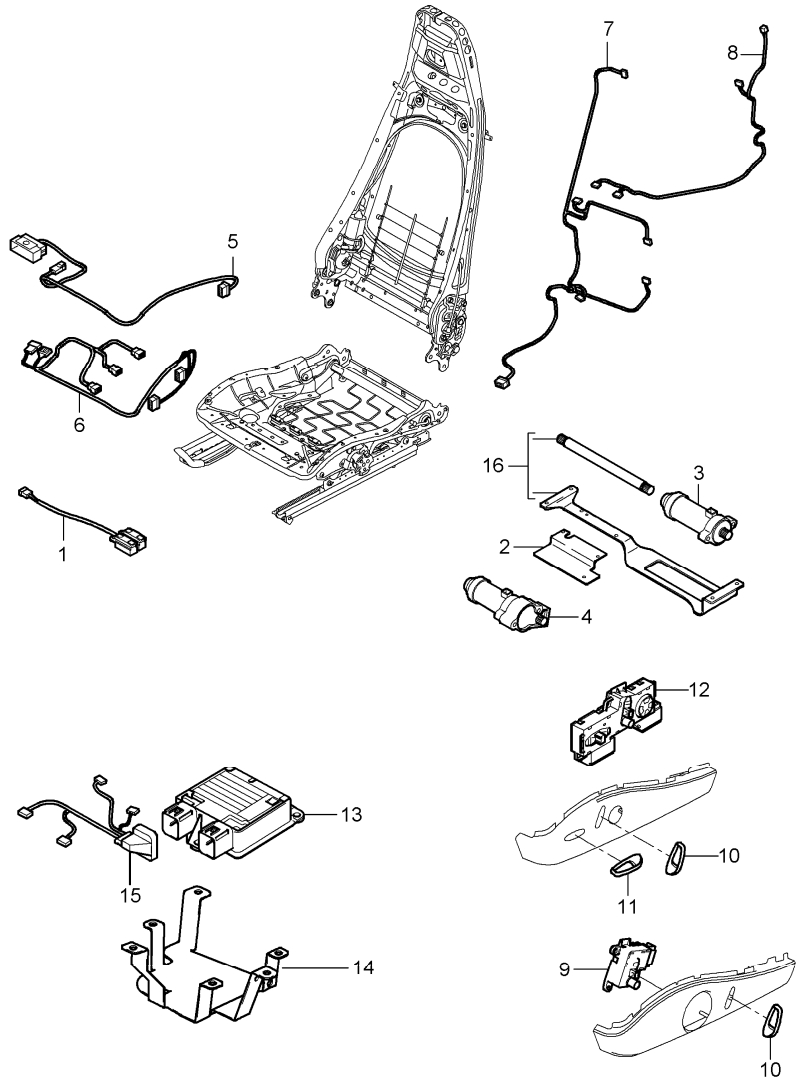
Model	Year	MG	SG	Illustration	Restrictions	UPD	16:42	26.01.2010	PORSCHE	PET	PORSCHE
GT3-2	2010	8	17	817-53		248					



Pos	Part Number	Description	Remark	Qty	Model
		cushion carrier sports seat frame seat cushion	07-		GT3
1	997 521 547 00	frame inner left	/L	1	I376/378
(1)	997 521 548 00	frame inner right	/R	1	I375/377
2	997 521 545 00	frame outer left	/L	1	I375/377
(2)	997 521 546 00	frame outer right	/R	1	I376/378
(2)	997 521 546 01	frame outer advanced airbag	/R	1	I376/378/560
3	997 521 519 00	supporting plate	/L	1	I377/378
(3)	997 521 520 00	supporting plate seat cushion	/R	1	I377/378

Model	Year	MG	SG	Illustration	Restrictions	UPD	16:42	26.01.2010	PORSCHE	PET	PORSCHE
GT3-2	2010	8	17	817-60		248					

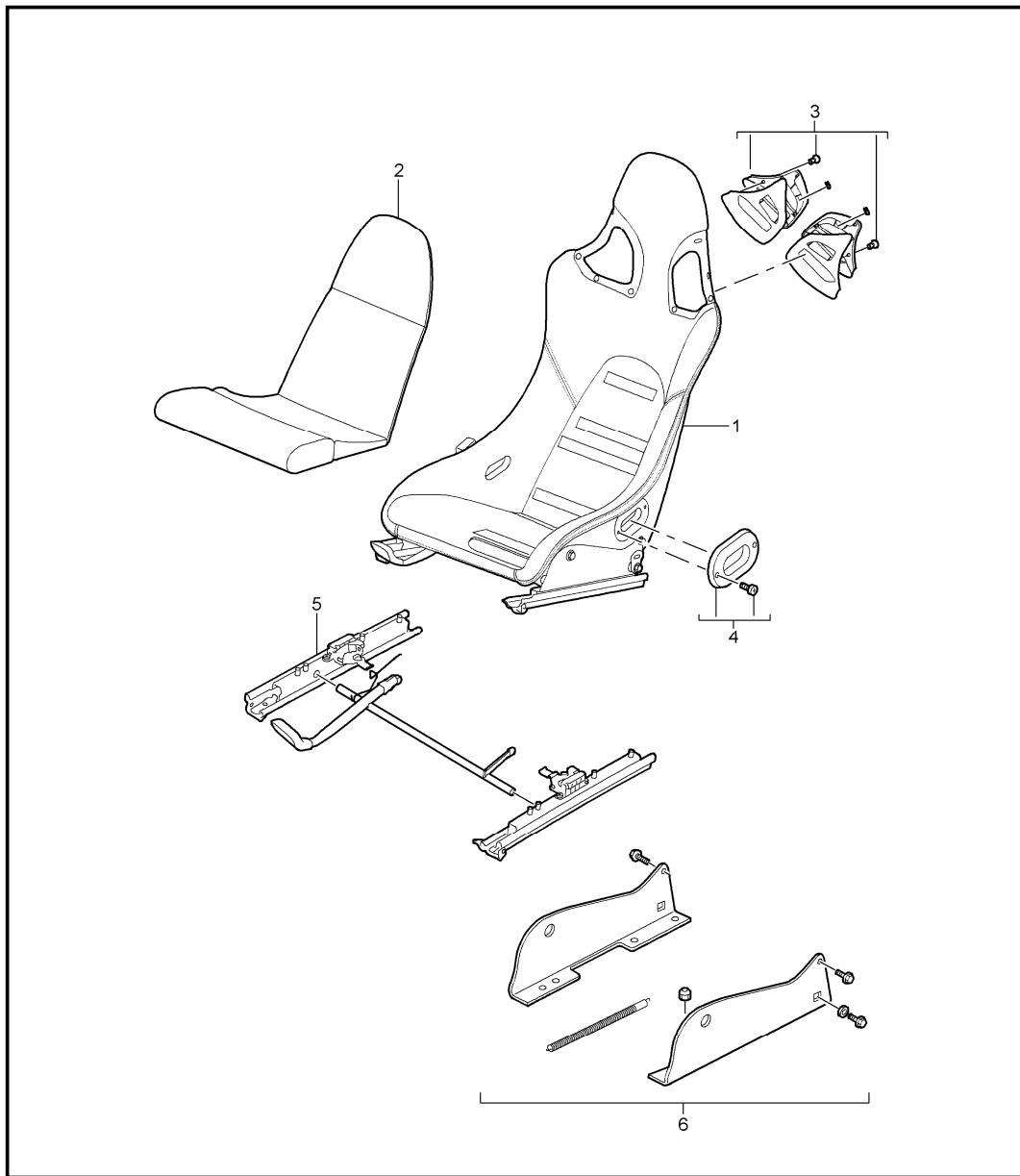
Pos	Part Number	Description	Remark	Qty	Model
		wiring harnesses switch control units sports seat	07-		GT3
1	997 613 725 00	switch		1	I377
	V05	galvano silver			
(1)	997 613 726 00	switch seat adjuster		1	I378
	V05	galvano silver			
2	997 521 343 00	support electric motor		1	I377/378
3	997 624 322 00	electric motor seat adjuster lengthways without memory		1	I377/378
(3)	997 624 322 00	electric motor seat adjuster height adjustment without memory		1	I377/378
4	997 624 323 00	electric motor seat adjuster tilt angle without memory		1	I377/378
5	997 612 682 01	wiring harness trim for switch		1	I375/376
6	997 612 691 01	wiring harness trim for switch without memory	-07	1	I377/378
6	997 612 691 02	wiring harness trim for switch without memory	08-	1	I377/378
7	997 612 689 00	wiring harness lumbar support without memory		1	I377/378
8	997 612 685 01	wiring harness backrest without memory		1	I377



Model	Year	MG	SG	Illustration	Restrictions	UPD	16:42	26.01.2010	PORSCHE	PET	PORSCHE
GT3-2	2010	8	17	817-60		248					

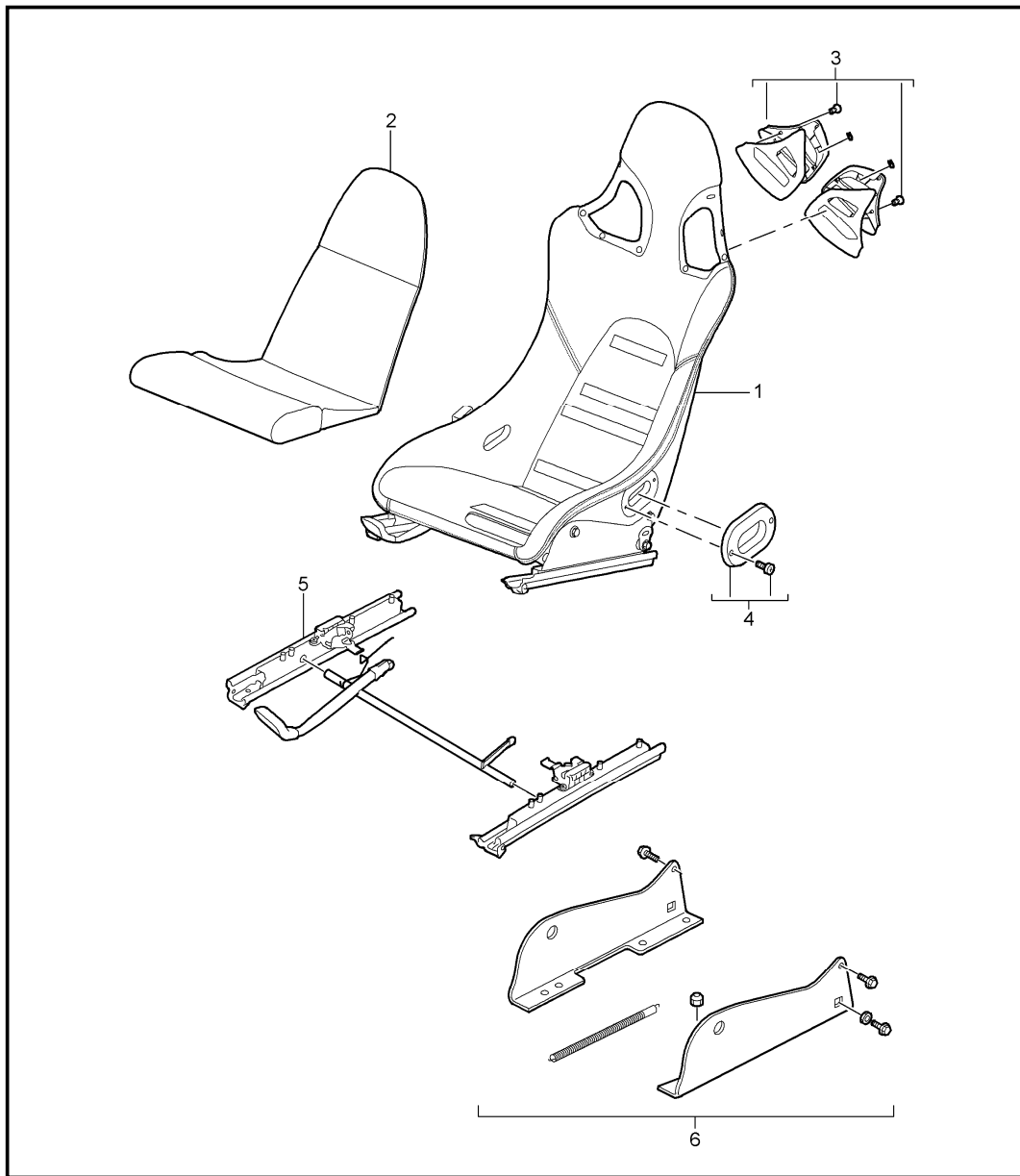
Pos	Part Number	Description	Remark	Qty	Model	Pos	Part Number	Description	Remark	Qty	Model
(8)	997 612 686 01	wiring harness backrest without memory		1	I378						
9	997 613 713 00	switch	/L	1	I375						
(9)	997 613 714 00	switch seat adjuster manually adjustable	/R	1	I376						
10	997 521 631 01	control button backrest	/L/R	1	I375/376 I377/378						
	V05	galvano silver									
11	997 521 633 02	control button seat cushion		1	I377/378						
	V05	galvano silver									
12	997 613 717 01	switch		1	I377/437						
	V05	galvano silver without memory									
(12)	997 613 718 01	switch seat adjuster		1	I378/438						
	V05	galvano silver without memory									
13	997 618 233 05	control unit seat occupancy detection		1	I376/378/560						
14	997 521 646 00	support control unit seat occupancy detection		1	I376/378/560						
15	997 612 688 00	wiring harness seat occupancy detection		1	I376/378/560						
16	000 043 207 06	pliable shaft adjusting motor lengthways		1							
(16)	997 521 901 00	repair kit pliable shaft engine bracket		1							
-	999 650 973 40	clip mount wiring harness seat occupancy detection		1							

Model	Year	MG	SG	Illustration	Restrictions	UPD	16:42	26.01.2010	PORSCHE	PET	PORSCHE
GT3-2	2010	8	17	817-90		248					



Pos	Part Number	Description	Remark	Qty	Model
		bucket seat cover pearl velour	07-		GT3
1	997 521 401 01	cup	/LL/L	-10	1 I098/384/990
(1) K	997 521 401 01	cup	/RL/L	-10	1 I099/384/990
(1)	997 521 402 01	cup	/RL/L	-10	1 I099/384/951
(1) K	997 521 402 01	cup	/LL/R	-10	1 I098/385/990
(1) K	997 521 402 01	cup	/RL/R	-10	1 I099/385/990
(1)	997 521 401 03	cup	/L	10-	1 I003/384/990
(1)	997 521 402 03	cup	/R	10-	1 I003/385/990
2	997 521 403 01	set cushion pearl velour		1	1 I384/385/990 I003
3	997 521 405 90	set cover support for seatbelt upper		1	1 I384/385
4	996 521 907 90	parts kit guide belt lower		1	1 I384/385
5	997 521 429 00	seat rail set	/L	1	1 I384
(5)	997 521 430 00	seat rail set	/R	1	1 I385
(6)	997 521 423 00	adapter set		1	1 I384/385
7	999 141 047 01	torx screw mount seat rail		4	

Model	Year	MG	SG	Illustration	Restrictions	UPD	16:43	26.01.2010	PORSCHE	PET	PORSCHE
GT3-2	2010	8	17	817-95		248					

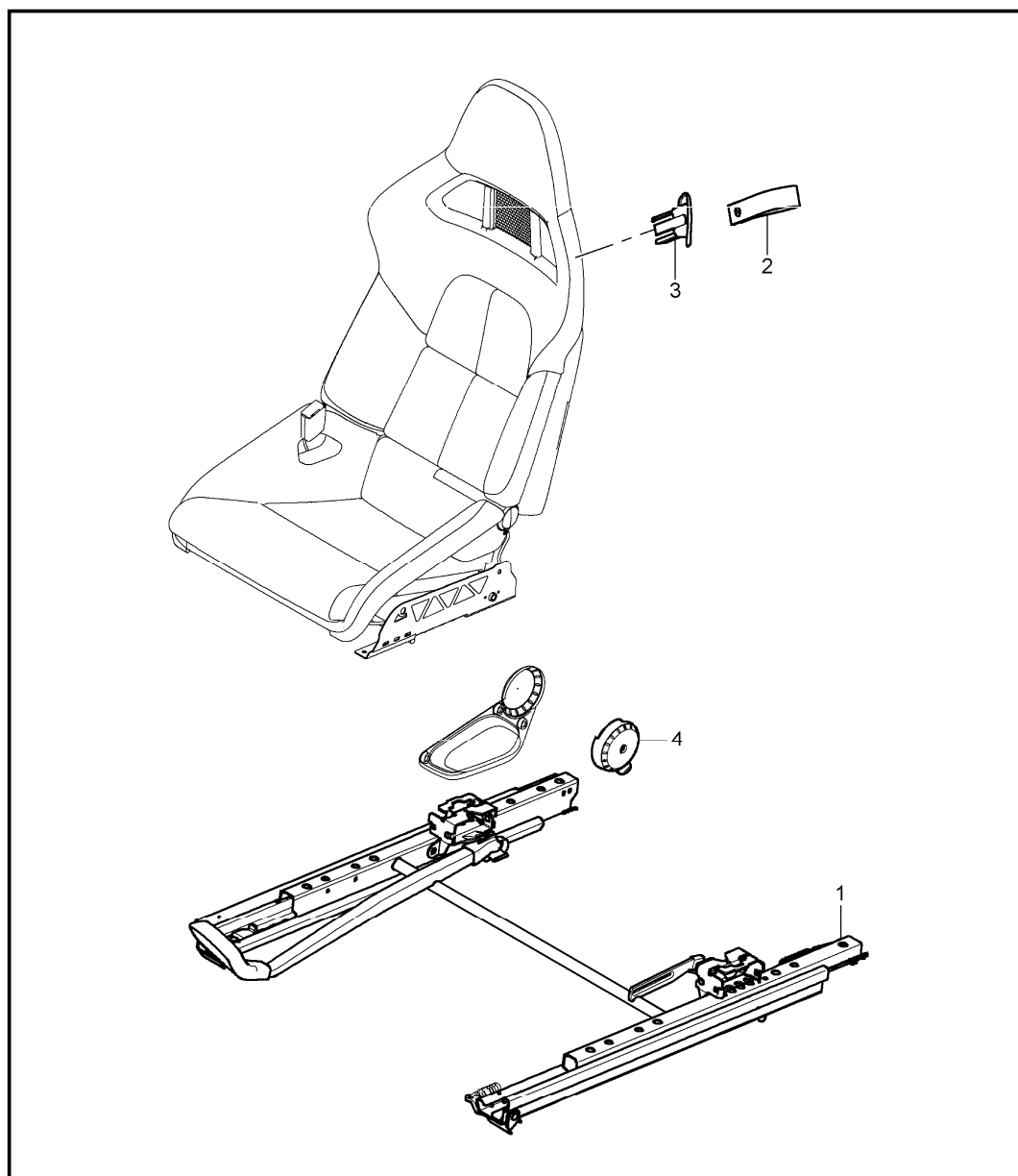


Pos	Part Number	Description	Remark	Qty	Model
		bucket seat cover leather	07-		GT3
1	997 521 401 00	cup partial leather 8YR black D11 dark grey/natural	/LL/L	-10	1
(1) K	997 521 401 00	cup partial leather 8YR black D11 dark grey/natural	/RL/L	-10	1
(1)	997 521 402 00	cup partial leather 8YR black D11 dark grey/natural	/LL/R	-10	1
(1) K	997 521 402 00	cup partial leather 8YR black D11 dark grey/natural	/RL/R	-10	1
(1)	997 521 401 02	cup partial leather 8YR black D11 dark grey/natural	/L	10-	1 I384/703
(1)	997 521 402 02	cup partial leather 8YR black D11 dark grey/natural	/R	10-	1 I385/703
2	997 521 403 00	set cushion leather A15 black			1 I951
3	K 997 521 405 90	set cover support for seatbelt upper			1

Model	Year	MG	SG	Illustration	Restrictions	UPD	16:43	26.01.2010	PORSCHE	PET	PORSCHE
GT3-2	2010	8	17	817-95		248					

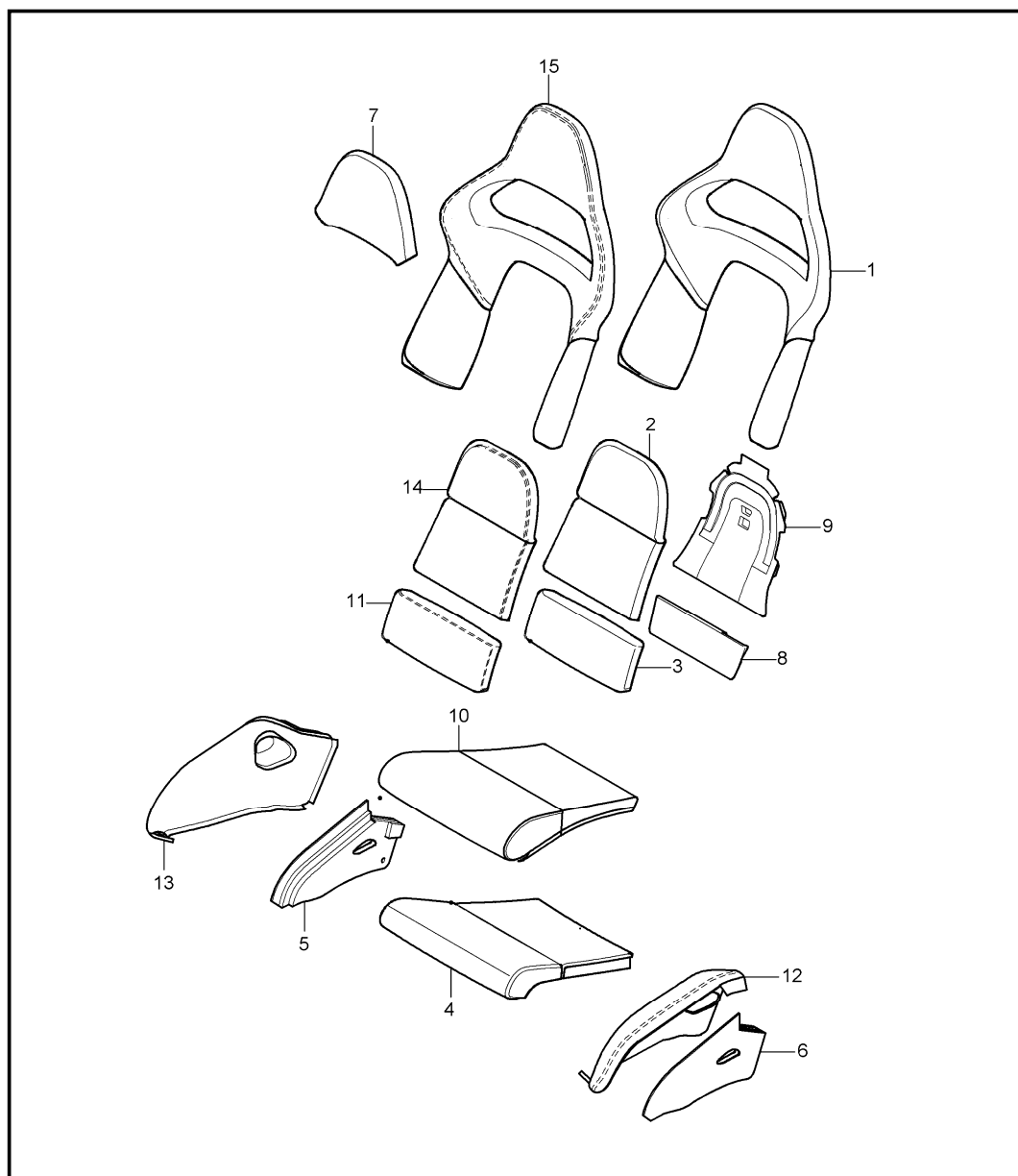
Pos	Part Number	Description	Remark	Qty	Model	Pos	Part Number	Description	Remark	Qty	Model
4	996 521 907 90	parts kit guide belt lower		1							
5	K 997 521 429 00	seat rail set	/L	1	I384						
(5)	K 997 521 430 00	seat rail set	/R	1	I385						
6	K 997 521 423 00	adapter set		1							
7	999 141 047 01	torx screw mount seat rail		4							

Model	Year	MG	SG	Illustration	Restrictions	UPD	16:43	26.01.2010	PORSCHE	PET	PORSCHE
GT3-2	2010	8	17	817-96		248					



Pos	Part Number	Description	Remark	Qty	Model
		bucket seat collapsible complete not available	10-		
1	997 521 429 01	set seat rail driver's side	/LL/L	1	I098/388
(1)	997 521 430 01	set seat rail passenger's side	/LL/R	1	I098/389
(1)	997 521 429 02	set seat rail passenger's side	/RL/L	1	I099/388
(1)	997 521 430 02	set seat rail driver's side	/RL/R	1	I099/389
2	997 521 539 00	traction noose backrest frame	/L	1	I388
	A80	black			
(2)	997 521 540 00	traction noose backrest frame	/R	1	I389
	A80	black			
3	997 521 538 00	rosette traction noose backrest frame	/R	1	I389
	01C	satin black			
(3)	997 521 537 00	rosette traction noose backrest frame	/L	1	I388
	01C	satin black			
4	997 521 563 00	cover hinge inner	/L	1	I388/389
	01C	satin black			
(4)	997 521 564 00	cover hinge inner	/R	1	I388/389
	01C	satin black			

Model	Year	MG	SG	Illustration	Restrictions	UPD	16:43	26.01.2010	PORSCHE	PET	PORSCHE
GT3-2	2010	8	17	817-97		248					

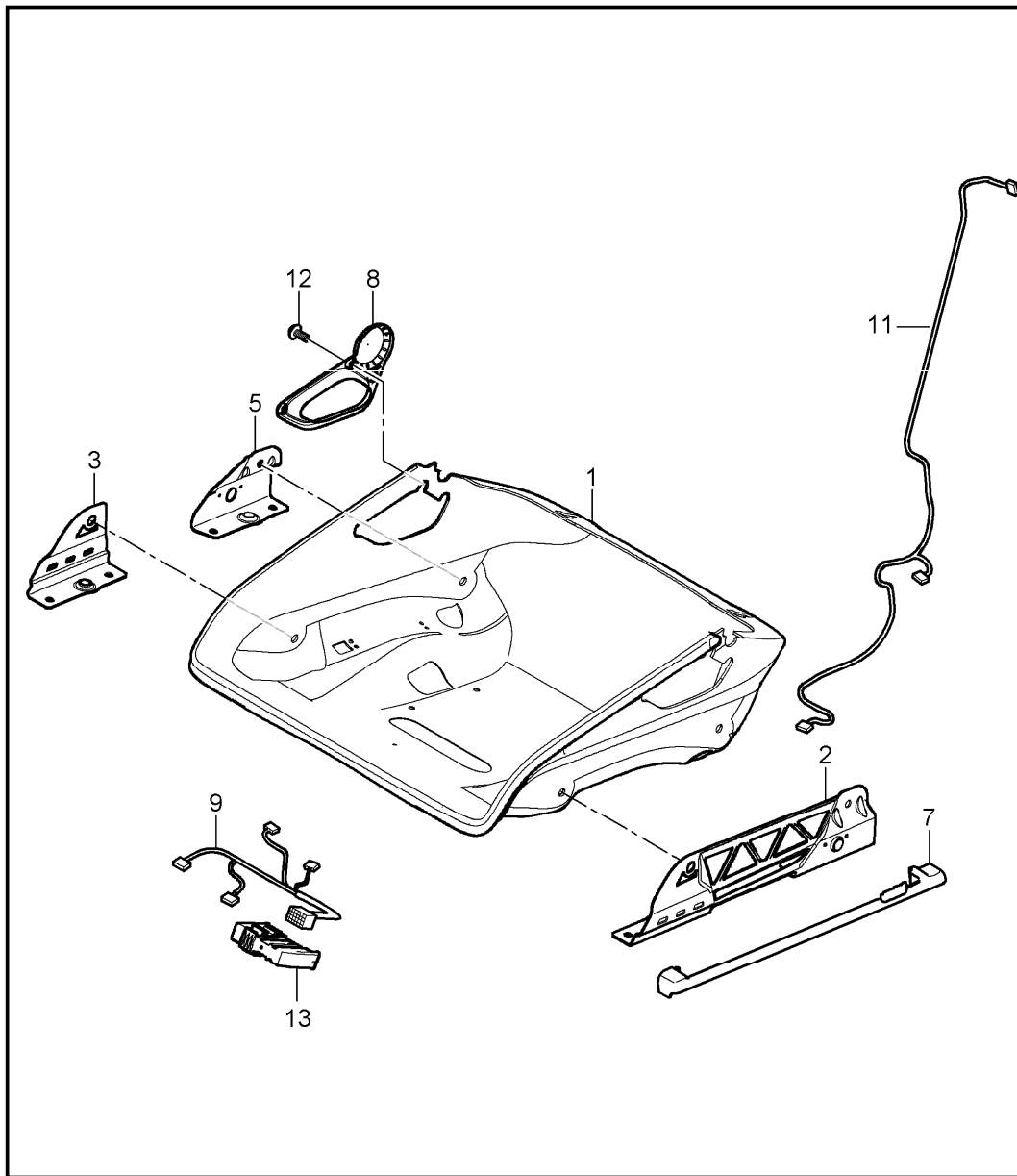


Pos	Part Number	Description	Remark	Qty	Model
		foam part cover seat and backrest surface bucket seat collapsible		10-	
1	997 521 447 00	foam part backrest outer part		2	I388/389
2	997 521 448 00	foam part backrest centre part		2	I388/389
3	997 521 441 00	foam part seat cushion rear		2	I388/389
4	997 521 440 00	foam part seat cushion front		2	I388/389
5	997 521 443 00	foam part seat cushion lateral outer left	/L	1	I388
(5)	997 521 444 00	foam part seat cushion lateral inner left		1	I388
6	997 521 446 00	foam part seat cushion lateral outer right		1	I389
(6)	997 521 445 00	foam part seat cushion lateral inner right		1	I389
7	997 521 458 00	foam part head rest		2	I388/389
8	997 521 456 00	foam part seat cushion rear		1	I388/389
9	997 521 457 00	foam part backrest		1	I388/389

Model	Year	MG	SG	Illustration	Restrictions	UPD	16:43	26.01.2010	PORSCHE	PET	PORSCHE
GT3-2	2010	8	17	817-97		248					

Pos	Part Number	Description	Remark	Qty	Model	Pos	Part Number	Description	Remark	Qty	Model
10	997 521 380 01	cover for cushion front	/L/R	1	I388/389/951	(13)	997 521 385 00	cover lateral inner	/R	1	I389/951
	A15	black					8YR	black			
(10)	997 521 380 02	cover for cushion front cloth	/L/R	1	I388/389/990		D11	dark grey/natural			
11	997 521 381 01	cover for cushion rear		1	I388/389/951	(13)	997 521 385 01	cover lateral inner cloth	/R	1	I389/990
	A15	black									
(11)	997 521 381 02	cover for cushion rear cloth		1	I388/389/990	14	997 521 387 01	cover centre part backrest		1	I388/389/951
							A15	black			
12	997 521 383 00	cover lateral outer	/L	1	I388/951	(14)	997 521 387 02	cover centre part backrest cloth		1	I388/389/990
	8YR	black									
	D11	dark grey/natural									
(12)	997 521 383 01	cover lateral outer cloth	/L	1	I388/990	15	997 521 388 00	cover backrest outer		1	I388/389/951
							8YR	black			
							D11	dark grey/natural			
13	997 521 384 00	cover lateral inner	/L	1	I388/951	(15)	997 521 388 01	cover backrest outer cloth		1	I388/389/990
	8YR	black									
	D11	dark grey/natural									
(13)	997 521 384 01	cover lateral inner cloth	/L	1	I388/990						
(13)	997 521 386 00	cover lateral outer	/R	1	I389/951						
	8YR	black									
	D11	dark grey/natural									
(13)	997 521 386 01	cover lateral outer cloth	/R	1	I389/990						

Model	Year	MG	SG	Illustration	Restrictions	UPD	16:43	26.01.2010	PORSCHE	PET	PORSCHE
GT3-2	2010	8	17	817-98		248					

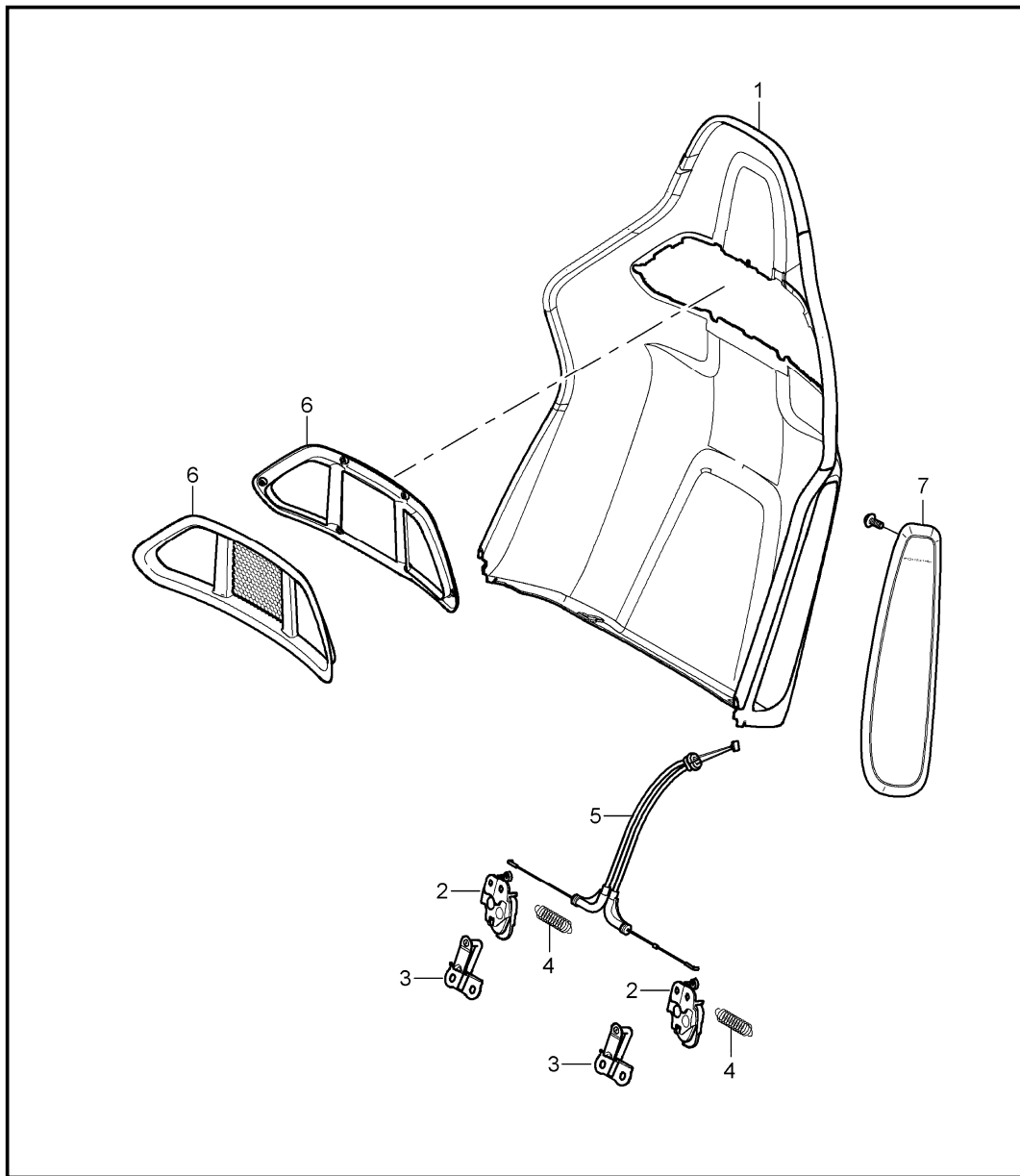


Pos	Part Number	Description	Remark	Qty	Model
		bucket seat collapsible seat adjuster accessories		10-	
1	997 521 281 00	cup seat adjuster without seat occupancy detection	/L/R	2	I388/389
(1)	997 521 182 00	cup seat adjuster with seat occupancy detection and seat rail	/R	1	I389/560
2	997 521 433 00	adapter seat adjuster outer left		1	I388
(2)	997 521 434 00	adapter seat adjuster outer right		1	I389
3	997 521 436 00	adapter seat adjuster inner front right		1	I388
4	997 521 435 00	adapter seat adjuster inner front left without seat occupancy detection		1	I389
5	997 521 438 00	adapter seat adjuster inner rear right		1	I388
6	997 521 437 00	adapter seat adjuster inner rear left without seat occupancy detection		1	I389
7	997 521 427 03	cover sensor seat occupancy detection	/L	1	I389/560
	01C	satin black			

Model	Year	MG	SG	Illustration	Restrictions	UPD	16:43	26.01.2010	PORSCHE	PET	PORSCHE
GT3-2	2010	8	17	817-98		248					

Pos	Part Number	Description	Remark	Qty	Model	Pos	Part Number	Description	Remark	Qty	Model
(7)	997 521 426 03	cover sensor seat occupancy detection	/R	1	I389/560						
	01C	satin black									
8	997 521 561 00	cover seat belt lower	/L	1	I388/389						
	01C	satin black									
(8)	997 521 562 00	cover seat belt lower	/R	1	I388/389						
	01C	satin black									
9	997 612 688 11	wiring harness seat occupancy detection		1	I389/560						
11	997 612 785 10	wiring harness side airbag	/R/L	1	I388/389						
12	999 141 049 01	lens-head screw mount cover belt seat cushion		3							
13	997 618 233 05	control unit seat occupancy detection		1	I376/378/389 I560						

Model	Year	MG	SG	Illustration	Restrictions	UPD	16:43	26.01.2010	PORSCHE	PET	PORSCHE
GT3-2	2010	8	17	817-99		248					



Pos	Part Number	Description	Remark	Qty	Model
		backrest shell bucket seat collapsible accessories		10-	
1	997 521 271 00	backrest shell bucket seat collapsible	/L	1	I388
(1)	997 521 272 00	backrest shell bucket seat collapsible	/R	1	I389
2	997 521 651 00	lock backrest	/L	1	I388/389
(2)	997 521 652 00	lock backrest	/R	1	I388/389
3	997 521 660 00	closing element lock backrest shell	/L/R	1	I388/389
4	997 521 650 00	tension spring lock backrest	/L/R	1	I388/389
5	997 521 640 01	bowden cable release backrest	/L/R	1	I388/389
6	997 521 330 00	cover seat belt front		1	I388/389
		01C satin black			
(6)	997 521 531 00	cover seat belt rear		1	I388/389
		01C satin black			
7	997 803 081 01	side airbag	/L	1	I375/377/388
		A03 black			
(7)	997 803 082 01	side airbag front seat	/R	1	I376/378/389
		A03 schwarz			

PORSCHE

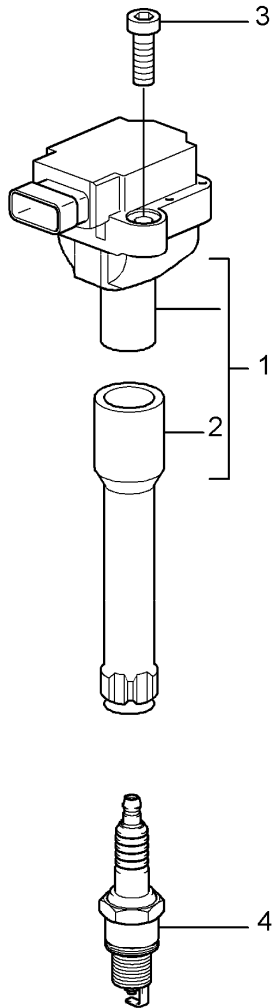
PET

PORSCHE

Model	Year	MG	SG	Illustration	Restrictions	UPD	16:44	26.01.2010
GT3-2	2010	8	98	898-00R		248		

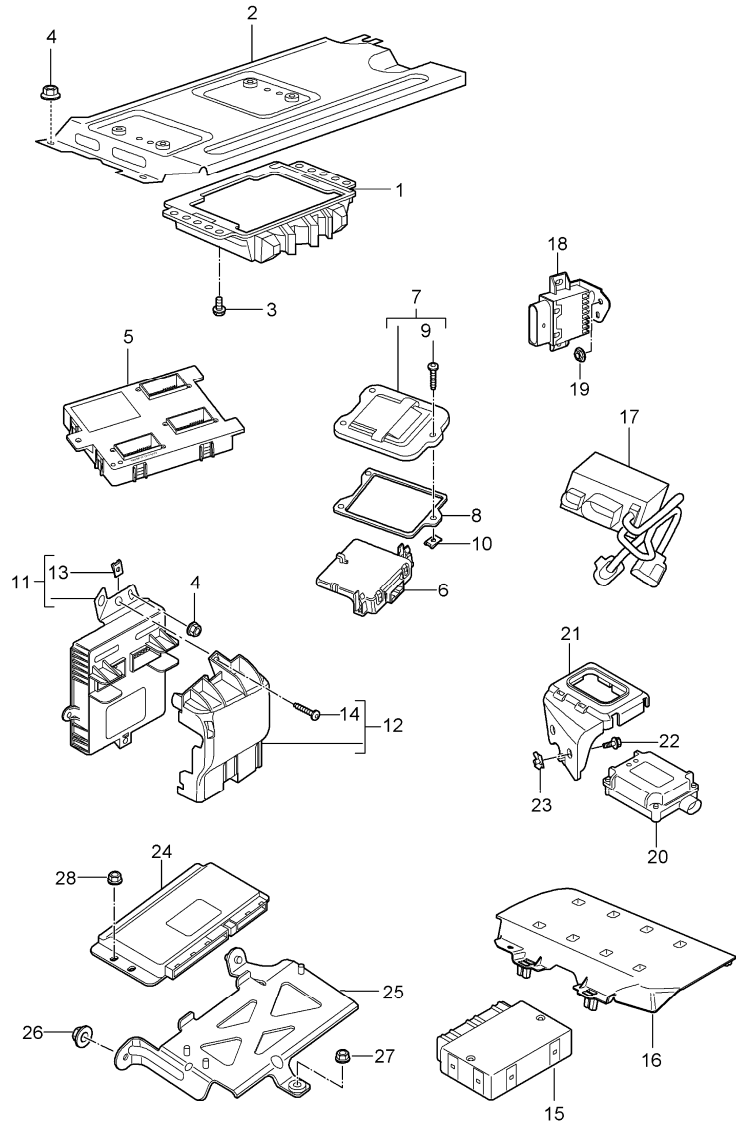
Pos	Part Number	Description	Remark	Qty	Model
		repair kits set of locks			
>>	>>997 538 011 00	set of locks		1	I098
>>	>>997 538 011 01	set of locks		1	I099

Model	Year	MG	SG	Illustration	Restrictions	UPD	16:44	26.01.2010	PORSCHE	PET	PORSCHE
GT3-2	2010	9	01	901-00		248					



Pos	Part Number	Description	Remark	Qty	Model
		ignition system			
1	997 602 104 00	ignition coil	-08	6	
(1)	9A1 602 104 02	ignition coil	10-	6	
2	996 602 105 00	spark plug connector	-08	6	
3	900 387 008 01	pan-head screw M 6 X 25	-08	12	
(3)	999 073 103 01	round head screw M 6 X 16	10-	6	
4	999 170 129 90	spark plug Y 5DDC		6	

Model	Year	MG	SG	Illustration	Restrictions	UPD	16:44	26.01.2010	PORSCHE	PET	PORSCHE
GT3-2	2010	9	01	901-03		248					

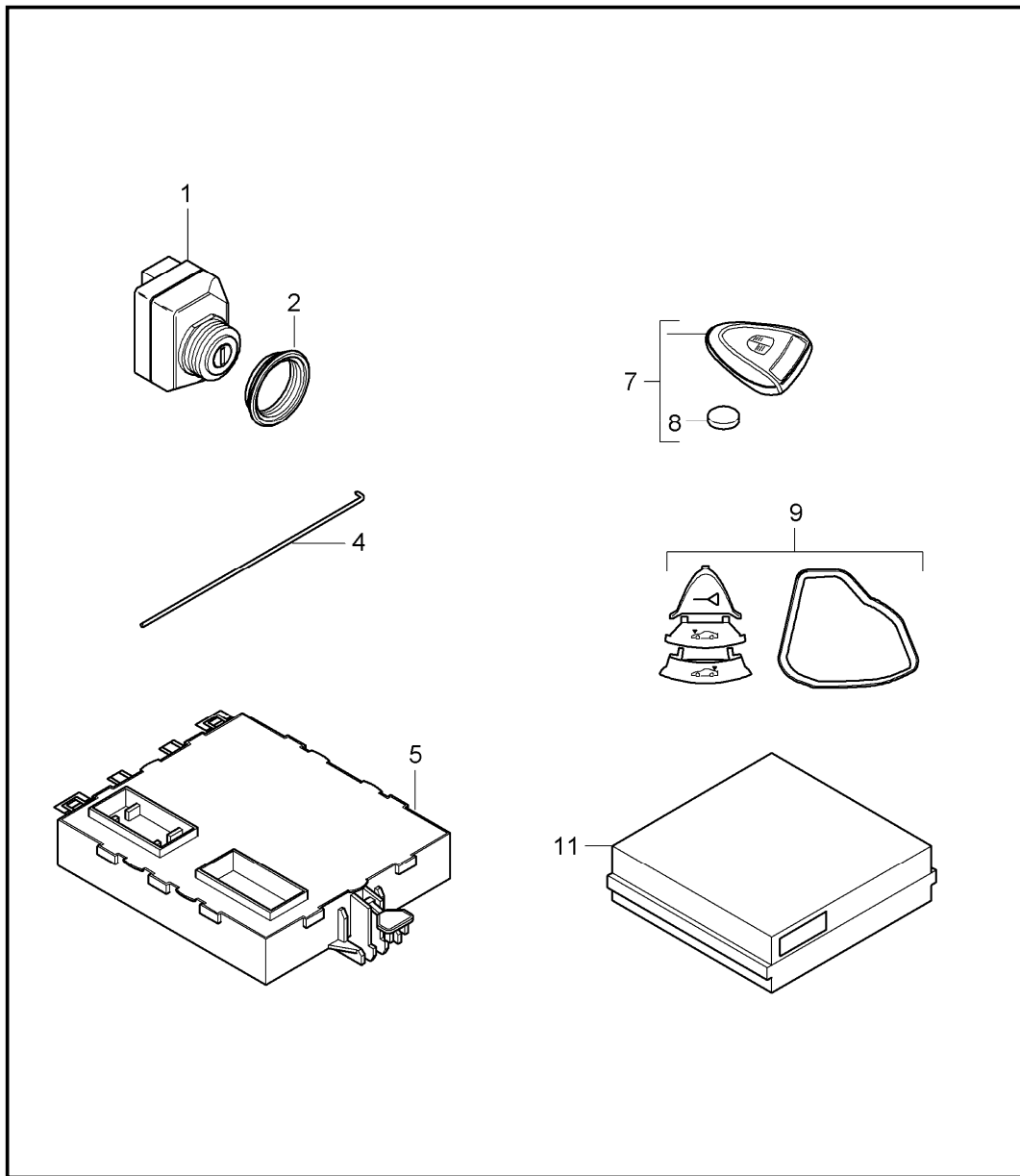


Pos	Part Number	Description	Remark	Qty	Model
		control units			
1	A 997 618 603 03	control unit - dme -	07	1	
1	997 618 603 05	control unit - dme -	-08	1	
1	997 618 608 01	control unit - dme -	10-	1	
2	996 618 129 01	support control unit - dme -		1	
3	900 378 036 01	hexagon-head bolt M 6 X 12		4	
4	999 084 629 01	hexagon nut M 6		3	
5	U 997 610 102 06	control unit vehicle electrical system		1	
5	997 618 516 01	control unit vehicle electrical system		1	
6	997 610 107 03	control unit gateway		1	
7	997 572 419 03	lid		1	
8	997 572 221 00	gasket		1	
9	900 143 094 09	tapping screw ST 4,8 X 19		3	
10	999 591 855 02	speed nut ST 4,8		3	
11	997 610 106 11	control unit FRONT luggage compartment	-08	1	
11	997 618 511 01	control unit FRONT luggage compartment	10-	1	I600/603
11	997 610 105 11	control unit FRONT luggage compartment	-08	1	I601
(12)	997 551 736 01	cover		1	
13	999 507 462 09	speed nut 4,8		1	
14	999 073 061 02	tapping screw 4,8 X 16		1	

Model	Year	MG	SG	Illustration	Restrictions	UPD	16:44	26.01.2010	PORSCHE	PET	PORSCHE
GT3-2	2010	9	01	901-03		248					

Pos	Part Number	Description	Remark	Qty	Model	Pos	Part Number	Description	Remark	Qty	Model
15	997 618 260 08	control unit rear end		1							
15	997 618 260 10	control unit rear end	10-	1	I474						
16	997 618 371 01	support	-08	1							
16	997 618 381 00	support	10-	1							
17	997 618 436 90	control unit		1							
17	997 618 436 91	control unit cooling air control		1							
18	997 618 025 01	control unit fuel pump	10-	1	I663						
19	999 049 025 09	collar nut T 5	10-	2							
20	997 618 225 03	control unit garage door opener	10-	1	I608						
20	997 618 227 02	control unit garage door opener	10-	1	I607						
21	997 618 257 00	support control unit garage door opener	10-	1							
(21)	997 618 367 80	support control unit garage door opener	10-	1							
22	900 075 505 01	combination screw M 6 X 20	10-	2							
23	999 591 882 01	speed nut M 6	10-	2							
24	997 618 465 01	control unit Unit mount	10-	1	I140						
25	997 618 163 00	support control unit Unit mount	10-	1	I140						
26	999 703 496 40	rubber mounting	10-	2	I140						
27	999 703 236 40	plastic nut T 5	10-	1	I140						
28	900 377 010 02	hexagon nut M 6	10-	3	I140						

Model	Year	MG	SG	Illustration	Restrictions	UPD	16:44	26.01.2010	PORSCHE	PET	PORSCHE
GT3-2	2010	9	01	901-04		248					

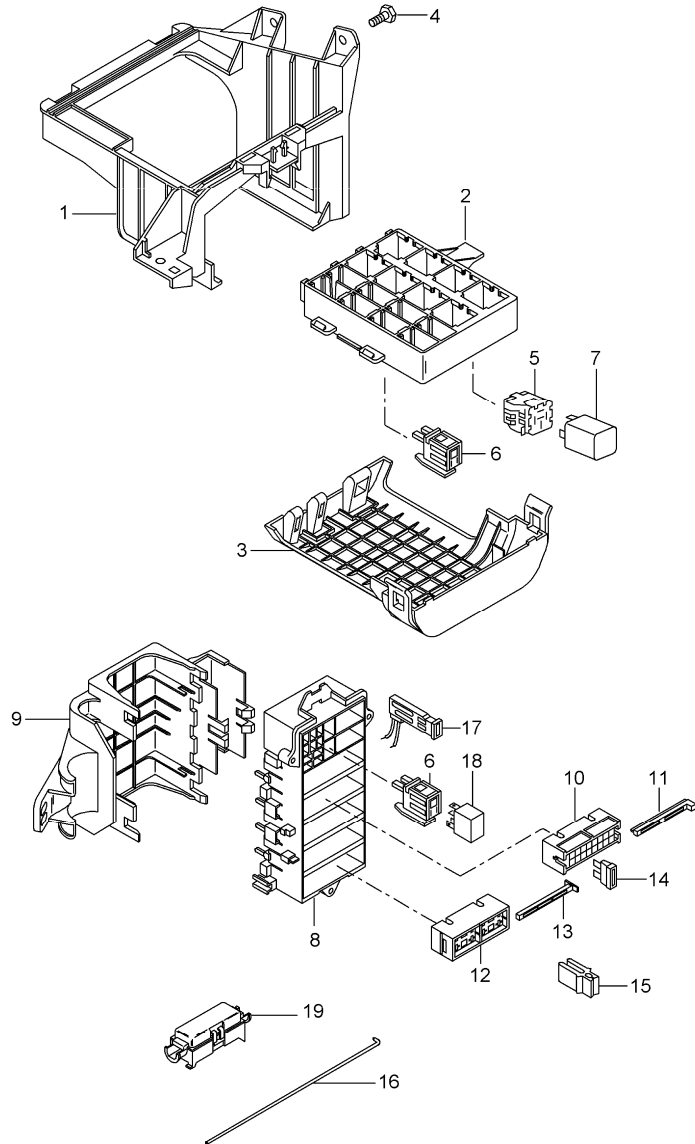


Pos	Part Number	Description	Remark	Qty	Model
		control units ignition starter switch PORSCHE ACCES SYSTEM			
1	A 997 618 159 03	control unit ignition starter switch	-08	1	
1	997 618 159 04	control unit ignition starter switch		1	
2	997 618 759 00	nut		1	
-	997 618 361 00	cover release Handheld transmitter		1	
4	997 618 761 00	emergency operation release ignition starter switch		1	
5	997 618 171 12	control unit PORSCHE ACCESS SYSTEM Information available	07	1	I534
5	997 618 171 14	control unit PORSCHE ACCESS SYSTEM	08	1	I534
5	997 618 171 15	control unit PORSCHE ACCESS SYSTEM	10-	1	I524
5	997 618 172 12	control unit PORSCHE ACCESS SYSTEM Information available	07	1	I535
5	997 618 172 14	control unit PORSCHE ACCESS SYSTEM	08	1	I535
5	997 618 172 15	control unit PORSCHE ACCESS SYSTEM	10-	1	I525
-	997 612 053 00	connecting line antenna booster control unit POS. 5	/LL	-08	1 I098/534
-	997 612 053 00	connecting line antenna booster control unit POS. 5	/LL	10-	1 I098/665
-	997 612 054 00	connecting line antenna booster control unit POS. 5 Information available	/RL	-08	1 I099/534

Model	Year	MG	SG	Illustration	Restrictions	UPD	16:44	26.01.2010	PORSCHE	PET	PORSCHE
GT3-2	2010	9	01	901-04		248					

Pos	Part Number	Description	Remark	Qty	Model	Pos	Part Number	Description	Remark	Qty	Model
-	997 612 054 00	connecting line antenna booster control unit POS. 5 Information available	/RL	10-	1	I099/665	9	000 043 400 14	repair kit key Handheld transmitter see workshop manual KD-NR.: 966237	-07	1
-	997 612 053 01	connecting line antenna booster control unit POS. 5	/LL	-08	1	I098/535	11	997 618 210 01	sensor interior monitoring		1
-	997 612 053 01	connecting line antenna booster control unit POS. 5	/LL	10-	1	I098/675			alarm siren tilt sensor see group 9/03/00		I536 I521/536
-	997 612 054 01	connecting line antenna booster control unit POS. 5 Information available	/RL	-08	1	I099/535					
-	997 612 054 01	connecting line antenna booster control unit POS. 5 Information available	/RL	10-	1	I099/675					
-	997 612 064 51	cable antenna VEHICLE TRACKING SYSTEM			1	I674					
7	U 997 637 244 46	Handheld transmitter			1	I534					
7	997 637 207 01	Handheld transmitter			07	1	I534				
7	997 637 107 00	Handheld transmitter			08	1	I534				
7	997 637 107 01	Handheld transmitter			10-	1	I524				
7	U 997 637 244 47	Handheld transmitter			1	I535					
7	A 997 637 209 01	Handheld transmitter			07	1	I535				
7	997 637 109 00	Handheld transmitter			-08	1	I535				
7	997 637 109 01	Handheld transmitter			10-	1	I525				
7	U 997 637 244 48	Handheld transmitter	(J)		1	I535					
7	997 637 211 01	Handheld transmitter	(J)		07	1	I535				
7	997 637 111 00	Handheld transmitter	(J)		08	1	I535				
7	997 637 111 01	Handheld transmitter	(J)		10-	1	I525				
8	999 611 108 00	battery			1						

Model	Year	MG	SG	Illustration	Restrictions	UPD	16:44	26.01.2010	PORSCHE	PET	PORSCHE
GT3-2	2010	9	02	902-00		248					

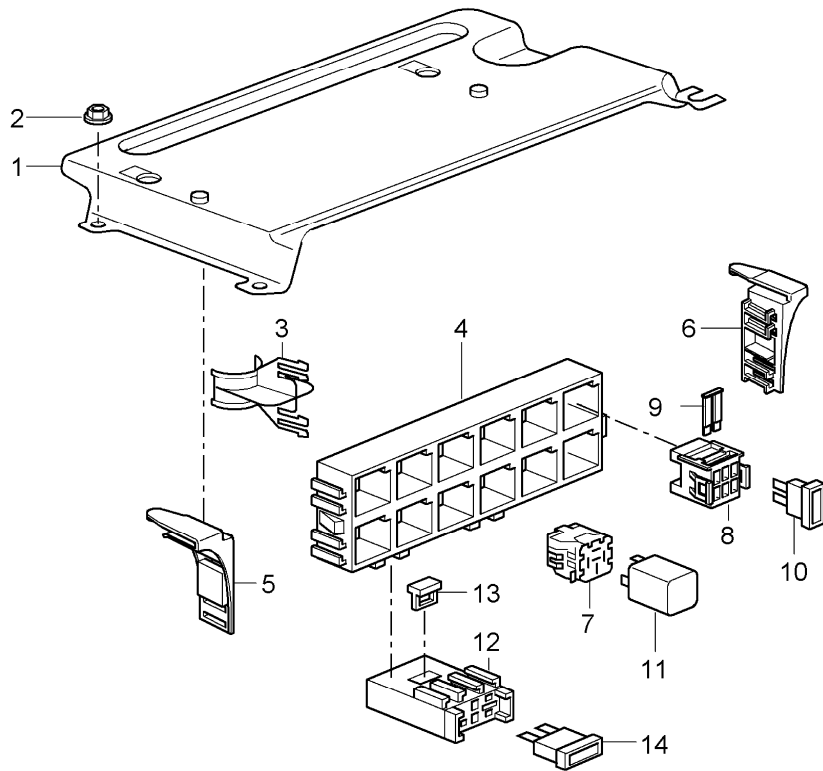


Pos	Part Number	Description	Remark	Qty	Model
		central electrical system dashboard			
1	997 610 117 01	support	/LL	1	I098
(1)	997 610 118 00	support	/RL	1	I099
2	997 610 110 01	relay carrier support frame		1	
3	997 610 112 00	cover support frame		1	
4	900 378 155 01	hexagon-head bolt M 6 X 16 ASP		2	
(4)	900 377 010 01	hexagon nut M 6		1	
5	928 610 511 00	relay carrier		X	
6	999 650 538 40	relay carrier		X	
7	-	relay			
S4 A	999 657 010 90	relay KL. X		1	
S4	999 657 014 90	relay KL. X		1	
S6	999 657 015 90	relay KL. 86S		1	
S8	999 657 015 90	relay fuel pump		1	
S11	999 657 013 90	relay - dme -		1	
S12	999 657 013 90	relay heating		1	
S14	999 657 013 90	relay headlight washer system		1	I288
S15	999 657 013 90	relay starter		1	
S16	999 657 013 90	relay KL. 15		1	
8	997 610 340 00	bracket		1	
9	997 610 341 00	cover		1	
10	999 650 209 40	fuse holder		4	

Model	Year	MG	SG	Illustration	Restrictions	UPD	16:44	26.01.2010	PORSCHE	PET	PORSCHE
GT3-2	2010	9	02	902-00		248					

Pos	Part Number	Description	Remark	Qty	Model	Pos	Part Number	Description	Remark	Qty	Model
11	999 650 210 40	slide		4		-	-	cover for housing fuse see group 8 / 07 / 02		X	
12	999 650 750 40	fuse holder		1							
13	999 650 749 40	slide		1							
14	999 607 082 00	fuse 5 A		X							
(14)	999 607 083 00	fuse 7 , 5 A		X							
(14)	999 607 084 00	fuse 10 A		X							
(14)	999 607 085 00	fuse 15 A		X							
(14)	999 607 087 00	fuse 25 A		X							
(14)	999 607 088 00	fuse 30 A		X							
(14)	999 607 072 00	fuse 30 A large		X							
(14)	999 607 073 00	fuse 40 A large		X							
15	999 107 300 40	tool		X							
-	997 610 195 07	assignment sticker fuse		X							
16	997 618 761 00	emergency operation release ignition starter switch emergency operation lid		1							
17	996 610 240 00	terminal clamp		1							
18 A	999 657 010 90	relay		1							
18	999 657 014 90	relay		1							
19	997 610 915 00	fuse holder with fuse 80 A for cooling air control		1							

Model	Year	MG	SG	Illustration	Restrictions	UPD	16:45	26.01.2010	PORSCHE	PET	PORSCHE
GT3-2	2010	9	02	902-01		248					

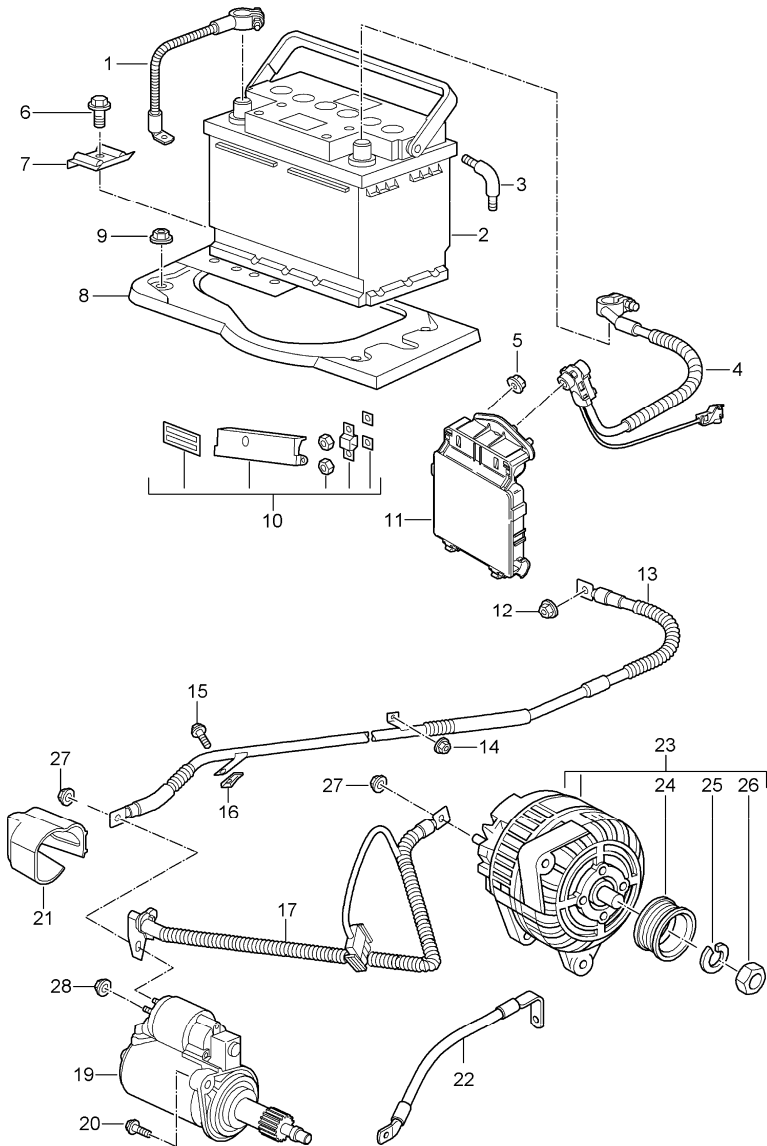


Pos	Part Number	Description	Remark	Qty	Model
		central electrical system rear end			
(1)	996 610 229 03	mounting plate		1	
2	999 084 629 01	hexagon nut M 6		2	
3	996 610 112 00	cable holder		1	
4	996 610 111 00	relay carrier support frame		X	
5	987 610 118 00	support	/R	1	
6	987 610 117 00	support	/L	1	
7	928 610 511 00	relay carrier		X	
8	999 650 747 40	fuse holder		1	
9	999 650 748 40	locking device		1	
10	999 607 083 00	fuse 7,5 A		X	
10	999 607 085 00	fuse 15 A		X	
11	-	relay			
S1	999 657 013 90	relay rear window heating		1	
S3	999 657 018 90	relay air conditioner	-08	1	I573
S3	999 657 016 90	relay pump	10-	1	I474
S4	999 657 016 90	relay switch-off	10-	1	I474
S7	999 657 016 90	relay blower engine compartment		1	
S8	999 657 016 90	relay blower engine compartment		1	
S9	999 657 017 90	relay secondary pump		1	I661
12	999 650 193 40	fuse holder		3	
13	999 650 371 40	locking device		3	

Model	Year	MG	SG	Illustration	Restrictions	UPD	16:45	26.01.2010	PORSCHE	PET	PORSCHE
GT3-2	2010	9	02	902-01		248					

Pos	Part Number	Description	Remark	Qty	Model	Pos	Part Number	Description	Remark	Qty	Model
14	999 607 073 00	fuse 40 A large		3							

Model	Year	MG	SG	Illustration	Restrictions	UPD	16:45	26.01.2010	PORSCHE	PET	PORSCHE
GT3-2	2010	9	02	902-05		248					



Pos	Part Number	Description	Remark	Qty	Model
		battery power distributor starter generator battery main switch			
1	997 611 090 00	ground strap	/LL	1	I098
(1)	997 611 091 00	ground strap when required order also:	/RL	1	I099
-	900 377 010 01	hexagon nut M 6		1	
2	999 611 060 20	battery 60 AH		1	
2	999 611 070 20	battery 70 AH		1	
2	999 611 080 20	battery 80 AH		1	
(2) N	997 611 020 00	battery 18 AH	10-	1	I191
3	893 915 507	angled pipe		1	
4	997 612 993 00	repair kit wiring harness battery power distributor	/LL	1	I098
(4)	997 612 995 00	repair kit wiring harness battery power distributor	/RL	1	I099
5	900 380 005 01	hexagon nut VM 8		2	
6	900 378 017 01	hexagon-head bolt M 8 X 20		1	
7	996 611 209 00	rail battery		1	
8 A	996 504 151 02	carrier plate for battery		1	
8	997 504 151 01	carrier plate for battery		1	
-	996 504 622 01	gasket carrier plate for battery		1	
9	999 084 630 01	hexagon nut VM 8 SB		4	

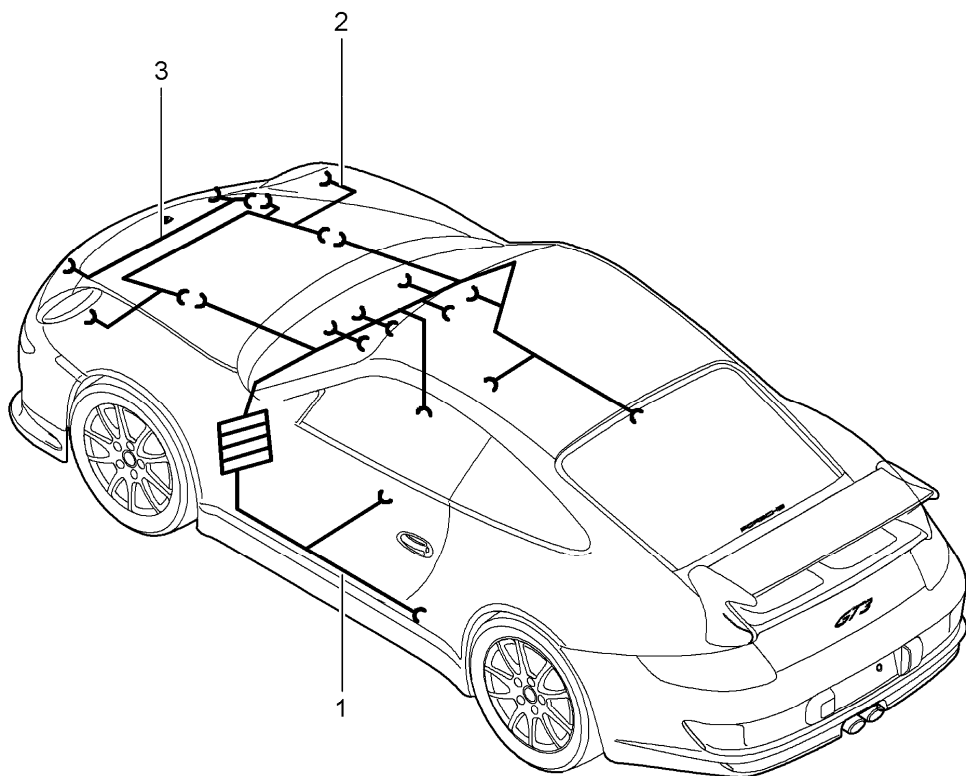
Model	Year	MG	SG	Illustration	Restrictions	UPD	16:45	26.01.2010	PORSCHE	PET	PORSCHE
GT3-2	2010	9	02	902-05		248					

Pos	Part Number	Description	Remark	Qty	Model	Pos	Part Number	Description	Remark	Qty	Model
10	997 610 912 00	repair kit replacement fuse element comprising:		1		-	-	seal label red when required order also: POS. 12		1	
-	-	fuse element 50 AMPERE		1		12	900 084 123 02	hexagon nut M 8		1	
-	-	fuse element 80 AMPERE		1		13	997 612 092 01	cable power distributor starter	/LL	1	I098
-	-	hexagon nut M 5		4		(13)	997 612 098 00	cable power distributor starter	/RL	1	I099
-	-	square washer		4							
-	-	cover blue		1		14	999 084 629 01	hexagon nut M 6		1	
-	-	seal label red		1		15	900 075 497 01	combination screw M 5 X 10		1	
(10)	997 610 913 00	repair kit replacement fuse element comprising:		1		16	999 507 702 01	speed nut M 5		1	
-	-	fuse element 150 AMPERE		1		17	997 607 031 92	wiring harness starter generator		1	
-	-	hexagon nut M 8		2		19 >	996 604 107 00	starter	-08	1	
-	-	square washer		2		19 >	996 604 107 01	starter	10-	1	
-	-	cover blue		1		20	900 385 097 01	torx screw BM 10 X 35		2	
-	-	seal label red		1		21	996 604 118 00	protection cap		1	
11	997 610 911 00	repair kit replacement power distributor comprising:		1		22	996 607 034 01	ground strap engine body		1	
-	-	power distributor without fuse element		1		23 A	997 603 012 04	generator	-08	1	
-	-	hexagon nut M 5		8		23 >	997 603 012 06	generator	-08	1	
-	-	hexagon nut M 8		3		23 >	997 603 022 02	generator	10-	1	
-	-					24	996 603 151 55	pulley		1	
-	-					25	N 012 016 1	lock ring B 16		1	
-	-					26	900 034 013 01	hexagon nut M 16 X 1,5		1	
-	-					-	996 603 113 00	protection cap		1	

Model	Year	MG	SG	Illustration	Restrictions	UPD	16:45	26.01.2010	PORSCHE	PET	PORSCHE
GT3-2	2010	9	02	902-05		248					

Pos	Part Number	Description	Remark	Qty	Model	Pos	Part Number	Description	Remark	Qty	Model
		mounting parts generator									
-	900 385 004 01	torx screw BM 10 X 60		1							
-	900 385 124 01	torx screw BM 10 X 110		1							
27	900 377 003 01	hexagon nut M 8		2							
28	900 377 010 02	hexagon nut M 6		1							
		battery main switch			I003						
-	K 997 611 027 70	assembly kit battery main switch comprising:		1	I003						
-	K 997 611 227 70	battery main switch		1	I003						
-	K 997 613 183 70	switch outer		1	I003						
-	K 997 613 187 70	switch inner		1	I003						
-	997 611 927 70	wiring harness adapter battery main switch	10-	1	I003						

Model	Year	MG	SG	Illustration	Restrictions	UPD	16:45	26.01.2010	PORSCHE	PET	PORSCHE
GT3-2	2010	9	02	902-10		248					

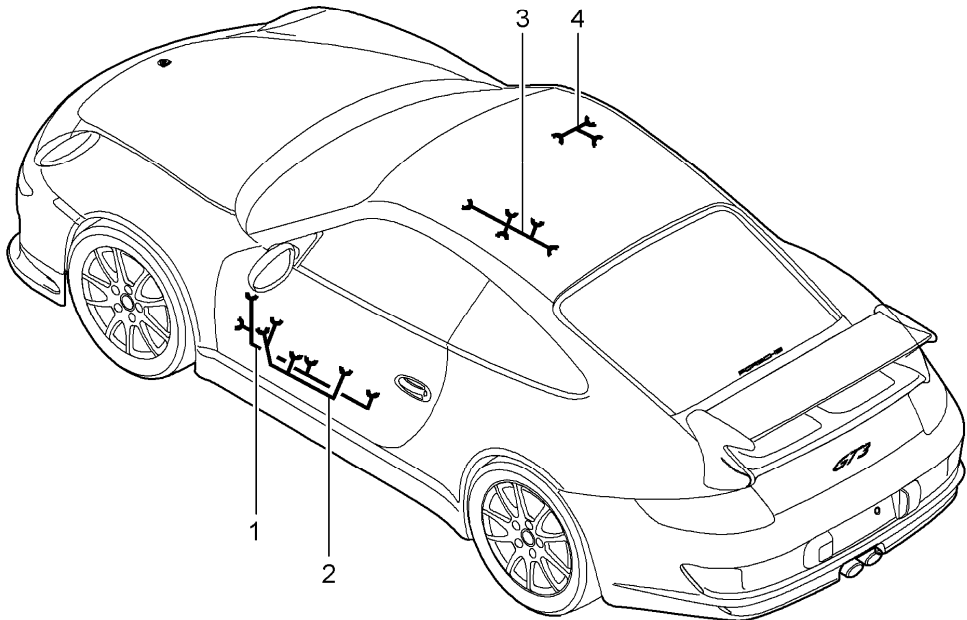


Pos	Part Number	Description	Remark	Qty	Model
		wiring harness passenger compartment FRONT luggage compartment lining front airbag seat-belt tensioner repair kits shock absorber anti-lock brake system brake pad wear indicator front axle			
1	997 612 903 00	wiring harness passenger compartment vehicle identification no. indicate		1	
-	996 610 120 01	support plug socket diagnostic connector		1	
-	999 651 302 40	fixing clip wiring harness passenger compartment door sill		X	
-	999 651 284 40	fixing clip wiring harness passenger compartment door sill		X	
2	997 612 520 70	wiring harness FRONT luggage compartment	-08	1	
(2)	997 612 521 70	wiring harness FRONT luggage compartment	-08	1	I601
2	997 612 521 27	wiring harness FRONT luggage compartment F >>99AS7 80774	10-	1	I600
2	997 612 521 33	wiring harness FRONT luggage compartment F 99AS7 80775>>	10-	1	I600
(2)	997 612 521 28	wiring harness FRONT luggage compartment F >>99AS7 80774	10-	1	I601
(2)	997 612 521 31	wiring harness FRONT luggage compartment F 99AS7 80775>>	10-	1	I601
(2)	997 612 521 29	wiring harness FRONT luggage compartment F >>99AS7 80774	10-	1	I603

Model	Year	MG	SG	Illustration	Restrictions	UPD	16:45	26.01.2010	PORSCHE	PET	PORSCHE
GT3-2	2010	9	02	902-10		248					

Pos	Part Number	Description	Remark	Qty	Model	Pos	Part Number	Description	Remark	Qty	Model
(2)	997 612 521 30	wiring harness FRONT luggage compartment F 99AS7 80775>>	10-	1	I603	-	997 612 950 70	repair kit wiring harness shock absorber	/V	2	I475
-	997 610 215 01	cable guide for sensor airbag		2				repair kit wiring harness anti-lock brake system brake pad wear indicator front axle			
3	997 612 501 01	wiring harness lining front	-08	1		- A	997 612 965 70	repair kit wiring harness	/V/L	1	
3	997 612 501 25	wiring harness lining front	10-	2		-	997 612 961 00	repair kit wiring harness	/V/L	1	
3	997 612 501 70	wiring harness lining front	10-	2	I004	-	997 612 964 70	repair kit wiring harness	/V/R	1	
-	997 612 781 00	wiring harness airbag passenger's side setting 1 connector green	07	1				repair kit wiring harness rear axle see group 9/02/20			
-	997 612 781 25	wiring harness airbag passenger's side setting 1 connector green	08-	1							
-	997 612 783 00	wiring harness airbag passenger's side setting2 connector yellow	07	1							
-	997 612 783 25	wiring harness airbag passenger's side setting2 connector yellow	08-	1							
-	997 612 992 00	wiring harness control unit airbag connection point door		2							
-	997 612 793 01	wiring harness seat-belt tensioner		2							

Model	Year	MG	SG	Illustration	Restrictions	UPD	16:45	26.01.2010	PORSCHE	PET	PORSCHE
GT3-2	2010	9	02	902-15		248					

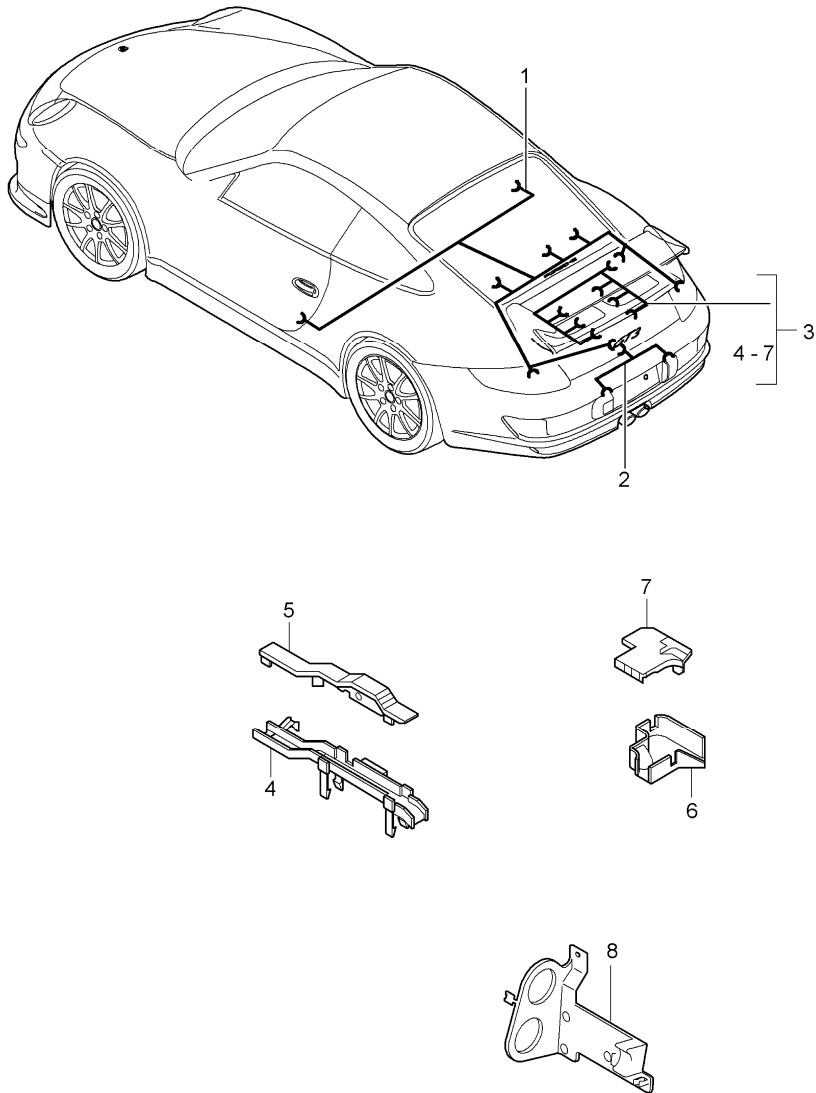


Pos	Part Number	Description	Remark	Qty	Model
		wiring harnesses doors airbag centre console glove compartment			
1	997 612 642 05	wiring harness assembly frame driver's door F >>997S7 90076	/LL	1	I098
(1)	997 612 644 55	wiring harness assembly frame driver's door F >>997S7 90076	/RL	1	I099
1	997 612 642 07	wiring harness assembly frame driver's door F 997S7 90077>>	/LL	1	I098
(1)	997 612 644 57	wiring harness assembly frame driver's door F 997S7 90077>>	/RL	1	I099
(1)	997 612 643 55	wiring harness assembly frame passenger's door F >>997S7 90076	/LL	1	I098
(1)	997 612 645 05	wiring harness assembly frame passenger's door F >>997S7 90076	/RL	1	I099
(1)	997 612 643 57	wiring harness assembly frame passenger's door F 997S7 90077>>	/LL	1	I098
(1)	997 612 645 07	wiring harness assembly frame passenger's door F 997S7 90077>>	/RL	1	I099
-	997 612 780 16	wiring harness airbag		2	
2	997 612 647 05	wiring harness door panel driver's door F >>997S7 90076	/LL	1	I098

Model	Year	MG	SG	Illustration	Restrictions	UPD	16:45	26.01.2010	PORSCHE	PET	PORSCHE
GT3-2	2010	9	02	902-15		248					

Pos	Part Number	Description	Remark	Qty	Model	Pos	Part Number	Description	Remark	Qty	Model
(2)	997 612 650 05	wiring harness door panel driver's door F >>997S7 90076	/RL	1	I099	4	997 612 651 00	wiring harness glove compartment		1	
2	997 612 647 07	wiring harness door panel driver's door F 997S7 90077>>	/LL	-08	I098						
2	997 612 647 10	wiring harness door panel driver's door	/LL	10-	I098						
(2)	997 612 650 07	wiring harness door panel driver's door F 997S7 90077>>	/RL	-08	I099						
(2)	997 612 650 10	wiring harness door panel driver's door	/RL	10-	I099						
(2)	997 612 648 05	wiring harness door panel passenger's door F >>997S7 90076	/LL	1	I098						
(2)	997 612 649 05	wiring harness door panel passenger's door F >>997S7 90076	/RL	1	I099						
(2)	997 612 648 07	wiring harness door panel passenger's door F 997S7 90077>>	/LL	-08	I098						
(2)	997 612 648 10	wiring harness door panel passenger's door	/LL	10-	I098						
(2)	997 612 649 07	wiring harness door panel passenger's door F 997S7 90077>>	/RL	-08	I099						
(2)	997 612 649 10	wiring harness door panel passenger's door	/RL	10-	I099						
		when required order also:									
-	477 971 951	protective tube		2	I384/385						
3	997 612 652 75	wiring harness centre console		1							

Model	Year	MG	SG	Illustration	Restrictions	UPD	16:45	26.01.2010	PORSCHE	PET	PORSCHE
GT3-2	2010	9	02	902-20		248					

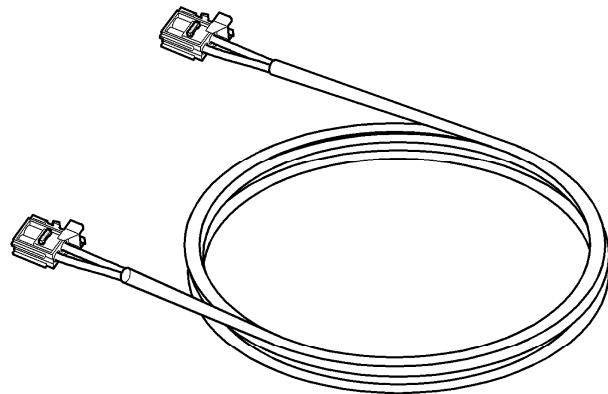
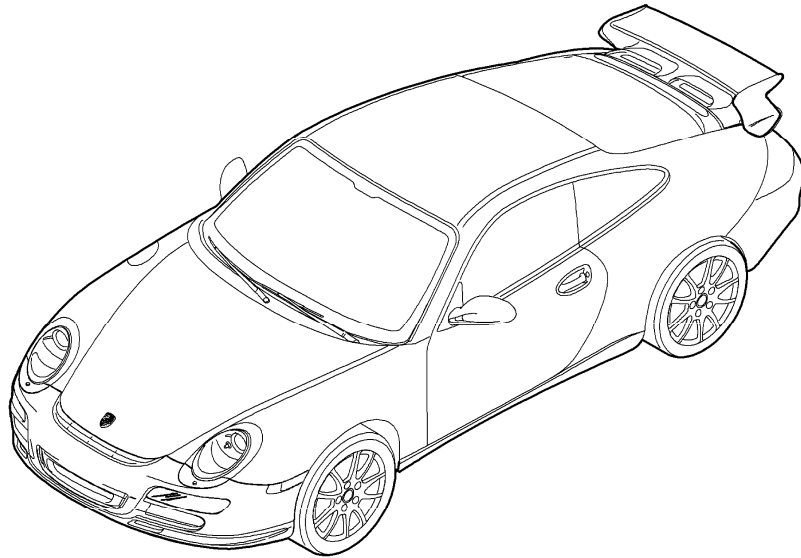


Pos	Part Number	Description	Remark	Qty	Model
		wiring harnesses rear end lid rear license plate light engine repair kits shock absorber anti-lock brake system brake pad wear indicator rear axle			
1	997 612 904 00	wiring harness rear end vehicle identification no. indicate		1	
-	997 612 670 71	wiring harness lid rear		1	
-	997 612 670 90	wiring harness lid rear	10-	1	I004
2	997 612 660 00	wiring harness license plate light	-08	1	
2	997 612 660 01	wiring harness license plate light	10-	1	
-	999 507 944 40	fixing clip for connection point POS.2		1	
3	997 607 014 92	wiring harness engine	-08	1	
3	997 607 014 93	wiring harness engine	10-	1	
4	997 607 141 00	cable guide cyl. 1 - 3		1	
5	997 607 151 00	lid cable guide cyl. 1 - 3		1	
6	997 607 142 90	cable guide cyl. 4 - 6		1	
7	997 607 152 90	lid cable guide cyl. 4 - 6		1	

Model	Year	MG	SG	Illustration	Restrictions	UPD	16:45	26.01.2010	PORSCHE	PET	PORSCHE
GT3-2	2010	9	02	902-20		248					

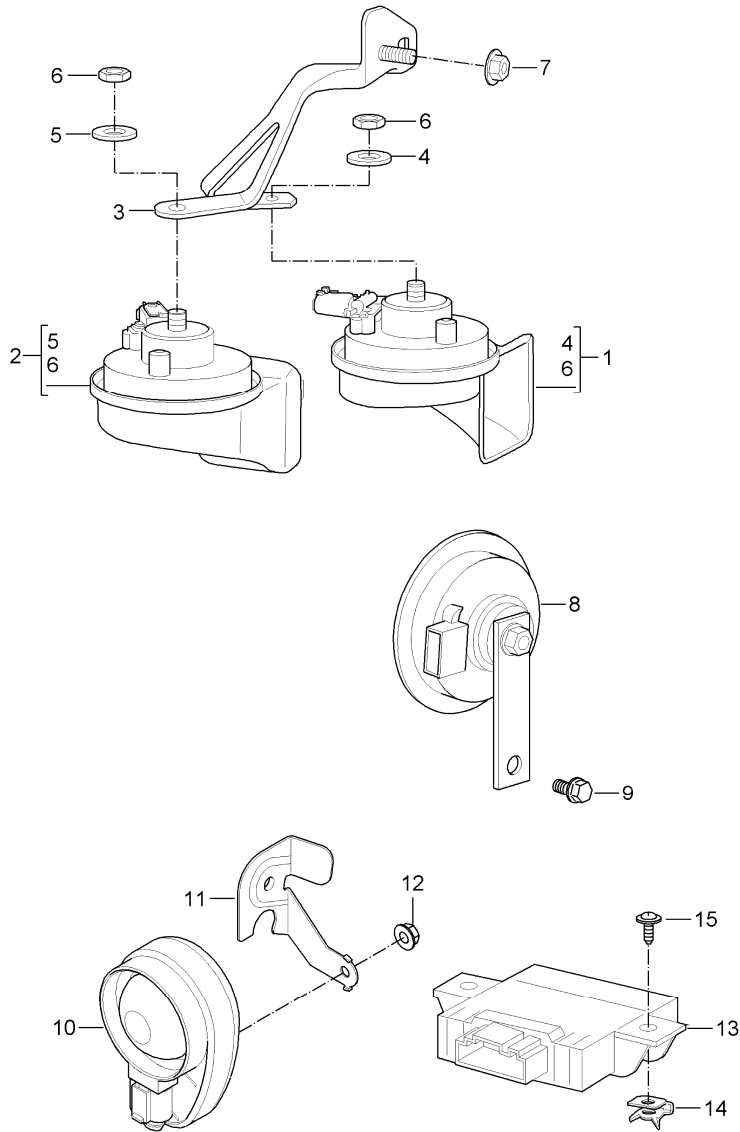
Pos	Part Number	Description	Remark	Qty	Model	Pos	Part Number	Description	Remark	Qty	Model
(8)	997 610 131 00	support connection point wiring harness engine		1							
-	997 612 950 00	repair kit wiring harness shock absorber	/H	2	I475						
-	997 612 967 00	repair kit wiring harness	/H/L	1							
-	997 612 966 00	repair kit wiring harness when required order also:	/H/R	1							
-	999 507 960 02	cable holder repair kit wiring harness front axle see group 9/02/10		4							

Model	Year	MG	SG	Illustration	Restrictions	UPD	16:46	26.01.2010	PORSCHE	PET	PORSCHE
GT3-2	2010	9	02	902-50		248					



Pos	Part Number	Description	Remark	Qty	Model
		optical waveguide module passenger compartment	-08		
-	997 622 701 00	optical waveguide module	/LL	1	I098/670/672 I689
-	997 622 701 50	optical waveguide module	/RL	1	I099/670/672 I689
-	997 622 702 00	optical waveguide module	/LL	1	I098/666/689
-	997 622 702 50	optical waveguide module	/RL	1	I099/666/689
-	997 622 703 00	optical waveguide module	/LL	1	I098/666/670 I672
-	997 622 703 50	optical waveguide module	/RL	1	I099/666/670 I672
		module FRONT luggage compartment			
-	997 610 122 00	support connection point FRONT luggage compartment		1	
-	997 622 723 00	optical waveguide module	/LL	1	I098/670/672
-	997 622 723 50	optical waveguide module	/RL	1	I099/670/672
-	997 622 722 00	optical waveguide module	/LL	1	I098/664/670 I672

Model	Year	MG	SG	Illustration	Restrictions	UPD	16:46	26.01.2010	PORSCHE	PET	PORSCHE
GT3-2	2010	9	03	903-00		248					

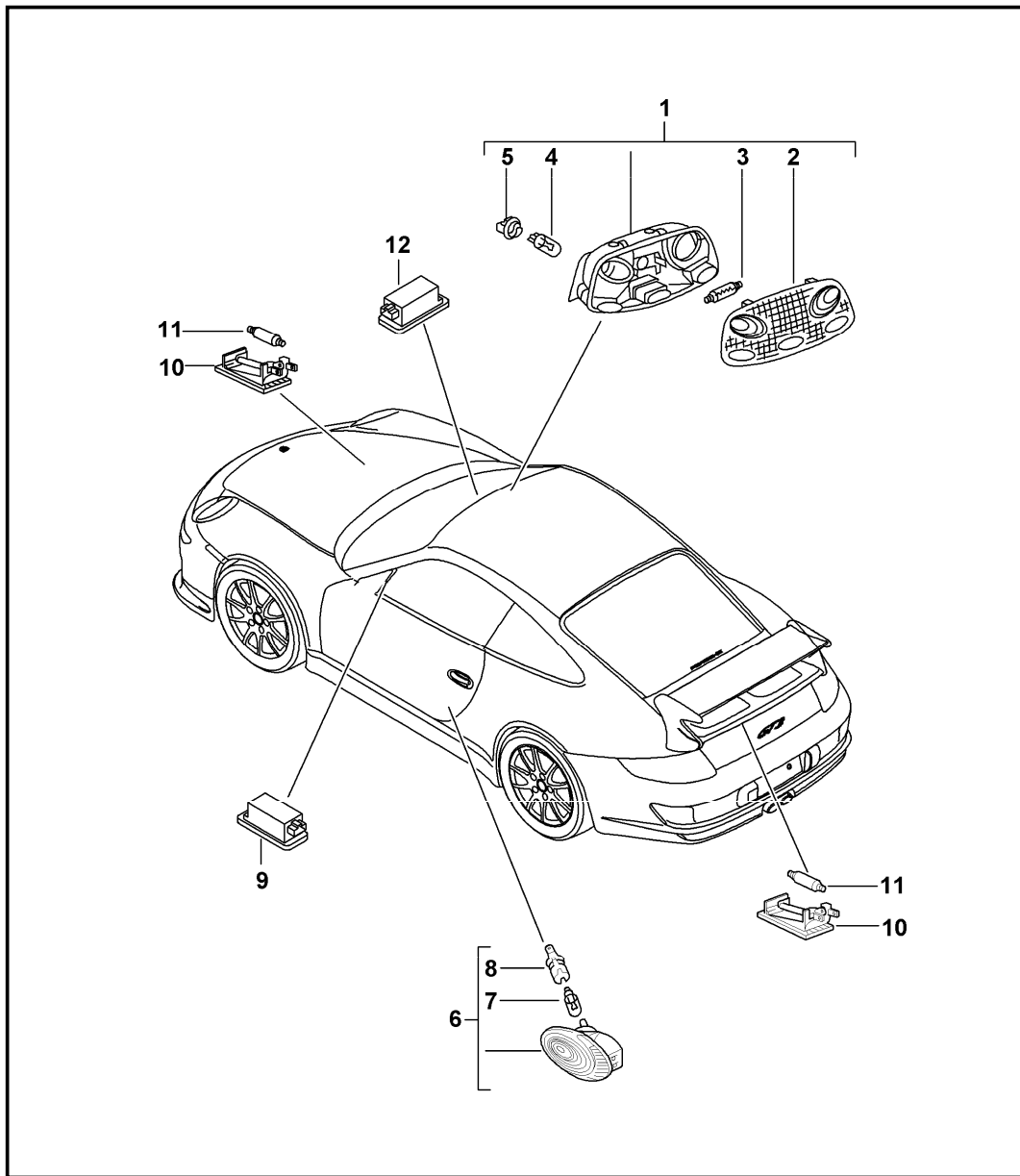


Pos	Part Number	Description	Remark	Qty	Model
		fanfare horn alarm system			
1	A 997 635 206 01	fanfare high-pitched	07	1	
1	997 635 206 02	fanfare high-pitched	-08	1	
1	997 635 206 03	fanfare high-pitched	09-	1	
2	A 997 635 205 01	fanfare low-pitched	07	1	
2	997 635 205 02	fanfare low-pitched	-08	1	
2	997 635 205 03	fanfare low-pitched	09-	1	
3	997 635 150 91	support		1	
4	-	washer high-pitched		1	
5	-	washer low-pitched		1	
6	900 034 001 03	hexagon nut	07	2	
6	900 034 001 04	hexagon nut M 8	08-	2	
7	900 377 003 03	hexagon nut M 8		1	
8	996 637 117 03	horn for alarm system		1	
9	900 075 459 01	combination screw M 6 X 12 Z2		1	
10	955 618 237 01	alarm siren		1	I536
11	997 637 419 01	support		1	I536
12	900 380 015 01	hexagon nut M 6		1	I536
13	997 618 265 00	control unit tilt sensor		1	I521/536
14	999 591 742 01	speed nut 4,2		2	I521/536

Model	Year	MG	SG	Illustration	Restrictions	UPD	16:46	26.01.2010	PORSCHE	PET	PORSCHE
GT3-2	2010	9	03	903-00		248					

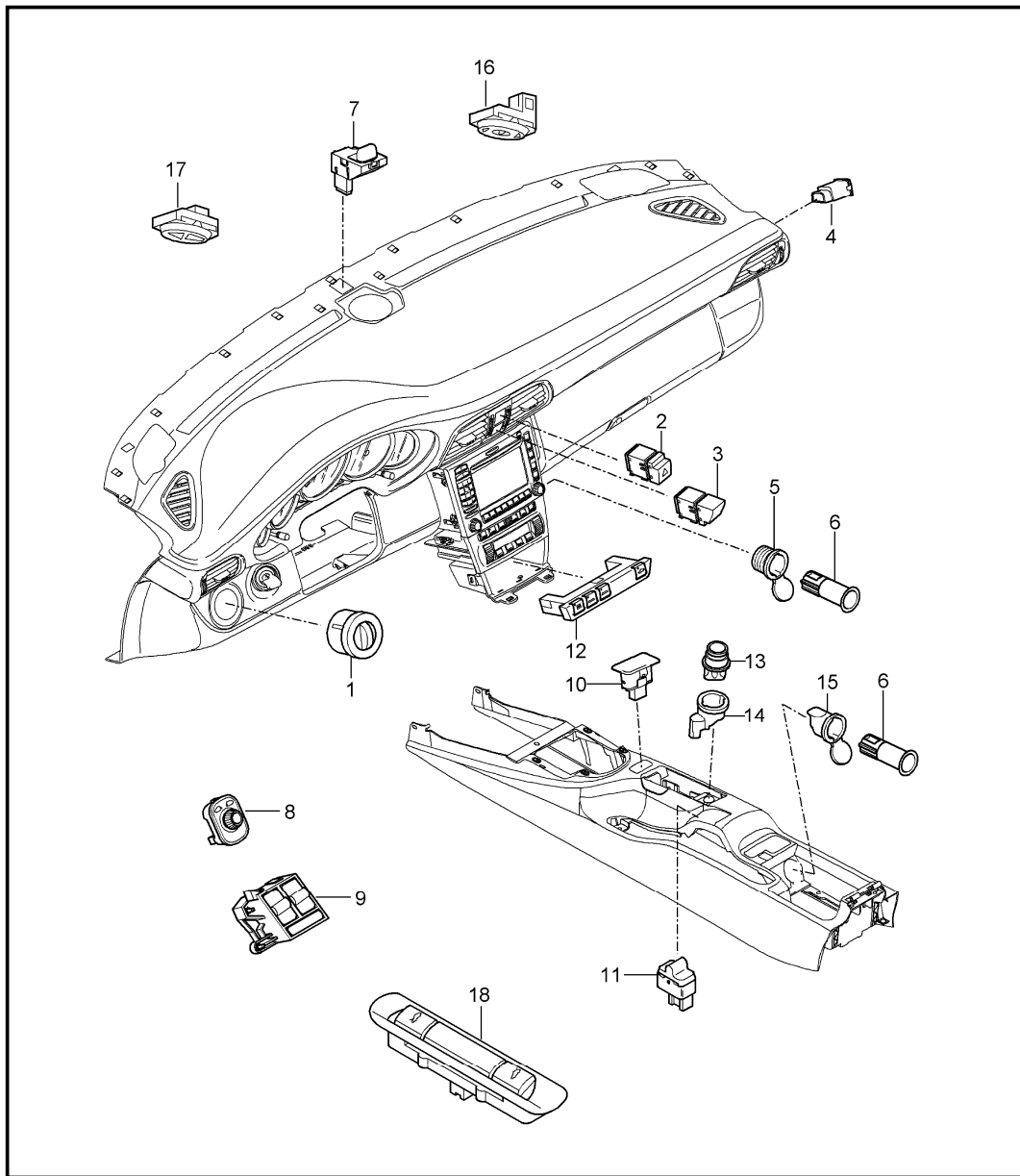
Pos	Part Number	Description	Remark	Qty	Model	Pos	Part Number	Description	Remark	Qty	Model
15	999 073 155 09	tapping screw 4,2 X 13		2	I521/536						

Model	Year	MG	SG	Illustration	Restrictions	UPD	16:46	26.01.2010	PORSCHE	PET	PORSCHE
GT3-2	2010	9	03	903-04		248					



Pos	Part Number	Description	Remark	Qty	Model
		interior lights luggage compartment lamp engine compartment lamp glove compartment light footwell light			
1	997 632 051 00	interior light		1	
2	996 632 151 00	lens		1	
3	900 631 106 90	bulb 10 W		1	
4	999 631 134 90	bulb 6 W		2	
5	999 632 018 00	bulb socket		2	
6	996 632 132 01	door guard light		2	
7	999 631 032 90	bulb 5 W		2	
8	161 949 111	bulb socket		2	
9	955 632 202 00	light footwell		2	
10	997 632 201 00	light engine compartment luggage compartment		2	
11	900 631 106 90	bulb 10 W		2	
12	997 632 071 00	glove compartment light		1	
-	999 631 147 90	bulb 3 W vanity mirror		4	

Model	Year	MG	SG	Illustration	Restrictions	UPD	16:46	26.01.2010	PORSCHE	PET	PORSCHE
GT3-2	2010	9	03	903-05		248					

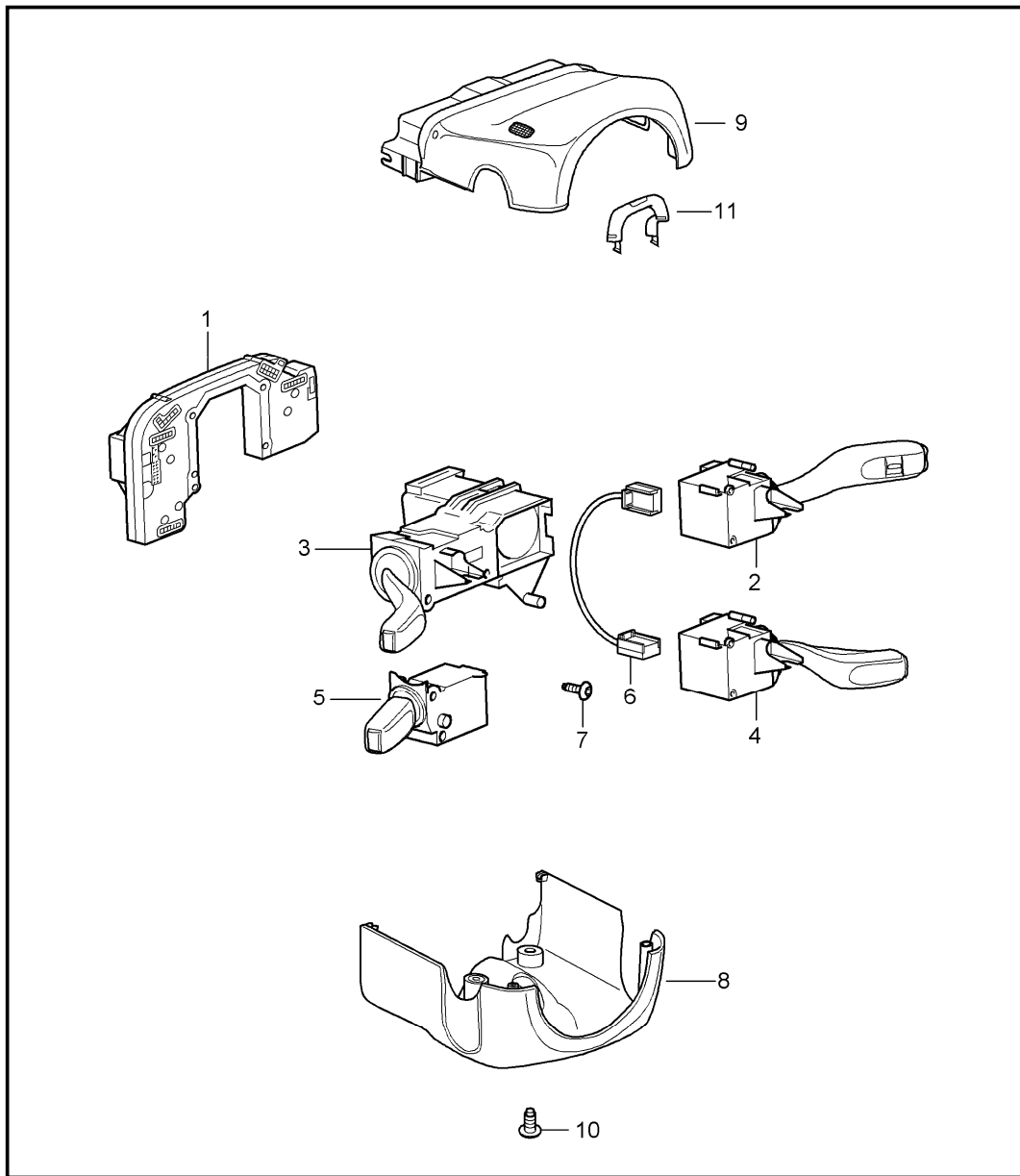


Pos	Part Number	Description	Remark	Qty	Model
1	997 613 535 01	switch light switch	-08	1	
	A05	black mat			
(1)	997 613 525 00	light switch	10-	1	
	A05	black mat			
2	997 613 120 02	hazard warning light sw.		1	
	A05	black mat			
3	997 613 143 00	switch central locking system		1	
	A05	black mat			
4	955 613 165 02	switch airbag		1	
	9B9	satin black			
5	997 652 103 00	clamping ring with lid		1	
6	955 652 107 00	plug socket		2	
7	997 653 251 00	sensor air conditioner		1	I573
8	997 613 241 00	switch door mirror		1	
	A05	black mat			
9 A	997 613 151 03	switch power windows driver's side	/LL	07	1 I098
	A05	black mat			
9	997 613 151 04	switch power windows driver's side	/LL	-08	1 I098
	A05	black mat			
9	997 613 151 04	switch power windows driver's side	/LL	10-	1 I098
	A05	black mat			

Model	Year	MG	SG	Illustration	Restrictions	UPD	16:46	26.01.2010	PORSCHE	PET	PORSCHE
GT3-2	2010	9	03	903-05		248					

Pos	Part Number	Description	Remark	Qty	Model	Pos	Part Number	Description	Remark	Qty	Model
(9)	997 613 152 03	switch power windows driver's side	/RL 07	1	I099		A05	black mat			
	A05	black mat				(12)	997 613 537 80	combined switch	10-	1	I474/475
(9)	997 613 152 04	switch power windows driver's side	/RL 08-	1	I099		A05	black mat			
	A05	black mat				13	A 996 652 101 10	cigarette lighter	-07	1	
(9)	A 997 613 156 03	switch power windows passenger's side	/LL 07	1	I098		A05	black mat			
	A05	black mat				13	997 652 101 00	cigarette lighter		1	
(9)	997 613 156 04	switch power windows passenger's side	/LL -08	1	I098		A05	black mat			
	A05	black mat				14	997 652 102 00	headlight unit		1	
(9)	997 613 156 04	switch power windows passenger's side	/LL 10-	1	I098		15	997 652 104 00	clamping ring with lid		1
	A05	black mat				16	997 613 147 00	switch sunroof		1	I650
(9)	997 613 155 03	switch power windows passenger's side	/RL 07	1	I099		A05	black mat			
	A05	black mat				17	997 613 225 01	switch garage door opener	/L 10-	1	I607/608
(9)	997 613 155 04	switch power windows passenger's side	/RL 08-	1	I099		A05	black mat			
	A05	black mat				(17)	997 613 227 01	switch garage door opener	/R 10-	1	I607/608
10	997 641 165 00	indicator light airbag		1			A05	black mat			
	A05	black mat				(17)	997 613 235 00	cover		2	
(11)	-	cover see group 8/09/20 POS.6					01C	satin black			
12	997 613 127 00	combined switch	-08	1	I475		18	A 997 613 105 00	switch lid front and rear	07	1
	FMH	volcano grey/black mat					A05	black mat			
(12)	997 613 541 80	combined switch	10-	1	I475		18	997 613 105 01	switch lid front and rear		1
							A05	black mat			

Model	Year	MG	SG	Illustration	Restrictions	UPD	16:46	26.01.2010	PORSCHE	PET	PORSCHE
GT3-2	2010	9	03	903-10		248					

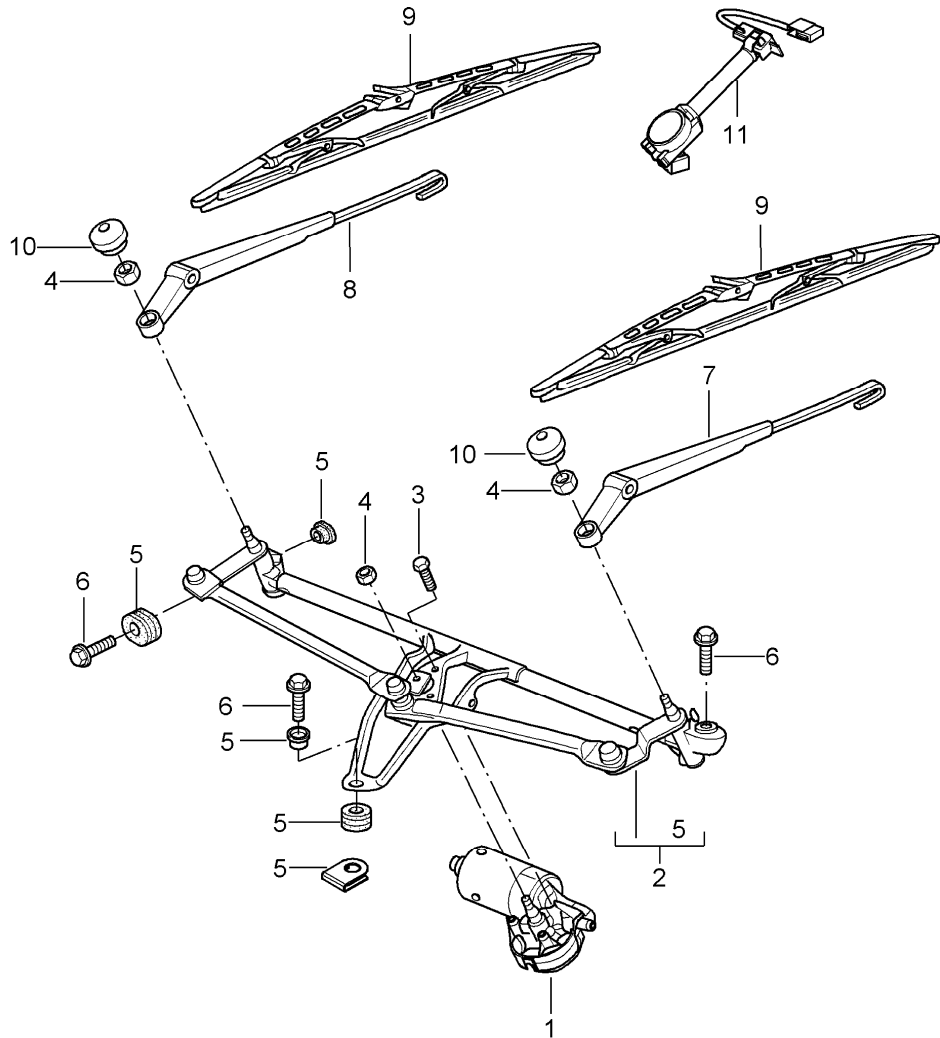


Pos	Part Number	Description	Remark	Qty	Model
		steering column switch			
1	A 997 613 297 01	electronic unit	-07	1	
1	997 613 297 02	electronic unit	-08	1	
1	997 613 289 01	electronic unit	10-	1	
2	997 613 251 00	wiper switch		1	
	01C	satin black			
(2)	997 613 253 00	wiper switch		1	I288
	01C	satin black			
3	997 613 245 00	direction indicator switch		1	
	01C	satin black			
4	> 997 613 261 00	switch cruise control		1	I454
	01C	satin black			
5	997 613 265 00	switch on-board computer		1	I659
	01C	satin black			
(5)	997 613 267 00	switch on-board computer	10-	1	I659/671
	01C	satin black			
6	997 622 674 00	wiring harness cruise control		1	I454
7	N 909 068 01	torx screw M 2,5 X 2,6 X 43,5-D		X	
8	997 552 475 02	switch housing lower		1	
	A03	black			
(8)	997 552 475 03	switch housing lower		1	I454
	A03	black			
8	997 552 979 00	switch housing lower leather	10-	1	IXNS
	A11	black			

Model	Year	MG	SG	Illustration	Restrictions	UPD	16:46	26.01.2010	PORSCHE	PET	PORSCHE
GT3-2	2010	9	03	903-10		248					

Pos	Part Number	Description	Remark	Qty	Model	Pos	Part Number	Description	Remark	Qty	Model
	D12	dark grey/natural									
(8)	997 552 979 01	switch housing lower leather	10-	1	IXNS/454						
	A11	black									
	D12	dark grey/natural									
9	997 552 273 02	switch housing upper		1							
	A03	black									
9	997 552 997 00	switch housing upper leather	10-	1	IXNS						
	A11	black									
	D12	dark grey/natural									
10	999 919 136 01	oval-head screw 3,5 X 18		3							
11	997 610 206 00	cable guide		1							

Model	Year	MG	SG	Illustration	Restrictions	UPD	16:47	26.01.2010	PORSCHE	PET	PORSCHE
GT3-2	2010	9	04	904-00		248					

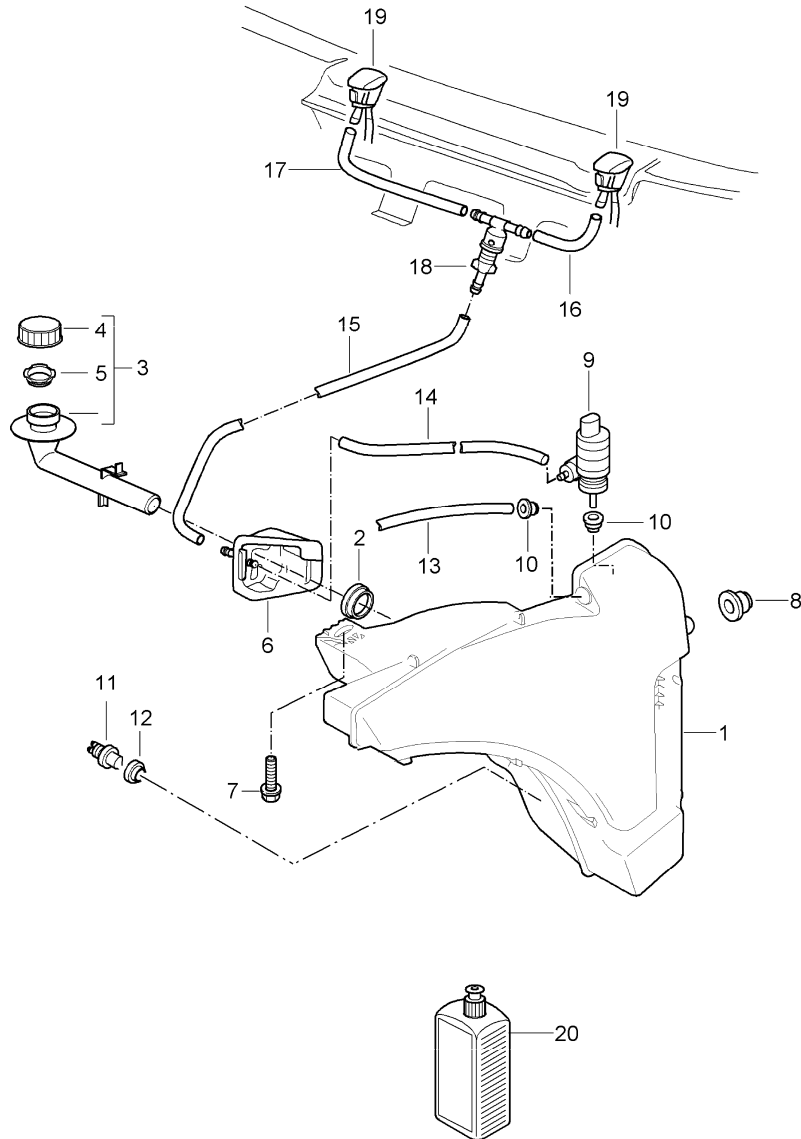


Pos	Part Number	Description	Remark	Qty	Model
		windscreen wiper system rain sensor			
1	997 624 105 01	wiper motor	/LL	1	I098
(1)	997 624 106 01	wiper motor	/RL	1	I099
2	997 628 235 00	crank drive	/LL	07	1 I098
2	997 628 235 01	crank drive	/LL	08-	1 I098
(2)	997 628 236 00	crank drive	/RL	07	1 I099
(2)	997 628 236 01	crank drive	/RL	08-	1 I099
3	999 073 152 02	torx screw M 6 X 18		3	
4	900 076 064 02	hexagon nut M 8		3	
5	997 628 928 00	repair kit comprising:		1	
-	-	bearing sleeve		1	
-	-	rubber bush		1	
-	-	bearing sleeve		1	
-	-	rubber bush		1	
-	-	clamp		2	
6	999 075 075 01	combination screw M 6 X 22 SC		3	
7 A	996 628 028 00	wiper arm driver's side	/LL	07	1 I098
7	997 628 027 00	wiper arm driver's side	/LL	1	I098
(7)	997 628 030 00	wiper arm passenger's side	/RL	1	I099
8	997 628 029 00	wiper arm passenger's side	/LL	1	I098
(8) A	996 628 027 00	wiper arm driver's side	/RL	07	1 I099
(8)	997 628 028 00	wiper arm driver's side	/RL	1	I099

Model	Year	MG	SG	Illustration	Restrictions	UPD	16:47	26.01.2010	PORSCHE	PET	PORSCHE
GT3-2	2010	9	04	904-00		248					

Pos	Part Number	Description	Remark	Qty	Model	Pos	Part Number	Description	Remark	Qty	Model
9	996 628 901 08	wiper blade set driver's side passenger's side		1							
10	944 628 305 01	cap		2							
11	997 612 693 00	rain sensor with wiring harness		1	I268						
(11)	997 612 694 00	rain sensor with wiring harness		1	I267/268						
-	000 043 204 65	adhesive film for rain sensor		1							
(11)	997 612 695 00	wiring harness with light for cars without rain sensor		1							

Model	Year	MG	SG	Illustration	Restrictions	UPD	16:47	26.01.2010	PORSCHE	PET	PORSCHE
GT3-2	2010	9	04	904-10		248					

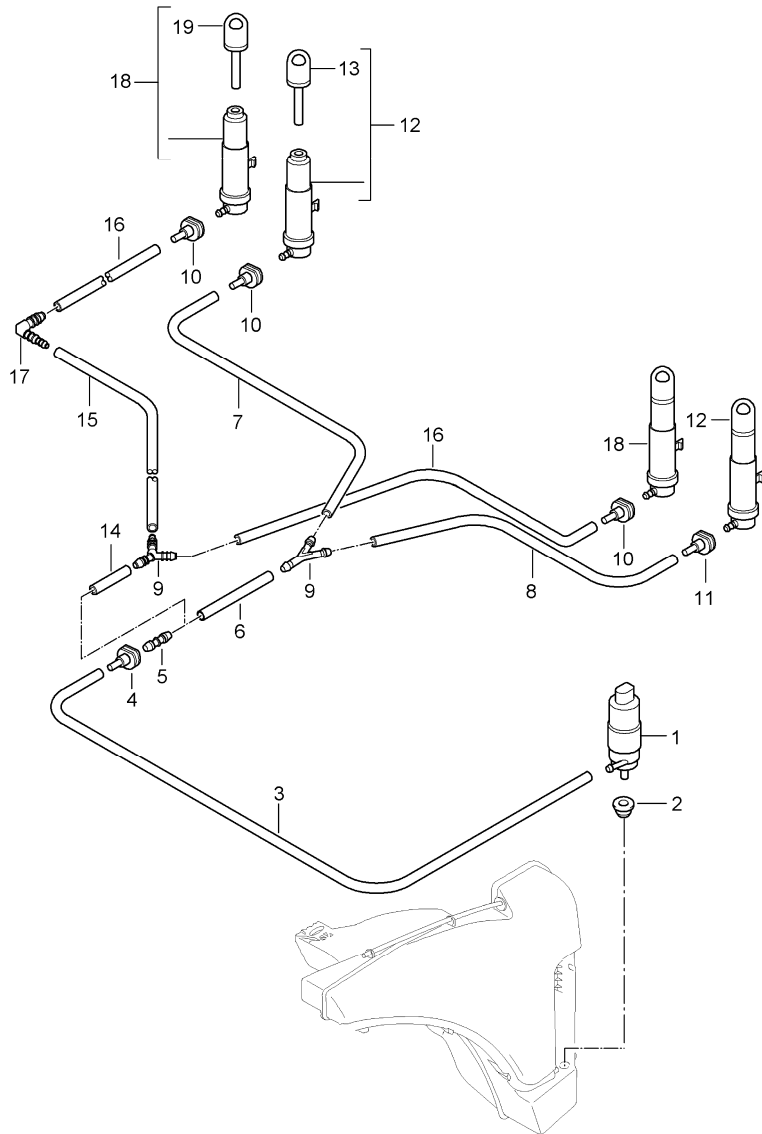


Pos	Part Number	Description	Remark	Qty	Model
		windscreen washer system			
1	997 528 701 01	water reservoir		1	I288
(1)	997 528 701 00	water reservoir		1	
2	996 528 711 00	gasket		1	
3	997 528 605 00	filler neck		1	
4	996 528 607 00	lid		1	
5	997 528 621 00	filter		1	
6	996 528 615 01	bracket		1	
-	999 137 091 40	joining socket repair material for bracket 996.528.615.01		X	
7	900 378 154 01	hexagon-head bolt AM 8 X 35 SB		1	
8	999 702 221 40	grommet		2	
9	997 628 182 00	pump		1	
10	431 955 465 B	gasket		2	
11	955 628 105 00	tank gauge switch		1	
12	955 528 721 00	gasket		1	
13	999 181 347 40	breather pipe 273 MM		*	
-	999 181 815 40	hose 5,0 X 2,5		*	
14	-	375 MM		1	
15	-	650 MM		1	
16	-	97 MM		1	
17	-	347 MM		1	
(18)	999 137 005 40	t-piece		1	
19	996 628 077 03	nozzle	07	2	
19	997 628 077 00	nozzle	08-	2	

Model	Year	MG	SG	Illustration	Restrictions	UPD	16:47	26.01.2010	PORSCHE	PET	PORSCHE
GT3-2	2010	9	04	904-10		248					

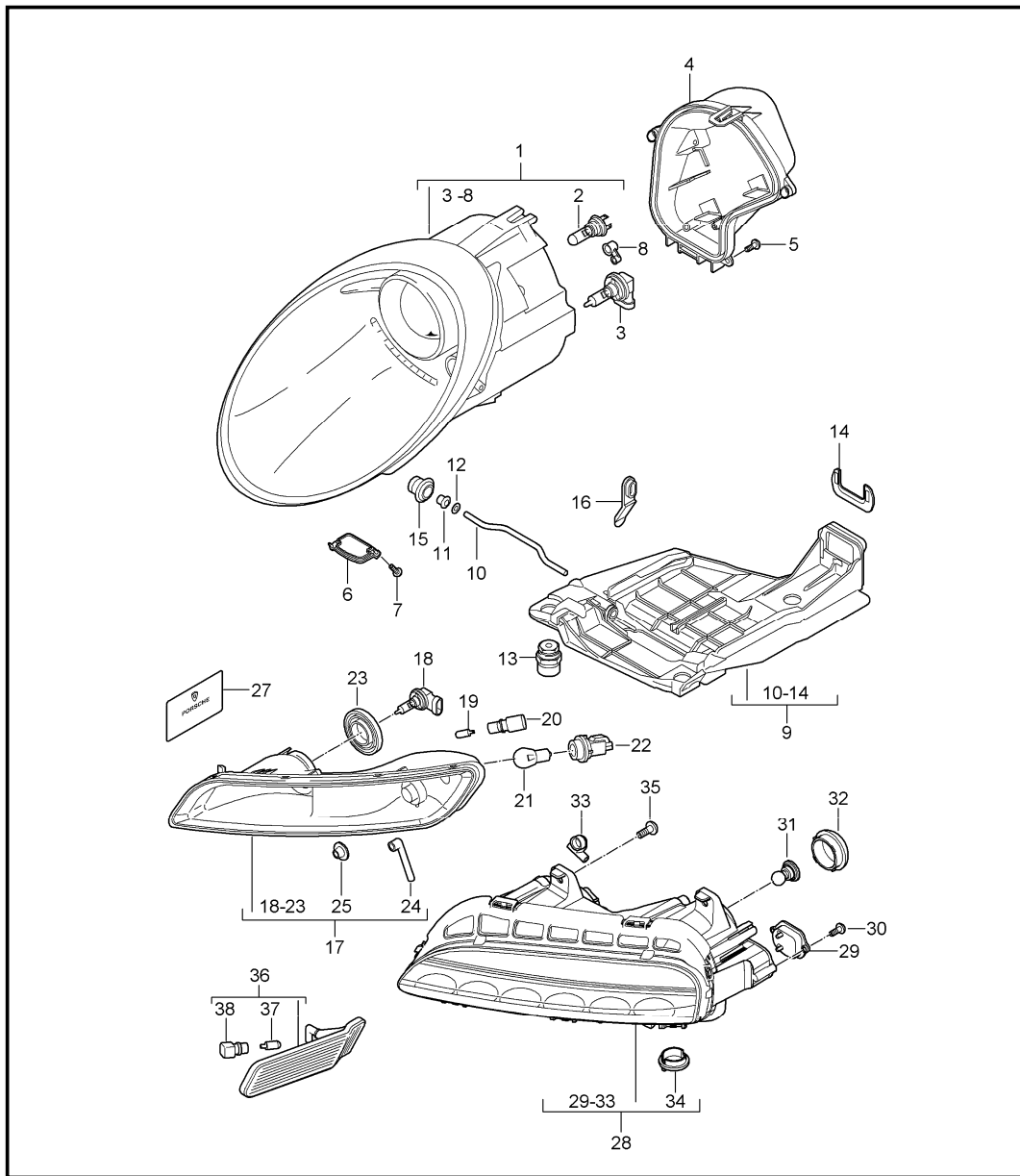
Pos	Part Number	Description	Remark	Qty	Model	Pos	Part Number	Description	Remark	Qty	Model
20	999 901 017 42	window cleaner 250 ML summer		X							

Model	Year	MG	SG	Illustration	Restrictions	UPD	16:47	26.01.2010	PORSCHE	PET	PORSCHE
GT3-2	2010	9	04	904-20		248					



Pos	Part Number	Description	Remark	Qty	Model
		headlight washer system			I288
1	997 624 502 00	pump		1	
2	928 628 193 00	gasket		1	
-	000 043 204 79	hose 8 X 3		X	
3	-	890 MM		1	
4	996 628 204 00	quick-connecting lock		1	
5	997 628 208 00	hose connection		1	
-	999 181 760 40	hose 10 X 3	-08	X	
9	999 137 093 40	y-piece		1	
10	997 628 204 00	quick-connecting lock		X	
11	997 628 205 00	quick-connecting lock	-08	1	
12 A	997 628 133 00	nozzle		07	2
12	997 628 133 01	nozzle	-08	2	
13	997 628 231 00	nozzle head	-08	2	
-	999 181 760 40	hose 10 X 3	10-	X	
17	997 628 209 00	angled pipe	10-	1	
18	997 628 163 01	nozzle	10-	2	
19	997 628 263 00	nozzle head	10-	2	
-	997 628 981 02	cap prime coated for POS 18 + 19	10-	2	IXUB

Model	Year	MG	SG	Illustration	Restrictions	UPD	16:47	26.01.2010	PORSCHE	PET	PORSCHE
GT3-2	2010	9	05	905-00		248					

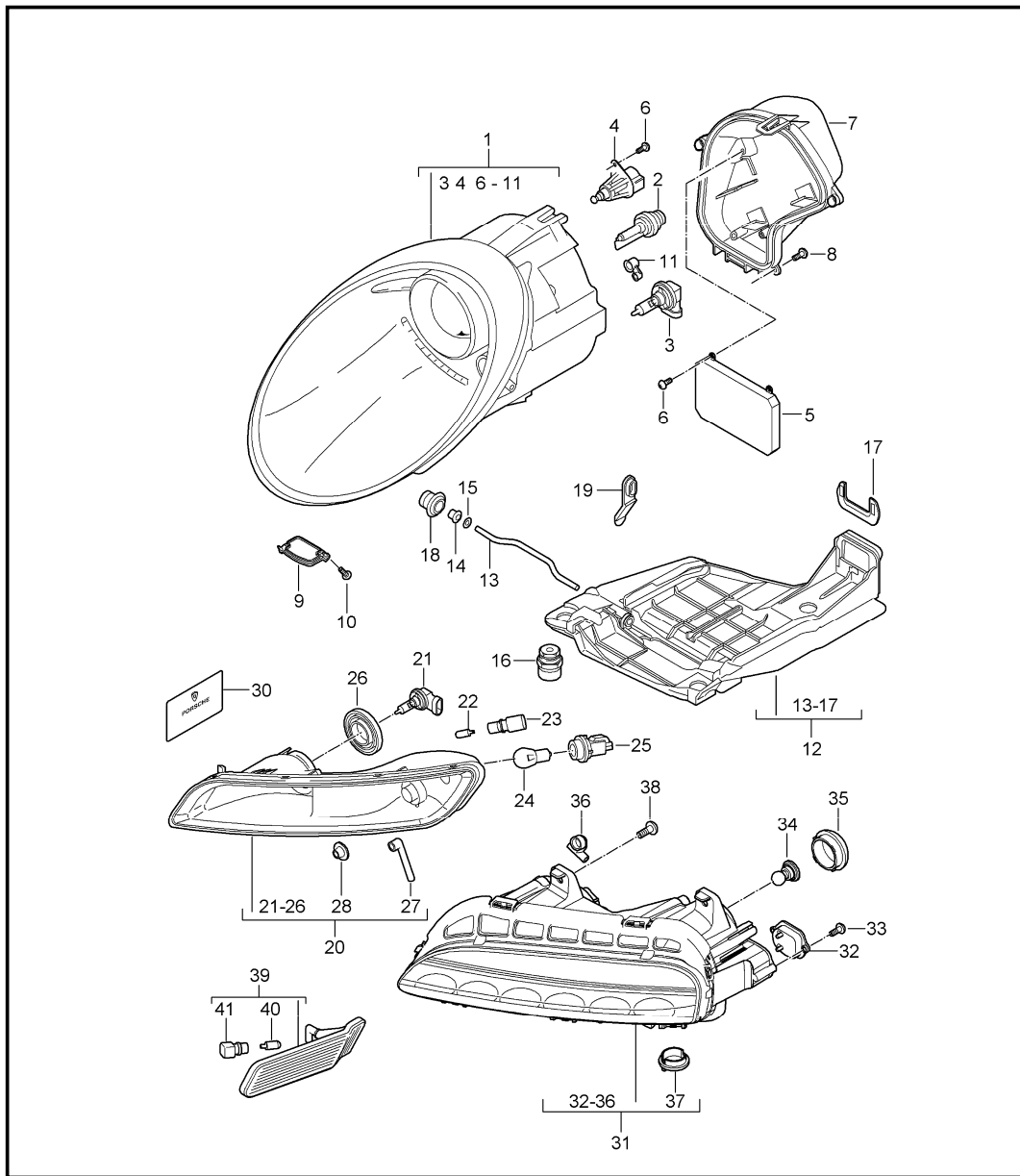


Pos	Part Number	Description	Remark	Qty	Model
		headlamp additional headlamp direction indicator light			
1	A 997 631 163 02	headlamp	/L	-08	1
1	997 631 163 03	headlamp	/L	-08	1
1	997 631 163 03	headlamp	/L	10-	1 I600
(1)	997 631 164 02	headlamp	/R	-08	1
(1)	997 631 164 03	headlamp	/R	10-	1 I600
1	997 631 163 12	headlamp	/L	-08	1 I492
1	997 631 163 13	headlamp	/L	10-	1 I492/600
(1)	997 631 164 12	headlamp	/R	-08	1 I492
(1)	997 631 164 13	headlamp	/R	10-	1 I492/600
2	999 631 133 91	halogen bulb H 7			2
3	999 631 143 90	halogen bulb H 9			2
4	997 631 101 00	protective cap	/L		1
(4)	997 631 102 00	protective cap	/R		1
5	997 631 191 00	screw			8
6	997 631 149 00	ventilation component	/L		1
(6)	997 631 150 00	ventilation component	/R		1
7	997 631 153 00	screw			4
8	997 631 249 00	breather adapter			2
9	A 997 631 073 01	mounting	/L	-08	1
9	997 631 073 02	mounting	/L		1
(9)	A 997 631 074 01	mounting	/R	-08	1
(9)	997 631 074 02	mounting	/R		1
10	997 631 273 01	clamping bow			2
11	997 631 272 00	bearing sleeve			2
12	900 116 004 09	lock washer			2
13	997 631 194 00	fastening part		-08	6

Model	Year	MG	SG	Illustration	Restrictions	UPD	16:47	26.01.2010	PORSCHE	PET	PORSCHE
GT3-2	2010	9	05	905-00		248					

Pos	Part Number	Description	Remark	Qty	Model	Pos	Part Number	Description	Remark	Qty	Model
13	997 631 194 02	fastening part		10-	6	28	997 631 083 01	additional headlamp	/L	10-	1
14	997 631 245 00	locking device connector housing		2		(28)	997 631 084 01	additional headlamp	/R	10-	1
15	999 703 413 40	stopper		2		29	997 631 241 00	LED module position light		10-	2
16	993 631 170 03	stopper		4		30	997 631 297 00	screw		10-	4
		additional headlamp				31	999 631 253 91	bulb HP 24 W direction indicator light		10-	4
17	997 631 081 02	additional headlamp	/L	-07	1						
17	997 631 081 03	additional headlamp	/L	-08	1	32	997 631 271 00	cap direction indicator light		10-	4
(17)	997 631 082 02	additional headlamp	/R	-07	1	33	997 631 247 00	breather adapter		10-	2
(17)	997 631 082 03	additional headlamp	/R	-08	1	34	997 631 267 01	ventilation component		10-	2
18	999 631 142 90	halogen bulb H 8		-08	2	35	999 919 246 01	oval-head screw 6,0 X 18,0		10-	8
19	999 631 033 90	bulb 5 W position light for additional headlamp 997.631.081/082.01/02		-08	2			direction indicator light			
						36	997 631 033 01	direction indicator light	/L	-08	1
19	999 631 040 90	bulb 5 W position light for additional headlamp 997.631.081/082.03		-08	2	36	997 631 033 02	direction indicator light	/L	10-	1
						36	997 631 033 90	direction indicator light	/L	10-	1 I004
						(36)	997 631 034 01	direction indicator light	/R	-08	1
						(36)	997 631 034 02	direction indicator light	/R	10-	1
						(36)	997 631 034 90	direction indicator light	/R	10-	1 I004
20	997 631 137 00	bulb socket position light		-08	2	37	999 631 138 90	bulb 5 W yellow			2
21	900 631 021 90	bulb 21 W direction indicator light		-08	2	38	997 631 133 00	bulb socket			2
22	997 631 139 00	bulb socket direction indicator light		-08	2						
23	997 631 145 00	cap		-08	2						
24	997 631 147 00	breather adapter		-08	2						
25	997 631 293 00	cover		-08	4						
27	997 631 231 00	card for release additional headlamp		-08	1						

Model	Year	MG	SG	Illustration	Restrictions	UPD	16:47	26.01.2010	PORSCHE	PET	PORSCHE
GT3-2	2010	9	05	905-01		248					

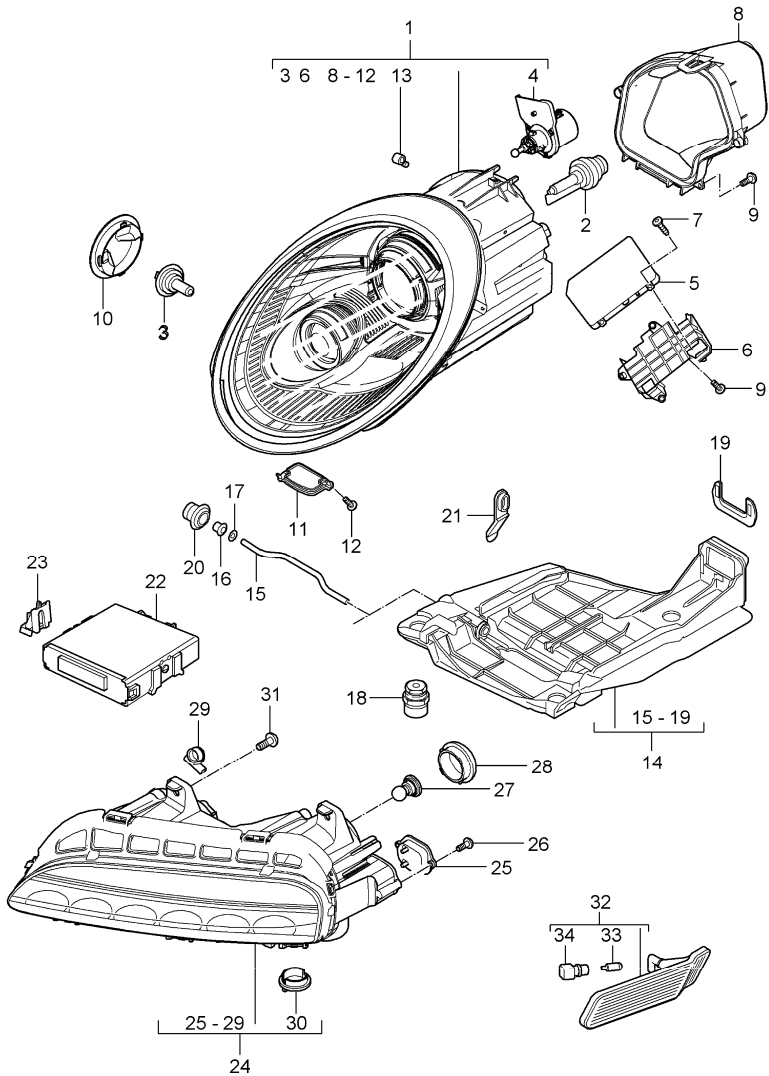


Pos	Part Number	Description	Remark	Qty	Model
		headlamp additional headlamp direction indicator light			I601
		headlamp without control unit and bulb XENON			
1	997 631 157 02	headlamp	/L	-08	1
1	997 631 157 03	headlamp	/L	10-	1
(1)	997 631 158 02	headlamp	/R	-08	1
(1)	997 631 158 03	headlamp	/R	10-	1
1	997 631 157 12	headlamp	/L	-08	1 I492
1	997 631 157 13	headlamp	/L	10-	1 I492
(1)	997 631 158 12	headlamp	/R	-08	1 I492
(1)	997 631 158 13	headlamp	/R	10-	1 I492
2	999 631 036 90	bulb - PHILIPS -			2
3	999 631 144 91	halogen bulb H 11			2
4	997 631 141 00	electric motor headlight levelling system			2
5	997 631 183 00	control unit			2
6	997 631 199 00	screw			6
7	997 631 101 00	protective cap	/L		1
(7)	997 631 102 00	protective cap	/R		1
8	997 631 191 00	screw			8
9	997 631 149 00	ventilation component	/L		1
(9)	997 631 150 00	ventilation component	/R		1
10	997 631 153 00	screw			4
11	997 631 249 00	breather adapter			2
12	A 997 631 073 01	mounting	/L	-08	1
12	997 631 073 02	mounting	/L		1

Model	Year	MG	SG	Illustration	Restrictions	UPD	16:47	26.01.2010	PORSCHE	PET	PORSCHE
GT3-2	2010	9	05	905-01		248					

Pos	Part Number	Description	Remark	Qty	Model	Pos	Part Number	Description	Remark	Qty	Model
(12)	A 997 631 074 01	mounting	/R	-08	1	26	997 631 145 00	cap		-08	2
(12)	997 631 074 02	mounting	/R		1	27	997 631 147 00	breather adapter		-08	2
13	997 631 273 01	clamping bow			2	28	997 631 293 00	cover		-08	4
14	997 631 272 00	bearing sleeve			2	30	997 631 231 00	card for release additional headlamp		-08	1
15	900 116 004 09	lock washer			2						
16	997 631 194 00	fastening part		-08	6	31	997 631 083 01	additional headlamp	/L	10-	1
16	997 631 194 02	fastening part		10-	6	31	997 631 084 01	additional headlamp	/R	10-	1
17	997 631 245 00	locking device connector housing			2	32	997 631 241 00	LED module position light		10-	2
18	999 703 413 40	stopper			2	33	997 631 297 00	screw		10-	4
19	993 631 170 03	stopper			4	34	999 631 253 91	bulb HP 24 W direction indicator light		10-	4
20	997 631 081 02	additional headlamp	/L	-07	1	35	997 631 271 00	cap direction indicator light		10-	4
20	997 631 081 03	additional headlamp	/L	08	1						
(20)	997 631 082 02	additional headlamp	/R	-07	1	36	997 631 247 00	breather adapter		10-	2
(17)	997 631 082 03	additional headlamp	/R	08	1	37	997 631 267 01	ventilation component		10-	2
21	999 631 142 90	halogen bulb H 8		-08	2	38	999 919 246 01	oval-head screw 6,0 X 18,0		10-	4
22	999 631 033 90	bulb 5 W position light for additional headlamp 997.631.081/082.01/02		-08	2			direction indicator light			
22	999 631 040 90	bulb 5 W position light for additional headlamp 997.631.081/082.03		-08	2	39	997 631 033 01	direction indicator light	/L	-08	1
						39	997 631 033 02	direction indicator light	/L	10-	1
						39	997 631 033 90	direction indicator light	/L	10-	1 I004
						(39)	997 631 034 01	direction indicator light	/R	-08	1
						(39)	997 631 034 02	direction indicator light	/R	10-	1
						(39)	997 631 034 90	direction indicator light	/R	10-	1 I004
23	997 631 137 00	bulb socket position light		-08	2	40	999 631 138 90	bulb 5 W yellow			2
24	900 631 021 90	bulb 21 W direction indicator light		-08	2	41	997 631 133 00	bulb socket			2
25	997 631 139 00	bulb socket direction indicator light		-08	2						

Model	Year	MG	SG	Illustration	Restrictions	UPD	16:48	26.01.2010	PORSCHE	PET	PORSCHE
GT3-2	2010	9	05	905-02		248					

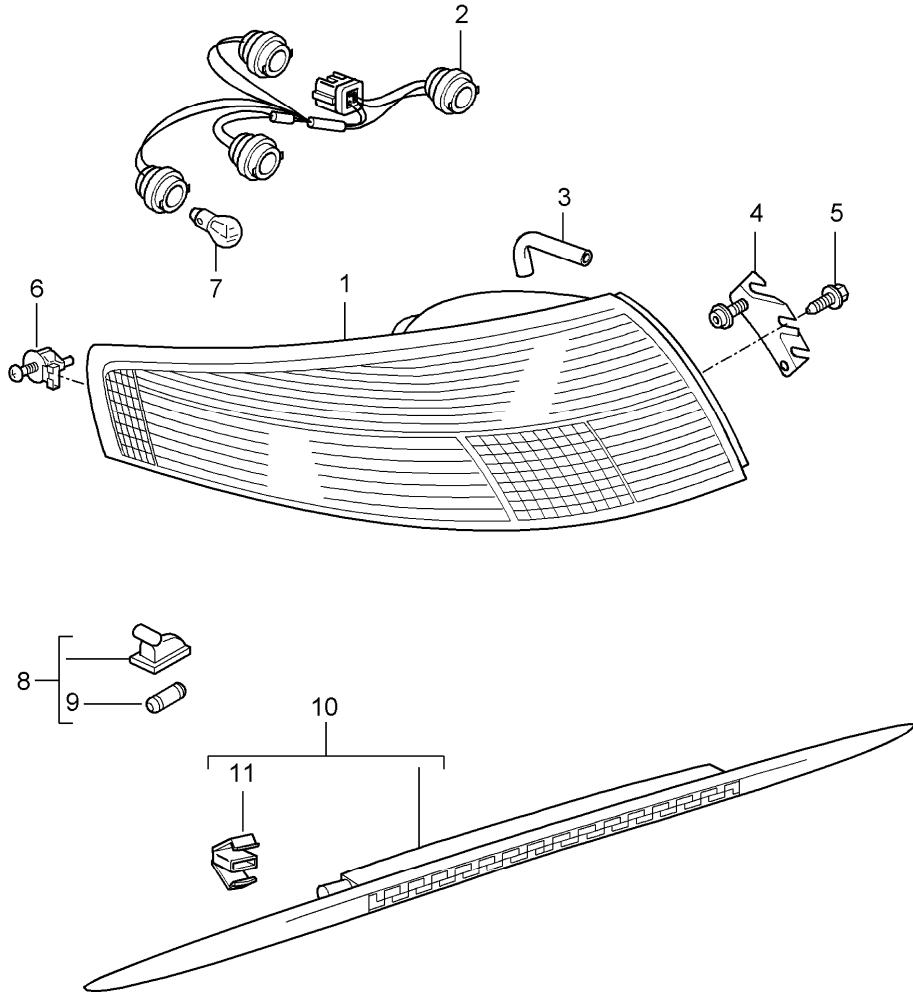


Pos	Part Number	Description	Remark	Qty	Model
		headlamp additional headlamp direction indicator light		10-	I603
		headlamp without control unit and bulb XENON			
1	997 631 169 01	headlamp	/L	1	
(1)	997 631 170 01	headlamp	/R	1	
1	997 631 169 11	headlamp	/L	1	I492
(1)	997 631 170 11	headlamp	/R	1	I492
2	999 631 036 90	bulb - PHILIPS -		2	
3	999 631 133 91	halogen bulb H 7		2	
4	997 631 227 01	electric motor headlight levelling system	/L	1	
(4)	997 631 228 01	electric motor headlight levelling system	/R	1	
5	997 631 283 01	control unit		2	
6	997 631 223 00	support	/L	1	
(6)	997 631 224 00	support	/R	1	
7	997 631 199 00	screw		4	
8	997 631 201 00	protective cap	/L	1	
(8)	997 631 202 00	protective cap	/R	1	
9	997 631 191 00	screw		14	
10	997 631 211 00	protective cap high beam		2	
11	997 631 149 00	ventilation component	/L	1	
(11)	997 631 150 00	ventilation component	/R	1	
12	997 631 153 00	screw		4	
13	997 631 249 00	breather adapter		2	
14	997 631 073 02	mounting	/L	1	

Model	Year	MG	SG	Illustration	Restrictions	UPD	16:48	26.01.2010	PORSCHE	PET	PORSCHE
GT3-2	2010	9	05	905-02		248					

Pos	Part Number	Description	Remark	Qty	Model	Pos	Part Number	Description	Remark	Qty	Model
(14)	997 631 074 02	mounting	/R	1		33	999 631 138 90	bulb 5 W yellow		2	
15	997 631 273 01	clamping bow		2							
16	997 631 272 00	bearing sleeve		2		34	997 631 133 00	bulb socket		2	
17	900 116 004 09	lock washer		2							
18	997 631 194 02	fastening part		6							
19	997 631 245 00	locking device connector housing		2							
20	999 703 413 40	stopper		2							
21	993 631 170 03	stopper		6							
22	997 618 321 02	control unit Dynamic cornering light		1							
23	997 618 331 00	support		2							
		additional headlamp									
24	997 631 083 01	additional headlamp	/L	1							
(24)	997 631 084 01	additional headlamp	/R	1							
25	997 631 241 00	LED module position light		2							
26	997 631 297 00	screw		4							
27	999 631 253 91	bulb HP 24 W direction indicator light		4							
28	997 631 271 00	cap direction indicator light		4							
29	997 631 247 00	breather adapter		2							
30	997 631 267 01	ventilation component		2							
31	999 919 246 01	oval-head screw 6,0 X 18,0		8							
		direction indicator light									
32	997 631 033 02	direction indicator light	/L	1							
32	997 631 033 90	direction indicator light	/L	1	I004						
(32)	997 631 034 02	direction indicator light	/R	1							
(32)	997 631 034 90	direction indicator light	/R	1	I004						

Model	Year	MG	SG	Illustration	Restrictions	UPD	16:48	26.01.2010	PORSCHE	PET	PORSCHE
GT3-2	2010	9	05	905-05		248					

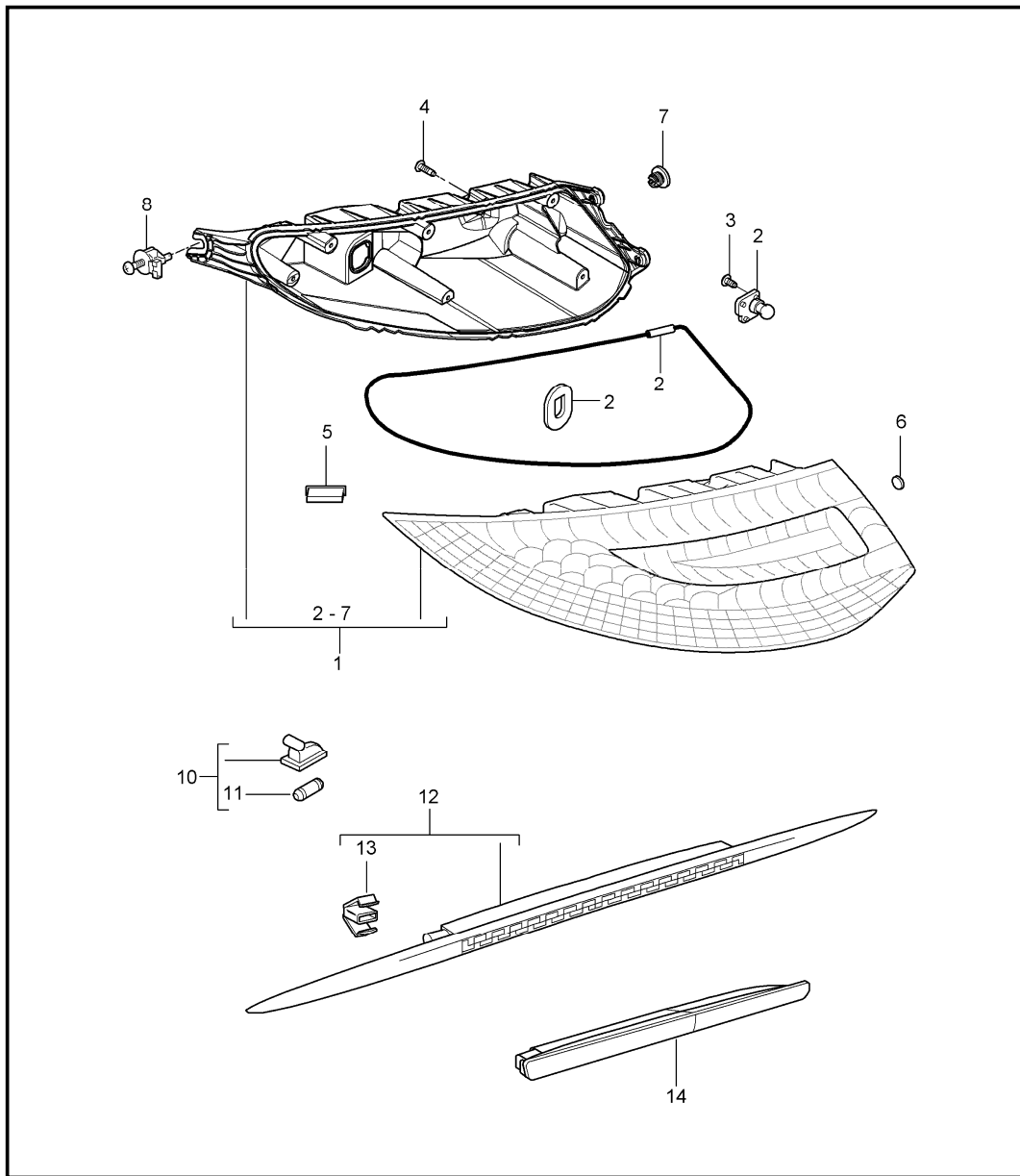


Pos	Part Number	Description	Remark	Qty	Model
		rear light license plate light additional brake light	-08		
1	997 631 485 03	tail light housing	/L	1	
(1)	997 631 486 03	tail light housing	/R	1	
(1)	997 631 981 00	rear light complete	/L	08	IXXF
(1)	997 631 982 00	rear light complete	/R	08	IXXF
2	997 631 436 00	wiring harness		2	
3	997 631 451 00	breather adapter		4	
4	997 631 463 01	support	/L	1	
(4)	997 631 464 01	support	/R	1	
5	900 146 075 09	screw M 6 X 12		2	
6	997 631 471 00	mounting		2	
7	900 631 018 90	bulb 21 W white back-up light		1	
7	900 631 021 90	bulb 21 W yellow direction indicator light		1	
(7)	900 631 022 90	bulb 21/5 W Tail light		1	
7	900 631 017 90	bulb 21/4 W rear fog light Tail light		1	
7	900 631 017 91	bulb 21/4 W Brake light Tail light		1	
8	997 631 620 00	license plate light		2	
9	900 631 025 90	bulb 12V 5W		2	
10	A 997 631 050 03	additional brake light		1	

Model	Year	MG	SG	Illustration	Restrictions	UPD	16:48	26.01.2010	PORSCHE	PET	PORSCHE
GT3-2	2010	9	05	905-05		248					

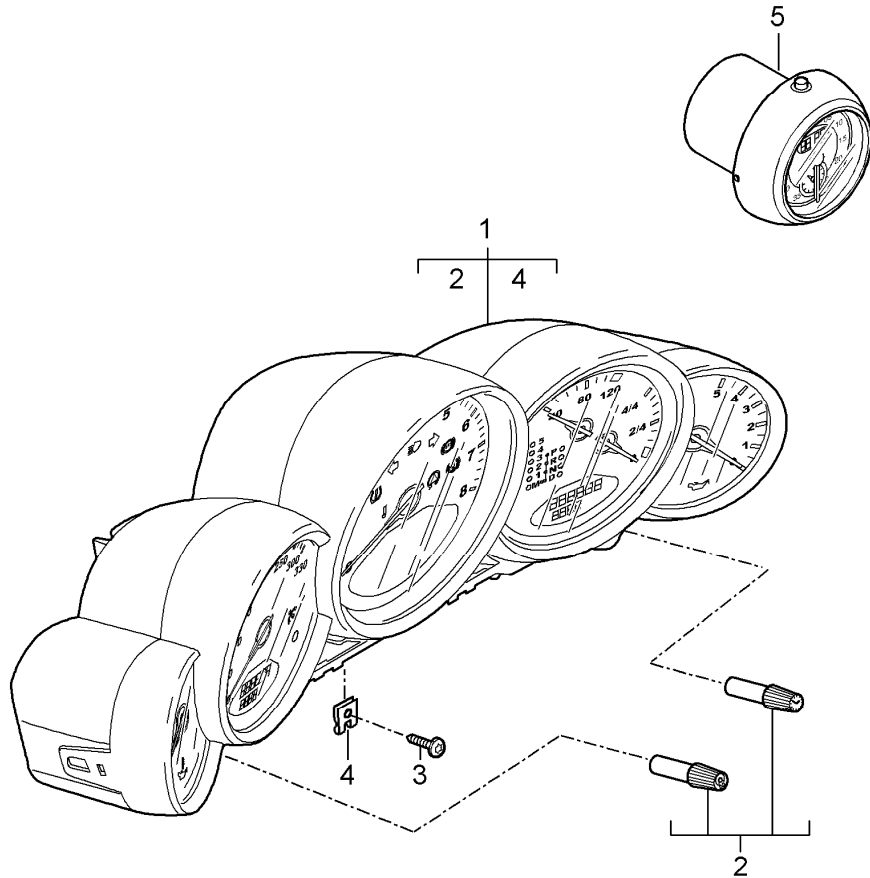
Pos	Part Number	Description	Remark	Qty	Model	Pos	Part Number	Description	Remark	Qty	Model
10	997 631 050 04	additional brake light		1							
11	997 631 203 00	clip		6							

Model	Year	MG	SG	Illustration	Restrictions	UPD	16:48	26.01.2010	PORSCHE	PET	PORSCHE
GT3-2	2010	9	05	905-06		248					



Pos	Part Number	Description	Remark	Qty	Model
		rear light license plate light additional brake light	10-		
1	997 631 411 02	rear light	/L	1	I465
1	997 631 989 00	rear light	/L	1	IXXG/465
(1)	997 631 412 02	rear light	/R	1	I465
(1)	997 631 990 00	rear light	/R	1	IXXG/465
1	997 631 417 02	rear light	/L	1	I466
1	997 631 993 00	rear light	/L	1	IXXG/466
(1)	997 631 418 02	rear light	/R	1	I466
(1)	997 631 994 00	rear light	/R	1	IXXG/466
2	997 631 931 01	repair kit bulb back-up light		2	
3	997 631 598 00	screw		6	
4	997 631 497 00	screw		14	
5	997 631 585 00	buffer		2	
6	997 631 441 00	ventilation component		4	
7	997 631 499 00	screw		4	
8	997 631 471 00	mounting		2	
10	997 631 620 01	license plate light		2	
11	900 631 025 90	bulb 12V 5W		2	
12	997 631 050 04	additional brake light		1	
13	997 631 203 00	clip		6	
14	997 631 052 01	additional brake light in spoiler		1	

Model	Year	MG	SG	Illustration	Restrictions	UPD	16:48	26.01.2010	PORSCHE	PET	PORSCHE
GT3-2	2010	9	06	906-01		248					

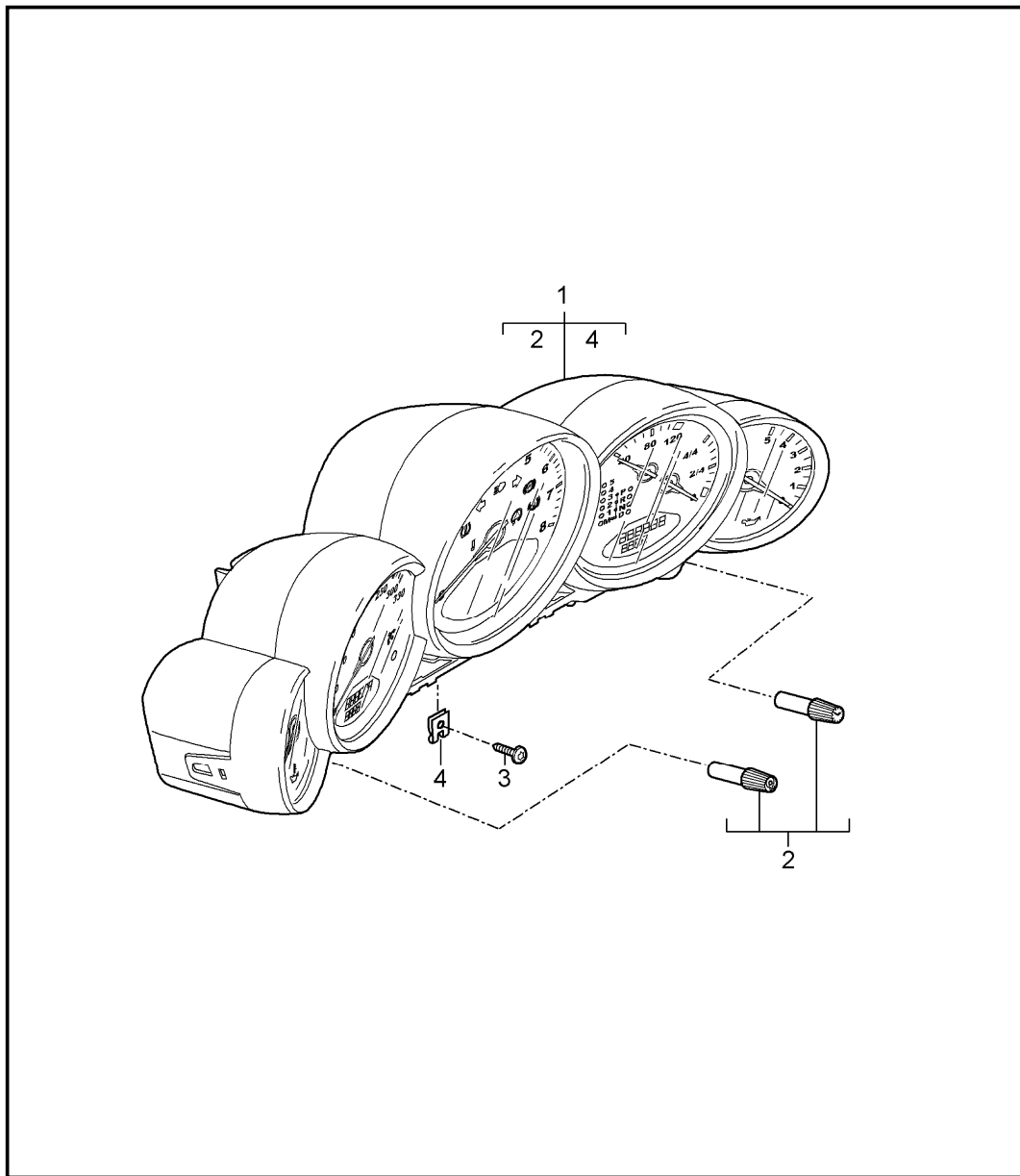


Pos	Part Number	Description	Remark	Qty	Model
		instruments stopwatch			
		see technical information GR. 9 NR. 5/09 KD - NR. 9025			
1	A 997 641 105 90	instrument cluster complete		07	1 I022/480
		D07 volcano grey			
1	997 641 105 93	instrument cluster complete		-08	1 I022/480
		D07 volcano grey			
1	997 641 105 94	instrument cluster complete		10-	1 I022/480
		D07 volcano grey			
1	997 641 107 90	instrument cluster complete	(GB)	07	1 I022 I480
		D07 volcano grey			
1	997 641 107 92	instrument cluster complete	(GB)	08	1 I022 I480
		D07 volcano grey			
1	997 641 107 94	instrument cluster complete	(GB)	10-	1 I022 I480
		D07 volcano grey			
(2)	997 641 911 00	knob actuator trip meter and clock			1
3	999 073 155 09	tapping screw 4,2 X 19			2
4	999 507 403 02	u-clamp			2
		stopwatch			
5	997 641 301 94	stopwatch		07	1 I639/640
		V05 galvano silver			

Model	Year	MG	SG	Illustration	Restrictions	UPD	16:48	26.01.2010	PORSCHE	PET	PORSCHE
GT3-2	2010	9	06	906-01		248					

Pos	Part Number	Description	Remark	Qty	Model	Pos	Part Number	Description	Remark	Qty	Model
5	997 641 301 95	stopwatch	08	1	I639/640						
	V05	galvano silver									
5	997 641 301 96	stopwatch	10-	1	I639/640						
	V05	galvano silver									

Model	Year	MG	SG	Illustration	Restrictions	UPD	16:48	26.01.2010	PORSCHE	PET	PORSCHE
GT3-2	2010	9	06	906-02		248					

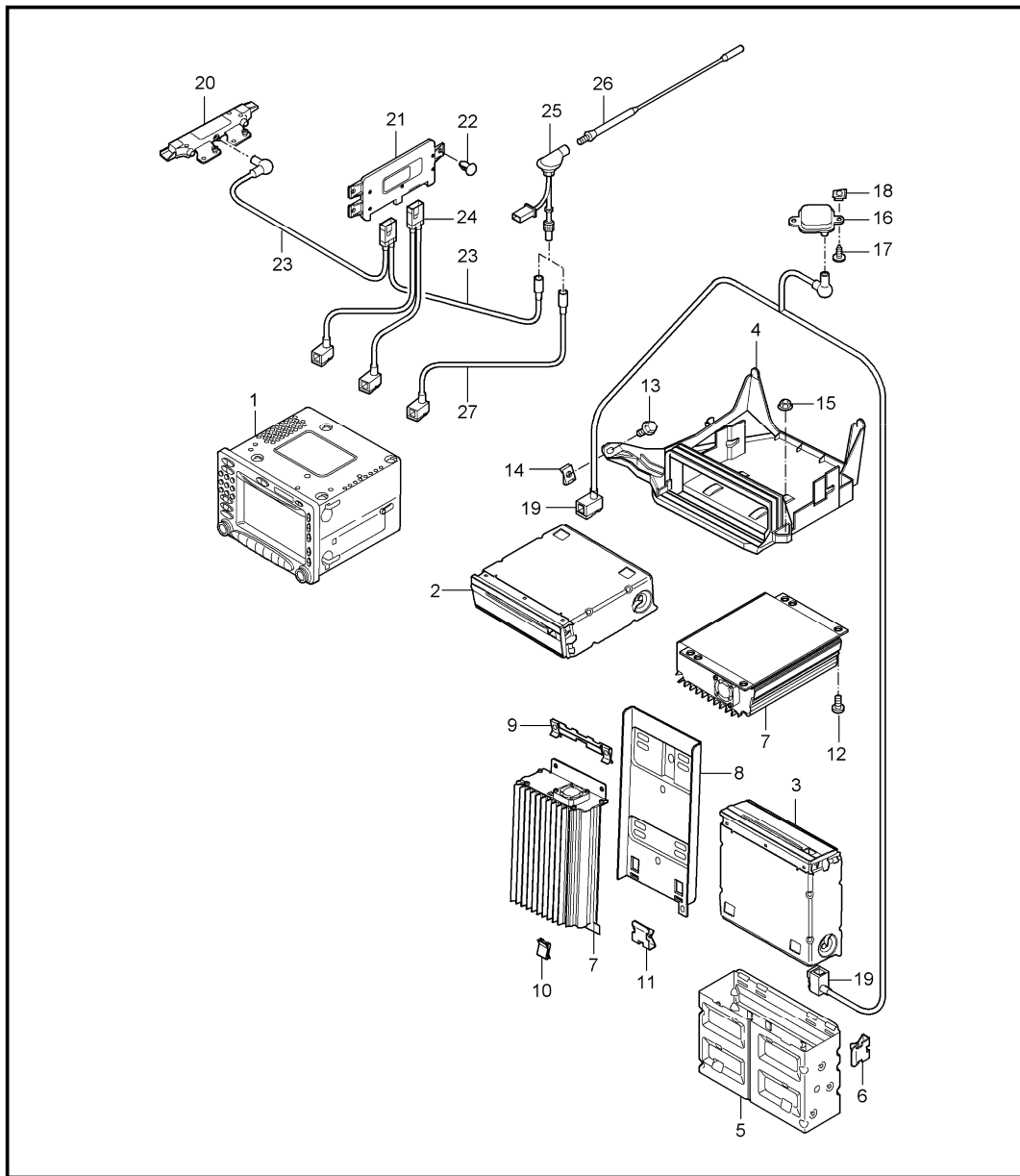


Pos	Part Number	Description	Remark	Qty	Model
		instruments exclusive programme see technical information GR. 9 NR. 5/09 KD - NR. 9025			
1	A 997 641 990 15	instrument cluster complete dial lacquered		07	1 I480
	84A	guards red			IXFG
1	997 641 990 25	instrument cluster complete dial lacquered		-08	1 I480
	84A	guards red			IXFG
1	997 641 990 35	instrument cluster complete dial lacquered		10-	1 I480
	84A	guards red			IXFG
	12H	speed yellow			IXFH
	B9A	carrara white			IXFJ
1	A 997 641 990 17	instrument cluster complete dial lacquered	(GB)	07	1 I480
	84A	guards red			IXFG
1	997 641 990 27	instrument cluster complete dial lacquered	(GB)	-08	1 I480
	84A	guards red			IXFG
1	997 641 990 37	instrument cluster complete dial lacquered	(GB)	10-	1 I480
	84A	guards red			IXFG
	12H	speed yellow			IXFH
	B9A	carrara white			IXFJ

Model	Year	MG	SG	Illustration	Restrictions	UPD	16:48	26.01.2010	PORSCHE	PET	PORSCHE
GT3-2	2010	9	06	906-02		248					

Pos	Part Number	Description	Remark	Qty	Model	Pos	Part Number	Description	Remark	Qty	Model
2	997 641 911 00	knob actuator trip meter and clock		1							
3	999 073 155 09	tapping screw 4,2 X 19		2							
4	999 507 403 02	u-clamp		2							

Model	Year	MG	SG	Illustration	Restrictions	UPD	16:48	26.01.2010	PORSCHE	PET	PORSCHE
GT3-2	2010	9	11	911-00		248					



Pos	Part Number	Description	Remark	Qty	Model
		radio	-08		
		control part	-08		
		navigation system			
		booster	-08		
		radio			
		see catalogue			
		T E Q U I P M E N T			
1	> 997 642 141 10	control part		1	I665
		FMH			
		volcano grey/black mat			
-	997 642 201 00	rotary knob	/L	1	
		A05			
		black mat			
		for			
		control part			
		see technical information			
		GR. 9 , NR. 6/04			
-	997 642 202 00	rotary knob	/R	1	
		A05			
		black mat			
		for			
		control part			
		see technical information			
		GR. 9 , NR. 6/04			
-	997 642 941 00	cover		1	
		Drawer			
		SIM card			
		for			
		control part			
-	900 187 038 02	tapping screw		1	
		ST4,2 X 19			
		for			
		mount			
		radio			
		and			
		control part			
		centre console			
2	> 997 642 157 01	dvd device	/LL	1	I098/670/672
		navigation system			
3	> 997 642 159 01	dvd device	/RL	1	I099/670/672
		navigation system			
3	> 997 642 159 01	dvd device		1	I664/670/672
		navigation system			
-	997 642 255 05	dvd	07	1	I610
		navigation system			

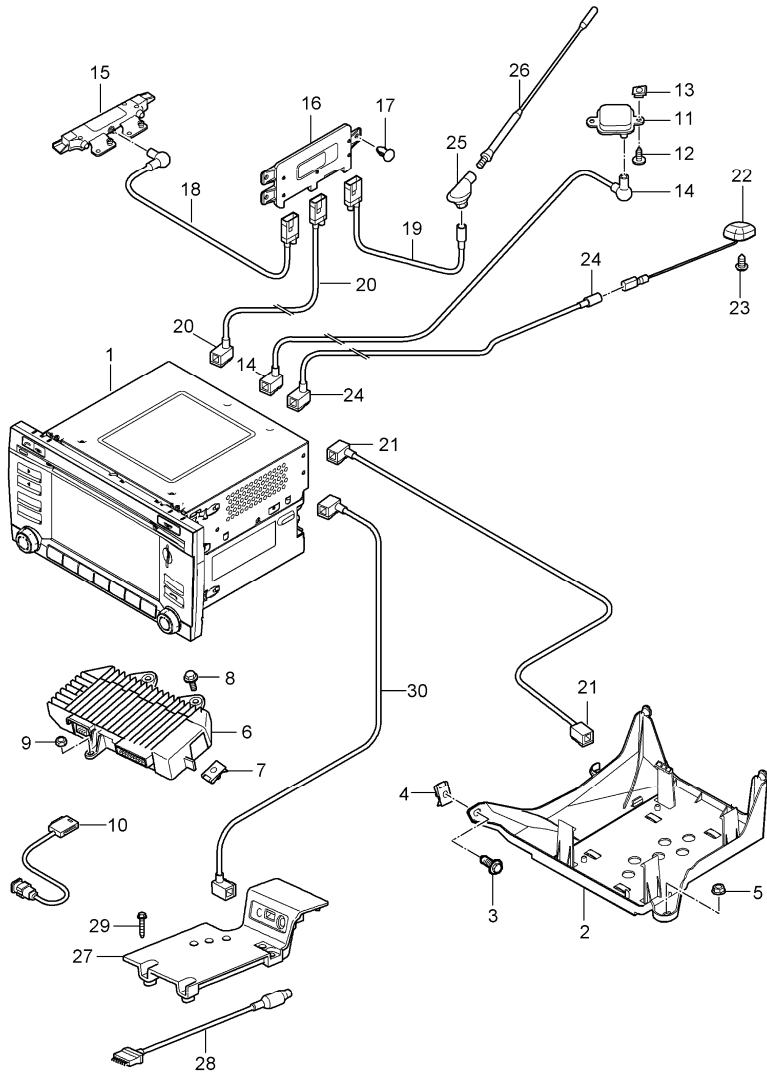
Model	Year	MG	SG	Illustration	Restrictions	UPD	16:48	26.01.2010	PORSCHE	PET	PORSCHE
GT3-2	2010	9	11	911-00		248					

Pos	Part Number	Description	Remark	Qty	Model	Pos	Part Number	Description	Remark	Qty	Model
-	997 642 255 06	dvd navigation system		08	1 I610	11	997 645 342 01	u-clamp		4	I490/664
-	997 642 259 04	dvd navigation system		07	1 I611	12	999 919 164 09	oval-head screw 5,0 X 12,0	/LL	X	I098/490
-	997 642 259 05	dvd navigation system		08	1 I611	13	900 378 179 09	hexagon-head bolt M 6 X 16	/LL	1	I098/490/670 I672
-	997 642 261 04	dvd navigation system		07	1 I612	14	999 507 766 02	speed nut M 6	/LL	1	I098/490/670 I672
-	997 642 261 05	dvd navigation system		08	1 I612	15	999 084 638 01	hexagon nut M 6	/LL	1	I098/490/670 I672
-	997 642 263 04	dvd navigation system		07	1 I613	16	997 642 105 00	antenna GPS		1	I670/672
-	997 642 263 05	dvd navigation system		08	1 I613	17	999 073 210 00	tapping screw 4,8 X 13		1	I670/672
-	997 642 265 05	dvd navigation system		07	1 I614	18	999 507 441 01	speed nut 4,8		1	I670/672
-	997 642 265 06	dvd navigation system		08	1 I614	19	997 612 060 25	connecting line antenna dvd device navigation system		1	I670/672
-	997 642 267 04	dvd navigation system		07	1 I616	20	997 647 117 00	antenna booster	/L	1	I440
-	997 642 267 05	dvd navigation system		08	1 I616	(20)	997 647 118 00	antenna booster	/R	1	I440
4	997 645 351 00	support dvd device and booster	/LL	1	I098/490/670 I672	21	997 647 124 00	control unit		1	I440
5	997 642 231 00	support dvd device		1	I664/670/672	22	999 591 904 40	fastening part		2	I440
(5)	997 642 335 00	support dvd device	/RL	1	I099/670/672	23	997 612 069 00	connecting line antenna booster control unit	/LL	1	I098/461/665
6	997 645 342 01	u-clamp		4	I664/670/672	23	997 612 069 50	connecting line antenna booster control unit	/RL	1	I099/461/665
(7)	997 645 331 01	booster		1	I490	(23)	997 612 055 00	connecting line antenna booster control unit	/LL	1	I098/665
8	997 645 341 01	support		1	I490/664	(23)	997 612 056 00	connecting line antenna booster control unit	/RL	1	I099/665
9	997 645 340 00	fastening clamp		1	I490/664	(23)	997 612 062 50	connecting line antenna booster control unit		1	I694
9	997 645 340 00	fastening clamp	/RL	1	I099/490						
10	999 507 532 01	u-clamp		2	I490/664						
10	999 507 532 01	u-clamp	/RL	2	I099/490						

Model	Year	MG	SG	Illustration	Restrictions	UPD	16:48	26.01.2010	PORSCHE	PET	PORSCHE
GT3-2	2010	9	11	911-00		248					

Pos	Part Number	Description	Remark	Qty	Model	Pos	Part Number	Description	Remark	Qty	Model
24	997 612 058 00	connecting line control unit control part		1	I665						
(24)	997 612 052 00	connecting line control unit radio		1	I694						
25	997 647 231 00	antenna base		1	I461						
26	997 647 233 00	antenna rod		1	I461						
27	997 612 070 00	connecting line antenna base radio		1	I461/694						

Model	Year	MG	SG	Illustration	Restrictions	UPD	16:49	26.01.2010	PORSCHE	PET	PORSCHE
GT3-2	2010	9	11	911-01		248					



Pos	Part Number	Description	Remark	Qty	Model
		control part navigation system radio booster Multimedia interface		10- 10- 10- 10-	
1	997 642 960 X	control part FTC Matt Black/Galvano Silver we take back: 997.642.960.00.FTC		1	I665
1	997 642 962 X	control part FTC Matt Black/Galvano Silver we take back: 997.642.962.00.FTC		1	I665/693
1	997 642 970 X	control part FTC Matt Black/Galvano Silver we take back: 997.642.970.00.FTC		1	I665/672
1	997 642 972 X	control part FTC Matt Black/Galvano Silver we take back: 997.642.972.00.FTC		1	I665/672/693
1	997 642 974 X	control part FTC Matt Black/Galvano Silver we take back: 997.642.974.00.FTC		1	I665/673
1	997 642 975 X	control part FTC Matt Black/Galvano Silver we take back: 997.642.975.00.FTC		1	I665/673/693
-	-	control unit telephone see group 9/11/10			
-	997 642 929 00	rotary knob for control part	/L	1	
-	997 642 930 00	rotary knob for control part	/R	1	

Model	Year	MG	SG	Illustration	Restrictions	UPD	16:49	26.01.2010	PORSCHE	PET	PORSCHE
GT3-2	2010	9	11	911-01		248					

Pos	Part Number	Description	Remark	Qty	Model	Pos	Part Number	Description	Remark	Qty	Model
(1)	997 645 138 04	radio CDR 30		1	I695	-	999 591 941 40	expansion rivet for mount adapter -CAN-		1	I673
	FTC	Matt Black/Galvano Silver									
(1)	997 645 138 DX	radio CDR 30		1	I695	-	997 642 271 50	dvd navigation system for software 997.642.271.00		1	I610
	FTC	Matt Black/Galvano Silver we take back: 997.645.138.04									
(1)	997 645 142 04	radio CDR 30		1	I618/619/695			see technical information GR. 9 NR. 52/09 KD - NR. 9110			
	FTC	Matt Black/Galvano Silver									
(1)	997 645 142 DX	radio CDR 30		1	I618/619/695	-	997 642 271 51	dvd navigation system for software 997.642.271.01		1	I610
	FTC	Matt Black/Galvano Silver we take back: 997.645.142.04						see technical information GR. 9 NR. 52/09 KD - NR. 9110			
(1)	997 645 144 04	radio CDR 30		1	I618/619/692 I695	-	997 642 275 50	dvd navigation system for software 997.642.275.00		1	I611
	FTC	Matt Black/Galvano Silver						see technical information GR. 9 NR. 52/09 KD - NR. 9110			
(1)	997 645 144 DX	radio CDR 30		1	I618/619/692 I695	-	997 642 275 51	dvd navigation system for software 997.642.275.01		1	I611
	FTC	Matt Black/Galvano Silver we take back: 997.645.144.04						see technical information GR. 9 NR. 52/09 KD - NR. 9110			
(1)	997 645 146 04	radio CDR 30		1	I692/695			see technical information GR. 9 NR. 52/09 KD - NR. 9110			
	FTC	Matt Black/Galvano Silver									
(1)	997 645 146 DX	radio CDR 30		1	I692/695	-	997 642 277 50	dvd navigation system for software 997.642.277.00		1	I612
	FTC	Matt Black/Galvano Silver we take back: 997.645.146.04						see technical information GR. 9 NR. 52/09 KD - NR. 9110			
-	997 642 125 00	adapter -CAN-		1	I673						

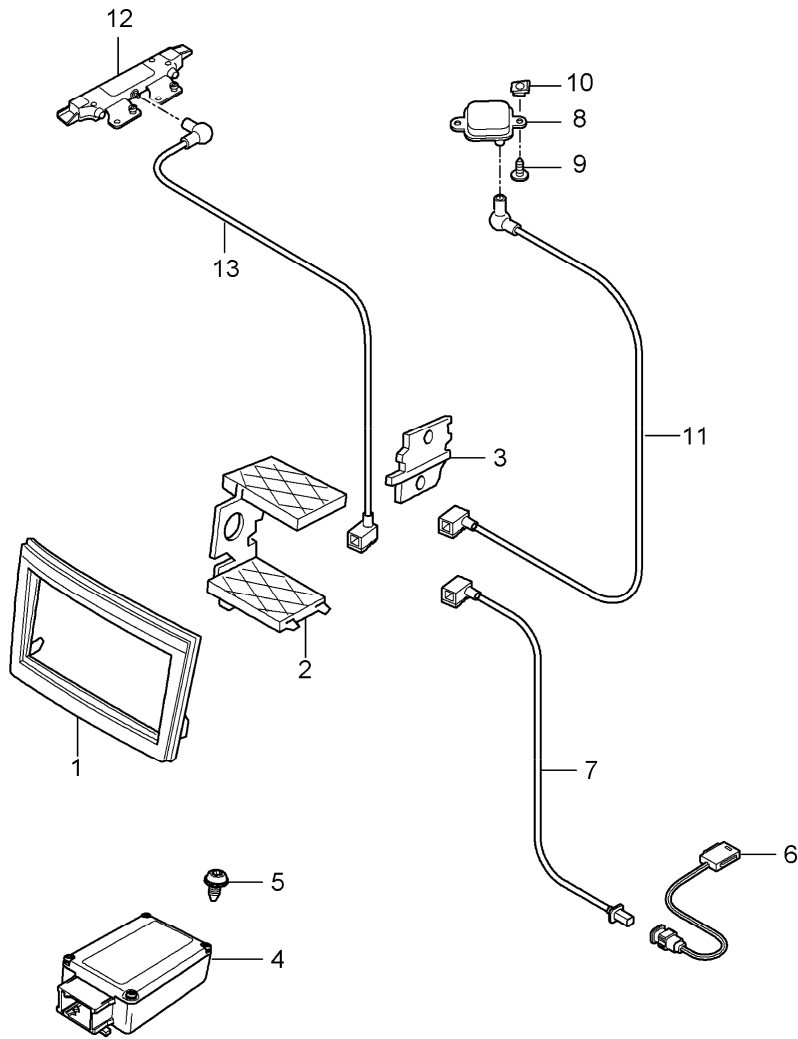
Model	Year	MG	SG	Illustration	Restrictions	UPD	16:49	26.01.2010	PORSCHE	PET	PORSCHE
GT3-2	2010	9	11	911-01		248					

Pos	Part Number	Description	Remark	Qty	Model	Pos	Part Number	Description	Remark	Qty	Model
-	997 642 277 51	dvd navigation system for software 997.642.277.01 see technical information GR. 9 NR. 52/09 KD - NR. 9110		1	I612			see technical information GR. 9 NR. 52/09 KD - NR. 9110			
-	997 642 279 50	dvd navigation system for software 997.642.279.00 see technical information GR. 9 NR. 52/09 KD - NR. 9110		1	I613	-	997 642 283 51	dvd navigation system for software 997.642.283.01		1	I616
-	997 642 279 51	dvd navigation system for software 997.642.279.01 see technical information GR. 9 NR. 52/09 KD - NR. 9110		1	I613	-	997 642 148 02	cd-rom logbook		1	I641
-	997 642 281 50	dvd navigation system for software 997.642.281.00 see technical information GR. 9 NR. 52/09 KD - NR. 9110		1	I614	2	997 642 339 00	support navigation system		1	I673
-	997 642 281 51	dvd navigation system for software 997.642.281.01 see technical information GR. 9 NR. 52/09 KD - NR. 9110		1	I614	3	900 378 179 09	hexagon-head bolt M 6 X 16		1	I673
-	997 642 283 50	dvd navigation system for software 997.642.283.00		1	I616	4	999 507 766 02	speed nut M 6		1	I673
						5	999 084 638 01	hexagon nut M 6		1	I673
						6	997 645 441 00	booster		1	I490
						7	999 500 078 00	speed nut M 6		2	I490
						8	900 378 188 09	hexagon-head bolt M 6 X 20		2	I490
						9	999 084 638 01	hexagon nut M 6		1	I490
						10	997 646 313 00	microphone		1	I441/490/618 I619/666/671
						10	997 646 319 00	microphone		1	I618/619/665 I666/671
						-	997 610 233 01	cable guide microphone		1	
						11	997 642 105 00	antenna GPS		1	I672/673
						12	999 073 210 00	tapping screw 4,8 X 13		1	I672/673
						13	999 507 441 01	speed nut 4,8		1	I672/673

Model	Year	MG	SG	Illustration	Restrictions	UPD	16:49	26.01.2010	PORSCHE	PET	PORSCHE
GT3-2	2010	9	11	911-01		248					

Pos	Part Number	Description	Remark	Qty	Model	Pos	Part Number	Description	Remark	Qty	Model
14	997 612 030 75	connecting line antenna control part		1	I672	20	997 612 057 75	connecting line control unit control part	/RL	1	I099/665/695
(14)	997 612 073 25	connecting line antenna control part		1	I673	21	997 612 074 25	connecting line control part computer navigation system		1	I673
15	997 647 117 00	antenna booster	/L	1	I440	(21)	997 612 072 25	connecting line computer navigation system		1	I673
(15)	997 647 118 00	antenna booster	/R	1	I440/665/695	25	997 647 221 00	antenna base		1	I461
16	997 618 122 00	control unit		1	I440	26	997 647 223 00	antenna rod		1	I461
17	999 591 904 40	fastening part		2	I440	27	997 642 465 00	adapter Multimedia interface		1	I665/870
18	997 612 069 25	connecting line left antenna booster control unit	/LL	1	I098/461		01C	satin black			
18	997 612 069 75	connecting line left antenna booster control unit	/RL	1	I099/461	(27)	997 642 463 00	adapter Multimedia interface		1	I695/870
18	997 612 055 25	connecting line left antenna booster control unit	/LL	1	I098/665/695		01C	satin black			
18	997 612 056 25	connecting line right antenna booster control unit	/LL	1	I098/665/695	28	997 612 471 02	connecting cable iPOD		1	I665/870
18	997 612 055 75	connecting line left antenna booster control unit	/RL	1	I099/665/695	29	999 073 429 01	tapping screw 4,2 X 25		3	I870
18	997 612 056 75	connecting line right antenna booster control unit	/RL	1	I099/665/695	30	997 612 049 75	connecting line Multimedia interface control part		1	I665/870
19	997 612 066 25	connecting line antenna base control unit		1	I461						
(19)	997 612 067 01	connecting line antenna base Power supply		1	I461						
20	997 612 057 25	connecting line control unit control part	/LL	1	I098/665/695						

Model	Year	MG	SG	Illustration	Restrictions	UPD	16:49	26.01.2010	PORSCHE	PET	PORSCHE
GT3-2	2010	9	11	911-02		248					



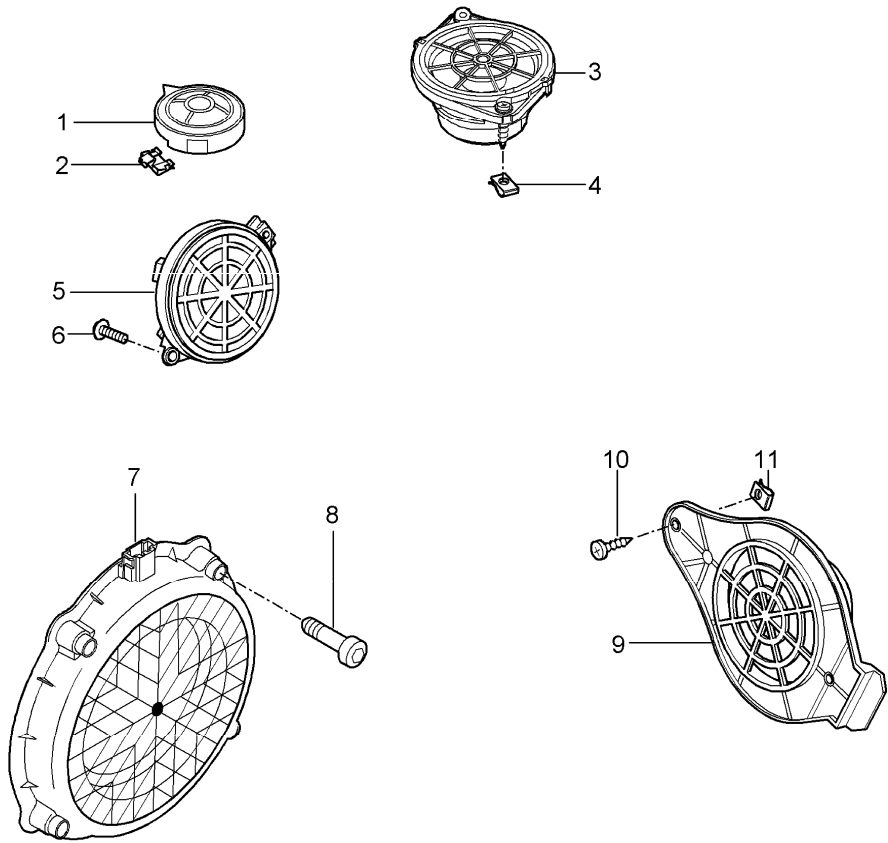
Pos	Part Number	Description	Remark	Qty	Model
		preparation navigation system japan		10-	I675
1	997 642 913 00	front frame		1	I675
	A05	black mat			
2	997 642 905 00	support		2	I675
3	997 642 907 00	guide rail		2	I675
4	997 642 915 01	adapter - CAN -		1	I675
5	999 591 941 40	expansion rivet		1	I675
6	997 646 309 00	microphone		1	I675
-	997 610 233 01	cable guide microphone		1	I675
7	997 612 075 75	connecting line microphone control part		1	I675
(7)	997 612 046 25	connecting line Card reader tv control part		1	I675
8	997 642 105 00	antenna navigation system		1	I675
9	999 073 210 00	tapping screw 4,8 X 13		1	I675
10	999 507 441 01	speed nut 4,8		1	I675
11	997 612 079 75	connecting line antenna navigation system control part		1	I675
12	997 647 109 00	antenna booster	/L	1	I675
(12)	997 647 110 00	antenna booster	/R	1	I675
13	997 612 076 25	connecting line antenna booster left control part radio		1	I675

Model	Year	MG	SG	Illustration	Restrictions	UPD	16:49	26.01.2010	PORSCHE	PET	PORSCHE
GT3-2	2010	9	11	911-02		248					

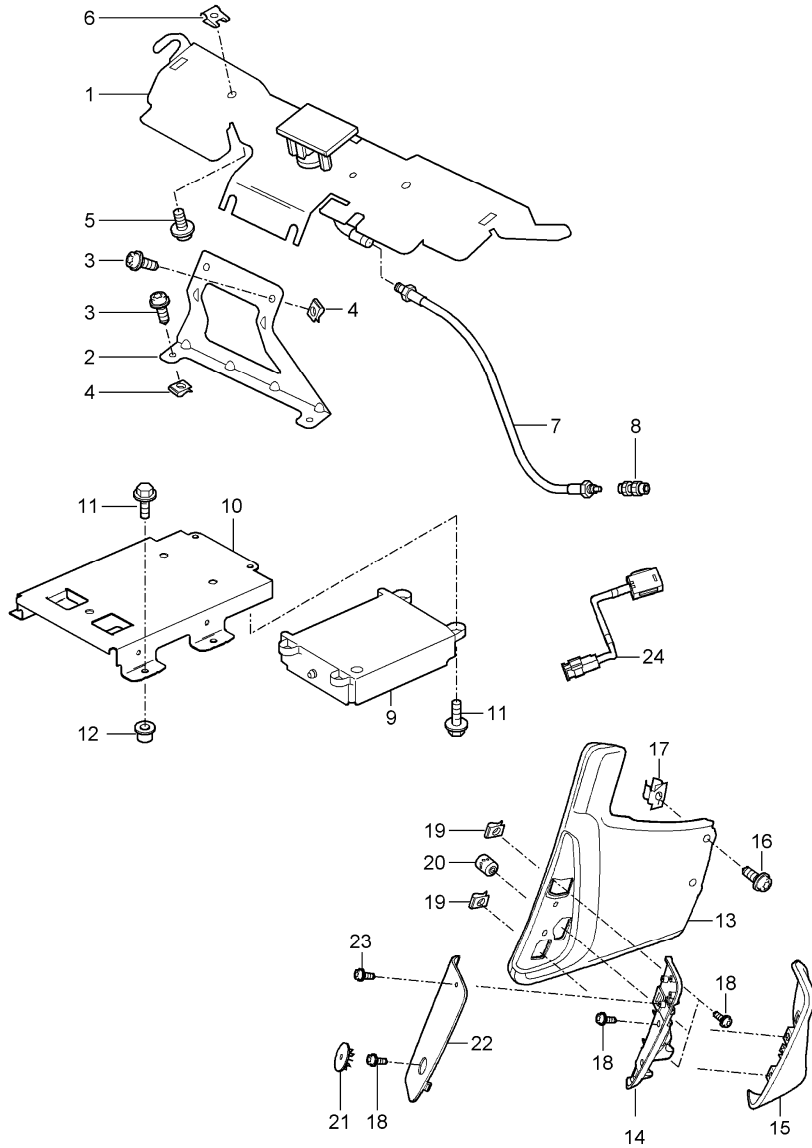
Pos	Part Number	Description	Remark	Qty	Model	Pos	Part Number	Description	Remark	Qty	Model
(13)	997 612 077 25	connecting line antenna booster left control part tv		1	I675						
(13)	997 612 078 25	connecting line antenna booster right control part tv	/LL	1	I675						
(13)	997 612 078 75	connecting line antenna booster right control part tv	/RL	1	I675						
(13)	997 612 047 25	connecting line - VICS BEACON - antenna control part		1	I675						

Model	Year	MG	SG	Illustration	Restrictions	UPD	16:49	26.01.2010	PORSCHE	PET	PORSCHE
GT3-2	2010	9	11	911-05		248					

Pos	Part Number	Description	Remark	Qty	Model
		loudspeaker			
1	997 645 021 00	tweeter dashboard		2	I441/490
2	999 591 303 01	u-clamp		4	
3	997 645 033 00	loudspeaker dashboard centre		1	I490
4	999 507 971 01	speed nut 4,2		4	
5	997 645 543 00	mid-range loudspeaker door		2	I490
6	999 919 164 09	oval-head screw 5,0 X 12		4	
7	997 645 551 00	woofer		2	I441
7	997 645 553 00	woofer		2	I490
8	900 067 012 03	pan-head screw M 6 X 30		8	
9	997 645 041 01	loudspeaker rear		2	I490
10	999 073 225 09	tapping screw 4,8 X 16		2	
11	999 507 441 09	speed nut 4,8		2	



Model	Year	MG	SG	Illustration	Restrictions	UPD	16:49	26.01.2010	PORSCHE	PET	PORSCHE
GT3-2	2010	9	11	911-10		248					

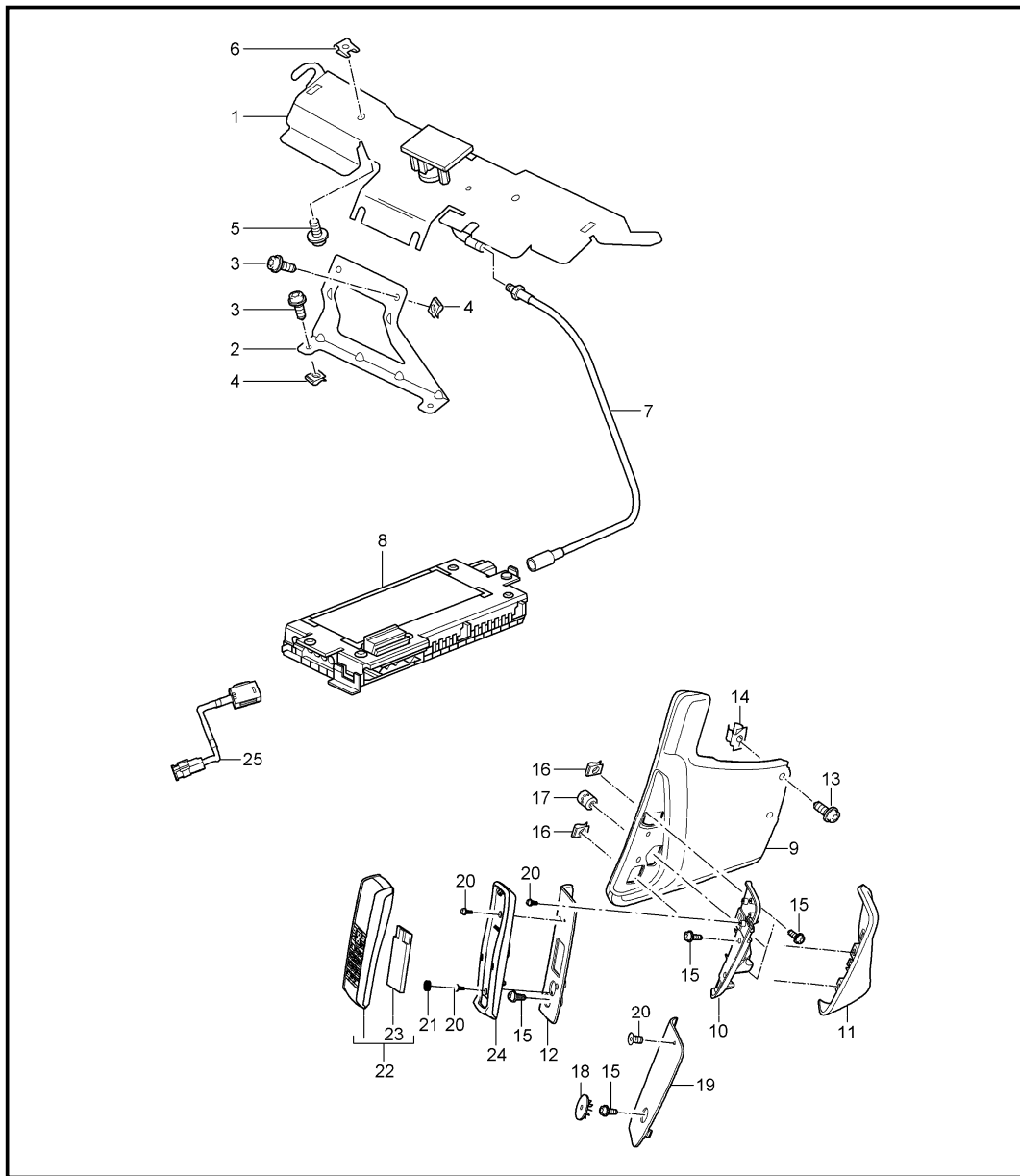


Pos	Part Number	Description	Remark	Qty	Model
		telephone	-08		I618/666
1	997 647 125 01	antenna	/LL	1	I098
(1)	997 647 126 01	antenna	/RL	1	I099
2	997 647 127 00	support	/LL	1	I098
(2)	997 647 128 00	support	/RL	1	I099
3	999 073 236 0A	oval-head screw M 6 X 10		4	
4	999 507 550 01	speed nut M 6		4	
5	999 073 210 00	tapping screw 4,8 X 13		2	
6	999 507 441 01	speed nut 4,8		2	
7	997 612 989 05	connecting line		1	I666
8	964 646 318 00	adapter plug		1	I618
9	> 997 646 209 00	control unit telephone		1	I666
10	997 642 216 00	support		1	I618/666
11	900 378 035 01	hexagon-head bolt M 6 X 16		4	I618/666
12	999 500 078 00	speed nut M 6		2	
(12)	999 507 766 02	speed nut M 6		2	I618/666
13	997 553 118 07	cover lateral	/LL	1	I098
		FSA	black/grey		
		FSH	darkgrey natural/grey		
(13)	997 553 117 07	cover lateral	/RL	1	I099
		FSA	black/grey		
		FSH	darkgrey natural/grey		
14	997 553 520 00	adapter	/LL	1	I098
(14)	997 553 519 00	adapter	/RL	1	I099

Model	Year	MG	SG	Illustration	Restrictions	UPD	16:49	26.01.2010	PORSCHE	PET	PORSCHE
GT3-2	2010	9	11	911-10		248					

Pos	Part Number	Description	Remark	Qty	Model	Pos	Part Number	Description	Remark	Qty	Model
15	997 553 418 01	cover	/LL	1	I098						
	A11	black									
	D12	dark grey/natural									
(15)	997 553 417 01	cover	/RL	1	I099						
	A11	black									
	D12	dark grey/natural									
16	999 073 226 09	tapping screw 4,2 X 16		2							
17	999 591 508 01	captive nut 4,2		2							
18	999 073 155 09	tapping screw 4,2 X 13		7							
19	999 507 028 01	speed nut 4,2		2							
20	999 507 645 02	threaded piece 4,2		1							
21	997 553 751 00	cap		1							
	01C	satin black									
22	997 553 522 01	mounting plate	/LL	1	I098/618						
	01C	satin black									
(22)	997 553 521 01	mounting plate	/RL	1	I099/618						
	01C	satin black									
23	999 919 230 00	countersunk-head screw 3 X 10		1	I618						
24	997 646 307 00	microphone		1							
(24)	997 646 309 00	microphone		08	I675						
-	997 610 233 00	cable guide microphone		-07							
-	997 610 233 01	cable guide microphone		08							

Model	Year	MG	SG	Illustration	Restrictions	UPD	16:49	26.01.2010	PORSCHE	PET	PORSCHE
GT3-2	2010	9	11	911-11		248					



Pos	Part Number	Description	Remark	Qty	Model
		telephone		10-	
1	997 647 125 01	antenna	/LL	1	I098
(1)	997 647 126 01	antenna	/RL	1	I099
2	997 647 127 00	support	/LL	1	I098
(2)	997 647 128 00	support	/RL	1	I099
3	999 073 236 0A	oval-head screw M 6 X 10		4	
4	999 507 550 01	speed nut M 6		4	
5	999 073 210 00	tapping screw 4,8 X 13		2	
6	999 507 441 01	speed nut 4,8		2	
7	997 612 065 75	connecting line		1	I666
(7)	997 612 061 25	connecting line		1	I618/619
8	997 646 218 01	control unit telephone		1	I666
9	997 553 118 07	cover lateral	/LL	1	I098
		FSA black/grey			
		FSH darkgrey natural/grey			
(9)	997 553 117 07	cover lateral	/RL	1	I099
		FSA black/grey			
		FSH darkgrey natural/grey			
10	997 553 520 00	adapter	/LL	1	I098/618
(10)	997 553 516 00	adapter	/LL	1	I098/669
(10)	997 553 519 00	adapter	/RL	1	I099/618
(10)	997 553 515 00	adapter	/RL	1	I099/669
11	997 553 418 01	cover	/LL	1	I098/618
		A11 black			
		D12 dark grey/natural			

Model	Year	MG	SG	Illustration	Restrictions	UPD	16:49	26.01.2010	PORSCHE	PET	PORSCHE
GT3-2	2010	9	11	911-11		248					

Pos	Part Number	Description	Remark	Qty	Model	Pos	Part Number	Description	Remark	Qty	Model
(11)	997 553 416 00	cover	/LL	1	I098/669	22	997 646 212 02	receiver telephone		1	I669
	A11	black					A05	black mat			
	D12	dark grey/natural									
(11)	997 553 417 01	cover	/RL	1	I099/618	23	997 646 216 00	battery		1	I669
	A11	black				24	997 646 214 00	mounting receiver		1	I669
	D12	dark grey/natural					A05	black mat			
(11)	997 553 415 00	cover	/RL	1	I099/669	25	997 646 313 00	microphone		1	I441/490/618 I619 I666/671
	A11	black				(25)	997 646 319 00	microphone		1	I618/619/665 I666/671
	D12	dark grey/natural									
12	997 553 524 00	mounting plate	/LL	1	I098/669	-	997 610 233 01	cable guide microphone		1	
	01C	satin black									
(12)	997 553 523 00	mounting plate	/RL	1	I099/669						
	01C	satin black									
13	999 073 226 09	tapping screw 4,2 X 16		2							
14	999 591 508 01	captive nut 4,2		2							
15	999 073 155 09	tapping screw 4,2 X 13		7							
16	999 507 028 01	speed nut 4,2		2							
17	999 507 645 02	threaded piece 4,2		1							
18	997 553 751 00	cap		1	I618						
	01C	satin black									
19	997 553 522 01	mounting plate	/LL	1	I098/618						
	01C	satin black									
(19)	997 553 521 01	mounting plate	/RL	1	I099/618						
	01C	satin black									
20	999 919 230 00	countersunk-head screw 3 X 10		4							
21	997 646 311 00	stopper		2	I669						

GT3-2_MXI KAT29. TXT

KAT.	M-X-I -NR	BENENNUNG-Deutsch BENENNUNG-Engl i sch
		+-----+ ! I -Nummern-Uebersi cht ! +-----+ +-----+ ! Summary of optional extras "I"! +-----+
29	I XAA	Aeroki t Cup Aeroki t Cup
29	I XAF	Aeroki t Turbo Turbo aeroki t
29	I XAG	Carrera - Heckspoiler Carrera - rear spoiler
29	I XAH	Aeroki t Carrera 4S Carrera 4S aeroki t
29	I XAJ	Schwell erblenden lacki ert Painted sill covers
29	I XCA	Nutleiste (3-teilig) Sportsilber Dashboard trim strip (3-part) sports seats
29	I XCB	Instrumentenabdeckung Unterteil Sportsilber Instrument surround sports seats
29	I XCC	Seitendüsen Sportsilber Side air vents sports seats
29	I XCD	Mittel düsenträger Sportsilber Center air vent bracket sports seats
29	I XCE	Mittel konsole hinten Sportsilber Rear center console sports seats
29	I XCG	Sportsi tzurücklenk ehne Al u-Optik Sports seat backrest in Alumi ni um Look fi ni sh
29	I XCH	Seiten-/Mittel düsenlamellen Sportsilber Side/centre air vent slats, sports seats
29	I XCK	Mittel konsole hinten Galvanosilber Rear center console in Galvano Sil ver
29	I XCL	Instrumentenabdeckung Unterteil Galvanosilber Instrument surround in Galvano Sil ver
29	I XCM	Überrollbügel in Galvanosilber Roll-over bar in Galvano Sil ver
29	I XCN	Seitendüsen in Al u-Optik (997) Side air vents in Alumi ni um Look fi ni sh (997)
29	I XCW	Blende Gurtaustritt B-Säule in Al uoptik Alumi ni um Look trim on belt opening in B-pi ll ar
29	I XCY	Mitteldüse Al u-Optik Center air vent in Alumi ni um Look fi ni sh
29	I XCZ	Schal twegverkürzung Short shi fter
29	I XDJ	Zierblende Schal t- und Wähl hebel lacki ert Decorative trim on gear lever/selector, painted
29	I XDM	Zierblende Schal ttafel lacki ert Decorative dashboard trim, painted
29	I XDP	Rahmen Kombi instrument lacki ert Instrument cluster frame, painted
29	I XDR	Blende Gurtaustritt B-Säule lacki ert Painted trim on belt opening in B-pi ll ar
29	I XDS	Zündschloss Rosette in Leder Ignition lock surround in leather
29	I XDU	Blende Gurtaustritt B-Säule in Leder Leather trim on belt opening in B-pi ll ar
29	I XDV	Abschlussblende Schal ttafel in Leder Dashboard end-trim in leather
29	I XDX	Spiegel dreieck in Leder Mirror attachment poi nt fi ni sher, leather
29	I XDZ	Blende Schal thebel in Leder Selector lever cover in leather
29	I XD9	Felgenstern in Wagenfarbe lacki ert

GT3-2_MXIKAT29.TXT

29 IXEA Wheel painted in body colour
Passivhörer in Leder

29 IXE8 Passive handset in leather
Schaltknopf Alu/Wurzelholz Dunkel /Leder

29 IXE9 Gear lever knob aluminium/dark burr maple/leather
Handbremshebel Alu/Wurzelholz Dunkel /Leder

29 IXFD Handbrake lever aluminium/dark burr maple/leather
Instrumenten-Zifferblatt lackiert in sandbeige
Instrument dials in Sand Beige

29 IXFE Instrumenten-Zifferblatt lackiert in terrakotta
Instrument dials in Terracotta

29 IXFF Instrumenten-Zifferblatt lackiert in braun/natur
Instrument dials in Brown/Natural

29 IXFG Instrumenten-Zifferblatt lackiert in indischrot
Instrument dials in Guards Red

29 IXFH Instrumenten-Zifferblatt lackiert in speedgelb
Instrument dials in Speed Yellow

29 IXFJ Instrumenten-Zifferblatt lackiert in carraraweiß
Instrument dials in Carrara White

29 IXGB Zierblende Schalttafel, Carbon
Decorative dashboard trim, carbon

29 IXGC Schalthebel Carbon/Alcantara
Dashboard carbon/Alcantara

29 IXGD Handbremshebel Carbon/Alcantara
Parking brake handle carbon/Alcantara

29 IXGE Einsatz Griffmulde, Carbon
Handle recess insert, carbon

29 IXJJ Blende Gurtaustritt B-Säule in Carbon
Carbon trim on belt opening in B-pillar

29 IXJL Luftseitendüse Makassar
Makassar Ebony side air vent

29 IXJM Luftseitendüse Platane
Sycamore side air vent

29 IXJN Mitteldüse Makassar
Makassar Ebony center air vent

29 IXJP Mitteldüse Platane
Sycamore center air vent

29 IXJR Defrosterblende Makassar
Makassar Ebony windscreen defroster panel

29 IXJS Defrosterblende Platane
Sycamore windscreen defroster panel

29 IXJT Mittelkonsole hinten Makassar
Makassar Ebony rear center console

29 IXJU Mittelkonsole hinten Platane
Sycamore rear center console

29 IXJ4 Rosette für Zündschloss Lederbezogen
Leather cover for ignition lock surround

29 IXKB Luftseitendüse Wurzelholz/Ahorn hell
Side air vent in light burr maple

29 IXKC Luftseitendüse Wurzelholz/Ahorn dunkel
Side air vent in dark burr maple

29 IXKD Luftseitendüse carbon
Side air vent in Carbon

29 IXKG Defrosterblende Wurzelholz/Ahorn hell, Leder
"Defroster trim in light burr maple; leather"

29 IXKH Defrosterblende Wurzelholz/Ahorn dunkel, Leder
"Defroster trim in dark burr maple; leather"

29 IXKJ Defrosterblende Carbon/Leder
Defroster trim in Carbon/leather

29 IXKL Lautsprecherabdeckungen in Leder
Leather speaker covers

29 IXKM Lautsprecherabdeckungen Wurzelholz/Ahorn hell
Speaker covers in light burr maple

29 IXKN Lautsprecherabdeckungen Wurzelholz/Ahorn dunkel
Speaker covers in dark burr maple

29 IXKP Lautsprecherabdeckungen in Carbon
Carbon speaker covers

29 IXKR Mitteldüsenträger Wurzelholz/Ahorn hell

GT3-2_MXI KAT29.TXT

29	I XKS	Center air vent bracket in light burr maple Mitteldüsenträger Wurzelholz/Ahorn dunkel
29	I XLA	Center air vent bracket in dark burr maple Boxster-Endrohr
29	I XLF	Boxster tail pipe Sportabgasanlage
29	I XLG	Sports exhaust system Deckel Ablagefach Mittelkonsole in Alcantara
29	I XMA	Centre console storage bin lid in Alcantara Himmel mit Leder bezogen
29	I XME	Rooflining in leather Mittelkonsole hinten lackiert
29	I XMF	Rear section of centre console painted Mittelkonsole vorn inklusive 2 Ablagen, Leder
29	I XMJ	Front center console including 2 storage bins, leather Mittelkonsole hinten Carbon
29	I XMK	Rear section of centre console in Carbon Überrollbügel in Exteriorfarbe
29	I XML	Roll-over bar in exterior color Mittelkonsole hinten Wurzelholz Ahorn hell
29	I XMP	Rear center console in light burr maple Sonnenblende Leder, 2 Make-up-Spiegel beleuchtet
29	I XMR	Leather sun visor, 2 illuminated vanity mirrors Sonnenblende Leder, 2 Make-Up-Spiegel beleuchtet Leder
29	I XMZ	Sun visor in leather, 2 illuminated vanity mirrors Mittelkonsole hinten Leder
29	I XNB	Rear section of centre console in leather Mittelkonsole hinten Wurzelholz Ahorn dunkel
29	I XNG	Rear center console in dark burr maple Instrumentenabdeckung Unterteil Leder
29	I XNN	Instrument surround in leather Mitteldüsenträger in Leder
29	I XNR	Center air vent bracket in leather Mitteldüsenträger Carbon
29	I XNS	Carbon center air vent bracket Lenkstock-Verkleidung 4-teilig Leder
29	I XNU	Leather steering column trim, 4-part Zierleiste (Nut) in Leder
29	I XNV	Leather trim strip (dashboard) Zierleiste (Nut) Wurzelholz/Ahorn hell
29	I XNW	Trim strip (dashboard) in light burr maple Zierleiste (Nut) Wurzelholz/Ahorn dunkel
29	I XNX	Trim strip (dashboard) in dark burr maple Zierleiste (Nut) in Carbon
29	I XN3	Carbon trim strip (dashboard) Luftseitendüse Armaturenbrett Leder
29	I XPA	Dashboard side air vent in leather 3-Speichen Sportlenkrad, Leder Interiorfarbe
29	I XPB	3-spoke sports steering wheel in leather interior color 3-Speichen Sportlenkrad, Wurzelholz/Ahorn hell, Leder
29	I XPC	3-spoke sports steering wheel, light burr maple, leather 3-Speichen Sportlenkrad, Wurzelholz/Ahorn dunkel, Leder
29	I XPD	3-spoke sports steering wheel, dark burr maple, leather 3-Speichen Sportlenkrad, Carbon/Leder
29	I XPG	3-spoke sports steering wheel, Carbon/leather 3-Speichen Sportlenkrad, Sportsilber
29	I XPT	3-spoke sports steering wheel, sports seats Deckel Ablagefach Mittelkonsole mit Wappen
29	I XPV	Centre console storage bin lid with crest Multi-funktions-Lenkrad Galvanosilber
29	I XPW	Multi-function steering wheel, Galvano Silver Instrumentenabdeckung Unterteil Wurzelholz/Ahorn Hell
29	I XPX	Instrument surround in light burr maple Instrumentenabdeckung Unterteil Wurzelholz/Ahorn Dunkel
29	I XPY	Instrument surround in dark burr maple Instrumentenabdeckung Unterteil Carbon
29	I XRB	Carbon instrument surround Sport-Classi c-2 Rad 18"

GT3-2_MXI KAT29. TXT

29	I XRC	18-inch Sport Classic II wheel Sport-Techno Rad 18"
29	I XRL	18-inch SportTechno wheel Sport-Design-Rad 18"
29	I XRN	18-inch SportDesign wheel Distanzscheiben 17 mm, hinten 17-mm spacers, rear
29	I XRP	Distanzscheiben 5 mm, vorn/hinten 5-mm spacers, front/rear
29	I XRR	Carrera Sport Rad 19" 19-in. Carrera Sport wheel
29	I XSA	Sportsitzrückenlehne lackiert Painted sports seat backrest
29	I XSB	Sportsitzrückenlehne in Leder Leather sports seat backrest
29	I XSC	Porsche Wappen geprägt in Kopfstütze Porsche Crest embossed in headrest
29	I XSD	Sitzbedienelemente in Leder Front seat controls in leather
29	I XSE	Schalensitz links Bucket seat, left
29	I XSF	Schalensitz rechts Bucket seat, right
29	I XSG	Rennschalensitz links Racing bucket seat, left
29	I XSH	Sicherheitsgurte in Silber Silver seat belts
29	I XSJ	6-Punkt-Gurte 6-point harness
29	I XSL	6-Punkt-Sicherheitstbügel 6-point safety catch
29	I XSM	Rennsport-Sicherheitstskäfig Racing safety cage
29	I XSN	Entfall hintere Sitzanlage Omission of rear seats
29	I XSR	Schalensitz rechts, Rückseite Carbon Carbon back for bucket seat, right
29	I XSS	Schalensitz links, Rückseite Carbon Carbon back for bucket seat, left
29	I XSU	Abgepolsterter Sitz Upholstered seat
29	I XSW	Sicherheitsgurte in Maritimblau Seat belts in Maritime Blue
29	I XSX	Sicherheitsgurte in Indischrot Seat belts in Guards Red
29	I XSY	Sicherheitsgurte in Speedgelb Seat belts in Speed Yellow
29	I XTG	Schwellerabdeckung innen Leder Inner door sills in leather
29	I XTJ	Türtafelteile Wurzelholz/Ahorn hell Door panel parts in light burr maple
29	I XTK	Türtafelteile Wurzelholz/Ahorn dunkel Door panel parts in dark burr maple
29	I XTL	Türtafelteile Carbon Door panel parts in Carbon
29	I XTR	Türtafelteile Alu-Optik Door panel parts in Aluminium Look finish
29	I XTT	Türtafelteile Makassar Makassar Ebony door panel parts
29	I XTU	Türtafelteile Platane Sycamore door panel parts
29	I XTV	Türtafelteile Leder Leather door panel parts
29	I XTW	Türtafelteile Galvanosilber Door panel parts in Galvano Silver
29	I XUB	Abdeckung Scheinwerferreinigungsanlage lackiert Cover on headlight cleaning system, painted
29	I XUV	Deckel Ablagefach Mittelkonsole mit Schriftzug

GT3-2_MXI KAT29.TXT

29	I XVM	Centre console storage bin lid with logo Mitteldüse in Leder
29	I XVP	Leather center air vent Zierleiste inklusive Abdeckung Cupholder in Leder
29	I XVR	Trim strip including cupholder cover in leather Seiten-/Mitteldüsen in Leder
29	I XVT	Side/centre air vent in leather Abdeckung Lautsprecher Türen und Fond in Leder
29	I XV1	Cover for loudspeakers, doors and rear in leather Defrosterblende Lederbezogen
29	I XXB	Defroster trim in leather Einstiegsleisten Edelstahl, Beleuchtet
29	I XXD	Door entry guards, stainless steel, illuminated Einstiegsleisten Carbon, Beleuchtet
29	I XXF	Door entry guards, carbon, illuminated Rote Heckleuchten
29	I XXG	Red tail lights Heckleuchten in Klarglasoptik
29	I XXZ	Tail lights in clear glass look Fussstütze
29	I XX1	Footrest Fussmatten, Schriftzug, Leder eingefasst
29	I XX2	Floor mats, logo, leather border Fussraumbelichtung
29	I XY5	Illuminated footwell Kulisse Tiptronic-Wählhebel in Leder
29	I XZB	Tiptronic gear selector gate in leather Mitteldüse in Carbon
29	I XZD	Carbon centre air vent Abdeckung Innenleuchte in Leder
29	I X45	Interior light surround in leather Instrumenten-Zifferblatt lackiert in Interieurfarbe
29	I X46	Instrument dial in interior color Tiptronic-Wählhebel in Alu/Leder
29	I X47	Tiptronic selector lever in aluminium/leather Schaltknopf Carbon/Alu/Leder
29	I X48	Gear lever knob in Carbon/leather Tiptronic-Wählhebel in Carbon/Alu
29	I X50	Tiptronic selector lever in Carbon/aluminium Leistungssteigerung 331/340 kW
29	I X51	Powerkit 331/340 kW Leistungssteigerung
29	I X54	Powerkit 250 kW Edelstahlendrohre
29	I X58	Stainless steel tail pipes Handbremshebel Carb/Alu/Leder
29	I X65	Handbrake lever in Carbon/leather Tiptronic-Wählhebel Wurzelholz Hell/Alu
29	I X66	Tiptronic selector lever in light burr maple/aluminium Tiptronic-Wählhebel Wurzelholz Dunkel/Alu
29	I X69	Tiptronic selector lever in dark burr maple/aluminium Einstiegsblenden Carbon, Schriftzug
29	I X70	Door entry guards in Carbon with logo Einstiegsblenden Edelstahl, Schriftzug
29	I X71	Door entry guards in stainless steel with logo Instrumenten-Zifferblatt Lackiert/Alufarbe
29	I X72	Instrument dial painted/aluminium look finish Schaltknopf Alu/Wurzelholz Hell/Leder
29	I X73	Gear lever knob aluminium/light burr maple/leather Sportfahrwerk Turbo
29	I X74	Turbo sports suspension Sportfahrwerk (exklusiv)
29	I X75	Sports suspension (exklusiv) Sperrdifferential (exklusiv)
29	I X76	Differential lock (exklusiv) Schwellerverkleidungen links/rechts
29	I X91	Inner door sill guard, left/right Handbremshebel Alu/Wurzelholz Hell/Leder

GT3-2_MXI KAT29. TXT

29	I X97	Handbrake lever aluminium/light burr maple/leather Schaltknopf Alu/Leder
29	I X98	Gear lever knob in aluminium/leather Handbrenshebel Alu/Leder
29	I X99	Handbrake lever in aluminium/leather Naturleder Natural leather
29	I 003	Renn-Sicherheitseinrichtung Racing safety devices
29	I 004	GT3 RS GT3 RS
29	I 022	Zifferblätter Kombiinstrument in schwarz Black-coloured instrument dials, instrument cluster
29	I 023	Zifferblätter Kombiinstrument in silber Silver-coloured instrument dials, instrument cluster
29	I 024	Griechenland-Ausführung Version for Greece
29	I 025	Zifferblätter Stoppuhr in schwarz Black-coloured instrument dials, stopwatch
29	I 026	Zifferblätter Stoppuhr in silber Silver-coloured instrument dials, stopwatch
29	I 029	Serienfahrwerk Standard chassis
29	I 030	Sportfahrwerk Sport-type chassis
29	I 032	Langstreckenfahrwerk Touring suspension
29	I 034	Italien - Ausführung Version for Italy
29	I 058	Pralldämpfer vorn und hinten Impact absorbers, front and rear
29	I 061	Grossbritannien-Ausführung Version for Great Britain
29	I 062	Schweden-Ausführung Version for Sweden
29	I 063	Luxemburg-Ausführung Version Luxemburg
29	I 064	Niederlande-Ausführung Version for Netherlands
29	I 065	Dänemark-Ausführung Version for Denmark
29	I 066	Norwegen-Ausführung Version for Norway
29	I 067	Finnland-Ausführung Version for Finland
29	I 068	PAP Rechtslenker-Ausführung PAP right-hand drive version
29	I 069	Sonstige-Länderausführung Other country version
29	I 071	EU-Länderausführung EU country version
29	I 072	Mexico-Ausführung Version for Mexico
29	I 073	Russland-Ausführung Version for Russia
29	I 074	PAP Linkslenker-Ausführung PAP left-hand drive version
29	I 075	China-Ausführung China version
29	I 082	Kraftstofftank 90 Liter Fuel tank, 90-litre
29	I 098	Linkslenker-Ausführung Left-hand drive version
29	I 099	Rechtslenker-Ausführung Right-hand drive version
29	I 111	Österreich-Ausführung Version for Austria
29	I 113	Kanada - Ausführung

GT3-2_MXI KAT29. TXT

- 29 I 114 Version for Canada
Taiwan - Ausführung
- 29 I 119 Version for Taiwan
Spanien - Ausführung
- 29 I 124 Version for Spain
Frankreich - Ausführung
- 29 I 126 Version for France
Beschri ftung französi sch
Control and indications in French lettering
- 29 I 127 Beschri ftung schwedi sch
Control and indications in Swedish lettering
- 29 I 130 Beschri ftung engl isch
Control and indications in English lettering
- 29 I 140 Dynami sche Motorlagerung (PADM)
Dynami sche Motorlagerung (PADM)
- 29 I 150 Betrieb mi t verblei tem Kraftstoff
Operation wi th leaded gas
- 29 I 159 Leistungsreduzierter Motor 155 kW/211 PS
Curbed engine, 155 kW/211 bhp
- 29 I 191 Leichtbau Batterie
*
- 29 I 193 Japan-Ausführung
Version for Japan
- 29 I 194 Batterie 60 Ah
Battery, 60 Ah
- 29 I 195 Batterie 70 Ah
Battery, 70 Ah
- 29 I 196 Batterie 80 Ah
Battery, 80 Ah
- 29 I 197 Stärkere Batterie
Stronger battery
- 29 I 198 Stärkerer Anlasser (1,7 kW)
Enhanced starter motor (1.7 kW)
- 29 I 199 Batterietrennschal ter
Battery di sconnecti on swi tch
- 29 I 210 Kennzei chenhal ter Ausführung 2
Li cence plate holder versi on 2
- 29 I 211 Kennzei chenhal ter Ausführung 3
Li cence plate holder versi on 3
- 29 I 215 Saudi -Arabi en - Ausführung
Version for Saudi Arabi a
- 29 I 218 Kennzei chenhal ter Ausführung 4
Li cence plate holder versi on 4
- 29 I 219 Ausg lei chsgetri ebe
Di fferenti al
- 29 I 220 Sperrdi fferenti al 40 %
Locki ng di fferenti al 40 %
- 29 I 225 Belgi en-Ausführung
Versi on for Belgi um
- 29 I 249 Tiptroni c-Getri ebe
Tiptroni c transmi ssi on
- 29 I 265 Automati sch abblendbarer Innenspiegel mi t Regensensor
Automatic anti -dazzle interi or mi rror wi th rain sensor
- 29 I 266 Automati sch abblendbarer Aussenspiegel
Automatic anti -dazzle door mi rror
- 29 I 267 Automati sch abblendbarer Innen und Aussenspiegel
Automatical ly di mmabl e interi or and door mi rrors
- 29 I 268 Regensensor
Rai n sensor
- 29 I 270 Aussenspiegel für Fahrersei te -plan-,
elektri sch verstell - und behei zbar
Door mi rrors -flat - dri ver' s si de,
electri cally adj ustable and heatabl e
- 29 I 271 Aussenspiegel für Fahresei te -asphäri sch-,
elektri sch verstell - und behei zbar
Door mi rrors -aspheri cal - dri ver' s si de,
electri cally adj ustable and heatabl e
- 29 I 273 Aussenspiegel , elektri sch verstell - und behei zbar

GT3-2_MXI KAT29.TXT

		Door mirrors, electrically adjustable and heatable
29	I 274	Make-Up Spiegel beleuchtet
		Vanity mirror, illuminated
29	I 277	Schweiz-Ausführung
		Version for Switzerland
29	I 288	Scheiwerfer-Reinigungsanlage
		Headlamp washer
29	I 301	Getriebeübersetzung lang
		Transmission ratio long
29	I 305	Schalthebel in Alcantara, schwarz
		Gear lever in Alcantara, Black
29	I 308	Wählhebel in Alcantara, schwarz
		Selector lever in Alcantara, Black
29	I 325	Südafrika/Neuseeland-Ausführung
		Version for South Africa/New Zealand
29	I 335	3-Punkt-Automatik-Gurte, hinten
		Automatic seat belt, 3-point, rear
29	I 338	Heck-Antrieb
		Rear-wheel drive
29	I 339	Allrad-Antrieb
		All-wheel drive
29	I 342	Sitzheizung, links u. rechts
		Seat heating system, left/right seat
29	I 345	Lenkradheizung
		Heated steering wheel
29	I 346	Radzierdeckel für Felgen silber lackiert
		Wheel hub covers for silver painted rims
29	I 369	Basissitz links
		Standard seat, left
29	I 370	Basissitz rechts
		Standard seat, right
29	I 375	Sportsitz, Lehnenschale, links
		Sports seat, backrest shell, left
29	I 376	Sportsitz, Lehnenschale, rechts
		Sports seat, backrest shell, right
29	I 377	Sportsitz, Lehnenschale, links, elektrisch verstellbar
		Sports seat, backrest shell, left, electrically adjustable
29	I 378	Sportsitz, Lehnenschale, rechts, elektrisch verstellbar
		Sports seat, backrest shell, right, electrically adjustable
29	I 384	Schalensitz Carrera GT links
		Carrera GT bucket seat, left
29	I 385	Schalensitz Carrera GT rechts
		Carrera GT bucket seat, right
29	I 388	Sportschalensitz links
		Sports bucket seat, left
29	I 389	Sportschalensitz rechts
		Sports bucket seat, right
29	I 392	Carrera Rad 17"
		17-inch Carrera wheel
29	I 393	Rad Boxster-2 17" (987)
		17-inch Boxster II wheel (987)
29	I 397	Rad Boxster S 18" (987)
		18-inch Boxster II wheel (987)
29	I 398	Cayman Rad 17"
		17-in. Cayman wheel
29	I 401	Cayman S Rad 18"
		18-in. Cayman S wheel
29	I 402	Carrera 3 Rad 18"
		Carrera 3 wheel 18-inch
29	I 403	Carrera S Rad 19"
		Carrera S wheel 19-inch
29	I 404	Turbo-1 Rad 19"
		19" Turbo-1 wheel
29	I 405	Carrera Classic Rad 19"
		Carrera Classic wheel 19-inch
29	I 406	Carrera GT Rad 19"/20"
		Carrera GT wheel 19-inch/20-inch
29	I 407	Sport-Design Rad 19"

GT3-2_MXI KAT29. TXT

29	I 410	SportDesign wheel 19-inch Turbo-2 Rad 18" 18-inch Turbo-2 wheel
29	I 411	Carrera-Rad 18" 18-inch Carrera wheel
29	I 415	Turbo-Look-2 Rad 18" 18-inch Turbo-Look II wheel
29	I 416	Rad GT3 18" 18-inch GT3 wheel
29	I 418	Rad Turbo-2 18" GT-Silber 18-inch Turbo II wheel in GT Silver
29	I 420	GT3 Rad 19" GT3 wheel 19"
29	I 424	CD-Ablage Cd compartment
29	I 425	Heckscheibenwischer Rear window wiper
29	I 426	Ohne Heckscheibenwischer Without rear window wiper
29	I 430	GT3 Rad 19" Zentralverschluss GT3 wheel, 19", central lock
29	I 431	Multi-funktionslenkrad, Touch & Feel Multi-function steering wheel, touch + feel
29	I 432	Lenkrad mit Tiptronic-Bedienung Steering wheel with Tiptronic control
29	I 433	Sportlenkrad GT3, Alcantara Sports steering wheel GT3, Alcantara
29	I 435	Sportlenkrad Sports steering wheel
29	I 436	3-Speichen-Airbaglenkrad 3-spoke airbag steering wheel
29	I 437	Komfortsitze links, elektrisch verstellbar Comfort seat, left, electrically adjustable
29	I 438	Komfortsitze rechts, elektrisch verstellbar Comfort seat, right, electrically adjustable
29	I 439	Elektrische, Verdeckbetätigung Electrical hood operation
29	I 440	Antennen-Diversität Antenna diversity
29	I 441	Radiovorbereitung Radio preparation
29	I 444	Diebstahlsicherung, Radschrauben "THATCHAM" Anti-theft lock, wheel bolts "THATCHAM"
29	I 446	Radzierdeckel konkav mit farbigem Wappen Concave wheel centers with full-colour Porsche Crest
29	I 447	Notrad Emergency wheel
29	I 448	Bremsbelag; Sportausführung Brake pad; sport version
29	I 450	Keramik-Bremse (PCCB) Ceramic brake (PCCB)
29	I 451	Multi-funktionslenkrad, makassar, Touch & Feel Multi-function steering wheel, Makassar Ebony, touch + feel
29	I 452	Multi-funktionslenkrad, platane, Touch & Feel Multi-function steering wheel, Sycamore, touch + feel
29	I 453	Multi-funktionslenkrad, carbon, Touch & Feel Multi-function steering wheel, Carbon, touch + feel
29	I 454	Automatische Geschwindigkeitsregulierung Automatic speed control
29	I 459	3-Speichen-Airbaglenkrad, Touch & Feel 3-spoke airbag steering wheel, touch + feel
29	I 460	Sportlenkrad, Touch & Feel Sports steering wheel, touch + feel
29	I 461	Stabantenne External antenna
29	I 465	Nebelschlussleuchte links Rear fog light, left
29	I 466	Nebelschlussleuchte rechts

GT3-2_MXI KAT29. TXT

29	1474	Rear fog light, right Liftfunktion Vorderachse
29	1475	Front-axle lift function Elektrische Dämpferregelung "PASM"
29	1476	"PASM" electronic damper control Porsche Stability Management (PSM)
29	1479	Porsche Stability Management (PSM) Australien - Ausführung
29	1480	Version for Australia 6-Gang Schaltgetriebe
29	1482	6-speed manual transmission Reifendruckkontrolle, RDK 433 Mhz
29	1483	Tire Pressure Monitoring TPM, 433 MHz Reifendruckkontrolle, RDK 315 Mhz
29	1484	315-MHz TPM, Tire Pressure Monitoring USA - Ausführung
29	1488	Version for USA Beschriftung deutsch
29	1490	Inscriptions in German language Klangpaket "ASK"
29	1492	Sound system "ASK" Scheinwerfer für Linksverkehr
29	1498	Headlights for left-hand traffic Entfall der Modellbezeichnung am Heck
29	1499	Deletion of model designation on rear end Ausführung für die Bundesrepublik Deutschland
29	1501	Version for Germany Car-Cover
29	1509	Car cover Feuerlöscher
29	1510	Fire extinguisher Kontrastfarbe rot (GT3-RS)
29	1511	Contrasting colour: Red (GT3 RS) Kontrastfarbe gold (GT3-RS)
29	1513	Contrasting colour: Gold (GT3 RS) Lordosenstütze rechter Sitz
29	1521	Lumbar support, right seat Neigungsgeber
29	1524	Tilt sensor Wegfahrsicherung, Zentralverriegelung, 433 MHz
29	1525	Immobilizer, central locking, 433 MHz Wegfahrsicherung, Zentralverriegelung, 315 MHz
29	1532	Immobilizer, central locking, 315 MHz Entfall Fernbedienung Alarmanlage
29	1533	Alarm system remote control omitted Entfall Funkbetätigung Verdeck
29	1534	Radio convertible-top operation omitted Diebstahlsicherungsanlage 433 Mhz
29	1535	Theft security system, 433 MHz Diebstahlsicherungsanlage 315 Mhz
29	1536	Theft security system, 315 MHz -07 Alarmsirene und Neigungsgeber 08- Alarmsirene
29	1537	-07 Alarm siren and tilt sensor 08- Alarm siren Sitzpositions-Steuerung für Komfortsitz, links
29	1538	Seating position control for comfort seat, left Sitzpositions-Steuerung für Komfortsitz, rechts
29	1539	Seating position control for comfort seat, right Mechanische Sitzhöhenverstellung links
29	1540	Mechanical seat-height adjustment, left Mechanische Sitzhöhenverstellung rechts
29	1544	Mechanical seat-height adjustment, right Diebstahlsicherung ohne Infrarot-Überwachung 433 MHz
29	1545	Anti-theft protection without infrared monitoring, 433 MHz Diebstahlsicherung ohne Infrarot-Überwachung 315 MHz
29	1549	Anti-theft protection without infrared monitoring, 315 MHz Dachtransportsystem
29	1550	Roof Transport System Hardtop

GT3-2_MXI KAT29. TXT

29	1551	Hard top Windstop
29	1553	Wind deflector USA-Canada-Ausführung
29	1554	Version for USA, Canada Bugspoilerlippe beigelegt
29	1555	Front spoiler lip included Sicherheitsgurte in Schwarz
29	1560	Black seat belts Advanced Airbag
29	1562	Advanced airbag Airbag Fahrer- und Beifahrerseite
29	1563	Airbag, driver's side and front passenger's side Seitenairbag
29	1566	Side airbag Nebelscheinwerfer weiss
29	1567	Front fog lights, white Frontscheibe im oberen Bereich stark eingefärbt
29	1568	Windscreen tinted, upper part darker coloured Windschutzscheibe ohne Bandfilter
29	1571	Windscreen without shade band Aktivkohlefilter
29	1572	Activated charcoal filter Klimaanlage manuell
29	1573	Manual air-conditioning system Klima-Anlage
29	1574	Air conditioner Ohne Klimaanlage
29	1575	Without air conditioner Kofferraumkühlung
29	1581	Luggage compartment cooling system Mittelkonsole vorn
29	1584	Centre console, front Ablagebox auf Motordeckel
29	1585	Storage box on engine cover Getränkehalter
29	1586	Cupholder Lordosenstütze linker Sitz
29	1594	Lumbar support, left seat Himmel Alcantara
29	1600	Alcantara roof lining Leichtbau Halogenscheinwerfer
29	1601	Lightweight halogen headlights Xenon-Licht
29	1602	Xenon lighting system Hochgesetzte Bremsleuchte
29	1603	Raised stop lamp Xenon plus dynamisches Kurvenlicht
29	1606	Xenon plus dynamic cornering light Tagfahrlicht
29	1607	Daytime driving lights Garagentoröffner "Homelink" 315Mhz
29	1608	Garage door opener "Homelink", 315 MHz Garagentoroeffner "Homelink" 433Mhz
29	1609	Garage door opener "Homelink" 433 MHz ohne Radio
29	1610	without radio DVD Navigation "Paket Europa"
29	1611	DVD navigation, "Europe package" DVD Navigation Südafrika
29	1612	DVD navigation South Africa DVD Navigation mittlerer Osten
29	1613	DVD navigation middle east DVD Navigation Australien
29	1614	DVD navigation australia DVD Navigation Asien-Pazifik
29	1615	DVD navigation asia-pacific DVD Navigation, Nordamerika

GT3-2_MXI KAT29. TXT

- 29 1616 DVD navigation system, North America
- 29 1617 DVD, Navigation Russland
- 29 1618 DVD, Navigation Russia
- 29 1619 DVD Navigation Südamerika
- 29 1618 DVD navigation South America
- 29 1618 Telefonvorbereitung
- 29 1619 Preparation for telephone installation
- 29 1619 Handyvorbereitung (BLUETOOTH) ohne Konsole
- 29 1620 Mobile phone preparation (BLUETOOTH) without console
- 29 1620 E-Gas
- 29 1621 Electronic accelerator
- 29 1621 12 Volt Steckdose, Bei fahrerseite, Fussraum
- 29 1625 12-V socket, passenger's side, footwell
- 29 1625 Porsche "entry and drive""KESSY"
- 29 1635 "KESSY" Porsche Entry and Drive
- 29 1635 Einparkhilfe
- 29 1639 Parking assistant
- 29 1639 Sport-Chrono-Paket
- 29 1640 Sport Chrono package
- 29 1640 Sport-Chrono-Paket plus
- 29 1641 Sport Chrono package plus
- 29 1641 elektronisches Fahrtenbuch
- 29 1650 electronic logbook
- 29 1650 Elektrisches Schiebedach
- 29 1651 Electrical sliding roof
- 29 1651 Elektrischer Fensterheber
- 29 1652 Electric window opener
- 29 1652 Ohne Schiebe-Hubdach
- 29 1657 Without sliding/tilting roof
- 29 1657 Servolenkung
- 29 1659 Power assisted steering
- 29 1659 Bordcomputer
- 29 1660 On-board computer
- 29 1660 OBD 2
- 29 1661 OBD 2
- 29 1661 Verschärftes Abgaskonzept
- 29 1663 Stricter emission-control concept
- 29 1663 Kraftstoffpumpensteuerung
- 29 1664 Fuel pump activation
- 29 1664 ORVR
- 29 1665 ORVR
- 29 1665 -2008 PCM 2, 2009- PCM 3 Grundmodul inklusive Radio
- 29 1666 -2008 PCM 2, 2009- PCM 3 basic module incl. radio
- 29 1666 -2008 PCM 2, 2009- PCM 3 Telefon (GSM)
- 29 1668 -2008 PCM 2, 2009- PCM 3 telephone (GSM)
- 29 1668 PCM2 Telefonbedienhörer
- 29 1669 PCM2 telephone handset
- 29 1669 PCM 3 - Telefon Bedienhörer (BLUETOOTH)
- 29 1670 PCM 3 - Telephone handset (BLUETOOTH)
- 29 1671 PCM2 Navigation
- 29 1671 PCM2 navigation
- 29 1671 Sprachbediensystem
- 29 1672 Voice control system
- 29 1672 -2008 PCM 2, 2009- PCM 3 Navigation Offroad
- 29 1673 -2008 PCM 2, 2009- PCM 3 Offroad navigation
- 29 1673 Vorbereitung Navigation China
- 29 1674 Navigation system preparation, China
- 29 1674 Vorrüstung "Vehicle Tracking System"
- 29 1675 "Vehicle Tracking System" preparation
- 29 1675 Ohne Radio Vorbereitung (Japan-Navi)
- 29 1676 Without radio preparation (Japan navigation system)
- 29 1676 TV-Tuner
- 29 1677 TV tuner
- 29 1677 "Drivercard" Antenne
- 29 1678 "Driver card" antenna
- 29 1678 Anbindung Alarmanlage
- 29 1679 Alarm system connection
- 29 1679 Wiederstarkveränderung

GT3-2_MXI KAT29. TXT

- Restart i nhi bi tor
- 29 1680 Soundpaket BOSE
BOSE sound package
- 29 1685 Geteilte Rücksitzanlage
Rear seats, split
- 29 1686 SAT-Radioempfang XM (SDARS)
SAT radio reception XM (SDARS)
- 29 1689 CD-Wechsler Vorbereitung
Preperation for CD autochanger
- 29 1690 CD-Radio "Porsche Online Pro"
CD radio "Porsche Online Pro"
- 29 1692 CD-Wechsler "Porsche"
CD autochanger "Porsche"
- 29 1693 CD-/DVD-Wechsler integriert
Integrated CD/DVD autochanger
- 29 1694 CD-Radio "PORSCHE CDR 24"
CD radio "PORSCHE CDR 24"
- 29 1695 CD-RADIO, PORSCHE CDR 30
CD RADIO, PORSCHE CDR 30
- 29 1697 CD-Radio "Porsche CDR 23"
CD radio "Porsche CDR-23"
- 29 1703 ohne Clubsportpaket
without Clubsport package
- 29 1711 Entfall Unterbodenschutz
Omission underbody protection
- 29 1796 Ganzlederausstattung Naturlleder
Full leather trim natural leather
- 29 1798 Ganzlederausstattung Sonderleder
Full leather trim special leather
- 29 1799 Ganzlederausstattung nach Wahl
Full leather trim by choice
- 29 1801 Holzpaket Makassar, dunkel seidenmatt
Makassar Ebony wood package, dark (matt satin finish)
- 29 1802 Holzpaket Platane, hell seidenmatt
Sycamore package, light (matt satin finish)
- 29 1803 Carbonpaket
Carbon package
- 29 1804 Exterieur-Paket Carbon GT2
GT2 Carbon exterior package
- 29 1805 Lifestyle-Paket
Lifestyle package
- 29 1810 Fussmatten
Floor mats
- 29 1839 GT3-Lenkrad Alcantara
GT3 Alcantara steering wheel
- 29 1841 Basislenkrad Glattleder
Basic steering wheel Smooth leather
- 29 1870 Universale Multimedia-Schnittstelle
Universal multimedia interface
- 29 1912 ohne Typschild
without ID plate
- 29 1936 Sitzbezüge hinten, Leder
Seat covers, rear, leather
- 29 1937 Sitzbezüge hinten, Kunstleder
Seat covers, rear, leatherette
- 29 1939 Sitzbezüge hinten, Raffleder
Seat covers, rear, draped leather
- 29 1946 Sitzbezüge vorne, Leder/Leder/Kunstleder
Seat covers, front, leather/leather/leatherette
- 29 1950 Sitzbezüge vorne, Alcantara/Kunstleder/Kunstleder
Alcantara seat covers, front
- 29 1951 Sitzbezüge vorne, Alcantara/Leder/Leder
Seat covers front, Alcantara/leather/leather
- 29 1970 Innenausstattung zwei farbig
Two-tone interior
- 29 1971 Naturlleder mit "TORO"-Prägung
"TORO" embossed leather
- 29 1981 Leder-Ausstattung, ohne Sitzbezug

GT3-2_MXI KAT29. TXT

29	1982	Leather equipment, without seat covers Sitzbezüge vorne, Raffleder/Leder/Leder
29	1983	Seat covers, front, draped leather/leather/leather Sitzbezüge vorne, Leder
29	1985	Seat covers, front, leather Sitzbezüge, Leder/Leder/Kunstleder, 2
29	1990	Seat covers, leather/leather/leatherette, 2 Sitzbezüge vorne, Stoff/Stoff/Kunstleder
29	1991	Seat covers, front, cloth/cloth/leatherette Airbagmodul in Leder
29	1998	Steering wheel airbag module in leather Leder, Natur
29	1999	Leather, natural Innenraumüberwachung Sensor für Lederfarbe nach Wahl Passenger compartment monitoring sensor for leather colour of choice

Model GT3-2	Year 08	MG	SG	Illustration	VIN No.	Update 230	14:51	25.08.2008
----------------	------------	----	----	--------------	---------	---------------	-------	------------

EQUIPMENT BY COUNTRY REGULATIONS

=====

(A) AUSTRIA

(AG) ARABIAN GULF STATES

(AUS) AUSTRALIA

(B) BELGIUM

(BR) BRAZIL

(CDN) CANADA

(CH) SWITZERLAND

(CN) PEOPLE'S REPUBLIC OF CHINA

(D) FEDERAL REPUBLIC OF GERMANY

(DK) DENMARK

(E) SPAIN

(F) FRANCE

(GB) GREAT BRITAIN

(GR) GREECE

(HK) HONGKONG

Model	Year	MG	SG	Illustration	VIN No.	Update		
GT3-2	08					230	14:51	25.08.2008

(I) ITALY

(J) JAPAN

(L) LUXEMBURG

(N) NORWAY

(NL) NETHERLANDS

(NZ) NEW ZEALAND

(P) PORTUGAL

(ROK) KOREA

(RC) TAIWAN

(THA) THAILAND

(S) SWEDEN

(SA) SAUDI ARABIA

(SF) FINLAND

(USA) UNITED STATES OF AMERICA

(ZA) SOUTH AFRICA

Model GT3-2	Year 08	MG	SG	Illustration	VIN No.	Update 230	14:51	25.08.2008
----------------	------------	----	----	--------------	---------	---------------	-------	------------

IN COLUMN - A -

IDENTIFICATION LETTER FOR PERIOD OF INSTALLATION
THAT IS REPEATED SEVERAL TIMES IN THE CATALOG GROUP.

EXPLANATION PLEASE FIND IN TEXT COLUMN OF THE CATALOG GROUP

IN COLUMN - QU - = NO. OF PIECES

- 1 NUMBER PER APPLICATION
- X NUMBER AS NEEDED
- * AVAILABLE ONLY IN RUNNING LENGTHS 1 = 1 METRE

IN COLUMN - MODEL/SYMBOL -

- M650 OPTIONAL EQUIPMENT - SEE M-NO. LIST
- 98 LIMITATION OF MODEL YEAR FOR INSTANCE: VALID UP TO
END OF MODEL YEAR 1997
- /LL LHD
- /RL RHD
- +
- /V FRONT I

Model GT3-2	Year 08	MG	SG	Illustration	VIN No.	Update 230	14:51	25.08.2008
----------------	------------	----	----	--------------	---------	---------------	-------	------------

I
 /H REAR I
 I----> APPLIES TO
 /L LEFT I DIRECTION OF TRAVEL
 I
 /R RIGHT I
 -----+
 WW THE PART CAN BE USED INSTEAD OF THE
 PRECEDING ONE.

Model GT3-2	Year 08	MG	SG	Illustration	VIN No.	Update 230	14:51	25.08.2008
----------------	------------	----	----	--------------	---------	---------------	-------	------------

LEGENDS AND NOTICES

=====

IN COLUMN -S- STATUS

- N NEW ADDITION
- P PART ALREADY IN PROGRAMME, BUT NEW
AT THIS APPLICATION
- W DELETED AT THIS APPLICATION, BUT CONTINUED TO BE CARRIED
- K THIS PART MUST BE RE-ORDERED IF IT IS UNAVAILABLE WHEN THE
ORDER IS FIRST PLACED. ORDER BACKLOGS ARE NOT PROCESSED.
- A STOCK TO BE USED UP
- U DELETED WITHOUT REPLACEMENT
- * PART ALSO OR ONLY AVAILABLE
IN REPAIR KIT
- > ALSO AVAILABLE IN EXCHANGE

IN COLUMN - ILL. -

- 1 IDENTIFICATION NO. IN ILLUSTRATION
- (1) PART ONLY SIMILAR AS ILLUSTRATED

Model GT3-2	Year 08	MG	SG	Illustration	VIN No.	Update 230	14:51	25.08.2008
----------------	------------	----	----	--------------	---------	---------------	-------	------------

- PART IS NOT ILLUSTRATED

FIG.-NUMBERS FOR WHICH THERE IS SHOWN NO TEXT ARE
NOT VALID FOR THIS EDITION OF CATALOGUE

IN COLUMN -PART NUMBER/CODE-

000 000 000 00 PART NUMBER EQUALS ORDERING NO., IF A CODE IS
SHOWN, IT WILL HAVE TO BE PART OF ORDERING
NUMBER

01C COLOUR CODE

IN COLUMN -TEXT

INSTALLATION WITH ENGINE OR CHASSIS
NUMBER-RANGE

EXAMPLE:

M 66W 00389>> FROM ENGINE NO.

F >>99WS6 00889 UP TO CHASSIS NO.

PORSCHE

V-Pages

PORSCHE

Model	Year	MG	SG	Illustration	VIN No.	Update		
GT3-2	08					230	14:51	25.08.2008

VEHICLE TYPE	TYPE	MY	TRANSMISSION NO.	TECHNICAL DATA
997 GT3	G97.90	07 7	G9790 2 002001>999999	6-GANG
997 GT3	G97.90	08 8	G9790 2 002001>999999	6-GANG

Model GT3-2	Year 08	MG	SG	Illustration	VIN No.	Update 230	14:51	25.08.2008
----------------	------------	----	----	--------------	---------	---------------	-------	------------

EXPLANATION OF THE TRANSMISSION-NUMBERS USED IN THE CATALOGUE

=====

DIGIT:	1	2	3	4	5	6	7	8	9	10	11
EXAMPLE:	G	9	7	0	1	1	0	0	5	4	3
	=	=====				=	=====				
	!		!			!			!		!
	!		!			!			!		!
TRANSMISSION TYPE-----+			!			!			!		!
			!			!			!		!
TRANSMISSION VERSION-----+						!			!		!
						!			!		!
INDEX OF VARIANTS-----+									!		!
									!		!
SERIAL NUMBER-----+											!

Model	Year	MG	SG	Illustration	VIN No.	Update		
GT3-2	08					230	14:50	25.08.2008

ENGINE

VEHICLE TYPE	TYPE	MY	ENGINE NO.	TECHNICAL DATA
997 GT3	M97.76	07 7	617 23501>26000	6ZYL/3,6L /305 KW
997 GT3	M97.76	08 8	618 23501>26000	6ZYL/3,6L /305 KW

Model	Year	MG	SG	Illustration	VIN No.	Update		
GT3-2	08					230	14:50	25.08.2008

EXPLANATION OF THE MOTOR-NUMBERS USED IN THE CATALOGUE

=====

DIGIT: 1 2 3 4 5 6 7 8

EXAMPLE: 6 9 5 0 0 1 3 6

= = = =====

! ! ! !

ENGINE TYPE (6 = 6-CYL.-ENGINE)-----+ ! ! !

! ! !

ENGINE VERSION-----+ ! !

! !

MODEL YEAR-----+ !

!

SERIAL NUMBER-----+ !

Model	Year	MG	SG	Illustration	VIN No.	Update		
GT3-2	08					230	14:50	25.08.2008

VEHICLE TYPE	MY	VIN	ENGINE TYPE
997 COUPE GT3	07 7	997S7 90061>92000	M97.76 305 KW
997 COUPE GT3 (USA.CDN.MEX.BR)	07 7	997S7 92061>94000	M97.76 305 KW
997 COUPE GT3	07 7	997S7 94001>95000	M97.76 305 KW
997 COUPE GT3	08 8	998S7 90061>92000	M97.76 305 KW
997 COUPE GT3 (USA.CDN.MEX.BR)	08 8	998S7 92061>94000	M97.76 305 KW

Model GT3-2	Year 08	MG	SG	Illustration	VIN No.	Update 230	14:50	25.08.2008
----------------	------------	----	----	--------------	---------	---------------	-------	------------

EXPLANATION OF THE ABRIDGED VERSION OF THE VEHICLE IDENT. NUMBERS (VIN)

=====

USED IN THE CATALOGUE

=====

DIGIT: 1 2 3 4 5 6 7 8 9 10 11 12 13 14 15 16 17

EXAMPLE: W P 0 Z Z Z 9 9 Z 5 S 7 0 0 1 2 5

 === = = = =====

 ! ! ! ! !

VEHICLE TYPE 1ST+2ND DIGIT-----+ ! ! ! !

 ! ! ! !

MODEL YEAR-----+ ! ! !

 ! ! !

MANUFACTURING LOCATION-----+ ! !

 ! !

VEHICLE TYPE 3RD DIGIT-----+ !

 !

SERIAL NUMBER-----+ !

Model	Year	MG	SG	Illustration	VIN No.	Update		
GT3-2	08					230	14:50	25.08.2008

PET CONTAINS THE ORDERING DETAILS FOR ALL MODELS SHOWN IN THE MODEL OVERVIEW.

THE UPDATE SERVICE IS PERFORMED AUTOMATICALLY VIA INTERNET UPDATE.

THE VERSION IS SHOWN IN THE HEADER AS "UPDATE 123/12"

SEATS AND RELATED ITEMS FOR MODELS INTRODUCED BEFORE 1997 ARE SHOWN IN THE STZ CATALOGUE.

SEATS AND RELATED ITEMS FOR MODELS INTRODUCED AFTER 1997 ARE SHOWN IN THE CORRESPONDING VEHICLE CATALOGUES.

ALL ILLUSTRATIONS ARE NON-BINDING.

SUBJECT TO CHANGE.