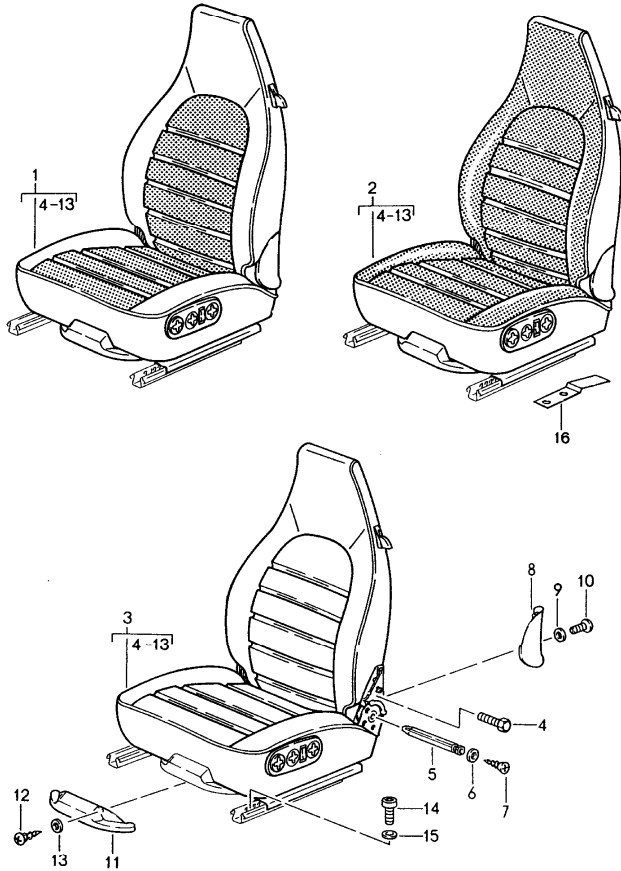
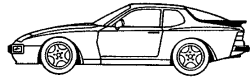


Model	Year	MG	SG	Illustration	Restrictions	UPD	15:17	27.01.2010	PORSCHE	PET	PORSCHE
STZ	1998	8	04	804-00		248					



Pos	Part Number	Description	Remark	Qty	Model
1	928 521 001 10	front seat complete	85/2 -88		944/S TURBO/S
		standard seat manually adjustable leatherette/centre part in cloth pin stripe velour	/RL/L	1	
	JN1	black/black-white			
	JN2	brown/brown-beige			
	RC7	light grey/light grey-white			
	LT2	burgundy/burgundy-white			
(1)	928 521 002 10	standard seat manually adjustable leatherette/centre part in cloth pin stripe velour	/LL/R	1	
	JN1	black/black-white			
	JN2	brown/brown-beige			
	RC7	light grey/light grey-white			
	LT2	burgundy/burgundy-white			
1	928 521 001 12	front seat elect. vertical adjustment leatherette/centre part in cloth pin stripe velour	/LL/L	1	
	JN1	black/black-white			
	JN2	brown/brown-beige			
	RC7	light grey/light grey-white			
	LT2	burgundy/burgundy-white			

Model	Year	MG	SG	Illustration	Restrictions	UPD	15:17	27.01.2010	PORSCHE	PET	PORSCHE
STZ	1998	8	04	804-00		248					

Pos	Part Number	Description	Remark	Qty	Model	Pos	Part Number	Description	Remark	Qty	Model
(1)	928 521 002 12	front seat elect. vertical adjustment leatherette/ centre part in cloth pin stripe velour	/RL/R	1		1	928 521 003 00	comfort seat all-electric leatherette/ centre part in cloth pin stripe velour	/L	1	M437
	JN1	black/ black-white					JN1	black/ black-white			
	JN2	brown/ brown-beige					JN2	brown/ brown-beige			
	RC7	light grey light grey-white					RC7	light grey light grey-white			
	LT2	burgundy/ burgundy-white					LT2	burgundy/ burgundy-white			
1	928 521 001 14	front seat elect. vertical adjustment with seat heating leatherette/ centre part in cloth pin stripe velour	/LL/L	1		(1)	928 521 004 00	comfort seat all-electric leatherette/ centre part in cloth pin stripe velour	/R	1	M438
	JN1	black/ black-white					JN1	black/ black-white			
	JN2	brown/ brown-beige					JN2	brown/ brown-beige			
	RC7	light grey light grey-white					RC7	light grey light grey-white			
	LT2	burgundy/ burgundy-white					LT2	burgundy/ burgundy-white			
(1)	928 521 002 14	front seat elect. vertical adjustment with seat heating leatherette/ centre part in cloth pin stripe velour	/RL/R	1		1	928 521 003 02	comfort seat all-electric with seat heating leatherette/ centre part in cloth pin stripe velour	/L	1	M437
	JN1	black/ black-white					JN1	black/ black-white			
	JN2	brown/ brown-beige					JN2	brown/ brown-beige			
	RC7	light grey light grey-white					RC7	light grey light grey-white			
	LT2	burgundy/ burgundy-white					LT2	burgundy/ burgundy-white			

Model	Year	MG	SG	Illustration	Restrictions	UPD	15:17	27.01.2010	PORSCHE	PET	PORSCHE
STZ	1998	8	04	804-00		248					

Pos	Part Number	Description	Remark	Qty	Model	Pos	Part Number	Description	Remark	Qty	Model
(1)	928 521 004 02	comfort seat all-electric with seat heating leatherette/ centre part in cloth pin stripe velour	/R	1	M438	1	944 521 003 02	comfort seat all-electric lumbar support with seat heating leatherette/ centre part in cloth pin stripe velour	/L	1	M437
	JN1	black/ black-white					JN1	black/ black-white			
	JN2	brown/ brown-beige					JN2	brown/ brown-beige			
	RC7	light grey light grey-white					RC7	light grey light grey-white			
	LT2	burgundy/ burgundy-white					LT2	burgundy/ burgundy-white			
1	944 521 003 00	comfort seat all-electric lumbar support leatherette/ centre part in cloth pin stripe velour	/L	1	M437	(1)	944 521 004 02	comfort seat all-electric lumbar support with seat heating leatherette/ centre part in cloth pin stripe velour	/R	1	M438
	JN1	black/ black-white					JN1	black/ black-white			
	JN2	brown/ brown-beige					JN2	brown/ brown-beige			
	RC7	light grey light grey-white					RC7	light grey light grey-white			
	LT2	burgundy/ burgundy-white					LT2	burgundy/ burgundy-white			
(1)	944 521 004 00	comfort seat all-electric lumbar support leatherette/ centre part in cloth pin stripe velour	/R	1	M438	1	928 521 001 10	standard seat manually adjustable leatherette/ centre part in cloth pin stripe flannel	/RL/L	1	
	JN1	black/ black-white					NX4	black/anthracite			
	JN2	brown/ brown-beige					NX5	brown/brown			
	RC7	light grey light grey-white					NX6	light grey/light grey			
	LT2	burgundy/ burgundy-white					NX7	burgundy/burgundy			

Model	Year	MG	SG	Illustration	Restrictions	UPD	15:17	27.01.2010	PORSCHE	PET	PORSCHE
STZ	1998	8	04	804-00		248					

Pos	Part Number	Description	Remark	Qty	Model	Pos	Part Number	Description	Remark	Qty	Model
(1)	928 521 002 10	standard seat manually adjustable leatherette/ centre part in cloth pin stripe flannel	/LL/R	1		(1)	928 521 002 14	front seat elect. vertical adjustment with seat heating leatherette/ centre part in cloth pin stripe flannel	/RL/R	1	
	NX4	black/anthracite					NX4	black/anthracite			
	NX5	brown/brown					NX5	brown/brown			
	NX6	light grey/light grey					NX6	light grey/light grey			
	NX7	burgundy/burgundy					NX7	burgundy/burgundy			
1	928 521 001 12	front seat elect. vertical adjustment leatherette/ centre part in cloth pin stripe flannel	/LL/L	1		1	928 521 003 00	comfort seat all-electric leatherette/ centre part in cloth pin stripe flannel	/L	1	M437
	NX4	black/anthracite					NX4	black/anthracite			
	NX5	brown/brown					NX5	brown/brown			
	NX6	light grey/light grey					NX6	light grey/light grey			
	NX7	burgundy/burgundy					NX7	burgundy/burgundy			
(1)	928 521 002 12	front seat elect. vertical adjustment leatherette/ centre part in cloth pin stripe flannel	/RL/R	1		(1)	928 521 004 00	comfort seat all-electric leatherette/ centre part in cloth pin stripe flannel	/R	1	M438
	NX4	black/anthracite					NX4	black/anthracite			
	NX5	brown/brown					NX5	brown/brown			
	NX6	light grey/light grey					NX6	light grey/light grey			
	NX7	burgundy/burgundy					NX7	burgundy/burgundy			
1	928 521 001 14	front seat elect. vertical adjustment with seat heating leatherette/ centre part in cloth pin stripe flannel	/LL/L	1		1	928 521 003 02	comfort seat all-electric with seat heating leatherette/ centre part in cloth pin stripe flannel	/L	1	M437
	NX4	black/anthracite					NX4	black/anthracite			
	NX5	brown/brown					NX5	brown/brown			
	NX6	light grey/light grey					NX6	light grey/light grey			
	NX7	burgundy/burgundy					NX7	burgundy/burgundy			

Model	Year	MG	SG	Illustration	Restrictions	UPD	15:17	27.01.2010	PORSCHE	PET	PORSCHE
STZ	1998	8	04	804-00		248					

Pos	Part Number	Description	Remark	Qty	Model	Pos	Part Number	Description	Remark	Qty	Model
(1)	928 521 004 02	comfort seat all-electric with seat heating leatherette/ centre part in cloth pin stripe flannel	/R	1	M438		NX6	light grey/light grey			
							NX7	burgundy/burgundy			
						(1)	944 521 004 02	comfort seat all-electric lumbar support with seat heating leatherette/ centre part in cloth pin stripe flannel	/R	1	M438
		NX4						black/anthracite			
		NX5						brown/brown			
		NX6						light grey/light grey			
		NX7						burgundy/burgundy			
1	944 521 003 00	comfort seat all-electric lumbar support leatherette/ centre part in cloth pin stripe flannel	/L	1	M437		NX4	black/anthracite			
							NX5	brown/brown			
							NX6	light grey/light grey			
							NX7	burgundy/burgundy			
(1)	944 521 004 00	comfort seat all-electric lumbar support leatherette/ centre part in cloth pin stripe flannel	/R	1	M438		NX9	light grey/light grey			
							PX5	burgundy/burgundy			
		NX4				(1)	928 521 002 10	standard seat manually adjustable leatherette/ centre part porsche lettering cloth	/LL/R	1	
		NX5						black/black			
		NX6						brown/brown			
		NX7						light grey/light grey			
1	944 521 003 02	comfort seat all-electric lumbar support with seat heating leatherette/ centre part in cloth pin stripe flannel	/L	1	M437		PX3	brown/brown			
							NX9	light grey/light grey			
							PX5	burgundy/burgundy			
		NX4				1	928 521 001 12	front seat elect. vertical adjustment leatherette/ centre part porsche lettering cloth	/LL/L	1	
		NX5						black/black			
								brown/brown			

Model	Year	MG	SG	Illustration	Restrictions	UPD	15:17	27.01.2010	PORSCHE	PET	PORSCHE
STZ	1998	8	04	804-00		248					

Pos	Part Number	Description	Remark	Qty	Model	Pos	Part Number	Description	Remark	Qty	Model
		NX9 light grey/light grey						NX9 light grey/light grey			
		PX5 burgundy/burgundy						PX5 burgundy/burgundy			
(1)	928 521 002 12	front seat elect. vertical adjustment leatherette/ centre part porsche lettering cloth	/RL/R	1		(1)	928 521 004 00	comfort seat all-electric leatherette/ centre part porsche lettering cloth	/R	1	M438
		PX1 black/black						PX1 black/black			
		PX3 brown/brown						PX3 brown/brown			
		NX9 light grey/light grey						NX9 light grey/light grey			
		PX5 burgundy/burgundy						PX5 burgundy/burgundy			
1	928 521 001 14	front seat elect. vertical adjustment with seat heating leatherette/ centre part porsche lettering cloth	/LL/L	1		1	928 521 003 02	comfort seat all-electric with seat heating leatherette/ centre part porsche lettering cloth	/L	1	M437
		PX1 black/black						PX1 black/black			
		PX3 brown/brown						PX3 brown/brown			
		NX9 light grey/light grey						NX9 light grey/light grey			
		PX5 burgundy/burgundy						PX5 burgundy/burgundy			
(1)	928 521 002 14	front seat elect. vertical adjustment with seat heating leatherette/ centre part porsche lettering cloth	/RL/R	1		(1)	928 521 004 02	comfort seat all-electric with seat heating leatherette/ centre part porsche lettering cloth	/R	1	M438
		PX1 black/black						PX1 black/black			
		PX3 brown/brown						PX3 brown/brown			
		NX9 light grey/light grey						NX9 light grey/light grey			
		PX5 burgundy/burgundy						PX5 burgundy/burgundy			
1	928 521 003 00	comfort seat all-electric leatherette/ centre part porsche lettering cloth	/L	1	M437	1	944 521 003 00	comfort seat all-electric lumbar support leatherette/ centre part porsche lettering cloth	/L	1	M437
		PX1 black/black						PX1 black/black			
		PX3 brown/brown						PX3 brown/brown			

Model	Year	MG	SG	Illustration	Restrictions	UPD	15:17	27.01.2010	PORSCHE	PET	PORSCHE
STZ	1998	8	04	804-00		248					

Pos	Part Number	Description	Remark	Qty	Model	Pos	Part Number	Description	Remark	Qty	Model
		PX3 brown/brown				1	928 521 001 62	standard seat manually adjustable	/L	-87	1
		NX9 light grey/light grey						leatherette/leather			
		PX5 burgundy/burgundy						centre part in cloth			
(1)	944 521 004 00	comfort seat all-electric lumbar support leatherette/centre part porsche lettering cloth	/R	1	M438		PY1	black/black black-white			
		PX1 black/black					PY2	brown/brown brown-beige			
		PX3 brown/brown					PY4	burgundy/burgundy burgundy-white			
		NX9 light grey/light grey					RC9	light grey/light grey light grey-white	86-		
		PX5 burgundy/burgundy				(1)	928 521 002 62	standard seat manually adjustable leatherette/leather centre part in cloth pin stripe velour	/R	-87	1
1	944 521 003 02	comfort seat all-electric lumbar support with seat heating leatherette/centre part porsche lettering cloth	/L	1	M437		PY1	black/black black-white			
		PX1 black/black					PY2	brown/brown brown-beige			
		PX3 brown/brown					PY4	burgundy/burgundy burgundy-white			
		NX9 light grey/light grey					RC9	light grey/light grey light grey-white	86-		
		PX5 burgundy/burgundy				1	928 521 001 67	front seat elect. vertical adjustment leatherette/leather centre part in cloth pin stripe velour	/L	-87	1 M379
(1)	944 521 004 02	comfort seat all-electric lumbar support with seat heating leatherette/centre part porsche lettering cloth	/R	1	M438		PY1	black/black black-white			
		PX1 black/black					PY2	brown/brown brown-beige			
		PX3 brown/brown					PY4	burgundy/burgundy burgundy-white			
		NX9 light grey/light grey					RC9	light grey/light grey light grey-white	86-		
		PX5 burgundy/burgundy									

Model	Year	MG	SG	Illustration	Restrictions	UPD	15:17	27.01.2010	PORSCHE	PET	PORSCHE
STZ	1998	8	04	804-00		248					

Pos	Part Number	Description	Remark	Qty	Model	Pos	Part Number	Description	Remark	Qty	Model
(1)	928 521 002 67	front seat elect. vertical adjustment leatherette/leather centre part in cloth pin stripe velour	/R	-87	1 M380	1	928 521 003 50	comfort seat all-electric leatherette/leather centre part in cloth pin stripe velour	/L	-87	1 M437
	PY1	black/black black-white					PY1	black/black black-white			
	PY2	brown/brown brown-beige					PY2	brown/brown brown-beige			
	PY4	burgundy/burgundy burgundy-white					PY4	burgundy/burgundy burgundy-white			
	RC9	light grey/light grey light grey-white	86-				RC9	light grey/light grey light grey-white	86-		
1	928 521 001 72	front seat elect. vertical adjustment with seat heating leatherette/leather centre part in cloth pin stripe velour	/L	-87	1 M379	(1)	928 521 004 50	comfort seat all-electric leatherette/leather centre part in cloth pin stripe velour	/R	-87	1 M438
	PY1	black/black black-white					PY1	black/black black-white			
	PY2	brown/brown brown-beige					PY2	brown/brown brown-beige			
	PY4	burgundy/burgundy burgundy-white					PY4	burgundy/burgundy burgundy-white			
	RC9	light grey/light grey light grey-white	86-				RC9	light grey/light grey light grey-white	86-		
(1)	928 521 002 72	front seat elect. vertical adjustment with seat heating leatherette/leather centre part in cloth pin stripe velour	/R	-87	1 M380	1	928 521 003 55	comfort seat all-electric with seat heating leatherette/leather centre part in cloth pin stripe velour	/L	-87	1 M437
	PY1	black/black black-white					PY1	black/black black-white			
	PY2	brown/brown brown-beige					PY2	brown/brown brown-beige			
	PY4	burgundy/burgundy burgundy-white					PY4	burgundy/burgundy burgundy-white			
	RC9	light grey/light grey light grey-white	86-				RC9	light grey/light grey light grey-white	86-		



Model	Year	MG	SG	Illustration	Restrictions	UPD	15:17	27.01.2010	PORSCHE	PET	PORSCHE
STZ	1998	8	04	804-00		248					

Pos	Part Number	Description	Remark	Qty	Model	Pos	Part Number	Description	Remark	Qty	Model
(1)	928 521 004 55	comfort seat all-electric with seat heating leatherette/leather centre part in cloth pin stripe velour	/R	-87	1 M438	1	944 521 003 55	comfort seat all-electric lumbar support with seat heating leatherette/leather centre part in cloth pin stripe velour	/L	-87	1 M437
	PY1	black/black black-white					PY1	black/black black-white			
	PY2	brown/brown brown-beige					PY2	brown/brown brown-beige			
	PY4	burgundy/burgundy burgundy-white					PY4	burgundy/burgundy burgundy-white			
	RC9	light grey/light grey light grey-white		86-			RC9	light grey/light grey light grey-white		86-	
1	944 521 003 50	comfort seat all-electric lumbar support leatherette/leather centre part in cloth pin stripe velour	/L	-87	1 M437	(1)	944 521 004 55	comfort seat all-electric lumbar support with seat heating leatherette/leather centre part in cloth pin stripe velour	/R	-87	1 M438
	PY1	black/black black-white					PY1	black/black black-white			
	PY2	brown/brown brown-beige					PY2	brown/brown brown-beige			
	PY4	burgundy/burgundy burgundy-white					PY4	burgundy/burgundy burgundy-white			
	RC9	light grey/light grey light grey-white		86-			RC9	light grey/light grey light grey-white		86-	
(1)	944 521 004 50	comfort seat all-electric lumbar support leatherette/leather centre part in cloth pin stripe velour	/R	-87	1 M438	1	928 521 001 62	standard seat manually adjustable leatherette/leather centre part in cloth pin stripe flannel	/L	-87	1
	PY1	black/black black-white					PZ2	black/black anthracite			
	PY2	brown/brown brown-beige					PZ3	brown/brown brown			
	PY4	burgundy/burgundy burgundy-white					PY8	light grey/light grey light grey			
	RC9	light grey/light grey light grey-white		86-			PZ5	burgundy/burgundy burgundy			

Model	Year	MG	SG	Illustration	Restrictions	UPD	15:17	27.01.2010	PORSCHE	PET	PORSCHE
STZ	1998	8	04	804-00		248					

Pos	Part Number	Description	Remark	Qty	Model	Pos	Part Number	Description	Remark	Qty	Model		
(1)	928 521 002 62	standard seat manually adjustable leatherette/leather centre part in cloth pin stripe flannel	/R	-87	1		1	928 521 001 72	front seat elect. vertical adjustment with seat heating leatherette/leather centre part in cloth pin stripe flannel	/L	-87	1	M379
	PZ2	black/black anthracite					PZ2	black/black anthracite					
	PZ3	brown/brown brown					PZ3	brown/brown brown					
	PY8	light grey/light grey light grey					PY8	light grey/light grey light grey					
	PZ5	burgundy/burgundy burgundy					PZ5	burgundy/burgundy burgundy					
1	928 521 001 67	front seat elect. vertical adjustment leatherette/leather centre part in cloth pin stripe flannel	/L	-87	1	M379	(1)	928 521 002 72	front seat elect. vertical adjustment with seat heating leatherette/leather centre part in cloth pin stripe flannel	/R	-87	1	M380
	PZ2	black/black anthracite					PZ2	black/black anthracite					
	PZ3	brown/brown brown					PZ3	brown/brown brown					
	PY8	light grey/light grey light grey					PY8	light grey/light grey light grey					
	PZ5	burgundy/burgundy burgundy					PZ5	burgundy/burgundy burgundy					
(1)	928 521 002 67	front seat elect. vertical adjustment leatherette/leather centre part in cloth pin stripe flannel	/R	-87	1	M380	1	928 521 003 50	comfort seat all-electric leatherette/leather centre part in cloth pin stripe flannel	/L	-87	1	M437
	PZ2	black/black anthracite					PZ2	black/black anthracite					
	PZ3	brown/brown brown					PZ3	brown/brown brown					
	PY8	light grey/light grey light grey					PY8	light grey/light grey light grey					
	PZ5	burgundy/burgundy burgundy					PZ5	burgundy/burgundy burgundy					

Model	Year	MG	SG	Illustration	Restrictions	UPD	15:17	27.01.2010	PORSCHE	PET	PORSCHE
STZ	1998	8	04	804-00		248					

Pos	Part Number	Description	Remark	Qty	Model	Pos	Part Number	Description	Remark	Qty	Model
(1)	928 521 004 50	comfort seat all-electric leatherette/leather centre part in cloth pin stripe flannel	/R	-87	1 M438	1	944 521 003 50	comfort seat all-electric lumbar support leatherette/leather centre part in cloth pin stripe flannel	/L	-87	1 M437
	PZ2	black/black anthracite					PZ2	black/black anthracite			
	PZ3	brown/brown brown					PZ3	brown/brown brown			
	PY8	light grey/light grey light grey					PY8	light grey/light grey light grey			
	PZ5	burgundy/burgundy burgundy					PZ5	burgundy/burgundy burgundy			
1	928 521 003 55	comfort seat all-electric with seat heating leatherette/leather centre part in cloth pin stripe flannel	/L	-87	1 M437	(1)	944 521 004 50	comfort seat all-electric lumbar support leatherette/leather centre part in cloth pin stripe flannel	/R	-87	1 M438
	PZ2	black/black anthracite					PZ2	black/black anthracite			
	PZ3	brown/brown brown					PZ3	brown/brown brown			
	PY8	light grey/light grey light grey					PY8	light grey/light grey light grey			
	PZ5	burgundy/burgundy burgundy					PZ5	burgundy/burgundy burgundy			
(1)	928 521 004 55	comfort seat all-electric with seat heating leatherette/leather centre part in cloth pin stripe flannel	/R	-87	1 M438	1	944 521 003 55	comfort seat all-electric lumbar support with seat heating leatherette/leather centre part in cloth pin stripe flannel	/L	-87	1 M437
	PZ2	black/black anthracite					PZ2	black/black anthracite			
	PZ3	brown/brown brown					PZ3	brown/brown brown			
	PY8	light grey/light grey light grey					PY8	light grey/light grey light grey			
	PZ5	burgundy/burgundy burgundy					PZ5	burgundy/burgundy burgundy			

Model	Year	MG	SG	Illustration	Restrictions	UPD	15:17	27.01.2010	PORSCHE	PET	PORSCHE
STZ	1998	8	04	804-00		248					

Pos	Part Number	Description	Remark	Qty	Model	Pos	Part Number	Description	Remark	Qty	Model		
(1)	944 521 004 55	comfort seat all-electric lumbar support with seat heating leatherette/leather centre part in cloth pin stripe flannel	/R	-87	1	M438	1	928 521 001 67	front seat elect. vertical adjustment leatherette/leather centre part porsche lettering cloth	/L	-87	1	M379
	PZ2	black/black anthracite					PZ7	black/black black					
	PZ3	brown/brown brown					PZ8	brown/brown brown					
	PY8	light grey/light grey light grey					PY7	light grey/light grey light grey					
	PZ5	burgundy/burgundy burgundy					QA1	burgundy/burgundy burgundy					
1	928 521 001 62	standard seat manually adjustable leatherette/leather centre part porsche lettering cloth	/L	-87	1		(1)	928 521 002 67	front seat elect. vertical adjustment leatherette/leather centre part porsche lettering cloth	/R	-87	1	M380
	PZ7	black/black black					PZ7	black/black black					
	PZ8	brown/brown brown					PZ8	brown/brown brown					
	PY7	light grey/light grey light grey					PY7	light grey/light grey light grey					
	QA1	burgundy/burgundy burgundy					QA1	burgundy/burgundy burgundy					
(1)	928 521 002 62	standard seat manually adjustable leatherette/leather centre part porsche lettering cloth	/R	-87	1		1	928 521 001 72	front seat elect. vertical adjustment with seat heating leatherette/leather centre part porsche lettering cloth	/L	-87	1	M379
	PZ7	black/black black					PZ7	black/black black					
	PZ8	brown/brown brown					PZ8	brown/brown brown					
	PY7	light grey/light grey light grey					PY7	light grey/light grey light grey					
	QA1	burgundy/burgundy burgundy					QA1	burgundy/burgundy burgundy					

Model	Year	MG	SG	Illustration	Restrictions	UPD	15:17	27.01.2010	PORSCHE	PET	PORSCHE
STZ	1998	8	04	804-00		248					

Pos	Part Number	Description	Remark	Qty	Model	Pos	Part Number	Description	Remark	Qty	Model		
(1)	928 521 002 72	front seat elect. vertical adjustment with seat heating leatherette/leather centre part porsche lettering cloth	/R	-87	1	M380	1	928 521 003 55	comfort seat all-electric with seat heating leatherette/leather centre part porsche lettering cloth	/L	-87	1	M437
	PZ7	black/black black					PZ7	black/black black					
	PZ8	brown/brown brown					PZ8	brown/brown brown					
	PY7	light grey/light grey light grey					PY7	light grey/light grey light grey					
	QA1	burgundy/burgundy burgundy					QA1	burgundy/burgundy burgundy					
1	928 521 003 50	comfort seat all-electric leatherette/leather centre part porsche lettering cloth	/L	-87	1	M437	(1)	928 521 004 55	comfort seat all-electric with seat heating leatherette/leather centre part porsche lettering cloth	/R	-87	1	M438
	PZ7	black/black black					PZ7	black/black black					
	PZ8	brown/brown brown					PZ8	brown/brown brown					
	PY7	light grey/light grey light grey					PY7	light grey/light grey light grey					
	QA1	burgundy/burgundy burgundy					QA1	burgundy/burgundy burgundy					
(1)	928 521 004 50	comfort seat all-electric leatherette/leather centre part porsche lettering cloth	/R	-87	1	M438	1	944 521 003 50	comfort seat all-electric lumbar support leatherette/leather centre part porsche lettering cloth	/L	-87	1	M437
	PZ7	black/black black					PZ7	black/black black					
	PZ8	brown/brown brown					PZ8	brown/brown brown					
	PY7	light grey/light grey light grey					PY7	light grey/light grey light grey					
	QA1	burgundy/burgundy burgundy					QA1	burgundy/burgundy burgundy					

Model	Year	MG	SG	Illustration	Restrictions	UPD	15:17	27.01.2010	PORSCHE	PET	PORSCHE
STZ	1998	8	04	804-00		248					

Pos	Part Number	Description	Remark	Qty	Model	Pos	Part Number	Description	Remark	Qty	Model
(1)	944 521 004 50	comfort seat all-electric lumbar support leatherette/leather centre part porsche lettering cloth	/R	-87	1	M438		QA1 burgundy/burgundy burgundy			
	PZ7	black/black black					2	928 521 001 11 standard seat manually adjustable leatherette/ seat and backrest surface pin stripe velour	/RL/L	1	
	PZ8	brown/brown brown						NY5 black/ black-white			
	PY7	light grey/light grey light grey						NY7 brown/ brown-beige			
	QA1	burgundy/burgundy burgundy						RC8 light grey light grey-white	86-		
1	944 521 003 55	comfort seat all-electric lumbar support with seat heating leatherette/leather centre part porsche lettering cloth	/L	-87	1	M437		NY8 burgundy/ burgundy-white			
	PZ7	black/black black					(2)	928 521 002 11 standard seat manually adjustable leatherette/ seat and backrest surface pin stripe velour	/LL/R	1	
	PZ8	brown/brown brown						NY5 black/ black-white			
	PY7	light grey/light grey light grey						NY7 brown/ brown-beige			
	QA1	burgundy/burgundy burgundy						RC8 light grey light grey-white	86-		
								NY8 burgundy/ burgundy-white			
(1)	944 521 004 55	comfort seat all-electric lumbar support with seat heating leatherette/leather centre part porsche lettering cloth	/R	-87	1	M438	2	928 521 001 13 front seat elect. vertical adjustment leatherette/ seat and backrest surface pin stripe velour	/LL/L	1	M379
	PZ7	black/black black						NY5 black/ black-white			
	PZ8	brown/brown brown						NY7 brown/ brown-beige			
	PY7	light grey/light grey light grey						RC8 light grey light grey-white	86-		
								NY8 burgundy/ burgundy-white			

Model	Year	MG	SG	Illustration	Restrictions	UPD	15:17	27.01.2010	PORSCHE	PET	PORSCHE
STZ	1998	8	04	804-00		248					

Pos	Part Number	Description	Remark	Qty	Model	Pos	Part Number	Description	Remark	Qty	Model
(2)	928 521 002 13	front seat elect. vertical adjustment leatherette/ seat and backrest surface pin stripe velour	/RL/R	1	M380	2	928 521 003 01	comfort seat all-electric leatherette/ seat and backrest surface pin stripe velour	/L	1	M437
	NY5	black/ black-white					NY5	black/ black-white			
	NY7	brown/ brown-beige					NY7	brown/ brown-beige			
	RC8	light grey light grey-white	86-				RC8	light grey light grey-white	86-		
	NY8	burgundy/ burgundy-white					NY8	burgundy/ burgundy-white			
2	928 521 001 15	front seat elect. vertical adjustment with seat heating leatherette/ seat and backrest surface pin stripe velour	/LL/L	1	M379	(2)	928 521 004 01	comfort seat all-electric leatherette/ seat and backrest surface pin stripe velour	/R	1	M438
	NY5	black/ black-white					NY5	black/ black-white			
	NY7	brown/ brown-beige					NY7	brown/ brown-beige			
	RC8	light grey light grey-white	86-				RC8	light grey light grey-white	86-		
	NY8	burgundy/ burgundy-white					NY8	burgundy/ burgundy-white			
(2)	928 521 002 15	front seat elect. vertical adjustment with seat heating leatherette/ seat and backrest surface pin stripe velour	/RL/R	1	M380	2	928 521 003 03	comfort seat all-electric with seat heating leatherette/ seat and backrest surface pin stripe velour	/L	1	M437
	NY5	black/ black-white					NY5	black/ black-white			
	NY7	brown/ brown-beige					NY7	brown/ brown-beige			
	RC8	light grey light grey-white	86-				RC8	light grey light grey-white	86-		
	NY8	burgundy/ burgundy-white					NY8	burgundy/ burgundy-white			

Model	Year	MG	SG	Illustration	Restrictions	UPD	15:17	27.01.2010	PORSCHE	PET	PORSCHE
STZ	1998	8	04	804-00		248					

Pos	Part Number	Description	Remark	Qty	Model	Pos	Part Number	Description	Remark	Qty	Model
(2)	928 521 004 03	comfort seat all-electric with seat heating leatherette/ seat and backrest surface pin stripe velour	/R	1	M438	2	944 521 003 03	comfort seat all-electric lumbar support with seat heating leatherette/ seat and backrest surface pin stripe velour	/L	1	M437
	NY5	black/ black-white					NY5	black/ black-white			
	NY7	brown/ brown-beige					NY7	brown/ brown-beige			
	RC8	light grey light grey-white	86-				RC8	light grey light grey-white	86-		
	NY8	burgundy/ burgundy-white					NY8	burgundy/ burgundy-white			
2	944 521 003 01	comfort seat all-electric lumbar support leatherette/ seat and backrest surface pin stripe velour	/L	1	M437	(2)	944 521 004 03	comfort seat all-electric lumbar support with seat heating leatherette/ seat and backrest surface pin stripe velour	/R	1	M438
	NY5	black/ black-white					NY5	black/ black-white			
	NY7	brown/ brown-beige					NY7	brown/ brown-beige			
	RC8	light grey light grey-white	86-				RC8	light grey light grey-white	86-		
	NY8	burgundy/ burgundy-white					NY8	burgundy/ burgundy-white			
(2)	944 521 004 01	comfort seat all-electric lumbar support leatherette/ seat and backrest surface pin stripe velour	/R	1	M438	2	928 521 001 11	standard seat manually adjustable leatherette/ seat and backrest surface pin stripe flannel	/RL/L	1	
	NY5	black/ black-white					NY9	black/anthracite			
	NY7	brown/ brown-beige					NZ6	brown/brown			
	RC8	light grey light grey-white	86-				NZ4	light grey/light grey			
	NY8	burgundy/ burgundy-white					NZ5	burgundy/burgundy			



Model	Year	MG	SG	Illustration	Restrictions	UPD	15:17	27.01.2010	PORSCHE	PET	PORSCHE
STZ	1998	8	04	804-00		248					

Pos	Part Number	Description	Remark	Qty	Model	Pos	Part Number	Description	Remark	Qty	Model
(2)	928 521 002 11	standard seat manually adjustable leatherette/ seat and backrest surface pin stripe flannel	/LL/R	1		(2)	928 521 002 15	front seat elect. vertical adjustment with seat heating leatherette/ seat and backrest surface pin stripe flannel	/RL/R	1	M380
	NY9	black/anthracite					NY9	black/anthracite			
	NZ6	brown/brown					NZ6	brown/brown			
	NZ4	light grey/light grey					NZ4	light grey/light grey			
	NZ5	burgundy/burgundy					NZ5	burgundy/burgundy			
2	928 521 001 13	front seat elect. vertical adjustment leatherette/ seat and backrest surface pin stripe flannel	/LL/L	1	M379	2	928 521 003 01	comfort seat all-electric leatherette/ seat and backrest surface pin stripe flannel	/L	1	M437
	NY9	black/anthracite					NY9	black/anthracite			
	NZ6	brown/brown					NZ6	brown/brown			
	NZ4	light grey/light grey					NZ4	light grey/light grey			
	NZ5	burgundy/burgundy					NZ5	burgundy/burgundy			
(2)	928 521 002 13	front seat elect. vertical adjustment leatherette/ seat and backrest surface pin stripe flannel	/RL/R	1	M380	(2)	928 521 004 01	comfort seat all-electric leatherette/ seat and backrest surface pin stripe flannel	/R	1	M438
	NY9	black/anthracite					NY9	black/anthracite			
	NZ6	brown/brown					NZ6	brown/brown			
	NZ4	light grey/light grey					NZ4	light grey/light grey			
	NZ5	burgundy/burgundy					NZ5	burgundy/burgundy			
2	928 521 001 15	front seat elect. vertical adjustment with seat heating leatherette/ seat and backrest surface pin stripe flannel	/LL/L	1	M379	2	928 521 003 03	comfort seat all-electric with seat heating leatherette/ seat and backrest surface pin stripe flannel	/L	1	M437
	NY9	black/anthracite					NY9	black/anthracite			
	NZ6	brown/brown					NZ6	brown/brown			
	NZ4	light grey/light grey					NZ4	light grey/light grey			
	NZ5	burgundy/burgundy					NZ5	burgundy/burgundy			

Model	Year	MG	SG	Illustration	Restrictions	UPD	15:17	27.01.2010	PORSCHE	PET	PORSCHE
STZ	1998	8	04	804-00		248					

Pos	Part Number	Description	Remark	Qty	Model	Pos	Part Number	Description	Remark	Qty	Model
(2)	928 521 004 03	comfort seat all-electric with seat heating leatherette/ seat and backrest surface pin stripe flannel	/R	1	M438		NZ4	light grey/light grey			
	NY9	black/anthracite					NZ5	burgundy/burgundy			
	NZ6	brown/brown				(2)	944 521 004 03	comfort seat all-electric lumbar support with seat heating leatherette/ seat and backrest surface pin stripe flannel	/R	1	M438
	NZ4	light grey/light grey					NY9	black/anthracite			
	NZ5	burgundy/burgundy					NZ6	brown/brown			
2	944 521 003 01	comfort seat all-electric lumbar support leatherette/ seat and backrest surface pin stripe flannel	/L	1	M437		NZ4	light grey/light grey			
	NY9	black/anthracite					NZ5	burgundy/burgundy			
	NZ6	brown/brown				2	928 521 001 11	standard seat manually adjustable leatherette/ seat and backrest surface porsche lettering cloth	/RL/L	1	
	NZ4	light grey/light grey					PX2	black/black			
	NZ5	burgundy/burgundy					PX4	brown/brown			
(2)	944 521 004 01	comfort seat all-electric lumbar support leatherette/ seat and backrest surface pin stripe flannel	/R	1	M438		NZ3	light grey/light grey			
	NY9	black/anthracite					PX6	burgundy/burgundy			
	NZ6	brown/brown				(2)	928 521 002 11	standard seat manually adjustable leatherette/ seat and backrest surface porsche lettering cloth	/LL/R	1	
	NZ4	light grey/light grey					PX2	black/black			
	NZ5	burgundy/burgundy					PX4	brown/brown			
2	944 521 003 03	comfort seat all-electric lumbar support with seat heating leatherette/ seat and backrest surface pin stripe flannel	/L	1	M437		NZ3	light grey/light grey			
	NY9	black/anthracite					PX6	burgundy/burgundy			
	NZ6	brown/brown				2	928 521 001 13	front seat elect. vertical adjustment leatherette/ seat and backrest surface porsche lettering cloth	/LL/L	1	M379
							PX2	black/black			
							PX4	brown/brown			

Model	Year	MG	SG	Illustration	Restrictions	UPD	15:17	27.01.2010	PORSCHE	PET	PORSCHE
STZ	1998	8	04	804-00		248					

Pos	Part Number	Description	Remark	Qty	Model	Pos	Part Number	Description	Remark	Qty	Model
	NZ3	light grey/light grey					NZ3	light grey/light grey			
	PX6	burgundy/burgundy					PX6	burgundy/burgundy			
(2)	928 521 002 13	front seat elect. vertical adjustment leatherette/ seat and backrest surface porsche lettering cloth	/RL/R	1	M380	(2)	928 521 004 01	comfort seat all-electric leatherette/ seat and backrest surface porsche lettering cloth	/R	1	M438
	PX2	black/black					PX2	black/black			
	PX4	brown/brown					PX4	brown/brown			
	NZ3	light grey/light grey					NZ3	light grey/light grey			
	PX6	burgundy/burgundy					PX6	burgundy/burgundy			
2	928 521 001 15	front seat elect. vertical adjustment with seat heating leatherette/ seat and backrest surface porsche lettering cloth	/LL/L	1	M379	2	928 521 003 03	comfort seat all-electric with seat heating leatherette/ seat and backrest surface porsche lettering cloth	/L	1	M437
	PX2	black/black					PX2	black/black			
	PX4	brown/brown					PX4	brown/brown			
	NZ3	light grey/light grey					NZ3	light grey/light grey			
	PX6	burgundy/burgundy					PX6	burgundy/burgundy			
(2)	928 521 002 15	front seat elect. vertical adjustment with seat heating leatherette/ seat and backrest surface porsche lettering cloth	/RL/R	1	M380	(2)	928 521 004 03	comfort seat all-electric with seat heating leatherette/ seat and backrest surface porsche lettering cloth	/R	1	M438
	PX2	black/black					PX2	black/black			
	PX4	brown/brown					PX4	brown/brown			
	NZ3	light grey/light grey					NZ3	light grey/light grey			
	PX6	burgundy/burgundy					PX6	burgundy/burgundy			
2	928 521 003 01	comfort seat all-electric leatherette/ seat and backrest surface porsche lettering cloth	/L	1	M437	2	944 521 003 01	comfort seat all-electric lumbar support leatherette/ seat and backrest surface porsche lettering cloth	/L	1	M437
	PX2	black/black					PX2	black/black			
	PX4	brown/brown					PX4	brown/brown			

Model	Year	MG	SG	Illustration	Restrictions	UPD	15:17	27.01.2010	PORSCHE	PET	PORSCHE
STZ	1998	8	04	804-00		248					

Pos	Part Number	Description	Remark	Qty	Model	Pos	Part Number	Description	Remark	Qty	Model
	PX4	brown/brown				2	928 521 003 01	comfort seat all-electric leatherette/ seat and backrest surface multicolour	/L	88	1 M758
	NZ3	light grey/light grey									
	PX6	burgundy/burgundy									
(2)	944 521 004 01	comfort seat all-electric lumbar support leatherette/ seat and backrest surface porsche lettering cloth	/R	1	M438		XF1	burgundy/ burgundy			
	PX2	black/black				(2)	928 521 004 01	comfort seat all-electric leatherette/ seat and backrest surface multicolour	/R	88	1 M758
	PX4	brown/brown									
	NZ3	light grey/light grey									
	PX6	burgundy/burgundy				2	928 521 003 03	comfort seat all-electric with seat heating leatherette/ seat and backrest surface multicolour	/L	88	1 M758
2	944 521 003 03	comfort seat all-electric lumbar support with seat heating leatherette/ seat and backrest surface porsche lettering cloth	/L	1	M437		XF1	burgundy/ burgundy			
	PX2	black/black				(2)	928 521 004 03	comfort seat all-electric with seat heating leatherette/ seat and backrest surface multicolour	/R	88	1 M758
	PX4	brown/brown									
	NZ3	light grey/light grey									
	PX6	burgundy/burgundy									
(2)	944 521 004 03	comfort seat all-electric lumbar support with seat heating leatherette/ seat and backrest surface porsche lettering cloth	/R	1	M438	2	928 521 001 11	standard seat manually adjustable leatherette/ seat and backrest surface multicolour	/L	88	1 M757
	PX2	black/black					US8	black/ grey			
	PX4	brown/brown				(2)	928 521 002 11	standard seat manually adjustable leatherette/ seat and backrest surface multicolour	/R	88	1 M757
	NZ3	light grey/light grey									
	PX6	burgundy/burgundy					US8	black/ grey			

Model	Year	MG	SG	Illustration	Restrictions	UPD	15:17	27.01.2010	PORSCHE	PET	PORSCHE
STZ	1998	8	04	804-00		248					

Pos	Part Number	Description	Remark	Qty	Model	Pos	Part Number	Description	Remark	Qty	Model
2	928 521 001 13	front seat elect. vertical adjustment leatherette/ seat and backrest surface multicolour	/L	88	1 M757		NZ8	burgundy/burgundy			
	US8	black/ grey				(3)	928 521 002 68	front seat elect. vertical adjustment leatherette/ seat and backrest surface leather	/RL/R	1	M380
(2)	928 521 002 13	front seat elect. vertical adjustment leatherette/ seat and backrest surface multicolour	/R	88	1 M757		JN3	black/black			
	US8	black/ grey					JN4	brown/brown			
							NZ7	light grey/light grey			
							NZ8	burgundy/burgundy			
3	928 521 001 63	standard seat manually adjustable leatherette/ seat and backrest surface leather	/RL/L	1		3	928 521 001 73	front seat elect. vertical adjustment with seat heating leatherette/ seat and backrest surface leather	/LL/L	1	M379
	JN3	black/black					JN3	black/black			
	JN4	brown/brown					JN4	brown/brown			
	NZ7	light grey/light grey					NZ7	light grey/light grey			
	NZ8	burgundy/burgundy					NZ8	burgundy/burgundy			
(3)	928 521 002 63	standard seat manually adjustable leatherette/ seat and backrest surface leather	/LL/R	1		(3)	928 521 002 73	front seat elect. vertical adjustment with seat heating leatherette/ seat and backrest surface leather	/RL/R	1	M380
	JN3	black/black					JN3	black/black			
	JN4	brown/brown					JN4	brown/brown			
	NZ7	light grey/light grey					NZ7	light grey/light grey			
	NZ8	burgundy/burgundy					NZ8	burgundy/burgundy			
3	928 521 001 68	front seat elect. vertical adjustment leatherette/ seat and backrest surface leather	/LL/L	1	M379	3	928 521 003 51	comfort seat all-electric leatherette/ seat and backrest surface leather	/L	1	M437
	JN3	black/black					JN3	black/black			
	JN4	brown/brown					JN4	brown/brown			
	NZ7	light grey/light grey					NZ7	light grey/light grey			

Model	Year	MG	SG	Illustration	Restrictions	UPD	15:17	27.01.2010	PORSCHE	PET	PORSCHE
STZ	1998	8	04	804-00		248					

Pos	Part Number	Description	Remark	Qty	Model	Pos	Part Number	Description	Remark	Qty	Model
	NZ8	burgundy/burgundy					NZ7	light grey/light grey			
(3)	928 521 004 51	comfort seat all-electric leatherette/ seat and backrest surface leather	/R	1	M438		NZ8	burgundy/burgundy			
	JN3	black/black				(3)	928 521 004 56	comfort seat all-electric with seat heating leatherette/ seat and backrest surface leather	/R	1	M438
	JN4	brown/brown					JN3	black/black			
	NZ7	light grey/light grey					JN4	brown/brown			
	NZ8	burgundy/burgundy					NZ7	light grey/light grey			
3	944 521 003 51	comfort seat all-electric lumbar support leatherette/ seat and backrest surface leather	/L	1	M437		NZ8	burgundy/burgundy			
	JN3	black/black				3	944 521 003 56	comfort seat all-electric lumbar support with seat heating leatherette/ seat and backrest surface leather	/L	1	M437
	JN4	brown/brown					JN3	black/black			
	NZ7	light grey/light grey					JN4	brown/brown			
	NZ8	burgundy/burgundy					NZ7	light grey/light grey			
(3)	944 521 004 51	comfort seat all-electric lumbar support leatherette/ seat and backrest surface leather	/R	1	M438		NZ8	burgundy/burgundy			
	JN3	black/black				(3)	944 521 004 56	comfort seat all-electric lumbar support with seat heating leatherette/ seat and backrest surface leather	/R	1	M438
	JN4	brown/brown					JN3	black/black			
	NZ7	light grey/light grey					JN4	brown/brown			
	NZ8	burgundy/burgundy					NZ7	light grey/light grey			
3	928 521 003 56	comfort seat all-electric with seat heating leatherette/ seat and backrest surface leather	/L	1	M437		NZ8	burgundy/burgundy			
	JN3	black/black				3	928 521 001 64	standard seat manually adjustable whole-leather	/RL/L	1	
	JN4	brown/brown					KZ2	black			

Model	Year	MG	SG	Illustration	Restrictions	UPD	15:17	27.01.2010	PORSCHE	PET	PORSCHE
STZ	1998	8	04	804-00		248					

Pos	Part Number	Description	Remark	Qty	Model	Pos	Part Number	Description	Remark	Qty	Model
		KZ5 brown					KZ2 black				
		NZ9 light grey					KZ5 brown				
		LG7 burgundy					NZ9 light grey				
		KZ6 can-can-red					LG7 burgundy				
		LG4 pearl white					KZ6 can-can-red				
		LG5 champagne					LG4 pearl white				
		PZ1 wild buffalo	-87				LG5 champagne				
(3)	928 521 002 64	standard seat manually adjustable whole-leather	/LL/R	1			PZ1 wild buffalo	-87			
		KZ2 black				3	928 521 001 74	front seat elect. vertical adjustment with seat heating whole-leather	/LL/L	1	M379
		KZ5 brown					KZ2 black				
		NZ9 light grey					KZ5 brown				
		LG7 burgundy					NZ9 light grey				
		KZ6 can-can-red					LG7 burgundy				
		LG4 pearl white					KZ6 can-can-red				
		LG5 champagne					LG4 pearl white				
		PZ1 wild buffalo	-87				LG5 champagne				
3	928 521 001 69	front seat elect. vertical adjustment whole-leather	/LL/L	1	M379		PZ1 wild buffalo	-87			
		KZ2 black				(3)	928 521 002 74	front seat elect. vertical adjustment with seat heating whole-leather	/RL/R	1	M380
		KZ5 brown					KZ2 black				
		NZ9 light grey					KZ5 brown				
		LG7 burgundy					NZ9 light grey				
		KZ6 can-can-red					LG7 burgundy				
		LG4 pearl white					KZ6 can-can-red				
		LG5 champagne					LG4 pearl white				
		PZ1 wild buffalo	-87				LG5 champagne				
(3)	928 521 002 69	front seat elect. vertical adjustment whole-leather	/RL/R	1	M380		PZ1 wild buffalo	-87			

Model	Year	MG	SG	Illustration	Restrictions	UPD	15:17	27.01.2010	PORSCHE	PET	PORSCHE
STZ	1998	8	04	804-00		248					

Pos	Part Number	Description	Remark	Qty	Model	Pos	Part Number	Description	Remark	Qty	Model
3	928 521 003 52	comfort seat all-electric whole-leather	/L	1	M437		LG5	champagne			
	KZ2	black					PZ1	wild buffalo	-87		
	KZ5	brown				(3)	928 521 004 57	comfort seat all-electric with seat heating whole-leather	/R	1	M438
	NZ9	light grey					KZ2	black			
	LG7	burgundy					KZ5	brown			
	KZ6	can-can-red					NZ9	light grey			
	LG4	pearl white					LG7	burgundy			
	LG5	champagne					KZ6	can-can-red			
	PZ1	wild buffalo					LG4	pearl white			
(3)	928 521 004 52	comfort seat all-electric whole-leather	/R	1	M438		LG5	champagne			
	KZ2	black					PZ1	wild buffalo	-87		
	KZ5	brown				3	944 521 003 52	comfort seat all-electric lumbar support whole-leather	/L	1	M437
	NZ9	light grey					KZ2	black			
	LG7	burgundy					KZ5	brown			
	KZ6	can-can-red					NZ9	light grey			
	LG4	pearl white					LG7	burgundy			
	LG5	champagne					KZ6	can-can-red			
	PZ1	wild buffalo					LG4	pearl white			
3	928 521 003 57	comfort seat all-electric with seat heating whole-leather	/L	1	M437		LG5	champagne			
	KZ2	black					PZ1	wild buffalo	-87		
	KZ5	brown				(3)	944 521 004 52	comfort seat all-electric lumbar support whole-leather	/R	1	M438
	NZ9	light grey					KZ2	black			
	LG7	burgundy					KZ5	brown			
	KZ6	can-can-red					NZ9	light grey			
	LG4	pearl white									



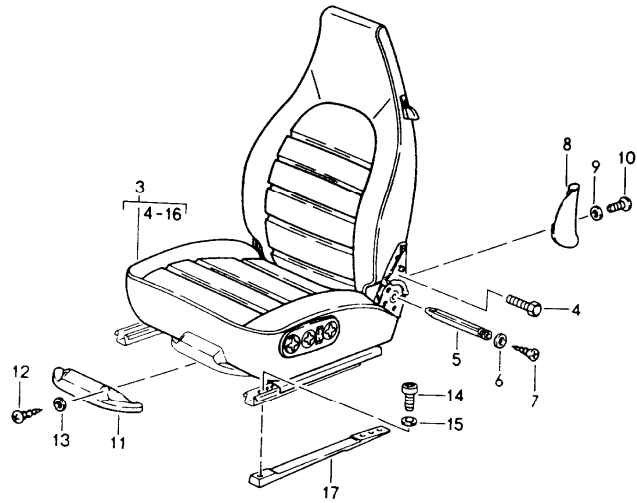
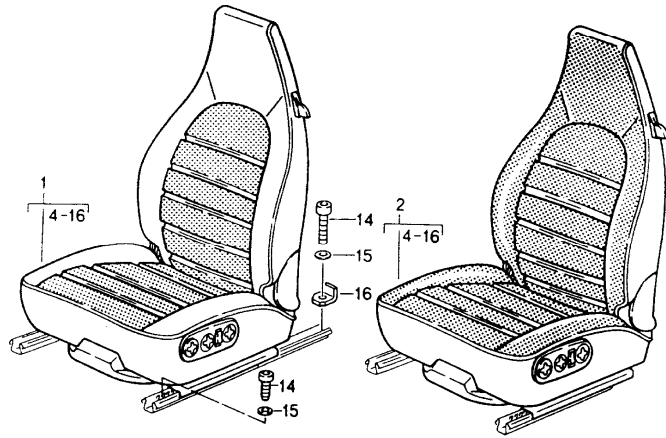
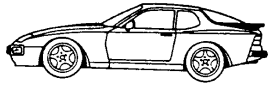
Model	Year	MG	SG	Illustration	Restrictions	UPD	15:17	27.01.2010	PORSCHE	PET	PORSCHE
STZ	1998	8	04	804-00		248					

Pos	Part Number	Description	Remark	Qty	Model	Pos	Part Number	Description	Remark	Qty	Model
	LG7	burgundy				5	928 521 717 02	square rod for backrest adjustment		4	
	KZ6	can-can-red				6	928 521 716 02	lock washer for backrest adjustment		4	
	LG4	pearl white				7	900 249 004 02	countersunk-head screw M 4 X 8 for backrest adjustment		4	
	LG5	champagne									
	PZ1	wild buffalo	-87								
3	944 521 003 57	comfort seat all-electric lumbar support with seat heating whole-leather	/L	1	M437	8	928 521 147 02	cover		2	
							01C	black			
	KZ2	black					4RB	brown			
	KZ5	brown					9MM	burgundy			
	KZ5	brown					8CJ	light grey	85		
	NZ9	light grey					2DJ	light grey	86-		
	LG7	burgundy				(8)	928 521 148 02	cover		2	
	KZ6	can-can-red					01C	black			
	LG4	pearl white					4RB	brown			
	LG5	champagne					9MM	burgundy			
	PZ1	wild buffalo	-87				8CJ	light grey	85		
(3)	944 521 004 57	comfort seat all-electric lumbar support with seat heating whole-leather	/R	1	M438		2DJ	light grey	86-		
						9	900 025 044 07	washer A 4,3		8	
	KZ2	black				10	900 143 113 07	tapping screw B 4,2 X 13		8	
	KZ5	brown				11	928 521 760 02	engine cover for comfort seat	-86	2	
	NZ9	light grey									
	LG7	burgundy				11	928 521 760 04	engine cover for comfort seat	87-	2	
	KZ6	can-can-red					01C	satin black			
	LG4	pearl white				(11)	928 521 760 03	engine cover for seat with elect. vertical adjustment	-86	2	
	LG5	champagne									
	PZ1	wild buffalo	-87								
4	911 521 547 00	hexagon-head bolt M 10 X 20		8							

Model	Year	MG	SG	Illustration	Restrictions	UPD	15:17	27.01.2010	PORSCHE	PET	PORSCHE
STZ	1998	8	04	804-00		248					

Pos	Part Number	Description	Remark	Qty	Model	Pos	Part Number	Description	Remark	Qty	Model
(11)	928 521 760 05	engine cover for seat with elect. vertical adjustment	87-	2							
	01C	satin black									
12	N 013 959 3	tapping screw B 3,5 X 16		4							
13	900 025 013 07	washer A 3,7		4							
14	900 119 030 02	pan-head screw M 8 X 20		12							
15	900 089 006 02	washer 8		16							
16	944 555 527 00	retaining bracket seat rail outer		2							
(16)	944 555 525 01	retaining bracket seat rail inner driver's side		1							
(16)	944 555 525 02	retaining bracket seat rail inner passenger's side		1							

Model	Year	MG	SG	Illustration	Restrictions	UPD	15:17	27.01.2010	PORSCHE	PET	PORSCHE
STZ	1998	8	04	804-02		248					



Pos	Part Number	Description	Remark	Qty	Model
		front seat complete all-electric	89-91		944/S2 TURBO
		standard seat complete not available			
1	964 521 003 46	comfort seat leatherette/centre part in cloth pin stripe velour	/L	1	M437
	JN1	black/black-white	-90		
	XJ8	blue/blue-white	-90		
	XH1	linen/linen white	-90		
	LT2	burgundy/burgundy-white	-90		
(1)	964 521 004 46	comfort seat leatherette/centre part in cloth pin stripe velour	/R	1	M438
	JN1	black/black-white	-90		
	XJ8	blue/blue-white	-90		
	XH1	linen/linen white	-90		
	LT2	burgundy/burgundy-white	-90		
1	964 521 003 47	comfort seat with heating leatherette/centre part in cloth pin stripe velour	/L	1	M437
	JN1	black/black-white	-90		
	XJ8	blue/blue-white	-90		
	XH1	linen/linen white	-90		

Model	Year	MG	SG	Illustration	Restrictions	UPD	15:17	27.01.2010	PORSCHE	PET	PORSCHE
STZ	1998	8	04	804-02		248					

Pos	Part Number	Description	Remark	Qty	Model	Pos	Part Number	Description	Remark	Qty	Model
	LT2	burgundy/ burgundy-white		-90			LT2	burgundy/ burgundy-white		-90	
(1)	964 521 004 47	comfort seat with heating leatherette/ centre part in cloth pin stripe velour	/R	1	M438	1	964 521 003 49	comfort seat with heating and lumbar support leatherette/ centre part in cloth pin stripe velour	/L	1	M437
	JN1	black/ black-white		-90			JN1	black/ black-white		-90	
	XJ8	blue/ blue-white		-90			XJ8	blue/ blue-white		-90	
	XH1	linen/ linen white		-90			XH1	linen/ linen white		-90	
	LT2	burgundy/ burgundy-white		-90			XH1	linen/ linen white		-90	
1	964 521 003 48	comfort seat with lumbar support leatherette/ centre part in cloth pin stripe velour	/L	1	M437	(1)	964 521 004 49	comfort seat with heating and lumbar support leatherette/ centre part in cloth pin stripe velour	/R	1	M438
	JN1	black/ black-white		-90			JN1	black/ black-white		-90	
	XJ8	blue/ blue-white		-90			XJ8	blue/ blue-white		-90	
	XH1	linen/ linen white		-90			XH1	linen/ linen white		-90	
	LT2	burgundy/ burgundy-white		-90			XH1	linen/ linen white		-90	
(1)	964 521 004 48	comfort seat with lumbar support leatherette/ centre part in cloth pin stripe velour	/R	1	M438	1	964 521 003 46	comfort seat leatherette/ centre part in cloth multicolour	/L	1	M437
	JN1	black/ black-white		-90			XJ1	black/black			
	XJ8	blue/ blue-white		-90			XJ4	marine blue/marine blue		-90	
	XH1	linen/ linen white		-90			XH5	linen/linen		-90	
							XJ6	burgundy/burgundy		-90	
							ARC	cobalt blue/cobalt blue		91	

Model	Year	MG	SG	Illustration	Restrictions	UPD	15:17	27.01.2010	PORSCHE	PET	PORSCHE
STZ	1998	8	04	804-02		248					

Pos	Part Number	Description	Remark	Qty	Model	Pos	Part Number	Description	Remark	Qty	Model
	APC	classic grey/classic grey		91		1	964 521 003 48	comfort seat with lumbar support leatherette/centre part in cloth multicolour	/L	1	M437
(1)	964 521 004 46	comfort seat leatherette/centre part in cloth multicolour	/R	1	M438						
	XJ1	black/black					XJ1	black/black			
	XJ4	marine blue/marine blue		-90			XJ4	marine blue/marine blue		-90	
	XH5	linen/linen		-90			XH5	linen/linen		-90	
	XJ6	burgundy/burgundy		-90			XJ6	burgundy/burgundy		-90	
	ARC	cobalt blue/cobalt blue		91			ARC	cobalt blue/cobalt blue		91	
	APC	classic grey/classic grey		91			APC	classic grey/classic grey		91	
1	964 521 003 47	comfort seat with heating leatherette/centre part in cloth multicolour	/L	1	M437	(1)	964 521 004 48	comfort seat with lumbar support leatherette/centre part in cloth multicolour	/R	1	M438
	XJ1	black/black					XJ1	black/black			
	XJ4	marine blue/marine blue		-90			XJ4	marine blue/marine blue		-90	
	XH5	linen/linen		-90			XH5	linen/linen		-90	
	XJ6	burgundy/burgundy		-90			XJ6	burgundy/burgundy		-90	
	ARC	cobalt blue/cobalt blue		91			ARC	cobalt blue/cobalt blue		91	
	APC	classic grey/classic grey		91			APC	classic grey/classic grey		91	
(1)	964 521 004 47	comfort seat with heating leatherette/centre part in cloth multicolour	/R	1	M438	1	964 521 003 49	comfort seat with heating and lumbar support leatherette/centre part in cloth multicolour	/L	1	M437
	XJ1	black/black					XJ1	black/black			
	XJ4	marine blue/marine blue		-90			XJ4	marine blue/marine blue		-90	
	XH5	linen/linen		-90			XH5	linen/linen		-90	
	XJ6	burgundy/burgundy		-90			XJ6	burgundy/burgundy		-90	
	ARC	cobalt blue/cobalt blue		91			ARC	cobalt blue/cobalt blue		91	
	APC	classic grey/classic grey		91			APC	classic grey/classic grey		91	

Model	Year	MG	SG	Illustration	Restrictions	UPD	15:17	27.01.2010	PORSCHE	PET	PORSCHE
STZ	1998	8	04	804-02		248					

Pos	Part Number	Description	Remark	Qty	Model	Pos	Part Number	Description	Remark	Qty	Model
(1)	964 521 004 49	comfort seat with heating and lumbar support leatherette/centre part in cloth multicolour	/R	1	M438	1	964 521 003 47	comfort seat with heating leatherette/centre part porsche lettering cloth	/L	1	M437
	XJ1	black/black					PX1	black/black			
	XJ4	marine blue/marine blue	-90				XJ9	marine blue/blue	-90		
	XH5	linen/linen	-90				XH3	linen/linen	-90		
	XJ6	burgundy/burgundy	-90				PX5	burgundy/burgundy	-90		
	ARC	cobalt blue/cobalt blue	91				ARA	cobalt blue/cobalt blue	91		
	APC	classic grey/classic grey	91				APA	classic grey/classic grey	91		
1	964 521 003 46	comfort seat leatherette/centre part porsche lettering cloth	/L	1	M437	(1)	964 521 004 47	comfort seat with heating leatherette/centre part porsche lettering cloth	/R	1	M438
	PX1	black/black					PX1	black/black			
	XJ9	marine blue/blue	-90				XJ9	marine blue/blue	-90		
	XH3	linen/linen	-90				XH3	linen/linen	-90		
	PX5	burgundy/burgundy	-90				PX5	burgundy/burgundy	-90		
	ARA	cobalt blue/cobalt blue	91				ARA	cobalt blue/cobalt blue	91		
	APA	classic grey/classic grey	91				APA	classic grey/classic grey	91		
(1)	964 521 004 46	comfort seat leatherette/centre part porsche lettering cloth	/R	1	M438	1	964 521 003 48	comfort seat with lumbar support leatherette/centre part porsche lettering cloth	/L	1	M437
	PX1	black/black					PX1	black/black			
	XJ9	marine blue/blue	-90				XJ9	marine blue/blue	-90		
	XH3	linen/linen	-90				XH3	linen/linen	-90		
	PX5	burgundy/burgundy	-90				PX5	burgundy/burgundy	-90		
	ARA	cobalt blue/cobalt blue	91				ARA	cobalt blue/cobalt blue	91		
	APA	classic grey/classic grey	91				APA	classic grey/classic grey	91		

Model	Year	MG	SG	Illustration	Restrictions	UPD	15:17	27.01.2010	PORSCHE	PET	PORSCHE
STZ	1998	8	04	804-02		248					

Pos	Part Number	Description	Remark	Qty	Model	Pos	Part Number	Description	Remark	Qty	Model
(1)	964 521 004 48	comfort seat with lumbar support leatherette/centre part porsche lettering cloth	/R	1	M438		APA	classic grey/classic grey		91	
	PX1	black/black				2	964 521 003 19	comfort seat leatherette/seat and backrest surface pin stripe velour	/L	1	M437
	XJ9	marine blue/blue	-90				NY5	black/black-white		-90	
	XH3	linen/linen	-90				TR7	blue/blue-white		-90	
	PX5	burgundy/burgundy	-90				XK2	linen/linen white		-90	
	ARA	cobalt blue/cobalt blue	91				NY8	burgundy/burgundy-white		-90	
	APA	classic grey/classic grey	91								
1	964 521 003 49	comfort seat with heating and lumbar support leatherette/centre part porsche lettering cloth	/L	1	M437	(2)	964 521 004 19	comfort seat leatherette/seat and backrest surface pin stripe velour	/R	1	M438
	PX1	black/black					NY5	black/black-white		-90	
	XJ9	marine blue/blue	-90				TR7	blue/blue-white		-90	
	XH3	linen/linen	-90				XK2	linen/linen white		-90	
	PX5	burgundy/burgundy	-90				NY8	burgundy/burgundy-white		-90	
	ARA	cobalt blue/cobalt blue	91								
	APA	classic grey/classic grey	91			2	964 521 003 25	comfort seat with heating leatherette/seat and backrest surface pin stripe velour	/L	1	M437
(1)	964 521 004 49	comfort seat with heating and lumbar support leatherette/centre part porsche lettering cloth	/R	1	M438		NY5	black/black-white		-90	
	PX1	black/black					TR7	blue/blue-white		-90	
	XJ9	marine blue/blue	-90				XK2	linen/linen white		-90	
	XH3	linen/linen	-90				NY8	burgundy/burgundy-white		-90	
	PX5	burgundy/burgundy	-90								
	ARA	cobalt blue/cobalt blue	91								

Model	Year	MG	SG	Illustration	Restrictions	UPD	15:17	27.01.2010	PORSCHE	PET	PORSCHE
STZ	1998	8	04	804-02		248					

Pos	Part Number	Description	Remark	Qty	Model	Pos	Part Number	Description	Remark	Qty	Model
(2)	964 521 004 25	comfort seat with heating leatherette/ seat and backrest surface pin stripe velour	/R	1	M438	2	964 521 003 37	comfort seat with heating and lumbar support leatherette/ seat and backrest surface pin stripe velour	/L	1	M437
	NY5	black/ black-white		-90			NY5	black/ black-white		-90	
	TR7	blue/ blue-white		-90			TR7	blue/ blue-white		-90	
	XK2	linen/ linen white		-90			XK2	linen/ linen white		-90	
	NY8	burgundy/ burgundy-white		-90			NY8	burgundy/ burgundy-white		-90	
2	964 521 003 31	comfort seat with lumbar support leatherette/ seat and backrest surface pin stripe velour	/L	1	M437	(2)	964 521 004 37	comfort seat with heating and lumbar support leatherette/ seat and backrest surface pin stripe velour	/R	1	M438
	NY5	black/ black-white		-90			NY5	black/ black-white		-90	
	TR7	blue/ blue-white		-90			TR7	blue/ blue-white		-90	
	XK2	linen/ linen white		-90			XK2	linen/ linen white		-90	
	NY8	burgundy/ burgundy-white		-90			NY8	burgundy/ burgundy-white		-90	
(2)	964 521 004 31	comfort seat with lumbar support leatherette/ seat and backrest surface pin stripe velour	/R	1	M438	2	964 521 003 19	comfort seat leatherette/ seat and backrest surface multicolour	/L	1	M437
	NY5	black/ black-white		-90			XK8	black/black			
	TR7	blue/ blue-white		-90			XN1	marine blue/marine blue		-90	
	XK2	linen/ linen white		-90			XK4	linen/linen		-90	
	NY8	burgundy/ burgundy-white		-90			XN2	burgundy/burgundy		-90	
							AQV	cobalt blue/cobalt blue		91	
							AQP	classic grey/classic grey		91	



Model	Year	MG	SG	Illustration	Restrictions	UPD	15:17	27.01.2010	PORSCHE	PET	PORSCHE
STZ	1998	8	04	804-02		248					

Pos	Part Number	Description	Remark	Qty	Model	Pos	Part Number	Description	Remark	Qty	Model
(2)	964 521 004 19	comfort seat leatherette/ seat and backrest surface multicolour	/R	1	M438	2	964 521 003 31	comfort seat with lumbar support leatherette/ seat and backrest surface multicolour	/L	1	M437
	XK8	black/black					XK8	black/black			
	XN1	marine blue/marine blue	-90				XN1	marine blue/marine blue	-90		
	XK4	linen/linen	-90				XK4	linen/linen	-90		
	XN2	burgundy/burgundy	-90				XN2	burgundy/burgundy	-90		
	AQV	cobalt blue/cobalt blue	91				AQV	cobalt blue/cobalt blue	91		
	AQP	classic grey/classic grey	91				AQP	classic grey/classic grey	91		
2	964 521 003 25	comfort seat with heating leatherette/ seat and backrest surface multicolour	/L	1	M437	(2)	964 521 004 31	comfort seat with lumbar support leatherette/ seat and backrest surface multicolour	/R	1	M438
	XK8	black/black					XK8	black/black			
	XN1	marine blue/marine blue	-90				XN1	marine blue/marine blue	-90		
	XK4	linen/linen	-90				XK4	linen/linen	-90		
	XN2	burgundy/burgundy	-90				XN2	burgundy/burgundy	-90		
	AQV	cobalt blue/cobalt blue	91				AQV	cobalt blue/cobalt blue	91		
	AQP	classic grey/classic grey	91				AQP	classic grey/classic grey	91		
(2)	964 521 004 25	comfort seat with heating leatherette/ seat and backrest surface multicolour	/R	1	M438	2	964 521 003 37	comfort seat with heating and lumbar support leatherette/ seat and backrest surface multicolour	/L	1	M437
	XK8	black/black					XK8	black/black			
	XN1	marine blue/marine blue	-90				XN1	marine blue/marine blue	-90		
	XK4	linen/linen	-90				XK4	linen/linen	-90		
	XN2	burgundy/burgundy	-90				XN2	burgundy/burgundy	-90		
	AQV	cobalt blue/cobalt blue	91				AQV	cobalt blue/cobalt blue	91		
	AQP	classic grey/classic grey	91				AQP	classic grey/classic grey	91		

Model	Year	MG	SG	Illustration	Restrictions	UPD	15:17	27.01.2010	PORSCHE	PET	PORSCHE
STZ	1998	8	04	804-02		248					

Pos	Part Number	Description	Remark	Qty	Model	Pos	Part Number	Description	Remark	Qty	Model
(2)	964 521 004 37	comfort seat with heating and lumbar support leatherette/ seat and backrest surface multicolour	/R	1	M438	2	964 521 003 25	comfort seat with heating leatherette/ seat and backrest surface porsche lettering cloth	/L	1	M437
	XK8	black/black					PX2	black/black			
	XN1	marine blue/marine blue	-90				TR9	marine blue/blue	-90		
	XK4	linen/linen	-90				XK3	linen/linen	-90		
	XN2	burgundy/burgundy	-90				PX6	burgundy/burgundy	-90		
	AQV	cobalt blue/cobalt blue	91				ARM	cobalt blue/cobalt blue	91		
	AQP	classic grey/classic grey	91				APM	classic grey/classic grey	91		
2	964 521 003 19	comfort seat leatherette/ seat and backrest surface porsche lettering cloth	/L	1	M437	(2)	964 521 004 25	comfort seat with heating leatherette/ seat and backrest surface porsche lettering cloth	/R	1	M438
	PX2	black/black					PX2	black/black			
	TR9	marine blue/blue	-90				TR9	marine blue/blue	-90		
	XK3	linen/linen	-90				XK3	linen/linen	-90		
	PX6	burgundy/burgundy	-90				PX6	burgundy/burgundy	-90		
	ARM	cobalt blue/cobalt blue	91				ARM	cobalt blue/cobalt blue	91		
	APM	classic grey/classic grey	91				APM	classic grey/classic grey	91		
(2)	964 521 004 19	comfort seat leatherette/ seat and backrest surface porsche lettering cloth	/R	1	M438	2	964 521 003 31	comfort seat with lumbar support leatherette/ seat and backrest surface porsche lettering cloth	/L	1	M437
	PX2	black/black					PX2	black/black			
	TR9	marine blue/blue	-90				TR9	marine blue/blue	-90		
	XK3	linen/linen	-90				XK3	linen/linen	-90		
	PX6	burgundy/burgundy	-90				PX6	burgundy/burgundy	-90		
	ARM	cobalt blue/cobalt blue	91				ARM	cobalt blue/cobalt blue	91		
	APM	classic grey/classic grey	91				APM	classic grey/classic grey	91		

Model	Year	MG	SG	Illustration	Restrictions	UPD	15:17	27.01.2010	PORSCHE	PET	PORSCHE
STZ	1998	8	04	804-02		248					

Pos	Part Number	Description	Remark	Qty	Model	Pos	Part Number	Description	Remark	Qty	Model
(2)	964 521 004 31	comfort seat with lumbar support leatherette/ seat and backrest surface porsche lettering cloth	/R	1	M438		APM	classic grey/classic grey		91	
	PX2	black/black				3	964 521 003 21	comfort seat leatherette/ seat and backrest surface leather	/L	1	M437
	TR9	marine blue/blue	-90				JN3	black/black			
	XK3	linen/linen	-90				TW2	linen/linen	-90		
	PX6	burgundy/burgundy	-90				NZ8	burgundy/burgundy	-90		
	ARM	cobalt blue/cobalt blue	91				TS2	marine blue/marine blue	-90		
	APM	classic grey/classic grey	91				ARK	cobalt blue/cobalt blue	91		
							APK	classic grey/classic grey	91		
2	964 521 003 37	comfort seat with heating and lumbar support leatherette/ seat and backrest surface porsche lettering cloth	/L	1	M437	(3)	964 521 004 21	comfort seat leatherette/ seat and backrest surface leather	/R	1	M438
	PX2	black/black					JN3	black/black			
	TR9	marine blue/blue	-90				TW2	linen/linen	-90		
	XK3	linen/linen	-90				NZ8	burgundy/burgundy	-90		
	PX6	burgundy/burgundy	-90				TS2	marine blue/marine blue	-90		
	ARM	cobalt blue/cobalt blue	91				ARK	cobalt blue/cobalt blue	91		
	APM	classic grey/classic grey	91				APK	classic grey/classic grey	91		
(2)	964 521 004 37	comfort seat with heating and lumbar support leatherette/ seat and backrest surface porsche lettering cloth	/R	1	M438	3	964 521 003 27	comfort seat with heating leatherette/ seat and backrest surface leather	/L	1	M437
	PX2	black/black					JN3	black/black			
	TR9	marine blue/blue	-90				TW2	linen/linen	-90		
	XK3	linen/linen	-90				NZ8	burgundy/burgundy	-90		
	PX6	burgundy/burgundy	-90				TS2	marine blue/marine blue	-90		
	ARM	cobalt blue/cobalt blue	91				ARK	cobalt blue/cobalt blue	91		
							APK	classic grey/classic grey	91		

Model	Year	MG	SG	Illustration	Restrictions	UPD	15:17	27.01.2010	PORSCHE	PET	PORSCHE
STZ	1998	8	04	804-02		248					

Pos	Part Number	Description	Remark	Qty	Model	Pos	Part Number	Description	Remark	Qty	Model
(3)	964 521 004 27	comfort seat with heating leatherette/seat and backrest surface leather	/R	1	M438	3	964 521 003 39	comfort seat with heating and lumbar support leatherette/seat and backrest surface leather	/L	1	M437
	JN3	black/black					JN3	black/black			
	TW2	linen/linen	-90				TW2	linen/linen	-90		
	NZ8	burgundy/burgundy	-90				NZ8	burgundy/burgundy	-90		
	TS2	marine blue/marine blue	-90				TS2	marine blue/marine blue	-90		
	ARK	cobalt blue/cobalt blue	91				ARK	cobalt blue/cobalt blue	91		
	APK	classic grey/classic grey	91				APK	classic grey/classic grey	91		
3	964 521 003 33	comfort seat with lumbar support leatherette/seat and backrest surface leather	/L	1	M437	(3)	964 521 004 39	comfort seat with heating and lumbar support leatherette/seat and backrest surface leather	/R	1	M438
	JN3	black/black					JN3	black/black			
	TW2	linen/linen	-90				TW2	linen/linen	-90		
	NZ8	burgundy/burgundy	-90				NZ8	burgundy/burgundy	-90		
	TS2	marine blue/marine blue	-90				TS2	marine blue/marine blue	-90		
	ARK	cobalt blue/cobalt blue	91				ARK	cobalt blue/cobalt blue	91		
	APK	classic grey/classic grey	91				APK	classic grey/classic grey	91		
(3)	964 521 004 33	comfort seat with lumbar support leatherette/seat and backrest surface leather	/R	1	M438	3	964 521 003 23	comfort seat whole-leather	/L	1	M437
	JN3	black/black					KZ2	black			
	TW2	linen/linen	-90				TW1	linen	-90		
	NZ8	burgundy/burgundy	-90				LG7	burgundy	-90		
	TS2	marine blue/marine blue	-90				TS1	marine blue	-90		
	ARK	cobalt blue/cobalt blue	91				ARL	cobalt blue	91		
	APK	classic grey/classic grey	91				APL	classic grey	91		
						(3)	964 521 004 23	comfort seat whole-leather	/R	1	M438

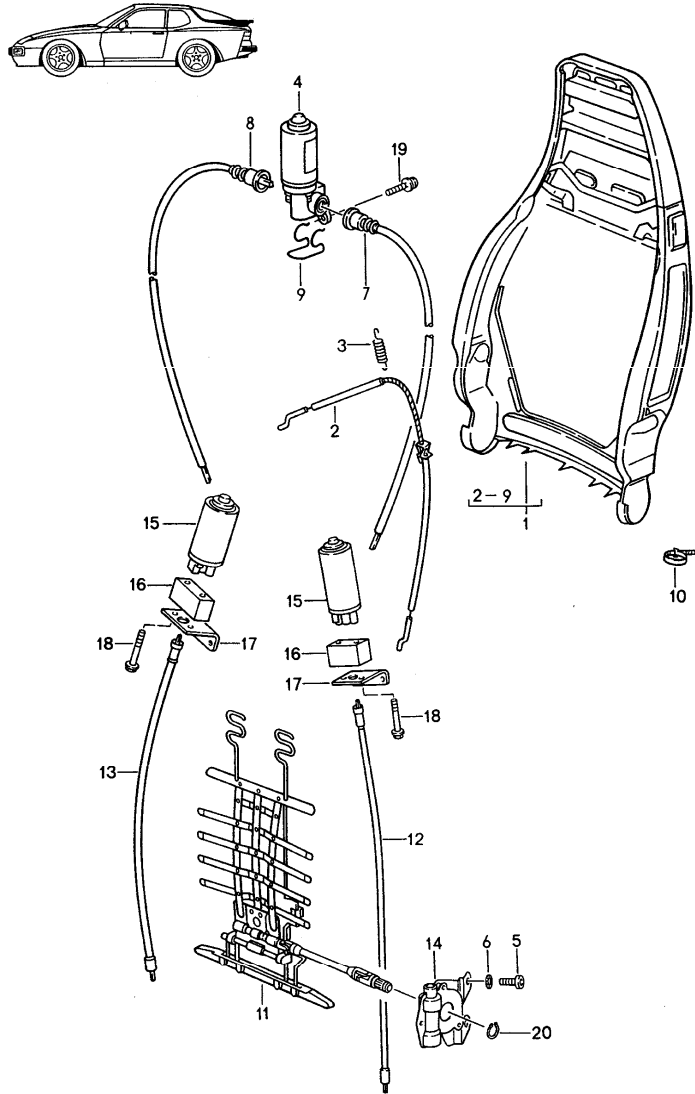
Model	Year	MG	SG	Illustration	Restrictions	UPD	15:17	27.01.2010	PORSCHE	PET	PORSCHE
STZ	1998	8	04	804-02		248					

Pos	Part Number	Description	Remark	Qty	Model	Pos	Part Number	Description	Remark	Qty	Model
	KZ2	black					ARL	cobalt blue		91	
	TW1	linen	-90				APL	classic grey		91	
	LG7	burgundy	-90			(3)	964 521 004 35	comfort seat with lumbar support whole-leather	/R	1	M438
	TS1	marine blue	-90				KZ2	black			
	ARL	cobalt blue	91				TW1	linen	-90		
	APL	classic grey	91				LG7	burgundy	-90		
3	964 521 003 29	comfort seat with heating whole-leather	/L	1	M437		TS1	marine blue	-90		
	KZ2	black					ARL	cobalt blue	91		
	TW1	linen	-90				APL	classic grey	91		
	LG7	burgundy	-90			3	964 521 003 41	comfort seat with heating and lumbar support whole-leather	/L	1	M437
	TS1	marine blue	-90				KZ2	black			
	ARL	cobalt blue	91				TW1	linen	-90		
	APL	classic grey	91				LG7	burgundy	-90		
(3)	964 521 004 29	comfort seat with heating whole-leather	/R	1	M438		TS1	marine blue	-90		
	KZ2	black					ARL	cobalt blue	91		
	TW1	linen	-90				APL	classic grey	91		
	LG7	burgundy	-90			(3)	964 521 004 41	comfort seat with heating and lumbar support whole-leather	/R	1	M438
	TS1	marine blue	-90				KZ2	black			
	ARL	cobalt blue	91				TW1	linen	-90		
	APL	classic grey	91				LG7	burgundy	-90		
3	964 521 003 35	comfort seat with lumbar support whole-leather	/L	1	M437		TS1	marine blue	-90		
	KZ2	black					ARL	cobalt blue	91		
	TW1	linen	-90				APL	classic grey	91		
	LG7	burgundy	-90								
	TS1	marine blue	-90								

Model	Year	MG	SG	Illustration	Restrictions	UPD	15:17	27.01.2010	PORSCHE	PET	PORSCHE
STZ	1998	8	04	804-02		248					

Pos	Part Number	Description	Remark	Qty	Model	Pos	Part Number	Description	Remark	Qty	Model
4	911 521 547 00	hexagon-head bolt M 10 X 20		8			01C	satin black			
5	928 521 717 02	square rod for backrest adjustment		4		12	900 143 113 07	tapping screw 4,2 X 13		4	
6	928 521 716 02	lock washer for backrest adjustment		4		13	900 025 044 07	washer A 4,3		4	
7	900 249 004 02	countersunk-head screw M 4 X 8 for backrest adjustment		4		-	N 100 472 01	speed nut ST. 3,9		4	
8	928 521 147 02	cover		2		14	900 119 030 02	pan-head screw M 8 X 20		12	
	01C	black				15	900 089 006 02	washer 8		12	
	9JJ	marine blue	-90			16	911 521 347 00	stop	-90	2	
	9MM	burgundy	-90			17	944 521 547 00	base wedge vertical seat adjustment		X	
	7XJ	linen	-90								
	6ZF	cobalt blue	91								
	4XC	classic grey	91								
(8)	928 521 148 02	cover		2							
	01C	black									
	9JJ	marine blue	-90								
	9MM	burgundy	-90								
	7XJ	linen	-90								
	6ZF	cobalt blue	91								
	4XC	classic grey	91								
(9)	900 025 044 07	washer A 4,3		8							
10	900 143 113 07	tapping screw B 4,2 X 13		8							
11	928 521 760 04	engine cover for comfort seat		2							
	01C	satin black									
(11)	928 521 760 05	engine cover for elect. vertical adjustment		2							

Model	Year	MG	SG	Illustration	Restrictions	UPD	15:17	27.01.2010	PORSCHE	PET	PORSCHE
STZ	1998	8	04	804-04		248					



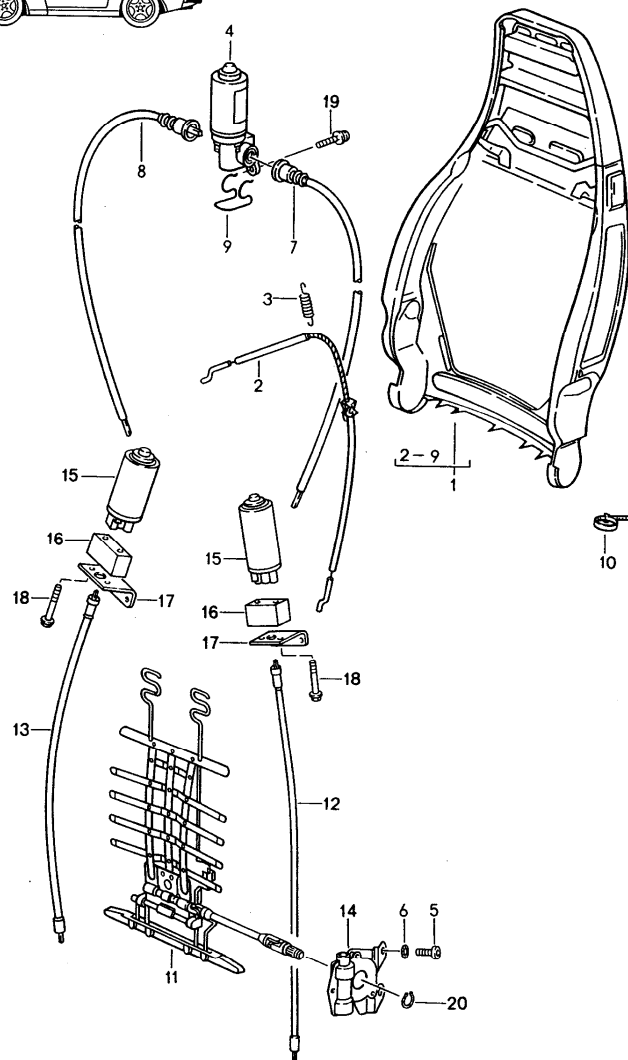
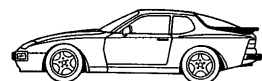
Pos	Part Number	Description	Remark	Qty	Model
		backrest frame manually electric lumbar support	85/2 -88		944/S TURBO/S
(1)	928 521 027 08	backrest frame manually adjustable		2	
1	928 521 027 10	backrest frame electrically adjustable		2	
2	928 521 093 02	bowden cable		4	
3	311 881 287 A	spring actuating lever		4	
4	928 624 126 01	geared motor for backrest adjustment	87-	2	
5	N 014 128 4	oval-head screw M 5 X 8		4	
6	N 012 130 2	shake-proof washer A 5,3		4	
7	928 521 617 02	shaft for backrest adjustment	/L -86	2	
7	928 521 617 03	shaft for backrest adjustment	/L 87-	2	
8	928 521 618 02	shaft for backrest adjustment	/R -86	2	
8	928 521 618 03	shaft for backrest adjustment	/R 87-	2	
9	928 521 675 02	moulded spring		2	
10	N 020 904 4	tie-wrap 6,5 X 120		10	
11	928 521 135 02	lumbar support		2	
12	928 521 315 03	pliable shaft lumbar support adjustment curvature		2	
13	928 521 315 02	pliable shaft lumbar support adjustment height		2	
14	928 521 153 03	transmission		2	
15	928 624 122 02	adjusting motor lumbar		4	

Model	Year	MG	SG	Illustration	Restrictions	UPD	15:17	27.01.2010	PORSCHE	PET	PORSCHE
STZ	1998	8	04	804-04		248					

Pos	Part Number	Description	Remark	Qty	Model	Pos	Part Number	Description	Remark	Qty	Model
16	928 624 199 00	spacer lumbar support		4							
17	928 624 057 00	engine carrier lumbar support		4							
18	999 919 058 02	hexagon-head bolt H 5 X 40 lumbar support		8							
19	900 146 117 02	combination screw M 5 X 12 Z1		4							
20	N 012 411 1	circlip 11 X 1 lumbar support		2							



Model	Year	MG	SG	Illustration	Restrictions	UPD	15:17	27.01.2010	PORSCHE	PET	PORSCHE
STZ	1998	8	04	804-06		248					

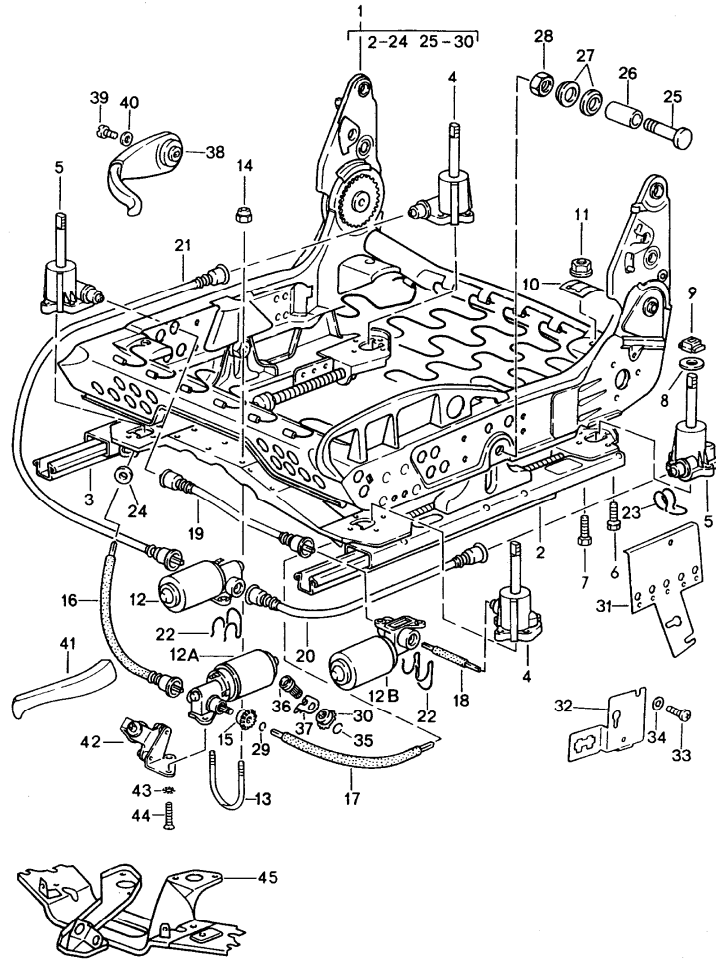
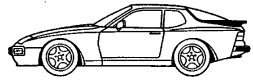


Pos	Part Number	Description	Remark	Qty	Model
		backrest frame manually electric lumbar support	89-91		944/S2 TURBO
(1)	928 521 027 08	backrest frame manually adjustable		2	
1	928 521 027 10	backrest frame electrically adjustable		2	
2	928 521 093 02	bowden cable		4	
3	311 881 287 A	spring actuating lever		4	
4	928 624 126 01	geared motor for backrest adjustment		2	
5	N 014 128 4	oval-head screw M 5 X 8		4	
6	N 012 130 2	shake-proof washer A 5,3		4	
7	928 521 617 03	shaft for backrest adjustment	/L	2	
8	928 521 618 03	shaft for backrest adjustment	/R	2	
9	928 521 675 02	moulded spring		2	
10	N 020 904 4	tie-wrap 6,5 X 120		10	
11	928 521 135 02	lumbar support		2	
12	928 521 315 03	pliable shaft lumbar support adjustment curvature		2	
13	928 521 315 02	pliable shaft lumbar support adjustment height		2	
14	928 521 153 03	transmission		2	
15	928 624 122 02	adjusting motor lumbar		4	
16	928 624 199 00	spacer lumbar support		4	
17	928 624 057 00	engine carrier lumbar support		4	

Model	Year	MG	SG	Illustration	Restrictions	UPD	15:17	27.01.2010	PORSCHE	PET	PORSCHE
STZ	1998	8	04	804-06		248					

Pos	Part Number	Description	Remark	Qty	Model	Pos	Part Number	Description	Remark	Qty	Model
18	999 919 058 02	hexagon-head bolt H 5 X 40 lumbar support		8							
19	900 146 117 02	combination screw M 5 X 12 Z1		4							
20	N 012 411 1	circlip 11 X 1 lumbar support		2							

Model	Year	MG	SG	Illustration	Restrictions	UPD	18:09	27.01.2010	PORSCHE	PET	PORSCHE
STZ	1998	8	04	804-08		248					



Pos	Part Number	Description	Remark	Qty	Model
		seat frame manually electric	85/2 -88		944/S TURBO/S
(1)	993 521 069 00	seat frame manually adjustable	/L	1	
(1)	993 521 070 00	seat frame manually adjustable	/R	1	
(1)	993 521 069 01	seat frame elect. vertical adjustment	/L	1	
(1)	993 521 070 01	seat frame elect. vertical adjustment	/R	1	
1	993 521 069 03	seat frame all-electric	/L	1	
(1)	993 521 070 03	seat frame all-electric	/R	1	
(2)	928 521 489 10	seat rail left seat outer manually adjustable		1	
(2)	928 521 490 10	seat rail right seat outer manually adjustable		1	
(2)	928 521 489 11	seat rail left seat outer elect. vertical adjustment		1	
(2)	928 521 490 11	seat rail right seat outer elect. vertical adjustment		1	
2	928 521 489 08	seat rail left seat outer all-electric		1	
(2)	928 521 490 08	seat rail right seat outer all-electric		1	
(3)	928 521 491 08	seat rail right seat inner manually adjustable		1	

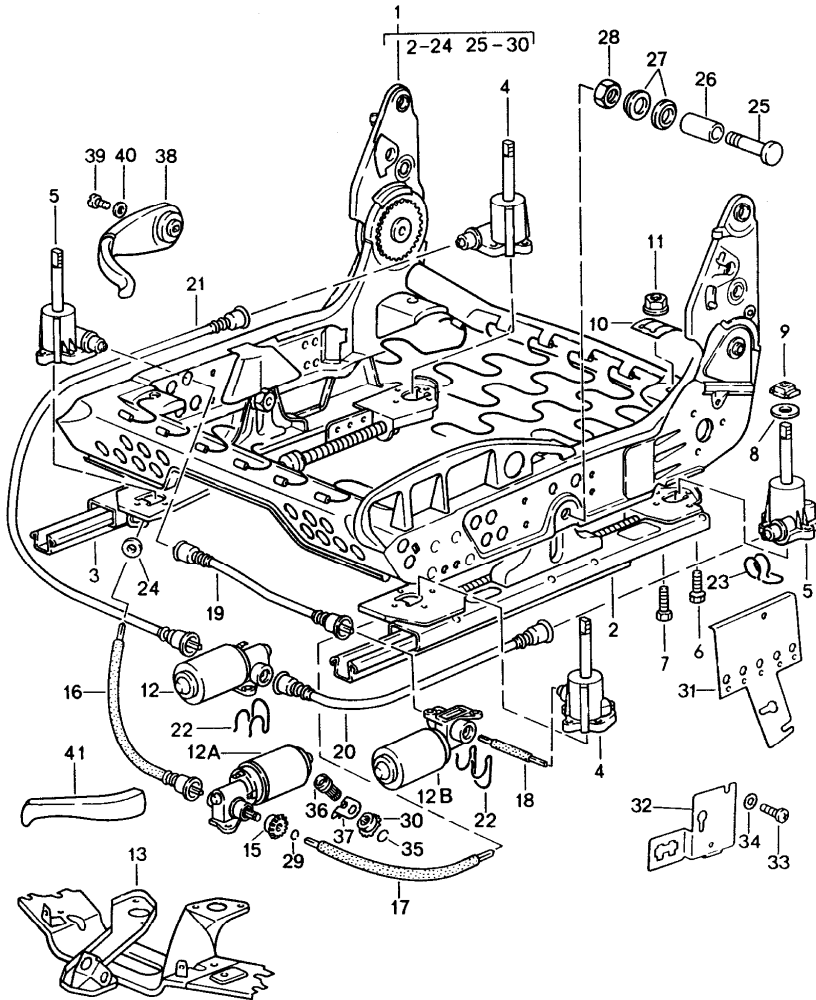
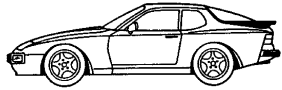
Model	Year	MG	SG	Illustration	Restrictions	UPD	18:09	27.01.2010	PORSCHE	PET	PORSCHE
STZ	1998	8	04	804-08		248					

Pos	Part Number	Description	Remark	Qty	Model	Pos	Part Number	Description	Remark	Qty	Model
(3)	928 521 492 08	seat rail left seat inner manually adjustable		1		14	900 910 006 02	lock nut M 4	-86	12	
(3)	A 964 521 491 00	seat rail right seat inner elect. vertical adjustment		1		15	928 521 818 03	bevel pinion for emergency control	86-	2	
(3)	A 964 521 492 00	seat rail left seat inner elect. vertical adjustment		1		16	928 521 251 02	shaft 246 MM for longitudinal adjustment	/L	2	
(3)	A 964 521 492 00	seat rail left seat inner elect. vertical adjustment		1		16	928 521 252 04	shaft 265 MM for longitudinal adjustment	/L	2	
(3)	928 521 491 11	seat rail right seat inner all-electric		1		17	928 521 252 03	shaft 246 MM for longitudinal adjustment	/R	2	
3	928 521 492 11	seat rail left seat inner all-electric		1		17	928 521 251 03	shaft 265 MM for longitudinal adjustment	/R	2	
4	928 521 721 03	lifting gear left front, right rear		4		18	928 521 671 03	shaft front vertical adjustment	/L	2	
5	928 521 722 03	lifting gear right front, left rear		4		19	928 521 672 02	pliable shaft front vertical adjustment	/R	-86	2
6	999 217 033 01	locking screw M 6 X 16		20		19	928 521 672 03	shaft front vertical adjustment	/R	87-	2
7	900 186 032 02	pan-head screw M 6 X 12		8		20	928 521 673 05	shaft rear vertical adjustment	/L	2	
8	999 025 129 40	washer		8		21	928 521 674 02	shaft rear vertical adjustment	/R	-86	2
9	928 521 727 02	slide		8		21	928 521 674 05	shaft rear vertical adjustment	/R	2	
10	928 521 723 02	guide spring		8		22	928 521 675 02	moulded spring for engine		6	
11	928 521 730 02	nut		8		23	928 521 699 00	moulded spring transmission		6	
12	928 624 126 01	geared motor rear vertical adjustment		2		24	999 591 730 00	lock washer		6	
12A	928 624 136 00	geared motor for longitudinal adjustment		2		25	928 521 681 02	bolt 1,5 PA 6		4	
12B	928 624 126 01	geared motor front vertical adjustment	87-	2		26	928 521 685 02	bush		4	
13	999 222 001 02	stirrup bolt M 4	-86	6		27	928 521 683 02	washer 1,5 PA 6		8	

Model	Year	MG	SG	Illustration	Restrictions	UPD	18:09	27.01.2010	PORSCHE	PET	PORSCHE
STZ	1998	8	04	804-08		248					

Pos	Part Number	Description	Remark	Qty	Model	Pos	Part Number	Description	Remark	Qty	Model
28	900 034 003 02	hexagon nut M 10		4		-	N 902 514 01	clamping sleeve manually for longitudinal adjustment		4	
29	900 906 005 01	circlip A 8	86-	2		-	N 902 515 01	guide bush manually for longitudinal adjustment		4	
30	928 521 818 04	bevel pinion for emergency control	86-	2		-	999 591 778 02	support shaft for longitudinal adjustment		3	
31	928 653 501 03	bracket cable holder		2							
32	928 653 503 02	bracket cable holder		2							
33	N 014 133 8	oval-head screw M 5 X 12		2							
34	900 025 003 02	washer A 5,3		2							
35	N 042 499 1	circlip A 12	86-	2							
36	928 521 816 03	bearing pin	86-	2							
37	928 521 686 00	moulded spring		2							
38	964 521 073 00	lever		2							
	01C	satin black									
39	900 119 011 07	pan-head screw M 5 X 10		2							
40	900 031 006 07	washer 5,3		2							
(41)	911 521 533 01	handle for longitudinal adjustment		2							
	01C	satin black									
42	928 521 145 02	transmission for emergency control	-86	2							
43	N 012 130 2	shake-proof washer A 5,3	-86	4							
44	N 014 128 4	oval-head screw M 5 X 6	-86	4							
45	928 521 033 03	engine support	87-	2							
-	928 521 525 03	connecting rod manually for longitudinal adjustment		2							

Model	Year	MG	SG	Illustration	Restrictions	UPD	18:10	27.01.2010	PORSCHE	PET	PORSCHE
STZ	1998	8	04	804-10		248					



Pos	Part Number	Description	Remark	Qty	Model
		seat frame manually electric	89-91		944/S2 TURBO
(1)	993 521 069 00	seat frame manually adjustable	/L	1	M381
(1)	993 521 070 00	seat frame manually adjustable	/R	1	M382
(1)	993 521 069 01	seat frame elect. vertical adjustment	/L	1	M379
(1) A	993 521 070 01	seat frame elect. vertical adjustment	/R	1	M380
(1)	993 521 070 01	seat frame elect. vertical adjustment	/R	1	M380
1	993 521 069 03	seat frame all-electric	/L	1	M437
(1)	993 521 070 03	seat frame all-electric	/R	1	M438
(2)	928 521 489 10	seat rail left seat outer for manual adjustment		1	
(2)	928 521 490 10	seat rail right seat outer for manual adjustment		1	
(3)	928 521 492 08	seat rail left seat inner for manual adjustment		1	
(3)	928 521 491 08	seat rail right seat inner for manual adjustment		1	
(2)	928 521 489 11	seat rail left seat outer elect. vertical adjustment		1	
(2)	928 521 490 11	seat rail right seat outer elect. vertical adjustment		1	

Model	Year	MG	SG	Illustration	Restrictions	UPD	18:10	27.01.2010	PORSCHE	PET	PORSCHE
STZ	1998	8	04	804-10		248					

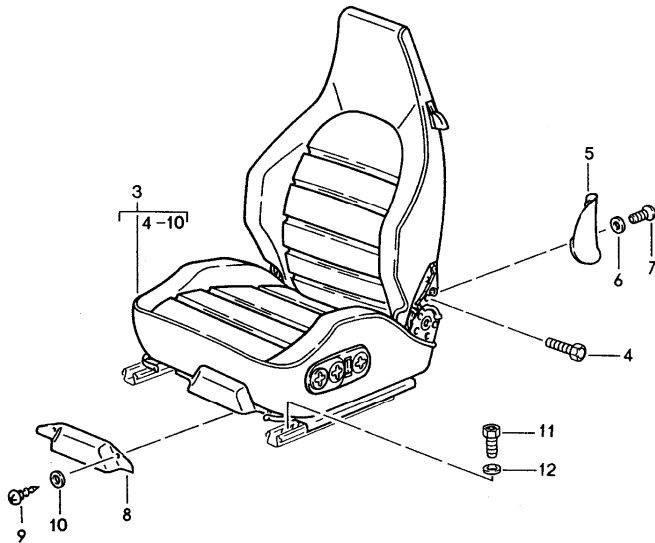
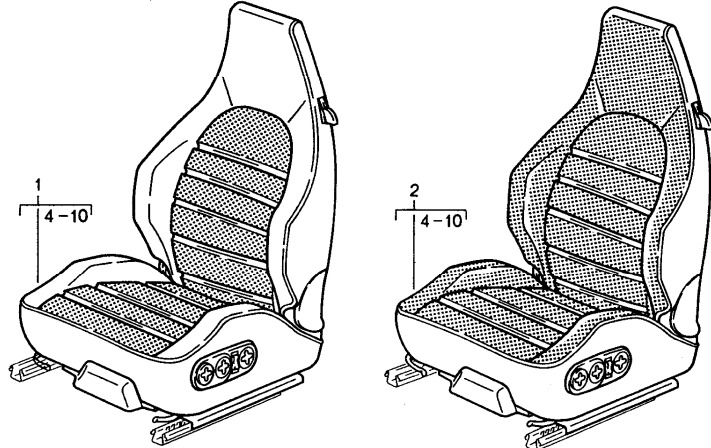
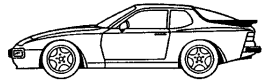
Pos	Part Number	Description	Remark	Qty	Model	Pos	Part Number	Description	Remark	Qty	Model
(3)	964 521 492 00	seat rail left seat inner elect. vertical adjustment		1		7	900 186 032 02	pan-head screw M 6 X 12		8	
(3)	964 521 491 00	seat rail right seat inner elect. vertical adjustment		1		8	999 025 129 40	washer		8	
2	928 521 489 08	seat rail left seat outer all-electric		1		9	928 521 727 02	slide		8	
(2)	928 521 490 08	seat rail right seat outer all-electric		1		10	928 521 723 02	guide spring		8	
3	928 521 492 11	seat rail left seat inner all-electric F >>94KN4 01291 F >>95KN1 00776		1	944 TURBO	11	928 521 730 02	nut		8	
3	964 521 492 01	seat rail left seat inner all-electric F 94KN4 01292>> F 95KN1 00777>>		1	944 TURBO	12	928 624 126 01	geared motor rear vertical adjustment		2	
(3)	928 521 491 11	seat rail right seat inner all-electric F >>94KN4 01291 F >>95KN1 00776		1	944 TURBO	12A	928 624 136 00	geared motor for longitudinal adjustment		2	
(3)	964 521 491 01	seat rail right seat inner all-electric F 94KN4 01292>> F 95KN1 00777>>		1	944 TURBO	12B	928 624 126 01	geared motor front vertical adjustment		2	
4	928 521 721 03	lifting gear left front, right rear		4		13	928 521 033 03	engine support		2	
5	928 521 722 03	lifting gear right front, left rear		4		15	928 521 818 03	bevel pinion for emergency control		2	
6	999 217 033 01	locking screw M 6 X 16		20		16	928 521 252 04	shaft for longitudinal adjustment		2	
						17	928 521 251 03	shaft for longitudinal adjustment		2	
						18	928 521 671 03	shaft front vertical adjustment	/L	2	
						19	928 521 672 03	shaft front vertical adjustment	/R	2	
						20	928 521 673 05	shaft rear vertical adjustment	/L	2	
						21	928 521 674 05	shaft rear vertical adjustment	/R	2	
						22	928 521 675 02	moulded spring for engine		6	
						23	928 521 699 00	moulded spring transmission		6	
						24	999 591 778 02	support		6	
						25	928 521 681 02	bolt 1,5 PA 6		4	
						26	928 521 685 02	bush		4	

Model	Year	MG	SG	Illustration	Restrictions	UPD	18:10	27.01.2010	PORSCHE	PET	PORSCHE
STZ	1998	8	04	804-10		248					

Pos	Part Number	Description	Remark	Qty	Model	Pos	Part Number	Description	Remark	Qty	Model
27	928 521 683 02	washer 1,5 PA 6		8		-	928 521 525 03	connecting rod manually for longitudinal adjustment		2	
28	900 034 003 02	hexagon nut M 10		4		-	N 902 514 01	clamping sleeve manually for longitudinal adjustment		4	
29	900 906 005 01	circlip A 8		2		-	N 902 515 01	guide bush manually for longitudinal adjustment		4	
30	928 521 818 04	bevel pinion for emergency control		2							
31	928 653 501 03	bracket		2							
32	928 653 503 02	bracket		2							
33	N 014 133 8	oval-head screw M 5 X 12		2							
34	900 025 003 02	washer A 5,3		2							
35	N 042 499 1	circlip A12		2							
36	928 521 816 03	bearing pin		2							
37	928 521 686 00	moulded spring		2							
(38)	964 521 073 00	lever F 94KN4 01292>> F 95KN1 00777>>		2	944 TURBO						
	01C	satin black									
39	900 119 011 07	pan-head screw M 5 X 10		1							
40	900 031 006 07	washer 5,3		1							
41	A 928 521 563 03	handle F >>94KN4 01291 F >>95KN1 00776		1	944 TURBO						
(41)	A 911 521 533 00	handle F >>94KN4 01291 F >>95KN1 00776		1	944 TURBO						
(41)	911 521 533 01	handle for longitudinal adjustment F 94KN4 01292>> F 95KN1 00777>>		2	944 TURBO						
	01C	satin black									



Model	Year	MG	SG	Illustration	Restrictions	UPD	18:10	27.01.2010	PORSCHE	PET	PORSCHE
STZ	1998	8	04	804-12		248					



Pos	Part Number	Description	Remark	Qty	Model
		sports seat complete	85/2 -88		944/S TURBO/S
1	944 521 001 00	sports seat without heating leatherette/ centre part in cloth pin stripe velour	/L	1	M383
	JN1	black/ black-white			
	JN2	brown/ brown-beige			
	RC7	light grey light grey-white			
	LT2	burgundy/ burgundy-white			
(1)	944 521 002 00	sports seat without heating leatherette/ centre part in cloth pin stripe velour	/R	1	M387
	JN1	black/ black-white			
	JN2	brown/ brown-beige			
	RC7	light grey light grey-white			
	LT2	burgundy/ burgundy-white			
(1)	944 521 001 02	sports seat with heating leatherette/ centre part in cloth pin stripe velour	/L	1	M383
	JN1	black/ black-white			
	JN2	brown/ brown-beige			
	RC7	light grey light grey-white			
	LT2	burgundy/ burgundy-white			

Model	Year	MG	SG	Illustration	Restrictions	UPD	18:10	27.01.2010	PORSCHE	PET	PORSCHE
STZ	1998	8	04	804-12		248					

Pos	Part Number	Description	Remark	Qty	Model	Pos	Part Number	Description	Remark	Qty	Model
(1)	944 521 002 02	sports seat with heating leatherette/centre part in cloth pin stripe velour	/R	1	M387		NX7	burgundy/burgundy			
	JN1	black/black-white				(1)	944 521 002 02	sports seat with heating leatherette/centre part in cloth pin stripe flannel	/R	1	M387
	JN2	brown/brown-beige					NX4	black/anthracite			
	RC7	light grey/light grey-white					NX5	brown/brown			
	LT2	burgundy/burgundy-white					NX6	light grey/light grey			
1	944 521 001 00	sports seat without heating leatherette/centre part in cloth pin stripe flannel	/L	1	M383	1	944 521 001 00	sports seat without heating leatherette/centre part porsche lettering cloth	/L	1	M383
	NX4	black/anthracite					PX1	black/black			
	NX5	brown/brown					PX3	brown/brown			
	NX6	light grey/light grey					NX9	light grey/light grey			
	NX7	burgundy/burgundy					PX5	burgundy/burgundy			
(1)	944 521 002 00	sports seat without heating leatherette/centre part in cloth pin stripe flannel	/R	1	M387	(1)	944 521 002 00	sports seat without heating leatherette/centre part porsche lettering cloth	/R	1	M387
	NX4	black/anthracite					PX1	black/black			
	NX5	brown/brown					PX3	brown/brown			
	NX6	light grey/light grey					NX9	light grey/light grey			
	NX7	burgundy/burgundy					PX5	burgundy/burgundy			
(1)	944 521 001 02	sports seat with heating leatherette/centre part in cloth pin stripe flannel	/L	1	M383	(1)	944 521 001 02	sports seat with heating leatherette/centre part porsche lettering cloth	/L	1	M383
	NX4	black/anthracite					PX1	black/black			
	NX5	brown/brown					PX3	brown/brown			
	NX6	light grey/light grey					NX9	light grey/light grey			
							PX5	burgundy/burgundy			

Model	Year	MG	SG	Illustration	Restrictions	UPD	18:10	27.01.2010	PORSCHE	PET	PORSCHE
STZ	1998	8	04	804-12		248					

Pos	Part Number	Description	Remark	Qty	Model	Pos	Part Number	Description	Remark	Qty	Model	
(1)	944 521 002 02	sports seat with heating leatherette/ centre part porsche lettering cloth	/R	1	M387	(1)	944 521 001 55	sports seat with heating leatherette/leather centre part in cloth pin stripe velour	/L	-87	1	M383
	PX1	black/black					PY1	black/black black-white				
	PX3	brown/brown					PY2	brown/brown brown-beige				
	NX9	light grey/light grey					PY6	light grey/light grey light grey-white				
	PX5	burgundy/burgundy					PY4	burgundy/burgundy burgundy-white				
1	944 521 001 50	sports seat without heating leatherette/leather centre part in cloth pin stripe velour	/L	-87	1	M383	RC9	light grey/light grey light grey-white		86-		
	PY1	black/black black-white				(1)	944 521 002 55	sports seat with heating leatherette/leather centre part in cloth pin stripe velour	/R	-87	1	M387
	PY2	brown/brown brown-beige					PY1	black/black black-white				
	PY6	light grey/light grey light grey-white					PY2	brown/brown brown-beige				
	PY4	burgundy/burgundy burgundy-white					PY6	light grey/light grey light grey-white				
	RC9	light grey/light grey light grey-white		86-			PY4	burgundy/burgundy burgundy-white				
(1)	944 521 002 50	sports seat without heating leatherette/leather centre part in cloth pin stripe velour	/R	-87	1	M387	RC9	light grey/light grey light grey-white		86-		
	PY1	black/black black-white				1	944 521 001 50	sports seat without heating leatherette/leather centre part in cloth pin stripe flannel	/L	-87	1	M383
	PY2	brown/brown brown-beige					PZ2	black/black anthracite				
	PY6	light grey/light grey light grey-white					PZ3	brown/brown brown				
	PY4	burgundy/burgundy burgundy-white					PY8	light grey/light grey light grey				
	RC9	light grey/light grey light grey-white		86-								

Model	Year	MG	SG	Illustration	Restrictions	UPD	18:10	27.01.2010	PORSCHE	PET	PORSCHE
STZ	1998	8	04	804-12		248					

Pos	Part Number	Description	Remark	Qty	Model	Pos	Part Number	Description	Remark	Qty	Model
(1)	944 521 002 50	burgundy/burgundy burgundy sports seat without heating leatherette/leather centre part in cloth pin stripe flannel	/R	-87	1 M387	1	944 521 001 50	sports seat without heating leatherette/leather centre part porsche lettering cloth	/L	-87	1 M383
	PZ2	black/black anthracite					PZ7	black/black black			
	PZ3	brown/brown brown					PZ8	brown/brown brown			
	PY8	light grey/light grey light grey					PY7	light grey/light grey light grey			
	PZ5	burgundy/burgundy burgundy					QA1	burgundy/burgundy burgundy			
(1)	944 521 001 55	burgundy/burgundy burgundy sports seat with heating leatherette/leather centre part in cloth pin stripe flannel	/L	-87	1 M383	(1)	944 521 002 50	sports seat without heating leatherette/leather centre part porsche lettering cloth	/R	-87	1 M387
	PZ2	black/black anthracite					PZ7	black/black black			
	PZ3	brown/brown brown					PZ8	brown/brown brown			
	PY8	light grey/light grey light grey					PY7	light grey/light grey light grey			
	PZ5	burgundy/burgundy burgundy					QA1	burgundy/burgundy burgundy			
(1)	944 521 002 55	burgundy/burgundy burgundy sports seat with heating leatherette/leather centre part in cloth pin stripe flannel	/R	-87	1 M387	(1)	944 521 001 55	sports seat with heating leatherette/leather centre part porsche lettering cloth	/L	-87	1 M383
	PZ2	black/black anthracite					PZ7	black/black black			
	PZ3	brown/brown brown					PZ8	brown/brown brown			
	PY8	light grey/light grey light grey					PY7	light grey/light grey light grey			
	PZ5	burgundy/burgundy burgundy					QA1	burgundy/burgundy burgundy			

Model	Year	MG	SG	Illustration	Restrictions	UPD	18:10	27.01.2010	PORSCHE	PET	PORSCHE
STZ	1998	8	04	804-12		248					

Pos	Part Number	Description	Remark	Qty	Model	Pos	Part Number	Description	Remark	Qty	Model
(1)	944 521 002 55	sports seat with heating leatherette/leather centre part porsche lettering cloth	/R	-87	1 M387	(2)	944 521 001 03	sports seat with heating leatherette/ seat and backrest surface pin stripe velour	/L	1	M383
	PZ7	black/black black					NY5	black/ black-white			
	PZ8	brown/brown brown					NY7	brown/ brown-beige			
	PY7	light grey/light grey light grey					RC8	light grey light grey-white			
	QA1	burgundy/burgundy burgundy					NY8	burgundy/ burgundy-white			
2	944 521 001 01	sports seat without heating leatherette/ seat and backrest surface pin stripe velour	/L		1 M383	(2)	944 521 002 03	sports seat with heating leatherette/ seat and backrest surface pin stripe velour	/R	1	M387
	NY5	black/ black-white					NY5	black/ black-white			
	NY7	brown/ brown-beige					NY7	brown/ brown-beige			
	RC8	light grey light grey-white					RC8	light grey light grey-white			
	NY8	burgundy/ burgundy-white					NY8	burgundy/ burgundy-white			
(2)	944 521 002 01	sports seat without heating leatherette/ seat and backrest surface pin stripe velour	/R		1 M387	2	944 521 001 01	sports seat without heating leatherette/ seat and backrest surface pin stripe flannel	/L	1	M383
	NY5	black/ black-white					NY9	black/anthracite			
	NY7	brown/ brown-beige					NZ6	brown/brown			
	RC8	light grey light grey-white					NZ4	light grey/light grey			
	NY8	burgundy/ burgundy-white					NZ5	burgundy/burgundy			
						(2)	944 521 002 01	sports seat without heating leatherette/ seat and backrest surface pin stripe flannel	/R	1	M387
							NY9	black/anthracite			

Model	Year	MG	SG	Illustration	Restrictions	UPD	18:10	27.01.2010	PORSCHE	PET	PORSCHE
STZ	1998	8	04	804-12		248					

Pos	Part Number	Description	Remark	Qty	Model	Pos	Part Number	Description	Remark	Qty	Model
		NZ6 brown/brown					NZ3 light grey/light grey				
		NZ4 light grey/light grey					PX6 burgundy/burgundy				
		NZ5 burgundy/burgundy				(2)	944 521 001 03	sports seat with heating leatherette/ seat and backrest surface porsche lettering cloth	/L	1	M383
(2)	944 521 001 03	sports seat with heating leatherette/ seat and backrest surface pin stripe flannel	/L	1	M383		PX2 black/black				
		NY9 black/anthracite					PX4 brown/brown				
		NZ6 brown/brown					NZ3 light grey/light grey				
		NZ4 light grey/light grey					PX6 burgundy/burgundy				
		NZ5 burgundy/burgundy				(2)	944 521 002 03	sports seat with heating leatherette/ seat and backrest surface porsche lettering cloth	/R	1	M387
(2)	944 521 002 03	sports seat with heating leatherette/ seat and backrest surface pin stripe flannel	/R	1	M387		PX2 black/black				
		NY9 black/anthracite					PX4 brown/brown				
		NZ6 brown/brown					NZ3 light grey/light grey				
		NZ4 light grey/light grey					PX6 burgundy/burgundy				
		NZ5 burgundy/burgundy				3	944 521 001 51	sports seat without heating leatherette/ seat and backrest surface leather	/L	1	M383
2	944 521 001 01	sports seat without heating leatherette/ seat and backrest surface porsche lettering cloth	/L	1	M383		JN3 black/black				
		PX2 black/black					JN4 brown/brown				
		PX4 brown/brown					NZ7 light grey/light grey				
		NZ3 light grey/light grey					NZ8 burgundy/burgundy				
		PX6 burgundy/burgundy				(3)	944 521 002 51	sports seat without heating leatherette/ seat and backrest surface leather	/R	1	M387
(2)	944 521 002 01	sports seat without heating leatherette/ seat and backrest surface porsche lettering cloth	/R	1	M387		JN3 black/black				
		PX2 black/black					JN4 brown/brown				
		PX4 brown/brown					NZ7 light grey/light grey				

Model	Year	MG	SG	Illustration	Restrictions	UPD	18:10	27.01.2010	PORSCHE	PET	PORSCHE
STZ	1998	8	04	804-12		248					

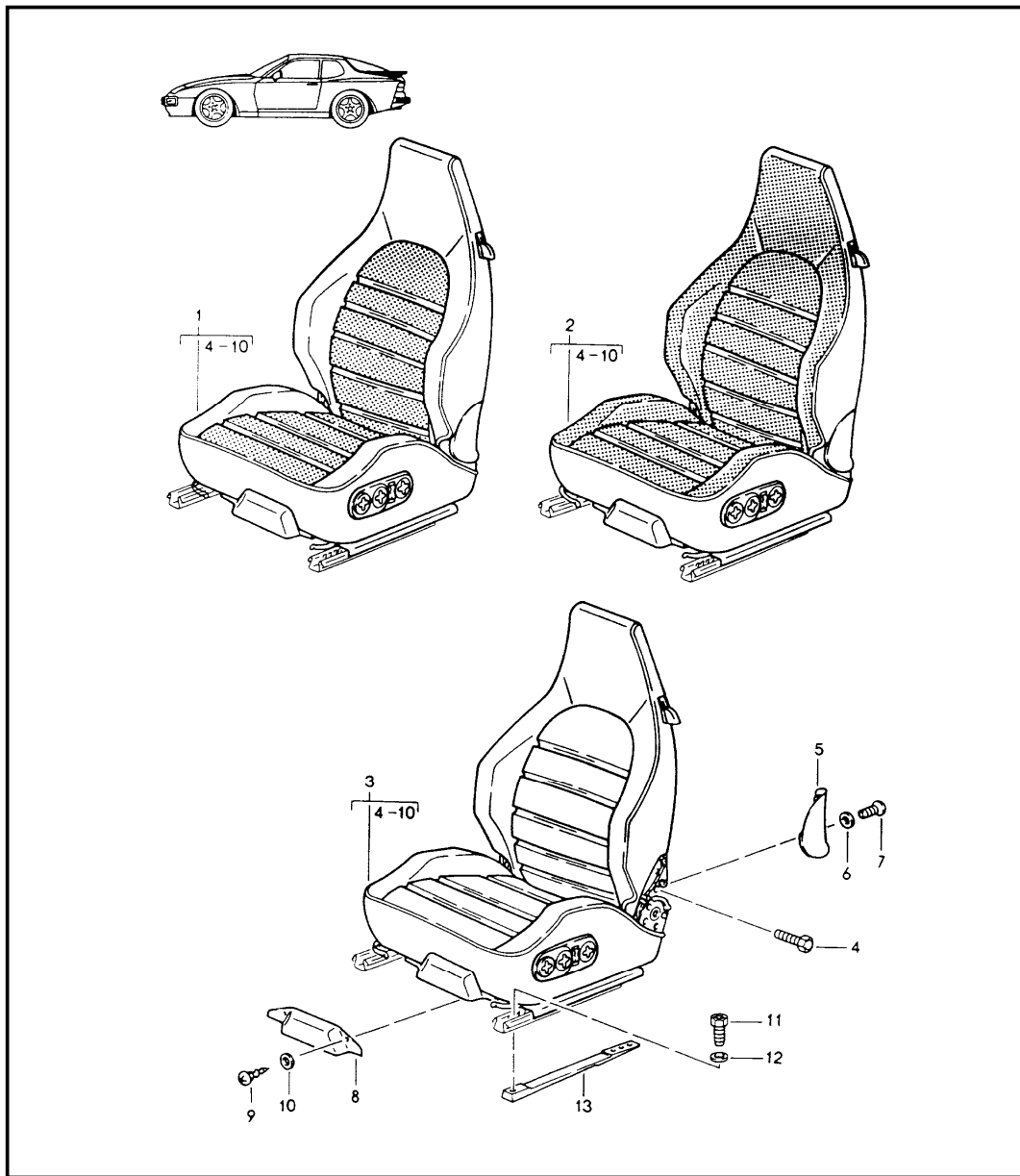
Pos	Part Number	Description	Remark	Qty	Model	Pos	Part Number	Description	Remark	Qty	Model
	NZ8	burgundy/burgundy					NZ9	light grey			
(3)	944 521 001 56	sports seat with heating leatherette/ seat and backrest surface leather	/L	1	M383		LG7	burgundy			
	JN3	black/black					KZ6	can-can-red			
	JN4	brown/brown					LG4	pearl white			
	NZ7	light grey/light grey					LG5	champagne			
	NZ8	burgundy/burgundy					PZ1	wild buffalo	-87		
(3)	944 521 002 56	sports seat with heating leatherette/ seat and backrest surface leather	/R	1	M387	(3)	944 521 001 57	sports seat with heating whole-leather	/L	1	M383
	JN3	black/black					KZ2	black			
	JN4	brown/brown					KZ5	brown			
	NZ7	light grey/light grey					NZ9	light grey			
	NZ8	burgundy/burgundy					LG7	burgundy			
3	944 521 001 52	sports seat without heating whole-leather	/L	1	M383		KZ6	can-can-red			
	KZ2	black					LG4	pearl white			
	KZ5	brown					LG5	champagne			
	NZ9	light grey					PZ1	wild buffalo	-87		
	LG7	burgundy				(3)	944 521 002 57	sports seat with heating whole-leather	/R	1	M387
	KZ6	can-can-red					KZ2	black			
	LG4	pearl white					KZ5	brown			
	LG5	champagne					NZ9	light grey			
	PZ1	wild buffalo	-87				LG7	burgundy			
(3)	944 521 002 52	sports seat without heating whole-leather	/R	1	M387		KZ6	can-can-red			
	KZ2	black					LG4	pearl white			
	KZ5	brown					LG5	champagne			
							PZ1	wild buffalo	-87		
						4	911 521 547 00	hexagon-head bolt M 10 X 20		4	
						5	928 521 147 02	cover	/L	1	

Model	Year	MG	SG	Illustration	Restrictions	UPD	18:10	27.01.2010	PORSCHE	PET	PORSCHE
STZ	1998	8	04	804-12		248					

Pos	Part Number	Description	Remark	Qty	Model	Pos	Part Number	Description	Remark	Qty	Model
		01C black									
		4RB brown									
		9MM burgundy									
		8CJ light grey		85							
		2DJ light grey		86-							
(5)	928 521 148 02	cover	/R	1							
		01C black									
		4RB brown									
		9MM burgundy									
		8CJ light grey		85							
		2DJ light grey		86-							
6	900 025 044 07	washer A 4,3		4							
7	900 143 113 07	tapping screw B 4,2 X 13		4							
8	928 521 760 03	engine cover		-86	2						
8	928 521 760 05	engine cover		87-	2						
		01C satin black									
9	N 013 959 3	tapping screw B 3,5 X 16		4							
10	900 025 013 07	washer A 3,7		4							
11	900 119 030 02	pan-head screw M 8 X 20		12							
12	900 031 001 02	washer 8,4		12							



Model	Year	MG	SG	Illustration	Restrictions	UPD	18:10	27.01.2010	PORSCHE	PET	PORSCHE
STZ	1998	8	04	804-14		248					



Pos	Part Number	Description	Remark	Qty	Model
		sports seat complete	89-91		944/S2 TURBO
1	944 521 001 13	sports seat without heating leatherette/ centre part in cloth pin stripe velour	/L	1	M383
	JN1	black/ black-white	-90		
	XJ8	blue/ blue-white	-90		
	XH1	linen/ linen white	-90		
	LT2	burgundy/ burgundy-white	-90		
(1)	944 521 002 13	sports seat without heating leatherette/ centre part in cloth pin stripe velour	/R	1	M387
	JN1	black/ black-white	-90		
	XJ8	blue/ blue-white	-90		
	XH1	linen/ linen white	-90		
	LT2	burgundy/ burgundy-white	-90		
(1)	944 521 001 14	sports seat with heating leatherette/ centre part in cloth pin stripe velour	/L	1	M383
	JN1	black/ black-white	-90		
	XJ8	blue/ blue-white	-90		
	XH1	linen/ linen white	-90		
	LT2	burgundy/ burgundy-white	-90		

Model	Year	MG	SG	Illustration	Restrictions	UPD	18:10	27.01.2010	PORSCHE	PET	PORSCHE
STZ	1998	8	04	804-14		248					

Pos	Part Number	Description	Remark	Qty	Model	Pos	Part Number	Description	Remark	Qty	Model
(1)	944 521 002 14	sports seat with heating leatherette/ centre part in cloth pin stripe velour	/R	1	M387	(1)	944 521 001 14	sports seat with heating leatherette/ centre part in cloth multicolour	/L	1	M383
	JN1	black/ black-white		-90			XJ1	black/black			
	XJ8	blue/ blue-white		-90			XJ4	marine blue/marine blue	-90		
	XH1	linen/ linen white		-90			XH5	linen/linen	-90		
	LT2	burgundy/ burgundy-white		-90			XJ6	burgundy/burgundy	-90		
							ARC	cobalt blue/cobalt blue	91		
							APC	classic grey/classic grey	91		
1	944 521 001 13	sports seat without heating leatherette/ centre part in cloth multicolour	/L	1	M383	(1)	944 521 002 14	sports seat with heating leatherette/ centre part in cloth multicolour	/R	1	M387
	XJ1	black/black					XJ1	black/black			
	XJ4	marine blue/marine blue		-90			XJ4	marine blue/marine blue	-90		
	XH5	linen/linen		-90			XH5	linen/linen	-90		
	XJ6	burgundy/burgundy		-90			XJ6	burgundy/burgundy	-90		
	ARC	cobalt blue/cobalt blue		91			ARC	cobalt blue/cobalt blue	91		
	APC	classic grey/classic grey		91			APC	classic grey/classic grey	91		
(1)	944 521 002 13	sports seat without heating leatherette/ centre part in cloth multicolour	/R	1	M387	1	944 521 001 13	sports seat without heating leatherette/ centre part porsche lettering cloth	/L	1	M383
	XJ1	black/black					PX1	black/black			
	XJ4	marine blue/marine blue		-90			XJ9	marine blue/blue	-90		
	XH5	linen/linen		-90			XH3	linen/linen	-90		
	XJ6	burgundy/burgundy		-90			PX5	burgundy/burgundy	-90		
	ARC	cobalt blue/cobalt blue		91			ARA	cobalt blue/cobalt blue	91		
	APC	classic grey/classic grey		91			APA	classic grey/classic grey	91		

Model	Year	MG	SG	Illustration	Restrictions	UPD	18:10	27.01.2010	PORSCHE	PET	PORSCHE
STZ	1998	8	04	804-14		248					

Pos	Part Number	Description	Remark	Qty	Model	Pos	Part Number	Description	Remark	Qty	Model
(1)	944 521 002 13	sports seat without heating leatherette/ centre part porsche lettering cloth	/R	1	M387	2	944 521 001 04	sports seat without heating leatherette/ seat and backrest surface pin stripe velour	/L	1	M383
	PX1	black/black					NY5	black/ black-white		-90	
	XJ9	marine blue/blue		-90			TR7	blue/ blue-white		-90	
	XH3	linen/linen		-90			XK2	linen/ linen white		-90	
	PX5	burgundy/burgundy		-90			NY8	burgundy/ burgundy-white		-90	
	ARA	cobalt blue/cobalt blue		91							
	APA	classic grey/classic grey		91							
(1)	944 521 001 14	sports seat with heating leatherette/ centre part porsche lettering cloth	/L	1	M383	(2)	944 521 002 04	sports seat without heating leatherette/ seat and backrest surface pin stripe velour	/R	1	M387
	PX1	black/black					NY5	black/ black-white		-90	
	XJ9	marine blue/blue		-90			TR7	blue/ blue-white		-90	
	XH3	linen/linen		-90			XK2	linen/ linen white		-90	
	PX5	burgundy/burgundy		-90			NY8	burgundy/ burgundy-white		-90	
	ARA	cobalt blue/cobalt blue		91							
	APA	classic grey/classic grey		91							
(1)	944 521 002 14	sports seat with heating leatherette/ centre part porsche lettering cloth	/R	1	M387	(2)	944 521 001 05	sports seat with heating leatherette/ seat and backrest surface pin stripe velour	/L	1	M383
	PX1	black/black					NY5	black/ black-white		-90	
	XJ9	marine blue/blue		-90			TR7	blue/ blue-white		-90	
	XH3	linen/linen		-90			XK2	linen/ linen white		-90	
	PX5	burgundy/burgundy		-90			NY8	burgundy/ burgundy-white		-90	
	ARA	cobalt blue/cobalt blue		91							
	APA	classic grey/classic grey		91							

Model	Year	MG	SG	Illustration	Restrictions	UPD	18:10	27.01.2010	PORSCHE	PET	PORSCHE
STZ	1998	8	04	804-14		248					

Pos	Part Number	Description	Remark	Qty	Model	Pos	Part Number	Description	Remark	Qty	Model
(2)	944 521 002 05	sports seat with heating leatherette/ seat and backrest surface pin stripe velour	/R	1	M387	(2)	944 521 001 05	sports seat with heating leatherette/ seat and backrest surface multicolour	/L	1	M383
	NY5	black/ black-white		-90			XK8	black/black			
	TR7	blue/ blue-white		-90			XN1	marine blue/marine blue		-90	
	XK2	linen/ linen white		-90			XK4	linen/linen		-90	
	NY8	burgundy/ burgundy-white		-90			XN2	burgundy/burgundy		-90	
							AQV	cobalt blue/cobalt blue		91	
							AQP	classic grey/classic grey		91	
2	944 521 001 04	sports seat without heating leatherette/ seat and backrest surface multicolour	/L	1	M383	(2)	944 521 002 05	sports seat with heating leatherette/ seat and backrest surface multicolour	/R	1	M387
	XK8	black/black					XK8	black/black			
	XN1	marine blue/marine blue		-90			XN1	marine blue/marine blue		-90	
	XK4	linen/linen		-90			XK4	linen/linen		-90	
	XN2	burgundy/burgundy		-90			XN2	burgundy/burgundy		-90	
	AQV	cobalt blue/cobalt blue		91			AQV	cobalt blue/cobalt blue		91	
	AQP	classic grey/classic grey		91			AQP	classic grey/classic grey		91	
(2)	944 521 002 04	sports seat without heating leatherette/ seat and backrest surface multicolour	/R	1	M387	2	944 521 001 04	sports seat without heating leatherette/ seat and backrest surface porsche lettering cloth	/L	1	M383
	XK8	black/black					PX2	black/black			
	XN1	marine blue/marine blue		-90			TR9	marine blue/blue		-90	
	XK4	linen/linen		-90			XK3	linen/linen		-90	
	XN2	burgundy/burgundy		-90			PX6	burgundy/burgundy		-90	
	AQV	cobalt blue/cobalt blue		91			ARM	cobalt blue/cobalt blue		91	
	AQP	classic grey/classic grey		91			APM	classic grey/classic grey		91	

Model	Year	MG	SG	Illustration	Restrictions	UPD	18:10	27.01.2010	PORSCHE	PET	PORSCHE
STZ	1998	8	04	804-14		248					

Pos	Part Number	Description	Remark	Qty	Model	Pos	Part Number	Description	Remark	Qty	Model
(2)	944 521 002 04	sports seat without heating leatherette/ seat and backrest surface porsche lettering cloth	/R	1	M387	3	944 521 001 62	sports seat without heating leatherette/ seat and backrest surface leather	/L	1	M383
	PX2	black/black					JN3	black/black			
	TR9	marine blue/blue	-90				TW2	linen/linen	-90		
	XK3	linen/linen	-90				NZ8	burgundy/burgundy	-90		
	PX6	burgundy/burgundy	-90				TS2	marine blue/marine blue	-90		
	ARM	cobalt blue/cobalt blue	91				ARK	cobalt blue/cobalt blue	91		
	APM	classic grey/classic grey	91				APK	classic grey/classic grey	91		
(2)	944 521 001 05	sports seat with heating leatherette/ seat and backrest surface porsche lettering cloth	/L	1	M383	(3)	944 521 002 62	sports seat without heating leatherette/ seat and backrest surface leather	/R	1	M387
	PX2	black/black					JN3	black/black			
	TR9	marine blue/blue	-90				TW2	linen/linen	-90		
	XK3	linen/linen	-90				NZ8	burgundy/burgundy	-90		
	PX6	burgundy/burgundy	-90				TS2	marine blue/marine blue	-90		
	ARM	cobalt blue/cobalt blue	91				ARK	cobalt blue/cobalt blue	91		
	APM	classic grey/classic grey	91				APK	classic grey/classic grey	91		
(2)	944 521 002 05	sports seat with heating leatherette/ seat and backrest surface porsche lettering cloth	/R	1	M387	(3)	944 521 001 66	sports seat with heating leatherette/ seat and backrest surface leather	/L	1	M383
	PX2	black/black					JN3	black/black			
	TR9	marine blue/blue	-90				TW2	linen/linen	-90		
	XK3	linen/linen	-90				NZ8	burgundy/burgundy	-90		
	PX6	burgundy/burgundy	-90				TS2	marine blue/marine blue	-90		
	ARM	cobalt blue/cobalt blue	91				ARK	cobalt blue/cobalt blue	91		
	APM	classic grey/classic grey	91				APK	classic grey/classic grey	91		

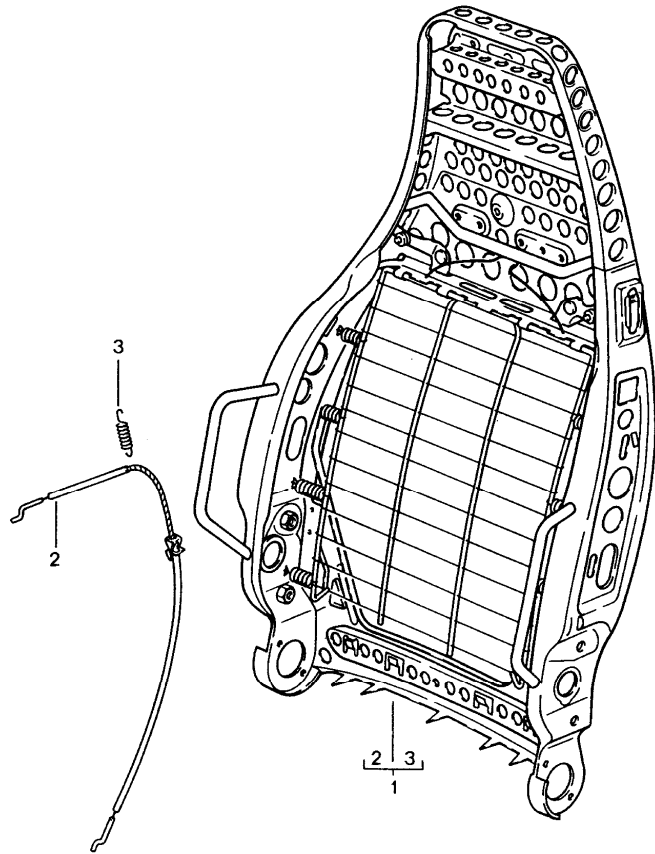
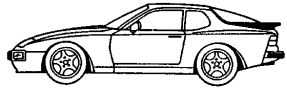
Model	Year	MG	SG	Illustration	Restrictions	UPD	18:10	27.01.2010	PORSCHE	PET	PORSCHE
STZ	1998	8	04	804-14		248					

Pos	Part Number	Description	Remark	Qty	Model	Pos	Part Number	Description	Remark	Qty	Model
(3)	944 521 002 66	sports seat with heating leatherette/seat and backrest surface leather	/R	1	M387		LG7	burgundy	-90		
	JN3	black/black					TS1	marine blue	-90		
	TW2	linen/linen	-90				ARL	cobalt blue	91		
	NZ8	burgundy/burgundy	-90				APL	classic grey	91		
	TS2	marine blue/marine blue	-90			(3)	944 521 002 64	sports seat with heating whole-leather	/R	1	M387
	ARK	cobalt blue/cobalt blue	91				KZ2	black			
	APK	classic grey/classic grey	91				TW1	linen	-90		
3	944 521 001 60	sports seat without heating whole-leather	/L	1	M383		LG7	burgundy	-90		
	KZ2	black					TS1	marine blue	-90		
	TW1	linen	-90				ARL	cobalt blue	91		
	LG7	burgundy	-90			4	911 521 547 00	hexagon-head bolt M 10 X 20		4	
	TS1	marine blue	-90				APL	classic grey	91		
	ARL	cobalt blue	91			5	928 521 147 02	cover	/L	1	
	APL	classic grey	91				01C	black			
(3)	944 521 002 60	sports seat without heating whole-leather	/R	1	M387		9JJ	marine blue	-90		
	KZ2	black					9MM	burgundy	-90		
	TW1	linen	-90				7XJ	linen	-90		
	LG7	burgundy	-90				6ZF	cobalt blue	91		
	TS1	marine blue	-90			(5)	928 521 148 02	cover	/R	1	
	ARL	cobalt blue	91				01C	black			
	APL	classic grey	91				9JJ	marine blue	-90		
(3)	944 521 001 64	sports seat with heating whole-leather	/L	1	M383		9MM	burgundy	-90		
	KZ2	black					7XJ	linen	-90		
	TW1	linen	-90				6ZF	cobalt blue	91		
							4XC	classic grey	91		
						(6)	900 025 044 07	washer A 4,3		4	

Model	Year	MG	SG	Illustration	Restrictions	UPD	18:10	27.01.2010	PORSCHE	PET	PORSCHE
STZ	1998	8	04	804-14		248					

Pos	Part Number	Description	Remark	Qty	Model	Pos	Part Number	Description	Remark	Qty	Model
7	900 143 113 07	tapping screw B 4,2 X 13		4							
8	928 521 760 05 01C	engine cover satin black		2							
9	900 143 113 07	tapping screw 4,2 X 13		4							
10	900 025 044 07	washer A 4,3		4							
-	N 100 472 01	speed nut ST. 3,9		4							
11	900 119 030 02	pan-head screw M 8 X 20		12							
12	900 089 006 02	washer 8		12							
13	944 521 547 00	base wedge vertical seat adjustment		X							

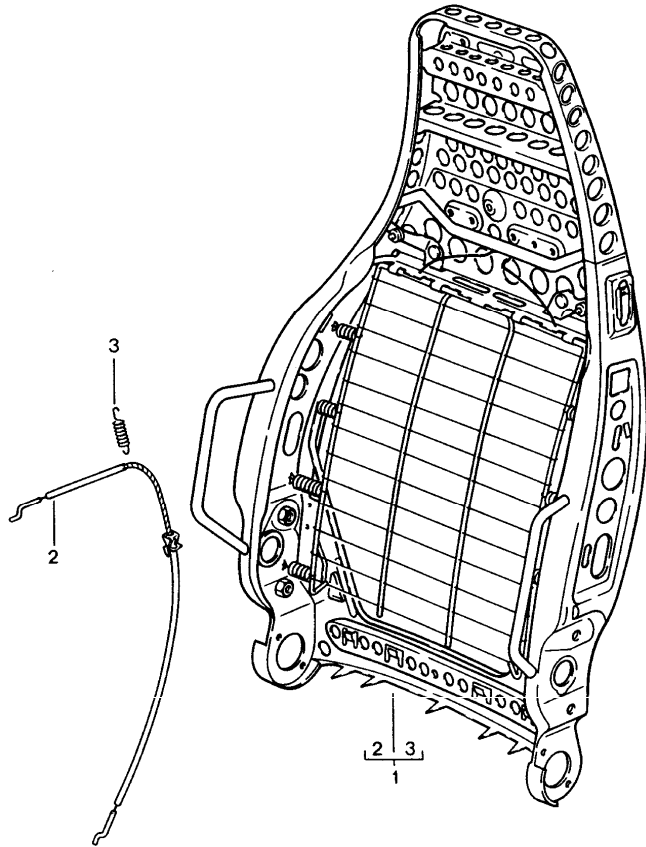
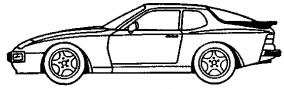
Model	Year	MG	SG	Illustration	Restrictions	UPD	18:10	27.01.2010	PORSCHE	PET	PORSCHE
STZ	1998	8	04	804-16		248					



Pos	Part Number	Description	Remark	Qty	Model
		backrest frame sports seat	85/2 -88		944/S TURBO/S
1	944 521 027 01	backrest frame		2	
2	928 521 093 02	bowden cable		2	
3	311 881 287 A	spring actuating lever		2	

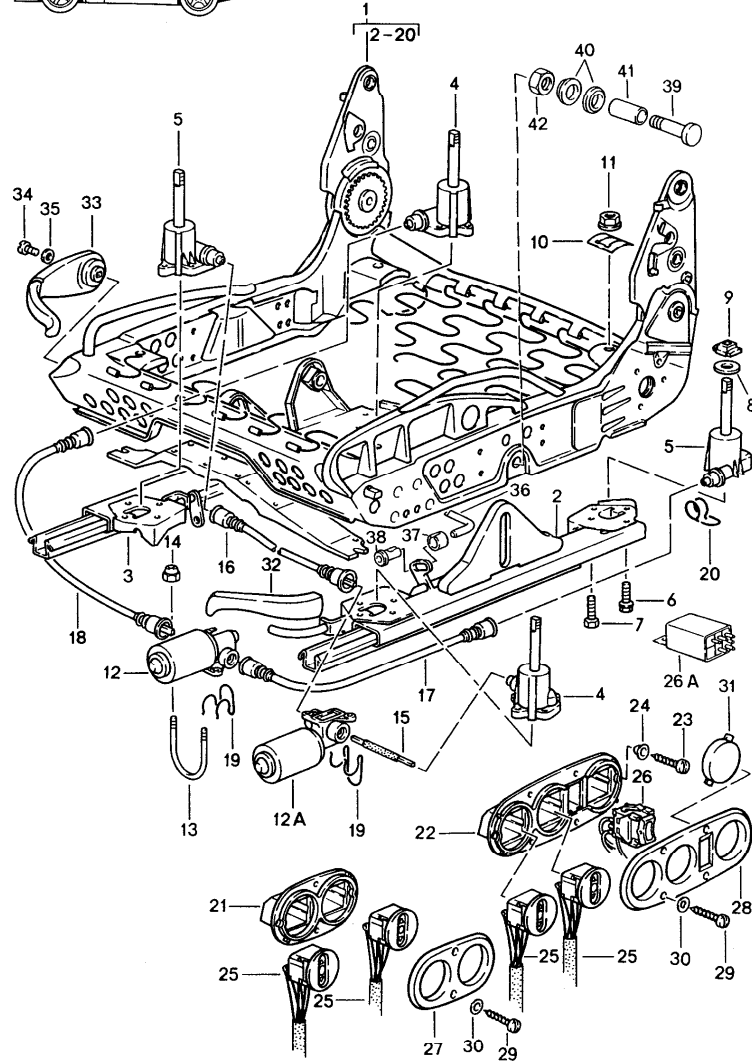
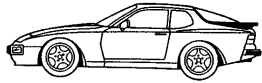


Model	Year	MG	SG	Illustration	Restrictions	UPD	18:10	27.01.2010	PORSCHE	PET	PORSCHE
STZ	1998	8	04	804-18		248					



Pos	Part Number	Description	Remark	Qty	Model
		backrest frame sports seat	89-91		944/S2 TURBO
1	944 521 027 01	backrest frame		2	
2	928 521 093 02	bowden cable		2	
3	311 881 287 A	spring actuating lever		2	

Model	Year	MG	SG	Illustration	Restrictions	UPD	18:11	27.01.2010	PORSCHE	PET	PORSCHE
STZ	1998	8	04	804-20		248					



Pos	Part Number	Description	Remark	Qty	Model
		seat frame sports seat	85/2 -88		944/S TURBO/S
1	993 521 069 02	seat frame	/L	1	
(1)	993 521 070 02	seat frame	/R	1	
2	928 521 489 11	seat rail left seat outer		1	
(2)	928 521 490 11	seat rail right seat outer		1	
(3) A	964 521 491 00	seat rail right seat inner		1	
(3)	964 521 491 00	seat rail right seat inner		1	
(3) A	964 521 492 00	seat rail left seat inner		1	
(3)	964 521 492 00	seat rail left seat inner		1	
4	928 521 721 03	lifting gear left front, right rear		4	
5	928 521 722 03	lifting gear right front, left rear		4	
6	999 217 033 01	locking screw M 6 X 16		10	
7	900 186 032 02	pan-head screw M 6 X 12		4	
8	999 025 129 40	washer		8	
9	928 521 727 02	slide		8	
10	928 521 723 02	guide spring		8	
11	928 521 730 02	nut		8	
12	928 624 126 01	geared motor rear vertical adjustment		2	
12A	928 624 126 01	geared motor front vertical adjustment		2	

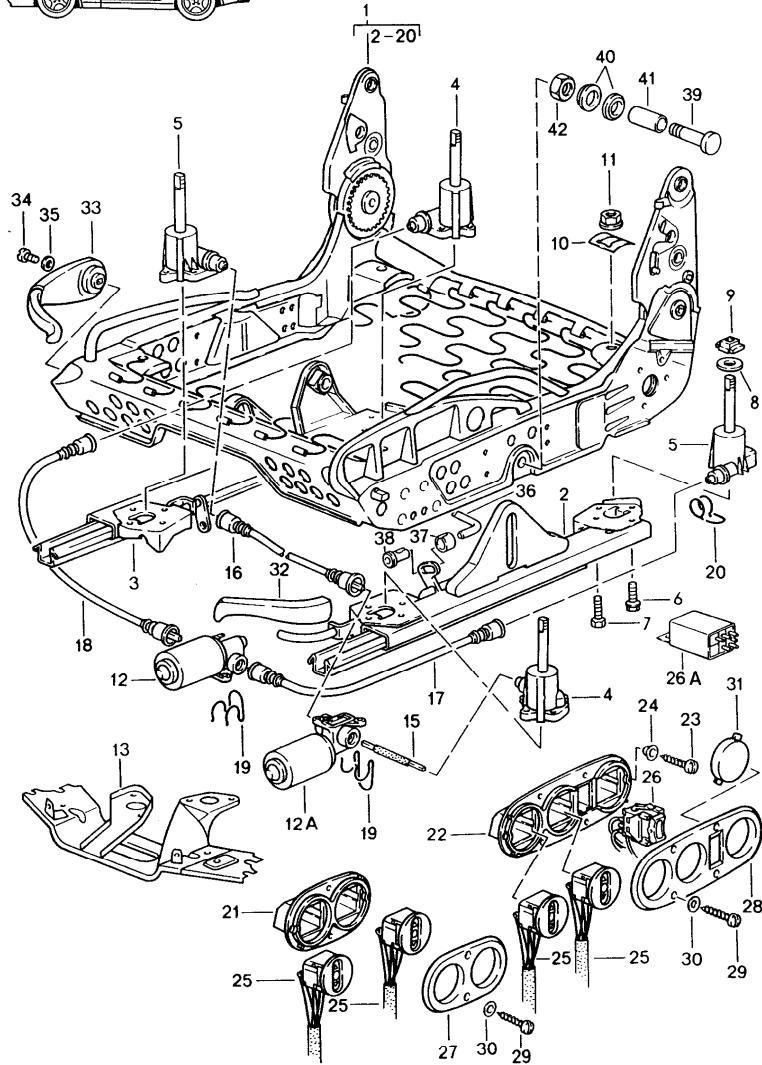
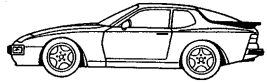
Model	Year	MG	SG	Illustration	Restrictions	UPD	18:11	27.01.2010	PORSCHE	PET	PORSCHE
STZ	1998	8	04	804-20		248					

Pos	Part Number	Description	Remark	Qty	Model	Pos	Part Number	Description	Remark	Qty	Model
13	999 222 001 02	stirrup bolt M 4	-86	4		(26)	928 613 188 02	switch seat heater	/R 87-	1	
(13)	928 521 033 02	engine support	87-	2			01C	satin black			
14	900 910 006 02	lock nut M 4	-86	8		26A	928 618 521 00	relay seat heater	-88	2	
15	928 521 671 03	shaft front vertical adjustment	/L	2		27	928 521 561 04	trim for switch		2	
16	928 521 672 02	pliable shaft front vertical adjustment	/R -86	2			01C	satin black			
16	928 521 672 03	shaft front vertical adjustment	/R 87-	2		28	928 521 561 03	trim for switch seat heater		2	
17	928 521 673 05	shaft rear vertical adjustment	/L	2			01C	satin black			
18	928 521 674 02	shaft rear vertical adjustment	/R -86	2		29	N 013 959 3	tapping screw B 3,5 X 16		X	
18	928 521 674 05	shaft rear vertical adjustment	/R 87-	2		30	900 025 013 07	washer A 3,7		X	
19	928 521 675 02	moulded spring		4		31	928 613 425 00	cover seat heater		X	
20	928 521 699 00	moulded spring		6		(32)	911 521 533 01	handle for longitudinal adjustment		2	
21	928 521 559 04	switch insert		2			01C	satin black			
22	928 521 559 02	switch insert seat heater	/L	1		(33)	964 521 073 00	lever for backrest adjustment		2	
(22)	928 521 560 02	switch insert seat heater	/R	1			01C	satin black			
23	N 013 988 1	tapping screw B 3,5 X 16		4		34	900 119 011 07	pan-head screw M 5 X 10		2	
24	999 591 849 07	cone washer		4		35	900 031 006 07	washer 5,3		2	
25	928 613 181 00	switch height adjustment front and rear		4		36	928 521 525 03	connecting rod for longitudinal adjustment		2	
26	928 613 187 01	switch seat heater	/L -86	1		37	N 902 514 01	clamping sleeve for longitudinal adjustment		4	
26	928 613 187 02	switch seat heater	/L 87-	1		38	N 902 515 01	guide bush for longitudinal adjustment		4	
	01C	satin black				39	928 521 681 02	bolt		4	
(26)	928 613 188 01	switch seat heater	/R -86	1		40	928 521 683 02	washer 1,5 PA 6		8	
						41	928 521 685 02	bush		4	

Model	Year	MG	SG	Illustration	Restrictions	UPD	18:11	27.01.2010	PORSCHE <b>PET</b> PORSCHE		
STZ	1998	8	04	804-20		248					

Pos	Part Number	Description	Remark	Qty	Model	Pos	Part Number	Description	Remark	Qty	Model
42	900 034 003 02	hexagon nut M 10		4							

Model	Year	MG	SG	Illustration	Restrictions	UPD	18:11	27.01.2010	PORSCHE	PET	PORSCHE
STZ	1998	8	04	804-22		248					

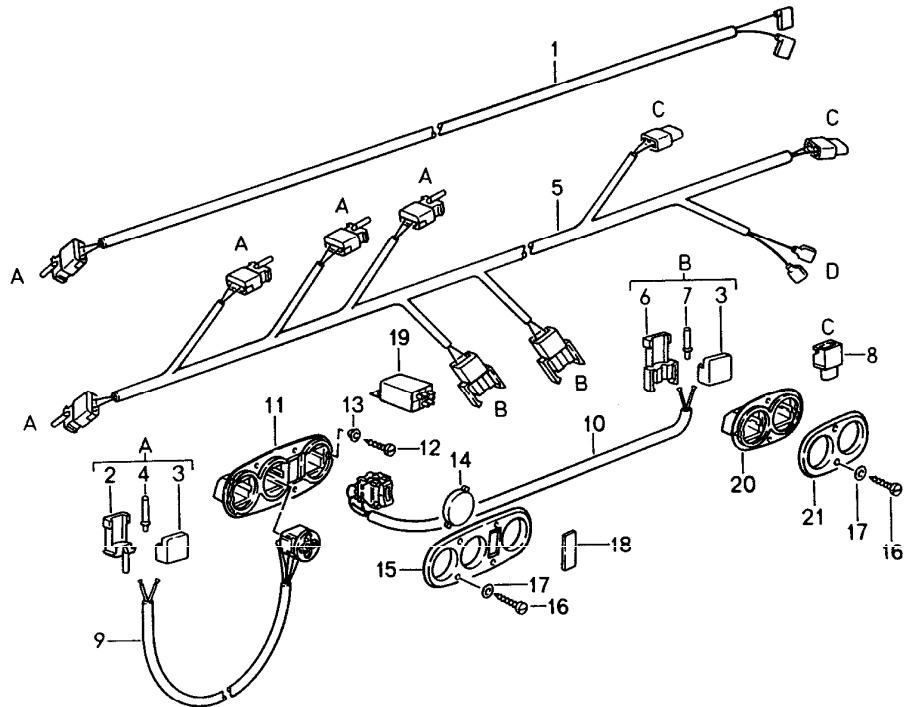
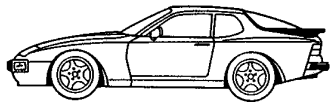


Pos	Part Number	Description	Remark	Qty	Model
		seat frame sports seat elect. vertical adjustment	89-91		944/S2 TURBO
1	993 521 069 02	seat frame	/L	1	
(1)	993 521 070 02	seat frame	/R	1	
2	928 521 489 11	seat rail left seat outer		1	
(2)	928 521 490 11	seat rail right seat outer		1	
(3) A	964 521 491 00	seat rail right seat inner		1	
(3)	964 521 491 00	seat rail right seat inner		1	
3 A	964 521 492 00	seat rail left seat inner		1	
(3)	964 521 492 00	seat rail left seat inner		1	
4	928 521 721 03	lifting gear left front, right rear		4	
5	928 521 722 03	lifting gear right front, left rear		4	
6	999 217 033 01	locking screw M 6 X 16		10	
7	900 186 032 02	pan-head screw M 6 X 12		4	
8	999 025 129 40	washer		8	
9	928 521 727 02	slide		8	
10	928 521 723 02	guide spring		8	
11	928 521 730 02	nut		8	
12	928 624 126 01	geared motor rear vertical adjustment		2	
12A	928 624 126 01	geared motor front vertical adjustment		2	

Model	Year	MG	SG	Illustration	Restrictions	UPD	18:11	27.01.2010	PORSCHE	PET	PORSCHE
STZ	1998	8	04	804-22		248					

Pos	Part Number	Description	Remark	Qty	Model	Pos	Part Number	Description	Remark	Qty	Model
13	928 521 033 02	engine support		2		31	928 613 425 00	cover seat heater		X	
15	928 521 671 03	shaft front vertical adjustment	/L	2		(32)	911 521 533 01	handle for longitudinal adjustment		2	
16	928 521 672 03	shaft front vertical adjustment	/R	2			01C	satin black			
17	928 521 673 05	shaft rear vertical adjustment	/L	2		(33)	964 521 073 00	lever for backrest adjustment		2	
18	928 521 674 05	shaft rear vertical adjustment	/R	2			01C	satin black			
19	928 521 675 02	moulded spring		4		34	900 119 011 07	pan-head screw M 5 X 10		2	
20	928 521 699 00	moulded spring		6		35	900 031 006 07	washer 5,3		2	
21	928 521 559 04	switch insert		2		36	928 521 525 03	connecting rod for longitudinal adjustment		2	
22	928 521 559 02	switch insert seat heater	/L	1		37	N 902 514 01	clamping sleeve for longitudinal adjustment		4	
(22)	928 521 560 02	switch insert seat heater	/R	1		38	N 902 515 01	guide bush for longitudinal adjustment		4	
23	N 013 988 1	tapping screw B 3,5 X 16		4		39	928 521 681 02	bolt		4	
24	999 591 849 07	cone washer		4		40	928 521 683 02	washer 1,5 PA 6		8	
25	928 613 181 00	switch height adjustment front and rear		4		41	928 521 685 02	bush		4	
26	928 613 187 04	switch seat heater		2		42	900 034 003 02	hexagon nut M 10		4	
		01C satin black									
26A	928 618 521 03	control unit seat heater		2							
27	928 521 561 04	trim for switch		2							
		01C satin black									
28	928 521 561 03	trim for switch seat heater		2							
		01C satin black									
29	N 013 959 3	tapping screw B 3,5 X 16		X							
30	900 025 013 07	washer A 3,7		X							

Model	Year	MG	SG	Illustration	Restrictions	UPD	18:11	27.01.2010	PORSCHE	PET	PORSCHE
STZ	1998	8	04	804-24		248					



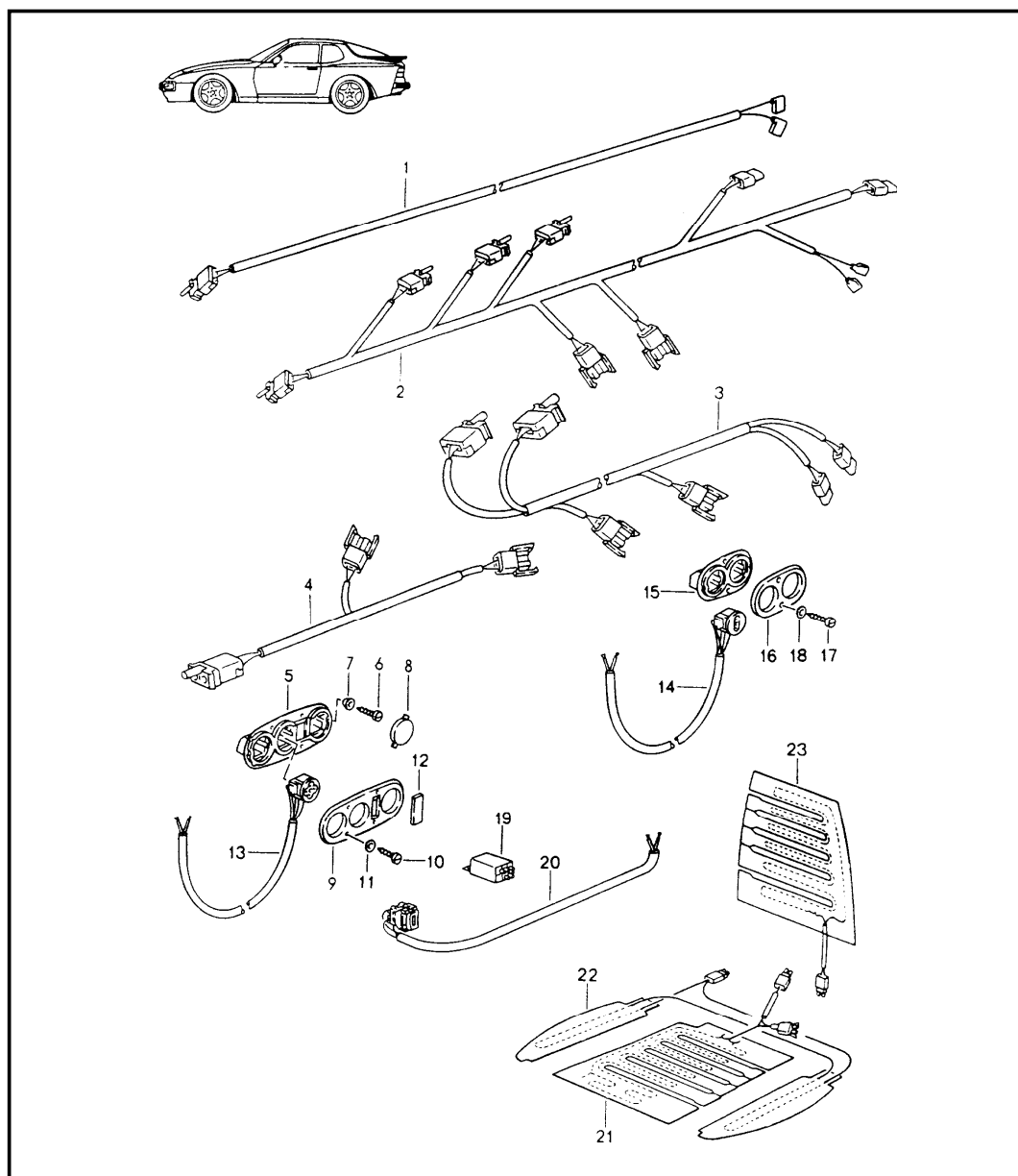
Pos	Part Number	Description	Remark	Qty	Model
		wiring harnesses switch front seat	85/2 -88		944/S TURBO/S
1	928 612 343 00	connecting line for backrest adjustment		2	
2	999 652 368 40	connector housing		X	
3	999 652 372 40	clip		X	
4	999 652 369 12	pin		X	
5	928 612 337 00	wiring harness for backrest adjustment lumbar support adjustment and seat heater		2	
6	999 652 370 40	connector housing		X	
7	999 652 371 12	bush		X	
8	928 612 557 00	connector housing		X	
(9)	928 613 181 00	switch height adjustment front and rear		4	M379/380
9	928 613 182 00	switch for longitudinal adjustment front vertical adjustment		2	M437/438
(9)	928 613 183 00	switch for backrest adjustment rear vertical adjustment		2	M437/438
(9)	928 613 184 00	switch lumbar support adjustment		2	
10	928 613 187 02	01C satin black switch seat heater	/L	1	
(10)	928 613 188 02	01C satin black switch seat heater	/R	1	
11	928 521 559 02	01C satin black switch insert seat heater lumbar support adjustment	/L	1	

Model	Year	MG	SG	Illustration	Restrictions	UPD	18:11	27.01.2010	PORSCHE	PET	PORSCHE
STZ	1998	8	04	804-24		248					

Pos	Part Number	Description	Remark	Qty	Model	Pos	Part Number	Description	Remark	Qty	Model
(11)	928 521 560 02	switch insert seat heater lumbar support adjustment	/R	1							
12	N 013 988 1	tapping screw B 3,5 X 16		4							
13	999 591 849 07	cone washer		4							
14	928 613 425 00	cover		X							
15	928 521 561 03	trim for switch seat heater lumbar support adjustment		2							
	01C	satin black									
16	N 013 959 3	tapping screw B 3,5 X 16		X							
17	900 025 013 07	washer A 3,7		X							
(18)	944 613 259 02	cover		X							
	1DB	satin black									
19	928 618 521 00	relay seat heater	-88	2							
20	928 521 559 04	switch insert		2							
21	928 521 561 04	trim for switch		2							
	01C	satin black									



Model	Year	MG	SG	Illustration	Restrictions	UPD	18:11	27.01.2010	PORSCHE	PET	PORSCHE
STZ	1998	8	04	804-26		248					

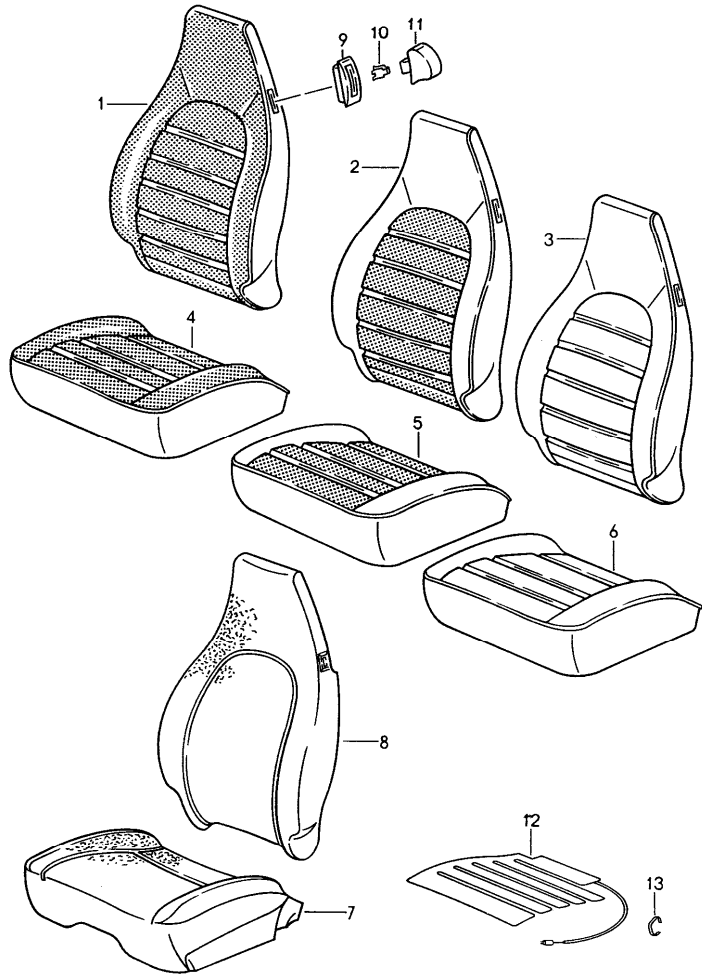
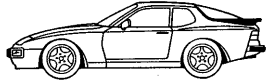


Pos	Part Number	Description	Remark	Qty	Model
		wiring harnesses switch seat heater front seat	89-91		944/S2 TURBO
1	928 612 343 00	connecting line for backrest adjustment		2	
2	928 612 337 00	wiring harness for backrest adjustment lumbar support adjustment and seat heater		2	
3	928 612 338 00	wiring harness for backrest adjustment and seat heater		2	
4	928 612 340 00	wiring harness seat heater		2	
5	928 521 559 02	switch insert seat heater lumbar support adjustment	/L	1	M139/513
(5)	928 521 560 02	switch insert seat heater lumbar support adjustment	/R	1	M340/586
6	N 013 988 1	tapping screw B 3,5 X 16		4	
7	999 591 849 07	cone washer		4	
8	928 613 425 00	cover		X	
9	928 521 561 03	trim for switch seat heater lumbar support adjustment		2	
		01C			
10	N 013 959 3	tapping screw B 3,5 X 16		4	
11	900 025 013 07	washer A 3,7		4	
(12)	944 613 259 02	cover		X	
		1DB			
13	928 613 182 00	switch for longitudinal adjustment front vertical adjustment		2	M437/438

Model	Year	MG	SG	Illustration	Restrictions	UPD	18:11	27.01.2010	PORSCHE	PET	PORSCHE
STZ	1998	8	04	804-26		248					

Pos	Part Number	Description	Remark	Qty	Model	Pos	Part Number	Description	Remark	Qty	Model
(13)	928 613 183 00	switch for backrest adjustment rear vertical adjustment		2	M437/438						
(13)	928 613 184 00	switch lumbar support adjustment		2							
	01C	satin black									
14	928 613 181 00	switch front vertical adjustment rear vertical adjustment		4	M379/380						
15	928 521 559 04	switch insert		2							
16	928 521 561 04	trim for switch		2							
	01C	satin black									
17	N 013 959 3	tapping screw B 3,5 X 16		4							
18	900 025 013 07	washer A 3,7		4							
19	928 618 521 03	control unit seat heater		2							
20	928 613 187 04	switch seat heater		2							
	01C	satin black									
21	964 653 901 00	heating element centre part seat surface		2							
22	993 653 120 00	heating element seat side bolster		2							
23	964 653 902 00	heating element backrest		2							

Model	Year	MG	SG	Illustration	Restrictions	UPD	18:11	27.01.2010	PORSCHE	PET	PORSCHE
STZ	1998	8	04	804-28		248					



Pos	Part Number	Description	Remark	Qty	Model
		cover heating element front seat	85/2 -88		944/S TURBO/S
1	928 521 071 22	backrest cover without heating leatherette/ backrest surface pin stripe velour		2	
		NY5 black/ black-white			
		NY7 brown/ brown-beige			
		RC8 light grey light grey-white			
		NY8 burgundy/ burgundy-white			
(1) A	928 521 071 63	backrest cover with heating leatherette/ backrest surface pin stripe velour		2	
		NY5 black/ black-white			
		NY7 brown/ brown-beige			
		RC8 light grey light grey-white			
		NY8 burgundy/ burgundy-white			
1	928 521 071 22	backrest cover without heating leatherette/ backrest surface pin stripe flannel		2	
		NY9 black/anthracite			
		NZ6 brown/brown			
		NZ4 light grey/light grey			
		NZ5 burgundy/burgundy			

Model	Year	MG	SG	Illustration	Restrictions	UPD	18:11	27.01.2010	PORSCHE	PET	PORSCHE
STZ	1998	8	04	804-28		248					

Pos	Part Number	Description	Remark	Qty	Model	Pos	Part Number	Description	Remark	Qty	Model
(1)	A 928 521 071 63	backrest cover with heating leatherette/ backrest surface pin stripe flannel		2			XF1	burgundy/ burgundy			
	NY9	black/anthracite				(1)	A 928 521 071 63	backrest cover with heating leatherette/ backrest surface multicolour	88	2	M758
	NZ6	brown/brown					XF1	burgundy/ burgundy			
	NZ4	light grey/light grey				2	928 521 071 21	backrest cover without heating leatherette/ centre part in cloth pin stripe velour		2	
	NZ5	burgundy/burgundy					JN1	black/ black-white			
1	928 521 071 22	backrest cover without heating leatherette/ backrest surface porsche lettering cloth		2			JN2	brown/ brown-beige			
	PX2	black/black					RC7	light grey light grey-white			
	PX4	brown/brown					LT2	burgundy/ burgundy-white			
	NZ3	light grey/light grey				(2)	A 928 521 071 23	backrest cover with heating leatherette/ centre part in cloth pin stripe velour		2	
	PX6	burgundy/burgundy					JN1	black/ black-white			
(1)	A 928 521 071 63	backrest cover with heating leatherette/ backrest surface porsche lettering cloth		2			JN2	brown/ brown-beige			
	PX2	black/black					RC7	light grey light grey-white			
	PX4	brown/brown					LT2	burgundy/ burgundy-white			
	NZ3	light grey/light grey				2	928 521 071 21	backrest cover without heating leatherette/ centre part in cloth pin stripe flannel		2	
	PX6	burgundy/burgundy					NX4	black/anthracite			
1	928 521 071 22	backrest cover without heating leatherette/ backrest surface multicolour	88	2	M757		NX5	brown/brown			
	US8	black/ grey									
1	928 521 071 22	backrest cover without heating leatherette/ backrest surface multicolour	88	2	M758						

Model	Year	MG	SG	Illustration	Restrictions	UPD	18:11	27.01.2010	PORSCHE	PET	PORSCHE
STZ	1998	8	04	804-28		248					

Pos	Part Number	Description	Remark	Qty	Model	Pos	Part Number	Description	Remark	Qty	Model
		NX6 light grey/light grey					PY6	light grey/light grey light grey-white	85		
		NX7 burgundy/burgundy					PY4	burgundy/burgundy burgundy-white			
(2)	A 928 521 071 23	backrest cover with heating leatherette/ centre part in cloth pin stripe flannel		2			RC9	light grey/light grey light grey-white	86-		
		NX4 black/anthracite				(2)	928 521 071 52	backrest cover with heating leatherette/leather centre part in cloth pin stripe velour	-87	2	
		NX5 brown/brown					PY1	black/black black-white			
		NX6 light grey/light grey					PY2	brown/brown brown-beige			
		NX7 burgundy/burgundy					PY6	light grey/light grey light grey-white	85		
2	928 521 071 21	backrest cover without heating leatherette/ centre part porsche lettering cloth		2			PY4	burgundy/burgundy burgundy-white			
		PX1 black/black					RC9	light grey/light grey light grey-white	86-		
		PX3 brown/brown									
		NX9 light grey/light grey									
		PX5 burgundy/burgundy				2	928 521 071 50	backrest cover without heating leatherette/leather centre part in cloth pin stripe flannel	-87	2	
(2)	A 928 521 071 23	backrest cover with heating leatherette/ centre part porsche lettering cloth		2			PZ2	black/black anthracite			
		PX1 black/black					PZ3	brown/brown brown			
		PX3 brown/brown					PY8	light grey/light grey light grey			
		NX9 light grey/light grey					PZ5	burgundy/burgundy burgundy			
		PX5 burgundy/burgundy									
2	928 521 071 50	backrest cover without heating leatherette/leather centre part in cloth pin stripe velour	-87	2		(2)	928 521 071 52	backrest cover with heating leatherette/leather centre part in cloth pin stripe flannel	-87	2	
		PY1 black/black black-white					PZ2	black/black anthracite			
		PY2 brown/brown brown-beige									

Model	Year	MG	SG	Illustration	Restrictions	UPD	18:11	27.01.2010	PORSCHE	PET	PORSCHE
STZ	1998	8	04	804-28		248					

Pos	Part Number	Description	Remark	Qty	Model	Pos	Part Number	Description	Remark	Qty	Model
	PZ3	brown/brown brown					NZ8	burgundy/burgundy			
	PY8	light grey/light grey light grey				(3)	928 521 071 62	backrest cover with heating leatherette/ backrest surface leather		2	
	PZ5	burgundy/burgundy burgundy					JN3	black/black			
2	928 521 071 50	backrest cover without heating leatherette/leather centre part porsche lettering cloth	-87	2			JN4	brown/brown			
	PZ7	black/black black					NZ7	light grey/light grey			
	PZ8	brown/brown brown				3	928 521 071 65	backrest cover without heating whole-leather		2	
	PY7	light grey/light grey light grey					KZ2	black			
	QA1	burgundy/burgundy burgundy					KZ5	brown			
(2)	928 521 071 52	backrest cover with heating leatherette/leather centre part porsche lettering cloth	-87	2			NZ9	light grey			
	PZ7	black/black black					LG7	burgundy			
	PZ8	brown/brown brown					KZ6	can-can-red			
	PY7	light grey/light grey light grey					LG4	pearl white			
	QA1	burgundy/burgundy burgundy					LG5	champagne			
3	928 521 071 51	backrest cover without heating leatherette/ backrest surface leather		2			PZ1	wild buffalo	-87		
	JN3	black/black				(3)	928 521 071 64	backrest cover with heating whole-leather		2	
	JN4	brown/brown					KZ2	black			
	NZ7	light grey/light grey					KZ5	brown			
							NZ9	light grey			
							LG7	burgundy			
							KZ6	can-can-red			
							LG4	pearl white			
							LG5	champagne			
							PZ1	wild buffalo	-87		

Model	Year	MG	SG	Illustration	Restrictions	UPD	18:11	27.01.2010	PORSCHE	PET	PORSCHE
STZ	1998	8	04	804-28		248					

Pos	Part Number	Description	Remark	Qty	Model	Pos	Part Number	Description	Remark	Qty	Model
4	944 521 037 11	cover for cushion manually adjustable without heating leatherette/ seat surface pin stripe velour		2		4	944 521 037 11	cover for cushion manually adjustable without heating leatherette/ seat surface pin stripe flannel		2	
	NY5	black/ black-white					NY9	black/anthracite			
	NY7	brown/ brown-beige					NZ6	brown/brown			
	RC8	light grey light grey/light grey					NZ4	light grey/light grey			
	NY8	burgundy/ burgundy-white					NZ5	burgundy/burgundy			
(4)	944 521 037 14	cover for cushion for electric adjustment without heating leatherette/ seat surface pin stripe velour		2		(4)	944 521 037 14	cover for cushion for electric adjustment without heating leatherette/ seat surface pin stripe flannel		2	
	NY5	black/ black-white					NY9	black/anthracite			
	NY7	brown/ brown-beige					NZ6	brown/brown			
	RC8	light grey light grey/light grey					NZ4	light grey/light grey			
	NY8	burgundy/ burgundy-white					NZ5	burgundy/burgundy			
(4)	944 521 037 89	cover for cushion for electric adjustment with heating leatherette/ seat surface pin stripe velour		2		(4)	944 521 037 89	cover for cushion for electric adjustment with heating leatherette/ seat surface pin stripe flannel		2	
	NY5	black/ black-white					NY9	black/anthracite			
	NY7	brown/ brown-beige					NZ6	brown/brown			
	RC8	light grey light grey/light grey					NZ4	light grey/light grey			
	NY8	burgundy/ burgundy-white					NZ5	burgundy/burgundy			
						4	944 521 037 11	cover for cushion manually adjustable without heating leatherette/ seat surface porsche lettering cloth		2	
							PX2	black/black			
							PX4	brown/brown			
							NZ3	light grey/light grey			

Model	Year	MG	SG	Illustration	Restrictions	UPD	18:11	27.01.2010	PORSCHE	PET	PORSCHE
STZ	1998	8	04	804-28		248					

Pos	Part Number	Description	Remark	Qty	Model	Pos	Part Number	Description	Remark	Qty	Model
(4)	944 521 037 14	cover for cushion for electric adjustment without heating leatherette/ seat surface porsche lettering cloth		2		(4)	944 521 037 14	cover for cushion for electric adjustment without heating leatherette/ seat surface multicolour	88	2	M758
	PX6	burgundy/burgundy					XF1	burgundy/burgundy			
	PX2	black/black				(4)	944 521 037 89	cover for cushion for electric adjustment with heating leatherette/ seat surface multicolour	88	2	M758
	PX4	brown/brown					XF1	burgundy/burgundy			
	NZ3	light grey/light grey				5	944 521 037 10	cover for cushion manually adjustable without heating leatherette/ centre part in cloth pin stripe velour		2	
	PX6	burgundy/burgundy					JN1	black/black-white			
(4)	944 521 037 89	cover for cushion for electric adjustment with heating leatherette/ seat surface porsche lettering cloth		2			JN2	brown/brown-beige			
	PX2	black/black					LT2	burgundy/burgundy-white			
	PX4	brown/brown					NX8	light grey light grey/light grey	85		
	NZ3	light grey/light grey					RC7	light grey light grey-white	86-		
	PX6	burgundy/burgundy									
4	944 521 037 11	cover for cushion manually adjustable without heating leatherette/ seat surface multicolour	88	2	M757	(5)	944 521 037 13	cover for cushion for electric adjustment without heating leatherette/ centre part in cloth pin stripe velour		2	
	US8	black/grey					JN1	black/black-white			
(4)	944 521 037 14	cover for cushion for electric adjustment without heating leatherette/ seat surface multicolour	88	2	M757		JN2	brown/brown-beige			
	US8	black/grey					LT2	burgundy/burgundy-white			



Model	Year	MG	SG	Illustration	Restrictions	UPD	18:11	27.01.2010	PORSCHE	PET	PORSCHE
STZ	1998	8	04	804-28		248					

Pos	Part Number	Description	Remark	Qty	Model	Pos	Part Number	Description	Remark	Qty	Model
	NX8	light grey light grey/light grey		85		(5)	944 521 037 17	cover for cushion for electric adjustment with heating leatherette/ centre part in cloth pin stripe flannel		2	
	RC7	light grey light grey-white		86-			NX4	black/anthracite			
(5)	944 521 037 17	cover for cushion for electric adjustment with heating leatherette/ centre part in cloth pin stripe velour		2			NX5	brown/brown			
	JN1	black/ black-white					NX6	light grey/light grey			
	JN2	brown/ brown-beige				5	944 521 037 10	cover for cushion manually adjustable without heating leatherette/ centre part porsche lettering cloth		2	
	LT2	burgundy/ burgundy-white					NX7	burgundy/burgundy			
	NX8	light grey light grey/light grey		85			PX1	black/black			
	RC7	light grey light grey-white		86-			PX3	brown/brown			
5	944 521 037 10	cover for cushion manually adjustable without heating leatherette/ centre part in cloth pin stripe flannel		2			NX9	light grey/light grey			
	NX4	black/anthracite					PX5	burgundy/burgundy			
	NX5	brown/brown				(5)	944 521 037 13	cover for cushion for electric adjustment without heating leatherette/ centre part porsche lettering cloth		2	
	NX6	light grey/light grey					PX1	black/black			
	NX7	burgundy/burgundy					PX3	brown/brown			
(5)	944 521 037 13	cover for cushion for electric adjustment without heating leatherette/ centre part in cloth pin stripe flannel		2			NX9	light grey/light grey			
	NX4	black/anthracite				(5)	944 521 037 17	cover for cushion for electric adjustment with heating leatherette/ centre part porsche lettering cloth		2	
	NX5	brown/brown					PX1	black/black			
	NX6	light grey/light grey					PX3	brown/brown			
	NX7	burgundy/burgundy					NX9	light grey/light grey			

Model	Year	MG	SG	Illustration	Restrictions	UPD	18:11	27.01.2010	PORSCHE	PET	PORSCHE
STZ	1998	8	04	804-28		248					

Pos	Part Number	Description	Remark	Qty	Model	Pos	Part Number	Description	Remark	Qty	Model
	PX5	burgundy/burgundy					PY2	brown/brown brown-beige			
5	944 521 037 75	cover for cushion manually adjustable without heating leatherette/leather centre part in cloth pin stripe velour	-87	2			PY6	light grey/light grey light grey-white	85		
	PY1	black/black black-white					PY4	burgundy/burgundy burgundy-white			
	PY2	brown/brown brown-beige					RC9	light grey/light grey light grey-white	86-		
	PY6	light grey/light grey light grey-white	85			5	944 521 037 75	cover for cushion manually adjustable without heating leatherette/leather centre part in cloth pin stripe flannel	-87	2	
	PY4	burgundy/burgundy burgundy-white					PZ2	black/black anthracite			
	RC9	light grey/light grey light grey-white	86-				PZ3	brown/brown brown			
(5)	944 521 037 79	cover for cushion for electric adjustment without heating leatherette/leather centre part in cloth pin stripe velour	-87	2			PY8	light grey/light grey light grey			
	PY1	black/black black-white				(5)	944 521 037 79	cover for cushion for electric adjustment without heating leatherette/leather centre part in cloth pin stripe flannel	-87	2	
	PY2	brown/brown brown-beige					PZ5	burgundy/burgundy burgundy			
	PY6	light grey/light grey light grey-white	85				PZ2	black/black anthracite			
	PY4	burgundy/burgundy burgundy-white					PZ3	brown/brown brown			
	RC9	light grey/light grey light grey-white	86-				PY8	light grey/light grey light grey			
(5)	944 521 037 87	cover for cushion for electric adjustment with heating leatherette/leather centre part in cloth pin stripe velour	-87	2			PZ5	burgundy/burgundy burgundy			
	PY1	black/black black-white				(5)	944 521 037 87	cover for cushion for electric adjustment with heating leatherette/leather centre part in cloth pin stripe flannel	-87	2	

Model	Year	MG	SG	Illustration	Restrictions	UPD	18:11	27.01.2010	PORSCHE	PET	PORSCHE
STZ	1998	8	04	804-28		248					

Pos	Part Number	Description	Remark	Qty	Model	Pos	Part Number	Description	Remark	Qty	Model
	PZ2	black/black anthracite					PZ7	black/black black			
	PZ3	brown/brown brown					PZ8	brown/brown brown			
	PY8	light grey/light grey light grey					PY7	light grey/light grey light grey			
	PZ5	burgundy/burgundy burgundy					QA1	burgundy/burgundy burgundy			
5	944 521 037 75	cover for cushion manually adjustable without heating leatherette/leather centre part porsche lettering cloth	-87	2		6	944 521 037 76	cover for cushion manually adjustable without heating leatherette/seat surface leather		2	
	PZ7	black/black black					JN3	black/black			
	PZ8	brown/brown brown					JN4	brown/brown			
	PY7	light grey/light grey light grey					NZ7	light grey/light grey			
	QA1	burgundy/burgundy burgundy					NZ8	burgundy/burgundy			
(5)	944 521 037 79	cover for cushion for electric adjustment without heating leatherette/leather centre part porsche lettering cloth	-87	2		(6)	944 521 037 80	cover for cushion for electric adjustment without heating leatherette/seat surface leather		2	
	PZ7	black/black black					JN3	black/black			
	PZ8	brown/brown brown					JN4	brown/brown			
	PY7	light grey/light grey light grey					NZ7	light grey/light grey			
	QA1	burgundy/burgundy burgundy					NZ8	burgundy/burgundy			
(5)	944 521 037 87	cover for cushion for electric adjustment with heating leatherette/leather centre part porsche lettering cloth	-87	2		(6)	944 521 037 88	cover for cushion for electric adjustment with heating leatherette/seat surface leather		2	
							JN3	black/black			
							JN4	brown/brown			
							NZ7	light grey/light grey			
							NZ8	burgundy/burgundy			

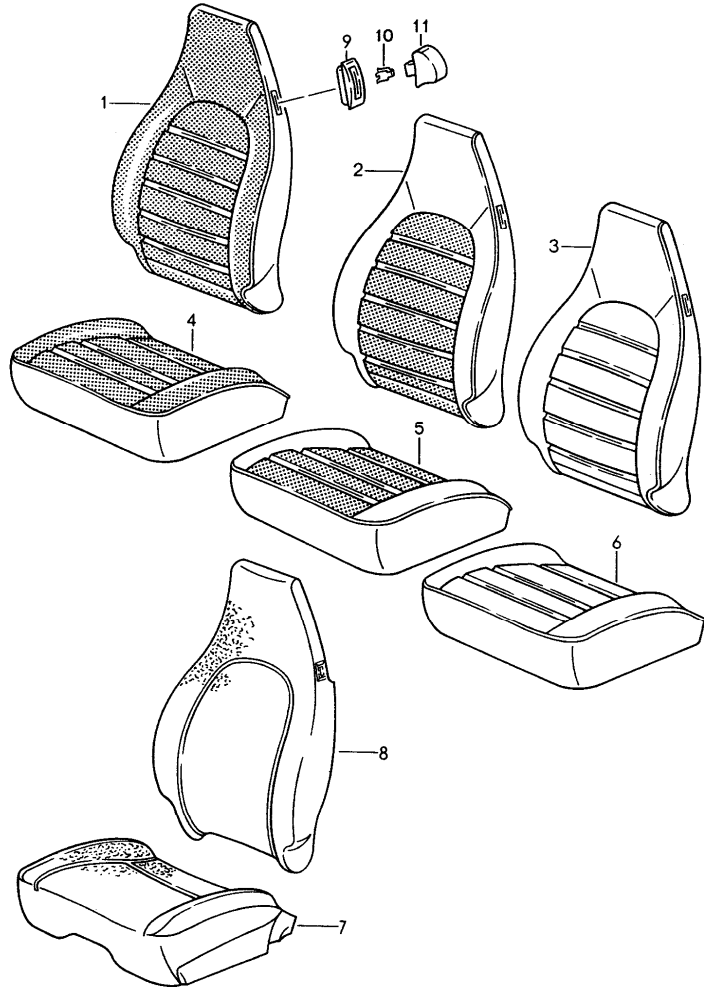
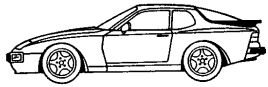
Model	Year	MG	SG	Illustration	Restrictions	UPD	18:11	27.01.2010	PORSCHE	PET	PORSCHE
STZ	1998	8	04	804-28		248					

Pos	Part Number	Description	Remark	Qty	Model	Pos	Part Number	Description	Remark	Qty	Model
6	944 521 037 77	cover for cushion manually adjustable whole-leather		2			LG5	champagne			
	KZ2	black					PZ1	wild buffalo	-87		
	KZ5	brown				7	928 521 385 22	foam part seat cushion manually adjustable		2	
	NZ9	light grey				(7) A	928 521 385 23	foam part seat cushion electrically adjustable	/L	1	
	LG7	burgundy				(7) A	928 521 386 23	foam part seat cushion electrically adjustable	/R	1	
	KZ6	can-can-red				(7)	928 521 385 24	foam part seat cushion electrically adjustable with heating	/L	1	
	LG4	pearl white				(7)	928 521 386 24	foam part seat cushion electrically adjustable with heating	/R	1	
	LG5	champagne									
	PZ1	wild buffalo	-87								
(6)	944 521 037 81	cover for cushion for electric adjustment without heating whole-leather		2		(7)	928 521 386 24	foam part seat cushion electrically adjustable with heating	/R	1	
	KZ2	black				8	928 521 393 13	foam part backrest frame manually adjustable		2	
	KZ5	brown				(8) A	993 521 393 06	foam part backrest frame electrically adjustable see technical information 6 ZYL. GR.7D NR.1/94		2	
	NZ9	light grey				(8)	993 521 393 06	foam part backrest frame electrically adjustable see technical information 6 ZYL. GR.7D NR.1/94		2	
	LG7	burgundy									
	KZ6	can-can-red									
	LG4	pearl white									
	LG5	champagne									
	PZ1	wild buffalo	-87								
(6)	944 521 037 90	cover for cushion for electric adjustment with heating whole-leather		2		9	911 521 815 00	rosette		4	
	KZ2	black					01C	satin black			
	KZ5	brown				10	311 881 247	clamp		4	
	NZ9	light grey				11	911 521 817 00	control button		4	
	LG7	burgundy					01C	satin black			
	KZ6	can-can-red				12	911 653 901 00	heating element seat surface		2	
	LG4	pearl white				(12)	911 653 902 00	heating element backrest		2	

Model	Year	MG	SG	Illustration	Restrictions	UPD	18:11	27.01.2010	PORSCHE <b>PET</b> PORSCHE		
STZ	1998	8	04	804-28		248					

Pos	Part Number	Description	Remark	Qty	Model	Pos	Part Number	Description	Remark	Qty	Model
13	000 043 071 00	clamp set 50 pieces		X							

Model	Year	MG	SG	Illustration	Restrictions	UPD	18:12	27.01.2010	PORSCHE	PET	PORSCHE
STZ	1998	8	04	804-30		248					



Pos	Part Number	Description	Remark	Qty	Model
1	928 521 071 22	cover front seat backrest cover without heating leatherette/ backrest surface pin stripe velour	89-91	2	944/S2 TURBO
	NY5	black/ black-white	-90		
	TR7	blue/ blue-white	-90		
	XK2	linen/ linen white	-90		
	NY8	burgundy/ burgundy-white	-90		
(1)	964 521 071 01	backrest cover with heating leatherette/ backrest surface pin stripe velour		2	
	NY5	black/ black-white	-90		
	TR7	blue/ blue-white	-90		
	XK2	linen/ linen white	-90		
	NY8	burgundy/ burgundy-white	-90		
1	928 521 071 22	backrest cover without heating leatherette/ backrest surface multicolour		2	
	XK8	black/black			
	XN1	marine blue/marine blue	-90		
	XK4	linen/linen	-90		
	XN2	burgundy/burgundy	-90		
	AQV	cobalt blue/cobalt blue	91		
	AQP	classic grey/classic grey	91		

Model	Year	MG	SG	Illustration	Restrictions	UPD	18:12	27.01.2010	PORSCHE	PET	PORSCHE
STZ	1998	8	04	804-30		248					

Pos	Part Number	Description	Remark	Qty	Model	Pos	Part Number	Description	Remark	Qty	Model
(1)	964 521 071 01	backrest cover with heating leatherette/ backrest surface multicolour		2		2	928 521 071 21	backrest cover without heating leatherette/ centre part in cloth pin stripe velour		2	
	XK8	black/black					JN1	black/ black-white	-90		
	XN1	marine blue/marine blue	-90				XJ8	blue/ blue-white	-90		
	XK4	linen/linen	-90				XH1	linen/ linen white	-90		
	XN2	burgundy/burgundy	-90				LT2	burgundy/ burgundy-white	-90		
	AQV	cobalt blue/cobalt blue	91								
	AQP	classic grey/classic grey	91								
1	928 521 071 22	backrest cover without heating leatherette/ backrest surface porsche lettering cloth		2		(2)	964 521 071 00	backrest cover with heating leatherette/ centre part in cloth pin stripe velour		2	
	PX2	black/black					JN1	black/ black-white	-90		
	TR9	marine blue/blue	-90				XJ8	blue/ blue-white	-90		
	XK3	linen/linen	-90				XH1	linen/ linen white	-90		
	PX6	burgundy/burgundy	-90				LT2	burgundy/ burgundy-white	-90		
	ARM	cobalt blue/cobalt blue	91								
	APM	classic grey/classic grey	91								
(1)	964 521 071 01	backrest cover with heating leatherette/ backrest surface porsche lettering cloth		2		2	928 521 071 21	backrest cover without heating leatherette/ centre part in cloth multicolour		2	
	PX2	black/black					XJ1	black/black			
	TR9	marine blue/blue	-90				XJ4	marine blue/marine blue	-90		
	XK3	linen/linen	-90				XH5	linen/linen	-90		
	PX6	burgundy/burgundy	-90				XJ6	burgundy/burgundy	-90		
	ARM	cobalt blue/cobalt blue	91				ARC	cobalt blue/cobalt blue	91		
	APM	classic grey/classic grey	91				APC	classic grey/classic grey	91		

Model	Year	MG	SG	Illustration	Restrictions	UPD	18:12	27.01.2010	PORSCHE	PET	PORSCHE
STZ	1998	8	04	804-30		248					

Pos	Part Number	Description	Remark	Qty	Model	Pos	Part Number	Description	Remark	Qty	Model
(2)	964 521 071 00	backrest cover with heating leatherette/ centre part in cloth multicolour		2		3	928 521 071 51	backrest cover without heating leatherette/ backrest surface leather		2	
	XJ1	black/black					JN3	black/black			
	XJ4	marine blue/marine blue	-90				TW2	linen/linen	-90		
	XH5	linen/linen	-90				NZ8	burgundy/burgundy	-90		
	XJ6	burgundy/burgundy	-90				TS2	marine blue/marine blue	-90		
	ARC	cobalt blue/cobalt blue	91				ARK	cobalt blue/cobalt blue	91		
	APC	classic grey/classic grey	91				APK	classic grey/classic grey	91		
2	928 521 071 21	backrest cover without heating leatherette/ centre part porsche lettering cloth		2		(3)	964 521 071 03	backrest cover with heating leatherette/ backrest surface leather		2	
	PX1	black/black					JN3	black/black			
	XJ9	marine blue/blue	-90				TW2	linen/linen	-90		
	XH3	linen/linen	-90				NZ8	burgundy/burgundy	-90		
	PX5	burgundy/burgundy	-90				TS2	marine blue/marine blue	-90		
	ARA	cobalt blue/cobalt blue	91				ARK	cobalt blue/cobalt blue	91		
	APA	classic grey/classic grey	91				APK	classic grey/classic grey	91		
(2)	964 521 071 00	backrest cover with heating leatherette/ centre part porsche lettering cloth		2		3	928 521 071 51	backrest cover without heating leatherette/ backrest surface leather		90	2
	PX1	black/black					ASZ	linen/linen piping marine blue special model	(GB)		
	XJ9	marine blue/blue	-90								
	XH3	linen/linen	-90								
	PX5	burgundy/burgundy	-90			3	928 521 071 65	backrest cover without heating whole-leather		2	
	ARA	cobalt blue/cobalt blue	91				KZ2	black			
	APA	classic grey/classic grey	91				TW1	linen	-90		
							LG7	burgundy	-90		



Model	Year	MG	SG	Illustration	Restrictions	UPD	18:12	27.01.2010	PORSCHE	PET	PORSCHE
STZ	1998	8	04	804-30		248					

Pos	Part Number	Description	Remark	Qty	Model	Pos	Part Number	Description	Remark	Qty	Model
		TS1 marine blue	-90				NY8	burgundy/ burgundy-white	-90		
		ARL cobalt blue	91			(4)	964 521 037 01	cover for cushion for electric adjustment with heating leatherette/ seat surface pin stripe velour		2	
(3)	964 521 071 04	backrest cover with heating whole-leather		2							
		KZ2 black					NY5	black/ black-white	-90		
		TW1 linen	-90				TR7	blue/ blue-white	-90		
		LG7 burgundy	-90				XK2	linen/ linen white	-90		
		TS1 marine blue	-90				NY8	burgundy/ burgundy-white	-90		
		ARL cobalt blue	91								
		APL classic grey	91			4	944 521 037 11	cover for cushion manually adjustable without heating leatherette/ seat surface pin stripe velour		2	
4	944 521 037 11	cover for cushion manually adjustable without heating leatherette/ seat surface pin stripe velour		2							
		NY5 black/ black-white	-90				XK8	black/black			
		TR7 blue/ blue-white	-90				XN1	marine blue/marine blue	-90		
		XK2 linen/ linen white	-90				XK4	linen/linen	-90		
		NY8 burgundy/ burgundy-white	-90				XN2	burgundy/burgundy	-90		
							AQV	cobalt blue/cobalt blue	91		
							AQP	classic grey/classic grey	91		
(4)	944 521 037 14	cover for cushion for electric adjustment without heating leatherette/ seat surface pin stripe velour		2		(4)	944 521 037 14	cover for cushion for electric adjustment without heating leatherette/ seat surface multicolour		2	
		NY5 black/ black-white	-90				XK8	black/black			
		TR7 blue/ blue-white	-90				XN1	marine blue/marine blue	-90		
		XK2 linen/ linen white	-90				XK4	linen/linen	-90		
							XN2	burgundy/burgundy	-90		
							AQV	cobalt blue/cobalt blue	91		

Model	Year	MG	SG	Illustration	Restrictions	UPD	18:12	27.01.2010	PORSCHE	PET	PORSCHE
STZ	1998	8	04	804-30		248					

Pos	Part Number	Description	Remark	Qty	Model	Pos	Part Number	Description	Remark	Qty	Model
	AQP	classic grey/classic grey		91			APM	classic grey/classic grey		91	
(4)	964 521 037 01	cover for cushion for electric adjustment with heating leatherette/ seat surface multicolour		2		(4)	964 521 037 01	cover for cushion for electric adjustment with heating leatherette/ seat surface porsche lettering cloth		2	
	XK8	black/black					PX2	black/black			
	XN1	marine blue/marine blue	-90				TR9	marine blue/blue	-90		
	XK4	linen/linen	-90				XK3	linen/linen	-90		
	XN2	burgundy/burgundy	-90				PX6	burgundy/burgundy	-90		
	AQV	cobalt blue/cobalt blue	91				ARM	cobalt blue/cobalt blue	91		
	AQP	classic grey/classic grey	91				APM	classic grey/classic grey	91		
4	944 521 037 11	cover for cushion manually adjustable without heating leatherette/ seat surface porsche lettering cloth		2		5	944 521 037 10	cover for cushion manually adjustable without heating leatherette/ centre part in cloth pin stripe velour		2	
	PX2	black/black					JN1	black/ black-white	-90		
	TR9	marine blue/blue	-90				XJ8	blue/ blue-white	-90		
	XK3	linen/linen	-90				XH1	linen/ linen white	-90		
	PX6	burgundy/burgundy	-90				LT2	burgundy/ burgundy-white	-90		
	ARM	cobalt blue/cobalt blue	91								
	APM	classic grey/classic grey	91								
(4)	944 521 037 14	cover for cushion for electric adjustment without heating leatherette/ seat surface porsche lettering cloth		2		(5)	944 521 037 13	cover for cushion for electric adjustment without heating leatherette/ centre part in cloth pin stripe velour		2	
	PX2	black/black					JN1	black/ black-white	-90		
	TR9	marine blue/blue	-90				XJ8	blue/ blue-white	-90		
	XK3	linen/linen	-90				XH1	linen/ linen white	-90		
	PX6	burgundy/burgundy	-90								
	ARM	cobalt blue/cobalt blue	91								

Model	Year	MG	SG	Illustration	Restrictions	UPD	18:12	27.01.2010	PORSCHE	PET	PORSCHE
STZ	1998	8	04	804-30		248					

Pos	Part Number	Description	Remark	Qty	Model	Pos	Part Number	Description	Remark	Qty	Model
		LT2 burgundy/ burgundy-white		-90				APC classic grey/classic grey		91	
(5)	964 521 037 00	cover for cushion for electric adjustment with heating leatherette/ centre part in cloth pin stripe velour		2		(5)	964 521 037 00	cover for cushion for electric adjustment with heating leatherette/ centre part in cloth multicolour		2	
		JN1 black/ black-white		-90			XJ1 black/black				
		XJ8 blue/ blue-white		-90			XJ4 marine blue/marine blue		-90		
		XH1 linen/ linen white		-90			XH5 linen/linen		-90		
		LT2 burgundy/ burgundy-white		-90			XJ6 burgundy/burgundy		-90		
5	944 521 037 10	cover for cushion manually adjustable without heating leatherette/ centre part in cloth multicolour		2		5	944 521 037 10	cover for cushion manually adjustable without heating leatherette/ centre part porsche lettering cloth		2	
		XJ1 black/black					ARC cobalt blue/cobalt blue		91		
		XJ4 marine blue/marine blue		-90			APC classic grey/classic grey		91		
		XH5 linen/linen		-90							
		XJ6 burgundy/burgundy		-90			PX1 black/black				
		ARC cobalt blue/cobalt blue		91			XJ9 marine blue/blue		-90		
		APC classic grey/classic grey		91			XH3 linen/linen		-90		
(5)	944 521 037 13	cover for cushion for electric adjustment without heating leatherette/ centre part in cloth multicolour		2		(5)	944 521 037 13	cover for cushion for electric adjustment without heating leatherette/ centre part porsche lettering cloth		2	
		XJ1 black/black					PX5 burgundy/burgundy		-90		
		XJ4 marine blue/marine blue		-90			ARA cobalt blue/cobalt blue		91		
		XH5 linen/linen		-90			APA classic grey/classic grey		91		
		XJ6 burgundy/burgundy		-90							
		ARC cobalt blue/cobalt blue		91			PX1 black/black				
							XJ9 marine blue/blue		-90		
							XH3 linen/linen		-90		
							PX5 burgundy/burgundy		-90		
							ARA cobalt blue/cobalt blue		91		

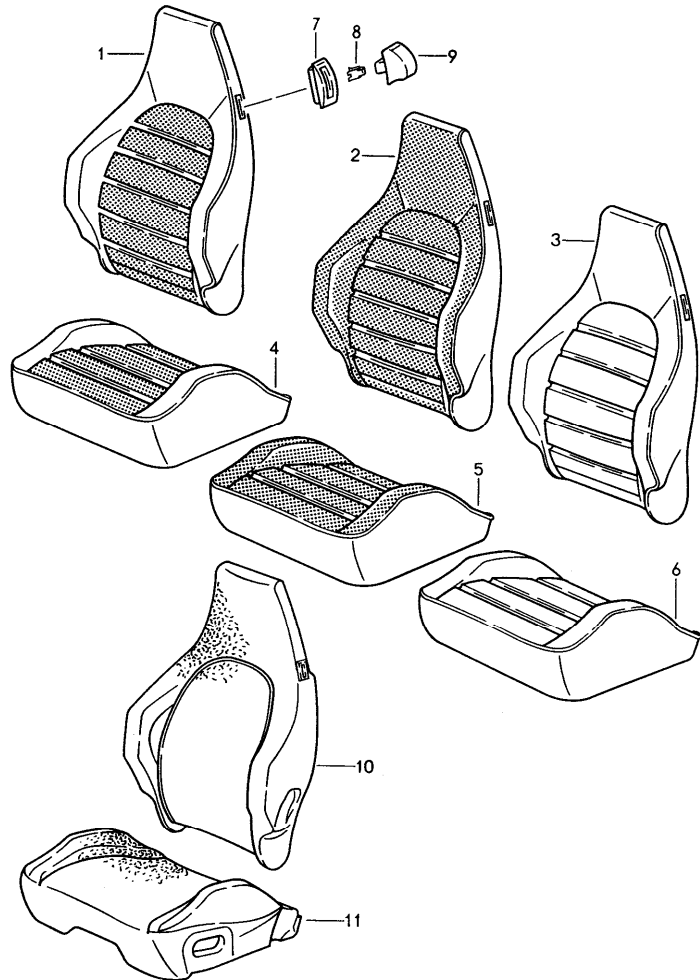
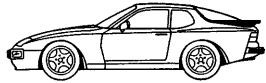
Model	Year	MG	SG	Illustration	Restrictions	UPD	18:12	27.01.2010	PORSCHE	PET	PORSCHE
STZ	1998	8	04	804-30		248					

Pos	Part Number	Description	Remark	Qty	Model	Pos	Part Number	Description	Remark	Qty	Model
	APA	classic grey/classic grey		91			APK	classic grey/classic grey		91	
(5)	964 521 037 00	cover for cushion for electric adjustment with heating leatherette/ centre part porsche lettering cloth		2		(6)	964 521 037 03	cover for cushion for electric adjustment with heating leatherette/ seat surface leather		2	
	PX1	black/black					JN3	black/black			
	XJ9	marine blue/blue	-90				TW2	linen/linen	-90		
	XH3	linen/linen	-90				NZ8	burgundy/burgundy	-90		
	PX5	burgundy/burgundy	-90				TS2	marine blue/marine blue	-90		
	ARA	cobalt blue/cobalt blue	91				ARK	cobalt blue/cobalt blue	91		
	APA	classic grey/classic grey	91				APK	classic grey/classic grey	91		
6	944 521 037 76	cover for cushion manually adjustable without heating leatherette/ seat surface leather		2		(6)	944 521 037 80	cover for cushion for electric adjustment without heating leatherette/ seat surface leather		90	2
	JN3	black/black					ASZ	linen/linen piping marine blue special model	(GB)		
	TW2	linen/linen	-90			6	944 521 037 77	cover for cushion manually adjustable whole-leather			2
	NZ8	burgundy/burgundy	-90				KZ2	black			
	TS2	marine blue/marine blue	-90				TW1	linen	-90		
	ARK	cobalt blue/cobalt blue	91				LG7	burgundy	-90		
	APK	classic grey/classic grey	91				TS1	marine blue	-90		
(6)	944 521 037 80	cover for cushion for electric adjustment without heating leatherette/ seat surface leather		2			ARL	cobalt blue	91		
	JN3	black/black					APL	classic grey	91		
	TW2	linen/linen	-90			(6)	944 521 037 81	cover for cushion for electric adjustment without heating whole-leather			2
	NZ8	burgundy/burgundy	-90				KZ2	black			
	TS2	marine blue/marine blue	-90				TW1	linen	-90		
	ARK	cobalt blue/cobalt blue	91								

Model	Year	MG	SG	Illustration	Restrictions	UPD	18:12	27.01.2010	PORSCHE	PET	PORSCHE
STZ	1998	8	04	804-30		248					

Pos	Part Number	Description	Remark	Qty	Model	Pos	Part Number	Description	Remark	Qty	Model
	LG7	burgundy	-90			(8) A	993 521 393 06	foam part backrest frame for electric adjustment see technical information 6 ZYL. GR. 7D NR.1/94		2	
	TS1	marine blue	-90								
	ARL	cobalt blue	91								
	APL	classic grey	91			(8)	993 521 393 06	foam part backrest frame for electric adjustment see technical information 6 ZYL. GR. 7D NR.1/94		2	
(6)	964 521 037 04	cover for cushion for electric adjustment with heating whole-leather		2		(8)	928 521 393 19	foam part backrest frame for electric adjustment seat heater lumbar support adjustment		2	
	KZ2	black									
	TW1	linen	-90								
	LG7	burgundy	-90			9	911 521 815 00	rosette		4	
	TS1	marine blue	-90				01C	satin black			
	ARL	cobalt blue	91			10	311 881 247	clamp		4	
	APL	classic grey	91			11	911 521 817 00	control button		4	
-	000 043 071 00	clamp mount cover bag content 50 pieces		X			01C	satin black			
7	928 521 385 22	foam part manually adjustable		2							
(7) A	928 521 385 23	foam part seat cushion electrically adjustable	/L	1							
7 A	928 521 386 23	foam part seat cushion electrically adjustable	/R	1							
(7)	928 521 385 24	foam part seat cushion electrically adjustable with heating	/L	1							
(7)	928 521 386 24	foam part seat cushion electrically adjustable with heating	/R	1							
8	928 521 393 13	foam part backrest frame for manual adjustment		2							

Model	Year	MG	SG	Illustration	Restrictions	UPD	18:12	27.01.2010	PORSCHE	PET	PORSCHE
STZ	1998	8	04	804-32		248					



Pos	Part Number	Description	Remark	Qty	Model
1	944 521 071 04	cover sports seat backrest cover without heating leatherette/ centre part in cloth pin stripe velour	85/2 -88	2	944/S TURBO/S
	JN1	black/ black-white			
	JN2	brown/ brown-beige			
	RC7	light grey light grey-white			
	LT2	burgundy/ burgundy-white			
(1)	944 521 071 08	backrest cover with heating leatherette/ centre part in cloth pin stripe velour		2	
	JN1	black/ black-white			
	JN2	brown/ brown-beige			
	RC7	light grey light grey-white			
	LT2	burgundy/ burgundy-white			
1	944 521 071 04	backrest cover without heating leatherette/ centre part in cloth pin stripe flannel		2	
	NX4	black/anthracite			
	NX5	brown/brown			
	NX6	light grey/light grey			
	NX7	burgundy/burgundy			

Model	Year	MG	SG	Illustration	Restrictions	UPD	18:12	27.01.2010	PORSCHE	PET	PORSCHE
STZ	1998	8	04	804-32		248					

Pos	Part Number	Description	Remark	Qty	Model	Pos	Part Number	Description	Remark	Qty	Model
(1)	944 521 071 08	backrest cover with heating leatherette/ centre part in cloth pin stripe flannel		2			PY4	burgundy/burgundy burgundy-white			
	NX4	black/anthracite					RC9	light grey/light grey light grey-white	86-		
	NX5	brown/brown				1	944 521 071 70	backrest cover with heating leatherette/leather centre part in cloth pin stripe velour	-87	2	
	NX6	light grey/light grey					PY1	black/black black-white			
	NX7	burgundy/burgundy					PY2	brown/brown brown-beige			
1	944 521 071 04	backrest cover without heating leatherette/ centre part porsche lettering cloth		2			PY6	light grey/light grey light grey-white			
	PX1	black/black					PY4	burgundy/burgundy burgundy-white			
	PX3	brown/brown					RC9	light grey/light grey light grey-white	86-		
	NX9	light grey/light grey				1	944 521 071 60	backrest cover without heating leatherette/leather centre part in cloth pin stripe flannel	-87	2	
	PX5	burgundy/burgundy					PZ2	black/black anthracite			
(1)	944 521 071 08	backrest cover with heating leatherette/ centre part porsche lettering cloth		2			PZ3	brown/brown brown			
	PX1	black/black					PY8	light grey/light grey light grey			
	PX3	brown/brown					PZ5	burgundy/burgundy burgundy			
	NX9	light grey/light grey				1	944 521 071 70	backrest cover with heating leatherette/leather centre part in cloth pin stripe flannel	-87	2	
	PX5	burgundy/burgundy					PZ2	black/black anthracite			
1	944 521 071 60	backrest cover without heating leatherette/leather centre part in cloth pin stripe velour	-87	2			PZ3	brown/brown brown			
	PY1	black/black black-white									
	PY2	brown/brown brown-beige									
	PY6	light grey/light grey light grey-white									

Model	Year	MG	SG	Illustration	Restrictions	UPD	18:12	27.01.2010	PORSCHE	PET	PORSCHE
STZ	1998	8	04	804-32		248					

Pos	Part Number	Description	Remark	Qty	Model	Pos	Part Number	Description	Remark	Qty	Model
		PY8 light grey/light grey light grey						NY8 burgundy/ burgundy-white			
		PZ5 burgundy/burgundy burgundy				(2)	944 521 071 72	backrest cover with heating leatherette/ backrest surface pin stripe velour		2	
1	944 521 071 60	backrest cover without heating leatherette/leather centre part porsche lettering cloth	-87	2				NY5 black/ black-white			
		PZ7 black/black black						NY7 brown/ brown-beige			
		PZ8 brown/brown brown						RC8 light grey light grey-white			
		PY7 light grey/light grey light grey						NY8 burgundy/ burgundy-white			
		QA1 burgundy/burgundy burgundy				2	944 521 071 05	backrest cover without heating leatherette/ backrest surface pin stripe flannel		2	
1	944 521 071 70	backrest cover with heating leatherette/leather centre part porsche lettering cloth	-87	2				NY9 black/anthracite			
		PZ7 black/black black						NZ6 brown/brown			
		PZ8 brown/brown brown						NZ4 light grey/light grey			
		PY7 light grey/light grey light grey				(2)	944 521 071 72	backrest cover with heating leatherette/ backrest surface pin stripe flannel		2	
		QA1 burgundy/burgundy burgundy						NY9 black/anthracite			
2	944 521 071 05	backrest cover without heating leatherette/ backrest surface pin stripe velour		2				NZ6 brown/brown			
		NY5 black/ black-white						NZ4 light grey/light grey			
		NY7 brown/ brown-beige						NZ5 burgundy/burgundy			
		RC8 light grey light grey-white				2	944 521 071 05	backrest cover without heating leatherette/ backrest surface porsche lettering cloth		2	
								PX2 black/black			



Model	Year	MG	SG	Illustration	Restrictions	UPD	18:12	27.01.2010	PORSCHE	PET	PORSCHE
STZ	1998	8	04	804-32		248					

Pos	Part Number	Description	Remark	Qty	Model	Pos	Part Number	Description	Remark	Qty	Model	
(2)	944 521 071 72	PX4	brown/brown		2	(3) A	LG7	burgundy		2	944 521 071 73	
		NZ3	light grey/light grey				KZ6	can-can-red				
		PX6	burgundy/burgundy				LG4	pearl white				
		backrest cover with heating leatherette/ backrest surface porsche lettering cloth					LG5	champagne				
		PX2	black/black				PZ1	wild buffalo	-87			
		PX4	brown/brown				backrest cover with heating whole-leather					
		NZ3	light grey/light grey				KZ2	black				
		PX6	burgundy/burgundy				KZ5	brown				
3	944 521 071 61	backrest cover without heating leatherette backrest surface leather		2		4	NZ9	light grey		2	944 521 037 15	
		JN3	black/black					LG7	burgundy			
		JN4	brown/brown					KZ6	can-can-red			
		NZ7	light grey/light grey					LG4	pearl white			
		NZ8	burgundy/burgundy					LG5	champagne			
		backrest cover with heating leatherette backrest surface leather						PZ1	wild buffalo			-87
		JN3	black/black					seat cover without heating leatherette/ centre part in cloth pin stripe velour				
		JN4	brown/brown					JN1	black/ black-white			
(3)	944 521 071 71	backrest cover with heating leatherette backrest surface leather		2		4	JN2	brown/ brown-beige		2	944 521 037 18	
		JN3	black/black					RC7	light grey light grey-white			
		JN4	brown/brown					LT2	burgundy/ burgundy-white			
		NZ7	light grey/light grey					seat cover with heating leatherette/ centre part in cloth pin stripe velour				
		NZ8	burgundy/burgundy					JN1	black/ black-white			
		backrest cover without heating whole-leather						seat cover with heating leatherette/ centre part in cloth pin stripe velour				
		KZ2	black					backrest cover with heating leatherette/ backrest surface leather				
		KZ5	brown					backrest cover with heating leatherette/ backrest surface leather				
3	944 521 071 62	backrest cover without heating whole-leather		2		(4)	NZ9	light grey		2	944 521 037 18	
		backrest cover without heating whole-leather						seat cover with heating leatherette/ centre part in cloth pin stripe velour				
		backrest cover without heating whole-leather						seat cover with heating leatherette/ centre part in cloth pin stripe velour				

Model	Year	MG	SG	Illustration	Restrictions	UPD	18:12	27.01.2010	PORSCHE	PET	PORSCHE
STZ	1998	8	04	804-32		248					

Pos	Part Number	Description	Remark	Qty	Model	Pos	Part Number	Description	Remark	Qty	Model
	JN2	brown/ brown-beige					PX1	black/black			
	RC7	light grey light grey-white					PX3	brown/brown			
	LT2	burgundy/ burgundy-white					NX9	light grey/light grey			
4	944 521 037 15	seat cover without heating leatherette/ centre part in cloth pin stripe flannel		2		4	944 521 037 83	cover for cushion without heating leatherette/leather centre part in cloth pin stripe velour	-87	2	
	NX4	black/anthracite					PX5	burgundy/burgundy			
	NX5	brown/brown					PY1	black/ black-white			
	NX6	light grey/light grey					PY2	brown/ brown-beige			
	NX7	burgundy/burgundy					PY6	light grey light grey-white	-85		
(4)	944 521 037 18	seat cover with heating leatherette/ centre part in cloth pin stripe flannel		2			PY4	burgundy/burgundy burgundy-white			
	NX4	black/anthracite				(4)	944 521 037 92	cover for cushion with heating leatherette/leather centre part in cloth pin stripe velour	-87	2	
	NX5	brown/brown					RC9	light grey light grey-white	86-		
	NX6	light grey/light grey					PY1	black/ black-white			
	NX7	burgundy/burgundy					PY2	brown/ brown-beige			
4	944 521 037 15	seat cover without heating leatherette/ centre part porsche lettering cloth		2			PY6	light grey light grey-white	-85		
	PX1	black/black					PY4	burgundy/burgundy burgundy-white			
	PX3	brown/brown					RC9	light grey light grey-white	86-		
	NX9	light grey/light grey									
	PX5	burgundy/burgundy				4	944 521 037 83	cover for cushion without heating leatherette/leather centre part in cloth pin stripe flannel	-87	2	
(4)	944 521 037 18	seat cover with heating leatherette/ centre part porsche lettering cloth		2							

Model	Year	MG	SG	Illustration	Restrictions	UPD	18:12	27.01.2010	PORSCHE	PET	PORSCHE
STZ	1998	8	04	804-32		248					

Pos	Part Number	Description	Remark	Qty	Model	Pos	Part Number	Description	Remark	Qty	Model
	PZ2	black/black anthracite					PZ8	brown/brown brown			
	PZ3	brown/brown brown					PY7	light grey/light grey light grey			
	PY8	light grey/light grey light grey					QA1	burgundy/burgundy burgundy			
	PZ5	burgundy/burgundy burgundy				5	944 521 037 16	cover for cushion without heating leatherette/ seat surface pin stripe velour		2	
(4)	944 521 037 92	cover for cushion with heating leatherette/leather centre part in cloth pin stripe flannel	-87	2			NY5	black/ black-white			
	PZ2	black/black anthracite					NY7	brown/ brown-beige			
	PZ3	brown/brown brown					RC8	light grey light grey-white			
	PY8	light grey/light grey light grey					NY8	burgundy/ burgundy-white			
	PZ5	burgundy/burgundy burgundy				(5)	944 521 037 94	cover for cushion with heating leatherette/ seat surface pin stripe velour		2	
4	944 521 037 83	cover for cushion without heating leatherette/leather centre part porsche lettering cloth	-87	2			NY5	black/ black-white			
	PZ7	black/black black					NY7	brown/ brown-beige			
	PZ8	brown/brown brown					RC8	light grey light grey-white			
	PY7	light grey/light grey light grey					NY8	burgundy/ burgundy-white			
	QA1	burgundy/burgundy burgundy				5	944 521 037 16	cover for cushion without heating leatherette/ seat surface pin stripe flannel		2	
(4)	944 521 037 92	cover for cushion with heating leatherette/leather centre part porsche lettering cloth	-87	2			NY9	black/anthracite			
	PZ7	black/black black					NZ6	brown/brown			
							NZ4	light grey/light grey			

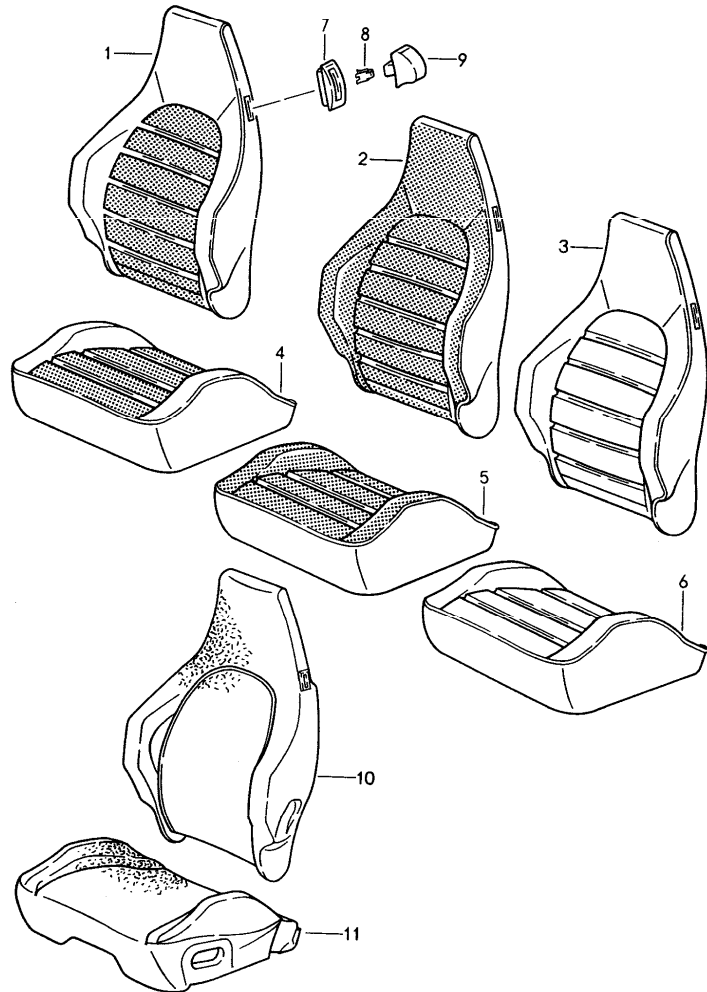
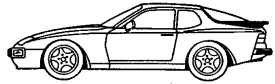
Model	Year	MG	SG	Illustration	Restrictions	UPD	18:12	27.01.2010	PORSCHE	PET	PORSCHE
STZ	1998	8	04	804-32		248					

Pos	Part Number	Description	Remark	Qty	Model	Pos	Part Number	Description	Remark	Qty	Model
	NZ5	burgundy/burgundy				(6)	944 521 037 93	cover for cushion with heating leatherette/ seat surface leather		2	
(5)	944 521 037 94	cover for cushion with heating leatherette/ seat surface pin stripe flannel		2			JN3	black/black			
	NY9	black/anthracite					JN4	brown/brown			
	NZ6	brown/brown					NZ7	light grey/light grey			
	NZ4	light grey/light grey					NZ8	burgundy/burgundy			
	NZ5	burgundy/burgundy				6	944 521 037 85	cover for cushion without heating whole-leather		2	
5	944 521 037 16	cover for cushion without heating leatherette/ seat surface porsche lettering cloth		2			KZ2	black			
	PX2	black/black					KZ5	brown			
	PX4	brown/brown					NZ9	light grey			
	NZ3	light grey/light grey					LG7	burgundy			
	PX6	burgundy/burgundy					KZ6	can-can-red			
(5)	944 521 037 94	cover for cushion with heating leatherette/ seat surface porsche lettering cloth		2			LG4	pearl white			
	PX2	black/black					LG5	champagne			
	PX4	brown/brown					PZ1	wild buffalo	-87		
	NZ3	light grey/light grey				(6)	944 521 037 95	cover for cushion with heating whole-leather		2	
	PX6	burgundy/burgundy					KZ2	black			
6	944 521 037 84	cover for cushion without heating leatherette/ seat surface leather		2			KZ5	brown			
	JN3	black/black					NZ9	light grey			
	JN4	brown/brown					LG7	burgundy			
	NZ7	light grey/light grey					KZ6	can-can-red			
	NZ8	burgundy/burgundy					LG4	pearl white			
							LG5	champagne			
							PZ1	wild buffalo	-87		

Model	Year	MG	SG	Illustration	Restrictions	UPD	18:12	27.01.2010	PORSCHE	PET	PORSCHE
STZ	1998	8	04	804-32		248					

Pos	Part Number	Description	Remark	Qty	Model	Pos	Part Number	Description	Remark	Qty	Model
-	000 043 071 00	clamp mount cover bag content 50 pieces		X							
7	911 521 815 00 01C	rosette satin black		4							
8	311 881 247	clamp		4							
9	911 521 817 00 01C	control button satin black		4							
10	928 521 393 15	foam part backrest frame		2							
11	A 928 521 385 27	foam part seat cushion	/L	1							
(11)	A 928 521 386 27	foam part seat cushion	/R	1							
(11)	928 521 385 28	foam part seat cushion with heating	/L	1							
(11)	928 521 386 28	foam part seat cushion with heating	/R	1							
-	911 653 901 00	heating element seat surface		1							
-	911 653 902 00	heating element backrest		1							
-	000 043 071 00	clamp set 50		X							

Model	Year	MG	SG	Illustration	Restrictions	UPD	18:12	27.01.2010	PORSCHE	PET	PORSCHE
STZ	1998	8	04	804-34		248					



Pos	Part Number	Description	Remark	Qty	Model
1	944 521 071 04	cover sports seat	89-91	2	944/S2 TURBO
	JN1	black/black-white	-90		
	XJ8	blue/blue-white	-90		
	XH1	linen/linen white	-90		
	LT2	burgundy/burgundy-white	-90		
(1)	964 521 071 07	backrest cover with heating leatherette/centre part pin stripe velour		2	
	JN1	black/black-white	-90		
	XJ8	blue/blue-white	-90		
	XH1	linen/linen white	-90		
	LT2	burgundy/burgundy-white	-90		
1	944 521 071 04	backrest cover without heating leatherette/centre part multicolour		2	
	XJ1	black/black			
	XJ4	marine blue/marine blue	-90		
	XH5	linen/linen	-90		
	XJ6	burgundy/burgundy	-90		
	ARC	cobalt blue/cobalt blue	91		
	APC	classic grey/classic grey	91		

Model	Year	MG	SG	Illustration	Restrictions	UPD	18:12	27.01.2010	PORSCHE	PET	PORSCHE
STZ	1998	8	04	804-34		248					

Pos	Part Number	Description	Remark	Qty	Model	Pos	Part Number	Description	Remark	Qty	Model
(1)	964 521 071 07	backrest cover with heating leatherette/ centre part multicolour		2		2	944 521 071 05	backrest cover without heating leatherette/ backrest surface pin stripe velour		2	
	XJ1	black/black					NY5	black/ black-white	-90		
	XJ4	marine blue/marine blue	-90				TR7	blue/ blue-white	-90		
	XH5	linen/linen	-90				XK2	linen/ linen white	-90		
	XJ6	burgundy/burgundy	-90				NY8	burgundy/ burgundy-white	-90		
	ARC	cobalt blue/cobalt blue	91								
	APC	classic grey/classic grey	91								
1	944 521 071 04	backrest cover without heating leatherette/ centre part porsche lettering cloth		2		(2)	964 521 071 08	backrest cover with heating leatherette/ backrest surface pin stripe velour		2	
	PX1	black/black					NY5	black/ black-white	-90		
	XJ9	marine blue/blue	-90				TR7	blue/ blue-white	-90		
	XH3	linen/linen	-90				XK2	linen/ linen white	-90		
	PX5	burgundy/burgundy	-90				NY8	burgundy/ burgundy-white	-90		
	ARA	cobalt blue/cobalt blue	91								
	APA	classic grey/classic grey	91								
(1)	964 521 071 07	backrest cover with heating leatherette/ centre part porsche lettering cloth		2		2	944 521 071 05	backrest cover without heating leatherette/ backrest surface multicolour		2	
	PX1	black/black					XK8	black/black			
	XJ9	marine blue/blue	-90				XN1	marine blue/marine blue	-90		
	XH3	linen/linen	-90				XK4	linen/linen	-90		
	PX5	burgundy/burgundy	-90				XN2	burgundy/burgundy	-90		
	ARA	cobalt blue/cobalt blue	91				AQV	cobalt blue/cobalt blue	91		
	APA	classic grey/classic grey	91				AQP	classic grey/classic grey	91		

Model	Year	MG	SG	Illustration	Restrictions	UPD	18:12	27.01.2010	PORSCHE	PET	PORSCHE
STZ	1998	8	04	804-34		248					

Pos	Part Number	Description	Remark	Qty	Model	Pos	Part Number	Description	Remark	Qty	Model
(2)	964 521 071 08	backrest cover with heating leatherette/ backrest surface multicolour		2		3	944 521 071 61	backrest cover without heating leatherette/ backrest surface leather		2	
	XK8	black/black					JN3	black/black			
	XN1	marine blue/marine blue	-90				TW2	linen/linen	-90		
	XK4	linen/linen	-90				NZ8	burgundy/burgundy	-90		
	XN2	burgundy/burgundy	-90				TS2	marine blue/marine blue	-90		
	AQV	cobalt blue/cobalt blue	91				ARK	cobalt blue/cobalt blue	91		
	AQP	classic grey/classic grey	91				APK	classic grey/classic grey	91		
2	944 521 071 05	backrest cover without heating leatherette/ backrest surface porsche lettering cloth		2		(3)	964 521 071 10	backrest cover with heating leatherette/ backrest surface leather		2	
	PX2	black/black					JN3	black/black			
	TR9	marine blue/blue	-90				TW2	linen/linen	-90		
	XK3	linen/linen	-90				NZ8	burgundy/burgundy	-90		
	PX6	burgundy/burgundy	-90				TS2	marine blue/marine blue	-90		
	ARM	cobalt blue/cobalt blue	91				ARK	cobalt blue/cobalt blue	91		
	APM	classic grey/classic grey	91				APK	classic grey/classic grey	91		
(2)	964 521 071 08	backrest cover with heating leatherette/ backrest surface porsche lettering cloth		2		3	944 521 071 62	backrest cover without heating whole-leather		2	
	PX2	black/black					KZ2	black			
	TR9	marine blue/blue	-90				TW1	linen	-90		
	XK3	linen/linen	-90				LG7	burgundy	-90		
	PX6	burgundy/burgundy	-90				TS1	marine blue	-90		
	ARM	cobalt blue/cobalt blue	91				ARL	cobalt blue	91		
	APM	classic grey/classic grey	91				APL	classic grey	91		
						(3)	964 521 071 11	backrest cover with heating whole-leather		2	
							KZ2	black			



Model	Year	MG	SG	Illustration	Restrictions	UPD	18:12	27.01.2010	PORSCHE	PET	PORSCHE
STZ	1998	8	04	804-34		248					

Pos	Part Number	Description	Remark	Qty	Model	Pos	Part Number	Description	Remark	Qty	Model
		TW1 linen	-90				XJ6	burgundy/burgundy	-90		
		LG7 burgundy	-90				ARC	cobalt blue/cobalt blue	91		
		TS1 marine blue	-90				APC	classic grey/classic grey	91		
		ARL cobalt blue	91			(4)	964 521 037 07	cover for cushion with heating leatherette/ centre part multicolour		2	
		APL classic grey	91				XJ1	black/black			
4	944 521 037 15	cover for cushion without heating leatherette/ centre part pin stripe velour		2			XJ4	marine blue/marine blue	-90		
		JN1 black/ black-white	-90				XH5	linen/linen	-90		
		XJ8 blue/ blue-white	-90				XJ6	burgundy/burgundy	-90		
		XH1 linen/ linen white	-90				ARC	cobalt blue/cobalt blue	91		
		LT2 burgundy/ burgundy-white	-90				APC	classic grey/classic grey	91		
(4)	964 521 037 07	cover for cushion with heating leatherette/ centre part pin stripe velour		2		4	944 521 037 15	cover for cushion without heating leatherette/ centre part porsche lettering cloth		2	
		JN1 black/ black-white	-90				PX1	black/black			
		XJ8 blue/ blue-white	-90				XJ9	marine blue/blue	-90		
		XH1 linen/ linen white	-90				XH3	linen/linen	-90		
		LT2 burgundy/ burgundy-white	-90				PX5	burgundy/burgundy	-90		
4	944 521 037 15	cover for cushion without heating leatherette/ centre part multicolour		2		(4)	964 521 037 07	cover for cushion with heating leatherette/ centre part porsche lettering cloth		2	
		XJ1 black/black					ARA	cobalt blue/cobalt blue	91		
		XJ4 marine blue/marine blue	-90				APA	classic grey/classic grey	91		
		XH5 linen/linen	-90				PX1	black/black			
							XJ9	marine blue/blue	-90		
							XH3	linen/linen	-90		
							PX5	burgundy/burgundy	-90		
							ARA	cobalt blue/cobalt blue	91		

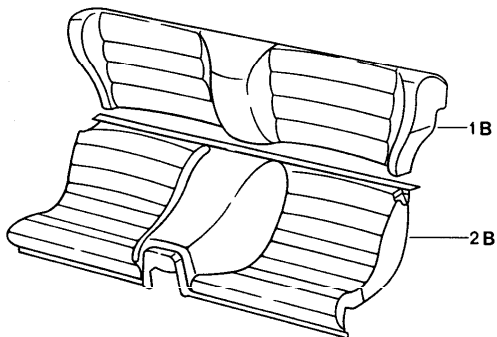
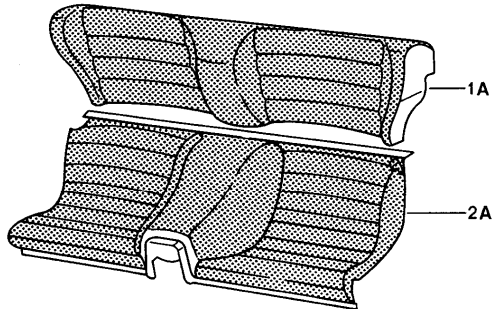
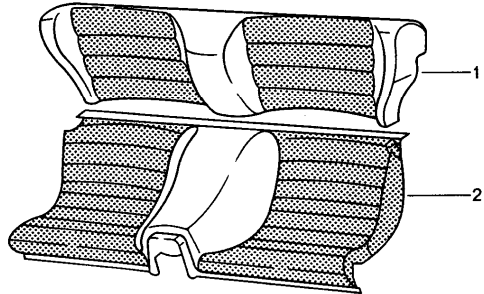
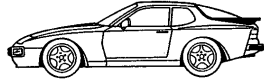
Model	Year	MG	SG	Illustration	Restrictions	UPD	18:12	27.01.2010	PORSCHE	PET	PORSCHE
STZ	1998	8	04	804-34		248					

Pos	Part Number	Description	Remark	Qty	Model	Pos	Part Number	Description	Remark	Qty	Model
	APA	classic grey/classic grey		91		(5)	964 521 037 08	cover for cushion with heating leatherette/ seat surface multicolour		2	
5	944 521 037 16	cover for cushion without heating leatherette/ seat surface pin stripe velour		2			XK8	black/black			
	NY5	black/ black-white		-90			XN1	marine blue/marine blue		-90	
	TR7	blue/ blue-white		-90			XK4	linen/linen		-90	
	XK2	linen/ linen white		-90			XN2	burgundy/burgundy		-90	
	NY8	burgundy/ burgundy-white		-90			AQV	cobalt blue/cobalt blue		91	
							AQP	classic grey/classic grey		91	
(5)	964 521 037 08	cover for cushion with heating leatherette/ seat surface pin stripe velour		2		5	944 521 037 16	cover for cushion without heating leatherette/ seat surface porsche lettering cloth		2	
	NY5	black/ black-white		-90			PX2	black/black			
	TR7	blue/ blue-white		-90			TR9	marine blue/blue		-90	
	XK2	linen/ linen white		-90			XK3	linen/linen		-90	
	NY8	burgundy/ burgundy-white		-90			PX6	burgundy/burgundy		-90	
							ARM	cobalt blue/cobalt blue		91	
							APM	classic grey/classic grey		91	
5	944 521 037 16	cover for cushion without heating leatherette/ seat surface multicolour		2		(5)	964 521 037 08	cover for cushion with heating leatherette/ seat surface porsche lettering cloth		2	
	XK8	black/black					PX2	black/black			
	XN1	marine blue/marine blue		-90			TR9	marine blue/blue		-90	
	XK4	linen/linen		-90			XK3	linen/linen		-90	
	XN2	burgundy/burgundy		-90			PX6	burgundy/burgundy		-90	
	AQV	cobalt blue/cobalt blue		91			ARM	cobalt blue/cobalt blue		91	
	AQP	classic grey/classic grey		91			APM	classic grey/classic grey		91	

Model	Year	MG	SG	Illustration	Restrictions	UPD	18:12	27.01.2010	PORSCHE	PET	PORSCHE
STZ	1998	8	04	804-34		248					

Pos	Part Number	Description	Remark	Qty	Model	Pos	Part Number	Description	Remark	Qty	Model
6	944 521 037 84	cover for cushion without heating leatherette/ seat surface leather		2			TW1	linen	-90		
	JN3	black/black					LG7	burgundy	-90		
	TW2	linen/linen	-90				TS1	marine blue	-90		
	NZ8	burgundy/burgundy	-90				ARL	cobalt blue	91		
	TS2	marine blue/marine blue	-90				APL	classic grey	91		
	ARK	cobalt blue/cobalt blue	91			-	000 043 071 00	clamp mount cover bag content 50 pieces		X	
	APK	classic grey/classic grey	91								
(6)	964 521 037 10	cover for cushion with heating leatherette/ seat surface leather		2		7	911 521 815 00	rosette		4	
	JN3	black/black					01C	satin black			
	TW2	linen/linen	-90			8	311 881 247	clamp		4	
	NZ8	burgundy/burgundy	-90			9	911 521 817 00	control button		4	
	TS2	marine blue/marine blue	-90				01C	satin black			
	ARK	cobalt blue/cobalt blue	91			10	928 521 393 15	foam part backrest frame		2	
	APK	classic grey/classic grey	91			11	A 928 521 385 27	foam part seat cushion	/L	1	
6	944 521 037 85	cover for cushion without heating whole-leather		2		(11)	A 928 521 386 27	foam part seat cushion	/R	1	
	KZ2	black				(11)	928 521 385 28	foam part seat cushion with heating	/L	1	
	TW1	linen	-90			(11)	928 521 386 28	foam part seat cushion with heating	/R	1	
	LG7	burgundy	-90								
	TS1	marine blue	-90								
	ARL	cobalt blue	91								
	APL	classic grey	91								
(6)	964 521 037 11	cover for cushion with heating whole-leather		2							
	KZ2	black									

Model	Year	MG	SG	Illustration	Restrictions	UPD	18:12	27.01.2010	PORSCHE	PET	PORSCHE
STZ	1998	8	04	804-36		248					



Pos	Part Number	Description	Remark	Qty	Model
1	944 522 045 00	backrest complete	85/2 -88	1	944/S TURBO/S
	JN1	black/ black-white			
	JN2	brown/ brown-beige			
	RC7	light grey light grey-white			
	LT2	burgundy/ burgundy-white			
1	944 522 045 00	backrest leatherette/ centre part in cloth pin stripe flannel		1	
	NX4	black/anthracite			
	NX5	brown/brown			
	NX6	light grey/light grey			
	NX7	burgundy/burgundy			
1	944 522 045 00	backrest leatherette/ centre part porsche lettering cloth		1	
	PX1	black/black			
	PX3	brown/brown			
	NX9	light grey/light grey			
	PX5	burgundy/burgundy			
1A	944 522 045 05	backrest leatherette/ backrest surface pin stripe velour		1	
	NY5	black/ black-white			
	NY7	brown/ brown-beige			

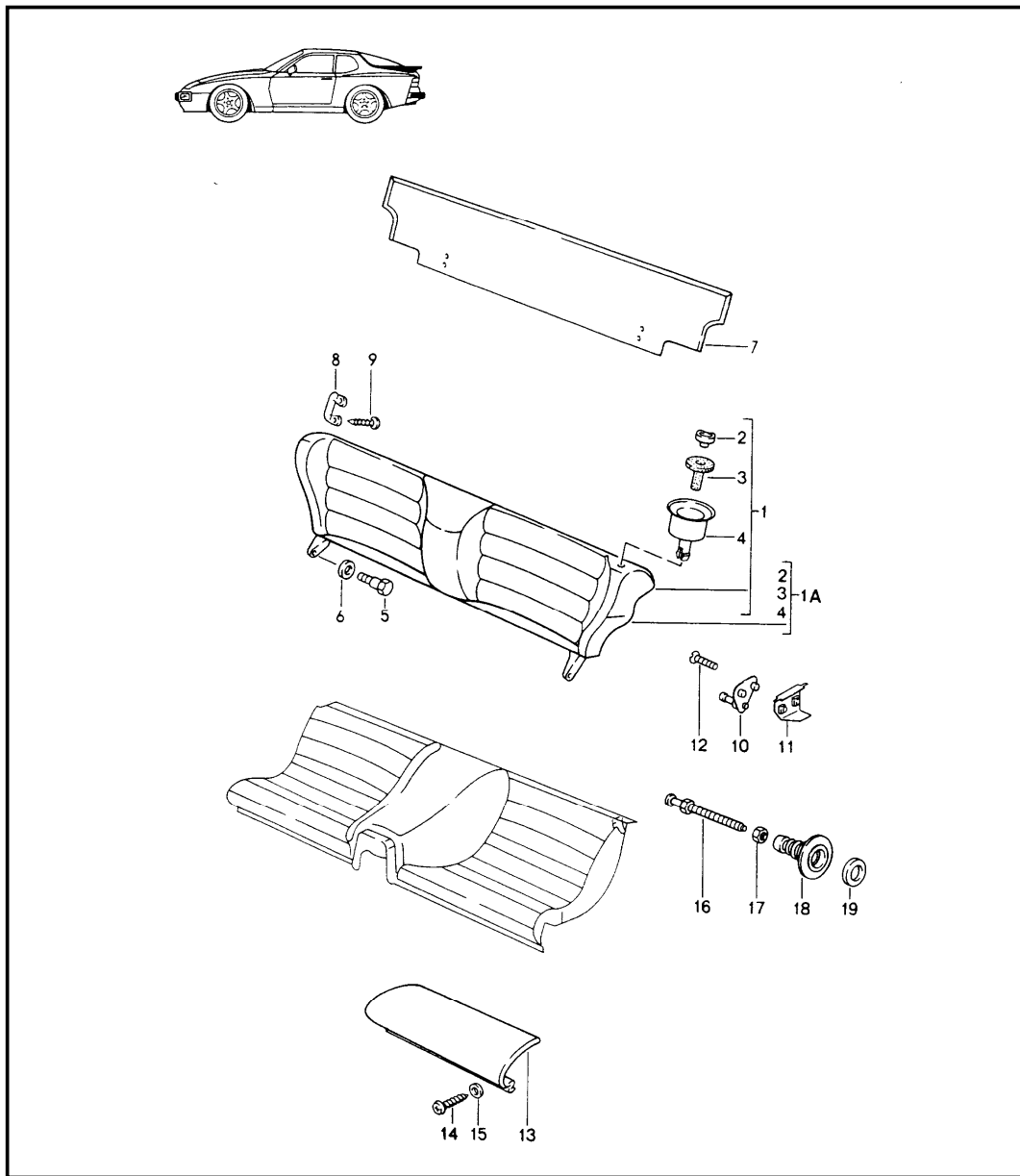
Model	Year	MG	SG	Illustration	Restrictions	UPD	18:12	27.01.2010	PORSCHE	PET	PORSCHE
STZ	1998	8	04	804-36		248					

Pos	Part Number	Description	Remark	Qty	Model	Pos	Part Number	Description	Remark	Qty	Model
	RC8	light grey light grey-white					LG5	champagne			
	NY8	burgundy/ burgundy-white					PZ1	wild buffalo	- 87		
1A	944 522 045 05	backrest leatherette/ backrest surface pin stripe flannel		1		2	477 885 871 B	seat cushion leatherette centre part in cloth pin stripe velour		1	
	NY9	black/anthracite					JN1	black/ black-white			
	NZ6	brown/brown					JN2	brown/ brown-beige			
	NZ4	light grey/light grey					RC7	light grey light grey-white			
	NZ5	burgundy/burgundy					LT2	burgundy/ burgundy-white			
1A	944 522 045 05	backrest leatherette/ backrest surface porsche lettering cloth		1		2	477 885 871 B	seat cushion leatherette/ centre part in cloth pin stripe flannel		1	
	PX2	black/black					NX4	black/anthracite			
	PX4	brown/brown					NX5	brown/brown			
	NZ3	light grey/light grey					NX6	light grey/light grey			
	PX6	burgundy/burgundy					NX7	burgundy/burgundy			
1B	944 522 045 04	backrest leatherette		1		2	477 885 871 B	seat cushion leatherette centre part porsche lettering cloth		1	
	JN3	black					PX1	black/black			
	JN4	brown					PX3	brown/brown			
	NZ7	light grey					NX9	light grey/light grey			
	NZ8	burgundy					PX5	burgundy/burgundy			
1B	944 522 045 50	backrest whole-leather		1		2A	944 522 073 04	seat cushion seat surface pin stripe velour	87-	1	
	KZ2	black					NY5	black/ black-white			
	KZ5	brown					NY7	brown/ brown-beige			
	NZ9	light grey									
	LG7	burgundy									
	KZ6	can-can-red									
	LG4	pearl white									

Model	Year	MG	SG	Illustration	Restrictions	UPD	18:12	27.01.2010	PORSCHE	PET	PORSCHE
STZ	1998	8	04	804-36		248					

Pos	Part Number	Description	Remark	Qty	Model	Pos	Part Number	Description	Remark	Qty	Model
	RC8	light grey light grey-white					PZ1	wild buffalo	-87		
	NY8	burgundy/ burgundy-white									
2A	944 522 073 04	seat cushion seat surface pin stripe flannel	87-	1							
	NY9	black/anthracite									
	NZ6	brown/brown									
	NZ4	light grey/light grey									
	NZ5	burgundy/burgundy									
2A	944 522 073 04	seat cushion seat surface porsche lettering cloth	87-	1							
	PX2	black/black									
	PX4	brown/brown									
	NZ3	light grey/light grey									
	PX6	burgundy/burgundy									
2B	944 522 073 03	seat cushion leatherette	87-	1							
	JN3	black									
	JN4	brown									
	NZ7	light grey									
	NZ8	burgundy									
2B	944 522 073 50	seat cushion whole-leather		1							
	KZ2	black									
	KZ5	brown									
	NZ9	light grey									
	LG7	burgundy									
	KZ6	can-can-red									
	LG4	pearl white									
	LG5	champagne									

Model	Year	MG	SG	Illustration	Restrictions	UPD	18:12	27.01.2010	PORSCHE	PET	PORSCHE
STZ	1998	8	04	804-38		248					



Pos	Part Number	Description	Remark	Qty	Model
		back seat single parts	85/2 -88		944/S TURBO/S
1	- - -	see group 8/04/36		1	
1A	- - -	see group 8/04/36		1	
2	944 522 317 00	push button 01C satin black		2	
3	944 522 319 00	guide piece		2	
4	944 522 315 00	rosette 01C satin black		2	
5	477 885 767	hexagon-head bolt M 6		2	
6	900 025 007 02	washer A 8,4		2	
7	944 522 831 00	carpet for back seat backrest		1	
		3BF black		85	
		8NF brown		85	
		4BF grey		85	
		2LF burgundy		85	
		5MD can-can-red		85	
		1YD pearl white		85	
		4VC champagne		-86	
		1DR black		86-	
		9RR brown		86-	
		2FR light grey		86-	
		4JR burgundy		86-	
		2MC can-can-red		86-	
		3YC white		86-	
8	477 885 761	retaining bar		2	

Model	Year	MG	SG	Illustration	Restrictions	UPD	18:12	27.01.2010	PORSCHE	PET	PORSCHE
STZ	1998	8	04	804-38		248					

Pos	Part Number	Description	Remark	Qty	Model	Pos	Part Number	Description	Remark	Qty	Model
9	N 014 096 3	tapping screw B 4,2 X 22		4			LG4	pearl white			
10	944 522 029 00	locking lug F >>94GN4 01585 F >>95GN1 00495	/L	1	944 TURBO		LG5	champagne			
(10)	944 522 030 00	locking lug F >>94GN4 01585 F >>95GN1 00495	/R	1	944 TURBO	(13)	944 522 042 50	back seat extension whole-leather	/R (J)	1	
11	944 522 031 00	support locking lug F >>94GN4 01585 F >>95GN1 00495		2	944 TURBO		PZ1	wild buffalo	-87		
12	999 219 012 07	countersunk-head screw M 6 X 22 self-locking F >>94GN4 01585 F >>95GN1 00495		4	944 TURBO		KZ2	black			
13	477 885 041 B	back seat extension leatherette	/L (J)	1			KZ5	brown			
	43S	black					NZ9	light grey			
	4RB	brown					LG7	burgundy			
	2DX	light grey					KZ6	can-can-red			
	3MK	burgundy					LG4	pearl white			
(13)	477 885 042 B	back seat extension leatherette	/R (J)	1			LG5	champagne			
	43S	black					PZ1	wild buffalo	-87		
	4RB	brown				14	N 043 940 3	tapping screw 4,2 X 25	(J)	6	
	2DX	light grey				15	900 151 028 02	washer A 4,3	(J)	6	
	3MK	burgundy				16	944 522 267 00	retaining pivot F 94GN4 01586>> F 95GN1 00496>>		2	944 TURBO
	43S	black				17	N 011 111 2	nut BM 12 X 1,5 F 94GN4 01586>> F 95GN1 00496>>		4	944 TURBO
	4RB	brown				18	944 522 053 00	lining F 94GN4 01586>> F 95GN1 00496>>	/L	1	944 TURBO
	2DX	light grey					01C	satin black			
	3MK	burgundy				(18)	944 522 054 00	lining F 94GN4 01586>> F 95GN1 00496>>	/R	1	944 TURBO
13	944 522 041 50	back seat extension whole-leather	/L (J)	1			01C	satin black			
	KZ2	black				19	N 011 675 2	washer B 15 F 94GN4 01586>> F 95GN1 00496>>		2	944 TURBO
	KZ5	brown									
	NZ9	light grey									
	LG7	burgundy									
	KZ6	can-can-red									

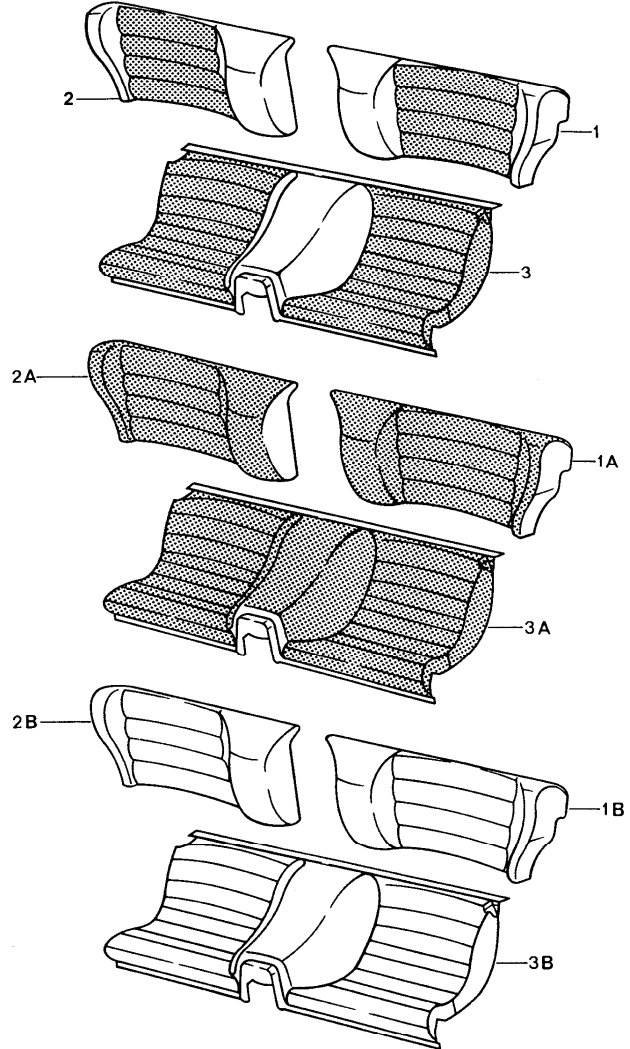
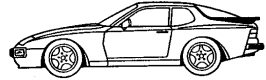


Model	Year	MG	SG	Illustration	Restrictions	UPD	18:12	27.01.2010	PORSCHE	PET	PORSCHE
STZ	1998	8	04	804-38		248					

Pos	Part Number	Description	Remark	Qty	Model	Pos	Part Number	Description	Remark	Qty	Model
-	944 522 281 00	lock	/L	1							
-	944 522 282 00	lock	/R	1							

Model	Year	MG	SG	Illustration	Restrictions	UPD	18:13	27.01.2010	PORSCHE	PET	PORSCHE
STZ	1998	8	04	804-40		248					

Pos	Part Number	Description	Remark	Qty	Model
			85/2 -88		944/S TURBO/S
1	944 522 045 01	back seat complete divided  backrest leatherette/ centre part in cloth pin stripe velour carpet		1	
	JN1	black/ black-white black			
	JN2	brown/ brown-beige brown			
	RC7	light grey light grey-white light grey			
	LT2	burgundy/ burgundy-white burgundy			
	UA2	black/ black-white light grey			
2	944 522 046 01	backrest leatherette/ centre part in cloth pin stripe velour carpet		1	
	JN1	black/ black-white black			
	JN2	brown/ brown-beige brown			
	RC7	light grey light grey-white light grey			
	LT2	burgundy/ burgundy-white burgundy			
	UA2	black/ black-white light grey			



Model	Year	MG	SG	Illustration	Restrictions	UPD	18:13	27.01.2010	PORSCHE	PET	PORSCHE
STZ	1998	8	04	804-40		248					

Pos	Part Number	Description	Remark	Qty	Model	Pos	Part Number	Description	Remark	Qty	Model
1	944 522 045 01	backrest leatherette/ centre part in cloth pin stripe flannel carpet		1			PX5	burgundy/burgundy burgundy			
	NX4	black/anthracite black				2	944 522 046 01	backrest leatherette/ centre part porsche lettering cloth carpet		1	
	NX5	brown/brown brown					PX1	black/black black			
	NX6	light grey/light grey light grey					PX3	brown/brown brown			
	NX7	burgundy/burgundy burgundy					NX9	light grey/light grey light grey			
	UA3	black/anthracite light grey					PX5	burgundy/burgundy burgundy			
2	944 522 046 01	backrest leatherette/ centre part in cloth pin stripe flannel carpet		1			UA4	black/black light grey			
	NX4	black/anthracite black				1A	944 522 045 02	backrest leatherette/ backrest surface pin stripe velour carpet	/L	1	
	NX5	brown/brown brown					NY5	black/ black-white black			
	NX6	light grey/light grey light grey					NY7	brown/ brown-beige brown			
	NX7	burgundy/burgundy burgundy					RC8	light grey light grey-white light grey			
	UA3	black/anthracite light grey					NY8	burgundy/ burgundy-white burgundy			
1	944 522 045 01	backrest leatherette/ centre part porsche lettering cloth carpet		1			UA5	black/ black-white light grey			
	PX1	black/black black									
	PX3	brown/brown brown									
	NX9	light grey/light grey light grey									

Model	Year	MG	SG	Illustration	Restrictions	UPD	18:13	27.01.2010	PORSCHE	PET	PORSCHE
STZ	1998	8	04	804-40		248					

Pos	Part Number	Description	Remark	Qty	Model	Pos	Part Number	Description	Remark	Qty	Model
2A	944 522 046 02	backrest leatherette/ backrest surface pin stripe velour carpet	/R	1			NZ6	brown/brown brown			
	NY5	black/ black-white black					NZ4	light grey/light grey light grey			
	NY7	brown/ brown-beige brown					NZ5	burgundy/burgundy burgundy			
	RC8	light grey light grey-white light grey					UA6	black/anthracite light grey			
	NY8	burgundy/ burgundy-white burgundy				1A	944 522 045 02	backrest leatherette/ backrest surface porsche lettering cloth carpet	/L	1	
	UA5	black/ black-white light grey					PX2	black/black black			
1A	944 522 045 02	backrest leatherette/ backrest surface pin stripe flannel carpet	/L	1			PX4	brown/brown brown			
	NY9	black/anthracite black					NZ3	light grey/light grey light grey			
	NZ6	brown/brown brown					PX6	burgundy/burgundy burgundy			
	NZ4	light grey/light grey light grey					UA7	black/black light grey			
	NZ5	burgundy/burgundy burgundy				2A	944 522 046 02	backrest leatherette/ backrest surface porsche lettering cloth carpet	/R	1	
	UA6	black/anthracite light grey					PX2	black/black black			
2A	944 522 046 02	backrest leatherette/ backrest surface pin stripe flannel carpet	/R	1			PX4	brown/brown brown			
	NY9	black/anthracite black					NZ3	light grey/light grey light grey			
							PX6	burgundy/burgundy burgundy			
							UA7	black/black light grey			

Model	Year	MG	SG	Illustration	Restrictions	UPD	18:13	27.01.2010	PORSCHE	PET	PORSCHE
STZ	1998	8	04	804-40		248					

Pos	Part Number	Description	Remark	Qty	Model	Pos	Part Number	Description	Remark	Qty	Model
1A	944 522 045 02	backrest backrest surface multicolour carpet	/L	88	1 M757	1B	944 522 045 51	backrest leather/ carpet	/L	1	
	UR4	grey silver-grey					KZ2	black/black			
2A	944 522 046 02	backrest backrest surface multicolour carpet	/R	88	1 M757		KZ5	brown/brown			
	UR4	grey silver-grey					NZ9	light grey/light grey			
1A	944 522 045 02	backrest backrest surface multicolour carpet	/L	88	1 M758		LG7	burgundy/burgundy			
	XF2	burgundy/burgundy					UA9	black/black			
2A	944 522 046 02	backrest backrest surface multicolour carpet	/R	88	1 M758		UB1	can-can-red black			
	XF2	burgundy/burgundy					UB2	champagne brown			
1B	944 522 045 03	backrest leatherette/ carpet	/L	1			UB3	pearl white black			
	JN3	black/black					UB4	pearl white burgundy			
	JN4	brown/brown					UB5	champagne black			
	NZ7	light grey/light grey					KZ6	can-can-red/can-can-red			
	NZ8	burgundy/burgundy					LG4	pearl white white			
	UA8	black/light grey					LG5	champagne/champagne			
2B	944 522 046 03	backrest leatherette/ carpet	/R	1			PZ1	wild buffalo brown	-87		
	JN3	black/black				2B	944 522 046 51	backrest leather/ carpet	/R	1	
	JN4	brown/brown					KZ2	black/black			
	NZ7	light grey/light grey					KZ5	brown/brown			
	NZ8	burgundy/burgundy					NZ9	light grey/light grey			
	UA8	black/light grey					LG7	burgundy/burgundy			
							UA9	black/black			

Model	Year	MG	SG	Illustration	Restrictions	UPD	18:13	27.01.2010	PORSCHE	PET	PORSCHE
STZ	1998	8	04	804-40		248					

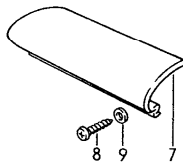
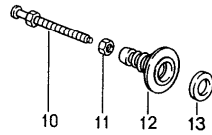
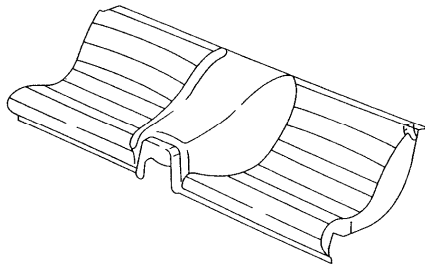
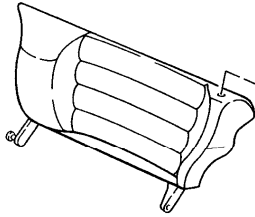
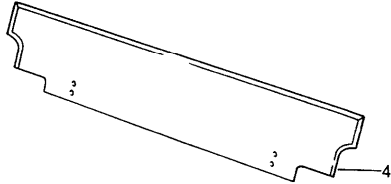
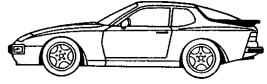
Pos	Part Number	Description	Remark	Qty	Model	Pos	Part Number	Description	Remark	Qty	Model
	UB1	can-can-red black				3	944 522 073 00	seat cushion leatherette/ centre part porsche lettering cloth		1	
	UB2	champagne brown					PX1	black/black			
	UB3	pearl white black					PX3	brown/brown			
	UB4	pearl white burgundy					NX9	light grey/light grey			
	UB5	champagne black					PX5	burgundy/burgundy			
	KZ6	can-can-red/can-can-red				3A	944 522 073 01	seat cushion leatherette/ seat surface pin stripe velour		1	
	LG4	pearl white white					NY5	black/ black-white			
	LG5	champagne/champagne					NY7	brown/ brown-beige			
	PZ1	wild buffalo brown	-87				RC8	light grey light grey-white			
	UB6	pearl white brown					NY8	burgundy/ burgundy-white			
3	944 522 073 00	seat cushion leatherette/ centre part in cloth pin stripe velour		1		3A	944 522 073 01	seat cushion leatherette/ seat surface pin stripe flannel		1	
	JN1	black/ black-white					NY9	black/anthracite			
	JN2	brown/ brown-beige					NZ6	brown/brown			
	RC7	light grey light grey-white					NZ4	light grey/light grey			
	LT2	burgundy/ burgundy-white					NZ5	burgundy-burgundy			
3	944 522 073 00	seat cushion leatherette/ centre part in cloth pin stripe flannel		1		3A	944 522 073 01	seat cushion leatherette/ seat surface porsche lettering cloth		1	
	NX4	black/anthracite					PX2	black/black			
	NX5	brown/brown					PX4	brown/brown			
	NX6	light grey/light grey					NZ3	light grey/light grey			
	NX7	burgundy/burgundy					PX6	burgundy/burgundy			

Model	Year	MG	SG	Illustration	Restrictions	UPD	18:13	27.01.2010	PORSCHE	PET	PORSCHE
STZ	1998	8	04	804-40		248					

Pos	Part Number	Description	Remark	Qty	Model	Pos	Part Number	Description	Remark	Qty	Model
3A	944 522 073 01	seat cushion leatherette/ seat surface multicolour		1	M757						
	US8	grey									
3A	944 522 073 01	seat cushion leatherette/ seat surface multicolour		1	M758						
	XF1	burgundy									
3B	944 522 073 02	seat cushion leatherette		1							
	JN3	black									
	JN4	brown									
	NZ7	light grey									
	NZ8	burgundy									
3B	944 522 073 51	seat cushion whole-leather		1							
	KZ2	black									
	KZ5	brown									
	NZ9	light grey									
	LG7	burgundy									
	KZ6	can-can-red									
	LG5	champagne									
	LG4	pearl white									
	PZ1	wild buffalo	-87								

Model	Year	MG	SG	Illustration	Restrictions	UPD	18:13	27.01.2010	PORSCHE	PET	PORSCHE
STZ	1998	8	04	804-42		248					

Pos	Part Number	Description	Remark	Qty	Model
		back seat divided single parts	85/2 -88		944/S TURBO/S
1	944 522 317 00	push button		2	
	01C	satin black			
2	944 522 319 00	guide piece		2	
3	944 522 315 00	rosette		2	
	01C	satin black			
(4)	944 522 831 01	carpet for back seat backrest	/L	1	
	1DR	black			
	9RR	brown			
	2FR	light grey			
	4JR	burgundy			
	8FC	silver-grey	88		
(4)	944 522 832 01	carpet for back seat backrest	/R	1	
	1DR	black			
	9RR	brown			
	2FR	light grey			
	4JR	burgundy			
	8FC	silver-grey	88		
5	477 885 761	retaining bar		2	
6	N 014 096 3	tapping screw B 4,2 X 22		4	
7	477 885 041 B	back seat extension leatherette	/L (J)	1	
	43S	black			
	4RB	brown			
	2DX	light grey			
	3MX	burgundy			

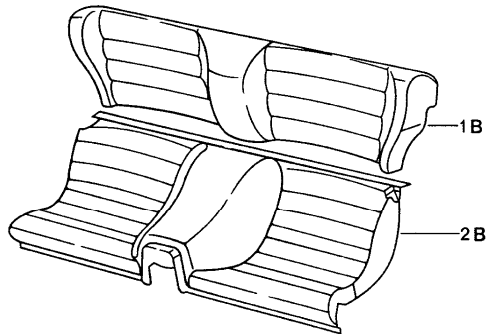
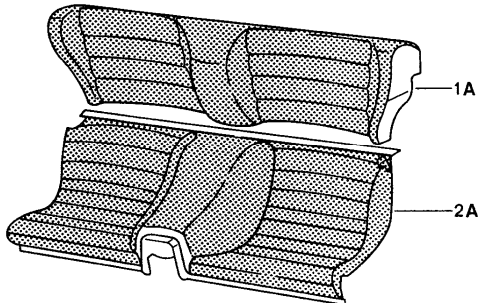
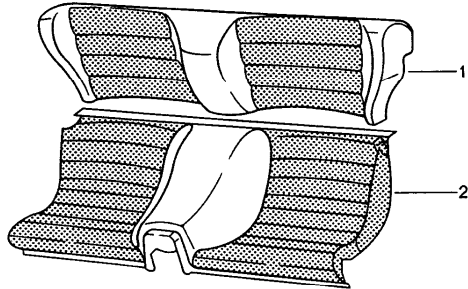
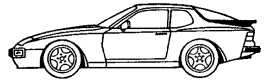




Model	Year	MG	SG	Illustration	Restrictions	UPD	18:13	27.01.2010	PORSCHE	PET	PORSCHE
STZ	1998	8	04	804-42		248					

Pos	Part Number	Description	Remark	Qty	Model	Pos	Part Number	Description	Remark	Qty	Model
(7)	477 885 042 B	back seat extension leatherette	/R (J)	1		11	N 011 111 2	nut BM 12 X 1,5		4	
	43S	black				12	944 522 053 00	lining	/L	1	
	4RB	brown					01C	satin black			
	2DX	light grey				(12)	944 522 054 00	lining	/R	1	
	3MX	burgundy					01C	satin black			
7	944 522 041 50	back seat extension whole-leather	/L (J)	1		13	N 011 675 2	washer B 15		2	
	KZ2	black				-	944 522 281 00	lock	/L	1	
	KZ5	brown				-	944 522 282 00	lock	/R	1	
	NZ9	light grey									
	LG7	burgundy									
	KZ6	can-can-red									
	LG4	pearl white									
	LG5	champagne									
	PZ1	wild buffalo		-87							
(7)	944 522 042 50	back seat extension whole-leather	/R (J)	1							
	KZ2	black									
	KZ5	brown									
	NZ9	light grey									
	LG7	burgundy									
	KZ6	can-can-red									
	LG4	pearl white									
	LG5	champagne									
	PZ1	wild buffalo		-87							
8	N 043 940 3	tapping screw 4,2 X 25	(J)	6							
9	900 151 028 02	washer 4,3	(J)	6							
10	944 522 267 00	retaining pivot		2							

Model	Year	MG	SG	Illustration	Restrictions	UPD	18:13	27.01.2010	PORSCHE	PET	PORSCHE
STZ	1998	8	04	804-44		248					



Pos	Part Number	Description	Remark	Qty	Model
		back seat complete	89-90		944/S2 TURBO COUPE
1	944 522 045 00	backrest leatherette/centre part in cloth pin stripe velour		1	
	JN1	black/black-white			
	XJ8	blue/blue-white			
	XH1	linen/linen white			
	LT2	burgundy/burgundy-white			
1	944 522 045 00	backrest leatherette/centre part in cloth multicolour		1	
	XJ1	black/black			
	XJ4	marine blue/marine blue			
	XH5	linen/linen			
	XJ6	burgundy/burgundy			
1	944 522 045 00	backrest leatherette/centre part porsche lettering cloth		1	
	PX1	black/black			
	XJ9	marine blue/blue			
	XH3	linen/linen			
	PX5	burgundy/burgundy			
1A	944 522 045 05	backrest leatherette/backrest surface pin stripe velour		1	
	NY5	black/black-white			
	TR7	blue/blue-white			

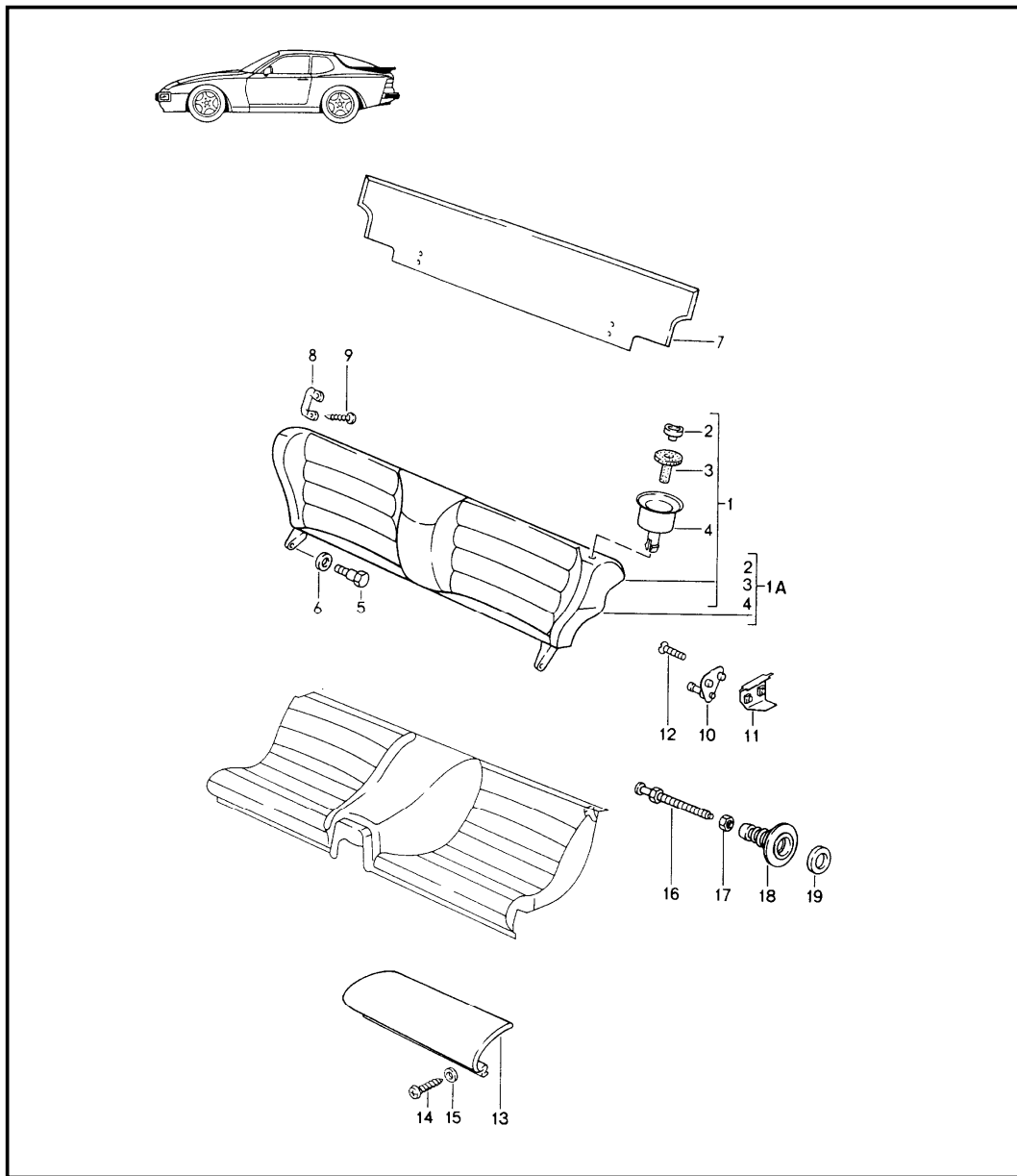
Model	Year	MG	SG	Illustration	Restrictions	UPD	18:13	27.01.2010	PORSCHE	PET	PORSCHE
STZ	1998	8	04	804-44		248					

Pos	Part Number	Description	Remark	Qty	Model	Pos	Part Number	Description	Remark	Qty	Model				
1A	944 522 045 05	XK2 linen/ linen white		1		2	477 885 871 B	seat cushion leatherette/ centre part in cloth pin stripe velour		1					
		NY8 burgundy/ burgundy-white						JN1 black/ black-white							
		backrest leatherette/ backrest surface multicolour						XJ8 blue/ blue-white							
		XK8 black/black						XH1 linen/ linen white							
		XN1 marine blue/marine blue						LT2 burgundy/ burgundy-white							
		XK4 linen/linen						2	477 885 871 B			seat cushion leatherette/ centre part in cloth multicolour		1	
		XN2 burgundy/burgundy										XJ1 black/black			
1A	944 522 045 05	backrest leatherette/ backrest surface porsche lettering cloth		1		2	477 885 871 B	XJ4 marine blue/marine blue		1					
		PX2 black/black						XH5 linen/linen							
		TR9 marine blue/blue						XJ6 burgundy/burgundy							
		XK3 linen/linen						2	477 885 871 B			seat cushion leatherette/ centre part porsche lettering cloth		1	
		PX6 burgundy/burgundy										PX1 black/black			
1B	944 522 045 04	backrest leatherette		1		2A	944 522 073 04	seat cushion leatherette/ seat surface pin stripe velour		1					
		JN3 black						NY5 black/ black-white							
		TS2 marine blue						TR7 blue/ blue-white							
		TW2 linen						XK2 linen/ linen white							
		NZ8 burgundy													
1B	944 522 045 50	backrest whole-leather		1		2A	944 522 073 04			1					
		KZ2 black													
		TS1 marine blue													
		TW1 linen													
		LG7 burgundy													

Model	Year	MG	SG	Illustration	Restrictions	UPD	18:13	27.01.2010	PORSCHE	PET	PORSCHE
STZ	1998	8	04	804-44		248					

Pos	Part Number	Description	Remark	Qty	Model	Pos	Part Number	Description	Remark	Qty	Model
		NY8 burgundy/ burgundy-white									
2A	944 522 073 04	seat cushion leatherette/ seat surface multicolour		1							
		XK8 black/black									
		XN1 marine blue/marine blue									
		XK4 linen/linen									
		NZ5 burgundy/burgundy									
2A	944 522 073 04	seat cushion leatherette/ seat surface porsche lettering cloth		1							
		PX2 black/black									
		TR9 marine blue/blue									
		XK3 linen/linen									
		PX6 burgundy/burgundy									
2B	944 522 073 03	seat cushion leatherette		1							
		JN3 black									
		TS2 marine blue									
		TW2 linen									
		NZ8 burgundy									
2B	944 522 073 50	seat cushion whole-leather		1							
		KZ2 black									
		TS1 marine blue									
		TW1 linen									
		LG7 burgundy									

Model	Year	MG	SG	Illustration	Restrictions	UPD	18:13	27.01.2010	PORSCHE	PET	PORSCHE
STZ	1998	8	04	804-46		248					



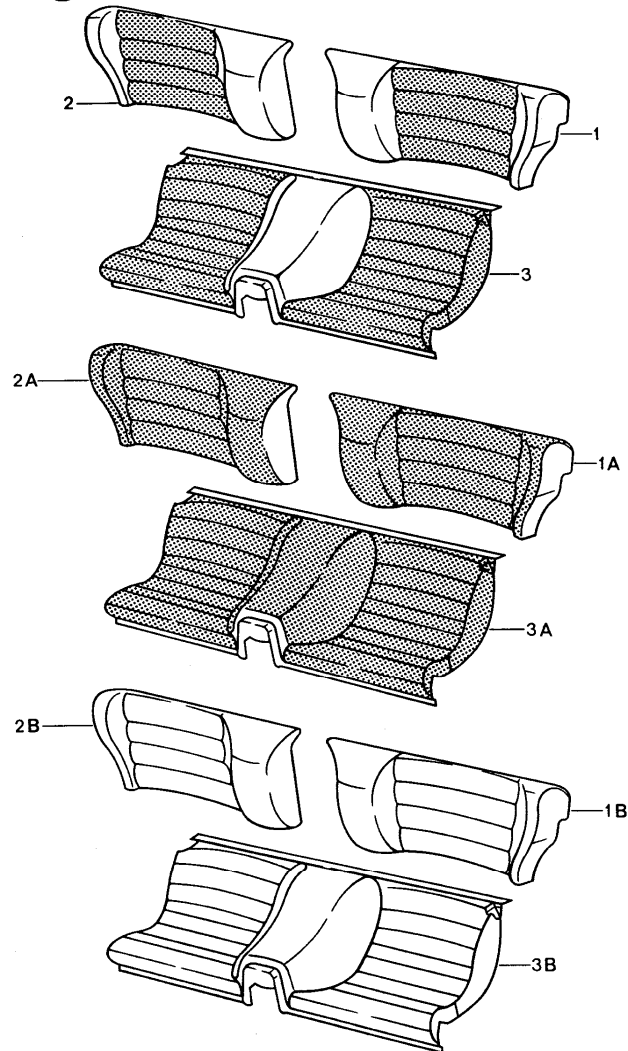
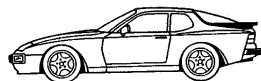
Pos	Part Number	Description	Remark	Qty	Model
		back seat single parts	89-90		944/S2 TURBO COUPE
1	- - -	see group 8/04/44		1	
1A	- - -	see group 8/04/44		1	
2	944 522 317 00	push button		2	
	01C	satin black			
3	944 522 319 00	guide piece		2	
4	944 522 315 00	rosette		2	
	01C	satin black			
5	477 885 767	hexagon-head bolt M 6		2	
6	900 025 007 02	washer A 8,4		2	
7	944 522 831 00	carpet for back seat backrest		1	
	1DR	black			
	4KF	marine blue			
	8WC	linen			
	4JR	burgundy			
8	477 885 761	retaining bar		2	
9	N 014 096 3	tapping screw B 4,2 X 22		4	
10	944 522 029 00	locking lug	/L	1	
(10)	944 522 030 00	locking lug	/R	1	
11	944 522 031 00	support locking lug		2	
12	999 219 012 07	countersunk-head screw M 6 X 22 self-locking		4	
13	477 885 041 B	back seat extension leatherette	/L (J)	1	

Model	Year	MG	SG	Illustration	Restrictions	UPD	18:13	27.01.2010	PORSCHE	PET	PORSCHE
STZ	1998	8	04	804-46		248					

Pos	Part Number	Description	Remark	Qty	Model	Pos	Part Number	Description	Remark	Qty	Model
	43S	black					01C	satin black			
	1KX	marine blue				19	N 011 675 2	washer B 15		2	
	4WX	linen				-	944 522 281 00	lock	/L	1	
	3MK	burgundy				-	944 522 282 00	lock	/R	1	
(13)	477 885 042 B	back seat extension leatherette	/R (J)	1							
	43S	black									
	1KX	marine blue									
	4WX	linen									
	3MK	burgundy									
13	944 522 041 50	back seat extension whole-leather	/L (J)	1							
	KZ2	black									
	TS1	marine blue									
	TW1	linen									
	LG7	burgundy									
(13)	944 522 042 50	back seat extension whole-leather	/R (J)	1							
	KZ2	black									
	TS1	marine blue									
	TW1	linen									
	LG7	burgundy									
14	N 043 940 3	tapping screw 4,2 X 25	(J)	6							
15	900 151 028 02	washer 4,3	(J)	6							
16	944 522 267 00	retaining pivot		2							
17	N 011 111 2	nut BM 12 X 1,5		4							
18	944 522 053 00	lining	/L	1							
	01C	satin black									
(18)	944 522 054 00	lining	/R	1							

Model	Year	MG	SG	Illustration	Restrictions	UPD	18:13	27.01.2010	PORSCHE	PET	PORSCHE
STZ	1998	8	04	804-48		248					

Pos	Part Number	Description	Remark	Qty	Model
			89-91		944/S2 TURBO COUPE
1	944 522 045 01	back seat complete divided	/L	1	
	JN1	black/ black-white black	-90		
	XJ8	blue/ blue-white marine blue	-90		
	XH1	linen/ linen white linen	-90		
	LT2	burgundy/ burgundy-white burgundy	-90		
2	944 522 046 01	backrest leatherette/ centre part in cloth pin stripe velour carpet	/R	1	
	JN1	black/ black-white black	-90		
	XJ8	blue/ blue-white marine blue	-90		
	XH1	linen/ linen white linen	-90		
	LT2	burgundy/ burgundy-white burgundy	-90		
1	944 522 045 01	backrest leatherette/ centre part in cloth multicolour carpet	/L	1	
	XJ1	black/black black			



Model	Year	MG	SG	Illustration	Restrictions	UPD	18:13	27.01.2010	PORSCHE	PET	PORSCHE
STZ	1998	8	04	804-48		248					

Pos	Part Number	Description	Remark	Qty	Model	Pos	Part Number	Description	Remark	Qty	Model
	XJ4	marine blue/marine blue marine blue	-90				ARA	cobalt blue/cobalt blue cobalt blue	91		
	XH5	linen/linen linen	-90				APA	classic grey/classic grey classic grey	91		
	XJ6	burgundy/burgundy burgundy	-90			2	944 522 046 01	backrest leatherette/ centre part porsche lettering cloth carpet	/R	1	
	ARC	cobalt blue/cobalt blue cobalt blue	91				PX1	black/black black			
	APC	classic grey/classic grey classic grey	91				XJ9	marine blue/blue marine blue	-90		
2	944 522 046 01	backrest leatherette/ centre part in cloth multicolour carpet	/R	1			XH3	linen/linen linen	-90		
	XJ1	black/black black					PX5	burgundy/burgundy burgundy	-90		
	XJ4	marine blue/marine blue marine blue	-90				ARA	cobalt blue/cobalt blue cobalt blue	91		
	XH5	linen/linen linen	-90				APA	classic grey/classic grey classic grey	91		
	XJ6	burgundy/burgundy burgundy	-90			1A	944 522 045 02	backrest leatherette/ backrest surface pin stripe velour carpet	/L	1	
	ARC	cobalt blue/cobalt blue cobalt blue	91				NY5	black/ black-white black	-90		
	APC	classic grey/classic grey classic grey	91				TR7	blue/ blue-white marine blue	-90		
1	944 522 045 01	backrest leatherette/ centre part porsche lettering cloth carpet	/L	1			XK2	linen/ linen/linen linen	-90		
	PX1	black/black black					NY8	burgundy/ burgundy-white burgundy	-90		
	XJ9	marine blue/blue marine blue	-90								
	XH3	linen/linen linen	-90			2A	944 522 046 02	backrest leatherette/ backrest surface pin stripe velour carpet	/R	1	
	PX5	burgundy/burgundy burgundy	-90								



Model	Year	MG	SG	Illustration	Restrictions	UPD	18:13	27.01.2010	PORSCHE	PET	PORSCHE
STZ	1998	8	04	804-48		248					

Pos	Part Number	Description	Remark	Qty	Model	Pos	Part Number	Description	Remark	Qty	Model
	NY5	black/ black-white black		-90			AQV	cobalt blue/cobalt blue cobalt blue		91	
	TR7	blue/ blue-white marine blue		-90			AQP	classic grey/classic grey classic grey		91	
	XK2	linen/ linen/linen linen		-90		1A	944 522 045 02	backrest leatherette/ backrest surface porsche lettering cloth carpet	/L	1	
	NY8	burgundy/ burgundy-white burgundy		-90			PX2	black/black black			
1A	944 522 045 02	backrest leatherette/ backrest surface multicolour carpet	/L	1			TR9	marine blue/blue marine blue		-90	
	XK8	black/black black					XK3	linen/linen linen		-90	
	XN1	marine blue/marine blue marine blue		-90			PX6	burgundy/burgundy burgundy		-90	
	XK4	linen/linen linen		-90			ARM	cobalt blue/cobalt blue cobalt blue		91	
	XN2	burgundy/burgundy burgundy		-90			APM	classic grey/classic grey classic grey		91	
	AQV	cobalt blue/cobalt blue cobalt blue		91		2A	944 522 046 02	backrest leatherette/ backrest surface porsche lettering cloth carpet	/R	1	
	AQP	classic grey/classic grey classic grey		91			PX2	black/black black			
2A	944 522 046 02	backrest leatherette/ backrest surface multicolour carpet	/R	1			TR9	marine blue/blue marine blue		-90	
	XK8	black/black black					XK3	linen/linen linen		-90	
	XN1	marine blue/marine blue marine blue		-90			PX6	burgundy/burgundy burgundy		-90	
	XK4	linen/linen linen		-90			ARM	cobalt blue/cobalt blue cobalt blue		91	
	XN2	burgundy/burgundy burgundy		-90			APM	classic grey/classic grey classic grey		91	
						1B	944 522 045 03	backrest leatherette/ carpet	/L	1	

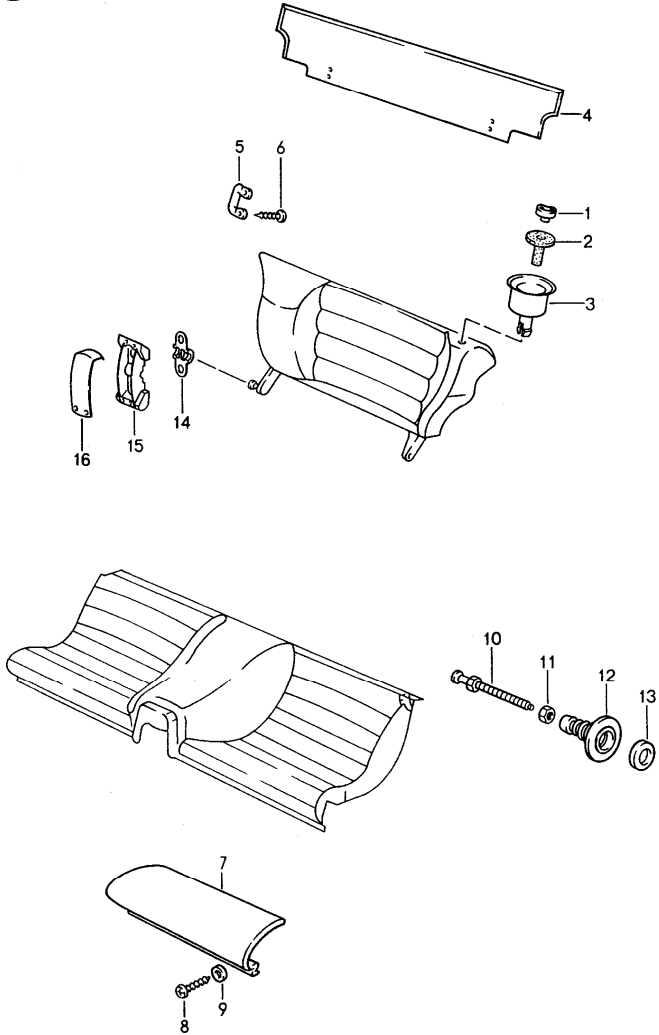
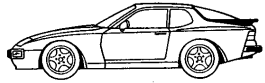
Model	Year	MG	SG	Illustration	Restrictions	UPD	18:13	27.01.2010	PORSCHE	PET	PORSCHE
STZ	1998	8	04	804-48		248					

Pos	Part Number	Description	Remark	Qty	Model	Pos	Part Number	Description	Remark	Qty	Model
		JN3 black/black					APL	classic grey/classic grey		91	
		TS2 marine blue/marine blue	-90			3	944 522 073 00	seat cushion leatherette/ centre part in cloth pin stripe velour		2	
		TW2 linen/linen	-90				JN1	black/ black-white	-90		
		NZ8 burgundy/burgundy	-90				XJ8	blue/ blue-white	-90		
		ARK cobalt blue/cobalt blue	91				XH1	linen/ linen white	-90		
		APK classic grey/classic grey	91				LT2	burgundy/ burgundy-white	-90		
2B	944 522 046 03	backrest leatherette/ carpet	/R	1			944 522 073 00	seat cushion leatherette/ centre part in cloth multicolour		2	
		JN3 black/black					XJ1	black/black			
		TS2 marine blue/marine blue	-90			3	XJ4	marine blue/marine blue	-90		
		TW2 linen/linen	-90				XH5	linen/linen	-90		
		NZ8 burgundy/burgundy	-90				XJ6	burgundy/burgundy	-90		
		ARK cobalt blue/cobalt blue	91				ARC	cobalt blue/cobalt blue	91		
		APK classic grey/classic grey	91				APC	classic grey/classic grey	91		
1B	944 522 045 51	backrest leather/ carpet	/L	1			944 522 073 00	seat cushion leatherette/ centre part porsche lettering cloth		2	
		KZ2 black/black					PX1	black/black			
		TW1 linen/linen	-90				XJ9	marine blue/blue	-90		
		LG7 burgundy/burgundy	-90			3	XH3	linen/linen	-90		
		TS1 marine blue/marine blue	-90				PX5	burgundy/burgundy	-90		
		ARL cobalt blue/cobalt blue	91				ARA	cobalt blue/cobalt blue	91		
		APL classic grey/classic grey	91				APA	classic grey/classic grey	91		
2B	944 522 046 51	backrest leather/ carpet	/R	1			944 522 073 01	seat cushion leatherette/ seat surface pin stripe velour		2	
		KZ2 black/black				3A					
		TW1 linen/linen	-90								
		LG7 burgundy/burgundy	-90								
		TS1 marine blue/marine blue	-90								
		ARL cobalt blue/cobalt blue	91								

Model	Year	MG	SG	Illustration	Restrictions	UPD	18:13	27.01.2010	PORSCHE	PET	PORSCHE
STZ	1998	8	04	804-48		248					

Pos	Part Number	Description	Remark	Qty	Model	Pos	Part Number	Description	Remark	Qty	Model
		NY5 black/ black-white		-90			ARK	cobalt blue		91	
		TR7 blue/ blue-white		-90			APK	classic grey		91	
		XK2 linen/ linen white		-90		3B	944 522 073 51	seat cushion whole-leather		2	
		NY8 burgundy/ burgundy-white		-90			KZ2	black			
3A	944 522 073 01	seat cushion leatherette/ seat surface multicolour		2			TW1	linen		-90	
		XK8 black/black					LG7	burgundy		-90	
		XN1 marine blue/marine blue		-90			TS1	marine blue		-90	
		XK4 linen/linen		-90			ARL	cobalt blue		91	
		XN2 burgundy/burgundy		-90			APL	classic grey		91	
		AQV cobalt blue/cobalt blue		91							
		AQP classic grey/classic grey		91							
3A	944 522 073 01	seat cushion leatherette/ seat surface porsche lettering cloth		2							
		PX2 black/black									
		TR9 marine blue/blue		-90							
		XK3 linen/linen		-90							
		PX6 burgundy/burgundy		-90							
		ARM cobalt blue/cobalt blue		91							
		APM classic grey/classic grey		91							
3B	944 522 073 02	seat cushion leatherette		2							
		JN3 black									
		TS2 marine blue		-90							
		TW2 linen		-90							
		NZ8 burgundy		-90							

Model	Year	MG	SG	Illustration	Restrictions	UPD	18:14	27.01.2010	PORSCHE	PET	PORSCHE
STZ	1998	8	04	804-50		248					

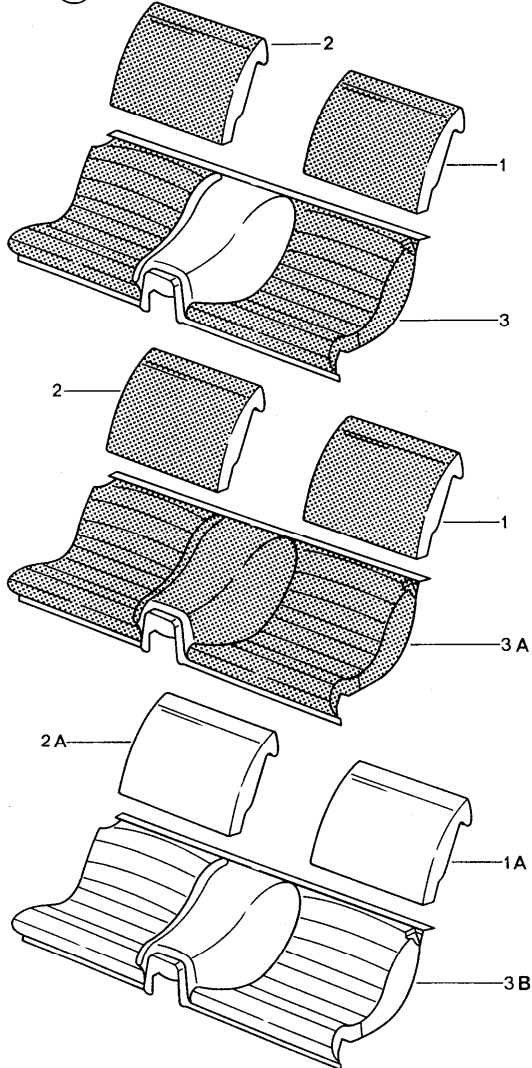
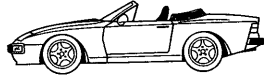


Pos	Part Number	Description	Remark	Qty	Model
		back seat divided single parts	89-91		944/S2 TURBO COUPE
1	944 522 317 00	push button		2	
	01C	satin black			
2	944 522 319 00	guide piece		2	
3	944 522 315 00	rosette		2	
	01C	satin black			
(4)	944 522 831 01	carpet for back seat backrest	/L	1	
	1DR	black			
	4KF	marine blue	-90		
	8WC	linen	-90		
	4JR	burgundy	-90		
	G47	cobalt blue	91		
	D06	classic grey	91		
(4)	944 522 832 01	carpet for back seat backrest	/R	1	
	1DR	black			
	4KF	marine blue	-90		
	8WC	linen	-90		
	4JR	burgundy	-90		
	G47	cobalt blue	91		
	D06	classic grey	91		
5	477 885 761	retaining bar		2	
6	N 014 096 3	tapping screw B 4,2 X 22		4	
7	477 885 041 B	back seat extension leatherette	/L (J)	1	
	43S	black			
	1KX	marine blue	-90		

Model	Year	MG	SG	Illustration	Restrictions	UPD	18:14	27.01.2010	PORSCHE	PET	PORSCHE
STZ	1998	8	04	804-50		248					

Pos	Part Number	Description	Remark	Qty	Model	Pos	Part Number	Description	Remark	Qty	Model
	4WX	linen	-90			8	N 043 940 3	tapping screw 4,2 X 25	(J)	6	
	3MK	burgundy	-90			9	900 151 028 02	washer 4,3	(J)	6	
	5ZF	cobalt blue	91			10	944 522 267 00	retaining pivot		2	
	5WH	classic grey	91			11	N 011 111 2	nut BM 12 X 1,5		4	
(7)	477 885 042 B	back seat extension leatherette	/R (J)	1		12	944 522 053 00	lining	/L	1	
	43S	black					01C	satin black			
	1KX	marine blue	-90			(12)	944 522 054 00	lining	/R	1	
	4WX	linen	-90				01C	satin black			
	3MK	burgundy	-90			13	N 011 675 2	washer B 15		2	
	5ZF	cobalt blue	91			14	944 522 245 00	bearing shell lower		2	
	5WH	classic grey	91			15	944 522 243 00	bearing shell upper		2	
7	944 522 041 50	back seat extension whole-leather	/L (J)	1		16	944 522 517 00	cover		2	
	KZ2	black F >>94MN4 50000 F >>95MN1 40000					01C	satin black			
	TW1	linen	-90			-	944 522 281 00	lock	/L	1	
	LG7	burgundy	-90			-	944 522 282 00	lock	/R	1	
	TS1	marine blue	-90								
	ARL	cobalt blue	91								
	APL	classic grey	91								
(7)	944 522 042 50	back seat extension whole-leather	/R (J)	1							
	KZ2	black F >>94MN4 50000 F >>95MN1 40000									
	TW1	linen	-90								
	LG7	burgundy	-90								
	TS1	marine blue	-90								
	ARL	cobalt blue	91								
	APL	classic grey	91								

Model	Year	MG	SG	Illustration	Restrictions	UPD	18:14	27.01.2010	PORSCHE	PET	PORSCHE
STZ	1998	8	04	804-52		248					



Pos	Part Number	Description	Remark	Qty	Model
		back seat complete	89-91		944 S2 TURBO CABRIO
1	941 522 045 11	backrest leatherette/ backrest surface pin stripe velour carpet	/L	1	
	JN1	black/ black-white black	-90		
	XJ8	blue/ blue-white marine blue	-90		
	XH1	linen/ linen white linen	-90		
	LT2	burgundy/ burgundy-white burgundy	-90		
2	941 522 046 11	backrest leatherette/ backrest surface pin stripe velour carpet	/R	1	
	JN1	black/ black-white black	-90		
	XJ8	blue/ blue-white marine blue	-90		
	XH1	linen/ linen white linen	-90		
	LT2	burgundy/ burgundy-white burgundy	-90		
1	941 522 045 11	backrest leatherette/ backrest surface multicolour carpet	/L	1	
	XJ1	black/black black			

Model	Year	MG	SG	Illustration	Restrictions	UPD	18:14	27.01.2010	PORSCHE	PET	PORSCHE
STZ	1998	8	04	804-52		248					

Pos	Part Number	Description	Remark	Qty	Model	Pos	Part Number	Description	Remark	Qty	Model
	XJ4	marine blue/marine blue marine blue	-90				ARA	cobalt blue/cobalt blue cobalt blue	91		
	XH5	linen/linen linen	-90				APA	classic grey/classic grey classic grey	91		
	XJ6	burgundy/burgundy burgundy	-90			2	941 522 046 11	backrest leatherette/ backrest surface porsche lettering cloth carpet	/R	1	
	ARC	cobalt blue/cobalt blue cobalt blue	91				PX1	black/black black			
	APC	classic grey/classic grey classic grey	91				XJ9	marine blue/blue marine blue	-90		
2	941 522 046 11	backrest leatherette/ backrest surface multicolour carpet	/R	1			PX5	burgundy/burgundy brown-brown	-90		
	XJ1	black/black black					XH3	linen/linen linen	-90		
	XJ4	marine blue/marine blue marine blue	-90				ARA	cobalt blue/cobalt blue cobalt blue	91		
	XH5	linen/linen linen	-90				APA	classic grey/classic grey classic grey	91		
	XJ6	burgundy/burgundy burgundy	-90			1A	941 522 045 10	backrest leatherette/ carpet	/L	1	
	ARC	cobalt blue/cobalt blue cobalt blue	91				JN3	black/black			
	APC	classic grey/classic grey classic grey	91				TS2	marine blue/marine blue	-90		
1	941 522 045 11	backrest leatherette/ backrest surface porsche lettering cloth carpet	/L	1			TW2	linen/linen	-90		
	PX1	black/black black					NZ8	burgundy/burgundy	-90		
	XJ9	marine blue/blue marine blue	-90				ARK	cobalt blue/cobalt blue	91		
	PX5	burgundy/burgundy brown-brown	-90				APK	classic grey/classic grey	91		
	XH3	linen/linen linen	-90			2A	941 522 046 10	backrest leatherette/ carpet	/R	1	
							JN3	black/black			
							TS2	marine blue/marine blue	-90		
							TW2	linen/linen	-90		
							NZ8	burgundy/burgundy	-90		

Model	Year	MG	SG	Illustration	Restrictions	UPD	18:14	27.01.2010	PORSCHE	PET	PORSCHE
STZ	1998	8	04	804-52		248					

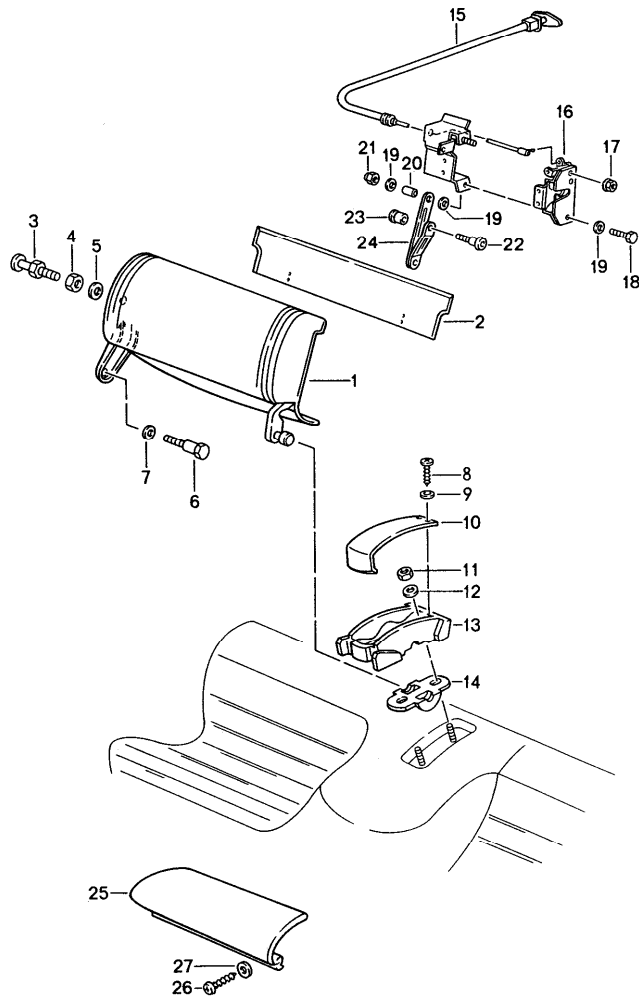
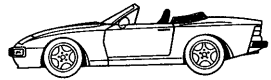
Pos	Part Number	Description	Remark	Qty	Model	Pos	Part Number	Description	Remark	Qty	Model
	ARK	cobalt blue/cobalt blue		91			XJ1	black/black			
	APK	classic grey/classic grey		91			XJ4	marine blue/marine blue	-90		
(1A)	941 522 045 12	backrest leather/ carpet	/L	1			XJ6	burgundy/burgundy	-90		
	KZ2	black/black					XH5	linen/linen	-90		
	TW1	linen/linen		-90			ARC	cobalt blue/cobalt blue	91		
	LG7	burgundy/burgundy		-90		3	944 522 073 00	seat cushion leatherette/ centre part porsche lettering cloth		1	
	TS1	marine blue/marine blue		-90			APC	classic grey/classic grey	91		
	ARL	cobalt blue/cobalt blue		91			PX1	black/black			
	APL	classic grey/classic grey		91			XJ9	marine blue/blue	-90		
(2A)	941 522 046 12	backrest leather/ carpet	/R	1			XH3	linen/linen	-90		
	KZ2	black/black					PX5	burgundy/burgundy	-90		
	TW1	linen/linen		-90			ARA	cobalt blue/cobalt blue	91		
	LG7	burgundy/burgundy		-90			APA	classic grey/classic grey	91		
	TS1	marine blue/marine blue		-90		3A	944 522 073 01	seat cushion leatherette/ seat surface pin stripe velour		1	
	ARL	cobalt blue/cobalt blue		91			NY5	black/ black-white	-90		
	APL	classic grey/classic grey		91			TR7	blue/ blue-white	-90		
3	944 522 073 00	seat cushion leatherette/ centre part in cloth pin stripe velour		1			NY8	burgundy/ burgundy-white	-90		
	JN1	black/ black-white		-90			XK2	linen/ linen white	-90		
	XJ8	blue/ blue-white		-90		3A	944 522 073 01	seat cushion leatherette/ seat surface multicolour		1	
	XH1	linen/ linen white		-90			XK8	black/black			
	LT2	burgundy/ burgundy-white		-90			XN1	marine blue/marine blue	-90		
3	944 522 073 00	seat cushion leatherette/ centre part in cloth multicolour		1			XN2	burgundy/burgundy	-90		



Model	Year	MG	SG	Illustration	Restrictions	UPD	18:14	27.01.2010	PORSCHE	PET	PORSCHE
STZ	1998	8	04	804-52		248					

Pos	Part Number	Description	Remark	Qty	Model	Pos	Part Number	Description	Remark	Qty	Model
		XK4 linen/linen		-90							
		AQV cobalt blue/cobalt blue		91							
		AQP classic grey/classic grey		91							
3A	944 522 073 01	seat cushion leatherette/ seat surface porsche lettering cloth		1							
		PX2 black/black									
		TR9 marine blue/blue		-90							
		XK3 linen/linen		-90							
		PX6 burgundy/burgundy		-90							
		ARM cobalt blue/cobalt blue		91							
		APM classic grey/classic grey		91							
3B	944 522 073 02	seat cushion leatherette		1							
		JN3 black									
		TS2 marine blue		-90							
		TW2 linen		-90							
		NZ8 burgundy		-90							
		ARK cobalt blue		91							
		APK classic grey		91							
3B	944 522 073 51	seat cushion whole-leather		1							
		KZ2 black									
		TW1 linen		-90							
		LG7 burgundy		-90							
		TS1 marine blue		-90							
		ARL cobalt blue		91							
		APL classic grey		91							

Model	Year	MG	SG	Illustration	Restrictions	UPD	18:14	27.01.2010	PORSCHE	PET	PORSCHE
STZ	1998	8	04	804-54		248					



Pos	Part Number	Description	Remark	Qty	Model
		back seat single parts	89-91		944 S2 TURBO CABRIO
1	- - -	see group 8/04/52		1	
2	941 522 225 10	carpet for back seat backrest	/L	1	
	1DR	black			
	4KF	marine blue	-90		
	4JR	burgundy	-90		
	8WC	linen	-90		
	G47	cobalt blue	91		
	D06	classic grey	91		
(2)	941 522 226 10	carpet for back seat backrest	/R	1	
	1DR	black			
	4KF	marine blue	-90		
	4JR	burgundy	-90		
	8WC	linen	-90		
	G47	cobalt blue	91		
	D06	classic grey	91		
3	941 522 267 10	retaining pivot		2	
4	N 011 111 2	nut M 12 X 1,5		2	
5	N 011 675 2	washer B 15		2	
6	477 885 767	hexagon-head bolt M 6		2	
7	900 025 007 02	washer A 8,4		2	
8	N 013 954 7	tapping screw 2,9 X 13		2	

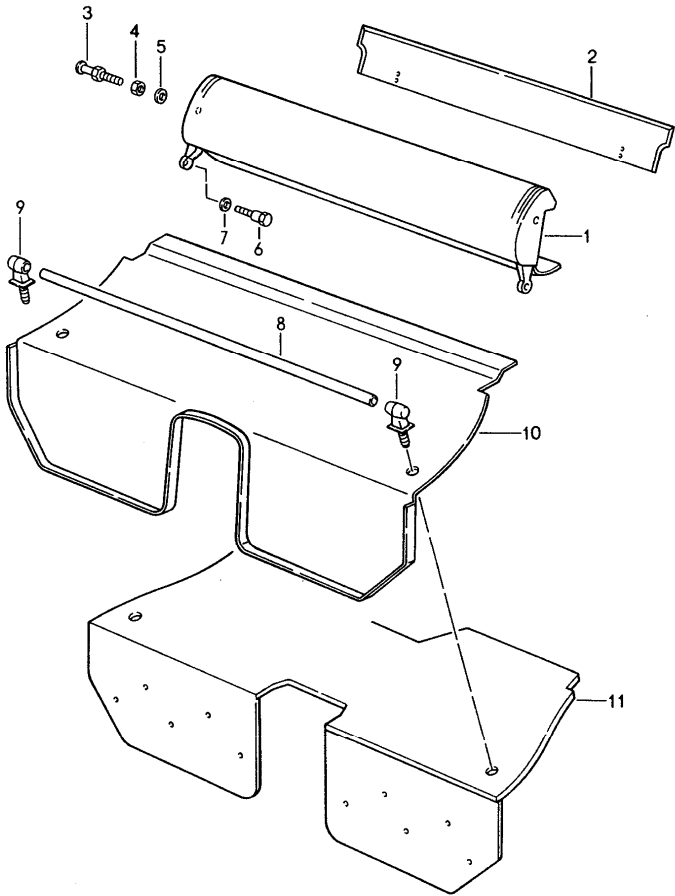
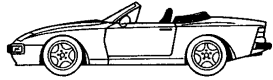
Model	Year	MG	SG	Illustration	Restrictions	UPD	18:14	27.01.2010	PORSCHE	PET	PORSCHE
STZ	1998	8	04	804-54		248					

Pos	Part Number	Description	Remark	Qty	Model	Pos	Part Number	Description	Remark	Qty	Model
9	900 031 101 07	washer 3,2		2			4WX	linen		-90	
10	944 522 517 00	cover		2			5ZF	cobalt blue		91	
	01C	satin black					5WH	classic grey		91	
11	900 910 096 02	lock nut M 6		2		(25)	477 885 042 B	back seat extension leatherette	/R (J)	1	
12	900 151 006 09	washer 6,4		2			43S	black			
13	944 522 243 00	bearing shell upper		1			1KX	marine blue		-90	
14	944 522 245 00	bearing shell lower		1			3MK	burgundy		-90	
15	941 522 237 10	bowden cable		2			4WX	linen		-90	
16	944 522 281 00	lock	/L	1		25	944 522 041 50	back seat extension whole-leather	/L (J)	1	
(16)	944 522 282 00	lock	/R	1			5ZF	cobalt blue		91	
17	900 076 010 02	hexagon nut M 6		2			5WH	classic grey		91	
18	900 075 017 02	hexagon-head bolt M 6 X 25		2			KZ2	black F >>94MN4 50000 F >>95MN1 40000			
19	900 031 011 02	washer 6,4		2			TW1	linen		-90	
20	941 522 335 10	sleeve		2			LG7	burgundy		-90	
21	900 084 008 01	nut M4		2			TS1	marine blue		-90	
22	941 504 847 10	screw M4 micro-self-locking		2		(25)	ARL	cobalt blue		91	
23	941 504 720 10	bush		2			APL	classic grey		91	
24	941 522 131 10	lever		1			(25)	944 522 042 50	back seat extension whole-leather	/R (J)	1
(24)	941 522 132 10	lever		1			KZ2	black F >>94MN4 50000 F >>95MN1 40000			
25	477 885 041 B	back seat extension leatherette	/L (J)	1			TW1	linen		-90	
	43S	black					LG7	burgundy		-90	
	1KX	marine blue	-90				TS1	marine blue		-90	
	3MK	burgundy	-90			26	N 043 940 3	tapping screw 4,2 X 25	(J)	6	

Model	Year	MG	SG	Illustration	Restrictions	UPD	18:14	27.01.2010	PORSCHE	PET	PORSCHE
STZ	1998	8	04	804-54		248					

Pos	Part Number	Description	Remark	Qty	Model	Pos	Part Number	Description	Remark	Qty	Model
27	900 151 028 02	washer A 4,3	(J)	6							

Model	Year	MG	SG	Illustration	Restrictions	UPD	18:14	27.01.2010	PORSCHE	PET	PORSCHE
STZ	1998	8	04	804-56		248					

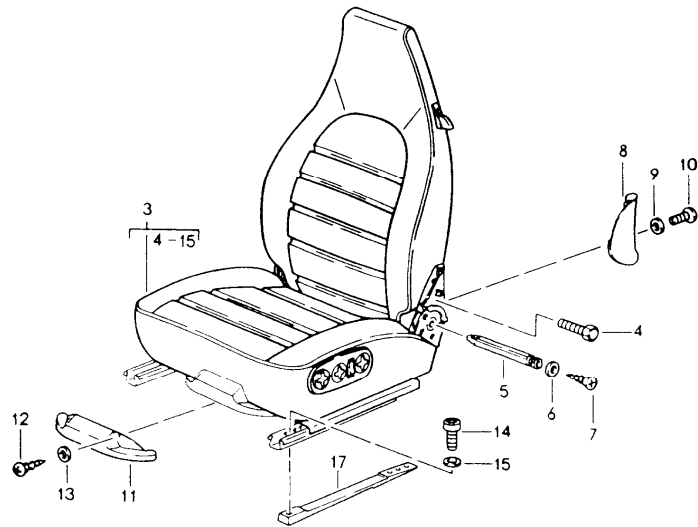
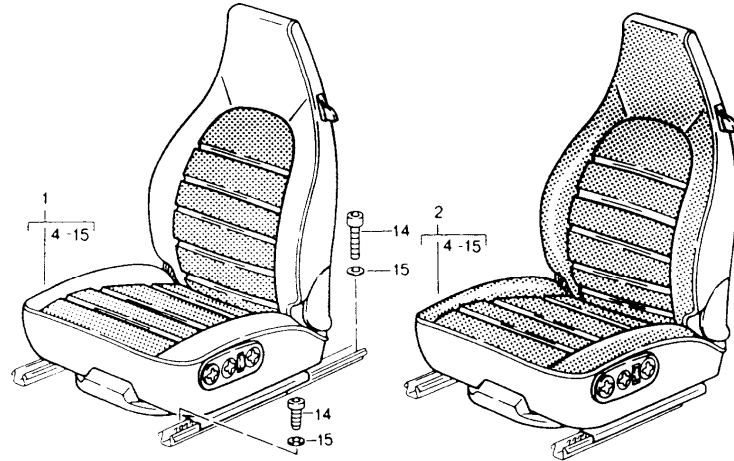
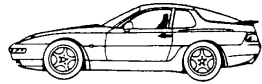


Pos	Part Number	Description	Remark	Qty	Model
		rear luggage dump complete	(AUS) 89-91 (AUS) (AUS)		944 S2 TURBO CABRIO
1	941 522 045 13	backrest leatherette		1	
	JN3	black			
	TS2	marine blue	-90		
	NZ8	burgundy	-90		
	TW2	linen	-90		
	ARK	cobalt blue/cobalt blue	91		
	APK	classic grey/classic grey	91		
2	941 522 225 11	carpet for backrest		1	
	1DR	black			
	4KF	marine blue	-90		
	4JR	burgundy	-90		
	8WC	linen	-90		
	G47	cobalt blue	91		
	D06	classic grey	91		
3	941 522 267 10	retaining pivot		1	
4	N 011 111 2	nut M 12		1	
5	N 011 675 2	washer B15		2	
6	477 885 767	hexagon-head bolt M6		2	
7	900 025 007 02	washer 8,4		2	
8	941 555 121 10	linkage		1	
9	941 555 123 10	end piece		2	
10	941 555 327 10	carpet seat well		1	
	1DR	black			

Model	Year	MG	SG	Illustration	Restrictions	UPD	18:14	27.01.2010	PORSCHE	PET	PORSCHE
STZ	1998	8	04	804-56		248					

Pos	Part Number	Description	Remark	Qty	Model	Pos	Part Number	Description	Remark	Qty	Model
	4KF	marine blue	-90								
	4JR	burgundy	-90								
	8WC	linen	-90								
	G47	cobalt blue	91								
	D06	classic grey	91								
11	941 522 113 10	cover seat well		1							

Model	Year	MG	SG	Illustration	Restrictions	UPD	18:14	27.01.2010	PORSCHE	PET	PORSCHE
STZ	1998	8	04	804-60		248					



Pos	Part Number	Description	Remark	Qty	Model
		front seat complete all-electric	92-93		968
		standard seat complete not available			
1	964 521 003 46	comfort seat without heating leatherette/ centre part in cloth multicolour	/L	1	M437
		XJ1 black/black			
		XJ4 marine blue/marine blue			
		ARC cobalt blue/cobalt blue			
		APC classic grey/classic grey			
		ASC magenta/magenta			
		AQC light grey/light grey			
		AQW cashmere beige/cash. beige			
(1)	964 521 004 46	comfort seat without heating leatherette/ centre part in cloth multicolour	/R	1	M438
		XJ1 black/black			
		XJ4 marine blue/marine blue			
		ARC cobalt blue/cobalt blue			
		APC classic grey/classic grey			
		ASC magenta/magenta			
		AQC light grey/light grey			
		AQW cashmere beige/cash. beige			
1	964 521 003 47	comfort seat with heating leatherette/ centre part in cloth multicolour	/L	1	M437
		XJ1 black/black			
		XJ4 marine blue/marine blue			

Model	Year	MG	SG	Illustration	Restrictions	UPD	18:14	27.01.2010	PORSCHE	PET	PORSCHE
STZ	1998	8	04	804-60		248					

Pos	Part Number	Description	Remark	Qty	Model	Pos	Part Number	Description	Remark	Qty	Model
	ARC	cobalt blue/cobalt blue					XJ1	black/black			
	APC	classic grey/classic grey					XJ4	marine blue/marine blue			
	ASC	magenta/magenta					ARC	cobalt blue/cobalt blue			
	AQC	light grey/light grey					APC	classic grey/classic grey			
	AQW	cashmere beige/cash. beige					ASC	magenta/magenta			
(1)	964 521 004 47	comfort seat with heating leatherette/centre part in cloth multicolour	/R	1	M438		AQC	light grey/light grey			
	XJ1	black/black					AQW	cashmere beige/cash. beige			
	XJ4	marine blue/marine blue				1	964 521 003 49	comfort seat with heating and lumbar support leatherette/centre part in cloth multicolour	/L	1	M437
	ARC	cobalt blue/cobalt blue					XJ1	black/black			
	APC	classic grey/classic grey					XJ4	marine blue/marine blue			
	ASC	magenta/magenta					ARC	cobalt blue/cobalt blue			
	AQC	light grey/light grey					APC	classic grey/classic grey			
	AQW	cashmere beige/cash. beige					ASC	magenta/magenta			
1	964 521 003 48	comfort seat with lumbar support leatherette/centre part in cloth multicolour	/L	1	M437		AQC	light grey/light grey			
	XJ1	black/black				(1)	964 521 004 49	comfort seat with heating and lumbar support leatherette/centre part in cloth multicolour	/R	1	M438
	XJ4	marine blue/marine blue					XJ1	black/black			
	ARC	cobalt blue/cobalt blue					XJ4	marine blue/marine blue			
	APC	classic grey/classic grey					ARC	cobalt blue/cobalt blue			
	ASC	magenta/magenta					APC	classic grey/classic grey			
	AQC	light grey/light grey					ASC	magenta/magenta			
	AQW	cashmere beige/cash. beige					AQC	light grey/light grey			
(1)	964 521 004 48	comfort seat with lumbar support leatherette/centre part in cloth multicolour	/R	1	M438		AQW	cashmere beige/cash. beige			



Model	Year	MG	SG	Illustration	Restrictions	UPD	18:14	27.01.2010	PORSCHE	PET	PORSCHE
STZ	1998	8	04	804-60		248					

Pos	Part Number	Description	Remark	Qty	Model	Pos	Part Number	Description	Remark	Qty	Model
1	964 521 003 46	comfort seat without heating leatherette/ centre part porsche lettering cloth	/L	1	M437		AQZ	cashmere beige/cash. beige			
	PX1	black/black				(1)	964 521 004 47	comfort seat with heating leatherette/ centre part porsche lettering cloth	/R	1	M438
	XJ9	marine blue/blue					PX1	black/black			
	ARA	cobalt blue/cobalt blue					XJ9	marine blue/blue			
	APA	classic grey/classic grey					ARA	cobalt blue/cobalt blue			
	ASA	magenta/magenta					APA	classic grey/classic grey			
	AQA	light grey/light grey					ASA	magenta/magenta			
	AQZ	cashmere beige/cash. beige					AQA	light grey/light grey			
(1)	964 521 004 46	comfort seat without heating leatherette/ centre part porsche lettering cloth	/R	1	M438		AQZ	cashmere beige/cash. beige			
	PX1	black/black				1	964 521 003 48	comfort seat with lumbar support leatherette/ centre part porsche lettering cloth	/L	1	M437
	XJ9	marine blue/blue					PX1	black/black			
	ARA	cobalt blue/cobalt blue					XJ9	marine blue/blue			
	APA	classic grey/classic grey					ARA	cobalt blue/cobalt blue			
	ASA	magenta/magenta					APA	classic grey/classic grey			
	AQA	light grey/light grey					ASA	magenta/magenta			
	AQZ	cashmere beige/cash. beige					AQA	light grey/light grey			
1	964 521 003 47	comfort seat with heating leatherette/ centre part porsche lettering cloth	/L	1	M437		AQZ	cashmere beige/cash. beige			
	PX1	black/black				(1)	964 521 004 48	comfort seat with lumbar support leatherette/ centre part porsche lettering cloth	/R	1	M438
	XJ9	marine blue/blue					PX1	black/black			
	ARA	cobalt blue/cobalt blue					XJ9	marine blue/blue			
	APA	classic grey/classic grey					ARA	cobalt blue/cobalt blue			
	ASA	magenta/magenta					APA	classic grey/classic grey			
	AQA	light grey/light grey									



Model	Year	MG	SG	Illustration	Restrictions	UPD	18:14	27.01.2010	PORSCHE	PET	PORSCHE
STZ	1998	8	04	804-60		248					

Pos	Part Number	Description	Remark	Qty	Model	Pos	Part Number	Description	Remark	Qty	Model
	XK8	black/black				2	964 521 003 37	comfort seat with heating and lumbar support leatherette/ seat and backrest surface multicolour	/L	1	M437
	XN1	marine blue/marine blue									
	AQV	cobalt blue/cobalt blue									
	AQP	classic grey/classic grey									
	ASN	magenta/magenta					XK8	black/black			
	AQN	light grey/light grey					XN1	marine blue/marine blue			
	XK7	cashmere beige/cash. beige					AQV	cobalt blue/cobalt blue			
2	964 521 003 31	comfort seat with lumbar support leatherette/ seat and backrest surface multicolour	/L	1	M437		AQP	classic grey/classic grey			
	XK8	black/black					ASN	magenta/magenta			
	XN1	marine blue/marine blue					AQN	light grey/light grey			
	AQV	cobalt blue/cobalt blue					XK7	cashmere beige/cash. beige			
	AQP	classic grey/classic grey				(2)	964 521 004 37	comfort seat with heating and lumbar support leatherette/ seat and backrest surface multicolour	/R	1	M438
	ASN	magenta/magenta									
	AQN	light grey/light grey					XK8	black/black			
	XK7	cashmere beige/cash. beige					XN1	marine blue/marine blue			
(2)	964 521 004 31	comfort seat with lumbar support leatherette/ seat and backrest surface multicolour	/R	1	M438		AQV	cobalt blue/cobalt blue			
	XK8	black/black					AQP	classic grey/classic grey			
	XN1	marine blue/marine blue					ASN	magenta/magenta			
	AQV	cobalt blue/cobalt blue					AQN	light grey/light grey			
	AQP	classic grey/classic grey					XK7	cashmere beige/cash. beige			
	ASN	magenta/magenta				2	964 521 003 19	comfort seat without heating leatherette/ seat and backrest surface porsche lettering cloth	/L	1	M437
	AQN	light grey/light grey									
	XK7	cashmere beige/cash. beige					PX2	black/black			
							TR9	marine blue/blue			
							ARM	cobalt blue/cobalt blue			
							APM	classic grey/classic grey			

Model	Year	MG	SG	Illustration	Restrictions	UPD	18:14	27.01.2010	PORSCHE	PET	PORSCHE
STZ	1998	8	04	804-60		248					

Pos	Part Number	Description	Remark	Qty	Model	Pos	Part Number	Description	Remark	Qty	Model
		ASM magenta/magenta					APM classic grey/classic grey				
		AQM light grey/light grey					ASM magenta/magenta				
		XK6 cashmere beige/cash. beige					AQM light grey/light grey				
(2)	964 521 004 19	comfort seat without heating leatherette/ seat and backrest surface porsche lettering cloth	/R	1	M438	2	964 521 003 31	comfort seat with lumbar support leatherette/ seat and backrest surface porsche lettering cloth	/L	1	M437
		PX2 black/black					PX2 black/black				
		TR9 marine blue/blue					TR9 marine blue/blue				
		ARM cobalt blue/cobalt blue					ARM cobalt blue/cobalt blue				
		APM classic grey/classic grey					APM classic grey/classic grey				
		ASM magenta/magenta					ASM magenta/magenta				
		AQM light grey/light grey					APM classic grey/classic grey				
		XK6 cashmere beige/cash. beige					ASM magenta/magenta				
2	964 521 003 25	comfort seat with heating leatherette/ seat and backrest surface porsche lettering cloth	/L	1	M437		AQM light grey/light grey				
		PX2 black/black				(2)	964 521 004 31	comfort seat with lumbar support leatherette/ seat and backrest surface porsche lettering cloth	/R	1	M438
		TR9 marine blue/blue					PX2 black/black				
		ARM cobalt blue/cobalt blue					TR9 marine blue/blue				
		APM classic grey/classic grey					ARM cobalt blue/cobalt blue				
		ASM magenta/magenta					APM classic grey/classic grey				
		AQM light grey/light grey					ASM magenta/magenta				
		XK6 cashmere beige/cash. beige					APM classic grey/classic grey				
(2)	964 521 004 25	comfort seat with heating leatherette/ seat and backrest surface porsche lettering cloth	/R	1	M438		ASM magenta/magenta				
		PX2 black/black				2	964 521 003 37	comfort seat with heating and lumbar support leatherette/ seat and backrest surface porsche lettering cloth	/L	1	M437
		TR9 marine blue/blue					AQM light grey/light grey				
		ARM cobalt blue/cobalt blue					XK6 cashmere beige/cash. beige				

Model	Year	MG	SG	Illustration	Restrictions	UPD	18:14	27.01.2010	PORSCHE	PET	PORSCHE
STZ	1998	8	04	804-60		248					

Pos	Part Number	Description	Remark	Qty	Model	Pos	Part Number	Description	Remark	Qty	Model
	PX2	black/black				(3)	964 521 004 21	comfort seat without heating leatherette/ seat and backrest surface leather	/R	1	M438
	TR9	marine blue/blue									
	ARM	cobalt blue/cobalt blue									
	APM	classic grey/classic grey					JN3	black/black			
	ASM	magenta/magenta					BQA	marine blue/marine blue			
	AQM	light grey/light grey					ARK	cobalt blue/cobalt blue			
	XK6	cashmere beige/cash. beige					APK	classic grey/classic grey			
(2)	964 521 004 37	comfort seat with heating and lumbar support leatherette/ seat and backrest surface porsche lettering cloth	/R	1	M438		ASK	magenta/magenta			
							AQK	light grey/light grey			
							ATX	cashmere beige/cash. beige			
	PX2	black/black				3	964 521 003 27	comfort seat with heating leatherette/ seat and backrest surface leather	/L	1	M437
	TR9	marine blue/blue									
	ARM	cobalt blue/cobalt blue					JN3	black/black			
	APM	classic grey/classic grey					BQA	marine blue/marine blue			
	ASM	magenta/magenta					ARK	cobalt blue/cobalt blue			
	AQM	light grey/light grey					APK	classic grey/classic grey			
	XK6	cashmere beige/cash. beige					ASK	magenta/magenta			
3	964 521 003 21	comfort seat without heating leatherette/ seat and backrest surface leather	/L	1	M437		AQK	light grey/light grey			
							ATX	cashmere beige/cash. beige			
	JN3	black/black				(3)	964 521 004 27	comfort seat with heating leatherette/ seat and backrest surface leather	/R	1	M438
	BQA	marine blue/marine blue									
	ARK	cobalt blue/cobalt blue					JN3	black/black			
	APK	classic grey/classic grey					BQA	marine blue/marine blue			
	ASK	magenta/magenta					ARK	cobalt blue/cobalt blue			
	AQK	light grey/light grey					APK	classic grey/classic grey			
	ATX	cashmere beige/cash. beige					ASK	magenta/magenta			
							AQK	light grey/light grey			

Model	Year	MG	SG	Illustration	Restrictions	UPD	18:14	27.01.2010	PORSCHE	PET	PORSCHE
STZ	1998	8	04	804-60		248					

Pos	Part Number	Description	Remark	Qty	Model	Pos	Part Number	Description	Remark	Qty	Model
	ATX	cashmere beige/cash. beige					APK	classic grey/classic grey			
3	964 521 003 33	comfort seat with lumbar support leatherette/seat and backrest surface leather	/L	1	M437		ASK	magenta/magenta			
	JN3	black/black				(3)	964 521 004 39	comfort seat with heating and lumbar support leatherette/seat and backrest surface leather	/R	1	M438
	BQA	marine blue/marine blue					JN3	black/black			
	ARK	cobalt blue/cobalt blue					BQA	marine blue/marine blue			
	APK	classic grey/classic grey					ARK	cobalt blue/cobalt blue			
	ASK	magenta/magenta					APK	classic grey/classic grey			
	AQK	light grey/light grey					ASK	magenta/magenta			
(3)	964 521 004 33	comfort seat with lumbar support leatherette/seat and backrest surface leather	/R	1	M438		AQK	light grey/light grey			
	ATX	cashmere beige/cash. beige					ATX	cashmere beige/cash. beige			
	JN3	black/black				3	964 521 003 23	comfort seat without heating leather	/L	1	M437
	BQA	marine blue/marine blue					KZ2	black			
	ARK	cobalt blue/cobalt blue					BQB	marine blue			
	APK	classic grey/classic grey					ARL	cobalt blue			
	ASK	magenta/magenta					APL	classic grey			
	AQK	light grey/light grey					ASL	magenta			
	ATX	cashmere beige/cash. beige					AQL	light grey			
3	964 521 003 39	comfort seat with heating and lumbar support leatherette/seat and backrest surface leather	/L	1	M437		ATY	cashmere beige			
	JN3	black/black					AVF	matador red			
	BQA	marine blue/marine blue					AVG	carrara grey			
	ARK	cobalt blue/cobalt blue				(3)	964 521 004 23	comfort seat without heating leather	/R	1	M438
							AVH	sherwood green			

Model	Year	MG	SG	Illustration	Restrictions	UPD	18:14	27.01.2010	PORSCHE	PET	PORSCHE
STZ	1998	8	04	804-60		248					

Pos	Part Number	Description	Remark	Qty	Model	Pos	Part Number	Description	Remark	Qty	Model
	KZ2	black					AQL	light grey			
	BQB	marine blue					ATY	cashmere beige			
	ARL	cobalt blue					AVF	matador red			
	APL	classic grey					AVG	carrara grey			
	ASL	magenta					AVH	sherwood green			
	AQL	light grey				3	964 521 003 35	comfort seat with lumbar support leather	/L	1	M437
	ATY	cashmere beige					KZ2	black			
	AVF	matador red					BQB	marine blue			
	AVG	carrara grey					ARL	cobalt blue			
	AVH	sherwood green					APL	classic grey			
3	964 521 003 29	comfort seat with heating leather	/L	1	M437		ASL	magenta			
	KZ2	black					AQL	light grey			
	BQB	marine blue					ATY	cashmere beige			
	ARL	cobalt blue					AVF	matador red			
	APL	classic grey					AVG	carrara grey			
	ASL	magenta					AVH	sherwood green			
	AQL	light grey				(3)	964 521 004 35	comfort seat with lumbar support leather	/R	1	M438
	ATY	cashmere beige					KZ2	black			
	AVF	matador red					BQB	marine blue			
	AVG	carrara grey					ARL	cobalt blue			
	AVH	sherwood green					APL	classic grey			
(3)	964 521 004 29	comfort seat with heating leather	/R	1	M438		ASL	magenta			
	KZ2	black					AQL	light grey			
	BQB	marine blue					ATY	cashmere beige			
	ARL	cobalt blue					AVF	matador red			
	APL	classic grey					AVG	carrara grey			
	ASL	magenta									

Model	Year	MG	SG	Illustration	Restrictions	UPD	18:14	27.01.2010	PORSCHE	PET	PORSCHE
STZ	1998	8	04	804-60		248					

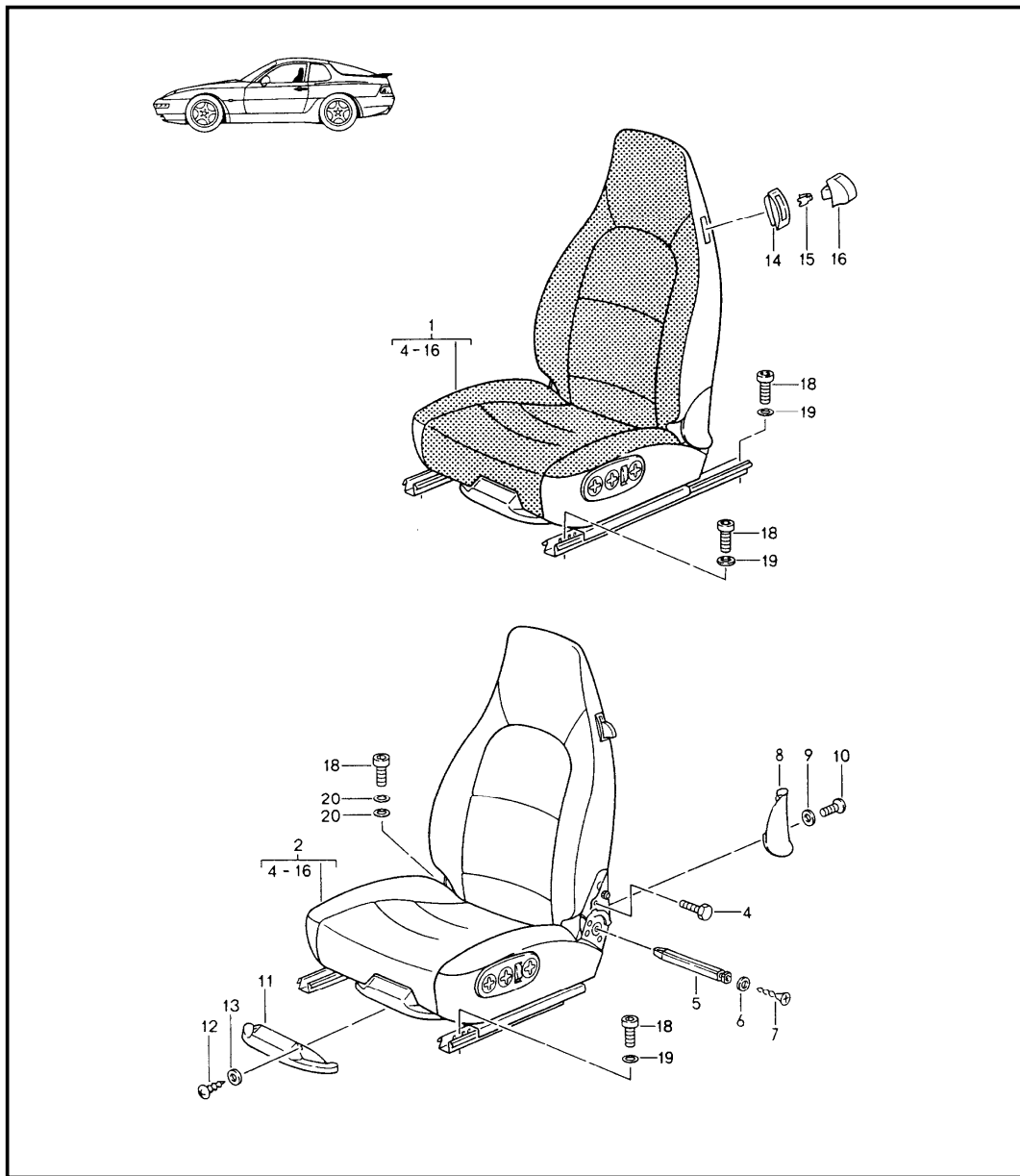
Pos	Part Number	Description	Remark	Qty	Model	Pos	Part Number	Description	Remark	Qty	Model
		AVH sherwood green				5	928 521 717 02	square rod for backrest adjustment		4	
3	964 521 003 41	comfort seat with heating and lumbar support leather	/L	1	M437	6	928 521 716 02	lock washer for backrest adjustment		4	
	KZ2	black				7	900 249 004 02	countersunk-head screw M 4 X 8 for backrest adjustment		4	
	BQB	marine blue				8	928 521 147 02	cover		2	
	ARL	cobalt blue					01C	black			
	APL	classic grey					9JJ	marine blue			
	ASL	magenta					6WX	magenta			
	AQL	light grey					9ZN	light grey			
	ATY	cashmere beige					6ZF	cobalt blue			
	AVF	matador red					4XC	classic grey			
	AVG	carrara grey					3UD	cashmere beige			
	AVH	sherwood green				(8)	928 521 148 02	cover		2	
(3)	964 521 004 41	comfort seat with heating and lumbar support leather	/R	1	M438		01C	black			
	KZ2	black					9JJ	marine blue			
	BQB	marine blue					6WX	magenta			
	ARL	cobalt blue					9ZN	light grey			
	APL	classic grey					6ZF	cobalt blue			
	ASL	magenta					4XC	classic grey			
	AQL	light grey					3UD	cashmere beige			
	ATY	cashmere beige				9	900 025 044 07	washer A 4,3		8	
	AVF	matador red				10	900 143 113 07	tapping screw B 4,2 X 13		8	
	AVG	carrara grey				11	928 521 760 04	engine cover comfort seat		2	
	AVH	sherwood green					01C	satin black			
4	911 521 547 00	hexagon-head bolt M 10 X 20		8		(11)	928 521 760 05	engine cover standard seat electrically adjustable		2	



Model	Year	MG	SG	Illustration	Restrictions	UPD	18:14	27.01.2010	PORSCHE	PET	PORSCHE
STZ	1998	8	04	804-60		248					

Pos	Part Number	Description	Remark	Qty	Model	Pos	Part Number	Description	Remark	Qty	Model
	01C	satin black									
12	900 143 113 07	tapping screw 4,2 X 13		4							
13	900 025 044 07	washer A 4,3		4							
-	N 100 472 01	speed nut ST 3,9		4							
14	900 119 030 02	pan-head screw M 8 X 20		12							
15	900 089 006 02	washer 8		12							
17	944 521 547 00	base wedge vertical seat adjustment		X							

Model	Year	MG	SG	Illustration	Restrictions	UPD	18:15	27.01.2010	PORSCHE	PET	PORSCHE
STZ	1998	8	04	804-61		248					



Pos	Part Number	Description	Remark	Qty	Model
		front seat complete all-electric	94-95		968
1	993 521 015 16	comfort seat without heating leatherette/ seat and backrest surface porsche lettering cloth  PX2 black/black APM classic grey/classic grey DBA midnight bl./midnight blue DCA chestnut brown/ chestnut brown DDA marble grey/marble grey XK6 cashmere beige/cash. beige	/L	1	M437
(1)	993 521 016 16	comfort seat without heating leatherette/ seat and backrest surface porsche lettering cloth  PX2 black/black APM classic grey/classic grey DBA midnight bl./midnight blue DCA chestnut brown/ chestnut brown DDA marble grey/marble grey XK6 cashmere beige/cash. beige	/R	1	M438
1	993 521 015 20	comfort seat with heating leatherette/ seat and backrest surface porsche lettering cloth  PX2 black/black APM classic grey/classic grey DBA midnight bl./midnight blue DCA chestnut brown/ chestnut brown	/L	1	M437

Model	Year	MG	SG	Illustration	Restrictions	UPD	18:15	27.01.2010	PORSCHE	PET	PORSCHE
STZ	1998	8	04	804-61		248					

Pos	Part Number	Description	Remark	Qty	Model	Pos	Part Number	Description	Remark	Qty	Model
	DDA	marble grey/marble grey					DCA	chestnut brown/ chestnut brown			
	XK6	cashmere beige/cash. beige					DDA	marble grey/marble grey			
(1)	993 521 016 20	comfort seat with heating leatherette/ seat and backrest surface porsche lettering cloth	/R	1	M438	1	993 521 015 28	comfort seat with heating and lumbar support leatherette/ seat and backrest surface porsche lettering cloth	/L	1	M437
	PX2	black/black					PX2	black/black			
	APM	classic grey/classic grey					APM	classic grey/classic grey			
	DBA	midnight bl./midnight blue					DBA	midnight bl./midnight blue			
	DCA	chestnut brown/ chestnut brown					DCA	chestnut brown/ chestnut brown			
1	993 521 015 24	comfort seat with lumbar support leatherette/ seat and backrest surface porsche lettering cloth	/L	1	M437		DDA	marble grey/marble grey			
	XK6	cashmere beige/cash. beige					XK6	cashmere beige/cash. beige			
	PX2	black/black				(1)	993 521 016 28	comfort seat with heating and lumbar support leatherette/ seat and backrest surface porsche lettering cloth	/R	1	M438
	APM	classic grey/classic grey					PX2	black/black			
	DBA	midnight bl./midnight blue					APM	classic grey/classic grey			
	DCA	chestnut brown/ chestnut brown					DBA	midnight bl./midnight blue			
	DDA	marble grey/marble grey					DCA	chestnut brown/ chestnut brown			
(1)	993 521 016 24	comfort seat with lumbar support leatherette/ seat and backrest surface porsche lettering cloth	/R	1	M438		DDA	marble grey/marble grey			
	XK6	cashmere beige/cash. beige					XK6	cashmere beige/cash. beige			
	PX2	black/black				2	993 521 015 17	comfort seat without heating leatherette/ seat and backrest surface leather	/L	1	M437
	APM	classic grey/classic grey					ATG	black/black			
	DBA	midnight bl./midnight blue									

Model	Year	MG	SG	Illustration	Restrictions	UPD	18:15	27.01.2010	PORSCHE	PET	PORSCHE
STZ	1998	8	04	804-61		248					

Pos	Part Number	Description	Remark	Qty	Model	Pos	Part Number	Description	Remark	Qty	Model
	APK	classic grey/classic grey					APK	classic grey/classic grey			
	DBC	midnight bl./midnight blue					DBC	midnight bl./midnight blue			
	DCC	chestnut brown/ chestnut brown					DCC	chestnut brown/ chestnut brown			
	DDC	marble grey/marble grey					DDC	marble grey/marble grey			
	ATX	cashmere beige/cash. beige					ATX	cashmere beige/cash. beige			
(2)	993 521 016 17	comfort seat without heating leatherette/ seat and backrest surface leather	/R	1	M438	2	993 521 015 25	comfort seat with lumbar support leatherette/ seat and backrest surface leather	/L	1	M437
	ATG	black/black					ATG	black/black			
	APK	classic grey/classic grey					APK	classic grey/classic grey			
	DBC	midnight bl./midnight blue					DBC	midnight bl./midnight blue			
	DCC	chestnut brown/ chestnut brown					DCC	chestnut brown/ chestnut brown			
	DDC	marble grey/marble grey					DDC	marble grey/marble grey			
	ATX	cashmere beige/cash. beige					ATX	cashmere beige/cash. beige			
2	993 521 015 21	comfort seat with heating leatherette/ seat and backrest surface leather	/L	1	M437	(2)	993 521 016 25	comfort seat with lumbar support leatherette/ seat and backrest surface leather	/R	1	M438
	ATG	black/black					ATG	black/black			
	APK	classic grey/classic grey					APK	classic grey/classic grey			
	DBC	midnight bl./midnight blue					DBC	midnight bl./midnight blue			
	DCC	chestnut brown/ chestnut brown					DCC	chestnut brown/ chestnut brown			
	DDC	marble grey/marble grey					DDC	marble grey/marble grey			
	ATX	cashmere beige/cash. beige					ATX	cashmere beige/cash. beige			
(2)	993 521 016 21	comfort seat with heating leatherette/ seat and backrest surface leather	/R	1	M438						
	ATG	black/black									

Model	Year	MG	SG	Illustration	Restrictions	UPD	18:15	27.01.2010	PORSCHE	PET	PORSCHE
STZ	1998	8	04	804-61		248					

Pos	Part Number	Description	Remark	Qty	Model	Pos	Part Number	Description	Remark	Qty	Model
2	993 521 015 29	comfort seat with heating and lumbar support leatherette/ seat and backrest surface leather	/L	1	M437		DEC	provence blue			
	ATG	black/black					DEE	cedar green			
	APK	classic grey/classic grey					DEF	flamenco red			
	DBC	midnight bl./midnight blue				(2)	993 521 016 18	comfort seat without heating whole-leather	/R	1	M438
	DCC	chestnut brown/ chestnut brown					ATH	black			
	DDC	marble grey/marble grey					APL	classic grey			
	ATX	cashmere beige/cash. beige					DBD	midnight blue			
(2)	993 521 016 29	comfort seat with heating and lumbar support leatherette/ seat and backrest surface leather	/R	1	M438		DCD	chestnut brown			
	ATG	black/black					DDD	marble grey			
	APK	classic grey/classic grey					ATY	cashmere beige			
	DBC	midnight bl./midnight blue					DEC	provence blue			
	DCC	chestnut brown/ chestnut brown					DEE	cedar green			
	DDC	marble grey/marble grey				2	993 521 015 22	comfort seat with heating whole-leather	/L	1	M437
	ATX	cashmere beige/cash. beige					ATH	black			
2	993 521 015 18	comfort seat without heating whole-leather	/L	1	M437		APL	classic grey			
	ATH	black					DBD	midnight blue			
	APL	classic grey					DCD	chestnut brown			
	DBD	midnight blue					DDD	marble grey			
	DCD	chestnut brown					ATY	cashmere beige			
	DDD	marble grey					DEC	provence blue			
	ATY	cashmere beige					DEE	cedar green			
							DEF	flamenco red			
						(2)	993 521 016 22	comfort seat with heating whole-leather	/R	1	M438
							ATH	black			
							APL	classic grey			

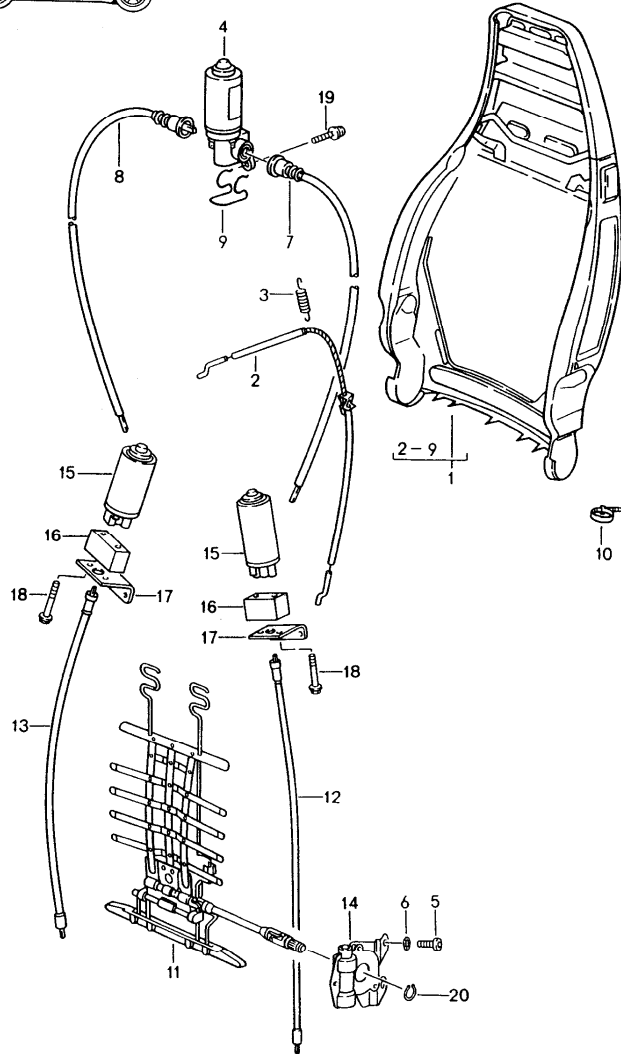
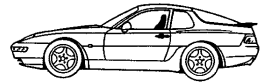
Model	Year	MG	SG	Illustration	Restrictions	UPD	18:15	27.01.2010	PORSCHE	PET	PORSCHE
STZ	1998	8	04	804-61		248					

Pos	Part Number	Description	Remark	Qty	Model	Pos	Part Number	Description	Remark	Qty	Model
	DBD	midnight blue					DEF	flamenco red			
	DCD	chestnut brown				2	993 521 015 30	comfort seat with heating and lumbar support whole-leather	/L	1	M437
	DDD	marble grey					ATH	black			
	ATY	cashmere beige					APL	classic grey			
	DEC	provence blue					DBD	midnight blue			
	DEE	cedar green					DCD	chestnut brown			
	DEF	flamenco red					DDD	marble grey			
2	993 521 015 26	comfort seat with lumbar support whole-leather	/L	1	M437		ATY	cashmere beige			
	ATH	black					DEC	provence blue			
	APL	classic grey					DEE	cedar green			
	DBD	midnight blue					DEF	flamenco red			
	DCD	chestnut brown				(2)	993 521 016 30	comfort seat with heating and lumbar support whole-leather	/R	1	M438
	DDD	marble grey					ATH	black			
	ATY	cashmere beige					APL	classic grey			
	DEC	provence blue					DBD	midnight blue			
	DEE	cedar green					DCD	chestnut brown			
	DEF	flamenco red					DDD	marble grey			
(2)	993 521 016 26	comfort seat with lumbar support whole-leather	/R	1	M438		ATY	cashmere beige			
	ATH	black					DEC	provence blue			
	APL	classic grey					DEE	cedar green			
	DBD	midnight blue					DEF	flamenco red			
	DCD	chestnut brown				4	911 521 547 00	hexagon-head bolt M 10 X 20		6	
	DDD	marble grey				5	928 521 717 02	square rod for backrest adjustment		4	
	ATY	cashmere beige									
	DEC	provence blue									
	DEE	cedar green									

Model	Year	MG	SG	Illustration	Restrictions	UPD	18:15	27.01.2010	PORSCHE	PET	PORSCHE
STZ	1998	8	04	804-61		248					

Pos	Part Number	Description	Remark	Qty	Model	Pos	Part Number	Description	Remark	Qty	Model
6	928 521 716 02	lock washer for backrest adjustment		4		-	N 100 472 01	speed nut ST 3,9		4	
7	900 249 004 02	countersunk-head screw M 4 X 8 for backrest adjustment		4		14	911 521 815 00	rosette		4	
							01C	satin black			
8	928 521 147 02	cover	/L	2		15	311 881 247	clamp		4	
	01C	black				16	911 521 817 00	control button		4	
	4XC	classic grey					01C	satin black			
	2GS	midnight blue				18	900 119 030 02	pan-head screw M 8 X 20		12	
	4PV	chestnut brown				19	900 089 006 02	washer 8.0		12	
	3BE	marble grey				20	900 025 007 02	washer 8.4 only together with assembly seat rail rear		2	
	3UD	cashmere beige									
(8)	928 521 148 02	cover	/R	2							
	01C	black									
	4XC	classic grey									
	2GS	midnight blue									
	4PV	chestnut brown									
	3BE	marble grey									
	3UD	cashmere beige									
9	900 025 044 07	washer A 4,3		8							
10	900 143 113 07	tapping screw B 4,2 X 13		8							
11	928 521 760 04	engine cover comfort seat		2							
	01C	satin black									
(11)	928 521 760 05	engine cover standard seat electrically adjustable		2							
	01C	satin black									
12	900 143 113 07	tapping screw 4,2 X 13		4							
13	900 025 044 07	washer A 4,3		4							

Model	Year	MG	SG	Illustration	Restrictions	UPD	18:15	27.01.2010	PORSCHE	PET	PORSCHE
STZ	1998	8	04	804-62		248					



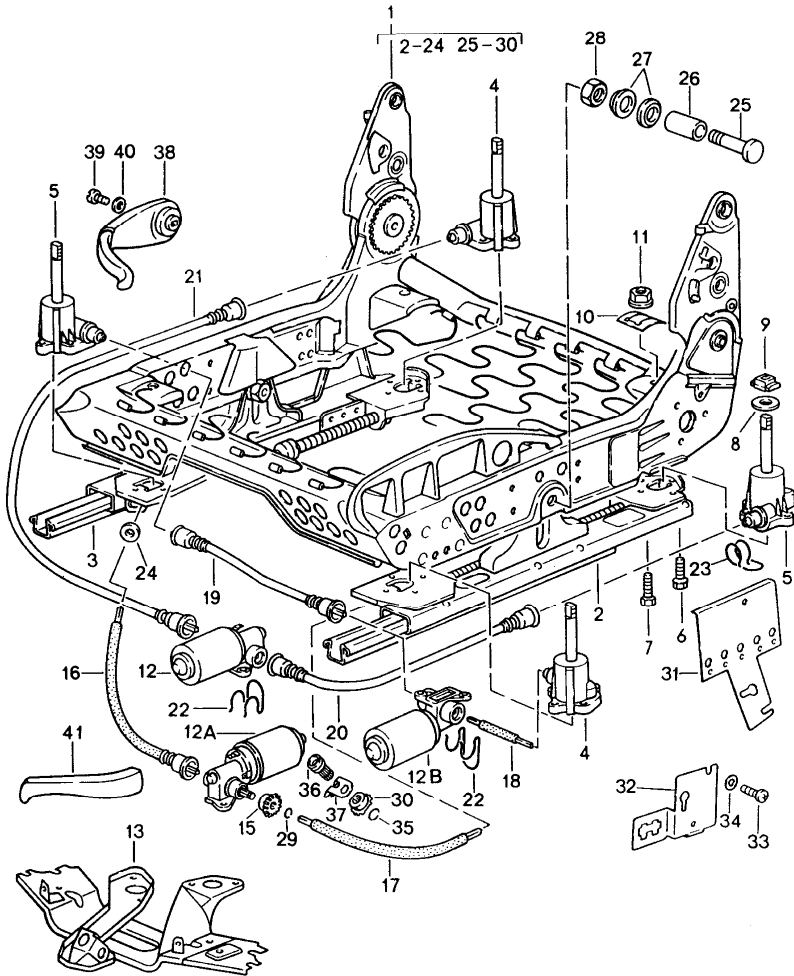
Pos	Part Number	Description	Remark	Qty	Model
		backrest frame electric manually lumbar support	92-95		968
(1)	928 521 027 08	backrest frame manually adjustable		2	
1	928 521 027 10	backrest frame electrically adjustable		2	
2	928 521 093 02	bowden cable		4	
3	311 881 287 A	spring actuating lever		4	
4	928 624 126 01	geared motor for backrest adjustment		2	
5	N 014 128 4	oval-head screw M 5 X 8		4	
6	N 012 130 2	shake-proof washer A 5,3		4	
7	928 521 617 03	shaft for backrest adjustment	/L	2	
8	928 521 618 03	shaft for backrest adjustment	/R	2	
9	928 521 675 02	moulded spring		2	
10	N 020 904 4	tie-wrap 6,5 X 120		10	
11	928 521 135 02	lumbar support		1	
12	928 521 315 03	pliable shaft lumbar support adjustment curvature		1	
13	928 521 315 02	pliable shaft lumbar support adjustment height		1	
14	928 521 153 03	transmission		1	
15	928 624 122 02	adjusting motor lumbar		1	
16	928 624 199 00	spacer lumbar support		4	
17	928 624 057 00	engine carrier lumbar support		2	



Model	Year	MG	SG	Illustration	Restrictions	UPD	18:15	27.01.2010	PORSCHE	PET	PORSCHE
STZ	1998	8	04	804-62		248					

Pos	Part Number	Description	Remark	Qty	Model	Pos	Part Number	Description	Remark	Qty	Model
18	999 919 058 02	hexagon-head bolt H 5 X 40 lumbar support		8							
19	900 146 117 02	combination screw M 5 X 12 Z1		4							
20	N 012 411 1	circlip 11 X 1 lumbar support		2							

Model	Year	MG	SG	Illustration	Restrictions	UPD	18:15	27.01.2010	PORSCHE	PET	PORSCHE
STZ	1998	8	04	804-64		248					



Pos	Part Number	Description	Remark	Qty	Model
		seat frame manually adjustable electrically adjustable	92-95		968
(1)	993 521 069 00	seat frame manually adjustable	/L 94-	1	
(1)	993 521 070 00	seat frame manually adjustable	/R 94-	1	
(1)	993 521 069 01	seat frame elect. vertical adjustment	/L 94-	1	
(1) A	993 521 070 01	seat frame elect. vertical adjustment	/R	1	
(1)	993 521 070 01	seat frame elect. vertical adjustment	/R 94-	1	
(1)	993 521 069 03	seat frame all-electric	/L 94-	1	
(1)	993 521 070 03	seat frame all-electric	/R 94-	1	
(2)	928 521 489 10	seat rail left seat outer for manual adjustment		1	
(2)	928 521 490 10	seat rail right seat outer for manual adjustment		1	
(3)	928 521 492 08	seat rail left seat inner for manual adjustment		1	
(3)	928 521 491 08	seat rail right seat inner for manual adjustment		1	
(2)	928 521 489 11	seat rail left seat outer elect. vertical adjustment		1	
(2)	928 521 490 11	seat rail right seat outer elect. vertical adjustment		1	

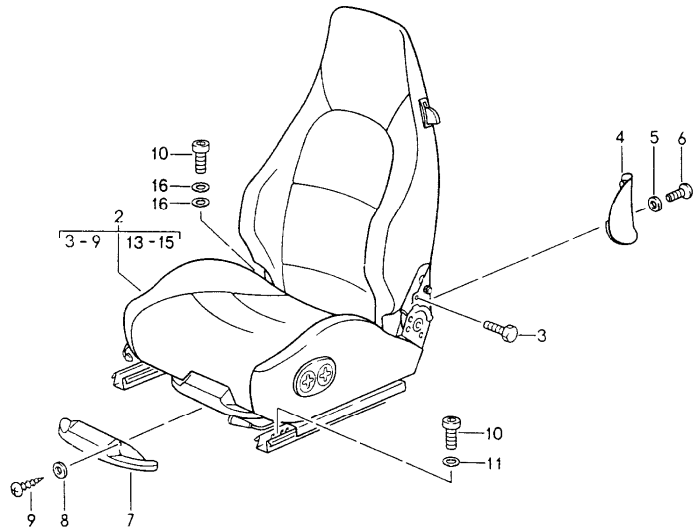
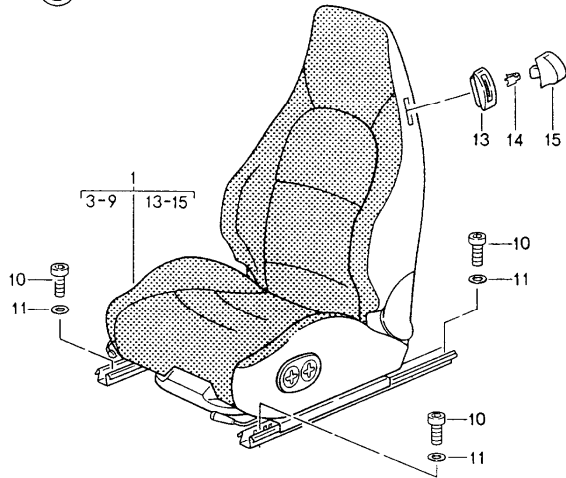
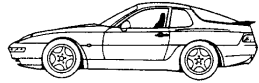
Model	Year	MG	SG	Illustration	Restrictions	UPD	18:15	27.01.2010	PORSCHE	PET	PORSCHE
STZ	1998	8	04	804-64		248					

Pos	Part Number	Description	Remark	Qty	Model	Pos	Part Number	Description	Remark	Qty	Model
(3)	964 521 492 00	seat rail left seat inner elect. vertical adjustment		1		12B	928 624 126 01	geared motor front vertical adjustment		2	
(3)	964 521 491 00	seat rail right seat inner elect. vertical adjustment		1		13	928 521 033 03	engine support		2	
2	928 521 489 08	seat rail left seat outer all-electric		1		15	928 521 818 03	bevel pinion for emergency control		2	
(2)	928 521 490 08	seat rail right seat outer all-electric		1		16	928 521 252 04	shaft for longitudinal adjustment		2	
3	964 521 492 01	seat rail left seat inner all-electric		1		17	928 521 251 03	shaft for longitudinal adjustment		2	
(3)	964 521 491 01	seat rail right seat inner all-electric		1		18	928 521 671 03	shaft front vertical adjustment	/L	2	
(4)	928 521 721 03	lifting gear left front, right rear		4		19	928 521 672 03	shaft front vertical adjustment	/R	2	
(5)	928 521 722 03	lifting gear right front, left rear		4		20	928 521 673 05	shaft rear vertical adjustment	/L	2	
6	999 217 033 01	locking screw M 6 X 16		20		21	928 521 674 05	shaft rear vertical adjustment	/R	2	
7	900 186 032 02	pan-head screw M 6 X 12		8		22	928 521 675 02	moulded spring for engine		6	
8	999 025 129 40	washer		8		23	928 521 699 00	moulded spring transmission		6	
9	928 521 727 02	slide		8		24	999 591 778 02	support		6	
10	928 521 723 02	guide spring		8		25	928 521 681 02	bolt 1,5 PA 6		4	
11	928 521 730 02	nut		8		26	928 521 685 02	bush		4	
12	928 624 126 01	geared motor rear vertical adjustment		2		27	928 521 683 02	washer 1,5 PA 6		8	
12A	928 624 136 00	geared motor for longitudinal adjustment		2		28	900 034 003 02	hexagon nut M 10		4	
						29	900 906 005 01	circlip A 8		2	
						30	928 521 818 04	bevel pinion for emergency control		2	
						31	928 653 501 03	bracket		2	
						32	928 653 503 02	bracket		2	
						33	N 014 133 8	oval-head screw M 5 X 12		2	

Model	Year	MG	SG	Illustration	Restrictions	UPD	18:15	27.01.2010	PORSCHE	PET	PORSCHE
STZ	1998	8	04	804-64		248					

Pos	Part Number	Description	Remark	Qty	Model	Pos	Part Number	Description	Remark	Qty	Model
34	900 025 003 02	washer A 5,3		2							
35	N 042 499 1	circlip A12		2							
36	928 521 816 03	bearing pin		2							
37	928 521 686 00	moulded spring		2							
(38)	964 521 073 00	lever		2							
	01C	satin black									
39	900 119 011 07	pan-head screw M 5 X 10		1							
40	900 031 006 07	washer 5,3		1							
(41)	911 521 533 01	handle for longitudinal adjustment		2							
	01C	satin black									
-	928 521 525 03	connecting rod manually for longitudinal adjustment		2							
-	N 902 514 01	clamping sleeve manually for longitudinal adjustment		4							
-	N 902 515 01	guide bush manually for longitudinal adjustment		4							

Model	Year	MG	SG	Illustration	Restrictions	UPD	19:42	27.01.2010	PORSCHE	PET	PORSCHE
STZ	1998	8	04	804-67		248					



Pos	Part Number	Description	Remark	Qty	Model
		sports seat with elect. vertical adjustment complete	94-95		968 M383/387
1	993 521 017 06	sports seat without heating leatherette/ seat and backrest surface porsche lettering cloth PX2 black/black APM classic grey/classic grey DBA midnight bl./midnight blue DCA chestnut brown/ chestnut brown DDA marble grey/marble grey XK6 cashmere beige/cash. beige	/L	1	M383
(1)	993 521 018 06	sports seat without heating leatherette/ seat and backrest surface porsche lettering cloth PX2 black/black APM classic grey/classic grey DBA midnight bl./midnight blue DCA chestnut brown/ chestnut brown DDA marble grey/marble grey XK6 cashmere beige/cash. beige	/R	1	M387
1	993 521 017 09	sports seat with heating leatherette/ seat and backrest surface porsche lettering cloth PX2 black/black APM classic grey/classic grey DBA midnight bl./midnight blue DCA chestnut brown/ chestnut brown	/L	1	M383

Model	Year	MG	SG	Illustration	Restrictions	UPD	19:42	27.01.2010	PORSCHE	PET	PORSCHE
STZ	1998	8	04	804-67		248					

Pos	Part Number	Description	Remark	Qty	Model	Pos	Part Number	Description	Remark	Qty	Model
	DDA	marble grey/marble grey					DDC	marble grey/marble grey			
	XK6	cashmere beige/cash. beige					ATX	cashmere beige/cash. beige			
(1)	993 521 018 09	sports seat with heating leatherette/seat and backrest surface porsche lettering cloth	/R	1	M387	2	993 521 017 10	sports seat with heating leatherette/seat and backrest surface leather	/L	1	M383
	PX2	black/black					ATG	black/black			
	APM	classic grey/classic grey					APK	classic grey/classic grey			
	DBA	midnight bl./midnight blue					DBC	midnight bl./midnight blue			
	DCA	chestnut brown/ chestnut brown					DCC	chestnut brown/ chestnut brown			
	DDA	marble grey/marble grey					DDC	marble grey/marble grey			
	XK6	cashmere beige/cash. beige					ATX	cashmere beige/cash. beige			
2	993 521 017 07	sports seat without heating leatherette/seat and backrest surface leather	/L	1	M383	(2)	993 521 018 10	sports seat with heating leatherette/seat and backrest surface leather	/R	1	M387
	ATG	black/black					ATG	black/black			
	APK	classic grey/classic grey					APK	classic grey/classic grey			
	DBC	midnight bl./midnight blue					DBC	midnight bl./midnight blue			
	DCC	chestnut brown/ chestnut brown					DCC	chestnut brown/ chestnut brown			
	DDC	marble grey/marble grey					DDC	marble grey/marble grey			
	ATX	cashmere beige/cash. beige					ATX	cashmere beige/cash. beige			
(2)	993 521 018 07	sports seat without heating leatherette/seat and backrest surface leather	/R	1	M387	2	993 521 017 08	sports seat without heating whole-leather	/L	1	M383
	ATG	black/black					ATH	black			
	APK	classic grey/classic grey					APL	classic grey			
	DBC	midnight bl./midnight blue					DBD	midnight blue			
	DCC	chestnut brown/ chestnut brown					DCD	chestnut brown			
							DDD	marble grey			
							ATY	cashmere beige			

Model	Year	MG	SG	Illustration	Restrictions	UPD	19:42	27.01.2010	PORSCHE	PET	PORSCHE
STZ	1998	8	04	804-67		248					

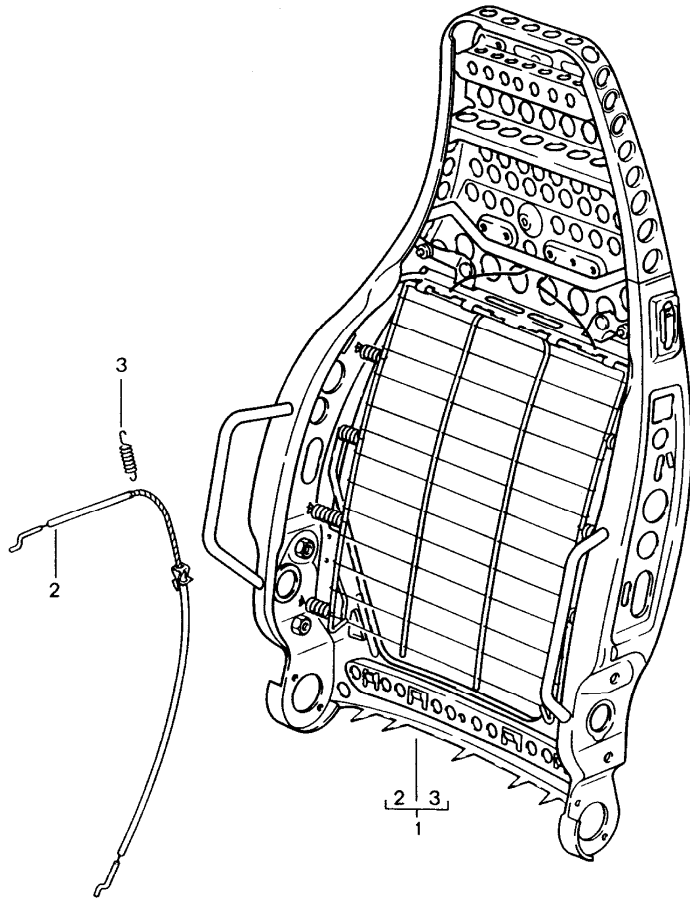
Pos	Part Number	Description	Remark	Qty	Model	Pos	Part Number	Description	Remark	Qty	Model			
(2)	993 521 018 08	DEC	provence blue	/R	1	M387	DBD	midnight blue						
		DEE	cedar green				DCD	chestnut brown						
		DEF	flamenco red				DDD	marble grey						
			sports seat without heating whole-leather				ATY	cashmere beige						
		ATH	black				DEC	provence blue						
		APL	classic grey				DEE	cedar green						
		DBD	midnight blue				DEF	flamenco red						
		DCD	chestnut brown				3	911 521 547 00				hexagon-head bolt M 10 X 20	8	
		DDD	marble grey				4	928 521 147 02				cover	2	/L
		ATY	cashmere beige				01C	black						
		DEC	provence blue				4XC	classic grey						
DEE	cedar green	2GS	midnight blue											
DEF	flamenco red	4PV	chestnut brown											
2	993 521 017 11		sports seat with heating whole-leather	/L	1	M383	3BE	marble grey						
		ATH	black				3UD	cashmere beige						
		APL	classic grey				(4)	928 521 148 02				cover	2	/R
		DBD	midnight blue				01C	black						
		DCD	chestnut brown				4XC	classic grey						
		DDD	marble grey				2GS	midnight blue						
		ATY	cashmere beige				4PV	chestnut brown						
		DEC	provence blue				3BE	marble grey						
		DEE	cedar green				3UD	cashmere beige						
		DEF	flamenco red				5	900 025 044 07				washer A 4,3	8	
		(2)	993 521 018 11					sports seat with heating whole-leather				/R	1	M387
ATH	black			7	928 521 760 05	engine cover	2							
APL	classic grey			01C	satin black									
8	900 025 044 07			washer A 4,3	4									

Model	Year	MG	SG	Illustration	Restrictions	UPD	19:42	27.01.2010	PORSCHE	PET	PORSCHE
STZ	1998	8	04	804-67		248					

Pos	Part Number	Description	Remark	Qty	Model	Pos	Part Number	Description	Remark	Qty	Model
9	900 143 113 07	tapping screw 4,2 X 13		4							
-	N 100 472 01	speed nut ST 3,9		4							
10	900 119 030 02	pan-head screw M 8 X 20		12							
11	900 089 006 02	washer 8,0		12							
13	911 521 815 00	rosette		4							
	01C	satin black									
14	311 881 247	clamp		4							
15	911 521 817 00	control button		4							
	01C	satin black									
16	900 025 007 02	washer 8,4 only together with assembly seat rail rear		2							

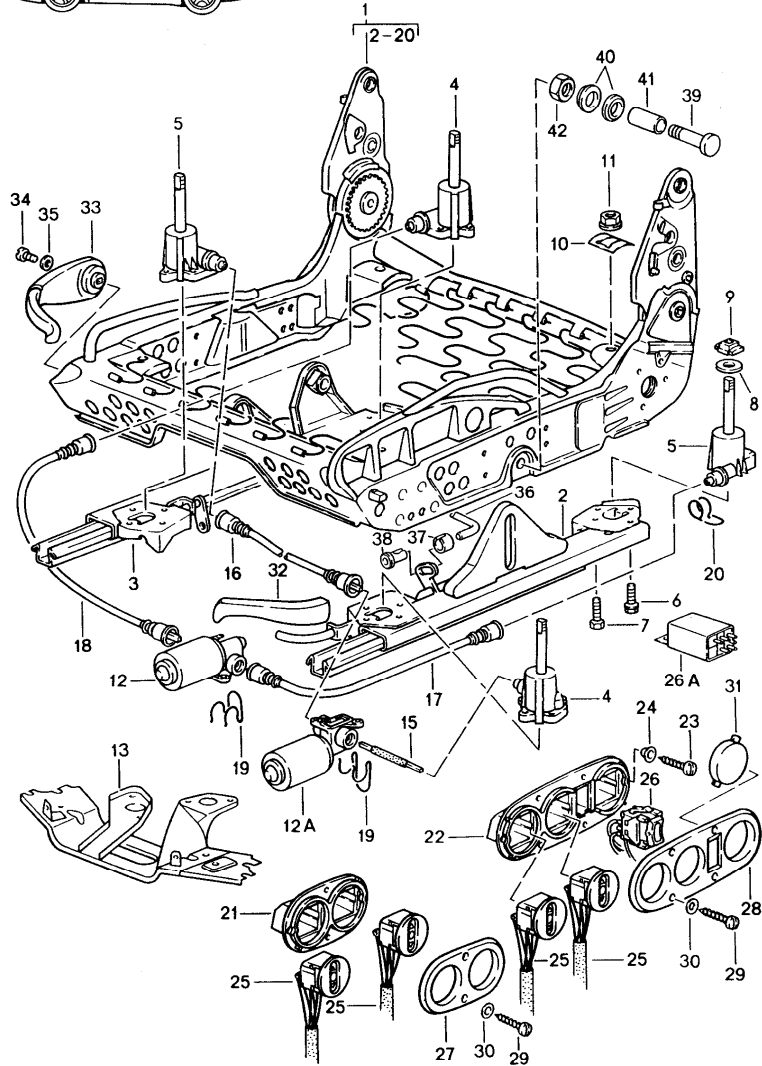
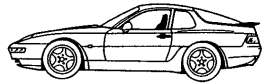


Model	Year	MG	SG	Illustration	Restrictions	UPD	19:43	27.01.2010	PORSCHE	PET	PORSCHE
STZ	1998	8	04	804-68		248					



Pos	Part Number	Description	Remark	Qty	Model
		sports seat backrest frame	92-95		968
1	944 521 027 01	backrest frame		2	
2	928 521 093 02	bowden cable		2	
3	311 881 287 A	spring actuating lever		2	

Model	Year	MG	SG	Illustration	Restrictions	UPD	19:43	27.01.2010	PORSCHE	PET	PORSCHE
STZ	1998	8	04	804-70		248					

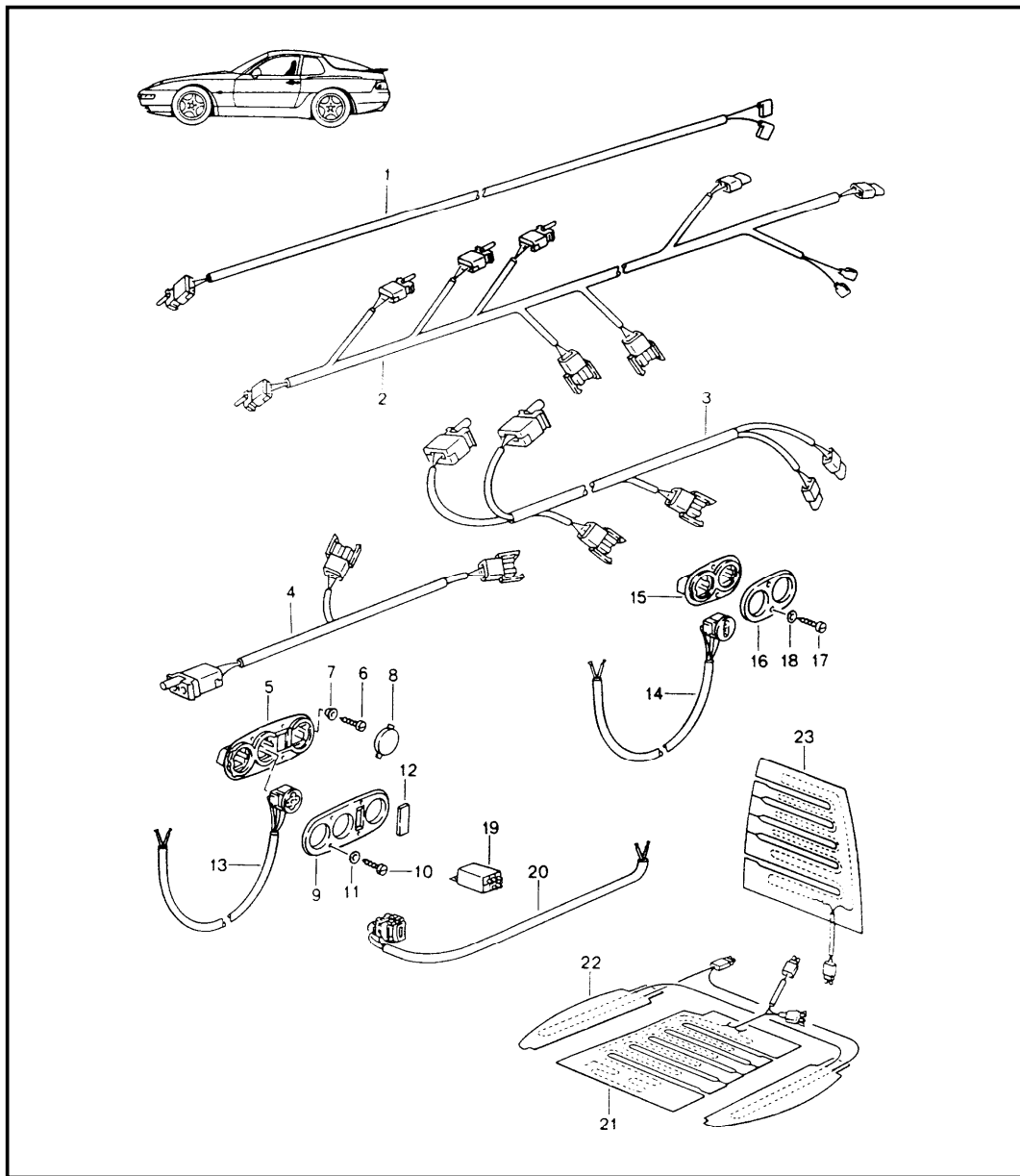


Pos	Part Number	Description	Remark	Qty	Model
		seat frame sports seat electrically adjustable	92-95		968 M383/387
1	993 521 069 02	seat frame	/L	1	
(1)	993 521 070 02	seat frame	/R	1	
2	928 521 489 11	seat rail left seat outer		1	
(2)	928 521 490 11	seat rail right seat outer		1	
(3)	964 521 491 00	seat rail right seat inner		1	
3	964 521 492 00	seat rail left seat inner		1	
(4)	928 521 721 03	lifting gear left front, right rear		4	
(5)	928 521 722 03	lifting gear right front, left rear		4	
6	999 217 033 01	locking screw M 6 X 16		10	
7	900 186 032 02	pan-head screw M 6 X 12		4	
8	999 025 129 40	washer		8	
9	928 521 727 02	slide		8	
10	928 521 723 02	guide spring		8	
11	928 521 730 02	nut		8	
12	928 624 126 01	geared motor rear vertical adjustment		2	
12A	928 624 126 01	geared motor front vertical adjustment		2	
13	928 521 033 02	engine support		2	
15	928 521 671 03	shaft front vertical adjustment	/L	2	
16	928 521 672 03	shaft front vertical adjustment	/R	2	

Model	Year	MG	SG	Illustration	Restrictions	UPD	19:43	27.01.2010	PORSCHE	PET	PORSCHE
STZ	1998	8	04	804-70		248					

Pos	Part Number	Description	Remark	Qty	Model	Pos	Part Number	Description	Remark	Qty	Model
17	928 521 673 05	shaft rear vertical adjustment	/L	2		(33)	964 521 073 00	lever for backrest adjustment		2	
18	928 521 674 05	shaft rear vertical adjustment	/R	2			01C	satin black			
19	928 521 675 02	moulded spring		4		34	900 119 011 07	pan-head screw M 5 X 10		2	
20	928 521 699 00	moulded spring		6		35	900 031 006 07	washer 5,3		2	
21	928 521 559 04	switch insert		2							
22	928 521 559 02	switch insert seat heater	/L	1		36	928 521 525 03	connecting rod for longitudinal adjustment		2	
(22)	928 521 560 02	switch insert seat heater	/R	1		37	N 902 514 01	clamping sleeve for longitudinal adjustment		4	
23	N 013 988 1	tapping screw B 3,5 X 16		4		38	N 902 515 01	guide bush for longitudinal adjustment		4	
24	999 591 849 07	cone washer		4		39	928 521 681 02	bolt		4	
25	928 613 181 00	switch height adjustment front and rear		4		40	928 521 683 02	washer 1,5 PA 6		8	
26	928 613 187 04	switch seat heater		2		41	928 521 685 02	bush		4	
	01C	satin black				42	900 034 003 02	hexagon nut M 10		4	
26A	928 618 521 03	control unit seat heater		2							
27	928 521 561 04	trim for switch		2							
	01C	satin black									
28	928 521 561 03	trim for switch seat heater		2							
	01C	satin black									
29	N 013 959 3	tapping screw B 3,5 X 16		X							
30	900 025 013 07	washer A 3,7		X							
31	928 613 425 00	cover seat heater		X							
(32)	911 521 533 01	handle for longitudinal adjustment		2							
	01C	satin black									

Model	Year	MG	SG	Illustration	Restrictions	UPD	19:43	27.01.2010	PORSCHE	PET	PORSCHE
STZ	1998	8	04	804-72		248					

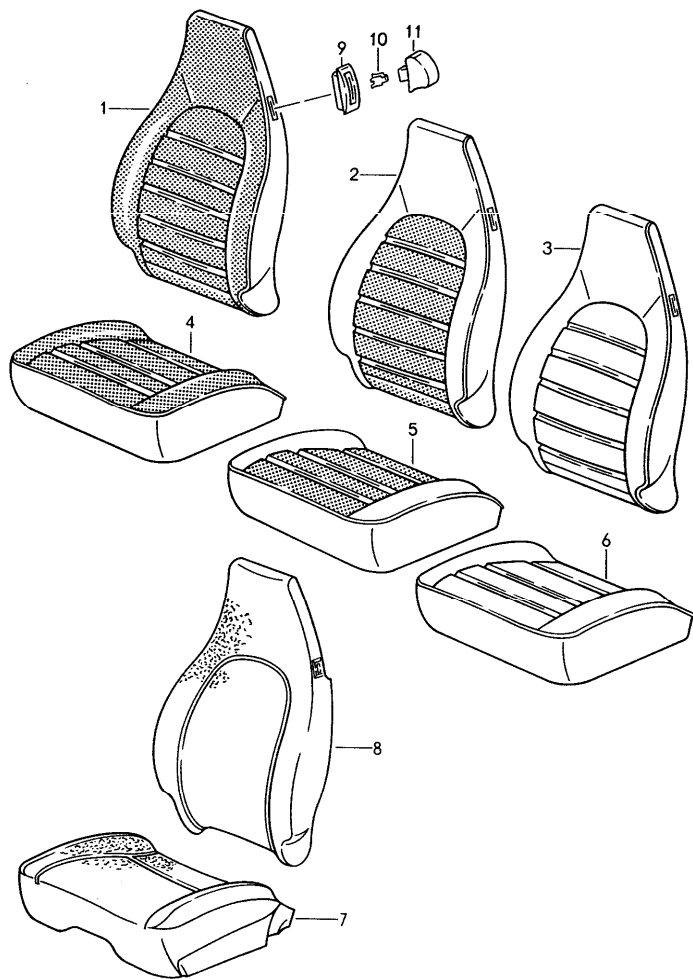
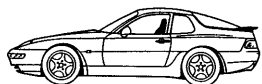


Pos	Part Number	Description	Remark	Qty	Model
		wiring harnesses switch seat heater front seat	92-95		968
1	928 612 343 00	connecting line for backrest adjustment		2	
2	928 612 337 00	wiring harness for backrest adjustment lumbar support adjustment and seat heater		2	
3	928 612 338 00	wiring harness for backrest adjustment and seat heater		2	
4	928 612 340 00	wiring harness seat heater		2	
5	928 521 559 02	switch insert seat heater lumbar support adjustment	/L	1	
(5)	928 521 560 02	switch insert seat heater lumbar support adjustment	/R	1	
6	N 013 988 1	tapping screw B 3,5 X 16		2	
7	999 591 849 07	cone washer		2	
8	928 613 425 00	cover		X	
9	928 521 561 03	trim for switch lumbar support adjustment seat heater		2	
		01C			
10	N 013 959 3	tapping screw B 3,5 X 16		4	
11	900 025 013 07	washer A 3,7		4	
(12)	944 613 259 02	cover		X	
		1DB			
13	928 613 182 00	switch for longitudinal adjustment front vertical adjustment comfort seat		2	

Model	Year	MG	SG	Illustration	Restrictions	UPD	19:43	27.01.2010	PORSCHE	PET	PORSCHE
STZ	1998	8	04	804-72		248					

Pos	Part Number	Description	Remark	Qty	Model	Pos	Part Number	Description	Remark	Qty	Model
(13)	928 613 183 00	switch for backrest adjustment rear vertical adjustment comfort seat		2							
(13)	928 613 184 00	switch lumbar support adjustment		2							
	01C	satin black									
14	928 613 181 00	switch front vertical adjustment rear vertical adjustment		2							
15	928 521 559 04	switch insert		2							
16	928 521 561 04	trim for switch		2							
17	N 013 959 3	tapping screw B 3,5 X 16		2							
18	900 025 013 07	washer A 3,7		2							
19	928 618 521 03	control unit seat heater		2							
20	928 613 187 04	switch seat heater		2							
	01C	satin black									
21	964 653 901 00	heating element centre part seat surface		2							
22	993 653 120 00	heating element seat side bolster		2							
23	964 653 902 00	heating element backrest surface		2							

Model	Year	MG	SG	Illustration	Restrictions	UPD	19:44	27.01.2010	PORSCHE	PET	PORSCHE
STZ	1998	8	04	804-74		248					



Pos	Part Number	Description	Remark	Qty	Model
		cover front seat	92-93		968
1	928 521 071 22	backrest cover without heating leatherette/backrest surface multicolour		2	
	XK8	black/black			
	XN1	marine blue/marine blue			
	ASN	magenta/magenta			
	AQN	light grey/light grey			
	AQV	cobalt blue/cobalt blue			
	AQP	classic grey/classic grey			
	XK7	cashmere beige/cash. beige			
(1)	964 521 071 01	backrest cover with heating leatherette/backrest surface multicolour		2	
	XK8	black/black			
	XN1	marine blue/marine blue			
	ASN	magenta/magenta			
	AQN	light grey/light grey			
	AQV	cobalt blue/cobalt blue			
	AQP	classic grey/classic grey			
	XK7	cashmere beige/cash. beige			
1	928 521 071 22	backrest cover without heating leatherette/backrest surface porsche lettering cloth		2	
	PX2	black/black			
	TR9	marine blue/blue			
	ASM	magenta/magenta			
	AQM	light grey/light grey			

Model	Year	MG	SG	Illustration	Restrictions	UPD	19:44	27.01.2010	PORSCHE	PET	PORSCHE
STZ	1998	8	04	804-74		248					

Pos	Part Number	Description	Remark	Qty	Model	Pos	Part Number	Description	Remark	Qty	Model
	ARM	cobalt blue/cobalt blue					XJ1	black/black			
	APM	classic grey/classic grey					XJ4	marine blue/marine blue			
	XK6	cashmere beige/cash. beige					ASC	magenta/magenta			
(1)	964 521 071 01	backrest cover with heating leatherette/ backrest surface porsche lettering cloth		2			AQC	light grey/light grey			
	PX2	black/black					ARC	cobalt blue/cobalt blue			
	TR9	marine blue/blue				2	928 521 071 21	backrest cover without heating leatherette/ centre part porsche lettering cloth		2	
	ASM	magenta/magenta					APC	classic grey/classic grey			
	AQM	light grey/light grey					AQW	cashmere beige/cash. beige			
1	928 521 071 22	backrest cover without heating	93-	2	968 CS		PX1	black/black			
	CJE	black corduroy cloth					XJ9	marine blue/blue			
2	928 521 071 21	backrest cover without heating leatherette/ centre part in cloth multicolour		2			ASA	magenta/magenta			
	XJ1	black/black				(2)	964 521 071 00	backrest cover with heating leatherette/ centre part porsche lettering cloth		2	
	XJ4	marine blue/marine blue					AQA	light grey/light grey			
	ASC	magenta/magenta					ARA	cobalt blue/cobalt blue			
	AQC	light grey/light grey					APA	classic grey/classic grey			
	ARC	cobalt blue/cobalt blue					AQZ	cashmere beige/cash. beige			
	APC	classic grey/classic grey					PX1	black/black			
	AQW	cashmere beige/cash. beige					XJ9	marine blue/blue			
(2)	964 521 071 00	backrest cover with heating leatherette/ centre part in cloth multicolour		2			ASA	magenta/magenta			
							AQA	light grey/light grey			
							ARA	cobalt blue/cobalt blue			
							APA	classic grey/classic grey			
							AQZ	cashmere beige/cash. beige			

Model	Year	MG	SG	Illustration	Restrictions	UPD	19:44	27.01.2010	PORSCHE	PET	PORSCHE
STZ	1998	8	04	804-74		248					

Pos	Part Number	Description	Remark	Qty	Model	Pos	Part Number	Description	Remark	Qty	Model
3	928 521 071 51	backrest cover without heating leatherette/ backrest surface leather		2			AVF	matador red			
	JN3	black/black					AVG	carrara grey			
	ASK	magenta/magenta					AVH	sherwood green			
	AQK	light grey/light grey				(3)	964 521 071 04	backrest cover with heating whole-leather		2	
	BQA	marine blue/marine blue					KZ2	black			
	ARK	cobalt blue/cobalt blue					ASL	magenta			
	APK	classic grey/classic grey					AQL	light grey			
	ATX	cashmere beige/cash. beige					BQB	marine blue			
(3)	964 521 071 03	backrest cover with heating leatherette/ backrest surface leather		2			ARL	cobalt blue			
	JN3	black/black					APL	classic grey			
	ASK	magenta/magenta					ATY	cashmere beige			
	AQK	light grey/light grey					AVF	matador red			
	BQA	marine blue/marine blue					AVG	carrara grey			
	ARK	cobalt blue/cobalt blue				4	944 521 037 11	cover for cushion manually adjustable without heating leatherette/ seat surface multicolour		2	
	APK	classic grey/classic grey					XK8	black/black			
	ATX	cashmere beige/cash. beige					XN1	marine blue/marine blue			
3	928 521 071 65	backrest cover without heating whole-leather		2			ASN	magenta/magenta			
	KZ2	black					AQN	light grey/light grey			
	ASL	magenta					AQV	cobalt blue/cobalt blue			
	AQL	light grey					AQP	classic grey/classic grey			
	BQB	marine blue					XK7	cashmere beige/cash. beige			
	ARL	cobalt blue				(4)	944 521 037 14	cover for cushion for electric adjustment without heating leatherette/ seat surface multicolour		2	
	APL	classic grey									
	ATY	cashmere beige									



Model	Year	MG	SG	Illustration	Restrictions	UPD	19:44	27.01.2010	PORSCHE	PET	PORSCHE
STZ	1998	8	04	804-74		248					

Pos	Part Number	Description	Remark	Qty	Model	Pos	Part Number	Description	Remark	Qty	Model
	XK8	black/black				(4)	944 521 037 14	cover for cushion for electric adjustment without heating leatherette/ seat surface porsche lettering cloth		2	
	XN1	marine blue/marine blue					PX2	black/black			
	ASN	magenta/magenta					TR9	marine blue/blue			
	AQN	light grey/light grey					ASM	magenta/magenta			
	AQV	cobalt blue/cobalt blue					AQM	light grey/light grey			
	AQP	classic grey/classic grey					ARM	cobalt blue/cobalt blue			
	XK7	cashmere beige/cash. beige					APM	classic grey/classic grey			
(4)	964 521 037 01	cover for cushion for electric adjustment with heating leatherette/ seat surface multicolour		2			XK6	cashmere beige/cash. beige			
	XK8	black/black				(4)	964 521 037 01	cover for cushion for electric adjustment with heating leatherette/ seat surface porsche lettering cloth		2	
	XN1	marine blue/marine blue					PX2	black/black			
	ASN	magenta/magenta					TR9	marine blue/blue			
	AQN	light grey/light grey					ASM	magenta/magenta			
	AQV	cobalt blue/cobalt blue					AQM	light grey/light grey			
	AQP	classic grey/classic grey					ARM	cobalt blue/cobalt blue			
	XK7	cashmere beige/cash. beige					APM	classic grey/classic grey			
4	944 521 037 11	cover for cushion manually adjustable without heating leatherette/ seat surface porsche lettering cloth		2			XK6	cashmere beige/cash. beige			
	PX2	black/black				4	944 521 037 11	cover for cushion without heating	93-	2	968 CS
	TR9	marine blue/blue					CJE	black corduroy cloth			
	ASN	magenta/magenta					5	944 521 037 10	cover for cushion manually adjustable without heating leatherette/ centre part in cloth multicolour		2
	AQM	light grey/light grey					XJ1	black/black			
	ARM	cobalt blue/cobalt blue									
	APM	classic grey/classic grey									
	XK6	cashmere beige/cash. beige									

Model	Year	MG	SG	Illustration	Restrictions	UPD	19:44	27.01.2010	PORSCHE	PET	PORSCHE
STZ	1998	8	04	804-74		248					

Pos	Part Number	Description	Remark	Qty	Model	Pos	Part Number	Description	Remark	Qty	Model
	XJ4	marine blue/marine blue				5	944 521 037 10	cover for cushion manually adjustable without heating leatherette/centre part porsche lettering cloth		2	
	ASC	magenta/magenta					PX1	black/black			
	AQC	light grey/light grey					XJ9	marine blue/blue			
	ARC	cobalt blue/cobalt blue					ASA	magenta/magenta			
	APC	classic grey/classic grey					AQA	light grey/light grey			
	AQW	cashmere beige/cash. beige					ARA	cobalt blue/cobalt blue			
(5)	944 521 037 13	cover for cushion for electric adjustment without heating leatherette/centre part in cloth multicolour		2			APA	classic grey/classic grey			
	XJ1	black/black					AQZ	cashmere beige/cash. beige			
	XJ4	marine blue/marine blue				(5)	944 521 037 13	cover for cushion for electric adjustment without heating leatherette/centre part porsche lettering cloth		2	
	ASC	magenta/magenta					PX1	black/black			
	AQC	light grey/light grey					XJ9	marine blue/blue			
	ARC	cobalt blue/cobalt blue					ASA	magenta/magenta			
	APC	classic grey/classic grey					AQA	light grey/light grey			
	AQW	cashmere beige/cash. beige					ARA	cobalt blue/cobalt blue			
(5)	964 521 037 00	cover for cushion for electric adjustment with heating leatherette/centre part in cloth multicolour		2			APA	classic grey/classic grey			
	XJ1	black/black					AQZ	cashmere beige/cash. beige			
	XJ4	marine blue/marine blue				(5)	964 521 037 00	cover for cushion for electric adjustment with heating leatherette/centre part porsche lettering cloth		2	
	ASC	magenta/magenta					PX1	black/black			
	AQC	light grey/light grey					XJ9	marine blue/blue			
	ARC	cobalt blue/cobalt blue					ASA	magenta/magenta			
	APC	classic grey/classic grey					AQA	light grey/light grey			
	AQW	cashmere beige/cash. beige									

Model	Year	MG	SG	Illustration	Restrictions	UPD	19:44	27.01.2010	PORSCHE	PET	PORSCHE
STZ	1998	8	04	804-74		248					

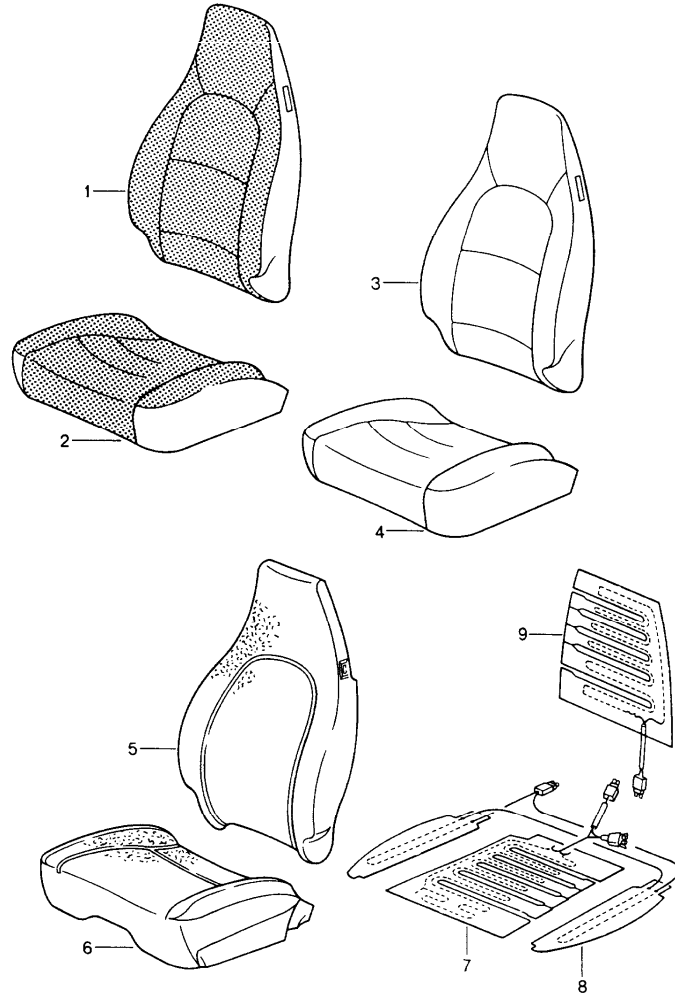
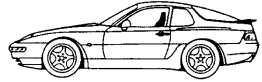
Pos	Part Number	Description	Remark	Qty	Model	Pos	Part Number	Description	Remark	Qty	Model
	ARA	cobalt blue/cobalt blue					ASK	magenta/magenta			
	APA	classic grey/classic grey					AQK	light grey/light grey			
	AQZ	cashmere beige/cash. beige					BQA	marine blue/marine blue			
6	944 521 037 76	cover for cushion manually adjustable without heating leatherette/ seat surface leather		2			ARK	cobalt blue/cobalt blue			
	JN3	black/black				6	944 521 037 77	cover for cushion manually adjustable whole-leather		2	
	ASK	magenta/magenta					KZ2	black			
	AQK	light grey/light grey					ASL	magenta			
	BQA	marine blue/marine blue					AQL	light grey			
	ARK	cobalt blue/cobalt blue					BQB	marine blue			
	APK	classic grey/classic grey					ARL	cobalt blue			
	ATX	cashmere beige/cash. beige					APL	classic grey			
(6)	944 521 037 80	cover for cushion for electric adjustment without heating leatherette/ seat surface leather		2			ATY	cashmere beige			
	JN3	black/black					AVF	matador red			
	ASK	magenta/magenta					AVG	carrara grey			
	AQK	light grey/light grey					AVH	sherwood green			
	BQA	marine blue/marine blue				(6)	944 521 037 81	cover for cushion for electric adjustment without heating whole-leather		2	
	ARK	cobalt blue/cobalt blue					KZ2	black			
	APK	classic grey/classic grey					ASL	magenta			
	ATX	cashmere beige/cash. beige					AQL	light grey			
(6)	964 521 037 03	cover for cushion for electric adjustment with heating leatherette/ seat surface leather		2			BQB	marine blue			
	JN3	black/black					ARL	cobalt blue			
							APL	classic grey			
							ATY	cashmere beige			
							AVF	matador red			

Model	Year	MG	SG	Illustration	Restrictions	UPD	19:44	27.01.2010	PORSCHE	PET	PORSCHE
STZ	1998	8	04	804-74		248					

Pos	Part Number	Description	Remark	Qty	Model	Pos	Part Number	Description	Remark	Qty	Model
	AVG	carrara grey				(7)	928 521 386 24	foam part seat cushion electrically adjustable with heating	/R	1	
	AVH	sherwood green									
(6)	964 521 037 04	cover for cushion for electric adjustment with heating whole-leather		2		8	928 521 393 13	foam part backrest frame standard seat		2	
	KZ2	black				(8) A	993 521 393 06	foam part backrest frame comfort seat see technical information 6 ZYL. GR.7D NR.1/94		2	
	ASL	magenta									
	AQL	light grey									
	BQB	marine blue				(8)	993 521 393 06	foam part backrest frame comfort seat see technical information 6 ZYL. GR.7D NR.1/94		2	
	ARL	cobalt blue									
	APL	classic grey									
	ATY	cashmere beige				(8)	928 521 393 19	foam part backrest frame for lumbar support		2	
	AVF	matador red									
	AVG	carrara grey									
	AVH	sherwood green				9	911 521 815 00	rosette		4	
							01C	satin black			
-	000 043 071 00	clamp mount cover bag content 50 pieces		X		10	311 881 247	clamp		4	
						11	911 521 817 00	control button		4	
							01C	satin black			
7	928 521 385 22	foam part seat cushion standard seat		2							
(7) A	928 521 385 23	foam part seat cushion electrically adjustable without heating	/L	1							
7 A	928 521 386 23	foam part seat cushion electrically adjustable without heating	/R	1							
(7)	928 521 385 24	foam part seat cushion electrically adjustable with heating	/L	1							

Model	Year	MG	SG	Illustration	Restrictions	UPD	19:44	27.01.2010	PORSCHE	PET	PORSCHE
STZ	1998	8	04	804-75		248					

Pos	Part Number	Description	Remark	Qty	Model
			94-95		968
1	993 521 123 08	cover front seat  backrest cover without heating leatherette/ backrest surface porsche lettering cloth  PX2 black/black APM classic grey/classic grey DBA midnight bl./midnight blue DCA chestnut brown/ chestnut brown DDA marble grey/marble grey XK6 cashmere beige/cash. beige		2	
(1)	993 521 123 12	backrest cover with heating leatherette/ backrest surface porsche lettering cloth  PX2 black/black APM classic grey/classic grey DBA midnight bl./midnight blue DCA chestnut brown/ chestnut brown DDA marble grey/marble grey XK6 cashmere beige/cash. beige		2	
2	993 521 133 08	cover for cushion without heating leatherette/ seat surface porsche lettering cloth  PX2 black/black APM classic grey/classic grey DBA midnight bl./midnight blue DCA chestnut brown/ chestnut brown DDA marble grey/marble grey		2	



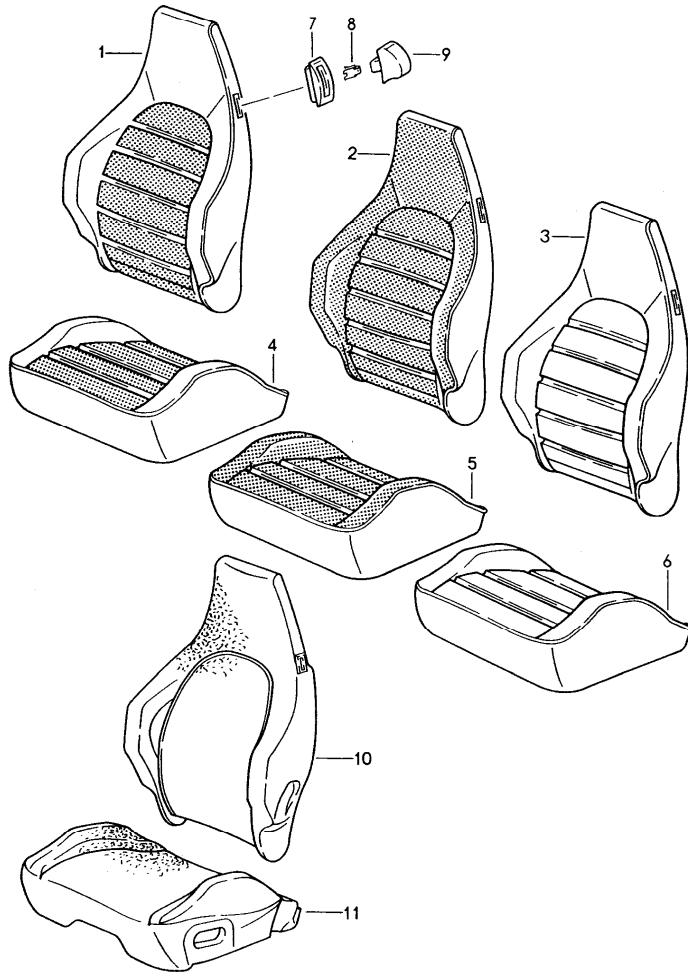
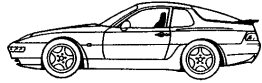
Model	Year	MG	SG	Illustration	Restrictions	UPD	19:44	27.01.2010	PORSCHE	PET	PORSCHE
STZ	1998	8	04	804-75		248					

Pos	Part Number	Description	Remark	Qty	Model	Pos	Part Number	Description	Remark	Qty	Model
	XK6	cashmere beige/cash. beige					ATX	cashmere beige/cash. beige			
(2)	993 521 133 12	cover for cushion with heating leatherette/ seat surface porsche lettering cloth		2		3	993 521 123 10	backrest cover without heating whole-leather		2	
	PX2	black/black					ATH	black			
	APM	classic grey/classic grey					APL	classic grey			
	DBA	midnight bl./midnight blue					DBD	midnight blue			
	DCA	chestnut brown/ chestnut brown					DCD	chestnut brown			
	DDA	marble grey/marble grey					DDD	marble grey			
	XK6	cashmere beige/cash. beige					ATY	cashmere beige			
3	993 521 123 09	backrest cover without heating leatherette/ backrest surface leather		2			DEC	provence blue			
	ATG	black/black				(3)	993 521 123 14	backrest cover with heating whole-leather		2	
	APK	classic grey/classic grey					ATH	black			
	DBC	midnight bl./midnight blue					APL	classic grey			
	DCC	chestnut brown/ chestnut brown					DBD	midnight blue			
	DDC	marble grey/marble grey					DCD	chestnut brown			
	ATX	cashmere beige/cash. beige					DDD	marble grey			
(3)	993 521 123 13	backrest cover with heating leatherette/ backrest surface leather		2			ATY	cashmere beige			
	ATG	black/black					DEC	provence blue			
	APK	classic grey/classic grey					DEE	cedar green			
	DBC	midnight bl./midnight blue					DEF	flamenco red			
	DCC	chestnut brown/ chestnut brown				4	993 521 133 09	cover for cushion without heating leatherette/ seat surface leather		2	
	DDC	marble grey/marble grey					ATG	black/black			
							APK	classic grey/classic grey			
							DBC	midnight bl./midnight blue			

Model	Year	MG	SG	Illustration	Restrictions	UPD	19:44	27.01.2010	PORSCHE	PET	PORSCHE
STZ	1998	8	04	804-75		248					

Pos	Part Number	Description	Remark	Qty	Model	Pos	Part Number	Description	Remark	Qty	Model
		DCC chestnut brown/ chestnut brown					DCD	chestnut brown			
		DDC marble grey/marble grey					DDD	marble grey			
		ATX cashmere beige/cash. beige					ATY	cashmere beige			
(4)	993 521 133 13	cover for cushion with heating leatherette/ seat surface leather		2			DEC	provence blue			
		ATG black/black				-	000 043 071 00	clamp mount cover bag content 50 pieces		X	
		APK classic grey/classic grey					DEE	cedar green			
		DBC midnight bl./midnight blue					DEF	flamenco red			
		DCC chestnut brown/ chestnut brown				5	993 521 393 06	foam part backrest frame comfort seat		1	
		DDC marble grey/marble grey				(5)	993 521 393 07	foam part backrest frame comfort seat with lumbar support		1	
4	993 521 133 10	cover for cushion without heating whole-leather		2		6	A 993 521 385 06	foam part seat cushion	/L	1	
		ATH black				(6)	A 993 521 386 06	foam part seat cushion	/R	1	
		APL classic grey				(6)	993 521 385 07	foam part seat cushion	/L	1	
		DBD midnight blue				(6)	993 521 386 07	foam part seat cushion	/R	1	
		DCD chestnut brown				7	993 653 901 00	heating element seat surface		2	
		DDD marble grey				8	993 653 120 00	heating element seat side bolster		2	
		ATY cashmere beige				9	993 653 902 00	heating element backrest surface		2	
(4)	993 521 133 14	cover for cushion with heating whole-leather		2							
		ATH black									
		APL classic grey									
		DBD midnight blue									

Model	Year	MG	SG	Illustration	Restrictions	UPD	19:44	27.01.2010	PORSCHE	PET	PORSCHE
STZ	1998	8	04	804-76		248					



Pos	Part Number	Description	Remark	Qty	Model
		cover sports seat	92-93		968
1	944 521 071 04	backrest cover without heating leatherette/centre part in cloth multicolour		2	
		XJ1 black/black			
		XJ4 marine blue/marine blue			
		ASC magenta/magenta			
		AQC light grey/light grey			
		ARC cobalt blue/cobalt blue			
		APC classic grey/classic grey			
		AQW cashmere beige/cash. beige			
(1)	964 521 071 07	backrest cover with heating leatherette/centre part in cloth multicolour		2	
		XJ1 black/black			
		XJ4 marine blue/marine blue			
		ASC magenta/magenta			
		AQC light grey/light grey			
		ARC cobalt blue/cobalt blue			
		APC classic grey/classic grey			
		AQW cashmere beige/cash. beige			
1	944 521 071 04	backrest cover without heating leatherette/centre part porsche lettering cloth		2	
		PX1 black/black			
		XJ9 marine blue/blue			
		ASA magenta/magenta			
		AQA light grey/light grey			



Model	Year	MG	SG	Illustration	Restrictions	UPD	19:44	27.01.2010	PORSCHE	PET	PORSCHE
STZ	1998	8	04	804-76		248					

Pos	Part Number	Description	Remark	Qty	Model	Pos	Part Number	Description	Remark	Qty	Model
	ARA	cobalt blue/cobalt blue					AQN	light grey/light grey			
	APA	classic grey/classic grey					AQV	cobalt blue/cobalt blue			
	AQZ	cashmere beige/cash. beige					AQP	classic grey/classic grey			
(1)	964 521 071 07	backrest cover with heating leatherette/ centre part porsche lettering cloth		2		2	XK7	cashmere beige/cash. beige			
	PX1	black/black					944 521 071 05	backrest cover without heating leatherette/ backrest surface porsche lettering cloth		2	
	XJ9	marine blue/blue					PX2	black/black			
	ASA	magenta/magenta					TR9	marine blue/blue			
	AQA	light grey/light grey					ASM	magenta/magenta			
	ARA	cobalt blue/cobalt blue					AQM	light grey/light grey			
	APA	classic grey/classic grey					ARM	cobalt blue/cobalt blue			
	AQZ	cashmere beige/cash. beige					APM	classic grey/classic grey			
2	944 521 071 05	backrest cover without heating leatherette/ backrest surface multicolour		2		(2)	XK6	cashmere beige/cash. beige			
	XK8	black/black					964 521 071 08	backrest cover with heating leatherette/ backrest surface porsche lettering cloth		2	
	XN1	marine blue/marine blue					PX2	black/black			
	ASN	magenta/magenta					TR9	marine blue/blue			
	AQN	light grey/light grey					ASM	magenta/magenta			
	AQV	cobalt blue/cobalt blue					AQM	light grey/light grey			
	AQP	classic grey/classic grey					ARM	cobalt blue/cobalt blue			
	XK7	cashmere beige/cash. beige					APM	classic grey/classic grey			
(2)	964 521 071 08	backrest cover with heating leatherette/ backrest surface multicolour		2		3	XK6	cashmere beige/cash. beige			
	XK8	black/black					944 521 071 61	backrest cover without heating leatherette/ backrest surface leather		2	
	XN1	marine blue/marine blue					JN3	black/black			
	ASN	magenta/magenta					ASK	magenta/magenta			

Model	Year	MG	SG	Illustration	Restrictions	UPD	19:44	27.01.2010	PORSCHE	PET	PORSCHE
STZ	1998	8	04	804-76		248					

Pos	Part Number	Description	Remark	Qty	Model	Pos	Part Number	Description	Remark	Qty	Model
	AQK	light grey/light grey					KZ2	black			
	BQA	marine blue/marine blue					ASL	magenta			
	ARK	cobalt blue/cobalt blue					AQL	light grey			
	APK	classic grey/classic grey					BQB	marine blue			
	ATX	cashmere beige/cash. beige					ARL	cobalt blue			
(3)	964 521 071 10	backrest cover with heating leatherette/ backrest surface leather		2			APL	classic grey			
	JN3	black/black					ATY	cashmere beige			
	ASK	magenta/magenta					AVF	matador red			
	AQK	light grey/light grey					AVG	carrara grey			
	BQA	marine blue/marine blue				4	944 521 037 15	seat cover without heating leatherette/ centre part in cloth multicolour		2	
	ARK	cobalt blue/cobalt blue					XJ1	black/black			
	APK	classic grey/classic grey					XJ4	marine blue/marine blue			
	ATX	cashmere beige/cash. beige					ASC	magenta/magenta			
3	944 521 071 62	backrest cover without heating whole-leather		2			AQC	light grey/light grey			
	KZ2	black					ARC	cobalt blue/cobalt blue			
	ASL	magenta					APC	classic grey/classic grey			
	AQL	light grey					AQW	cashmere beige/cash. beige			
	BQB	marine blue				(4)	964 521 037 07	seat cover with heating leatherette/ centre part in cloth multicolour		2	
	ARL	cobalt blue					XJ1	black/black			
	APL	classic grey					XJ4	marine blue/marine blue			
	ATY	cashmere beige					ASC	magenta/magenta			
	AVF	matador red					AQC	light grey/light grey			
	AVG	carrara grey					ARC	cobalt blue/cobalt blue			
	AVH	sherwood green					APC	classic grey/classic grey			
(3)	964 521 071 11	backrest cover with heating whole-leather		2							

Model	Year	MG	SG	Illustration	Restrictions	UPD	19:44	27.01.2010	PORSCHE	PET	PORSCHE
STZ	1998	8	04	804-76		248					

Pos	Part Number	Description	Remark	Qty	Model	Pos	Part Number	Description	Remark	Qty	Model
	AQW	cashmere beige/cash. beige					AQP	classic grey/classic grey			
4	944 521 037 15	seat cover without heating leatherette/ centre part porsche lettering cloth		2		(5)	XK7	cashmere beige/cash. beige			
	PX1	black/black					964 521 037 08	cover for cushion with heating leatherette/ seat surface multicolour		2	
	XJ9	marine blue/blue					XK8	black/black			
	ASA	magenta/magenta					XN1	marine blue/marine blue			
	AQA	light grey/light grey					ASN	magenta/magenta			
	ARA	cobalt blue/cobalt blue					AQN	light grey/light grey			
	APA	classic grey/classic grey					AQV	cobalt blue/cobalt blue			
	AQZ	cashmere beige/cash. beige					AQP	classic grey/classic grey			
(4)	964 521 037 07	seat cover with heating leatherette/ centre part porsche lettering cloth		2		5	XK7	cashmere beige/cash. beige			
	PX1	black/black					944 521 037 16	cover for cushion without heating leatherette/ seat surface porsche lettering cloth		2	
	XJ9	marine blue/blue					PX2	black/black			
	ASA	magenta/magenta					TR9	marine blue/blue			
	AQA	light grey/light grey					ASM	magenta/magenta			
	ARA	cobalt blue/cobalt blue					AQM	light grey/light grey			
	APA	classic grey/classic grey					ARM	cobalt blue/cobalt blue			
	AQZ	cashmere beige/cash. beige					APM	classic grey/classic grey			
5	944 521 037 16	cover for cushion without heating leatherette/ seat surface multicolour		2		(5)	XK6	cashmere beige/cash. beige			
	XK8	black/black					964 521 037 08	cover for cushion with heating leatherette/ seat surface porsche lettering cloth		2	
	XN1	marine blue/marine blue					PX2	black/black			
	ASN	magenta/magenta					TR9	marine blue/blue			
	AQN	light grey/light grey					ASM	magenta/magenta			
	AQV	cobalt blue/cobalt blue					AQM	light grey/light grey			

Model	Year	MG	SG	Illustration	Restrictions	UPD	19:44	27.01.2010	PORSCHE	PET	PORSCHE
STZ	1998	8	04	804-76		248					

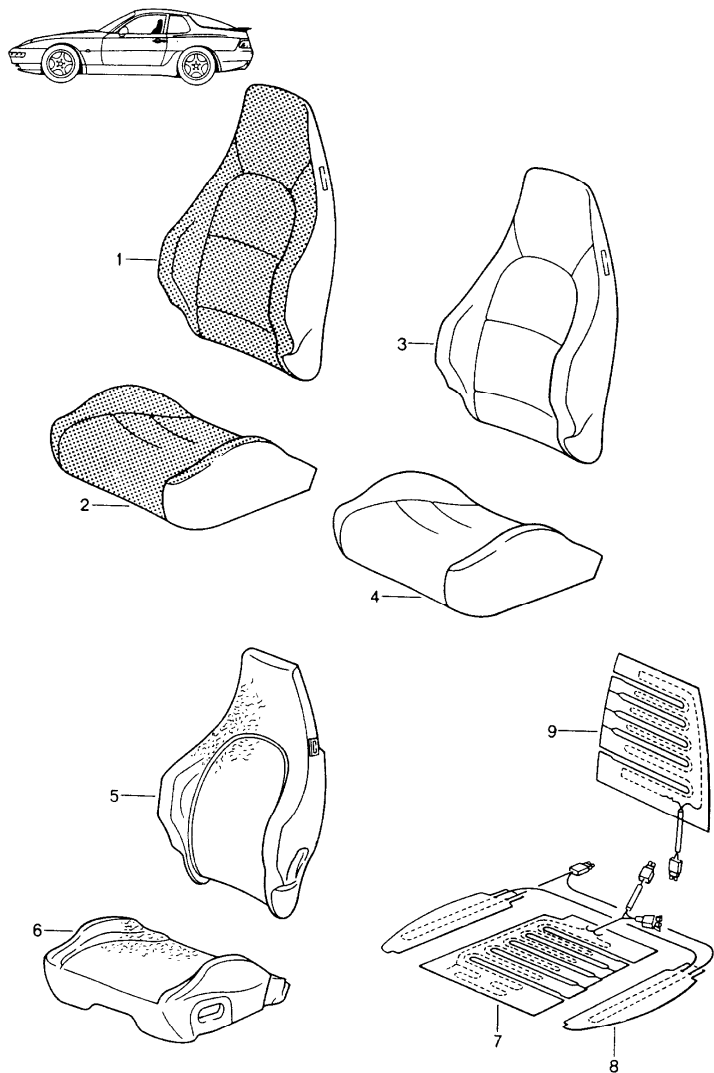
Pos	Part Number	Description	Remark	Qty	Model	Pos	Part Number	Description	Remark	Qty	Model
	ARM	cobalt blue/cobalt blue					ARL	cobalt blue			
	APM	classic grey/classic grey					APL	classic grey			
	XK6	cashmere beige/cash. beige					ATY	cashmere beige			
6	944 521 037 84	cover for cushion without heating leatherette/ seat surface leather		2			AVF	matador red			
	JN3	black/black				(6)	964 521 037 11	cover for cushion with heating whole-leather		2	
	ASK	magenta/magenta					KZ2	black			
	AQK	light grey/light grey					ASL	magenta			
	BQA	marine blue/marine blue					AQL	light grey			
	ARK	cobalt blue/cobalt blue					BQB	marine blue			
	APK	classic grey/classic grey					ARL	cobalt blue			
(6)	964 521 037 10	cover for cushion with heating leatherette/ seat surface leather		2			APL	classic grey			
	ATX	cashmere beige/cash. beige					ATY	cashmere beige			
	JN3	black/black					AVF	matador red			
	ASK	magenta/magenta					AVG	carrara grey			
	AQK	light grey/light grey				-	000 043 071 00	clamp mount cover bag content 50 pieces		X	
	BQA	marine blue/marine blue				7	911 521 815 00	rosette		4	
	ARK	cobalt blue/cobalt blue					01C	satin black			
	APK	classic grey/classic grey				8	311 881 247	clamp		4	
	ATX	cashmere beige/cash. beige				9	911 521 817 00	control button		4	
6	944 521 037 85	cover for cushion without heating whole-leather		2			01C	satin black			
	KZ2	black				10	928 521 393 15	foam part backrest frame		2	
	ASL	magenta									
	AQL	light grey									
	BQB	marine blue									

Model	Year	MG	SG	Illustration	Restrictions	UPD	19:44	27.01.2010	PORSCHE	PET	PORSCHE
STZ	1998	8	04	804-76		248					

Pos	Part Number	Description	Remark	Qty	Model	Pos	Part Number	Description	Remark	Qty	Model
11	A 928 521 385 27	foam part seat frame	/L	1							
(11)	A 928 521 386 27	foam part seat frame	/R	1							
(11)	928 521 385 28	foam part seat frame with heating	/L	1							
(11)	928 521 386 28	foam part seat frame with heating	/R	1							

Model	Year	MG	SG	Illustration	Restrictions	UPD	19:44	27.01.2010	PORSCHE	PET	PORSCHE
STZ	1998	8	04	804-77		248					

Pos	Part Number	Description	Remark	Qty	Model
			94-95		968
1	993 521 127 06	cover sports seat backrest cover without heating leatherette/ backrest surface porsche lettering cloth PX2 black/black APM classic grey/classic grey DBA midnight bl./midnight blue DCA chestnut brown/ chestnut brown DDA marble grey/marble grey XK6 cashmere beige/cash. beige		2	
(1)	993 521 127 09	backrest cover with heating leatherette/ backrest surface porsche lettering cloth PX2 black/black APM classic grey/classic grey DBA midnight bl./midnight blue DCA chestnut brown/ chestnut brown DDA marble grey/marble grey XK6 cashmere beige/cash. beige		2	
2	993 521 137 06	cover for cushion without heating leatherette/ seat surface porsche lettering cloth PX2 black/black APM classic grey/classic grey DBA midnight bl./midnight blue DCA chestnut brown/ chestnut brown DDA marble grey/marble grey		2	



Model	Year	MG	SG	Illustration	Restrictions	UPD	19:44	27.01.2010	PORSCHE	PET	PORSCHE
STZ	1998	8	04	804-77		248					

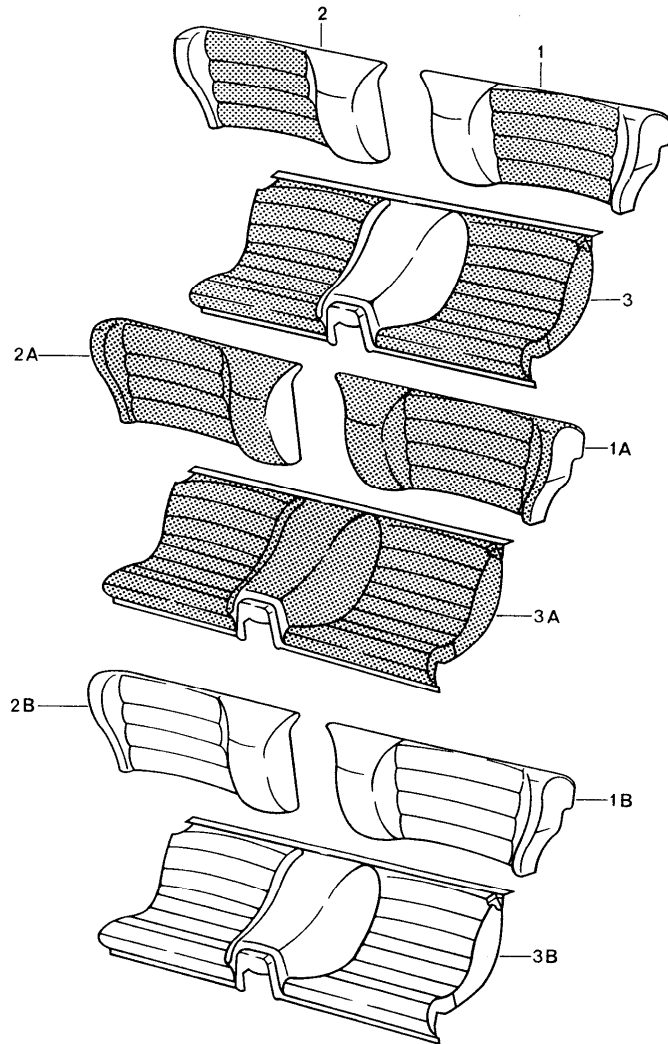
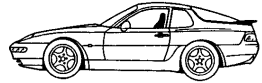
Pos	Part Number	Description	Remark	Qty	Model	Pos	Part Number	Description	Remark	Qty	Model
	XK6	cashmere beige/cash. beige					ATX	cashmere beige/cash. beige			
(2)	993 521 137 09	cover for cushion with heating leatherette/ seat surface porsche lettering cloth		2		3	993 521 127 08	backrest cover without heating whole-leather		2	
	PX2	black/black					ATH	black			
	APM	classic grey/classic grey					APL	classic grey			
	DBA	midnight bl./midnight blue					DBD	midnight blue			
	DCA	chestnut brown/ chestnut brown					DCD	chestnut brown			
	DDA	marble grey/marble grey					DDD	marble grey			
	XK6	cashmere beige/cash. beige					ATY	cashmere beige			
3	993 521 127 07	backrest cover without heating leatherette/ backrest surface leather		2			DEC	provence blue			
	ATG	black/black					DEE	cedar green			
	APK	classic grey/classic grey				(3)	993 521 127 11	backrest cover with heating whole-leather		2	
	DBC	midnight bl./midnight blue					ATH	black			
	DCC	chestnut brown/ chestnut brown					APL	classic grey			
	DDC	marble grey/marble grey					DBD	midnight blue			
	ATX	cashmere beige/cash. beige					DCD	chestnut brown			
(3)	993 521 127 10	backrest cover with heating leatherette/ backrest surface leather		2			DDD	marble grey			
	ATG	black/black					ATY	cashmere beige			
	APK	classic grey/classic grey					DEC	provence blue			
	DBC	midnight bl./midnight blue					DEE	cedar green			
	DCC	chestnut brown/ chestnut brown					DEF	flamenco red			
	DDC	marble grey/marble grey				4	993 521 137 07	cover for cushion without heating leatherette/ seat surface leather		2	
							ATG	black/black			
							APK	classic grey/classic grey			
							DBC	midnight bl./midnight blue			

Model	Year	MG	SG	Illustration	Restrictions	UPD	19:44	27.01.2010	PORSCHE	PET	PORSCHE
STZ	1998	8	04	804-77		248					

Pos	Part Number	Description	Remark	Qty	Model	Pos	Part Number	Description	Remark	Qty	Model
	DCC	chestnut brown/ chestnut brown					DCD	chestnut brown			
	DDC	marble grey/marble grey					DDD	marble grey			
	ATX	cashmere beige/cash. beige					ATY	cashmere beige			
(4)	993 521 137 10	cover for cushion with heating leatherette/ seat surface leather		2			DEC	provence blue			
	ATG	black/black				-	000 043 071 00	clamp mount cover bag content 50 pieces		X	
	APK	classic grey/classic grey					DEE	cedar green			
	DBC	midnight bl./midnight blue					DEF	flamenco red			
	DCC	chestnut brown/ chestnut brown				5	993 521 393 05	foam part backrest frame sports seat		1	
	DDC	marble grey/marble grey				6	A 993 521 385 08	foam part seat cushion elect. vertical adjustment	/L	1	
4	993 521 137 08	cover for cushion without heating whole-leather		2		(6)	A 993 521 386 08	foam part seat cushion elect. vertical adjustment	/R	1	
	ATH	black					993 521 385 09	foam part seat cushion elect. vertical adjustment with heating	/L	1	
	APL	classic grey					(6)	993 521 386 09	foam part seat cushion elect. vertical adjustment with heating	/R	1
	DBD	midnight blue					993 653 901 00	heating element seat surface		1	
	DCD	chestnut brown					993 653 120 00	heating element seat side bolster		1	
	DDD	marble grey					993 653 902 00	heating element backrest surface		1	
	ATY	cashmere beige									
	DEC	provence blue									
	DEE	cedar green									
	DEF	flamenco red									
(4)	993 521 137 11	cover for cushion with heating whole-leather		2							
	ATH	black									
	APL	classic grey									
	DBD	midnight blue									



Model	Year	MG	SG	Illustration	Restrictions	UPD	19:44	27.01.2010	PORSCHE	PET	PORSCHE
STZ	1998	8	04	804-78		248					



Pos	Part Number	Description	Remark	Qty	Model
1	944 522 045 01	back seat complete	92-93	1	968 COUPE
		backrest leatherette/ centre part in cloth multicolour carpet	/L		
	XJ1	black/black black			
	XJ4	marine blue/marine blue marine blue			
	ASC	magenta/magenta magenta			
	AQC	light grey/light grey light grey			
	ARC	cobalt blue/cobalt blue cobalt blue			
	APC	classic grey/classic grey classic grey			
	AQW	cashmere beige/cash. beige cashmere beige			
2	944 522 046 01	backrest leatherette/ centre part in cloth multicolour carpet	/R	1	
	XJ1	black/black black			
	XJ4	marine blue/marine blue marine blue			
	ASC	magenta/magenta magenta			
	AQC	light grey/light grey light grey			
	ARC	cobalt blue/cobalt blue cobalt blue			
	APC	classic grey/classic grey classic grey			
	AQW	cashmere beige/cash. beige cashmere beige			

Model	Year	MG	SG	Illustration	Restrictions	UPD	19:44	27.01.2010	PORSCHE	PET	PORSCHE
STZ	1998	8	04	804-78		248					

Pos	Part Number	Description	Remark	Qty	Model	Pos	Part Number	Description	Remark	Qty	Model
1	944 522 045 01	backrest leatherette/ centre part porsche lettering cloth carpet	/L	1		1A	944 522 045 02	backrest leatherette/ backrest surface multicolour carpet	/L	1	
	PX1	black/black black					XK8	black/black black			
	XJ9	marine blue/blue marine blue					XN1	marine blue/marine blue marine blue			
	ASA	magenta/magenta magenta					ASN	magenta/magenta magenta			
	AQA	light grey/light grey light grey					AQN	light grey/light grey light grey			
	ARA	cobalt blue/cobalt blue cobalt blue					AQV	cobalt blue/cobalt blue cobalt blue			
	APA	classic grey/classic grey classic grey					AQP	classic grey/classic grey classic grey			
	AQZ	cashmere beige/cash. beige cashmere beige					XK7	cashmere beige/cash. beige cashmere beige			
2	944 522 046 01	backrest leatherette/ centre part porsche lettering cloth carpet	/R	1		2A	944 522 046 02	backrest leatherette/ backrest surface multicolour carpet	/R	1	
	PX1	black/black black					XK8	black/black black			
	XJ9	marine blue/blue marine blue					XN1	marine blue/marine blue marine blue			
	ASA	magenta/magenta magenta					ASN	magenta/magenta magenta			
	AQA	light grey/light grey light grey					AQN	light grey/light grey light grey			
	ARA	cobalt blue/cobalt blue cobalt blue					AQV	cobalt blue/cobalt blue cobalt blue			
	APA	classic grey/classic grey classic grey					AQP	classic grey/classic grey classic grey			
	AQZ	cashmere beige/cash. beige cashmere beige					XK7	cashmere beige/cash. beige cashmere beige			

Model	Year	MG	SG	Illustration	Restrictions	UPD	19:44	27.01.2010	PORSCHE	PET	PORSCHE
STZ	1998	8	04	804-78		248					

Pos	Part Number	Description	Remark	Qty	Model	Pos	Part Number	Description	Remark	Qty	Model		
1A	944 522 045 02	backrest leatherette/ backrest surface porsche lettering cloth carpet	/L	1			43S	black/black					
		PX2	black/black black				1KX	marine blue/marine blue					
		TR9	marine blue/blue marine blue				9WX	magenta/magenta					
		ASM	magenta/magenta magenta				3ZT	light grey/light grey					
		AQM	light grey/light grey light grey				5ZF	cobalt blue/cobalt blue					
		ARM	cobalt blue/cobalt blue cobalt blue				5WH	classic grey/classic grey					
		APM	classic grey/classic grey classic grey				7RT	cashmere beige/cash. beige					
		XK6	cashmere beige/cash. beige cashmere beige				2B	944 522 046 03	backrest leatherette/ carpet	/R	1		
		2A	944 522 046 02	backrest leatherette/ backrest surface porsche lettering cloth carpet	/R		1		43S	black/black			
				PX2	black/black black				1KX	marine blue/marine blue			
		TR9	marine blue/blue marine blue			9WX	magenta/magenta						
		ASM	magenta/magenta magenta			3ZT	light grey/light grey						
		AQM	light grey/light grey light grey			5ZF	cobalt blue/cobalt blue						
		ARM	cobalt blue/cobalt blue cobalt blue			5WH	classic grey/classic grey						
		APM	classic grey/classic grey classic grey			7RT	cashmere beige/cash. beige						
		XK6	cashmere beige/cash. beige cashmere beige			1B	944 522 045 51	backrest leather/ carpet	/L	1			
1B	944 522 045 03	backrest leatherette/ carpet	/L	1		KZ2	black/black						
						ASL	magenta/magenta						
						AQL	light grey/light grey						
						BQB	marine blue/marine blue						
						ARL	cobalt blue/cobalt blue						
						APL	classic grey/classic grey						
						ATY	cashmere beige/cash. beige						
						AVF	matador red/matador red						
						AVG	carrara grey/carrara grey						
						AVH	sherwood gr./sherw. green						

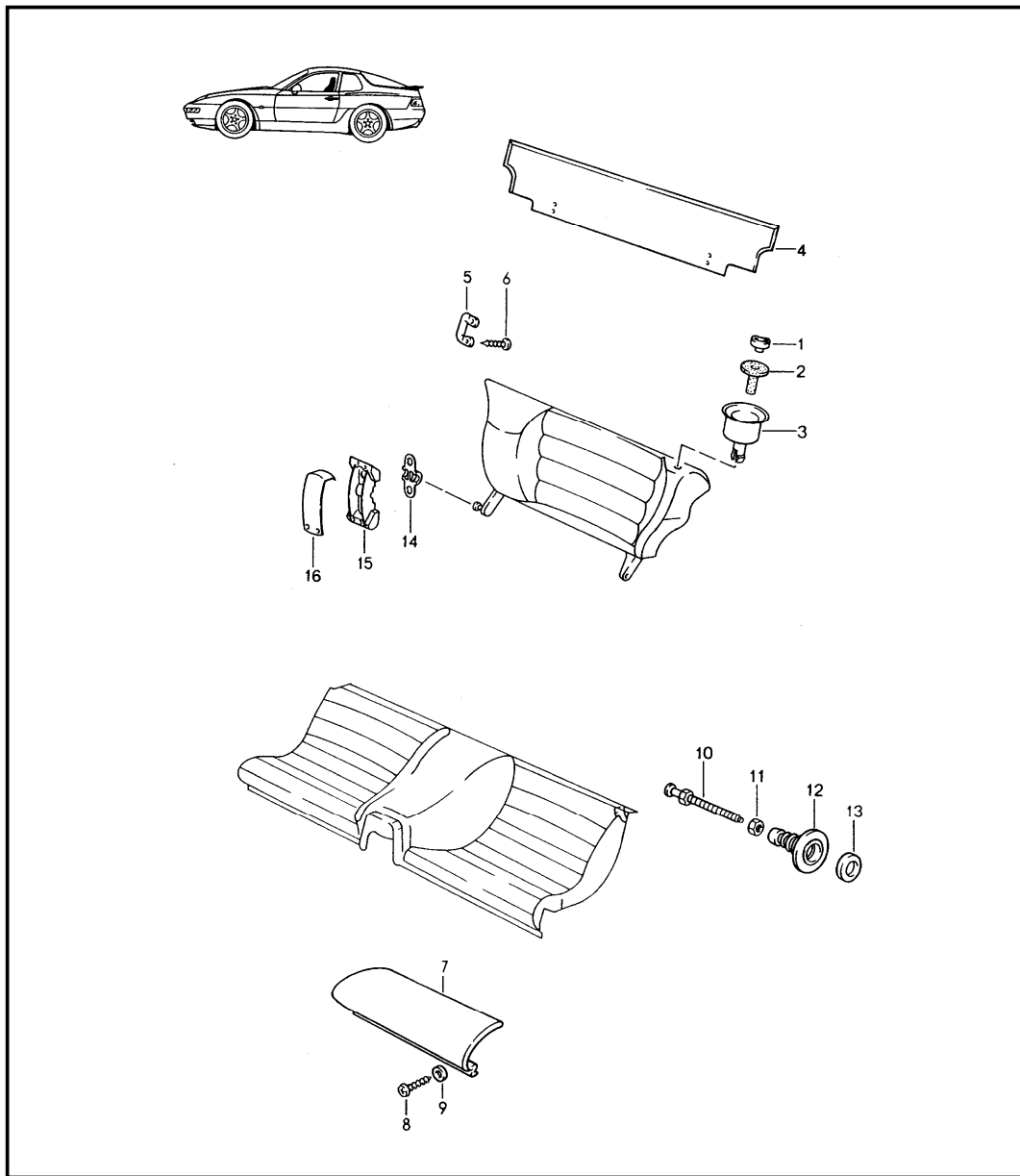
Model	Year	MG	SG	Illustration	Restrictions	UPD	19:44	27.01.2010	PORSCHE	PET	PORSCHE
STZ	1998	8	04	804-78		248					

Pos	Part Number	Description	Remark	Qty	Model	Pos	Part Number	Description	Remark	Qty	Model
2B	944 522 046 51	backrest leather/ carpet	/R	1			APA	classic grey/classic grey			
							AQZ	cashmere beige/cash. beige			
	KZ2	black/black				3A	944 522 073 01	seat cushion leatherette/ seat surface multicolour		1	
	ASL	magenta/magenta					XK8	black/black			
	AQL	light grey/light grey					XN1	marine blue/marine blue			
	BQB	marine blue/marine blue					ASN	magenta/magenta			
	ARL	cobalt blue/cobalt blue					AQN	light grey/light grey			
	APL	classic grey/classic grey					AQV	cobalt blue/cobalt blue			
	ATY	cashmere beige/cash. beige					AQP	classic grey/classic grey			
	AVF	matador red/matador red					XK7	cashmere beige/cash. beige			
	AVG	carrara grey/carrara grey				3A	944 522 073 01	seat cushion leatherette/ seat surface porsche lettering cloth		1	
	AVH	sherwood gr./sherw. green					PX2	black/black			
3	944 522 073 00	seat cushion leatherette/ centre part in cloth multicolour		1			TR9	marine blue/blue			
	XJ1	black/black					ASM	magenta/magenta			
	XJ4	marine blue/marine blue					AQM	light grey/light grey			
	ASC	magenta/magenta					ARM	cobalt blue/cobalt blue			
	AQC	light grey/light grey					APM	classic grey/classic grey			
	ARC	cobalt blue/cobalt blue					XK6	cashmere beige/cash. beige			
	APC	classic grey/classic grey				3B	944 522 073 02	seat cushion leatherette		1	
	AQW	cashmere beige/cash. beige					43S	black			
3	944 522 073 00	seat cushion leatherette/ centre part porsche lettering cloth		1			1KX	marine blue			
	PX1	black/black					9WX	magenta			
	XJ9	marine blue/blue					3ZT	light grey			
	ASA	magenta/magenta					5ZF	cobalt blue			
	AQA	light grey/light grey					5WH	classic grey			
	ARA	cobalt blue/cobalt blue									

Model	Year	MG	SG	Illustration	Restrictions	UPD	19:44	27.01.2010	PORSCHE	PET	PORSCHE
STZ	1998	8	04	804-78		248					

Pos	Part Number	Description	Remark	Qty	Model	Pos	Part Number	Description	Remark	Qty	Model
	7RT	cashmere beige									
3B	944 522 073 51	seat cushion whole-leather		1							
	KZ2	black									
	ASL	magenta									
	AQL	light grey									
	BQB	marine blue									
	ARL	cobalt blue									
	APL	classic grey									
	ATY	cashmere beige									
	AVF	matador red									
	AVG	carrara grey									
	AVH	sherwood green									

Model	Year	MG	SG	Illustration	Restrictions	UPD	19:45	27.01.2010	PORSCHE	PET	PORSCHE
STZ	1998	8	04	804-80		248					



Pos	Part Number	Description	Remark	Qty	Model
		back seat single parts	92-93		968 COUPE
1	944 522 317 00	push button		2	
	01C	satin black			
2	944 522 319 00	guide piece		2	
3	944 522 315 00	rosette		2	
	01C	satin black			
(4)	944 522 831 01	carpet for back seat backrest	/L	1	
	1DR	black			
	4KF	marine blue			
	L52	magenta			
	D42	light grey			
	G47	cobalt blue			
	D06	classic grey			
	T32	cashmere beige			
	N02	matador red			
	E12	carrara grey			
	J22	sherwood green			
(4)	944 522 832 01	carpet for back seat backrest	/R	1	
	1DR	black			
	4KF	marine blue			
	L52	magenta			
	D42	light grey			
	G47	cobalt blue			
	D06	classic grey			
	T32	cashmere beige			
	N02	matador red			

Model	Year	MG	SG	Illustration	Restrictions	UPD	19:45	27.01.2010	PORSCHE	PET	PORSCHE
STZ	1998	8	04	804-80		248					

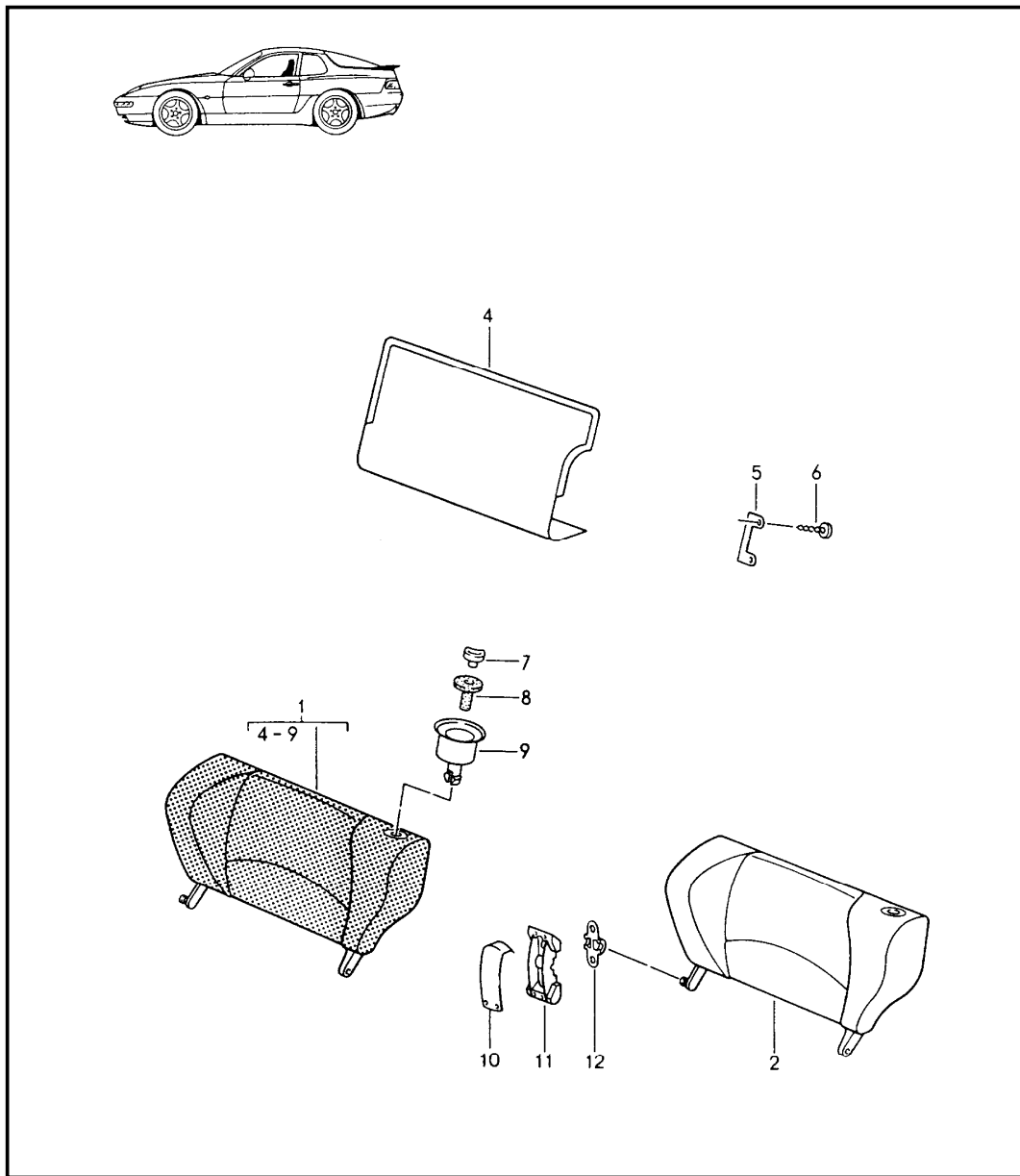
Pos	Part Number	Description	Remark	Qty	Model	Pos	Part Number	Description	Remark	Qty	Model
	E12	carrara grey					ATY	cashmere beige			
	J22	sherwood green					AVF	matador red			
5	477 885 761	retaining bar		2			AVG	carrara grey			
6	N 014 096 3	tapping screw B 4,2 X 22		4			AVH	sherwood green			
7	477 885 041 B	back seat extension leatherette	/L (J)	1		(7)	944 522 042 50	back seat extension leather	/R (J)	1	
	43S	black					KZ2	black			
	1KX	marine blue					ASL	magenta			
	9WX	magenta					AQL	light grey			
	3ZT	light grey					BQB	marine blue			
	5ZF	cobalt blue					ARL	cobalt blue			
	5WH	classic grey					APL	classic grey			
	7RT	cashmere beige					ATY	cashmere beige			
(7)	477 885 042 B	back seat extension leatherette	/R (J)	1			AVF	matador red			
	43S	black					AVG	carrara grey			
	1KX	marine blue				8	N 043 940 3	tapping screw 4,2 X 25		6	
	9WX	magenta				9	900 151 028 02	washer 4,3		6	
	3ZT	light grey				10	944 522 267 00	retaining pivot		2	
	5ZF	cobalt blue				11	N 011 111 2	nut BM 12 X 1,5		4	
	5WH	classic grey				12	944 522 053 00	lining	/L	1	
	7RT	cashmere beige					01C	satin black			
7	944 522 041 50	back seat extension leather	/L (J)	1		(12)	944 522 054 00	lining	/R	1	
	KZ2	black					01C	satin black			
	ASL	magenta				13	N 011 675 2	washer B 15		2	
	AQL	light grey				14	944 522 245 00	bearing shell lower		2	
	BQB	marine blue									
	ARL	cobalt blue									
	APL	classic grey									

Model	Year	MG	SG	Illustration	Restrictions	UPD	19:45	27.01.2010	PORSCHE	PET	PORSCHE
STZ	1998	8	04	804-80		248					

Pos	Part Number	Description	Remark	Qty	Model	Pos	Part Number	Description	Remark	Qty	Model
15	944 522 243 00	bearing shell upper		2							
16	944 522 517 00	cover		2							
	01C	satin black									
-	944 522 281 00	lock		1							
-	944 522 282 00	lock		1							



Model	Year	MG	SG	Illustration	Restrictions	UPD	19:45	27.01.2010	PORSCHE	PET	PORSCHE
STZ	1998	8	04	804-81		248					



Pos	Part Number	Description	Remark	Qty	Model
		back seat backrest with release button upper	94-95		COUPE
1	944 522 043 00	back seat backrest cloth with porsche lettering cloth PX2 black/black APM classic grey/classic grey DBA midnight bl./midnight blue DCA chestnut brown/chestnut brown DDA marble grey/marble grey XK6 cashmere beige/cash. beige	/L	1	
(1)	944 522 044 00	back seat backrest cloth with porsche lettering cloth PX2 black/black APM classic grey/classic grey DBA midnight bl./midnight blue DCA chestnut brown/chestnut brown DDA marble grey/marble grey XK6 cashmere beige/cash. beige	/R	1	
2	944 522 043 01	back seat backrest leatherette 43S black 5WH classic grey 5HE midnight blue 6PC chestnut brown 7EB marble grey 7RT cashmere beige	/L	1	

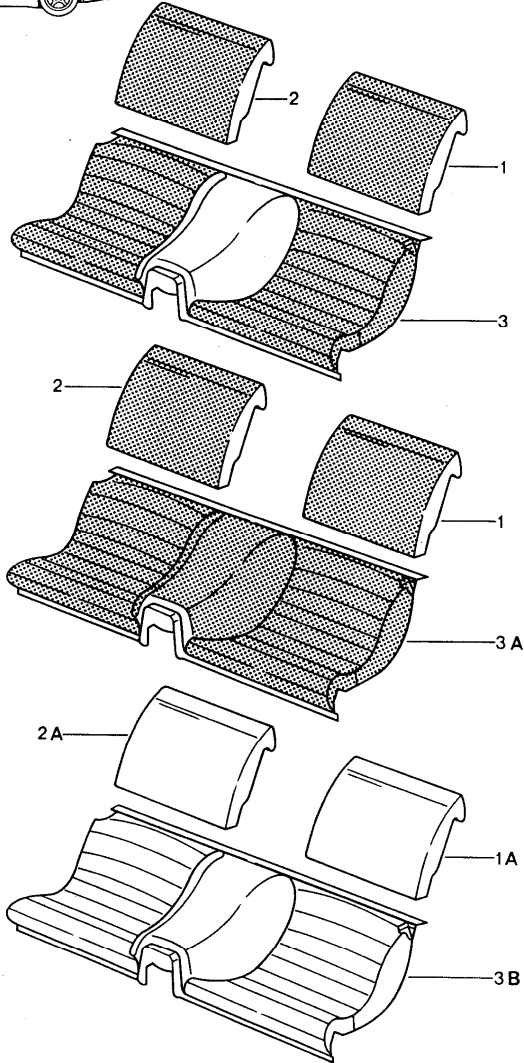
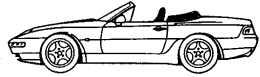
Model	Year	MG	SG	Illustration	Restrictions	UPD	19:45	27.01.2010	PORSCHE	PET	PORSCHE
STZ	1998	8	04	804-81		248					

Pos	Part Number	Description	Remark	Qty	Model	Pos	Part Number	Description	Remark	Qty	Model
(2)	944 522 044 01	back seat backrest leatherette	/R	1		4	944 522 831 01	carpet for back seat backrest	/L	1	
	43S	black					1DR	black			
	5WH	classic grey					D06	classic grey			
	5HE	midnight blue					8HP	midnight blue			
	6PC	chestnut brown					8RP	chestnut brown			
	7EB	marble grey					2BQ	marble grey			
	7RT	cashmere beige					T32	cashmere beige			
2	944 522 043 02	back seat backrest whole-leather	/L	1			7HE	provence blue			
	ATH	black					1JE	cedar green			
	APL	classic grey					4UP	flamenco red			
	DBD	midnight blue				(4)	944 522 832 01	carpet for back seat backrest	/R	1	
	DCD	chestnut brown					1DR	black			
	DDD	marble grey					D06	classic grey			
	ATY	cashmere beige					8HP	midnight blue			
	DEC	provence blue					8RP	chestnut brown			
	DEE	cedar green					2BQ	marble grey			
	DEF	flamenco red					T32	cashmere beige			
(2)	944 522 044 02	back seat backrest whole-leather	/R	1			7HE	provence blue			
	ATH	black					1JE	cedar green			
	APL	classic grey					4UP	flamenco red			
	DBD	midnight blue				5	477 885 761	retaining bar		2	
	DCD	chestnut brown				6	N 014 096 3	tapping screw B 4,2 X 22		4	
	DDD	marble grey				7	944 522 317 00	push button		2	
	ATY	cashmere beige					01C	satin black			
	DEC	provence blue				8	944 522 319 00	guide piece		2	
	DEE	cedar green				9	944 522 315 00	rosette		2	
	DEF	flamenco red									

Model	Year	MG	SG	Illustration	Restrictions	UPD	19:45	27.01.2010	PORSCHE	PET	PORSCHE
STZ	1998	8	04	804-81		248					

Pos	Part Number	Description	Remark	Qty	Model	Pos	Part Number	Description	Remark	Qty	Model
	01C	satin black									
10	944 522 517 00	cover		2							
	01C	satin black									
11	944 522 243 00	bearing shell upper		2							
12	944 522 245 00	bearing shell lower		2							

Model	Year	MG	SG	Illustration	Restrictions	UPD	19:45	27.01.2010	PORSCHE	PET	PORSCHE
STZ	1998	8	04	804-82		248					



Pos	Part Number	Description	Remark	Qty	Model
1	941 522 045 11	back seat complete	92-93	1	968 CABRIO
		XJ1 black/black black	/L		
		XJ4 marine blue/marine blue marine blue			
		ASC magenta/magenta magenta			
		AQC light grey/light grey light grey			
		ARC cobalt blue/cobalt blue cobalt blue			
		APC classic grey/classic grey classic grey			
		AQW cashmere beige/cash. beige cashmere beige			
2	941 522 046 11	backrest leatherette/ backrest surface multicolour carpet	/R	1	
		XJ1 black/black black			
		XJ4 marine blue/marine blue marine blue			
		ASC magenta/magenta magenta			
		AQC light grey/light grey light grey			
		ARC cobalt blue/cobalt blue cobalt blue			
		APC classic grey/classic grey classic grey			
		AQW cashmere beige/cash. beige cashmere beige			

Model	Year	MG	SG	Illustration	Restrictions	UPD	19:45	27.01.2010	PORSCHE	PET	PORSCHE
STZ	1998	8	04	804-82		248					

Pos	Part Number	Description	Remark	Qty	Model	Pos	Part Number	Description	Remark	Qty	Model
1	941 522 045 11	backrest leatherette/ backrest surface porsche lettering cloth carpet	/L	1			43S	black/black			
	PX1	black/black black					1KX	marine blue/marine blue			
	XJ9	marine blue/blue marine blue					9WX	magenta/magenta			
	ASA	magenta/magenta magenta					3ZT	light grey/light grey			
	AQA	light grey/light grey light grey					5ZF	cobalt blue/cobalt blue			
	ARA	cobalt blue/cobalt blue cobalt blue					5WH	classic grey/classic grey			
	APA	classic grey/classic grey classic grey					7RT	cashmere beige/cash. beige			
	AQZ	cashmere beige/cash. beige cashmere beige				2A	941 522 046 10	backrest leatherette/ carpet	/R	1	
2	941 522 046 11	backrest leatherette/ backrest surface porsche lettering cloth carpet	/R	1			43S	black/black			
	PX1	black/black black					1KX	marine blue/marine blue			
	XJ9	marine blue/blue marine blue					9WX	magenta/magenta			
	ASA	magenta/magenta magenta					3ZT	light grey/light grey			
	AQA	light grey/light grey light grey					5ZF	cobalt blue/cobalt blue			
	ARA	cobalt blue/cobalt blue cobalt blue					5WH	classic grey/classic grey			
	APA	classic grey/classic grey classic grey					7RT	cashmere beige/cash. beige			
	AQZ	cashmere beige/cash. beige cashmere beige				(1A)	941 522 045 12	backrest leather/ carpet	/L	1	
1A	941 522 045 10	backrest leatherette/ carpet	/L	1			KZ2	black/black			
							ASL	magenta/magenta			
							AQL	light grey/light grey			
							BQB	marine blue/marine blue			
							ARL	cobalt blue/cobalt blue			
							APL	classic grey/classic grey			
							ATY	cashmere beige/cash. beige			
							AVF	matador red/matador red			
							AVG	carrara grey/carrara grey			
							AVH	sherwood gr./sherw. green			

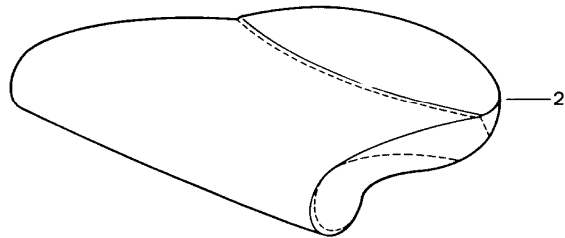
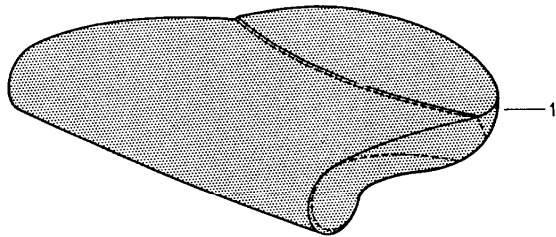
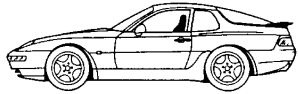
Model	Year	MG	SG	Illustration	Restrictions	UPD	19:45	27.01.2010	PORSCHE	PET	PORSCHE
STZ	1998	8	04	804-82		248					

Pos	Part Number	Description	Remark	Qty	Model	Pos	Part Number	Description	Remark	Qty	Model
(2A)	941 522 046 12	backrest leather/ carpet	/R	1			APA	classic grey/classic grey			
							AQZ	cashmere beige/cash. beige			
	KZ2	black/black				3A	944 522 073 01	seat cushion leatherette/ seat surface multicolour		1	
	ASL	magenta/magenta					XK8	black/black			
	AQL	light grey/light grey					XN1	marine blue/marine blue			
	BQB	marine blue/marine blue					ASN	magenta/magenta			
	ARL	cobalt blue/cobalt blue					AQN	light grey/light grey			
	APL	classic grey/classic grey					AQV	cobalt blue/cobalt blue			
	ATY	cashmere beige/cash. beige					AQP	classic grey/classic grey			
	AVF	matador red/matador red					XK7	cashmere beige/cash. beige			
	AVG	carrara grey/carrara grey				3A	944 522 073 01	seat cushion leatherette/ seat surface porsche lettering cloth		1	
	AVH	sherwood gr./sherw. green					PX2	black/black			
3	944 522 073 00	seat cushion leatherette/ centre part in cloth multicolour		1			TR9	marine blue/blue			
	XJ1	black/black					ASM	magenta/magenta			
	XJ4	marine blue/marine blue					AQM	light grey/light grey			
	ASC	magenta/magenta					ARM	cobalt blue/cobalt blue			
	AQC	light grey/light grey					APM	classic grey/classic grey			
	ARC	cobalt blue/cobalt blue					XK6	cashmere beige/cash. beige			
	APC	classic grey/classic grey				3B	944 522 073 02	seat cushion leatherette		1	
	AQW	cashmere beige/cash. beige					43S	black			
3	944 522 073 00	seat cushion leatherette/ centre part porsche lettering cloth		1			1KX	marine blue			
	PX1	black/black					9WX	magenta			
	XJ9	marine blue/blue					3ZT	light grey			
	ASA	magenta/magenta					5ZF	cobalt blue			
	AQA	light grey/light grey					5WH	classic grey			
	ARA	cobalt blue/cobalt blue									

Model	Year	MG	SG	Illustration	Restrictions	UPD	19:45	27.01.2010	PORSCHE	PET	PORSCHE
STZ	1998	8	04	804-82		248					

Pos	Part Number	Description	Remark	Qty	Model	Pos	Part Number	Description	Remark	Qty	Model
	7RT	cashmere beige									
3B	944 522 073 51	seat cushion whole-leather		1							
	KZ2	black									
	ASL	magenta									
	AQL	light grey									
	BQB	marine blue									
	ARL	cobalt blue									
	APL	classic grey									
	ATY	cashmere beige									
	AVF	matador red									
	AVG	carrara grey									
	AVH	sherwood green									

Model	Year	MG	SG	Illustration	Restrictions	UPD	19:45	27.01.2010	PORSCHE	PET	PORSCHE
STZ	1998	8	04	804-83		248					



Pos	Part Number	Description	Remark	Qty	Model
		back seat cushion	94-95		968
1	944 522 251 00	back seat cushion porsche lettering cloth	/L	1	
	2CZ	black/black			
	6WC	classic grey/classic grey			
	4GP	midnight bl./midnight blue			
	7SA	chestnut brown/ chestnut brown			
	9BE	marble grey/marble grey			
	7TH	cashmere beige/cash. beige			
(1)	944 522 252 00	back seat cushion porsche lettering cloth	/R	1	
	2CZ	black/black			
	6WC	classic grey/classic grey			
	4GP	midnight bl./midnight blue			
	7SA	chestnut brown/ chestnut brown			
	9BE	marble grey/marble grey			
	7TH	cashmere beige/cash. beige			
1	944 522 251 01	back seat cushion porsche lettering cloth	/L (J)	1	
	2CZ	black/black			
	6WC	classic grey/classic grey			
	4GP	midnight bl./midnight blue			
	7SA	chestnut brown/ chestnut brown			
	9BE	marble grey/marble grey			
	7TH	cashmere beige/cash. beige			
(1)	944 522 252 01	back seat cushion porsche lettering cloth	/R (J)	1	
	2CZ	black/black			
	6WC	classic grey/classic grey			



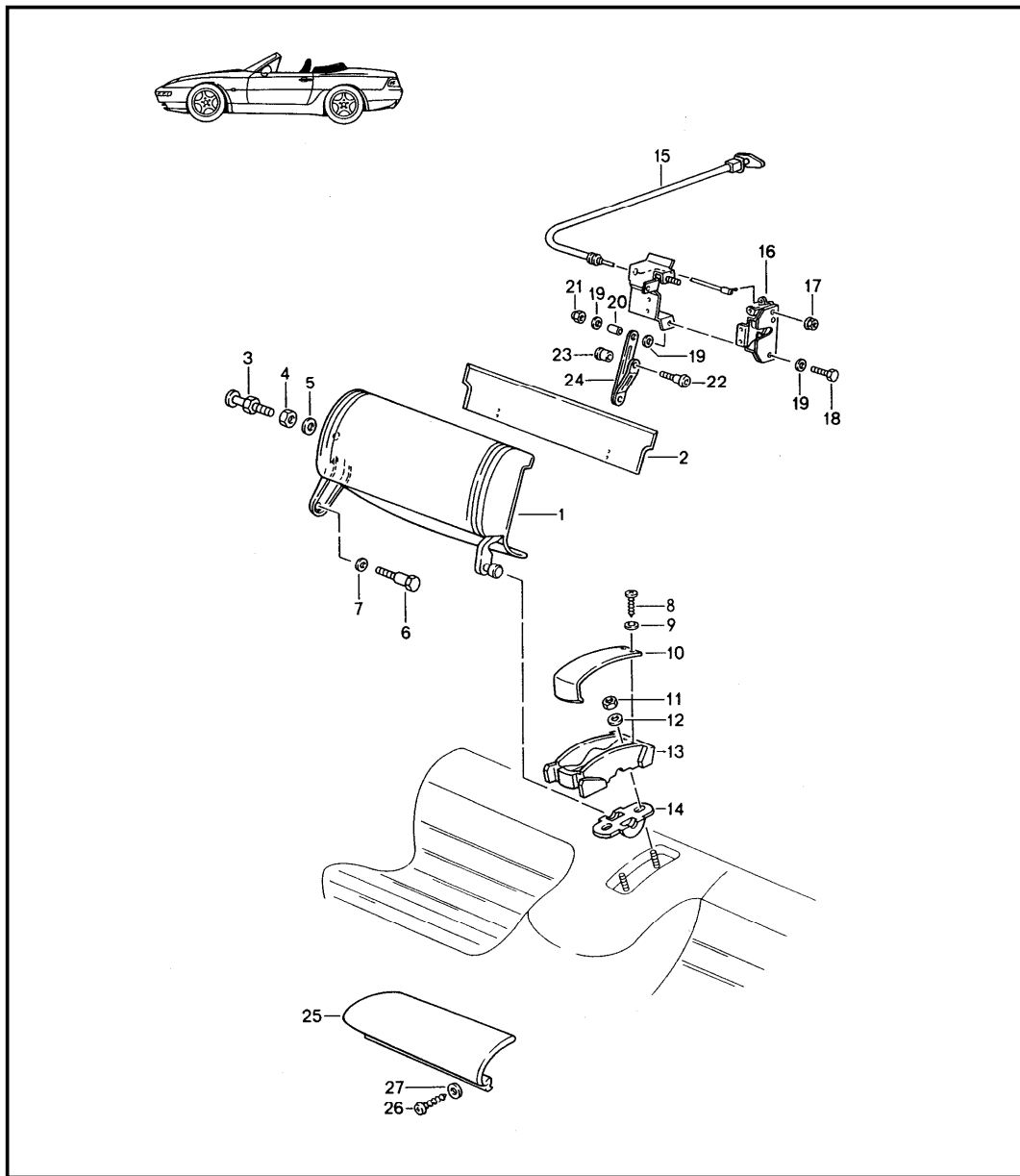
Model	Year	MG	SG	Illustration	Restrictions	UPD	19:45	27.01.2010	PORSCHE	PET	PORSCHE
STZ	1998	8	04	804-83		248					

Pos	Part Number	Description	Remark	Qty	Model	Pos	Part Number	Description	Remark	Qty	Model
	4GP	midnight bl./midnight blue					43S	black			
	7SA	chestnut brown/ chestnut brown					5WH	classic grey			
	9BE	marble grey/marble grey					5HE	midnight blue			
	7TH	cashmere beige/cash. beige					6PC	chestnut brown			
2	944 522 251 02	back seat cushion leatherette	/L	1			7EB	marble grey			
							7RT	cashmere beige			
	43S	black				2	944 522 251 04	back seat cushion whole-leather	/L	1	
	5WH	classic grey					8YR	black			
	5HE	midnight blue					6XL	classic grey			
	6PC	chestnut brown					H24	midnight blue			
	7EB	marble grey					T15	chestnut brown			
	7RT	cashmere beige					3QN	marble grey			
(2)	944 522 252 02	back seat cushion leatherette	/R	1			4YU	cashmere beige			
							G43	provence blue			
	43S	black					K03	cedar green			
	5WH	classic grey					8SE	flamenco red			
	5HE	midnight blue				(2)	944 522 252 04	back seat cushion whole-leather	/R	1	
	6PC	chestnut brown					8YR	black			
	7EB	marble grey					6XL	classic grey			
	7RT	cashmere beige					H24	midnight blue			
2	944 522 251 03	back seat cushion leatherette	/L (J)	1			T15	chestnut brown			
							3QN	marble grey			
	43S	black					4YU	cashmere beige			
	5WH	classic grey					G43	provence blue			
	5HE	midnight blue					K03	cedar green			
	6PC	chestnut brown					8SE	flamenco red			
	7EB	marble grey									
	7RT	cashmere beige									
(2)	944 522 252 03	back seat cushion leatherette	/R (J)	1		2	944 522 251 05	back seat cushion whole-leather	/L (J)	1	

Model	Year	MG	SG	Illustration	Restrictions	UPD	19:45	27.01.2010	PORSCHE	PET	PORSCHE
STZ	1998	8	04	804-83		248					

Pos	Part Number	Description	Remark	Qty	Model	Pos	Part Number	Description	Remark	Qty	Model
	8YR	black									
	6XL	classic grey									
	H24	midnight blue									
	T15	chestnut brown									
	3QN	marble grey									
	4YU	cashmere beige									
	G43	provence blue									
	K03	cedar green									
	8SE	flamenco red									
(2)	944 522 252 05	back seat cushion whole-leather	/R (J)	1							
	8YR	black									
	6XL	classic grey									
	H24	midnight blue									
	T15	chestnut brown									
	3QN	marble grey									
	4YU	cashmere beige									
	G43	provence blue									
	K03	cedar green									
	8SE	flamenco red									

Model	Year	MG	SG	Illustration	Restrictions	UPD	19:45	27.01.2010	PORSCHE	PET	PORSCHE
STZ	1998	8	04	804-84		248					



Pos	Part Number	Description	Remark	Qty	Model
		back seat single parts	92-93		968 CABRIO
1	- - -	see group 8/04/82		1	
2	941 522 225 10	carpet for back seat backrest	/L	1	
		1DR black			
		4KF marine blue			
		L52 magenta			
		D42 light grey			
		G47 cobalt blue			
		D06 classic grey			
		T32 cashmere beige			
		N02 matador red			
		E12 carrara grey			
		J22 sherwood green			
(2)	941 522 226 10	carpet for back seat backrest	/R	1	
		1DR black			
		4KF marine blue			
		L52 magenta			
		D42 light grey			
		G47 cobalt blue			
		D06 classic grey			
		T32 cashmere beige			
		N02 matador red			
		E12 carrara grey			
		J22 sherwood green			
3	941 522 267 10	retaining pivot		2	

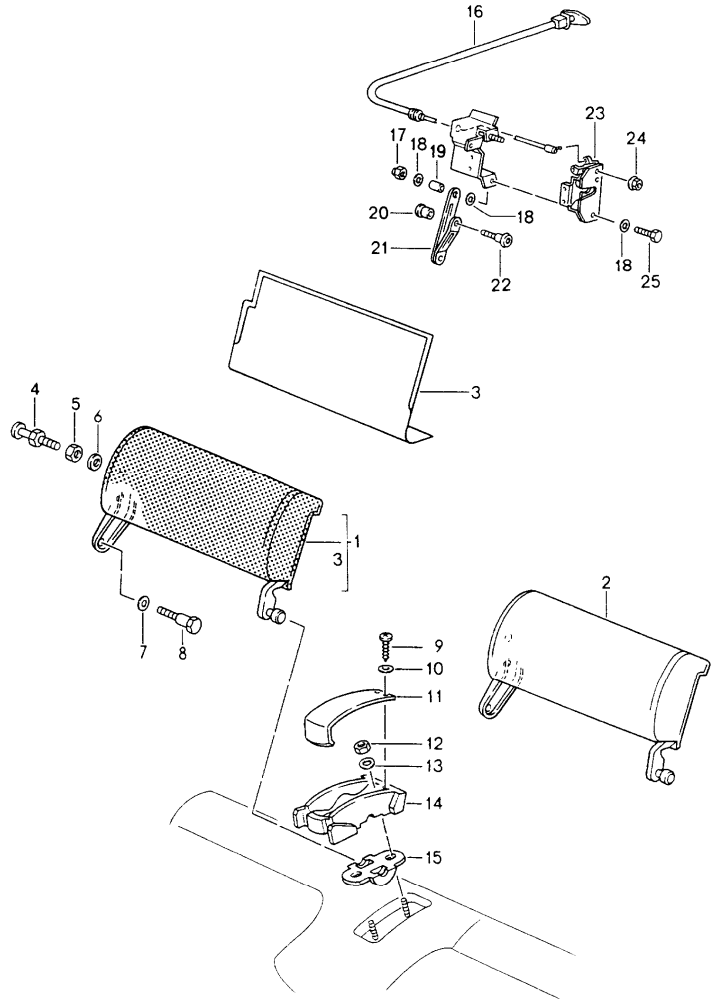
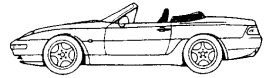
Model	Year	MG	SG	Illustration	Restrictions	UPD	19:45	27.01.2010	PORSCHE	PET	PORSCHE
STZ	1998	8	04	804-84		248					

Pos	Part Number	Description	Remark	Qty	Model	Pos	Part Number	Description	Remark	Qty	Model
4	N 011 111 2	nut M 12 X 1,5		2		23	941 504 720 10	bush		2	
5	N 011 675 2	washer B 15		2		24	941 522 131 10	lever		1	
6	477 885 767	hexagon-head bolt M 6		2		(24)	941 522 132 10	lever		1	
7	N 011 525 15	washer 8,4		2		25	477 885 041 B	back seat extension leatherette	/L (J)	1	
8	N 013 954 7	tapping screw 2,9 X 13		2			43S	black			
9	900 031 101 07	washer 3,2		2			1KX	marine blue			
10	944 522 517 00	cover		2			9WX	magenta			
	01C	satin black					3ZT	light grey			
11	900 910 096 02	lock nut M 6		2			5ZF	cobalt blue			
12	900 151 006 09	washer 6,4		2			5WH	classic grey			
13	944 522 243 00	bearing shell upper		2			7RT	cashmere beige			
14	944 522 245 00	bearing shell lower		2		(25)	477 885 042 B	back seat extension leatherette	/R (J)	1	
15	941 522 237 10	bowden cable		2			43S	black			
16	944 522 281 00	lock	/L	1			1KX	marine blue			
(16)	944 522 282 00	lock	/R	1			9WX	magenta			
17	900 076 010 02	hexagon nut M 6		2		25	944 522 041 50	back seat extension whole-leather	(J)	1	
18	900 075 017 02	hexagon-head bolt M 6 X 25		1			5ZF	cobalt blue			
19	900 031 011 02	washer 6,4		2			5WH	classic grey			
20	941 522 335 10	sleeve		2			7RT	cashmere beige			
21	900 084 008 01	nut M4		2			KZ2	black			
22	941 504 847 10	screw M4 micro-self-locking		2			ASL	magenta			
							AQL	light grey			
							BQB	marine blue			
							ARL	cobalt blue			
							APL	classic grey			
							ATY	cashmere beige			

Model	Year	MG	SG	Illustration	Restrictions	UPD	19:45	27.01.2010	PORSCHE	PET	PORSCHE
STZ	1998	8	04	804-84		248					

Pos	Part Number	Description	Remark	Qty	Model	Pos	Part Number	Description	Remark	Qty	Model
		AVF matador red									
		AVG carrara grey									
		AVH sherwood green									
(25)	944 522 042 50	back seat extension whole-leather	(J)	1							
		KZ2 black									
		ASL magenta									
		AQL light grey									
		BQB marine blue									
		ARL cobalt blue									
		APL classic grey									
		ATY cashmere beige									
		AVF matador red									
		AVG carrara grey									
		AVH sherwood green									
26	N 043 940 3	tapping screw 4,2 X 25		6							
27	900 151 028 02	washer 4,3		6							

Model	Year	MG	SG	Illustration	Restrictions	UPD	19:46	27.01.2010	PORSCHE	PET	PORSCHE
STZ	1998	8	04	804-85		248					



Pos	Part Number	Description	Remark	Qty	Model
		back seat backrest for cabriolet	94-95		CABRIO
(1)	941 522 045 11	back seat backrest porsche lettering cloth	/L	1	
	PX1	black			
	APA	classic grey			
	DBA	midnight blue			
	DCA	chestnut brown			
	DDA	marble grey			
	AQZ	cashmere beige			
1	941 522 046 11	back seat backrest porsche lettering cloth	/R	1	
	PX1	black			
	APA	classic grey			
	DBA	midnight blue			
	DCA	chestnut brown			
	DDA	marble grey			
	AQZ	cashmere beige			
(2)	941 522 045 10	back seat backrest leatherette	/L	1	
	43S	black			
	5WH	classic grey			
	5HE	midnight blue			
	6PC	chestnut brown			
	7EB	marble grey			
	7RT	cashmere beige			
2	941 522 046 10	back seat backrest leatherette	/R	1	
	43S	black			
	5WH	classic grey			
	5HE	midnight blue			

Model	Year	MG	SG	Illustration	Restrictions	UPD	19:46	27.01.2010	PORSCHE	PET	PORSCHE
STZ	1998	8	04	804-85		248					

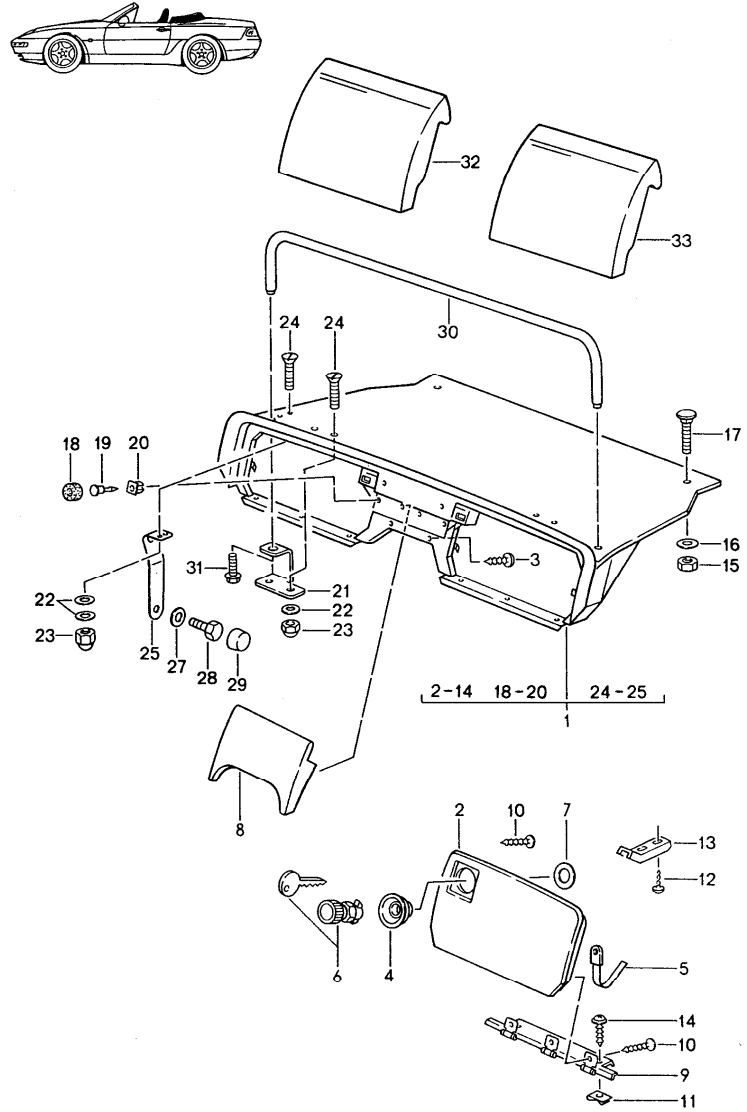
Pos	Part Number	Description	Remark	Qty	Model	Pos	Part Number	Description	Remark	Qty	Model										
(2)	941 522 045 12	6PC chestnut brown	/L	1		3	941 522 226 10	8RP chestnut brown	/R	1											
		7EB marble grey						2BQ marble grey													
		7RT cashmere beige						T32 cashmere beige													
		back seat backrest whole-leather						7HE provence blue													
		ATH black						1JE cedar green													
		APL classic grey						4UP flamenco red													
		DBD midnight blue						carpet for back seat backrest													
		DCD chestnut brown						1DR black													
		DDD marble grey						D06 classic grey													
		ATY cashmere beige						8HP midnight blue													
		DEC provence blue						8RP chestnut brown													
		DEE cedar green						2BQ marble grey													
DEF flamenco red	T32 cashmere beige																				
2	941 522 046 12	back seat backrest whole-leather	/R	1		4	941 522 267 10	retaining pivot		2											
		ATH black						5 900 078 021 02				nut M 12 X 1,5	2								
		APL classic grey						6 N 011 675 2				washer B 15	2								
		DBD midnight blue						7 N 011 525 15				washer 8,4	2								
		DCD chestnut brown						8 477 885 767				hexagon-head bolt M 6	2								
		DDD marble grey						9 N 013 954 7				tapping screw 2,9 X 13	2								
		ATY cashmere beige						10 900 031 101 07				washer 3,2	2								
		DEC provence blue						11 944 522 517 00				cover	2								
		DEE cedar green						01C				satin black									
		DEF flamenco red																			
		(3)						941 522 225 10				carpet for back seat backrest	/L	1							
												1DR black									
D06 classic grey																					
8HP midnight blue																					

Model	Year	MG	SG	Illustration	Restrictions	UPD	19:46	27.01.2010	PORSCHE	PET	PORSCHE
STZ	1998	8	04	804-85		248					

Pos	Part Number	Description	Remark	Qty	Model	Pos	Part Number	Description	Remark	Qty	Model
12	900 910 096 02	lock nut M 6		2							
13	900 151 006 09	washer 6,4		2							
14	944 522 243 00	bearing shell upper		2							
15	944 522 245 00	bearing shell lower		2							
16	941 522 237 10	bowden cable		2							
17	900 084 008 01	nut M 4		2							
18	900 031 011 02	washer 6,4		2							
19	941 522 335 10	sleeve		2							
20	941 504 720 10	bush		2							
21	941 522 131 10	lever	/L	1							
(21)	941 522 132 10	lever	/R	1							
22	941 504 847 10	screw M 4		2							
23	944 522 281 00	lock	/L	1							
(23)	944 522 282 00	lock	/R	1							
24	900 380 013 00	hexagon nut M 6		2							
25	900 075 017 02	hexagon-head bolt M 6 X 25		1							



Model	Year	MG	SG	Illustration	Restrictions	UPD	19:46	27.01.2010	PORSCHE	PET	PORSCHE
STZ	1998	8	04	804-86		248					



Pos	Part Number	Description	Remark	Qty	Model
1	941 555 143 00	rear luggage dump complete	92-93	1	968 CABRIO
	1DR	black/black			
	D06	classic grey/classic grey			
	G47	cobalt blue/cobalt blue			
	L52	magenta/magenta			
	D42	light grey/light grey			
	T32	cashmere beige/cash. beige			
	4KF	marine blue/marine blue			
(1)	941 555 143 01	rear luggage dump carpet/leather		1	
	1DR	black/black			
	D06	classic grey/classic grey			
	G47	cobalt blue/cobalt blue			
	L52	magenta/magenta			
	D42	light grey/light grey			
	T32	cashmere beige/cash. beige			
	4KF	marine blue/marine blue			
	N02	matador red/matador red			
	E12	carrara grey/carrara grey			
	J22	sherwood gr./sherw. green			
(2)	964 555 921 00	lid leatherette	/L	1	
	05T	black			
	2WJ	classic grey			
	9ZH	cobalt blue			
	4WY	magenta			
	1ZU	light grey			

Model	Year	MG	SG	Illustration	Restrictions	UPD	19:46	27.01.2010	PORSCHE	PET	PORSCHE
STZ	1998	8	04	804-86		248					

Pos	Part Number	Description	Remark	Qty	Model	Pos	Part Number	Description	Remark	Qty	Model
	7RT	cashmere beige					4YU	cashmere beige			
	1KX	marine blue					H05	marine blue			
2	964 555 922 00	lid leatherette	/R	1			M05	matador red			
	05T	black					D35	carrara grey			
	2WJ	classic grey					J25	sherwood green			
	9ZH	cobalt blue				3	999 919 050 02	oval-head screw 4,0 X 12		4	
	4WY	magenta				4	964 552 312 00	rosette		2	
	1ZU	light grey					01C	satin black			
	7RT	cashmere beige				5	964 555 515 00	securing strap		4	
	1KX	marine blue				6	941 538 003 10	set of locks		1	
(2)	964 555 921 01	lid whole-leather		1			01C	satin black with 2 key			
	1AJ	black									
	6XL	classic grey				7	999 025 200 07	washer 21,3 X 40 X 1		2	
	9YL	cobalt blue				8	941 555 463 10	centre part leatherette		1	
	6YL	magenta					05T	black			
	8ZL	light grey					2WJ	classic grey			
	4YU	cashmere beige					9ZH	cobalt blue			
	H05	marine blue					4WY	magenta			
	M05	matador red					1ZU	light grey			
	D35	carrara grey					7RT	cashmere beige			
	J25	sherwood green					1KX	marine blue			
2	964 555 922 01	lid whole-leather		1		8	941 555 463 11	centre part leather		1	
	1AJ	black					1AJ	black			
	6XL	classic grey					6XL	classic grey			
	9YL	cobalt blue					9YL	cobalt blue			
	6YL	magenta					6YL	magenta			
	8ZL	light grey									

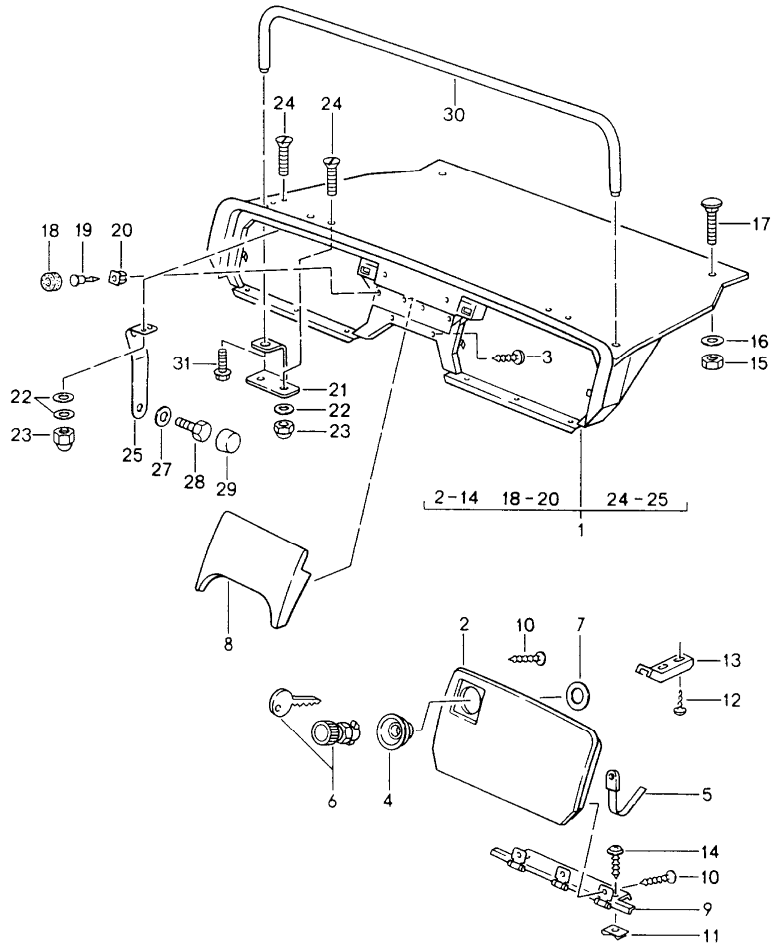
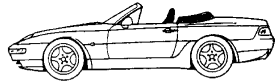
Model	Year	MG	SG	Illustration	Restrictions	UPD	19:46	27.01.2010	PORSCHE	PET	PORSCHE
STZ	1998	8	04	804-86		248					

Pos	Part Number	Description	Remark	Qty	Model	Pos	Part Number	Description	Remark	Qty	Model
	8ZL	light grey				29	811 857 845	screw-on cap		2	
	4YU	cashmere beige					01C	satin black			
	H05	marine blue				32	941 522 046 10	backrest leatherette/carpet		1	
	M05	matador red					43S	black/black			
	D35	carrara grey					5WH	classic grey/classic grey			
	J25	sherwood green					5ZF	cobalt blue/cobalt blue			
9	964 555 487 00	hinge		2			9WX	magenta/magenta			
10	999 919 105 07	countersunk-head screw 4,0 X 12		20			1KX	marine blue/marine blue			
11	999 507 023 02	speed nut B 4,8		6			CFS	black/light grey			
12	900 316 002 07	screw 4,0 X 12		4			CJA	classic grey/light grey			
13	941 555 853 10	closing element		2			CJB	cobalt blue/light grey			
14	900 143 152 07	combination screw		6			CJC	magenta/light grey			
15	N 011 005 14	hexagon nut M 5		2			CFT	black/cashmere beige			
16	900 151 027 02	washer B 5,3 X 15 X 1,6		2			CFU	black/matador red			
17	900 050 022 02	round head screw M 5 X 30		2		33	941 522 045 10	backrest leatherette/carpet		1	
18	944 552 259 00	plug		2			43S	black/black			
19	N 902 662 01	combination tapping screw B 3,5 X 16		4			5WH	classic grey/classic grey			
20	999 591 679 40	special nut B 4,2		4			5ZF	cobalt blue/cobalt blue			
22	900 223 006 02	washer		4			9WX	magenta/magenta			
23	900 096 016 07	cap nut		4			1KX	marine blue/marine blue			
24	900 269 065 02	countersunk-head screw M 4 X 22		4			CFS	black/light grey			
25	941 555 627 10	support		2			CJA	classic grey/light grey			
27	999 025 113 02	washer 11,5 X 21 X 2		2			CJB	cobalt blue/light grey			
28	111 857 799 A	fastening screw		2			CJC	magenta/light grey			
							CFT	black/cashmere beige			
							CFU	black/matador red			

Model	Year	MG	SG	Illustration	Restrictions	UPD	19:46	27.01.2010	PORSCHE	PET	PORSCHE
STZ	1998	8	04	804-86		248					

Pos	Part Number	Description	Remark	Qty	Model	Pos	Part Number	Description	Remark	Qty	Model
	CFV	black/carrara grey									
	CFW	black/sherwood green									

Model	Year	MG	SG	Illustration	Restrictions	UPD	19:46	27.01.2010	PORSCHE	PET	PORSCHE
STZ	1998	8	04	804-87		248					



Pos	Part Number	Description	Remark	Qty	Model
1	941 555 143 00	rear luggage dump complete	94-95	1	968 CABRIO
	1DR	black/black			
	D06	classic grey/classic grey			
	8HP	midnight bl./midnight blue			
	8RP	chestnut brown/ chestnut brown			
	2BQ	marble grey/marble grey			
	T32	cashmere beige/cash. beige			
	(1) 941 555 143 01	rear luggage dump carpet/ leather			
	1DR	black/black			
	D06	classic grey/classic grey			
2	964 555 921 00	lid leatherette	/L	1	
	05T	black			
	2WJ	classic grey			
	9ZH	midnight blue			
	4WY	chestnut brown			
	1ZU	marble grey			
	7RT	cashmere beige			

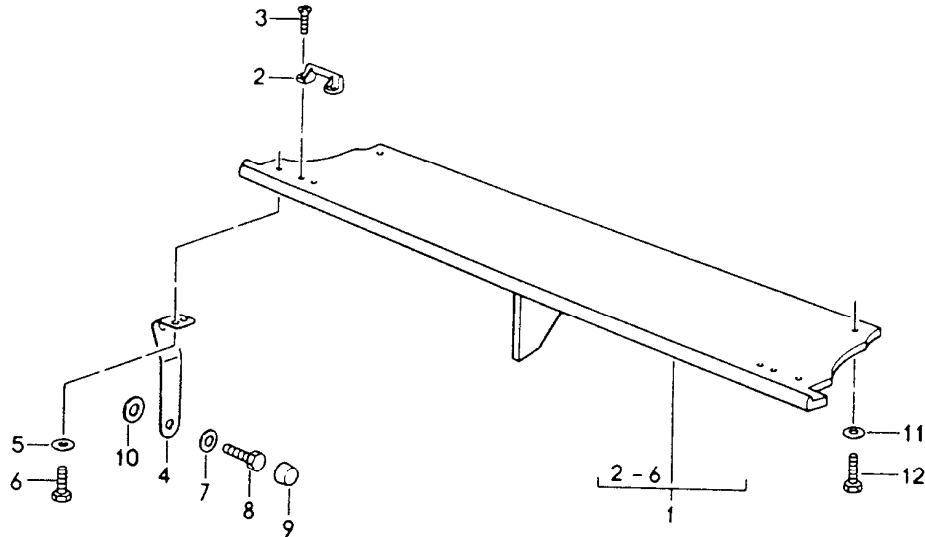
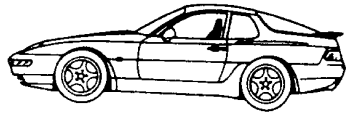
Model	Year	MG	SG	Illustration	Restrictions	UPD	19:46	27.01.2010	PORSCHE	PET	PORSCHE
STZ	1998	8	04	804-87		248					

Pos	Part Number	Description	Remark	Qty	Model	Pos	Part Number	Description	Remark	Qty	Model
(2)	964 555 922 00	lid leatherette	/R	1		3	999 919 050 02	oval-head screw 4,0 X 12		4	
	05T	black				4	964 552 312 00	rosette		2	
	2WJ	classic grey					01C	satin black			
	9ZH	midnight blue				5	964 555 515 00	securing strap		4	
	4WY	chestnut brown				6	941 538 003 10	set of locks		1	
	1ZU	marble grey					01C	satin black with 2 key			
	7RT	cashmere beige				7	999 025 200 07	washer 21,3 X 40 X 1		2	
2	964 555 921 01	lid whole-leather	/L	1		8	941 555 463 10	centre part leatherette		1	
	8YR	black					05T	black			
	6XL	classic grey					2WJ	classic grey			
	H24	midnight blue					9ZH	midnight blue			
	T15	chestnut brown					4WY	chestnut brown			
	3QN	marble grey					1ZU	marble grey			
	4YU	cashmere beige					7RT	cashmere beige			
	G43	provence blue				(8)	941 555 463 11	centre part whole-leather		1	
	K03	cedar green					8YR	black			
	8SE	flamenco red					6XL	classic grey			
(2)	964 555 922 01	lid whole-leather	/R	1			H24	midnight blue			
	8YR	black					T15	chestnut brown			
	6XL	classic grey					3QN	marble grey			
	H24	midnight blue					4YU	cashmere beige			
	T15	chestnut brown					G43	provence blue			
	3QN	marble grey					K03	cedar green			
	4YU	cashmere beige					8SE	flamenco red			
	G43	provence blue				9	964 555 487 00	hinge		2	
	K03	cedar green									
	8SE	flamenco red									

Model	Year	MG	SG	Illustration	Restrictions	UPD	19:46	27.01.2010	PORSCHE	PET	PORSCHE
STZ	1998	8	04	804-87		248					

Pos	Part Number	Description	Remark	Qty	Model	Pos	Part Number	Description	Remark	Qty	Model
10	999 919 105 07	countersunk-head screw 4,0 X 12		20							
11	999 507 023 02	speed nut B 4,8		6							
12	900 316 002 07	screw 4,0 X 12		4							
13	941 555 853 10	closing element		2							
14	999 073 060 02	tapping screw		6							
15	N 011 005 14	hexagon nut M 5		2							
16	900 151 027 02	washer B 5,3 X 15 X 1,6		2							
17	900 050 022 02	round head screw M 5 X 30		2							
18	944 552 259 00	plug		2							
19	N 902 662 01	combination tapping screw B 3,5 X 16		4							
20	999 591 679 40	special nut B 4,2		4							
22	900 223 006 02	washer		4							
23	900 096 016 07	cap nut		4							
24	900 269 065 02	countersunk-head screw M 4 X 22		4							
25	941 555 627 10	support		2							
27	999 025 113 02	washer 11,5 X 21 X 2		2							
28	111 857 799 A	fastening screw		2							
29	811 857 845	screw-on cap		2							
	01C	satin black									

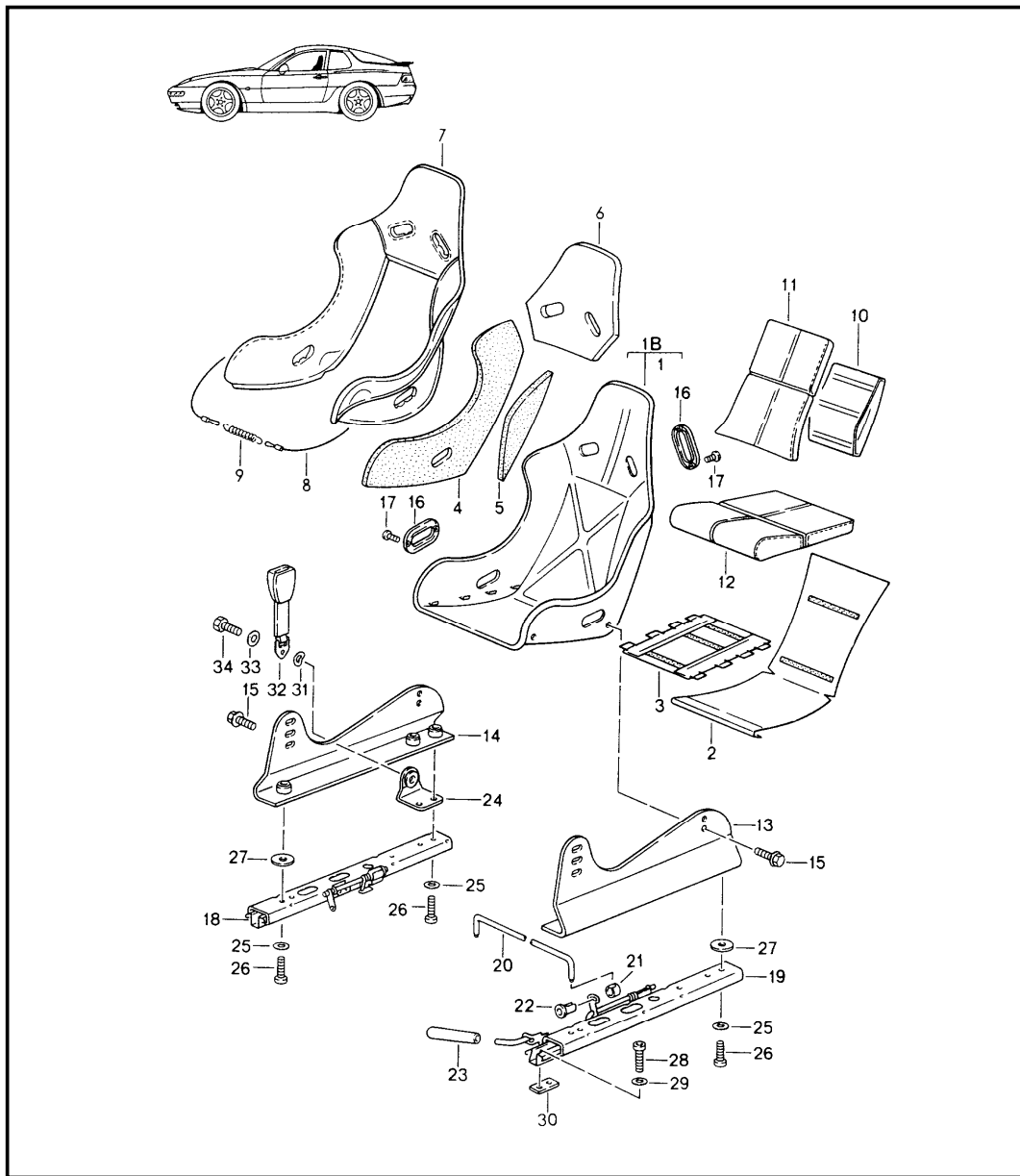
Model	Year	MG	SG	Illustration	Restrictions	UPD	19:46	27.01.2010	PORSCHE	PET	PORSCHE
STZ	1998	8	04	804-88		248					



Pos	Part Number	Description	Remark	Qty	Model
		rear luggage dump complete	93-94		968 CS
1	944 555 141 00	rear luggage dump carpet 1DR black		1	
2	477 885 761	retaining bar		2	
3	N 033 183 1	countersunk-head screw M 5 X 20		4	
4	944 555 627 00	support		2	
5	900 151 027 02	washer B 5,3 X 15 X 1,6		4	
6	900 075 145 02	hexagon-head bolt M 5 X 16		4	
7	999 025 113 02	washer 11,5 X 21 X 2		2	
8	111 857 799	fastening screw		2	
9	811 857 845	screw-on cap 01C satin black		2	
10	999 924 063 02	spacer sleeve 18 X 3,0 X 5		2	
11	900 151 027 02	washer B 5,3 X 15 X 1,6		2	
12	900 075 145 02	hexagon-head bolt M 5 X 16		2	



Model	Year	MG	SG	Illustration	Restrictions	UPD	19:46	27.01.2010	PORSCHE	PET	PORSCHE
STZ	1998	8	04	804-90		248					

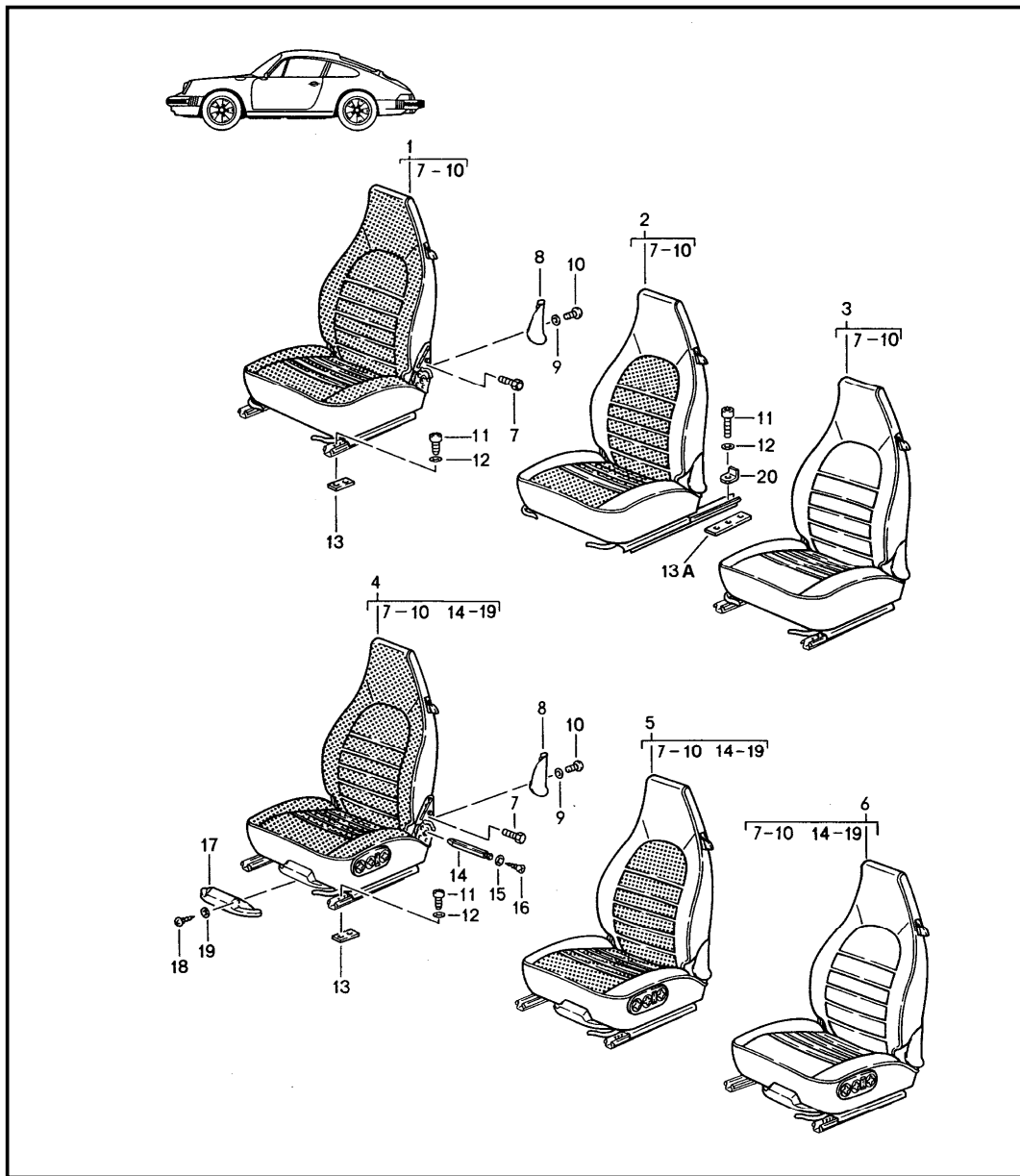


Pos	Part Number	Description	Remark	Qty	Model
		bucket seat complete with corduroy cloth cover	93-94		968 CS M384/385
1	964 521 501 00	cup unvarnished		1	
1B	944 521 003 60	bucket seat complete corduroy cloth black cup	/L	1	
		CJF guards red			
		CJG grand prix white			
		CJN speed yellow			
		CJS maritime blue	93		
		CJT black			
		CJY riviera blue	94-		
1B	944 521 004 60	bucket seat complete corduroy cloth black cup	/R	1	
		CJF guards red			
		CJG grand prix white			
		CJN speed yellow			
		CJS maritime blue	93		
		CJT black			
		CJY riviera blue	94-		
2	A 964 521 577 02	insert bucket seat		1	
2	964 521 577 01	insert bucket seat corduroy cloth		1	
		B80 black			
3	964 521 753 00	damping mat		1	

Model	Year	MG	SG	Illustration	Restrictions	UPD	19:46	27.01.2010	PORSCHE	PET	PORSCHE
STZ	1998	8	04	804-90		248					

Pos	Part Number	Description	Remark	Qty	Model	Pos	Part Number	Description	Remark	Qty	Model
4	964 521 755 01	foam part lateral		2		(19)	928 521 490 10	seat rail right seat outer		1	
5	964 521 757 00	foam part lateral		2		20	928 521 525 03	connecting rod		1	
6	964 521 759 00	foam part head rest		1		21	N 902 514 01	clamping sleeve		2	
7	944 521 517 00	cover seat corduroy cloth		1		22	N 902 515 01	guide bush		2	
	B80	black				23	911 521 533 01	handle		1	
							01C	satin black			
8	964 521 920 00	tension wire		1		24	964 521 065 00	support for seat-belt buckle		1	
9	964 521 823 00	tensioning spring		1		25	900 025 007 02	washer A 8,4		6	
10	964 521 793 01	desk pad backrest		1		26	900 186 135 02	pan-head screw M 8 X 20		6	
11	944 521 319 00	backrest cushion corduroy cloth		1		27	999 025 231 03	washer 8 X 27 X 3		4	
	B80	black				28	900 119 030 02	pan-head screw M 8 X 20		6	
12	944 521 323 00	seat cushion corduroy cloth		1		29	900 089 006 02	washer 8,0		6	
	B80	black				30	964 521 701 00	threaded plate front 2 X M 8		2	
13	964 521 819 01	adapter	/L	1		31	999 028 014 02	spring washer		1	
14	964 521 820 01	adapter	/R	1		32	964 803 183 00	seat-belt buckle		1	
15	999 093 010 07	hexagon-head bolt M 8 X 20		4			70B	black passenger's side			
16	964 521 855 00	cover		4		(32)	964 803 183 01	seat-belt buckle		1	
	01C	satin black					70B	black driver's side			
17	900 146 131 07	oval-head screw M 3,5 X 6		8		33	N 011 655 2	washer		1	
18	928 521 492 08	seat rail left seat inner		1		34	959 803 701 00	hexagon-head bolt		1	
(18)	928 521 491 08	seat rail right seat inner		1							
19	928 521 489 10	seat rail left seat outer		1							

Model	Year	MG	SG	Illustration	Restrictions	UPD	19:47	27.01.2010	PORSCHE	PET	PORSCHE
STZ	1998	8	06	806-00		248					



Pos	Part Number	Description	Remark	Qty	Model
1	928 521 001 11	front seat complete	85-86		911 CARRERA TURBO
		standard seat manually adjustable leatherette/ seat and backrest surface pin stripe velour	/RL/L	1	CARRERA
		NY5 black/ black-white			
		NY7 brown/ brown-beige			
		QA3 blue/ blue-white			
		NY8 burgundy/ burgundy-white			
		QA4 greyish green/ greyish green-white			
		RU3 grey-beige/ grey-beige-white	86		
(1)	928 521 002 11	standard seat manually adjustable leatherette/ seat and backrest surface pin stripe velour	/LL/R	1	CARRERA
		NY5 black/ black-white			
		NY7 brown/ brown-beige			
		QA3 blue/ blue-white			
		NY8 burgundy/ burgundy-white			
		QA4 greyish green/ greyish green-white			
		RU3 grey-beige/ grey-beige-white	86		
1	928 521 001 11	standard seat manually adjustable leatherette/ seat and backrest surface pin stripe flannel	/RL/L	1	CARRERA

Model	Year	MG	SG	Illustration	Restrictions	UPD	19:47	27.01.2010	PORSCHE	PET	PORSCHE
STZ	1998	8	06	806-00		248					

Pos	Part Number	Description	Remark	Qty	Model	Pos	Part Number	Description	Remark	Qty	Model	
		NY9 black/anthracite					PX8	greyish green/grey-green				
		NZ6 brown/brown					QD9	grey-beige/grey-beige		86		
		QA6 blue/blue				2	928 521 001 62	standard seat manually adjustable leatherette/leather centre part in cloth pin stripe velour	/RL/L	1	CARRERA	
		NZ5 burgundy/burgundy					PY1	black/black black-white				
(1)	928 521 002 11	standard seat manually adjustable leatherette/ seat and backrest surface pin stripe flannel	/LL/R	1	CARRERA		PY2	brown/brown brown-beige				
		QA5 greyish green/grey-green					PY3	blue/blue blue-white				
		NY9 black/anthracite					PY4	burgundy/burgundy burgundy-white				
		NZ6 brown/brown					PY5	greyish green/grey-green greyish green-white				
		QA6 blue/blue					RU4	grey-beige/grey-beige grey-beige-white		86		
		NZ5 burgundy/burgundy					(2)	928 521 002 62	standard seat manually adjustable leatherette/leather centre part in cloth pin stripe velour	/LL/R	1	CARRERA
		QA5 greyish green/grey-green					PY1	black/black black-white				
1	928 521 001 11	standard seat manually adjustable leatherette/ seat and backrest surface porsche lettering cloth	/RL/L	1	CARRERA		PY2	brown/brown brown-beige				
		PX2 black/black					PY3	blue/blue blue-white				
		PX4 brown/brown					PY4	burgundy/burgundy burgundy-white				
		PX7 blue/blue					PY5	greyish green/grey-green greyish green-white				
		PX6 burgundy/burgundy					RU4	grey-beige/grey-beige grey-beige-white		86		
		PX8 greyish green/grey-green										
		QD9 grey-beige/grey-beige		86								
(1)	928 521 002 11	standard seat manually adjustable leatherette/ seat and backrest surface porsche lettering cloth	/LL/R	1	CARRERA							
		PX2 black/black										
		PX4 brown/brown				2	928 521 001 62	standard seat manually adjustable leatherette/leather centre part in cloth pin stripe flannel	/RL/L	1	CARRERA	
		PX7 blue/blue										
		PX6 burgundy/burgundy										

Model	Year	MG	SG	Illustration	Restrictions	UPD	19:47	27.01.2010	PORSCHE	PET	PORSCHE
STZ	1998	8	06	806-00		248					

Pos	Part Number	Description	Remark	Qty	Model	Pos	Part Number	Description	Remark	Qty	Model
	PZ2	black/black anthracite					RU2	grey-beige/grey-beige grey-beige		86	
	PZ3	brown/brown brown				(2)	928 521 002 62	standard seat manually adjustable leatherette/leather centre part in cloth porsche lettering cloth	/LL/R	1	CARRERA
	PZ4	blue/blue blue					PZ7	black/black black			
	PZ5	burgundy/burgundy burgundy					PZ8	brown/brown brown			
	PZ6	greyish green/grey-green greyish green					PZ9	blue/blue blue			
(2)	928 521 002 62	standard seat manually adjustable leatherette/leather centre part in cloth pin stripe flannel	/LL/R	1	CARRERA		QA1	burgundy/burgundy burgundy			
	PZ2	black/black anthracite					QA2	greyish green/grey-green greyish green			
	PZ3	brown/brown brown					RU2	grey-beige/grey-beige grey-beige		86	
	PZ4	blue/blue blue				2	928 521 001 66	standard seat manually adjustable leather/ centre part in cloth pin stripe velour	/RL/L	1	CARRERA
	PZ5	burgundy/burgundy burgundy					LS5	black/ black-white			
	PZ6	greyish green/grey-green greyish green					LS6	brown/ brown-beige			
2	928 521 001 62	standard seat manually adjustable leatherette/leather centre part in cloth porsche lettering cloth	/RL/L	1	CARRERA		LS8	blue/ blue-white			
	PZ7	black/black black					LS9	burgundy/ burgundy-white			
	PZ8	brown/brown brown					QA7	greyish green/ greyish green-white			
	PZ9	blue/blue blue					LS7	grey-beige/ grey-beige-white		86	
	QA1	burgundy/burgundy burgundy				(2)	928 521 002 66	standard seat manually adjustable leather/ centre part in cloth pin stripe velour	/LL/R	1	CARRERA
	QA2	greyish green/grey-green greyish green									

Model	Year	MG	SG	Illustration	Restrictions	UPD	19:47	27.01.2010	PORSCHE	PET	PORSCHE
STZ	1998	8	06	806-00		248					

Pos	Part Number	Description	Remark	Qty	Model	Pos	Part Number	Description	Remark	Qty	Model
	LS5	black/ black-white					QB4	brown/brown			
	LS6	brown/ brown-beige					QB6	blue/blue			
	LS8	blue/ blue-white					QB8	burgundy/burgundy			
	LS9	burgundy/ burgundy-white					QA9	greyish green/grey-green			
	QA7	greyish green/ greyish green-white					RU1	grey-beige/grey-beige	86		
2	928 521 001 66	standard seat manually adjustable leather/ centre part in cloth pin stripe flannel	/RL/L	1	CARRERA	(2)	928 521 002 66	standard seat manually adjustable leather/ centre part porsche lettering cloth	/LL/R	1	CARRERA
	LS7	grey-beige/ grey-beige-white	86				QB2	black/black			
	QB1	black/anthracite					QB4	brown/brown			
	QB3	brown/brown					QB6	blue/blue			
	QB5	blue/blue					QB8	burgundy/burgundy			
	QB7	burgundy/burgundy					QA9	greyish green/grey-green			
	QA8	greyish green/grey-green					RU1	grey-beige/grey-beige	86		
(2)	928 521 002 66	standard seat manually adjustable leather/ centre part in cloth pin stripe flannel	/LL/R	1	CARRERA	3	928 521 001 63	standard seat manually adjustable leatherette/ seat and backrest surface leather	/RL/L	1	CARRERA
	QB1	black/anthracite					JN3	black/black			
	QB3	brown/brown					JN4	brown/brown			
	QB5	blue/blue					QC1	blue/blue			
	QB7	burgundy/burgundy					NZ8	burgundy/burgundy			
	QA8	greyish green/grey-green					PX9	greyish green/grey-green			
2	928 521 001 66	standard seat manually adjustable leather/ centre part porsche lettering cloth	/RL/L	1	CARRERA	(3)	928 521 002 63	standard seat manually adjustable leatherette/ seat and backrest surface leather	/LL/R	1	CARRERA
	QB2	black/black					JN5	grey-beige/grey-beige	86		
							JN3	black/black			
							JN4	brown/brown			
							QC1	blue/blue			

Model	Year	MG	SG	Illustration	Restrictions	UPD	19:47	27.01.2010	PORSCHE	PET	PORSCHE
STZ	1998	8	06	806-00		248					

Pos	Part Number	Description	Remark	Qty	Model	Pos	Part Number	Description	Remark	Qty	Model
	NZ8	burgundy/burgundy					PZ1	wild buffalo			
	PX9	greyish green/grey-green					KZ4	grey-beige	86		
	JN5	grey-beige/grey-beige		86		4	928 521 003 01	comfort seat all-electric leatherette/ seat and backrest surface pin stripe velour	/L /LL/L	1	TURBO CARRERA
3	928 521 001 64	standard seat manually adjustable whole-leather	/RL/L	1	CARRERA						
	KZ2	black					NY5	black/ black-white			
	KZ5	brown					NY7	brown/ brown-beige			
	KZ3	blue					QA3	blue/ blue-white			
	LG7	burgundy					NY8	burgundy/ burgundy-white			
	QC2	greyish green					QA4	greyish green/ greyish green-white			
	KZ6	can-can-red					RU3	grey-beige/ grey-beige-white	86		
	LG4	pearl white				(4)	928 521 004 01	comfort seat all-electric leatherette/ seat and backrest surface pin stripe velour	/R /RL/R	1	TURBO CARRERA
	LG5	champagne									
	LG6	dark green					NY5	black/ black-white			
	PY9	ocean blue					NY7	brown/ brown-beige			
	PZ1	wild buffalo					QA3	blue/ blue-white			
(3)	928 521 002 64	standard seat manually adjustable whole-leather	/LL/R	1	CARRERA						
	KZ4	grey-beige		86			NY8	burgundy/ burgundy-white			
	KZ2	black					QA4	greyish green/ greyish green-white			
	KZ5	brown					RU3	grey-beige/ grey-beige-white	86		
	KZ3	blue									
	LG7	burgundy									
	QC2	greyish green									
	KZ6	can-can-red									
	LG4	pearl white									
	LG5	champagne									
	LG6	dark green									
	PY9	ocean blue									

Model	Year	MG	SG	Illustration	Restrictions	UPD	19:47	27.01.2010	PORSCHE	PET	PORSCHE
STZ	1998	8	06	806-00		248					

Pos	Part Number	Description	Remark	Qty	Model	Pos	Part Number	Description	Remark	Qty	Model
4	928 521 003 03	comfort seat all-electric with heating leatherette/ seat and backrest surface pin stripe velour	/L /LL/L	1	TURBO CARRERA		NY9	black/anthracite			
	NY5	black/ black-white					NZ6	brown/brown			
	NY7	brown/ brown-beige					QA6	blue/blue			
	QA3	blue/ blue-white					NZ5	burgundy/burgundy			
	NY8	burgundy/ burgundy-white					QA5	greyish green/grey-green			
	QA4	greyish green/ greyish green-white				(4)	928 521 004 01	comfort seat all-electric leatherette/ seat and backrest surface pin stripe flannel	/R /RL/R	1	TURBO CARRERA
	RU3	grey-beige/ grey-beige-white		86			NY9	black/anthracite			
(4)	928 521 004 03	comfort seat all-electric with heating leatherette/ seat and backrest surface pin stripe velour	/R /RL/R	1	TURBO CARRERA		NZ6	brown/brown			
	NY5	black/ black-white					QA6	blue/blue			
	NY7	brown/ brown-beige					NZ5	burgundy/burgundy			
	QA3	blue/ blue-white					QA5	greyish green/grey-green			
	NY8	burgundy/ burgundy-white				4	928 521 003 03	comfort seat all-electric with heating leatherette/ seat and backrest surface pin stripe flannel	/L /LL/L	1	TURBO CARRERA
	QA4	greyish green/ greyish green-white					NY9	black/anthracite			
	RU3	grey-beige/ grey-beige-white		86			NZ6	brown/brown			
							QA6	blue/blue			
							NZ5	burgundy/burgundy			
							QA5	greyish green/grey-green			
4	928 521 003 01	comfort seat all-electric leatherette/ seat and backrest surface pin stripe flannel	/L /LL/L	1	TURBO CARRERA	(4)	928 521 004 03	comfort seat all-electric with heating leatherette/ seat and backrest surface pin stripe flannel	/R /RL/R	1	TURBO CARRERA
							NY9	black/anthracite			
							NZ6	brown/brown			
							QA6	blue/blue			



Model	Year	MG	SG	Illustration	Restrictions	UPD	19:47	27.01.2010	PORSCHE	PET	PORSCHE
STZ	1998	8	06	806-00		248					

Pos	Part Number	Description	Remark	Qty	Model	Pos	Part Number	Description	Remark	Qty	Model
	NZ5	burgundy/burgundy					QD9	grey-beige/grey-beige		86	
	QA5	greyish green/grey-green				(4)	928 521 004 03	comfort seat all-electric with heating	/R	1	TURBO
4	928 521 003 01	comfort seat all-electric leatherette/ seat and backrest surface porsche lettering cloth	/L /LL/L	1	TURBO CARRERA			leatherette/ seat and backrest surface porsche lettering cloth	/RL/R		CARRERA
	PX2	black/black					PX2	black/black			
	PX4	brown/brown					PX4	brown/brown			
	PX7	blue/blue					PX7	blue/blue			
	PX6	burgundy/burgundy					PX6	burgundy/burgundy			
	PX8	greyish green/grey-green					PX8	greyish green/grey-green			
	QD9	grey-beige/grey-beige		86			QD9	grey-beige/grey-beige		86	
(4)	928 521 004 01	comfort seat all-electric leatherette/ seat and backrest surface porsche lettering cloth	/R /RL/R	1	TURBO CARRERA	5	928 521 003 50	comfort seat all-electric leatherette/leather centre part in cloth pin stripe velour	/L	1	M437
	PX2	black/black					PY1	black/black black-white			
	PX4	brown/brown					PY2	brown/brown brown-beige			
	PX7	blue/blue					PY3	blue/blue blue-white			
	PX6	burgundy/burgundy					PY4	burgundy/burgundy burgundy-white			
	PX8	greyish green/grey-green					PY5	greyish green/grey-green greyish green-white			
	QD9	grey-beige/grey-beige		86			RU4	grey-beige/grey-beige grey-beige-white		86	
4	928 521 003 03	comfort seat all-electric with heating leatherette/ seat and backrest surface porsche lettering cloth	/L /LL/L	1	TURBO CARRERA	(5)	928 521 004 50	comfort seat all-electric leatherette/leather centre part in cloth pin stripe velour	/R	1	M438
	PX2	black/black					PY1	black/black black-white			
	PX4	brown/brown					PY2	brown/brown brown-beige			
	PX7	blue/blue									
	PX6	burgundy/burgundy									
	PX8	greyish green/grey-green									

Model	Year	MG	SG	Illustration	Restrictions	UPD	19:47	27.01.2010	PORSCHE	PET	PORSCHE
STZ	1998	8	06	806-00		248					

Pos	Part Number	Description	Remark	Qty	Model	Pos	Part Number	Description	Remark	Qty	Model
	PY3	blue/blue blue-white					PY5	greyish green/grey-green greyish green-white			
	PY4	burgundy/burgundy burgundy-white					RU4	grey-beige/grey-beige grey-beige-white	86		
	PY5	greyish green/grey-green greyish green-white				5	928 521 003 50	comfort seat all-electric leatherette/leather centre part in cloth pin stripe flannel	/L	1	M437
	RU4	grey-beige/grey-beige grey-beige-white	86				PZ2	black/black anthracite			
5	928 521 003 55	comfort seat all-electric with heating leatherette/leather centre part in cloth pin stripe velour	/L	1	M437		PZ3	brown/brown brown			
	PY1	black/black black-white					PZ4	blue/blue blue			
	PY2	brown/brown brown-beige					PZ5	burgundy/burgundy burgundy			
	PY3	blue/blue blue-white					PZ6	greyish green/grey-green greyish green			
	PY4	burgundy/burgundy burgundy-white				(5)	928 521 004 50	comfort seat all-electric leatherette/leather centre part in cloth pin stripe flannel	/R	1	M438
	PY5	greyish green/grey-green greyish green-white					PZ2	black/black anthracite			
	RU4	grey-beige/grey-beige grey-beige-white	86				PZ3	brown/brown brown			
(5)	928 521 004 55	comfort seat all-electric with heating leatherette/leather centre part in cloth pin stripe velour	/R	1	M438		PZ4	blue/blue blue			
	PY1	black/black black-white					PZ5	burgundy/burgundy burgundy			
	PY2	brown/brown brown-beige					PZ6	greyish green/grey-green greyish green			
	PY3	blue/blue blue-white				5	928 521 003 55	comfort seat all-electric with heating leatherette/leather centre part in cloth pin stripe flannel	/L	1	M437
	PY4	burgundy/burgundy burgundy-white					PZ2	black/black anthracite			

Model	Year	MG	SG	Illustration	Restrictions	UPD	19:47	27.01.2010	PORSCHE	PET	PORSCHE
STZ	1998	8	06	806-00		248					

Pos	Part Number	Description	Remark	Qty	Model	Pos	Part Number	Description	Remark	Qty	Model
	PZ3	brown/brown brown				(5)	928 521 004 50	comfort seat all-electric leatherette/leather centre part porsche lettering cloth	/R	1	M438
	PZ4	blue/blue blue									
	PZ5	burgundy/burgundy burgundy					PZ7	black/black black			
	PZ6	greyish green/grey-green greyish green					PZ8	brown/brown brown			
(5)	928 521 004 55	comfort seat all-electric with heating leatherette/leather centre part in cloth pin stripe flannel	/R	1	M438		PZ9	blue/blue blue			
	PZ2	black/black anthracite					QA1	burgundy/burgundy burgundy			
	PZ3	brown/brown brown					QA2	greyish green/grey-green greyish green			
	PZ4	blue/blue blue					RU2	grey-beige/grey-beige grey-beige		86	
	PZ5	burgundy/burgundy burgundy				5	928 521 003 55	comfort seat all-electric with heating leatherette/leather centre part porsche lettering cloth	/L	1	M437
	PZ6	greyish green/grey-green greyish green					PZ7	black/black black			
5	928 521 003 50	comfort seat all-electric leatherette/leather centre part porsche lettering cloth	/L	1	M437		PZ8	brown/brown brown			
	PZ7	black/black black					PZ9	blue/blue blue			
	PZ8	brown/brown brown					QA1	burgundy/burgundy burgundy			
	PZ9	blue/blue blue					QA2	greyish green/grey-green greyish green			
	QA1	burgundy/burgundy burgundy					RU2	grey-beige/grey-beige grey-beige		86	
	QA2	greyish green/grey-green greyish green				(5)	928 521 004 55	comfort seat all-electric with heating leatherette/leather centre part porsche lettering cloth	/R	1	M438
	RU2	grey-beige/grey-beige grey-beige		86							

Model	Year	MG	SG	Illustration	Restrictions	UPD	19:47	27.01.2010	PORSCHE	PET	PORSCHE
STZ	1998	8	06	806-00		248					

Pos	Part Number	Description	Remark	Qty	Model	Pos	Part Number	Description	Remark	Qty	Model
	PZ7	black/black black					LS9	burgundy/ burgundy-white			
	PZ8	brown/brown brown					QA7	greyish green/ greyish green-white			
	PZ9	blue/blue blue					LS7	grey-beige/ grey-beige-white	86		
	QA1	burgundy/burgundy burgundy				5	928 521 003 59	comfort seat all-electric with heating leather/ centre part in cloth pin stripe velour	/L	1	M437
	QA2	greyish green/grey-green greyish green					LS5	black/ black-white			
	RU2	grey-beige/grey-beige grey-beige	86				LS6	brown/ brown-beige			
5	928 521 003 54	comfort seat all-electric leather/ centre part in cloth pin stripe velour	/L	1	M437		LS8	blue/ blue-white			
	LS5	black/ black-white					LS9	burgundy/ burgundy-white			
	LS6	brown/ brown-beige					QA7	greyish green/ greyish green-white			
	LS8	blue/ blue-white					LS7	grey-beige/ grey-beige-white	86		
	LS9	burgundy/ burgundy-white				(5)	928 521 004 59	comfort seat all-electric with heating leather/ centre part in cloth pin stripe velour	/R	1	M438
	QA7	greyish green/ greyish green-white					LS5	black/ black-white			
	LS7	grey-beige/ grey-beige-white	86				LS6	brown/ brown-beige			
(5)	928 521 004 54	comfort seat all-electric leather/ centre part in cloth pin stripe velour	/R	1	M438		LS8	blue/ blue-white			
	LS5	black/ black-white					LS9	burgundy/ burgundy-white			
	LS6	brown/ brown-beige					QA7	greyish green/ greyish green-white			
	LS8	blue/ blue-white									

Model	Year	MG	SG	Illustration	Restrictions	UPD	19:47	27.01.2010	PORSCHE	PET	PORSCHE
STZ	1998	8	06	806-00		248					

Pos	Part Number	Description	Remark	Qty	Model	Pos	Part Number	Description	Remark	Qty	Model
	LS7	grey-beige/ grey-beige-white	86			(5)	928 521 004 59	comfort seat all-electric with heating leather/ centre part in cloth pin stripe flannel	/R	1	M438
5	928 521 003 54	comfort seat all-electric leather/ centre part in cloth pin stripe flannel	/L	1	M437		QB1	black/anthracite			
	QB1	black/anthracite					QB3	brown/brown			
	QB3	brown/brown					QB5	blue/blue			
	QB5	blue/blue					QB7	burgundy/burgundy			
	QB7	burgundy/burgundy					QA8	greyish green/grey-green			
	QA8	greyish green/grey-green				5	928 521 003 54	comfort seat all-electric leather/ centre part porsche lettering cloth	/L	1	M437
(5)	928 521 004 54	comfort seat all-electric leather/ centre part in cloth pin stripe flannel	/R	1	M438		QB2	black/black			
	QB1	black/anthracite					QB4	brown/brown			
	QB3	brown/brown					QB6	blue/blue			
	QB5	blue/blue					QB8	burgundy/burgundy			
	QB7	burgundy/burgundy					QA9	greyish green/grey-green			
	QA8	greyish green/grey-green					RU1	grey-beige/grey-beige	86		
5	928 521 003 59	comfort seat all-electric with heating leather/ centre part in cloth pin stripe flannel	/L	1	M437	(5)	928 521 004 54	comfort seat all-electric leather/ centre part porsche lettering cloth	/R	1	M438
	QB1	black/anthracite					QB2	black/black			
	QB3	brown/brown					QB4	brown/brown			
	QB5	blue/blue					QB6	blue/blue			
	QB7	burgundy/burgundy					QB8	burgundy/burgundy			
	QA8	greyish green/grey-green					QA9	greyish green/grey-green			
							RU1	grey-beige/grey-beige	86		

Model	Year	MG	SG	Illustration	Restrictions	UPD	19:47	27.01.2010	PORSCHE	PET	PORSCHE
STZ	1998	8	06	806-00		248					

Pos	Part Number	Description	Remark	Qty	Model	Pos	Part Number	Description	Remark	Qty	Model
5	928 521 003 59	comfort seat all-electric with heating leather/ centre part porsche lettering cloth	/L	1	M437	(6)	928 521 004 51	comfort seat all-electric leatherette/ seat and backrest surface leather	/R	1	M438
	QB2	black/black					JN3	black/black			
	QB4	brown/brown					JN4	brown/brown			
	QB6	blue/blue					QC1	blue/blue			
	QB8	burgundy/burgundy					NZ8	burgundy/burgundy			
	QA9	greyish green/grey-green					PX9	greyish green/grey-green			
	RU1	grey-beige/grey-beige		86			JN5	grey-beige/grey-beige		86	
(5)	928 521 004 59	comfort seat all-electric with heating leather/ centre part porsche lettering cloth	/R	1	M438	6	928 521 003 56	comfort seat all-electric with heating leatherette/ seat and backrest surface leather	/L	1	M437
	QB2	black/black					JN3	black/black			
	QB4	brown/brown					JN4	brown/brown			
	QB6	blue/blue					QC1	blue/blue			
	QB8	burgundy/burgundy					NZ8	burgundy/burgundy			
	QA9	greyish green/grey-green					PX9	greyish green/grey-green			
	RU1	grey-beige/grey-beige		86			JN5	grey-beige/grey-beige		86	
6	928 521 003 51	comfort seat all-electric leatherette/ seat and backrest surface leather	/L	1	M437	(6)	928 521 004 56	comfort seat all-electric with heating leatherette/ seat and backrest surface leather	/R	1	M438
	JN3	black/black					JN3	black/black			
	JN4	brown/brown					JN4	brown/brown			
	QC1	blue/blue					QC1	blue/blue			
	NZ8	burgundy/burgundy					NZ8	burgundy/burgundy			
	PX9	greyish green/grey-green					PX9	greyish green/grey-green			
	JN5	grey-beige/grey-beige		86			JN5	grey-beige/grey-beige		86	

Model	Year	MG	SG	Illustration	Restrictions	UPD	19:47	27.01.2010	PORSCHE	PET	PORSCHE
STZ	1998	8	06	806-00		248					

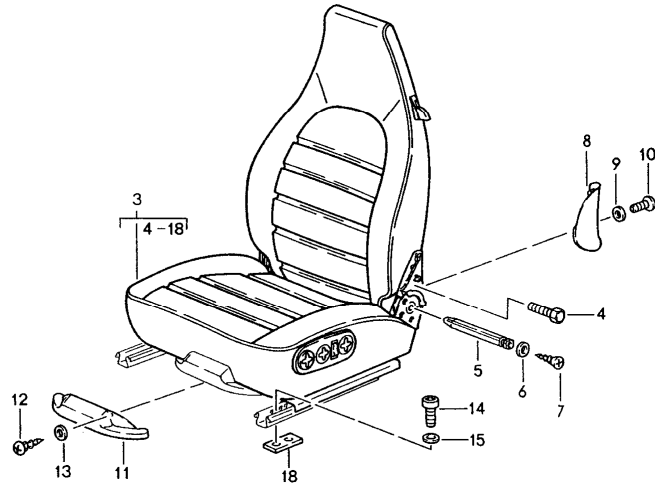
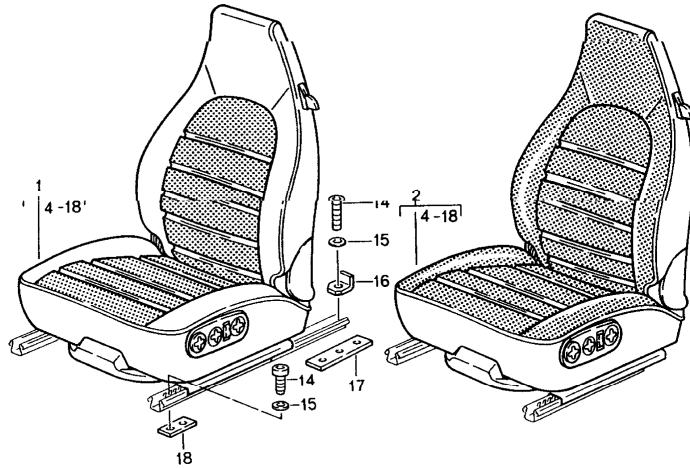
Pos	Part Number	Description	Remark	Qty	Model	Pos	Part Number	Description	Remark	Qty	Model
6	928 521 003 52	comfort seat all-electric whole-leather	/L	1	M437	6	928 521 003 57	comfort seat all-electric with heating whole-leather	/L	1	M437
	KZ2	black					KZ2	black			
	KZ5	brown					KZ5	brown			
	KZ3	blue					KZ3	blue			
	LG7	burgundy					LG7	burgundy			
	QC2	greyish green					QC2	greyish green			
	KZ6	can-can-red					KZ6	can-can-red			
	LG4	pearl white					LG4	pearl white			
	LG5	champagne					LG5	champagne			
	LG6	dark green					LG6	dark green			
	PY9	ocean blue					PY9	ocean blue			
	PZ1	wild buffalo					PZ1	wild buffalo			
	KZ4	grey-beige		86			KZ4	grey-beige		86	
(6)	928 521 004 52	comfort seat all-electric whole-leather	/R	1	M438	(6)	928 521 004 57	comfort seat all-electric with heating whole-leather	/R	1	M438
	KZ2	black					KZ2	black			
	KZ5	brown					KZ5	brown			
	KZ3	blue					KZ3	blue			
	LG7	burgundy					LG7	burgundy			
	QC2	greyish green					QC2	greyish green			
	KZ6	can-can-red					KZ6	can-can-red			
	LG4	pearl white					LG4	pearl white			
	LG5	champagne					LG5	champagne			
	LG6	dark green					LG6	dark green			
	PY9	ocean blue					PY9	ocean blue			
	PZ1	wild buffalo					PZ1	wild buffalo			
	KZ4	grey-beige		86			KZ4	grey-beige		86	

Model	Year	MG	SG	Illustration	Restrictions	UPD	19:47	27.01.2010	PORSCHE	PET	PORSCHE
STZ	1998	8	06	806-00		248					

Pos	Part Number	Description	Remark	Qty	Model	Pos	Part Number	Description	Remark	Qty	Model
7	911 521 547 00	screw M 10 X 20		8		16	900 249 004 02	countersunk-head screw M 4 X 8 for backrest adjustment		4	
8	928 521 147 02	cover	/L	2		17	928 521 760 02	cover engine support stirrup bolt comfort seat		2	
	01C	black				(17)	928 521 760 04	cover engine support retaining bracket comfort seat		2	
	4RB	brown					01C	satin black			
	5HJ	blue				(17)	928 521 760 03	cover for partially electrical seat engine support stirrup bolt		2	
	9MM	burgundy				(17)	928 521 760 05	cover for partially electrical seat engine support retaining bracket		2	
	1DJ	greyish green					01C	satin black			
	3UC	grey-beige	86			18	N 013 959 3	tapping screw B 3,5 X 16		4	
(8)	928 521 148 02	cover	/R	2		19	900 025 013 07	washer A 3,7		4	
	01C	black				20	911 521 347 00	stop		2	
	4RB	brown									
	5HJ	blue									
	9MM	burgundy									
	1DJ	greyish green									
	3UC	grey-beige	86								
9	900 025 044 07	washer A 4,3		8							
10	900 143 113 07	tapping screw B 4,2 X 13		8							
11	900 119 030 02	pan-head screw M 8 X 20		12							
12	900 089 006 02	washer 8		12							
13	964 521 701 00	threaded plate front and rear 2 X M 8		X							
13A	928 521 101 08	threaded plate rear 4 X M 8		X							
14	928 521 717 02	square rod for backrest adjustment		4							
15	928 521 716 02	lock washer for backrest adjustment		4							



Model	Year	MG	SG	Illustration	Restrictions	UPD	19:47	27.01.2010	PORSCHE	PET	PORSCHE
STZ	1998	8	06	806-02		248					



Pos	Part Number	Description	Remark	Qty	Model
		front seat complete all-electric elect. vertical adjustment	87-89		911 CARRERA TURBO JUBI.88 M098/099
2	964 521 003 19	standard seat and combined seat speedster not available comfort seat leatherette/ seat and backrest surface pin stripe velour	/L	1	
	NY5	black/ black-white			
	TU7	mahogany/ mahogany-white			
	TR7	blue/ blue-white			
	NY8	burgundy/ burgundy-white			
	QA4	greyish green/ greyish green-white	-88		
	XK2	linen/ linen white	89		
	XK5	cashmere beige/ cashmere beige-white	89		
(2)	964 521 004 19	comfort seat leatherette/ seat and backrest surface pin stripe velour	/R	1	
	NY5	black/ black-white			
	TU7	mahogany/ mahogany-white			
	TR7	blue/ blue-white			
	NY8	burgundy/ burgundy-white			
	QA4	greyish green/ greyish green-white	-88		

Model	Year	MG	SG	Illustration	Restrictions	UPD	19:47	27.01.2010	PORSCHE	PET	PORSCHE
STZ	1998	8	06	806-02		248					

Pos	Part Number	Description	Remark	Qty	Model	Pos	Part Number	Description	Remark	Qty	Model
	XK2	linen/ linen white		89			XK5	cashmere beige/ cashmere beige-white		89	
	XK5	cashmere beige/ cashmere beige-white		89		2	964 521 003 31	comfort seat with lumbar support leatherette/ seat and backrest surface pin stripe velour	/L	1	
2	964 521 003 25	comfort seat with seat heating leatherette/ seat and backrest surface pin stripe velour	/L	1			NY5	black/ black-white			
	NY5	black/ black-white					TU7	mahogany/ mahogany-white			
	TU7	mahogany/ mahogany-white					TR7	blue/ blue-white			
	TR7	blue/ blue-white					NY8	burgundy/ burgundy-white			
	NY8	burgundy/ burgundy-white					QA4	greyish green/ greyish green-white		-88	
	QA4	greyish green/ greyish green-white		-88			XK2	linen/ linen white		89	
	XK2	linen/ linen white		89			XK5	cashmere beige/ cashmere beige-white		89	
(2)	964 521 004 25	comfort seat with seat heating leatherette/ seat and backrest surface pin stripe velour	/R	1		(2)	964 521 004 31	comfort seat with lumbar support leatherette/ seat and backrest surface pin stripe velour	/R	1	
	XK5	cashmere beige/ cashmere beige-white		89			NY5	black/ black-white			
	NY5	black/ black-white					TU7	mahogany/ mahogany-white			
	TU7	mahogany/ mahogany-white					TR7	blue/ blue-white			
	TR7	blue/ blue-white					NY8	burgundy/ burgundy-white			
	NY8	burgundy/ burgundy-white					QA4	greyish green/ greyish green-white		-88	
	QA4	greyish green/ greyish green-white		-88			XK2	linen/ linen white		89	
	XK2	linen/ linen white		89							

Model	Year	MG	SG	Illustration	Restrictions	UPD	19:47	27.01.2010	PORSCHE	PET	PORSCHE
STZ	1998	8	06	806-02		248					

Pos	Part Number	Description	Remark	Qty	Model	Pos	Part Number	Description	Remark	Qty	Model
	XK5	cashmere beige/ cashmere beige-white		89			XK5	cashmere beige/ cashmere beige-white		89	
2	964 521 003 37	comfort seat lumbar support with seat heating leatherette/ seat and backrest surface pin stripe velour	/L	1		2	964 521 003 19	comfort seat leatherette/ seat and backrest surface pin stripe flannel	/L	1	
	NY5	black/ black-white					NY9	black/anthracite			
	TU7	mahogany/ mahogany-white					TU8	mahogany/mahogany			
	TR7	blue/ blue-white					TR8	marine blue/blue			
	NY8	burgundy/ burgundy-white					NZ5	burgundy/burgundy			
	QA4	greyish green/ greyish green-white		-88			QA5	greyish green/grey-green			
	XK2	linen/ linen white		89		(2)	964 521 004 19	comfort seat leatherette/ seat and backrest surface pin stripe flannel	/R	1	
	XK5	cashmere beige/ cashmere beige-white		89			NY9	black/anthracite			
(2)	964 521 004 37	comfort seat lumbar support with seat heating leatherette/ seat and backrest surface pin stripe velour	/R	1			TU8	mahogany/mahogany			
	NY5	black/ black-white					TR8	marine blue/blue			
	TU7	mahogany/ mahogany-white					NZ5	burgundy/burgundy			
	TR7	blue/ blue-white					QA5	greyish green/grey-green			
	NY8	burgundy/ burgundy-white				2	964 521 003 25	comfort seat with seat heating leatherette/ seat and backrest surface pin stripe flannel	/L	1	
	QA4	greyish green/ greyish green-white		-88			NY9	black/anthracite			
	XK2	linen/ linen white		89			TU8	mahogany/mahogany			
							TR8	marine blue/blue			
							NZ5	burgundy/burgundy			
							QA5	greyish green/grey-green			
						(2)	964 521 004 25	comfort seat with seat heating leatherette/ seat and backrest surface pin stripe flannel	/R	1	
							NY9	black/anthracite			

Model	Year	MG	SG	Illustration	Restrictions	UPD	19:47	27.01.2010	PORSCHE	PET	PORSCHE
STZ	1998	8	06	806-02		248					

Pos	Part Number	Description	Remark	Qty	Model	Pos	Part Number	Description	Remark	Qty	Model
	TU8	mahogany/mahogany					QA5	greyish green/grey-green			
	TR8	marine blue/blue				(2)	964 521 004 37	comfort seat lumbar support with seat heating leatherette/ seat and backrest surface pin stripe flannel	/R	1	
	NZ5	burgundy/burgundy								-88	
	QA5	greyish green/grey-green					NY9	black/anthracite			
2	964 521 003 31	comfort seat with lumbar support leatherette/ seat and backrest surface pin stripe flannel	/L	1			TU8	mahogany/mahogany			
							TR8	marine blue/blue			
							NZ5	burgundy/burgundy			
							QA5	greyish green/grey-green			
	NY9	black/anthracite				2	964 521 003 19	comfort seat leatherette/ seat and backrest surface multicolour	/L	1	
	TU8	mahogany/mahogany								89	
	TR8	marine blue/blue					XK8	black/black			
	NZ5	burgundy/burgundy					XK9	mahogany/mahogany			
	QA5	greyish green/grey-green					XN1	marine blue/marine blue			
(2)	964 521 004 31	comfort seat with lumbar support leatherette/ seat and backrest surface pin stripe flannel	/R	1			XN2	burgundy/burgundy			
							XK4	linen/linen			
							XK7	cashmere beige/cash. beige			
	NY9	black/anthracite				(2)	964 521 004 19	comfort seat leatherette/ seat and backrest surface multicolour	/R	1	
	TU8	mahogany/mahogany								89	
	TR8	marine blue/blue					XK8	black/black			
	NZ5	burgundy/burgundy					XK9	mahogany/mahogany			
	QA5	greyish green/grey-green					XN1	marine blue/marine blue			
2	964 521 003 37	comfort seat lumbar support with seat heating leatherette/ seat and backrest surface pin stripe flannel	/L	1			XN2	burgundy/burgundy			
							XK4	linen/linen			
							XK7	cashmere beige/cash. beige			
	NY9	black/anthracite									
	TU8	mahogany/mahogany									
	TR8	marine blue/blue									
	NZ5	burgundy/burgundy									

Model	Year	MG	SG	Illustration	Restrictions	UPD	19:47	27.01.2010	PORSCHE	PET	PORSCHE
STZ	1998	8	06	806-02		248					

Pos	Part Number	Description	Remark	Qty	Model	Pos	Part Number	Description	Remark	Qty	Model
2	964 521 003 25	comfort seat with seat heating leatherette/ seat and backrest surface multicolour	/L	1		(2)	964 521 004 31	comfort seat with lumbar support leatherette/ seat and backrest surface multicolour	/R	1	
	XK8	black/black		89			XK8	black/black		89	
	XK9	mahogany/mahogany					XK9	mahogany/mahogany			
	XN1	marine blue/marine blue					XN1	marine blue/marine blue			
	XN2	burgundy/burgundy					XN2	burgundy/burgundy			
	XK4	linen/linen					XK4	linen/linen			
	XK7	cashmere beige/cash. beige					XK7	cashmere beige/cash. beige			
(2)	964 521 004 25	comfort seat with seat heating leatherette/ seat and backrest surface multicolour	/R	1		2	964 521 003 37	comfort seat lumbar support with seat heating leatherette/ seat and backrest surface multicolour	/L	1	
	XK8	black/black		89			XK8	black/black		89	
	XK9	mahogany/mahogany					XK9	mahogany/mahogany			
	XN1	marine blue/marine blue					XN1	marine blue/marine blue			
	XN2	burgundy/burgundy					XN2	burgundy/burgundy			
	XK4	linen/linen					XK4	linen/linen			
	XK7	cashmere beige/cash. beige					XK7	cashmere beige/cash. beige			
2	964 521 003 31	comfort seat with lumbar support leatherette/ seat and backrest surface multicolour	/L	1		(2)	964 521 004 37	comfort seat lumbar support with seat heating leatherette/ seat and backrest surface multicolour	/R	1	
	XK8	black/black		89			XK8	black/black		89	
	XK9	mahogany/mahogany					XK9	mahogany/mahogany			
	XN1	marine blue/marine blue					XN1	marine blue/marine blue			
	XN2	burgundy/burgundy					XN2	burgundy/burgundy			
	XK4	linen/linen					XK4	linen/linen			
	XK7	cashmere beige/cash. beige					XK7	cashmere beige/cash. beige			

Model	Year	MG	SG	Illustration	Restrictions	UPD	19:47	27.01.2010	PORSCHE	PET	PORSCHE
STZ	1998	8	06	806-02		248					

Pos	Part Number	Description	Remark	Qty	Model	Pos	Part Number	Description	Remark	Qty	Model
2	964 521 003 19	comfort seat leatherette/ seat and backrest surface porsche lettering cloth	/L	1		(2)	964 521 004 25	comfort seat with seat heating leatherette/ seat and backrest surface porsche lettering cloth	/R	1	
	PX2	black/black					PX2	black/black			
	TU9	mahogany/mahogany					TU9	mahogany/mahogany			
	TR9	marine blue/blue					TR9	marine blue/blue			
	PX6	burgundy/burgundy					PX6	burgundy/burgundy			
	PX8	greyish green/grey-green		-88			PX8	greyish green/grey-green		-88	
	XK3	linen/linen		89			XK3	linen/linen		89	
	XK6	cashmere beige/cash. beige		89			XK6	cashmere beige/cash. beige		89	
(2)	964 521 004 19	comfort seat leatherette/ seat and backrest surface porsche lettering cloth	/R	1		2	964 521 003 31	comfort seat with lumbar support leatherette/ seat and backrest surface porsche lettering cloth	/L	1	
	PX2	black/black					PX2	black/black			
	TU9	mahogany/mahogany					TU9	mahogany/mahogany			
	TR9	marine blue/blue					TR9	marine blue/blue			
	PX6	burgundy/burgundy					PX6	burgundy/burgundy			
	PX8	greyish green/grey-green		-88			PX8	greyish green/grey-green		-88	
	XK3	linen/linen		89			XK3	linen/linen		89	
	XK6	cashmere beige/cash. beige		89			XK6	cashmere beige/cash. beige		89	
2	964 521 003 25	comfort seat with seat heating leatherette/ seat and backrest surface porsche lettering cloth	/L	1		(2)	964 521 004 31	comfort seat with lumbar support leatherette/ seat and backrest surface porsche lettering cloth	/R	1	
	PX2	black/black					PX2	black/black			
	TU9	mahogany/mahogany					TU9	mahogany/mahogany			
	TR9	marine blue/blue					TR9	marine blue/blue			
	PX6	burgundy/burgundy					PX6	burgundy/burgundy			
	PX8	greyish green/grey-green		-88			PX8	greyish green/grey-green		-88	
	XK3	linen/linen		89			PX6	burgundy/burgundy			
	XK6	cashmere beige/cash. beige		89			PX8	greyish green/grey-green		-88	

Model	Year	MG	SG	Illustration	Restrictions	UPD	19:47	27.01.2010	PORSCHE	PET	PORSCHE
STZ	1998	8	06	806-02		248					

Pos	Part Number	Description	Remark	Qty	Model	Pos	Part Number	Description	Remark	Qty	Model
	XK3	linen/linen		89			TR4	blue/ blue-white			
	XK6	cashmere beige/cash. beige		89			PY4	burgundy/ burgundy-white			
2	964 521 003 37	comfort seat lumbar support with seat heating leatherette/ seat and backrest surface porsche lettering cloth	/L	1			PY5	greyish green/ greyish green-white	-88		
	PX2	black/black					XH2	linen/ linen white	89		
	TU9	mahogany/mahogany					XH7	cashmere beige/ cashmere beige-white	89		
	TR9	marine blue/blue				(1)	964 521 004 20	comfort seat leatherette/leather centre part pin stripe velour	/R	1	
	PX6	burgundy/burgundy					PY1	black/ black-white			
	PX8	greyish green/grey-green		-88			TU4	mahogany/ mahogany-white			
(2)	964 521 004 37	comfort seat lumbar support with seat heating leatherette/ seat and backrest surface porsche lettering cloth	/R	1			TR4	blue/ blue-white			
	PX2	black/black					PY4	burgundy/ burgundy-white			
	TU9	mahogany/mahogany					PY5	greyish green/ greyish green-white	-88		
	TR9	marine blue/blue					XH2	linen/ linen white	89		
	PX6	burgundy/burgundy					XH7	cashmere beige/ cashmere beige-white	89		
	PX8	greyish green/grey-green		-88		1	964 521 003 26	comfort seat with seat heating leatherette/leather centre part pin stripe velour	/L	1	
	XK3	linen/linen		89			PY1	black/ black-white			
	XK6	cashmere beige/cash. beige		89			TU4	mahogany/ mahogany-white			
1	964 521 003 20	comfort seat leatherette/leather centre part pin stripe velour	/L	1			TR4	blue/ blue-white			
	PY1	black/ black-white									
	TU4	mahogany/ mahogany-white									

Model	Year	MG	SG	Illustration	Restrictions	UPD	19:47	27.01.2010	PORSCHE	PET	PORSCHE
STZ	1998	8	06	806-02		248					

Pos	Part Number	Description	Remark	Qty	Model	Pos	Part Number	Description	Remark	Qty	Model
	PY4	burgundy/ burgundy-white					PY5	greyish green/ greyish green-white	-88		
	PY5	greyish green/ greyish green-white	-88				XH2	linen/ linen white	89		
	XH2	linen/ linen white	89				XH7	cashmere beige/ cashmere beige-white	89		
	XH7	cashmere beige/ cashmere beige-white	89			(1)	964 521 004 32	comfort seat with lumbar support leatherette/leather centre part pin stripe velour	/R	1	
(1)	964 521 004 26	comfort seat with seat heating leatherette/leather centre part pin stripe velour	/R	1			PY1	black/ black-white			
	PY1	black/ black-white					TU4	mahogany/ mahogany-white			
	TU4	mahogany/ mahogany-white					TR4	blue/ blue-white			
	TR4	blue/ blue-white					PY4	burgundy/ burgundy-white			
	PY4	burgundy/ burgundy-white					PY5	greyish green/ greyish green-white	-88		
	PY5	greyish green/ greyish green-white	-88				XH2	linen/ linen white	89		
	XH2	linen/ linen white	89				XH7	cashmere beige/ cashmere beige-white	89		
	XH7	cashmere beige/ cashmere beige-white	89			1	964 521 003 38	comfort seat lumbar support with seat heating leatherette/leather centre part pin stripe velour	/L	1	
1	964 521 003 32	comfort seat with lumbar support leatherette/leather centre part pin stripe velour	/L	1			PY1	black/ black-white			
	PY1	black/ black-white					TU4	mahogany/ mahogany-white			
	TU4	mahogany/ mahogany-white					TR4	blue/ blue-white			
	TR4	blue/ blue-white					PY4	burgundy/ burgundy-white			
	PY4	burgundy/ burgundy-white									



Model	Year	MG	SG	Illustration	Restrictions	UPD	19:47	27.01.2010	PORSCHE	PET	PORSCHE
STZ	1998	8	06	806-02		248					

Pos	Part Number	Description	Remark	Qty	Model	Pos	Part Number	Description	Remark	Qty	Model
		PY5 greyish green/ greyish green-white		-88				PZ2 black/anthracite			
		XH2 linen/ linen white		89			TU5 mahogany/mahogany				
		XH7 cashmere beige/ cashmere beige-white		89			TR5 marine blue/blue				
(1)	964 521 004 38	comfort seat lumbar support with seat heating leatherette/leather centre part pin stripe velour	/R	1			PZ5 burgundy/burgundy				
		PY1 black/ black-white					PZ6 greyish green/grey-green				
		TU4 mahogany/ mahogany-white				1	964 521 003 26	comfort seat with seat heating leatherette/leather centre part pin stripe flannel	/L	1	
		TR4 blue/ blue-white						PZ2 black/anthracite			
		PY4 burgundy/ burgundy-white					TU5 mahogany/mahogany				
		PY5 greyish green/ greyish green-white		-88			TR5 marine blue/blue				
		XH2 linen/ linen white		89			PZ5 burgundy/burgundy				
		XH7 cashmere beige/ cashmere beige-white		89			PZ6 greyish green/grey-green				
1	964 521 003 20	comfort seat leatherette/leather centre part pin stripe flannel	/L	1		(1)	964 521 004 26	comfort seat with seat heating leatherette/leather centre part pin stripe flannel	/R	1	
		PZ2 black/anthracite						PZ2 black/anthracite			
		TU5 mahogany/mahogany					TU5 mahogany/mahogany				
		TR5 marine blue/blue					TR5 marine blue/blue				
		PZ5 burgundy/burgundy					PZ5 burgundy/burgundy				
		PZ6 greyish green/grey-green					PZ6 greyish green/grey-green				
(1)	964 521 004 20	comfort seat leatherette/leather centre part pin stripe flannel	/R	1		1	964 521 003 32	comfort seat with lumbar support leatherette/leather centre part pin stripe flannel	/L	1	
		PZ2 black/anthracite						PZ2 black/anthracite			
		TU5 mahogany/mahogany					TU5 mahogany/mahogany				
		TR5 marine blue/blue					TR5 marine blue/blue				
		PZ5 burgundy/burgundy					PZ5 burgundy/burgundy				

Model	Year	MG	SG	Illustration	Restrictions	UPD	19:47	27.01.2010	PORSCHE	PET	PORSCHE
STZ	1998	8	06	806-02		248					

Pos	Part Number	Description	Remark	Qty	Model	Pos	Part Number	Description	Remark	Qty	Model
(1)	964 521 004 32	greyish green/grey-green comfort seat with lumbar support leatherette/leather centre part pin stripe flannel	/R    -88	1			XJ2	black/black			
	PZ2	black/anthracite					XJ3	mahogany/mahogany			
	TU5	mahogany/mahogany					XJ5	marine blue/marine blue			
	TR5	marine blue/blue					XJ7	burgundy/burgundy			
	PZ5	burgundy/burgundy					XH6	linen/linen			
	PZ6	greyish green/grey-green					XH9	cashmere beige/cash. beige			
1	964 521 003 38	comfort seat lumbar support with seat heating leatherette/leather centre part pin stripe flannel	/L    -88	1		(1)	964 521 004 20	comfort seat leatherette/leather centre part multicolour	/R   89	1	
	PZ2	black/anthracite					XJ2	black/black			
	TU5	mahogany/mahogany					XJ3	mahogany/mahogany			
	TR5	marine blue/blue					XJ5	marine blue/marine blue			
	PZ5	burgundy/burgundy					XJ7	burgundy/burgundy			
	PZ6	greyish green/grey-green					XH6	linen/linen			
(1)	964 521 004 38	comfort seat lumbar support with seat heating leatherette/leather centre part pin stripe flannel	/R    -88	1		1	964 521 003 26	comfort seat with seat heating leatherette/leather centre part multicolour	/L   89	1	
	PZ2	black/anthracite					XJ2	black/black			
	TU5	mahogany/mahogany					XJ3	mahogany/mahogany			
	TR5	marine blue/blue					XJ5	marine blue/marine blue			
	PZ5	burgundy/burgundy					XJ7	burgundy/burgundy			
	PZ6	greyish green/grey-green					XH6	linen/linen			
							XH9	cashmere beige/cash. beige			
1	964 521 003 20	comfort seat leatherette/leather centre part multicolour	/L   89	1		(1)	964 521 004 26	comfort seat with seat heating leatherette/leather centre part multicolour	/R   89	1	
							XJ2	black/black			
							XJ3	mahogany/mahogany			

Model	Year	MG	SG	Illustration	Restrictions	UPD	19:47	27.01.2010	PORSCHE	PET	PORSCHE
STZ	1998	8	06	806-02		248					

Pos	Part Number	Description	Remark	Qty	Model	Pos	Part Number	Description	Remark	Qty	Model
	XJ5	marine blue/marine blue					XJ5	marine blue/marine blue			
	XJ7	burgundy/burgundy					XJ7	burgundy/burgundy			
	XH6	linen/linen					XH6	linen/linen			
	XH9	cashmere beige/cash. beige					XH9	cashmere beige/cash. beige			
1	964 521 003 32	comfort seat with lumbar support leatherette/leather centre part multicolour	/L	1		(1)	964 521 004 38	comfort seat lumbar support with seat heating leatherette/leather centre part multicolour	/R	1	
	XJ2	black/black		89			XJ2	black/black		89	
	XJ3	mahogany/mahogany					XJ3	mahogany/mahogany			
	XJ5	marine blue/marine blue					XJ5	marine blue/marine blue			
	XJ7	burgundy/burgundy					XJ7	burgundy/burgundy			
	XH6	linen/linen					XH6	linen/linen			
	XH9	cashmere beige/cash. beige					XH9	cashmere beige/cash. beige			
(1)	964 521 004 32	comfort seat with lumbar support leatherette/leather centre part multicolour	/R	1		1	964 521 003 20	comfort seat leatherette/leather centre part porsche lettering cloth	/L	1	
	XJ2	black/black		89			PZ7	black/black			
	XJ3	mahogany/mahogany					TU6	mahogany/mahogany			
	XJ5	marine blue/marine blue					TR6	marine blue/blue			
	XJ7	burgundy/burgundy					QA1	burgundy/burgundy			
	XH6	linen/linen					QA2	greyish green/grey-green		-88	
	XH9	cashmere beige/cash. beige					XH4	linen/linen		89	
							XH8	cashmere beige/cash. beige		89	
1	964 521 003 38	comfort seat lumbar support with seat heating leatherette/leather centre part multicolour	/L	1		(1)	964 521 004 20	comfort seat leatherette/leather centre part porsche lettering cloth	/R	1	
	XJ2	black/black		89			PZ7	black/black			
	XJ3	mahogany/mahogany					TU6	mahogany/mahogany			
							TR6	marine blue/blue			

Model	Year	MG	SG	Illustration	Restrictions	UPD	19:47	27.01.2010	PORSCHE	PET	PORSCHE
STZ	1998	8	06	806-02		248					

Pos	Part Number	Description	Remark	Qty	Model	Pos	Part Number	Description	Remark	Qty	Model
	QA1	burgundy/burgundy					TU6	mahogany/mahogany			
	QA2	greyish green/grey-green	-88				TR6	marine blue/blue			
	XH4	linen/linen	89				QA1	burgundy/burgundy			
	XH8	cashmere beige/cash. beige	89				QA2	greyish green/grey-green	-88		
1	964 521 003 26	comfort seat with seat heating leatherette/leather centre part porsche lettering cloth	/L	1			XH4	linen/linen	89		
	PZ7	black/black					XH8	cashmere beige/cash. beige	89		
	TU6	mahogany/mahogany				(1)	964 521 004 32	comfort seat with lumbar support leatherette/leather centre part porsche lettering cloth	/R	1	
	TR6	marine blue/blue					PZ7	black/black			
	QA1	burgundy/burgundy					TU6	mahogany/mahogany			
	QA2	greyish green/grey-green	-88				TR6	marine blue/blue			
	XH4	linen/linen	89				QA1	burgundy/burgundy			
	XH8	cashmere beige/cash. beige	89				QA2	greyish green/grey-green	-88		
(1)	964 521 004 26	comfort seat with seat heating leatherette/leather centre part porsche lettering cloth	/R	1			XH4	linen/linen	89		
	PZ7	black/black					XH8	cashmere beige/cash. beige	89		
	TU6	mahogany/mahogany				1	964 521 003 38	comfort seat lumbar support with seat heating leatherette/leather centre part porsche lettering cloth	/L	1	
	TR6	marine blue/blue					PZ7	black/black			
	QA1	burgundy/burgundy					TU6	mahogany/mahogany			
	QA2	greyish green/grey-green	-88				TR6	marine blue/blue			
	XH4	linen/linen	89				QA1	burgundy/burgundy			
	XH8	cashmere beige/cash. beige	89				QA2	greyish green/grey-green	-88		
1	964 521 003 32	comfort seat with lumbar support leatherette/leather centre part porsche lettering cloth	/L	1			XH4	linen/linen	89		
	PZ7	black/black					XH8	cashmere beige/cash. beige	89		

Model	Year	MG	SG	Illustration	Restrictions	UPD	19:47	27.01.2010	PORSCHE	PET	PORSCHE
STZ	1998	8	06	806-02		248					

Pos	Part Number	Description	Remark	Qty	Model	Pos	Part Number	Description	Remark	Qty	Model
(1)	964 521 004 38	comfort seat lumbar support with seat heating leatherette/leather centre part porsche lettering cloth	/R	1			TR1	blue/ blue-white			
	PZ7	black/black					LS9	burgundy/ burgundy-white			
	TU6	mahogany/mahogany					QA7	greyish green/ greyish green-white	-88		
	TR6	marine blue/blue					XF5	linen/ linen white	89		
	QA1	burgundy/burgundy					XF8	cashmere beige/ cashmere beige-white	89		
	QA2	greyish green/grey-green	-88			1	964 521 003 28	comfort seat with seat heating leather/ centre part pin stripe velour	/L	1	
	XH4	linen/linen	89				LS5	black/ black-white			
	XH8	cashmere beige/cash. beige	89				TU1	mahogany/ mahogany-white			
1	964 521 003 22	comfort seat leather/ centre part pin stripe velour	/L	1			TR1	blue/ blue-white			
	LS5	black/ black-white					LS9	burgundy/ burgundy-white			
	TU1	mahogany/ mahogany-white					QA7	greyish green/ greyish green-white	-88		
	TR1	blue/ blue-white					XF5	linen/ linen white	89		
	LS9	burgundy/ burgundy-white					XF8	cashmere beige/ cashmere beige-white	89		
	QA7	greyish green/ greyish green-white	-88			(1)	964 521 004 28	comfort seat with seat heating leather/ centre part pin stripe velour	/R	1	
	XF5	linen/ linen white	89				LS5	black/ black-white			
	XF8	cashmere beige/ cashmere beige-white	89				TU1	mahogany/ mahogany-white			
(1)	964 521 004 22	comfort seat leather/ centre part pin stripe velour	/R	1			TR1	blue/ blue-white			
	LS5	black/ black-white									
	TU1	mahogany/ mahogany-white									

Model	Year	MG	SG	Illustration	Restrictions	UPD	19:47	27.01.2010	PORSCHE	PET	PORSCHE
STZ	1998	8	06	806-02		248					

Pos	Part Number	Description	Remark	Qty	Model	Pos	Part Number	Description	Remark	Qty	Model
	LS9	burgundy/ burgundy-white					LS9	burgundy/ burgundy-white			
	QA7	greyish green/ greyish green-white	-88				QA7	greyish green/ greyish green-white	-88		
	XF5	linen/ linen white	89				XF5	linen/ linen white	89		
	XF8	cashmere beige/ cashmere beige-white	89				XF8	cashmere beige/ cashmere beige-white	89		
1	964 521 003 34	comfort seat with lumbar support leather/ centre part pin stripe velour	/L	1		1	964 521 003 40	comfort seat lumbar support with seat heating leather/ centre part pin stripe velour	/L	1	
	LS5	black/ black-white					LS5	black/ black-white			
	TU1	mahogany/ mahogany-white					TU1	mahogany/ mahogany-white			
	TR1	blue/ blue-white					TR1	blue/ blue-white			
	LS9	burgundy/ burgundy-white					LS9	burgundy/ burgundy-white			
	QA7	greyish green/ greyish green-white	-88				QA7	greyish green/ greyish green-white	-88		
	XF5	linen/ linen white	89				XF5	linen/ linen white	89		
	XF8	cashmere beige/ cashmere beige-white	89				XF8	cashmere beige/ cashmere beige-white	89		
(1)	964 521 004 34	comfort seat with lumbar support leather/ centre part pin stripe velour	/R	1		(1)	964 521 004 40	comfort seat lumbar support with seat heating leather/ centre part pin stripe velour	/R	1	
	LS5	black/ black-white					LS5	black/ black-white			
	TU1	mahogany/ mahogany-white					TU1	mahogany/ mahogany-white			
	TR1	blue/ blue-white					TR1	blue/ blue-white			

Model	Year	MG	SG	Illustration	Restrictions	UPD	19:47	27.01.2010	PORSCHE	PET	PORSCHE
STZ	1998	8	06	806-02		248					

Pos	Part Number	Description	Remark	Qty	Model	Pos	Part Number	Description	Remark	Qty	Model
	LS9	burgundy/ burgundy-white				(1)	964 521 004 28	comfort seat with seat heating leather/ centre part pin stripe flannel	/R	1	
	QA7	greyish green/ greyish green-white	-88						-88		
	XF5	linen/ linen white	89				QB1	black/anthracite			
	XF8	cashmere beige/ cashmere beige-white	89				TU2	mahogany/mahogany			
1	964 521 003 22	comfort seat leather/ centre part pin stripe flannel	/L	1			TR2	marine blue/blue			
			-88				QB7	burgundy/burgundy			
	QB1	black/anthracite					QA8	greyish green/grey-green			
	TU2	mahogany/mahogany				1	964 521 003 34	comfort seat with lumbar support leather/ centre part pin stripe flannel	/L	1	
	TR2	marine blue/blue							-88		
	QB7	burgundy/burgundy					QB1	black/anthracite			
	QA8	greyish green/grey-green					TU2	mahogany/mahogany			
(1)	964 521 004 22	comfort seat leather/ centre part pin stripe flannel	/R	1			TR2	marine blue/blue			
			-88				QB7	burgundy/burgundy			
	QB1	black/anthracite					QA8	greyish green/grey-green			
	TU2	mahogany/mahogany				(1)	964 521 004 34	comfort seat with lumbar support leather/ centre part pin stripe flannel	/R	1	
	TR2	marine blue/blue							-88		
	QB7	burgundy/burgundy					QB1	black/anthracite			
	QA8	greyish green/grey-green					TU2	mahogany/mahogany			
1	964 521 003 28	comfort seat with seat heating leather/ centre part pin stripe flannel	/L	1			TR2	marine blue/blue			
			-88				QB7	burgundy/burgundy			
	QB1	black/anthracite					QA8	greyish green/grey-green			
	TU2	mahogany/mahogany				1	964 521 003 40	comfort seat lumbar support with seat heating leather/ centre part pin stripe flannel	/L	1	
	TR2	marine blue/blue							-88		
	QB7	burgundy/burgundy									
	QA8	greyish green/grey-green									

Model	Year	MG	SG	Illustration	Restrictions	UPD	19:47	27.01.2010	PORSCHE	PET	PORSCHE
STZ	1998	8	06	806-02		248					

Pos	Part Number	Description	Remark	Qty	Model	Pos	Part Number	Description	Remark	Qty	Model
		QB1 black/anthracite					XF7	linen/linen			
		TU2 mahogany/mahogany					XG5	cashmere beige/cash. beige			
		TR2 marine blue/blue				1	964 521 003 28	comfort seat with seat heating leather/centre part multicolour	/L	1	
		QB7 burgundy/burgundy								89	
		QA8 greyish green/grey-green					XG6	black/black			
(1)	964 521 004 40	comfort seat lumbar support with seat heating leather/centre part pin stripe flannel	/R	1			XG7	mahogany/mahogany			
							XG8	marine blue/marine blue			
							XG9	burgundy/burgundy			
		QB1 black/anthracite					XF7	linen/linen			
		TU2 mahogany/mahogany					XG5	cashmere beige/cash. beige			
		TR2 marine blue/blue				(1)	964 521 004 28	comfort seat with seat heating leather/centre part multicolour	/R	1	
		QB7 burgundy/burgundy								89	
		QA8 greyish green/grey-green					XG6	black/black			
1	964 521 003 22	comfort seat leather/centre part multicolour	/L	1			XG7	mahogany/mahogany			
							XG8	marine blue/marine blue			
		XG6 black/black					XG9	burgundy/burgundy			
		XG7 mahogany/mahogany					XF7	linen/linen			
		XG8 marine blue/marine blue					XG5	cashmere beige/cash. beige			
		XG9 burgundy/burgundy				1	964 521 003 34	comfort seat with lumbar support leather/centre part multicolour	/L	1	
		XF7 linen/linen									
		XG5 cashmere beige/cash. beige					XG6	black/black			
(1)	964 521 004 22	comfort seat leather/centre part multicolour	/R	1			XG7	mahogany/mahogany			
							XG8	marine blue/marine blue			
		XG6 black/black					XG9	burgundy/burgundy			
		XG7 mahogany/mahogany					XF7	linen/linen			
		XG8 marine blue/marine blue									
		XG9 burgundy/burgundy									



Model	Year	MG	SG	Illustration	Restrictions	UPD	19:47	27.01.2010	PORSCHE	PET	PORSCHE
STZ	1998	8	06	806-02		248					

Pos	Part Number	Description	Remark	Qty	Model	Pos	Part Number	Description	Remark	Qty	Model
	XG5	cashmere beige/cash. beige					XG5	cashmere beige/cash. beige			
(1)	964 521 004 34	comfort seat with lumbar support leather/centre part multicolour	/R	1		1	964 521 003 22	comfort seat leather/centre part porsche lettering cloth	/L	1	
	XG6	black/black		89			QB2	black/black			
	XG7	mahogany/mahogany					TU3	mahogany/mahogany			
	XG8	marine blue/marine blue					TR3	marine blue/blue			
	XG9	burgundy/burgundy					QB8	burgundy/burgundy			
	XF7	linen/linen					QA9	greyish green/grey-green	-88		
	XG5	cashmere beige/cash. beige					XF6	linen/linen	89		
1	964 521 003 40	comfort seat lumbar support with seat heating leather/centre part multicolour	/L	1		(1)	964 521 004 22	comfort seat leather/centre part porsche lettering cloth	/R	1	
	XG6	black/black		89			QB2	black/black			
	XG7	mahogany/mahogany					TU3	mahogany/mahogany			
	XG8	marine blue/marine blue					TR3	marine blue/blue			
	XG9	burgundy/burgundy					QB8	burgundy/burgundy			
	XF7	linen/linen					QA9	greyish green/grey-green	-88		
	XG5	cashmere beige/cash. beige					XF6	linen/linen	89		
(1)	964 521 004 40	comfort seat lumbar support with seat heating leather/centre part multicolour	/R	1		1	964 521 003 28	comfort seat with seat heating leather/centre part porsche lettering cloth	/L	1	
	XG6	black/black		89			QB2	black/black			
	XG7	mahogany/mahogany					TU3	mahogany/mahogany			
	XG8	marine blue/marine blue					TR3	marine blue/blue			
	XG9	burgundy/burgundy					QB8	burgundy/burgundy			
	XF7	linen/linen					QA9	greyish green/grey-green	-88		
							XF6	linen/linen	89		

Model	Year	MG	SG	Illustration	Restrictions	UPD	19:47	27.01.2010	PORSCHE	PET	PORSCHE
STZ	1998	8	06	806-02		248					

Pos	Part Number	Description	Remark	Qty	Model	Pos	Part Number	Description	Remark	Qty	Model
		XF9 cashmere beige/cash. beige		89			QA9	greyish green/grey-green	-88		
(1)	964 521 004 28	comfort seat with seat heating leather/centre part porsche lettering cloth	/R	1			XF6	linen/linen	89		
		QB2 black/black					XF9	cashmere beige/cash. beige	89		
		TU3 mahogany/mahogany				1	964 521 003 40	comfort seat lumbar support with seat heating leather/centre part porsche lettering cloth	/L	1	
		TR3 marine blue/blue					QB2	black/black			
		QB8 burgundy/burgundy					TU3	mahogany/mahogany			
		QA9 greyish green/grey-green	-88				TR3	marine blue/blue			
		XF6 linen/linen	89				QB8	burgundy/burgundy			
		XF9 cashmere beige/cash. beige	89				QA9	greyish green/grey-green	-88		
1	964 521 003 34	comfort seat with lumbar support leather/centre part porsche lettering cloth	/L	1			XF6	linen/linen	89		
		QB2 black/black					XF9	cashmere beige/cash. beige	89		
		TU3 mahogany/mahogany				(1)	964 521 004 40	comfort seat lumbar support with seat heating leather/centre part porsche lettering cloth	/R	1	
		TR3 marine blue/blue					QB2	black/black			
		QB8 burgundy/burgundy					TU3	mahogany/mahogany			
		QA9 greyish green/grey-green	-88				TR3	marine blue/blue			
		XF6 linen/linen	89				QB8	burgundy/burgundy			
		XF9 cashmere beige/cash. beige	89				QA9	greyish green/grey-green	-88		
(1)	964 521 004 34	comfort seat with lumbar support leather/centre part porsche lettering cloth	/R	1			XF6	linen/linen	89		
		QB2 black/black					XF9	cashmere beige/cash. beige	89		
		TU3 mahogany/mahogany				3	964 521 003 21	comfort seat leatherette/seat and backrest surface leather	/L	1	
		TR3 marine blue/blue					JN3	black/black			
		QB8 burgundy/burgundy					TV2	mahogany/mahogany			

Model	Year	MG	SG	Illustration	Restrictions	UPD	19:47	27.01.2010	PORSCHE	PET	PORSCHE
STZ	1998	8	06	806-02		248					

Pos	Part Number	Description	Remark	Qty	Model	Pos	Part Number	Description	Remark	Qty	Model
		TS2 marine blue/marine blue					TV2 mahogany/mahogany				
		NZ8 burgundy/burgundy					TS2 marine blue/marine blue				
		PX9 greyish green/grey-green	-88				NZ8 burgundy/burgundy				
		TW2 linen/linen					PX9 greyish green/grey-green	-88			
		XN3 cashmere beige/cash. beige	89				TW2 linen/linen				
(3)	964 521 004 21	comfort seat leatherette/ seat and backrest surface leather	/R	1			XN3 cashmere beige/cash. beige	89			
		JN3 black/black				3	964 521 003 33	comfort seat with lumbar support leatherette/ seat and backrest surface leather	/L	1	
		TV2 mahogany/mahogany					JN3 black/black				
		TS2 marine blue/marine blue					TV2 mahogany/mahogany				
		NZ8 burgundy/burgundy					TS2 marine blue/marine blue				
		PX9 greyish green/grey-green	-88				NZ8 burgundy/burgundy				
		TW2 linen/linen					PX9 greyish green/grey-green	-88			
		XN3 cashmere beige/cash. beige	89				TW2 linen/linen				
3	964 521 003 27	comfort seat with seat heating leatherette/ seat and backrest surface leather	/L	1			XN3 cashmere beige/cash. beige	89			
		JN3 black/black				(3)	964 521 004 33	comfort seat with lumbar support leatherette/ seat and backrest surface leather	/R	1	
		TV2 mahogany/mahogany					JN3 black/black				
		TS2 marine blue/marine blue					TV2 mahogany/mahogany				
		NZ8 burgundy/burgundy					TS2 marine blue/marine blue				
		PX9 greyish green/grey-green	-88				NZ8 burgundy/burgundy				
		TW2 linen/linen					PX9 greyish green/grey-green	-88			
		XN3 cashmere beige/cash. beige	89				TW2 linen/linen				
(3)	964 521 004 27	comfort seat with seat heating leatherette/ seat and backrest surface leather	/R	1			XN3 cashmere beige/cash. beige	89			
		JN3 black/black									

Model	Year	MG	SG	Illustration	Restrictions	UPD	19:47	27.01.2010	PORSCHE	PET	PORSCHE
STZ	1998	8	06	806-02		248					

Pos	Part Number	Description	Remark	Qty	Model	Pos	Part Number	Description	Remark	Qty	Model
3	964 521 003 39	comfort seat lumbar support with seat heating leatherette/ seat and backrest surface leather	/L	1			XG2	silver-grey	-88		
	JN3	black/black					LG5	champagne	-88		
	TV2	mahogany/mahogany					XG3	caramel			
	TS2	marine blue/marine blue					TW1	linen			
	NZ8	burgundy/burgundy					XG4	venetian blue			
	PX9	greyish green/grey-green	-88				XN4	cashmere beige	89		
	TW2	linen/linen					XN5	silk grey	89		
	XN3	cashmere beige/cash. beige	89				XN6	velvet red	89		
							XN7	slate grey	89		
(3)	964 521 004 39	comfort seat lumbar support with seat heating leatherette/ seat and backrest surface leather	/R	1		(3)	964 521 004 23	comfort seat whole-leather	/R	1	
	JN3	black/black					KZ2	black			
	TV2	mahogany/mahogany					TV1	mahogany			
	TS2	marine blue/marine blue					TS1	marine blue			
	NZ8	burgundy/burgundy					LG7	burgundy			
	PX9	greyish green/grey-green	-88				QC2	greyish green	-88		
	TW2	linen/linen					XG1	plum red	-88		
	XN3	cashmere beige/cash. beige	89				XG2	silver-grey	-88		
3	964 521 003 23	comfort seat whole-leather	/L	1			LG5	champagne	-88		
	KZ2	black					XG3	caramel			
	TV1	mahogany					TW1	linen			
	TS1	marine blue					XG4	venetian blue			
	LG7	burgundy					XN4	cashmere beige	89		
	QC2	greyish green	-88				XN5	silk grey	89		
	XG1	plum red	-88				XN6	velvet red	89		
							XN7	slate grey	89		
						3	964 521 003 29	comfort seat with seat heating whole-leather	/L	1	
							KZ2	black			

Model	Year	MG	SG	Illustration	Restrictions	UPD	19:47	27.01.2010	PORSCHE	PET	PORSCHE
STZ	1998	8	06	806-02		248					

Pos	Part Number	Description	Remark	Qty	Model	Pos	Part Number	Description	Remark	Qty	Model
	TV1	mahogany					XN6	velvet red		89	
	TS1	marine blue					XN7	slate grey		89	
	LG7	burgundy				3	964 521 003 35	comfort seat with lumbar support whole-leather	/L	1	
	QC2	greyish green	-88				KZ2	black			
	XG1	plum red	-88				TV1	mahogany			
	XG2	silver-grey	-88				TS1	marine blue			
	LG5	champagne	-88				LG7	burgundy			
	XG3	caramel					QC2	greyish green		-88	
	TW1	linen					XG1	plum red		-88	
	XG4	venetian blue					XG2	silver-grey		-88	
	XN4	cashmere beige	89				LG5	champagne		-88	
	XN5	silk grey	89				XG3	caramel			
	XN6	velvet red	89				TW1	linen			
	XN7	slate grey	89				XG4	venetian blue			
(3)	964 521 004 29	comfort seat with seat heating whole-leather	/R	1			XN4	cashmere beige		89	
	KZ2	black					XN5	silk grey		89	
	TV1	mahogany					XN6	velvet red		89	
	TS1	marine blue					XN7	slate grey		89	
	LG7	burgundy				(3)	964 521 004 35	comfort seat with lumbar support whole-leather	/R	1	
	QC2	greyish green	-88				KZ2	black			
	XG1	plum red	-88				TV1	mahogany			
	XG2	silver-grey	-88				TS1	marine blue			
	LG5	champagne	-88				LG7	burgundy			
	XG3	caramel					QC2	greyish green		-88	
	TW1	linen					XG1	plum red		-88	
	XG4	venetian blue					XG2	silver-grey		-88	
	XN4	cashmere beige	89								
	XN5	silk grey	89								

Model	Year	MG	SG	Illustration	Restrictions	UPD	19:47	27.01.2010	PORSCHE	PET	PORSCHE
STZ	1998	8	06	806-02		248					

Pos	Part Number	Description	Remark	Qty	Model	Pos	Part Number	Description	Remark	Qty	Model
	LG5	champagne		-88			TV1	mahogany			
	XG3	caramel					TS1	marine blue			
	TW1	linen					LG7	burgundy			
	XG4	venetian blue					QC2	greyish green	-88		
	XN4	cashmere beige		89			XG1	plum red	-88		
	XN5	silk grey		89			XG2	silver-grey	-88		
	XN6	velvet red		89			LG5	champagne	-88		
	XN7	slate grey		89			XG3	caramel			
3	964 521 003 41	comfort seat lumbar support with seat heating whole-leather	/L	1			TW1	linen			
	KZ2	black					XG4	venetian blue			
	TV1	mahogany					XN4	cashmere beige	89		
	TS1	marine blue					XN5	silk grey	89		
	LG7	burgundy					XN6	velvet red	89		
	QC2	greyish green		-88		3	964 521 003 24	comfort seat draped leather	/L	1	
	XG1	plum red		-88			KZ2	black			
	XG2	silver-grey		-88			TV1	mahogany			
	LG5	champagne		-88			TS1	marine blue			
	XG3	caramel					LG7	burgundy			
	TW1	linen					QC2	greyish green	-88		
	XG4	venetian blue					XG1	plum red	-88		
	XN4	cashmere beige		89			XG2	silver-grey	-88		
	XN5	silk grey		89			LG5	champagne	-88		
	XN6	velvet red		89			XG3	caramel			
	XN7	slate grey		89			TW1	linen			
(3)	964 521 004 41	comfort seat lumbar support with seat heating whole-leather	/R	1			XG4	venetian blue			
	KZ2	black					XN4	cashmere beige	89		
							XN5	silk grey	89		

Model	Year	MG	SG	Illustration	Restrictions	UPD	19:47	27.01.2010	PORSCHE	PET	PORSCHE
STZ	1998	8	06	806-02		248					

Pos	Part Number	Description	Remark	Qty	Model	Pos	Part Number	Description	Remark	Qty	Model
(3)	964 521 004 24	XN6 velvet red		89	/R	(3)	964 521 004 30	XG3 caramel		/R	1
		XN7 slate grey		89				TW1 linen			
		comfort seat draped leather		1				XG4 venetian blue			
		KZ2 black						XN4 cashmere beige	89		
		TV1 mahogany						XN5 silk grey	89		
		TS1 marine blue						XN6 velvet red	89		
		LG7 burgundy						XN7 slate grey	89		
		QC2 greyish green	-88					comfort seat with seat heating draped leather			
		XG1 plum red	-88					KZ2 black			
		XG2 silver-grey	-88					TV1 mahogany			
		LG5 champagne	-88					TS1 marine blue			
		XG3 caramel						LG7 burgundy			
		TW1 linen						QC2 greyish green	-88		
		XG4 venetian blue						XG1 plum red	-88		
		XN4 cashmere beige	89					XG2 silver-grey	-88		
		XN5 silk grey	89					LG5 champagne	-88		
		XN6 velvet red	89					XG3 caramel			
XN7 slate grey	89		TW1 linen								
3	964 521 003 30	comfort seat with seat heating draped leather		1	/L	3	964 521 003 36	comfort seat with lumbar support draped leather		/L	1
		KZ2 black						KZ2 black			
		TV1 mahogany						TV1 mahogany			
		TS1 marine blue									
		LG7 burgundy									
		QC2 greyish green	-88								
		XG1 plum red	-88								
		XG2 silver-grey	-88								
		LG5 champagne	-88								

Model	Year	MG	SG	Illustration	Restrictions	UPD	19:47	27.01.2010	PORSCHE	PET	PORSCHE
STZ	1998	8	06	806-02		248					

Pos	Part Number	Description	Remark	Qty	Model	Pos	Part Number	Description	Remark	Qty	Model
	TS1	marine blue					XN6	velvet red		89	
	LG7	burgundy					XN7	slate grey		89	
	QC2	greyish green	-88			3	964 521 003 42	comfort seat lumbar support with seat heating draped leather	/L	1	
	XG1	plum red	-88				KZ2	black			
	XG2	silver-grey	-88				TV1	mahogany			
	LG5	champagne	-88				TS1	marine blue			
	XG3	caramel					LG7	burgundy			
	TW1	linen					QC2	greyish green	-88		
	XG4	venetian blue					XG1	plum red	-88		
	XN4	cashmere beige	89				XG2	silver-grey	-88		
	XN5	silk grey	89				LG5	champagne	-88		
	XN6	velvet red	89				XG3	caramel			
	XN7	slate grey	89				TW1	linen			
(3)	964 521 004 36	comfort seat with lumbar support draped leather	/R	1			XG4	venetian blue			
	KZ2	black					XN4	cashmere beige	89		
	TV1	mahogany					XN5	silk grey	89		
	TS1	marine blue					XN6	velvet red	89		
	LG7	burgundy					XN7	slate grey	89		
	QC2	greyish green	-88			(3)	964 521 004 42	comfort seat lumbar support with seat heating draped leather	/R	1	
	XG1	plum red	-88				KZ2	black			
	XG2	silver-grey	-88				TV1	mahogany			
	LG5	champagne	-88				TS1	marine blue			
	XG3	caramel					LG7	burgundy			
	TW1	linen					QC2	greyish green	-88		
	XG4	venetian blue					XG1	plum red	-88		
	XN4	cashmere beige	89				XG2	silver-grey	-88		
	XN5	silk grey	89								



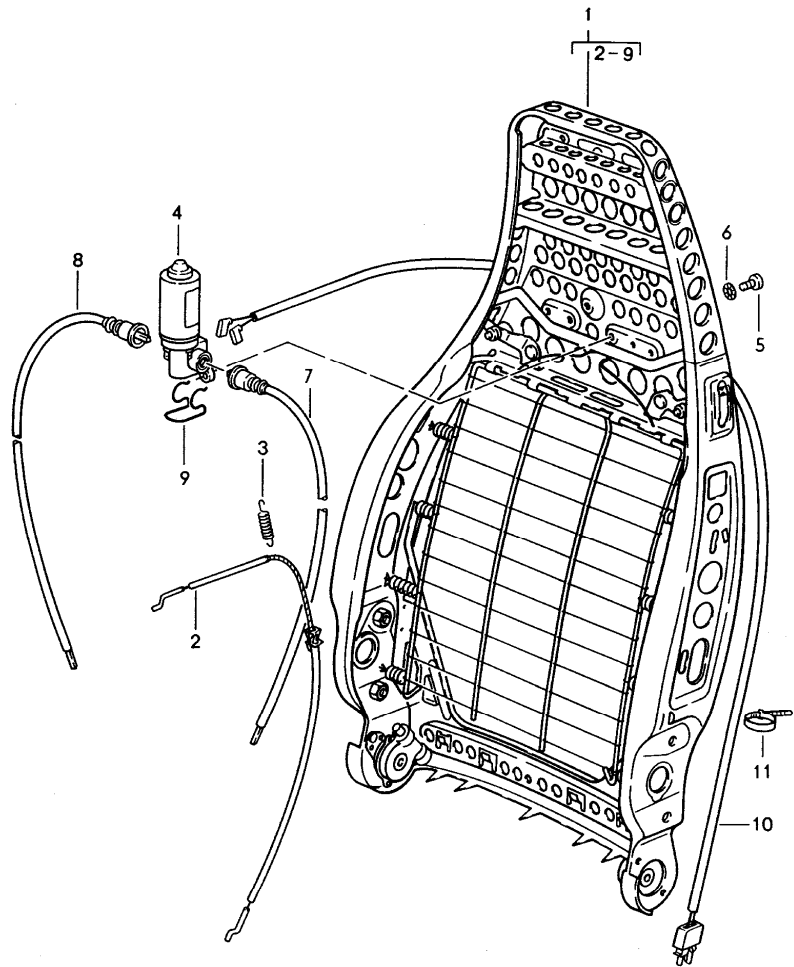
Model	Year	MG	SG	Illustration	Restrictions	UPD	19:47	27.01.2010	PORSCHE	PET	PORSCHE
STZ	1998	8	06	806-02		248					

Pos	Part Number	Description	Remark	Qty	Model	Pos	Part Number	Description	Remark	Qty	Model
	LG5	champagne		-88		6	928 521 716 02	lock washer for backrest adjustment		4	
	XG3	caramel				7	900 249 004 02	countersunk-head screw M 4 X 8 for backrest adjustment		4	
	TW1	linen				8	928 521 147 02	cover	/L	2	
	XG4	venetian blue					01C	black			
	XN4	cashmere beige		89			4MJ	mahogany			
	XN5	silk grey		89			9JJ	marine blue			
	XN6	velvet red		89			9MM	burgundy			
	XN7	slate grey		89			7XJ	linen			
3	964 521 003 12	front seat elect. vertical adjustment without heating draped leather special model with model year 1988	/L	88	1 JUBI.88		3UD	cashmere beige		89	
	WR2	SILBERBLAUMETALLIC				(8)	928 521 148 02	cover	/R	2	
(3)	964 521 004 12	front seat elect. vertical adjustment without heating draped leather special model with model year 1988	/R	88	1 JUBI.88		01C	black			
	WR2	SILBERBLAUMETALLIC					4MJ	mahogany			
							9JJ	marine blue			
							9MM	burgundy			
							7XJ	linen			
							3UD	cashmere beige		89	
3	964 521 003 30	front seat with seat heating draped leather	/L	89	1 M099	9	900 025 044 07	washer A 4,3		8	
	SS1	blue metallic				10	900 143 113 07	tapping screw B 4,2 X 13		8	
(3)	964 521 004 30	front seat with seat heating draped leather	/R	89	1 M099	11	928 521 760 04	engine cover comfort seat		2	
	SS1	blue metallic					01C	satin black			
						(11)	928 521 760 05	engine cover elect. vertical adjustment		2	
4	911 521 547 00	screw M 10 X 20		6			01C	satin black			
5	928 521 717 02	square rod for backrest adjustment		4		12	N 013 959 3	tapping screw B 3,5 X 16		4	
						13	900 025 013 07	washer A 3,7		4	

Model	Year	MG	SG	Illustration	Restrictions	UPD	19:47	27.01.2010	PORSCHE	PET	PORSCHE
STZ	1998	8	06	806-02		248					

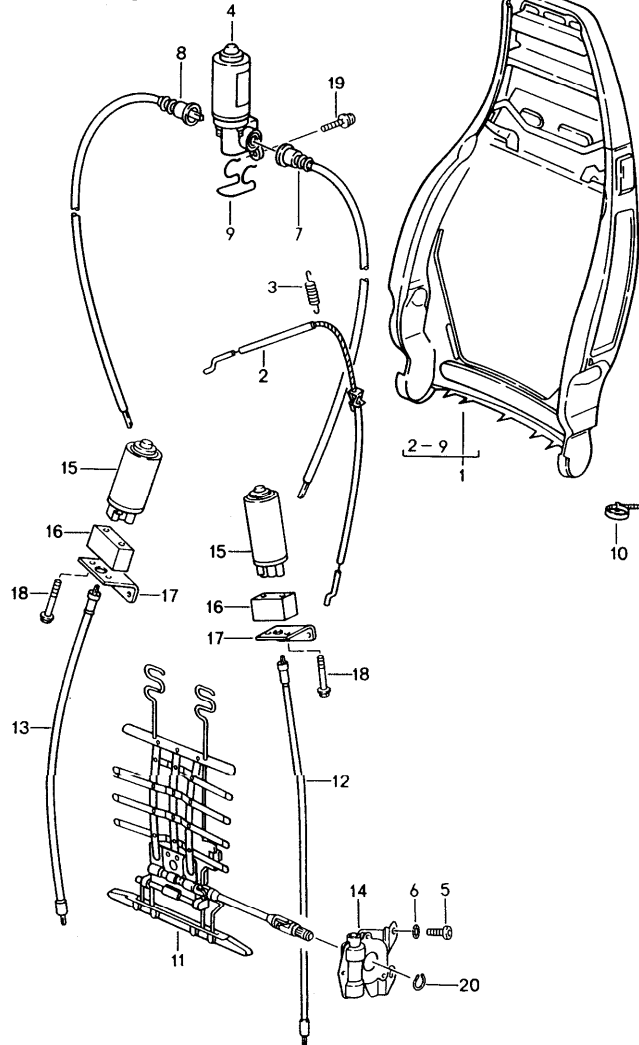
Pos	Part Number	Description	Remark	Qty	Model	Pos	Part Number	Description	Remark	Qty	Model
14	900 119 030 02	pan-head screw M 8 X 20		12							
15	900 089 006 02	washer 8		12							
16	911 521 347 00	stop		2							
17	928 521 101 08	threaded plate rear 4 X M 8		X							
18	964 521 701 00	threaded plate front and rear 2 X M 8		X							

Model	Year	MG	SG	Illustration	Restrictions	UPD	19:47	27.01.2010	PORSCHE	PET	PORSCHE
STZ	1998	8	06	806-04		248					



Pos	Part Number	Description	Remark	Qty	Model
		backrest frame manually electric	85-86		911 CARRERA TURBO
(1)	928 521 027 08	backrest frame manually adjustable	/LL/R /RL/L	1	CARRERA CARRERA
1	928 521 027 10	backrest frame electrically adjustable	/LL/L /LL/R /RL/R /RL/L	2	TURBO CARRERA M438 CARRERA M437
2	928 521 093 02	bowden cable		4	
3	311 881 287 A	spring actuating lever		4	
4	928 624 126 01	geared motor for backrest adjustment		2	
5	N 014 128 4	oval-head screw M 5 X 8		4	
6	N 012 130 2	shake-proof washer A 5,3		4	
7	928 521 617 02	shaft for backrest adjustment	/L	2	
8	928 521 618 02	shaft for backrest adjustment	/R	2	
9	928 521 675 02	moulded spring		2	
10	928 612 343 00	connecting line for backrest adjustment		2	
11	N 020 904 4	tie-wrap		10	TURBO
11	N 020 904 4	tie-wrap 6,5 X 120		5	CARRERA

Model	Year	MG	SG	Illustration	Restrictions	UPD	19:47	27.01.2010	PORSCHE	PET	PORSCHE
STZ	1998	8	06	806-06		248					

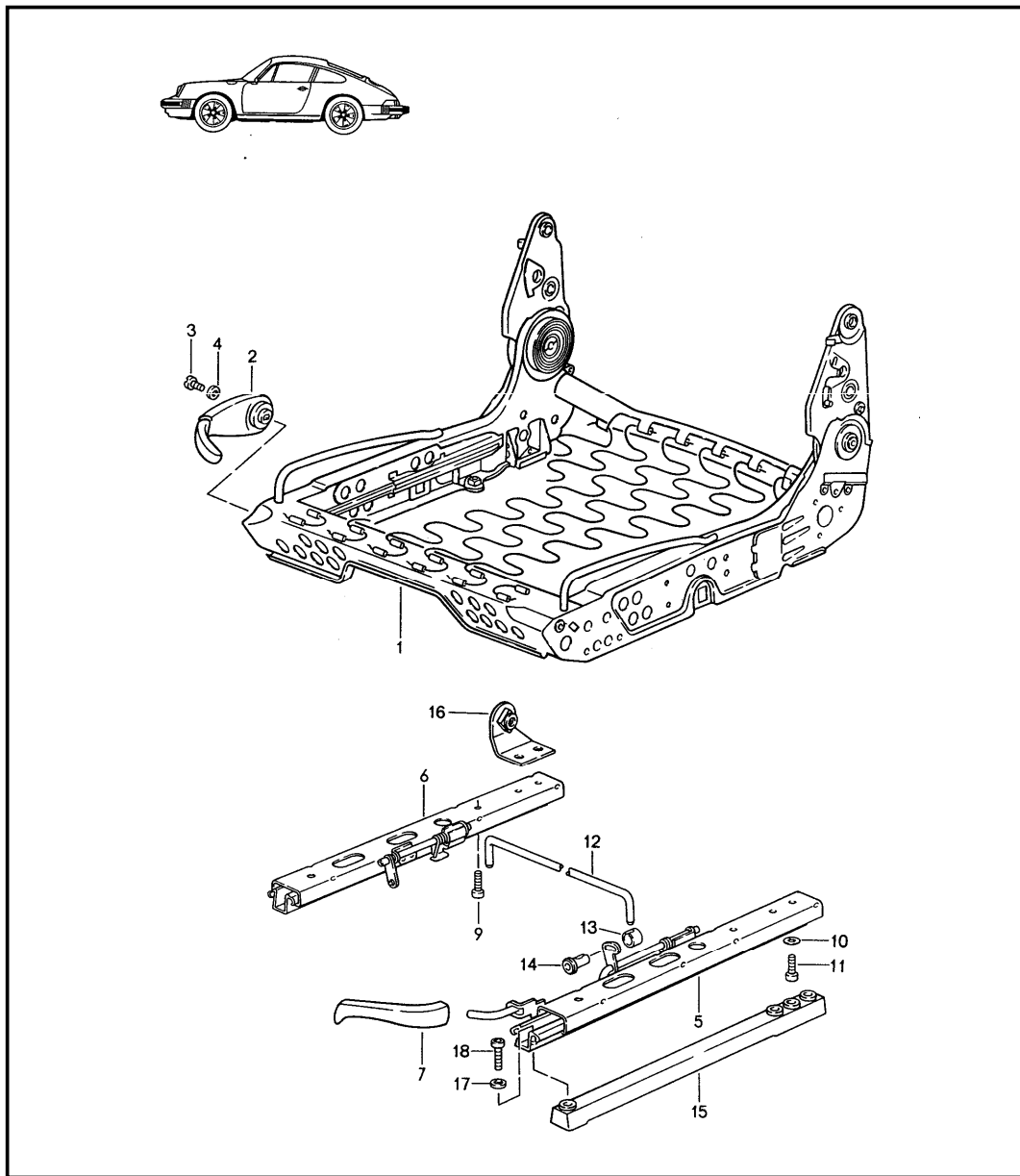


Pos	Part Number	Description	Remark	Qty	Model
		backrest frame manually electric lumbar support	87-89		911 CARRERA TURBO
(1)	928 521 027 08	backrest frame manually adjustable		2	
1	928 521 027 10	backrest frame electrically adjustable		2	
2	928 521 093 02	bowden cable		4	
3	311 881 287 A	spring actuating lever		4	
4	928 624 126 01	geared motor for backrest adjustment		2	
5	N 014 128 4	oval-head screw M 5 X 8		4	
6	N 012 130 2	shake-proof washer A 5,3		4	
7	928 521 617 03	shaft for backrest adjustment	/L	2	
8	928 521 618 03	shaft for backrest adjustment	/R	2	
9	928 521 675 02	moulded spring		2	
10	N 020 904 4	tie-wrap		10	TURBO
10	N 020 904 4	tie-wrap 6,5 X 120		5	CARRERA
11	928 521 135 02	lumbar support		1	
12	928 521 315 03	pliable shaft lumbar support adjustment curvature		1	
13	928 521 315 02	pliable shaft lumbar support adjustment height		1	
14	928 521 153 03	transmission		1	
15	928 624 122 02	adjusting motor lumbar		1	
16	928 624 199 00	spacer lumbar support		4	

Model	Year	MG	SG	Illustration	Restrictions	UPD	19:47	27.01.2010	PORSCHE	PET	PORSCHE
STZ	1998	8	06	806-06		248					

Pos	Part Number	Description	Remark	Qty	Model	Pos	Part Number	Description	Remark	Qty	Model
17	928 624 057 00	engine carrier lumbar support		2							
18	999 919 058 02	hexagon-head bolt H 5 X 40		4							
19	900 146 117 02	combination screw M 5 X 12 Z1		4							
20	N 012 411 1	circlip 11 X 1		2							

Model	Year	MG	SG	Illustration	Restrictions	UPD	19:47	27.01.2010	PORSCHE	PET	PORSCHE
STZ	1998	8	06	806-08		248					

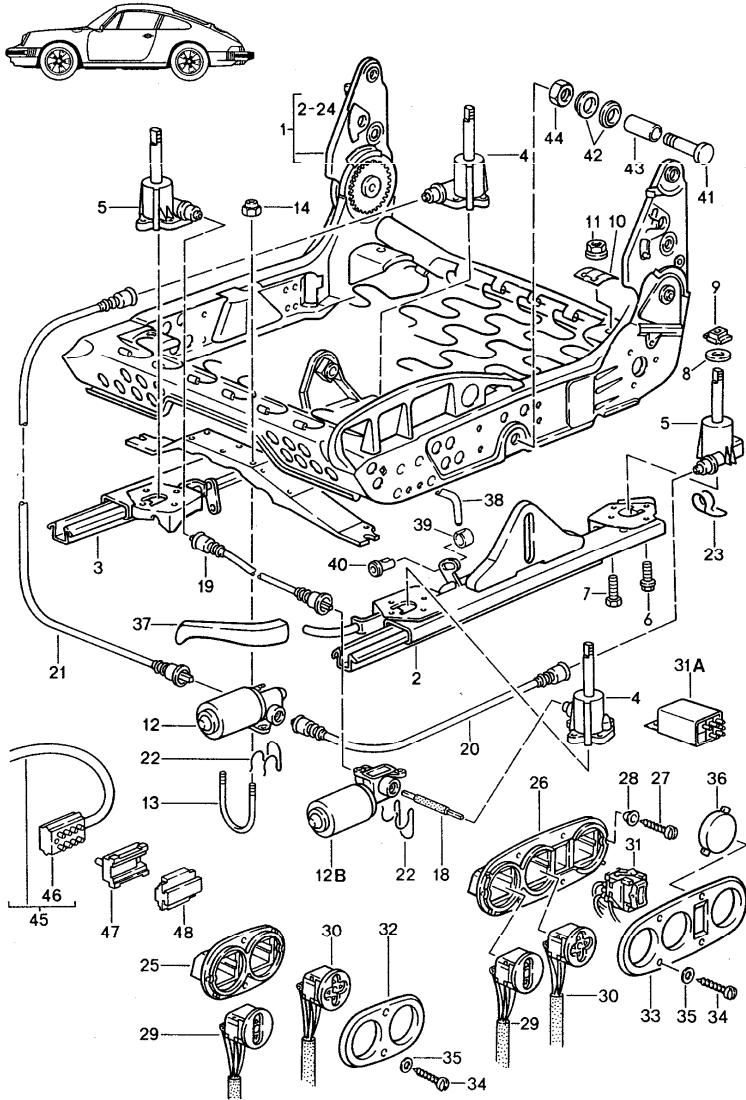


Pos	Part Number	Description	Remark	Qty	Model
		seat frame for manual adjustment	85-86		911 CARRERA
1	993 521 069 00	seat frame	/L	1	
(1)	993 521 070 00	seat frame	/R	1	
(2)	964 521 073 00	lever for backrest adjustment		2	
		01C satin black			
3	900 119 011 07	pan-head screw M 5 X 10		1	
4	900 031 006 07	washer 5,3		1	
5	928 521 489 10	seat rail left seat outer	/RL	1	
(5)	928 521 490 10	seat rail right seat outer	/LL	1	
6	928 521 492 08	seat rail left seat inner	/RL	1	
(6)	928 521 491 08	seat rail right seat inner	/LL	1	
(7)	911 521 533 01	handle for longitudinal adjustment		2	
		01C satin black			
9	900 119 091 02	pan-head screw M 6 X 15		1	
10	900 025 007 02	washer A 8,4		6	
11	900 119 052 02	pan-head screw M 8 X 16		6	
12	928 521 525 03	connecting rod for longitudinal adjustment		1	
13	N 902 514 01	clamping sleeve for longitudinal adjustment		2	
14	N 902 515 01	guide bush for longitudinal adjustment		2	

Model	Year	MG	SG	Illustration	Restrictions	UPD	19:47	27.01.2010	PORSCHE	PET	PORSCHE
STZ	1998	8	06	806-08		248					

Pos	Part Number	Description	Remark	Qty	Model	Pos	Part Number	Description	Remark	Qty	Model
15	911 521 493 02	spacer	/LL/R /RL/L	2							
(16)	928 521 065 02	support seat-belt buckle	/LL/R	1							
16	928 521 066 02	support seat-belt buckle	/RL/L	1							
17	900 089 006 02	washer A 8,4		6							
18	900 119 081 02	pan-head screw M 8 X 35		6							

Model	Year	MG	SG	Illustration	Restrictions	UPD	19:48	27.01.2010	PORSCHE	PET	PORSCHE
STZ	1998	8	06	806-10		248					



Pos	Part Number	Description	Remark	Qty	Model
		seat frame electric	85-86		911 CARRERA TURBO
1	928 521 069 12	seat frame elect. vertical adjustment elect. backrest adjustment manual longitudinal adjustment	/L	1	TURBO
(1)	993 521 069 03	seat frame comfort seat all-electric	/L	1	
(1)	928 521 070 12	seat frame elect. vertical adjustment elect. backrest adjustment manual longitudinal adjustment	/R	1	TURBO
(1)	993 521 070 03	seat frame comfort seat all-electric	/R	1	
2	928 521 489 11	seat rail left seat outer elect. vertical adjustment manual longitudinal adjustment		1	
(2)	928 521 490 11	seat rail right seat outer elect. vertical adjustment manual longitudinal adjustment		1	
3	A 964 521 492 00	seat rail left seat inner elect. vertical adjustment manual longitudinal adjustment		1	
(3)	A 964 521 491 00	seat rail right seat inner elect. vertical adjustment manual longitudinal adjustment		1	
(2)	928 521 489 08	seat rail left seat outer all-electric		1	
(2)	928 521 490 08	seat rail right seat outer all-electric		1	



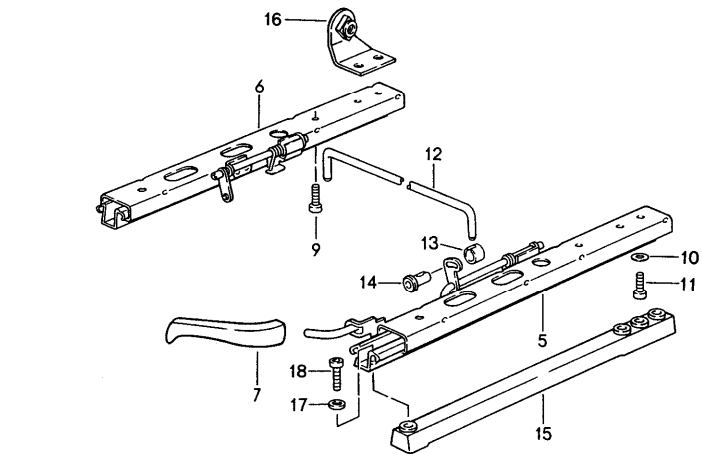
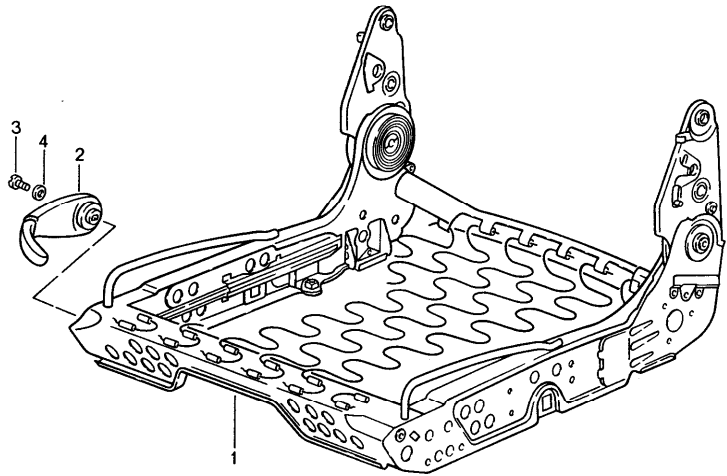
Model	Year	MG	SG	Illustration	Restrictions	UPD	19:48	27.01.2010	PORSCHE	PET	PORSCHE
STZ	1998	8	06	806-10		248					

Pos	Part Number	Description	Remark	Qty	Model	Pos	Part Number	Description	Remark	Qty	Model
(3)	928 521 492 11	seat rail left seat inner all-electric		1		-	928 521 251 02	shaft 246 MM for longitudinal adjustment	/L	2	
(3)	928 521 491 11	seat rail right seat inner all-electric		1		-	928 521 251 03	shaft 265 MM for longitudinal adjustment	/L	2	
4	928 521 721 03	lifting gear left front, right rear		4		-	928 521 252 03	shaft 246 MM for longitudinal adjustment	/R	2	
5	928 521 722 03	lifting gear right front, left rear		4		-	928 521 252 04	shaft 265 MM for longitudinal adjustment	/R	2	
6	999 217 033 01	locking screw M 6 X 16		20		18	928 521 671 03	shaft front vertical adjustment	/L	2	
7	900 186 032 02	pan-head screw M 6 X 12		8		19	928 521 672 02	pliable shaft front vertical adjustment	/R	2	
8	999 025 129 40	washer		8		20	928 521 673 05	shaft rear vertical adjustment	/L	2	
9	928 521 727 02	slide		8		21	928 521 674 02	shaft rear vertical adjustment	/R	2	
10	928 521 723 02	guide spring		8		22	928 521 675 02	moulded spring for engine		6	
11	928 521 730 02	nut		8		23	928 521 699 00	moulded spring transmission		6	
12	928 624 126 01	geared motor rear vertical adjustment		2		-	999 591 730 00	lock washer for		6	
(12B)	928 624 136 00	geared motor for longitudinal adjustment		2		25	928 521 559 04	switch insert		2	
12B	928 624 126 01	geared motor front vertical adjustment		2		26	928 521 559 02	switch insert seat heater	/L	1	
13	999 222 001 02	stirrup bolt M 4		6		(26)	928 521 560 02	switch insert seat heater	/R	1	
14	900 910 006 02	lock nut M 4		12		27	N 013 988 1	tapping screw B 3,5 X 16		4	
-	928 521 145 02	transmission for emergency control		2		28	999 591 849 07	cone washer		4	
-	N 012 130 2	shake-proof washer A 5,3 for emergency control		4		29	928 613 181 00	switch front vertical adjustment rear vertical adjustment		4	
-	N 014 128 4	oval-head screw M 5 X 6 for emergency control		4		(29)	928 613 182 00	switch for longitudinal adjustment front vertical adjustment		2	

Model	Year	MG	SG	Illustration	Restrictions	UPD	19:48	27.01.2010	PORSCHE	PET	PORSCHE
STZ	1998	8	06	806-10		248					

Pos	Part Number	Description	Remark	Qty	Model	Pos	Part Number	Description	Remark	Qty	Model
30	928 613 183 00	switch for backrest adjustment rear vertical adjustment		2		46	944 612 117 00	connector housing 8-pole		2	
31	928 613 187 01	switch seat heater	/L	1		47	999 652 395 40	connector housing 8-pole		2	
31	928 613 188 01	switch seat heater	/R	1		48	999 652 396 40	clip 8-pole		2	
31A	928 618 521 00	relay seat heater		2		-	N 020 904 4	tie-wrap 6,5 X 120		5	
32	928 521 561 04	trim for switch		2							
	01C	satin black									
33	928 521 561 03	trim for switch seat heater		2							
	01C	satin black									
34	N 013 959 3	tapping screw B 3,5 X 16		X							
35	900 025 013 07	washer A 3,7		X							
36	928 613 425 00	cover switch seat heater		X							
(37)	911 521 533 01	handle for longitudinal adjustment		2							
	01C	satin black									
38	928 521 525 03	connecting rod		2							
39	N 902 514 01	clamping sleeve		4							
40	N 902 515 01	guide bush		4							
41	928 521 681 02	bolt		4							
42	928 521 683 02	washer 1,5 PA 6		8							
43	928 521 685 02	bush		4							
44	900 034 003 02	hexagon nut M 10		4							
45	911 612 521 01	wiring harness for electric seat equipment		1							

Model	Year	MG	SG	Illustration	Restrictions	UPD	19:48	27.01.2010	PORSCHE	PET	PORSCHE
STZ	1998	8	06	806-12		248					

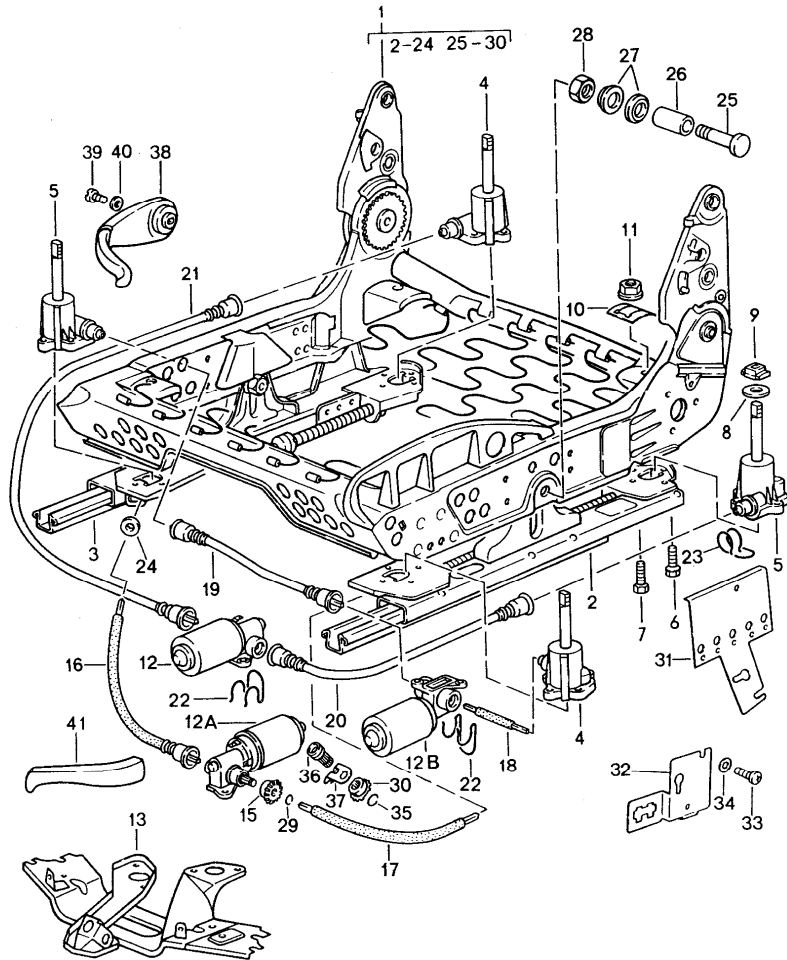


Pos	Part Number	Description	Remark	Qty	Model
		seat frame for manual adjustment	87-89		911 CARRERA TURBO
1	993 521 069 00	seat frame	/L	1	
(1)	993 521 070 00	seat frame	/R	1	
(2)	964 521 073 00	lever for backrest adjustment		2	
		01C satin black			
3	900 119 011 07	pan-head screw M 5 X 10		1	
4	900 031 006 07	washer 5,3		1	
5	928 521 489 10	seat rail left seat outer		1	
(5)	928 521 490 10	seat rail right seat outer		1	
6	928 521 492 08	seat rail left seat inner		1	
(6)	928 521 491 08	seat rail right seat inner		1	
(7)	911 521 533 01	handle for longitudinal adjustment		2	
		01C satin black			
9	900 119 091 02	pan-head screw M 6 X 15		1	
10	900 025 007 02	washer A 8,4		6	
11	900 119 052 02	pan-head screw M 8 X 16		6	
12	928 521 525 03	connecting rod for longitudinal adjustment		1	
13	N 902 514 01	sleeve for longitudinal adjustment		2	
14	N 902 515 01	guide bush for longitudinal adjustment		2	

Model	Year	MG	SG	Illustration	Restrictions	UPD	19:48	27.01.2010	PORSCHE	PET	PORSCHE
STZ	1998	8	06	806-12		248					

Pos	Part Number	Description	Remark	Qty	Model	Pos	Part Number	Description	Remark	Qty	Model
15	911 521 493 02	spacer		2							
(16)	928 521 065 02	support for seat-belt buckle	/L	-88	1						
16	928 521 066 02	support for seat-belt buckle	/R	-88	1						
(16)	964 521 065 00	support for seat-belt buckle		89-	2						
17	900 031 001 02	washer A 8,4			6						
18	900 119 081 02	pan-head screw M 8 X 35			6						

Model	Year	MG	SG	Illustration	Restrictions	UPD	19:48	27.01.2010	PORSCHE	PET	PORSCHE
STZ	1998	8	06	806-14		248					



Pos	Part Number	Description	Remark	Qty	Model
		seat frame electric	87-89		911 CARRERA TURBO
1	993 521 069 03	seat frame all-electric	/L	1	
(1)	993 521 070 03	seat frame all-electric	/R	1	
1	928 521 069 12	seat frame elect. vertical adjustment elect. backrest adjustment manual longitudinal adjustment	/L	1	
(1)	928 521 070 12	seat frame elect. vertical adjustment elect. backrest adjustment manual longitudinal adjustment	/R	1	
1	993 521 069 01	seat frame elect. vertical adjustment	/L	1	
(1) A	993 521 070 01	seat frame elect. vertical adjustment	/R	1	
(1)	993 521 070 01	seat frame elect. vertical adjustment	/R	1	
2	928 521 489 08	seat rail left seat outer all-electric		1	
(2)	928 521 490 08	seat rail right seat outer all-electric		1	
(3)	928 521 491 11	seat rail right seat inner all-electric		1	
		F >>91KS1 02065			COUPE
		F >>91KS1 40598			TARGA
		F >>91KS1 50739			CABRIO
		F >>93KS0 00342			TURBO COUPE
		F >>93KS0 20120			TURBO CABRIO
		F >>93KS0 10081			TURBO TARGA

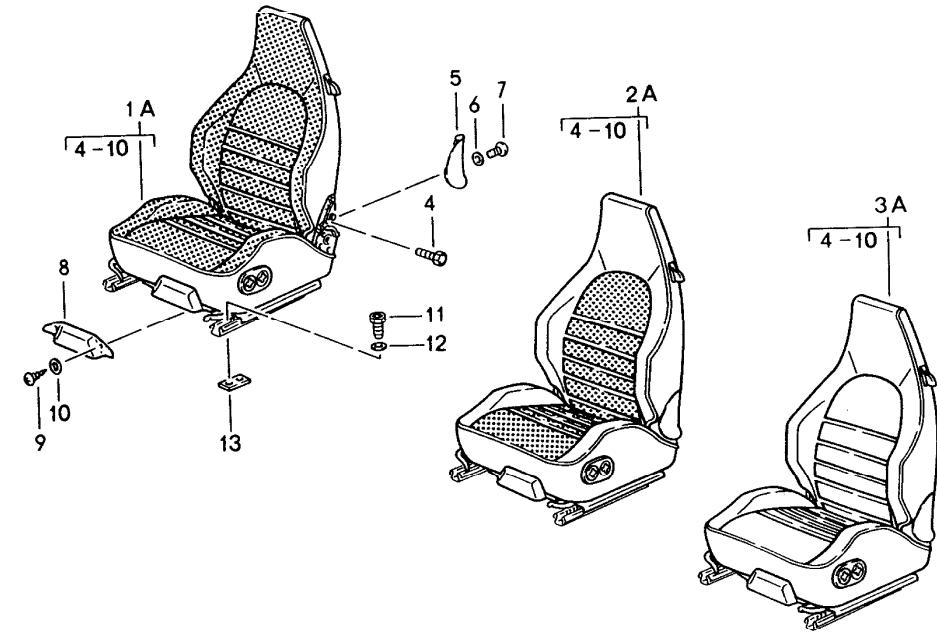
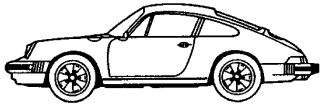
Model	Year	MG	SG	Illustration	Restrictions	UPD	19:48	27.01.2010	PORSCHE	PET	PORSCHE
STZ	1998	8	06	806-14		248					

Pos	Part Number	Description	Remark	Qty	Model	Pos	Part Number	Description	Remark	Qty	Model
(3)	964 521 491 01	seat rail right seat inner all-electric F 91KS1 02066>> F 91KS1 40599>> F 91KS1 50740>> F 93KS0 00343>> F 93KS0 20121>> F 93KS0 10082>>		1	COUPE TARGA CABRIO TURBO COUPE TURBO CABRIO TURBO TARGA	(3)	964 521 492 00	seat rail left seat inner elect. vertical adjustment F 91KS1 02066>> F 91KS1 40599>> F 91KS1 50740>> F 93KS0 00343>> F 93KS0 20121>> F 93KS0 10082>>		1	COUPE TARGA CABRIO TURBO COUPE TURBO CABRIO TURBO TARGA
3	928 521 492 11	seat rail left seat inner all-electric F >>91KS1 02065 F >>91KS1 40598 F >>91KS1 50739 F >>93KS0 00342 F >>93KS0 20120 F >>93KS0 10081		1	COUPE TARGA CABRIO TURBO COUPE TURBO CABRIO TURBO TARGA	(3) A	964 521 491 00	seat rail right seat inner elect. vertical adjustment F >>91KS1 02065 F >>91KS1 40598 F >>91KS1 50739 F >>93KS0 00342 F >>93KS0 20120 F >>93KS0 10081		1	COUPE TARGA CABRIO TURBO COUPE TURBO CABRIO TURBO TARGA
(3)	964 521 492 01	seat rail left seat inner all-electric F 91KS1 02066>> F 91KS1 40599>> F 91KS1 50740>> F 93KS0 00343>> F 93KS0 20121>> F 93KS0 10082>>		1	COUPE TARGA CABRIO TURBO COUPE TURBO CABRIO TURBO TARGA	(3)	964 521 491 00	seat rail right seat inner elect. vertical adjustment F 91KS1 02066>> F 91KS1 40599>> F 91KS1 50740>> F 93KS0 00343>> F 93KS0 20121>> F 93KS0 10082>>		1	COUPE TARGA CABRIO TURBO COUPE TURBO CABRIO TURBO TARGA
2	928 521 489 11	seat rail left seat outer elect. vertical adjustment		1		4	928 521 721 03	lifting gear left front, right rear		4	
(2)	928 521 490 11	seat rail right seat outer elect. vertical adjustment		1		5	928 521 722 03	lifting gear right front, left rear		4	
3 A	964 521 492 00	seat rail left seat inner elect. vertical adjustment F >>91KS1 02065 F >>91KS1 40598 F >>91KS1 50739 F >>93KS0 00342 F >>93KS0 20120 F >>93KS0 10081		1	COUPE TARGA CABRIO TURBO COUPE TURBO CABRIO TURBO TARGA	6	999 217 033 01	locking screw M 6 X 16		20	
						7	900 186 032 02	pan-head screw M 6 X 12		8	
						8	999 025 129 40	washer		8	
						9	928 521 727 02	slide		8	
						10	928 521 723 02	guide spring		8	
						11	928 521 730 02	nut		8	
						12	928 624 126 01	geared motor rear vertical adjustment		2	

Model	Year	MG	SG	Illustration	Restrictions	UPD	19:48	27.01.2010	PORSCHE	PET	PORSCHE
STZ	1998	8	06	806-14		248					

Pos	Part Number	Description	Remark	Qty	Model	Pos	Part Number	Description	Remark	Qty	Model
12A	928 624 136 00	geared motor for longitudinal adjustment		2		32	928 653 503 02	bracket		2	
12B	928 624 126 01	geared motor front vertical adjustment		2		33	N 014 133 8	lens-head screw M 5 X 12		2	
13	928 521 033 03	engine support		2		34	900 025 003 02	washer A 5,3		2	
15	928 521 818 03	bevel pinion for emergency control		2		35	N 042 499 1	circlip A 12		2	
16	928 521 251 03	shaft for longitudinal adjustment	/L	2		36	928 521 816 03	bearing pin		2	
17	928 521 252 04	shaft for longitudinal adjustment	/R	2		37	928 521 686 00	moulded spring		2	
18	928 521 671 03	shaft front vertical adjustment	/L	2		(38)	964 521 073 00	lever for backrest adjustment		2	
19	928 521 672 03	shaft front vertical adjustment	/R	2			01C	satin black			
20	928 521 673 05	shaft rear vertical adjustment	/L	2		39	900 119 011 07	pan-head screw M 5 X 10		2	
21	928 521 674 05	shaft rear vertical adjustment	/R	2		40	900 031 006 07	washer 5,3		2	
22	928 521 675 02	moulded spring for engine		6		(41)	911 521 533 01	handle for longitudinal adjustment		2	
23	928 521 699 00	moulded spring transmission		6			01C	satin black			
24	999 591 778 02	support shaft for longitudinal adjustment		6							
25	928 521 681 02	bolt 1,5 PA 6		4							
26	928 521 685 02	bush		4							
27	928 521 683 02	washer 1,5 PA 6		8							
28	900 034 003 02	hexagon nut M 10		4							
29	900 906 005 01	circlip A 8		2							
30	928 521 818 04	bevel pinion for emergency control		2							
31	928 653 501 03	bracket		2							

Model	Year	MG	SG	Illustration	Restrictions	UPD	19:48	27.01.2010	PORSCHE	PET	PORSCHE
STZ	1998	8	06	806-16		248					



Pos	Part Number	Description	Remark	Qty	Model
		sports seat complete	85-86		911 CARRERA TURBO
1A	944 521 001 01	sports seat without heating leatherette/ seat and backrest surface pin stripe velour	/L	1	M383
	NY5	black/ black-white			
	NY7	brown/ brown-beige			
	QA3	blue/ blue-white			
	NY8	burgundy/ burgundy-white			
	QA4	greyish green/ greyish green-white			
	RU3	grey-beige/ grey-beige-white	86		
(1A)	944 521 002 01	sports seat without heating leatherette/ seat and backrest surface pin stripe velour	/R	1	M387
	NY5	black/ black-white			
	NY7	brown/ brown-beige			
	QA3	blue/ blue-white			
	NY8	burgundy/ burgundy-white			
	QA4	greyish green/ greyish green-white			
	RU3	grey-beige/ grey-beige-white	86		
(1A)	944 521 001 03	sports seat with heating leatherette/ seat and backrest surface pin stripe velour	/L	1	M383



Model	Year	MG	SG	Illustration	Restrictions	UPD	19:48	27.01.2010	PORSCHE	PET	PORSCHE
STZ	1998	8	06	806-16		248					

Pos	Part Number	Description	Remark	Qty	Model	Pos	Part Number	Description	Remark	Qty	Model
		NY5 black/ black-white				(1A)	944 521 002 01	sports seat without heating leatherette/ seat and backrest surface pin stripe flannel	/R	1	M387
		NY7 brown/ brown-beige									
		QA3 blue/ blue-white					NY9	black/anthracite			
		NY8 burgundy/ burgundy-white					NZ6	brown/brown			
		QA4 greyish green/ greyish green-white					QA6	blue/blue			
		RU3 grey-beige/ grey-beige-white		86			NZ5	burgundy/burgundy			
							QA5	greyish green/grey-green			
(1A)	944 521 002 03	sports seat with heating leatherette/ seat and backrest surface pin stripe velour	/R	1	M387	(1A)	944 521 001 03	sports seat with heating leatherette/ seat and backrest surface pin stripe flannel	/L	1	M383
		NY5 black/ black-white					NY9	black/anthracite			
		NY7 brown/ brown-beige					NZ6	brown/brown			
		QA3 blue/ blue-white					QA6	blue/blue			
		NY8 burgundy/ burgundy-white					NZ5	burgundy/burgundy			
		QA4 greyish green/ greyish green-white					QA5	greyish green/grey-green			
		RU3 grey-beige/ grey-beige-white		86		(1A)	944 521 002 03	sports seat with heating leatherette/ seat and backrest surface pin stripe flannel	/R	1	M387
							NY9	black/anthracite			
							NZ6	brown/brown			
1A	944 521 001 01	sports seat without heating leatherette/ seat and backrest surface pin stripe flannel	/L	1	M383		QA6	blue/blue			
		NY9 black/anthracite					NZ5	burgundy/burgundy			
		NZ6 brown/brown					QA5	greyish green/grey-green			
		QA6 blue/blue				1A	944 521 001 01	sports seat without heating leatherette/ seat and backrest surface porsche lettering cloth	/L	1	M383
		NZ5 burgundy/burgundy					PX2	black/black			
		QA5 greyish green/grey-green					PX4	brown/brown			

Model	Year	MG	SG	Illustration	Restrictions	UPD	19:48	27.01.2010	PORSCHE	PET	PORSCHE
STZ	1998	8	06	806-16		248					

Pos	Part Number	Description	Remark	Qty	Model	Pos	Part Number	Description	Remark	Qty	Model
	PX7	blue/blue					PX8	greyish green/grey-green			
	PX6	burgundy/burgundy					QD9	grey-beige/grey-beige		86	
	PX8	greyish green/grey-green				2A	944 521 001 50	sports seat without heating leatherette/leather centre part in cloth pin stripe velour	/L	1	M383
(1A)	944 521 002 01	sports seat without heating leatherette/ seat and backrest surface porsche lettering cloth	/R	86	1 M387		PY1	black/black black-white			
	PX2	black/black					PY2	brown/brown brown-beige			
	PX4	brown/brown					PY3	blue/blue blue-white			
	PX7	blue/blue					PY4	burgundy/burgundy burgundy-white			
	PX6	burgundy/burgundy					PY5	greyish green/grey-green greyish green-white			
	PX8	greyish green/grey-green					RU4	grey-beige/grey-beige grey-beige-white		86	
(1A)	944 521 001 03	sports seat with heating leatherette/ seat and backrest surface porsche lettering cloth	/L	86	1 M383	(2A)	944 521 002 50	sports seat without heating leatherette/leather centre part in cloth pin stripe velour	/R	1	M387
	PX2	black/black					PY1	black/black black-white			
	PX4	brown/brown					PY2	brown/brown brown-beige			
	PX7	blue/blue					PY3	blue/blue blue-white			
	PX6	burgundy/burgundy					PY4	burgundy/burgundy burgundy-white			
	PX8	greyish green/grey-green					PY5	greyish green/grey-green greyish green-white			
(1A)	944 521 002 03	sports seat with heating leatherette/ seat and backrest surface porsche lettering cloth	/R	86	1 M387		RU4	grey-beige/grey-beige grey-beige-white		86	
	PX2	black/black				(2A)	944 521 001 55	sports seat with heating leatherette/leather centre part in cloth pin stripe velour	/L	1	M383
	PX4	brown/brown									
	PX7	blue/blue									
	PX6	burgundy/burgundy									

Model	Year	MG	SG	Illustration	Restrictions	UPD	19:48	27.01.2010	PORSCHE	PET	PORSCHE
STZ	1998	8	06	806-16		248					

Pos	Part Number	Description	Remark	Qty	Model	Pos	Part Number	Description	Remark	Qty	Model
	PY1	black/black black-white					PZ5	burgundy/burgundy burgundy			
	PY2	brown/brown brown-beige					PZ6	greyish green/grey-green greyish green			
	PY3	blue/blue blue-white				(2A)	944 521 002 50	sports seat without heating leatherette/leather centre part in cloth pin stripe flannel	/R	1	M387
	PY4	burgundy/burgundy burgundy-white					PZ2	black/black anthracite			
	PY5	greyish green/grey-green greyish green-white					PZ3	brown/brown brown			
	RU4	grey-beige/grey-beige grey-beige-white	86				PZ4	blue/blue blue			
(2A)	944 521 002 55	sports seat with heating leatherette/leather centre part in cloth pin stripe velour	/R	1	M387		PZ5	burgundy/burgundy burgundy			
	PY1	black/black black-white					PZ6	greyish green/grey-green greyish green			
	PY2	brown/brown brown-beige				(2A)	944 521 001 55	sports seat with heating leatherette/leather centre part in cloth pin stripe flannel	/L	1	M383
	PY3	blue/blue blue-white					PZ2	black/black anthracite			
	PY4	burgundy/burgundy burgundy-white					PZ3	brown/brown brown			
	PY5	greyish green/grey-green greyish green-white					PZ4	blue/blue blue			
	RU4	grey-beige/grey-beige grey-beige-white	86				PZ5	burgundy/burgundy burgundy			
2A	944 521 001 50	sports seat without heating leatherette/leather centre part in cloth pin stripe flannel	/L	1	M383		PZ6	greyish green/grey-green greyish green			
	PZ2	black/black anthracite				(2A)	944 521 002 55	sports seat with heating leatherette/leather centre part in cloth pin stripe flannel	/R	1	M387
	PZ3	brown/brown brown					PZ2	black/black anthracite			
	PZ4	blue/blue blue									

Model	Year	MG	SG	Illustration	Restrictions	UPD	19:48	27.01.2010	PORSCHE	PET	PORSCHE
STZ	1998	8	06	806-16		248					

Pos	Part Number	Description	Remark	Qty	Model	Pos	Part Number	Description	Remark	Qty	Model
	PZ3	brown/brown brown					RU2	grey-beige/grey-beige grey-beige		86	
	PZ4	blue/blue blue				(2A)	944 521 001 55	sports seat with heating leatherette/leather centre part porsche lettering cloth	/L	1	M383
	PZ5	burgundy/burgundy burgundy					PZ7	black/black black			
	PZ6	greyish green/grey-green greyish green					PZ8	brown/brown brown			
2A	944 521 001 50	sports seat without heating leatherette/leather centre part porsche lettering cloth	/L	1	M383		PZ9	blue/blue blue			
	PZ7	black/black black					QA1	burgundy/burgundy burgundy			
	PZ8	brown/brown brown					QA2	greyish green/grey-green greyish green			
	PZ9	blue/blue blue					RU2	grey-beige/grey-beige grey-beige		86	
	QA1	burgundy/burgundy burgundy				(2A)	944 521 002 55	sports seat with heating leatherette/leather centre part porsche lettering cloth	/R	1	M387
	QA2	greyish green/grey-green greyish green					PZ7	black/black black			
	RU2	grey-beige/grey-beige grey-beige		86			PZ8	brown/brown brown			
(2A)	944 521 002 50	sports seat without heating leatherette/leather centre part porsche lettering cloth	/R	1	M387		PZ9	blue/blue blue			
	PZ7	black/black black					QA1	burgundy/burgundy burgundy			
	PZ8	brown/brown brown					QA2	greyish green/grey-green greyish green			
	PZ9	blue/blue blue					RU2	grey-beige/grey-beige grey-beige		86	
	QA1	burgundy/burgundy burgundy				2A	944 521 001 54	sports seat without heating leather/ centre part pin stripe velour	/L	1	M383
	QA2	greyish green/grey-green greyish green									

Model	Year	MG	SG	Illustration	Restrictions	UPD	19:48	27.01.2010	PORSCHE	PET	PORSCHE
STZ	1998	8	06	806-16		248					

Pos	Part Number	Description	Remark	Qty	Model	Pos	Part Number	Description	Remark	Qty	Model
	LS5	black/ black-white					LS9	burgundy/ burgundy-white			
	LS6	brown/ brown-beige					QA7	greyish green/ greyish green-white			
	LS8	blue/ blue-white					LS7	grey-beige/ grey-beige-white	86		
	LS9	burgundy/ burgundy-white				(2A)	944 521 002 59	sports seat with heating leather/ centre part pin stripe velour	/R	1	M387
	QA7	greyish green/ greyish green-white					LS5	black/ black-white			
	LS7	grey-beige/ grey-beige-white	86				LS6	brown/ brown-beige			
(2A)	944 521 002 54	sports seat without heating leather/ centre part pin stripe velour	/R	1	M387		LS8	blue/ blue-white			
	LS5	black/ black-white					LS9	burgundy/ burgundy-white			
	LS6	brown/ brown-beige					QA7	greyish green/ greyish green-white			
	LS8	blue/ blue-white					LS7	grey-beige/ grey-beige-white	86		
	LS9	burgundy/ burgundy-white				2A	944 521 001 54	sports seat without heating leather/ centre part pin stripe flannel	/L	1	M383
	QA7	greyish green/ greyish green-white					QB1	black/anthracite			
	LS7	grey-beige/ grey-beige-white	86				QB3	brown/brown			
(2A)	944 521 001 59	sports seat with heating leather/ centre part pin stripe velour	/L	1	M383		QB5	blue/blue			
	LS5	black/ black-white					QB7	burgundy/burgundy			
	LS6	brown/ brown-beige					QA8	greyish green/grey-green			
	LS8	blue/ blue-white				(2A)	944 521 002 54	sports seat without heating leather/ centre part pin stripe flannel	/R	1	M387
							QB1	black/anthracite			

Model	Year	MG	SG	Illustration	Restrictions	UPD	19:48	27.01.2010	PORSCHE	PET	PORSCHE
STZ	1998	8	06	806-16		248					

Pos	Part Number	Description	Remark	Qty	Model	Pos	Part Number	Description	Remark	Qty	Model
		QB3 brown/brown				(2A)	944 521 002 54	sports seat without heating	/R	1	M387
		QB5 blue/blue						leather/centre part			
		QB7 burgundy/burgundy						porsche lettering cloth			
		QA8 greyish green/grey-green					QB2 black/black				
(2A)	944 521 001 59	sports seat with heating leather/centre part pin stripe flannel	/L	1	M383		QB4 brown/brown				
		QB1 black/anthracite					QB6 blue/blue				
		QB3 brown/brown					QB8 burgundy/burgundy				
		QB5 blue/blue					QA9 greyish green/grey-green				
		QB7 burgundy/burgundy					RU1 grey-beige/grey-beige		86		
		QA8 greyish green/grey-green				(2A)	944 521 001 59	sports seat with heating leather/centre part porsche lettering cloth	/L	1	M383
(2A)	944 521 002 59	sports seat with heating leather/centre part pin stripe flannel	/R	1	M387		QB2 black/black				
		QB1 black/anthracite					QB4 brown/brown				
		QB3 brown/brown					QB6 blue/blue				
		QB5 blue/blue					QB8 burgundy/burgundy				
		QB7 burgundy/burgundy					QA9 greyish green/grey-green				
		QA8 greyish green/grey-green					RU1 grey-beige/grey-beige		86		
2A	944 521 001 54	sports seat without heating leather/centre part porsche lettering cloth	/L	1	M383	(2A)	944 521 002 59	sports seat with heating leather/centre part porsche lettering cloth	/R	1	M387
		QB2 black/black					QB2 black/black				
		QB4 brown/brown					QB4 brown/brown				
		QB6 blue/blue					QB6 blue/blue				
		QB8 burgundy/burgundy					QB8 burgundy/burgundy				
		QA9 greyish green/grey-green					QA9 greyish green/grey-green				
		RU1 grey-beige/grey-beige		86			RU1 grey-beige/grey-beige		86		

Model	Year	MG	SG	Illustration	Restrictions	UPD	19:48	27.01.2010	PORSCHE	PET	PORSCHE
STZ	1998	8	06	806-16		248					

Pos	Part Number	Description	Remark	Qty	Model	Pos	Part Number	Description	Remark	Qty	Model
3A	944 521 001 51	sports seat without heating leatherette/ seat and backrest surface leather	/L	1	M383	(3A)	944 521 002 56	sports seat with heating leatherette/ seat and backrest surface leather	/R	1	M387
	JN3	black/black					JN3	black/black			
	JN4	brown/brown					JN4	brown/brown			
	QC1	blue/blue					QC1	blue/blue			
	NZ8	burgundy/burgundy					NZ8	burgundy/burgundy			
	PX9	greyish green/grey-green					PX9	greyish green/grey-green			
	JN5	grey-beige/grey-beige		86			JN5	grey-beige/grey-beige		86	
(3A)	944 521 002 51	sports seat without heating leatherette/ seat and backrest surface leather	/R	1	M387	3A	944 521 001 52	sports seat without heating whole-leather	/L	1	M383
	JN3	black/black					KZ2	black			
	JN4	brown/brown					KZ5	brown			
	QC1	blue/blue					KZ3	blue			
	NZ8	burgundy/burgundy					LG7	burgundy			
	PX9	greyish green/grey-green					QC2	greyish green			
	JN5	grey-beige/grey-beige		86			KZ6	can-can-red			
(3A)	944 521 001 56	sports seat with heating leatherette/ seat and backrest surface leather	/L	1	M383		LG4	pearl white			
	JN3	black/black					LG5	champagne			
	JN4	brown/brown					LG6	dark green			
	QC1	blue/blue					PY9	ocean blue			
	NZ8	burgundy/burgundy					PZ1	wild buffalo			
	PX9	greyish green/grey-green					KZ4	grey-beige		86	
	JN5	grey-beige/grey-beige		86		(3A)	944 521 002 52	sports seat without heating whole-leather	/R	1	M387
							KZ2	black			
							KZ5	brown			
							KZ3	blue			
							LG7	burgundy			

Model	Year	MG	SG	Illustration	Restrictions	UPD	19:48	27.01.2010	PORSCHE	PET	PORSCHE
STZ	1998	8	06	806-16		248					

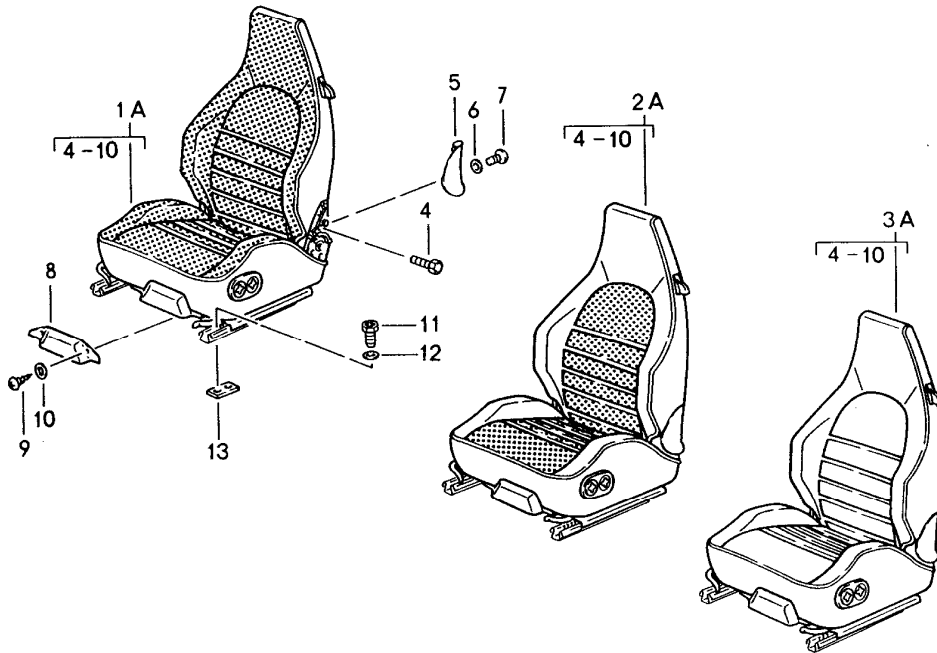
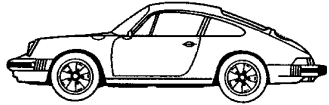
Pos	Part Number	Description	Remark	Qty	Model	Pos	Part Number	Description	Remark	Qty	Model
	QC2	greyish green					KZ6	can-can-red			
	KZ6	can-can-red					LG4	pearl white			
	LG4	pearl white					LG5	champagne			
	LG5	champagne					LG6	dark green			
	LG6	dark green					PY9	ocean blue			
	PY9	ocean blue					PZ1	wild buffalo			
	PZ1	wild buffalo					KZ4	grey-beige		86	
	KZ4	grey-beige		86		4	911 521 547 00	hexagon-head bolt M 10 X 20		8	
(3A)	944 521 001 57	sports seat with heating whole-leather	/L	1	M383	5	928 521 147 02	cover	/L	2	
	KZ2	black					01C	black			
	KZ5	brown					4RB	brown			
	KZ3	blue					5HJ	blue			
	LG7	burgundy					9MM	burgundy			
	QC2	greyish green					1DJ	greyish green			
	KZ6	can-can-red					3UC	grey-beige		86	
	LG4	pearl white				(5)	928 521 148 02	cover	/R	2	
	LG5	champagne					01C	black			
	LG6	dark green					4RB	brown			
	PY9	ocean blue					5HJ	blue			
	PZ1	wild buffalo					9MM	burgundy			
	KZ4	grey-beige		86			1DJ	greyish green			
(3A)	944 521 002 57	sports seat with heating whole-leather	/R	1	M387		3UC	grey-beige		86	
	KZ2	black				6	900 025 044 07	washer A 4,3		8	
	KZ5	brown				7	900 143 113 07	tapping screw B 4,2 X 13		8	
	KZ3	blue				8	928 521 760 03	engine cover		2	
	LG7	burgundy				9	N 013 959 3	tapping screw B 3,5 X 16		4	
	QC2	greyish green									



Model	Year	MG	SG	Illustration	Restrictions	UPD	19:48	27.01.2010	PORSCHE	PET	PORSCHE
STZ	1998	8	06	806-16		248					

Pos	Part Number	Description	Remark	Qty	Model	Pos	Part Number	Description	Remark	Qty	Model
10	900 025 013 07	washer A 3,7		4							
11	900 119 030 02	pan-head screw M 8 X 20		12							
12	900 089 006 02	washer 8,0		12							
13	964 521 701 00	threaded plate front and rear 2 X M 8		X							
(13)	928 521 101 08	threaded plate rear 4 X M 8		X							

Model	Year	MG	SG	Illustration	Restrictions	UPD	19:48	27.01.2010	PORSCHE	PET	PORSCHE
STZ	1998	8	06	806-18		248					



Pos	Part Number	Description	Remark	Qty	Model
		sports seat complete	87-89		911 CARRERA TURBO
		sports seat complete for M637 not available			
1A	944 521 001 04	sports seat without heating leatherette/ seat and backrest surface pin stripe velour	/L	1	M383
	NY5	black/ black-white			
	TU7	mahogany/ mahogany-white			
	TR7	blue/ blue-white			
	NY8	burgundy/ burgundy-white			
	QA4	greyish green/ greyish green-white	-88		
	XK2	linen/ linen white	89		
	XK5	cashmere beige/ cashmere beige-white	89		
(1A)	944 521 002 04	sports seat without heating leatherette/ seat and backrest surface pin stripe velour	/R	1	M387
	NY5	black/ black-white			
	TU7	mahogany/ mahogany-white			
	TR7	blue/ blue-white			
	NY8	burgundy/ burgundy-white			
	QA4	greyish green/ greyish green-white	-88		

Model	Year	MG	SG	Illustration	Restrictions	UPD	19:48	27.01.2010	PORSCHE	PET	PORSCHE
STZ	1998	8	06	806-18		248					

Pos	Part Number	Description	Remark	Qty	Model	Pos	Part Number	Description	Remark	Qty	Model
	XK2	linen/ linen white		89			XK5	cashmere beige/ cashmere beige-white		89	
	XK5	cashmere beige/ cashmere beige-white		89		1A	944 521 001 04	sports seat without heating leatherette/ seat and backrest surface pin stripe flannel	/L	1	M383
(1A)	944 521 001 05	sports seat with heating leatherette/ seat and backrest surface pin stripe velour	/L	1	M383		NY9	black/anthracite		-88	
	NY5	black/ black-white					TU8	mahogany/mahogany			
	TU7	mahogany/ mahogany-white					TR8	marine blue/blue			
	TR7	blue/ blue-white					NZ5	burgundy/burgundy			
	NY8	burgundy/ burgundy-white					QA5	greyish green/grey-green			
	QA4	greyish green/ greyish green-white		-88		(1A)	944 521 002 04	sports seat without heating leatherette/ seat and backrest surface pin stripe flannel	/R	1	M387
	XK2	linen/ linen white		89			NY9	black/anthracite			
	XK5	cashmere beige/ cashmere beige-white		89			TU8	mahogany/mahogany			
(1A)	944 521 002 05	sports seat with heating leatherette/ seat and backrest surface pin stripe velour	/R	1	M387		TR8	marine blue/blue			
	NY5	black/ black-white					NZ5	burgundy/burgundy			
	TU7	mahogany/ mahogany-white					QA5	greyish green/grey-green			
	TR7	blue/ blue-white				(1A)	944 521 001 05	sports seat with heating leatherette/ seat and backrest surface pin stripe flannel	/L	1	M383
	NY8	burgundy/ burgundy-white					NY9	black/anthracite		-88	
	QA4	greyish green/ greyish green-white		-88			TU8	mahogany/mahogany			
	XK2	linen/ linen white		89			TR8	marine blue/blue			
							NZ5	burgundy/burgundy			
							QA5	greyish green/grey-green			
						(1A)	944 521 002 05	sports seat with heating leatherette/ seat and backrest surface pin stripe flannel	/R	1	M387
										-88	

Model	Year	MG	SG	Illustration	Restrictions	UPD	19:48	27.01.2010	PORSCHE	PET	PORSCHE
STZ	1998	8	06	806-18		248					

Pos	Part Number	Description	Remark	Qty	Model	Pos	Part Number	Description	Remark	Qty	Model
		NY9 black/anthracite						XN2 burgundy/burgundy			
		TU8 mahogany/mahogany						XK4 linen/linen			
		TR8 marine blue/blue						XK7 cashmere beige/cash. beige			
		NZ5 burgundy/burgundy				(1A)	944 521 002 05	sports seat with heating leatherette/ seat and backrest surface multicolour	/R	1	M387
		QA5 greyish green/grey-green						XK8 black/black		89	
1A	944 521 001 04	sports seat without heating leatherette/ seat and backrest surface multicolour	/L	1	M383			XK9 mahogany/mahogany			
		XK8 black/black						XN1 marine blue/marine blue			
		XK9 mahogany/mahogany						XN2 burgundy/burgundy			
		XN1 marine blue/marine blue						XK4 linen/linen			
		XN2 burgundy/burgundy						XK7 cashmere beige/cash. beige			
(1A)	944 521 002 04	sports seat without heating leatherette/ seat and backrest surface multicolour	/R	1	M387	1A	944 521 001 04	sports seat without heating leatherette/ seat and backrest surface porsche lettering cloth	/L	1	M383
		XK8 black/black						PX2 black/black			
		XK9 mahogany/mahogany						TU9 mahogany/mahogany			
		XN1 marine blue/marine blue						TR9 marine blue/blue			
		XN2 burgundy/burgundy						PX6 burgundy/burgundy			
		XK4 linen/linen						PX8 greyish green/grey-green		-88	
		XK7 cashmere beige/cash. beige						XK3 linen/linen		89	
(1A)	944 521 001 05	sports seat with heating leatherette/ seat and backrest surface multicolour	/L	1	M383	(1A)	944 521 002 04	sports seat without heating leatherette/ seat and backrest surface porsche lettering cloth	/R	1	M387
		XK8 black/black						XK6 cashmere beige/cash. beige		89	
		XK9 mahogany/mahogany						PX2 black/black			
		XN1 marine blue/marine blue						TU9 mahogany/mahogany			
								TR9 marine blue/blue			
								PX6 burgundy/burgundy			

Model	Year	MG	SG	Illustration	Restrictions	UPD	19:48	27.01.2010	PORSCHE	PET	PORSCHE
STZ	1998	8	06	806-18		248					

Pos	Part Number	Description	Remark	Qty	Model	Pos	Part Number	Description	Remark	Qty	Model
	PX8	greyish green/grey-green		-88			TR4	marine blue/marine blue blue-white			
	XK3	linen/linen		89			PY4	burgundy/burgundy burgundy-white			
	XK6	cashmere beige/cash. beige		89			PY5	greyish green/grey-green greyish green-white	-88		
(1A)	944 521 001 05	sports seat with heating leatherette/ seat and backrest surface porsche lettering cloth	/L	1	M383		XH2	linen/linen linen white	89		
	PX2	black/black					XH7	cashmere beige/cash. beige cashmere beige-white	89		
	TU9	mahogany/mahogany				(2A)	944 521 002 63	sports seat without heating leatherette/leather centre part in cloth pin stripe velour	/R	1	M387
	TR9	marine blue/blue					PY1	black/black black-white			
	PX6	burgundy/burgundy					TU4	mahogany/mahogany mahogany-white			
	PX8	greyish green/grey-green		-88			TR4	marine blue/marine blue blue-white			
	XK3	linen/linen		89			PY4	burgundy/burgundy burgundy-white			
	XK6	cashmere beige/cash. beige		89			PY5	greyish green/grey-green greyish green-white	-88		
(1A)	944 521 002 05	sports seat with heating leatherette/ seat and backrest surface porsche lettering cloth	/R	1	M387		XH2	linen/linen linen white	89		
	PX2	black/black					XH7	cashmere beige/cash. beige cashmere beige-white	89		
	TU9	mahogany/mahogany				(2A)	944 521 001 67	sports seat with heating leatherette/leather centre part in cloth pin stripe velour	/L	1	M383
	TR9	marine blue/blue					PY1	black/black black-white			
	PX6	burgundy/burgundy					TU4	mahogany/mahogany mahogany-white			
	PX8	greyish green/grey-green		-88			TR4	marine blue/marine blue blue-white			
	XK3	linen/linen		89							
	XK6	cashmere beige/cash. beige		89							
2A	944 521 001 63	sports seat without heating leatherette/leather centre part in cloth pin stripe velour	/L	1	M383						
	PY1	black/black black-white									
	TU4	mahogany/mahogany mahogany-white									

Model	Year	MG	SG	Illustration	Restrictions	UPD	19:48	27.01.2010	PORSCHE	PET	PORSCHE
STZ	1998	8	06	806-18		248					

Pos	Part Number	Description	Remark	Qty	Model	Pos	Part Number	Description	Remark	Qty	Model
	PY4	burgundy/burgundy burgundy-white					XH6	linen/linen linen			
	PY5	greyish green/grey-green greyish green-white	-88				XH9	cashmere beige/cash. beige cashmere beige			
	XH2	linen/linen linen white	89			(2A)	944 521 002 63	sports seat without heating leatherette/leather centre part in cloth multicolour	/R	1	M387
	XH7	cashmere beige/cash. beige cashmere beige-white	89				XJ2	black/black black		89	
(2A)	944 521 002 67	sports seat with heating leatherette/leather centre part in cloth pin stripe velour	/R	1	M387		XJ3	mahogany/mahogany mahogany			
	PY1	black/black black-white					XJ5	marine blue/marine blue marine blue			
	TU4	mahogany/mahogany mahogany-white					XJ7	burgundy/burgundy burgundy			
	TR4	marine blue/marine blue blue-white					XH6	linen/linen linen			
	PY4	burgundy/burgundy burgundy-white					XH9	cashmere beige/cash. beige cashmere beige			
	PY5	greyish green/grey-green greyish green-white	-88			(2A)	944 521 001 67	sports seat with heating leatherette/leather centre part in cloth multicolour	/L	1	M383
	XH2	linen/linen linen white	89				XJ2	black/black black		89	
	XH7	cashmere beige/cash. beige cashmere beige-white	89				XJ3	mahogany/mahogany mahogany			
2A	944 521 001 63	sports seat without heating leatherette/leather centre part in cloth multicolour	/L	1	M383		XJ5	marine blue/marine blue marine blue			
	XJ2	black/black black	89				XJ7	burgundy/burgundy burgundy			
	XJ3	mahogany/mahogany mahogany					XH6	linen/linen linen			
	XJ5	marine blue/marine blue marine blue					XH9	cashmere beige/cash. beige cashmere beige			
	XJ7	burgundy/burgundy burgundy									

Model	Year	MG	SG	Illustration	Restrictions	UPD	19:48	27.01.2010	PORSCHE	PET	PORSCHE
STZ	1998	8	06	806-18		248					

Pos	Part Number	Description	Remark	Qty	Model	Pos	Part Number	Description	Remark	Qty	Model
(2A)	944 521 002 67	sports seat with heating leatherette/leather centre part in cloth multicolour	/R	1	M387		TR5	marine blue/marine blue blue			
			89				PZ5	burgundy/burgundy burgundy			
	XJ2	black/black black					PZ6	greyish green/grey-green greyish green			
	XJ3	mahogany/mahogany mahogany				(2A)	944 521 001 67	sports seat with heating leatherette/leather centre part in cloth pin stripe flannel	/L	1	M383
	XJ5	marine blue/marine blue marine blue							-88		
	XJ7	burgundy/burgundy burgundy					PZ2	black/black anthracite			
	XH6	linen/linen linen					TU5	mahogany/mahogany mahogany			
	XH9	cashmere beige/cash. beige cashmere beige					TR5	marine blue/marine blue blue			
2A	944 521 001 63	sports seat without heating leatherette/leather centre part in cloth pin stripe flannel	/L	1	M383		PZ5	burgundy/burgundy burgundy			
			-88				PZ6	greyish green/grey-green greyish green			
	PZ2	black/black anthracite				(2A)	944 521 002 67	sports seat with heating leatherette/leather centre part in cloth pin stripe flannel	/R	1	M387
	TU5	mahogany/mahogany mahogany							-88		
	TR5	marine blue/marine blue blue					PZ2	black/black anthracite			
	PZ5	burgundy/burgundy burgundy					TU5	mahogany/mahogany mahogany			
	PZ6	greyish green/grey-green greyish green					TR5	marine blue/marine blue blue			
(2A)	944 521 002 63	sports seat without heating leatherette/leather centre part in cloth pin stripe flannel	/R	1	M387		PZ5	burgundy/burgundy burgundy			
			-88				PZ6	greyish green/grey-green greyish green			
	PZ2	black/black anthracite				2A	944 521 001 63	sports seat without heating leatherette/leather centre part porsche lettering cloth	/L	1	M383
	TU5	mahogany/mahogany mahogany									

Model	Year	MG	SG	Illustration	Restrictions	UPD	19:48	27.01.2010	PORSCHE	PET	PORSCHE
STZ	1998	8	06	806-18		248					

Pos	Part Number	Description	Remark	Qty	Model	Pos	Part Number	Description	Remark	Qty	Model
	PZ7	black/black black					TU6	mahogany/mahogany mahogany			
	TU6	mahogany/mahogany mahogany					TR6	marine blue/marine blue blue			
	TR6	marine blue/marine blue blue					QA1	burgundy/burgundy burgundy			
	QA1	burgundy/burgundy burgundy					QA2	greyish green/grey-green greyish green	-88		
	QA2	greyish green/grey-green greyish green	-88				XH4	linen/linen linen	89		
	XH4	linen/linen linen	89				XH8	cashmere beige/cash. beige cashmere beige	89		
	XH8	cashmere beige/cash. beige cashmere beige	89			(2A)	944 521 002 67	sports seat with heating leatherette/leather centre part porsche lettering cloth	/R	1	M387
(2A)	944 521 002 63	sports seat without heating leatherette/leather centre part porsche lettering cloth	/R	1	M387		PZ7	black/black black			
	PZ7	black/black black					TU6	mahogany/mahogany mahogany			
	TU6	mahogany/mahogany mahogany					TR6	marine blue/marine blue blue			
	TR6	marine blue/marine blue blue					QA1	burgundy/burgundy burgundy			
	QA1	burgundy/burgundy burgundy					QA2	greyish green/grey-green greyish green	-88		
	QA2	greyish green/grey-green greyish green	-88				XH4	linen/linen linen	89		
	XH4	linen/linen linen	89				XH8	cashmere beige/cash. beige cashmere beige	89		
	XH8	cashmere beige/cash. beige cashmere beige	89			2A	944 521 001 61	sports seat without heating leather/ centre part in cloth pin stripe velour	/L	1	M383
(2A)	944 521 001 67	sports seat with heating leatherette/leather centre part porsche lettering cloth	/L	1	M383		LS5	black/ black-white			
	PZ7	black/black black					TU1	mahogany/ mahogany-white			



Model	Year	MG	SG	Illustration	Restrictions	UPD	19:48	27.01.2010	PORSCHE	PET	PORSCHE
STZ	1998	8	06	806-18		248					

Pos	Part Number	Description	Remark	Qty	Model	Pos	Part Number	Description	Remark	Qty	Model
	TR1	blue/ blue-white					LS9	burgundy/ burgundy-white			
	LS9	burgundy/ burgundy-white					QA7	greyish green/ greyish green-white	-88		
	QA7	greyish green/ greyish green-white	-88				XF5	linen/ linen white	89		
	XF5	linen/ linen white	89				XF8	cashmere beige/ cashmere beige-white	89		
	XF8	cashmere beige/ cashmere beige-white	89			(2A)	944 521 002 65	sports seat with heating leather/ centre part in cloth pin stripe velour	/R	1	M387
(2A)	944 521 002 61	sports seat without heating leather/ centre part in cloth pin stripe velour	/R	1	M387		LS5	black/ black-white			
	LS5	black/ black-white					TU1	mahogany/ mahogany-white			
	TU1	mahogany/ mahogany-white					TR1	blue/ blue-white			
	TR1	blue/ blue-white					LS9	burgundy/ burgundy-white			
	LS9	burgundy/ burgundy-white					QA7	greyish green/ greyish green-white	-88		
	QA7	greyish green/ greyish green-white	-88				XF5	linen/ linen white	89		
	XF5	linen/ linen white	89				XF8	cashmere beige/ cashmere beige-white	89		
	XF8	cashmere beige/ cashmere beige-white	89			2A	944 521 001 61	sports seat without heating leather/ centre part in cloth pin stripe flannel	/L	1	M383
(2A)	944 521 001 65	sports seat with heating leather/ centre part in cloth pin stripe velour	/L	1	M383		QB1	black/anthracite			
	LS5	black/ black-white					TU2	mahogany/mahogany			
	TU1	mahogany/ mahogany-white					TR2	marine blue/blue			
	TR1	blue/ blue-white					QB7	burgundy/burgundy			
							QA8	greyish green/grey-green			

Model	Year	MG	SG	Illustration	Restrictions	UPD	19:48	27.01.2010	PORSCHE	PET	PORSCHE
STZ	1998	8	06	806-18		248					

Pos	Part Number	Description	Remark	Qty	Model	Pos	Part Number	Description	Remark	Qty	Model
(2A)	944 521 002 61	sports seat without heating leather/ centre part in cloth pin stripe flannel	/R	1	M387		XG8	marine blue/marine blue			
							XG9	burgundy/burgundy			
			-88				XF7	linen/linen			
	QB1	black/anthracite					XG5	cashmere beige/cash. beige			
	TU2	mahogany/mahogany				(2A)	944 521 002 61	sports seat without heating leather/ centre part in cloth multicolour	/R	1	M387
	TR2	marine blue/blue							89		
	QB7	burgundy/burgundy					XG6	black/black			
	QA8	greyish green/grey-green					XG7	mahogany/mahogany			
(2A)	944 521 001 65	sports seat with heating leather/ centre part in cloth pin stripe flannel	/L	1	M383		XG8	marine blue/marine blue			
							XG9	burgundy/burgundy			
	QB1	black/anthracite					XF7	linen/linen			
	TU2	mahogany/mahogany					XG5	cashmere beige/cash. beige			
	TR2	marine blue/blue				(2A)	944 521 001 65	sports seat with heating leather/ centre part in cloth multicolour	/L	1	M383
	QB7	burgundy/burgundy							89		
	QA8	greyish green/grey-green					XG6	black/black			
(2A)	944 521 002 65	sports seat with heating leather/ centre part in cloth pin stripe flannel	/R	1	M387		XG7	mahogany/mahogany			
							XG8	marine blue/marine blue			
	QB1	black/anthracite					XG9	burgundy/burgundy			
	TU2	mahogany/mahogany					XF7	linen/linen			
	TR2	marine blue/blue					XG5	cashmere beige/cash. beige			
	QB7	burgundy/burgundy				(2A)	944 521 002 65	sports seat with heating leather/ centre part in cloth multicolour	/R	1	M387
	QA8	greyish green/grey-green							89		
2A	944 521 001 61	sports seat without heating leather/ centre part in cloth multicolour	/L	1	M383		XG6	black/black			
							XG7	mahogany/mahogany			
	XG6	black/black					XG8	marine blue/marine blue			
	XG7	mahogany/mahogany					XG9	burgundy/burgundy			

Model	Year	MG	SG	Illustration	Restrictions	UPD	19:48	27.01.2010	PORSCHE	PET	PORSCHE
STZ	1998	8	06	806-18		248					

Pos	Part Number	Description	Remark	Qty	Model	Pos	Part Number	Description	Remark	Qty	Model
		XF7 linen/linen					QA9	greyish green/grey-green	-88		
		XG5 cashmere beige/cash. beige					XF6	linen/linen	89		
2A	944 521 001 61	sports seat without heating leather/centre part porsche lettering cloth	/L	1	M383		XF9	cashmere beige/cash. beige	89		
		QB2 black/black				(2A)	944 521 002 65	sports seat with heating leather/centre part porsche lettering cloth	/R	1	M387
		TU3 mahogany/mahogany					QB2	black/black			
		TR3 marine blue/blue					TU3	mahogany/mahogany			
		QB8 burgundy/burgundy					TR3	marine blue/blue			
		QA9 greyish green/grey-green		-88			QB8	burgundy/burgundy			
		XF6 linen/linen		89			QA9	greyish green/grey-green	-88		
		XF9 cashmere beige/cash. beige		89			XF6	linen/linen	89		
(2A)	944 521 002 61	sports seat without heating leather/centre part porsche lettering cloth	/R	1	M387		XF9	cashmere beige/cash. beige	89		
		QB2 black/black				3A	944 521 001 62	sports seat without heating leatherette/seat and backrest surface leather	/L	1	M383
		TU3 mahogany/mahogany					JN3	black/black			
		TR3 marine blue/blue					TV2	mahogany/mahogany			
		QB8 burgundy/burgundy					TS2	marine blue/marine blue			
		QA9 greyish green/grey-green		-88			NZ8	burgundy/burgundy			
		XF6 linen/linen		89			PX9	greyish green/grey-green	-88		
		XF9 cashmere beige/cash. beige		89			TW2	linen/linen			
(2A)	944 521 001 65	sports seat with heating leather/centre part porsche lettering cloth	/L	1	M383		XN3	cashmere beige/cash. beige	89		
		QB2 black/black				(3A)	944 521 002 62	sports seat without heating leatherette/seat and backrest surface leather	/R	1	M387
		TU3 mahogany/mahogany					JN3	black/black			
		TR3 marine blue/blue					TV2	mahogany/mahogany			
		QB8 burgundy/burgundy					TS2	marine blue/marine blue			

Model	Year	MG	SG	Illustration	Restrictions	UPD	19:48	27.01.2010	PORSCHE	PET	PORSCHE
STZ	1998	8	06	806-18		248					

Pos	Part Number	Description	Remark	Qty	Model	Pos	Part Number	Description	Remark	Qty	Model
	NZ8	burgundy/burgundy					LG7	burgundy			
	PX9	greyish green/grey-green	-88				QC2	greyish green	-88		
	TW2	linen/linen					XG1	plum red	-88		
	XN3	cashmere beige/cash. beige	89				XG2	silver-grey	-88		
(3A)	944 521 001 66	sports seat with heating leatherette/seat and backrest surface leather	/L	1	M383		LG5	champagne	-88		
	JN3	black/black					XG3	caramel			
	TV2	mahogany/mahogany					TW1	linen			
	TS2	marine blue/marine blue					XG4	venetian blue			
	NZ8	burgundy/burgundy					XN4	cashmere beige	89		
	PX9	greyish green/grey-green	-88				XN5	silk grey	89		
	TW2	linen/linen					XN6	velvet red	89		
	XN3	cashmere beige/cash. beige	89			(3A)	944 521 002 60	sports seat without heating whole-leather	/R	1	M387
(3A)	944 521 002 66	sports seat with heating leatherette/seat and backrest surface leather	/R	1	M387		XN7	slate grey	89		
	JN3	black/black					KZ2	black			
	TV2	mahogany/mahogany					TV1	mahogany			
	TS2	marine blue/marine blue					TS1	marine blue			
	NZ8	burgundy/burgundy					LG7	burgundy			
	PX9	greyish green/grey-green	-88				QC2	greyish green	-88		
	TW2	linen/linen					XG1	plum red	-88		
	XN3	cashmere beige/cash. beige	89				XG2	silver-grey	-88		
3A	944 521 001 60	sports seat without heating whole-leather	/L	1	M383		LG5	champagne	-88		
	KZ2	black					XG3	caramel			
	TV1	mahogany					TW1	linen			
	TS1	marine blue					XG4	venetian blue			
							XN4	cashmere beige	89		
							XN5	silk grey	89		
							XN6	velvet red	89		
							XN7	slate grey	89		

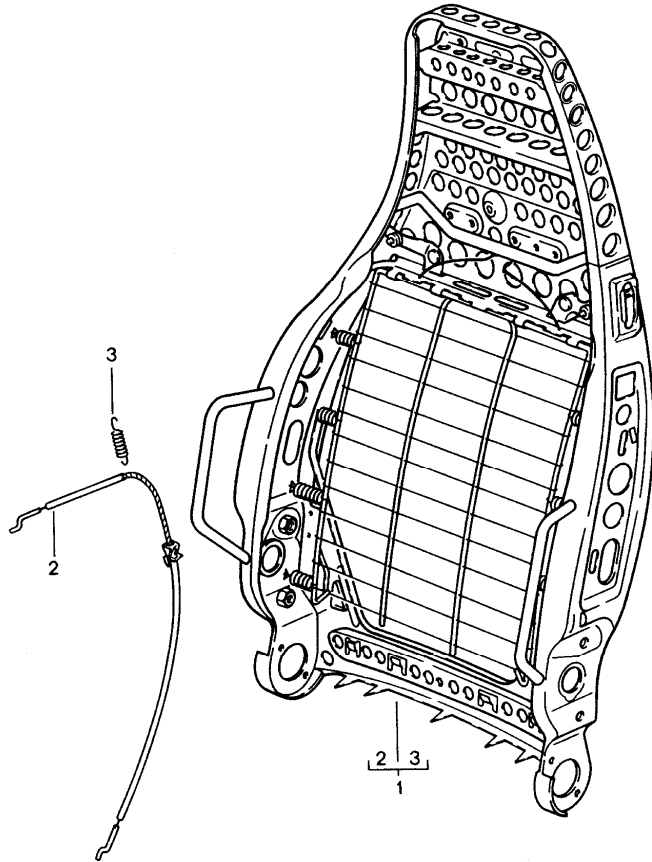
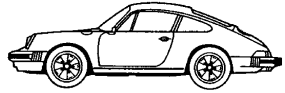
Model	Year	MG	SG	Illustration	Restrictions	UPD	19:48	27.01.2010	PORSCHE	PET	PORSCHE
STZ	1998	8	06	806-18		248					

Pos	Part Number	Description	Remark	Qty	Model	Pos	Part Number	Description	Remark	Qty	Model
(3A)	944 521 001 64	sports seat with heating whole-leather	/L	1	M383		XG4	venetian blue			
	KZ2	black					XN4	cashmere beige	89		
	TV1	mahogany					XN5	silk grey	89		
	TS1	marine blue					XN6	velvet red	89		
	LG7	burgundy					XN7	slate grey	89		
	QC2	greyish green	-88			4	911 521 547 00	screw M 10 X 20		8	
	XG1	plum red	-88			5	928 521 147 02	cover	/L	2	
	XG2	silver-grey	-88				01C	black			
	LG5	champagne	-88				4MJ	mahogany			
	XG3	caramel					9JJ	marine blue			
	TW1	linen					9MM	burgundy			
	XG4	venetian blue					1DJ	greyish green	-88		
	XN4	cashmere beige	89				7XJ	linen			
	XN5	silk grey	89				3UD	cashmere beige	89		
	XN6	velvet red	89			(5)	928 521 148 02	cover	/R	2	
	XN7	slate grey	89				01C	black			
(3A)	944 521 002 64	sports seat with heating whole-leather	/R	1	M387		4MJ	mahogany			
	KZ2	black					9JJ	marine blue			
	TV1	mahogany					9MM	burgundy			
	TS1	marine blue					1DJ	greyish green	-88		
	LG7	burgundy					7XJ	linen			
	QC2	greyish green	-88				3UD	cashmere beige	89		
	XG1	plum red	-88			6	900 025 044 07	washer A 4,3		8	
	XG2	silver-grey	-88			7	900 143 113 07	tapping screw B 4,2 X 13		8	
	LG5	champagne	-88			8	928 521 760 05	engine cover		2	
	XG3	caramel					01C	satin black			
	TW1	linen				9	N 013 959 3	tapping screw B 3,5 X 16		4	

Model	Year	MG	SG	Illustration	Restrictions	UPD	19:48	27.01.2010	PORSCHE	PET	PORSCHE
STZ	1998	8	06	806-18		248					

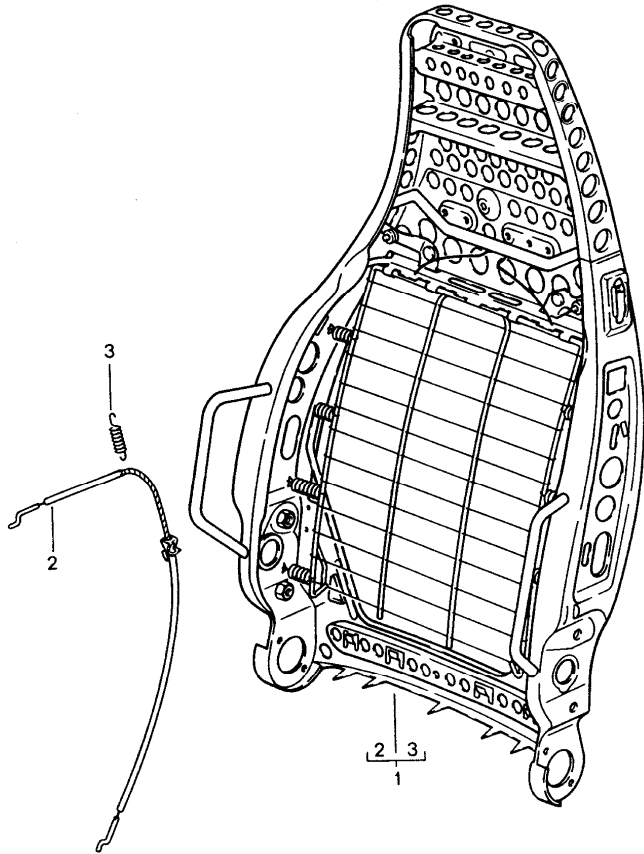
Pos	Part Number	Description	Remark	Qty	Model	Pos	Part Number	Description	Remark	Qty	Model
10	900 025 013 07	washer A 3,7		4							
11	900 119 030 02	pan-head screw M 8 X 20		12							
12	900 031 001 02	washer 8,4		12							
13	964 521 701 00	threaded plate front and rear 2 X M 8		X							
(13)	928 521 101 08	threaded plate rear 4 X M 8		X							

Model	Year	MG	SG	Illustration	Restrictions	UPD	19:49	27.01.2010	PORSCHE	PET	PORSCHE
STZ	1998	8	06	806-20		248					



Pos	Part Number	Description	Remark	Qty	Model
		backrest frame sports seat	85-86		911 CARRERA TURBO
1	944 521 027 01	backrest frame		2	
2	928 521 093 02	bowden cable		2	
3	311 881 287 A	spring actuating lever		2	

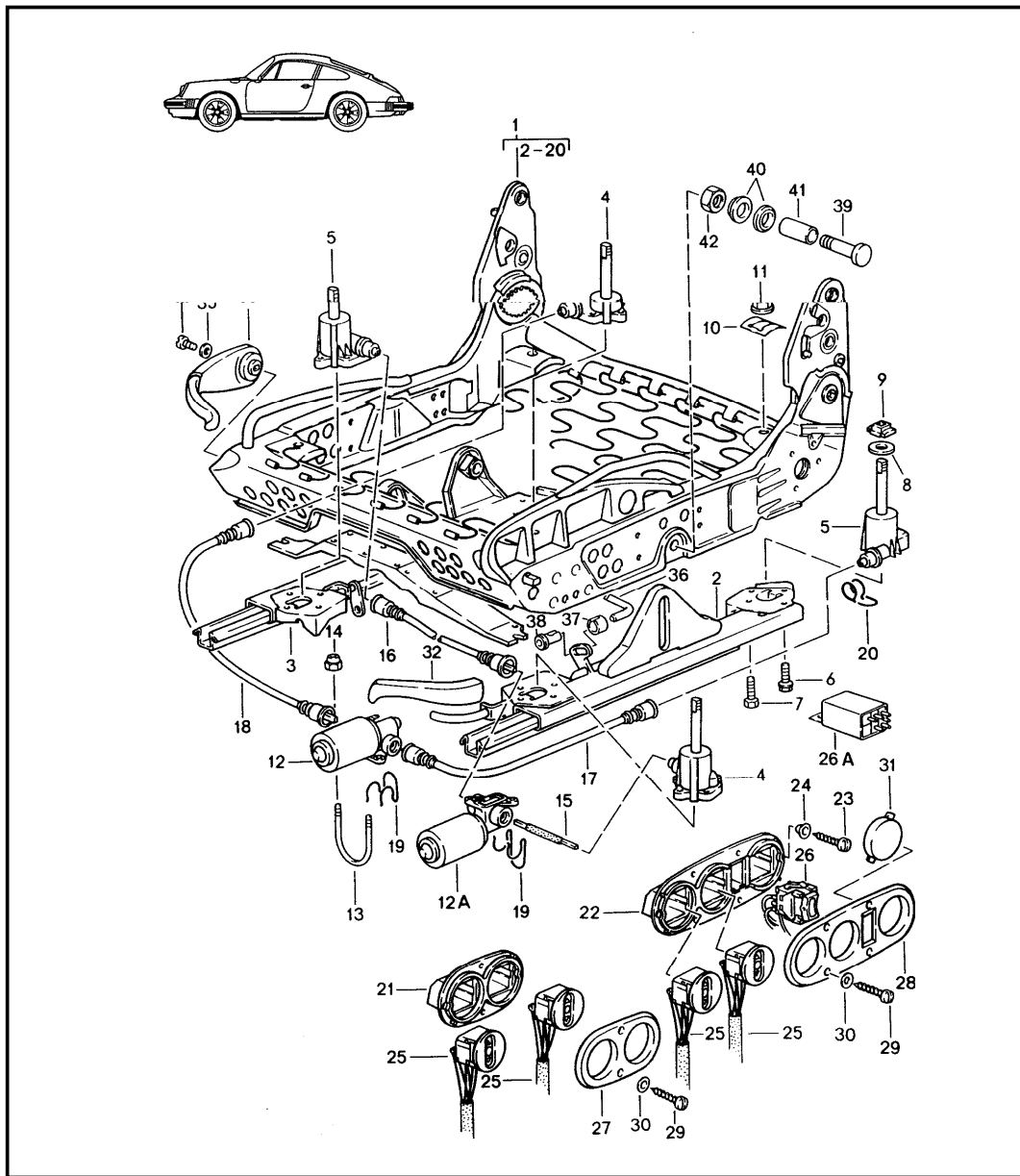
Model	Year	MG	SG	Illustration	Restrictions	UPD	19:49	27.01.2010	PORSCHE	PET	PORSCHE
STZ	1998	8	06	806-22		248					



Pos	Part Number	Description	Remark	Qty	Model
		backrest frame sports seat	87-89		911 CARRERA TURBO
1	944 521 027 01	backrest frame		2	
2	928 521 093 02	bowden cable		2	
3	311 881 287 A	spring actuating lever		2	



Model	Year	MG	SG	Illustration	Restrictions	UPD	19:49	27.01.2010	PORSCHE	PET	PORSCHE
STZ	1998	8	06	806-24		248					

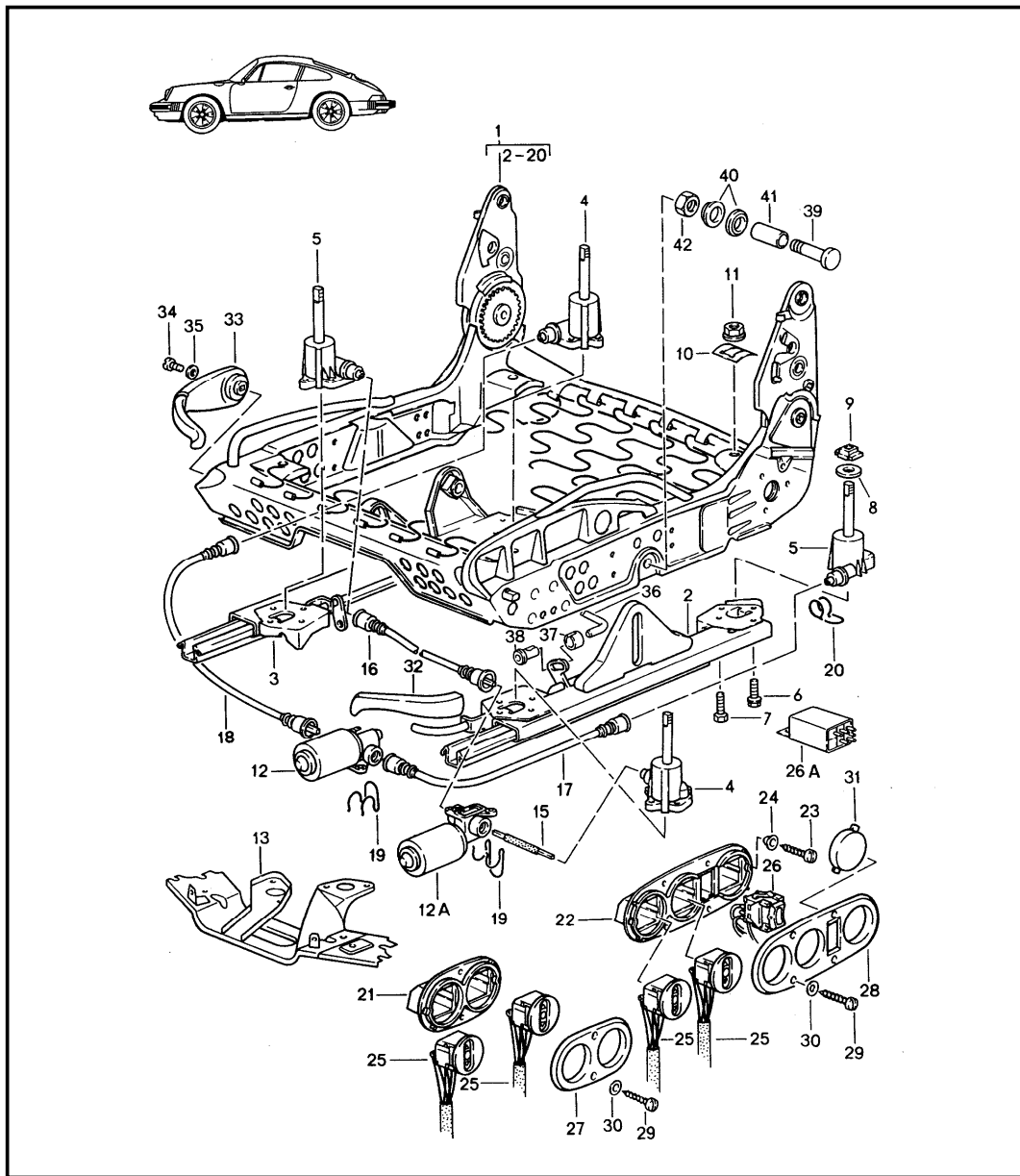


Pos	Part Number	Description	Remark	Qty	Model
		seat frame sports seat	85-86		911 CARRERA TURBO
1	993 521 069 02	seat frame	/L	1	
(1)	993 521 070 02	seat frame	/R	1	
2	928 521 489 11	seat rail left seat outer		1	
(2)	928 521 490 11	seat rail right seat outer		1	
3 A	964 521 492 00	seat rail left seat inner		1	
(3) A	964 521 491 00	seat rail right seat inner		1	
4	928 521 721 03	lifting gear left front, right rear		4	
5	928 521 722 03	lifting gear right front, left rear		4	
6	999 217 033 01	locking screw M 6 X 16		10	
7	900 186 032 02	pan-head screw M 6 X 12		4	
8	999 025 129 40	washer		8	
9	928 521 727 02	slide		8	
10	928 521 723 02	guide spring		8	
11	928 521 730 02	nut		8	
12	928 624 126 01	geared motor rear vertical adjustment		2	
12A	928 624 126 01	geared motor front vertical adjustment		2	
13	999 222 001 02	stirrup bolt M 4		4	
14	900 910 006 02	lock nut M 4		8	
15	928 521 671 03	shaft front vertical adjustment	/L	2	

Model	Year	MG	SG	Illustration	Restrictions	UPD	19:49	27.01.2010	PORSCHE	PET	PORSCHE
STZ	1998	8	06	806-24		248					

Pos	Part Number	Description	Remark	Qty	Model	Pos	Part Number	Description	Remark	Qty	Model
16	928 521 672 02	pliable shaft front vertical adjustment	/R	2		31	928 613 425 00	cover seat heater		X	
17	928 521 673 05	shaft rear vertical adjustment	/L	2		(32)	911 521 533 01	handle for longitudinal adjustment		2	
18	928 521 674 02	shaft rear vertical adjustment	/R	2			01C	satin black			
19	928 521 675 02	moulded spring for engine		4		(33)	964 521 073 00	lever for backrest adjustment		2	
20	928 521 699 00	moulded spring for transmission		6			01C	satin black			
21	928 521 559 04	switch insert		2		34	900 119 011 07	pan-head screw M 5 X 10		2	
22	928 521 559 02	switch insert seat heater	/L	1		35	900 031 006 07	washer 5,3		2	
(22)	928 521 560 02	switch insert seat heater	/R	1		36	928 521 525 03	connecting rod for longitudinal adjustment		2	
23	N 013 988 1	tapping screw B 3,5 X 16		4		37	N 902 514 01	clamping sleeve for longitudinal adjustment		4	
24	999 591 849 07	cone washer		4		38	N 902 515 01	guide bush for longitudinal adjustment		4	
25	928 613 181 00	switch front vertical adjustment rear vertical adjustment		4		39	928 521 681 02	bolt		4	
26	928 613 187 01	switch seat heater		1		40	928 521 683 02	washer 1,5 PA 6		8	
(26)	928 613 188 01	switch seat heater		1		41	928 521 685 02	bush		4	
26A	928 618 521 00	relay seat heater		2		42	900 034 003 02	hexagon nut M 10		4	
27	928 521 561 04	trim for switch		2							
	01C	satin black									
28	928 521 561 03	trim for switch seat heater		2							
	01C	satin black									
29	N 013 959 3	tapping screw B 3,5 X 16		X							
30	900 025 013 07	washer A 3,7		X							

Model	Year	MG	SG	Illustration	Restrictions	UPD	19:49	27.01.2010	PORSCHE	PET	PORSCHE
STZ	1998	8	06	806-26		248					



Pos	Part Number	Description	Remark	Qty	Model
		seat frame sports seat	87-89		911 CARRERA TURBO
1	993 521 069 02	seat frame	/L	1	
(1)	993 521 070 02	seat frame	/R	1	
(2)	928 521 489 11	seat rail left seat outer F 91KS1 02066>> F 91KS1 40599>> F 91KS1 50740>> F 93KS0 00343>> F 93KS0 10082>> F 93KS0 20121>>		1	COUPE TARGA CABRIO TURBO COUPE TURBO TARGA TURBO CABRIO
(2)	928 521 490 11	seat rail right seat outer F 91KS1 02066>> F 91KS1 40599>> F 91KS1 50740>> F 93KS0 00343>> F 93KS0 10082>> F 93KS0 20121>>		1	COUPE TARGA CABRIO TURBO COUPE TURBO TARGA TURBO CABRIO
3	A 964 521 492 00	seat rail left seat inner F >>91KS1 02065 F >>91KS1 40598 F >>91KS1 50739 F >>93KS0 00342 F >>93KS0 10081 F >>93KS0 20120		1	COUPE TARGA CABRIO TURBO COUPE TURBO TARGA TURBO CABRIO
(3)	964 521 492 00	seat rail left seat inner F 91KS1 02066>> F 91KS1 40599>> F 91KS1 50740>> F 93KS0 00343>> F 93KS0 10082>> F 93KS0 20121>>		1	COUPE TARGA CABRIO TURBO COUPE TURBO TARGA TURBO CABRIO
(3)	A 964 521 491 00	seat rail right seat inner F >>91KS1 02065 F >>91KS1 40598 F >>91KS1 50739 F >>93KS0 00342 F >>93KS0 10081 F >>93KS0 20120		1	COUPE TARGA CABRIO TURBO COUPE TURBO TARGA TURBO CABRIO

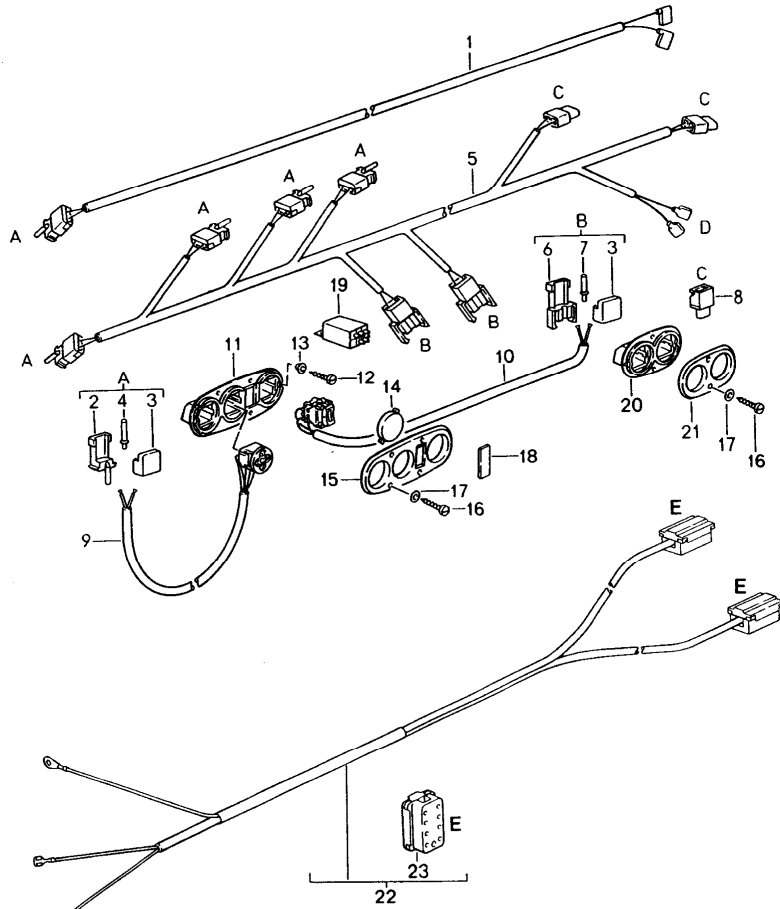
Model	Year	MG	SG	Illustration	Restrictions	UPD	19:49	27.01.2010	PORSCHE	PET	PORSCHE
STZ	1998	8	06	806-26		248					

Pos	Part Number	Description	Remark	Qty	Model	Pos	Part Number	Description	Remark	Qty	Model
(3)	964 521 491 00	seat rail right seat inner F 91KS1 02066>> F 91KS1 40599>> F 91KS1 50740>> F 93KS0 00343>> F 93KS0 10082>> F 93KS0 20121>>		1	COUPE TARGA CABRIO TURBO COUPE TURBO TARGA TURBO CABRIO	22	928 521 559 02	switch insert seat heater	/L	1	
						(22)	928 521 560 02	switch insert seat heater	/R	1	
						23	N 013 988 1	tapping screw B 3,5 X 16		4	
4	928 521 721 03	lifting gear left front, right rear		4		24	999 591 849 07	cone washer		4	
5	928 521 722 03	lifting gear right front, left rear		4		25	928 613 181 00	switch front vertical adjustment rear vertical adjustment		4	
6	999 217 033 01	locking screw M 6 X 16		10		(26)	928 613 187 02	switch seat heater	/L	-88	1
7	900 186 032 02	pan-head screw M 6 X 12		4			01C	satin black			
8	999 025 129 40	washer		8		(26)	928 613 188 02	switch seat heater	/R	-88	1
9	928 521 727 02	slide		8			01C	satin black			
10	928 521 723 02	guide spring		8		26	928 613 187 04	switch seat heater		89	2
11	928 521 730 02	nut		8			01C	satin black			
12	928 624 126 01	geared motor rear vertical adjustment		2		26A	928 618 521 00	relay seat heater		-88	2
12A	928 624 126 01	geared motor front vertical adjustment		2		26A	928 618 521 03	control unit seat heater			2
13	928 521 033 02	engine support		2		27	928 521 561 04	trim for switch			2
15	928 521 671 03	shaft front vertical adjustment	/L	2			01C	satin black			
16	928 521 672 03	shaft front vertical adjustment	/R	2		28	928 521 561 03	trim for switch seat heater			2
17	928 521 673 05	shaft rear vertical adjustment	/L	2			01C	satin black			
18	928 521 674 05	shaft rear vertical adjustment	/R	2		29	N 013 959 3	tapping screw B 3,5 X 16			X
19	928 521 675 02	moulded spring for engine		2		30	900 025 013 07	washer A 3,7			X
20	928 521 699 00	moulded spring transmission		3		31	928 613 425 00	cover seat heater			X
21	928 521 559 04	switch insert		2		(32)	911 521 533 01	handle for longitudinal adjustment			2

Model	Year	MG	SG	Illustration	Restrictions	UPD	19:49	27.01.2010	PORSCHE	PET	PORSCHE
STZ	1998	8	06	806-26		248					

Pos	Part Number	Description	Remark	Qty	Model	Pos	Part Number	Description	Remark	Qty	Model
	01C	satin black									
(33)	964 521 073 00	lever for backrest adjustment		2							
	01C	satin black									
34	900 119 011 07	pan-head screw M 5 X 10		2							
35	900 031 006 07	washer 5,3		2							
36	928 521 525 03	connecting rod for longitudinal adjustment		2							
37	N 902 514 01	clamping sleeve for longitudinal adjustment		4							
38	N 902 515 01	guide bush for longitudinal adjustment		4							
39	928 521 681 02	bolt		4							
40	928 521 683 02	washer 1,5 PA 6		8							
41	928 521 685 02	bush		4							
42	900 034 003 02	hexagon nut M 10		4							

Model	Year	MG	SG	Illustration	Restrictions	UPD	19:49	27.01.2010	PORSCHE	PET	PORSCHE
STZ	1998	8	06	806-28		248					

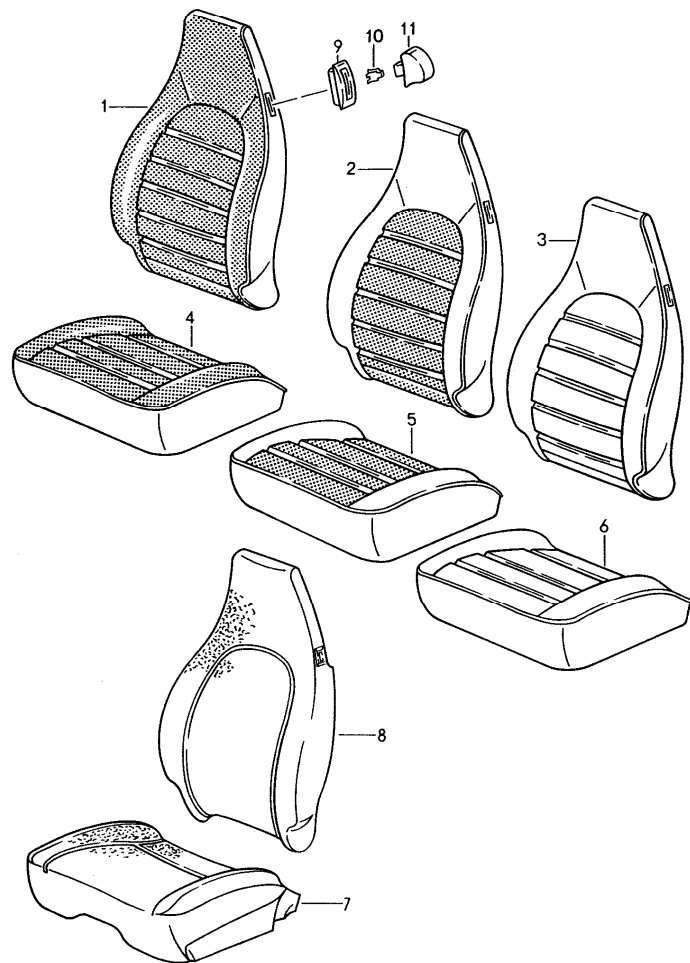


Pos	Part Number	Description	Remark	Qty	Model
		wiring harnesses switch front seat	87-89		911 CARRERA TURBO
1	928 612 343 00	connecting line for backrest adjustment		2	
2	999 652 368 40	connector housing		X	
3	999 652 372 40	clip		X	
4	999 652 369 12	pin		X	
(5)	928 612 340 00	wiring harness seat heater	89	2	
(5)	928 612 338 00	wiring harness for backrest adjustment seat heater	89	2	
5	928 612 337 00	wiring harness for backrest adjustment lumbar support adjustment and seat heater		2	
6	999 652 370 40	clutch		X	
7	999 652 371 12	contact bush		X	
8	928 612 557 00	clutch		X	
(9)	928 613 181 00	switch front vertical adjustment rear vertical adjustment		4	
9	928 613 182 00	switch for longitudinal adjustment front vertical adjustment		2	
(9)	928 613 183 00	switch for backrest adjustment rear vertical adjustment		2	
(9)	928 613 184 00	switch lumbar support adjustment		2	
		01C satin black			
10	928 613 187 02	switch seat heater	/L -88	1	
		01C satin black			
(10)	928 613 188 02	switch seat heater	/R -88	1	

Model	Year	MG	SG	Illustration	Restrictions	UPD	19:49	27.01.2010	PORSCHE	PET	PORSCHE
STZ	1998	8	06	806-28		248					

Pos	Part Number	Description	Remark	Qty	Model	Pos	Part Number	Description	Remark	Qty	Model
		01C satin black									
(10)	928 613 187 04	switch seat heater	89	2							
		01C satin black									
11	928 521 559 02	switch insert seat heater	/L	1							
(11)	928 521 560 02	switch insert seat heater	/R	1							
12	N 013 988 1	tapping screw B 3,5 X 16		4							
13	999 591 849 07	washer		4							
14	928 613 425 00	cover seat heater		X							
15	928 521 561 03	trim for switch seat heater		2							
		01C satin black									
16	N 013 959 3	tapping screw B 3,5 X 16		X							
17	900 025 013 07	washer A 3,7		X							
18	944 613 259 02	cover		X							
		1DB satin black									
19	928 618 521 00	relay seat heater	-88	2							
19	928 618 521 03	control unit seat heater		2							
20	928 521 559 04	switch insert		2							
21	928 521 561 04	trim for switch		2							
		01C satin black									
22	911 612 521 02	wiring harness for electric seat equipment		1							
23	944 612 117 00	clutch 8-pole		2							

Model	Year	MG	SG	Illustration	Restrictions	UPD	19:50	27.01.2010	PORSCHE	PET	PORSCHE
STZ	1998	8	06	806-30		248					



Pos	Part Number	Description	Remark	Qty	Model
		cover front seat	85-86		911 CARRERA TURBO
1	928 521 071 22	backrest cover without heating leatherette/ backrest surface pin stripe velour		2	
		NY5 black/ black-white			
		NY7 brown/ brown-beige			
		QA3 blue/ blue-white			
		NY8 burgundy/ burgundy-white			
		QA4 greyish green/ greyish green-white			
		RU3 grey-beige/ grey-beige-white	86		
(1)	928 521 071 63	backrest cover with heating leatherette/ backrest surface pin stripe velour		2	
		NY5 black/ black-white			
		NY7 brown/ brown-beige			
		QA3 blue/ blue-white			
		NY8 burgundy/ burgundy-white			
		QA4 greyish green/ greyish green-white			
		RU3 grey-beige/ grey-beige-white	86		
1	928 521 071 22	backrest cover without heating leatherette/ backrest surface pin stripe flannel		2	



Model	Year	MG	SG	Illustration	Restrictions	UPD	19:50	27.01.2010	PORSCHE	PET	PORSCHE
STZ	1998	8	06	806-30		248					

Pos	Part Number	Description	Remark	Qty	Model	Pos	Part Number	Description	Remark	Qty	Model
		NY9 black/anthracite					PX8	greyish green/grey-green			
		NZ6 brown/brown					QD9	grey-beige/grey-beige	86		
		QA6 blue/blue				2	928 521 071 50	backrest cover without heating leatherette/leather centre part in cloth pin stripe velour		2	
		NZ5 burgundy/burgundy									
		QA5 greyish green/grey-green									
(1)	928 521 071 63	backrest cover with heating leatherette/ backrest surface pin stripe flannel		2			PY1	black/black black-white			
		NY9 black/anthracite					PY2	brown/brown brown-beige			
		NZ6 brown/brown					PY3	blue/blue blue-white			
		QA6 blue/blue					PY4	burgundy/burgundy burgundy-white			
		NZ5 burgundy/burgundy					PY5	greyish green/grey-green greyish green-white			
		QA5 greyish green/grey-green					RU4	grey-beige/grey-beige grey-beige-white	86		
1	928 521 071 22	backrest cover without heating leatherette/ backrest surface porsche lettering cloth		2		(2)	928 521 071 52	backrest cover with heating leatherette/leather centre part in cloth pin stripe velour		2	
		PX2 black/black									
		PX4 brown/brown					PY1	black/black black-white			
		PX7 blue/blue					PY2	brown/brown brown-beige			
		PX6 burgundy/burgundy					PY3	blue/blue blue-white			
		PX8 greyish green/grey-green					PY4	burgundy/burgundy burgundy-white			
		QD9 grey-beige/grey-beige	86				PY5	greyish green/grey-green greyish green-white			
(1)	928 521 071 63	backrest cover with heating leatherette/ backrest surface porsche lettering cloth		2			RU4	grey-beige/grey-beige grey-beige-white	86		
		PX2 black/black									
		PX4 brown/brown				2	928 521 071 50	backrest cover without heating leatherette/leather centre part in cloth pin stripe flannel		2	
		PX7 blue/blue									
		PX6 burgundy/burgundy									

Model	Year	MG	SG	Illustration	Restrictions	UPD	19:50	27.01.2010	PORSCHE	PET	PORSCHE
STZ	1998	8	06	806-30		248					

Pos	Part Number	Description	Remark	Qty	Model	Pos	Part Number	Description	Remark	Qty	Model
	PZ2	black/black anthracite					RU2	grey-beige/grey-beige grey-beige	86		
	PZ3	brown/brown brown				(2)	928 521 071 52	backrest cover with heating leatherette/leather centre part porsche lettering cloth		2	
	PZ4	blue/blue blue					PZ7	black/black black			
	PZ5	burgundy/burgundy burgundy					PZ8	brown/brown brown			
	PZ6	greyish green/grey-green greyish green					PZ9	blue/blue blue			
(2)	928 521 071 52	backrest cover with heating leatherette/leather centre part in cloth pin stripe flannel		2			QA1	burgundy/burgundy burgundy			
	PZ2	black/black anthracite					QA2	greyish green/grey-green greyish green			
	PZ3	brown/brown brown					RU2	grey-beige/grey-beige grey-beige	86		
	PZ4	blue/blue blue				2	928 521 071 66	backrest cover without heating leather/centre part in cloth pin stripe velour		2	
	PZ5	burgundy/burgundy burgundy					LS5	black/black-white			
	PZ6	greyish green/grey-green greyish green					LS6	brown/brown-beige			
2	928 521 071 50	backrest cover without heating leatherette/leather centre part porsche lettering cloth		2			LS8	blue/blue-white			
	PZ7	black/black black					LS9	burgundy/burgundy-white			
	PZ8	brown/brown brown					QA7	greyish green/greyish green-white			
	PZ9	blue/blue blue					LS7	grey-beige/grey-beige-white	86		
	QA1	burgundy/burgundy burgundy				2	928 521 071 67	backrest cover with heating leather/centre part in cloth pin stripe velour		2	
	QA2	greyish green/grey-green greyish green									

Model	Year	MG	SG	Illustration	Restrictions	UPD	19:50	27.01.2010	PORSCHE	PET	PORSCHE
STZ	1998	8	06	806-30		248					

Pos	Part Number	Description	Remark	Qty	Model	Pos	Part Number	Description	Remark	Qty	Model
	LS5	black/ black-white					QB4	brown/brown			
	LS6	brown/ brown-beige					QB6	blue/blue			
	LS8	blue/ blue-white					QB8	burgundy/burgundy			
	LS9	burgundy/ burgundy-white					QA9	greyish green/grey-green			
	QA7	greyish green/ greyish green-white					RU1	grey-beige/grey-beige	86		
	LS7	grey-beige/ grey-beige-white	86			2	928 521 071 67	backrest cover with heating leather/ centre part in cloth porsche lettering cloth		2	
2	928 521 071 66	backrest cover without heating leather/ centre part in cloth pin stripe flannel		2			QB2	black/black			
	QB1	black/anthracite					QB4	brown/brown			
	QB3	brown/brown					QB6	blue/blue			
	QB5	blue/blue					QB8	burgundy/burgundy			
	QB7	burgundy/burgundy					QA9	greyish green/grey-green			
	QA8	greyish green/grey-green					RU1	grey-beige/grey-beige	86		
2	928 521 071 67	backrest cover with heating leather/ centre part in cloth pin stripe flannel		2		3	928 521 071 51	backrest cover without heating leatherette/ backrest surface leather		2	
	QB1	black/anthracite					JN3	black/black			
	QB3	brown/brown					JN4	brown/brown			
	QB5	blue/blue					QC1	blue/blue			
	QB7	burgundy/burgundy					NZ8	burgundy/burgundy			
	QA8	greyish green/grey-green					PX9	greyish green/grey-green			
2	928 521 071 66	backrest cover without heating leather/ centre part in cloth porsche lettering cloth		2		(3)	928 521 071 62	backrest cover with heating leatherette/ backrest surface leather		2	
	QB1	black/anthracite					JN5	grey-beige/grey-beige	86		
	QB3	brown/brown					JN3	black/black			
	QB5	blue/blue					JN4	brown/brown			
	QB7	burgundy/burgundy					QC1	blue/blue			
	QA8	greyish green/grey-green									

Model	Year	MG	SG	Illustration	Restrictions	UPD	19:50	27.01.2010	PORSCHE	PET	PORSCHE
STZ	1998	8	06	806-30		248					

Pos	Part Number	Description	Remark	Qty	Model	Pos	Part Number	Description	Remark	Qty	Model
	NZ8	burgundy/burgundy					PZ1	wild buffalo			
	PX9	greyish green/grey-green					KZ4	grey-beige	86		
	JN5	grey-beige/grey-beige	86			4	944 521 037 11	cover for cushion for manual adjustment leatherette/ seat surface pin stripe velour	/LL/R /RL/L	2	CARRERA
3	928 521 071 65	backrest cover without heating whole-leather		2							
	KZ2	black					NY5	black/ black-white			
	KZ5	brown					NY7	brown/ brown-beige			
	KZ3	blue					QA3	blue/ blue-white			
	LG7	burgundy					NY8	burgundy/ burgundy-white			
	QC2	greyish green					QA4	greyish green/ greyish green-white			
	KZ6	can-can-red					RU3	grey-beige/ grey-beige-white	86		
	LG4	pearl white				(4)	944 521 037 14	cover for cushion electrically adjustable without heating	/LL/L /LL/R /RL/R /RL/L	2	TURBO CARRERA M438 CARRERA M437
	LG5	champagne						leatherette/ seat surface pin stripe velour			
	LG6	dark green					NY5	black/ black-white			
	PY9	ocean blue					NY7	brown/ brown-beige			
	PZ1	wild buffalo					QA3	blue/ blue-white			
	KZ4	grey-beige	86				NY8	burgundy/ burgundy-white			
(3)	928 521 071 64	backrest cover with heating whole-leather		2			QA4	greyish green/ greyish green-white			
	KZ2	black					RU3	grey-beige/ grey-beige-white	86		
	KZ5	brown									
	KZ3	blue									
	LG7	burgundy									
	QC2	greyish green									
	KZ6	can-can-red									
	LG4	pearl white									
	LG5	champagne									
	LG6	dark green									
	PY9	ocean blue									

Model	Year	MG	SG	Illustration	Restrictions	UPD	19:50	27.01.2010	PORSCHE	PET	PORSCHE
STZ	1998	8	06	806-30		248					

Pos	Part Number	Description	Remark	Qty	Model	Pos	Part Number	Description	Remark	Qty	Model
(4)	944 521 037 89	cover for cushion electrically adjustable with heating leatherette/ seat surface pin stripe velour		2			QA5	greyish green/grey-green			
	NY5	black/ black-white				(4)	944 521 037 89	cover for cushion electrically adjustable with heating leatherette/ seat surface pin stripe flannel		2	
	NY7	brown/ brown-beige					NY9	black/anthracite			
	QA3	blue/ blue-white					NZ6	brown/brown			
	NY8	burgundy/ burgundy-white					QA6	blue/blue			
	QA4	greyish green/ greyish green-white					NZ5	burgundy/burgundy			
	RU3	grey-beige/ grey-beige-white	86				QA5	greyish green/grey-green			
4	944 521 037 11	cover for cushion for manual adjustment leatherette/ seat surface pin stripe flannel	/LL/R /RL/L	2	CARRERA	4	944 521 037 11	cover for cushion for manual adjustment leatherette/ seat surface porsche lettering cloth	/LL/R /RL/L	2	CARRERA
	NY9	black/anthracite					PX2	black/black			
	NZ6	brown/brown					PX4	brown/brown			
	QA6	blue/blue					PX7	blue/blue			
	NZ5	burgundy/burgundy					PX6	burgundy/burgundy			
	QA5	greyish green/grey-green					PX8	greyish green/grey-green			
(4)	944 521 037 14	cover for cushion electrically adjustable without heating	/LL/L /LL/R /RL/R /RL/L	2	TURBO CARRERA M438 CARRERA M437		QD9	grey-beige/grey-beige	86		
		leatherette/ seat surface pin stripe flannel				(4)	944 521 037 14	cover for cushion electrically adjustable without heating	/LL/L /LL/R /RL/R /RL/L	2	TURBO CARRERA M438 CARRERA M437
	NY9	black/anthracite						leatherette/ seat surface porsche lettering cloth			
	NZ6	brown/brown					PX2	black/black			
	QA6	blue/blue					PX4	brown/brown			
	NZ5	burgundy/burgundy					PX7	blue/blue			
							PX6	burgundy/burgundy			
							PX8	greyish green/grey-green			
							QD9	grey-beige/grey-beige	86		

Model	Year	MG	SG	Illustration	Restrictions	UPD	19:50	27.01.2010	PORSCHE	PET	PORSCHE
STZ	1998	8	06	806-30		248					

Pos	Part Number	Description	Remark	Qty	Model	Pos	Part Number	Description	Remark	Qty	Model
(4)	944 521 037 89	cover for cushion electrically adjustable with heating leatherette/seat surface porsche lettering cloth		2			PY3	blue/blue blue-white			
	PX2	black/black					PY4	burgundy/burgundy burgundy-white			
	PX4	brown/brown					PY5	greyish green/grey-green greyish green-white			
	PX7	blue/blue					RU4	grey-beige/grey-beige grey-beige-white	86		
	PX6	burgundy/burgundy				(5)	944 521 037 87	cover for cushion electrically adjustable with heating leatherette/leather centre part in cloth pin stripe velour		2	
	PX8	greyish green/grey-green									
	QD9	grey-beige/grey-beige	86								
5	944 521 037 75	cover for cushion for manual adjustment leatherette/leather centre part in cloth pin stripe velour	/LL/R /RL/L	2	CARRERA		PY1	black/black black-white			
	PY1	black/black black-white					PY2	brown/brown brown-beige			
	PY2	brown/brown brown-beige					PY3	blue/blue blue-white			
	PY3	blue/blue blue-white					PY4	burgundy/burgundy burgundy-white			
	PY4	burgundy/burgundy burgundy-white					PY5	greyish green/grey-green greyish green-white			
	PY5	greyish green/grey-green greyish green-white					RU4	grey-beige/grey-beige grey-beige-white	86		
	RU4	grey-beige/grey-beige grey-beige-white	86			5	944 521 037 75	cover for cushion for manual adjustment leatherette/leather centre part in cloth pin stripe flannel	/LL/R /RL/L	2	CARRERA
(5)	944 521 037 79	cover for cushion electrically adjustable without heating leatherette/leather centre part in cloth pin stripe velour	/LL/L /LL/R /RL/R /RL/L	2	TURBO CARRERA M438 CARRERA M437		PZ2	black/black anthracite			
	PY1	black/black black-white					PZ3	brown/brown brown			
	PY2	brown/brown brown-beige					PZ4	blue/blue blue			
							PZ5	burgundy/burgundy burgundy			
							PZ6	greyish green/grey-green greyish green			

Model	Year	MG	SG	Illustration	Restrictions	UPD	19:50	27.01.2010	PORSCHE	PET	PORSCHE
STZ	1998	8	06	806-30		248					

Pos	Part Number	Description	Remark	Qty	Model	Pos	Part Number	Description	Remark	Qty	Model
(5)	944 521 037 79	cover for cushion electrically adjustable without heating	/LL/L /LL/R /RL/R /RL/L	2	TURBO CARRERA M438 CARRERA M437		PZ9	blue/blue blue			
		leatherette/leather centre part in cloth pin stripe flannel					QA1	burgundy/burgundy burgundy			
	PZ2	black/black anthracite					QA2	greyish green/grey-green greyish green			
	PZ3	brown/brown brown					RU2	grey-beige/grey-beige grey-beige	86		
	PZ4	blue/blue blue				(5)	944 521 037 79	cover for cushion electrically adjustable without heating	/LL/L /LL/R /RL/R /RL/L	2	TURBO CARRERA M438 CARRERA M437
	PZ5	burgundy/burgundy burgundy						leatherette/leather centre part in cloth porsche lettering cloth			
	PZ6	greyish green/grey-green greyish green					PZ7	black/black black			
(5)	944 521 037 87	cover for cushion electrically adjustable with heating leatherette/leather centre part in cloth pin stripe flannel		2			PZ8	brown/brown brown			
	PZ2	black/black anthracite					PZ9	blue/blue blue			
	PZ3	brown/brown brown					QA1	burgundy/burgundy burgundy			
	PZ4	blue/blue blue					QA2	greyish green/grey-green greyish green			
	PZ5	burgundy/burgundy burgundy					RU2	grey-beige/grey-beige grey-beige	86		
	PZ6	greyish green/grey-green greyish green				(5)	944 521 037 87	cover for cushion electrically adjustable with heating leatherette/leather centre part in cloth porsche lettering cloth		2	
5	944 521 037 75	cover for cushion for manual adjustment leatherette/leather centre part in cloth porsche lettering cloth	/LL/R /RL/L	2	CARRERA		PZ7	black/black black			
	PZ7	black/black black					PZ8	brown/brown brown			
	PZ8	brown/brown brown					PZ9	blue/blue blue			
							QA1	burgundy/burgundy burgundy			

Model	Year	MG	SG	Illustration	Restrictions	UPD	19:50	27.01.2010	PORSCHE	PET	PORSCHE
STZ	1998	8	06	806-30		248					

Pos	Part Number	Description	Remark	Qty	Model	Pos	Part Number	Description	Remark	Qty	Model
5	QA2	greyish green/grey-green greyish green				(5)	944 521 037 91	cover for cushion for electric adjustment with heating leather/ centre part in cloth pin stripe velour		2	
	RU2	grey-beige/grey-beige grey-beige		86							
	944 521 037 78	cover for cushion for manual adjustment leather/ centre part in cloth pin stripe velour	/LL/R /RL/L	2	CARRERA						
	LS5	black/ black-white					LS5	black/ black-white			
	LS6	brown/ brown-beige					LS6	brown/ brown-beige			
	LS8	blue/ blue-white					LS8	blue/ blue-white			
	LS9	burgundy/ burgundy-white					LS9	burgundy/ burgundy-white			
	QA7	greyish green/ greyish green-white					QA7	greyish green/ greyish green-white			
	LS7	grey-beige/ grey-beige-white		86			LS7	grey-beige/ grey-beige-white		86	
	(5)	944 521 037 82	cover for cushion for electric adjustment without heating  leather/ centre part in cloth pin stripe velour	/LL/L /LL/R /RL/R /RL/L	2	TURBO CARRERA M438 CARRERA M437	5	944 521 037 78	cover for cushion for manual adjustment leather/ centre part in cloth pin stripe flannel	/LL/R /RL/L	2
	LS5	black/ black-white					QB1	black/anthracite			
	LS6	brown/ brown-beige					QB3	brown/brown			
	LS8	blue/ blue-white					QB5	blue/blue			
	LS9	burgundy/ burgundy-white					QB7	burgundy/burgundy			
	QA7	greyish green/ greyish green-white					QA8	greyish green/grey-green			
	LS7	grey-beige/ grey-beige-white		86		(5)	944 521 037 82	cover for cushion for electric adjustment without heating  leather/ centre part in cloth pin stripe flannel	/LL/L /LL/R /RL/R /RL/L	2	TURBO CARRERA M438 CARRERA M437
							QB1	black/anthracite			
							QB3	brown/brown			
							QB5	blue/blue			
							QB7	burgundy/burgundy			



Model	Year	MG	SG	Illustration	Restrictions	UPD	19:50	27.01.2010	PORSCHE	PET	PORSCHE
STZ	1998	8	06	806-30		248					

Pos	Part Number	Description	Remark	Qty	Model	Pos	Part Number	Description	Remark	Qty	Model
(5)	944 521 037 91	cover for cushion for electric adjustment with heating leather/ centre part in cloth pin stripe flannel		2		(5)	944 521 037 91	cover for cushion for electric adjustment with heating leather/ centre part in cloth porsche lettering cloth		2	
	QA8	greyish green/grey-green					QB2	black/black			
	QB1	black/anthracite					QB4	brown/brown			
	QB3	brown/brown					QB6	blue/blue			
	QB5	blue/blue					QB8	burgundy/burgundy			
	QB7	burgundy/burgundy					QA9	greyish green/grey-green			
	QA8	greyish green/grey-green					RU1	grey-beige/grey-beige	86		
5	944 521 037 78	cover for cushion for manual adjustment leather/ centre part in cloth porsche lettering cloth	/LL/R /RL/L	2	CARRERA	6	944 521 037 76	cover for cushion for manual adjustment leatherette/ seat surface leather	/LL/R /RL/L	2	CARRERA
	QB2	black/black					JN3	black/black			
	QB4	brown/brown					JN4	brown/brown			
	QB6	blue/blue					QC1	blue/blue			
	QB8	burgundy/burgundy					NZ8	burgundy/burgundy			
	QA9	greyish green/grey-green					PX9	greyish green/grey-green			
	RU1	grey-beige/grey-beige	86				JN5	grey-beige	86		
(5)	944 521 037 82	cover for cushion for electric adjustment without heating leather/ centre part in cloth porsche lettering cloth	/LL/L /LL/R /RL/R /RL/L	2	TURBO CARRERA M438 CARRERA M437	(6)	944 521 037 80	cover for cushion for electric adjustment without heating leatherette/ seat surface leather	/LL/L /LL/R /RL/R /RL/L	2	TURBO CARRERA M438 CARRERA M437
	QB2	black/black					JN3	black/black			
	QB4	brown/brown					JN4	brown/brown			
	QB6	blue/blue					QC1	blue/blue			
	QB8	burgundy/burgundy					NZ8	burgundy/burgundy			
	QA9	greyish green/grey-green					PX9	greyish green/grey-green			
	RU1	grey-beige/grey-beige	86				JN5	grey-beige	86		

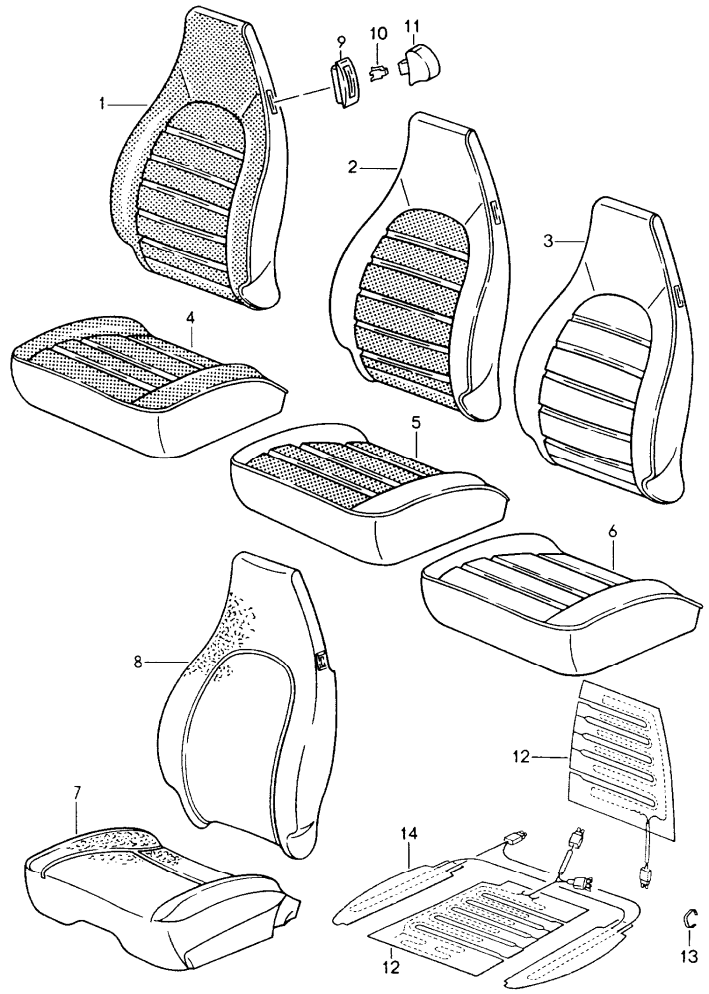
Model	Year	MG	SG	Illustration	Restrictions	UPD	19:50	27.01.2010	PORSCHE	PET	PORSCHE
STZ	1998	8	06	806-30		248					

Pos	Part Number	Description	Remark	Qty	Model	Pos	Part Number	Description	Remark	Qty	Model
(6)	944 521 037 88	cover for cushion for electric adjustment with heating leatherette/ seat surface leather		2			KZ3	blue			
	JN3	black/black					LG7	burgundy			
	JN4	brown/brown					QC2	greyish green			
	QC1	blue/blue					KZ6	can-can-red			
	NZ8	burgundy/burgundy					LG4	pearl white			
	PX9	greyish green/grey-green					LG5	champagne			
	JN5	grey-beige	86				LG6	dark green			
6	944 521 037 77	cover for cushion for manual adjustment whole-leather	/LL/R /RL/L	2	CARRERA	(6)	944 521 037 90	cover for cushion for electric adjustment with heating whole-leather	86-	2	
	KZ2	black					KZ2	black			
	KZ5	brown					KZ5	brown			
	KZ3	blue					KZ3	blue			
	LG7	burgundy					LG7	burgundy			
	QC2	greyish green					QC2	greyish green			
	KZ6	can-can-red					KZ6	can-can-red			
	LG4	pearl white					LG4	pearl white			
	LG5	champagne					LG5	champagne			
	LG6	dark green					LG6	dark green			
	PY9	ocean blue					PY9	ocean blue			
	PZ1	wild buffalo					PZ1	wild buffalo			
	KZ4	grey-beige	86-				PZ1	wild buffalo			
(6)	944 521 037 81	cover for cushion for electric adjustment without heating	/LL/L /LL/R /RL/R /RL/L	2	TURBO CARRERA M438 CARRERA M437	-	000 043 071 00	clamp mount cover bag content 50 pieces	86-	X	
		whole-leather					KZ4	grey-beige			
	KZ2	black									
	KZ5	brown									

Model	Year	MG	SG	Illustration	Restrictions	UPD	19:50	27.01.2010	PORSCHE	PET	PORSCHE
STZ	1998	8	06	806-30		248					

Pos	Part Number	Description	Remark	Qty	Model	Pos	Part Number	Description	Remark	Qty	Model
7	928 521 385 22	foam part seat cushion for manual adjustment	/LL/R /RL/L	1	CARRERA						
(7)	928 521 385 23	foam part seat cushion for electric adjustment	/L /LL/L /RL/L	1	TURBO CARRERA M437						
(7)	928 521 386 23	foam part seat cushion for electric adjustment	/R /RL/R /LL/R	1	TURBO CARRERA M438						
(7)	928 521 385 24	foam part seat cushion for electric adjustment	/L	1	M139						
(7)	928 521 386 24	foam part seat cushion for electric adjustment	/R	1	M340						
8	928 521 393 13	foam part backrest frame for manual adjustment	/LL/R /RL/L	1	CARRERA						
(8) A	993 521 393 06	foam part backrest frame for electric adjustment see technical information 6 ZYL. GR.7D NR.1/94	/LL/L /LL/R /RL/R /RL/L	2	TURBO CARRERA M438 CARRERA M437						
(8)	993 521 393 06	foam part backrest frame for electric adjustment see technical information 6 ZYL. GR.7D NR.1/94	/LL/L /LL/R /RL/R /RL/L	2	TURBO CARRERA M438 CARRERA M437						
9	911 521 815 00	rosette		4							
	01C	satin black									
10	311 881 247	clamp		4							
11	911 521 817 00	control button		4							
	01C	satin black									

Model	Year	MG	SG	Illustration	Restrictions	UPD	19:50	27.01.2010	PORSCHE	PET	PORSCHE
STZ	1998	8	06	806-32		248					



Pos	Part Number	Description	Remark	Qty	Model
		cover heating element front seat	87-89		911 CARRERA TURBO
1	928 521 071 22	backrest cover without heating leatherette/ backrest surface pin stripe velour	-88	2	
		NY5 black/ black-white			
		TU7 mahogany/ mahogany-white			
		TR7 blue/ blue-white			
		NY8 burgundy/ burgundy-white			
		QA4 greyish green/ greyish green-white			
(1)	928 521 071 63	backrest cover with heating leatherette/ backrest surface pin stripe velour	-88	2	
		NY5 black/ black-white			
		TU7 mahogany/ mahogany-white			
		TR7 blue/ blue-white			
		NY8 burgundy/ burgundy-white			
		QA4 greyish green/ greyish green-white			
1	928 521 071 22	backrest cover without heating leatherette/ backrest surface pin stripe flannel	-88	2	
		NY9 black/anthracite			
		TU8 mahogany/mahogany			
		TR8 marine blue/blue			

Model	Year	MG	SG	Illustration	Restrictions	UPD	19:50	27.01.2010	PORSCHE	PET	PORSCHE
STZ	1998	8	06	806-32		248					

Pos	Part Number	Description	Remark	Qty	Model	Pos	Part Number	Description	Remark	Qty	Model
		NZ5 burgundy/burgundy					NY5	black/ black-white			
		QA5 greyish green/grey-green					TU7	mahogany/ mahogany-white			
(1)	928 521 071 63	backrest cover with heating leatherette/ backrest surface pin stripe flannel	-88	2			TR7	blue/ blue-white			
		NY9 black/anthracite					NY8	burgundy/ burgundy-white			
		TU8 mahogany/mahogany					XK2	linen/ linen white			
		TR8 marine blue/blue					XK5	cashmere beige/ cashmere beige-white			
		NZ5 burgundy/burgundy				(1)	964 521 071 01	backrest cover with heating leatherette/ backrest surface pin stripe velour	89	2	
		QA5 greyish green/grey-green							89		
1	928 521 071 22	backrest cover without heating leatherette/ backrest surface porsche lettering cloth	-88	2			NY5	black/ black-white			
		PX2 black/black					TU7	mahogany/ mahogany-white			
		TU9 mahogany/mahogany					TR7	blue/ blue-white			
		TR9 marine blue/blue					NY8	burgundy/ burgundy-white			
		PX6 burgundy/burgundy					XK2	linen/ linen white			
		PX8 greyish green/grey-green					XK5	cashmere beige/ cashmere beige-white			
(1)	928 521 071 63	backrest cover with heating leatherette/ backrest surface porsche lettering cloth	-88	2		1	928 521 071 22	backrest cover without heating leatherette/ backrest surface multicolour	89	2	
		PX2 black/black					XK8	black/black			
		TU9 mahogany/mahogany					XK9	mahogany/mahogany			
		TR9 marine blue/blue					XN1	marine blue/marine blue			
		PX6 burgundy/burgundy					XN2	burgundy/burgundy			
		PX8 greyish green/grey-green					XK4	linen/linen			
1	928 521 071 22	backrest cover without heating leatherette/ backrest surface pin stripe velour	89	2					89		

Model	Year	MG	SG	Illustration	Restrictions	UPD	19:50	27.01.2010	PORSCHE	PET	PORSCHE
STZ	1998	8	06	806-32		248					

Pos	Part Number	Description	Remark	Qty	Model	Pos	Part Number	Description	Remark	Qty	Model
	XK7	cashmere beige/cash. beige				2	928 521 071 50	backrest cover without heating	-88	2	
(1)	964 521 071 01	backrest cover with heating leatherette/ backrest surface multicolour	89	2				leatherette/leather centre part in cloth pin stripe velour	-88		
	XK8	black/black					PY1	black/black black-white			
	XK9	mahogany/mahogany					TU4	mahogany/mahogany mahogany-white			
	XN1	marine blue/marine blue					TR4	marine blue/marine blue blue-white			
	XN2	burgundy/burgundy					PY4	burgundy/burgundy burgundy-white			
	XK4	linen/linen					PY5	greyish green/grey-green greyish green-white			
1	928 521 071 22	backrest cover without heating leatherette/ backrest surface porsche lettering cloth	89	2		(2)	928 521 071 52	backrest cover with heating leatherette/leather centre part in cloth pin stripe velour	-88	2	
	PX2	black/black					PY1	black/black black-white			
	TU9	mahogany/mahogany					TU4	mahogany/mahogany mahogany-white			
	TR9	marine blue/blue					TR4	marine blue/marine blue blue-white			
	PX6	burgundy/burgundy					PY4	burgundy/burgundy burgundy-white			
	XK3	linen/linen					PY5	greyish green/grey-green greyish green-white			
(1)	964 521 071 01	backrest cover with heating leatherette/ backrest surface porsche lettering cloth	89	2		2	928 521 071 50	backrest cover without heating leatherette/leather centre part in cloth pin stripe flannel	-88	2	
	PX2	black/black					PZ2	black/black anthracite	-88		
	TU9	mahogany/mahogany					TU5	mahogany/mahogany mahogany			
	TR9	marine blue/blue					TR5	marine blue/marine blue blue			
	PX6	burgundy/burgundy									
	XK3	linen/linen									
	XK6	cashmere beige/cash. beige									

Model	Year	MG	SG	Illustration	Restrictions	UPD	19:50	27.01.2010	PORSCHE	PET	PORSCHE
STZ	1998	8	06	806-32		248					

Pos	Part Number	Description	Remark	Qty	Model	Pos	Part Number	Description	Remark	Qty	Model
	PZ5	burgundy/burgundy burgundy					TU6	mahogany/mahogany mahogany			
	PZ6	greyish green/grey-green greyish green					TR6	marine blue/marine blue blue			
(2)	928 521 071 52	backrest cover with heating leatherette/leather centre part in cloth pin stripe flannel	-88	2			QA1	burgundy/burgundy burgundy			
	PZ2	black/black anthracite	-88				QA2	greyish green/grey-green greyish green			
	TU5	mahogany/mahogany mahogany				2	928 521 071 50	backrest cover without heating leatherette/leather centre part in cloth pin stripe velour	89	2	
	TR5	marine blue/marine blue blue					PY1	black/black black-white	89		
	PZ5	burgundy/burgundy burgundy					TU4	mahogany/mahogany mahogany-white			
	PZ6	greyish green/grey-green greyish green					TR4	marine blue/marine blue blue-white			
2	928 521 071 50	backrest cover without heating leatherette/leather centre part porsche lettering cloth	-88	2			PY4	burgundy/burgundy burgundy-white			
	PZ7	black/black black	-88				XH2	linen/linen linen white			
	TU6	mahogany/mahogany mahogany					XH7	cashmere beige/ cashmere beige-white			
	TR6	marine blue/marine blue blue				(2)	964 521 071 02	backrest cover with heating leatherette/leather centre part in cloth pin stripe velour	89	2	
	QA1	burgundy/burgundy burgundy					PY1	black/black black-white	89		
	QA2	greyish green/grey-green greyish green					TU4	mahogany/mahogany mahogany-white			
(2)	928 521 071 52	backrest cover with heating leatherette/leather centre part porsche lettering cloth	-88	2			TR4	marine blue/marine blue blue-white			
	PZ7	black/black black	-88				PY4	burgundy/burgundy burgundy-white			
							XH2	linen/linen linen white			

Model	Year	MG	SG	Illustration	Restrictions	UPD	19:50	27.01.2010	PORSCHE	PET	PORSCHE
STZ	1998	8	06	806-32		248					

Pos	Part Number	Description	Remark	Qty	Model	Pos	Part Number	Description	Remark	Qty	Model
		XH7 cashmere beige/ cashmere beige-white					PZ7	black/black black			
2	928 521 071 50	backrest cover without heating leatherette/leather centre part in cloth multicolour	89	2			TU6	mahogany/mahogany mahogany			
		XJ2 black/black black	89				TR6	marine blue/marine blue blue			
		XJ3 mahogany/mahogany mahogany					QA1	burgundy/burgundy burgundy			
		XJ5 marine blue/marine blue marine blue					XH4	linen/linen linen			
		XJ7 burgundy/burgundy burgundy					XH8	cashmere beige/cash. beige cashmere beige			
		XH6 linen/linen linen				(2)	964 521 071 02	backrest cover with heating leatherette/leather centre part porsche lettering cloth	89	2	
		XH9 cashmere beige/cash. beige cashmere beige					PZ7	black/black black			
(2)	964 521 071 02	backrest cover with heating leatherette/leather centre part in cloth multicolour	89	2			TU6	mahogany/mahogany mahogany			
		XJ2 black/black black	89				TR6	marine blue/marine blue blue			
		XJ3 mahogany/mahogany mahogany					QA1	burgundy/burgundy burgundy			
		XJ5 marine blue/marine blue marine blue					XH4	linen/linen linen			
		XJ7 burgundy/burgundy burgundy					XH8	cashmere beige/cash. beige cashmere beige			
		XH6 linen/linen linen				2	928 521 071 66	backrest cover without heating leather/ centre part in cloth pin stripe velour	-88	2	
		XH9 cashmere beige/cash. beige cashmere beige					LS5	black/ black-white			
2	928 521 071 50	backrest cover without heating leatherette/leather centre part porsche lettering cloth	89	2			TU1	mahogany/ mahogany-white			
			89				TR1	blue/ blue-white			



Model	Year	MG	SG	Illustration	Restrictions	UPD	19:50	27.01.2010	PORSCHE	PET	PORSCHE
STZ	1998	8	06	806-32		248					

Pos	Part Number	Description	Remark	Qty	Model	Pos	Part Number	Description	Remark	Qty	Model
	LS9	burgundy/ burgundy-white					QA8	greyish green/grey-green			
	QA7	greyish green/ greyish green-white				2	928 521 071 66	backrest cover without heating leather/ centre part porsche lettering cloth	-88	2	
(2)	928 521 071 67	backrest cover with heating leather/ centre part in cloth pin stripe velour	-88	2			QB2	black/black	-88		
	LS5	black/ black-white	-88				TU3	mahogany/mahogany			
	TU1	mahogany/ mahogany-white					TR3	marine blue/blue			
	TR1	blue/ blue-white					QB8	burgundy/burgundy			
	LS9	burgundy/ burgundy-white				(2)	928 521 071 67	backrest cover with heating leather/ centre part porsche lettering cloth	-88	2	
	QA7	greyish green/ greyish green-white					QA9	greyish green/grey-green	-88		
2	928 521 071 66	backrest cover without heating leather/ centre part in cloth pin stripe flannel	-88	2			QB2	black/black			
	QB1	black/anthracite	-88				TU3	mahogany/mahogany			
	TU2	mahogany/mahogany					TR3	marine blue/blue			
	TR2	marine blue/blue					QB8	burgundy/burgundy			
	QB7	burgundy/burgundy					QA9	greyish green/grey-green			
	QA8	greyish green/grey-green				2	928 521 071 66	backrest cover without heating leather/ centre part in cloth pin stripe velour	89	2	
(2)	928 521 071 67	backrest cover with heating leather/ centre part in cloth pin stripe flannel	-88	2			LS5	black/ black-white	89		
	QB1	black/anthracite	-88				TU1	mahogany/ mahogany-white			
	TU2	mahogany/mahogany					TR1	blue/ blue-white			
	TR2	marine blue/blue					LS9	burgundy/ burgundy-white			
	QB7	burgundy/burgundy					XF5	linen/ linen white			
							XF8	cashmere beige/ cashmere beige-white			

Model	Year	MG	SG	Illustration	Restrictions	UPD	19:50	27.01.2010	PORSCHE	PET	PORSCHE
STZ	1998	8	06	806-32		248					

Pos	Part Number	Description	Remark	Qty	Model	Pos	Part Number	Description	Remark	Qty	Model
(2)	964 521 071 05	backrest cover with heating leather/ centre part in cloth pin stripe velour	89	2			XG5	cashmere beige/cash. beige			
	LS5	black/ black-white	89			2	928 521 071 66	backrest cover without heating leather/ centre part porsche lettering cloth	89	2	
	TU1	mahogany/ mahogany-white					QB2	black/black	89		
	TR1	blue/ blue-white					TU3	mahogany/mahogany			
	LS9	burgundy/ burgundy-white					TR3	marine blue/blue			
	XF5	linen/ linen white					QB8	burgundy/burgundy			
	XF8	cashmere beige/ cashmere beige-white					XF6	linen/linen			
							XF9	cashmere beige/cash. beige			
2	928 521 071 66	backrest cover without heating leather/ centre part in cloth multicolour	89	2		(2)	964 521 071 05	backrest cover with heating leather/ centre part porsche lettering cloth	89	2	
	XG6	black/black	89				QB2	black/black	89		
	XG7	mahogany/mahogany					TU3	mahogany/mahogany			
	XG8	marine blue/marine blue					TR3	marine blue/blue			
	XG9	burgundy/burgundy					QB8	burgundy/burgundy			
	XF7	linen/linen					XF6	linen/linen			
	XG5	cashmere beige/cash. beige					XF9	cashmere beige/cash. beige			
(2)	964 521 071 05	backrest cover with heating leather/ centre part in cloth multicolour	89	2		3	928 521 071 51	backrest cover without heating leatherette/ backrest surface leather	-88	2	
	XG6	black/black	89				JN3	black/black	-88		
	XG7	mahogany/mahogany					TV2	mahogany/mahogany			
	XG8	marine blue/marine blue					TS2	marine blue/marine blue			
	XG9	burgundy/burgundy					NZ8	burgundy/burgundy			
	XF7	linen/linen					PX9	greyish green/grey-green			
							TW2	linen/linen			

Model	Year	MG	SG	Illustration	Restrictions	UPD	19:50	27.01.2010	PORSCHE	PET	PORSCHE
STZ	1998	8	06	806-32		248					

Pos	Part Number	Description	Remark	Qty	Model	Pos	Part Number	Description	Remark	Qty	Model
(3)	928 521 071 62	backrest cover with heating leatherette/ backrest surface leather	-88	2			KZ2	black			
			-88				TV1	mahogany			
	JN3	black/black					TS1	marine blue			
	TV2	mahogany/mahogany					LG7	burgundy			
	TS2	marine blue/marine blue					QC2	greyish green			
	NZ8	burgundy/burgundy					XG1	plum red			
	PX9	greyish green/grey-green					XG2	silver-grey			
	TW2	linen/linen					LG5	champagne			
							XG3	caramel			
3	928 521 071 51	backrest cover without heating leatherette/ backrest surface leather	89	2			TW1	linen			
			89			(3)	928 521 071 64	backrest cover with heating whole-leather	-88	2	
	JN3	black/black							-88		
	TV2	mahogany/mahogany					KZ2	black			
	TS2	marine blue/marine blue					TV1	mahogany			
	NZ8	burgundy/burgundy					TS1	marine blue			
	TW2	linen/linen					LG7	burgundy			
	XN3	cashmere beige/cash. beige					QC2	greyish green			
(3)	964 521 071 03	backrest cover with heating leatherette/ backrest surface leather	89	2			XG1	plum red			
			89				XG2	silver-grey			
	JN3	black/black					LG5	champagne			
	TV2	mahogany/mahogany					XG3	caramel			
	TS2	marine blue/marine blue					TW1	linen			
	NZ8	burgundy/burgundy					XG4	venetian blue			
	TW2	linen/linen				3	928 521 071 65	backrest cover without heating whole-leather	89	2	
	XN3	cashmere beige/cash. beige							89		
							KZ2	black			
3	928 521 071 65	backrest cover without heating whole-leather	-88	2			TV1	mahogany			
			-88				TS1	marine blue			

Model	Year	MG	SG	Illustration	Restrictions	UPD	19:50	27.01.2010	PORSCHE	PET	PORSCHE
STZ	1998	8	06	806-32		248					

Pos	Part Number	Description	Remark	Qty	Model	Pos	Part Number	Description	Remark	Qty	Model
	LG7	burgundy					XG2	silver-grey			
	XG3	caramel					LG5	champagne			
	TW1	linen					XG3	caramel			
	XG4	venetian blue					TW1	linen			
	XN4	cashmere beige					XG4	venetian blue			
	XN5	silk grey				(3)	928 521 071 03	backrest cover with heating draped leather	-88	2	
	XN6	velvet red							-88		
	XN7	slate grey					KZ2	black			
(3)	964 521 071 04	backrest cover with heating whole-leather	89	2			TV1	mahogany			
			89				TS1	marine blue			
	KZ2	black					LG7	burgundy			
	TV1	mahogany					QC2	greyish green			
	TS1	marine blue					XG1	plum red			
	LG7	burgundy					XG2	silver-grey			
	XG3	caramel					LG5	champagne			
	TW1	linen					XG3	caramel			
	XG4	venetian blue					TW1	linen			
	XN4	cashmere beige					XG4	venetian blue			
	XN5	silk grey				3	928 521 071 01	backrest cover without heating draped leather	89	2	
	XN6	velvet red							89		
	XN7	slate grey					KZ2	black			
3	928 521 071 01	backrest cover without heating draped leather	-88	2			TV1	mahogany			
			-88				TS1	marine blue			
	KZ2	black					LG7	burgundy			
	TV1	mahogany					XG3	caramel			
	TS1	marine blue					TW1	linen			
	LG7	burgundy					XG4	venetian blue			
	QC2	greyish green					XN4	cashmere beige			
	XG1	plum red					XN5	silk grey			

Model	Year	MG	SG	Illustration	Restrictions	UPD	19:50	27.01.2010	PORSCHE	PET	PORSCHE
STZ	1998	8	06	806-32		248					

Pos	Part Number	Description	Remark	Qty	Model	Pos	Part Number	Description	Remark	Qty	Model	
(3)	XN6	velvet red				4	TR7	blue/ blue-white				
	XN7	slate grey					NY8	burgundy/ burgundy-white				
	964 521 071 06	backrest cover with heating draped leather	89	2			QA4	greyish green/ greyish green-white				
	KZ2	black	89				944 521 037 11	cover for cushion for manual adjustment leatherette/ seat surface pin stripe velour	/LL/R /RL/L	-88	1	
	TV1	mahogany					NY5	black/ black-white				
	TS1	marine blue					TU7	mahogany/ mahogany-white				
	LG7	burgundy					TR7	blue/ blue-white				
	XG3	caramel					NY8	burgundy/ burgundy-white				
	TW1	linen					QA4	greyish green/ greyish green-white				
	XG4	venetian blue					944 521 037 14	cover for cushion for electric adjustment without heating leatherette/ seat surface pin stripe velour		-88	2	
	XN4	cashmere beige					NY5	black/ black-white				
	XN5	silk grey					TU7	mahogany/ mahogany-white				
	3	928 521 071 01	backrest cover without heating draped leather special model with model year 1988		2		JUBI.88	(4)	TR7	blue/ blue-white		
WR2		SILBERBLAUMETALLIC				NY8	burgundy/ burgundy-white					
(3)	964 521 071 06	backrest cover with heating draped leather		2	M099		QA4	greyish green/ greyish green-white				
	SS1	blue metallic				TU7	mahogany/ mahogany-white					
4	944 521 037 11	cover for cushion for manual adjustment leatherette/ seat surface pin stripe velour	/LL/R /RL/L	-88	1	M637	TR7	blue/ blue-white				
	NY5	black/ black-white				NY8	burgundy/ burgundy-white					
	TU7	mahogany/ mahogany-white				QA4	greyish green/ greyish green-white					

Model	Year	MG	SG	Illustration	Restrictions	UPD	19:50	27.01.2010	PORSCHE	PET	PORSCHE
STZ	1998	8	06	806-32		248					

Pos	Part Number	Description	Remark	Qty	Model	Pos	Part Number	Description	Remark	Qty	Model
(4)	944 521 037 89	cover for cushion for electric adjustment with heating leatherette/ seat surface pin stripe velour	-88	2		(4)	944 521 037 14	cover for cushion for electric adjustment without heating leatherette/ seat surface pin stripe flannel	-88	2	
	NY5	black/ black-white	-88				NY9	black/anthracite			
	TU7	mahogany/ mahogany-white					TU8	mahogany/mahogany			
	TR7	blue/ blue-white					TR8	marine blue/blue			
	NY8	burgundy/ burgundy-white					NZ5	burgundy/burgundy			
	QA4	greyish green/ greyish green-white					QA5	greyish green/grey-green			
4	944 521 037 11	cover for cushion for manual adjustment leatherette/ seat surface pin stripe flannel	/LL/R /RL/L -88	1	M637	(4)	944 521 037 89	cover for cushion for electric adjustment with heating leatherette/ seat surface pin stripe flannel	-88	2	
	NY9	black/anthracite	-88				NY9	black/anthracite			
	TU8	mahogany/mahogany					TU8	mahogany/mahogany			
	TR8	marine blue/blue					TR8	marine blue/blue			
	NZ5	burgundy/burgundy					NZ5	burgundy/burgundy			
	QA5	greyish green/grey-green					QA5	greyish green/grey-green			
4	944 521 037 11	cover for cushion for manual adjustment leatherette/ seat surface pin stripe flannel	/LL/R /RL/L -88	1		4	944 521 037 11	cover for cushion for manual adjustment leatherette/ seat surface porsche lettering cloth	/LL/R /RL/L -88	1	M637
	NY9	black/anthracite	-88				PX2	black/black			
	TU8	mahogany/mahogany					TU9	mahogany/mahogany			
	TR8	marine blue/blue					TR9	marine blue/blue			
	NZ5	burgundy/burgundy					PX6	burgundy/burgundy			
	QA5	greyish green/grey-green					PX8	greyish green/grey-green			
						4	944 521 037 11	cover for cushion for manual adjustment leatherette/ seat surface porsche lettering cloth	/LL/R /RL/L -88	1	
							PX2	black/black	-88		

Model	Year	MG	SG	Illustration	Restrictions	UPD	19:50	27.01.2010	PORSCHE	PET	PORSCHE
STZ	1998	8	06	806-32		248					

Pos	Part Number	Description	Remark	Qty	Model	Pos	Part Number	Description	Remark	Qty	Model
	TU9	mahogany/mahogany					NY8	burgundy/ burgundy-white			
	TR9	marine blue/blue					XK2	linen/ linen white			
	PX6	burgundy/burgundy					XK5	cashmere beige/			
	PX8	greyish green/grey-green									
(4)	944 521 037 14	cover for cushion for electric adjustment without heating leatherette/ seat surface porsche lettering cloth	-88	2		4	944 521 037 11	cover for cushion for manual adjustment leatherette/ seat surface pin stripe velour	/LL/R /RL/L	89	1
	PX2	black/black	-88				NY5	black/ black-white		89	
	TU9	mahogany/mahogany					TU7	mahogany/ mahogany-white			
	TR9	marine blue/blue					TR7	blue/ blue-white			
	PX6	burgundy/burgundy					NY8	burgundy/ burgundy-white			
	PX8	greyish green/grey-green					XK2	linen/ linen white			
(4)	944 521 037 89	cover for cushion for electric adjustment with heating leatherette/ seat surface porsche lettering cloth	-88	2			XK5	cashmere beige/			
	PX2	black/black	-88			(4)	944 521 037 14	cover for cushion for electric adjustment without heating leatherette/ seat surface pin stripe velour		89	2
	TU9	mahogany/mahogany					NY5	black/ black-white		89	
	TR9	marine blue/blue					TU7	mahogany/ mahogany-white			
	PX6	burgundy/burgundy					TR7	blue/ blue-white			
	PX8	greyish green/grey-green					NY8	burgundy/ burgundy-white			
4	944 521 037 11	cover for cushion for manual adjustment leatherette/ seat surface pin stripe velour	/LL/R /RL/L	89	1	M637	XK2	linen/ linen white		89	
	NY5	black/ black-white					XK5	cashmere beige/			
	TU7	mahogany/ mahogany-white									
	TR7	blue/ blue-white									

Model	Year	MG	SG	Illustration	Restrictions	UPD	19:50	27.01.2010	PORSCHE	PET	PORSCHE
STZ	1998	8	06	806-32		248					

Pos	Part Number	Description	Remark	Qty	Model	Pos	Part Number	Description	Remark	Qty	Model
(4)	964 521 037 01	cover for cushion for electric adjustment with heating leatherette/ seat surface pin stripe velour		89	2		XK7	cashmere beige/cash. beige			
				89		(4)	944 521 037 14	cover for cushion for electric adjustment without heating leatherette/ seat surface multicolour	89	2	
	NY5	black/ black-white					XK8	black/black		89	
	TU7	mahogany/ mahogany-white					XK9	mahogany/mahogany			
	TR7	blue/ blue-white					XN1	marine blue/marine blue			
	NY8	burgundy/ burgundy-white					XN2	burgundy/burgundy			
	XK2	linen/ linen white					XK4	linen/linen			
	XK5	cashmere beige/					XK7	cashmere beige/cash. beige			
4	944 521 037 11	cover for cushion for manual adjustment leatherette/ seat surface multicolour	/LL/R /RL/L	89	1	M637	(4)	964 521 037 01	cover for cushion for electric adjustment with heating leatherette/ seat surface multicolour	89	2
				89			XK8	black/black		89	
	XK8	black/black					XK9	mahogany/mahogany			
	XK9	mahogany/mahogany					XN1	marine blue/marine blue			
	XN1	marine blue/marine blue					XN2	burgundy/burgundy			
	XN2	burgundy/burgundy					XK4	linen/linen			
	XK4	linen/linen					XK7	cashmere beige/cash. beige			
	XK7	cashmere beige/cash. beige				4	944 521 037 11	cover for cushion for manual adjustment leatherette/ seat surface porsche lettering cloth	/LL/R /RL/L	89	1
4	944 521 037 11	cover for cushion for manual adjustment leatherette/ seat surface multicolour	/LL/R /RL/L	89	1					89	
				89			PX2	black/black			
	XK8	black/black					TU9	mahogany/mahogany			
	XK9	mahogany/mahogany					TR9	marine blue/blue			
	XN1	marine blue/marine blue					PX6	burgundy/burgundy			
	XN2	burgundy/burgundy					XK3	linen/linen			
	XK4	linen/linen					XK6	cashmere beige/cash. beige			



Model	Year	MG	SG	Illustration	Restrictions	UPD	19:50	27.01.2010	PORSCHE	PET	PORSCHE
STZ	1998	8	06	806-32		248					

Pos	Part Number	Description	Remark	Qty	Model	Pos	Part Number	Description	Remark	Qty	Model
4	944 521 037 11	cover for cushion for manual adjustment leatherette/ seat surface porsche lettering cloth	/LL/R /RL/L	89	1	5	944 521 037 75	cover for cushion for manual adjustment leatherette/leather centre part in cloth pin stripe velour	/LL/R /RL/L	-88	1
	PX2	black/black		89			PY1	black/black black-white		-88	
	TU9	mahogany/mahogany					TU4	mahogany/mahogany mahogany-white			
	TR9	marine blue/blue					TR4	marine blue/marine blue blue-white			
	PX6	burgundy/burgundy					PY4	burgundy/burgundy burgundy-white			
	XK3	linen/linen					PY5	greyish green/grey-green greyish green-white			
	XK6	cashmere beige/cash. beige									
(4)	944 521 037 14	cover for cushion for electric adjustment without heating leatherette/ seat surface porsche lettering cloth		89	2	(5)	944 521 037 79	cover for cushion for electric adjustment without heating leatherette/leather centre part in cloth pin stripe velour		-88	2
	PX2	black/black		89			PY1	black/black black-white		-88	
	TU9	mahogany/mahogany					TU4	mahogany/mahogany mahogany-white			
	TR9	marine blue/blue					TR4	marine blue/marine blue blue-white			
	PX6	burgundy/burgundy					PY4	burgundy/burgundy burgundy-white			
	XK3	linen/linen					PY5	greyish green/grey-green greyish green-white			
	XK6	cashmere beige/cash. beige									
(4)	964 521 037 01	cover for cushion for electric adjustment with heating leatherette/ seat surface porsche lettering cloth		89	2	(5)	944 521 037 87	cover for cushion for electric adjustment with heating leatherette/leather centre part in cloth pin stripe velour		-88	2
	PX2	black/black		89			PY1	black/black black-white		-88	
	TU9	mahogany/mahogany					TU4	mahogany/mahogany mahogany-white			
	TR9	marine blue/blue									
	PX6	burgundy/burgundy									
	XK3	linen/linen									
	XK6	cashmere beige/cash. beige									

Model	Year	MG	SG	Illustration	Restrictions	UPD	19:50	27.01.2010	PORSCHE	PET	PORSCHE
STZ	1998	8	06	806-32		248					

Pos	Part Number	Description	Remark	Qty	Model	Pos	Part Number	Description	Remark	Qty	Model
	TR4	marine blue/marine blue blue-white				(5)	944 521 037 87	cover for cushion for electric adjustment with heating leatherette/leather centre part in cloth pin stripe flannel	-88	2	
	PY4	burgundy/burgundy burgundy-white									
	PY5	greyish green/grey-green greyish green-white					PZ2	black/black anthracite			
5	944 521 037 75	cover for cushion for manual adjustment leatherette/leather centre part in cloth pin stripe flannel	/LL/R /RL/L	-88	1		TU5	mahogany/mahogany mahogany			
	PZ2	black/black anthracite					TR5	marine blue/marine blue blue			
	TU5	mahogany/mahogany mahogany					PZ5	burgundy/burgundy burgundy			
	TR5	marine blue/marine blue blue					PZ6	greyish green/grey-green greyish green			
	PZ5	burgundy/burgundy burgundy				5	944 521 037 75	cover for cushion for manual adjustment leatherette/leather centre part porsche lettering cloth	/LL/R /RL/L	-88	1
	PZ6	greyish green/grey-green greyish green					PZ7	black/black black		-88	
(5)	944 521 037 79	cover for cushion for electric adjustment without heating leatherette/leather centre part in cloth pin stripe flannel		-88	2		TU6	mahogany/mahogany mahogany			
	PZ2	black/black anthracite					TR6	marine blue/marine blue blue			
	TU5	mahogany/mahogany mahogany					QA1	burgundy/burgundy burgundy			
	TR5	marine blue/marine blue blue				(5)	944 521 037 79	cover for cushion for electric adjustment without heating leatherette/leather centre part porsche lettering cloth		-88	2
	PZ5	burgundy/burgundy burgundy					PZ7	black/black black		-88	
	PZ6	greyish green/grey-green greyish green					TU6	mahogany/mahogany mahogany			

Model	Year	MG	SG	Illustration	Restrictions	UPD	19:50	27.01.2010	PORSCHE	PET	PORSCHE
STZ	1998	8	06	806-32		248					

Pos	Part Number	Description	Remark	Qty	Model	Pos	Part Number	Description	Remark	Qty	Model
	TR6	marine blue/marine blue blue				(5)	944 521 037 79	cover for cushion for electric adjustment without heating leatherette/leather centre part in cloth pin stripe velour	89	2	
	QA1	burgundy/burgundy burgundy									
	QA2	greyish green/grey-green greyish green					PY1	black/black black-white			
(5)	944 521 037 87	cover for cushion for electric adjustment with heating leatherette/leather centre part porsche lettering cloth	-88	2			TU4	mahogany/mahogany mahogany-white			
	PZ7	black/black black	-88				TR4	marine blue/marine blue blue-white			
	TU6	mahogany/mahogany mahogany					PY4	burgundy/burgundy burgundy-white			
	TR6	marine blue/marine blue blue					XH2	linen/linen linen white			
	QA1	burgundy/burgundy burgundy					XH7	cashmere beige/cashmere beige-white			
	QA2	greyish green/grey-green greyish green				(5)	964 521 037 02	cover for cushion for electric adjustment with heating leatherette/leather centre part in cloth pin stripe velour	89	2	
5	944 521 037 75	cover for cushion for manual adjustment leatherette/leather centre part in cloth pin stripe velour	/LL/R /RL/L	89	1		PY1	black/black black-white			
	PY1	black/black black-white		89			TU4	mahogany/mahogany mahogany-white			
	TU4	mahogany/mahogany mahogany-white					TR4	marine blue/marine blue blue-white			
	TR4	marine blue/marine blue blue-white					PY4	burgundy/burgundy burgundy-white			
	PY4	burgundy/burgundy burgundy-white					XH2	linen/linen linen white			
	XH2	linen/linen linen white					XH7	cashmere beige/cashmere beige-white			
	XH7	cashmere beige/cashmere beige-white				5	944 521 037 75	cover for cushion for manual adjustment leatherette/leather centre part in cloth multicolour	/LL/R /RL/L	89	1
										89	

Model	Year	MG	SG	Illustration	Restrictions	UPD	19:50	27.01.2010	PORSCHE	PET	PORSCHE
STZ	1998	8	06	806-32		248					

Pos	Part Number	Description	Remark	Qty	Model	Pos	Part Number	Description	Remark	Qty	Model
	XJ2	black/black black					XJ5	marine blue/marine blue marine blue			
	XJ3	mahogany/mahogany mahogany					XJ7	burgundy/burgundy burgundy			
	XJ5	marine blue/marine blue marine blue					XH6	linen/linen linen			
	XJ7	burgundy/burgundy burgundy					XH9	cashmere beige/cash. beige cashmere beige			
	XH6	linen/linen linen				5	944 521 037 75	cover for cushion for manual adjustment leatherette/leather centre part porsche lettering cloth	/LL/R /RL/L	89	1
	XH9	cashmere beige/cash. beige cashmere beige								89	
(5)	944 521 037 79	cover for cushion for electric adjustment without heating leatherette/leather centre part in cloth multicolour		89	2		PZ7	black/black black			
	XJ2	black/black black					TU6	mahogany/mahogany mahogany			
	XJ3	mahogany/mahogany mahogany					TR6	marine blue/marine blue blue			
	XJ5	marine blue/marine blue marine blue					QA1	burgundy/burgundy burgundy			
	XJ7	burgundy/burgundy burgundy					XH4	linen/linen linen			
	XH6	linen/linen linen					XH8	cashmere beige/cash. beige cashmere beige			
	XH9	cashmere beige/cash. beige cashmere beige				(5)	944 521 037 79	cover for cushion for electric adjustment without heating leatherette/leather centre part porsche lettering cloth		89	2
(5)	964 521 037 02	cover for cushion for electric adjustment with heating leatherette/leather centre part in cloth multicolour		89	2		PZ7	black/black black			
	XJ2	black/black black					TU6	mahogany/mahogany mahogany			
	XJ3	mahogany/mahogany mahogany					TR6	marine blue/marine blue blue			
							QA1	burgundy/burgundy burgundy			
							XH4	linen/linen linen			

Model	Year	MG	SG	Illustration	Restrictions	UPD	19:50	27.01.2010	PORSCHE	PET	PORSCHE
STZ	1998	8	06	806-32		248					

Pos	Part Number	Description	Remark	Qty	Model	Pos	Part Number	Description	Remark	Qty	Model
	XH8	cashmere beige/cash. beige cashmere beige					LS5	black/ black-white			
(5)	964 521 037 02	cover for cushion for electric adjustment with heating leatherette/leather centre part porsche lettering cloth		89 2			TU1	mahogany/ mahogany-white			
	PZ7	black/black black		89			TR1	blue/ blue-white			
	TU6	mahogany/mahogany mahogany					LS9	burgundy/ burgundy-white			
	TR6	marine blue/marine blue blue				(5)	944 521 037 91	cover for cushion for electric adjustment with heating leather/ centre part in cloth pin stripe velour	-88	2	
	QA1	burgundy/burgundy burgundy					QA7	greyish green/ greyish green-white			
	XH4	linen/linen linen					LS5	black/ black-white			
5	944 521 037 78	cover for cushion for manual adjustment leather/ centre part in cloth pin stripe velour	/LL/R /RL/L	-88 1			TU1	mahogany/ mahogany-white			
	LS5	black/ black-white		-88			TR1	blue/ blue-white			
	TU1	mahogany/ mahogany-white					LS9	burgundy/ burgundy-white			
	TR1	blue/ blue-white				5	944 521 037 78	cover for cushion for manual adjustment leather/ centre part in cloth pin stripe flannel	/LL/R /RL/L	-88	1
	LS9	burgundy/ burgundy-white					QA7	greyish green/ greyish green-white			
(5)	944 521 037 82	cover for cushion for electric adjustment without heating leather/ centre part in cloth pin stripe velour		-88 2			QB1	black/anthracite			
				-88			TU2	mahogany/mahogany			
							TR2	marine blue/blue			
							QB7	burgundy/burgundy			
							QA8	greyish green/grey-green			

Model	Year	MG	SG	Illustration	Restrictions	UPD	19:50	27.01.2010	PORSCHE	PET	PORSCHE
STZ	1998	8	06	806-32		248					

Pos	Part Number	Description	Remark	Qty	Model	Pos	Part Number	Description	Remark	Qty	Model
(5)	944 521 037 82	cover for cushion for electric adjustment without heating leather/ centre part in cloth pin stripe flannel	-88	2			QB2	black/black			
							TU3	mahogany/mahogany			
							TR3	marine blue/blue			
			-88				QB8	burgundy/burgundy			
	QB1	black/anthracite					QA9	greyish green/grey-green			
	TU2	mahogany/mahogany				(5)	944 521 037 91	cover for cushion for electric adjustment with heating leather/ centre part porsche lettering cloth	-88	2	
	TR2	marine blue/blue									
	QB7	burgundy/burgundy									
	QA8	greyish green/grey-green							-88		
(5)	944 521 037 91	cover for cushion for electric adjustment with heating leather/ centre part in cloth pin stripe flannel	-88	2			QB2	black/black			
							TU3	mahogany/mahogany			
							TR3	marine blue/blue			
			-88				QB8	burgundy/burgundy			
	QB1	black/anthracite					QA9	greyish green/grey-green			
	TU2	mahogany/mahogany				5	944 521 037 78	cover for cushion for manual adjustment leather/ centre part in cloth pin stripe velour	/LL/R /RL/L	89	1
	TR2	marine blue/blue									
	QB7	burgundy/burgundy									
	QA8	greyish green/grey-green							89		
5	944 521 037 78	cover for cushion for manual adjustment leather/ centre part porsche lettering cloth	/LL/R /RL/L	-88	1		LS5	black/ black-white			
							TU1	mahogany/ mahogany-white			
							TR1	blue/ blue-white			
			-88				LS9	burgundy/ burgundy-white			
	QB2	black/black					XF5	linen/ linen white			
	TU3	mahogany/mahogany					XF8	cashmere beige/ cashmere beige-white			
	TR3	marine blue/blue				(5)	944 521 037 82	cover for cushion for electric adjustment without heating leather/ centre part in cloth pin stripe velour		89	2
	QB8	burgundy/burgundy									
	QA9	greyish green/grey-green									
(5)	944 521 037 82	cover for cushion for electric adjustment without heating leather/ centre part porsche lettering cloth	-88	2							
			-88								
									89		

Model	Year	MG	SG	Illustration	Restrictions	UPD	19:50	27.01.2010	PORSCHE	PET	PORSCHE
STZ	1998	8	06	806-32		248					

Pos	Part Number	Description	Remark	Qty	Model	Pos	Part Number	Description	Remark	Qty	Model
	LS5	black/ black-white					XF7	linen/linen			
	TU1	mahogany/ mahogany-white					XG5	cashmere beige/cash. beige			
	TR1	blue/ blue-white				(5)	944 521 037 82	cover for cushion for electric adjustment without heating leather/ centre part in cloth multicolour	89	2	
	LS9	burgundy/ burgundy-white					XG6	black/black			
	XF5	linen/ linen white					XG7	mahogany/mahogany			
	XF8	cashmere beige/ cashmere beige-white					XG8	marine blue/marine blue			
(5)	964 521 037 05	cover for cushion for electric adjustment with heating leather/ centre part in cloth pin stripe velour		89	2		XG9	burgundy/burgundy			
	LS5	black/ black-white					XF7	linen/linen			
	TU1	mahogany/ mahogany-white				(5)	964 521 037 05	cover for cushion for electric adjustment with heating leather/ centre part in cloth multicolour	89	2	
	TR1	blue/ blue-white					XG5	cashmere beige/cash. beige			
	LS9	burgundy/ burgundy-white					XG6	black/black			
	XF5	linen/ linen white					XG7	mahogany/mahogany			
	XF8	cashmere beige/ cashmere beige-white					XG8	marine blue/marine blue			
5	944 521 037 78	cover for cushion for manual adjustment leather/ centre part in cloth multicolour	/LL/R /RL/L	89	1	5	944 521 037 78	cover for cushion for manual adjustment leather/ centre part porsche lettering cloth	/LL/R /RL/L	89	1
	XG6	black/black					XG9	burgundy/burgundy			
	XG7	mahogany/mahogany					QB2	black/black			
	XG8	marine blue/marine blue					TU3	mahogany/mahogany			
	XG9	burgundy/burgundy					TR3	marine blue/blue			
							QB8	burgundy/burgundy			
							XF6	linen/linen			

Model	Year	MG	SG	Illustration	Restrictions	UPD	19:50	27.01.2010	PORSCHE	PET	PORSCHE
STZ	1998	8	06	806-32		248					

Pos	Part Number	Description	Remark	Qty	Model	Pos	Part Number	Description	Remark	Qty	Model
		XF9 cashmere beige/cash. beige				(6)	944 521 037 80	cover for cushion for electric adjustment without heating leather/ seat surface leather	-88	2	
(5)	944 521 037 82	cover for cushion for electric adjustment without heating leather/ centre part porsche lettering cloth	89	2					-88		
	QB2	black/black					JN3	black/black			
	TU3	mahogany/mahogany					TV2	mahogany/mahogany			
	TR3	marine blue/blue					TS2	marine blue/blue			
	QB8	burgundy/burgundy					NZ8	burgundy/burgundy			
	XF6	linen/linen					PX9	greyish green/grey-green			
	XF9	cashmere beige/cash. beige					TW2	linen			
(5)	964 521 037 05	cover for cushion for electric adjustment with heating leather/ centre part porsche lettering cloth	89	2		(6)	944 521 037 88	cover for cushion for electric adjustment with heating leatherette/ seat surface leather	-88	2	
	QB2	black/black					JN3	black/black			
	TU3	mahogany/mahogany					TV2	mahogany/mahogany			
	TR3	marine blue/blue					TS2	marine blue/blue			
	QB8	burgundy/burgundy					NZ8	burgundy/burgundy			
	XF6	linen/linen					PX9	greyish green/grey-green			
	XF9	cashmere beige/cash. beige					TW2	linen			
6	944 521 037 76	cover for cushion for manual adjustment leatherette/ seat surface leather	/LL/R /RL/L	-88	1	6	944 521 037 76	cover for cushion for manual adjustment leatherette/ seat surface leather	/LL/R /RL/L	89	1
	JN3	black/black					JN3	black/black		89	
	TV2	mahogany/mahogany					TV2	mahogany/mahogany			
	TS2	marine blue/blue					TS2	marine blue/blue			
	NZ8	burgundy/burgundy					NZ8	burgundy/burgundy			
	PX9	greyish green/grey-green					TW2	linen/linen			
	TW2	linen					XN3	cashmere beige/cash. beige			



Model	Year	MG	SG	Illustration	Restrictions	UPD	19:50	27.01.2010	PORSCHE	PET	PORSCHE
STZ	1998	8	06	806-32		248					

Pos	Part Number	Description	Remark	Qty	Model	Pos	Part Number	Description	Remark	Qty	Model
(6)	944 521 037 80	cover for cushion for electric adjustment without heating leatherette/ seat surface leather		89	2		XG3	caramel			
				89			TW1	linen			
	JN3	black/black					XG4	venetian blue			
	TV2	mahogany/mahogany				(6)	944 521 037 81	cover for cushion for electric adjustment without heating whole-leather	-88	2	
	TS2	marine blue/blue					KZ2	black			
	NZ8	burgundy/burgundy					TV1	mahogany			
	TW2	linen/linen					TS1	marine blue			
	XN3	cashmere beige/cash. beige					LG7	burgundy			
(6)	964 521 037 03	cover for cushion for electric adjustment with heating leatherette/ seat surface leather		89	2		QC2	greyish green			
				89			XG1	plum red			
	JN3	black/black					XG2	silver-grey			
	TV2	mahogany/mahogany					LG5	champagne			
	TS2	marine blue/blue					XG3	caramel			
	NZ8	burgundy/burgundy					TW1	linen			
	TW2	linen/linen					XG4	venetian blue			
	XN3	cashmere beige/cash. beige				(6)	944 521 037 90	cover for cushion for electric adjustment with heating whole-leather	-88	2	
6	944 521 037 77	cover for cushion for manual adjustment whole-leather	/LL/R /RL/L	-88	1		KZ2	black			
	KZ2	black					TV1	mahogany			
	TV1	mahogany					TS1	marine blue			
	TS1	marine blue					LG7	burgundy			
	LG7	burgundy					QC2	greyish green			
	QC2	greyish green					XG1	plum red			
	XG1	plum red					XG2	silver-grey			
	XG2	silver-grey					LG5	champagne			
	LG5	champagne					XG3	caramel			
							TW1	linen			

Model	Year	MG	SG	Illustration	Restrictions	UPD	19:50	27.01.2010	PORSCHE	PET	PORSCHE
STZ	1998	8	06	806-32		248					

Pos	Part Number	Description	Remark	Qty	Model	Pos	Part Number	Description	Remark	Qty	Model
	XG4	venetian blue				(6)	964 521 037 04	cover for cushion for electric adjustment with heating whole-leather	89	2	
6	944 521 037 77	cover for cushion for manual adjustment whole-leather	/LL/R /RL/L	89	1				89		
	KZ2	black					KZ2	black			
	TV1	mahogany					TV1	mahogany			
	TS1	marine blue					TS1	marine blue			
	LG7	burgundy					LG7	burgundy			
	XG3	caramel					XG3	caramel			
	TW1	linen					TW1	linen			
	XG4	venetian blue					XG4	venetian blue			
	XN4	cashmere beige					XN4	cashmere beige			
	XN5	silk grey					XN5	silk grey			
	XN6	velvet red					XN6	velvet red			
	XN7	slate grey					XN7	slate grey			
(6)	944 521 037 81	cover for cushion for electric adjustment without heating whole-leather		89	2	6	944 521 037 20	cover for cushion for manual adjustment draped leather	/LL/R /RL/L	-88	2
	KZ2	black		89			KZ2	black			
	TV1	mahogany					TV1	mahogany			
	TS1	marine blue					TS1	marine blue			
	LG7	burgundy					LG7	burgundy			
	XG3	caramel					QC2	greyish green			
	TW1	linen					XG1	plum red			
	XG4	venetian blue					XG2	silver-grey			
	XN4	cashmere beige					LG5	champagne			
	XN5	silk grey					XG3	caramel			
	XN6	velvet red					TW1	linen			
	XN7	slate grey					XG4	venetian blue			
						(6)	944 521 037 22	cover for cushion for electric adjustment without heating draped leather		-88	2
										-88	

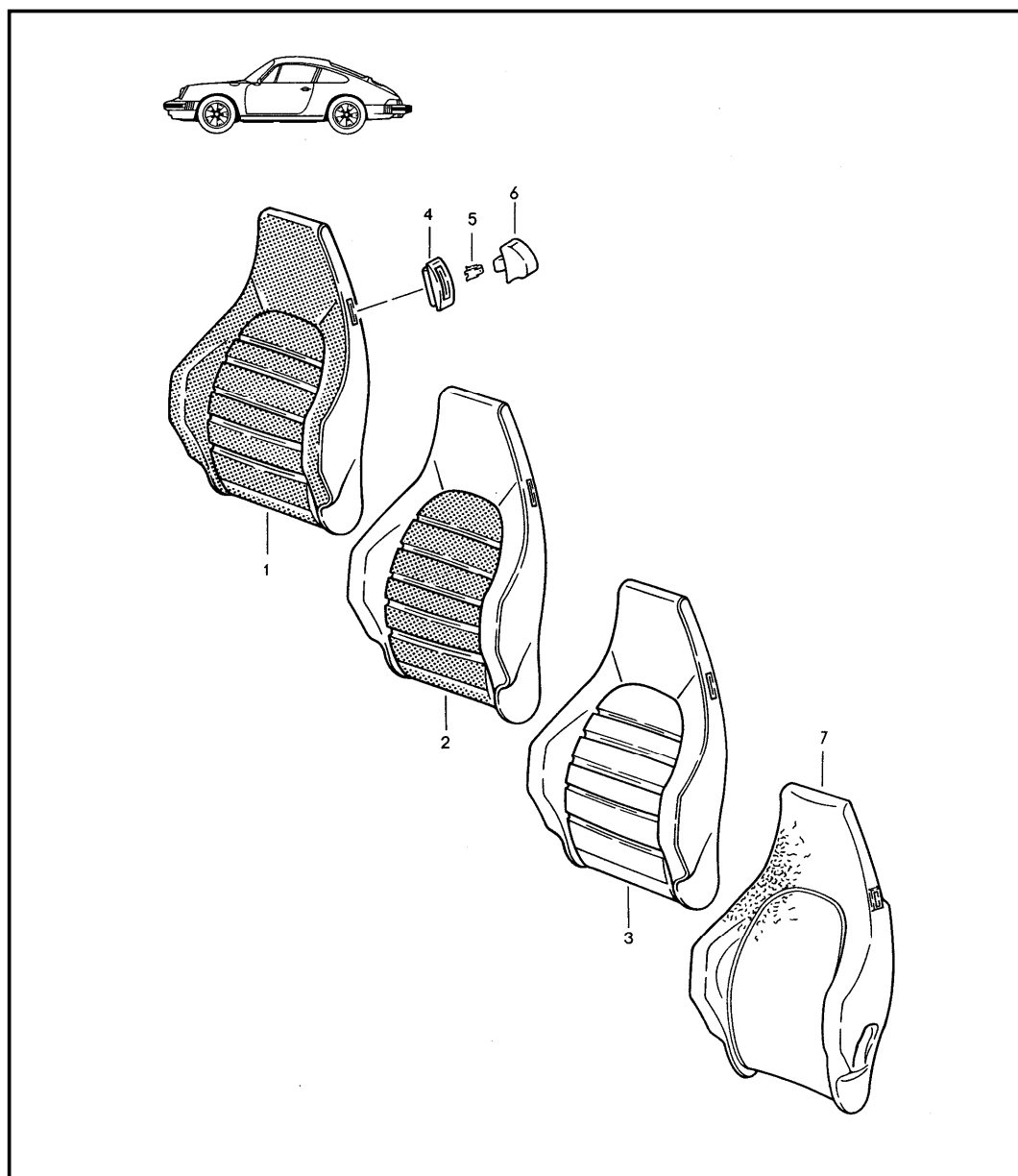
Model	Year	MG	SG	Illustration	Restrictions	UPD	19:50	27.01.2010	PORSCHE	PET	PORSCHE
STZ	1998	8	06	806-32		248					

Pos	Part Number	Description	Remark	Qty	Model	Pos	Part Number	Description	Remark	Qty	Model
	KZ2	black					TS1	marine blue			
	TV1	mahogany					LG7	burgundy			
	TS1	marine blue					XG3	caramel			
	LG7	burgundy					TW1	linen			
	QC2	greyish green					XG4	venetian blue			
	XG1	plum red					XN4	cashmere beige			
	XG2	silver-grey					XN5	silk grey			
	LG5	champagne					XN6	velvet red			
	XG3	caramel					XN7	slate grey			
	TW1	linen				(6)	944 521 037 22	cover for cushion for electric adjustment without heating draped leather	89	2	
(6)	944 521 037 04	cover for cushion for electric adjustment with heating draped leather		-88	2					89	
	KZ2	black					KZ2	black			
	TV1	mahogany					TV1	mahogany			
	TS1	marine blue					TS1	marine blue			
	LG7	burgundy					LG7	burgundy			
	QC2	greyish green					XG3	caramel			
	XG1	plum red					TW1	linen			
	XG2	silver-grey					XG4	venetian blue			
	LG5	champagne					XN4	cashmere beige			
	XG3	caramel					XN5	silk grey			
	TW1	linen					XN6	velvet red			
	XG4	venetian blue					XN7	slate grey			
6	944 521 037 20	cover for cushion for manual adjustment draped leather	/LL/R /RL/L	89	2	(6)	964 521 037 06	cover for cushion for electric adjustment with heating draped leather	89	2	
	KZ2	black					KZ2	black		89	
	TV1	mahogany					TV1	mahogany			
	TS1	marine blue					TS1	marine blue			
	TV1	mahogany					LG7	burgundy			

Model	Year	MG	SG	Illustration	Restrictions	UPD	19:50	27.01.2010	PORSCHE	PET	PORSCHE
STZ	1998	8	06	806-32		248					

Pos	Part Number	Description	Remark	Qty	Model	Pos	Part Number	Description	Remark	Qty	Model
	XG3	caramel				(8) A	993 521 393 06	foam part backrest frame for electric adjustment see technical information 6 ZYL. GR.7D NR.1/94		2	
	TW1	linen									
	XG4	venetian blue									
	XN4	cashmere beige				(8)	993 521 393 06	foam part backrest frame for electric adjustment see technical information 6 ZYL. GR.7D NR.1/94		2	
	XN5	silk grey									
	XN6	velvet red									
	XN7	slate grey				9	911 521 815 00	rosette		4	
(6)	944 521 037 22	cover for cushion without heating elect. vertical adjustment draped leather special model with model year 1988		2	JUBI.88		01C	satin black			
	WR2	SILBERBLAUMETALLIC				10	311 881 247	clamp		4	
						11	911 521 817 00	control button		4	
							01C	satin black			
						12	911 653 901 00	heating element seat surface	-88	2	
(6)	964 521 037 06	cover for cushion for electric adjustment with heating draped leather	89	2	M099	(12)	964 653 901 00	heating element centre part seat surface	89	2	
	SS1	blue metallic				12	911 653 902 00	heating element backrest	-88	2	
7	928 521 385 22	foam part seat cushion for manual adjustment	/LL/R /RL/L	1		(12)	964 653 902 00	heating element backrest	89	2	
(7)	928 521 385 23	foam part seat cushion for electric adjustment	/L	1		13	000 043 071 00	clamp bag content 50 pieces	-88	X	
(7)	928 521 386 23	foam part seat cushion for electric adjustment	/R	1		14 A	993 653 120 00	seat heater	89	2	
(7)	928 521 385 24	foam part seat cushion for electric adjustment	/L	1	M139	14	993 653 120 00	heating element seat side bolster	89	2	
(7)	928 521 386 24	foam part seat cushion for electric adjustment	/R	1	M340						
8	928 521 393 13	foam part backrest frame for manual adjustment	/LL/R /RL/L	1							

Model	Year	MG	SG	Illustration	Restrictions	UPD	19:50	27.01.2010	PORSCHE	PET	PORSCHE
STZ	1998	8	06	806-34		248					



Pos	Part Number	Description	Remark	Qty	Model
		backrest cover sports seat	85-86		911 CARRERA TURBO
1	944 521 071 05	backrest cover without heating leatherette/ backrest surface pin stripe velour		2	
	NY5	black/ black-white			
	NY7	brown/ brown-beige			
	QA3	blue/ blue-white			
	NY8	burgundy/ burgundy-white			
	QA4	greyish green/ greyish green-white			
	RU3	grey-beige/ grey-beige-white	86		
(1)	944 521 071 72	backrest cover with heating leatherette/ backrest surface pin stripe velour		2	
	NY5	black/ black-white			
	NY7	brown/ brown-beige			
	QA3	blue/ blue-white			
	NY8	burgundy/ burgundy-white			
	QA4	greyish green/ greyish green-white			
	RU3	grey-beige/ grey-beige-white	86		
1	944 521 071 05	backrest cover without heating leatherette/ backrest surface pin stripe flannel		2	

Model	Year	MG	SG	Illustration	Restrictions	UPD	19:50	27.01.2010	PORSCHE	PET	PORSCHE
STZ	1998	8	06	806-34		248					

Pos	Part Number	Description	Remark	Qty	Model	Pos	Part Number	Description	Remark	Qty	Model
		NY9 black/anthracite					PX8	greyish green/grey-green			
		NZ6 brown/brown					QD9	grey-beige/grey-beige	86		
		QA6 blue/blue				2	944 521 071 60	backrest cover without heating leatherette/leather centre part in cloth pin stripe velour		2	
		NZ5 burgundy/burgundy					PY1	black/black black-white			
(1)	944 521 071 72	backrest cover with heating leatherette/ backrest surface pin stripe flannel		2			PY2	brown/brown brown-beige			
		QA5 greyish green/grey-green					PY3	blue/blue blue-white			
		NY9 black/anthracite					PY4	burgundy/burgundy burgundy-white			
		NZ6 brown/brown					PY5	greyish green/grey-green greyish green-white			
		QA6 blue/blue					RU4	grey-beige/grey-beige grey-beige-white	86		
		NZ5 burgundy/burgundy					(2)	944 521 071 70	backrest cover with heating leatherette/leather centre part in cloth pin stripe velour		2
		QA5 greyish green/grey-green					PY1	black/black black-white			
1	944 521 071 05	backrest cover without heating leatherette/ backrest surface porsche lettering cloth		2			PY2	brown/brown brown-beige			
		PX2 black/black					PY3	blue/blue blue-white			
		PX4 brown/brown					PY4	burgundy/burgundy burgundy-white			
		PX7 blue/blue					PY5	greyish green/grey-green greyish green-white			
		PX6 burgundy/burgundy					RU4	grey-beige/grey-beige grey-beige-white	86		
		PX8 greyish green/grey-green					2	944 521 071 60	backrest cover without heating leatherette/leather centre part in cloth pin stripe flannel		2
		QD9 grey-beige/grey-beige	86								
(1)	944 521 071 72	backrest cover with heating leatherette/ backrest surface porsche lettering cloth		2							
		PX2 black/black									
		PX4 brown/brown									
		PX7 blue/blue									
		PX6 burgundy/burgundy									

Model	Year	MG	SG	Illustration	Restrictions	UPD	19:50	27.01.2010	PORSCHE	PET	PORSCHE
STZ	1998	8	06	806-34		248					

Pos	Part Number	Description	Remark	Qty	Model	Pos	Part Number	Description	Remark	Qty	Model
	PZ2	black/black anthracite					RU2	grey-beige/grey-beige grey-beige	86		
	PZ3	brown/brown brown				(2)	944 521 071 70	backrest cover with heating leatherette/leather centre part porsche lettering cloth		2	
	PZ4	blue/blue blue					PZ7	black/black black			
	PZ5	burgundy/burgundy burgundy					PZ8	brown/brown brown			
	PZ6	greyish green/grey-green greyish green					PZ9	blue/blue blue			
(2)	944 521 071 70	backrest cover with heating leatherette/leather centre part in cloth pin stripe flannel		2			QA1	burgundy/burgundy burgundy			
	PZ2	black/black anthracite					QA2	greyish green/grey-green greyish green			
	PZ3	brown/brown brown					RU2	grey-beige/grey-beige grey-beige	86		
	PZ4	blue/blue blue				2	944 521 071 63	backrest cover without heating leather/ centre part in cloth pin stripe velour		2	
	PZ5	burgundy/burgundy burgundy					LS5	black/ black-white			
	PZ6	greyish green/grey-green greyish green					LS6	brown/ brown-beige			
2	944 521 071 60	backrest cover without heating leatherette/leather centre part porsche lettering cloth		2			LS8	blue/ blue-white			
	PZ7	black/black black					LS9	burgundy/ burgundy-white			
	PZ8	brown/brown brown					QA7	greyish green/ greyish green-white			
	PZ9	blue/blue blue					LS7	grey-beige/ grey-beige-white	86		
	QA1	burgundy/burgundy burgundy				(2)	944 521 071 74	backrest cover with heating leather/ centre part in cloth pin stripe velour		2	
	QA2	greyish green/grey-green greyish green									

Model	Year	MG	SG	Illustration	Restrictions	UPD	19:50	27.01.2010	PORSCHE	PET	PORSCHE
STZ	1998	8	06	806-34		248					

Pos	Part Number	Description	Remark	Qty	Model	Pos	Part Number	Description	Remark	Qty	Model
	LS5	black/ black-white					QB4	brown/brown			
	LS6	brown/ brown-beige					QB6	blue/blue			
	LS8	blue/ blue-white					QB8	burgundy/burgundy			
	LS9	burgundy/ burgundy-white					QA9	greyish green/grey-green			
	QA7	greyish green/ greyish green-white					RU1	grey-beige/grey-beige	86		
	LS7	grey-beige/ grey-beige-white	86			(2)	944 521 071 74	backrest cover with heating leather/ centre part porsche lettering cloth		2	
2	944 521 071 63	backrest cover without heating leather/ centre part in cloth pin stripe flannel		2			QB2	black/black			
	QB1	black/anthracite					QB4	brown/brown			
	QB3	brown/brown					QB6	blue/blue			
	QB5	blue/blue					QB8	burgundy/burgundy			
	QB7	burgundy/burgundy					QA9	greyish green/grey-green			
	QA8	greyish green/grey-green					RU1	grey-beige/grey-beige	86		
(2)	944 521 071 74	backrest cover with heating leather/ centre part in cloth pin stripe flannel		2		3	944 521 071 61	backrest cover without heating leatherette/ backrest surface leather		2	
	QB1	black/anthracite					JN3	black/black			
	QB3	brown/brown					JN4	brown/brown			
	QB5	blue/blue					QC1	blue/blue			
	QB7	burgundy/burgundy					NZ8	burgundy/burgundy			
	QA8	greyish green/grey-green					PX9	greyish green/grey-green			
2	944 521 071 63	backrest cover without heating leather/ centre part porsche lettering cloth		2		(3)	944 521 071 71	backrest cover with heating leatherette/ backrest surface leather		2	
	QB1	black/anthracite					JN5	grey-beige/grey-beige	86		
	QB3	brown/brown					JN3	black/black			
	QB5	blue/blue					JN4	brown/brown			
	QB7	burgundy/burgundy					QC1	blue/blue			
	QA8	greyish green/grey-green									
	QB2	black/black									

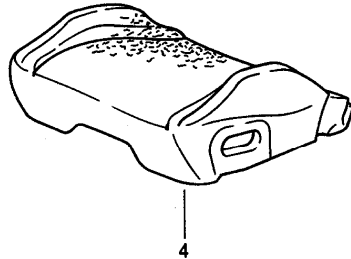
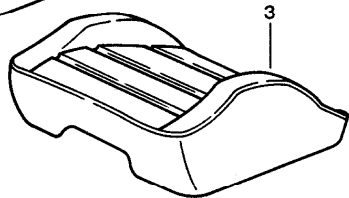
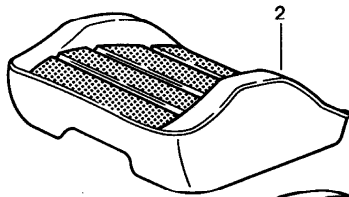
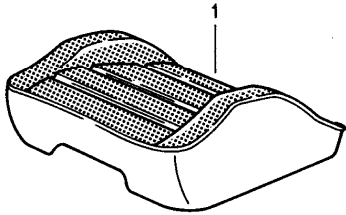
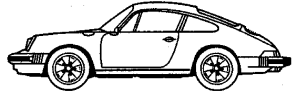


Model	Year	MG	SG	Illustration	Restrictions	UPD	19:50	27.01.2010	PORSCHE	PET	PORSCHE
STZ	1998	8	06	806-34		248					

Pos	Part Number	Description	Remark	Qty	Model	Pos	Part Number	Description	Remark	Qty	Model
	NZ8	burgundy/burgundy					PZ1	wild buffalo			
	PX9	greyish green/grey-green					KZ4	grey-beige	86		
	JN5	grey-beige/grey-beige	86			-	000 043 071 00	clamp mount cover bag content 50 pieces		X	
3	944 521 071 62	backrest cover without heating whole-leather		2							
	KZ2	black									
	KZ5	brown				4	911 521 815 00	rosette		4	
	KZ3	blue					01C	satin black			
	LG7	burgundy				5	311 881 247	clamp		4	
	QC2	greyish green				6	911 521 817 00	control button		4	
	KZ6	can-can-red					01C	satin black			
	LG4	pearl white				7	928 521 393 15	foam part backrest frame		2	
	LG5	champagne									
	LG6	dark green									
	PY9	ocean blue									
	PZ1	wild buffalo									
	KZ4	grey-beige	86								
(3)	944 521 071 73	backrest cover with heating whole-leather		2							
	KZ2	black									
	KZ5	brown									
	KZ3	blue									
	LG7	burgundy									
	QC2	greyish green									
	KZ6	can-can-red									
	LG4	pearl white									
	LG5	champagne									
	LG6	dark green									
	PY9	ocean blue									

Model	Year	MG	SG	Illustration	Restrictions	UPD	19:50	27.01.2010	PORSCHE	PET	PORSCHE
STZ	1998	8	06	806-36		248					

Pos	Part Number	Description	Remark	Qty	Model
			85-86		911 CARRERA TURBO
1	944 521 037 16	seat cover sports seat cover for cushion without heating leatherette/ seat surface pin stripe velour		2	
	NY5	black/ black-white			
	NY7	brown/ brown-beige			
	QA3	blue/ blue-white			
	NY8	burgundy/ burgundy-white			
	QA4	greyish green/ greyish green-white			
	RU3	grey-beige/ grey-beige-white	86		
(1)	944 521 037 94	cover for cushion with heating leatherette/ seat surface pin stripe velour		2	
	NY5	black/ black-white			
	NY7	brown/ brown-beige			
	QA3	blue/ blue-white			
	NY8	burgundy/ burgundy-white			
	QA4	greyish green/ greyish green-white			
	RU3	grey-beige/ grey-beige-white	86		
1	944 521 037 16	cover for cushion without heating leatherette/ seat surface pin stripe flannel		2	



Model	Year	MG	SG	Illustration	Restrictions	UPD	19:50	27.01.2010	PORSCHE	PET	PORSCHE
STZ	1998	8	06	806-36		248					

Pos	Part Number	Description	Remark	Qty	Model	Pos	Part Number	Description	Remark	Qty	Model
		NY9 black/anthracite					PX8	greyish green/grey-green			
		NZ6 brown/brown					QD9	grey-beige/grey-beige	86		
		QA6 blue/blue				2	944 521 037 83	cover for cushion without heating leatherette/leather centre part in cloth pin stripe velour		2	
		NZ5 burgundy/burgundy					PY1	black/black black-white			
(1)	944 521 037 94	cover for cushion with heating leatherette/ seat surface pin stripe flannel		2			PY2	brown/brown brown-beige			
		QA5 greyish green/grey-green					PY3	blue/blue blue-white			
		NY9 black/anthracite					PY4	burgundy/burgundy burgundy-white			
		NZ6 brown/brown					PY5	greyish green/ greyish green-white			
		QA6 blue/blue					RU4	grey-beige/ grey-beige-white	86		
		NZ5 burgundy/burgundy					(2)	944 521 037 92	cover for cushion with heating leatherette/leather centre part in cloth pin stripe velour		2
		QA5 greyish green/grey-green					PY1	black/black black-white			
1	944 521 037 16	cover for cushion without heating leatherette/ seat surface porsche lettering cloth		2			PY2	brown/brown brown-beige			
		PX2 black/black					PY3	blue/blue blue-white			
		PX4 brown/brown					PY4	burgundy/burgundy burgundy-white			
		PX7 blue/blue					PY5	greyish green/ greyish green-white			
		PX6 burgundy/burgundy					RU4	grey-beige/ grey-beige-white	86		
		PX8 greyish green/grey-green					2	944 521 037 83	cover for cushion without heating leatherette/leather centre part in cloth pin stripe flannel		2
		QD9 grey-beige/grey-beige	86								
(1)	944 521 037 94	cover for cushion with heating leatherette/ seat surface porsche lettering cloth		2							
		PX2 black/black									
		PX4 brown/brown									
		PX7 blue/blue									
		PX6 burgundy/burgundy									

Model	Year	MG	SG	Illustration	Restrictions	UPD	19:50	27.01.2010	PORSCHE	PET	PORSCHE
STZ	1998	8	06	806-36		248					

Pos	Part Number	Description	Remark	Qty	Model	Pos	Part Number	Description	Remark	Qty	Model
	PZ2	black/black anthracite					RU2	grey-beige/grey-beige grey-beige	86		
	PZ3	brown/brown brown				(2)	944 521 037 92	cover for cushion with heating leatherette/leather centre part porsche lettering cloth		2	
	PZ4	blue/blue blue					PZ7	black/black black			
	PZ5	burgundy/burgundy burgundy					PZ8	brown/brown brown			
	PZ6	greyish green/grey-green greyish green					PZ9	blue/blue blue			
(2)	944 521 037 92	cover for cushion with heating leatherette/leather centre part in cloth pin stripe flannel		2			QA1	burgundy/burgundy burgundy			
	PZ2	black/black anthracite					QA2	greyish green/grey-green greyish green			
	PZ3	brown/brown brown					RU2	grey-beige/grey-beige grey-beige	86		
	PZ4	blue/blue blue				2	944 521 037 86	cover for cushion without heating leather/centre part in cloth pin stripe velour		2	
	PZ5	burgundy/burgundy burgundy					LS5	black/black-white			
	PZ6	greyish green/grey-green greyish green					LS6	brown/brown-beige			
2	944 521 037 83	cover for cushion without heating leatherette/leather centre part porsche lettering cloth		2			LS8	blue/blue-white			
	PZ7	black/black black					LS9	burgundy/burgundy-white			
	PZ8	brown/brown brown					QA7	greyish green/greyish green-white			
	PZ9	blue/blue blue					LS7	grey-beige/grey-beige-white	86		
	QA1	burgundy/burgundy burgundy				(2)	944 521 037 96	cover for cushion with heating leather/centre part in cloth pin stripe velour		2	
	QA2	greyish green/grey-green greyish green									

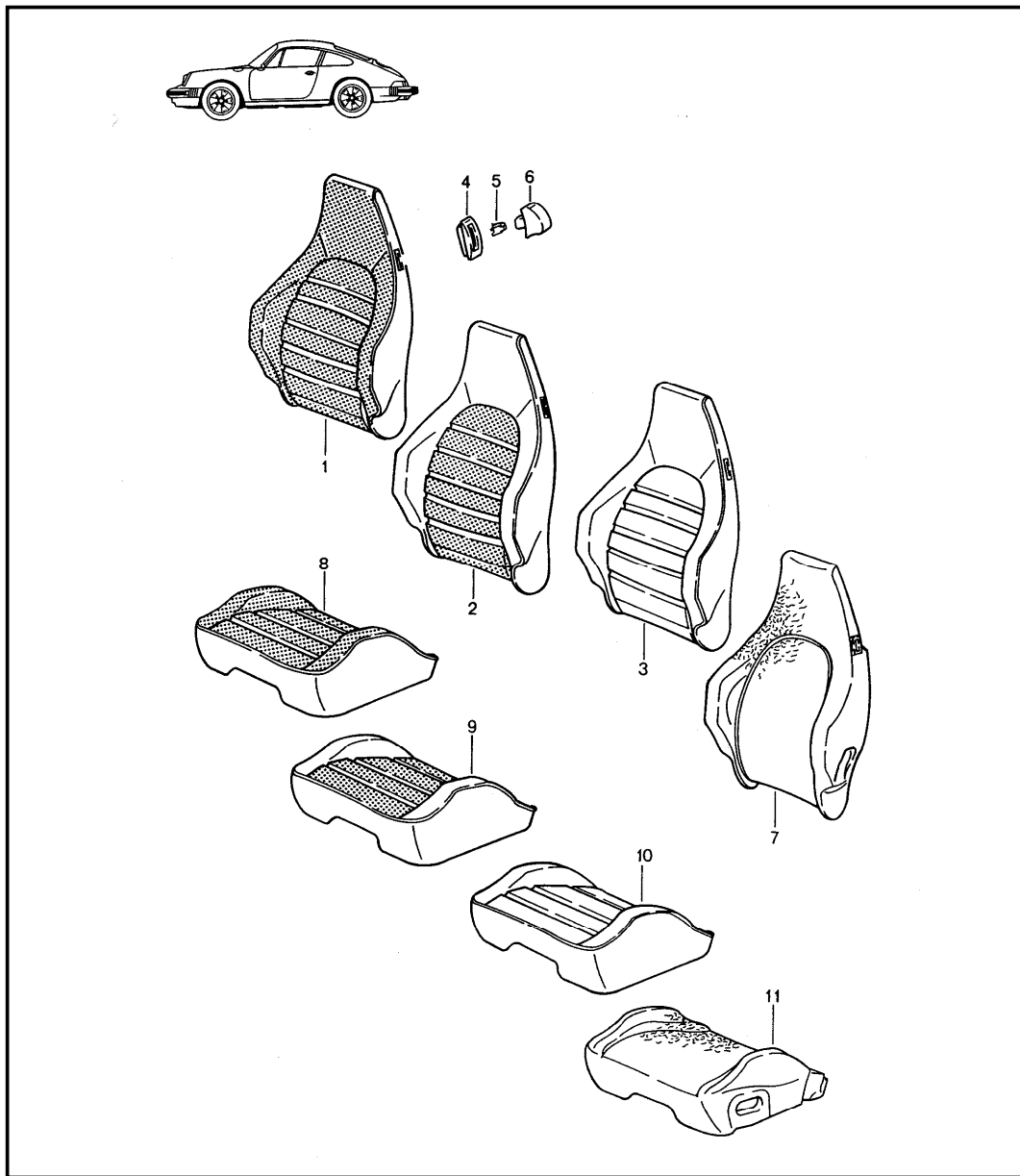
Model	Year	MG	SG	Illustration	Restrictions	UPD	19:50	27.01.2010	PORSCHE	PET	PORSCHE
STZ	1998	8	06	806-36		248					

Pos	Part Number	Description	Remark	Qty	Model	Pos	Part Number	Description	Remark	Qty	Model
	LS5	black/ black-white					QB4	brown/brown			
	LS6	brown/ brown-beige					QB6	blue/blue			
	LS8	blue/ blue-white					QB8	burgundy/burgundy			
	LS9	burgundy/ burgundy-white					QA9	greyish green/grey-green			
	QA7	greyish green/ greyish green-white					RU1	grey-beige/grey-beige	86		
	LS7	grey-beige/ grey-beige-white	86			(2)	944 521 037 96	cover for cushion with heating leather/ centre part porsche lettering cloth		2	
2	944 521 037 86	cover for cushion without heating leather/ centre part in cloth pin stripe flannel		2			QB2	black/black			
	QB1	black/anthracite					QB4	brown/brown			
	QB3	brown/brown					QB6	blue/blue			
	QB5	blue/blue					QB8	burgundy/burgundy			
	QB7	burgundy/burgundy					QA9	greyish green/grey-green			
	QA8	greyish green/grey-green					RU1	grey-beige/grey-beige	86		
(2)	944 521 037 96	cover for cushion with heating leather/ centre part in cloth pin stripe flannel		2		3	944 521 037 84	cover for cushion without heating leatherette/ seat surface leather		2	
	QB1	black/anthracite					JN3	black/black			
	QB3	brown/brown					JN4	brown/brown			
	QB5	blue/blue					QC1	blue/blue			
	QB7	burgundy/burgundy					NZ8	burgundy/burgundy			
	QA8	greyish green/grey-green					PX9	greyish green/grey-green			
2	944 521 037 86	cover for cushion without heating leather/ centre part porsche lettering cloth		2		(3)	944 521 037 93	cover for cushion with heating leatherette/ seat surface leather		2	
	QB1	black/anthracite					JN5	grey-beige/grey-beige	86		
	QB3	brown/brown					JN3	black/black			
	QB5	blue/blue					JN4	brown/brown			
	QB7	burgundy/burgundy					QC1	blue/blue			
	QA8	greyish green/grey-green									
	QB2	black/black									

Model	Year	MG	SG	Illustration	Restrictions	UPD	19:50	27.01.2010	PORSCHE	PET	PORSCHE
STZ	1998	8	06	806-36		248					

Pos	Part Number	Description	Remark	Qty	Model	Pos	Part Number	Description	Remark	Qty	Model
	NZ8	burgundy/burgundy					PZ1	wild buffalo			
	PX9	greyish green/grey-green					KZ4	grey-beige	86-		
	JN5	grey-beige/grey-beige	86			-	000 043 071 00	clamp mount cover bag content 50 pieces		X	
3	944 521 037 85	cover for cushion without heating whole-leather		2							
	KZ2	black									
	KZ5	brown				4	A 928 521 385 27	foam part seat cushion	/L	1	
	KZ3	blue				(4)	928 521 385 28	foam part seat cushion	/L	1	M139
	LG7	burgundy				(4)	A 928 521 386 27	foam part seat cushion	/R	1	
	QC2	greyish green				(4)	A 928 521 386 28	foam part seat cushion	/R	1	
	KZ6	can-can-red				(4)	928 521 386 28	foam part seat cushion	/R	1	M340
	LG4	pearl white									
	LG5	champagne									
	LG6	dark green									
	PY9	ocean blue									
	PZ1	wild buffalo									
	KZ4	grey-beige	86-								
(3)	944 521 037 95	cover for cushion with heating whole-leather		2							
	KZ2	black									
	KZ5	brown									
	KZ3	blue									
	LG7	burgundy									
	QC2	greyish green									
	KZ6	can-can-red									
	LG4	pearl white									
	LG5	champagne									
	LG6	dark green									
	PY9	ocean blue									

Model	Year	MG	SG	Illustration	Restrictions	UPD	19:50	27.01.2010	PORSCHE	PET	PORSCHE
STZ	1998	8	06	806-38		248					



Pos	Part Number	Description	Remark	Qty	Model
		cover sports seat	87-89		911 CARRERA TURBO
1	944 521 071 05	backrest cover without heating leatherette/ backrest surface pin stripe velour	-88	2	M637
		NY5 black/ black-white			
		TU7 mahogany/ mahogany-white			
		TR7 blue/ blue-white			
		NY8 burgundy/ burgundy-white			
		QA4 greyish green/ greyish green-white			
1	944 521 071 05	backrest cover without heating leatherette/ backrest surface pin stripe velour	-88	2	
		NY5 black/ black-white			
		TU7 mahogany/ mahogany-white			
		TR7 blue/ blue-white			
		NY8 burgundy/ burgundy-white			
		QA4 greyish green/ greyish green-white			
(1)	944 521 071 72	backrest cover with heating leatherette/ backrest surface pin stripe velour	-88	2	
		NY5 black/ black-white			
		TU7 mahogany/ mahogany-white			

Model	Year	MG	SG	Illustration	Restrictions	UPD	19:50	27.01.2010	PORSCHE	PET	PORSCHE
STZ	1998	8	06	806-38		248					

Pos	Part Number	Description	Remark	Qty	Model	Pos	Part Number	Description	Remark	Qty	Model
	TR7	blue/ blue-white				1	944 521 071 05	backrest cover without heating	-88	2	M637
	NY8	burgundy/ burgundy-white						leatherette/ backrest surface porsche lettering cloth	-88		
	QA4	greyish green/ greyish green-white					PX2	black/black			
1	944 521 071 05	backrest cover without heating leatherette/ backrest surface pin stripe flannel	-88	2	M637		TU9	mahogany/mahogany			
	NY9	black/anthracite					TR9	marine blue/blue			
	TU8	mahogany/mahogany					PX6	burgundy/burgundy			
	TR8	marine blue/blue	-88				PX8	greyish green/grey-green			
	NZ5	burgundy/burgundy				1	944 521 071 05	backrest cover without heating leatherette/ backrest surface porsche lettering cloth	-88	2	
	QA5	greyish green/grey-green						black/black	-88		
1	944 521 071 05	backrest cover without heating leatherette/ backrest surface pin stripe flannel	-88	2			TU9	mahogany/mahogany			
	NY9	black/anthracite					TR9	marine blue/blue			
	TU8	mahogany/mahogany					PX6	burgundy/burgundy			
	TR8	marine blue/blue	-88				PX8	greyish green/grey-green			
	NZ5	burgundy/burgundy				(1)	944 521 071 72	backrest cover with heating leatherette/ backrest surface porsche lettering cloth	-88	2	
	QA5	greyish green/grey-green						black/black	-88		
(1)	944 521 071 72	backrest cover with heating leatherette/ backrest surface pin stripe flannel	-88	2			TU9	mahogany/mahogany			
	NY9	black/anthracite					TR9	marine blue/blue			
	TU8	mahogany/mahogany					PX6	burgundy/burgundy			
	TR8	marine blue/blue	-88				PX8	greyish green/grey-green			
	NZ5	burgundy/burgundy				1	944 521 071 05	backrest cover without heating leatherette/ backrest surface pin stripe velour	89	2	M637
	QA5	greyish green/grey-green						black/ black-white	89		
							NY5				



Model	Year	MG	SG	Illustration	Restrictions	UPD	19:50	27.01.2010	PORSCHE	PET	PORSCHE
STZ	1998	8	06	806-38		248					

Pos	Part Number	Description	Remark	Qty	Model	Pos	Part Number	Description	Remark	Qty	Model
	TU7	mahogany/ mahogany-white					XK2	linen/ linen white			
	TR7	blue/ blue-white					XK5	cashmere beige/ cashmere beige-white			
	NY8	burgundy/ burgundy-white				1	944 521 071 05	backrest cover without heating leatherette/ backrest surface pin stripe velour	89	2	M637
	XK2	linen/ linen white						backrest surface multicolour	89		
	XK5	cashmere beige/ cashmere beige-white					XK8	black/black			
1	944 521 071 05	backrest cover without heating leatherette/ backrest surface pin stripe velour	89	2			XK9	mahogany/mahogany			
	NY5	black/ black-white					XN1	marine blue/marine blue			
	TU7	mahogany/ mahogany-white					XN2	burgundy/burgundy			
	TR7	blue/ blue-white					XK4	linen/linen			
	NY8	burgundy/ burgundy-white					XK7	cashmere beige/cash. beige			
	XK2	linen/ linen white				1	944 521 071 05	backrest cover without heating leatherette/ backrest surface multicolour	89	2	
	XK5	cashmere beige/ cashmere beige-white					XK8	black/black			
(1)	964 521 071 08	backrest cover with heating leatherette/ backrest surface pin stripe velour	89	2			XK9	mahogany/mahogany			
	NY5	black/ black-white					XN1	marine blue/marine blue			
	TU7	mahogany/ mahogany-white					XN2	burgundy/burgundy			
	TR7	blue/ blue-white					XK4	linen/linen			
	NY8	burgundy/ burgundy-white					XK7	cashmere beige/cash. beige			
						(1)	964 521 071 08	backrest cover with heating leatherette/ backrest surface multicolour	89	2	
							XK8	black/black			
							XK9	mahogany/mahogany			
							XN1	marine blue/marine blue			
							XN2	burgundy/burgundy			
							XK4	linen/linen			

Model	Year	MG	SG	Illustration	Restrictions	UPD	19:50	27.01.2010	PORSCHE	PET	PORSCHE
STZ	1998	8	06	806-38		248					

Pos	Part Number	Description	Remark	Qty	Model	Pos	Part Number	Description	Remark	Qty	Model
		XK7 cashmere beige/cash. beige				2	944 521 071 60	backrest cover without heating	-88	2	
1	944 521 071 05	backrest cover without heating leatherette/leather backrest surface porsche lettering cloth	89	2	M637			leatherette/leather centre part in cloth pin stripe velour	-88		
		PX2 black/black					PY1	black/black black-white			
		TU9 mahogany/mahogany					TU4	mahogany/mahogany mahogany-white			
		TR9 marine blue/blue					TR4	marine blue/marine blue blue-white			
		PX6 burgundy/burgundy					PY4	burgundy/burgundy burgundy-white			
		XK3 linen/linen					PY5	greyish green/grey-green greyish green-white			
		XK6 cashmere beige/cash. beige									
1	944 521 071 05	backrest cover without heating leatherette/leather backrest surface porsche lettering cloth	89	2		(2)	944 521 071 70	backrest cover with heating leatherette/leather centre part in cloth pin stripe velour	-88	2	
		PX2 black/black					PY1	black/black black-white			
		TU9 mahogany/mahogany					TU4	mahogany/mahogany mahogany-white			
		TR9 marine blue/blue					TR4	marine blue/marine blue blue-white			
		PX6 burgundy/burgundy					PY4	burgundy/burgundy burgundy-white			
		XK3 linen/linen					PY5	greyish green/grey-green greyish green-white			
		XK6 cashmere beige/cash. beige									
(1)	964 521 071 08	backrest cover with heating leatherette/leather backrest surface porsche lettering cloth	89	2		2	944 521 071 60	backrest cover without heating leatherette/leather centre part in cloth pin stripe flannel	-88	2	
		PX2 black/black					PZ2	black/black anthracite			
		TU9 mahogany/mahogany					TU5	mahogany/mahogany mahogany			
		TR9 marine blue/blue					TR5	marine blue/marine blue blue			
		PX6 burgundy/burgundy									
		XK3 linen/linen									
		XK6 cashmere beige/cash. beige									

Model	Year	MG	SG	Illustration	Restrictions	UPD	19:50	27.01.2010	PORSCHE	PET	PORSCHE
STZ	1998	8	06	806-38		248					

Pos	Part Number	Description	Remark	Qty	Model	Pos	Part Number	Description	Remark	Qty	Model
	PZ5	burgundy/burgundy burgundy					TU6	mahogany/mahogany mahogany			
	PZ6	grey-beige/grey-beige grey-beige					TR6	marine blue/marine blue blue			
(2)	944 521 071 70	backrest cover with heating leatherette/leather centre part in cloth pin stripe flannel	-88	2			QA1	burgundy/burgundy burgundy			
	PZ2	black/black anthracite	-88				QA2	greyish green/grey-green greyish green			
	TU5	mahogany/mahogany mahogany				2	944 521 071 60	backrest cover without heating leatherette/leather centre part in cloth pin stripe velour	89	2	
	TR5	marine blue/marine blue blue					PY1	black/black black-white	89		
	PZ5	burgundy/burgundy burgundy					TU4	mahogany/mahogany mahogany-white			
	PZ6	grey-beige/grey-beige grey-beige					TR4	marine blue/marine blue blue-white			
2	944 521 071 60	backrest cover without heating leatherette/leather centre part porsche lettering cloth	-88	2			PY4	burgundy/burgundy burgundy-white			
	PZ7	black/black black	-88				XH2	linen/linen linen white			
	TU6	mahogany/mahogany mahogany					XH7	cashmere beige/ cashmere beige-white			
	TR6	marine blue/marine blue blue				(2)	964 521 071 09	backrest cover with heating leatherette/leather centre part in cloth pin stripe velour	89	2	
	QA1	burgundy/burgundy burgundy					PY1	black/black black-white	89		
	QA2	greyish green/grey-green greyish green					TU4	mahogany/mahogany mahogany-white			
(2)	944 521 071 70	backrest cover with heating leatherette/leather centre part porsche lettering cloth	-88	2			TR4	marine blue/marine blue blue-white			
	PZ7	black/black black	-88				PY4	burgundy/burgundy burgundy-white			
							XH2	linen/linen linen white			

Model	Year	MG	SG	Illustration	Restrictions	UPD	19:50	27.01.2010	PORSCHE	PET	PORSCHE
STZ	1998	8	06	806-38		248					

Pos	Part Number	Description	Remark	Qty	Model	Pos	Part Number	Description	Remark	Qty	Model
		XH7 cashmere beige/ cashmere beige-white					PZ7	black/black black			
2	944 521 071 60	backrest cover without heating leatherette/leather centre part in cloth multicolour	89	2			TU6	mahogany/mahogany mahogany			
		XJ2 black/black black	89				TR6	marine blue/marine blue blue			
		XJ3 mahogany/mahogany mahogany					QA1	burgundy/burgundy burgundy			
		XJ5 marine blue/marine blue marine blue					XH4	linen/linen linen			
		XJ7 burgundy/burgundy burgundy					XH8	cashmere beige/cash. beige cashmere beige			
		XH6 linen/linen linen				(2)	964 521 071 09	backrest cover with heating leatherette/leather centre part porsche lettering cloth	89	2	
		XH9 cashmere beige/cash. beige cashmere beige					PZ7	black/black black			
(2)	964 521 071 09	backrest cover with heating leatherette/leather centre part in cloth multicolour	89	2			TU6	mahogany/mahogany mahogany			
		XJ2 black/black black	89				TR6	marine blue/marine blue blue			
		XJ3 mahogany/mahogany mahogany					QA1	burgundy/burgundy burgundy			
		XJ5 marine blue/marine blue marine blue					XH4	linen/linen linen			
		XJ7 burgundy/burgundy burgundy					XH8	cashmere beige/cash. beige cashmere beige			
		XH6 linen/linen linen				2	944 521 071 63	backrest cover without heating leather/ centre part in cloth pin stripe velour	-88	2	
		XH9 cashmere beige/cash. beige cashmere beige					LS5	black/ black-white			
2	944 521 071 60	backrest cover without heating leatherette/leather centre part porsche lettering cloth	89	2			TU1	mahogany/ mahogany-white			
			89				TR1	blue/ blue-white			

Model	Year	MG	SG	Illustration	Restrictions	UPD	19:50	27.01.2010	PORSCHE	PET	PORSCHE
STZ	1998	8	06	806-38		248					

Pos	Part Number	Description	Remark	Qty	Model	Pos	Part Number	Description	Remark	Qty	Model
	LS9	burgundy/ burgundy-white					QA8	greyish green/grey-green			
	QA7	greyish green/ greyish green-white				2	944 521 071 63	backrest cover without heating leather/ centre part porsche lettering cloth	-88	2	
(2)	944 521 071 74	backrest cover with heating leather/ centre part in cloth pin stripe velour	-88	2			QB2	black/black	-88		
	LS5	black/ black-white	-88				TU3	mahogany/mahogany			
	TU1	mahogany/ mahogany-white					TR3	marine blue/blue			
	TR1	blue/ blue-white					QB8	burgundy/burgundy			
	LS9	burgundy/ burgundy-white				(2)	944 521 071 74	backrest cover with heating leather/ centre part porsche lettering cloth	-88	2	
	QA7	greyish green/ greyish green-white	-88				QA9	greyish green/grey-green	-88		
2	944 521 071 63	backrest cover without heating leather/ centre part in cloth pin stripe flannel	-88	2			QB2	black/black			
	QB1	black/anthracite	-88				TU3	mahogany/mahogany			
	TU2	mahogany/mahogany					TR3	marine blue/blue			
	TR2	marine blue/blue					QB8	burgundy/burgundy			
	QB7	burgundy/burgundy					QA9	greyish green/grey-green			
	QA8	greyish green/grey-green				2	944 521 071 63	backrest cover without heating leather/ centre part in cloth pin stripe velour	89	2	
(2)	944 521 071 74	backrest cover with heating leather/ centre part in cloth pin stripe flannel	-88	2			LS5	black/ black-white	89		
	QB1	black/anthracite	-88				TU1	mahogany/ mahogany-white			
	TU2	mahogany/mahogany					TR1	blue/ blue-white			
	TR2	marine blue/blue					LS9	burgundy/ burgundy-white			
	QB7	burgundy/burgundy					XF5	linen/ linen white			
							XF8	cashmere beige/ cashmere beige-white			

Model	Year	MG	SG	Illustration	Restrictions	UPD	19:50	27.01.2010	PORSCHE	PET	PORSCHE
STZ	1998	8	06	806-38		248					

Pos	Part Number	Description	Remark	Qty	Model	Pos	Part Number	Description	Remark	Qty	Model
(2)	964 521 071 12	backrest cover with heating leather/ centre part in cloth pin stripe velour	89	2			XG5	cashmere beige/cash. beige			
	LS5	black/ black-white	89			2	944 521 071 63	backrest cover without heating leather/ centre part porsche lettering cloth	89	2	
	TU1	mahogany/ mahogany-white					QB2	black/black	89		
	TR1	blue/ blue-white					TU3	mahogany/mahogany			
	LS9	burgundy/ burgundy-white					TR3	marine blue/blue			
	XF5	linen/ linen white					QB8	burgundy/burgundy			
	XF8	cashmere beige/ cashmere beige-white					XF6	linen/linen			
							XF9	cashmere beige/cash. beige			
2	944 521 071 63	backrest cover without heating leather/ centre part in cloth multicolour	89	2		(2)	964 521 071 12	backrest cover with heating leather/ centre part porsche lettering cloth	89	2	
	XG6	black/black	89				QB2	black/black	89		
	XG7	mahogany/mahogany					TU3	mahogany/mahogany			
	XG8	marine blue/marine blue					TR3	marine blue/blue			
	XG9	burgundy/burgundy					QB8	burgundy/burgundy			
	XF7	linen/linen					XF6	linen/linen			
	XG5	cashmere beige/cash. beige					XF9	cashmere beige/cash. beige			
(2)	964 521 071 12	backrest cover with heating leather/ centre part in cloth multicolour	89	2		3	944 521 071 61	backrest cover without heating leatherette/ backrest surface leather	-88	2	
	XG6	black/black	89				JN3	black/black	-88		
	XG7	mahogany/mahogany					TV2	mahogany/mahogany			
	XG8	marine blue/marine blue					TS2	marine blue/marine blue			
	XG9	burgundy/burgundy					NZ8	burgundy/burgundy			
	XF7	linen/linen					PX9	greyish green/grey-green			
							TW2	linen/linen			

Model	Year	MG	SG	Illustration	Restrictions	UPD	19:50	27.01.2010	PORSCHE	PET	PORSCHE
STZ	1998	8	06	806-38		248					

Pos	Part Number	Description	Remark	Qty	Model	Pos	Part Number	Description	Remark	Qty	Model
(3)	944 521 071 71	backrest cover with heating leatherette/ backrest surface leather	-88	2			KZ2	black			
			-88				TV1	mahogany			
	JN3	black/black					TS1	marine blue			
	TV2	mahogany/mahogany					LG7	burgundy			
	TS2	marine blue/marine blue					QC2	greyish green			
	NZ8	burgundy/burgundy					XG1	plum red			
	PX9	greyish green/grey-green					XG2	silver-grey			
	TW2	linen/linen					LG5	champagne			
							XG3	caramel			
3	944 521 071 61	backrest cover without heating leatherette/ backrest surface leather	89	2			TW1	linen			
			89			(3)	944 521 071 73	backrest cover with heating whole-leather	-88	2	
	JN3	black/black							-88		
	TV2	mahogany/mahogany					KZ2	black			
	TS2	marine blue/marine blue					TV1	mahogany			
	NZ8	burgundy/burgundy					TS1	marine blue			
	TW2	linen/linen					LG7	burgundy			
	XN3	cashmere beige/cash. beige					QC2	greyish green			
(3)	964 521 071 10	backrest cover with heating leatherette/ backrest surface leather	89	2			XG1	plum red			
			89				XG2	silver-grey			
	JN3	black/black					LG5	champagne			
	TV2	mahogany/mahogany					XG3	caramel			
	TS2	marine blue/marine blue					TW1	linen			
	NZ8	burgundy/burgundy					XG4	venetian blue			
	TW2	linen/linen				3	944 521 071 62	backrest cover without heating whole-leather	89	2	
	XN3	cashmere beige/cash. beige							89		
							KZ2	black			
3	944 521 071 62	backrest cover without heating whole-leather	-88	2			TV1	mahogany			
			-88				TS1	marine blue			

Model	Year	MG	SG	Illustration	Restrictions	UPD	19:50	27.01.2010	PORSCHE	PET	PORSCHE
STZ	1998	8	06	806-38		248					

Pos	Part Number	Description	Remark	Qty	Model	Pos	Part Number	Description	Remark	Qty	Model
	LG7	burgundy				8	944 521 037 16	cover for cushion without heating	-88	2	
	XG3	caramel						leatherette/ seat surface			
	TW1	linen						pin stripe velour	-88		
	XG4	venetian blue					NY5	black/ black-white			
	XN4	cashmere beige					TU7	mahogany/ mahogany-white			
	XN5	silk grey					TR7	blue/ blue-white			
	XN6	velvet red					NY8	burgundy/ burgundy-white			
	XN7	slate grey					QA4	greyish green/ greyish green-white			
(3)	964 521 071 11	backrest cover with heating whole-leather	89	2							
	KZ2	black	89			(8)	944 521 037 94	cover for cushion with heating	-88	2	
	TV1	mahogany						leatherette/ seat surface			
	TS1	marine blue						pin stripe velour	-88		
	LG7	burgundy					NY5	black/ black-white			
	XG3	caramel					TU7	mahogany/ mahogany-white			
	TW1	linen					TR7	blue/ blue-white			
	XG4	venetian blue					NY8	burgundy/ burgundy-white			
	XN4	cashmere beige					QA4	greyish green/ greyish green-white			
	XN5	silk grey									
	XN6	velvet red									
	XN7	slate grey									
4	911 521 815 00	rosette		4		8	944 521 037 16	cover for cushion without heating	-88	2	
	01C	satin black						leatherette/ seat surface			
5	311 881 247	clamp		4				pin stripe flannel	-88		
6	911 521 817 00	control button		4			NY9	black/anthracite			
	01C	satin black					TU8	mahogany/mahogany			
7	928 521 393 15	foam part backrest frame		2			TR8	marine blue/blue			
							NZ5	burgundy/burgundy			
							QA5	greyish green/grey-green			



Model	Year	MG	SG	Illustration	Restrictions	UPD	19:50	27.01.2010	PORSCHE	PET	PORSCHE
STZ	1998	8	06	806-38		248					

Pos	Part Number	Description	Remark	Qty	Model	Pos	Part Number	Description	Remark	Qty	Model
(8)	944 521 037 94	cover for cushion with heating leatherette/ seat surface pin stripe flannel	-88	2			TU7	mahogany/ mahogany-white			
			-88				TR7	blue/ blue-white			
	NY9	black/anthracite					NY8	burgundy/ burgundy-white			
	TU8	mahogany/mahogany					XK2	linen/ linen white			
	TR8	marine blue/blue					XK5	cashmere beige/ cashmere beige-white			
	NZ5	burgundy/burgundy									
	QA5	greyish green/grey-green									
8	944 521 037 16	cover for cushion without heating leatherette/ seat surface porsche lettering cloth	-88	2		(8)	964 521 037 08	cover for cushion with heating leatherette/ seat surface pin stripe velour	89	2	
			-88						89		
	PX2	black/black					NY5	black/ black-white			
	TU9	mahogany/mahogany					TU7	mahogany/ mahogany-white			
	TR9	marine blue/blue					TR7	blue/ blue-white			
	PX6	burgundy/burgundy					NY8	burgundy/ burgundy-white			
	PX8	greyish green/grey-green					XK2	linen/ linen white			
(8)	944 521 037 94	cover for cushion with heating leatherette/ seat surface porsche lettering cloth	-88	2			XK5	cashmere beige/ cashmere beige-white			
			-88								
	PX2	black/black				8	944 521 037 16	cover for cushion without heating leatherette/ seat surface multicolour	89	2	
	TU9	mahogany/mahogany							89		
	TR9	marine blue/blue					XK8	black/black			
	PX6	burgundy/burgundy					XK9	mahogany/mahogany			
	PX8	greyish green/grey-green					XN1	marine blue/marine blue			
8	944 521 037 16	cover for cushion without heating leatherette/ seat surface pin stripe velour	89	2			XN2	burgundy/burgundy			
			89				XK4	linen/linen			
	NY5	black/ black-white					XK7	cashmere beige/cash. beige			

Model	Year	MG	SG	Illustration	Restrictions	UPD	19:50	27.01.2010	PORSCHE	PET	PORSCHE
STZ	1998	8	06	806-38		248					

Pos	Part Number	Description	Remark	Qty	Model	Pos	Part Number	Description	Remark	Qty	Model
(8)	964 521 037 08	cover for cushion with heating leatherette/seat surface multicolour	89	2		9	944 521 037 83	cover for cushion without heating leatherette/leather centre part in cloth pin stripe velour	-88	2	
	XK8	black/black	89				PY1	black/black black-white	-88		
	XK9	mahogany/mahogany					TU4	mahogany/mahogany mahogany-white			
	XN1	marine blue/marine blue					TR4	marine blue/marine blue blue-white			
	XN2	burgundy/burgundy					PY4	burgundy/burgundy burgundy-white			
	XK4	linen/linen					PY5	greyish green/grey-green greyish green-white			
	XK7	cashmere beige/cash. beige									
8	944 521 037 16	cover for cushion without heating leatherette/seat surface porsche lettering cloth	89	2		(9)	944 521 037 92	cover for cushion with heating leatherette/leather centre part in cloth pin stripe velour	-88	2	
	PX2	black/black	89				PY1	black/black black-white	-88		
	TU9	mahogany/mahogany					TU4	mahogany/mahogany mahogany-white			
	TR9	marine blue/blue					TR4	marine blue/marine blue blue-white			
	PX6	burgundy/burgundy					PY4	burgundy/burgundy burgundy-white			
	XK3	linen/linen					PY5	greyish green/grey-green greyish green-white			
	XK6	cashmere beige/cash. beige									
(8)	964 521 037 08	cover for cushion with heating leatherette/seat surface porsche lettering cloth	89	2		9	944 521 037 83	cover for cushion without heating leatherette/leather centre part in cloth pin stripe flannel	-88	2	
	PX2	black/black	89				PZ2	black/black anthracite	-88		
	TU9	mahogany/mahogany					TU5	mahogany/mahogany mahogany			
	TR9	marine blue/blue					TR5	marine blue/marine blue blue			
	PX6	burgundy/burgundy									
	XK3	linen/linen									
	XK6	cashmere beige/cash. beige									

Model	Year	MG	SG	Illustration	Restrictions	UPD	19:50	27.01.2010	PORSCHE	PET	PORSCHE
STZ	1998	8	06	806-38		248					

Pos	Part Number	Description	Remark	Qty	Model	Pos	Part Number	Description	Remark	Qty	Model
	PZ5	burgundy/burgundy burgundy					TU6	mahogany/mahogany mahogany			
	PZ6	greyish green/grey-green greyish green					TR6	marine blue/marine blue blue			
(9)	944 521 037 92	cover for cushion with heating leatherette/leather centre part in cloth pin stripe flannel	-88	2			QA1	burgundy/burgundy burgundy			
	PZ2	black/black anthracite	-88				QA2	greyish green/grey-green greyish green			
	TU5	mahogany/mahogany mahogany				9	944 521 037 83	cover for cushion without heating leatherette/leather centre part in cloth pin stripe velour	89	2	
	TR5	marine blue/marine blue blue					PY1	black/black black-white	89		
	PZ5	burgundy/burgundy burgundy					TU4	mahogany/mahogany mahogany-white			
	PZ6	greyish green/grey-green greyish green					TR4	marine blue/marine blue blue-white			
9	944 521 037 83	cover for cushion without heating leatherette/leather centre part porsche lettering cloth	-88	2			PY4	burgundy/burgundy burgundy-white			
	PZ7	black/black black	-88				XH2	linen/linen linen white			
	TU6	mahogany/mahogany mahogany					XH7	cashmere beige/cash. beige cashmere beige-white			
	TR6	marine blue/marine blue blue				(9)	964 521 037 09	cover for cushion with heating leatherette/leather centre part in cloth pin stripe velour	89	2	
	QA1	burgundy/burgundy burgundy					PY1	black/black black-white	89		
	QA2	greyish green/grey-green greyish green					TU4	mahogany/mahogany mahogany-white			
(9)	944 521 037 92	cover for cushion with heating leatherette/leather centre part porsche lettering cloth	-88	2			TR4	marine blue/marine blue blue-white			
	PZ7	black/black black	-88				PY4	burgundy/burgundy burgundy-white			
							XH2	linen/linen linen white			

Model	Year	MG	SG	Illustration	Restrictions	UPD	19:50	27.01.2010	PORSCHE	PET	PORSCHE
STZ	1998	8	06	806-38		248					

Pos	Part Number	Description	Remark	Qty	Model	Pos	Part Number	Description	Remark	Qty	Model
		XH7 cashmere beige/cash. beige cashmere beige-white					PZ7	black/black black			
9	944 521 037 83	cover for cushion without heating leatherette/leather centre part in cloth multicolour	89	2			TU6	mahogany/mahogany mahogany			
		XJ2 black/black black	89				TR6	marine blue/marine blue blue			
		XJ3 mahogany/mahogany mahogany					QA1	burgundy/burgundy burgundy			
		XJ5 marine blue/marine blue marine blue					XH4	linen/linen linen			
		XJ7 burgundy/burgundy burgundy					XH8	cashmere beige/cash. beige cashmere beige			
		XH6 linen/linen linen				(9)	964 521 037 09	cover for cushion with heating leatherette/leather centre part porsche lettering cloth	89	2	
		XH9 cashmere beige/cash. beige cashmere beige					PZ7	black/black black	89		
(9)	964 521 037 09	cover for cushion with heating leatherette/leather centre part in cloth multicolour	89	2			TU6	mahogany/mahogany mahogany			
		XJ2 black/black black	89				TR6	marine blue/marine blue blue			
		XJ3 mahogany/mahogany mahogany					QA1	burgundy/burgundy burgundy			
		XJ5 marine blue/marine blue marine blue					XH4	linen/linen linen			
		XJ7 burgundy/burgundy burgundy					XH8	cashmere beige/cash. beige cashmere beige			
		XH6 linen/linen linen				9	944 521 037 86	cover for cushion without heating leather/ centre part in cloth pin stripe velour	-88	2	
		XH9 cashmere beige/cash. beige cashmere beige					LS5	black/ black-white	-88		
9	944 521 037 83	cover for cushion without heating leatherette/leather centre part porsche lettering cloth	89	2			TU1	mahogany/ mahogany-white			
			89				TR1	blue/ blue-white			

Model	Year	MG	SG	Illustration	Restrictions	UPD	19:50	27.01.2010	PORSCHE	PET	PORSCHE
STZ	1998	8	06	806-38		248					

Pos	Part Number	Description	Remark	Qty	Model	Pos	Part Number	Description	Remark	Qty	Model
	LS9	burgundy/ burgundy-white					QA8	greyish green/grey-green			
	QA7	greyish green/ greyish green-white				9	944 521 037 86	cover for cushion without heating leather/ centre part in cloth porsche lettering cloth	-88	2	
(9)	944 521 037 96	cover for cushion with heating leather/ centre part in cloth pin stripe velour	-88	2			QB2	black/black	-88		
	LS5	black/ black-white	-88				TU3	mahogany/mahogany			
	TU1	mahogany/ mahogany-white					TR3	marine blue/blue			
	TR1	blue/ blue-white					QB8	burgundy/burgundy			
	LS9	burgundy/ burgundy-white					QA9	greyish green/grey-green			
	QA7	greyish green/ greyish green-white				(9)	944 521 037 96	cover for cushion with heating leather/ centre part in cloth porsche lettering cloth	-88	2	
9	944 521 037 86	cover for cushion without heating leather/ centre part in cloth pin stripe flannel	-88	2			QB2	black/black	-88		
	QB1	black/anthracite	-88				TU3	mahogany/mahogany			
	TU2	mahogany/mahogany					TR3	marine blue/blue			
	TR2	marine blue/blue					QB8	burgundy/burgundy			
	QB7	burgundy/burgundy					QA9	greyish green/grey-green			
	QA8	greyish green/grey-green				9	944 521 037 86	cover for cushion without heating leather/ centre part in cloth pin stripe velour	89	2	
(9)	944 521 037 96	cover for cushion with heating leather/ centre part in cloth pin stripe flannel	-88	2			LS5	black/ black-white	89		
	QB1	black/anthracite	-88				TU1	mahogany/ mahogany-white			
	TU2	mahogany/mahogany					TR1	blue/ blue-white			
	TR2	marine blue/blue					LS9	burgundy/ burgundy-white			
	QB7	burgundy/burgundy					XF5	linen/ linen white			
							XF8	cashmere beige/ cashmere beige-white			

Model	Year	MG	SG	Illustration	Restrictions	UPD	19:50	27.01.2010	PORSCHE	PET	PORSCHE
STZ	1998	8	06	806-38		248					

Pos	Part Number	Description	Remark	Qty	Model	Pos	Part Number	Description	Remark	Qty	Model
(9)	964 521 037 12	cover for cushion with heating leather/ centre part in cloth pin stripe velour	89	2			XG5	cashmere beige/cash. beige			
	LS5	black/ black-white	89			9	944 521 037 86	cover for cushion without heating leather/ centre part in cloth porsche lettering cloth	89	2	
	TU1	mahogany/ mahogany-white					QB2	black/black			
	TR1	blue/ blue-white					TU3	mahogany/mahogany			
	LS9	burgundy/ burgundy-white					TR3	marine blue/blue			
	XF5	linen/ linen white					QB8	burgundy/burgundy			
	XF8	cashmere beige/ cashmere beige-white					XF6	linen/linen			
							XF9	cashmere beige/cash. beige			
9	944 521 037 86	cover for cushion without heating leather/ centre part in cloth multicolour	89	2		(9)	964 521 037 12	cover for cushion with heating leather/ centre part in cloth porsche lettering cloth	89	2	
	XG6	black/black	89				QB2	black/black			
	XG7	mahogany/mahogany					TU3	mahogany/mahogany			
	XG8	marine blue/marine blue					TR3	marine blue/blue			
	XG9	burgundy/burgundy					QB8	burgundy/burgundy			
	XF7	linen/linen					XF6	linen/linen			
	XG5	cashmere beige/cash. beige					XF9	cashmere beige/cash. beige			
(9)	964 521 037 12	cover for cushion with heating leather/ centre part in cloth multicolour	89	2		10	944 521 037 84	cover for cushion without heating leatherette/ seat surface leather	-88	2	
	XG6	black/black	89				JN3	black/black			
	XG7	mahogany/mahogany					TV2	mahogany/mahogany			
	XG8	marine blue/marine blue					TS2	marine blue/marine blue			
	XG9	burgundy/burgundy					NZ8	burgundy/burgundy			
	XF7	linen/linen					PX9	greyish green/grey-green			
							TW2	linen/linen			

Model	Year	MG	SG	Illustration	Restrictions	UPD	19:50	27.01.2010	PORSCHE	PET	PORSCHE
STZ	1998	8	06	806-38		248					

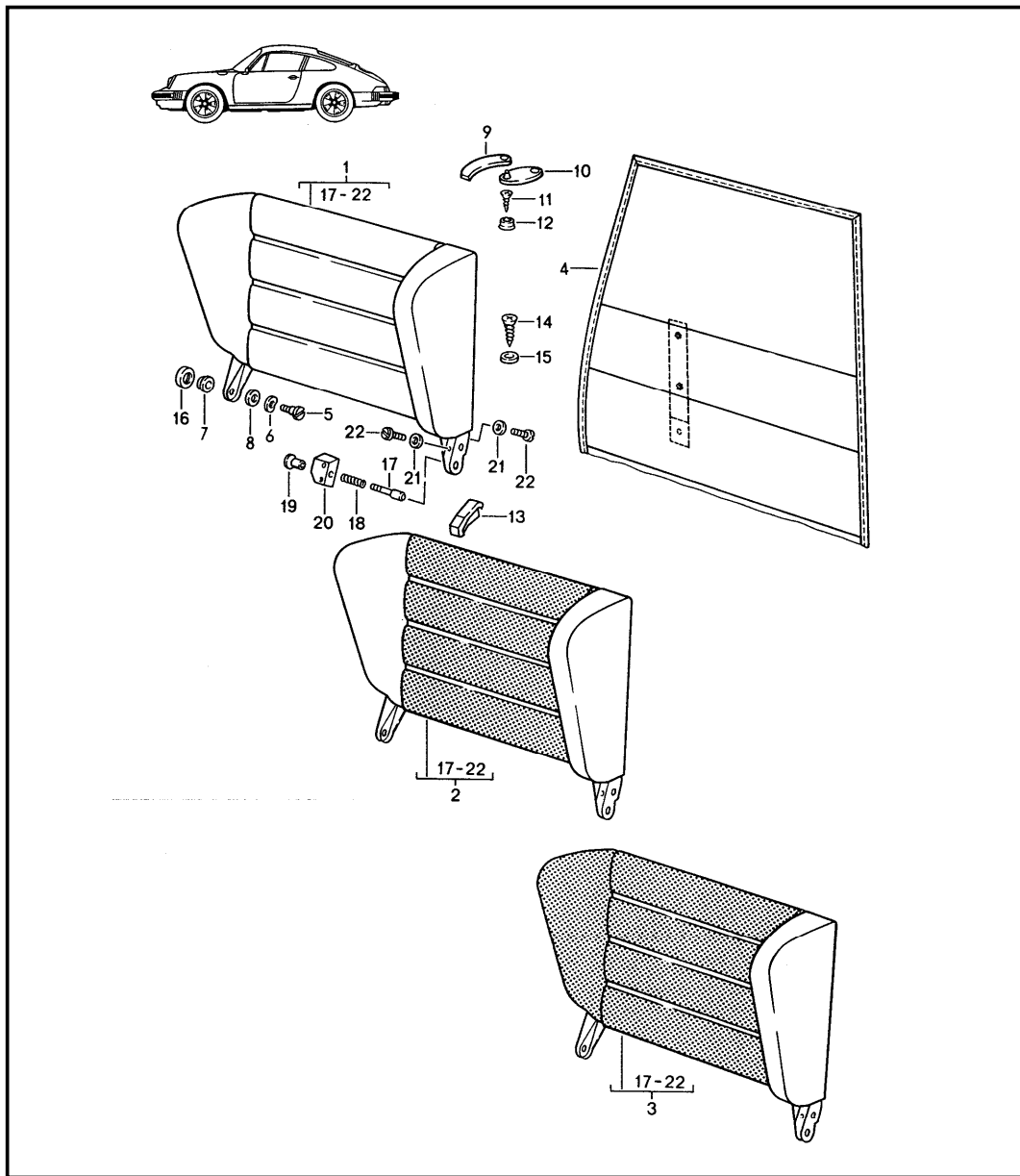
Pos	Part Number	Description	Remark	Qty	Model	Pos	Part Number	Description	Remark	Qty	Model
(10)	944 521 037 93	cover for cushion with heating leatherette/ seat surface leather	-88	2			KZ2	black			
			-88				TV1	mahogany			
	JN3	black/black					TS1	marine blue			
	TV2	mahogany/mahogany					LG7	burgundy			
	TS2	marine blue/marine blue					QC2	greyish green			
	NZ8	burgundy/burgundy					XG1	plum red			
	PX9	greyish green/grey-green					XG2	silver-grey			
	TW2	linen/linen					LG5	champagne			
10	944 521 037 84	cover for cushion without heating leatherette/ seat surface leather	89	2			XG3	caramel			
	JN3	black/black				(10)	TW1	linen			
	TV2	mahogany/mahogany					XG4	venetian blue			
	TS2	marine blue/marine blue				944 521 037 95	cover for cushion with heating whole-leather	-88	2		
	NZ8	burgundy/burgundy						-88			
	TW2	linen/linen					KZ2	black			
	XN3	cashmere beige/cash. beige					TV1	mahogany			
(10)	964 521 037 10	cover for cushion with heating leatherette/ seat surface leather	89	2			TS1	marine blue			
	JN3	black/black					LG7	burgundy			
	TV2	mahogany/mahogany					QC2	greyish green			
	TS2	marine blue/marine blue					XG1	plum red			
	NZ8	burgundy/burgundy					XG2	silver-grey			
	TW2	linen/linen					LG5	champagne			
	XN3	cashmere beige/cash. beige					XG3	caramel			
10	944 521 037 85	cover for cushion without heating whole-leather	-88	2		10	944 521 037 85	cover for cushion without heating whole-leather	89	2	
			-88						89		
							KZ2	black			
							TV1	mahogany			
							TS1	marine blue			

Model	Year	MG	SG	Illustration	Restrictions	UPD	19:50	27.01.2010	PORSCHE	PET	PORSCHE
STZ	1998	8	06	806-38		248					

Pos	Part Number	Description	Remark	Qty	Model	Pos	Part Number	Description	Remark	Qty	Model
	LG7	burgundy				-	911 653 902 00	heating element backrest	-88	2	
	XG3	caramel				-	000 043 071 00	clamp bag content 50 pieces	-88	X	
	TW1	linen									
	XG4	venetian blue									
	XN4	cashmere beige									
	XN5	silk grey									
	XN6	velvet red									
	XN7	slate grey									
(10)	964 521 037 11	cover for cushion with heating whole-leather		89 89	2						
	KZ2	black									
	TV1	mahogany									
	TS1	marine blue									
	LG7	burgundy									
	XG3	caramel									
	TW1	linen									
	XG4	venetian blue									
	XN4	cashmere beige									
	XN5	silk grey									
	XN6	velvet red									
	XN7	slate grey									
11	A 928 521 385 27	foam part seat cushion	/L	1							
(11)	928 521 385 28	foam part seat cushion	/L	1	M139						
(11)	A 928 521 386 27	foam part seat cushion	/R	1							
(11)	928 521 386 28	foam part seat cushion	/R	1	M340						
-	911 653 901 00	heating element seat		-88	2						



Model	Year	MG	SG	Illustration	Restrictions	UPD	19:51	27.01.2010	PORSCHE	PET	PORSCHE
STZ	1998	8	06	806-40		248					



Pos	Part Number	Description	Remark	Qty	Model
		back seat backrest	85-86		911 COUPE TARGA/TURBO
		for cars with POS. 9 - 13 it is necessary to rework			
(1)	911 522 017 00	back seat backrest leatherette	/L	1	
	3MK	burgundy			
	4FK	grey-beige	86		
	43S	black			
	1HH	blue			
	4RB	brown			
	4JX	greyish green			
1	911 522 018 00	back seat backrest leatherette	/R	1	
	3MK	burgundy			
	4FK	grey-beige	86		
	43S	black			
	1HH	blue			
	4RB	brown			
	4JX	greyish green			
(1)	911 522 017 03	back seat backrest whole-leather	/L	1	
	KZ2	black			
	KZ3	blue			
	KZ4	grey-beige	86		
	KZ5	brown			
	KZ6	can-can-red			
	LG4	pearl white			
	LG5	champagne			
	LG6	dark green			
	LG7	burgundy			

Model	Year	MG	SG	Illustration	Restrictions	UPD	19:51	27.01.2010	PORSCHE	PET	PORSCHE
STZ	1998	8	06	806-40		248					

Pos	Part Number	Description	Remark	Qty	Model	Pos	Part Number	Description	Remark	Qty	Model											
1	911 522 018 03	QC2 greyish green	/R	1																		
		PY9 ocean blue																				
		PZ1 wild buffalo																				
		back seat backrest whole-leather																				
		KZ2 black																				
		KZ3 blue																				
		KZ4 grey-beige										86										
		KZ5 brown																				
		KZ6 can-can-red																				
		LG4 pearl white																				
		LG5 champagne																				
		LG6 dark green																				
		LG7 burgundy																				
(2)	911 522 017 01	QC2 greyish green	/L	1																		
		PY9 ocean blue																				
		PZ1 wild buffalo																				
		back seat backrest leatherette/centre part in cloth pin stripe velour																				
		JN1 black/black-white																				
		LT1 blue/blue-white																				
		JN2 brown/brown-beige																				
		LT2 burgundy/burgundy-white																				
		LD4 grey-beige/grey-beige-white										86 86										
		PY5 greyish green/greyish green-white																				
		2										911 522 018 01	back seat backrest leatherette/centre part in cloth porsche lettering cloth	/R								
													JN1 black/black-white									
													LT1 blue/blue-white									
JN2 brown/brown-beige																						
LD4 grey-beige/grey-beige-white	86 86																					
PY5 greyish green/greyish green-white																						
(2)	911 522 017 01		back seat backrest leatherette/centre part in cloth porsche lettering cloth	/L																		
			PZ7 black/black																			
			PZ9 blue/blue																			
			PZ8 brown/brown																			
			QA1 burgundy/burgundy																			
			QA2 greyish green/grey-green																			
			QD8 grey-beige/grey-beige																			
		2	911 522 018 01									back seat backrest leatherette/centre part in cloth porsche lettering cloth		/R								
												PZ7 black/black										
												PZ9 blue/blue										
												PZ8 brown/brown										
												QA1 burgundy/burgundy										
												QA2 greyish green/grey-green										
QD8 grey-beige/grey-beige	86																					

Model	Year	MG	SG	Illustration	Restrictions	UPD	19:51	27.01.2010	PORSCHE	PET	PORSCHE
STZ	1998	8	06	806-40		248					

Pos	Part Number	Description	Remark	Qty	Model	Pos	Part Number	Description	Remark	Qty	Model
(2)	911 522 017 01	back seat backrest leatherette/ centre part in cloth pin stripe flannel	/L	1			LS5	black/ black-white			
	PZ2	black/anthracite					LS8	blue/ blue-white			
	PZ4	blue/blue					LS6	brown/ brown-beige			
	PZ3	brown/brown					LS9	burgundy/ burgundy-white			
	PZ5	burgundy/burgundy					LS7	grey-beige/ grey-beige-white		86	
	PZ6	greyish green/grey-green								86	
2	911 522 018 01	back seat backrest leatherette/ centre part in cloth pin stripe flannel	/R	1			QA7	greyish green/ greyish green-white			
	PZ2	black/anthracite				(2)	911 522 017 04	back seat backrest leather/ centre part porsche lettering cloth	/L	1	
	PZ4	blue/blue					QB2	black/black			
	PZ3	brown/brown					QB6	blue/blue			
	PZ5	burgundy/burgundy					QB4	brown/brown			
	PZ6	greyish green/grey-green					QB8	burgundy/burgundy			
(2)	911 522 017 04	back seat backrest leather/ centre part in cloth pin stripe velour	/L	1			QA9	greyish green/grey-green			
	LS5	black/ black-white					RU1	grey-beige/grey-beige		86	
	LS8	blue/ blue-white				2	911 522 018 04	back seat backrest leather/ centre part porsche lettering cloth	/R	1	
	LS6	brown/ brown-beige					QB2	black/black			
	LS9	burgundy/ burgundy-white					QB6	blue/blue			
	LS7	grey-beige/ grey-beige-white		86			QB4	brown/brown			
	QA7	greyish green/ greyish green-white		86			QB8	burgundy/burgundy			
							QA9	greyish green/grey-green			
							RU1	grey-beige/grey-beige		86	
2	911 522 018 04	back seat backrest leather/ centre part in cloth pin stripe velour	/R	1		(2)	911 522 017 04	back seat backrest leather/ centre part in cloth pin stripe flannel	/L	1	

Model	Year	MG	SG	Illustration	Restrictions	UPD	19:51	27.01.2010	PORSCHE	PET	PORSCHE
STZ	1998	8	06	806-40		248					

Pos	Part Number	Description	Remark	Qty	Model	Pos	Part Number	Description	Remark	Qty	Model
		QB1 black/anthracite					QD9	grey-beige/grey-beige		86	
		QB5 blue/blue				(3)	911 522 017 02	back seat backrest leatherette/ backrest surface pin stripe velour	/L	1	
		QB3 brown/brown					NY5	black/ black-white			
		QB7 burgundy/burgundy					QA3	blue/ blue-white			
		QA8 greyish green/grey-green					NY7	brown/ brown-beige			
2	911 522 018 04	back seat backrest leather/ centre part in cloth pin stripe flannel	/R	1			NY8	burgundy/ burgundy-white			
		QB1 black/anthracite					QA4	greyish green/ greyish green-white			
		QB5 blue/blue					RU3	grey-beige/ grey-beige-white		86 86	
		QB3 brown/brown				(3)	911 522 018 02	back seat backrest leatherette/ backrest surface porsche lettering cloth	/R	1	
		QB7 burgundy/burgundy					NY5	black/ black-white			
		QA8 greyish green/grey-green					QA3	blue/ blue-white			
		PX2 black/black					NY7	brown/ brown-beige			
		PX7 blue/blue					NY8	burgundy/ burgundy-white			
		PX4 brown/brown					QA4	greyish green/ greyish green-white			
		PX6 burgundy/burgundy					RU3	grey-beige/ grey-beige-white		86 86	
		PX8 greyish green/grey-green				(3)	911 522 017 02	back seat backrest leatherette/ backrest surface pin stripe flannel	/L	1	
3	911 522 018 02	back seat backrest leatherette/ backrest surface porsche lettering cloth	/R	1			NY9	black/anthracite			
		QD9 grey-beige/grey-beige		86			QA6	blue/blue			
		PX2 black/black									
		PX7 blue/blue									
		PX4 brown/brown									
		PX6 burgundy/burgundy									
		PX8 greyish green/grey-green									

Model	Year	MG	SG	Illustration	Restrictions	UPD	19:51	27.01.2010	PORSCHE	PET	PORSCHE
STZ	1998	8	06	806-40		248					

Pos	Part Number	Description	Remark	Qty	Model	Pos	Part Number	Description	Remark	Qty	Model
3	911 522 018 02	NZ6	brown/brown	/R	1		6JD	dark green	86		
		NZ5	burgundy/burgundy				1VD	champagne			
		QA5	greyish green/grey-green				80S	can-can-red			
			back seat backrest leatherette/ backrest surface pin stripe flannel				60A	grey			
		NY9	black/anthracite				2FL	grey-beige			
		QA6	blue/blue				8JK	greyish green			
							2YN	white			
4	911 522 062 03	NZ6	brown/brown	/R	1	COUPE/TARGA TURBO	(4) 930 522 061 01	carpet cut pile with logo turbo	/L	1	TURBO
		NZ5	burgundy/burgundy				70E	black			
		QA5	greyish green/grey-green				30B	blue			
			carpet cut pile				40E	brown			
		70E	black				80E	burgundy			
		30B	blue				6JD	dark green			
		40E	brown				1VD	champagne			
		80E	burgundy				80S	can-can-red			
		6JD	dark green				60A	grey			
		1VD	champagne				2FL	grey-beige			
		80S	can-can-red				8JK	greyish green			
		60A	grey				2YN	white			
		2FL	grey-beige					86			
		8JK	greyish green								
2YN	white										
(4)	911 522 061 03	carpet cut pile	/L	1	COUPE/TARGA	5	900 236 001 07	oval-head screw M 8 X 10		2	
						6	N 012 230 1	spring washer B 10		2	
						7	901 522 509 20	bearing sleeve		2	
						8	911 559 435 00	spacer		4	

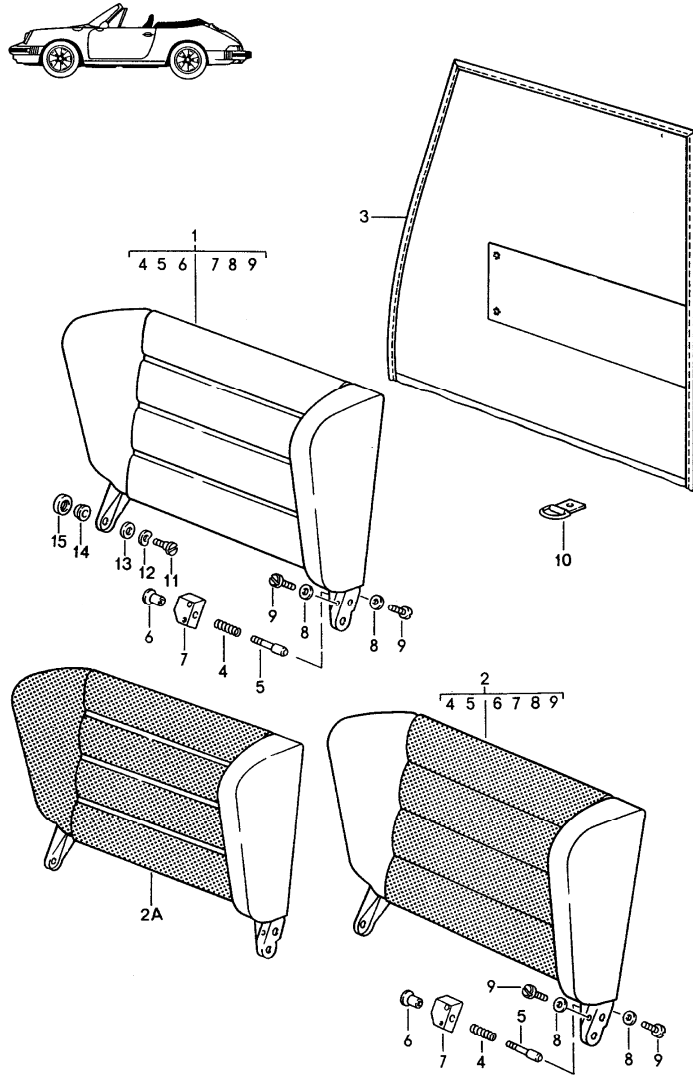
Model	Year	MG	SG	Illustration	Restrictions	UPD	19:51	27.01.2010	PORSCHE	PET	PORSCHE
STZ	1998	8	06	806-40		248					

Pos	Part Number	Description	Remark	Qty	Model	Pos	Part Number	Description	Remark	Qty	Model
9	911 645 039 00	retaining belt F >>91GS1 01452 F >>91GS1 09634 F >>91GS1 40611 F >>91GS1 49562 F >>93GS0 00409		2	COUPE COUPE JAPAN TARGA TARGA JAPAN TURBO	17	911 522 229 00	bolt for locking device F 91GS1 01453>> F 91GS1 09635>> F 91GS1 40612>> F 91GS1 49563>> F 93GS0 00410>>		2	COUPE COUPE JAPAN TARGA TARGA JAPAN TURBO
10	911 645 037 00	retaining belt extension F >>91GS1 01452 F >>91GS1 09634 F >>91GS1 40611 F >>91GS1 49562 F >>93GS0 00409		2	COUPE COUPE JAPAN TARGA TARGA JAPAN TURBO	18	911 522 233 00	spring for release	(AUS) (F) (GB) (N) (SF)	2	
-	999 591 802 17	cap push button F >>91GS1 01452 F >>91GS1 09634 F >>91GS1 40611 F >>91GS1 49562 F >>93GS0 00409		2	COUPE COUPE JAPAN TARGA TARGA JAPAN TURBO	18	911 522 233 00	spring for release F 91GS1 01453>> F 91GS1 09635>> F 91GS1 40612>> F 91GS1 49563>> F 93GS0 00410>>		2	COUPE COUPE JAPAN TARGA TARGA JAPAN TURBO
11	900 143 004 00	oval-head sheetmetal screw B 3,5 X 19 F >>91GS1 01452 F >>91GS1 09634 F >>91GS1 40611 F >>91GS1 49562 F >>93GS0 00409		2	COUPE COUPE JAPAN TARGA TARGA JAPAN TURBO	19	911 522 231 00	knob for release	(AUS) (F) (GB) (N) (SF)	2	
12	999 591 805 12	push button F >>91GS1 01452 F >>91GS1 09634 F >>91GS1 40611 F >>91GS1 49562 F >>93GS0 00409		2	COUPE COUPE JAPAN TARGA TARGA JAPAN TURBO	19	911 522 231 00	knob for release F 91GS1 01453>> F 91GS1 09635>> F 91GS1 40612>> F 91GS1 49563>> F 93GS0 00410>>		2	COUPE COUPE JAPAN TARGA TARGA JAPAN TURBO
13	911 522 561 60	intermediate piece F >>91GS1 01452 F >>91GS1 09634 F >>91GS1 40611 F >>91GS1 49562 F >>93GS0 00409		1	COUPE COUPE JAPAN TARGA TARGA JAPAN TURBO	(20)	911 522 227 01	bearing for release	/L (AUS) (F) (GB) (N) (SF)	2	
14	900 145 041 07	oval-head sheetmetal screw 3,5 X 16		4		(20)	911 522 227 01	bearing for release F 91GS1 01453>> F 91GS1 09635>> F 91GS1 40612>> F 91GS1 49563>> F 93GS0 00410>>	/L	2	COUPE COUPE JAPAN TARGA TARGA JAPAN TURBO
15	999 591 102 17	washer 3,5		4							
16	901 522 365 20	cap		2		20	911 522 228 01	bearing for release	/R (AUS) (F) (GB) (N) (SF)	2	
17	911 522 229 00	bolt for locking device	(AUS) (F) (GB) (N) (SF)	2							

Model	Year	MG	SG	Illustration	Restrictions	UPD	19:51	27.01.2010	PORSCHE	PET	PORSCHE
STZ	1998	8	06	806-40		248					

Pos	Part Number	Description	Remark	Qty	Model	Pos	Part Number	Description	Remark	Qty	Model
20	911 522 228 01	bearing for release F 91GS1 01453>> F 91GS1 09635>> F 91GS1 40612>> F 91GS1 49563>> F 93GS0 00410>>	/R	2	COUPE COUPE JAPAN TARGA TARGA JAPAN TURBO						
21	999 523 106 02	lock washer B 5	(AUS) (F) (GB) (N) (SF)	4							
21	999 523 106 02	lock washer B 5 F 91GS1 01453>> F 91GS1 09635>> F 91GS1 40612>> F 91GS1 49563>> F 93GS0 00410>>		4	COUPE COUPE JAPAN TARGA TARGA JAPAN TURBO						
22	N 014 133 8	oval-head screw M 5 X 12	(AUS) (F) (GB) (N) (SF)	4							
22	N 014 133 8	oval-head screw M 5 X 12 F 91GS1 01453>> F 91GS1 09635>> F 91GS1 40612>> F 91GS1 49563>> F 93GS0 00410>>		4	COUPE COUPE JAPAN TARGA TARGA JAPAN TURBO						

Model	Year	MG	SG	Illustration	Restrictions	UPD	19:51	27.01.2010	PORSCHE	PET	PORSCHE
STZ	1998	8	06	806-42		248					



Pos	Part Number	Description	Remark	Qty	Model
		back seat backrest	85-86		911 CABRIO
(1)	911 522 017 60	back seat backrest leatherette	/L	1	
	43S	black			
	1HH	blue			
	4RB	brown			
	3MK	burgundy			
	4FK	grey-beige	86		
	4JX	greyish green			
1	911 522 018 60	back seat backrest leatherette	/R	1	
	43S	black			
	1HH	blue			
	4RB	brown			
	3MK	burgundy			
	4FK	grey-beige	86		
	4JX	greyish green			
(1)	911 522 017 62	back seat backrest whole-leather	/L	1	
	KZ2	black			
	KZ3	blue			
	KZ5	brown			
	KZ4	grey-beige	86		
	KZ6	can-can-red			
	LG4	pearl white			
	LG5	champagne			
	LG6	dark green			
	LG7	burgundy			
	QC2	greyish green			
	PY9	ocean blue			



Model	Year	MG	SG	Illustration	Restrictions	UPD	19:51	27.01.2010	PORSCHE	PET	PORSCHE
STZ	1998	8	06	806-42		248					

Pos	Part Number	Description	Remark	Qty	Model	Pos	Part Number	Description	Remark	Qty	Model
1	PZ1	wild buffalo					QA1	burgundy/burgundy			
	911 522 018 62	back seat backrest whole-leather	/R	1			QA2	greyish green/grey-green			
	KZ2	black					QD8	grey-beige/grey-beige	86		
	KZ3	blue				(2)	911 522 017 61	back seat backrest leatherette/ centre part in cloth pin stripe velour	/L	1	
	KZ5	brown					JN1	black/ black-white			
	KZ4	grey-beige		86			JN2	brown/ brown-beige			
	KZ6	can-can-red					LT1	blue/ blue-white			
	LG4	pearl white					LT2	burgundy/ burgundy-white			
	LG5	champagne					PY5	greyish green/ greyish green-white			
	LG6	dark green					LD4	grey-beige/ grey-beige-white	86		
	LG7	burgundy				2	911 522 018 61	back seat backrest leatherette/ centre part in cloth pin stripe velour	/R	1	
	QC2	greyish green					JN1	black/ black-white			
	PY9	ocean blue					JN2	brown/ brown-beige			
	PZ1	wild buffalo					LT1	blue/ blue-white			
(2)	911 522 017 61	back seat backrest leatherette/ centre part porsche lettering cloth	/L	1			LT2	burgundy/ burgundy-white			
	PZ7	black/black					PY5	greyish green/ greyish green-white			
	PZ9	blue/blue					LD4	grey-beige/ grey-beige-white	86		
	PZ8	brown/brown									
	QA1	burgundy/burgundy									
	QA2	greyish green/grey-green									
	QD8	grey-beige/grey-beige		86							
2	911 522 018 61	back seat backrest leatherette/ centre part porsche lettering cloth	/R	1							
	PZ7	black/black									
	PZ9	blue/blue				(2)	911 522 017 61	back seat backrest leatherette/ centre part in cloth pin stripe flannel	/L	1	
	PZ8	brown/brown									

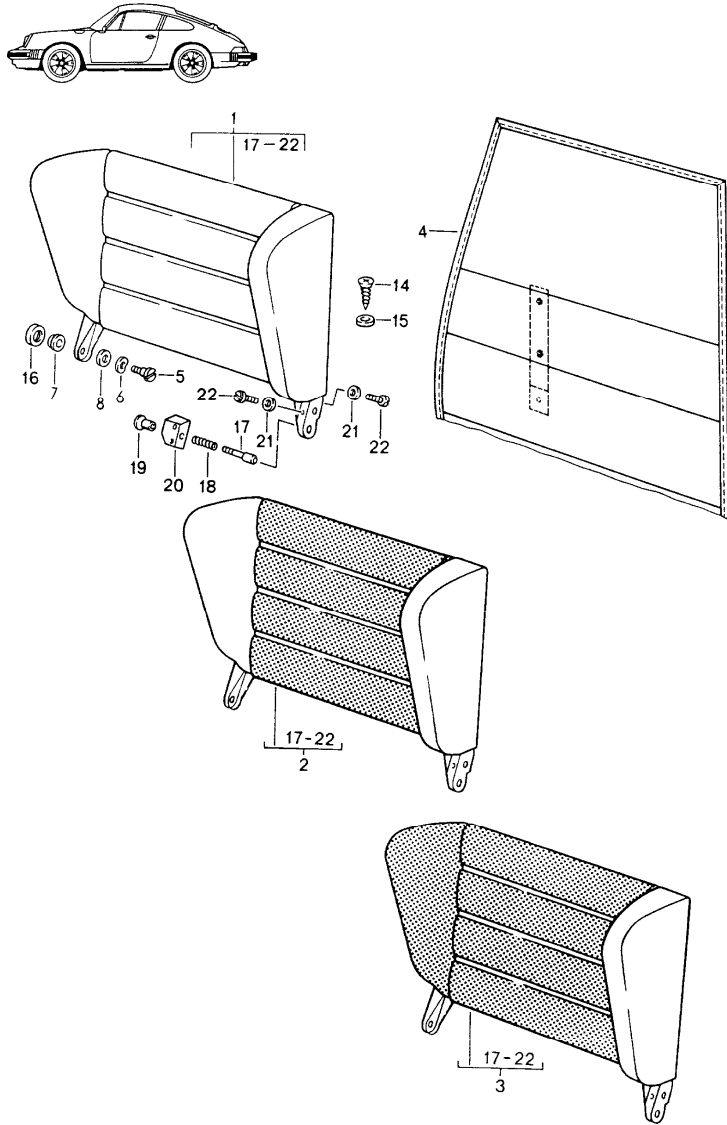
Model	Year	MG	SG	Illustration	Restrictions	UPD	19:51	27.01.2010	PORSCHE	PET	PORSCHE
STZ	1998	8	06	806-42		248					

Pos	Part Number	Description	Remark	Qty	Model	Pos	Part Number	Description	Remark	Qty	Model
	PZ2	black/anthracite					LS6	brown/ brown-beige			
	PZ3	brown/brown					LS8	blue/ blue-white			
	PZ4	blue/blue					LS9	burgundy/ burgundy-white			
	PZ5	burgundy/burgundy					QA7	greyish green/ greyish green-white			
	PZ6	greyish green/grey-green					LS7	grey-beige/ grey-beige-white	86		
2	911 522 018 61	back seat backrest leatherette/ centre part in cloth pin stripe flannel	/R	1							
	PZ2	black/anthracite				(2)	911 522 017 63	back seat backrest leather/ centre part in cloth pin stripe flannel	/L	1	
	PZ3	brown/brown					QB1	black/anthracite			
	PZ4	blue/blue					QB3	brown/brown			
	PZ5	burgundy/burgundy					QB5	blue/blue			
	PZ6	greyish green/grey-green					QB7	burgundy/burgundy			
(2)	911 522 017 63	back seat backrest leather/ centre part in cloth pin stripe velour	/L	1			QA8	greyish green/grey-green			
	LS5	black/ black-white				2	911 522 018 63	back seat backrest leather/ centre part in cloth pin stripe flannel	/R	1	
	LS6	brown/ brown-beige					QB1	black/anthracite			
	LS8	blue/ blue-white					QB3	brown/brown			
	LS9	burgundy/ burgundy-white					QB5	blue/blue			
	QA7	greyish green/ greyish green-white					QB7	burgundy/burgundy			
	LS7	grey-beige/ grey-beige-white		86		(2)	911 522 017 63	back seat backrest leather/ centre part porsche lettering cloth	/L	1	
2	911 522 018 63	back seat backrest leather/ centre part in cloth pin stripe velour	/R	1			QB2	black/black			
	LS5	black/ black-white					QB4	brown/brown			
							QB6	blue/blue			
							QB8	burgundy/burgundy			

Model	Year	MG	SG	Illustration	Restrictions	UPD	19:51	27.01.2010	PORSCHE	PET	PORSCHE
STZ	1998	8	06	806-42		248					

Pos	Part Number	Description	Remark	Qty	Model	Pos	Part Number	Description	Remark	Qty	Model
	QA9	greyish green/grey-green					80E	burgundy			
	RU1	grey-beige/grey-beige	86				60A	grey			
2	911 522 018 63	back seat backrest leather/ centre part porsche lettering cloth	/R	1			8JK	greyish green			
	QB2	black/black					2FL	grey-beige	86		
	QB4	brown/brown					2YN	white			
	QB6	blue/blue					1VD	champagne			
	QB8	burgundy/burgundy					6JD	dark green			
	QA9	greyish green/grey-green					80S	can-can-red			
	RU1	grey-beige/grey-beige	86			4	911 522 233 00	spring		2	
(3)	911 522 061 60	carpet for back seat backrest	/L	1		5	911 522 229 00	bolt		2	
	70E	black				6	911 522 231 00	knob		2	
	30B	blue				(7)	911 522 227 01	bearing	/L	1	
	40E	brown				7	911 522 228 01	bearing	/R	1	
	80E	burgundy				8	999 523 106 02	lock washer B 5		4	
	60A	grey				9	N 014 133 8	oval-head screw M 5 X 12		4	
	8JK	greyish green				10	911 561 493 00	leather loop		2	
	2FL	grey-beige	86			11	900 236 001 07	oval-head screw M 8 X 10		2	
	2YN	white				12	N 012 230 1	spring washer		2	
	1VD	champagne				13	911 559 435 00	spacer		4	
	6JD	dark green				14	901 522 509 20	bearing sleeve		2	
	80S	can-can-red				15	901 522 365 20	cap		2	
3	911 522 062 60	carpet for back seat backrest	/R	1							
	70E	black									
	30B	blue									
	40E	brown									

Model	Year	MG	SG	Illustration	Restrictions	UPD	19:51	27.01.2010	PORSCHE	PET	PORSCHE
STZ	1998	8	06	806-44		248					



Pos	Part Number	Description	Remark	Qty	Model
		back seat backrest	87-89		911 COUPE TARGA/TURBO
(1)	911 522 017 00	back seat backrest leatherette	/L	1	
		3MK burgundy			
		1MX mahogany			
		43S black			
		1KX marine blue			
		4WX linen			
		4JX greyish green	-88		
		7RT cashmere beige	89		
1	911 522 018 00	back seat backrest leatherette	/R	1	
		3MK burgundy			
		1MX mahogany			
		43S black			
		1KX marine blue			
		4WX linen			
		4JX greyish green	-88		
		7RT cashmere beige	89		
(1)	911 522 017 03	back seat backrest whole-leather	/L	1	
		KZ2 black			
		TV1 mahogany			
		TS1 marine blue			
		TW1 linen			
		UD3 plum red	-88		
		UD4 silver-grey	-88		
		LG5 champagne	-88		
		UD5 caramel			
		LG7 burgundy			

Model	Year	MG	SG	Illustration	Restrictions	UPD	19:51	27.01.2010	PORSCHE	PET	PORSCHE
STZ	1998	8	06	806-44		248					

Pos	Part Number	Description	Remark	Qty	Model	Pos	Part Number	Description	Remark	Qty	Model
	QC2	greyish green		-88			UD4	silver-grey		-88	
	UD6	venetian blue					LG5	champagne		-88	
	XN4	cashmere beige		89			UD5	caramel			
	XN5	silk grey		89			LG7	burgundy			
	XN6	velvet red		89			QC2	greyish green		-88	
	XN7	slate grey		89			UD6	venetian blue			
1	911 522 018 03	back seat backrest whole-leather	/R	1			XN4	cashmere beige		89	
	KZ2	black					XN5	silk grey		89	
	TV1	mahogany					XN6	velvet red		89	
	TS1	marine blue					XN7	slate grey		89	
	TW1	linen				1	911 522 018 05	back seat backrest draped leather	/R	1	
	UD3	plum red		-88			KZ2	black			
	UD4	silver-grey		-88			TV1	mahogany			
	LG5	champagne		-88			TS1	marine blue			
	UD5	caramel					TW1	linen			
	LG7	burgundy					UD3	plum red		-88	
	QC2	greyish green		-88			UD4	silver-grey		-88	
	UD6	venetian blue					LG5	champagne		-88	
	XN4	cashmere beige		89			UD5	caramel			
	XN5	silk grey		89			LG7	burgundy			
	XN6	velvet red		89			QC2	greyish green		-88	
	XN7	slate grey		89			UD6	venetian blue			
(1)	911 522 017 05	back seat backrest draped leather	/L	1			XN4	cashmere beige		89	
	KZ2	black					XN5	silk grey		89	
	TV1	mahogany					XN6	velvet red		89	
	TS1	marine blue					XN7	slate grey		89	
	TW1	linen				(2)	911 522 017 05	back seat backrest draped leather	/L	1	
	UD3	plum red		-88			WR2	blue metallic		88	JUBI.88

Model	Year	MG	SG	Illustration	Restrictions	UPD	19:51	27.01.2010	PORSCHE	PET	PORSCHE
STZ	1998	8	06	806-44		248					

Pos	Part Number	Description	Remark	Qty	Model	Pos	Part Number	Description	Remark	Qty	Model
	WR2	blue metallic		89	M099		XH7	cashmere beige/ cashmere beige-white		89	
2	911 522 018 05	back seat backrest draped leather	/R	1		(2)	911 522 017 01	back seat backrest leatherette/ centre part in cloth multicolour	/L	1	
	WR2	blue metallic		88	JUBI.88					89	
	WR2	blue metallic		89	M099		XJ2	black/black			
(2)	911 522 017 01	back seat backrest leatherette/ centre part in cloth pin stripe velour	/L	1			XJ3	mahogany/mahogany			
	JN1	black/ black-white					XJ5	marine blue/marine blue			
	TU4	mahogany/ mahogany-white					XJ7	burgundy/burgundy			
	TR4	blue/ blue-white					XH6	linen/linen			
	LT2	burgundy/ burgundy-white					XH9	cashmere beige/cash. beige			
	PY5	greyish green/ greyish green-white		-88		2	911 522 018 01	back seat backrest leatherette/ centre part in cloth multicolour	/R	1	
	XH2	linen/ linen white		89			XJ2	black/black			
	XH7	cashmere beige/ cashmere beige-white		89			XJ3	mahogany/mahogany			
2	911 522 018 01	back seat backrest leatherette/ centre part in cloth pin stripe velour	/R	1			XJ5	marine blue/marine blue			
	JN1	black/ black-white					XJ7	burgundy/burgundy			
	TU4	mahogany/ mahogany-white					XH6	linen/linen			
	TR4	blue/ blue-white					XH9	cashmere beige/cash. beige			
	LT2	burgundy/ burgundy-white				(2)	911 522 017 01	back seat backrest leatherette/ centre part porsche lettering cloth	/L	1	
	PY5	greyish green/ greyish green-white		-88			PZ7	black/black			
	XH2	linen/ linen white		89			TU6	mahogany/mahogany			
							TR6	marine blue/blue			
							QA1	burgundy/burgundy			
							QA2	greyish green/grey-green		-88	
							XH4	linen/linen		89	
							XH8	cashmere beige/cash. beige		89	

Model	Year	MG	SG	Illustration	Restrictions	UPD	19:51	27.01.2010	PORSCHE	PET	PORSCHE
STZ	1998	8	06	806-44		248					

Pos	Part Number	Description	Remark	Qty	Model	Pos	Part Number	Description	Remark	Qty	Model
2	911 522 018 01	back seat backrest leatherette/ centre part porsche lettering cloth	/R	1			TU1	mahogany/ mahogany-white			
	PZ7	black/black					TR1	blue/ blue-white			
	TU6	mahogany/mahogany					LS9	burgundy/ burgundy-white			
	TR6	marine blue/blue					QA7	greyish green/ greyish green-white	-88		
	QA1	burgundy/burgundy					XF5	linen/ linen white	89		
	QA2	greyish green/grey-green	-88				XF8	cashmere beige/ cashmere beige-white	89		
	XH4	linen/linen	89								
	XH8	cashmere beige/cash. beige	89								
(2)	911 522 017 01	back seat backrest leatherette/ centre part in cloth pin stripe flannel	/L	1		2	911 522 018 04	back seat backrest leather/ centre part in cloth pin stripe velour	/R	1	
	PZ2	black/anthracite					LS5	black/ black-white			
	TU5	mahogany/mahogany					TU1	mahogany/ mahogany-white			
	TR5	marine blue/blue					TR1	blue/ blue-white			
	PZ5	burgundy/burgundy					LS9	burgundy/ burgundy-white			
	PZ6	greyish green/grey-green					QA7	greyish green/ greyish green-white	-88		
2	911 522 018 01	back seat backrest leatherette/ centre part in cloth pin stripe flannel	/R	1			XF5	linen/ linen white	89		
	PZ2	black/anthracite					XF8	cashmere beige/ cashmere beige-white	89		
	TU5	mahogany/mahogany				(2)	911 522 017 04	back seat backrest leather/ centre part in cloth multicolour	/L	1	
	TR5	marine blue/blue					XG6	black/black			
	PZ5	burgundy/burgundy					XG7	mahogany/mahogany			
	PZ6	greyish green/grey-green					XG8	marine blue/marine blue			
(2)	911 522 017 04	back seat backrest leather/ centre part in cloth pin stripe velour	/L	1			XG9	burgundy/burgundy			
	LS5	black/ black-white									

Model	Year	MG	SG	Illustration	Restrictions	UPD	19:51	27.01.2010	PORSCHE	PET	PORSCHE
STZ	1998	8	06	806-44		248					

Pos	Part Number	Description	Remark	Qty	Model	Pos	Part Number	Description	Remark	Qty	Model
	XF7	linen/linen					XF9	cashmere beige/cash. beige		89	
	XG5	cashmere beige/cash. beige				(2)	911 522 017 04	back seat backrest leather/ centre part in cloth pin stripe flannel	/L	1	
2	911 522 018 04	back seat backrest leather/ centre part in cloth multicolour	/R	1						-88	
	XG6	black/black					QB1	black/anthracite			
	XG7	mahogany/mahogany					TU2	mahogany/mahogany			
	XG8	marine blue/marine blue					TR2	marine blue/blue			
	XG9	burgundy/burgundy					QB7	burgundy/burgundy			
	XF7	linen/linen					QA8	greyish green/grey-green			
(2)	911 522 017 04	back seat backrest leather/ centre part porsche lettering cloth	/L	1		2	911 522 018 04	back seat backrest leather/ centre part in cloth pin stripe flannel	/R	1	
	QB2	black/black								-88	
	TU3	mahogany/mahogany					QB1	black/anthracite			
	TR3	marine blue/blue					TU2	mahogany/mahogany			
	QB8	burgundy/burgundy					TR2	marine blue/blue			
	QA9	greyish green/grey-green		-88			QB7	burgundy/burgundy			
	XF6	linen/linen		89			QA8	greyish green/grey-green			
	XF9	cashmere beige/cash. beige		89		(3)	911 522 017 02	back seat backrest leatherette/ backrest surface porsche lettering cloth	/L	1	
2	911 522 018 04	back seat backrest leather/ centre part porsche lettering cloth	/R	1			PX2	black/black			
	QB2	black/black					TU9	mahogany/mahogany			
	TU3	mahogany/mahogany					TR9	marine blue/blue			
	TR3	marine blue/blue					PX6	burgundy/burgundy			
	QB8	burgundy/burgundy					PX8	greyish green/grey-green		-88	
	QA9	greyish green/grey-green		-88			XK3	linen/linen		89	
	XF6	linen/linen		89			XK6	cashmere beige/cash. beige		89	
						3	911 522 018 02	back seat backrest leatherette/ backrest surface porsche lettering cloth	/R	1	
							PX2	black/black			



Model	Year	MG	SG	Illustration	Restrictions	UPD	19:51	27.01.2010	PORSCHE	PET	PORSCHE
STZ	1998	8	06	806-44		248					

Pos	Part Number	Description	Remark	Qty	Model	Pos	Part Number	Description	Remark	Qty	Model
	TU9	mahogany/mahogany					XK2	linen/ linen white			
	TR9	marine blue/blue					XK5	cashmere beige/ cashmere beige-white			
	PX6	burgundy/burgundy				(3)	911 522 017 02	back seat backrest leatherette/ backrest surface pin stripe flannel	/L	1	
	PX8	greyish green/grey-green	-88				NY9	black/anthracite			
	XK3	linen/linen	89				TU8	mahogany/mahogany			
	XK6	cashmere beige/cash. beige	89				TR8	marine blue/blue			
(3)	911 522 017 02	back seat backrest leatherette/ backrest surface pin stripe velour		1			NZ5	burgundy/burgundy			
	NY5	black/ black-white					QA5	greyish green/grey-green			
	TU7	mahogany/ mahogany-white				3	911 522 018 02	back seat backrest leatherette/ backrest surface pin stripe flannel	/R	1	
	TR7	blue/ blue-white					NY9	black/anthracite			
	NY8	burgundy/ burgundy-white					TU8	mahogany/mahogany			
	QA4	greyish green/ greyish green-white	-88				TR8	marine blue/blue			
	XK2	linen/ linen white					NZ5	burgundy/burgundy			
	XK5	cashmere beige/ cashmere beige-white					QA5	greyish green/grey-green			
3	911 522 018 02	back seat backrest leatherette/ backrest surface pin stripe velour		1		(3)	911 522 017 02	back seat backrest leatherette/ backrest surface multicolour	/L	1	
	NY5	black/ black-white					XK8	black/black			
	TU7	mahogany/ mahogany-white					XK9	mahogany/mahogany			
	TR7	blue/ blue-white					XN1	marine blue/marine blue			
	NY8	burgundy/ burgundy-white					XN2	burgundy/burgundy			
	QA4	greyish green/ greyish green-white	-88				XK4	linen/linen			
							XK7	cashmere beige/cash. beige		89	
						3	911 522 018 02	back seat backrest leatherette/ backrest surface multicolour	/R	1	
										89	

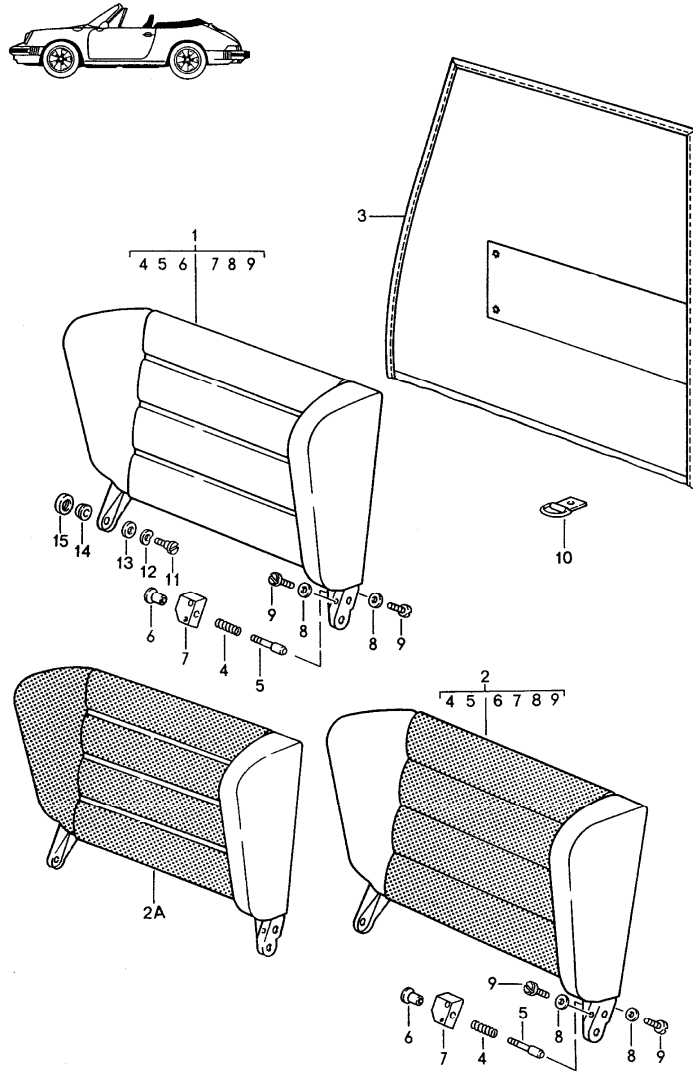
Model	Year	MG	SG	Illustration	Restrictions	UPD	19:51	27.01.2010	PORSCHE	PET	PORSCHE
STZ	1998	8	06	806-44		248					

Pos	Part Number	Description	Remark	Qty	Model	Pos	Part Number	Description	Remark	Qty	Model
	XK8	black/black					5FV	black		89	
	XK9	mahogany/mahogany					5MF	mahogany			
	XN1	marine blue/marine blue					3KF	marine blue	-88		
	XN2	burgundy/burgundy					4KV	marine blue		89	
	XK4	linen/linen					80E	burgundy	-88		
	XK7	cashmere beige/cash. beige		89			8MD	burgundy		89	
4	911 522 062 03	carpet for back seat backrest	/R	1	COUPE/TARGA TURBO		3KM	venetian blue	-88		
	70E	black		-88			1VD	champagne	-88		
	5FV	black		89			5UM	caramel	-88		
	5MF	mahogany					2XF	linen			
	3KF	marine blue		-88			8JK	greyish green	-88		
	4KV	marine blue		89			7VM	silver-grey	-88		
	80E	burgundy		-88			8UT	cashmere beige		89	
	8MD	burgundy		89			6HM	silver-blue		88	JUBI.88
	3KM	venetian blue		-88			6HM	silver-blue		89	M099
	1VD	champagne		-88			9MT	velvet red		89	
	5UM	caramel		-88			3WT	slate grey		89	
	2XF	linen				(4)	930 522 061 01	carpet for back seat backrest with logo turbo	/L	1	TURBO
	8JK	greyish green		-88			70E	black		-88	
	7VM	silver-grey		-88			5FV	black		89	
	8UT	cashmere beige		89			5MF	mahogany			
	6HM	silver-blue		88	JUBI.88		3KF	marine blue	-88		
	6HM	silver-blue		89	M099		4KV	marine blue		89	
	9MT	velvet red		89			80E	burgundy		-88	
	3WT	slate grey		89			8MD	burgundy		89	
(4)	911 522 061 03	carpet for back seat backrest	/L	1	COUPE/TARGA		3KM	venetian blue		-88	
	70E	black		-88							

Model	Year	MG	SG	Illustration	Restrictions	UPD	19:51	27.01.2010	PORSCHE	PET	PORSCHE
STZ	1998	8	06	806-44		248					

Pos	Part Number	Description	Remark	Qty	Model	Pos	Part Number	Description	Remark	Qty	Model
	1VD	champagne	-88								
	5UM	caramel	-88								
	2XF	linen									
	8JK	greyish green	-88								
	7VM	silver-grey	-88								
	8UT	cashmere beige	89								
	9MT	velvet red	89								
	3WT	slate grey	89								
5	900 236 001 07	oval-head screw M 8 X 10		2							
6	N 012 230 1	spring washer B 10		2							
7	901 522 509 20	bearing sleeve		2							
8	911 559 435 00	spacer		4							
14	900 145 041 07	tapping screw 3,5 X 16		4							
15	999 591 102 17	washer 3,5		4							
16	901 522 365 20	cap		2							
17	911 522 229 01	bolt		2							
18	911 522 233 00	spring		2							
19	911 522 231 00	knob		2							
(20)	911 522 227 01	bearing	/L	1							
20	911 522 228 01	bearing	/R	1							
21	999 523 106 02	lock washer B 5		4							
22	N 014 133 8	oval-head screw M 5 X 12		4							

Model	Year	MG	SG	Illustration	Restrictions	UPD	19:51	27.01.2010	PORSCHE	PET	PORSCHE
STZ	1998	8	06	806-46		248					



Pos	Part Number	Description	Remark	Qty	Model
		back seat backrest	87-89		911 CABRIO
(1)	911 522 017 60	back seat backrest leatherette	/L	1	
	43S	black			
	1MX	mahogany			
	1KX	marine blue			
	3MK	burgundy			
	4WX	linen			
	4JX	greyish green	-88		
	7RT	cashmere beige	89		
1	911 522 018 60	back seat backrest leatherette	/R	1	
	43S	black			
	1MX	mahogany			
	1KX	marine blue			
	3MK	burgundy			
	4WX	linen			
	4JX	greyish green	-88		
	7RT	cashmere beige	89		
(1)	911 522 017 62	back seat backrest whole-leather	/L	1	
	KZ2	black			
	TV1	mahogany			
	TS1	marine blue			
	TW1	linen			
	UD3	plum red	-88		
	UD4	silver-grey	-88		
	LG5	champagne	-88		
	UD5	caramel			
	LG7	burgundy			

Model	Year	MG	SG	Illustration	Restrictions	UPD	19:51	27.01.2010	PORSCHE	PET	PORSCHE
STZ	1998	8	06	806-46		248					

Pos	Part Number	Description	Remark	Qty	Model	Pos	Part Number	Description	Remark	Qty	Model
	QC2	greyish green		-88			UD4	silver-grey		-88	
	UD6	venetian blue					LG5	champagne		-88	
	XN4	cashmere beige		89			UD5	caramel			
	XN5	silk grey		89			LG7	burgundy			
	XN6	velvet red		89			QC2	greyish green		-88	
	XN7	slate grey		89			UD6	venetian blue			
1	911 522 018 62	back seat backrest whole-leather	/R	1			XN4	cashmere beige		89	
	KZ2	black					XN5	silk grey		89	
	TV1	mahogany					XN6	velvet red		89	
	TS1	marine blue					XN7	slate grey		89	
	TW1	linen				1	911 522 018 64	back seat backrest draped leather	/R	1	
	UD3	plum red		-88			KZ2	black			
	UD4	silver-grey		-88			TV1	mahogany			
	LG5	champagne		-88			TS1	marine blue			
	UD5	caramel					TW1	linen			
	LG7	burgundy					UD3	plum red		-88	
	QC2	greyish green		-88			UD4	silver-grey		-88	
	UD6	venetian blue					LG5	champagne		-88	
	XN4	cashmere beige		89			UD5	caramel			
	XN5	silk grey		89			LG7	burgundy			
	XN6	velvet red		89			QC2	greyish green		-88	
	XN7	slate grey		89			UD6	venetian blue			
(1)	911 522 017 64	back seat backrest draped leather	/L	1			XN4	cashmere beige		89	
	KZ2	black					XN5	silk grey		89	
	TV1	mahogany					XN6	velvet red		89	
	TS1	marine blue					XN7	slate grey		89	
	TW1	linen				(1)	911 522 017 64	back seat backrest draped leather	/L	1	
	UD3	plum red		-88			WR2	blue metallic		88	JUBI.88

Model	Year	MG	SG	Illustration	Restrictions	UPD	19:51	27.01.2010	PORSCHE	PET	PORSCHE
STZ	1998	8	06	806-46		248					

Pos	Part Number	Description	Remark	Qty	Model	Pos	Part Number	Description	Remark	Qty	Model
1	911 522 018 64	WR2 blue metallic back seat backrest draped leather	/R	89 1	M099		TR4	blue/ blue-white			
		WR2 blue metallic		88	JUBI.88		LT2	burgundy/ burgundy-white			
		WR2 blue metallic		89	M099		PY5	greyish green/ greyish green-white	-88		
(2)	911 522 017 61	back seat backrest leatherette/ centre part porsche lettering cloth	/L	1			XH2	linen/ linen white	89		
		PZ7 black/black					XH7	cashmere beige/ cashmere beige-white	89		
		TU6 mahogany/mahogany				2	911 522 018 61	back seat backrest leatherette/ centre part in cloth pin stripe velour	/R	1	
		TR6 marine blue/blue					JN1	black/ black-white			
		QA1 burgundy/burgundy					TU4	mahogany/ mahogany-white			
		QA2 greyish green/grey-green		-88			TR4	blue/ blue-white			
		XH4 linen/linen		89			LT2	burgundy/ burgundy-white			
		XH8 cashmere beige/cash. beige		89			PY5	greyish green/ greyish green-white	-88		
2	911 522 018 61	back seat backrest leatherette/ centre part porsche lettering cloth	/R	1			XH2	linen/ linen white	89		
		PZ7 black/black					XH7	cashmere beige/ cashmere beige-white	89		
		TU6 mahogany/mahogany				(2)	911 522 017 61	back seat backrest leatherette/ centre part in cloth pin stripe flannel	/L	1	
		TR6 marine blue/blue					PZ2	black/anthracite			
		QA1 burgundy/burgundy					TU5	mahogany/mahogany			
		QA2 greyish green/grey-green		-88			TR5	marine blue/blue			
		XH4 linen/linen		89			PZ5	burgundy/burgundy			
		XH8 cashmere beige/cash. beige		89			PZ6	greyish green/grey-green			
(2)	911 522 017 61	back seat backrest leatherette/ centre part in cloth pin stripe velour	/L	1							
		JN1 black/ black-white									
		TU4 mahogany/ mahogany-white									

Model	Year	MG	SG	Illustration	Restrictions	UPD	19:51	27.01.2010	PORSCHE	PET	PORSCHE
STZ	1998	8	06	806-46		248					

Pos	Part Number	Description	Remark	Qty	Model	Pos	Part Number	Description	Remark	Qty	Model
2	911 522 018 61	back seat backrest leatherette/ centre part in cloth pin stripe flannel	/R  -88	1			TU1	mahogany/ mahogany-white			
	PZ2	black/anthracite					TR1	blue/ blue-white			
	TU5	mahogany/mahogany					LS9	burgundy/ burgundy-white			
	TR5	marine blue/blue					QA7	greyish green/ greyish green-white	-88		
	PZ5	burgundy/burgundy					XF5	linen/ linen white	89		
	PZ6	greyish green/grey-green					XF8	cashmere beige/ cashmere beige-white	89		
(2)	911 522 017 61	back seat backrest leatherette/ centre part in cloth multicolour	/L  89	1		2	911 522 018 63	back seat backrest leather/ centre part in cloth pin stripe velour	/R	1	
	XJ2	black/black					LS5	black/ black-white			
	XJ3	mahogany/mahogany					TU1	mahogany/ mahogany-white			
	XJ5	marine blue/marine blue					TR1	blue/ blue-white			
	XJ7	burgundy/burgundy					LS9	burgundy/ burgundy-white			
	XH6	linen/linen					QA7	greyish green/ greyish green-white	-88		
	XH9	cashmere beige/cash. beige					XF5	linen/ linen white	89		
2	911 522 018 61	back seat backrest leatherette/ centre part in cloth multicolour	/R  89	1			XF8	cashmere beige/ cashmere beige-white	89		
	XJ2	black/black					(2)	911 522 017 63	back seat backrest leather/ centre part in cloth pin stripe flannel	/L	1
	XJ3	mahogany/mahogany					QB1	black/anthracite			
	XJ5	marine blue/marine blue					TU2	mahogany/mahogany			
	XJ7	burgundy/burgundy					TR2	marine blue/blue			
	XH6	linen/linen					QB7	burgundy/burgundy			
	XH9	cashmere beige/cash. beige									
(2)	911 522 017 63	back seat backrest leather/ centre part in cloth pin stripe velour	/L	1							
	LS5	black/ black-white									

Model	Year	MG	SG	Illustration	Restrictions	UPD	19:51	27.01.2010	PORSCHE	PET	PORSCHE
STZ	1998	8	06	806-46		248					

Pos	Part Number	Description	Remark	Qty	Model	Pos	Part Number	Description	Remark	Qty	Model
	QA8	greyish green/grey-green					TU3	mahogany/mahogany			
2	911 522 018 63	back seat backrest leather/ centre part in cloth pin stripe flannel	/R	1			TR3	marine blue/blue			
	QB1	black/anthracite					QB8	burgundy/burgundy			
	TU2	mahogany/mahogany					QA9	greyish green/grey-green	-88		
	TR2	marine blue/blue					XF6	linen/linen	89		
	QB7	burgundy/burgundy					XF9	cashmere beige/cash. beige	89		
	QA8	greyish green/grey-green				2	911 522 018 63	back seat backrest leather/ centre part porsche lettering cloth	/R	1	
(2)	911 522 017 63	back seat backrest leather/ centre part in cloth multicolour	/L	1			QB2	black/black			
	XG6	black/black					TU3	mahogany/mahogany			
	XG7	mahogany/mahogany					TR3	marine blue/blue			
	XG8	marine blue/marine blue					QB8	burgundy/burgundy			
	XG9	burgundy/burgundy					QA9	greyish green/grey-green	-88		
	XF7	linen/linen					XF6	linen/linen	89		
	XG5	cashmere beige/cash. beige					XF9	cashmere beige/cash. beige	89		
2	911 522 018 63	back seat backrest leather/ centre part in cloth multicolour	/R	1		(2A)	911 522 017 65	back seat backrest leatherette/ backrest surface porsche lettering cloth	/L	1	
	XG6	black/black					PX2	black/black			
	XG7	mahogany/mahogany					TU9	mahogany/mahogany			
	XG8	marine blue/marine blue					TR9	marine blue/blue			
	XG9	burgundy/burgundy					PX6	burgundy/burgundy			
	XF7	linen/linen					PX8	greyish green/grey-green	-88		
	XG5	cashmere beige/cash. beige					XK3	linen/linen	89		
(2)	911 522 017 63	back seat backrest leather/ centre part porsche lettering cloth	/L	1		2A	911 522 018 65	back seat backrest leatherette/ backrest surface porsche lettering cloth	/R	1	
	QB2	black/black					XK6	cashmere beige/cash. beige	89		
							PX2	black/black			



Model	Year	MG	SG	Illustration	Restrictions	UPD	19:51	27.01.2010	PORSCHE	PET	PORSCHE
STZ	1998	8	06	806-46		248					

Pos	Part Number	Description	Remark	Qty	Model	Pos	Part Number	Description	Remark	Qty	Model
	TU9	mahogany/mahogany					XK2	linen/ linen white		89	
	TR9	marine blue/blue					XK5	cashmere beige/ cashmere beige-white		89	
	PX6	burgundy/burgundy				(2A)	911 522 017 65	back seat backrest leatherette/ backrest surface pin stripe flannel	/L	1	
	PX8	greyish green/grey-green	-88				NY9	black/anthracite			
	XK3	linen/linen	89				TU8	mahogany/mahogany			
	XK6	cashmere beige/cash. beige	89				TR8	marine blue/blue			
(2A)	911 522 017 65	back seat backrest leatherette/ backrest surface pin stripe velour		1			NZ5	burgundy/burgundy			
	NY5	black/ black-white					QA5	greyish green/grey-green			
	TU7	mahogany/ mahogany-white				2A	911 522 018 65	back seat backrest leatherette/ backrest surface pin stripe flannel	/R	1	
	TR7	blue/ blue-white					NY9	black/anthracite			
	NY8	burgundy/ burgundy-white					TU8	mahogany/mahogany			
	QA4	greyish green/ greyish green-white	-88				TR8	marine blue/blue			
	XK2	linen/ linen white	89				NZ5	burgundy/burgundy			
	XK5	cashmere beige/ cashmere beige-white	89			(2A)	911 522 017 65	back seat backrest leatherette/ backrest surface multicolour	/L	1	
2A	911 522 018 65	back seat backrest leatherette/ backrest surface pin stripe velour		1			XK8	black/black		89	
	NY5	black/ black-white					XK9	mahogany/mahogany			
	TU7	mahogany/ mahogany-white					XN1	marine blue/marine blue			
	TR7	blue/ blue-white					XN2	burgundy/burgundy			
	NY8	burgundy/ burgundy-white					XK4	linen/linen			
	QA4	greyish green/ greyish green-white	-88			2A	911 522 018 65	back seat backrest leatherette/ backrest surface multicolour	/R	1	
							XK7	cashmere beige/cash. beige		89	

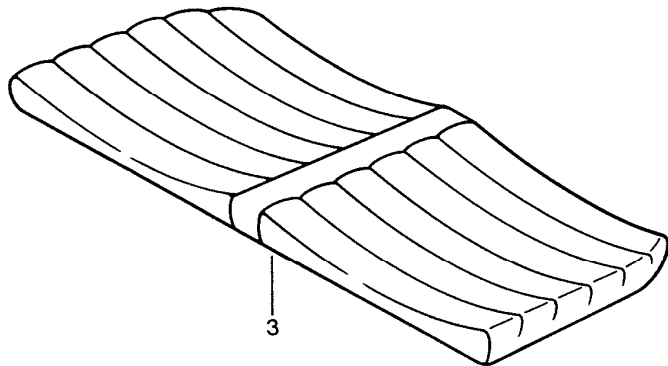
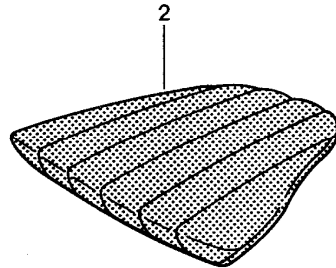
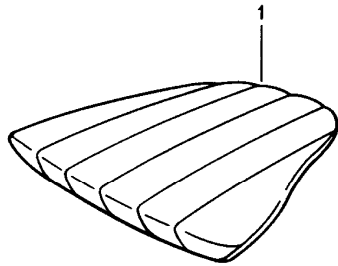
Model	Year	MG	SG	Illustration	Restrictions	UPD	19:51	27.01.2010	PORSCHE	PET	PORSCHE
STZ	1998	8	06	806-46		248					

Pos	Part Number	Description	Remark	Qty	Model	Pos	Part Number	Description	Remark	Qty	Model
	XK8	black/black					5FV	black		89	
	XK9	mahogany/mahogany					5MF	mahogany			
	XN1	marine blue/marine blue					3KF	marine blue	-88		
	XN2	burgundy/burgundy					4KV	marine blue		89	
	XK4	linen/linen					80E	burgundy	-88		
	XK7	cashmere beige/cash. beige					8MD	burgundy		89	
(3)	911 522 061 60	carpet for back seat backrest	/L	1	CARRERA		2XF	linen			
	70E	black		-88			8JK	greyish green	-88		
	5FV	black		89			2FL	grey-beige	-88		
	5MF	mahogany					1VD	champagne	-88		
	3KF	marine blue		-88			4MM	plum red	-88		
	4KV	marine blue		89			5UM	caramel	-88		
	80E	burgundy		-88			7VM	silver-grey	-88		
	8MD	burgundy		89			3KM	venetian blue	-88		
	2XF	linen					8UT	cashmere beige		89	
	8JK	greyish green		-88			9MT	velvet red		89	
	2FL	grey-beige		-88			3WT	slate grey		89	
	1VD	champagne		-88		3	911 522 062 60	carpet for back seat backrest	/R	1	CARRERA TURBO
	4MM	plum red		-88			70E	black		-88	
	5UM	caramel		-88			5FV	black		89	
	7VM	silver-grey		-88			5MF	mahogany			
	3KM	venetian blue		-88			3KF	marine blue	-88		
	8UT	cashmere beige		89			4KV	marine blue		89	
	9MT	velvet red		89			80E	burgundy	-88		
	3WT	slate grey		89			8MD	burgundy		89	
(3)	930 522 061 60	carpet for back seat backrest	/L	1	TURBO		2XF	linen			
	70E	black		-88			8JK	greyish green		-88	

Model	Year	MG	SG	Illustration	Restrictions	UPD	19:51	27.01.2010	PORSCHE	PET	PORSCHE
STZ	1998	8	06	806-46		248					

Pos	Part Number	Description	Remark	Qty	Model	Pos	Part Number	Description	Remark	Qty	Model
	2FL	grey-beige		-88		13	911 559 435 00	spacer		4	
	1VD	champagne		-88		14	901 522 509 20	bearing sleeve		2	
	4MM	plum red		-88		15	901 522 365 20	cap		2	
	5UM	caramel		-88							
	7VM	silver-grey		-88							
	3KM	venetian blue		-88							
	8UT	cashmere beige		89							
	9MT	velvet red		89							
	3WT	slate grey		89							
(3)	911 522 061 60	carpet for back seat backrest	/L	1							
	6HM	silver-blue		88	JUBI.88						
	6HM	silver-blue		89	M099						
3	911 522 062 60	carpet for back seat backrest	/R	1							
	6HM	silver-blue		88	JUBI.88						
	6HM	silver-blue		89	M099						
4	911 522 233 00	spring		2							
5	911 522 229 01	bolt		2							
6	911 522 231 00	knob		2							
(7)	911 522 227 01	bearing	/L	1							
7	911 522 228 01	bearing	/R	1							
8	999 523 106 02	lock washer B 5		4							
9	N 014 133 8	oval-head screw M 5 X 12		4							
10	911 561 493 00	leather loop		2							
11	900 236 001 07	oval-head screw M8 X 10		2							
12	N 012 230 1	spring washer		2							

Model	Year	MG	SG	Illustration	Restrictions	UPD	19:51	27.01.2010	PORSCHE	PET	PORSCHE
STZ	1998	8	06	806-48		248					



Pos	Part Number	Description	Remark	Qty	Model
		back seat cushion	85-86		911 CARRERA TURBO
1	911 522 051 06	back seat cushion leatherette	/L	1	
	3MK	burgundy			
	4FK	grey-beige	86		
	43S	black			
	1HH	blue			
	4RB	brown			
	4JX	greyish green			
(1)	911 522 052 06	back seat cushion leatherette	/R	1	
	3MK	burgundy			
	4FK	grey-beige	86		
	43S	black			
	1HH	blue			
	4RB	brown			
	4JX	greyish green			
1	930 522 051 74	back seat cushion whole-leather	/L	1	
	KZ2	black			
	KZ3	blue			
	KZ5	brown			
	LG7	burgundy			
	KZ4	grey-beige	86		
	KZ6	can-can-red			
	LG4	pearl white			
	LG5	champagne			
	LG6	dark green			
	QC2	greyish green			

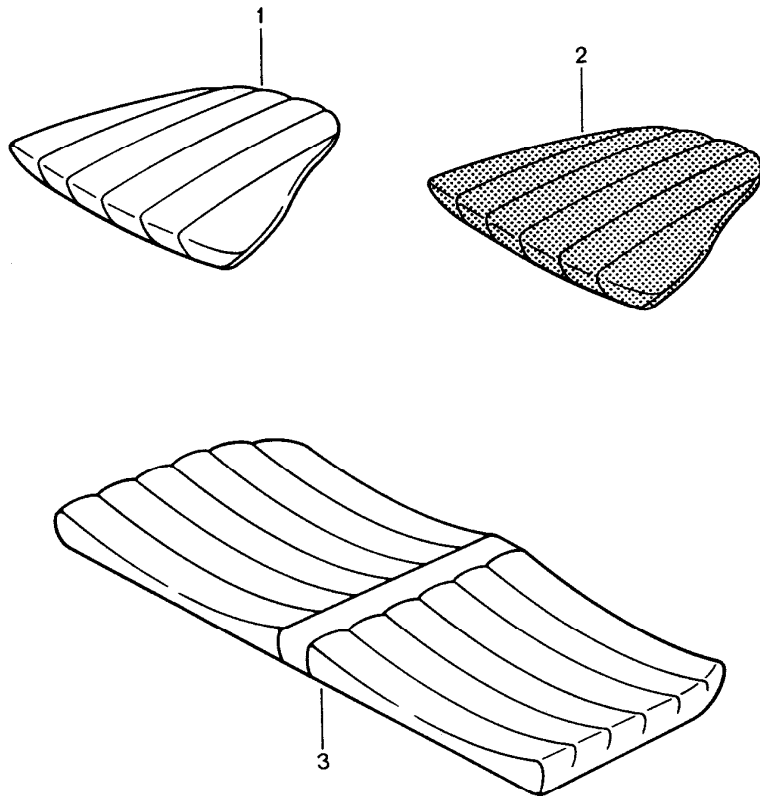
Model	Year	MG	SG	Illustration	Restrictions	UPD	19:51	27.01.2010	PORSCHE	PET	PORSCHE
STZ	1998	8	06	806-48		248					

Pos	Part Number	Description	Remark	Qty	Model	Pos	Part Number	Description	Remark	Qty	Model
		PY9 ocean blue						LT2 burgundy-white			
		PZ1 wild buffalo						LD4 grey-beige-white	86		
(1)	930 522 052 74	back seat cushion whole-leather	/R	1				PY5 greyish green-white			
		KZ2 black				2	930 522 051 01	back seat cushion cloth pin stripe flannel	/L	1	
		KZ3 blue						PZ2 anthracite			
		KZ5 brown						PZ3 brown			
		LG7 burgundy						PZ4 blue			
		KZ4 grey-beige	86					PZ5 burgundy			
		KZ6 can-can-red						PZ6 greyish green			
		LG4 pearl white						LR3 grey-beige			
		LG5 champagne				(2)	930 522 052 01	back seat cushion cloth pin stripe flannel	/R	1	
		LG6 dark green						PZ2 anthracite			
		QC2 greyish green						PZ3 brown			
		PY9 ocean blue						PZ4 blue			
		PZ1 wild buffalo						PZ5 burgundy			
2	930 522 051 01	back seat cushion cloth pin stripe velour	/L	1				PZ6 greyish green			
		JN1 black-white						LR3 grey-beige			
		LT1 blue-white				2	930 522 051 01	back seat cushion porsche lettering cloth	/L	1	
		JN2 brown-beige						PZ7 black			
		LT2 burgundy-white						PZ8 brown			
		LD4 grey-beige-white	86					PZ9 blue			
		PY5 greyish green-white						QA1 burgundy			
(2)	930 522 052 01	back seat cushion cloth pin stripe velour	/R	1				QA2 greyish green			
		JN1 black-white						QD8 grey-beige	86		
		LT1 blue-white				(2)	930 522 052 01	back seat cushion porsche lettering cloth	/R	1	
		JN2 brown-beige						PZ7 black			

Model	Year	MG	SG	Illustration	Restrictions	UPD	19:51	27.01.2010	PORSCHE	PET	PORSCHE
STZ	1998	8	06	806-48		248					

Pos	Part Number	Description	Remark	Qty	Model	Pos	Part Number	Description	Remark	Qty	Model
	PZ8	brown									
	PZ9	blue									
	QA1	burgundy									
	QA2	greyish green									
	QD8	grey-beige		86							
3	911 522 050 00	back seat cushion leatherette	(J)	1	CARRERA						
	3MK	burgundy									
	4FK	grey-beige		86							
	43S	black									
	1HH	blue									
	4RB	brown									
	4JX	greyish green									
3	911 522 050 70	back seat cushion whole-leather	(J)	1	CARRERA						
	LG7	burgundy									
	KZ4	grey-beige		86							
	KZ2	black									
	KZ3	blue									
	KZ5	brown									
	KZ6	can-can-red									
	LG4	pearl white									
	LG5	champagne									
	LG6	dark green									
	QC2	greyish green									
	PY9	ocean blue									
	PZ1	wild buffalo									

Model	Year	MG	SG	Illustration	Restrictions	UPD	19:52	27.01.2010	PORSCHE	PET	PORSCHE
STZ	1998	8	06	806-50		248					



Pos	Part Number	Description	Remark	Qty	Model
		back seat cushion	87-89		911 CARRERA TURBO
1	911 522 051 06	back seat cushion leatherette	/L	1	
	3MK	burgundy			
	1MX	mahogany			
	43S	black			
	1KX	marine blue			
	4WX	linen			
	4JX	greyish green	-88		
	7RT	cashmere beige	89		
(1)	911 522 052 06	back seat cushion leatherette	/R	1	
	3MK	burgundy			
	1MX	mahogany			
	43S	black			
	1KX	marine blue			
	4WX	linen			
	4JX	greyish green	-88		
	7RT	cashmere beige	89		
1	930 522 051 74	back seat cushion whole-leather	/L	1	
	KZ2	black			
	TV1	mahogany			
	TS1	marine blue			
	LG7	burgundy			
	TW1	linen			
	UD3	plum red	-88		
	UD4	silver-grey	-88		
	LG5	champagne	-88		

Model	Year	MG	SG	Illustration	Restrictions	UPD	19:52	27.01.2010	PORSCHE	PET	PORSCHE
STZ	1998	8	06	806-50		248					

Pos	Part Number	Description	Remark	Qty	Model	Pos	Part Number	Description	Remark	Qty	Model
	UD5	caramel					TW1	linen			
	QC2	greyish green	-88				UD3	plum red	-88		
	UD6	venetian blue					UD4	silver-grey	-88		
	XN4	cashmere beige	89				LG5	champagne			
	XN5	silk grey	89				UD5	caramel			
	XN6	velvet red	89				QC2	greyish green	-88		
	XN7	slate grey	89				UD6	venetian blue			
(1)	930 522 052 74	back seat cushion whole-leather	/R	1			XN4	cashmere beige	89		
	KZ2	black					XN5	silk grey	89		
	TV1	mahogany					XN6	velvet red	89		
	TS1	marine blue					XN7	slate grey	89		
	LG7	burgundy				(1)	930 522 052 02	back seat cushion draped leather	/R	1	
	TW1	linen					KZ2	black			
	UD3	plum red	-88				TV1	mahogany			
	UD4	silver-grey	-88				TS1	marine blue			
	LG5	champagne	-88				LG7	burgundy			
	UD5	caramel					TW1	linen			
	QC2	greyish green	-88				UD3	plum red	-88		
	UD6	venetian blue					UD4	silver-grey	-88		
	XN4	cashmere beige	89				LG5	champagne			
	XN5	silk grey	89				UD5	caramel			
	XN6	velvet red	89				QC2	greyish green	-88		
	XN7	slate grey	89				UD6	venetian blue			
1	930 522 051 02	back seat cushion draped leather	/L	1			XN4	cashmere beige	89		
	KZ2	black					XN5	silk grey	89		
	TV1	mahogany					XN6	velvet red	89		
	TS1	marine blue					XN7	slate grey	89		
	LG7	burgundy				1	930 522 051 02	back seat cushion draped leather	/L	88-89	1 JUBI.88/89



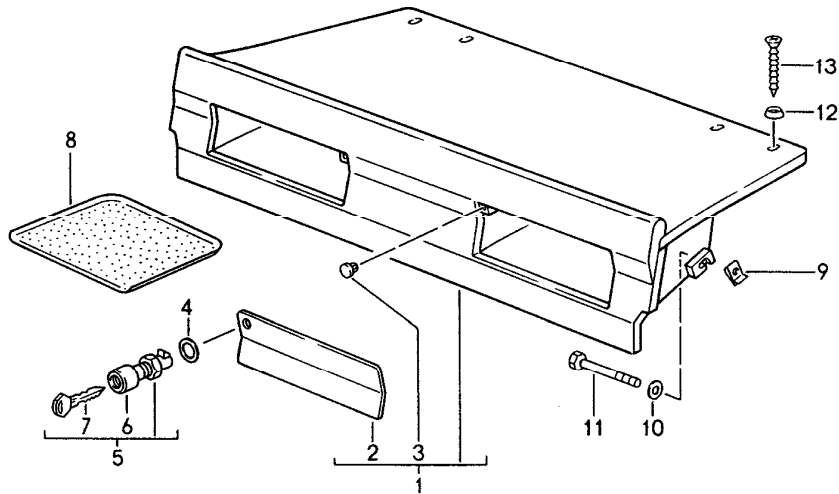
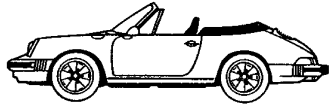
Model	Year	MG	SG	Illustration	Restrictions	UPD	19:52	27.01.2010	PORSCHE	PET	PORSCHE
STZ	1998	8	06	806-50		248					

Pos	Part Number	Description	Remark	Qty	Model	Pos	Part Number	Description	Remark	Qty	Model
(1)	930 522 052 02	WR2 blue metallic back seat cushion draped leather	/R 88-89	1	JUBI.88/89	(2)	930 522 052 01	back seat cushion cloth pin stripe flannel	/R -88	1	
2	930 522 051 01	WR2 blue metallic back seat cushion cloth pin stripe velour	/L	1			PZ2 anthracite TU2 mahogany TR2 marine blue PZ5 burgundy PZ6 greyish green				
(2)	930 522 052 01	JN1 black-white TU1 mahogany-white TR1 blue-white LT2 burgundy-white PY5 greyish green-white 4WJ linen white 4TN cashmere beige-white back seat cushion cloth pin stripe velour	-88 89 89	1		2	930 522 051 01	back seat cushion cloth multicolour	/L 89	1	
2	930 522 051 01	JN1 black-white TU1 mahogany-white TR1 blue-white LT2 burgundy-white PY5 greyish green-white 4WJ linen white 4TN cashmere beige-white back seat cushion cloth pin stripe flannel	-88 89 89	1		(2)	930 522 052 01	back seat cushion cloth multicolour	/R 89	1	
		PZ2 anthracite TU2 mahogany TR2 marine blue PZ5 burgundy PZ6 greyish green				2	930 522 051 01	back seat cushion porsche lettering cloth	/L	1	
							PZ7 black TU3 mahogany TR3 blue QA1 burgundy				

Model	Year	MG	SG	Illustration	Restrictions	UPD	19:52	27.01.2010	PORSCHE	PET	PORSCHE
STZ	1998	8	06	806-50		248					

Pos	Part Number	Description	Remark	Qty	Model	Pos	Part Number	Description	Remark	Qty	Model
		QA2 greyish green		-88			LG5 champagne		-88		
		5WZ linen		89			UD5 caramel				
		7TH cashmere beige		89			QC2 greyish green		-88		
(2)	930 522 052 01	back seat cushion porsche lettering cloth	/R	1			UD6 venetian blue				
		PZ7 black					XN4 cashmere beige		89		
		TU3 mahogany					XN5 silk grey		89		
		TR3 blue					XN6 velvet red		89		
		QA1 burgundy					XN7 slate grey		89		
		QA2 greyish green		-88							
		5WZ linen		89							
		7TH cashmere beige		89							
3	911 522 050 00	back seat cushion leatherette	(J)	1	CARRERA						
		3MK burgundy									
		1MX mahogany									
		43S black									
		1KX marine blue									
		4JX greyish green		-88							
		4WX linen		89							
		7RT cashmere beige		89							
3	911 522 050 70	back seat cushion whole-leather	(J)	1	CARRERA						
		LG7 burgundy									
		TV1 mahogany									
		KZ2 black									
		TS1 marine blue									
		TW1 linen									
		UD3 plum red		-88							
		UD4 silver-grey		-88							

Model	Year	MG	SG	Illustration	Restrictions	UPD	19:52	27.01.2010	PORSCHE	PET	PORSCHE
STZ	1998	8	06	806-52		248					

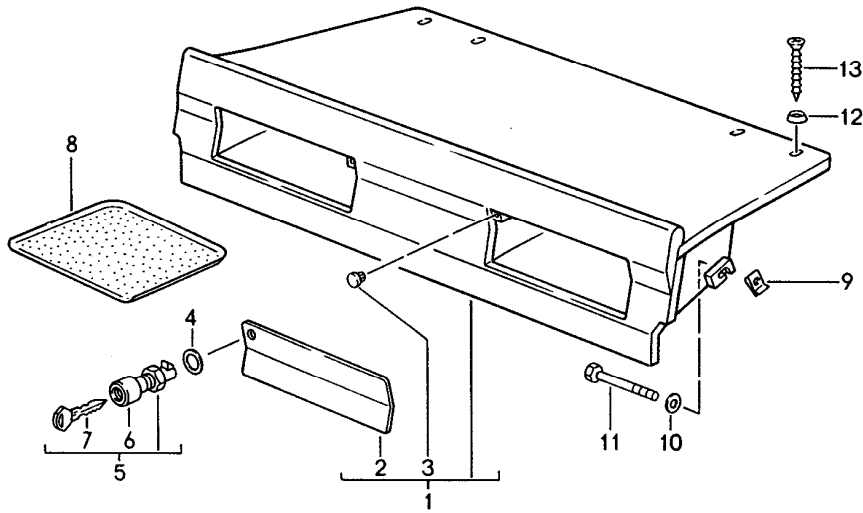
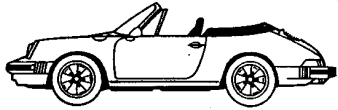


Pos	Part Number	Description	Remark	Qty	Model
		rear luggage dump	85-86		911 CABRIO M419
(1)	911 555 123 61	rear luggage dump carpet	85	1	
	70E	black			
	30B	blue			
	40E	brown			
	80E	burgundy			
	60A	grey			
	6JD	dark green			
	1VD	champagne			
	80S	can-can-red			
	8JK	greyish green			
	2YN	white			
1	911 555 123 62	rear luggage dump carpet	86	1	
	70E	black			
	30B	blue			
	40E	brown			
	80E	burgundy			
	60A	grey			
	2FL	grey-beige	86		
	6JD	dark green			
	1VD	champagne			
	80S	can-can-red			
	8JK	greyish green			
	2YN	white			
2	911 552 488 04	cover		1	
	7AE	black			
3	999 703 002 40	stopper 6,5 X 10 X 7		2	

Model	Year	MG	SG	Illustration	Restrictions	UPD	19:52	27.01.2010	PORSCHE	PET	PORSCHE
STZ	1998	8	06	806-52		248					

Pos	Part Number	Description	Remark	Qty	Model	Pos	Part Number	Description	Remark	Qty	Model
4	911 552 103 01	washer		2							
5	911 552 902 07	glove compartment lock w/o stipulated lock number		2							
(5)	911 552 902 08	glove compartment lock state lock number		2							
(6)	911 538 961 00	knob		2							
6	911 538 561 00	knob	86	2							
7	911 538 902 00	replacement key with key cap state lock number Information available		2							
8	911 555 151 61	carpet seat well		2							
	70E	black									
	30B	blue									
	40E	brown									
	80E	burgundy									
	60A	grey									
	2FL	grey-beige	86								
	6JD	dark green									
	1VD	champagne									
	80S	can-can-red									
	8JK	greyish green									
	2YN	white									
9	999 507 248 02	speed nut M 5		2							
10	N 011 665 3	washer B 5,3		2							
11	N 100 017 01	hexagon-head bolt M 5 X 45		2							
12	999 591 116 07	cone washer		2							
13	900 145 062 07	tapping screw B 3,5 X 25		2							

Model	Year	MG	SG	Illustration	Restrictions	UPD	19:52	27.01.2010	PORSCHE	PET	PORSCHE
STZ	1998	8	06	806-54		248					

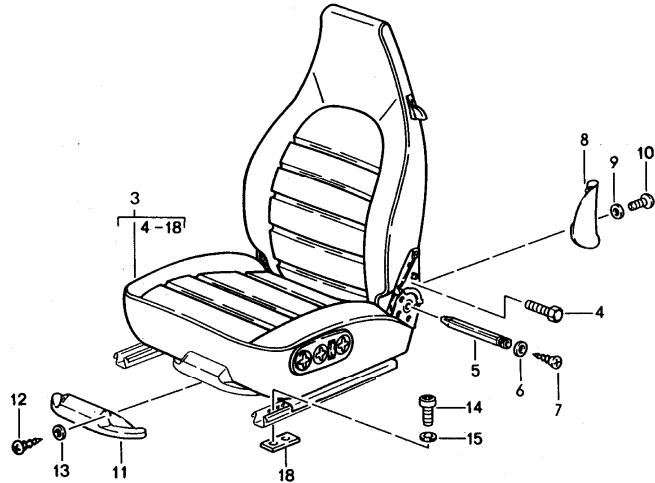
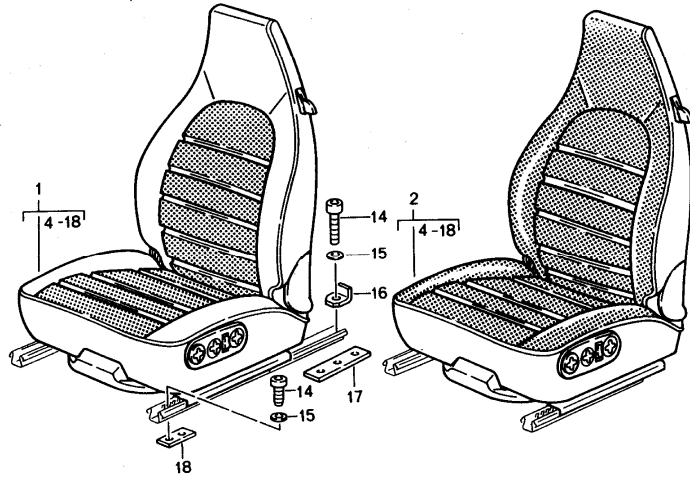
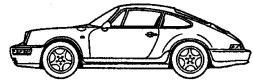


Pos	Part Number	Description	Remark	Qty	Model
		rear luggage dump	87-89		911 CABRIO M419 M637 SPEEDSTER
(1)	911 555 123 00	rear luggage dump without glove compartment cover	-88 89	1	M637
	70E	black			
	5MF	mahogany			
	3KF	marine blue			
	80E	burgundy			
	8JK	greyish green			
1	911 555 123 62	rear luggage dump carpet		1	CABRIO
	70E	black	-88		
	5FV	black	89		
	5MF	mahogany			
	3KF	marine blue	-88		
	4KV	marine blue	89		
	80E	burgundy	-88		
	8MD	burgundy	89		
	2XF	linen			
	8JK	greyish green	-88		
	4MM	plum red	-88		
	7VM	silver-grey	-88		
	7VT	silk grey	89		
	8UT	cashmere beige	89		
	9MT	velvet red	89		
	3WT	slate grey	89		
	1VD	champagne	-88		
	5UM	caramel			
	3KM	venetian blue			

Model	Year	MG	SG	Illustration	Restrictions	UPD	19:52	27.01.2010	PORSCHE	PET	PORSCHE
STZ	1998	8	06	806-54		248					

Pos	Part Number	Description	Remark	Qty	Model	Pos	Part Number	Description	Remark	Qty	Model
1	911 555 123 62	rear luggage dump carpet	89	1	SPEEDSTER		4KV	marine blue	89		
	5FV	black	89				8MD	burgundy	89		
	5MF	mahogany					2XF	linen			
	4KV	marine blue	89				7VT	silk grey	89		
	8MD	burgundy	89				8UT	cashmere beige	89		
	2XF	linen					9MT	velvet red	89		
	7VT	silk grey	89				3WT	slate grey	89		
	8UT	cashmere beige	89				5UM	caramel			
	9MT	velvet red	89				3KM	venetian blue			
	3WT	slate grey	89			9	999 507 248 02	speed nut M 5		2	
	5UM	caramel				10	N 011 665 3	washer B 5,3		2	
	3KM	venetian blue				11	N 100 017 01	hexagon-head bolt M 5 X 45		2	
2	911 552 488 04	cover	89	2	SPEEDSTER	12	999 591 116 07	cone washer		2	
	7AE	black			CABRIO	13	900 145 062 07	tapping screw B 3,5 X 25		2	SPEEDSTER CABRIO
3	999 703 002 40	stopper 6,5 X 10 X 7	89	2	SPEEDSTER CABRIO	13	900 145 072 07	tapping screw B 3,5 X 22		2	M637
4	911 552 103 01	washer	89	2	SPEEDSTER CABRIO						
5	911 552 902 07	glove compartment lock w/o stipulated lock number	89	2	SPEEDSTER CABRIO						
5	911 552 902 08	glove compartment lock state lock number	89	2	SPEEDSTER CABRIO						
6	911 538 561 00	knob	89	2	SPEEDSTER CABRIO						
7	911 538 902 00	replacement key with key cap state lock number Information available	89	2	SPEEDSTER CABRIO						
8	911 555 151 61	carpet seat well	89	2	SPEEDSTER CABRIO						
	5FV	black	89								
	5MF	mahogany									

Model	Year	MG	SG	Illustration	Restrictions	UPD	19:52	27.01.2010	PORSCHE	PET	PORSCHE
STZ	1998	8	06	806-60		248					



Pos	Part Number	Description	Remark	Qty	Model
		front seat complete all-electric	89-94		CARRERA 2/4 TURBO/LOOK
		standard seat and combined seat speedster not available			
1	964 521 003 20	comfort seat leatherette/leather centre part in cloth pin stripe velour	/L	1	M437
	PY1	black/black black-white	-90		
	TU4	mahogany/mahogany mahogany-white	-90		
	TR4	marine blue/marine blue blue-white	-90		
	PY4	burgundy/burgundy burgundy-white	-90		
	XH2	linen/linen linen white	-90		
	XH7	cashmere beige/cash. beige cashmere beige-white	-90		
(1)	964 521 004 20	comfort seat leatherette/leather centre part in cloth pin stripe velour	/R	1	M438
	PY1	black/black black-white	-90		
	TU4	mahogany/mahogany mahogany-white	-90		
	TR4	marine blue/marine blue blue-white	-90		
	PY4	burgundy/burgundy burgundy-white	-90		
	XH2	linen/linen linen white	-90		
	XH7	cashmere beige/cash. beige cashmere beige-white	-90		

Model	Year	MG	SG	Illustration	Restrictions	UPD	19:52	27.01.2010	PORSCHE	PET	PORSCHE
STZ	1998	8	06	806-60		248					

Pos	Part Number	Description	Remark	Qty	Model	Pos	Part Number	Description	Remark	Qty	Model
1	964 521 003 26	comfort seat with heating leatherette/leather centre part in cloth pin stripe velour	/L	1	M437		TU4	mahogany/mahogany mahogany-white	-90		
	PY1	black/black black-white		-90			TR4	marine blue/marine blue blue-white	-90		
	TU4	mahogany/mahogany mahogany-white		-90			PY4	burgundy/burgundy burgundy-white	-90		
	TR4	marine blue/marine blue blue-white		-90			XH2	linen/linen linen white	-90		
	PY4	burgundy/burgundy burgundy-white		-90			XH7	cashmere beige/cash. beige cashmere beige-white	-90		
	XH2	linen/linen linen white		-90		(1)	964 521 004 32	comfort seat with lumbar support leatherette/leather centre part in cloth pin stripe velour	/R	1	M438
	XH7	cashmere beige/cash. beige cashmere beige-white		-90			PY1	black/black black-white	-90		
(1)	964 521 004 26	comfort seat with heating leatherette/leather centre part in cloth pin stripe velour	/R	1	M438		TU4	mahogany/mahogany mahogany-white	-90		
	PY1	black/black black-white		-90			TR4	marine blue/marine blue blue-white	-90		
	TU4	mahogany/mahogany mahogany-white		-90			PY4	burgundy/burgundy burgundy-white	-90		
	TR4	marine blue/marine blue blue-white		-90			XH2	linen/linen linen white	-90		
	PY4	burgundy/burgundy burgundy-white		-90			XH7	cashmere beige/cash. beige cashmere beige-white	-90		
	XH2	linen/linen linen white		-90		1	964 521 003 38	comfort seat lumbar support with heating leatherette/leather centre part in cloth pin stripe velour	/L	1	M437
	XH7	cashmere beige/cash. beige cashmere beige-white		-90			PY1	black/black black-white	-90		
1	964 521 003 32	comfort seat with lumbar support leatherette/leather centre part in cloth pin stripe velour	/L	1	M437		TU4	mahogany/mahogany mahogany-white	-90		
	PY1	black/black black-white		-90			TR4	marine blue/marine blue blue-white	-90		



Model	Year	MG	SG	Illustration	Restrictions	UPD	19:52	27.01.2010	PORSCHE	PET	PORSCHE
STZ	1998	8	06	806-60		248					

Pos	Part Number	Description	Remark	Qty	Model	Pos	Part Number	Description	Remark	Qty	Model
	PY4	burgundy/burgundy burgundy-white	-90				ATF	black/black black	91-		
	XH2	linen/linen linen white	-90				APF	classic grey/classic grey classic grey	91-		
	XH7	cashmere beige/cash. beige cashmere beige-white	-90				ARF	cobalt blue/cobalt blue cobalt blue	91-		
(1)	964 521 004 38	comfort seat lumbar support with heating leatherette/leather centre part in cloth pin stripe velour	/R	1	M438		ASF	magenta/magenta magenta	91-		
	PY1	black/black black-white	-90				AQF	light grey/light grey light grey	91-		
	TU4	mahogany/mahogany mahogany-white	-90				ATL	cashmere beige/cash. beige cashmere beige	91-		
	TR4	marine blue/marine blue blue-white	-90			(1)	964 521 004 20	comfort seat leatherette/leather centre part in cloth multicolour	/R	1	M438
	PY4	burgundy/burgundy burgundy-white	-90				BQK	marine blue/marine blue marine blue	91-		
	XH2	linen/linen linen white	-90				XJ2	black/black black	-90		
	XH7	cashmere beige/cash. beige cashmere beige-white	-90				XJ3	mahogany/mahogany mahogany	-90		
1	964 521 003 20	comfort seat leatherette/leather centre part in cloth multicolour	/L	1	M437		XJ5	marine blue/marine blue marine blue	-90		
	XJ2	black/black black	-90				XJ7	burgundy/burgundy burgundy	-90		
	XJ3	mahogany/mahogany mahogany	-90				XH6	linen/linen linen	-90		
	XJ5	marine blue/marine blue marine blue	-90				XH9	cashmere beige/cash. beige cashmere beige	-90		
	XJ7	burgundy/burgundy burgundy	-90				ATF	black/black black	91-		
	XH6	linen/linen linen	-90				APF	classic grey/classic grey classic grey	91-		
	XH9	cashmere beige/cash. beige cashmere beige	-90				ARF	cobalt blue/cobalt blue cobalt blue	91-		
							ASF	magenta/magenta magenta	91-		

Model	Year	MG	SG	Illustration	Restrictions	UPD	19:52	27.01.2010	PORSCHE	PET	PORSCHE
STZ	1998	8	06	806-60		248					

Pos	Part Number	Description	Remark	Qty	Model	Pos	Part Number	Description	Remark	Qty	Model
	AQF	light grey/light grey light grey	91-			(1)	964 521 004 26	comfort seat with heating leatherette/leather centre part in cloth multicolour	/R	1	M438
	ATL	cashmere beige/cash. beige cashmere beige	91-								
	BQK	marine blue/marine blue marine blue	91-				XJ2	black/black black	-90		
1	964 521 003 26	comfort seat with heating leatherette/leather centre part in cloth multicolour	/L	1	M437		XJ3	mahogany/mahogany mahogany	-90		
	XJ2	black/black black	-90				XJ5	marine blue/marine blue marine blue	-90		
	XJ3	mahogany/mahogany mahogany	-90				XJ7	burgundy/burgundy burgundy	-90		
	XJ5	marine blue/marine blue marine blue	-90				XH6	linen/linen linen	-90		
	XJ7	burgundy/burgundy burgundy	-90				XH9	cashmere beige/cash. beige cashmere beige	-90		
	XH6	linen/linen linen	-90				ATF	black/black black	91-		
	XH9	cashmere beige/cash. beige cashmere beige	-90				APF	classic grey/classic grey classic grey	91-		
	ATF	black/black black	91-				ARF	cobalt blue/cobalt blue cobalt blue	91-		
	APF	classic grey/classic grey classic grey	91-				ASF	magenta/magenta magenta	91-		
	ARF	cobalt blue/cobalt blue cobalt blue	91-				AQF	light grey/light grey light grey	91-		
	ASF	magenta/magenta magenta	91-				ATL	cashmere beige/cash. beige cashmere beige	91-		
	AQF	light grey/light grey light grey	91-				BQK	marine blue/marine blue marine blue	91-		
	ATL	cashmere beige/cash. beige cashmere beige	91-			1	964 521 003 32	comfort seat with lumbar support leatherette/leather centre part in cloth multicolour	/L	1	M437
	BQK	marine blue/marine blue marine blue	91-				XJ2	black/black black	-90		
							XJ3	mahogany/mahogany mahogany	-90		

Model	Year	MG	SG	Illustration	Restrictions	UPD	19:52	27.01.2010	PORSCHE	PET	PORSCHE
STZ	1998	8	06	806-60		248					

Pos	Part Number	Description	Remark	Qty	Model	Pos	Part Number	Description	Remark	Qty	Model
	XJ5	marine blue/marine blue marine blue		-90			ATF	black/black black		91-	
	XJ7	burgundy/burgundy burgundy		-90			APF	classic grey/classic grey classic grey		91-	
	XH6	linen/linen linen		-90			ARF	cobalt blue/cobalt blue cobalt blue		91-	
	XH9	cashmere beige/cash. beige cashmere beige		-90			ASF	magenta/magenta magenta		91-	
	ATF	black/black black		91-			AQF	light grey/light grey light grey		91-	
	APF	classic grey/classic grey classic grey		91-			ATL	cashmere beige/cash. beige cashmere beige		91-	
	ARF	cobalt blue/cobalt blue cobalt blue		91-			BQK	marine blue/marine blue marine blue		91-	
	ASF	magenta/magenta magenta		91-		1	964 521 003 38	comfort seat lumbar support with heating leatherette/leather centre part in cloth multicolour	/L	1	M437
	AQF	light grey/light grey light grey		91-							
	ATL	cashmere beige/cash. beige cashmere beige		91-			XJ2	black/black black		-90	
	BQK	marine blue/marine blue marine blue		91-			XJ3	mahogany/mahogany mahogany		-90	
(1)	964 521 004 32	comfort seat with lumbar support leatherette/leather centre part in cloth multicolour	/R	1	M438		XJ5	marine blue/marine blue marine blue		-90	
	XJ2	black/black black		-90			XJ7	burgundy/burgundy burgundy		-90	
	XJ3	mahogany/mahogany mahogany		-90			XH6	linen/linen linen		-90	
	XJ5	marine blue/marine blue marine blue		-90			XH9	cashmere beige/cash. beige cashmere beige		-90	
	XJ7	burgundy/burgundy burgundy		-90			ATF	black/black black		91-	
	XH6	linen/linen linen		-90			APF	classic grey/classic grey classic grey		91-	
	XH9	cashmere beige/cash. beige cashmere beige		-90			ARF	cobalt blue/cobalt blue cobalt blue		91-	
							ASF	magenta/magenta magenta		91-	

Model	Year	MG	SG	Illustration	Restrictions	UPD	19:52	27.01.2010	PORSCHE	PET	PORSCHE
STZ	1998	8	06	806-60		248					

Pos	Part Number	Description	Remark	Qty	Model	Pos	Part Number	Description	Remark	Qty	Model
	AQF	light grey/light grey light grey	91-			1	964 521 003 20	comfort seat leatherette/leather centre part porsche lettering cloth	/L	1	M437
	ATL	cashmere beige/cash. beige cashmere beige	91-				PZ7	black/black black	-90		
	BQK	marine blue/marine blue marine blue	91-				TU6	mahogany/mahogany mahogany	-90		
(1)	964 521 004 38	comfort seat lumbar support with heating leatherette/leather centre part in cloth multicolour	/R	1	M438		TR6	marine blue/marine blue blue	-90		
	XJ2	black/black black	-90				QA1	burgundy/burgundy burgundy	-90		
	XJ3	mahogany/mahogany mahogany	-90				XH4	linen/linen linen	-90		
	XJ5	marine blue/marine blue marine blue	-90				XH8	cashmere beige/cash. beige cashmere beige	-90		
	XJ7	burgundy/burgundy burgundy	-90				ATA	black/black black	91-		
	XH6	linen/linen linen	-90				APD	classic grey/classic grey classic grey	91-		
	XH9	cashmere beige/cash. beige cashmere beige	-90				ARD	cobalt blue/cobalt blue cobalt blue	91-		
	ATF	black/black black	91-				ASD	magenta/magenta magenta	91-		
	APF	classic grey/classic grey classic grey	91-				AQD	light grey/light grey light grey	91-		
	ARF	cobalt blue/cobalt blue cobalt blue	91-				ATR	cashmere beige/cash. beige cashmere beige	91-		
	ASF	magenta/magenta magenta	91-				BQM	marine blue/marine blue blue	91-		
	AQF	light grey/light grey light grey	91-			(1)	964 521 004 20	comfort seat leatherette/leather centre part porsche lettering cloth	/R	1	M438
	ATL	cashmere beige/cash. beige cashmere beige	91-				PZ7	black/black black	-90		
	BQK	marine blue/marine blue marine blue	91-				TU6	mahogany/mahogany mahogany	-90		
							TR6	marine blue/marine blue blue	-90		

Model	Year	MG	SG	Illustration	Restrictions	UPD	19:52	27.01.2010	PORSCHE	PET	PORSCHE
STZ	1998	8	06	806-60		248					

Pos	Part Number	Description	Remark	Qty	Model	Pos	Part Number	Description	Remark	Qty	Model
	QA1	burgundy/burgundy burgundy	-90				APD	classic grey/classic grey classic grey	91-		
	XH4	linen/linen linen	-90				ARD	cobalt blue/cobalt blue cobalt blue	91-		
	XH8	cashmere beige/cash. beige cashmere beige	-90				ASD	magenta/magenta magenta	91-		
	ATA	black/black black	91-				AQD	light grey/light grey light grey	91-		
	APD	classic grey/classic grey classic grey	91-				ATR	cashmere beige/cash. beige cashmere beige	91-		
	ARD	cobalt blue/cobalt blue cobalt blue	91-				BQM	marine blue/marine blue blue	91-		
	ASD	magenta/magenta magenta	91-			(1)	964 521 004 26	comfort seat with heating leatherette/leather centre part porsche lettering cloth	/R	1	M438
	AQD	light grey/light grey light grey	91-								
	ATR	cashmere beige/cash. beige cashmere beige	91-				PZ7	black/black black	-90		
	BQM	marine blue/marine blue blue	91-				TU6	mahogany/mahogany mahogany	-90		
1	964 521 003 26	comfort seat with heating leatherette/leather centre part porsche lettering cloth	/L	1	M437		TR6	marine blue/marine blue blue	-90		
	PZ7	black/black black	-90				QA1	burgundy/burgundy burgundy	-90		
	TU6	mahogany/mahogany mahogany	-90				XH4	linen/linen linen	-90		
	TR6	marine blue/marine blue blue	-90				XH8	cashmere beige/cash. beige cashmere beige	-90		
	QA1	burgundy/burgundy burgundy	-90				ATA	black/black black	91-		
	XH4	linen/linen linen	-90				APD	classic grey/classic grey classic grey	91-		
	XH8	cashmere beige/cash. beige cashmere beige	-90				ARD	cobalt blue/cobalt blue cobalt blue	91-		
	ATA	black/black black	91-				ASD	magenta/magenta magenta	91-		
							AQD	light grey/light grey light grey	91-		

Model	Year	MG	SG	Illustration	Restrictions	UPD	19:52	27.01.2010	PORSCHE	PET	PORSCHE
STZ	1998	8	06	806-60		248					

Pos	Part Number	Description	Remark	Qty	Model	Pos	Part Number	Description	Remark	Qty	Model
	ATR	cashmere beige/cash. beige cashmere beige	91-			(1)	964 521 004 32	comfort seat with lumbar support leatherette/leather centre part porsche lettering cloth	/R	1	M438
	BQM	marine blue/marine blue blue	91-								
1	964 521 003 32	comfort seat with lumbar support leatherette/leather centre part porsche lettering cloth	/L	1	M437						
	PZ7	black/black black	-90				PZ7	black/black black	-90		
	TU6	mahogany/mahogany mahogany	-90				TU6	mahogany/mahogany mahogany	-90		
	TR6	marine blue/marine blue blue	-90				TR6	marine blue/marine blue blue	-90		
	QA1	burgundy/burgundy burgundy	-90				QA1	burgundy/burgundy burgundy	-90		
	TR6	marine blue/marine blue blue	-90				XH4	linen/linen linen	-90		
	QA1	burgundy/burgundy burgundy	-90				XH8	cashmere beige/cash. beige cashmere beige	-90		
	XH4	linen/linen linen	-90				ATA	black/black black	91-		
	XH8	cashmere beige/cash. beige cashmere beige	-90				APD	classic grey/classic grey classic grey	91-		
	ATA	black/black black	91-				ARD	cobalt blue/cobalt blue cobalt blue	91-		
	APD	classic grey/classic grey classic grey	91-				ASD	magenta/magenta magenta	91-		
	ARD	cobalt blue/cobalt blue cobalt blue	91-				AQD	light grey/light grey light grey	91-		
	ASD	magenta/magenta magenta	91-				ATR	cashmere beige/cash. beige cashmere beige	91-		
	AQD	light grey/light grey light grey	91-				BQM	marine blue/marine blue blue	91-		
	ATR	cashmere beige/cash. beige cashmere beige	91-			1	964 521 003 38	comfort seat lumbar support with heating leatherette/leather centre part porsche lettering cloth	/L	1	M437
	BQM	marine blue/marine blue blue	91-								
							PZ7	black/black black	-90		

Model	Year	MG	SG	Illustration	Restrictions	UPD	19:52	27.01.2010	PORSCHE	PET	PORSCHE
STZ	1998	8	06	806-60		248					

Pos	Part Number	Description	Remark	Qty	Model	Pos	Part Number	Description	Remark	Qty	Model
	TU6	mahogany/mahogany mahogany	-90				XH8	cashmere beige/cash. beige cashmere beige	-90		
	TR6	marine blue/marine blue blue	-90				ATA	black/black black	91-		
	QA1	burgundy/burgundy burgundy	-90				APD	classic grey/classic grey classic grey	91-		
	XH4	linen/linen linen	-90				ARD	cobalt blue/cobalt blue cobalt blue	91-		
	XH8	cashmere beige/cash. beige cashmere beige	-90				ASD	magenta/magenta magenta	91-		
	ATA	black/black black	91-				AQD	light grey/light grey light grey	91-		
	APD	classic grey/classic grey classic grey	91-				ATR	cashmere beige/cash. beige cashmere beige	91-		
	ARD	cobalt blue/cobalt blue cobalt blue	91-				BQM	marine blue/marine blue blue	91-		
	ASD	magenta/magenta magenta	91-			1	964 521 003 22	comfort seat leather/ centre part in cloth pin stripe velour	/L	1	M437
	AQD	light grey/light grey light grey	91-				LS5	black/ black-white	-90		
	ATR	cashmere beige/cash. beige cashmere beige	91-				TU1	mahogany/ mahogany-white	-90		
	BQM	marine blue/marine blue blue	91-				TR1	blue/ blue-white	-90		
(1)	964 521 004 38	comfort seat lumbar support with heating leatherette/leather centre part porsche lettering cloth	/R	1	M438		LS9	burgundy/ burgundy-white	-90		
	PZ7	black/black black	-90				XF5	linen/ linen white	-90		
	TU6	mahogany/mahogany mahogany	-90				XF8	cashmere beige/ cashmere beige-white	-90		
	TR6	marine blue/marine blue blue	-90			(1)	964 521 004 22	comfort seat leather/ centre part in cloth pin stripe velour	/R	1	M438
	QA1	burgundy/burgundy burgundy	-90				LS5	black/ black-white	-90		
	XH4	linen/linen linen	-90				TU1	mahogany/ mahogany-white	-90		

Model	Year	MG	SG	Illustration	Restrictions	UPD	19:52	27.01.2010	PORSCHE	PET	PORSCHE
STZ	1998	8	06	806-60		248					

Pos	Part Number	Description	Remark	Qty	Model	Pos	Part Number	Description	Remark	Qty	Model
		TR1 blue/ blue-white		-90				XF8 cashmere beige/ cashmere beige-white		-90	
		LS9 burgundy/ burgundy-white		-90		1	964 521 003 34	comfort seat with lumbar support leather/ centre part in cloth pin stripe velour	/L	1	M437
		XF5 linen/ linen white		-90				LS5 black/ black-white		-90	
		XF8 cashmere beige/ cashmere beige-white		-90				TU1 mahogany/ mahogany-white		-90	
1	964 521 003 28	comfort seat with heating leather/ centre part in cloth pin stripe velour	/L	1	M437			TR1 blue/ blue-white		-90	
		LS5 black/ black-white		-90				LS9 burgundy/ burgundy-white		-90	
		TU1 mahogany/ mahogany-white		-90				XF5 linen/ linen white		-90	
		TR1 blue/ blue-white		-90				XF8 cashmere beige/ cashmere beige-white		-90	
		LS9 burgundy/ burgundy-white		-90		(1)	964 521 004 34	comfort seat with lumbar support leather/ centre part in cloth pin stripe velour	/R	1	M438
		XF5 linen/ linen white		-90				LS5 black/ black-white		-90	
		XF8 cashmere beige/ cashmere beige-white		-90				TU1 mahogany/ mahogany-white		-90	
(1)	964 521 004 28	comfort seat with heating leather/ centre part in cloth pin stripe velour	/R	1	M438			TR1 blue/ blue-white		-90	
		LS5 black/ black-white		-90				LS9 burgundy/ burgundy-white		-90	
		TU1 mahogany/ mahogany-white		-90				XF5 linen/ linen white		-90	
		TR1 blue/ blue-white		-90				XF8 cashmere beige/ cashmere beige-white		-90	
		LS9 burgundy/ burgundy-white		-90							
		XF5 linen/ linen white		-90							



Model	Year	MG	SG	Illustration	Restrictions	UPD	19:52	27.01.2010	PORSCHE	PET	PORSCHE
STZ	1998	8	06	806-60		248					

Pos	Part Number	Description	Remark	Qty	Model	Pos	Part Number	Description	Remark	Qty	Model
1	964 521 003 40	comfort seat lumbar support with heating leather/ centre part in cloth pin stripe velour	/L	1	M437		XG7	mahogany/mahogany	-90		
	LS5	black/ black-white	-90				XG8	marine blue/marine blue	-90		
	TU1	mahogany/ mahogany-white	-90				XG9	burgundy/burgundy	-90		
	TR1	blue/ blue-white	-90				XF7	linen/linen	-90		
	LS9	burgundy/ burgundy-white	-90				XG5	cashmere beige/cash. beige	-90		
	XF5	linen/ linen white	-90				ATJ	black/black	91-		
	XF8	cashmere beige/ cashmere beige-white	-90				AQT	classic grey/classic grey	91-		
(1)	964 521 004 40	comfort seat lumbar support with heating leather/ centre part in cloth pin stripe velour	/R	1	M438	(1)	964 521 004 22	comfort seat leather/ centre part in cloth multicolour	/R	1	M438
	LS5	black/ black-white	-90				XG6	black/black	-90		
	TU1	mahogany/ mahogany-white	-90				XG7	mahogany/mahogany	-90		
	TR1	blue/ blue-white	-90				XG8	marine blue/marine blue	-90		
	LS9	burgundy/ burgundy-white	-90				XG9	burgundy/burgundy	-90		
	XF5	linen/ linen white	-90				XF7	linen/linen	-90		
	XF8	cashmere beige/ cashmere beige-white	-90				XG5	cashmere beige/cash. beige	-90		
1	964 521 003 22	comfort seat leather/ centre part in cloth multicolour	/L	1	M437		ATJ	black/black	91-		
	XG6	black/black	-90				AQT	classic grey/classic grey	91-		
							AQU	cobalt blue/cobalt blue	91-		
							ASJ	magenta/magenta	91-		
							AQJ	light grey/light grey	91-		
							ATW	cashmere beige/cash. beige	91-		
							BQJ	marine blue/marine blue	91-		

Model	Year	MG	SG	Illustration	Restrictions	UPD	19:52	27.01.2010	PORSCHE	PET	PORSCHE
STZ	1998	8	06	806-60		248					

Pos	Part Number	Description	Remark	Qty	Model	Pos	Part Number	Description	Remark	Qty	Model
1	964 521 003 28	comfort seat with heating leather/centre part in cloth multicolour	/L	1	M437		AQJ	light grey/light grey	91-		
	XG6	black/black		-90			ATW	cashmere beige/cash. beige	91-		
	XG7	mahogany/mahogany		-90			BQJ	marine blue/marine blue	91-		
	XG8	marine blue/marine blue		-90		1	964 521 003 34	comfort seat with lumbar support leather/centre part in cloth multicolour	/L	1	M437
	XG9	burgundy/burgundy		-90			XG6	black/black	-90		
	XF7	linen/linen		-90			XG7	mahogany/mahogany	-90		
	XG5	cashmere beige/cash. beige		-90			XG8	marine blue/marine blue	-90		
	ATJ	black/black		91-			XG9	burgundy/burgundy	-90		
	AQT	classic grey/classic grey		91-			XF7	linen/linen	-90		
	AQU	cobalt blue/cobalt blue		91-			XG5	cashmere beige/cash. beige	-90		
	ASJ	magenta/magenta		91-			ATJ	black/black	91-		
	AQJ	light grey/light grey		91-			AQT	classic grey/classic grey	91-		
	ATW	cashmere beige/cash. beige		91-			AQU	cobalt blue/cobalt blue	91-		
	BQJ	marine blue/marine blue		91-			ASJ	magenta/magenta	91-		
(1)	964 521 004 28	comfort seat with heating leather/centre part in cloth multicolour	/R	1	M438		AQJ	light grey/light grey	91-		
	XG6	black/black		-90			ATW	cashmere beige/cash. beige	91-		
	XG7	mahogany/mahogany		-90		(1)	964 521 004 34	comfort seat with lumbar support leather/centre part in cloth multicolour	/R	1	M438
	XG8	marine blue/marine blue		-90			XG6	black/black	-90		
	XG9	burgundy/burgundy		-90			XG7	mahogany/mahogany	-90		
	XF7	linen/linen		-90			XG8	marine blue/marine blue	-90		
	XG5	cashmere beige/cash. beige		-90			XG9	burgundy/burgundy	-90		
	ATJ	black/black		91-			XF7	linen/linen	-90		
	AQT	classic grey/classic grey		91-			XG5	cashmere beige/cash. beige	-90		
	AQU	cobalt blue/cobalt blue		91-							
	ASJ	magenta/magenta		91-							

Model	Year	MG	SG	Illustration	Restrictions	UPD	19:52	27.01.2010	PORSCHE	PET	PORSCHE
STZ	1998	8	06	806-60		248					

Pos	Part Number	Description	Remark	Qty	Model	Pos	Part Number	Description	Remark	Qty	Model
		ATJ black/black		91-			XG8	marine blue/marine blue		-90	
		AQT classic grey/classic grey		91-			XG9	burgundy/burgundy		-90	
		AQU cobalt blue/cobalt blue		91-			XF7	linen/linen		-90	
		ASJ magenta/magenta		91-			XG5	cashmere beige/cash. beige		-90	
		AQJ light grey/light grey		91-			ATJ	black/black		91-	
		ATW cashmere beige/cash. beige		91-			AQT	classic grey/classic grey		91-	
		BQJ marine blue/marine blue		91-			AQU	cobalt blue/cobalt blue		91-	
1	964 521 003 40	comfort seat lumbar support with heating leather/ centre part in cloth multicolour	/L	1	M437		ASJ	magenta/magenta		91-	
		XG6 black/black		-90			AQJ	light grey/light grey		91-	
		XG7 mahogany/mahogany		-90		1	964 521 003 22	comfort seat leather/ centre part porsche lettering cloth	/L	1	M437
		XG8 marine blue/marine blue		-90			QB2	black/black		-90	
		XG9 burgundy/burgundy		-90			TU3	mahogany/mahogany		-90	
		XF7 linen/linen		-90			TR3	marine blue/blue		-90	
		XG5 cashmere beige/cash. beige		-90			QB8	burgundy/burgundy		-90	
		ATJ black/black		91-			XF6	linen/linen		-90	
		AQT classic grey/classic grey		91-			XF9	cashmere beige/cash. beige		-90	
		AQU cobalt blue/cobalt blue		91-			ATD	black/black		91-	
		ASJ magenta/magenta		91-			APG	classic grey/classic grey		91-	
		AQJ light grey/light grey		91-			ARG	cobalt blue/cobalt blue		91-	
		ATW cashmere beige/cash. beige		91-			ASG	magenta/magenta		91-	
		BQJ marine blue/marine blue		91-			AQG	light grey/light grey		91-	
(1)	964 521 004 40	comfort seat lumbar support with heating leather/ centre part in cloth multicolour	/R	1	M438		ATU	cashmere beige/cash. beige		91-	
		XG6 black/black		-90		(1)	964 521 004 22	comfort seat leather/ centre part porsche lettering cloth	/R	1	M438
		XG7 mahogany/mahogany		-90			BQL	marine blue/blue		91-	

Model	Year	MG	SG	Illustration	Restrictions	UPD	19:52	27.01.2010	PORSCHE	PET	PORSCHE
STZ	1998	8	06	806-60		248					

Pos	Part Number	Description	Remark	Qty	Model	Pos	Part Number	Description	Remark	Qty	Model
	QB2	black/black	-90			(1)	964 521 004 28	comfort seat with heating leather/centre part porsche lettering cloth	/R	1	M438
	TU3	mahogany/mahogany	-90								
	TR3	marine blue/blue	-90								
	QB8	burgundy/burgundy	-90				QB2	black/black	-90		
	XF6	linen/linen	-90				TU3	mahogany/mahogany	-90		
	XF9	cashmere beige/cash. beige	-90				TR3	marine blue/blue	-90		
	ATD	black/black	91-				QB8	burgundy/burgundy	-90		
	APG	classic grey/classic grey	91-				XF6	linen/linen	-90		
	ARG	cobalt blue/cobalt blue	91-				XF9	cashmere beige/cash. beige	-90		
	ASG	magenta/magenta	91-				ATD	black/black	91-		
	AQG	light grey/light grey	91-				APG	classic grey/classic grey	91-		
	ATU	cashmere beige/cash. beige	91-				ARG	cobalt blue/cobalt blue	91-		
	BQL	marine blue/blue	91-				ASG	magenta/magenta	91-		
1	964 521 003 28	comfort seat with heating leather/centre part porsche lettering cloth	/L	1	M437		AQG	light grey/light grey	91-		
	QB2	black/black	-90				ATU	cashmere beige/cash. beige	91-		
	TU3	mahogany/mahogany	-90				BQL	marine blue/blue	91-		
	TR3	marine blue/blue	-90			1	964 521 003 34	comfort seat with lumbar support leather/centre part porsche lettering cloth	/L	1	M437
	QB8	burgundy/burgundy	-90								
	XF6	linen/linen	-90				QB2	black/black	-90		
	XF9	cashmere beige/cash. beige	-90				TU3	mahogany/mahogany	-90		
	ATD	black/black	91-				TR3	marine blue/blue	-90		
	APG	classic grey/classic grey	91-				QB8	burgundy/burgundy	-90		
	ARG	cobalt blue/cobalt blue	91-				XF6	linen/linen	-90		
	ASG	magenta/magenta	91-				XF9	cashmere beige/cash. beige	-90		
	AQG	light grey/light grey	91-				ATD	black/black	91-		
	ATU	cashmere beige/cash. beige	91-				APG	classic grey/classic grey	91-		
	BQL	marine blue/blue	91-				ARG	cobalt blue/cobalt blue	91-		



Model	Year	MG	SG	Illustration	Restrictions	UPD	19:52	27.01.2010	PORSCHE	PET	PORSCHE
STZ	1998	8	06	806-60		248					

Pos	Part Number	Description	Remark	Qty	Model	Pos	Part Number	Description	Remark	Qty	Model
	TU7	mahogany/ mahogany-white		-90			XK2	linen/ linen white		-90	
	TR7	blue/ blue-white		-90			XK5	cashmere beige/ cashmere beige-white		-90	
	NY8	burgundy/ burgundy-white		-90		(2)	964 521 004 25	comfort seat with heating leatherette/ seat and backrest surface pin stripe velour	/R	1	M438
	XK2	linen/ linen white		-90			NY5	black/ black-white		-90	
	XK5	cashmere beige/ cashmere beige-white		-90			TU7	mahogany/ mahogany-white		-90	
(2)	964 521 004 19	comfort seat leatherette/ seat and backrest surface pin stripe velour	/R	1	M438		TR7	blue/ blue-white		-90	
	NY5	black/ black-white		-90			NY8	burgundy/ burgundy-white		-90	
	TU7	mahogany/ mahogany-white		-90			XK2	linen/ linen white		-90	
	TR7	blue/ blue-white		-90			XK5	cashmere beige/ cashmere beige-white		-90	
	NY8	burgundy/ burgundy-white		-90		2	964 521 003 31	comfort seat with lumbar support leatherette/ seat and backrest surface pin stripe velour	/L	1	M437
	XK2	linen/ linen white		-90			NY5	black/ black-white		-90	
	XK5	cashmere beige/ cashmere beige-white		-90			TU7	mahogany/ mahogany-white		-90	
2	964 521 003 25	comfort seat with heating leatherette/ seat and backrest surface pin stripe velour	/L	1	M437		TR7	blue/ blue-white		-90	
	NY5	black/ black-white		-90			NY8	burgundy/ burgundy-white		-90	
	TU7	mahogany/ mahogany-white		-90			XK2	linen/ linen white		-90	
	TR7	blue/ blue-white		-90			XK5	cashmere beige/ cashmere beige-white		-90	
	NY8	burgundy/ burgundy-white		-90							

Model	Year	MG	SG	Illustration	Restrictions	UPD	19:52	27.01.2010	PORSCHE	PET	PORSCHE
STZ	1998	8	06	806-60		248					

Pos	Part Number	Description	Remark	Qty	Model	Pos	Part Number	Description	Remark	Qty	Model
(2)	964 521 004 31	comfort seat with lumbar support leatherette/ seat and backrest surface pin stripe velour	/R	1	M438		NY5	black/ black-white	-90		
							TU7	mahogany/ mahogany-white	-90		
							TR7	blue/ blue-white	-90		
							NY8	burgundy/ burgundy-white	-90		
							XK2	linen/ linen white	-90		
							XK5	cashmere beige/ cashmere beige-white	-90		
2	964 521 003 37	comfort seat lumbar support with heating leatherette/ seat and backrest surface pin stripe velour	/L	1	M437	2	964 521 003 19	comfort seat leatherette/ seat and backrest surface multicolour	/L	1	M437
							XK8	black/black			
							XK9	mahogany/mahogany	-90		
							XN1	marine blue/marine blue			
							XN2	burgundy/burgundy	-90		
							XK4	linen/linen	-90		
							XK7	cashmere beige/cash. beige			
							AQP	classic grey/classic grey	91-		
							AQV	cobalt blue/cobalt blue	91-		
							ASN	magenta/magenta	91-		
							AQN	light grey/light grey	91-		
						(2)	964 521 004 19	comfort seat leatherette/ seat and backrest surface multicolour	/R	1	M438
							XK8	black/black			
(2)	964 521 004 37	comfort seat lumbar support with heating leatherette/ seat and backrest surface pin stripe velour	/R	1	M438		XK9	mahogany/mahogany	-90		
							XN1	marine blue/marine blue			
							XN2	burgundy/burgundy	-90		
							XK4	linen/linen	-90		

Model	Year	MG	SG	Illustration	Restrictions	UPD	19:52	27.01.2010	PORSCHE	PET	PORSCHE
STZ	1998	8	06	806-60		248					

Pos	Part Number	Description	Remark	Qty	Model	Pos	Part Number	Description	Remark	Qty	Model
	XK7	cashmere beige/cash. beige					ASN	magenta/magenta	91-		
	AQP	classic grey/classic grey	91-				AQN	light grey/light grey	91-		
	AQV	cobalt blue/cobalt blue	91-			2	964 521 003 31	comfort seat with lumbar support leatherette/seat and backrest surface multicolour	/L	1	M437
	ASN	magenta/magenta	91-								
	AQN	light grey/light grey	91-								
2	964 521 003 25	comfort seat with heating leatherette/seat and backrest surface multicolour	/L	1	M437						
	XK8	black/black					XK8	black/black			
	XK9	mahogany/mahogany	-90				XK9	mahogany/mahogany	-90		
	XN1	marine blue/marine blue					XN1	marine blue/marine blue			
	XN2	burgundy/burgundy	-90				XN2	burgundy/burgundy	-90		
	XK4	linen/linen	-90				XK4	linen/linen	-90		
	XK7	cashmere beige/cash. beige					XK7	cashmere beige/cash. beige			
	AQP	classic grey/classic grey	91-				AQP	classic grey/classic grey	91-		
	AQV	cobalt blue/cobalt blue	91-				AQV	cobalt blue/cobalt blue	91-		
	ASN	magenta/magenta	91-				ASN	magenta/magenta	91-		
	AQN	light grey/light grey	91-				AQN	light grey/light grey	91-		
(2)	964 521 004 25	comfort seat with heating leatherette/seat and backrest surface multicolour	/R	1	M438	(2)	964 521 004 31	comfort seat with lumbar support leatherette/seat and backrest surface multicolour	/R	1	M438
	XK8	black/black					XK8	black/black			
	XK9	mahogany/mahogany	-90				XK9	mahogany/mahogany	-90		
	XN1	marine blue/marine blue					XN1	marine blue/marine blue			
	XN2	burgundy/burgundy	-90				XN2	burgundy/burgundy	-90		
	XK4	linen/linen	-90				XK4	linen/linen	-90		
	XK7	cashmere beige/cash. beige					XK7	cashmere beige/cash. beige			
	AQP	classic grey/classic grey	91-				AQP	classic grey/classic grey	91-		
	AQV	cobalt blue/cobalt blue	91-				AQV	cobalt blue/cobalt blue	91-		
	ASN	magenta/magenta	91-				ASN	magenta/magenta	91-		
	AQN	light grey/light grey	91-				AQN	light grey/light grey	91-		



Model	Year	MG	SG	Illustration	Restrictions	UPD	19:52	27.01.2010	PORSCHE	PET	PORSCHE
STZ	1998	8	06	806-60		248					

Pos	Part Number	Description	Remark	Qty	Model	Pos	Part Number	Description	Remark	Qty	Model
2	964 521 003 37	comfort seat lumbar support with heating leatherette/ seat and backrest surface multicolour	/L	1	M437	2	964 521 003 19	comfort seat leatherette/ seat and backrest surface porsche lettering cloth	/L	1	M437
	XK8	black/black					PX2	black/black			
	XK9	mahogany/mahogany	-90				TU9	mahogany/mahogany	-90		
	XN1	marine blue/marine blue					TR9	marine blue/blue			
	XN2	burgundy/burgundy	-90				PX8	greyish green/grey-green	-90		
	XK4	linen/linen	-90				XK3	linen/linen	-90		
	XK7	cashmere beige/cash. beige					XK6	cashmere beige/cash. beige			
	AQP	classic grey/classic grey	91-				APM	classic grey/classic grey	91-		
	AQV	cobalt blue/cobalt blue	91-				ARM	cobalt blue/cobalt blue	91-		
	ASN	magenta/magenta	91-				ASM	magenta/magenta	91-		
	AQN	light grey/light grey	91-				AQM	light grey/light grey	91-		
(2)	964 521 004 37	comfort seat lumbar support with heating leatherette/ seat and backrest surface multicolour	/R	1	M438	(2)	964 521 004 19	comfort seat leatherette/ seat and backrest surface porsche lettering cloth	/R	1	M438
	XK8	black/black					PX2	black/black			
	XK9	mahogany/mahogany	-90				TU9	mahogany/mahogany	-90		
	XN1	marine blue/marine blue					TR9	marine blue/blue			
	XN2	burgundy/burgundy	-90				PX8	greyish green/grey-green	-90		
	XK4	linen/linen	-90				XK3	linen/linen	-90		
	XK7	cashmere beige/cash. beige					XK6	cashmere beige/cash. beige			
	AQP	classic grey/classic grey	91-				APM	classic grey/classic grey	91-		
	AQV	cobalt blue/cobalt blue	91-				ARM	cobalt blue/cobalt blue	91-		
	ASN	magenta/magenta	91-				ASM	magenta/magenta	91-		
	AQN	light grey/light grey	91-				AQM	light grey/light grey	91-		
						2	964 521 003 25	comfort seat with heating leatherette/ seat and backrest surface porsche lettering cloth	/L	1	M437
							PX2	black/black			

Model	Year	MG	SG	Illustration	Restrictions	UPD	19:52	27.01.2010	PORSCHE	PET	PORSCHE
STZ	1998	8	06	806-60		248					

Pos	Part Number	Description	Remark	Qty	Model	Pos	Part Number	Description	Remark	Qty	Model
	TU9	mahogany/mahogany		-90			PX8	greyish green/grey-green		-90	
	TR9	marine blue/blue					XK3	linen/linen		-90	
	PX8	greyish green/grey-green		-90			XK6	cashmere beige/cash. beige			
	XK3	linen/linen		-90			APM	classic grey/classic grey		91-	
	XK6	cashmere beige/cash. beige					ARM	cobalt blue/cobalt blue		91-	
	APM	classic grey/classic grey		91-			ASM	magenta/magenta		91-	
	ARM	cobalt blue/cobalt blue		91-			AQM	light grey/light grey		91-	
	ASM	magenta/magenta		91-		(2)	964 521 004 31	comfort seat with lumbar support leatherette/ seat and backrest surface porsche lettering cloth	/R	1	M438
(2)	964 521 004 25	comfort seat with heating leatherette/ seat and backrest surface porsche lettering cloth	/R	1	M438		PX2	black/black			
	PX2	black/black					TU9	mahogany/mahogany		-90	
	TU9	mahogany/mahogany		-90			TR9	marine blue/blue			
	TR9	marine blue/blue					PX8	greyish green/grey-green		-90	
	PX8	greyish green/grey-green		-90			XK3	linen/linen		-90	
	XK3	linen/linen		-90			XK6	cashmere beige/cash. beige			
	XK6	cashmere beige/cash. beige					APM	classic grey/classic grey		91-	
	APM	classic grey/classic grey		91-			ARM	cobalt blue/cobalt blue		91-	
	ARM	cobalt blue/cobalt blue		91-			ASM	magenta/magenta		91-	
	ASM	magenta/magenta		91-			AQM	light grey/light grey		91-	
	AQM	light grey/light grey		91-		2	964 521 003 37	comfort seat lumbar support with heating leatherette/ seat and backrest surface porsche lettering cloth	/L	1	M437
2	964 521 003 31	comfort seat with lumbar support leatherette/ seat and backrest surface porsche lettering cloth	/L	1	M437		PX2	black/black			
	PX2	black/black					TU9	mahogany/mahogany		-90	
	TU9	mahogany/mahogany		-90			TR9	marine blue/blue			
	TR9	marine blue/blue					PX8	greyish green/grey-green		-90	
							XK3	linen/linen		-90	

Model	Year	MG	SG	Illustration	Restrictions	UPD	19:52	27.01.2010	PORSCHE	PET	PORSCHE
STZ	1998	8	06	806-60		248					

Pos	Part Number	Description	Remark	Qty	Model	Pos	Part Number	Description	Remark	Qty	Model
		XK6 cashmere beige/cash. beige					ARK	cobalt blue/cobalt blue	91-		
		APM classic grey/classic grey	91-				ASK	magenta/magenta	91-		
		ARM cobalt blue/cobalt blue	91-				AQK	light grey/light grey	91-		
		ASM magenta/magenta	91-				ATX	cashmere beige/cash. beige	91-		
		AQM light grey/light grey	91-				BQA	marine blue/marine blue	91-		
(2)	964 521 004 37	comfort seat lumbar support with heating leatherette/ seat and backrest surface porsche lettering cloth	/R	1	M438	(3)	964 521 004 21	comfort seat leatherette/ seat and backrest surface leather	/R	1	M438
		PX2 black/black					JN3	black/black	-90		
		TU9 mahogany/mahogany	-90				TV2	mahogany/mahogany	-90		
		TR9 marine blue/blue					TS2	marine blue/marine blue	-90		
		PX8 greyish green/grey-green	-90				NZ8	burgundy/burgundy	-90		
		XK3 linen/linen	-90				TW2	linen/linen	-90		
		XK6 cashmere beige/cash. beige					XN3	cashmere beige/cash. beige	-90		
		APM classic grey/classic grey	91-				ATG	black/black	91-		
		ARM cobalt blue/cobalt blue	91-				APK	classic grey/classic grey	91-		
		ASM magenta/magenta	91-				ARK	cobalt blue/cobalt blue	91-		
		AQM light grey/light grey	91-				ASK	magenta/magenta	91-		
3	964 521 003 21	comfort seat leatherette/ seat and backrest surface leather	/L	1	M437		AQK	light grey/light grey	91-		
		JN3 black/black	-90				ATX	cashmere beige/cash. beige	91-		
		TV2 mahogany/mahogany	-90			3	964 521 003 27	comfort seat with heating leatherette/ seat and backrest surface leather	/L	1	M437
		TS2 marine blue/marine blue	-90				JN3	black/black	-90		
		NZ8 burgundy/burgundy	-90				TV2	mahogany/mahogany	-90		
		TW2 linen/linen	-90				TS2	marine blue/marine blue	-90		
		XN3 cashmere beige/cash. beige	-90				NZ8	burgundy/burgundy	-90		
		ATG black/black	91-				TW2	linen/linen	-90		
		APK classic grey/classic grey	91-								

Model	Year	MG	SG	Illustration	Restrictions	UPD	19:52	27.01.2010	PORSCHE	PET	PORSCHE
STZ	1998	8	06	806-60		248					

Pos	Part Number	Description	Remark	Qty	Model	Pos	Part Number	Description	Remark	Qty	Model
		XN3 cashmere beige/cash. beige		-90				TV2 mahogany/mahogany		-90	
		ATG black/black		91-				TS2 marine blue/marine blue		-90	
		APK classic grey/classic grey		91-				NZ8 burgundy/burgundy		-90	
		ARK cobalt blue/cobalt blue		91-				TW2 linen/linen		-90	
		ASK magenta/magenta		91-				XN3 cashmere beige/cash. beige		-90	
		AQK light grey/light grey		91-				ATG black/black		91-	
		ATX cashmere beige/cash. beige		91-				APK classic grey/classic grey		91-	
		BQA marine blue/marine blue		91-				ARK cobalt blue/cobalt blue		91-	
(3)	964 521 004 27	comfort seat with heating leatherette/seat and backrest surface leather	/R	1	M438			ASK magenta/magenta		91-	
		JN3 black/black		-90				AQK light grey/light grey		91-	
		TV2 mahogany/mahogany		-90		(3)	964 521 004 33	comfort seat with lumbar support leatherette/seat and backrest surface leather	/R	1	M438
		TS2 marine blue/marine blue		-90				JN3 black/black		-90	
		NZ8 burgundy/burgundy		-90				TV2 mahogany/mahogany		-90	
		TW2 linen/linen		-90				TS2 marine blue/marine blue		-90	
		XN3 cashmere beige/cash. beige		-90				NZ8 burgundy/burgundy		-90	
		ATG black/black		91-				TW2 linen/linen		-90	
		APK classic grey/classic grey		91-				XN3 cashmere beige/cash. beige		-90	
		ARK cobalt blue/cobalt blue		91-				ATG black/black		91-	
		ASK magenta/magenta		91-				APK classic grey/classic grey		91-	
		AQK light grey/light grey		91-				ARK cobalt blue/cobalt blue		91-	
		ATX cashmere beige/cash. beige		91-				ASK magenta/magenta		91-	
		BQA marine blue/marine blue		91-				AQK light grey/light grey		91-	
3	964 521 003 33	comfort seat with lumbar support leatherette/seat and backrest surface leather	/L	1	M437			ATX cashmere beige/cash. beige		91-	
		JN3 black/black		-90				BQA marine blue/marine blue		91-	

Model	Year	MG	SG	Illustration	Restrictions	UPD	19:52	27.01.2010	PORSCHE	PET	PORSCHE
STZ	1998	8	06	806-60		248					

Pos	Part Number	Description	Remark	Qty	Model	Pos	Part Number	Description	Remark	Qty	Model
3	964 521 003 39	comfort seat lumbar support with heating leatherette/ seat and backrest surface leather	/L	1	M437		ASK	magenta/magenta	91-		
	JN3	black/black	-90				AQK	light grey/light grey	91-		
	TV2	mahogany/mahogany	-90			3	964 521 003 23	comfort seat whole-leather	/L	1	M437
	TS2	marine blue/marine blue	-90				KZ2	black	-90		
	NZ8	burgundy/burgundy	-90				TV1	mahogany	-90		
	TW2	linen/linen	-90				TS1	marine blue	-90		
	XN3	cashmere beige/cash. beige	-90				LG7	burgundy	-90		
	ATG	black/black	91-				XG3	caramel	-90		
	APK	classic grey/classic grey	91-				TW1	linen	-90		
	ARK	cobalt blue/cobalt blue	91-				XG4	venetian blue	-90		
	ASK	magenta/magenta	91-				XN4	cashmere beige	-90		
	AQK	light grey/light grey	91-				XN5	silk grey	-90		
	ATX	cashmere beige/cash. beige	91-				XN6	velvet red	-90		
	BQA	marine blue/marine blue	91-				XN7	slate grey	-90		
(3)	964 521 004 39	comfort seat lumbar support with heating leatherette/ seat and backrest surface leather	/R	1	M438		ATH	black	91-		
	JN3	black/black	-90				APL	classic grey	91-		
	TV2	mahogany/mahogany	-90				ARL	cobalt blue	91-		
	TS2	marine blue/marine blue	-90				ASL	magenta	91-		
	NZ8	burgundy/burgundy	-90				AQL	light grey	91-		
	TW2	linen/linen	-90				ATY	cashmere beige	91-		
	XN3	cashmere beige/cash. beige	-90				AVF	matador red	91-		
	ATG	black/black	91-				AVG	carrara grey	91-		
	APK	classic grey/classic grey	91-				AVH	sherwood green	91-		
	ARK	cobalt blue/cobalt blue	91-				BQB	marine blue	91-		
						(3)	964 521 004 23	comfort seat whole-leather	/R	1	M438
							KZ2	black	-90		

Model	Year	MG	SG	Illustration	Restrictions	UPD	19:52	27.01.2010	PORSCHE	PET	PORSCHE
STZ	1998	8	06	806-60		248					

Pos	Part Number	Description	Remark	Qty	Model	Pos	Part Number	Description	Remark	Qty	Model
	TV1	mahogany	-90				XN4	cashmere beige	-90		
	TS1	marine blue	-90				XN5	silk grey	-90		
	LG7	burgundy	-90				XN6	velvet red	-90		
	XG3	caramel	-90				XN7	slate grey	-90		
	TW1	linen	-90				ATH	black	91-		
	XG4	venetian blue	-90				APL	classic grey	91-		
	XN4	cashmere beige	-90				ARL	cobalt blue	91-		
	XN5	silk grey	-90				ASL	magenta	91-		
	XN6	velvet red	-90				AQL	light grey	91-		
	XN7	slate grey	-90				ATY	cashmere beige	91-		
	ATH	black	91-				AVF	matador red	91-		
	APL	classic grey	91-				AVG	carrara grey	91-		
	ARL	cobalt blue	91-				AVH	sherwood green	91-		
	ASL	magenta	91-				BQB	marine blue	91-		
	AQL	light grey	91-			(3)	964 521 004 29	comfort seat with heating whole-leather	/R	1	M438
	ATY	cashmere beige	91-				KZ2	black	-90		
	AVF	matador red	91-				TV1	mahogany	-90		
	AVG	carrara grey	91-				TS1	marine blue	-90		
	AVH	sherwood green	91-				LG7	burgundy	-90		
	BQB	marine blue	91-				XG3	caramel	-90		
3	964 521 003 29	comfort seat with heating whole-leather	/L	1	M437		TW1	linen	-90		
	KZ2	black	-90				XG4	venetian blue	-90		
	TV1	mahogany	-90				XN4	cashmere beige	-90		
	TS1	marine blue	-90				XN5	silk grey	-90		
	LG7	burgundy	-90				XN6	velvet red	-90		
	XG3	caramel	-90				XN7	slate grey	-90		
	TW1	linen	-90				ATH	black	91-		
	XG4	venetian blue	-90				APL	classic grey	91-		

Model	Year	MG	SG	Illustration	Restrictions	UPD	19:52	27.01.2010	PORSCHE	PET	PORSCHE
STZ	1998	8	06	806-60		248					

Pos	Part Number	Description	Remark	Qty	Model	Pos	Part Number	Description	Remark	Qty	Model
	ARL	cobalt blue	91-				AVG	carrara grey	91-		
	ASL	magenta	91-				AVH	sherwood green	91-		
	AQL	light grey	91-				BQB	marine blue	91-		
	ATY	cashmere beige	91-			(3)	964 521 004 35	comfort seat with lumbar support whole-leather	/R	1	M438
	AVF	matador red	91-				KZ2	black	-90		
	AVG	carrara grey	91-				TV1	mahogany	-90		
	AVH	sherwood green	91-				TS1	marine blue	-90		
	BQB	marine blue	91-				LG7	burgundy	-90		
3	964 521 003 35	comfort seat with lumbar support whole-leather	/L	1	M437		XG3	caramel	-90		
	KZ2	black	-90				TW1	linen	-90		
	TV1	mahogany	-90				XG4	venetian blue	-90		
	TS1	marine blue	-90				XN4	cashmere beige	-90		
	LG7	burgundy	-90				XN5	silk grey	-90		
	XG3	caramel	-90				XN6	velvet red	-90		
	TW1	linen	-90				XN7	slate grey	-90		
	XG4	venetian blue	-90				ATH	black	91-		
	XN4	cashmere beige	-90				APL	classic grey	91-		
	XN5	silk grey	-90				ARL	cobalt blue	91-		
	XN6	velvet red	-90				ASL	magenta	91-		
	XN7	slate grey	-90				AQL	light grey	91-		
	ATH	black	91-				ATY	cashmere beige	91-		
	APL	classic grey	91-				AVF	matador red	91-		
	ARL	cobalt blue	91-				AVG	carrara grey	91-		
	ASL	magenta	91-				AVH	sherwood green	91-		
	AQL	light grey	91-				BQB	marine blue	91-		
	ATY	cashmere beige	91-			3	964 521 003 41	comfort seat lumbar support with heating whole-leather	/L	1	M437
	AVF	matador red	91-								

Model	Year	MG	SG	Illustration	Restrictions	UPD	19:52	27.01.2010	PORSCHE	PET	PORSCHE
STZ	1998	8	06	806-60		248					

Pos	Part Number	Description	Remark	Qty	Model	Pos	Part Number	Description	Remark	Qty	Model
	KZ2	black	-90				TW1	linen	-90		
	TV1	mahogany	-90				XG4	venetian blue	-90		
	TS1	marine blue	-90				XN4	cashmere beige	-90		
	LG7	burgundy	-90				XN5	silk grey	-90		
	XG3	caramel	-90				XN6	velvet red	-90		
	TW1	linen	-90				XN7	slate grey	-90		
	XG4	venetian blue	-90				ATH	black	91-		
	XN4	cashmere beige	-90				APL	classic grey	91-		
	XN5	silk grey	-90				ARL	cobalt blue	91-		
	XN6	velvet red	-90				ASL	magenta	91-		
	XN7	slate grey	-90				AQL	light grey	91-		
	ATH	black	91-				ATY	cashmere beige	91-		
	APL	classic grey	91-				AVF	matador red	91-		
	ARL	cobalt blue	91-				AVG	carrara grey	91-		
	ASL	magenta	91-				AVH	sherwood green	91-		
	AQL	light grey	91-				BQB	marine blue	91-		
	ATY	cashmere beige	91-			3	964 521 003 24	comfort seat draped leather	/L	1	M437
	AVF	matador red	91-				KZ2	black	-90		
	AVG	carrara grey	91-				TV1	mahogany	-90		
	AVH	sherwood green	91-				TS1	marine blue	-90		
	BQB	marine blue	91-				LG7	burgundy	-90		
(3)	964 521 004 41	comfort seat lumbar support with heating whole-leather	/R	1	M438		XG3	caramel	-90		
	KZ2	black	-90				TW1	linen	-90		
	TV1	mahogany	-90				XG4	venetian blue	-90		
	TS1	marine blue	-90				XN4	cashmere beige	-90		
	LG7	burgundy	-90				XN5	silk grey	-90		
	XG3	caramel	-90				XN6	velvet red	-90		
							XN7	slate grey	-90		



Model	Year	MG	SG	Illustration	Restrictions	UPD	19:52	27.01.2010	PORSCHE	PET	PORSCHE
STZ	1998	8	06	806-60		248					

Pos	Part Number	Description	Remark	Qty	Model	Pos	Part Number	Description	Remark	Qty	Model
	ATH	black		91-			AVF	matador red		91-	
	APL	classic grey		91-			AVG	carrara grey		91-	
	ARL	cobalt blue		91-			AVH	sherwood green		91-	
	ASL	magenta		91-			BQB	marine blue		91-	
	AQL	light grey		91-		3	964 521 003 30	comfort seat with heating draped leather	/L	1	M437
	ATY	cashmere beige		91-			KZ2	black		-90	
	AVF	matador red		91-			TV1	mahogany		-90	
	AVG	carrara grey		91-			TS1	marine blue		-90	
	AVH	sherwood green		91-			LG7	burgundy		-90	
	BQB	marine blue		91-			XG3	caramel		-90	
(3)	964 521 004 24	comfort seat draped leather	/R	1	M438		TW1	linen		-90	
	KZ2	black		-90			XG4	venetian blue		-90	
	TV1	mahogany		-90			XN4	cashmere beige		-90	
	TS1	marine blue		-90			XN5	silk grey		-90	
	LG7	burgundy		-90			XN6	velvet red		-90	
	XG3	caramel		-90			XN7	slate grey		-90	
	TW1	linen		-90			ATH	black		91-	
	XG4	venetian blue		-90			APL	classic grey		91-	
	XN4	cashmere beige		-90			ARL	cobalt blue		91-	
	XN5	silk grey		-90			ASL	magenta		91-	
	XN6	velvet red		-90			AQL	light grey		91-	
	XN7	slate grey		-90			ATY	cashmere beige		91-	
	ATH	black		91-			AVF	matador red		91-	
	APL	classic grey		91-			AVG	carrara grey		91-	
	ARL	cobalt blue		91-			AVH	sherwood green		91-	
	ASL	magenta		91-			BQB	marine blue		91-	
	AQL	light grey		91-		(3)	964 521 004 30	comfort seat with heating draped leather	/R	1	M438
	ATY	cashmere beige		91-							

Model	Year	MG	SG	Illustration	Restrictions	UPD	19:52	27.01.2010	PORSCHE	PET	PORSCHE
STZ	1998	8	06	806-60		248					

Pos	Part Number	Description	Remark	Qty	Model	Pos	Part Number	Description	Remark	Qty	Model
	KZ2	black	-90				TW1	linen	-90		
	TV1	mahogany	-90				XG4	venetian blue	-90		
	TS1	marine blue	-90				XN4	cashmere beige	-90		
	LG7	burgundy	-90				XN5	silk grey	-90		
	XG3	caramel	-90				XN6	velvet red	-90		
	TW1	linen	-90				XN7	slate grey	-90		
	XG4	venetian blue	-90				ATH	black	91-		
	XN4	cashmere beige	-90				APL	classic grey	91-		
	XN5	silk grey	-90				ARL	cobalt blue	91-		
	XN6	velvet red	-90				ASL	magenta	91-		
	XN7	slate grey	-90				AQL	light grey	91-		
	ATH	black	91-				ATY	cashmere beige	91-		
	APL	classic grey	91-				AVF	matador red	91-		
	ARL	cobalt blue	91-				AVG	carrara grey	91-		
	ASL	magenta	91-				AVH	sherwood green	91-		
	AQL	light grey	91-				BQB	marine blue	91-		
	ATY	cashmere beige	91-			(3)	964 521 004 36	comfort seat with lumbar support draped leather	/R	1	M438
	AVF	matador red	91-				KZ2	black	-90		
	AVG	carrara grey	91-				TV1	mahogany	-90		
	AVH	sherwood green	91-				TS1	marine blue	-90		
	BQB	marine blue	91-				LG7	burgundy	-90		
3	964 521 003 36	comfort seat with lumbar support draped leather	/L	1	M437		XG3	caramel	-90		
	KZ2	black	-90				TW1	linen	-90		
	TV1	mahogany	-90				XG4	venetian blue	-90		
	TS1	marine blue	-90				XN4	cashmere beige	-90		
	LG7	burgundy	-90				XN5	silk grey	-90		
	XG3	caramel	-90				XN6	velvet red	-90		

Model	Year	MG	SG	Illustration	Restrictions	UPD	19:52	27.01.2010	PORSCHE	PET	PORSCHE
STZ	1998	8	06	806-60		248					

Pos	Part Number	Description	Remark	Qty	Model	Pos	Part Number	Description	Remark	Qty	Model
	XN7	slate grey	-90				AQL	light grey	91-		
	ATH	black	91-				ATY	cashmere beige	91-		
	APL	classic grey	91-				AVF	matador red	91-		
	ARL	cobalt blue	91-				AVG	carrara grey	91-		
	ASL	magenta	91-				AVH	sherwood green	91-		
	AQL	light grey	91-				BQB	marine blue	91-		
	ATY	cashmere beige	91-			(3)	964 521 004 42	comfort seat lumbar support with heating draped leather	/R	1	M438
	AVF	matador red	91-				KZ2	black	-90		
	AVG	carrara grey	91-				TV1	mahogany	-90		
	AVH	sherwood green	91-				TS1	marine blue	-90		
	BQB	marine blue	91-				LG7	burgundy	-90		
3	964 521 003 42	comfort seat lumbar support with heating draped leather	/L	1	M437		XG3	caramel	-90		
	KZ2	black	-90				TW1	linen	-90		
	TV1	mahogany	-90				XG4	venetian blue	-90		
	TS1	marine blue	-90				XN4	cashmere beige	-90		
	LG7	burgundy	-90				XN5	silk grey	-90		
	XG3	caramel	-90				XN6	velvet red	-90		
	TW1	linen	-90				XN7	slate grey	-90		
	XG4	venetian blue	-90				ATH	black	91-		
	XN4	cashmere beige	-90				APL	classic grey	91-		
	XN5	silk grey	-90				ARL	cobalt blue	91-		
	XN6	velvet red	-90				ASL	magenta	91-		
	XN7	slate grey	-90				AQL	light grey	91-		
	ATH	black	91-				ATY	cashmere beige	91-		
	APL	classic grey	91-				AVF	matador red	91-		
	ARL	cobalt blue	91-				AVG	carrara grey	91-		
	ASL	magenta	91-				AVH	sherwood green	91-		

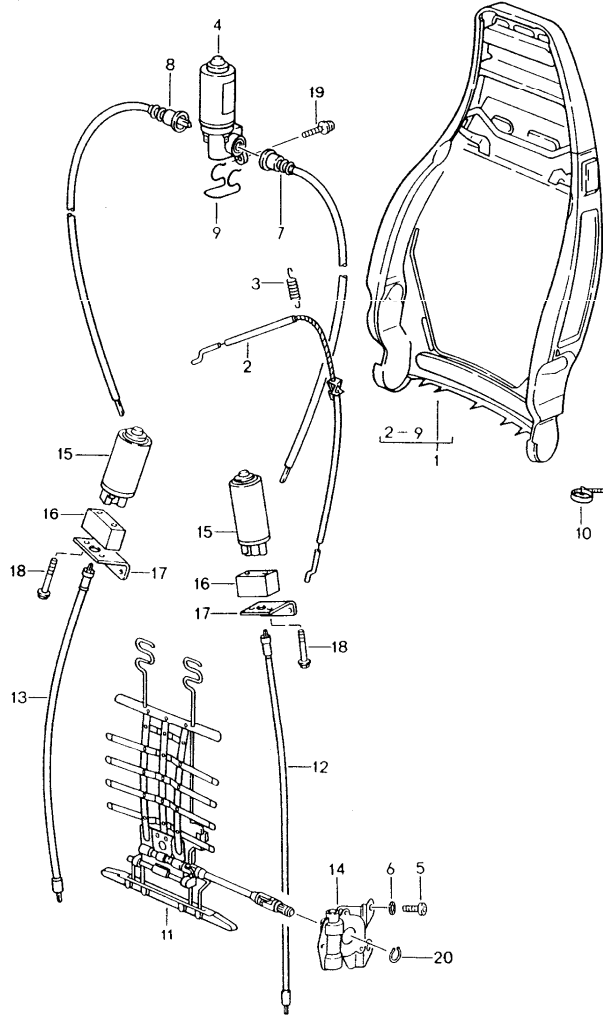
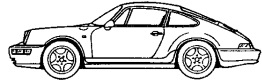
Model	Year	MG	SG	Illustration	Restrictions	UPD	19:52	27.01.2010	PORSCHE	PET	PORSCHE
STZ	1998	8	06	806-60		248					

Pos	Part Number	Description	Remark	Qty	Model	Pos	Part Number	Description	Remark	Qty	Model
	BQB	marine blue	91-				9ZN	light grey	91-		
3	964 521 003 29	comfort seat all-electric with heating whole-leather	/L 92	1	TURBO-LOOK M437/438	(8)	928 521 148 02	cover	/R	2	
	BQZ	rhodamine					01C	black			
	BQY	wimbledon green					4MJ	mahogany	-90		
	BQX	florentine grey					9JJ	marine blue			
(3)	964 521 004 29	comfort seat all-electric with heating whole-leather	/R 92	1	TURBO-LOOK M437/438		9MM	burgundy	-90		
	BQZ	rhodamine					7XJ	linen	-90		
	BQY	wimbledon green					3UD	cashmere beige			
	BQX	florentine grey					4XC	classic grey	91-		
4	911 521 547 00	hexagon-head bolt M 10 X 20		6		9	900 025 044 07	washer A 4,3		8	
5	928 521 717 02	square rod for backrest adjustment		4		10	900 143 113 07	tapping screw B 4,2 X 13		8	
6	928 521 716 02	lock washer for backrest adjustment		4		11	928 521 760 04	engine cover comfort seat		2	
7	900 249 004 02	countersunk-head screw M 4 X 8 for backrest adjustment		4			01C	satin black			
8	928 521 147 02	cover	/L	2		(11)	928 521 760 05	engine cover standard seat electrically adjustable		2	
	01C	black					01C	satin black			
	4MJ	mahogany	-90			12	900 143 113 07	tapping screw 4,2 X 13		4	
	9JJ	marine blue				13	900 025 044 07	washer A 4,3		4	
	9MM	burgundy	-90			-	N 100 472 01	speed nut ST. 3,9		4	
	7XJ	linen	-90			14	900 119 030 02	pan-head screw M 8 X 20		12	
	3UD	cashmere beige				15	900 089 006 02	washer 8		12	
	4XC	classic grey	91-			16	911 521 347 00	stop	-90	2	
	6ZF	cobalt blue	91-								
	6WX	magenta	91-								

Model	Year	MG	SG	Illustration	Restrictions	UPD	19:52	27.01.2010	PORSCHE	PET	PORSCHE
STZ	1998	8	06	806-60		248					

Pos	Part Number	Description	Remark	Qty	Model	Pos	Part Number	Description	Remark	Qty	Model
17	928 521 101 08	threaded plate rear 4 X M 8		X							
18	964 521 701 00	threaded plate front and rear 2 X M 8		X							

Model	Year	MG	SG	Illustration	Restrictions	UPD	19:52	27.01.2010	PORSCHE	PET	PORSCHE
STZ	1998	8	06	806-62		248					

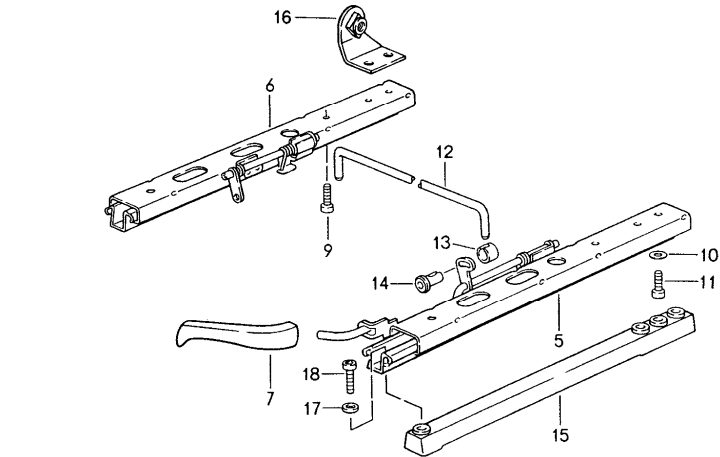
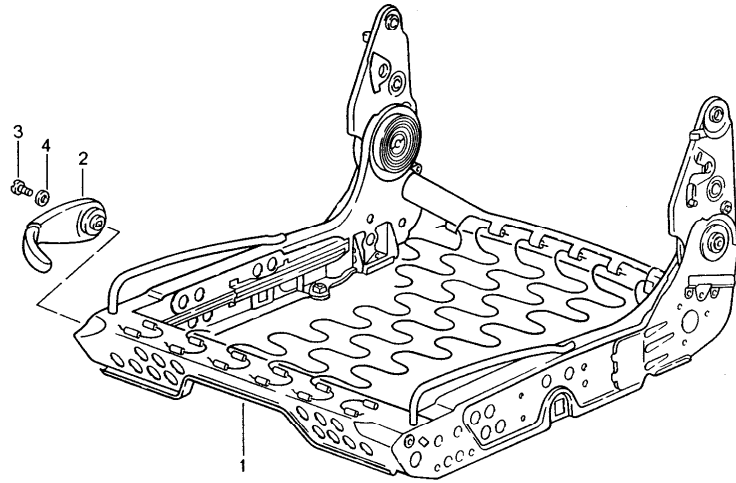


Pos	Part Number	Description	Remark	Qty	Model
		backrest frame electric manually lumbar support	89-94		CARRERA 2/4 TURBO/LOOK
(1)	928 521 027 08	backrest frame manually adjustable		2	
1	928 521 027 10	backrest frame electrically adjustable		2	
2	928 521 093 02	bowden cable		4	
3	311 881 287 A	spring actuating lever		4	
4	928 624 126 01	geared motor for backrest adjustment		2	
5	N 014 128 4	oval-head screw M 5 X 8		4	
6	N 012 130 2	shake-proof washer A 5,3		4	
7	928 521 617 03	shaft for backrest adjustment	/L	2	
8	928 521 618 03	shaft for backrest adjustment	/R	2	
9	928 521 675 02	moulded spring		2	
10	N 020 904 4	tie-wrap 6,5 X 120		5	
11	928 521 135 02	lumbar support		2	
12	928 521 315 03	pliable shaft lumbar support adjustment curvature		2	
13	928 521 315 02	pliable shaft lumbar support adjustment height		2	
14	928 521 153 03	transmission		2	
15	928 624 122 02	adjusting motor lumbar		4	
16	928 624 199 00	spacer lumbar support		4	
17	928 624 057 00	engine carrier lumbar support		4	

Model	Year	MG	SG	Illustration	Restrictions	UPD	19:52	27.01.2010	PORSCHE	PET	PORSCHE
STZ	1998	8	06	806-62		248					

Pos	Part Number	Description	Remark	Qty	Model	Pos	Part Number	Description	Remark	Qty	Model
18	999 919 058 02	hexagon-head bolt H 5 X 40		8							
19	900 146 117 02	combination screw M 5 X 12 Z1		4							
20	N 012 411 1	circlip 11 X 1		2							

Model	Year	MG	SG	Illustration	Restrictions	UPD	19:53	27.01.2010	PORSCHE	PET	PORSCHE
STZ	1998	8	06	806-64		248					



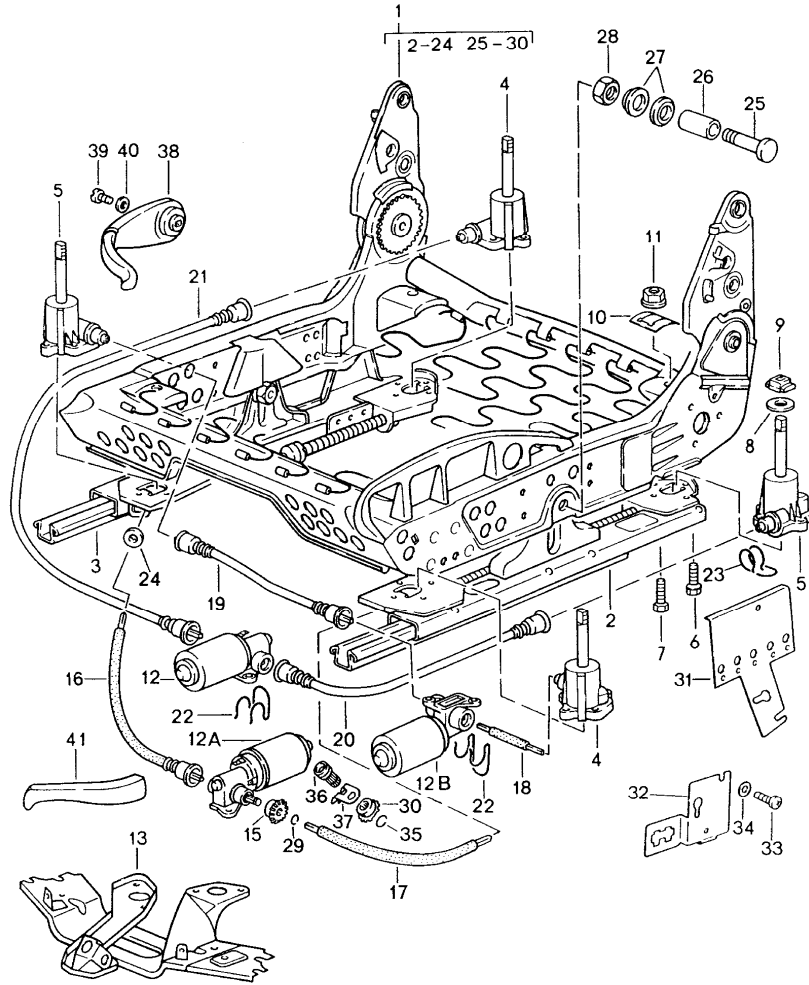
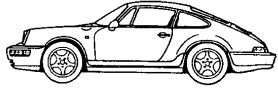
Pos	Part Number	Description	Remark	Qty	Model
		seat frame for manual adjustment	89-94		CARRERA 2/4 TURBO
1	993 521 069 00	seat frame	/L	1	
(1)	993 521 070 00	seat frame	/R	1	
(2)	964 521 073 00	lever for backrest adjustment		2	
		01C satin black			
3	900 119 011 07	pan-head screw M 5 X 10		2	
4	900 031 006 07	washer 5,3		2	
5	928 521 489 10	seat rail left seat outer		1	
(5)	928 521 490 10	seat rail right seat outer		1	
6	928 521 492 08	seat rail left seat inner		1	
(6)	928 521 491 08	seat rail right seat inner		1	
(7)	911 521 533 01	handle for longitudinal adjustment		2	
		01C satin black			
9	900 119 091 02	pan-head screw M 6 X 15		1	
10	900 025 007 02	washer A 8,4		6	
11	900 119 052 02	pan-head screw M 8 X 16		6	
12	928 521 525 03	connecting rod for longitudinal adjustment		1	
13	N 902 514 01	clamping sleeve for longitudinal adjustment		2	
14	N 902 515 01	guide bush for longitudinal adjustment		2	



Model	Year	MG	SG	Illustration	Restrictions	UPD	19:53	27.01.2010	PORSCHE	PET	PORSCHE
STZ	1998	8	06	806-64		248					

Pos	Part Number	Description	Remark	Qty	Model	Pos	Part Number	Description	Remark	Qty	Model
15	911 521 493 02	spacer		2							
16	964 521 065 00	support for seat-belt buckle		2							
17	900 031 001 02	washer A 8,4		6							
18	900 119 081 02	pan-head screw M 8 X 35		6							

Model	Year	MG	SG	Illustration	Restrictions	UPD	19:53	27.01.2010	PORSCHE	PET	PORSCHE
STZ	1998	8	06	806-66		248					

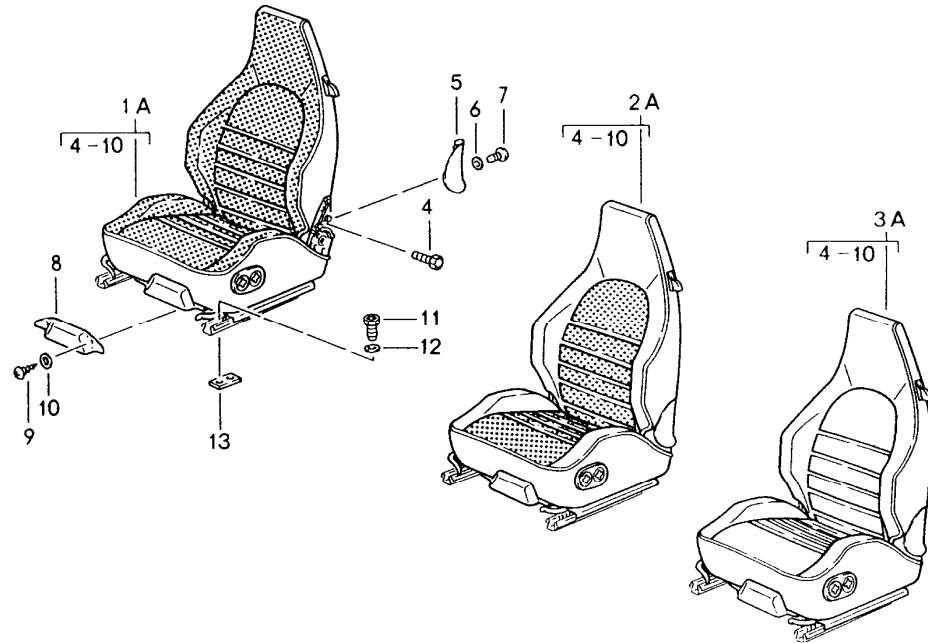
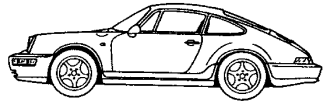


Pos	Part Number	Description	Remark	Qty	Model
		seat frame electrically adjustable	89-94		CARRERA 2/4 TURBO
1	993 521 069 03	seat frame all-electric	/L	1	
(1)	993 521 070 03	seat frame all-electric	/R	1	
(1)	993 521 069 01	seat frame elect. vertical adjustment	/L	1	
(1) A	993 521 070 01	seat frame elect. vertical adjustment	/R	1	
(1)	993 521 070 01	seat frame elect. vertical adjustment	/R	1	
2	928 521 489 08	seat rail left seat outer all-electric		1	
(2)	928 521 490 08	seat rail right seat outer all-electric		1	
3	964 521 492 01	seat rail left seat inner all-electric		1	
(3)	964 521 491 01	seat rail right seat inner all-electric		1	
2	928 521 489 11	seat rail left seat outer elect. vertical adjustment		1	
(2)	928 521 490 11	seat rail right seat outer elect. vertical adjustment		1	
3	964 521 492 00	seat rail left seat inner elect. vertical adjustment		1	
(3)	964 521 491 00	seat rail right seat inner elect. vertical adjustment		1	

Model	Year	MG	SG	Illustration	Restrictions	UPD	19:53	27.01.2010	PORSCHE	PET	PORSCHE
STZ	1998	8	06	806-66		248					

Pos	Part Number	Description	Remark	Qty	Model	Pos	Part Number	Description	Remark	Qty	Model
4	928 521 721 03	lifting gear left front, right rear		4		24	999 591 778 02	support shaft for longitudinal adjustment		6	
5	928 521 722 03	lifting gear right front, left rear		4		25	928 521 681 02	bolt 1,5 PA 6		4	
6	999 217 033 01	locking screw M 6 X 16		20		26	928 521 685 02	bush		4	
7	900 186 032 02	pan-head screw M 6 X 12		8		27	928 521 683 02	washer 1,5 PA 6		8	
8	999 025 129 40	washer		8		28	900 034 003 02	hexagon nut M 10		4	
9	928 521 727 02	slide		8		29	900 906 005 01	circlip A 8		2	
10	928 521 723 02	guide spring		8		30	928 521 818 04	bevel pinion for emergency control		2	
11	928 521 730 02	nut		8		31	928 653 501 03	retaining bracket		2	
12	928 624 126 01	geared motor rear vertical adjustment		2		32	928 653 503 02	bracket		2	
12A	928 624 136 00	geared motor for longitudinal adjustment		2		33	N 014 133 8	oval-head screw M 5 X 12		2	
12B	928 624 126 01	geared motor front vertical adjustment		2		34	900 025 003 02	washer A 5,3		2	
13	928 521 033 03	engine support		2		35	N 042 499 1	circlip A 12		2	
15	928 521 818 03	bevel pinion for emergency control		2		36	928 521 816 03	bearing pin		2	
16	928 521 252 04	shaft for longitudinal adjustment	/L	2		37	928 521 686 00	moulded spring		2	
17	928 521 251 03	shaft for longitudinal adjustment	/R	2		(38)	964 521 073 00	lever		2	
18	928 521 671 03	shaft front vertical adjustment	/L	2			01C	satin black			
19	928 521 672 03	shaft front vertical adjustment	/R	2		39	900 119 011 07	pan-head screw M 5 X 10		2	
20	928 521 673 05	shaft rear vertical adjustment	/L	2		40	900 031 006 07	washer 5,3		2	
21	928 521 674 05	shaft rear vertical adjustment	/R	2		(41)	911 521 533 01	handle		2	
22	928 521 675 02	moulded spring for engine		6			01C	satin black			
23	928 521 699 00	moulded spring transmission		6							

Model	Year	MG	SG	Illustration	Restrictions	UPD	19:53	27.01.2010	PORSCHE	PET	PORSCHE
STZ	1998	8	06	806-68		248					



Pos	Part Number	Description	Remark	Qty	Model
		sports seat complete	89-94		CARRERA 2/4 TURBO CARRERA RS
1A	944 521 001 04	sports seat without heating leatherette/ seat and backrest surface pin stripe velour	/L	1	M383
	NY5	black/ black-white	-90		
	TU7	mahogany/ mahogany-white	-90		
	TR7	blue/ blue-white	-90		
	NY8	burgundy/ burgundy-white	-90		
	XK2	linen/ linen white	-90		
	XK5	cashmere beige/ cashmere beige-white	-90		
(1A)	944 521 002 04	sports seat without heating leatherette/ seat and backrest surface pin stripe velour	/R	1	M387
	NY5	black/ black-white	-90		
	TU7	mahogany/ mahogany-white	-90		
	TR7	blue/ blue-white	-90		
	NY8	burgundy/ burgundy-white	-90		
	XK2	linen/ linen white	-90		
	XK5	cashmere beige/ cashmere beige-white	-90		
(1A)	944 521 001 05	sports seat with heating leatherette/ seat and backrest surface pin stripe velour	/L	1	M383

Model	Year	MG	SG	Illustration	Restrictions	UPD	19:53	27.01.2010	PORSCHE	PET	PORSCHE
STZ	1998	8	06	806-68		248					

Pos	Part Number	Description	Remark	Qty	Model	Pos	Part Number	Description	Remark	Qty	Model
	NY5	black/ black-white		-90			XK7	cashmere beige/cash. beige			
	TU7	mahogany/ mahogany-white		-90			AQP	classic grey/classic grey	91-		
	TR7	blue/ blue-white		-90			AQV	cobalt blue/cobalt blue	91-		
	NY8	burgundy/ burgundy-white		-90			ASN	magenta/magenta	91-		
	XK2	linen/ linen white		-90			AQN	light grey/light grey	91-		
	XK5	cashmere beige/ cashmere beige-white		-90							
(1A)	944 521 002 05	sports seat with heating leatherette/ seat and backrest surface pin stripe velour	/R	1	M387	(1A)	944 521 002 04	sports seat without heating leatherette/ seat and backrest surface multicolour	/R	1	M387
	NY5	black/ black-white		-90			XK8	black/black			
	TU7	mahogany/ mahogany-white		-90			XK9	mahogany/mahogany	-90		
	TR7	blue/ blue-white		-90			XN1	marine blue/marine blue			
	NY8	burgundy/ burgundy-white		-90			XN2	burgundy/burgundy	-90		
	XK2	linen/ linen white		-90			XK4	linen/linen	-90		
	XK5	cashmere beige/ cashmere beige-white		-90			XK7	cashmere beige/cash. beige			
1A	944 521 001 04	sports seat without heating leatherette/ seat and backrest surface multicolour	/L	1	M383	(1A)	944 521 001 05	sports seat with heating leatherette/ seat and backrest surface multicolour	/L	1	M383
	XK8	black/black					XK8	black/black			
	XK9	mahogany/mahogany		-90			XK9	mahogany/mahogany	-90		
	XN1	marine blue/marine blue					XN1	marine blue/marine blue			
	XN2	burgundy/burgundy		-90			XN2	burgundy/burgundy	-90		
	XK4	linen/linen		-90			XK4	linen/linen	-90		
							XK7	cashmere beige/cash. beige			
							AQP	classic grey/classic grey	91-		
							AQV	cobalt blue/cobalt blue	91-		

Model	Year	MG	SG	Illustration	Restrictions	UPD	19:53	27.01.2010	PORSCHE	PET	PORSCHE
STZ	1998	8	06	806-68		248					

Pos	Part Number	Description	Remark	Qty	Model	Pos	Part Number	Description	Remark	Qty	Model
	ASN	magenta/magenta	91-			(1A)	944 521 002 04	sports seat without heating	/R	1	M387
	AQN	light grey/light grey	91-					leatherette/			
(1A)	944 521 002 05	sports seat with heating leatherette/ seat and backrest surface multicolour	/R	1	M387			porsche lettering cloth			
	XK8	black/black					PX2	black/black			
	XK9	mahogany/mahogany	-90				TU9	mahogany/mahogany	-90		
	XN1	marine blue/marine blue					TR9	marine blue/blue			
	XN2	burgundy/burgundy	-90				PX6	burgundy/burgundy	-90		
	XK4	linen/linen	-90				XK3	linen/linen	-90		
	XK7	cashmere beige/cash. beige					XK6	cashmere beige/cash. beige			
	AQP	classic grey/classic grey	91-				APM	classic grey/classic grey	91-		
	AQV	cobalt blue/cobalt blue	91-				ARM	cobalt blue/cobalt blue	91-		
	ASN	magenta/magenta	91-				ASM	magenta/magenta	91-		
	AQN	light grey/light grey	91-				AQM	light grey/light grey	91-		
1A	944 521 001 04	sports seat without heating leatherette/ seat and backrest surface porsche lettering cloth	/L	1	M383	(1A)	944 521 001 05	sports seat with heating leatherette/ seat and backrest surface porsche lettering cloth	/L	1	M383
	PX2	black/black					PX2	black/black			
	TU9	mahogany/mahogany	-90				TU9	mahogany/mahogany	-90		
	TR9	marine blue/blue					TR9	marine blue/blue			
	PX6	burgundy/burgundy	-90				PX6	burgundy/burgundy	-90		
	XK3	linen/linen	-90				XK3	linen/linen	-90		
	XK6	cashmere beige/cash. beige					XK6	cashmere beige/cash. beige			
	APM	classic grey/classic grey	91-				APM	classic grey/classic grey	91-		
	ARM	cobalt blue/cobalt blue	91-				ARM	cobalt blue/cobalt blue	91-		
	ASM	magenta/magenta	91-				ASM	magenta/magenta	91-		
	AQM	light grey/light grey	91-				AQM	light grey/light grey	91-		
	ASN	magenta/magenta	91-			(1A)	944 521 002 05	sports seat with heating leatherette/ seat and backrest surface porsche lettering cloth	/R	1	M387
	AQN	light grey/light grey	91-								

Model	Year	MG	SG	Illustration	Restrictions	UPD	19:53	27.01.2010	PORSCHE	PET	PORSCHE
STZ	1998	8	06	806-68		248					

Pos	Part Number	Description	Remark	Qty	Model	Pos	Part Number	Description	Remark	Qty	Model
	PX2	black/black					TR4	marine blue/marine blue blue-white	-90		
	TU9	mahogany/mahogany	-90				PY4	burgundy/burgundy burgundy-white	-90		
	TR9	marine blue/blue					XH2	linen/linen linen white	-90		
	PX6	burgundy/burgundy	-90				XH7	cashmere beige/cash. beige cashmere beige-white	-90		
	XK3	linen/linen	-90								
	XK6	cashmere beige/cash. beige									
	APM	classic grey/classic grey	91-			(2A)	944 521 001 67	sports seat with heating leatherette/leather centre part in cloth pin stripe velour	/L	1	M383
	ARM	cobalt blue/cobalt blue	91-								
	ASM	magenta/magenta	91-								
	AQM	light grey/light grey	91-								
2A	944 521 001 63	sports seat without heating leatherette/leather centre part in cloth pin stripe velour	/L	1	M383						
	PY1	black/black black-white	-90								
	TU4	mahogany/mahogany mahogany-white	-90								
	TR4	marine blue/marine blue blue-white	-90								
	PY4	burgundy/burgundy burgundy-white	-90								
	XH2	linen/linen linen white	-90								
	XH7	cashmere beige/cash. beige cashmere beige-white	-90								
(2A)	944 521 002 63	sports seat without heating leatherette/leather centre part in cloth pin stripe velour	/R	1	M387	(2A)	944 521 002 67	sports seat with heating leatherette/leather centre part in cloth pin stripe velour	/R	1	M387
	PY1	black/black black-white	-90								
	TU4	mahogany/mahogany mahogany-white	-90								
	TR4	marine blue/marine blue blue-white	-90								
	PY4	burgundy/burgundy burgundy-white	-90								
	XH2	linen/linen linen white	-90								

Model	Year	MG	SG	Illustration	Restrictions	UPD	19:53	27.01.2010	PORSCHE	PET	PORSCHE
STZ	1998	8	06	806-68		248					

Pos	Part Number	Description	Remark	Qty	Model	Pos	Part Number	Description	Remark	Qty	Model
		XH7 cashmere beige/cash. beige cashmere beige-white	-90				XJ3 mahogany/mahogany mahogany	-90			
2A	944 521 001 63	sports seat without heating leatherette/leather centre part in cloth multicolour	/L	1	M383		XJ5 marine blue/marine blue marine blue	-90			
		XJ2 black/black black	-90				XJ7 burgundy/burgundy burgundy	-90			
		XJ3 mahogany/mahogany mahogany	-90				XH6 linen/linen linen	-90			
		XJ5 marine blue/marine blue marine blue	-90				XH9 cashmere beige/cash. beige cashmere beige	-90			
		XJ7 burgundy/burgundy burgundy	-90				ATF black/black black	91-			
		XH6 linen/linen linen	-90				APF classic grey/classic grey classic grey	91-			
		XH9 cashmere beige/cash. beige cashmere beige	-90				ARF cobalt blue/cobalt blue cobalt blue	91-			
		ATF black/black black	91-				ASF magenta/magenta magenta	91-			
		APF classic grey/classic grey classic grey	91-				AQF light grey/light grey light grey	91-			
		ARF cobalt blue/cobalt blue cobalt blue	91-				ATL cashmere beige/cash. beige cashmere beige	91-			
		ASF magenta/magenta magenta	91-			(2A)	944 521 001 67	sports seat with heating leatherette/leather centre part in cloth multicolour	/L	1	M383
		AQF light grey/light grey light grey	91-					XJ2 black/black black	-90		
		ATL cashmere beige/cash. beige cashmere beige	91-					XJ3 mahogany/mahogany mahogany	-90		
		BQK marine blue/marine blue marine blue	91-					XJ5 marine blue/marine blue marine blue	-90		
(2A)	944 521 002 63	sports seat without heating leatherette/leather centre part in cloth multicolour	/R	1	M387			XJ7 burgundy/burgundy burgundy	-90		
		XJ2 black/black black	-90					XH6 linen/linen linen	-90		



Model	Year	MG	SG	Illustration	Restrictions	UPD	19:53	27.01.2010	PORSCHE	PET	PORSCHE
STZ	1998	8	06	806-68		248					

Pos	Part Number	Description	Remark	Qty	Model	Pos	Part Number	Description	Remark	Qty	Model
	XH9	cashmere beige/cash. beige cashmere beige	-90				ASF	magenta/magenta magenta	91-		
	ATF	black/black black	91-				AQF	light grey/light grey light grey	91-		
	APF	classic grey/classic grey classic grey	91-				ATL	cashmere beige/cash. beige cashmere beige	91-		
	ARF	cobalt blue/cobalt blue cobalt blue	91-				BQK	marine blue/marine blue marine blue	91-		
	ASF	magenta/magenta magenta	91-			2A	944 521 001 63	sports seat without heating leatherette/leather centre part porsche lettering cloth	/L	1	M383
	AQF	light grey/light grey light grey	91-				PZ7	black/black black	-90		
	ATL	cashmere beige/cash. beige cashmere beige	91-				TU6	mahogany/mahogany mahogany	-90		
(2A)	944 521 002 67	sports seat with heating leatherette/leather centre part in cloth multicolour	/R	1	M387		TR6	marine blue/marine blue blue	-90		
	BQK	marine blue/marine blue marine blue	91-				QA1	burgundy/burgundy burgundy	-90		
	XJ2	black/black black	-90				XH4	linen/linen linen	-90		
	XJ3	mahogany/mahogany mahogany	-90				XH8	cashmere beige/cash. beige cashmere beige	-90		
	XJ5	marine blue/marine blue marine blue	-90				ATA	black/black black	91-		
	XJ7	burgundy/burgundy burgundy	-90				APD	classic grey/classic grey classic grey	91-		
	XH6	linen/linen linen	-90				ARD	cobalt blue/cobalt blue cobalt blue	91-		
	XH9	cashmere beige/cash. beige cashmere beige	-90				ASD	magenta/magenta magenta	91-		
	ATF	black/black black	91-				AQD	light grey/light grey light grey	91-		
	APF	classic grey/classic grey classic grey	91-				ATR	cashmere beige/cash. beige cashmere beige	91-		
	ARF	cobalt blue/cobalt blue cobalt blue	91-				BQM	marine blue/marine blue blue	91-		

Model	Year	MG	SG	Illustration	Restrictions	UPD	19:53	27.01.2010	PORSCHE	PET	PORSCHE
STZ	1998	8	06	806-68		248					

Pos	Part Number	Description	Remark	Qty	Model	Pos	Part Number	Description	Remark	Qty	Model
(2A)	944 521 002 63	sports seat without heating leatherette/leather centre part porsche lettering cloth	/R	1	M387		TR6	marine blue/marine blue blue	-90		
	PZ7	black/black black	-90				QA1	burgundy/burgundy burgundy	-90		
	TU6	mahogany/mahogany mahogany	-90				XH4	linen/linen linen	-90		
	TR6	marine blue/marine blue blue	-90				XH8	cashmere beige/cash. beige cashmere beige	-90		
	QA1	burgundy/burgundy burgundy	-90				ATA	black/black black	91-		
	XH4	linen/linen linen	-90				APD	classic grey/classic grey classic grey	91-		
	XH8	cashmere beige/cash. beige cashmere beige	-90				ARD	cobalt blue/cobalt blue cobalt blue	91-		
	ATA	black/black black	91-				ASD	magenta/magenta magenta	91-		
	APD	classic grey/classic grey classic grey	91-				AQD	light grey/light grey light grey	91-		
	ARD	cobalt blue/cobalt blue cobalt blue	91-				ATR	cashmere beige/cash. beige cashmere beige	91-		
	ASD	magenta/magenta magenta	91-			(2A)	944 521 002 67	sports seat with heating leatherette/leather centre part porsche lettering cloth	/R	1	M387
	AQD	light grey/light grey light grey	91-				PZ7	black/black black	-90		
	ATR	cashmere beige/cash. beige cashmere beige	91-				TU6	mahogany/mahogany mahogany	-90		
	BQM	marine blue/marine blue blue	91-				TR6	marine blue/marine blue blue	-90		
(2A)	944 521 001 67	sports seat with heating leatherette/leather centre part porsche lettering cloth	/L	1	M383		QA1	burgundy/burgundy burgundy	-90		
	PZ7	black/black black	-90				XH4	linen/linen linen	-90		
	TU6	mahogany/mahogany mahogany	-90				XH8	cashmere beige/cash. beige cashmere beige	-90		

Model	Year	MG	SG	Illustration	Restrictions	UPD	19:53	27.01.2010	PORSCHE	PET	PORSCHE
STZ	1998	8	06	806-68		248					

Pos	Part Number	Description	Remark	Qty	Model	Pos	Part Number	Description	Remark	Qty	Model
	ATA	black/black black		91-			TR1	blue/ blue-white		-90	
	APD	classic grey/classic grey classic grey		91-			LS9	burgundy/ burgundy-white		-90	
	ARD	cobalt blue/cobalt blue cobalt blue		91-			XF5	linen/ linen white		-90	
	ASD	magenta/magenta magenta		91-			XF8	cashmere beige/ cashmere beige-white		-90	
	AQD	light grey/light grey light grey		91-		(2A)	944 521 001 65	sports seat with heating leather/ centre part in cloth pin stripe velour	/L	1	M383
	ATR	cashmere beige/cash. beige cashmere beige		91-							
	BQM	marine blue/marine blue blue		91-			LS5	black/ black-white		-90	
2A	944 521 001 61	sports seat without heating leather/ centre part in cloth pin stripe velour	/L	1	M383		TU1	mahogany/ mahogany-white		-90	
	LS5	black/ black-white		-90			TR1	blue/ blue-white		-90	
	TU1	mahogany/ mahogany-white		-90			LS9	burgundy/ burgundy-white		-90	
	TR1	blue/ blue-white		-90			XF5	linen/ linen white		-90	
	LS9	burgundy/ burgundy-white		-90		(2A)	944 521 002 65	sports seat with heating leather/ centre part in cloth pin stripe velour	/R	1	M387
	XF5	linen/ linen white		-90			XF8	cashmere beige/ cashmere beige-white		-90	
	XF8	cashmere beige/ cashmere beige-white		-90			LS5	black/ black-white		-90	
(2A)	944 521 002 61	sports seat without heating leather/ centre part in cloth pin stripe velour	/R	1	M387		TU1	mahogany/ mahogany-white		-90	
	LS5	black/ black-white		-90			TR1	blue/ blue-white		-90	
	TU1	mahogany/ mahogany-white		-90			LS9	burgundy/ burgundy-white		-90	
							XF5	linen/ linen white		-90	

Model	Year	MG	SG	Illustration	Restrictions	UPD	19:53	27.01.2010	PORSCHE	PET	PORSCHE
STZ	1998	8	06	806-68		248					

Pos	Part Number	Description	Remark	Qty	Model	Pos	Part Number	Description	Remark	Qty	Model
		XF8 cashmere beige/ cashmere beige-white	-90				AQU	cobalt blue/cobalt blue	91-		
2A	944 521 001 61	sports seat without heating leather/ centre part in cloth multicolour	/L	1	M383		ASJ	magenta/magenta	91-		
	XG6	black/black	-90			(2A)	944 521 001 65	sports seat with heating leather/ centre part in cloth multicolour	/L	1	M383
	XG7	mahogany/mahogany	-90				BQJ	marine blue/marine blue	91-		
	XG8	marine blue/marine blue	-90				XG6	black/black	-90		
	XG9	burgundy/burgundy	-90				XG7	mahogany/mahogany	-90		
	XF7	linen/linen	-90				XG8	marine blue/marine blue	-90		
	XG5	cashmere beige/cash. beige	-90				XG9	burgundy/burgundy	-90		
	ATJ	black/black	91-				XF7	linen/linen	-90		
	AQT	classic grey/classic grey	91-				XG5	cashmere beige/cash. beige	-90		
	AQU	cobalt blue/cobalt blue	91-				ATJ	black/black	91-		
	ASJ	magenta/magenta	91-				AQT	classic grey/classic grey	91-		
	AQJ	light grey/light grey	91-				AQU	cobalt blue/cobalt blue	91-		
	ATW	cashmere beige/cash. beige	91-				ASJ	magenta/magenta	91-		
	BQJ	marine blue/marine blue	91-				AQJ	light grey/light grey	91-		
(2A)	944 521 002 61	sports seat without heating leather/ centre part in cloth multicolour	/R	1	M387		ATW	cashmere beige/cash. beige	91-		
	XG6	black/black	-90			(2A)	944 521 002 65	sports seat with heating leather/ centre part in cloth multicolour	/R	1	M387
	XG7	mahogany/mahogany	-90				BQJ	marine blue/marine blue	91-		
	XG8	marine blue/marine blue	-90				XG6	black/black	-90		
	XG9	burgundy/burgundy	-90				XG7	mahogany/mahogany	-90		
	XF7	linen/linen	-90				XG8	marine blue/marine blue	-90		
	XG5	cashmere beige/cash. beige	-90				XG9	burgundy/burgundy	-90		
	ATJ	black/black	91-				XF7	linen/linen	-90		
	AQT	classic grey/classic grey	91-								

Model	Year	MG	SG	Illustration	Restrictions	UPD	19:53	27.01.2010	PORSCHE	PET	PORSCHE
STZ	1998	8	06	806-68		248					

Pos	Part Number	Description	Remark	Qty	Model	Pos	Part Number	Description	Remark	Qty	Model
	XG5	cashmere beige/cash. beige		-90			TR3	marine blue/blue		-90	
	ATJ	black/black		91-			QB8	burgundy/burgundy		-90	
	AQT	classic grey/classic grey		91-			XF6	linen/linen		-90	
	AQU	cobalt blue/cobalt blue		91-			XF9	cashmere beige/cash. beige		-90	
	ASJ	magenta/magenta		91-			ATD	black/black		91-	
	AQJ	light grey/light grey		91-			APG	classic grey/classic grey		91-	
	ATW	cashmere beige/cash. beige		91-			ARG	cobalt blue/cobalt blue		91-	
	BQJ	marine blue/marine blue		91-			ASG	magenta/magenta		91-	
2A	944 521 001 61	sports seat without heating leather/ centre part porsche lettering cloth	/L	1	M383		AQG	light grey/light grey		91-	
	QB2	black/black		-90		(2A)	944 521 001 65	sports seat with heating leather/ centre part porsche lettering cloth	/L	1	M383
	TU3	mahogany/mahogany		-90			ATU	cashmere beige/cash. beige		91-	
	TR3	marine blue/blue		-90			BQL	marine blue/blue		91-	
	QB8	burgundy/burgundy		-90			QB2	black/black		-90	
	XF6	linen/linen		-90			TU3	mahogany/mahogany		-90	
	XF9	cashmere beige/cash. beige		-90			TR3	marine blue/blue		-90	
	ATD	black/black		91-			QB8	burgundy/burgundy		-90	
	APG	classic grey/classic grey		91-			XF6	linen/linen		-90	
	ARG	cobalt blue/cobalt blue		91-			XF9	cashmere beige/cash. beige		-90	
	ASG	magenta/magenta		91-			ATD	black/black		91-	
	AQG	light grey/light grey		91-			APG	classic grey/classic grey		91-	
	ATU	cashmere beige/cash. beige		91-			ARG	cobalt blue/cobalt blue		91-	
	BQL	marine blue/blue		91-			ASG	magenta/magenta		91-	
(2A)	944 521 002 61	sports seat without heating leather/ centre part porsche lettering cloth	/R	1	M387		AQG	light grey/light grey		91-	
	QB2	black/black		-90			ATU	cashmere beige/cash. beige		91-	
	TU3	mahogany/mahogany		-90			BQL	marine blue/blue		91-	

Model	Year	MG	SG	Illustration	Restrictions	UPD	19:53	27.01.2010	PORSCHE	PET	PORSCHE
STZ	1998	8	06	806-68		248					

Pos	Part Number	Description	Remark	Qty	Model	Pos	Part Number	Description	Remark	Qty	Model
(2A)	944 521 002 65	sports seat with heating leather/ centre part porsche lettering cloth	/R	1	M387		AQK	light grey/light grey	91-		
	QB2	black/black	-90				ATX	cashmere beige/cash. beige	91-		
	TU3	mahogany/mahogany	-90				BQA	marine blue/marine blue	91-		
	TR3	marine blue/blue	-90			(3A)	944 521 002 62	sports seat without heating leatherette/ seat and backrest surface leather	/R	1	M387
	QB8	burgundy/burgundy	-90				JN3	black/black	-90		
	XF6	linen/linen	-90				TV2	mahogany/mahogany	-90		
	XF9	cashmere beige/cash. beige	-90				TS2	marine blue/marine blue	-90		
	ATD	black/black	91-				NZ8	burgundy/burgundy	-90		
	APG	classic grey/classic grey	91-				TW2	linen/linen	-90		
	ARG	cobalt blue/cobalt blue	91-				XN3	cashmere beige/cash. beige	-90		
	ASG	magenta/magenta	91-				ATG	black/black	91-		
	AQG	light grey/light grey	91-				APK	classic grey/classic grey	91-		
	ATU	cashmere beige/cash. beige	91-				ARK	cobalt blue/cobalt blue	91-		
	BQL	marine blue/blue	91-				ASK	magenta/magenta	91-		
3A	944 521 001 62	sports seat without heating leatherette/ seat and backrest surface leather	/L	1	M383		AQK	light grey/light grey	91-		
	JN3	black/black	-90				ATX	cashmere beige/cash. beige	91-		
	TV2	mahogany/mahogany	-90				BQA	marine blue/marine blue	91-		
	TS2	marine blue/marine blue	-90			(3A)	944 521 001 66	sports seat with heating leatherette/ seat and backrest surface leather	/L	1	M383
	NZ8	burgundy/burgundy	-90				JN3	black/black	-90		
	TW2	linen/linen	-90				TV2	mahogany/mahogany	-90		
	XN3	cashmere beige/cash. beige	-90				TS2	marine blue/marine blue	-90		
	ATG	black/black	91-				NZ8	burgundy/burgundy	-90		
	APK	classic grey/classic grey	91-				TW2	linen/linen	-90		
	ARK	cobalt blue/cobalt blue	91-				XN3	cashmere beige/cash. beige	-90		
	ASK	magenta/magenta	91-				ATG	black/black	91-		

Model	Year	MG	SG	Illustration	Restrictions	UPD	19:53	27.01.2010	PORSCHE	PET	PORSCHE
STZ	1998	8	06	806-68		248					

Pos	Part Number	Description	Remark	Qty	Model	Pos	Part Number	Description	Remark	Qty	Model
	APK	classic grey/classic grey		91-			TW1	linen		-90	
	ARK	cobalt blue/cobalt blue		91-			XG4	venetian blue		-90	
	ASK	magenta/magenta		91-			XN4	cashmere beige		-90	
	AQK	light grey/light grey		91-			XN5	silk grey		-90	
	ATX	cashmere beige/cash. beige		91-			XN6	velvet red		-90	
	BQA	marine blue/marine blue		91-			XN7	slate grey		-90	
(3A)	944 521 002 66	sports seat with heating leatherette/ seat and backrest surface leather	/R	1	M387		ATH	black		91-	
	JN3	black/black		-90			APL	classic grey		91-	
	TV2	mahogany/mahogany		-90			ARL	cobalt blue		91-	
	TS2	marine blue/marine blue		-90			ASL	magenta		91-	
	NZ8	burgundy/burgundy		-90			AQL	light grey		91-	
	TW2	linen/linen		-90			ATY	cashmere beige		91-	
	XN3	cashmere beige/cash. beige		-90			BQB	marine blue		91-	
	ATG	black/black		91-			AVF	matador red		91-	
	APK	classic grey/classic grey		91-		(3A)	944 521 002 60	sports seat without heating whole-leather	/R	1	M387
	ARK	cobalt blue/cobalt blue		91-			KZ2	black		-90	
	ASK	magenta/magenta		91-			TV1	mahogany		-90	
	AQK	light grey/light grey		91-			TS1	marine blue		-90	
	ATX	cashmere beige/cash. beige		91-			LG7	burgundy		-90	
	BQA	marine blue/marine blue		91-			XG3	caramel		-90	
3A	944 521 001 60	sports seat without heating whole-leather	/L	1	M383		TW1	linen		-90	
	KZ2	black		-90			XG4	venetian blue		-90	
	TV1	mahogany		-90			XN4	cashmere beige		-90	
	TS1	marine blue		-90			XN5	silk grey		-90	
	LG7	burgundy		-90			XN6	velvet red		-90	
	XG3	caramel		-90			XN7	slate grey		-90	

Model	Year	MG	SG	Illustration	Restrictions	UPD	19:53	27.01.2010	PORSCHE	PET	PORSCHE
STZ	1998	8	06	806-68		248					

Pos	Part Number	Description	Remark	Qty	Model	Pos	Part Number	Description	Remark	Qty	Model
	ATH	black	91-				BQB	marine blue	91-		
	APL	classic grey	91-				AVF	matador red	91-		
	ARL	cobalt blue	91-				AVG	carrara grey	91-		
	ASL	magenta	91-				AVH	sherwood green	91-		
	AQL	light grey	91-			(3A)	944 521 002 64	sports seat with heating whole-leather	/R	1	M387
	ATY	cashmere beige	91-								
	BQB	marine blue	91-				KZ2	black	-90		
	AVF	matador red	91-				TV1	mahogany	-90		
	AVG	carrara grey	91-				TS1	marine blue	-90		
	AVH	sherwood green	91-				LG7	burgundy	-90		
(3A)	944 521 001 64	sports seat with heating whole-leather	/L	1	M383		XG3	caramel	-90		
	KZ2	black	-90				TW1	linen	-90		
	TV1	mahogany	-90				XG4	venetian blue	-90		
	TS1	marine blue	-90				XN4	cashmere beige	-90		
	LG7	burgundy	-90				XN5	silk grey	-90		
	XG3	caramel	-90				XN6	velvet red	-90		
	TW1	linen	-90				XN7	slate grey	-90		
	XG4	venetian blue	-90				ATH	black	91-		
	XN4	cashmere beige	-90				APL	classic grey	91-		
	XN5	silk grey	-90				ARL	cobalt blue	91-		
	XN6	velvet red	-90				ASL	magenta	91-		
	XN7	slate grey	-90				AQL	light grey	91-		
	ATH	black	91-				ATY	cashmere beige	91-		
	APL	classic grey	91-				BQB	marine blue	91-		
	ARL	cobalt blue	91-				AVF	matador red	91-		
	ASL	magenta	91-				AVG	carrara grey	91-		
	AQL	light grey	91-				AVH	sherwood green	91-		
	ATY	cashmere beige	91-			3A	964 521 003 67	sports seat without heating whole-leather	/L	92	1 CARRERA RS M002/383



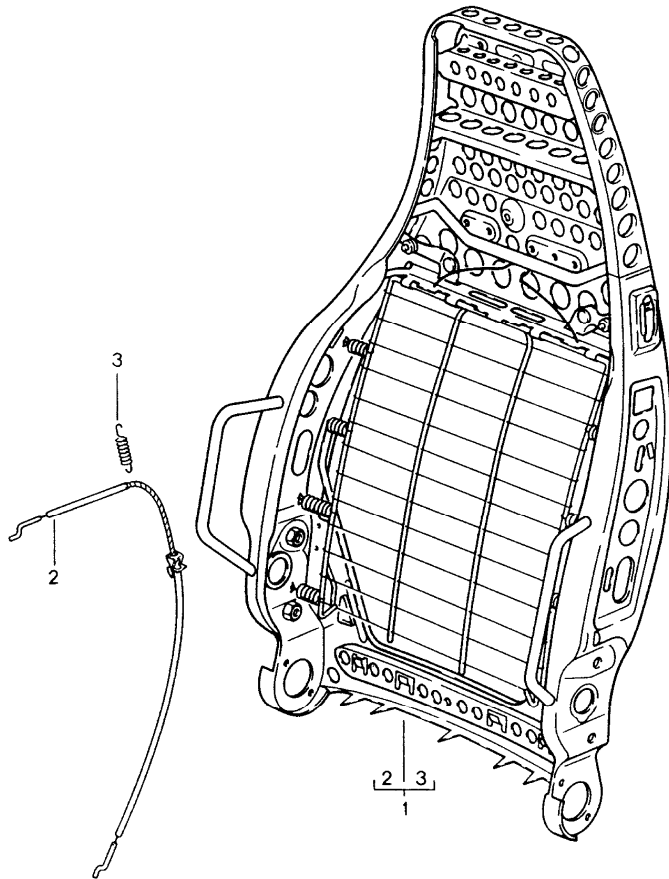
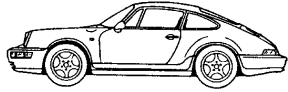
Model	Year	MG	SG	Illustration	Restrictions	UPD	19:53	27.01.2010	PORSCHE	PET	PORSCHE
STZ	1998	8	06	806-68		248					

Pos	Part Number	Description	Remark	Qty	Model	Pos	Part Number	Description	Remark	Qty	Model
		CFY black black-violet rubystone red grey-violet						CFY black black-violet rubystone red grey-violet			
		CFX black dark grey pearl grey light grey						CFX black dark grey pearl grey light grey			
		CFZ black dark blue maritime blue light blue						CFZ black dark blue maritime blue light blue			
(3A)	964 521 004 67	sports seat without heating whole-leather	/R	92	1 CARRERA RS M002/387	4	911 521 547 00	hexagon-head bolt M 10 X 20		8	
		CFY black black-violet rubystone red grey-violet				5	928 521 147 02	cover	/L	2	
		CFX black dark grey pearl grey light grey					01C black				
		CFZ black dark blue maritime blue light blue					4MJ mahogany		-90		
							9JJ marine blue				
							9MM burgundy		-90		
							7XJ linen		-90		
							3UD cashmere beige				
(3A)	964 521 003 68	sports seat with heating whole-leather	/L	92	1 CARRERA RS M002/383		4XC classic grey		91-		
		CFY black black-violet rubystone red grey-violet					6ZF cobalt blue		91-		
		CFX black dark grey pearl grey light grey					6WX magenta		91-		
		CFZ black dark blue maritime blue light blue					9ZN light grey		91-		
						(5)	928 521 148 02	cover	/R	2	
							01C black				
							4MJ mahogany		-90		
							9JJ marine blue				
							9MM burgundy		-90		
							7XJ linen		-90		
(3A)	964 521 004 68	sports seat with heating whole-leather	/R	92	1 CARRERA RS M002/387		3UD cashmere beige				
							4XC classic grey		91-		
							6ZF cobalt blue		91-		

Model	Year	MG	SG	Illustration	Restrictions	UPD	19:53	27.01.2010	PORSCHE	PET	PORSCHE
STZ	1998	8	06	806-68		248					

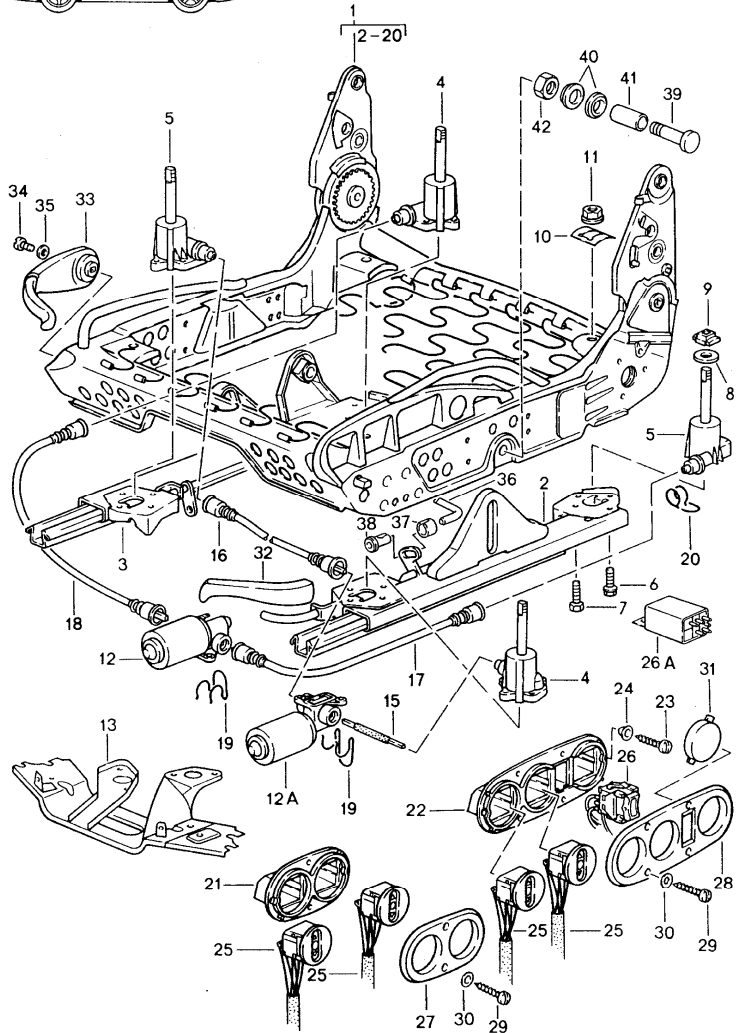
Pos	Part Number	Description	Remark	Qty	Model	Pos	Part Number	Description	Remark	Qty	Model
	6WX	magenta	91-								
	9ZN	light grey	91-								
6	900 025 044 07	washer A 4,3		8							
7	900 143 113 07	tapping screw B 4,2 X 13		8							
8	928 521 760 05	engine cover		2							
	01C	satin black									
9	900 143 113 07	tapping screw 4,2 X 13		4							
10	900 025 044 07	washer A 4,3		4							
-	N 100 472 01	speed nut ST. 3,9		4							
11	900 119 030 02	pan-head screw M 8 X 20		12							
12	900 031 001 02	washer 8,4		12							
13	964 521 701 00	threaded plate front and rear 2 X M 8		X							
(13)	928 521 101 08	threaded plate rear 4 X M 8		X							

Model	Year	MG	SG	Illustration	Restrictions	UPD	19:53	27.01.2010	PORSCHE	PET	PORSCHE
STZ	1998	8	06	806-70		248					



Pos	Part Number	Description	Remark	Qty	Model
		backrest frame sports seat	89-94		CARRERA 2/4 RS/TURBO
1	944 521 027 01	backrest frame		2	
2	928 521 093 02	bowden cable		2	
3	311 881 287 A	spring actuating lever		2	

Model	Year	MG	SG	Illustration	Restrictions	UPD	19:53	27.01.2010	PORSCHE	PET	PORSCHE
STZ	1998	8	06	806-72		248					

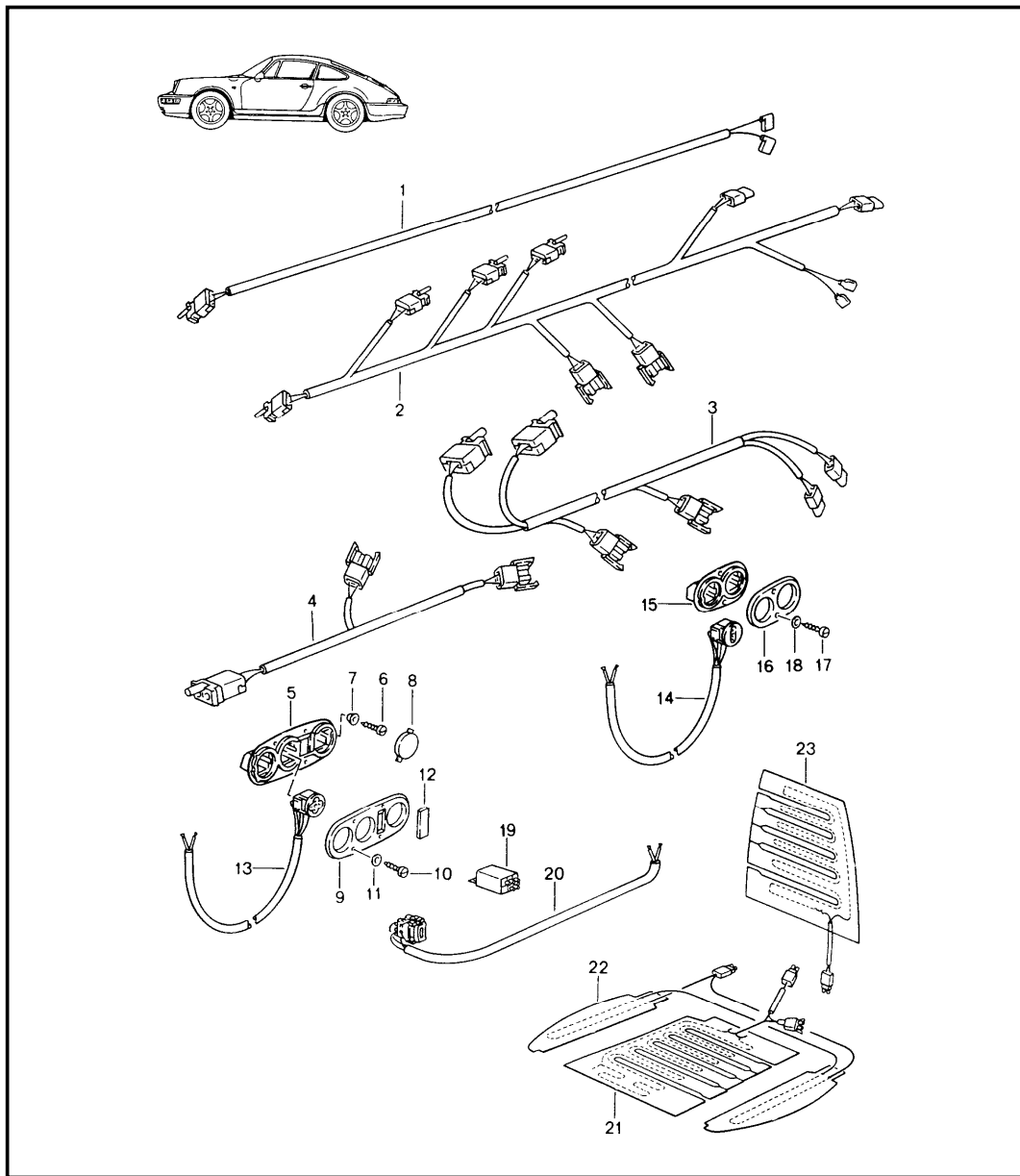


Pos	Part Number	Description	Remark	Qty	Model
		seat frame sports seat	89-94		CARRERA 2/4 RS/TURBO
1	993 521 069 02	seat frame	/L	1	
(1)	993 521 070 02	seat frame	/R	1	
2	928 521 489 11	seat rail left seat outer		1	
(2)	928 521 490 11	seat rail right seat outer		1	
(3)	964 521 491 00	seat rail right seat inner		1	
3	964 521 492 00	seat rail left seat inner		1	
4	928 521 721 03	lifting gear left front, right rear		4	
5	928 521 722 03	lifting gear right front, left rear		4	
6	999 217 033 01	locking screw M 6 X 16		10	
7	900 186 032 02	pan-head screw M 6 X 12		4	
8	999 025 129 40	washer		8	
9	928 521 727 02	slide		8	
10	928 521 723 02	guide spring		8	
11	928 521 730 02	nut		8	
12	928 624 126 01	geared motor rear vertical adjustment		2	
12A	928 624 126 01	geared motor front vertical adjustment		2	
13	928 521 033 02	engine support		2	
15	928 521 671 03	shaft front vertical adjustment left		2	

Model	Year	MG	SG	Illustration	Restrictions	UPD	19:53	27.01.2010	PORSCHE	PET	PORSCHE
STZ	1998	8	06	806-72		248					

Pos	Part Number	Description	Remark	Qty	Model	Pos	Part Number	Description	Remark	Qty	Model
16	928 521 672 03	shaft front vertical adjustment right		2		31	928 613 425 00	cover seat heater		X	
17	928 521 673 05	shaft rear vertical adjustment	/L	2		(32)	911 521 533 01	handle for longitudinal adjustment		2	
18	928 521 674 05	shaft rear vertical adjustment	/R	2			01C	satin black			
19	928 521 675 02	moulded spring for engine		4		(33)	964 521 073 00	lever for backrest adjustment		2	
20	928 521 699 00	moulded spring transmission		6			01C	satin black			
21	928 521 559 04	switch insert		2		34	900 119 011 07	pan-head screw M 5 X 10		2	
22	928 521 559 02	switch insert seat heater	/L	1		35	900 031 006 07	washer 5,3		2	
(22)	928 521 560 02	switch insert seat heater	/R	1		36	928 521 525 03	connecting rod for longitudinal adjustment		2	
23	N 013 988 1	tapping screw B 3,5 X 16		4		37	N 902 514 01	clamping sleeve for longitudinal adjustment		4	
24	999 591 849 07	cone washer		4		38	N 902 515 01	guide bush for longitudinal adjustment		4	
25	928 613 181 00	switch front vertical adjustment rear vertical adjustment		4		39	928 521 681 02	bolt		4	
26	928 613 187 04	switch seat heater		2		40	928 521 683 02	washer 1,5 PA 6		8	
	01C	satin black				41	928 521 685 02	bush		4	
26A	928 618 521 03	control unit seat heater		2		42	900 034 003 02	hexagon nut M 10		4	
27	928 521 561 04	trim for switch		2							
	01C	satin black									
28	928 521 561 03	trim for switch seat heater		2							
	01C	satin black									
29	N 013 959 3	tapping screw B 3,5 X 16		X							
30	900 025 013 07	washer A 3,7		X							

Model	Year	MG	SG	Illustration	Restrictions	UPD	19:54	27.01.2010	PORSCHE	PET	PORSCHE
STZ	1998	8	06	806-74		248					

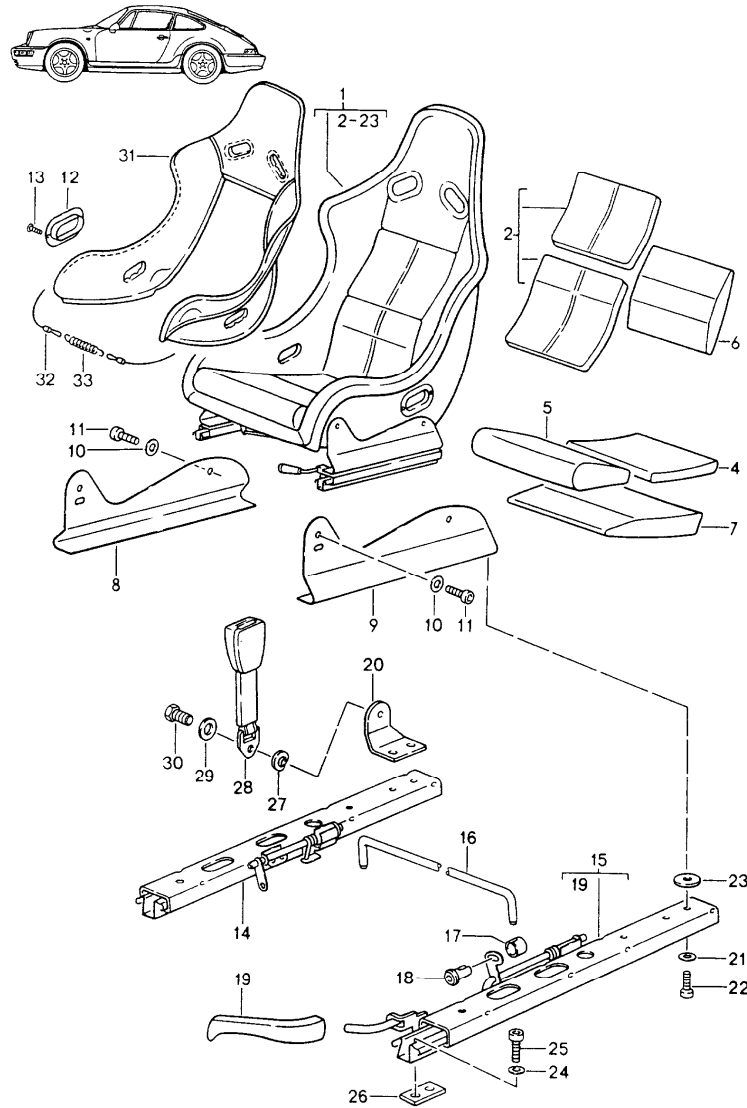


Pos	Part Number	Description	Remark	Qty	Model
		wiring harnesses switch seat heater front seat	89-94		CARRERA 2/4 RS/TURBO TURBO-LOOK
1	928 612 343 00	connecting line for backrest adjustment		2	
2	928 612 337 00	wiring harness for backrest adjustment lumbar support adjustment and seat heater		2	
3	928 612 338 00	wiring harness for backrest adjustment and seat heater		2	
4	928 612 340 00	wiring harness seat heater		2	
-	999 652 373 40	lid wiring harness seat heater		1	
5	928 521 559 02	switch insert seat heater	/L	1	
(5)	928 521 560 02	switch insert seat heater	/R	1	
6	N 013 988 1	tapping screw B 3,5 X 16		4	
7	999 591 849 07	cone washer		4	
8	928 613 425 00	cover seat heater		X	
9	928 521 561 03	trim for switch seat heater		2	
		01C			
10	N 013 959 3	tapping screw B 3,5 X 16		4	
11	900 025 013 07	washer A 3,7		4	
(12)	944 613 259 02	cover		X	
		1DB			

Model	Year	MG	SG	Illustration	Restrictions	UPD	19:54	27.01.2010	PORSCHE	PET	PORSCHE
STZ	1998	8	06	806-74		248					

Pos	Part Number	Description	Remark	Qty	Model	Pos	Part Number	Description	Remark	Qty	Model
13	928 613 182 00	switch for longitudinal adjustment front vertical adjustment		2							
(13)	928 613 183 00	switch for backrest adjustment rear vertical adjustment		2							
(13)	928 613 184 00	switch lumbar support adjustment		2							
	01C	satin black									
14	928 613 181 00	switch front vertical adjustment rear vertical adjustment		4							
15	928 521 559 04	switch insert		2							
16	928 521 561 04	trim for switch		2							
17	N 013 959 3	tapping screw B 3,5 X 16		4							
18	900 025 013 07	washer A 3,7		4							
19	928 618 521 03	control unit seat heater		2							
20	928 613 187 04	switch seat heater		2							
	01C	satin black									
-	964 612 227 00	wiring harness adapter		1							
21	964 653 901 00	heating element seat surface		2							
22	993 653 120 00	heating element seat side bolster		2							
23	964 653 902 00	heating element backrest		2							

Model	Year	MG	SG	Illustration	Restrictions	UPD	19:54	27.01.2010	PORSCHE	PET	PORSCHE
STZ	1998	8	06	806-76		248					



Pos	Part Number	Description	Remark	Qty	Model
		bucket seat complete with whole-leather cover		92	CARRERA RS M384/385
1	964 521 003 66	bucket seat leather	/L	1	M384
	BQE	black-violet rubystone red grey-violet black-violet			
	CFR	dark grey pearl grey light grey dark grey			
	BQD	dark blue maritime blue light blue dark blue			
(1)	964 521 004 66	bucket seat leather	/R	1	M385
	BQE	black-violet rubystone red grey-violet black-violet			
	CFR	dark grey pearl grey light grey dark grey			
	BQD	dark blue maritime blue light blue dark blue			
2	964 521 919 00	backrest cushion complete leather		1	
	CJK	black-violet rubystone red			
	CJL	dark grey pearl grey			
	CJM	dark blue maritime blue			



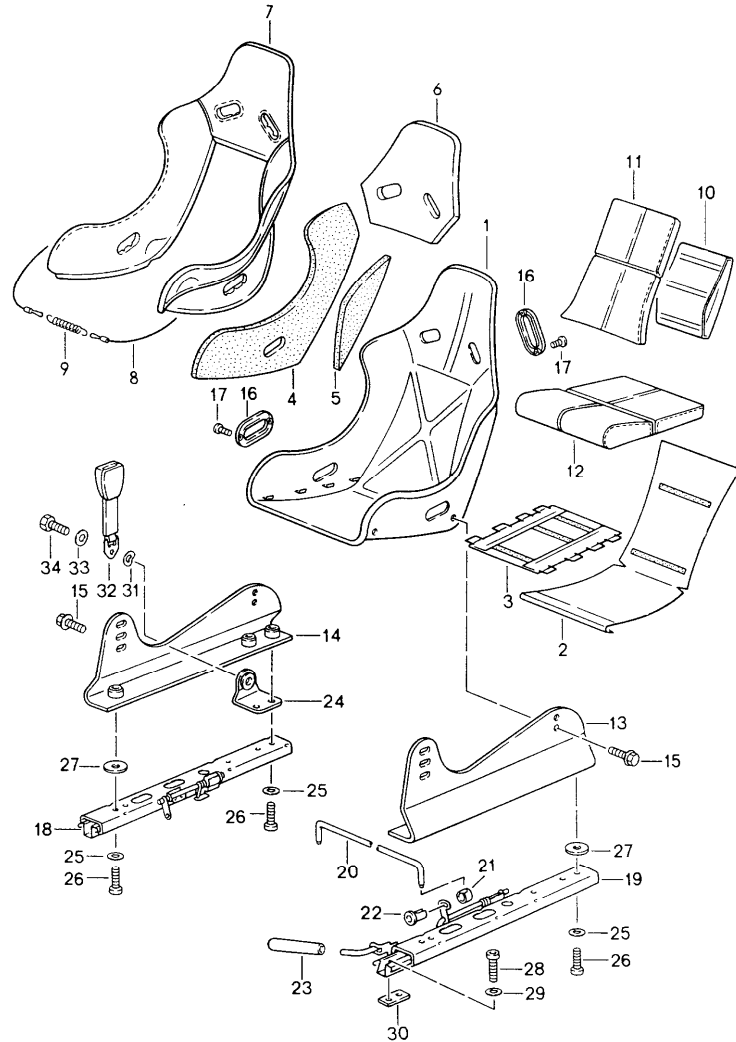
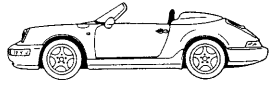
Model	Year	MG	SG	Illustration	Restrictions	UPD	19:54	27.01.2010	PORSCHE	PET	PORSCHE
STZ	1998	8	06	806-76		248					

Pos	Part Number	Description	Remark	Qty	Model	Pos	Part Number	Description	Remark	Qty	Model
4	964 521 523 00	seat cushion rear leather		2		(15)	928 521 490 10	seat rail right seat outer		1	
	C43	grey-violet				16	928 521 525 03	connecting rod for longitudinal adjustment		2	
	D33	light grey				17	N 902 514 01	clamping sleeve for longitudinal adjustment		4	
	H35	light blue				18	N 902 515 01	guide bush for longitudinal adjustment		4	
5	964 521 525 00	seat cushion front leather		2		(19)	911 521 533 01	handle		2	
	N09	black-violet					01C	satin black			
	E23	dark grey				20	964 521 065 00	support for seat-belt buckle		2	
	F45	dark blue				21	900 025 007 02	washer A 8,4		12	
6	993 521 793 00	foam part backrest		2		22	900 186 135 02	pan-head screw M 8 X 20		12	
7	964 521 791 00	desk pad seat cushion		2		23	999 025 231 03	washer 8 X 27 X 3		8	
8	964 521 820 01	adapter	/R	2		24	900 089 006 02	washer 8		12	
9	964 521 819 01	adapter	/L	2		25	900 119 030 02	pan-head screw M 8 X 20		12	
10	900 025 070 07	washer A8 4 X 17 X 1,6		8		26	964 521 701 00	threaded plate		6	
11	900 067 330 07	pan-head screw M 8 X 20		8		27	999 028 014 02	spring washer		2	
12	964 521 855 00	cover		8		28	964 803 183 04	seat-belt buckle passenger's side		1	
	01C	satin black					70B	black			
13	900 146 131 07	oval-head screw M 3,5 X 6		16		28	964 803 183 05	seat-belt buckle driver's side		1	
14	928 521 492 08	seat rail left seat inner		1			70B	black			
(14)	928 521 491 08	seat rail right seat inner		1		29	N 011 655 2	washer		2	
15	928 521 489 10	seat rail left seat outer		1		30	959 803 701 00	hexagon-head bolt		2	
						31	964 521 517 00	seat cover leather		1	

Model	Year	MG	SG	Illustration	Restrictions	UPD	19:54	27.01.2010	PORSCHE	PET	PORSCHE
STZ	1998	8	06	806-76		248					

Pos	Part Number	Description	Remark	Qty	Model	Pos	Part Number	Description	Remark	Qty	Model
	C35	black mat									
32	964 521 920 00	tension wire		1							
33	964 521 823 00	tensioning spring		1							

Model	Year	MG	SG	Illustration	Restrictions	UPD	19:54	27.01.2010	PORSCHE	PET	PORSCHE
STZ	1998	8	06	806-77		248					



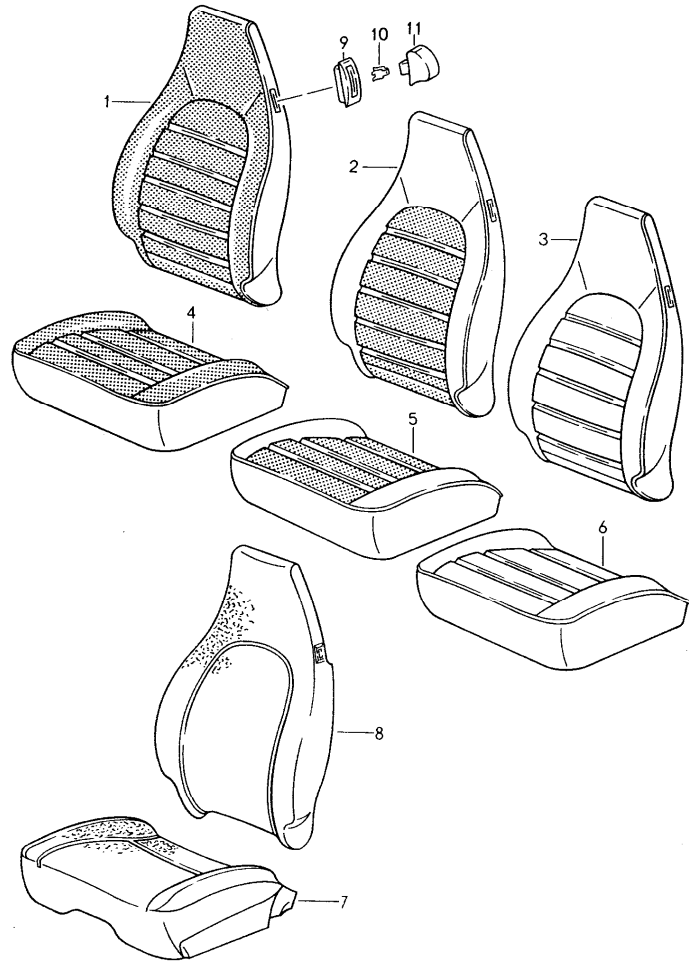
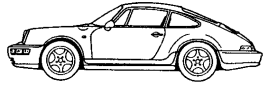
Pos	Part Number	Description	Remark	Qty	Model
		bucket seat with whole-leather cover	93-94		SPEEDSTER M384/385
1	964 521 501 00	cup		1	
2	964 521 577 02	insert for bucket seat		1	
3	964 521 753 00	damping mat		1	
4	964 521 755 01	foam part lateral		2	
5	964 521 757 00	foam part lateral		2	
6	964 521 759 00	foam part head rest		1	
7	964 521 517 01	cover seat leather		1	
		8YR black			
		C35 black mat			
8	964 521 920 00	tension wire		1	
9	964 521 823 00	tensioning spring		1	
10	964 521 793 01	desk pad backrest		1	
11	964 521 319 00	backrest cushion		1	
		ATH black/black			
		CJL dark grey pearl grey			
12	964 521 323 00	seat cushion		1	
		ATH black/black			
		CJX light grey dark grey			
13	964 521 819 01	adapter	/L	1	
14	964 521 820 01	adapter	/R	1	
15	999 093 010 07	hexagon-head bolt M 8 X 20		4	

Model	Year	MG	SG	Illustration	Restrictions	UPD	19:54	27.01.2010	PORSCHE	PET	PORSCHE
STZ	1998	8	06	806-77		248					

Pos	Part Number	Description	Remark	Qty	Model	Pos	Part Number	Description	Remark	Qty	Model
16	964 521 855 00	cover	-98	4		31	999 028 014 02	spring washer		1	
	01C	satin black				32	964 803 183 04	seat-belt buckle		1	
17	900 146 131 07	oval-head screw M 3,5 X 6		8			70B	black passenger's side			
18	928 521 492 08	seat rail left seat inner		1		(32)	964 803 183 05	seat-belt buckle		1	
(18)	928 521 491 08	seat rail right seat inner		1			70B	black driver's side			
19	928 521 489 10	seat rail left seat outer		1		33	N 011 655 2	washer		1	
(19)	928 521 490 10	seat rail right seat outer		1		34	959 803 701 00	hexagon-head bolt		1	
20	928 521 525 03	connecting rod for longitudinal adjustment		1							
21	N 902 514 01	clamping sleeve for longitudinal adjustment		2							
22	N 902 515 01	guide bush for longitudinal adjustment		2							
23	911 521 533 01	handle		1							
	01C	satin black									
24	964 521 065 00	support for seat-belt buckle		1							
25	900 025 007 02	washer A 8,4		6							
26	900 186 135 02	pan-head screw M 8 X 20		6							
27	999 025 231 03	washer 8 X 27 X 3		4							
28	900 089 006 02	washer 8,0		6							
29	900 119 030 02	pan-head screw M 8 X 20		6							
30	964 521 701 00	threaded plate		3							

Model	Year	MG	SG	Illustration	Restrictions	UPD	19:54	27.01.2010	PORSCHE	PET	PORSCHE
STZ	1998	8	06	806-78		248					

Pos	Part Number	Description	Remark	Qty	Model
			89-94		CARRERA 2/4 TURBO/LOOK
1	928 521 071 22	cover front seat  backrest cover without heating leatherette/ backrest surface pin stripe velour		2	
		NY5 black/ black-white	-90		
		TU7 mahogany/ mahogany-white	-90		
		TR7 blue/ blue-white	-90		
		NY8 burgundy/ burgundy-white	-90		
		XK2 linen/ linen white	-90		
		XK5 cashmere beige/ cashmere beige-white	-90		
(1)	964 521 071 01	backrest cover with heating leatherette/ backrest surface pin stripe velour		2	
		NY5 black/ black-white	-90		
		TU7 mahogany/ mahogany-white	-90		
		TR7 blue/ blue-white	-90		
		NY8 burgundy/ burgundy-white	-90		
		XK2 linen/ linen white	-90		
		XK5 cashmere beige/ cashmere beige-white	-90		
1	928 521 071 22	backrest cover without heating leatherette/ backrest surface multicolour		2	



Model	Year	MG	SG	Illustration	Restrictions	UPD	19:54	27.01.2010	PORSCHE	PET	PORSCHE
STZ	1998	8	06	806-78		248					

Pos	Part Number	Description	Remark	Qty	Model	Pos	Part Number	Description	Remark	Qty	Model
	XK8	black/black					PX6	burgundy/burgundy	-90		
	XK9	mahogany/mahogany	-90				XK3	linen/linen	-90		
	XN1	marine blue/marine blue					XK6	cashmere beige/cash. beige			
	XN2	burgundy/burgundy	-90				APM	classic grey/classic grey	91-		
	XK4	linen/linen	-90				ARM	cobalt blue/cobalt blue	91-		
	XK7	cashmere beige/cash. beige					ASM	magenta/magenta	91-		
	AQP	classic grey/classic grey	91-				AQM	light grey/light grey	91-		
	AQV	cobalt blue/cobalt blue	91-			(1)	964 521 071 01	backrest cover with heating leatherette/ backrest surface porsche lettering cloth		2	
	ASN	magenta/magenta	91-				PX2	black/black			
	AQN	light grey/light grey	91-				TU9	mahogany/mahogany	-90		
(1)	964 521 071 01	backrest cover with heating leatherette/ backrest surface multicolour		2			TR9	marine blue/blue			
	XK8	black/black					PX6	burgundy/burgundy	-90		
	XK9	mahogany/mahogany	-90				XK3	linen/linen	-90		
	XN1	marine blue/marine blue					XK6	cashmere beige/cash. beige			
	XN2	burgundy/burgundy	-90				APM	classic grey/classic grey	91-		
	XK4	linen/linen	-90				ARM	cobalt blue/cobalt blue	91-		
	XK7	cashmere beige/cash. beige					ASM	magenta/magenta	91-		
	AQP	classic grey/classic grey	91-				AQM	light grey/light grey	91-		
	AQV	cobalt blue/cobalt blue	91-			2	928 521 071 50	backrest cover without heating leatherette/leather centre part in cloth pin stripe velour		2	
	ASN	magenta/magenta	91-				PY1	black/black black-white	-90		
	AQN	light grey/light grey	91-				TU4	mahogany/mahogany mahogany-white	-90		
1	928 521 071 22	backrest cover without heating leatherette/ backrest surface porsche lettering cloth		2			TR4	marine blue/marine blue blue-white	-90		
	PX2	black/black					PY4	burgundy/burgundy burgundy-white	-90		
	TU9	mahogany/mahogany	-90								
	TR9	marine blue/blue									

Model	Year	MG	SG	Illustration	Restrictions	UPD	19:54	27.01.2010	PORSCHE	PET	PORSCHE
STZ	1998	8	06	806-78		248					

Pos	Part Number	Description	Remark	Qty	Model	Pos	Part Number	Description	Remark	Qty	Model
		XH2 linen/linen linen white	-90				APF	classic grey/classic grey classic grey	91-		
		XH7 cashmere beige/cash. beige cashmere beige-white	-90				ARF	cobalt blue/cobalt blue cobalt blue	91-		
(2)	964 521 071 02	backrest cover with heating leatherette/leather centre part in cloth pin stripe velour		2			ASF	magenta/magenta magenta	91-		
		PY1 black/black black-white	-90				AQF	light grey/light grey light grey	91-		
		TU4 mahogany/mahogany mahogany-white	-90				ATL	cashmere beige/cash. beige cashmere beige	91-		
		TR4 marine blue/marine blue blue-white	-90			(2)	BQK	marine blue/marine blue marine blue	91-		
		PY4 burgundy/burgundy burgundy-white	-90				964 521 071 02	backrest cover with heating leatherette/leather centre part in cloth multicolour		2	
		XH2 linen/linen linen white	-90				XJ2	black/black black	-90		
		XH7 cashmere beige/cash. beige cashmere beige-white	-90				XJ3	mahogany/mahogany mahogany	-90		
2	928 521 071 50	backrest cover without heating leatherette/leather centre part in cloth multicolour		2			XJ5	marine blue/marine blue marine blue	-90		
		XJ2 black/black black	-90				XJ7	burgundy/burgundy burgundy	-90		
		XJ3 mahogany/mahogany mahogany	-90				XH6	linen/linen linen	-90		
		XJ5 marine blue/marine blue marine blue	-90				XH9	cashmere beige/cash. beige cashmere beige	-90		
		XJ7 burgundy/burgundy burgundy	-90				ATF	black/black black	91-		
		XH6 linen/linen linen	-90				APF	classic grey/classic grey classic grey	91-		
		XH9 cashmere beige/cash. beige cashmere beige	-90				ARF	cobalt blue/cobalt blue cobalt blue	91-		
		ATF black/black black	91-				ASF	magenta/magenta magenta	91-		
							AQF	light grey/light grey light grey	91-		

Model	Year	MG	SG	Illustration	Restrictions	UPD	19:54	27.01.2010	PORSCHE	PET	PORSCHE
STZ	1998	8	06	806-78		248					

Pos	Part Number	Description	Remark	Qty	Model	Pos	Part Number	Description	Remark	Qty	Model
	ATL	cashmere beige/cash. beige cashmere beige	91-				PZ7	black/black black	-90		
	BQK	marine blue/marine blue marine blue	91-				TU6	mahogany/mahogany mahogany	-90		
2	928 521 071 50	backrest cover without heating leatherette/leather centre part porsche lettering cloth		2			TR6	marine blue/marine blue blue	-90		
	PZ7	black/black black	-90				QA1	burgundy/burgundy burgundy	-90		
	TU6	mahogany/mahogany mahogany	-90				XH4	linen/linen linen	-90		
	TR6	marine blue/marine blue blue	-90				XH8	cashmere beige/cash. beige cashmere beige	-90		
	QA1	burgundy/burgundy burgundy	-90				ATA	black/black black	91-		
	XH4	linen/linen linen	-90				APD	classic grey/classic grey classic grey	91-		
	XH8	cashmere beige/cash. beige cashmere beige	-90				ARD	cobalt blue/cobalt blue cobalt blue	91-		
	ATA	black/black black	91-				ASD	magenta/magenta magenta	91-		
	APD	classic grey/classic grey classic grey	91-				AQD	light grey/light grey light grey	91-		
	ARD	cobalt blue/cobalt blue cobalt blue	91-				ATR	cashmere beige/cash. beige cashmere beige	91-		
	ASD	magenta/magenta magenta	91-			2	BQM	marine blue/marine blue blue	91-		
	AQD	light grey/light grey light grey	91-				928 521 071 66	backrest cover without heating leather/ centre part in cloth pin stripe velour		2	
	ATR	cashmere beige/cash. beige cashmere beige	91-				LS5	black/ black-white	-90		
	BQM	marine blue/marine blue blue	91-				TU1	mahogany/ mahogany-white	-90		
(2)	964 521 071 02	backrest cover with heating leatherette/leather centre part porsche lettering cloth		2			TR1	blue/ blue-white	-90		
							LS9	burgundy/ burgundy-white	-90		



Model	Year	MG	SG	Illustration	Restrictions	UPD	19:54	27.01.2010	PORSCHE	PET	PORSCHE
STZ	1998	8	06	806-78		248					

Pos	Part Number	Description	Remark	Qty	Model	Pos	Part Number	Description	Remark	Qty	Model
	XF5	linen/ linen white	-90				ATW	cashmere beige/cash. beige	91-		
	XF8	cashmere beige/ cashmere beige-white	-90				BQJ	marine blue/marine blue	91-		
(2)	964 521 071 05	backrest cover with heating leather/ centre part in cloth pin stripe velour		2		(2)	964 521 071 05	backrest cover with heating leather/ centre part in cloth multicolour		2	
	LS5	black/ black-white	-90				XG6	black/black	-90		
	TU1	mahogany/ mahogany-white	-90				XG7	mahogany/mahogany	-90		
	TR1	blue/ blue-white	-90				XG8	marine blue/marine blue	-90		
	LS9	burgundy/ burgundy-white	-90				XG9	burgundy/burgundy	-90		
	XF5	linen/ linen white	-90				XF7	linen/linen	-90		
	XF8	cashmere beige/ cashmere beige-white	-90				XG5	cashmere beige/cash. beige	-90		
2	928 521 071 66	backrest cover without heating leather/ centre part in cloth multicolour		2			ATJ	black/black	91-		
	XG6	black/black	-90			2	928 521 071 66	backrest cover without heating leather/ centre part porsche lettering cloth		2	
	XG7	mahogany/mahogany	-90				AQT	classic grey/classic grey	91-		
	XG8	marine blue/marine blue	-90				AQU	cobalt blue/cobalt blue	91-		
	XG9	burgundy/burgundy	-90				ASG	magenta/magenta	91-		
	XF7	linen/linen	-90				AQJ	light grey/light grey	91-		
	XG5	cashmere beige/cash. beige	-90				ATW	cashmere beige/cash. beige	91-		
	ATJ	black/black	91-				BQJ	marine blue/marine blue	91-		
	AQT	classic grey/classic grey	91-				QB2	black/black	-90		
	AQU	cobalt blue/cobalt blue	91-				TU3	mahogany/mahogany	-90		
	ASG	magenta/magenta	91-				TR3	marine blue/blue	-90		
	AQJ	light grey/light grey	91-				QB8	burgundy/burgundy	-90		
							XF6	linen/linen	-90		
							XF9	cashmere beige/cash. beige	-90		
							ATD	black/black	91-		
							APG	classic grey/classic grey	91-		

Model	Year	MG	SG	Illustration	Restrictions	UPD	19:54	27.01.2010	PORSCHE	PET	PORSCHE
STZ	1998	8	06	806-78		248					

Pos	Part Number	Description	Remark	Qty	Model	Pos	Part Number	Description	Remark	Qty	Model
	ARG	cobalt blue/cobalt blue	91-				XN3	cashmere beige/cash. beige	-90		
	ASG	magenta/magenta	91-				ATG	black/black	91-		
	AQG	light grey/light grey	91-				APK	classic grey/classic grey	91-		
	ATU	cashmere beige/cash. beige	91-				ARK	cobalt blue/cobalt blue	91-		
	BQL	marine blue/blue	91-				ASK	magenta/magenta	91-		
(2)	964 521 071 05	backrest cover with heating leather/ centre part porsche lettering cloth		2			AQK	light grey/light grey	91-		
	QB2	black/black	-90			(3)	964 521 071 03	backrest cover with heating leatherette/ backrest surface leather		2	
	TU3	mahogany/mahogany	-90				JN3	black/black	-90		
	TR3	marine blue/blue	-90				TV2	mahogany/mahogany	-90		
	QB8	burgundy/burgundy	-90				TS2	marine blue/marine blue	-90		
	XF6	linen/linen	-90				NZ8	burgundy/burgundy	-90		
	XF9	cashmere beige/cash. beige	-90				TW2	linen/linen	-90		
	ATD	black/black	91-				XN3	cashmere beige/cash. beige	-90		
	APG	classic grey/classic grey	91-				ATG	black/black	91-		
	ARG	cobalt blue/cobalt blue	91-				APK	classic grey/classic grey	91-		
	ASG	magenta/magenta	91-				ARK	cobalt blue/cobalt blue	91-		
	AQG	light grey/light grey	91-				ASK	magenta/magenta	91-		
	ATU	cashmere beige/cash. beige	91-				AQK	light grey/light grey	91-		
	BQL	marine blue/blue	91-				ATX	cashmere beige/cash. beige	91-		
3	928 521 071 51	backrest cover without heating leatherette/ backrest surface leather		2			BQA	marine blue/marine blue	91-		
	JN3	black/black	-90			3	928 521 071 65	backrest cover without heating whole-leather		2	
	TV2	mahogany/mahogany	-90				KZ2	black	-90		
	TS2	marine blue/marine blue	-90				TV1	mahogany	-90		
	NZ8	burgundy/burgundy	-90				TS1	marine blue	-90		
	TW2	linen/linen	-90								

Model	Year	MG	SG	Illustration	Restrictions	UPD	19:54	27.01.2010	PORSCHE	PET	PORSCHE
STZ	1998	8	06	806-78		248					

Pos	Part Number	Description	Remark	Qty	Model	Pos	Part Number	Description	Remark	Qty	Model
	LG7	burgundy		-90			XN5	silk grey		-90	
	XG3	caramel		-90			XN6	velvet red		-90	
	TW1	linen		-90			XN7	slate grey		-90	
	XG4	venetian blue		-90			ATH	black		91-	
	XN4	cashmere beige		-90			APL	classic grey		91-	
	XN5	silk grey		-90			ARL	cobalt blue		91-	
	XN6	velvet red		-90			ASL	magenta		91-	
	XN7	slate grey		-90			AQL	light grey		91-	
	ATH	black		91-			ATY	cashmere beige		91-	
	APL	classic grey		91-			BQB	marine blue		91-	
	ARL	cobalt blue		91-			AVF	matador red		91-	
	ASL	magenta		91-			AVG	carrara grey		91-	
	AQL	light grey		91-			AVH	sherwood green		91-	
	ATY	cashmere beige		91-			DEA	rubicon grey		93-	M096
	BQB	marine blue		91-		3	928 521 071 01	backrest cover without heating draped leather		2	
	AVF	matador red		91-			KZ2	black		-90	
	AVG	carrara grey		91-			TV1	mahogany		-90	
	AVH	sherwood green		91-			TS1	marine blue		-90	
	DEA	rubicon grey		93-	M096		LG7	burgundy		-90	
(3)	964 521 071 04	backrest cover with heating whole-leather		2			XG3	caramel		-90	
	KZ2	black		-90			TW1	linen		-90	
	TV1	mahogany		-90			XG4	venetian blue		-90	
	TS1	marine blue		-90			XN4	cashmere beige		-90	
	LG7	burgundy		-90			XN5	silk grey		-90	
	XG3	caramel		-90			XN6	velvet red		-90	
	TW1	linen		-90			XN7	slate grey		-90	
	XG4	venetian blue		-90			ATH	black		91-	
	XN4	cashmere beige		-90			APL	classic grey		91-	

Model	Year	MG	SG	Illustration	Restrictions	UPD	19:54	27.01.2010	PORSCHE	PET	PORSCHE
STZ	1998	8	06	806-78		248					

Pos	Part Number	Description	Remark	Qty	Model	Pos	Part Number	Description	Remark	Qty	Model
	ARL	cobalt blue	91-				AVF	matador red	91-		
	ASL	magenta	91-				AVG	carrara grey	91-		
	AQL	light grey	91-				AVH	sherwood green	91-		
	ATY	cashmere beige	91-				DEA	rubicon grey	93-		M096
	BQB	marine blue	91-			3	964 521 071 04	backrest cover with heating leather	92	2	TURBO-LOOK
	AVF	matador red	91-				BQZ	rhodamine			
	AVG	carrara grey	91-				BQY	wimbledon green			
	AVH	sherwood green	91-				BQX	florentine grey			
	DEA	rubicon grey	93-		M096						
(3)	964 521 071 06	backrest cover with heating draped leather		2		4	944 521 037 11	cover for cushion for manual adjustment leatherette/ seat surface pin stripe velour		2	
	KZ2	black	-90								
	TV1	mahogany	-90				NY5	black/ black-white	-90		
	TS1	marine blue	-90				TU7	mahogany/ mahogany-white	-90		
	LG7	burgundy	-90				TR7	blue/ blue-white	-90		
	XG3	caramel	-90				NY8	burgundy/ burgundy-white	-90		
	TW1	linen	-90				XK2	linen/ linen white	-90		
	XG4	venetian blue	-90				XK5	cashmere beige/ cashmere beige-white	-90		
	XN4	cashmere beige	-90								
	XN5	silk grey	-90								
	XN6	velvet red	-90								
	XN7	slate grey	-90			(4)	944 521 037 14	cover for cushion without heating for electric adjustment leatherette/ seat surface pin stripe velour		2	
	ATH	black	91-								
	APL	classic grey	91-				NY5	black/ black-white	-90		
	ARL	cobalt blue	91-				TU7	mahogany/ mahogany-white	-90		
	ASL	magenta	91-				TR7	blue/ blue-white	-90		
	AQL	light grey	91-								
	ATY	cashmere beige	91-								
	BQB	marine blue	91-								

Model	Year	MG	SG	Illustration	Restrictions	UPD	19:54	27.01.2010	PORSCHE	PET	PORSCHE
STZ	1998	8	06	806-78		248					

Pos	Part Number	Description	Remark	Qty	Model	Pos	Part Number	Description	Remark	Qty	Model
	NY8	burgundy/ burgundy-white	-90				AQN	light grey/light grey	91-		
	XK2	linen/ linen white	-90			(4)	944 521 037 14	cover for cushion without heating for electric adjustment leatherette/ seat surface multicolour		2	
	XK5	cashmere beige/ cashmere beige-white	-90				XK8	black/black			
(4)	964 521 037 01	cover for cushion with heating for electric adjustment leatherette/ seat surface pin stripe velour		2			XK9	mahogany/mahogany	-90		
	NY5	black/ black-white	-90				XN1	marine blue/marine blue			
	TU7	mahogany/ mahogany-white	-90				XN2	burgundy/burgundy	-90		
	TR7	blue/ blue-white	-90				XK4	linen/linen	-90		
	NY8	burgundy/ burgundy-white	-90				XK7	cashmere beige/cash. beige			
	XK2	linen/ linen white	-90				AQP	classic grey/classic grey	91-		
	XK5	cashmere beige/ cashmere beige-white	-90				AQV	cobalt blue/cobalt blue	91-		
4	944 521 037 11	cover for cushion for manual adjustment leatherette/ seat surface multicolour		2		(4)	964 521 037 01	cover for cushion with heating for electric adjustment leatherette/ seat surface multicolour		2	
	XK8	black/black					ASN	magenta/magenta	91-		
	XK9	mahogany/mahogany	-90				AQN	light grey/light grey	91-		
	XN1	marine blue/marine blue					XK8	black/black			
	XN2	burgundy/burgundy	-90				XK9	mahogany/mahogany	-90		
	XK4	linen/linen	-90				XN1	marine blue/marine blue			
	XK7	cashmere beige/cash. beige					XN2	burgundy/burgundy	-90		
	AQP	classic grey/classic grey	91-				XK4	linen/linen	-90		
	AQV	cobalt blue/cobalt blue	91-				XK7	cashmere beige/cash. beige			
	ASN	magenta/magenta	91-				AQP	classic grey/classic grey	91-		
							AQV	cobalt blue/cobalt blue	91-		
							ASN	magenta/magenta	91-		
							AQN	light grey/light grey	91-		

Model	Year	MG	SG	Illustration	Restrictions	UPD	19:54	27.01.2010	PORSCHE	PET	PORSCHE
STZ	1998	8	06	806-78		248					

Pos	Part Number	Description	Remark	Qty	Model	Pos	Part Number	Description	Remark	Qty	Model
4	944 521 037 11	cover for cushion for manual adjustment leatherette/ seat surface porsche lettering cloth		2		(4)	964 521 037 01	cover for cushion with heating for electric adjustment leatherette/ seat surface porsche lettering cloth		2	
	PX2	black/black					PX2	black/black			
	TU9	mahogany/mahogany	-90				TU9	mahogany/mahogany	-90		
	TR9	marine blue/blue					TR9	marine blue/blue			
	PX6	burgundy/burgundy	-90				PX6	burgundy/burgundy	-90		
	XK3	linen/linen	-90				XK3	linen/linen	-90		
	XK6	cashmere beige/cash. beige					XK6	cashmere beige/cash. beige			
	APM	classic grey/classic grey	91-				APM	classic grey/classic grey	91-		
	ARM	cobalt blue/cobalt blue	91-				ARM	cobalt blue/cobalt blue	91-		
	ASM	magenta/magenta	91-				ASM	magenta/magenta	91-		
	AQM	light grey/light grey	91-				AQM	light grey/light grey	91-		
(4)	944 521 037 14	cover for cushion without heating for electric adjustment leatherette/ seat surface porsche lettering cloth		2		5	944 521 037 75	cover for cushion for manual adjustment leatherette/leather centre part in cloth pin stripe velour		2	
	PX2	black/black					PY1	black/black black-white	-90		
	TU9	mahogany/mahogany	-90				TU4	mahogany/mahogany mahogany-white	-90		
	TR9	marine blue/blue					TR4	marine blue/marine blue blue-white	-90		
	PX6	burgundy/burgundy	-90				PY4	burgundy/burgundy burgundy-white	-90		
	XK3	linen/linen	-90				XH2	linen/linen linen white	-90		
	XK6	cashmere beige/cash. beige					XH7	cashmere beige/cash. beige cashmere beige-white	-90		
	APM	classic grey/classic grey	91-								
	ARM	cobalt blue/cobalt blue	91-								
	ASM	magenta/magenta	91-								
	AQM	light grey/light grey	91-			(5)	944 521 037 79	cover for cushion for electric adjustment without heating leatherette/leather centre part in cloth pin stripe velour		2	

Model	Year	MG	SG	Illustration	Restrictions	UPD	19:54	27.01.2010	PORSCHE	PET	PORSCHE
STZ	1998	8	06	806-78		248					

Pos	Part Number	Description	Remark	Qty	Model	Pos	Part Number	Description	Remark	Qty	Model
	PY1	black/black black-white		-90			XJ7	burgundy/burgundy burgundy		-90	
	TU4	mahogany/mahogany mahogany-white		-90			XH6	linen/linen linen		-90	
	TR4	marine blue/marine blue blue-white		-90			XH9	cashmere beige/cash. beige cashmere beige		-90	
	PY4	burgundy/burgundy burgundy-white		-90			ATF	black/black black		91-	
	XH2	linen/linen linen white		-90			APF	classic grey/classic grey classic grey		91-	
	XH7	cashmere beige/cash. beige cashmere beige-white		-90			ARF	cobalt blue/cobalt blue cobalt blue		91-	
(5)	964 521 037 02	cover for cushion for electric adjustment with heating leatherette/leather centre part in cloth pin stripe velour		2			ASF	magenta/magenta magenta		91-	
	PY1	black/black black-white		-90			AQF	light grey/light grey light grey		91-	
	TU4	mahogany/mahogany mahogany-white		-90			ATL	cashmere beige/cash. beige cashmere beige		91-	
	TR4	marine blue/marine blue blue-white		-90		(5)	BQK	marine blue/marine blue marine blue		91-	
	PY4	burgundy/burgundy burgundy-white		-90		944 521 037 79		cover for cushion for electric adjustment without heating leatherette/leather centre part in cloth multicolour		2	
	XH2	linen/linen linen white		-90			XJ2	black/black black		-90	
	XH7	cashmere beige/cash. beige cashmere beige-white		-90			XJ3	mahogany/mahogany mahogany		-90	
5	944 521 037 75	cover for cushion for manual adjustment leatherette/leather centre part in cloth multicolour		2			XJ5	marine blue/marine blue marine blue		-90	
	XJ2	black/black black		-90			XJ7	burgundy/burgundy burgundy		-90	
	XJ3	mahogany/mahogany mahogany		-90			XH6	linen/linen linen		-90	
	XJ5	marine blue/marine blue marine blue		-90			XH9	cashmere beige/cash. beige cashmere beige		-90	
							ATF	black/black black		91-	

Model	Year	MG	SG	Illustration	Restrictions	UPD	19:54	27.01.2010	PORSCHE	PET	PORSCHE
STZ	1998	8	06	806-78		248					

Pos	Part Number	Description	Remark	Qty	Model	Pos	Part Number	Description	Remark	Qty	Model
	APF	classic grey/classic grey classic grey	91-				ATL	cashmere beige/cash. beige cashmere beige	91-		
	ARF	cobalt blue/cobalt blue cobalt blue	91-				BQK	marine blue/marine blue marine blue	91-		
	ASF	magenta/magenta magenta	91-			5	944 521 037 75	cover for cushion for manual adjustment leatherette/leather centre part porsche lettering cloth		2	
	AQF	light grey/light grey light grey	91-				PZ7	black/black black	-90		
	ATL	cashmere beige/cash. beige cashmere beige	91-				TU6	mahogany/mahogany mahogany	-90		
	BQK	marine blue/marine blue marine blue	91-				TR6	marine blue/marine blue blue	-90		
(5)	964 521 037 02	cover for cushion for electric adjustment with heating leatherette/leather centre part in cloth multicolour		2			QA1	burgundy/burgundy burgundy	-90		
	XJ2	black/black black	-90				XH4	linen/linen linen	-90		
	XJ3	mahogany/mahogany mahogany	-90				XH8	cashmere beige/cash. beige cashmere beige	-90		
	XJ5	marine blue/marine blue marine blue	-90				ATA	black/black black	91-		
	XJ7	burgundy/burgundy burgundy	-90				APD	classic grey/classic grey classic grey	91-		
	XH6	linen/linen linen	-90				ARD	cobalt blue/cobalt blue cobalt blue	91-		
	XH9	cashmere beige/cash. beige cashmere beige	-90				ASD	magenta/magenta magenta	91-		
	ATF	black/black black	91-				AQD	light grey/light grey light grey	91-		
	APF	classic grey/classic grey classic grey	91-				ATR	cashmere beige/cash. beige cashmere beige	91-		
	ARF	cobalt blue/cobalt blue cobalt blue	91-				BQM	marine blue/marine blue blue	91-		
	ASF	magenta/magenta magenta	91-			(5)	944 521 037 79	cover for cushion for electric adjustment without heating leatherette/leather centre part porsche lettering cloth		2	
	AQF	light grey/light grey light grey	91-								



Model	Year	MG	SG	Illustration	Restrictions	UPD	19:54	27.01.2010	PORSCHE	PET	PORSCHE
STZ	1998	8	06	806-78		248					

Pos	Part Number	Description	Remark	Qty	Model	Pos	Part Number	Description	Remark	Qty	Model
	PZ7	black/black black		-90			XH4	linen/linen linen		-90	
	TU6	mahogany/mahogany mahogany		-90			XH8	cashmere beige/cash. beige cashmere beige		-90	
	TR6	marine blue/marine blue blue		-90			ATA	black/black black		91-	
	QA1	burgundy/burgundy burgundy		-90			APD	classic grey/classic grey classic grey		91-	
	XH4	linen/linen linen		-90			ARD	cobalt blue/cobalt blue cobalt blue		91-	
	XH8	cashmere beige/cash. beige cashmere beige		-90			ASD	magenta/magenta magenta		91-	
	ATA	black/black black		91-			AQD	light grey/light grey light grey		91-	
	APD	classic grey/classic grey classic grey		91-			ATR	cashmere beige/cash. beige cashmere beige		91-	
	ARD	cobalt blue/cobalt blue cobalt blue		91-			BQM	marine blue/marine blue blue		91-	
	ASD	magenta/magenta magenta		91-		5	944 521 037 78	cover for cushion for manual adjustment leather/ centre part in cloth pin stripe velour		2	
	AQD	light grey/light grey light grey		91-			LS5	black/ black-white		-90	
	ATR	cashmere beige/cash. beige cashmere beige		91-			TU1	mahogany/ mahogany-white		-90	
	BQM	marine blue/marine blue blue		91-			TR1	blue/ blue-white		-90	
(5)	964 521 037 02	cover for cushion for electric adjustment with heating leatherette/leather centre part porsche lettering cloth		2			LS9	burgundy/ burgundy-white		-90	
	PZ7	black/black black		-90			XF5	linen/ linen white		-90	
	TU6	mahogany/mahogany mahogany		-90			XF8	cashmere beige/ cashmere beige-white		-90	
	TR6	marine blue/marine blue blue		-90		(5)	944 521 037 82	cover for cushion for electric adjustment without heating leather/ centre part in cloth pin stripe velour		2	
	QA1	burgundy/burgundy burgundy		-90							

Model	Year	MG	SG	Illustration	Restrictions	UPD	19:54	27.01.2010	PORSCHE	PET	PORSCHE
STZ	1998	8	06	806-78		248					

Pos	Part Number	Description	Remark	Qty	Model	Pos	Part Number	Description	Remark	Qty	Model
	LS5	black/ black-white		-90			XF7	linen/linen		-90	
	TU1	mahogany/ mahogany-white		-90			XG5	cashmere beige/cash. beige		-90	
	TR1	blue/ blue-white		-90			ATJ	black/black		91-	
	LS9	burgundy/ burgundy-white		-90			AQT	classic grey/classic grey		91-	
	XF5	linen/ linen white		-90			AQU	cobalt blue/cobalt blue		91-	
	XF8	cashmere beige/ cashmere beige-white		-90			ASJ	magenta/magenta		91-	
(5)	964 521 037 05	cover for cushion for electric adjustment with heating leather/ centre part in cloth pin stripe velour		2		(5)	944 521 037 82	cover for cushion for electric adjustment without heating leather/ centre part in cloth multicolour		2	
	LS5	black/ black-white		-90			XG6	black/black		-90	
	TU1	mahogany/ mahogany-white		-90			XG7	mahogany/mahogany		-90	
	TR1	blue/ blue-white		-90			XG8	marine blue/marine blue		-90	
	LS9	burgundy/ burgundy-white		-90			XG9	burgundy/burgundy		-90	
	XF5	linen/ linen white		-90			XF7	linen/linen		-90	
	XF8	cashmere beige/ cashmere beige-white		-90			XG5	cashmere beige/cash. beige		-90	
5	944 521 037 78	cover for cushion for manual adjustment leather/ centre part in cloth multicolour		2			ATJ	black/black		91-	
	XG6	black/black		-90			AQT	classic grey/classic grey		91-	
	XG7	mahogany/mahogany		-90			AQU	cobalt blue/cobalt blue		91-	
	XG8	marine blue/marine blue		-90			ASJ	magenta/magenta		91-	
	XG9	burgundy/burgundy		-90			AQJ	light grey/light grey		91-	
							ATW	cashmere beige/cash. beige		91-	
							BQJ	marine blue/marine blue		91-	
						(5)	964 521 037 05	cover for cushion for electric adjustment with heating leather/ centre part in cloth multicolour		2	

Model	Year	MG	SG	Illustration	Restrictions	UPD	19:54	27.01.2010	PORSCHE	PET	PORSCHE
STZ	1998	8	06	806-78		248					

Pos	Part Number	Description	Remark	Qty	Model	Pos	Part Number	Description	Remark	Qty	Model
	XG6	black/black	-90			(5)	944 521 037 82	cover for cushion for electric adjustment without heating leather/ centre part porsche lettering cloth		2	
	XG7	mahogany/mahogany	-90								
	XG8	marine blue/marine blue	-90								
	XG9	burgundy/burgundy	-90								
	XF7	linen/linen	-90				QB2	black/black	-90		
	XG5	cashmere beige/cash. beige	-90				TU3	mahogany/mahogany	-90		
	ATJ	black/black	91-				TR3	marine blue/blue	-90		
	AQT	classic grey/classic grey	91-				QB8	burgundy/burgundy	-90		
	AQU	cobalt blue/cobalt blue	91-				XF6	linen/linen	-90		
	ASJ	magenta/magenta	91-				XF9	cashmere beige/cash. beige	-90		
	AQJ	light grey/light grey	91-				ATD	black/black	91-		
	ATW	cashmere beige/cash. beige	91-				APG	classic grey/classic grey	91-		
	BQJ	marine blue/marine blue	91-				ARG	cobalt blue/cobalt blue	91-		
5	944 521 037 78	cover for cushion for manual adjustment leather/ centre part porsche lettering cloth		2			ASG	magenta/magenta	91-		
	QB2	black/black	-90				AQG	light grey/light grey	91-		
	TU3	mahogany/mahogany	-90			(5)	964 521 037 05	cover for cushion for electric adjustment with heating leather/ centre part porsche lettering cloth		2	
	TR3	marine blue/blue	-90								
	QB8	burgundy/burgundy	-90				QB2	black/black	-90		
	XF6	linen/linen	-90				TU3	mahogany/mahogany	-90		
	XF9	cashmere beige/cash. beige	-90				TR3	marine blue/blue	-90		
	ATD	black/black	91-				QB8	burgundy/burgundy	-90		
	APG	classic grey/classic grey	91-				XF6	linen/linen	-90		
	ARG	cobalt blue/cobalt blue	91-				XF9	cashmere beige/cash. beige	-90		
	ASG	magenta/magenta	91-				ATD	black/black	91-		
	AQG	light grey/light grey	91-				APG	classic grey/classic grey	91-		
	ATU	cashmere beige/cash. beige	91-				ARG	cobalt blue/cobalt blue	91-		
	BQL	marine blue/blue	91-								

Model	Year	MG	SG	Illustration	Restrictions	UPD	19:54	27.01.2010	PORSCHE	PET	PORSCHE
STZ	1998	8	06	806-78		248					

Pos	Part Number	Description	Remark	Qty	Model	Pos	Part Number	Description	Remark	Qty	Model
	ASG	magenta/magenta	91-				XN3	cashmere beige/cash. beige	-90		
	AQG	light grey/light grey	91-				ATG	black/black	91-		
	ATU	cashmere beige/cash. beige	91-				APK	classic grey/classic grey	91-		
	BQL	marine blue/blue	91-				ARK	cobalt blue/cobalt blue	91-		
6	944 521 037 76	cover for cushion for manual adjustment leatherette/ seat surface leather		2			ASK	magenta/magenta	91-		
	JN3	black/black	-90				AQK	light grey/light grey	91-		
	TV2	mahogany/mahogany	-90			(6)	ATX	cashmere beige/cash. beige	91-		
	TS2	marine blue/blue	-90				BQA	marine blue/marine blue	91-		
	NZ8	burgundy/burgundy	-90				964 521 037 03	cover for cushion for electric adjustment with heating leatherette/ seat surface leather		2	
	TW2	linen	-90				JN3	black/black	-90		
	XN3	cashmere beige/cash. beige	-90				TV2	mahogany/mahogany	-90		
	ATG	black/black	91-				TS2	marine blue/blue	-90		
	APK	classic grey/classic grey	91-				NZ8	burgundy/burgundy	-90		
	ARK	cobalt blue/cobalt blue	91-				TW2	linen	-90		
	ASK	magenta/magenta	91-				XN3	cashmere beige/cash. beige	-90		
	AQK	light grey/light grey	91-				ATG	black/black	91-		
	ATX	cashmere beige/cash. beige	91-				APK	classic grey/classic grey	91-		
	BQA	marine blue/marine blue	91-				ARK	cobalt blue/cobalt blue	91-		
(6)	944 521 037 80	cover for cushion for electric adjustment without heating leatherette/ seat surface leather		2			ASK	magenta/magenta	91-		
	JN3	black/black	-90				AQK	light grey/light grey	91-		
	TV2	mahogany/mahogany	-90			6	ATX	cashmere beige/cash. beige	91-		
	TS2	marine blue/blue	-90				BQA	marine blue/marine blue	91-		
	NZ8	burgundy/burgundy	-90				944 521 037 77	cover for cushion for manual adjustment whole-leather		2	
	TW2	linen	-90				KZ2	black	-90		
							TV1	mahogany	-90		

Model	Year	MG	SG	Illustration	Restrictions	UPD	19:54	27.01.2010	PORSCHE	PET	PORSCHE
STZ	1998	8	06	806-78		248					

Pos	Part Number	Description	Remark	Qty	Model	Pos	Part Number	Description	Remark	Qty	Model
	TS1	marine blue		-90			XG4	venetian blue		-90	
	LG7	burgundy		-90			XN4	cashmere beige		-90	
	XG3	caramel		-90			XN5	silk grey		-90	
	TW1	linen		-90			XN6	velvet red		-90	
	XG4	venetian blue		-90			XN7	slate grey		-90	
	XN4	cashmere beige		-90			ATH	black		91-	
	XN5	silk grey		-90			APL	classic grey		91-	
	XN6	velvet red		-90			ARL	cobalt blue		91-	
	XN7	slate grey		-90			ASL	magenta		91-	
	ATH	black		91-			AQL	light grey		91-	
	APL	classic grey		91-			ATY	cashmere beige		91-	
	ARL	cobalt blue		91-			BQB	marine blue		91-	
	ASL	magenta		91-			AVF	matador red		91-	
	AQL	light grey		91-			AVG	carrara grey		91-	
	ATY	cashmere beige		91-			AVH	sherwood green		91-	
	BQB	marine blue		91-			DEA	rubicon grey		93-	M096
	AVF	matador red		91-		(6)	964 521 037 04	cover for cushion for electric adjustment with heating whole-leather		2	
	AVG	carrara grey		91-			KZ2	black		-90	
	AVH	sherwood green		91-			TV1	mahogany		-90	
	DEA	rubicon grey		93-	M096		TS1	marine blue		-90	
(6)	944 521 037 81	cover for cushion for electric adjustment without heating whole-leather		2			LG7	burgundy		-90	
	KZ2	black		-90			XG3	caramel		-90	
	TV1	mahogany		-90			TW1	linen		-90	
	TS1	marine blue		-90			XG4	venetian blue		-90	
	LG7	burgundy		-90			XN4	cashmere beige		-90	
	XG3	caramel		-90			XN5	silk grey		-90	
	TW1	linen		-90			XN6	velvet red		-90	

Model	Year	MG	SG	Illustration	Restrictions	UPD	19:54	27.01.2010	PORSCHE	PET	PORSCHE
STZ	1998	8	06	806-78		248					

Pos	Part Number	Description	Remark	Qty	Model	Pos	Part Number	Description	Remark	Qty	Model
	XN7	slate grey	-90				AQL	light grey	91-		
	ATH	black	91-				ATY	cashmere beige	91-		
	APL	classic grey	91-				BQB	marine blue	91-		
	ARL	cobalt blue	91-				AVF	matador red	91-		
	ASL	magenta	91-				AVG	carrara grey	91-		
	AQL	light grey	91-				AVH	sherwood green	91-		
	ATY	cashmere beige	91-				DEA	rubicon grey	93-		M096
	BQB	marine blue	91-			(6)	944 521 037 22	cover for cushion for electric adjustment without heating draped leather		2	
	AVF	matador red	91-				KZ2	black	-90		
	AVG	carrara grey	91-				TV1	mahogany	-90		
	AVH	sherwood green	91-				TS1	marine blue	-90		
	DEA	rubicon grey	93-		M096		LG7	burgundy	-90		
6	944 521 037 20	cover for cushion for manual adjustment draped leather		2			XG3	caramel	-90		
	KZ2	black	-90				TW1	linen	-90		
	TV1	mahogany	-90				XG4	venetian blue	-90		
	TS1	marine blue	-90				XN4	cashmere beige	-90		
	LG7	burgundy	-90				XN5	silk grey	-90		
	XG3	caramel	-90				XN6	velvet red	-90		
	TW1	linen	-90				XN7	slate grey	-90		
	XG4	venetian blue	-90				ATH	black	91-		
	XN4	cashmere beige	-90				APL	classic grey	91-		
	XN5	silk grey	-90				ARL	cobalt blue	91-		
	XN6	velvet red	-90				ASL	magenta	91-		
	XN7	slate grey	-90				AQL	light grey	91-		
	ATH	black	91-				ATY	cashmere beige	91-		
	APL	classic grey	91-				BQB	marine blue	91-		
	ARL	cobalt blue	91-				AVF	matador red	91-		
	ASL	magenta	91-								

Model	Year	MG	SG	Illustration	Restrictions	UPD	19:54	27.01.2010	PORSCHE	PET	PORSCHE
STZ	1998	8	06	806-78		248					

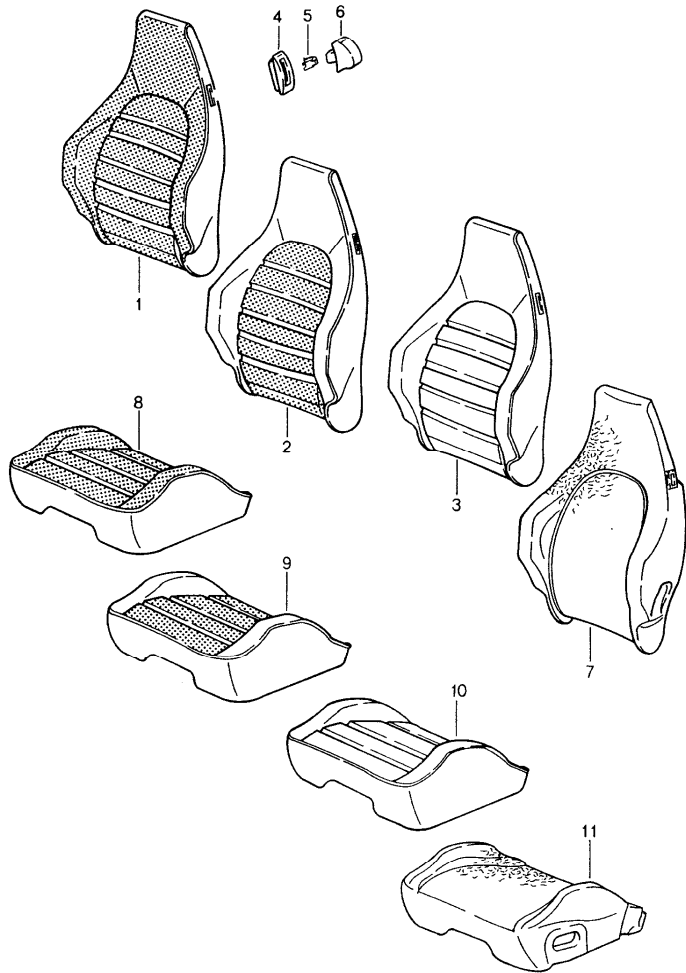
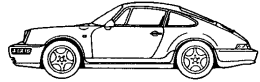
Pos	Part Number	Description	Remark	Qty	Model	Pos	Part Number	Description	Remark	Qty	Model			
(6)	AVG	carrara grey	91-	2	M096	6	964 521 037 04	cover for cushion with heating whole-leather	92	2	TURBO-LOOK			
	AVH	sherwood green	91-											
	DEA	rubicon grey	93-						BQZ	rhodamine				
		cover for cushion for electric adjustment with heating draped leather							BQY	wimbledon green				
									BQX	florentine grey				
		KZ2	black			-90			-	000 043 071 00	clamp mount cover bag content 50 pieces		X	
		TV1	mahogany			-90								
		TS1	marine blue			-90								
		LG7	burgundy			-90								
		XG3	caramel			-90			7	928 521 385 22	foam part seat cushion for manual adjustment		2	
		TW1	linen			-90			(7)	928 521 385 23	foam part seat cushion for electric adjustment	/L	1	
		XG4	venetian blue			-90			(7)	928 521 386 23	foam part seat cushion for electric adjustment	/R	1	
		XN4	cashmere beige			-90			(7)	928 521 385 24	foam part seat cushion with seat heating for electric adjustment	/L	1	
		XN5	silk grey			-90								
		XN6	velvet red			-90								
		XN7	slate grey			-90								
		ATH	black			91-								
		APL	classic grey			91-			(7)	928 521 386 24	foam part seat cushion with seat heating for electric adjustment	/R	1	
		ARL	cobalt blue			91-								
		ASL	magenta			91-								
	AQL	light grey	91-			8	928 521 393 13	foam part backrest frame for manual adjustment		2				
	ATY	cashmere beige	91-			(8) A	993 521 393 06	foam part backrest frame for electric adjustment see technical information 6 ZYL. GR.7D NR.1/94		2				
	BQB	marine blue	91-											
	AVF	matador red	91-											
	AVG	carrara grey	91-			(8)	993 521 393 06	foam part backrest frame for electric adjustment see technical information 6 ZYL. GR.7D NR.1/94		2				
	AVH	sherwood green	91-											
	DEA	rubicon grey	93-		M096									

Model	Year	MG	SG	Illustration	Restrictions	UPD	19:54	27.01.2010	PORSCHE	PET	PORSCHE
STZ	1998	8	06	806-78		248					

Pos	Part Number	Description	Remark	Qty	Model	Pos	Part Number	Description	Remark	Qty	Model
(8)	928 521 393 19	foam part backrest frame lumbar support adjustment with seat heating for electric adjustment		2							
9	911 521 815 00 01C	rosette satin black		4							
10	311 881 247	clamp		4							
11	911 521 817 00 01C	control button satin black		4							



Model	Year	MG	SG	Illustration	Restrictions	UPD	19:54	27.01.2010	PORSCHE	PET	PORSCHE
STZ	1998	8	06	806-80		248					



Pos	Part Number	Description	Remark	Qty	Model
		cover sports seat	89-94		CARRERA 2/4 TURBO CARRERA RS
1	944 521 071 05	backrest cover without heating leatherette/ backrest surface pin stripe velour		2	
	NY5	black/ black-white	-90		
	TU7	mahogany/ mahogany-white	-90		
	TR7	blue/ blue-white	-90		
	NY8	burgundy/ burgundy-white	-90		
	XK2	linen/ linen white	-90		
	XK5	cashmere beige/ cashmere beige-white	-90		
(1)	964 521 071 08	backrest cover with heating leatherette/ backrest surface pin stripe velour		2	
	NY5	black/ black-white	-90		
	TU7	mahogany/ mahogany-white	-90		
	TR7	blue/ blue-white	-90		
	NY8	burgundy/ burgundy-white	-90		
	XK2	linen/ linen white	-90		
	XK5	cashmere beige/ cashmere beige-white	-90		
1	944 521 071 05	backrest cover without heating leatherette/ backrest surface multicolour		2	

Model	Year	MG	SG	Illustration	Restrictions	UPD	19:54	27.01.2010	PORSCHE	PET	PORSCHE
STZ	1998	8	06	806-80		248					

Pos	Part Number	Description	Remark	Qty	Model	Pos	Part Number	Description	Remark	Qty	Model
	XK8	black/black					PX6	burgundy/burgundy	-90		
	XK9	mahogany/mahogany	-90				XK3	linen/linen	-90		
	XN1	marine blue/marine blue					XK6	cashmere beige/cash. beige			
	XN2	burgundy/burgundy	-90				APM	classic grey/classic grey	91-		
	XK4	linen/linen	-90				ARM	cobalt blue/cobalt blue	91-		
	XK7	cashmere beige/cash. beige					ASM	magenta/magenta	91-		
	AQP	classic grey/classic grey	91-				AQM	light grey/light grey	91-		
	AQV	cobalt blue/cobalt blue	91-			(1)	964 521 071 08	backrest cover with heating leatherette/ backrest surface porsche lettering cloth		2	
	ASN	magenta/magenta	91-				PX2	black/black			
	AQN	light grey/light grey	91-				TU9	mahogany/mahogany	-90		
(1)	964 521 071 08	backrest cover with heating leatherette/ backrest surface multicolour		2			TR9	marine blue/blue			
	XK8	black/black					PX6	burgundy/burgundy	-90		
	XK9	mahogany/mahogany	-90				XK3	linen/linen	-90		
	XN1	marine blue/marine blue					XK6	cashmere beige/cash. beige			
	XN2	burgundy/burgundy	-90				APM	classic grey/classic grey	91-		
	XK4	linen/linen	-90				ARM	cobalt blue/cobalt blue	91-		
	XK7	cashmere beige/cash. beige					ASM	magenta/magenta	91-		
	AQP	classic grey/classic grey	91-				AQM	light grey/light grey	91-		
	AQV	cobalt blue/cobalt blue	91-			2	944 521 071 60	backrest cover without heating leatherette/leather centre part in cloth pin stripe velour		2	
	ASN	magenta/magenta	91-				PY1	black/black black-white	-90		
	AQN	light grey/light grey	91-				TU4	mahogany/mahogany mahogany-white	-90		
1	944 521 071 05	backrest cover without heating leatherette/ backrest surface porsche lettering cloth		2			TR4	marine blue/marine blue blue-white	-90		
	PX2	black/black					PY4	burgundy/burgundy burgundy-white	-90		
	TU9	mahogany/mahogany	-90								
	TR9	marine blue/blue									

Model	Year	MG	SG	Illustration	Restrictions	UPD	19:54	27.01.2010	PORSCHE	PET	PORSCHE
STZ	1998	8	06	806-80		248					

Pos	Part Number	Description	Remark	Qty	Model	Pos	Part Number	Description	Remark	Qty	Model
		XH2 linen/linen linen white	-90				APF classic grey/classic grey classic grey		91-		
		XH7 cashmere beige/cash. beige cashmere beige-white	-90				ARF cobalt blue/cobalt blue cobalt blue		91-		
(2)	964 521 071 09	backrest cover with heating leatherette/leather centre part in cloth pin stripe velour		2			ASF magenta/magenta magenta		91-		
		PY1 black/black black-white	-90				AQF light grey/light grey light grey		91-		
		TU4 mahogany/mahogany mahogany-white	-90				ATL cashmere beige/cash. beige cashmere beige		91-		
		TR4 marine blue/marine blue blue-white	-90			(2)	BQK marine blue/marine blue marine blue		91-		
		PY4 burgundy/burgundy burgundy-white	-90				964 521 071 09 backrest cover with heating leatherette/leather centre part in cloth multicolour			2	
		XH2 linen/linen linen white	-90				XJ2 black/black black		-90		
		XH7 cashmere beige/cash. beige cashmere beige-white	-90				XJ3 mahogany/mahogany mahogany		-90		
2	944 521 071 60	backrest cover without heating leatherette/leather centre part in cloth multicolour		2			XJ5 marine blue/marine blue marine blue		-90		
		XJ2 black/black black	-90				XJ7 burgundy/burgundy burgundy		-90		
		XJ3 mahogany/mahogany mahogany	-90				XH6 linen/linen linen		-90		
		XJ5 marine blue/marine blue marine blue	-90				XH9 cashmere beige/cash. beige cashmere beige		-90		
		XJ7 burgundy/burgundy burgundy	-90				ATF black/black black		91-		
		XH6 linen/linen linen	-90				APF classic grey/classic grey classic grey		91-		
		XH9 cashmere beige/cash. beige cashmere beige	-90				ARF cobalt blue/cobalt blue cobalt blue		91-		
		ATF black/black black	91-				ASF magenta/magenta magenta		91-		
							AQF light grey/light grey light grey		91-		

Model	Year	MG	SG	Illustration	Restrictions	UPD	19:54	27.01.2010	PORSCHE	PET	PORSCHE
STZ	1998	8	06	806-80		248					

Pos	Part Number	Description	Remark	Qty	Model	Pos	Part Number	Description	Remark	Qty	Model
	ATL	cashmere beige/cash. beige cashmere beige	91-				PZ7	black/black black	-90		
	BQK	marine blue/marine blue marine blue	91-				TU6	mahogany/mahogany mahogany	-90		
2	944 521 071 60	backrest cover without heating leatherette/leather centre part porsche lettering cloth		2			TR6	marine blue/marine blue blue	-90		
	PZ7	black/black black	-90				QA1	burgundy/burgundy burgundy	-90		
	TU6	mahogany/mahogany mahogany	-90				XH4	linen/linen linen	-90		
	TR6	marine blue/marine blue blue	-90				XH8	cashmere beige/cash. beige cashmere beige	-90		
	QA1	burgundy/burgundy burgundy	-90				ATA	black/black black	91-		
	XH4	linen/linen linen	-90				APD	classic grey/classic grey classic grey	91-		
	XH8	cashmere beige/cash. beige cashmere beige	-90				ARD	cobalt blue/cobalt blue cobalt blue	91-		
	ATA	black/black black	91-				ASD	magenta/magenta magenta	91-		
	APD	classic grey/classic grey classic grey	91-				AQD	light grey/light grey light grey	91-		
	ARD	cobalt blue/cobalt blue cobalt blue	91-				ATR	cashmere beige/cash. beige cashmere beige	91-		
	ASD	magenta/magenta magenta	91-			2	BQM	marine blue/marine blue blue	91-		
	AQD	light grey/light grey light grey	91-				944 521 071 63	backrest cover without heating leather/ centre part in cloth pin stripe velour		2	
	ATR	cashmere beige/cash. beige cashmere beige	91-				LS5	black/ black-white	-90		
	BQM	marine blue/marine blue blue	91-				TU1	mahogany/ mahogany-white	-90		
(2)	964 521 071 09	backrest cover with heating leatherette/leather centre part porsche lettering cloth		2			TR1	blue/ blue-white	-90		
							LS9	burgundy/ burgundy-white	-90		

Model	Year	MG	SG	Illustration	Restrictions	UPD	19:54	27.01.2010	PORSCHE	PET	PORSCHE
STZ	1998	8	06	806-80		248					

Pos	Part Number	Description	Remark	Qty	Model	Pos	Part Number	Description	Remark	Qty	Model
	XF5	linen/ linen white	-90				ATW	cashmere beige/cash. beige	91-		
	XF8	cashmere beige/ cashmere beige-white	-90				BQJ	marine blue/marine blue	91-		
(2)	964 521 071 12	backrest cover with heating leather/ centre part in cloth pin stripe velour		2		(2)	964 521 071 12	backrest cover with heating leather/ centre part in cloth multicolour		2	
	LS5	black/ black-white	-90				XG6	black/black	-90		
	TU1	mahogany/ mahogany-white	-90				XG7	mahogany/mahogany	-90		
	TR1	blue/ blue-white	-90				XG8	marine blue/marine blue	-90		
	LS9	burgundy/ burgundy-white	-90				XG9	burgundy/burgundy	-90		
	XF5	linen/ linen white	-90				XF7	linen/linen	-90		
	XF8	cashmere beige/ cashmere beige-white	-90				XG5	cashmere beige/cash. beige	-90		
2	944 521 071 63	backrest cover without heating leather/ centre part in cloth multicolour		2			ATJ	black/black	91-		
	XG6	black/black	-90			2	944 521 071 63	backrest cover without heating leather/ centre part porsche lettering cloth		2	
	XG7	mahogany/mahogany	-90				AQT	classic grey/classic grey	91-		
	XG8	marine blue/marine blue	-90				AQU	cobalt blue/cobalt blue	91-		
	XG9	burgundy/burgundy	-90				ASJ	magenta/magenta	91-		
	XF7	linen/linen	-90				AQJ	light grey/light grey	91-		
	XG5	cashmere beige/cash. beige	-90				ATW	cashmere beige/cash. beige	91-		
	ATJ	black/black	91-				BQJ	marine blue/marine blue	91-		
	AQT	classic grey/classic grey	91-				QB2	black/black	-90		
	AQU	cobalt blue/cobalt blue	91-				TU3	mahogany/mahogany	-90		
	ASJ	magenta/magenta	91-				TR3	marine blue/blue	-90		
	AQJ	light grey/light grey	91-				QB8	burgundy/burgundy	-90		
							XF6	linen/linen	-90		
							XF9	cashmere beige/cash. beige	-90		
							ATD	black/black	91-		
							APG	classic grey/classic grey	91-		

Model	Year	MG	SG	Illustration	Restrictions	UPD	19:54	27.01.2010	PORSCHE	PET	PORSCHE
STZ	1998	8	06	806-80		248					

Pos	Part Number	Description	Remark	Qty	Model	Pos	Part Number	Description	Remark	Qty	Model
	ARG	cobalt blue/cobalt blue	91-				XN3	cashmere beige/cash. beige	-90		
	ASG	magenta/magenta	91-				ATG	black/black	91-		
	AQG	light grey/light grey	91-				APK	classic grey/classic grey	91-		
	ATU	cashmere beige/cash. beige	91-				ARK	cobalt blue/cobalt blue	91-		
	BQL	marine blue/blue	91-				ASK	magenta/magenta	91-		
(2)	964 521 071 12	backrest cover with heating leather/ centre part porsche lettering cloth		2			AQK	light grey/light grey	91-		
	QB2	black/black	-90			(3)	964 521 071 10	backrest cover with heating leatherette/ backrest surface leather		2	
	TU3	mahogany/mahogany	-90				JN3	black/black	-90		
	TR3	marine blue/blue	-90				TV2	mahogany/mahogany	-90		
	QB8	burgundy/burgundy	-90				TS2	marine blue/marine blue	-90		
	XF6	linen/linen	-90				NZ8	burgundy/burgundy	-90		
	XF9	cashmere beige/cash. beige	-90				TW2	linen/linen	-90		
	ATD	black/black	91-				XN3	cashmere beige/cash. beige	-90		
	APG	classic grey/classic grey	91-				ATG	black/black	91-		
	ARG	cobalt blue/cobalt blue	91-				APK	classic grey/classic grey	91-		
	ASG	magenta/magenta	91-				ARK	cobalt blue/cobalt blue	91-		
	AQG	light grey/light grey	91-				ASK	magenta/magenta	91-		
	ATU	cashmere beige/cash. beige	91-				AQK	light grey/light grey	91-		
	BQL	marine blue/blue	91-				ATX	cashmere beige/cash. beige	91-		
3	944 521 071 61	backrest cover without heating leatherette/ backrest surface leather		2			BQA	marine blue/marine blue	91-		
	JN3	black/black	-90			3	944 521 071 62	backrest cover without heating whole-leather		2	
	TV2	mahogany/mahogany	-90				KZ2	black	-90		
	TS2	marine blue/marine blue	-90				TV1	mahogany	-90		
	NZ8	burgundy/burgundy	-90				TS1	marine blue	-90		
	TW2	linen/linen	-90								

Model	Year	MG	SG	Illustration	Restrictions	UPD	19:54	27.01.2010	PORSCHE	PET	PORSCHE
STZ	1998	8	06	806-80		248					

Pos	Part Number	Description	Remark	Qty	Model	Pos	Part Number	Description	Remark	Qty	Model	
	LG7	burgundy		-90			XN6	velvet red		-90		
	XG3	caramel		-90			XN7	slate grey		-90		
	TW1	linen		-90			ATH	black		91-		
	XG4	venetian blue		-90			APL	classic grey		91-		
	XN4	cashmere beige		-90			ARL	cobalt blue		91-		
	XN5	silk grey		-90			ASL	magenta		91-		
	XN6	velvet red		-90			AQL	light grey		91-		
	XN7	slate grey		-90			ATY	cashmere beige		91-		
	ATH	black		91-			BQB	marine blue		91-		
	APL	classic grey		91-			AVF	matador red		91-		
	ARL	cobalt blue		91-			AVG	carrara grey		91-		
	ASL	magenta		91-			AVH	sherwood green		91-		
	AQL	light grey		91-		3	964 521 071 13	backrest cover without heating whole-leather		2	CARRERA RS M002	
	ATY	cashmere beige		91-			CFY	black black-violet rubystone red grey-violet				
	BQB	marine blue		91-			CFX	black dark grey pearl grey light grey				
	AVF	matador red		91-			CFZ	black dark blue maritime blue light blue				
	AVG	carrara grey		91-			(3)	964 521 071 14	backrest cover with heating whole-leather		2	CARRERA RS M002
	AVH	sherwood green		91-			CFY	black black-violet rubystone red grey-violet				
(3)	964 521 071 11	backrest cover with heating whole-leather		2			CFX	black dark grey pearl grey light grey				
	KZ2	black		-90								
	TV1	mahogany		-90								
	TS1	marine blue		-90								
	LG7	burgundy		-90								
	XG3	caramel		-90								
	TW1	linen		-90								
	XG4	venetian blue		-90								
	XN4	cashmere beige		-90								
	XN5	silk grey		-90								

Model	Year	MG	SG	Illustration	Restrictions	UPD	19:54	27.01.2010	PORSCHE	PET	PORSCHE
STZ	1998	8	06	806-80		248					

Pos	Part Number	Description	Remark	Qty	Model	Pos	Part Number	Description	Remark	Qty	Model
		CFZ black dark blue maritime blue light blue					NY8	burgundy/ burgundy-white	-90		
4	911 521 815 00	rosette		4			XK2	linen/ linen white	-90		
	01C	satin black					XK5	cashmere beige/ cashmere beige-white	-90		
5	311 881 247	clamp		4		8	944 521 037 16	cover for cushion without heating leatherette/ seat surface multicolour		2	
6	911 521 817 00	control button		4			XK8	black/black			
	01C	satin black					XK9	mahogany/mahogany	-90		
7	928 521 393 15	foam part backrest frame		2			XN1	marine blue/marine blue			
8	944 521 037 16	cover for cushion without heating leatherette/ seat surface pin stripe velour		2			XN2	burgundy/burgundy	-90		
	NY5	black/ black-white	-90				XK4	linen/linen	-90		
	TU7	mahogany/ mahogany-white	-90				XK7	cashmere beige/cash. beige			
	TR7	blue/ blue-white	-90				AQP	classic grey/classic grey	91-		
	NY8	burgundy/ burgundy-white	-90				AQV	cobalt blue/cobalt blue	91-		
	XK2	linen/ linen white	-90				ASN	magenta/magenta	91-		
	XK5	cashmere beige/ cashmere beige-white	-90				AQN	light grey/light grey	91-		
(8)	964 521 037 08	cover for cushion with heating leatherette/ seat surface pin stripe velour		2		(8)	964 521 037 08	cover for cushion with heating leatherette/ seat surface multicolour		2	
	NY5	black/ black-white	-90				XK8	black/black			
	TU7	mahogany/ mahogany-white	-90				XK9	mahogany/mahogany	-90		
	TR7	blue/ blue-white	-90				XN1	marine blue/marine blue			
							XN2	burgundy/burgundy	-90		
							XK4	linen/linen	-90		
							XK7	cashmere beige/cash. beige			
							AQP	classic grey/classic grey	91-		
							AQV	cobalt blue/cobalt blue	91-		



Model	Year	MG	SG	Illustration	Restrictions	UPD	19:54	27.01.2010	PORSCHE	PET	PORSCHE
STZ	1998	8	06	806-80		248					

Pos	Part Number	Description	Remark	Qty	Model	Pos	Part Number	Description	Remark	Qty	Model			
8	ASN	magenta/magenta	91-	2		9	944 521 037 83	cover for cushion without heating leatherette/leather centre part in cloth pin stripe velour		2				
	AQN	light grey/light grey	91-											
	PX2	black/black							PY1	black/black black-white	-90			
	TU9	mahogany/mahogany	-90						TU4	mahogany/mahogany mahogany-white	-90			
	TR9	marine blue/blue							TR4	marine blue/marine blue blue-white	-90			
	PX6	burgundy/burgundy	-90						PY4	burgundy/burgundy burgundy-white	-90			
	XK3	linen/linen	-90						XH2	linen/linen linen white	-90			
	XK6	cashmere beige/cash. beige							XH7	cashmere beige/cash. beige	-90			
	APM	classic grey/classic grey	91-						(9)	964 521 037 09	cover for cushion with heating leatherette/leather centre part in cloth pin stripe velour		2	
	ARM	cobalt blue/cobalt blue	91-							PY1	black/black black-white	-90		
	ASM	magenta/magenta	91-							TU4	mahogany/mahogany mahogany-white	-90		
	AQM	light grey/light grey	91-							TR4	marine blue/marine blue blue-white	-90		
										PY4	burgundy/burgundy burgundy-white	-90		
(8)	964 521 037 08	cover for cushion with heating leatherette/ seat surface porsche lettering cloth		2			XH2	linen/linen linen white	-90					
							XH7	cashmere beige/cash. beige	-90					
						9	944 521 037 83	cover for cushion without heating leatherette/leather centre part in cloth multicolour		2				
							XJ2	black/black black	-90					
							XJ3	mahogany/mahogany mahogany	-90					

Model	Year	MG	SG	Illustration	Restrictions	UPD	19:54	27.01.2010	PORSCHE	PET	PORSCHE
STZ	1998	8	06	806-80		248					

Pos	Part Number	Description	Remark	Qty	Model	Pos	Part Number	Description	Remark	Qty	Model
	XJ5	marine blue/marine blue marine blue	-90				ATF	black/black black	91-		
	XJ7	burgundy/burgundy burgundy	-90				APF	classic grey/classic grey classic grey	91-		
	XH6	linen/linen linen	-90				ARF	cobalt blue/cobalt blue cobalt blue	91-		
	XH9	cashmere beige/cash. beige cashmere beige	-90				ASF	magenta/magenta magenta	91-		
	ATF	black/black black	91-				AQF	light grey/light grey light grey	91-		
	APF	classic grey/classic grey classic grey	91-				ATL	cashmere beige/cash. beige cashmere beige	91-		
	ARF	cobalt blue/cobalt blue cobalt blue	91-				BQK	marine blue/marine blue marine blue	91-		
	ASF	magenta/magenta magenta	91-			9	944 521 037 83	cover for cushion without heating leatherette/leather centre part in cloth porsche lettering cloth		2	
	AQF	light grey/light grey light grey	91-				PZ7	black/black black	-90		
	ATL	cashmere beige/cash. beige cashmere beige	91-				TU6	mahogany/mahogany mahogany	-90		
	BQK	marine blue/marine blue marine blue	91-				TR6	marine blue/marine blue blue	-90		
(9)	964 521 037 09	cover for cushion with heating leatherette/leather centre part in cloth multicolour		2			QA1	burgundy/burgundy burgundy	-90		
	XJ2	black/black black	-90				XH4	linen/linen linen	-90		
	XJ3	mahogany/mahogany mahogany	-90				XH8	cashmere beige/cash. beige cashmere beige	-90		
	XJ5	marine blue/marine blue marine blue	-90				ATA	black/black black	91-		
	XJ7	burgundy/burgundy burgundy	-90				APD	classic grey/classic grey classic grey	91-		
	XH6	linen/linen linen	-90				ARD	cobalt blue/cobalt blue cobalt blue	91-		
	XH9	cashmere beige/cash. beige cashmere beige	-90				ASD	magenta/magenta magenta	91-		

Model	Year	MG	SG	Illustration	Restrictions	UPD	19:54	27.01.2010	PORSCHE	PET	PORSCHE
STZ	1998	8	06	806-80		248					

Pos	Part Number	Description	Remark	Qty	Model	Pos	Part Number	Description	Remark	Qty	Model
	AQD	light grey/light grey light grey	91-			9	944 521 037 86	cover for cushion without heating leather/ centre part in cloth pin stripe velour		2	
	ATR	cashmere beige/cash. beige cashmere beige	91-								
	BQM	marine blue/marine blue blue	91-				LS5	black/ black-white	-90		
(9)	964 521 037 09	cover for cushion with heating leatherette/leather centre part in cloth porsche lettering cloth		2			TU1	mahogany/ mahogany-white	-90		
	PZ7	black/black black	-90				TR1	blue/ blue-white	-90		
	TU6	mahogany/mahogany mahogany	-90				LS9	burgundy/ burgundy-white	-90		
	TR6	marine blue/marine blue blue	-90				XF5	linen/ linen white	-90		
	QA1	burgundy/burgundy burgundy	-90			(9)	964 521 037 12	cover for cushion with heating leather/ centre part in cloth pin stripe velour		2	
	XH4	linen/linen linen	-90				XF8	cashmere beige/ cashmere beige-white	-90		
	XH8	cashmere beige/cash. beige cashmere beige	-90				LS5	black/ black-white	-90		
	ATA	black/black black	91-				TU1	mahogany/ mahogany-white	-90		
	APD	classic grey/classic grey classic grey	91-				TR1	blue/ blue-white	-90		
	ARD	cobalt blue/cobalt blue cobalt blue	91-				LS9	burgundy/ burgundy-white	-90		
	ASD	magenta/magenta magenta	91-				XF5	linen/ linen white	-90		
	AQD	light grey/light grey light grey	91-				XF8	cashmere beige/ cashmere beige-white	-90		
	ATR	cashmere beige/cash. beige cashmere beige	91-			9	944 521 037 86	cover for cushion without heating leather/ centre part in cloth multicolour		2	
	BQM	marine blue/marine blue blue	91-				XG6	black/black	-90		
							XG7	mahogany/mahogany	-90		

Model	Year	MG	SG	Illustration	Restrictions	UPD	19:54	27.01.2010	PORSCHE	PET	PORSCHE
STZ	1998	8	06	806-80		248					

Pos	Part Number	Description	Remark	Qty	Model	Pos	Part Number	Description	Remark	Qty	Model
	XG8	marine blue/marine blue	-90			9	944 521 037 86	cover for cushion without heating		2	
	XG9	burgundy/burgundy	-90					leather/ centre part			
	XF7	linen/linen	-90					porsche lettering cloth			
	XG5	cashmere beige/cash. beige	-90				QB2	black/black	-90		
	ATJ	black/black	91-				TU3	mahogany/mahogany	-90		
	AQT	classic grey/classic grey	91-				TR3	marine blue/blue	-90		
	AQU	cobalt blue/cobalt blue	91-				QB8	burgundy/burgundy	-90		
	ASJ	magenta/magenta	91-				XF6	linen/linen	-90		
	AQJ	light grey/light grey	91-				XF9	cashmere beige/cash. beige	-90		
	ATW	cashmere beige/cash. beige	91-				ATD	black/black	91-		
	BQJ	marine blue/marine blue	91-				APG	classic grey/classic grey	91-		
(9)	964 521 037 12	cover for cushion with heating leather/ centre part in cloth multicolour		2			ARG	cobalt blue/cobalt blue	91-		
	XG6	black/black	-90				ASG	magenta/magenta	91-		
	XG7	mahogany/mahogany	-90				AQG	light grey/light grey	91-		
	XG8	marine blue/marine blue	-90			(9)	964 521 037 12	cover for cushion with heating leather/ centre part porsche lettering cloth		2	
	XG9	burgundy/burgundy	-90								
	XF7	linen/linen	-90								
	XG5	cashmere beige/cash. beige	-90				QB2	black/black	-90		
	ATJ	black/black	91-				TU3	mahogany/mahogany	-90		
	AQT	classic grey/classic grey	91-				TR3	marine blue/blue	-90		
	AQU	cobalt blue/cobalt blue	91-				QB8	burgundy/burgundy	-90		
	ASJ	magenta/magenta	91-				XF6	linen/linen	-90		
	AQJ	light grey/light grey	91-				XF9	cashmere beige/cash. beige	-90		
	ATW	cashmere beige/cash. beige	91-				ATD	black/black	91-		
	BQJ	marine blue/marine blue	91-				APG	classic grey/classic grey	91-		
							ARG	cobalt blue/cobalt blue	91-		
							ASG	magenta/magenta	91-		

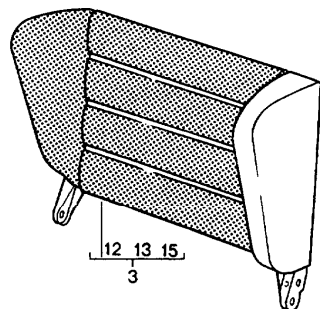
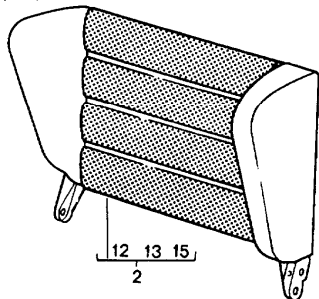
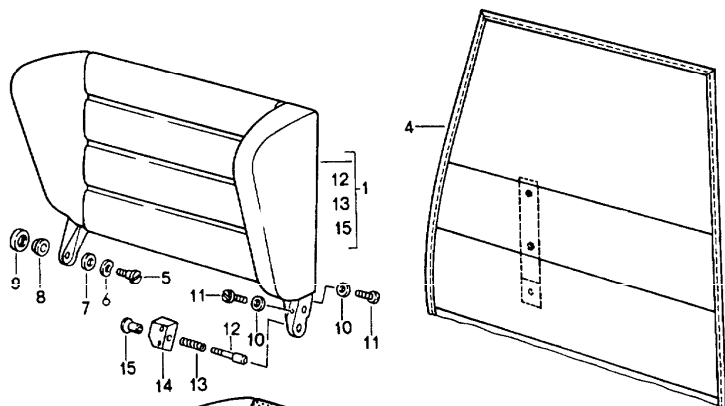
Model	Year	MG	SG	Illustration	Restrictions	UPD	19:54	27.01.2010	PORSCHE	PET	PORSCHE
STZ	1998	8	06	806-80		248					

Pos	Part Number	Description	Remark	Qty	Model	Pos	Part Number	Description	Remark	Qty	Model
10	AQG	light grey/light grey	91-	2		10	APK	classic grey/classic grey	91-	2	
	ATU	cashmere beige/cash. beige	91-				ARK	cobalt blue/cobalt blue	91-		
	BQL	marine blue/blue	91-				ASK	magenta/magenta	91-		
	944 521 037 84	cover for cushion without heating leatherette/seat surface leather					AQK	light grey/light grey	91-		
	JN3	black/black	-90				ATX	cashmere beige/cash. beige	91-		
	TV2	mahogany/mahogany	-90				BQA	marine blue/marine blue	91-		
	TS2	marine blue/marine blue	-90				944 521 037 85	cover for cushion without heating whole-leather			
	NZ8	burgundy/burgundy	-90				KZ2	black	-90		
	TW2	linen/linen	-90				TV1	mahogany	-90		
	XN3	cashmere beige/cash. beige	-90				TS1	marine blue	-90		
	ATG	black/black	91-				LG7	burgundy	-90		
	APK	classic grey/classic grey	91-				XG3	caramel	-90		
	ARK	cobalt blue/cobalt blue	91-				TW1	linen	-90		
	ASK	magenta/magenta	91-				XG4	venetian blue	-90		
	AQK	light grey/light grey	91-				XN4	cashmere beige	-90		
	ATX	cashmere beige/cash. beige	91-				XN5	silk grey	-90		
	BQA	marine blue/marine blue	91-				XN6	velvet red	-90		
(10)	964 521 037 10	cover for cushion with heating leatherette/seat surface leather		2		XN7	slate grey	-90			
JN3	black/black	-90	ATH	black	91-	APL	classic grey	91-			
TV2	mahogany/mahogany	-90	ARL	cobalt blue	91-	ASL	magenta	91-			
TS2	marine blue/marine blue	-90	ASL	magenta	91-	AQL	light grey	91-			
NZ8	burgundy/burgundy	-90	AQL	light grey	91-	ATY	cashmere beige	91-			
TW2	linen/linen	-90	ATY	cashmere beige	91-	BQB	marine blue	91-			
XN3	cashmere beige/cash. beige	-90	BQB	marine blue	91-	AVF	matador red	91-			
ATG	black/black	91-	AVF	matador red	91-	AVG	carrara grey	91-			
			AVG	carrara grey	91-	AVH	sherwood green	91-			

Model	Year	MG	SG	Illustration	Restrictions	UPD	19:54	27.01.2010	PORSCHE	PET	PORSCHE
STZ	1998	8	06	806-80		248					

Pos	Part Number	Description	Remark	Qty	Model	Pos	Part Number	Description	Remark	Qty	Model
(10)	964 521 037 11	cover for cushion with heating whole-leather		2			CFX	black dark grey pearl grey light grey			
	KZ2	black	-90				CFZ	black dark blue maritime blue light blue			
	TV1	mahogany	-90								
	TS1	marine blue	-90								
	LG7	burgundy	-90			(10)	964 521 037 14	cover for cushion with heating whole-leather		2	CARRERA RS M002
	XG3	caramel	-90				CFY	black black-violet rubystone red grey-violet			
	TW1	linen	-90				CFX	black dark grey pearl grey light grey			
	XG4	venetian blue	-90				CFZ	black dark blue maritime blue light blue			
	XN4	cashmere beige	-90								
	XN5	silk grey	-90								
	XN6	velvet red	-90								
	XN7	slate grey	-90								
	ATH	black	91-								
	APL	classic grey	91-								
	ARL	cobalt blue	91-			-	000 043 071 00	clamp mount cover bag content 50 pieces		X	
	ASL	magenta	91-								
	AQL	light grey	91-								
	ATY	cashmere beige	91-								
	BQB	marine blue	91-			11	928 521 385 27	foam part seat cushion	/L	1	
	AVF	matador red	91-			(11)	928 521 385 28	foam part with seat heating seat cushion	/L	1	
	AVG	carrara grey	91-			(11)	928 521 386 27	foam part seat cushion	/R	1	
	AVH	sherwood green	91-			(11)	928 521 386 28	foam part with seat heating seat cushion	/R	1	
10	964 521 037 13	cover for cushion without heating whole-leather		2	CARRERA RS M002						
	CFY	black black-violet rubystone red grey-violet									

Model	Year	MG	SG	Illustration	Restrictions	UPD	19:55	27.01.2010	PORSCHE	PET	PORSCHE
STZ	1998	8	06	806-82		248					



Pos	Part Number	Description	Remark	Qty	Model
		back seat backrest with pull-type release lower	89-91		COUPE TARGA
(1)	964 522 017 02	back seat backrest leatherette	/L	1	
	3MK	burgundy	-90		
	1MX	mahogany	-90		
	43S	black			
	1KX	marine blue			
	4WX	linen	-90		
	7RT	cashmere beige			
	2WJ	classic grey	91		
	9ZH	cobalt blue	91		
	4WY	magenta	91		
	1ZU	light grey	91		
1	964 522 018 02	back seat backrest leatherette	/R	1	
	3MK	burgundy	-90		
	1MX	mahogany	-90		
	43S	black			
	1KX	marine blue			
	4WX	linen	-90		
	7RT	cashmere beige			
	2WJ	classic grey	91		
	9ZH	cobalt blue	91		
	4WY	magenta	91		
	1ZU	light grey	91		
(1)	964 522 017 03	back seat backrest whole-leather	/L	1	
	KZ2	black	-90		
	TV1	mahogany	-90		

Model	Year	MG	SG	Illustration	Restrictions	UPD	19:55	27.01.2010	PORSCHE	PET	PORSCHE
STZ	1998	8	06	806-82		248					

Pos	Part Number	Description	Remark	Qty	Model	Pos	Part Number	Description	Remark	Qty	Model
	TS1	marine blue		-90			XN5	silk grey		-90	
	TW1	linen		-90			XN6	velvet red		-90	
	UD5	caramel		-90			XN7	slate grey		-90	
	LG7	burgundy		-90			8YR	black		91	
	UD6	venetian blue		-90			6XL	classic grey		91	
	XN4	cashmere beige		-90			9YL	cobalt blue		91	
	XN5	silk grey		-90			6YL	magenta		91	
	XN6	velvet red		-90			8ZL	light grey		91	
	XN7	slate grey		-90			4YU	cashmere beige		91	
	8YR	black		91			H05	marine blue		91	
	6XL	classic grey		91			M05	matador red		91	
	9YL	cobalt blue		91			D35	carrara grey		91	
	6YL	magenta		91			J25	sherwood green		91	
	8ZL	light grey		91		(1)	964 522 017 05	back seat backrest draped leather	/L	1	
	4YU	cashmere beige		91			KZ2	black		-90	
	H05	marine blue		91			TV1	mahogany		-90	
	M05	matador red		91			TS1	marine blue		-90	
	D35	carrara grey		91			TW1	linen		-90	
	J25	sherwood green		91			UD5	caramel		-90	
1	964 522 018 03	back seat backrest whole-leather	/R	1			LG7	burgundy		-90	
	KZ2	black		-90			UD6	venetian blue		-90	
	TV1	mahogany		-90			XN4	cashmere beige		-90	
	TS1	marine blue		-90			XN5	silk grey		-90	
	TW1	linen		-90			XN6	velvet red		-90	
	UD5	caramel		-90			XN7	slate grey		-90	
	LG7	burgundy		-90			8YR	black		91	
	UD6	venetian blue		-90			6XL	classic grey		91	
	XN4	cashmere beige		-90			9YL	cobalt blue		91	



Model	Year	MG	SG	Illustration	Restrictions	UPD	19:55	27.01.2010	PORSCHE	PET	PORSCHE
STZ	1998	8	06	806-82		248					

Pos	Part Number	Description	Remark	Qty	Model	Pos	Part Number	Description	Remark	Qty	Model
	6YL	magenta		91			J25	sherwood green		91	
	8ZL	light grey		91		(2)	964 522 017 01	back seat backrest leatherette/ centre part in cloth pin stripe velour	/L	1	
	4YU	cashmere beige		91			JN1	black/ black-white		-90	
	H05	marine blue		91			TU4	mahogany/ mahogany-white		-90	
	M05	matador red		91			TR4	blue/ blue-white		-90	
	D35	carrara grey		91			LT2	burgundy/ burgundy-white		-90	
	J25	sherwood green		91			XH2	linen/ linen white		-90	
1	964 522 018 05	back seat backrest draped leather	/R	1			XH7	cashmere beige/ cashmere beige-white		-90	
	KZ2	black		-90		2	964 522 018 01	back seat backrest leatherette/ centre part in cloth pin stripe velour	/R	1	
	TV1	mahogany		-90			JN1	black/ black-white		-90	
	TS1	marine blue		-90			TU4	mahogany/ mahogany-white		-90	
	TW1	linen		-90			TR4	blue/ blue-white		-90	
	UD5	caramel		-90			LT2	burgundy/ burgundy-white		-90	
	LG7	burgundy		-90			XH2	linen/ linen white		-90	
	UD6	venetian blue		-90			XH7	cashmere beige/ cashmere beige-white		-90	
	XN4	cashmere beige		-90		(2)	964 522 017 01	back seat backrest leatherette/ centre part in cloth multicolour	/L	1	
	XN5	silk grey		-90			XJ2	black/black			
	XN6	velvet red		-90			XJ3	mahogany/mahogany		-90	
	XN7	slate grey		-90							
	8YR	black		91							
	6XL	classic grey		91							
	9YL	cobalt blue		91							
	6YL	magenta		91							
	8ZL	light grey		91							
	4YU	cashmere beige		91							
	H05	marine blue		91							
	M05	matador red		91							
	D35	carrara grey		91							

Model	Year	MG	SG	Illustration	Restrictions	UPD	19:55	27.01.2010	PORSCHE	PET	PORSCHE
STZ	1998	8	06	806-82		248					

Pos	Part Number	Description	Remark	Qty	Model	Pos	Part Number	Description	Remark	Qty	Model
	XJ5	marine blue/marine blue					APA	classic grey/classic grey		91	
	XJ7	burgundy/burgundy	-90				ARA	cobalt blue/cobalt blue		91	
	XH6	linen/linen	-90				ASA	magenta/magenta		91	
	XH9	cashmere beige/cash. beige					AQA	light grey/light grey		91	
	APF	classic grey/classic grey	91			2	964 522 018 01	back seat backrest leatherette/ centre part porsche lettering cloth	/R	1	
	ARF	cobalt blue/cobalt blue	91								
	ASF	magenta/magenta	91				PZ7	black/black			
	AQF	light grey/light grey	91				TU6	mahogany/mahogany	-90		
2	964 522 018 01	back seat backrest leatherette/ centre part in cloth multicolour	/R	1			TR6	marine blue/blue			
	XJ2	black/black					QA1	burgundy/burgundy	-90		
	XJ3	mahogany/mahogany	-90				XH4	linen/linen	-90		
	XJ5	marine blue/marine blue					XH8	cashmere beige/cash. beige			
	XJ7	burgundy/burgundy	-90				APA	classic grey/classic grey	91		
	XH6	linen/linen	-90				ARA	cobalt blue/cobalt blue	91		
	XH9	cashmere beige/cash. beige					ASA	magenta/magenta	91		
	APF	classic grey/classic grey	91				AQA	light grey/light grey	91		
	ARF	cobalt blue/cobalt blue	91			(2)	964 522 017 04	back seat backrest leather/ centre part in cloth pin stripe velour	/L	1	
	ASF	magenta/magenta	91				LS5	black/ black-white	-90		
	AQF	light grey/light grey	91				TU1	mahogany/ mahogany-white	-90		
(2)	964 522 017 01	back seat backrest leatherette/ centre part porsche lettering cloth	/L	1			TR1	blue/ blue-white	-90		
	PZ7	black/black					LS9	burgundy/ burgundy-white	-90		
	TU6	mahogany/mahogany	-90				XF5	linen/ linen white	-90		
	TR6	marine blue/blue					XF8	cashmere beige/ cashmere beige-white	-90		
	QA1	burgundy/burgundy	-90								
	XH4	linen/linen	-90								
	XH8	cashmere beige/cash. beige									

Model	Year	MG	SG	Illustration	Restrictions	UPD	19:55	27.01.2010	PORSCHE	PET	PORSCHE
STZ	1998	8	06	806-82		248					

Pos	Part Number	Description	Remark	Qty	Model	Pos	Part Number	Description	Remark	Qty	Model
2	964 522 018 04	back seat backrest leather/ centre part in cloth pin stripe velour	/R	1		2	964 522 018 04	back seat backrest leather/ centre part in cloth multicolour	/R	1	
	LS5	black/ black-white		-90			XG6	black/black		-90	
	TU1	mahogany/ mahogany-white		-90			XG7	mahogany/mahogany		-90	
	TR1	blue/ blue-white		-90			XG8	marine blue/marine blue		-90	
	LS9	burgundy/ burgundy-white		-90			XG9	burgundy/burgundy		-90	
	XF5	linen/ linen white		-90			XF7	linen/linen		-90	
	XF8	cashmere beige/ cashmere beige-white		-90			XG5	cashmere beige/cash. beige		-90	
(2)	964 522 017 04	back seat backrest leather/ centre part in cloth multicolour	/L	1			ATJ	black/black		91	
	XG6	black/black		-90			AQT	classic grey/classic grey		91	
	XG7	mahogany/mahogany		-90			AQU	cobalt blue/cobalt blue		91	
	XG8	marine blue/marine blue		-90			ASJ	magenta/magenta		91	
	XG9	burgundy/burgundy		-90			AQJ	light grey/light grey		91	
	XF7	linen/linen		-90			ATW	cashmere beige/cash. beige		91	
	XG5	cashmere beige/cash. beige		-90			BQJ	marine blue/marine blue		91	
	ATJ	black/black		91		(2)	964 522 017 04	back seat backrest leather/ centre part porsche lettering cloth	/L	1	
	AQT	classic grey/classic grey		91			QB2	black/black		-90	
	AQU	cobalt blue/cobalt blue		91			TU3	mahogany/mahogany		-90	
	ASJ	magenta/magenta		91			TR3	marine blue/blue		-90	
	AQJ	light grey/light grey		91			QB8	burgundy/burgundy		-90	
	ATW	cashmere beige/cash. beige		91			XF6	linen/linen		-90	
	BQJ	marine blue/marine blue		91			XF9	cashmere beige/cash. beige		-90	
							ATD	black/black		91	
							APG	classic grey/classic grey		91	
							ARG	cobalt blue/cobalt blue		91	
							ASG	magenta/magenta		91	
							AQG	light grey/light grey		91	

Model	Year	MG	SG	Illustration	Restrictions	UPD	19:55	27.01.2010	PORSCHE	PET	PORSCHE
STZ	1998	8	06	806-82		248					

Pos	Part Number	Description	Remark	Qty	Model	Pos	Part Number	Description	Remark	Qty	Model
	ATU	cashmere beige/cash. beige		91			AQM	light grey/light grey		91	
	BQL	marine blue/blue		91		(3)	964 522 018 00	back seat backrest leatherette/ backrest surface porsche lettering cloth	/R	1	
2	964 522 018 04	back seat backrest leather/ centre part porsche lettering cloth	/R	1			PX2	black/black			
	QB2	black/black		-90			TU9	mahogany/mahogany		-90	
	TU3	mahogany/mahogany		-90			TR9	marine blue/blue			
	TR3	marine blue/blue		-90			PX6	burgundy/burgundy		-90	
	QB8	burgundy/burgundy		-90			XK3	linen/linen		-90	
	XF6	linen/linen		-90			XK6	cashmere beige/cash. beige			
	XF9	cashmere beige/cash. beige		-90			APM	classic grey/classic grey		91	
	ATD	black/black		91			ARM	cobalt blue/cobalt blue		91	
	APG	classic grey/classic grey		91			ASM	magenta/magenta		91	
	ARG	cobalt blue/cobalt blue		91			AQM	light grey/light grey		91	
	ASG	magenta/magenta		91		3	964 522 017 00	back seat backrest leatherette/ backrest surface pin stripe velour	/L	1	
	AQG	light grey/light grey		91			NY5	black/ black-white		-90	
	ATU	cashmere beige/cash. beige		91			TU7	mahogany/ mahogany-white		-90	
3	964 522 017 00	back seat backrest leatherette/ backrest surface porsche lettering cloth	/L	1			TR7	blue/ blue-white		-90	
	PX2	black/black					NY8	burgundy/ burgundy-white		-90	
	TU9	mahogany/mahogany		-90			XK2	linen/ linen white		-90	
	TR9	marine blue/blue					XH7	cashmere beige/ cashmere beige-white		-90	
	PX6	burgundy/burgundy		-90		(3)	964 522 018 00	back seat backrest leatherette/ backrest surface pin stripe velour	/R	1	
	XK3	linen/linen		-90			NY5	black/ black-white		-90	
	XK6	cashmere beige/cash. beige									
	APM	classic grey/classic grey		91							
	ARM	cobalt blue/cobalt blue		91							
	ASM	magenta/magenta		91							

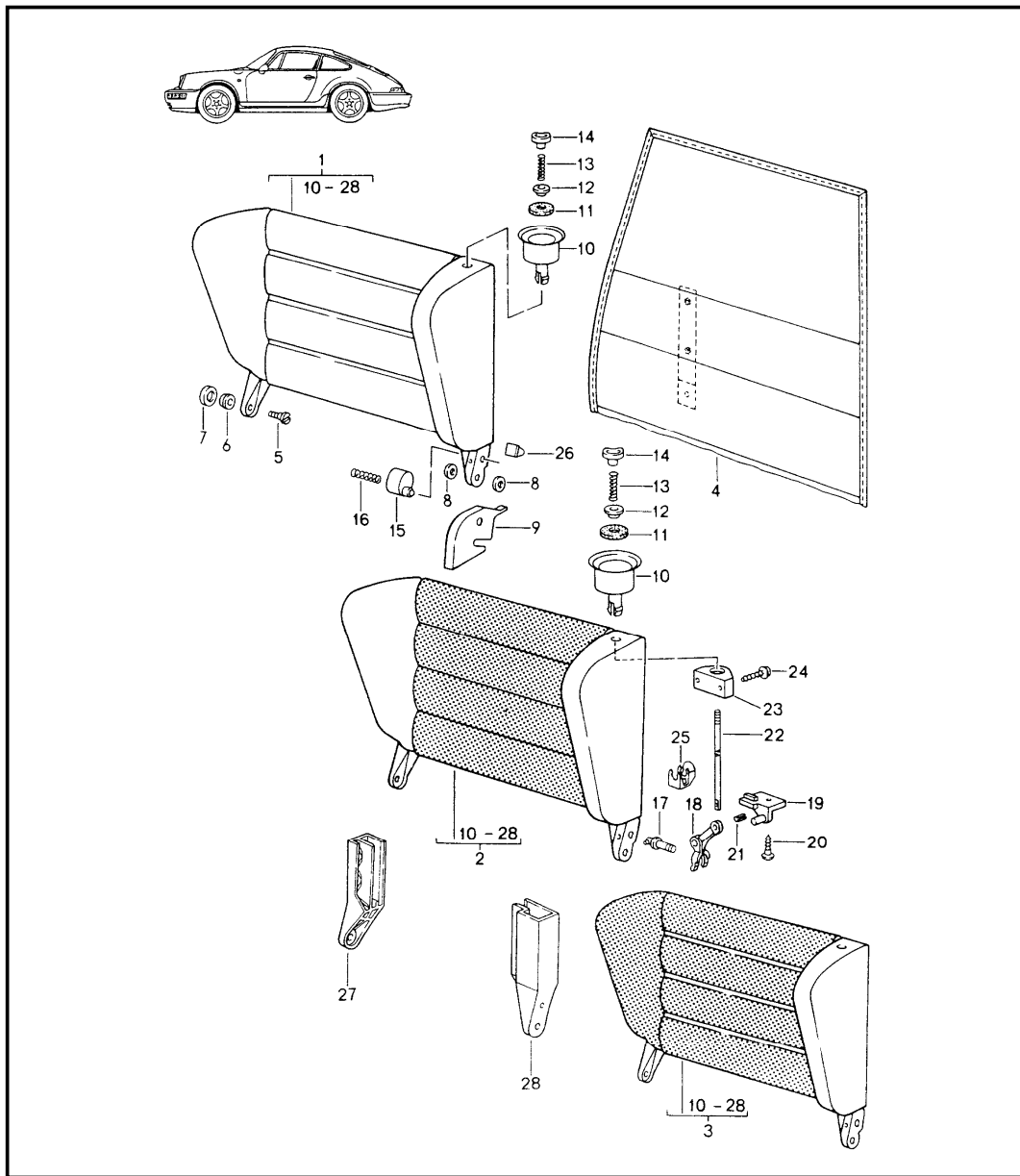
Model	Year	MG	SG	Illustration	Restrictions	UPD	19:55	27.01.2010	PORSCHE	PET	PORSCHE
STZ	1998	8	06	806-82		248					

Pos	Part Number	Description	Remark	Qty	Model	Pos	Part Number	Description	Remark	Qty	Model
	TU7	mahogany/ mahogany-white	-90				AQP	classic grey/classic grey		91	
	TR7	blue/ blue-white	-90				AQV	cobalt blue/cobalt blue		91	
	NY8	burgundy/ burgundy-white	-90				ASN	magenta/magenta		91	
	XK2	linen/ linen white	-90			(4)	AQN	light grey/light grey		91	
	XH7	cashmere beige/ cashmere beige-white	-90				964 522 173 00	carpet for back seat backrest	/L	-90	1
3	964 522 017 00	back seat backrest leatherette/ backrest surface multicolour	/L	1			5FV	black			
	XK8	black/black					5MF	mahogany			
	XK9	mahogany/mahogany	-90				4KV	marine blue			
	XN1	marine blue/marine blue					8MD	burgundy			
	XN2	burgundy/burgundy	-90				2XF	linen			
	XK4	linen/linen	-90				8UT	cashmere beige			
	XK7	cashmere beige/cash. beige					7VT	silk grey			
	AQP	classic grey/classic grey	91				9MT	velvet red			
	AQV	cobalt blue/cobalt blue	91				3WT	slate grey			
	ASN	magenta/magenta	91				5UM	caramel			
	AQN	light grey/light grey	91				3KM	venetian blue			
(3)	964 522 018 00	back seat backrest leatherette/ backrest surface multicolour	/R	1		4	964 522 174 00	carpet for back seat backrest	/R	-90	1
	XK8	black/black					5FV	black			
	XK9	mahogany/mahogany	-90				5MF	mahogany			
	XN1	marine blue/marine blue					4KV	marine blue			
	XN2	burgundy/burgundy	-90				8MD	burgundy			
	XK4	linen/linen	-90				2XF	linen			
	XK7	cashmere beige/cash. beige					8UT	cashmere beige			
							7VT	silk grey			
							9MT	velvet red			
							3WT	slate grey			
							5UM	caramel			

Model	Year	MG	SG	Illustration	Restrictions	UPD	19:55	27.01.2010	PORSCHE	PET	PORSCHE
STZ	1998	8	06	806-82		248					

Pos	Part Number	Description	Remark	Qty	Model	Pos	Part Number	Description	Remark	Qty	Model
	3KM	venetian blue				6	N 012 230 1	spring washer B 10		2	
(4)	964 522 173 01	carpet for back seat backrest	/L	91	1	7	911 559 435 00	spacer		4	
	5FV	black				8	901 522 509 20	bearing sleeve		2	
	8UT	cashmere beige				9	901 522 365 20	cap		2	
	4XR	classic grey				10	999 523 106 02	lock washer B 5		4	
	4ZN	cobalt blue				11	N 014 133 8	oval-head screw M 5 X 12		4	
	8WZ	magenta				12	911 522 229 01	bolt		2	
	6YR	light grey				13	911 522 233 00	spring		1	
	M33	matador red				(14)	911 522 227 01	bearing	/L	1	
	D13	carrara grey				14	911 522 228 01	bearing	/R	1	
	J23	sherwood green				15	911 522 231 00	knob		1	
4	964 522 174 01	carpet for back seat backrest	/R	91	1						
	5FV	black									
	8UT	cashmere beige									
	4XR	classic grey									
	4ZN	cobalt blue									
	8WZ	magenta									
	6YR	light grey									
	M33	matador red									
	D13	carrara grey									
	J23	sherwood green									
	4KV	marine blue									
-	911 522 065 00	retaining strap			2						
	70A	black									
5	900 236 001 07	oval-head screw M 8 X 10			2						

Model	Year	MG	SG	Illustration	Restrictions	UPD	19:55	27.01.2010	PORSCHE	PET	PORSCHE
STZ	1998	8	06	806-84		248					



Pos	Part Number	Description	Remark	Qty	Model
(1)	964 522 017 08	back seat backrest with release button upper	91-94	1	CARRERA 2/4 COUPE TARGA TURBO
	43S	black			
	2WJ	classic grey			
	9ZH	cobalt blue			
	4WY	magenta			
	1ZU	light grey			
	7RT	cashmere beige			
	1KX	marine blue			
1	964 522 018 08	back seat backrest leatherette	/L	1	
	43S	black			
	2WJ	classic grey			
	9ZH	cobalt blue			
	4WY	magenta			
	1ZU	light grey			
	7RT	cashmere beige			
	1KX	marine blue			
(1)	964 522 017 09	back seat backrest whole-leather	/R	1	
	8YR	black			
	6XL	classic grey			
	9YL	cobalt blue			
	6YL	magenta			
	8ZL	light grey			
	4YU	cashmere beige			
	M05	matador red			
	D35	carrara grey			

Model	Year	MG	SG	Illustration	Restrictions	UPD	19:55	27.01.2010	PORSCHE	PET	PORSCHE
STZ	1998	8	06	806-84		248					

Pos	Part Number	Description	Remark	Qty	Model	Pos	Part Number	Description	Remark	Qty	Model
1	J25	sherwood green				1	964 522 018 11	back seat backrest draped leather	/R	1	
	H05	marine blue					8YR	black			
	E38	rubicon grey	93-		M096		6XL	classic grey			
	964 522 018 09	back seat backrest whole-leather	/R	1			9YL	cobalt blue			
	8YR	black					6YL	magenta			
	6XL	classic grey					8ZL	light grey			
	9YL	cobalt blue					4YU	cashmere beige			
	6YL	magenta					M05	matador red			
	8ZL	light grey					D35	carrara grey			
	4YU	cashmere beige					J25	sherwood green			
	M05	matador red					H05	marine blue			
	D35	carrara grey					E38	rubicon grey	93-		M096
	(1)	964 522 017 11	back seat backrest draped leather	/L	1		(2)	964 522 017 07	back seat backrest leatherette/ centre part in cloth multicolour	/L	1
J25		sherwood green					XJ2	black/black			
H05		marine blue					APF	classic grey/classic grey			
E38		rubicon grey	93-		M096		ARF	cobalt blue/cobalt blue			
8YR		black					ASF	magenta/magenta			
6XL		classic grey					AQF	light grey/light grey			
9YL		cobalt blue					XJ5	marine blue/marine blue			
6YL		magenta					XH9	cashmere beige/cash. beige			
8ZL		light grey				2	964 522 018 07	back seat backrest leatherette/ centre part in cloth multicolour	/R	1	
4YU		cashmere beige					XJ2	black/black			
M05		matador red					APF	classic grey/classic grey			
D35		carrara grey					ARF	cobalt blue/cobalt blue			
J25		sherwood green					ASF	magenta/magenta			
H05	marine blue										
E38	rubicon grey	93-		M096							



Model	Year	MG	SG	Illustration	Restrictions	UPD	19:55	27.01.2010	PORSCHE	PET	PORSCHE
STZ	1998	8	06	806-84		248					

Pos	Part Number	Description	Remark	Qty	Model	Pos	Part Number	Description	Remark	Qty	Model
		AQF light grey/light grey						AQJ light grey/light grey			
		XJ5 marine blue/marine blue						ATW cashmere beige/cash. beige			
		XH9 cashmere beige/cash. beige						BQJ marine blue/marine blue			
(2)	964 522 017 07	back seat backrest leatherette/ centre part porsche lettering cloth	/L	1		2	964 522 018 10	back seat backrest leather centre part in cloth multicolour		1	
		PZ7 black/black						ATJ black/black			
		APA classic grey/classic grey						AQT classic grey/classic grey			
		ARA cobalt blue/cobalt blue						AQU cobalt blue/cobalt blue			
		ASA magenta/magenta						ASJ magenta/magenta			
		AQA light grey/light grey						AQJ light grey/light grey			
		XH8 cashmere beige/cash. beige						ATW cashmere beige/cash. beige			
		TR6 marine blue/blue						BQJ marine blue/marine blue			
2	964 522 018 07	back seat backrest leatherette/ centre part porsche lettering cloth	/R	1		(2)	964 522 017 10	back seat backrest leather centre part porsche lettering cloth		1	
		PZ7 black/black						ATD black/black			
		APA classic grey/classic grey						APG classic grey/classic grey			
		ARA cobalt blue/cobalt blue						ARG cobalt blue/cobalt blue			
		ASA magenta/magenta						ASG magenta/magenta			
		AQA light grey/light grey						AQG light grey/light grey			
		XH8 cashmere beige/cash. beige						ATU cashmere beige/cash. beige			
		TR6 marine blue/blue						BQL marine blue/blue			
(2)	964 522 017 10	back seat backrest leather centre part in cloth multicolour		1		2	964 522 018 10	back seat backrest leather centre part porsche lettering cloth		1	
		ATJ black/black						ATD black/black			
		AQT classic grey/classic grey						APG classic grey/classic grey			
		AQU cobalt blue/cobalt blue						ARG cobalt blue/cobalt blue			
		ASJ magenta/magenta						ASG magenta/magenta			

Model	Year	MG	SG	Illustration	Restrictions	UPD	19:55	27.01.2010	PORSCHE	PET	PORSCHE
STZ	1998	8	06	806-84		248					

Pos	Part Number	Description	Remark	Qty	Model	Pos	Part Number	Description	Remark	Qty	Model
	AQG	light grey/light grey					AQM	light grey/light grey			
	ATU	cashmere beige/cash. beige					XK6	cashmere beige/cash. beige			
	BQL	marine blue/blue					TR9	marine blue/blue			
(3)	964 522 017 06	back seat backrest leatherette/ backrest surface multicolour		1		3	964 522 018 06	back seat backrest leatherette/ backrest surface porsche lettering cloth		1	
	XK8	black/black					PX2	black/black			
	AQP	classic grey/classic grey					APM	classic grey/classic grey			
	AQV	cobalt blue/cobalt blue					ARM	cobalt blue/cobalt blue			
	ASN	magenta/magenta					ASM	magenta/magenta			
	AQN	light grey/light grey					AQM	light grey/light grey			
	XK7	cashmere beige/cash. beige					XK6	cashmere beige/cash. beige			
	XN1	marine blue/marine blue					TR9	marine blue/blue			
3	964 522 018 06	back seat backrest leatherette/ backrest surface multicolour		1		4	964 522 173 01	carpet for back seat backrest	/L	1	COUPE/TARGA
	XK8	black/black					5FV	black			
	AQP	classic grey/classic grey					4XR	classic grey			
	AQV	cobalt blue/cobalt blue					4ZN	cobalt blue			
	ASN	magenta/magenta					8WZ	magenta			
	AQN	light grey/light grey					6YR	light grey			
	XK7	cashmere beige/cash. beige					8UT	cashmere beige			
	XN1	marine blue/marine blue					M33	matador red			
(3)	964 522 017 06	back seat backrest leatherette/ backrest surface porsche lettering cloth		1			D13	carrara grey			
	PX2	black/black					J23	sherwood green			
	APM	classic grey/classic grey				(4)	964 522 174 01	carpet for back seat backrest	/R	1	COUPE/TARGA
	ARM	cobalt blue/cobalt blue					5FV	black			
	ASM	magenta/magenta					4XR	classic grey			

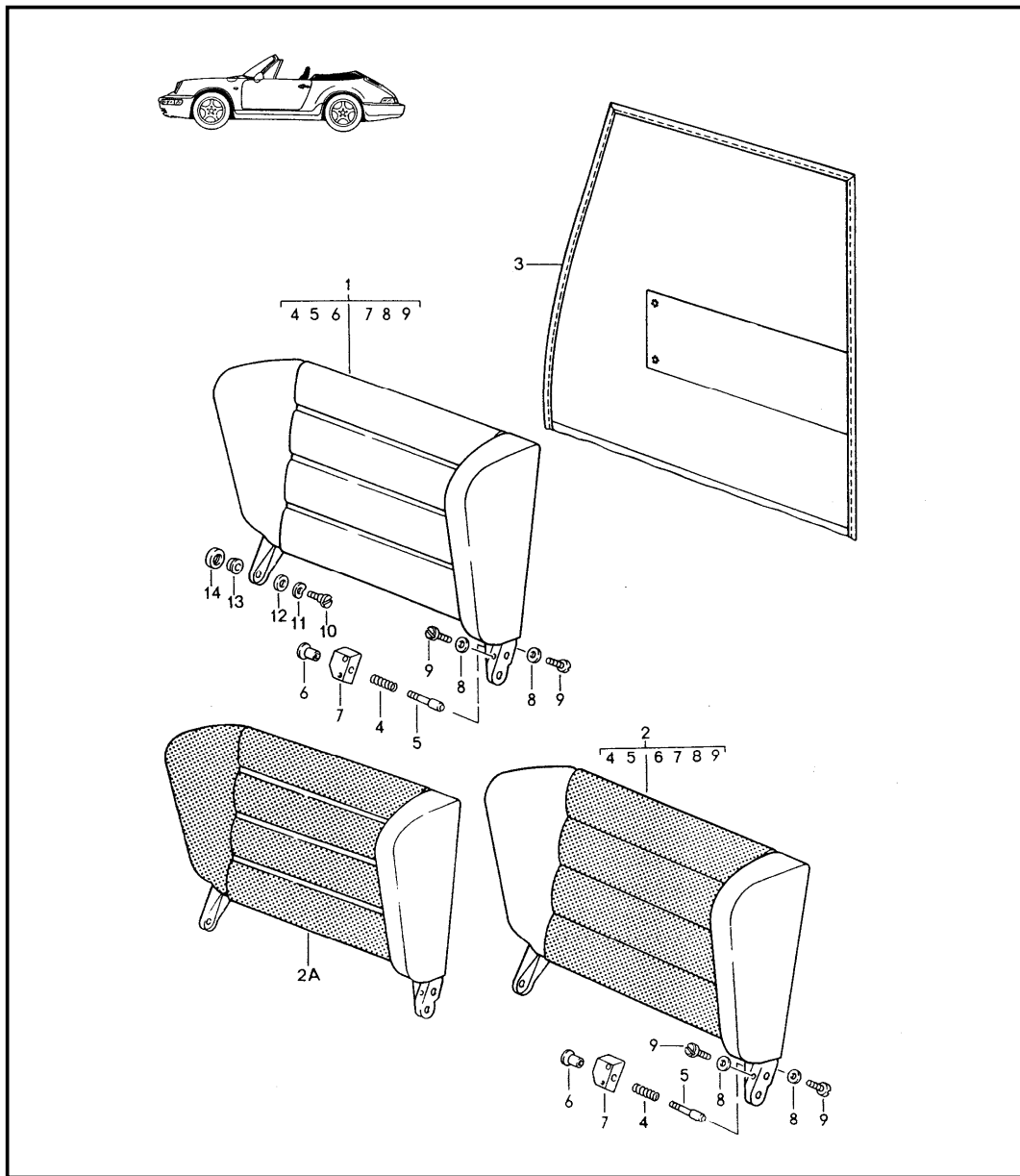
Model	Year	MG	SG	Illustration	Restrictions	UPD	19:55	27.01.2010	PORSCHE	PET	PORSCHE
STZ	1998	8	06	806-84		248					

Pos	Part Number	Description	Remark	Qty	Model	Pos	Part Number	Description	Remark	Qty	Model
	4ZN	cobalt blue					D13	carrara grey			
	8WZ	magenta					J23	sherwood green			
	6YR	light grey					4KV	marine blue			
	8UT	cashmere beige				(4)	965 522 173 02	carpet for back seat backrest	/L	93-	1 TURBO 3,6
	M33	matador red					5FV	black			
	D13	carrara grey					4XR	classic grey			
	J23	sherwood green					4ZLN	cobalt blue			
	4KV	marine blue					8WZ	magenta			
(4)	965 522 173 01	carpet for back seat backrest	/L	-92	1 TURBO		6YR	light grey			
	5FV	black					8UT	cashmere beige			
	4XR	classic grey					M33	matador red			
	4ZLN	cobalt blue					D13	carrara grey			
	8WZ	magenta					J23	sherwood green			
	6YR	light grey					4KV	marine blue			
	8UT	cashmere beige				(4)	965 522 174 02	carpet for back seat backrest	/R	93-	1 TURBO 3,6
	M33	matador red					5FV	black			
	D13	carrara grey					4XR	classic grey			
	J23	sherwood green					4ZLN	cobalt blue			
	4KV	marine blue					8WZ	magenta			
(4)	965 522 174 01	carpet for back seat backrest	/R	-92	1 TURBO		6YR	light grey			
	5FV	black					8UT	cashmere beige			
	4XR	classic grey					M33	matador red			
	4ZLN	cobalt blue					D13	carrara grey			
	8WZ	magenta					J23	sherwood green			
	6YR	light grey					4KV	marine blue			
	8UT	cashmere beige				(4)	964 522 173 02	carpet for back seat backrest	/L	93-	1 M096
	M33	matador red									

Model	Year	MG	SG	Illustration	Restrictions	UPD	19:55	27.01.2010	PORSCHE	PET	PORSCHE
STZ	1998	8	06	806-84		248					

Pos	Part Number	Description	Remark	Qty	Model	Pos	Part Number	Description	Remark	Qty	Model
	ATE	black/silver			M096	21	900 095 126 01	roll pin 2,5 X 5		2	
	ATN	rubicon grey/silver			M096	22	964 522 701 00	operating rod		2	
(4)	964 522 174 02	carpet for back seat backrest	/R 93-	1	M096	23	964 522 721 00	bearing		2	
	ATE	black/silver			M096	24	999 919 065 07	combination screw 5 X 20		4	
	ATN	rubicon grey/silver			M096	25	964 522 605 00	torsion protection		2	
-	911 522 065 00	retaining strap		2		26	999 703 402 40	rubber buffer		2	
	70A	black				27	964 522 593 00	hinge left outer		1	
5	900 236 001 07	oval-head screw M 8 X 10		2			01C	satin black			
6	901 522 509 20	bearing sleeve		2		(27)	964 522 594 00	hinge right outer		1	
7	901 522 365 20	cap		2			01C	satin black			
8	999 704 160 40	rubber washer		4		28	964 522 195 00	hinge left inner		1	
9	964 522 517 00	cover		1			01C	satin black			
10	944 522 315 00	rosette		2		(28)	964 522 196 00	hinge right inner		1	
	01C	satin black					01C	satin black			
11	944 522 319 00	guide piece		2							
12	964 522 363 00	washer		2							
13	999 521 068 07	compression spring	92-	2			01C	satin black			
14	944 522 317 00	push button		2							
	01C	satin black									
15	964 522 197 00	bolt		2							
16	964 803 659 00	compression spring		2							
17	964 522 199 00	control lever		2							
18	964 522 603 01	reverse lever		2							
(19)	964 522 601 01	bearing	/L	1							
19	964 522 602 01	bearing	/R	1							
20	900 316 008 02	screw 3,5 X 22		2							

Model	Year	MG	SG	Illustration	Restrictions	UPD	19:55	27.01.2010	PORSCHE	PET	PORSCHE
STZ	1998	8	06	806-86		248					



Pos	Part Number	Description	Remark	Qty	Model
		back seat backrest with pull-type release lower	89-91		CABRIO
(1)	964 522 017 62	back seat backrest leatherette	/L	1	
	43S	black			
	1MX	mahogany	-90		
	1KX	marine blue			
	3MK	burgundy	-90		
	4WX	linen	-90		
	7RT	cashmere beige			
	2WJ	classic grey	91		
	9ZH	cobalt blue	91		
	4WY	magenta	91		
	1ZU	light grey	91		
1	964 522 018 62	back seat backrest leatherette	/R	1	
	43S	black			
	1MX	mahogany	-90		
	1KX	marine blue			
	3MK	burgundy	-90		
	4WX	linen	-90		
	7RT	cashmere beige			
	2WJ	classic grey	91		
	9ZH	cobalt blue	91		
	4WY	magenta	91		
	1ZU	light grey	91		
(1)	964 522 017 63	back seat backrest whole-leather	/L	1	
	KZ2	black	-90		
	TV1	mahogany	-90		

Model	Year	MG	SG	Illustration	Restrictions	UPD	19:55	27.01.2010	PORSCHE	PET	PORSCHE
STZ	1998	8	06	806-86		248					

Pos	Part Number	Description	Remark	Qty	Model	Pos	Part Number	Description	Remark	Qty	Model
	TS1	marine blue		-90			XN5	silk grey		-90	
	TW1	linen		-90			XN6	velvet red		-90	
	UD5	caramel		-90			XN7	slate grey		-90	
	LG7	burgundy		-90			8YR	black		91	
	UD6	venetian blue		-90			6XL	classic grey		91	
	XN4	cashmere beige		-90			9YL	cobalt blue		91	
	XN5	silk grey		-90			6YL	magenta		91	
	XN6	velvet red		-90			8ZL	light grey		91	
	XN7	slate grey		-90			4YU	cashmere beige		91	
	8YR	black		91			M05	matador red		91	
	6XL	classic grey		91			D35	carrara grey		91	
	9YL	cobalt blue		91			J25	sherwood green		91	
	6YL	magenta		91			H05	marine blue		91	
	8ZL	light grey		91		(1)	964 522 017 65	back seat backrest draped leather	/L	1	
	4YU	cashmere beige		91			KZ2	black		-90	
	M05	matador red		91			TV1	mahogany		-90	
	D35	carrara grey		91			TS1	marine blue		-90	
	J25	sherwood green		91			TW1	linen		-90	
	H05	marine blue		91			UD5	caramel		-90	
1	964 522 018 63	back seat backrest whole-leather	/R		1		LG7	burgundy		-90	
	KZ2	black		-90			UD6	venetian blue		-90	
	TV1	mahogany		-90			XN4	cashmere beige		-90	
	TS1	marine blue		-90			XN5	silk grey		-90	
	TW1	linen		-90			XN6	velvet red		-90	
	UD5	caramel		-90			XN7	slate grey		-90	
	LG7	burgundy		-90			8YR	black		91	
	UD6	venetian blue		-90			6XL	classic grey		91	
	XN4	cashmere beige		-90			9YL	cobalt blue		91	

Model	Year	MG	SG	Illustration	Restrictions	UPD	19:55	27.01.2010	PORSCHE	PET	PORSCHE
STZ	1998	8	06	806-86		248					

Pos	Part Number	Description	Remark	Qty	Model	Pos	Part Number	Description	Remark	Qty	Model
	6YL	magenta		91			H05	marine blue		91	
	8ZL	light grey		91		(2)	964 522 017 61	back seat backrest leatherette/ centre part porsche lettering cloth	/L	1	
	4YU	cashmere beige		91			PZ7	black/black			
	M05	matador red		91			TU6	mahogany/mahogany		-90	
	D35	carrara grey		91			TR6	marine blue/blue			
	J25	sherwood green		91			QA1	burgundy/burgundy		-90	
	H05	marine blue		91			XH4	linen/linen		-90	
1	964 522 018 65	back seat backrest draped leather	/R	1			XH8	cashmere beige/cash. beige			
	KZ2	black		-90			APA	classic grey/classic grey		91	
	TV1	mahogany		-90			ARA	cobalt blue/cobalt blue		91	
	TS1	marine blue		-90			ASA	magenta/magenta		91	
	TW1	linen		-90			AQA	light grey/light grey		91	
	UD5	caramel		-90							
	LG7	burgundy		-90		2	964 522 018 61	back seat backrest leatherette/ centre part porsche lettering cloth	/R	1	
	UD6	venetian blue		-90			PZ7	black/black			
	XN4	cashmere beige		-90			TU6	mahogany/mahogany		-90	
	XN5	silk grey		-90			TR6	marine blue/blue			
	XN6	velvet red		-90			QA1	burgundy/burgundy		-90	
	XN7	slate grey		-90			XH4	linen/linen		-90	
	8YR	black		91			XH8	cashmere beige/cash. beige			
	6XL	classic grey		91			APA	classic grey/classic grey		91	
	9YL	cobalt blue		91			ARA	cobalt blue/cobalt blue		91	
	6YL	magenta		91			ASA	magenta/magenta		91	
	8ZL	light grey		91			AQA	light grey/light grey		91	
	4YU	cashmere beige		91							
	M05	matador red		91							
	D35	carrara grey		91		(2)	964 522 017 61	back seat backrest leatherette/ centre part in cloth pin stripe velour	/L	1	
	J25	sherwood green		91							

Model	Year	MG	SG	Illustration	Restrictions	UPD	19:55	27.01.2010	PORSCHE	PET	PORSCHE
STZ	1998	8	06	806-86		248					

Pos	Part Number	Description	Remark	Qty	Model	Pos	Part Number	Description	Remark	Qty	Model
	JN1	black/ black-white		-90			APF	classic grey/classic grey		91	
	TU4	mahogany/ mahogany-white		-90			ARF	cobalt blue/cobalt blue		91	
	TR4	blue/ blue-white		-90			ASF	magenta/magenta		91	
	TR4	blue/ blue-white		-90			AQF	light grey/light grey		91	
	LT2	burgundy/ burgundy-white		-90		2	964 522 018 61	back seat backrest leatherette/ centre part in cloth multicolour	/R	1	
	XH2	linen/ linen white		-90			XJ2	black/black		89-	
	XH7	cashmere beige/ cashmere beige-white		89-			XJ3	mahogany/mahogany		-90	
2	964 522 018 61	back seat backrest leatherette/ centre part in cloth pin stripe velour	/R	1			XJ5	marine blue/marine blue			
	JN1	black/ black-white		-90			XJ7	burgundy/burgundy		-90	
	TU4	mahogany/ mahogany-white		-90			XH6	linen/linen		-90	
	TR4	blue/ blue-white		-90			XH9	cashmere beige/cash. beige			
	TR4	blue/ blue-white		-90			APF	classic grey/classic grey		91	
	LT2	burgundy/ burgundy-white		-90			ARF	cobalt blue/cobalt blue		91	
	XH2	linen/ linen white		-90			ASF	magenta/magenta		91	
	XH7	cashmere beige/ cashmere beige-white		89-			AQF	light grey/light grey		91	
(2)	964 522 017 61	back seat backrest leatherette/ centre part in cloth multicolour	/L	1		(2)	964 522 017 64	back seat backrest leather/ centre part in cloth pin stripe velour	/L	1	
	XH7	cashmere beige/ cashmere beige-white		89-			LS5	black/ black-white		-90	
	XJ2	black/black		89-			TU1	mahogany/ mahogany-white		-90	
	XJ3	mahogany/mahogany		-90			TR1	blue/ blue-white		-90	
	XJ5	marine blue/marine blue					LS9	burgundy/ burgundy-white		-90	
	XJ7	burgundy/burgundy		-90			XF5	linen/ linen white		89-90	
	XH6	linen/linen		-90			XF8	cashmere beige/ cashmere beige-white		89-90	
	XH9	cashmere beige/cash. beige									



Model	Year	MG	SG	Illustration	Restrictions	UPD	19:55	27.01.2010	PORSCHE	PET	PORSCHE
STZ	1998	8	06	806-86		248					

Pos	Part Number	Description	Remark	Qty	Model	Pos	Part Number	Description	Remark	Qty	Model
2	964 522 018 64	back seat backrest leather/ centre part in cloth pin stripe velour	/R	1		2	964 522 018 64	back seat backrest leather/ centre part in cloth multicolour	/R	1	
	LS5	black/ black-white		-90			XG6	black/black		-90	
	TU1	mahogany/ mahogany-white		-90			XG7	mahogany/mahogany		-90	
	TR1	blue/ blue-white		-90			XG8	marine blue/marine blue		-90	
	LS9	burgundy/ burgundy-white		-90			XG9	burgundy/burgundy		-90	
	XF5	linen/ linen white		89-90			XF7	linen/linen		-90	
	XF8	cashmere beige/ cashmere beige-white		89-90			XG5	cashmere beige/cash. beige		-90	
(2)	964 522 017 64	back seat backrest leather/ centre part in cloth multicolour	/L	1			ATJ	black/black		91	
	XG6	black/black		-90			AQT	classic grey/classic grey		91	
	XG7	mahogany/mahogany		-90			AQU	cobalt blue/cobalt blue		91	
	XG8	marine blue/marine blue		-90			ASJ	magenta/magenta		91	
	XG9	burgundy/burgundy		-90			AQJ	light grey/light grey		91	
	XF7	linen/linen		-90			ATW	cashmere beige/cash. beige		91	
	XG5	cashmere beige/cash. beige		-90			BQJ	marine blue/marine blue		91	
	ATJ	black/black		91		(2)	964 522 017 64	back seat backrest leather/ centre part porsche lettering cloth	/L	1	
	AQT	classic grey/classic grey		91			QB2	black/black		-90	
	AQU	cobalt blue/cobalt blue		91			TU3	mahogany/mahogany		-90	
	ASJ	magenta/magenta		91			TR3	marine blue/blue		-90	
	AQJ	light grey/light grey		91			QB8	burgundy/burgundy		-90	
	ATW	cashmere beige/cash. beige		91			XF6	linen/linen		-90	
	BQJ	marine blue/marine blue		91			XF9	cashmere beige/cash. beige		-90	
							ATD	black/black		91	
							APG	classic grey/classic grey		91	
							ARG	cobalt blue/cobalt blue		91	
							ASG	magenta/magenta		91	
							AQG	light grey/light grey		91	

Model	Year	MG	SG	Illustration	Restrictions	UPD	19:55	27.01.2010	PORSCHE	PET	PORSCHE
STZ	1998	8	06	806-86		248					

Pos	Part Number	Description	Remark	Qty	Model	Pos	Part Number	Description	Remark	Qty	Model
	ATU	cashmere beige/cash. beige		91		2A	964 522 018 60	back seat backrest leatherette/	/R	1	
	BQL	marine blue/blue		91				backrest surface pin stripe velour			
2	964 522 018 64	back seat backrest leather/centre part porsche lettering cloth	/R	1			NY5	black/black-white		-90	
	QB2	black/black		-90			TU7	mahogany/mahogany-white		-90	
	TU3	mahogany/mahogany		-90			TR7	blue/blue-white		-90	
	TR3	marine blue/blue		-90			NY8	burgundy/burgundy-white		-90	
	QB8	burgundy/burgundy		-90			XK2	linen/linen white		-90	
	XF6	linen/linen		-90			XK5	cashmere beige/cashmere beige-white		-90	
	XF9	cashmere beige/cash. beige		-90			(2A) 964 522 017 60	back seat backrest leatherette/	/L	1	
	ATD	black/black		91				backrest surface multicolour			
	APG	classic grey/classic grey		91			XK8	black/black			
	ARG	cobalt blue/cobalt blue		91			XK9	mahogany/mahogany		-90	
	ASG	magenta/magenta		91			XN1	marine blue/marine blue			
	AQG	light grey/light grey		91			XN2	burgundy/burgundy		-90	
	ATU	cashmere beige/cash. beige		91			XK4	linen/linen		-90	
	BQL	marine blue/blue		91			XK7	cashmere beige/cash. beige			
(2A)	964 522 017 60	back seat backrest leatherette/ backrest surface pin stripe velour	/L	1			AQP	classic grey/classic grey		91	
	NY5	black/black-white		-90			AQV	cobalt blue/cobalt blue		91	
	TU7	mahogany/mahogany-white		-90			ASN	magenta/magenta		91	
	TR7	blue/blue-white		-90			AQN	light grey/light grey		91	
	NY8	burgundy/burgundy-white		-90		2A	964 522 018 60	back seat backrest leatherette/	/R	1	
	XK2	linen/linen white		-90				backrest surface multicolour			
	XK5	cashmere beige/cashmere beige-white		-90			XK8	black/black			
							XK9	mahogany/mahogany		-90	

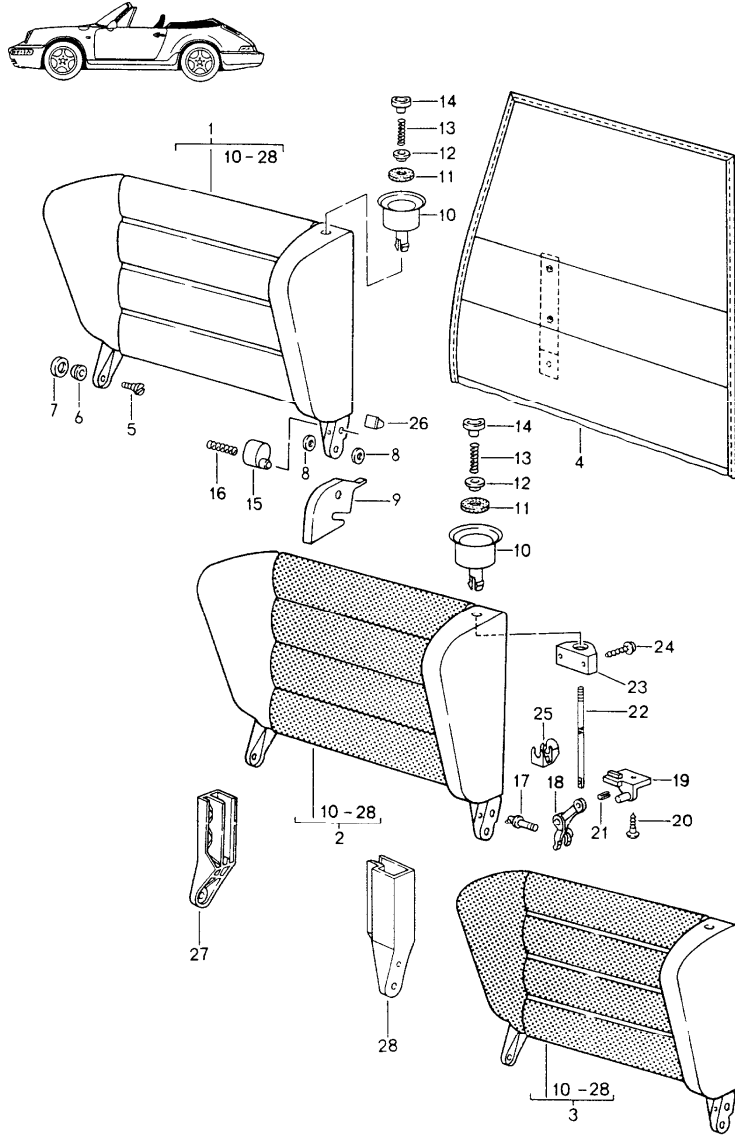
Model	Year	MG	SG	Illustration	Restrictions	UPD	19:55	27.01.2010	PORSCHE	PET	PORSCHE
STZ	1998	8	06	806-86		248					

Pos	Part Number	Description	Remark	Qty	Model	Pos	Part Number	Description	Remark	Qty	Model
		XN1 marine blue/marine blue					APM	classic grey/classic grey		91	
		XN2 burgundy/burgundy	-90				ARM	cobalt blue/cobalt blue		91	
		XK4 linen/linen	-90				ASM	magenta/magenta		91	
		XK7 cashmere beige/cash. beige					AQM	light grey/light grey		91	
		AQP classic grey/classic grey	91			(3)	964 522 173 61	carpet for back seat backrest	/L	1	
		AQV cobalt blue/cobalt blue	91				5FV	black			
		ASN magenta/magenta	91				5MF	mahogany		-90	
		AQN light grey/light grey	91				7VT	silk grey		-90	
(2A)	964 522 017 60	back seat backrest leatherette/backrest surface porsche lettering cloth	/L	1			4KV	marine blue			
		PX2 black/black					8MD	burgundy		-90	
		TU9 mahogany/mahogany	-90				2XF	linen		-90	
		TR9 marine blue/blue					8UT	cashmere beige		89-	
		PX6 burgundy/burgundy	-90				4XR	classic grey		91	
		XK3 linen/linen	-90				4ZN	cobalt blue		91	
		XK6 cashmere beige/cash. beige					8WZ	magenta		91	
		APM classic grey/classic grey	91				6YR	light grey		91	
		ARM cobalt blue/cobalt blue	91				M33	matador red		91	
		ASM magenta/magenta	91				D13	carrara grey		91	
		AQM light grey/light grey	91				J23	sherwood green		91	
2A	964 522 018 60	back seat backrest leatherette/backrest surface porsche lettering cloth	/R	1		3	964 522 174 61	carpet for back seat backrest	/R	1	
		PX2 black/black					5FV	black			
		TU9 mahogany/mahogany	-90				5MF	mahogany		-90	
		TR9 marine blue/blue					7VT	silk grey		-90	
		PX6 burgundy/burgundy	-90				4KV	marine blue			
		XK3 linen/linen	-90				8MD	burgundy		-90	
		XK6 cashmere beige/cash. beige					2XF	linen		-90	
							8UT	cashmere beige		89-	

Model	Year	MG	SG	Illustration	Restrictions	UPD	19:55	27.01.2010	PORSCHE	PET	PORSCHE
STZ	1998	8	06	806-86		248					

Pos	Part Number	Description	Remark	Qty	Model	Pos	Part Number	Description	Remark	Qty	Model
	4XR	classic grey		91							
	4ZN	cobalt blue		91							
	8WZ	magenta		91							
	6YR	light grey		91							
	M33	matador red		91							
	D13	carrara grey		91							
	J23	sherwood green		91							
-	911 522 065 00	retaining strap		2							
	70A	black									
4	911 522 233 00	spring		2							
5	911 522 229 01	bolt		2							
6	911 522 231 00	knob		2							
(7)	911 522 227 01	bearing	/L	1							
7	911 522 228 01	bearing	/R	1							
8	999 523 106 02	lock washer B 5		4							
9	N 014 133 8	oval-head screw M 5 X 12		4							
10	900 236 001 07	oval-head screw M 8 X 10		2							
11	N 012 230 1	spring washer B 10		2							
12	911 559 435 00	spacer		4							
13	901 522 509 20	bearing sleeve		2							
14	901 522 365 20	cap		2							

Model	Year	MG	SG	Illustration	Restrictions	UPD	19:55	27.01.2010	PORSCHE	PET	PORSCHE
STZ	1998	8	06	806-88		248					



Pos	Part Number	Description	Remark	Qty	Model
		back seat backrest with release button upper	91-94		CABRIO TURBO-LOOK M491
(1)	964 522 017 68	back seat backrest leatherette	/L	1	
	43S	black			
	2WJ	classic grey			
	9ZH	cobalt blue			
	4WY	magenta			
	1ZU	light grey			
	7RT	cashmere beige			
	1KX	marine blue			
1	964 522 018 68	back seat backrest leatherette	/R	1	
	43S	black			
	2WJ	classic grey			
	9ZH	cobalt blue			
	4WY	magenta			
	1ZU	light grey			
	7RT	cashmere beige			
	1KX	marine blue			
(1)	964 522 017 69	back seat backrest whole-leather	/L	1	
	8YR	black			
	6XL	classic grey			
	9YL	cobalt blue			
	6YL	magenta			
	8ZL	light grey			
	4YU	cashmere beige			
	M05	matador red			
	D35	carrara grey			

Model	Year	MG	SG	Illustration	Restrictions	UPD	19:55	27.01.2010	PORSCHE	PET	PORSCHE
STZ	1998	8	06	806-88		248					

Pos	Part Number	Description	Remark	Qty	Model	Pos	Part Number	Description	Remark	Qty	Model
	J25	sherwood green					9YL	cobalt blue			
	H05	marine blue					6YL	magenta			
1	964 522 018 69	back seat backrest whole-leather	/R	1			8ZL	light grey			
	8YR	black					4YU	cashmere beige			
	6XL	classic grey					M05	matador red			
	9YL	cobalt blue					D35	carrara grey			
	6YL	magenta					J25	sherwood green			
	8ZL	light grey					H05	marine blue			
	4YU	cashmere beige				(1)	964 522 017 69	back seat backrest whole-leather	/L	92	1 TURBO-LOOK
	M05	matador red					BQZ	rhodamine			
	D35	carrara grey					BQY	wimbledon green			
	J25	sherwood green					BQX	florentine grey			
(1)	964 522 017 71	back seat backrest draped leather	/L	1		1	964 522 018 69	back seat backrest whole-leather	/R	92	1 TURBO-LOOK
	H05	marine blue					BQZ	rhodamine			
	8YR	black					BQY	wimbledon green			
	6XL	classic grey					BQX	florentine grey			
	9YL	cobalt blue				(1)	964 522 017 71	back seat backrest draped leather	/L	92	1 TURBO-LOOK
	6YL	magenta					BQZ	rhodamine			
	8ZL	light grey					BQY	wimbledon green			
	4YU	cashmere beige					BQX	florentine grey			
	M05	matador red				1	964 522 018 71	back seat backrest draped leather	/R	92	1 TURBO-LOOK
	D35	carrara grey					BQZ	rhodamine			
	J25	sherwood green					BQY	wimbledon green			
1	964 522 018 71	back seat backrest draped leather	/R	1			BQX	florentine grey			
	H05	marine blue				(2)	964 522 017 67	back seat backrest leatherette/centre part in cloth multicolour	/L	1	
	8YR	black									
	6XL	classic grey									

Model	Year	MG	SG	Illustration	Restrictions	UPD	19:55	27.01.2010	PORSCHE	PET	PORSCHE
STZ	1998	8	06	806-88		248					

Pos	Part Number	Description	Remark	Qty	Model	Pos	Part Number	Description	Remark	Qty	Model
		XJ2 black/black					PZ7 black/black				
		APF classic grey/classic grey					APA classic grey/classic grey				
		ARF cobalt blue/cobalt blue					ARA cobalt blue/cobalt blue				
		ASF magenta/magenta					ASA magenta/magenta				
		AQF light grey/light grey					AQA light grey/light grey				
		XH9 cashmere beige/cash. beige					XH8 cashmere beige/cash. beige				
		XJ5 marine blue/marine blue					TR6 marine blue/blue				
2	964 522 018 67	back seat backrest leatherette/ centre part in cloth multicolour	/R	1		(2)	964 522 017 70	back seat backrest leather/ centre part in cloth multicolour	/L	1	
		XJ2 black/black					ATJ black/black				
		APF classic grey/classic grey					AQT classic grey/classic grey				
		ARF cobalt blue/cobalt blue					AQU cobalt blue/cobalt blue				
		ASF magenta/magenta					ASJ magenta/magenta				
		AQF light grey/light grey					AQJ light grey/light grey				
		XH9 cashmere beige/cash. beige					ATW cashmere beige/cash. beige				
		XJ5 marine blue/marine blue					BQJ marine blue/marine blue				
(2)	964 522 017 67	back seat backrest leatherette/ centre part porsche lettering cloth	/L	1		2	964 522 018 70	back seat backrest leather/ centre part in cloth multicolour	/R	1	
		PZ7 black/black					ATJ black/black				
		APA classic grey/classic grey					AQT classic grey/classic grey				
		ARA cobalt blue/cobalt blue					AQU cobalt blue/cobalt blue				
		ASA magenta/magenta					ASJ magenta/magenta				
		AQA light grey/light grey					AQJ light grey/light grey				
		XH8 cashmere beige/cash. beige					ATW cashmere beige/cash. beige				
		TR6 marine blue/blue					BQJ marine blue/marine blue				
2	964 522 018 67	back seat backrest leatherette/ centre part porsche lettering cloth	/R	1		(2)	964 522 017 70	back seat backrest leather/ centre part porsche lettering cloth	/L	1	

Model	Year	MG	SG	Illustration	Restrictions	UPD	19:55	27.01.2010	PORSCHE	PET	PORSCHE
STZ	1998	8	06	806-88		248					

Pos	Part Number	Description	Remark	Qty	Model	Pos	Part Number	Description	Remark	Qty	Model
		ATD black/black					XK8	black/black			
		APG classic grey/classic grey					AQP	classic grey/classic grey			
		ARG cobalt blue/cobalt blue					AQV	cobalt blue/cobalt blue			
		ASG magenta/magenta					ASN	magenta/magenta			
		AQG light grey/light grey					AQN	light grey/light grey			
		ATU cashmere beige/cash. beige					XK7	cashmere beige/cash. beige			
		BQL marine blue/blue					XN1	marine blue/marine blue			
2	964 522 018 70	back seat backrest leather/ centre part porsche lettering cloth	/R	1		(3)	964 522 017 66	back seat backrest leatherette/ backrest surface porsche lettering cloth	/L	1	
		ATD black/black					PX2	black/black			
		APG classic grey/classic grey					APM	classic grey/classic grey			
		ARG cobalt blue/cobalt blue					ARM	cobalt blue/cobalt blue			
		ASG magenta/magenta					ASM	magenta/magenta			
		AQG light grey/light grey					AQM	light grey/light grey			
		ATU cashmere beige/cash. beige					XK6	cashmere beige/cash. beige			
		BQL marine blue/blue					TR9	marine blue/blue			
(3)	964 522 017 66	back seat backrest leatherette/ backrest surface multicolour	/L	1		3	964 522 018 66	back seat backrest leatherette/ backrest surface porsche lettering cloth	/R	1	
		XK8 black/black					PX2	black/black			
		AQP classic grey/classic grey					APM	classic grey/classic grey			
		AQV cobalt blue/cobalt blue					ARM	cobalt blue/cobalt blue			
		ASN magenta/magenta					ASM	magenta/magenta			
		AQN light grey/light grey					AQM	light grey/light grey			
		XK7 cashmere beige/cash. beige					XK6	cashmere beige/cash. beige			
		XN1 marine blue/marine blue					TR9	marine blue/blue			
3	964 522 018 66	back seat backrest leatherette/ backrest surface multicolour	/R	1		(4)	964 522 173 61	carpet for back seat backrest	/L	1	
							5FV	black			



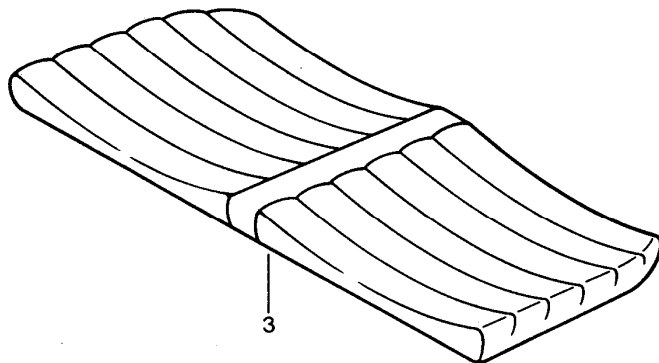
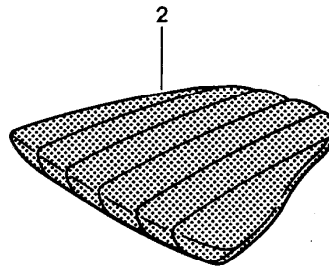
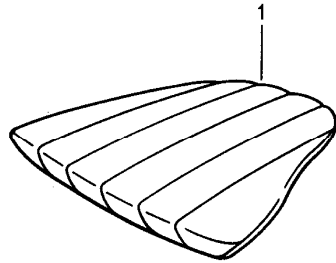
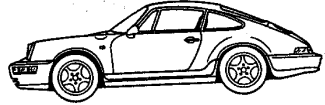
Model	Year	MG	SG	Illustration	Restrictions	UPD	19:55	27.01.2010	PORSCHE	PET	PORSCHE
STZ	1998	8	06	806-88		248					

Pos	Part Number	Description	Remark	Qty	Model	Pos	Part Number	Description	Remark	Qty	Model
	4XR	classic grey				5	900 236 001 07	oval-head screw M 8 X 10		2	
	4ZN	cobalt blue				6	901 522 509 20	bearing sleeve		2	
	8WZ	magenta				7	901 522 365 20	cap		2	
	6YR	light grey				8	999 704 160 40	rubber washer		4	
	8UT	cashmere beige				9	964 522 517 00	cover		1	
	M33	matador red					01C	satin black			
	D13	carrara grey				10	944 522 315 00	rosette		2	
	J23	sherwood green					01C	satin black			
	4KV	marine blue				11	944 522 319 00	guide piece		2	
	M10	rhodamine	92		TURBO-LOOK	12	964 522 363 00	washer		2	
	K20	wimbledon green	92		TURBO-LOOK	13	999 521 068 07	compression spring	92-	2	
	D50	florentine grey	92		TURBO-LOOK	14	944 522 317 00	push button		2	
4	964 522 174 61	carpet for back seat backrest	/R	1			01C	satin black			
	5FV	black				15	964 522 197 00	bolt		2	
	4XR	classic grey				16	964 803 659 00	compression spring		2	
	4ZN	cobalt blue				17	964 522 199 00	control lever		2	
	8WZ	magenta				18	964 522 603 01	reverse lever		2	
	6YR	light grey				(19)	964 522 601 01	bearing	/L	1	
	8UT	cashmere beige				19	964 522 602 01	bearing	/R	1	
	M33	matador red				20	900 316 008 02	screw 3,5 X 22		2	
	D13	carrara grey				21	900 095 126 01	roll pin 2,5 X 5		2	
	J23	sherwood green				22	964 522 701 60	operating rod		2	
	4KV	marine blue				23	964 522 721 00	bearing		2	
	M10	rhodamine	92		TURBO-LOOK	24	999 919 065 07	screw 5 X 20		4	
	K20	wimbledon green	92		TURBO-LOOK	25	964 522 605 00	torsion protection		2	
	D50	florentine grey	92		TURBO-LOOK	26	999 703 401 40	rubber buffer		2	
-	911 522 065 00	retaining strap		2							
	70A	black									

Model	Year	MG	SG	Illustration	Restrictions	UPD	19:55	27.01.2010	PORSCHE	PET	PORSCHE
STZ	1998	8	06	806-88		248					

Pos	Part Number	Description	Remark	Qty	Model	Pos	Part Number	Description	Remark	Qty	Model
27	964 522 593 00	hinge left outer		1							
	01C	satin black									
(27)	964 522 594 00	hinge right outer		1							
	01C	satin black									
28	964 522 195 00	hinge left inner		1							
	01C	satin black									
(28)	964 522 196 00	hinge right inner		1							
	01C	satin black									

Model	Year	MG	SG	Illustration	Restrictions	UPD	19:55	27.01.2010	PORSCHE	PET	PORSCHE
STZ	1998	8	06	806-90		248					



Pos	Part Number	Description	Remark	Qty	Model
		back seat cushion	89-94		CARRERA 2/4 TURBO/LOOK CABRIO
1	964 522 051 01	back seat cushion leatherette	/L	1	
	3MK	burgundy	-90		
	1MX	mahogany	-90		
	43S	black			
	1KX	marine blue			
	4WX	linen	-90		
	7RT	cashmere beige			
	2WJ	classic grey	91-		
	9ZH	cobalt blue	91-		
	4WY	magenta	91-		
	1ZU	light grey	91-		
(1)	964 522 052 01	back seat cushion leatherette	/R	1	
	3MK	burgundy	-90		
	1MX	mahogany	-90		
	43S	black			
	1KX	marine blue			
	4WX	linen	-90		
	7RT	cashmere beige			
	2WJ	classic grey	91-		
	9ZH	cobalt blue	91-		
	4WY	magenta	91-		
	1ZU	light grey	91-		
1	964 522 051 02	back seat cushion whole-leather	/L	1	
	KZ2	black	-90		
	TV1	mahogany	-90		

Model	Year	MG	SG	Illustration	Restrictions	UPD	19:55	27.01.2010	PORSCHE	PET	PORSCHE
STZ	1998	8	06	806-90		248					

Pos	Part Number	Description	Remark	Qty	Model	Pos	Part Number	Description	Remark	Qty	Model
	TS1	marine blue		-90			XN4	cashmere beige		-90	
	LG7	burgundy		-90			XN5	silk grey		-90	
	TW1	linen		-90			XN6	velvet red		-90	
	UD5	caramel		-90			XN7	slate grey		-90	
	UD6	venetian blue		-90			8YR	black		91-	
	XN4	cashmere beige		-90			6XL	classic grey		91-	
	XN5	silk grey		-90			9YL	cobalt blue		91-	
	XN6	velvet red		-90			6YL	magenta		91-	
	XN7	slate grey		-90			8ZL	light grey		91-	
	8YR	black		91-			4YU	cashmere beige		91-	
	6XL	classic grey		91-			H05	marine blue		91-	
	9YL	cobalt blue		91-			M05	matador red		91-	
	6YL	magenta		91-			D35	carrara grey		91-	
	8ZL	light grey		91-			J25	sherwood green		91-	
	4YU	cashmere beige		91-			E38	rubicon grey		93-	
	H05	marine blue		91-		1	964 522 051 03	back seat cushion draped leather	/L	1	
	M05	matador red		91-			KZ2	black		-90	
	D35	carrara grey		91-			TV1	mahogany		-90	
	J25	sherwood green		91-			TS1	marine blue		-90	
	E38	rubicon grey		93-			LG7	burgundy		-90	
(1)	964 522 052 02	back seat cushion whole-leather	/R	1			TW1	linen		-90	
	KZ2	black		-90			UD5	caramel		-90	
	TV1	mahogany		-90			UD6	venetian blue		-90	
	TS1	marine blue		-90			XN4	cashmere beige		-90	
	LG7	burgundy		-90			XN5	silk grey		-90	
	TW1	linen		-90			XN6	velvet red		-90	
	UD5	caramel		-90			XN7	slate grey		-90	
	UD6	venetian blue		-90			8YR	black		91-	

Model	Year	MG	SG	Illustration	Restrictions	UPD	19:55	27.01.2010	PORSCHE	PET	PORSCHE
STZ	1998	8	06	806-90		248					

Pos	Part Number	Description	Remark	Qty	Model	Pos	Part Number	Description	Remark	Qty	Model
	6XL	classic grey	91-				H05	marine blue	91-		
	9YL	cobalt blue	91-				M05	matador red	91-		
	6YL	magenta	91-				D35	carrara grey	91-		
	8ZL	light grey	91-				J25	sherwood green	91-		
	4YU	cashmere beige	91-				E38	rubicon grey	93		
	H05	marine blue	91-			1	964 522 051 02	back seat cushion whole-leather	/L	92	1 TURBO-LOOK
	M05	matador red	91-				BQZ	rhodamine			
	D35	carrara grey	91-				BQY	wimbledon green			
	J25	sherwood green	91-				BQX	florentine grey			
	E38	rubicon grey	93			(1)	964 522 052 02	back seat cushion whole-leather	/R	92	1 TURBO-LOOK
(1)	964 522 052 03	back seat cushion draped leather	/R	1			BQZ	rhodamine			
	KZ2	black	-90				BQY	wimbledon green			
	TV1	mahogany	-90				BQX	florentine grey			
	TS1	marine blue	-90			1	964 522 051 03	back seat cushion draped leather	/L	92	1 TURBO-LOOK
	LG7	burgundy	-90				BQZ	rhodamine			
	TW1	linen	-90				BQY	wimbledon green			
	UD5	caramel	-90				BQX	florentine grey			
	UD6	venetian blue	-90			(1)	964 522 052 03	back seat cushion draped leather	/R	92	1 TURBO-LOOK
	XN4	cashmere beige	-90				BQZ	rhodamine			
	XN5	silk grey	-90				BQY	wimbledon green			
	XN6	velvet red	-90				BQX	florentine grey			
	XN7	slate grey	-90			2	964 522 051 00	back seat cushion cloth pin stripe velour	/L	89-	1
	8YR	black	91-				JN1	black-white	-90		
	6XL	classic grey	91-				TU1	mahogany-white	-90		
	9YL	cobalt blue	91-				TR1	blue-white	-90		
	6YL	magenta	91-				LT2	burgundy-white	-90		
	8ZL	light grey	91-								
	4YU	cashmere beige	91-								

Model	Year	MG	SG	Illustration	Restrictions	UPD	19:55	27.01.2010	PORSCHE	PET	PORSCHE
STZ	1998	8	06	806-90		248					

Pos	Part Number	Description	Remark	Qty	Model	Pos	Part Number	Description	Remark	Qty	Model
	4WJ	linen white	-90				5TC	cashmere beige	-90		
	4TN	cashmere beige-white	-90				9WT	classic grey	91-		
(2)	964 522 052 00	back seat cushion cloth pin stripe velour	/R 89-	1			9YD	cobalt blue	91-		
	JN1	black-white	-90				1MV	magenta	91-		
	TU1	mahogany-white	-90			2	964 522 051 00	back seat cushion porsche lettering cloth	/L 89-	1	
	TR1	blue-white	-90				2CZ	black			
	LT2	burgundy-white	-90				TU3	mahogany	-90		
	4WJ	linen white	-90				6HZ	blue			
	4TN	cashmere beige-white	-90				QA1	burgundy	-90		
2	964 522 051 00	back seat cushion cloth multicolour	/L 89-	1			5WZ	linen	-90		
	2VV	black					7TH	cashmere beige			
	8XV	mahogany	-90				6WC	classic grey	91-		
	9JV	marine blue					7ZK	cobalt blue	91-		
	1MV	burgundy	-90				9YC	magenta	91-		
	6UV	linen	-90				2ZV	light grey	91-		
	5TC	cashmere beige	-90			(2)	964 522 052 00	back seat cushion porsche lettering cloth	/R 89-	1	
	9WT	classic grey	91-				2CZ	black			
	9YD	cobalt blue	91-				TU3	mahogany	-90		
	1MV	magenta	91-				6HZ	blue			
	6UV	light grey	91-				QA1	burgundy	-90		
(2)	964 522 052 00	back seat cushion cloth multicolour	/R 89-	1			5WZ	linen	-90		
	2VV	black					7TH	cashmere beige			
	8XV	mahogany	-90				6WC	classic grey	91-		
	9JV	marine blue					7ZK	cobalt blue	91-		
	1MV	burgundy	-90				9YC	magenta	91-		
	6UV	linen	-90				2ZV	light grey	91-		

Model	Year	MG	SG	Illustration	Restrictions	UPD	19:55	27.01.2010	PORSCHE	PET	PORSCHE
STZ	1998	8	06	806-90		248					

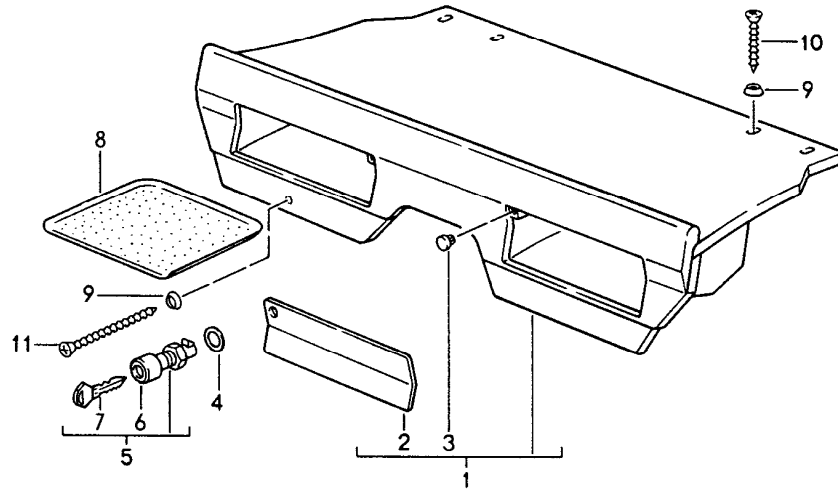
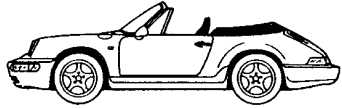
Pos	Part Number	Description	Remark	Qty	Model	Pos	Part Number	Description	Remark	Qty	Model
3	964 522 049 00	back seat cushion leatherette	(J)	89	1		XN5	silk grey	-90		
	3MK	burgundy		-90			XN6	velvet red	-90		
	1MX	mahogany		-90			XN7	slate grey	-90		
	43S	black				3	964 522 049 05	back seat cushion whole-leather	(J)	90-	1
	1KX	marine blue					LG7	burgundy	-90		
	4WX	linen		-90			TV1	mahogany	-90		
	7RT	cashmere beige					KZ2	black	-90		
3	964 522 049 03	back seat cushion leatherette	(J)	90-	1		TS1	marine blue	-90		
	3MK	burgundy		-90			TW1	linen	-90		
	1MX	mahogany		-90			UD5	caramel	-90		
	43S	black					UD6	venetian blue	-90		
	1KX	marine blue					XN4	cashmere beige	-90		
	4WX	linen		-90			XN5	silk grey	-90		
	7RT	cashmere beige					XN6	velvet red	-90		
	2WJ	classic grey		91-			XN7	slate grey	-90		
	9ZH	cobalt blue		91-			8YR	black	91-		
	4WY	magenta		91-			H05	marine blue	91-		
	1ZU	light grey		91-			6XL	classic grey	91-		
3	964 522 049 02	back seat cushion whole-leather	(J)	89	1		9YL	cobalt blue	91-		
	LG7	burgundy		-90			6YL	magenta	91-		
	TV1	mahogany		-90			8ZL	light grey	91-		
	KZ2	black		-90			4YU	cashmere beige	91-		
	TS1	marine blue		-90			M05	matador red	91-		
	TW1	linen		-90			D35	carrara grey	91-		
	UD5	caramel		-90			J25	sherwood green	91-		
	UD6	venetian blue		-90		3	964 522 049 01	back seat cushion draped leather	(J)	89	1
	XN4	cashmere beige		-90			LG7	burgundy	-90		
							TV1	mahogany	-90		

Model	Year	MG	SG	Illustration	Restrictions	UPD	19:55	27.01.2010	PORSCHE	PET	PORSCHE
STZ	1998	8	06	806-90		248					

Pos	Part Number	Description	Remark	Qty	Model	Pos	Part Number	Description	Remark	Qty	Model
	KZ2	black		-90			M05	matador red		91-	
	TS1	marine blue		-90			D35	carrara grey		91-	
	TW1	linen		-90			J25	sherwood green		91-	
	UD5	caramel		-90		3	964 522 049 05	back seat cushion whole-leather	(J)	92	1 TURBO-LOOK
	UD6	venetian blue		-90			BQZ	rhodamine			
	XN4	cashmere beige		-90			BQY	wimbledon green			
	XN5	silk grey		-90			BQX	florentine grey			
	XN6	velvet red		-90							
	XN7	slate grey		-90							
3	964 522 049 04	back seat cushion draped leather	(J)	90-	1						
	LG7	burgundy		-90							
	TV1	mahogany		-90							
	KZ2	black		-90							
	TS1	marine blue		-90							
	TW1	linen		-90							
	UD5	caramel		-90							
	UD6	venetian blue		-90							
	XN4	cashmere beige		-90							
	XN5	silk grey		-90							
	XN6	velvet red		-90							
	XN7	slate grey		-90							
	8YR	black		91-							
	H05	marine blue		91-							
	6XL	classic grey		91-							
	9YL	cobalt blue		91-							
	6YL	magenta		91-							
	8ZL	light grey		91-							
	4YU	cashmere beige		91-							



Model	Year	MG	SG	Illustration	Restrictions	UPD	19:56	27.01.2010	PORSCHE	PET	PORSCHE
STZ	1998	8	06	806-92		248					

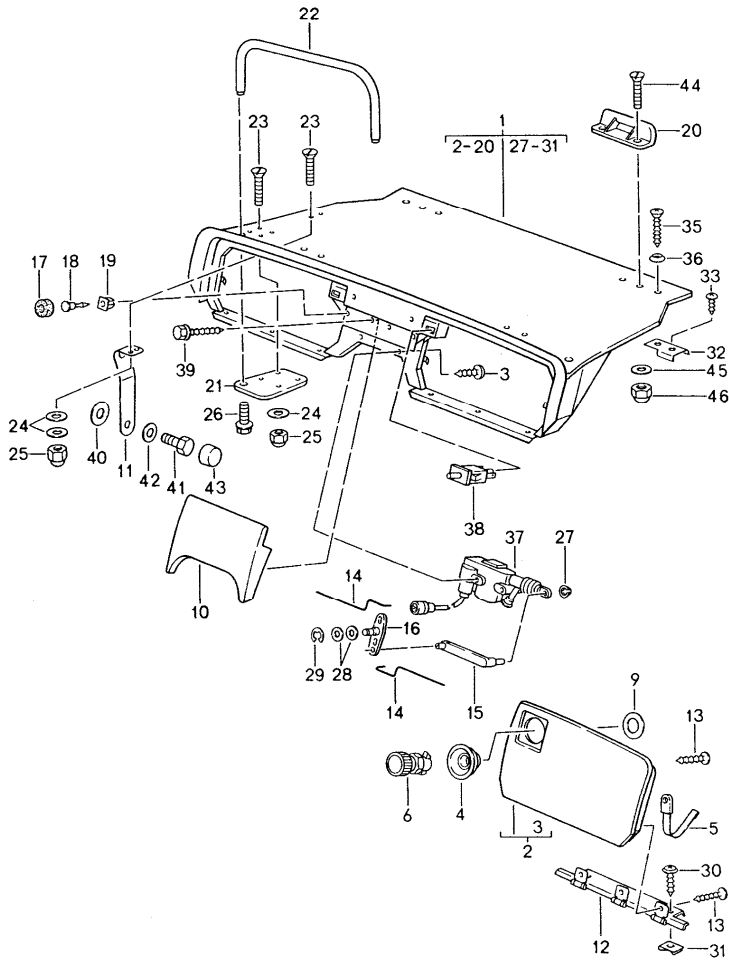


Pos	Part Number	Description	Remark	Qty	Model
		rear luggage dump	-91		CABRIO M419
1	964 555 123 60	rear luggage dump carpet		1	
	5FV	black			
	5MF	mahogany	90		
	4KV	marine blue			
	8MD	burgundy	90		
	2XF	linen	90		
	8UT	cashmere beige			
	7VT	silk grey	90		
	9MT	velvet red	90		
	3WT	slate grey	90		
	5UM	caramel	90		
	3KM	venetian blue	90		
	4XR	classic grey	91-		
	4ZN	cobalt blue	91-		
	8WZ	magenta	91-		
	6YR	light grey	91-		
	M33	matador red	91-		
	D13	carrara grey	91-		
	J23	sherwood green	91-		
2	911 552 488 04	cover		2	
	05T	black			
3	999 703 002 40	stopper 6,5 X 10 X 7		2	
4	911 552 103 01	washer		2	
5	911 552 902 07	glove compartment lock w/o stipulated lock number		2	
(5)	911 552 902 08	glove compartment lock state lock number		2	

Model	Year	MG	SG	Illustration	Restrictions	UPD	19:56	27.01.2010	PORSCHE	PET	PORSCHE
STZ	1998	8	06	806-92		248					

Pos	Part Number	Description	Remark	Qty	Model	Pos	Part Number	Description	Remark	Qty	Model
6	911 538 561 00	knob		2							
7	911 538 902 00	replacement key with key cap state lock number Information available		2							
8	964 555 151 60	base seat well carpet		2							
	5FV	black									
	5MF	mahogany	90								
	4KV	marine blue									
	8MD	burgundy	90								
	2XF	linen	90								
	8UT	cashmere beige									
	7VT	silk grey	90								
	9MT	velvet red	90								
	3WT	slate grey	90								
	5UM	caramel	90								
	3KM	venetian blue	90								
	4XR	classic grey	91-								
	4ZN	cobalt blue	91-								
	8WZ	magenta	91-								
	6YR	light grey	91-								
	M33	matador red	91-								
	D13	carrara grey	91-								
	J23	sherwood green	91-								
9	999 591 116 07	cone washer		6							
10	900 145 062 07	tapping screw B 3,5 X 25		4							
11	900 145 082 07	tapping screw B 3,5 X 38		2							

Model	Year	MG	SG	Illustration	Restrictions	UPD	19:56	27.01.2010	PORSCHE	PET	PORSCHE
STZ	1998	8	06	806-94		248					



Pos	Part Number	Description	Remark	Qty	Model
		rear luggage dump	92-94		CARRERA 2/4 COUPE/TARGA CABRIO TURBO-LOOK M419
1	964 555 123 00	rear luggage dump carpet/ leatherette		1	CABRIO
	5FV	black/black			
	4XR	classic grey/classic grey			
	4ZN	cobalt blue/cobalt blue			
	8WZ	magenta/magenta			
	6YR	light grey/light grey			
	8UT	cashmere beige/cash. beige			
	4KV	marine blue/marine blue			
(1)	964 555 123 04	rear luggage dump carpet/ leatherette		1	COUPE/TARGA
	5FV	black/black			
	4XR	classic grey/classic grey			
	4ZN	cobalt blue/cobalt blue			
	8WZ	magenta/magenta			
	6YR	light grey/light grey			
	8UT	cashmere beige/cash. beige			
	4KV	marine blue/marine blue			
1	964 555 123 01	rear luggage dump carpet/ leather		1	CABRIO
	5FV	black/black			
	4XR	classic grey/classic grey			
	4ZN	cobalt blue/cobalt blue			
	8WZ	magenta/magenta			
	6YR	light grey/light grey			
	8UT	cashmere beige/cash. beige			

Model	Year	MG	SG	Illustration	Restrictions	UPD	19:56	27.01.2010	PORSCHE	PET	PORSCHE
STZ	1998	8	06	806-94		248					

Pos	Part Number	Description	Remark	Qty	Model	Pos	Part Number	Description	Remark	Qty	Model
(1)	4KV	marine blue/marine blue			COUPE/TARGA	(2)	1KX	marine blue		1	
	M33	matador red/matador red					964 555 922 00	lid leatherette	/R		
	D13	carrara grey/carrara grey					05T	black			
	J23	sherwood gr./sherw. green					2WJ	classic grey			
	964 555 123 05	rear luggage dump carpet/leather		1			9ZH	cobalt blue			
	5FV	black/black					4WY	magenta			
	4XR	classic grey/classic grey					1ZU	light grey			
	4ZN	cobalt blue/cobalt blue					7RT	cashmere beige			
	8WZ	magenta/magenta					1KX	marine blue			
	6YR	light grey/light grey					2	964 555 921 01	lid whole-leather		
1	8UT	cashmere beige/cash. beige			TURBO-LOOK	2	8YR	black		1	
	4KV	marine blue/marine blue					6XL	classic grey			
	M33	matador red/matador red					9YL	cobalt blue			
	D13	carrara grey/carrara grey					6YL	magenta			
	J23	sherwood gr./sherw. green					8ZL	light grey			
	964 555 123 01	rear luggage dump carpet/leather	92-	1			4YU	cashmere beige			
	M10	rhodamine/rhodamine					H05	marine blue			
	K20	wimbledon gr./wimbl. green					M05	matador red			
	D50	florentine gr./flor. grey					D35	carrara grey			
	2	964 555 921 00	lid leatherette	/L			1	J25	sherwood green		
2	05T	black			TURBO-LOOK	(2)	964 555 922 01	lid whole-leather	/R	1	
	2WJ	classic grey					8YR	black			
	9ZH	cobalt blue					6XL	classic grey			
	4WY	magenta					9YL	cobalt blue			
	1ZU	light grey					6YL	magenta			
	7RT	cashmere beige					8ZL	light grey			
							4YU	cashmere beige			

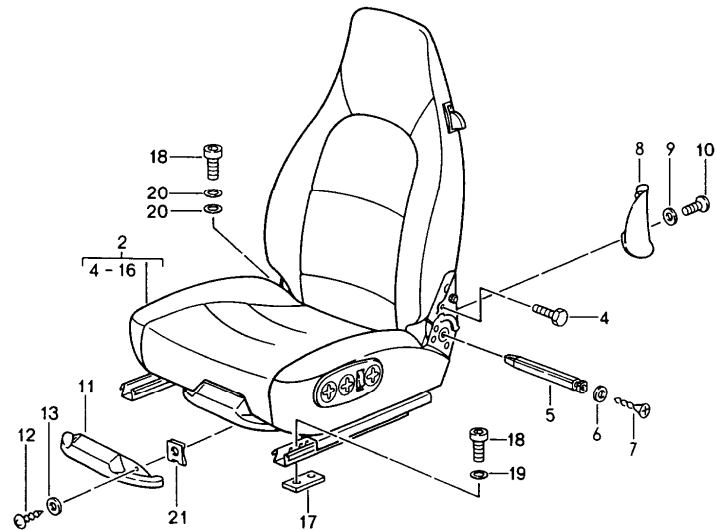
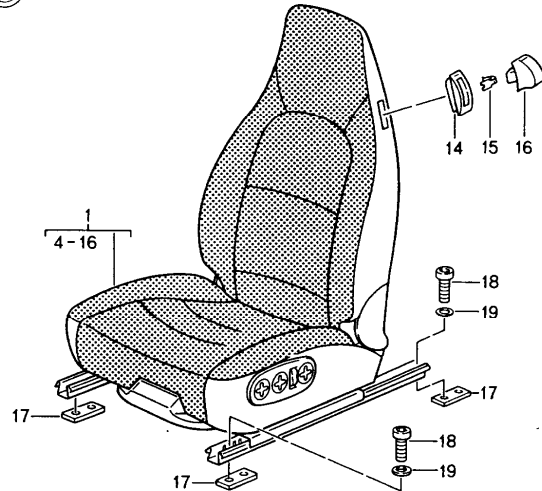
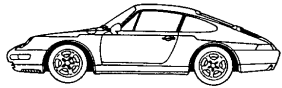
Model	Year	MG	SG	Illustration	Restrictions	UPD	19:56	27.01.2010	PORSCHE	PET	PORSCHE
STZ	1998	8	06	806-94		248					

Pos	Part Number	Description	Remark	Qty	Model	Pos	Part Number	Description	Remark	Qty	Model	
	H05	marine blue					1ZU	light grey				
	M05	matador red					7RT	cashmere beige				
	D35	carrara grey					1KX	marine blue				
	J25	sherwood green				10	964 555 323 01	centre part whole-leather		1		
2	964 555 921 01	lid whole-leather	/L	92	1	TURBO-LOOK	8YR	black				
	L37	rhodamine					6XL	classic grey				
	J17	wimbledon green					9YL	cobalt blue				
	E27	florentine grey					6YL	magenta				
(2)	964 555 922 01	lid whole-leather	/R	92	1	TURBO-LOOK	8ZL	light grey				
	L37	rhodamine					4YU	cashmere beige				
	J17	wimbledon green					H05	marine blue				
	E27	florentine grey					M05	matador red				
3	999 919 050 02	oval-head screw 4,0 X 12		4			D35	carrara grey				
4	964 552 312 00	rosette		2		10	964 555 323 01	centre part whole-leather		92	1	TURBO-LOOK
	01C	satin black					L37	rhodamine				
5	964 555 515 00	securing strap		4			J17	wimbledon green				
6	A 964 538 059 02	glove compartment lock		2			E27	florentine grey				
	01C	satin black					11	964 555 851 00	support		2	
6	964 538 059 03	glove compartment lock		2			12	964 555 487 00	hinge		2	
	01C	satin black					13	999 919 105 07	countersunk-head screw 4,0 X 12		20	
9	999 025 200 07	washer 21,3 X 40 X 1		2			14	964 555 661 00	closing element		2	CABRIO
10	964 555 323 00	centre part leatherette		1			15	964 555 657 00	reverse lever		1	CABRIO
	05T	black					16	964 555 659 00	segment		1	CABRIO
	2WJ	classic grey					17	944 552 259 00	plug		4	
	9ZH	cobalt blue					18	N 902 662 01	combination tapping screw B 3,5 X 16		4	
	4WY	magenta										

Model	Year	MG	SG	Illustration	Restrictions	UPD	19:56	27.01.2010	PORSCHE	PET	PORSCHE
STZ	1998	8	06	806-94		248					

Pos	Part Number	Description	Remark	Qty	Model	Pos	Part Number	Description	Remark	Qty	Model
19	999 591 679 40	special nut B 4,2		4		44	N 033 183 1	countersunk-head screw M 5 X 20		8	
20	477 885 761	retaining bar		4		45	900 151 027 02	washer B 5,3 X 15 X 1,6		8	
23	900 075 362 02	combination screw M 5 X 25		4		46	999 033 003 02	nut M 5		X	
24	900 151 027 02	washer B 5,3 X 15 X 1,6		8							
25	999 033 003 02	nut M 5		X							
27	999 591 946 02	clamping washer 5,0		1	CABRIO						
28	900 031 001 02	washer 8,4		2	CABRIO						
29	N 012 435 1	lock washer 5		1	CABRIO						
30	999 073 060 02	tapping screw B 4,8 X 13		6							
31	999 507 023 02	speed nut B 4,8		6							
32	964 555 645 00	clip		2							
33	900 143 007 02	tapping screw B 4,2 X 13		2							
35	900 145 012 07	counters. head tapp. screw B 4,2 X 32		2							
36	999 591 116 00	washer 4,5		2							
37	928 624 211 00	transmission element		1							
38	964 613 602 00	contact switch		2							
39	999 919 108 02	hexagon-head bolt 5,0 X 35		2							
41	111 857 799 A	fastening screw		2							
42	999 025 113 02	washer 11,5 X 21 X 2		2							
43	811 857 845	screw-on cap		2							
	01C	satin black									

Model	Year	MG	SG	Illustration	Restrictions	UPD	19:56	27.01.2010	PORSCHE	PET	PORSCHE
STZ	1998	8	07	807-00		248					



Pos	Part Number	Description	Remark	Qty	Model
		front seat	94-98 96-98		CARRERA TARGA/TURBO M437/438
		comfort seat all-electric complete			
		standard seat manually adjustable and with elect. vertical adjustment complete not available			M381/382  M379/380
1	993 521 015 16	comfort seat without heating leatherette/ seat and backrest surface porsche lettering cloth	/L	1	CARRERA TARGA
	PX2	black/black	94-98		
	APM	classic grey/classic grey	94-98		
	DBA	midnight bl./midnight blue	94-98		
	DCA	chestnut brown/ chestnut brown	94-98		
	DDA	marble grey/marble grey	94-97		
	XK6	cashmere beige/cash. beige	94-98		
(1)	993 521 016 16	comfort seat without heating leatherette/ seat and backrest surface porsche lettering cloth	/R	1	CARRERA TARGA
	PX2	black/black	94-98		
	APM	classic grey/classic grey	94-98		
	DBA	midnight bl./midnight blue	94-98		
	DCA	chestnut brown/ chestnut brown	94-98		
	DDA	marble grey/marble grey	94-97		
	XK6	cashmere beige/cash. beige	94-98		
1	993 521 015 20	comfort seat with heating leatherette/ seat and backrest surface porsche lettering cloth	/L	1	CARRERA TARGA

Model	Year	MG	SG	Illustration	Restrictions	UPD	19:56	27.01.2010	PORSCHE	PET	PORSCHE
STZ	1998	8	07	807-00		248					

Pos	Part Number	Description	Remark	Qty	Model	Pos	Part Number	Description	Remark	Qty	Model
	PX2	black/black	94-98			(1)	993 521 016 24	comfort seat with lumbar support leatherette/ seat and backrest surface porsche lettering cloth	/R	1	CARRERA TARGA
	APM	classic grey/classic grey	94-98								
	DBA	midnight bl./midnight blue	94-98								
	DCA	chestnut brown/ chestnut brown	94-98				PX2	black/black	94-98		
	DDA	marble grey/marble grey	94-97				APM	classic grey/classic grey	94-98		
	XK6	cashmere beige/cash. beige	94-98				DBA	midnight bl./midnight blue	94-98		
(1)	993 521 016 20	comfort seat with heating leatherette/ seat and backrest surface porsche lettering cloth	/R	1	CARRERA TARGA		DCA	chestnut brown/ chestnut brown	94-98		
	PX2	black/black	94-98				DDA	marble grey/marble grey	94-97		
	APM	classic grey/classic grey	94-98			1	993 521 015 28	comfort seat with heating and lumbar support leatherette/ seat and backrest surface porsche lettering cloth	/L	1	CARRERA TARGA
	DBA	midnight bl./midnight blue	94-98								
	DCA	chestnut brown/ chestnut brown	94-98				PX2	black/black	94-98		
	DDA	marble grey/marble grey	94-97				APM	classic grey/classic grey	94-98		
	XK6	cashmere beige/cash. beige	94-98				DBA	midnight bl./midnight blue	94-98		
1	993 521 015 24	comfort seat with lumbar support leatherette/ seat and backrest surface porsche lettering cloth	/L	1	CARRERA TARGA		DCA	chestnut brown/ chestnut brown	94-98		
	PX2	black/black	94-98				DDA	marble grey/marble grey	94-97		
	APM	classic grey/classic grey	94-98			(1)	993 521 016 28	comfort seat with heating and lumbar support leatherette/ seat and backrest surface porsche lettering cloth	/R	1	CARRERA TARGA
	DBA	midnight bl./midnight blue	94-98								
	DCA	chestnut brown/ chestnut brown	94-98				PX2	black/black	94-98		
	DDA	marble grey/marble grey	94-97				APM	classic grey/classic grey	94-98		
	XK6	cashmere beige/cash. beige	94-98				DBA	midnight bl./midnight blue	94-98		
							DCA	chestnut brown/ chestnut brown	94-98		



Model	Year	MG	SG	Illustration	Restrictions	UPD	19:56	27.01.2010	PORSCHE	PET	PORSCHE
STZ	1998	8	07	807-00		248					

Pos	Part Number	Description	Remark	Qty	Model	Pos	Part Number	Description	Remark	Qty	Model
	DDA	marble grey/marble grey	94-97				DDC	marble grey/marble grey	94-97		
	XK6	cashmere beige/cash. beige	94-98				ATX	cashmere beige/cash. beige	94-98		
2	993 521 015 17	comfort seat without heating leatherette/seat and backrest surface leather	/L	1	CARRERA TARGA	(2)	993 521 016 21	comfort seat with heating leatherette/seat and backrest surface leather	/R	1	CARRERA TARGA
	ATG	black/black	94-98				ATG	black/black	94-98		
	APK	classic grey/classic grey	94-98				APK	classic grey/classic grey	94-98		
	DBC	midnight bl./midnight blue	94-98				DBC	midnight bl./midnight blue	94-98		
	DCC	chestnut brown/ chestnut brown	94-98				DCC	chestnut brown/ chestnut brown	94-98		
	DDC	marble grey/marble grey	94-97				DDC	marble grey/marble grey	94-97		
	ATX	cashmere beige/cash. beige	94-98				ATX	cashmere beige/cash. beige	94-98		
(2)	993 521 016 17	comfort seat without heating leatherette/seat and backrest surface leather	/R	1	CARRERA TARGA	2	993 521 015 25	comfort seat with lumbar support leatherette/seat and backrest surface leather	/L	1	CARRERA TARGA
	ATG	black/black	94-98				ATG	black/black	94-98		
	APK	classic grey/classic grey	94-98				APK	classic grey/classic grey	94-98		
	DBC	midnight bl./midnight blue	94-98				DBC	midnight bl./midnight blue	94-98		
	DCC	chestnut brown/ chestnut brown	94-98				DCC	chestnut brown/ chestnut brown	94-98		
	DDC	marble grey/marble grey	94-97				DDC	marble grey/marble grey	94-97		
	ATX	cashmere beige/cash. beige	94-98				ATX	cashmere beige/cash. beige	94-98		
2	993 521 015 21	comfort seat with heating leatherette/seat and backrest surface leather	/L	1	CARRERA TARGA	(2)	993 521 016 25	comfort seat with lumbar support leatherette/seat and backrest surface leather	/R	1	CARRERA TARGA
	ATG	black/black	94-98				ATG	black/black	94-98		
	APK	classic grey/classic grey	94-98				APK	classic grey/classic grey	94-98		
	DBC	midnight bl./midnight blue	94-98				APK	classic grey/classic grey	94-98		
	DCC	chestnut brown/ chestnut brown	94-98				DBC	midnight bl./midnight blue	94-98		

Model	Year	MG	SG	Illustration	Restrictions	UPD	19:56	27.01.2010	PORSCHE	PET	PORSCHE
STZ	1998	8	07	807-00		248					

Pos	Part Number	Description	Remark	Qty	Model	Pos	Part Number	Description	Remark	Qty	Model
		DCC chestnut brown/ chestnut brown	94-98				DBD	midnight blue	94-98		
		DDC marble grey/marble grey	94-97				DCD	chestnut brown	94-98		
		ATX cashmere beige/cash. beige	94-98				DDD	marble grey	94-97		
2	993 521 015 29	comfort seat with heating and lumbar support leatherette/ seat and backrest surface leather	/L	1	CARRERA TARGA		ATY	cashmere beige	94-98		
		ATG black/black	94-98				DEC	provence blue	94-96		
		APK classic grey/classic grey	94-98				DEE	cedar green	94-96		
		DBC midnight bl./midnight blue	94-98				DEF	flamenco red	94-96		
		DCC chestnut brown/ chestnut brown	94-98				DEA	rubicon grey	96-97		
		DDC marble grey/marble grey	94-97			(2)	ELA	nephrite green	97-98		
		ATX cashmere beige/cash. beige	94-98				ENA	boxster red	97-98		
(2)	993 521 016 29	comfort seat with heating and lumbar support leatherette/ seat and backrest surface leather	/R	1	CARRERA TARGA		EJX	space grey	98		
		ATG black/black	94-98				993 521 016 18	comfort seat without heating whole-leather	/R	1	CARRERA TARGA/TURBO
		APK classic grey/classic grey	94-98				ATH	black	94-98		
		DBC midnight bl./midnight blue	94-98				APL	classic grey	94-98		
		DCC chestnut brown/ chestnut brown	94-98				DBD	midnight blue	94-98		
		DDC marble grey/marble grey	94-97				DCD	chestnut brown	94-98		
		ATX cashmere beige/cash. beige	94-98				DDD	marble grey	94-97		
2	993 521 015 18	comfort seat without heating whole-leather	/L	1	CARRERA TARGA/TURBO		ATY	cashmere beige	94-98		
		ATH black	94-98				DEC	provence blue	94-96		
		APL classic grey	94-98				DEE	cedar green	94-96		
							DEF	flamenco red	94-96		
							DEA	rubicon grey	96-97		
							ELA	nephrite green	97-98		
							ENA	boxster red	97-98		
							EJX	space grey	98		
						2	993 521 015 22	comfort seat with heating whole-leather	/L	1	CARRERA TARGA/TURBO
							ATH	black	94-98		

Model	Year	MG	SG	Illustration	Restrictions	UPD	19:56	27.01.2010	PORSCHE	PET	PORSCHE
STZ	1998	8	07	807-00		248					

Pos	Part Number	Description	Remark	Qty	Model	Pos	Part Number	Description	Remark	Qty	Model
	APL	classic grey	94-98			2	993 521 015 26	comfort seat with lumbar support whole-leather	/L	1	CARRERA TARGA/TURBO
	DBD	midnight blue	94-98						96-		
	DCD	chestnut brown	94-98								
	DDD	marble grey	94-97				ATH	black	94-98		
	ATY	cashmere beige	94-98				APL	classic grey	94-98		
	DEC	provence blue	94-96				DBD	midnight blue	94-98		
	DEE	cedar green	94-96				DCD	chestnut brown	94-98		
	DEF	flamenco red	94-96				DDD	marble grey	94-97		
	DEA	rubicon grey	96-97				ATY	cashmere beige	94-98		
	ELA	nephrite green	97-98				DEC	provence blue	94-96		
	ENA	boxster red	97-98				DEE	cedar green	94-96		
	EJX	space grey	98				DEF	flamenco red	94-96		
(2)	993 521 016 22	comfort seat with heating whole-leather	/R	1	CARRERA TARGA/TURBO		DEA	rubicon grey	96-97		
	ATH	black	94-98				ELA	nephrite green	97-98		
	APL	classic grey	94-98				ENA	boxster red	97-98		
	DBD	midnight blue	94-98			(2)	993 521 016 26	comfort seat with lumbar support whole-leather	/R	1	CARRERA TARGA/TURBO
	DCD	chestnut brown	94-98						96-		
	DDD	marble grey	94-97				ATH	black	94-98		
	ATY	cashmere beige	94-98				APL	classic grey	94-98		
	DEC	provence blue	94-96				DBD	midnight blue	94-98		
	DEE	cedar green	94-96				DCD	chestnut brown	94-98		
	DEF	flamenco red	94-96				DDD	marble grey	94-97		
	DEA	rubicon grey	96-97				ATY	cashmere beige	94-98		
	ELA	nephrite green	97-98				DEC	provence blue	94-96		
	ENA	boxster red	97-98				DEE	cedar green	94-96		
	EJX	space grey	98				DEF	flamenco red	94-96		
							DEA	rubicon grey	96-97		
							ELA	nephrite green	97-98		

Model	Year	MG	SG	Illustration	Restrictions	UPD	19:56	27.01.2010	PORSCHE	PET	PORSCHE
STZ	1998	8	07	807-00		248					

Pos	Part Number	Description	Remark	Qty	Model	Pos	Part Number	Description	Remark	Qty	Model
	ENA	boxster red	97-98				DEF	flamenco red	94-96		
	EJX	space grey	98				DEA	rubicon grey	96-97		
2	993 521 015 30	comfort seat with heating and lumbar support whole-leather	/L 96-	1	CARRERA TARGA/TURBO		ELA	nephrite green	97-98		
	ATH	black	94-98			2	993 521 015 19	comfort seat without heating draped leather	/L 96-	1	CARRERA TARGA/TURBO
	APL	classic grey	94-98				ATH	black	94-98		
	DBD	midnight blue	94-98				APL	classic grey	94-98		
	DCD	chestnut brown	94-98				DBD	midnight blue	94-98		
	DDD	marble grey	94-97				DCD	chestnut brown	94-98		
	ATY	cashmere beige	94-98				DDD	marble grey	94-97		
	DEC	provence blue	94-96				ATY	cashmere beige	94-98		
	DEE	cedar green	94-96				DEC	provence blue	94-96		
	DEF	flamenco red	94-96				DEE	cedar green	94-96		
	DEA	rubicon grey	96-97				DEF	flamenco red	94-96		
	ELA	nephrite green	97-98				DEA	rubicon grey	96-97		
	ENA	boxster red	97-98				ELA	nephrite green	97-98		
	EJX	space grey	98				ENA	boxster red	97-98		
(2)	993 521 016 30	comfort seat with heating and lumbar support whole-leather	/R 96-	1	CARRERA TARGA/TURBO		EJX	space grey	98		
	ATH	black	94-98			(2)	993 521 016 19	comfort seat without heating draped leather	/R 96-	1	CARRERA TARGA/TURBO
	APL	classic grey	94-98				ATH	black	94-98		
	DBD	midnight blue	94-98				APL	classic grey	94-98		
	DCD	chestnut brown	94-98				DBD	midnight blue	94-98		
	DDD	marble grey	94-97				DCD	chestnut brown	94-98		
	ATY	cashmere beige	94-98				DDD	marble grey	94-97		
	DEC	provence blue	94-96				ATY	cashmere beige	94-98		
	DEE	cedar green	94-96				DEC	provence blue	94-96		

Model	Year	MG	SG	Illustration	Restrictions	UPD	19:56	27.01.2010	PORSCHE	PET	PORSCHE
STZ	1998	8	07	807-00		248					

Pos	Part Number	Description	Remark	Qty	Model	Pos	Part Number	Description	Remark	Qty	Model
	DEE	cedar green	94-96				DEC	provence blue	94-96		
	DEF	flamenco red	94-96				DEE	cedar green	94-96		
	DEA	rubicon grey	96-97				DEF	flamenco red	94-96		
	ELA	nephrite green	97-98				DEA	rubicon grey	96-97		
	ENA	boxster red	97-98				ELA	nephrite green	97-98		
	EJX	space grey	98				ENA	boxster red	97-98		
2	993 521 015 23	comfort seat with heating draped leather	/L 96-	1	CARRERA TARGA/TURBO	2	993 521 015 27	comfort seat with lumbar support draped leather	/L 96-	1	CARRERA TARGA/TURBO
	ATH	black	94-98				ATH	black	94-98		
	APL	classic grey	94-98				APL	classic grey	94-98		
	DBD	midnight blue	94-98				DBD	midnight blue	94-98		
	DCD	chestnut brown	94-98				DCD	chestnut brown	94-98		
	DDD	marble grey	94-97				DDD	marble grey	94-97		
	ATY	cashmere beige	94-98				ATY	cashmere beige	94-98		
	DEC	provence blue	94-96				DEC	provence blue	94-96		
	DEE	cedar green	94-96				DEE	cedar green	94-96		
	DEF	flamenco red	94-96				DEF	flamenco red	94-96		
	DEA	rubicon grey	96-97				DEA	rubicon grey	96-97		
	ELA	nephrite green	97-98				ELA	nephrite green	97-98		
	ENA	boxster red	97-98				ENA	boxster red	97-98		
	EJX	space grey	98				EJX	space grey	98		
(2)	993 521 016 23	comfort seat with heating draped leather	/R 96-	1	CARRERA TARGA/TURBO	(2)	993 521 016 27	comfort seat with lumbar support draped leather	/R 96-	1	CARRERA TARGA/TURBO
	ATH	black	94-98				ATH	black	94-98		
	APL	classic grey	94-98				APL	classic grey	94-98		
	DBD	midnight blue	94-98				DBD	midnight blue	94-98		
	DCD	chestnut brown	94-98				DCD	chestnut brown	94-98		
	DDD	marble grey	94-97				DDD	marble grey	94-97		
	ATY	cashmere beige	94-98				ATY	cashmere beige	94-98		

Model	Year	MG	SG	Illustration	Restrictions	UPD	19:56	27.01.2010	PORSCHE	PET	PORSCHE
STZ	1998	8	07	807-00		248					

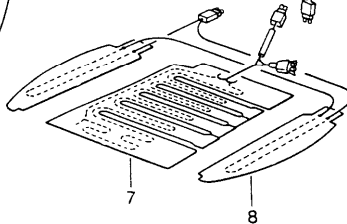
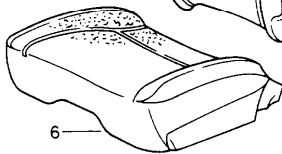
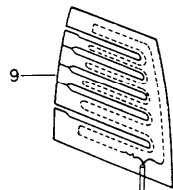
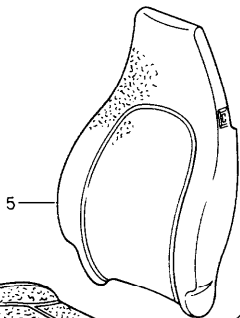
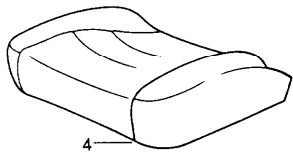
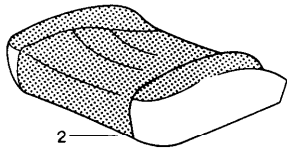
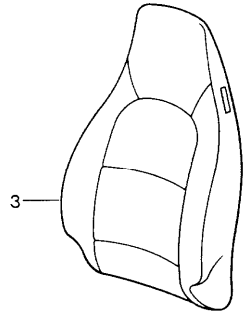
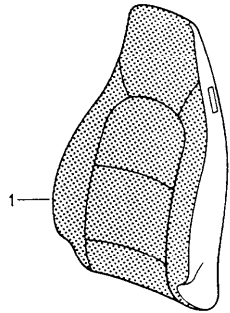
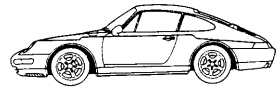
Pos	Part Number	Description	Remark	Qty	Model	Pos	Part Number	Description	Remark	Qty	Model
	DDD	marble grey	94-97				APL	classic grey	94-98		
	ATY	cashmere beige	94-98				DBD	midnight blue	94-98		
	DEC	provence blue	94-96				DCD	chestnut brown	94-98		
	DEE	cedar green	94-96				DDD	marble grey	94-97		
	DEF	flamenco red	94-96				ATY	cashmere beige	94-98		
	DEA	rubicon grey	96-97				DEC	provence blue	94-96		
	ELA	nephrite green	97-98				DEE	cedar green	94-96		
	ENA	boxster red	97-98				DEF	flamenco red	94-96		
	EJX	space grey	98				DEA	rubicon grey	96-97		
2	993 521 015 31	comfort seat with heating and lumbar support draped leather	/L 96-	1	CARRERA TARGA/TURBO		ELA	nephrite green	97-98		
	ATH	black	94-98			4	911 521 547 00	hexagon-head bolt M 10 X 20		6	
	APL	classic grey	94-98			5	928 521 717 02	square rod for backrest adjustment		4	
	DBD	midnight blue	94-98			6	928 521 716 02	lock washer for backrest adjustment		4	
	DCD	chestnut brown	94-98			7	900 249 004 02	countersunk-head screw M 4 X 8 for backrest adjustment		4	
	DDD	marble grey	94-97			8	928 521 147 02	cover	/L	2	
	ATY	cashmere beige	94-98				01C	black			
	DEC	provence blue	94-96				4XC	classic grey			
	DEE	cedar green	94-96				2GS	midnight blue			
	DEF	flamenco red	94-96				4PV	chestnut brown			
	DEA	rubicon grey	96-97				3BE	marble grey			
	ELA	nephrite green	97-98				3UD	cashmere beige			
	ENA	boxster red	97-98			(8)	928 521 148 02	cover	/R	2	
	EJX	space grey	98				01C	black			
(2)	993 521 016 31	comfort seat with heating and lumbar support draped leather	/R 96-	1	CARRERA TARGA/TURBO		4XC	classic grey			
	ATH	black	94-98								

Model	Year	MG	SG	Illustration	Restrictions	UPD	19:56	27.01.2010	PORSCHE	PET	PORSCHE
STZ	1998	8	07	807-00		248					

Pos	Part Number	Description	Remark	Qty	Model	Pos	Part Number	Description	Remark	Qty	Model
	2GS	midnight blue				21	N 100 472 01	speed nut ST 3.9		4	
	4PV	chestnut brown									
	3BE	marble grey									
	3UD	cashmere beige									
9	900 025 044 07	washer A 4,3		8							
10	N 013 962 3	tapping screw B 3,9 X 16		8							
11	928 521 760 04	engine cover comfort seat		2							
	01C	satin black									
(11)	928 521 760 05	engine cover standard seat electrically adjustable		2							
	01C	satin black									
12	900 143 113 07	tapping screw B 4.2 X 13		4							
13	900 025 044 07	washer A 4,3		4							
14	911 521 815 00	rosette		4							
	01C	satin black									
15	311 881 247	clamp		4							
16	911 521 817 00	control button		4							
	01C	satin black									
17	964 521 701 00	threaded plate front and rear 2 X M 8		3							
18	900 119 030 02	pan-head screw M 8 X 20		12							
19	900 089 006 02	washer 8.0		12							
20	900 025 007 02	washer 8.4 only together with assembly seat rail rear		2							

Model	Year	MG	SG	Illustration	Restrictions	UPD	19:56	27.01.2010	PORSCHE	PET	PORSCHE
STZ	1998	8	07	807-02		248					

Pos	Part Number	Description	Remark	Qty	Model
		cover front seat	94-98 96-98		CARRERA TARGA/TURBO
1	993 521 123 08	backrest cover without heating leatherette/ backrest surface porsche lettering cloth		2	CARRERA TARGA
	PX2	black/black	94-98		
	APM	classic grey/classic grey	94-98		
	DBA	midnight bl./midnight blue	94-98		
	DCA	chestnut brown/ chestnut brown	94-98 94-98		
	DDA	marble grey/marble grey	94-97		
	XK6	cashmere beige/cash. beige	94-98		
(1)	993 521 123 12	backrest cover with heating leatherette/ backrest surface porsche lettering cloth		2	CARRERA TARGA
	PX2	black/black	94-98		
	APM	classic grey/classic grey	94-98		
	DBA	midnight bl./midnight blue	94-98		
	DCA	chestnut brown/ chestnut brown	94-98 94-98		
	DDA	marble grey/marble grey	94-97		
	XK6	cashmere beige/cash. beige	94-98		
2	993 521 133 08	cover for cushion without heating leatherette/ seat surface porsche lettering cloth		2	CARRERA TARGA
	PX2	black/black	94-98		
	APM	classic grey/classic grey	94-98		
	DBA	midnight bl./midnight blue	94-98		
	DCA	chestnut brown/ chestnut brown	94-98 94-98		
	DDA	marble grey/marble grey	94-97		





Model	Year	MG	SG	Illustration	Restrictions	UPD	19:56	27.01.2010	PORSCHE	PET	PORSCHE
STZ	1998	8	07	807-02		248					

Pos	Part Number	Description	Remark	Qty	Model	Pos	Part Number	Description	Remark	Qty	Model
	XK6	cashmere beige/cash. beige	94-98				ATX	cashmere beige/cash. beige	94-98		
(2)	993 521 133 12	cover for cushion with heating leatherette/ seat surface porsche lettering cloth		2	CARRERA TARGA	3	993 521 123 10	backrest cover without heating whole-leather	96-	2	CARRERA TARGA/TURBO
	PX2	black/black	94-98				ATH	black	94-98		
	APM	classic grey/classic grey	94-98				APL	classic grey	94-98		
	DBA	midnight bl./midnight blue	94-98				DBD	midnight blue	94-98		
	DCA	chestnut brown/ chestnut brown	94-98 94-98				DCD	chestnut brown	94-98		
	DDA	marble grey/marble grey	94-97				DDD	marble grey	94-97		
	XK6	cashmere beige/cash. beige	94-98				ATY	cashmere beige	94-98		
3	993 521 123 09	backrest cover without heating leatherette/ backrest surface leather		2	CARRERA TARGA		DEC	provence blue	94-96		
	ATG	black/black	94-98				DEE	cedar green	94-96		
	APK	classic grey/classic grey	94-98				DEF	flamenco red	94-96		
	DBC	midnight bl./midnight blue	94-98				DEA	rubicon grey	96-97		
	DCC	chestnut brown/ chestnut brown	94-98 94-98			(3)	993 521 123 14	backrest cover with heating whole-leather	96-	2	CARRERA TARGA/TURBO
	DDC	marble grey/marble grey	94-97				ATH	black	94-98		
	ATX	cashmere beige/cash. beige	94-98				APL	classic grey	94-98		
(3)	993 521 123 13	backrest cover with heating leatherette/ backrest surface leather		2	CARRERA TARGA		DBD	midnight blue	94-98		
	ATG	black/black	94-98				DCD	chestnut brown	94-98		
	APK	classic grey/classic grey	94-98				DDD	marble grey	94-97		
	DBC	midnight bl./midnight blue	94-98				ATY	cashmere beige	94-98		
	DCC	chestnut brown/ chestnut brown	94-98 94-98				DEC	provence blue	94-96		
	DDC	marble grey/marble grey	94-97				DEE	cedar green	94-96		
							DEF	flamenco red	94-96		
							DEA	rubicon grey	96-97		
							ELA	nephrite green	97-98		

Model	Year	MG	SG	Illustration	Restrictions	UPD	19:56	27.01.2010	PORSCHE	PET	PORSCHE
STZ	1998	8	07	807-02		248					

Pos	Part Number	Description	Remark	Qty	Model	Pos	Part Number	Description	Remark	Qty	Model
3	ENA	boxster red	97-98	2	CARRERA TARGA/TURBO	4	ELA	nephrite green	97-98	2	CARRERA TARGA
	EJX	space grey	98				ENA	boxster red	97-98		
	993 521 123 11	backrest cover without heating draped leather	96-	EJX			space grey	98			
	ATH	black	94-98	993 521 133 09			cover for cushion without heating leatherette/ seat surface leather				
	APL	classic grey	94-98	ATG			black/black	94-98			
	DBD	midnight blue	94-98	APK			classic grey/classic grey	94-98			
	DCD	chestnut brown	94-98	DBC			midnight bl./midnight blue	94-98			
	DDD	marble grey	94-97	DCC			chestnut brown/ chestnut brown	94-98 94-98			
	ATY	cashmere beige	94-98	DDC			marble grey/marble grey	94-97			
	DEC	provence blue	94-96	ATX			cashmere beige/cash. beige	94-98			
	DEE	cedar green	94-96	(4) 993 521 133 13			cover for cushion with heating leatherette/ seat surface leather				
	DEF	flamenco red	94-96	ATG			black/black	94-98			
	DEA	rubicon grey	96-97	APK			classic grey/classic grey	94-98			
	ENA	nephrite green	97-98	DBC			midnight bl./midnight blue	94-98			
EJX	boxster red	97-98	DCC	chestnut brown/ chestnut brown	94-98 94-98						
(3)	993 521 123 15	backrest cover with heating draped leather	96-	2	CARRERA TARGA/TURBO	4	DDC	marble grey/marble grey	94-97	2	CARRERA TARGA/TURBO
	ATH	black	94-98	ATX	cashmere beige/cash. beige		94-98				
	APL	classic grey	94-98	993 521 133 10	cover for cushion without heating whole-leather		96-				
	DBD	midnight blue	94-98	ATH	black		94-98				
	DCD	chestnut brown	94-98	APL	classic grey		94-98				
	DDD	marble grey	94-97	DBD	midnight blue		94-98				
	ATY	cashmere beige	94-98	DCD	chestnut brown		94-98				
	DEC	provence blue	94-96	DDD	marble grey		94-97				
	DEE	cedar green	94-96								
	DEF	flamenco red	94-96								
	DEA	rubicon grey	96-97								

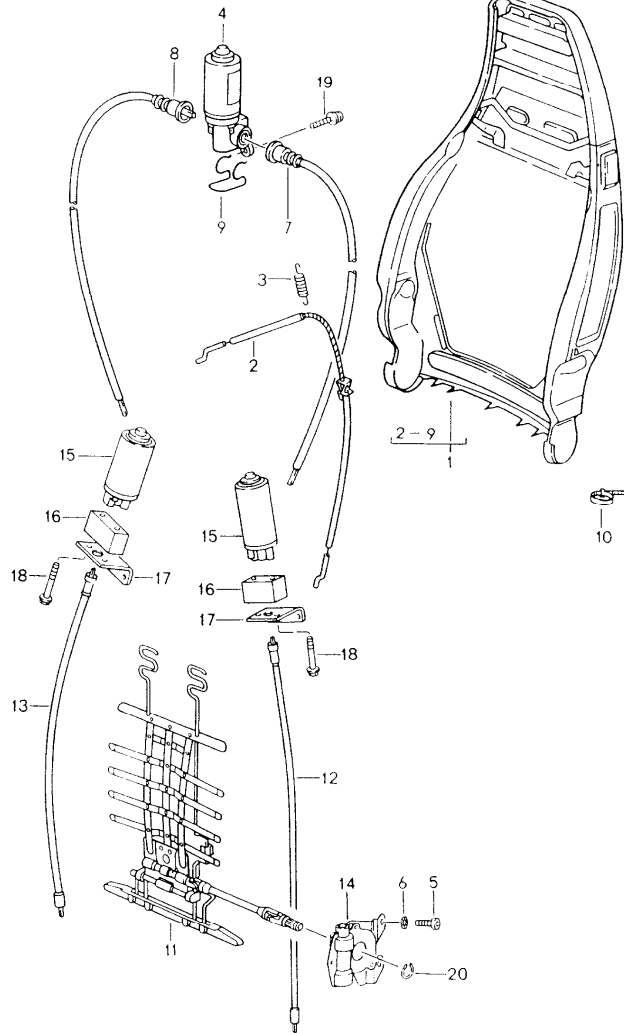
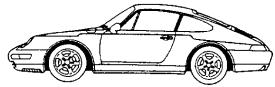
Model	Year	MG	SG	Illustration	Restrictions	UPD	19:56	27.01.2010	PORSCHE	PET	PORSCHE
STZ	1998	8	07	807-02		248					

Pos	Part Number	Description	Remark	Qty	Model	Pos	Part Number	Description	Remark	Qty	Model
	ATY	cashmere beige	94-98				DDD	marble grey	94-97		
	DEC	provence blue	94-96				ATY	cashmere beige	94-98		
	DEE	cedar green	94-96				DEC	provence blue	94-96		
	DEF	flamenco red	94-96				DEE	cedar green	94-96		
	DEA	rubicon grey	96-97				DEF	flamenco red	94-96		
	ELA	nephrite green	97-98				DEA	rubicon grey	96-97		
	ENA	boxster red	97-98				ELA	nephrite green	97-98		
	EJX	space grey	98				ENA	boxster red	97-98		
(4)	993 521 133 14	cover for cushion with heating whole-leather	96-	2	CARRERA TARGA/TURBO	(4)	993 521 133 15	cover for cushion with heating draped leather	96-	2	CARRERA TARGA/TURBO
	ATH	black	94-98				ATH	black	94-98		
	APL	classic grey	94-98				APL	classic grey	94-98		
	DBD	midnight blue	94-98				DBD	midnight blue	94-98		
	DCD	chestnut brown	94-98				DCD	chestnut brown	94-98		
	DDD	marble grey	94-97				DDD	marble grey	94-97		
	ATY	cashmere beige	94-98				ATY	cashmere beige	94-98		
	DEC	provence blue	94-96				DEC	provence blue	94-96		
	DEE	cedar green	94-96				DEE	cedar green	94-96		
	DEF	flamenco red	94-96				DEF	flamenco red	94-96		
	DEA	rubicon grey	96-97				DEA	rubicon grey	96-97		
	ELA	nephrite green	97-98				ELA	nephrite green	97-98		
	ENA	boxster red	97-98				ENA	boxster red	97-98		
	EJX	space grey	98				EJX	space grey	98		
4	993 521 133 11	cover for cushion without heating draped leather	96-	2	CARRERA TARGA/TURBO	-	000 043 071 00	clamp mount cover bag content 50 pieces		X	
	ATH	black	94-98								
	APL	classic grey	94-98								
	DBD	midnight blue	94-98								
	DCD	chestnut brown	94-98								

Model	Year	MG	SG	Illustration	Restrictions	UPD	19:56	27.01.2010	PORSCHE	PET	PORSCHE
STZ	1998	8	07	807-02		248					

Pos	Part Number	Description	Remark	Qty	Model	Pos	Part Number	Description	Remark	Qty	Model
5	993 521 393 06	foam part backrest frame		1	M437/438	(9)	993 653 902 02	heating element backrest surface only together with draped leather seat cover F 99RS3 11500>> F 99RS3 30073>>		2	COUPE CABRIO
(5)	993 521 393 07	foam part backrest frame lumbar support		1	M437/438						
6	A 993 521 385 06	foam part seat cushion	/L	1	M379/437						
(6)	A 993 521 386 06	foam part seat cushion	/R	1	M380						
(6)	993 521 385 07	foam part seat cushion with heating	/L	1	M379						
(6)	993 521 386 07	foam part seat cushion with heating	/R	1	M380						
7	993 653 901 00	heating element seat surface F >>99RS3 11499 F >>99RS3 30072		2	COUPE CABRIO						
(7)	993 653 901 01	heating element seat surface F 99RS3 11500>> F 99RS3 30073>>		2	COUPE CABRIO						
(7)	993 653 901 02	heating element seat surface only together with draped leather seat cover F 99RS3 11500>> F 99RS3 30073>>		2	COUPE CABRIO						
8	993 653 120 00	heating element seat side bolster		2							
9	993 653 902 00	heating element backrest surface F >>99RS3 11499 F >>99RS3 30072		2	COUPE CABRIO						
(9)	993 653 902 01	heating element backrest surface F 99RS3 11500>> F 99RS3 30073>>		2	COUPE CABRIO						

Model	Year	MG	SG	Illustration	Restrictions	UPD	19:56	27.01.2010	PORSCHE	PET	PORSCHE
STZ	1998	8	07	807-04		248					

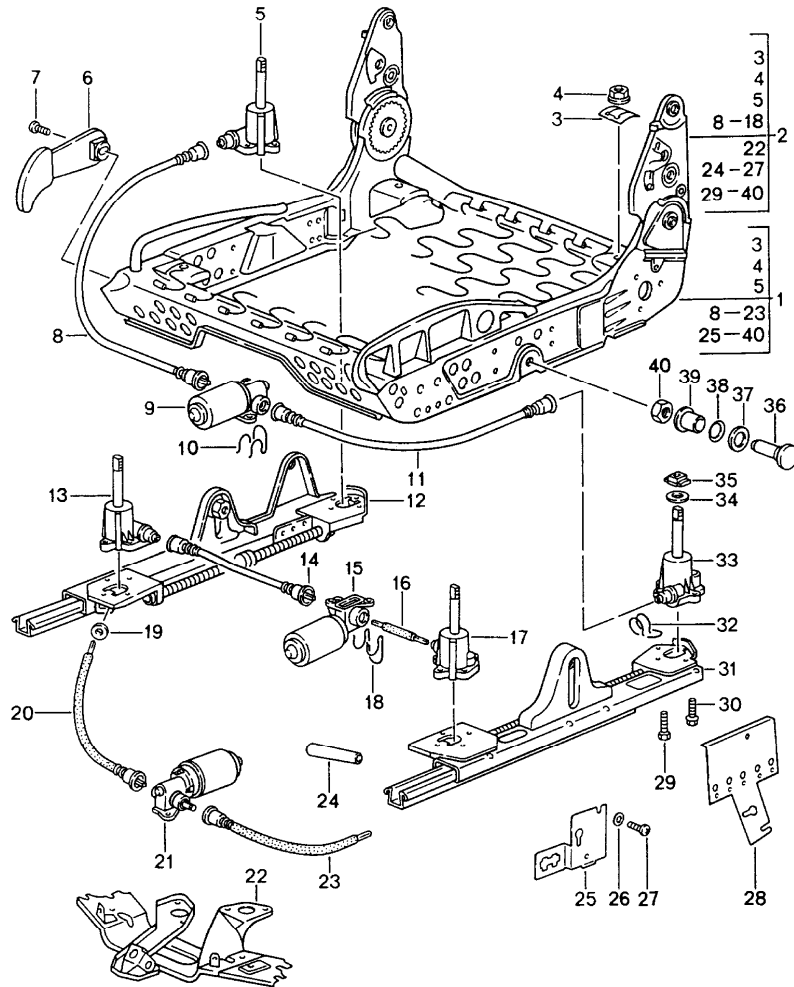
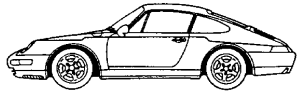


Pos	Part Number	Description	Remark	Qty	Model
		backrest frame	94-98 96-98		CARRERA TARGA/TURBO
		electric manually lumbar support			
(1)	928 521 027 08	backrest frame manually adjustable		2	
1	928 521 027 10	backrest frame electrically adjustable		2	
2	928 521 093 02	bowden cable		4	
3	311 881 287 A	spring actuating lever		4	
4	928 624 126 01	geared motor for backrest adjustment		2	
5	N 014 128 4	oval-head screw M 5 X 8		4	
6	N 012 130 2	shake-proof washer A 5,3		4	
7	928 521 617 03	shaft for backrest adjustment	/L	2	
8	928 521 618 03	shaft for backrest adjustment	/R	2	
9	928 521 675 02	moulded spring		2	
10	N 020 904 4	tie-wrap 6,5 X 120		5	
11	928 521 135 02	lumbar support		2	
12	928 521 315 03	pliable shaft lumbar support adjustment curvature		2	
13	928 521 315 02	pliable shaft lumbar support adjustment height		2	
14	928 521 153 03	transmission		2	
15	928 624 122 02	adjusting motor lumbar		4	
16	928 624 199 00	spacer lumbar support		4	
17	928 624 057 00	engine carrier lumbar support		4	

Model	Year	MG	SG	Illustration	Restrictions	UPD	19:56	27.01.2010	PORSCHE	PET	PORSCHE
STZ	1998	8	07	807-04		248					

Pos	Part Number	Description	Remark	Qty	Model	Pos	Part Number	Description	Remark	Qty	Model
18	999 919 058 02	hexagon-head bolt H 5 X 40		8							
19	900 146 117 02	combination screw M 5 X 12 Z1		4							
20	N 012 411 1	circlip 11 X 1		2							

Model	Year	MG	SG	Illustration	Restrictions	UPD	19:57	27.01.2010	PORSCHE	PET	PORSCHE
STZ	1998	8	07	807-06		248					



Pos	Part Number	Description	Remark	Qty	Model
		seat frame for comfort seat and standard seat with elect. vertical adjustment	94-98 96-98		CARRERA TARGA/TURBO
1	993 521 069 03	seat frame comfort seat all-electric	/L	1	
(1)	993 521 070 03	seat frame comfort seat all-electric	/R	1	
2	993 521 069 01	seat frame elect. vertical adjustment	/L	1	
(2) A	993 521 070 01	seat frame elect. vertical adjustment	/R	1	
(2)	993 521 070 01	seat frame elect. vertical adjustment	/R	1	
3	928 521 723 02	guide spring		8	
4	928 521 730 02	nut		8	
5	928 521 721 03	lifting gear left front, right rear		4	
6	964 521 073 00	lever for backrest adjustment		2	
	01C	satin black			
7	900 146 108 07	round head screw M 5 X 10		2	
8	928 521 674 05	shaft rear vertical adjustment	/R	2	
9	928 624 126 01	geared motor rear vertical adjustment		2	
10	928 521 675 02	moulded spring		6	
11	928 521 673 05	shaft rear vertical adjustment	/L	2	
12	964 521 492 01	seat rail left seat all-electric inner		1	

Model	Year	MG	SG	Illustration	Restrictions	UPD	19:57	27.01.2010	PORSCHE	PET	PORSCHE
STZ	1998	8	07	807-06		248					

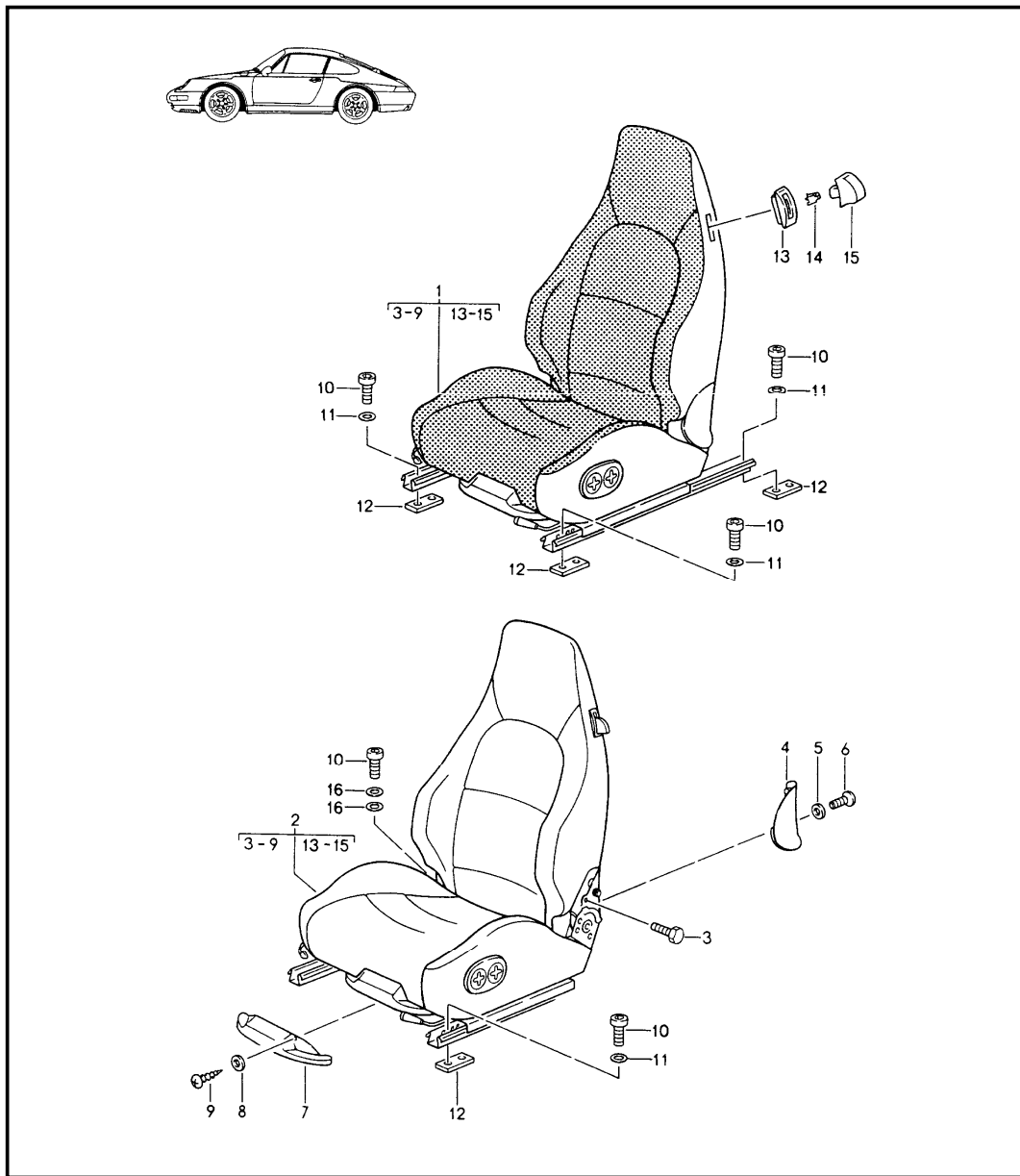
Pos	Part Number	Description	Remark	Qty	Model	Pos	Part Number	Description	Remark	Qty	Model
(12)	964 521 491 01	seat rail right seat all-electric inner		1		25	928 653 503 02	bracket		2	
						26	900 025 003 02	washer A 5,3		2	
(12)	964 521 492 00	seat rail left seat elect. vertical adjustment inner		1		27	N 014 133 8	oval-head screw M 5 X 12		2	
						28	928 653 501 03	retaining bracket seat heater		2	
(12)	964 521 491 00	seat rail right seat elect. vertical adjustment inner		1		29	900 186 032 02	pan-head screw M 6 X 12		8	
13	928 521 722 03	lifting gear right front, left rear		4		30	999 217 033 01	locking screw M 6 X 16		20	
14	928 521 672 03	shaft front vertical adjustment	/R	2		31	928 521 489 08	seat rail left seat all-electric outer		1	
15	928 624 126 01	geared motor front vertical adjustment		2		(31)	928 521 490 08	seat rail right seat all-electric outer		1	
16	928 521 671 03	shaft front vertical adjustment	/L	2		(31)	928 521 489 11	seat rail left seat elect. vertical adjustment outer		1	
17	928 521 721 03	lifting gear left front, right rear		4		(31)	928 521 490 11	seat rail right seat elect. vertical adjustment outer		1	
18	928 521 675 02	moulded spring		6							
19	999 591 778 02	support shaft for longitudinal adjustment		6							
20	928 521 252 04	shaft for longitudinal adjustment	/L	4		32	928 521 699 00	moulded spring		6	
21	928 624 136 00	geared motor for longitudinal adjustment		2		33	928 521 722 03	lifting gear right front, left rear		4	
22	928 521 033 03	engine support comfort seat		2		34	999 025 129 40	washer		8	
(22)	928 521 033 02	engine support front seat elect. vertical adjustment		2		35	928 521 727 02	slide		8	
23	928 521 252 04	shaft for longitudinal adjustment	/R	4		36	928 521 681 02	bolt		4	
24	911 521 533 01	handle for longitudinal adjustment		2		37	928 521 683 02	washer 1,5 PA 6		8	
	01C	satin black				38	999 028 015 00	spring washer 16,2 X 0,5		8	
						39	928 521 685 02	bush		4	



Model	Year	MG	SG	Illustration	Restrictions	UPD	19:57	27.01.2010	PORSCHE	PET	PORSCHE
STZ	1998	8	07	807-06		248					

Pos	Part Number	Description	Remark	Qty	Model	Pos	Part Number	Description	Remark	Qty	Model
40	900 034 003 02	hexagon nut M 10  switch and trim for switch see illustrations 8 / 07 / 30		4							

Model	Year	MG	SG	Illustration	Restrictions	UPD	19:57	27.01.2010	PORSCHE	PET	PORSCHE
STZ	1998	8	07	807-10		248					



Pos	Part Number	Description	Remark	Qty	Model
		sports seat complete elect. vertical adjustment		94	CARRERA M383/387
1	993 521 017 06	sports seat without heating leatherette/ seat and backrest surface porsche lettering cloth PX2 black/black APM classic grey/classic grey DBA midnight bl./midnight blue DCA chestnut brown/ chestnut brown DDA marble grey/marble grey XK6 cashmere beige/cash. beige	/L	1	M383
(1)	993 521 018 06	sports seat without heating leatherette/ seat and backrest surface porsche lettering cloth PX2 black/black APM classic grey/classic grey DBA midnight bl./midnight blue DCA chestnut brown/ chestnut brown DDA marble grey/marble grey XK6 cashmere beige/cash. beige	/R	1	M387
1	993 521 017 09	sports seat with heating leatherette/ seat and backrest surface porsche lettering cloth PX2 black/black APM classic grey/classic grey DBA midnight bl./midnight blue DCA chestnut brown/ chestnut brown	/L	1	M383

Model	Year	MG	SG	Illustration	Restrictions	UPD	19:57	27.01.2010	PORSCHE	PET	PORSCHE
STZ	1998	8	07	807-10		248					

Pos	Part Number	Description	Remark	Qty	Model	Pos	Part Number	Description	Remark	Qty	Model
	DDA	marble grey/marble grey					DDC	marble grey/marble grey			
	XK6	cashmere beige/cash. beige					ATX	cashmere beige/cash. beige			
(1)	993 521 018 09	sports seat with heating leatherette/ seat and backrest surface porsche lettering cloth	/R	1	M387	2	993 521 017 10	sports seat with heating leatherette/ seat and backrest surface leather	/L	1	M383
	PX2	black/black					ATG	black/black			
	APM	classic grey/classic grey					APK	classic grey/classic grey			
	DBA	midnight bl./midnight blue					DBC	midnight bl./midnight blue			
	DCA	chestnut brown/ chestnut brown					DCC	chestnut brown/ chestnut brown			
	DDA	marble grey/marble grey					DDC	marble grey/marble grey			
	XK6	cashmere beige/cash. beige					ATX	cashmere beige/cash. beige			
2	993 521 017 07	sports seat without heating leatherette/ seat and backrest surface leather	/L	1	M383	(2)	993 521 018 10	sports seat with heating leatherette/ seat and backrest surface leather	/R	1	M387
	ATG	black/black					ATG	black/black			
	APK	classic grey/classic grey					APK	classic grey/classic grey			
	DBC	midnight bl./midnight blue					DBC	midnight bl./midnight blue			
	DCC	chestnut brown/ chestnut brown					DCC	chestnut brown/ chestnut brown			
	DDC	marble grey/marble grey					DDC	marble grey/marble grey			
	ATX	cashmere beige/cash. beige					ATX	cashmere beige/cash. beige			
(2)	993 521 018 07	sports seat without heating leatherette/ seat and backrest surface leather	/R	1	M387	2	993 521 017 08	sports seat without heating whole-leather	/L	1	M383
	ATG	black/black					ATH	black			
	APK	classic grey/classic grey					APL	classic grey			
	DBC	midnight bl./midnight blue					DBD	midnight blue			
	DCC	chestnut brown/ chestnut brown					DCD	chestnut brown			
							DDD	marble grey			
							ATY	cashmere beige			

Model	Year	MG	SG	Illustration	Restrictions	UPD	19:57	27.01.2010	PORSCHE	PET	PORSCHE
STZ	1998	8	07	807-10		248					

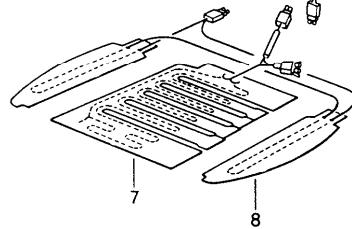
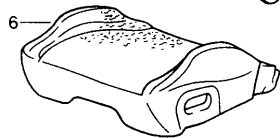
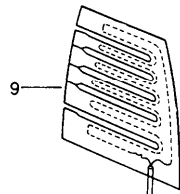
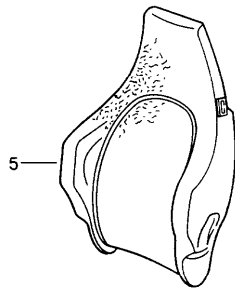
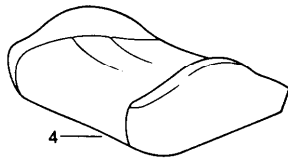
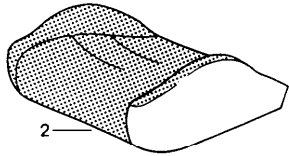
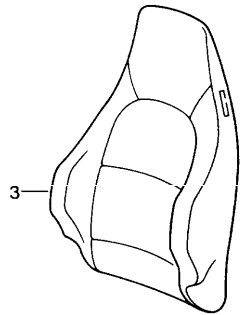
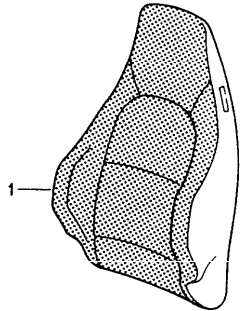
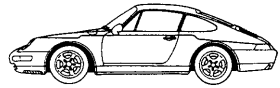
Pos	Part Number	Description	Remark	Qty	Model	Pos	Part Number	Description	Remark	Qty	Model			
(2)	993 521 018 08	DEC	provence blue	/R	1	M387	DBD	midnight blue						
		DEE	cedar green				DCD	chestnut brown						
		DEF	flamenco red				DDD	marble grey						
			sports seat without heating whole-leather				ATY	cashmere beige						
		ATH	black				DEC	provence blue						
		APL	classic grey				DEE	cedar green						
		DBD	midnight blue				DEF	flamenco red						
		DCD	chestnut brown				3	911 521 547 00				hexagon-head bolt M 10 X 20	8	
		DDD	marble grey				4	928 521 147 02				cover	2	/L
		ATY	cashmere beige				01C	black						
		DEC	provence blue				4XC	classic grey						
DEE	cedar green	2GS	midnight blue											
DEF	flamenco red	4PV	chestnut brown											
2	993 521 017 11		sports seat with heating whole-leather	/L	1	M383	3BE	marble grey						
		ATH	black				3UD	cashmere beige						
		APL	classic grey				(4)	928 521 148 02				cover	2	/R
		DBD	midnight blue				01C	black						
		DCD	chestnut brown				4XC	classic grey						
		DDD	marble grey				2GS	midnight blue						
		ATY	cashmere beige				4PV	chestnut brown						
		DEC	provence blue				3BE	marble grey						
		DEE	cedar green				3UD	cashmere beige						
		DEF	flamenco red				5	900 025 044 07				washer A 4,3	8	
		(2)	993 521 018 11					sports seat with heating whole-leather				/R	1	M387
ATH	black			(7)	928 521 760 05	engine cover	2							
APL	classic grey			01C	satin black									
				8	900 025 013 07	washer A 3,7	4							

Model	Year	MG	SG	Illustration	Restrictions	UPD	19:57	27.01.2010	PORSCHE	PET	PORSCHE
STZ	1998	8	07	807-10		248					

Pos	Part Number	Description	Remark	Qty	Model	Pos	Part Number	Description	Remark	Qty	Model
9	N 013 959 3	tapping screw B 3,5 X 16		4							
10	900 119 030 02	pan-head screw M 8 X 20		12							
11	900 089 006 02	washer 8,0		12							
12	964 521 701 00	threaded plate front and rear 2 X M 8		3							
13	911 521 815 00	rosette		4							
	01C	satin black									
14	311 881 247	clamp		4							
15	911 521 817 00	control button		4							
	01C	satin black									
16	900 025 007 02	washer 8,4 only together with assembly seat rail rear		2							

Model	Year	MG	SG	Illustration	Restrictions	UPD	19:57	27.01.2010	PORSCHE	PET	PORSCHE
STZ	1998	8	07	807-12		248					

Pos	Part Number	Description	Remark	Qty	Model
				94	CARRERA
1	993 521 127 06	cover sports seat backrest cover without heating leatherette/ backrest surface porsche lettering cloth PX2 black/black APM classic grey/classic grey DBA midnight bl./midnight blue DCA chestnut brown/ chestnut brown DDA marble grey/marble grey XK6 cashmere beige/cash. beige		2	
(1)	993 521 127 09	backrest cover with heating leatherette/ backrest surface porsche lettering cloth PX2 black/black APM classic grey/classic grey DBA midnight bl./midnight blue DCA chestnut brown/ chestnut brown DDA marble grey/marble grey XK6 cashmere beige/cash. beige		2	
2	993 521 137 06	cover for cushion without heating leatherette/ seat surface porsche lettering cloth PX2 black/black APM classic grey/classic grey DBA midnight bl./midnight blue DCA chestnut brown/ chestnut brown DDA marble grey/marble grey		2	



Model	Year	MG	SG	Illustration	Restrictions	UPD	19:57	27.01.2010	PORSCHE	PET	PORSCHE
STZ	1998	8	07	807-12		248					

Pos	Part Number	Description	Remark	Qty	Model	Pos	Part Number	Description	Remark	Qty	Model
	XK6	cashmere beige/cash. beige					ATX	cashmere beige/cash. beige			
(2)	993 521 137 09	cover for cushion with heating leatherette/ seat surface porsche lettering cloth		2		3	993 521 127 08	backrest cover without heating whole-leather		2	
	PX2	black/black					ATH	black			
	APM	classic grey/classic grey					APL	classic grey			
	DBA	midnight bl./midnight blue					DBD	midnight blue			
	DCA	chestnut brown/ chestnut brown					DCD	chestnut brown			
	DDA	marble grey/marble grey					DDD	marble grey			
	XK6	cashmere beige/cash. beige					ATY	cashmere beige			
3	993 521 127 07	backrest cover without heating leatherette/ backrest surface leather		2			DEC	provence blue			
	ATG	black/black					DEE	cedar green			
	APK	classic grey/classic grey				(3)	993 521 127 11	backrest cover with heating whole-leather		2	
	DBC	midnight bl./midnight blue					ATH	black			
	DCC	chestnut brown/ chestnut brown					APL	classic grey			
	DDC	marble grey/marble grey					DBD	midnight blue			
	ATX	cashmere beige/cash. beige					DCD	chestnut brown			
(3)	993 521 127 10	backrest cover with heating leatherette/ backrest surface leather		2			DDD	marble grey			
	ATG	black/black					ATY	cashmere beige			
	APK	classic grey/classic grey					DEC	provence blue			
	DBC	midnight bl./midnight blue					DEE	cedar green			
	DCC	chestnut brown/ chestnut brown					DEF	flamenco red			
	DDC	marble grey/marble grey				4	993 521 137 07	cover for cushion without heating leatherette/ seat surface leather		2	
							ATG	black/black			
							APK	classic grey/classic grey			
							DBC	midnight bl./midnight blue			

Model	Year	MG	SG	Illustration	Restrictions	UPD	19:57	27.01.2010	PORSCHE	PET	PORSCHE
STZ	1998	8	07	807-12		248					

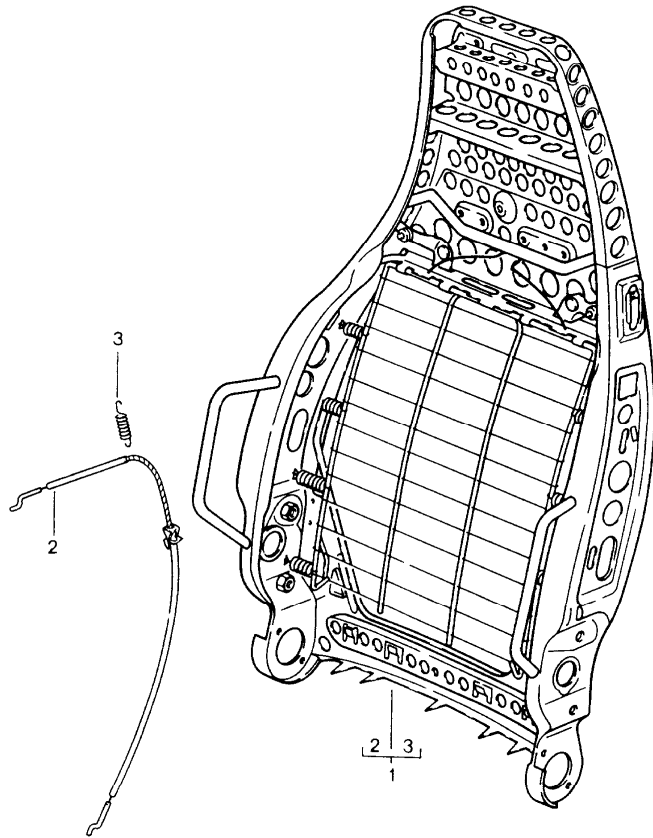
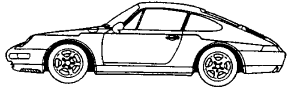
Pos	Part Number	Description	Remark	Qty	Model	Pos	Part Number	Description	Remark	Qty	Model
	DCC	chestnut brown/ chestnut brown					DCD	chestnut brown			
	DDC	marble grey/marble grey					DDD	marble grey			
	ATX	cashmere beige/cash. beige					ATY	cashmere beige			
(4)	993 521 137 10	cover for cushion with heating leatherette/ seat surface leather		2			DEC	provence blue			
	ATG	black/black				-	000 043 071 00	clamp mount cover bag content 50 pieces		X	
	APK	classic grey/classic grey				(5)	993 521 393 05	foam part sports seat backrest frame		1	
	DBC	midnight bl./midnight blue				(6) A	993 521 385 08	foam part seat cushion sports seat	/L	1	
4	993 521 137 08	cover for cushion without heating whole-leather		2		(6) A	993 521 386 08	foam part seat cushion sports seat	/R	1	
	ATH	black				(6)	993 521 385 09	foam part seat cushion sports seat with heating	/L	1	
	APL	classic grey				(6)	993 521 386 09	foam part seat cushion sports seat with heating	/R	1	
	DBD	midnight blue				7	993 653 901 00	heating element seat surface F >>99RS3 11499 F >>99RS3 30072		1	COUPE CABRIO
(4)	993 521 137 11	cover for cushion with heating whole-leather		2		(7)	993 653 901 01	heating element seat surface F 99RS3 11500>> F 99RS3 30073>>		1	COUPE CABRIO
	ATH	black				8	993 653 120 00	heating element seat side bolster		1	
	APL	classic grey									
	DBD	midnight blue									



Model	Year	MG	SG	Illustration	Restrictions	UPD	19:57	27.01.2010	PORSCHE	PET	PORSCHE
STZ	1998	8	07	807-12		248					

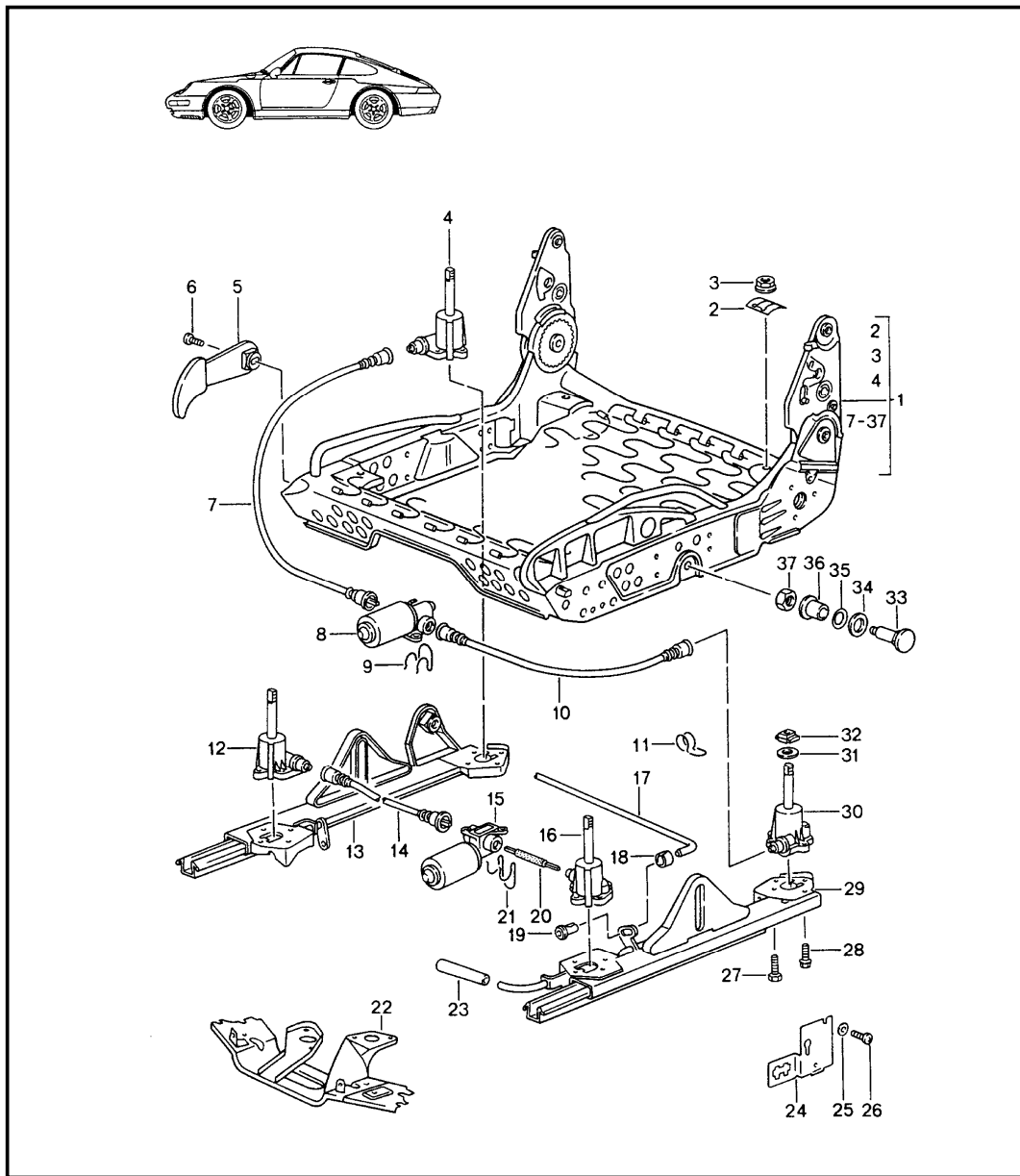
Pos	Part Number	Description	Remark	Qty	Model	Pos	Part Number	Description	Remark	Qty	Model
9	993 653 902 00	heating element backrest surface F >>99RS3 11499 F >>99RS3 30072		1	COUPE CABRIO						
(9)	993 653 902 01	heating element backrest surface F 99RS3 11500>> F 99RS3 30073>>		1	COUPE CABRIO						

Model	Year	MG	SG	Illustration	Restrictions	UPD	19:57	27.01.2010	PORSCHE	PET	PORSCHE
STZ	1998	8	07	807-14		248					



Pos	Part Number	Description	Remark	Qty	Model
		backrest frame sports seat		94	CARRERA
1	944 521 027 01	backrest frame		2	
2	928 521 093 02	bowden cable		2	
3	311 881 287 A	spring for actuating lever		2	

Model	Year	MG	SG	Illustration	Restrictions	UPD	19:57	27.01.2010	PORSCHE	PET	PORSCHE
STZ	1998	8	07	807-16		248					

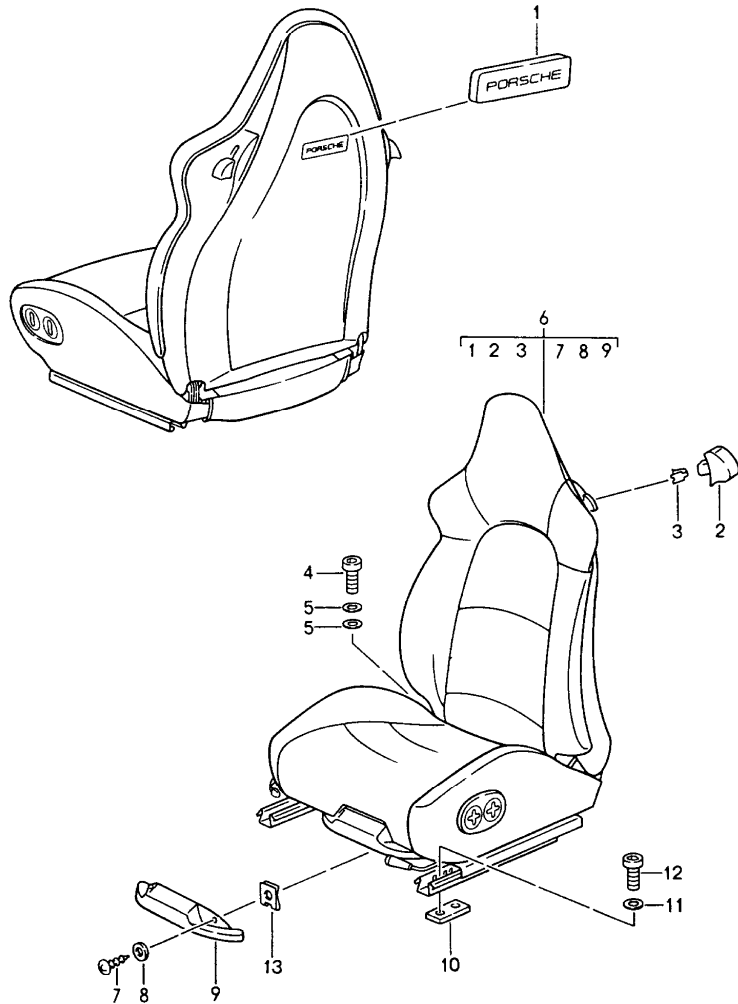
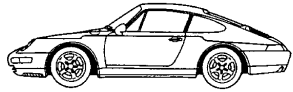


Pos	Part Number	Description	Remark	Qty	Model
		seat frame sports seat elect. vertical adjustment		94	CARRERA M383/387
1	993 521 069 02	seat frame	/L	1	
(1)	993 521 070 02	seat frame	/R	1	
2	928 521 723 02	guide spring		8	
3	928 521 730 02	nut		8	
4	928 521 721 03	lifting gear left front, right rear		4	
5	964 521 073 00	lever for backrest adjustment		2	
6	900 146 108 07	01C satin black round head screw M 5 X 10		2	
7	928 521 674 05	shaft rear vertical adjustment	/R	2	
8	928 624 126 01	geared motor rear vertical adjustment		2	
9	928 521 675 02	moulded spring		4	
10	928 521 673 05	shaft rear vertical adjustment	/L	2	
11	928 521 699 00	moulded spring		6	
12	928 521 722 03	lifting gear right front, left rear		4	
13	964 521 491 00	seat rail right seat inner		1	
(13)	964 521 492 00	seat rail left seat inner		1	
14	928 521 672 03	shaft front vertical adjustment	/R	2	
15	928 624 126 01	geared motor front vertical adjustment		2	
16	928 521 721 03	lifting gear left front, right rear		4	
17	928 521 525 03	connecting rod		2	

Model	Year	MG	SG	Illustration	Restrictions	UPD	19:57	27.01.2010	PORSCHE	PET	PORSCHE
STZ	1998	8	07	807-16		248					

Pos	Part Number	Description	Remark	Qty	Model	Pos	Part Number	Description	Remark	Qty	Model
18	N 902 514 01	clamping sleeve		4		37	900 034 003 02	hexagon nut M 10		4	
19	N 902 515 01	guide bush for longitudinal adjustment		4							
20	928 521 671 03	shaft front vertical adjustment	/L	2				switch and trim for switch see illustrations 8 / 07 / 30			
21	928 521 675 02	moulded spring		4							
22	928 521 033 02	engine support		2							
23	911 521 533 01	handle for longitudinal adjustment		2							
	01C	satin black									
24	928 653 503 02	bracket		2							
25	900 025 003 02	washer A 5,3		2							
26	N 014 133 8	oval-head screw M 5 X 12		2							
27	900 186 032 02	pan-head screw M 6 X 12		4							
28	999 217 033 01	locking screw M 6 X 16		10							
29	928 521 489 11	seat rail left seat outer		1							
(29)	928 521 490 11	seat rail right seat outer		1							
30	928 521 722 03	lifting gear right front, left rear		4							
31	999 025 129 40	washer		8							
32	928 521 727 02	slide		8							
33	928 521 681 02	bolt		4							
34	928 521 683 02	washer 1,5 PA 6		8							
35	999 028 015 00	spring washer 16,2 X 0,5		8							
36	928 521 685 02	bush		4							

Model	Year	MG	SG	Illustration	Restrictions	UPD	19:58	27.01.2010	PORSCHE	PET	PORSCHE
STZ	1998	8	07	807-18		248					



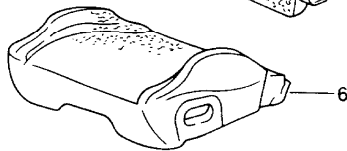
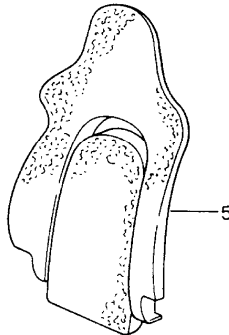
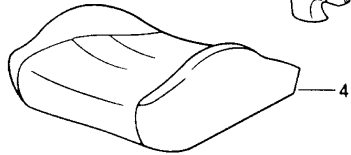
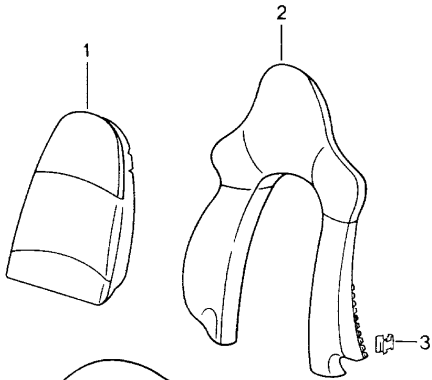
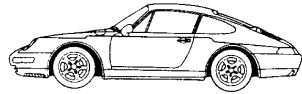
Pos	Part Number	Description	Remark	Qty	Model
		sports seat	95-98		CARRERA
		complete	96-98		TARGA/TURBO
		elect. vertical adjustment			M373/374
1	993 521 811 00	badge		1	
2	911 521 817 00	control button		2	
	01C	satin black			
3	311 881 247	clamp		2	
4	900 119 030 02	pan-head screw M 8 X 20		6	
5	900 025 007 02	washer 8,4		2	
		only together with assembly			
		seat rail rear			
6	993 521 017 13	sports seat without heating whole-leather	/L	1	M373
	ATH	black	95-98		
	APL	classic grey	95-98		
	DBD	midnight blue	95-98		
	DCD	chestnut brown	95-98		
	DDD	marble grey	95-97		
	ATY	cashmere beige	95-98		
	DEC	provence blue	95-96		
	DEE	cedar green	95-96		
	DEF	flamenco red	95-96		
	DEA	rubicon grey	96-97		
	ELA	nephrite green	97-98		
	ENA	boxster red	97-98		
	EJX	space grey	98		
(6)	993 521 018 13	sports seat without heating whole-leather	/R	1	M374

Model	Year	MG	SG	Illustration	Restrictions	UPD	19:58	27.01.2010	PORSCHE	PET	PORSCHE
STZ	1998	8	07	807-18		248					

Pos	Part Number	Description	Remark	Qty	Model	Pos	Part Number	Description	Remark	Qty	Model
	ATH	black	95-98			(6)	993 521 018 14	sports seat with heating whole-leather	/R	1	M374
	APL	classic grey	95-98								
	DBD	midnight blue	95-98				ATH	black	95-98		
	DCD	chestnut brown	95-98				APL	classic grey	95-98		
	DDD	marble grey	95-97				DBD	midnight blue	95-98		
	ATY	cashmere beige	95-98				DCD	chestnut brown	95-98		
	DEC	provence blue	95-96				DDD	marble grey	95-97		
	DEE	cedar green	95-96				ATY	cashmere beige	95-98		
	DEF	flamenco red	95-96				DEC	provence blue	95-96		
	DEA	rubicon grey	96-97				DEE	cedar green	95-96		
	ELA	nephrite green	97-98				DEF	flamenco red	95-96		
	ENA	boxster red	97-98				DEA	rubicon grey	96-97		
	EJX	space grey	98				ELA	nephrite green	97-98		
6	993 521 017 14	sports seat with heating whole-leather	/L	1	M373		ENA	boxster red	97-98		
	ATH	black	95-98			7	900 143 113 07	tapping screw B 4.2 X 13		2	
	APL	classic grey	95-98			8	900 025 044 07	washer A 4,3		2	
	DBD	midnight blue	95-98			9	928 521 760 05	engine cover		1	
	DCD	chestnut brown	95-98				01C	satin black			
	DDD	marble grey	95-97			10	964 521 701 00	threaded plate front and rear 2 X M 8		3	
	ATY	cashmere beige	95-98			11	900 089 006 02	washer 8,0		6	
	DEC	provence blue	95-96			12	900 119 030 02	pan-head screw M 8 X 20		6	
	DEE	cedar green	95-96			13	N 100 472 01	speed nut ST 3.9		2	
	DEF	flamenco red	95-96								
	DEA	rubicon grey	96-97								
	ELA	nephrite green	97-98								
	ENA	boxster red	97-98								
	EJX	space grey	98								

Model	Year	MG	SG	Illustration	Restrictions	UPD	19:58	27.01.2010	PORSCHE	PET	PORSCHE
STZ	1998	8	07	807-20		248					

Pos	Part Number	Description	Remark	Qty	Model
		sports seat	95-98 96-98		CARRERA TARGA/TURBO M373/374 CARRERA RS M371/372
		cover foam part			
1	993 521 129 14	backrest cushion cover centre part leather without heating		1	
	ATH	black	95-98		
	APL	classic grey	95-98		
	DBD	midnight blue	95-98		
	DCD	chestnut brown	95-98		
	DDD	marble grey	95-97		
	ATY	cashmere beige	95-98		
	DEC	provence blue	95-96		
	DEE	cedar green	95-96		
	DEF	flamenco red	95-96		
	DEA	rubicon grey	96-97		
	DCW	dark grey	95-96		CARRERA RS
	ELA	nephrite green	97-98		
	ENA	boxster red	97-98		
	EJX	space grey	98		
(1)	993 521 129 17	backrest cushion cover centre part leather with heating		1	
	ATH	black	95-98		
	APL	classic grey	95-98		
	DBD	midnight blue	95-98		
	DCD	chestnut brown	95-98		
	DDD	marble grey	95-97		
	ATY	cashmere beige	95-98		



Model	Year	MG	SG	Illustration	Restrictions	UPD	19:58	27.01.2010	PORSCHE	PET	PORSCHE
STZ	1998	8	07	807-20		248					

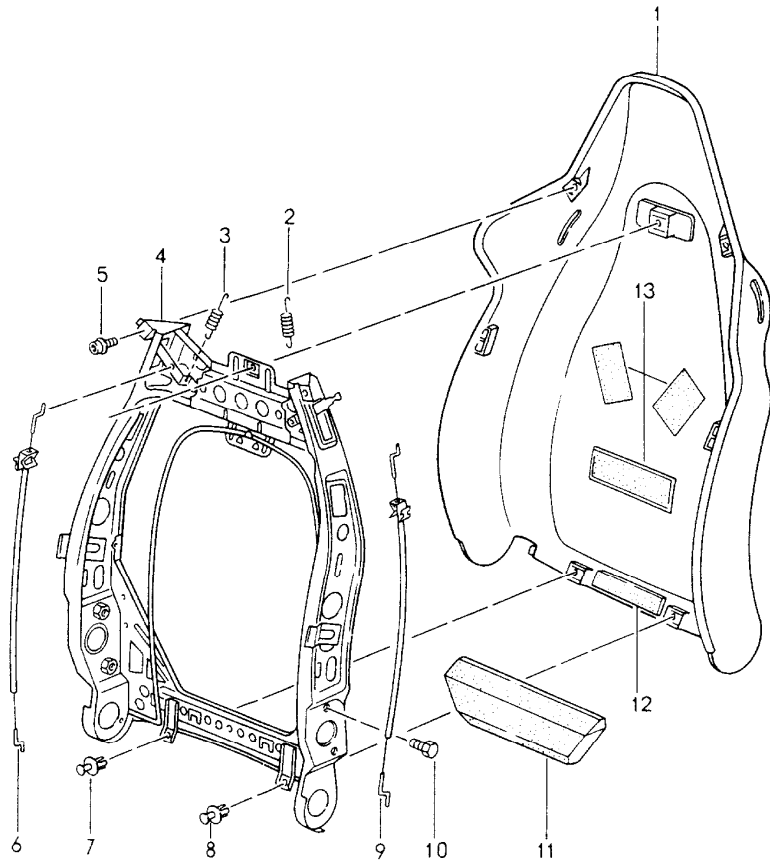
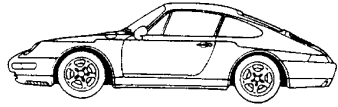
Pos	Part Number	Description	Remark	Qty	Model	Pos	Part Number	Description	Remark	Qty	Model					
2	993 521 127 14	DEC	provence blue	95-96	1	CARRERA RS	993 521 137 14	cover for cushion whole-leather without heating		1						
		DEE	cedar green	95-96												
		DEF	flamenco red	95-96				ATH	black	95-98						
		DEA	rubicon grey	96-97				APL	classic grey	95-98						
		ELA	nephrite green	97-98				DBD	midnight blue	95-98						
		ENA	boxster red	97-98				DCD	chestnut brown	95-98						
		EJX	space grey	98				DDD	marble grey	95-97						
			backrest cover outer part whole-leather					ATY	cashmere beige	95-98						
								DEC	provence blue	95-96						
								DEE	cedar green	95-96						
								DEF	flamenco red	95-96						
								DEA	rubicon grey	96-97						
								ELA	nephrite green	97-98						
								ENA	boxster red	98						
								EJX	space grey	98						
		4	993 521 137 13	cover for cushion sports seat manually adjustable whole-leather without heating				95-96	1		CARRERA RS	993 521 137 15	cover for cushion whole-leather with heating		1	
					ATH	black	95-98									
					APL	classic grey	95-98									
					DBD	midnight blue	95-98									
					DCD	chestnut brown	95-98									
					DDD	marble grey	95-97									
					ATY	cashmere beige	95-98									
					DEC	provence blue	95-96									
					DEE	cedar green	95-96									
					DEF	flamenco red	95-96									
					DEA	rubicon grey	96-97									
					ELA	nephrite green	97-98									
					ENA	boxster red	97-98									
3	999 507 526 01			clamp		6										
4	993 521 137 13			black/ dark grey												



Model	Year	MG	SG	Illustration	Restrictions	UPD	19:58	27.01.2010	PORSCHE	PET	PORSCHE
STZ	1998	8	07	807-20		248					

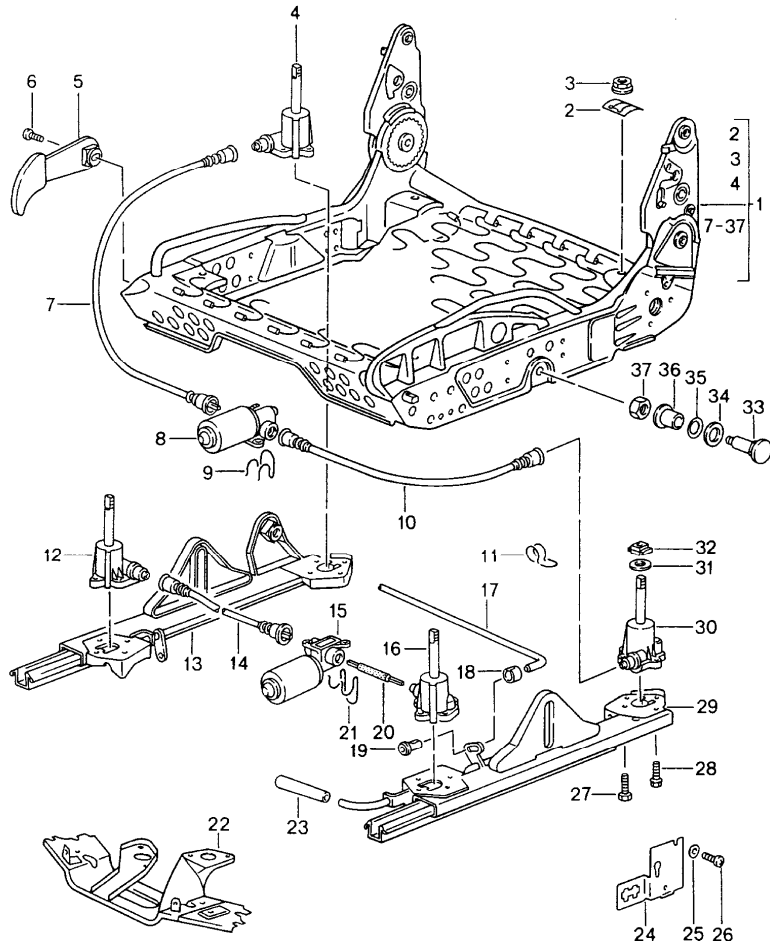
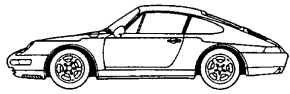
Pos	Part Number	Description	Remark	Qty	Model	Pos	Part Number	Description	Remark	Qty	Model
	EJX	space grey	98								
-	000 043 071 00	clamp mount cover bag content 50 pieces		X							
5	993 521 135 00	foam part backrest complete		1							
6	993 521 385 10	foam part sports seat manually adjustable seat cushion	/L 95-96	1	CARRERA RS						
6	993 521 386 10	foam part sports seat manually adjustable seat cushion	/R 95-96	1	CARRERA RS						
6 A	993 521 385 11	foam part seat cushion without heating	/L	1							
6 A	993 521 386 11	foam part seat cushion without heating	/R	1							
6	993 521 385 12	foam part seat cushion with heating	/L	1							
6	993 521 386 12	foam part seat cushion with heating	/R	1							

Model	Year	MG	SG	Illustration	Restrictions	UPD	19:59	27.01.2010	PORSCHE	PET	PORSCHE
STZ	1998	8	07	807-22		248					



Pos	Part Number	Description	Remark	Qty	Model
		sports seat	95-98 96-98		CARRERA TARGA/TURBO M373/374 CARRERA RS M371/372
		backrest frame single parts			
1	993 521 801 00	backrest shell		1	
	A19	anthracite			
2	311 881 287 A	tension spring		1	
3	311 881 287 A	tension spring		1	
4	993 521 057 00	backrest frame complete without backrest shell		1	
5	999 218 051 02	hexagon socket head bolt M 6 X 12		2	
6	928 521 093 02	cable for release		1	
7	999 507 527 40	expansion rivet		1	
8	999 507 527 40	expansion rivet		1	
9	928 521 093 02	cable for release		1	
10	911 521 547 00	hexagon-head bolt M 10		2	
11	993 521 793 00	foam part lumbar support		1	
12	993 521 833 00	fleece tape 30 MM with adhesive film		1	
13	993 521 823 00	velcro strip 50 MM with adhesive film running meter		1	

Model	Year	MG	SG	Illustration	Restrictions	UPD	19:59	27.01.2010	PORSCHE	PET	PORSCHE
STZ	1998	8	07	807-24		248					

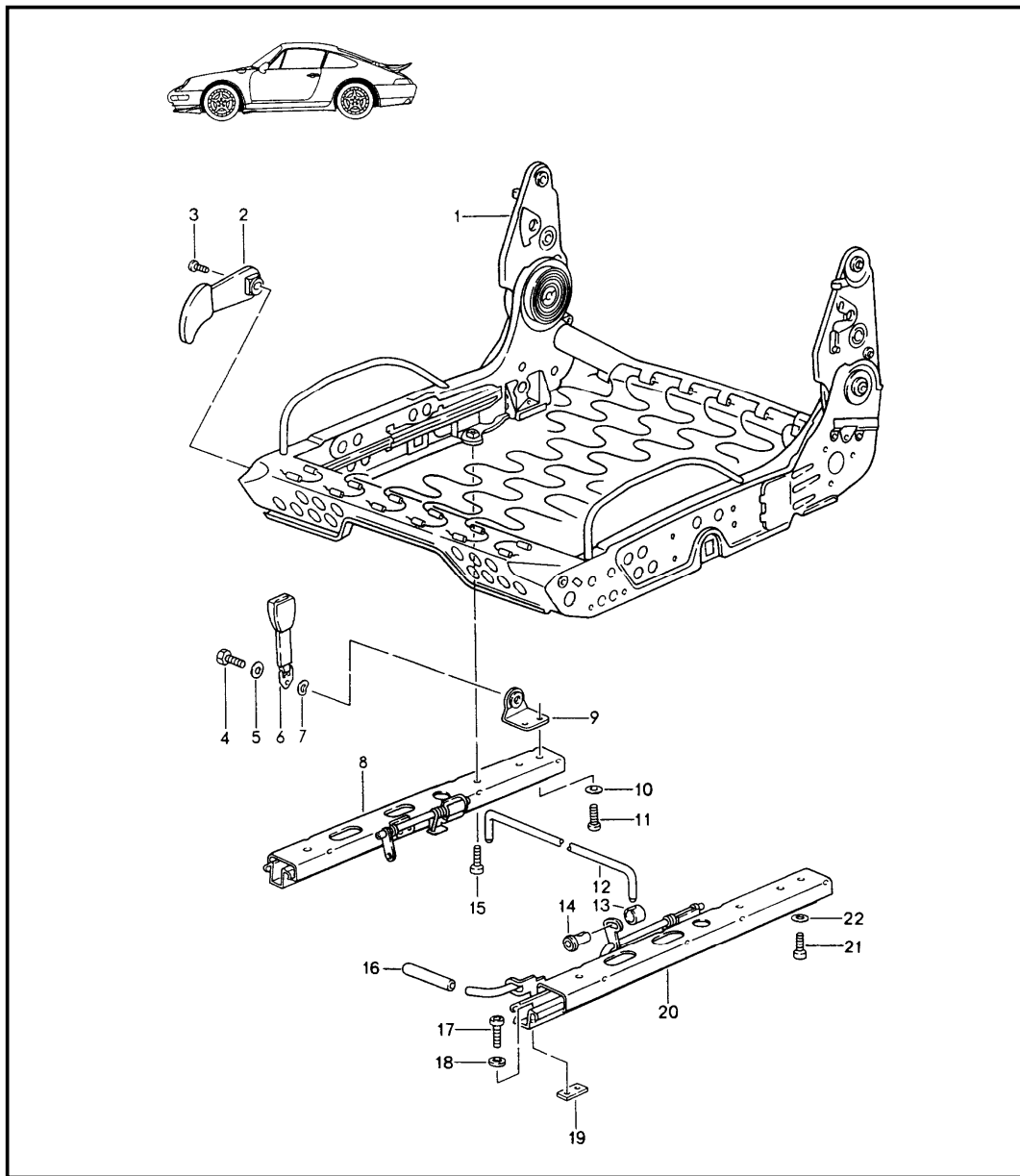


Pos	Part Number	Description	Remark	Qty	Model
		seat frame sports seat elect. vertical adjustment	95-98 96-98		CARRERA TARGA/TURBO M373/374
1	993 521 069 02	seat frame	/L	1	
(1)	993 521 070 02	seat frame	/R	1	
2	928 521 723 02	guide spring		8	
3	928 521 730 02	nut		8	
4	928 521 721 03	lifting gear left front, right rear		4	
5	964 521 073 00	lever for backrest adjustment		2	
	01C	satin black			
6	900 146 108 07	round head screw M 5 X 10		2	
7	928 521 674 05	shaft rear vertical adjustment	/R	2	
8	928 624 126 01	geared motor rear vertical adjustment		2	
9	928 521 675 02	moulded spring		4	
10	928 521 673 05	shaft rear vertical adjustment	/L	2	
11	928 521 699 00	moulded spring		6	
12	928 521 722 03	lifting gear right front, left rear		4	
13	964 521 491 00	seat rail right seat inner		1	
(13)	964 521 492 00	seat rail left seat inner		1	
14	928 521 672 03	shaft front vertical adjustment	/R	2	
15	928 624 126 01	geared motor front vertical adjustment		2	
16	928 521 721 03	lifting gear left front, right rear		4	

Model	Year	MG	SG	Illustration	Restrictions	UPD	19:59	27.01.2010	PORSCHE	PET	PORSCHE
STZ	1998	8	07	807-24		248					

Pos	Part Number	Description	Remark	Qty	Model	Pos	Part Number	Description	Remark	Qty	Model
17	928 521 525 03	connecting rod for longitudinal adjustment		2		36	928 521 685 02	bush		4	
18	N 902 514 01	clamping sleeve for longitudinal adjustment		4		37	900 034 003 02	hexagon nut M 10		4	
19	N 902 515 01	guide bush for longitudinal adjustment		4				switch and trim for switch see illustrations 8 / 07 / 30			
20	928 521 671 03	shaft front vertical adjustment	/L	2							
21	928 521 675 02	moulded spring		4							
22	928 521 033 02	engine support		2							
23	911 521 533 01	handle for longitudinal adjustment		2							
	01C	satin black									
24	928 653 503 02	bracket		2							
25	900 025 003 02	washer A 5,3		2							
26	N 014 133 8	oval-head screw M 5 X 12		2							
27	900 186 032 02	pan-head screw M 6 X 12		4							
28	999 217 033 01	locking screw M 6 X 16		10							
29	928 521 489 11	seat rail left seat outer		1							
(29)	928 521 490 11	seat rail right seat outer		1							
30	928 521 722 03	lifting gear right front, left rear		4							
31	999 025 129 40	washer		8							
32	928 521 727 02	slide		8							
33	928 521 681 02	bolt		4							
34	928 521 683 02	washer 1,5 PA 6		8							
35	999 028 015 00	spring washer 16,2 X 0,5		8							

Model	Year	MG	SG	Illustration	Restrictions	UPD	19:59	27.01.2010	PORSCHE	PET	PORSCHE
STZ	1998	8	07	807-26		248					

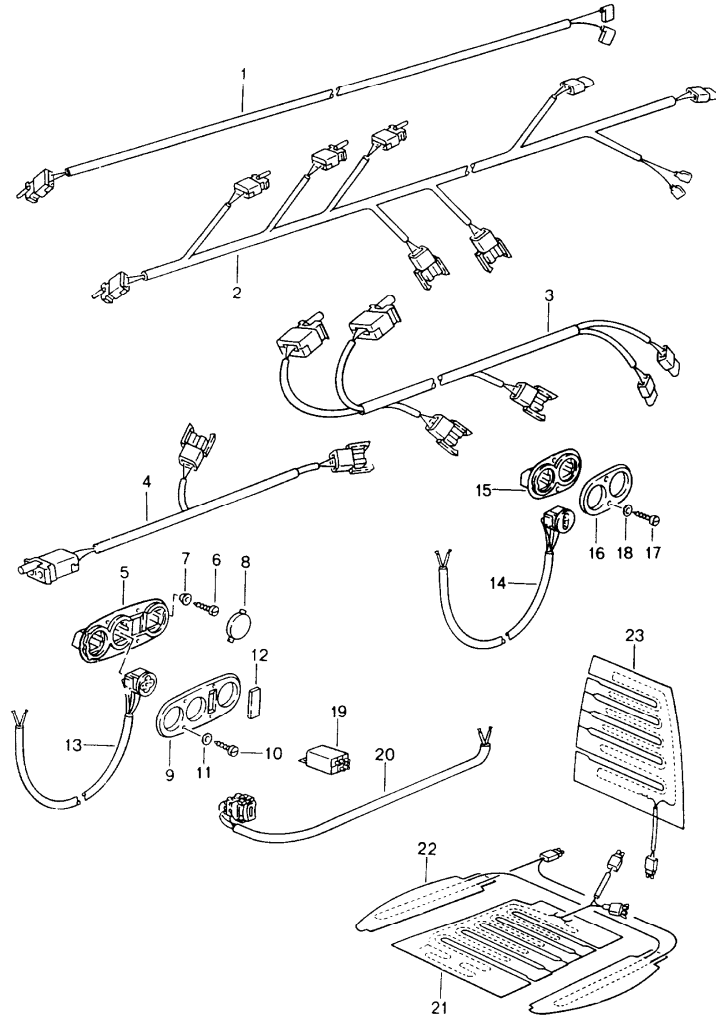
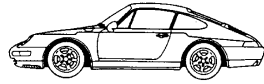


Pos	Part Number	Description	Remark	Qty	Model
		seat frame sports seat manually adjustable	95-96		CARRERA RS M371/372
1	993 521 069 04	seat frame	/L	1	CARRERA RS
(1)	993 521 070 04	seat frame	/R	1	CARRERA RS
2	964 521 073 00	lever for backrest adjustment		2	
		01C satin black			
3	900 146 108 07	round head screw M 5 X 10		2	
4	959 803 701 00	hexagon-head bolt		2	
5	N 011 655 2	washer		2	
(6)	964 803 183 00	seat-belt buckle passenger's side	/RL/L	1	
		70B black			
6	964 803 183 01	seat-belt buckle driver's side	/RL/R	1	
		70B black			
7	999 028 014 02	spring washer		2	
8	928 521 492 08	seat rail left seat inner		1	
(8)	928 521 491 08	seat rail right seat inner		1	
9	964 521 065 00	support for seat-belt buckle		2	
10	900 025 007 02	washer A 8,4		12	
11	900 186 135 02	pan-head screw M 8 X 20		12	
12	928 521 525 03	connecting rod for longitudinal adjustment		2	
13	N 902 514 01	clamping sleeve for longitudinal adjustment		4	

Model	Year	MG	SG	Illustration	Restrictions	UPD	19:59	27.01.2010	PORSCHE	PET	PORSCHE
STZ	1998	8	07	807-26		248					

Pos	Part Number	Description	Remark	Qty	Model	Pos	Part Number	Description	Remark	Qty	Model
14	N 902 515 01	guide bush for longitudinal adjustment		4							
15	900 119 091 02	pan-head screw M 6 X 16		2							
16	911 521 533 01	handle for longitudinal adjustment		2							
	01C	satin black									
17	900 119 030 02	pan-head screw M 8 X 20		12							
18	900 089 006 02	washer 8,0		12							
19	964 521 701 00	threaded plate front 2 X M 8		4							
20	928 521 489 10	seat rail left seat outer		1							
(20)	928 521 490 10	seat rail right seat outer		1							
21	900 186 135 02	pan-head screw M 8 X 20		12							
22	900 025 007 02	washer A 8,4		12							

Model	Year	MG	SG	Illustration	Restrictions	UPD	19:59	27.01.2010	PORSCHE	PET	PORSCHE
STZ	1998	8	07	807-30		248					



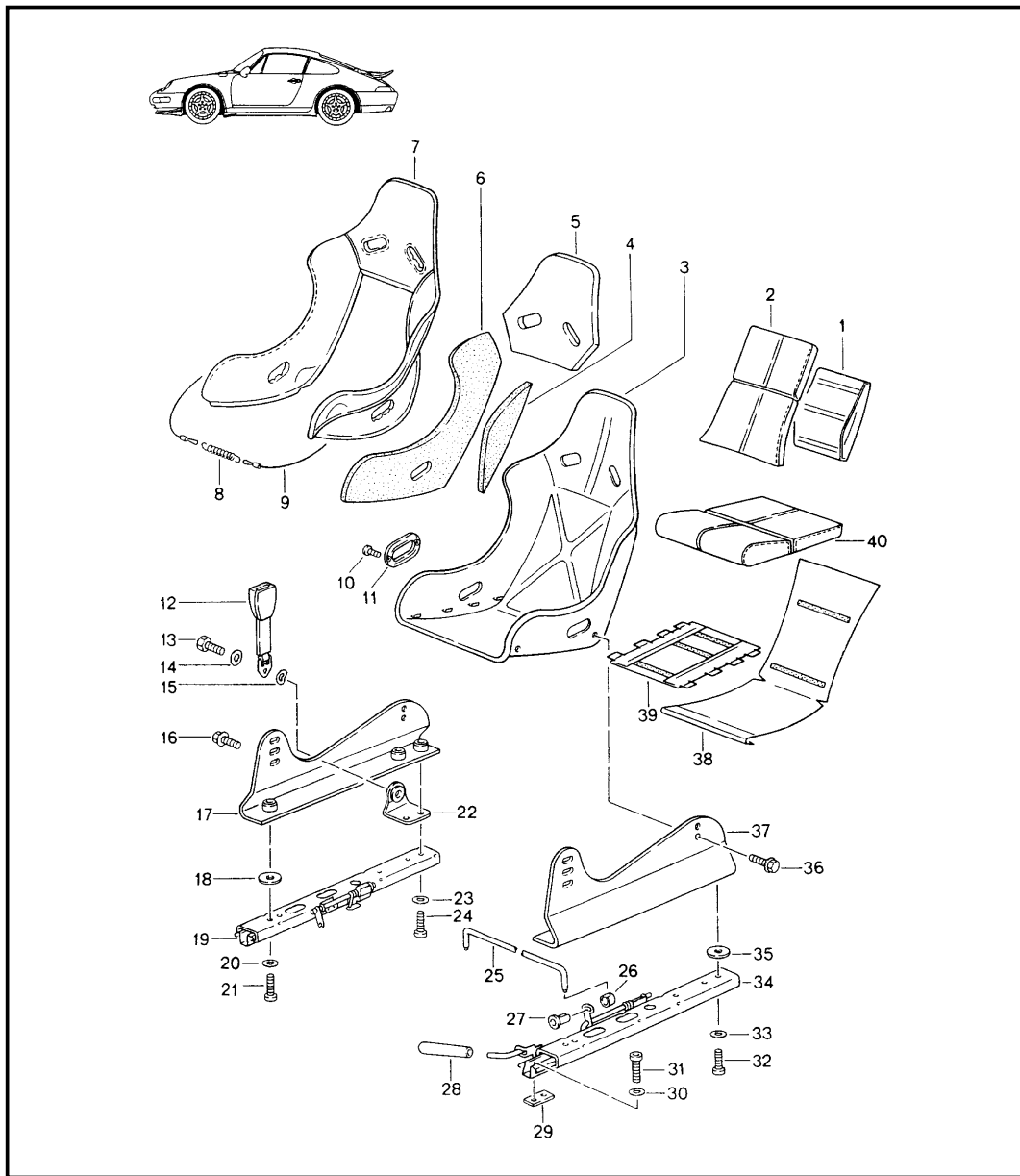
Pos	Part Number	Description	Remark	Qty	Model
		wiring harnesses switch seat heater front seat	94-98 96-98		CARRERA TARGA/TURBO
1	928 612 343 00	connecting line for backrest adjustment		2	
2	928 612 337 00	wiring harness for backrest adjustment lumbar support adjustment and seat heater		2	
3	928 612 338 00	wiring harness for backrest adjustment and seat heater		2	
4	928 612 340 00	wiring harness seat heater		2	
5	928 521 559 02	switch insert seat heater lumbar support adjustment		1	
(5)	928 521 560 02	switch insert seat heater lumbar support adjustment		1	
6	N 013 988 1	tapping screw B 3,5 X 16		4	
7	999 591 849 07	cone washer		4	
8	928 613 425 00	cover seat heater		X	
9	928 521 561 03	trim for switch seat heater lumbar support adjustment		2	
		01C	satin black		
10	N 013 959 3	tapping screw B 3,5 X 16		4	
11	900 025 013 07	washer A 3,7		4	
12	944 613 259 02	cover		X	
		1DB	satin black		
13	928 613 182 00	switch for longitudinal adjustment front vertical adjustment		2	

Model	Year	MG	SG	Illustration	Restrictions	UPD	19:59	27.01.2010	PORSCHE	PET	PORSCHE
STZ	1998	8	07	807-30		248					

Pos	Part Number	Description	Remark	Qty	Model	Pos	Part Number	Description	Remark	Qty	Model
(13)	928 613 183 00	switch for backrest adjustment rear vertical adjustment		2		23	993 653 902 00	heating element backrest surface F >>99RS3 11499 F >>99RS3 30072		2	COUPE CABRIO
(13)	928 613 184 00	switch lumbar support adjustment		2		(23)	993 653 902 01	heating element backrest surface F 99RS3 11500>> F 99RS3 30073>>		2	COUPE CABRIO
	01C	satin black									
14	928 613 181 00	switch front vertical adjustment rear vertical adjustment		4		(23)	993 653 902 02	heating element backrest surface only together with draped leather seat cover F 99RS3 11500>> F 99RS3 30073>>		2	COUPE CABRIO
15	928 521 559 04	switch insert		2							
16	928 521 561 04	trim for switch		2							COUPE CABRIO
	01C	satin black									
17	N 013 959 3	tapping screw B 3,5 X 16		4							
18	900 025 013 07	washer A 3,7		4							
(19)	928 618 521 03	control unit seat heater see technical information 6 ZYL. GR.7D NR.1/94		2							
20	928 613 187 04	switch		2							
	01C	satin black seat heater									
21	993 653 901 00	heating element seat surface F >>99RS3 11499 F >>99RS3 30072		2							COUPE CABRIO
(21)	993 653 901 01	heating element seat surface F 99RS3 11500>> F 99RS3 30073>>		2							COUPE CABRIO
(21)	993 653 901 02	heating element seat surface only together with draped leather seat cover F 99RS3 11500>> F 99RS3 30073>>		2							COUPE CABRIO
22	993 653 120 00	heating element seat side bolster		2							



Model	Year	MG	SG	Illustration	Restrictions	UPD	19:59	27.01.2010	PORSCHE	PET	PORSCHE
STZ	1998	8	07	807-34		248					

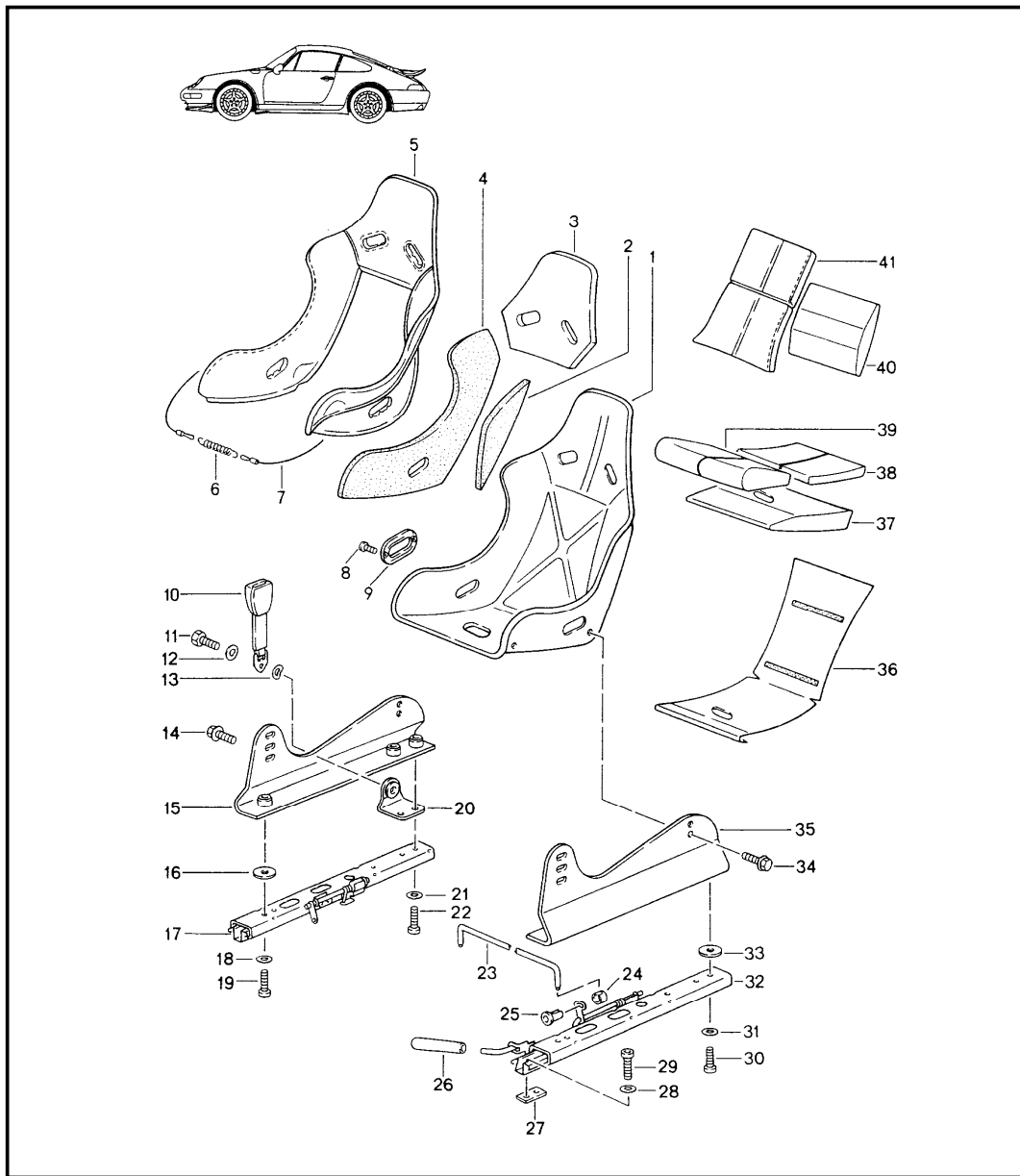


Pos	Part Number	Description	Remark	Qty	Model
		bucket seat with whole-leather cover	95-96		CARRERA RS M384/385
1	964 521 793 01	desk pad lumbar backrest		1	
2	964 521 319 00	backrest cushion whole-leather		1	
		E23 dark grey			
3	964 521 501 00	cup unvarnished		1	
4	964 521 757 00	foam part lateral		2	
5	964 521 759 00	foam part head rest		1	
6	964 521 755 01	foam part lateral		2	
7	964 521 517 01	cover cup whole-leather		1	
		8YR black			
8	964 521 823 00	tensioning spring		1	
9	964 521 920 00	tension wire		1	
10	900 146 131 07	oval-head screw M 3,5 X 6		8	
11	964 521 855 00	cover	-98	4	
		01C satin black			
(12)	964 803 183 00	seat-belt buckle passenger's side		1	
		70B black			
12	964 803 183 01	seat-belt buckle driver's side		1	
		70B black			
13	959 803 701 00	hexagon-head bolt		1	
14	N 011 655 2	washer		1	

Model	Year	MG	SG	Illustration	Restrictions	UPD	19:59	27.01.2010	PORSCHE	PET	PORSCHE
STZ	1998	8	07	807-34		248					

Pos	Part Number	Description	Remark	Qty	Model	Pos	Part Number	Description	Remark	Qty	Model
15	999 028 014 02	spring washer		1		32	900 186 135 02	pan-head screw M 8 X 20		6	
16	999 093 010 07	hexagon-head bolt M 8 X 20		4		33	900 025 007 02	washer A 8,4		6	
17	964 521 820 01	adapter	/R	1		34	928 521 489 10	seat rail left seat outer		1	
18	999 025 231 03	washer 8 X 27 X 3		4		(34)	928 521 490 10	seat rail right seat outer		1	
19	928 521 492 08	seat rail left seat inner		1		35	999 025 231 03	washer 8 X 27 X 3		4	
(19)	928 521 491 08	seat rail right seat inner		1		36	999 093 010 07	hexagon-head bolt M 8 X 20		4	
20	900 025 007 02	washer A 8,4		6		37	964 521 819 01	adapter	/L	1	
21	900 186 135 02	pan-head screw M 8 X 20		6		38	964 521 577 02	insert for bucket seat		1	
22	964 521 065 00	support for seat-belt buckle		1		39	964 521 753 00	damping mat		1	
23	900 025 007 02	washer A 8,4		6		40	964 521 323 00	seat cushion whole-leather		1	
24	900 186 135 02	pan-head screw M 8 X 20		6			E23	dark grey			
25	928 521 525 03	connecting rod for longitudinal adjustment		1							
26	N 902 514 01	clamping sleeve for longitudinal adjustment		2							
27	N 902 515 01	guide bush for longitudinal adjustment		2							
28	911 521 533 01	handle		1							
	01C	satin black									
29	964 521 701 00	threaded plate front 2 X M 8		2							
30	900 089 006 02	washer 8,0		6							
31	900 119 030 02	pan-head screw M 8 X 20		6							

Model	Year	MG	SG	Illustration	Restrictions	UPD	20:00	27.01.2010	PORSCHE	PET	PORSCHE
STZ	1998	8	07	807-36		248					

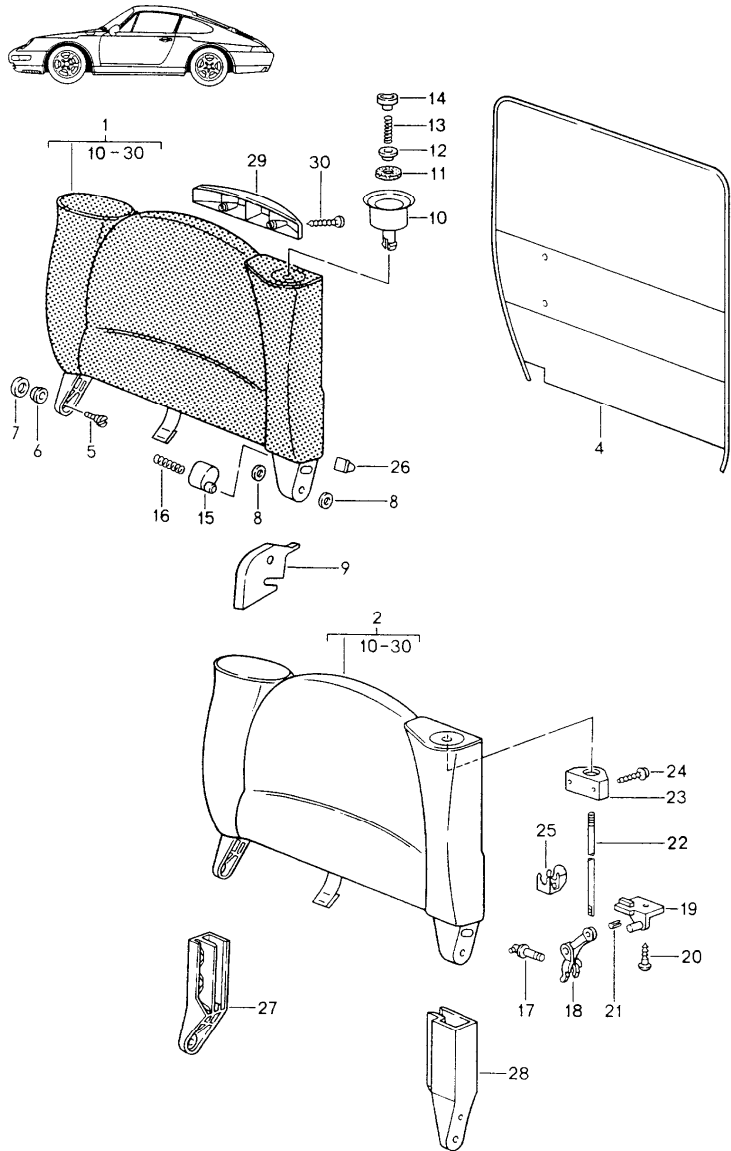


Pos	Part Number	Description	Remark	Qty	Model
		bucket seat with corduroy cloth cover	95-96		CARRERA RS M384/385
1	964 521 501 01	cup unvarnished		1	
2	964 521 757 00	foam part lateral		2	
3	964 521 759 00	foam part head rest		1	
4	964 521 755 00	foam part lateral		2	
5	944 521 517 01	cover cup corduroy cloth		1	
		B80 black			
6	964 521 823 00	tensioning spring		1	
7	964 521 920 00	tension wire		1	
8	900 146 131 07	oval-head screw M 3,5 X 6		8	
9	964 521 855 00	cover	-98	4	
		01C satin black			
(10)	964 803 183 00	seat-belt buckle passenger's side		1	
		70B black			
10	964 803 183 01	seat-belt buckle driver's side		1	
		70B black			
11	959 803 701 00	hexagon-head bolt		1	
12	N 011 655 2	washer		1	
13	999 028 014 02	spring washer		1	
14	999 093 010 07	hexagon-head bolt M 8 X 20		4	
15	964 521 820 01	adapter	/R	1	
16	999 025 231 03	washer 8 X 27 X 3		4	

Model	Year	MG	SG	Illustration	Restrictions	UPD	20:00	27.01.2010	PORSCHE	PET	PORSCHE
STZ	1998	8	07	807-36		248					

Pos	Part Number	Description	Remark	Qty	Model	Pos	Part Number	Description	Remark	Qty	Model
17	928 521 492 08	seat rail left seat inner		1		(32)	928 521 490 10	seat rail right seat outer		1	
(17)	928 521 491 08	seat rail right seat inner		1		33	999 025 231 03	washer 8 X 27 X 3		4	
18	900 025 007 02	washer A 8,4		6		34	999 093 010 07	hexagon-head bolt M 8 X 20		4	
19	900 186 135 02	pan-head screw M 8 X 20		6		35	964 521 819 01	adapter	/L	1	
20	964 521 065 00	support for seat-belt buckle		1		36	964 521 577 01	insert for bucket seat corduroy cloth		1	
21	900 025 007 02	washer A 8,4		6			B80	black			
22	900 186 135 02	pan-head screw M 8 X 20		6		37	964 521 791 00	desk pad		1	
23	928 521 525 03	connecting rod for longitudinal adjustment		1		38	944 521 523 00	seat cushion rear corduroy cloth		1	
24	N 902 514 01	clamping sleeve for longitudinal adjustment		2			B80	black			
25	N 902 515 01	guide bush for longitudinal adjustment		2		39	944 521 525 00	seat cushion front corduroy cloth		1	
26	911 521 533 01	handle		1			B80	black			
	01C	satin black				40	964 521 793 01	desk pad lumbar backrest		1	
27	964 521 701 00	threaded plate front 2 X M 8		2		41	944 521 319 00	backrest cushion corduroy cloth		1	
28	900 089 006 02	washer 8,0		6			B80	black			
29	900 119 030 02	pan-head screw M 8 X 20		6							
30	900 186 135 02	pan-head screw M 8 X 20		6							
31	900 025 007 02	washer A 8,4		6							
32	928 521 489 10	seat rail left seat outer		1							

Model	Year	MG	SG	Illustration	Restrictions	UPD	20:00	27.01.2010	PORSCHE	PET	PORSCHE
STZ	1998	8	07	807-40		248					



Pos	Part Number	Description	Remark	Qty	Model
		back seat backrest	94-98 96-98 95-96		COUPE TARGA/TURBO RS
		with release button upper	(J)		
(1)	993 522 017 00	back seat backrest	/L /L	94- 96-	1 COUPE TARGA
		cloth porsche lettering cloth			
	PX2	black		94-98	
	APM	classic grey		94-98	
	DBA	midnight blue		94-98	
	DCA	chestnut brown		94-98	
	DDA	marble grey		94-97	
	XK6	cashmere beige		94-98	
1	993 522 018 00	back seat backrest	/R /R	94- 96-	1 COUPE TARGA
		cloth porsche lettering cloth			
	PX2	black		94-98	
	APM	classic grey		94-98	
	DBA	midnight blue		94-98	
	DCA	chestnut brown		94-98	
	DDA	marble grey		94-97	
	XK6	cashmere beige		94-98	
(2)	993 522 017 01	back seat backrest	/L /L	94- 96-	1 COUPE TARGA
		leatherette			
	05T	black		94-98	
	2WJ	classic grey		94-98	
	6HP	midnight blue		94-98	
	7PD	chestnut brown		94-98	
	8CF	marble grey		94-97	
	7RT	cashmere beige			

Model	Year	MG	SG	Illustration	Restrictions	UPD	20:00	27.01.2010	PORSCHE	PET	PORSCHE
STZ	1998	8	07	807-40		248					

Pos	Part Number	Description	Remark	Qty	Model	Pos	Part Number	Description	Remark	Qty	Model
2	993 522 018 01	back seat backrest leatherette	/R 94- /R 96-	1	COUPE TARGA	2	993 522 018 03	back seat backrest whole-leather	/R 94- /R 96-	1	COUPE TARGA/TURBO
	05T	black	94-98				8YR	black	94-98		
	2WJ	classic grey	94-98				6XL	classic grey	94-98		
	6HP	midnight blue	94-98				H24	midnight blue	94-98		
	7PD	chestnut brown	94-98				T15	chestnut brown	94-98		
	8CF	marble grey	94-97				3QN	marble grey	94-97		
	7RT	cashmere beige					4YU	cashmere beige	94-98		
(2)	993 522 017 01	back seat backrest leatherette	/L (J) 95-96	1	RS		G43	provence blue	94-96		
	05T	black					K03	cedar green	94-96		
2	993 522 018 01	back seat backrest leatherette	/R (J) 95-96	1	RS		8SE	flamenco red	94-96		
	05T	black					E38	rubicon grey	96-97		
(2)	993 522 017 03	back seat backrest whole-leather	/L 94- /L 96-	1	COUPE TARGA/TURBO		J30	nephrite green	97-98		
	8YR	black	94-98				M30	boxster red	97-98		
	6XL	classic grey	94-98				B50	space grey	98		
	H24	midnight blue	94-98			(2)	993 522 017 02	back seat backrest draped leather	/L 94- /L 96-	1	COUPE TARGA/TURBO
	T15	chestnut brown	94-98				8YR	black	94-98		
	3QN	marble grey	94-97				6XL	classic grey	94-98		
	4YU	cashmere beige	94-98				H24	midnight blue	94-98		
	G43	provence blue	94-96				T15	chestnut brown	94-98		
	K03	cedar green	94-96				3QN	marble grey	94-97		
	8SE	flamenco red	94-96				4YU	cashmere beige	94-98		
	E38	rubicon grey	96-97				G43	provence blue	94-96		
	J30	nephrite green	97-98				K03	cedar green	94-96		
	M30	boxster red	97-98				8SE	flamenco red	94-96		
	B50	space grey	98				E38	rubicon grey	96-97		
							J30	nephrite green	97-98		
							M30	boxster red	97		

Model	Year	MG	SG	Illustration	Restrictions	UPD	20:00	27.01.2010	PORSCHE	PET	PORSCHE
STZ	1998	8	07	807-40		248					

Pos	Part Number	Description	Remark	Qty	Model	Pos	Part Number	Description	Remark	Qty	Model
	B50	space grey	98				J30	nephrite green	97-98		
2	993 522 018 02	back seat backrest	/R 94-	1	COUPE		M30	boxster red	97-98		
		draped leather	/R 96-		TARGA/TURBO	4	993 522 174 00	carpet	/R 94-	1	COUPE
	8YR	black	94-98					for back seat backrest	/R 96-		TARGA
	6XL	classic grey	94-98				5FV	black	94-98		
	H24	midnight blue	94-98				4XR	classic grey	94-98		
	T15	chestnut brown	94-98				3GE	midnight blue	94-98		
	3QN	marble grey	94-97				6SC	chestnut brown	94-98		
	4YU	cashmere beige	94-98				DDQ	florentine grey	94-97		
	G43	provence blue	94-96				8UT	cashmere beige	94-98		
	K03	cedar green	94-96				1HQ	provence blue	94-96		
	8SE	flamenco red	94-96				2JP	cedar green	94-96		
	E38	rubicon grey	96-97				3TE	flamenco red	94-96		
	J30	nephrite green	97-98				8AS	rubicon grey	96-98		
	M30	boxster red	97				J30	nephrite green	97-98		
	B50	space grey	98				M30	boxster red	97-98		
(4)	993 522 173 00	carpet	/L 94-	1	COUPE	(4)	993 522 173 03	carpet	/L 96-	1	TURBO
		for back seat backrest	/L 96-		TARGA			for back seat backrest with logo turbo			
	5FV	black	94-98				ATS	black	94-98		
	4XR	classic grey	94-98				ATV	classic grey	94-98		
	3GE	midnight blue	94-98				3GE	midnight blue	94-98		
	6SC	chestnut brown	94-98				6SC	chestnut brown	94-98		
	DDQ	florentine grey	94-97				DDQ	florentine grey	94-97		
	8UT	cashmere beige	94-98				8UT	cashmere beige	94-98		
	1HQ	provence blue	94-96				1HQ	provence blue	94-96		
	2JP	cedar green	94-96				2JP	cedar green	94-96		
	3TE	flamenco red	94-96				3TE	flamenco red	94-96		
	8AS	rubicon grey	96-98								

Model	Year	MG	SG	Illustration	Restrictions	UPD	20:00	27.01.2010	PORSCHE	PET	PORSCHE
STZ	1998	8	07	807-40		248					

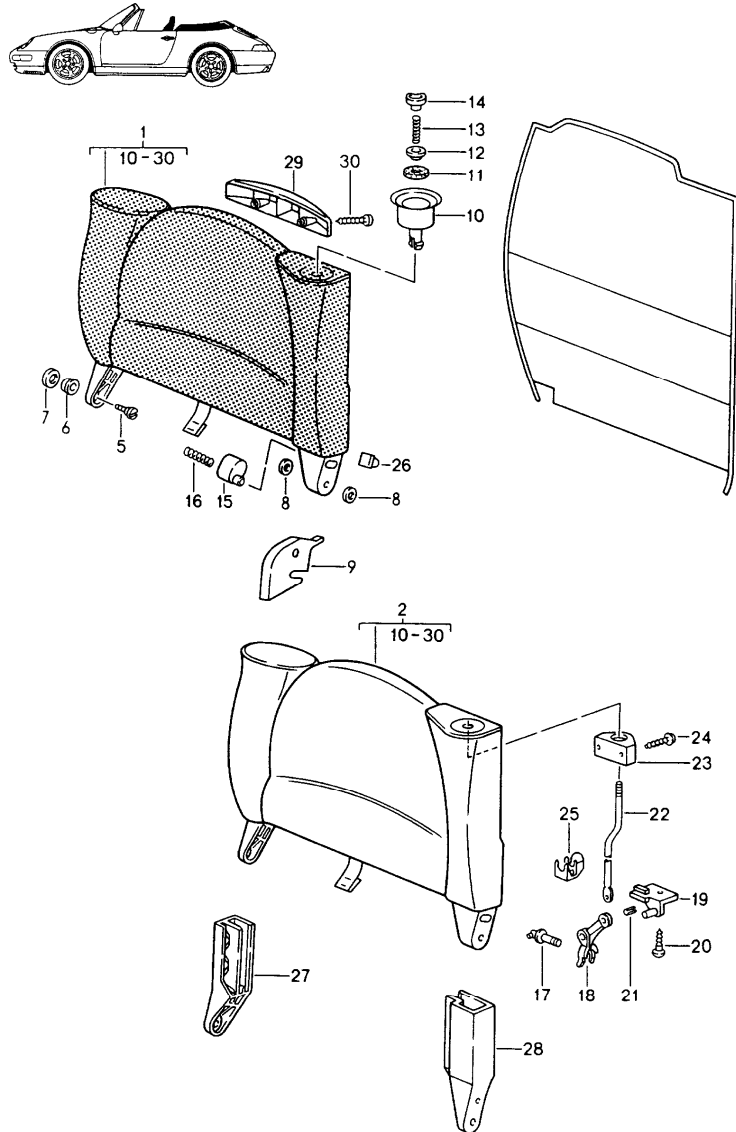
Pos	Part Number	Description	Remark	Qty	Model	Pos	Part Number	Description	Remark	Qty	Model
	ATN	rubicon grey	96-98				M30	boxster red	97-98		
	J30	nephrite green	97-98			(4)	993 522 980 00	carpet for back seat backrest with logo	/L 97-98	1	TURBO S
(4)	993 522 174 03	boxster red	97-98								
	M30	boxster red	97-98								
	ATN	rubicon grey	96-98	1	TURBO						
	J30	nephrite green	97-98								
	M30	boxster red	97-98								
	ATN	rubicon grey	96-98								
	J30	nephrite green	97-98								
	M30	boxster red	97-98								
	ATN	rubicon grey	96-98								
	J30	nephrite green	97-98								
	M30	boxster red	97-98								
(4) A	993 522 573 04	carpet for back seat backrest with logo	/L 97-98	1	TURBO S	(4) A	993 522 574 04	carpet for back seat backrest with logo	/R 97-98	1	TURBO S
	5FV	black	97-98								
	3GE	midnight blue	97-98								
	8AS	rubicon grey	97-98								
	4XR	classic grey	97-98								
	8UT	cashmere beige	97-98								
	6SC	chestnut brown	97-98								
	J30	nephrite green	97-98								
	M30	boxster red	97-98								
	M30	boxster red	97-98			(4)	993 522 981 00	carpet for back seat backrest with logo	/R 97-98	1	TURBO S
	5FV	black	97-98								
	3GE	midnight blue	97-98								
	8AS	rubicon grey	97-98								
	4XR	classic grey	97-98								
	8UT	cashmere beige	97-98								
	6SC	chestnut brown	97-98								
	J30	nephrite green	97-98								
	M30	boxster red	97-98								
	5FV	black	97-98								
	3GE	midnight blue	97-98								



Model	Year	MG	SG	Illustration	Restrictions	UPD	20:00	27.01.2010	PORSCHE	PET	PORSCHE
STZ	1998	8	07	807-40		248					

Pos	Part Number	Description	Remark	Qty	Model	Pos	Part Number	Description	Remark	Qty	Model
	8AS	rubicon grey	97-98			21	900 095 126 01	roll pin 2,5 X 5		2	
	4XR	classic grey	97-98			(22)	993 522 701 00	operating rod	/L	1	
	8UT	cashmere beige	97-98			22	993 522 702 00	operating rod	/R	1	
	6SC	chestnut brown	97-98			23	964 522 721 00	bearing		2	
	J30	nephrite green	97-98			24	999 919 065 07	combination screw 5 X 20		4	
	M30	boxster red	97-98								
-	911 522 065 00	retaining strap		2		25	964 522 605 00	torsion protection		2	
	70A	black				26	999 703 402 40	rubber buffer		2	
5	900 236 001 07	oval-head screw M 8 X 10		2		(27)	964 522 593 00	hinge outer	/L	1	
6	901 522 509 20	bearing sleeve		2			01C	satin black			
7	901 522 365 20	cap		2		27	964 522 594 00	hinge outer	/R	1	
8	999 704 160 40	rubber washer		4			01C	satin black			
9	964 522 517 00	cover		1		(28)	964 522 195 00	hinge inner	/L	1	
	01C	satin black					01C	satin black			
10	944 522 315 00	rosette		2		28	964 522 196 00	hinge inner	/R	1	
	01C	satin black					01C	satin black			
11	944 522 319 00	guide piece		2			01C	satin black			
12	964 522 363 00	washer		2		29	993 522 421 00	stop	98- 01	2	
13	999 521 068 07	compression spring		2			01C	satin black			
14	944 522 317 00	push button		2		30	999 073 050 02	tapping screw 3,5 X 19		4	
	01C	satin black									
15	964 522 197 00	bolt		2							
16	964 803 659 00	compression spring		2							
17	964 522 199 00	control lever		2							
18	964 522 603 01	reverse lever		2							
(19)	964 522 601 01	bearing	/L	1							
19	964 522 602 01	bearing	/R	1							
20	900 316 008 02	screw 3,5 X 22		2							

Model	Year	MG	SG	Illustration	Restrictions	UPD	20:00	27.01.2010	PORSCHE	PET	PORSCHE
STZ	1998	8	07	807-44		248					



Pos	Part Number	Description	Remark	Qty	Model
		back seat backrest with release button upper	94-98		CABRIO M185/186
(1)	993 522 017 04	back seat backrest cloth porsche lettering cloth	/L	1	
	PX2	black	94-98		
	APM	classic grey	94-98		
	DBA	midnight blue	94-98		
	DCA	chestnut brown	94-98		
	DDA	marble grey	94-97		
	XK6	cashmere beige	94-98		
1	993 522 018 04	back seat backrest cloth porsche lettering cloth	/R	1	
	PX2	black	94-98		
	APM	classic grey	94-98		
	DBA	midnight blue	94-98		
	DCA	chestnut brown	94-98		
	DDA	marble grey	94-97		
	XK6	cashmere beige	94-98		
(2)	993 522 017 05	back seat backrest leatherette	/L	1	
	05T	black	94-98		
	2WJ	classic grey	94-98		
	6HP	midnight blue	94-98		
	7PD	chestnut brown	94-98		
	8CF	marble grey	94-97		
	7RT	cashmere beige	94-98		
2	993 522 018 05	back seat backrest leatherette	/R	1	
	05T	black	94-98		

Model	Year	MG	SG	Illustration	Restrictions	UPD	20:00	27.01.2010	PORSCHE	PET	PORSCHE
STZ	1998	8	07	807-44		248					

Pos	Part Number	Description	Remark	Qty	Model	Pos	Part Number	Description	Remark	Qty	Model
	2WJ	classic grey	94-98				8SE	flamenco red	94-96		
	6HP	midnight blue	94-98				E38	rubicon grey	96-97		
	7PD	chestnut brown	94-98				J30	nephrite green	97-98		
	8CF	marble grey	94-97				M30	boxster red	97-98		
	7RT	cashmere beige	94-98				B50	space grey	98		
(2)	993 522 017 07	back seat backrest whole-leather	/L	1		(2)	993 522 017 06	back seat backrest draped leather	/L	1	
	8YR	black	94-98				8YR	black	94-98		
	6XL	classic grey	94-98				6XL	classic grey	94-98		
	H24	midnight blue	94-98				H24	midnight blue	94-98		
	T15	chestnut brown	94-98				T15	chestnut brown	94-98		
	3QN	marble grey	94-97				3QN	marble grey	94-97		
	4YU	cashmere beige	94-98				4YU	cashmere beige	94-98		
	G43	provence blue	94-96				G43	provence blue	94-96		
	K03	cedar green	94-96				K03	cedar green	94-96		
	8SE	flamenco red	94-96				8SE	flamenco red	94-96		
	E38	rubicon grey	96-97				E38	rubicon grey	96-97		
	J30	nephrite green	97-98				J30	nephrite green	97-98		
	M30	boxster red	97-98				M30	boxster red	97-98		
	B50	space grey	98				B50	space grey	98		
2	993 522 018 07	back seat backrest whole-leather	/R	1		2	993 522 018 06	back seat backrest draped leather	/R	1	
	8YR	black	94-98				8YR	black	94-98		
	6XL	classic grey	94-98				6XL	classic grey	94-98		
	H24	midnight blue	94-98				H24	midnight blue	94-98		
	T15	chestnut brown	94-98				T15	chestnut brown	94-98		
	3QN	marble grey	94-97				3QN	marble grey	94-97		
	4YU	cashmere beige	94-98				4YU	cashmere beige	94-98		
	G43	provence blue	94-96				G43	provence blue	94-96		
	K03	cedar green	94-96				K03	cedar green	94-96		

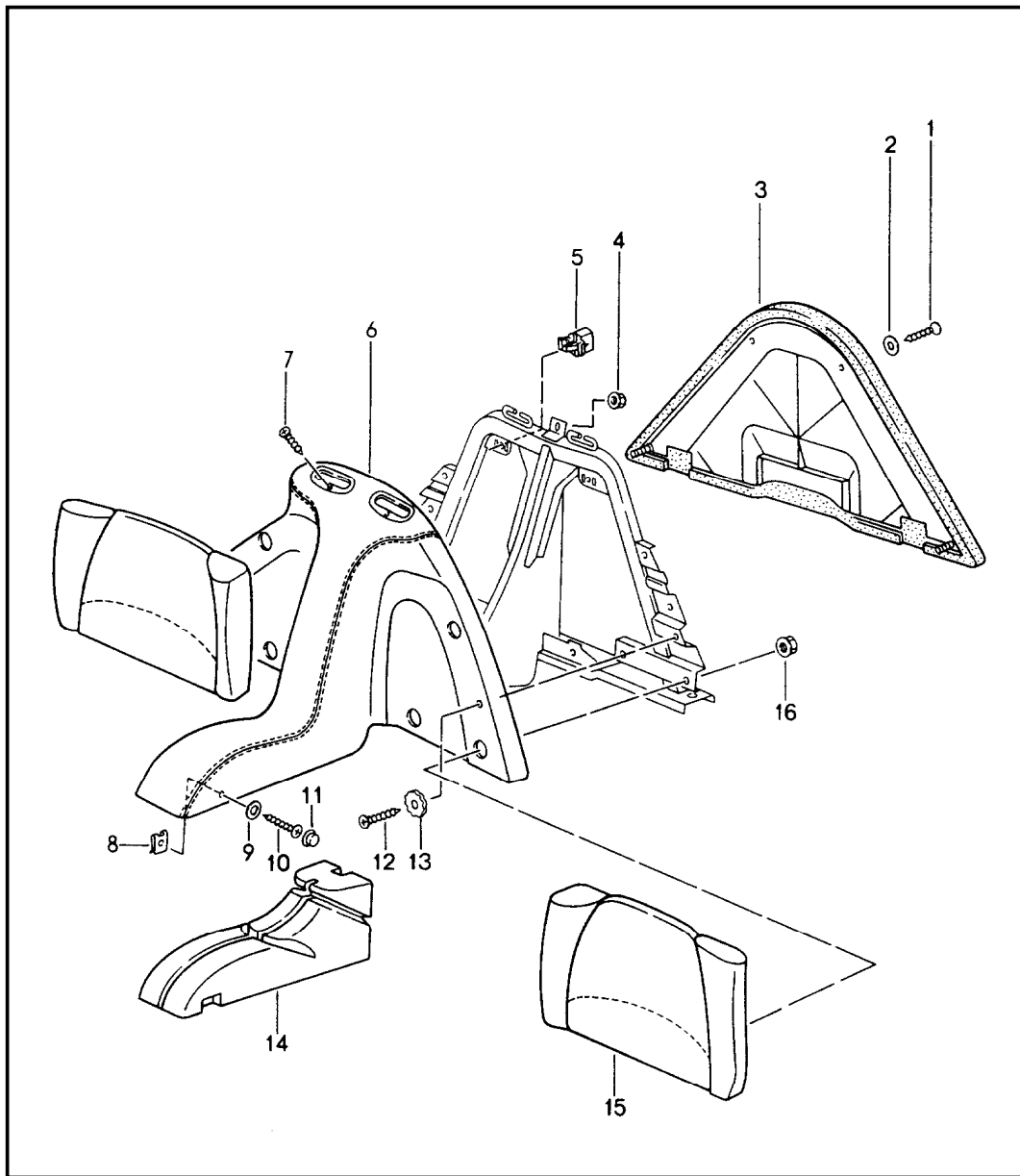
Model	Year	MG	SG	Illustration	Restrictions	UPD	20:00	27.01.2010	PORSCHE	PET	PORSCHE
STZ	1998	8	07	807-44		248					

Pos	Part Number	Description	Remark	Qty	Model	Pos	Part Number	Description	Remark	Qty	Model
	8SE	flamenco red	94-96				3TE	flamenco red	94-96		
	E38	rubicon grey	96-97				8AS	rubicon grey	96-98		
	J30	nephrite green	97-98				J30	nephrite green	97-98		
	M30	boxster red	97-98				M30	boxster red	97-98		
	B50	space grey	98			-	911 522 065 00	retaining strap		2	
(3)	993 522 173 01	carpet for back seat backrest	/L	1			70A	black			
	5FV	black	94-98			5	900 236 001 07	oval-head screw M 8 X 10		2	
	4XR	classic grey	94-98			6	901 522 509 20	bearing sleeve		2	
	3GE	midnight blue	94-98			7	901 522 365 20	cap		2	
	6SC	chestnut brown	94-98			8	999 704 160 40	rubber washer		4	
	DDQ	florentine grey	94-97			9	964 522 517 00	cover		1	
	8UT	cashmere beige	94-98				01C	satin black			
	1HQ	provence blue	94-96			10	944 522 315 00	rosette		2	
	2JP	cedar green	94-96				01C	satin black			
	3TE	flamenco red	94-96			11	944 522 319 00	guide piece		2	
	8AS	rubicon grey	96-98			12	964 522 363 00	washer		2	
	J30	nephrite green	97-98			13	999 521 068 07	compression spring		2	
	M30	boxster red	97-98			14	944 522 317 00	push button		2	
3	993 522 174 01	carpet for back seat backrest	/R	1			01C	satin black			
	5FV	black	94-98			15	964 522 197 00	bolt		2	
	4XR	classic grey	94-98			16	964 803 659 00	compression spring		2	
	3GE	midnight blue	94-98			17	964 522 199 00	control lever		2	
	6SC	chestnut brown	94-98			18	964 522 603 01	reverse lever		2	
	DDQ	florentine grey	94-97			(19)	964 522 601 01	bearing	/L	1	
	8UT	cashmere beige	94-98			19	964 522 602 01	bearing	/R	1	
	1HQ	provence blue	94-96			20	900 316 008 02	screw 3,5 X 22		2	
	2JP	cedar green	94-96			21	900 095 126 01	roll pin 2,5 X 5		2	

Model	Year	MG	SG	Illustration	Restrictions	UPD	20:00	27.01.2010	PORSCHE	PET	PORSCHE
STZ	1998	8	07	807-44		248					

Pos	Part Number	Description	Remark	Qty	Model	Pos	Part Number	Description	Remark	Qty	Model
(22)	993 522 701 00	operating rod	/L	1							
22	993 522 702 00	operating rod	/R	1							
23	964 522 721 00	bearing		2							
24	999 919 065 07	screw 5 X 20		4							
25	964 522 605 00	torsion protection		2							
26	999 703 401 40	rubber buffer		2							
(27)	964 522 593 00	hinge outer	/L	1							
	01C	satin black									
27	964 522 594 00	hinge outer	/R	1							
	01C	satin black									
(28)	964 522 195 00	hinge inner	/L	1							
	01C	satin black									
28	964 522 196 00	hinge inner	/R	1							
	01C	satin black									

Model	Year	MG	SG	Illustration	Restrictions	UPD	20:00	27.01.2010	PORSCHE	PET	PORSCHE
STZ	1998	8	07	807-46		248					



Pos	Part Number	Description	Remark	Qty	Model
		back seat backrest system with 3-point automat. seat belt	94-98 (CDN) (USA) (AUS) (J)		CABRIO M335  (NZ)
1	900 145 071 07	tapping screw 3,5 X 13		2	
2	999 591 102 17	washer 3,5		2	
3	993 522 237 00	cover carpet rear		1	
		5FV black	94-98		
		4XR classic grey	94-98		
		3GE midnight blue	94-98		
		6SC chestnut brown	94-98		
		DDQ florentine grey	94-97		
		8UT cashmere beige	94-98		
		1HQ provence blue	94-96		
		2JP cedar green	94-96		
		3TE flamenco red	94-96		
		8AS rubicon grey	96-98		
		J30 nephrite green	97-98		
		M30 boxster red	97-98		
4	900 380 001 02	nut VM 5		1	
5	999 507 438 40	spacer		2	
6	993 522 037 00	lining seat belt leatherette		1	
		05T black	94-98		
		2WJ classic grey	94-98		
		6HP midnight blue	94-98		
		7PD chestnut brown	94-98		

Model	Year	MG	SG	Illustration	Restrictions	UPD	20:00	27.01.2010	PORSCHE	PET	PORSCHE
STZ	1998	8	07	807-46		248					

Pos	Part Number	Description	Remark	Qty	Model	Pos	Part Number	Description	Remark	Qty	Model	
(6)	8CF	marble grey	94-97	1		12	900 145 026 07	tapping screw 4,2 X 22		2		
	7RT	cashmere beige	94-98			13	999 025 249 00	special washer		2		
	993 522 037 01	lining seat belt whole-leather				14	993 522 733 00	foam part		1		
	8YR	black	94-98			(15)	993 522 005 08	back seat backrest porsche lettering cloth	/L	1		
	6XL	classic grey	94-98				DDR	black	94-98			
	H24	midnight blue	94-98				DDS	classic grey	94-98			
	T15	chestnut brown	94-98				DDT	midnight blue	94-98			
	3QN	marble grey	94-97				DDU	chestnut brown	94-98			
	4YU	cashmere beige	94-98				DDV	marble grey	94-97			
	G43	provence blue	94-96				DDW	cashmere beige	94-98			
	K03	cedar green	94-96				(15)	993 522 006 08	back seat backrest porsche lettering cloth	/R	1	
	8SE	flamenco red	94-96					DDR	black	94-98		
	E38	rubicon grey	96-97					DDS	classic grey	94-98		
	J30	nephrite green	97-98					DDT	midnight blue	94-98		
	M30	boxster red	97-98					DDU	chestnut brown	94-98		
B50	space grey	98			DDV	marble grey	94-97					
7	900 145 071 07	tapping screw 3,5 X 13		2		DDW	cashmere beige	94-98				
8	999 591 879 02	speed nut ST 4,2		2		15	993 522 005 09	back seat backrest leatherette	/L	1		
9	900 151 048 09	washer 4,3		2			SM3	black	94-98			
10	900 145 026 07	tapping screw 4,2 X 22		2			APU	classic grey	94-98			
11	311 867 169	cap		2			DBS	midnight blue	94-98			
	01C	satin black					DCL	chestnut brown	94-98			
	4XC	classic grey					DDX	marble grey	94-97			
	2GS	midnight blue					DDY	cashmere beige	94-98			
	4PV	chestnut brown				(15)	993 522 006 09	back seat backrest leatherette	/R	1		
							SM3	black	94-98			

Model	Year	MG	SG	Illustration	Restrictions	UPD	20:00	27.01.2010	PORSCHE	PET	PORSCHE
STZ	1998	8	07	807-46		248					

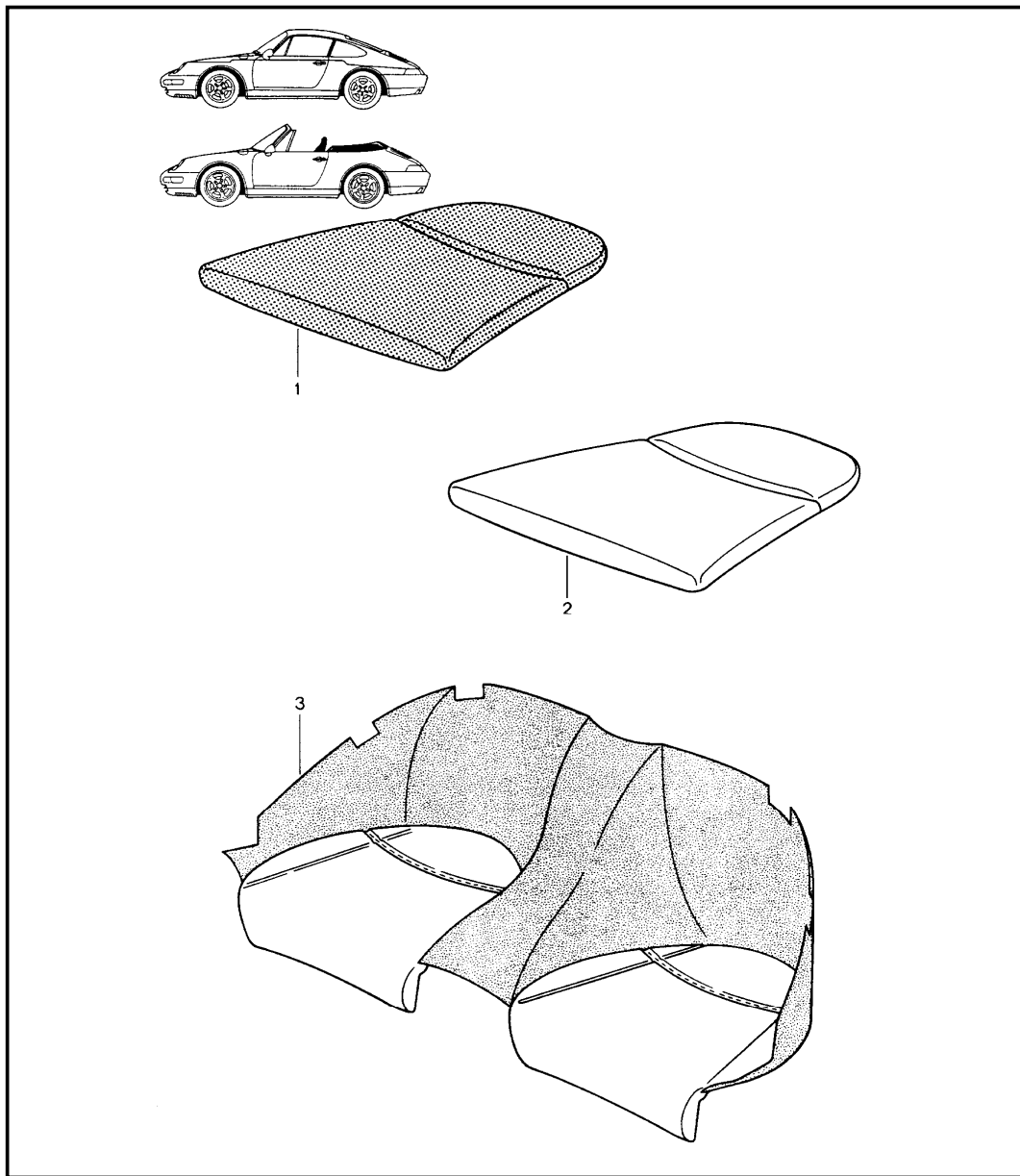
Pos	Part Number	Description	Remark	Qty	Model	Pos	Part Number	Description	Remark	Qty	Model
	APU	classic grey	94-98				DFM	flamenco red	94-96		
	DBS	midnight blue	94-98				DCX	rubicon grey	96-98		
	DCL	chestnut brown	94-98				J30	nephrite green	97-98		
	DDX	marble grey	94-97				M30	boxster red	97-98		
	DDY	cashmere beige	94-98				B50	space grey	98		
15	993 522 005 11	back seat backrest whole-leather	/L	1		(15)	993 522 005 10	back seat backrest draped leather	/L	1	
	ATZ	black	94-98				ATZ	black	94-98		
	APV	classic grey	94-98				APV	classic grey	94-98		
	DBT	midnight blue	94-98				DBT	midnight blue	94-98		
	DCM	chestnut brown	94-98				DCM	chestnut brown	94-98		
	DCN	marble grey	94-97				DCN	marble grey	94-97		
	DCP	cashmere beige	94-98				DCP	cashmere beige	94-98		
	DCQ	provence blue	94-96				DCQ	provence blue	94-96		
	DFL	cedar green	94-96				DFL	cedar green	94-96		
	DFM	flamenco red	94-96				DFM	flamenco red	94-96		
	DCX	rubicon grey	96-98				DCX	rubicon grey	96-97		
	J30	nephrite green	97-98				J30	nephrite green	97-98		
	M30	boxster red	97-98				M30	boxster red	97-98		
	B50	space grey	98				B50	space grey	98		
(15)	993 522 006 11	back seat backrest whole-leather	/R	1		(15)	993 522 006 10	back seat backrest draped leather	/R	1	
	ATZ	black	94-98				ATZ	black	94-98		
	APV	classic grey	94-98				APV	classic grey	94-98		
	DBT	midnight blue	94-98				DBT	midnight blue	94-98		
	DCM	chestnut brown	94-98				DCM	chestnut brown	94-98		
	DCN	marble grey	94-97				DCN	marble grey	94-97		
	DCP	cashmere beige	94-98				DCP	cashmere beige	94-98		
	DCQ	provence blue	94-96				DCQ	provence blue	94-96		
	DFL	cedar green	94-96				DFL	cedar green	94-96		



Model	Year	MG	SG	Illustration	Restrictions	UPD	20:00	27.01.2010	PORSCHE	PET	PORSCHE
STZ	1998	8	07	807-46		248					

Pos	Part Number	Description	Remark	Qty	Model	Pos	Part Number	Description	Remark	Qty	Model
		DFM flamenco red	94-96								
		DCX rubicon grey	96-97								
		J30 nephrite green	97-98								
		M30 boxster red	97-98								
		B50 space grey	98								
16	900 380 005 09	nut M 8		6							

Model	Year	MG	SG	Illustration	Restrictions	UPD	20:00	27.01.2010	PORSCHE	PET	PORSCHE
STZ	1998	8	07	807-50		248					



Pos	Part Number	Description	Remark	Qty	Model
		back seat cushion	94-98 96-98 (J) 95-96		COUPE/CABRIO TARGA/TURBO RS
1	993 522 051 00	back seat cushion cloth porsche lettering cloth	/L 94- /L 96-	1	COUPE/CABRIO TARGA
	2CZ	black	94-98		
	6WC	classic grey	94-98		
	4GP	midnight blue	94-98		
	7SA	chestnut brown	94-98		
	9BE	marble grey	94-97		
	7TH	cashmere beige	94-98		
(1)	993 522 052 00	back seat cushion cloth porsche lettering cloth	/R 94- /R 96-	1	COUPE/CABRIO TARGA
	2CZ	black	94-98		
	6WC	classic grey	94-98		
	4GP	midnight blue	94-98		
	7SA	chestnut brown	94-98		
	9BE	marble grey	94-97		
	7TH	cashmere beige	94-98		
2	993 522 051 01	back seat cushion leatherette	/L 94- /L 96-	1	COUPE/CABRIO TARGA
	43S	black	94-98		
	2WJ	classic grey	94-98		
	6HP	midnight blue	94-98		
	7PD	chestnut brown	94-98		
	8CF	marble grey	94-97		
	7RT	cashmere beige	94-98		
(2)	993 522 052 01	back seat cushion leatherette	/R 94- /R 96-	1	COUPE/CABRIO TARGA

Model	Year	MG	SG	Illustration	Restrictions	UPD	20:00	27.01.2010	PORSCHE	PET	PORSCHE
STZ	1998	8	07	807-50		248					

Pos	Part Number	Description	Remark	Qty	Model	Pos	Part Number	Description	Remark	Qty	Model
	43S	black	94-98				G43	provence blue	94-96		
	2WJ	classic grey	94-98				K03	cedar green	94-96		
	6HP	midnight blue	94-98				8SE	flamenco red	94-96		
	7PD	chestnut brown	94-98				E38	rubicon grey	96-97		
	8CF	marble grey	94-97				J30	nephrite green	97-98		
	7RT	cashmere beige	94-98				M30	boxster red	97-98		
2	993 522 051 02	back seat cushion whole-leather	/L 94- /L 96-	1	COUPE/CABRIO TARGA/TURBO		B50	space grey	98		
	8YR	black	94-98			2	993 522 051 03	back seat cushion draped leather	/L 94- /L 96-	1	COUPE/CABRIO TARGA/TURBO
	6XL	classic grey	94-98				8YR	black	94-98		
	H24	midnight blue	94-98				6XL	classic grey	94-98		
	T15	chestnut brown	94-98				H24	midnight blue	94-98		
	3QN	marble grey	94-97				T15	chestnut brown	94-98		
	4YU	cashmere beige	94-98				3QN	marble grey	94-97		
	G43	provence blue	94-96				4YU	cashmere beige	94-98		
	K03	cedar green	94-96				G43	provence blue	94-96		
	8SE	flamenco red	94-96				K03	cedar green	94-96		
	E38	rubicon grey	96-97				8SE	flamenco red	94-96		
	J30	nephrite green	97-98				E38	rubicon grey	96-97		
	M30	boxster red	97-98				J30	nephrite green	97-98		
	B50	space grey	98				M30	boxster red	97-98		
(2)	993 522 052 02	back seat cushion whole-leather	/R 94- /R 96-	1	COUPE/CABRIO TARGA/TURBO		B50	space grey	98		
	8YR	black	94-98			(2)	993 522 052 03	back seat cushion draped leather	/R 94- /R 96-	1	COUPE/CABRIO TARGA/TURBO
	6XL	classic grey	94-98				8YR	black	94-98		
	H24	midnight blue	94-98				6XL	classic grey	94-98		
	T15	chestnut brown	94-98				H24	midnight blue	94-98		
	3QN	marble grey	94-97				T15	chestnut brown	94-98		
	4YU	cashmere beige	94-98				3QN	marble grey	94-97		

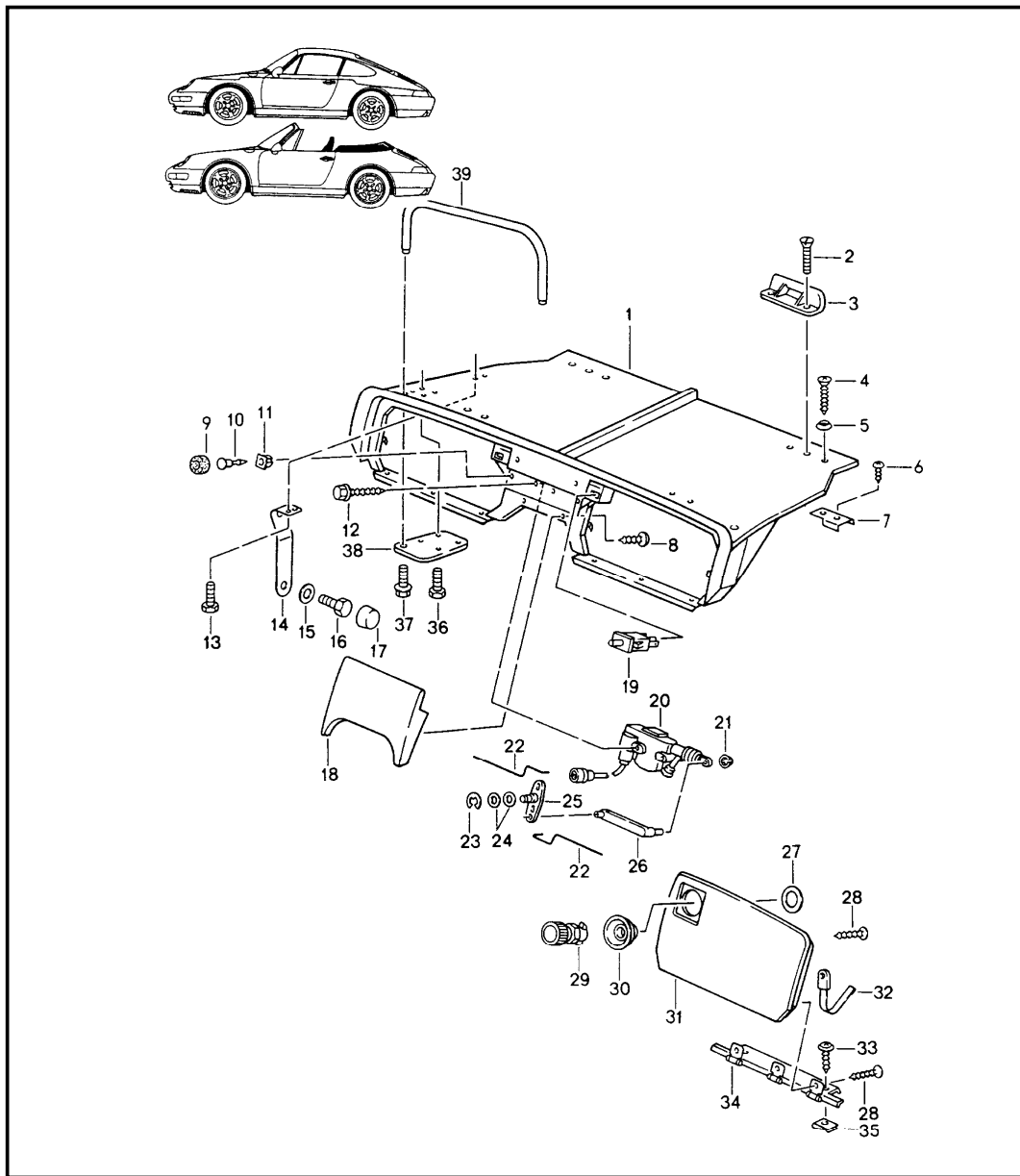
Model	Year	MG	SG	Illustration	Restrictions	UPD	20:00	27.01.2010	PORSCHE	PET	PORSCHE
STZ	1998	8	07	807-50		248					

Pos	Part Number	Description	Remark	Qty	Model	Pos	Part Number	Description	Remark	Qty	Model
	4YU	cashmere beige	94-98				G43	provence blue	94-96		
	G43	provence blue	94-96				K03	cedar green	94-96		
	K03	cedar green	94-96				8SE	flamenco red	94-96		
	8SE	flamenco red	94-96				E38	rubicon grey	96-97		
	E38	rubicon grey	96-97			(3)	993 522 049 01	back seat cushion	94-	1	COUPE CABRIO TARGA/TURBO
	J30	nephrite green	97-98						96-		
	M30	boxster red	97-98					draped leather	(J)		
	B50	space grey	98				8YR	black	94-98		
3	993 522 049 00	back seat cushion	94-	1	COUPE CABRIO TARGA		6XL	classic grey	94-98		
		leatherette	96-				H24	midnight blue	94-98		
			(J)				T15	chestnut brown	94-98		
	05T	black	94-98				3QN	marble grey	94-97		
	2WJ	classic grey	94-98				4YU	cashmere beige	94-98		
	6HP	midnight blue	94-98				G43	provence blue	94-96		
	7PD	chestnut brown	94-98				K03	cedar green	94-96		
	8CF	marble grey	94-97				8SE	flamenco red	94-96		
	7RT	cashmere beige	94-98				E38	rubicon grey	96-97		
3	993 522 049 00	back seat cushion	(J) 95-96	1	RS		J30	nephrite green	97	-98	
		leatherette				(3)	993 522 049 03	back seat cushion	(J) 95-	1	CABRIO
	05T	black						leatherette			
3	993 522 049 02	back seat cushion	94-	1	COUPE CABRIO TARGA/TURBO		05T	black	95-98		
		whole-leather	96-				2WJ	classic grey	95-98		
			(J)				6HP	midnight blue	95-98		
	8YR	black	94-98				7PD	chestnut brown	95-98		
	6XL	classic grey	94-98				8CF	marble grey	95-97		
	H24	midnight blue	94-98				7RT	cashmere beige	95-98		
	T15	chestnut brown	94-98			(3)	993 522 049 05	back seat cushion	(J) 95-	1	CABRIO
	3QN	marble grey	94-97					whole-leather			
	4YU	cashmere beige	94-98				8YR	black	95-98		

Model	Year	MG	SG	Illustration	Restrictions	UPD	20:00	27.01.2010	PORSCHE	PET	PORSCHE
STZ	1998	8	07	807-50		248					

Pos	Part Number	Description	Remark	Qty	Model	Pos	Part Number	Description	Remark	Qty	Model
	6XL	classic grey	95-98								
	H24	midnight blue	95-98								
	T15	chestnut brown	95-98								
	3QN	marble grey	95-97								
	4YU	cashmere beige	95-98								
	G43	provence blue	95-96								
	K03	cedar green	95-96								
	8SE	flamenco red	95-96								
	E38	rubicon grey	96-97								
(3)	993 522 049 04	back seat cushion draped leather	(J) 95-	1	CABRIO						
	8YR	black	95-98								
	6XL	classic grey	95-98								
	H24	midnight blue	95-98								
	T15	chestnut brown	95-98								
	3QN	marble grey	95-97								
	4YU	cashmere beige	95-98								
	G43	provence blue	95-96								
	K03	cedar green	95-96								
	8SE	flamenco red	95-96								
	E38	rubicon grey	96-97								

Model	Year	MG	SG	Illustration	Restrictions	UPD	20:01	27.01.2010	PORSCHE	PET	PORSCHE
STZ	1998	8	07	807-80		248					



Pos	Part Number	Description	Remark	Qty	Model
		rear luggage dump	94-98		COUPE/CABRIO M419
1	993 555 123 00	rear luggage dump complete comprising: NR.2/3/8-11/13/14/18/27-35 carpet/ leatherette		1	COUPE
	5FV	black/black	94-98		
	4XR	classic grey/classic grey	94-98		
	3GE	midnight bl./midnight blue	94-98		
	6SC	chestnut brown/ chestnut brown	94-98		
	DDQ	marble grey/marble grey	94-97		
	8UT	cashmere beige/cash. beige	94-98		
1	993 555 123 01	rear luggage dump complete comprising: NR.2/3/8-11/13/14/18/27-35 carpet/ leather		1	COUPE
	5FV	black/black	94-98		
	4XR	classic grey/classic grey	94-98		
	3GE	midnight bl./midnight blue	94-98		
	6SC	chestnut brown/ chestnut brown	94-98		
	DDQ	marble grey/marble grey	94-97		
	8UT	cashmere beige/cash. beige	94-98		
	1HQ	provence blue/provence bl.	94-96		
	2JP	cedar green/cedar green	94-96		
	3TE	flamenco red/flamenco red	94-96		
	8AS	rubicon grey/rubicon grey	96-97		
	J30	nephrite gr./neph. green	98		
	M30	boxster red/boxster red	98		
	B50	rubicon grey space grey	98		

Model	Year	MG	SG	Illustration	Restrictions	UPD	20:01	27.01.2010	PORSCHE	PET	PORSCHE
STZ	1998	8	07	807-80		248					

Pos	Part Number	Description	Remark	Qty	Model	Pos	Part Number	Description	Remark	Qty	Model
1	993 555 123 02	rear luggage dump complete comprising: NR.2/3/8-14/18-35 carpet/leatherette		1	CABRIO	3	477 885 761	retaining bar		4	
	5FV	black/black	94-98			4	900 145 012 07	counters. head tapp. screw B 4,2 X 32		2	COUPE
	4XR	classic grey/classic grey	94-98			5	999 591 116 00	washer 4,5		2	COUPE
	3GE	midnight bl./midnight blue	94-98			6	900 143 007 02	tapping screw B 4,2 X 13		2	COUPE
	6SC	chestnut brown/chestnut brown	94-98			7	993 555 645 00	clip		2	COUPE
	DDQ	marble grey/marble grey	94-97			8	999 919 050 02	oval-head screw		4	
	8UT	cashmere beige/cash. beige	94-98			9	944 552 259 00	plug		4	
						10	N 902 662 01	combination tapping screw B 3,5 X 16		4	
1	993 555 123 03	rear luggage dump complete comprising: NR.2/3/8-14/18-35 carpet/leather		1	CABRIO	11	999 591 679 40	special nut B 4,2		4	
	5FV	black/black	94-98			12	999 919 108 02	hexagon-head bolt 5,0 X 35		2	CABRIO
	4XR	classic grey/classic grey	94-98			13	900 075 362 02	combination screw M 5 X 16		4	
	3GE	midnight bl./midnight blue	94-98			14	964 555 851 00	support		2	
	6SC	chestnut brown/chestnut brown	94-98			15	999 025 113 02	washer 11,5 X 21 X 2		2	
	DDQ	marble grey/marble grey	94-97			16	111 857 799 A	fastening screw		2	
	8UT	cashmere beige/cash. beige	94-98			17	811 857 845	screw-on cap		2	
	1HQ	provence blue/provence bl.	94-96				01C	satin black			
	2JP	cedar green/cedar green	94-96			18	964 555 323 00	centre part leatherette		1	
	3TE	flamenco red/flamenco red	94-96				05T	black	94-98		
	8AS	rubicon grey/rubicon grey	96-97				2WJ	classic grey	94-98		
	J30	nephrite gr./nephr. green	97-98				6HP	midnight blue	94-98		
	M30	boxster red/boxster red	97-98				7PD	chestnut brown	94-98		
	B50	rubicon grey space grey	98				8CF	marble grey	94-97		
							7RT	cashmere beige	94-98		
2	N 033 183 1	countersunk-head screw M 5 X 20		8		18	964 555 323 01	centre part leather		1	

Model	Year	MG	SG	Illustration	Restrictions	UPD	20:01	27.01.2010	PORSCHE	PET	PORSCHE
STZ	1998	8	07	807-80		248					

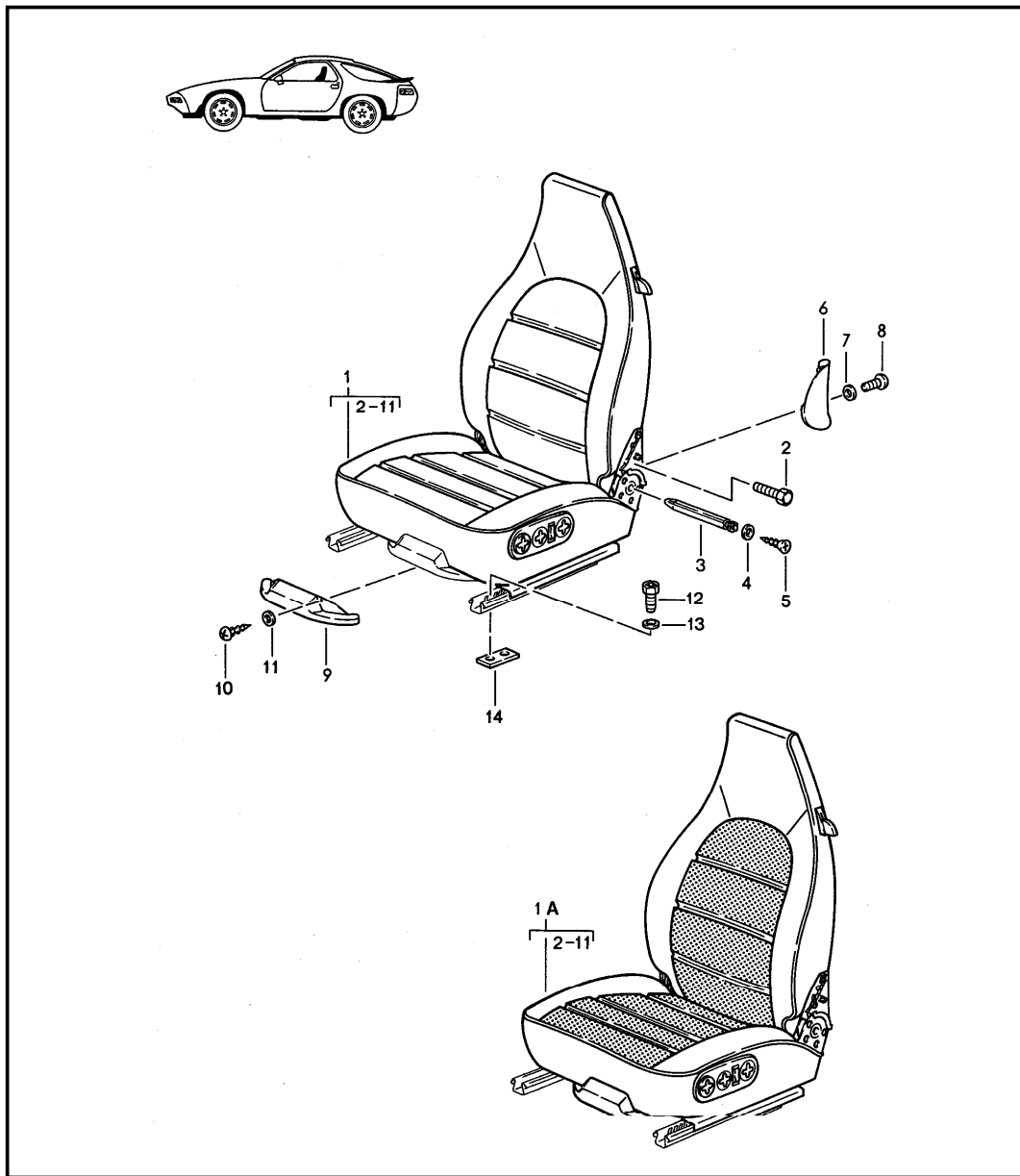
Pos	Part Number	Description	Remark	Qty	Model	Pos	Part Number	Description	Remark	Qty	Model
	8YR	black	94-98			31	964 555 921 00	lid leatherette	/L	1	
	6XL	classic grey	94-98				05T	black	94-98		
	H24	midnight blue	94-98				2WJ	classic grey	94-98		
	T15	chestnut brown	94-98				6HP	midnight blue	94-98		
	3QN	marble grey	94-97				7PD	chestnut brown	94-98		
	4YU	cashmere beige	94-98				8CF	marble grey	94-97		
	G43	provence blue	94-96				7RT	cashmere beige	94-98		
	K03	cedar green	94-96			(31)	964 555 922 00	lid leatherette	/R	1	
	8SE	flamenco red	94-96				05T	black	94-98		
	E38	rubicon grey	96-97				2WJ	classic grey	94-98		
	J30	nephrite green	97-98				6HP	midnight blue	94-98		
	M30	boxster red	97-98				7PD	chestnut brown	94-98		
	B50	space grey	98				8CF	marble grey	94-97		
19	964 613 602 00	contact switch		2	CABRIO		7RT	cashmere beige	94-98		
20	928 624 211 00	transmission element		1	CABRIO						
21	999 591 946 02	clamping washer 5,0		1	CABRIO	31	964 555 921 01	lid leather	/L	1	
22	964 555 661 00	closing element		2	CABRIO		8YR	black	94-98		
23	N 012 435 4	lock washer		1	CABRIO		6XL	classic grey	94-98		
24	900 031 001 02	washer 8,4		2	CABRIO		H24	midnight blue	94-98		
25	964 555 659 00	segment		1	CABRIO		T15	chestnut brown	94-98		
26	964 555 657 00	reverse lever		1	CABRIO		3QN	marble grey	94-97		
27	999 025 200 07	washer 21,3 X 40 X 1		2			4YU	cashmere beige	94-98		
28	999 919 105 07	countersunk-head screw 4,0 X 12		10			G43	provence blue	94-96		
29	964 538 059 03	glove compartment lock		2			K03	cedar green	94-96		
	01C	satin black					8SE	flamenco red	94-96		
30	964 552 312 00	rosette		2			E38	rubicon grey	96-97		
	01C	satin black					J30	nephrite green	97-98		
							M30	boxster red	97-98		



Model	Year	MG	SG	Illustration	Restrictions	UPD	20:01	27.01.2010	PORSCHE	PET	PORSCHE
STZ	1998	8	07	807-80		248					

Pos	Part Number	Description	Remark	Qty	Model	Pos	Part Number	Description	Remark	Qty	Model
	B50	space grey		98							
(31)	964 555 922 01	lid leather	/R	1							
	8YR	black		94-98							
	6XL	classic grey		94-98							
	H24	midnight blue		94-98							
	T15	chestnut brown		94-98							
	3QN	marble grey		94-97							
	4YU	cashmere beige		94-98							
	G43	provence blue		94-96							
	K03	cedar green		94-96							
	8SE	flamenco red		94-96							
	E38	rubicon grey		96-97							
	J30	nephrite green		97-98							
	M30	boxster red		97-98							
	B50	space grey		98							
32	964 555 515 00	securing strap		4							
33	999 073 060 02	tapping screw B 4,8 X 13		6							
34	964 555 487 00	hinge		2							
35	999 507 023 02	speed nut B 4,8		6							

Model	Year	MG	SG	Illustration	Restrictions	UPD	20:01	27.01.2010	PORSCHE	PET	PORSCHE
STZ	1998	8	08	808-00		248					



Pos	Part Number	Description	Remark	Qty	Model
		front seat complete	85-86		928 S
1	928 521 001 86	comfort seat without heating whole-leather	/L	1	M437
		KZ2 black			
		KZ3 blue			
		KZ5 brown			
		LG7 burgundy			
		QC2 greyish green			
		LG6 dark green			
		KZ6 can-can-red			
		LG4 pearl white			
		LG5 champagne			
		PY9 ocean blue			
		PZ1 wild buffalo			
		KZ4 grey-beige	86		
(1)	928 521 002 86	comfort seat without heating whole-leather	/R	1	M438
		KZ2 black			
		KZ3 blue			
		KZ5 brown			
		LG7 burgundy			
		QC2 greyish green			
		LG6 dark green			
		KZ6 can-can-red			
		LG4 pearl white			
		LG5 champagne			
		PY9 ocean blue			
		PZ1 wild buffalo			

Model	Year	MG	SG	Illustration	Restrictions	UPD	20:01	27.01.2010	PORSCHE	PET	PORSCHE
STZ	1998	8	08	808-00		248					

Pos	Part Number	Description	Remark	Qty	Model	Pos	Part Number	Description	Remark	Qty	Model
	KZ4	grey-beige		86		1A	928 521 001 88	comfort seat without heating leather/centre part in cloth pin stripe velour	/L	1	M437
(1)	928 521 001 89	comfort seat with heating whole-leather	/L	1	M437						
	KZ2	black					LS5	black/black-white			
	KZ3	blue					LS6	brown/brown-beige			
	KZ5	brown					LS8	blue/blue-white			
	LG7	burgundy					LS9	burgundy/burgundy-white			
	QC2	greyish green					QA7	greyish green/greyish green-white			
	LG6	dark green					LS7	grey-beige/grey-beige-white		86	
	KZ6	can-can-red				(1A)	928 521 002 88	comfort seat without heating leather/centre part in cloth pin stripe velour	/R	1	M438
	LG4	pearl white									
	LG5	champagne									
	PY9	ocean blue									
	PZ1	wild buffalo									
	KZ4	grey-beige		86							
(1)	928 521 002 89	comfort seat with heating whole-leather	/R	1	M438						
	KZ2	black					LS5	black/black-white			
	KZ3	blue					LS6	brown/brown-beige			
	KZ5	brown					LS8	blue/blue-white			
	LG7	burgundy					LS9	burgundy/burgundy-white			
	QC2	greyish green					QA7	greyish green/greyish green-white			
	LG6	dark green					LS7	grey-beige/grey-beige-white		86	
	KZ6	can-can-red				(1A)	928 521 001 90	comfort seat with heating leather/centre part in cloth pin stripe velour	/L	1	M437
	LG4	pearl white									
	LG5	champagne									
	PY9	ocean blue									
	PZ1	wild buffalo									
	KZ4	grey-beige		86			LS5	black/black-white			

Model	Year	MG	SG	Illustration	Restrictions	UPD	20:01	27.01.2010	PORSCHE	PET	PORSCHE
STZ	1998	8	08	808-00		248					

Pos	Part Number	Description	Remark	Qty	Model	Pos	Part Number	Description	Remark	Qty	Model
	LS6	brown/ brown-beige				(1A)	928 521 002 88	comfort seat without heating	/R	1	M438
	LS8	blue/ blue-white						leather/ centre part in cloth pin stripe flannel			
	LS9	burgundy/ burgundy-white					QB1	black/anthracite			
	QA7	greyish green/ greyish green-white					QB3	brown/brown			
	LS7	grey-beige/ grey-beige-white	86				QB5	blue/blue			
(1A)	928 521 002 90	comfort seat with heating leather/ centre part in cloth pin stripe velour	/R	1	M438	(1A)	928 521 001 90	comfort seat with heating leather/ centre part in cloth pin stripe flannel	/L	1	M437
	LS5	black/ black-white					QB1	black/anthracite			
	LS6	brown/ brown-beige					QB3	brown/brown			
	LS8	blue/ blue-white					QB5	blue/blue			
	LS9	burgundy/ burgundy-white					QB7	burgundy/burgundy			
	QA7	greyish green/ greyish green-white				(1A)	928 521 002 90	comfort seat with heating leather/ centre part in cloth pin stripe flannel	/R	1	M438
	LS7	grey-beige/ grey-beige-white	86				QA8	greyish green/grey-green			
1A	928 521 001 88	comfort seat without heating leather/ centre part in cloth pin stripe flannel	/L	1	M437		QB1	black/anthracite			
	QB1	black/anthracite					QB3	brown/brown			
	QB3	brown/brown					QB5	blue/blue			
	QB5	blue/blue					QB7	burgundy/burgundy			
	QB7	burgundy/burgundy					QA8	greyish green/grey-green			
	QA8	greyish green/grey-green				1A	928 521 001 88	comfort seat without heating leather/ centre part porsche lettering cloth	/L	1	M437
							QB2	black/black			
							QB4	brown/brown			

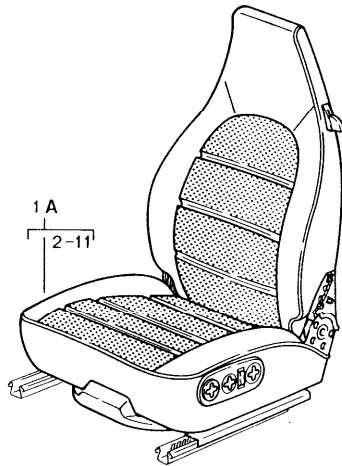
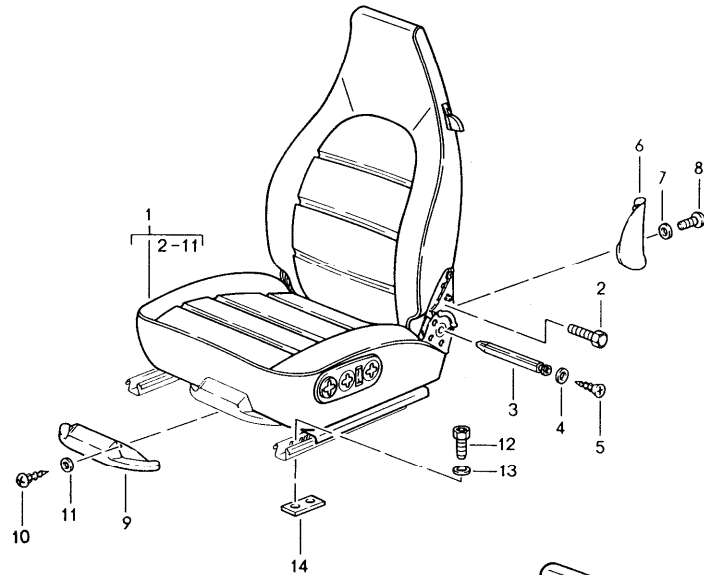
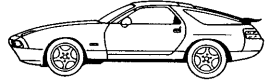
Model	Year	MG	SG	Illustration	Restrictions	UPD	20:01	27.01.2010	PORSCHE	PET	PORSCHE
STZ	1998	8	08	808-00		248					

Pos	Part Number	Description	Remark	Qty	Model	Pos	Part Number	Description	Remark	Qty	Model
		QB6 blue/blue					QA9	greyish green/grey-green			
		QB8 burgundy/burgundy					RU1	grey-beige/grey-beige		86	
		QA9 greyish green/grey-green				2	911 521 547 00	hexagon-head bolt M 10 X 20		8	
		RU1 grey-beige/grey-beige		86		3	928 521 717 02	square rod for backrest adjustment		4	
(1A)	928 521 002 88	comfort seat without heating leather/ centre part porsche lettering cloth	/R	1	M438	4	928 521 716 02	lock washer for backrest adjustment		4	
		QB2 black/black				5	900 249 004 02	countersunk-head screw M 4 X 8 for backrest adjustment		4	
		QB4 brown/brown				6	928 521 147 02	cover	/L	2	
		QB6 blue/blue					01C	black			
		QB8 burgundy/burgundy					4RB	brown			
		QA9 greyish green/grey-green					5HJ	blue			
		RU1 grey-beige/grey-beige		86			9MM	burgundy			
(1A)	928 521 001 90	comfort seat with heating leather/ centre part porsche lettering cloth	/L	1	M437		1DJ	greyish green			
		QB2 black/black					3UC	grey-beige		86	
		QB4 brown/brown				(6)	928 521 148 02	cover	/R	2	
		QB6 blue/blue					01C	black			
		QB8 burgundy/burgundy					4RB	brown			
		QA9 greyish green/grey-green					5HJ	blue			
		RU1 grey-beige/grey-beige		86			9MM	burgundy			
(1A)	928 521 002 90	comfort seat with heating leather/ centre part porsche lettering cloth	/R	1	M438		1DJ	greyish green			
		QB2 black/black					3UC	grey-beige		86	
		QB4 brown/brown				7	900 025 044 07	washer A 4,3		8	
		QB6 blue/blue				8	900 143 113 07	tapping screw B 4,2 X 13		-85	8
		QB8 burgundy/burgundy				8	N 013 962 3	tapping screw B 3,9 X 16		86	8
						9	928 521 760 02	engine cover			2

Model	Year	MG	SG	Illustration	Restrictions	UPD	20:01	27.01.2010	PORSCHE	PET	PORSCHE
STZ	1998	8	08	808-00		248					

Pos	Part Number	Description	Remark	Qty	Model	Pos	Part Number	Description	Remark	Qty	Model
10	N 013 959 3	tapping screw B 3,5 X 16		4							
11	900 025 013 07	washer A 3,7		4							
12	900 119 030 02	pan-head screw M 8 X 20		12							
13	900 031 001 02	washer 8,4		16							
14	928 521 101 05	threaded plate front		X							
(14)	928 521 101 08	threaded plate rear		X							
-	999 703 334 40	stopper for seat rail support		2							

Model	Year	MG	SG	Illustration	Restrictions	UPD	20:01	27.01.2010	PORSCHE	PET	PORSCHE
STZ	1998	8	08	808-05		248					



Pos	Part Number	Description	Remark	Qty	Model
		front seat complete	87-95		928 S4/GT 928 GTS
1	928 521 001 86	comfort seat without heating whole-leather	/L	1	M437
	KZ2	black	-90		
	TS1	marine blue	-90		
	TV1	mahogany	-90		
	LG7	burgundy	-90		
	QC2	greyish green	-88		
	LG5	champagne	-88		
	TW1	linen	-90		
	XN4	cashmere beige	89-90		
	XG1	plum red	-88		
	XG2	silver-grey	-88		
	AVY	caramel	87-90		
	AVZ	venetian blue	87-90		
	AVW	silk grey	89-90		
	AVV	velvet red	89-90		
	AVX	slate grey	89-90		
	ATH	black	91-		
	APL	classic grey	91-		
	ARL	cobalt blue	91-		
	ASL	magenta	91-		
	AQL	light grey	91-		
	ATY	cashmere beige	91-		
	BQB	marine blue	91-		
	AVF	matador red	91-		
	AVG	carrara grey	91-		
	AVH	sherwood green	91-		

Model	Year	MG	SG	Illustration	Restrictions	UPD	20:01	27.01.2010	PORSCHE	PET	PORSCHE
STZ	1998	8	08	808-05		248					

Pos	Part Number	Description	Remark	Qty	Model	Pos	Part Number	Description	Remark	Qty	Model
	DBD	midnight blue	94-				BQB	marine blue	91-		
	DCD	chestnut brown	94-				AVF	matador red	91-		
	DDD	marble grey	94-				AVG	carrara grey	91-		
	DEC	provence blue	94-				AVH	sherwood green	91-		
	DEE	cedar green	94-				DBD	midnight blue	94-		
	DEF	flamenco red	94-				DCD	chestnut brown	94-		
(1)	928 521 002 86	comfort seat without heating whole-leather	/R	1	M438		DDD	marble grey	94-		
	KZ2	black	-90				DEC	provence blue	94-		
	TS1	marine blue	-90				DEE	cedar green	94-		
	TV1	mahogany	-90			1	DEF	flamenco red	94-		
	LG7	burgundy	-90				928 521 001 05	comfort seat draped leather without heating whole-leather	/L	1	M437
	QC2	greyish green	-88				KZ2	black	-90		
	LG5	champagne	-88				TS1	marine blue	-90		
	TW1	linen	-90				TV1	mahogany	-90		
	XN4	cashmere beige	89-90				LG7	burgundy	-90		
	XG1	plum red	-88				QC2	greyish green	-88		
	XG2	silver-grey	-88				LG5	champagne	-88		
	AVY	caramel	87-90				TW1	linen	-90		
	AVZ	venetian blue	87-90				XN4	cashmere beige	89-90		
	AVW	silk grey	89-90				XG1	plum red	-88		
	AVV	velvet red	89-90				XG2	silver-grey	-88		
	AVX	slate grey	89-90				AVY	caramel	87-90		
	ATH	black	91-				AVZ	venetian blue	87-90		
	APL	classic grey	91-				AVW	silk grey	89-90		
	ARL	cobalt blue	91-				AVV	velvet red	89-90		
	ASL	magenta	91-				AVX	slate grey	89-90		
	AQL	light grey	91-				ATH	black	91-		
	ATY	cashmere beige	91-								



Model	Year	MG	SG	Illustration	Restrictions	UPD	20:01	27.01.2010	PORSCHE	PET	PORSCHE
STZ	1998	8	08	808-05		248					

Pos	Part Number	Description	Remark	Qty	Model	Pos	Part Number	Description	Remark	Qty	Model
	APL	classic grey	91-				AVZ	venetian blue	87-90		
	ARL	cobalt blue	91-				AVW	silk grey	89-90		
	ASL	magenta	91-				AVV	velvet red	89-90		
	AQL	light grey	91-				AVX	slate grey	89-90		
	ATY	cashmere beige	91-				ATH	black	91-		
	BQB	marine blue	91-				APL	classic grey	91-		
	AVF	matador red	91-				ARL	cobalt blue	91-		
	AVG	carrara grey	91-				ASL	magenta	91-		
	AVH	sherwood green	91-				AQL	light grey	91-		
	DBD	midnight blue	94-				ATY	cashmere beige	91-		
	DCD	chestnut brown	94-				BQB	marine blue	91-		
	DDD	marble grey	94-				AVF	matador red	91-		
	DEC	provence blue	94-				AVG	carrara grey	91-		
	DEE	cedar green	94-				AVH	sherwood green	91-		
	DEF	flamenco red	94-				DBD	midnight blue	94-		
(1)	928 521 002 05	comfort seat draped leather without heating whole-leather	/R	1	M438		DCD	chestnut brown	94-		
	KZ2	black	-90				DDD	marble grey	94-		
	TS1	marine blue	-90				DEC	provence blue	94-		
	TV1	mahogany	-90				DEE	cedar green	94-		
	LG7	burgundy	-90			(1)	DEF	flamenco red	94-		
	QC2	greyish green	-88				928 521 001 89	comfort seat with heating whole-leather	/L	1	M437
	LG5	champagne	-88				KZ2	black	-90		
	TW1	linen	-90				TS1	marine blue	-90		
	XN4	cashmere beige	89-90				TV1	mahogany	-90		
	XG1	plum red	-88				LG7	burgundy	-90		
	XG2	silver-grey	-88				QC2	greyish green	-88		
	AVY	caramel	87-90				LG5	champagne	-88		
							TW1	linen	-90		

Model	Year	MG	SG	Illustration	Restrictions	UPD	20:01	27.01.2010	PORSCHE	PET	PORSCHE
STZ	1998	8	08	808-05		248					

Pos	Part Number	Description	Remark	Qty	Model	Pos	Part Number	Description	Remark	Qty	Model
	XN4	cashmere beige	89-90				LG7	burgundy	-90		
	XG1	plum red	-88				QC2	greyish green	-88		
	XG2	silver-grey	-88				LG5	champagne	-88		
	AVY	caramel	87-90				TW1	linen	-90		
	AVZ	venetian blue	87-90				XN4	cashmere beige	89-90		
	AVW	silk grey	89-90				XG1	plum red	-88		
	AVV	velvet red	89-90				XG2	silver-grey	-88		
	AVX	slate grey	89-90				AVY	caramel	87-90		
	ATH	black	91-				AVZ	venetian blue	87-90		
	APL	classic grey	91-				AVW	silk grey	89-90		
	ARL	cobalt blue	91-				AVV	velvet red	89-90		
	ASL	magenta	91-				AVX	slate grey	89-90		
	AQL	light grey	91-				ATH	black	91-		
	ATY	cashmere beige	91-				APL	classic grey	91-		
	BQB	marine blue	91-				ARL	cobalt blue	91-		
	AVF	matador red	91-				ASL	magenta	91-		
	AVG	carrara grey	91-				AQL	light grey	91-		
	AVH	sherwood green	91-				ATY	cashmere beige	91-		
	DBD	midnight blue	94-				BQB	marine blue	91-		
	DCD	chestnut brown	94-				AVF	matador red	91-		
	DDD	marble grey	94-				AVG	carrara grey	91-		
	DEC	provence blue	94-				AVH	sherwood green	91-		
	DEE	cedar green	94-				DBD	midnight blue	94-		
	DEF	flamenco red	94-				DCD	chestnut brown	94-		
(1)	928 521 002 89	comfort seat with heating whole-leather	/R	1	M438		DDD	marble grey	94-		
	KZ2	black	-90				DEC	provence blue	94-		
	TS1	marine blue	-90				DEE	cedar green	94-		
	TV1	mahogany	-90				DEF	flamenco red	94-		

Model	Year	MG	SG	Illustration	Restrictions	UPD	20:01	27.01.2010	PORSCHE	PET	PORSCHE
STZ	1998	8	08	808-05		248					

Pos	Part Number	Description	Remark	Qty	Model	Pos	Part Number	Description	Remark	Qty	Model
(1)	928 521 001 25	comfort seat draped leather with heating whole-leather	/L	1	M437		DCD	chestnut brown	94-		
							DDD	marble grey	94-		
	KZ2	black		-90			DEC	provence blue	94-		
	TS1	marine blue		-90			DEE	cedar green	94-		
	TV1	mahogany		-90			DEF	flamenco red	94-		
	LG7	burgundy		-90		(1)	928 521 002 25	comfort seat draped leather with heating whole-leather	/R	1	M438
	QC2	greyish green		-88							
	LG5	champagne		-88			KZ2	black	-90		
	TW1	linen		-90			TS1	marine blue	-90		
	XN4	cashmere beige		89-90			TV1	mahogany	-90		
	XG1	plum red		-88			LG7	burgundy	-90		
	XG2	silver-grey		-88			QC2	greyish green	-88		
	AVY	caramel		87-90			LG5	champagne	-88		
	AVZ	venetian blue		87-90			TW1	linen	-90		
	AVW	silk grey		89-90			XN4	cashmere beige	89-90		
	AVV	velvet red		89-90			XG1	plum red	-88		
	AVX	slate grey		89-90			XG2	silver-grey	-88		
	ATH	black		91-			AVY	caramel	87-90		
	APL	classic grey		91-			AVZ	venetian blue	87-90		
	ARL	cobalt blue		91-			AVW	silk grey	89-90		
	ASL	magenta		91-			AVV	velvet red	89-90		
	AQL	light grey		91-			AVX	slate grey	89-90		
	ATY	cashmere beige		91-			ATH	black	91-		
	BQB	marine blue		91-			APL	classic grey	91-		
	AVF	matador red		91-			ARL	cobalt blue	91-		
	AVG	carrara grey		91-			ASL	magenta	91-		
	AVH	sherwood green		91-			AQL	light grey	91-		
	DBD	midnight blue		94-			ATY	cashmere beige	91-		

Model	Year	MG	SG	Illustration	Restrictions	UPD	20:01	27.01.2010	PORSCHE	PET	PORSCHE
STZ	1998	8	08	808-05		248					

Pos	Part Number	Description	Remark	Qty	Model	Pos	Part Number	Description	Remark	Qty	Model
	BQB	marine blue		91-			APL	classic grey		91-	
	AVF	matador red		91-			ARL	cobalt blue		91-	
	AVG	carrara grey		91-			ASL	magenta		91-	
	AVH	sherwood green		91-			AQL	light grey		91-	
	DBD	midnight blue		94-			ATY	cashmere beige		91-	
	DCD	chestnut brown		94-			BQB	marine blue		91-	
	DDD	marble grey		94-			AVF	matador red		91-	
	DEC	provence blue		94-			AVG	carrara grey		91-	
	DEE	cedar green		94-			AVH	sherwood green		91-	
	DEF	flamenco red		94-			DBD	midnight blue		94-	
1	928 521 001 91	comfort seat lumbar support without heating whole-leather	/L	1	M437		DCD	chestnut brown		94-	
	KZ2	black		-90			DDD	marble grey		94-	
	TS1	marine blue		-90			DEC	provence blue		94-	
	TV1	mahogany		-90			DEE	cedar green		94-	
	LG7	burgundy		-90		(1)	DEF	flamenco red		94-	
	QC2	greyish green		-88			928 521 002 91	comfort seat lumbar support without heating whole-leather	/R	1	M438
	LG5	champagne		-88			KZ2	black		-90	
	TW1	linen		-90			TS1	marine blue		-90	
	XN4	cashmere beige		89-90			TV1	mahogany		-90	
	XG1	plum red		-88			LG7	burgundy		-90	
	XG2	silver-grey		-88			QC2	greyish green		-88	
	AVY	caramel		87-90			LG5	champagne		-88	
	AVZ	venetian blue		87-90			TW1	linen		-90	
	AVW	silk grey		89-90			XN4	cashmere beige		89-90	
	AVV	velvet red		89-90			XG1	plum red		-88	
	AVX	slate grey		89-90			XG2	silver-grey		-88	
	ATH	black		91-			AVY	caramel		87-90	

Model	Year	MG	SG	Illustration	Restrictions	UPD	20:01	27.01.2010	PORSCHE	PET	PORSCHE
STZ	1998	8	08	808-05		248					

Pos	Part Number	Description	Remark	Qty	Model	Pos	Part Number	Description	Remark	Qty	Model
	AVZ	venetian blue	87-90				TW1	linen	-90		
	AVW	silk grey	89-90				XN4	cashmere beige	89-90		
	AVV	velvet red	89-90				XG1	plum red	-88		
	AVX	slate grey	89-90				XG2	silver-grey	-88		
	ATH	black	91-				AVY	caramel	87-90		
	APL	classic grey	91-				AVZ	venetian blue	87-90		
	ARL	cobalt blue	91-				AVW	silk grey	89-90		
	ASL	magenta	91-				AVV	velvet red	89-90		
	AQL	light grey	91-				AVX	slate grey	89-90		
	ATY	cashmere beige	91-				ATH	black	91-		
	BQB	marine blue	91-				APL	classic grey	91-		
	AVF	matador red	91-				ARL	cobalt blue	91-		
	AVG	carrara grey	91-				ASL	magenta	91-		
	AVH	sherwood green	91-				AQL	light grey	91-		
	DBD	midnight blue	94-				ATY	cashmere beige	91-		
	DCD	chestnut brown	94-				BQB	marine blue	91-		
	DDD	marble grey	94-				AVF	matador red	91-		
	DEC	provence blue	94-				AVG	carrara grey	91-		
	DEE	cedar green	94-				AVH	sherwood green	91-		
	DEF	flamenco red	94-				DBD	midnight blue	94-		
1	928 521 001 26	comfort seat draped leather lumbar support without heating whole-leather	/L	1	M437		DCD	chestnut brown	94-		
	KZ2	black	-90				DDD	marble grey	94-		
	TS1	marine blue	-90				DEC	provence blue	94-		
	TV1	mahogany	-90			(1)	DEE	cedar green	94-		
	LG7	burgundy	-90				DEF	flamenco red	94-		
	QC2	greyish green	-88				928 521 002 26	comfort seat draped leather lumbar support without heating whole-leather	/R	1	M438
	LG5	champagne	-88				KZ2	black	-90		

Model	Year	MG	SG	Illustration	Restrictions	UPD	20:01	27.01.2010	PORSCHE	PET	PORSCHE
STZ	1998	8	08	808-05		248					

Pos	Part Number	Description	Remark	Qty	Model	Pos	Part Number	Description	Remark	Qty	Model
	TS1	marine blue	-90				DEF	flamenco red	94-		
	TV1	mahogany	-90			1	928 521 001 93	comfort seat lumbar support with heating whole-leather	/L	1	M437
	LG7	burgundy	-90				KZ2	black	-90		
	QC2	greyish green	-88				TS1	marine blue	-90		
	LG5	champagne	-88				TV1	mahogany	-90		
	TW1	linen	-90				LG7	burgundy	-90		
	XN4	cashmere beige	89-90				QC2	greyish green	-88		
	XG1	plum red	-88				LG5	champagne	-88		
	XG2	silver-grey	-88				TW1	linen	-90		
	AVY	caramel	87-90				XN4	cashmere beige	89-90		
	AVZ	venetian blue	87-90				XG1	plum red	-88		
	AVW	silk grey	89-90				XG2	silver-grey	-88		
	AVV	velvet red	89-90				AVY	caramel	87-90		
	AVX	slate grey	89-90				AVZ	venetian blue	87-90		
	ATH	black	91-				AVW	silk grey	89-90		
	APL	classic grey	91-				AVV	velvet red	89-90		
	ARL	cobalt blue	91-				AVX	slate grey	89-90		
	ASL	magenta	91-				ATH	black	91-		
	AQL	light grey	91-				APL	classic grey	91-		
	ATY	cashmere beige	91-				ARL	cobalt blue	91-		
	BQB	marine blue	91-				ASL	magenta	91-		
	AVF	matador red	91-				AQL	light grey	91-		
	AVG	carrara grey	91-				ATY	cashmere beige	91-		
	AVH	sherwood green	91-				BQB	marine blue	91-		
	DBD	midnight blue	94-				AVF	matador red	91-		
	DCD	chestnut brown	94-				AVG	carrara grey	91-		
	DDD	marble grey	94-				AVH	sherwood green	91-		
	DEC	provence blue	94-								
	DEE	cedar green	94-								

Model	Year	MG	SG	Illustration	Restrictions	UPD	20:01	27.01.2010	PORSCHE	PET	PORSCHE
STZ	1998	8	08	808-05		248					

Pos	Part Number	Description	Remark	Qty	Model	Pos	Part Number	Description	Remark	Qty	Model
	DBD	midnight blue	94-				ATY	cashmere beige	91-		
	DCD	chestnut brown	94-				BQB	marine blue	91-		
	DDD	marble grey	94-				AVF	matador red	91-		
	DEC	provence blue	94-				AVG	carrara grey	91-		
	DEE	cedar green	94-				AVH	sherwood green	91-		
	DEF	flamenco red	94-				DBD	midnight blue	94-		
(1)	928 521 002 93	comfort seat lumbar support with heating whole-leather	/R	1	M438		DCD	chestnut brown	94-		
	KZ2	black	-90				DDD	marble grey	94-		
	TS1	marine blue	-90				DEC	provence blue	94-		
	TV1	mahogany	-90				DEE	cedar green	94-		
	LG7	burgundy	-90			1	DEF	flamenco red	94-		
	QC2	greyish green	-88				928 521 001 27	comfort seat draped leather lumbar support with heating whole-leather	/L	1	M437
	LG5	champagne	-88				KZ2	black	-90		
	TW1	linen	-90				TS1	marine blue	-90		
	XN4	cashmere beige	89-90				TV1	mahogany	-90		
	XG1	plum red	-88				LG7	burgundy	-90		
	XG2	silver-grey	-88				QC2	greyish green	-88		
	AVY	caramel	87-90				LG5	champagne	-88		
	AVZ	venetian blue	87-90				TW1	linen	-90		
	AVW	silk grey	89-90				XN4	cashmere beige	89-90		
	AVV	velvet red	89-90				XG1	plum red	-88		
	AVX	slate grey	89-90				XG2	silver-grey	-88		
	ATH	black	91-				AVY	caramel	87-90		
	APL	classic grey	91-				AVZ	venetian blue	87-90		
	ARL	cobalt blue	91-				AVW	silk grey	89-90		
	ASL	magenta	91-				AVV	velvet red	89-90		
	AQL	light grey	91-				AVX	slate grey	89-90		

Model	Year	MG	SG	Illustration	Restrictions	UPD	20:01	27.01.2010	PORSCHE	PET	PORSCHE
STZ	1998	8	08	808-05		248					

Pos	Part Number	Description	Remark	Qty	Model	Pos	Part Number	Description	Remark	Qty	Model
	ATH	black		91-			AVY	caramel		87-90	
	APL	classic grey		91-			AVZ	venetian blue		87-90	
	ARL	cobalt blue		91-			AVW	silk grey		89-90	
	ASL	magenta		91-			AVV	velvet red		89-90	
	AQL	light grey		91-			AVX	slate grey		89-90	
	ATY	cashmere beige		91-			ATH	black		91-	
	BQB	marine blue		91-			APL	classic grey		91-	
	AVF	matador red		91-			ARL	cobalt blue		91-	
	AVG	carrara grey		91-			ASL	magenta		91-	
	AVH	sherwood green		91-			AQL	light grey		91-	
	DBD	midnight blue		94-			ATY	cashmere beige		91-	
	DCD	chestnut brown		94-			BQB	marine blue		91-	
	DDD	marble grey		94-			AVF	matador red		91-	
	DEC	provence blue		94-			AVG	carrara grey		91-	
	DEE	cedar green		94-			AVH	sherwood green		91-	
	DEF	flamenco red		94-			DBD	midnight blue		94-	
(1)	928 521 002 27	comfort seat draped leather lumbar support with heating whole-leather	/R	1	M438		DCD	chestnut brown		94-	
	KZ2	black		-90			DDD	marble grey		94-	
	TS1	marine blue		-90			DEC	provence blue		94-	
	TV1	mahogany		-90		1	DEE	cedar green		94-	
	LG7	burgundy		-90			DEF	flamenco red		94-	
	QC2	greyish green		-88			928 521 001 82	comfort seat lumbar support seating position control without heating whole-leather	/L	1	M437
	LG5	champagne		-88			KZ2	black		-90	
	TW1	linen		-90			TS1	marine blue		-90	
	XN4	cashmere beige		89-90			TV1	mahogany		-90	
	XG1	plum red		-88			LG7	burgundy		-90	
	XG2	silver-grey		-88			QC2	greyish green		-88	



Model	Year	MG	SG	Illustration	Restrictions	UPD	20:01	27.01.2010	PORSCHE	PET	PORSCHE
STZ	1998	8	08	808-05		248					

Pos	Part Number	Description	Remark	Qty	Model	Pos	Part Number	Description	Remark	Qty	Model
	LG5	champagne		-88			KZ2	black		-90	
	TW1	linen		-90			TS1	marine blue		-90	
	XN4	cashmere beige		89-90			TV1	mahogany		-90	
	XG1	plum red		-88			LG7	burgundy		-90	
	XG2	silver-grey		-88			QC2	greyish green		-88	
	AVY	caramel		87-90			LG5	champagne		-88	
	AVZ	venetian blue		87-90			TW1	linen		-90	
	AVW	silk grey		89-90			XN4	cashmere beige		89-90	
	AVV	velvet red		89-90			XG1	plum red		-88	
	AVX	slate grey		89-90			XG2	silver-grey		-88	
	ATH	black		91-			AVY	caramel		87-90	
	APL	classic grey		91-			AVZ	venetian blue		87-90	
	ARL	cobalt blue		91-			AVW	silk grey		89-90	
	ASL	magenta		91-			AVV	velvet red		89-90	
	AQL	light grey		91-			AVX	slate grey		89-90	
	ATY	cashmere beige		91-			ATH	black		91-	
	BQB	marine blue		91-			APL	classic grey		91-	
	AVF	matador red		91-			ARL	cobalt blue		91-	
	AVG	carrara grey		91-			ASL	magenta		91-	
	AVH	sherwood green		91-			AQL	light grey		91-	
	DBD	midnight blue		94-			ATY	cashmere beige		91-	
	DCD	chestnut brown		94-			BQB	marine blue		91-	
	DDD	marble grey		94-			AVF	matador red		91-	
	DEC	provence blue		94-			AVG	carrara grey		91-	
	DEE	cedar green		94-			AVH	sherwood green		91-	
	DEF	flamenco red		94-			DBD	midnight blue		94-	
(1)	928 521 002 82	comfort seat lumbar support seating position control without heating whole-leather	/R	1	M438		DCD	chestnut brown		94-	
							DDD	marble grey		94-	
							DEC	provence blue		94-	

Model	Year	MG	SG	Illustration	Restrictions	UPD	20:01	27.01.2010	PORSCHE	PET	PORSCHE
STZ	1998	8	08	808-05		248					

Pos	Part Number	Description	Remark	Qty	Model	Pos	Part Number	Description	Remark	Qty	Model
	DEE	cedar green	94-				AVG	carrara grey	91-		
	DEF	flamenco red	94-				AVH	sherwood green	91-		
1	928 521 001 28	comfort seat draped leather lumbar support seating position control without heating whole-leather	/L	1	M437		DBD	midnight blue	94-		
	KZ2	black	-90				DCD	chestnut brown	94-		
	TS1	marine blue	-90				DDD	marble grey	94-		
	TV1	mahogany	-90				DEC	provence blue	94-		
	LG7	burgundy	-90			(1)	DEE	cedar green	94-		
	QC2	greyish green	-88				DEF	flamenco red	94-		
	LG5	champagne	-88				928 521 002 28	comfort seat draped leather lumbar support seating position control without heating whole-leather	/R	1	M438
	TW1	linen	-90				KZ2	black	-90		
	XN4	cashmere beige	89-90				TS1	marine blue	-90		
	XG1	plum red	-88				TV1	mahogany	-90		
	XG2	silver-grey	-88				LG7	burgundy	-90		
	AVY	caramel	87-90				QC2	greyish green	-88		
	AVZ	venetian blue	87-90				LG5	champagne	-88		
	AVW	silk grey	89-90				TW1	linen	-90		
	AVV	velvet red	89-90				XN4	cashmere beige	89-90		
	AVX	slate grey	89-90				XG1	plum red	-88		
	ATH	black	91-				XG2	silver-grey	-88		
	APL	classic grey	91-				AVY	caramel	87-90		
	ARL	cobalt blue	91-				AVZ	venetian blue	87-90		
	ASL	magenta	91-				AVW	silk grey	89-90		
	AQL	light grey	91-				AVV	velvet red	89-90		
	ATY	cashmere beige	91-				AVX	slate grey	89-90		
	BQB	marine blue	91-				ATH	black	91-		
	AVF	matador red	91-				APL	classic grey	91-		

Model	Year	MG	SG	Illustration	Restrictions	UPD	20:01	27.01.2010	PORSCHE	PET	PORSCHE
STZ	1998	8	08	808-05		248					

Pos	Part Number	Description	Remark	Qty	Model	Pos	Part Number	Description	Remark	Qty	Model
	ARL	cobalt blue		91-			AVW	silk grey		89-90	
	ASL	magenta		91-			AVV	velvet red		89-90	
	AQL	light grey		91-			AVX	slate grey		89-90	
	ATY	cashmere beige		91-			ATH	black		91-	
	BQB	marine blue		91-			APL	classic grey		91-	
	AVF	matador red		91-			ARL	cobalt blue		91-	
	AVG	carrara grey		91-			ASL	magenta		91-	
	AVH	sherwood green		91-			AQL	light grey		91-	
	DBD	midnight blue		94-			ATY	cashmere beige		91-	
	DCD	chestnut brown		94-			BQB	marine blue		91-	
	DDD	marble grey		94-			AVF	matador red		91-	
	DEC	provence blue		94-			AVG	carrara grey		91-	
	DEE	cedar green		94-			AVH	sherwood green		91-	
	DEF	flamenco red		94-			DBD	midnight blue		94-	
1	928 521 001 84	comfort seat lumbar support seating position control with heating whole-leather	/L	1	M437		DCD	chestnut brown		94-	
	KZ2	black		-90			DDD	marble grey		94-	
	TS1	marine blue		-90			DEC	provence blue		94-	
	TV1	mahogany		-90		(1)	DEE	cedar green		94-	
	LG7	burgundy		-90			DEF	flamenco red		94-	
	QC2	greyish green		-88			928 521 002 84	comfort seat lumbar support seating position control with heating whole-leather	/R	1	M438
	LG5	champagne		-88			KZ2	black		-90	
	TW1	linen		-90			TS1	marine blue		-90	
	XN4	cashmere beige		89-90			TV1	mahogany		-90	
	XG1	plum red		-88			LG7	burgundy		-90	
	XG2	silver-grey		-88			QC2	greyish green		-88	
	AVY	caramel		87-90			LG5	champagne		-88	
	AVZ	venetian blue		87-90			TW1	linen		-90	

Model	Year	MG	SG	Illustration	Restrictions	UPD	20:01	27.01.2010	PORSCHE	PET	PORSCHE
STZ	1998	8	08	808-05		248					

Pos	Part Number	Description	Remark	Qty	Model	Pos	Part Number	Description	Remark	Qty	Model
	XN4	cashmere beige	89-90				TS1	marine blue	-90		
	XG1	plum red	-88				TV1	mahogany	-90		
	XG2	silver-grey	-88				LG7	burgundy	-90		
	AVY	caramel	87-90				QC2	greyish green	-88		
	AVZ	venetian blue	87-90				LG5	champagne	-88		
	AVW	silk grey	89-90				TW1	linen	-90		
	AVV	velvet red	89-90				XN4	cashmere beige	89-90		
	AVX	slate grey	89-90				XG1	plum red	-88		
	ATH	black	91-				XG2	silver-grey	-88		
	APL	classic grey	91-				AVY	caramel	87-90		
	ARL	cobalt blue	91-				AVZ	venetian blue	87-90		
	ASL	magenta	91-				AVW	silk grey	89-90		
	AQL	light grey	91-				AVV	velvet red	89-90		
	ATY	cashmere beige	91-				AVX	slate grey	89-90		
	BQB	marine blue	91-				ATH	black	91-		
	AVF	matador red	91-				APL	classic grey	91-		
	AVG	carrara grey	91-				ARL	cobalt blue	91-		
	AVH	sherwood green	91-				ASL	magenta	91-		
	DBD	midnight blue	94-				AQL	light grey	91-		
	DCD	chestnut brown	94-				ATY	cashmere beige	91-		
	DDD	marble grey	94-				BQB	marine blue	91-		
	DEC	provence blue	94-				AVF	matador red	91-		
	DEE	cedar green	94-				AVG	carrara grey	91-		
	DEF	flamenco red	94-				AVH	sherwood green	91-		
1	928 521 001 29	comfort seat draped leather lumbar support seating position control with heating whole-leather	/L	1	M437		DBD	midnight blue	94-		
	KZ2	black	-90				DCD	chestnut brown	94-		
							DDD	marble grey	94-		
							DEC	provence blue	94-		
							DEE	cedar green	94-		

Model	Year	MG	SG	Illustration	Restrictions	UPD	20:01	27.01.2010	PORSCHE	PET	PORSCHE
STZ	1998	8	08	808-05		248					

Pos	Part Number	Description	Remark	Qty	Model	Pos	Part Number	Description	Remark	Qty	Model
	DEF	flamenco red	94-				AVH	sherwood green	91-		
(1)	928 521 002 29	comfort seat draped leather lumbar support seating position control with heating whole-leather	/R	1	M438		DBD	midnight blue	94-		
	KZ2	black	-90				DCD	chestnut brown	94-		
	TS1	marine blue	-90				DDD	marble grey	94-		
	TV1	mahogany	-90				DEC	provence blue	94-		
	LG7	burgundy	-90				DEE	cedar green	94-		
	QC2	greyish green	-88				DEF	flamenco red	94-		
	LG5	champagne	-88			1	928 521 001 32	comfort seat seating position control without heating whole-leather	/L	1	M437
	TW1	linen	-90				KZ2	black	-90		
	XN4	cashmere beige	89-90				TS1	marine blue	-90		
	XG1	plum red	-88				TV1	mahogany	-90		
	XG2	silver-grey	-88				LG7	burgundy	-90		
	AVY	caramel	87-90				QC2	greyish green	-88		
	AVZ	venetian blue	87-90				LG5	champagne	-88		
	AVW	silk grey	89-90				TW1	linen	-90		
	AVV	velvet red	89-90				XN4	cashmere beige	89-90		
	AVX	slate grey	89-90				XG1	plum red	-88		
	ATH	black	91-				XG2	silver-grey	-88		
	APL	classic grey	91-				AVY	caramel	87-90		
	ARL	cobalt blue	91-				AVZ	venetian blue	87-90		
	ASL	magenta	91-				AVW	silk grey	89-90		
	AQL	light grey	91-				AVV	velvet red	89-90		
	ATY	cashmere beige	91-				AVX	slate grey	89-90		
	BQB	marine blue	91-				ATH	black	91-		
	AVF	matador red	91-				APL	classic grey	91-		
	AVG	carrara grey	91-				ARL	cobalt blue	91-		
							ASL	magenta	91-		

Model	Year	MG	SG	Illustration	Restrictions	UPD	20:01	27.01.2010	PORSCHE	PET	PORSCHE
STZ	1998	8	08	808-05		248					

Pos	Part Number	Description	Remark	Qty	Model	Pos	Part Number	Description	Remark	Qty	Model
	AQL	light grey		91-			AVX	slate grey		89-90	
	ATY	cashmere beige		91-			ATH	black		91-	
	BQB	marine blue		91-			APL	classic grey		91-	
	AVF	matador red		91-			ARL	cobalt blue		91-	
	AVG	carrara grey		91-			ASL	magenta		91-	
	AVH	sherwood green		91-			AQL	light grey		91-	
	DBD	midnight blue		94-			ATY	cashmere beige		91-	
	DCD	chestnut brown		94-			BQB	marine blue		91-	
	DDD	marble grey		94-			AVF	matador red		91-	
	DEC	provence blue		94-			AVG	carrara grey		91-	
	DEE	cedar green		94-			AVH	sherwood green		91-	
	DEF	flamenco red		94-			DBD	midnight blue		94-	
(1)	928 521 002 32	comfort seat seating position control without heating whole-leather	/R	1	M438		DCD	chestnut brown		94-	
	KZ2	black		-90			DDD	marble grey		94-	
	TS1	marine blue		-90			DEC	provence blue		94-	
	TV1	mahogany		-90			DEE	cedar green		94-	
	LG7	burgundy		-90		1	DEF	flamenco red		94-	
	QC2	greyish green		-88			928 521 001 34	comfort seat seating position control with heating whole-leather	/L	1	M437
	LG5	champagne		-88			KZ2	black		-90	
	TW1	linen		-90			TS1	marine blue		-90	
	XN4	cashmere beige		89-90			TV1	mahogany		-90	
	XG1	plum red		-88			LG7	burgundy		-90	
	XG2	silver-grey		-88			QC2	greyish green		-88	
	AVY	caramel		87-90			LG5	champagne		-88	
	AVZ	venetian blue		87-90			TW1	linen		-90	
	AVW	silk grey		89-90			XN4	cashmere beige		89-90	
	AVV	velvet red		89-90			XG1	plum red		-88	

Model	Year	MG	SG	Illustration	Restrictions	UPD	20:01	27.01.2010	PORSCHE	PET	PORSCHE
STZ	1998	8	08	808-05		248					

Pos	Part Number	Description	Remark	Qty	Model	Pos	Part Number	Description	Remark	Qty	Model
	XG2	silver-grey	-88				QC2	greyish green	-88		
	AVY	caramel	87-90				LG5	champagne	-88		
	AVZ	venetian blue	87-90				TW1	linen	-90		
	AVW	silk grey	89-90				XN4	cashmere beige	89-90		
	AVV	velvet red	89-90				XG1	plum red	-88		
	AVX	slate grey	89-90				XG2	silver-grey	-88		
	ATH	black	91-				AVY	caramel	87-90		
	APL	classic grey	91-				AVZ	venetian blue	87-90		
	ARL	cobalt blue	91-				AVW	silk grey	89-90		
	ASL	magenta	91-				AVV	velvet red	89-90		
	AQL	light grey	91-				AVX	slate grey	89-90		
	ATY	cashmere beige	91-				ATH	black	91-		
	BQB	marine blue	91-				APL	classic grey	91-		
	AVF	matador red	91-				ARL	cobalt blue	91-		
	AVG	carrara grey	91-				ASL	magenta	91-		
	AVH	sherwood green	91-				AQL	light grey	91-		
	DBD	midnight blue	94-				ATY	cashmere beige	91-		
	DCD	chestnut brown	94-				BQB	marine blue	91-		
	DDD	marble grey	94-				AVF	matador red	91-		
	DEC	provence blue	94-				AVG	carrara grey	91-		
	DEE	cedar green	94-				AVH	sherwood green	91-		
	DEF	flamenco red	94-				DBD	midnight blue	94-		
(1)	928 521 002 34	comfort seat seating position control with heating whole-leather	/R	1	M438		DCD	chestnut brown	94-		
	KZ2	black	-90				DDD	marble grey	94-		
	TS1	marine blue	-90				DEC	provence blue	94-		
	TV1	mahogany	-90				DEE	cedar green	94-		
	LG7	burgundy	-90				DEF	flamenco red	94-		

Model	Year	MG	SG	Illustration	Restrictions	UPD	20:01	27.01.2010	PORSCHE	PET	PORSCHE
STZ	1998	8	08	808-05		248					

Pos	Part Number	Description	Remark	Qty	Model	Pos	Part Number	Description	Remark	Qty	Model
1	928 521 001 36	comfort seat draped leather seating position control without heating whole-leather	/L	1	M437			DCD chestnut brown	94-		
								DDD marble grey	94-		
								DEC provence blue	94-		
	KZ2	black		-90				DEE cedar green	94-		
	TS1	marine blue		-90				DEF flamenco red	94-		
	TV1	mahogany		-90		(1)	928 521 002 36	comfort seat draped leather seating position control without heating whole-leather	/R	1	M438
	LG7	burgundy		-90				KZ2 black	-90		
	QC2	greyish green		-88				TS1 marine blue	-90		
	LG5	champagne		-88				TV1 mahogany	-90		
	TW1	linen		-90				LG7 burgundy	-90		
	XN4	cashmere beige	89-90					QC2 greyish green	-88		
	XG1	plum red		-88				LG5 champagne	-88		
	XG2	silver-grey		-88				TW1 linen	-90		
	AVY	caramel	87-90					XN4 cashmere beige	89-90		
	AVZ	venetian blue	87-90					XG1 plum red	-88		
	AVW	silk grey	89-90					XG2 silver-grey	-88		
	AVV	velvet red	89-90					AVY caramel	87-90		
	AVX	slate grey	89-90					AVZ venetian blue	87-90		
	ATH	black	91-					AVW silk grey	89-90		
	APL	classic grey	91-					AVV velvet red	89-90		
	ARL	cobalt blue	91-					AVX slate grey	89-90		
	ASL	magenta	91-					ATH black	91-		
	AQL	light grey	91-					APL classic grey	91-		
	ATY	cashmere beige	91-					ARL cobalt blue	91-		
	BQB	marine blue	91-					ASL magenta	91-		
	AVF	matador red	91-					AQL light grey	91-		
	AVG	carrara grey	91-					ATY cashmere beige	91-		
	AVH	sherwood green	91-								
	DBD	midnight blue	94-								



Model	Year	MG	SG	Illustration	Restrictions	UPD	20:01	27.01.2010	PORSCHE	PET	PORSCHE
STZ	1998	8	08	808-05		248					

Pos	Part Number	Description	Remark	Qty	Model	Pos	Part Number	Description	Remark	Qty	Model
	BQB	marine blue		91-			APL	classic grey		91-	
	AVF	matador red		91-			ARL	cobalt blue		91-	
	AVG	carrara grey		91-			ASL	magenta		91-	
	AVH	sherwood green		91-			AQL	light grey		91-	
	DBD	midnight blue		94-			ATY	cashmere beige		91-	
	DCD	chestnut brown		94-			BQB	marine blue		91-	
	DDD	marble grey		94-			AVF	matador red		91-	
	DEC	provence blue		94-			AVG	carrara grey		91-	
	DEE	cedar green		94-			AVH	sherwood green		91-	
	DEF	flamenco red		94-			DBD	midnight blue		94-	
1	928 521 001 37	comfort seat draped leather seating position control with heating whole-leather	/L	1	M437		DCD	chestnut brown		94-	
	KZ2	black		-90			DDD	marble grey		94-	
	TS1	marine blue		-90			DEC	provence blue		94-	
	TV1	mahogany		-90		(1)	DEE	cedar green		94-	
	LG7	burgundy		-90			DEF	flamenco red		94-	
	QC2	greyish green		-88			928 521 002 37	comfort seat draped leather seating position control with heating whole-leather	/R	1	M438
	LG5	champagne		-88			KZ2	black		-90	
	TW1	linen		-90			TS1	marine blue		-90	
	XN4	cashmere beige		89-90			TV1	mahogany		-90	
	XG1	plum red		-88			LG7	burgundy		-90	
	XG2	silver-grey		-88			QC2	greyish green		-88	
	AVY	caramel		87-90			LG5	champagne		-88	
	AVZ	venetian blue		87-90			TW1	linen		-90	
	AVW	silk grey		89-90			XN4	cashmere beige		89-90	
	AVV	velvet red		89-90			XG1	plum red		-88	
	AVX	slate grey		89-90			XG2	silver-grey		-88	
	ATH	black		91-			AVY	caramel		87-90	

Model	Year	MG	SG	Illustration	Restrictions	UPD	20:01	27.01.2010	PORSCHE	PET	PORSCHE
STZ	1998	8	08	808-05		248					

Pos	Part Number	Description	Remark	Qty	Model	Pos	Part Number	Description	Remark	Qty	Model
	AVZ	venetian blue	87-90				QA7	greyish green/ greyish green-white	-88		
	AVW	silk grey	89-90				XF5	linen/ linen white	89-90		
	AVV	velvet red	89-90				XF8	cashmere beige/ cashmere beige-white	89-90		
	AVX	slate grey	89-90								
	ATH	black	91-			(1A)	928 521 002 88	comfort seat without heating leather/ centre part in cloth pin stripe velour	/R	1	M438
	APL	classic grey	91-								
	ARL	cobalt blue	91-								
	ASL	magenta	91-				LS5	black/ black-white	-90		
	AQL	light grey	91-				TU1	mahogany/ mahogany-white	-90		
	ATY	cashmere beige	91-				TR1	blue/ blue-white	-90		
	BQB	marine blue	91-				LS9	burgundy/ burgundy-white	-90		
	AVF	matador red	91-				QA7	greyish green/ greyish green-white	-88		
	AVG	carrara grey	91-				XF5	linen/ linen white	89-90		
	AVH	sherwood green	91-				XF8	cashmere beige/ cashmere beige-white	89-90		
	DBD	midnight blue	94-			(1A)	928 521 001 90	comfort seat with heating leather/ centre part in cloth pin stripe velour	/L	1	M437
	DCD	chestnut brown	94-				LS5	black/ black-white	-90		
	DDD	marble grey	94-				TU1	mahogany/ mahogany-white	-90		
	DEC	provence blue	94-				TR1	blue/ blue-white	-90		
	DEE	cedar green	94-				LS9	burgundy/ burgundy-white	-90		
	DEF	flamenco red	94-				QA7	greyish green/ greyish green-white	-88		
1A	928 521 001 88	comfort seat without heating leather/ centre part in cloth pin stripe velour	/L	1	M437						
	LS5	black/ black-white	-90								
	TU1	mahogany/ mahogany-white	-90								
	TR1	blue/ blue-white	-90								
	LS9	burgundy/ burgundy-white	-90								

Model	Year	MG	SG	Illustration	Restrictions	UPD	20:01	27.01.2010	PORSCHE	PET	PORSCHE
STZ	1998	8	08	808-05		248					

Pos	Part Number	Description	Remark	Qty	Model	Pos	Part Number	Description	Remark	Qty	Model
	XF5	linen/ linen white	89-90				XF8	cashmere beige/ cashmere beige-white	89-90		
	XF8	cashmere beige/ cashmere beige-white	89-90			(1A)	928 521 002 92	comfort seat lumbar support without heating leather/ centre part in cloth pin stripe velour	/R	1	M438
(1A)	928 521 002 90	comfort seat with heating leather/ centre part in cloth pin stripe velour	/R	1	M438		LS5	black/ black-white	-90		
	LS5	black/ black-white	-90				TU1	mahogany/ mahogany-white	-90		
	TU1	mahogany/ mahogany-white	-90				TR1	blue/ blue-white	-90		
	TR1	blue/ blue-white	-90				LS9	burgundy/ burgundy-white	-90		
	LS9	burgundy/ burgundy-white	-90				QA7	greyish green/ greyish green-white	-88		
	QA7	greyish green/ greyish green-white	-88				XF5	linen/ linen white	89-90		
	XF5	linen/ linen white	89-90				XF8	cashmere beige/ cashmere beige-white	89-90		
	XF8	cashmere beige/ cashmere beige-white	89-90			1A	928 521 001 94	comfort seat lumbar support with heating leather/ centre part in cloth pin stripe velour	/L	1	M437
1A	928 521 001 92	comfort seat lumbar support without heating leather/ centre part in cloth pin stripe velour	/L	1	M437		LS5	black/ black-white	-90		
	LS5	black/ black-white	-90				TU1	mahogany/ mahogany-white	-90		
	TU1	mahogany/ mahogany-white	-90				TR1	blue/ blue-white	-90		
	TR1	blue/ blue-white	-90				LS9	burgundy/ burgundy-white	-90		
	LS9	burgundy/ burgundy-white	-90				QA7	greyish green/ greyish green-white	-88		
	QA7	greyish green/ greyish green-white	-88				XF5	linen/ linen white	89-90		
	XF5	linen/ linen white	89-90								

Model	Year	MG	SG	Illustration	Restrictions	UPD	20:01	27.01.2010	PORSCHE	PET	PORSCHE
STZ	1998	8	08	808-05		248					

Pos	Part Number	Description	Remark	Qty	Model	Pos	Part Number	Description	Remark	Qty	Model
		XF8 cashmere beige/ cashmere beige-white	89-90					XF8 cashmere beige/ cashmere beige-white	89-90		
(1A)	928 521 002 94	comfort seat lumbar support with heating leather/ centre part in cloth pin stripe velour	/R	1	M438	(1A)	928 521 002 83	comfort seat lumbar support seating position control without heating leather/ centre part in cloth pin stripe velour	/R	1	M438
	LS5	black/ black-white	-90				LS5	black/ black-white	-90		
	TU1	mahogany/ mahogany-white	-90				TU1	mahogany/ mahogany-white	-90		
	TR1	blue/ blue-white	-90				TR1	blue/ blue-white	-90		
	LS9	burgundy/ burgundy-white	-90				LS9	burgundy/ burgundy-white	-90		
	QA7	greyish green/ greyish green-white	-88				QA7	greyish green/ greyish green-white	-88		
	XF5	linen/ linen white	89-90				XF5	linen/ linen white	89-90		
	XF8	cashmere beige/ cashmere beige-white	89-90				XF8	cashmere beige/ cashmere beige-white	89-90		
1A	928 521 001 83	comfort seat lumbar support seating position control without heating leather/ centre part in cloth pin stripe velour	/L	1	M437	1A	928 521 001 85	comfort seat lumbar support seating position control with heating leather/ centre part in cloth pin stripe velour	/L	1	M437
	LS5	black/ black-white	-90				LS5	black/ black-white	-90		
	TU1	mahogany/ mahogany-white	-90				TU1	mahogany/ mahogany-white	-90		
	TR1	blue/ blue-white	-90				TR1	blue/ blue-white	-90		
	LS9	burgundy/ burgundy-white	-90				LS9	burgundy/ burgundy-white	-90		
	QA7	greyish green/ greyish green-white	-88				QA7	greyish green/ greyish green-white	-88		
	XF5	linen/ linen white	89-90				XF5	linen/ linen white	89-90		

Model	Year	MG	SG	Illustration	Restrictions	UPD	20:01	27.01.2010	PORSCHE	PET	PORSCHE
STZ	1998	8	08	808-05		248					

Pos	Part Number	Description	Remark	Qty	Model	Pos	Part Number	Description	Remark	Qty	Model
		XF8 cashmere beige/ cashmere beige-white	89-90					XF8 cashmere beige/ cashmere beige-white	89-90		
(1A)	928 521 002 85	comfort seat lumbar support seating position control with heating leather/ centre part in cloth pin stripe velour	/R	1	M438	(1A)	928 521 002 33	comfort seat seating position control without heating leather/ centre part in cloth pin stripe velour	/R	1	M438
	LS5	black/ black-white	-90				LS5	black/ black-white	-90		
	TU1	mahogany/ mahogany-white	-90				TU1	mahogany/ mahogany-white	-90		
	TR1	blue/ blue-white	-90				TR1	blue/ blue-white	-90		
	LS9	burgundy/ burgundy-white	-90				LS9	burgundy/ burgundy-white	-90		
	QA7	greyish green/ greyish green-white	-88				QA7	greyish green/ greyish green-white	-88		
	XF5	linen/ linen white	89-90				XF5	linen/ linen white	89-90		
	XF8	cashmere beige/ cashmere beige-white	89-90				XF8	cashmere beige/ cashmere beige-white	89-90		
1A	928 521 001 33	comfort seat seating position control without heating leather/ centre part in cloth pin stripe velour	/L	1	M437	1A	928 521 001 35	comfort seat seating position control with heating leather/ centre part in cloth pin stripe velour	/L	1	M437
	LS5	black/ black-white	-90				LS5	black/ black-white	-90		
	TU1	mahogany/ mahogany-white	-90				TU1	mahogany/ mahogany-white	-90		
	TR1	blue/ blue-white	-90				TR1	blue/ blue-white	-90		
	LS9	burgundy/ burgundy-white	-90				LS9	burgundy/ burgundy-white	-90		
	QA7	greyish green/ greyish green-white	-88				QA7	greyish green/ greyish green-white	-88		
	XF5	linen/ linen white	89-90				XF5	linen/ linen white	89-90		

Model	Year	MG	SG	Illustration	Restrictions	UPD	20:01	27.01.2010	PORSCHE	PET	PORSCHE
STZ	1998	8	08	808-05		248					

Pos	Part Number	Description	Remark	Qty	Model	Pos	Part Number	Description	Remark	Qty	Model
		XF8 cashmere beige/ cashmere beige-white	89-90				AQJ	light grey/light grey	91-		
(1A)	928 521 002 35	comfort seat seating position control with heating leather/ centre part in cloth pin stripe velour	/R	1	M438		ATW	cashmere beige/cash. beige	91-		
		LS5 black/ black-white	-90				BQJ	marine blue/marine blue	91-		
		TU1 mahogany/ mahogany-white	-90			(1A)	928 521 002 88	comfort seat without heating leather/ centre part in cloth multicolour	/R	1	M438
		TR1 blue/ blue-white	-90				XG6	black/black	-90		
		LS9 burgundy/ burgundy-white	-90				XG7	mahogany/mahogany	-90		
		QA7 greyish green/ greyish green-white	-88				XG8	marine blue/marine blue	-90		
		XF5 linen/ linen white	89-90				XG9	burgundy/burgundy	-90		
		XF8 cashmere beige/ cashmere beige-white	89-90				XF7	linen/linen	-90		
1A	928 521 001 88	comfort seat without heating leather/ centre part in cloth multicolour	/L	1	M437		XG5	cashmere beige/cash. beige	-90		
		XG6 black/black	-90				ATJ	black/black	91-		
		XG7 mahogany/mahogany	-90				AOT	classic grey/classic grey	91-		
		XG8 marine blue/marine blue	-90				AQU	cobalt blue/cobalt blue	91-		
		XG9 burgundy/burgundy	-90				ASJ	magenta/magenta	91-		
		XF7 linen/linen	-90				AQJ	light grey/light grey	91-		
		XG5 cashmere beige/cash. beige	-90				ATW	cashmere beige/cash. beige	91-		
		ATJ black/black	91-				BQJ	marine blue/marine blue	91-		
		AOT classic grey/classic grey	91-			(1A)	928 521 001 90	comfort seat with heating leather/ centre part in cloth multicolour	/L	1	M437
		AQU cobalt blue/cobalt blue	91-				XG6	black/black	-90		
		ASJ magenta/magenta	91-				XG7	mahogany/mahogany	-90		
							XG8	marine blue/marine blue	-90		
							XG9	burgundy/burgundy	-90		
							XF7	linen/linen	-90		
							XG5	cashmere beige/cash. beige	-90		
							ATJ	black/black	91-		

Model	Year	MG	SG	Illustration	Restrictions	UPD	20:01	27.01.2010	PORSCHE	PET	PORSCHE
STZ	1998	8	08	808-05		248					

Pos	Part Number	Description	Remark	Qty	Model	Pos	Part Number	Description	Remark	Qty	Model
	AOT	classic grey/classic grey		91-			XG9	burgundy/burgundy		-90	
	AQU	cobalt blue/cobalt blue		91-			XF7	linen/linen		-90	
	ASJ	magenta/magenta		91-			XG5	cashmere beige/cash. beige		-90	
	AQJ	light grey/light grey		91-			ATJ	black/black		91-	
	ATW	cashmere beige/cash. beige		91-			AOT	classic grey/classic grey		91-	
	BQJ	marine blue/marine blue		91-			AQU	cobalt blue/cobalt blue		91-	
(1A)	928 521 002 90	comfort seat with heating leather/centre part in cloth multicolour	/R	1	M438		ASJ	magenta/magenta		91-	
	XG6	black/black		-90			AQJ	light grey/light grey		91-	
	XG7	mahogany/mahogany		-90		(1A)	928 521 002 92	comfort seat lumbar support without heating leather/centre part in cloth multicolour	/R	1	M438
	XG8	marine blue/marine blue		-90						89-	
	XG9	burgundy/burgundy		-90			XG6	black/black		-90	
	XF7	linen/linen		-90			XG7	mahogany/mahogany		-90	
	XG5	cashmere beige/cash. beige		-90			XG8	marine blue/marine blue		-90	
	ATJ	black/black		91-			XG9	burgundy/burgundy		-90	
	AOT	classic grey/classic grey		91-			XF7	linen/linen		-90	
	AQU	cobalt blue/cobalt blue		91-			XG5	cashmere beige/cash. beige		-90	
	ASJ	magenta/magenta		91-			ATJ	black/black		91-	
	AQJ	light grey/light grey		91-			AOT	classic grey/classic grey		91-	
	ATW	cashmere beige/cash. beige		91-			AQU	cobalt blue/cobalt blue		91-	
	BQJ	marine blue/marine blue		91-			ASJ	magenta/magenta		91-	
1A	928 521 001 92	comfort seat lumbar support without heating leather/centre part in cloth multicolour	/L	1	M437		AQJ	light grey/light grey		91-	
	XG6	black/black		-90			ATW	cashmere beige/cash. beige		91-	
	XG7	mahogany/mahogany		-90			BQJ	marine blue/marine blue		91-	
	XG8	marine blue/marine blue		-90							

Model	Year	MG	SG	Illustration	Restrictions	UPD	20:01	27.01.2010	PORSCHE	PET	PORSCHE
STZ	1998	8	08	808-05		248					

Pos	Part Number	Description	Remark	Qty	Model	Pos	Part Number	Description	Remark	Qty	Model
1A	928 521 001 94	comfort seat lumbar support with heating leather/ centre part in cloth multicolour	/L	1	M437		ASJ	magenta/magenta	91-		
	XG6	black/black	89-				AQJ	light grey/light grey	91-		
	XG7	mahogany/mahogany	-90				ATW	cashmere beige/cash. beige	91-		
	XG8	marine blue/marine blue	-90				BQJ	marine blue/marine blue	91-		
	XG9	burgundy/burgundy	-90			1A	928 521 001 83	comfort seat lumbar support seating position control without heating leather/ centre part in cloth multicolour	/L	1	M437
	XF7	linen/linen	-90				XG6	black/black	89-		
	XG5	cashmere beige/cash. beige	-90				XG7	mahogany/mahogany	-90		
	ATJ	black/black	91-				XG8	marine blue/marine blue	-90		
	AOT	classic grey/classic grey	91-				XG9	burgundy/burgundy	-90		
	AQU	cobalt blue/cobalt blue	91-				XF7	linen/linen	-90		
	ASJ	magenta/magenta	91-				XG5	cashmere beige/cash. beige	-90		
	AQJ	light grey/light grey	91-				ATJ	black/black	91-		
	ATW	cashmere beige/cash. beige	91-				AOT	classic grey/classic grey	91-		
	BQJ	marine blue/marine blue	91-				AQU	cobalt blue/cobalt blue	91-		
(1A)	928 521 002 94	comfort seat lumbar support with heating leather/ centre part in cloth multicolour	/R	1	M438		ASJ	magenta/magenta	91-		
	XG6	black/black	89-				AQJ	light grey/light grey	91-		
	XG7	mahogany/mahogany	-90				ATW	cashmere beige/cash. beige	91-		
	XG8	marine blue/marine blue	-90				BQJ	marine blue/marine blue	91-		
	XG9	burgundy/burgundy	-90			(1A)	928 521 002 83	comfort seat lumbar support seating position control without heating leather/ centre part in cloth multicolour	/R	1	M438
	XF7	linen/linen	-90				XG6	black/black	89-		
	XG5	cashmere beige/cash. beige	-90				XG7	mahogany/mahogany	-90		
	ATJ	black/black	91-				XG8	marine blue/marine blue	-90		
	AOT	classic grey/classic grey	91-				XG9	burgundy/burgundy	-90		
	AQU	cobalt blue/cobalt blue	91-								



Model	Year	MG	SG	Illustration	Restrictions	UPD	20:01	27.01.2010	PORSCHE	PET	PORSCHE
STZ	1998	8	08	808-05		248					

Pos	Part Number	Description	Remark	Qty	Model	Pos	Part Number	Description	Remark	Qty	Model	
		XF7 linen/linen		-90		(1A)	928 521 002 85	comfort seat lumbar support seating position control with heating leather/ centre part in cloth multicolour	/R	1	M438	
		XG5 cashmere beige/cash. beige		-90								
		ATJ black/black		91-								
		AOT classic grey/classic grey		91-					89-			
		AQU cobalt blue/cobalt blue		91-			XG6 black/black		-90			
		ASJ magenta/magenta		91-			XG7 mahogany/mahogany		-90			
		AQJ light grey/light grey		91-			XG8 marine blue/marine blue		-90			
		ATW cashmere beige/cash. beige		91-			XG9 burgundy/burgundy		-90			
		BQJ marine blue/marine blue		91-			XF7 linen/linen		-90			
1A	928 521 001 85	comfort seat lumbar support seating position control with heating leather/ centre part in cloth multicolour	/L	1	M437		XG5 cashmere beige/cash. beige		-90			
		XG6 black/black		-90			ATJ black/black		91-			
		XG7 mahogany/mahogany		-90			AOT classic grey/classic grey		91-			
		XG8 marine blue/marine blue		-90			AQU cobalt blue/cobalt blue		91-			
		XG9 burgundy/burgundy		-90			ASJ magenta/magenta		91-			
		XF7 linen/linen		-90			AQJ light grey/light grey		91-			
		XG5 cashmere beige/cash. beige		-90			ATW cashmere beige/cash. beige		91-			
		ATJ black/black		91-			BQJ marine blue/marine blue		91-			
		AOT classic grey/classic grey		91-								
		AQU cobalt blue/cobalt blue		91-								
		ASJ magenta/magenta		91-			1A	928 521 001 33	comfort seat seating position control without heating leather/ centre part in cloth multicolour	/L	1	M437
		AQJ light grey/light grey		91-					89-			
		ATW cashmere beige/cash. beige		91-			XG6 black/black		-90			
		BQJ marine blue/marine blue		91-			XG7 mahogany/mahogany		-90			
							XG8 marine blue/marine blue		-90			
							XG9 burgundy/burgundy		-90			
							XF7 linen/linen		-90			
							XG5 cashmere beige/cash. beige		-90			
							ATJ black/black		91-			
							AOT classic grey/classic grey		91-			

Model	Year	MG	SG	Illustration	Restrictions	UPD	20:01	27.01.2010	PORSCHE	PET	PORSCHE
STZ	1998	8	08	808-05		248					

Pos	Part Number	Description	Remark	Qty	Model	Pos	Part Number	Description	Remark	Qty	Model
	AQU	cobalt blue/cobalt blue		91-			XF7	linen/linen		-90	
	ASJ	magenta/magenta		91-			XG5	cashmere beige/cash. beige		-90	
	AQJ	light grey/light grey		91-			ATJ	black/black		91-	
	ATW	cashmere beige/cash. beige		91-			AOT	classic grey/classic grey		91-	
	BQJ	marine blue/marine blue		91-			AQU	cobalt blue/cobalt blue		91-	
(1A)	928 521 002 33	comfort seat seating position control without heating leather/ centre part in cloth multicolour	/R	1	M438		ASJ	magenta/magenta		91-	
				89-			AQJ	light grey/light grey		91-	
	XG6	black/black		-90			ATW	cashmere beige/cash. beige		91-	
	XG7	mahogany/mahogany		-90		(1A)	928 521 002 35	comfort seat seating position control with heating leather/ centre part in cloth multicolour	/R	1	M438
	XG8	marine blue/marine blue		-90						89-	
	XG9	burgundy/burgundy		-90			XG6	black/black		-90	
	XF7	linen/linen		-90			XG7	mahogany/mahogany		-90	
	XG5	cashmere beige/cash. beige		-90			XG8	marine blue/marine blue		-90	
	ATJ	black/black		91-			XG9	burgundy/burgundy		-90	
	AOT	classic grey/classic grey		91-			XF7	linen/linen		-90	
	AQU	cobalt blue/cobalt blue		91-			XG5	cashmere beige/cash. beige		-90	
	ASJ	magenta/magenta		91-			ATJ	black/black		91-	
	AQJ	light grey/light grey		91-			AOT	classic grey/classic grey		91-	
	ATW	cashmere beige/cash. beige		91-			AQU	cobalt blue/cobalt blue		91-	
	BQJ	marine blue/marine blue		91-			ASJ	magenta/magenta		91-	
1A	928 521 001 35	comfort seat seating position control with heating leather/ centre part in cloth multicolour	/L	1	M437		AQJ	light grey/light grey		91-	
				89-			ATW	cashmere beige/cash. beige		91-	
	XG6	black/black		-90			BQJ	marine blue/marine blue		91-	
	XG7	mahogany/mahogany		-90		1A	928 521 001 88	comfort seat without heating leather/ centre part in cloth pin stripe flannel	/L	1	M437
	XG8	marine blue/marine blue		-90						-88	
	XG9	burgundy/burgundy		-90							

Model	Year	MG	SG	Illustration	Restrictions	UPD	20:01	27.01.2010	PORSCHE	PET	PORSCHE
STZ	1998	8	08	808-05		248					

Pos	Part Number	Description	Remark	Qty	Model	Pos	Part Number	Description	Remark	Qty	Model
		QB1 black/anthracite				1A	928 521 001 92	comfort seat lumbar support without heating leather/	/L	1	M437
		TU2 mahogany/mahogany						centre part in cloth			
		TR2 marine blue/blue						pin stripe flannel	-88		
		QB7 burgundy/burgundy					QB1 black/anthracite				
		QA8 greyish green/grey-green					TU2 mahogany/mahogany				
(1A)	928 521 002 88	comfort seat without heating leather/	/R	1	M438		TR2 marine blue/blue				
		centre part in cloth					QB7 burgundy/burgundy				
		pin stripe flannel	-88				QA8 greyish green/grey-green				
		QB1 black/anthracite				(1A)	928 521 002 92	comfort seat lumbar support without heating leather/	/R	1	M438
		TU2 mahogany/mahogany						centre part in cloth			
		TR2 marine blue/blue						pin stripe flannel	-88		
		QB7 burgundy/burgundy					QB1 black/anthracite				
		QA8 greyish green/grey-green					TU2 mahogany/mahogany				
(1A)	928 521 001 90	comfort seat with heating leather/	/L	1	M437		TR2 marine blue/blue				
		centre part in cloth					QB7 burgundy/burgundy				
		pin stripe flannel	-88				QA8 greyish green/grey-green				
		QB1 black/anthracite				1A	928 521 001 94	comfort seat lumbar support with heating leather/	/L	1	M437
		TU2 mahogany/mahogany						centre part in cloth			
		TR2 marine blue/blue						pin stripe flannel	-88		
		QB7 burgundy/burgundy					QB1 black/anthracite				
		QA8 greyish green/grey-green					TU2 mahogany/mahogany				
(1A)	928 521 002 90	comfort seat with heating leather/	/R	1	M438		TR2 marine blue/blue				
		centre part in cloth					QB7 burgundy/burgundy				
		pin stripe flannel	-88				QA8 greyish green/grey-green				
		QB1 black/anthracite				(1A)	928 521 002 94	comfort seat lumbar support with heating leather/	/R	1	M438
		TU2 mahogany/mahogany						centre part in cloth			
		TR2 marine blue/blue						pin stripe flannel	-88		
		QB7 burgundy/burgundy									
		QA8 greyish green/grey-green									

Model	Year	MG	SG	Illustration	Restrictions	UPD	20:01	27.01.2010	PORSCHE	PET	PORSCHE
STZ	1998	8	08	808-05		248					

Pos	Part Number	Description	Remark	Qty	Model	Pos	Part Number	Description	Remark	Qty	Model
		QB1 black/anthracite					TR2	marine blue/blue			
		TU2 mahogany/mahogany					QB7	burgundy/burgundy			
		TR2 marine blue/blue					QA8	greyish green/grey-green			
		QB7 burgundy/burgundy				(1A)	928 521 002 85	comfort seat lumbar support seating position control with heating leather/ centre part in cloth pin stripe flannel	/R	1	M438
		QA8 greyish green/grey-green									
1A	928 521 001 83	comfort seat lumbar support seating position control without heating leather/ centre part in cloth pin stripe flannel	/L	1	M437						
							QB1	black/anthracite			
							TU2	mahogany/mahogany			
		QB1 black/anthracite					TR2	marine blue/blue			
		TU2 mahogany/mahogany					QB7	burgundy/burgundy			
		TR2 marine blue/blue					QA8	greyish green/grey-green			
		QB7 burgundy/burgundy				1A	928 521 001 33	comfort seat seating position control without heating leather/ centre part in cloth pin stripe flannel	/L	1	M437
		QA8 greyish green/grey-green									
(1A)	928 521 002 83	comfort seat lumbar support seating position control without heating leather/ centre part in cloth pin stripe flannel	/R	1	M438						
							QB1	black/anthracite			
							TU2	mahogany/mahogany			
		QB1 black/anthracite					TR2	marine blue/blue			
		TU2 mahogany/mahogany					QB7	burgundy/burgundy			
		TR2 marine blue/blue					QA8	greyish green/grey-green			
		QB7 burgundy/burgundy				(1A)	928 521 002 33	comfort seat seating position control without heating leather/ centre part in cloth pin stripe flannel	/R	1	M438
		QA8 greyish green/grey-green									
1A	928 521 001 85	comfort seat lumbar support seating position control with heating leather/ centre part in cloth pin stripe flannel	/L	1	M437						
							QB1	black/anthracite			
							TU2	mahogany/mahogany			
		QB1 black/anthracite					TR2	marine blue/blue			
		TU2 mahogany/mahogany					QB7	burgundy/burgundy			
							QA8	greyish green/grey-green			

Model	Year	MG	SG	Illustration	Restrictions	UPD	20:01	27.01.2010	PORSCHE	PET	PORSCHE
STZ	1998	8	08	808-05		248					

Pos	Part Number	Description	Remark	Qty	Model	Pos	Part Number	Description	Remark	Qty	Model
1A	928 521 001 35	comfort seat seating position control with heating leather/ centre part in cloth pin stripe flannel	/L	1	M437		ARG	cobalt blue/cobalt blue	91-		
	QB1	black/anthracite					ASG	magenta/magenta	91-		
	TU2	mahogany/mahogany					AQG	light grey/light grey	91-		
	TR2	marine blue/blue	-88				ATU	cashmere beige/cash. beige	91-		
	QB7	burgundy/burgundy					BQL	marine blue/blue	91-		
	QA8	greyish green/grey-green					DBB	midnight bl./midnight blue	94-		
							DCB	chestnut brown/	94-		
							DDB	marble grey/marble grey	94-		
(1A)	928 521 002 35	comfort seat seating position control with heating leather/ centre part in cloth pin stripe flannel	/R	1	M438	(1A)	928 521 002 88	comfort seat without heating leather/ centre part porsche lettering cloth	/R	1	M438
	QB1	black/anthracite					QB2	black/black	-90		
	TU2	mahogany/mahogany					TU3	mahogany/mahogany	-90		
	TR2	marine blue/blue					TR3	marine blue/blue	-90		
	QB7	burgundy/burgundy					QB8	burgundy/burgundy	-90		
	QA8	greyish green/grey-green					XF6	linen/linen	89-90		
1A	928 521 001 88	comfort seat without heating leather/ centre part porsche lettering cloth	/L	1	M437		XF9	cashmere beige/cash. beige	89-90		
	QB2	black/black					QA9	greyish green/grey-green	-88		
	TU3	mahogany/mahogany					ATD	black/black	91-		
	TR3	marine blue/blue					APG	classic grey/classic grey	91-		
	QB8	burgundy/burgundy					ARG	cobalt blue/cobalt blue	91-		
	XF6	linen/linen	89-90				ASG	magenta/magenta	91-		
	XF9	cashmere beige/cash. beige	89-90				AQG	light grey/light grey	91-		
	QA9	greyish green/grey-green					ATU	cashmere beige/cash. beige	91-		
	ATD	black/black					BQL	marine blue/blue	91-		
	APG	classic grey/classic grey					DBB	midnight bl./midnight blue	94-		
							DCB	chestnut brown/	94-		
							DDB	marble grey/marble grey	94-		

Model	Year	MG	SG	Illustration	Restrictions	UPD	20:01	27.01.2010	PORSCHE	PET	PORSCHE
STZ	1998	8	08	808-05		248					

Pos	Part Number	Description	Remark	Qty	Model	Pos	Part Number	Description	Remark	Qty	Model
(1A)	928 521 001 90	comfort seat with heating leather/ centre part porsche lettering cloth	/L	1	M437		QA9	greyish green/grey-green	-88		
	QB2	black/black	-90				ATD	black/black	91-		
	TU3	mahogany/mahogany	-90				APG	classic grey/classic grey	91-		
	TR3	marine blue/blue	-90				ARG	cobalt blue/cobalt blue	91-		
	QB8	burgundy/burgundy	-90				ASG	magenta/magenta	91-		
	XF6	linen/linen	89-90				AQG	light grey/light grey	91-		
	XF9	cashmere beige/cash. beige	89-90				ATU	cashmere beige/cash. beige	91-		
	QA9	greyish green/grey-green	-88				BQL	marine blue/blue	91-		
	ATD	black/black	91-				DBB	midnight bl./midnight blue	94-		
	APG	classic grey/classic grey	91-				DCB	chestnut brown/	94-		
	ARG	cobalt blue/cobalt blue	91-			1A	928 521 001 92	comfort seat lumbar support without heating leather/ centre part porsche lettering cloth	/L	1	M437
	ASG	magenta/magenta	91-				QB2	black/black	-90		
	AQG	light grey/light grey	91-				TU3	mahogany/mahogany	-90		
	ATU	cashmere beige/cash. beige	91-				TR3	marine blue/blue	-90		
	BQL	marine blue/blue	91-				QB8	burgundy/burgundy	-90		
	DBB	midnight bl./midnight blue	94-				XF6	linen/linen	89-90		
	DCB	chestnut brown/	94-				XF9	cashmere beige/cash. beige	89-90		
	DDB	marble grey/marble grey	94-				QA9	greyish green/grey-green	-88		
(1A)	928 521 002 90	comfort seat with heating leather/ centre part porsche lettering cloth	/R	1	M438		ATD	black/black	91-		
	QB2	black/black	-90				APG	classic grey/classic grey	91-		
	TU3	mahogany/mahogany	-90				ARG	cobalt blue/cobalt blue	91-		
	TR3	marine blue/blue	-90				ASG	magenta/magenta	91-		
	QB8	burgundy/burgundy	-90				AQG	light grey/light grey	91-		
	XF6	linen/linen	89-90				ATU	cashmere beige/cash. beige	91-		
	XF9	cashmere beige/cash. beige	89-90				BQL	marine blue/blue	91-		

Model	Year	MG	SG	Illustration	Restrictions	UPD	20:01	27.01.2010	PORSCHE	PET	PORSCHE
STZ	1998	8	08	808-05		248					

Pos	Part Number	Description	Remark	Qty	Model	Pos	Part Number	Description	Remark	Qty	Model			
(1A)	928 521 002 92	DBB	midnight bl./midnight blue	94-	1	M438	TR3	marine blue/blue	-90					
		DCB	chestnut brown/	94-			QB8	burgundy/burgundy	-90					
		DDB	marble grey/marble grey	94-			XF6	linen/linen	89-90					
			comfort seat	/R			XF9	cashmere beige/cash. beige	89-90					
			lumbar support				QA9	greyish green/grey-green	-88					
			without heating				ATD	black/black	91-					
			leather/				APG	classic grey/classic grey	91-					
			centre part				ARG	cobalt blue/cobalt blue	91-					
			porsche lettering cloth				ASG	magenta/magenta	91-					
		QB2	black/black	-90			AQG	light grey/light grey	91-					
		TU3	mahogany/mahogany	-90			ATU	cashmere beige/cash. beige	91-					
		TR3	marine blue/blue	-90			BQL	marine blue/blue	91-					
		QB8	burgundy/burgundy	-90			DBB	midnight bl./midnight blue	94-					
		XF6	linen/linen	89-90			DCB	chestnut brown/	94-					
		XF9	cashmere beige/cash. beige	89-90			DDB	marble grey/marble grey	94-					
		QA9	greyish green/grey-green	-88			(1A)	928 521 002 94	comfort seat			/R	1	M438
		ATD	black/black	91-				lumbar support						
		APG	classic grey/classic grey	91-				with heating						
		ARG	cobalt blue/cobalt blue	91-				leather/						
		ASG	magenta/magenta	91-				centre part						
AQG	light grey/light grey	91-		porsche lettering cloth										
ATU	cashmere beige/cash. beige	91-		QB2	black/black	-90								
BQL	marine blue/blue	91-		TU3	mahogany/mahogany	-90								
DBB	midnight bl./midnight blue	94-		TR3	marine blue/blue	-90								
DCB	chestnut brown/	94-		QB8	burgundy/burgundy	-90								
DDB	marble grey/marble grey	94-		XF6	linen/linen	89-90								
1A	928 521 001 94	comfort seat	/L	1	M437	XF9	cashmere beige/cash. beige	89-90						
		lumbar support				QA9	greyish green/grey-green	-88						
		with heating				ATD	black/black	91-						
		leather/				APG	classic grey/classic grey	91-						
		centre part				ARG	cobalt blue/cobalt blue	91-						
		porsche lettering cloth												
		QB2	black/black	-90										
		TU3	mahogany/mahogany	-90										

Model	Year	MG	SG	Illustration	Restrictions	UPD	20:01	27.01.2010	PORSCHE	PET	PORSCHE
STZ	1998	8	08	808-05		248					

Pos	Part Number	Description	Remark	Qty	Model	Pos	Part Number	Description	Remark	Qty	Model
	ASG	magenta/magenta	91-			(1A)	928 521 002 83	comfort seat lumbar support	/R	1	M438
	AQG	light grey/light grey	91-					seating position control without heating			
	ATU	cashmere beige/cash. beige	91-					leather/ centre part			
	BQL	marine blue/blue	91-					porsche lettering cloth			
	DBB	midnight bl./midnight blue	94-				QB2	black/black	-90		
	DCB	chestnut brown/	94-				TU3	mahogany/mahogany	-90		
	DDB	marble grey/marble grey	94-				TR3	marine blue/blue	-90		
1A	928 521 001 83	comfort seat lumbar support seating position control without heating leather/ centre part porsche lettering cloth	/L	1	M437		QB8	burgundy/burgundy	-90		
	QB2	black/black	-90				XF6	linen/linen	89-90		
	TU3	mahogany/mahogany	-90				XF9	cashmere beige/cash. beige	89-90		
	TR3	marine blue/blue	-90				QA9	greyish green/grey-green	-88		
	QB8	burgundy/burgundy	-90				ATD	black/black	91-		
	XF6	linen/linen	89-90				APG	classic grey/classic grey	91-		
	XF9	cashmere beige/cash. beige	89-90				ARG	cobalt blue/cobalt blue	91-		
	QA9	greyish green/grey-green	-88				ASG	magenta/magenta	91-		
	ATD	black/black	91-				AQG	light grey/light grey	91-		
	APG	classic grey/classic grey	91-				ATU	cashmere beige/cash. beige	91-		
	ARG	cobalt blue/cobalt blue	91-				BQL	marine blue/blue	91-		
	ASG	magenta/magenta	91-				DBB	midnight bl./midnight blue	94-		
	AQG	light grey/light grey	91-				DCB	chestnut brown/	94-		
	ATU	cashmere beige/cash. beige	91-				DDB	marble grey/marble grey	94-		
	BQL	marine blue/blue	91-			1A	928 521 001 85	comfort seat lumbar support	/L	1	M437
	DBB	midnight bl./midnight blue	94-					seating position control with heating			
	DCB	chestnut brown/	94-					leather/ centre part			
	DDB	marble grey/marble grey	94-					porsche lettering cloth			
							QB2	black/black	-90		
							TU3	mahogany/mahogany	-90		
							TR3	marine blue/blue	-90		
							QB8	burgundy/burgundy	-90		



Model	Year	MG	SG	Illustration	Restrictions	UPD	20:01	27.01.2010	PORSCHE	PET	PORSCHE
STZ	1998	8	08	808-05		248					

Pos	Part Number	Description	Remark	Qty	Model	Pos	Part Number	Description	Remark	Qty	Model
	XF6	linen/linen	89-90				ATU	cashmere beige/cash. beige	91-		
	XF9	cashmere beige/cash. beige	89-90				BQL	marine blue/blue	91-		
	QA9	greyish green/grey-green	-88				DBB	midnight bl./midnight blue	94-		
	ATD	black/black	91-				DCB	chestnut brown/	94-		
	APG	classic grey/classic grey	91-				DDB	marble grey/marble grey	94-		
	ARG	cobalt blue/cobalt blue	91-			1A	928 521 001 33	comfort seat seating position control without heating leather/ centre part porsche lettering cloth	/L	1	M437
	ASG	magenta/magenta	91-								
	AQG	light grey/light grey	91-								
	ATU	cashmere beige/cash. beige	91-								
	BQL	marine blue/blue	91-				QB2	black/black	-90		
	DBB	midnight bl./midnight blue	94-				TU3	mahogany/mahogany	-90		
	DCB	chestnut brown/	94-				TR3	marine blue/blue	-90		
	DDB	marble grey/marble grey	94-				QB8	burgundy/burgundy	-90		
(1A)	928 521 002 85	comfort seat lumbar support seating position control with heating leather/ centre part porsche lettering cloth	/R	1	M438		XF6	linen/linen	89-90		
	QB2	black/black	-90				XF9	cashmere beige/cash. beige	89-90		
	TU3	mahogany/mahogany	-90				QA9	greyish green/grey-green	-88		
	TR3	marine blue/blue	-90				ATD	black/black	91-		
	QB8	burgundy/burgundy	-90				APG	classic grey/classic grey	91-		
	XF6	linen/linen	89-90				ARG	cobalt blue/cobalt blue	91-		
	XF9	cashmere beige/cash. beige	89-90				ASG	magenta/magenta	91-		
	QA9	greyish green/grey-green	-88				AQG	light grey/light grey	91-		
	ATD	black/black	91-				ATU	cashmere beige/cash. beige	91-		
	APG	classic grey/classic grey	91-				BQL	marine blue/blue	91-		
	ARG	cobalt blue/cobalt blue	91-				DBB	midnight bl./midnight blue	94-		
	ASG	magenta/magenta	91-				DCB	chestnut brown/	94-		
	AQG	light grey/light grey	91-				DDB	marble grey/marble grey	94-		
						(1A)	928 521 002 33	comfort seat seating position control without heating leather/ centre part porsche lettering cloth	/R	1	M438

Model	Year	MG	SG	Illustration	Restrictions	UPD	20:01	27.01.2010	PORSCHE	PET	PORSCHE
STZ	1998	8	08	808-05		248					

Pos	Part Number	Description	Remark	Qty	Model	Pos	Part Number	Description	Remark	Qty	Model
	QB2	black/black		-90			APG	classic grey/classic grey		91-	
	TU3	mahogany/mahogany		-90			ARG	cobalt blue/cobalt blue		91-	
	TR3	marine blue/blue		-90			ASG	magenta/magenta		91-	
	QB8	burgundy/burgundy		-90			AQG	light grey/light grey		91-	
	XF6	linen/linen		89-90			ATU	cashmere beige/cash. beige		91-	
	XF9	cashmere beige/cash. beige		89-90			BQL	marine blue/blue		91-	
	QA9	greyish green/grey-green		-88			DBB	midnight bl./midnight blue		94-	
	ATD	black/black		91-			DCB	chestnut brown/		94-	
	APG	classic grey/classic grey		91-			DDB	marble grey/marble grey		94-	
	ARG	cobalt blue/cobalt blue		91-		(1A)	928 521 002 35	comfort seat seating position control with heating leather/ centre part porsche lettering cloth	/R	1	M438
	ASG	magenta/magenta		91-			QB2	black/black		-90	
	AQG	light grey/light grey		91-			TU3	mahogany/mahogany		-90	
	ATU	cashmere beige/cash. beige		91-			TR3	marine blue/blue		-90	
	BQL	marine blue/blue		91-			QB8	burgundy/burgundy		-90	
	DBB	midnight bl./midnight blue		94-			XF6	linen/linen		89-90	
	DCB	chestnut brown/		94-			XF9	cashmere beige/cash. beige		89-90	
	DDB	marble grey/marble grey		94-			QA9	greyish green/grey-green		-88	
1A	928 521 001 35	comfort seat seating position control with heating leather/ centre part porsche lettering cloth	/L	1	M437		ATD	black/black		91-	
	QB2	black/black		-90			APG	classic grey/classic grey		91-	
	TU3	mahogany/mahogany		-90			ARG	cobalt blue/cobalt blue		91-	
	TR3	marine blue/blue		-90			ASG	magenta/magenta		91-	
	QB8	burgundy/burgundy		-90			AQG	light grey/light grey		91-	
	XF6	linen/linen		89-90			ATU	cashmere beige/cash. beige		91-	
	XF9	cashmere beige/cash. beige		89-90			BQL	marine blue/blue		91-	
	QA9	greyish green/grey-green		-88			DBB	midnight bl./midnight blue		94-	
	ATD	black/black		91-			DCB	chestnut brown/		94-	

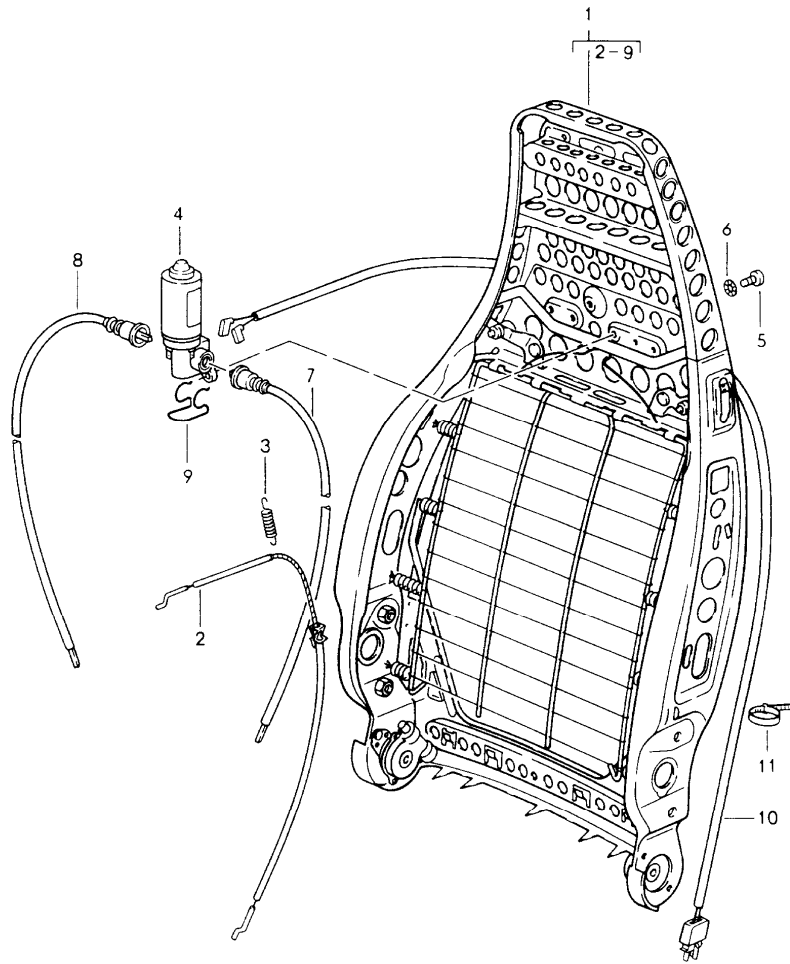
Model	Year	MG	SG	Illustration	Restrictions	UPD	20:01	27.01.2010	PORSCHE	PET	PORSCHE
STZ	1998	8	08	808-05		248					

Pos	Part Number	Description	Remark	Qty	Model	Pos	Part Number	Description	Remark	Qty	Model
	DDB	marble grey/marble grey	94-				6ZF	cobalt blue	91-		
2	911 521 547 00	hexagon-head bolt M 10 X 20		8			6WX	magenta	91-		
3	928 521 717 02	square rod for backrest adjustment		4			9ZN	light grey	91-		
4	928 521 716 02	lock washer for backrest adjustment		4		(6)	928 521 067 00	cover leather for special leather seat see tpi GR.8 NR.37	/L	90-	2
5	900 249 004 02	countersunk-head screw M 4 X 8 for backrest adjustment		4			4MT	velvet red	-90		
6	928 521 147 02	cover	/L	2			5VT	silk grey	-90		
	01C	black					2WT	slate grey	-90		
	4MJ	mahogany	-90				4UC	caramel	-90		
	9JJ	marine blue					7KC	venetian blue	-90		
	9MM	burgundy	-90				M05	matador red	91-		
	7XJ	linen	-90				D35	carrara grey	91-		
	3UD	cashmere beige	89-				J25	sherwood green	91-		
	1DJ	greyish green	-88			(6)	928 521 068 00	cover leather for special leather seat see tpi GR.8 NR.37	/R	90-	2
	4XC	classic grey	91-				4MT	velvet red	-90		
	6ZF	cobalt blue	91-				5VT	silk grey	-90		
	6WX	magenta	91-				2WT	slate grey	-90		
	9ZN	light grey	91-				4UC	caramel	-90		
(6)	928 521 148 02	cover	/R	2			7KC	venetian blue	-90		
	01C	black					M05	matador red	91-		
	4MJ	mahogany	-90				D35	carrara grey	91-		
	9JJ	marine blue					J25	sherwood green	91-		
	9MM	burgundy	-90								
	7XJ	linen	-90								
	3UD	cashmere beige	89-								
	1DJ	greyish green	-88								
	4XC	classic grey	91-			7	900 025 044 07	washer A 4,3		8	

Model	Year	MG	SG	Illustration	Restrictions	UPD	20:01	27.01.2010	PORSCHE	PET	PORSCHE
STZ	1998	8	08	808-05		248					

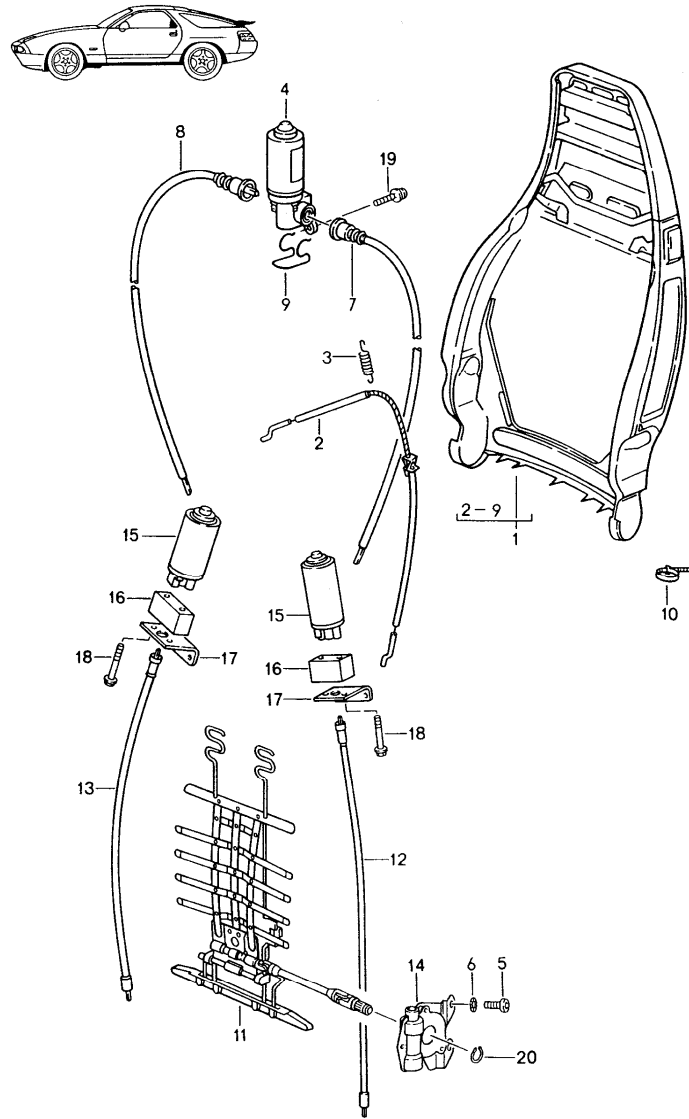
Pos	Part Number	Description	Remark	Qty	Model	Pos	Part Number	Description	Remark	Qty	Model
8	N 013 962 3	tapping screw B 3,9 X 16		8							
9	928 521 760 04	engine cover comfort seat		2							
	01C	satin black									
10	N 013 959 3	tapping screw B 3,5 X 16		4							
11	900 025 013 07	washer A 3,7		4							
12	900 119 030 02	pan-head screw M 8 X 20		12							
13	900 031 001 02	washer 8,4		16							
14	928 521 101 05	threaded plate front		X							
(14)	928 521 101 08	threaded plate rear		X							
-	999 703 334 40	stopper for seat rail support		2							

Model	Year	MG	SG	Illustration	Restrictions	UPD	20:01	27.01.2010	PORSCHE	PET	PORSCHE
STZ	1998	8	08	808-10		248					



Pos	Part Number	Description	Remark	Qty	Model
		backrest frame	85-86		928 S
1	928 521 027 10	backrest frame		2	
2	928 521 093 02	bowden cable		4	
3	311 881 287 A	spring actuating lever		4	
(4)	928 624 126 01	geared motor for backrest adjustment		2	
5	N 014 128 4	oval-head screw M 5 X 8		4	
6	N 012 130 2	shake-proof washer A 5,3		4	
7	928 521 617 02	shaft for backrest adjustment	/L	2	
8	928 521 618 02	shaft for backrest adjustment	/R	2	
9	928 521 675 02	moulded spring		2	
10	928 612 343 00	connecting line for backrest adjustment		2	
11	N 020 904 4	tie-wrap 6,5 X 120		10	

Model	Year	MG	SG	Illustration	Restrictions	UPD	20:02	27.01.2010	PORSCHE	PET	PORSCHE
STZ	1998	8	08	808-15		248					

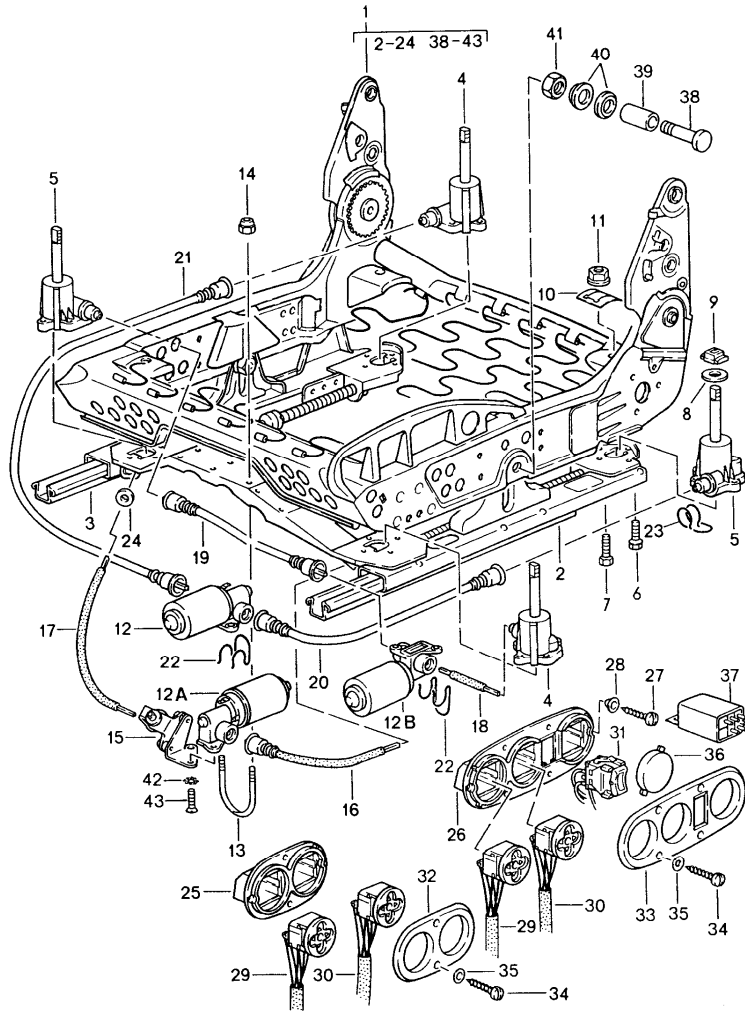
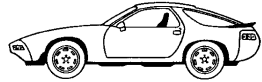


Pos	Part Number	Description	Remark	Qty	Model
		backrest frame lumbar support	87- -95		928 S4/GT 928 GTS
1	928 521 027 10	backrest frame		2	
2	928 521 093 02	bowden cable		4	
3	311 881 287 A	spring actuating lever		4	
4	928 624 126 01	geared motor for backrest adjustment		2	
5	N 014 128 4	oval-head screw M 5 X 8		4	
6	N 012 130 2	shake-proof washer A 5,3		4	
7	928 521 617 03	shaft for backrest adjustment	/L	2	
8	928 521 618 03	shaft for backrest adjustment	/R	2	
9	928 521 675 02	moulded spring		2	
10	N 020 904 4	tie-wrap 6,5 X 120		10	
11	928 521 135 02	lumbar support		2	
12	928 521 315 03	pliable shaft lumbar support adjustment curvature		2	
13	928 521 315 02	pliable shaft lumbar support adjustment height		2	
14	928 521 153 03	transmission		2	
15	928 624 122 02	adjusting motor lumbar		4	
16	928 624 199 00	spacer lumbar support		4	
17	928 624 057 00	engine carrier lumbar support		2	
18	999 919 058 02	hexagon-head bolt H 5 X 40		8	
19	900 146 117 02	combination screw M 5 X 12 Z1		4	

Model	Year	MG	SG	Illustration	Restrictions	UPD	20:02	27.01.2010	PORSCHE	PET	PORSCHE
STZ	1998	8	08	808-15		248					

Pos	Part Number	Description	Remark	Qty	Model	Pos	Part Number	Description	Remark	Qty	Model
20	N 012 411 1	circlip 11 X 1		2							

Model	Year	MG	SG	Illustration	Restrictions	UPD	20:02	27.01.2010	PORSCHE	PET	PORSCHE
STZ	1998	8	08	808-20		248					



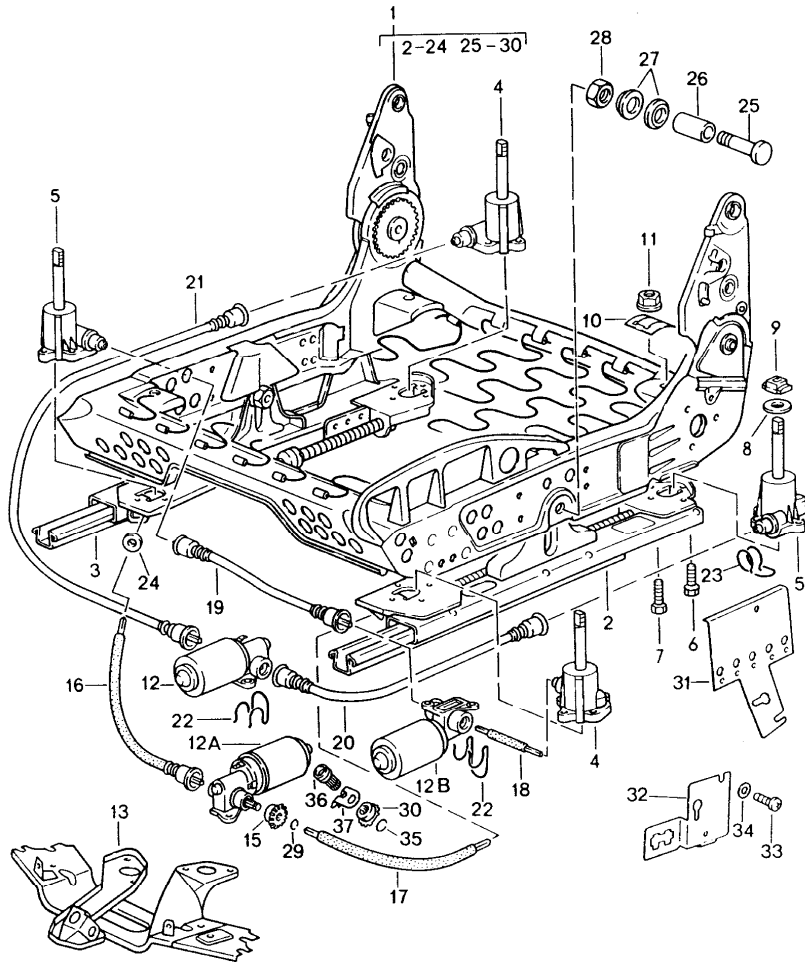
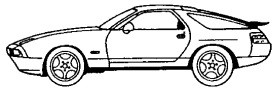
Pos	Part Number	Description	Remark	Qty	Model
		seat frame electric	85-86		928 S M437/438
1	993 521 069 03	seat frame comfort seat	/L	1	
(1)	993 521 070 03	seat frame comfort seat	/R	1	
2	928 521 489 08	seat rail left seat outer		1	
(2)	928 521 490 08	seat rail right seat outer		1	
(3)	928 521 491 11	seat rail right seat inner		1	
3	928 521 492 11	seat rail left seat inner		1	
4	928 521 721 03	lifting gear left front, right rear		4	
5	928 521 722 03	lifting gear right front, left rear		4	
6	999 217 033 01	locking screw M 6 X 16		20	
7	900 186 032 02	pan-head screw M 6 X 12		8	
8	999 025 129 40	washer		8	
9	928 521 727 02	slide		8	
10	928 521 723 02	guide spring		8	
11	928 521 730 02	nut		8	
12	928 624 126 01	geared motor rear vertical adjustment		2	
12A	928 624 126 01	geared motor for longitudinal adjustment		2	
12B	928 624 126 01	geared motor front vertical adjustment		2	
13	999 222 001 02	stirrup bolt M 4		6	



Model	Year	MG	SG	Illustration	Restrictions	UPD	20:02	27.01.2010	PORSCHE	PET	PORSCHE
STZ	1998	8	08	808-20		248					

Pos	Part Number	Description	Remark	Qty	Model	Pos	Part Number	Description	Remark	Qty	Model
14	900 910 006 02	lock nut M 4		12		30	928 613 183 00	switch for backrest adjustment rear vertical adjustment		2	
15	928 521 145 02	transmission emergency operation		2		31	928 613 187 01	switch seat heater	/L	1	
16	928 521 251 02	shaft 246 MM for longitudinal adjustment	/L	2		(31)	928 613 188 01	switch seat heater	/R	1	
16	928 521 251 03	shaft 265 MM for longitudinal adjustment	/L	2		32	928 521 561 04	trim for switch		2	
17	928 521 252 03	shaft 246 MM for longitudinal adjustment	/R	2			01C	satin black			
17	928 521 252 04	shaft 265 MM for longitudinal adjustment	/R	2		33	928 521 561 03	trim for switch seat heater		2	
18	928 521 671 03	shaft front vertical adjustment	/L	2			01C	satin black			
19	928 521 672 02	pliable shaft front vertical adjustment	/R	2		34	N 013 959 3	tapping screw B 3,5 X 16		4	
20	928 521 673 05	shaft rear vertical adjustment	/L	2		35	900 025 013 07	washer A 3,7		4	
21	928 521 674 02	pliable shaft rear vertical adjustment	/R	2		36	928 613 425 00	cover seat heater		X	
22	928 521 675 02	moulded spring		6		37	928 618 521 00	relay seat heater		2	
23	928 521 699 00	moulded spring		6		38	928 521 681 02	bolt		4	
24	999 591 730 00	lock washer		6		39	928 521 685 02	bush		4	
25	928 521 559 04	switch insert		2		40	928 521 683 02	washer		8	
26	928 521 559 02	switch insert seat heater	/L	1		41	900 034 003 02	hexagon nut M 10		4	
(26)	928 521 560 02	switch insert seat heater	/R	1		42	N 012 130 2	shake-proof washer A 5,3		4	
27	N 013 988 1	tapping screw B 3,5 X 16		2		43	N 014 128 4	oval-head screw M 5 X 8		4	
28	999 591 849 07	cone washer		2							
29	928 613 182 00	switch for longitudinal adjustment front vertical adjustment		2							

Model	Year	MG	SG	Illustration	Restrictions	UPD	20:02	27.01.2010	PORSCHE	PET	PORSCHE
STZ	1998	8	08	808-25		248					



Pos	Part Number	Description	Remark	Qty	Model
		seat frame comfort seat all-electric		87- -95	928 S4/GT 928 GTS M437/438
(1)	993 521 069 03	seat frame comfort seat	/L	94-	1
(1)	993 521 070 03	seat frame comfort seat	/R	94-	1
1 A	964 521 069 02	seat frame comfort seat seating position control	/L		1
(1)	928 521 069 18	seat frame comfort seat seating position control	/L	94-	1
(1) A	964 521 070 02	seat frame comfort seat seating position control	/R		1
(1)	928 521 070 18	seat frame comfort seat seating position control	/R	94-	1
2	928 521 489 08	seat rail left seat outer all-electric			1
(2)	928 521 490 08	seat rail right seat outer all-electric			1
(3)	928 521 491 11	seat rail right seat inner F >>92KS8 41283 all-electric			1
(3)	964 521 491 01	seat rail right seat inner F 92KS8 41284>> all-electric			1
3	928 521 492 11	seat rail left seat inner F >>92KS8 41283 all-electric			1

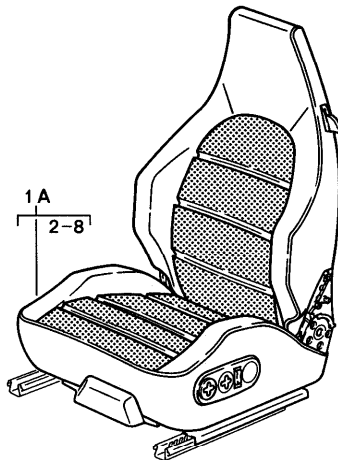
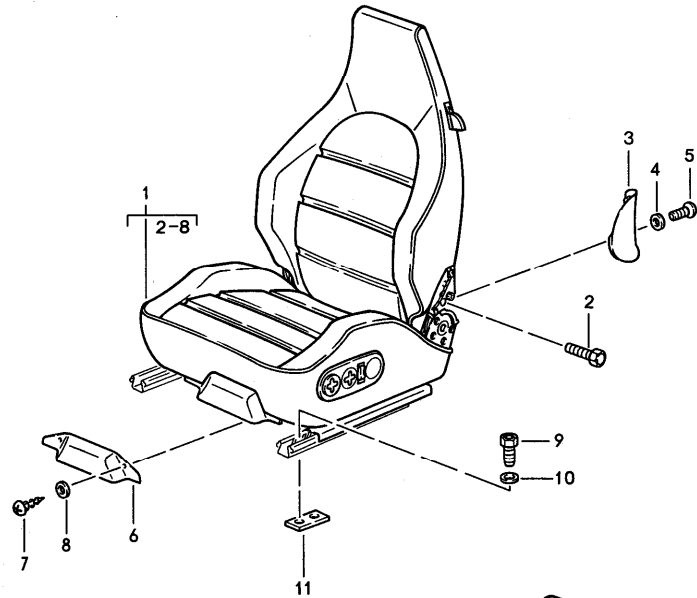
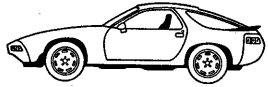
Model	Year	MG	SG	Illustration	Restrictions	UPD	20:02	27.01.2010	PORSCHE	PET	PORSCHE
STZ	1998	8	08	808-25		248					

Pos	Part Number	Description	Remark	Qty	Model	Pos	Part Number	Description	Remark	Qty	Model
3	964 521 492 01	seat rail left seat inner F 92KS8 41284>> all-electric		1		19	928 521 672 03	shaft front vertical adjustment right		2	
(4)	928 521 721 03	lifting gear left front, right rear		4		(19)	928 521 672 04	shaft seating position control front vertical adjustment right		2	
(5)	928 521 722 03	lifting gear right front, left rear		4		20	928 521 673 05	shaft rear vertical adjustment left		2	
6	999 217 033 01	locking screw M 6 X 16		20		(20)	928 521 673 04	shaft seating position control rear vertical adjustment left		2	
7	900 186 032 02	pan-head screw M 6 X 12		8		21	928 521 674 05	shaft rear vertical adjustment right		2	
8	999 025 129 40	washer		8		22	928 521 675 02	moulded spring		6	
9	928 521 727 02	slide		8		(22)	928 521 675 03	moulded spring seating position control		6	
10	928 521 723 02	guide spring		8		23	928 521 699 00	moulded spring		6	
11	928 521 730 02	nut		8		(24)	999 591 778 02	support		6	
12	928 624 126 01	geared motor rear vertical adjustment		2		25	928 521 681 02	bolt		4	
12A	928 624 136 00	geared motor for longitudinal adjustment		2		26	928 521 685 02	bush		4	
12B	928 624 126 01	geared motor front vertical adjustment		2		27	928 521 683 02	washer		8	
13	928 521 033 03	engine support		2		28	900 034 003 02	hexagon nut M 10		4	
15	928 521 818 03	bevel pinion for emergency control		1		29	900 906 005 01	circlip A 8		2	
16	928 521 252 04	shaft for longitudinal adjustment right		2		30	928 521 818 04	bevel pinion for emergency control		1	
(16)	928 521 252 05	shaft seating position control for longitudinal adjustment right		2		31	928 653 501 03	bracket for electric seat equipment		1	
17	928 521 251 03	shaft for longitudinal adjustment left		2		32	928 653 503 02	bracket		1	
18	928 521 671 03	shaft front vertical adjustment left		2		33	N 014 133 8	oval-head screw M 5 X 12		2	
						34	900 025 003 02	washer A 5,3		2	

Model	Year	MG	SG	Illustration	Restrictions	UPD	20:02	27.01.2010	PORSCHE	PET	PORSCHE
STZ	1998	8	08	808-25		248					

Pos	Part Number	Description	Remark	Qty	Model	Pos	Part Number	Description	Remark	Qty	Model
35	N 042 499 1	circlip A 12		1							
36	928 521 816 03	bearing pin		1							
37	928 521 686 00	moulded spring		2							
-	999 591 778 02	support shaft for longitudinal adjustment		3							

Model	Year	MG	SG	Illustration	Restrictions	UPD	20:02	27.01.2010	PORSCHE	PET	PORSCHE
STZ	1998	8	08	808-30		248					



Pos	Part Number	Description	Remark	Qty	Model
		sports seat complete	85-86		928 S
1	928 521 005 52	sports seat without heating whole-leather	/L	1	M383
	KZ2	black			
	KZ3	blue			
	KZ5	brown			
	LG7	burgundy			
	QC2	greyish green			
	LG6	dark green			
	KZ6	can-can-red			
	LG4	pearl white			
	LG5	champagne			
	PY9	ocean blue			
	PZ1	wild buffalo			
	KZ4	grey-beige	86		
(1)	928 521 006 52	sports seat without heating whole-leather	/R	1	M387
	KZ2	black			
	KZ3	blue			
	KZ5	brown			
	LG7	burgundy			
	QC2	greyish green			
	LG6	dark green			
	KZ6	can-can-red			
	LG4	pearl white			
	LG5	champagne			
	PY9	ocean blue			
	PZ1	wild buffalo			

Model	Year	MG	SG	Illustration	Restrictions	UPD	20:02	27.01.2010	PORSCHE	PET	PORSCHE
STZ	1998	8	08	808-30		248					

Pos	Part Number	Description	Remark	Qty	Model	Pos	Part Number	Description	Remark	Qty	Model
	KZ4	grey-beige		86		1A	928 521 005 54	sports seat without heating leather/centre part in cloth pin stripe velour	/L	1	M383
(1)	928 521 005 55	sports seat with heating whole-leather	/L	1	M383						
	KZ2	black					LS5	black/black-white			
	KZ3	blue					LS6	brown/brown-beige			
	KZ5	brown					LS8	blue/blue-white			
	LG7	burgundy					LS9	burgundy/burgundy-white			
	QC2	greyish green					QA7	greyish green/greyish green-white			
	LG6	dark green					LS7	grey-beige/grey-beige-white		86	
	KZ6	can-can-red				(1A)	928 521 006 54	sports seat without heating leather/centre part in cloth pin stripe velour	/R	1	M387
	LG4	pearl white									
	LG5	champagne									
	PY9	ocean blue									
	PZ1	wild buffalo									
	KZ4	grey-beige		86							
(1)	928 521 006 55	sports seat with heating whole-leather	/R	1	M387						
	KZ2	black					LS5	black/black-white			
	KZ3	blue					LS6	brown/brown-beige			
	KZ5	brown					LS8	blue/blue-white			
	LG7	burgundy					LS9	burgundy/burgundy-white			
	QC2	greyish green					QA7	greyish green/greyish green-white			
	LG6	dark green					LS7	grey-beige/grey-beige-white		86	
	KZ6	can-can-red				(1A)	928 521 005 56	sports seat with heating leather/centre part in cloth pin stripe velour	/L	1	M383
	LG4	pearl white									
	LG5	champagne									
	PY9	ocean blue									
	PZ1	wild buffalo									
	KZ4	grey-beige		86			LS5	black/black-white			

Model	Year	MG	SG	Illustration	Restrictions	UPD	20:02	27.01.2010	PORSCHE	PET	PORSCHE
STZ	1998	8	08	808-30		248					

Pos	Part Number	Description	Remark	Qty	Model	Pos	Part Number	Description	Remark	Qty	Model
	LS6	brown/ brown-beige				(1A)	928 521 006 54	sports seat without heating	/R	1	M387
	LS8	blue/ blue-white						leather/ centre part in cloth pin stripe flannel			
	LS9	burgundy/ burgundy-white					QB1	black/anthracite			
	QA7	greyish green/ greyish green-white					QB3	brown/brown			
	LS7	grey-beige/ grey-beige-white	86				QB5	blue/blue			
(1A)	928 521 006 56	sports seat with heating leather/ centre part in cloth pin stripe velour	/R	1	M387	(1A)	928 521 005 56	sports seat with heating leather/ centre part in cloth pin stripe flannel	/L	1	M383
	LS5	black/ black-white					QB1	black/anthracite			
	LS6	brown/ brown-beige					QB3	brown/brown			
	LS8	blue/ blue-white					QB5	blue/blue			
	LS9	burgundy/ burgundy-white					QB7	burgundy/burgundy			
	QA7	greyish green/ greyish green-white				(1A)	928 521 006 56	sports seat with heating leather/ centre part in cloth pin stripe flannel	/R	1	M387
	LS7	grey-beige/ grey-beige-white	86				QA8	greyish green/grey-green			
1A	928 521 005 54	sports seat without heating leather/ centre part in cloth pin stripe flannel	/L	1	M383		QB1	black/anthracite			
	QB1	black/anthracite					QB3	brown/brown			
	QB3	brown/brown					QB5	blue/blue			
	QB5	blue/blue					QB7	burgundy/burgundy			
	QB7	burgundy/burgundy					QA8	greyish green/grey-green			
	QA8	greyish green/grey-green				1A	928 521 005 54	sports seat without heating leather/ centre part porsche lettering cloth	/L	1	M383
							QB2	black/black			
							QB4	brown/brown			

Model	Year	MG	SG	Illustration	Restrictions	UPD	20:02	27.01.2010	PORSCHE	PET	PORSCHE
STZ	1998	8	08	808-30		248					

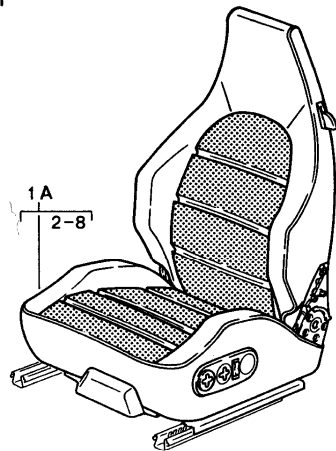
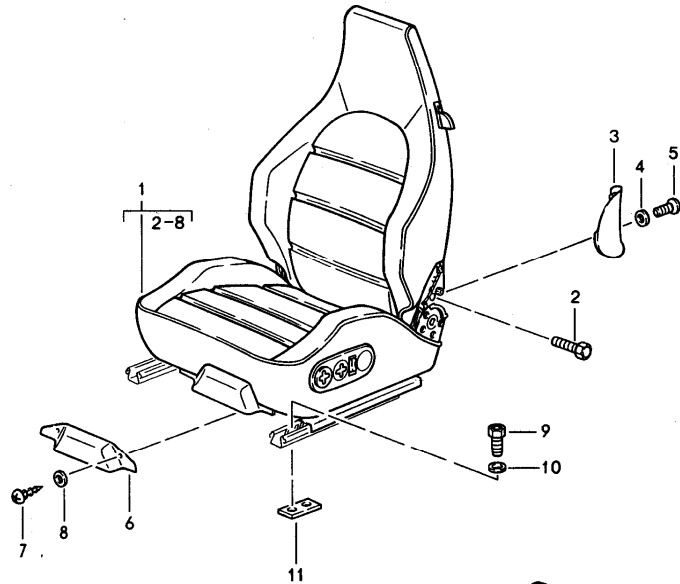
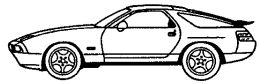
Pos	Part Number	Description	Remark	Qty	Model	Pos	Part Number	Description	Remark	Qty	Model
		QB6 blue/blue					QA9	greyish green/grey-green			
		QB8 burgundy/burgundy					RU1	grey-beige/grey-beige	86		
		QA9 greyish green/grey-green				2	911 521 547 00	hexagon-head bolt M 10 X 20		4	
		RU1 grey-beige/grey-beige	86			3	928 521 147 02	cover	/L	1	
(1A)	928 521 006 54	sports seat without heating leather/ centre part porsche lettering cloth	/R	1	M387		01C	black			
		QB2 black/black					4RB	brown			
		QB4 brown/brown					5HJ	blue			
		QB6 blue/blue					9MM	burgundy			
		QB8 burgundy/burgundy					1DJ	greyish green			
		QA9 greyish green/grey-green					3UC	grey-beige	86		
		RU1 grey-beige/grey-beige	86			(3)	928 521 148 02	cover	/R	1	
(1A)	928 521 005 56	sports seat with heating leather/ centre part porsche lettering cloth	/L	1	M383		01C	black			
		QB2 black/black					4RB	brown			
		QB4 brown/brown					5HJ	blue			
		QB6 blue/blue					9MM	burgundy			
		QB8 burgundy/burgundy					1DJ	greyish green			
		QA9 greyish green/grey-green					3UC	grey-beige	86		
		RU1 grey-beige/grey-beige	86			4	900 025 044 07	washer A 4,3		4	
(1A)	928 521 006 56	sports seat with heating leather/ centre part porsche lettering cloth	/R	1	M387	5	900 143 113 07	tapping screw B 4,2 X 13	85	4	
		QB2 black/black				(5)	N 013 962 3	tapping screw B 3,9 X 16	86	8	
		QB4 brown/brown				6	928 521 760 03	engine cover		2	
		QB6 blue/blue				7	N 013 959 3	tapping screw B 3,5 X 16		4	
		QB8 burgundy/burgundy				8	900 025 013 07	washer A 3,7		4	
						9	900 119 030 02	pan-head screw M 8 X 20		12	
						10	900 031 001 02	washer 8,4		16	



Model	Year	MG	SG	Illustration	Restrictions	UPD	20:02	27.01.2010	PORSCHE	PET	PORSCHE
STZ	1998	8	08	808-30		248					

Pos	Part Number	Description	Remark	Qty	Model	Pos	Part Number	Description	Remark	Qty	Model
11	928 521 101 05	threaded plate front		X							
(11)	928 521 101 08	threaded plate rear		X							

Model	Year	MG	SG	Illustration	Restrictions	UPD	20:03	27.01.2010	PORSCHE	PET	PORSCHE
STZ	1998	8	08	808-35		248					



Pos	Part Number	Description	Remark	Qty	Model
		sports seat complete	87-95		928 S4/GT 928 GTS
1	928 521 005 52	sports seat without heating whole-leather	/L	1	M383
	KZ2	black	-90		
	TV1	mahogany	-90		
	TS1	marine blue	-90		
	LG7	burgundy	-90		
	QC2	greyish green	-88		
	LG5	champagne	-88		
	TW1	linen	-90		
	XN4	cashmere beige	89-90		
	XG1	plum red	-88		
	XG2	silver-grey	-88		
	AVY	caramel	87-90		
	AVZ	venetian blue	87-90		
	AVW	silk grey	89-90		
	AVV	velvet red	89-90		
	AVX	slate grey	89-90		
	ATH	black	91-		
	APL	classic grey	91-		
	ARL	cobalt blue	91-93		
	ASL	magenta	91-93		
	AQL	light grey	91-93		
	ATY	cashmere beige	91-		
	BQB	marine blue	91-93		
	AVF	matador red	91-93		
	AVG	carrara grey	91-		
	AVH	sherwood green	91-		

Model	Year	MG	SG	Illustration	Restrictions	UPD	20:03	27.01.2010	PORSCHE	PET	PORSCHE
STZ	1998	8	08	808-35		248					

Pos	Part Number	Description	Remark	Qty	Model	Pos	Part Number	Description	Remark	Qty	Model
	DBD	midnight blue	94-				BQB	marine blue	91-93		
	DCD	chestnut brown	94-				AVF	matador red	91-93		
	DDD	marble grey	94-				AVG	carrara grey	91-		
	DEC	provence blue	94-				AVH	sherwood green	91-		
	DEE	cedar green	94-				DBD	midnight blue	94-		
	DEF	flamenco red	94-				DCD	chestnut brown	94-		
(1)	928 521 006 52	sports seat without heating whole-leather	/R	1	M387		DDD	marble grey	94-		
	KZ2	black	-90				DEC	provence blue	94-		
	TV1	mahogany	-90				DEE	cedar green	94-		
	TS1	marine blue	-90			(1)	928 521 005 55	sports seat with heating whole-leather	/L	1	M383
	LG7	burgundy	-90				KZ2	black	-90		
	QC2	greyish green	-88				TV1	mahogany	-90		
	LG5	champagne	-88				TS1	marine blue	-90		
	TW1	linen	-90				LG7	burgundy	-90		
	XN4	cashmere beige	89-90				QC2	greyish green	-88		
	XG1	plum red	-88				LG5	champagne	-88		
	XG2	silver-grey	-88				TW1	linen	-90		
	AVY	caramel	87-90				XN4	cashmere beige	89-90		
	AVZ	venetian blue	87-90				XG1	plum red	-88		
	AVW	silk grey	89-90				XG2	silver-grey	-88		
	AVV	velvet red	89-90				AVY	caramel	87-90		
	AVX	slate grey	89-90				AVZ	venetian blue	87-90		
	ATH	black	91-				AVW	silk grey	89-90		
	APL	classic grey	91-				AVV	velvet red	89-90		
	ARL	cobalt blue	91-93				AVX	slate grey	89-90		
	ASL	magenta	91-93				ATH	black	91-		
	AQL	light grey	91-93				APL	classic grey	91-		
	ATY	cashmere beige	91-								

Model	Year	MG	SG	Illustration	Restrictions	UPD	20:03	27.01.2010	PORSCHE	PET	PORSCHE
STZ	1998	8	08	808-35		248					

Pos	Part Number	Description	Remark	Qty	Model	Pos	Part Number	Description	Remark	Qty	Model
	ARL	cobalt blue	91-93				AVV	velvet red	89-90		
	ASL	magenta	91-93				AVX	slate grey	89-90		
	AQL	light grey	91-93				ATH	black	91-		
	ATY	cashmere beige	91-				APL	classic grey	91-		
	BQB	marine blue	91-93				ARL	cobalt blue	91-93		
	AVF	matador red	91-93				ASL	magenta	91-93		
	AVG	carrara grey	91-				AQL	light grey	91-93		
	AVH	sherwood green	91-				ATY	cashmere beige	91-		
	DBD	midnight blue	94-				BQB	marine blue	91-93		
	DCD	chestnut brown	94-				AVF	matador red	91-93		
	DDD	marble grey	94-				AVG	carrara grey	91-		
	DEC	provence blue	94-				AVH	sherwood green	91-		
	DEE	cedar green	94-				DBD	midnight blue	94-		
	DEF	flamenco red	94-				DCD	chestnut brown	94-		
(1)	928 521 006 55	sports seat with heating whole-leather	/R	1	M387		DDD	marble grey	94-		
	KZ2	black	-90				DEC	provence blue	94-		
	TV1	mahogany	-90				DEE	cedar green	94-		
	TS1	marine blue	-90			1A	928 521 005 54	sports seat without heating leather/centre part in cloth pin stripe velour	/L	1	M383
	LG7	burgundy	-90				LS5	black/black-white	-90		
	QC2	greyish green	-88				TU1	mahogany/mahogany-white	-90		
	LG5	champagne	-88				TR1	blue/blue-white	-90		
	TW1	linen	-90				LS9	burgundy/burgundy-white	-90		
	XN4	cashmere beige	89-90				QA7	greyish green/greyish green-white	-88		
	XG1	plum red	-88								
	XG2	silver-grey	-88								
	AVY	caramel	87-90								
	AVZ	venetian blue	87-90								
	AVW	silk grey	89-90								

Model	Year	MG	SG	Illustration	Restrictions	UPD	20:03	27.01.2010	PORSCHE	PET	PORSCHE
STZ	1998	8	08	808-35		248					

Pos	Part Number	Description	Remark	Qty	Model	Pos	Part Number	Description	Remark	Qty	Model
	XF5	linen/ linen white	89-90				XF8	cashmere beige/ cashmere beige-white	89-90		
	XF8	cashmere beige/ cashmere beige-white	89-90			(1A)	928 521 006 56	sports seat with heating leather/ centre part in cloth pin stripe velour	/R	1	M387
(1A)	928 521 006 54	sports seat without heating leather/ centre part in cloth pin stripe velour	/R	1	M387		LS5	black/ black-white	-90		
	LS5	black/ black-white	-90				TU1	mahogany/ mahogany-white	-90		
	TU1	mahogany/ mahogany-white	-90				TR1	blue/ blue-white	-90		
	TR1	blue/ blue-white	-90				LS9	burgundy/ burgundy-white	-90		
	LS9	burgundy/ burgundy-white	-90				QA7	greyish green/ greyish green-white	-88		
	QA7	greyish green/ greyish green-white	-88				XF5	linen/ linen white	89-90		
	XF5	linen/ linen white	89-90				XF8	cashmere beige/ cashmere beige-white	89-90		
	XF8	cashmere beige/ cashmere beige-white	89-90			(1A)	928 521 001 01	front seat without heating leather/ centre part in cloth pin stripe velour	/L	1	M637/639
(1A)	928 521 005 56	sports seat with heating leather/ centre part in cloth pin stripe velour	/L	1	M383		LS5	black/ black-white	-90		
	LS5	black/ black-white	-90				TU1	mahogany/ mahogany-white	-90		
	TU1	mahogany/ mahogany-white	-90				TR1	blue/ blue-white	-90		
	TR1	blue/ blue-white	-90				LS9	burgundy/ burgundy-white	-90		
	LS9	burgundy/ burgundy-white	-90				QA7	greyish green/ greyish green-white	-88		
	QA7	greyish green/ greyish green-white	-88				XF5	linen/ linen white	89-90		
	XF5	linen/ linen white	89-90				XF8	cashmere beige/ cashmere beige-white	89-90		

Model	Year	MG	SG	Illustration	Restrictions	UPD	20:03	27.01.2010	PORSCHE	PET	PORSCHE
STZ	1998	8	08	808-35		248					

Pos	Part Number	Description	Remark	Qty	Model	Pos	Part Number	Description	Remark	Qty	Model
(1A)	928 521 002 01	front seat without heating leather/ centre part in cloth pin stripe velour	/R	-89	1 M637/639		BQJ	marine blue/marine blue		91-	
	LS5	black/ black-white		-90		(1A)	928 521 006 54	sports seat without heating leather/ centre part in cloth multicolour	/R	1	M387
	TU1	mahogany/ mahogany-white		-90			XG6	black/black		89-	
	TR1	blue/ blue-white		-90			XG7	mahogany/mahogany		-90	
	LS9	burgundy/ burgundy-white		-90			XG8	marine blue/marine blue		-90	
	QA7	greyish green/ greyish green-white		-88			XG9	burgundy/burgundy		-90	
	XF5	linen/ linen white		89-90			XF7	linen/linen		-90	
	XF8	cashmere beige/ cashmere beige-white		89-90			XG5	cashmere beige/cash. beige		-90	
1A	928 521 005 54	sports seat without heating leather/ centre part in cloth multicolour	/L		1 M383		ATJ	black/black		91-	
	XG6	black/black		-90			AQT	classic grey/classic grey		91-	
	XG7	mahogany/mahogany		-90			AQU	cobalt blue/cobalt blue		91-	
	XG8	marine blue/marine blue		-90			ASJ	magenta/magenta		91-	
	XG9	burgundy/burgundy		-90			AQJ	light grey/light grey		91-	
	XF7	linen/linen		-90			ATW	cashmere beige/cash. beige		91-	
	XG5	cashmere beige/cash. beige		-90			BQJ	marine blue/marine blue		91-	
	ATJ	black/black		91-		(1A)	928 521 005 56	sports seat with heating leather/ centre part in cloth multicolour	/L	1	M383
	AQT	classic grey/classic grey		91-			XG6	black/black		89-	
	AQU	cobalt blue/cobalt blue		91-			XG7	mahogany/mahogany		-90	
	ASJ	magenta/magenta		91-			XG8	marine blue/marine blue		-90	
	AQJ	light grey/light grey		91-			XG9	burgundy/burgundy		-90	
	ATW	cashmere beige/cash. beige		91-			XF7	linen/linen		-90	
							XG5	cashmere beige/cash. beige		-90	
							ATJ	black/black		91-	
							AQT	classic grey/classic grey		91-	
							AQU	cobalt blue/cobalt blue		91-	

Model	Year	MG	SG	Illustration	Restrictions	UPD	20:03	27.01.2010	PORSCHE	PET	PORSCHE
STZ	1998	8	08	808-35		248					

Pos	Part Number	Description	Remark	Qty	Model	Pos	Part Number	Description	Remark	Qty	Model
	ASJ	magenta/magenta	91-			(1A)	928 521 002 01	front seat without heating	/R	-89	1 M637/639
	AQJ	light grey/light grey	91-					leather/ centre part in cloth			
	ATW	cashmere beige/cash. beige	91-					multicolour		89-	
	BQJ	marine blue/marine blue	91-				XG6	black/black		-90	
(1A)	928 521 006 56	sports seat with heating leather/ centre part in cloth multicolour	/R	1	M387		XG7	mahogany/mahogany		-90	
	XG6	black/black	-90				XG8	marine blue/marine blue		-90	
	XG7	mahogany/mahogany	-90				XG9	burgundy/burgundy		-90	
	XG8	marine blue/marine blue	-90				XF7	linen/linen		-90	
	XG9	burgundy/burgundy	-90				XG5	cashmere beige/cash. beige		-90	
	XF7	linen/linen	-90			1A	928 521 005 54	sports seat without heating leather/ centre part in cloth pin stripe flannel	/L		1 M383
	XG5	cashmere beige/cash. beige	-90				QB1	black/anthracite			
	ATJ	black/black	91-				TU2	mahogany/mahogany			
	AQT	classic grey/classic grey	91-				TR2	marine blue/blue			
	AQU	cobalt blue/cobalt blue	91-				QB7	burgundy/burgundy			
	ASJ	magenta/magenta	91-				QA8	greyish green/grey-green			
	AQJ	light grey/light grey	91-			(1A)	928 521 006 54	sports seat without heating leather/ centre part in cloth pin stripe flannel	/R		1 M387
	ATW	cashmere beige/cash. beige	91-				QB1	black/anthracite			
	BQJ	marine blue/marine blue	91-				TU2	mahogany/mahogany			
1A	928 521 001 01	front seat without heating leather/ centre part in cloth multicolour	/L	-89	1 M637/639		TR2	marine blue/blue			
	XG6	black/black	-90				QB7	burgundy/burgundy			
	XG7	mahogany/mahogany	-90				QA8	greyish green/grey-green			
	XG8	marine blue/marine blue	-90			(1A)	928 521 005 56	sports seat with heating leather/ centre part in cloth pin stripe flannel	/L		1 M383
	XG9	burgundy/burgundy	-90				QB1	black/anthracite			
	XF7	linen/linen	-90							-88	
	XG5	cashmere beige/cash. beige	-90								

Model	Year	MG	SG	Illustration	Restrictions	UPD	20:03	27.01.2010	PORSCHE	PET	PORSCHE
STZ	1998	8	08	808-35		248					

Pos	Part Number	Description	Remark	Qty	Model	Pos	Part Number	Description	Remark	Qty	Model
		TU2 mahogany/mahogany				1A	928 521 005 54	sports seat without heating	/L	1	M383
		TR2 marine blue/blue						leather/centre part			
		QB7 burgundy/burgundy						porsche lettering cloth			
		QA8 greyish green/grey-green					QB2	black/black		-90	
(1A)	928 521 006 56	sports seat with heating leather/centre part in cloth pin stripe flannel	/R	1	M387		TU3	mahogany/mahogany		-90	
		QB1 black/anthracite					TR3	marine blue/blue		-90	
		TU2 mahogany/mahogany					QB8	burgundy/burgundy		-90	
		TR2 marine blue/blue					XF6	linen/linen		89-90	
		QB7 burgundy/burgundy					XF9	cashmere beige/cash. beige		89-90	
		QA8 greyish green/grey-green					QA9	greyish green/grey-green		-88	
1A	928 521 001 01	front seat without heating leather/centre part in cloth pin stripe flannel	/L	-89	1	M637/639	ATD	black/black		91-	
		QB1 black/anthracite					APG	classic grey/classic grey		91-	
		TU2 mahogany/mahogany					ARG	cobalt blue/cobalt blue		91-	
		TR2 marine blue/blue					ASG	magenta/magenta		91-	
		QB7 burgundy/burgundy					AQG	light grey/light grey		91-	
		QA8 greyish green/grey-green					ATU	cashmere beige/cash. beige		91-	
(1A)	928 521 002 01	front seat without heating leather/centre part in cloth pin stripe flannel	/R	-89	1	M637/639	BQL	marine blue/blue		91-	
		QB1 black/anthracite					DBB	midnight bl./midnight blue		94-	
		TU2 mahogany/mahogany					DCB	chestnut brown/ chestnut brown		94-	
		TR2 marine blue/blue					DDB	marble grey/marble grey		94-	
		QB7 burgundy/burgundy				(1A)	928 521 006 54	sports seat without heating	/R	1	M387
		QA8 greyish green/grey-green						leather/centre part			
		QB1 black/anthracite						porsche lettering cloth			
		TU2 mahogany/mahogany					QB2	black/black		-90	
		TR2 marine blue/blue					TU3	mahogany/mahogany		-90	
		QB7 burgundy/burgundy					TR3	marine blue/blue		-90	
		QA8 greyish green/grey-green					QB8	burgundy/burgundy		-90	
							XF6	linen/linen		89-90	



Model	Year	MG	SG	Illustration	Restrictions	UPD	20:03	27.01.2010	PORSCHE	PET	PORSCHE
STZ	1998	8	08	808-35		248					

Pos	Part Number	Description	Remark	Qty	Model	Pos	Part Number	Description	Remark	Qty	Model
	XF9	cashmere beige/cash. beige	89-90				BQL	marine blue/blue	91-		
	QA9	greyish green/grey-green	-88				DBB	midnight bl./midnight blue	94-		
	ATD	black/black	91-				DCB	chestnut brown/ chestnut brown	94-		
	APG	classic grey/classic grey	91-				DDB	marble grey/marble grey	94-		
	ARG	cobalt blue/cobalt blue	91-			(1A)	928 521 006 56	sports seat with heating leather/ centre part porsche lettering cloth	/R	1	M387
	ASG	magenta/magenta	91-				QB2	black/black	-90		
	AQG	light grey/light grey	91-				TU3	mahogany/mahogany	-90		
	ATU	cashmere beige/cash. beige	91-				TR3	marine blue/blue	-90		
	BQL	marine blue/blue	91-				QB8	burgundy/burgundy	-90		
	DBB	midnight bl./midnight blue	94-				XF6	linen/linen	89-90		
	DCB	chestnut brown/ chestnut brown	94-			(1A)	928 521 005 56	sports seat with heating leather/ centre part porsche lettering cloth	/L	1	M383
	DDB	marble grey/marble grey	94-				QB2	black/black	-90		
							TU3	mahogany/mahogany	-90		
							TR3	marine blue/blue	-90		
							QB8	burgundy/burgundy	-90		
							XF6	linen/linen	89-90		
							XF9	cashmere beige/cash. beige	89-90		
							QA9	greyish green/grey-green	-88		
							ATD	black/black	91-		
							APG	classic grey/classic grey	91-		
							ARG	cobalt blue/cobalt blue	91-		
							ASG	magenta/magenta	91-		
							AQG	light grey/light grey	91-		
							ATU	cashmere beige/cash. beige	91-		
							BQL	marine blue/blue	91-		
							DBB	midnight bl./midnight blue	94-		
							DCB	chestnut brown/ chestnut brown	94-		
							DDB	marble grey/marble grey	94-		
						1A	928 521 001 01	front seat without heating leather/ centre part porsche lettering cloth	/L	1	M637/639
							QB2	black/black	-90		

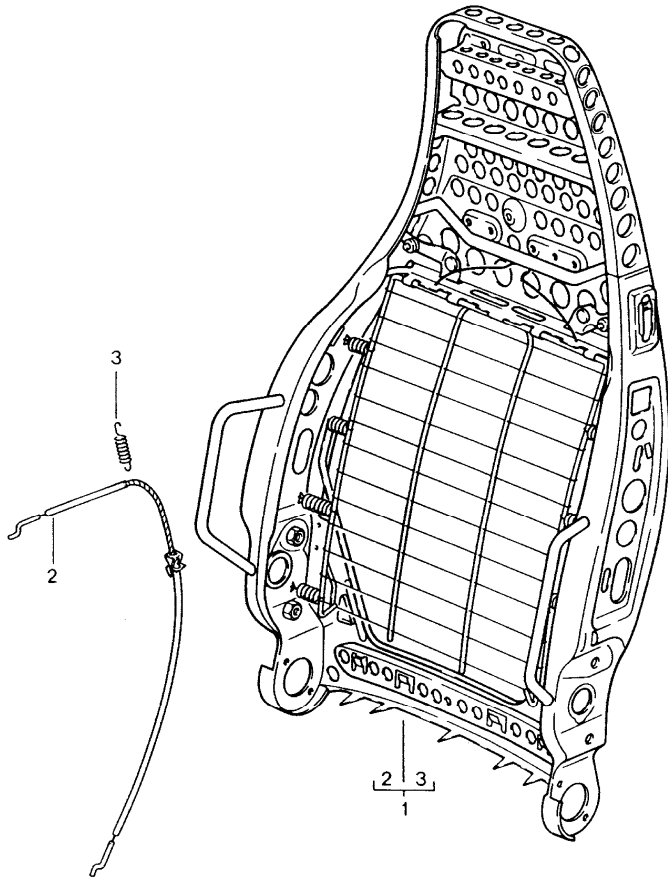
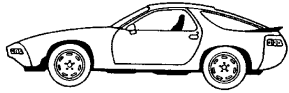
Model	Year	MG	SG	Illustration	Restrictions	UPD	20:03	27.01.2010	PORSCHE	PET	PORSCHE
STZ	1998	8	08	808-35		248					

Pos	Part Number	Description	Remark	Qty	Model	Pos	Part Number	Description	Remark	Qty	Model
	TU3	mahogany/mahogany	-90				9ZN	light grey	91-93		
	TR3	marine blue/blue	-90				2GS	midnight blue	94-		
	QB8	burgundy/burgundy	-90				4PV	chestnut brown	94-		
	XF6	linen/linen	89-90				3BE	marble grey	94-		
	XF9	cashmere beige/cash. beige	89-90			(3)	928 521 148 02	cover	/R	1	
	QA9	greyish green/grey-green	-88				01C	black			
(1A)	928 521 002 01	front seat without heating leather/ centre part porsche lettering cloth	/R -89	1	M637/639		4MJ	mahogany	-90		
	QB2	black/black	-90				9JJ	marine blue			
	TU3	mahogany/mahogany	-90				9MM	burgundy	-90		
	TR3	marine blue/blue	-90				7XJ	linen	-90		
	QB8	burgundy/burgundy	-90				3UD	cashmere beige	89-		
	XF6	linen/linen	89-90				1DJ	greyish green	-88		
	XF9	cashmere beige/cash. beige	89-90				4XC	classic grey	91-		
	QA9	greyish green/grey-green	-88				6ZF	cobalt blue	91-93		
2	911 521 547 00	hexagon-head bolt M 10 X 20		4			6WX	magenta	91-93		
3	928 521 147 02	cover	/L	1			9ZN	light grey	91-93		
	01C	black					2GS	midnight blue	94-		
	4MJ	mahogany	-90			(3)	928 521 067 00	cover leather for special leather seat see tpi GR. 8 NR.37	/L 90-	1	
	9JJ	marine blue					4PV	chestnut brown	94-		
	9MM	burgundy	-90				3BE	marble grey	94-		
	7XJ	linen	-90				4MT	velvet red	-90		
	3UD	cashmere beige	89-				5VT	silk grey	-90		
	1DJ	greyish green	-88				2WT	slate grey	-90		
	4XC	classic grey	91-				4UC	caramel	-90		
	6ZF	cobalt blue	91-93				7KC	venetian blue	-90		
	6WX	magenta	91-93				M05	matador red	91-		

Model	Year	MG	SG	Illustration	Restrictions	UPD	20:03	27.01.2010	PORSCHE	PET	PORSCHE
STZ	1998	8	08	808-35		248					

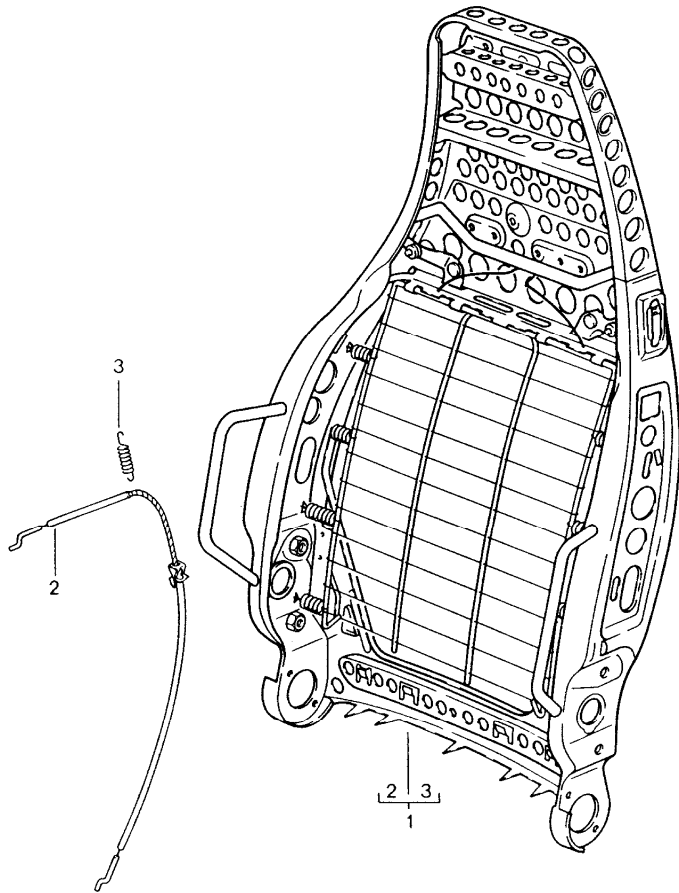
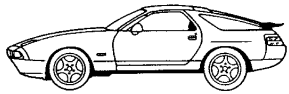
Pos	Part Number	Description	Remark	Qty	Model	Pos	Part Number	Description	Remark	Qty	Model
		D35 carrara grey		91-		9	900 119 030 02	pan-head screw M 8 X 20		12	
		J25 sherwood green		91-		10	900 031 001 02	washer 8,4		16	
		G43 provence blue		94-		11	928 521 101 05	threaded plate front		X	
		K03 cedar green		94-		(11)	928 521 101 08	threaded plate rear		X	
(3)	928 521 068 00	cover leather for special leather seat see tpi GR. 8 NR.37	/R	90-	1						
		4MT velvet red		-90							
		5VT silk grey		-90							
		2WT slate grey		-90							
		4UC caramel		-90							
		7KC venetian blue		-90							
		M05 matador red		91-							
		D35 carrara grey		91-							
		J25 sherwood green		91-							
		G43 provence blue		94-							
		K03 cedar green		94-							
		8SE flamenco red		94-							
4	900 025 044 07	washer A 4,3			8						
5	N 013 962 3	tapping screw B 3,9 X 16			8						
6	928 521 760 05	engine cover			1						
	01C	satin black									
7	N 013 959 3	tapping screw B 3,5 X 16			4						
8	900 025 013 07	washer A 3,7			4						

Model	Year	MG	SG	Illustration	Restrictions	UPD	20:03	27.01.2010	PORSCHE	PET	PORSCHE
STZ	1998	8	08	808-40		248					



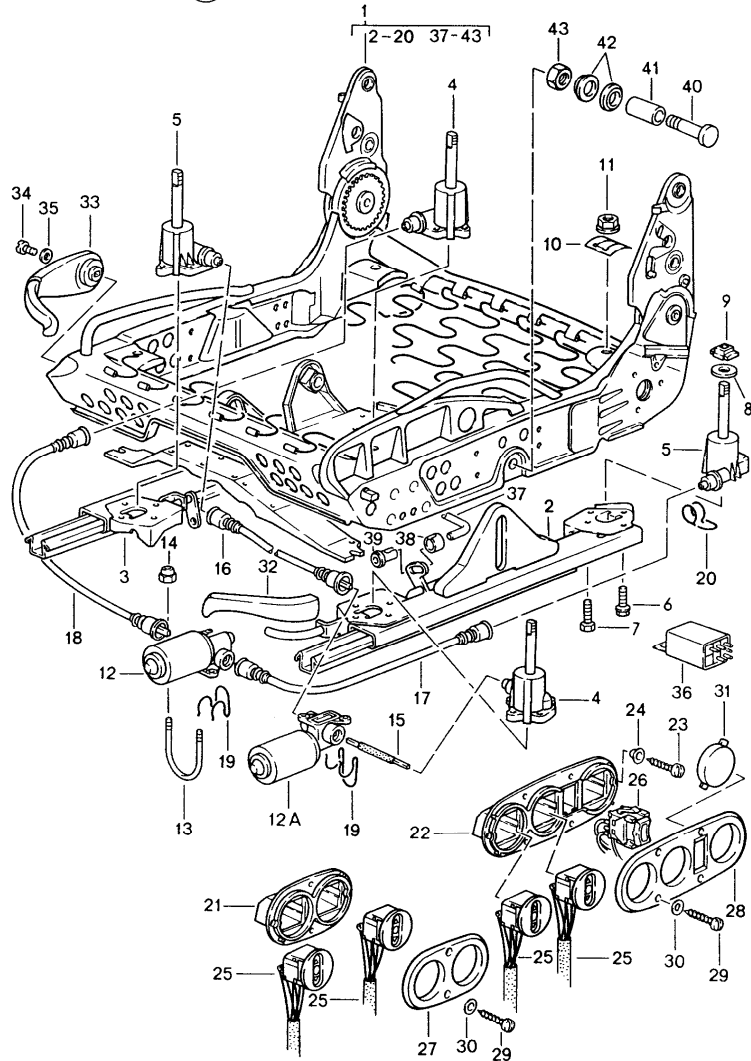
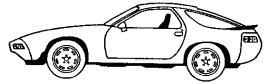
Pos	Part Number	Description	Remark	Qty	Model
		backrest frame sports seat	85-86		928 S
1	944 521 027 01	backrest frame		1	
2	928 521 093 02	bowden cable		2	
3	311 881 287 A	spring actuating lever		2	

Model	Year	MG	SG	Illustration	Restrictions	UPD	20:03	27.01.2010	PORSCHE	PET	PORSCHE
STZ	1998	8	08	808-45		248					



Pos	Part Number	Description	Remark	Qty	Model
		backrest frame sports seat	87- -95		928 S4/GT 928 GTS
1	944 521 027 01	backrest frame		2	
2	928 521 093 02	bowden cable		4	
3	311 881 287 A	spring actuating lever		4	

Model	Year	MG	SG	Illustration	Restrictions	UPD	20:03	27.01.2010	PORSCHE	PET	PORSCHE
STZ	1998	8	08	808-50		248					

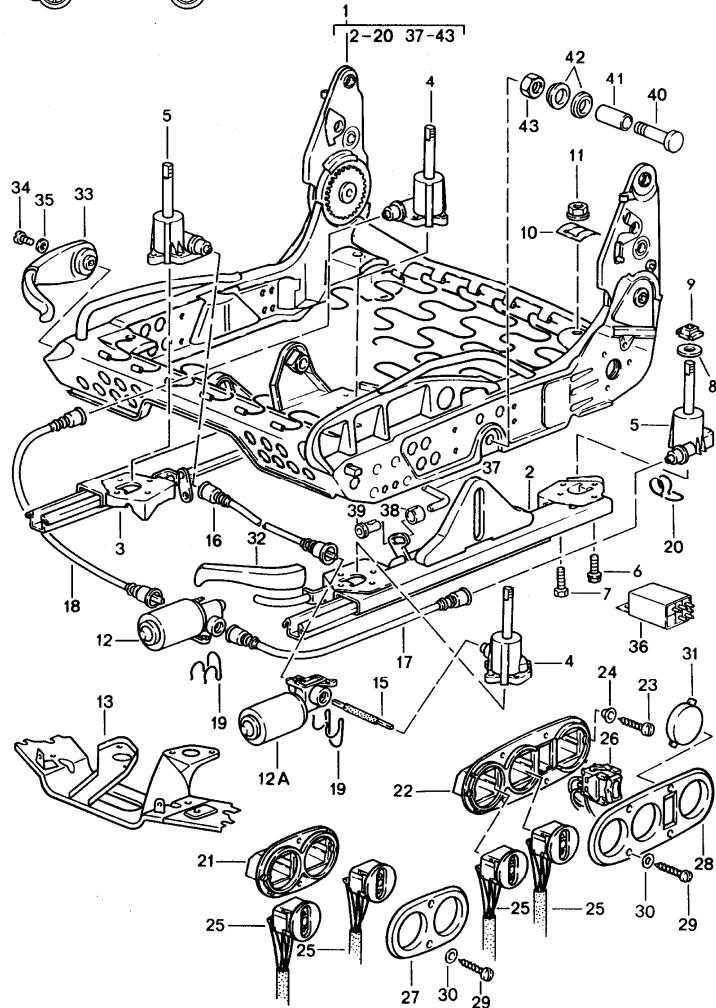
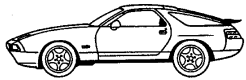


Pos	Part Number	Description	Remark	Qty	Model
		seat frame sports seat electrically adjustable	85-86		928 S M383/387
1	993 521 069 02	seat frame	/L	1	
(1)	993 521 070 02	seat frame	/R	1	
2	928 521 489 11	seat rail left seat outer		1	
(2)	928 521 490 11	seat rail right seat outer		1	
(3) A	964 521 491 00	seat rail right seat inner		1	
(3)	964 521 491 00	seat rail right seat inner		1	
3 A	964 521 492 00	seat rail left seat inner		1	
3	964 521 492 00	seat rail left seat inner		1	
4	928 521 721 03	lifting gear left front, right rear		2	
5	928 521 722 03	lifting gear right front, left rear		2	
6	999 217 033 01	locking screw M 6 X 16		20	
7	900 186 032 02	pan-head screw M 6 X 12		8	
8	999 025 129 40	washer		8	
9	928 521 727 02	slide		8	
10	928 521 723 02	guide spring		8	
11	928 521 730 02	nut		8	
12	928 624 126 01	geared motor rear vertical adjustment		2	
12A	928 624 126 01	geared motor front vertical adjustment		2	

Model	Year	MG	SG	Illustration	Restrictions	UPD	20:03	27.01.2010	PORSCHE	PET	PORSCHE
STZ	1998	8	08	808-50		248					

Pos	Part Number	Description	Remark	Qty	Model	Pos	Part Number	Description	Remark	Qty	Model
13	999 222 001 02	stirrup bolt M 4		4		30	900 025 013 07	washer A 3,7		X	
14	900 910 006 02	lock nut M 4		8		31	928 613 425 00	cover seat heater		X	
15	928 521 671 03	shaft front vertical adjustment	/L	2		(32)	911 521 533 01	handle for longitudinal adjustment		2	
16	928 521 672 02	pliable shaft front vertical adjustment	/R	2			01C	satin black			
17	928 521 673 05	shaft rear vertical adjustment	/L	2		(33)	964 521 073 00	lever for backrest adjustment		2	
18	928 521 674 02	pliable shaft rear vertical adjustment	/R	2			01C	satin black			
19	928 521 675 02	moulded spring		4		34	900 119 011 07	pan-head screw M 5 X 10		2	
20	928 521 699 00	moulded spring		6		35	900 031 006 07	washer 5,3		2	
21	928 521 559 04	switch insert		2		36	928 618 521 00	relay seat heater		1	
22	928 521 559 02	switch insert seat heater	/L	1		37	928 521 525 03	connecting rod for longitudinal adjustment		2	
(22)	928 521 560 02	switch insert seat heater	/R	1		38	N 902 514 01	clamping sleeve for longitudinal adjustment		4	
23	N 013 988 1	tapping screw B 3,5 X 16		4		39	N 902 515 01	guide bush for longitudinal adjustment		4	
24	999 591 849 07	cone washer		4		40	928 521 681 02	bolt		4	
25	928 613 181 00	switch height adjustment front and rear		4		41	928 521 685 02	bush		4	
26	928 613 187 01	switch seat heater	/L	1		42	928 521 683 02	washer		8	
(26)	928 613 188 01	switch seat heater	/R	1		43	900 034 003 02	hexagon nut M 10		4	
27	928 521 561 04	trim for switch		2							
	01C	satin black									
28	928 521 561 03	trim for switch seat heater		2							
	01C	satin black									
29	N 013 959 3	tapping screw B 3,5 X 16		X							

Model	Year	MG	SG	Illustration	Restrictions	UPD	20:03	27.01.2010	PORSCHE	PET	PORSCHE
STZ	1998	8	08	808-55		248					



Pos	Part Number	Description	Remark	Qty	Model
		seat frame sports seat electrically adjustable	87- -95		928 S4/GT 928 GTS M383/387
1	993 521 069 02	seat frame elect. vertical adjustment	/L	1	
(1)	993 521 070 02	seat frame elect. vertical adjustment	/R	1	
(1)	993 521 069 00	seat frame manually adjustable	/L	1	
(1)	993 521 070 00	seat frame manually adjustable	/R	1	
2	928 521 489 11	seat rail left seat outer		1	
(2)	928 521 490 11	seat rail right seat outer		1	
3	A 964 521 491 00	seat rail F left seat inner	>>92KS8 41283	1	
(3)	964 521 491 00	seat rail F 92KS8 41284>> left seat inner		1	
(3)	A 964 521 492 00	seat rail F right seat inner	>>92KS8 41283	1	
(3)	964 521 492 00	seat rail F 92KS8 41284>> right seat inner		1	
(2)	928 521 489 10	seat rail left seat outer manually adjustable	-89	1	M637/639
(3)	928 521 491 08	seat rail right seat inner manually adjustable	-89	1	M637/639



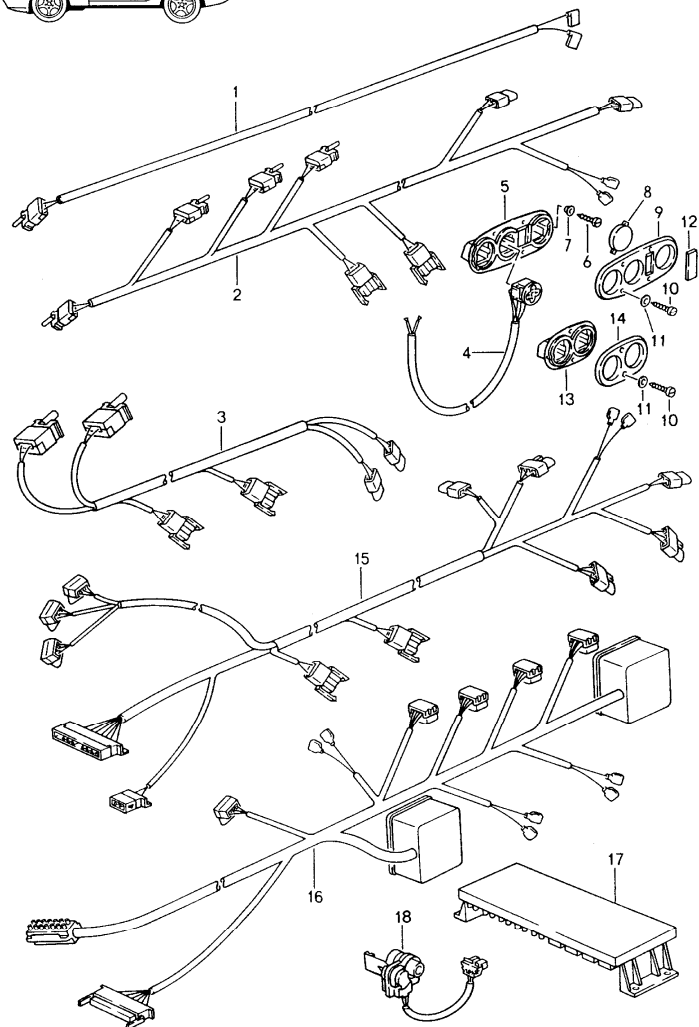
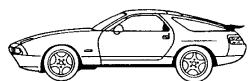
Model	Year	MG	SG	Illustration	Restrictions	UPD	20:03	27.01.2010	PORSCHE	PET	PORSCHE
STZ	1998	8	08	808-55		248					

Pos	Part Number	Description	Remark	Qty	Model	Pos	Part Number	Description	Remark	Qty	Model
(3)	928 521 492 08	seat rail left seat inner manually adjustable	-89	1	M637/639	22	928 521 559 02	switch insert seat heater	/L	1	
(2)	928 521 490 10	seat rail right seat outer manually adjustable	89	1	M637/639	(22)	928 521 560 02	switch insert seat heater	/R	1	
(4)	928 521 721 03	lifting gear left front, right rear		4		23	N 013 988 1	tapping screw B 3,5 X 16		4	
(5)	928 521 722 03	lifting gear right front, left rear		4		24	999 591 849 07	cone washer		4	
6	999 217 033 01	locking screw M 6 X 16		20		25	928 613 181 00	switch height adjustment front and rear		4	
7	900 186 032 02	pan-head screw M 6 X 12		8		26	928 613 187 02	switch seat heater	/L	-88	1
8	999 025 129 40	washer		8			01C	satin black			
9	928 521 727 02	slide		8		(26)	928 613 188 02	switch seat heater	/R	-88	1
10	928 521 723 02	guide spring		8			01C	satin black			
11	928 521 730 02	nut		8		26	928 613 187 04	switch seat heater		89-	2
12	928 624 126 01	geared motor rear vertical adjustment		2			01C	satin black			
12A	928 624 126 01	geared motor front vertical adjustment		2		27	928 521 561 04	trim for switch		2	
13	928 521 033 02	engine support		2			01C	satin black			
15	928 521 671 03	shaft front vertical adjustment	/L	2		29	N 013 959 3	tapping screw B 3,5 X 16		X	
16	928 521 672 03	shaft front vertical adjustment	/R	2		30	900 025 013 07	washer A 3,7		X	
17	928 521 673 05	shaft rear vertical adjustment	/L	2		31	928 613 425 00	cover seat heater		X	
18	928 521 674 05	shaft rear vertical adjustment	/R	2		32	911 521 533 01	handle		2	
19	928 521 675 02	moulded spring		4			01C	satin black			
20	928 521 699 00	moulded spring		6		33	964 521 073 00	lever for backrest adjustment		2	
21	928 521 559 04	switch insert		2			01C	satin black			

Model	Year	MG	SG	Illustration	Restrictions	UPD	20:03	27.01.2010	PORSCHE	PET	PORSCHE
STZ	1998	8	08	808-55		248					

Pos	Part Number	Description	Remark	Qty	Model	Pos	Part Number	Description	Remark	Qty	Model
34	900 119 011 07	pan-head screw M 5 X 10		2							
35	900 031 006 07	washer 5,3		2							
36	928 618 521 00	relay seat heater	-88	2							
36	928 618 521 03	control unit seat heater		2							
37	928 521 525 03	connecting rod for longitudinal adjustment		2							
38	N 902 514 01	clamping sleeve for longitudinal adjustment		4							
39	N 902 515 01	guide bush for longitudinal adjustment		4							
40	928 521 681 02	bolt		4							
41	928 521 685 02	bush		4							
42	928 521 683 02	washer		8							
43	900 034 003 02	hexagon nut M 10		4							
-	944 613 259 02	cover		1							
	1DB	satin black									

Model	Year	MG	SG	Illustration	Restrictions	UPD	20:04	27.01.2010	PORSCHE	PET	PORSCHE
STZ	1998	8	08	808-60		248					

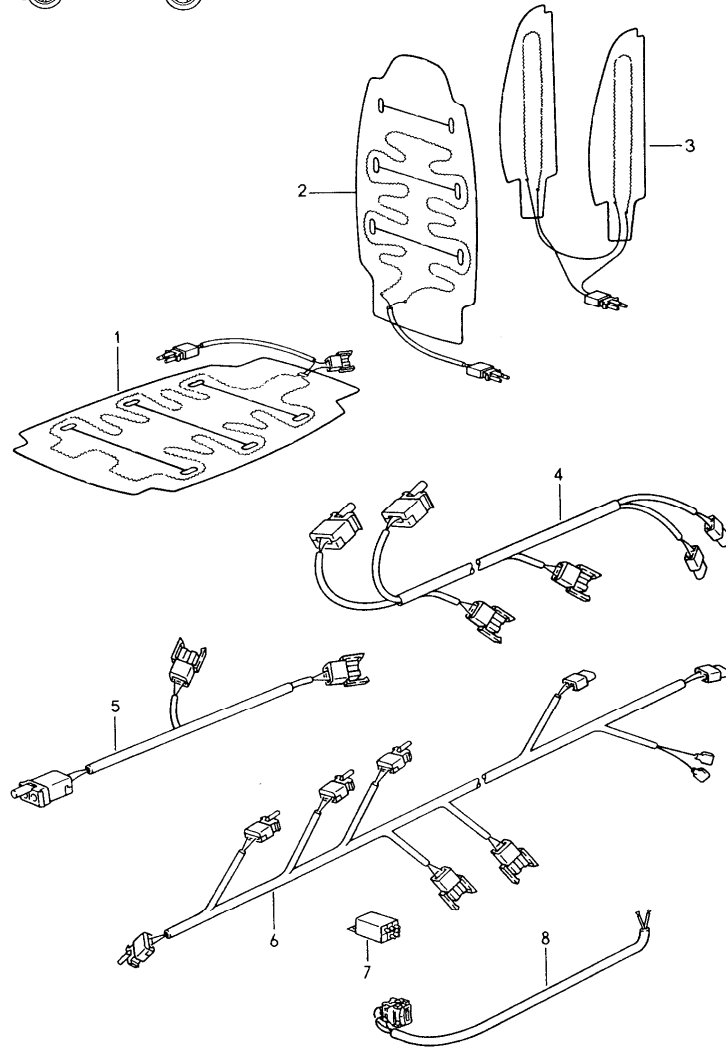
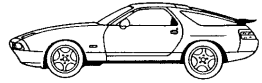


Pos	Part Number	Description	Remark	Qty	Model
		wiring harnesses switch front seat	87- -95		928 S4/GT 928 GTS
1	928 612 343 00	connecting line for backrest adjustment		2	
2	928 612 337 00	wiring harness for backrest adjustment lumbar support adjustment and seat heater		2	
3	928 612 338 00	wiring harness for backrest adjustment and seat heater	89-	2	
4	928 613 182 00	switch for longitudinal adjustment front vertical adjustment		2	
(4)	928 613 183 00	switch for backrest adjustment rear vertical adjustment		2	
(4)	928 613 184 00	switch lumbar support adjustment		2	
		01C satin black			
(4)	928 613 201 00	switch left seat for cars with seating position control		3	
(4)	928 613 202 00	switch right seat for cars with seating position control		3	
5	928 521 559 02	switch insert seat heater		1	
(5)	928 521 560 02	switch insert seat heater		1	
6	N 013 988 1	tapping screw B 3,5 X 16		4	
7	999 591 849 07	cone washer		4	
8	928 613 425 00	cover seat heater		X	
9	928 521 561 03	trim for switch seat heater		2	

Model	Year	MG	SG	Illustration	Restrictions	UPD	20:04	27.01.2010	PORSCHE	PET	PORSCHE
STZ	1998	8	08	808-60		248					

Pos	Part Number	Description	Remark	Qty	Model	Pos	Part Number	Description	Remark	Qty	Model
		01C satin black									
10	N 013 959 3	tapping screw B 3,5 X 16		X							
11	900 025 013 07	washer A 3,7		X							
12	944 613 259 02	cover		X							
		1DB satin black									
13	928 521 559 04	switch insert		2							
14	928 521 561 04	trim for switch		2							
		01C satin black									
15	928 612 231 00	wiring harness seating position control backrest		2							
16	928 612 232 00	wiring harness seating position control		2							
17	> 928 618 134 00	control unit seating position control see tpi GRUPPE 8 NR. 48 05/98	-88	2							
17	928 618 134 01	control unit seating position control	89-	2							
18	928 616 320 00	potentiometer for height adjustment		4							
(18)	928 616 321 00	potentiometer for backrest adjustment		2							
(18)	928 616 322 00	potentiometer for longitudinal adjustment		2							
(18)	928 616 301 00	potentiometer lumbar support adjustment height		2							
(18)	928 616 302 00	potentiometer lumbar support adjustment curvature		2							
-	928 612 227 00	wiring harness adapter		2							

Model	Year	MG	SG	Illustration	Restrictions	UPD	20:04	27.01.2010	PORSCHE	PET	PORSCHE
STZ	1998	8	08	808-65		248					



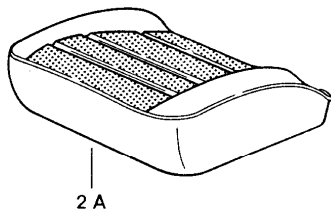
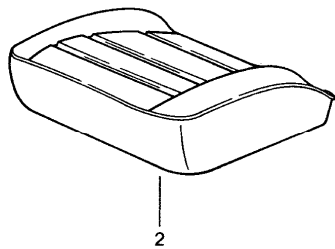
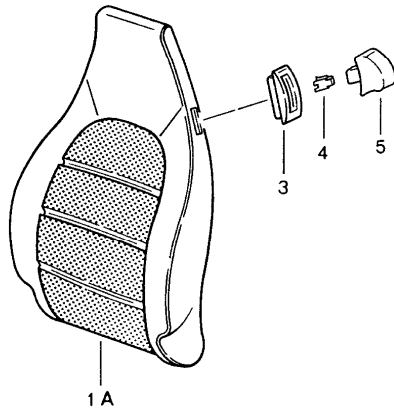
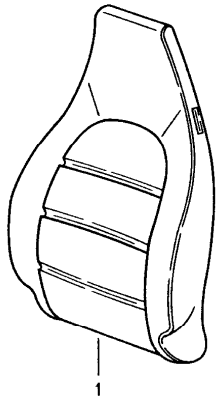
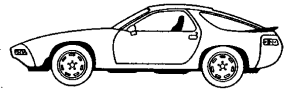
Pos	Part Number	Description	Remark	Qty	Model
		seat heater wiring harnesses switch	87-95		928 S4/GT 928 GTS
(1)	928 653 102 01	heating element seat surface	-88	2	
1	928 653 105 00	heating element seat surface	89-	2	
(2)	928 653 104 01	heating element backrest surface	-88	2	
2	928 653 106 00	heating element backrest surface	89-	2	
3	993 653 120 00	heating element seat side bolster		2	
4	928 612 338 00	wiring harness for backrest adjustment and seat heater		2	
5	928 612 340 00	wiring harness seat heater	89-	2	
6	928 612 337 00	wiring harness for backrest adjustment lumbar support adjustment and seat heater		2	
7	928 618 521 00	relay seat heater	-88	2	
7	928 618 521 03	control unit seat heater		2	
8	928 613 187 02	switch seat heater	/L -88	1	
		01C satin black			
(8)	928 613 188 02	switch seat heater	/R -88	1	
		01C satin black			
(8)	928 613 187 04	switch seat heater	89-	2	
		01C satin black			
(8)	928 613 189 00	switch seating position control seat heater	/L -88	1	

Model	Year	MG	SG	Illustration	Restrictions	UPD	20:04	27.01.2010	PORSCHE	PET	PORSCHE
STZ	1998	8	08	808-65		248					

Pos	Part Number	Description	Remark	Qty	Model	Pos	Part Number	Description	Remark	Qty	Model
	01C	satin black									
(8)	928 613 190 00	switch seating position control seat heater	/R	-88	1						
	01C	satin black									
(8)	928 613 189 02	switch seating position control seat heater		89-	2						
	01C	satin black									

Model	Year	MG	SG	Illustration	Restrictions	UPD	20:04	27.01.2010	PORSCHE	PET	PORSCHE
STZ	1998	8	08	808-70		248					

Pos	Part Number	Description	Remark	Qty	Model
		cover heating element comfort seat	85-86		928 S
1	928 521 071 87	backrest cover whole-leather		2	
	KZ2	black			
	KZ3	blue			
	KZ5	brown			
	LG7	burgundy			
	QC2	greyish green			
	LG6	dark green			
	KZ6	can-can-red			
	LG4	pearl white			
	LG5	champagne			
	PY9	ocean blue			
	PZ1	wild buffalo			
	KZ4	grey-beige	86		
1A	928 521 071 89	backrest cover leather/ centre part in cloth pin stripe velour		2	
	LS5	black/ black-white			
	LS6	brown/ brown-beige			
	LS8	blue/ blue-white			
	LS9	burgundy/ burgundy-white			
	QA7	greyish green/ greyish green-white			
	LS7	grey-beige/ grey-beige-white leather/ centre part in cloth pin stripe flannel	86		



Model	Year	MG	SG	Illustration	Restrictions	UPD	20:04	27.01.2010	PORSCHE	PET	PORSCHE
STZ	1998	8	08	808-70		248					

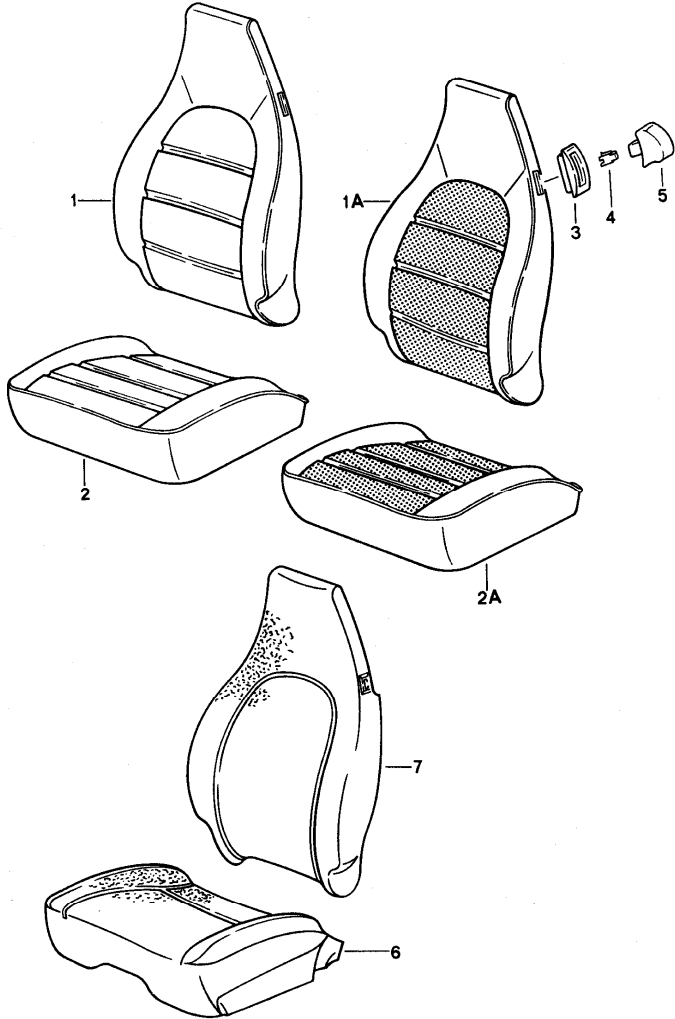
Pos	Part Number	Description	Remark	Qty	Model	Pos	Part Number	Description	Remark	Qty	Model
		QB1 black/anthracite					LS5	black/ black-white			
		QB3 brown/brown					LS6	brown/ brown-beige			
		QB5 blue/blue					LS8	blue/ blue-white			
		QB7 burgundy/burgundy					LS9	burgundy/ burgundy-white			
		QA8 greyish green/grey-green leather/ centre part porsche lettering cloth					QA7	greyish green/ greyish green-white			
		QB2 black/black					LS7	grey-beige/ grey-beige-white leather/ centre part in cloth pin stripe flannel	86		
		QB4 brown/brown					QB1	black/anthracite			
		QB6 blue/blue					QB3	brown/brown			
		QB8 burgundy/burgundy					QB5	blue/blue			
		QA9 greyish green/grey-green					QB7	burgundy/burgundy			
2	928 521 037 87	cover for cushion whole-leather		2			QA8	greyish green/grey-green leather/ centre part porsche lettering cloth			
		KZ2 black					QB2	black/black			
		KZ3 blue					QB4	brown/brown			
		KZ5 brown					QB6	blue/blue			
		LG7 burgundy					QB8	burgundy/burgundy			
		QC2 greyish green					QA9	greyish green/grey-green			
		LG6 dark green					RU1	grey-beige/grey-beige	86		
		KZ6 can-can-red					-	000 043 071 00		X	
		LG4 pearl white						clamp mount cover bag content 50 pieces			
		LG5 champagne					3	911 521 815 00		4	
		PY9 ocean blue						01C	satin black		
2A	928 521 037 89	cover for cushion leather/ centre part in cloth pin stripe velour		2							
		KZ4 grey-beige									



Model	Year	MG	SG	Illustration	Restrictions	UPD	20:04	27.01.2010	PORSCHE	PET	PORSCHE
STZ	1998	8	08	808-70		248					

Pos	Part Number	Description	Remark	Qty	Model	Pos	Part Number	Description	Remark	Qty	Model
4	311 881 247	clamp		4							
5	911 521 817 00	control button		4							
	01C	satin black									
-	928 653 104 01	heating element backrest surface		2							
-	928 653 102 01	heating element seat surface		2							
- A	928 521 385 25	foam part seat cushion	/L	1							
- A	928 521 386 25	foam part seat cushion	/R	1							
-	928 521 385 26	foam part seat cushion	/L	1	M139/586						
-	928 521 386 26	foam part seat cushion	/R	1	M340/513						
-	928 521 393 16	foam part backrest frame		2							

Model	Year	MG	SG	Illustration	Restrictions	UPD	20:04	27.01.2010	PORSCHE	PET	PORSCHE
STZ	1998	8	08	808-75		248					



Pos	Part Number	Description	Remark	Qty	Model
		cover front seat	87-95		928 S4/GT 928 GTS
1	928 521 071 87	backrest cover whole-leather		2	
	KZ2	black	-90		
	TV1	mahogany	-90		
	TS1	marine blue	-90		
	LG7	burgundy	-90		
	QC2	greyish green	-88		
	LG5	champagne	-88		
	TW1	linen	-90		
	XN4	cashmere beige	89-90		
	XG1	plum red	-88		
	XG2	silver-grey	-88		
	XG3	caramel	-90		
	XG4	venetian blue	-90		
	XN5	silk grey	89-90		
	XN6	velvet red	89-90		
	XN7	slate grey	89-90		
	ATH	black	91-		
	APL	classic grey	91-		
	ARL	cobalt blue	91-93		
	ASL	magenta	91-93		
	AQL	light grey	91-93		
	ATY	cashmere beige	91-		
	BQB	marine blue	91-93		
	AVF	matador red	91-93		
	AVG	carrara grey	91-93		
	AVH	sherwood green	91-93		
	DBD	midnight blue	94-		

Model	Year	MG	SG	Illustration	Restrictions	UPD	20:04	27.01.2010	PORSCHE	PET	PORSCHE
STZ	1998	8	08	808-75		248					

Pos	Part Number	Description	Remark	Qty	Model	Pos	Part Number	Description	Remark	Qty	Model
	DCD	chestnut brown	94-				AVF	matador red	91-93		
	DDD	marble grey	94-				AVG	carrara grey	91-93		
	DEC	provence blue	94-				AVH	sherwood green	91-93		
	DEE	cedar green	94-				DBD	midnight blue	94-		
	DEF	flamenco red	94-				DCD	chestnut brown	94-		
1	928 521 071 04	backrest cover draped leather		2			DDD	marble grey	94-		
	KZ2	black	-90				DEC	provence blue	94-		
	TV1	mahogany	-90				DEE	cedar green	94-		
	TS1	marine blue	-90				DEF	flamenco red	94-		
	LG7	burgundy	-90			1A	928 521 071 89	backrest cover leather/ centre part in cloth pin stripe velour		2	
	QC2	greyish green	-88				LS5	black/ black-white	-90		
	LG5	champagne	-88				TU1	mahogany/ mahogany-white	-90		
	TW1	linen	-90				TR1	blue/ blue-white	-90		
	XN4	cashmere beige	89-90				LS9	burgundy/ burgundy-white	-90		
	XG1	plum red	-88				QA7	greyish green/ greyish green-white	-88		
	XG2	silver-grey	-88				XF5	linen/ linen white	89-90		
	XG3	caramel	-90				XF8	cashmere beige/ cashmere beige-white	89-90		
	XG4	venetian blue	-90				1A	928 521 071 89	backrest cover leather/ centre part in cloth multicolour		2
	XN5	silk grey	89-90				XG6	black/black	-90		
	XN6	velvet red	89-90				XG7	mahogany/mahogany	-90		
	XN7	slate grey	89-90				XG8	marine blue/marine blue	-90		
	ATH	black	91-				XG9	burgundy/burgundy	-90		
	APL	classic grey	91-								
	ARL	cobalt blue	91-93								
	ASL	magenta	91-93								
	AQL	light grey	91-93								
	ATY	cashmere beige	91-								
	BQB	marine blue	91-93								

Model	Year	MG	SG	Illustration	Restrictions	UPD	20:04	27.01.2010	PORSCHE	PET	PORSCHE
STZ	1998	8	08	808-75		248					

Pos	Part Number	Description	Remark	Qty	Model	Pos	Part Number	Description	Remark	Qty	Model
		XF7 linen/linen	-90				ASG	magenta/magenta	91-93		
		XG5 cashmere beige/cash. beige	-90				AQG	light grey/light grey	91-93		
		ATJ black/black	91-93				ATU	cashmere beige/cash. beige	91-		
		AQT classic grey/classic grey	91-93				BQL	marine blue/blue	91-93		
		AQU cobalt blue/cobalt blue	91-93				DBB	midnight bl./midnight blue	94-		
		ASJ magenta/magenta	91-93				DCB	chestnut brown/ chestnut brown	94-		
		AQJ light grey/light grey	91-93				DDB	marble grey/marble grey	94-		
		ATW cashmere beige/cash. beige	91-93			2	928 521 037 87	cover for cushion whole-leather		2	
		BQJ marine blue/marine blue	91-93								
1A	928 521 071 89	backrest cover leather/ centre part in cloth pin stripe flannel	-88	2			KZ2	black	-90		
		QB1 black/anthracite					TV1	mahogany	-90		
		TU2 mahogany/mahogany					TS1	marine blue	-90		
		TR2 marine blue/blue					LG7	burgundy	-90		
		QB7 burgundy/burgundy					QC2	greyish green	-90		
		QA8 greyish green/grey-green					LG5	champagne	-88		
1A	928 521 071 89	backrest cover leather/ centre part porsche lettering cloth		2			TW1	linen	-90		
		QB2 black/black	-90				XN4	cashmere beige	89-90		
		TU3 mahogany/mahogany	-90				XG1	plum red	-88		
		TR3 marine blue/blue	-90				XG2	silver-grey	-88		
		QB8 burgundy/burgundy	-90				XG3	caramel	-90		
		XF6 linen/linen	89-90				XG4	venetian blue	-90		
		XF9 cashmere beige/cash. beige	89-90				XN5	silk grey	89-90		
		QA9 greyish green/grey-green	-88				XN6	velvet red	89-90		
		ATD black/black	91-				XN7	slate grey	89-90		
		APG classic grey/classic grey	91-				ATH	black	91-		
		ARG cobalt blue/cobalt blue	91-93				APL	classic grey	91-		
							ARL	cobalt blue	91-93		
							ASL	magenta	91-93		
							AQL	light grey	91-93		

Model	Year	MG	SG	Illustration	Restrictions	UPD	20:04	27.01.2010	PORSCHE	PET	PORSCHE
STZ	1998	8	08	808-75		248					

Pos	Part Number	Description	Remark	Qty	Model	Pos	Part Number	Description	Remark	Qty	Model
	ATY	cashmere beige	91-				APL	classic grey	91-		
	BQB	marine blue	91-93				ARL	cobalt blue	91-93		
	AVF	matador red	91-93				ASL	magenta	91-93		
	AVG	carrara grey	91-93				AQL	light grey	91-93		
	AVH	sherwood green	91-93				ATY	cashmere beige	91-		
	DBD	midnight blue	94-				BQB	marine blue	91-93		
	DCD	chestnut brown	94-				AVF	matador red	91-93		
	DDD	marble grey	94-				AVG	carrara grey	91-93		
	DEC	provence blue	94-				AVH	sherwood green	91-93		
	DEE	cedar green	94-				DBD	midnight blue	94-		
	DEF	flamenco red	94-				DCD	chestnut brown	94-		
2	928 521 037 05	cover for cushion draped leather		2			DDD	marble grey	94-		
	KZ2	black	-90				DEC	provence blue	94-		
	TV1	mahogany	-90				DEE	cedar green	94-		
	TS1	marine blue	-90				DEF	flamenco red	94-		
	LG7	burgundy	-90			2A	928 521 037 89	cover for cushion leather/ centre part in cloth pin stripe velour		2	
	QC2	greyish green	-90				LS5	black/ black-white	-90		
	LG5	champagne	-88				TU1	mahogany/ mahogany-white	-90		
	TW1	linen	-90				TR1	blue/ blue-white	-90		
	XN4	cashmere beige	89-90				LS9	burgundy/ burgundy-white	-90		
	XG1	plum red	-88				QA7	greyish green/ greyish green-white	-88		
	XG2	silver-grey	-88				XF5	linen/ linen white	89-90		
	XG3	caramel	-90				XF8	cashmere beige/ cashmere beige-white	89-90		
	XG4	venetian blue	-90								
	XN5	silk grey	89-90								
	XN6	velvet red	89-90								
	XN7	slate grey	89-90								
	ATH	black	91-								

Model	Year	MG	SG	Illustration	Restrictions	UPD	20:04	27.01.2010	PORSCHE	PET	PORSCHE
STZ	1998	8	08	808-75		248					

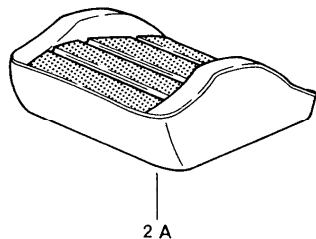
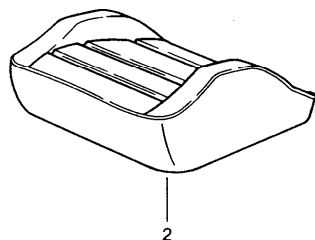
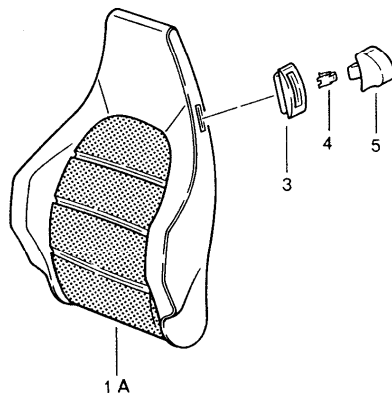
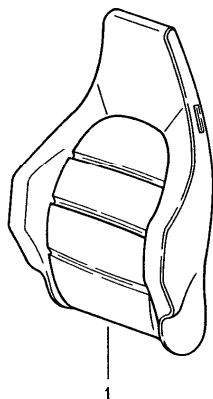
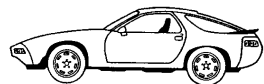
Pos	Part Number	Description	Remark	Qty	Model	Pos	Part Number	Description	Remark	Qty	Model
2A	928 521 037 89	cover for cushion leather/ centre part in cloth multicolour	89-	2			QB8	burgundy/burgundy	-90		
							XF6	linen/linen	89-90		
	XG6	black/black	-90				XF9	cashmere beige/cash. beige	89-90		
	XG7	mahogany/mahogany	-90				QA9	greyish green/grey-green	-88		
	XG8	marine blue/marine blue	-90				ATD	black/black	91-		
	XG9	burgundy/burgundy	-90				APG	classic grey/classic grey	91-		
	XF7	linen/linen	-90				ARG	cobalt blue/cobalt blue	91-93		
	XG5	cashmere beige/cash. beige	-90				ASG	magenta/magenta	91-93		
	ATJ	black/black	91-93				AQG	light grey/light grey	91-93		
	AQT	classic grey/classic grey	91-93				ATU	cashmere beige/cash. beige	91-		
	AQU	cobalt blue/cobalt blue	91-93				BQL	marine blue/blue	91-93		
	ASJ	magenta/magenta	91-93				DBB	midnight bl./midnight blue	94-		
	AQJ	light grey/light grey	91-93				DCB	chestnut brown/ chestnut brown	94-		
	ATW	cashmere beige/cash. beige	91-93				DDB	marble grey/marble grey	94-		
	BQJ	marine blue/marine blue	91-93			-	000 043 071 00	clamp mount cover bag content 50 pieces		X	
2A	928 521 037 89	cover for cushion leather/ centre part in cloth pin stripe flannel	-88	2		3	911 521 815 00	rosette		4	
	QB1	black/anthracite					01C	satin black			
	TU2	mahogany/mahogany				4	311 881 247	clamp		4	
	TR2	marine blue/blue				5	911 521 817 00	control button		4	
	QB7	burgundy/burgundy					01C	satin black			
	QA8	greyish green/grey-green				6	A 928 521 385 25	foam part seat cushion	/L	1	
2A	928 521 037 89	cover for cushion leather/ centre part porsche lettering cloth		2		(6)	A 928 521 386 25	foam part seat cushion	/R	1	
	QB2	black/black	-90			(6)	928 521 385 26	foam part seat cushion	/L	1	M139/586
	TU3	mahogany/mahogany	-90								
	TR3	marine blue/blue	-90								

Model	Year	MG	SG	Illustration	Restrictions	UPD	20:04	27.01.2010	PORSCHE	PET	PORSCHE
STZ	1998	8	08	808-75		248					

Pos	Part Number	Description	Remark	Qty	Model	Pos	Part Number	Description	Remark	Qty	Model
(6)	928 521 386 26	foam part seat cushion	/R	1	M340/513						
7	928 521 393 16	foam part backrest frame		2							

Model	Year	MG	SG	Illustration	Restrictions	UPD	20:04	27.01.2010	PORSCHE	PET	PORSCHE
STZ	1998	8	08	808-80		248					

Pos	Part Number	Description	Remark	Qty	Model
		cover heating element sports seat	85-86		928 S
1	944 521 071 67	backrest cover whole-leather		2	
	KZ2	black			
	KZ3	blue			
	KZ5	brown			
	LG7	burgundy			
	QC2	greyish green			
	LG6	dark green			
	KZ6	can-can-red			
	LG4	pearl white			
	LG5	champagne			
	PY9	ocean blue			
	PZ1	wild buffalo			
	KZ4	grey-beige	86		
1A	944 521 071 69	backrest cover leather/ centre part in cloth pin stripe velour		2	
	LS5	black/ black-white			
	LS6	brown/ brown-beige			
	LS8	blue/ blue-white			
	LS9	burgundy/ burgundy-white			
	QA7	greyish green/ greyish green-white			
	LS7	grey-beige/ grey-beige-white leather/ centre part in cloth pin stripe flannel	86		





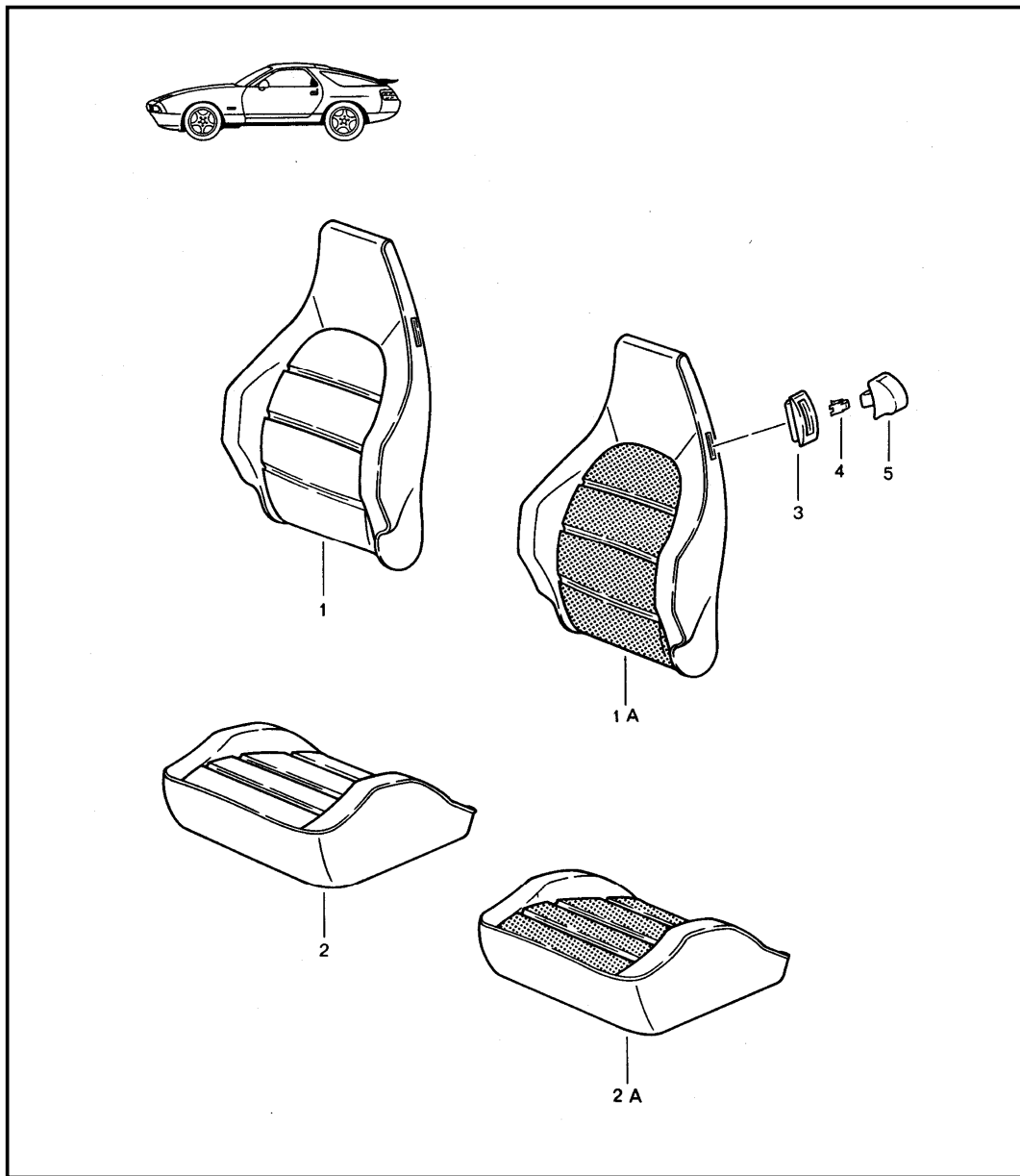
Model	Year	MG	SG	Illustration	Restrictions	UPD	20:04	27.01.2010	PORSCHE	PET	PORSCHE
STZ	1998	8	08	808-80		248					

Pos	Part Number	Description	Remark	Qty	Model	Pos	Part Number	Description	Remark	Qty	Model
		QB1 black/anthracite					LS5	black/ black-white			
		QB3 brown/brown					LS6	brown/ brown-beige			
		QB5 blue/blue					LS8	blue/ blue-white			
		QB7 burgundy/burgundy					LS9	burgundy/ burgundy-white			
		QA8 greyish green/grey-green leather/ centre part porsche lettering cloth					QA7	greyish green/ greyish green-white			
		QB2 black/black					LS7	grey-beige/ grey-beige-white leather/ centre part in cloth pin stripe flannel	86		
		QB4 brown/brown					QB1	black/anthracite			
		QB6 blue/blue					QB3	brown/brown			
		QB8 burgundy/burgundy					QB5	blue/blue			
		QA9 greyish green/grey-green					QB7	burgundy/burgundy			
		RU1 grey-beige/grey-beige	86				QA8	greyish green/grey-green leather/ centre part porsche lettering cloth			
2	944 521 037 67	cover for cushion whole-leather		2			QB2	black/black			
		KZ2 black					QB4	brown/brown			
		KZ3 blue					QB6	blue/blue			
		KZ5 brown					QB8	burgundy/burgundy			
		LG7 burgundy					QA9	greyish green/grey-green			
		QC2 greyish green					RU1	grey-beige/grey-beige	86		
		LG6 dark green					-	000 043 071 00		X	
		KZ6 can-can-red						clamp mount cover bag content 50 pieces			
		LG4 pearl white					3	911 521 815 00		4	
		LG5 champagne						01C	satin black		
		PY9 ocean blue									
		PZ1 wild buffalo									
		KZ4 grey-beige	86								
2A	944 521 037 69	cover for cushion leather/ centre part in cloth pin stripe velour		2							

Model	Year	MG	SG	Illustration	Restrictions	UPD	20:04	27.01.2010	PORSCHE	PET	PORSCHE
STZ	1998	8	08	808-80		248					

Pos	Part Number	Description	Remark	Qty	Model	Pos	Part Number	Description	Remark	Qty	Model
4	311 881 247	clamp		4							
5	911 521 817 00	control button		4							
	01C	satin black									
-	928 653 104 01	heating element backrest surface		1							
-	928 653 102 01	heating element seat surface		1							

Model	Year	MG	SG	Illustration	Restrictions	UPD	20:05	27.01.2010	PORSCHE	PET	PORSCHE
STZ	1998	8	08	808-85		248					



Pos	Part Number	Description	Remark	Qty	Model
		cover heating element sports seat	87-95		928 S4/GT 928 GTS
1	944 521 071 67	backrest cover whole-leather		2	
	KZ2	black	-90		
	TV1	mahogany	-90		
	TS1	marine blue	-90		
	LG7	burgundy	-90		
	QC2	greyish green	-88		
	LG5	champagne	-88		
	TW1	linen	-90		
	XN4	cashmere beige	89-90		
	XG1	plum red	-88		
	XG2	silver-grey	-88		
	XG3	caramel	-90		
	XG4	venetian blue	-90		
	XN5	silk grey	89-90		
	XN6	velvet red	89-90		
	XN7	slate grey	89-90		
	ATH	black	91-		
	APL	classic grey	91-		
	ARL	cobalt blue	91-93		
	ASL	magenta	91-93		
	ATY	cashmere beige	91-		
	BQB	marine blue	91-93		
	AVF	matador red	91-93		
	AVG	carrara grey	91-93		
	AVH	sherwood green	91-93		
	DBD	midnight blue	94-		

Model	Year	MG	SG	Illustration	Restrictions	UPD	20:05	27.01.2010	PORSCHE	PET	PORSCHE
STZ	1998	8	08	808-85		248					

Pos	Part Number	Description	Remark	Qty	Model	Pos	Part Number	Description	Remark	Qty	Model
		DCD chestnut brown	94-				XF5	linen/ linen white	89-90 89-90		
		DDD marble grey	94-				XF8	cashmere beige/ cashmere beige-white	89-90 89-90		
		DEC provence blue	94-			1A	944 521 071 69	backrest cover leather/ centre part in cloth multicolour	89-	2	
		DEE cedar green	94-				XG6	black/black	-90		
		DEF flamenco red	94-				XG7	mahogany/mahogany	-90		
1A	944 521 071 69	backrest cover leather/ centre part in cloth pin stripe velour		2			XG8	marine blue/marine blue	-90		
		LS5 black/ black-white	-90 -90				XG9	burgundy/burgundy	-90		
		TU1 mahogany/ mahogany-white	-90 -90				XF7	linen/linen	-90		
		TR1 blue/ blue-white	-90 -90				XG5	cashmere beige/cash. beige	-90		
		LS9 burgundy/ burgundy-white	-90 -90				XK1	black/ black-red	88 88		
		QA7 greyish green/ greyish green-white	-88 -88				ATJ	black/black	91-93		
		XF5 linen/ linen white	89-90 89-90				AQT	classic grey/classic grey	91-93		
		XF8 cashmere beige/ cashmere beige-white	89-90 89-90				AQU	cobalt blue/cobalt blue	91-93		
1A	944 521 071 69	backrest cover leather/ centre part in cloth pin stripe velour	-89	2	M637/639		ASJ	magenta/magenta	91-93		
		LS5 black/ black-white	-90 -90				AQJ	light grey/light grey	91-93		
		TU1 mahogany/ mahogany-white	-90 -90				ATW	cashmere beige/cash. beige	91-93		
		TR1 blue/ blue-white	-90 -90			1A	944 521 071 69	backrest cover leather/ centre part in cloth multicolour	-89 89-	2	M637/639
		LS9 burgundy/ burgundy-white	-90 -90				XG6	black/black	-90		
		QA7 greyish green/ greyish green-white	-88 -88				XG7	mahogany/mahogany	-90		
							XG8	marine blue/marine blue	-90		
							XG9	burgundy/burgundy	-90		
							XF7	linen/linen	-90		
							XG5	cashmere beige/cash. beige	-90		

Model	Year	MG	SG	Illustration	Restrictions	UPD	20:05	27.01.2010	PORSCHE	PET	PORSCHE
STZ	1998	8	08	808-85		248					

Pos	Part Number	Description	Remark	Qty	Model	Pos	Part Number	Description	Remark	Qty	Model
		XK1 black/ black-red	88 88				ASG	magenta/magenta	91-93		
1A	944 521 071 69	backrest cover leather/ centre part in cloth pin stripe flannel	-88	2			AQG	light grey/light grey	91-93		
		QB1 black/anthracite					ATU	cashmere beige/cash. beige	91-		
		TU2 mahogany/mahogany					BQL	marine blue/blue	91-93		
		TR2 marine blue/blue					DBB	midnight bl./midnight blue	94-		
		QB7 burgundy/burgundy					DCB	chestnut brown/ chestnut brown	94- 94-		
		QA8 greyish green/grey-green					DDB	marble grey/marble grey	94-		
1A	944 521 071 69	backrest cover leather/ centre part in cloth pin stripe flannel	-89 -88	2	M637/639	1A	944 521 071 69	backrest cover leather/ centre part porsche lettering cloth	-89	2	M637/639
		QB1 black/anthracite					QB2	black/black	-90		
		TU2 mahogany/mahogany					TU3	mahogany/mahogany	-90		
		TR2 marine blue/blue					TR3	marine blue/blue	-90		
		QB7 burgundy/burgundy					QB8	burgundy/burgundy	-90		
		QA8 greyish green/grey-green					QA9	greyish green/grey-green	-88		
1A	944 521 071 69	backrest cover leather/ centre part porsche lettering cloth		2			XF6	linen/linen	89-90		
		QB2 black/black	-90				XF9	cashmere beige/cash. beige	89-90		
		TU3 mahogany/mahogany	-90			2	944 521 037 67	cover for cushion whole-leather		2	
		TR3 marine blue/blue	-90				KZ2	black	-90		
		QB8 burgundy/burgundy	-90				TV1	mahogany	-90		
		QA9 greyish green/grey-green	-88				TS1	marine blue	-90		
		XF6 linen/linen	89-90				LG7	burgundy	-90		
		XF9 cashmere beige/cash. beige	89-90				QC2	greyish green	-88		
		ATD black/black	91-				LG5	champagne	-88		
		APG classic grey/classic grey	91-				TW1	linen	-90		
		ARG cobalt blue/cobalt blue	91-93				XN4	cashmere beige	89-90		
							XG1	plum red	-88		
							XG2	silver-grey	-88		

Model	Year	MG	SG	Illustration	Restrictions	UPD	20:05	27.01.2010	PORSCHE	PET	PORSCHE
STZ	1998	8	08	808-85		248					

Pos	Part Number	Description	Remark	Qty	Model	Pos	Part Number	Description	Remark	Qty	Model
	XG3	caramel	-90				LS9	burgundy/ burgundy-white	-90 -90		
	XG4	venetian blue	-90				QA7	greyish green/ greyish green-white	-88 -88		
	XN5	silk grey	89-90				XF5	linen/ linen white	89-90 89-90		
	XN6	velvet red	89-90				XF8	cashmere beige/ cashmere beige-white	89-90 89-90		
	XN7	slate grey	89-90								
	ATH	black	91-								
	APL	classic grey	91-			2A	928 521 037 20	cover for cushion leather/ centre part in cloth pin stripe velour	-89	2	M637/639
	ARL	cobalt blue	91-93								
	ASL	magenta	91-93				LS5	black/ black-white	-90 -90		
	AQL	light grey	91-93				TU1	mahogany/ mahogany-white	-90 -90		
	ATY	cashmere beige	91-				TR1	blue/ blue-white	-90 -90		
	BQB	marine blue	91-93								
	AVF	matador red	91-93				LS9	burgundy/ burgundy-white	-90 -90		
	AVG	carrara grey	91-93				QA7	greyish green/ greyish green-white	-88 -88		
	AVH	sherwood green	91-93				XF5	linen/ linen white	89-90 89-90		
	DBD	midnight blue	94-				XF8	cashmere beige/ cashmere beige-white	89-90 89-90		
	DCD	chestnut brown	94-								
	DDD	marble grey	94-								
	DEC	provence blue	94-								
	DEE	cedar green	94-			2A	944 521 037 69	cover for cushion leather/ centre part in cloth multicolour	89-	2	
	DEF	flamenco red	94-				XG6	black/black	-90		
2A	944 521 037 69	cover for cushion leather/ centre part in cloth pin stripe velour		2			XG7	mahogany/mahogany	-90		
	LS5	black/ black-white	-90 -90				XG8	marine blue/marine blue	-90		
	TU1	mahogany/ mahogany-white	-90 -90				XG9	burgundy/burgundy	-90		
	TR1	blue/ blue-white	-90 -90				XF7	linen/linen	-90		
							XG5	cashmere beige/cash. beige	-90		
							ATJ	black/black	91-93		

Model	Year	MG	SG	Illustration	Restrictions	UPD	20:05	27.01.2010	PORSCHE	PET	PORSCHE
STZ	1998	8	08	808-85		248					

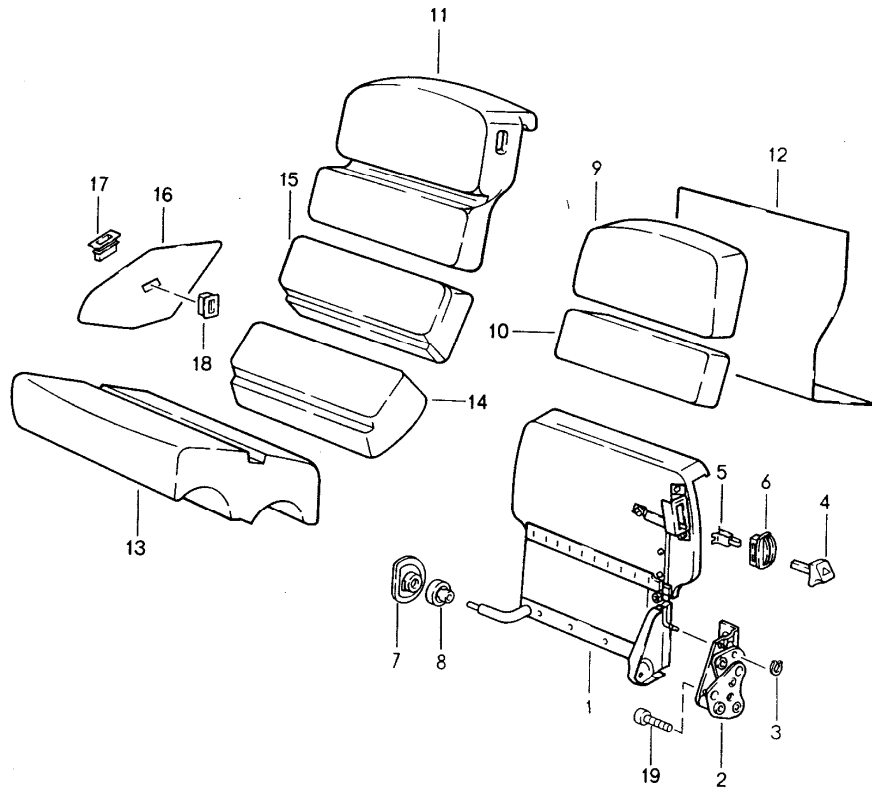
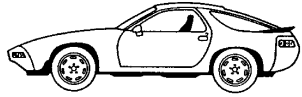
Pos	Part Number	Description	Remark	Qty	Model	Pos	Part Number	Description	Remark	Qty	Model
	AQT	classic grey/classic grey	91-93				QA8	greyish green/grey-green			
	AQU	cobalt blue/cobalt blue	91-93			2A	944 521 037 69	cover for cushion leather/ centre part porsche lettering cloth		2	
	ASJ	magenta/magenta	91-93				QB2	black/black	-90		
	AQJ	light grey/light grey	91-93				TU3	mahogany/mahogany	-90		
	ATW	cashmere beige/cash. beige	91-93				TR3	marine blue/blue	-90		
	BQJ	marine blue/marine blue	91-93				QB8	burgundy/burgundy	-90		
2A	928 521 037 20	cover for cushion leather/ centre part in cloth multicolour	-89	2	M637/639		QA9	greyish green/grey-green	-88		
	XG6	black/black	-90				XF6	linen/linen	89-90		
	XG7	mahogany/mahogany	-90				XF9	cashmere beige/cash. beige	89-90		
	XG8	marine blue/marine blue	-90				ATD	black/black	91-		
	XG9	burgundy/burgundy	-90				APG	classic grey/classic grey	91-		
	XF7	linen/linen	-90				ARG	cobalt blue/cobalt blue	91-93		
	XG5	cashmere beige/cash. beige	-90				ASG	magenta/magenta	91-93		
2A	944 521 037 69	cover for cushion leather/ centre part in cloth pin stripe flannel	-88	2			AQG	light grey/light grey	91-93		
	QB1	black/anthracite					ATU	cashmere beige/cash. beige	91-		
	TU2	mahogany/mahogany					BQL	marine blue/blue	91-93		
	TR2	marine blue/blue					DBB	midnight bl./midnight blue	94-		
	QB7	burgundy/burgundy					DCB	chestnut brown/ chestnut brown	94- 94-		
	QA8	greyish green/grey-green					DDB	marble grey/marble grey	94-		
2A	928 521 037 20	cover for cushion leather/ centre part in cloth pin stripe flannel	-89	2	M637/639	2A	928 521 037 20	cover for cushion leather/ centre part porsche lettering cloth	-89	2	M637/639
	QB1	black/anthracite	-88				QB2	black/black	-90		
	TU2	mahogany/mahogany					TU3	mahogany/mahogany	-90		
	TR2	marine blue/blue					TR3	marine blue/blue	-90		
	QB7	burgundy/burgundy					QB8	burgundy/burgundy	-90		
							QA9	greyish green/grey-green	-88		

Model	Year	MG	SG	Illustration	Restrictions	UPD	20:05	27.01.2010	PORSCHE	PET	PORSCHE
STZ	1998	8	08	808-85		248					

Pos	Part Number	Description	Remark	Qty	Model	Pos	Part Number	Description	Remark	Qty	Model
	XF6	linen/linen	89-90								
	XF9	cashmere beige/cash. beige	89-90								
2A	944 521 037 69	cover for cushion leather/ centre part in cloth pin stripe velour	(GB) 88	2	M637						
	XK1	black/ black-red									
-	000 043 071 00	clamp mount cover bag content 50 pieces		X							
3	911 521 815 00	rosette		4							
	01C	satin black									
4	311 881 247	clamp		4							
5	911 521 817 00	control button		4							
	01C	satin black									
-	928 653 104 01	heating element backrest surface	-88	2							
-	928 653 102 01	heating element seat surface	-88	2							
-	928 653 106 00	heating element backrest surface	89-	2							
-	928 653 105 00	heating element seat surface	89-	2							
-	993 653 120 00	heating element seat side bolster		2							



Model	Year	MG	SG	Illustration	Restrictions	UPD	20:05	27.01.2010	PORSCHE	PET	PORSCHE
STZ	1998	8	08	808-90		248					



Pos	Part Number	Description	Remark	Qty	Model
		back seat	85-86		928 S
1	A 928 522 013 02	backrest frame	/L	1	
(1)	A 928 522 014 02	backrest frame	/R	1	
(1)	A 928 522 023 02	backrest frame	/L - (AUS)	1	
(1)	A 928 522 024 02	backrest frame	/R - (AUS)	1	
-	928 522 033 02	retaining frame for backrest frame	/L (AUS)	1	
-	928 522 034 02	retaining frame for backrest frame	/R (AUS)	1	
2	928 522 085 03	backrest fittings	/L	1	
(2)	928 522 086 03	backrest fittings	/R	1	
3	N 012 432 1	lock washer 2,3		2	
4	911 521 817 00	control button		2	
		01C satin black			
5	311 881 247	clamp		2	
6	911 521 815 00	rosette		2	
		01C satin black			
7	928 522 619 02	rosette bearing backrest		2	
8	928 522 635 02	bearing sleeve		2	
9	A 928 522 251 02	foam part upper	/L	1	
(9)	A 928 522 251 03	foam part upper	/L (AUS)	1	
(9)	A 928 522 252 02	foam part upper	/R	1	
(9)	A 928 522 252 03	foam part upper	/R (AUS)	1	
10	A 928 522 253 02	foam part lower	/L	1	

Model	Year	MG	SG	Illustration	Restrictions	UPD	20:05	27.01.2010	PORSCHE	PET	PORSCHE
STZ	1998	8	08	808-90		248					

Pos	Part Number	Description	Remark	Qty	Model	Pos	Part Number	Description	Remark	Qty	Model
(10)	A 928 522 253 03	foam part lower	/L (AUS)	1			LG5	champagne			
(10)	A 928 522 254 02	foam part lower	/R	1			PY9	ocean blue			
(10)	A 928 522 254 03	foam part lower	/R (AUS)	1			PZ1	wild buffalo			
(11)	928 522 037 52	back seat backrest cover whole-leather	/L	1		(11)	928 522 037 54	back seat backrest cover whole-leather	/L (AUS)	1	
	KZ2	black					KZ2	black			
	KZ3	blue					KZ3	blue			
	KZ5	brown					KZ5	brown			
	LG7	burgundy					LG7	burgundy			
	QC2	greyish green					QC2	greyish green			
	KZ4	grey-beige	86				KZ4	grey-beige		86	
	LG6	dark green					LG6	dark green			
	KZ6	can-can-red					KZ6	can-can-red			
	LG4	pearl white					LG4	pearl white			
	LG5	champagne					LG5	champagne			
	PY9	ocean blue					PY9	ocean blue			
	PZ1	wild buffalo					PZ1	wild buffalo			
(11)	928 522 038 52	back seat backrest cover whole-leather	/R	1		(11)	928 522 038 54	back seat backrest cover whole-leather	/R (AUS)	1	
	KZ2	black					KZ2	black			
	KZ3	blue					KZ3	blue			
	KZ5	brown					KZ5	brown			
	LG7	burgundy					LG7	burgundy			
	QC2	greyish green					QC2	greyish green			
	KZ4	grey-beige	86				KZ4	grey-beige		86	
	LG6	dark green					LG6	dark green			
	KZ6	can-can-red					KZ6	can-can-red			
	LG4	pearl white					LG4	pearl white			
	LG5	champagne					LG5	champagne			
	PY9	ocean blue					PY9	ocean blue			

Model	Year	MG	SG	Illustration	Restrictions	UPD	20:05	27.01.2010	PORSCHE	PET	PORSCHE
STZ	1998	8	08	808-90		248					

Pos	Part Number	Description	Remark	Qty	Model	Pos	Part Number	Description	Remark	Qty	Model
	PZ1	wild buffalo					LS8	blue/ blue-white			
(11)	928 522 037 53	back seat backrest cover leather/ pin stripe velour	/L	1			LS9	burgundy/ burgundy-white			
	LS5	black/ black-white					QA7	greyish green/ greyish green-white			
	LS6	brown/ brown-beige					LS7	grey-beige/ grey-beige-white	86 86		
	LS8	blue/ blue-white				(11)	928 522 038 55	back seat backrest cover leather/ pin stripe velour	/R (AUS)	1	
	LS9	burgundy/ burgundy-white					LS5	black/ black-white			
	QA7	greyish green/ greyish green-white					LS6	brown/ brown-beige			
(11)	928 522 038 53	back seat backrest cover leather/ pin stripe velour	/R	1			LS8	blue/ blue-white			
	LS5	black/ black-white					LS9	burgundy/ burgundy-white			
	LS6	brown/ brown-beige					QA7	greyish green/ greyish green-white			
	LS8	blue/ blue-white				(11)	928 522 037 53	back seat backrest cover leather/ pin stripe flannel	/L	1	
	LS9	burgundy/ burgundy-white					QB1	black/anthracite			
	QA7	greyish green/ greyish green-white					QB3	brown/brown			
	LS7	grey-beige/ grey-beige-white		86 86			QB5	blue/blue			
(11)	928 522 037 55	back seat backrest cover leather/ pin stripe velour	/L (AUS)	1			QB7	burgundy/burgundy			
	LS5	black/ black-white				(11)	928 522 038 53	back seat backrest cover leather/ pin stripe flannel	/R	1	
	LS6	brown/ brown-beige					QB1	black/anthracite			
							QB3	brown/brown			
							QB5	blue/blue			

Model	Year	MG	SG	Illustration	Restrictions	UPD	20:05	27.01.2010	PORSCHE	PET	PORSCHE
STZ	1998	8	08	808-90		248					

Pos	Part Number	Description	Remark	Qty	Model	Pos	Part Number	Description	Remark	Qty	Model	
(11)	928 522 037 55	QB7	burgundy/burgundy	/L (AUS)	1	(11)	928 522 037 55	QB8	burgundy/burgundy	/L (AUS)	1	
		QA8	greyish green/grey-green					QA9	greyish green/grey-green			
		back seat backrest cover leather/pin stripe flannel						RU1	grey-beige/grey-beige			86
		QB1	black/anthracite					back seat backrest cover leather/porsche lettering cloth				
		QB3	brown/brown					QB2	black/black			
		QB5	blue/blue					QB4	brown/brown			
		QB7	burgundy/burgundy					QB6	blue/blue			
		QA8	greyish green/grey-green					QB8	burgundy/burgundy			
(11)	928 522 038 55	QA9	greyish green/grey-green	/R (AUS)	1	(11)	928 522 038 55	QA9	greyish green/grey-green	/R (AUS)	1	
		back seat backrest cover leather/pin stripe flannel						RU1	grey-beige/grey-beige			86
		QB1	black/anthracite					back seat backrest cover leather/porsche lettering cloth				
		QB3	brown/brown					QB2	black/black			
		QB5	blue/blue					QB4	brown/brown			
		QB7	burgundy/burgundy					QB6	blue/blue			
		QA8	greyish green/grey-green					QB8	burgundy/burgundy			
		QA9	greyish green/grey-green					QA9	greyish green/grey-green			
(11)	928 522 037 53	RU1	grey-beige/grey-beige	/L	1	(11)	928 522 051 03	RU1	grey-beige/grey-beige	86		
		back seat backrest cover leather/porsche lettering cloth						carpet for back seat backrest				
		QB2	black/black					2FL	grey-beige	86		
		QB4	brown/brown					70E	black			
		QB6	blue/blue					40E	brown			
		QB8	burgundy/burgundy					30B	blue			
		QA9	greyish green/grey-green					80E	burgundy			
		RU1	grey-beige/grey-beige					86	8JK	greyish green		
(11)	928 522 038 53	back seat backrest cover leather/porsche lettering cloth		/R	1	(11)	928 522 038 53	60A	grey			
		QB2	black/black					6JD	dark green			
		QB4	brown/brown									
		QB6	blue/blue									

Model	Year	MG	SG	Illustration	Restrictions	UPD	20:05	27.01.2010	PORSCHE	PET	PORSCHE
STZ	1998	8	08	808-90		248					

Pos	Part Number	Description	Remark	Qty	Model	Pos	Part Number	Description	Remark	Qty	Model	
(12)	80S	can-can-red				(12)	928 522 052 04	carpet for back seat backrest	/R (AUS)	1		
	1VD	champagne					70E	black				
	2YN	white					40E	brown				
	928 522 052 03	carpet for back seat backrest	/R	1			30B	blue				
	2FL	grey-beige		86			80E	burgundy				
	70E	black					8JK	greyish green				
	40E	brown					60A	grey				
	30B	blue					2FL	grey-beige	86			
	80E	burgundy					6JD	dark green				
	8JK	greyish green					80S	can-can-red				
	60A	grey					1VD	champagne				
(12)	928 522 051 04	carpet for back seat backrest	/L (AUS)	1		(13)	928 522 059 04	seat cushion front pin stripe velour	/L	1		
	6JD	dark green					7BN	black-white				
	80S	can-can-red					3NN	brown-beige				
	1VD	champagne					8GJ	blue-white				
	2YN	white					1MJ	burgundy-white				
	70E	black					9FN	grey-beige-white	86			
	40E	brown					3JV	greyish green-white				
	30B	blue					13	928 522 060 05	seat cushion front pin stripe velour	/R	1	
	80E	burgundy						7BN	black-white			
	8JK	greyish green						3NN	brown-beige			
	60A	grey						8GJ	blue-white			
2FL	grey-beige		86		1MJ	burgundy-white						
6JD	dark green				9FN	grey-beige-white	86					
80S	can-can-red				3JV	greyish green-white						
1VD	champagne											
2YN	white											

Model	Year	MG	SG	Illustration	Restrictions	UPD	20:05	27.01.2010	PORSCHE	PET	PORSCHE
STZ	1998	8	08	808-90		248					

Pos	Part Number	Description	Remark	Qty	Model	Pos	Part Number	Description	Remark	Qty	Model
(13)	928 522 059 04	seat cushion front porsche lettering cloth	/L	1			9JF	greyish green			
	2CZ	black				(13)	928 522 059 51	seat cushion front whole-leather	/L	1	
	7NZ	brown					KZ2	black			
	6HZ	blue					KZ5	brown			
	5LZ	burgundy					KZ3	blue			
	1JK	greyish green					LG7	burgundy			
	5UY	grey-beige		86			KZ4	grey-beige	84/86		
13	928 522 060 05	seat cushion front porsche lettering cloth	/R	1			KZ6	can-can-red			
	2CZ	black					LG4	pearl white			
	7NZ	brown					LG5	champagne			
	6HZ	blue					LG6	dark green			
	5LZ	burgundy					QC2	greyish green			
	1JK	greyish green					PY9	ocean blue			
	5UY	grey-beige		86			PZ1	wild buffalo			
(13)	928 522 059 04	seat cushion front pin stripe flannel	/L	1		13	928 522 060 52	seat cushion front whole-leather	/R	1	
	8BF	anthracite					KZ2	black			
	2TF	brown					KZ5	brown			
	6GF	blue					KZ3	blue			
	1MF	burgundy					LG7	burgundy			
	9JF	greyish green					KZ4	grey-beige	84/86		
13	928 522 060 05	seat cushion front pin stripe flannel	/R	1			KZ6	can-can-red			
	8BF	anthracite					LG4	pearl white			
	2TF	brown					LG5	champagne			
	6GF	blue					LG6	dark green			
	1MF	burgundy					QC2	greyish green			
							PY9	ocean blue			
							PZ1	wild buffalo			

Model	Year	MG	SG	Illustration	Restrictions	UPD	20:05	27.01.2010	PORSCHE	PET	PORSCHE
STZ	1998	8	08	808-90		248					

Pos	Part Number	Description	Remark	Qty	Model	Pos	Part Number	Description	Remark	Qty	Model
(14)	928 522 087 04	seat cushion centre pin stripe velour	/L	1			5LZ	burgundy			
	7BN	black-white					1JK	greyish green			
	3NN	brown-beige					5UY	grey-beige	86		
	8GJ	blue-white				(14)	928 522 087 04	seat cushion centre pin stripe flannel	/L	1	
	1MJ	burgundy-white					8BF	anthracite			
	9FN	grey-beige-white	86				2TF	brown			
	3JV	greyish green-white					6GF	blue			
14	928 522 088 04	seat cushion centre pin stripe velour	/R	1			1MF	burgundy			
	7BN	black-white					9JF	greyish green			
	3NN	brown-beige				14	928 522 088 04	seat cushion centre pin stripe flannel	/R	1	
	8GJ	blue-white					8BF	anthracite			
	1MJ	burgundy-white					2TF	brown			
	9FN	grey-beige-white	86				6GF	blue			
	3JV	greyish green-white					1MF	burgundy			
(14)	928 522 087 04	seat cushion centre porsche lettering cloth	/L	1		(14)	928 522 087 51	seat cushion centre whole-leather		1	
	2CZ	black					KZ2	black			
	7NZ	brown					KZ5	brown			
	6HZ	blue					KZ3	blue			
	5LZ	burgundy					LG7	burgundy			
	1JK	greyish green					KZ4	grey-beige	86		
	5UY	grey-beige	86				KZ6	can-can-red			
14	928 522 088 04	seat cushion centre porsche lettering cloth	/R	1			LG4	pearl white			
	2CZ	black					LG5	champagne			
	7NZ	brown					LG6	dark green			
	6HZ	blue					QC2	greyish green			

Model	Year	MG	SG	Illustration	Restrictions	UPD	20:05	27.01.2010	PORSCHE	PET	PORSCHE
STZ	1998	8	08	808-90		248					

Pos	Part Number	Description	Remark	Qty	Model	Pos	Part Number	Description	Remark	Qty	Model	
14	PY9	ocean blue				(15)	1MJ	burgundy-white				
	PZ1	wild buffalo					9FN	grey-beige-white	86			
	928 522 088 51	seat cushion centre whole-leather		1			3JV	greyish green-white				
	KZ2	black					928 522 045 03	seat cushion upper porsche lettering cloth	/L		1	
	KZ5	brown					2CZ	black				
	KZ3	blue					7NZ	brown				
	LG7	burgundy					6HZ	blue				
	KZ4	grey-beige	86				5LZ	burgundy				
	KZ6	can-can-red					1JK	greyish green				
	LG4	pearl white					5UY	grey-beige	86			
	LG5	champagne					15 928 522 046 03	seat cushion upper porsche lettering cloth	/R		1	
	LG6	dark green					2CZ	black				
	QC2	greyish green					7NZ	brown				
(15)	PY9	ocean blue				6HZ	blue					
	PZ1	wild buffalo				5LZ	burgundy					
	928 522 045 03	seat cushion upper pin stripe velour	/L	1		1JK	greyish green					
	7BN	black-white				5UY	grey-beige	86				
	3NN	brown-beige				(15) 928 522 045 03	seat cushion upper pin stripe flannel	/L		1		
	8GJ	blue-white				8BF	anthracite					
	1MJ	burgundy-white				2TF	brown					
	9FN	grey-beige-white	86			6GF	blue					
	3JV	greyish green-white				1MF	burgundy					
	15 928 522 046 03	seat cushion upper pin stripe velour	/R	1		9JF	greyish green					
	7BN	black-white				15 928 522 046 03	seat cushion upper pin stripe flannel	/R		1		
	3NN	brown-beige				8BF	anthracite					
	8GJ	blue-white										



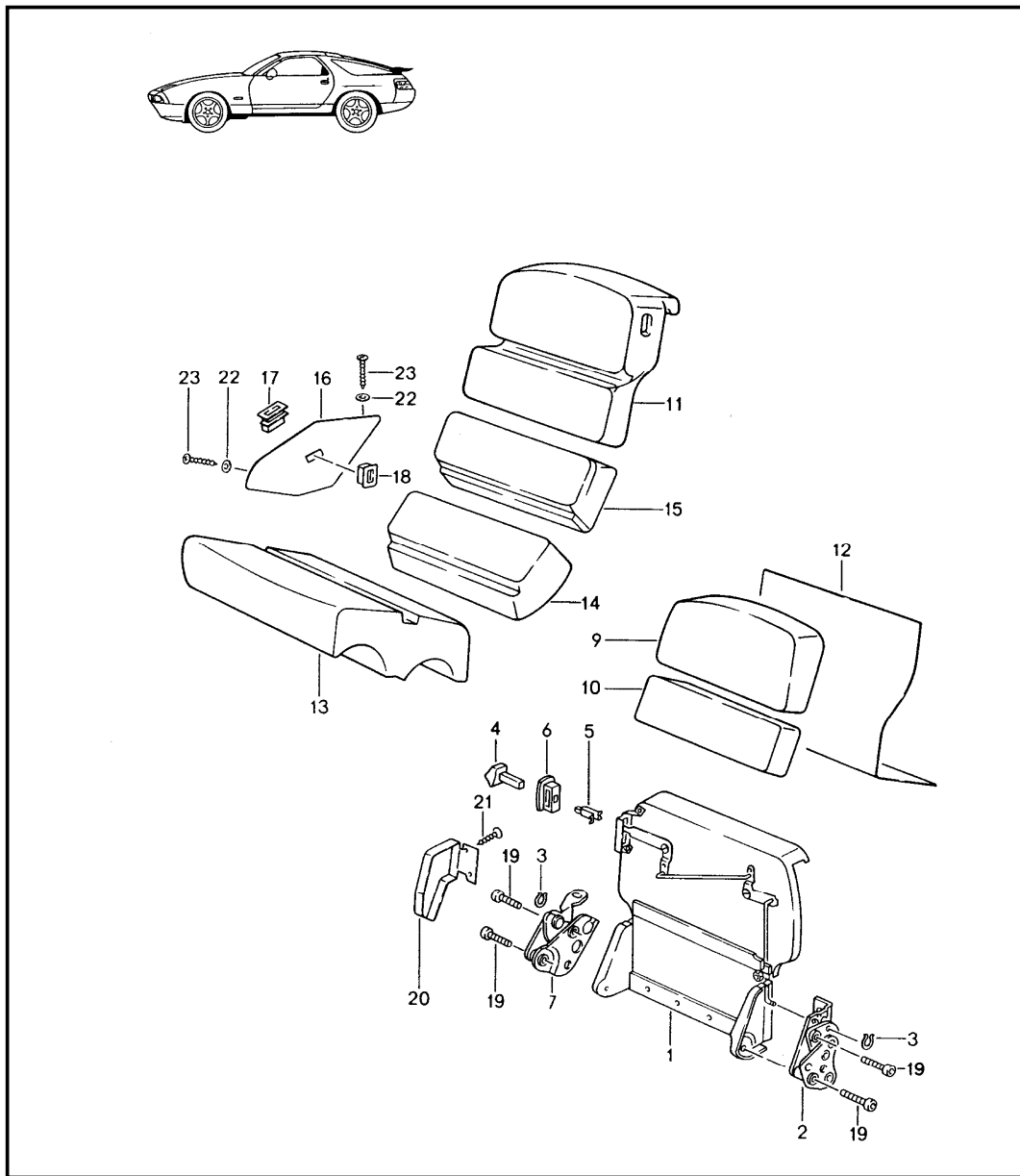
Model	Year	MG	SG	Illustration	Restrictions	UPD	20:05	27.01.2010	PORSCHE	PET	PORSCHE
STZ	1998	8	08	808-90		248					

Pos	Part Number	Description	Remark	Qty	Model	Pos	Part Number	Description	Remark	Qty	Model
	2TF	brown					QC2	greyish green			
	6GF	blue					PY9	ocean blue			
	1MF	burgundy					PZ1	wild buffalo			
	9JF	greyish green				(16)	928 522 041 04	seat well outer leatherette	/L	1	
(15)	928 522 045 50	seat cushion upper whole-leather	/L	1			05T	black			
	KZ2	black					4RB	brown			
	KZ5	brown					1HH	blue			
	KZ3	blue					3MX	burgundy			
	LG7	burgundy					5FX	grey-beige	86		
	KZ4	grey-beige	86				4JX	greyish green			
	KZ6	can-can-red				16	928 522 042 04	seat well outer leatherette	/R	1	
	LG4	pearl white					05T	black			
	LG5	champagne					4RB	brown			
	LG6	dark green					1HH	blue			
	QC2	greyish green					3MX	burgundy			
	PY9	ocean blue					5FX	grey-beige	86		
	PZ1	wild buffalo					4JX	greyish green			
15	928 522 046 50	seat cushion upper whole-leather	/R	1		(16)	928 522 041 52	seat well outer whole-leather	/L	1	
	KZ2	black					KZ2	black			
	KZ5	brown					KZ5	brown			
	KZ3	blue					KZ3	blue			
	LG7	burgundy					LG7	burgundy			
	KZ4	grey-beige	86				KZ4	grey-beige	86		
	KZ6	can-can-red					KZ6	can-can-red			
	LG4	pearl white					LG4	pearl white			
	LG5	champagne					LG5	champagne			
	LG6	dark green									

Model	Year	MG	SG	Illustration	Restrictions	UPD	20:05	27.01.2010	PORSCHE	PET	PORSCHE
STZ	1998	8	08	808-90		248					

Pos	Part Number	Description	Remark	Qty	Model	Pos	Part Number	Description	Remark	Qty	Model
		LG6 dark green									
		QC2 greyish green									
		PY9 ocean blue									
		PZ1 wild buffalo									
16	928 522 042 52	seat well outer whole-leather	/R	1							
		KZ2 black									
		KZ5 brown									
		KZ3 blue									
		LG7 burgundy									
		KZ4 grey-beige	86								
		KZ6 can-can-red									
		LG4 pearl white									
		LG5 champagne									
		LG6 dark green									
		QC2 greyish green									
		PY9 ocean blue									
		PZ1 wild buffalo									
17	928 522 321 02	bag		2							
		70B satin black									
18	928 522 415 03	rosette		2							
		70B satin black									
19	900 119 057 02	pan-head screw M 8 X 20		4							

Model	Year	MG	SG	Illustration	Restrictions	UPD	20:05	27.01.2010	PORSCHE	PET	PORSCHE
STZ	1998	8	08	808-95		248					



Pos	Part Number	Description	Remark	Qty	Model
		back seat backrest	87- -95		928 S4/GT 928 GTS
1	928 522 023 04	backrest frame	/L	1	
(1)	928 522 024 04	backrest frame	/R	1	
2	928 522 085 04	backrest fittings outer	/L	1	
(2)	928 522 086 04	backrest fittings outer	/R	1	
3	N 012 432 1	lock washer 2,3		4	
4	911 521 817 00	control button		2	
	01C	satin black			
5	311 881 247	clamp		2	
6	911 521 815 00	rosette		2	
	01C	satin black			
7	928 522 085 05	backrest fittings inner	/L	1	
(7)	928 522 086 05	backrest fittings inner	/R	1	
9	928 522 251 05	foam part upper	/L	1	
(9)	928 522 252 05	foam part upper	/R	1	
10	928 522 253 04	foam part lower	/L	1	
(10)	928 522 254 04	foam part lower	/R	1	
11	928 522 037 56	back seat backrest cover whole-leather	/L	1	
	KZ2	black	-90		
	TV1	mahogany	-90		
	TS1	marine blue	-90		
	LG7	burgundy	-90		
	QC2	greyish green	-88		

Model	Year	MG	SG	Illustration	Restrictions	UPD	20:05	27.01.2010	PORSCHE	PET	PORSCHE
STZ	1998	8	08	808-95		248					

Pos	Part Number	Description	Remark	Qty	Model	Pos	Part Number	Description	Remark	Qty	Model
	TW1	linen	-90				TV1	mahogany	-90		
	XN4	cashmere beige	89-90				TS1	marine blue	-90		
	LG5	champagne	-88				LG7	burgundy	-90		
	XG1	plum red	-88				QC2	greyish green	-88		
	XG2	silver-grey	-88				TW1	linen	-90		
	XG3	caramel	-90				XN4	cashmere beige	89-90		
	XG4	venetian blue	-90				LG5	champagne	-88		
	XN5	silk grey	89-90				XG1	plum red	-88		
	XN6	velvet red	89-90				XG2	silver-grey	-88		
	XN7	slate grey	89-90				XG3	caramel	-90		
	ATH	black	91-				XG4	venetian blue	-90		
	APL	classic grey	91-				XN5	silk grey	89-90		
	ARL	cobalt blue	91-93				XN6	velvet red	89-90		
	ASL	magenta	91-93				XN7	slate grey	89-90		
	AQL	light grey	91-93				ATH	black	91-		
	ATY	cashmere beige	91-				APL	classic grey	91-		
	BQB	marine blue	91-93				ARL	cobalt blue	91-93		
	AVF	matador red	91-93				ASL	magenta	91-93		
	AVG	carrara grey	91-93				AQL	light grey	91-93		
	AVH	sherwood green	91-93				ATY	cashmere beige	91-		
	DBD	midnight blue	94-				BQB	marine blue	91-93		
	DCD	chestnut brown	94-				AVF	matador red	91-93		
	DDD	marble grey	94-				AVG	carrara grey	91-93		
	DEC	provence blue	94-				AVH	sherwood green	91-93		
	DEE	cedar green	94-				DBD	midnight blue	94-		
	DEF	flamenco red	94-				DCD	chestnut brown	94-		
(11)	928 522 038 56	back seat backrest cover whole-leather	/R	1			DDD	marble grey	94-		
	KZ2	black	-90				DEC	provence blue	94-		
							DEE	cedar green	94-		

Model	Year	MG	SG	Illustration	Restrictions	UPD	20:05	27.01.2010	PORSCHE	PET	PORSCHE
STZ	1998	8	08	808-95		248					

Pos	Part Number	Description	Remark	Qty	Model	Pos	Part Number	Description	Remark	Qty	Model
	DEF	flamenco red	94-				DCD	chestnut brown	94-		
(11)	928 522 037 04	back seat backrest cover draped leather	/L	1			DDD	marble grey	94-		
	KZ2	black	-90				DEC	provence blue	94-		
	TV1	mahogany	-90				DEE	cedar green	94-		
	TS1	marine blue	-90				DEF	flamenco red	94-		
	LG7	burgundy	-90			(11)	928 522 038 04	back seat backrest cover draped leather	/R	1	
	QC2	greyish green	-88				KZ2	black	-90		
	TW1	linen	-90				TV1	mahogany	-90		
	XN4	cashmere beige	89-90				TS1	marine blue	-90		
	LG5	champagne	-88				LG7	burgundy	-90		
	XG1	plum red	-88				QC2	greyish green	-88		
	XG2	silver-grey	-88				TW1	linen	-90		
	XG3	caramel	-90				XN4	cashmere beige	89-90		
	XG4	venetian blue	-90				LG5	champagne	-88		
	XN5	silk grey	89-90				XG1	plum red	-88		
	XN6	velvet red	89-90				XG2	silver-grey	-88		
	XN7	slate grey	89-90				XG3	caramel	-90		
	ATH	black	91-				XG4	venetian blue	-90		
	APL	classic grey	91-				XN5	silk grey	89-90		
	ARL	cobalt blue	91-93				XN6	velvet red	89-90		
	ASL	magenta	91-93				XN7	slate grey	89-90		
	AQL	light grey	91-93				ATH	black	91-		
	ATY	cashmere beige	91-				APL	classic grey	91-		
	BQB	marine blue	91-93				ARL	cobalt blue	91-93		
	AVF	matador red	91-93				ASL	magenta	91-93		
	AVG	carrara grey	91-93				AQL	light grey	91-93		
	AVH	sherwood green	91-93				ATY	cashmere beige	91-		
	DBD	midnight blue	94-				BQB	marine blue	91-93		

Model	Year	MG	SG	Illustration	Restrictions	UPD	20:05	27.01.2010	PORSCHE	PET	PORSCHE
STZ	1998	8	08	808-95		248					

Pos	Part Number	Description	Remark	Qty	Model	Pos	Part Number	Description	Remark	Qty	Model
	AVF	matador red	91-93				TR1	blue/ blue-white	-90 -90		
	AVG	carrara grey	91-93				LS9	burgundy/ burgundy-white	-90 -90		
	AVH	sherwood green	91-93				QA7	greyish green/ greyish green-white	-88 -88		
	DBD	midnight blue	94-				XK1	black/ black-red	88 88		
	DCD	chestnut brown	94-				XF5	linen/ linen white	89-90 89-90		
	DDD	marble grey	94-				XF8	cashmere beige/ cashmere beige-white	89-90 89-90		
	DEC	provence blue	94-								
	DEE	cedar green	94-								
	DEF	flamenco red	94-								
11	928 522 037 57	back seat backrest cover leather/ pin stripe velour	/L	1		11	928 522 037 57	back seat backrest cover leather/ multicolour	/L	1	
	LS5	black/ black-white	-90 -90				XG6	black/black	-90		
	TU1	mahogany/ mahogany-white	-90 -90				XG7	mahogany/mahogany	-90		
	TR1	blue/ blue-white	-90 -90				XG8	marine blue/marine blue	-90		
	LS9	burgundy/ burgundy-white	-90 -90				XG9	burgundy/burgundy	-90		
	QA7	greyish green/ greyish green-white	-88 -88				XF7	linen/linen	-90		
	XK1	black/ black-red	88 88				XG5	cashmere beige/cash. beige	-90		
	XF5	linen/ linen white	89-90 89-90				ATJ	black/black	91-93		
	XF8	cashmere beige/ cashmere beige-white	89-90 89-90				AQT	classic grey/classic grey	91-93		
(11)	928 522 038 57	back seat backrest cover leather/ pin stripe velour	/R	1		(11)	928 522 038 57	back seat backrest cover leather/ multicolour	/R	1	
	LS5	black/ black-white	-90 -90				AQU	cobalt blue/cobalt blue	91-93		
	TU1	mahogany/ mahogany-white	-90 -90				ASJ	magenta/magenta	91-93		
							AQJ	light grey/light grey	91-93		
							ATW	cashmere beige/cash. beige	91-93		
							BQJ	marine blue/marine blue	91-93		
							XG6	black/black	-90		
							XG7	mahogany/mahogany	-90		
							XG8	marine blue/marine blue	-90		

Model	Year	MG	SG	Illustration	Restrictions	UPD	20:05	27.01.2010	PORSCHE	PET	PORSCHE
STZ	1998	8	08	808-95		248					

Pos	Part Number	Description	Remark	Qty	Model	Pos	Part Number	Description	Remark	Qty	Model
	XG9	burgundy/burgundy	-90				QB8	burgundy/burgundy	-90		
	XF7	linen/linen	-90				QA9	greyish green/grey-green	-88		
	XG5	cashmere beige/cash. beige	-90				XF6	linen/linen	89-90		
	ATJ	black/black	91-93				XF9	cashmere beige/cash. beige	89-90		
	AQT	classic grey/classic grey	91-93				ATD	black/black	91-		
	AQU	cobalt blue/cobalt blue	91-93				APG	classic grey/classic grey	91-		
	ASJ	magenta/magenta	91-93				ARG	cobalt blue/cobalt blue	91-93		
	AQJ	light grey/light grey	91-93				ASG	magenta/magenta	91-93		
	ATW	cashmere beige/cash. beige	91-93				AQG	light grey/light grey	91-93		
	BQJ	marine blue/marine blue	91-93				ATU	cashmere beige/cash. beige	91-		
11	928 522 037 57	back seat backrest cover leather/ pin stripe flannel	/L -88	1			BQL	marine blue/blue	91-93		
	QB1	black/anthracite					DBB	midnight bl./midnight blue	94-		
	TU2	mahogany/mahogany					DCB	chestnut brown/ chestnut brown	94- 94-		
	TR2	marine blue/blue					DDB	marble grey/marble grey	94-		
	QB7	burgundy/burgundy				(11)	928 522 038 57	back seat backrest cover leather/ porsche lettering cloth	/R	1	
	QA8	greyish green/grey-green					QB2	black/black	-90		
(11)	928 522 038 57	back seat backrest cover leather/ pin stripe flannel	/R -88	1			TU3	mahogany/mahogany	-90		
	QB1	black/anthracite					TR3	marine blue/blue	-90		
	TU2	mahogany/mahogany					QB8	burgundy/burgundy	-90		
	TR2	marine blue/blue					QA9	greyish green/grey-green	-88		
	QB7	burgundy/burgundy					XF6	linen/linen	89-90		
	QA8	greyish green/grey-green					XF9	cashmere beige/cash. beige	89-90		
11	928 522 037 57	back seat backrest cover leather/ porsche lettering cloth	/L	1			ATD	black/black	91-		
	QB2	black/black	-90				APG	classic grey/classic grey	91-		
	TU3	mahogany/mahogany	-90				ARG	cobalt blue/cobalt blue	91-93		
	TR3	marine blue/blue	-90				ASG	magenta/magenta	91-93		
							AQG	light grey/light grey	91-93		

Model	Year	MG	SG	Illustration	Restrictions	UPD	20:05	27.01.2010	PORSCHE	PET	PORSCHE
STZ	1998	8	08	808-95		248					

Pos	Part Number	Description	Remark	Qty	Model	Pos	Part Number	Description	Remark	Qty	Model
	ATU	cashmere beige/cash. beige	91-				6YR	light grey	91-93		
	BQL	marine blue/blue	91-93				M33	matador red	91-93		
	DBB	midnight bl./midnight blue	94-				D13	carrara grey	91-93		
	DCB	chestnut brown/ chestnut brown	94- 94-				J23	sherwood green	91-93		
	DDB	marble grey/marble grey	94-				3GE	midnight blue	94-		
12	928 522 051 05	carpet for back seat backrest	/L	1			6SC	chestnut brown	94-		
	70E	black	-88				D50	marble grey	94-		
	5MF	mahogany	-90				1HQ	provence blue	94-		
	3KF	marine blue	-88			(12)	2JP	cedar green	94-		
	80E	burgundy	-88				3TE	flamenco red	94-		
	8JK	greyish green	-88				928 522 052 05	carpet for back seat backrest	/R	1	
	1VD	champagne	-88				70E	black	-88		
	2XF	linen	-90				5MF	mahogany	-90		
	4MM	plum red	-88				3KF	marine blue	-88		
	7VM	silver-grey	-88				80E	burgundy	-88		
	5UM	caramel	-90				8JK	greyish green	-88		
	3KM	venetian blue	-90				1VD	champagne	-88		
	5FV	black	89-				2XF	linen	-90		
	4KV	marine blue	89-90				4MM	plum red	-88		
	8MD	burgundy	89-90				7VM	silver-grey	-88		
	8UT	cashmere beige	89-				5UM	caramel	-90		
	9MT	velvet red	89-90				3KM	venetian blue	-90		
	7VT	silk grey	89-90				5FV	black	89-		
	3WT	slate grey	89-90				4KV	marine blue	89-90		
	4XR	classic grey	91-				8MD	burgundy	89-90		
	4ZN	cobalt blue	91-93				8UT	cashmere beige	89-		
	8WZ	magenta	91-93				9MT	velvet red	89-90		
							7VT	silk grey	89-90		



Model	Year	MG	SG	Illustration	Restrictions	UPD	20:05	27.01.2010	PORSCHE	PET	PORSCHE
STZ	1998	8	08	808-95		248					

Pos	Part Number	Description	Remark	Qty	Model	Pos	Part Number	Description	Remark	Qty	Model
	3WT	slate grey	89-90				1MJ	burgundy-white	-90		
	4XR	classic grey	91-				3JV	greyish green-white	-88		
	4ZN	cobalt blue	91-93				XK1	black-red	88		
	8WZ	magenta	91-93				4WJ	linen	89-90		
	6YR	light grey	91-93				4TN	cashmere beige	89-90		
	M33	matador red	91-93			13	928 522 059 04	seat cushion front porsche lettering cloth	/L	1	
	D13	carrara grey	91-93								
	J23	sherwood green	91-93				2CZ	black			
	3GE	midnight blue	94-				4MR	mahogany	-90		
	6SC	chestnut brown	94-				6HZ	blue	-90		
	D50	marble grey	94-				5LZ	burgundy	-90		
	1HQ	provence blue	94-				5WZ	linen	89-90		
	2JP	cedar green	94-				7TH	cashmere beige	89-		
	3TE	flamenco red	94-				1JK	greyish green	-88		
13	928 522 059 04	seat cushion front pin stripe velour	/L	1			6WC	classic grey	91-		
	7BN	black-white	-90				7ZK	cobalt blue	91-93		
	6LN	mahogany-white	-90				9YC	magenta	91-93		
	8GJ	blue-white	-90				2ZV	light grey	91-93		
	1MJ	burgundy-white	-90				4GP	midnight blue	94-		
	3JV	greyish green-white	-88				7SA	chestnut brown	94-		
	XK1	black-red	88			(13)	928 522 060 05	seat cushion front porsche lettering cloth	/R	1	
	4WJ	linen	89-90								
	4TN	cashmere beige	89-90				2CZ	black			
(13)	928 522 060 05	seat cushion front pin stripe velour	/R	1			4MR	mahogany	-90		
	7BN	black-white	-90				6HZ	blue	-90		
	6LN	mahogany-white	-90				5LZ	burgundy	-90		
	8GJ	blue-white	-90				5WZ	linen	89-90		
							7TH	cashmere beige	89-		

Model	Year	MG	SG	Illustration	Restrictions	UPD	20:05	27.01.2010	PORSCHE	PET	PORSCHE
STZ	1998	8	08	808-95		248					

Pos	Part Number	Description	Remark	Qty	Model	Pos	Part Number	Description	Remark	Qty	Model
	1JK	greyish green	-88				9YD	cobalt blue	91-93		
	6WC	classic grey	91-				1MV	magenta	91-93		
	7ZK	cobalt blue	91-93				6UV	light grey	91-93		
	9YC	magenta	91-93			13	928 522 059 04	seat cushion front pin stripe flannel	/L	1	
	2ZV	light grey	91-93				8BF	anthracite	-88		
	4GP	midnight blue	94-				9LF	mahogany	-88		
	7SA	chestnut brown	94-				6GF	blue	-88		
	9BE	marble grey	94-				1MF	burgundy	-88		
13	928 522 059 04	seat cushion front multicolour	/L	1			9JF	greyish green	-88		
	2VV	black	89-93			(13)	928 522 060 05	seat cushion front pin stripe flannel	/R	1	
	8XV	mahogany	-90				8BF	anthracite	-88		
	9JV	marine blue	-90				9LF	mahogany	-88		
	1MV	burgundy	-90				6GF	blue	-88		
	6UV	linen	-90				1MF	burgundy	-88		
	5TC	cashmere beige	89-93				9JF	greyish green	-88		
	9WT	classic grey	91-93			(13)	928 522 059 05	seat cushion front pin stripe velour	/L (J)	1	
	9YD	cobalt blue	91-93				7BN	black-white	90-		
	1MV	magenta	91-93				6LN	mahogany-white	-90		
	6UV	light grey	91-93				8GJ	blue-white			
(13)	928 522 060 05	seat cushion front multicolour	/R	1			1MJ	burgundy-white			
	2VV	black	89-93				4WJ	linen			
	8XV	mahogany	-90				4TN	cashmere beige			
	9JV	marine blue	-90			(13)	928 522 060 07	seat cushion front pin stripe velour	/R (J)	1	
	1MV	burgundy	-90				7BN	black-white	90-		
	6UV	linen	-90				6LN	mahogany-white	-90		
	5TC	cashmere beige	89-93								
	9WT	classic grey	91-93								

Model	Year	MG	SG	Illustration	Restrictions	UPD	20:05	27.01.2010	PORSCHE	PET	PORSCHE
STZ	1998	8	08	808-95		248					

Pos	Part Number	Description	Remark	Qty	Model	Pos	Part Number	Description	Remark	Qty	Model
	8GJ	blue-white					9YC	magenta	91-93		
	1MJ	burgundy-white					2ZV	light grey	91-93		
	4WJ	linen					4GP	midnight blue	94-		
	4TN	cashmere beige					7SA	chestnut brown	94-		
(13)	928 522 059 05	seat cushion front porsche lettering cloth	/L (J)	90-	1	(13)	928 522 059 05	seat cushion front multicolour	/L (J)	90-	1
	2CZ	black					9BE	marble grey	94-		
	4MR	mahogany		-90			2VV	black	-93		
	6HZ	blue		-90			8XV	mahogany	-90		
	5LZ	burgundy		-90			9JV	marine blue	-90		
	5WZ	linen		-90			1MV	burgundy	-90		
	7TH	cashmere beige		89-			1MV	magenta	91-93		
	6WC	classic grey		91-			6UV	linen	-90		
	7ZK	cobalt blue		91-93			6UV	light grey	91-93		
	9YC	magenta		91-93			5TC	cashmere beige	-93		
	2ZV	light grey		91-93			9WT	classic grey	91-93		
	4GP	midnight blue		94-			9YD	cobalt blue	91-93		
	7SA	chestnut brown		94-		(13)	928 522 060 07	seat cushion front multicolour	/R (J)	90-	1
	9BE	marble grey		94-			2VV	black	-93		
(13)	928 522 060 07	seat cushion front porsche lettering cloth	/R (J)	90-	1		8XV	mahogany	-90		
	2CZ	black					9JV	marine blue	-90		
	4MR	mahogany		-90			1MV	burgundy	-90		
	6HZ	blue		-90			1MV	magenta	91-93		
	5LZ	burgundy		-90			6UV	linen	-90		
	5WZ	linen		-90			6UV	light grey	91-93		
	7TH	cashmere beige		89-			5TC	cashmere beige	-93		
	6WC	classic grey		91-			9WT	classic grey	91-93		
	7ZK	cobalt blue		91-93			9YD	cobalt blue	91-93		

Model	Year	MG	SG	Illustration	Restrictions	UPD	20:05	27.01.2010	PORSCHE	PET	PORSCHE
STZ	1998	8	08	808-95		248					

Pos	Part Number	Description	Remark	Qty	Model	Pos	Part Number	Description	Remark	Qty	Model
13	928 522 059 51	seat cushion front whole-leather	/L	1			DDD	marble grey	94-		
							DEC	provence blue	94-		
	KZ2	black		-90			DEE	cedar green	94-		
	TV1	mahogany		-90			DEF	flamenco red	94-		
	TS1	marine blue		-90		(13)	928 522 060 52	seat cushion front whole-leather	/R	1	
	LG7	burgundy		-90							
	TW1	linen		-90			KZ2	black	-90		
	XN4	cashmere beige		89-90			TV1	mahogany	-90		
	LG5	champagne		-88			TS1	marine blue	-90		
	QC2	greyish green		-88			LG7	burgundy	-90		
	UD3	plum red		-88			TW1	linen	-90		
	UD4	silver-grey		-88			XN4	cashmere beige	89-90		
	UD5	caramel		-90			LG5	champagne	-88		
	UD6	venetian blue		-90			QC2	greyish green	-88		
	XN5	silk grey		89-90			UD3	plum red	-88		
	XN6	velvet red		89-90			UD4	silver-grey	-88		
	XN7	slate grey		89-90			UD5	caramel	-90		
	ATH	black		91-			UD6	venetian blue	-90		
	APL	classic grey		91-			XN5	silk grey	89-90		
	ARL	cobalt blue		91-93			XN6	velvet red	89-90		
	ASL	magenta		91-93			XN7	slate grey	89-90		
	AQL	light grey		91-93			ATH	black	91-		
	ATY	cashmere beige		91-			APL	classic grey	91-		
	BQB	marine blue		91-93			ARL	cobalt blue	91-93		
	AVF	matador red		91-93			ASL	magenta	91-93		
	AVG	carrara grey		91-93			AQL	light grey	91-93		
	AVH	sherwood green		91-93			ATY	cashmere beige	91-		
	DBD	midnight blue		94-			BQB	marine blue	91-93		
	DCD	chestnut brown		94-			AVF	matador red	91-93		

Model	Year	MG	SG	Illustration	Restrictions	UPD	20:05	27.01.2010	PORSCHE	PET	PORSCHE
STZ	1998	8	08	808-95		248					

Pos	Part Number	Description	Remark	Qty	Model	Pos	Part Number	Description	Remark	Qty	Model
	AVG	carrara grey	91-93				AQL	light grey	91-93		
	AVH	sherwood green	91-93				ATY	cashmere beige	91-		
	DBD	midnight blue	94-				BQB	marine blue	91-93		
	DCD	chestnut brown	94-				AVF	matador red	91-93		
	DDD	marble grey	94-				AVG	carrara grey	91-93		
	DEC	provence blue	94-				AVH	sherwood green	91-93		
	DEE	cedar green	94-				DBD	midnight blue	94-		
	DEF	flamenco red	94-				DCD	chestnut brown	94-		
13	928 522 059 06	seat cushion front draped leather		1			DDD	marble grey	94-		
	KZ2	black	-90				DEC	provence blue	94-		
	TV1	mahogany	-90				DEE	cedar green	94-		
	TS1	marine blue	-90			(13)	DEF	flamenco red	94-		
	LG7	burgundy	-90				928 522 060 06	seat cushion front draped leather		1	
	TW1	linen	-90				KZ2	black	-90		
	XN4	cashmere beige	89-90				TV1	mahogany	-90		
	LG5	champagne	-88				TS1	marine blue	-90		
	QC2	greyish green	-88				LG7	burgundy	-90		
	UD3	plum red	-88				TW1	linen	-90		
	UD4	silver-grey	-88				XN4	cashmere beige	89-90		
	UD5	caramel	-90				LG5	champagne	-88		
	UD6	venetian blue	-90				QC2	greyish green	-88		
	XN5	silk grey	89-90				UD3	plum red	-88		
	XN6	velvet red	89-90				UD4	silver-grey	-88		
	XN7	slate grey	89-90				UD5	caramel	-90		
	ATH	black	91-				UD6	venetian blue	-90		
	APL	classic grey	91-				XN5	silk grey	89-90		
	ARL	cobalt blue	91-93				XN6	velvet red	89-90		
	ASL	magenta	91-93				XN7	slate grey	89-90		

Model	Year	MG	SG	Illustration	Restrictions	UPD	20:05	27.01.2010	PORSCHE	PET	PORSCHE
STZ	1998	8	08	808-95		248					

Pos	Part Number	Description	Remark	Qty	Model	Pos	Part Number	Description	Remark	Qty	Model
	ATH	black	91-				ATH	black	91-		
	APL	classic grey	91-				APL	classic grey	91-		
	ARL	cobalt blue	91-93				ARL	cobalt blue	91-93		
	ASL	magenta	91-93				ASL	magenta	91-93		
	AQL	light grey	91-93				AQL	light grey	91-93		
	ATY	cashmere beige	91-				ATY	cashmere beige	91-		
	BQB	marine blue	91-93				BQB	marine blue	91-93		
	AVF	matador red	91-93				AVF	matador red	91-93		
	AVG	carrara grey	91-93				AVG	carrara grey	91-93		
	AVH	sherwood green	91-93				AVH	sherwood green	91-93		
	DBD	midnight blue	94-				DBD	midnight blue	94-		
	DCD	chestnut brown	94-				DCD	chestnut brown	94-		
	DDD	marble grey	94-				DDD	marble grey	94-		
	DEC	provence blue	94-				DEC	provence blue	94-		
	DEE	cedar green	94-				DEE	cedar green	94-		
	DEF	flamenco red	94-				DEF	flamenco red	94-		
13	928 522 059 53	seat cushion front whole-leather	/L (J) 90-	1		(13)	928 522 060 54	seat cushion front whole-leather	/R (J) 90-	1	
	KZ2	black	-90				KZ2	black	-90		
	TV1	mahogany	-90				TV1	mahogany	-90		
	TS1	marine blue	-90				TS1	marine blue	-90		
	LG7	burgundy	-90				LG7	burgundy	-90		
	TW1	linen	-90				TW1	linen	-90		
	XN4	cashmere beige	89-90				XN4	cashmere beige	89-90		
	XG3	caramel	-90				XG3	caramel	-90		
	XG4	venetian blue	-90				XG4	venetian blue	-90		
	XN5	silk grey	89-90				XN5	silk grey	89-90		
	XN6	velvet red	89-90				XN6	velvet red	89-90		
	XN7	slate grey	89-90				XN7	slate grey	89-90		

Model	Year	MG	SG	Illustration	Restrictions	UPD	20:05	27.01.2010	PORSCHE	PET	PORSCHE
STZ	1998	8	08	808-95		248					

Pos	Part Number	Description	Remark	Qty	Model	Pos	Part Number	Description	Remark	Qty	Model
	ATH	black	91-				ATH	black	91-		
	APL	classic grey	91-				APL	classic grey	91-		
	ARL	cobalt blue	91-93				ARL	cobalt blue	91-93		
	ASL	magenta	91-93				ASL	magenta	91-93		
	AQL	light grey	91-93				AQL	light grey	91-93		
	ATY	cashmere beige	91-				ATY	cashmere beige	91-		
	BQB	marine blue	91-93				BQB	marine blue	91-93		
	AVF	matador red	91-93				AVF	matador red	91-93		
	AVG	carrara grey	91-93				AVG	carrara grey	91-93		
	AVH	sherwood green	91-93				AVH	sherwood green	91-93		
	DBD	midnight blue	94-				DBD	midnight blue	94-		
	DCD	chestnut brown	94-				DCD	chestnut brown	94-		
	DDD	marble grey	94-				DDD	marble grey	94-		
	DEC	provence blue	94-				DEC	provence blue	94-		
	DEE	cedar green	94-				DEE	cedar green	94-		
	DEF	flamenco red	94-				DEF	flamenco red	94-		
13	928 522 059 08	seat cushion front draped leather	/L (J) 90-	1		(13)	928 522 060 08	seat cushion front draped leather	/R (J) 90-	1	
	KZ2	black	-90				KZ2	black	-90		
	TV1	mahogany	-90				TV1	mahogany	-90		
	TS1	marine blue	-90				TS1	marine blue	-90		
	LG7	burgundy	-90				LG7	burgundy	-90		
	TW1	linen	-90				TW1	linen	-90		
	XN4	cashmere beige	89-90				XN4	cashmere beige	89-90		
	XG3	caramel	-90				XG3	caramel	-90		
	XG4	venetian blue	-90				XG4	venetian blue	-90		
	XN5	silk grey	89-90				XN5	silk grey	89-90		
	XN6	velvet red	89-90				XN6	velvet red	89-90		
	XN7	slate grey	89-90				XN7	slate grey	89-90		

Model	Year	MG	SG	Illustration	Restrictions	UPD	20:05	27.01.2010	PORSCHE	PET	PORSCHE
STZ	1998	8	08	808-95		248					

Pos	Part Number	Description	Remark	Qty	Model	Pos	Part Number	Description	Remark	Qty	Model
	ATH	black	91-				6LN	mahogany-white	-90		
	APL	classic grey	91-				8GJ	blue-white	-90		
	ARL	cobalt blue	91-93				1MJ	burgundy-white	-90		
	ASL	magenta	91-93				4WJ	linen	89-90		
	AQL	light grey	91-93				4TN	cashmere beige	89-90		
	ATY	cashmere beige	91-				3JV	greyish green-white	-88		
	BQB	marine blue	91-93				XK1	black-red	88		
	AVF	matador red	91-93			14	928 522 087 04	seat cushion centre porsche lettering cloth	/L	1	
	AVG	carrara grey	91-93				2CZ	black			
	AVH	sherwood green	91-93				4MR	mahogany	-90		
	DBD	midnight blue	94-				6HZ	blue	-90		
	DCD	chestnut brown	94-				5LZ	burgundy	-90		
	DDD	marble grey	94-				5WZ	linen	89-90		
	DEC	provence blue	94-				7TH	cashmere beige	89-		
	DEE	cedar green	94-				1JK	greyish green	-88		
	DEF	flamenco red	94-				6WC	classic grey	91-		
14	928 522 087 04	seat cushion centre pin stripe velour	/L	1			7ZK	cobalt blue	91-93		
	7BN	black-white	-90				9YC	magenta	91-93		
	6LN	mahogany-white	-90				2ZV	light grey	91-93		
	8GJ	blue-white	-90				4GP	midnight blue	94-		
	1MJ	burgundy-white	-90				7SA	chestnut brown	94-		
	4WJ	linen	89-90				9BE	marble grey	94-		
	4TN	cashmere beige	89-90			(14)	928 522 088 04	seat cushion centre porsche lettering cloth	/R	1	
	3JV	greyish green-white	-88				2CZ	black			
	XK1	black-red	88				4MR	mahogany	-90		
(14)	928 522 088 04	seat cushion centre pin stripe velour	/R	1			6HZ	blue	-90		
	7BN	black-white	-90				5LZ	burgundy	-90		



Model	Year	MG	SG	Illustration	Restrictions	UPD	20:05	27.01.2010	PORSCHE	PET	PORSCHE
STZ	1998	8	08	808-95		248					

Pos	Part Number	Description	Remark	Qty	Model	Pos	Part Number	Description	Remark	Qty	Model
	5WZ	linen	89-90				5TC	cashmere beige	-93		
	7TH	cashmere beige	89-				9WT	classic grey	91-93		
	1JK	greyish green	-88				9YD	cobalt blue	91-93		
	6WC	classic grey	91-				1MV	magenta	91-93		
	7ZK	cobalt blue	91-93				6UV	light grey	91-93		
	9YC	magenta	91-93			14	928 522 087 04	seat cushion centre pin stripe flannel	/L -88	1	
	2ZV	light grey	91-93				8BF	anthracite			
	4GP	midnight blue	94-				9LF	mahogany			
	7SA	chestnut brown	94-				6GF	blue			
	9BE	marble grey	94-				1MF	burgundy			
14	928 522 087 04	seat cushion centre multicolour	/L 89-	1			9JF	greyish green			
	2VV	black	-93			(14)	928 522 088 04	seat cushion centre pin stripe flannel	/R -88	1	
	8XV	mahogany	-90				8BF	anthracite			
	9JV	marine blue	-93				9LF	mahogany			
	1MV	burgundy	-90				6GF	blue			
	6UV	linen	-90				1MF	burgundy			
	5TC	cashmere beige	-93				9JF	greyish green			
	9WT	classic grey	91-93			14	928 522 087 51	seat cushion centre whole-leather	/L	1	
	9YD	cobalt blue	91-93				KZ2	black	-90		
	1MV	magenta	91-93				TV1	mahogany	-90		
	6UV	light grey	91-93				TS1	marine blue	-90		
(14)	928 522 088 04	seat cushion centre multicolour	/R 89-	1			LG7	burgundy	-90		
	2VV	black	-93				TW1	linen	-90		
	8XV	mahogany	-90				XN4	cashmere beige	89-90		
	9JV	marine blue	-93				LG5	champagne	-88		
	1MV	burgundy	-90				QC2	greyish green	-88		
	6UV	linen	-90								

Model	Year	MG	SG	Illustration	Restrictions	UPD	20:05	27.01.2010	PORSCHE	PET	PORSCHE
STZ	1998	8	08	808-95		248					

Pos	Part Number	Description	Remark	Qty	Model	Pos	Part Number	Description	Remark	Qty	Model
	UD3	plum red	-88				TW1	linen	-90		
	UD4	silver-grey	-88				XN4	cashmere beige	89-90		
	UD5	caramel	-90				LG5	champagne	-88		
	UD6	venetian blue	-90				QC2	greyish green	-88		
	XN5	silk grey	89-90				UD3	plum red	-88		
	XN6	velvet red	89-90				UD4	silver-grey	-88		
	XN7	slate grey	89-90				UD5	caramel	-90		
	ATH	black	91-				UD6	venetian blue	-90		
	APL	classic grey	91-				XN5	silk grey	89-90		
	ARL	cobalt blue	91-93				XN6	velvet red	89-90		
	ASL	magenta	91-93				XN7	slate grey	89-90		
	AQL	light grey	91-93				ATH	black	91-		
	ATY	cashmere beige	91-				APL	classic grey	91-		
	BQB	marine blue	91-93				ARL	cobalt blue	91-93		
	AVF	matador red	91-93				ASL	magenta	91-93		
	AVG	carrara grey	91-93				AQL	light grey	91-93		
	AVH	sherwood green	91-93				ATY	cashmere beige	91-		
	DBD	midnight blue	94-				BQB	marine blue	91-93		
	DCD	chestnut brown	94-				AVF	matador red	91-93		
	DDD	marble grey	94-				AVG	carrara grey	91-93		
	DEC	provence blue	94-				AVH	sherwood green	91-93		
	DEE	cedar green	94-				DBD	midnight blue	94-		
	DEF	flamenco red	94-				DCD	chestnut brown	94-		
(14)	928 522 088 51	seat cushion centre whole-leather	/R	1			DDD	marble grey	94-		
	KZ2	black	-90				DEC	provence blue	94-		
	TV1	mahogany	-90				DEE	cedar green	94-		
	TS1	marine blue	-90				DEF	flamenco red	94-		
	LG7	burgundy	-90			14	928 522 087 05	seat cushion centre draped leather	/L	1	

Model	Year	MG	SG	Illustration	Restrictions	UPD	20:05	27.01.2010	PORSCHE	PET	PORSCHE
STZ	1998	8	08	808-95		248					

Pos	Part Number	Description	Remark	Qty	Model	Pos	Part Number	Description	Remark	Qty	Model
	KZ2	black	-90				DEE	cedar green	94-		
	TV1	mahogany	-90				DEF	flamenco red	94-		
	TS1	marine blue	-90			(14)	928 522 088 05	seat cushion centre draped leather	/R	1	
	LG7	burgundy	-90				KZ2	black	-90		
	TW1	linen	-90				TV1	mahogany	-90		
	XN4	cashmere beige	89-90				TS1	marine blue	-90		
	LG5	champagne	-88				LG7	burgundy	-90		
	QC2	greyish green	-88				TW1	linen	-90		
	UD3	plum red	-88				XN4	cashmere beige	89-90		
	UD4	silver-grey	-88				LG5	champagne	-88		
	UD5	caramel	-90				QC2	greyish green	-88		
	UD6	venetian blue	-90				UD3	plum red	-88		
	XN5	silk grey	89-90				UD4	silver-grey	-88		
	XN6	velvet red	89-90				UD5	caramel	-90		
	XN7	slate grey	89-90				UD6	venetian blue	-90		
	ATH	black	91-				XN5	silk grey	89-90		
	APL	classic grey	91-				XN6	velvet red	89-90		
	ARL	cobalt blue	91-93				XN7	slate grey	89-90		
	ASL	magenta	91-93				ATH	black	91-		
	AQL	light grey	91-93				APL	classic grey	91-		
	ATY	cashmere beige	91-				ARL	cobalt blue	91-93		
	BQB	marine blue	91-93				ASL	magenta	91-93		
	AVF	matador red	91-93				AQL	light grey	91-93		
	AVG	carrara grey	91-93				ATY	cashmere beige	91-		
	AVH	sherwood green	91-93				BQB	marine blue	91-93		
	DBD	midnight blue	94-				AVF	matador red	91-93		
	DCD	chestnut brown	94-				AVG	carrara grey	91-93		
	DDD	marble grey	94-				AVH	sherwood green	91-93		
	DEC	provence blue	94-								

Model	Year	MG	SG	Illustration	Restrictions	UPD	20:05	27.01.2010	PORSCHE	PET	PORSCHE
STZ	1998	8	08	808-95		248					

Pos	Part Number	Description	Remark	Qty	Model	Pos	Part Number	Description	Remark	Qty	Model
		DBD midnight blue	94-				8XV mahogany		-90		
		DCD chestnut brown	94-				9JV marine blue				
		DDD marble grey	94-				1MV burgundy		-90		
		DEC provence blue	94-				6UV linen		-90		
		DEE cedar green	94-				5TC cashmere beige				
		DEF flamenco red	94-				9WT classic grey		91-93		
15	928 522 045 03	seat cushion upper pin stripe velour	/L	1			9YD cobalt blue		91-93		
		7BN black-white	-90				1MV magenta		91-93		
		6LN mahogany-white	-90			(15)	6UV light grey		91-93		
		8GJ blue-white	-90				928 522 046 03 seat cushion upper multicolour	/R	89-	1	
		1MJ burgundy-white	-90				2VV black				
		4WJ linen	89-90				8XV mahogany		-90		
		4TN cashmere beige	89-90				9JV marine blue				
		3JV greyish green-white	-88				1MV burgundy		-90		
		XK1 black-red	88				6UV linen		-90		
(15)	928 522 046 03	seat cushion upper pin stripe velour	/R	1			5TC cashmere beige				
		7BN black-white	-90				9WT classic grey		91-93		
		6LN mahogany-white	-90				9YD cobalt blue		91-93		
		8GJ blue-white	-90				1MV magenta		91-93		
		1MJ burgundy-white	-90			15	6UV light grey		91-93		
		4WJ linen	89-90				928 522 045 03 seat cushion upper porsche lettering cloth	/L		1	
		4TN cashmere beige	89-90				2CZ black				
		3JV greyish green-white	-88				4MR mahogany		-90		
		XK1 black-red	88				6HZ blue		-90		
15	928 522 045 03	seat cushion upper multicolour	/L	1			5LZ burgundy		-90		
		2VV black	89-				5WZ linen		89-90		
							7TH cashmere beige		89-		

Model	Year	MG	SG	Illustration	Restrictions	UPD	20:05	27.01.2010	PORSCHE	PET	PORSCHE
STZ	1998	8	08	808-95		248					

Pos	Part Number	Description	Remark	Qty	Model	Pos	Part Number	Description	Remark	Qty	Model
	1JK	greyish green	-88				1MF	burgundy			
	6WC	classic grey	91-				9JF	greyish green			
	7ZK	cobalt blue	91-93			(15)	928 522 046 03	seat cushion upper pin stripe flannel	/R	1	
	9YC	magenta	91-93						-88		
	2ZV	light grey	91-93				8BF	anthracite			
	4GP	midnight blue	94-				9LF	mahogany			
	7SA	chestnut brown	94-				6GF	blue			
	9BE	marble grey	94-				1MF	burgundy			
(15)	928 522 046 03	seat cushion upper porsche lettering cloth	/R	1			9JF	greyish green			
	2CZ	black				15	928 522 045 50	seat cushion upper whole-leather	/L	1	
	4MR	mahogany	-90				KZ2	black	-90		
	6HZ	blue	-90				TV1	mahogany	-90		
	5LZ	burgundy	-90				TS1	marine blue	-90		
	5WZ	linen	89-90				LG7	burgundy	-90		
	7TH	cashmere beige	89-				TW1	linen	-90		
	1JK	greyish green	-88				LG5	champagne	-88		
	6WC	classic grey	91-				QC2	greyish green	-88		
	7ZK	cobalt blue	91-93				XN4	cashmere beige	89-90		
	9YC	magenta	91-93				UD3	plum red	-88		
	2ZV	light grey	91-93				UD4	silver-grey	-88		
	4GP	midnight blue	94-				UD5	caramel	-90		
	7SA	chestnut brown	94-				UD6	venetian blue	-90		
	9BE	marble grey	94-				XN5	silk grey	89-90		
15	928 522 045 03	seat cushion upper pin stripe flannel	/L	1			XN6	velvet red	89-90		
			-88				XN7	slate grey	89-90		
	8BF	anthracite					ATH	black	91-		
	9LF	mahogany					APL	classic grey	91-		
	6GF	blue					ARL	cobalt blue	91-93		

Model	Year	MG	SG	Illustration	Restrictions	UPD	20:05	27.01.2010	PORSCHE	PET	PORSCHE
STZ	1998	8	08	808-95		248					

Pos	Part Number	Description	Remark	Qty	Model	Pos	Part Number	Description	Remark	Qty	Model
	ASL	magenta	91-93				XN7	slate grey	89-90		
	AQL	light grey	91-93				ATH	black	91-		
	ATY	cashmere beige	91-				APL	classic grey	91-		
	BQB	marine blue	91-93				ARL	cobalt blue	91-93		
	AVF	matador red	91-93				ASL	magenta	91-93		
	AVG	carrara grey	91-93				AQL	light grey	91-93		
	AVH	sherwood green	91-93				ATY	cashmere beige	91-		
	DBD	midnight blue	94-				BQB	marine blue	91-93		
	DCD	chestnut brown	94-				AVF	matador red	91-93		
	DDD	marble grey	94-				AVG	carrara grey	91-93		
	DEC	provence blue	94-				AVH	sherwood green	91-93		
	DEE	cedar green	94-				DBD	midnight blue	94-		
	DEF	flamenco red	94-				DCD	chestnut brown	94-		
(15)	928 522 046 50	seat cushion upper whole-leather	/R	1			DDD	marble grey	94-		
	KZ2	black	-90				DEC	provence blue	94-		
	TV1	mahogany	-90				DEE	cedar green	94-		
	TS1	marine blue	-90			15	928 522 045 05	seat cushion upper draped leather	/L	1	
	LG7	burgundy	-90				KZ2	black	-90		
	TW1	linen	-90				TV1	mahogany	-90		
	LG5	champagne	-88				TS1	marine blue	-90		
	QC2	greyish green	-88				LG7	burgundy	-90		
	XN4	cashmere beige	89-90				TW1	linen	-90		
	UD3	plum red	-88				LG5	champagne	-88		
	UD4	silver-grey	-88				QC2	greyish green	-88		
	UD5	caramel	-90				XN4	cashmere beige	89-90		
	UD6	venetian blue	-90				UD3	plum red	-88		
	XN5	silk grey	89-90				UD4	silver-grey	-88		
	XN6	velvet red	89-90								

Model	Year	MG	SG	Illustration	Restrictions	UPD	20:05	27.01.2010	PORSCHE	PET	PORSCHE
STZ	1998	8	08	808-95		248					

Pos	Part Number	Description	Remark	Qty	Model	Pos	Part Number	Description	Remark	Qty	Model
	UD5	caramel		-90			QC2	greyish green		-88	
	UD6	venetian blue		-90			XN4	cashmere beige		89-90	
	XN5	silk grey		89-90			UD3	plum red		-88	
	XN6	velvet red		89-90			UD4	silver-grey		-88	
	XN7	slate grey		89-90			UD5	caramel		-90	
	ATH	black		91-			UD6	venetian blue		-90	
	APL	classic grey		91-			XN5	silk grey		89-90	
	ARL	cobalt blue		91-93			XN6	velvet red		89-90	
	ASL	magenta		91-93			XN7	slate grey		89-90	
	AQL	light grey		91-93			ATH	black		91-	
	ATY	cashmere beige		91-			APL	classic grey		91-	
	BQB	marine blue		91-93			ARL	cobalt blue		91-93	
	AVF	matador red		91-93			ASL	magenta		91-93	
	AVG	carrara grey		91-93			AQL	light grey		91-93	
	AVH	sherwood green		91-93			ATY	cashmere beige		91-	
	DBD	midnight blue		94-			BQB	marine blue		91-93	
	DCD	chestnut brown		94-			AVF	matador red		91-93	
	DDD	marble grey		94-			AVG	carrara grey		91-93	
	DEC	provence blue		94-			AVH	sherwood green		91-93	
	DEE	cedar green		94-			DBD	midnight blue		94-	
	DEF	flamenco red		94-			DCD	chestnut brown		94-	
(15)	928 522 046 05	seat cushion upper draped leather	/R	1			DDD	marble grey		94-	
	KZ2	black		-90			DEC	provence blue		94-	
	TV1	mahogany		-90			DEE	cedar green		94-	
	TS1	marine blue		-90		16	928 522 041 04	cover lap belt leatherette	/L	1	
	LG7	burgundy		-90			05T	black			
	TW1	linen		-90			1MX	mahogany		-90	
	LG5	champagne		-88							

Model	Year	MG	SG	Illustration	Restrictions	UPD	20:05	27.01.2010	PORSCHE	PET	PORSCHE
STZ	1998	8	08	808-95		248					

Pos	Part Number	Description	Remark	Qty	Model	Pos	Part Number	Description	Remark	Qty	Model
	1KX	marine blue					7RT	cashmere beige	91-		
	3MX	burgundy	-90				1KX	marine blue	91-93		
	4WX	linen	-90				6HP	midnight blue	94-		
	7RT	cashmere beige	89-				7PD	chestnut brown	94-		
	4JX	greyish green	-88				8CF	marble grey	94-		
	2WJ	classic grey	91			(16)	928 522 042 05	cover three-point seat belt leatherette	/R	1	
	9ZH	cobalt blue	91								
	4WY	magenta	91				05T	black	91-		
	1ZU	light grey	91				2WJ	classic grey	91-		
(16)	928 522 042 04	cover lap belt leatherette	/R	1			9ZH	cobalt blue	91-93		
	05T	black					4WY	magenta	91-93		
	1MX	mahogany	-90				1ZU	light grey	91-93		
	1KX	marine blue					7RT	cashmere beige	91-		
	3MX	burgundy	-90				1KX	marine blue	91-93		
	4WX	linen	-90				6HP	midnight blue	94-		
	7RT	cashmere beige	89-				7PD	chestnut brown	94-		
	4JX	greyish green	-88			16	928 522 041 52	cover lap belt whole-leather	/L	-90	1
	2WJ	classic grey	91								
	9ZH	cobalt blue	91				KZ2	black			
	4WY	magenta	91				TV1	mahogany			
	1ZU	light grey	91				TS1	marine blue			
16	928 522 041 05	cover three-point seat belt leatherette	/L	1			LG7	burgundy			
	05T	black	91-				TW1	linen			
	2WJ	classic grey	91-				XN4	cashmere beige	89-		
	9ZH	cobalt blue	91-93				LG5	champagne	-88		
	4WY	magenta	91-93				QC2	greyish green	-88		
	1ZU	light grey	91-93				UD3	plum red	-88		
							UD4	silver-grey	-88		



Model	Year	MG	SG	Illustration	Restrictions	UPD	20:05	27.01.2010	PORSCHE	PET	PORSCHE
STZ	1998	8	08	808-95		248					

Pos	Part Number	Description	Remark	Qty	Model	Pos	Part Number	Description	Remark	Qty	Model
	UD5	caramel		-90			ATY	cashmere beige			
	UD6	venetian blue		-90			BQB	marine blue			
	XN5	silk grey		89-			M05	matador red			
	XN6	velvet red		89-			D35	carrara grey			
	XN7	slate grey		89-			J25	sherwood green			
(16)	928 522 042 52	cover lap belt whole-leather	/R	-90	1	(16)	928 522 042 54	cover lap belt whole-leather	/R	1	
	KZ2	black					ATH	black			
	TV1	mahogany					APL	classic grey			
	TS1	marine blue					ARL	cobalt blue			
	LG7	burgundy					ASL	magenta			
	TW1	linen					AQL	light grey			
	XN4	cashmere beige		89-			ATY	cashmere beige			
	LG5	champagne		-88			BQB	marine blue			
	QC2	greyish green		-88			M05	matador red			
	UD3	plum red		-88			D35	carrara grey			
	UD4	silver-grey		-88			J25	sherwood green			
	UD5	caramel		-90		16	928 522 041 55	cover three-point seat belt whole-leather	/L	1	
	UD6	venetian blue		-90			ATH	black		91-	
	XN5	silk grey		89-			APL	classic grey		91-	
	XN6	velvet red		89-			ARL	cobalt blue		91-93	
	XN7	slate grey		89-			ASL	magenta		91-93	
16	928 522 041 54	cover lap belt whole-leather	/L		1		AQL	light grey		91-93	
	ATH	black					ATY	cashmere beige		91-	
	APL	classic grey					BQB	marine blue		91-93	
	ARL	cobalt blue					M05	matador red		91-93	
	ASL	magenta					D35	carrara grey		91-93	
	AQL	light grey					J25	sherwood green		91-93	

Model	Year	MG	SG	Illustration	Restrictions	UPD	20:05	27.01.2010	PORSCHE	PET	PORSCHE
STZ	1998	8	08	808-95		248					

Pos	Part Number	Description	Remark	Qty	Model	Pos	Part Number	Description	Remark	Qty	Model
	DBD	midnight blue	94-			19	900 119 057 02	pan-head screw M 8 X 20		8	
	DCD	chestnut brown	94-			20	928 522 031 00	cover whole-leather	/L	1	
	DDD	marble grey	94-				1AJ	black		-90	
	G43	provence blue	94-				2LX	mahogany		-90	
	K03	cedar green	94-				7JX	marine blue		-90	
	8SE	flamenco red	94-				7LD	burgundy		-90	
(16)	928 522 042 55	cover three-point seat belt whole-leather	/R	1			5JX	greyish green		-88	
	ATH	black	91-				7VX	linen		-90	
	APL	classic grey	91-				1MC	plum red		-88	
	ARL	cobalt blue	91-93				3VC	silver-grey		-88	
	ASL	magenta	91-93				1VD	champagne		-88	
	AQL	light grey	91-93				4UC	caramel		-88	
	ATY	cashmere beige	91-				7KC	venetian blue		-88	
	BQB	marine blue	91-93				80S	can-can-red		-87	
	M05	matador red	91-93				8YD	pearl white		-87	
	D35	carrara grey	91-93				6JD	dark green		-87	
	J25	sherwood green	91-93				2WH	cashmere beige		89-90	
	DBD	midnight blue	94-				8YR	black		91-	
	DCD	chestnut brown	94-				6XL	classic grey		91-	
	DDD	marble grey	94-				9YL	cobalt blue		91-93	
	G43	provence blue	94-				6YL	magenta		91-93	
	K03	cedar green	94-				8ZL	light grey		91-93	
	8SE	flamenco red	94-				4YU	cashmere beige		91-	
17	928 522 321 02	bag for lap belt		2			H05	marine blue		91-93	
	70B	satin black					M05	matador red		91-93	
18	928 522 415 03	rosette		2			D35	carrara grey		91-93	
	70B	satin black					J25	sherwood green		91-93	
							H24	midnight blue		94-	

Model	Year	MG	SG	Illustration	Restrictions	UPD	20:05	27.01.2010	PORSCHE	PET	PORSCHE
STZ	1998	8	08	808-95		248					

Pos	Part Number	Description	Remark	Qty	Model	Pos	Part Number	Description	Remark	Qty	Model
	T15	chestnut brown	94-				M05	matador red	91-93		
	3QN	marble grey	94-				D35	carrara grey	91-93		
	G43	provence blue	94-				J25	sherwood green	91-93		
	K03	cedar green	94-				H24	midnight blue	94-		
	8SE	flamenco red	94-				T15	chestnut brown	94-		
(20)	928 522 032 00	cover whole-leather	/R	1			3QN	marble grey	94-		
	1AJ	black	-90				G43	provence blue	94-		
	2LX	mahogany	-90				K03	cedar green	94-		
	7JX	marine blue	-90				8SE	flamenco red	94-		
	7LD	burgundy	-90			21	N 013 958 7	tapping screw		4	
	5JX	greyish green	-88			22	999 591 102 17	washer		4	
	7VX	linen	-90			23	900 145 072 07	tapping screw		4	
	1MC	plum red	-88								
	3VC	silver-grey	-88								
	1VD	champagne	-88								
	4UC	caramel	-88								
	7KC	venetian blue	-88								
	80S	can-can-red	-87								
	8YD	pearl white	-87								
	6JD	dark green	-87								
	2WH	cashmere beige	89-90								
	8YR	black	91-								
	6XL	classic grey	91-								
	9YL	cobalt blue	91-93								
	6YL	magenta	91-93								
	8ZL	light grey	91-93								
	4YU	cashmere beige	91-								
	H05	marine blue	91-93								

M000 ! SUMMARY OF OPTIONAL EXTRAS "M"  
M002 TOURING-EQUIPMENT FOR CARRERA RS  
M002 E. G. ELECTRIC WINDOW OPENER  
M002 CENTRAL LOCKING SYSTEM  
M002 UNDERBODY PROTECTION  
M096 ANNIVERSARY MODEL "30 YEARS 911"  
M097 ANNIVERSARY MODEL "25 YEARS 911" (D)  
M097 \_\_\_\_\_  
M097 OUTSIDE: DARK BLUE METALLIC  
M097 INSIDE: ALL LEATHER EQUIPMENT  
M097 IN PEARL GREY  
M097 CARPETS OF SILK-VELOUR, PEARL GREY  
M097 SPECIAL CENTER CONSOLE  
M098 ANNIVERSARY MODEL "25 YEARS 911" (USA)  
M098 \_\_\_\_\_  
M098 OUTSIDE: SILVER METALLIC  
M098 INSIDE: ALL LEATHER EQUIPMENT  
M098 IN SILK GREY  
M098 CARPETS OF SILK-VELOUR, SILK GREY  
M098 SPECIAL CENTER CONSOLE  
M099 ANNIVERSARY MODEL "25 YEARS 911" (RDW)  
M099 \_\_\_\_\_  
M099 OUTSIDE: BLUE METALLIC  
M099 INSIDE: ALL LEATHER EQUIPMENT  
M099 IN BLUE METALLIC  
M099 CARPETS OF SILK-VELOUR, SILVERBLUE  
M099 SPECIAL CENTER CONSOLE  
M139 SEAT HEATING SYSTEM, LEFT SEAT  
M185 SAFETY BELTS 2-POINT,  
M185 REAR AUTOMATIC  
M186 SAFETY BELTS 2-POINT, REAR  
M186 MANUAL  
M335 AUTOMATICAL SAFETY BELT, 3-POINT,  
M335 REAR  
M340 SEAT HEATING SYSTEM, RIGHT SEAT  
M371 SPORT SEAT, LEFT  
M371 MANUALLY ADJUSTABLE  
M372 SPORT SEAT, RIGHT  
M372 MANUALLY ADJUSTABLE  
M373 SPORTS SEAT, LEFT,  
M373 ELECTRICALLY HEIGHT ADJUSTABLE  
M374 SPORTS SEAT, RIGHT,  
M374 ELECTRICALLY HEIGHT ADJUSTABLE  
M379 SERIES SEAT, LEFT,  
M379 ELECTRICAL VERTICAL ADJUSTMENT  
M380 SERIES SEAT, RIGHT,  
M380 ELECTRICAL VERTICAL ADJUSTMENT  
M381 SERIES SEAT LEFT,  
M381 MANUELLY ADJUSTABLE  
M382 SERIES SEAT RIGHT,  
M382 MANUALLY ADJUSTABLE

M383 SPORT SEAT LEFT, ELECTRICAL  
M383 VERTICALLY ADJUSTABLE  
M384 BUCKET SEAT, LEFT  
M385 BUCKET SEAT, RIGHT  
M387 SPORT SEAT RIGHT, ELECTRICAL  
M387 VERTICALLY ADJUSTABLE  
M419 REAR LUGGAGE DUMP  
M437 COMFORT SEAT LEFT,  
M437 ELECTRICALLY ADJUSTABLE  
M438 COMFORT SEAT RIGHT,  
M438 ELECTRICALLY ADJUSTABLE  
M491 TURBO-LOOK  
M513 BACK-SUPPORT (LORDOSE) RIGHT SEAT  
M537 SEATING POSITION CONTROL FOR  
M537 CONFORT SEAT, LEFT  
M538 SEATING POSITION CONTROL  
M538 FOR CONFORT SEAT, RIGHT  
M586 BACK-SUPPORT (LORDOSE) LEFT SEAT  
M637 CLUB-SPORT "CS"  
M639 VERSION "GT"  
M685 REAR SEATS, DEVIDED  
M757 SPECIAL MODEL 944  
M758 SPECIAL MODEL 944 TURBO S '88  
M930 SEAT COVERS REAR, LEATHER  
M931 SEAT COVERS REAR, LEATHERETTE  
M932 SEAT COVERS, REAR  
M932 CLOTH/LEATHERETTE/LEATHERETTE  
M933 SEAT COVERS, REAR  
M933 CLOTH/LEATHER/LEATHER  
M934 SEAT COVERS REAR,  
M934 CLOTH/CLOTH/LEATHERETTE  
M935 SEAT COVERS REAR, DRAPED LEATHER  
M936 SEAT COVERS REAR, LEATHER  
M937 SEAT COVERS REAR, LEATHERETTE  
M938 SEAT COVERS REAR, CLOTH  
M939 SEAT COVERS REAR, DRAPED LEATHER  
M946 SEAT COVERS FRONT,  
M946 LEATHER/LEATHER/LEATHERETTE  
M947 SEAT COVERS  
M947 FRONT: CLOTH/LEATHER/LEATHERETTE  
M947 REAR: CLOTH/LEATHERETTE/LEATHERETTE  
M948 SEAT COVERS, FRONT  
M948 CLOTH/LEATHER/LEATHER  
M980 SEAT COVER - DRAPED LEATHER  
M981 LEATHER EQUIPMENT  
M982 SEAT COVERS FRONT,  
M982 DRAPED LEATHER/LEATHER/LEATHER  
M983 SEAT COVERS FRONT, LEATHER  
M986 PARTIAL LEATHER EQUIPMENT  
M990 SEAT COVERS FRONT,  
M990 CLOTH/CLOTH/LEATHERETTE

Model STZ	Year 98	MG	SG	Illustration	VIN No.	Update 231	9:41	02.09.2008
--------------	------------	----	----	--------------	---------	---------------	------	------------

EQUIPMENT BY COUNTRY REGULATIONS

=====

- (A) AUSTRIA
- (AG) ARABIEN GULF STATES
- (AUS) AUSTRALIA
- (B) BELGIUM
- (BR) BRAZIL
- (CDN) CANADA
- (CH) SWITZERLAND
- (D) FEDERAL REPUBLIC OF GERMANY
- (DK) DENMARK
- (E) SPAIN
- (F) FRANCE
- (GB) GREAT BRITAIN
- (GR) GREECE
- (HK) HONGKONG
- (I) ITALY

Model	Year	MG	SG	Illustration	VIN No.	Update		
STZ	98					231	9:41	02.09.2008

(J) JAPAN

(L) LUXEMBURG

(N) NORWAY

(NL) NETHERLANDS

(NZ) NEW ZEALAND

(P) PORTUGAL

(RC) TAIWAN

(S) SWEDEN

(SA) SAUDI ARABIA

(SF) FINLAND

(USA) UNITED STATES OF AMERICA

(ZA) SOUTH AFRICA

Model STZ	Year 98	MG	SG	Illustration	VIN No.	Update 231	9:41	02.09.2008
--------------	------------	----	----	--------------	---------	---------------	------	------------

IN COLUMN - A -

-----

IDENTIFICATION LETTER FOR PERIOD OF INSTALLATION  
THAT IS REPEATED SEVERAL TIMES IN THE CATALOG GROUP.

EXPLANATION PLEASE FIND IN TEXT COLUMN OF THE CATALOG GROUP

IN COLUMN - QU - = NO. OF PIECES

-----

1 NUMBER PER APPLICATION

X NUMBER AS NEEDED

\* AVAILABLE ONLY IN RUNNING LENGTHS 1 = 1 METRE

IN COLUMN - MODEL/SYMBOL -

-----

M981 OPTIONAL EQUIPMENT - SEE M-NO. LIST

-90 LIMITATION OF MODEL YEAR FOR INSTANCE: VALID UP TO  
END OF MODEL YEAR 1990

/LL LHD

/RL RHD

-----+

/V FRONT I



Model STZ	Year 98	MG	SG	Illustration	VIN No.	Update 231	9:41	02.09.2008
--------------	------------	----	----	--------------	---------	---------------	------	------------

```

I
/H      REAR      I
          I----> APPLIES TO
/L      LEFT      I      DIRECTION OF TRAVEL
          I
/R      RIGHT     I
          -----+

C2      CARRERA 2

C4      CARRERA 4

WW      THE PART CAN BE USED INSTEAD OF THE
          PRECEDING ONE.
    
```

Model	Year	MG	SG	Illustration	VIN No.	Update		
STZ	98					231	9:41	02.09.2008

## LEGENDS AND NOTICES

=====

## IN COLUMN -S- STATUS

-----

- N NEW ADDITION
- P PART ALREADY IN PROGRAMME, BUT NEW  
AT THIS APPLICATION
- W DELETED AT THIS APPLICATION, BUT CONTINUED  
TO BE CARRIED
- A STOCK TO BE USED UP
- U DELETED WITHOUT REPLACEMENT
- IN COLUMN - ILL. -  
-----
- 1 IDENTIFICATION NO. IN ILLUSTRATION
- (1) PART ONLY SIMILAR AS ILLUSTRATED
- PART IS NOT ILLUSTRATED

FIG.-NUMBERS FOR WHICH THERE IS SHOWN NO TEXT ARE  
NOT VALID FOR THIS EDITION OF CATALOGUE

Model STZ	Year 98	MG	SG	Illustration	VIN No.	Update 231	9:41	02.09.2008
--------------	------------	----	----	--------------	---------	---------------	------	------------

IN COLUMN -PART NUMBER/CODE-

-----

000 000 000 00 PART NUMBER EQUALS ORDERING NO., IF A CODE IS  
 SHOWN, IT WILL HAVE TO BE PART OF ORDERING  
 NUMBER

01C COLOUR CODE

IN COLUMN -TEXT

-----

PERIOD OF INSTALLATION UP TO AND AS OF CHASSIS RANGE

EXAMPLE:

F >>96LS4 00889 UP TO CHASSIS NUMBER

F 96LS4 00890>> AS OF CHASSIS NUMBER

Model STZ	Year 98	MG	SG	Illustration	VIN No.	Update 231	9:41	02.09.2008
--------------	------------	----	----	--------------	---------	---------------	------	------------

VEHICLE TYPE	MY	VEHICLE IDENT.NR.	ENGINE TYPE	
944 COUPE	89 K	94KN4 00001>30000	M44.11/12	121 KW
944 S2 COUPE	89 K	94KN4 00001>30000	M44.41	155 KW
944 S2 CABRIO	89 K	94KN4 30001>50000	M44.41	155 KW
944 TURBO COUPE	89 K	95KN1 00001>50000	M44.52	184 KW
944 COUPE (USA) (CDN)	89 K	94KN4 50001>80000	M44.11/12	121 KW
944 S2 COUPE (USA) (CDN)	89 K	94KN4 50001>80000	M44.41	155 KW
944 S2 CABRIO (USA) (CDN)	89 K	94KN4 80001>99999	M44.41	155 KW
944 TURBO COUPE (USA) (CDN)	89 K	95KN1 50001>99999	M44.52	184 KW
944 S2 COUPE	90 L	94LN4 00001>30000	M44.41	155 KW
944 S2 CABRIO	90 L	94LN4 30001>50000	M44.41	155 KW
944 TURBO COUPE	90 L	95LN1 00001>30000	M44.52	184 KW
944 S2 COUPE (USA) (CDN)	90 L	94LN4 50001>80000	M44.41	155 KW
944 S2 CABRIO (USA) (CDN)	90 L	94LN4 80001>99999	M44.41	155 KW
944 TURBO COUPE (CDN)	90 L	95LN1 50001>79999	M44.52	184 KW
NECKARSULM				
-----				
944 S2 COUPE	91 M	94MN4 00001>10000	M44.41	155 KW
944 S2 CABRIO	91 M	94MN4 30001>40000	M44.41	155 KW
944 TURBO COUPE	91 M	95MN1 00001>30000	M44.52	184 KW
944 TURBO CABRIO	91 M	95MN1 30001>40000	M44.52	184 KW
944 S2 COUPE (USA) (CDN)	91 M	94MN4 10001>20000	M44.41	155 KW
944 S2 CABRIO (USA) (CDN)	91 M	94MN4 40001>50000	M44.41	155 KW
STUTTGART				
-----				
944 S2 COUPE	91 M	94MS4 00001>10000	M44.41	155 KW
944 S2 CABRIO	91 M	94MS4 30001>40000	M44.41	155 KW

Model STZ	Year 98	MG	SG	Illustration	VIN No.	Update 231	9:41	02.09.2008
--------------	------------	----	----	--------------	---------	---------------	------	------------

VEHICLE TYPE	MY	VEHICLE IDENT.NR.	ENGINE TYPE
944	85 F	94FN4 00001>30000	M44.05/06 120 KW
944 (USA) (CDN)	85 F	94FN4 50001>80000	M44.07/08 110 KW
944 (J)	85 F	94FN4 00001>30000	M44.07/08 110 KW
944	86 G	94GN4 00001>30000	M44.05/06 120 KW
944 M298 (J)	86 G	94GN4 00001>30000	M44.07 110 KW
944 M299	86 G	94GN4 00001>30000	M44.08 110 KW
944 (USA) (CDN)	86 G	94GN4 50001>80000	M44.07/08 110 KW
944 TURBO	86 G	95GN1 40001>50000	M44.50 162 KW
944 TURBO	86 G	95GN1 00001>40000	M44.51 162 KW
944 TURBO (USA) (CDN)	86 G	95GN1 50001>70000	M44.51 162 KW
944	87 H	94HN4 20001>50000	M44.05/06 120 KW
944 M298	87 H	94HN4 20001>50000	M44.07 110 KW
944 M299	87 H	94HN4 20001>50000	M44.08 110 KW
944 S	87 H	94HN4 00001>08000	M44.40 140 KW
944 S M637	87 H	94HN4 08001>20000	M44.40 140 KW
944 S (USA) (CDN)	87 H	94HN4 50001>60000	M44.40 135 KW
944 S (USA) (CDN) M637	87 H	94HN4 60001>65000	M44.40 135 KW
944 S (USA) (CDN) M562	87 H	94HN4 65001>80000	M44.40 135 KW
944 TURBO	87 H	95HN1 00001>04000	M44.51 162 KW
944 TURBO M637	87 H	95HN1 04001>50000	M44.51 162 KW
944 TURBO (USA)	87 H	95HN1 50001>60000	M44.51 162 KW
944 TURBO (CDN)	87 H	95HN1 60001>65000	M44.51 162 KW
944 TURBO (CDN) M637	87 H	95HN1 65001>70000	M44.51 162 KW
944	88 J	94JN4 20001>70000	M44.09/10 118 KW
944 (USA) (CDN)	88 J	94JN4 70001>80000	M44.09/10 118 KW
944 (USA) (CDN) M562/563	88 J	94JN4 80001>90000	M44.10 118 KW
944 S	88 J	94JN4 00001>08000	M44.40 140 KW

Model STZ	Year 98	MG	SG	Illustration	VIN No.	Update 231	9:41	02.09.2008
--------------	------------	----	----	--------------	---------	---------------	------	------------

944 S M637				88 J 94JN4 08001>50000 M44.40		140 KW		
944 S (USA) (CDN) M637				88 J 94JN4 50001>65000 M44.40		140 KW		
944 S (USA) (CDN) M562/563				88 J 94JN4 65001>80000 M44.40		140 KW		
944 TURBO				88 J 95JN1 00001>04000 M44.51		162 KW		
944 TURBO M637				88 J 95JN1 04001>10000 M44.51		162 KW		
944 TURBO (USA)				88 J 95JN1 50001>60000 M44.51		162 KW		
944 TURBO (CDN)				88 J 95JN1 60001>65000 M44.51		162 KW		
944 TURBO (CDN) M637				88 J 95JN1 65001>80000 M44.51		162 KW		
944 TURBO S				88 J 95JN1 04001>50000 M44.52		184 KW		
944 TURBO S (USA)				88 J 95JN1 50001>60000 M44.52		184 KW		

Model STZ	Year 98	MG	SG	Illustration	VIN No.	Update 231	9:41	02.09.2008
--------------	------------	----	----	--------------	---------	---------------	------	------------

EXPLANATION OF THE ABRIDGED VERSION OF THE VEHICLE IDENT. NUMBERS (VIN)

=====

USED IN THE CATALOGUE

=====

DIGIT:                            1 2 3   4 5 6   7 8   9   10   11   12   13 14 15 16 17

EXAMPLE:                        W P 0   Z Z Z   9 6   Z   K   S   4   0 0 1 2 5

                                      ===       =   =   =   =====

    !       !   !   !                    !

VEHICLE TYPE 1ST+2ND DIGIT-----+                    !   !   !                    !

    !   !   !                    !

MODEL YEAR-----+                    !   !                    !

    !   !                    !

MANUFACTURING LOCATION-----+                    !                    !

    !                    !

VEHICLE TYPE 3RD DIGIT-----+                                    !

    !

SERIAL NUMBER-----+    +

Model	Year	MG	SG	Illustration	VIN No.	Update		
STZ	98					231	9:40	02.09.2008

THIS PARTS CATALOGUE CONTAINS THE ORDER INFORMATION OF

SEATS FOR THE TYPE RANGES: - 944 FROM MODEL YEAR 1985/2 - 1991

- 968 FROM MODEL YEAR 1992

- 911 FROM MODEL YEAR 1985

- 928 FROM MODEL YEAR 1985

IT IS AVAILABLE IN TWO EDITIONS IN THE FOLLOWING LANGUAGES:

EDITION

USA, CANADA - ENGLISH ONLY ORDER-NO. WET 615 521

EDITION

ALL OTHER COUNTRIES - GERMAN ORDER NO. WET 615 510

\* - ENGLISH ORDER NO. WET 615 520

- FRENCH ORDER NO. WET 615 530

- ITALIAN ORDER NO. WET 615 540

- SPANISH ORDER NO. WET 615 550

UPDATING IS BEING PERFORMED BY CHANGING OF FICHE.



Model	Year	MG	SG	Illustration	VIN No.	Update		
STZ	98					231	9:40	02.09.2008

THE EDITION CAN BE RECOGNIZED BY THE CURRENT NO. AND CALENDAR  
YEAR IN THE BOTTOM LINE OF SUBJECT FICHE.

THE PREVIOUS FICHE SHOULD NO LONGER BE USED.

ALL ILLUSTRATIONS ARE SUBJECT TO CHANGE WITHOUT OBLIGATION.

ALL ILLUSTRATIONS ARE SUBJECT TO  
CHANGE WITHOUT OBLIGATION.