

Model: 918 **Model life 2015>>2015**

Model Overview Sales Type

Sales term	Description	Mounting time	Remark
918310	918 Spyder	05/14-05/15	
918320	918 Spyder	05/14-05/15	
	Weissach package		
918330	918 Spyder	05/14-05/15	
	Weissach package		

Model: 918

Model life 2015>>2015

Model Overview EC

EC	Sales term	LTR	KW	Hp	Cyl	Mounting time	Remark
1800		4,60	447	607	8	05/14-05/15	

Model: 918

Model life 2015>>2015

Model Overview TC

TC	Sales term	Type	Mounting time	Remark
C1800		7C	05/14-05/15	

Model: 918

Model life 2015>>2015

VIN-Numbers Overview

Model year	Date	VIN		Remark
2014	01.05.2014	91-ES800001	>91-ES800918	918 Spyder
2014	01.05.2014	A1-ES800001	>A1-ES800918	918 Spyder (USA, CDN)
2015	01.06.2014	91-FS800001	>91-FS800918	918 Spyder
2015	01.06.2014	A1-FS800001	>A1-FS800918	918 Spyder (USA, CDN)

Model: 918**Model life 2015>>2015**

Engine Numbers

Engine number	Model year	Vehicle type	Engine type
E 00001>01000	2014	918 Spyder	1800
F 00001>01000	2015	918 Spyder	1800

Model: 918**Model life 2015>>2015**

Transmission Numbers

Transmission Number	Model year	Vehicle type	Gearbox type
C1800 1 00001>001000	2014	918 Spyder PDK	C1800
C1800 1 00001>001000	2015	918 Spyder PDK	C1800

Model: 918

Model life 2015>>2015

NR	Description
022	Black-coloured instrument dials, instrument cluster
023	Silver -coloured instrument dials, instrument cluster
024	Version for Greece
025	Black-coloured instrument dials, stopwatch
026	Silver-coloured instrument dials, stopwatch
029	Standard chassis
030	Sports suspension
031	Sports chassis with PASM and PDCC
032	Touring suspension
034	Version for Italy
058	Impact absorbers, front and rear
061	Version for Great Britain
062	sweden version
063	Version Luxemburg
064	Version for Netherlands
065	Version for Denmark
066	Version for Norway
067	Version for Finland
068	PAP right-hand drive version
069	Other country version
070	Pedestrian protection
071	EU country version
072	Version for Mexico
073	Version for Russia
074	PAP left-hand drive version
075	Chinese version
083	Fuel tank, 70-litre
098	Left-hand drive version
099	Right-hand drive version
111	Version for Austria
113	Version for Canada
114	Version for Taiwan
119	Version for Spain
124	Version for France
126	Control and indications in French lettering
127	Control and indications in Swedish lettering
130	Control and indications in English lettering
140	Dynamic engine mounts (PADM)
145	Compression variant
150	Operation with leaded gas
153	Middle radiator
155	Sound symposer
165	Emissions concept EU 5
170	Acoustic package RoW
171	Acoustic package USA
172	Acoustic package PAP, China, Korea

Model: 918

Model life 2015>>2015

NR	Description
176	Sports exhaust system
181	Standard climatic zones
182	Hot country
183	Super hot country
193	japan version
209	Licence plate holder version 1
210	Licence plate holder version 2
211	Licence plate holder version 3
215	Version for Saudi Arabia
218	Licence plate holder version 4
219	Differential
220	Locking differential 40 %
221	PTV Plus, el. controlled rear-diff. lock
225	Version for Belgium
250	PDK transmission (dual clutch)
254	Manually retractable exterior mirrors
255	Manually retractable exterior mirrors with memory
256	Manually retractable exterior mirrors, with automatic dimming
257	Manually retractable exterior mirrors, with automatic dimming and memory
258	Electrically retractable exterior mirrors
259	Electrically retractable ext. mirrors with memory
260	Electrically retractable exterior mirrors with automatic dimming
261	Electrically retractable exterior mirrors with automatic dimming and memory
263	Left exterior mirror glass, flat
264	Left exterior mirror glass, convex
265	Automatic anti-dazzle interior mirror with rain sensor
266	Automatic anti-dazzle door mirror
267	Automatically dimmable interior and door mirrors
268	Rain sensor
270	Door mirrors -flat - driver's side, electrically adjustable and heatable
271	Door mirrors -aspherical- driver's side, electrically adjustable and heatable
273	Door mirrors, electrically adjustable and heatable
274	Vanity mirror, illuminated
275	Manual anti-dazzle interior mirror
276	Automatic anti-dazzle interior mirror
277	Swiss version

Model: 918

Model life 2015>>2015

NR	Description
284	Right exterior mirror glass, convex
285	Right exterior mirror glass, aspherical
288	Headlamp washer
301	Transmission ratio long
305	Gear lever in Alcantara, Black
310	PDK gear selector EXC
313	Sports seat, left, manual, 2-way
314	Sports seat, right, manual, 2-way
315	Sports seat, left, partially electrical, 4-way
316	Sports seat, right, partially electrical, 4-way
317	Sports seat Plus, left, manual, 2-way
318	Sports seat Plus, right, manual, 2-way
319	Sports seat Plus, left, partially electrical, 4-way
320	Sports seat Plus, right, partially electrical, 4-way
321	Sports seat, left, electrical, 14-way
322	Sports seat, right, electrical, 14-way
323	Sports seat Plus, left, electrical, 18-way
324	Sports seat Plus, right, electrical, 18-way
325	Version for South Africa/New Zealand
335	Automatic seat belt, 3-point, rear
338	Rear-wheel drive
339	All-wheel drive
340	Wheel rims painted in basic colour
342	Seat heating, left/right seat
345	Heated steering wheel
346	Rims, painted Silver
347	Rims, painted GT Silver
352	Electronic damper control for PASM and PDCC
369	Standard seat, left
370	Standard seat, right
371	Bucket seat, 918 Spyder, left (harder)
372	Bucket seat, 918 Spyder, right (harder)
373	Bucket seat, 918 Spyder, left
374	Bucket seat, 918 Spyder, right
375	Sports seat, backrest shell, left
376	Sports seat, backrest shell, right
377	Sports seat, backrest shell, left, electrically

Model: 918

Model life 2015>>2015

NR	Description
	adjustable
378	Sports seat, backrest shell, right, electrically adjustable
388	Sports bucket seat, left
389	Sports bucket seat, right
424	CD storage unit
431	Multi-function steering wheel, touch + feel
437	Comfort seat, left, electrically adjustable
438	Comfort seat, right, electrically adjustable
439	20" 911 Turbo 4 wheel
440	Antenna diversity
441	Basic sound package
442	20/21" 918 Spyder wheel, central lock
443	20/21" 918 Spyder wheel Performance, central lock
444	Anti-theft lock, wheel bolts "THATCHAM"
446	Concave wheel centers with full-colour Porsche Crest
447	Emergency wheel
448	Brake pad; sport version
450	Ceramic brake (PCCB)
451	Multi-function steering wheel, Makassar Ebony, touch + feel
452	Multi-function steering wheel, Sycamore, touch + feel
453	Multi-function steering wheel, Carbon, touch + feel
454	Automatic speed control
456	Automatic distance control (ACC)
459	3-spoke airbag steering wheel, touch + feel
460	20" RS Spyder Design wheel
461	External antenna
465	Rear fog light, left
466	Rear fog light, right
474	Front-axle lift function
475	"PASM" electronic damper control
476	Porsche Stability Management (PSM)
477	PASM w/o lowering
478	Central wheel lock
479	Version for Australia
480	6-speed manual transmission
482	Tire Pressure Monitoring TPM, 433 MHz
483	315-MHz TPM, Tire Pressure Monitoring
484	Version for USA
487	7-speed manual transmission
488	Inscriptions in German language

Model: 918

Model life 2015>>2015

NR	Description
490	Sound system "ASK"
492	Headlights for left-hand traffic
498	Deletion of model designation on rear end
499	Version for Germany
501	Car cover
506	Reflection-optimised interior
508	Decorative trims in Carbon Look
509	Fire extinguishers
513	Lumbar support, right seat
514	GTS logo with model designation in Silver
515	GTS logo with model designation in Black
517	Glove box and centre console compartment
521	Tilt sensor
523	Immobiliser, 434 MHz
524	Immobilizer, central locking, 433 MHz
525	Immobilizer, central locking, 315 MHz
532	Alarm system remote control omitted
533	Radio convertible-top operation omitted
534	Theft security system, 433 MHz
535	Theft security system, 315 MHz
536	-07 Alarm siren and tilt sensor 08- Alarm siren
537	Seat position control for comfort seat, left
538	Seat position control for comfort seat, right
539	Mechanical seat height adjustment, left
540	Mechanical seat height adjustment, right
541	Active seat ventilation (incl. heated seats)
542	Active seat ventilation, front and rear (incl. heated seats)
543	Electric seat height adjustment Passenger's side
544	Anti-theft protection without infrared monitoring, 433 MHz
545	Anti-theft protection without infrared monitoring, 315 MHz
546	Roll-over bar in exterior colour
547	Roll-over bar in Aluminium Look
551	Wind deflector
552	Electric wind deflector
553	Version for USA, Canada
554	Front spoiler lip included
555	Black seat belts

Model: 918

Model life 2015>>2015

NR	Description
559	High-gloss mouldings
560	Advanced airbag
562	Airbag, driver's side and front passenger's side
563	Side airbag
566	Front fog lights, white
567	Windscreen tinted, upper part darker coloured
568	Windscreen without shade band
570	Without interior air conditioning
571	Activated charcoal filter
572	Manual air-conditioning system
573	Air conditioner
574	No air conditioning
575	Luggage compartment cooling system
577	Luggage set
578	6-point seat belt, driver
579	6-point seat belt, passenger
581	Centre console, front
583	Smoker package
584	Storage box on engine cover
585	Cupholder
586	Lumbar support, left seat
594	Alcantara rooflining
599	Aluminium doors
601	Xenon lighting system
602	LED headlights with dynamic cornering light Plus (PDLs Plus)
603	Xenon plus dynamic cornering light
605	LED daytime driving lights
606	Daytime driving lights
607	Garage door opener "Homelink", 315 MHz
608	Garage door opener "Homelink" 433 MHz
610	DVD navigation, "Europe package"
611	DVD navigation South Africa
612	DVD navigation middle east
613	DVD navigation australia
614	DVD navigation asia-pacific
615	DVD navigation system, North America
616	DVD, Navigation Russia
617	DVD Navigation China
618	Phone preparation
619	Mobile phone preparation (BLUETOOTH) without console
621	12-V socket, passenger's side, footwell
625	"KESSY" Porsche Entry and Drive
628	LED headlights with integrated daytime driving light

Model: 918

Model life 2015>>2015

NR	Description
630	Interior light package
631	Traffic sign recognition
632	PDLs+ dynamic high beam
635	Park distance control
636	Park distance control in front and rear
639	Sport Chrono package
640	Sport Chrono Plus package
641	electronic log book
642	Start/Stop function
647	Steering column, mechanically reach/height-adjustable, without ELV
648	Steering column, electrically reach/height-adjustable, without ELV
649	Electric water heater
651	Electric window opener
653	External-sliding glass sunroof
655	Steering column with mech. reach/height adjustment
656	Steering column with electric reach/height adjustment and memory
657	Power steering
659	on-board computer
660	Obd 2
661	DC charging
663	Fuel pump activation
664	Orvr
665	-2008 PCM 2, 2009- PCM 3 basic module incl. radio
666	-2008 PCM 2, 2009- PCM 3 telephone (GSM)
669	PCM 3 - Telephone handset (BLUETOOTH)
671	Voice control system
672	-2008 PCM 2, 2009- PCM 3 Offroad navigation
673	Navigation system preparation, China
674	"Vehicle Tracking System" preparation
675	Without radio preparation (Japan navigation system)
676	TV tuner
677	"Driver card" antenna
678	Alarm system connection
679	Restart inhibitor
680	BOSE sound package
681	Carrera GT sound system
682	Top Premium sound system
686	SAT radio reception XM (SDARS)
688	HD radio reception
689	Preperation for CD autochanger
690	SDARS + HD radio reception
691	Digital radio reception DAB

Model: 918

Model life 2015>>2015

NR	Description
692	CD autochanger "Porsche"
693	Integrated CD/DVD autochanger
694	CD radio "PORSCHE CDR 24"
696	CD radio, Porsche CDR 31
697	CD radio "Porsche CDR-23"
711	Omission underbody protection
751	PCCB, front axle and rear axle 3K
789	Colour to sample
796	Full leather trim natural leather
798	Full leather trim special leather
799	Full leather trim by choice
801	Makassar Ebony wood package, dark (matt satin finish)
802	Sycamore package, light (matt satin finish)
803	Carbon package
804	GT2 Carbon exterior package
805	Lifestyle package
808	Racetrack package
810	foot mats
811	without door panel trim
812	Door panel trim, galvanised
840	Sports steering wheel (for PDK with paddle)
841	Basic steering wheel Smooth leather
843	Sports steering wheel in Alcantara
844	Multi-function steering wheel Smooth leather
845	Multi-function steering wheel Carbon
846	Sports steering wheel 918 Spyder, leather
847	Multi-function steering wheel Makassar
852	PDLs+ High beam assist
870	Universal multimedia interface
875	6-point seat belts, 918 in Red
876	6-point seat belts, 918 in Acid Green
880	Sports steering wheel, 918 Spyder, Alcantara
881	Mirror in Carbon Look
882	Roof in Carbon Look
883	Rear wing in Carbon Look
892	Film in Black-Grey
899	Isofix child-seat restraint on front passenger side
901	Martini Racing Design film
902	Salzburg Racing Design film
912	without identification plate
931	Rear seat covers in Alcantara/leatherette
932	Rear seat covers in Alcantara/leather
936	Seat covers, rear, leather
937	Seat covers, rear, leatherette
939	Seat covers, rear, draped leather

Model: 918

Model life 2015>>2015

NR	Description
940	Seat covers rear, ruff.leather/leather/leatherette Soft ruffled leather, embossed
946	Seat covers, front, leather/leather/leatherette
950	Alcantara seat covers, front
951	Seat covers front, Alcantara/leather/leather
970	Two-tone interior
971	"TORO" embossed leather
975	Alcantara interior
980	Leather package
981	Leather equipment, without seat covers
982	Seat covers, front, draped leather/leather/leather
983	Seat covers, front, leather
984	Leather interior, authentic
985	Seat covers, leather/leather/leatherette, 2
990	Seat covers, front, cloth/cloth/leatherette
991	Steering wheel airbag module in leather
998	Leather, natural
999	Passenger compartment monitoring sensor for leather colour of choice
EH1	Length of charging cable: standard
EH2	Charging cable length: 7.5 metres
ES1	Charging socket, AC type 1, mode 2-3 (NAR/Japan)
ES3	Charging socket, AC type 2, mode 2-3 (EU)
ES4	Household charging socket, type L
IY1	Model year period from week 22 to week 45
IY2	Model year period from week 45 to week 22
UX5	Standard valve
UX6	TPM valve, Silver
UX7	TPM valve, Black
XAJ	Painted sill covers
XAS	Sport Design front apron
XAT	SportDesign package
XCA	Dashboard trim strip (3-part) sports seats
XCB	Instrument surround sports seats
XCC	Side air vents sports seats
XCD	Center air vent bracket sports seats
XCE	Rear center console sports seats
XCG	Sports seat backrest in Aluminium Look finish
XCH	Side/centre air vent slats, sports seats
XCK	Rear center console in Galvano Silver
XCL	Instrument surround in Galvano Silver
XCN	Side air vents in Aluminium Look finish (997)
XCW	Aluminium Look trim on belt opening in B-pillar
XCY	Center air vent in Aluminium Look finish

Model: 918

Model life 2015>>2015

NR	Description
XCZ	Short shifter
XDA	Wheel spokes painted Black
XDH	Wheel centre painted in Platinum
XDJ	Decorative trim on gear lever/selector, painted
XDM	Decorative dashboard trim, painted
XDP	Instrument cluster frame, painted
XDR	Painted trim on belt opening in B-pillar
XDS	Ignition lock surround in leather
XDU	Leather trim on belt opening in B-pillar
XDV	Dashboard end-trim in leather
XDX	Mirror attachment point finisher, leather
XDZ	Selector lever cover in leather
XD9	Wheel painted in body colour
XEA	Passive handset in leather
XES	Preparation, illuminated door entry guard
XE8	Gear lever knob aluminium/dark burr maple/leather
XE9	Handbrake lever aluminium/dark burr maple/leather
XFD	Instrument dials in Sand Beige
XFE	Instrument dials in Terracotta
XFF	Instrument dials in Brown/Natural
XFG	Instrument dials in Guards Red
XFH	Instrument dials in Speed Yellow
XFJ	Instrument dials in Carrara White
XFL	Instrument dials painted in Luxor Beige
XFP	Handbrake lever Aluminium II
XFR	Instrument dial painted Racing Yellow
XGB	Decorative dashboard trim, carbon
XGC	Dashboard carbon/Alcantara
XGD	Parking brake handle carbon/Alcantara
XGE	Handle recess insert, carbon
XGX	Seat belts with Acid Green stripes
XGY	Seat belts with Orange stripes
XGZ	Seat belts with Silver stripes
XHB	Centre console trim in leather
XHC	Shift lever in mahogany
XHD	PDK selector lever in mahogany
XHE	Dashboard trim panel in mahogany
XHF	Multi-function steering wheel in mahogany
XHG	Centre console trim in mahogany
XHH	Shift lever, carbon
XHJ	PDK selector lever, carbon
XHL	Multi-function steering wheel, carbon
XHM	Centre console trim, carbon
XHS	Rear centre tunnel in leather
XJJ	Carbon trim on belt opening in B-pillar
XJL	Makassar Ebony side air vent

Model: 918

Model life 2015>>2015

NR	Description
XJM	Sycamore side air vent
XJN	Makassar Ebony center air vent
XJP	Sycamore center air vent
XJR	Makassar Ebony windscreen defroster panel
XJS	Sycamore windscreen defroster panel
XJT	Makassar Ebony rear center console
XJU	Sycamore rear center console
XJ4	Leather cover for ignition lock surround
XKB	Side air vent in light burr maple
XKC	Side air vent in dark burr maple
XKD	Side air vent in Carbon
XKG	"Defroster trim in light burr maple; leather"
XKH	"Defroster trim in dark burr maple; leather"
XXJ	Defroster trim in Carbon/leather
XXL	Leather speaker covers
XKM	Speaker covers in light burr maple
XKN	Speaker covers in dark burr maple
XKP	Carbon speaker covers
XKR	Center air vent bracket in light burr maple
XKS	Center air vent bracket in dark burr maple
XLF	Sports exhaust system
XLG	Centre console storage bin cover in Alcantara, with logo
XLK	SportDesign steering wheel, Alcantara
XMA	Rooflining in leather
XME	Rear section of centre console painted
XMF	Front center console including 2 storage bins, leather
XMJ	Rear section of centre console in Carbon
XMK	Roll-over bar in exterior color
XML	Rear center console in light burr maple
XMP	Leather sun visor, 2 illuminated vanity mirrors *
XMR	Sun visor in leather, 2 illuminated vanity mirrors,
XMZ	Rear section of centre console in leather
XNB	Rear center console in dark burr maple
XNG	Instrument surround in leather
XNN	Center air vent bracket in leather
XNR	Carbon center air vent bracket
XNS	Leather steering column trim, 4-part
XNU	Leather trim strip (dashboard)
XNV	Trim strip (dashboard) in light burr maple
XNW	Trim strip (dashboard) in dark burr maple
XNX	Carbon trim strip (dashboard)
XN3	Dashboard side air vent in leather
XPA	3-spoke sports steering wheel in leather interior co
XPB	3-spoke sports steering wheel, light burr maple,

Model: 918

Model life 2015>>2015

NR	Description
	leather
XPC	3-spoke sports steering wheel, dark burr maple, leather
XPD	3-spoke sports steering wheel, Carbon/leather
XPG	3-spoke sports steering wheel, sports seats
XPT	Centre console storage bin lid with crest
XPU	Multi-function steering wheel Galvano Silver, new generation
XPV	Multi-function steering wheel, Galvano Silver
XPW	Instrument surround in light burr maple
XPX	Instrument surround in dark burr maple
	*
XPY	Carbon instrument surround
XRF	20/21" 918 SPYDER wheel, PLATINUM, central lock
XRN	17-mm spacers, rear
XRP	5-mm spacers, front/rear
XRT	20-inch Sport Techno wheel
XSA	Painted sports seat backrest
XSB	Leather sports seat backrest
XSC	Porsche Crest embossed in headrest
XSD	Front seat controls in leather
XSE	Bucket seat, left
XSF	Bucket seat, right
XSG	Racing bucket seat, left
XSH	Silver seat belts
XSJ	6-point harness
XSL	6-point safety catch
XSM	Racing safety cage
XSN	Omission of rear seats
XSR	Carbon back for bucket seat, right
XSS	Carbon back for bucket seat, left
XST	Seat belts in Sand Beige
XSU	Upholstered seat
XSW	Seat belts in Maritime Blue
XSX	Seat belts in Guards Red
XSY	Seat belts in Speed Yellow
XTG	Inner door sills in leather
XTJ	Door panel parts in light burr maple
XTK	Door panel parts in dark burr maple
XTL	Door panel parts in Carbon
XTR	Door panel parts in Aluminium Look finish
XTT	Makassar Ebony door panel parts
XTU	Sycamore door panel parts
XTV	Leather door panel parts
XTW	Door panel parts in Galvano Silver
XUA	Spoiler lip painted

Model: 918

Model life 2015>>2015

NR	Description
XUB	Cover on headlight cleaning system, painted
XUC	Model designation painted
XUV	Centre console storage bin lid with logo
XUX	Rear backrest release loop in leather
XVM	Leather center air vent
XVP	Trim strip including cupholder cover in leather
XVR	Side/centre air vent in leather
XVT	Cover for loudspeakers, doors and rear in leather
XV1	Defroster trim in leather
XWA	Door panel trim in leather
XWB	Door panel trim in mahogany
XWC	Door panel trim in carbon
XWD	Door panel trim in brushed aluminium
XWE	Door panel trim, painted
XWJ	Sports seat Plus, painted backrest
XWR	PDK gate frame in Aluminium Look
XWS	PDK gate frame painted
XWT	PDK gate frame painted Black
XWU	PDK gate frame in leather
XXB	Door entry guards, stainless steel, illuminated
XXD	Door entry guards, carbon, illuminated
XXF	Red tail lights
XXG	Tail lights in clear glass look
XXH	Alcantara sun visor
XXJ	Alcantara interior light cover
XXK	Front seat covers in woven leather
XXL	Rear seat covers in woven leather
XXM	Without chequered flag design (seat)
XXR	Tail lights, darkened
XXV	Sports-look pedals
XXZ	Footrest
XX1	Floor mats, logo, leather border
XX2	footwell light
XYA	PDK selector lever (EXC)
XYB	Fuel tank cap in Aluminium Look
XYC	Shift lever, aluminium
XYD	Dashboard trim panel, aluminium
XYE	Centre console cover, brushed aluminium
XYG	Centre console trim, painted
XYH	PDK selector lever, aluminium
XY5	Tiptronic gear selector gate in leather
XZB	Carbon centre air vent
XZD	Interior light surround in leather
X45	Instrument dial in interior color

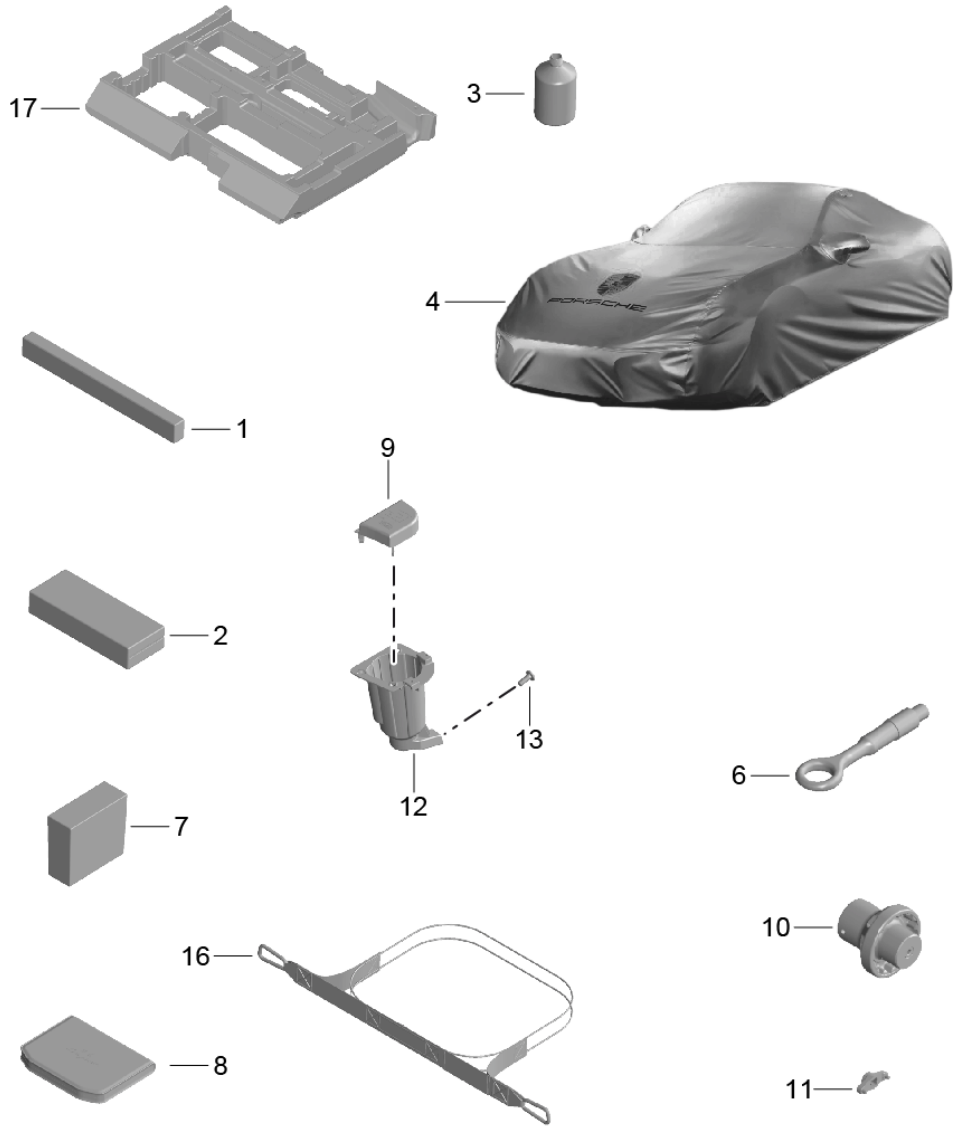
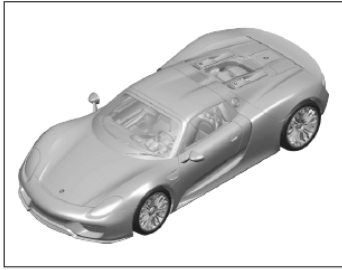
Model: 918

Model life 2015>>2015

NR	Description
X46	Tiptronic selector lever in aluminium/leather
X47	Gear lever knob in Carbon/leather
X54	Stainless steel tailpipes
X58	Handbrake lever in Carbon/leather
X69	Door entry guards in Carbon with logo
X70	Door entry guards in stainless steel with logo
X71	Instrument dial painted/Aluminium Look finish
X72	Gear lever knob aluminium/light burr maple/leather
X73	Sports chassis -20 mm, without PASM
X74	Sports suspension (exclusive)
X75	Differential lock (exclusive)
X76	Inner door sill guard, left/right
X91	Handbrake lever aluminium/light burr maple/leather
X97	Gear lever knob in aluminium/leather
X98	Handbrake lever in aluminium/leather
X99	Natural leather
1T1	First aid material
2C4	Steering column, reach + height adjustable with memory
7G5	Preparation, VTS (Vehicle Tracking System), with driver card, connection to alarm system, re-start inhibitor
7G9	VTS preparation and Porsche Car Connect (pcc)
7I2	VTS security package (with PCC)
77J	Navigation software Argentina
77K	Navigation software Chile

Model: 918

Model life 2015>>2015



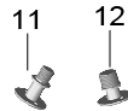
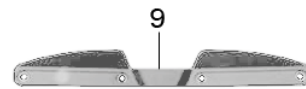
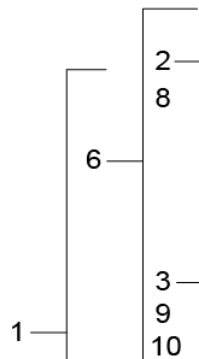
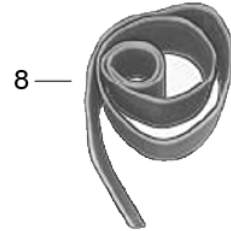
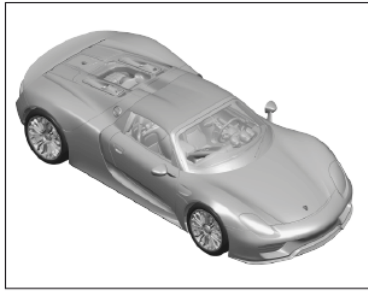
Model: 918

Model life 2015>>2015

Pos	Part Number	Description	Remark	Qty	Model
1	8K0 860 251	Tool warning triangle		1	PR:-193,-553
2	7PP 860 282	first aid kit		1	PR:1T1
3		Compressed air bottle see illustration:	601-000	1	
4	918 721 201 00	Cover		1	
5	918 721 203 00	Transportation lock		1	
6	970 721 551 01	Tow hitch No longer use the part here		1	
(6)	970 721 551 02	Tow hitch		1	
7	997 652 055 00	Compressor		1	
9	918 721 427 00	Cover		1	
	918 721 427 00 1E0	Black			
10	918 361 069 01	Tool Central locking		1	
11	918 361 167 00	Tool Trim		1	
12	918 721 425 00	Cup with: Cover Workshop Box		2	
13	999 015 026 A1	fillister hd. bolt M6 X 16		1	
16	997 722 073 00	tensioning strap		1	
17		Insert Tool see illustration:	901-003		

Model: 918

Model life 2015>>2015

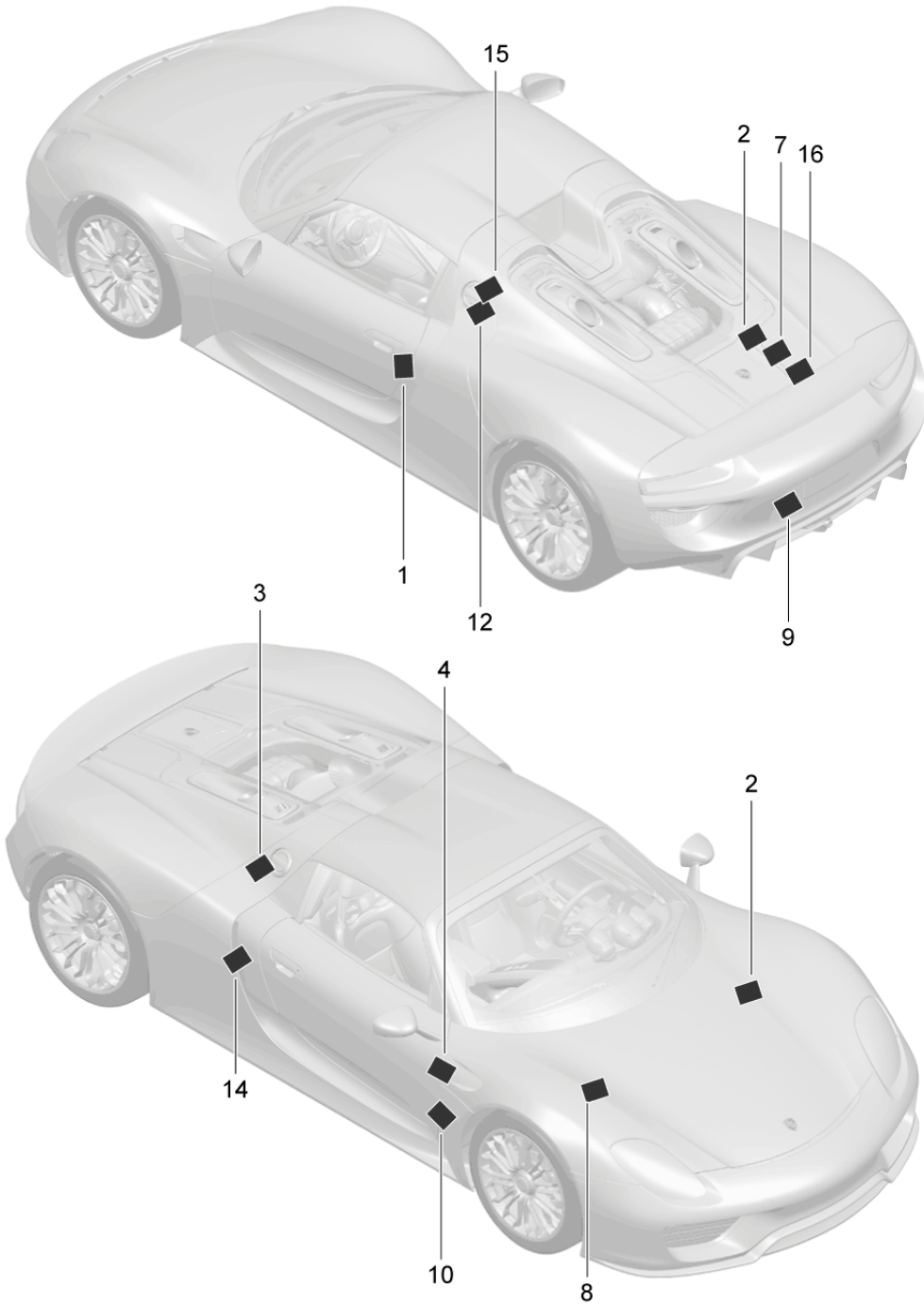


Model: 918 Model life 2015>>2015

Pos	Part Number	Description	Remark	Qty	Model
-		Luggage set Inst. & Conv. Instructions 918 Spyder Group 6 6699 (6/14) Attention			
1	918 044 000 00	Luggage set 5-part		1	
	918 044 000 00 SPA	Black/Acid Green			Authentic
	918 044 000 00 SPC	Red/silver			Serien Leder
	918 044 000 00 SPD	black/silver			Authentic
	918 044 000 00 SPF	Brown/Silver			Authentic
	918 044 000 00 SPG	Brown/Orange			Authentic
-		Set comprising:			
2		Trolley		1	
3		Clothes bag		2	
4		Box		1	
5		Centre console Pocket Glove box		1	
6	918 044 000 05	Travelling bag Set 3-part		1	
	918 044 000 05 SPA	Black/Acid Green			Authentic
	918 044 000 05 SPC	Red/silver			Serien Leder
	918 044 000 05 SPD	black/silver			Authentic
	918 044 000 05 SPF	Brown/Silver			Authentic
	918 044 000 05 SPG	Brown/Orange			Authentic
7	918 044 000 06	tray Set 2-part		1	
	918 044 000 06 SPA	Black/Acid Green			Authentic
	918 044 000 06 SPC	Red/silver			Serien Leder
	918 044 000 06 SPD	black/silver			Authentic
	918 044 000 06 SPF	Brown/Silver			Authentic
	918 044 000 06 SPG	Brown/Orange			Authentic
-		Only for replacement Order			
8	918 044 000 10	Belt Trolley		1	
	918 044 000 10 SPA	Black/Acid Green			
	918 044 000 10 SPD	black/silver			
	918 044 000 10 SPK	Black/orange			
	918 044 000 10 SPS	Black			
9	918 555 505 00	Bracket Clothes bag		2	
	918 555 505 00 5Q0	Black			
10	999 073 593 01	Oval-head screw Bracket		8	M8x1,0x19,5
11	918 553 823 00	Clothes bag Support Box	front	1	M12
12	918 553 821 00	Centre console Support Box	rear	1	M16
13	918 505 753 00	Centre console Belt	rear	1	
14	918 505 751 00	Trolley Belt Trolley	front	1	

Model: 918

Model life 2015>>2015



Model: 918 Model life 2015>>2015

Pos	Part Number	Description	Remark	Qty	Model
-		Signs/notices			
		Signs/notices			
		Tyre			
1	918 701 286 05	Data plate for tyre pressure		1	PR:-553
(2)	955 701 675 05	Sticker		1	PR:193
(2)	7P0 010 758 A	brake fluid		1	PR:073
(2)	7PP 010 709 L	Notice		1	PR:215
(2)	7PP 010 709 M	brake fluid		1	PR:075
3	958 701 697 00	Warning sign for hybrid vehicles		1	- "J..",
		High voltage			- "PME",
(3)	958 701 697 10	Warning sign for hybrid vehicles		1	- "CN.",
		High voltage			- "BR.",
(3)	958 701 739 00	Warning sign for hybrid vehicles		4	- "RUS"
		High voltage			"J..", "PME",
(3)	7PP 010 849 L	Warning sign		1	"CN.", "BR.",
		Battery			
		Hybrid			
(3)	8R0 010 539	Warning sign for hybrid vehicles		1	
(3)	8R0 010 539 A	English		1	
(3)	8R0 010 539 B	Warning sign for hybrid vehicles		1	
		German			
(3)	8R0 010 539 C	Warning sign for hybrid vehicles		1	
		French			
(3)	8R0 010 539 D	Warning sign for hybrid vehicles		1	
		Spanish			
(3)	8R0 010 539 E	Warning sign for hybrid vehicles		1	
		Italian			
(3)	8R0 010 539 F	Warning sign for hybrid vehicles		1	
		Russian			
(3)	8R0 010 539 G	Warning sign for hybrid vehicles		1	
		Chinese			
		Japanese			
-		Signs/notices			
4		Airbag		1	
		Sticker			
		Not available			
-	918 361 199 01	Sticker		1	
		Central locking			
-	958 701 289 01	Sticker		1	
		Spare wheel			
8	918 701 141 00	Sticker		1	PR:062,073,
		Coolant			573,553

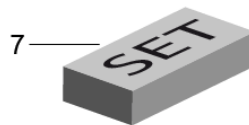
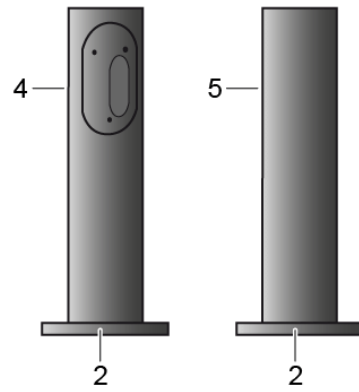
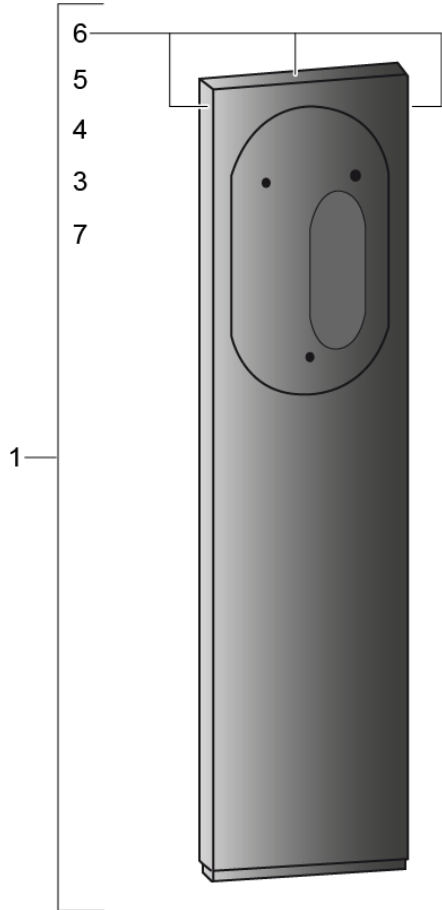
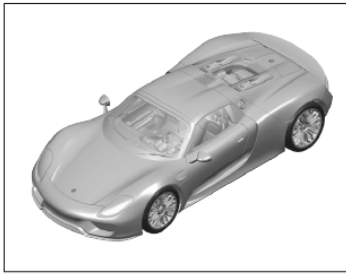
Model: 918

Model life 2015>>2015

Pos	Part Number	Description	Remark	Qty	Model
(8)	918 701 521 00	Content Sticker Coolant		1	PR:193
9	955 701 675 15	Content Sticker Import Japan		1	PR:193
10	970 701 523 00	Sticker Recycling		1	PR:193
11	955 701 675 00	Sticker Reservoir		1	PR:193
12	955 701 676 10	Sticker Fuel filler flap		1	PR:193
-	996 701 611 00	Sticker Battery		1	
-	955 701 673 00	Sticker Battery		1	PR:193
14	955 006 675 00	Sticker Motor fan		1	PR:193
15	918 006 117 00	Sticker 98 ROZ		1	PR:-193,-553
(15)	918 006 117 10	Sticker 98 ROZ		1	PR:193,553
17	918 611 501 00	Sticker Flap Charging socket		1	PR:034,119, 130

Model: 918

Model life 2015>>2015



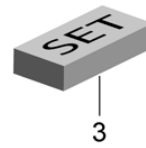
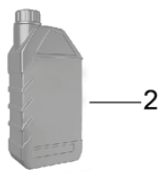
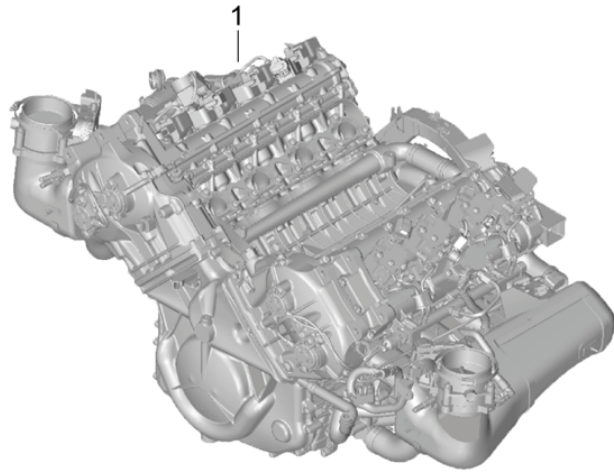
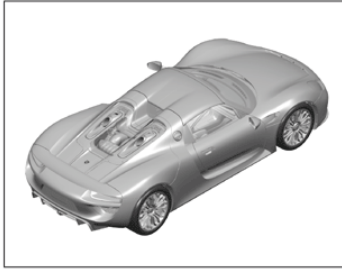
Model: 918

Model life 2015>>2015

Pos	Part Number	Description	Remark	Qty	Model
1	970 044 000 70	Stand Power supply Hybrid Stand Charging socket Hybrid Glasses box with: PORSCHE logo without: Charging Dock without: Connection line use if required:		1	167x42x10 cm
2	970 044 000 76	Post bracket for Trade equipment Lower part Movable Stand Charging socket Hybrid		1	88x84x8 cm
(2)	970 044 000 77	Lower part Fixed Stand Charging socket Hybrid		1	75x75x3 cm
(3)	970 044 000 71	Only for replacement Stand Charging socket Hybrid Frame Interior frame		1	
4	970 044 000 72	Stand Charging socket Hybrid Washer without: Charging Dock without:	front	1	
5	970 044 000 73	Connection line Stand Charging socket Hybrid Washer	rear	1	
6	970 044 000 74	Side panel trim Stand Charging socket Hybrid Set 3-part		1	
(7)	970 044 000 75	Set of fastening parts Stand Charging socket Hybrid		1	

Model: 918

Model life 2015>>2015



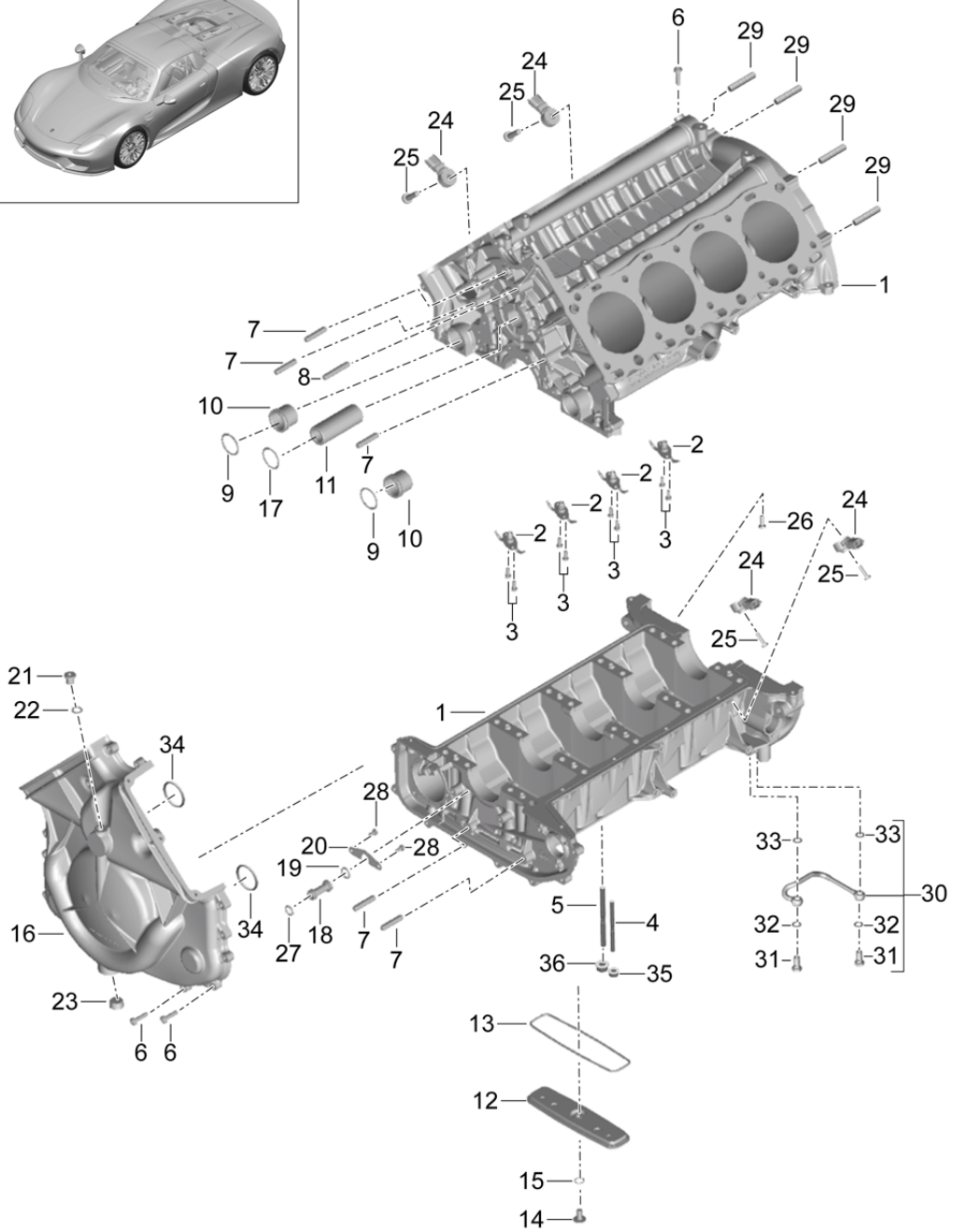
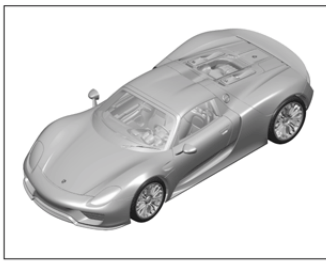
Model: 918

Model life 2015>>2015

Pos	Part Number	Description	Remark	Qty	Model
1	918 100 918 01	Replacement engine		1	
		Replacement engine			
		D - MJ 2015>> - MJ 2015			
1	918 100 918 AX	Replacement engine		1	
		D - MJ 2015>> - MJ 2015			
2	000 043 301 19	engine oil		X	
		EXXON MOBIL 1 0W-40			
		1 LITER			
		Container			
(2)	000 043 301 21	engine oil		X	
		EXXON MOBIL 1 0W-40			
		20 LITER			
		Container			
3	000 043 303 65	Sealing set		1	
		for			
		Engine			
		Transports			

Model: 918

Model life 2015>>2015



Model: 918

Model life 2015>>2015

Pos	Part Number	Description	Remark	Qty	Model
1	918 101 913 07	Crankcase housing Crankcase housing (complete) No longer use the part here		1	1800
1	918 101 013 07	Crankcase housing (complete)		1	
2	918 101 051 01	jet		4	
3	N 104 592 02	Socket head bolt with hexagon socket head M 5 X 12		8	
4	918 101 305 00	Threaded pin M 8 X 121		10	
5	918 101 307 00	Threaded pin M 10 X 142		10	
6	999 073 102 01	flat round head bolt M 6 X 25		24	
7	900 302 053 00	Cylinder pin 8 X 40		5	
8	900 302 054 00	Cylinder pin 8 X 50		1	
9	999 701 936 40	O-ring 30 X 3,0		4	
10	918 101 310 00	Intermediate piece		2	
11	918 105 215 02	Bearing shaft		1	
12	918 101 114 03	End cap		3	
(12)	918 101 115 01	End cap		1	
13	999 701 840 40	Seal 124 X 3,0		4	
14	999 073 549 01	Oval-head screw M 8 X 16		4	
15	999 707 681 40	O-ring 12,10 X 1,78		4	
16	918 101 021 04	Cover for timing chain		1	
17	999 707 364 41	seal ring 30 X 2,5		1	
18	918 102 311 02	oil pipe		1	
19	918 102 411 00	seal ring		1	
20	918 102 211 01	Retaining plate		1	
21	900 219 006 30	sealing plug M 12 X 1,5		1	
22	900 123 104 30	seal ring A 14 X 18		1	
23	900 063 012 30	sealing plug M 20 X 1,5		1	
24	997 606 121 00	Knock sensor		4	
25	999 073 095 01	fillister hd. bolt M 8 X 30		4	
26	999 073 103 01	flat round head bolt M 6 X 16		1	
27	999 707 672 40	O-ring 11,8 X 2,5		1	
27	999 707 672 41	No longer use the part here O-ring 11,8 X 2,5		1	
28	N 106 808 01	Hexagon socket flat head bolt M 5 X 10		2	
29	999 062 321 01	Threaded pin M 10 X 57		4	
30	918 107 356 04	Oil pipe Discontinued part		1	
30	918 107 356 05	Oil pipe		1	
31	918 107 455 00	Banjo bolt		2	

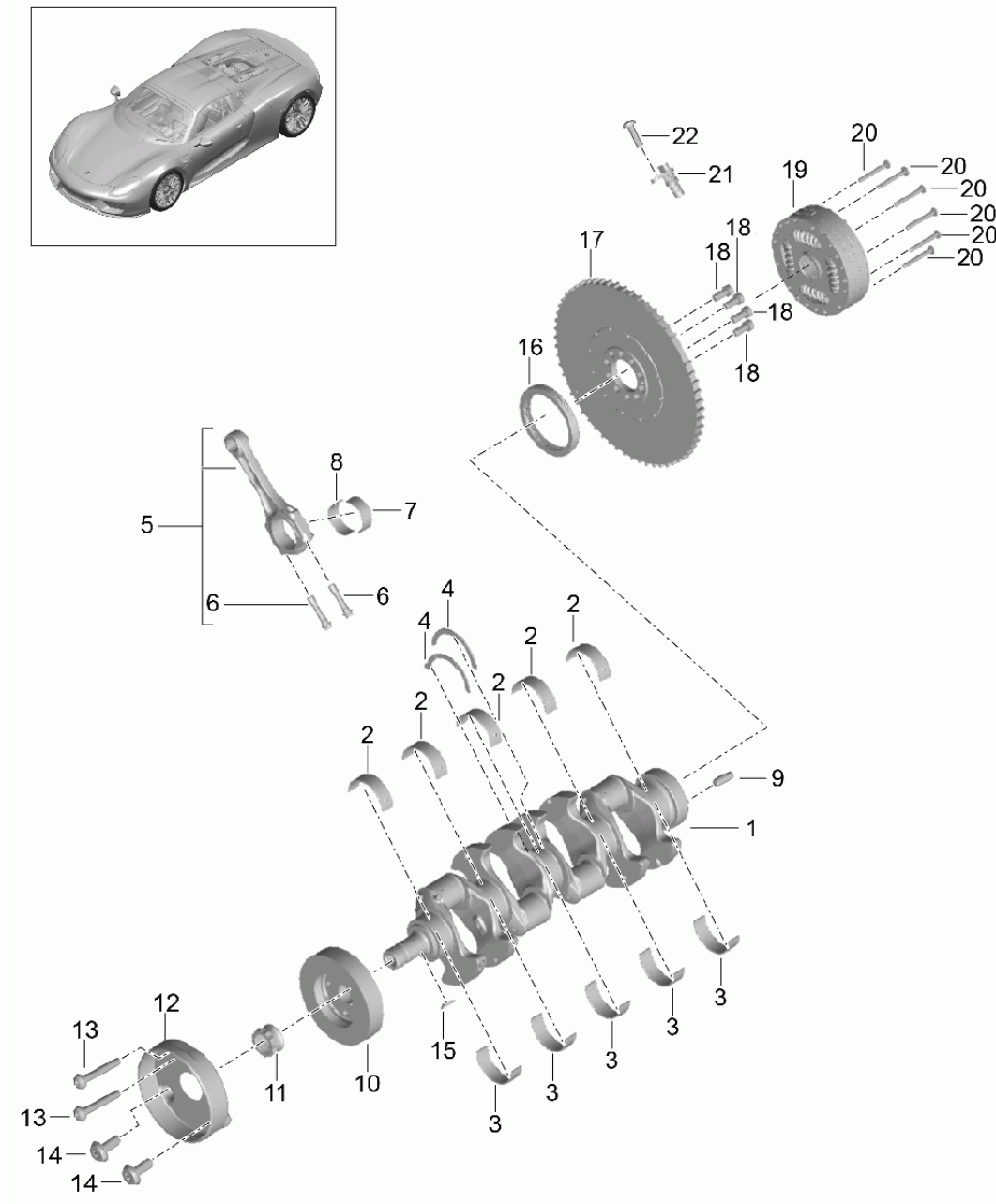
Model: 918

Model life 2015>>2015

Pos	Part Number	Description	Remark	Qty	Model
32	900 123 101 30	seal ring A 12 X 18		2	
33	900 123 101 30	seal ring A 12 X 18 1,5 MM		X	
(33)	918 107 453 00	seal ring 1,8 MM		X	
(33)	918 107 453 01	seal ring 2,2 MM		X	
(33)	918 107 453 02	seal ring 2,6 MM		X	
34	999 707 687 40	O-ring 30,00 X 3,0		2	
35	900 377 011 01	Hexagon nut M 10		10	
36	900 377 003 03	Hexagon nut M 8		10	
-	918 101 502 00	dowel sleeve		4	
-	918 101 401 00	dowel sleeve		8	
-	944 104 361 00	dowel sleeve		2	
-	918 101 501 00	dowel sleeve		10	
-	918 101 503 00	dowel sleeve		2	
-	000 043 204 58	sealant DREIBOND FD 2210 Container 30GR		X	

Model: 918

Model life 2015>>2015



Model: 918

Model life 2015>>2015

Pos	Part Number	Description	Remark	Qty	Model
1	918 102 151 02	Crankshaft Connecting rods		1	
2	918 101 141 00	Crankshaft Main bearing	upper	5	
2	918 101 141 01	Crankshaft red 2,237 Main bearing	upper	5	
2	918 101 141 02	Crankshaft yellow 2,240 Main bearing	upper	5	
2	918 101 141 03	Crankshaft blue 2,246 Main bearing	upper	5	
3	918 101 143 00	Crankshaft green 2,252 Main bearing	lower	5	
3	918 101 143 01	Crankshaft red 2,237 Main bearing	lower	5	
3	918 101 143 02	Crankshaft yellow 2,240 Main bearing	lower	5	
3	918 101 143 03	Crankshaft blue 2,246 Main bearing	lower	5	
4	918 101 131 02	thrust washer	upper	2	
5	918 103 013 00	Connecting rod Discontinued part		8	
5	918 103 013 02	Connecting rod		8	
6	918 103 176 00	bolt - connecting rod		16	
7	918 103 133 00	connecting rod bearing shell red 1,790	upper	8	
(7)	918 103 133 01	connecting rod bearing shell yellow 1,795	upper	8	
(7)	918 103 133 02	connecting rod bearing shell blue 1,800	upper	8	
8	918 103 135 00	connecting rod bearing shell red 1,790	lower	8	
(8)	918 103 135 01	connecting rod bearing shell yellow 1,795	lower	8	
(8)	918 103 135 02	connecting rod bearing shell blue 1,800	lower	8	
9	900 302 016 00	Cylinder pin 6 X 16		1	
10	918 102 153 01	vibration damper		1	
11	918 102 511 01	Nut		1	
12	918 102 321 04	Guard plate		1	

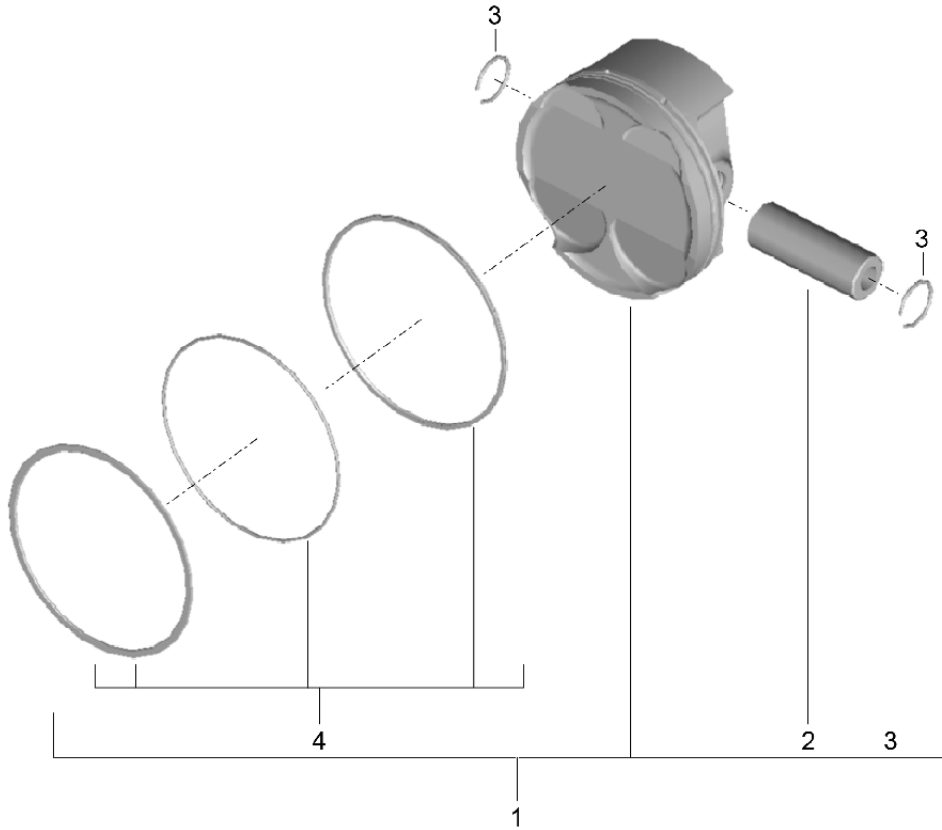
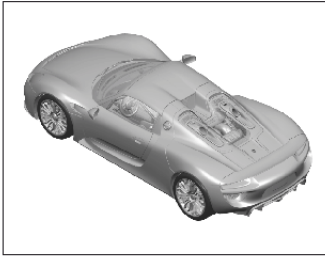
Model: 918

Model life 2015>>2015

Pos	Part Number	Description	Remark	Qty	Model
13	999 073 586 A1	fillister hd. bolt M 5 X 35		2	
13	N 102 850 02	No longer use the part here Hexagon socket head bolt M 5 X 35		2	
14	999 073 268 A2	fillister hd. bolt M 5 X 12		2	
14	999 073 625 01	No longer use the part here fillister hd. bolt M 5 X 12		2	
15	918 102 521 01	woodruff key		1	
16	9A1 101 223 90	Shaft oil seal No longer use the part here		1	
16	9A1 101 223 91	Shaft oil seal		1	
17	918 102 239 01	flywheel		1	
18	N 906 650 01	Socket head bolt with inner multipoint head M 10 X 1 X 22,3		10	
19	918 102 249 00	Damper Discontinued part		1	
19	918 102 249 02	Damper		1	
20	N 911 650 01	Hexagon socket flat head bolt M 6 X 52		12	
21	918 606 112 00	speed sensor		1	
22	999 073 344 01	flat round head bolt M 6 X 20		1	

Model: 918

Model life 2015>>2015



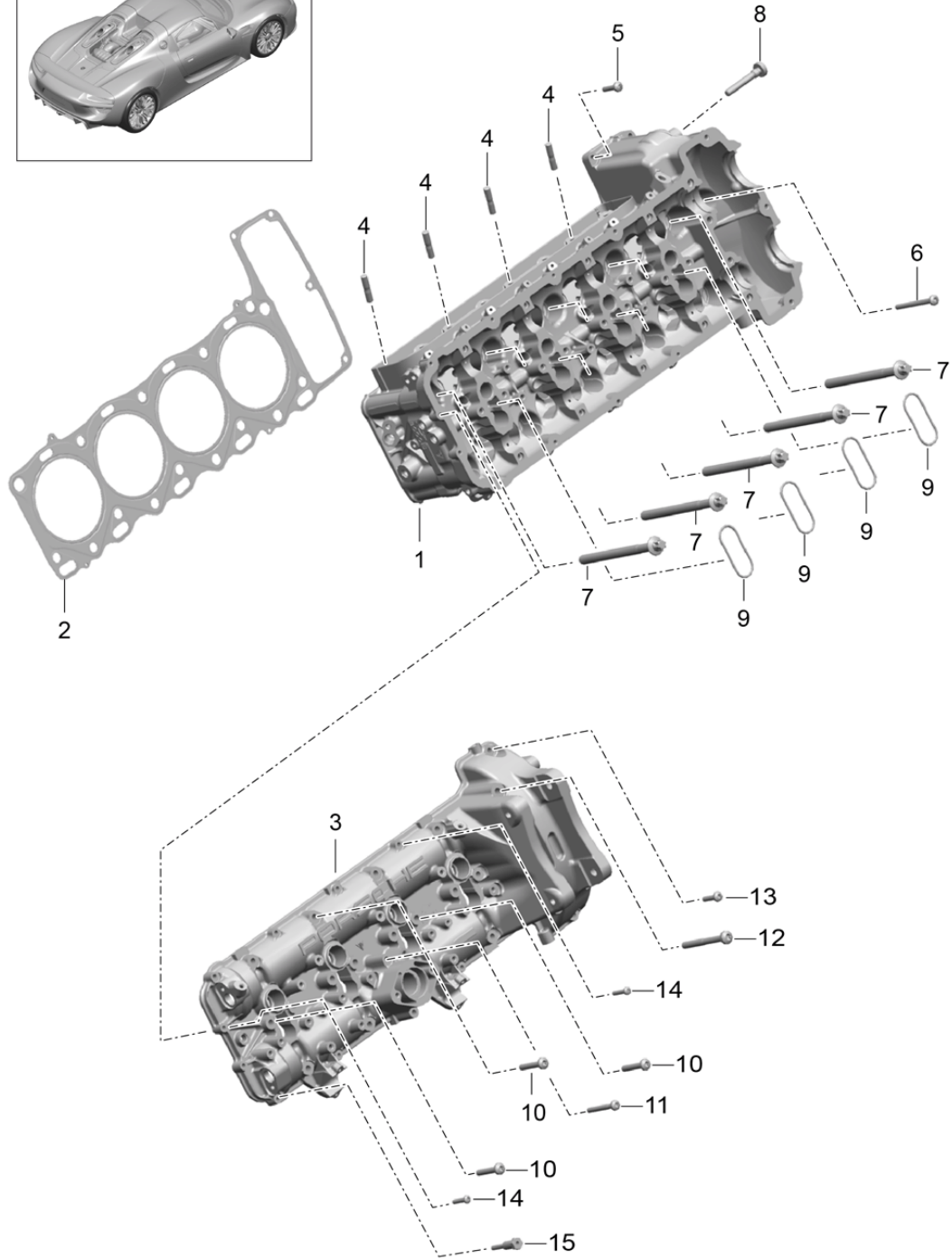
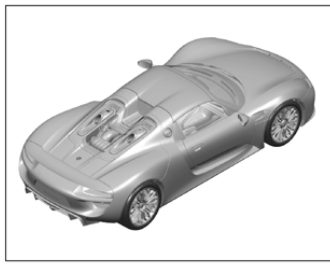
Model: 918

Model life 2015>>2015

Pos	Part Number	Description	Remark	Qty	Model
1	918 103 025 01	piston Piston rings piston No longer use the part here		8	
1	918 103 025 02	piston		8	
2	918 103 371 02	piston pin		8	
3	918 103 141 00	Securing ring		16	
4	918 103 920 00	1 set: piston rings		8	

Model: 918

Model life 2015>>2015

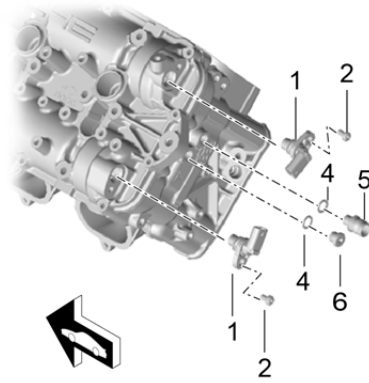
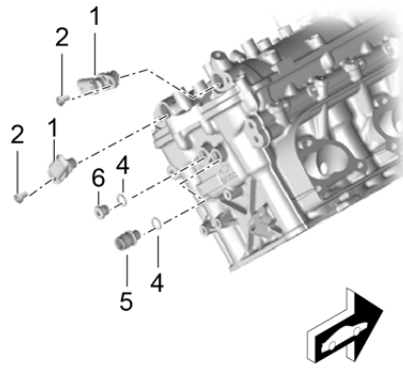
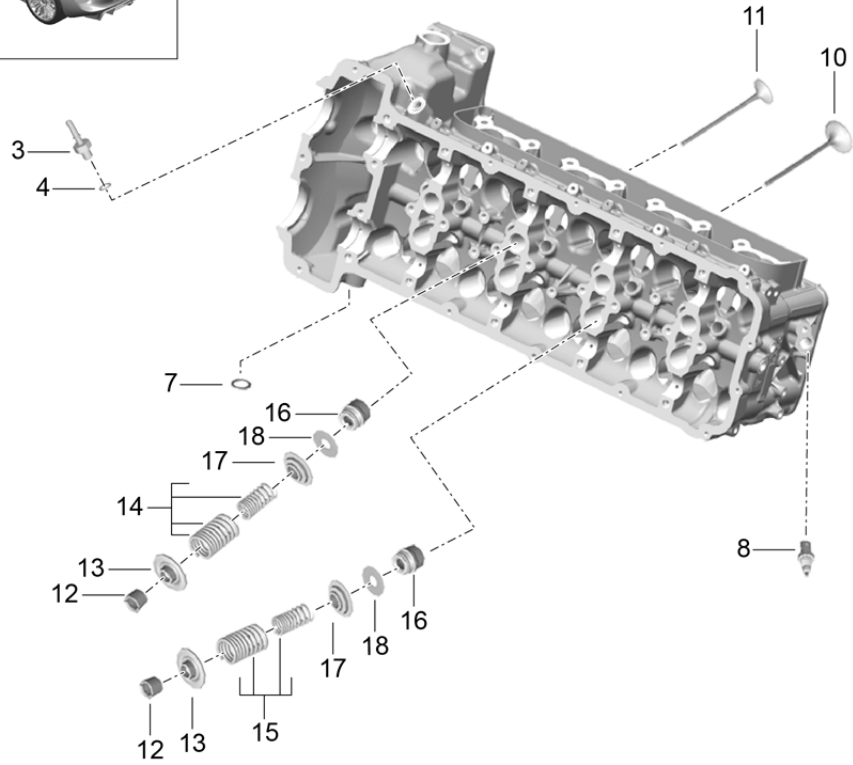
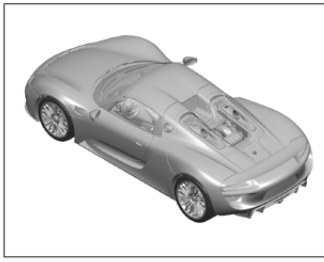


Model: 918 Model life 2015>>2015

Pos	Part Number	Description	Remark	Qty	Model
1	918 104 011 05	Cylinder head Valve cover Complete cylinder head		1	
(1)	918 104 012 05	with: Valve cover Valves Cylinders 1 - 4 Complete cylinder head		1	
2	918 104 411 02	with: Valve cover Valves Cylinders 5 - 8 Cylinder head gasket		2	
3		Valve cover Cylinders 1 - 4 To Use Cylinder head (complete) 91810401105		1	
(3)		Valve cover Cylinders 5 - 8 To Use Cylinder head (complete) 91810401205		1	
4	900 060 094 01	Threaded pin M 8F0 X 18		24	
5	999 073 102 01	flat round head bolt M 6 X 25		4	
6	999 073 353 01	flat round head bolt M 6 X 70		4	
7	918 104 171 01	Screw Cylinder head M 11 X 1,5 X 140		20	
8	918 105 839 02	Locating bolt		2	
9	900 331 055 40	O-ring 45 X 2,5		8	
10	999 073 584 01	flat round head bolt M 7 X 40		32	
11	999 073 107 01	Torx screw M 6 X 50		4	
12	999 073 106 01	flat round head bolt M 8 X 80		8	
13	999 073 102 01	flat round head bolt M 6 X 25		10	
14	N 106 243 01	round hd. screw M 5 X 25		17	
15	918 107 507 00	Spacer pin		1	
-	000 043 204 58	sealant DREIBOND FD 2210 Container 30 GR		X	

Model: 918

Model life 2015>>2015



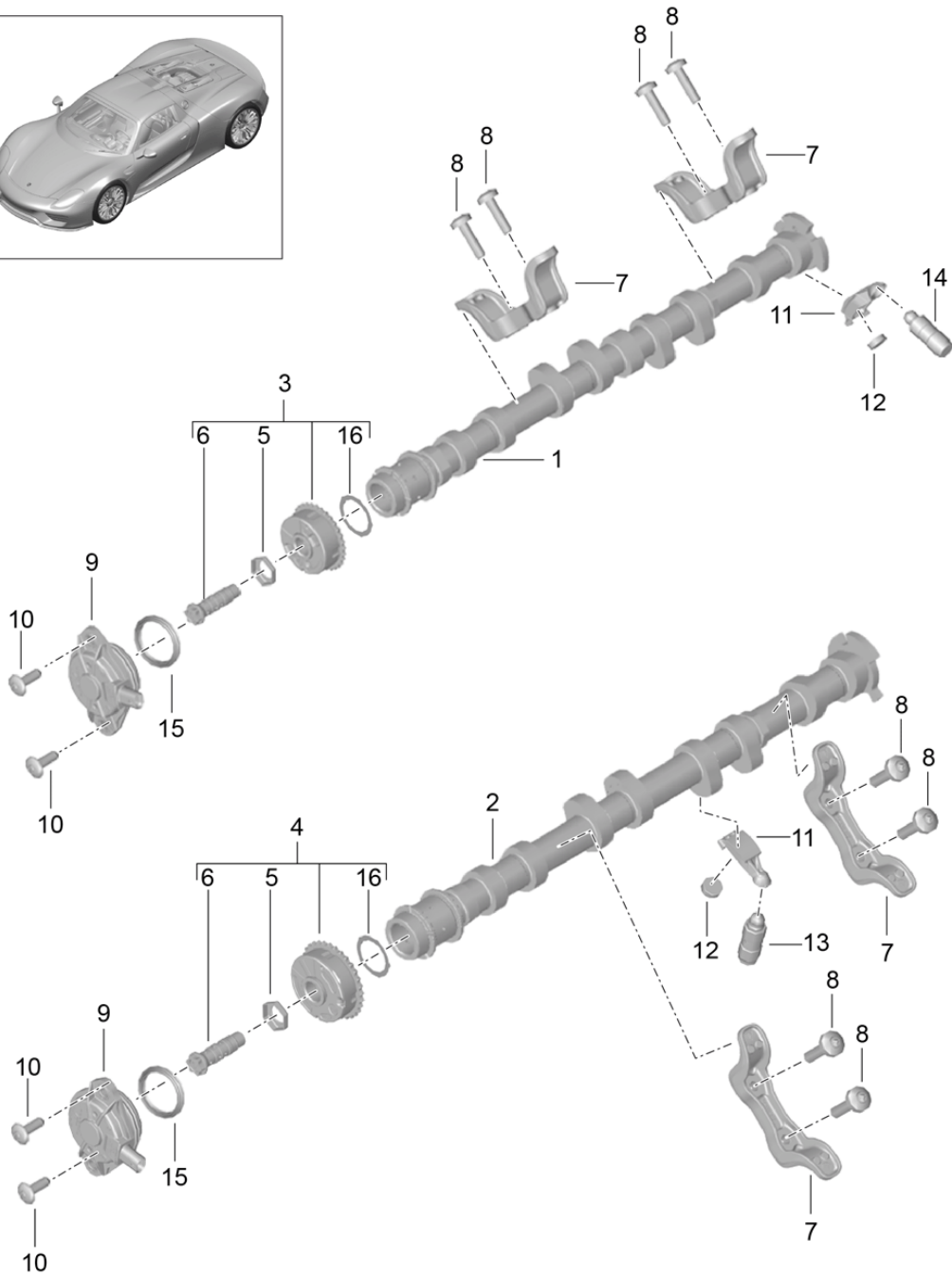
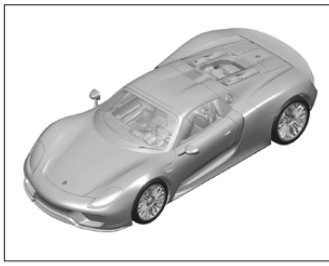
Model: 918

Model life 2015>>2015

Pos	Part Number	Description	Remark	Qty	Model
		Cylinder head			
		Valves			
		Accessories			
1	946 606 106 00	Hall sensor		4	
2	999 073 189 01	flat round head bolt M 6 X 12		4	
3	918 104 521 00	Screwed socket		3	
4	900 123 003 30	seal ring A10 X 14		7	
5	918 104 523 00	Screwed socket		2	
6	999 063 036 01	sealing plug		2	
7	900 123 007 30	seal ring		2	
8	958 606 623 20	Temperature sensor		2	
-	WHT 002 287 B	O-ring		2	
		Temperature sensor			
10	918 105 111 02	Inlet valve		16	
11	918 105 113 02	exhaust valve		16	
12	918 105 133 00	Valve collet		64	
13	918 105 121 04	spring disc	upper	32	
14	918 105 431 05	1 set of valve springs Intake		16	
15	918 105 435 05	1 set of valve springs Exhaust		16	
16	918 105 115 00	Valve stem seal		32	
17	918 105 117 02	spring disc	lower	32	

Model: 918

Model life 2015>>2015



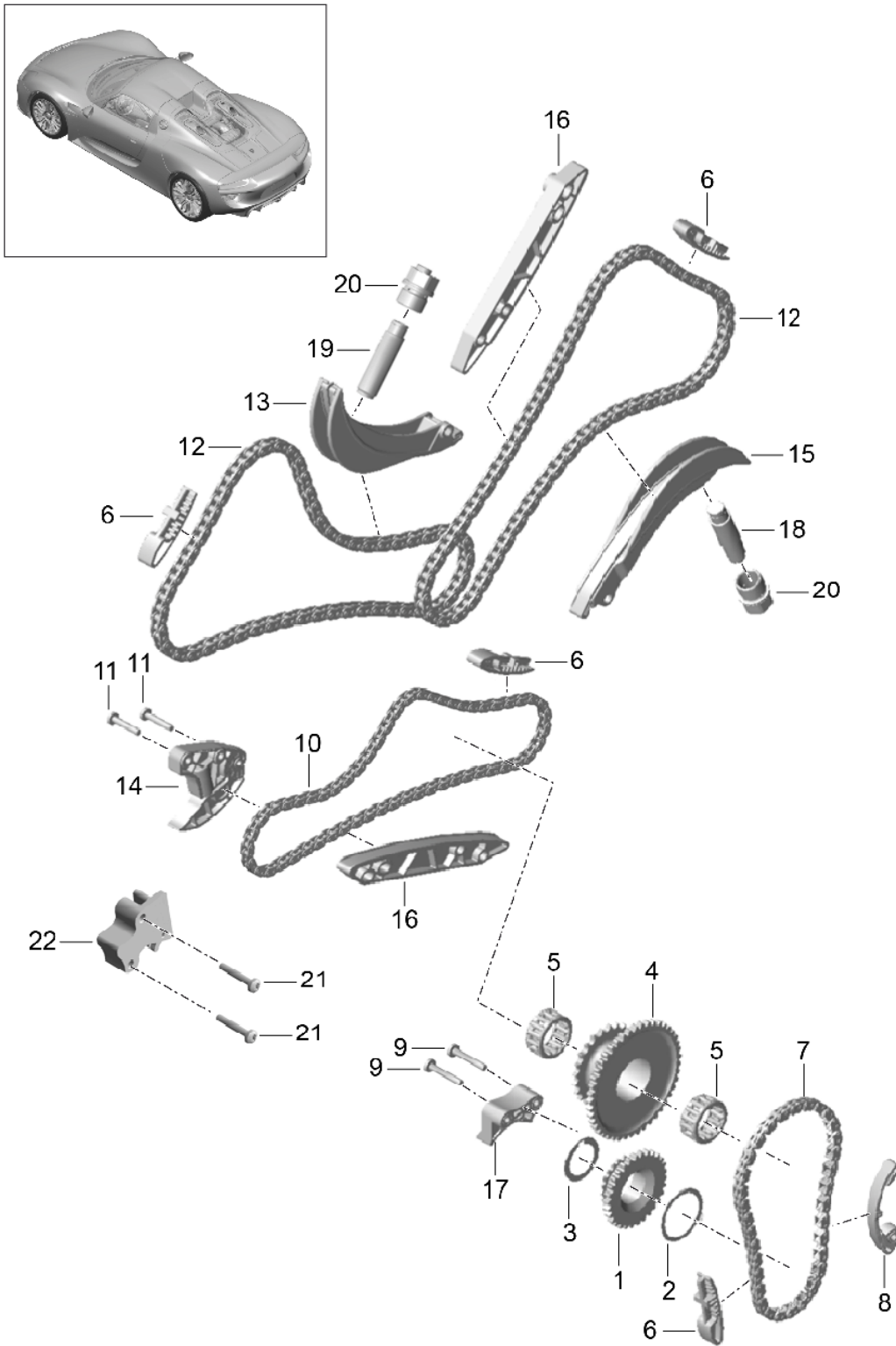
Model: 918

Model life 2015>>2015

Pos	Part Number	Description	Remark	Qty	Model
1	918 105 320 06	Camshaft Camshaft Intake Cylinders 1 - 4		1	
(1)	918 105 319 08	Camshaft Intake Cylinders 5 - 8		1	
2	918 105 343 06	Camshaft Exhaust Cylinders 1 - 4		1	
(2)	918 105 344 06	Camshaft Exhaust Cylinders 5 - 8		1	
3	918 105 031 02	camshaft adjuster unit Intake		2	
4	918 105 032 03	camshaft adjuster unit Exhaust		2	
5	946 105 154 75	Sleeve		4	
6	946 105 054 75	Screw camshaft adjuster unit Discontinued part		4	
(6)	946 105 054 76	Screw camshaft adjuster unit Discontinued part		4	
7	918 104 223 01	Bracket Camshaft		4	
8	999 073 344 01	flat round head bolt M 6 X 20		8	
9	918 105 153 03	throttle control element		4	
10	999 073 173 00	Oval-head screw M 6 X 16		8	
11	918 105 145 06	cam lever		32	
12	918 105 425 02	compensation washer		32	
13	918 105 085 03	Support Exhaust		16	
14	9A1 105 085 90	Support Intake		16	
15	999 701 506 41	seal ring 42,0 X 51,8 X 4,9		4	
16	946 105 155 75	Friction washer		4	

Model: 918

Model life 2015>>2015



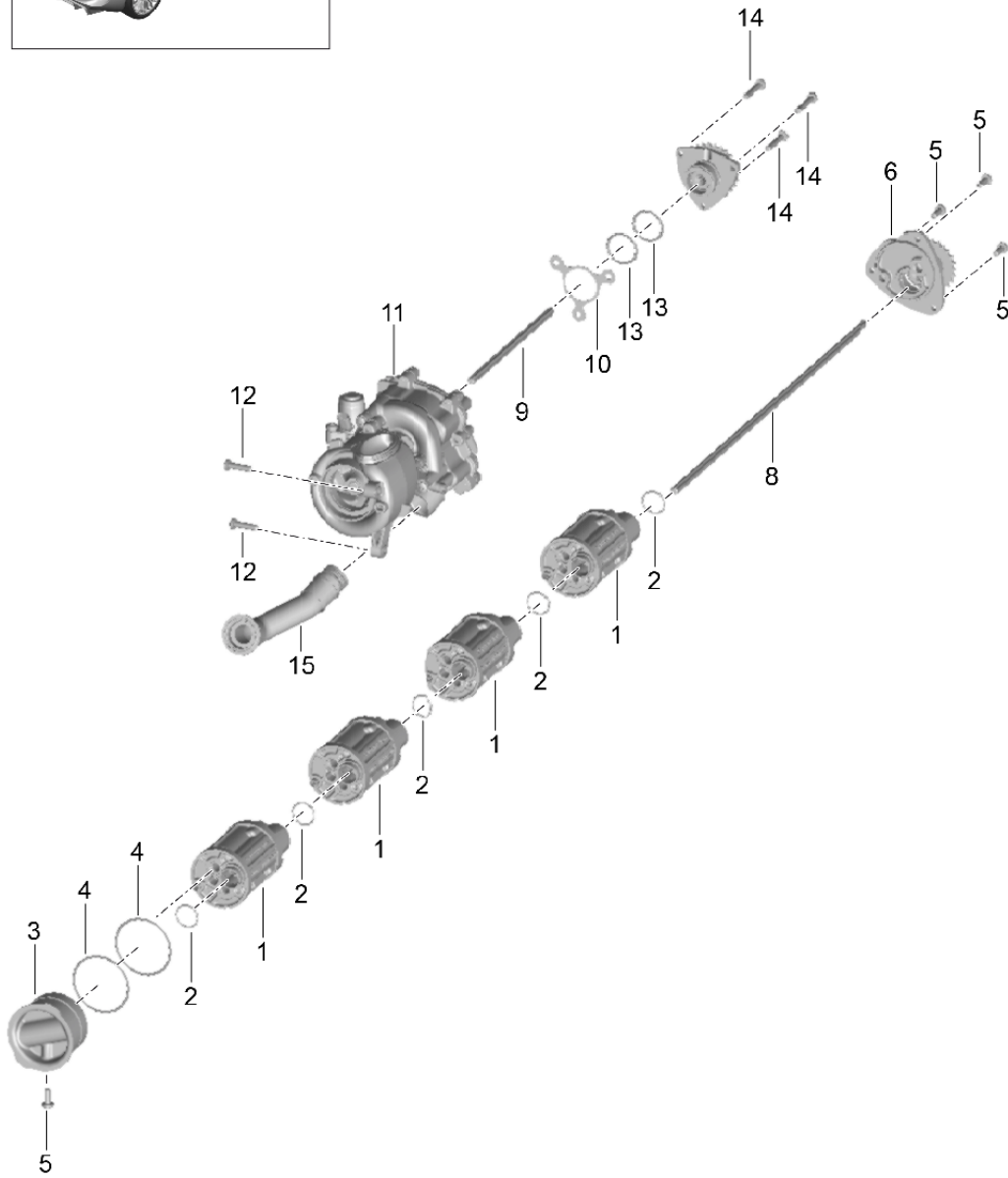
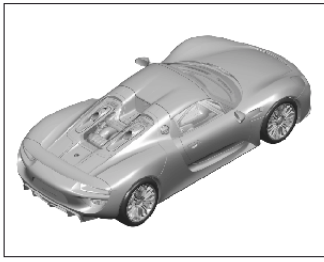
Model: 918

Model life 2015>>2015

Pos	Part Number	Description	Remark	Qty	Model
1	918 105 211 04	Valve control Chain sprocket Crankshaft		1	
2	918 102 421 00	Washer		1	
3	918 102 423 00	Washer		1	
4	918 105 213 02	Chain sprocket Intermediate shaft		1	
5	999 201 479 00	needle bearing - 30 X 40 X 18		2	
6	918 105 335 01	slide rail Short		4	
7	918 105 311 01	Tooth-type chain		1	
9	999 073 352 01	flat round head bolt M 6 X 35		2	
10	918 105 331 01	timing chain		1	
11	999 073 110 01	flat round head bolt M 6 X 30		2	
12	918 105 321 01	timing chain		2	
13	918 105 324 02	Tensioner blade Cylinders 5 - 8		1	
14	918 105 347 01	chain tensioner Cylinders 1 - 4		1	
15	918 105 323 02	Tensioner blade Cylinders 1 - 4		2	
16	918 105 325 02	slide rail Long Cylinders 5 - 8		3	
17	918 105 345 02	guide sleeve		1	
18	918 105 337 02	chain tensioner Cylinders 1 - 4		1	
19	918 105 338 02	chain tensioner Cylinders 5 - 8		1	
20	918 105 339 02	sealing plug		2	
21	N 105 540 05	round hd. screw M6 X 35		2	
22	918 105 327 02	chain tensioner		1	

Model: 918

Model life 2015>>2015



Model: 918

Model life 2015>>2015

Pos	Part Number	Description	Remark	Qty	Model
		oil pump Driving mechanism Return line			
1	918 107 041 03	oil pump		1	
2	999 707 671 40	O-ring 22,5 X 320		2	
3	918 105 151 03	Cover		1	
4	999 707 607 40	O-ring 59 X 2,5		5	
5	999 073 103 01	flat round head bolt M 6 X 16		4	
6	918 105 041 05	Bearing housing	front	1	
7	918 105 043 02	Bearing housing	front	1	
8	918 107 305 00	shaft - oil pump		1	
9	918 107 307 01	shaft - oil pump		1	
10	918 107 401 00	Shim 0,3 MM No longer use the part here		1	
10	918 107 401 10	Shim 0,35 MM		1	
(10)	918 107 401 01	Shim 0,4 MM No longer use the part here		1	
(10)	918 107 401 11	Shim 0,45 MM		1	
(10)	918 107 401 02	Shim 0,5 MM No longer use the part here		1	
(10)	918 107 401 12	Shim 0,55 MM		1	
(10)	918 107 401 03	Shim 0,6 MM No longer use the part here		1	
(10)	918 107 401 13	Shim 0,65 MM		1	
(10)	918 107 401 04	Shim 0,7 MM No longer use the part here		1	
(10)	918 107 401 14	Shim 0,75 MM		1	
(10)	918 107 401 05	Shim 0,8 MM No longer use the part here		1	
(10)	918 107 401 15	Shim 0,85 MM		1	
(10)	918 107 401 06	Shim 0,9 MM No longer use the part here		1	
(10)	918 107 401 16	Shim 0,95 MM		1	
(10)	918 107 401 07	Shim 1,0 MM No longer use the part here		1	
(10)	918 107 401 17	Shim 1,05 MM		1	
11	918 107 011 09	oil pump No longer use the part here		1	
11	918 107 011 10	oil pump No longer use the part here		1	
11	918 107 011 11	oil pump		1	
12	999 073 102 01	flat round head bolt M 6 X 25		10	
13	999 707 364 41	seal ring		2	

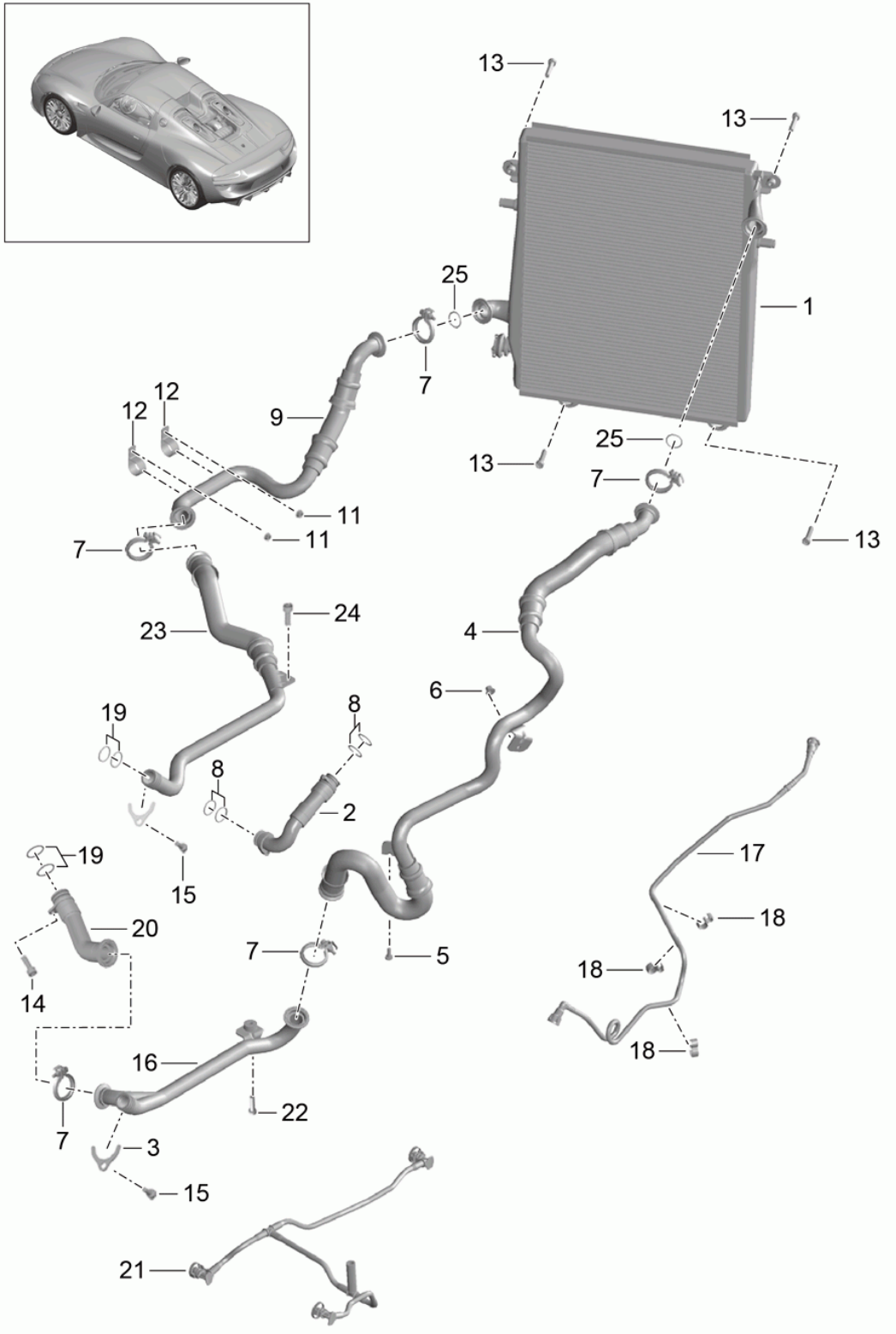
Model: 918

Model life 2015>>2015

Pos	Part Number	Description	Remark	Qty	Model
13	996 107 103 51	30 X 2,5 No longer use the part here O-ring		2	
14	999 073 352 01	29,10 X 2,55 flat round head bolt M 6 X 35		3	
15	918 107 257 02	Oil pipe oil pump		1	
16	918 107 413 00	Retaining washer		1	

Model: 918

Model life 2015>>2015

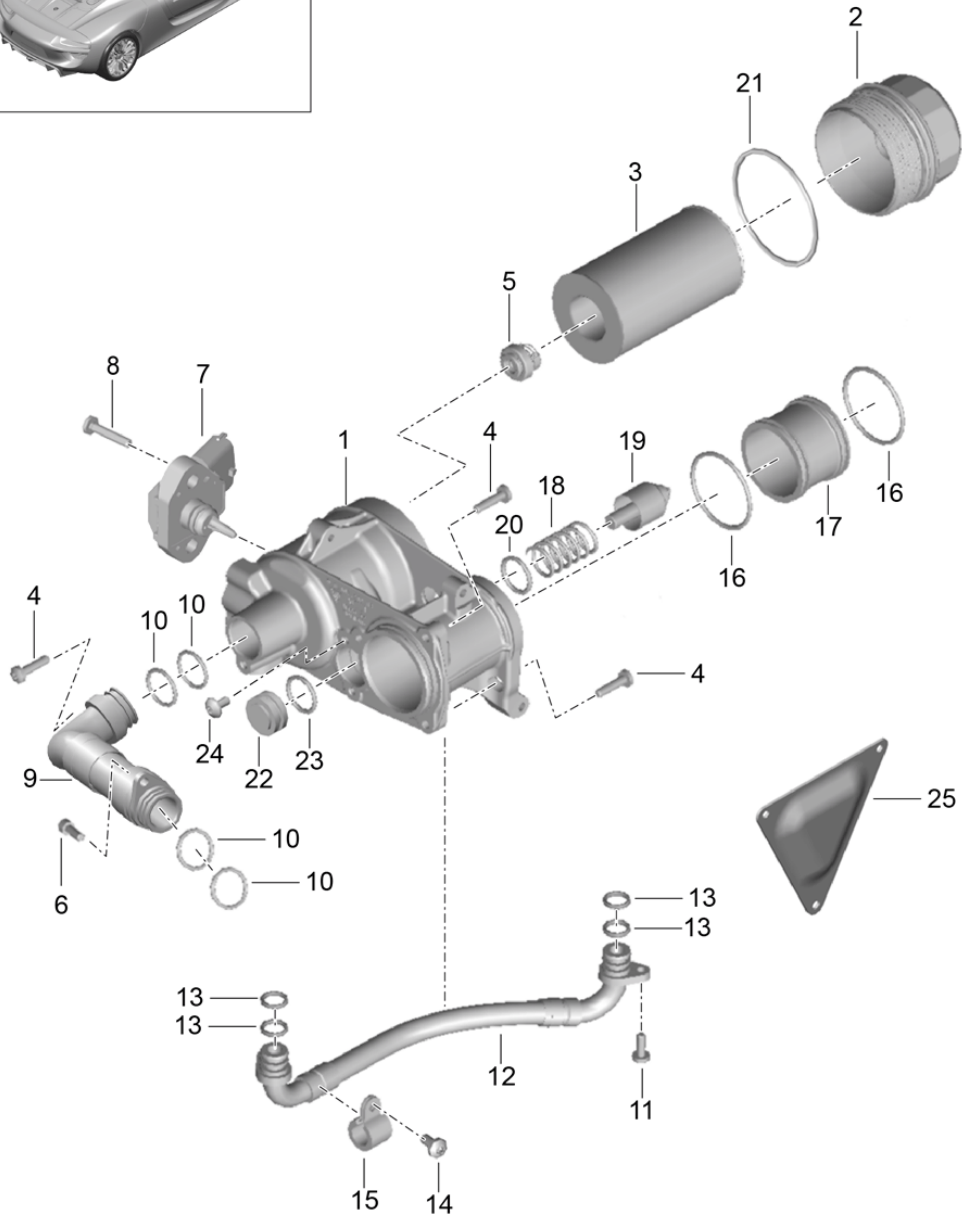
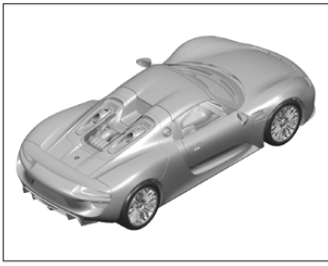


Model: 918 Model life 2015>>2015

Pos	Part Number	Description	Remark	Qty	Model
1		Engine lubrication Oil cooling Oil pipe Oil cooler		3	
2		see illustration: Oil pipe see illustration:	104-020 104-010	1	
3	918 107 231 00	Retaining plate		2	
4	918 107 251 03	Oil pipe Supply		1	
5	999 073 103 01	flat round head bolt M 6 X 16		1	
6	N 100 151 01	Hexagon nut T 5		1	
7	1K0 253 725 F	Clamp D = 44		4	
8	999 707 543 40	O-ring 23,00 X 2,5		4	
9	918 107 253 01	Oil return line		1	
10	N 909 960 01	Clamp D1 24 X 15		2	
11	900 377 009 01	Hexagon nut M 5		2	
12	999 511 124 01	Clamp D1 25 X 15		2	
13	N 909 035 02	Socket head bolt with inner multipoint head M 8 X 35		4	
14	N 105 464 03	Hexagon socket head bolt M 6 X 16		1	
15	900 387 021 01	Socket head bolt M 6 X 12		3	
16	918 107 252 03	Oil pipe Supply Discontinued part		1	
16	918 107 252 04	Oil pipe Supply Discontinued part		1	
16	918 107 252 05	Oil pipe Supply		1	
17	918 107 237 02	Breather line		1	
18	999 507 091 40	Oil cooler Cable holder 8,00 / 12,00		3	
19	999 707 496 40	O-ring 23 X 3		4	
20	918 107 257 02	Oil pipe		1	
21	918 107 233 02	Ventilation pipe		1	
22	999 073 110 01	flat round head bolt M 6 X 30		1	
23	918 107 254 02	Oil return line Discontinued part		1	
23	918 107 254 03	Oil return line		1	
24	N 909 494 02	Oval hexagon socket head bolt M 6 X 12		1	
25	999 701 393 40	O-ring		2	

Model: 918

Model life 2015>>2015



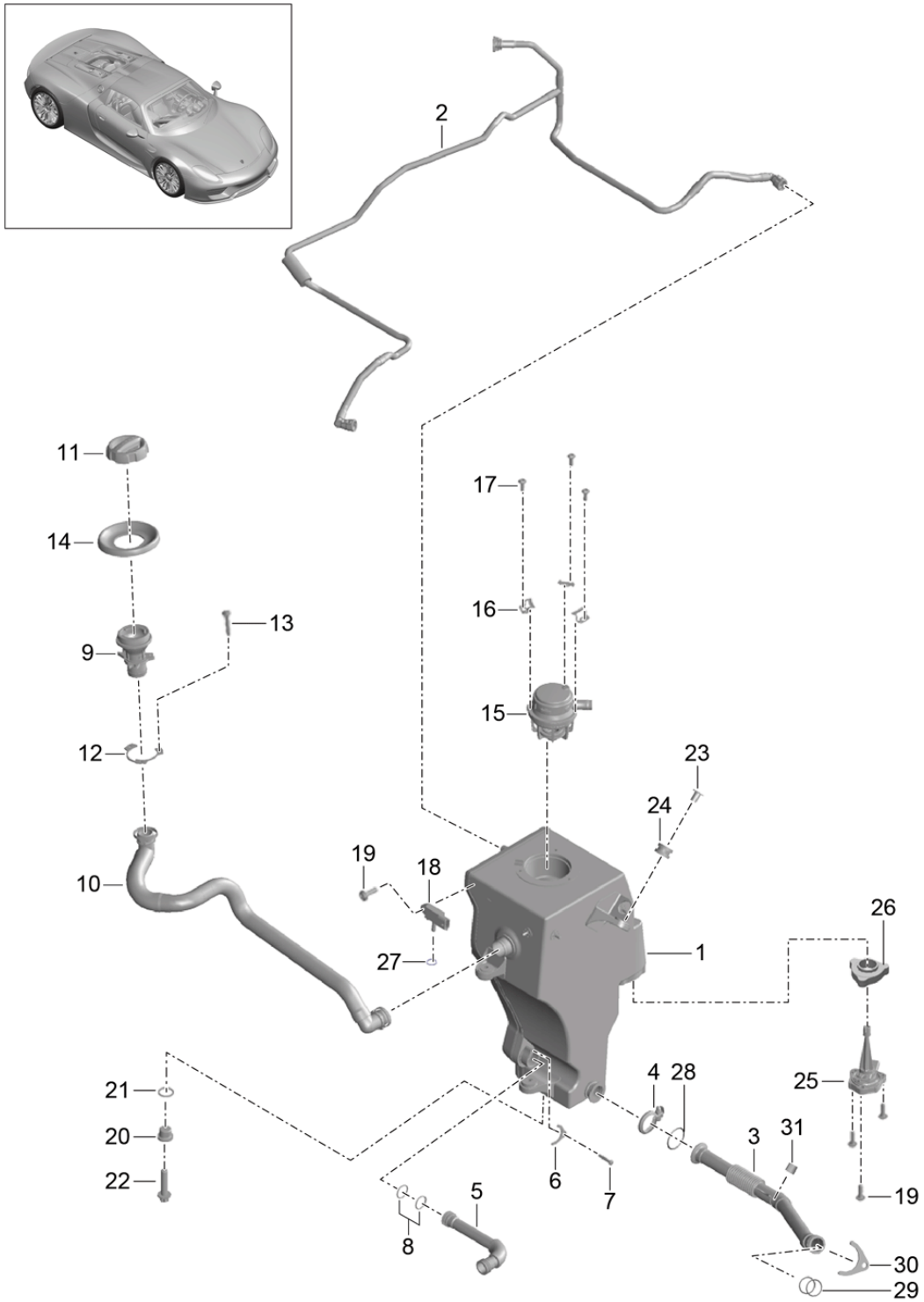
Model: 918

Model life 2015>>2015

Pos	Part Number	Description	Remark	Qty	Model
1	918 107 219 10	oil filter Console housing		1	
1	918 107 219 11	oil filter Discontinued part housing		1	
2	918 107 285 00	Cover for oil filter		1	
3	996 107 225 53	filter element		1	
4	999 073 102 01	flat round head bolt M 6 X 25		6	
5	918 107 239 00	Shut-off valve		1	
6	999 073 344 01	flat round head bolt M 6 X 20		2	
7	9A1 606 203 00	Oil pressure sender		1	
8	999 073 110 01	flat round head bolt M 6 X 30		1	
9	918 107 227 06	Oil pipe Discontinued part		1	
9	918 107 227 07	Oil pipe Discontinued part		1	
9	918 107 227 08	Oil pipe		1	
10	999 707 543 40	O-ring 23 X 2,5		4	
11	999 073 103 01	flat round head bolt M 6 X 35		2	
12	918 107 221 03	Oil pipe Discontinued part		1	
12	918 107 221 04	Oil pipe		1	
13	999 707 582 40	O-ring 13 X 3,0		4	
14	999 073 189 01	flat round head bolt M 6 X 12		4	
15	999 511 155 03	Clamp 15 X 15 No longer use the part here		1	
16	999 707 502 40	O-ring 50 X 3		2	
17	918 106 141 01	Coolant pipe		1	
18	918 107 587 00	Spring thermostat		1	
19	918 107 187 01	thermostat		1	
20	999 707 585 40	O-ring 22 X 3		1	
21	996 107 313 51	seal ring oil filter		1	
22	918 107 373 01	cover for thermostat		1	
23	999 707 585 40	O-ring 22 X 3,0		1	
24	N 910 733 01	Hexagon socket flat head bolt M 6 X 12		2	
25	918 107 403 01	Bracket housing oil filter		1	

Model: 918

Model life 2015>>2015



Model: 918

Model life 2015>>2015

Pos	Part Number	Description	Remark	Qty	Model
		Engine lubrication			
		Oil tank			
1	918 107 021 09	Oil inlet		1	
2	918 107 235 03	Oil tank		1	
		Breather line			
		Oil tank			
3	918 107 225 02	suction line		1	
		Discontinued part			
3	918 107 225 03	suction line		1	
		Discontinued part			
3	918 107 225 04	suction line		1	
4	1K0 253 725 F	Clamp		1	
5	918 107 229 00	Oil pipe		1	
6	918 107 231 00	Retaining plate		1	
7	999 073 189 01	flat round head bolt		1	
		M 6 X 12			
8	999 707 496 40	O-ring		4	
		23 X 3			
9	918 107 061 00	fuel filler neck		1	
		engine oil			
10	918 107 063 01	Filler tube		1	
		engine oil			
11	918 107 159 02	End cap		1	PR:-808
		engine oil			
		Discontinued part			
11	918 107 159 03	End cap		1	PR:-808
		engine oil			
(11)	918 107 159 12	End cap		1	PR:808
		engine oil			
		Discontinued part			
(11)	918 107 159 13	End cap		1	PR:808
		engine oil			
12	918 107 065 01	clamping ring		1	
13	999 073 585 A1	fillister hd. bolt		3	
		M 5 X 25			
14	918 107 067 01	Gaiter		1	
		Oil inlet			
		Discontinued part			
14	918 107 067 02	Gaiter		1	
		Oil inlet			
15	918 107 031 01	oil separator		1	
16	918 107 321 01	Bracket		3	
		oil separator			
17	999 015 026 A1	fillister hd. bolt		3	
		M 6 X 16			
18	9A1 606 114 00	Pressure sensor		1	
19	999 073 252 A1	fillister hd. bolt		4	
		M 6 X 20			
20	900 219 020 31	sealing plug		1	
		Oil tank			
21	900 123 106 30	seal ring		1	
		A 18 X 24			
22	900 385 042 01	Torx screw		3	
		BM 8 X 35			
23	999 209 037 01	spacer sleeve		3	
		8,4 X 1,8			
24	999 702 193 40	Rubber grommet		3	
		12,2 X 24,0 X 6,0			
25	958 606 160 10	oil level sensor		1	
26	038 103 196 B	seal ring		1	
		oil level sender			
27	918 606 701 00	Sealing plate		1	
		Oil pressure sender			

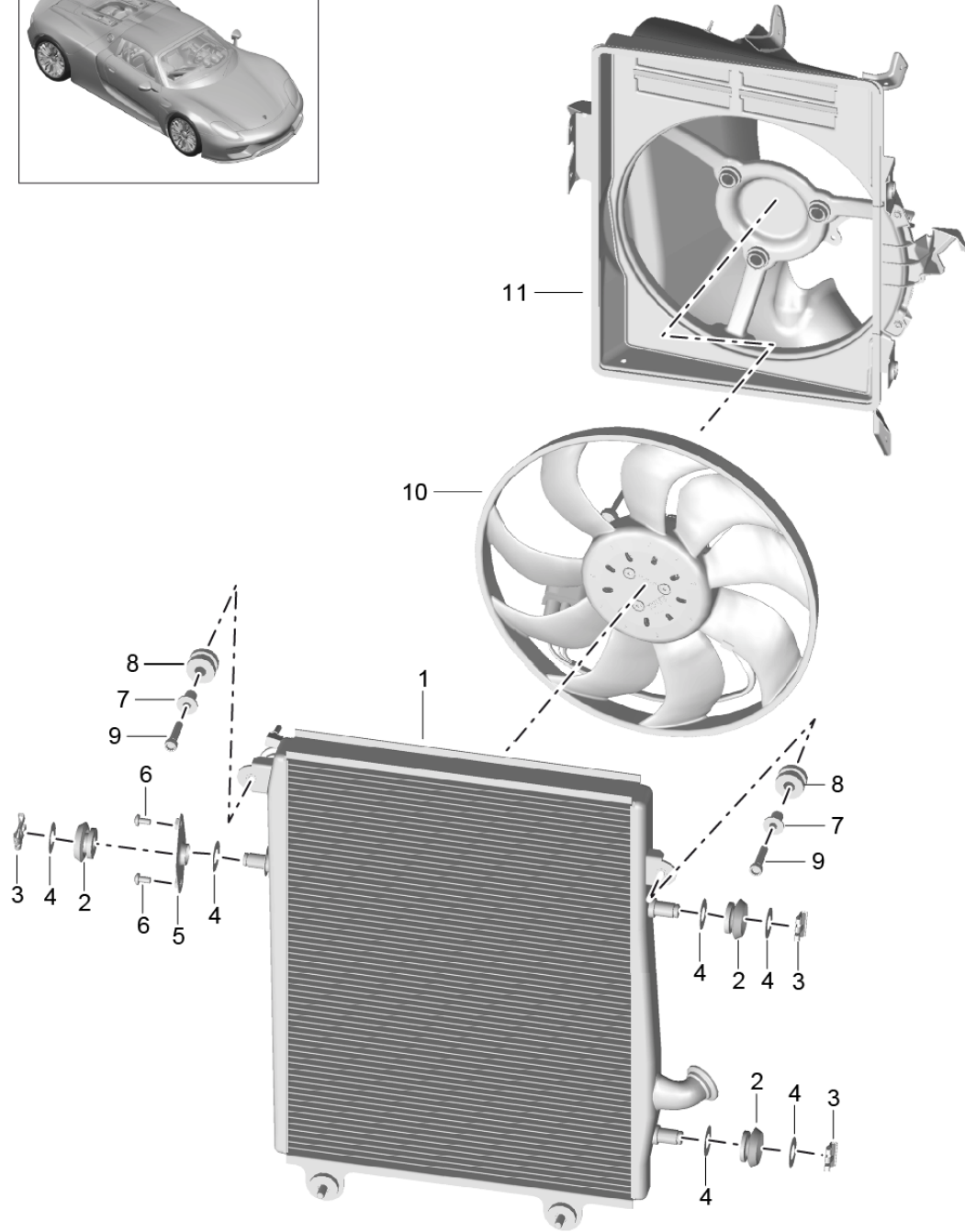
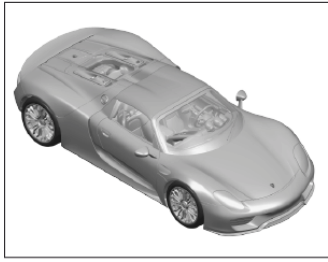
Model: 918

Model life 2015>>2015

Pos	Part Number	Description	Remark	Qty	Model
28	999 701 393 40	12 X 15,5 X 1,5 O-ring		1	
29	999 707 547 40	O-ring		1	
30	918 107 311 00	Retaining plate		1	
31	918 107 261 00	spacer bush		1	

Model: 918

Model life 2015>>2015



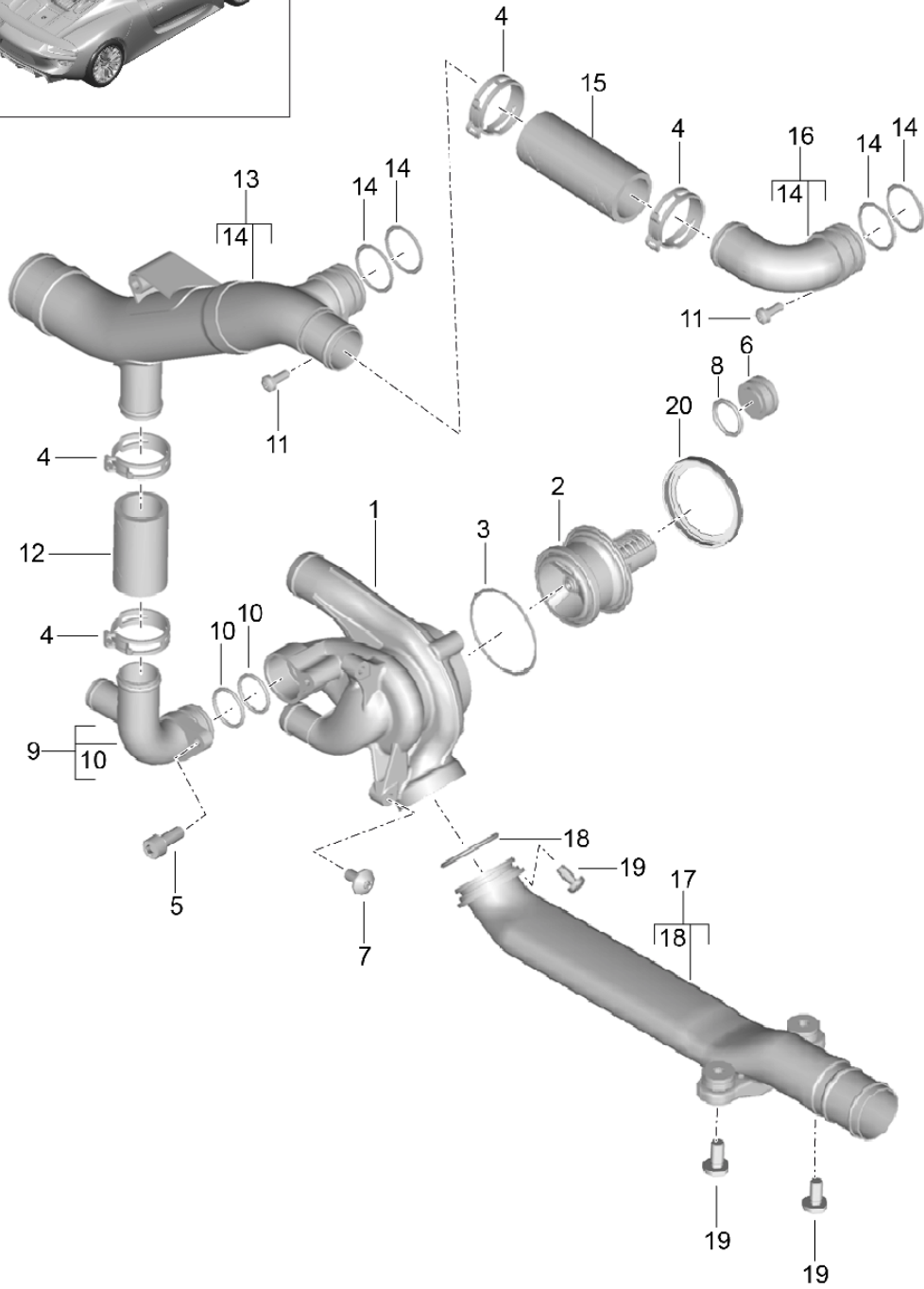
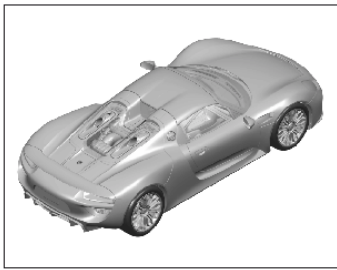
Model: 918

Model life 2015>>2015

Pos	Part Number	Description	Remark	Qty	Model
		Engine lubrication			
		Oil cooling			
1	918 107 131 04	Oil cooler		1	
2	999 702 214 40	Grommet		3	
		14,0 X 20,5 X 7,5			
3	999 166 083 09	Retaining plate		3	
4	999 025 255 01	Washer		6	
		16,0 X 32,0 X 0,5			
5	918 106 981 00	Retaining plate		1	
		Oil cooler			
6	999 073 189 01	flat round head bolt		4	
		M 6 X 12			
7	999 209 037 01	spacer sleeve		4	
		8,4 X 1,8			
8	999 702 193 40	Rubber grommet		4	
		12,2 X 24,0 X 6,0			
9	N 909 035 02	Socket head bolt with inner multipoint head		4	
		M 8 X 35			
10		Fan		1	
		see illustration:	105-020		
11		Retaining frame		1	
		see illustration:	105-020		
-	918 107 509 00	Adhesive film		1	
		Oil cooler			

Model: 918

Model life 2015>>2015



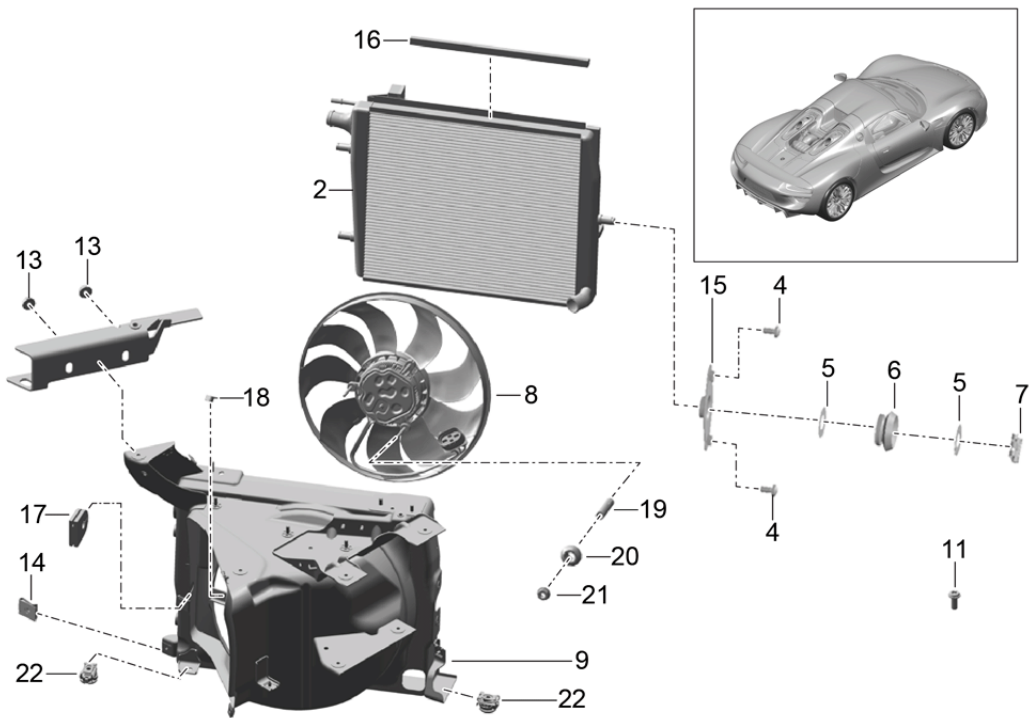
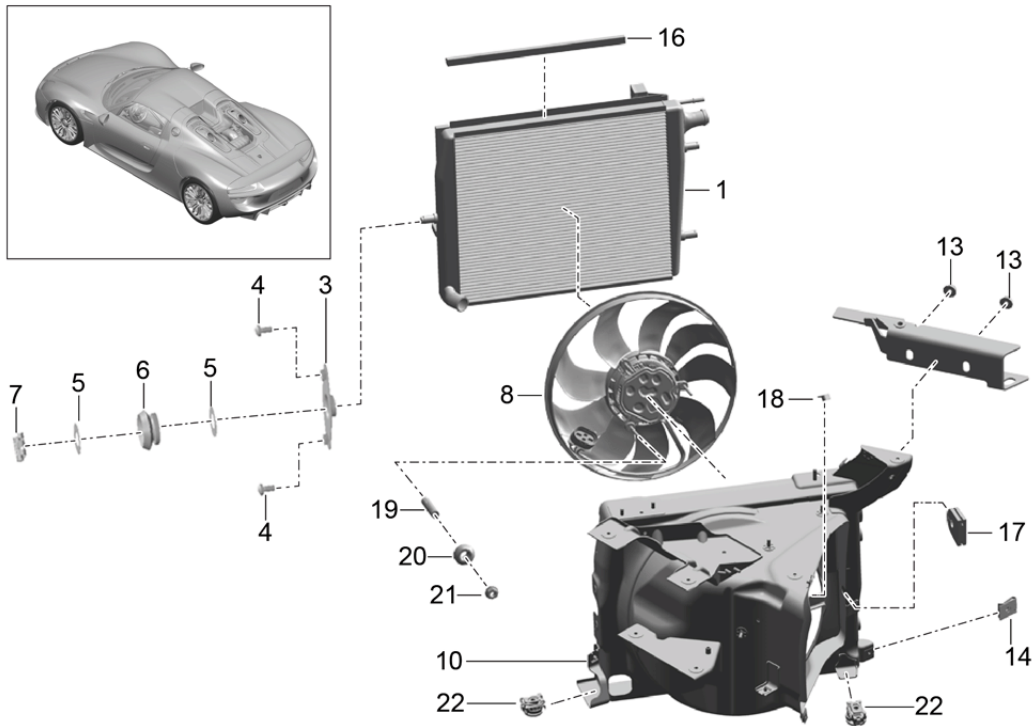
Model: 918

Model life 2015>>2015

Pos	Part Number	Description	Remark	Qty	Model
1	918 106 213 07	Coolant pump thermostat thermostat housing		1	
(1)	918 106 213 08	Discontinued part thermostat housing		1	
2	918 106 281 00	Thermostat insert		1	
3	999 707 625 40	O-ring 59 X 2,5		2	
4	999 512 695 09	Hose clamp		2	
5	999 073 344 01	flat round head bolt M 6 X 20		1	
6	918 107 373 01	cover for thermostat		1	
7	N 910 733 01	see illustration: Hexagon socket flat head bolt M 6 X 12	104-010	2	
8	999 707 585 40	O-ring 22 X 3 see illustration:	104-010	1	
9	918 106 221 06	Water pipe		1	
10	999 701 693 40	O-ring 25 X 2,5		2	
11	999 073 103 01	flat round head bolt M 6 X 35		4	
12	918 106 245 03	Water hose		1	
13	918 106 219 06	Water pipe Supply		1	
(13)	918 106 219 07	No longer use the part here Water pipe Supply		1	
(13)	918 106 219 08	Discontinued part Water pipe Supply		1	
14	999 701 936 40	O-ring 30 X 3,0 No longer use the part here		4	
(14)	999 707 501 40	O-ring 30 X 3,0		4	
15	918 106 233 03	Water hose Supply		1	
16	918 106 217 02	Water pipe Supply		1	
(16)	918 106 217 04	No longer use the part here Water pipe Supply		1	
(16)	918 106 217 05	Discontinued part Water pipe Supply		1	
17	918 106 275 03	Water pipe Return line		1	
18	999 707 410 40	O-ring 39,2 X 3,0		1	
19	999 073 189 01	flat round head bolt M 6 X 12		3	
20	9A1 106 558 00	seal ring thermostat		1	

Model: 918

Model life 2015>>2015



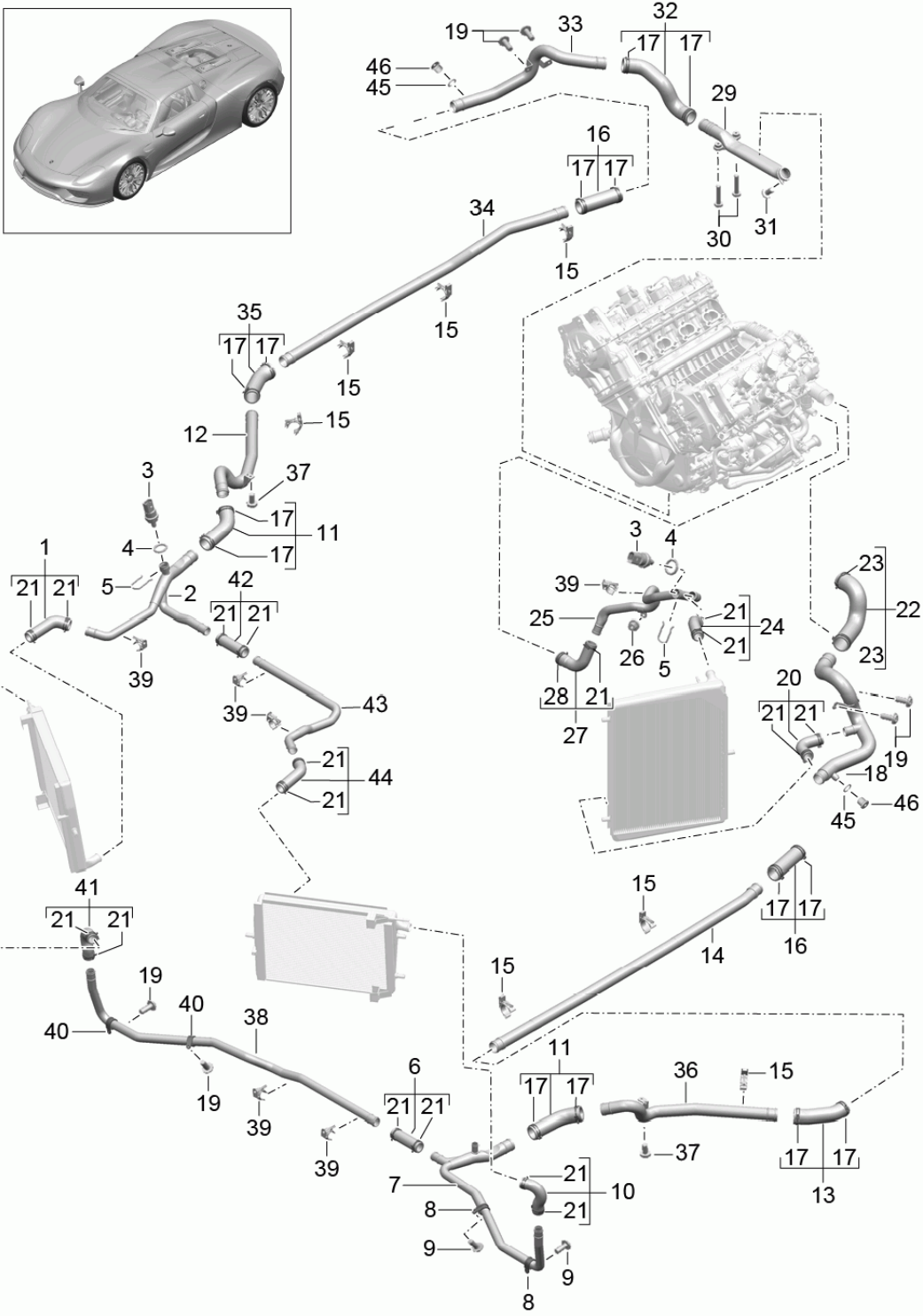
Model: 918

Model life 2015>>2015

Pos	Part Number	Description	Remark	Qty	Model
		Water cooling	front		
		Radiator			
1	918 106 133 02	Radiator	left	1	
2	918 106 134 02	Radiator	right	1	
3	980 106 235 00	Retaining plate		2	
4	999 073 189 01	flat round head bolt M 6 X 12		6	
5	999 025 255 01	Washer		12	
6	999 702 214 40	Grommet		6	
7	999 166 083 09	Retaining plate		6	
8	918 624 035 02	Fan		2	
9	918 504 481 01	Frame for coolant radiator	left	1	
10	918 504 482 01	Frame for coolant radiator	right	1	
11	999 015 026 A1	fillister hd. bolt M6 X 16		8	
13	N 015 082 10	Hexagon collar nut M 6		4	
14	918 504 597 00	panel nut M 6		12	
15	918 106 981 00	Retaining plate Radiator		2	
16	918 106 191 00	Seal		2	
17	918 624 701 00	Grommet		4	
18	999 513 054 40	Cable ties 3,5 - 45,0		14	
19	991 624 177 01	spacer sleeve		6	
20	991 624 173 00	Rubber bush		12	
21	900 377 018 01	Hexagon nut M 6		6	
22	8P7 806 305	Compensating piece		4	

Model: 918

Model life 2015>>2015



Model: 918 Model life 2015>>2015

Pos	Part Number	Description	Remark	Qty	Model
		Water cooling High Temperature control			
1	918 106 286 00	Water hose		1	
2	918 106 251 03	Water pipe Return line	front	1	
3	997 606 410 00	Temperature sensor		2	
4	999 707 508 40	O-ring 19,6 X 3,65 No longer use the part here		2	
4	918 606 405 00	O-ring 19,6 X 3,65		2	
5	999 021 011 01	retaining spring		2	
6	918 106 238 03	Water hose		1	
7	918 106 237 04	Water pipe Supply Discontinued part	front	1	
7	918 106 237 05	Water pipe Supply Discontinued part	front	1	
7	918 106 237 06	Water pipe Supply	front	1	
8	999 511 218 00	Clamp		2	
9	999 015 026 A1	fillister hd. bolt M 6		2	
10	918 106 247 02	Water hose Discontinued part		1	
10	918 106 247 03	Water hose		1	
11	918 106 299 00	Water hose		2	
12	918 106 259 01	Water pipe Return line	front	1	
13	918 106 287 01	Water hose		1	
14	918 106 231 02	Water pipe Supply Discontinued part	front	1	
14	918 106 231 03	Water pipe Supply	front	1	
15	991 106 415 02	Bracket		6	
16	918 106 229 03	Water hose		2	
17	999 512 772 09	Hose clamp B47 X 12		14	
18	918 106 225 04	Water pipe Supply	rear	1	
19	999 015 026 A1	fillister hd. bolt M6 X 16		6	
20	918 106 257 03	Water hose		1	
21	999 512 664 09	Hose clamp B36 X 12		17	
22	918 106 223 04	Water hose Discontinued part		1	
22	918 106 223 05	Water hose		1	
23	999 512 669 09	Hose clamp B53 X 12		2	
24	918 106 277 03	Water hose		1	
25	918 106 271 02	Water pipe Return line	rear	1	
26	N 100 151 01	Hexagon nut T5		1	
27	918 106 273 04	Water hose		1	
28	999 512 665 09	Hose clamp B 40 X 12		1	
29	918 106 275 03	Water pipe Return line		1	

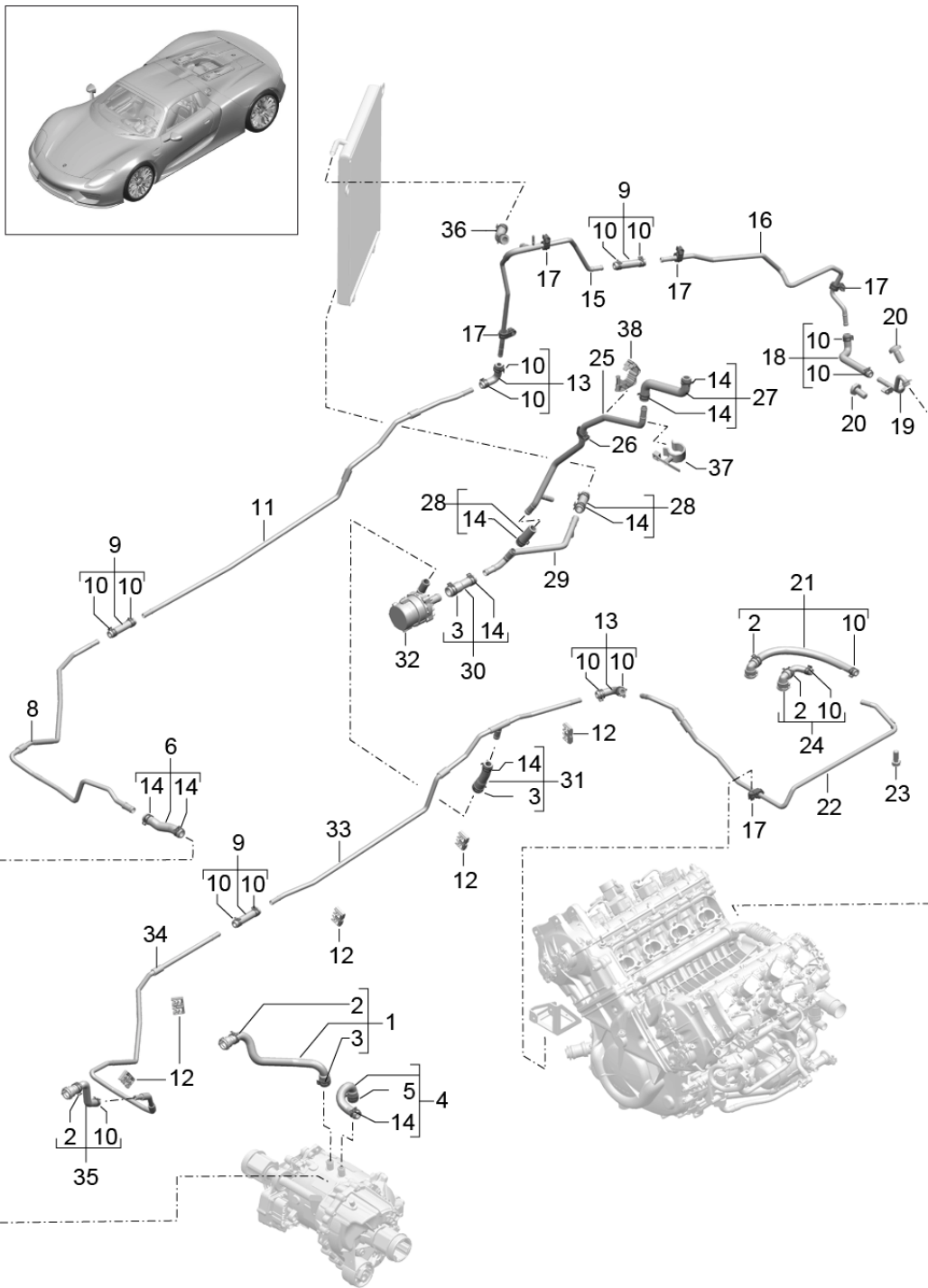
Model: 918

Model life 2015>>2015

Pos	Part Number	Description	Remark	Qty	Model
30	999 073 110 01	flat round head bolt M 6 X 30		2	
31	N 909 494 02	Oval hexagon socket head bolt M 6 X 12		1	
32	918 106 267 03	Water hose Discontinued part		1	
32	918 106 267 04	Water hose		1	
33	918 106 265 03	Water pipe Return line	rear	1	
34	918 106 261 03	Water pipe Return line Discontinued part	front	1	
34	918 106 261 04	Water pipe Return line	front	1	
35	918 106 288 01	Water hose		1	
36	918 106 243 01	Water pipe Supply	front	1	
37	999 073 189 01	flat round head bolt M6 X 12		2	
38	918 106 241 03	Water pipe Supply Discontinued part	front	1	
38	918 106 241 04	Water pipe Supply	front	1	
39	999 591 689 40	Cable holder		8	
40	999 511 218 00	Clamp		2	
41	918 106 248 00	Water hose Discontinued part		1	
41	918 106 248 01	Water hose		1	
42	918 106 238 03	Water hose		1	
43	918 106 253 03	Water pipe Return line	front	1	
44	918 106 285 00	Water hose		1	
45	900 123 007 30	seal ring A 14 X 18		2	
46	999 063 038 01	sealing plug M 14 X 1,5		2	

Model: 918

Model life 2015>>2015



Model: 918

Model life 2015>>2015

Pos	Part Number	Description	Remark	Qty	Model
1	918 106 379 00	Water cooling Medium Temperature control Water hose		1	
1	918 106 379 01	Discontinued part Water hose		1	
1	918 106 379 02	Discontinued part Water hose		1	
2	999 512 656 09	Hose clamp B 25 X 12		3	
3	999 512 658 09	Hose clamp B 27 X 12		3	
4	918 106 359 02	Water hose		1	
5	999 512 657 09	Hose clamp B 26 X 12		1	
6	918 106 365 02	Water hose		1	
8	918 106 313 03	Water pipe Supply	front	1	
9	918 106 315 01	Water hose		3	
10	999 512 652 09	Hose clamp B 19 X 12		14	
11	918 106 333 03	Water pipe Supply	front	1	
12	999 507 918 40	Cable holder 8,00 / 8,00		5	
13	918 106 317 01	Water hose		2	
14	999 512 683 09	Hose clamp B 23 X 12		10	
15	918 106 349 01	Water pipe Supply	front	1	
16	918 106 319 02	Water pipe Supply	rear	1	
17	991 573 837 00	Bracket		5	
18	918 106 363 02	Water hose Supply	rear	1	
19	918 106 361 01	Water pipe No longer use the part here		1	
19	918 106 361 02	Water pipe		1	
-	999 707 686 40	O-ring		1	
20	999 073 189 01	flat round head bolt M 6 X 12		2	
21	918 106 279 03	Water hose		1	
-	999 230 387 40	Coupling		1	
22	918 106 341 02	Water hose Water pipe Return line Discontinued part	rear	1	
22	918 106 341 03	Water pipe Return line	rear	1	
23	N 104 592 02	Socket head bolt with hexagon socket head M 5 X 12		1	
24	918 106 337 02	Water hose		1	
25	918 106 343 02	Water pipe Filler tube		1	
26	1C0 121 093 E	Bracket		1	
27	918 106 269 02	Water hose Filler tube		1	
28	918 106 331 01	Water hose		2	
29	918 106 327 03	Water pipe		1	
-	900 123 033 30	seal ring A 10 X 13,5		1	
-	999 063 036 01	sealing plug		1	

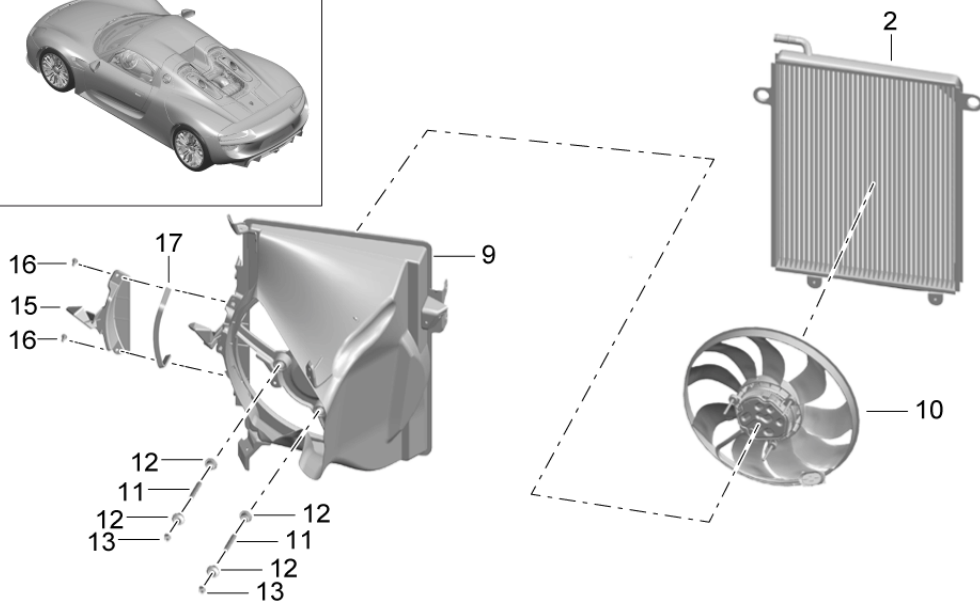
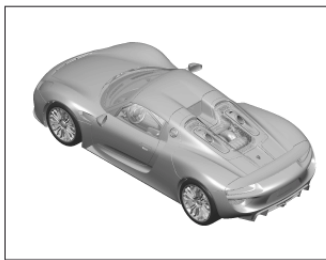
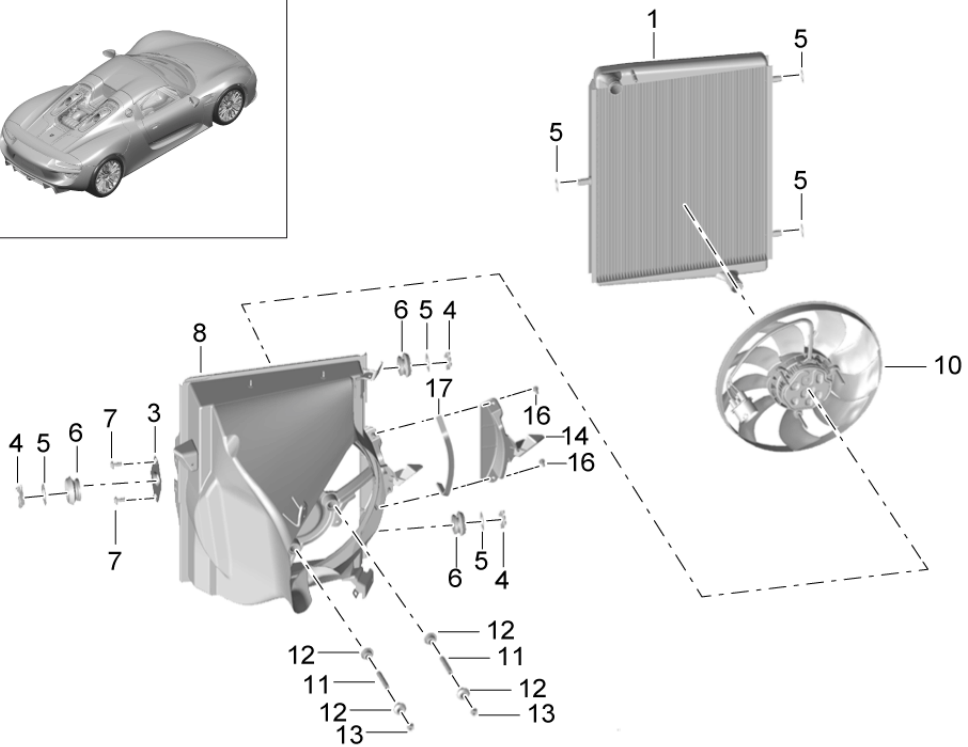
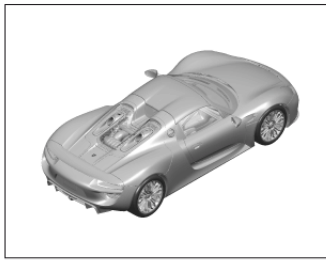
Model: 918

Model life 2015>>2015

Pos	Part Number	Description	Remark	Qty	Model
		M 10 X 1			
30	918 106 329 02	Water hose		1	
31	918 106 377 02	Water hose		1	
32	918 620 253 00	Coolant pump		1	
		Electric			
33	918 106 339 04	Water pipe	front	1	
		Return line			
34	918 106 335 03	Water pipe	front	1	
		Return line			
35	918 106 371 02	Water hose		1	
36	918 106 369 01	Water hose		1	
37	N 106 776 01	Bracket		1	
38	999 507 152 40	Cable holder		1	
		Water pipe			

Model: 918

Model life 2015>>2015



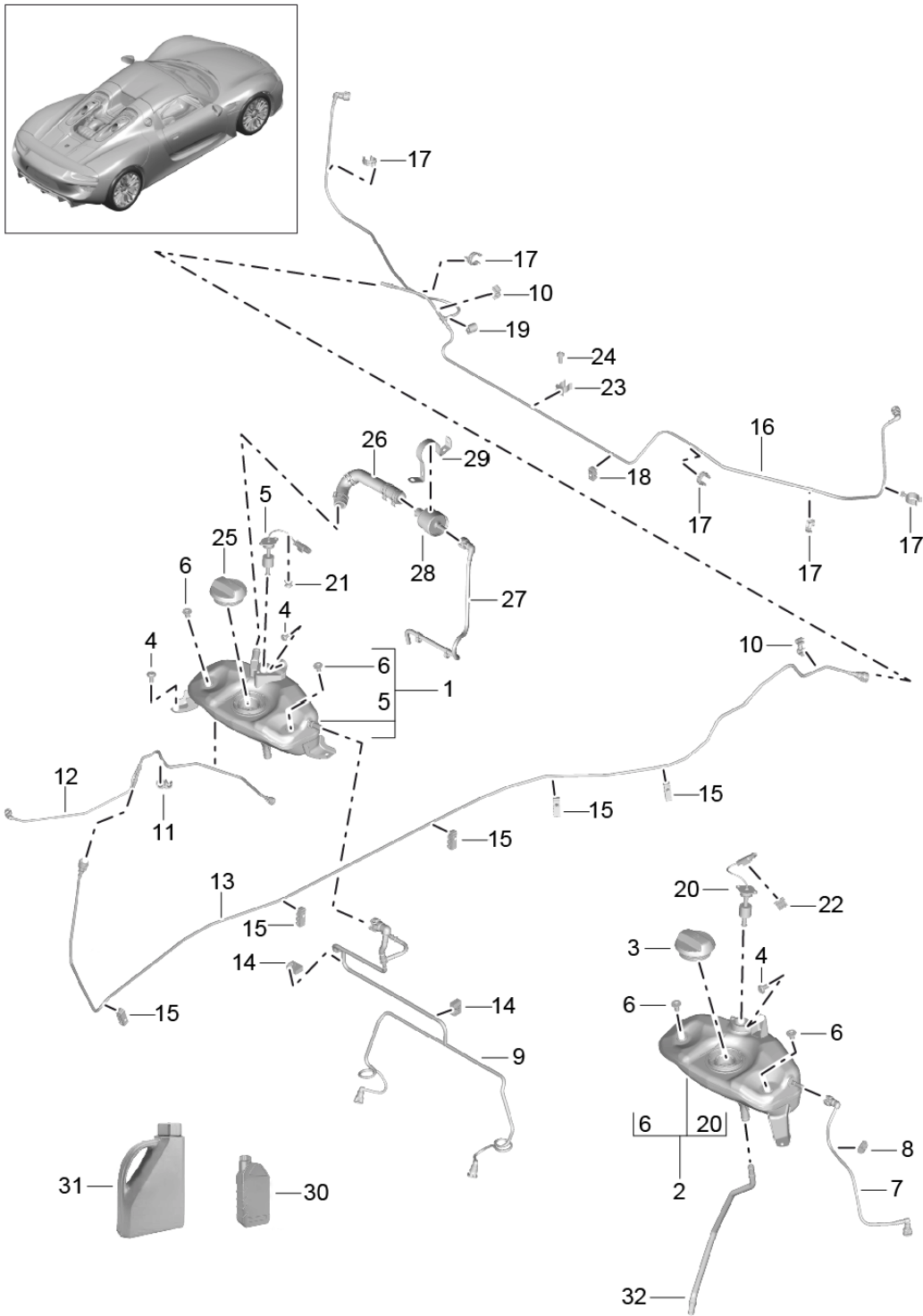
Model: 918

Model life 2015>>2015

Pos	Part Number	Description	Remark	Qty	Model
1	918 106 135 01	Radiator	rear	1	
2	918 106 137 01	Radiator	rear left right	1	
3	918 106 981 00	Retaining plate		2	
4	999 166 083 09	Retaining plate		6	
5	999 025 255 01	Washer 16,0 X 32 X 0,5		12	
6	999 702 214 40	Grommet		6	
7	999 073 189 01	flat round head bolt M 6 X 12		4	
8	918 504 251 01	Frame for coolant radiator	left	1	
9	918 504 252 01	Frame for coolant radiator	right	1	
10	918 624 035 02	Fan		2	
11	991 624 177 01	spacer sleeve		6	
12	991 624 173 00	Rubber bush		12	
13	900 377 018 01	Hexagon nut M 6		6	
14	918 504 491 01	Cover		1	
15	918 504 492 01	Cover		1	
16	999 015 026 A1	fillister hd. bolt		4	
17	918 504 591 01	sealing tape 240 X 10 X 8		2	

Model: 918

Model life 2015>>2015



Model: 918

Model life 2015>>2015

Pos	Part Number	Description	Remark	Qty	Model
1	918 106 047 03	Water cooling Water reservoir Bleeding Coolant expansion tank	left	1	
1	918 106 047 04	Discontinued part Coolant expansion tank	left	1	
2	918 106 048 03	Coolant expansion tank Discontinued part	right	1	
2	918 106 048 04	Coolant expansion tank	right	1	
3	991 106 457 01	End cap Coolant		1	
3	918 106 459 00	No longer use the part here End cap Coolant		1	
4	999 015 025 A2	Oval-head screw M 6 X 12		6	
5	918 606 505 00	Sensor Coolant		1	
6	999 086 012 01	speed nut M 10		4	
7	918 106 345 00	Breather line Radiator		1	
8	999 591 822 40	Line holder 4,75		7	
9	918 106 263 02	Breather line Engine		1	
11	999 507 075 40	Cable holder 4,0 - 12,0		1	
12	918 106 357 01	Breather line		1	
13	918 106 353 02	Breather line		1	
14	999 591 922 40	Bracket 4,8 / 8,0		2	
15	8K0 611 797 E	Brake line bracket		5	
16	918 106 351 01	Breather line Radiator		1	
17	999 591 820 40	Bracket 4,3 / 25,0		5	
18	8K0 611 797 D	Clip		3	
19	N 107 162 01	Spacer ring		1	
20	918 002 606 02	Sensor Coolant		2	
21	999 656 785 40	Clip		1	
22	4G0 971 848 C	bracket for connector housing		1	
23	999 507 658 09	Cable holder 9,5 - 10,5		1	
24	N 106 808 01	Hexagon socket flat head bolt		1	
25	918 106 457 00	End cap Coolant		1	
25	918 106 457 01	Discontinued part End cap Coolant		1	
26	918 106 443 01	Breather line Reservoir		1	
27	918 106 297 00	Overflow hose		1	
28	918 106 147 00	Bleed valve		1	
29	918 106 449 02	Retaining plate		1	
30	000 043 301 47	Coolant additive 1 LITER		X	
31	000 043 301 48	Container Coolant additive 20 LITER Container		X	

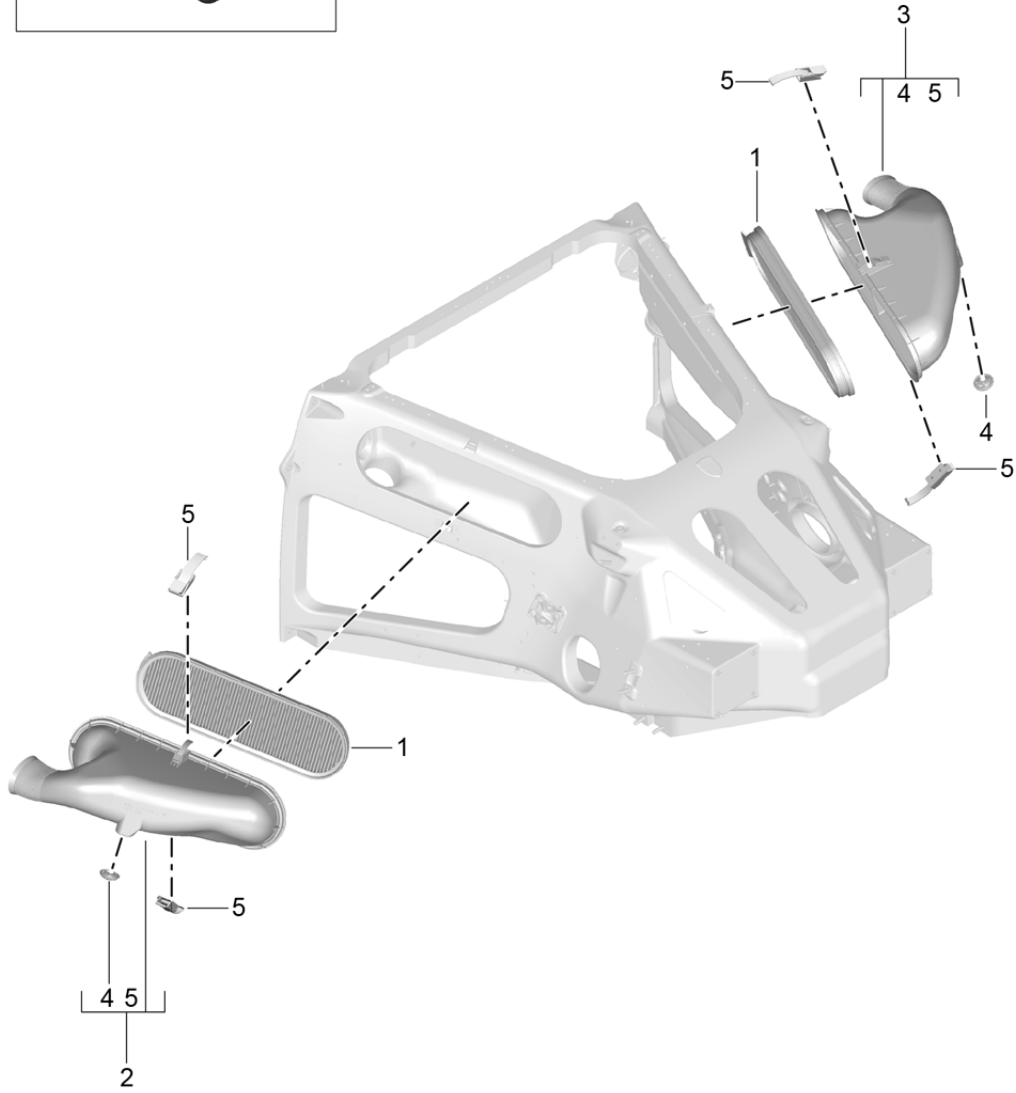
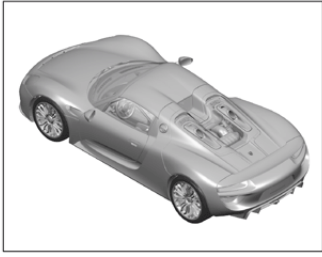
Model: 918

Model life 2015>>2015

Pos	Part Number	Description	Remark	Qty	Model
32	918 106 255 02	Filler tube Return line Discontinued part		1	
32	918 106 255 03	Filler tube Return line		1	

Model: 918

Model life 2015>>2015



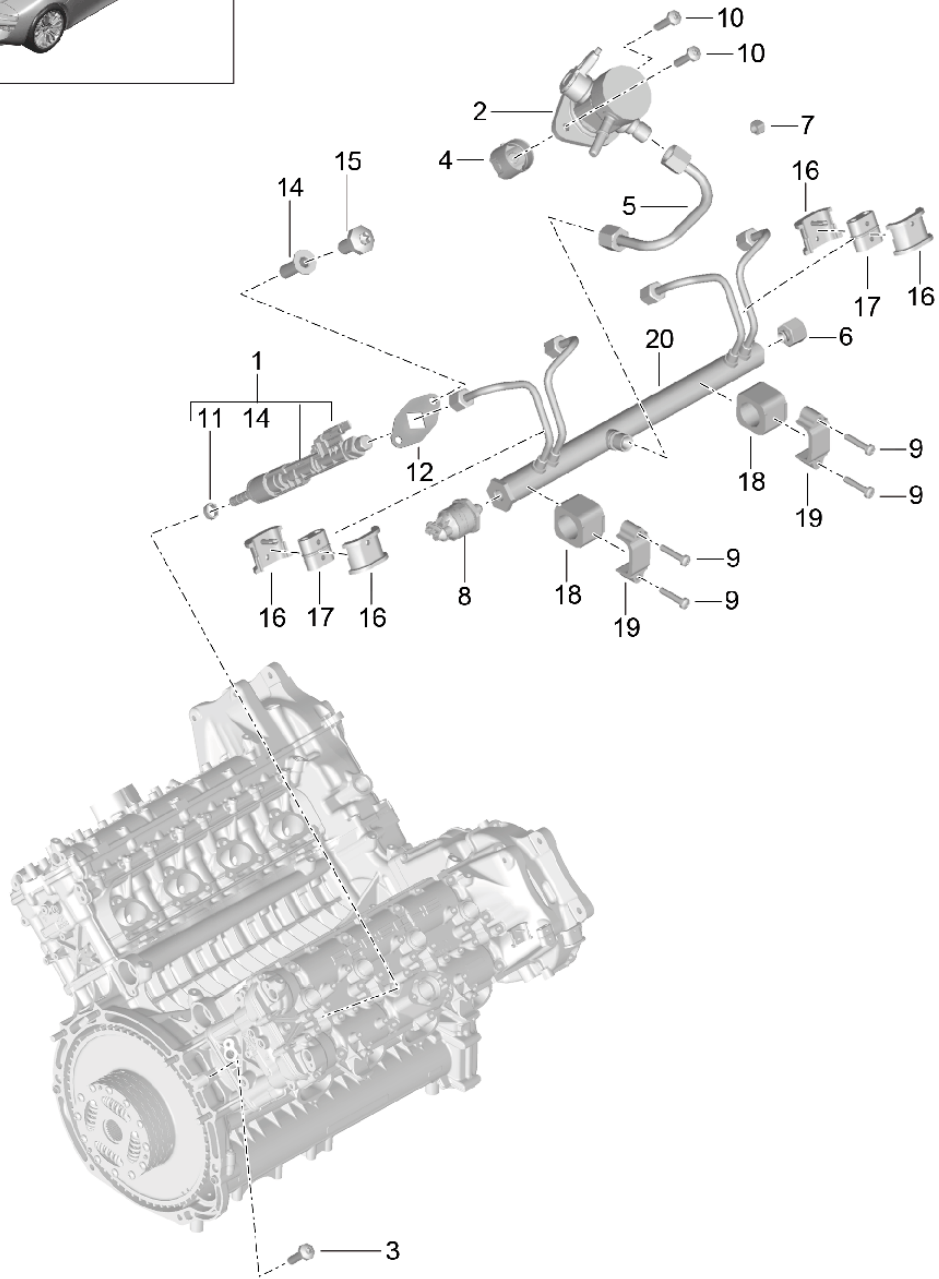
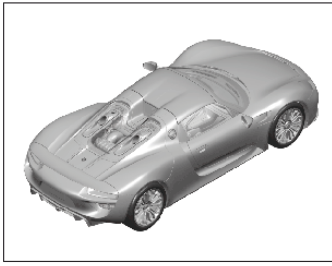
Model: 918

Model life 2015>>2015

Pos	Part Number	Description	Remark	Qty	Model
		Air cleaner system			
		Air filter			
1	918 110 221 00	Air filter element		2	
2	918 110 121 00	Air filter housing	left	1	
3	918 110 122 00	Air filter housing	right	1	
4	955 512 188 00	Water drain valve		2	
5	918 110 521 00	angled bracket		X	
		housing			
		Air filter			

Model: 918

Model life 2015>>2015



Model: 918 Model life 2015>>2015

Pos	Part Number	Description	Remark	Qty	Model
1	918 110 128 00	Fuel collection pipe high pressure pump high-pressure injector		8	
		also use:	918 110 414	4	
			918 110 413 03	1	
			N 101 961 05	2	
2	918 110 315 00	high pressure pump		2	
(2)	918 110 315 01	No longer use the part here high pressure pump		2	
(2)	918 110 315 02	No longer use the part here high pressure pump		2	
3	999 073 344 01	flat round head bolt		4	
4	06L 109 311	M 6 X 20 Tappets		2	
5	918 110 215 01	Fuel line		2	
6	918 110 425 00	Sealing cap		2	
8	918 606 231 00	Pressure sensor		2	
9	N 106 243 01	round hd. screw		8	
		M 5 X 25			
10	999 073 102 01	flat round head bolt		4	
11	918 110 928 00	seal ring		8	
12	918 110 413 02	Bracket		8	
12	918 110 413 03	No longer use the part here Bracket		8	
(12)	918 110 413 04	Discontinued part Bracket		8	
14	918 110 414 31	spacer sleeve		16	
		Bracket			
		1,2			
14	918 110 414 51	Discontinued part spacer sleeve		32	
		Bracket			
		1,9			
(14)	918 110 414 32	spacer sleeve		16	
		Bracket			
		1,3			
(14)	918 110 414 52	Discontinued part spacer sleeve		32	
		Bracket			
		2,0			
(14)	918 110 414 33	spacer sleeve		16	
		Bracket			
		1,4			
(14)	918 110 414 53	No longer use the part here spacer sleeve		32	
		Bracket			
		2,1			
(14)	918 110 414 34	spacer sleeve		16	
		Bracket			
		1,5			
(14)	918 110 414 54	Discontinued part spacer sleeve		32	
		Bracket			
		2,2			
(14)	918 110 414 35	spacer sleeve		16	
		Bracket			
		1,6			
(14)	918 110 414 55	Discontinued part spacer sleeve		32	
		Bracket			
		2,3			
15	N 909 494 02	Oval hexagon socket head bolt		16	
		M 6 X 12			

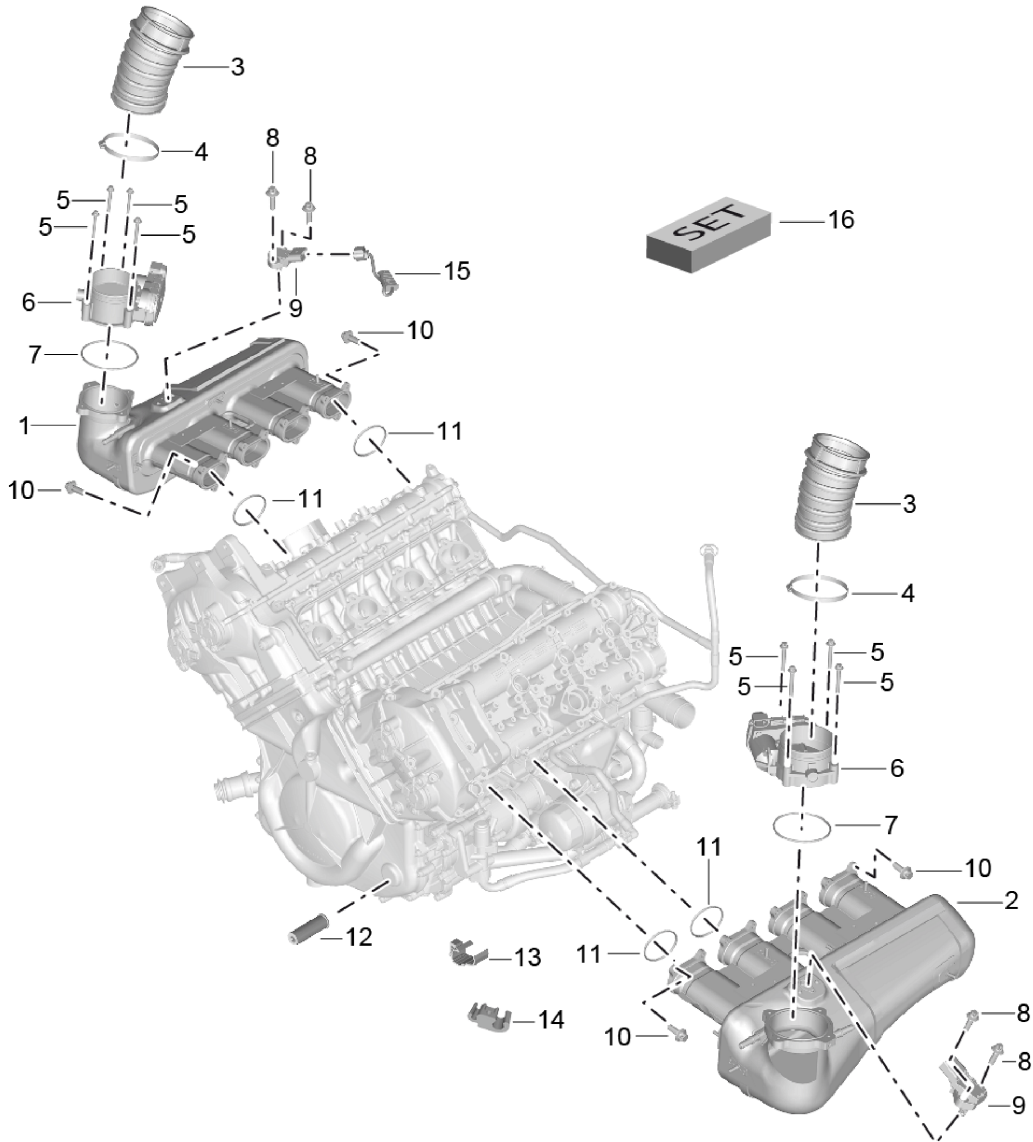
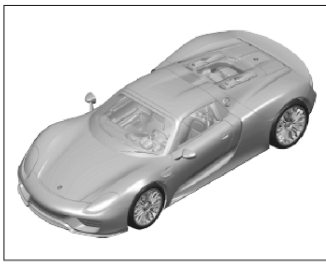
Model: 918

Model life 2015>>2015

Pos	Part Number	Description	Remark	Qty	Model
15	N 101 961 05	No longer use the part here Oval hexagon socket head bolt M 6 X 18		16	
16	918 110 429 00	sound absorber piece Outer part		8	
17	918 110 439 00	sound absorber piece Inner part		4	
18	918 110 417 00	sound absorber piece		4	
19	918 110 415 00	Bracket		4	
20	918 110 115 01	sound absorber piece Fuel collection pipe		2	

Model: 918

Model life 2015>>2015



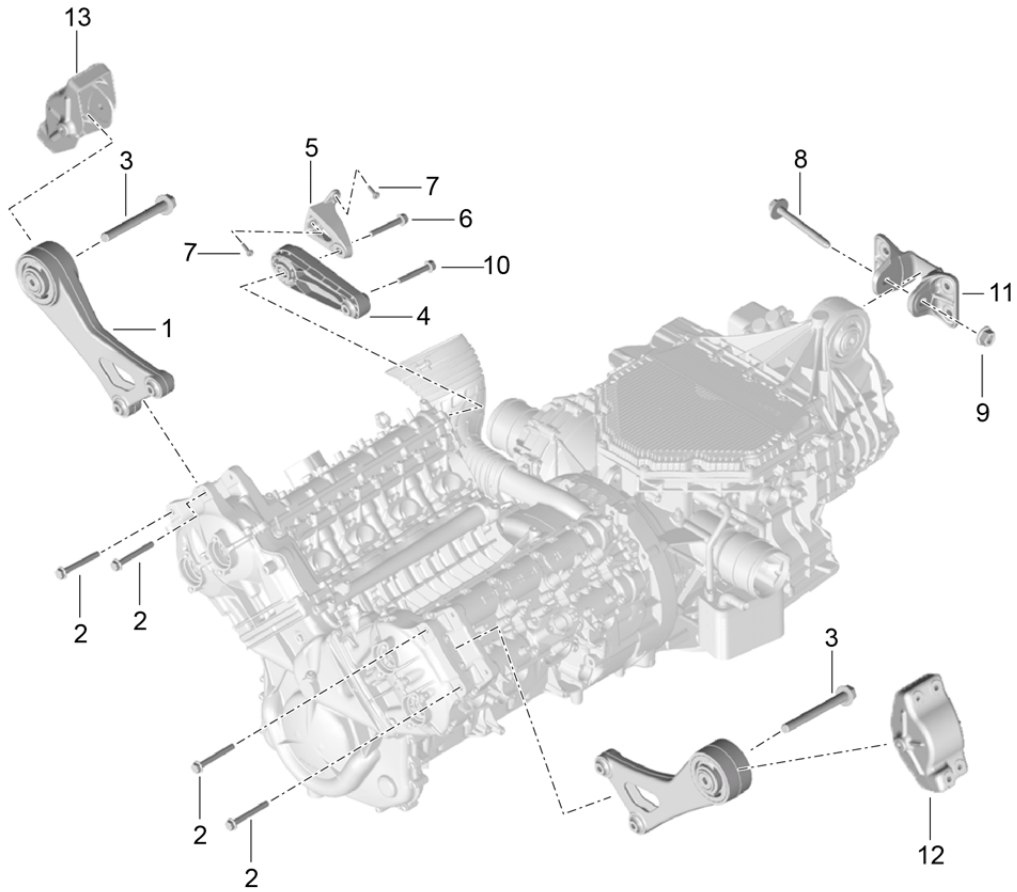
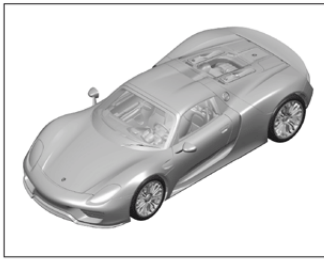
Model: 918

Model life 2015>>2015

Pos	Part Number	Description	Remark	Qty	Model
1	918 110 111 03	intake air distributor intake air distributor Cylinders 1 - 4 Discontinued part		1	
1	918 110 111 04	intake air distributor Cylinders 1 - 4		1	
2	918 110 112 03	intake air distributor Cylinders 5 - 8 Discontinued part		1	
2	918 110 112 04	intake air distributor Cylinders 5 - 8		1	
3	918 110 270 01	Bellows		2	
4	999 512 629 00	Hose clamp		2	
5	900 385 070 01	Torx screw M 6 X 50		8	
5	PAF 008 685 00	Torx screw M 6 X 50		8	
6	997 605 116 01	throttle valve adapter		2	
7	999 707 453 40	O-ring 87 X 3		2	
8	900 385 143 01	Screw M 5 X 16		4	
9	991 606 180 00	Pressure sensor with: Temperature sensor		2	
10	999 073 591 01	Outer hexagon round screw M 6 X 20		24	
11	999 707 345 40	O-ring 54 X 2,5		8	
12	918 105 201 01	Bracket		2	
13	999 649 024 40	Cable holder 15,0		4	
14	999 507 912 40	Cable holder 4,75 / 10,0		2	
15	918 607 105 00	Adapter Pressure sensor		2	
16	918 607 913 00	repair set Wire set Pressure sensor		2	

Model: 918

Model life 2015>>2015



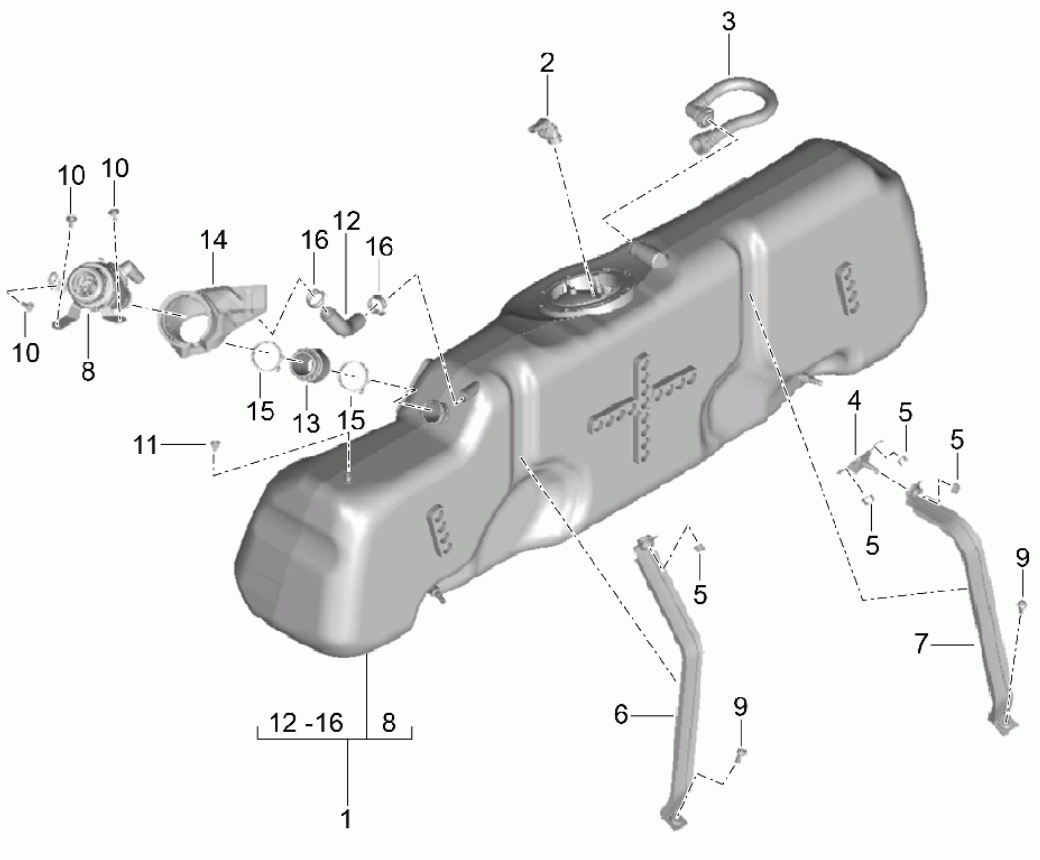
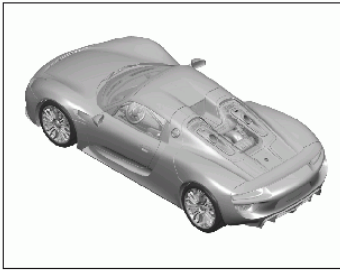
Model: 918

Model life 2015>>2015

Pos	Part Number	Description	Remark	Qty	Model
1	918 375 011 01	Engine suspension Transmission suspension Assembly carrier Brace		2	
2	N 911 056 01	engine mounting Hex collared bolt M 10 X 85		4	
3	900 378 314 02	Hexagon bolt M 10 X 115		2	
4	918 375 053 00	Engine support		1	
5	918 375 185 01	Console Support		1	
6	900 378 255 01	Hexagon bolt M 10 X 70		1	
7	999 073 254 A1	fillister hd. bolt M 6 X 30		2	
8	N 909 763 02	bolt,hex.hd.with shoul.(combi) M 14 X 135		1	
9	N 102 403 04	Hexagon collar nut M 14 X 1,5		1	
10	N 106 996 01	bolt,hex.hd.with shoul.(combi) M 10 X 60		1	
11	918 504 365 01	Console transmission carrier		1	
12	918 504 175 00	bracket for engine	left	1	
13	918 504 176 00	bracket for engine	right	1	

Model: 918

Model life 2015>>2015



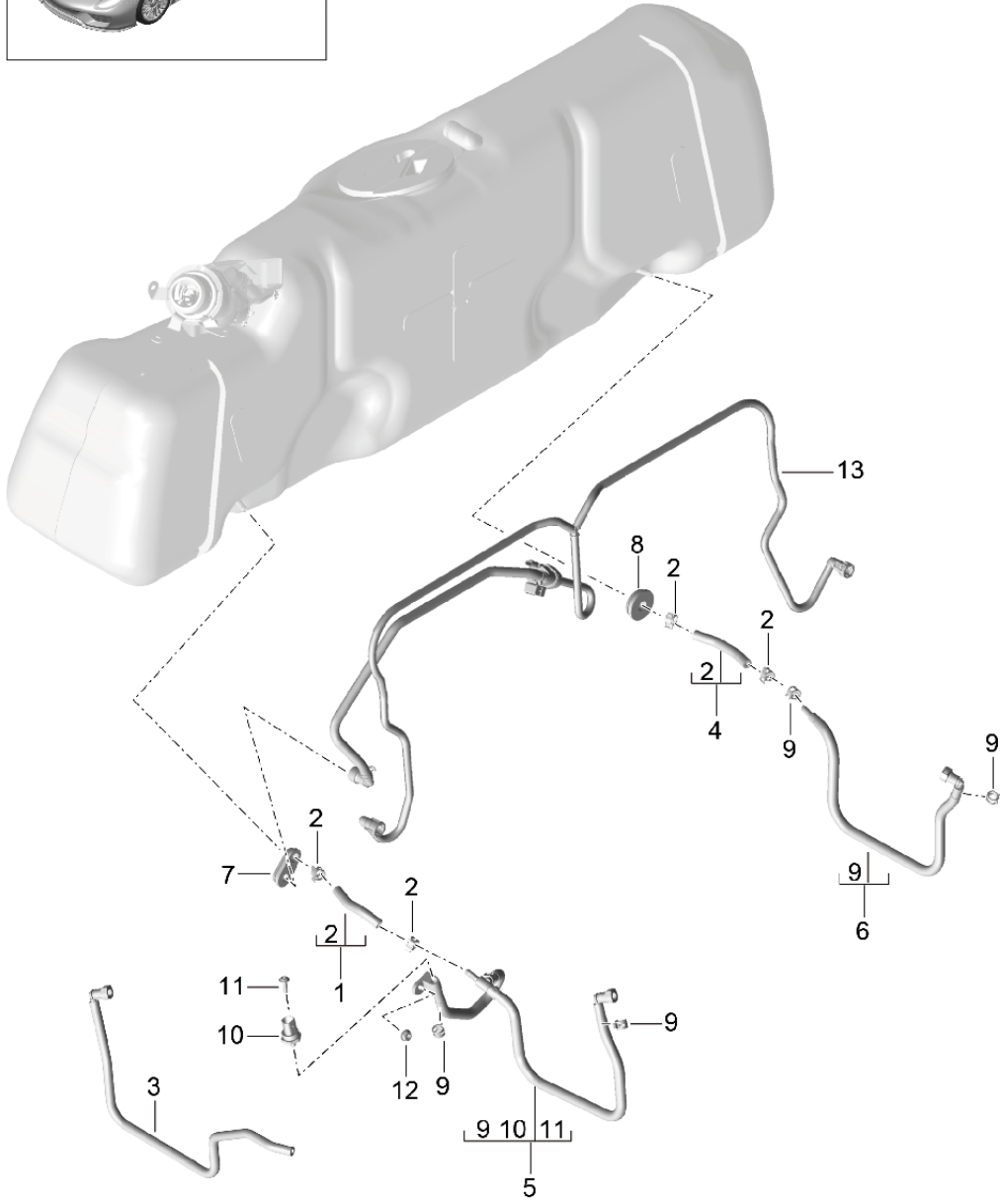
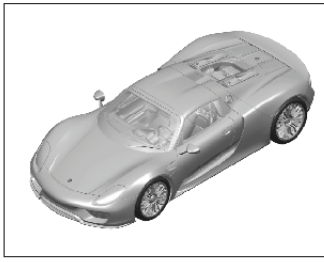
Model: 918

Model life 2015>>2015

Pos	Part Number	Description	Remark	Qty	Model
1	918 201 013 01	Fuel tank Fuel tank with: Fuel pump fuel filler neck		1	PR:083,-664
2	5C0 201 733	Pressure sensor		1	
3	918 201 251 01	Breather line Fuel tank		1	
4	918 201 738 00	bracket for strap		1	
5	900 380 005 01	Nut M 8		4	
6	918 201 105 01	tensioning strap	left	1	
7	918 201 106 01	tensioning strap	right	1	
8	918 201 044 02	fuel filler neck		1	
9	999 073 094 01	Screw M 8 X 20		2	
10	999 073 297 A1	fillister hd. bolt M 6 X 16		3	
11	999 073 236 0A	fillister hd. bolt M 6 X 10 Earth line		1	
12	918 201 253 00	Breather line		1	PR:083
13	991 201 812 00	Hose		1	PR:083
13	9P1 201 543	Hose		1	PR:083
14	918 201 401 00	Sealing sleeve		1	PR:083
15	999 512 748 01	Clip B 43 X 12		2	PR:083
16	999 512 656 09	Hose clamp B 25 X 12		2	PR:083

Model: 918

Model life 2015>>2015



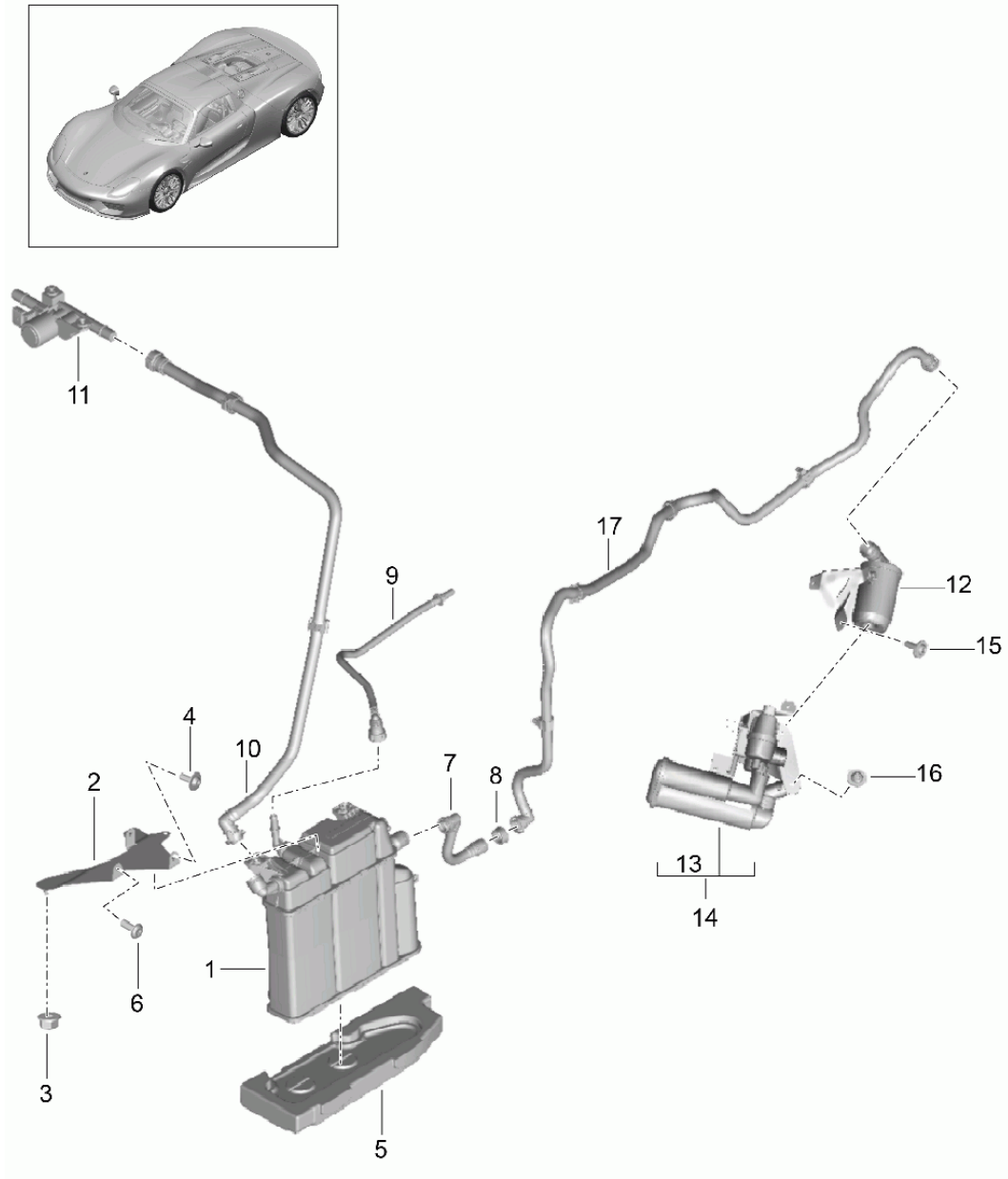
Model: 918

Model life 2015>>2015

Pos	Part Number	Description	Remark	Qty	Model
		Fuel system			
		Lines			
1	918 110 201 03	supply pipe	left	1	
2	N 909 865 01	Spring band clamp B 14 X 12		2	
3	918 110 205 02	supply pipe	right	1	
4	918 110 207 00	supply pipe		1	
5	918 110 203 03	supply pipe		1	
6	918 110 209 00	supply pipe		1	
7	918 110 607 01	Grommet		1	
8	918 110 609 01	Grommet		1	
9	N 910 203 01	Spring band clamp		4	
10	918 606 220 01	Pressure sensor		1	
11	999 015 026 01	fillister hd. bolt M 6 X 12		1	
12	900 377 009 01	Hexagon nut M 5		1	
13	918 110 407 03	Breather line		1	
		Valve	with:		

Model: 918

Model life 2015>>2015



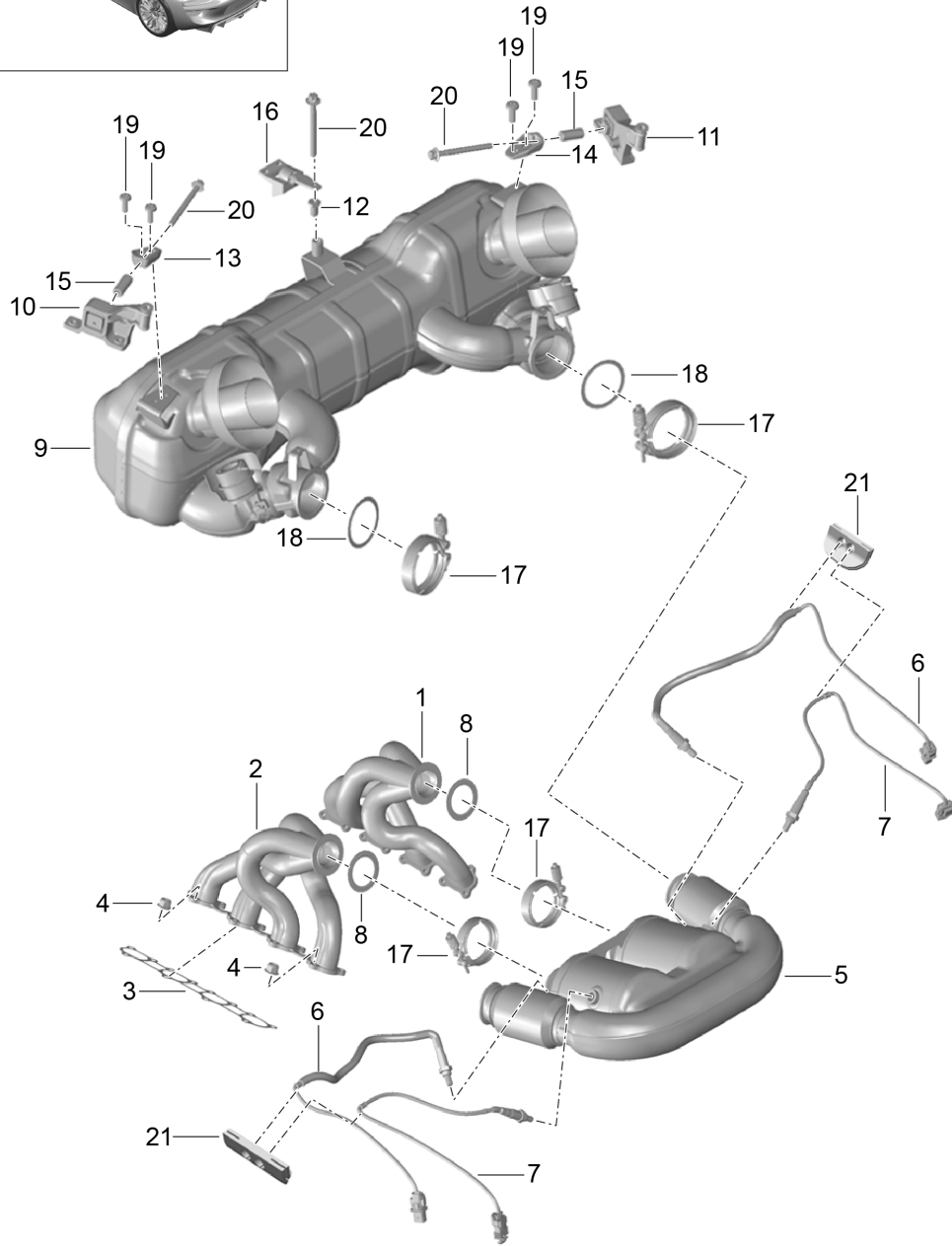
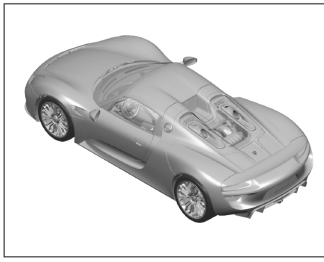
Model: 918

Model life 2015>>2015

Pos	Part Number	Description	Remark	Qty	Model
1	918 201 221 01	Activated charcoal container		1	
2	918 201 621 02	Activated charcoal container		1	
		Bracket for activated carbon container	upper	1	
3	900 380 015 01	Hexagon nut		2	
		M 6			
4	999 073 297 A1	fillister hd. bolt		1	
		M 6 X 16			
5	918 201 631 01	Bracket for activated carbon container	lower	1	
6	999 073 258 01	fillister hd. bolt		1	
		M 8 X 20			
6	999 072 085 01	No longer use the part here Hexagon bolt		1	
		M 8 X 35			
7	918 201 361 01	Air line	front	1	
8	918 201 561 00	Grommet		1	
		Air line			
9	918 201 355 01	Purge-air line		1	
10	918 201 252 01	Breather line		1	
11	7PP 201 559	Activated charcoal container		1	
12	918 201 276 00	pressure regulator		1	
		Filter		1	PR:-664
		with:			
15	999 073 297 A1	Bracket fillister hd. bolt		2	PR:-664
		M 6 X 16			
17	918 201 363 01	Air line	rear	1	

Model: 918

Model life 2015>>2015



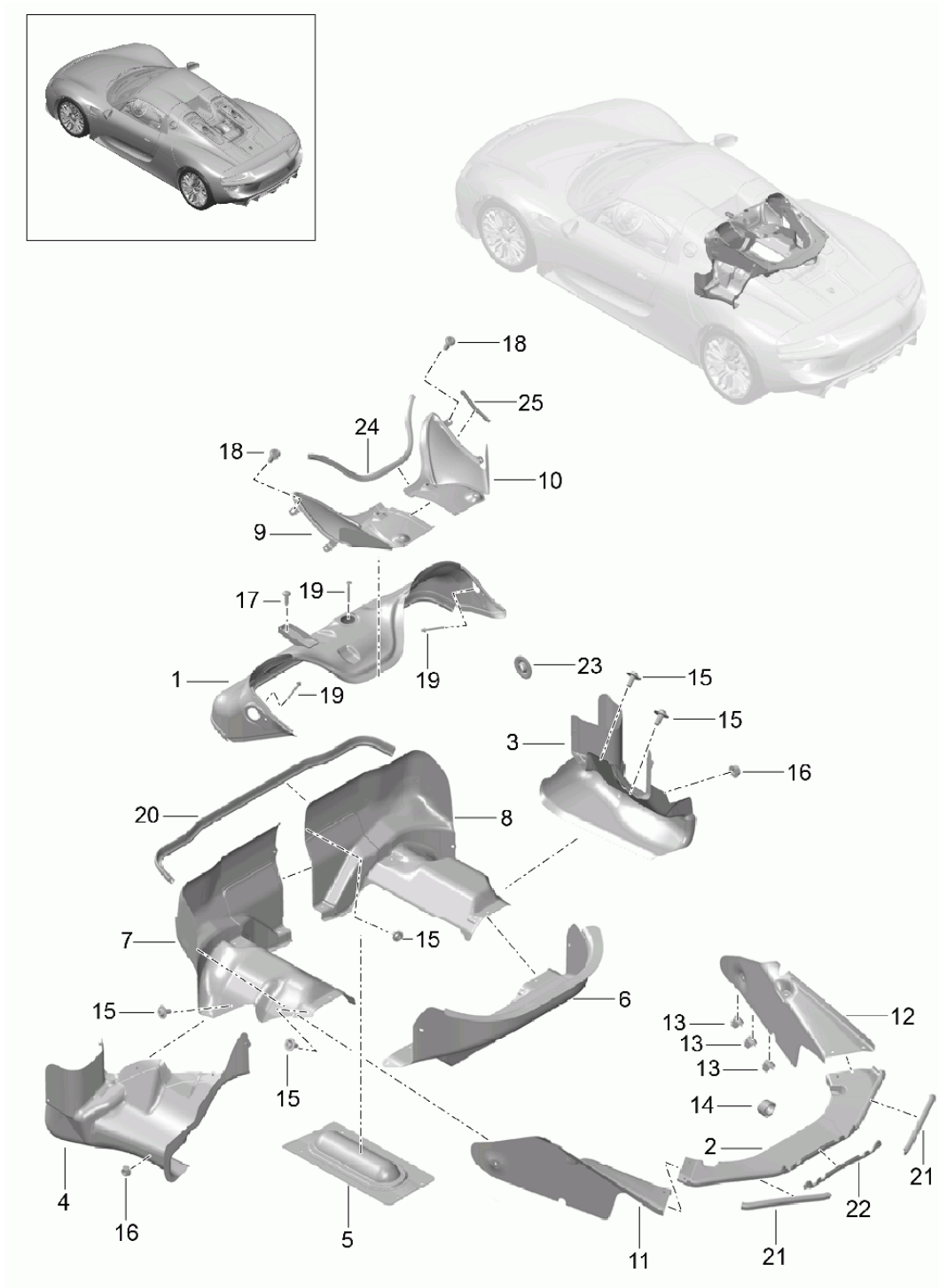
Model: 918

Model life 2015>>2015

Pos	Part Number	Description	Remark	Qty	Model
1	918 111 129 02	exhaust system Exhaust manifolds	right	1	
2	918 111 130 02	Exhaust manifolds	left	1	
3	918 111 411 00	Seal Exhaust manifolds		2	
4	999 084 642 02	Hexagon nut M 8		24	
5	918 111 141 02	Catalytic converter Discontinued part		1	
5	918 111 141 03	Catalytic converter		1	
6	918 606 181 00	Lambda probe in front of Catalytic converter		2	
7	918 606 191 00	Lambda probe After Catalytic converter		2	
8	918 111 421 00	Seal Front silencer		2	
9	918 111 151 02	Silencer		1	
10	918 111 521 05	Rubber bush	left	1	
11	918 111 522 05	Rubber bush	right	1	
12	918 111 526 01	adjusting screw		1	
13	918 111 571 01	Bracket	left	1	
14	918 111 572 01	Bracket	right	1	
15	918 111 573 01	spacer sleeve		2	
16	918 111 529 01	Rubber bush	center	1	
17	918 111 423 00	Clamp		4	
18	918 111 431 00	Seal		2	
19	999 073 103 01	flat round head bolt M 6 X 16		10	
20	900 385 276 01	Torx screw BM 6 X 60		3	
21	918 606 401 01	Grommet Lambda probe		2	

Model: 918

Model life 2015>>2015



Model: 918

Model life 2015>>2015

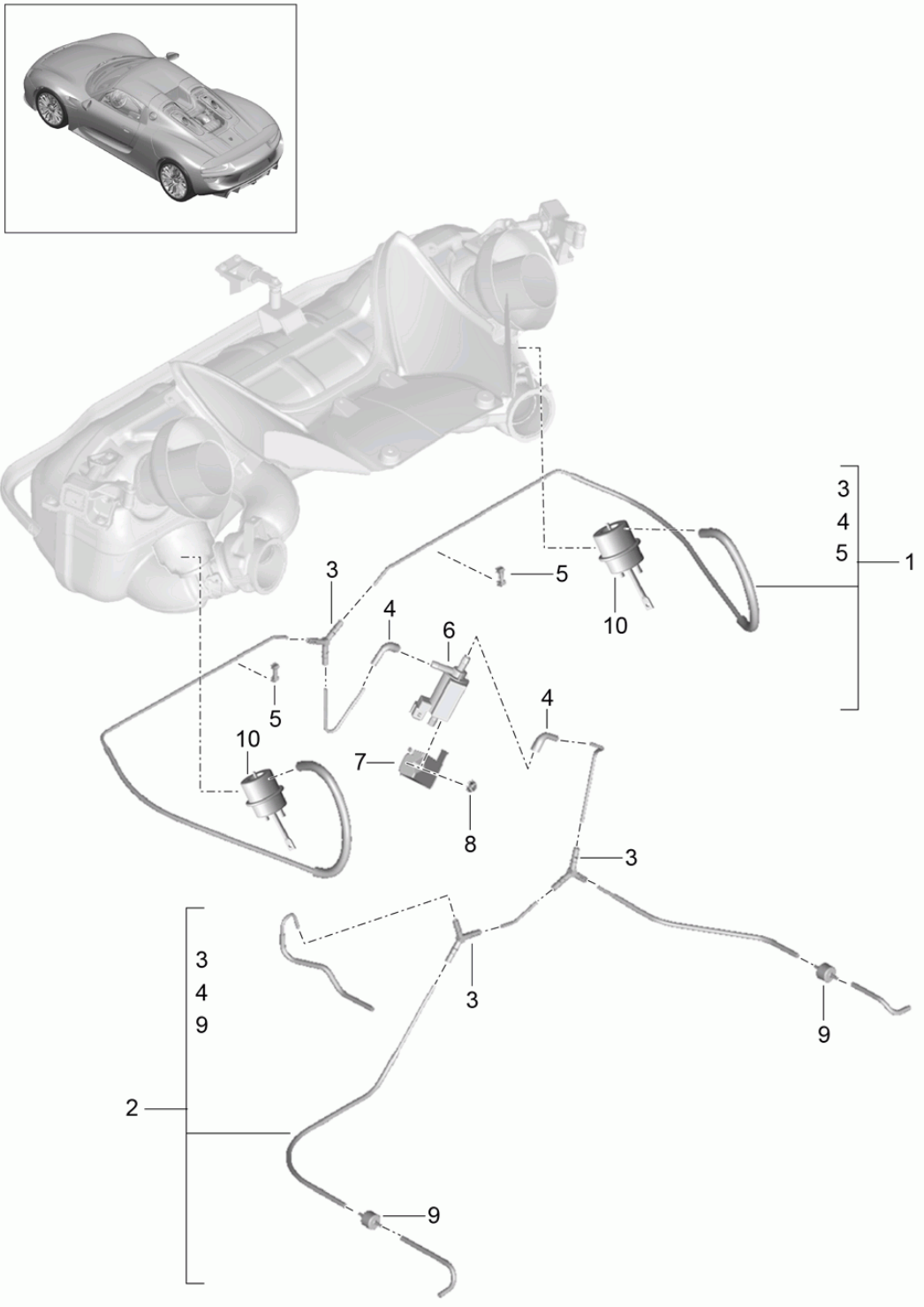
Pos	Part Number	Description	Remark	Qty	Model
1	918 111 611 08	exhaust system Heat protection Heat insulation No longer use the part here	front	1	
1	918 111 611 12	Heat insulation Discontinued part	front	1	
1	918 111 611 13	Heat insulation	front	1	
2	918 111 631 08	Heat insulation Discontinued part	rear	1	
2	918 111 631 09	Heat insulation	rear	1	
2	918 111 631 11	Heat insulation	rear	1	
3	918 111 463 08	Heat insulation Cylinders 1 - 4 No longer use the part here		1	
3	918 111 463 11	Heat insulation Cylinders 1 - 4		1	
4	918 111 461 08	Heat insulation Cylinders 5 - 8 Discontinued part		1	
4	918 111 461 09	Heat insulation Cylinders 5 - 8		1	
4	918 111 461 11	Heat insulation Cylinders 5 - 8		1	
5	918 111 471 08	Heat insulation Crankcase housing Discontinued part		1	
5	918 111 471 09	Heat insulation Crankcase housing		1	
5	918 111 471 12	Heat insulation Crankcase housing		1	
6	918 111 491 08	Heat insulation Catalytic converter No longer use the part here		1	
6	918 111 491 12	Heat insulation Catalytic converter		1	
7	918 111 481 08	Heat insulation No longer use the part here	left	1	
7	918 111 481 12	Heat insulation	left	1	
8	918 111 482 08	Heat insulation No longer use the part here	right	1	
8	918 111 482 12	Heat insulation	right	1	
9	918 111 619 08	Heat insulation Cover No longer use the part here	left	1	
9	918 111 619 11	Heat insulation Cover	left	1	
10	918 111 623 08	Heat insulation Cover No longer use the part here	right	1	
10	918 111 623 11	Heat insulation Cover	right	1	
11	918 111 635 08	Heat insulation No longer use the part here	side left	1	
11	918 111 635 12	Heat insulation	side left	1	
12	918 111 636 08	Heat insulation No longer use the part here	side left right	1	
12	918 111 636 12	Heat insulation	side right	1	
13	999 651 204 01	Cable clip 7,0 - 8,0		2	

Model: 918 Model life 2015>>2015

Pos	Part Number	Description	Remark	Qty	Model
14	999 507 793 40	Hose bracket 23,0		1	
15	999 073 307 02	fillister hd. bolt M 6 X 12		12	
(15)	999 073 307 01	Micro-self-locking fillister hd. bolt M 6 X 12		22	
16	900 377 009 03	Hexagon nut M 5		2	
17	999 073 103 01	flat round head bolt M 6 X 16		4	
18	999 073 252 A1	fillister hd. bolt M 6 X 20		6	
19	900 385 276 01	Torx screw M 6 X 60		3	
20	918 111 501 00	Seal Heat protection		1	
21	918 111 503 00	Seal Heat protection		2	
22	918 111 505 00	Seal Heat protection		1	
23	918 111 507 01	Grommet Heat protection		3	
24	918 111 509 00	Seal Heat protection		1	
25	918 111 511 00	Seal Heat protection		1	
26	000 043 303 99	adhesive Loctite ACETOXY ROT 5399 310ML		X	

Model: 918

Model life 2015>>2015



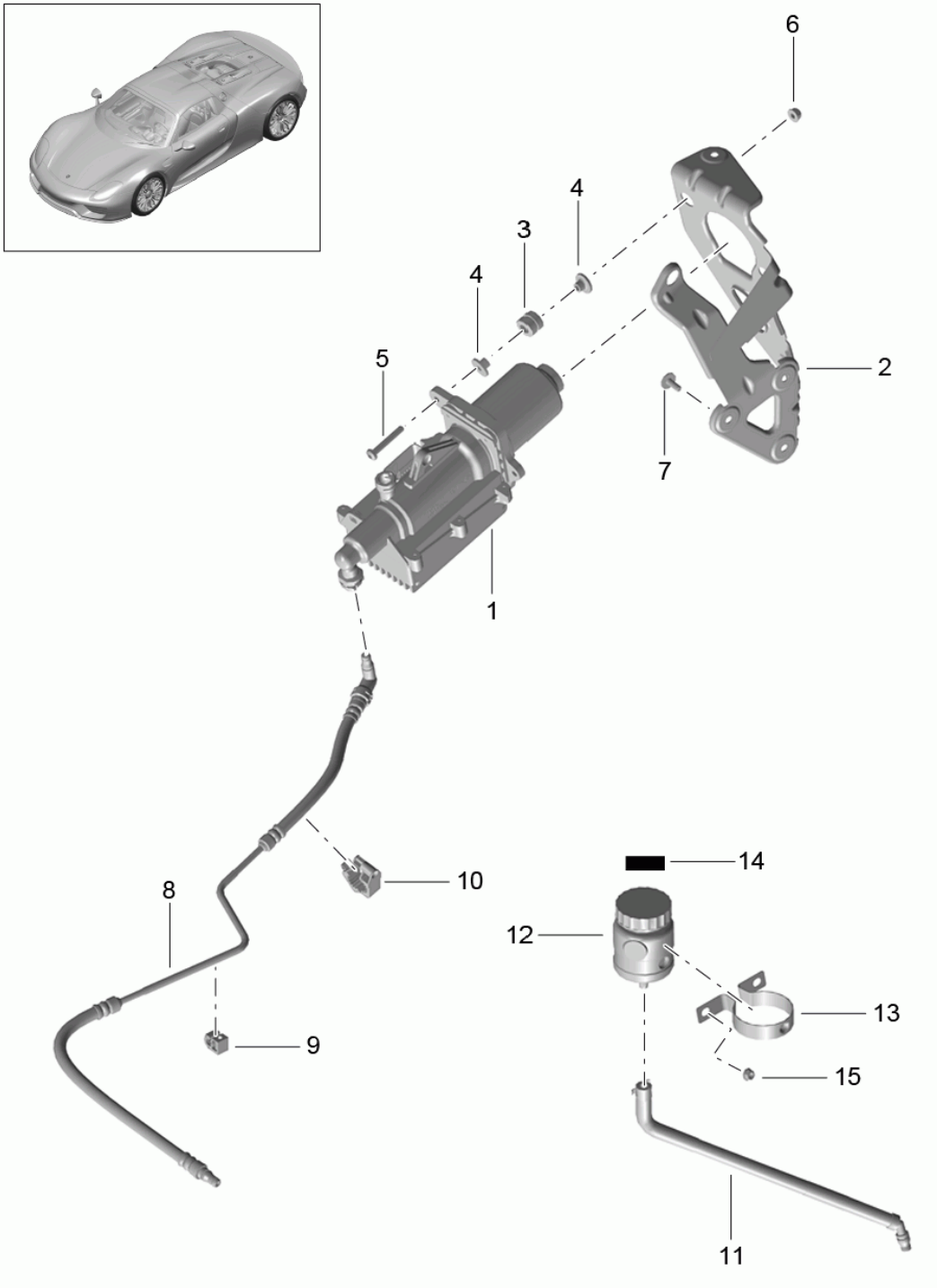
Model: 918

Model life 2015>>2015

Pos	Part Number	Description	Remark	Qty	Model
		exhaust system			
		Control			
1	918 110 055 05	Vacuum line		1	
2	918 110 056 03	Vacuum line		1	
3	928 573 727 05	Distributor		3	
4	996 110 695 71	Molded hose		2	
5	999 507 866 40	Line holder		2	
		4,3 / 4,3			
6	9A1 605 125 01	Change-over valve		1	
7	918 110 639 00	Bracket		1	
		Change-over valve			
8	900 377 009 01	Hexagon nut		1	
		M 5			
9	964 110 950 02	Non-return valve		2	
10	918 111 851 00	Vacuum unit		2	

Model: 918

Model life 2015>>2015



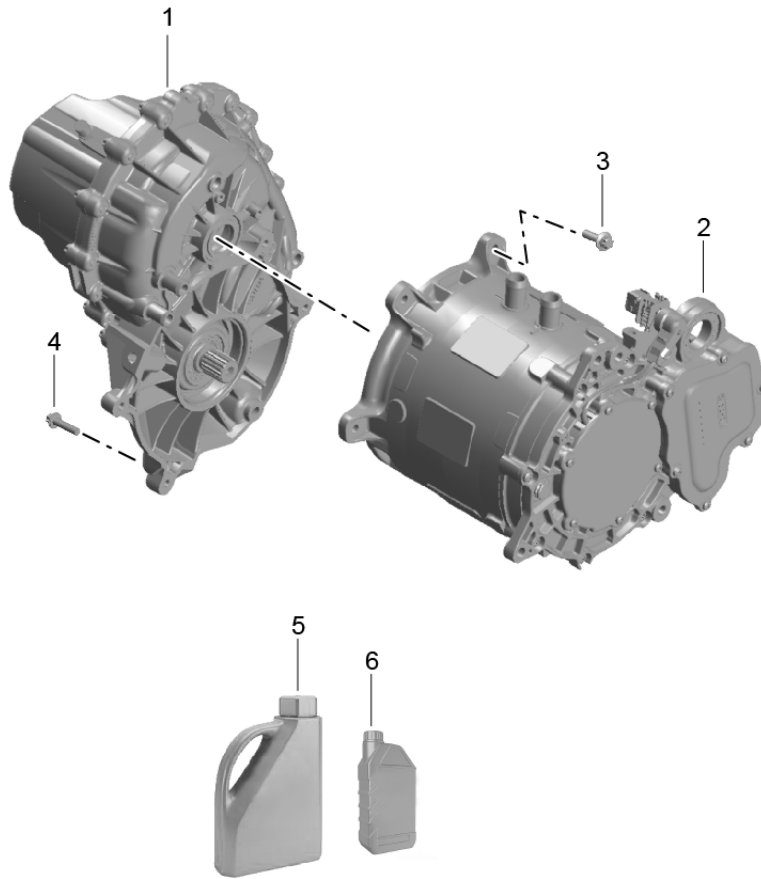
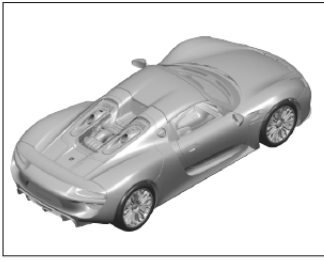
Model: 918

Model life 2015>>2015

Pos	Part Number	Description	Remark	Qty	Model
1	958 116 060 BX	Control mechanism Hydraulic Electric motor		1	
2	918 355 345 01	Control mechanism Hydraulic Bracket		1	
3	999 702 325 40	Control mechanism Grommet		3	
4	999 702 425 41	10X16,8X16 spacer sleeve		6	
(4)	999 703 425 41	6,1X1,95 No longer use the part here spacer sleeve		6	
5	999 073 244 01	6,1X1,95 fillister hd. bolt		3	
6	N 015 082 10	M6 X 40 Hexagon collar nut		3	
7	999 073 297 A1	M6 fillister hd. bolt		4	
8	918 355 043 01	M 6 X 16 Pressure line		1	
-	N 107 623 01	Control mechanism toothed lock washer		1	
9	95B 611 797	Clip		2	
10	999 651 144 40	Cable holder		1	
11	918 355 053 01	return line		1	
12	918 355 019 00	Control mechanism Reservoir		1	
13	918 355 505 00	Control mechanism Retainer for reservoir		1	
14	7PP 010 709 M	Notice		1	
15	900 377 009 03	brake fluid Hexagon nut		2	
		M6			

Model: 918

Model life 2015>>2015



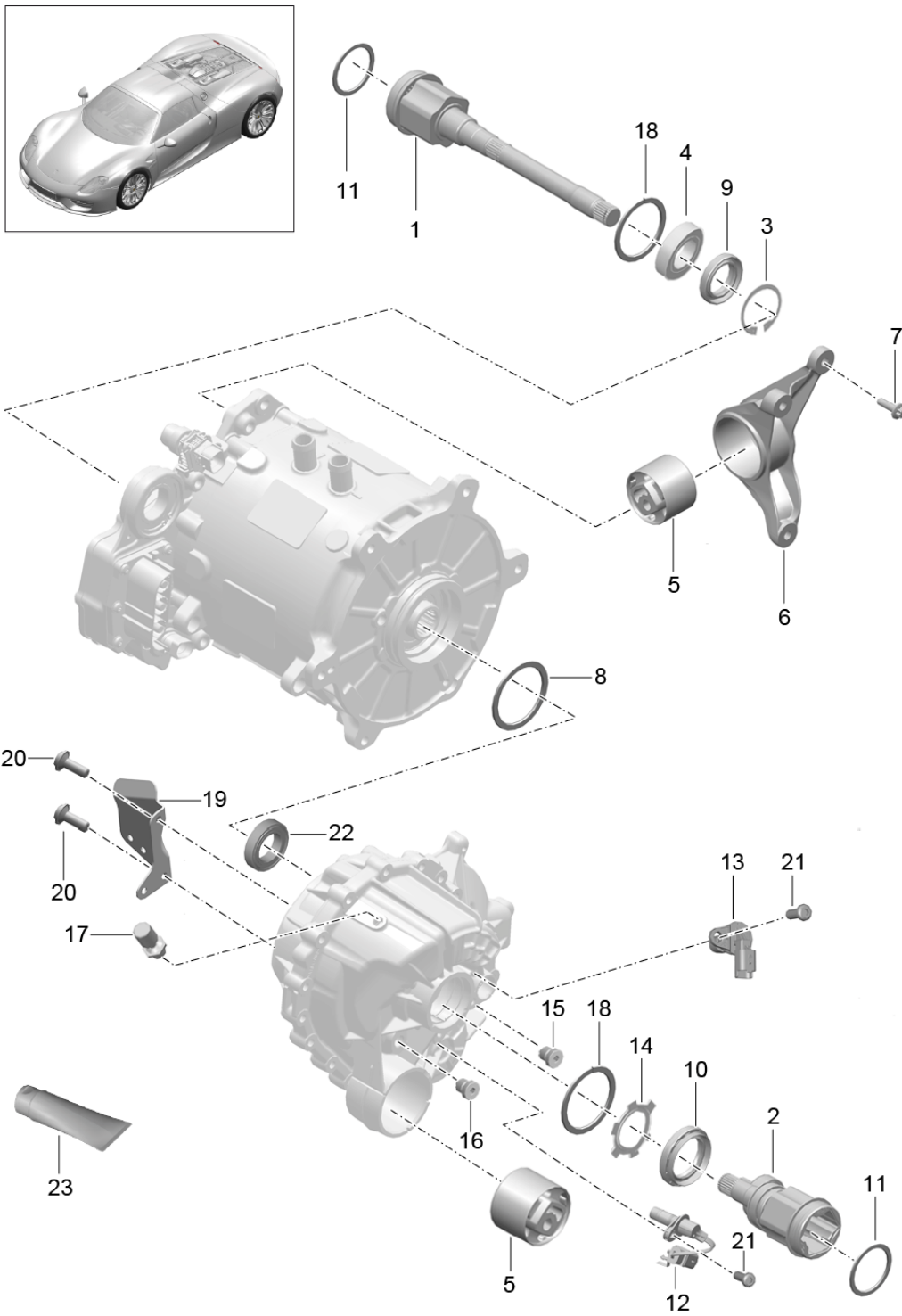
Model: 918

Model life 2015>>2015

Pos	Part Number	Description	Remark	Qty	Model
1		Front axle differential Front axle differential Mechanical		1	
		see illustration:	901-010		
1	918 349 010 01	Front axle differential Mechanical		1	
2		Electric motor Front axle		1	
		see illustration:	901-010		
3	900 385 116 01	Torx screw BM 8 X 30		5	
4	900 385 042 01	Torx screw BM 8 X 35		1	
5	000 043 207 30	Transmission fluid PENTOSIN FFL 3 20 LTR. Container		X	
6	000 043 207 29	Transmission fluid PENTOSIN FFL 3 1 LTR. Container		X	

Model: 918

Model life 2015>>2015



Model: 918 Model life 2015>>2015

Pos	Part Number	Description	Remark	Qty	Model
1	918 349 301 00	Front axle differential Individual parts Drive flange Short		1	
2	918 349 302 01	Drive flange Long		1	
3	900 042 025 01	Securing ring Mounting Flanged shaft 55 X 2		1	
4	999 052 228 00	grooved ball bearing Flanged shaft 30X55X13		1	
5	918 375 347 01	Rubber bush Front axle differential		2	
6	918 375 150 01	Unit mount without: Mounting		1	
7	900 385 153 01	Torx screw BM 10X30	also use: 918 375 347 01	3	
8	999 701 132 41	O-ring Electric motor 80X3,00		1	
9	918 349 901 00	Shaft oil seal Drive flange Short 75MM		1	
10	918 349 902 00	Shaft oil seal Drive flange Long 54MM		1	
11	918 349 915 00	Bellows Drive flange		2	
12	918 349 903 00	Sensor Position		1	
13	918 349 906 00	Connecting piece Actuator		1	
14	918 349 909 00	Shim Sensor 0,1MM		X	
(14)	918 349 910 00	Shim Sensor 0,2MM		X	
(14)	918 349 911 00	Shim Sensor 0,3MM		X	
(14)	918 349 912 00	Shim Sensor 0,4MM		X	
(14)	918 349 908 00	Shim Sensor 0,5MM		X	
15	918 349 904 00	drain plug Transmission fluid		1	
16	918 349 905 00	sealing plug Oil level		1	
17	918 349 907 00	breather assy. Gearbox		1	
18	918 349 917 00	Securing ring Drive flange		2	
19	918 375 411 01	Retaining plate High voltage		1	

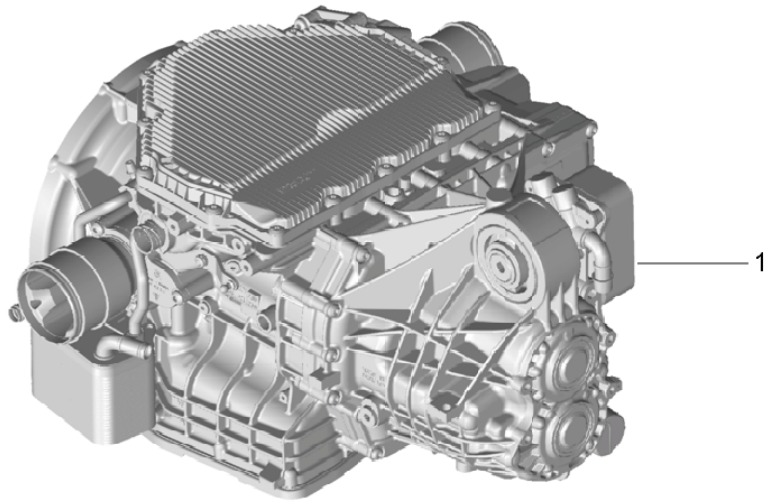
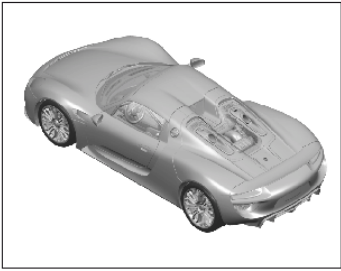
Model: 918

Model life 2015>>2015

Pos	Part Number	Description	Remark	Qty	Model
20	999 015 026 A1	Line fillister hd. bolt M6X16		2	
21	918 349 913 00	fillister hd. bolt Sensor		2	
22	918 349 918 00	Shaft oil seal		1	
23	000 043 110 01	Grease OPTITEMP HT1FL 110 GR.		1	

Model: 918

Model life 2015>>2015



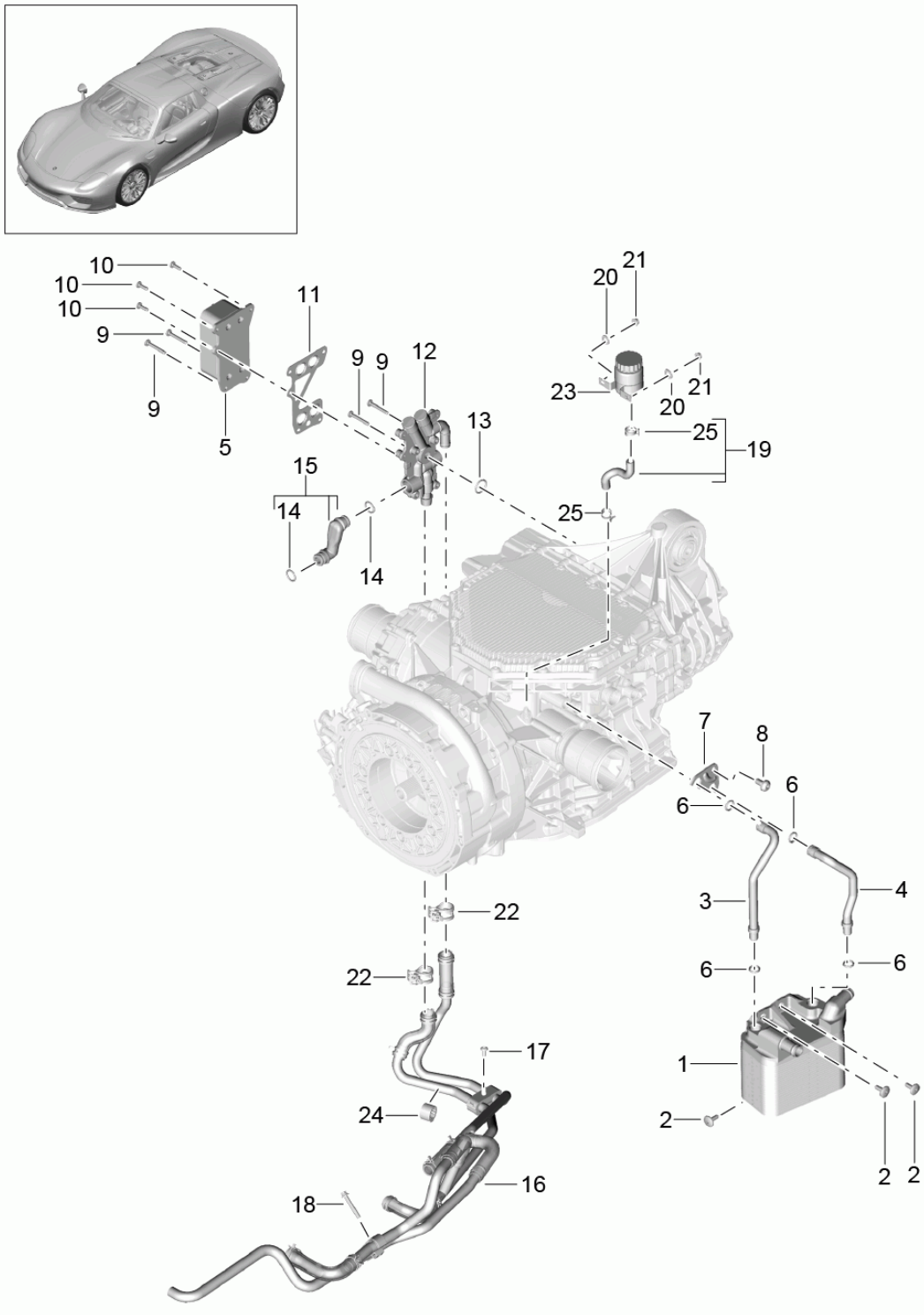
Model: 918

Model life 2015>>2015

Pos	Part Number	Description	Remark	Qty	Model
		Replacement transmission - PDK -			PR:221
1	918 300 031 00	Replacement transmission Discontinued part		1	
1	918 300 031 X	Replacement transmission Discontinued part		1	
1	918 300 031 01	Replacement transmission		1	
1	918 300 031 AX	Replacement transmission		1	
2	000 043 303 41	Transmission fluid PENTOSIN FFL 3 +XS4 1 LTR. Container		X	
3	000 043 204 20	Transmission fluid 75 W 90 MOBILUBE PTX FM Differential 20 LTR. Container		X	
3	000 043 210 12	Transmission fluid 75 W 90 MOBILUBE PTX Differential 20 LTR. Container		X	

Model: 918

Model life 2015>>2015



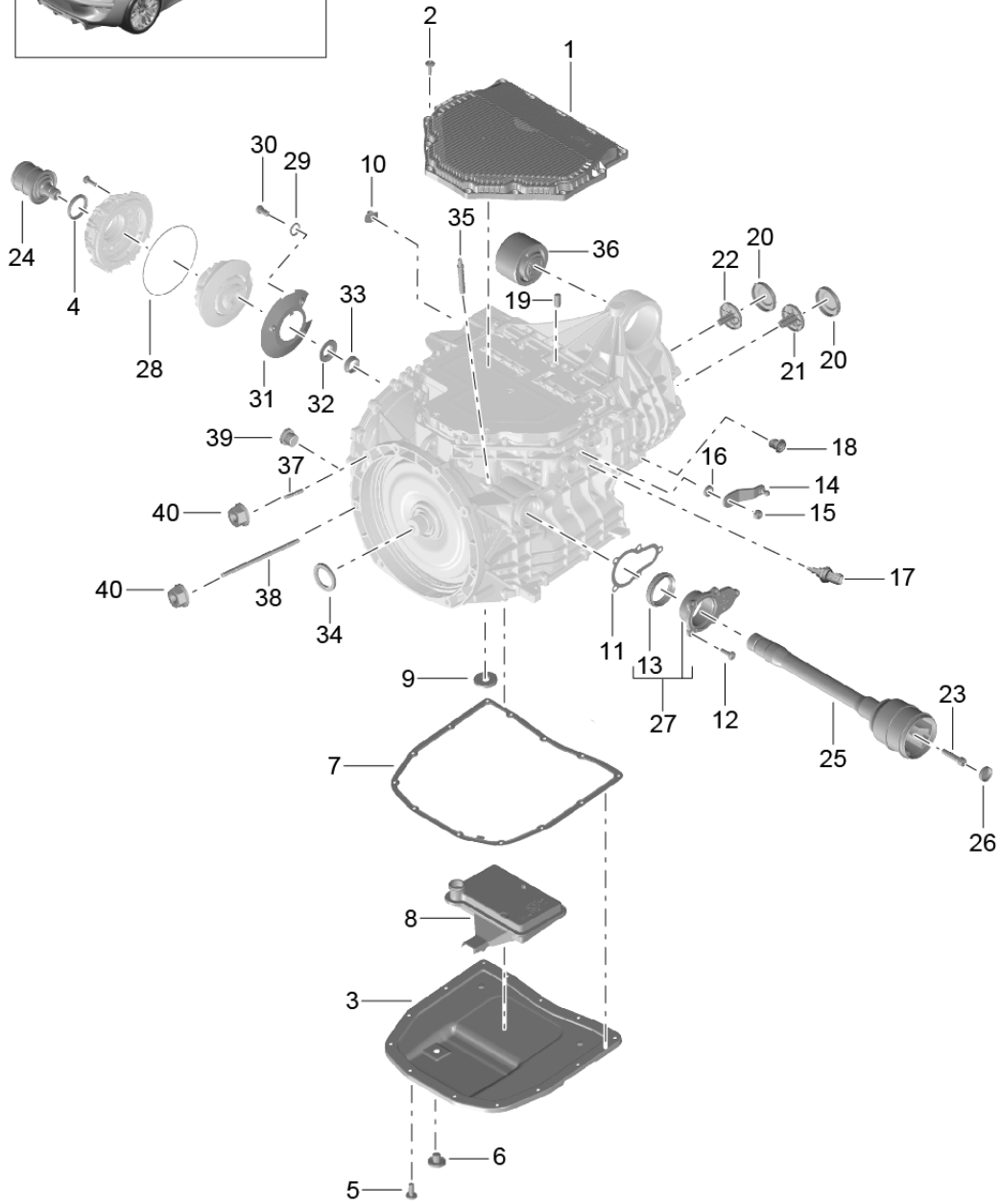
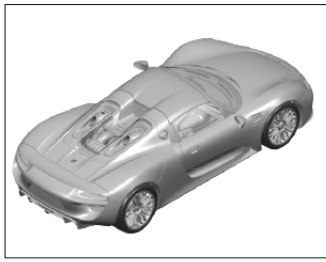
Model: 918

Model life 2015>>2015

Pos	Part Number	Description	Remark	Qty	Model
		- PDK - Gearbox heat exchanger Water pipe Oil pipe			C1800
1	918 307 017 00	heat exchanger		1	
2	918 307 826 00	flat round head bolt M 6 X 18		3	
3	918 307 085 00	return line		1	
4	918 307 087 00	supply pipe		1	
5	9G2 307 019 00	heat exchanger		1	
6	9G1 307 891 00	seal ring 12,5 X 2,5		4	
7	918 307 255 00	Retaining plate Line		1	
8	9G1 307 802 00	Torx screw M 8 X 15		1	
9	918 307 822 00	Torx screw M 6 X 45		4	
10	918 321 813 00	Torx screw M 6 X 20		3	
11	918 307 241 00	Seal		1	
12	918 307 219 00	heat exchanger Support		1	
13	918 321 818 00	heat exchanger O-ring 24 X 3,0		1	
14	918 307 890 00	O-ring 19 X 3,0		2	
15	918 307 347 00	Pipe		1	
16	918 307 073 04	Water line		1	
17	999 073 189 01	flat round head bolt		1	
18	900 385 025 01	Torx screw BM 6 X 40		1	
19	918 321 211 00	Molded hose		1	
20	900 031 105 01	Washer		2	
21	900 377 009 01	Hexagon nut M 5		2	
22	999 512 597 09	Hose clamp A 16 X 12		2	
23	918 321 035 00	Reservoir Discontinued part		1	
23	918 321 035 01	Reservoir		1	
24	N 107 675 01	toothed lock washer		1	
25	999 512 597 09	Hose clamp A 16 X 12		2	

Model: 918

Model life 2015>>2015



Model: 918

Model life 2015>>2015

Pos	Part Number	Description	Remark	Qty	Model
		- PDK - Gearbox Individual parts			C1800
1	918 321 125 00	oil sump	upper	1	
2	9G1 321 801 00	Torx screw M 6 X 25		13	
3	918 321 127 00	oil sump	lower	1	
4	9G1 332 803 00	Shaft oil seal 64 X 82 X 8		1	
5	9G1 307 816 00	Torx screw		13	
6	918 321 802 00	sealing plug		1	
7	918 321 826 00	gasket for oil sump	lower	1	
8	918 307 323 00	oil filter		1	
9	918 321 899 00	Magnet		1	
10	9G1 303 803 00	Retaining clip		1	
11	9G1 321 259 00	Seal		1	
12	9G1 332 801 00	Torx screw M 8 X 25		6	
13	9G1 332 804 00	Shaft oil seal 42 X 55 X 7		1	
14	9G1 324 135 00	gearshift lever		1	
15	9G1 324 815 00	Nut M 8 X 1		1	
16	970 324 805 00	Shaft oil seal 10 X 18 X 5		1	
17	991 606 391 00	Temperature sensor		1	
18	970 321 805 00	Seal bolt with sealing ring M 18 X 1,5		2	
19	918 321 221 00	Breather line		1	
20	9G1 321 360 00	End cap 60 X 10/13		2	
21	9G1 302 375 00	seal ring		1	
22	918 302 375 00	seal ring		1	
23	918 332 802 00	Torx screw M 10 X 45		2	
24	918 332 208 02	Flanged shaft Short		1	
25	918 332 209 02	Flanged shaft Long		1	
26	918 332 821 00	Cover		1	
27	918 321 159 00	Flanged shaft housing (complete)		1	
28	9G1 321 815 00	O-ring		1	
29	9G1 321 818 00	O-ring		2	
30	9G1 321 809 00	flat round head bolt M 6 X 12		3	
31	918 332 225 00	Oil guide plate		1	
32	9G1 307 301 00	Oil guide plate		1	
33	9G1 332 806 00	Shaft oil seal		1	
34	9G1 116 807 00	Shaft oil seal 40 X 52 / 55 X 40		1	
35	918 321 028 00	breather assy.		1	
36	918 375 049 04	hydro-mounting		1	
37	999 062 321 01	Threaded pin M 10 X 57		4	
38	999 062 320 01	Threaded pin M 10 X 222		4	
39	970 321 871 00	sealing plug M 10 X 1		1	
40	N 102 613 11	Hexagon nut		8	

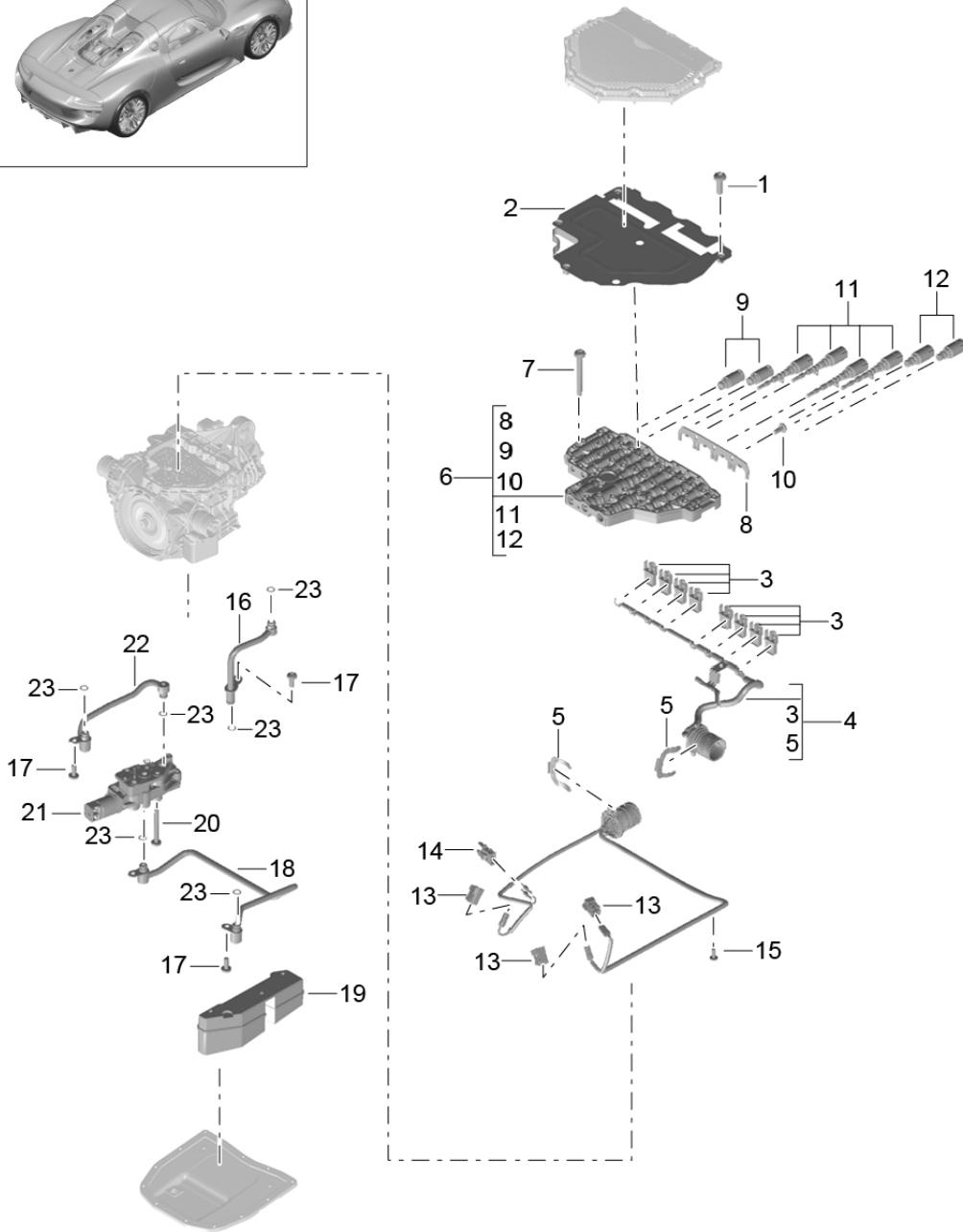
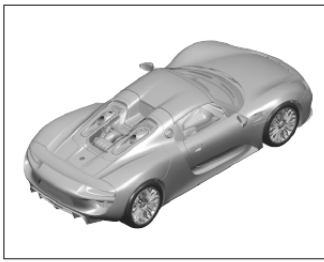
Model: 918

Model life 2015>>2015

Pos	Part Number	Description	Remark	Qty	Model
-	000 043 209 35	M10 special lubricant DF 977 S ML		1	

Model: 918

Model life 2015>>2015



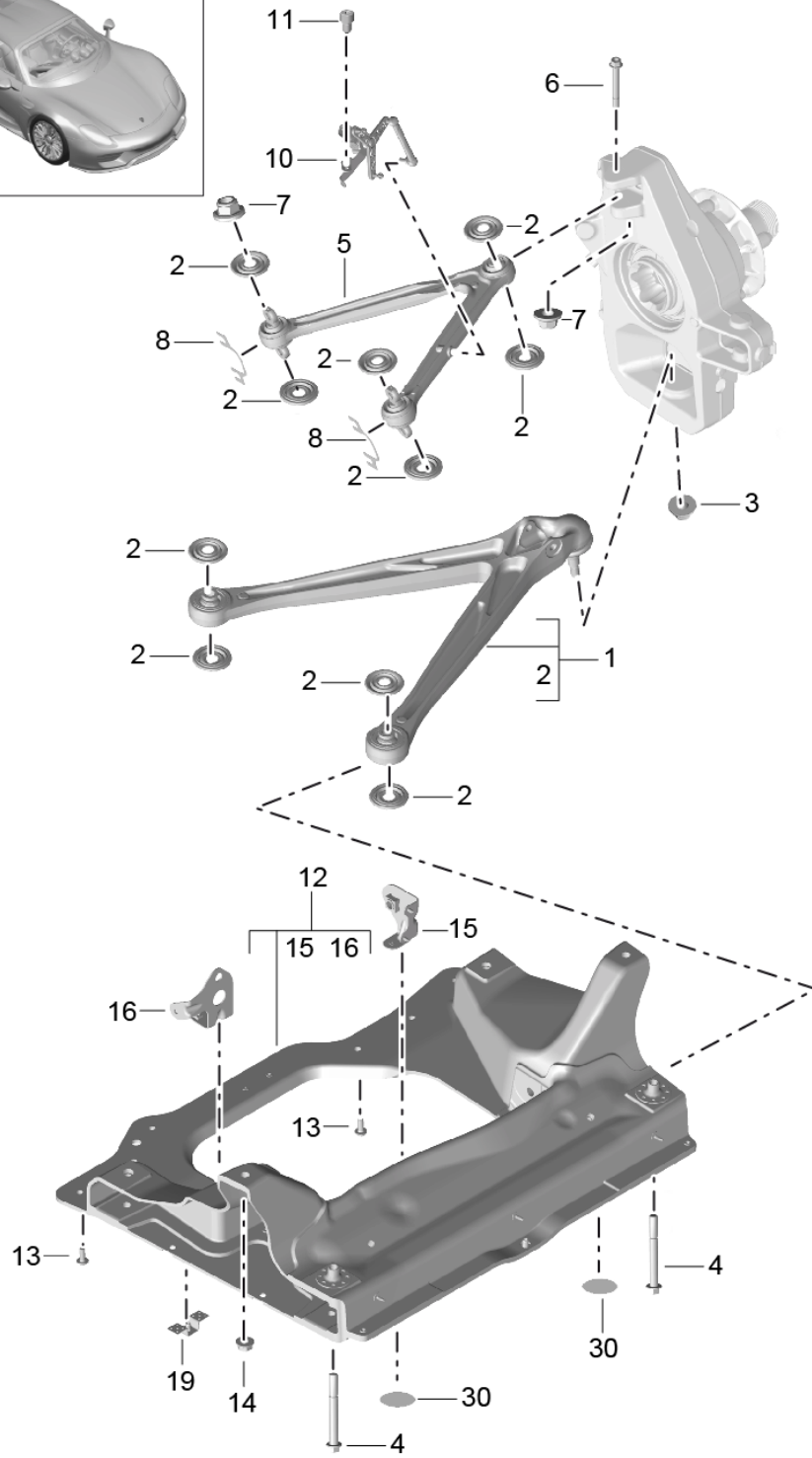
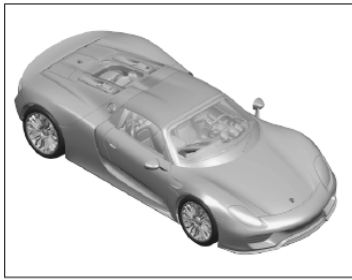
Model: 918

Model life 2015>>2015

Pos	Part Number	Description	Remark	Qty	Model
		- PDK - Gearbox Individual parts			C1800
1	918 321 813 00	Torx screw M 5 X 20		5	
2	918 321 325 00	Guard plate		1	
3	9G1 317 698 00	Connector housing		8	
4	918 317 615 00	Wire set		1	
5	9G1 303 803 00	Retaining clip		1	
6	918 317 015 00	Control unit Hydraulic		1	
7	918 317 801 00	Torx screw M 6 X 55		20	
8	918 307 247 00	Retaining plate		2	
9	918 317 237 00	Solenoid valve		2	
10	918 307 805 00	Torx screw		6	
11	918 317 258 00	pressure regulator		4	
12	918 317 259 00	pressure regulator		2	
13	918 317 684 00	Connector housing		3	
14	918 317 690 00	Connector housing		1	
15	9G1 317 803 00	Torx screw		1	
16	918 315 107 00	Pipe assembly		1	
17	9G1 307 816 00	Torx screw		6	
18	918 315 103 00	Pipe assembly		1	
19	918 307 301 00	Filler piece		1	
20	9G1 315 804 00	Torx screw		3	
21	9G1 315 015 00	Valve block		1	
22	918 315 105 00	Pipe assembly		1	
23	9G1 307 892 00	O-ring		6	
24	918 317 651 00	Cable guide		1	

Model: 918

Model life 2015>>2015



Model: 918 Model life 2015>>2015

Pos	Part Number	Description	Remark	Qty	Model
1	918 341 053 01	Wishbone Support frame Adaptive suspension Wishbone	lower	2	
1	918 341 053 02	No longer use the part here Wishbone	lower	2	
2	918 341 851 00	Gaiter repair set Wishbone Mounting GR. 14 comprising:	also use: 999 084 449 09	2 1	
(2)	918 341 855 00	Gaiter repair set Wishbone Mounting GR. 16 comprising:		2 2 1	
(2)	918 341 853 00	Gaiter repair set Wishbone Mounting GR. 18 comprising:		1 1 1 1	
3	999 084 655 01	Gaiter repair set Wishbone Mounting GR. 18 comprising:		2 2 4	
3	999 084 449 09	Hexagon nut only in conj. with: Wishbone 918.341.053.01 No longer use the part here		4	
3	999 084 449 09	Locknut M 12 X 1,5 only in conj. with: Wishbone 918.341.053.02		4	
4	999 311 502 01	Locating bolt MJ12 X 1.5		4	PR:-808
(4)	999 311 502 02	Locating bolt MJ12 X 1.5		4	PR:808
5	918 341 051 00	Wishbone	upper	2	
6	999 311 602 01	Locating bolt M 10 X 1,5 X 65		4	PR:-808
(6)	999 311 602 02	Locating bolt M 10 X 1,5 X 65		2	PR:808
7	999 084 656 01	Hexagon nut M 10		2	
8	918 341 543 00	adjusting washer 0,5MM		4	
(8)	918 341 543 01	adjusting washer 1,0MM		4	
(8)	918 341 543 02	adjusting washer 2,0MM		4	
(8)	918 341 543 03	adjusting washer 4,0MM		4	
10	918 343 021 00	Level sensor Adaptive suspension	left	1	

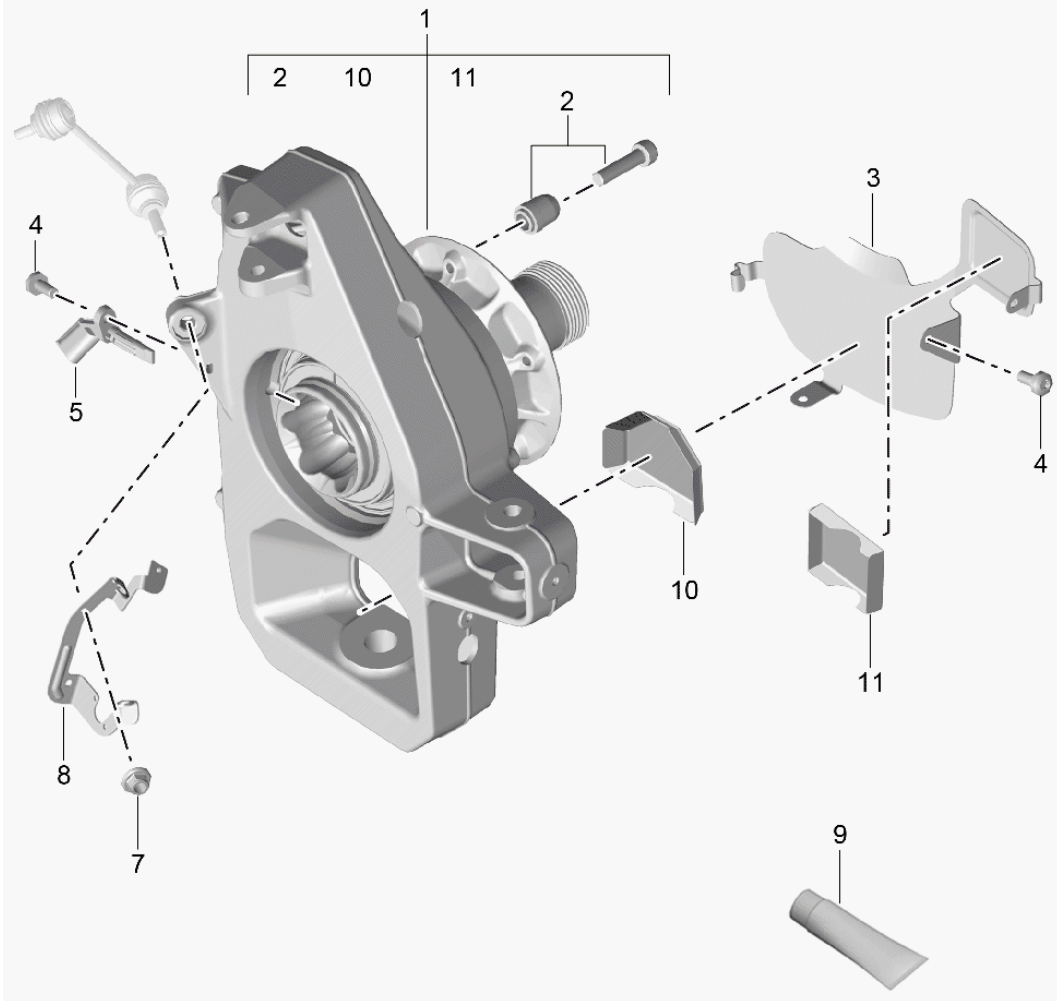
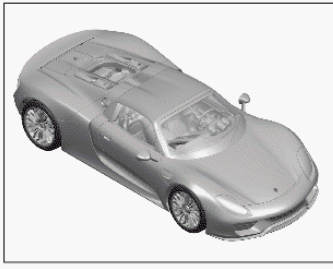
Model: 918

Model life 2015>>2015

Pos	Part Number	Description	Remark	Qty	Model
(10)	918 343 022 00	Level sensor Adaptive suspension	right	1	
11	N 105 447 03	Socket head bolt with inner hex round head Mount Sensor Adaptive suspension		X	
12	918 341 101 02	Support frame		1	
13	999 073 258 A1	fillister hd. bolt M8 X 20	also use: 918 501 601 00	2	
14	999 084 445 01	Locknut M12 X 1,5		6	
15	918 501 981 00	Bracket Hybrid Module repair set		1	
16	918 501 982 00	Bracket Hybrid Module repair set		1	
17	999 061 401 02	Threaded pin M 10 X 40		X	
19	918 501 980 01	Bracket Underbody protection repair set		1	
30	918 501 601 00	Sticker Support frame		2	

Model: 918

Model life 2015>>2015

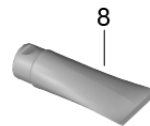
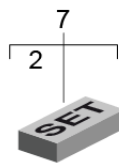
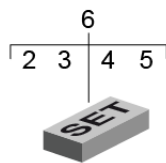
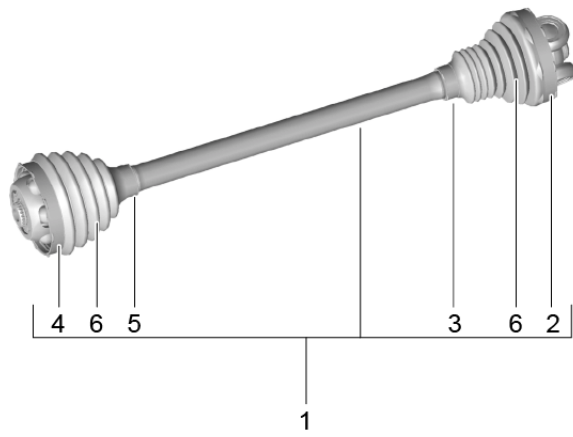
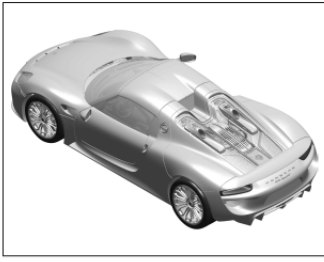


Model: 918 Model life 2015>>2015

Pos	Part Number	Description	Remark	Qty	Model
1	918 341 921 03	Wheel carrier Wheel carrier (complete)	left	1	PR:-808
(1)	918 341 921 04	Wheel carrier (complete)	left	1	PR:808
(1)	918 341 922 03	Wheel carrier (complete)	right	1	PR:-808
(1)	918 341 922 04	Wheel carrier (complete)	right	1	PR:808
2	918 341 881 00	Driving pin repair set comprising: Driving pin Driving pin Socket head bolt		1 1 4 5	
3	918 351 801 00	Cover plate	left	1	
(3)	918 351 802 00	Cover plate	right	1	
4	N 107 512 01	Hexagon socket flat head bolt M 6 X 14		8	
5	4E0 927 803 F	speed sensor		2	
6	918 609 408 00	Bracket Level sensor	right	1	
(6)	918 609 407 01	Bracket Level sensor	left	1	
7	999 084 656 01	Hexagon nut M 10		2	
8	918 351 821 00	Bracket		2	
9	000 043 981 00	Grease		1	
10	918 351 831 00	Heat insulation	left	1	
(10)	918 351 832 00	Heat insulation	right	1	
11	918 351 833 00	Heat insulation	left	1	
(11)	918 351 834 00	Heat insulation	right	1	

Model: 918

Model life 2015>>2015



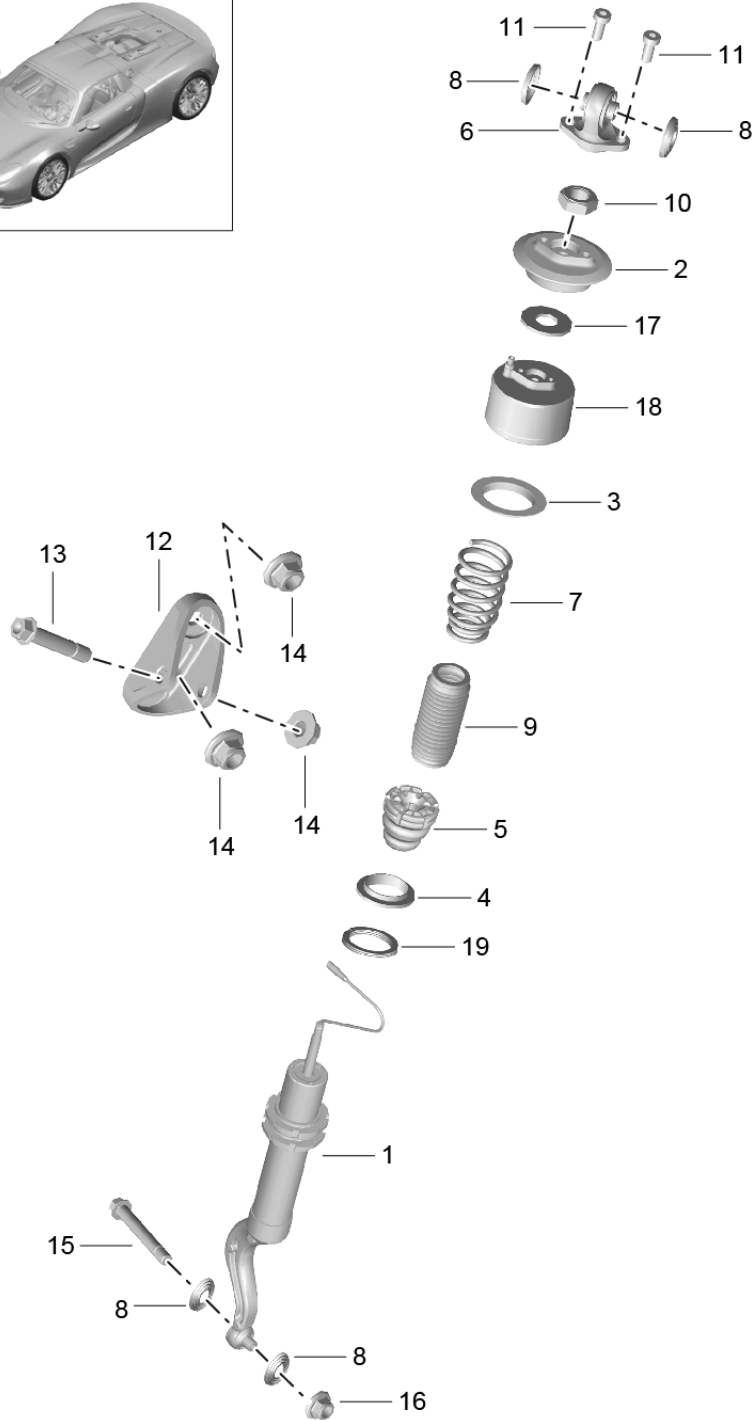
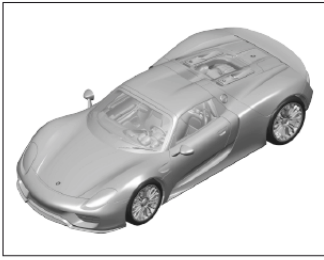
Model: 918

Model life 2015>>2015

Pos	Part Number	Description	Remark	Qty	Model
1	918 349 037 04	Drive shaft		2	
2	970 349 263 01	Drive shaft Hose clip To Gearbox Large		2	
3	970 349 261 00	Hose clip To Gearbox Small		2	
4	918 349 891 00	Hose clip To Wheel Large		2	
5	N 908 637 01	clamp To Wheel Small		2	
6	918 349 851 00	Repair set for front axle Gaiter comprising: Bellows Bellows Hose clip Hose clip Hose clip Hose clip snap ring		1 1 1 1 1 1 2	
7	918 349 853 00	Repair set for front axle Drive shaft comprising: Hose clip		1 1	
8	000 043 110 02	Securing ring grease Grease for drive shaft 1 100-gramme tube		1 X	
-		See technical manual Group 4			

Model: 918

Model life 2015>>2015



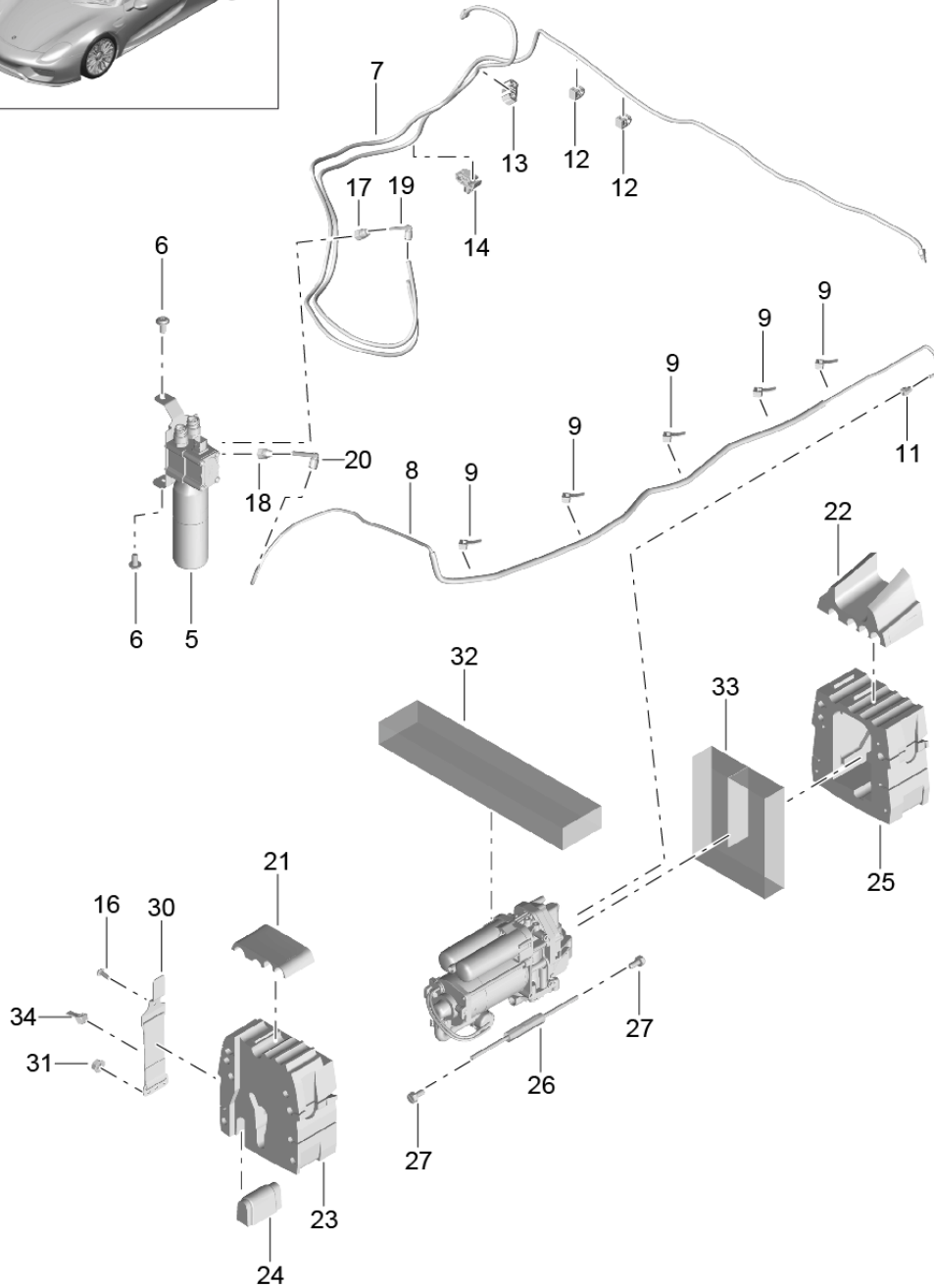
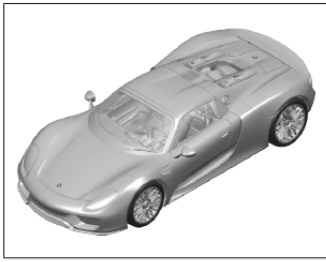
Model: 918

Model life 2015>>2015

Pos	Part Number	Description	Remark	Qty	Model
		suspension			
		Shock absorber strut			
		Bracket			
1	918 343 053 00	vibration damper		2	PR:-474
(1)	918 343 053 01	vibration damper		2	PR:474
2	918 343 503 00	spring disc		2	PR:-474
3	918 343 525 02	shelf		2	
4	918 333 513 00	Intermediate ring		2	
5	918 343 541 00	helper spring		2	
6	918 343 015 00	Shock absorber bearing		2	
7	918 343 531 00	Coil spring		2	
8	918 343 593 00	Gaiter		4	
9	918 333 107 00	Bellows		2	
10	918 343 133 00	Hexagon nut		2	
		M 12			
11	918 343 016 00	Screw		4	
		M8 X 18			
12	918 343 521 01	Bracket		2	
13	999 311 605 02	Locating bolt		2	PR:808
		MJ 10 X 52			
(13)	999 311 605 01	Locating bolt		2	PR:-808
		MJ 10X 52			
14	999 084 656 01	Hexagon nut		6	
		M 10			
15	999 311 606 01	Locating bolt		2	PR:-808
		MJ 10 X 1,5 X 72			
(15)	999 311 606 02	Locating bolt		2	PR:808
		MJ 10 X 1,5 X 72			
16	999 084 656 01	Hexagon nut		2	
		M10			
17	999 025 271 02	Washer		2	
18	918 343 561 00	air spring		1	PR:474
19	918 333 537 00	helper spring		2	

Model: 918

Model life 2015>>2015



Model: 918 Model life 2015>>2015

Pos	Part Number	Description	Remark	Qty	Model
-		Front axle Level adjustment Control unit		1	PR:474
(1)	918 341 193 02	Compressor (complete)	see illustration: 901-003	1	
2	918 341 141 01	Mount Compressor Discontinued part		1	
5	918 341 195 00	Pressure accumulator		1	
6	999 015 025 09	Oval-head screw M6 X 12 Mount Pressure accumulator		2	
7	918 341 271 02	Air line Pressure accumulator for Shock absorbers		2	
8	918 341 269 01	Air line Compressor for Pressure accumulator		1	
9	999 513 075 40	Cable ties Wire set Body		X	
11	999 230 598 10	Connecting piece VOSS 203		1	
12	95B 611 797	Clip Wire set Shock absorbers		5	
13	8K0 611 797 D	Clip Wire set Damper		2	
14	955 355 546 01	Line holder Wire set Damper		2	
16	999 015 026 A1	fillister hd. bolt M6 X 16 Mount POS30		4	
17	999 230 598 10	Connecting piece VOSS M8 Wire set Damper To Pressure accumulator		2	
18	999 230 753 10	Connecting piece VOSS 6,0 Wire set Compressor To Pressure accumulator		1	
19	999 230 754 40	Elbow fitting 6 / 4 MM Wire set Damper To Pressure accumulator		2	
20	999 230 755 40	Elbow fitting 6 / 6 MM Wire set Compressor To		1	

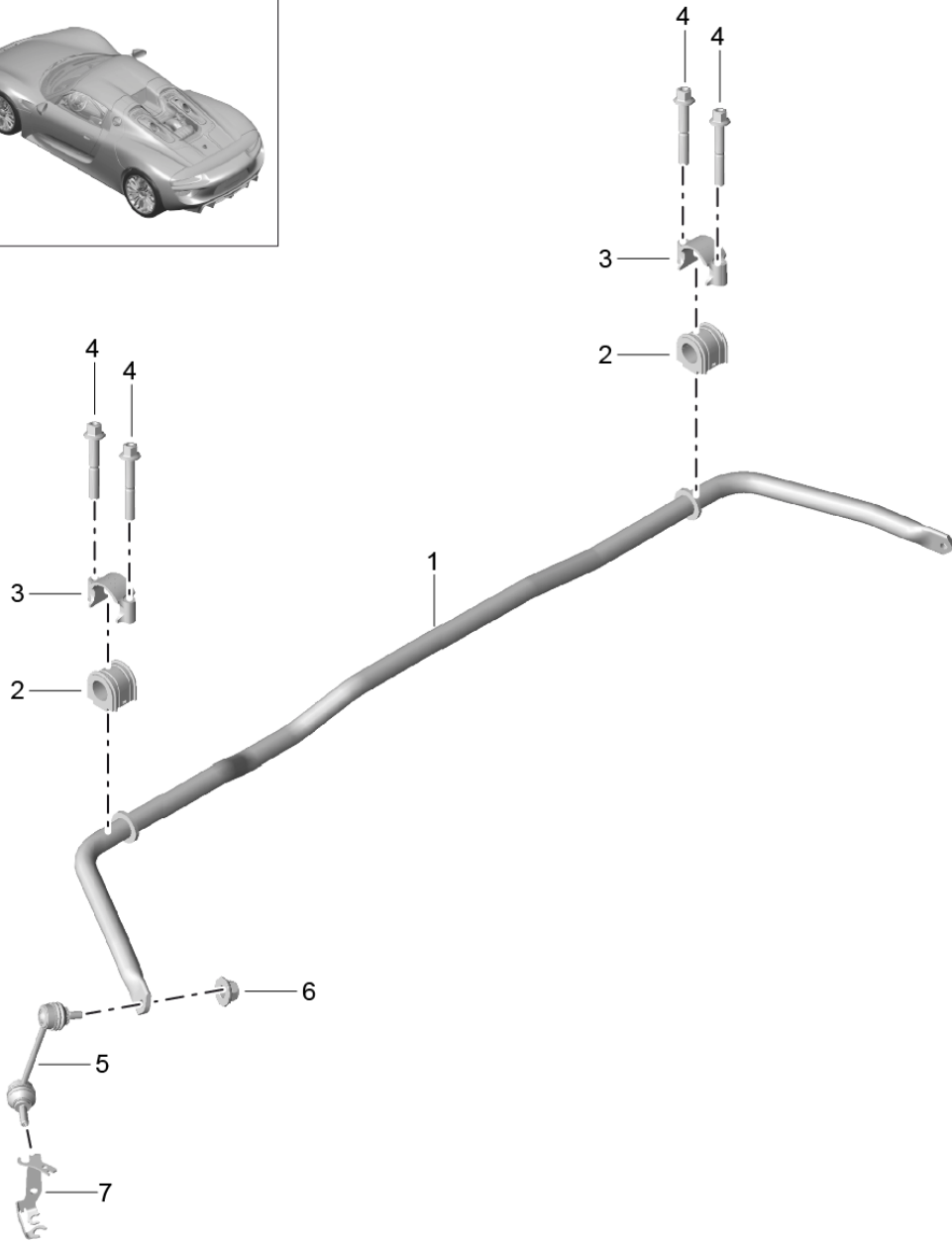
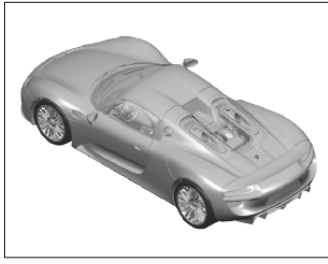
Model: 918

Model life 2015>>2015

Pos	Part Number	Description	Remark	Qty	Model
21	918 341 421 00	Pressure accumulator Foam part	front upper	1	
22	918 341 425 00	Foam part	rear upper	1	
23	918 341 423 01	Foam part	front lower	1	
24	918 341 429 00	Insert POS23		1	
25	918 341 427 00	Foam part	rear lower	1	
26	918 341 441 00	Distance piece Foam part		4	
27	918 341 643 00	Screw POS26		4	
30	918 341 301 00	Belt Foam part		4	
31	900 377 018 01	Hexagon nut M6 Mount Belt		4	
32	918 341 531 00	Sound absorber Foam part		1	
33	918 341 533 00	Sound absorber Compressor		1	
34	999 513 075 40	Cable ties Mount Foam part		2	
-	991 618 440 12	To POS30 Control unit		1	

Model: 918

Model life 2015>>2015



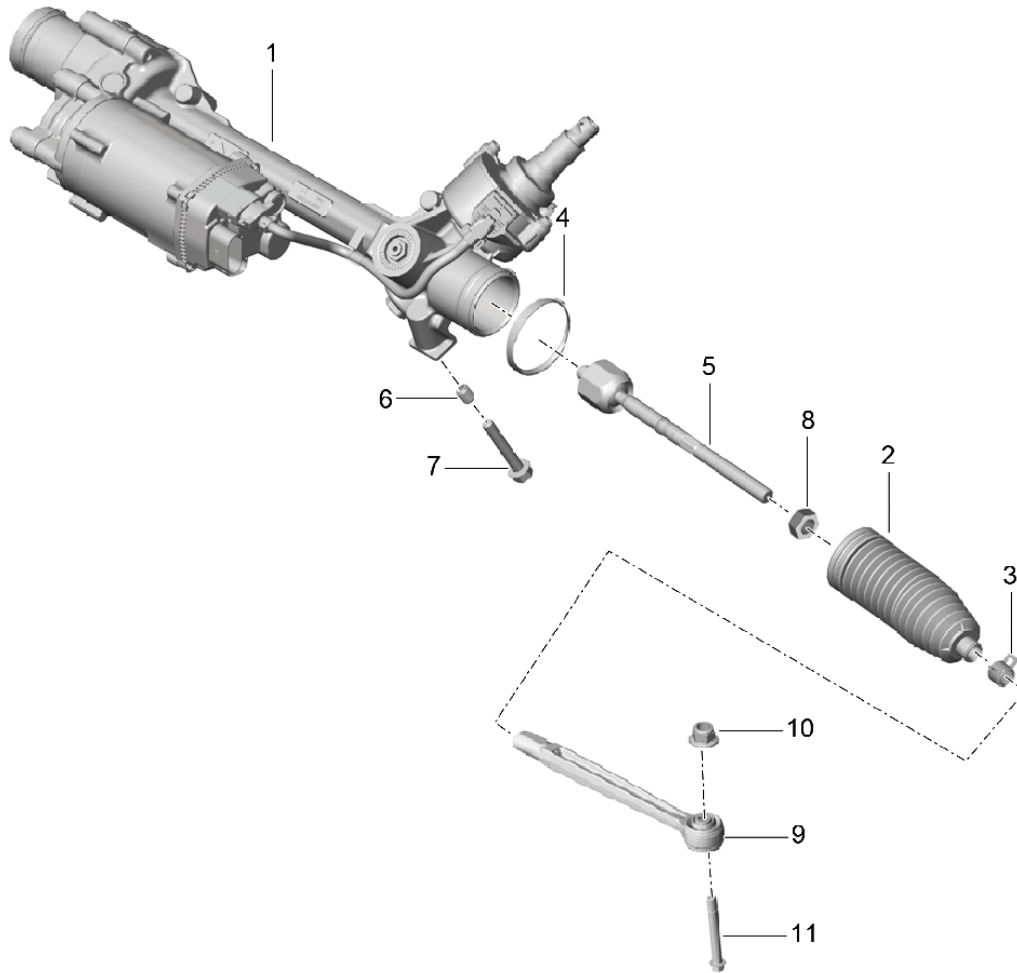
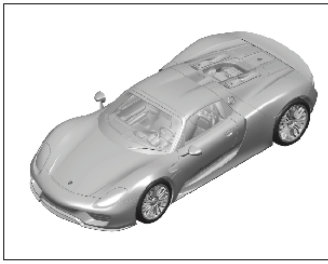
Model: 918

Model life 2015>>2015

Pos	Part Number	Description	Remark	Qty	Model
1	918 343 701 01	Anti-roll bar		1	
2	918 343 792 01	Anti-roll bar		2	
3	918 343 777 01	anti-roll bar bearing bracket		2	
4	999 072 960 01	Clamp		4	
		Hexagon bolt			
		MJ6 X 1 X 41			
5	918 343 069 01	Coupling rod	left	1	
(5)	918 343 070 01	Coupling rod	right	1	
6	999 084 656 01	Hexagon nut		2	
		M 10			
7	918 351 821 00	Bracket	left	1	
(7)	918 351 822 00	Bracket	right	1	

Model: 918

Model life 2015>>2015



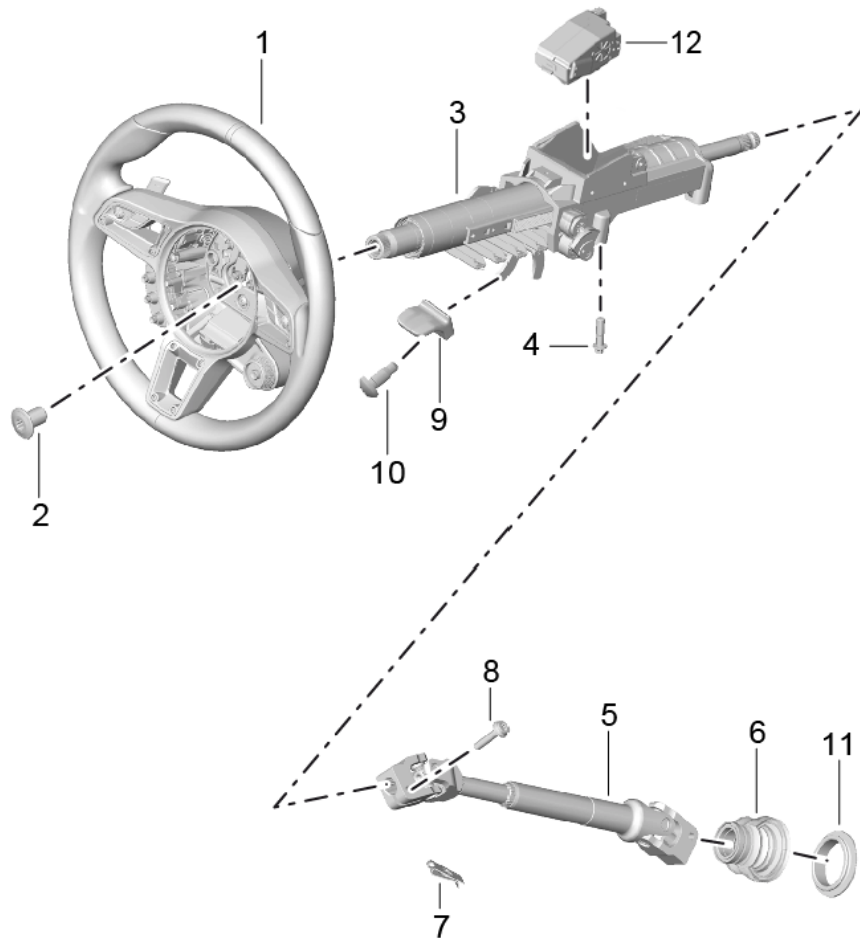
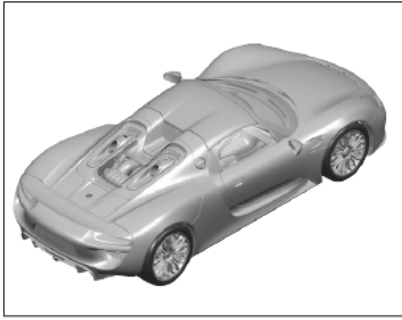
Model: 918

Model life 2015>>2015

Pos	Part Number	Description	Remark	Qty	Model
1	918 347 005 04	Power steering Steering gear Steering gear		1	
2	991 347 191 01	Bellows		1	
3	991 347 375 01	clamping ring		2	
4	991 347 293 01	clamping ring		2	
5	991 347 322 00	Joint		2	
6	900 197 070 01	spring pin 13 X 14		2	
7	900 385 004 01	Torx screw AM 10 X 60		2	
8	999 034 037 01	Hexagon nut M 14 X 1,5		2	
9	918 347 031 00	Track rod		2	
10	999 084 656 01	Hexagon nut M10		2	
11	999 311 604 01	Locating bolt MJ10 X 1.5 X 81		2	PR:-808
(11)	999 311 604 02	Locating bolt MJ10 X 1.5 X 81		2	PR:808

Model: 918

Model life 2015>>2015



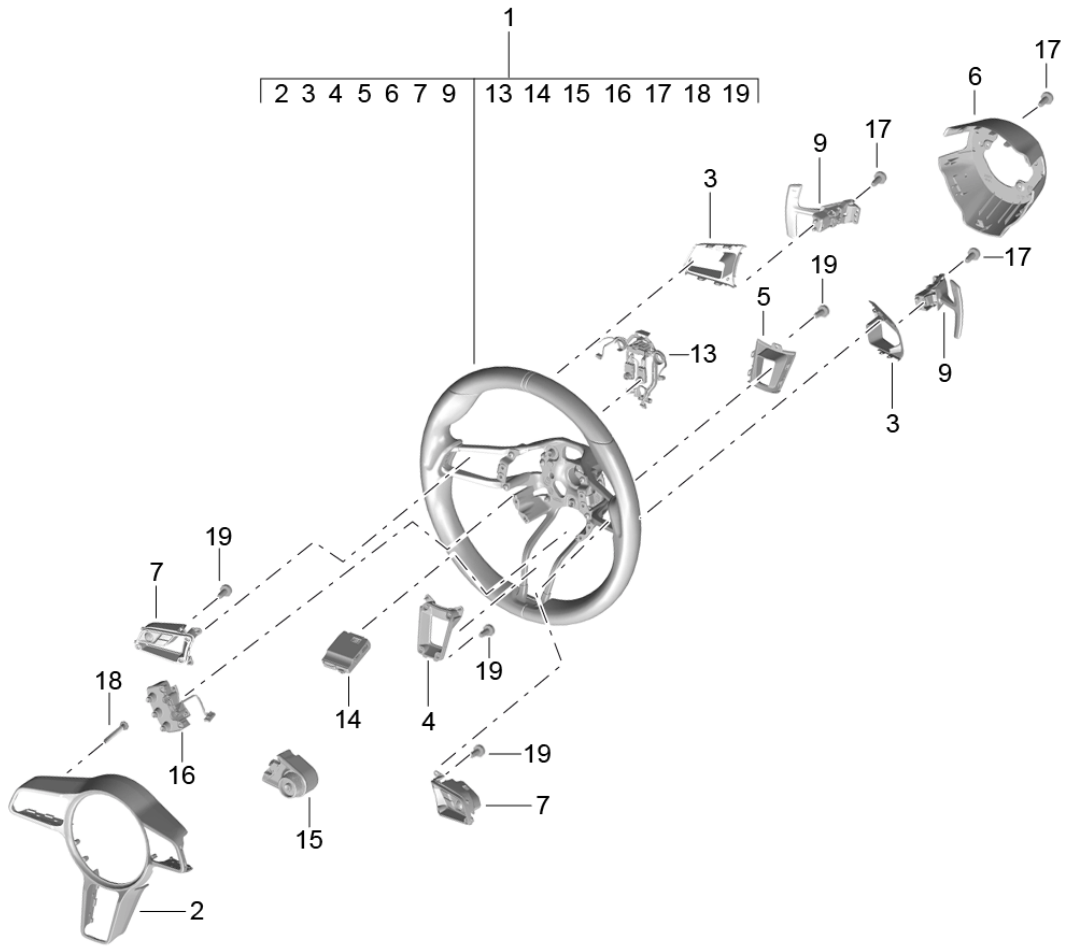
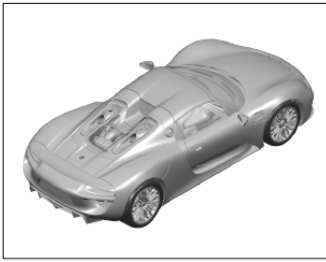
Model: 918

Model life 2015>>2015

Pos	Part Number	Description	Remark	Qty	Model
1		Steering wheels Steering column Intermediate steering shaft steering wheel see illustration:	403-006	1	
2	N 910 207 01	Screw with int. serrations M18 X 1.5 X 26		1	
3	918 347 015 03	Steering column		1	
4	N 911 744 01	Socket head bolt with inner multipoint head M 8 X 35		4	
5	918 347 023 00	Intermediate steering shaft		1	
6	918 347 037 00	Sealing sleeve		1	
7	999 507 020 01	panel nut		2	
8	WHT 004 955 A	Torx socket head bolt M8 X 30		2	
9	970 347 175 00 970 347 175 00 1E0	handle Black		1	
10	N 104 857 03	Hexagon socket flat head bolt M5 X 12		1	
11		Support see illustration, item:	801-001,11	1	
12	7PP 905 852 C	Control unit		1	

Model: 918

Model life 2015>>2015



Model: 918 Model life 2015>>2015

Pos	Part Number	Description	Remark	Qty	Model
(1)	918 347 803 03	Steering wheels Individual parts steering wheel Leather Discontinued part		1	PR:846,-508
	918 347 803 03 SPU	Black/Acid Green	-33,53		
	918 347 803 03 SPV	black/silver	-34,36,54,56		
	918 347 803 03 SPW	Black/orange	-37		
(1)	918 347 803 06	steering wheel Leather Discontinued part		1	PR:846,-508
	918 347 803 06 SPU	Black/Acid Green	-33,53		
	918 347 803 06 SPV	black/silver	-34,36,54,56		
	918 347 803 06 SPW	Black/orange	-37		
1	918 347 803 04	steering wheel Leather Discontinued part		1	PR:508,846
	918 347 803 04 SPU	Black/Acid Green	-33,53,63,73		
	918 347 803 04 SPV	black/silver	-34,54,64,74, 56,36		
	918 347 803 04 SPW	Black/orange	-37		
1	918 347 803 07	steering wheel Leather Discontinued part		1	PR:508,846
	918 347 803 07 SPU	Black/Acid Green	-33,53,63,73		
	918 347 803 07 SPV	black/silver	-34,54,64,74, 56,36		
	918 347 803 07 SPW	Black/orange	-37		
(1)	918 347 803 05	steering wheel (leather) Authentic (complete) Discontinued part		1	PR:508,880
	918 347 803 05 SPX	Black/Acid Green	-33,53,63,73		
	918 347 803 05 SPY	black/silver	-34,54,64,74, 56,36		
	918 347 803 05 SPZ	Black/orange	-37		
(1)	918 347 803 08	steering wheel (leather) Authentic (complete) Discontinued part		1	PR:508,880
	918 347 803 08 SPX	Black/Acid Green	-33,53,63,73		
	918 347 803 08 SPY	black/silver	-34,54,64,74, 56,36		
	918 347 803 08 SPZ	Black/orange	-37		
2	95B 419 732 A	Cover		1	
	95B 419 732 A U04	Aluminium, brushed			
3	95B 419 936	Trim	left rear	1	
	95B 419 936 OX2	Smoke Chrome, High Gloss			
(3)	95B 419 937	Trim	right rear	1	
	95B 419 937 OX2	Smoke Chrome, High Gloss			
4	95B 419 938 A	Trim	front	1	
	95B 419 938 A OX2	Smoke Chrome, High Gloss			
5	95B 419 938 B	Trim	rear	1	
	95B 419 938 B OX2	Smoke Chrome, High Gloss			
6	95B 419 798 A	Cover (leather)	rear	1	
	95B 419 798 A A34	Black			
7	95B 998 537 A	Set		1	
	95B 998 537 A OX2	Smoke Chrome, High Gloss			
9	95B 998 540 C	Shifting paddle Set		1	PR:-508
	95B 998 540 C OX2	Smoke Chrome, High Gloss			
(9)	95B 998 540 D	Shifting paddle Set		1	PR:508

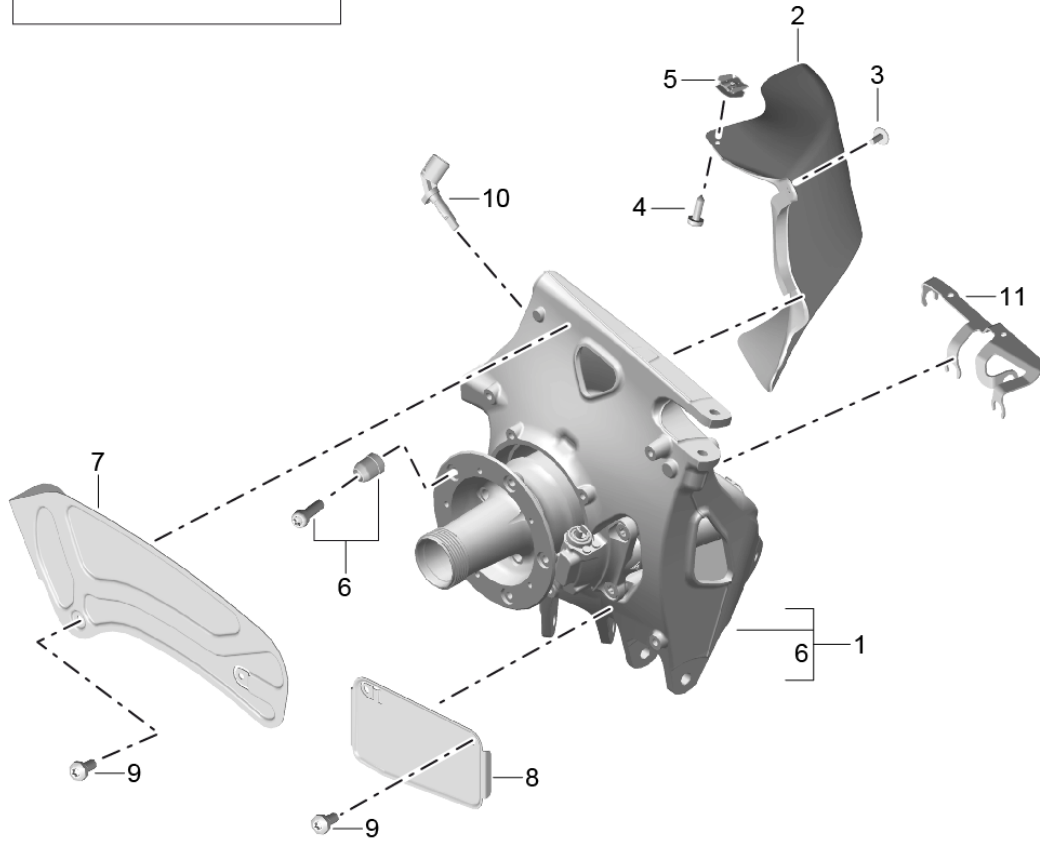
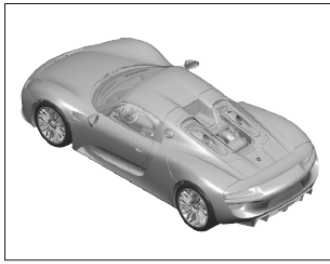
Model: 918

Model life 2015>>2015

Pos	Part Number	Description	Remark	Qty	Model
13	95B 998 540 D A3G 95B 971 388 B	Carbon Gloss Black Wire set		1	
14		Multi-functional unit Control unit see illustration:	901-003	1	
15	95B 919 680 95B 919 680 OX2	Key Smoke Chrome, High Gloss		1	
16	95B 959 673 95B 959 673 OX2	Strip for switches Smoke Chrome, High Gloss		1	
17	N 107 524 01	Oval socket head bolt with hex drive M4 X 10		X	
18	999 919 305 01	Screw M4 X 30		4	
19	999 919 304 01	Screw M8 X 3		6	

Model: 918

Model life 2015>>2015

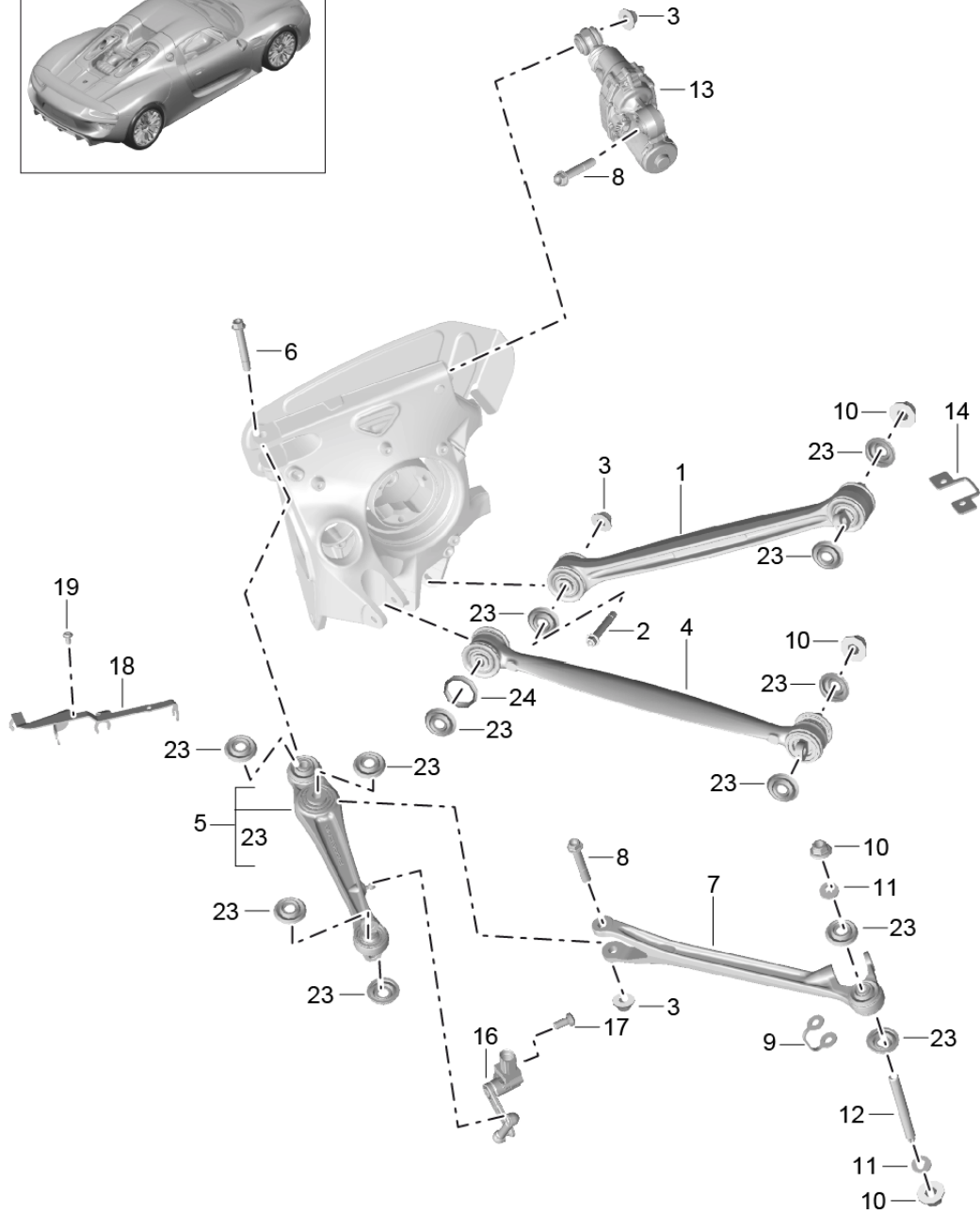
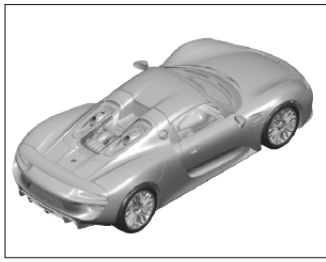


Model: 918 Model life 2015>>2015

Pos	Part Number	Description	Remark	Qty	Model
1	918 331 921 01	Rear axle Wheel carrier Wheel hub Wheel carrier (complete) No longer use the part here	left	1	PR:-808
1	918 331 921 03	Wheel carrier (complete)	left	1	PR:-808
(1)	918 331 921 02	Wheel carrier (complete) No longer use the part here	left	1	PR:808
(1)	918 331 921 04	Wheel carrier (complete)	left	1	PR:808
(1)	918 331 922 01	Wheel carrier (complete) No longer use the part here	right	1	PR:-808
(1)	918 331 922 03	Wheel carrier (complete)	right	1	PR:-808
(1)	918 331 922 02	Wheel carrier (complete) No longer use the part here	right	1	PR:808
(1)	918 331 922 04	Wheel carrier (complete)	right	1	PR:808
2	918 331 391 01	Air guide plate	left	1	
(2)	918 331 392 01	Air guide plate	right	1	
3	999 073 404 01	fillister hd. bolt		4	
4	N 906 487 04	Hexagon socket oval head bolt		2	
5	N 906 988 01	Speed nut		2	
6	918 331 881 00	Driving pin repair set comprising: Driving pin Socket head bolt		1 5 5	
7	918 352 801 02	Cover plate	left	1	
(7)	918 352 802 02	Cover plate	right	1	
8	918 352 803 01	Cover plate	left	1	
(8)	918 352 804 01	Cover plate	lower right lower	1	
9	N 107 512 01	Hexagon socket flat head bolt		X	
10	4E0 927 803 F	speed sensor	left	1	
(10)	4E0 927 804 F	speed sensor	right	1	
11	918 609 401 02	Bracket Wheel carrier	left	1	
(11)	918 609 402 02	Bracket Wheel carrier	right	1	
-	000 043 981 00	Grease		1	

Model: 918

Model life 2015>>2015



Model: 918

Model life 2015>>2015

Pos	Part Number	Description	Remark	Qty	Model
1	918 331 043 00	Rear axle Guide Adaptive suspension	lower	2	
2	999 311 504 01	Guide Locating bolt MJ12 X 1,5 X 77		4	PR:-808
(2)	999 311 504 02	Locating bolt MJ12 X 1,5 X 77		4	PR:808
3	999 084 655 01	Hexagon nut M12		X	
4	918 331 041 00	Wishbone	lower	2	
5	918 331 047 02	Wishbone	upper	2	
6	999 311 602 01	Locating bolt MJ10 X 1,5 X 65		2	PR:-808
(6)	999 311 602 02	Locating bolt MJ10 X 1,5 X 65		2	PR:808
7	918 331 061 00	Guide	upper	2	
8	999 311 503 01	Locating bolt MJ12 X 1,5		4	PR:-808
(8)	999 311 503 02	Locating bolt MJ12 X 1,5		4	PR:808
9	918 331 731 00	Washer		2	
10	999 084 656 01	Hexagon nut M 10		X	
11	999 234 501 01	eccentric washer 25 X 3		4	
12	999 061 129 01	Threaded pin M 10 X 83		2	
13	991 331 057 06	Track rod Rear axle Steering	left	1	
(13)	991 331 057 07	Discontinued part Track rod Rear axle Steering	left	1	
(13)	991 331 057 08	Discontinued part Track rod Rear axle Steering	left	1	
(13)	991 331 058 06	Track rod Rear axle Steering	right	1	
(13)	991 331 058 07	Discontinued part Track rod Rear axle Steering	right	1	
(13)	991 331 058 08	Discontinued part Track rod Rear axle Steering	right	1	
14	918 331 543 11	Spacer plate 10MM		2	
(14)	918 331 543 10	Spacer plate 3MM		2	
16	918 333 021 00	Level sensor		2	
17	N 106 808 01	Adaptive suspension Hexagon socket flat head bolt Sensor		4	
18	918 609 401 02	Bracket	left	1	
(18)	918 609 402 02	Adaptive suspension Bracket Adaptive suspension	right	1	

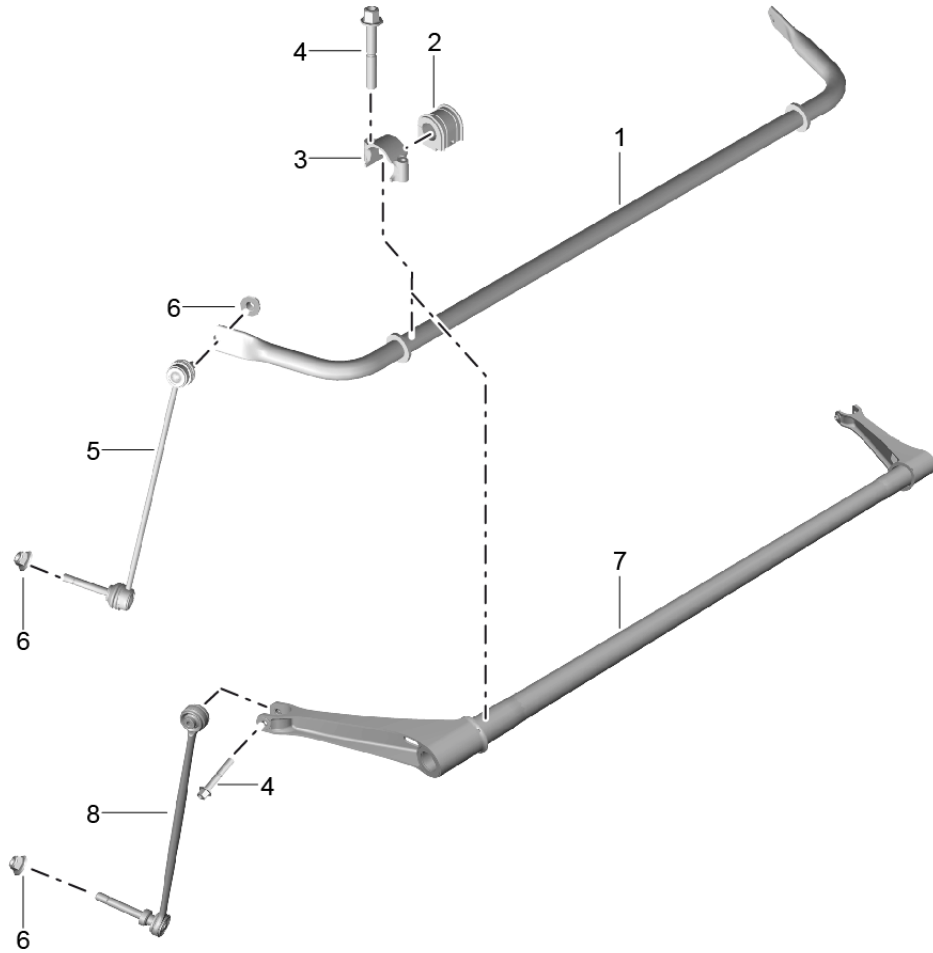
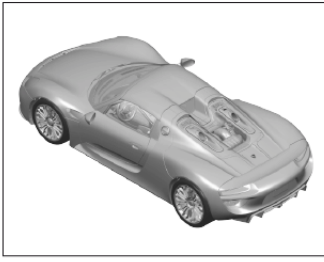
Model: 918

Model life 2015>>2015

Pos	Part Number	Description	Remark	Qty	Model
-		Wire set Rear axle		2	
		see illustration:	902-020		
19	999 015 025 A1	fillister hd. bolt M6 X 12		4	
23	918 341 851 00	Gaiter repair set Wishbone Mounting GR. 14 comprising: Gaiter		1 2	
(23)	918 341 853 00	Clamping ring Gaiter repair set Wishbone Mounting GR. 18 comprising: Gaiter		2 2 1 2	
24	918 331 891 00	Clamping ring O-ring		2 1	
25	918 331 543 24	adjusting washer 0,5MM		2	
(25)	918 331 543 25	adjusting washer 1MM		2	
(25)	918 331 543 26	adjusting washer 2MM		2	
(25)	918 331 543 27	adjusting washer 4MM		2	

Model: 918

Model life 2015>>2015



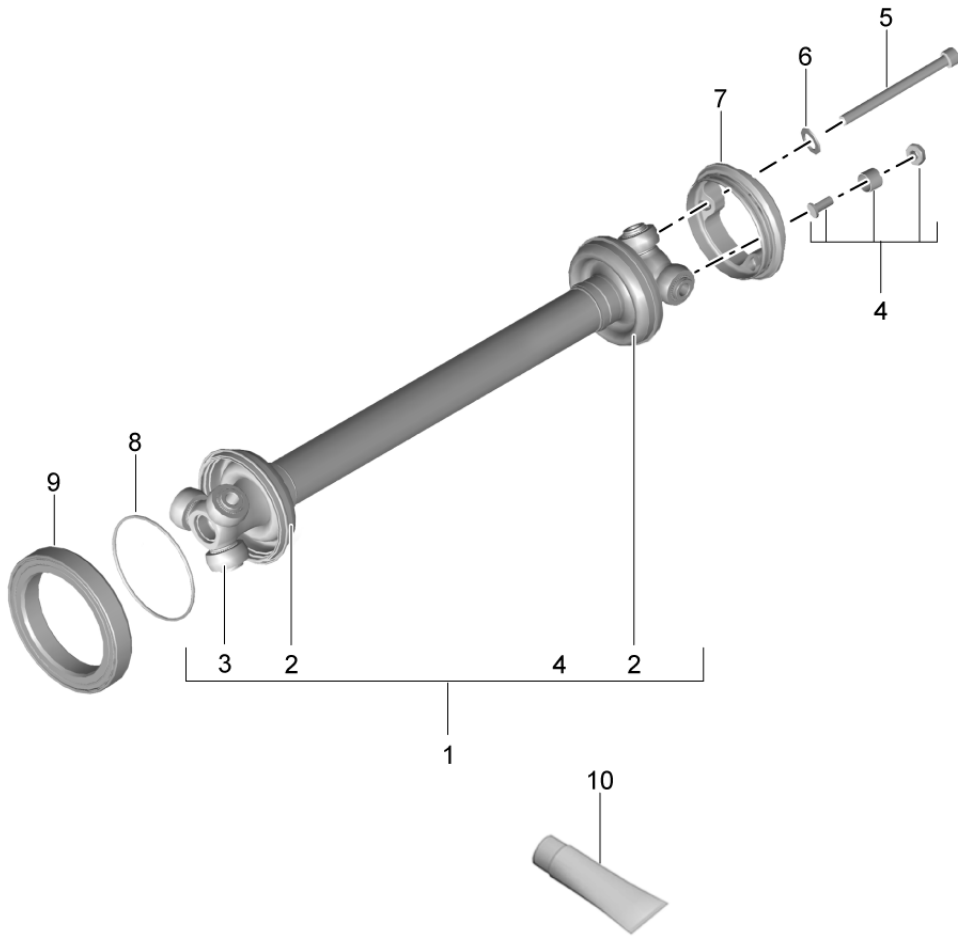
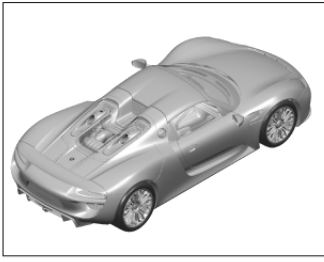
Model: 918

Model life 2015>>2015

Pos	Part Number	Description	Remark	Qty	Model
		Anti-roll bar Rear axle			
1	918 333 701 01	Anti-roll bar		1	PR:-808
2	918 333 792 01	anti-roll bar bearing bracket		2	PR:-808
(2)	918 333 792 10	anti-roll bar bearing bracket		2	PR:808
3	918 343 777 01	Clamp Anti-roll bar		2	
4	999 072 960 01	Hexagon bolt M 6 X 41		4	
5	918 333 069 01	Coupling rod	left	1	PR:-808
(5)	918 333 070 01	Coupling rod	right	1	PR:-808
6	999 084 656 01	Hexagon nut M 10		2	
7	918 333 701 10	Anti-roll bar		1	PR:808
8	918 333 071 01	Coupling rod		2	PR:808

Model: 918

Model life 2015>>2015

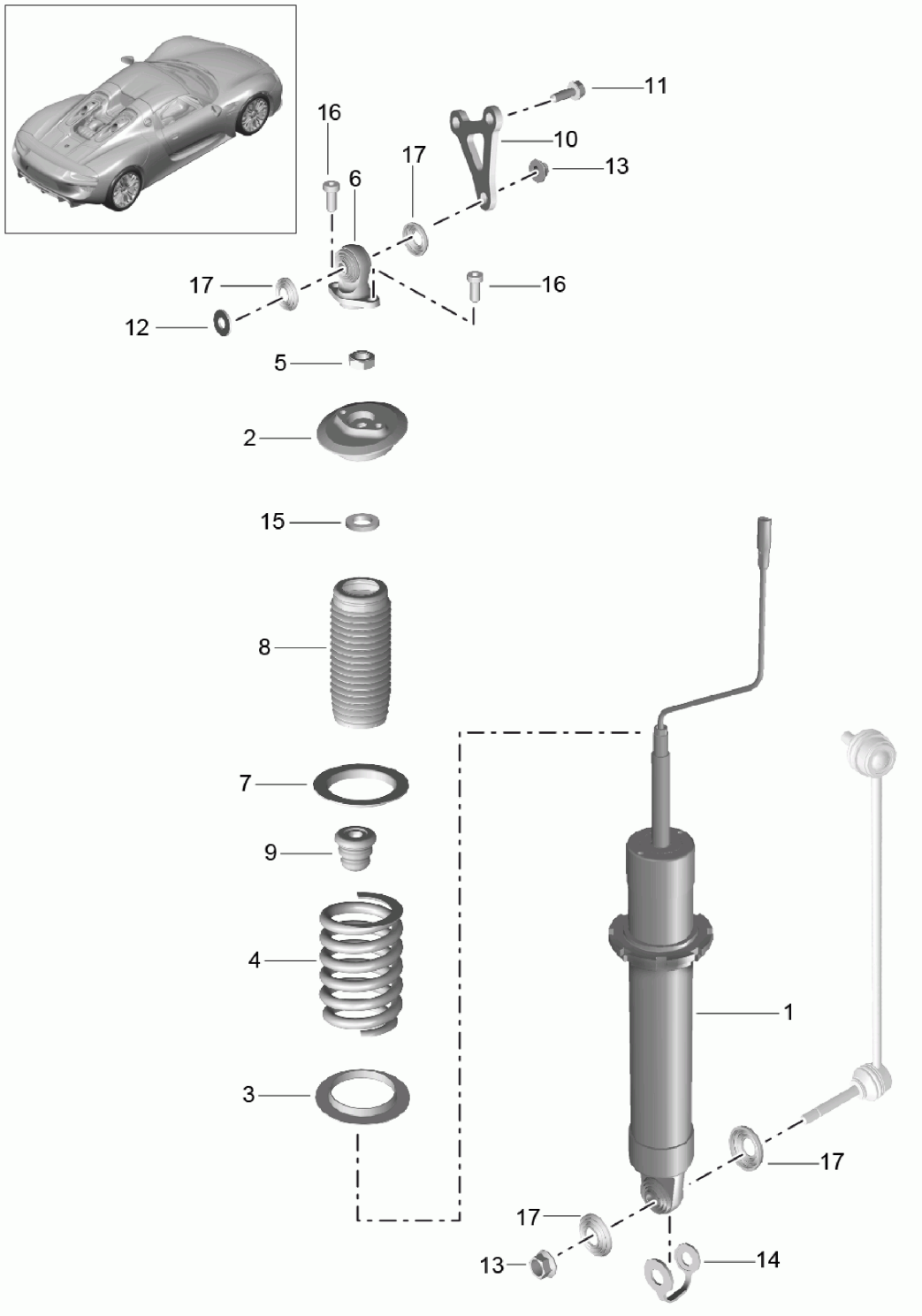


Model: 918 Model life 2015>>2015

Pos	Part Number	Description	Remark	Qty	Model
1	918 332 023 04	Drive shaft	left	1	
(1)	918 332 024 06	Drive shaft	right	1	
2	918 332 851 01	Repair set for rear axle		1	
		Bellows		2	
		Clip		1	
		ring		2	
		Clamp		2	
		O-ring		6	
		Securing ring		1	
		Tape		2	
		Protective film			
		Assembly aux. material			
3	918 332 853 01	Repair set for rear axle		1	
		Drive shaft comprising:		3	
		roller		3	
		Needle		3	
4	918 332 855 00	Securing ring		1	
		Repair set for rear axle			
		Fixing comprising:		1	
		Nut		1	
		bush		1	
		Pin			
5	900 387 301 02	Socket head bolt		6	
		M10 X 1 X 115			
6	900 123 168 01	Seal		6	
		A10 X 16			
7	918 332 857 01	Bearing cover		1	
		M10 X 1			
8	918 332 925 00	O-ring		1	
		90X2,5			
9	918 332 927 00	Rubber strap		1	
10	999 917 826 02	Grease	inner	2	
		Drive shaft			
		1 tube			
		150G			
(10)	999 917 826 03	Grease	outer	4	
		Drive shaft			
		1 tube			
		125G			
-		See technical manual			
		Group 4			

Model: 918

Model life 2015>>2015



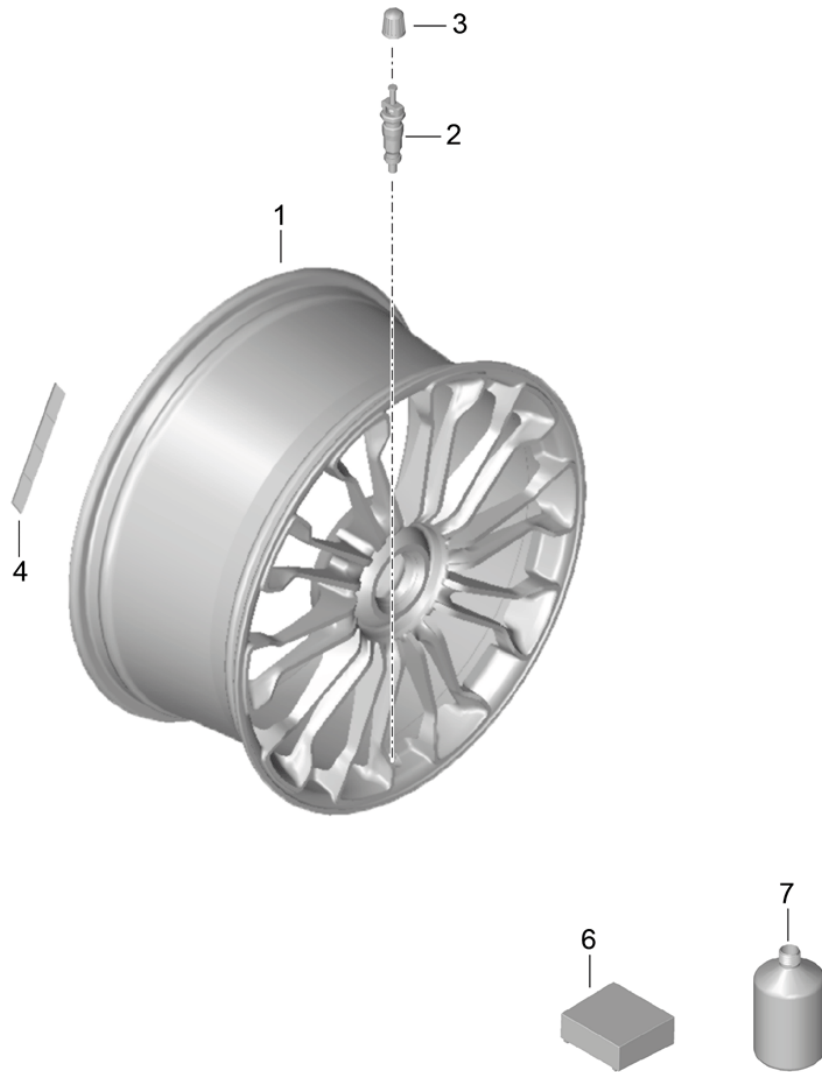
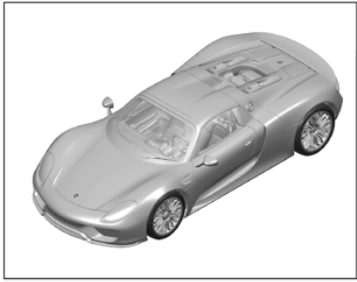
Model: 918

Model life 2015>>2015

Pos	Part Number	Description	Remark	Qty	Model
1	918 333 053 01	suspension Shock absorber strut Bracket vibration damper Discontinued part		2	
1	918 333 053 02	vibration damper		2	
2	918 333 503 00	spring disc		2	
3	918 343 563 00	spring disc		2	
4	918 333 531 01	Coil spring		2	
5	918 343 133 00	Hexagon nut		2	
6	918 333 015 00	Shock absorber bearing		2	
7	918 343 525 02	shelf		2	
8	918 333 107 00	Bellows		2	
9	918 333 541 00	helper spring		2	
10	918 333 521 00	Securing plate		2	
11	N 106 421 01	Hex collared bolt M 8 X 25		4	
12	999 025 287 01	Washer		2	
13	999 084 656 01	Hexagon nut M10		2	
14	918 331 733 00	Washer Anti-roll bar		2	
15	999 025 271 02	Washer Spring strut		2	
16	918 343 016 00	Screw M8X18		2	
17	918 343 593 00	Gaiter		4	

Model: 918

Model life 2015>>2015



Model: 918 Model life 2015>>2015

Pos	Part Number	Description	Remark	Qty	Model
-		Wheels part number Disc wheel without: Hub cap and Wheel bolts			
1	918 362 163 01	Alloy wheel 9,5J X 20" ET 57	front	2	PR:442
(1)	918 362 163 01 041 918 362 163 01	Black Alloy wheel 9,5J X 20" ET 57	front	2	PR:XRF
(1)	918 362 163 01 OB5 918 362 163 02	Platinum satin-matt Alloy wheel 9,5J X 20" ET 57	front	2	PR:443
(1)	918 362 163 02 88Z 918 362 189 03	Brilliant chrome finish Alloy wheel 12,5J X 21" ET 57	rear	2	PR:442
(1)	918 362 189 03 041 918 362 189 03	Black Alloy wheel 12,5J X 21" ET 57	rear	2	PR:XRF
(1)	918 362 189 03 OB5 918 362 189 04	Platinum satin-matt Alloy wheel 12,5J X 21" ET 57	rear	2	PR:443
2	918 362 189 04 88Z 955 361 053 00	Brilliant chrome finish Valve silver Discontinued part		4	PR:UX6,482, 483
(2)	9P1 601 361 A	Valve silver		4	PR:UX6,482, 483
(2)	9P1 601 361	Valve Black		4	PR:UX7,482, 483
3	N 908 729 01	Valve cap for valve unit		4	PR:UX6,482, 483
(3)	WHT 006 913	silver Valve cap for valve unit Black		4	PR:UX7,482, 483
4	997 361 405 00	Balancer weight (self-adhesive) silver		X	
(4)	9P1 601 179	Balancer weight (self-adhesive) Black		X	
(4)	997 361 410 00	Balancer weight (self-adhesive) silver		X	
(4)	9P1 601 181	Balancer weight (self-adhesive) Black		X	
(4)	997 361 415 00	Balancer weight (self-adhesive) silver		X	
(4)	9P1 601 182	Balancer weight (self-adhesive) Black		X	

Model: 918 Model life 2015>>2015

Pos	Part Number	Description	Remark	Qty	Model
(4)	997 361 420 00	Balancer weight (self-adhesive) silver		X	
(4)	9P1 601 183	Balancer weight (self-adhesive) Black		X	
(4)	997 361 425 00	Balancer weight (self-adhesive) silver		X	
(4)	9P1 601 184	Balancer weight (self-adhesive) Black		X	
(4)	997 361 430 00	Balancer weight (self-adhesive) silver		X	
(4)	9P1 601 185	Balancer weight (self-adhesive) Black		X	
(4)	997 361 435 00	Balancer weight (self-adhesive) silver		X	
(4)	9P1 601 186	Balancer weight (self-adhesive) Black		X	
(4)	997 361 440 00	Balancer weight (self-adhesive) silver		X	
(4)	9P1 601 187	Balancer weight (self-adhesive) Black		X	
(4)	997 361 445 00	Balancer weight (self-adhesive) silver		X	
(4)	9P1 601 188	Balancer weight (self-adhesive) Black		X	
(4)	997 361 450 00	Balancer weight (self-adhesive) silver		X	
(4)	9P1 601 189	Balancer weight (self-adhesive) Black		X	
(4)	997 361 455 00	Balancer weight (self-adhesive) silver		X	
(4)	9P1 601 190	Balancer weight (self-adhesive) Black		X	
(4)	997 361 460 00	Balancer weight (self-adhesive) silver		X	
(4)	9P1 601 191	Balancer weight (self-adhesive) Black		X	
(4)	997 361 465 00	Balancer weight (self-adhesive) silver		X	
(4)	9P1 601 192	Balancer weight (self-adhesive) Black		X	
(4)	997 361 470 00	Balancer weight (self-adhesive) silver		X	

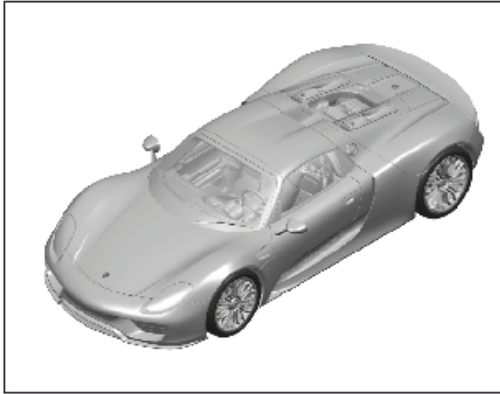
Model: 918

Model life 2015>>2015

Pos	Part Number	Description	Remark	Qty	Model
(4)	9P1 601 193	Balancer weight (self-adhesive) Black		X	
(4)	997 361 475 00	Balancer weight (self-adhesive) silver		X	
(4)	9P1 601 194	Balancer weight (self-adhesive) Black		X	
(4)	997 361 480 00	Balancer weight (self-adhesive) silver		X	
(4)	9P1 601 195	Balancer weight (self-adhesive) Black		X	
(4)	997 361 485 00	Balancer weight (self-adhesive) silver		X	
(4)	9P1 601 196	Balancer weight (self-adhesive) Black		X	
(4)	997 361 490 00	Balancer weight (self-adhesive) silver		X	
(4)	9P1 601 197	Balancer weight (self-adhesive) Black		X	
6	997 652 055 00	Compressor		1	
7	4L0 012 619 A	Tyre sealant		1	

Model: 918

Model life 2015>>2015

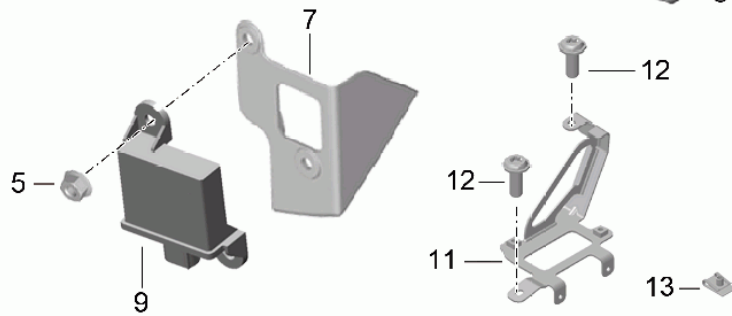
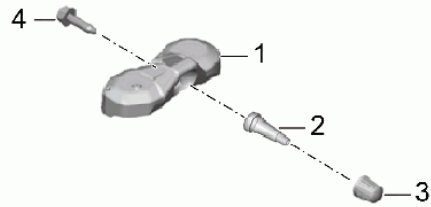
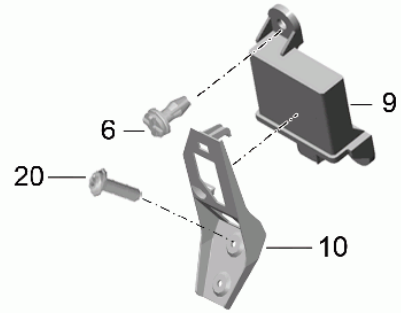
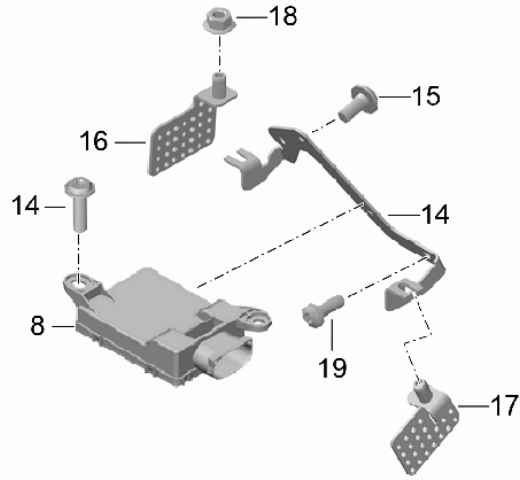
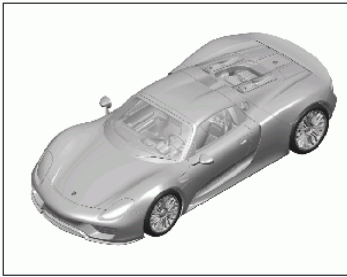


Model: 918 Model life 2015>>2015

Pos	Part Number	Description	Remark	Qty	Model
1	918 361 675 02	Central locking Wheel nut	left front and rear	2	PR:478 PR:808
(1)	918 361 676 02	Central locking Right thread Identification: >> >> red Wheel nut	right front and rear	2	PR:808
(1)	918 361 675 03	Central locking Left thread Identification: >> >> blue Wheel nut	left front and rear	2	PR:-808
(1)	918 361 676 03	Central locking Right thread Identification: >> >> Black Wheel nut	right front and rear	2	PR:-808
3	918 361 177 03	Central locking Left thread Black Hub cover Left thread Nature	left	2	PR:808
(3)	918 361 178 03	Hub cover Right thread Nature	right	2	PR:808
(3)	918 361 177 02	Hub cover Left thread Black	left	2	PR:-808
(3)	918 361 178 02	Hub cover Right thread Black	right	2	PR:-808
-	000 043 300 35	Spraying can		1	

Model: 918

Model life 2015>>2015

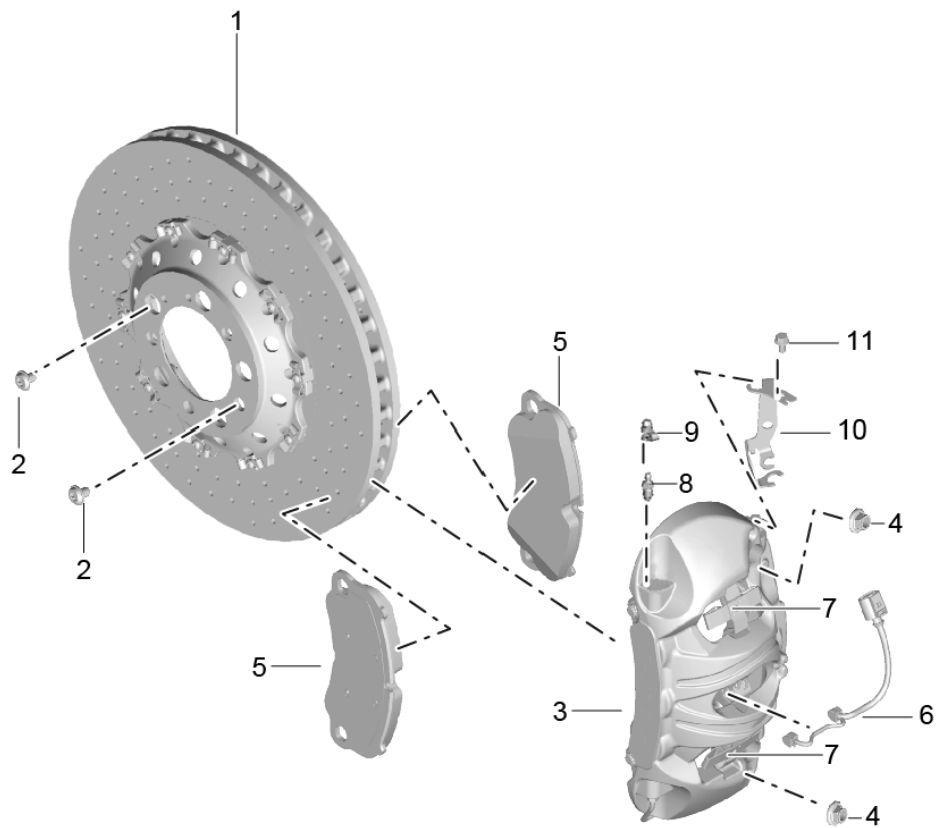
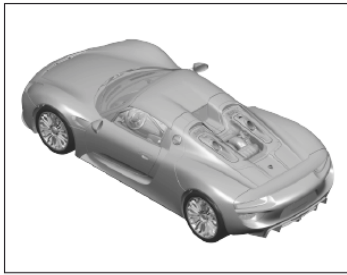


Model: 918 Model life 2015>>2015

Pos	Part Number	Description	Remark	Qty	Model
1	7PP 907 275 F	tyre pressure control system Tyre pressure sensor		4	PR:482
(1)	7PP 907 275 G	tyre pressure control system Tyre pressure sensor		4	PR:483
2	9P1 601 361	tyre pressure control system Valve aluminium Black		4	PR:UX7
3	N 908 729 01	Valve cap for valve unit silver		4	PR:UX6
(3)	WHT 006 913	Valve cap for valve unit Black		4	PR:UX7
4	4D0 601 365	Hexagon socket head bolt, self-locking		4	
5	900 377 018 01	Hexagon nut		2	
6	4D0 863 788	Spreader rivet		4	
7	918 618 409 00	Bracket transmitter	left rear	1	
8	918 618 103 01	Aerial		1	PR:483
(8)	918 618 104 01	Aerial		1	PR:482
9	7PP 907 283	Sender unit		4	
10	918 618 403 00	Holder for sender unit	right rear	1	
11		Bracket transmitter see illustration: Console Hinge Door	left front 801-001 left	1	
(11)	918 618 410 00	Bracket transmitter	right front	1	
12	999 015 026 A1	fillister hd. bolt M6 X 16		3	
13	918 504 597 00	panel nut M6		1	
14	918 618 407 01	Bracket tunnel	center	1	
15	999 015 025 A2	Oval-head screw		2	
16		Bracket tunnel see illustration:	right 801-001	1	
17		Bracket tunnel see illustration:	left 801-001	1	
18	900 377 018 01	Hexagon nut		2	
19	N 104 514 05	Oval hexagon socket head bolt		2	
20	999 073 252 A1	fillister hd. bolt M6 X 20		2	

Model: 918

Model life 2015>>2015



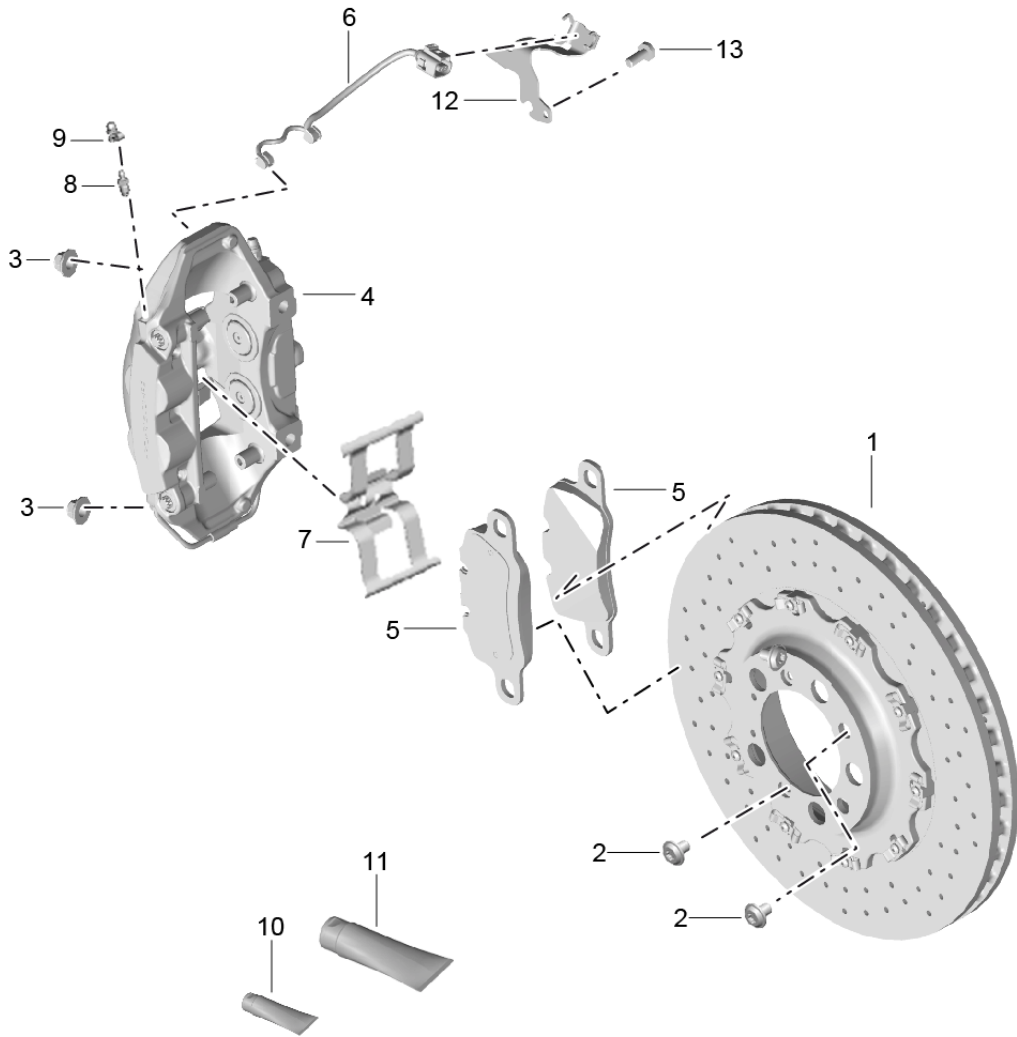
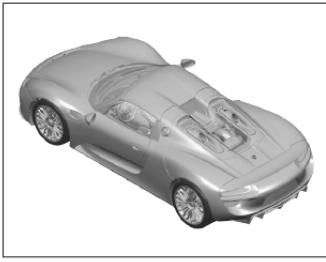
Model: 918

Model life 2015>>2015

Pos	Part Number	Description	Remark	Qty	Model
1	918 351 407 01	Disc brake Front axle Brake disc	left front	1	PR:450
(1)	918 351 408 01	Brake disc	right front	1	PR:450
2	999 073 572 01	Oval-head screw M 6 X 8-MK		8	PR:450
3	918 351 429 03	caliper without brake pads Acid Green	left	1	PR:450
(3)	918 351 430 03	caliper without brake pads Acid Green	right	1	PR:450
4	999 084 656 01	Hexagon nut M10		4	
5	918 351 946 02	1 set of brake pads for disk brake comprising: Brake lining	front	1 4	PR:450,-808
		also use:			
(5)	918 351 946 03	1 set springs 1 set of brake pads for disk brake comprising: Brake lining	front	1 4	PR:450,808
		also use:			
6	991 609 185 00	1 set springs sender wire (pad wear indicator)		2	
7	970 351 959 01	Spring Set		1	
8	8A0 615 273	Breather valve		4	
		with:			
9	930 351 927 00	dust cap		4	
10	918 351 821 00	Bracket	left	1	
(10)	918 351 822 00	Bracket Brake line	right	1	
11	900 378 036 01	Hexagon bolt M6 X 12		2	
-	000 043 117 00	brake cylinder paste 50 GR.		X	
-	000 043 020 00	Assembly paste 1 100-gramme tube		X	

Model: 918

Model life 2015>>2015

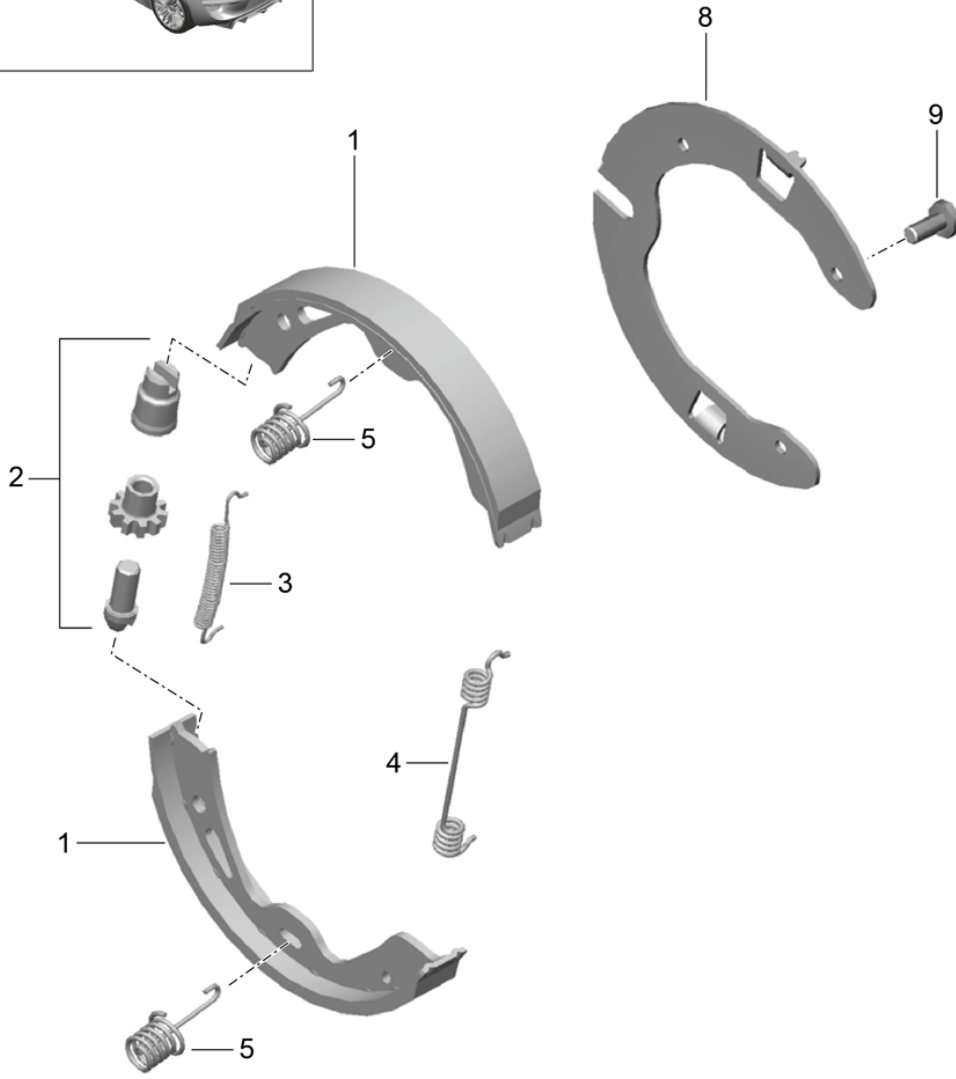
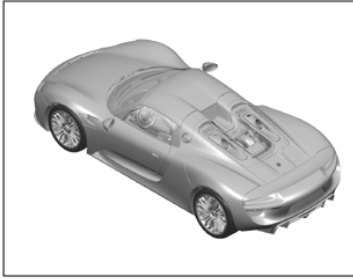


Model: 918 Model life 2015>>2015

Pos	Part Number	Description	Remark	Qty	Model
1	918 352 409 01	Disc brake Rear axle Brake disc	left rear	1	PR:450
(1)	918 352 410 01	Brake disc	right rear	1	PR:450
2	999 073 572 01	Oval-head screw M 6 X 8		4	PR:450
3	999 084 656 01	Hexagon nut M 10		4	
4	918 352 429 02	caliper without brake pads Acid Green	left	1	PR:450
(4)	918 352 430 02	caliper without brake pads Acid Green	right	1	PR:450
5	918 352 946 03	1 set of brake pads for disk brake comprising: Brake lining	rear	1 4	PR:450,-808
(5)	918 352 946 04	also use: repair set 1 set of brake pads for disk brake comprising: Brake lining	rear	1 4	PR:450,808
6	991 609 185 00	also use: repair set sender wire (pad wear indicator)		2	
7	991 352 951 00	Repair set for rear axle Fasteners comprising: radius rod Spring lock screw		1 2 2 2	
8	997 352 917 00	Breather valve		4	
		with: dust cap			
8	997 352 919 00	No longer use the part here Breather valve		4	
		with: dust cap			
9	930 351 927 00	dust cap		4	
10	000 043 117 00	brake cylinder paste 50 GR.		X	
11	000 043 020 00	Assembly paste		X	
12	918 355 503 01	1 100-gramme tube Brake line bracket	left	1	
(12)	918 355 504 01	Fixed calliper Brake line bracket	right	1	
13	N 107 512 01	Fixed calliper Hexagon socket flat head bolt POS12		X	

Model: 918

Model life 2015>>2015



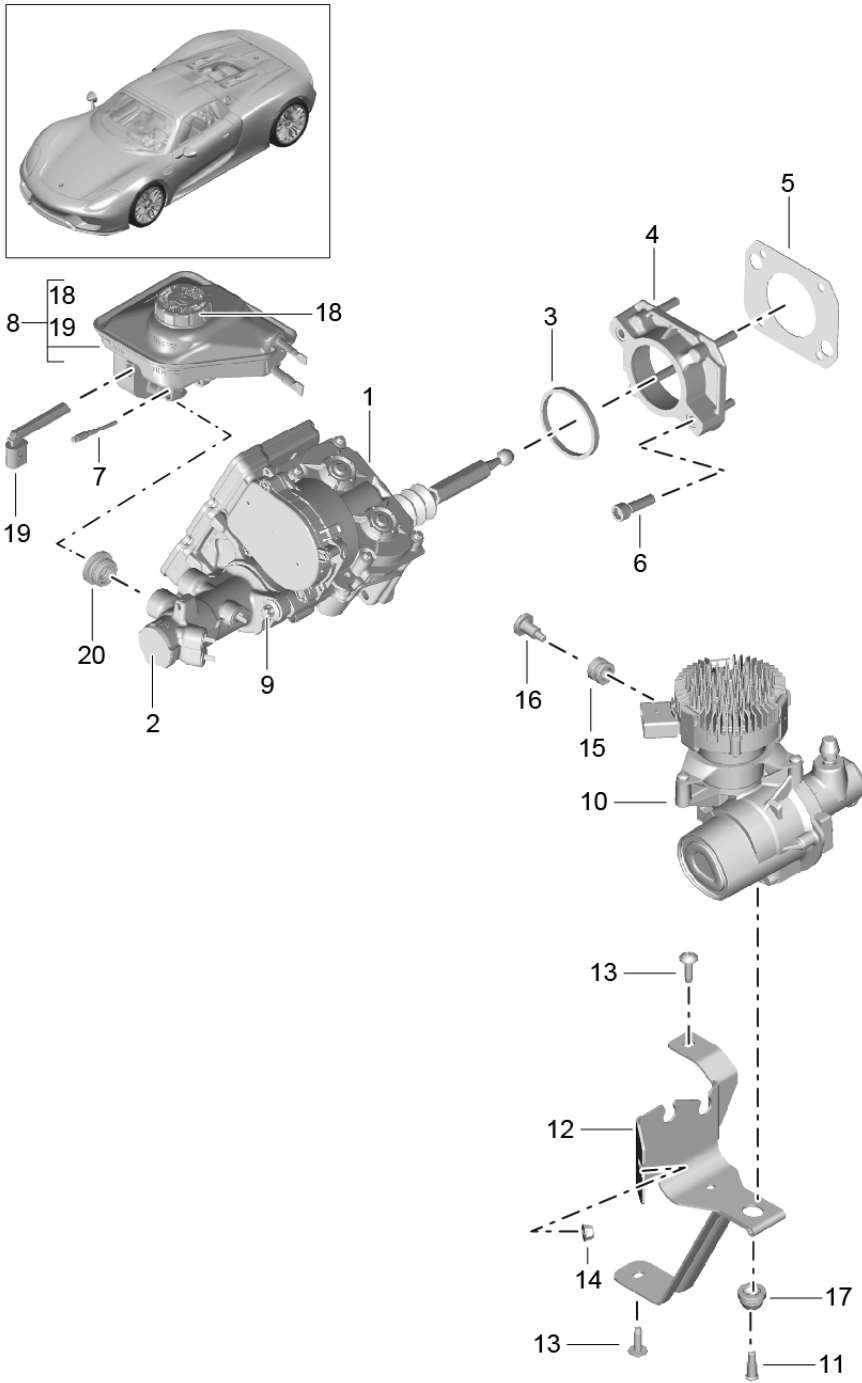
Model: 918

Model life 2015>>2015

Pos	Part Number	Description	Remark	Qty	Model
1	298 698 533	Parking brake Brake shoe repair set comprising: 4 X Brake shoe		1	
		also use:			
2	298 609 723	Fasteners adjustment screw		2	
3	298 609 717	tension spring		2	
4	298 609 715	tension spring		2	
5	298 609 583	Pressure spring		4	
8	918 352 521 00	Retaining plate	left	1	
(8)	918 352 522 00	Retaining plate	right	1	
9	N 107 512 01	Hexagon socket flat head bolt M6 X 14		6	
-		Key Parking brake see illustration:	701-000		

Model: 918

Model life 2015>>2015

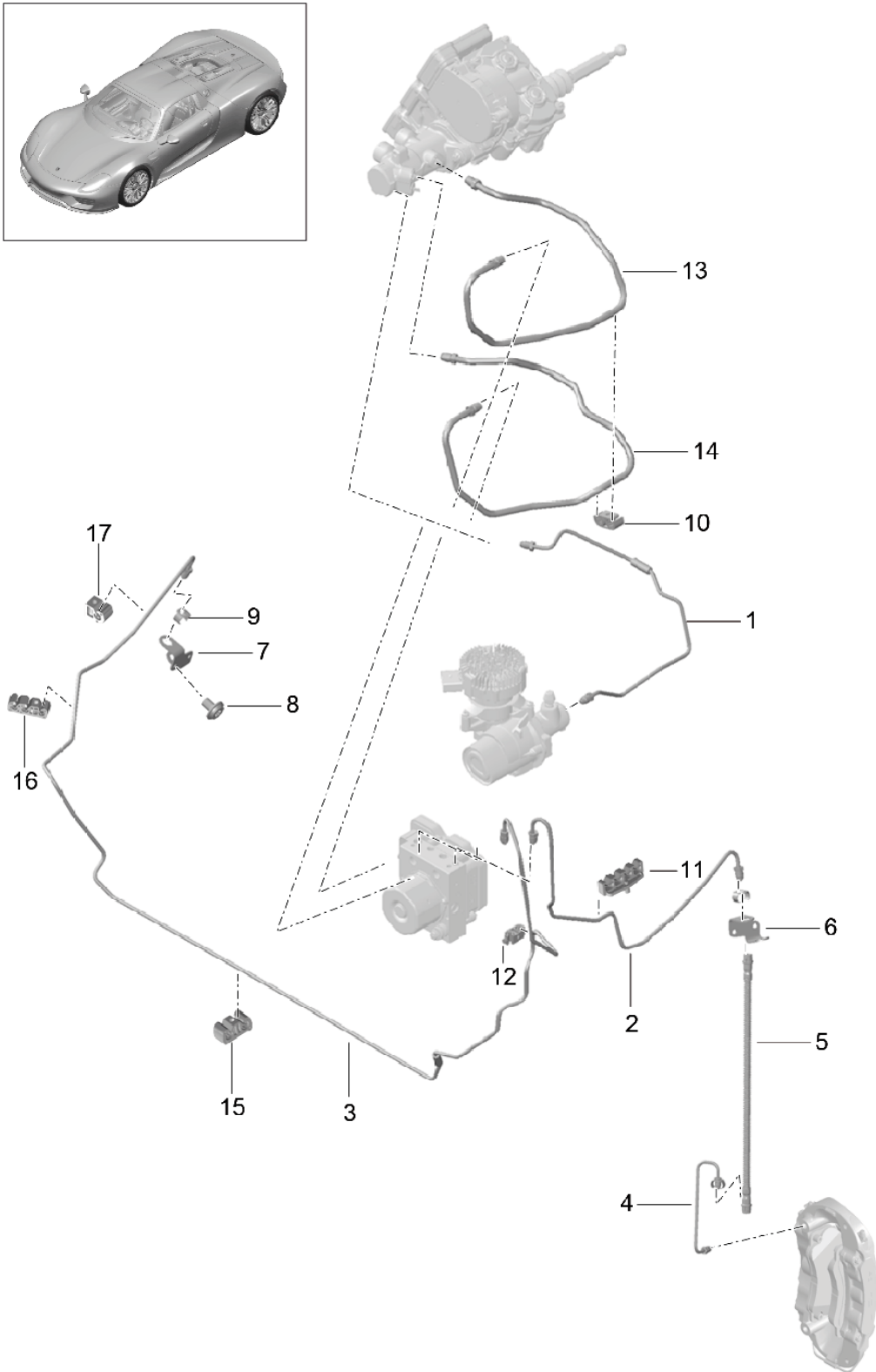


Model: 918 Model life 2015>>2015

Pos	Part Number	Description	Remark	Qty	Model
1	918 355 125 05	Brake master cylinder Brake servo Reservoir for brake fluid Brake servo (complete)		1	
2	918 355 945 03	Brake master cylinder		1	
3	918 355 925 00	Seal Brake booster		1	
4	918 355 295 00	Distance piece Brake servo		3	
5	918 355 595 00	Seal		1	
6	N 105 521 02	Socket head bolt with hexagon socket head (combination) M8 X 28		2	
7	WHT 005 308	stud with shoulder		4	
8	991 355 013 01	Reservoir brake fluid		1	
-	000 043 210 82	brake fluid	1.0 Ltr.	X	
-	000 043 210 86	brake fluid	30ltr.	X	
9	900 378 108 01	Hexagon bolt M 8 X 35		2	
10	918 355 145 00	Servomotor		1	
11	918 355 335 00	Pin Screw		1	
12	918 355 303 00	Bracket		1	
13	N 107 254 01	Hexagon socket head collared bolt, thread forming M6		2	
14	N 107 370 01	hexagon nut, self-locking		1	
15	918 355 593 00	Stop buffer		2	
16	918 355 591 00	Pin		2	
17	4F0 614 177	Stop buffer		1	
18	958 355 351 00	End cap		1	
19	958 355 377 00	Sensor		1	
20	958 355 922 00	Rubber seal Between Brake master cylinder and Reservoir		2	

Model: 918

Model life 2015>>2015



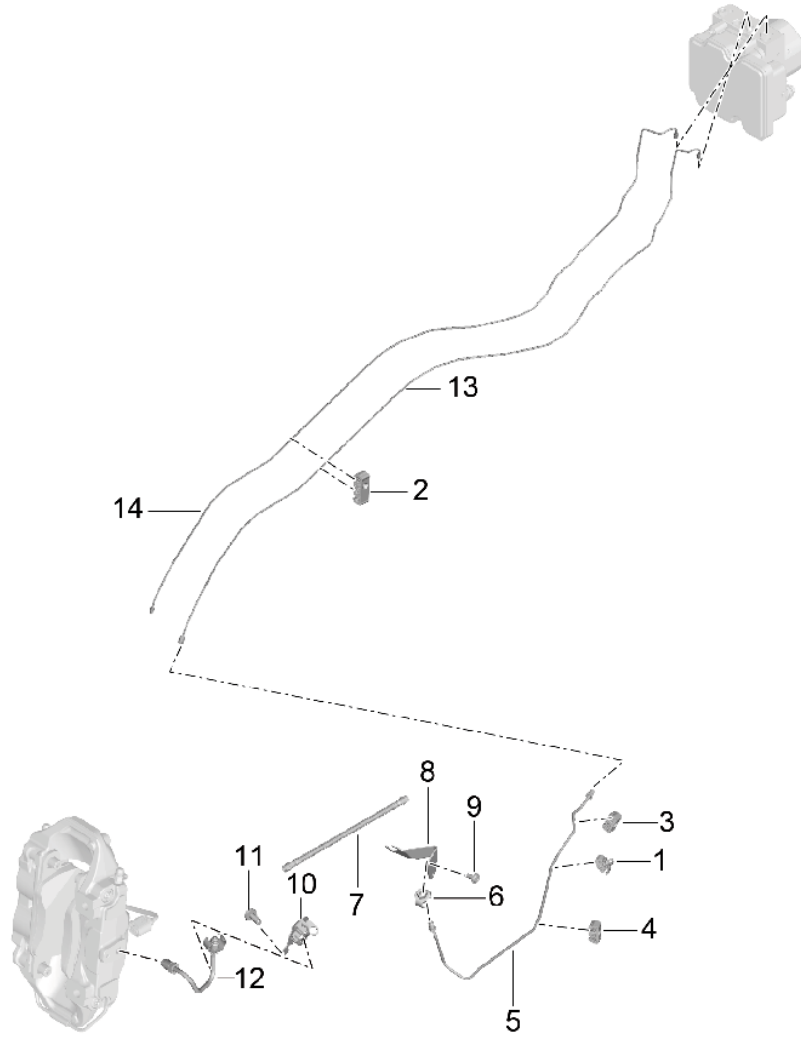
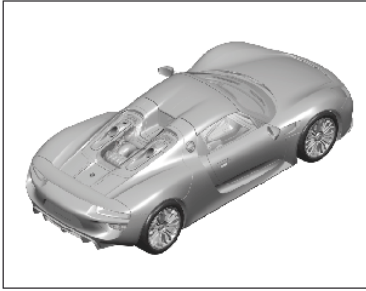
Model: 918

Model life 2015>>2015

Pos	Part Number	Description	Remark	Qty	Model
		Brake lines			
		Front end			
1	918 355 351 05	Brake line		1	
2	918 355 175 04	Brake line	left	1	
3	918 355 176 04	Brake line	right	1	
4	918 355 587 00	Brake line	left	1	
(4)	918 355 588 00	Brake line	right	1	
5	918 355 137 00	Brake hose		2	
6	918 355 501 00	Retainer for brake hose	left	1	
(6)	918 355 502 00	Retainer for brake hose	right	1	
7	918 351 501 00	Retainer for brake hose	left	1	
(7)	918 351 502 00	Retainer for brake hose	right	1	
8	999 073 572 01	Oval-head screw M6 X 8		2	
9	997 355 331 01	retaining spring		2	
10	6Q0 611 797 C	Bracket		1	
11	955 355 544 00	Line holder		1	
12	999 507 291 40	Cable holder		1	
13	918 355 311 03	Brake line		1	
14	918 355 313 04	Brake line		1	
15	8K0 611 797 D	Clip		3	
16	8K0 611 797 E	Brake line bracket		1	
17	999 651 409 40	Cable holder		1	

Model: 918

Model life 2015>>2015



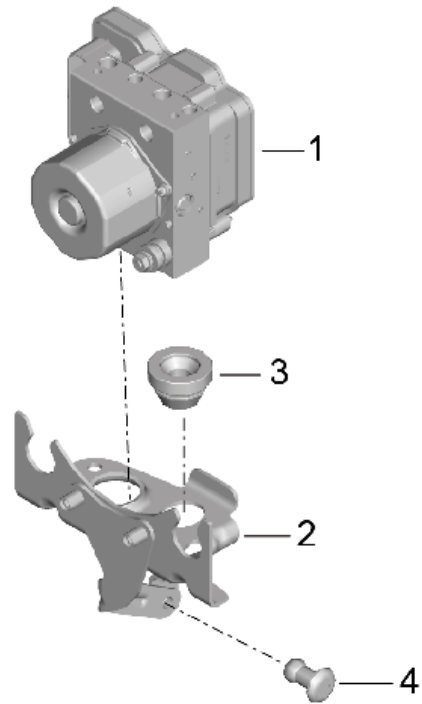
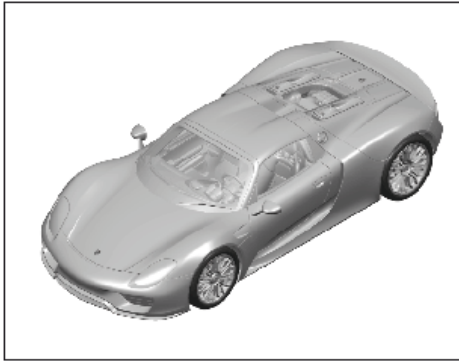
Model: 918

Model life 2015>>2015

Pos	Part Number	Description	Remark	Qty	Model
		Brake line			
		Underbody			
		Rear axle			
1	8K0 611 797 D	Clip		2	
2	8K0 611 797 E	Brake line bracket		7	
3	955 355 546 01	Line holder		1	
4	999 651 409 40	Cable holder		5	
5	918 355 189 02	Brake line	left	1	
(5)	918 355 190 03	Brake line	right	1	
6	997 355 331 01	retaining spring		2	
7	918 355 139 00	Brake hose		2	PR:450
8	918 352 501 00	Retainer for brake hose	left	1	
(8)	918 352 502 00	Retainer for brake hose	right	1	
9	999 015 025 A1	fillister hd. bolt		4	
		M 6 X 12			
10	918 355 501 00	Retainer for brake hose	left	1	
(10)	918 355 502 00	Retainer for brake hose	right	1	
11	N 107 512 01	Hexagon socket flat		2	
		head bolt			
		M 6 X 14			
12	918 355 585 00	Brake line	left	1	PR:450
(12)	918 355 586 00	Brake line	right	1	PR:450
13	918 355 177 03	Brake line	left	1	
14	918 355 179 03	Brake line	right	1	

Model: 918

Model life 2015>>2015



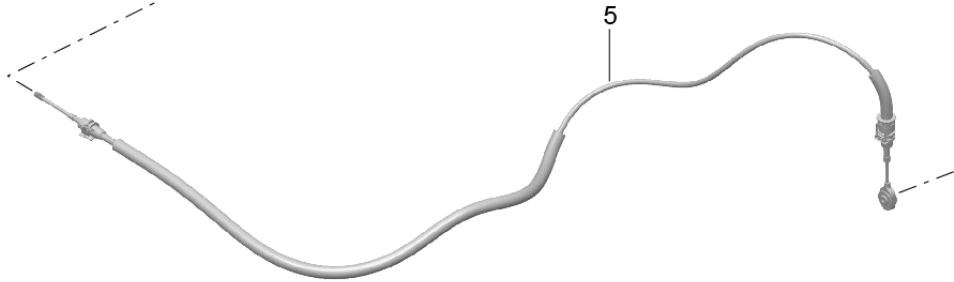
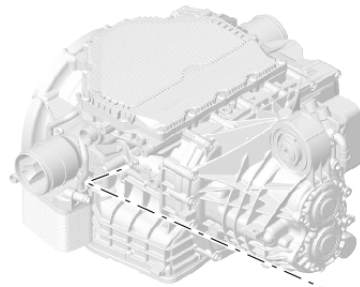
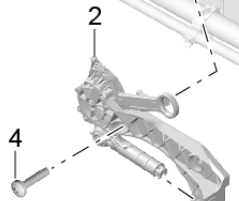
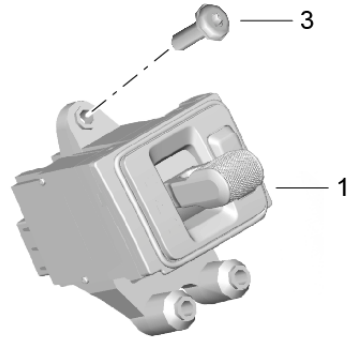
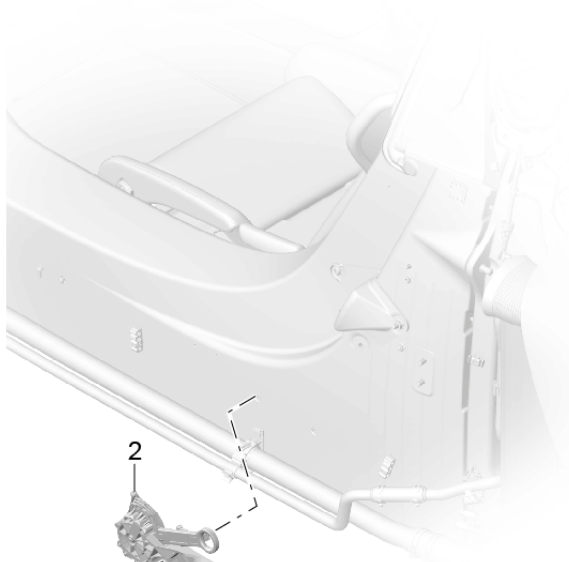
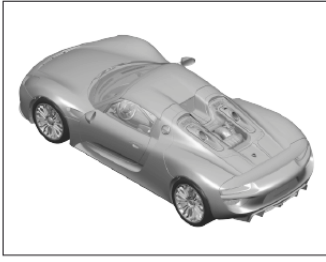
Model: 918

Model life 2015>>2015

Pos	Part Number	Description	Remark	Qty	Model
		Hydraulic unit anti-locking brake syst. -abs- Control			
1	918 355 955 02	Hydraulic unit		1	
2	918 355 133 01	Bracket		1	
3	4F0 614 177	Stop buffer		1	
4	999 190 236 01	Pop rivet		3	
-	918 355 935 01	Parts kit		1	
		Mount			
		Hydraulic unit comprising:			
		Nut		2	
		Washer		2	
		Damping rubber		2	
5	991 606 145 03	Sensor		1	
6	900 385 275 01	Torx screw		2	
		BM 6X 20			

Model: 918

Model life 2015>>2015



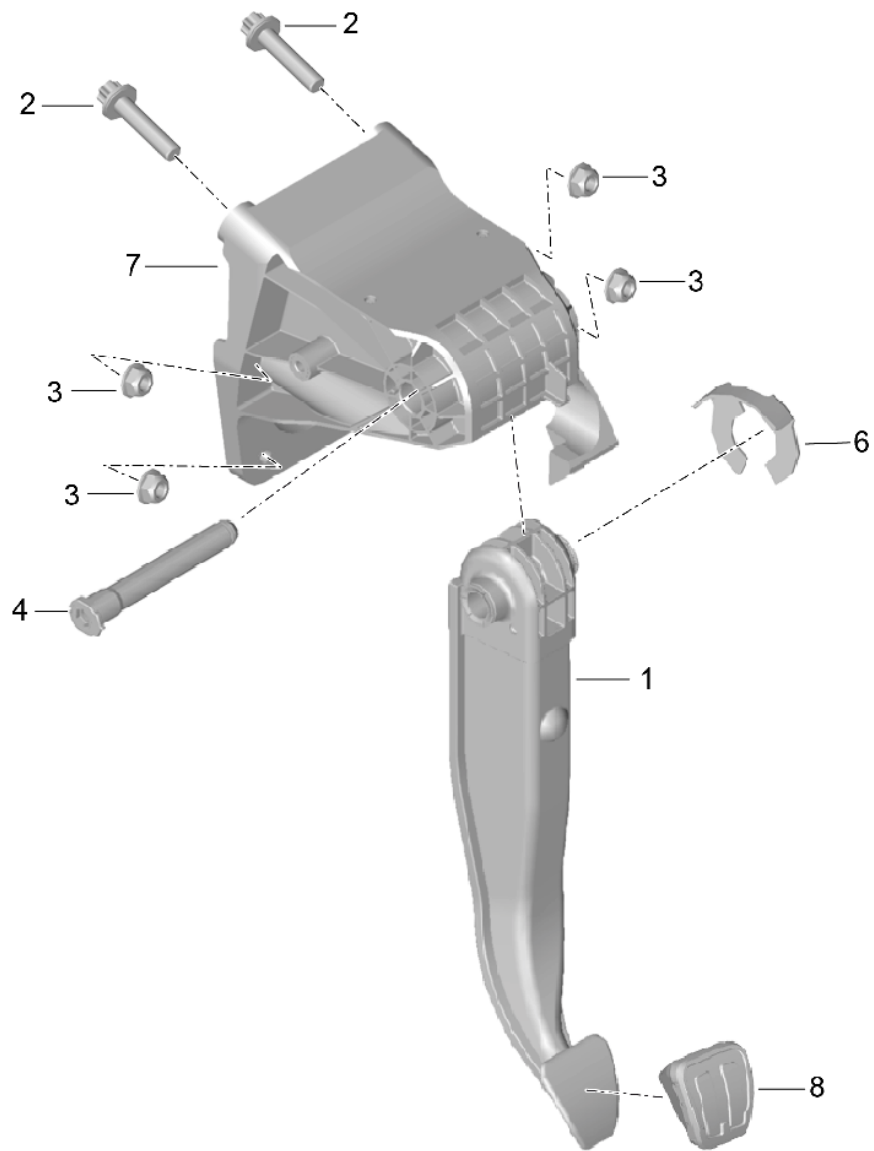
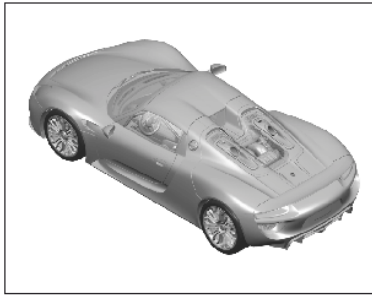
Model: 918

Model life 2015>>2015

Pos	Part Number	Description	Remark	Qty	Model
1	918 426 011 01	selector lever Parking lock Selector knob Discontinued part		1	
(1)	918 426 011 02	Selector knob		1	
2	918 426 021 00	Emergency operation Parking lock		1	
3	999 073 345 09	Oval-head screw M5X 18		3	
4	999 073 102 01	flat round head bolt M6 X 25		2	
5	918 426 033 00	Bowden cable Emergency operation Parking brake		1	

Model: 918

Model life 2015>>2015



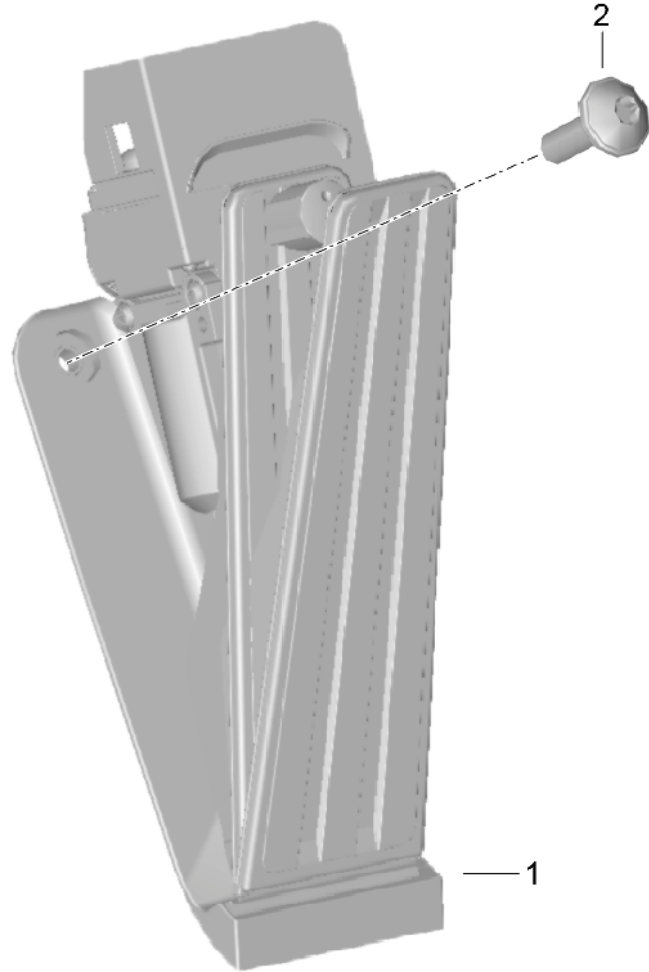
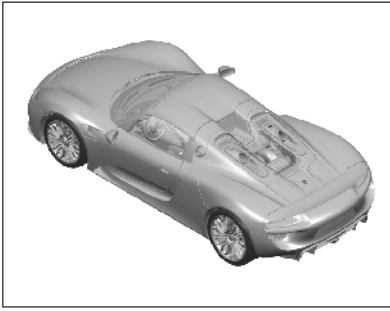
Model: 918

Model life 2015>>2015

Pos	Part Number	Description	Remark	Qty	Model
1	918 423 041 02	brake pedal brake pedal		1	
		also use:		1	
2	900 385 042 01	Torx screw brake pedal M8 X 35	9P1 721 173	2	
3	N 023 003 14	hexagon nut, self-locking M8		4	
4	918 423 283 00	bearing pin		1	
6	999 166 092 01	K1-lock		1	
7	918 423 065 01	Bracket		1	
8	9P1 721 173	Pedal cap shelf Discontinued part		1	
8	9P1 721 173 B	Pedal cap shelf		1	

Model: 918

Model life 2015>>2015



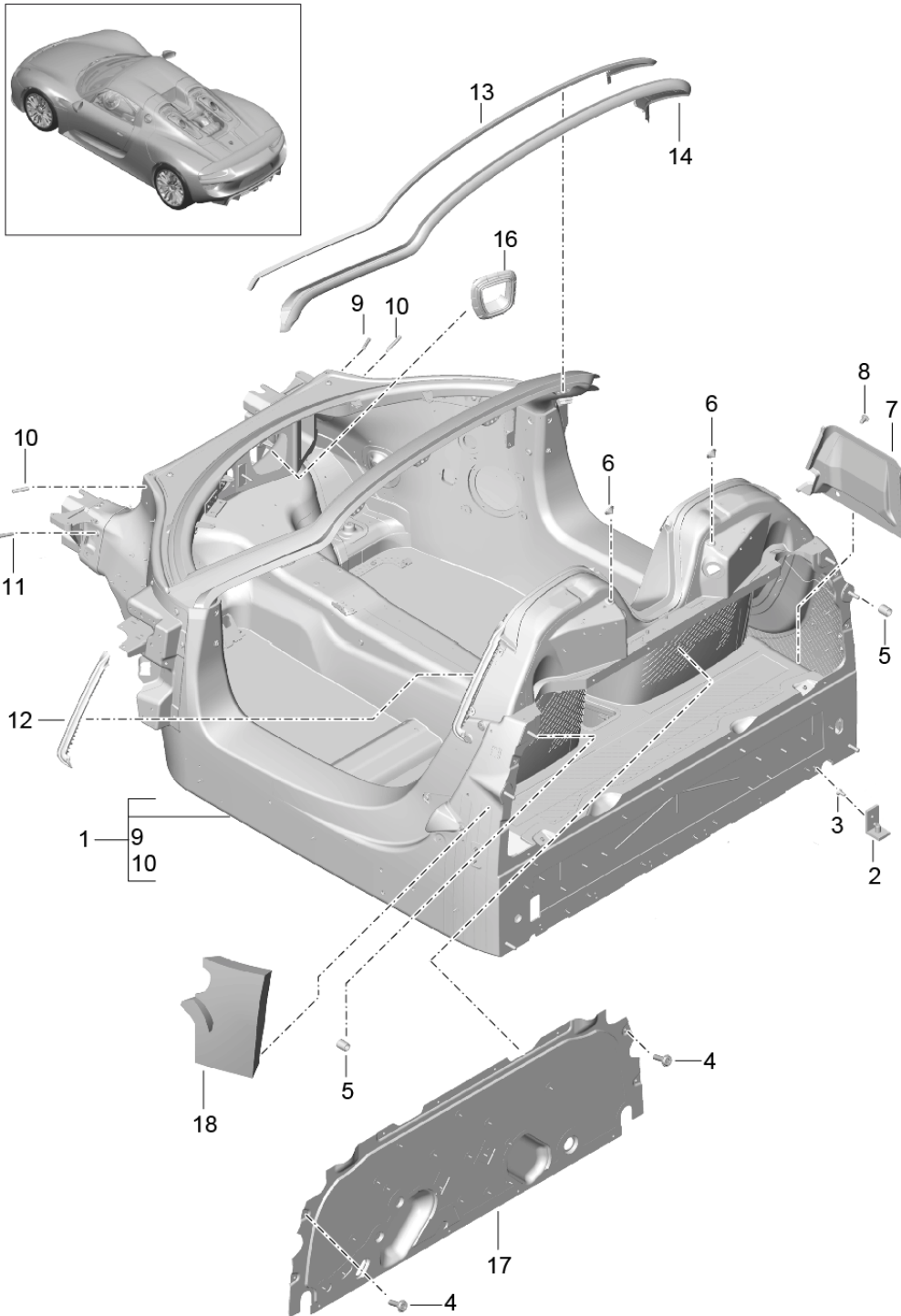
Model: 918

Model life 2015>>2015

Pos	Part Number	Description	Remark	Qty	Model
1	918 423 021 03	throttle control throttle control Discontinued part		1	
1	918 423 021 04	throttle control		1	
2	N 107 148 01	fillister head bolt with multi-point socket head M 6 X 18		1	

Model: 918

Model life 2015>>2015



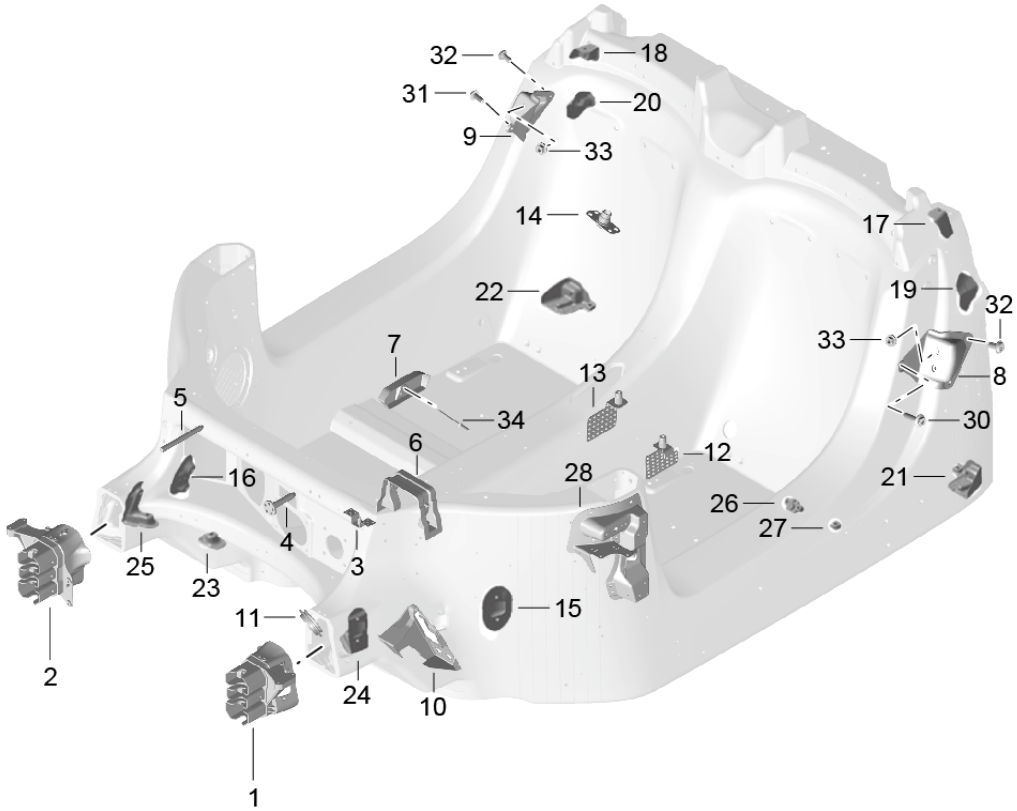
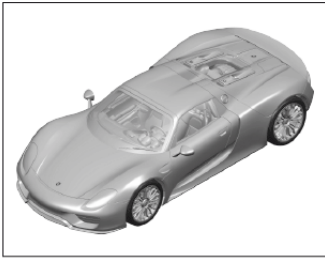
Model: 918

Model life 2015>>2015

Pos	Part Number	Description	Remark	Qty	Model
1		Monocoque Accessories Monocoque (complete) see illustration:	801-002	1	
-		Shut-off valve Hybrid Battery see illustration:	901-040	1	
2	918 501 151 00	Retainer for battery		6	
3	900 249 001 03	countersunk bolt M6 X 15		X	
4	999 073 252 A1	fillister hd. bolt M6 X 20		X	
5	999 095 040 01	dowel sleeve 16M7 X 18,5		6	
6	999 703 421 40	Grommet		2	
7	918 501 381 00	Cover		1	
8	999 015 025 A1	fillister hd. bolt M6 X 12		4	
9	999 061 404 02	Threaded pin M10 X 27		4	
10	999 061 401 02	Threaded pin M10 X 40		4	
11	999 061 404 02	Threaded pin M10 X 27		X	
12	918 504 287 01	Seal Door window	left	1	
(12)	918 504 288 01	Seal Door window	right	1	
13	918 504 283 00	Additional gasket windshield frame		1	
14	918 504 281 01	Seal windshield frame		1	
16	991 573 769 01	Grommet Air conditioner Firewall		1	
17	918 501 131 05	End cap Tank covering		1	
18	918 556 623 00	Sound absorber Sill	left upper	1	
(18)	918 556 624 00	Sound absorber Sill	right upper	1	
-		Support frame see illustration:	401-000	1	
-	999 917 086 00	Grease Gaskets		1	

Model: 918

Model life 2015>>2015



Model: 918 Model life 2015>>2015

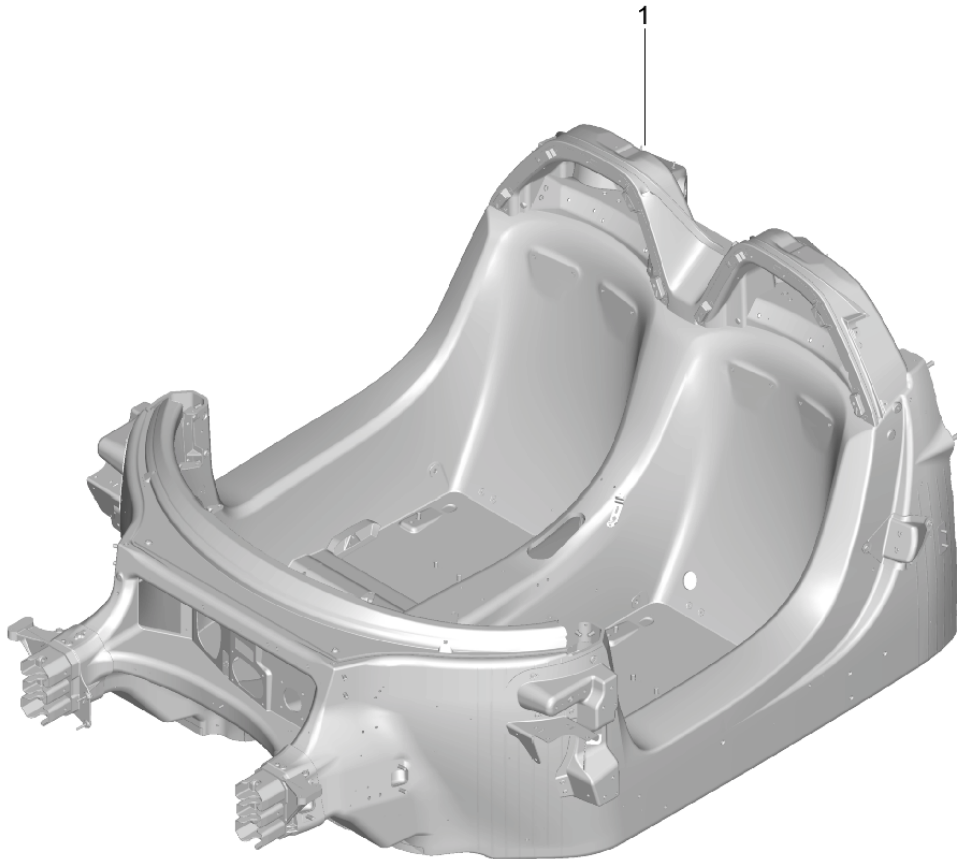
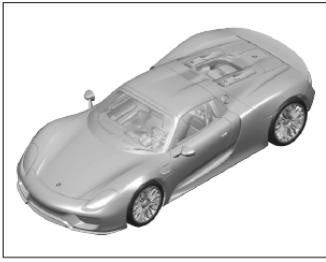
Pos	Part Number	Description	Remark	Qty	Model
		Special repair concept Monocoque See technical manual Group 5			
1	918 501 403 04	Adapter Carrier	left	1	
2	918 501 404 04	Adapter Carrier	right	1	
3	918 501 517 00	Bracket Underbody		2	
4	918 572 481 00	Bracket Air conditioner		1	
5	918 572 785 00	bracket for fan		1	
6	918 501 409 00	Console tunnel		1	
		also use:			
7	918 618 231 00	POS32 Adapter Side airbag unit		2	
8	918 537 433 01	Console Striker	left	1	
9	918 537 434 01	Console Striker	right	1	
10	918 551 609 00	Carrier Foot rest		1	
	918 551 609 00 A3G	Carbon Gloss Black			
11	918 347 247 00	Support Firewall	inner	1	
12	918 618 405 01	Bracket tyre pressure control system	left	1	
13	918 618 406 01	Bracket tyre pressure control system	right	1	
14	918 501 351 00	Mount tensioning strap		2	
(15)	918 501 931 50	Mount Wishbone	left rear upper	1	
(16)	918 501 930 51	Mount Wishbone	right rear upper	1	
(17)	918 501 931 53	Mount Assembly carrier	left upper	1	
(18)	918 501 930 52	Mount Assembly carrier	right upper	1	
(19)	918 501 931 55	Mount Assembly carrier	left center	1	
(20)	918 501 930 54	Mount Assembly carrier	right center	1	
(21)	918 501 931 57	Mount Assembly carrier	left lower	1	
(22)	918 501 930 56	Mount Assembly carrier	right lower	1	
(23)	918 501 932 58	Mount Front axle Support frame		2	
(24)	918 501 931 60	Mount Wishbone	left front upper	1	
(25)	918 501 930 59	Mount Wishbone	right front upper	1	
(26)	918 501 933 61	Reinforcement Battery		4	

Model: 918 Model life 2015>>2015

Pos	Part Number	Description	Remark	Qty	Model
(27)	918 501 934 62	plate Mount		4	
28	918 501 905 00	Battery Console Hinge Door	left	1	
(28)	918 501 906 00	Fasteners Console Hinge Door	right	1	
30	999 072 085 01	Fasteners Hexagon bolt POS8	left	1	
31	999 073 258 01	fillister hd. bolt POS9	right	1	
32	999 073 592 01	fillister hd. bolt M6 X 16 POS8 POS9		2	
33	999 084 459 01	Hexagon nut M8 POS8 POS9		2	
34	999 190 243 01	Pop rivet POS7		2	

Model: 918

Model life 2015>>2015



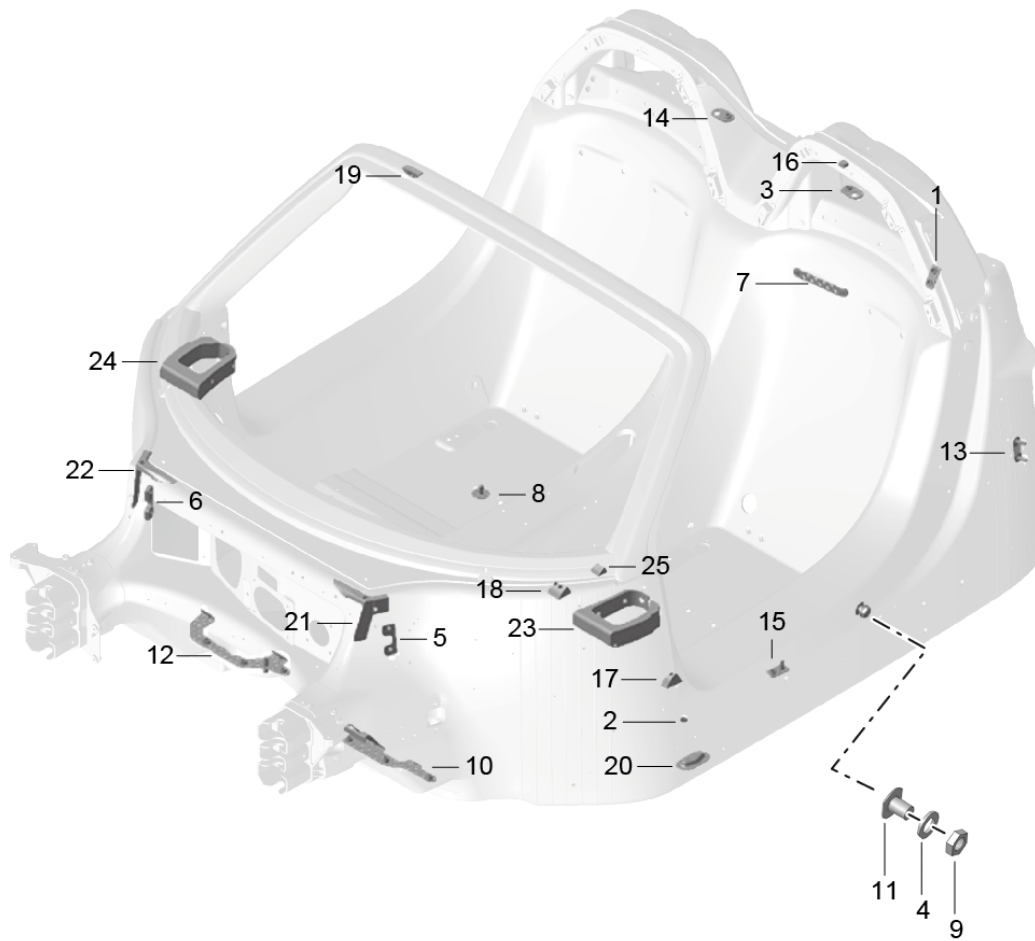
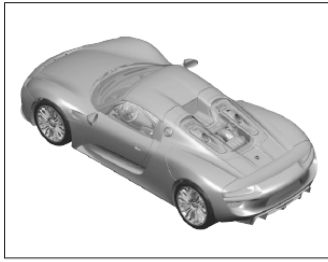
Model: 918

Model life 2015>>2015

Pos	Part Number	Description	Remark	Qty	Model
1	918 501 901 00	Monocoque (complete) Vehicle Ident. No. Indicate Monocoque (complete)		1	
-		without: Trim Scuttle also use: Trim Scuttle see illustration, item:	801-005,13		

Model: 918

Model life 2015>>2015

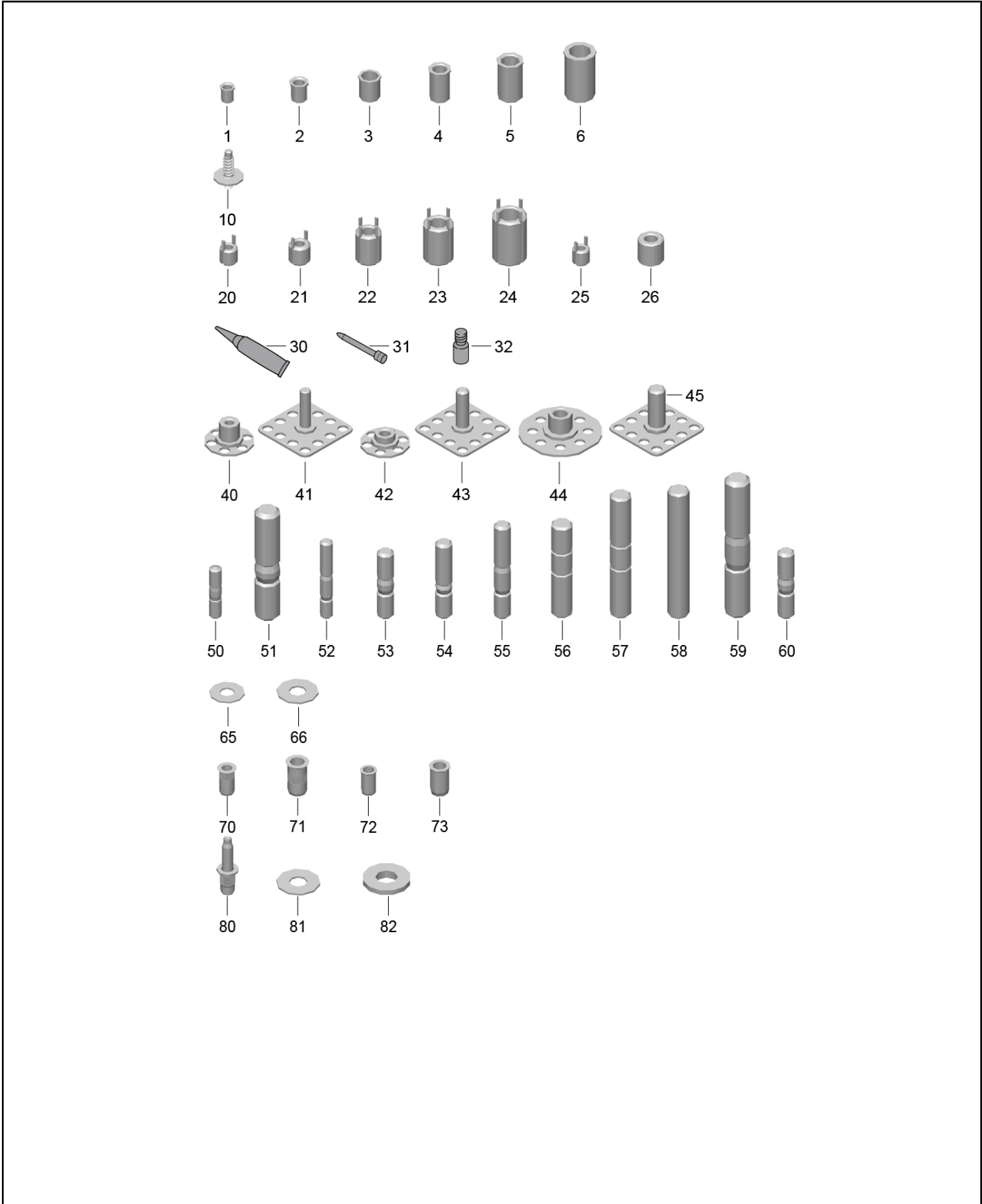


Model: 918 Model life 2015>>2015

Pos	Part Number	Description	Remark	Qty	Model
		Special repair concept Monocoque See technical manual Group 5			
1	918 501 940 00	Belt		2	
2	918 501 940 01	Seat		4	
3	918 501 940 03	Seat belt guide	left	1	
4	918 501 940 04	Shim		4	
5	918 501 941 05	Mount Spring strut Discontinued part		1	
6	918 501 940 05	Mount Spring strut		2	
7	918 501 940 06	Belt		4	
8	918 501 940 07	Belt		4	
9	918 501 940 08	Hexagon nut		4	
10	918 501 940 09	mounting plate (drivers side)		1	
11	918 501 940 10	Belt		4	
12	918 501 940 11	mounting plate (passenger side)		1	
13	918 501 940 12	Door lock		2	
14	918 501 941 03	Seat belt guide	right	1	
15	918 501 940 13	Seat		4	
(16)	918 501 960 59	Aluminium auxil. support roll bar		4	
(17)	918 501 960 50	Seat rail	outer	2	
(18)	918 501 960 51	Seat rail	left inner	1	
(18)	918 501 960 52	Seat rail	right inner	1	
(19)	918 501 960 55	Mount Roof	left outer	1	
(19)	918 501 960 56	Mount Roof	left center	1	
(19)	918 501 960 57	Mount Roof	right center	1	
(19)	918 501 960 58	Mount Roof	right outer	1	
(20)	918 501 950 50	elevating mechanism		2	
(21)	918 501 951 51	Mount Spring strut	left	1	
(22)	918 501 952 52	Mount Spring strut	right	1	
(23)	918 501 951 53	Mount A-pillar	left	1	
(24)	918 501 952 54	Mount A-pillar	right	1	
25	918 501 960 53	Mount tunnel	left	1	
(25)	918 501 960 54	Mount tunnel	right	1	

Model: 918

Model life 2015>>2015



Model: 918 Model life 2015>>2015

Pos	Part Number	Description	Remark	Qty	Model
		Thread repair See technical manual Group 5			
1	999 504 271 00	Threaded bush Time - sert M5 X 0,8 X 7,6		X	
2	999 504 251 00	Threaded bush Threaded bush Time - sert M6 X 1,0		X	
		with:			
3	999 504 259 00	Tool Threaded bush Time - sert M8 X 1,25 X 11,7		X	
4	999 504 252 00	Threaded bush Threaded bush Time - sert M8 X 1,25		X	
		with:			
5	999 504 253 00	Tool Threaded bush Threaded bush Time - sert M10 X 1,5		X	
		with:			
6	999 504 255 A2	Tool Complete set Threaded bush Time - sert M12		1	
		with:			
10	999 516 102 01	Tool Pin		X	
20	999 504 225 00	Threaded bush Keensert M5 X 0,8 X 8		X	
21	999 504 226 00	Threaded bush Keensert M6 X 1,0 X 10		X	
22	999 504 272 00	Threaded bush Keensert M8 X 1,25 X 16		X	
23	999 504 273 00	Threaded bush Keensert M10 X 1,5 X 20		X	
24	999 504 274 00	Threaded bush Keensert M12 X 1,5 X 24		X	
25	999 504 277 01	Threaded bush Keensert M5 X 0,8 X 10		X	
26	999 504 256 00	Threaded bush Keensert M6 X 1,0 X 12		X	
30	000 043 302 57	adhesive SCOTCHWELD DP490 50ML		X	
31	000 043 302 58	Adhesive set Thread repair PERMABOND PT321 50ML emulsion tube		X	
				1	
				2	

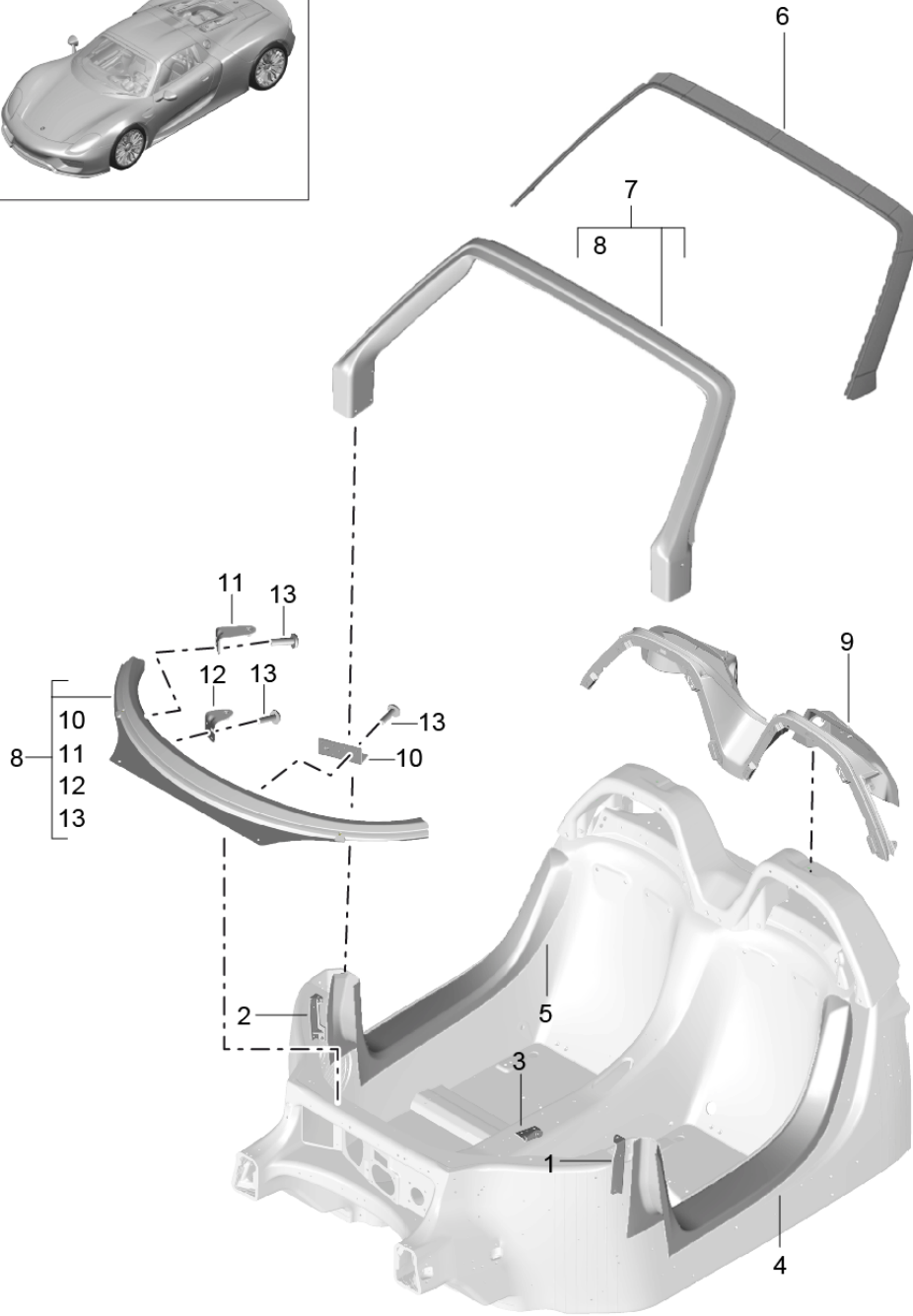
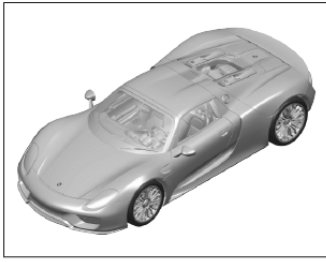
Model: 918

Model life 2015>>2015

Pos	Part Number	Description	Remark	Qty	Model
32	928 101 921 00	Loctite 10ML		X	
40	999 516 109 01	Threaded bush bigHead M5 X 10		X	
41	999 516 105 01	Threaded bush bigHead M5 X 20		X	
42	999 516 103 01	Threaded bush bigHead M6 X 5		X	
43	999 516 104 01	Threaded bush bigHead M6 X 20		X	
44	999 516 106 01	Threaded bush bigHead M8 X 10		X	
45	999 516 107 01	Threaded bush bigHead M8 X 20		X	
46	999 516 108 01	Threaded bush bigHead M8 X 30		X	
50	900 060 115 01	Threaded pin M6 X 15		X	
51	900 060 116 01	Threaded pin M12X1		X	
52	900 060 070 03	Threaded pin M6 X 30		X	
53	900 060 082 02	Threaded pin M8FO X 20		X	
54	900 060 081 A1	Threaded pin M8FO X 25		X	
55	900 060 090 A1	Threaded pin M8FO X 35		X	
56	999 061 404 02	Threaded pin M10 X 27		X	
57	999 061 401 02	Threaded pin M10 X 40		X	
58	999 061 035 01	Threaded pin M10 X 47		X	
59	900 305 022 02	Threaded pin M12 X1,5 X 50		X	
60	900 060 082 02	Threaded pin BM12 X 1,5 X 35		X	
65	999 025 282 00	Washer M5		X	
66	999 025 283 00	Washer M6		X	
70	999 500 203 01	rivetted cap nut M5		X	
71	999 500 204 01	rivetted cap nut M6		X	
72	999 500 209 01	rivetted cap nut M5		X	
73	999 500 210 01	rivetted cap nut M6		X	
80	999 080 077 01	Screw M5		X	
81	999 025 288 01	Washer 8,2 X 20 X 0,9		X	
82	999 209 123 01	spacer sleeve		X	

Model: 918

Model life 2015>>2015

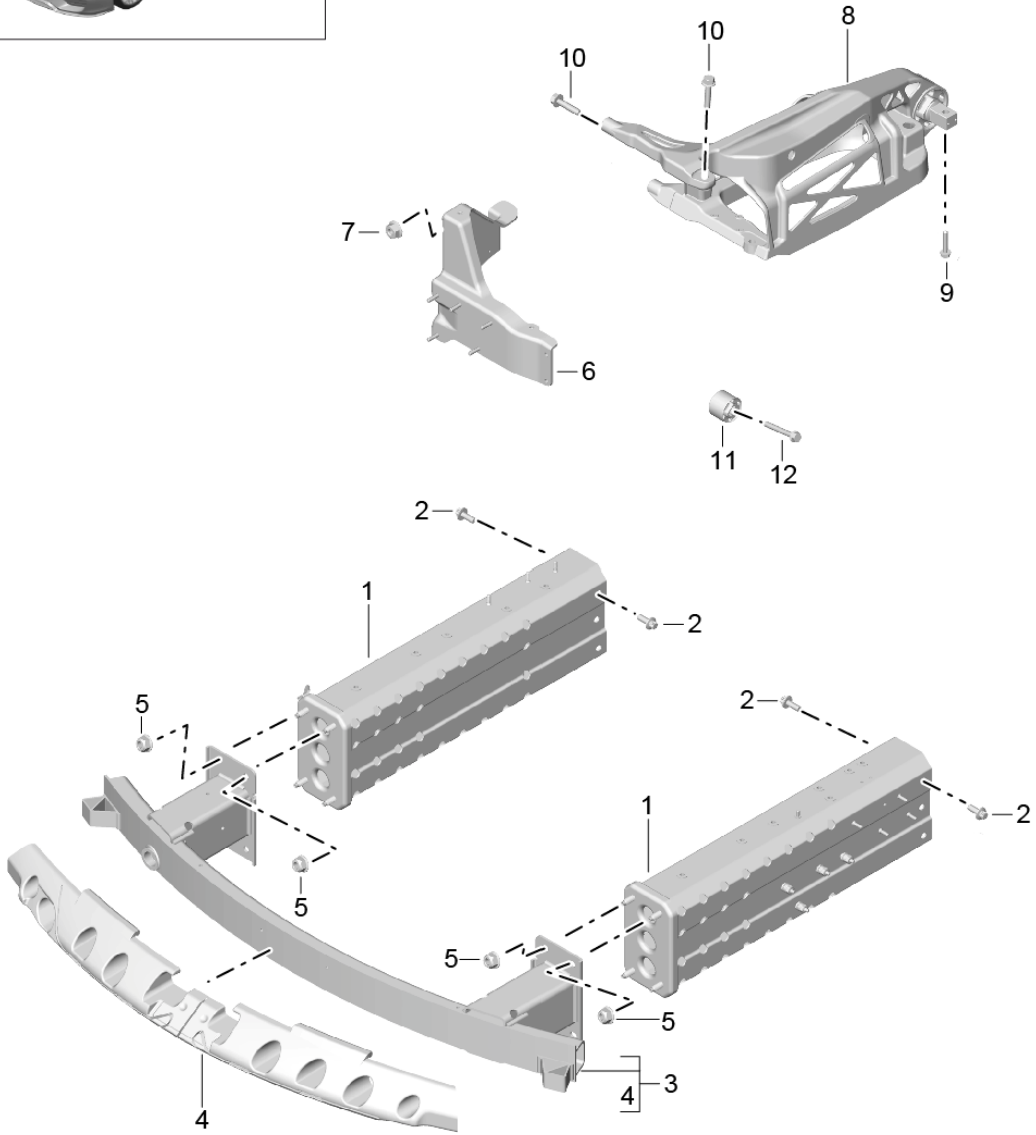
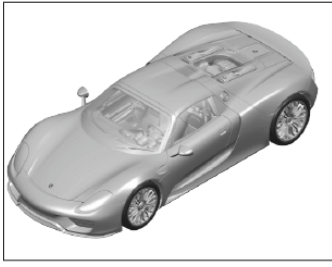


Model: 918 Model life 2015>>2015

Pos	Part Number	Description	Remark	Qty	Model
		Special repair concept Monocoque See technical manual Group 5			
1	918 552 617 01	Retainer for support frame	left	1	
2	918 552 619 01	Retainer for support frame	right	1	
3	918 552 625 01	Console Support		1	
4	918 501 913 00	Side member trim	left	1	
5	918 501 914 00	Side member trim	right	1	
6	918 501 907 00	Scuttle Trim		1	
	918 501 907 00 A3G	Carbon Gloss Black			
	918 501 907 00 G21	primed			
7	918 501 902 00	Scuttle also use: Position 8 comprising: Scuttle Bracket Pop rivet Pop rivet	upper	1	
8	918 501 903 00	Scuttle comprising: Scuttle support Bracket Bracket Bracket fillister hd. bolt fillister hd. bolt	lower	1	
9	918 501 904 00	roll bar comprising: Frame Trim Trim Head restraint countersunk bolt	upper	1	
10	918 552 615 01	Retainer for support frame Scuttle		16 1	
11	918 552 621 01	Retainer for support frame Scuttle		2	
12	918 552 623 01	Retainer for support frame Scuttle		2	
13	999 073 621 01	fillister hd. bolt M5X16 for POS10 POS11 POS12		X	

Model: 918

Model life 2015>>2015



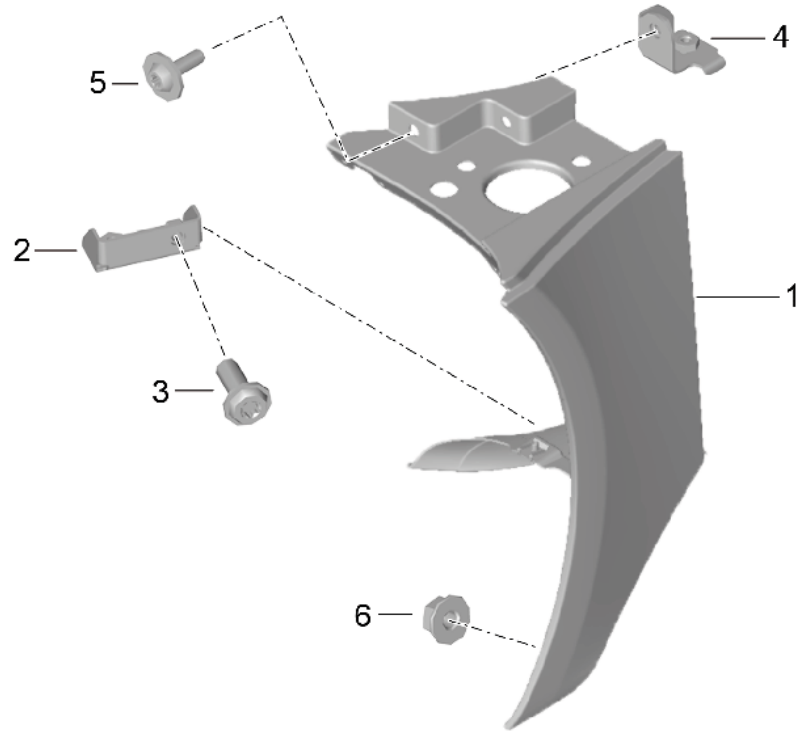
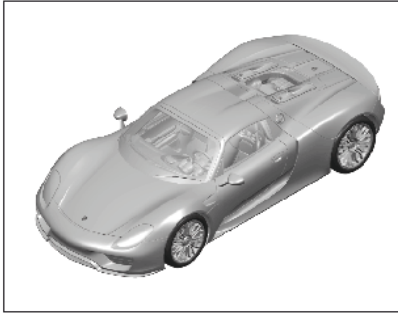
Model: 918

Model life 2015>>2015

Pos	Part Number	Description	Remark	Qty	Model
		Front end			
		Bodyshell			
1	918 501 311 03	Carrier	left	1	
(1)	918 501 312 03	Carrier	right	1	
2	900 385 274 01	Torx screw		X	
		M 10 X 25			
3	918 505 041 00	Bumper carrier	front	1	
4	918 505 779 00	Carrier	front	1	
5	900 380 021 A1	Hexagon nut		6	
		M 10			
6	918 501 441 01	Assembly frame		1	
		Carrier			
7	900 377 018 01	Hexagon nut		3	
		M6			
8	918 375 013 02	Engine support		1	
9	N 106 620 01	Hex collared bolt		2	
		M8 X 40			
10	N 106 999 01	Hexagon bolt		4	
		M10 X 45			
11	918 375 347 01	Rubber bush		2	
12	999 072 853 02	Hexagon bolt		2	
		M12 X 95			

Model: 918

Model life 2015>>2015



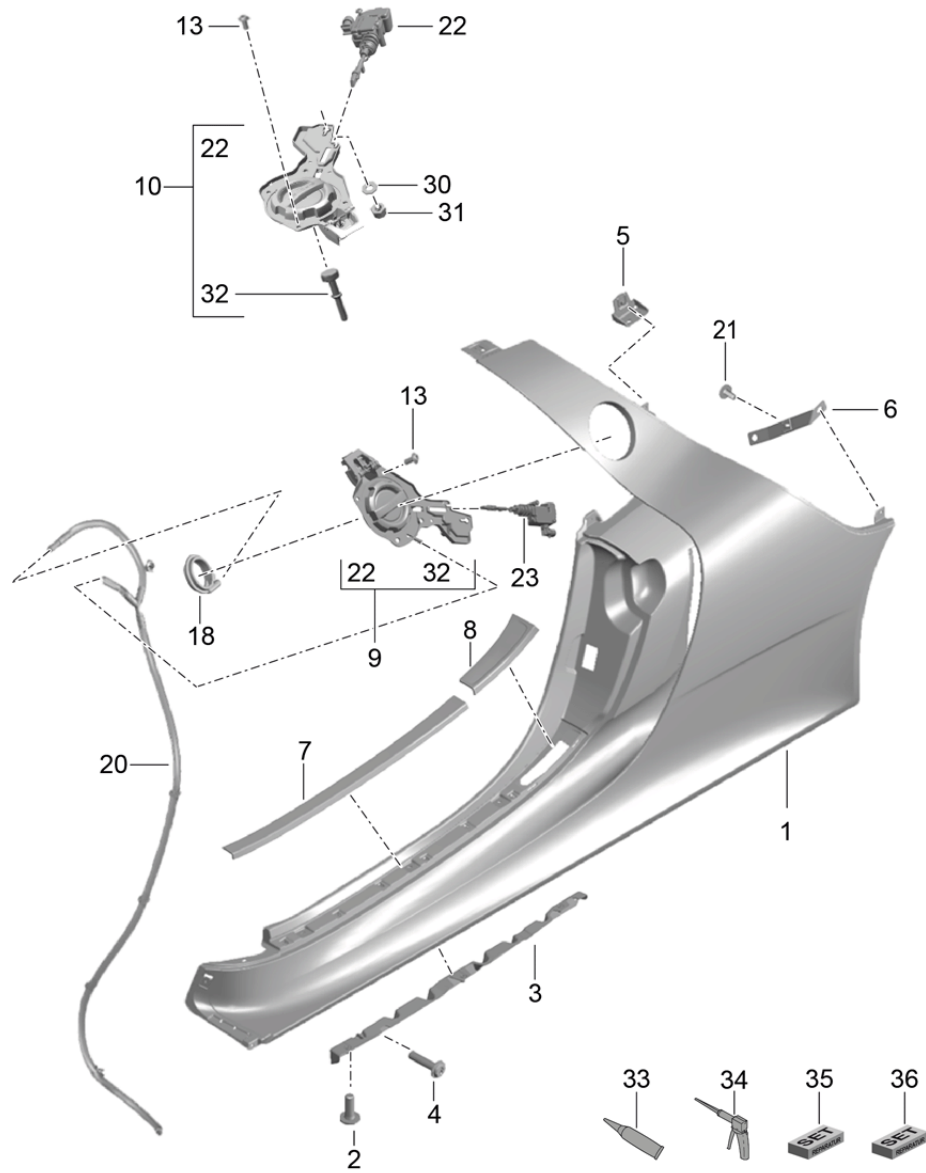
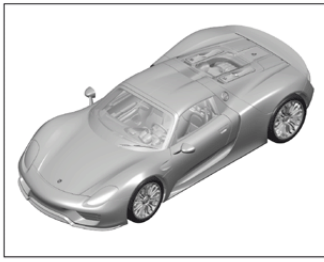
Model: 918

Model life 2015>>2015

Pos	Part Number	Description	Remark	Qty	Model
		Front end Accessories			
1	918 505 131 01	Side part			
	918 505 131 01 G21	Side part primed	left	1	
(1)	918 505 132 01	Side part			
	918 505 132 01 G21	Side part primed	right	1	
2	918 505 521 01	Bracket			
		Side part	left	1	
(2)	918 505 522 01	Bracket	lower		
		Side part	right	1	
		Side part	lower		
3	999 015 026 A1	fillister hd. bolt			
		M6 X 16		4	
4	918 505 451 01	Bracket			
		Side part	upper	4	
5	999 073 446 A1	fillister hd. bolt			
		M5 X 16		8	
6	900 377 022 00	Hexagon nut			
		M6		2	

Model: 918

Model life 2015>>2015



Model: 918 Model life 2015>>2015

Pos	Part Number	Description	Remark	Qty	Model
1	918 559 211 01	Sill Tank filler neck	left	1	
(1)	918 559 211 01 G21	Sill primed			
	918 559 212 01	Sill	right	1	
	918 559 212 01 G21	Sill primed			
2	999 015 026 A1	fillister hd. bolt M6 X 16		X	
3	918 559 511 02	retaining strip	left	1	
(3)	918 559 512 02	retaining strip	right	1	
4	999 073 253 A1	fillister hd. bolt M6 X 25		6	
5	918 559 701 01	Bracket		2	
6	918 559 601 00	Sill Brace	left	1	
(6)	918 559 602 00	Sill Brace	right	1	
7	918 559 521 01	Sill trim strip	left	1	
	918 559 521 01 G21	Sill trim strip primed			
(7)	918 559 522 01	Sill trim strip	right	1	
	918 559 522 01 G21	Sill trim strip primed			
8	918 559 523 01	Cover	left	1	
	918 559 523 01 G21	Cover Emergency operation primed			
9	918 504 141 03	Tank filler neck		1	
10	918 504 142 06	Module (complete) Charging socket Module (complete)		1	PR:-553
		also use:	900 025 044 07	2	
			900 084 020 03	2	
13	999 015 025 A1	fillister hd. bolt M6 X 12		8	
18	918 504 525 01	Water deflector strip		1	
20	918 504 519 01	Hose		1	
-		Emergency operation Parking lock			
21	999 073 297 A1	fillister hd. bolt M6 X 16 for POS 6	see illustration: 701-000	2	
22	9P1 962 625	throttle control element Flap		1	
23	918 624 113 01	Charging socket throttle control element Flap		1	
30	900 025 044 07	Fuel tank Washer		2	
31	900 084 020 03	Hexagon nut M4		2	
32	918 504 701 01	Rubber stop		X	
33	000 043 302 88	adhesive for Fuel filler flap and Charging socket		1	
34	000 043 300 48	Tool set		1	
35	000 043 303 94	repair set for Fuel filler flap		1	

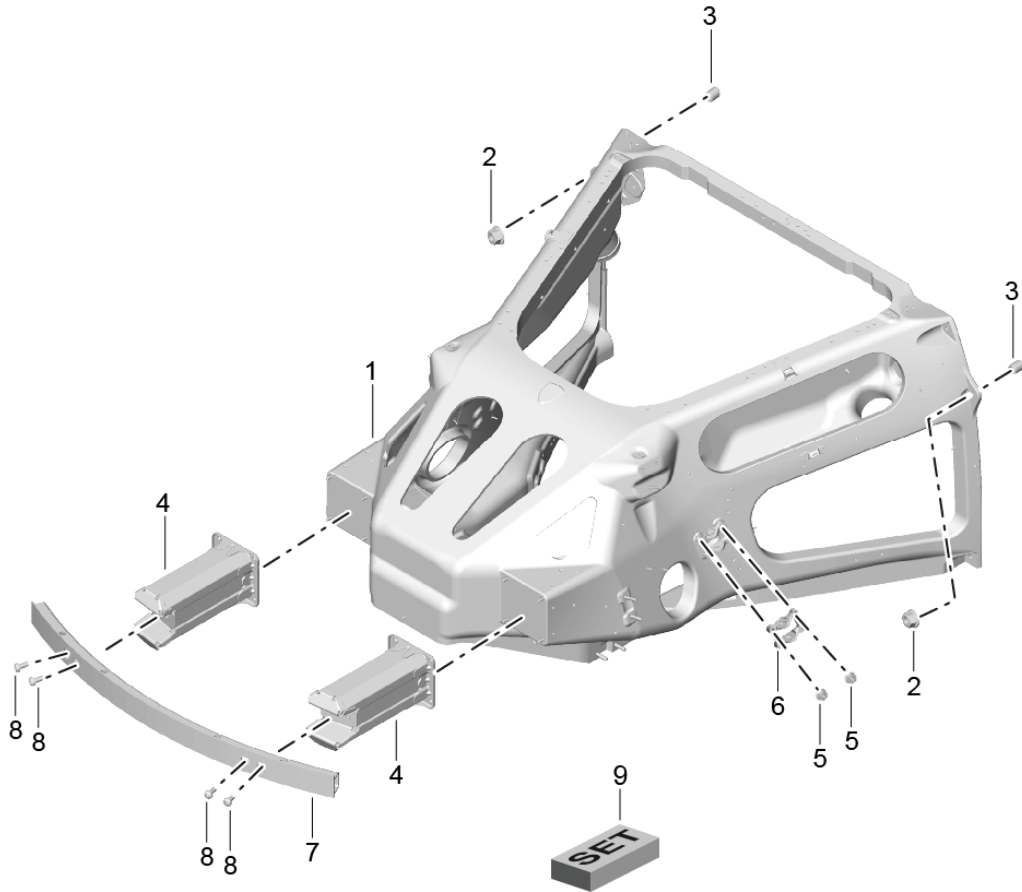
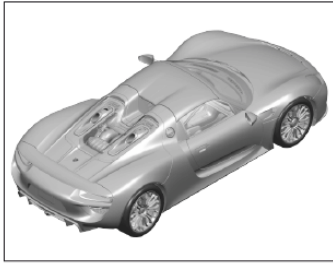
Model: 918

Model life 2015>>2015

Pos	Part Number	Description	Remark	Qty	Model
36	000 043 303 95	repair set for Charging socket also use:	000 043 302 88 also use: 000 043 302 88	1	

Model: 918

Model life 2015>>2015



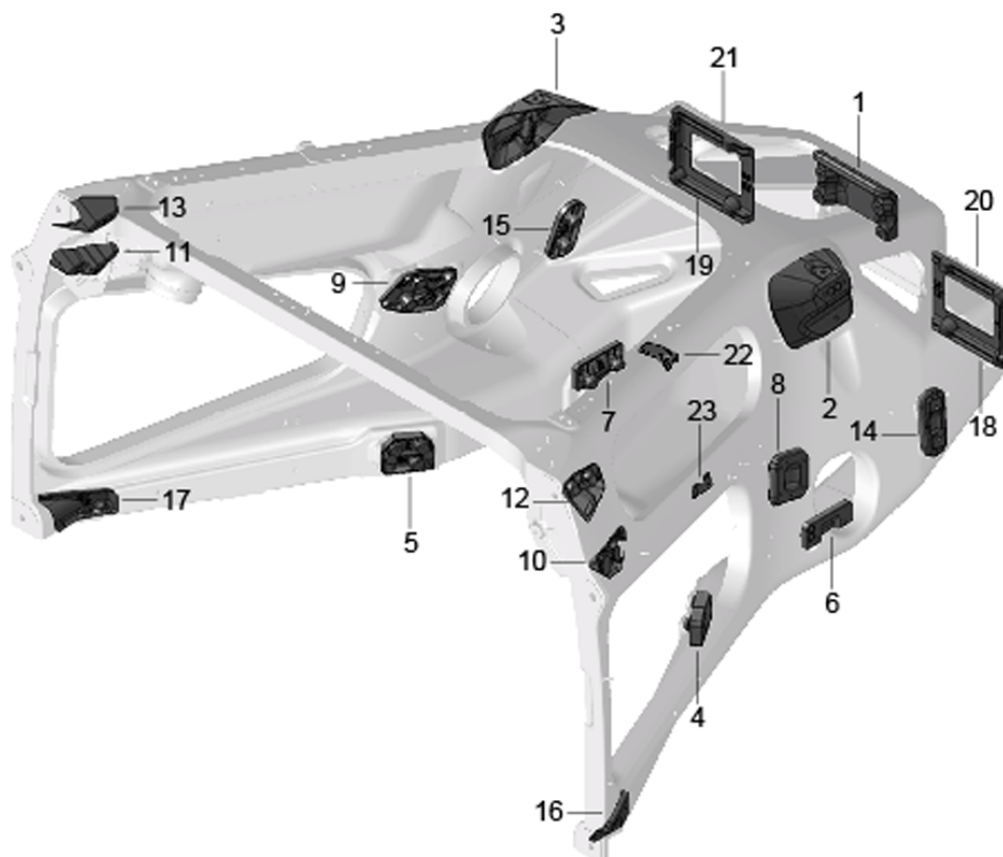
Model: 918

Model life 2015>>2015

Pos	Part Number	Description	Remark	Qty	Model
1	918 501 071 07	Rear end Assembly carrier Assembly carrier (complete)		1	
2	999 084 445 01	Locknut M 12 X 1,5		6	
3	999 095 040 01	dowel sleeve 16M7 X 18,5		2	
4	918 501 411 01	Carrier	left	1	
(4)	918 501 412 01	Carrier	right	1	
5	900 377 003 03	Hexagon nut M8		8	
6	918 504 361 00	Bracket	left	1	
(6)	918 504 362 00	Bracket	right	1	
7	918 505 241 00	Bumper carrier	rear	1	
8	999 073 094 01	Screw M 8X20		4	
9	000 043 306 60	repair set rivetted cap nut and speed nut M6 / M10		X	

Model: 918

Model life 2015>>2015

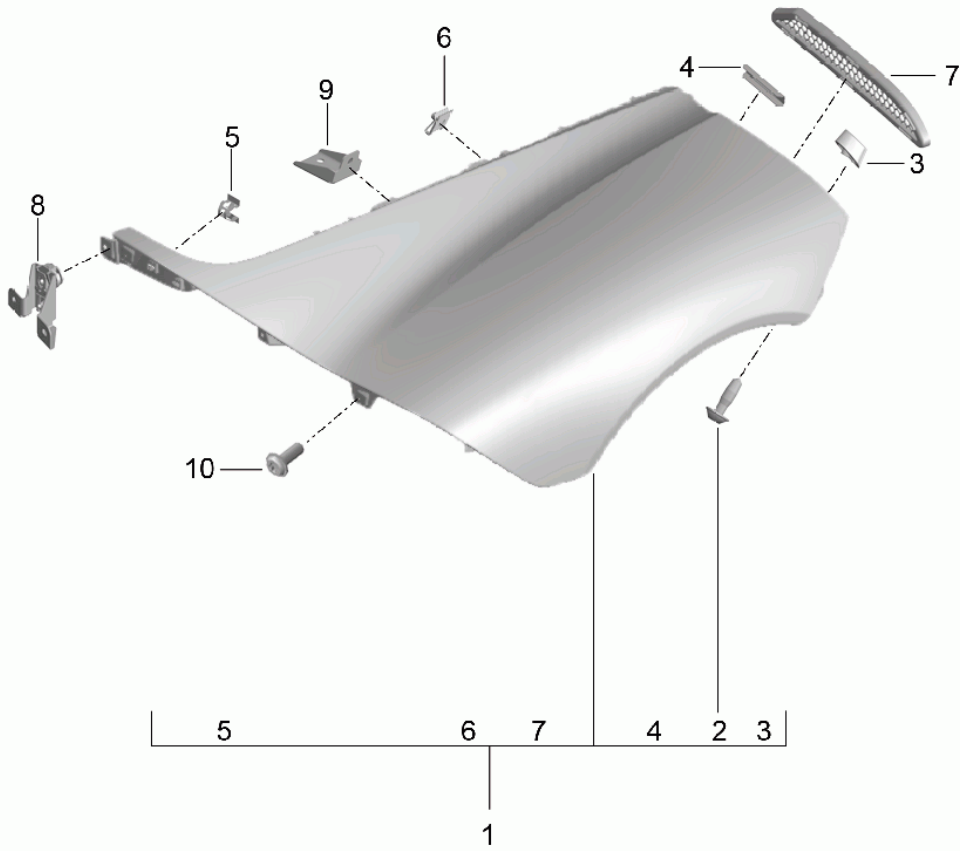
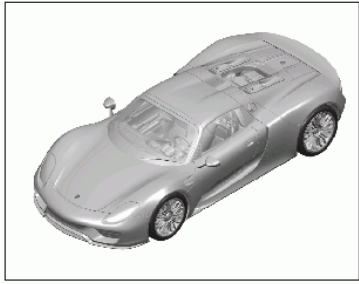


Model: 918 Model life 2015>>2015

Pos	Part Number	Description	Remark	Qty	Model
		Special repair concept Assembly carrier See technical manual Group 5			
(1)	918 501 911 50	gearbox mounting		1	
(2)	918 501 911 51	Mount	left	1	
		Spring strut			
(3)	918 501 912 52	Mount	right	1	
		Spring strut			
(4)	918 501 911 53	Mount	left	1	
		Lengthways Guide	lower		
(5)	918 501 912 54	Mount	right	1	
		Lengthways Guide	lower		
(6)	918 501 911 55	Mount	left	1	
		Wishbone	lower		
(7)	918 501 912 56	Mount	right	1	
		Wishbone	lower		
(8)	918 501 911 57	Mount	left	1	
		Lengthways Guide	upper		
(9)	918 501 912 58	Mount	right	1	
		Lengthways Guide	upper		
(10)	918 501 911 59	Mount	left	1	
		Monocoque	upper		
			lower		
(11)	918 501 912 60	Mount	right	1	
		Monocoque	upper		
			lower		
(12)	918 501 911 61	Mount	left	1	
		Monocoque	upper		
(13)	918 501 912 62	Mount	right	1	
		Monocoque	upper		
(14)	918 501 911 63	Mount	left	1	
		Wishbone	upper		
(15)	918 501 912 64	Mount	right	1	
		Wishbone	upper		
(16)	918 501 971 50	Mount	left	1	
		Monocoque	lower		
(17)	918 501 972 51	Mount	right	1	
		Monocoque	lower		
(18)	918 501 971 52	Mount	left	1	
		Carrier	lower		
		3			
(19)	918 501 972 53	Mount	right	1	
		Carrier	lower		
		3			
(20)	918 501 971 54	Mount	left	1	
		Carrier	upper		
		3			
(21)	918 501 972 55	Mount	right	1	
		Carrier	upper		
		3			
22	918 501 571 00	Bracket	upper	1	
		Intake housing			
23	918 501 573 00	Bracket	lower	1	
		Intake housing			

Model: 918

Model life 2015>>2015



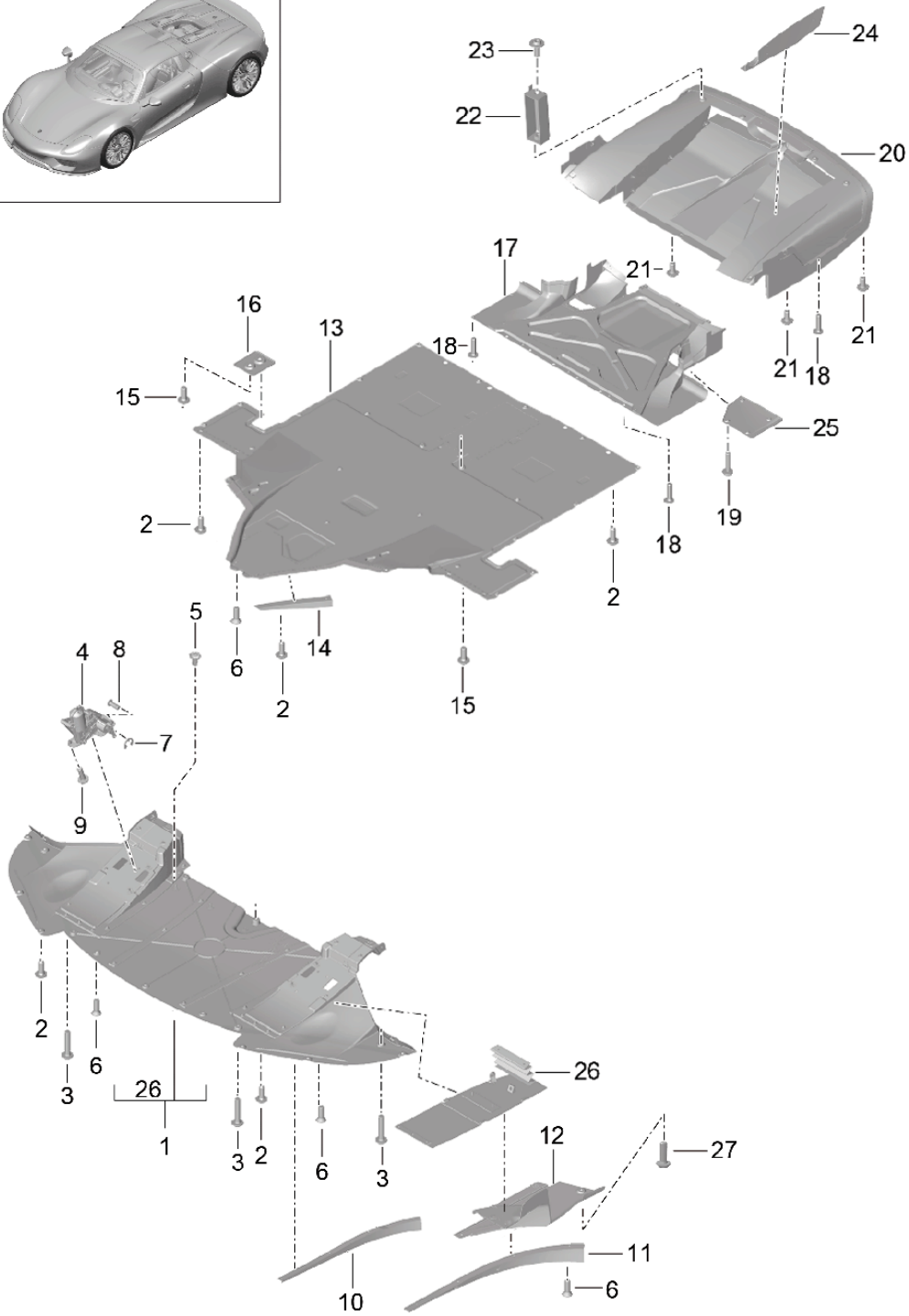
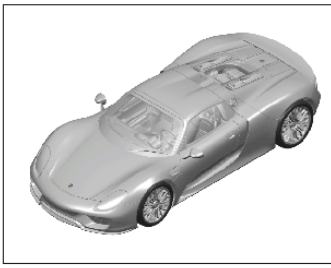
Model: 918

Model life 2015>>2015

Pos	Part Number	Description	Remark	Qty	Model
1	918 505 051 01	Wing Wing Included Parts kit	rear left	1	
(1)	918 505 051 01 G21 918 505 052 01	primed Wing Included Parts kit	right	1	
2	918 505 052 01 G21 999 919 296 01	primed fillister hd. bolt M6 X 18		2	
3	918 504 488 00	Stop buffer	right	1	
(3)	918 504 487 00	Stop buffer	left	1	
4	999 507 696 00	U-clip		X	
5	999 507 533 00	Clamp		X	
6	918 504 597 00	panel nut		X	
7	918 505 552 01	Trim Air exhaust	right	1	
(7)	918 505 551 01	Trim Air exhaust	left	1	
8	918 505 529 01	bracket - fender	left	1	
(8)	918 505 530 01	bracket - fender	right	1	
9	918 505 531 01	bracket - fender	rear	2	
10	999 015 026 A1	fillister hd. bolt M6 X 16		X	

Model: 918

Model life 2015>>2015



Model: 918 Model life 2015>>2015

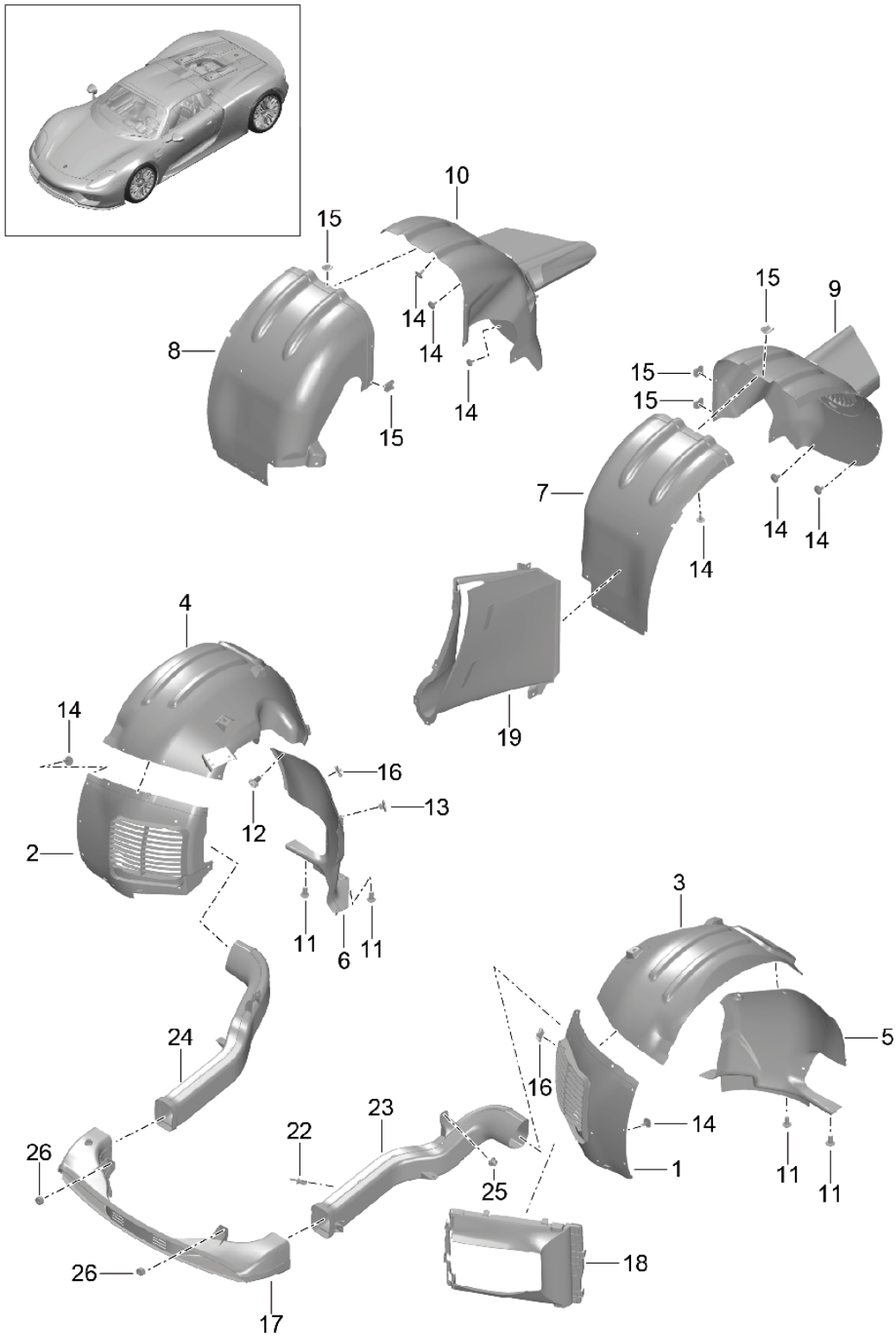
Pos	Part Number	Description	Remark	Qty	Model
		Underbody			
		Trim			
1	918 504 233 02	Underbody protection (complete)	front	1	
2	999 015 026 A1	fillister hd. bolt M6X16		X	
		Mount			
		Underbody			
		Luggage compartment liner			
3	999 073 254 A1	fillister hd. bolt M6X30		X	
		Mount			
		Underbody			
		Frame			
4	918 624 971 01	Servomotor		2	
		Flap			
-		Wire set		1	
		see illustration:	902-012		
5	999 015 030 01	fillister hd. bolt M4X8		4	
		Sensor			
		Underbody			
6	999 073 386 A1	countersunk bolt M5X16		X	
		Bracket			
		Sensor and Flap			
		Underbody			
7	900 116 003 00	Retaining washer		4	
		Flap			
		Servomotor			
8	999 166 096 01	Pin 5H11X12,5		4	
		Flap			
		Servomotor			
9	999 073 585 A1	fillister hd. bolt M5X25		6	
		Servomotor			
		Underbody			
10	918 504 513 01	Air guide plate	left center	1	
(10)	918 504 514 01	Air guide plate	front right center	1	
11	918 504 505 01	Air guide plate	front left inner	1	
(11)	918 504 506 01	Air guide plate	front right inner	1	
12	918 504 243 01	Underbody protection	front left side	1	
(12)	918 504 244 01	Underbody protection	front right side	1	
13	918 504 235 01	Underbody protection	center	1	
14	918 504 517 01	Air guide plate	left inner	1	
(14)	918 504 518 01	Air guide plate	center right	1	

Model: 918 Model life 2015>>2015

Pos	Part Number	Description	Remark	Qty	Model
15	999 073 258 A1	fillister hd. bolt M8X20 Mount Underbody	inner center center	X	
16	918 504 713 01	Cover socket - jack		1	
(17)	918 504 237 02	Underbody protection	rear front	1	
18	999 073 253 A1	fillister hd. bolt M6 X25		X	
19	999 510 104 A1	Socket head bolt M8 X 35		8	
20	918 504 239 01	Underbody protection	rear	1	
21	999 015 025 A1	fillister hd. bolt M 6 X 12		X	
22	918 504 601 01	Bracket Underbody	rear	2	
23	999 073 297 A1	fillister hd. bolt M6 X 16		2	
24	918 504 507 01	Air guide plate	left inner rear	1	
(24)	918 504 508 01	Air guide plate	right inner rear	1	
25	918 504 509 01	Air guide plate	left outer rear	1	
(25)	918 504 510 01	Air guide plate	right outer rear	1	
26	918 504 311 02	Flap Underbody	left front	1	
(26)	918 504 312 02	Flap Underbody	right front	1	
27	999 073 252 A1	fillister hd. bolt M6X20 Mount Underbody	center	4	
-		Water drain valve Battery Hybrid see illustration:	901-040		

Model: 918

Model life 2015>>2015



Model: 918 Model life 2015>>2015

Pos	Part Number	Description	Remark	Qty	Model
1	918 504 123 01	Wheel housing liner Air guide	front left	1	
2	918 504 124 01	Wheel housing liner	front right	1	
3	918 504 125 01	Wheel housing liner	front left center	1	
4	918 504 126 01	Wheel housing liner	front right center	1	
5	918 504 127 01	Wheel housing liner	front left rear	1	
6	918 504 128 01	Wheel housing liner	front right rear	1	
7	918 504 133 01	Wheel housing liner	rear left front	1	
8	918 504 134 01	Wheel housing liner	rear right front	1	
9	918 504 135 01	Wheel housing liner	rear left	1	
10	918 504 136 01	Wheel housing liner	rear right	1	
11	999 015 025 A1	fillister hd. bolt M6 X 12		X	
12	999 015 026 A1	fillister hd. bolt M6 X 16		X	
13	999 049 007 40	Plastic nut		2	
14	999 073 505 01	panel screw 8 X 16		X	
15	999 507 795 09	panel nut		6	
16	N 906 271 03	speed nut, self-locking		6	
17	918 575 323 01	Air guide	center	1	
18	918 575 321 01	Air guide	left side front	1	
(18)	918 575 322 01	Air guide	right side front	1	
19	918 504 121 01	Air guide	left side rear	1	
(19)	918 504 122 01	Air guide	right side rear	1	
-		Frame Radiator		1	
-		see illustration:	202-010	1	
-		Frame Radiator		1	
-		see illustration:	202-010	1	
22	N 905 369 01	Spreader rivet 5 X 11		8	
23	918 504 515 01	Air guide channel Brake	left	1	
24	918 504 516 01	Air guide channel Brake	right	1	
25	999 049 033 40	Plastic nut		2	

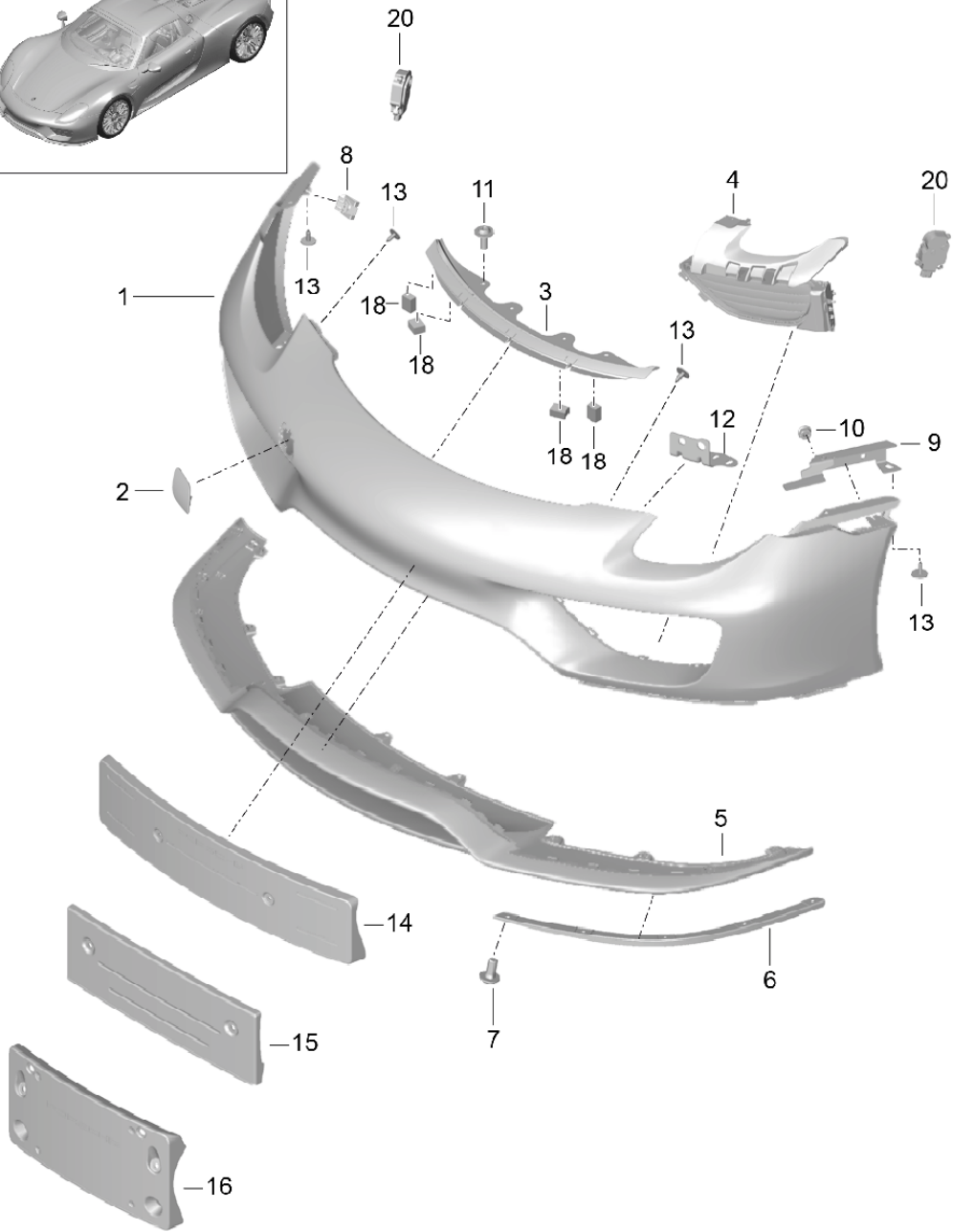
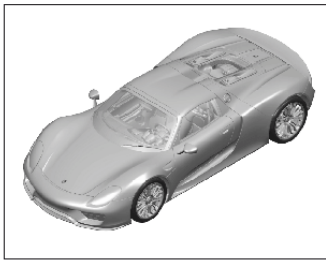
Model: 918

Model life 2015>>2015

Pos	Part Number	Description	Remark	Qty	Model
26	900 377 009 03	Hexagon nut M5		4	

Model: 918

Model life 2015>>2015

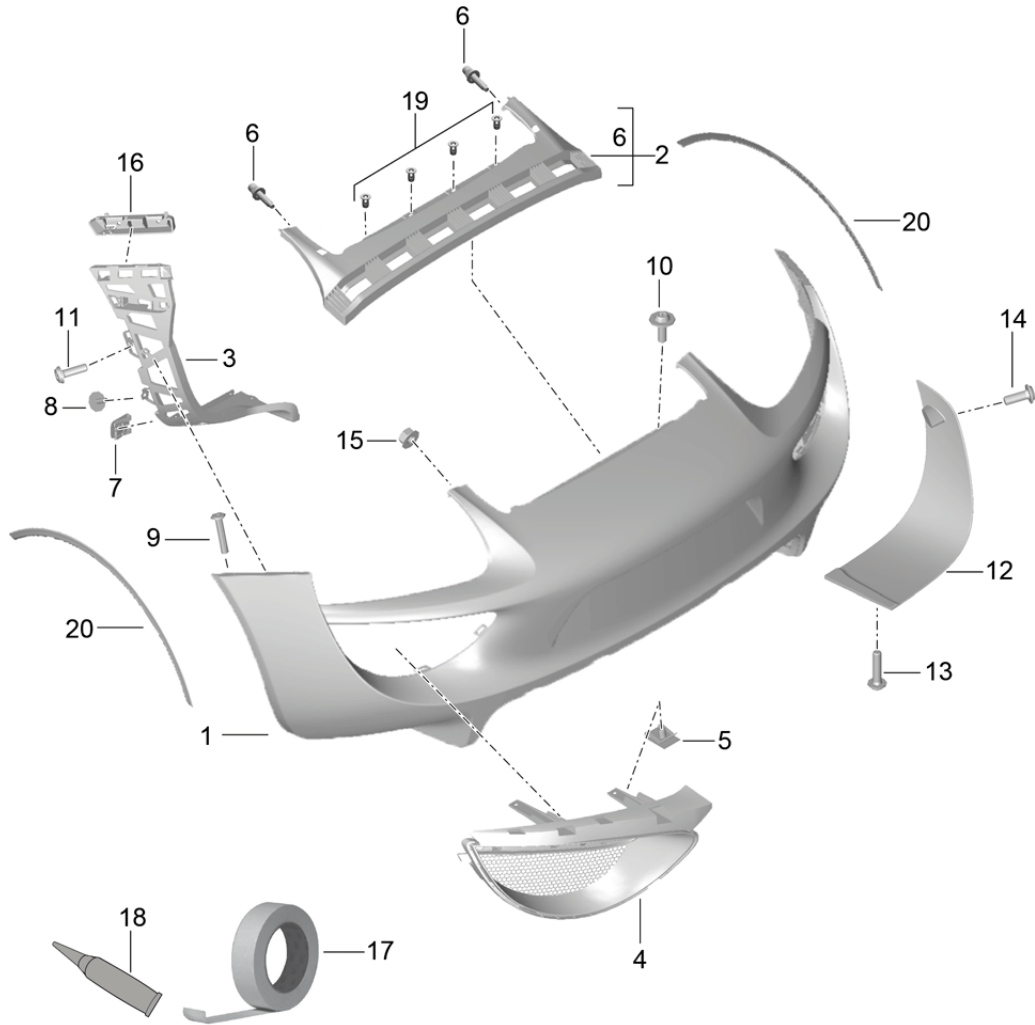
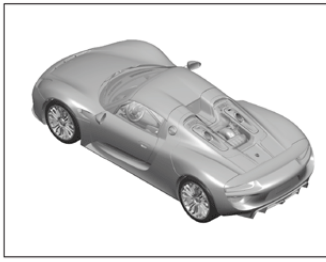


Model: 918 Model life 2015>>2015

Pos	Part Number	Description	Remark	Qty	Model
1	918 505 311 01	bumper	front	1	
	918 505 311 01 G2X	Trim			
2	918 505 703 01	primed		1	
	918 505 703 01 G2X	cover for towing eye			
3	918 505 553 01	primed		1	
	918 505 553 01 G2X	Trim			
4	918 505 567 01	Trim		1	
	918 505 567 01 G2X	primed			
	918 505 567 01	Cooling air control	left	1	
		without:			
	918 505 567 01 OK1	Engine			
(4)	918 505 568 01	Matt black	right	1	
	918 505 568 01	Cooling air control			
		without:			
	918 505 568 01 OK1	Engine			
	918 505 568 01 OK1	Matt black			
5	918 505 525 01	Spoiler	front	1	
6	918 505 557 00	Spoiler lip	left	1	
			front		
(6)	918 505 558 00	Spoiler lip	right	1	
			front		
7	999 015 025 A1	fillister hd. bolt		X	
		M6X12			
8	999 507 795 09	panel nut		X	
		ST 4,8			
9	918 505 535 01	retaining strip	left	1	
			side		
(9)	918 505 536 01	retaining strip	right	1	
			side		
10	N 015 082 10	Hexagon collar nut		8	
11	999 073 297 A1	fillister hd. bolt		6	
		M6X16			
12	918 505 545 01	Securing bracket	left	1	
(12)	918 505 546 01	Securing bracket	right	1	
13	999 073 505 01	panel screw		4	
		ST 4,8X16-C			
14	918 701 051 00	Assembly kit		1	PR:211,-075
		Number plate			
		Bracket			
	918 701 051 00 OK1	Matt black			
(14)	918 701 051 04	Assembly kit		1	China
		Number plate			PR:211,075
		Bracket			
	918 701 051 04 OK1	Matt black			
15	918 701 051 03	Assembly kit		1	RDW
		Number plate			PR:210
		Bracket			
	918 701 051 03 OK1	Matt black			
(16)	918 701 051 02	Assembly kit		1	PR:209
		Number plate			
		Bracket			
	918 701 051 02 OK1	Matt black			
-	000 043 302 78	Adhesive tape		1	
		3000MM			
-	999 915 577 40	Primer		1	
		Adhesive tape			
18	918 555 811 00	Support		4	
20	95B 965 501 B	Servomotor		2	

Model: 918

Model life 2015>>2015

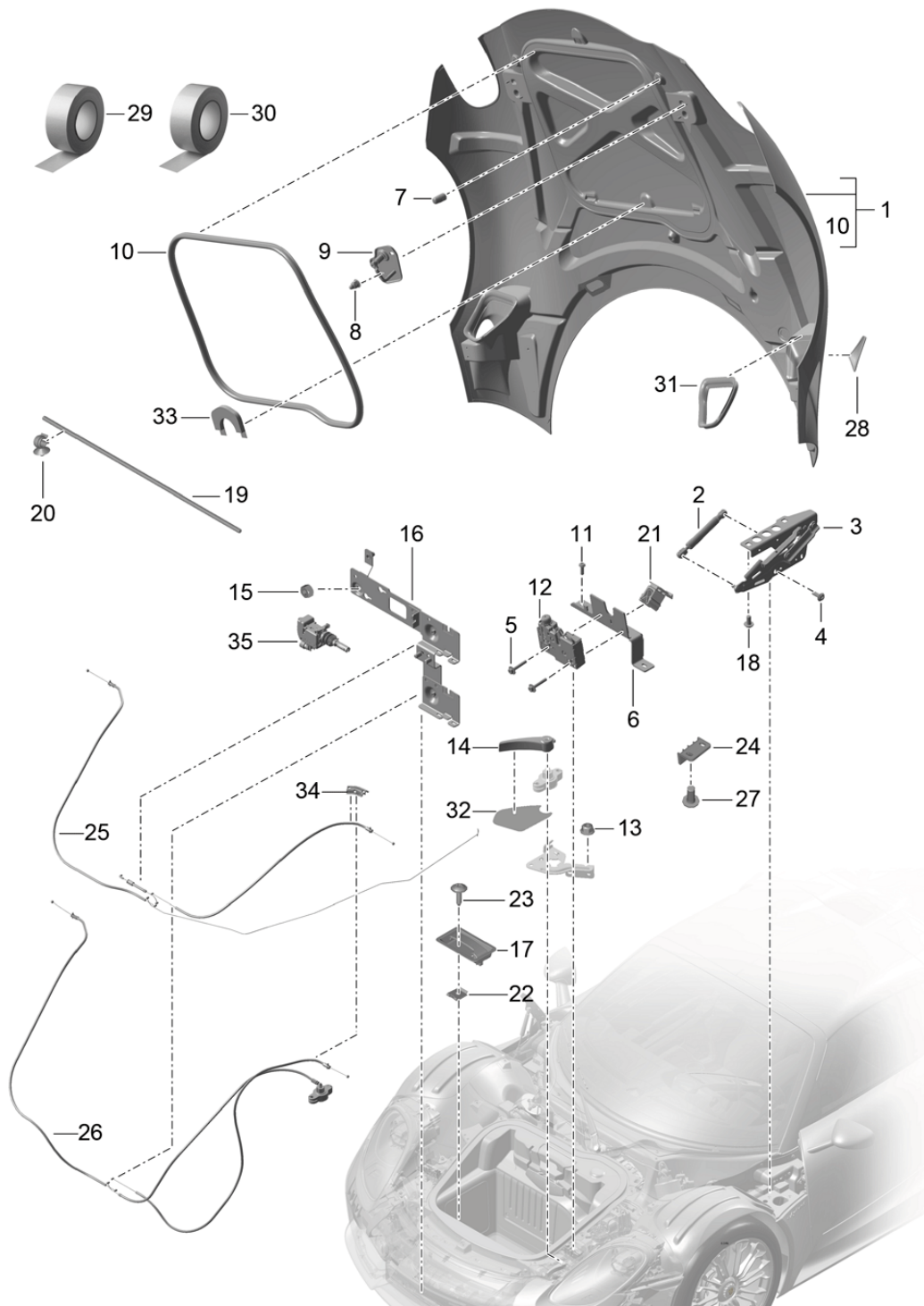


Model: 918 Model life 2015>>2015

Pos	Part Number	Description	Remark	Qty	Model
1	918 505 411 02	bumper	rear	1	
	918 505 411 02 G2X	Trim			
2	918 505 509 01	primed Support		1	
		Trim			
3	918 505 631 01	Bracket	left	1	
			side		
(3)	918 505 632 01	Bracket	right	1	
			side		
4	918 505 711 01	Trim	left	1	
		Air exhaust			
		with:			
		Retaining frame			
(4)	918 505 712 01	Trim	right	1	
		Air exhaust			
		with:			
		Retaining frame			
5	918 504 597 00	panel nut		10	
7	999 507 795 09	panel nut		16	
		ST 4,8			
8	999 073 505 01	panel screw		6	
		ST4,8X16-C			
9	999 190 191 30	Pop rivet		4	
		A 3,2X17,0			
10	999 073 297 A1	fillister hd. bolt		8	
		M6X16			
11	999 073 269 A1	fillister hd. bolt		2	
		M5X16			
12	918 505 721 01	Air guide plate	left	1	PR:808
(12)	918 505 722 01	Air guide plate	right	1	PR:808
13	999 073 253 A1	fillister hd. bolt		2	PR:808
		M6X25			
14	999 015 026 A1	fillister hd. bolt		6	PR:808
		M6X16			
15	900 377 018 01	Hexagon nut		2	
		M 6			
16	918 505 511 01	retaining strip	left	1	
(16)	918 505 512 01	retaining strip	right	1	
17	000 043 302 78	Adhesive tape		1	
		3000MM			
18	999 915 577 40	Primer		1	
		Adhesive tape			
19	999 500 147 01	rivetted cap nut		4	
		M6			
20	918 505 331 00	wheel cover		1	PR:193
		Japan			
	918 505 331 00 G2X	primed			

Model: 918

Model life 2015>>2015



Model: 918 Model life 2015>>2015

Pos	Part Number	Description	Remark	Qty	Model
1	918 511 011 05	Cover	front	1	PR:-808
(1)	918 511 011 05 G21	primed			
	918 511 011 06	Cover		1	PR:808,-892
	918 511 011 06 G21	primed			
(1)	918 511 011 07	Cover		1	PR:808,892
	918 511 011 07 G21	primed			
2	918 511 671 00	Gas filled strut		2	PR:-808
3	918 511 151 04	Hinge	left	1	PR:-808
(3)	918 511 151 05	Hinge	left	1	PR:808
(3)	918 511 152 04	Hinge	right	1	PR:-808
(3)	918 511 152 05	Hinge	right	1	PR:808
4	999 073 258 A1	fillister hd. bolt M8 X 20		4	
5	N 911 860 01	bolt, hex. hd. with shoulder, self-locking M6 X 35		4	
6	918 511 311 01	Console lock	left	1	
(6)	918 511 312 01	Console lock	right	1	
7	999 703 140 41	Rubber buffer 12 X 18 X 34		2	
8	WHT 001 308	cap nut, self-locking M6		4	
9	95B 823 259	arm	left	1	
(9)	95B 823 260	arm	right	1	
10	918 511 611 01	Seal Cover		1	
11	999 073 252 A2	fillister hd. bolt M6 X 20		4	
12	918 511 509 03	lock		2	
13	900 380 015 01	Hexagon nut M6		2	
14	95B 823 661	Actuating lever Catch hook Discontinued part		1	
14	95B 823 661 A	Actuating lever Catch hook		1	
15	900 380 001 01	Hexagon nut M6		3	
16	918 511 321 00	Carrier lock		1	PR:-553
18	999 073 574 01	fillister hd. bolt M8 X 16		4	
19	918 511 673 01	Holders		1	PR:808
20	999 591 023 40	Cable holder		1	PR:808
21	999 507 119 40	Clip		1	
24	918 511 331 00	Guide wedge	upper	2	
25	918 511 319 02	Bowden cable Cover		1	
26	918 511 317 02	Bowden cable Catch hook		1	PR:-553
27	999 015 026 A1	fillister hd. bolt		5	
28	918 511 211 01	Trim Cover	left	1	PR:808
(28)	918 511 212 01	Trim Cover	right	1	PR:808
29	000 043 302 78	Adhesive tape 3000MM		1	
30	999 915 577 40	Primer Adhesive tape		1	
31	918 511 613 01	Seal	left	1	

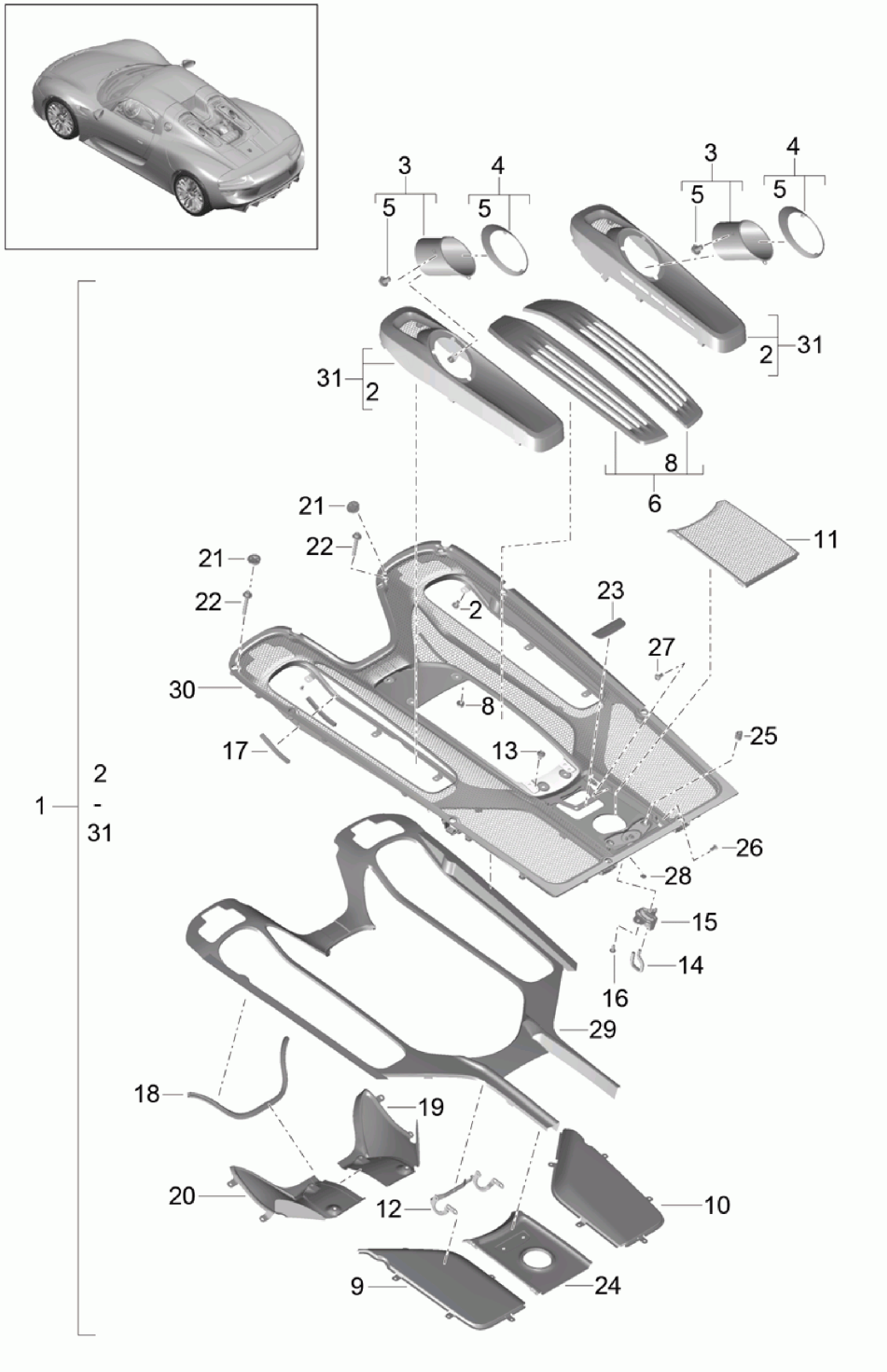
Model: 918

Model life 2015>>2015

Pos	Part Number	Description	Remark	Qty	Model
(31)	918 511 614 01	Wheel housing Seal	right	1	
32	918 511 761 00	Wheel housing Protective film		1	
33	918 551 715 00	Actuating lever Foam part POS19		1	
34	918 511 419 00	Guide piece	left	1	
(34)	918 511 420 00	Guide piece	right	1	
35	991 624 117 01	throttle control element		1	

Model: 918

Model life 2015>>2015



Model: 918 Model life 2015>>2015

Pos	Part Number	Description	Remark	Qty	Model
1	918 504 021 02	Cover Cover Discontinued part	rear	1	
1	918 504 021 02 OK1	Matt black			
1	918 504 021 03	Cover		1	
	918 504 021 03 OK1	Matt black			
2	999 015 025 00	fillister hd. bolt M6 X 12		X	
3	918 504 927 00	repair set Trim Tailpipe comprising:		1	
		Trim	left	1	
		Trim	right	1	
4	918 504 925 00	Oval-head screw repair set Trim ring comprising:		8 1	
		ring	left	1	
		ring	right	1	
5	999 073 432 00	Oval-head screw fillister hd. bolt M5 X 8		8 8	
6	918 504 923 00	repair set Catalytic converter cover comprising:		1	
		Cover	left	1	
		Cover	right	1	
8	900 377 022 00	Hexagon nut Hexagon nut M6		8 6	
9	918 504 429 00	Cover	left inner	1	
	918 504 429 00 OK1	Matt black			
10	918 504 430 00	Cover	right inner	1	
	918 504 430 00 OK1	Matt black			
11	918 512 411 00	Service cover plate	outer	1	
	918 512 411 00 6T8	stainless steel			
12	918 512 151 00	Hinge		1	
13	999 073 573 00	Service cover fillister hd. bolt M6 X 12		8	
14	918 512 051 01	Striker		1	
15	918 512 055 00	Service cover Cover Striker		1	
16	999 073 432 02	fillister hd. bolt M5 X 12		7	
17	918 111 511 00	Seal		2	
18	918 111 509 00	Seal		1	
19	918 111 623 08	Heat insulation Discontinued part	right	1	
20	918 111 619 08	Heat insulation Discontinued part	left	1	
21	918 504 433 00	Cap closure		10	
22	900 387 027 00	Bolt with washer M6 X 45		10	
23	918 512 783 00	Badge 918 Spyder only via spec. procurement		1	

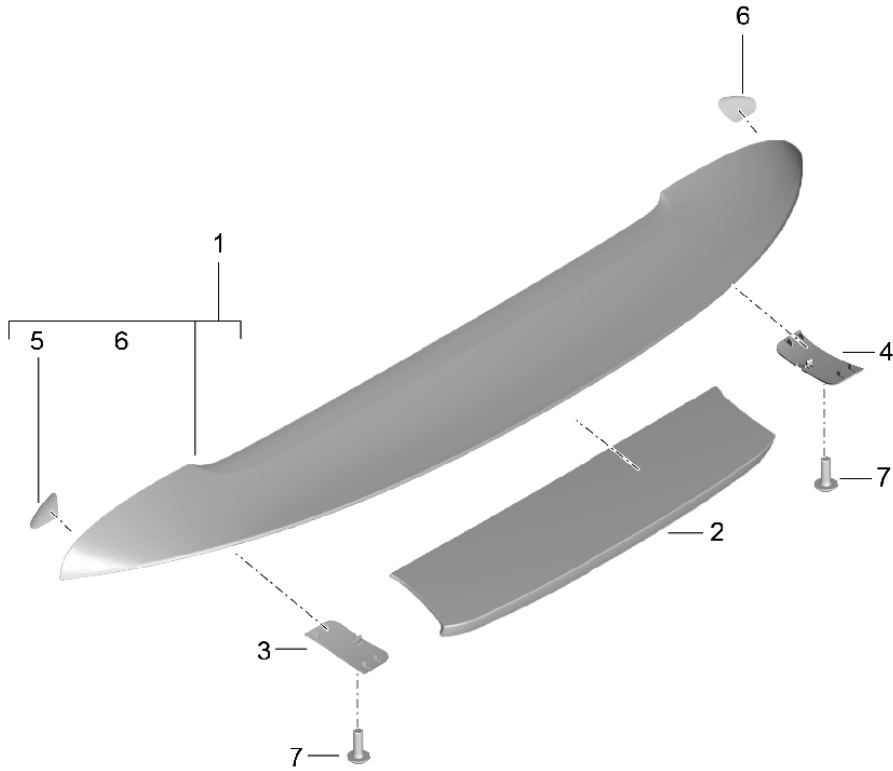
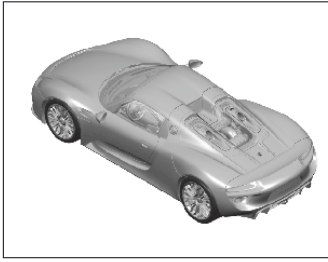
Model: 918

Model life 2015>>2015

Pos	Part Number	Description	Remark	Qty	Model
-	000 043 302 79	Adhesive tape 300MM		1	
24	918 512 421 00	Inner panel Service cover		1	
	918 512 421 00 6T8	stainless steel			
25	999 703 488 40	Stop buffer		2	
26	999 015 045 01	countersunk bolt M5 X 12 K		4	
27	999 015 025 01	fillister hd. bolt M6 X 12		4	
28	999 911 757 40	Sticky pad		2	
29	918 504 427 00	Inner panel		1	
	918 504 427 00 6T8	stainless steel			
30	918 504 425 00	Outer part		1	
	918 504 425 00 6T8	stainless steel			
31	918 504 921 00	repair set		1	
		Trim exhaust system comprising:			
		Trim	left	1	
		Trim	right	1	
		Oval-head screw		14	

Model: 918

Model life 2015>>2015



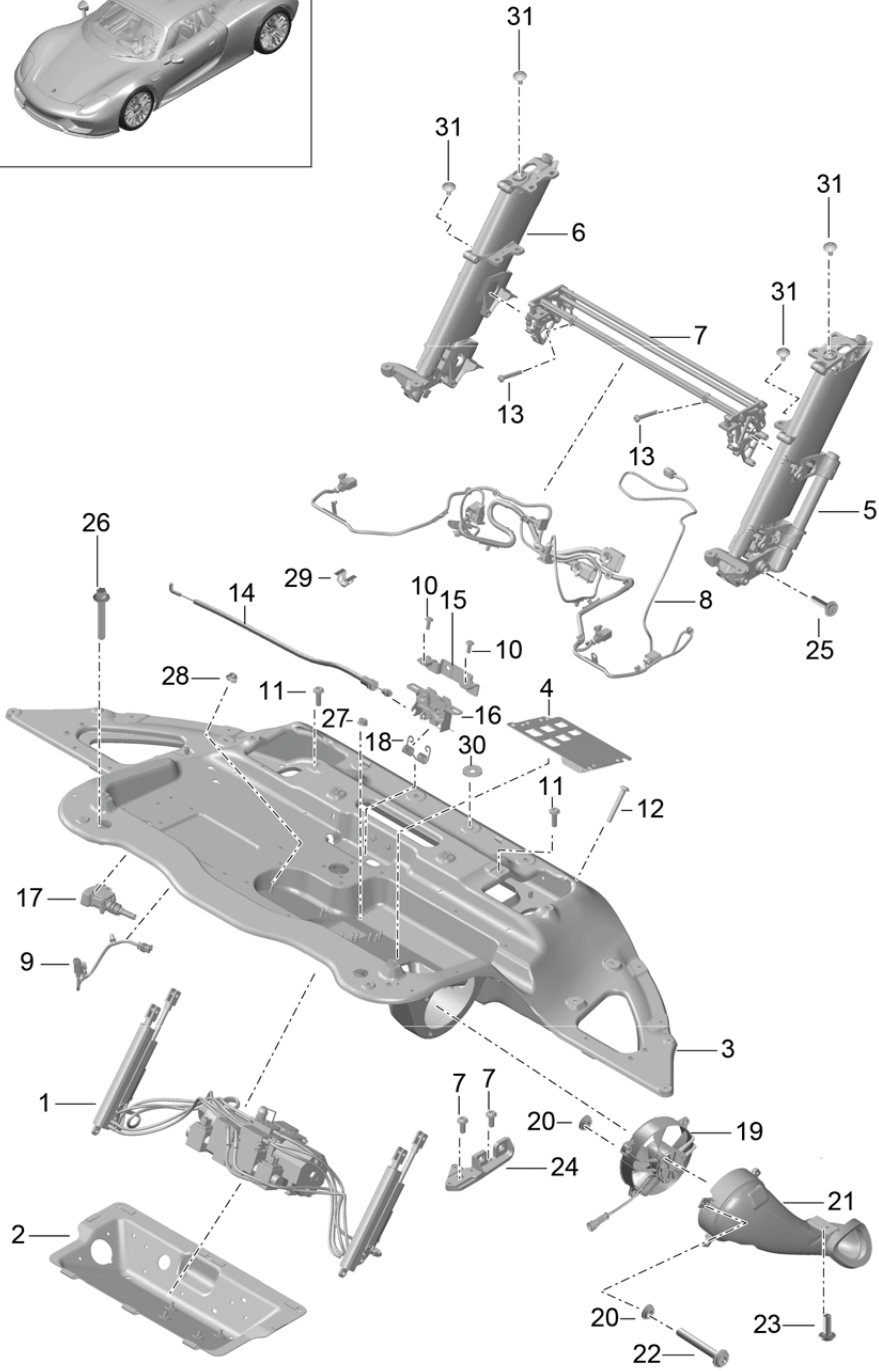
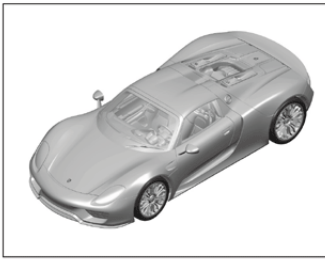
Model: 918

Model life 2015>>2015

Pos	Part Number	Description	Remark	Qty	Model
1	918 504 231 06	Rear spoiler		1	PR:-883
	918 504 231 06 G21	Rear spoiler primed			
(1)	918 504 231 07	Rear spoiler		1	PR:883
	918 504 231 07 A3G	Carbon			
2	918 504 261 01	Spoiler		1	PR:-883
	918 504 261 01 G21	Spoiler primed			
(2)	918 504 261 02	Spoiler		1	PR:883
	918 504 261 02 A3G	Carbon			
3	918 504 531 01	Cover	left	1	
		Rear spoiler			
	918 504 531 01 G21	primed			
4	918 504 532 01	Cover	right	1	
		Rear spoiler			
	918 504 532 01 G21	primed			
5	918 504 731 00	Protective film	left	1	
6	918 504 732 00	Protective film	right	1	
7	999 015 026 A1	fillister hd. bolt		6	
		M6 X 16			

Model: 918

Model life 2015>>2015



Model: 918

Model life 2015>>2015

Pos	Part Number	Description	Remark	Qty	Model
1	918 504 131 04	Rear spoiler Driving mechanism Ventilation pipe Hydraulic unit		1	
1	918 504 131 AX	Rear spoiler Hydraulic unit		1	
2	918 504 331 01	Rear spoiler Console Hydraulic unit		1	
3	918 505 351 05	Assembly frame	rear	1	
4	918 505 651 00	heat dissipator Assembly frame		1	
5	918 504 111 02	Driving mechanism	also use: 000 043 303 61 left	1	
6	918 504 112 02	Rear spoiler Driving mechanism	right	1	
7	918 504 113 01	Rear spoiler throttle control element		1	
8	918 612 894 00	Rear spoiler Wire set		1	
9	918 612 892 00	Rear spoiler Wire set		1	
10	999 015 026 A1	Drive link fillister hd. bolt M6 X 16		6	
11	999 073 252 A1	fillister hd. bolt M6 X 20		6	
12	999 073 277 01	fillister hd. bolt M6 X 45		2	
13	N 910 796 02	Hexagon socket flat head bolt M4 X 25		2	
14	918 512 219 00	Release Service cover		1	
15	918 512 311 00	Console Lid lock		1	
16	4E0 823 509 E	Lid lock with micro- switch Service cover		1	
17	991 624 118 03	throttle control element Cover	rear	1	
18	918 504 315 00	torsion spring Service cover		1	
19	918 618 215 00	Control unit Fan		1	
20	999 924 129 40	bush		6	
21	918 575 325 00	Air guide Fan		1	
22	999 073 277 A2	fillister hd. bolt M6 X 45		3	
23	999 015 026 A1	fillister hd. bolt M6 X 16		1	
24	918 504 431 00	Console Support	left	1	
(24)	918 504 432 00	Console Support	right	1	
25	999 073 575 01	fillister hd. bolt M8 X 40		4	
26	900 385 071 02	Outer hexagon round screw BM 8X 50		2	
-		Control unit Rear spoiler see			

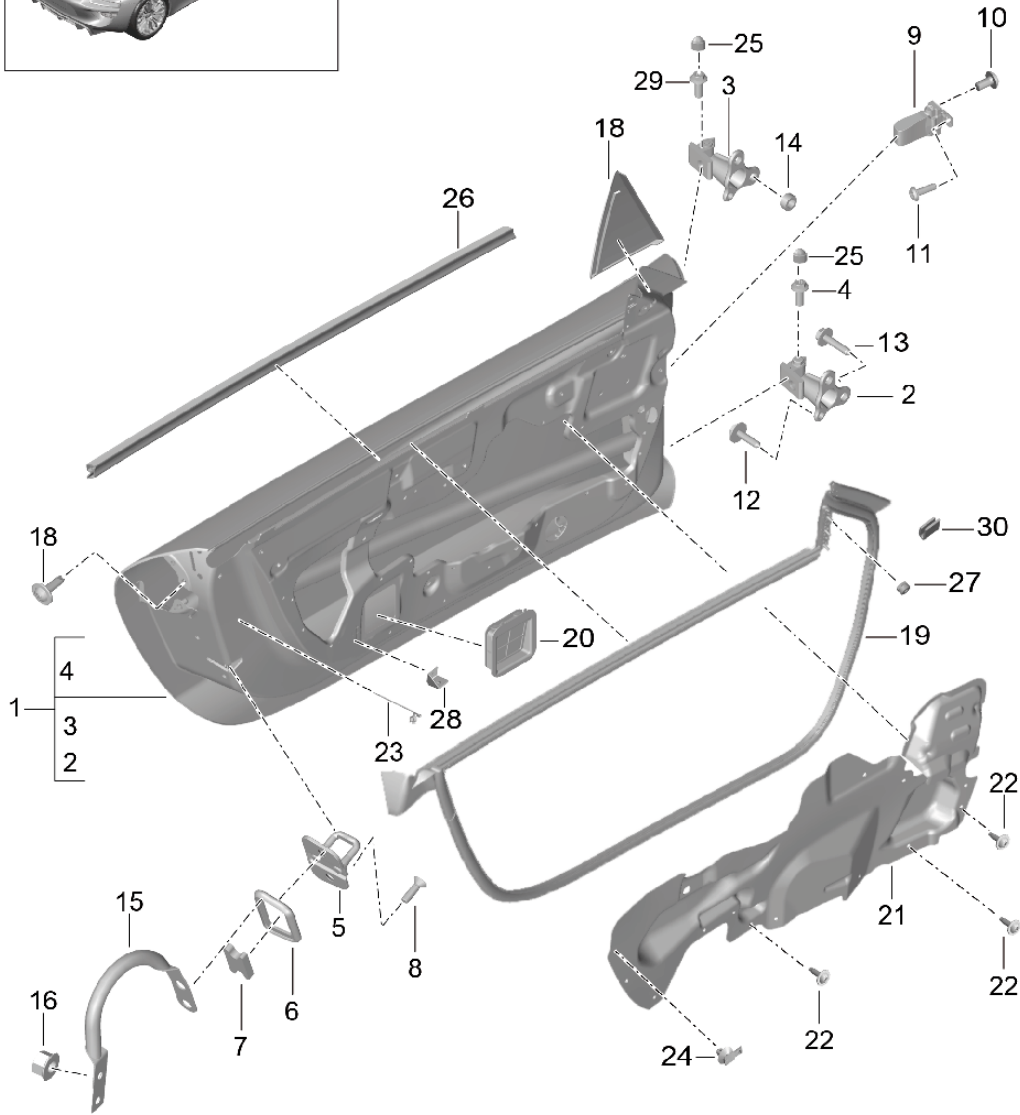
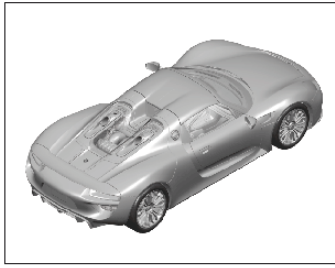
Model: 918

Model life 2015>>2015

Pos	Part Number	Description	Remark	Qty	Model
		Group:			
27	900 377 018 01	90103 Hexagon nut M6		2	
28	N 015 082 10	Hexagon collar nut M6		3	
29	999 507 533 03	Clamp 8 X 10/2,5		4	
30	900 151 051 01	Washer		2	
31	000 043 306 62	Screw Rear spoiler M3		4	
32	000 043 306 61	adhesive for heat dissipator Assembly frame		X	

Model: 918

Model life 2015>>2015

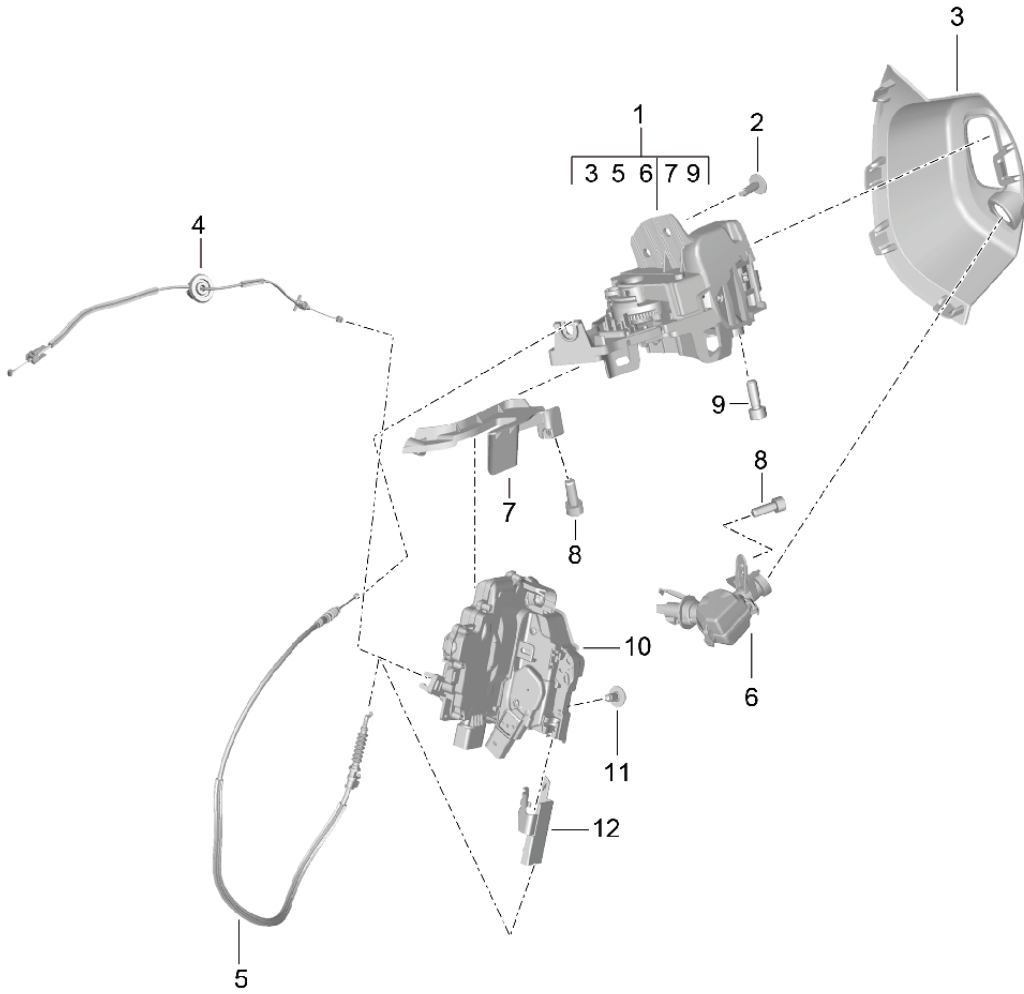
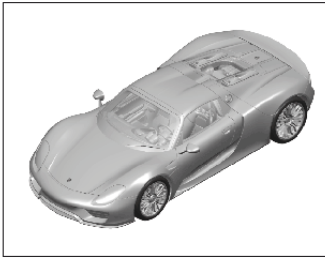


Model: 918 Model life 2015>>2015

Pos	Part Number	Description	Remark	Qty	Model
1	918 531 011 03	Door Installation parts Door shell	left	1	
(1)	918 531 011 03 G21	primed			
	918 531 012 03	Door shell	right	1	
	918 531 012 03 G21	primed			
2	918 531 319 04	Door hinge	left	1	
(2)	918 531 320 04	Door hinge	lower right	1	
3	918 531 321 04	Door hinge	lower left	1	
(3)	918 531 322 04	Door hinge	upper right upper	1	
4	999 072 060 01	Hexagon bolt M8 X 12		4	
5	3D4 837 033 D	Lock striker		2	
6	980 537 621 01	Seal		2	
7	980 537 611 00	Distance piece		2	
8	999 219 047 01	countersunk bolt M8 X 27		4	
9	918 537 413 01	Door catch		2	
10	999 015 025 A1	fillister hd. bolt M6 X 12		2	
11	999 073 261 A3	fillister hd. bolt M8 X 25		2	
12	900 075 523 01	Bolt with washer M5 X 20		4	
13	999 072 085 01	Hexagon bolt M8 X 35		8	
14	918 531 831 00	Sleeve Hinge Adjustment		2	
15	918 537 435 01	Support	left	1	
(15)	918 537 436 01	Support	right	1	
16	900 380 005 01	Nut		4	
17	N 911 914 01	Oval hexagon socket head bolt		2	
18	918 537 415 01	Trim	left	1	
(18)	918 537 416 01	Trim	right	1	
19	918 537 275 02	Door seal	left	1	
(19)	918 537 276 02	Door seal	right	1	
20	918 572 663 00	Bleeding		2	
21	918 555 501 01	Sealing film	left	1	
(21)	918 555 502 01	Sealing film	right	1	
22	N 909 101 02	fillister head bolt with allen key head		8	
23	7L5 807 448	Cable holder		2	
-		Wire set			
24	N 906 851 01	see illustration: bracket for connector housing	902-015	X	
25	999 703 387 40	Cover cap 13X14		4	
26	918 537 279 01	Sealing strip	left	1	
(26)	918 537 280 01	Sealing strip	outer right outer	1	
27	900 084 020 03	Hexagon nut M4		6	
28	918 531 275 00	Bracket for door trim		6	
29	999 072 080 A1	Hexagon bolt M10 X 25		4	
30	918 555 511 00	Bracket		2	

Model: 918

Model life 2015>>2015

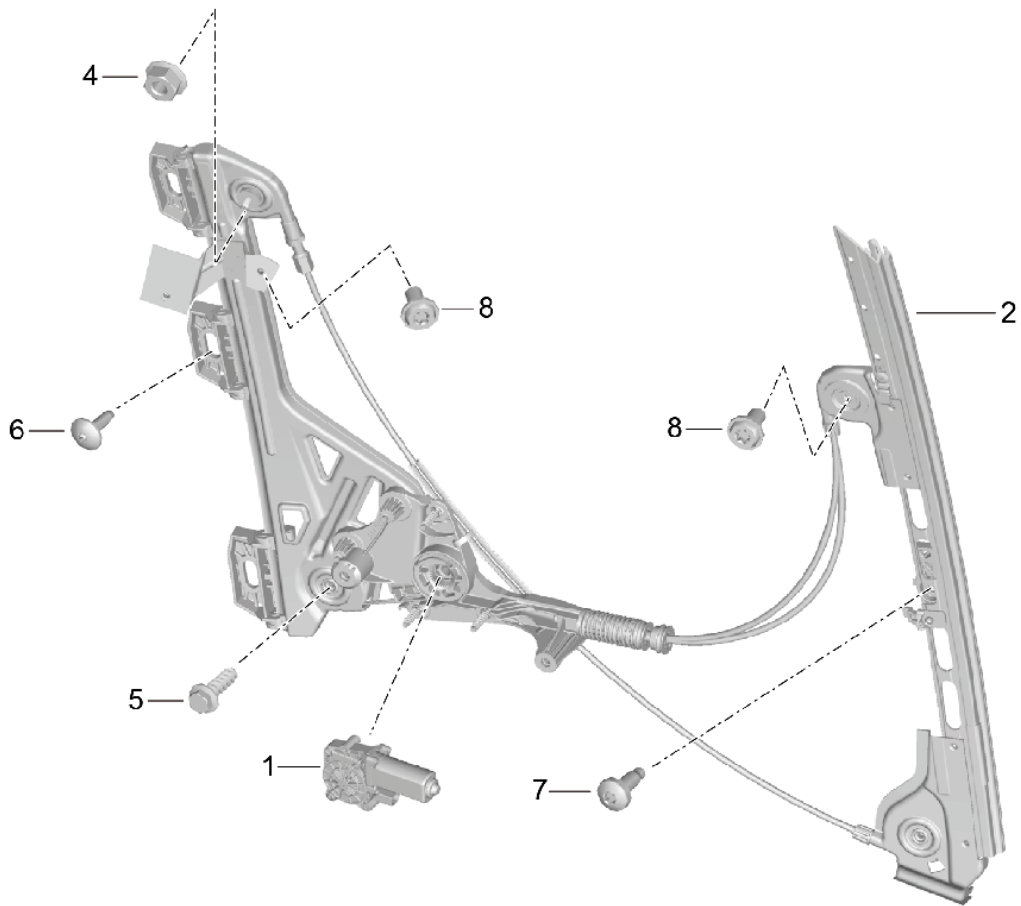
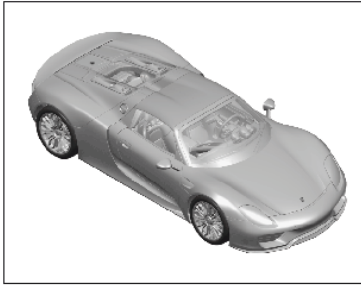


Model: 918 Model life 2015>>2015

Pos	Part Number	Description	Remark	Qty	Model
1	918 537 161 03	Door handle			
		Door lock			
	918 537 161 03	Door handle, exterior	left	1	
	918 537 161 03 OK1	Matt black			
(1)	918 537 162 03	Door handle, exterior	right	1	
	918 537 162 03 OK1	Matt black			
2	999 073 322 01	fillister hd. bolt		6	
		M6 X 20			
		Discontinued part			
2	999 073 322 03	fillister hd. bolt		6	
		M6 X 20			
3	918 537 723 03	Trim	left	1	
	918 537 723 03 OK1	Matt black			
(3)	918 537 724 03	Trim	right	1	
	918 537 724 03 OK1	Matt black			
4	918 537 319 01	Bowden cable		1	
		Inner actuator			
5	918 537 419 03	Bowden cable	outer	1	
6	918 538 163 03	Transmission element	left	1	
		Door handle, exterior			
7	918 537 545 03	cover - lock		1	
8	N 105 464 05	Hexagon socket head		3	
		bolt			
		M6 X 16			
9	N 105 464 03	Hexagon socket head		2	
		bolt			
10	4G1 837 015	Door lock	left	1	PR:-553,-072
(10)	4G1 837 015 A	Door lock	left	1	PR:553,072
(10)	8J1 837 016 C	Door lock	right	1	PR:-553,-072
(10)	8J1 837 016 D	Door lock	right	1	PR:553,072
11	WHT 003 688	fillister head bolt (combi.)		4	
		M8 X 16			
12	918 537 519 00	locking piece	left	1	
		Door lock			
(12)	918 537 520 00	locking piece	right	1	
		Door lock			
-	7L5 807 448	Cable holder		4	
-	999 507 236 40	Cable holder		1	

Model: 918

Model life 2015>>2015



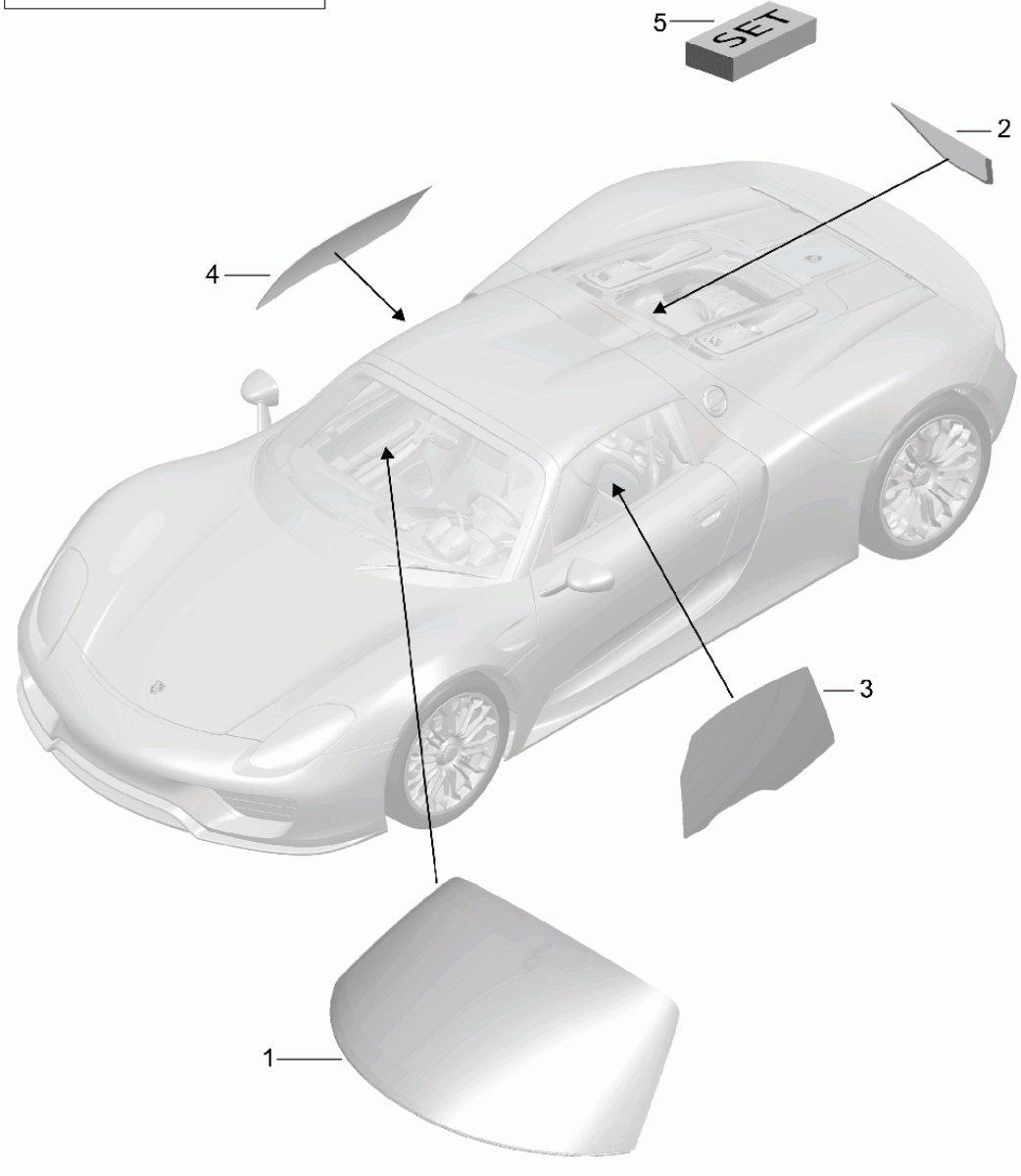
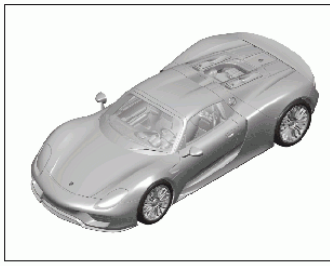
Model: 918

Model life 2015>>2015

Pos	Part Number	Description	Remark	Qty	Model
1	991 624 101 02	Window regulator Electric motor	left	1	
(1)	991 624 102 02	Electric motor	right	1	
2	918 542 075 01	Window regulator with motor	left	1	
(2)	918 542 076 01	Window regulator with motor	right	1	
-		Sealing strip	left outer	1	
		see illustration:	804-000		
4	900 377 018 01	Hexagon nut		2	
5	999 919 297 02	Hexagon bolt 8,0 X 26,0		4	
6	999 073 322 01	fillister hd. bolt Discontinued part		X	
6	999 073 322 03	fillister hd. bolt		X	
7	999 073 605 01	flat round head bolt		2	
8	999 015 025 A1	fillister hd. bolt M6 X 12		4	

Model: 918

Model life 2015>>2015



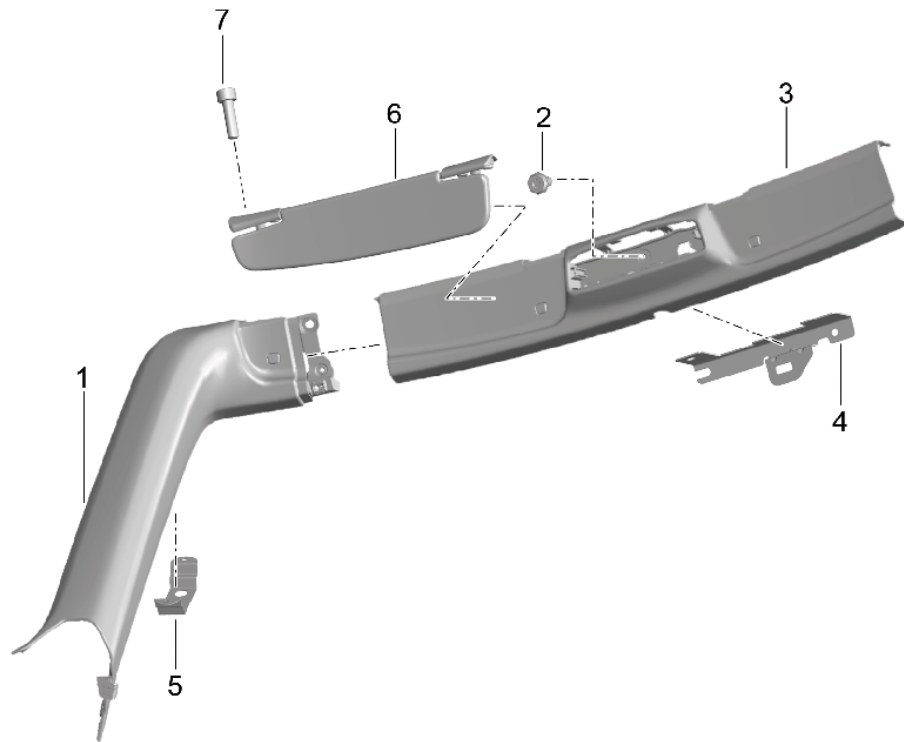
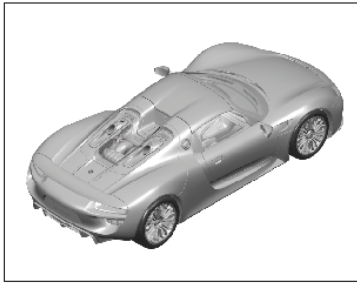
Model: 918

Model life 2015>>2015

Pos	Part Number	Description	Remark	Qty	Model
1	918 541 901 00	window glazing Windscreen		1	
2	918 545 901 00	Rear window	also use: 000 043 303 19	1	PR:808
(2)	918 545 901 01	Rear window	also use: 000 043 303 19	1	PR:-808
3	918 542 111 02	Door window	also use: 000 043 303 19	1	
4	918 542 112 02	Door window	left	1	
5	000 043 303 19	Adhesive set	right	1	

Model: 918

Model life 2015>>2015

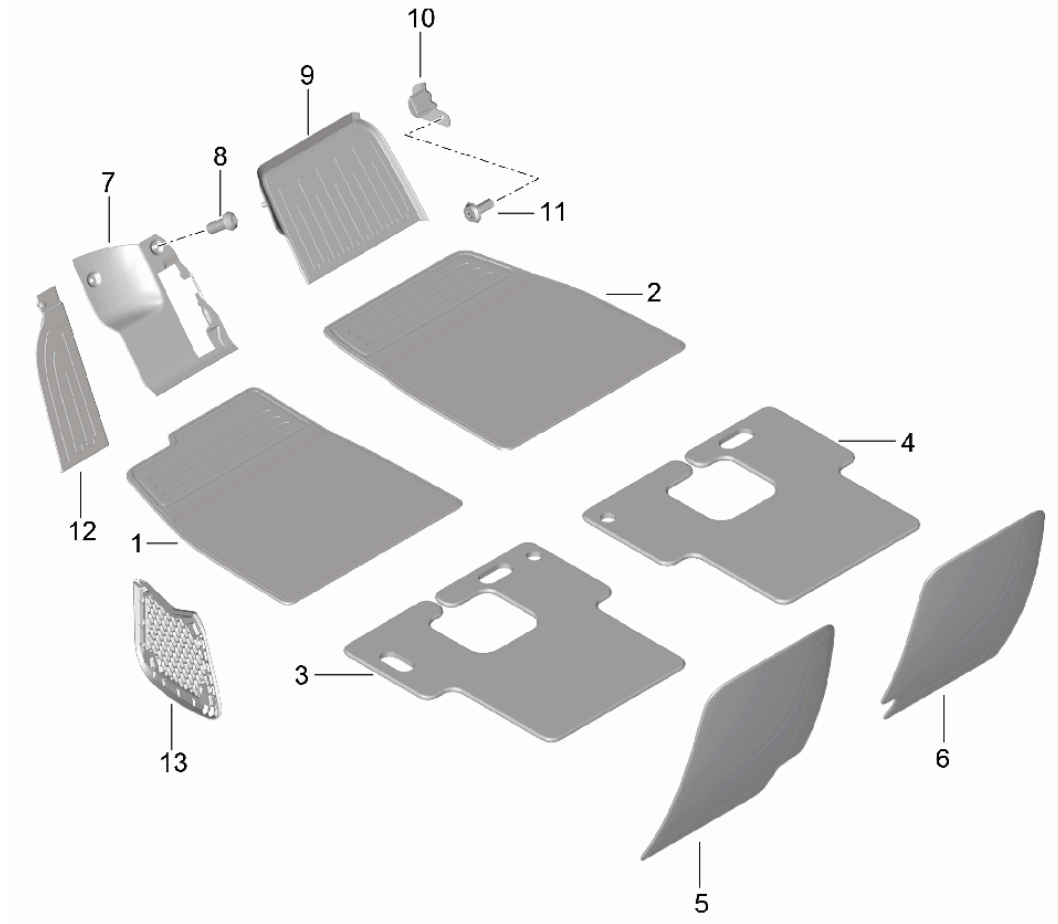
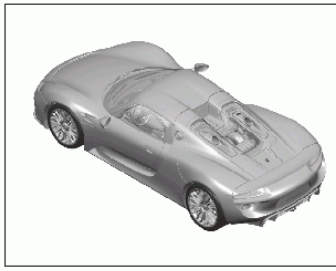


Model: 918 Model life 2015>>2015

Pos	Part Number	Description	Remark	Qty	Model
1	918 555 181 00	sun vizors Linings A-pillar A-pillar trim Leather	left	1	PR:-553
(1)	918 555 181 00 A11	Black			
(1)	918 555 181 00	A-pillar trim Authentic Leather	left	1	PR:-553
(1)	918 555 181 00 A91	Black			
(1)	918 555 182 00	A-pillar trim Leather	right	1	PR:-553
(1)	918 555 182 00 A11	Black			
(1)	918 555 182 00	A-pillar trim Authentic Leather	right	1	PR:-553
(1)	918 555 182 00 A91	Black			
2	999 073 268 01	fillister hd. bolt M5 X 12		3	
3	918 555 059 00	Cowl panel covering Leather		1	
(3)	918 555 059 00 A11	Black			
(3)	918 555 059 00	Cowl panel covering Authentic Leather		1	
(3)	918 555 059 00 A91	Black			
4	918 555 801 00	Bracket Trim Scuttle		1	
5	918 501 771 00	Pillar trim holder		2	
6	918 731 031 00	Sun visor Leather	left	1	PR:-553
(6)	918 731 031 00 A11	Black			
(6)	918 731 031 00	Sun visor Authentic Leather	left	1	PR:-553
(6)	918 731 031 00 A91	Black			
(6)	918 731 032 00	Sun visor Leather	right	1	PR:-553
(6)	918 731 032 00 A11	Black			
(6)	918 731 032 00	Sun visor Authentic Leather	right	1	PR:-553
(6)	918 731 032 00 A91	Black			
7	900 067 011 A1	Socket head bolt M6 X 20		8	

Model: 918

Model life 2015>>2015



Model: 918 Model life 2015>>2015

Pos	Part Number	Description	Remark	Qty	Model
1	918 551 011 02	Footwell Floor mats Floor mat (drivers side)	front	1	PR:-808
(1)	918 551 011 02 SQB	Black			
(1)	918 551 011 02	Floor mat (drivers side)	front	1	PR:808,951, 983,984,998
(1)	918 551 011 02 SQB	Black			
(1)	918 551 011 01	Floor mat (drivers side)	front	1	PR:808
(1)	918 551 011 01 SQB	Black			
(1)	918 551 011 01	Floor mat (drivers side)	front	1	PR:808,990
(1)	918 551 011 01 SQB	Black			
2	918 551 012 02	Floor mat (passenger side)	front	1	PR:-808
(2)	918 551 012 02 SQB	Black			
(2)	918 551 012 02	Floor mat (passenger side)	front	1	PR:808,951, 983,984,998
(2)	918 551 012 02 SQB	Black			
(2)	918 551 012 01	Floor mat (passenger side)	front	1	PR:808
(2)	918 551 012 01 SQB	Black			
(2)	918 551 012 01	Floor mat (passenger side)	front	1	PR:808,990
(2)	918 551 012 01 SQB	Black			
3	918 551 511 00	Flooring (drivers side)	rear	1	PR:-808
4	918 551 511 00 A90	Black			
4	918 551 512 00	Flooring (passenger side)	rear	1	PR:-808
5	918 551 512 00 A90	Black			
5	918 551 053 00	Rear panel trim (drivers side)		1	PR:-808
6	918 551 053 00 A90	Black			
6	918 551 054 00	Rear panel trim (passenger side)		1	PR:-808
7	918 551 054 00 A90	Black			
7	918 551 501 00	Cover Pedals		1	
8	918 551 501 00 A05	Matt black			
8	N 106 321 05	Oval hexagon socket head bolt M6 X 25		3	
9	918 551 612 01	Foot rest Footwell (passenger side)		1	
10	918 551 612 01 A3G	Carbon Gloss Black			
10	918 551 804 01	Bracket Cover (passenger side)		1	
11	999 073 268 A2	fillister hd. bolt		2	
12	918 551 611 01	Foot rest (drivers side)		1	
13	918 551 611 01 A3G	Carbon Gloss Black			
13	918 555 235 00	Cover Bass loudspeaker	left	1	
(13)	918 555 235 00 5Q0	Black			
(13)	918 555 236 00	Cover Bass loudspeaker	right	1	
(14)	918 555 236 00 5Q0	Black			
(14)	918 555 623 00	Cover	left	1	

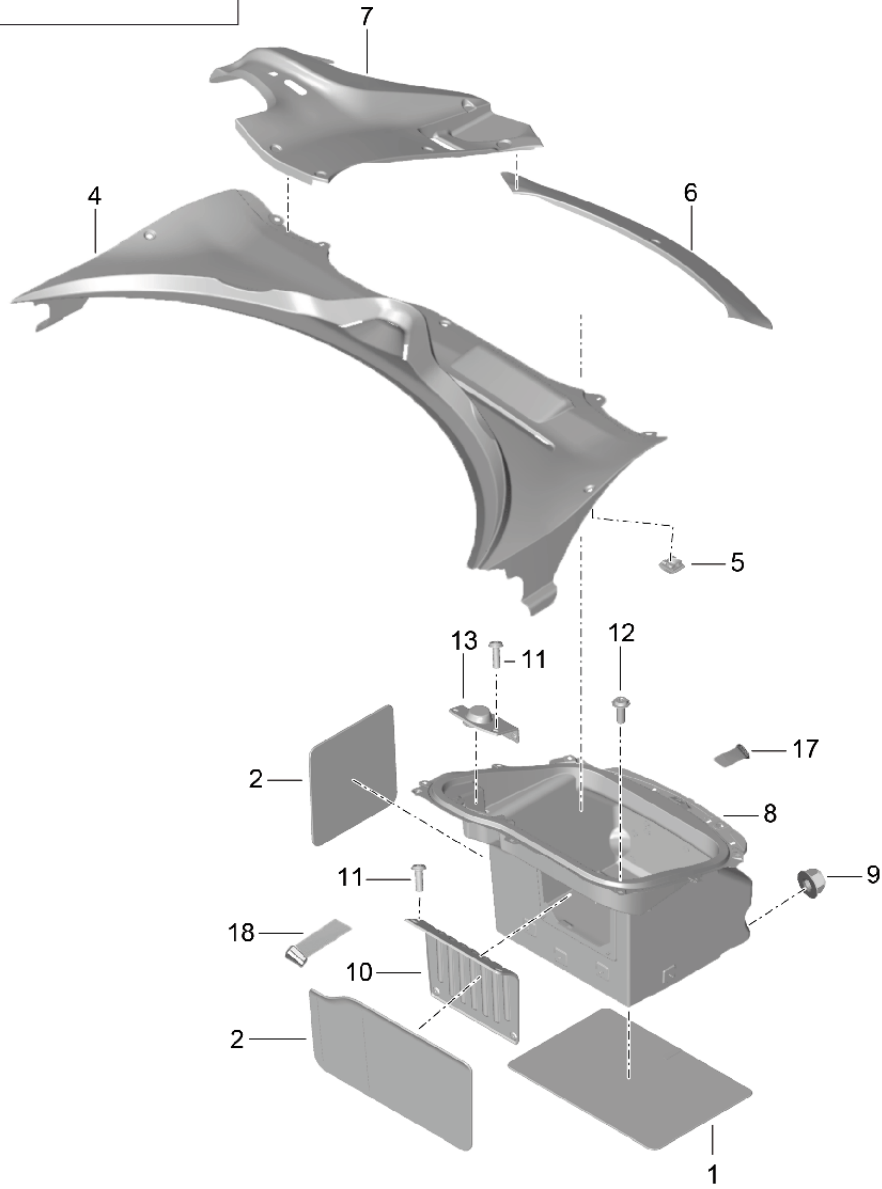
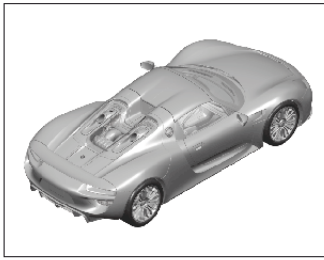
Model: 918

Model life 2015>>2015

Pos	Part Number	Description	Remark	Qty	Model
(15)	918 555 623 00 5Q0	OBD Black			
	918 555 624 00	Cover SERVICESTECKER	right	1	
-	918 555 624 00 5Q0	Black			
	000 043 302 80	Velcro 3000MM		1	PR:-808

Model: 918

Model life 2015>>2015

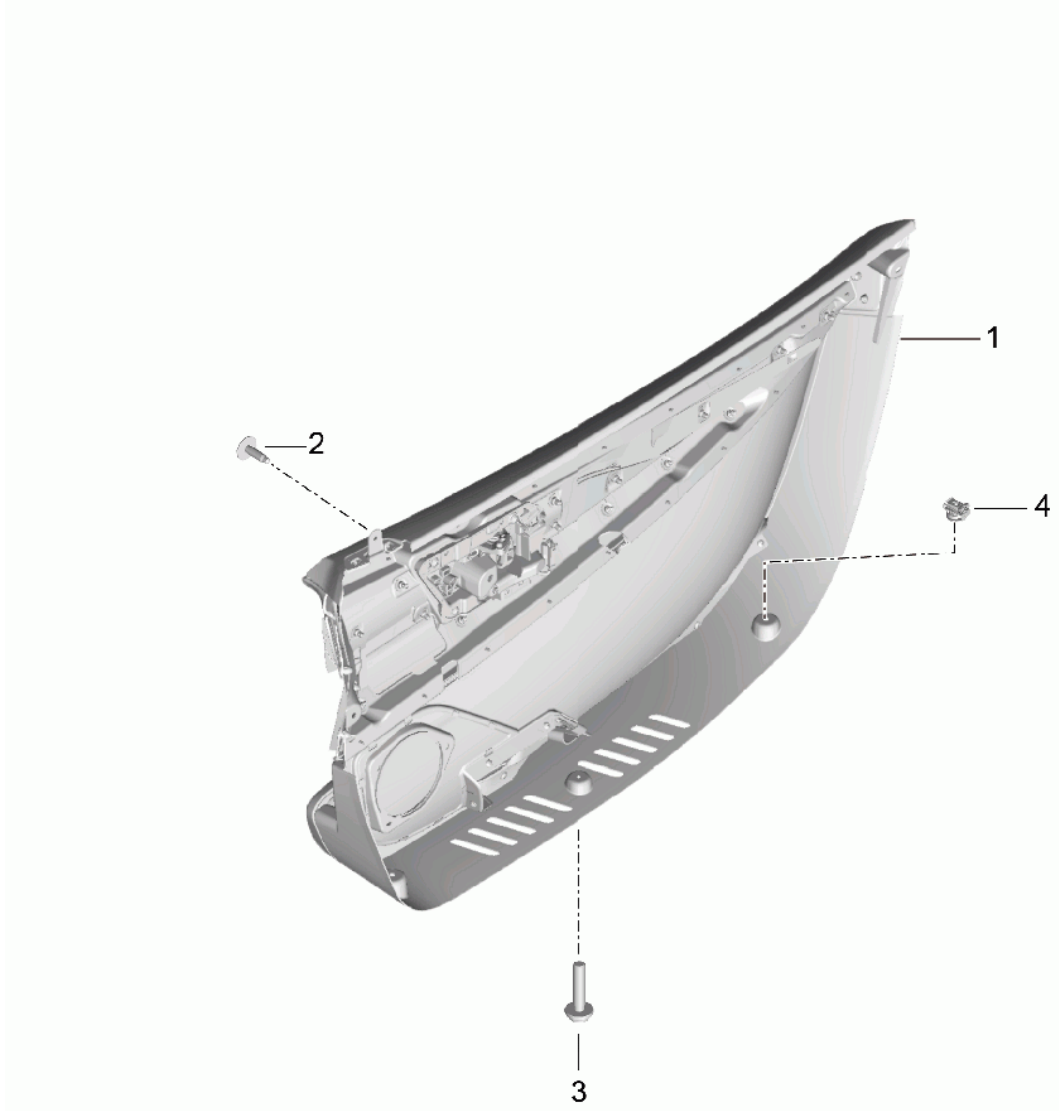
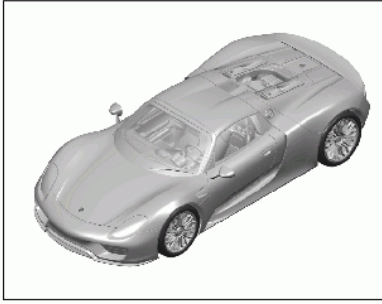


Model: 918 Model life 2015>>2015

Pos	Part Number	Description	Remark	Qty	Model
1	918 551 031 01	Luggage compartment liner Linings			
	918 551 031 01 A90	Trim	front	1	
2	918 551 050 00	Black			
	918 551 050 00 A90	Luggage compartment trim	left	1	
-	999 902 066 42	Set	right		
	999 902 066 42	comprising:	rear		
-	999 902 065 41	Black		4	PR:-808
-	999 902 065 41	Velcro		1	PR:-808
-	999 902 065 42	50 X 250		2	PR:-808
4	918 555 063 04	Velcro		1	PR:-808
	918 555 063 04 A3G	25 X 250			
(4)	918 555 063 05	Cover		1	PR:808
	918 555 063 05 A3G	Scuttle			
-	999 590 085 40	Carbon Gloss Black		1	
-	999 591 483 40	Safety device/filler sock. Cover		1	
	999 591 483 40	Scuttle			
5	999 590 084 40	Retaining washer		18	
6	918 555 111 02	Safety device/filler sock. Cover		1	
	918 555 111 02 A3G	Scuttle			
7	918 555 067 02	Front apron			
	918 555 067 02 A3G	Carbon Gloss Black	left	1	
(7)	918 555 068 02	Cover			
	918 555 068 02 A3G	Wheel housing panel	right	1	
8	918 505 129 01	Carbon Gloss Black		1	
9	900 380 021 A1	Luggage compartment liner		2	
10	918 505 609 01	Hexagon nut		1	
	918 505 609 01	M10			
11	999 073 269 A1	Service cover		8	
	999 073 269 A1	Charger			
12	999 015 026 A1	fillister hd. bolt		2	
	999 015 026 A1	M5 X 16			
13	918 505 611 01	fillister hd. bolt		1	
	918 505 611 01	M5 X 16			
17	918 505 751 00	Service cover		1	
	918 505 751 00	Reservoir			
18	918 505 753 00	Belt	front	1	
	918 505 753 00	Adapter			
	918 505 753 00	Trolley			
	918 505 753 00	Belt	rear	1	
	918 505 753 00	Adapter			
	918 505 753 00	Trolley			

Model: 918

Model life 2015>>2015



Model: 918 Model life 2015>>2015

Pos	Part Number	Description	Remark	Qty	Model
1	918 555 121 00	door panel (complete) Door panel trim (leather) Upper part Carbon Matt Black	left	1	PR:506,681, -508,-808
	918 555 121 00 SQC	Black/Acid Green	-53		
	918 555 121 00 SQD	black/silver	-54		
	918 555 121 00 SQG	Matt Carrera Red/Silver	-56		
	918 555 121 00 SQE	Matt Tarpan Br/Silver	-36		
	918 555 121 00 SQF	Matt Tarpan Br/Orange	-37		
(1)	918 555 121 00	Door panel trim (leather) Upper part Carbon Matt Black Authentic	left	1	PR:506,681, -508,-808
	918 555 121 00 SQH	Black/Acid Green	-33		
	918 555 121 00 SQI	black/silver	-34		
(1)	918 555 121 00	Door panel trim (leather) Upper part Carbon Gloss Black	left	1	PR:-506,681, -508,-808
	918 555 121 00 SPM	Black/Acid Green	-53		
	918 555 121 00 SPN	black/silver	-54		
	918 555 121 00 SPR	Carrera Red/Silver	-56		
(1)	918 555 121 00	Door panel trim (leather) Upper part Carbon Gloss Black Authentic	left	1	PR:-506,681, -508,-808
	918 555 121 00 SPP	Tarpan Brown/Silver	-36		
	918 555 121 00 SPQ	Tarpan Brown/Orange	-37		
	918 555 121 00 SPS	Black/Acid Green	-33		
	918 555 121 00 SPT	black/silver	-34		
(1)	918 555 122 00	Door panel trim (leather) Upper part Carbon Matt Black	right	1	PR:506,681, -508,-808
	918 555 122 00 SQC	Black/Acid Green	-53		
	918 555 122 00 SQD	black/silver	-54		
	918 555 122 00 SQG	Matt Carrera Red/Silver	-56		
	918 555 122 00 SQE	Matt Tarpan Br/Silver	-36		
	918 555 122 00 SQF	Matt Tarpan Br/Orange	-37		
(1)	918 555 122 00	Door panel trim (leather) Upper part Carbon Matt Black Authentic	right	1	PR:506,681, -508,-808
	918 555 122 00 SQH	Black/Acid Green	-33		
	918 555 122 00 SQI	black/silver	-34		
(1)	918 555 122 00	Door panel trim (leather) Upper part Carbon Gloss Black	right	1	PR:-506,681, -508,-808
	918 555 122 00 SPM	Black/Acid Green	-53		
	918 555 122 00 SPN	black/silver	-54		
	918 555 122 00 SPR	Carrera Red/Silver	-56		
(1)	918 555 122 00	Door panel trim (leather) Upper part Carbon Gloss Black Authentic	right	1	PR:-506,681, -508,-808
	918 555 122 00 SPP	Tarpan Brown/Silver	-36		
	918 555 122 00 SPQ	Tarpan Brown/Orange	-37		
	918 555 122 00 SPS	Black/Acid Green	-33		
	918 555 122 00 SPT	black/silver	-34		
(1)	918 555 121 01	Door panel trim (leather) Upper part Carbon Matt Black	left	1	PR:506,508, 681,-808
	918 555 121 01 SQC	Black/Acid Green	-53		
	918 555 121 01 SQD	black/silver	-54		

Model: 918 Model life 2015>>2015

Pos	Part Number	Description	Remark	Qty	Model
(1)	918 555 121 01 SQG	Matt Carrera Red/Silver	-56	1	PR:506,508, 681,-808
	918 555 121 01 SQE	Matt Tarpan Br/Silver	-36		
	918 555 121 01 SQF	Matt Tarpan Br/Orange	-37		
	918 555 121 01	Door panel trim (leather) Upper part Carbon Matt Black Authentic	left		
(1)	918 555 121 01 SQH	Black/Acid Green	-33	1	PR:508,681, -506,-808
	918 555 121 01 SQI	black/silver	-34		
	918 555 121 01	Door panel trim (leather) Upper part Carbon Gloss Black	left		
	918 555 121 01 SPM	Black/Acid Green	-53		
(1)	918 555 121 01 SPN	black/silver	-54	1	PR:508,681, -506,-808
	918 555 121 01 SPR	Carrera Red/Silver	-56		
	918 555 121 01	Door panel trim (leather) Upper part Carbon Gloss Black Authentic	left		
	918 555 121 01 SPP	Tarpan Brown/Silver	-36		
(1)	918 555 121 01 SPQ	Tarpan Brown/Orange	-37	1	PR:506,508, 681,-808
	918 555 121 01 SPS	Black/Acid Green	-33		
	918 555 121 01 SPT	black/silver	-34		
	918 555 122 01	Door panel trim (leather) Upper part Carbon Matt Black	right		
(1)	918 555 122 01 SQC	Black/Acid Green	-53	1	PR:506,508, 681,-808
	918 555 122 01 SQD	black/silver	-54		
	918 555 122 01 SQG	Matt Carrera Red/Silver	-56		
	918 555 122 01 SQE	Matt Tarpan Br/Silver	-36		
(1)	918 555 122 01 SQF	Matt Tarpan Br/Orange	-37	1	PR:506,508, 681,-808
	918 555 122 01	Door panel trim (leather) Upper part Carbon Matt Black Authentic	right		
	918 555 122 01 SQH	Black/Acid Green	-33		
	918 555 122 01 SQI	black/silver	-34		
(1)	918 555 122 01	Door panel trim (leather) Carbon Gloss Black	right	1	PR:508,681, -506,-808
	918 555 122 01 SPM	Black/Acid Green	-53		
	918 555 122 01 SPN	black/silver	-54		
	918 555 122 01 SPR	Carrera Red/Silver	-56		
(1)	918 555 122 01	Door panel trim (leather) Carbon Gloss Black Authentic	right	1	PR:508,681, -506,-808
	918 555 122 01 SPP	Tarpan Brown/Silver	-36		
	918 555 122 01 SPQ	Tarpan Brown/Orange	-37		
	918 555 122 01 SPS	Black/Acid Green	-33		
(1)	918 555 122 01 SPT	black/silver	-34	1	PR:506,808, -681
	918 555 121 02	Door panel trim (leather) Upper part Carbon Matt Black	left		
	918 555 121 02 SQC	Black/Acid Green	-53		
	918 555 121 02 SQD	black/silver	-54		
(1)	918 555 121 02 SQG	Matt Carrera Red/Silver	-56	1	PR:506,808, -681
	918 555 121 02 SQE	Matt Tarpan Br/Silver	-36		
	918 555 121 02 SQF	Matt Tarpan Br/Orange	-37		
	918 555 121 02	Door panel trim (leather) Upper part Carbon Matt Black Authentic	left		
(1)	918 555 121 02 SQH	Black/Acid Green	-33	1	PR:506,808, -681
	918 555 121 02 SQI	black/silver	-34		

Model: 918 Model life 2015>>2015

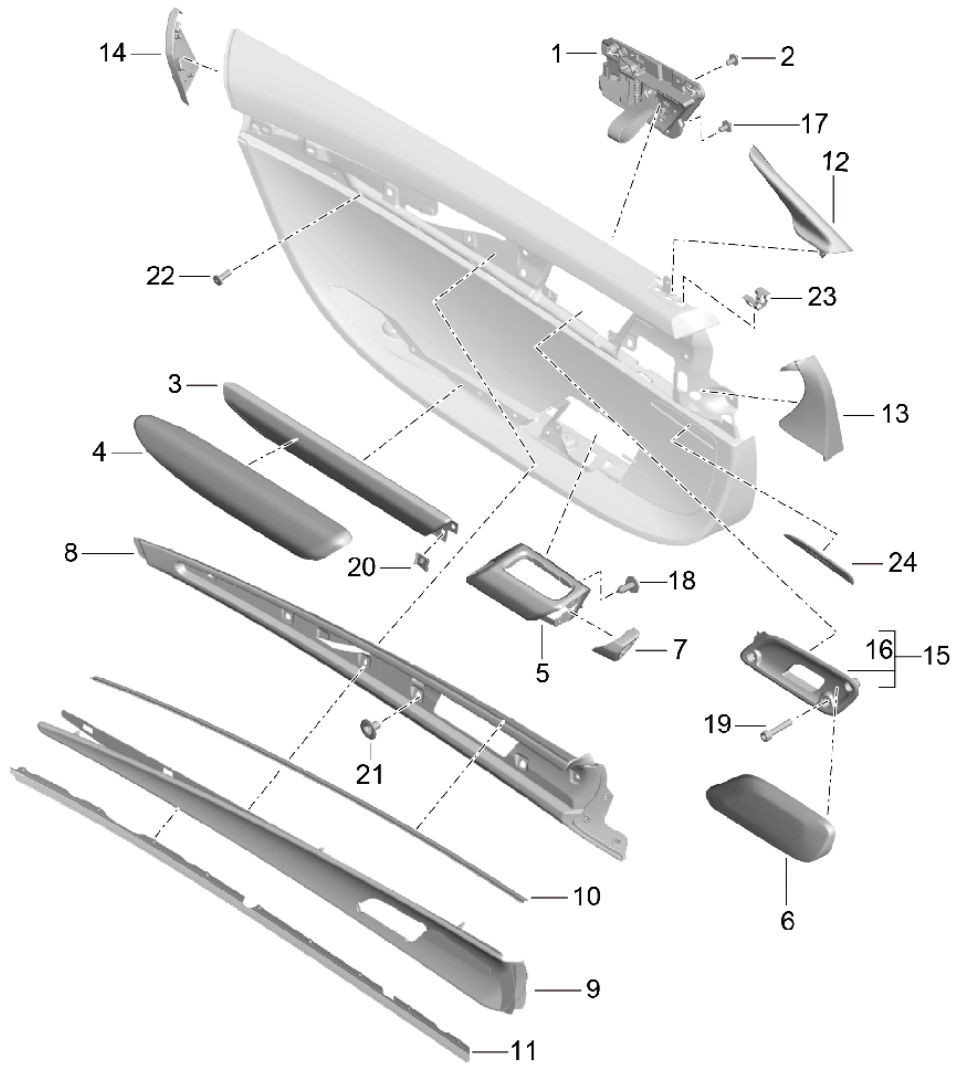
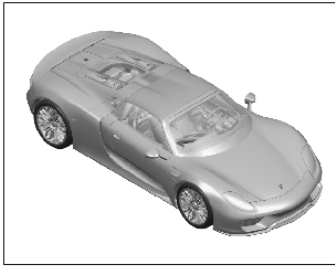
Pos	Part Number	Description	Remark	Qty	Model
(1)	918 555 121 02	Door panel trim (leather) Carbon Gloss Black	left	1	PR:808,-506, -681
	918 555 121 02 SPM	Black/Acid Green	-53		
	918 555 121 02 SPN	black/silver	-54		
	918 555 121 02 SPR	Carrera Red/Silver	-56		
(1)	918 555 121 02	Door panel trim (leather) Carbon Gloss Black Authentic	left	1	PR:808,-506, -681
	918 555 121 02 SPP	Tarpan Brown/Silver	-36		
	918 555 121 02 SPQ	Tarpan Brown/Orange	-37		
	918 555 121 02 SPS	Black/Acid Green	-33		
	918 555 121 02 SPT	black/silver	-34		
(1)	918 555 122 02	Door panel trim (leather) Upper part Carbon Matt Black	right	1	PR:506,808, -681
	918 555 122 02 SQC	Black/Acid Green	-53		
	918 555 122 02 SQD	black/silver	-54		
	918 555 122 02 SQG	Matt Carrera Red/Silver	-56		
	918 555 122 02 SQE	Matt Tarpan Br/Silver	-36		
	918 555 122 02 SQF	Matt Tarpan Br/Orange	-37		
(1)	918 555 122 02	Door panel trim (leather) Upper part Carbon Matt Black Authentic	right	1	PR:506,808, -681
	918 555 122 02 SQH	Black/Acid Green	-33		
	918 555 122 02 SQI	black/silver	-34		
(1)	918 555 122 02	Door panel trim (leather) Carbon Gloss Black	right	1	PR:808,-506, -681
	918 555 122 02 SPM	Black/Acid Green	-53		
	918 555 122 02 SPN	black/silver	-54		
	918 555 122 02 SPR	Carrera Red/Silver	-56		
(1)	918 555 122 02	Door panel trim (leather) Carbon Gloss Black Authentic	right	1	PR:808,-506, -681
	918 555 122 02 SPP	Tarpan Brown/Silver	-36		
	918 555 122 02 SPQ	Tarpan Brown/Orange	-37		
	918 555 122 02 SPS	Black/Acid Green	-33		
	918 555 122 02 SPT	black/silver	-34		
(1)	918 555 121 03	Door panel trim (leather) Upper part Carbon Matt Black	left	1	PR:506,681, 808
	918 555 121 03 SQC	Black/Acid Green	-53		
	918 555 121 03 SQD	black/silver	-54		
	918 555 121 03 SQG	Matt Carrera Red/Silver	-56		
	918 555 121 03 SQE	Matt Tarpan Br/Silver	-36		
	918 555 121 03 SQF	Matt Tarpan Br/Orange	-37		
(1)	918 555 121 03	Door panel trim (leather) Upper part Carbon Matt Black Authentic	left	1	PR:506,681, 808
	918 555 121 03 SQH	Black/Acid Green	-33		
	918 555 121 03 SQI	black/silver	-34		
(1)	918 555 121 03	Door panel trim (leather) Carbon Gloss Black	left	1	PR:681,808, -506
	918 555 121 03 SPM	Black/Acid Green	-53		
	918 555 121 03 SPN	black/silver	-54		
	918 555 121 03 SPR	Carrera Red/Silver	-56		
(1)	918 555 121 03	Door panel trim (leather) Carbon Gloss Black Authentic	left	1	PR:681,808, -506
	918 555 121 03 SPP	Tarpan Brown/Silver	-36		
	918 555 121 03 SPQ	Tarpan Brown/Orange	-37		
	918 555 121 03 SPS	Black/Acid Green	-33		

Model: 918 Model life 2015>>2015

Pos	Part Number	Description	Remark	Qty	Model
(1)	918 555 121 03 SPT	black/silver	-34		
	918 555 122 03	Door panel trim (leather)	right	1	PR:506,681,808
		Upper part			
	918 555 122 03 SQC	Carbon Matt Black	-53		
	918 555 122 03 SQD	Black/Acid Green	-54		
	918 555 122 03 SQG	black/silver	-56		
	918 555 122 03 SQE	Matt Carrera Red/Silver	-36		
	918 555 122 03 SQF	Matt Tarpan Br/Silver	-37		
(1)	918 555 122 03	Matt Tarpan Br/Orange	right	1	PR:506,681,808
		Door panel trim (leather)			
		Upper part			
		Carbon Matt Black			
		Authentic			
	918 555 122 03 SQH	Black/Acid Green	-33		
(1)	918 555 122 03 SQI	black/silver	-34	1	PR:681,808,-506
		Door panel trim (leather)	right		
		Carbon Gloss Black			
	918 555 122 03 SPM	Black/Acid Green	-53		
	918 555 122 03 SPN	black/silver	-54		
	918 555 122 03 SPR	Carrera Red/Silver	-56		
(1)	918 555 122 03	Door panel trim (leather)	right	1	PR:681,808,-506
		Carbon Gloss Black			
		Authentic			
	918 555 122 03 SPP	Tarpan Brown/Silver	-36		
	918 555 122 03 SPQ	Tarpan Brown/Orange	-37		
	918 555 122 03 SPS	Black/Acid Green	-33		
	918 555 122 03 SPT	black/silver	-34		
2	N 909 101 02	fillister head bolt with allen key head		8	
		M5 X 18			
3	N 911 279 01	Hexalobular flange screw		6	
		M6X25			
4	8P7 806 305	Compensating piece		6	

Model: 918

Model life 2015>>2015



Model: 918 Model life 2015>>2015

Pos	Part Number	Description	Remark	Qty	Model
1	918 555 251 00	door panel Individual parts Inner actuator	left	1	PR:-808
		with:			
	918 555 251 00 OX2	Sensor			
(1)	918 555 252 00	Smoke Chrome, High Gloss Inner actuator	right	1	PR:-808
		with:			
	918 555 252 00 OX2	Sensor			
(1)	918 555 251 01	Smoke Chrome, High Gloss Inner actuator	left	1	PR:808
		with:			
	918 555 251 01 A11	Sensor			
(1)	918 555 252 01	Black Inner actuator	right	1	PR:808
		with:			
	918 555 252 01 A11	Sensor			
2	N 106 538 01	Black Hexagon socket head bolt M5X8		8	
3	918 555 521 00	Carrier Armrest	left	1	PR:-508,-808
	918 555 521 00 U04	Aluminium, brushed			
(3)	918 555 522 00	Carrier Armrest	right	1	PR:-508,-808
	918 555 522 00 U04	Aluminium, brushed			
(3)	918 555 521 01	Carrier Armrest	left	1	PR:808
	918 555 521 01 A3G	Carbon Gloss Black			
(3)	918 555 522 01	Carrier Armrest	right	1	PR:808
	918 555 522 01 A3G	Carbon Gloss Black			
(3)	918 555 521 02	Carrier Armrest	left	1	PR:508,-808
		aluminium Anodised			
	918 555 521 02 A7E	Black			
(3)	918 555 522 02	Carrier Armrest	right	1	PR:508,-808
		aluminium Anodised			
	918 555 522 02 A7E	Black			
4	918 555 231 00	Padded cover Armrest Leather	left	1	PR:-808
	918 555 231 00 A11	Black	-53,54		
	918 555 231 00 N12	Carrera Red	-56		
(4)	918 555 231 00	Padded cover Armrest Authentic Leather	left	1	PR:-808
	918 555 231 00 A91	Black	-33,34		
	918 555 231 00 S91	Tarpan Brown	-36,37		
(4)	918 555 232 00	Padded cover Armrest Leather	right	1	PR:-808
	918 555 232 00 A11	Black	-53,54		
	918 555 232 00 N12	Carrera Red	-56		
(4)	918 555 232 00	Padded cover Armrest Authentic Leather	right	1	PR:-808

Model: 918 Model life 2015>>2015

Pos	Part Number	Description	Remark	Qty	Model
	918 555 232 00 A91	Black	-33,34		
	918 555 232 00 S91	Tarpan Brown	-36,37		
5	918 555 539 00	Trim for armrest	left	1	PR:-808
	918 555 539 00 OX2	Smoke Chrome, High Gloss			
(5)	918 555 540 00	Trim for armrest	right	1	PR:-808
	918 555 540 00 OX2	Smoke Chrome, High Gloss			
(5)	918 555 539 01	Trim for armrest	left	1	PR:808
	918 555 539 01 OX2	Smoke Chrome, High Gloss			
(5)	918 555 540 01	Trim for armrest	right	1	PR:808
	918 555 540 01 OX2	Smoke Chrome, High Gloss			
6	918 555 247 00	Padded cover	left	1	PR:-808
		Stowage compartment			
		Leather			
	918 555 247 00 A11	Black	-53,54		
	918 555 247 00 N12	Carrera Red	-56		
(6)	918 555 247 00	Padded cover	left	1	PR:-808
		Stowage compartment			
		Authentic			
		Leather			
	918 555 247 00 A91	Black	-33,34		
	918 555 247 00 S91	Tarpan Brown	-36,37		
(6)	918 555 248 00	Padded cover	right	1	PR:-808
		Stowage compartment			
		Leather			
	918 555 248 00 A11	Black	-53,54		
	918 555 248 00 N12	Carrera Red	-56		
(6)	918 555 248 00	Padded cover	right	1	PR:-808
		Stowage compartment			
		Authentic			
		Leather			
	918 555 248 00 A91	Black	-33,34		
	918 555 248 00 S91	Tarpan Brown	-36,37		
7	918 555 549 00	Armrest	left	1	PR:808
		Cover			
	918 555 549 00 5Q0	Black			
(7)	918 555 550 00	Armrest	right	1	PR:808
		Cover			
	918 555 550 00 5Q0	Black			
8	918 555 381 00	Trim	left	1	
		outer			
		Leather			
	918 555 381 00 A11	Black	-53,54		
	918 555 381 00 N12	Carrera Red	-56		
(8)	918 555 381 00	Trim	left	1	
		outer			
		Authentic			
		Leather			
	918 555 381 00 A91	Black	-33,34		
	918 555 381 00 S91	Tarpan Brown	-36,37		
(8)	918 555 382 00	Trim	right	1	
		outer			
		Leather			
	918 555 382 00 A11	Black	-53,54		
	918 555 382 00 N12	Carrera Red	-56		
(8)	918 555 382 00	Trim	right	1	
		outer			
		Authentic			
		Leather			
	918 555 382 00 A91	Black	-33,34		
	918 555 382 00 S91	Tarpan Brown	-36,37		
9	918 555 371 00	Trim	left	1	PR:-808
		inner			
		Leather			

Model: 918 Model life 2015>>2015

Pos	Part Number	Description	Remark	Qty	Model
(9)	918 555 371 00 A11	Black	-53,54	1	PR:-808
	918 555 371 00 N12	Carrera Red	-56		
	918 555 371 00	Trim	left inner		
(9)	918 555 371 00 A91	Authentic Leather Black	-33,34	1	PR:808
	918 555 371 00 S91	Tarpan Brown	-36,37		
	918 555 371 01	Trim	left inner		
(9)	918 555 371 01 A11	Black	-53,54	1	PR:808
	918 555 371 01 N12	Carrera Red	-56		
	918 555 371 01	Trim	left inner		
(9)	918 555 371 01 A91	Authentic Leather Black	-33,34	1	PR:-808
	918 555 371 01 S91	Tarpan Brown	-36,37		
	918 555 372 00	Trim	right inner		
(9)	918 555 372 00 A11	Black	-53,54	1	PR:-808
	918 555 372 00 N12	Carrera Red	-56		
	918 555 372 00	Trim	right inner		
(9)	918 555 372 00 A91	Authentic Leather Black	-33,34	1	PR:808
	918 555 372 00 S91	Tarpan Brown	-36,37		
	918 555 372 01	Trim	right inner		
(9)	918 555 372 01 A11	Black	-53,54	1	PR:808
	918 555 372 01 N12	Carrera Red	-56		
	918 555 372 01	Trim	right inner		
10	918 555 372 01 A91	Authentic Leather Black	-33,34	1	
	918 555 372 01 S91	Tarpan Brown	-36,37		
	918 555 681 00	beading	left upper		
(10)	918 555 681 00 2M8	Acid Green	-33,53,63,73	1	
	918 555 681 00 S18	silver	-34,54,64,74, 56,36		
	918 555 681 00 N18	orange	-37		
11	918 555 682 00	beading	right upper	1	
	918 555 682 00 2M8	Acid Green	-33,53,63,73		
	918 555 682 00 S18	silver	-34,54,64,74, 56,36		
(11)	918 555 682 00 N18	orange	-37	1	
	918 555 691 00	beading	left lower		
	918 555 691 00 2M8	Acid Green	-33,53,63,73		
(11)	918 555 691 00 S18	silver	-34,54,64,74, 56,36	1	
	918 555 691 00 N18	orange	-37		
	918 555 692 00	beading	right lower		
(11)	918 555 692 00 2M8	Acid Green	-33,53,63,73	1	
	918 555 692 00 S18	silver	-34,54,64,74,		

Model: 918 Model life 2015>>2015

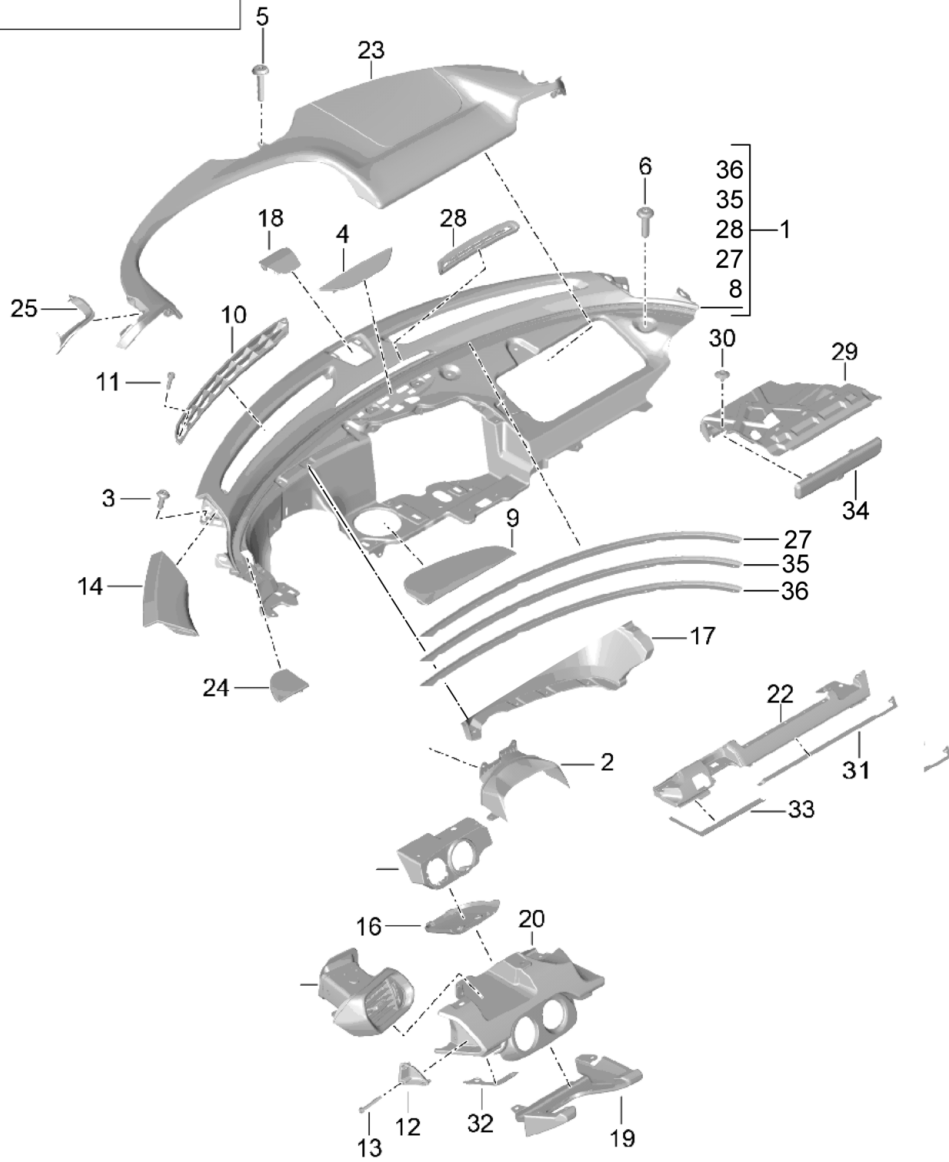
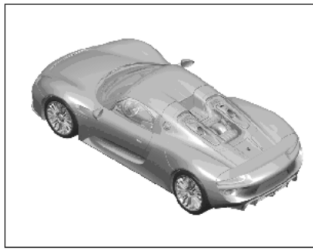
Pos	Part Number	Description	Remark	Qty	Model
			56,36 -37		
12	918 555 692 00 N18 918 555 741 00	orange Cover panel window frame	left	1	
(12)	918 555 741 00 5Q0 918 555 742 00	Black Cover panel window frame	right	1	
13	918 555 742 00 5Q0 918 555 643 00	Black Trim	left front	1	
		Leather			
(13)	918 555 643 00 A11 918 555 643 00 N12 918 555 643 00	Black Carrera Red Trim	-53,54 -56 left front	1	
		Authentic Leather			
(13)	918 555 643 00 A91 918 555 643 00 S91 918 555 644 00	Black Tarpan Brown Trim	-33,34 -36,37 right front	1	
		Leather			
(13)	918 555 644 00 A11 918 555 644 00 N12 918 555 644 00	Black Carrera Red Trim	-53,54 -56 right front	1	
		Authentic Leather			
14	918 555 644 00 A91 918 555 644 00 S91 918 555 683 00	Black Tarpan Brown Trim	-33,34 -36,37 left rear	1	
(14)	918 555 683 00 A3G 918 555 683 00 A5M 918 555 684 00	Carbon Gloss Black Matt black Matt black Trim	right rear	1	
15	918 555 684 00 A3G 918 555 684 00 A5M 918 555 577 00	Carbon Gloss Black Carbon Matt Black Trim	left	1	PR:-808
		Inner actuator Leather			
(15)	918 555 577 00 A11 918 555 577 00 N12 918 555 577 00	Black Carrera Red Trim	-53,54 -56 left	1	PR:-808
		Inner actuator Authentic Leather			
(15)	918 555 577 00 A91 918 555 577 00 S91 918 555 578 00	Black Tarpan Brown Trim	-33,34 -36,37 right	1	PR:-808
		Inner actuator Leather			
(15)	918 555 578 00 A11 918 555 578 00 N12 918 555 578 00	Black Carrera Red Trim	-53,54 -56 right	1	PR:-808
		Inner actuator Authentic Leather			
16	918 555 578 00 A91 918 555 578 00 S91 918 555 577 01	Black Tarpan Brown Trim	-33,34 -36,37 left	1	PR:808
		Inner actuator			

Model: 918 Model life 2015>>2015

Pos	Part Number	Description	Remark	Qty	Model
(16)	918 555 577 01 5Q0 918 555 578 01	Black Trim Inner actuator	right	1	PR:808
17	918 555 578 01 5Q0 N 106 538 01	Black Hexagon socket head bolt M5X8		9	
18	999 073 155 09	panel screw ST4,2X13-C		16	
19	900 067 437 01	Socket head bolt M4X20		8	PR:808
20	999 507 020 01	panel nut ST 4,2		X	PR:681,-808
21	999 049 031 01	Hexagon nut T5		15	
22	999 190 104 30	Pop rivet A 3,2X7,9		18	
23	999 507 533 02	Clamp 8,0X10,0/2,5		X	
24	918 645 801 01	Badge	left	1	PR:-681
(24)	918 645 801 00	Badge	left	1	PR:681
(24)	918 645 802 00	Badge	right	1	PR:681
(24)	918 645 802 01	Badge		1	PR:-681
-	000 043 302 79	Adhesive tape 300MM		1	

Model: 918

Model life 2015>>2015



Model: 918 Model life 2015>>2015

Pos	Part Number	Description	Remark	Qty	Model
1	918 552 111 01	dashboard dashboard Upper part Leather No longer available Alternatively, use the corresponding individual parts.		1	
	918 552 111 01 SQJ	Black			
	918 552 111 01 SPM	Black/Acid Green			
	918 552 111 01 SPN	black/silver			
	918 552 111 01 SQK	Carrera Red/Black			
	918 552 111 01 SPR	Carrera Red/Silver			
	918 552 111 01 SQM	Black/Tarpan Brown			
(1)	918 552 111 01	dashboard Upper part Leather No longer available Alternatively, use the corresponding individual parts.		1	
	918 552 111 01 SQL	black/black			
	918 552 111 01 SPS	Black/Acid Green			
	918 552 111 01 SPT	black/silver			
	918 552 111 01 SPP	Tarpan Brown/Silver			
	918 552 111 01 SPQ	Tarpan Brown/Orange			
2	918 552 371 02	Trim Steering column		1	
	918 552 371 02 5Q0	Black			
3	999 073 499 01	fillister hd. bolt M5 X 14		X	
4	918 552 151 01	Trim	center	1	
	918 552 151 01 5Q0	Black	-33,34,54,63, 64,73,74		
	918 552 151 01 S92	Tarpan Brown	-36,37		
	918 552 151 01 OE1	Carrera Red	-56		
5	999 073 270 09	fillister hd. bolt M5 X 20		X	
6	999 073 345 09	Oval-head screw M5 X 18		X	
7	999 073 273 09	fillister hd. bolt M5 X 10		X	
8	918 552 211 02	dashboard carrier		1	
	918 552 211 02 A5M	Carbon Matt Black			PR:506
	918 552 211 02 A3G	Carbon Gloss Black			PR:-506
9	918 552 327 02	Cover	center	1	
	918 552 327 02 5Q0	Black			
10	918 552 375 01	Defroster trim	left	1	
	918 552 375 01 5Q0	Black			
(10)	918 552 376 01	Defroster trim	right	1	
	918 552 376 01 5Q0	Black			
11	900 067 436 01	Socket head bolt M4 X 14		4	
12	918 552 405 01	Closing element dashboard	left	1	
	918 552 405 01 OX2	Smoke Chrome, High Gloss			
(12)	918 552 406 01	Closing element dashboard	right	1	
	918 552 406 01 OX2	Smoke Chrome, High Gloss			
13	900 067 438 01	Socket head bolt M4 X 30		8	
14	918 552 575 01	Cover for treble speaker	left	1	

Model: 918 Model life 2015>>2015

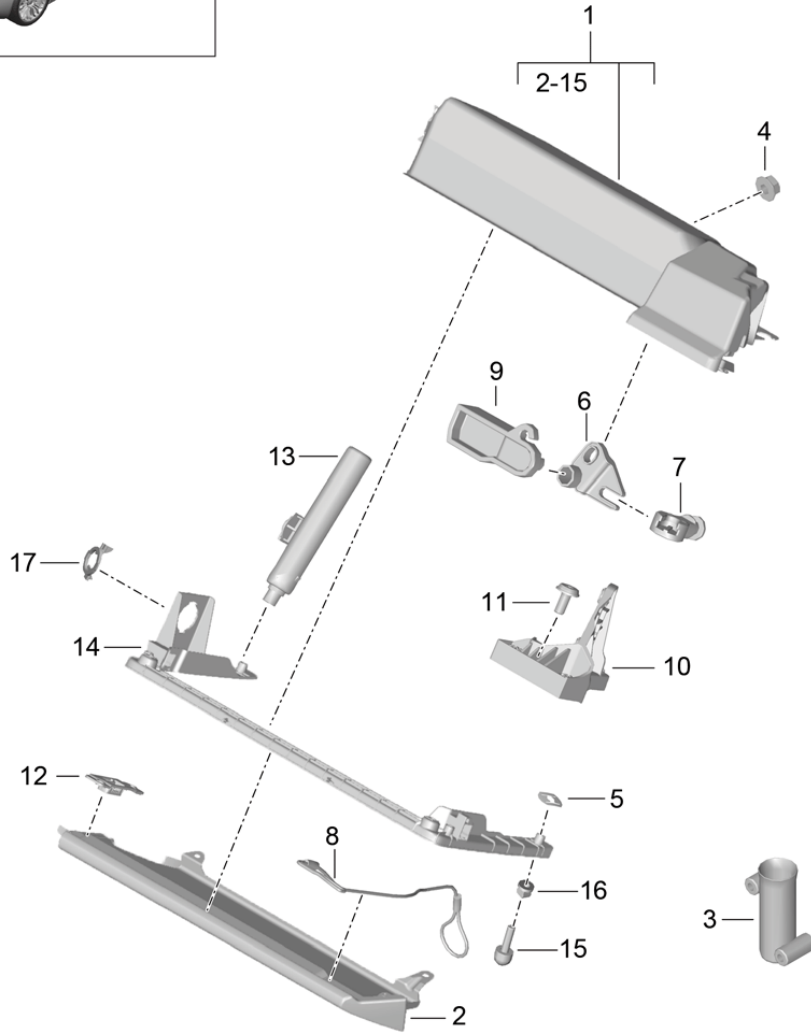
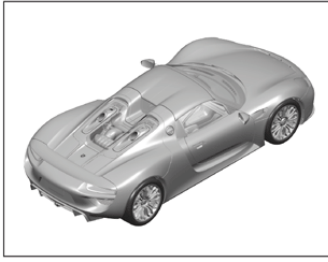
Pos	Part Number	Description	Remark	Qty	Model
(14)	918 552 575 01 5Q0 918 552 576 01	Black Cover for treble speaker	right	1	
15	918 552 576 01 5Q0 918 552 587 02	Black Support Light switch Ignition starter lock		1	
16	918 552 579 01	Cover Light switch		1	
17	918 552 579 01 5Q0 918 552 355 02	Black Cover PANORAMAABDECKUNG		1	
18	918 552 571 01	Support Sensor		1	
19	918 552 201 03 918 552 201 03 A11	dashboard Lower part (drivers side) Leather Black	left -53,54,63,64, 73,74	1	
(19)	918 552 201 03 N12 918 552 201 03	Carrera Red dashboard Lower part (drivers side) Authentic Leather	-56 left	1	
(19)	918 552 201 03 A91 918 552 201 03 S91 918 552 202 03	Black Tarpan Brown dashboard Lower part (drivers side) Leather	-33,34 -36,37 right	1	
(19)	918 552 202 03 A11 918 552 202 03 N12 918 552 202 03	Black Carrera Red dashboard Lower part (drivers side) Authentic Leather	-53,54,63,64, 73,74 -56 right	1	
20	918 552 202 03 A91 918 552 202 03 S91 918 552 381 06	Black Tarpan Brown Trim Light switch	-33,34 -36,37	1	PR:-508
(20)	918 552 381 06 A1R 918 552 381 06 U04 918 552 381 07	Black Aluminium, brushed Trim Light switch		1	PR:508
21	918 552 381 07 A1R 918 552 381 07 A3G 918 552 131 01	Black Carbon Gloss Black Fan Exhaust	left	1	
(21)	918 552 131 01 SPL 918 552 132 01	Smoke Chrome, High Gloss Fan Exhaust	right	1	
22	918 552 132 01 SPL 918 552 565 06	Smoke Chrome, High Gloss Trim (passenger side)		1	PR:-508
(22)	918 552 565 06 A1R 918 552 565 06 U04 918 552 565 07 918 552 565 07 A1R	Black Aluminium, brushed Trim (passenger side) Black		1	PR:508

Model: 918 Model life 2015>>2015

Pos	Part Number	Description	Remark	Qty	Model
23	918 552 565 07 A3G 918 552 121 03	Carbon Gloss Black Attachment Carrier		1	
	918 552 121 03 A11	Black	-53,54,63,64, 73,74		
(23)	918 552 121 03 N12 918 552 121 03	Carrera Red Attachment Carrier Authentic Leather	-56	1	
	918 552 121 03 A91	Black	-33,34		
24	918 552 121 03 S91 918 552 325 02	Tarpan Brown Cover dashboard (drivers side)	-36,37	1	
	918 552 325 02 5Q0	Black			
25	918 552 581 01	Insert A-pillar	left	1	
(25)	918 552 582 01	Insert A-pillar	right	1	
26	999 507 360 40	Spreader rivet 4.2 X 8.5		3	
27	918 552 785 01 918 552 785 01 A11 918 552 785 01 2M8 918 552 785 01 S18 918 552 785 01 N18	beading Black Acid Green silver orange		1	
28	918 552 141 02	Fan Exhaust	center	1	
	918 552 141 02 5Q0	Black			
29	918 552 414 02	Trim Cold air		1	PR:-553
30	1H0 819 943	round hd. screw		3	
31	918 552 820 00	Locking bracket Glove box		1	
32	918 552 821 00	Locking bracket Lower part (drivers side)	right	1	
(32)	918 552 823 00	Locking bracket Lower part (drivers side)	left	1	
33	918 552 825 00	Locking bracket Lower part (drivers side)	left	1	
34	918 552 416 00 918 552 416 00 1E0	Cover Fuse box Black		1	
-		Gearbox selector lever			
35	918 552 827 00	beading see illustration:	701-000 Self-adhesive	1	
36	918 552 829 00	Shaped part (foam)	Self-adhesive	1	

Model: 918

Model life 2015>>2015



Model: 918 Model life 2015>>2015

Pos	Part Number	Description	Remark	Qty	Model
1	918 552 204 04	Glove box Glove box Leather		1	PR:517,-193
	918 552 204 04 A11	Black	-53,54,63,64, 73,74		
	918 552 204 04 N12	Carrera Red	-56		
(1)	918 552 204 04	Glove box Authentic Leather		1	PR:517,-193
	918 552 204 04 A91	Black	-33,34		
	918 552 204 04 S91	Tarpan Brown	-36,37		
(1)	918 552 204 06	Glove box Leather		1	PR:193,517 "J.."
	918 552 204 06 A11	Black	-53,54,63,64, 73,74		
	918 552 204 06 N12	Carrera Red	-56		
(1)	918 552 204 06	Glove box Authentic Leather		1	PR:193,517 "J.."
	918 552 204 06 A91	Black	-33,34		
	918 552 204 06 S91	Tarpan Brown	-36,37		
2	918 552 204 03	dashboard Lower part (passenger side) Leather		1	PR:-193,-517
	918 552 204 03 A11	Black	-53,54,63,64, 73,74		
	918 552 204 03 N12	Carrera Red	-56		
(2)	918 552 204 03	dashboard Lower part (passenger side) Authentic Leather		1	PR:-193,-517
	918 552 204 03 A91	Black	-33,34		
	918 552 204 03 S91	Tarpan Brown	-36,37		
(2)	918 552 204 05	dashboard Lower part (passenger side) Leather		1	PR:193,-517 "J.."
	918 552 204 05 A11	Black	-53,54,63,64, 73,74		
	918 552 204 05 N12	Carrera Red	-56		
(2)	918 552 204 05	dashboard Lower part (passenger side) Authentic Leather		1	PR:193,-517 "J.."
	918 552 204 05 A91	Black	-33,34		
	918 552 204 05 S91	Tarpan Brown	-36,37		
3	918 552 884 00	Bracket Warning light		1	PR:193 "J.."
4	900 377 009 01	Hexagon nut		4	
5	999 591 946 03	Clamping washer		1	
6	918 552 864 00	lever		1	PR:517
7	918 552 868 00	Intermediate piece		1	PR:517
8	918 552 870 00	Emergency operation		1	PR:517
9	918 552 862 00	thrust piece		1	PR:517
10	918 552 866 00	Retaining plate		1	PR:517
11	999 073 273 09	fillister hd. bolt M5 X 10		X	
12	918 552 860 00	Support Key		1	PR:517
	918 552 860 00 5Q0	Black	-33,34,53,54,		

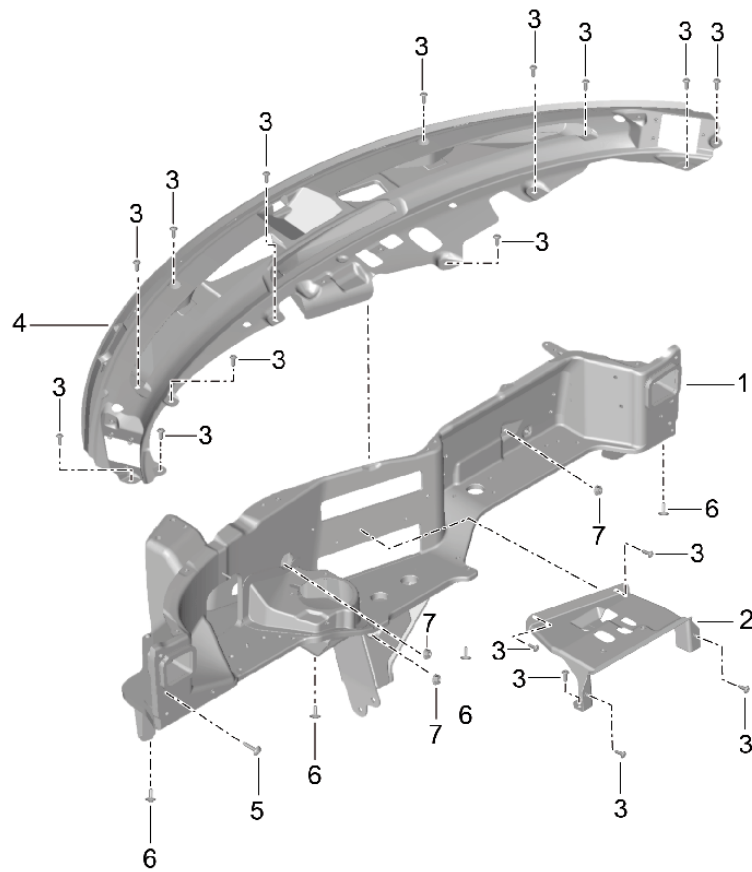
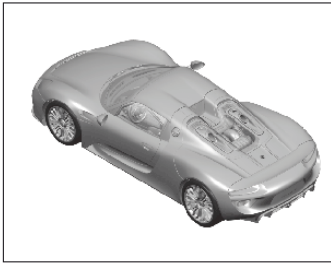
Model: 918

Model life 2015>>2015

Pos	Part Number	Description	Remark	Qty	Model
	918 552 860 00 OE1	Carrera Red	63,64,73,74		
	918 552 860 00 S92	Tarpan Brown	-56		
13	996 552 779 00	Damper Glove box Discontinued part	-36,37	1	PR:517
13	918 552 779 00	Damper Glove box		1	PR:517
14	918 552 642 03	Cross panel		1	PR:517
	918 552 642 03 1E0	Black			
15	918 552 854 00	Rubber buffer		2	PR:517
16	918 552 856 00	expanding nut		2	PR:517
17	918 552 872 00	Sealing washer Damper Glove box		1	PR:517

Model: 918

Model life 2015>>2015



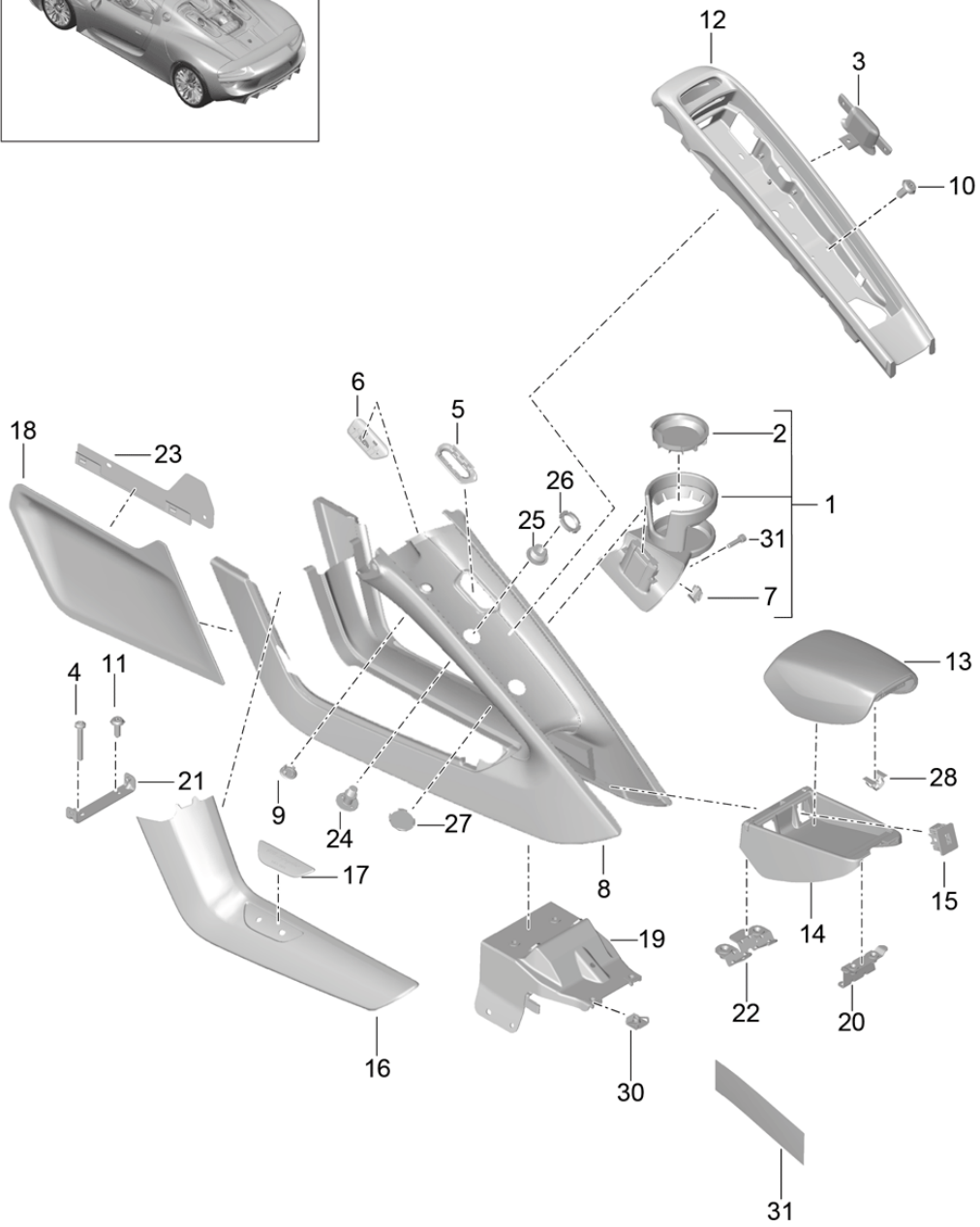
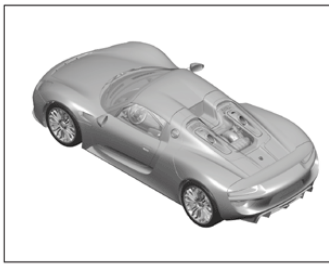
Model: 918

Model life 2015>>2015

Pos	Part Number	Description	Remark	Qty	Model
		retaining frame dashboard			
1	918 552 163 06	retaining frame	center	1	PR: -553
1	918 552 163 07	retaining frame	center	1	PR:553
2	918 552 351 01	Bracket ADR		1	
3	999 073 499 01	fillister hd. bolt M5 X 14		16	
4	918 552 161 02	retaining frame	upper	1	
5	999 073 366 02	fillister hd. bolt M6 X 30		4	
6	N 911 883 02	Hexagon socket head bolt M6 X 20		4	
7	900 377 018 09	Hexagon nut M6		3	

Model: 918

Model life 2015>>2015



Model: 918 Model life 2015>>2015

Pos	Part Number	Description	Remark	Qty	Model
1	918 553 381 00	Centre console Drinks holder		1	PR:585
	918 553 381 00 5Q0	Black			
2	918 553 611 00	Insert		1	PR:585
3	918 553 481 00	Support Beverages Bracket		1	PR:585
4	999 073 558 01	fillister hd. bolt M5X35		2	
5	918 553 483 00	Rosette		2	
	918 553 483 00 5Q0	Black			
6	918 553 485 00	Trim		1	PR:-585
	918 553 485 00 5Q0	Black			
7	999 507 130 01	U-clip 1,20-1,70		X	
8	918 553 311 03	Carrier Centre console Leather		1	PR:474,681, 808
	918 553 311 03 A11	Black	-53,54,63,64, 73,74		
	918 553 311 03 N12	Carrera Red	-56		
(8)	918 553 311 03	Carrier Centre console Authentic Leather		1	PR:474,681, 808
	918 553 311 03 S91	Tarpan Brown	-36,37		
	918 553 311 03 A91	Black, embossed	-33,34		
(8)	918 553 311 03	Carrier Centre console Leather		1	PR:-808
	918 553 311 03 A11	Black	-53,54,63,64, 73,74		
	918 553 311 03 N12	Carrera Red	-56		
(8)	918 553 311 03	Carrier Centre console Authentic Leather		1	PR:-808
	918 553 311 03 S91	Tarpan Brown	-36,37		
	918 553 311 03 A91	Black, embossed	-33,34		
(8)	918 553 311 04	Carrier Centre console Leather		1	PR:808,-474
	918 553 311 04 A11	Black	-53,54,63,64, 73,74		
	918 553 311 04 N12	Carrera Red	-56		
(8)	918 553 311 04	Carrier Centre console Leather		1	PR:808,-474, -681
	918 553 311 04 A11	Black	-53,54,63,64, 73,74		
	918 553 311 04 N12	Carrera Red	-56		
(8)	918 553 311 04	Carrier Centre console Leather		1	PR:808,-681
	918 553 311 04 A11	Black	-53,54,63,64, 73,74		
	918 553 311 04 N12	Carrera Red	-56		
(8)	918 553 311 04	Carrier Centre console Authentic Leather		1	PR:808,-474
	918 553 311 04 A91	Black	-33,34		
	918 553 311 04 S91	Tarpan Brown	-36,37		

Model: 918 Model life 2015>>2015

Pos	Part Number	Description	Remark	Qty	Model
(8)	918 553 311 04	Carrier Centre console Authentic Leather		1	PR:808,-474,-681
	918 553 311 04 S91	Tarpan Brown	-36,37		
	918 553 311 04 A91	Black	-33,34		
(8)	918 553 311 04	Carrier Centre console Authentic Leather		1	PR:808,-681
	918 553 311 04 S91	Tarpan Brown	-36,37		
	918 553 311 04 A91	Black	-33,34		
9	918 553 819 00	Cover cap Centre console		1	
	918 553 819 00 5Q0	Black			
10	999 073 273 09	fillister hd. bolt M5 X 10		X	
11	999 073 499 01	fillister hd. bolt M5 X 14		X	
12	918 553 171 03	Trim for centre console Carbon Matt Black		1	PR:506,-508,-808
	918 553 171 03 A1R	Black			
(12)	918 553 171 03	Trim for centre console Carbon Gloss Black		1	PR:-506,-508,-808
	918 553 171 03 U04	Aluminium, brushed			
(12)	918 553 171 04	Trim Centre console Carbon Matt Black		1	PR:506,508,808
	918 553 171 04 A1R	Black			
(12)	918 553 171 04	Trim Centre console Carbon Matt Black		1	PR:506,508,-808
	918 553 171 04 A1R	Black			
(12)	918 553 171 04	Trim Centre console		1	PR:508,808,-506
	918 553 171 04 A3G	Carbon Gloss Black			
(12)	918 553 171 04	Trim Centre console		1	PR:508,-506,-808
	918 553 171 04 A3G	Carbon Gloss Black			
13	918 553 121 02	Armrest Centre console Leather		1	PR:681
	918 553 121 02 A11	Black	-53,54,63,64,73,74		
	918 553 121 02 N12	Carrera Red	-56		
(13)	918 553 121 02	Armrest Centre console Leather		1	PR:474,681
	918 553 121 02 A11	Black	-53,54,63,64,73,74		
	918 553 121 02 N12	Carrera Red	-56		
(13)	918 553 121 02	Armrest Centre console Authentic Leather		1	PR:681
	918 553 121 02 A91	Black, embossed	-33,34		
	918 553 121 02 S91	Tarpan Brown	-36,37		
(13)	918 553 121 02	Armrest Centre console Authentic Leather		1	PR:474,681

Model: 918 Model life 2015>>2015

Pos	Part Number	Description	Remark	Qty	Model
(13)	918 553 121 02 A91	Black, embossed	-33,34	1	PR:808,-681,-975
	918 553 121 02 S91	Tarpan Brown	-36,37		
	918 553 121 03	Armrest Centre console Leather			
	918 553 121 03 A11	Black	-53,54,63,64, 73,74		
(13)	918 553 121 03 N12	Carrera Red	-56	1	PR:808,-681,-975
	918 553 121 03	Armrest Centre console Authentic Leather			
(13)	918 553 121 03 A91	Black, embossed	-33,34	1	PR:808,975,-681
	918 553 121 03 S91	Tarpan Brown	-36,37		
	918 553 121 04	armrest (alcantara) Centre console Leather			
14	918 553 121 04 2W0	Black	-63,64,73,74	1	PR:681
	918 553 335 01	Stowage compartment Armrest		1	PR:681
15	918 553 545 00	Trim USB stick		1	PR:681
16	918 553 545 00 5Q0	Black		1	PR:-508,-808
	918 553 451 04	Trim tunnel	left		
(16)	918 553 451 04 U04	Aluminium, brushed		1	PR:-508,-808
	918 553 452 04	Trim tunnel	right		
(16)	918 553 452 04 U04	Aluminium, brushed		1	PR:508
	918 553 451 03	Trim tunnel	left		
(16)	918 553 451 03 A3G	Carbon Gloss Black		1	PR:508
	918 553 452 03	Trim tunnel	right		
-	918 553 452 03 A3G	Carbon Gloss Black Badge Centre console		2	
17	918 553 783 01	Badge 918 Spyder Chassis number Indicate	left	1	
(17)	918 553 784 01	Badge 918 Spyder Chassis number Indicate	right	1	
18	918 553 227 02	Tunnel trim Leather	left	1	
(18)	918 553 227 02 A11	Black		1	
	918 553 227 02	Tunnel trim Authentic Leather	left		
(18)	918 553 227 02 A91	Black, embossed		1	
	918 553 228 02	Tunnel trim Leather	right		
(18)	918 553 228 02 A11	Black		1	
	918 553 228 02	Tunnel trim Authentic Leather	right		
19	918 553 228 02 A91	Black, embossed		1	
20	918 553 363 02	Retainer for centre console	rear	1	
	918 553 377 00	Bracket Armrest	front	1	
21	918 553 365 01	Bracket	upper	2	

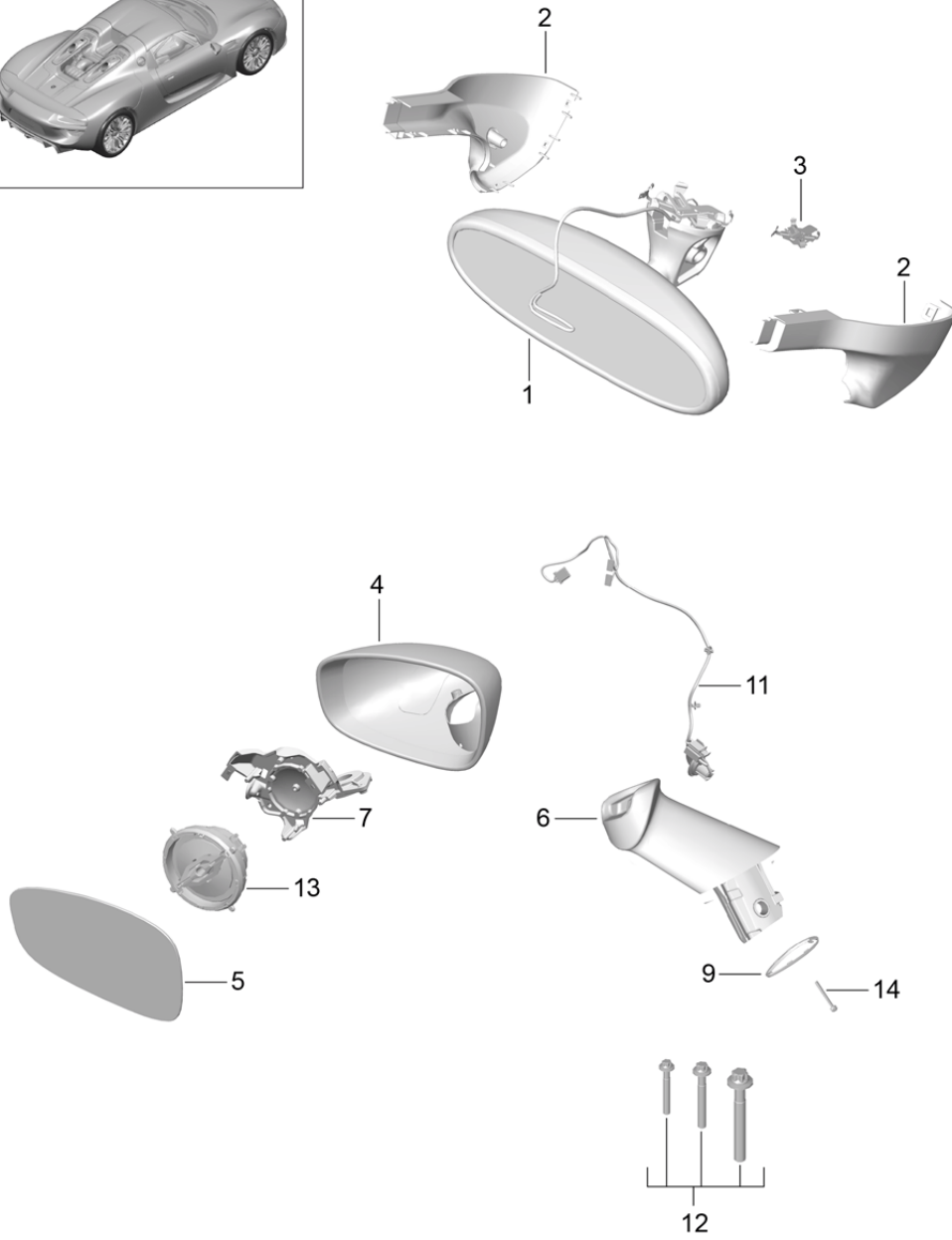
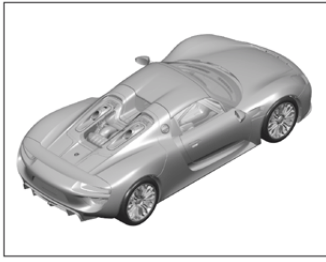
Model: 918

Model life 2015>>2015

Pos	Part Number	Description	Remark	Qty	Model
22	918 553 385 01	Trim tunnel Bracket	rear	1	
23	918 553 461 01	Armrest Bracket	left	1	
(23)	918 553 462 01	Trim tunnel Bracket	right	1	
24	918 553 823 00	Trim tunnel Support	front	1	
(24)	918 553 821 00	Luggage set Support	rear	1	
25	918 553 827 00	Luggage set Adapter	rear	1	
(25)	918 553 825 00	Luggage set Adapter	front	1	
26	918 553 831 00	Luggage set Nut		2	
27	918 553 829 00	Luggage set Cover cap Carrier		2	
28	918 553 829 00 5Q0 999 507 533 02	Black Clamp		X	
30	900 067 436 01	8,0 X 10,0/ 2,5 Socket head bolt		2	PR:585
31	000 043 302 79	M4 X 14 Adhesive tape 300MM		1	

Model: 918

Model life 2015>>2015



Model: 918 Model life 2015>>2015

Pos	Part Number	Description	Remark	Qty	Model
1	918 731 511 00	Interior mirror		1	PR:275
	918 731 511 00 9B9	Exterior mirror			
	918 731 511 00 9B9	Interior mirror			
2	918 731 811 00	Satin black	left	1	
	918 731 811 00 9B9	Cover			
(2)	918 731 811 00 9B9	Interior mirror	right	1	
	918 731 812 00	Mirror base			
	918 731 812 00 9B9	Satin black			
3	7PP 857 959	Cover		1	
-		Interior mirror			
		Mirror base			
		Satin black			
		Spring clip			
		Rain sensor			
		see illustration:	904-000		
4	918 731 619 00	Exterior mirror housing	left	1	PR:-881
	918 731 619 00 G21	primed			
(4)	918 731 619 01	Exterior mirror housing	left	1	PR:881
	918 731 619 01 A3G	Carbon			
(4)	918 731 620 00	Exterior mirror housing	right	1	PR:-881
	918 731 620 00 G21	Carbon			
(4)	918 731 620 01	Exterior mirror housing	right	1	PR:881
	918 731 620 01 A3G	Carbon			
5	918 731 035 00	Mirror glass (flat)	left	1	PR:263
(5)	918 731 035 01	Mirror (aspherical)	left	1	PR:265
		Aspherical			
(5)	918 731 038 00	Mirror glass (convex)	right	1	PR:284
(5)	918 731 038 01	Mirror glass (convex)	right	1	PR:284,553
(5)	918 731 038 02	Mirror glass (convex)	right	1	PR:215,284
6	918 731 219 00	Mirror base	left	1	PR:-881
		Manually adjustable			
	918 731 219 00 G21	primed			
(6)	918 731 220 00	Mirror base	right	1	PR:-881
		Manually adjustable			
	918 731 220 00 G21	primed			
(6)	918 731 219 01	Mirror base	left	1	PR:881
		Manually adjustable			
	918 731 219 01 A3G	Carbon Gloss Black			
(6)	918 731 220 01	Mirror base	right	1	PR:881
		Manually adjustable			
	918 731 220 01 A3G	Carbon Gloss Black			
7	918 731 621 01	reinforcement plate	left	1	
(7)	918 731 622 01	reinforcement plate	right	1	
9	918 731 823 00	Seal for exterior mirror	left	1	
			lower		
(9)	918 731 824 00	Seal for exterior mirror	right	1	
			lower		
11	918 612 711 00	Wire set		2	PR:254
		Exterior mirror			
12	918 731 901 00	repair set		1	
		Exterior mirror			
		comprising:			
		Screw		1	
		M5 X 16 TORX T25			
		Screw		4	
		M3 X 8 TORX T10			
		Screw		1	
		M3 X 37 TORX T10			
13	8T0 959 577	Adjusting unit with motor		2	
		for exterior mirror			
14	999 072 082 01	Hexagon bolt		2	
		M8 X 32			
15	918 731 623 00	vibration damper		1	

Model: 918

Model life 2015>>2015

Pos	Part Number	Description	Remark	Qty	Model
		reinforcement plate			

Model: 918

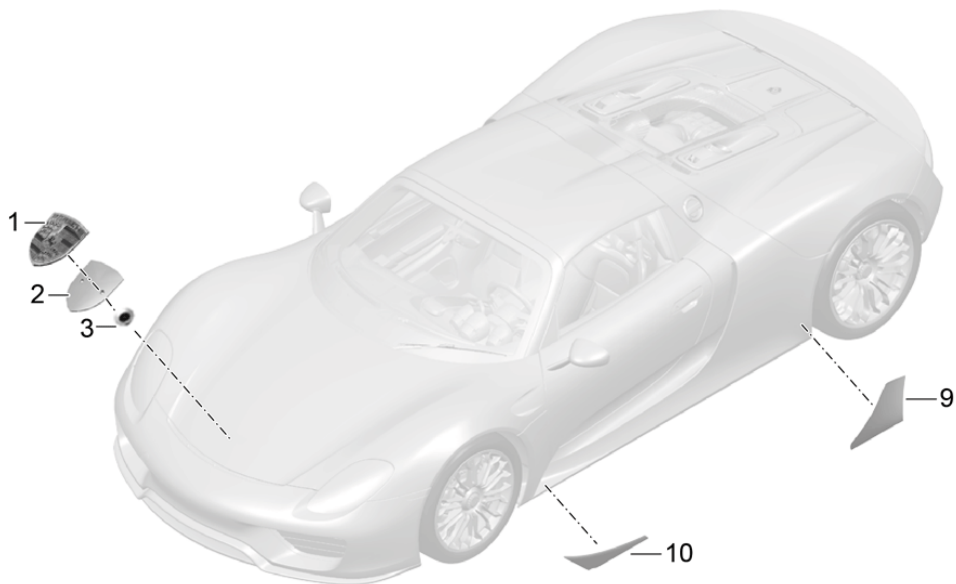
Model life 2015>>2015

P O R S C H E - 8

4 - *e-hybrid*

5 - *e-hybrid*

6 - *Spyder 918* - 7



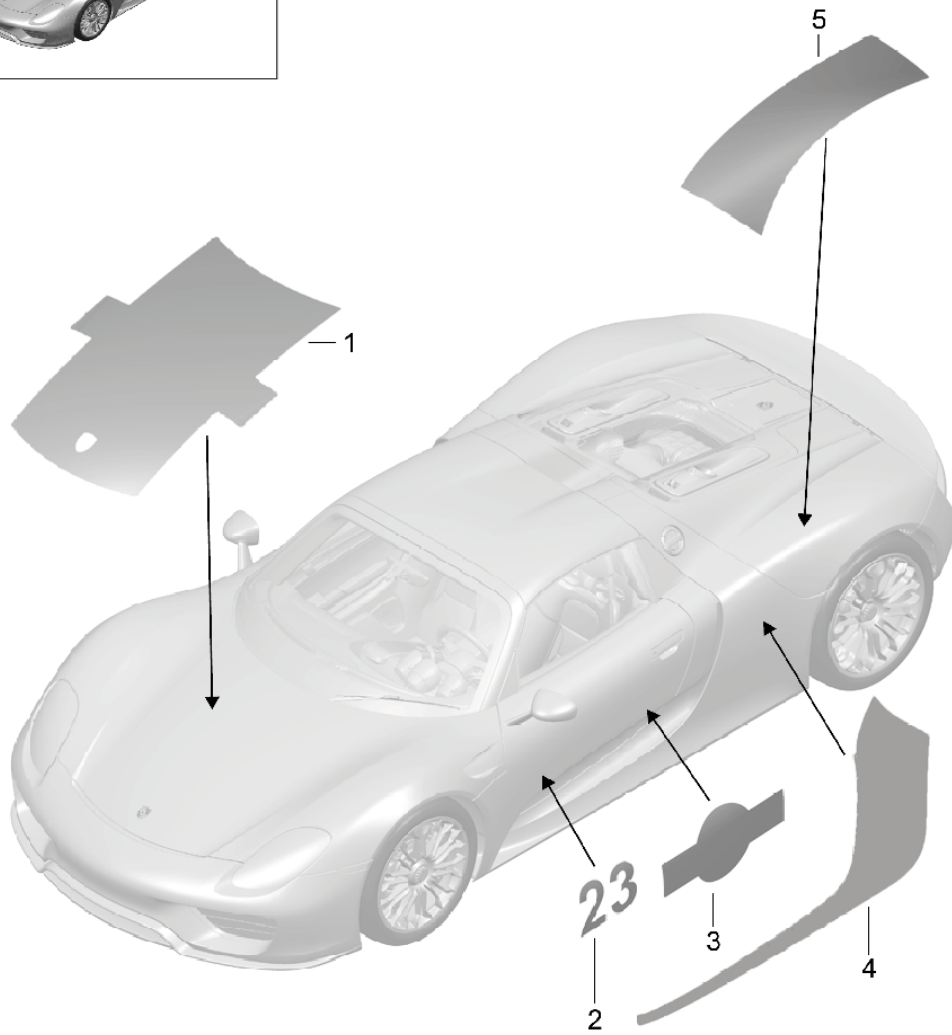
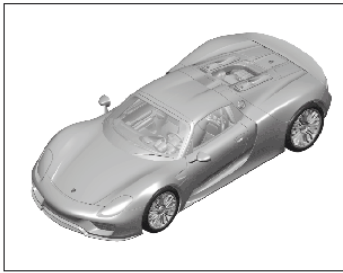
Model: 918

Model life 2015>>2015

Pos	Part Number	Description	Remark	Qty	Model
		inscriptions/lettering Decorative fittings Stone guard film			
1	991 559 211 00	Porsche crest	front	1	
2	991 559 215 02	Underlay		1	
3	999 591 423 03	Tapping nut 3,0		2	
4	918 559 245 00	inscription e-hybrid chromed	left	1	
5	918 559 246 00	inscription e-hybrid chromed	right	1	
6	918 559 249 01	inscription Spyder chromed		1	
7	918 559 231 01	inscription 918 chromed		1	
8	981 559 233 00	inscription Porsche		1	
9	918 504 825 00	Stone guard film	left rear	1	
(9)	918 504 826 00	Stone guard film	right rear	1	
10	918 504 827 00	Stone guard film	left front	1	
(10)	918 504 828 00	Stone guard film	right front	1	

Model: 918

Model life 2015>>2015



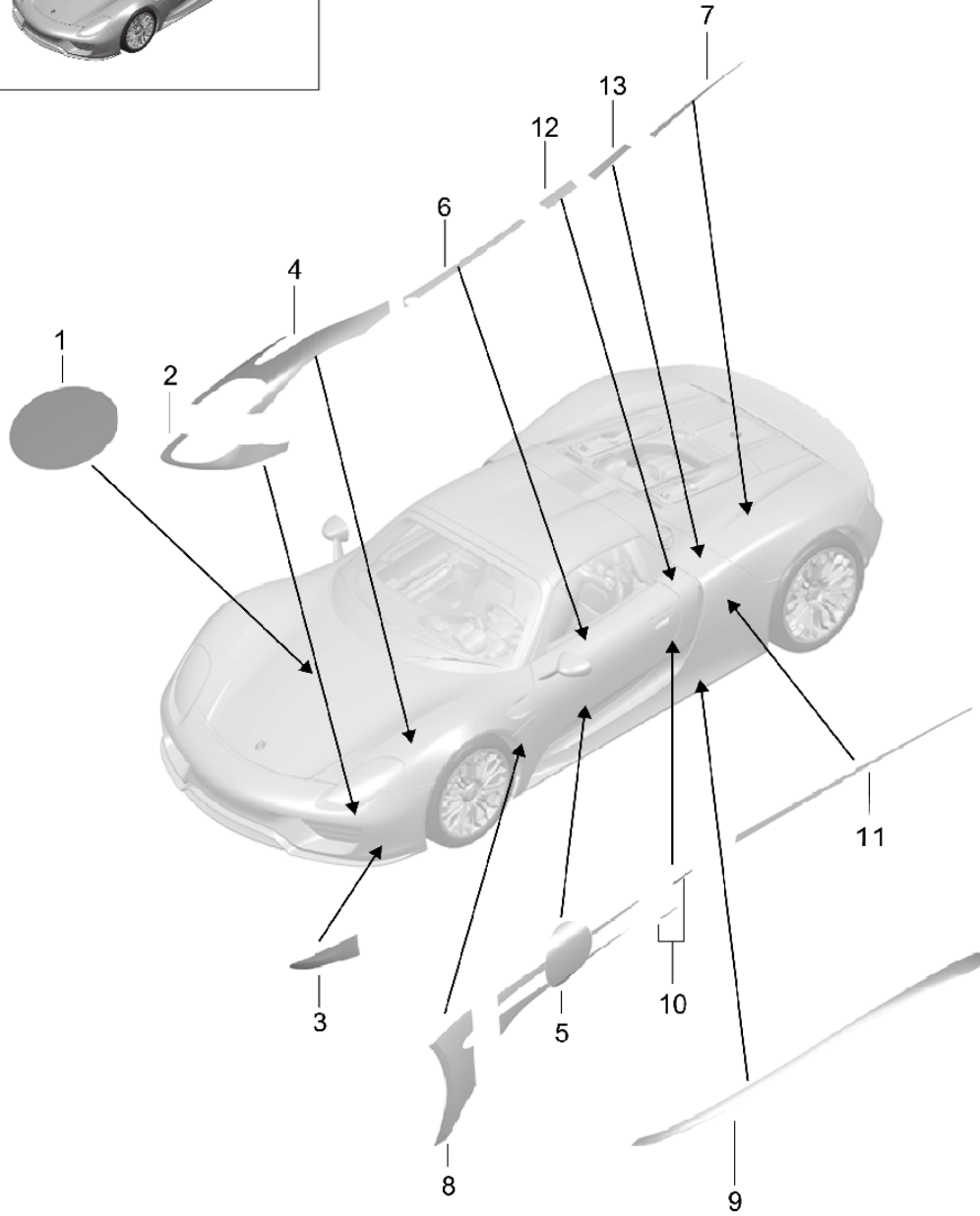
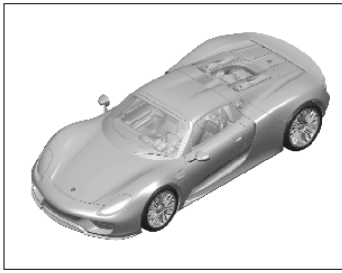
Model: 918

Model life 2015>>2015

Pos	Part Number	Description	Remark	Qty	Model
		Decorative film Martini Racing See workshop manual 665255			PR:901
1	918 559 333 00	Decorative film Cover	front center	1	
2	918 559 341 00	Decorative film for door		2	
3	918 559 335 00	Decorative film for door		2	
4	918 559 337 00	Decorative film Sill	left	1	
(4)	918 559 338 00	Decorative film Sill	right	1	
5	918 559 339 00	trim foil for mudwing	left	1	
(5)	918 559 340 00	trim foil for mudwing	right	1	

Model: 918

Model life 2015>>2015

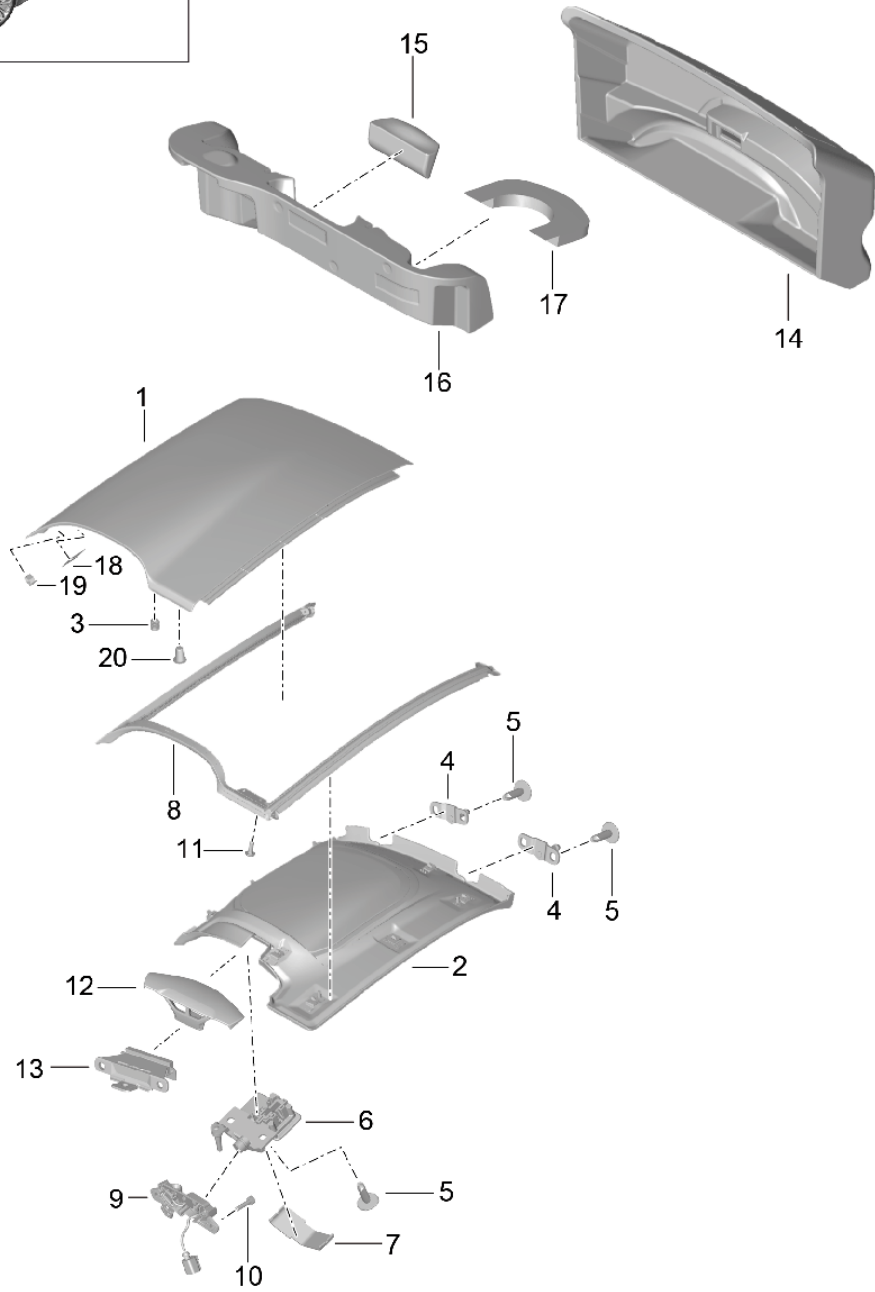
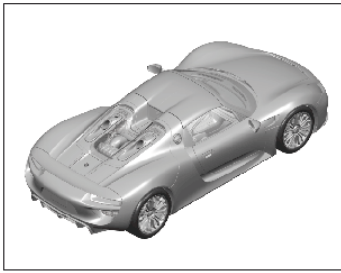


Model: 918 Model life 2015>>2015

Pos	Part Number	Description	Remark	Qty	Model
		Decorative film See workshop manual 665255			PR:902
1	918 559 349 00	Decorative film Cover	front center	1	
2	918 559 353 00	Decorative film bumper	left upper	1	
(2)	918 559 354 00	Decorative film bumper	right upper	1	
3	918 559 355 00	Decorative film bumper	left lower	1	
(3)	918 559 356 00	Decorative film bumper	right lower	1	
4	918 559 351 00	Decorative film Cover	left	1	
(4)	918 559 352 00	Decorative film Cover	right	1	
5	918 559 357 00	Decorative film for door	left lower	1	
(5)	918 559 358 00	Decorative film for door	right lower	1	
6	918 559 359 00	Decorative film for door	left upper	1	
(6)	918 559 360 00	Decorative film for door	right upper	1	
7	918 559 373 00	trim foil for mudwing	left rear	1	
(7)	918 559 374 00	trim foil for mudwing	right rear	1	
8	918 559 361 00	trim foil for side panel	left front	1	
(8)	918 559 362 00	trim foil for side panel	right front	1	
9	918 559 363 00	Decorative film Sill	left lower	1	
(9)	918 559 364 00	Decorative film Sill	right lower	1	
10	918 559 365 00	Decorative film Sill	left inner center	1	
(10)	918 559 366 00	Decorative film Sill	right inner center	1	
11	918 559 367 00	Decorative film Sill	left outer center	1	
(11)	918 559 368 00	Decorative film Sill	right outer center	1	
12	918 559 369 00	Decorative film Sill	left inner upper	1	
(12)	918 559 370 00	Decorative film Sill	right inner upper	1	
13	918 559 371 00	Decorative film Sill	left outer upper	1	
(13)	918 559 372 00	Decorative film Sill	right outer upper	1	

Model: 918

Model life 2015>>2015



Model: 918 Model life 2015>>2015

Pos	Part Number	Description	Remark	Qty	Model
1	918 565 111 01	Roof			
	918 565 111 01 A3G	Roof	left	1	PR:808,882
(1)	918 565 111 02	Carbon			
	918 565 111 02 G21	Roof	left	1	PR:-808,-882
(1)	918 565 112 01	primed			
	918 565 112 01 A3G	Roof	right	1	PR:808,882
(1)	918 565 112 02	Carbon			
	918 565 112 02 G21	Roof	right	1	PR:-808,-882
	918 565 112 02 G21	primed			
2	918 555 631 01	roof trim	left	1	PR:882,-553,-990
		Alcantara			
		Discontinued part			
	918 555 631 01 2W0	Black			
2	918 555 631 04	roof trim	left	1	PR:-882,-990,-553
		Alcantara			
	918 555 631 04 2W0	Black			
(2)	918 555 631 03	roof trim	left	1	PR:882,990
		Alcantara			
		Discontinued part			
	918 555 631 03 2W0	Black			
(2)	918 555 631 06	roof trim	left	1	PR:882,990
		Alcantara			
	918 555 631 06 2W0	Black			
(2)	918 555 632 01	roof trim	right	1	PR:882,-553,-990
		Alcantara			
		Discontinued part			
	918 555 632 01 2W0	Black			
(2)	918 555 632 04	roof trim	right	1	PR:882,-553,-990
		Alcantara			
	918 555 632 04 2W0	Black			
(2)	918 555 632 04	roof trim	right	1	PR:-882,-553,-990
		Alcantara			
	918 555 632 04 2W0	Black			
(2)	918 555 632 03	roof trim	right	1	PR:882,990
		Alcantara			
		Discontinued part			
	918 555 632 03 2W0	Black			
(2)	918 555 632 06	roof trim	right	1	PR:882,990
		Alcantara			
	918 555 632 06 2W0	Black			
3	999 703 488 41	Stop buffer		4	
4	918 565 201 00	Fixing		4	
5	999 073 322 01	fillister hd. bolt		X	
		M6 X 20			
		Discontinued part			
5	999 073 322 03	fillister hd. bolt		X	
		M6 X 20			
6	918 565 213 01	Locking mechanism	left	1	
	918 565 213 01 C70	Mat chrome			
(6)	918 565 214 01	Locking mechanism	right	1	
	918 565 214 01 C70	Mat chrome			
7	918 565 417 00	Trim		2	
	918 565 417 00 1E0	Black			
8	918 565 221 02	Seal	left	1	
(8)	918 565 222 02	Seal	right	1	
9	918 565 203 01	Support	left	1	
		Roof			
	918 565 203 01 5Q0	Black			
(9)	918 565 204 01	Support	right	1	
		Roof			
	918 565 204 01 5Q0	Black			
10	900 075 524 01	Bolt with washer		4	
		M6 X 25			

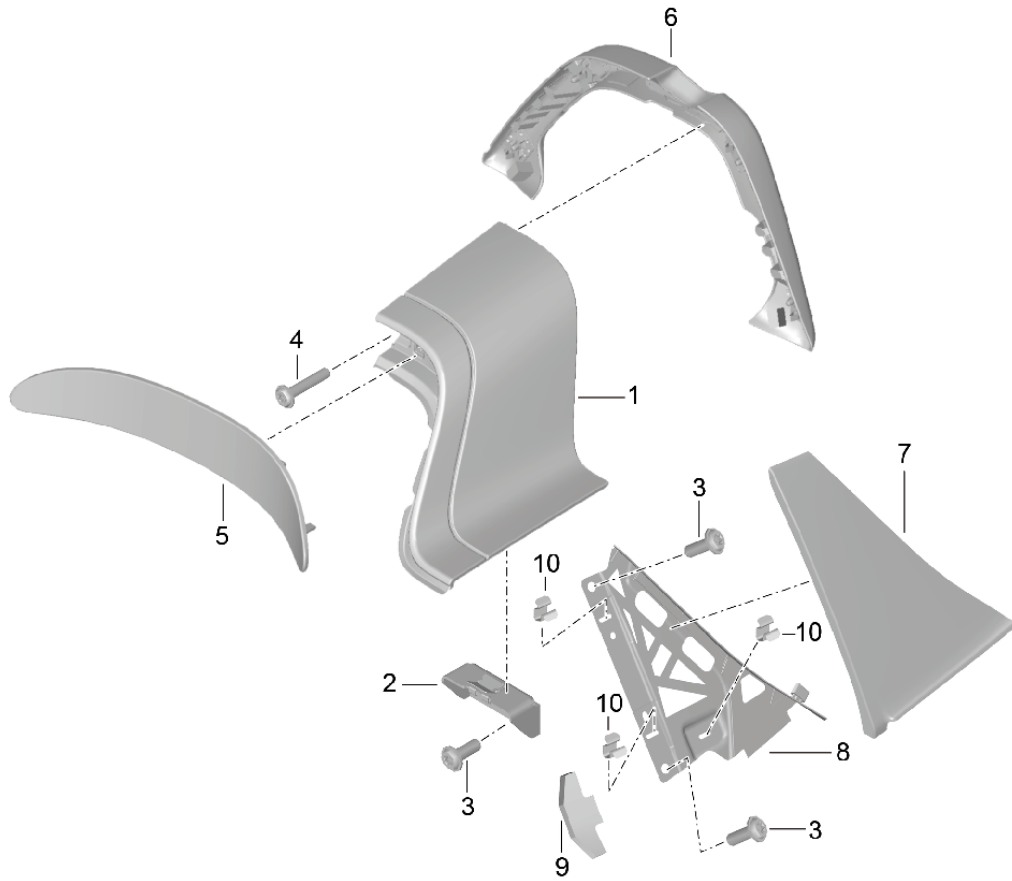
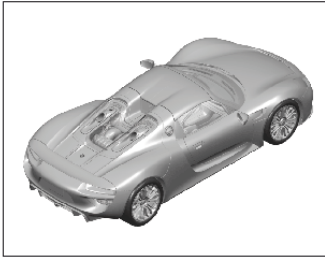
Model: 918

Model life 2015>>2015

Pos	Part Number	Description	Remark	Qty	Model
11	999 073 268 01	fillister hd. bolt M5 X 12		5	
12	918 565 161 00	wind deflector		1	
	918 565 161 00 5Q0	Black			
13	918 565 635 00	Support wind deflector		1	
	918 565 635 00 5Q0	Black			
14	918 551 709 00	Foam part	front	1	PR: -553
15	918 551 711 00	Foam part	rear upper	1	
16	918 551 713 00	Foam part	rear	1	
17	918 551 715 00	Foam part	upper	1	
18	999 209 084 40	Distance piece 20 X 25 X 0,5		X	
19	997 555 857 00	Grommet Centring journal		2	
20	999 507 047 09	Clip		8	
-	999 917 086 00	Grease		1	

Model: 918

Model life 2015>>2015

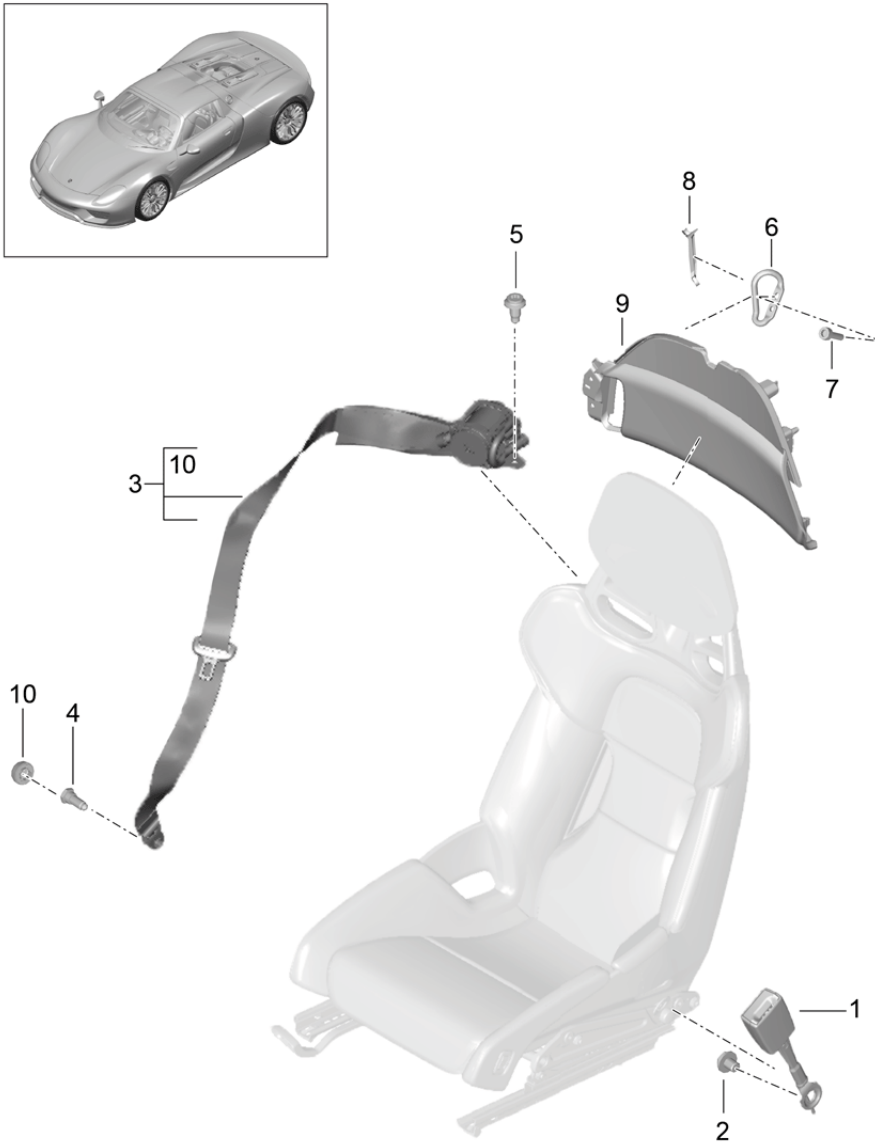


Model: 918 Model life 2015>>2015

Pos	Part Number	Description	Remark	Qty	Model
		roll bar			
		B-pillar			
		Trim			
1	918 505 061 01	Rollover bar trim	left	1	
	918 505 061 01 G21	primed			
(1)	918 505 062 01	Rollover bar trim	right	1	
	918 505 062 01 G21	primed			
2	918 505 533 01	Bracket		1	
		Trim			
3	999 015 026 A1	fillister hd. bolt		2	
		M6 X 16			
4	999 073 254 A1	fillister hd. bolt		2	
		M6 X 30			
5	918 505 409 02	Trim	left	1	
	918 505 409 02 OK1	Matt black			
		OK1			
(5)	918 505 410 02	Trim	right	1	
	918 505 410 02 OK1	Matt black			
		OK1			
6	918 555 183 00	B-pillar trim	left	1	
	918 555 183 00 A11	Black			
(6)	918 555 183 00	B-pillar trim	left	1	
		Authentic			
		Leather			
	918 555 183 00 A91	Black			
(6)	918 555 184 00	B-pillar trim	right	1	
	918 555 184 00 A11	Black			
(6)	918 555 184 00	B-pillar trim	right	1	
		Authentic			
		Leather			
	918 555 184 00 A91	Black			
7	918 505 165 01	B-pillar trim	left	1	
	918 505 165 01 A3G	Carbon Gloss Black			
(7)	918 505 166 01	B-pillar trim	right	1	
	918 505 166 01 A3G	Carbon Gloss Black			
8	918 505 265 01	B-pillar	left	1	
		Bracket			
	918 505 265 01 OK1	Matt black			
(8)	918 505 266 01	B-pillar	right	1	
		Bracket			
	918 505 266 01 OK1	Matt black			
-	999 209 084 40	Distance piece		X	
		20 X 25 X 0,5			
9	918 505 365 00	Sound absorber		2	
		B-pillar			
10	999 507 047 09	Clip		3	
12	918 505 513 00	Clamp		1	
		Trim			
		roll bar			

Model: 918

Model life 2015>>2015

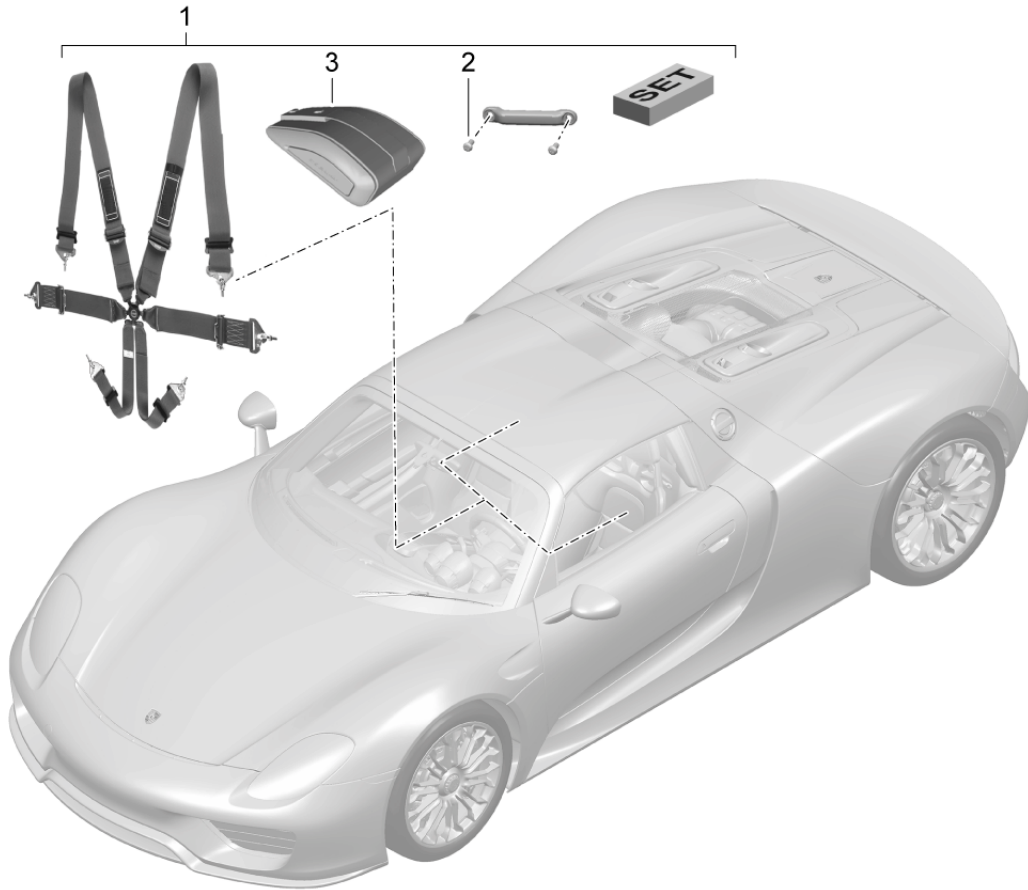
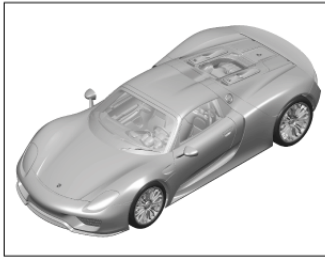


Model: 918 Model life 2015>>2015

Pos	Part Number	Description	Remark	Qty	Model
1	918 803 183 00	Seat belt 3-point automat. seat belt		1	
(1)	918 803 184 00	Belt latch	left	1	PR:371,373
2	999 218 101 02	Belt latch	right	1	PR:374,-553
-		Hexagon bolt		2	
		Switch		1	
		Belt latch			
		see illustration:	903-005		
3	918 803 033 00	Three-point safety belt	left a. right	2	PR:-553
	918 803 033 00 OD1	Black/Acid Green			PR:GXG
	918 803 033 00 OE2	Black/orange			PR:XGY
	918 803 033 00 OF3	black/silver			PR:XGZ
	918 803 033 00 A23	Black			PR:555
4	999 075 057 09	Hexagon bolt		2	
5	N 989 260 01	Socket head collared bolt with inner multipoint head		2	
6	918 803 815 00	Deflection angle	left	1	
		Belt			
(6)	918 803 816 00	Deflection angle	right	1	
		Belt			
7	N 910 214 03	Socket head bolt with inner multipoint head		4	
		M10 X 35			
8	918 803 835 00	Guide	left	1	
		Seat belt			
(8)	918 803 836 00	Guide	right	1	
		Seat belt			
9	918 555 215 00	Trim	left	1	
		Seat belt tensioner			
		Leather			
	918 555 215 00 A11	Black			
(9)	918 555 215 00	Trim	left	1	
		Seat belt tensioner			
		Leather			
		Authentic			
	918 555 215 00 A91	Black			
(9)	918 555 216 00	Trim	right	1	
		Seat belt tensioner			
		Leather			
	918 555 216 00 A11	Black			
(9)	918 555 216 00	Trim	right	1	
		Seat belt tensioner			
		Leather			
		Authentic			
	918 555 216 00 A91	Black			
10	991 803 295 00	Cover cap		1	
-	918 803 737 00	Pocket		1	PR:578,579
		Six-point safety belt			
	918 803 737 00 SPA	Black/Acid Green	-33,53,63,73		
	918 803 737 00 SPB	black/silver	-34,54,64,74		
	918 803 737 00 SPC	Carrera Red/Silver	-56		
	918 803 737 00 SPF	Tarpan Brown/Silver	-36		
	918 803 737 00 SPG	Tarpan Brown/Orange	-37		

Model: 918

Model life 2015>>2015



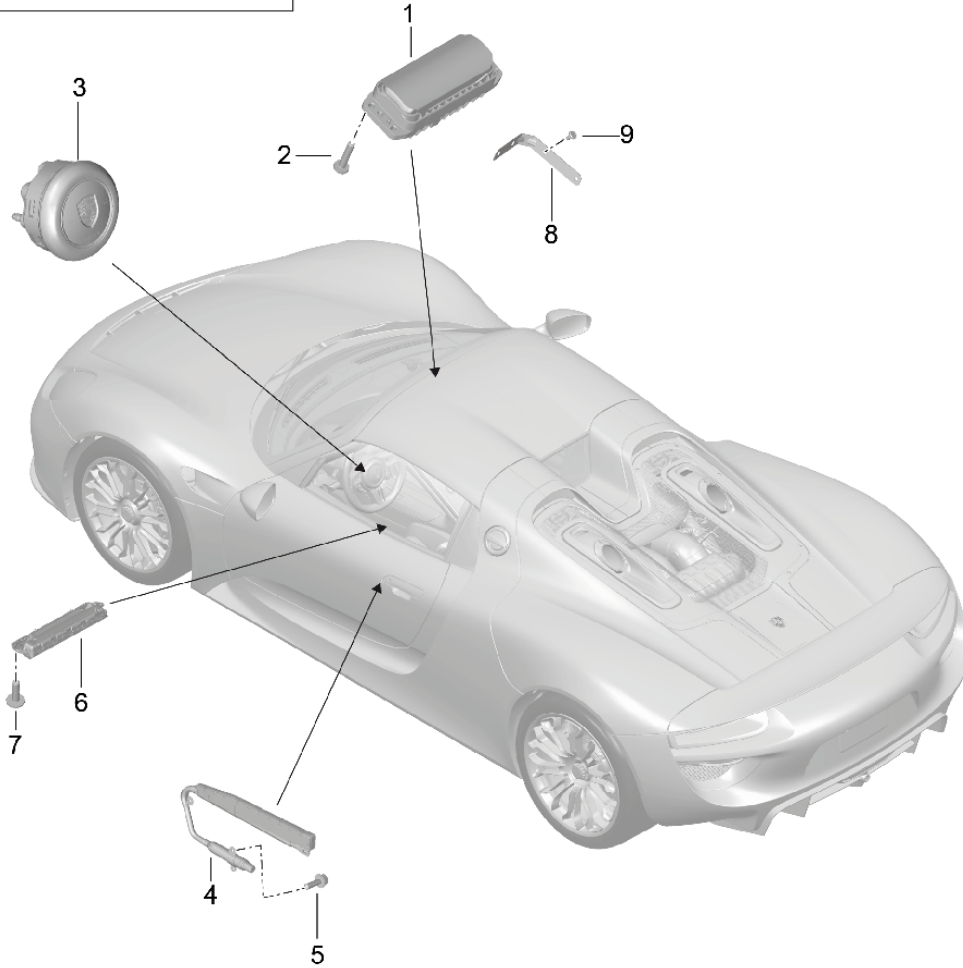
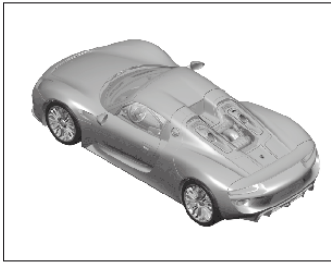
Model: 918

Model life 2015>>2015

Pos	Part Number	Description	Remark	Qty	Model
		Seat belt			PR:578,579
1	918 803 017 00	Six-point safety belt		2	PR:578,579
		Six-point safety belt			
		Set			
		Six-point safety belt			
		Black			
(1)	918 803 017 01	Six-point safety belt		2	PR:578,579, 875
		Set			
		Six-point safety belt			
		red			
(1)	918 803 017 02	Six-point safety belt		2	PR:578,579, 876
		Set			
		Six-point safety belt			
		Acid Green			
2	999 073 593 01	Oval-head screw		4	PR:578,579
		M8X1X19,5			
3	918 803 737 00	Pocket		1	PR:578,579
		Six-point safety belt			
	918 803 737 00 SPA	Black/Acid Green	-33,53,63,73		
	918 803 737 00 SPB	black/silver	-34,54,64,74		
	918 803 737 00 SPC	Carrera Red/Silver	-56		
	918 803 737 00 SPF	Tarpan Brown/Silver	-36		
	918 803 737 00 SPG	Tarpan Brown/Orange	-37		

Model: 918

Model life 2015>>2015



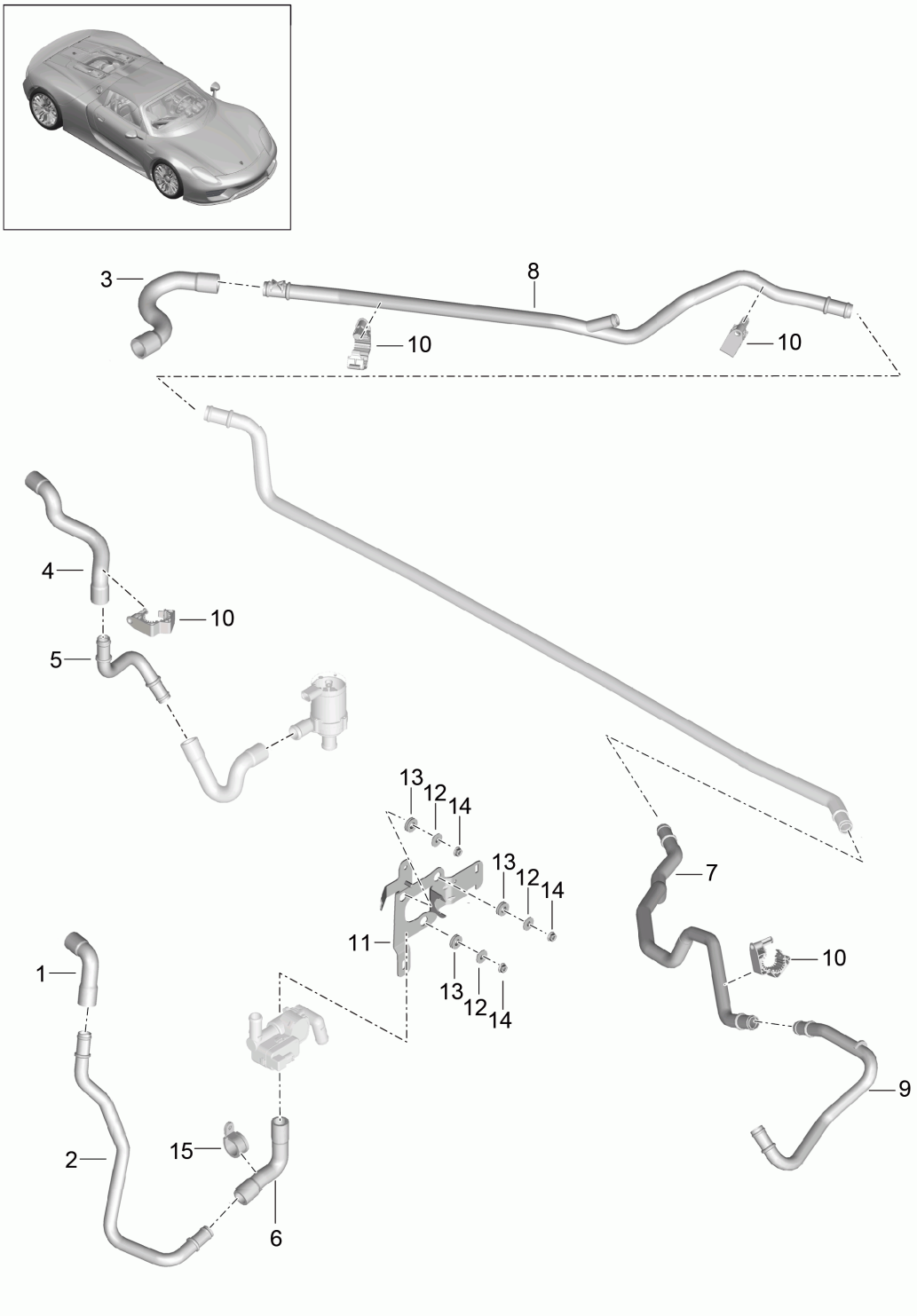
Model: 918

Model life 2015>>2015

Pos	Part Number	Description	Remark	Qty	Model
1	918 803 071 00	Airbag Airbag unit (passenger side)		1	
2	N 910 971 01	Semi round bolt (combi) with hexagon socket head Airbag unit (passenger side)		4	
3	918 803 089 00	Airbag unit (drivers side) Discontinued part		1	
(3)	918 803 089 00 A34 918 803 089 01	Black Airbag unit (drivers side)		1	
4	918 803 089 01 A34 918 803 091 00	Black Head airbag unit Door	left	1	
(4)	918 803 092 00	Head airbag unit Door	right	1	
5	N 106 533 01	Hex collared bolt M6X20		3	
7	N 106 610 01	Hexagon socket head bolt M6 X 20		4	PR:553
8	918 552 157 01	bracket for airbag (passenger side) Mount		2	
9	999 073 273 09	fillister hd. bolt M5 X 10		4	
-		Side airbag unit Seat see illustration, item: or	817-000,1 817-000,1,2		

Model: 918

Model life 2015>>2015



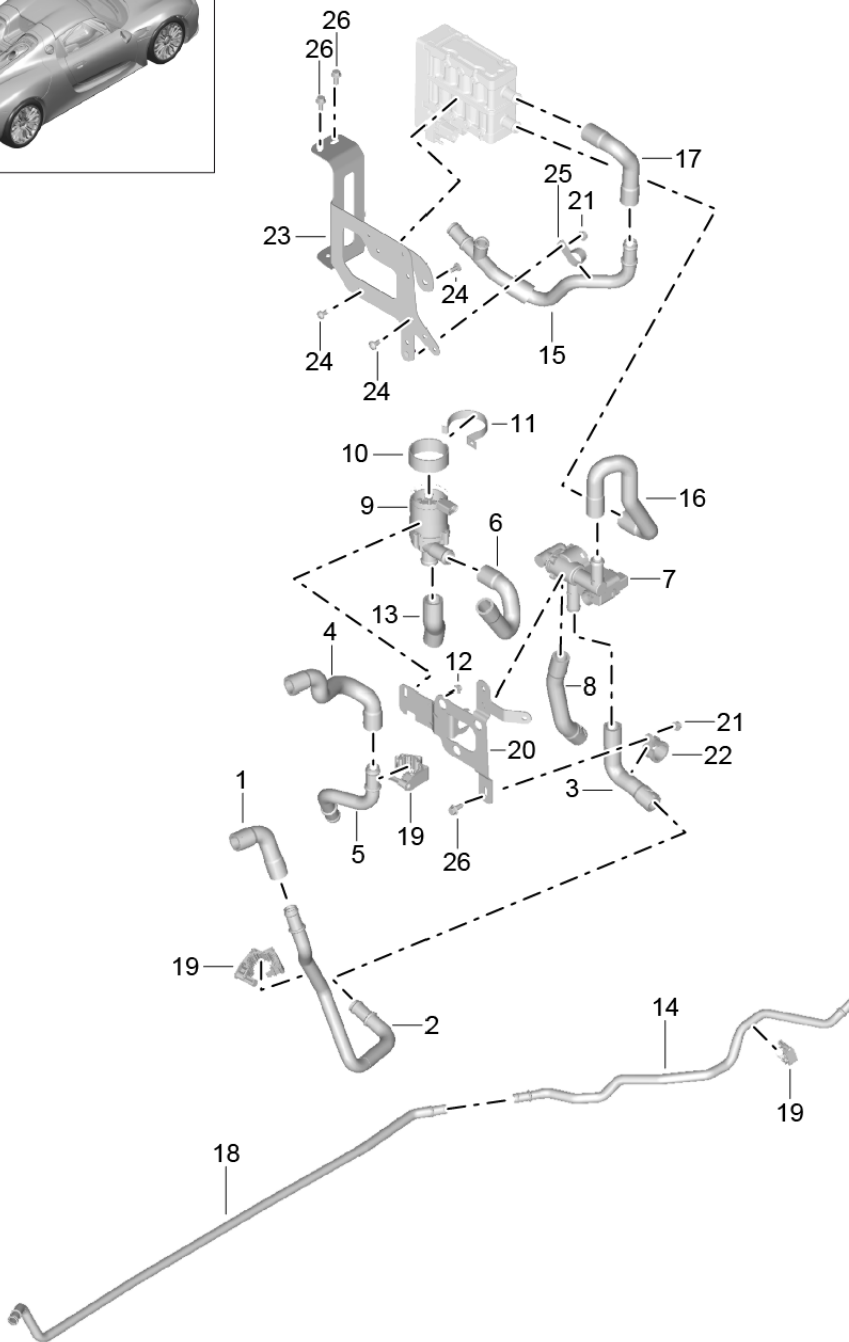
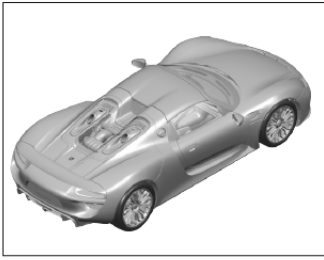
Model: 918

Model life 2015>>2015

Pos	Part Number	Description	Remark	Qty	Model
		heater Front end Feed line return line			PR:-649
1	918 572 801 00	Heating hose		1	
2	918 572 187 00	Heater pipeline		1	
3	918 572 823 00	Heating hose		1	
4	918 572 805 00	Heating hose		1	
5	918 572 185 00	Heater pipeline		1	
6	918 572 821 01	Heating hose		1	
7	918 572 827 00	Heater pipeline		1	
8	918 572 829 00	Heating hose		1	
9	918 572 191 00	Heater pipeline		1	
10	999 507 152 40	Cable holder 18-20		2	
11	918 572 631 00	Bracket Coolant pump		1	
12	955 572 121 00	bush		3	
13	955 572 095 00	Rubber grommet		3	
14	N 015 082 10	Hexagon collar nut M6		4	
15	N 909 960 01	Clamp		1	

Model: 918

Model life 2015>>2015



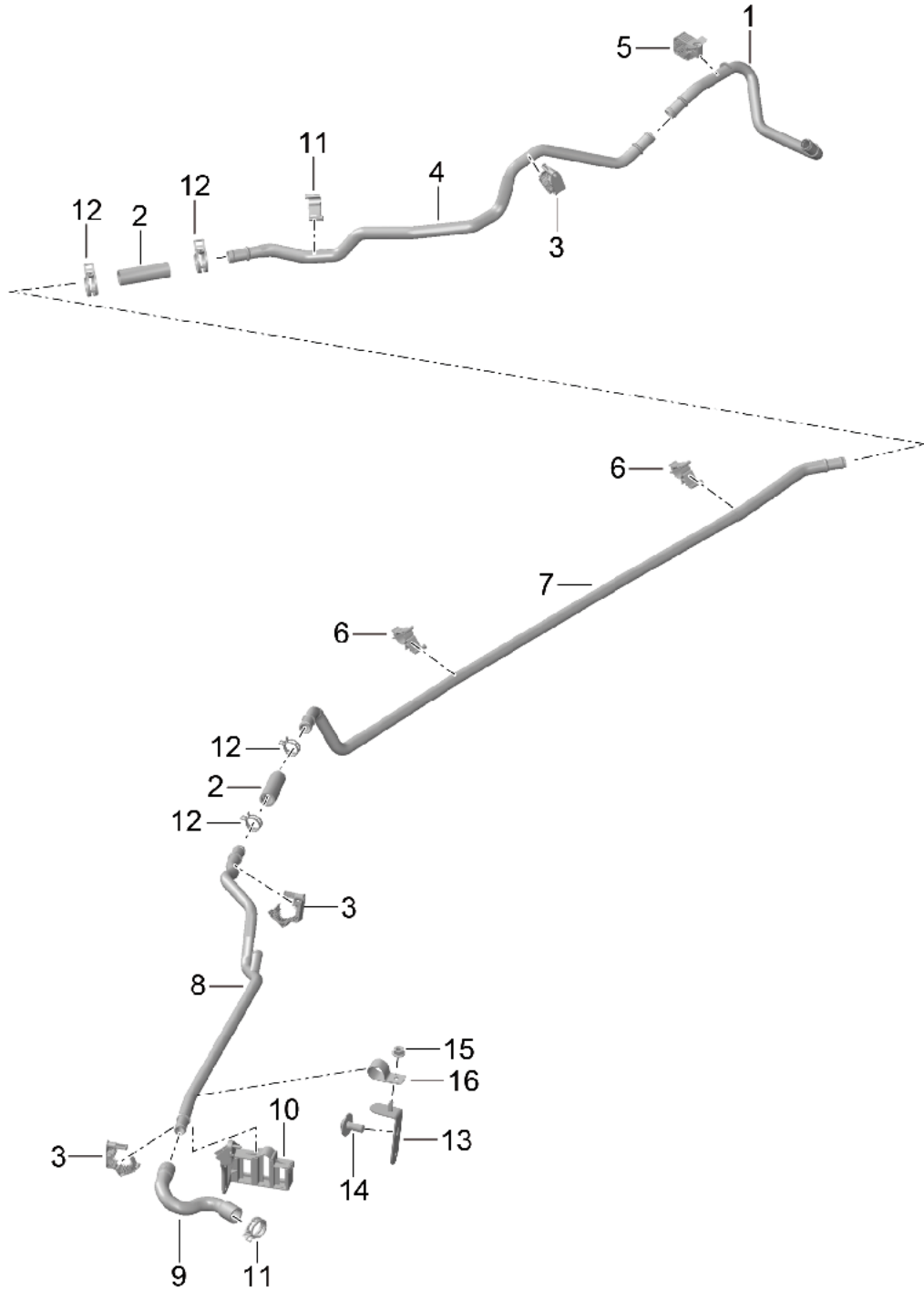
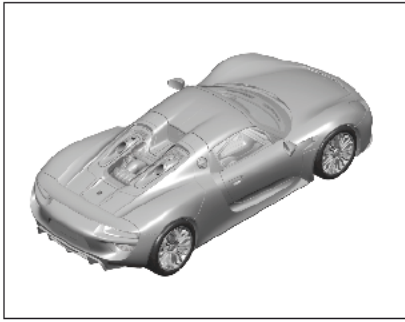
Model: 918

Model life 2015>>2015

Pos	Part Number	Description	Remark	Qty	Model
		heater Front end			PR:649
		with:			
		Auxiliary heater			
1	918 572 801 00	Heating hose		1	
2	918 572 187 00	Heater pipeline		1	
3	918 572 803 00	Heating hose		1	
4	918 572 805 00	Heating hose		1	
5	918 572 185 00	Heater pipeline		1	
6	918 572 807 00	Heating hose		1	
7	918 572 607 00	Change-over valve		1	
8	918 572 809 00	Heater pipeline		1	
9	955 106 561 10	Coolant pump		1	
10	958 572 409 00	Rubber gaiter Coolant pump		1	
11	958 572 148 00	Clamp spring		1	
12	900 377 009 01	Hexagon nut M5		1	
13	918 572 819 00	Heater pipeline		1	
14	918 572 815 01	Heater pipeline		1	
15	918 572 183 00	Heater pipeline		1	
16	918 572 189 00	Heater pipeline		1	
17	918 572 817 00	Heating hose		1	
-		heater unit see illustration:	901-035	1	
18	918 572 181 01	Heater pipeline		1	
19	999 507 152 40	Cable holder 18-20		1	
20	918 572 631 00	Bracket Coolant pump		1	
21	N 015 082 10	Hexagon collar nut M6		4	
22	N 909 960 01	Clamp		2	
23	918 572 611 00	Retainer for battery heater unit		1	
24	999 919 205 09	Torx screw M6 X 12		5	
25	999 511 177 01	Clamp		1	
26	N 106 532 01	Hex collared bolt M6 X 16		3	

Model: 918

Model life 2015>>2015



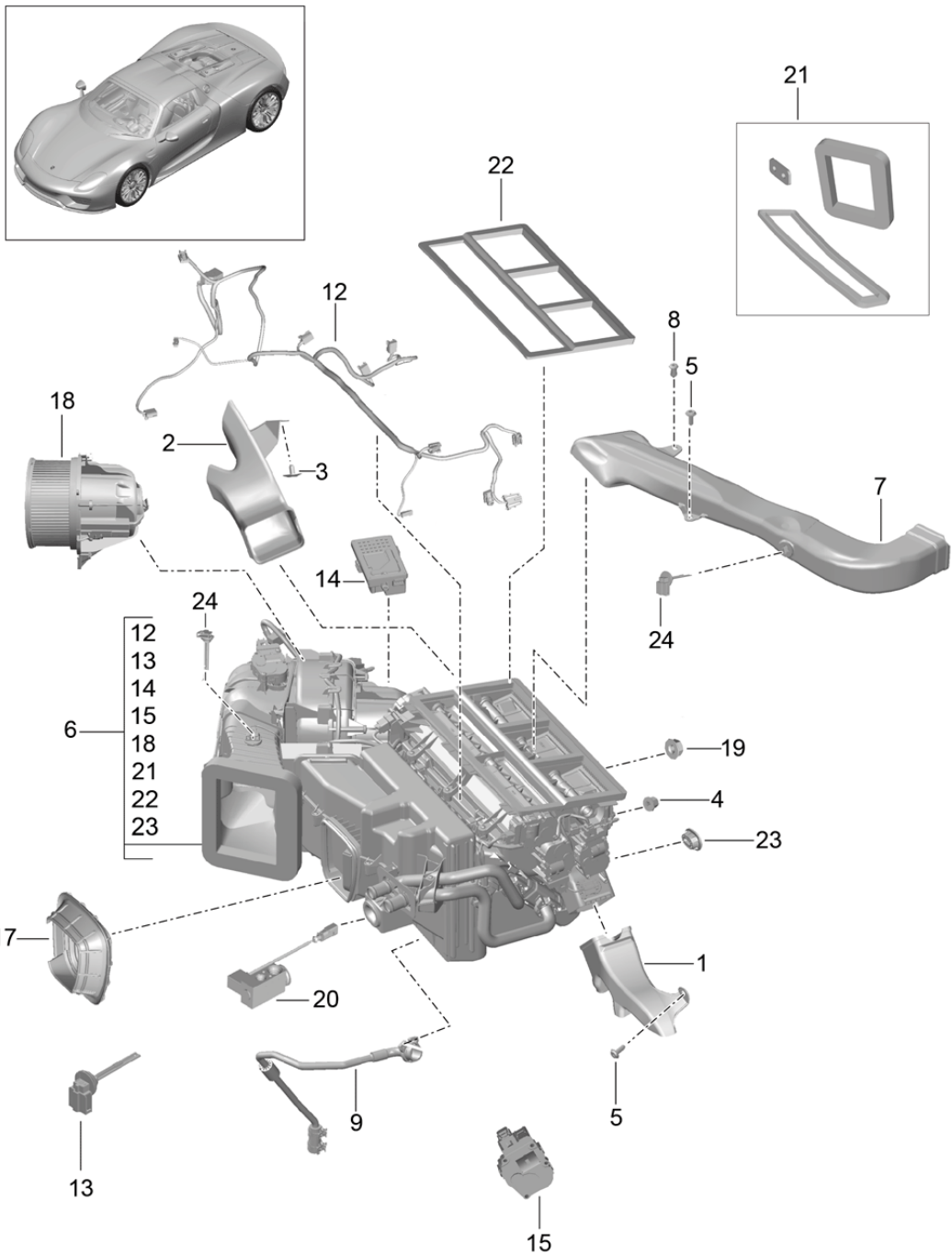
Model: 918

Model life 2015>>2015

Pos	Part Number	Description	Remark	Qty	Model
		Heater pipeline Monocoque	rear		
1	918 572 191 00	Heater pipeline		1	
2	918 572 811 00	Hose		3	
3	999 507 152 40	Cable holder 18-20		5	
4	918 572 193 01	Heater pipeline		1	
5	991 573 829 01	Bracket for coolant line		1	
6	918 574 203 00	Bracket		3	
7	918 572 181 01	Heater pipeline		1	
8	918 572 825 00	Heater pipeline		1	
9	918 572 813 01	Heater pipeline		1	
10	918 610 139 00	Bracket		1	
11	999 512 606 09	Hose clamp 29X12		1	
12	999 512 603 09	Hose clamp A 26 X 12		X	
14	999 073 307 A2	fillister hd. bolt M6 X 12		2	
15	N 015 082 10	Hexagon collar nut M6		1	
16	999 511 177 01	Clamp 20 X 15		1	

Model: 918

Model life 2015>>2015



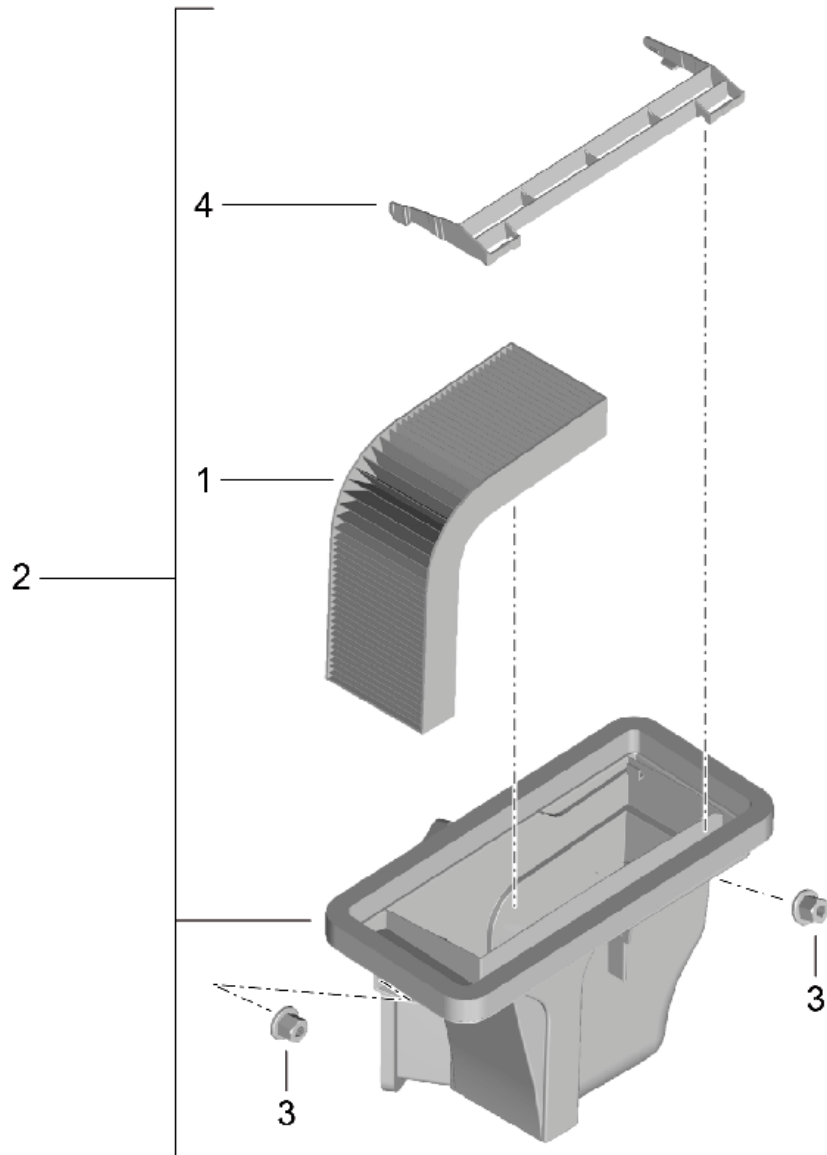
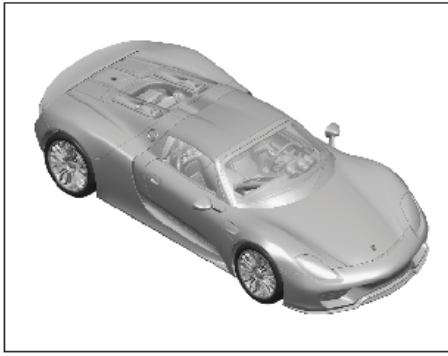
Model: 918

Model life 2015>>2015

Pos	Part Number	Description	Remark	Qty	Model
1	918 572 473 00	Air guide Air conditioner Passenger compartment Air guide Footwell (drivers side)		1	
2	918 572 474 00	Air guide Footwell (passenger side)		1	
3	1H0 819 943	round hd. screw		2	
4	N 904 553 01	Hexagon collar nut M6		3	
5	999 073 499 01	fillister hd. bolt M5 X 14		2	
6	918 573 011 03	Air conditioner		1	PR:570
(6)	918 573 011 04	Air conditioner 2-zone		1	PR:573
7	918 572 463 00	Air guide	left side	1	
(7)	918 572 464 00	Air guide	right side	1	
8	999 591 712 40	Spreader rivet 6 X 12		2	
9	918 572 781 00	water drain pipe		1	
12	918 612 725 00	Wire set Air conditioning		2	PR:570,573
13	970 653 253 00	Temperature sensor evaporator		1	PR:573
14	970 624 423 02	governor Fan		1	PR:573
15	991 624 425 03	Air conditioner Servomotor		8	PR:573
16	970 653 257 00	Air conditioner Temperature sensor		1	PR:573
17	991 572 769 01	Fresh-air intake system Air guide Firewall		1	
18	918 573 903 00	Expansion valve Fan		1	
19	900 377 018 01	Engine bracket Hexagon nut M6	with:	3	
20	918 573 905 00	Expansion valve Set		1	
21	918 573 901 00	Gasket set		1	
22	991 573 851 00	Sealing frame		1	
23	991 572 875 00	Grommet Mount		2	
24	970 653 253 00	Air conditioner Temperature sensor Temperature sensor		1	

Model: 918

Model life 2015>>2015



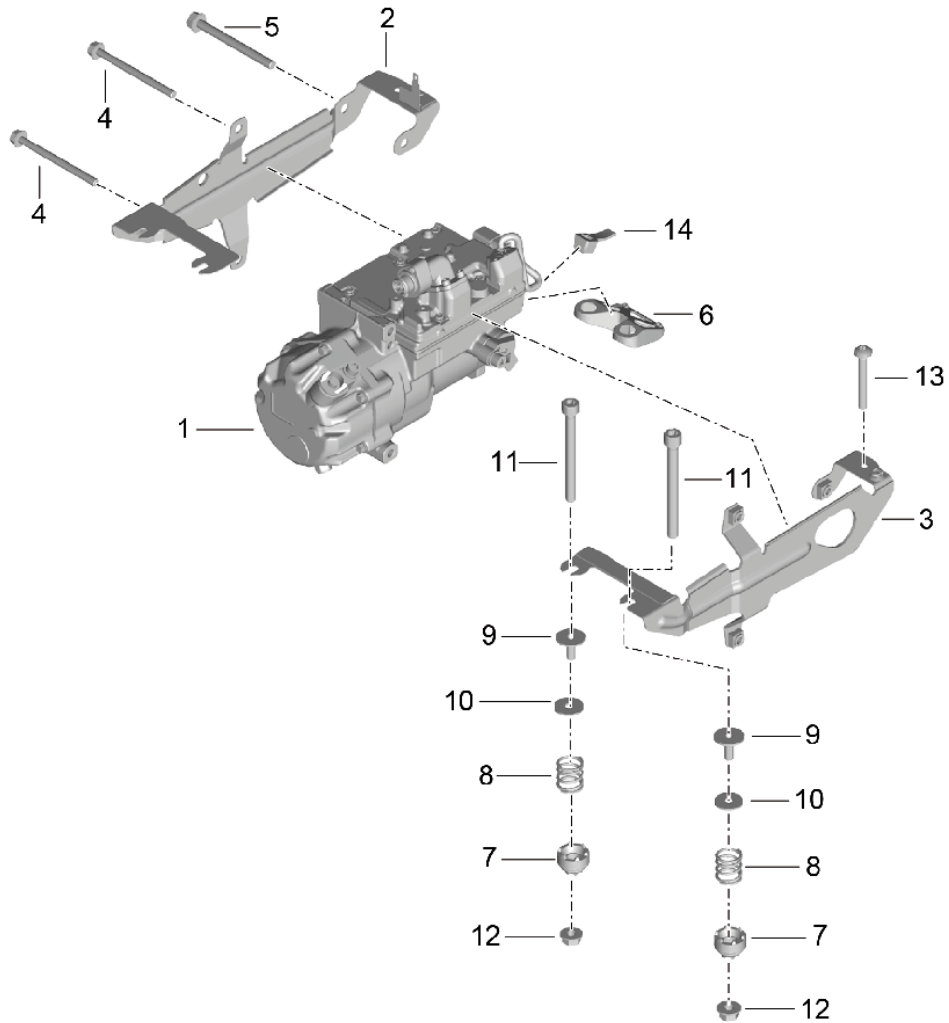
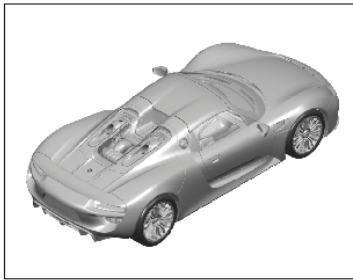
Model: 918

Model life 2015>>2015

Pos	Part Number	Description	Remark	Qty	Model
1	918 572 711 00	Passenger compart. filter Air filter element	outer	1	
2	918 572 072 00	Air intake		1	
3	N 904 553 01	Hexagon collar nut		3	
4	918 572 972 00	Grille		1	

Model: 918

Model life 2015>>2015



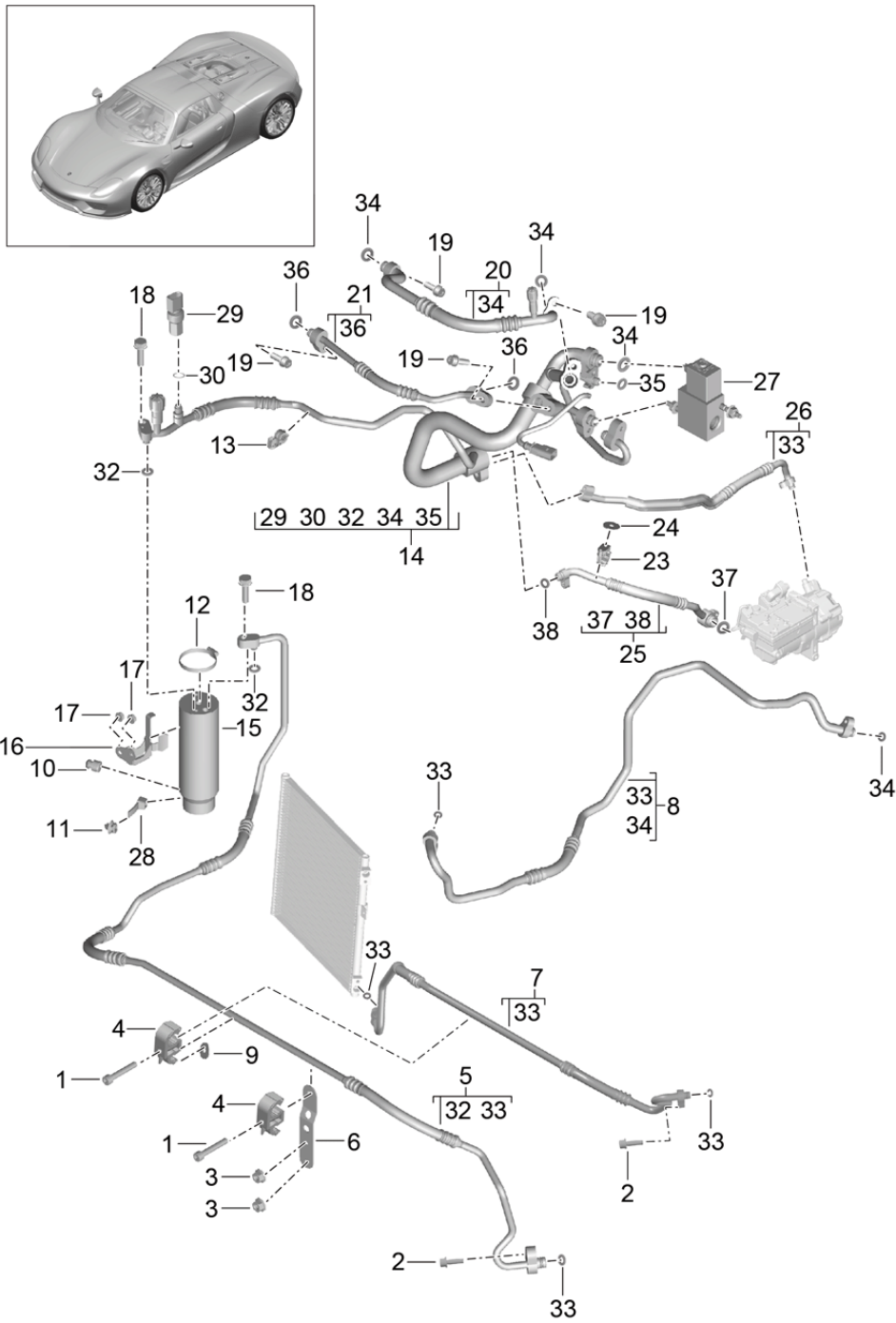
Model: 918

Model life 2015>>2015

Pos	Part Number	Description	Remark	Qty	Model
		Compressor			
		Air conditioning			
1	918 573 377 00	Compressor		1	
2	918 573 713 00	Bracket for compressor	left	1	
3	918 573 714 00	Bracket for compressor		1	
4	N 106 926 01	Hexagon head bolt M8X100X80		2	
5	N 910 718 01	Hex collared bolt M8 X 85		1	
6	918 375 313 00	Bracket for compressor engine mounting		1	
7	918 573 501 00	Rubber bush		4	
8	918 573 503 00	Pressure spring		4	
9	918 573 505 01	Support		4	
10	N 905 636 02	Washer		6	
11	N 106 247 01	Socket head bolt M6 X 60		4	
12	N 015 082 10	Hexagon collar nut M6		2	
13	999 073 558 01	fillister hd. bolt M5 X 35		3	
14	999 513 075 40	Cable ties		1	
-	000 043 200 04	Compressor oil 250 ML		1	

Model: 918

Model life 2015>>2015



Model: 918 Model life 2015>>2015

Pos	Part Number	Description	Remark	Qty	Model
1	N 105 103 01	refrigerant circuit Hexagon socket head bolt		6	
2	N 104 144 02	M6 X 35 Socket head bolt with hexagon socket head		X	
3	900 377 009 03	M8 X 28 Hexagon nut		2	
4	955 572 180 00	M5 dual clip		4	
5	918 573 105 00	Pressure line Drier		1	
6	918 573 765 00	Bracket Luggage compartment liner		1	
7	918 573 103 00	Pressure line Between Condenser		1	
8	918 573 094 01	Pressure line		1	
9	N 905 636 02	Washer		2	
10	918 573 763 00	Stop Drier		1	
11	N 906 661 01	Cable ties		1	
12	999 512 349 01	Hose clamp		1	
13	991 573 837 00	Bracket		5	
14	918 573 093 00	Pressure line Drier		1	PR:573
(14)	918 573 093 01	Pressure line Drier		1	PR:570
15	944 573 143 01	Drier		1	
16	918 573 761 00	bracket for drier		1	
17	900 377 018 01	Hexagon nut		3	
18	900 075 340 01	Bolt with washer M6 X 22		2	
19	N 104 144 02	Socket head bolt with hexagon socket head		6	
20	918 573 213 00	M 8X28 suction line heat exchanger		1	
21	918 573 203 00	Pressure line heat exchanger		1	
-		Line holder		1	
-		see illustration: Condenser	814-000	2	
-		see illustration:	813-025		
23	999 507 152 40	Cable holder 18 -20		1	
24	N 905 636 02	Washer Under Bracket		5	
25	918 573 211 01	suction line Compressor		1	
26	918 573 201 01	Pressure line Compressor		1	
27	970 573 160 01	Shut-off valve		1	PR:573
28	999 513 076 40	Cable ties		1	
29	955 613 137 03	Pressure sensor		1	
30	955 572 324 00	O-ring Intake		1	
(30)	955 573 749 04	O-ring 10.8 X 1,82		X	
32	999 707 431 41	O-ring 6,70X1,80N*		2	
33	999 707 557 41	O-ring		4	

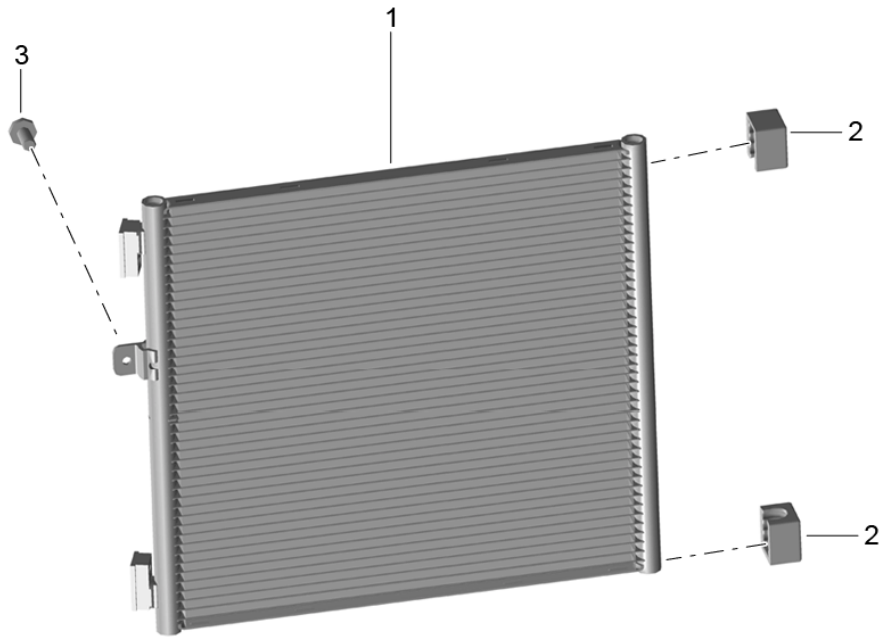
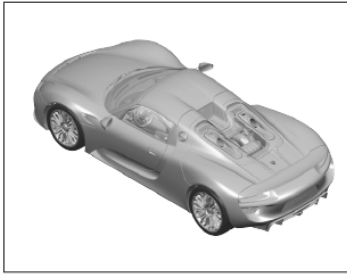
Model: 918

Model life 2015>>2015

Pos	Part Number	Description	Remark	Qty	Model
34	999 707 558 41	11,00 X 2,50 N O-ring		4	
35	999 707 531 41	13,70X2,50N O-ring		1	
36	999 707 556 41	7,50X2,00N O-ring		2	
37	999 707 439 41	9,50X2,50N O-ring		1	
38	999 707 653 40	23,80X2,40N O-ring		1	
		16,70X2,50N			

Model: 918

Model life 2015>>2015



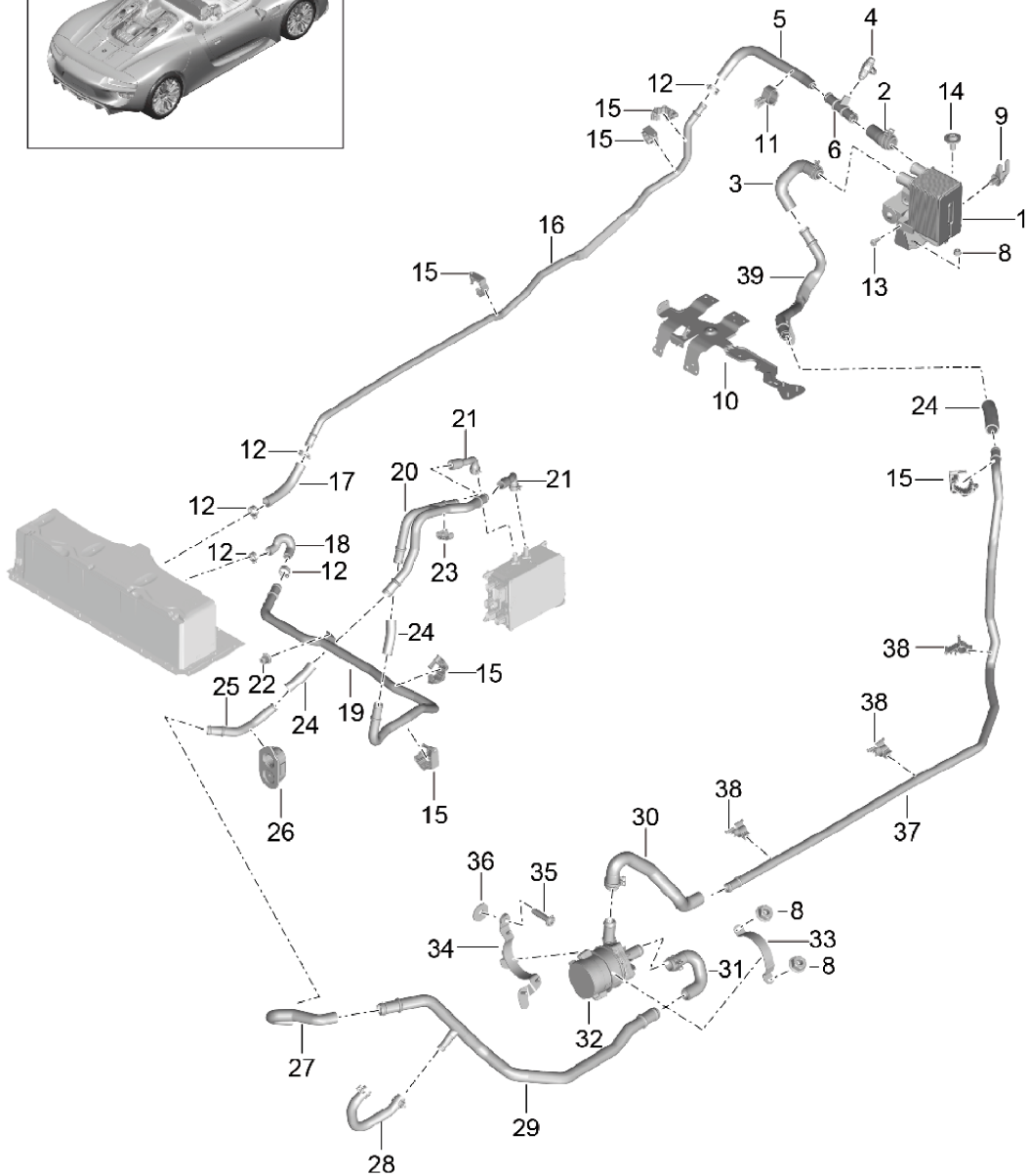
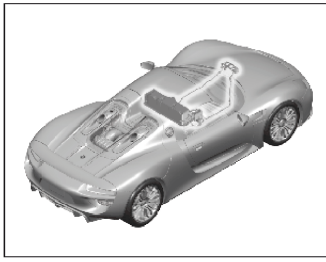
Model: 918

Model life 2015>>2015

Pos	Part Number	Description	Remark	Qty	Model
1	991 573 111 04	Condenser		2	
2	918 106 501 00	Condenser		4	
3	999 073 189 01	Rubber mounting flat round head bolt M6 X 12		2	

Model: 918

Model life 2015>>2015



Model: 918

Model life 2015>>2015

Pos	Part Number	Description	Remark	Qty	Model
1	918 574 211 01	Hybrid Battery Cooling Radiator		1	
		with:			
2	918 574 811 01	Expansion valve Molded hose		1	
3	918 574 815 01	Front end Molded hose		1	
4	997 352 919 00	heat exchanger Breather valve		1	
5	918 574 817 01	Hose		1	
6	918 574 501 00	heat exchanger t-piece		1	
8	900 377 018 01	Bleeding Hexagon nut		4	
9	1C0 971 845	M6 Bracket		1	
10	918 574 161 03	Line holder		1	
11	4H0 131 614 C	Lines Hose bracket		1	
12	999 512 657 09	Hose clamp		X	
13	999 073 307 01	fillister hd. bolt		1	
14	999 073 189 01	M6 X 12 flat round head bolt		2	
15	999 507 152 40	M6 X 12 Cable holder		X	
16	918 574 101 02	supply pipe		1	
17	918 574 819 00	heat exchanger Hose		1	
18	918 574 803 01	Battery Molded hose		1	
19	918 574 111 02	Battery Hose		1	
20	918 574 141 00	Charger Supply Line		1	
21	918 574 807 01	Charger Molded hose		2	
-		Charger Bracket			
-		Charger	see illustration: 901-035		
-		Charger	see illustration: 901-035		
22	N 904 553 01	Hexagon collar nut		2	
23	955 572 055 03	Clip		1	
24	918 574 805 00	Hose Hose		3	
25	918 574 171 00	Wastegate line Line		1	
26	918 574 603 01	Rear end Grommet		1	
27	918 574 151 00	filler plate Molded hose		1	
28	918 574 813 01	Rear end Molded hose		1	
29	918 574 131 00	MT/NT return line		1	
30	918 574 809 01	Charger Molded hose		1	
31	918 574 801 01	Pump Molded hose		1	

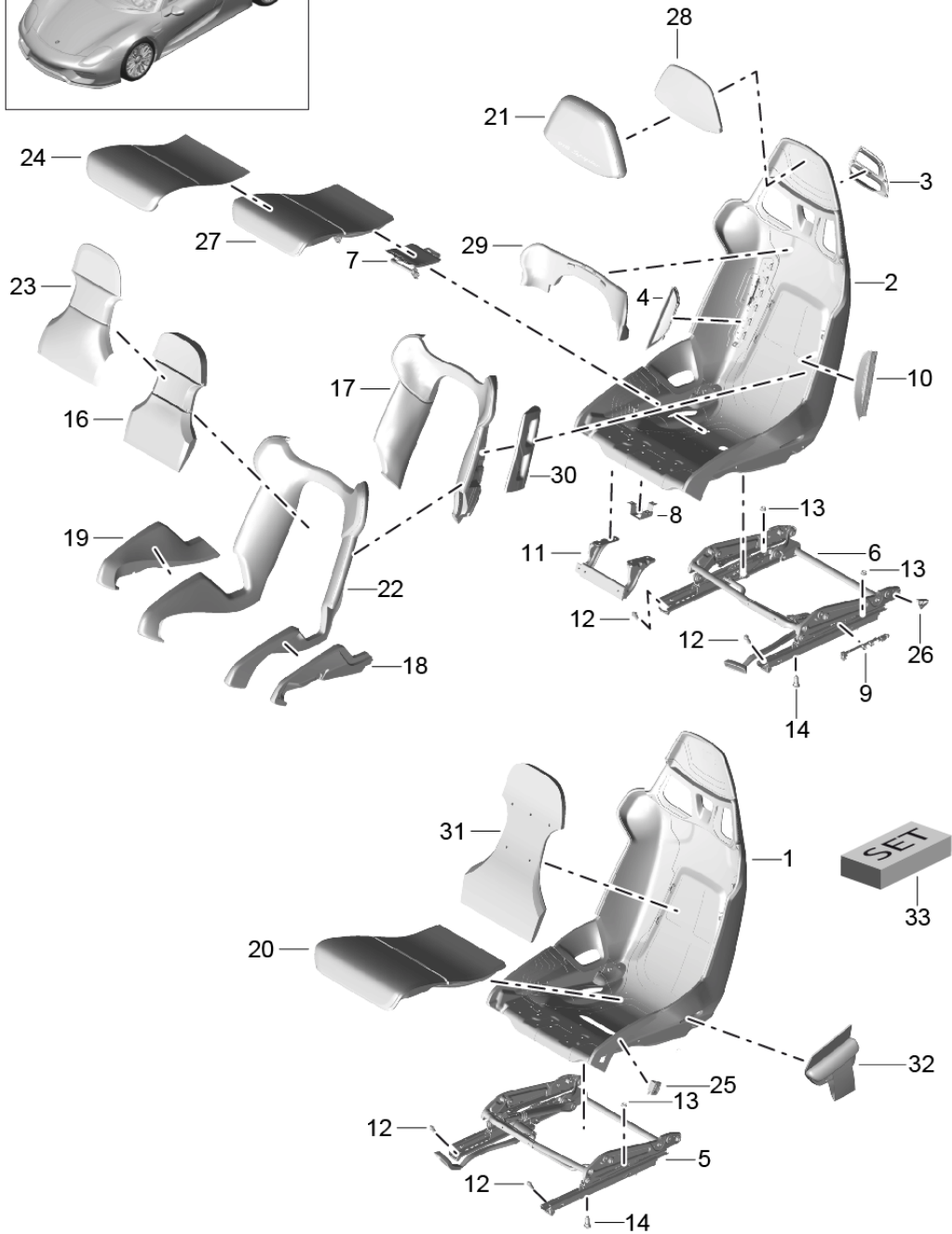
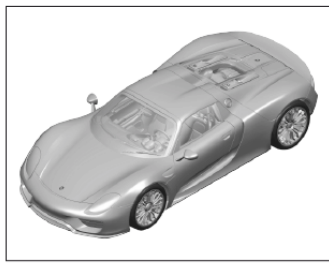
Model: 918

Model life 2015>>2015

Pos	Part Number	Description	Remark	Qty	Model
32	918 620 253 01	Pump Coolant pump		1	
33	918 106 417 00	Battery Retainer bracket		1	
34	918 574 791 00	Coolant pump Bracket		1	
35	999 073 253 A1	Coolant pump fillister hd. bolt M6 X 25		2	
36	N 905 636 02	Washer		2	
37	918 574 121 00	return line Sill		1	
38	918 574 203 00	Bracket		3	
39	918 574 401 01	return line heat exchanger		1	
40	N 911 687 01	Hexalobular flange screw M6 X 18		1	

Model: 918

Model life 2015>>2015



Model: 918 Model life 2015>>2015

Pos	Part Number	Description	Remark	Qty	Model
1	918 521 905 00	bucket seat Seat frame bucket seat	left	1	
		with:			
2	918 521 906 00	Airbag unit Carbon bucket seat	right	1	PR:-560
		with:			
3	918 521 901 00	Airbag unit Carbon repair set Trim Belt Guide		1	
4	918 521 902 00	repair set Trim backrest	left center	1	
5	918 521 903 00	repair set Seat frame	left	1	
6	918 521 904 00	repair set Seat frame Manually adjustable	right	1	PR:-543
(6)	918 521 904 01	repair set Seat frame Electrically adjustable	right	1	PR:543
7	918 521 907 00	repair set Assembly Part		1	
8	918 521 908 00	repair set Console Control unit		1	
9	9P1 998 045	repair set Sensor SLP		1	PR:373,374, 560
10	918 521 912 00	repair set Trim backrest	right center	1	
11	918 521 513 00	Holder for fire extinguisher	right	1	PR:372,374, 509
12	999 073 312 09	Screw M10 X 30,6		4	
13	900 817 003 02	Locknut M10		4	
14	999 075 057 09	Hexagon bolt		2	
16	918 521 581 01	Foam part backrest	left center	1	PR:373
(16)	918 521 581 01	Foam part backrest	right center	1	PR:373,374
17	918 521 531 00	Foam part backrest	left outer	1	PR:373
(17)	918 521 531 00	Foam part backrest	right outer	1	PR:374
(17)	918 521 531 01	Foam part backrest	outer	1	PR:371
18	918 521 535 00	Foam part Seat cushion	left outer	1	PR:373
(18)	918 521 535 00	Foam part Seat cushion	right outer	1	PR:374
(18)	918 521 535 01	Foam part Seat cushion	outer	1	PR:371
19	918 521 536 00	Foam part Seat cushion	left outer	1	PR:373
(19)	918 521 536 00	Foam part	right	1	PR:374

Model: 918 Model life 2015>>2015

Pos	Part Number	Description	Remark	Qty	Model
(19)	918 521 536 01	Seat cushion Foam part	outer outer	1	PR:371
20	918 521 571 00	Seat cushion Foam part	left	1	PR:373,-560
(20)	918 521 571 00	Seat cushion Foam part	right	1	PR:374,-560
21	918 521 181 04	Head restraint cover	left	1	PR:371,951
	918 521 181 04 SPA	Black/Acid Green	-73		
	918 521 181 04 SPB	black/silver	-74		
(21)	918 521 181 04	Head restraint cover	left	1	PR:371,983, -984,-998
	918 521 181 04 SPA	Black/Acid Green	-53		
	918 521 181 04 SPB	black/silver	-54		
(21)	918 521 181 04	Head restraint cover	left	1	PR:373,951
	918 521 181 04 SPA	Black/Acid Green	-73		
	918 521 181 04 SPB	black/silver	-74		
(21)	918 521 181 04	Head restraint cover	left	1	PR:373,983, -984,-998
	918 521 181 04 SPA	Black/Acid Green	-53		
	918 521 181 04 SPB	black/silver	-54		
(21)	918 521 181 04	Head restraint cover	right	1	PR:374,951
	918 521 181 04 SPA	Black/Acid Green	-73		
	918 521 181 04 SPB	black/silver	-74		
(21)	918 521 181 04	Head restraint cover	right	1	PR:374,983, -984,-998
	918 521 181 04 SPA	Black/Acid Green	-53		
	918 521 181 04 SPB	black/silver	-54		
(21)	918 521 181 05	Head restraint cover	left	1	PR:371,983, -984
	918 521 181 05 SPD	Black/Acid Green			
	918 521 181 05 SPE	black/silver			
	918 521 181 05 SPF	Tarpan Brown/Silver			
	918 521 181 05 SPG	Tarpan Brown/Orange			
(21)	918 521 181 05	Head restraint cover	left	1	PR:371,984, -983
	918 521 181 05 SPD	Black/Acid Green			
	918 521 181 05 SPE	black/silver			
	918 521 181 05 SPF	Tarpan Brown/Silver			
	918 521 181 05 SPG	Tarpan Brown/Orange			
(21)	918 521 181 05	Head restraint cover	left	1	PR:373,983, -984
	918 521 181 05 SPD	Black/Acid Green			
	918 521 181 05 SPE	black/silver			
	918 521 181 05 SPF	Tarpan Brown/Silver			
	918 521 181 05 SPG	Tarpan Brown/Orange			
(21)	918 521 181 05	Head restraint cover	left	1	PR:373,984, -983
	918 521 181 05 SPD	Black/Acid Green			
	918 521 181 05 SPE	black/silver			
	918 521 181 05 SPF	Tarpan Brown/Silver			
	918 521 181 05 SPG	Tarpan Brown/Orange			
(21)	918 521 181 05	Head restraint cover	right	1	PR:374,983, -984
	918 521 181 05 SPD	Black/Acid Green			
	918 521 181 05 SPE	black/silver			
	918 521 181 05 SPF	Tarpan Brown/Silver			
	918 521 181 05 SPG	Tarpan Brown/Orange			
(21)	918 521 181 05	Head restraint cover	right	1	PR:374,984, -983
	918 521 181 05 SPD	Black/Acid Green			
	918 521 181 05 SPE	black/silver			
	918 521 181 05 SPF	Tarpan Brown/Silver			

Model: 918 Model life 2015>>2015

Pos	Part Number	Description	Remark	Qty	Model
	918 521 181 05 SPG	Tarpan Brown/Orange			
(21)	918 521 181 06	Head restraint cover	left	1	PR:371,983
	918 521 181 06 SPC	Carrera Red/Silver			
(21)	918 521 181 06	Head restraint cover	left	1	PR:371,998
	918 521 181 06 SPC	Carrera Red/Silver			
(21)	918 521 181 06	Head restraint cover	left	1	PR:373,983
	918 521 181 06 SPC	Carrera Red/Silver			
(21)	918 521 181 06	Head restraint cover	left	1	PR:373,998
	918 521 181 06 SPC	Carrera Red/Silver			
(21)	918 521 181 06	Head restraint cover	right	1	PR:374,983
	918 521 181 06 SPC	Carrera Red/Silver			
(21)	918 521 181 06	Head restraint cover	right	1	PR:374,998
	918 521 181 06 SPC	Carrera Red/Silver			
(21)	918 521 181 07	Head restraint cover	left	1	PR:371,990
	918 521 181 07 SPH	Black/Acid Green			
	918 521 181 07 SPI	black/silver			
(21)	918 521 181 07	Head restraint cover	left	1	PR:373,990
	918 521 181 07 SPH	Black/Acid Green			
	918 521 181 07 SPI	black/silver			
(21)	918 521 181 07	Head restraint cover	right	1	PR:374,990
	918 521 181 07 SPH	Black/Acid Green			
	918 521 181 07 SPI	black/silver			
22	918 521 141 04	Backrest cover	left outer	1	PR:371,951
	918 521 141 04 SPA	Black/Acid Green			
	918 521 141 04 SPB	black/silver			
(22)	918 521 141 04	Backrest cover	left outer	1	PR:373,951
	918 521 141 04 SPA	Black/Acid Green			
	918 521 141 04 SPB	black/silver			
(22)	918 521 141 04	Backrest cover	left outer	1	PR:371,983
	918 521 141 04 SPA	Black/Acid Green			
	918 521 141 04 SPB	black/silver			
(22)	918 521 141 04	Backrest cover	left outer	1	PR:373,983
	918 521 141 04 SPA	Black/Acid Green			
	918 521 141 04 SPB	black/silver			
(22)	918 521 141 04	Backrest cover	left outer	1	PR:373,983
	918 521 141 04 SPA	Black/Acid Green			
	918 521 141 04 SPB	black/silver			
22	918 521 142 04	Backrest cover	right outer	1	PR:374,951
	918 521 142 04 SPA	Black/Acid Green			
	918 521 142 04 SPB	black/silver			
(22)	918 521 142 04	Backrest cover	right outer	1	PR:374,983, -984,-998
	918 521 142 04 SPA	Black/Acid Green			
	918 521 142 04 SPB	black/silver			
(22)	918 521 141 05	Backrest cover	left outer	1	PR:371,983, -984
	918 521 141 05 SPD	Black/Acid Green			
	918 521 141 05 SPE	black/silver			
	918 521 141 05 SPF	Tarpan Brown/Silver			
	918 521 141 05 SPG	Tarpan Brown/Orange			
(22)	918 521 141 05	Backrest cover	left outer	1	PR:373,983, -984
	918 521 141 05 SPD	Black/Acid Green			
	918 521 141 05 SPE	black/silver			
	918 521 141 05 SPF	Tarpan Brown/Silver			
	918 521 141 05 SPG	Tarpan Brown/Orange			
(22)	918 521 141 05	Backrest cover	left	1	PR:371,984,

Model: 918 Model life 2015>>2015

Pos	Part Number	Description	Remark	Qty	Model
	918 521 141 05 SPD	Black/Acid Green	outer		-983
	918 521 141 05 SPE	black/silver			
	918 521 141 05 SPF	Tarpan Brown/Silver			
	918 521 141 05 SPG	Tarpan Brown/Orange			
(22)	918 521 141 05	Backrest cover	left outer	1	PR:373,984, -983
	918 521 141 05 SPD	Black/Acid Green			
	918 521 141 05 SPE	black/silver			
	918 521 141 05 SPF	Tarpan Brown/Silver			
	918 521 141 05 SPG	Tarpan Brown/Orange			
(22)	918 521 142 05	Backrest cover	right outer	1	PR:374,983, -984
	918 521 142 05 SPD	Black/Acid Green			
	918 521 142 05 SPE	black/silver			
	918 521 142 05 SPF	Tarpan Brown/Silver			
	918 521 142 05 SPG	Tarpan Brown/Orange			
(22)	918 521 142 05	Backrest cover	right outer	1	PR:374,984, -983
	918 521 142 05 SPD	Black/Acid Green			
	918 521 142 05 SPE	black/silver			
	918 521 142 05 SPF	Tarpan Brown/Silver			
	918 521 142 05 SPG	Tarpan Brown/Orange			
(22)	918 521 141 06	Backrest cover	left outer	1	PR:371,983
	918 521 141 06 SPC	Carrera Red/Silver			
(22)	918 521 141 06	Backrest cover	left outer	1	PR:371,998
	918 521 141 06 SPC	Carrera Red/Silver			
(22)	918 521 141 06	Backrest cover	left outer	1	PR:373,983
	918 521 141 06 SPC	Carrera Red/Silver			
(22)	918 521 141 06	Backrest cover	left outer	1	PR:373,998
	918 521 141 06 SPC	Carrera Red/Silver			
(22)	918 521 142 06	Backrest cover	right outer	1	PR:374,983
	918 521 142 06 SPC	Carrera Red/Silver			
(22)	918 521 142 06	Backrest cover	right outer	1	PR:374,998
	918 521 142 06 SPC	Carrera Red/Silver			
(22)	918 521 141 07	Backrest cover	left outer	1	PR:371,990
	918 521 141 07 A9F	Black			
(22)	918 521 141 07	Backrest cover	left outer	1	PR:373,990
	918 521 141 07 A9F	Black			
(22)	918 521 142 07	Backrest cover	right outer	1	PR:374,990
	918 521 142 07 A9F	Black			
23	918 521 151 05	Backrest centre part w. cover	left	1	PR:371,983, -984,-998
	918 521 151 05 8YR	Black			
23	918 521 151 05	Backrest centre part w. cover	left	1	PR:373,983, -984,-998
	918 521 151 05 8YR	Black			
23	918 521 151 05	Backrest centre part w. cover	right	1	PR:374,983, -984,-998
	918 521 151 05 8YR	Black			
(23)	918 521 151 06	Backrest centre part w. cover	left	1	PR:371,983, -984
	918 521 151 06 A91	Black			
	918 521 151 06 S91	Tarpan Brown			

Model: 918 Model life 2015>>2015

Pos	Part Number	Description	Remark	Qty	Model
(23)	918 521 151 06	Backrest centre part w. cover	left	1	PR:371,984, -983
	918 521 151 06 A91	Black			
	918 521 151 06 S91	Tarpan Brown			
(23)	918 521 151 06	Backrest centre part w. cover	left	1	PR:373,983, -984
	918 521 151 06 A91	Black			
	918 521 151 06 S91	Tarpan Brown			
(23)	918 521 151 06	Backrest centre part w. cover	left	1	PR:373,983, -984
	918 521 151 06 A91	Black			
	918 521 151 06 S91	Tarpan Brown			
(23)	918 521 151 06	Backrest centre part w. cover	right	1	PR:374,983, -984
	918 521 151 06 A91	Black			
	918 521 151 06 S91	Tarpan Brown			
(23)	918 521 151 06	Backrest centre part w. cover	right	1	PR:374,984, -983
	918 521 151 06 A91	Black			
	918 521 151 06 S91	Tarpan Brown			
(23)	918 521 151 07	Backrest centre part w. cover	left	1	PR:371,951
	918 521 151 07 2W0	Black			
(23)	918 521 151 07	Backrest centre part w. cover	left	1	PR:373,951
	918 521 151 07 2W0	Black			
(23)	918 521 151 07	Backrest centre part w. cover	right	1	PR:374,951
	918 521 151 07 2W0	Black			
(23)	918 521 151 08	Backrest centre part w. cover	left	1	PR:371,990
	918 521 151 08 A9F	Black			
(23)	918 521 151 08	Backrest centre part w. cover	left	1	PR:373,990
	918 521 151 08 A9F	Black			
(23)	918 521 151 08	Backrest centre part w. cover	right	1	PR:374,990
	918 521 151 08 A9F	Black			
(23)	918 521 151 09	Backrest centre part w. cover	left	1	PR:371,983
	918 521 151 09 N11	Carrera Red			
(23)	918 521 151 09	Backrest centre part w. cover	left	1	PR:371,998
	918 521 151 09 N11	Carrera Red			
(23)	918 521 151 09	Backrest centre part w. cover	left	1	PR:373,983
	918 521 151 09 N11	Carrera Red			
(23)	918 521 151 09	Backrest centre part w. cover	left	1	PR:373,998
	918 521 151 09 N11	Carrera Red			
(23)	918 521 151 09	Backrest centre part w. cover	right	1	PR:374,983
	918 521 151 09 N11	Carrera Red			
(23)	918 521 151 09	Backrest centre part w. cover	right	1	PR:374,998
	918 521 151 09 N11	Carrera Red			
24	918 521 161 10	Cover Seat cushion	left	1	PR:371,983, -984,-998, 373
	918 521 161 10 8YR	Black	+53,+54		
(24)	918 521 161 10	Cover Seat cushion	right	1	PR:374,983, -560,-984, -998
	918 521 161 10 8YR	Black	+53,+54		
(24)	918 521 161 11	Cover Seat cushion	left	1	PR:371,983, -984,373
	918 521 161 11 A91	Black	+33,+34		
	918 521 161 11 S91	Tarpan Brown	+36,+37		
(24)	918 521 161 11	Cover Seat cushion	right	1	PR:374,983, -984,-560
	918 521 161 11 A91	Black	+33,+34		
	918 521 161 11 S91	Tarpan Brown	+36,+37		
(24)	918 521 161 12	Cover Seat cushion	left	1	PR:371,951
	918 521 161 12 2W0	Black			

Model: 918 Model life 2015>>2015

Pos	Part Number	Description	Remark	Qty	Model
(24)	918 521 161 12	Cover Seat cushion	left	1	PR:373,951
(24)	918 521 161 12 2W0	Black			
(24)	918 521 161 12	Cover Seat cushion	right	1	PR:374,951, -560
(24)	918 521 161 12 2W0	Black			
(24)	918 521 161 13	Cover Seat cushion	left	1	PR:371,990
(24)	918 521 161 13 A9F	Black			
(24)	918 521 161 13	Cover Seat cushion	left	1	PR:373,990
(24)	918 521 161 13 A9F	Black			
(24)	918 521 161 13	Cover Seat cushion	right	1	PR:374,990, -560
(24)	918 521 161 13 A9F	Black			
(24)	918 521 161 14	Cover Seat cushion	right	1	PR:374,560, 983,-984, -998
(24)	918 521 161 14 8YR	Black			
(24)	918 521 161 15	Cover Seat cushion	right	1	PR:374,560, 983,-984
(24)	918 521 161 15 A91	Black			
(24)	918 521 161 15 S91	Tarpan Brown			
(24)	918 521 161 15	Cover Seat cushion	right	1	PR:374,560, 984,-983
(24)	918 521 161 15 A91	Black			
(24)	918 521 161 15 S91	Tarpan Brown			
(24)	918 521 161 16	Cover Seat cushion	right	1	PR:374,560, 951
(24)	918 521 161 16 2W0	Black			
(24)	918 521 161 17	Cover Seat cushion	right	1	PR:374,560, 990
(24)	918 521 161 17 A9F	Black			
(24)	918 521 161 18	Cover Seat cushion	left	1	PR:371,983
(24)	918 521 161 18 N11	Carrera Red			
(24)	918 521 161 18	Cover Seat cushion	left	1	PR:371,998
(24)	918 521 161 18 N11	Carrera Red			
(24)	918 521 161 18	Cover Seat cushion	left	1	PR:373,983
(24)	918 521 161 18 N11	Carrera Red			
(24)	918 521 161 18	Cover Seat cushion	left	1	PR:373,998
(24)	918 521 161 18 N11	Carrera Red			
(24)	918 521 161 18	Cover Seat cushion	right	1	PR:374,983, -560
(24)	918 521 161 18 N11	Carrera Red			
(24)	918 521 161 18	Cover Seat cushion	right	1	PR:374,998, -560
(24)	918 521 161 18 N11	Carrera Red			
(24)	918 521 161 19	Cover Seat cushion	right	1	PR:374,560, 983,998
(24)	918 521 161 19 N11	Carrera Red			
25	918 613 201 01	Switch		1	PR:371,373, 374,543
	918 613 201 01 5Q0	Black			
	918 613 201 01 OE1	Carrera Red			
	918 613 201 01 S92	Tarpan Brown			
26	918 521 561 00	Cable guide		1	PR:371,373, 374
28	918 521 463 00	Foam part Head restraint		1	PR:371,373, 374

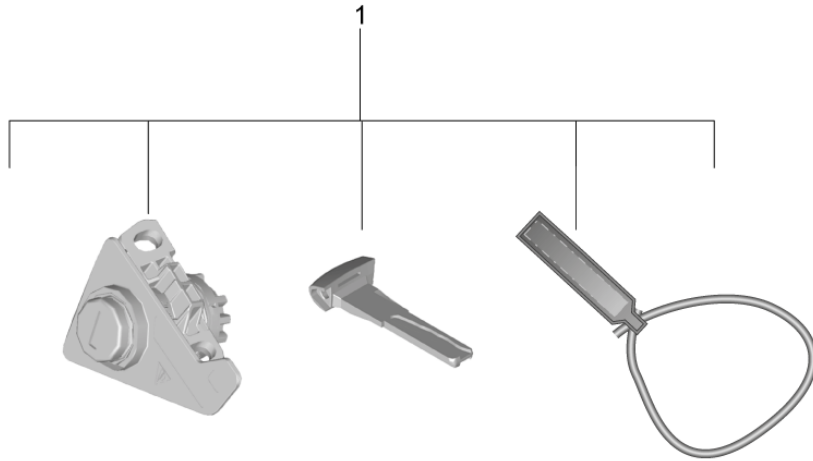
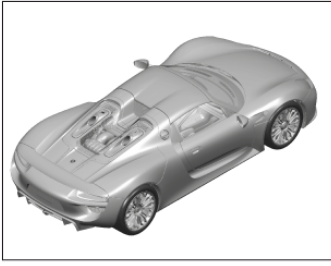
Model: 918

Model life 2015>>2015

Pos	Part Number	Description	Remark	Qty	Model
29	918 521 459 00	Foam part backrest		1	PR:371,373, 374
30	918 521 466 00	Foam part backrest	left outer	1	PR:374
(30)	918 521 465 00	Foam part backrest	right outer	1	PR:371,373
31	918 521 581 01	Foam part backrest	center	1	PR:371,373, 374
32	918 521 301 00	Seat Padded cap Authentic	left	1	
(32)	918 521 301 00 8YR 918 521 302 00	Black Seat Padded cap Authentic	right	1	
(32)	918 521 302 00 8YR 918 521 301 01	Black Seat Padded cap Leather	left	1	
(32)	918 521 301 01 A91 918 521 302 01	Black Seat Padded cap Leather	right	1	
33	918 521 302 01 A91 918 521 911 00	Black repair set Cover		1	

Model: 918

Model life 2015>>2015



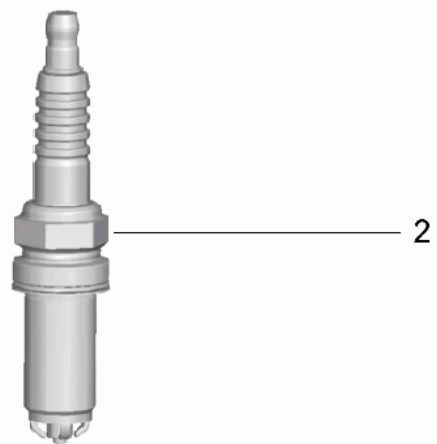
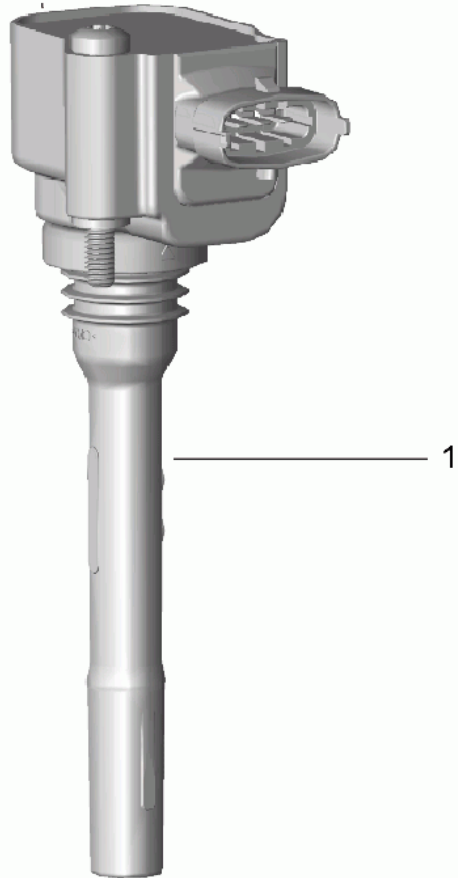
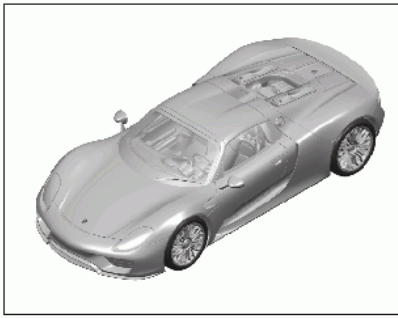
Model: 918

Model life 2015>>2015

Pos	Part Number	Description	Remark	Qty	Model
1	918 538 911 03	Set of locks Set of locks with stipulated lock number comprising: Lock cylinders Key fob emergency key VIN Indicate		1 1 1 2	
(1)	918 538 911 04	Set of locks W/o stipulated lock number comprising: Lock cylinders Key fob emergency key VIN Indicate		1 1 1 2	

Model: 918

Model life 2015>>2015



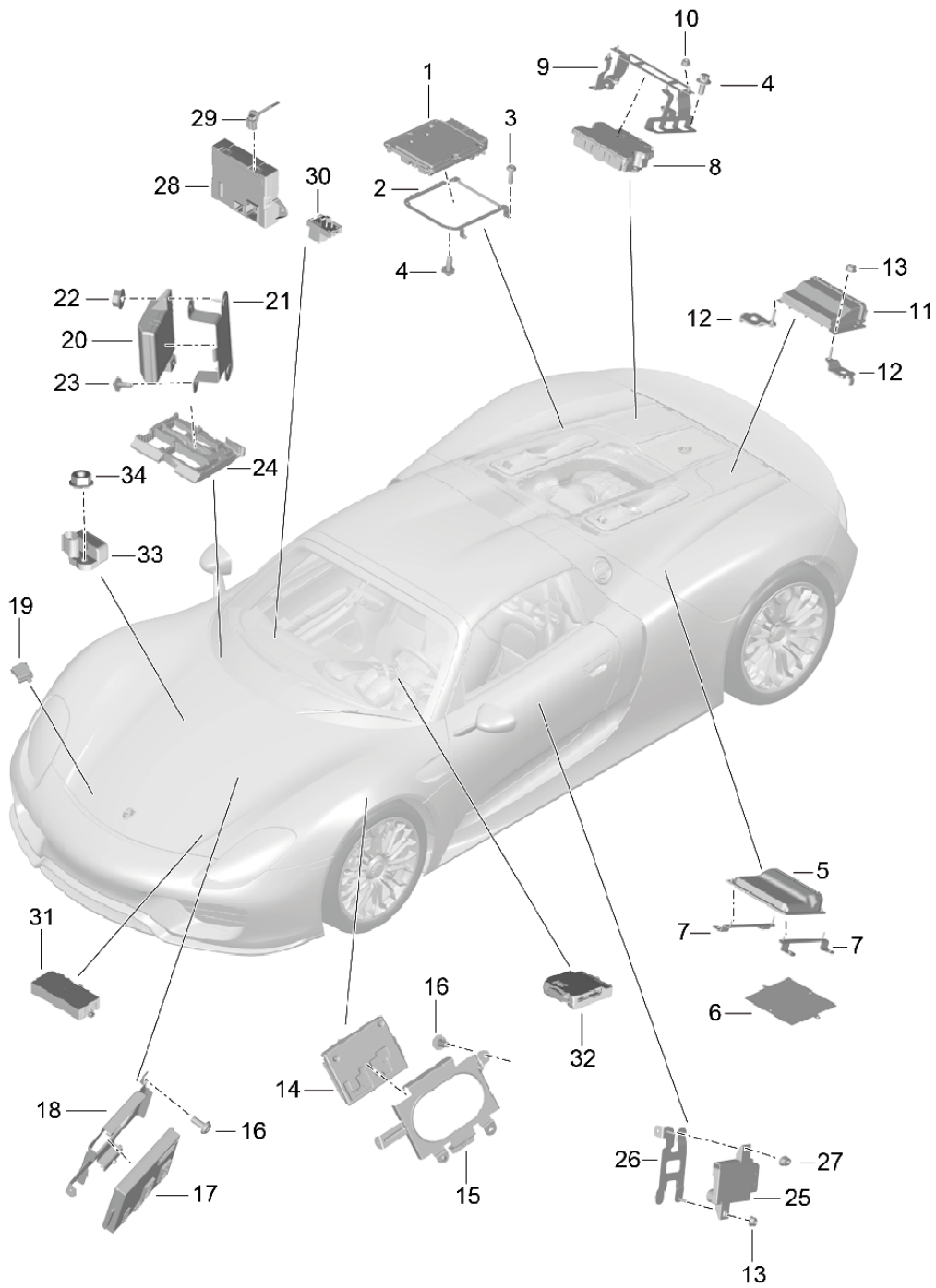
Model: 918

Model life 2015>>2015

Pos	Part Number	Description	Remark	Qty	Model
1	918 602 104 01	Ignition system		8	
2	999 170 152 90	Ignition coil		8	
		Spark plug			
		FR8A8G			
3	N 106 476 02	Hexagon socket head		8	
		bolt			
		M 6 X 45			

Model: 918

Model life 2015>>2015



Model: 918 Model life 2015>>2015

Pos	Part Number	Description	Remark	Qty	Model
1	918 618 603 00	Control units Sensor Control unit		1	
2	918 618 133 00	- dme - Retainer for control units		1	
3	999 073 269 A1	- dme - fillister hd. bolt		4	
4	N 106 695 01	M 5 X 16 fillister head bolt with multi-point socket head		4	
5	991 618 270 15	M 5 X 12 Control unit		1	
6	918 618 387 00	- PDK - Cooling plate Control unit		1	
7	918 618 701 00	- PDK - Retainer bracket		2	
8	991 618 145 03	Control unit		1	
9	918 618 327 01	Electric parking brake Bracket		1	
10	900 377 009 03	Electric parking brake Hexagon nut		X	
11	918 618 111 04	M 5 Control unit		1	
(11)	918 618 111 05	Rear spoiler Discontinued part Control unit		1	
(11)	918 618 111 06	Rear spoiler Discontinued part Control unit		1	
12	918 618 427 00	Rear spoiler		2	
13	900 377 018 01	Retainer bracket Hexagon nut		X	
14	7PP 907 064 HJ	M 6 Control unit (BCM) for conv. system & OB power supply		1	PR:523
(14)	7PP 907 064 HQ	Front end Discontinued part Control unit		1	PR:523
(14)	7PP 907 064 HK	Front end Control unit		1	PR:524
(14)	7PP 907 064 HL	Front end Control unit		1	PR:525
(14)	7PP 907 064 HS	Front end Discontinued part Control unit		1	PR:525
15	918 618 325 02	Front end Retainer for control units	left	1	
(15)	918 618 326 01	Front end Retainer for control units	right	1	
16	999 073 268 01	Front end fillister hd. bolt		X	
17	7PP 907 279 BF	M 5 X 12 Control unit		1	
(17)	7PP 907 279 BS	Rear end Discontinued part Control unit		1	
18	918 618 326 01	Rear end Retainer for control units		1	
19	8K0 907 410	Rear end Control unit for opening garage door		1	PR:608
20	95B 907 530 D	Control unit		1	

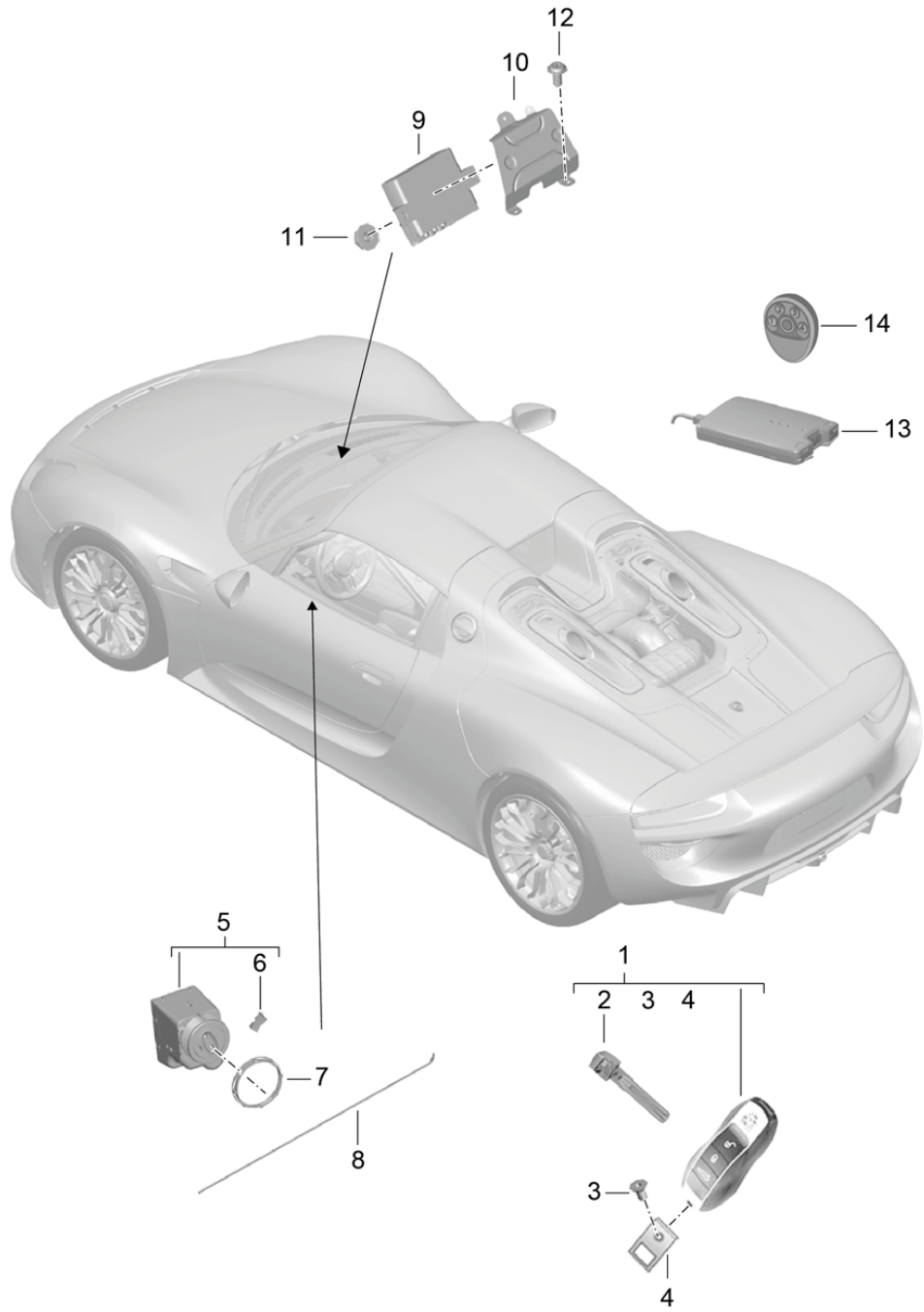
Model: 918

Model life 2015>>2015

Pos	Part Number	Description	Remark	Qty	Model
21	918 618 202 00	Retainer for control units		1	
22	900 377 009 01	Hexagon nut M 5		2	
23	999 073 268 01	fillister hd. bolt M 5 X 12		2	
24	918 618 149 01	Foam part Control units		1	
25	4H0 906 093 D	Control unit for fuel pump		1	PR:-484
26	918 618 401 02	Bracket		1	
27	900 385 041 01	Torx screw M 6 X 12		2	
28	918 618 201 03	Control unit Air conditioning		1	
30	991 653 243 00	Sun sensor Air conditioning modify in workshop See technical manual Group 8 8714 19		1	
31	991 618 151 87	Control unit Level adjustment		1	
32	95B 959 256 B	Control unit steering wheel heating		1	
33	991 606 111 00	Acceleration sensor for bodywork		3	
34	900 377 018 01	Hexagon nut M6		1	
(34)	900 385 275 01	Torx screw BM 6 X 20		2	
-	958 505 535 00	Sensor Temperature sensor		1	

Model: 918

Model life 2015>>2015



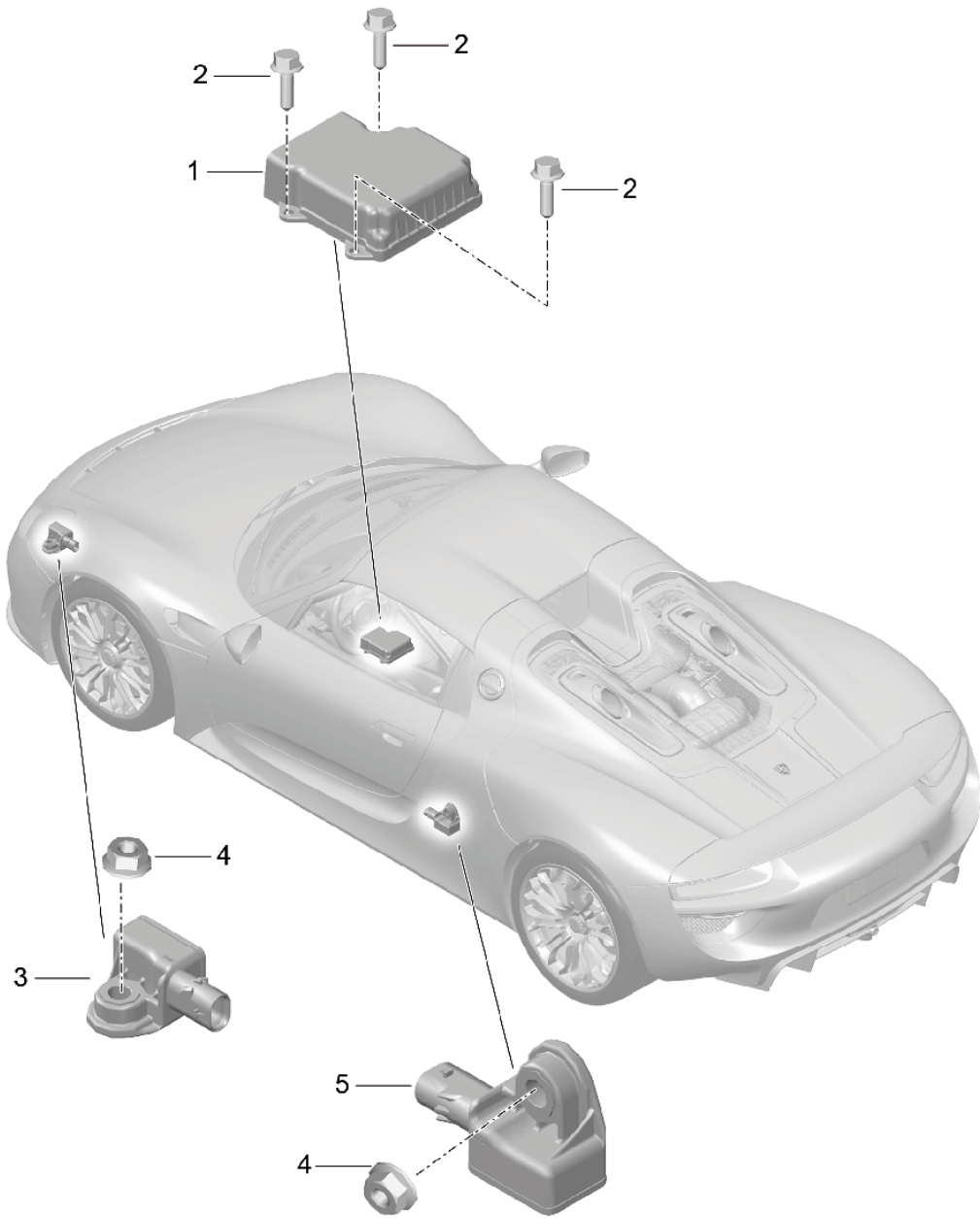
Model: 918

Model life 2015>>2015

Pos	Part Number	Description	Remark	Qty	Model
1	991 637 940 03	Handheld transmitter Garage door opener Handheld transmitter Key cover Vehicle Ident. No. Indicate		1	PR:524
(1)	991 637 942 03	Handheld transmitter Key cover Vehicle Ident. No. Indicate		1	PR:525,-553
(1)	991 637 958 03	Handheld transmitter Key cover Vehicle Ident. No. Indicate		1	PR:523
2	958 538 916 00	emergency key with stipulated lock number Vehicle Ident. No. Indicate		1	
-	999 611 106 00	Battery for hand sender		1	
3	991 637 301 00	Eye		1	
4	991 637 303 00	countersunk bolt		1	
5	7PP 905 865 F	Control unit Ignition/starter switch		1	
7	7PP 911 094	Nut		1	
8	7PP 907 256	Emergency operation Release Ignition/starter switch		1	
9	7PP 035 620 J	Control unit VTS vehicle tracking		1	
10	918 647 355 00	Retainer for control units		1	
11	N 015 082 10	Hexagon collar nut M 6		2	
12	999 015 025 A2	Oval-head screw M 6 X 12		2	
13	7PP 862 077	Driver Card Card VTS vehicle tracking		1	
14	7PP 862 423	Handheld transmitter		1	

Model: 918

Model life 2015>>2015



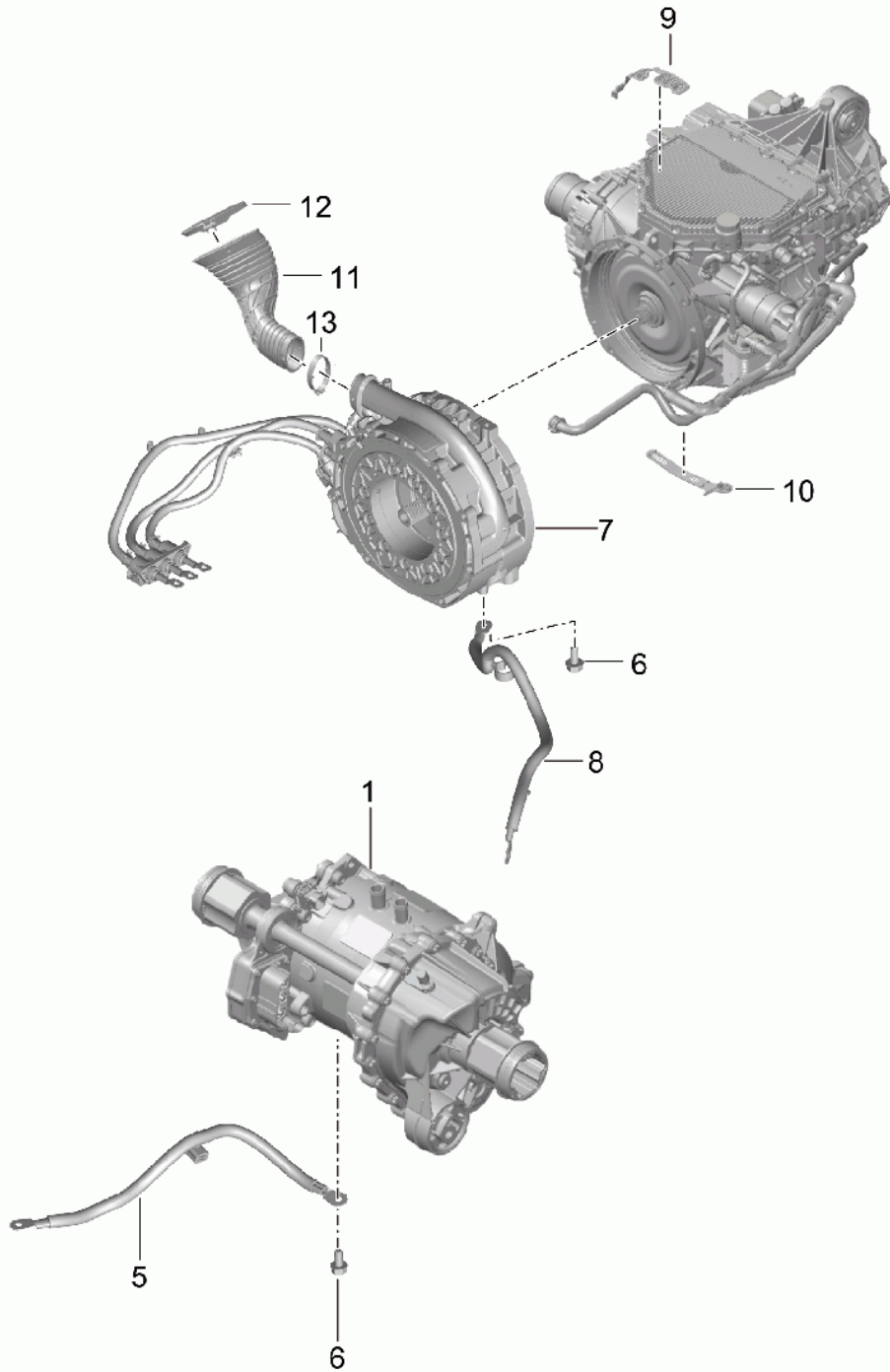
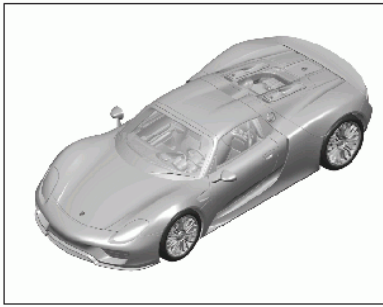
Model: 918

Model life 2015>>2015

Pos	Part Number	Description	Remark	Qty	Model
-		Control unit Sensor Airbag Airbag unit			
-		see illustration: Switch Airbag	812-050		
1	991 618 201 05	Control unit for airbag	903-005	1	
2	N 106 533 01	Hex collared bolt M6 X 20		3	
3	991 618 223 01	Front sensor		2	
4	N 015 082 10	Hexagon collar nut M6		2	
5	991 618 221 01	Sensor Side airbag unit		2	

Model: 918

Model life 2015>>2015

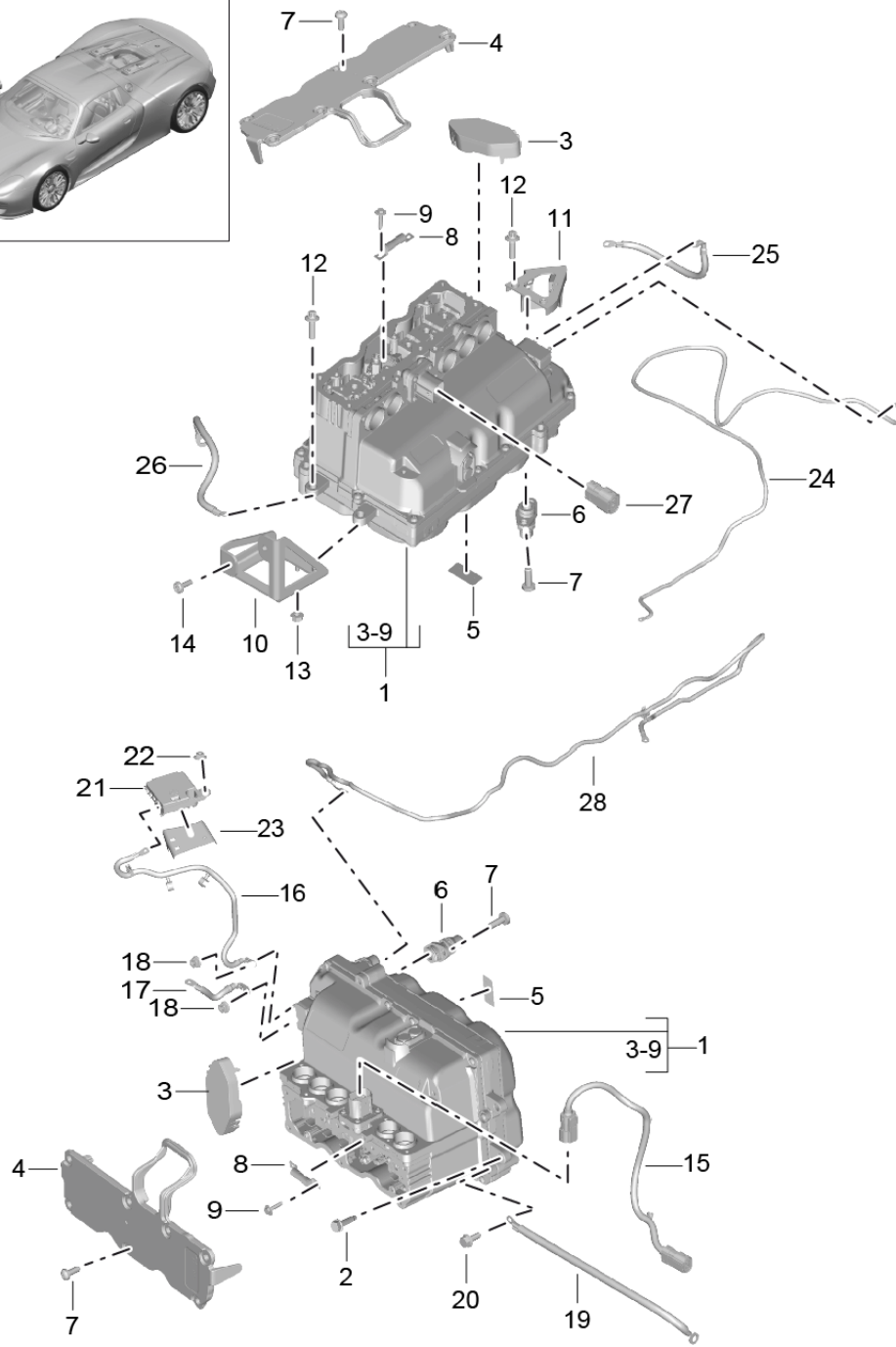
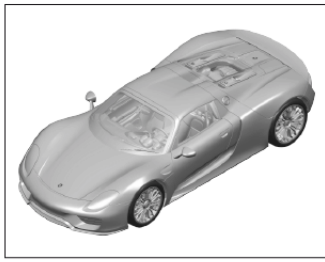


Model: 918 Model life 2015>>2015

Pos	Part Number	Description	Remark	Qty	Model
1	918 608 049 01	Electric motor Front axle and Rear axle		1	
(1)	918 117 049 02	Electric motor Front axle Driving mechanism Hybrid		1	
5	918 611 319 00	Front axle Earth line		1	
6	900 378 074 01	Hexagon bolt M 8 X 16		1	
7	918 117 010 01	Electric motor Rear axle Discontinued part		1	
(7)	918 117 010 04	Electric motor Rear axle Discontinued part		1	
(7)	918 117 010 05	Electric motor Rear axle		1	
8	918 611 339 01	Earth line Electric motor		1	
9	918 117 301 01	Rear axle protective grille Upper part		1	
10	918 117 303 00	Electric motor Rear axle protective grille Lower part		1	
11	918 117 215 00	Electric motor Rear axle Air guide		1	
12	918 117 415 01	Clamp Air guide	upper	1	
13	918 117 416 00	Clamp Air guide	lower	1	

Model: 918

Model life 2015>>2015



Model: 918

Model life 2015>>2015

Pos	Part Number	Description	Remark	Qty	Model
1	970 608 060 07	Power and control electronics- for electric drive		2	
1	970 608 060 DX	Power and control electronics- for electric drive		1	
2	N 102 400 03	Hex collared bolt M 8 X 32		4	
3	7PP 907 299	Cover		2	
4	7PP 907 300	Ground cable Cover		2	
5	958 701 697 00	Wire set Power and control electronics- for electric drive Electric motor Warning sign for hybrid vehicles		1	- "J..", - "PME", - "CN.", - "BR.", - "RUS"
(5)	958 701 697 10	Warning sign for hybrid vehicles		1	"J..", "PME", "CN.", "BR.",
6	5C0 121 133 A	High voltage Coolant connection		2	
7	N 104 514 05	Oval hexagon socket head bolt M 6 X 16		X	
8	5C0 915 463	fuse for Compressor		1	
9	WHT 006 421	Air conditioning hexagon head bolt (combi) M 4 X 10		2	
10	918 608 303 01	Bracket	rear	1	
11	918 608 305 00	Electric drive Bracket	rear	1	
12	900 385 114 01	Electric drive Torx screw BM 8X25		4	
13	900 377 014 01	Hexagon nut M8		2	
14	999 073 252 A1	fillister hd. bolt M6X20		3	
15	918 611 343 00	Cable heat exchanger		1	
16	918 611 303 00	Power and control electronics- for electric drive Connection cable	front	1	
17	918 611 329 00	Power and control electronics- for electric drive Earth line	front	1	
18	N 106 092 01	Hexagon collar nut M 8		1	
19	918 611 317 00	Earth line Power and control electronics- for electric drive	front	1	
20	900 378 035 01	Body Hexagon bolt M6X16		X	
22	N 907 988 05	Hexagon collar nut		X	

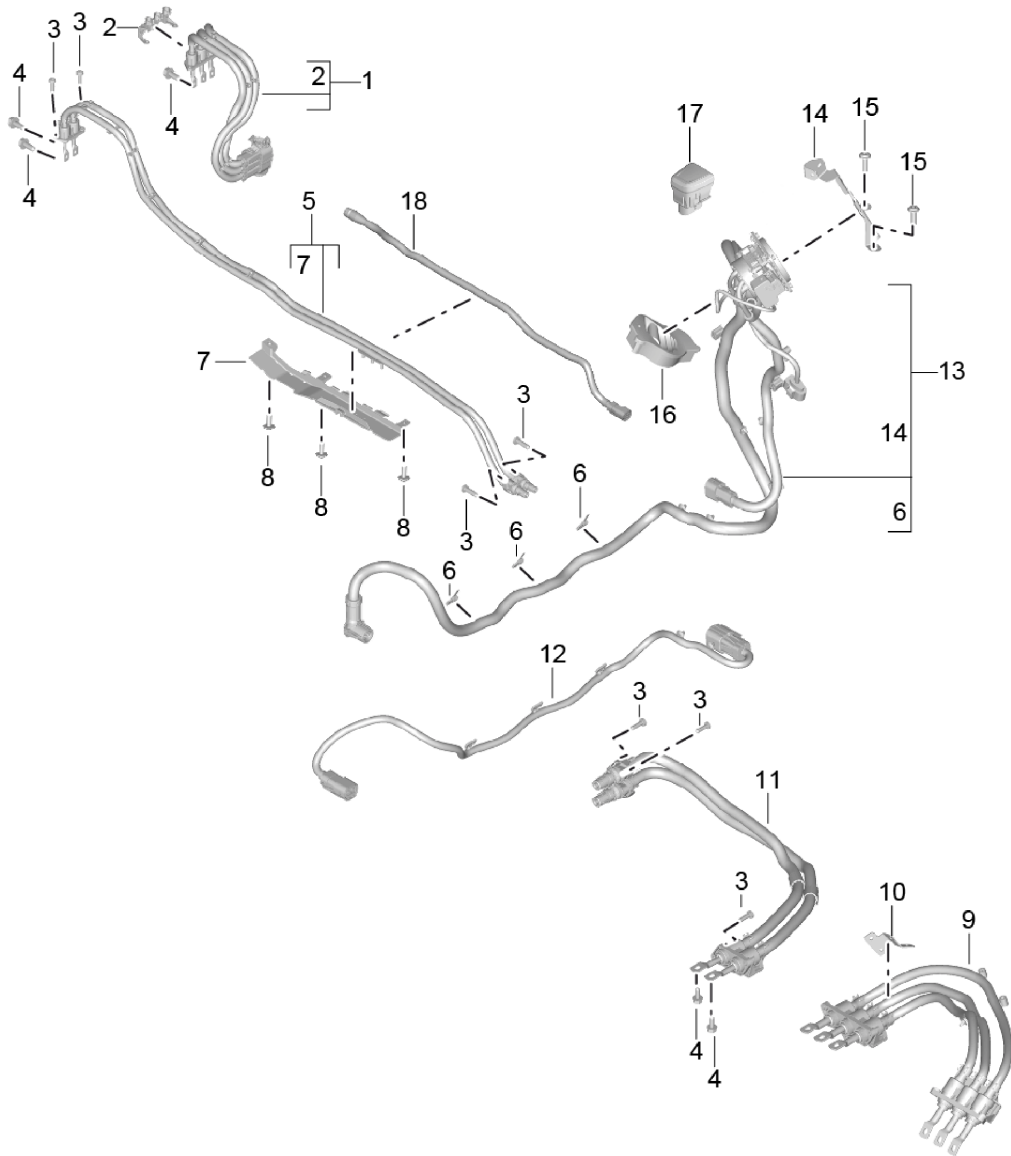
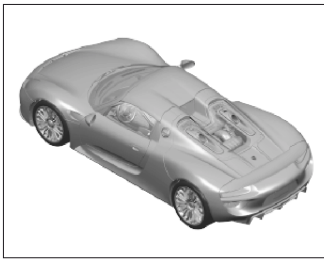
Model: 918

Model life 2015>>2015

Pos	Part Number	Description	Remark	Qty	Model
23	918 611 229 00	M8 Bracket Connection point Engine bay		1	
24	918 611 333 02	Battery cable Power and control electronics- for electric drive	rear	1	
25	918 611 359 00	Earth line Power and control electronics- for electric drive	rear	1	
26	918 611 327 00	Earth line Power and control electronics- for electric drive	rear	1	
28	918 611 013 02	Body Wire set Battery Fuse box		1	

Model: 918

Model life 2015>>2015



Model: 918

Model life 2015>>2015

Pos	Part Number	Description	Remark	Qty	Model
1	918 611 305 01	Wiring looms Hybrid High voltage Wire set Power and control electronics- for electric drive	front	1	
2	918 611 135 00	Engine Bracket Wire set		1	
3	N 910 696 01	Hexagon socket flat head bolt M6X22		X	
4	N 106 531 01	Hexagon flange screw M8X20		X	
5	918 611 301 01	Wire set Power and control electronics- for electric drive Battery		1	
6	958 612 854 00	Cable ties Mount		3	
7	918 611 225 01	Cable guide Power and control electronics- for electric drive Battery		1	
8	N 909 446 04	Oval hexagon socket head bolt M5 X 12		3	
9	918 611 306 00	Wire set Power and control electronics- for electric drive Engine	rear	1	
10	918 611 139 00	Bracket Wire set Power and control electronics- for electric drive	rear	1	
11	918 611 302 00	Wire set Power and control electronics- for electric drive Battery	rear	1	
12	918 611 357 00	Wire set Power and control electronics- for electric drive	rear	1	
13	918 611 349 01	Wire set Charging socket		1	PR:ES4,-661, ES3
(13)	918 611 351 02	Wire set Charging socket		1	PR:661
(13)	918 611 369 01	Wire set Charging socket		1	PR:ES1,-661
14	918 611 219 01	Bracket Charging socket		1	PR:ES4,ES3
(14)	918 611 221 01	Bracket Charging socket		1	PR:ES1
15	999 015 026 A2	fillister hd. bolt M6X16		X	
16	918 611 119 00	Cover cap for charging socket		1	
(16)	918 611 121 00	Cover cap for charging socket		1	PR:193,553
17	7PP 915 210	Switch Charging control indicator		1	
18	7PP 915 210 1E0 918 611 311 00	Black Battery cable High voltage Compressor		1	

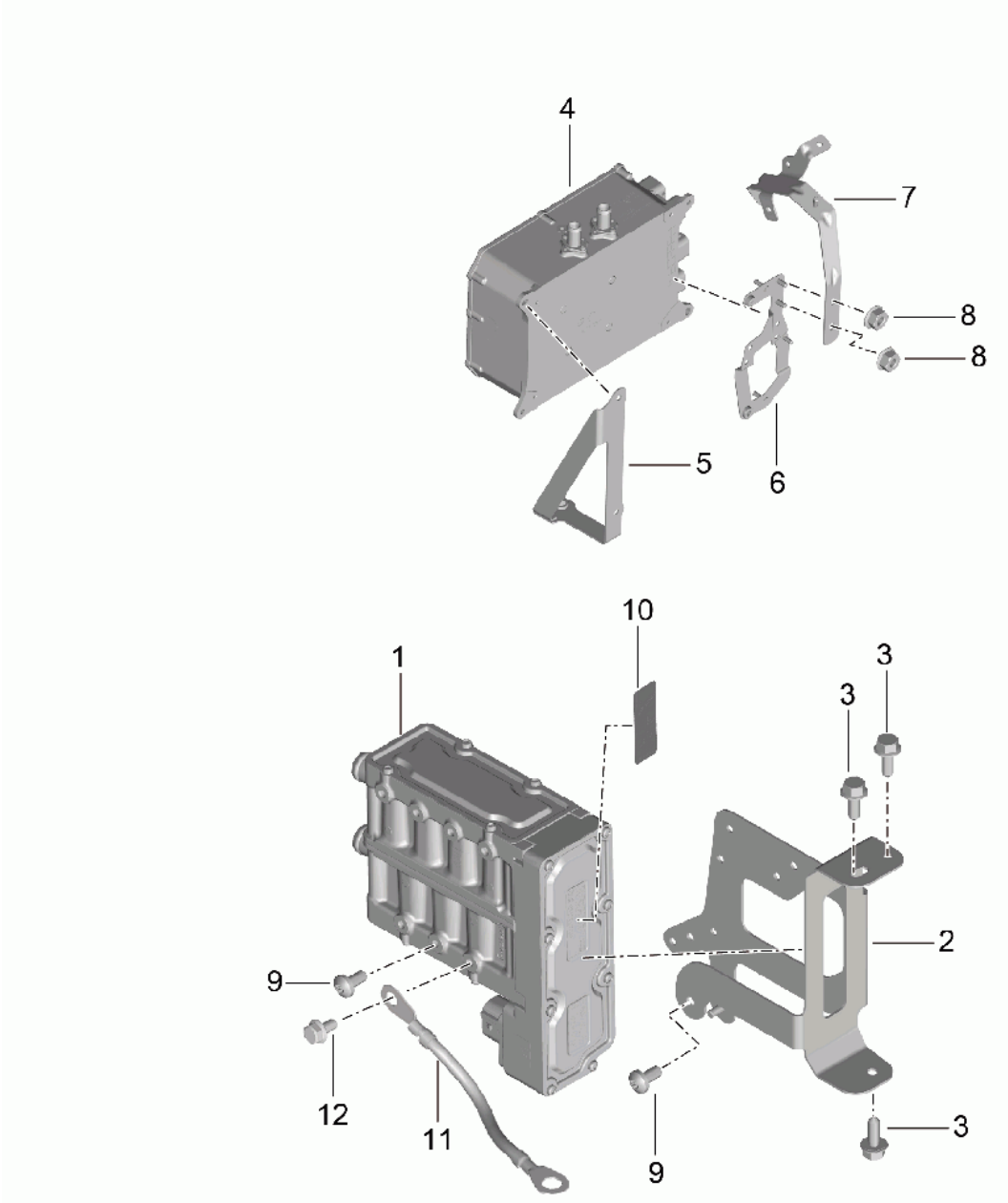
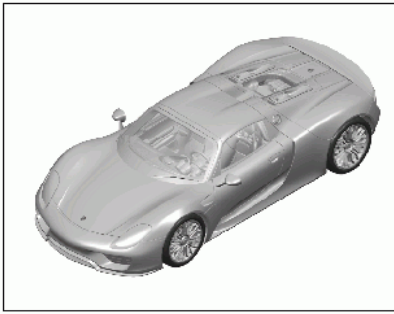
Model: 918

Model life 2015>>2015

Pos	Part Number	Description	Remark	Qty	Model
		Air conditioning			

Model: 918

Model life 2015>>2015

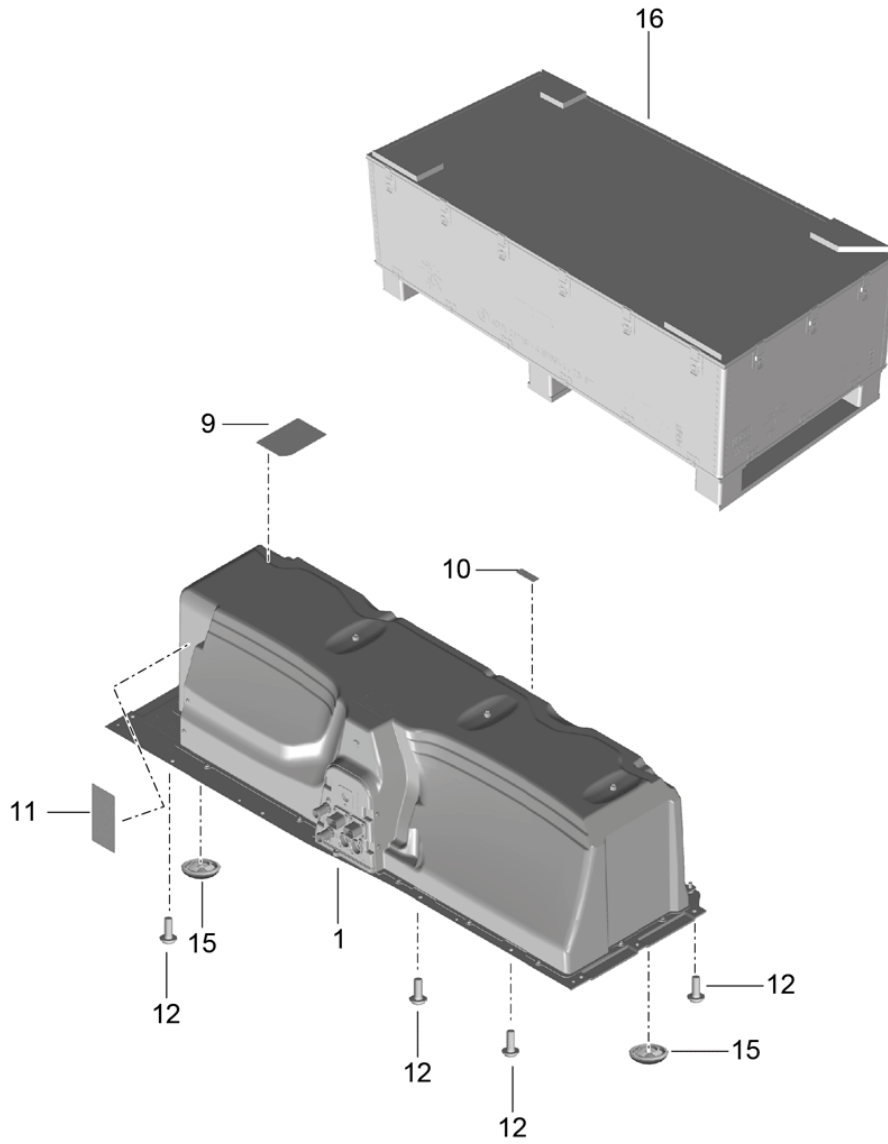
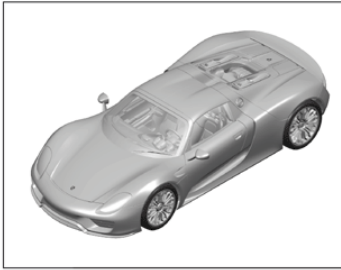


Model: 918 Model life 2015>>2015

Pos	Part Number	Description	Remark	Qty	Model
1	12E 963 231 B	heater unit Battery Passenger compartment Charger Battery Heater element and Battery	inner	1	
2	918 572 611 00	Retainer for battery heater unit		1	
3	N 106 532 01	Hex collared bolt M6 X 16		3	
4	5QE 915 682 B	Battery charger		1	
5	918 611 291 00	Retainer for charger		1	
6	918 574 671 00	Retainer for charger		1	
7	918 574 793 02	Retainer for charger		1	
8	900 377 018 01	Hexagon nut M6		X	
9	999 015 025 A1	fillister hd. bolt M 6 X 12		2	
10	958 701 697 00	Warning sign for hybrid vehicles		1	- "J..", - "PME", - "CN.", - "BR.", - "RUS"
(10)	958 701 697 10	Warning sign for hybrid vehicles		1	"J..", "PME", "CN.", "BR.",
11	918 611 323 00	High voltage Earth line heater unit		1	
12	900 378 036 01	Hexagon bolt M6X12		1	
13	918 611 343 00	Cable heat exchanger Power and control electronics- for electric drive	901-020	1	
		see illustration:			

Model: 918

Model life 2015>>2015



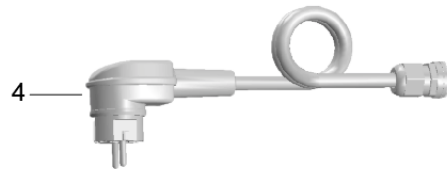
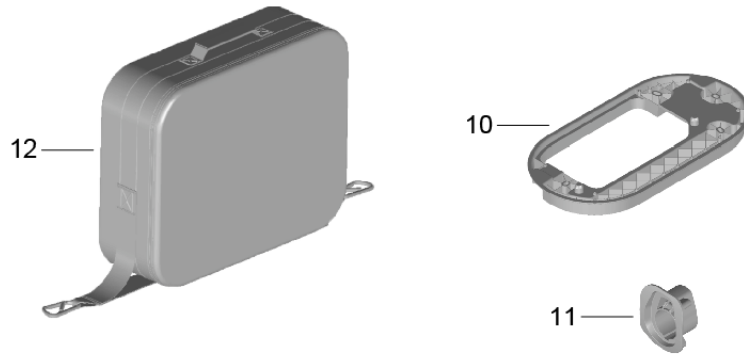
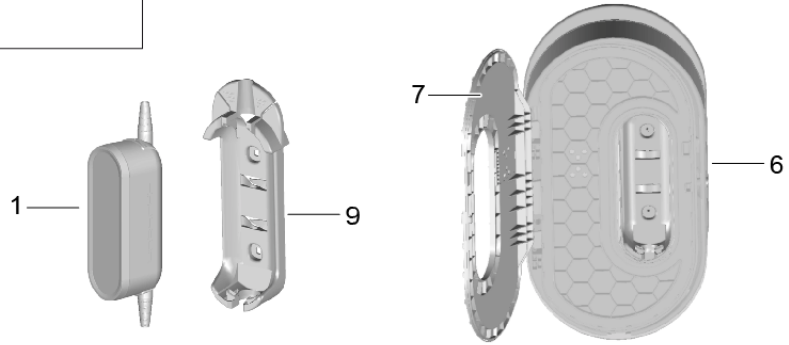
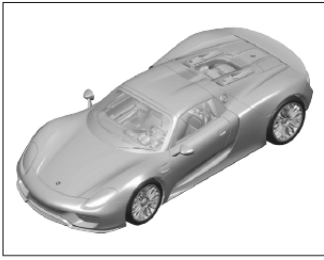
Model: 918

Model life 2015>>2015

Pos	Part Number	Description	Remark	Qty	Model
1	918 611 055 02	Battery Hybrid		1	PR:-661
(1)	918 611 056 01	Battery		1	PR:661
9	8R0 010 539	Warning sign for hybrid vehicles English		1	
(9)	8R0 010 539 A	Warning sign for hybrid vehicles German		1	
(9)	8R0 010 539 B	Warning sign for hybrid vehicles French		1	
(9)	8R0 010 539 C	Warning sign for hybrid vehicles Spanish		1	
(9)	8R0 010 539 D	Warning sign for hybrid vehicles Italian		1	
(9)	8R0 010 539 E	Warning sign for hybrid vehicles Russian		1	
(9)	8R0 010 539 F	Warning sign for hybrid vehicles Chinese		1	
(9)	8R0 010 539 G	Warning sign for hybrid vehicles Japanese		1	
10	958 701 739 00	Warning sign for hybrid vehicles yellow Cover		1	
(11)	7PP 010 849 L	Fuse box Warning sign ENTSORGUNG		1	
12	999 073 258 A1	Battery fillister hd. bolt M8 X 20		16	
15	955 512 188 00	Water drain valve 20 MM		X	
-		Warning sign See group 0/01/05			
16	918 611 921 00	Transport box Battery		1	
17	12E 998 020	Recycling box for lithium-ion battery Hybrid Battery Module Defect		1	

Model: 918

Model life 2015>>2015



Model: 918 Model life 2015>>2015

Pos	Part Number	Description	Remark	Qty	Model
1	7PP 971 675	AC charging station Electronic unit Charger Universal Charging Dock Electronic unit Charger Universal		1	- "J..", - "MEX", - "AUS", - "PLA", - "OTH", - "PME", - "IND", - "RUS", - "PAP"
1	7PP 971 675	Electronic unit Charger Universal		1	"CN."
(1)	7PP 971 675 B	Electronic unit Charger Universal		1	"J..", "MEX", "AUS", "PLA", "OTH", "PME", "IND", "RUS", "PAP"
(1)	7PP 971 675 B	Electronic unit Charger Universal		1	- "CN."
-	7PP 919 839	Fixing set Set Electronic unit Charger		1	
3	7PP 971 678	Charge cable for mains socket Power supply 220 V TYP E/F		1	
(3)	7PP 971 678 A	Charge cable for mains socket Power supply 100 V TYP B		1	"J.."
(3)	7PP 971 678 B	Charge cable for mains socket Power supply Type j		1	"CH."
(3)	7PP 971 678 C	Charge cable for mains socket Power supply TYP G		1	
(3)	7PP 971 678 D	Charge cable for mains socket Power supply TYP B		1	
(3)	7PP 971 678 G	Charge cable for mains socket Power supply Type k		1	"DK."
(3)	7PP 971 678 H	Charge cable for mains socket Power supply Type i		1	
(3)	7PP 971 678 J	Charge cable for mains socket Power supply TYP M		1	
(3)	7PP 971 678 L	Charge cable for mains socket Power supply TYP N		1	
(3)	7PP 971 678 M	Charge cable for mains socket Power supply Type i		1	"CN."
(3)	7PP 971 678 N	Charge cable for mains socket Power supply		1	"I.."

Model: 918

Model life 2015>>2015

Pos	Part Number	Description	Remark	Qty	Model
(3)	7PP 971 678 P	Type 1 Charge cable for mains socket Power supply		1	"BR."
4	7PP 971 678 T	TYP N Charge cable for mains socket Power supply		1	
(4)	7PP 971 678 AA	NEMA 6-30 Charge cable for mains socket Power supply		1	
(4)	7PP 971 678 AB	NEMA 6-50 Charge cable for mains socket Power supply		1	
(4)	7PP 971 678 AC	NEMA 14-30 Charge cable for mains socket Power supply		1	
4	7PP 971 678 AE	NEMA 14-50 Charge cable for mains socket Power supply		1	
(4)	7PP 971 678 AF	CEE 3P 16A Charge cable for mains socket Power supply		1	
(4)	7PP 971 678 AG	CEE 3P 32A Charge cable for mains socket Power supply		1	
(4)	7PP 971 678 AH	CEE 1P 16A Charge cable for mains socket Power supply		1	
(4)	7PP 971 678 AJ	CEE 1P 32A Charge cable for mains socket Power supply		1	"J.."
5	7PP 971 676	YP-41 200 V Charging cable for vehicle Vehicle		1	
(5)	7PP 971 676 A	TYP 2 2,5 M Charging cable for vehicle Vehicle		1	
(5)	7PP 971 676 D	TYP 2 7,5 M Connection line Vehicle		1	PR:EH1,661 "MEX"
(5)	7PP 971 676 E	TYP 2 (UL) 2,5 M Connection line Vehicle		1	PR:EH2,661 "MEX"
(5)	7PP 971 676 H	TYP 2 (UL) 7,5 M Charging cable for vehicle Vehicle		1	PR:EH1,ES1, 072,-661 "MEX"
(5)	7PP 971 676 J	TYP 1 (UL) 2,5 M Charging cable for vehicle Vehicle		1	PR:EH2,ES1, 072,-661 "MEX"
(5)	7PP 971 676 P	TYP 1 (UL) 7,5 M Charging cable for vehicle Vehicle		1	PR:EH1,ES1, -661 -"USA", -"MEX", -"CDN"
(5)	7PP 971 676 Q	TYP 1 IEC 2,5 M Charging cable for vehicle Vehicle		1	PR:EH2,ES1, -661 -"USA",
		TYP 1 IEC			

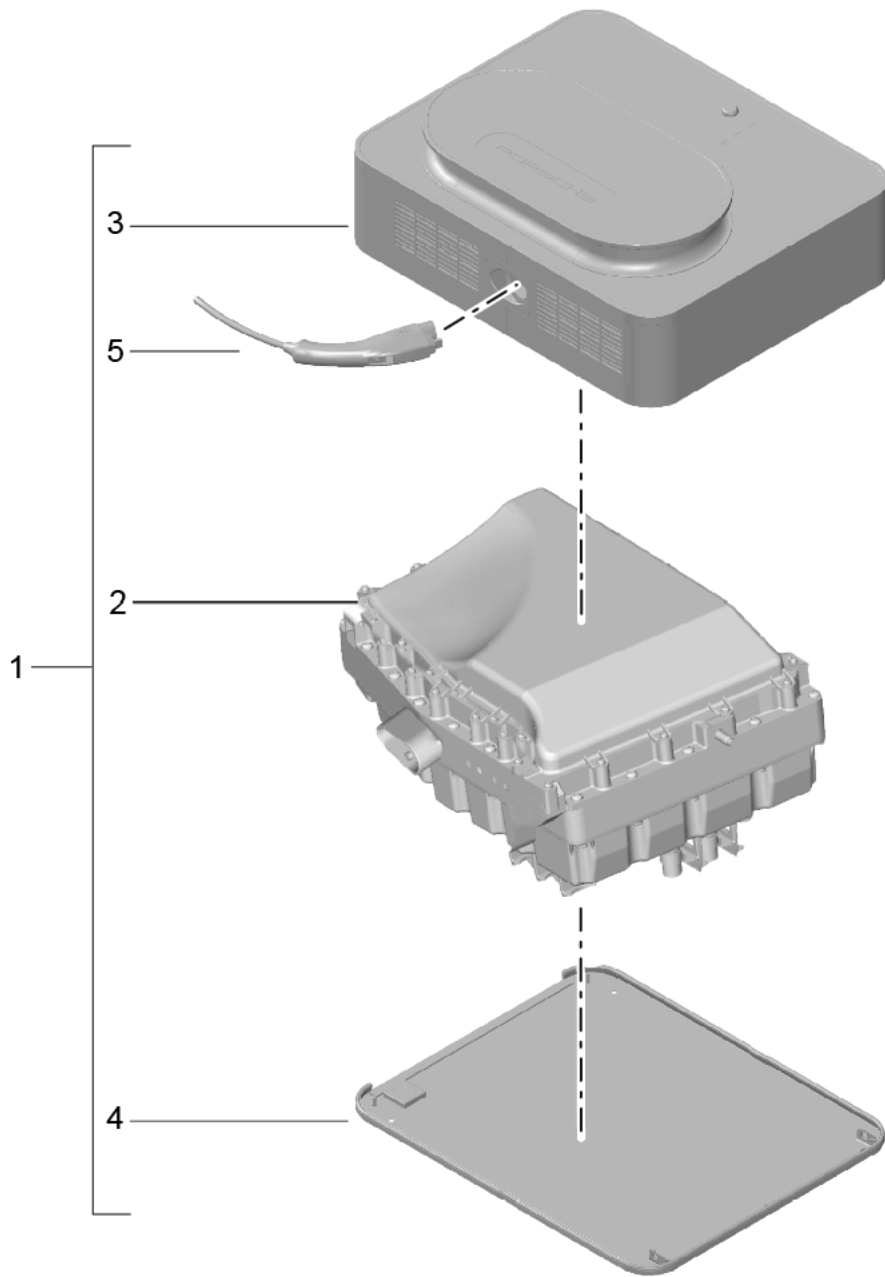
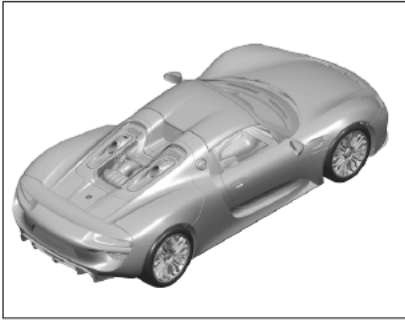
Model: 918

Model life 2015>>2015

Pos	Part Number	Description	Remark	Qty	Model
6	7PP 957 787	7,5 M Charging Dock Electronic unit Charger		1	- "MEX", - "CDN"
(6)	7PP 915 706	Discontinued part Charging Dock Electronic unit Charger TYP 1		1	PR:ES1,-661 "USA", "J..", "PAP", "AUS", "MEX", "PLA", "CDN", "ROK", "SGP", "KAR"
(6)	7PP 915 706 A	Charging Dock Electronic unit Charger TYP 2		1	PR:-ES1 - "USA", - "J..", - "AUS", - "MEX", - "CDN", - "ROK", - "SGP", - "KAR"
(6)	7PP 915 706 A	Charging Dock Electronic unit Charger TYP 2		1	PR:-ES1 "PAP", "PLA"
(6)	7PP 915 706 A	Charging Dock Electronic unit Charger TYP 2		1	PR:ES1,661 "USA", "CDN", "MEX", "PAP", "J.."
9	7PP 943 109	Bracket Small		1	
(11)	9A7 957 547 02	Bracket Connector TYP 2		1	
12	918 722 711 00	Pocket Connection line		1	

Model: 918

Model life 2015>>2015

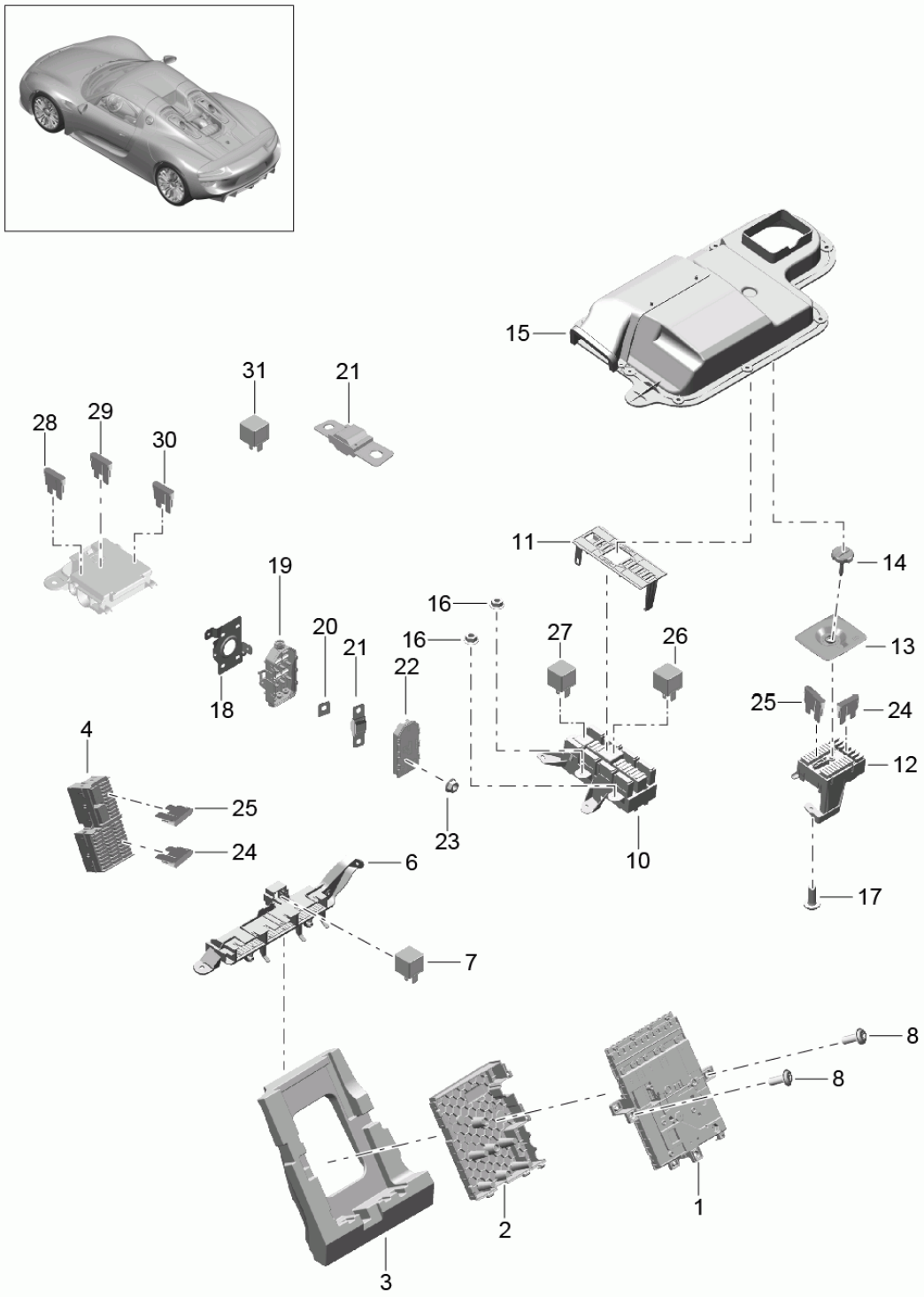


Model: 918 Model life 2015>>2015

Pos	Part Number	Description	Remark	Qty	Model
1	918 611 088 00	DC charging station Electronic unit Charger Universal Bracket Box		1	PR:661
2	918 611 182 00	Charger Universal Electronic unit		1	PR:661
3	918 611 382 00	Charger Retaining frame		1	
4	918 611 384 00	Charger Housing cover		1	
5	918 611 282 00	Charger Connection cable Vehicle		1	
(5)	970 044 000 14	Connection line Power supply Black MODE 3 / TYP 2 7,5 M Set with: Pocket		1	- "USA", - "J..", - "AUS", - "CN.", - "PLA", - "CDN", - "BR."

Model: 918

Model life 2015>>2015



Model: 918 Model life 2015>>2015

Pos	Part Number	Description	Remark	Qty	Model
1	991 610 303 00	central electrics Fuse box Lower part		1	
2	991 610 305 00	central electrics Cover		1	
3	918 610 310 01	central electrics Included Seal and Screw set bracket - relay plate/fuse box		1	
4	918 610 101 00	Relay carrier 1 Footwell	left	1	
6	918 610 108 00	Relay carrier 2 Footwell	right	1	
7	999 657 016 90	Relay		1	
8	999 015 026 A1	fillister hd. bolt M6X16		X	
10	918 610 105 01	Relay carrier 1 Luggage compartment		1	
11	918 610 106 00	Cover Relay carrier 1		1	
12	918 610 109 00	Fuse box Luggage compartment		1	
13	918 610 113 00	Cover Fuse box		1 1	
14	918 610 114 00	Luggage compartment sealing plug Fuse box Fuse box		1	
15	918 610 112 01	Luggage compartment Cover Fuse box		1	
(15)	918 610 112 02	Discontinued part Cover Fuse box		1	
16	900 377 009 01	Hexagon nut M5		2	
17	999 015 026 A1	fillister hd. bolt M6X16		2	
18	918 610 203 00	Bracket Junction		1	
19	999 650 241 92	housing fuse		1	
20	999 650 716 22	Double Bridge Double		1	
21	999 607 092 00	fuse		2	
22	999 650 349 41	Cover		1	
23	900 377 009 03	Hexagon nut M5		2	
24	999 607 098 00	fuse 3 A		X	
(24)	999 607 082 00	fuse 5 A		X	
(24)	999 607 083 00	fuse 7,5 A		X	
(24)	999 607 084 00	fuse 10 A		X	
(24)	999 607 085 00	fuse 15 A		X	
(24)	999 607 086 00	fuse 20 A		X	

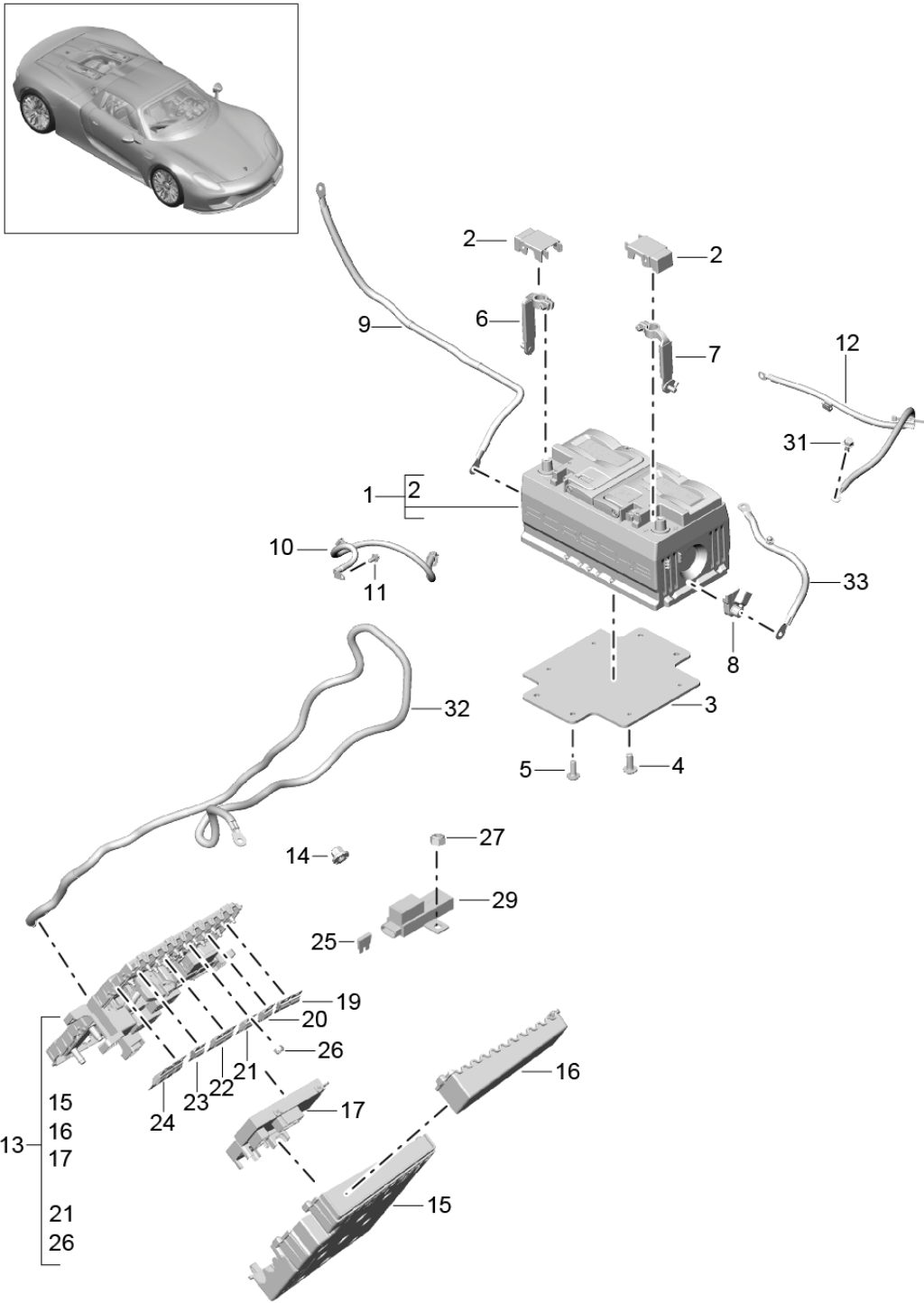
Model: 918

Model life 2015>>2015

Pos	Part Number	Description	Remark	Qty	Model
(24)	999 607 087 00	fuse 20 A		X	
(24)	999 607 088 00	fuse 30 A		X	
(24)	999 607 089 00	fuse 40 A		X	
25	999 607 111 00	fuse E 25 A		X	
(25)	999 607 011 00	fuse 40 A		X	
(25)	999 607 019 00	fuse 50 A		X	
(25)	999 607 013 00	fuse 60 A		X	
26	955 615 025 10	Relay - dme -		1	
27	958 615 010 00	Relay Coolant pump		1	
28	N 104 249 08	fuse 60A		2	
29	N 104 249 05	fuse 110A		1	
30	999 607 092 00	fuse 60A		1	
31	999 657 015 90	Relay Fanfare Luggage compartment		1	

Model: 918

Model life 2015>>2015



Model: 918 Model life 2015>>2015

Pos	Part Number	Description	Remark	Qty	Model
1	918 611 020 51	Battery Ground distributor Power distributor		1	
2	918 611 380 00	Battery Pole covering		2	
3	918 504 611 01	Battery Reinforcement for tunnel Bracket		1	
4	999 015 026 A1	Battery fillister hd. bolt M6 X 16		4	
5	999 073 258 A1	fillister hd. bolt M8 X 20		2	
6	918 680 710 01	Battery Ground cable		1	
7	918 680 701 00	Battery cable B+		1	
8	918 611 381 00	Cover Power electronics B+		1	
9	918 611 023 01	Earth line Battery Ground distributor		1	
10	918 607 030 01	Earth line Engine		1	
11	900 385 041 01	Torx screw BM6X12		1	
12	918 611 325 01	Earth line Compressor		1	
13	918 610 301 00	Power distributor (complete) use if required:		1	
14	999 049 033 40	POS. 12 Plastic nut T 6		3	
15	991 610 305 00	Cover		1	
16	918 610 309 00	Cable guide - upper part		1	
17	991 618 075 01	Control unit		1	
19	999 607 054 00	fuse 100 A 60 A		1	
20	999 607 099 00	fuse 40 A		1	
21	999 607 095 00	fuse 80 A		1	
22	999 607 055 00	fuse 100 A 40 A		1	
23	999 607 092 00	fuse 60 A		1	
24	999 607 053 00	fuse 100 A 80 A 100 A		1	
25	999 607 082 00	fuse 5 A		1	
26	900 084 122 02	Hexagon nut M 5		X	
27	900 084 123 02	Hexagon nut M 8		X	
29	999 657 020 90	Relay		2	
30	999 657 021 90	Relay		1	
31	900 378 074 01	Hexagon bolt		1	

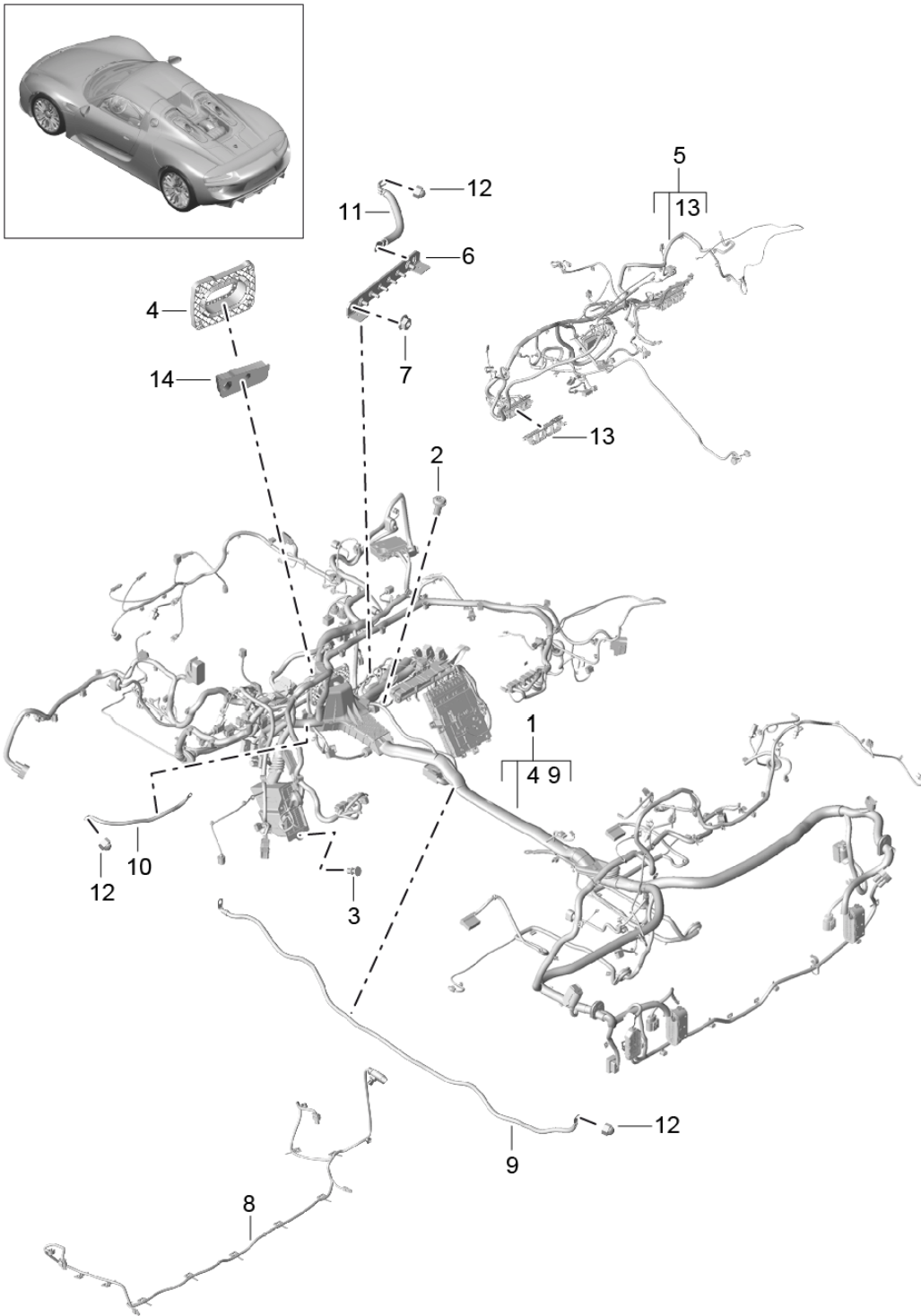
Model: 918

Model life 2015>>2015

Pos	Part Number	Description	Remark	Qty	Model
32	918 611 315 00	M8X16 Cable Fuse box Connection point		1	
33	918 611 335 01	Battery cable Junction		1	
34	000 998 020	Recycling box for lithium- ion battery Starter Battery Defect		1	

Model: 918

Model life 2015>>2015

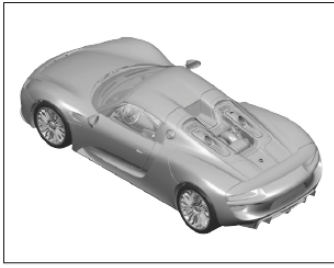


Model: 918 Model life 2015>>2015

Pos	Part Number	Description	Remark	Qty	Model
1	918 612 101 11	Wiring looms Passenger compartment and Sub-part Wire set		1	PR:-474,-553
1	918 612 102 11	Passenger compartment Wire set		1	PR:474,-553
2	999 015 026 A1	Passenger compartment fillister hd. bolt M6 X 16		2	
3	999 507 557 40	Spreader rivet 7,6 X 12,3		2	
4	918 610 115 00	Cover Wire set		1	
5	918 612 551 10	Firewall Wire set dashboard		1	PR:-517,-553
(5)	918 612 552 10	Wire set dashboard		1	PR:517,-553
6	918 611 341 00	Ground distributor	front	1	
7	900 377 009 01	Hexagon nut M5		2	
8	918 612 850 10	Wire set Underbody		1	
9	918 611 043 00	Earth line Firewall		1	
10	918 611 063 01	Earth line Firewall	left front	1	
11	918 611 053 00	Earth line Firewall	right front	1	
12	3D0 971 254	domed cap nut M10		X	
13	918 610 127 00	Retaining frame Connection point Passenger compartment	left	1	
(13)	918 610 128 00	Retaining frame Connection point Passenger compartment	right	1	
14	918 610 453 00	Seal Wire set Passenger compartment Monocoque		1	

Model: 918

Model life 2015>>2015



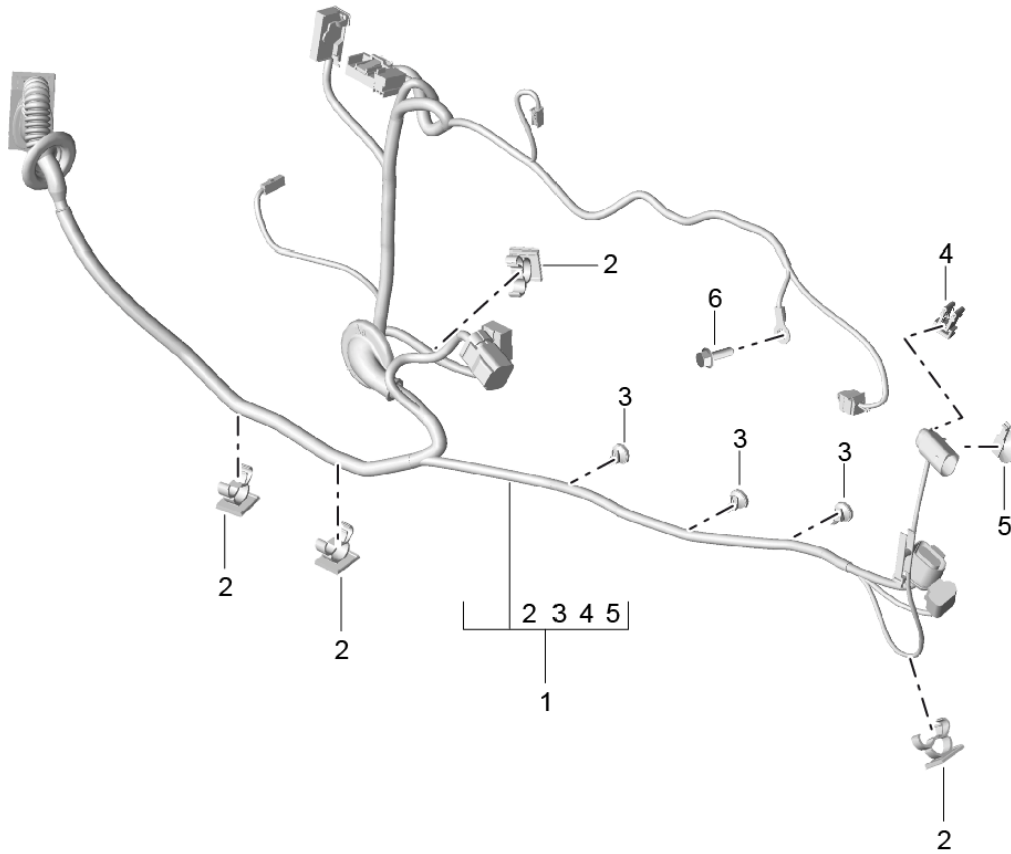
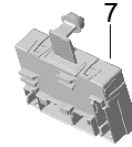
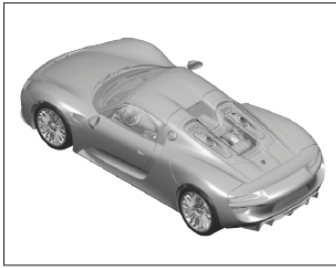
Model: 918

Model life 2015>>2015

Pos	Part Number	Description	Remark	Qty	Model
		Wiring looms bumper FRONT luggage compartment Bonnet Front axle			
1	918 612 590 10	Wire set bumper	front	1	PR:607,608
(1)	918 612 591 10	Wire set bumper	front	1	PR:-607,-608
-	3D0 971 497 D	cable tie with terminal socket		X	
2	95B 965 501 B	Servomotor Disc pack		2	
3	999 919 118 09	fillister hd. bolt 4,0X14		6	
4	918 609 131 00	Wire set Front axle		2	
5	918 612 831 10	Wire set Steering gear		1	
6	918 610 141 00	Bracket Wire set Front end	left	1	
(6)	918 610 142 00	Bracket Wire set Front end	right	1	

Model: 918

Model life 2015>>2015



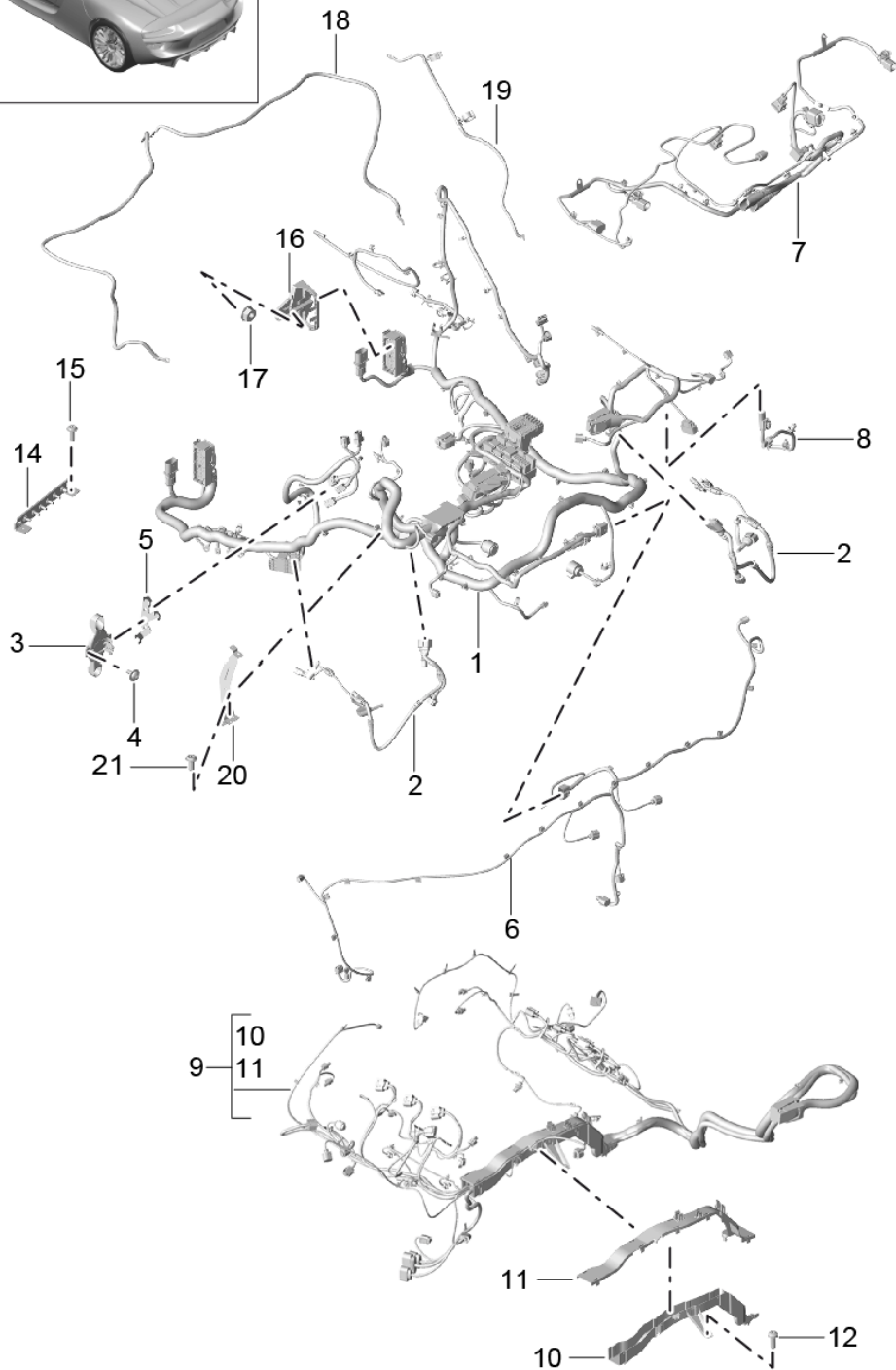
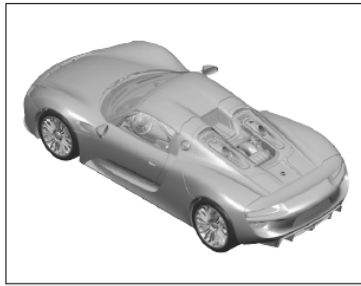
Model: 918

Model life 2015>>2015

Pos	Part Number	Description	Remark	Qty	Model
1	918 612 601 10	Wiring looms Driver's door Passenger's door Wire set Door (drivers side)		1	
(1)	918 612 602 10	Wire set Door (passenger side)		1	
2	7L5 807 448	Cable holder		5	
6	N 106 533 01	Hex collared bolt M6 X 20		1	
7	4H0 959 793 AC	Door control unit (drivers side)		1	
(7)	4H0 959 792 S	Door control unit (passenger side)		1	

Model: 918

Model life 2015>>2015



Model: 918 Model life 2015>>2015

Pos	Part Number	Description	Remark	Qty	Model
		Wiring looms			
		Rear end			
		roof trim			
		Rear lid			
		anti-locking brake syst. -abs-			
		brake pad wear display			
		Rear axle			
1	918 612 801 11	Wire set		1	PR:-664
		Rear end			
(1)	918 612 802 11	Wire set		1	PR:074,664
		Rear end			
2	918 609 133 00	Wire set		2	
		Rear axle			
3	981 610 135 00	Cover		2	
		Connection point			
		Rear axle			
4	999 073 331 09	Bolt with washer		2	
		M6X16			
5	918 609 409 00	Bracket	left	1	
		Connection point			
		Wire set			
		Rear axle			
(5)	918 609 410 00	Bracket	right	1	
		Connection point			
		Wire set			
		Rear axle			
6	918 612 895 10	Wire set	rear	1	PR:-553
		bumper			
7	918 612 894 00	Wire set	rear	1	
		Spoiler			
8	918 612 892 00	Wire set	rear	1	
		throttle control element			
9	918 607 003 04	Wire set		1	
		Engine			
10	918 607 307 00	Cable guide		1	
		Crankcase housing			
11	918 607 309 00	Cover		1	
		Cable guide			
12	999 073 103 01	flat round head bolt		3	
		M6 X 16			
14	918 611 341 00	Ground distributor	rear	2	
15	999 015 026 A1	fillister hd. bolt		X	
		M6X16			
16	918 610 123 01	Bracket		2	
		Connection point			
17	900 377 018 01	Hexagon nut		4	
		M6			
18	918 611 033 00	Earth line	rear	1	
		Body			
19	918 611 353 00	Earth line		1	
		Charger			
20	918 610 251 01	Bracket	left	1	
		Wire set			
21	999 015 025 A1	fillister hd. bolt		2	
		M6X12			
22	918 610 501 00	Locking mechanism		2	
		Bayonet catch			
		- PDK -			
		Black			
23	918 610 503 00	Locking mechanism		1	
		Bayonet catch			
		- PDK -			
		white			

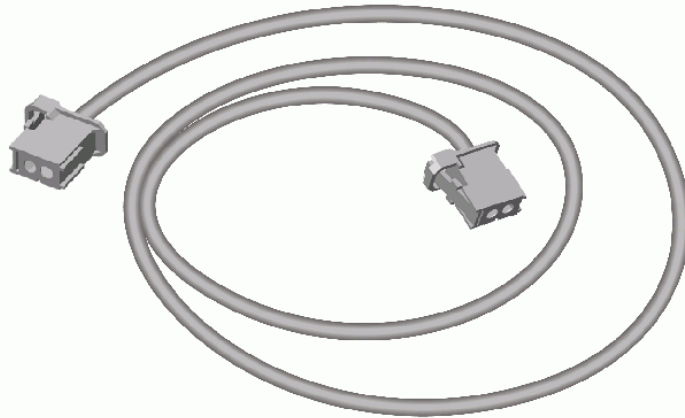
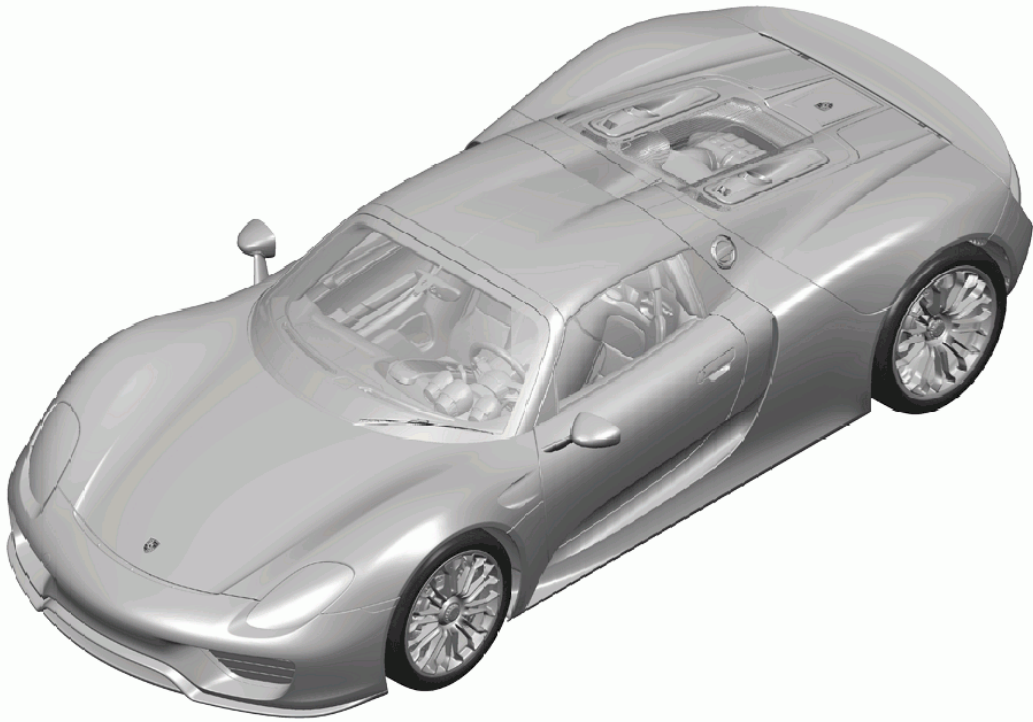
Model: 918

Model life 2015>>2015

Pos	Part Number	Description	Remark	Qty	Model
24	918 610 505 00	Seal Plug socket - PDK -		3	
25	999 915 599 41	Securing liquid Bayonet catch - PDK -		1	

Model: 918

Model life 2015>>2015

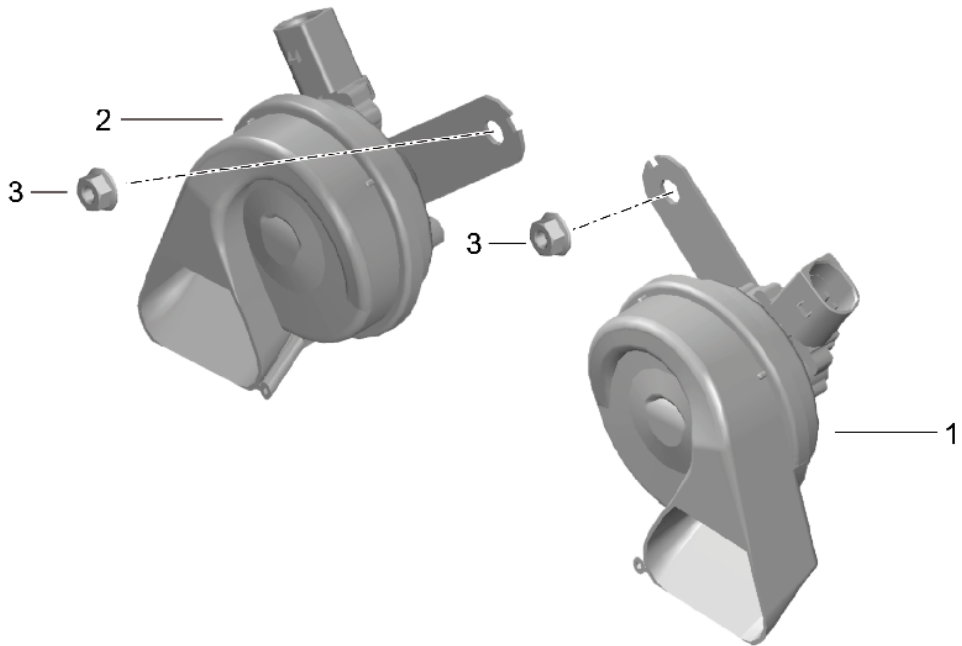
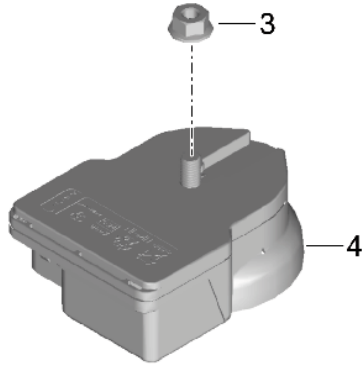
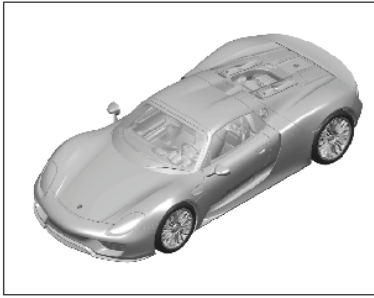


Model: 918 Model life 2015>>2015

Pos	Part Number	Description	Remark	Qty	Model
-	918 612 082 00	Wiring looms Airbag Seat belt Wire set Airbag unit (passenger side) Setting 1 To Connection point dashboard Connector Light green		1	
-	918 612 083 00	Wire set Airbag unit (passenger side) Setting2 To Connection point dashboard Connector yellow		1	
-	918 612 090 00	Wire set Head airbag unit (drivers side)		1	
-	918 612 091 00	Wire set Head airbag unit (passenger side)		1	
-	918 612 084 00	Wire set Seat belt tensioner (drivers side) To Control unit Airbag Connector yellow		1	
-	918 612 085 00	Wire set Seat belt tensioner (passenger side) To Control unit Airbag Connector yellow		1	

Model: 918

Model life 2015>>2015



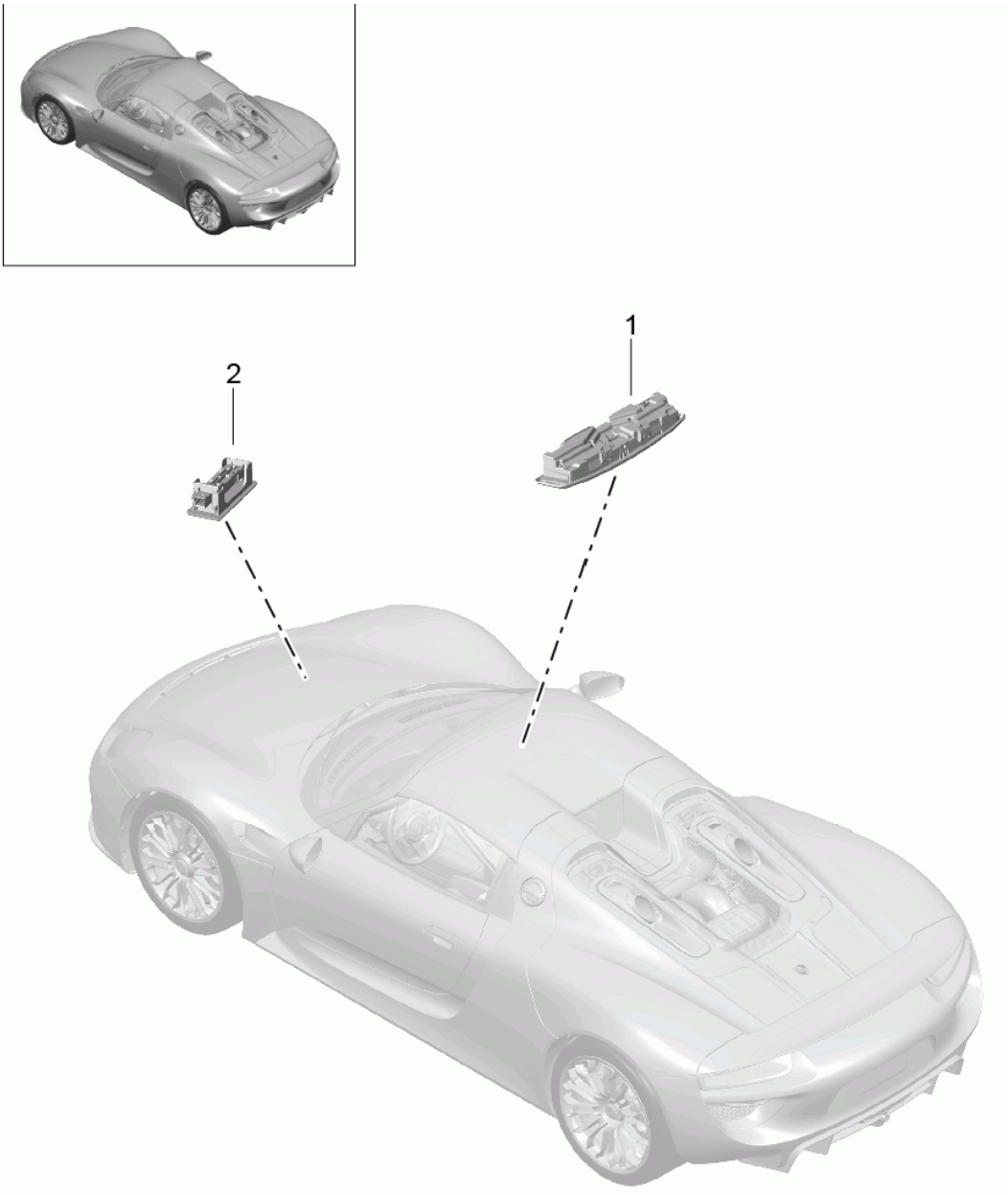
Model: 918

Model life 2015>>2015

Pos	Part Number	Description	Remark	Qty	Model
1	918 635 149 00	Fanfare Signal horn alarm system		1	
2	918 635 150 00	Fanfare Low-pitched		1	
3	N 106 092 04	Fanfare High-pitched		X	
4	1K8 951 605 B	Hexagon collar nut M 8 Alarm horn		1	PR:536

Model: 918

Model life 2015>>2015



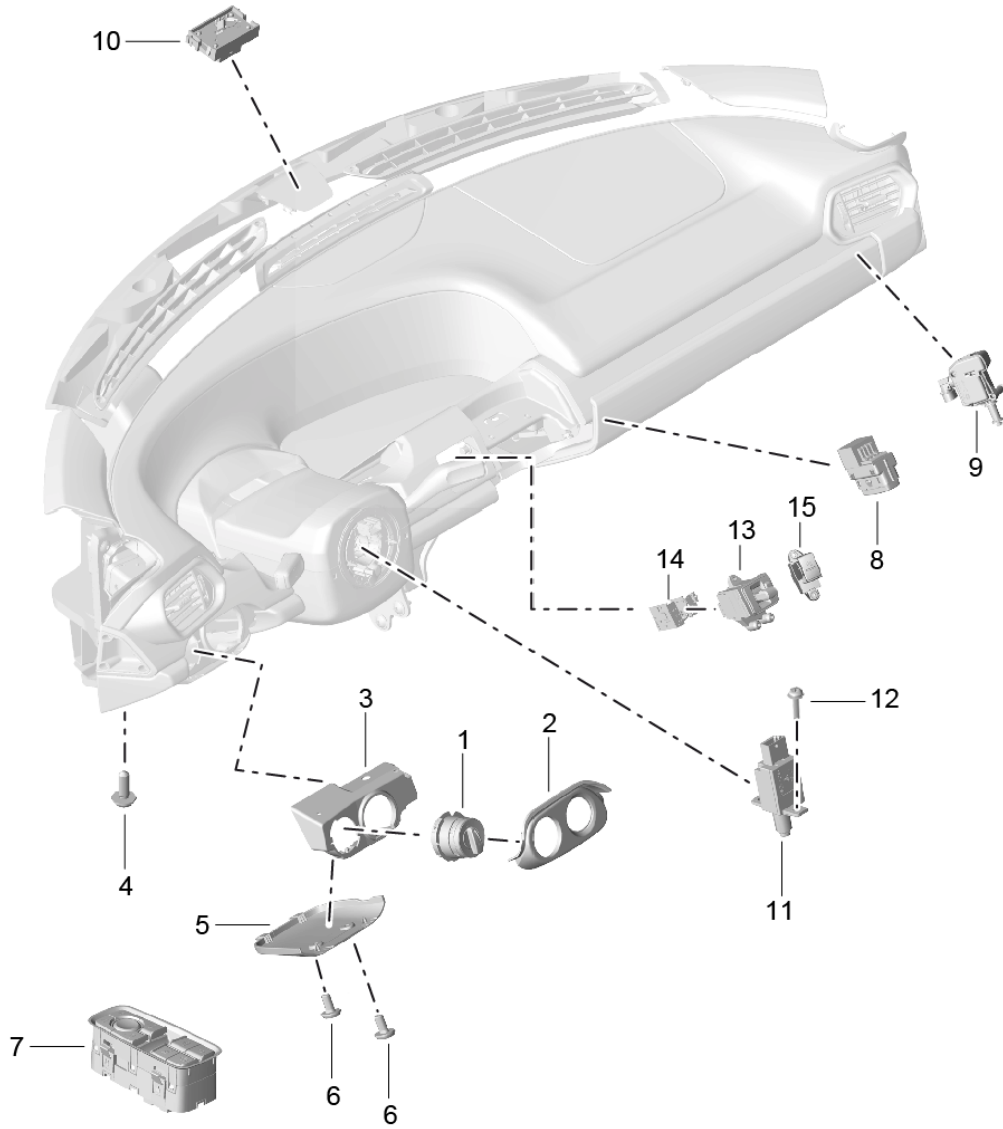
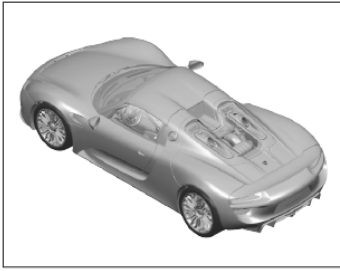
Model: 918

Model life 2015>>2015

Pos	Part Number	Description	Remark	Qty	Model
1	918 613 501 00	Interior lights			
		Luggage compartment lamp			
	918 613 501 00 A05	Roof console		1	PR: -607,-608
		Matt black			
(1)	918 613 505 00	Roof console		1	PR: 607,608
	918 613 505 00 A05	Matt black			
2	991 632 137 00	Light		1	
		Included			
		LED module			
		Luggage compartment			

Model: 918

Model life 2015>>2015

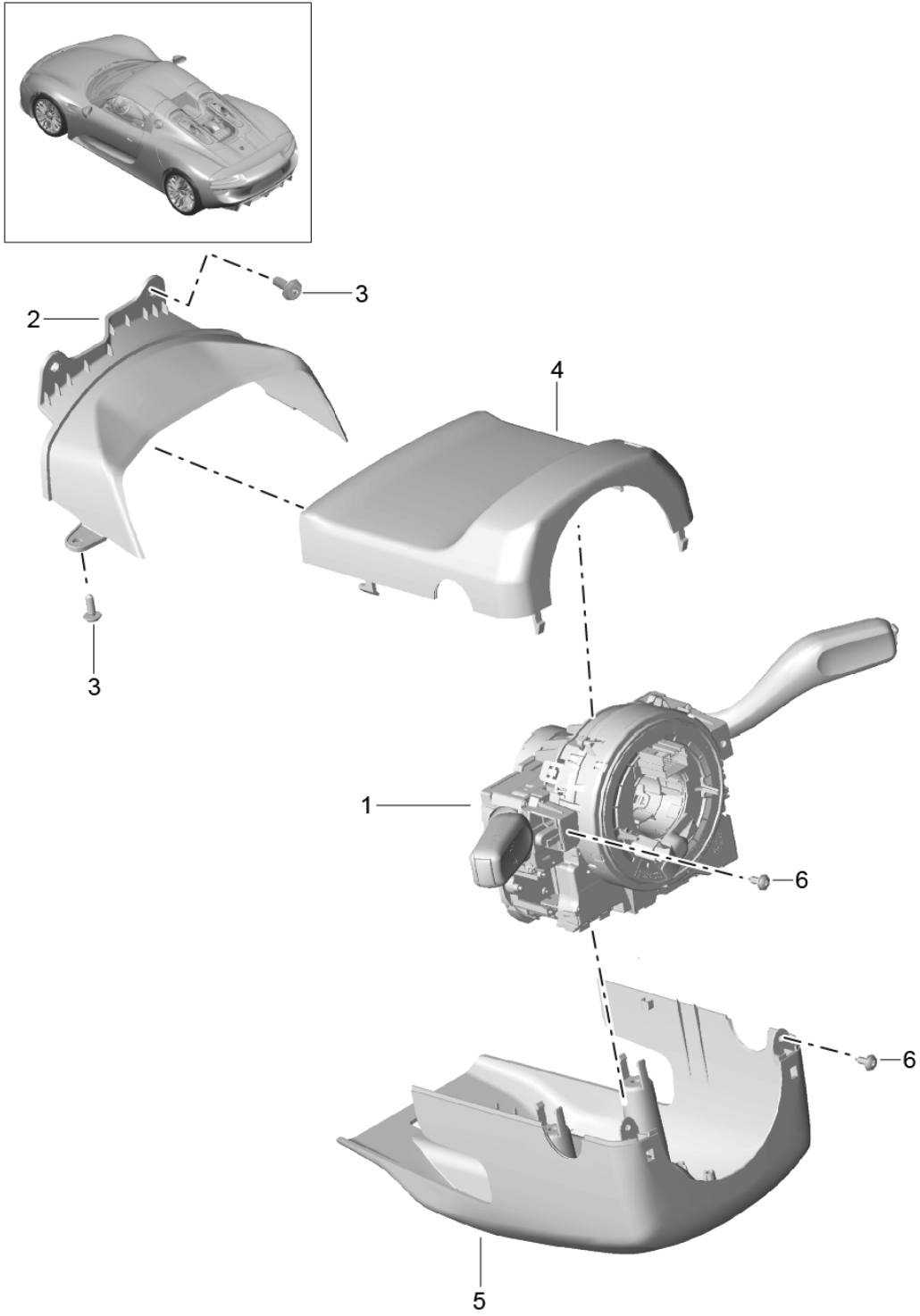


Model: 918 Model life 2015>>2015

Pos	Part Number	Description	Remark	Qty	Model
1	970 613 533 08	Switch switch for lighting		1	
	970 613 533 08 DML	Matt Black/hi-gloss chrome			
2	918 552 589 01	Rosette		1	
	918 552 589 01 5Q0	Black			
3	918 552 587 02	Support		1	
		Light switch			
4	999 073 499 01	fillister hd. bolt		3	
		M 5 X 14			
5	918 552 579 01	Cover		1	
		Light switch			
	918 552 579 01 5Q0	Black			
6	999 073 273 09	fillister hd. bolt		2	
		M 5 X 10			
7	918 613 157 00	Switch for electric	left	1	
		window regulator			
		Multi-function			
		(drivers side)			
	918 613 157 00 DML	Matt Black/hi-gloss chrome			
(8)	7PP 959 855 C	Switch for electric	right	1	
		window regulator			
		(passenger side)			
	7PP 959 855 C DML	Matt Black/hi-gloss chrome			
8	918 613 513 00	Tip switch		1	
		Glove box			
	918 613 513 00 5Q0	Black			
	918 613 513 00 OE1	Carrera Red			
	918 613 513 00 S92	Tarpan Brown			
9	918 624 212 00	throttle control element		1	
		Glove box			
10		Sensor		1	
		Air conditioning			
		see illustration:	901-003		
11	991 653 241 02	Temperature sensor	inner	1	
12	999 919 167 09	fillister hd. bolt		2	
		M3X10			
13		Selector knob		X	
		see illustration:	701-000		
15		Key		X	
		Parking brake			
		see illustration:	701-000		

Model: 918

Model life 2015>>2015



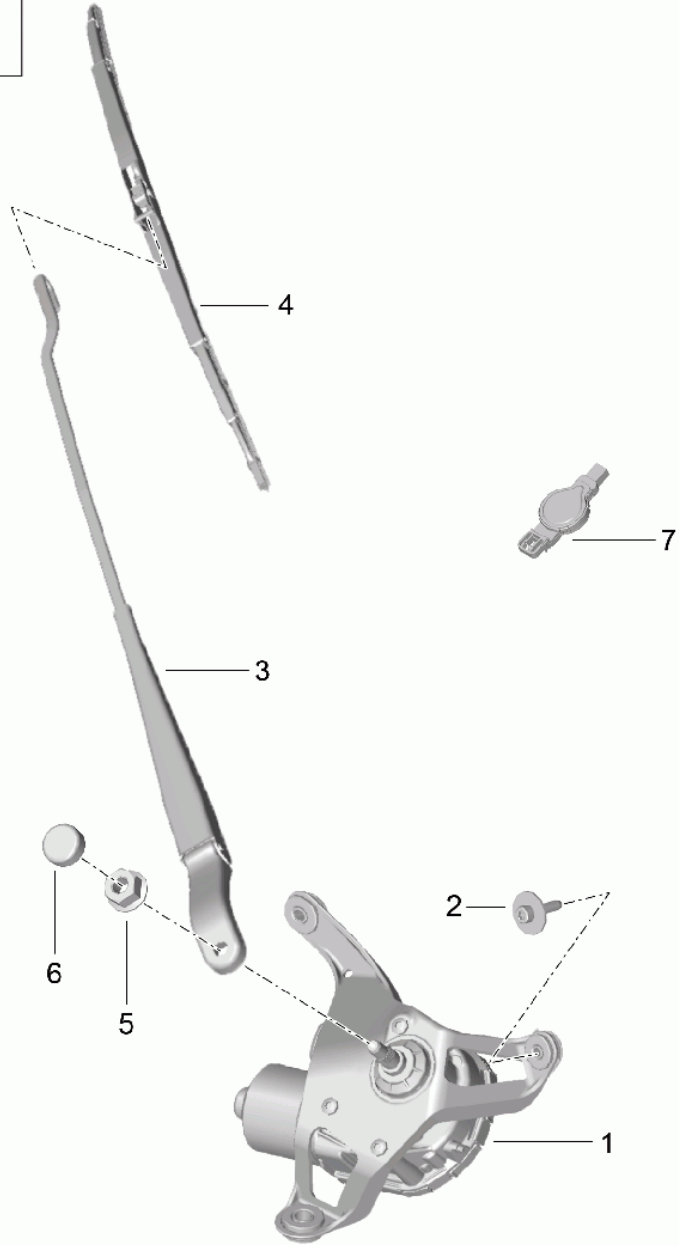
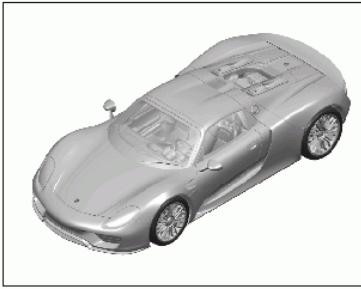
Model: 918

Model life 2015>>2015

Pos	Part Number	Description	Remark	Qty	Model
1	918 613 013 01	Steering column switch		1	
	918 613 013 01 1E0	Steering column switch			
2	918 552 371 02	Black		1	
	918 552 371 02 5Q0	Trim			
3	999 073 499 01	Steering column		4	
	918 552 473 03	Black			
4	918 552 473 03 5Q0	fillister hd. bolt		1	
	918 552 475 02	M 5 X 14	upper		
5	918 552 475 02 5Q0	Switch housing		1	
	918 552 475 02 5Q0	Black	lower		
6	999 073 155 09	panel screw		4	
		4,2 X 13			

Model: 918

Model life 2015>>2015



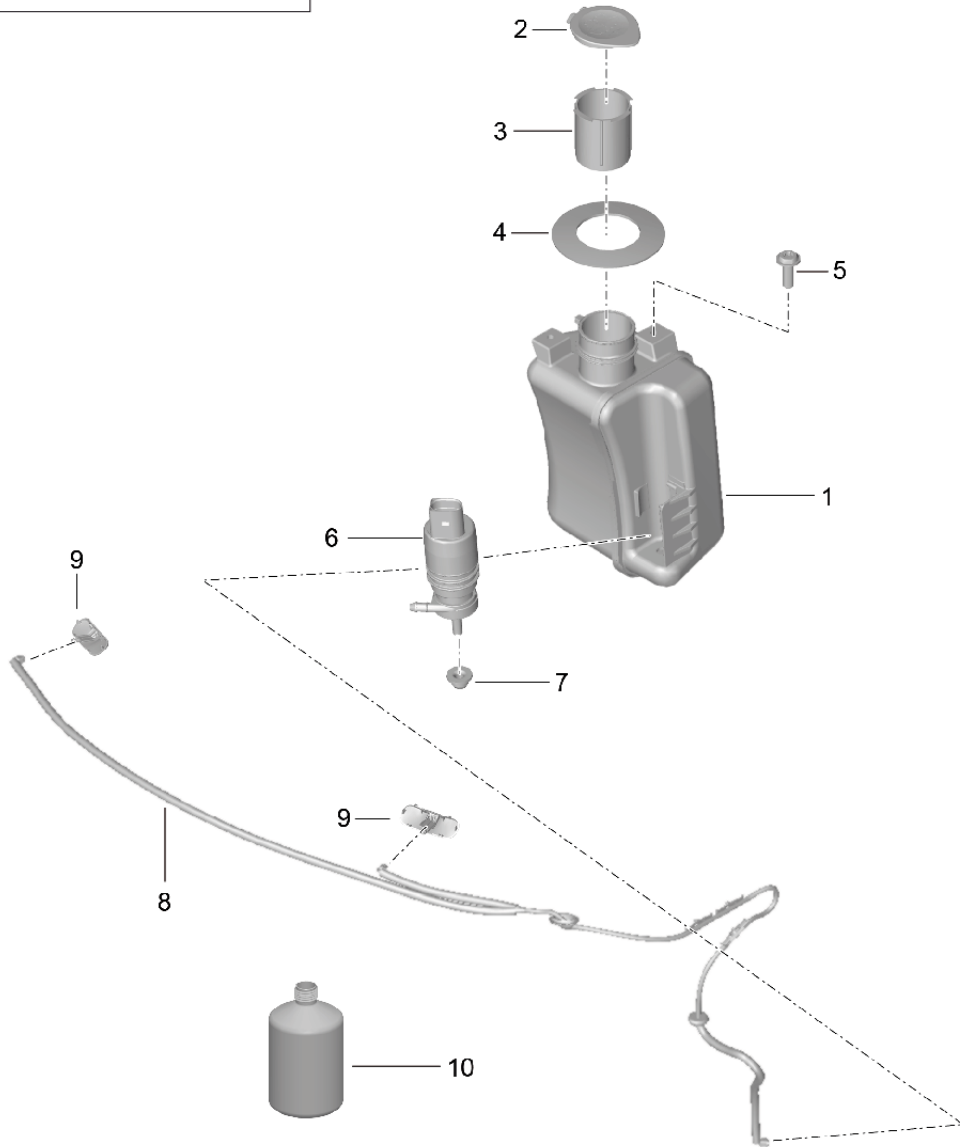
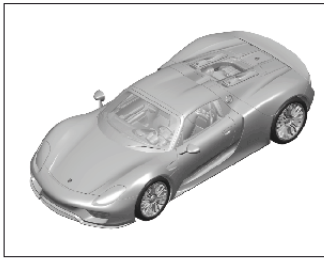
Model: 918

Model life 2015>>2015

Pos	Part Number	Description	Remark	Qty	Model
1	918 628 035 01	Windscreen wiper system, compl Wiper motor		1	
		with:			
2	900 387 017 02	Crank drive Bolt with washer M 6 X 25		3	
3	918 628 121 01	Wiper arm		1	
4	918 628 145 00	wiper blade	front	1	
5	N 102 613 07	Hexagon nut M 10		1	
6	955 628 305 02	cap for wiper arm		1	
7	991 615 108 01	Rain sensor		1	

Model: 918

Model life 2015>>2015



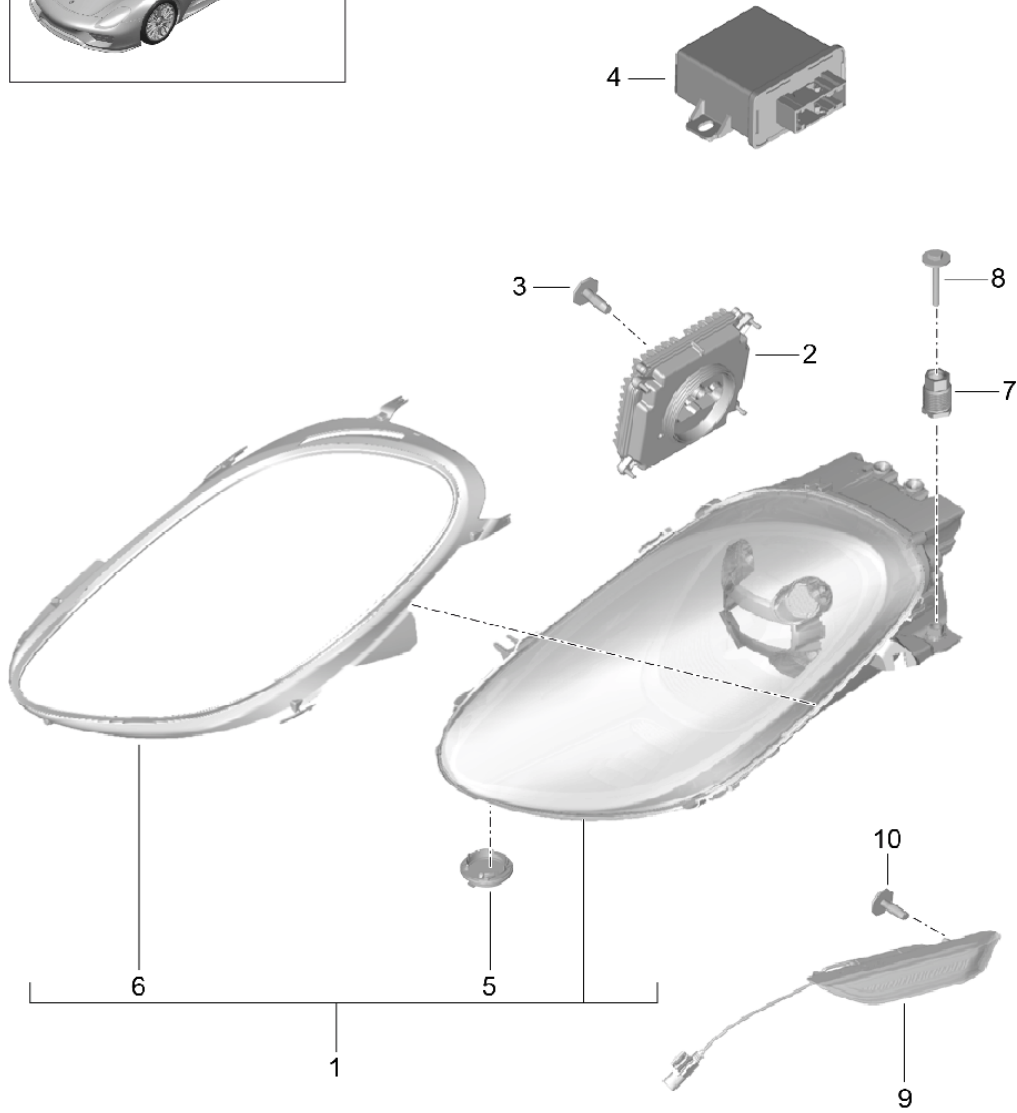
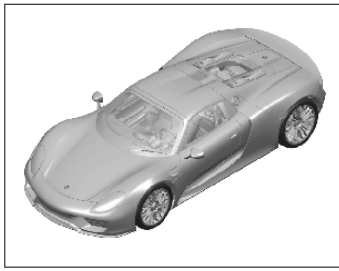
Model: 918

Model life 2015>>2015

Pos	Part Number	Description	Remark	Qty	Model
1	918 528 701 01	Windscreen washer system Water reservoir		1	
2	991 528 413 00	Cover		1	
3	4A0 955 485	strainer		1	
4	918 528 501 00	Gaiter		1	
5	999 015 026 A1	fillister hd. bolt M 6 X 16		3	
6	1K5 955 651	Windscreen washer system pump		1	
7	955 628 712 00	Seal		1	
8	918 628 211 01	Line (complete)		1	
9	918 628 073 00	jet (drivers side)		1	
(9)	918 628 074 00	jet (passenger side)		1	
10	999 901 017 42	Window cleaning solution 250 ML Summer		X	
(10)	999 901 033 40	Window cleaning solution 1000 ML Winter		X	

Model: 918

Model life 2015>>2015



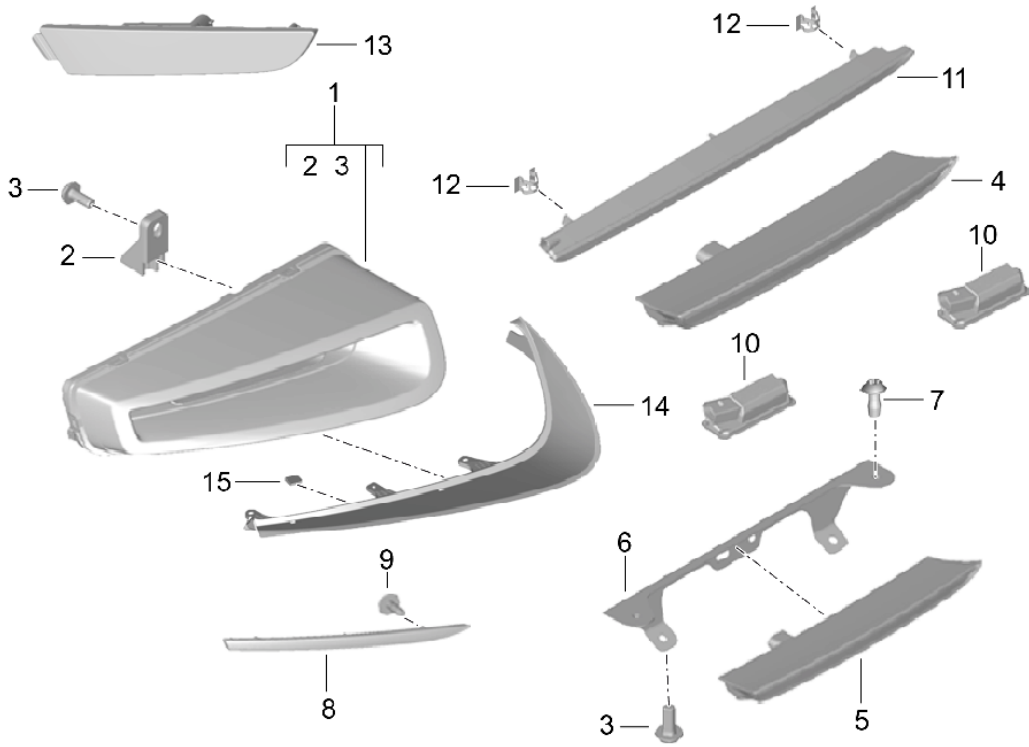
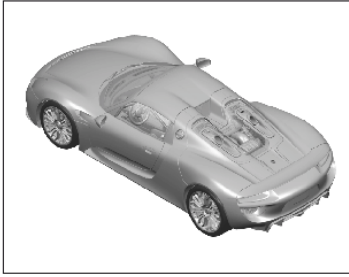
Model: 918

Model life 2015>>2015

Pos	Part Number	Description	Remark	Qty	Model
1	918 631 171 02	LED headlight Turn signal repeater LED headlight	left	1	PR:-492, -553,628
		with:			
1	918 631 173 02	Control unit LED headlight	left	1	PR:492,628
		with:			
(1)	918 631 172 02	Control unit LED headlight	right	1	PR:-492, -553,628
		with:			
(1)	918 631 174 02	Control unit LED headlight	right	1	PR:492,628
		with:			
2	7PP 941 472 G	Control unit Power module for dipped beam LED module		2	
3	999 919 159 09	fillister hd. bolt 4,0 X 12		8	
4	7PP 907 357 F	Control unit Headlight range control		2	
5	997 631 267 01	ventilation valve		2	
6	918 631 315 00	Seal LED headlight	left	2	
(6)	918 631 316 00	Seal LED headlight	right	2	
7	918 631 531 00	bush Mount Headlights		6	
8	900 075 504 01	Bolt with washer M 6 X 45		6	
9	918 631 155 00	Turn signal repeater	left	1	PR:-553
(9)	918 631 156 00	Turn signal repeater	right	1	PR:-553
10	N 909 187 02	Hexagon socket head panel bolt		2	

Model: 918

Model life 2015>>2015



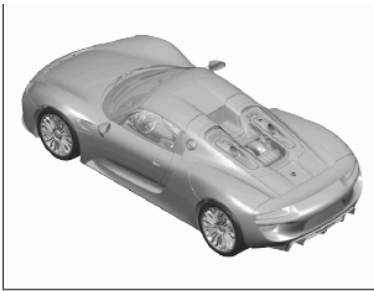
Model: 918

Model life 2015>>2015

Pos	Part Number	Description	Remark	Qty	Model
		Rear light			
		Licence plate light			
		Additional brake light			
1	918 631 141 01	Rear light	left	1	PR:-553
1	918 631 142 01	Rear light	right	1	PR:-553
2	918 631 431 00	Securing bracket		2	
		Rear light			
3	999 073 268 A2	fillister hd. bolt		6	
		M 5 X 12			
5	981 631 467 02	Rear fog light		1	PR:-553
7	N 106 839 01	Oval socket head bolt		2	
		with hex drive			
		TP 6 X 12			
8	918 631 495 00	rear light reflector	left	1	
(8)	918 631 496 00	rear light reflector	right	1	
9	N 909 187 02	Hexagon socket head panel bolt		X	
		TP 4 X 12			
10	1K8 943 021 C	LED licence plate light		2	
11	991 631 181 03	Additional brake light		1	
12	999 507 533 02	Clamp		4	
14	918 631 201 02	Trim	left	1	
		Rear light			
(14)	918 631 202 02	Trim	right	1	
		Rear light			
15	997 631 585 00	Stop buffer		2	

Model: 918

Model life 2015>>2015



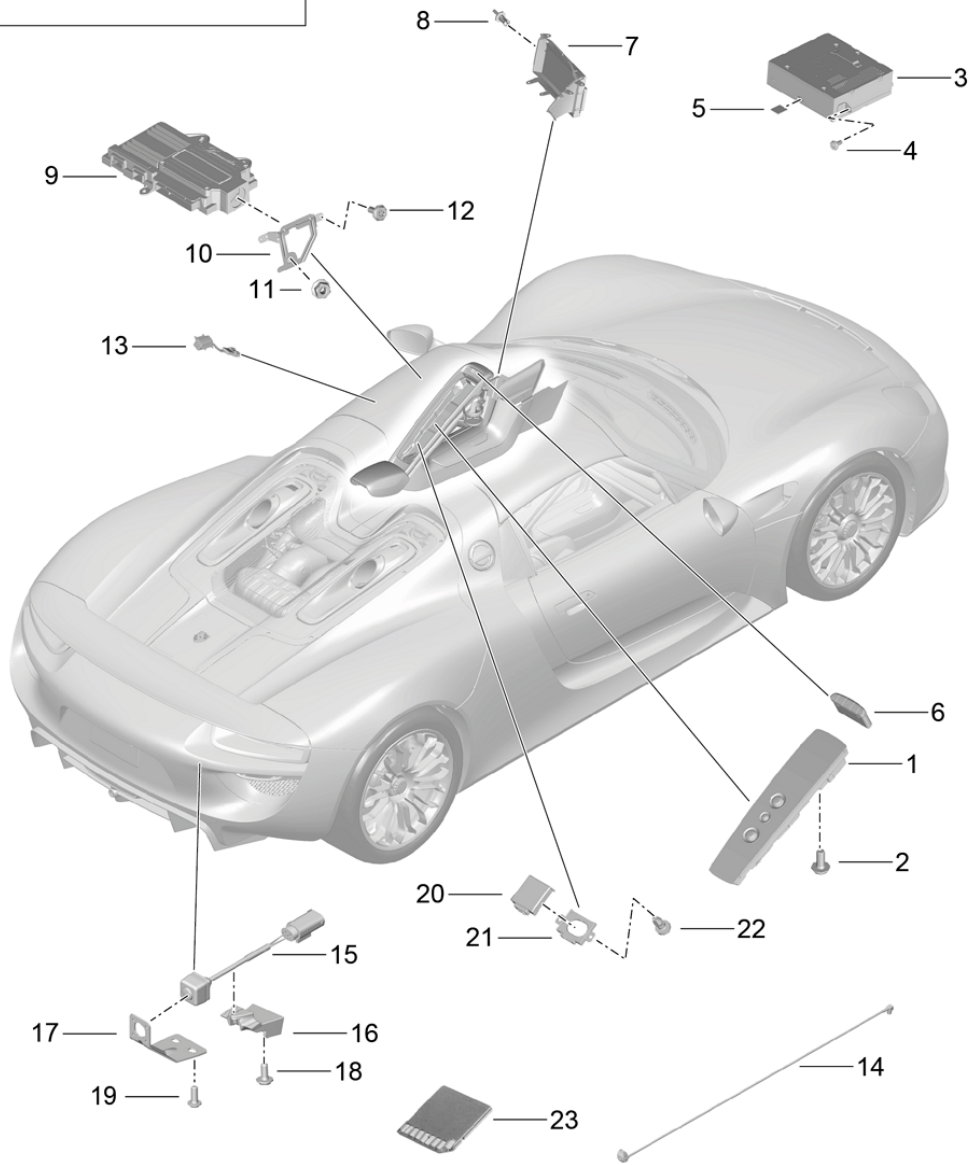
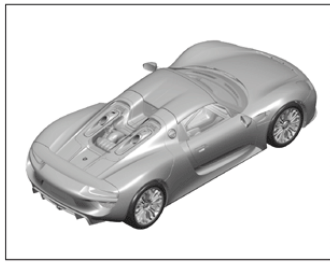
Model: 918

Model life 2015>>2015

Pos	Part Number	Description	Remark	Qty	Model
1	918 641 103 10	Instruments (complete) Combi-instrument (complete)		1	PR:-484,-506
	918 641 103 10 SPO	Matt black/matt silk smoke chrome			
(1)	918 641 103 11	Combi-instrument (complete)		1	PR:506,-484
	918 641 103 11 A05	Matt black			
2	999 073 499 01	fillister hd. bolt M 5 X 14		4	

Model: 918

Model life 2015>>2015



Model: 918

Model life 2015>>2015

Pos	Part Number	Description	Remark	Qty	Model
1	918 613 110 01	Radio unit Navigation system Telephone Control panel		1	
1	918 613 110 X	Radio unit Navigation system Control panel		1	
3	918 642 170 04	Radio unit Navigation system Computer		1	
(3)	918 642 170 05	Receiving part Displays Discontinued part Computer		1	
(3)	918 642 172 01	Receiving part Displays Computer		1	PR:075
(3)	918 642 172 02	Displays Discontinued part Computer		1	PR:075
(3)	918 642 171 04	Displays Computer		1	PR:072
(3)	918 642 171 05	Displays Discontinued part Computer		1	PR:072
4	999 073 499 01	fillister hd. bolt M5 X 14		2	
5	918 642 321 01	Storage medium Navigation system		1	PR:072
(5)	918 642 322 01	Storage medium Navigation system		1	
(5)	918 642 322 02	No longer use the part here Storage medium Navigation system		1	
(5)	918 642 323 01	Storage medium Navigation system		1	PR:074,215
(5)	918 642 323 02	No longer use the part here Storage medium Navigation system		1	PR:074,215
(5)	918 642 324 01	Storage medium Navigation system		1	PR:075
6	918 613 121 01	Control panel with pushbuttons Centre console		1	PR:-474
(6)	918 613 121 01 U04	Aluminium, brushed			
(6)	918 613 123 01	Control panel with pushbuttons Centre console		1	PR:474
7	918 613 123 01 U04	Aluminium, brushed			
7	918 641 205 02	display		1	
8	999 507 360 40	Radio unit Spreader rivet 4,2 X 8,5		3	
9	918 645 201 00	Amplifiers		1	
10	918 645 301 00	Holder for amplifier		1	
11	N 015 082 10	Hexagon collar nut M6		3	
12	999 073 268 A2	fillister hd. bolt M 5 X 12		3	
13	991 646 313 02	microphone		1	
14	918 642 121 00	Telephone Connection cable USB		2	PR:870
15	918 642 733 01	Control unit for		1	

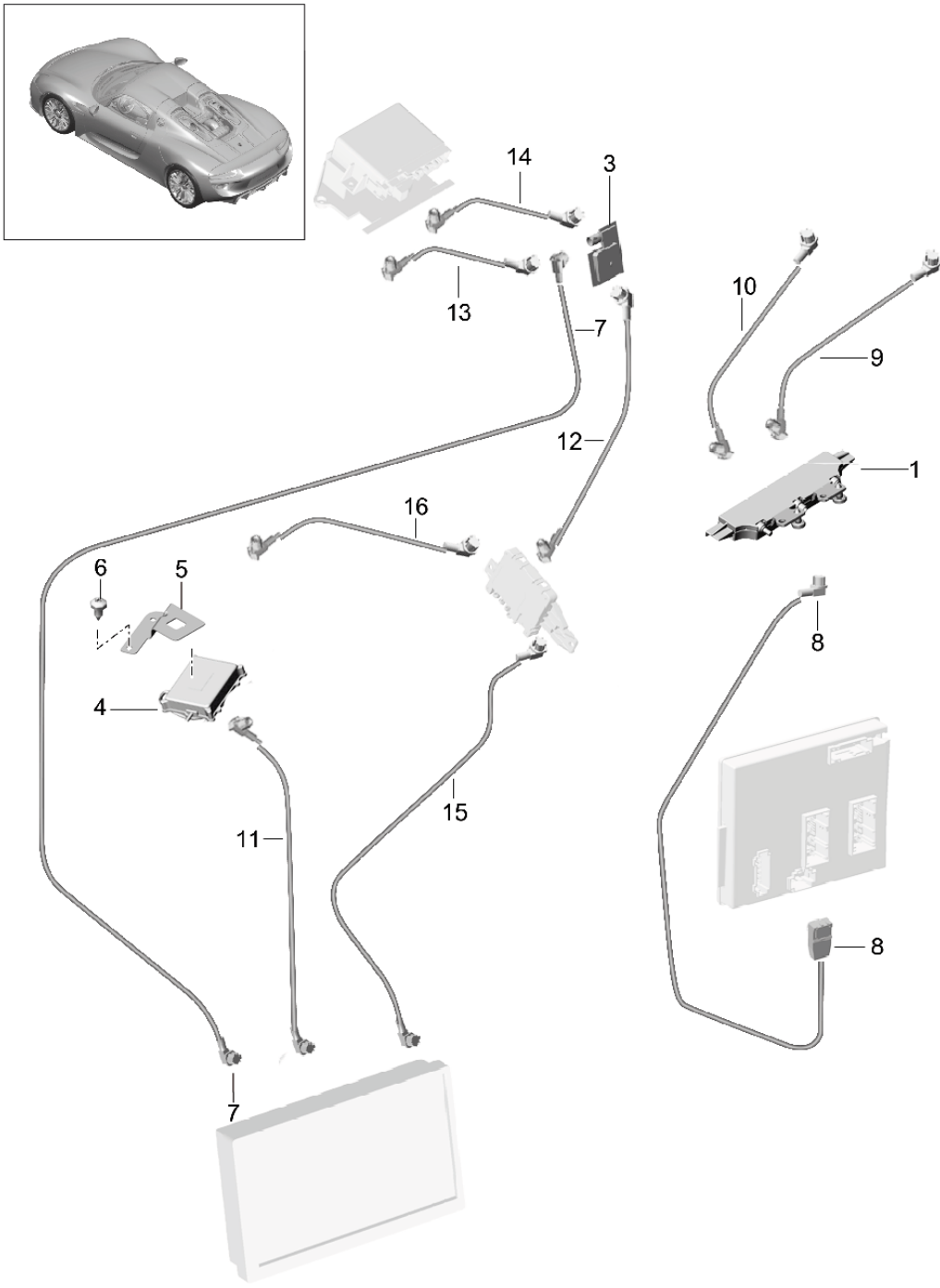
Model: 918

Model life 2015>>2015

Pos	Part Number	Description	Remark	Qty	Model
16	918 642 433 00	reversing camera system Cover for control unit		1	
17	918 642 401 00	Reversing camera Bracket		1	
18	999 015 025 A2	Reversing camera Oval-head screw		2	
19	999 015 026 A1	M 6 X 12 fillister hd. bolt		2	
20	918 618 209 00	M 6 X 16 Sensor for interior monitoring		1	PR:543
(20)	991 618 209 01	Sensor for interior monitoring		1	PR:193,534
21	918 618 211 00	Bracket Sensor Interior monitoring		1	
22	4D0 863 788	Spreader rivet		2	
23	918 642 901 00	Storage medium Software see Technical information		1	- "CN. "
(23)	918 642 902 00	61/14 Storage medium Software		1	"CN. "

Model: 918

Model life 2015>>2015



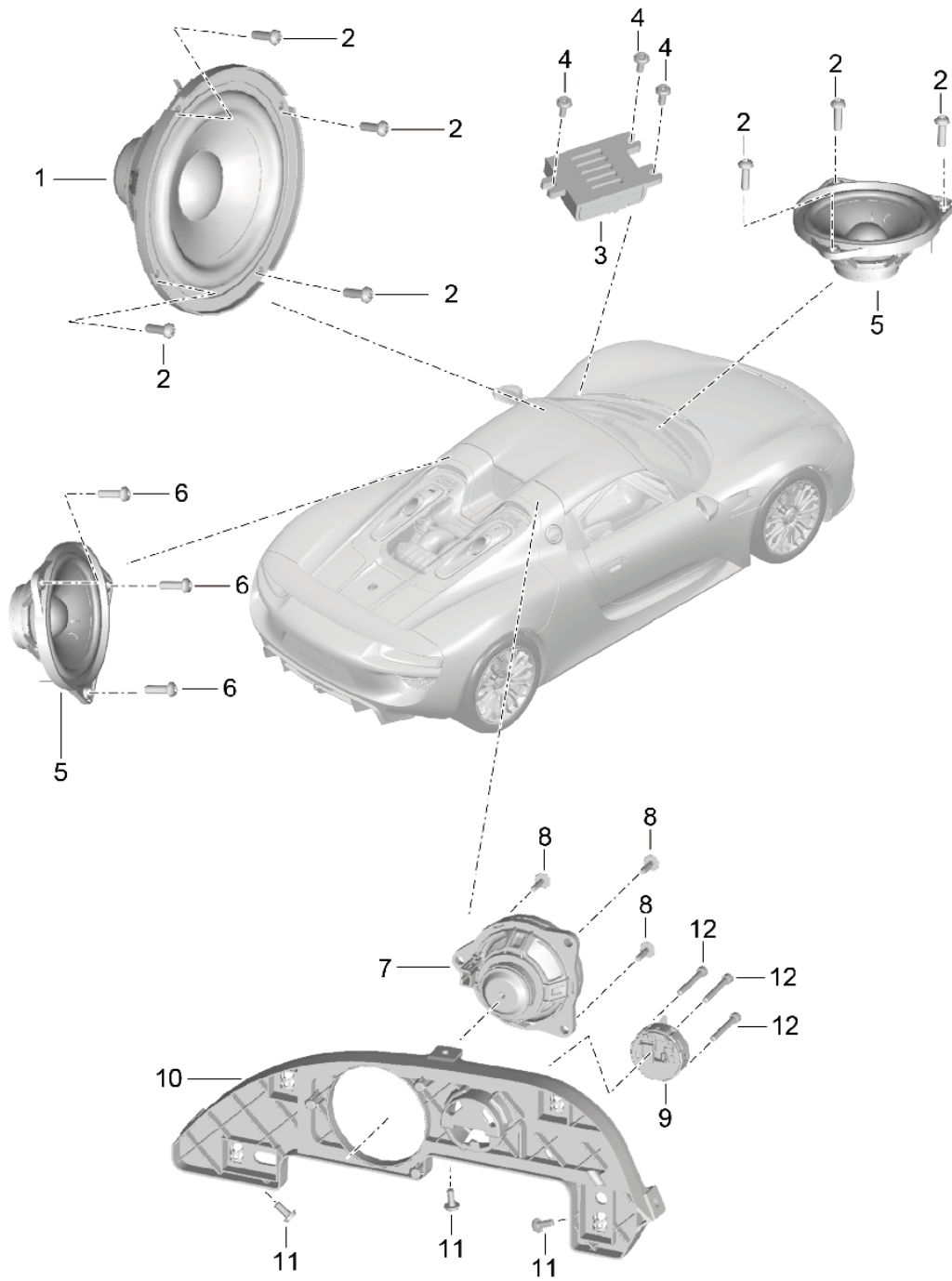
Model: 918

Model life 2015>>2015

Pos	Part Number	Description	Remark	Qty	Model
1	918 647 106 00	Aerial amplifier Aerial Connecting line Aerial amplifier Radio unit Basic		1	
(1)	918 647 127 00	Aerial amplifier Radio unit Digital		1	PR:691
3	7PP 035 504 A	Aerial GPS Telephone		1	
(3)	918 647 053 00	Telephone aerial GPS		1	PR:7G9,7I2
(3)	991 647 063 01	Telephone aerial GSM		1	PR:7G9,7I2
6	N 106 571 01	oval head panel screw 3 X 13		4	PR:690,7G9, 7I2
7	918 612 022 00	Aerial connection line GPS To Control panel Navigation system		1	PR:672
8	918 612 013 00	Connecting line Control unit Electronics Front end To Aerial amplifier Connecting line Aerial amplifier	lhd	1	PR:098
9	918 612 014 00	Connecting line Aerial amplifier		1	PR:681
10	918 612 073 00	Connecting line Aerial amplifier Digital		1	PR:691
11	918 612 021 00	Aerial connection line To Control panel Navigation system		1	
12	918 612 036 00	Aerial connection line Control unit VTS vehicle tracking		1	PR:7G5,7G9
13	918 612 037 00	Aerial connection line Control unit VTS vehicle tracking GPS		1	PR:674
14	918 612 038 00	Aerial connection line Control unit VTS vehicle tracking GSM		1	PR:674
15	918 612 040 00	Connecting line Control unit To Control panel		1	
16	918 612 041 00	Connecting line Control unit To display dashboard		1	PR:681
-	958 647 432 20	Bracket Single pole Connection point		1	

Model: 918

Model life 2015>>2015



Model: 918

Model life 2015>>2015

Pos	Part Number	Description	Remark	Qty	Model
		Loudspeaker			PR:681
1	918 645 115 00	Bass loudspeaker		2	
2	N 104 301 04	Hexagon socket flat head bolt M 5 X 16		8	
3	7PP 035 411 E	Treble speaker		2	
4	999 073 499 01	fillister hd. bolt M5 X 14		6	
5	7PP 035 415 G	Mid tone speaker		3	
6	999 073 155 09	panel screw ST 4,2X13		3	
7	7PP 035 416 C	Loudspeaker		2	
8	N 907 321 03	Hexagon socket oval head bolt		6	
9	7PP 035 412 A	Treble speaker		2	
10	918 645 405 02	Retaining bar	left	1	
(10)	918 645 406 02	Retaining bar	right	1	
11	999 073 268 A2	fillister hd. bolt M 5 X 12		6	
12	900 067 438 01	Socket head bolt M4 X 30		6	