

Model: 928 87**Model life 1987>>1991**

ORDER-INFO

THIS PARTS CATALOGUE CONTAINS ALL ORDER INFORMATION OF
TYPE 928 FROM MODEL YEAR 1987 TO MODEL YEAR 1991

IT IS AVAILABLE IN TWO EDITIONS IN THE FOLLOWING LANGUAGES:

EDITION

USA, CANADA - *

EDITION

ALL OTHER COUNTRIES - GERMAN

* - ENGLISH

- FRENCH

- ITALIAN

- SPANISH

UPDATING IS BEING PERFORMED BY CHANGING OF UPDATE.

THE EDITION CAN BE RECOGNIZED BY THE CURRENT NO.
YEAR IN THE BOTTOM LINE OF SUBJECT UPDATE.

THE PREVIOUS UPDATE SHOULD NO LONGER BE USED.

ALL ILLUSTRATIONS ARE SUBJECT TO CHANGE WITHOUT OBLIGATION.

Model: 928 87

Model life 1987>>1991

EXPLANAT.- VIN

EXPLANATION OF THE ABRIDGED VERSION OF THE VEHICLE IDENT. NUMBERS (VIN)
 =====
 USED IN THE CATALOGUE
 =====

DIGIT: 1 2 3 4 5 6 7 8 9 10 11 12 13 14 15 16 17

EXAMPLE: W P O Z Z Z 9 2 Z K S 8 4 0 1 2 5

 === = = = =====

 ! ! ! ! !

VEHICLE TYPE 1ST+2ND DIGIT-----+ ! ! ! !

 ! ! ! !

MODEL YEAR-----+ ! ! !

 ! ! !

MANUFACTURING LOCATION-----+ ! !

 ! !

VEHICLE TYPE 3RD DIGIT-----+ !

 !

SERIAL NUMBER-----+ !

Model: 928 87

Model life 1987>>1991

SUMMARY TYPES

VEHICLE TYPE	MY	VIN	ENGINE TYPE
928 S4	87 H	92HS8 40001>45000	M28.41/42, 235 KW
928 S4 (J)	87 H	92HS8 49501>49999	M28.42, 235 KW
928 S4 (USA)(CDN)	87 H	92HS8 60001>65000	M28.41/42, 235 KW
928 S4	88 J	92JS8 40001>45000	M28.41/42, 235 KW
928 CS M637	88 J	92JS8 45001>46000	M28.41, 235 KW
928 S4 (J)	88 J	92JS8 49501>49999	M28.42, 235 KW
928 S4 (USA)(CDN)	88 J	92JS8 60001>65000	M28.41/42, 235 KW
928 CS M637 (USA)(CDN)	88 J	92JS8 65001>66000	M28.41, 235 KW
928 S4/CS	89 K	92KS8 40001>45000	M28.41/42, 235 KW
928 GT	89 K	92KS8 40001>45000	M28.47, 243 KW
928 S4/CS (USA)(CDN)	89 K	92KS8 60001>65000	M28.41/42, 235 KW
928 GT (USA)(CDN)	89 K	92KS8 60001>65000	M28.47, 243 KW
928 S4	90 L	92LS8 40001>49500	M28.42, 235 KW
928 GT	90 L	92LS8 40001>49500	M28.47, 243 KW
928 S4 (USA)(CDN)	90 L	92LS8 60001>69500	M28.42, 235 KW
928 GT (USA)(CDN)	90 L	92LS8 60001>69500	M28.47, 243 KW
928 S4	91 M	92MS8 00001>05000	M28.42, 235 KW
928 GT	91 M	92MS8 00001>05000	M28.47, 243 KW
928 S4 (USA)(CDN)	91 M	92MS8 10001>15000	M28.42, 235 KW
928 GT (USA)(CDN)	91 M	92MS8 10001>15000	M28.47, 243 KW

Model: 928 87

Model life 1987>>1991

EXPL. ENGINE-NO.

EXPLANATION OF THE MOTOR-NUMBERS USED IN THE CATALOGUE

=====

DIGIT:	1 2 3	4 5 6 7 8
EXAMPLE:	8 1 L	0 0 1 3 6
	= = =	=====
	! ! !	!
ENGINE TYPE (8 = 8-CYL.-ENGINE)-----+	! !	!
	! !	!
ENGINE VERSION-----+	!	!
	!	!
MODEL YEAR-----+		!
		!
SERIAL NUMBER-----+		!

Model: 928 87

Model life 1987>>1991

SUMMARY ENGINES

VEHICLE TYPE	ENGINE		ENGINE NO.	TECHNICAL DATA
	TYPE	MY		
928 S4	M28.41	87 H	81H 00001>05000	8CYL/5L/235KW
928 S4 M249	M28.42	87 H	81H 05001>10000	8CYL/5L/235KW
928 S4/CS M637	M28.41	88 J	81J 00001>05000	8CYL/5L/235KW
928 S4 M249	M28.42	88 J	81J 05001>10000	8CYL/5L/235KW
928 S4/CS M637	M28.41	89 K	81K 00001>05000	8CYL/5L/235KW
928 S4 M249	M28.42	89 K	81K 05001>10000	8CYL/5L/235KW
928 GT	M28.47	89 K	85K 00061>50000	8CYL/5L/243KW
928 S4	M28.42	90 L	81L 50001>60000	8CYL/5L/235KW
928 GT	M28.47	90 L	85L 00061>50000	8CYL/5L/243KW
928 S4	M28.42	91 M	81M 50001>60000	8CYL/5L/235KW
928 GT	M28.47	91 M	85M 00001>50000	8CYL/5L/243KW

Model: 928 87

Model life 1987>>1991

EXPL. TRANSMISS.

EXPLANATION OF THE TRANSMISSION-NUMBERS USED IN THE CATALOGUE >>MOD.87

=====

DIGIT: 1 2 3 4 5 6 7 8

EXAMPLE: 1 1 H 0 6 8 4 5

= = = =====

! ! ! !

TRANSMISSION TYPE-----+ ! ! !

! ! !

TRANSMISSION VERSION-----+ ! !

! !

MODEL YEAR-----+ !

!

SERIAL NUMBER-----+

EXPLANATION OF THE TRANSMISSION-NUMBERS USED IN THE CATALOGUE MOD.88>>

=====

DIGIT: 1 2 3 4 5 6 7 8 9 10 11 12

EXAMPLE: G 2 8 1 2 1 K 0 0 5 4 3

= ===== = = =====

! ! ! ! !

! ! ! ! !

TRANSMISSION TYPE-----+ ! ! ! !

! ! ! !

TRANSMISSION VERSION-----+ ! ! ! !

! ! ! !

INDEX OF VARIANTS-----+ ! !

! !

MODEL YEAR-----+ !

!

SERIAL NUMBER-----+

SHORT TRANSMISSION NO.=====> PORSCHE-TRANSMISSION-TYPE

=====

722 270 21 01 722 326 02 = A28.12/14

722 270 32 01 722 360 02 = A28.16 SEE TPI GR.3/NR.5/12.90

722 270 32 01 722 360 03 = A28.16 SEE TPI GR.3/NR.5/12.90

I_____I

V

SHORT TRANSMISSION NO. V

===== V

V

DIGIT: 1 2 3 4 5 6 7

EXAMPLE: A 9 0 9 6 3 8

= =====

! !

TRANSMISSION TYPE----+ !

Model: 928 87

Model life 1987>>1991

SERIAL NUMBER-----+
!

Model: 928 87

Model life 1987>>1991

SUMM. TRANSMISS.

VEHICLE TYPE	TRANSM.		TRANSMISSION NO.	TECHNICAL DATA
	TYPE	MY		
928 S4	G28.12	87 H	11H 00001 > 11H 05000	5-SPEED
928 S4 (USA)(CDN))	G28.13	87 H	11H 05000 > 11H 10000	5-SPEED
928 S4 M249	A28.14	87 H	16H 10001 > 16H 15000	4-SPEED
928 S4 (USA)(CDN)(J) M249	A28.12	87 H	16H 00001 > 16H 05000	4-SPEED
928 S4	G28.12	88 J	G2812 1J00001>1J10000	5-SPEED
928 S4 M220	G28.12	88 J	G2812 2J10001>2J20000	5-SPEED
928 CS M637	G28.55	88 J	G2855 2J10001>2J11000	5-SPEED
928 S4 (USA)(CDN)	G28.13	88 J	G2813 1J00001>1J10000	5-SPEED
928 S4 (USA)(CDN) M220	G28.13	88 J	G2813 2J10001>2J20000	5-SPEED
928 S4 M249	A28.14	88 J	A2814 1J00001>1J10000	4-SPEED
928 S4 M249/220	A28.14	88 J	A2814 2J10001>2J20000	4-SPEED
928 S4 (USA)(CDN)(J) M249	A28.12	88 J	A2812 1J00001>1J10000	4-SPEED
928 S4 (USA)(CDN)(J)M249/ 220	A28.12	88 J	A2812 2J10001>2J20000	4-SPEED
928 S4	G28.12	89 K	G2812 1K00001>1K10000	5-SPEED
928 S4 M220	G28.12	89 K	G2812 2K00001>2K20000	5-SPEED
928 CS M637/ 928 GT	G28.55	89 K	G2855 2K00001>2K01000	5-SPEED
928 S4 M249	A28.16	89 K	A2816 1K00001>1K10000	4-SPEED
928 S4 M249/220	A28.16	89 K	A2816 2K00001>2K20000	4-SPEED
928 S4	A28.16	90 L	A2816 3L00001>3L20000	4-SPEED
928 GT	G28.55	90 L	G2855 3L00001>3L20000	5-SPEED
928 S4	A28.16	91 M	A2816 3M00001>3M20000	4-SPEED
928 GT	G28.55	91 M	G2855 3M00001>3M00001	5-SPEED

Model: 928 87

Model life 1987>>1991

LEGENDS/NOTICES

LEGENDS AND NOTICES

=====

IN COLUMN -S- STATUS

- N NEW ADDITION
- P PART ALREADY IN PROGRAMME, BUT NEW AT THIS APPLICATION
- W DELETED AT THIS APPLICATION, BUT CONTINUED TO BE CARRIED
- A STOCK TO BE USED UP
- U DELETED WITHOUT REPLACEMENT
- E THIS PART NO. IS NO LONGER AVAILABLE FROM PORSCHE
- * PART ALSO OR ONLY AVAILABLE IN REPAIR KIT
- > ALSO AVAILABLE IN EXCHANGE

IN COLUMN - ILL. -

- 1 IDENTIFICATION NO. IN ILLUSTRATION
- (1) PART ONLY SIMILAR AS ILLUSTRATED
- PART IS NOT ILLUSTRATED

FIG.-NUMBERS FOR WHICH THERE IS SHOWN NO TEXT ARE NOT VALID FOR THIS EDITION OF CATALOGUE

IN COLUMN -PART NUMBER/CODE-

000 000 000 00 PART NUMBER EQUALS ORDERING NO., IF A CODE IS SHOWN, IT WILL HAVE TO BE PART OF ORDERING NUMBER

AC3 COLOUR CODE

IN COLUMN -TEXT

INSTALLATION WIRH ENGINE OR CHASSIS NUMBER-RANGE

EXAMPLE:

M 65H 00134 >> FROM ENGINE NO.

Model: 928 87**Model life 1987>>1991**

F >> 95 HS90 00143 UP TO VIN

Model: 928 87

Model life 1987>>1991

LEGENDS/NOTICES

IN COLUMN - A -

IDENTIFICATION LETTER FOR PERIOD OF INSTALLATION
THAT IS REPEATED SEVERAL TIMES IN THE CATALOG GROUP.

EXPLANATION PLEASE FIND IN TEXT COLUMN OF THE CATALOG GROUP

IN COLUMN - QU - = NO. OF PIECES

- 1 NUMBER PER APPLICATION
- X NUMBER AS NEEDED
- * AVAILABLE ONLY IN RUNNING LENGTHS 1 = 1 METRE

IN COLUMN - MODEL/SYMBOL -

- M650 OPTIONAL EQUIPMENT - SEE M-NO. LIST
- 90 LIMITATION OF MODEL YEAR FOR INSTANCE: VALID UP TO
END OF MODEL YEAR 1990
- /LL LHD
- /RL RHD
- +
- /V FRONT I
I
- /H REAR I
I----> APPLIES TO
- /L LEFT I DIRECTION OF TRAVEL
I
- /R RIGHT I
-----+
- AUT. AUTOMATIC
- WW THE PART CAN BE USED INSTEAD OF THE
PRECEDING ONE

Model: 928 87

Model life 1987>>1991

COUNTRY-EQIPM.

EQUIPMENT BY COUNTRY REGULATIONS

=====

(A)	AUSTRIA
(AG)	ARABIAN GULF STATES
(AUS)	AUSTRALIA
(B)	BELGIUM
(CDN)	CANADA
(CH)	SWITZERLAND
(D)	FEDERAL REPUBLIC OF GERMANY
(DK)	DENMARK
(E)	SPAIN
(F)	FRANCE
(GB)	GREAT BRITAIN
(GR)	GREECE
(HK)	HONGKONG
(I)	ITALY
(J)	JAPAN
(L)	LUXEMBURG
(N)	NORWAY
(NL)	NETHERLANDS
(NZ)	NEW ZEALAND
(P)	PORTUGAL
(RC)	TAIWAN
(S)	SWEDEN
(SA)	SAUDI ARABIA
(SF)	FINLAND
(USA)	UNITED STATES OF AMERICA
(ZA)	SOUTH AFRICA

Model: 928 87

Model life 1987>>1991

NR	Description
M000	+-----+ ! Summary of optional extras "M"! +-----+
M018	Sports steering wheel with elevated hub 30 mm
M020	Speedometer with two scales mph-km/h
M024	Version for Greece
M027	Version for California
M034	Version for Italy
M058	Impact absorbers, front and rear
M061	Version for Great Britain
M062	Version for Sweden
M063	Version Luxemburg
M111	Version for Austria
M113	Version for Canada
M114	Version for Taiwan
M119	Version for Spain
M124	Version for France
M126	Control and indications in French lettering
M127	Control and indications in Swedish
M130	Control and indications in English lettering
M139	Seat heating system, left seat
M150	Operation with leaded gas
M157	Three-way catalytic converter, oxygen sensor and digital engine electronics (DME)
M158	Radio Blaupunkt RENO SWR 46
M193	Version for Japan
M195	Preparation for mobile telephone system
M208	Trailer coupling
M215	Version for Saudi Arabia
M219	Differential
M220	Locking differential 40 %
M221	Porsche locking differential
M249	Automatic transmission
M261	Door mirror - flat - passenger's side, electrically adjustable and heatable
M277	Version for Switzerland
M286	Intensified windscreen washer
M293	Preparation for telephone Becker B-2 network
M295	Preparation for telephone Tekade B-2 network
M298	Catalytic converter together with manual transmission
M299	Catalytic converter together with automatic transmission
M302	Model designation on rear end

Model: 928 87 Model life 1987>>1991

NR	Description
M317	Equipment for countries with dust-laden air
M325	Version for South Africa/New Zealand
M326	Radio Blaupunkt Berlin IQR 88 with ARI
M328	Radio Blaupunkt Bremen SQR 46 with ARI
M329	Radio Blaupunkt Toronto SQR 48
M330	Radio Blaupunkt Toronto SQR 46
M331	Radio "Porsche CR-1"
M335	Automatic seat belt, 3-point, rear
M340	Seat heating system, right seat
M341	Central locking system
M347	Forged wheels platinum-anodized rim 7 x 16 tire 225/50 VR 16
M383	Sports seat, left, electrically vertically adjustable
M387	Sports seat, right, electrically vertically adjustable
M393	Club Sport wheel 16-inch
M395	Light-alloy rims, forged, 16-inch
M400	Cast wheel, club-sport 7.5/9J x 16 (cast aluminium)
M418	Side protection moldings
M423	Holder for cassettes and coins
M430	Front fog lights, yellow
M437	Comfort seat, left, electrically adjustable
M438	Comfort seat, right, electrically adjustable
M441	Radio preparation
M454	Automatic speed control
M460	Additional in-tank pump
M462	"Securiflex" windscreen
M463	Clear windscreen
M467	Door mirror for driver's side, convex, electrically heatable and adjustable
M471	Integrated rear spoiler
M474	Shock absorber (sporting), front and rear
M475	Brake pads without asbestos
M479	Version for Australia
M481	Manual transmission
M482	Tire Pressure Monitoring
M483	Differing engine parts for right-hand drive

Model: 928 87

Model life 1987>>1991

NR	Description
M484	Version for USA
M488	Inscriptions in German language
M489	Switches and insignias in German language
M490	Sound package
M492	Headlamps for left-hand traffic
M494	Additional amplifier
M496	Preparation for Philips telephone "C" network
M498	Deletion of model designation on rear end
M499	Version for Germany
M513	Lumbar support, right seat
M525	Anti-theft device with continuous sound
M528	Door mirror for passenger's side - convex - electrically heatable and adjustable
M533	Anti-theft device
M537	Seating position control for comfort seat, left
M538	Seating position control for comfort seat, right
M553	Version for USA, Canada
M562	Airbag, driver's side and front passenger's side
M564	Without airbag
M567	Windscreen tinted, upper part darker coloured
M570	Air conditioner with improved efficiency
M573	Air conditioner
M576	Without rear fog lamp
M586	Lumbar support, left seat
M593	Anti-lock brake system (Bosch)
M595	Rear spoiler with color of the car
M596	
M602	Raised stop lamp
M612	Preparation for Philips telephone "C2" network
M637	Club Sport "CS"
M639	Version "GT"
M650	Electrical sliding roof
M680	Hi-fi sound system with booster
M685	Rear seats, split
M686	Radio Blaupunkt Ludwigsburg SQM 26 ARI
M688	Radio Blaupunkt Boston SQM 23
M690	CD player "CD-10" radio + ARI
M691	CD player "CD-2" with radio
M900	Tourist's cars
M933	Seat covers, rear cloth/leather/leather
M935	Seat covers, rear, draped leather

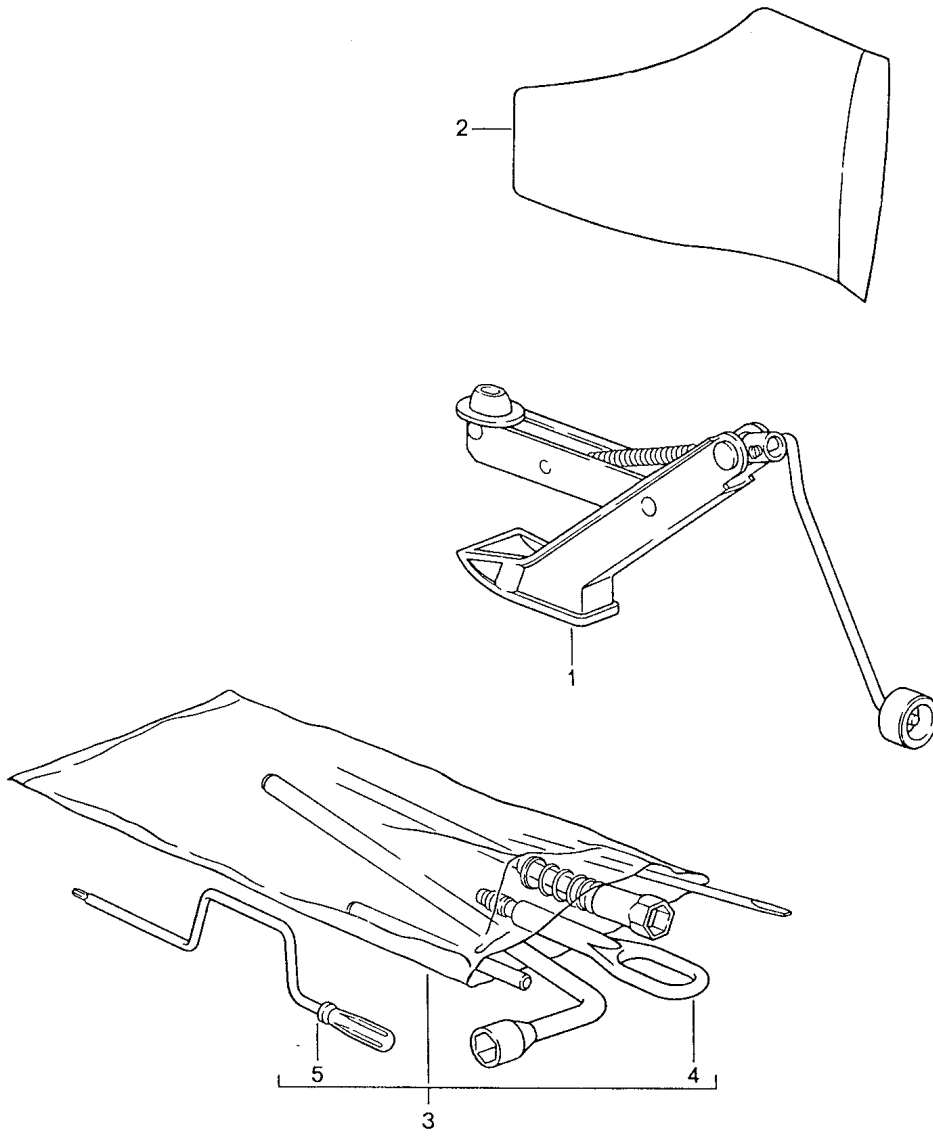
Model: 928 87

Model life 1987>>1991

NR	Description
M948	Seat covers, front, cloth/leather/leather
M980	Seat cover - draped leather
M981	Leather equipment
M983	Seat covers, front, leather
M986	Partial leather equipment

Model: 928 87

Model life 1987>>1991



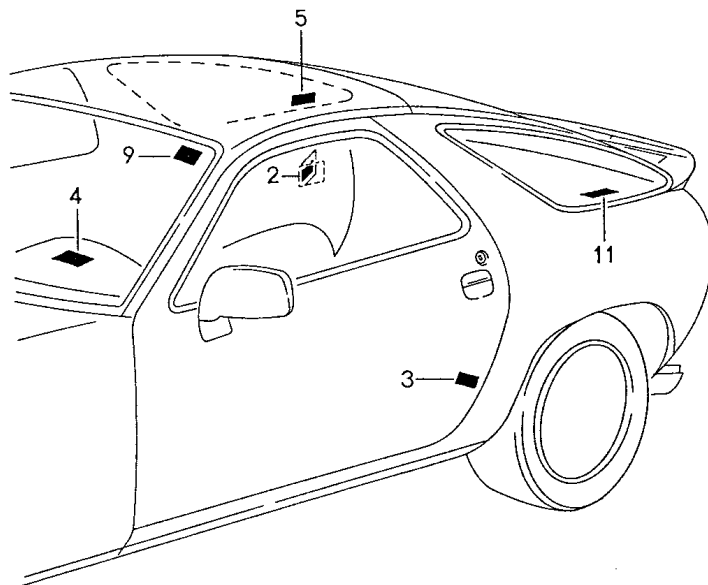
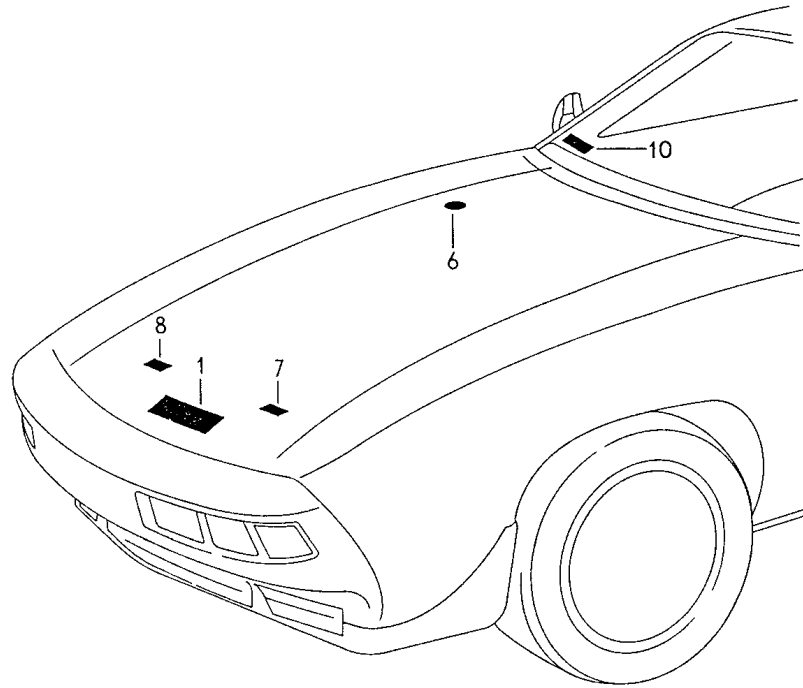
Model: 928 87

Model life 1987>>1991

Pos	Part Number	Description	Remark	Qty	Model
		Tool			
		Jack			
1	928 721 011 03	Jack		1	
1	000 721 711 00	Jack		1	
1	000 721 711 02	Jack		1	
1	000 721 710 01	Jack		1	
1	000 721 710 03	Jack		1	
(1)	000 721 711 01	Jack	(AUS)	1	
2	928 551 093 02	Bag for Jack		1	
3		Tool Set Comprising:		1	
-	477 012 233	Spark plug wrench		1	
-	999 571 045 02	Rim wrench		1	
-	999 195 011 02	Double-end spanner 8 X 9		1	
-	999 195 012 02	Double-end spanner 10 X 11		1	
-	999 195 013 02	Double-end spanner 12 X 13		1	
-	999 195 014 02	Double-end spanner 14 X 15		1	
-	999 195 015 02	Double-end spanner 17 X 19		1	
-	911 721 107 02	Screwdriver Set		1	
-	999 107 006 02	Universal pliers		1	
4	928 722 101 05	Towing lug		X	
5	928 521 907 02	Crank		1	
6	911 721 237 00	Intermediate piece for emergency control Power windows		1	

Model: 928 87

Model life 1987>>1991



Model: 928 87

Model life 1987>>1991

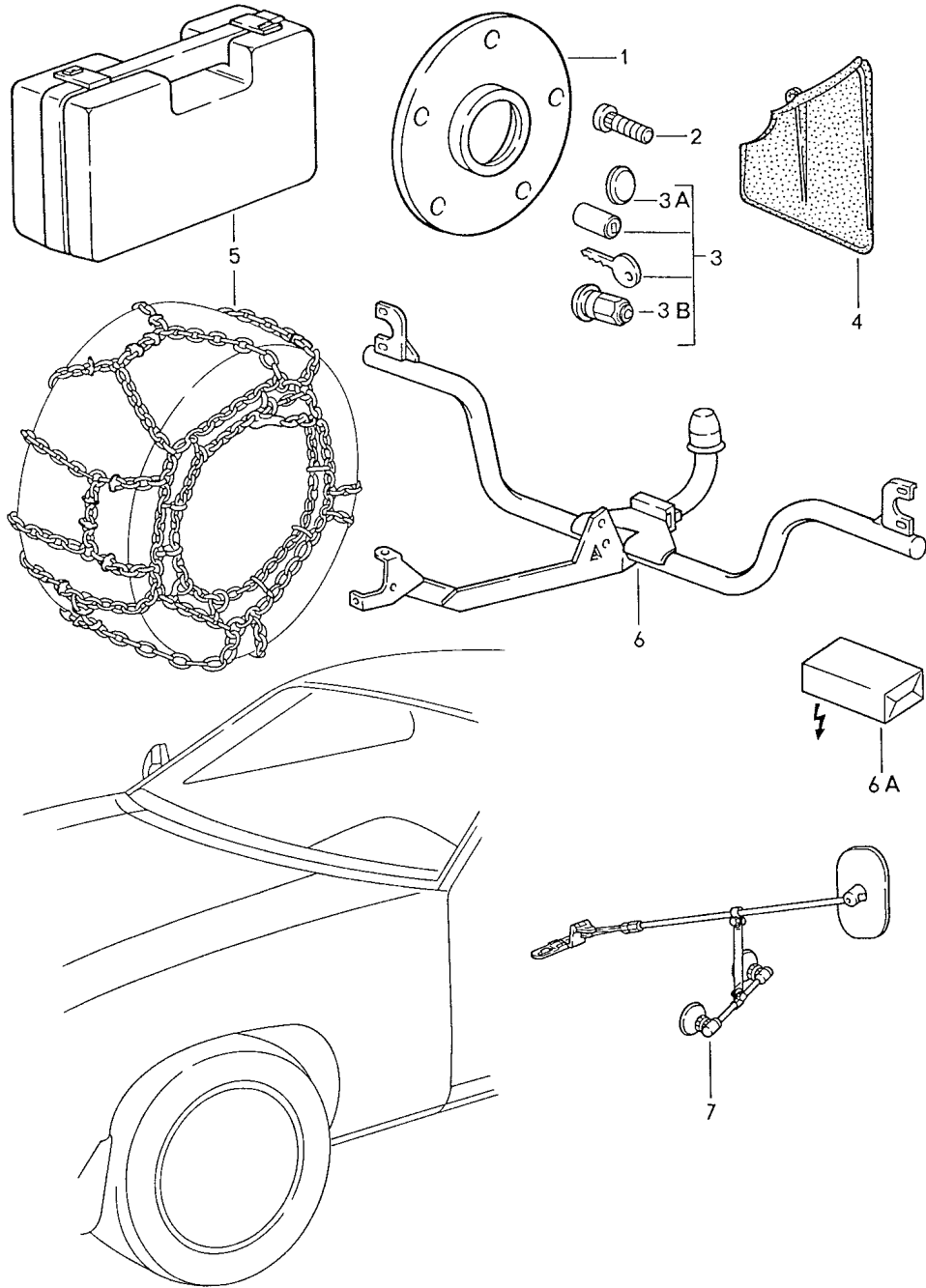
Pos	Part Number	Description	Remark	Qty	Model
1	928 006 101 53	Stickers Sticker	(S) 87	1	
(1)		Engine specifications Sticker	(S) 88	1	
(1)	928 006 101 59	Engine specifications Sticker	(S) 89	1	
(1)	928 006 101 71	Engine specifications Sticker	(S) 90-	1	M249
(1)	928 006 101 72	Engine specifications Sticker	(S) 90-	1	M481
(1)	928 006 101 54	Engine specifications Sticker	(AUS) 87	1	
(1)		Engine specifications Sticker	(AUS) 88	1	
(1)	928 006 101 60	Engine specifications Sticker	(AUS) 89	1	
(1)	928 006 119 05	Engine specifications Sticker	(CH)	1	
2	928 006 117 07	Engine specifications Sticker	(S) 87	1	
(2)		Octane rating Sticker	(S) 88-	1	
(2)	928 006 117 03	Octane rating Sticker	(A) (CH) (NL)	1	M298/299
(2)	928 701 117 12	Type of fuel Sticker	(F) 90-	1	
(2)	928 701 117 10	Type of fuel Sticker	(I) 90-	1	
(2)	928 701 117 11	Type of fuel Sticker	(E) 90-	1	
(2)	928 701 117 08	Type of fuel Sticker	(GB) 90-	1	
(2)	928 006 117 01	Type of fuel Sticker	(D) (NL)	1	
(2)	928 006 101 79	Required octane number Leaded fuel Sticker	(AUS) 90-	1	M249
(2)	928 006 101 80	Engine specifications Sticker	(AUS) 90-	1	M481
(2)	930 701 203 01	Engine specifications Sticker	(J)	1	
(2)	928 006 518 01	Required octane number Sticker	-88	1	
(2)	928 006 516 02	Tyre pressure Sticker	(AUS) -88	1	
(2)	928 701 287 05	Tyre pressure Sticker	89-	1	
(2)	928 701 287 06	for Tyre pressure monitoring Sticker	(GB) 89-	1	
(2)	928 701 287 07	for Tyre pressure monitoring Sticker	(F) 89-	1	
(2)	928 701 287 08	for Tyre pressure monitoring Sticker	(J) 89-	1	
(2)	928 701 287 09	for Tyre pressure monitoring Sticker	(E) 89-	1	
		for Tyre pressure monitoring			

Model: 928 87 Model life 1987>>1991

Pos	Part Number	Description	Remark	Qty	Model
(2)	928 701 287 11	Sticker for Tyre pressure monitoring	(AUS) 89	1	
(2)	928 701 287 12	Sticker for Tyre pressure monitoring	(AUS) 89	1	M639
(2)	928 701 287 11	Sticker Tyre pressure monitoring	(AUS) 90-	1	M395
(2)	928 701 287 13	Sticker Tyre pressure monitoring	(AUS) 90-	1	M400
(2)	928 006 117 04	Sticker Required octane number	(AUS) -89	1	
4	928 701 173 02	Sticker Unleaded	(AUS) (J)	1	
(4)	928 701 173 04	Sticker Unleaded	(S) -89	1	
-	928 701 173 03	Sticker Unleaded EUROSUPER	(B) (F) (L) -89	1	
(4)	928 701 173 06	Sticker Unleaded	(S) 90-	1	
(4)	944 701 210 02	Sticker Unleaded EUROSUPER	(A) (NL) (S) -89 (D) (D)	1	
5	477 000 258	Sticker Unleaded	(AUS) (J)	1	
(5)	944 701 201 03	Sticker Unleaded	(A) (NL) (S) (D)	1	
(5)	928 701 171 02	Sticker Unleaded	(B) (F) (L)	1	
(5)	944 701 201 05	Sticker Unleaded	(S)	1	
6	928 006 511 01	Sticker Coolant		1	
6	928 006 511 00	Sticker Coolant	(F)	1	
7	964 701 163 00	Sticker High voltage		1	
(7)	928 006 105 03	Sticker Firing order		1	
8	928 006 101 54	Sticker Engine specifications	(AUS) -89	1	
9	928 701 102 02	Indication sticker Sekuriflex	(A) (NL) (S) -90 (CH) (D)	1	
(9)	928 701 102 06	Indication sticker Sekuriflex	(GB) -90 (J)	1	(SA) (AUS)
(9)	928 701 102 03	Indication sticker Sekuriflex	(F) -90	1	
(9)	928 701 102 04	Indication sticker Sekuriflex	(I) -90	1	
(9)	928 701 102 05	Indication sticker Sekuriflex	(E) -90	1	
11	911 701 250 00	Sticker Alarm system		1	

Model: 928 87

Model life 1987>>1991



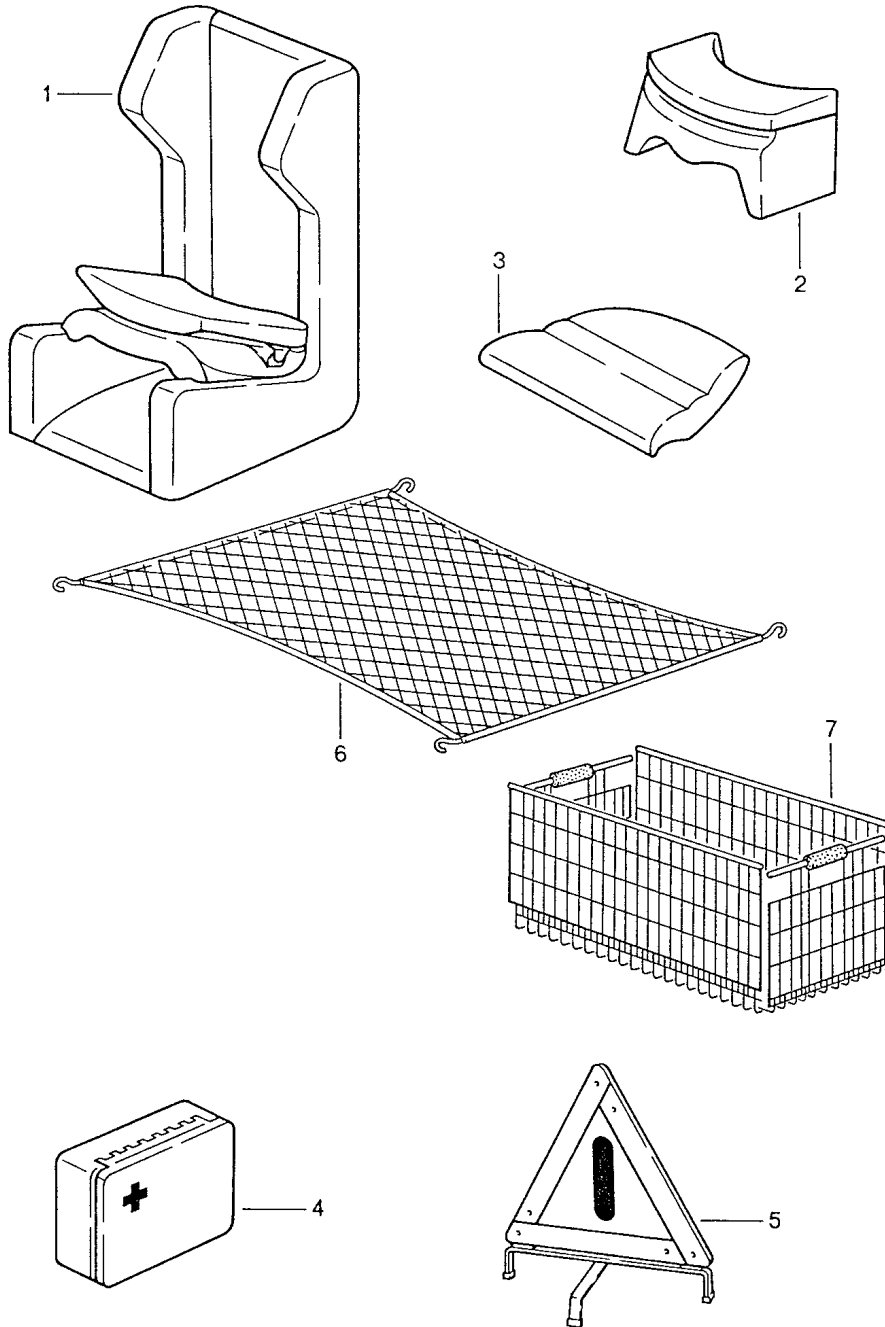
Model: 928 87

Model life 1987>>1991

Pos	Part Number	Description	Remark	Qty	Model
		Accessories Widening of track for Rear axle See technical information GR.X 5			
1	477 501 701	Spacer ring 21 MM		2	
2	901 331 671 01	Wheel bolt		10	
3	928 361 047 03	Wheel nut 1 set Lockable		1	
3	965 361 955 00	Wheel nut 1 set Lockable		1	
3	968 361 955 00	Wheel nut 1 set Lockable		1	
3	993 361 057 00	Wheel nut 1 set Lockable		1	
3A	928 361 310 00	Cap Wheel nut		X	
3B	928 361 306 03	Wheel nut Lockable without lock		4	
5	911 361 909 00	Snow chains Snow chains RINGMATIC for Tyre 185/70 R 15 215/60 R 15 205/55 R 16 225/50 R 16		1	
6	928 722 003 00	Trailer coupling with Electric installation set		1	
6A	928 612 905 01	Electric installation set	85-	1	
7	928 731 051 02	Outside mirror for caravan	/L	1	
(7)	928 731 052 02	Outside mirror for caravan	/R	1	
-	911 361 510 03	Small electric compressor		1	
-	911 722 202 00	Tyre pressure gauge Porsche Classic mit Lederhülle Vertical pedal adjustment See group 7/02/00 + 7/02/05		1	
-	000 043 079 00	Floor mat Rubber Set Front Floor mats Front See group 8/07/05		1	

Model: 928 87

Model life 1987>>1991



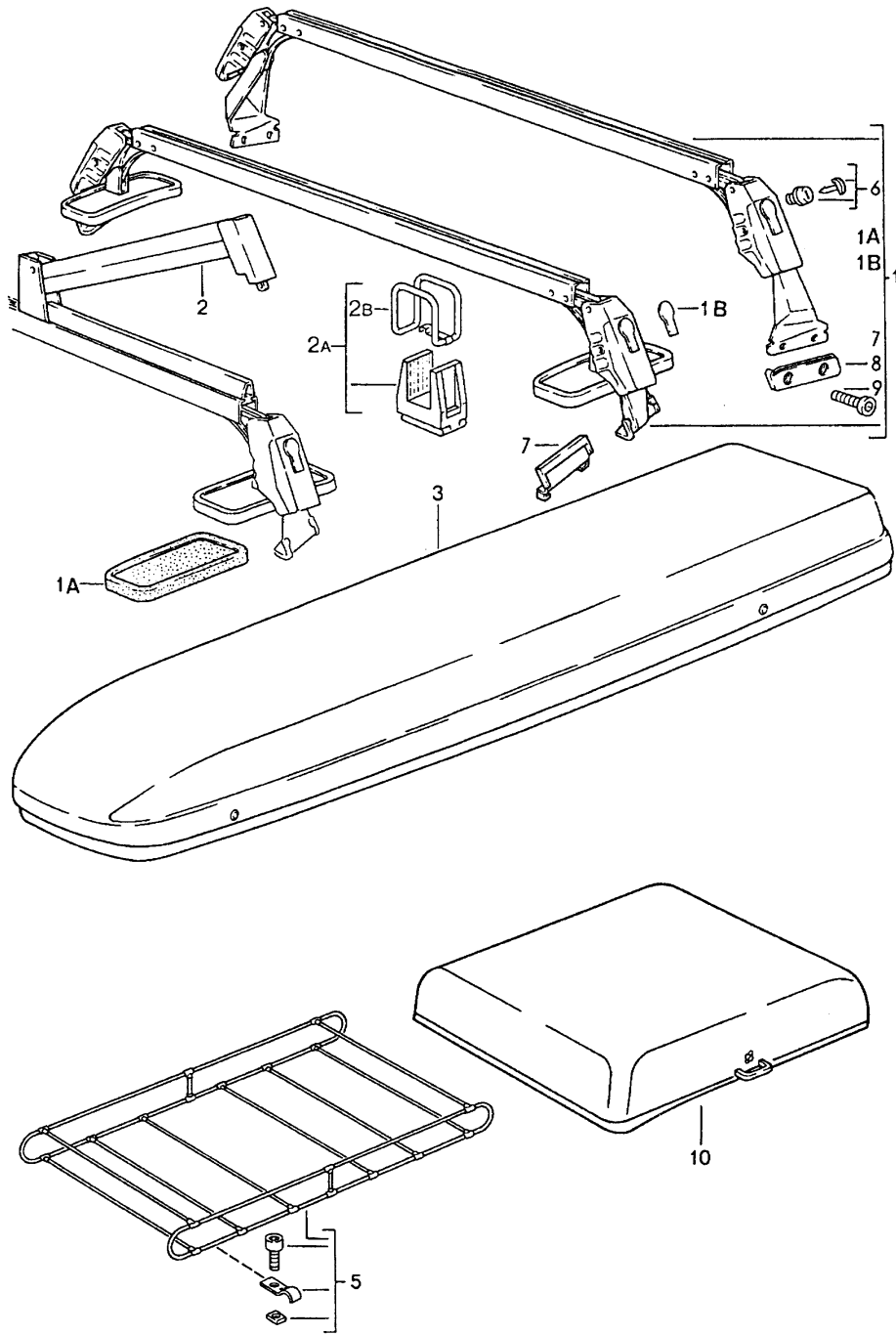
Model: 928 87

Model life 1987>>1991

Pos	Part Number	Description	Remark	Qty	Model
1	944 522 051 01	Accessories Child car seat Up to 4 years		1	
2	928 522 050 00	Child car seat Older than 4 years Only together with		1	
3	928 522 159 02	Child car seat cushion Porsche lettering cloth	/L	1	
	928 522 159 02 4CR	Black			
(3)	928 522 160 02	Child car seat cushion Porsche lettering cloth	/R	1	
	928 522 160 02 4CR	Black			
(5)	911 721 104 01	Warning triangle	(D)	1	
(5)	PCG 860 251 00	Warning triangle	(D)	1	
6	928 555 631 02	Luggage net		1	
7	000 043 002 00	Car basket Foldable		X	

Model: 928 87

Model life 1987>>1991



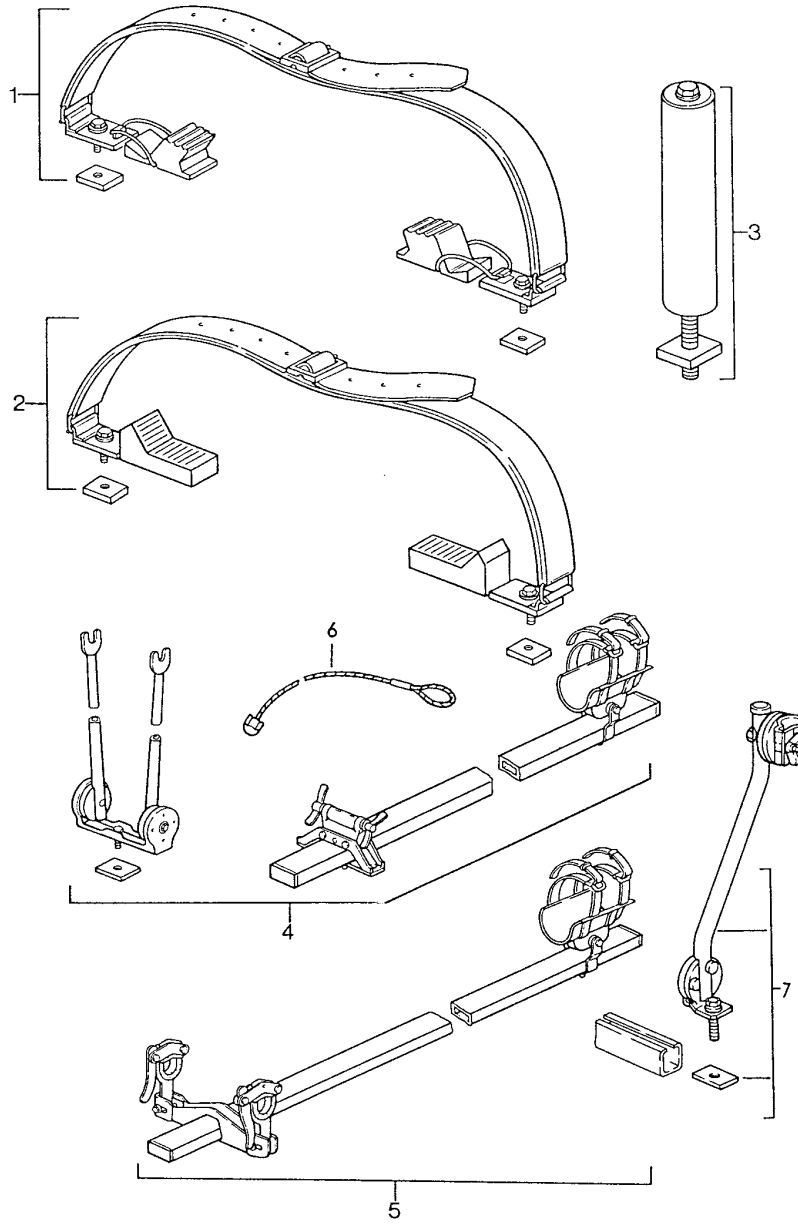
Model: 928 87

Model life 1987>>1991

Pos	Part Number	Description	Remark	Qty	Model
1	928 801 055 02	Roof transport system		1	
		Set of main supports			
1A	928 801 267 02	Rubber plate		2	
1B	928 801 111 02	Protection cap		4	
2	928 801 061 02	Clamping bow		4	
		Set			
2A	928 801 903 02	Rubber support for skis		1	
		1 set			
2B	928 801 193 02	Retaining strap		1	
		1 set			
3	928 801 063 02	Ski box	/L	1	
(3)	928 801 064 02	Ski box	/R	1	
5	928 801 081 02	Roof luggage rack set		1	
6	928 801 011 02	Cylinder lock		4	
		Spring clamp			
		with keys			
		State lock number			
7	928 801 271 02	Protective rubber		2	
8	928 801 167 02	Protective rubber		2	
9	900 119 072 00	Pan-head screw		4	
		M 8 X 18			
10	928 801 073 02	Box for suitcase		1	

Model: 928 87

Model life 1987>>1991



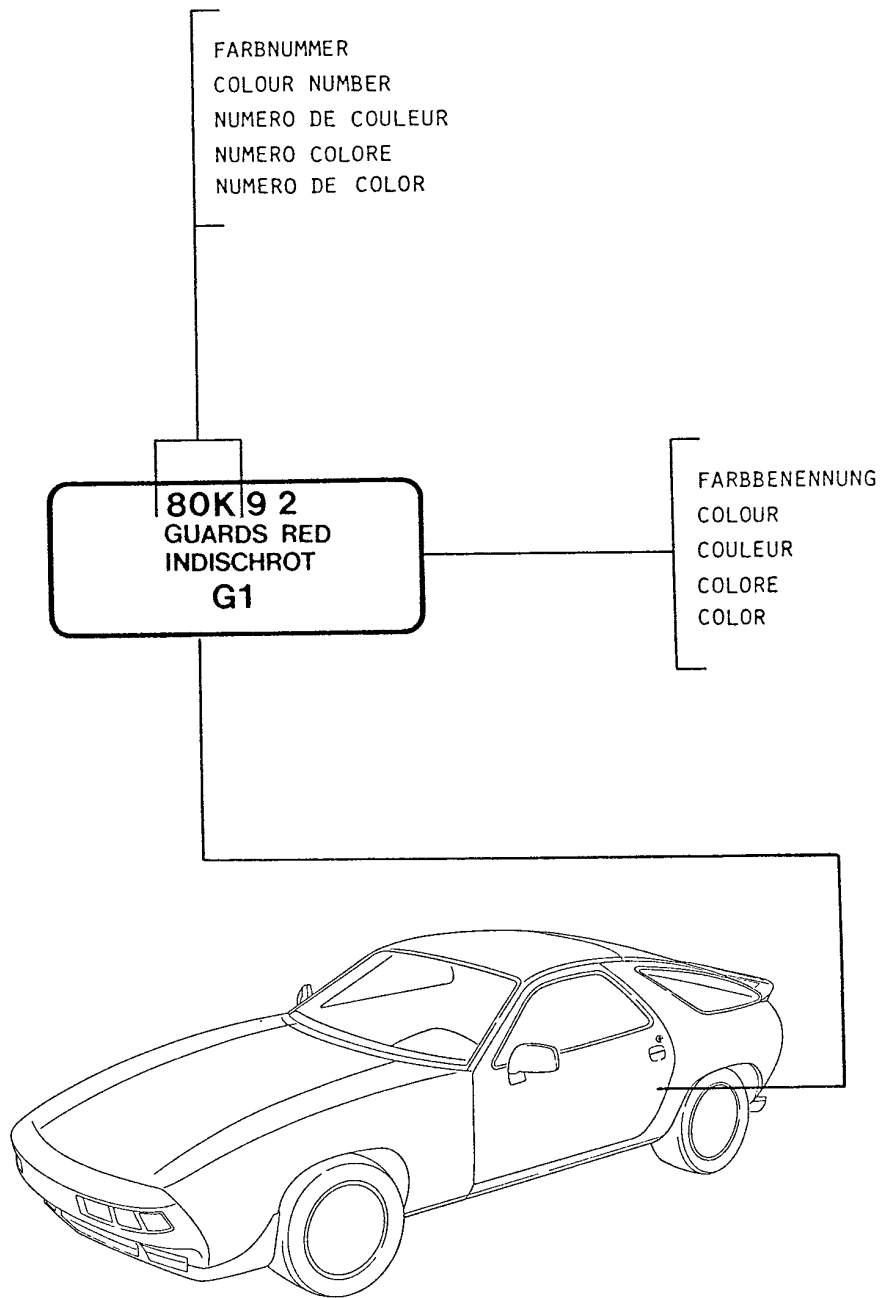
Model: 928 87

Model life 1987>>1991

Pos	Part Number	Description	Remark	Qty	Model
1	928 801 019 02	Roof transport system		1	
2	928 801 017 02	Set of surf board supports		1	
3	928 801 085 02	Set - canoe carrier		1	
		Ladder support mandrel		1	
		Set			
4	928 801 093 02	Set - bike carrier		1	
		Racing bike			
5	928 801 095 02	Set - bike carrier		1	
		Standard bike			
6	928 801 079 02	Safety rope		1	
7	928 801 097 02	Support for bicycle		1	

Model: 928 87

Model life 1987>>1991



Model: 928 87

Model life 1987>>1991

Pos	Part Number	Description	Remark	Qty	Model
-	911 096 050 00	Lacquers Basic materials Polyester filler 1 KG. GLASSIT-NON-FERRO 839-10		X	
-	911 096 051 00	Hardener 30 GR. GLASSIT 948-36 Red		X	
-	911 096 052 00	Primer filler 1LTR. GLASSOFIX 238-150		X	
-	911 096 053 00	Hardener 500 ML. GLASSOFIX 352-228		X	
-	911 096 054 00	Primer filler 1 LTR. GLASSODUR 285-100 White		X	
-	911 096 055 00	Hardener 500 ML. GLASSODUR 929-28/1		X	
-	911 096 056 00	Wash primer 2 LTR. GLASSOFIX 2K 934-200		X	
-	911 096 057 00	Hardener 1 LTR. GLASSOFIX 934-100		X	
-	911 096 058 00	Polyurethane plastic putty 1 KG. GLASSODUR 995-20		X	
-	911 096 059 00	Hardener 1 KG. GLASSODUR 929-13		X	
-	911 096 060 00	Thinner 1 KG. GLASSODUR 352-91		X	
-	911 096 062 00	Additional lacquer 1 LTR. GLASSODUR 521-111		X	
-	911 096 063 00	Underbody protection 1 KG. GLASSOHYD 1109-		X	
-	000 043 001 00	Tin SN 90% CA. 200 G		X	
-	911 095 903 80	Synthetic resin prime coat Metallic 1 LTR.		X	
	911 095 903 80 80D	Cassis red metallic			80D
	911 095 903 80 697	Diamond-blue metallic			697
	911 095 903 80 40D	Espresso brown metallic			40D
	911 095 903 80 699	Granite green metallic			699
	911 095 903 80 35Y	Lagoon green metallic			35Y
	911 095 903 80 35V	Marine blue metallic			35V
	911 095 903 80 40B	Nougat brown metallic			40B
	911 095 903 80 980	Silver metallic			980
	911 095 903 80 36P	Venetian blue metallic			36P
	911 095 903 80 37B	Baltic blue metallic			37B
	911 095 903 80 693	Stone grey metallic			693
	911 095 903 80 22D	Slate grey metallic			22D
	911 095 903 80 81L	Velvet red metallic			81L
	911 095 903 80 81K	Coral metallic			81K

Model: 928 87 Model life 1987>>1991

Pos	Part Number	Description	Remark	Qty	Model
	911 095 903 80 550	Linen grey metallic			550
	911 095 903 80 22E	Forest green metallic			22E
	911 095 903 80 40L	Cognac brown metallic			40L
	911 095 903 80 22L	Oak green metallic			22L
	911 095 903 80 738	Black-metallic			738
	911 095 903 80 37X	Horizon blue metallic			37X
	911 095 903 80 37U	Cobalt blue metallic			37U
	911 095 903 80 37W	Midnight Blue Metallic			37W
	911 095 903 80 82H	Coral red metallic			82H
	911 095 903 80 38A	Amethyst metallic			38A
	911 095 903 80 37Z	Amazon green metallic			
	911 095 903 80 92E	Polar silver metallic			92E
-	911 096 064 00	Clear lacquer 1 LTR. GLASSODUR-MS 923-85		X	
-	911 095 902 60	Top-coat paint 2 K - ACRYL 1 LTR.		X	
	911 095 902 60 347	Dark blue			347
	911 095 902 60 80F	Carmin red			80F
	911 095 902 60 10W	Summer yellow			10W
	911 095 902 60 027	Guards red			027
	911 095 902 60 80K	Guards red			80K
	911 095 902 60 499	Caramel beige			499
	911 095 902 60 21M	Turquoise			21M
	911 095 902 60 700	Black			700
	911 095 902 60 908	Grand prix white			908
	911 095 902 60 60M	Linen			60M
	911 095 902 60 548	Apricot beige			548
	911 095 902 60 22C	Murano green			22C
	911 095 902 60 38B	Maritime blue			38B
	911 095 902 60 22S	Signal green			22S
	911 095 902 60 22R	Mint green			22R
	911 095 902 60 82N	Rubystone red			82N
-	911 095 932 20	Paint touch-up applicator		X	
	911 095 932 20 027	Guards red			027
	911 095 932 20 80K	Guards red			80K
	911 095 932 20 80F	Carmin red			80F
	911 095 932 20 700	Black			700
	911 095 932 20 908	Grand prix white			908
	911 095 932 20 10W	Summer yellow			10W
	911 095 932 20 499	Caramel beige			499
	911 095 932 20 21M	Turquoise			21M
	911 095 932 20 347	Dark blue			347
	911 095 932 20 60M	Linen			60M
	911 095 932 20 548	Apricot beige			548
	911 095 932 20 22C	Murano green			22C
	911 095 932 20 38B	Maritime blue			38B
	911 095 932 20 22S	Signal green			22S
	911 095 932 20 22R	Mint green			22R
	911 095 932 20 82N	Rubystone red			82N
-	911 095 933 20	Paint touch-up applicator Set Comprising: Top-coat paint And Clear lacquer		X	
	911 095 933 20 80D	Cassis red metallic			80D
	911 095 933 20 697	Diamond-blue metallic			697
	911 095 933 20 980	Silver metallic			980
	911 095 933 20 699	Granite green metallic			699
	911 095 933 20 40D	Espresso brown metallic			40D
	911 095 933 20 35V	Marine blue metallic			35V

Model: 928 87

Model life 1987>>1991

Pos	Part Number	Description	Remark	Qty	Model
	911 095 933 20 35Y	Lagoon green metallic			35Y
	911 095 933 20 36P	Venetian blue metallic			36P
	911 095 933 20 40B	Nougat brown metallic			40B
	911 095 933 20 37B	Baltic blue metallic			37B
	911 095 933 20 693	Stone grey metallic			693
	911 095 933 20 22D	Slate grey metallic			22D
	911 095 933 20 81L	Velvet red metallic			81L
	911 095 933 20 81K	Coral metallic			81K
	911 095 933 20 550	Linen grey metallic			550
	911 095 933 20 22E	Forest green metallic			22E
	911 095 933 20 40L	Cognac brown metallic			40L
	911 095 933 20 22L	Oak green metallic			22L
	911 095 933 20 738	Black-metallic			738
	911 095 933 20 37X	Horizon blue metallic			37X
	911 095 933 20 37U	Cobalt blue metallic			37U
	911 095 933 20 37W	Midnight Blue Metallic			37W
	911 095 933 20 82H	Coral red metallic			82H
	911 095 933 20 38A	Amethyst metallic			38A
	911 095 933 20 37Z	Amazon green metallic			37Z
	911 095 933 20 92E	Polar silver metallic			92E

Model: 928 87

Model life 1987>>1991



Model: 928 87

Model life 1987>>1991

Pos	Part Number	Description	Remark	Qty	Model
-	999 571 062 00	Preservative agent Sealing compound Securing liquid Preservative agent Care kit Comprising: Suitcase		1	
-	999 901 013 40	Liquid preservative		1	
-	999 901 014 41	Car shampoo		1	
-	999 901 015 40	Polisher		1	
-	999 901 016 40	Tar remover		1	
-	999 901 017 40	Dashboard cleaner		1	
-	999 901 018 40	Paint polish		1	
-	999 901 019 41	Insect remover		1	
-	999 901 020 40	Spot remover		1	
-	999 901 021 40	Polishing cotton		1	
-	999 901 022 40	Polishing cloth		1	
-	000 044 000 02	Leather care 250 ML		X	
-	999 917 803 00	Window cleaner Spray bottle 250 ML		X	
-	928 628 931 00	Silicone remover 1000 ML		X	
-	000 044 000 93	Silicone remover 1000 ML		X	
-	999 901 017 41	Window cleaner 250 ML Summer		X	
-	999 901 017 42	Window cleaner 250 ML Summer		X	
-	000 044 000 87	Window cleaner 250 ML Summer		X	
-	999 901 033 40	Window cleaner 1000 ML Winter		X	
-	999 901 030 40	Rim cleaner Spray bottle 500 ML		X	
-	999 901 031 40	Rim cleaner Refilling bottle 1000 ML		X	
-	999 901 036 40	Car shampoo Refilling bottle 1000 ML		X	
-	000 043 010 00	Sealing compound Loctite -574- 1 TUBE - 50 CCM		X	
-	928 101 921 00	Securing liquid Loctite -270- 10 CCM		X	
-	000 043 012 00	High strength Loctite -221-		X	
-	000 043 306 48	Low strength Loctite -221- 10 CCM		X	
-		Low strength		X	

Model: 928 87

Model life 1987>>1991

Pos	Part Number	Description	Remark	Qty	Model
		10 CCM			

Model: 928 87

Model life 1987>>1991



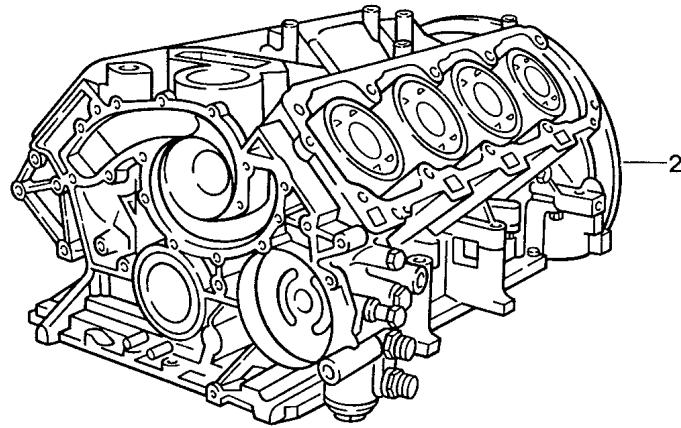
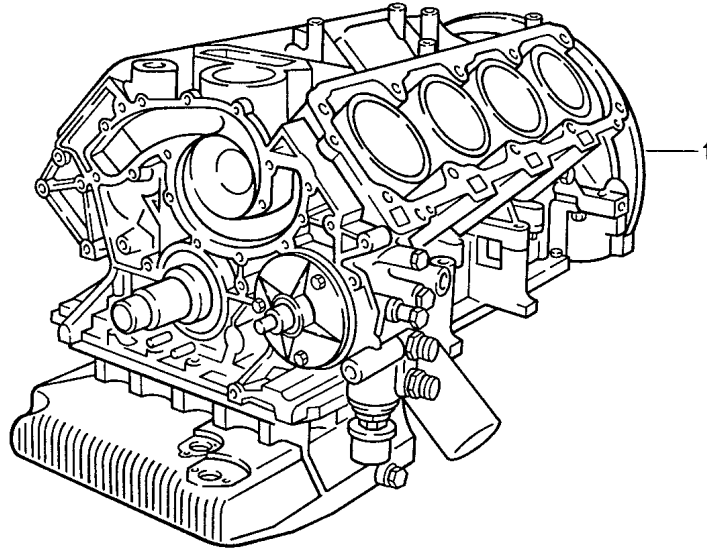
Model: 928 87

Model life 1987>>1991

Pos	Part Number	Description	Remark	Qty	Model
		Adhesive Lubricants Adhesive Adhesive set Loctite for pasting Glass Ceramics Metal Thermoset plastic		X	
-	000 043 051 00	Loctite Loctite 312 50 CCM		X	
-	000 043 202 65	Loctite AKTIVATOR NF 736 180 CCM		X	
-	000 043 013 00	Loctite -80646- Adhesive remover Spray bottle 311 G		X	
-	000 043 204 86	Adhesive set for Polyurethane parts Adhesive 150 ML Hardener 150 ML Lubricants		X	
-	000 043 004 00	Mounting paste Optimoly ht 90 G		X	
-	000 043 020 00	Optimoly TA Mounting paste 1 100-gramme tube		X	
-	000 043 005 00	Grease 90 G		X	
-	000 043 024 00	Extreme-pressure grease Optimoly OLISTA-LONGTIME 3EP Extreme-pressure grease 80 G		X	
-	000 043 204 21	Grease for lock cylinder Spraying can		X	
-	G 052 778 A2	Grease for lock cylinder Spraying can		X	

Model: 928 87

Model life 1987>>1991



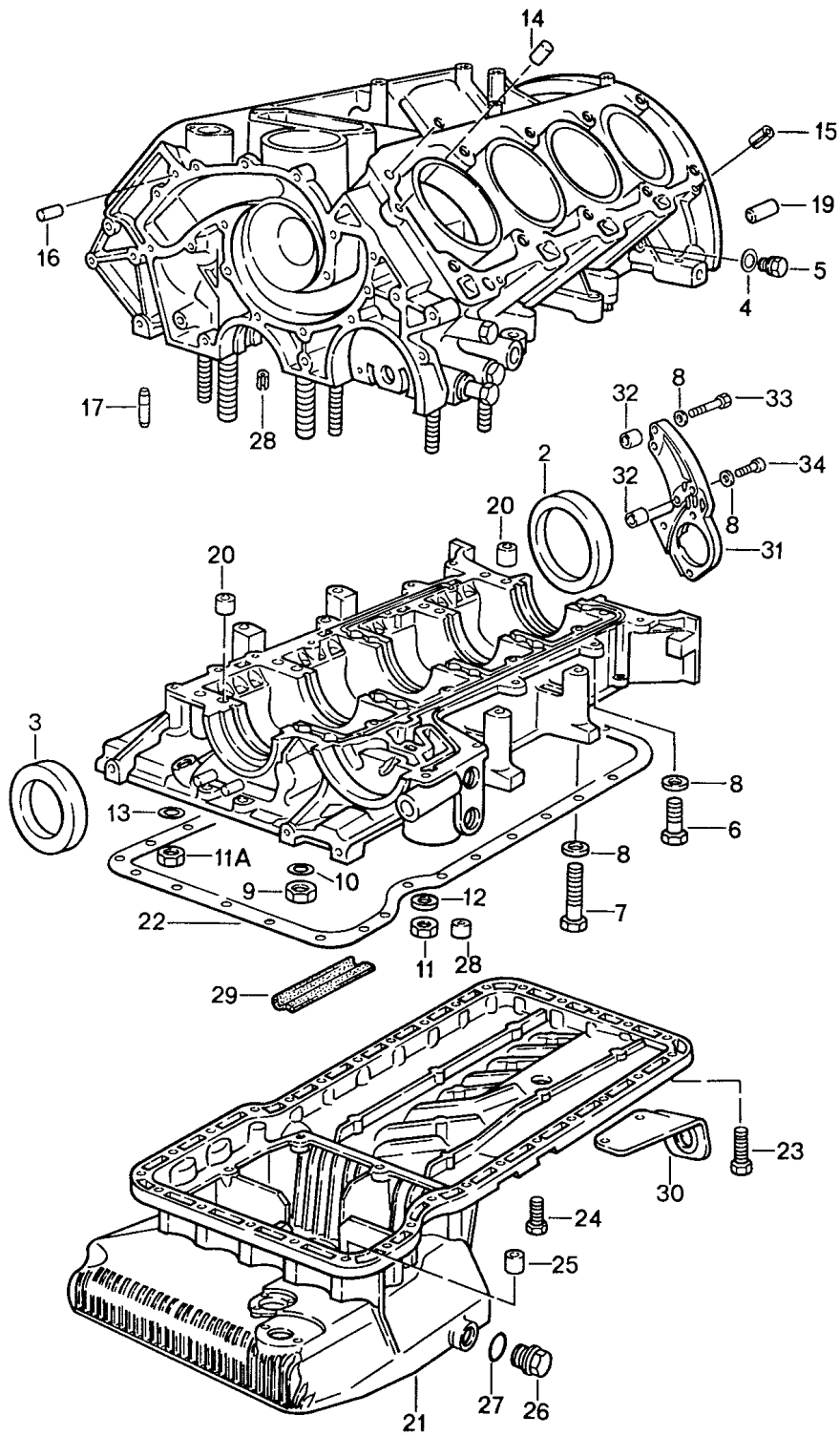
Model: 928 87

Model life 1987>>1991

Pos	Part Number	Description	Remark	Qty	Model
		Replacement engine			M28.41/42/47
		Short engine			
		Crankcase			
		Short engine			M28.41/42/47
		with pistons			
		Crankshaft			
		Oil pump			
		Oil pan			
1	928 100 911 14	Short engine		1	M28.41/42/47
2	928 101 907 09	Crankcase		1	M28.41/42/47
		with pistons			

Model: 928 87

Model life 1987>>1991



Model: 928 87

Model life 1987>>1991

Pos	Part Number	Description	Remark	Qty	Model
		Crankcase Single parts			M28.41/42/47
2	999 113 264 40	Radial sealing ring 90 X 110 X 12		1	
2	999 113 461 40	Radial sealing ring 90 X 110 X 12		1	
2	999 113 426 40	Radial sealing ring 90 X 110 X 12		1	
2	999 113 426 41	Radial sealing ring 90 X 110 X 12		1	
3	999 113 263 40	Shaft sealing ring 60 X 85 X 10		1	
4	900 123 055 30	Sealing ring A 12 X 17		2	
5	N 029 703 1	Screw plug M 12 X 1,5		2	
6	900 075 099 02	Hexagon-head bolt M 8 X 30		6	
6	900 075 099 03	Hexagon-head bolt M 8 X 30		6	
7	N 010 361 4	Hexagon-head bolt M 8 X 65		10	
7	N 010 361 13	Hexagon-head bolt M 8 X 65		10	
8	900 025 007 02	Washer A 8,4		24	
8	900 025 007 03	Washer A 8,4		24	
9	928 101 742 00	Hexagon nut M 12 X 1,5		10	
10	928 101 301 02	Washer		10	
11	N 011 010 13	Hexagon nut M 10		22	
11A	928 101 741 00	Hexagon nut M 10		10	
12	900 025 008 09	Washer A 10,5		2	
12	900 025 008 04	Washer A 10,5		2	
13	928 101 303 00	Washer		10	
14	999 012 034 00	Straight pin 8 M 6 X 12		4	
15	900 095 072 01	Tensioning sleeve 6 X 12		2	
16	N 013 199 1	Straight pin 6 X 12		2	
17	911 101 011 01	Spray jet		8	
19	900 012 070 00	Straight pin 12 X 18		2	
20	928 101 195 03	Fitting bushing		1	
21	928 101 208 01	Oil pan	-88	1	
21		Oil pan	89-	1	
22	928 101 207 00	Oil sump gasket		1	
23	900 075 347 02	Combination screw M 6 X 28 Z1		25	
24	900 075 341 02	Combination screw M 6 X 25 Z1		5	
24	900 075 341 01	Combination screw M 6 X 25 Z1		5	
25	928 101 189 00	Dowel sleeve		2	
26	944 107 197 01	Screw plug		1	
27	900 123 118 30	Sealing ring A 22 X 27		1	

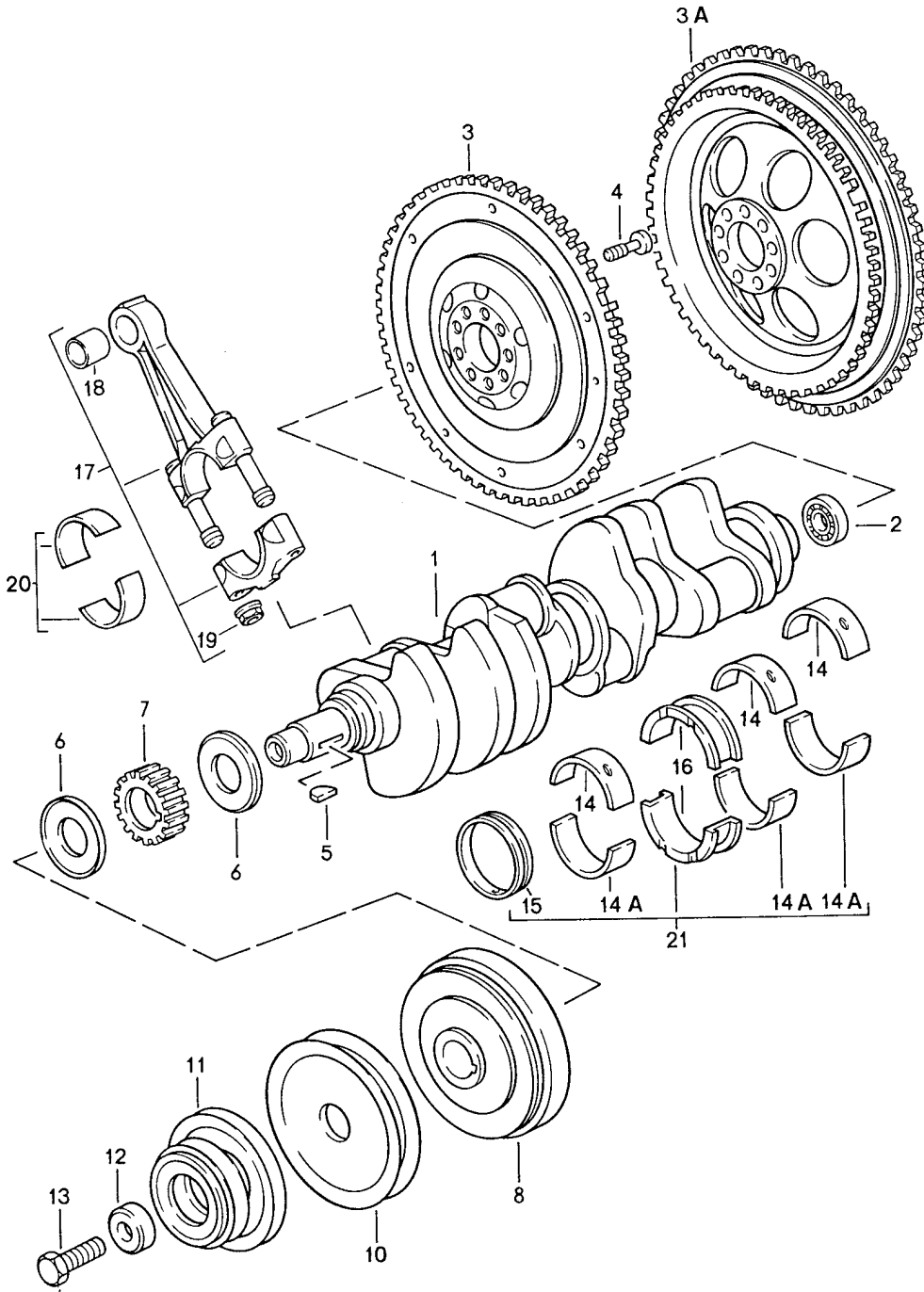
Model: 928 87

Model life 1987>>1991

Pos	Part Number	Description	Remark	Qty	Model
28	N 013 315 1	Roll pin 5 X 10		1	
29	928 604 121 00	Insulating piece		1	
30	928 423 221 01	Support		1	
31	928 101 093 02	Mounting plate		1	
32	928 101 197 00	Fitting bushing		2	
33	N 040 301 1	Hexagon-head bolt M 8 X 48		2	
34	900 119 004 02	Pan-head screw M 8 X 30		2	

Model: 928 87

Model life 1987>>1991



Model: 928 87 Model life 1987>>1991

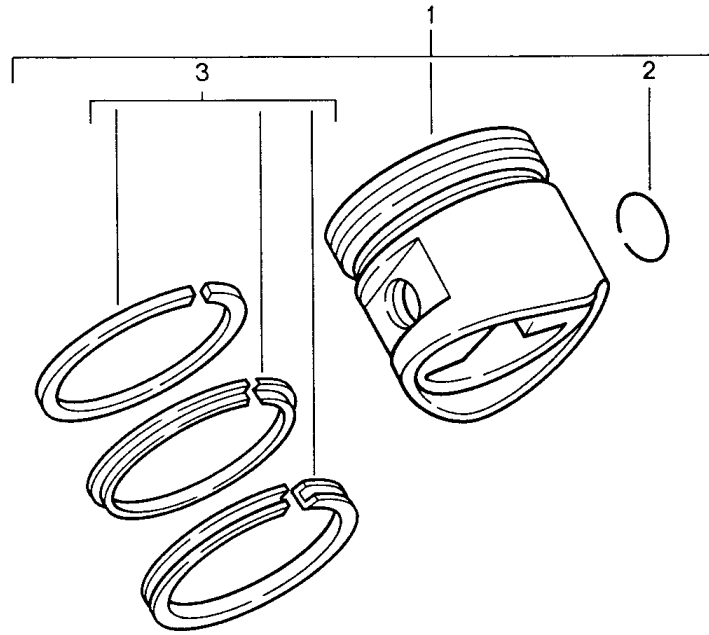
Pos	Part Number	Description	Remark	Qty	Model
		Crankshaft			M28.41/42/47
		Connecting rod			
1	928 102 011 27	Crankshaft		1	
2	928 102 111 02	Deep-groove ball bearing		1	
3	928 102 208 03	Flywheel		1	M28.41/47
3	928 102 208 AX	Flywheel		1	
		We take back: 928.102.208.03			
3A	928 102 075 03	Flywheel	AUT. -88	1	M28.42
3A	928 102 075 04	Flywheel	AUT. 89-	1	M28.42
4	928 102 151 01	Pan-head screw		9	
5	900 118 014 00	Woodruff key		1	
6	928 102 125 02	Flange washer		2	
7	928 105 125 12	Gear wheel		1	
7	928 105 125 14	Gear wheel		1	
7	928 105 125 12	Gear wheel		1	
7	928 105 125 14	Gear wheel		1	
8	928 102 120 23	Vibration damper	-89	1	M28.41/42
		Orange			
8		Vibration damper	90-	1	M28.42/47
		Black-grey			
-	928 102 126 00	Spacer	88-	1	M28.41 M637
10	928 102 118 03	V-belt pulley		1	
		Compressor			
11	928 102 139 11	Pulley		1	M28.41/42
		M >> 81L 51762	AUT.		M28.42
11	928 102 139 12	Pulley	AUT.	1	M28.42
		M 81L 51763 >>			
12	928 102 124 01	Thrust washer		1	
13	900 083 036 02	Hexagon-head bolt		1	
		M 18 X 1,5 X 45			
13	900 083 036 01	Hexagon-head bolt		1	
		M 18 X 1,5 X 45			
14	928 101 115 02	Main bearing shell		3	
	928 101 115 02 002	Upper half 2,4,5			
14A	928 101 115 03	Main bearing shell		3	
	928 101 115 03 002	Lower half 2,4,5			
14A	928 101 115 15	Main bearing shell		3	
		Set			
		Standard			
		Comprising:			
		Lower half 2,4,5			
		Upper half 2,4,5			
14A	928 101 115 16	Main bearing shell		3	
		Set			
		Standard			
		Comprising:			
		Lower half 2,4,5			
		Upper half 2,4,5			
14	928 101 115 50	Main bearing shell		X	
		Upper half 2,4,5			
		Undersize 0.25 mm			
14A	928 101 115 51	Main bearing shell		X	
		Lower half 2,4,5			
		Undersize 0.25 mm			
14	928 101 115 60	Main bearing shell		X	
		Upper half 2,4,5			
		Undersize 0.50 mm			
14A	928 101 115 61	Main bearing shell		X	
		Lower half 2,4,5			
		Undersize 0.50 mm			
15	928 101 117 08	Main bearing bush i		1	

Model: 928 87 Model life 1987>>1991

Pos	Part Number	Description	Remark	Qty	Model
15	928 101 117 58	Main bearing bush i Undersize 0.25 mm		1	
15	928 101 117 68	Main bearing bush i Undersize 0.50 mm		1	
16	928 101 142 02	Thrust bearing		2	
	928 101 142 02 002	NR.3			
16	928 101 142 54	Thrust bearing NR.3 Undersize 0.25 mm		2	
16	928 101 142 64	Thrust bearing NR.3 Undersize 0.50 mm		2	
17	928 103 008 02	Connecting rod M >> 81J 00726 M >> 81J 06740	AUT.	8	M28.41 M28.42
(17)		Connecting rod M 81J 00727 >> M 81J 06741 >>	AUT.	8	M28.41 M28.42
(17)		Connecting rod		8	
18	944 103 133 02	Piston pin bush		8	
19	928 103 172 02	Connecting rod nut		16	
20	928 103 143 02	Conrod bearing shell		16	
20	928 103 143 05	Connecting-rod bearing		16	
	928 103 143 05 002	Russet			
20	928 103 143 52	Conrod bearing shell Oversize 0.25 mm		X	
20	928 103 143 57	Conrod bearing shell Oversize 0.50 mm		X	
21	928 101 901 07	Set of crankshaft bearings		1	
21	928 101 901 57	Set of crankshaft bearings Undersize 0.25 mm		1	
21	928 101 901 67	Set of crankshaft bearings Undersize 0.50 mm		1	

Model: 928 87

Model life 1987>>1991



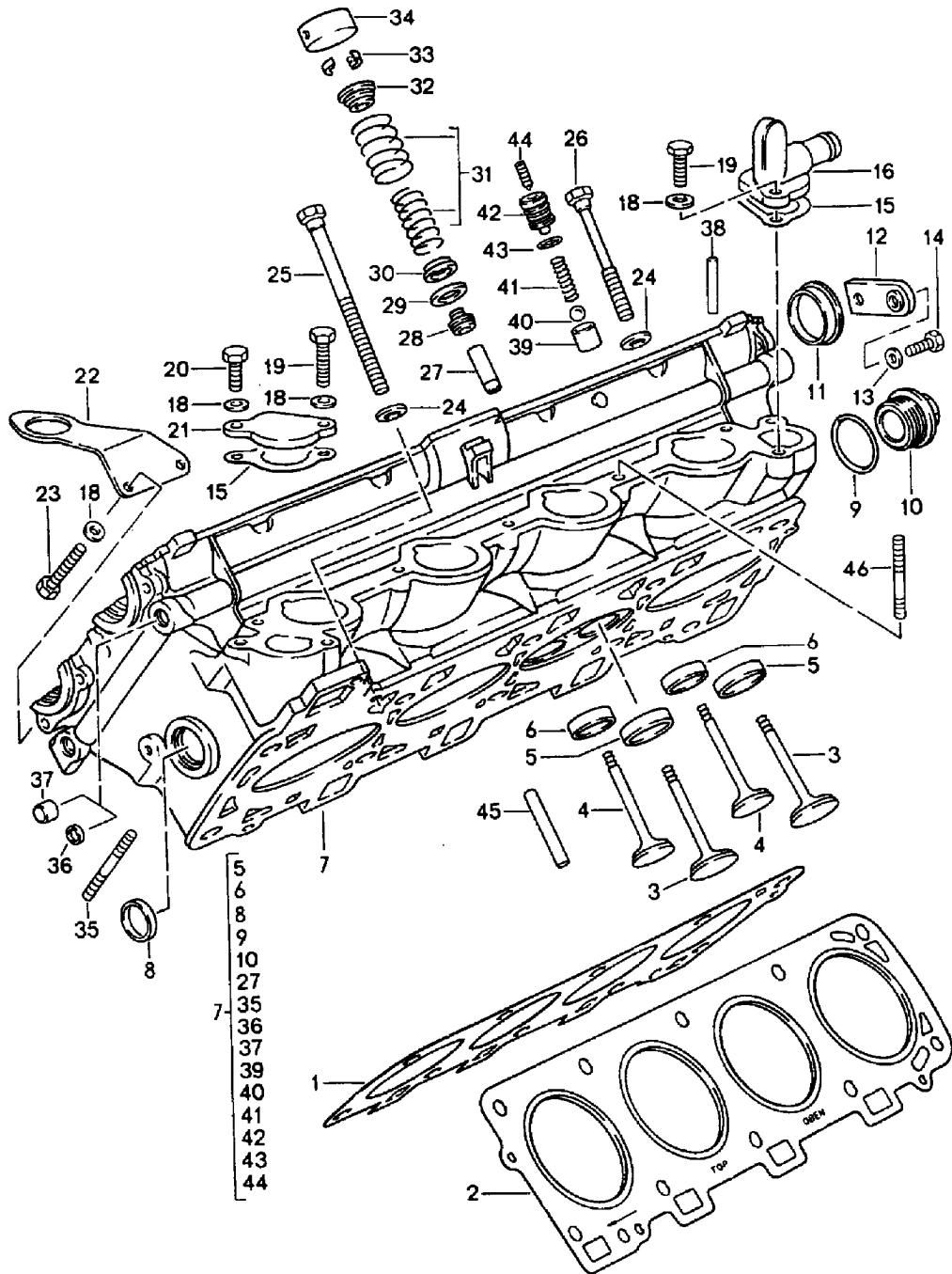
Model: 928 87

Model life 1987>>1991

Pos	Part Number	Description	Remark	Qty	Model
		Piston Piston rings			M28.41/42/47
1	928 103 043 09	Piston Tolerance group 0 99,98 MM - ks -		8	
1	928 103 043 19	Piston Tolerance group 1 99,99 MM - ks -		X	
1	928 103 043 29	Piston Tolerance group 2 100,00 MM - ks -		X	
1	928 103 043 59	Piston Tolerance group 0 100,48 MM - ks -		X	
1	928 103 043 69	Piston Tolerance group 1 100,49 MM - ks -		X	
1	928 103 043 79	Piston Tolerance group 2 100,50 MM - ks -		X	
2	N 012 277 1	Circlip		16	
3	928 103 906 22	Set of piston rings 100,00 MM		X	
3	928 103 906 23	Set of piston rings 100,50 MM		X	

Model: 928 87

Model life 1987>>1991



Model: 928 87

Model life 1987>>1991

Pos	Part Number	Description	Remark	Qty	Model
1	928 104 367 02	Cylinder head Cylinder head gasket Cylinders 1 - 4	/R	1	M28.41/42/47
1	928 104 367 05	Cylinder head gasket Cylinders 1 - 4 without asbestos	/R	1	
1	928 104 367 11	Cylinder head gasket for Recond. cylinder heads	/R	1	
2	928 104 368 02	Cylinder head gasket Cylinders 5 - 8	/L	1	
2	928 104 368 05	Cylinder head gasket Cylinders 5 - 8 without asbestos	/L	1	
2	928 104 368 11	Cylinder head gasket for Recond. cylinder heads	/L	1	
3	928 105 641 05	Intake valve		16	
4	928 105 642 06	Exhaust valve		16	
5	928 104 611 15	Valve seat ring Intake		16	
6	928 104 612 14	Valve seat ring Exhaust		16	
6		Valve seat ring Exhaust		16	
7	928 104 014 02	Cylinder head M >> 81K 00120 M >> 81K 05238	AUT.	2	M28.41/42 M28.41 M28.42
7	928 104 014 03	Cylinder head M 81K 00121 >> M 81K 05239 >>	AUT.	2	M28.41/42 M28.41 M28.42
7	928 104 014 04	Cylinder head	89-90	2	M28.47
7	928 104 014 06	Cylinder head	91-	2	
8	900 036 014 02	Lid		2	
9	N 043 811 1	Sealing ring C 38 X 44		2	
10	999 064 030 30	Screw plug CM 38 X 1,5		2	
10	944 104 228 00	Screw plug		2	
10	944 104 228 01	Screw plug		2	
11	928 105 215 00	Lid		6	
12	928 105 205 00	Support		6	
13	N 011 524 7	Washer A 6,4		6	
13	N 011 524 27	Washer A 6,4		6	
14	900 075 016 02	Hexagon-head bolt M 6 X 22		5	
14	900 075 016 03	Hexagon-head bolt M 6 X 22		5	
15	928 106 167 01	Gasket	87	2	
15		Gasket without asbestos		2	
16	928 104 713 02	Adapter Cylinders 1 - 4	87	1	
(16)		Adapter Cylinders 1 - 4	88-	1	
18	900 025 007 02	Washer A 8,4		8	
18	900 025 007 03	Washer A 8,4		8	
19	N 010 242 12	Hexagon-head bolt M 8 X 25		3	

Model: 928 87 Model life 1987>>1991

Pos	Part Number	Description	Remark	Qty	Model
20	900 075 079 02	Hexagon-head bolt M 8 X 22		1	
21	928 104 219 00	Lid Cylinders 5 - 8		1	
22	928 113 173 02	Shackle for transportation		2	
23	900 075 085 02	Hexagon-head bolt M 8 X 20		2	
24	944 104 229 00	Washer M 12 X 1,5		20	
25	928 101 231 01	Hexagon-head bolt M 12 X 1,5 X 180		18	
25		Hexagon-head bolt M 12 X 1,5 X 180 M >> 81K 00120 M >> 81K 05238	AUT.	18	M28.41 M28.42
(25)	928 101 231 02	Hexagon-head bolt M 12 X 1,5 X 199 M 81K 00121 >> M 81K 05239 >>	AUT.	18	M28.41 M28.42
(25)	928 101 231 03	Hexagon-head bolt M 12 X 1,5 X 199 M 81K 00121 >> M 81K 05239 >>	AUT.	18	M28.41 M28.42
26	928 101 233 01	Hexagon-head bolt M 12 X 1,5 X 130		2	
26		Hexagon-head bolt M 12 X 1,5 X 130 M >> 81K 00120 M >> 81K 05328	AUT.	2	M28.41 M28.42
(26)	928 101 233 02	Hexagon-head bolt M 12 X 1,5 X 149 M 81K 00121 >> M 81K 05239 >>	AUT.	2	M28.41 M28.42
27	944 104 327 51	Valve guide 1st oversize		32	
28	928 104 601 00	Valve stem seal		32	
28	928 104 601 04	Valve stem seal		32	
28	928 104 601 07	Valve stem seal		32	
29	944 105 465 02	Washer 0,5 MM		X	
(29)	944 105 465 03	Washer 1,0 MM		X	
(29)	944 105 465 04	Washer 1,5 MM		X	
(29)	944 105 465 05	Washer 2,0 MM		X	
30	928 105 469 07	Washer		32	
31	928 105 905 07	Set of valve springs		32	
32	944 105 467 03	Concave washer		32	
33	928 105 221 10	Valve collet		64	
34	928 105 312 02	Hydraulic valve tappet		32	
35	999 062 044 02	Stud BM 8 X 30		16	
36	N 011 918 1	Lid		X	
37	911 101 182 00	Stopper		X	
38	928 105 262 00	Pin		5	
39	928 104 121 00	Valve seat		1	
40	N 025 669 2	Ball		1	
41	928 104 129 00	Compression spring		1	
42	928 104 119 01	Spring guide		1	
43	999 701 654 40	O-ring		1	
44	999 218 035 02	Threaded pin		1	
45	000 043 204 45	Sleeve		X	

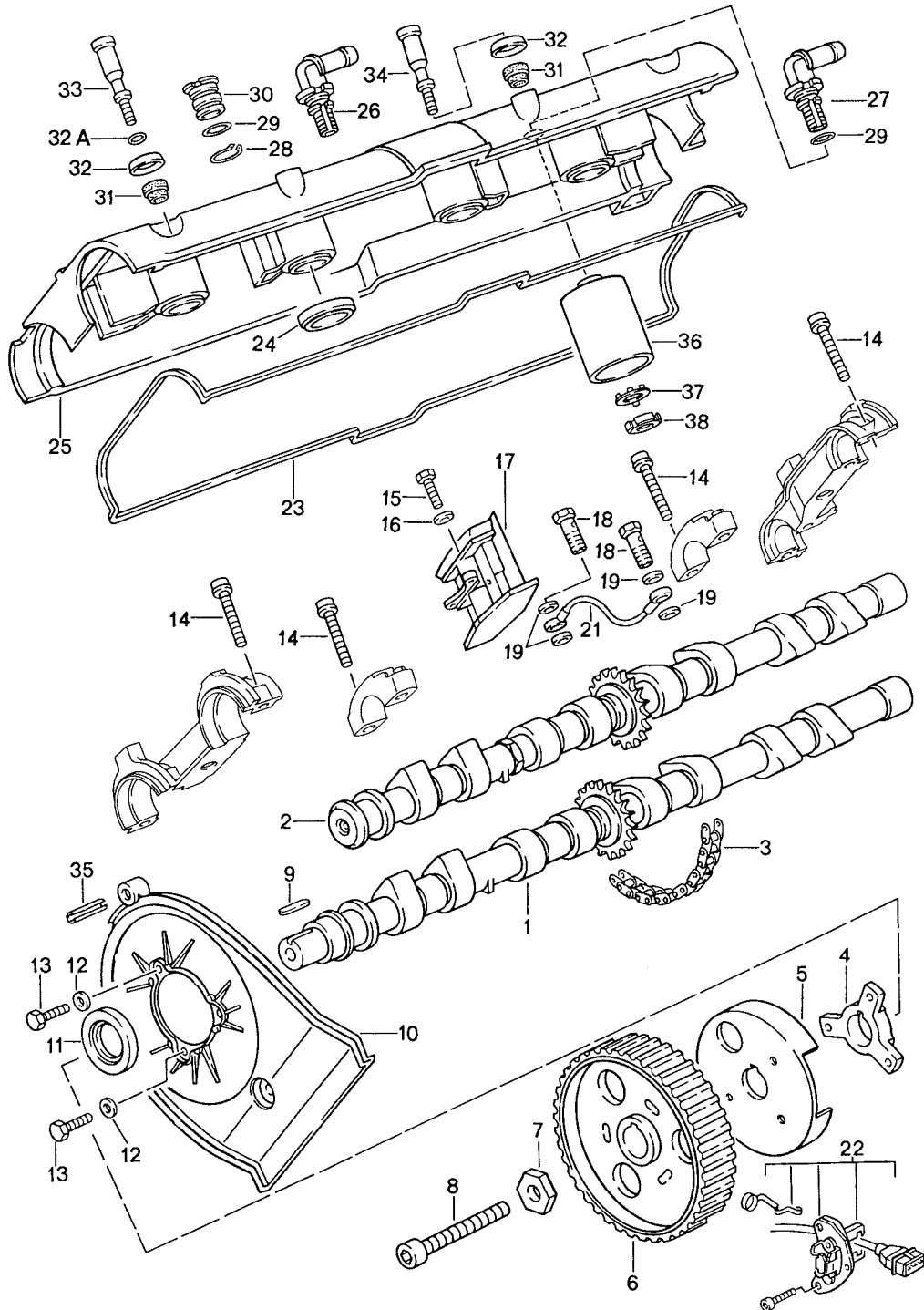
Model: 928 87

Model life 1987>>1991

Pos	Part Number	Description	Remark	Qty	Model
46	999 223 002 02	7 MM Stud M 8 X 40		10	

Model: 928 87

Model life 1987>>1991



Model: 928 87 Model life 1987>>1991

Pos	Part Number	Description	Remark	Qty	Model
1	928 105 273 00	Camshaft Camshaft Exhaust Cylinders 1 - 4	87	1	M28.41/42/47
1		Camshaft Exhaust Cylinders 1 - 4	88-	1	
1	928 105 273 01	Camshaft	88-	1	M28.41 M637 M28.47
(1)	928 105 274 00	Exhaust Cylinders 1 - 4 Camshaft	87	1	
(1)		Exhaust Cylinders 5 - 8 Camshaft	88-	1	
(1)	928 105 274 01	Exhaust Cylinders 5 - 8 Camshaft	88-	1	M28.41 M637 M28.47
2	928 105 271 00	Exhaust Cylinders 5 - 8 Camshaft	89-	1	
2	928 105 271 00	Camshaft Intake Cylinders 1 - 4	87	1	
2		Camshaft Intake Cylinders 1 - 4	88-	1	
2	928 105 271 01	Camshaft	88-	1	M28.41 M637 M28.47
(2)	928 105 272 00	Intake Cylinders 5 - 8 Camshaft	89-	1	
(2)		Intake Cylinders 1 - 4 Camshaft	87	1	
(2)	928 105 272 01	Intake Cylinders 5 - 8 Camshaft	88-	1	M28.41 M637 M28.47
3	944 105 501 05	Timing chain		2	
4	928 105 459 00	Hub		2	
5	928 105 460 01	Rotor trim		2	
6	928 105 530 01	Camshaft timing gear		2	
6	928 105 530 04	Camshaft timing gear		2	
7	928 105 457 02	Washer		2	
8	N 010 455 3	Hexagon-head bolt M 10 X 55		2	
9	900 117 055 00	Feather key		2	
10	928 105 127 06	Toothed belt covering	/L	1	
10		Toothed belt covering	/L	1	
(10)	928 105 148 06	Toothed belt covering	/R	1	
11	999 113 282 40	Shaft sealing ring		2	
12	900 025 007 02	Washer A 6,4		6	
12	900 025 007 03	Washer A 6,4		6	
13	900 075 014 02	Hexagon-head bolt M 6 X 18		6	
13	900 075 014 03	Hexagon-head bolt M 6 X 18		6	
14	999 218 023 02	Combination screw		52	

Model: 928 87 Model life 1987>>1991

Pos	Part Number	Description	Remark	Qty	Model
(14)	999 510 029 02	M 8 X 35 Combination screw		18	
15	900 067 089 02	M 8 X 40 Pan-head screw		4	
15	900 067 089 01	M 6 X 22 Pan-head screw		4	
16	N 011 524 7	M 6 X 22 Washer		4	
16	N 011 524 27	A 6,4 Washer		4	
17	928 105 028 08	A 6,4 Chain adjuster		1	
17	928 105 028 09	Cylinders 1 - 4 Chain adjuster		1	
(17)	928 105 027 08	Cylinders 1 - 4 Chain adjuster		1	
(17)	928 105 027 09	Cylinders 5 - 8 Chain adjuster		1	
18	928 105 476 00	Cylinders 5 - 8 Banjo bolt		2	
(18)	928 105 476 04	Banjo bolt		2	
19	900 123 050 30	Sealing ring		4	
20	928 105 476 00	Banjo bolt		1	
(20)	928 105 476 04	Banjo bolt		2	
21	928 105 213 04	Pipeline		1	
(21)	928 105 214 04	Cylinders 1 - 4 Pipeline		1	
22		Cylinders 5 - 8 See group			
23	928 104 447 09	9/01/02 Gasket	-88	2	
23		Gasket	89-	2	
24	928 104 443 08	Sealing ring		8	
25	928 104 461 08	Cylinder head cover	87	2	
25		Cylinder head cover	88-	2	
26	928 107 733 02	Adapter		1	
27	928 107 733 00	Cylinders 1 - 4 Adapter		1	
28	N 012 420 1	Cylinders 1 - 4 Circlip		2	
29	900 174 056 40	20 X 1,2 O-ring		4	
30	928 104 485 01	17 X 2,5 Lid		2	
31	928 104 115 02	Cylinders 5 - 8 Thrust ring		26	
32	928 104 116 00	Thrust washer		26	
32A	900 123 144 30	Sealing ring		12	
33	928 104 111 01	Pan-head screw		18	
33	928 104 111 02	Short Pan-head screw		18	
34	928 104 117 01	Short Pan-head screw		28	
34	928 104 117 03	Long Pan-head screw		28	
35	999 095 103 01	Long Roll pin		2	
36	928 107 731 01	Oil separator		1	
37	900 160 015 00	Tab washer		2	
37	900 160 015 01	Tab washer		2	
38	900 159 008 02	B 18 Grooved nut		2	
-	928 105 509 01	Guide rail		1	

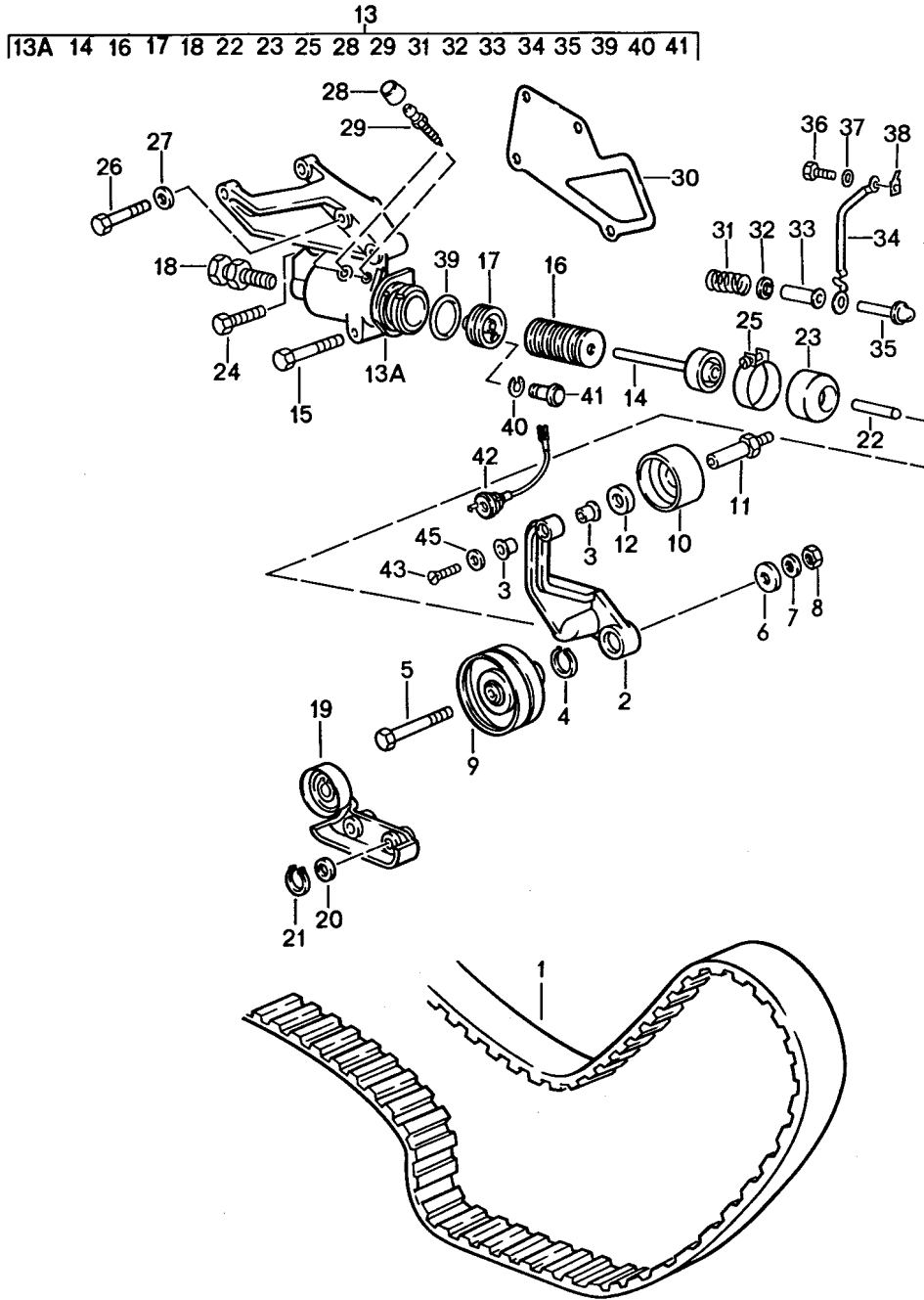
Model: 928 87

Model life 1987>>1991

Pos	Part Number	Description	Remark	Qty	Model
-	944 105 949 00	Upper Guide rail Repair kit		1	

Model: 928 87

Model life 1987>>1991



Model: 928 87 Model life 1987>>1991

Pos	Part Number	Description	Remark	Qty	Model
		Driving mechanism			M28.41/42/47
		Camshaft			
1	928 105 157 30	Toothed belt	87	1	
1	928 105 157 50	Toothed belt	88-90	1	
1		Toothed belt	91-	1	
2	928 105 489 02	Carrier for tension roller		1	
3	928 105 613 04	Bearing sleeve		2	
4	N 042 364 1	Circlip		1	
		20 X 1,75			
5	900 074 139 02	Hexagon-head bolt		1	
		M 8 X 55			
5	900 074 139 03	Hexagon-head bolt		1	
		M 8 X 55			
6	999 025 068 07	Washer		1	
		9 X 25 X 3,5			
7	900 025 007 02	Washer		1	
		A 8,4			
7	900 025 007 03	Washer		1	
		A 8,4			
8	900 076 025 02	Hexagon nut		1	
		M 8			
8	900 076 064 02	Hexagon nut		1	
		M 8			
9	928 105 512 12	Tensioning roller		1	
10	928 105 571 04	Roller		1	
11	928 105 570 08	Bearing pin		1	
12	928 105 572 00	Washer		1	
13	928 105 036 00	Tension roller housing		1	
13	928 105 036 02	Tension roller housing		1	
13A	928 105 066 00	Tension roller housing		1	
14	928 105 059 04	Piston		1	
14		Piston		1	
15	N 010 360 6	Hexagon-head bolt		1	
		M 8 X 60			
15	N 010 360 19	Hexagon-head bolt		1	
		M 8 X 60			
16	928 105 539 03	Bi-metal plate		35	
16	928 105 539 02	Bi-metal plate		35	
17	928 105 588 00	Valve support		1	
18	928 105 075 03	Adjusting screw		1	
19	928 105 067 00	Bracket		1	
		M >> 81H 01233			M28.41
		M >> 81H 08036	AUT.		M28.42
(19)	928 105 067 01	Bracket		1	
		M 81H 01234 >> 85L 01162			M28.41/47
		M 81H 08037 >> 81L 51964	AUT.		M28.42
(19)	928 105 067 00	Bracket		1	
		M 85L 01163 >>			M28.47
		M 81L 51965 >>	AUT.		M28.42
20	900 234 003 02	Shim		2	
		8 X 14 X 1			
20	900 234 003 01	Shim		2	
		8 X 14 X 1			
21	N 012 408 2	Circlip		2	
		8 X 0,8			
22	928 105 551 02	Push rod		1	
23	928 105 552 08	Convolute air bellows		1	
24	900 074 134 02	Hexagon-head bolt		1	
		M 8 X 45			
(25)	999 512 344 02	Terminal		1	
		49,9 - 53,0			
(25)	999 512 564 02	Terminal		1	
		49,9 - 53,0			

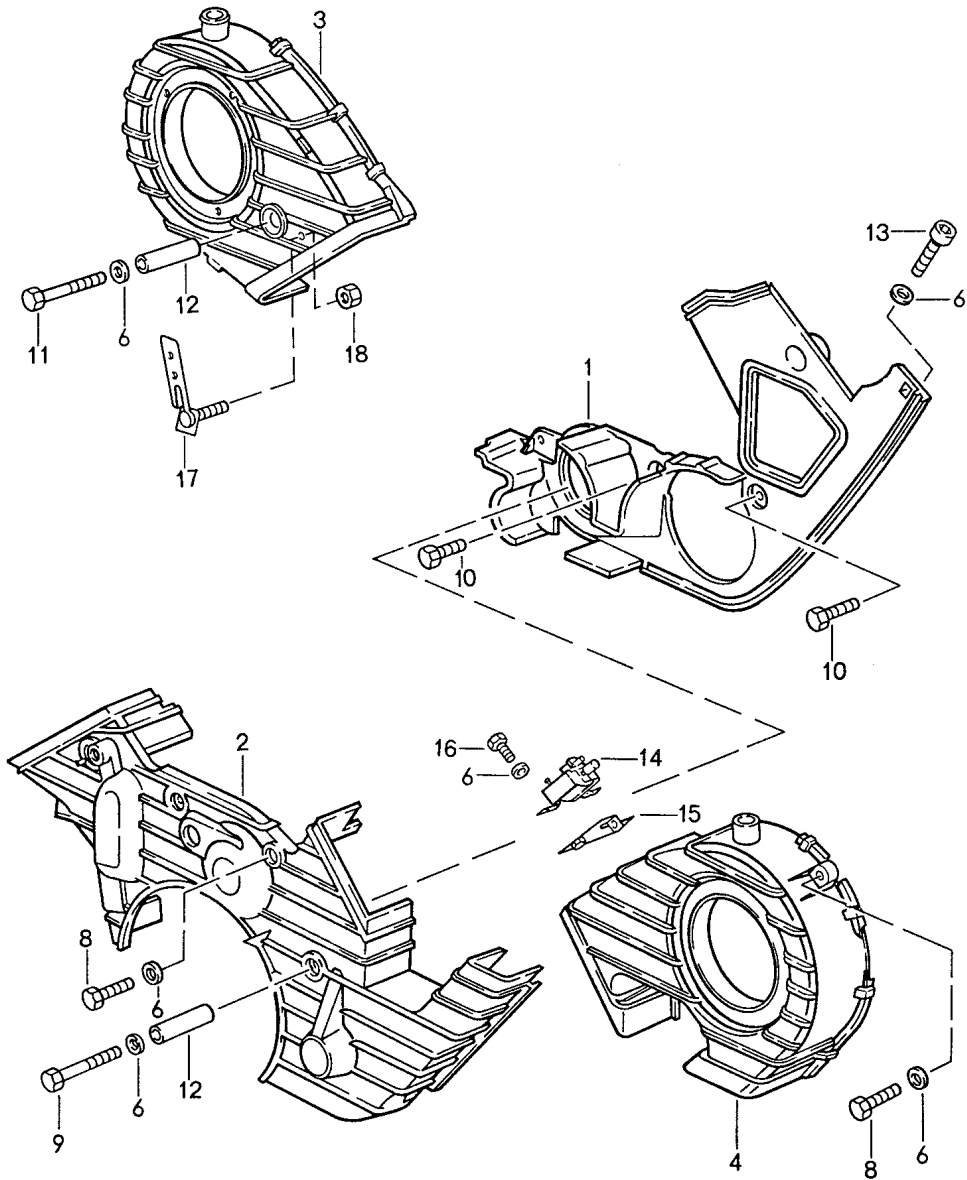
Model: 928 87

Model life 1987>>1991

Pos	Part Number	Description	Remark	Qty	Model
(25)	999 512 564 0B	Terminal 49,9 - 53,0		1	
26	900 074 139 02	Hexagon-head bolt M 8 X 55		2	
26	900 074 139 03	Hexagon-head bolt M 8 X 55		2	
27	900 025 007 02	Washer A 8,4		1	
27	900 025 007 03	Washer A 8,4		1	
28	211 611 483	Dust boot		2	
29	211 611 477 A	Ventilation valve		2	
30	928 105 611 05	Gasket		1	
(30)		Gasket without asbestos		1	
31	928 105 577 03	Compression spring		1	
32	900 025 008 09	Washer		1	
32	900 025 008 04	Washer		1	
33	928 105 574 01	Guide sleeve		1	
34	928 105 615 01	Bridge	-88	1	
(34)	928 607 110 00	Cable	89-	1	
35	928 105 573 02	Push rod		1	
36	N 010 205 6	Hexagon-head bolt M 5 X 10		1	
36	900 075 105 02	Screw M 5 X 10		1	
37	900 025 003 02	Washer A 5,3		1	
38	999 652 315 02	Flat plug for Carrier for tension roller		1	
39	999 701 650 40	O-ring 27,5 X 1,5		1	
40	900 906 002 00	Circlip		1	
41	928 105 589 00	Valve		1	
42	928 606 148 00	Extension cable		1	
43	900 249 008 02	Countersunk-head screw 6 X 12		1	
45	928 105 562 00	Washer		1	
46	928 105 578 03	Mounting		1	
47	N 012 277 1	Circlip		1	

Model: 928 87

Model life 1987>>1991

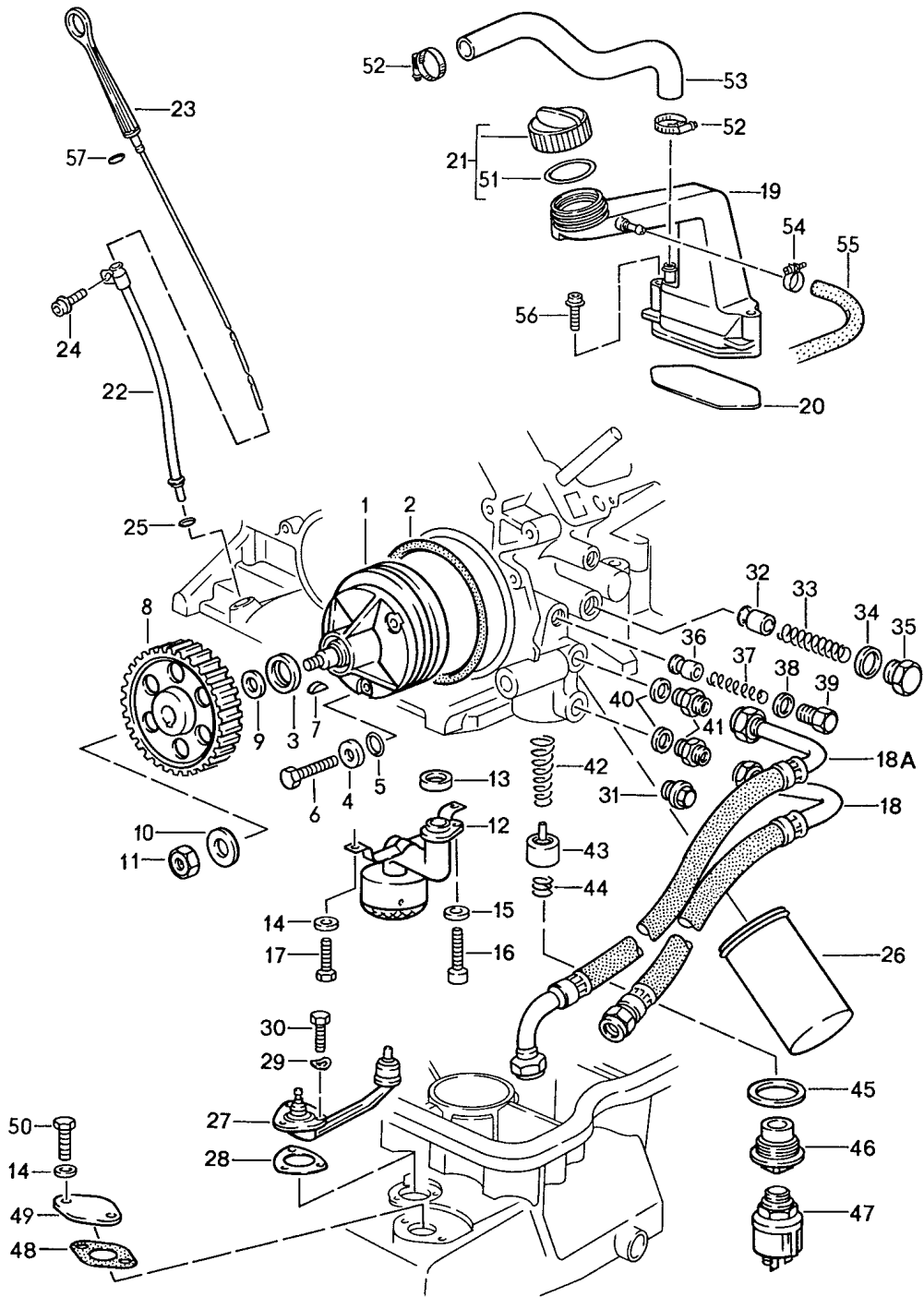


Model: 928 87 Model life 1987>>1991

Pos	Part Number	Description	Remark	Qty	Model
1	928 105 147 05	Toothed belt covering Toothed belt covering Rear M >> 81H 01233 M >> 81H 08036	AUT.	1	M28.41/42/47 M28.41 M28.42
(1)	928 105 147 07	Toothed belt covering Rear M 81H 01234 >> 85L 01162 M 81H 08037 >> 81L 51964	AUT.	1	M28.41/47 M28.42
(1)	928 105 147 05	Toothed belt covering Rear M 85L 01163 >> M 81L 51965 >>	AUT.	1	M28.47 M28.42
2	928 105 144 05	Toothed belt covering Front M >> 81H 00659 M >> 81H 06735	AUT.	1	M28.41 M28.42
(2)	928 105 144 07	Toothed belt covering Front M 81H 00660 >> M 81H 06736 >>	AUT.	1	M28.41 M28.42
(2)	928 105 144 08	Toothed belt covering Front M 81H 00660 >> M 81H 06736 >>	AUT.	1	M28.41 M28.42
3	928 105 146 06	Toothed belt covering	/R	1	
4	928 105 145 09	Toothed belt covering	/L	1	
5	900 075 341 01	Combination screw M 6 X 25		1	
6	N 011 666 7	Washer A 6,4		X	
8	900 075 014 02	Hexagon-head bolt M 6 X 18		5	
8	900 075 014 03	Hexagon-head bolt M 6 X 18		5	
9	N 040 307 1	Hexagon-head bolt M 6 X 73		1	
10	900 074 015 02	Hexagon-head bolt M 6 X 30		2	
10	900 074 015 03	Hexagon-head bolt M 6 X 30		2	
11	900 075 346 02	Combination screw M 6 X 40		1	
(11)	N 010 366 4	Hexagon-head bolt M 6 X 55		1	
12	928 105 445 00	Spacer tube 44,5 MM			
13	900 067 011 02	Pan-head screw M 6 X 20		X	
13	900 067 011 03	Pan-head screw M 6 X 20		X	
14	911 618 123 01	Change-over valve		1	
15	928 110 532 00	Support			
16	900 074 015 02	Hexagon-head bolt M 6 X 30		2	
16	900 074 015 03	Hexagon-head bolt M 6 X 30		2	
17	928 602 067 00	Support		1	
18	900 910 012 02	Lock nut		1	
18	900 910 047 09	Lock nut		1	

Model: 928 87

Model life 1987>>1991



Model: 928 87 Model life 1987>>1991

Pos	Part Number	Description	Remark	Qty	Model
		Engine lubrication			M28.41/42/47
1	928 107 008 02	Oil pump		1	
2	999 701 633 40	O-ring 98 X 3		1	
3	999 113 275 40	Shaft sealing ring 20 X 30 X 7		1	
4	928 107 165 00	Washer A 8,4		3	
5	999 701 006 40	O-ring		3	
6	N 040 301 1	Hexagon-head bolt M 8 X 48		3	
7	N 012 713 1	Woodruff key 5 X 6,5		1	
8	928 107 107 13	Gear wheel		1	
9	928 107 166 00	Support washer		1	
10	928 101 303 00	Washer 10,5		1	
11	N 011 010 6	Hexagon nut M 10		1	
11	N 101 552 10	Hexagon nut M 10		1	
12	928 107 032 06	Suction tube		1	
13	928 107 136 04	Sealing ring		1	
14	N 011 524 7	Washer A 6,4		4	
14	N 011 524 27	Washer A 6,4		4	
15	900 025 007 02	Washer A 8,4		1	
15	900 025 007 03	Washer A 8,4		1	
16	N 014 726 1	Pan-head screw M 8 X 30		1	
17	999 072 005 09	Hexagon nut M 6 X 12		2	
17	999 072 005 01	Hexagon nut M 6 X 12		2	
18	928 107 301 07	Oil hose	87	1	
18		Oil hose	-89	1	
(18)	928 107 301 08	Oil hose	90-	1	M28.42/47
18A	928 107 302 08	Oil hose	87	1	
18A		Oil hose	-89	1	
(18A)	928 107 302 09	Oil hose	90-	1	M28.42/47
19	928 107 303 07	Filler neck		1	
19		Filler neck		1	
20	928 107 307 00	Gasket		1	
21	944 107 091 01	Oil filler cover		1	
22	928 107 020 03	Guide tube		1	
22		Guide tube		1	
23	928 107 041 01	Oil level dipstick		1	
24	900 075 357 02	Combination screw M 6 X 12 Z1		1	
24	900 075 456 01	Combination screw M 6 X 12 Z1		1	
25	900 174 044 40	Round seal 9 X 2		1	
26	928 107 201 05	Oil filter		1	
26	928 107 201 07	Oil filter Red	-(IND)	1	
27	928 606 301 02	Tank gauge switch	87	1	
(27)	928 606 301 03	Tank gauge switch	88-	1	
28	928 606 213 03	Gasket		1	
29	900 028 007 02	Spring washer		3	

Model: 928 87 Model life 1987>>1991

Pos	Part Number	Description	Remark	Qty	Model
30	N 010 207 6	B 5 Hexagon-head bolt M 5 X 12		3	
30	N 010 207 17	Hexagon-head bolt M 5 X 12		3	
31	N 016 163 2	Screw plug M 22 X 1,5		2	
31	900 124 020 01	Screw plug M 22 X 1,5		2	
32	928 107 182 00	Piston		1	
33	928 107 183 01	Compression spring		1	
34	900 123 060 30	Sealing ring A 24 X 29		1	
35	928 107 181 01	Screw plug		1	
36	928 107 179 02	Piston		1	
37	928 107 176 02	Compression spring		1	
38	900 123 140 30	Sealing ring A 18 X 22		1	
39	928 107 180 01	Screw plug		1	
40	900 123 118 30	Sealing ring A 22 X 27		2	
41	900 915 003 02	Screw socket		2	
42	928 107 171 01	Compression spring		1	
43	928 107 172 02	Regulator insert		1	
44	928 107 173 00	Compression spring		1	
45	900 123 143 70	Sealing ring C 48 X 55		1	
46	928 107 174 07	Screw plug		1	
47	928 606 203 01	Oil pressure sender with Warning contact	-88	1	
47	928 606 203 04	Oil pressure sender with Warning contact	-88	1	
(47)	928 606 203 03	Pressure transmitter	89-	1	
(47)	928 606 203 05	Pressure transmitter with Warning contact	89-	1	
48	928 107 169 01	Gasket		1	
(48)		Gasket without asbestos		1	
49	928 107 209 00	Lid		1	
50	N 010 217 9	Hexagon-head bolt M 6 X 20		2	
51	999 701 846 40	O-ring		1	
52	999 512 346 02	Hose clamp		2	
52	999 512 676 00	Hose clamp		2	
53	928 107 445 02	Hose		1	
54	N 023 570 2	Hose clamp		2	
55	928 107 603 00	Hose		1	
56	900 075 344 02	Hexagon-head bolt M 6 X 50 Z1		2	
56	900 075 344 01	Hexagon-head bolt M 6 X 50 Z1		2	
57	999 701 320 40	O-ring 6 X 2		1	
-	928 107 212 00	Engine oil cooler	90-	1	
-	928 107 212 01	Engine oil cooler	90-	1	
-	900 331 022 40	O-ring	90-	2	
-	900 075 014 02	Hexagon-head bolt M 6 X 18	90-	2	
-	900 075 014 03	Hexagon-head bolt M 6 X 18	90-	2	

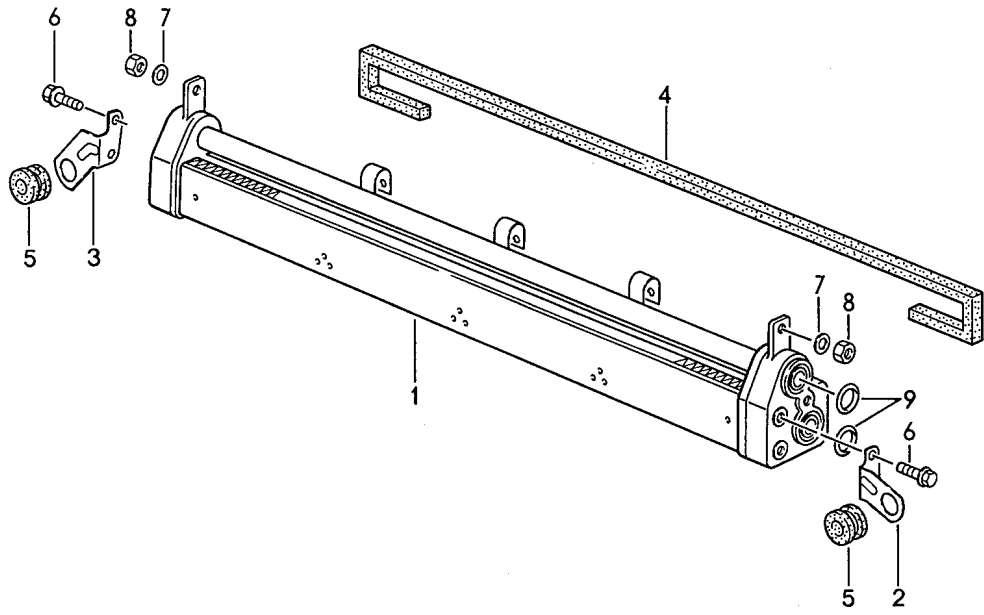
Model: 928 87

Model life 1987>>1991

Pos	Part Number	Description	Remark	Qty	Model
-	N 011 524 7	Washer A 6,4	90-	2	
-	N 011 524 27	Washer A 6,4	90-	2	
-	999 591 882 02	Speed nut M 6	90-	2	
-	999 591 882 01	Speed nut M 6	90-	2	

Model: 928 87

Model life 1987>>1991



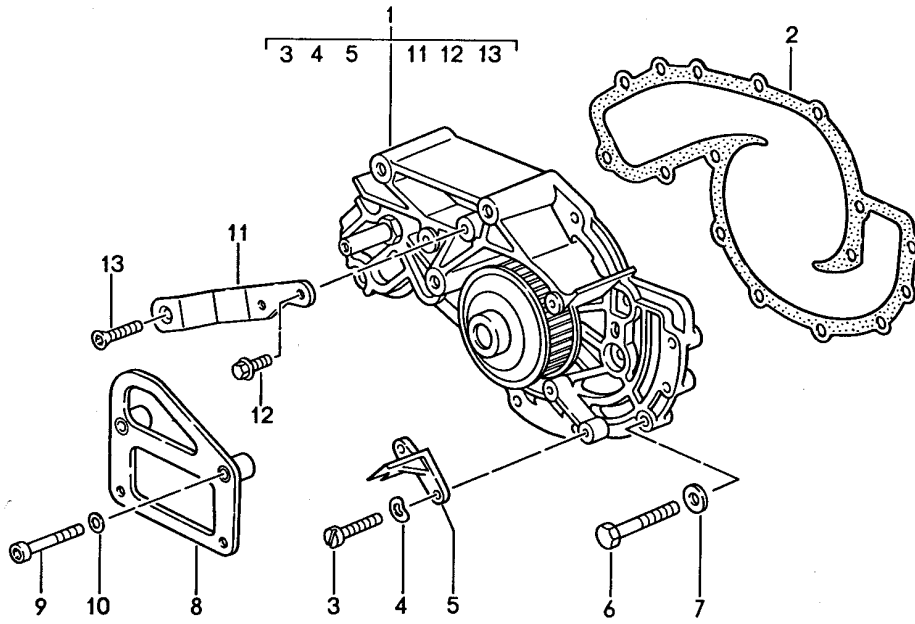
Model: 928 87

Model life 1987>>1991

Pos	Part Number	Description	Remark	Qty	Model
		Engine oil cooling	90-		M28.42/47
1	928 107 212 00	Engine oil cooler		1	
1	928 107 212 01	Engine oil cooler		1	
2	928 107 213 00	Support		1	
3	928 107 214 00	Support		1	
4	928 504 671 02	Gasket		1	
5	999 702 079 50	Grommet		2	
5	999 702 079 5A	Grommet		2	
6	900 067 269 02	Combination screw M 6 X 16		4	
6	900 067 269 01	Combination screw M 6 X 16		4	
7	900 151 008 02	Washer A 8,4		2	
8	900 076 025 02	Hexagon nut M 8		2	
8	900 076 064 02	Hexagon nut M 8		2	
9	900 331 022 40	O-ring		2	

Model: 928 87

Model life 1987>>1991



Model: 928 87

Model life 1987>>1991

Pos	Part Number	Description	Remark	Qty	Model
		Water pump See technical information GRP.1 NR.4/90			M28.41/42/47
1	928 106 015 13	Water pump M >> 81H 00659 M >> 81H 06735	AUT.	1	M28.41 M28.42
1	928 106 015 20	Water pump M 81H 00660 >> M 81H 06736 >>	AUT.	1	M28.41 M28.42
(1)	928 106 015 X	Water pump We take back: 928.106.015.20		1	
(1)	928 106 915 X	Water pump We take back: 928.106.015.20 Comprising:		1	
-	928 106 134 05	Gasket		1	
-	928 106 134 06	Gasket		1	
-	900 014 066 02	Pan-head screw		2	
-	900 976 010 01	Pan-head screw		2	
-	N 011 523 7	Washer		2	
-	928 105 176 01	Pointer for t.d.c.		1	
-	900 075 015 02	Hexagon-head bolt		5	
-	900 075 341 02	Combination screw		8	
-	900 075 341 01	Combination screw		8	
-	N 011 524 7	Washer		15	
-	N 011 524 27	Washer		15	
-	928 106 015 X	Water pump		1	
2	928 106 134 05	Gasket without asbestos		1	
2	928 106 134 06	Gasket without asbestos		1	
3	900 014 066 02	Pan-head screw M 5 X 18		2	
3	900 976 010 01	Pan-head screw M 5 X 18		2	
4	900 025 003 02	Washer A 5,3		2	
5	928 105 176 01	Pointer for t.d.c.		1	
6	N 010 217 9	Hexagon-head bolt M 6 X 20		5	
6	900 075 341 02	Combination screw M 6 X 25		8	
6	900 075 341 01	Combination screw M 6 X 25		8	
7	N 011 524 7	Washer A 6,4		X	
7	N 011 524 27	Washer A 6,4		X	
8	928 101 412 03	Shackle for transportation		1	
9	900 067 081 02	Pan-head screw M 8 X 35		2	
9	900 067 102 02	Pan-head screw M 8 X 35		2	
10	N 011 525 13	Washer A 8,4		1	
11	928 105 564 00	Support M 81H 00660 >> M 81H 06736 >>	AUT.	1	M28.41 M28.42
12	900 075 355 02	Combination screw M 6 X 16 Z1		1	
12	900 075 355 01	Hexagon-head bolt M 6 X 16 Z1		1	

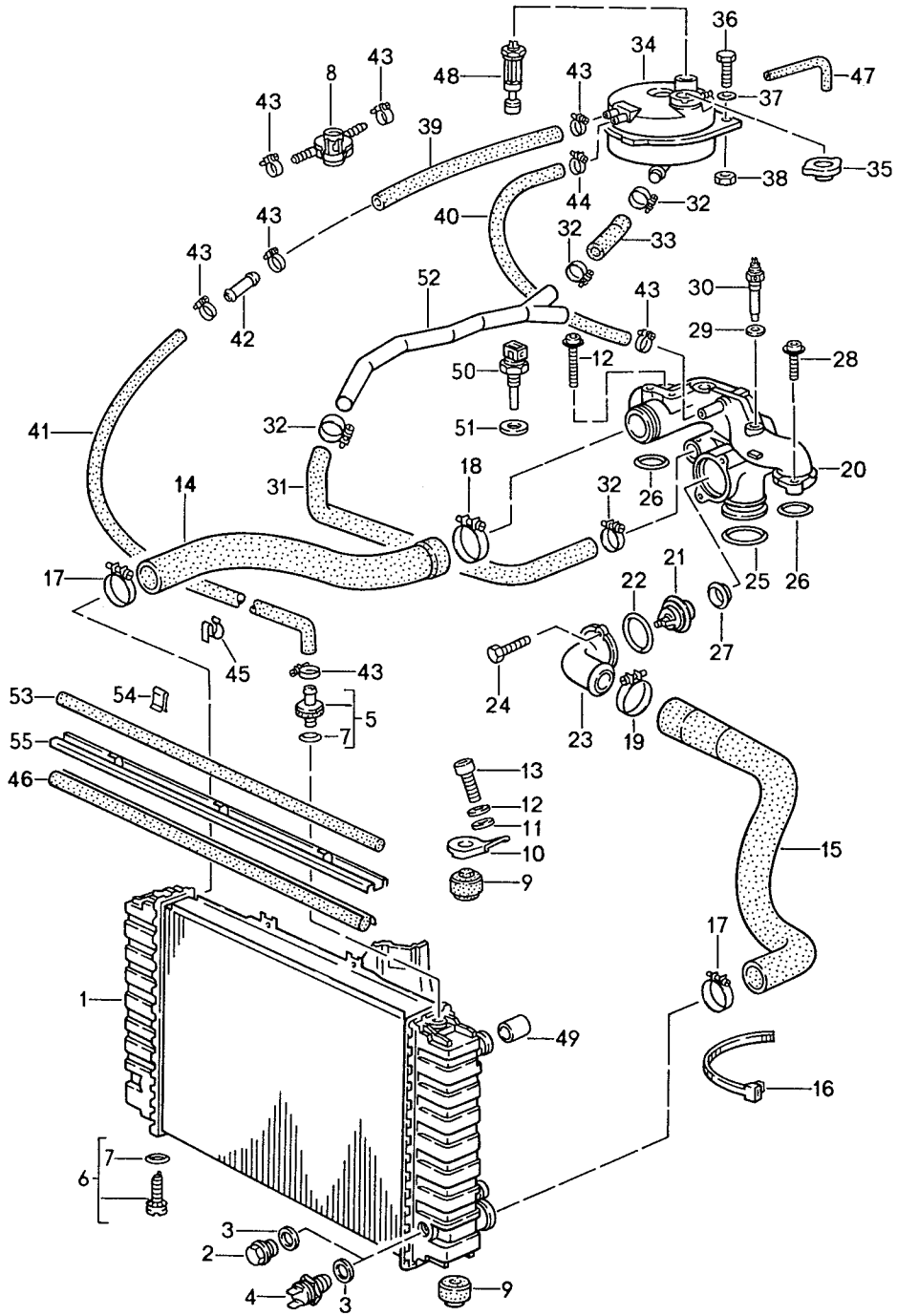
Model: 928 87

Model life 1987>>1991

Pos	Part Number	Description	Remark	Qty	Model
13	900 249 008 02	Countersunk-head screw M 6 X 12		1	

Model: 928 87

Model life 1987>>1991



Model: 928 87 Model life 1987>>1991

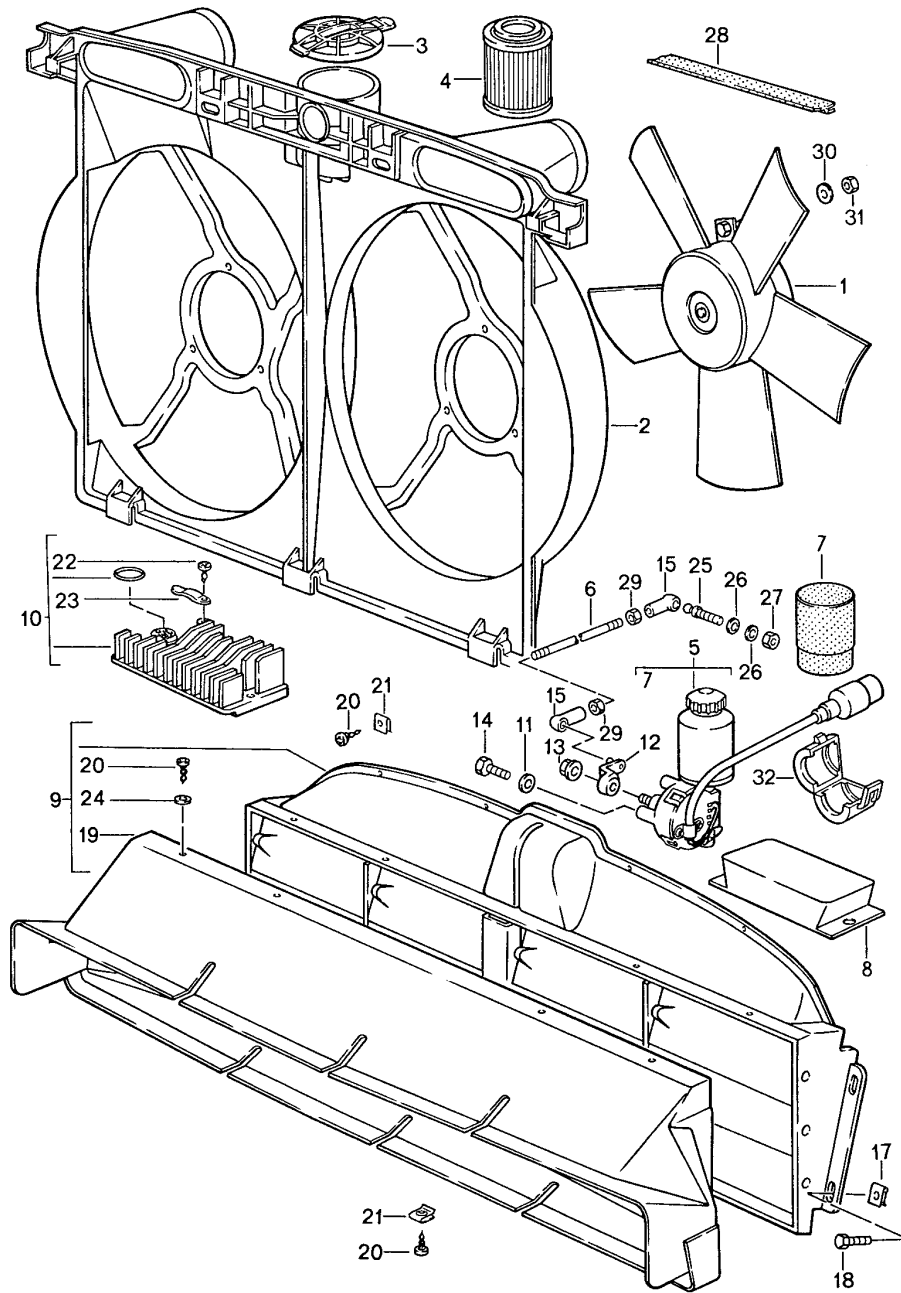
Pos	Part Number	Description	Remark	Qty	Model
1	928 106 044 01	Water cooling 1 Radiator	-89	1	M28.41/42/47 M28.41
1		Engine oil cooler Radiator	89	1	M28.47
(1)	928 106 043 01	Engine oil cooler Radiator	AUT. -89	1	M28.42
(1)		Transmission oil cooler			
(1)	928 106 023 20	Radiator	90-	1	M28.47
(1)	928 106 042 03	Radiator	AUT. 90-	1	M28.42
2	N 016 163 2	Transmission oil cooler Screw plug		1	
2	900 124 020 01	CM 22 X 1,5 Screw plug		1	
3	900 123 149 70	CM 22 X 1,5 Sealing ring		1	
4	928 606 149 00	A 22 X 29 Temperature switch		1	
5	928 106 443 02	Breather adapter		1	
6	928 106 444 01	Drain plug		1	
7	999 701 651 40	O-ring		X	
8	928 641 513 00	7,65 X 1,78 Pressure switch		1	
9	928 106 177 01	Rubber mounting		4	
10	928 106 178 01	Support		2	
11	900 151 008 02	Washer		2	
12	900 067 248 02	A 8,4 Pan-head screw		1	
13	900 119 052 02	M 8 X 70 Z1 Pan-head screw		2	
14	928 106 238 08	M 8 X 16 Hose		1	
15	928 106 239 09	Hose		1	
16	999 513 010 40	Tie-wrap		1	
17	999 512 404 00	Hose clamp		2	
18	999 512 331 02	50 - 70 W2 Hose clamp		1	
19	999 512 334 02	S 61/15 Hose clamp		1	
19	PCG 512 334 02	S 59/15 Hose clamp		1	
20	928 106 065 03	S 59/15 Regulator housing		1	
21	928 106 129 16	Thermostat	-89	1	
21	928 106 129 17	Thermostat	90-	1	
22	999 701 632 40	O-ring		1	
23	928 106 173 02	Lid		1	
24	900 075 341 02	Regulator housing Combination screw		2	
24	900 075 341 01	M 6 X 25 Z1 Combination screw		2	
25	999 701 627 40	M 6 X 25 Z1 O-ring		1	
26	928 106 227 00	53 X 7 Gasket		2	
27	928 106 163 00	Gasket		1	
28	900 067 276 02	Pan-head screw		3	
28	900 067 276 01	M 8 X 35 Z1 Combination screw		3	
29	900 123 007 30	M 8 X 35 Z1 Sealing ring		1	
30	928 606 201 01	A 14 X 18 Remote temperature sensor	-88	1	

Model: 928 87 Model life 1987>>1991

Pos	Part Number	Description	Remark	Qty	Model
30	928 606 201 03	Temperature sensor	89-	1	
31	928 106 321 03	Line	/LL	1	
31	928 106 321 05	Line	/LL	1	
(31)	927 106 321 05	Line	/RL	1	
32	999 512 374 02	Hose clamp SGT 20 - 32/9		3	
33	928 106 323 01	Line		1	
34	928 106 256 03	Expansion tank	/LL	1	
(34)	927 106 256 01	Expansion tank	/RL	1	
35	928 106 257 03	Catch		1	
36	900 187 015 02	Hexagon-head tapping screw 6,3 X 16		2	
37	N 011 612 3	Washer R 6,6		2	
37	N 011 612 C	Washer R 6,6		2	
38	999 591 571 02	Speed nut B 6,3		2	
-	999 181 709 50	Hose 8 X 14		*	
39		70 MM		1	
40	928 106 275 03	Moulded hose	/LL	1	
(40)	927 106 275 03	Moulded hose	/RL	1	
41	928 106 277 02	Hose	/LL	1	
(41)	927 106 277 02	Hose	/RL	1	
42	999 230 106 02	Nipple		1	
43	N 023 570 2	Hose clamp S 17/9		X	
44		Hose clamp		X	
45	999 651 165 02	Cable clamp		3	
46	928 106 271 02	Sealing strip		1	
47	928 106 425 00	Overpressure hose 350 MM		1	
48	928 641 503 01	Tank gauge switch for cooling water		1	
49	928 106 142 00	Water drain tube for Radiator		1	
50	928 606 126 00	Temperature sensor		1	
51	900 123 006 30	Sealing ring		1	
52		See group 8/13/10			
-					
53	999 911 379 40	Gasket 17 X 12 X 615		1	M28.41/47
(53)	999 911 357 40	Gasket 17 X 12 X 615	AUT.	1	M28.42
54	999 591 440 02	Clamp 0,75 - 1,0		3	
55	928 106 131 00	Profile strip		1	

Model: 928 87

Model life 1987>>1991

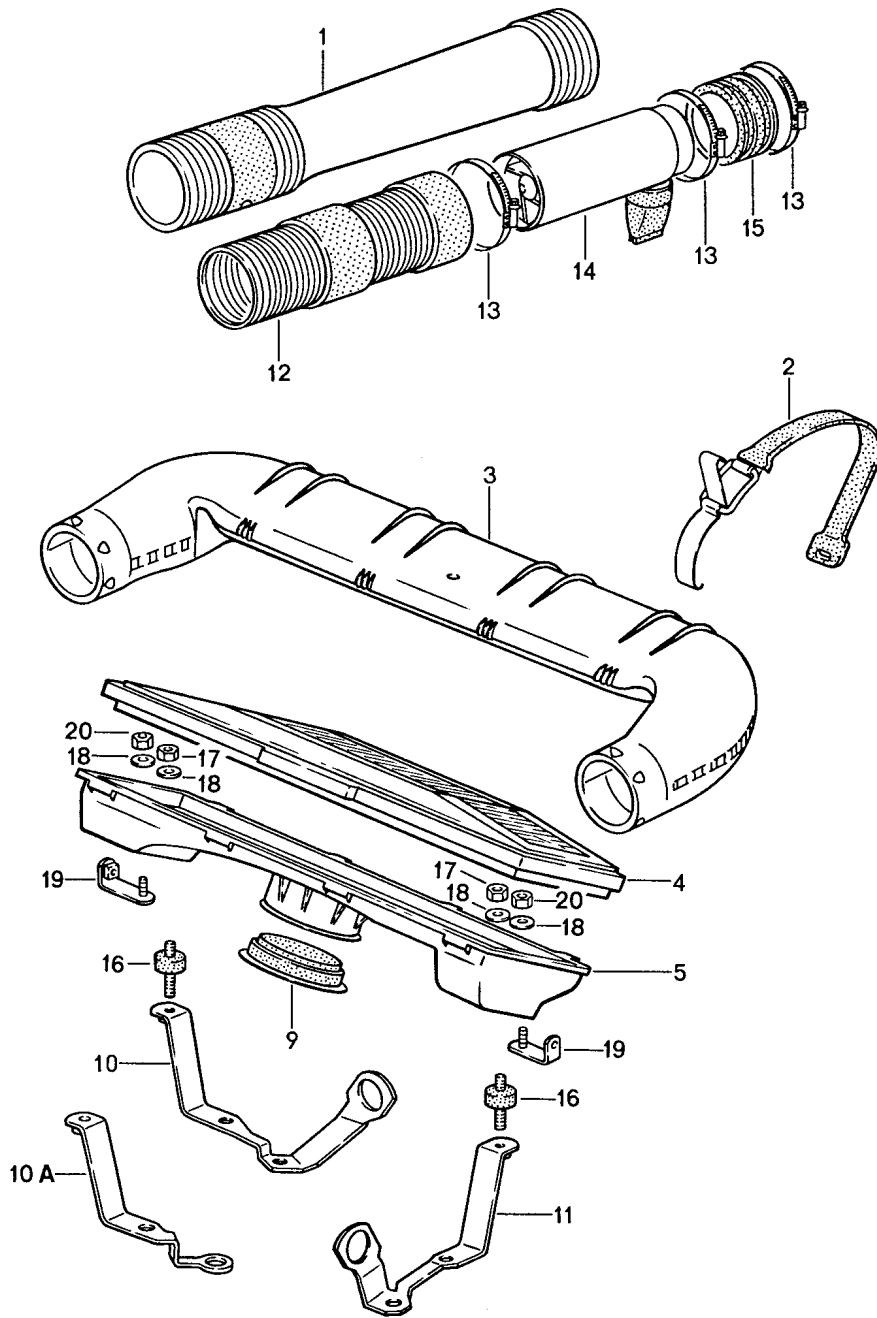


Model: 928 87 Model life 1987>>1991

Pos	Part Number	Description	Remark	Qty	Model
		Water cooling 2			M28.41/42/47
1	928 624 145 00	Blower		2	
2	928 106 259 02	Air guide		1	
3	928 106 143 00	Lid		1	
4	928 113 445 00	Filter cartridge		1	
5	928 624 051 00	Adjusting motor	-90	1	
6	928 575 527 00	Linkage	-90	1	
7	928 624 333 00	Water protection cap	-90	1	
8	928 618 418 00	Control unit		1	
9	928 575 951 01	Adjusting flaps	-90	1	
(9)	928 575 351 02	Air guide	91-	1	
10	928 618 421 00	Output final stage		1	
11	N 011 524 7	Washer	-90	3	
		A 6,4			
11	N 011 524 27	Washer		3	
		A 6,4			
12	928 575 053 00	Crank	-90	1	
13	999 084 045 02	Lock nut	-90	1	
14	N 010 215 13	Hexagon-head bolt		3	
15	999 168 021 40	Ball socket	-90	2	
17	999 507 330 02	Cable holder		X	
17	999 507 312 12	Nut lock		X	
18	N 044 734 1	Pan-head screw		X	
18	900 067 137 01	Pan-head screw		X	
		M 5 X 15			
19	928 575 521 01	Air guide	-90	1	
20	N 013 957 5	Oval-head sheetmetal screw		X	
21	N 900 488 01	Speed nut		X	
22	N 014 133 8	Oval-head screw		1	
22	N 014 133 I	Oval-head screw		1	
23	928 616 982 00	Retainer spring		1	
24	N 011 521 3	Washer		X	
25	999 167 033 00	Ball pin	-90	1	
26	N 011 522 15	Washer	-90	2	
27	900 084 020 02	Lock nut	-90	1	
		M 4			
28	928 106 271 02	Sealing strip		1	
29	N 011 004 6	Hexagon nut	-90	2	
		M 4			
29	N 011 004 G	Nut		2	
		M 4			
30	N 011 666 7	Washer		6	
		B 6,4			
31	900 910 012 02	Lock nut		6	
		M 6			
31	900 910 047 09	Lock nut		6	
		M 6			
32	944 612 450 00	Fixing clip	-90	1	
-	999 591 981 02	Retaining clip		2	

Model: 928 87

Model life 1987>>1991



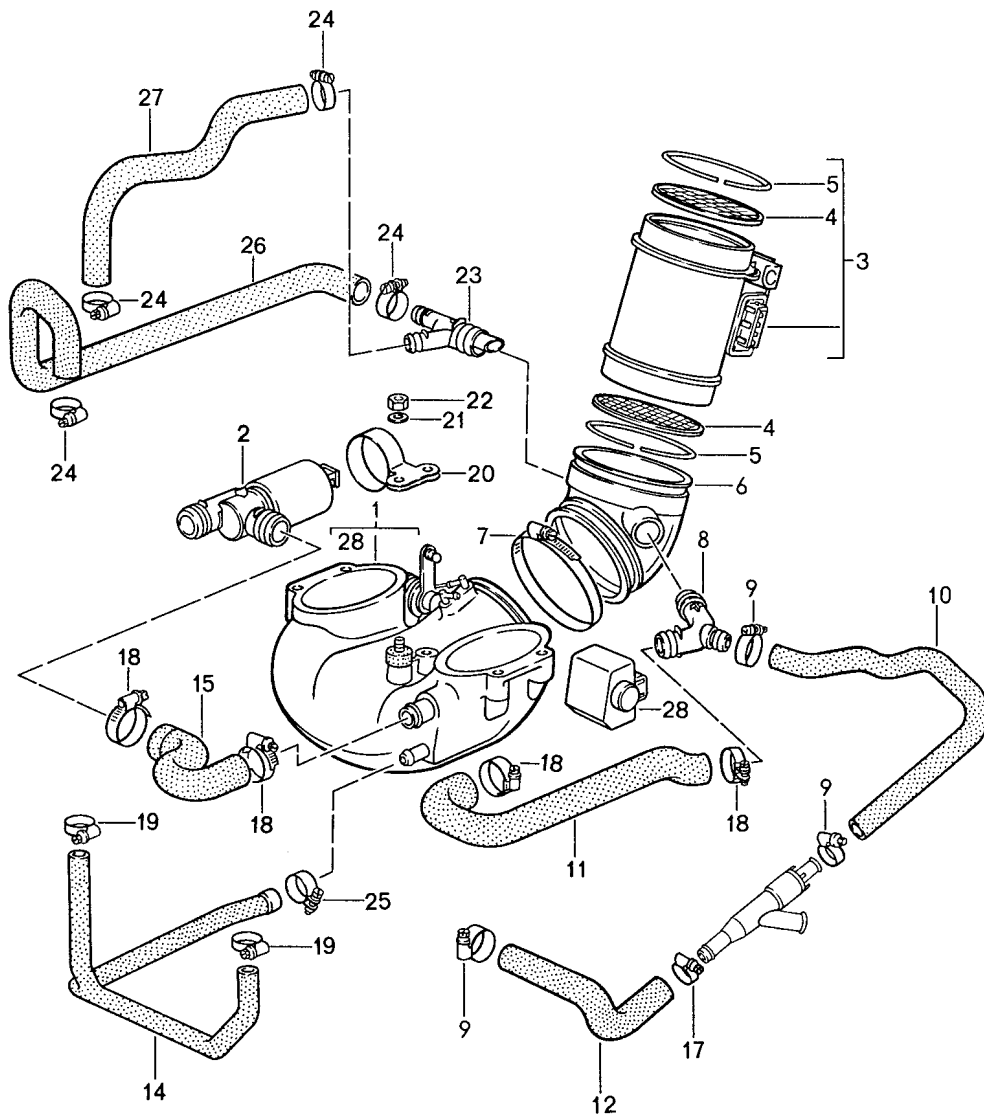
Model: 928 87

Model life 1987>>1991

Pos	Part Number	Description	Remark	Qty	Model
		Air cleaner Lh-jetronic			M28.41/42/47
1	928 110 272 04	Suction hose		2	
(1)	928 110 272 13	Suction hose	87 (CH)	2	M28.41/42
(1)		Suction hose	88-89	2	M28.41
(1)		Suction hose	90- (CH)	2	M28.42/47
2	928 110 363 06	Restraining strap		4	
3	928 110 230 06	Air cleaner Upper part		1	
(3)		Air cleaner Upper part	CH 90- (CH)	1	M28.47
4	928 110 185 03	Air cleaner cartridge		1	
5	928 110 229 05	Air cleaner Lower part	87	1	
(5)		Air cleaner Lower part	88-	1	
9	928 110 132 00	Sealing ring		1	
9	928 110 132 01	Sealing ring		1	
10	928 110 145 03	Support	87	1	
10A	928 110 146 01	Support	88-	1	
11	928 110 525 07	Support	87	1	
(11)	928 110 526 00	Support	88-	1	
12	928 110 272 05	Suction hose		2	M317
13	999 512 350 02	Hose clamp		6	M317
14	928 110 274 01	Sand separator		2	M317
15	928 110 347 00	Rubber sleeve		2	M317
16	931 110 191 00	Bonded rubber buffer		2	
17	900 910 010 02	Lock nut		2	
18	N 011 666 7	Washer		4	
19	928 111 011 00	Support		2	
20	900 910 010 02	Lock nut		2	

Model: 928 87

Model life 1987>>1991



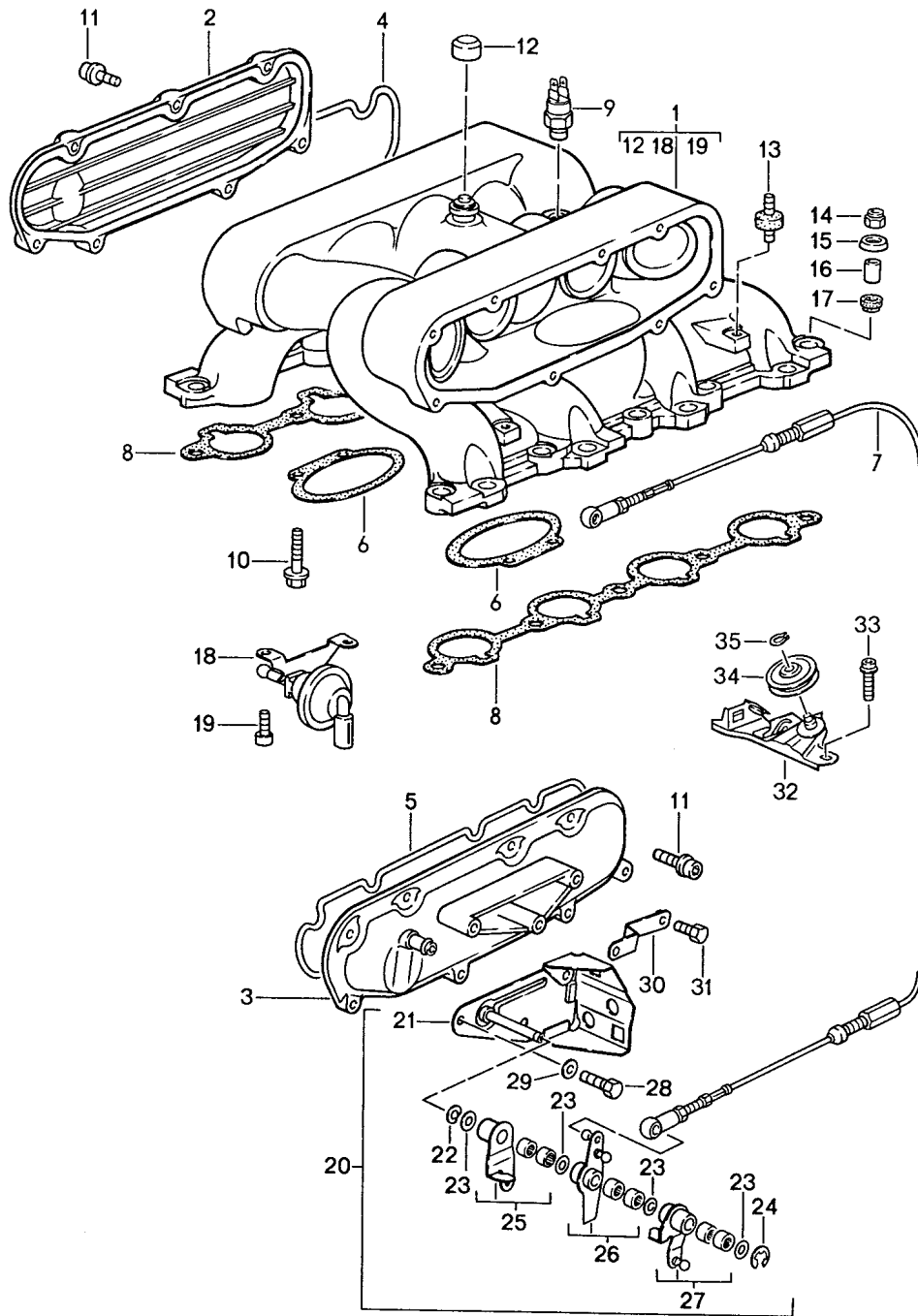
Model: 928 87

Model life 1987>>1991

Pos	Part Number	Description	Remark	Qty	Model
		Lh-jetronic 1			M28.41/42/47
1	928 110 093 03	Throttle body	87	1	
1		Throttle body		1	
2	928 606 161 01	Idle-speed adjuster		1	
2	928 606 161 02	Idle-speed adjuster		1	
3	928 606 141 00	Mass air flow meter		1	
4	928 110 901 00	Strainer		2	
5	928 110 902 00	Circlip		2	
6	928 110 222 01	Air-guide cowl		1	
7	999 512 350 02	Hose clamp		2	
8	928 110 689 01	Connecting piece		1	
9	999 512 554 00	Hose clamp		3	
10	928 110 224 00	Hose		1	
11	928 110 174 09	Hose	87	1	
11		Hose	88-	1	
12	928 110 220 00	Hose		1	
12	928 110 220 01	Hose		1	
14	928 107 603 00	Hose		1	
15	928 110 633 00	Hose		1	
16	999 512 381 02	Clamp		1	
16	999 512 497 02	Clamp		1	
17	999 512 457 00	Clamp		1	
18	999 512 374 02	Hose clamp		4	
18A	999 512 038 02	Hose clamp		1	
18A	PCG 512 038 02	Hose clamp		1	
19	N 023 570 2	Hose clamp		1	
20	928 110 543 01	Support		1	
21	N 011 524 7	Washer		2	
21	N 011 524 27	Washer		2	
22	900 076 010 02	Nut		2	
22	900 076 010 0B	Nut		2	
23	928 110 690 01	Connecting piece		1	
24	999 512 346 02	Hose clamp		4	
24	999 512 676 00	Hose clamp		4	
25	999 512 554 00	Hose clamp		1	
26	928 107 313 02	Hose		1	
27	928 110 432 01	Hose		1	
28	928 606 157 00	Throttle-valve switch		1	

Model: 928 87

Model life 1987>>1991



Model: 928 87

Model life 1987>>1991

Pos	Part Number	Description	Remark	Qty	Model
		Lh-jetronic 2			M28.41/42/47
1	928 110 228 02	Intake distributor	-89	1	M28.41/42
(1)		Intake distributor	89-	1	M28.47
		Repair for Flap Shaft Intake distributor Use	AUT. 90-		M28.42
-	928 110 650 00	Bush		2	
-	928 110 658 01	Torsion spring		1	
-	N 012 439 2	Lock		1	
2	928 110 711 00	Lid		1	
3	928 110 232 00	Lid		1	
4	928 110 713 01	Gasket		1	
(4)		Gasket		1	
5	928 110 714 01	Gasket		1	
(5)		Gasket		1	
6	928 110 637 02	Gasket		2	
7	928 110 626 01	Bowden control		1	
8	928 110 580 02	Gasket		2	
9	928 606 217 00	Temperature switch		1	
10	900 074 321 0A	Hexagon-head bolt M 8 X 40		4	
11	900 067 270 0A	Pan-head screw M 6 X 25		16	
12	928 110 430 01	Cap		1	
13	931 110 191 00	Bonded rubber buffer		4	
14	900 910 022 02	Lock nut		10	
15	928 110 693 00	Thrust washer		10	
16	928 110 698 01	Spacer sleeve		10	
17	928 110 694 01	Thrust ring		10	
18	928 110 160 00	Vacuum unit		1	
18	928 110 160 01	Vacuum unit		1	
19	900 067 269 0A	Pan-head screw M 6 X 16		2	
20	928 110 627 02	Bracket		1	
21	928 110 677 02	Bracket		1	
22	928 110 741 01	Spring washer		1	
23	999 234 024 00	Thrust washer		4	
24	900 116 005 02	Lock washer		1	
25	928 110 696 00	Reverse lever		1	
26	928 110 695 00	Actuating lever		1	
27	928 110 697 00	Reverse lever without Needle sleeve Use also:		1	
-	PCG 110 697 00	Needle sleeve for Lever POSITION 25, 26, 27		X	
28	900 075 128 02	Screw M 8 X 20		3	
29	900 031 025 0A	Washer 8,4		3	
30	928 110 670 00	Support		1	
31	999 072 005 09	Hexagon nut		1	
31	999 072 005 01	Hexagon nut		1	
32	928 110 640 02	Bracket	88-	1	
33	900 067 271 09	Combination screw M 8 X 20 Z 1		2	

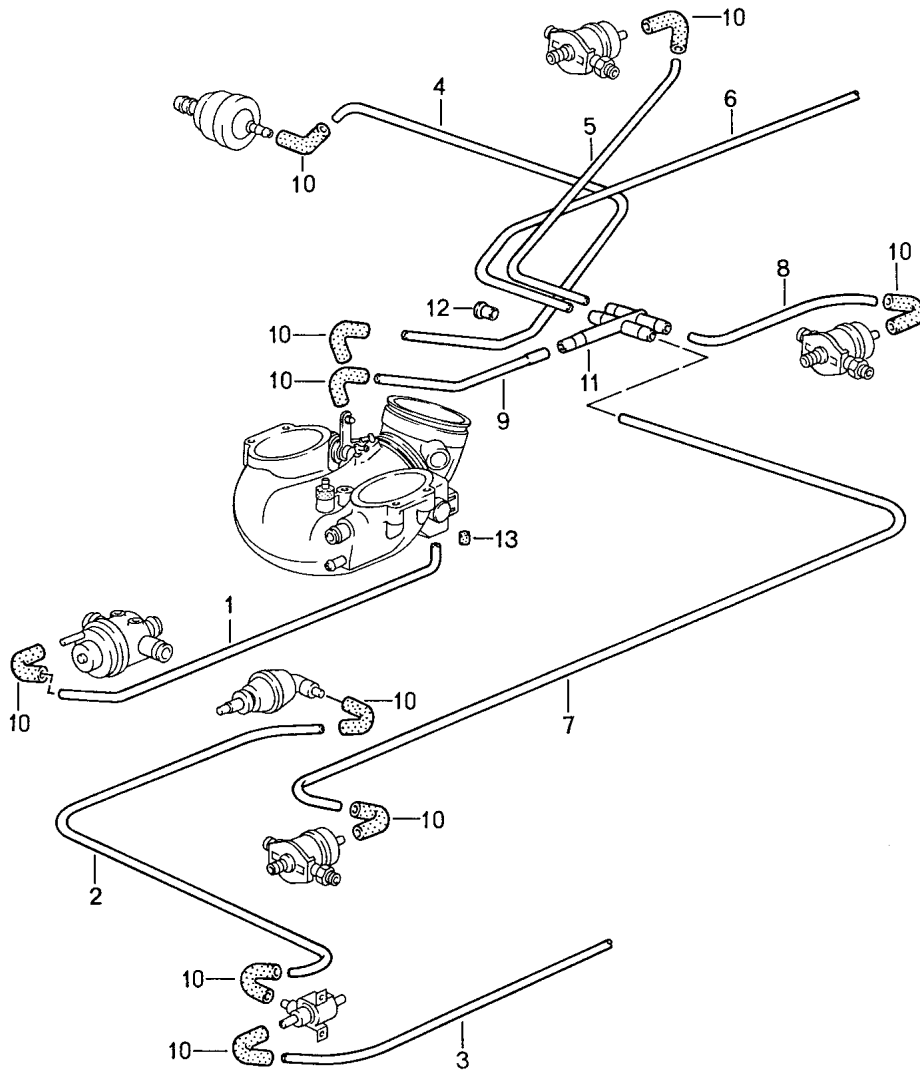
Model: 928 87

Model life 1987>>1991

Pos	Part Number	Description	Remark	Qty	Model
34	928 110 642 01	Deflection roller		1	
35	N 012 408 2	Circlip 8 X 0,8		1	

Model: 928 87

Model life 1987>>1991



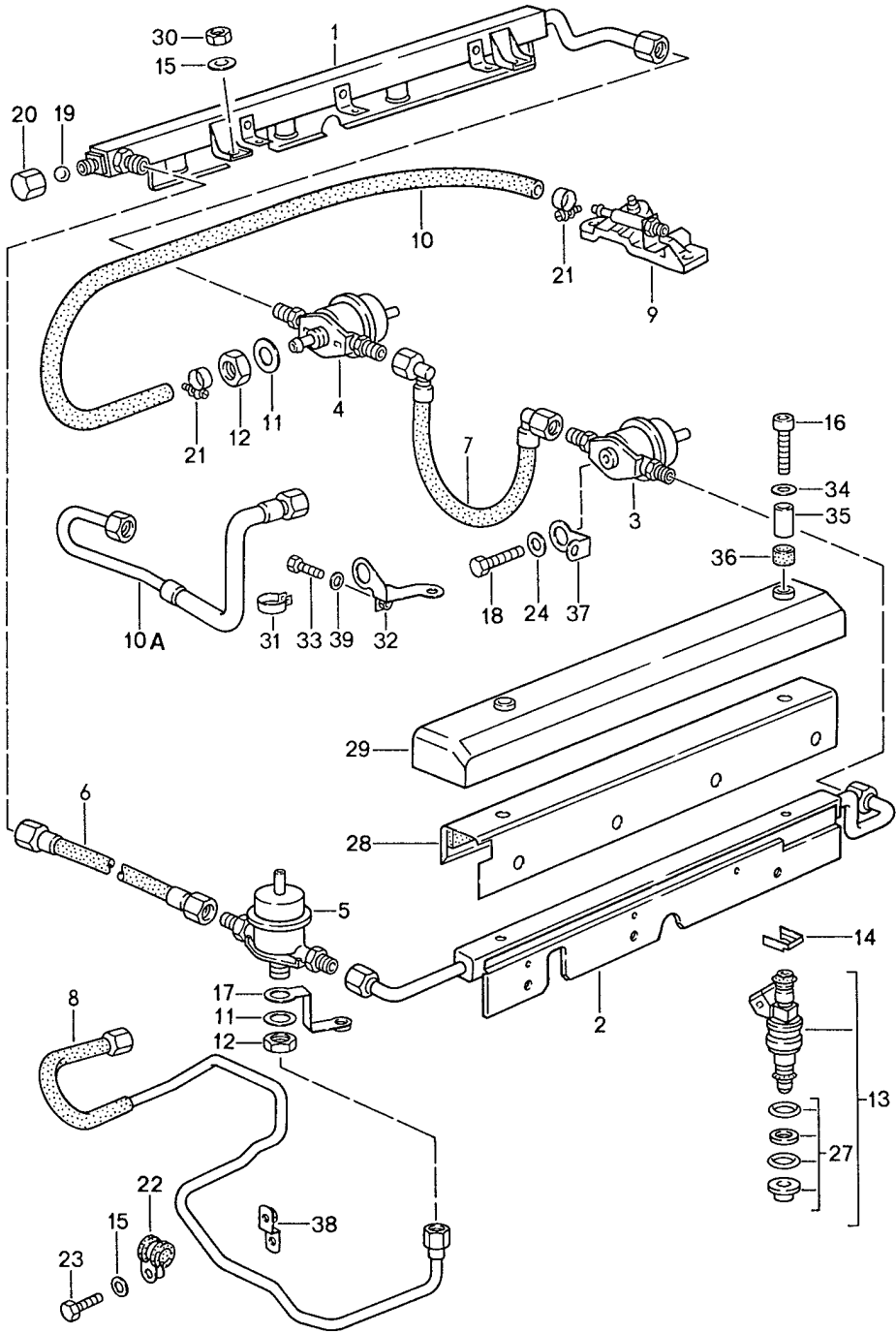
Model: 928 87

Model life 1987>>1991

Pos	Part Number	Description	Remark	Qty	Model
-	N 020 139 1	Lh-jetronic 3 Hose 4 X 1 500 MM 300 MM 800 MM 720 MM 220 MM 450 MM 605 MM 220 MM	AUT.	* 1 1 1 1 1 1 1 1 1	M28.41/42/47 M28.42
9	928 110 014 01	Pipeline		1	
10	928 574 717 02	Moulded hose		X	
11	928 110 441 03	Distributing piece		1	M28.41/47
(11)	928 110 441 02	Distributing piece	AUT.	1	M28.42
12	900 312 012 02	Stopper		1	
12	900 312 042 01	Stopper		1	
13	930 110 292 00	Stopper		X	

Model: 928 87

Model life 1987>>1991



Model: 928 87

Model life 1987>>1991

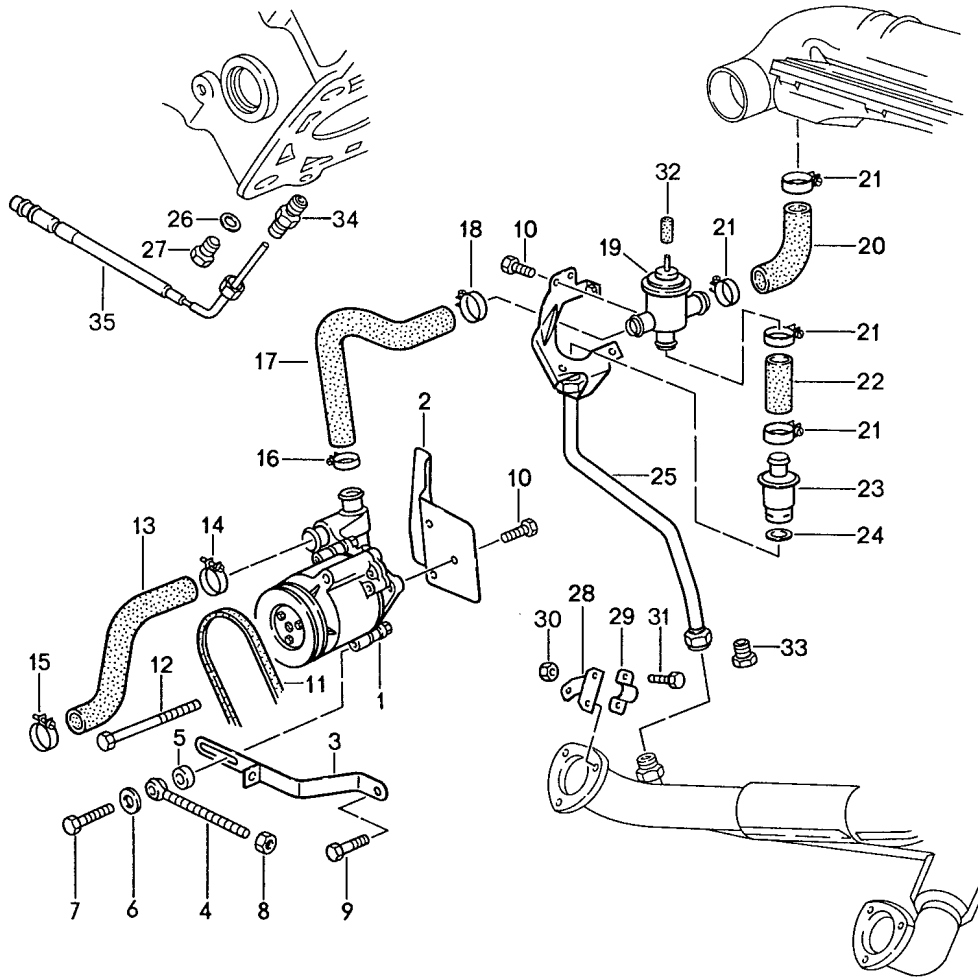
Pos	Part Number	Description	Remark	Qty	Model
		Lh-jetronic 4			M28.41/42/47
1	928 110 080 17	Distributor injection tube	/R 87	1	
1		Distributor injection tube	/R 88-	1	
2	928 110 079 17	Distributor injection tube	/L 87	1	
2		Distributor injection tube	/L 88-	1	
3	930 110 602 01	Pressure damper		1	
4	928 110 198 02	Pressure regulator	87	1	
(4)	928 110 198 04	Pressure regulator	88-90	1	
(4)		Pressure regulator	91	1	
5	928 110 202 01	Diaphragm damper		1	
6	928 110 269 01	Fuel hose		1	
7	928 110 271 02	Fuel hose		1	
8	928 110 367 15	Fuel line		1	
		Feed line			
9	928 110 640 01	Bracket	87	1	
10	928 110 359 04	Fuel hose	87	1	
10	928 110 359 09	Fuel hose	87-	1	
10A	928 110 359 08	Fuel line	-89	1	
		Return line			
10A		Fuel line	90-	1	
		Return line			
11	900 025 020 02	Washer A 17		2	
12	900 034 013 02	Hexagon nut M 16 X 1,5		2	
12	900 034 013 01	Hexagon nut M 16 X 1,5		2	
13	928 606 119 02	Injector valve		8	
14	930 110 388 00	Retaining clip		8	
14	930 110 388 01	Retaining clip		8	
15	N 011 524 7	Washer A 6,4		5	
15	N 011 524 27	Washer A 6,4		5	
16	900 067 117 0A	Pan-head screw M 6 X 16		4	
17	928 110 525 04	Support		1	
18	N 010 237 6	Hexagon-head bolt M 8 X 12		1	
18	N 010 237 14	Hexagon-head bolt M 8 X 12		1	
19	900 108 022 00	Ball 9 MM		1	
20	928 110 475 01	Cap nut M 12 X 1,5		1	
20	928 110 475 03	Cap nut M 12 X 1,5		1	
20	928 110 475 04	Cap nut M 12 X 1,5		1	
21	999 512 160 02	Hose clamp S 13/9		2	
21	PCG 512 160 02	Hose clamp S 13/9		2	
22	999 511 116 02	Clamp		1	
22	999 511 116 03	Clamp		1	
23	999 072 005 09	Hexagon nut M 6 X 12		1	
23	999 072 005 01	Hexagon nut M 6 X 12		1	
24	944 110 312 00	Washer		1	
27	928 110 904 00	Gasket set for		8	

Model: 928 87 Model life 1987>>1991

Pos	Part Number	Description	Remark	Qty	Model
28	-	Injector valve			
28	-	Cover plate	/L		
28	-	Cover plate	/R		
29	928 110 017 00	Cover	/L	1	
29	928 110 018 00	Cover	/R	1	
30	900 076 010 02	Nut		4	
		M 6			
30	900 076 010 0B	Nut		4	
		M 6			
31	999 511 191 02	Pipe clamp	88-	1	
		8 / 12			
32	928 110 145 04	Support	88-	1	
33	900 075 361 02	Hexagon-head bolt		1	
		M 5 X 12			
33	900 075 361 01	Hexagon-head bolt		1	
		M 5 X 12			
34	900 151 006 0A	Washer		4	
		B 6,4			
35	928 110 765 00	Guide sleeve		4	
36	999 702 153 40	Rubber sleeve		4	
37	928 110 525 08	Support	88-	1	
38	928 110 278 01	Support		1	
39	N 011 556 2	Washer		1	
		A 5,3			

Model: 928 87

Model life 1987>>1991



Model: 928 87

Model life 1987>>1991

Pos	Part Number	Description	Remark	Qty	Model
		Air injection for cars with Catalytic converter			M28.41/42/47
1	928 113 017 00	Air pump		1	
2	928 113 125 05	Cover plate		1	
3	928 113 113 10	Strut		1	
4	999 460 002 02	Eye screw		1	
5	999 025 075 02	Washer 8,5 X 19 X 6		1	
6	900 025 007 02	Washer A 8,4		2	
6	900 025 007 03	Washer A 8,4		2	
7	N 010 340 6	Hexagon-head bolt M 8 X 40		1	
8	900 076 025 02	Hexagon nut M 8		1	
8	900 076 064 02	Hexagon nut M 8		1	
9	900 075 079 02	Hexagon-head bolt M 8 X 22		1	
10	900 075 357 02	Combination screw M 6 X 12		5	
10	900 075 456 01	Combination screw M 6 X 12		5	
11	999 192 306 50	Narrow v-belt 12,5 X 925		1	
12	900 074 049 02	Screw M 8 X 110		1	
13	928 113 155 02	Moulded hose		1	
14	999 512 044 02	Hose clamp		1	
15	999 512 358 02	Hose clamp		1	
16	999 512 038 02	Hose clamp		1	
16	PCG 512 038 02	Hose clamp		1	
17	928 113 139 10	Moulded hose		1	
18	999 512 552 00	Hose clamp		1	
18	999 512 552 01	Hose clamp		1	
19	930 113 147 01	Diverter valve		1	
20	928 113 159 03	Moulded hose		1	
21	PCG 512 237 02	Hose clamp		4	
22	928 113 140 07	Moulded hose		1	
23	911 113 115 01	Check valve		1	
24	900 123 060 30	Sealing ring A 24 X 29		1	
25	928 113 146 04	Pipeline		1	
26	900 123 043 30	Sealing ring A 12 X 15,5		8	
27	900 124 008 02	Screw plug M 12 X 1,5		8	
28	928 113 215 02	Support		1	
29	999 512 329 02	Clip		1	
30	N 011 005 14	Hexagon nut M 5		2	
30	900 076 091 01	Hexagon nut M 5		2	
31	N 010 205 6	Hexagon-head bolt M 5 X 10		2	
31	900 075 105 02	Screw M 5 X 10		2	
32	911 110 297 00	Stopper		1	M900
33	928 113 216 00	Screw plug		1	M900
34	928 606 255 00	Adapter	89-	2	
35	928 606 155 02	Temperature sensor	89-90	2	

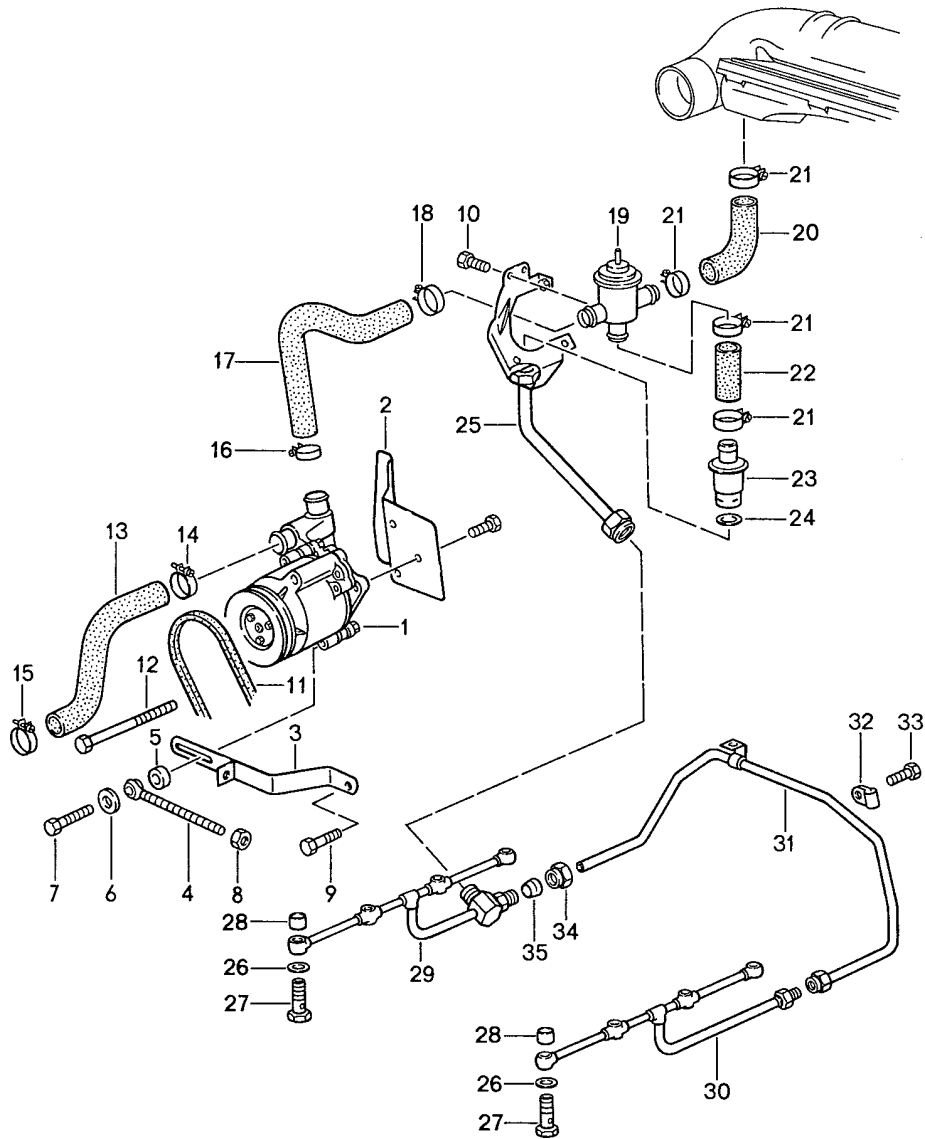
Model: 928 87

Model life 1987>>1991

Pos	Part Number	Description	Remark	Qty	Model
35		Cylinder 4 And Cylinder 8 Temperature sensor Cylinder 3 And Cylinder 7	91-	2	

Model: 928 87

Model life 1987>>1991



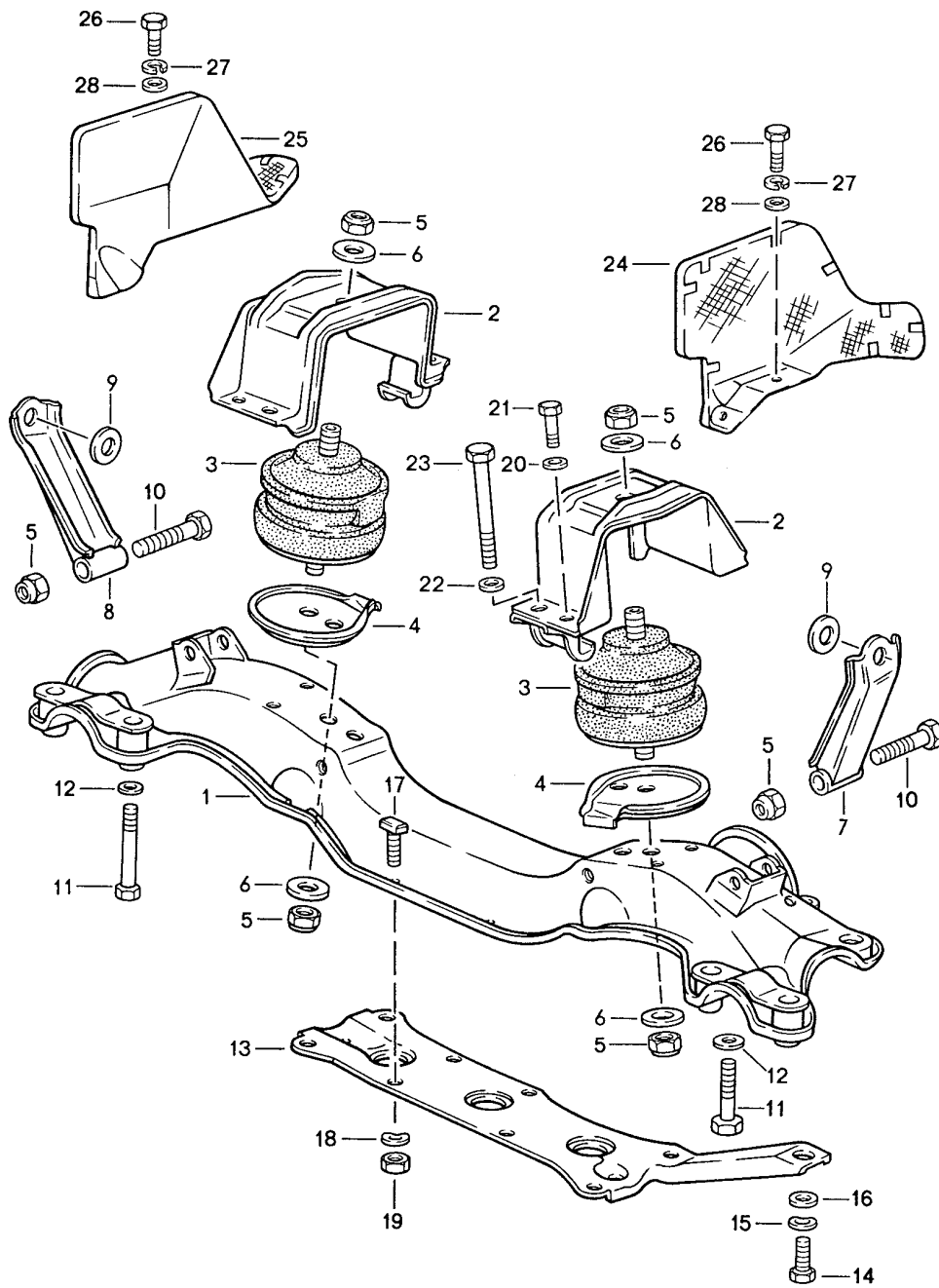
Model: 928 87

Model life 1987>>1991

Pos	Part Number	Description	Remark	Qty	Model
		Air injection for cars without Catalytic converter			M28.41/42/47
1	928 113 017 00	Air pump		1	
2	928 113 125 05	Cover plate		1	
3	928 113 113 10	Strut		1	
4	999 460 002 02	Eye screw		1	
5	999 025 075 02	Washer 8,5 X 19 X 6		1	
6	900 025 007 02	Washer A 8,4		2	
6	900 025 007 03	Washer A 8,4		2	
7	N 010 340 6	Hexagon-head bolt M 8 X 40		1	
8	900 076 025 02	Hexagon nut M 8		1	
8	900 076 064 02	Hexagon nut M 8		1	
9	900 075 079 02	Hexagon-head bolt M 8 X 22		1	
10	900 075 357 02	Combination screw M 6 X 12		5	
10	900 075 456 01	Combination screw M 6 X 12		5	
11	999 192 306 50	Narrow v-belt 12,5 X 925		1	
12	900 074 049 02	Screw M 8 X 110		1	
13	928 113 155 02	Moulded hose		1	
14	999 512 044 02	Hose clamp		1	
15	999 512 358 02	Hose clamp		1	
16	999 512 038 02	Hose clamp		1	
16	PCG 512 038 02	Hose clamp		1	
17	928 113 139 10	Moulded hose		1	
18	999 512 552 00	Hose clamp		1	
18	999 512 552 01	Hose clamp		1	
19	930 113 147 01	Diverter valve		1	
20	928 113 159 03	Moulded hose		1	
21	PCG 512 237 02	Hose clamp		4	
22	928 113 140 07	Moulded hose		1	
23	911 113 115 01	Check valve		1	
24	900 123 060 30	Sealing ring A 24 X 29		1	
25	928 113 146 05	Pipeline		1	
26	900 123 043 30	Sealing ring A 12 X 15,5		X	
27	999 134 039 02	Banjo bolt		X	
28	999 209 003 30	Sleeve 12,2 X 18		X	
29	928 113 123 01	Distributor line Cylinders 1 - 4		1	
30	928 113 123 02	Distributor line Cylinders 5 - 8		1	
31	928 113 135 05	Connecting line		1	
32	999 511 171 02	Pipe clamp		1	
33	900 075 358 02	Hexagon-head bolt M 8 X 20		1	
33	900 075 085 02	Hexagon-head bolt M 8 X 20		1	
34	900 104 020 02	Union nut		1	
35	N 020 823 1	Cutting ring		1	

Model: 928 87

Model life 1987>>1991



Model: 928 87

Model life 1987>>1991

Pos	Part Number	Description	Remark	Qty	Model
		Engine suspension			M28.41/42/47
1	928 375 011 06	Engine carrier	/LL	1	
(1)	927 375 011 06	Engine carrier	/RL	1	
2	928 375 069 01	Engine bracket		2	
3	928 375 039 00	Hydraulic mount		2	
4	928 375 371 00	Stop plate		2	
5	900 910 046 02	Lock nut		4	
		M 12 X 1,5			
5	999 084 439 09	Lock nut		4	
		M 12 X 1,5			
5	999 084 445 09	Lock nut		4	
		M 12 X 1,5			
5	999 084 445 01	Lock nut		4	
		M 12 X 1,5			
6	999 025 091 02	Washer		4	
7	928 375 063 00	Bracket	/L	1	
8	928 375 064 00	Bracket	/R	1	
9	928 375 211 00	Washer		2	
10	N 010 156 3	Hexagon-head bolt		2	
		M 12 X 1,5 X 70			
11	N 010 455 3	Hexagon-head bolt		2	
		M 10 X 55			
12	928 375 212 00	Washer		2	
13	928 375 019 00	Reinforcement plate	/LL	1	
(13)	927 375 021 02	Reinforcement plate	/RL	1	
14	900 075 043 02	Hexagon-head bolt	/LL	1	
		M 10 X 30			
14		Hexagon-head bolt	/RL	2	
		M 10 X 30			
15	900 025 008 09	Washer	/LL	1	
		B 10			
15	900 025 008 04	Washer	/LL	1	
		B 10			
15	900 025 008 09	Washer	/RL	2	
		B 10			
15	900 025 008 04	Washer	/RL	2	
		B 10			
16	900 223 011 01	Washer	/LL	1	
		B 10,5			
16	900 223 011 02	Washer	/LL	1	
		B 10,5			
16	900 223 011 01	Washer	/RL	2	
		B 10,5			
16	900 223 011 02	Washer	/RL	2	
		B 10,5			
17	928 375 125 00	T-headed screw		4	
18	N 012 241 8	Spring washer		4	
		B 8			
19	900 910 022 02	Lock nut		4	
		M 8			
20	900 025 007 02	Washer		4	
		A 8,4			
20	900 025 007 03	Washer		4	
		A 8,4			
21	N 010 335 5	Hexagon-head bolt		4	
		M 8 X 35			
21	900 075 032 03	Hexagon-head bolt		4	
		M 8 X 35			
22	052 103 377	Washer		4	
23	N 010 482 3	Hexagon-head bolt		4	
		M 10 X 105			
24	928 375 067 01	Heat shield	/L	1	
25	928 375 068 01	Heat shield	/R	1	

Model: 928 87

Model life 1987>>1991

Pos	Part Number	Description	Remark	Qty	Model
26	900 075 057 02	Hexagon-head bolt M 6 X 16		4	
26	900 075 057 03	Hexagon-head bolt M 6 X 16		4	
27	N 012 006 4	Lock ring B 6		4	
28	900 223 003 02	Washer 6,4		4	

Model: 928 87

Model life 1987>>1991



Model: 928 87

Model life 1987>>1991

Pos	Part Number	Description	Remark	Qty	Model
		Repair kits			M28.41/42/47
		Maintenance set			
>>	928 100 901 03	Gasket set		1	M28.41/42/47
		Gasket set			
		Engine			
		Comprising:			
-	900 123 118 30	Sealing ring		1	
		A 22 X 27			
-	999 113 275 40	Shaft sealing ring		1	
		A 20 X 30 X 7			
-	900 123 007 30	Sealing ring		1	
		A 14 X 18			
-	900 123 149 70	Sealing ring		1	
		A 22 X 29			
-	900 123 115 30	Sealing ring		1	
		A 8 X 11,5			
-	900 123 055 30	Sealing ring		1	
		A 12 X 16			
-	900 123 060 30	Sealing ring		2	
		A 24 X 29			
-	900 123 143 70	Sealing ring		1	
		A 48 X 55			
-	928 104 601 07	Valve stem seal		32	
-	928 101 207 00	Oil sump gasket		1	
-	928 104 367 05	Cylinder head gasket		1	
		Cylinders 1 - 4			
-	928 104 368 05	Cylinder head gasket		1	
		Cylinders 5 - 8			
-	928 106 134 05	Gasket		1	
-	928 106 134 06	Gasket		1	
-	928 106 227 00	Gasket		2	
-	928 107 136 04	Sealing ring		1	
-	928 107 307 00	Gasket		1	
		D 3			
-	999 701 846 40	O-ring		1	
-	944 111 205 00	Sealing ring		8	
-	928 606 213 03	Gasket		1	
-	928 110 132 00	Sealing ring		1	
-	928 110 132 01	Sealing ring		1	
-	999 113 264 40	Radial sealing ring		1	
		90 X 110 X 12			
-	999 113 461 40	Radial sealing ring		1	
		90 X 110 X 12			
-	999 113 426 40	Radial sealing ring		1	
		90 X 110 X 12			
-	999 113 426 41	Radial sealing ring		1	
		90 X 110 X 12			
-	928 603 135 03	Sealing ring		1	
-	999 113 263 40	Shaft sealing ring		1	
		60 X 85 X 10			
-	999 113 282 40	Shaft sealing ring		2	
-	999 701 633 40	O-ring		1	
		98 X 3			
-	928 107 169 01	Gasket		1	
-	999 701 627 40	O-ring		1	
		53 X 7			
-	999 701 632 40	O-ring		1	
		65 X 5			
-	N 043 811 1	Sealing ring		2	
		C 38 X 44			
-	928 105 215 00	Lid		6	
-	928 106 167 01	Gasket		2	
-	999 701 731 40	O-ring		22	

Model: 928 87

Model life 1987>>1991

Pos	Part Number	Description	Remark	Qty	Model
-	900 123 050 30	Sealing ring		6	
-	928 104 447 09	Gasket		2	
-	928 104 443 08	Sealing ring		8	
-	900 174 044 40	Round seal		1	
-	928 105 262 00	Pin		5	
-	928 110 713 01	Gasket		1	
-	928 110 714 01	Gasket		1	
-	928 110 637 02	Gasket		2	
-	928 110 580 02	Gasket		2	
-	928 110 694 01	Thrust ring		10	
-	900 123 144 30	Sealing ring		12	
-	928 105 611 05	Gasket		1	
-	000 043 204 45	Sleeve		2	
>>	928 104 903 01	Gasket set Cylinder head Comprising:		1	M28.41/42/47
-	928 104 367 05	Cylinder head gasket		1	
-	928 104 368 05	Cylinder head gasket		1	
-	928 105 215 00	Lid		2	
-	928 105 205 00	Support		2	
-	900 123 050 30	Sealing ring		8	
-	999 113 282 40	Shaft sealing ring		2	
-	944 111 205 00	Sealing ring		8	
-	928 110 580 02	Gasket		2	
-	900 123 144 30	Sealing ring		12	
-	928 104 443 08	Sealing ring		8	
-	928 104 447 09	Gasket		2	
-	928 106 227 00	Gasket		2	
-	000 043 204 45	Sleeve		5	
>>	928 101 901 08	Set of crankshaft bearings 1 set Comprising:		1	M28.41/42/47
-	928 101 115 02	Main bearing shell		3	
-	928 101 115 02 002	Main bearing shell		3	
-	928 101 115 03	Main bearing shell		3	
-	928 101 115 03 002	Main bearing shell		3	
-	928 101 142 03	Thrust bearing		2	
-	928 101 142 03 002	Thrust bearing		2	
-	928 101 117 08	Main bearing bush i		1	
>>	928 101 901 58	Set of crankshaft bearings 1 set Undersize 0.25 mm Comprising:		1	M28.41/42/47
-	928 101 115 50	Main bearing shell		3	
-	928 101 115 51	Main bearing shell		3	
-	928 101 142 54	Thrust bearing		2	
-	928 101 117 58	Main bearing bush i		1	
>>	928 101 901 68	Set of crankshaft bearings 1 set Undersize 0.50 mm Comprising:		1	M28.41/42/47
-	928 101 115 60	Main bearing shell Top half		3	
-	928 101 115 61	Main bearing shell		3	
-	928 101 142 64	Thrust bearing		2	
-	928 101 117 68	Main bearing bush i		1	
>>	928 100 931 07	Maintenance set for Periodic maintenance Comprising:		1	M28.41/42/47
-	999 170 156 90	Spark plug		8	
-	928 107 201 05	Oil filter		1	

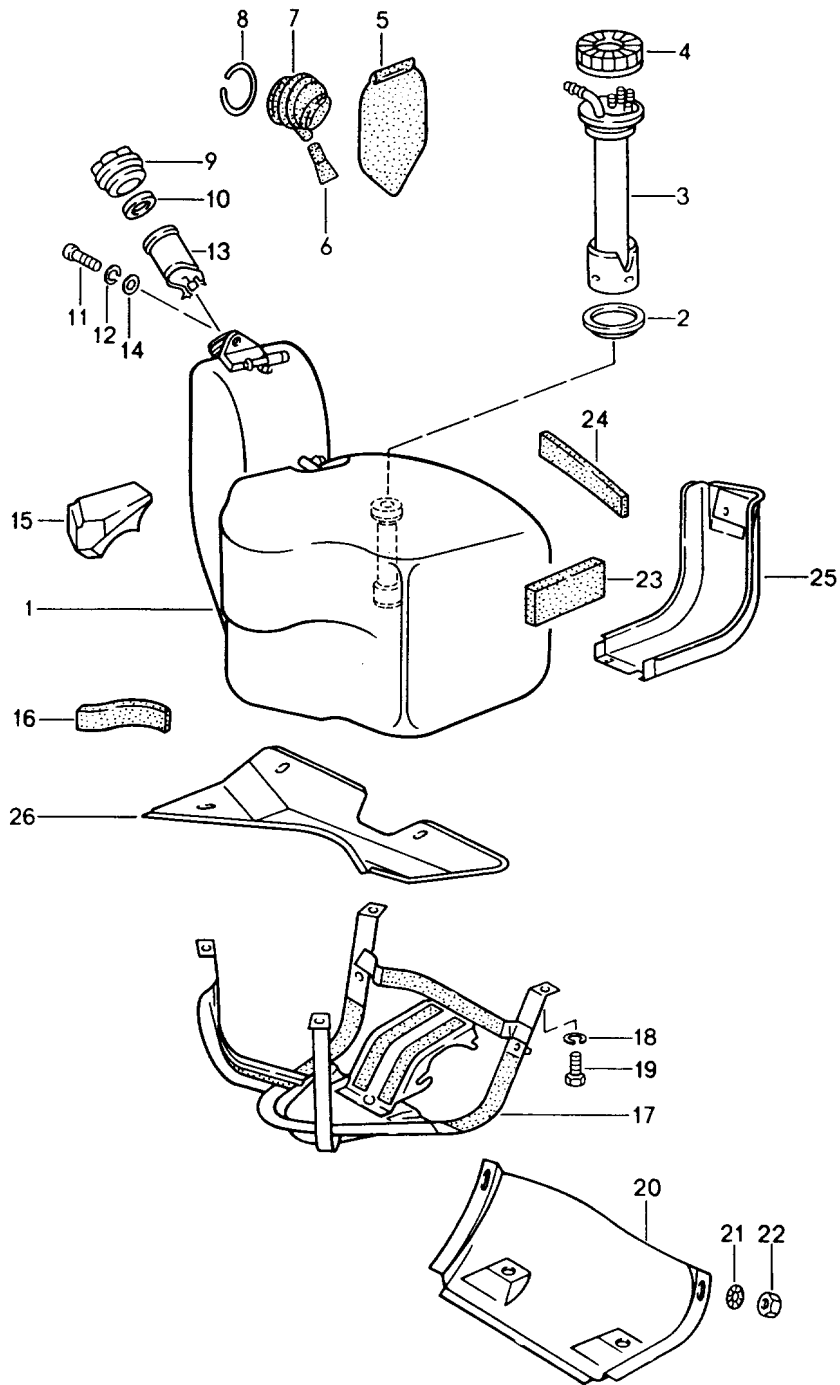
Model: 928 87

Model life 1987>>1991

Pos	Part Number	Description	Remark	Qty	Model
-	928 107 201 07	Oil filter Red	-(IND)	1	
-	900 123 011 30	Sealing ring		1	
-	928 110 253 06	Fuel filter		1	
-	928 110 185 03	Air cleaner cartridge		1	
-	928 113 445 00	Filter cartridge		1	
>>	928 100 931 08	Maintenance set for Periodic maintenance Comprising:	89-	1	M28.41/42/47
-	999 170 156 90	Spark plug		8	
-	928 107 201 05	Oil filter		1	
-	928 107 201 07	Oil filter Red	-(IND)	1	
-	900 123 011 30	Sealing ring		1	
-	928 110 185 03	Air cleaner cartridge		1	
>>	928 103 906 22	Set of piston rings 100,00 MM		X	M28.41/42/47
>>	928 103 906 23	Set of piston rings 100,50 MM		X	M28.41/42/47
>>	000 043 202 60	Retrofit kit for AU	(D)	1	M28.41/42/47

Model: 928 87

Model life 1987>>1991



Model: 928 87 Model life 1987>>1991

Pos	Part Number	Description	Remark	Qty	Model
1	928 201 003 05	Fuel tank		1	
1	928 201 003 04	Fuel tank		1	
		Use also: POS.13 for (USA)(CDN) M 298/ M 299			
1	928 201 003 08	Fuel tank		1	
		Use also: POS.13 for (USA)(CDN) M 298/ M 299			
2	928 201 327 02	Gasket		1	
3	928 641 030 01	Tank gauge	-88	1	
		Fuel tank			
3	928 641 030 02	Tank gauge	89-	1	
		Fuel tank			
4	113 201 375	Union nut		1	
4		Union nut		1	
	113 201 375 01C	Black			
5	928 201 057 02	Protective flap		1	
6	928 201 255 02	Drain bush		1	
7	928 201 333 02	Grommet		1	
8	900 906 046 00	Outer ring		1	
9	928 201 901 03	Fuel tank cap		1	
		with stipulated lock number State lock number			
(9)	928 201 903 02	Fuel tank cap		1	
		W/o stipulated lock number			
10	928 201 275 03	Sealing ring		1	
11	N 014 707 2	Pan-head screw		1	
		M 8 X 15			
11	900 067 131 03	Pan-head screw		1	
		M 8 X 15			
12	900 142 002 01	Lock ring		1	
		A 8			
13	928 201 027 03	Insert		1	
14	900 025 007 02	Washer		1	
		A 8,4			
14	900 025 007 03	Washer		1	
		A 8,4			
15	928 201 107 02	Desk pad		1	
-	999 911 227 40	Base strap		*	
16		210 MM		1	
17	928 201 313 06	Tank covering	87	1	
(17)		Tank covering	88-	1	
18	900 027 015 02	Lock ring		X	
		B 8			
18	900 027 015 03	Lock ring		X	
		B 8			
19	N 010 246 4	Hexagon-head bolt		X	
		M 8 X 45			
20	928 201 145 03	Lid		1	
21	N 042 121 3	Shake-proof washer		2	
		A 6,4			
22	900 076 010 02	Nut		4	
		M 6			
22	900 076 010 0B	Nut		4	
		M 6			
23	928 201 345 02	Spacer		1	
-	999 911 227 40	Base strap		*	

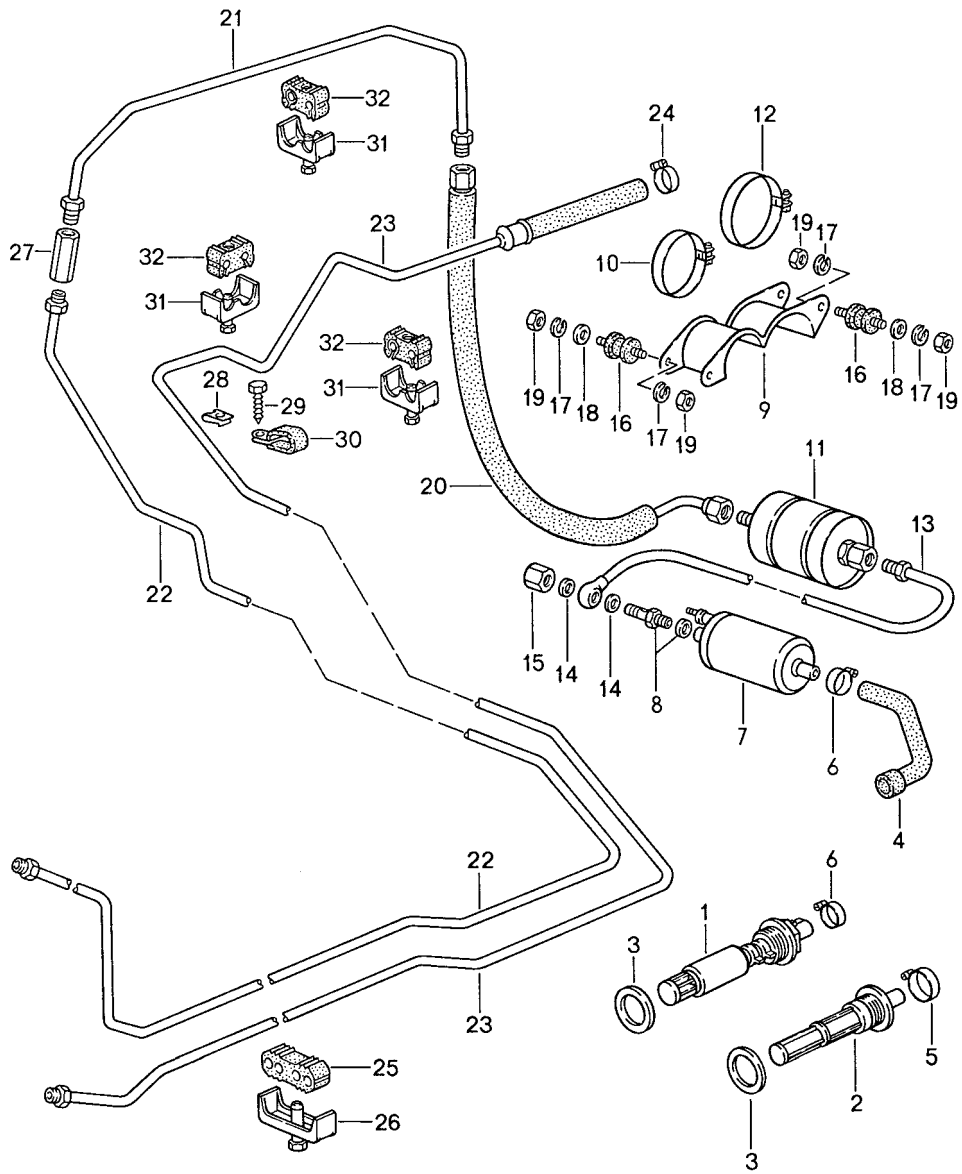
Model: 928 87

Model life 1987>>1991

Pos	Part Number	Description	Remark	Qty	Model
24		290 MM		1	
25	928 201 373 03	Cover		1	
26	928 201 059 03	Cover		1	

Model: 928 87

Model life 1987>>1991



Model: 928 87 Model life 1987>>1991

Pos	Part Number	Description	Remark	Qty	Model
		Fuel system			
1	928 608 013 00	In-tank fuel pump		1	M460
1	928 608 013 01	In-tank fuel pump		1	M460
2	928 201 081 04	Fuel filter M 37 X 1,5 for cars without In-tank fuel pump	-88	1	
3	928 201 187 02	Sealing ring		1	
4	928 356 550 04	Fuel hose		1	M460
4	928 356 550 05	Fuel hose	-88	1	
5	999 512 346 00	Hose clamp A 20/9		1	
6	999 512 554 00	Hose clamp A 18/9	-88	1	
6		Hose clamp A 18/9		2	M460
7	928 608 104 02	Fuel pump	-88	1	
(7)	928 608 104 03	Fuel pump	89-	1	
8	893 906 093	Check valve		1	
9	928 356 151 01	Support		1	
10	999 512 394 00	Hose clamp		1	
11	928 110 253 04	Fuel filter		1	(AG) (SA)
11	928 110 253 06	Fuel filter		1	
12	999 512 276 02	Clamp		1	
12	999 512 276 0B	Clamp		1	
13	928 356 063 10	Fuel line		1	
13	928 356 063 11	Fuel line		1	
14	900 123 005 20	Sealing ring A 12 X 16		2	
15	928 110 475 01	Cap nut		1	
15		Cap nut		1	
16	944 610 115 00	Bonded rubber mounting		6	
17	N 012 006 4	Lock ring B 6		12	
18	N 011 666 7	Washer B 6,4		9	
19	900 076 010 02	Nut M 6		12	
19	900 076 010 0B	Nut M 6		12	
20	928 356 053 01	Fuel line		1	
20		Fuel line		1	
21	928 356 057 00	Fuel line		1	
22	928 356 029 10	Fuel line To engine compartment		1	
22	928 356 029 12	Fuel line To engine compartment		1	
23	928 356 031 05	Fuel line Return line to tank		1	
23	928 356 031 06	Fuel line Return line to tank		1	
24	N 023 569 2	Hose clamp AR 16/9		1	
24	PCG 023 569 2	Hose clamp AR 16/9		1	
25	928 356 551 01	Rubber mounting		6	
26	928 356 553 00	Supporting bow		5	
27	477 209 169	Connecting piece		1	
28	999 591 487 02	Speed nut		1	
29	900 187 115 02	Combination screw		1	
29	900 187 115 01	Combination screw		1	
30	999 511 085 02	Clamp		1	
31	928 356 555 00	Clamp		X	

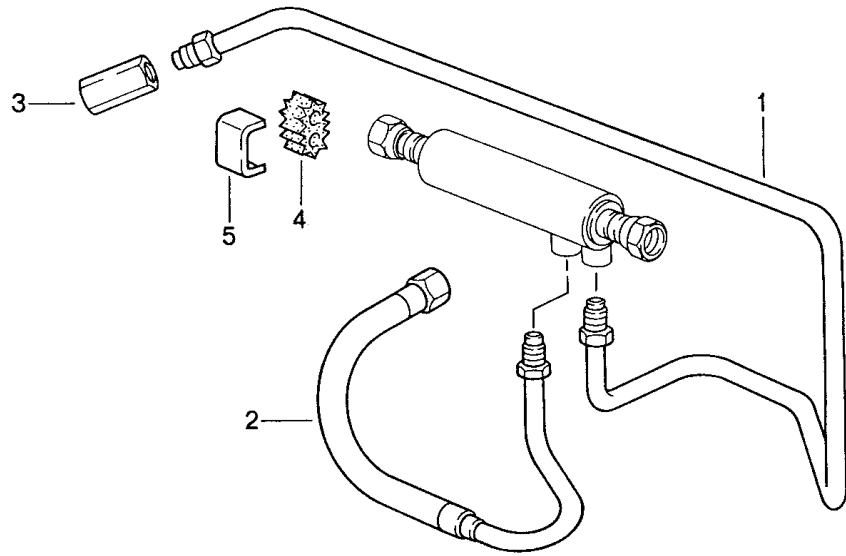
Model: 928 87

Model life 1987>>1991

Pos	Part Number	Description	Remark	Qty	Model
32	928 356 525 01	Rubber mounting		X	

Model: 928 87

Model life 1987>>1991

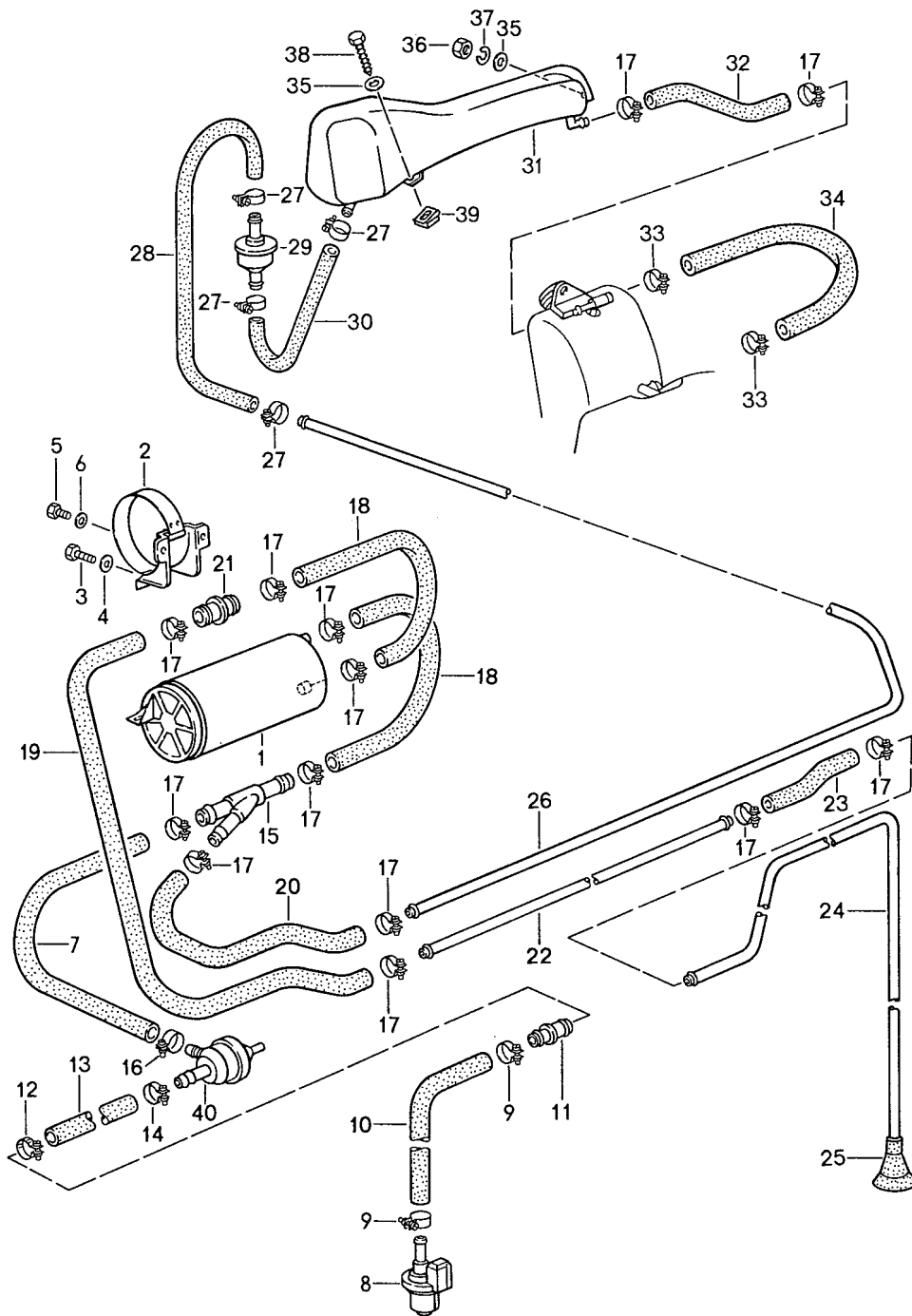


Model: 928 87 Model life 1987>>1991

Pos	Part Number	Description	Remark	Qty	Model
1	928 356 185 01	Fuel cooler Return line	87	1	
(1)	928 356 185 03	Return line	88-	1	
(1)	928 356 189 00	Return line	88-	1	M637
2	928 356 081 04	Fuel supply line See group 1/07/15 AB MOD. 88- for Fuel cooler 92857306304 MUTTERGEWINDE BEIDSEITIG	87-	1	
2	928 356 081 06	Fuel supply line See group 1/07/15 AB MOD. 88- for Fuel cooler 92857306304 MUTTERGEWINDE BEIDSEITIG	87-	1	
(2)	928 356 081 03	Fuel supply line See group 1/07/15 BIS MOD. -87 for Fuel cooler 92857306303	-87	1	
(2)	928 356 081 05	Fuel supply line See group 1/07/15 BIS MOD. -87 for Fuel cooler 92857306303		1	
3	477 209 169	Connecting piece		1	
4	928 356 525 00	Rubber mounting		2	
5	928 356 527 00	Supporting bow		2	

Model: 928 87

Model life 1987>>1991



Model: 928 87

Model life 1987>>1991

Pos	Part Number	Description	Remark	Qty	Model
1	993 201 221 01	Tank ventilation Carbon canister		1	
1	993 201 221 03	Carbon canister		1	
2	928 201 015 02	Bracket		1	
3	900 075 014 02	Hexagon-head bolt M 6 X 18		1	
3	900 075 014 03	Hexagon-head bolt M 6 X 18		1	
4	803 817 121	Washer B 6,4		1	
5	900 075 260 02	Hexagon-head bolt M 6 X 16		1	
6	N 011 524 7	Washer B 6,4		1	
6	N 011 524 27	Washer B 6,4		1	
-	999 181 168 50	Hose 12 X 18,5 250 MM		*	
7					
8	944 605 240 01	Bleeder valve		1	
9	999 512 055 02	Hose clamp		2	
9	PCG 512 055 02	Hose clamp		2	
9	PCG 512 160 02	Hose clamp A 9/13		1	
10	999 181 419 50	Hose		1	
11	999 137 058 40	Reducing socket		1	
12	N 023 577 2	Hose clamp		1	
12	PCG 023 577 2	Hose clamp A9 x 14		1	
13	928 110 652 01	Moulded hose		1	
14	999 512 554 00	Hose clamp		2	
15	928 201 219 02	Connecting piece		1	
16	900 272 003 02	Hose clamp		2	
16	999 512 554 00	Hose clamp		2	
17	N 023 569 2	Hose clamp		X	
17	PCG 023 569 2	Hose clamp		X	
18	477 201 747 C	Hose		2	
19	900 180 031 50	Hose		1	
-	999 181 716 50	Hose 9,5 X 15,5 530 MM		*	
20				1	
21	930 110 267 00	Hose connection		1	
22	928 201 353 06	Purge-air line Front		1	
-	999 181 716 50	Hose 9,5 X 15,5 170 MM		*	
23				1	
24	928 201 355 06	Purge-air line Rear		1	
25	928 201 195 02	End piece		1	
26	928 201 341 08	Vent line		1	
27	999 512 554 00	Hose clamp		4	
28	928 201 368 00	Hose		1	
29	928 201 083 02	Shut-off valve		1	
30	928 201 368 01	Hose		1	
31	928 201 013 07	Expansion tank		1	
-	999 181 716 50	Hose 9,5 X 15,5 250 MM		*	
32				1	
33	N 023 565 3	Hose clamp		2	
34	928 201 194 03	Hose		1	
34	928 201 194 04	Hose		1	
34	928 201 194 05	Hose		1	

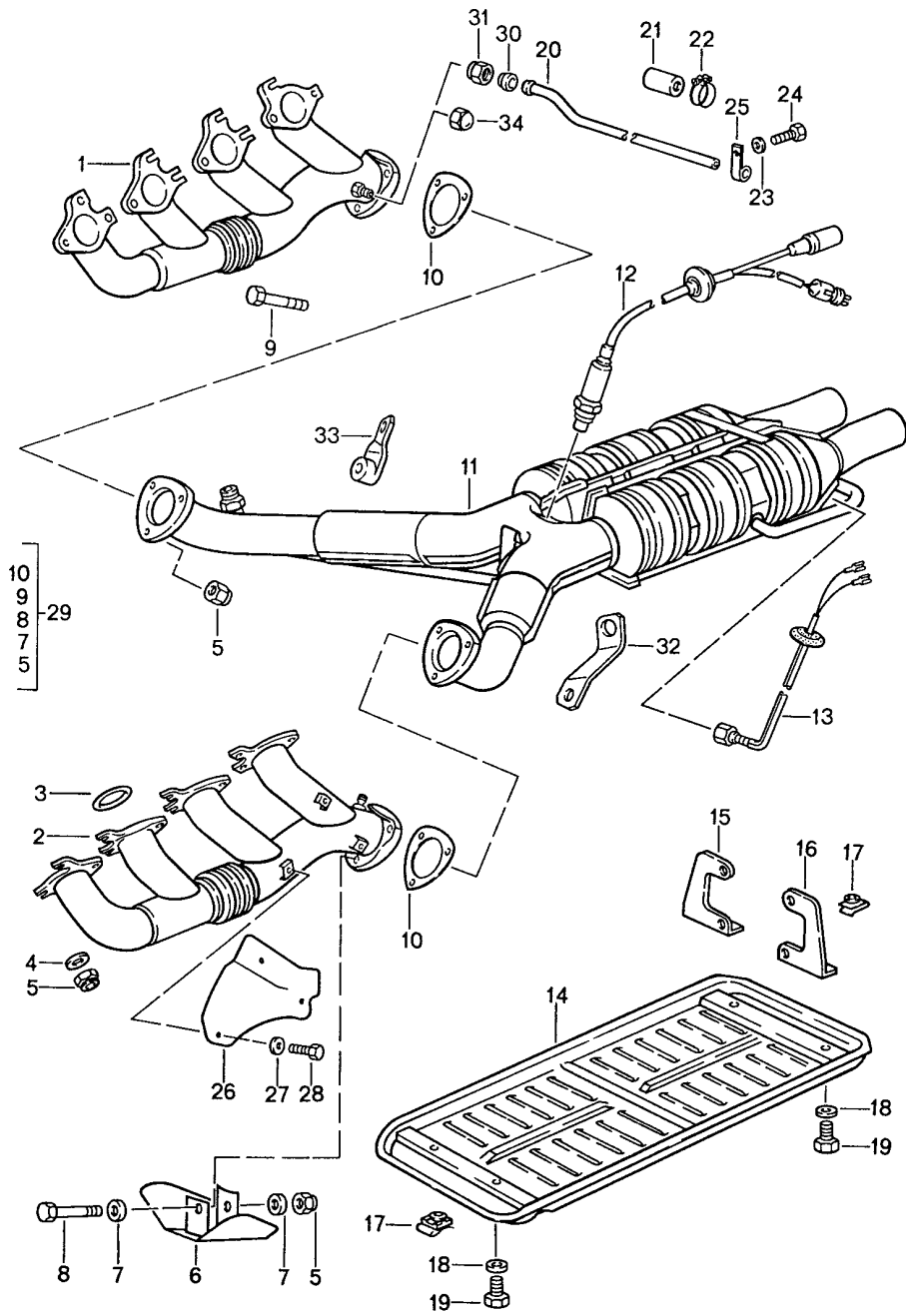
Model: 928 87

Model life 1987>>1991

Pos	Part Number	Description	Remark	Qty	Model
35	N 011 524 7	Washer A 6,4		2	
35	N 011 524 27	Washer A 6,4		2	
36	900 076 010 02	Nut		1	
36	900 076 010 0B	Nut		1	
37	N 012 006 4	Lock ring		1	
38	N 013 892 4	Tapping screw		1	
39	999 507 003 02	Speed nut		1	
39	999 507 003 01	Speed nut		1	
40	928 110 429 08	Vacuum valve		1	

Model: 928 87

Model life 1987>>1991



Model: 928 87

Model life 1987>>1991

Pos	Part Number	Description	Remark	Qty	Model
		Exhaust system			
		Catalytic converter			
1	928 111 145 07	Exhaust manifold		1	
(1)	927 111 145 02	Cylinders 1 - 4 Exhaust manifold	/RL	1	
		Cylinders 1 - 4			
2	928 111 146 07	Exhaust manifold		1	
(2)	927 111 146 00	Cylinders 5 - 8 Exhaust manifold	/RL	1	
		Cylinders 5 - 8			
3	944 111 205 00	Sealing ring		8	
4	928 111 181 00	Washer		16	
5	999 084 052 02	Lock nut		22	
		M 8			
6	928 111 067 01	Protective plate		1	M28.41/47
7	999 025 078 02	Washer		2	M28.41/47
		8,4 X 17 X 1,5			
8	900 074 283 02	Screw		1	M28.41/47
		M 8 X 45			
9	900 074 287 02	Hexagon-head bolt		5	M28.41/47
		M 8 X 35			
9		Hexagon-head bolt		6	M28.42
		M 8 X 35			
10	928 111 127 02	Gasket		2	
(10)		Gasket		2	
		without asbestos			
11	928 113 214 03	Catalytic converter	(J)	1	M28.42
11	928 113 219 01	Catalytic converter	-89	1	
11	928 113 219 04	Catalytic converter	90-	1	
12	928 606 128 01	Oxygen sensor		1	
		Heated			
13	928 606 145 00	Temperature sensor	(J)	2	M28.42
14	928 113 161 03	Catalytic converter cover	(J)	1	M28.42
15	928 113 148 00	Retaining bracket	/R (J)	1	M28.42
16	928 113 163 00	Retaining bracket	/L (J)	1	M28.42
17	999 507 003 02	Speed nut	(J)	4	M28.42
17	999 507 003 01	Speed nut	(J)	4	M28.42
18	N 011 524 7	Washer	(J)	4	M28.42
		A 6,4			
18	N 011 524 27	Washer	(J)	4	M28.42
		A 6,4			
19	900 187 015 02	Hexagon-head tapping screw	(J)	4	M28.42
		B 6,3 X 13			
20	928 111 149 05	Pipeline	-88	1	
(20)	928 111 150 01	Cylinders 1 - 4 Pipeline	-88	1	
		Cylinders 5 - 8			
21	035 133 335 B	Cap		2	
22	999 512 160 02	Hose clamp		2	
		S 13/9			
22	PCG 512 160 02	Hose clamp		2	
		S 13/9			
23	N 011 524 7	Washer		2	
		A 6,4			
23	N 011 524 27	Washer		2	
		A 6,4			
24	999 072 005 09	Hexagon nut		2	
		M 6 X 12			
24	999 072 005 01	Hexagon nut		2	
		M 6 X 12			
25	928 111 158 00	Retaining bar		2	
(25)	928 111 158 01	Pipe clamp		2	
26	928 111 103 01	Protective plate		1	

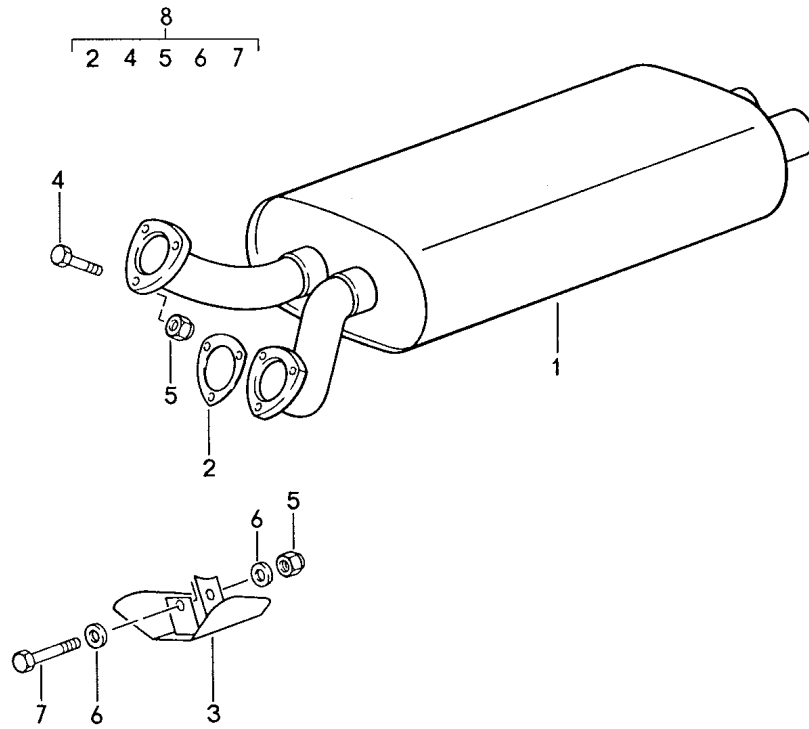
Model: 928 87

Model life 1987>>1991

Pos	Part Number	Description	Remark	Qty	Model
27	900 025 045 02	Washer 6,4		3	
28	900 075 312 02	Hexagon-head bolt M 6 X 12		3	
29	928 111 901 00	Set of fastening parts		1	
30	900 102 009 00	Cutting ring		2	
31	N 021 022 2	Union nut		2	
32	928 111 162 00	Bracket	/R	1	
33	928 111 161 00	Bracket	/L	1	
34	930 113 153 00	Cap	89-	2	
		Use also: for Exhaust manifold MOD.89-			

Model: 928 87

Model life 1987>>1991



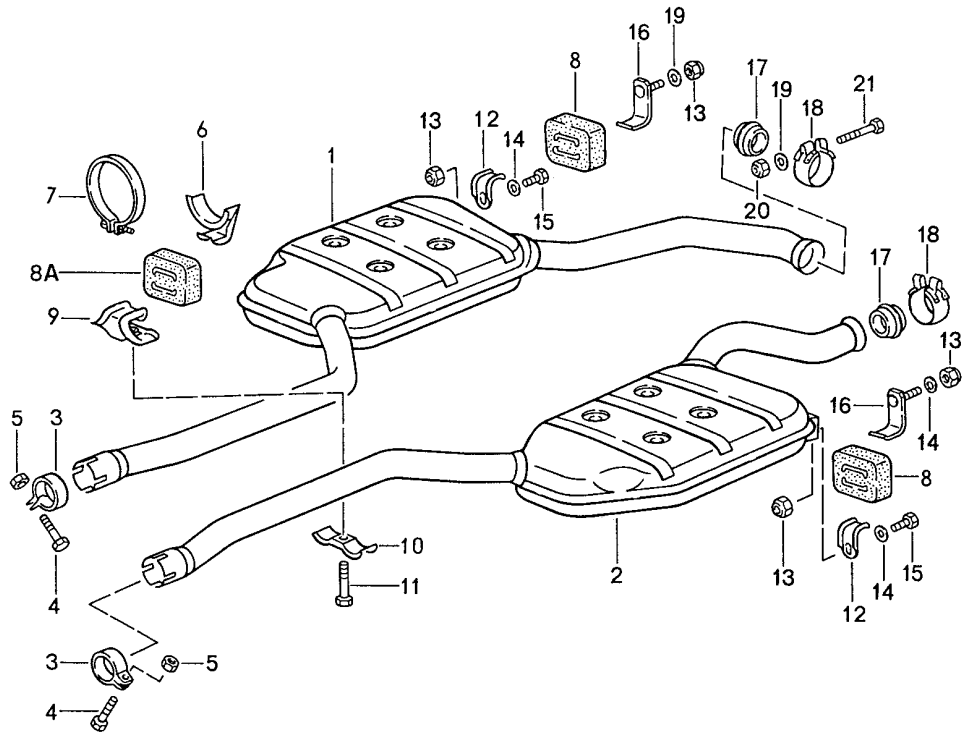
Model: 928 87

Model life 1987>>1991

Pos	Part Number	Description	Remark	Qty	Model
		Exhaust system			
		Front muffler			
1	928 111 096 03	Front muffler	87	1	
1		Front muffler		1	
2	928 111 127 02	Gasket		2	
2		Gasket		2	
		without asbestos			
3	928 111 067 01	Protective plate		1	
4	900 074 287 02	Hexagon-head bolt		5	M28.41/47
		M 8 X 35			
4		Hexagon-head bolt	AUT.	6	M28.42
		M 8 X 35			
5	999 084 052 02	Lock nut		6	
		M 8			
6	999 025 078 02	Washer		2	
		8,4 X 17 X 1,5			
7	900 074 283 02	Screw		1	M28.41/47
		M 8 X 45			
8	928 111 901 00	Set of fastening parts		1	

Model: 928 87

Model life 1987>>1991



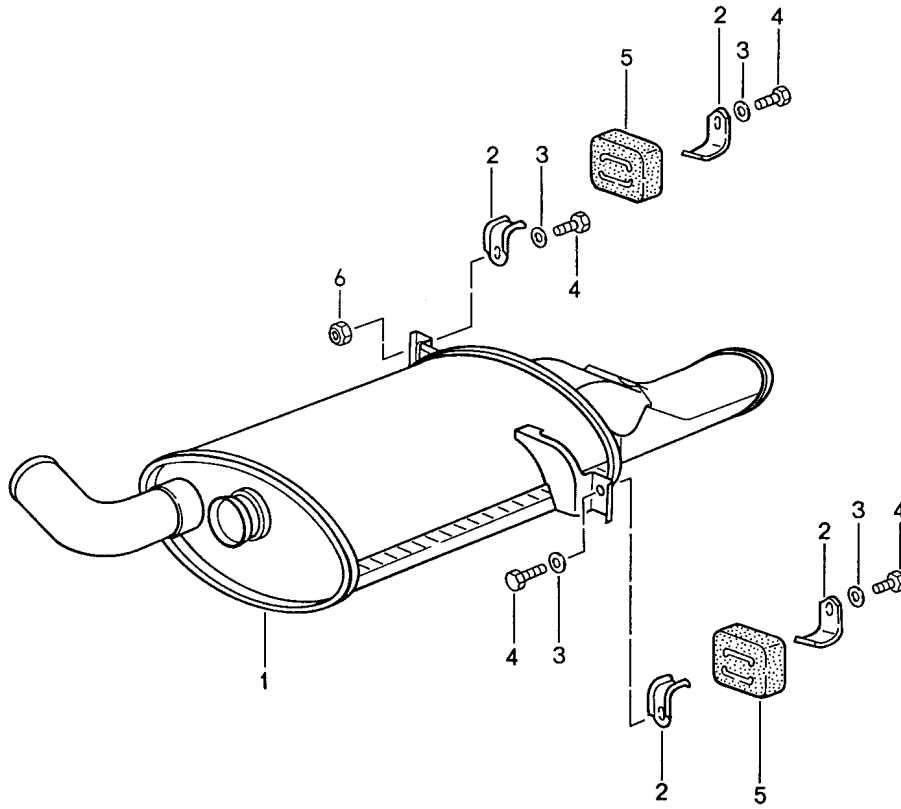
Model: 928 87

Model life 1987>>1991

Pos	Part Number	Description	Remark	Qty	Model
		Exhaust system			
		Intermediate silencer			
1	928 111 094 01	Intermediate silencer	/R -88	1	
1		Intermediate silencer	/R 90- (CH)	1	M639
(1)	928 111 094 02	Intermediate silencer	/R 88-	1	M637
(1)	928 111 094 04	Intermediate silencer	/R 89-	1	
2	928 111 093 01	Intermediate silencer	/L -88	1	
2		Intermediate silencer	/L 90- (CH)	1	M639
(2)	928 111 093 03	Intermediate silencer	/L 88-	1	M637
(2)		Intermediate silencer	/L 89-	1	
3	928 111 424 00	Pipe clamp		2	
4	900 155 036 02	Hexagon-head bolt M 10 X 50		2	
5	999 084 047 02	Lock nut M 10		2	
6	928 111 278 00	Hook		1	
7	999 512 325 02	Clamp		1	
8	928 111 259 02	Rubber mounting Information available		4	
8A		Rubber mounting Information available		1	
9	928 111 287 00	Support		1	
10	928 111 288 00	Support		1	
11	900 155 036 02	Hexagon-head bolt M 10 X 50		1	
12	928 111 264 01	Hook		6	
13	900 910 022 02	Lock nut		4	
14	900 025 007 02	Washer		4	
14	900 025 007 03	Washer		4	
15	900 075 366 02	Combination screw M 8 X 16			
16	928 111 260 00	Hook		2	
17	928 111 246 05	Sealing ring	87	2	
17	928 111 246 06	Sealing ring	87-	2	
(17)	928 111 246 05	Sealing ring	88-	2	
(17)	928 111 246 06	Sealing ring	88-	2	
18	928 111 427 00	Pipe clamp		2	
19	999 025 078 02	Washer		2	
20	999 084 052 02	Lock nut		2	
21	900 074 304 02	Hexagon-head bolt M 8 X 60		2	

Model: 928 87

Model life 1987>>1991



Model: 928 87

Model life 1987>>1991

Pos	Part Number	Description	Remark	Qty	Model
1	928 111 097 01	Exhaust system Main exhaust muffler	-89	1	
(1)	928 111 097 03	Main exhaust muffler 1 Endrohr	88-89	1	M637/639
(1)	928 111 097 04	Main exhaust muffler 2 Endrohr		1	
(1)		Main exhaust muffler 2 Endrohr		1	CH
2	928 111 264 01	Hook		4	
3	900 025 007 02	Washer		4	
3	900 025 007 03	Washer		4	
4	900 075 087 02	Hexagon-head bolt		4	
4	900 075 087 03	Hexagon-head bolt		4	
5	928 111 259 02	Rubber mounting Information available		2	
-	928 111 271 03	Cover	88-89	2	M637/639
-		Cover	90-	2	
-	900 075 001 03	Hexagon-head bolt M 5 X 8		2	
-	900 198 001 02	Square nut M 5		2	
6	900 910 022 02	Lock nut		X	

Model: 928 87

Model life 1987>>1991



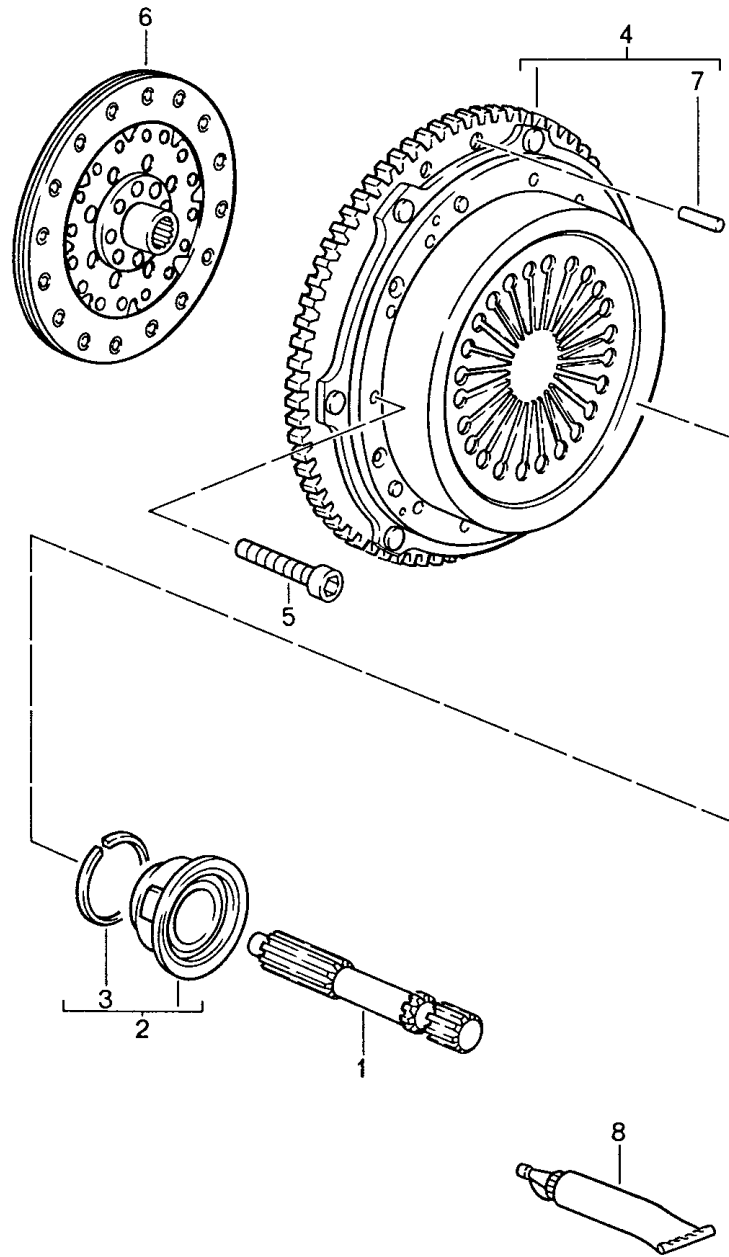
Model: 928 87

Model life 1987>>1991

Pos	Part Number	Description	Remark	Qty	Model
>>	928 113 911 00	Repair kits Conversion set for subsequent installation Catalytic converter See technical information GR.2 NR. 3/3A/3B/87 Comprising:		1	M28.41/42/47 M28.41/42/47
-	000 043 078 00	Installation instructions		1	
-	928 113 219 01	Catalytic converter		1	
-	928 111 424 00	Pipe clamp		2	
-	900 155 036 02	Hexagon-head bolt		2	
-	999 084 047 02	Lock nut		2	
-	928 606 128 01	Oxygen sensor		1	
-	928 607 433 00	Coding plug		1	
-	928 607 434 00	Coding plug		1	
-	900 124 008 02	Screw plug		8	
-	900 123 043 30	Sealing ring		8	
-	928 113 146 04	Pipeline		1	
-	900 123 060 30	Sealing ring		1	
-	928 113 215 02	Support		1	
-	999 512 329 02	Clip		1	
-	N 010 205 6	Hexagon-head bolt		2	
-	900 075 105 02	Screw		2	
-	N 011 005 14	Hexagon nut		2	
-	900 076 091 01	Hexagon nut		2	
-	928 006 117 03	Sticker		1	
-	911 701 241 00	Sticker		1	
-	944 701 201 03	Sticker		1	
-	928 201 027 03	Insert		1	
-	900 312 012 02	Stopper		1	
-	900 312 042 01	Stopper		1	
-	928 111 127 02	Gasket		2	
-	900 074 287 02	Hexagon-head bolt		6	
-	900 074 283 02	Screw		1	
-	999 025 078 02	Washer		2	
-	999 084 052 02	Lock nut		6	
-	928 504 091 00	Heat protection plate		1	
-	960 307 917 00	Hose protecting sleeve		2	
-	928 307 190 00	Connection piece		1	
>>	928 111 901 00	Set of fastening parts for Front muffler Catalytic converter Comprising:		1	
-	928 111 127 02	Gasket		2	
-	900 074 287 02	Hexagon-head bolt		6	
-	900 074 283 02	Screw		1	
-	999 025 078 02	Washer		2	
-	999 084 052 02	Lock nut		6	

Model: 928 87

Model life 1987>>1991



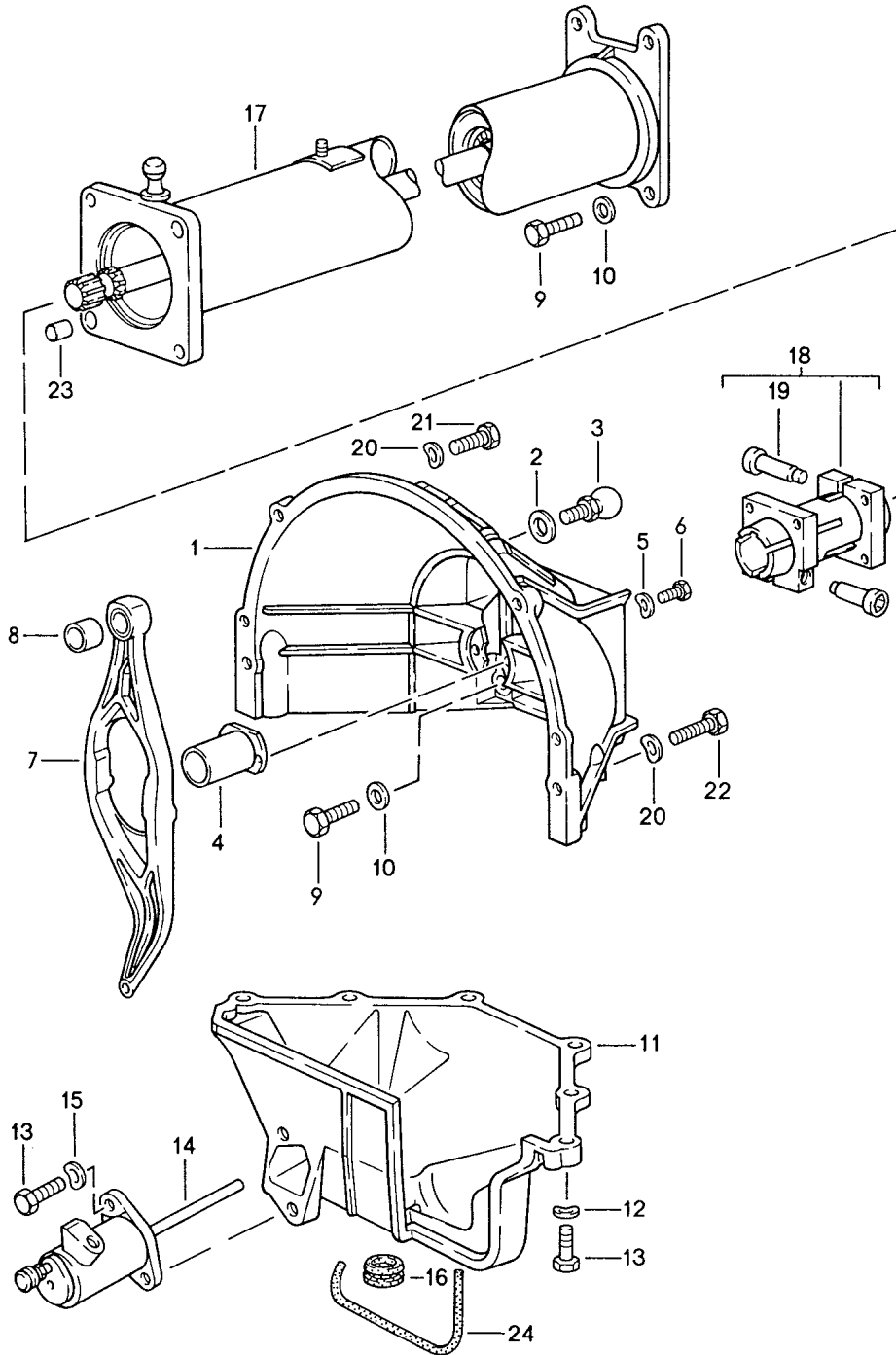
Model: 928 87

Model life 1987>>1991

Pos	Part Number	Description	Remark	Qty	Model
		Manual transmission Clutch See technical information Group 3 NR. 1/94			G28.12/13/55
1	928 421 235 16	Central shaft		1	
1	928 421 235 17	Central shaft		1	
2	928 116 085 05	Clutch release bearing		1	
2	928 116 085 08	Clutch release bearing		1	
3	999 152 068 01	Circlip		1	
4	928 116 004 10	Pressure plate	-88	1	
(4)	928 116 004 12	Pressure plate	89-	1	
(4)	928 116 004 16	Pressure plate	89-	1	
5	900 067 284 02	Pan-head screw M 8 X 53		9	
5	900 067 430 01	Pan-head screw M 8 X 53		9	
6	928 116 013 17	Clutch plate	87	1	
(6)	928 116 013 23	Drive plate	88-	1	
(6)	928 116 013 28	Drive plate	88-	1	
7	N 013 381 1	Straight pin	-88	2	
(7)	N 013 373 1	Straight pin	-88	2	
8	000 043 024 00	Extreme-pressure grease		X	
-	928 116 911 01	Repair kit for Clutch	-88	1	
-	928 116 911 02	Repair kit for Clutch	89-	1	
-	928 116 911 03	Repair kit for Clutch	89-	1	

Model: 928 87

Model life 1987>>1991



Model: 928 87

Model life 1987>>1991

Pos	Part Number	Description	Remark	Qty	Model
		Central tube			G28.12/13/55
1	928 116 402 00	Clutch housing	-88	1	
1	928 116 402 01	Clutch housing	89-	1	
2	900 025 007 02	Washer A 8,4		1	
2	900 025 007 03	Washer A 8,4		1	
3	928 116 075 01	Ball pin 8 MM \$		1	
3	928 116 075 02	Ball pin 8 MM \$		1	
4	928 116 087 15	Guide tube		1	
4	928 116 087 16	Guide tube		1	
5	N 011 524 7	Washer A 6,4		2	
5	N 011 524 27	Washer A 6,4		2	
6	900 075 057 02	Hexagon-head bolt M 6 X 16		2	
6	900 075 057 03	Hexagon-head bolt M 6 X 16		2	
7	928 116 832 08	Clutch release lever		1	
8	928 116 145 03	Ball socket		1	
9	N 010 445 2	Hexagon-head bolt M 10 X 45		8	
9	900 074 372 01	Hexagon-head bolt M 10 X 45		8	
10	900 025 008 09	Washer A 10,5		8	
10	900 025 008 04	Washer A 10,5		8	
11	928 116 412 03	Lid Clutch housing		1	
11		Lid		1	G28.55 M637
12	N 012 241 8	Clutch housing Spring washer B 8		6	
13	900 075 099 02	Hexagon-head bolt M 8 X 30		8	
13	900 075 099 03	Hexagon-head bolt M 8 X 30		8	
14	928 116 237 22	Clutch operating cylinder	-89	1	
14	928 116 237 VX	Clutch operating cylinder	-89	1	
14	928 116 237 22	Clutch operating cylinder	90-	1	
14	928 116 237 VX	Clutch operating cylinder	90-	1	
-	928 116 901 00	Repair kit Clutch operating cylinder		1	
15	900 027 015 02	Lock ring B 8		2	
15	900 027 015 03	Lock ring B 8		2	
16	928 116 425 00	Cap		3	
17	928 421 012 26	Central tube		1	
18	922 421 051 02	Clamping sleeve		1	
18	922 421 051 03	Clamping sleeve		1	
19	931 421 240 00	Clamping screw		2	
20	N 011 531 14	Washer B 12		2	
21	N 010 142 2	Hexagon-head bolt M 12 X 1,5 X 50		2	
22	N 010 156 3	Hexagon-head bolt M 12 X 1,5 X 70		1	

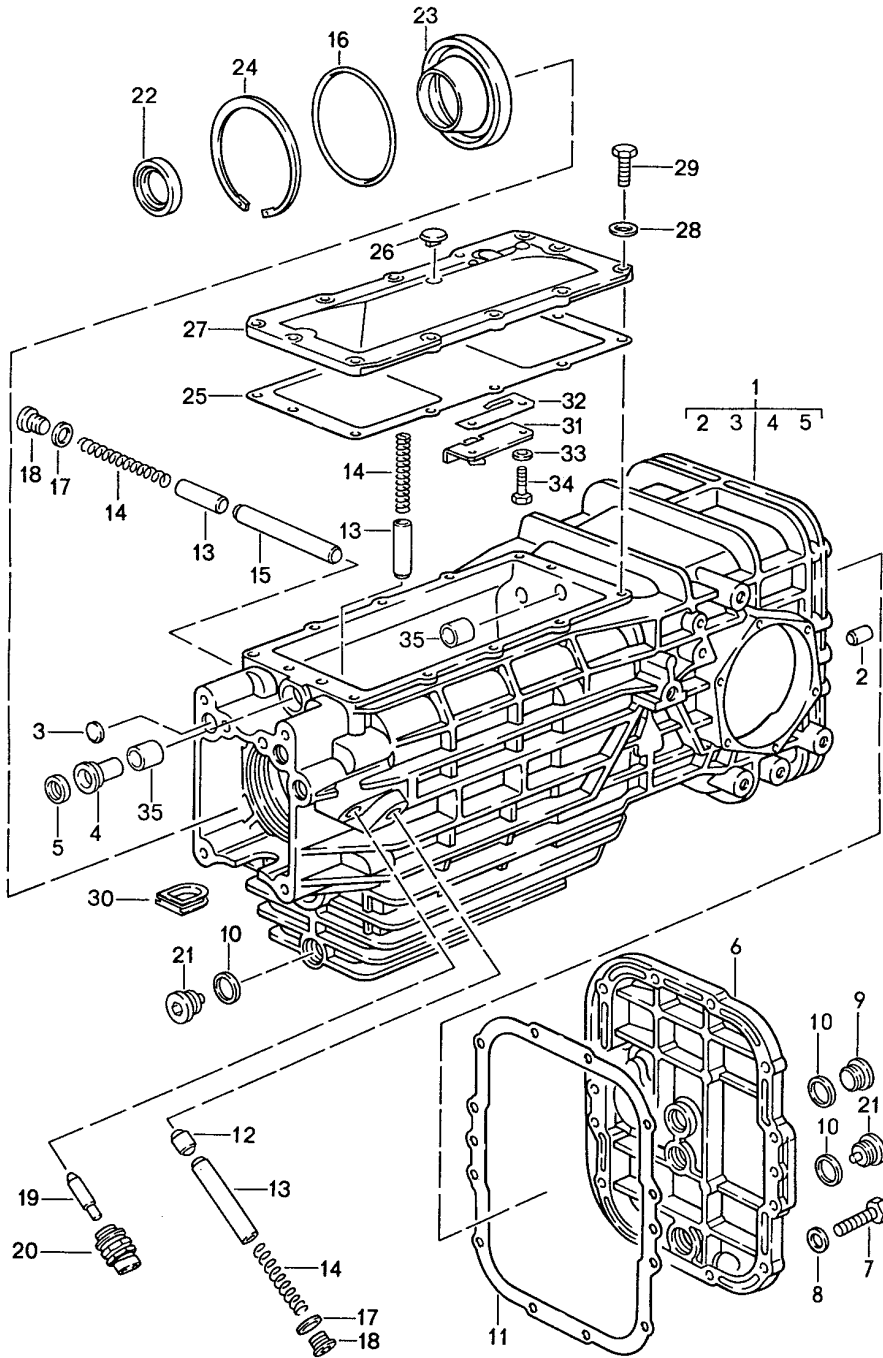
Model: 928 87

Model life 1987>>1991

Pos	Part Number	Description	Remark	Qty	Model
(22)	900 082 020 09	Hexagon-head bolt		1	
(22)	900 082 020 03	Hexagon-head bolt		1	
23	900 197 042 01	Roll pin 10 X 12		2	
24	928 116 427 02	Sealing strip		1	

Model: 928 87

Model life 1987>>1991



Model: 928 87

Model life 1987>>1991

Pos	Part Number	Description	Remark	Qty	Model
		Manual transmission Replacement transmission Transmission case			G28.12/13/55
-	928 300 005 12	Manual transmission Complete	-89	1	G28.12
-	928 300 015 12	Manual transmission Complete	-89	1	G28.12
-	928 300 015 55	Manual transmission Complete		1	G28.55 M637 G28.55 M639 G28.55 M221
-	928 300 030 55	Manual transmission Complete Porsche Limited-slip differential	90	1	
-	928 300 030 TX	Manual transmission Complete Porsche Limited-slip differential	90	1	
-	928 300 030 56	Manual transmission Complete Porsche Limited-slip differential	91-	1	G28.55 M221
1	928 301 012 00	Transmission case	-88	1	
1		Transmission case	89	1	
(1)	928 301 012 01	Transmission case	90-	1	G28.55 M221
2	900 012 086 00	Straight pin 6 X 18		2	
3	900 040 013 02	Cover plate		3	
4	928 301 502 03	Guide bush		1	
5	928 303 120 01	Shaft sealing ring		1	
6	928 301 306 00	Housing cover Rear	-90	1	
6	928 301 306 06	Housing cover Rear	91-	1	
7	900 075 099 02	Hexagon-head bolt M 8 X 30		12	
7	900 075 099 03	Hexagon-head bolt M 8 X 30		12	
8	900 025 007 02	Washer A 8,4		12	
8	900 025 007 03	Washer A 8,4		12	
9	900 219 001 30	Screw plug		1	
10	900 123 118 30	Sealing ring A 22 X 27		3	
11	928 301 395 03	Gasket		1	
12	928 303 231 24	Detent		1	
13	928 303 234 00	Arresting bush		3	
14	928 303 235 24	Compression spring		3	
15	928 303 232 00	Detent		1	
16	999 701 904 40	O-ring		1	
17	900 123 043 30	Sealing ring		2	
18	900 219 006 02	Screw plug		2	
18	900 219 006 01	Screw plug		2	
19	928 606 241 02	Cam follower		1	
20	914 613 541 02	Back-up light switch		1	
21	999 063 008 02	Screw plug		2	

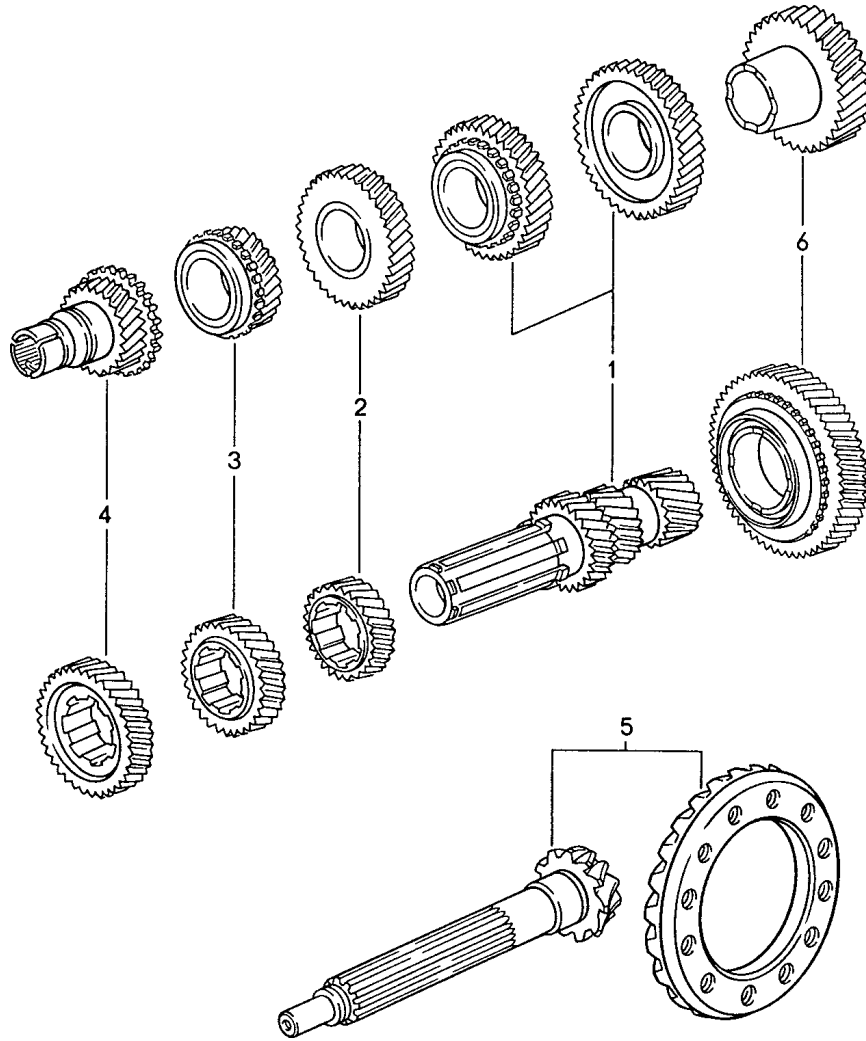
Model: 928 87

Model life 1987>>1991

Pos	Part Number	Description	Remark	Qty	Model
22	928 302 167 03	Shaft sealing ring		1	
22	928 302 167 05	Shaft sealing ring		1	
23	928 302 175 12	Housing		1	
24	N 101 003 1	Circlip		1	
25	928 301 393 07	Gasket		1	
26	928 301 311 01	Bleeder		1	
27	928 301 303 11	Lid		1	
28	N 011 524 7	Washer A 6,4		12	
28	N 011 524 27	Washer A 6,4		12	
29	900 075 016 02	Hexagon-head bolt M 6 X 22		12	
29	900 075 016 03	Hexagon-head bolt M 6 X 22		12	
30	928 301 171 00	Cap		1	
31	928 303 025 05	Reversing gear lock		1	
31	928 303 025 06	Reversing gear lock		1	
32	928 303 287 01	Leaf spring		1	
33	N 012 226 5	Spring washer B 6		2	
34	900 075 057 02	Hexagon-head bolt M 6 X 16		2	
34	900 075 057 03	Hexagon-head bolt M 6 X 16		2	
35	999 203 003 00	Bearing sleeve		2	

Model: 928 87

Model life 1987>>1991



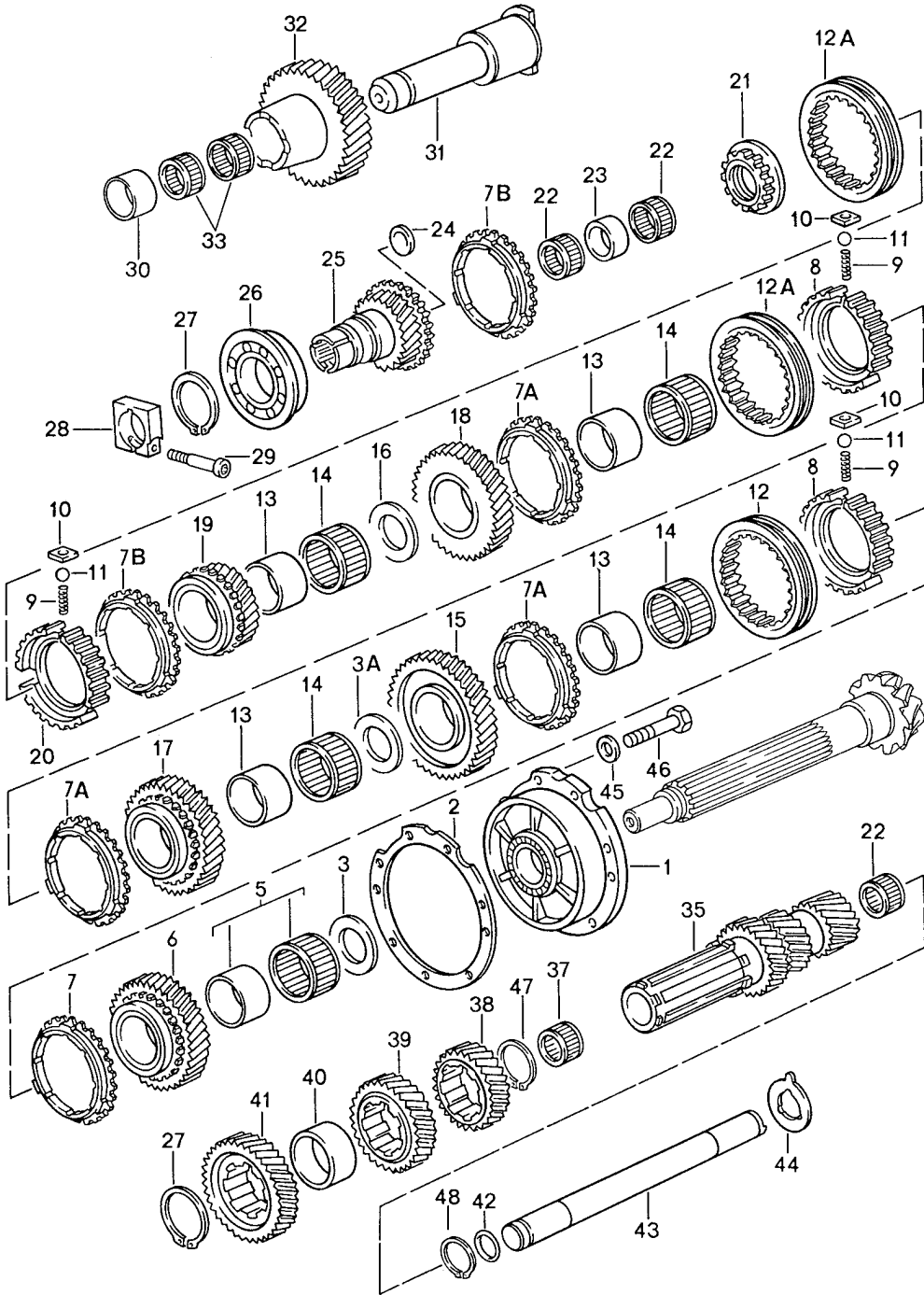
Model: 928 87

Model life 1987>>1991

Pos	Part Number	Description	Remark	Qty	Model
1	928 302 901 18	Manual transmission Gear wheel sets Gear set 1st / 2nd gear Z = 17:44 Z = 22:38 Use also: 999.152.087.01 928.302.278.00		1	G28.12/13/55
2	928 302 903 18	Gear wheel pair 3rd gear Z = 26:32		1	
3	928 302 904 19	Gear wheel pair 4th speed Z = 29:27		1	
4	928 302 905 32	Gear set 5th gear Z = 22:32		1	G28.12
4		Gear set 5th gear Z = 22:32		1	G28.55 M637 M639
5	928 302 911 65	Ring gear and pinion shaft Z = 11:29		1	G28.12
5	928 302 911 64	Ring gear and pinion shaft Z = 11:30		1	G28.55 M637 M639
6	928 302 907 03	Gear set Reverse gear		1	

Model: 928 87

Model life 1987>>1991



Model: 928 87

Model life 1987>>1991

Pos	Part Number	Description	Remark	Qty	Model
		Manual transmission Gears and shafts			G28.12/13/55
1	928 302 063 34	Bearing sleeve		1	
2	928 302 298 10	Adjusting shim 0,10 MM		X	
(2)	928 302 298 11	Adjusting shim 0,15 MM		X	
(2)	928 302 298 12	Adjusting shim 0,20 MM		X	
(2)	928 302 298 13	Adjusting shim 0,50 MM		X	
3	928 302 267 10	Shim 2,20 MM		1	
(3)	928 302 267 11	Shim 2,30 MM		X	
(3)	928 302 267 12	Shim 2,40 MM		X	
(3)	928 302 267 13	Shim 2,50 MM		X	
(3)	928 302 267 14	Shim 2,60 MM		X	
(3)	928 302 267 15	Shim 2,70 MM		X	
(3)	928 302 267 16	Shim 2,80 MM		X	
(3)	928 302 267 17	Shim 2,90 MM		X	
(3)	928 302 267 18	Shim 3,00 MM		X	
(3)	928 302 267 19	Shim 3,10 MM		X	
(3)	928 302 267 21	Shim 3,20 MM		X	
(3)	928 302 267 22	Shim 3,30 MM		X	
3A	928 302 267 13	Shim 2,50 MM		1	
5	999 201 223 01	Needle cage		1	
6		Loose gear wheel Reverse gear			
7	928 304 211 02	Synchroniser ring		1	
7A	928 304 211 12	Synchroniser ring		3	
7B	928 304 211 05	Synchroniser ring		2	
7B		Synchroniser ring		2	
8	928 304 221 04	Guide sleeve 1st gear 2nd gear 3rd gear Reverse gear		2	
9	928 304 261 01	Compression spring		9	
10	928 304 251 00	Stone		9	
11	N 025 653 2	Ball		9	
12	928 304 231 02	Shift sleeve 1st gear Reverse gear		1	
12A	928 304 231 00	Shift sleeve 2nd gear 3rd gear 4th speed 5th gear		2	
13	928 302 271 01	Inner ring		4	
14	999 201 260 00	Needle cage		4	
15		Loose gear wheel			

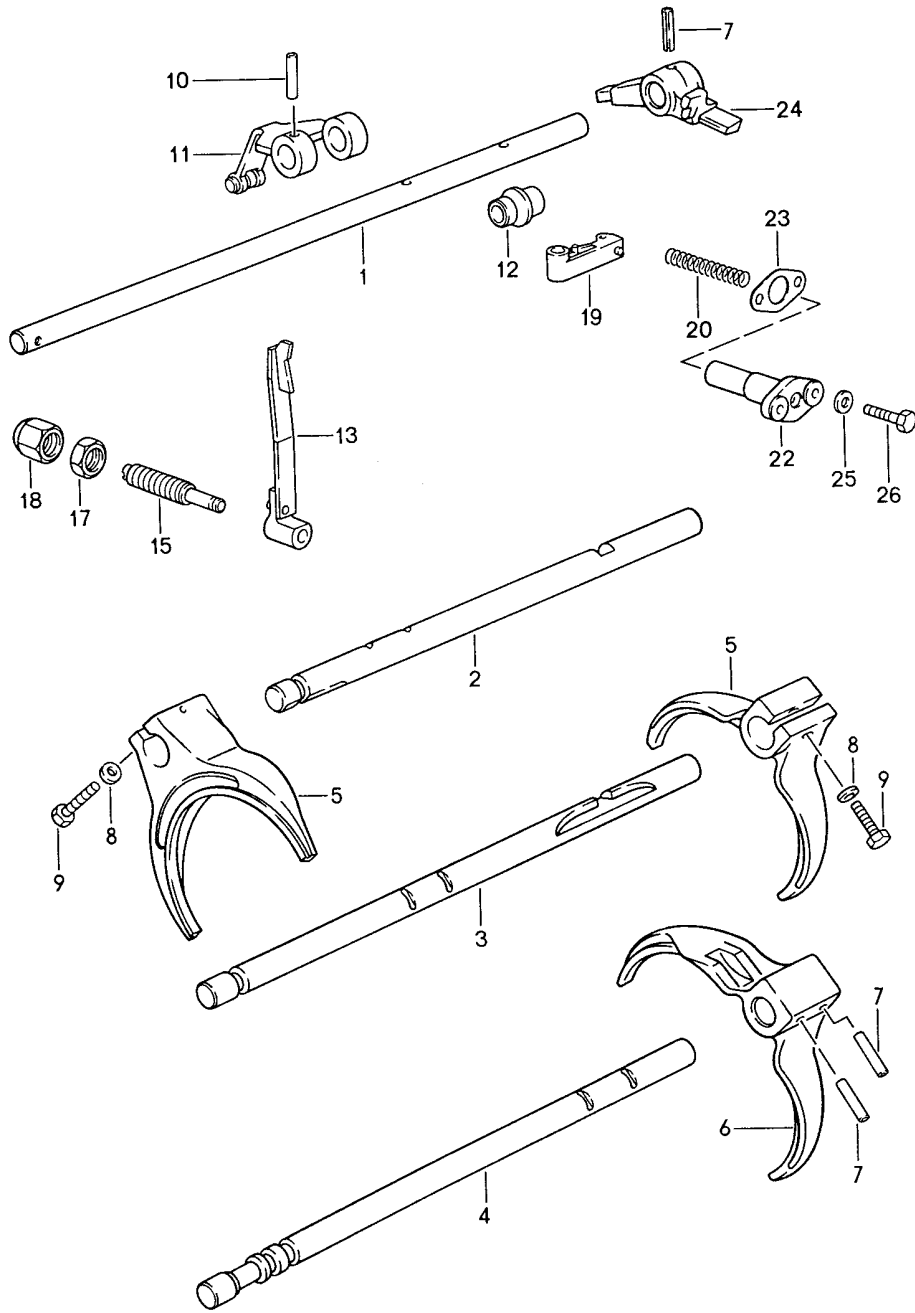
Model: 928 87

Model life 1987>>1991

Pos	Part Number	Description	Remark	Qty	Model
16	928 302 267 20	1st gear		1	
17		Thrust washer			
18		Loose gear wheel			
18		2nd gear			
18		Loose gear wheel			
19		3rd gear			
19		Loose gear wheel			
20	928 304 021 11	4th speed			
20		Guide sleeve		1	
20		4th speed			
20		5th gear			
21	928 302 266 09	Lock nut		1	
22	928 302 163 00	Needle cage		4	
23	928 302 165 01	Thrust ring		1	
24	900 040 013 02	Cover plate		1	
25		Drive shaft			
26	999 052 138 00	Deep-groove ball bearing		1	
27	900 041 047 01	Circlip		2	
27		55 X 2			
28	922 421 239 02	Clamping piece		1	
29	931 421 240 00	Clamping screw		1	
30	928 302 234 00	Spacer sleeve		1	
31	928 302 229 11	Reverse idler shaft		1	
32		Reverse idler gear			
33	999 201 227 00	Needle cage		2	
33	999 201 227 01	Needle cage		2	
34	928 302 281 03	Thrust washer		1	
35		Countershaft axle		1	
37	999 201 290 00	Needle-roller bearing		1	
38		Fixed gear wheel			
39		Fixed gear wheel			
40	928 302 279 03	Spacer sleeve		1	
41		Fixed gear wheel			
42	928 302 283 01	Round seal		1	
43	928 302 036 02	Countershaft axle		1	
44	928 302 281 03	Thrust washer		1	
45	999 523 102 02	Washer		7	
45	999 523 102 0B	Washer		7	
46	N 010 244 6	Hexagon-head bolt		7	
46		M 8 X 30			
47	999 042 031 01	Circlip		1	
47		35 X 1,5			
48	N 012 314 1	Circlip		1	
-	928 302 131 00	Funnel		1	

Model: 928 87

Model life 1987>>1991



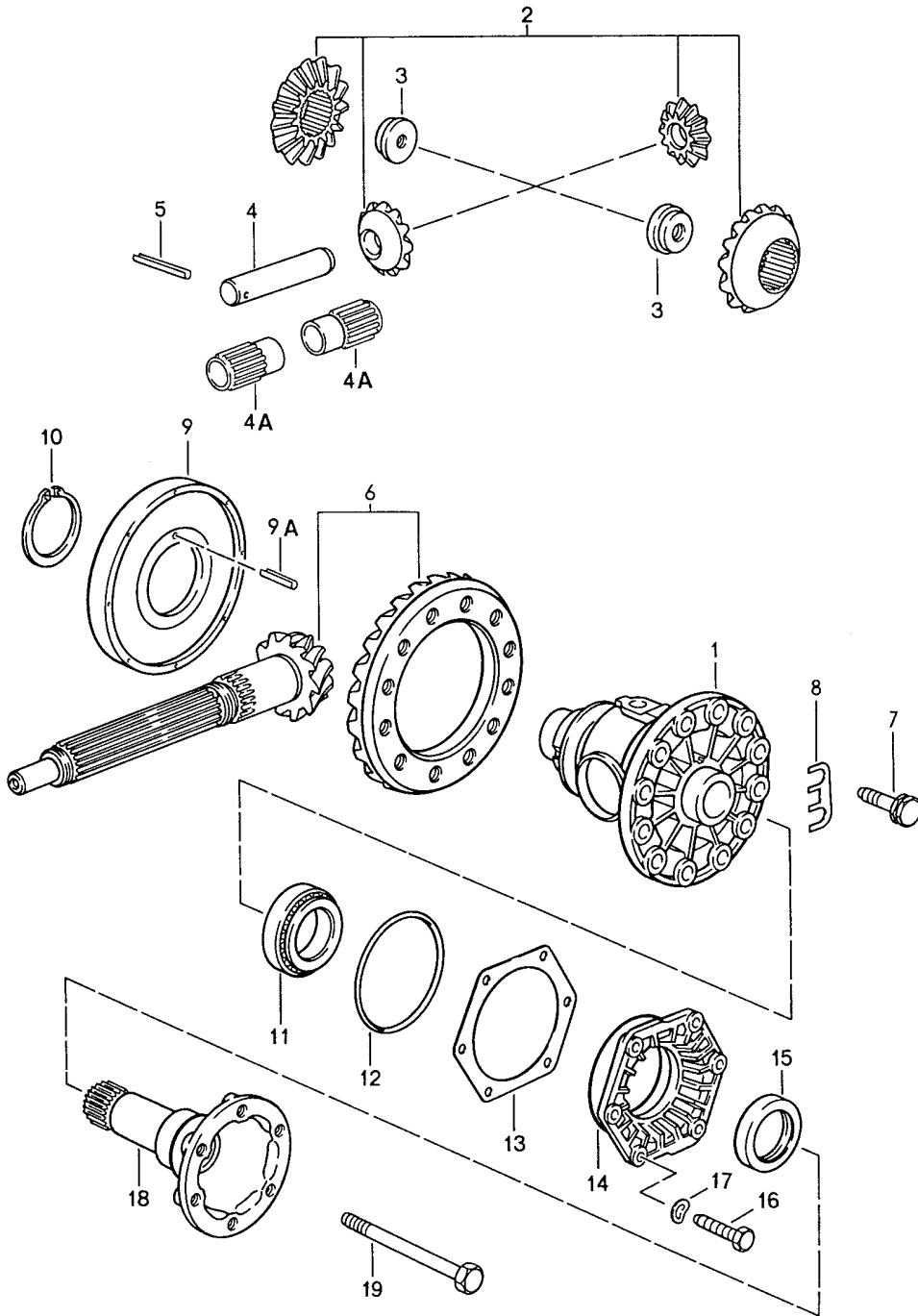
Model: 928 87

Model life 1987>>1991

Pos	Part Number	Description	Remark	Qty	Model
		Manual transmission			G28.12/13/55
		Shift rods			
		shift forks			
1	928 303 107 30	Inner shift rod		1	
(2)	928 303 102 34	Gear shift rod		1	
		4th speed			
		5th gear			
3	928 303 101 28	Gear shift rod		1	
		2nd gear			
		3rd gear			
4	928 303 105 27	Gear shift rod		1	
		1st gear			
		Reverse gear			
5	928 303 113 27	Shift fork		2	
		2nd gear			
		3rd gear			
		4th speed			
		5th gear			
6	928 303 115 41	Shift fork		1	
		1st gear			
		Reverse gear			
7	N 013 317 1	Roll pin		3	
8	N 011 525 13	Washer		2	
		A 8,4			
9	N 010 359 4	Hexagon-head bolt		2	
		M 8 X 40			
10	900 309 013 00	Roll pin		1	
11	928 303 032 06	Preselector lever	87	1	
(11)		Preselector lever	88-	1	
12	928 303 301 04	Trip cam		1	
13	928 303 034 09	Spring		1	
-	928 303 306 01	Bolt		1	
15	928 303 331 04	Threaded bolt		1	
		M 14 X 1			
16	N 012 410 1	Circlip		1	
		10 X 1			
17	999 076 032 02	Hexagon nut		1	
		M 14 X 1			
18	999 070 012 02	Cap nut		1	
		M 14 X 1			
19	928 303 031 00	Roller lever		1	
20	928 303 309 01	Compression spring		1	
22	928 303 311 02	Guide sleeve		1	
23	928 303 313 00	Gasket		1	
24	928 303 117 08	Shift finger		1	
25	N 011 524 7	Washer		2	
		A 6,4			
25	N 011 524 27	Washer		2	
		A 6,4			
26	900 075 016 02	Hexagon-head bolt		2	
		M 6 X 22			
26	900 075 016 03	Hexagon-head bolt		2	
		M 6 X 22			
-	N 012 439 2	Lock washer		1	

Model: 928 87

Model life 1987>>1991

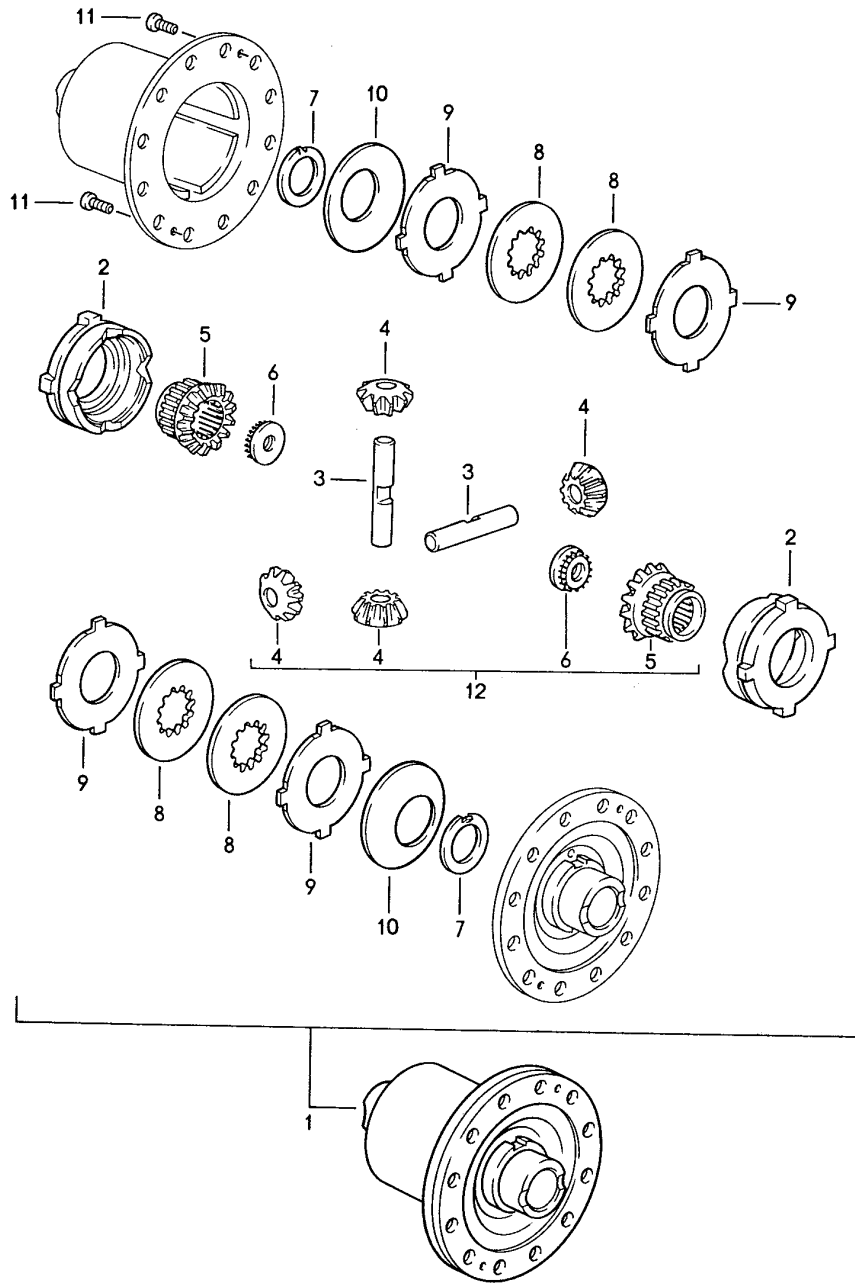


Model: 928 87 Model life 1987>>1991

Pos	Part Number	Description	Remark	Qty	Model
		Manual transmission			G28.12/13/55
		Differential			
1	928 332 212 08	Differential housing	-89	1	
2	928 332 902 02	Differential pinions	-89	1	
		1 set			
2	950 332 902 00	Differential pinions	-89	1	
		1 set			
3	928 332 279 03	Threaded disc	-89	2	
4	928 332 207 07	Differential bolt	-89	1	
		18 MM \$			
4A	999 201 237 00	Needle cage	-89	2	
5	900 309 035 00	Roll pin	-89	1	
		5 X 40			
6	928 302 911 65	Ring gear and pinion shaft	-89	1	G28.12
		11 : 29			
(6)	928 302 911 64	Ring gear and pinion shaft		1	G28.55
		11 : 30			
7	928 332 276 03	Hexagon-head bolt		12	
8	928 332 285 00	Tab washer		6	
9	928 318 024 05	Carrier disc with magnets	-89	1	
9A	N 043 285 1	Roll pin	-89	1	
		5 X 18			
10	999 152 089 01	Circlip		1	
11	999 059 027 00	Taper roller bearing		2	
		FAG			
11	999 059 027 02	Taper roller bearing		2	
		FAG			
12	928 332 217 02	O-ring		2	
13	928 332 219 00	Adjusting shim		X	
		0,15 MM			
(13)	928 332 219 01	Adjusting shim		X	
		0,20 MM			
(13)	928 332 219 02	Adjusting shim		X	
		0,25 MM			
(13)	928 332 219 03	Adjusting shim		X	
		0,30 MM			
(13)	928 332 219 04	Adjusting shim		X	
		0,10 MM			
14	928 332 213 02	Housing		2	
(14)	928 332 213 05	Housing	90-	1	M221
15	928 332 215 02	Shaft sealing ring		2	
16	900 075 099 02	Hexagon-head bolt		12	
		M 8 X 30			
16	900 075 099 03	Hexagon-head bolt		12	
		M 8 X 30			
17	900 025 007 02	Washer		12	
		A 8,4			
17	900 025 007 03	Washer		12	
		A 8,4			
18	928 332 206 10	Joint flange	-89	2	
19	900 074 292 02	Hexagon-head bolt		2	
		M 10 X 98			

Model: 928 87

Model life 1987>>1991



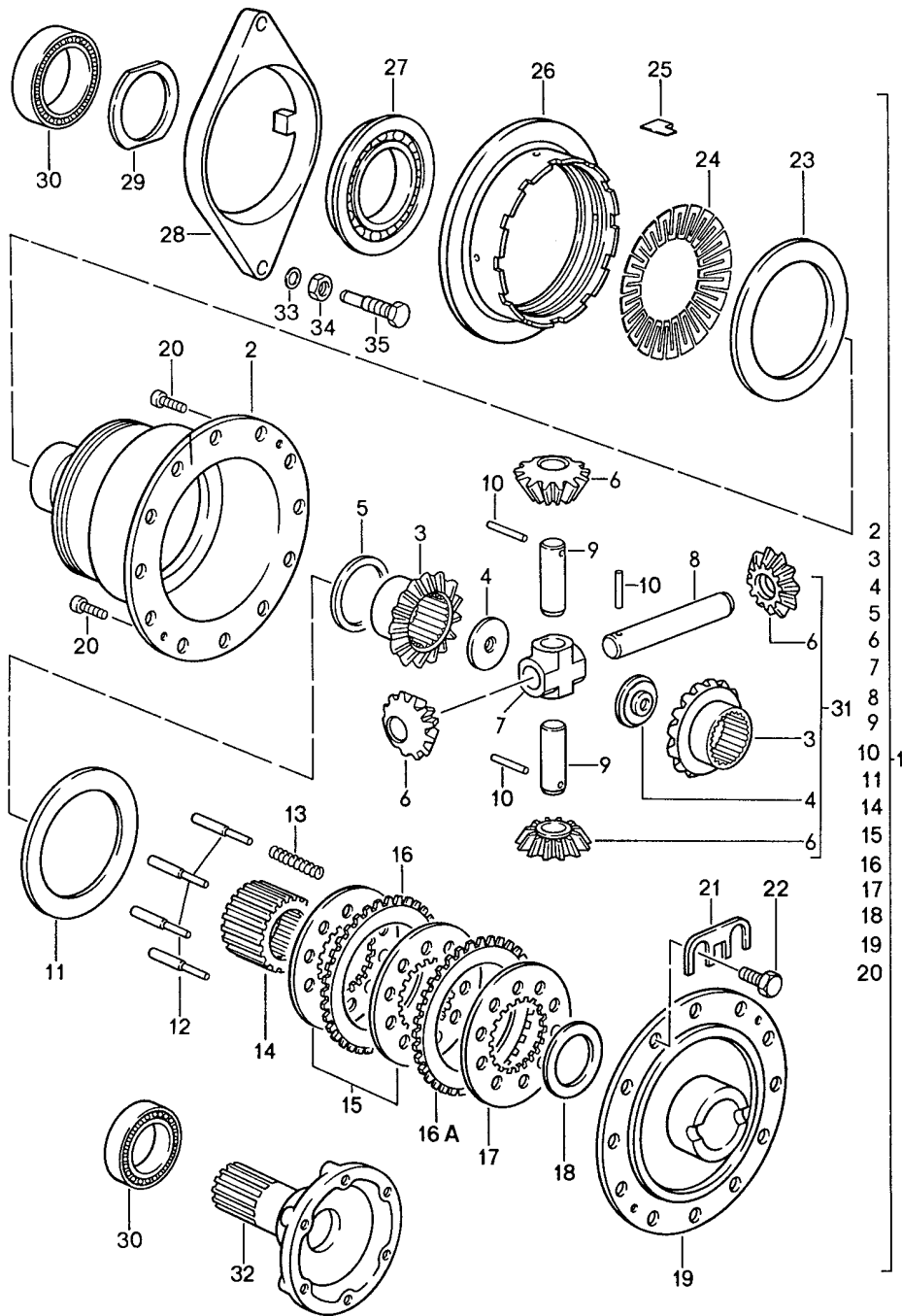
Model: 928 87

Model life 1987>>1991

Pos	Part Number	Description	Remark	Qty	Model
		Manual transmission	-89		G28.12/13/55
		Limited-slip differential			
1	928 332 052 20	Limit.-slip different. 40%		1	
2	928 332 511 00	Thrust ring		2	
3	928 332 541 00	Differential shaft		2	
4		Bevel pinion		4	
5		Shaft bevel gear		2	
6	928 332 279 01	Threaded disc		2	
7	901 332 561 11	Thrust washer		2	
8	928 332 551 00	Inner disc		4	
		2,0 MM			
9	917 332 552 10	Disc with external splines		4	
		1,9 MM			
(9)	917 332 552 11	Disc with external splines		X	
		2,0 MM			
(9)	917 332 552 12	Disc with external splines		X	
		2,1 MM			
10	928 332 555 20	Cup spring		2	
11	900 249 023 00	Countersunk-head screw		2	
		M 6 X 10			
12	928 332 905 00	Differential pinions		1	
		1 set			

Model: 928 87

Model life 1987>>1991



Model: 928 87

Model life 1987>>1991

Pos	Part Number	Description	Remark	Qty	Model
		Manual transmission Porsche	90-		G28.55 M221
1	928 332 075 03	Limited-slip differential		1	
2	928 332 701 15	Housing		1	
3		Shaft bevel gear		2	
4	943 332 279 02	Nut		2	
5	928 332 719 00	Thrust washer 1,8 MM		X	
5	928 332 719 01	Thrust washer 1,9 MM		X	
5	928 332 719 02	Thrust washer 2,0 MM		X	
5	928 332 719 03	Thrust washer 2,1 MM		X	
5	928 332 719 04	Thrust washer 2,2 MM		X	
6		Bevel pinion		4	
7	928 332 745 00	4 way connector		1	
8	928 332 741 00	Differential bolt		1	
9	928 332 743 00	Differential bolt		2	
10	900 309 035 00	Roll pin 5 X 40		3	
11	928 332 711 00	Thrust ring		1	
12	928 332 715 08	Pressure pin		4	
13	928 332 716 02	Coil pressure spring		4	
14	928 332 748 03	Disc carrier		1	
15	928 332 728 00	Inner disc		5	
16	928 332 726 05	Disc with external splines 1,5 MM		8	
16A	928 332 726 03	Disc with external splines 1,1 MM		1	
16A	928 332 726 04	Disc with external splines 1,3 MM		X	
16A	928 332 726 13	Disc with external splines 1,3 MM		X	
16A	928 332 726 06	Disc with external splines 1,7 MM		X	
16A	928 332 726 07	Disc with external splines 1,9 MM		X	
16A	928 332 726 08	Disc with external splines 2,1 MM		X	
16A	928 332 726 09	Disc with external splines 2,3 MM		X	
16A	928 332 726 10	Disc with external splines 2,5 MM		X	
16A	928 332 726 12	Disc with external splines 2,5 MM		X	
16A	928 332 726 11	Disc with external splines 2,7 MM		X	
17	928 332 724 00	Inner disc		5	
18	928 332 720 50	Thrust washer 1,8 MM		X	
18	928 332 720 51	Thrust washer 1,9 MM		X	
18	928 332 720 52	Thrust washer 2,0 MM		X	
18	928 332 720 53	Thrust washer 2,1 MM		X	
18	928 332 720 54	Thrust washer 2,2 MM		X	
18	928 332 720 55	Thrust washer 2,3 MM		X	

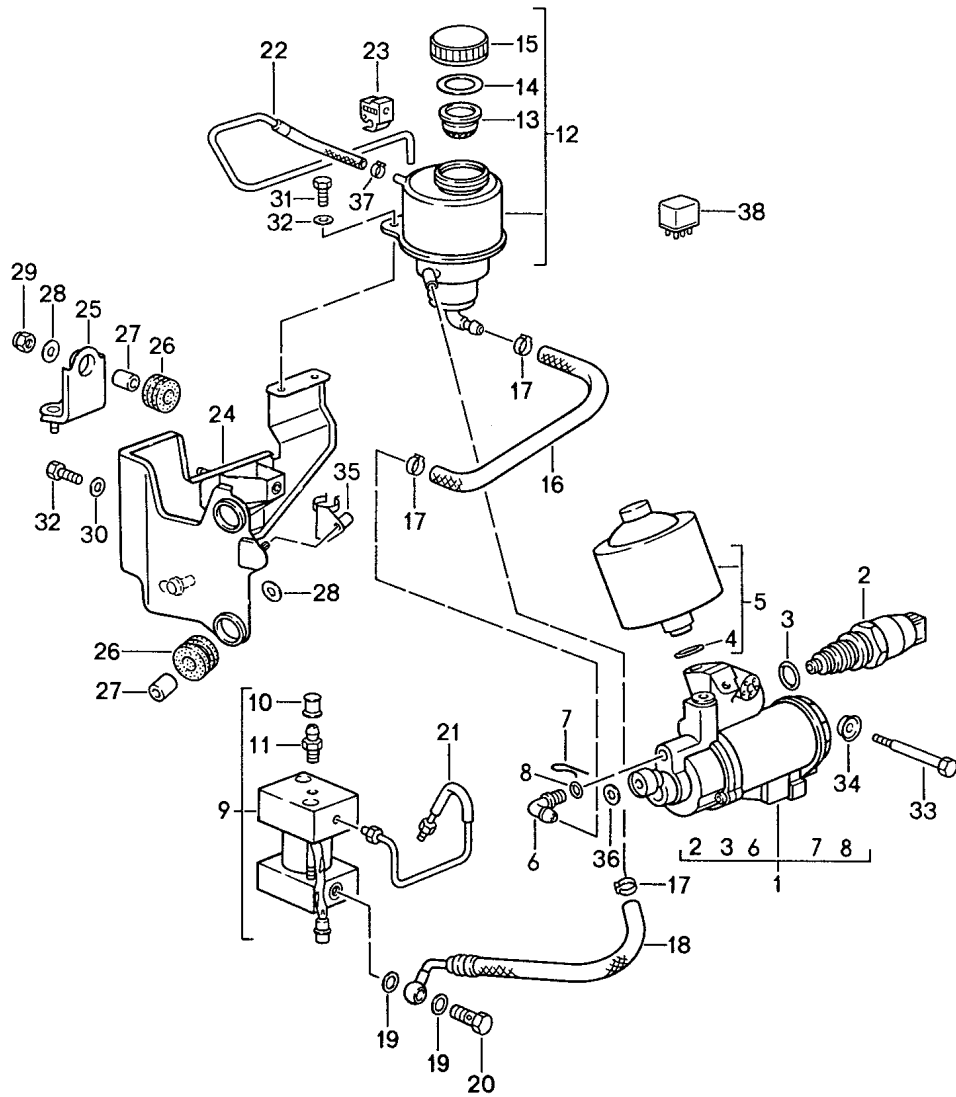
Model: 928 87

Model life 1987>>1991

Pos	Part Number	Description	Remark	Qty	Model
18	928 332 720 56	Thrust washer 2,4 MM		X	
19	928 332 706 10	Housing cover		1	
20	900 249 008 02	Countersunk-head screw M 6 X 12		2	
21	928 332 285 00	Tab washer		6	
22	928 332 276 03	Hexagon-head bolt		12	
23	928 332 713 02	Thrust ring		1	
24	928 332 756 06	Leverage washer		1	
25	950 332 753 02	Tab washer		1	
26	928 332 077 00	Adjusting nut	90	1	
26	928 332 750 01	Adjusting nut	91	1	
27	928 332 761 04	Engaging mount		1	
28	928 332 771 02	Engaging lever		1	
29	928 332 718 00	Washer		1	
30	999 059 027 00	Taper roller bearing		2	
30	999 059 027 02	Taper roller bearing		2	
31	928 332 907 00	Differential pinions 1 set		1	
32	928 332 206 20	Joint flange		2	
33	900 123 043 30	Sealing ring A 12 X 15,5		1	
34	N 011 020 8	Hexagon nut		1	
34	900 034 036 01	Hexagon nut		1	
35	928 332 271 05	Hexagon-head bolt		1	

Model: 928 87

Model life 1987>>1991



Model: 928 87 Model life 1987>>1991

Pos	Part Number	Description	Remark	Qty	Model
		Manual transmission	90-		G28.55
		Lock control 1			M221
1	928 315 906 00	Pump		1	
2	964 606 904 00	Pressure switch		1	
3	999 707 094 40	O-ring		1	
		17,3 X 2,4			
4	999 707 123 40	O-ring		1	
		11,3 X 2,4			
5	928 315 905 00	Pressure accumulator		1	
6	999 230 366 40	Elbow		1	
7	999 021 003 00	Lock		1	
8	999 707 075 40	O-ring		1	
9	928 315 163 00	Valve support		1	
10	930 351 919 00	Ventilation valve		1	
11	930 351 927 00	Dust boot		1	
11	930 351 927 01	Dust boot		1	
12	928 315 013 01	Expansion tank	-90	1	
(12)		Expansion tank	91-	1	
13	211 611 381 B	Strainer		1	
14	901 355 908 00	Gasket		1	
15	911 355 905 02	Lid	-90	1	
(15)	928 315 025 00	Lid	91-	1	
16	928 315 801 00	Feed line		1	
17	999 512 532 00	Terminal		3	
18	928 315 098 01	Hose line		1	
		Return line			
19	900 123 033 20	Sealing ring		2	
20	900 175 002 02	Screw		1	
21	928 315 091 02	Connecting line		1	
22	928 315 097 01	Vent line	-90	1	
(22)	928 315 097 02	Vent line	91-	1	
23	999 591 930 40	Support		1	
24	928 315 043 02	Support		1	
25	928 315 047 02	Bracket		1	
26	964 356 635 00	Rubber mounting		3	
27	928 355 633 00	Bush		3	
27	928 355 633 03	Bush		3	
28	N 011 550 1	Washer		X	
		B 6,5			
29	900 910 010 09	Lock nut		X	
		M 6			
30	N 011 666 7	Washer		4	
		B 6,4			
31	900 075 057 02	Hexagon-head bolt		2	
		M 6 X 16			
31	900 075 057 03	Hexagon-head bolt		2	
		M 6 X 16			
32	999 072 005 09	Hexagon nut		2	
		M 6 X 12			
32	999 072 005 01	Hexagon nut		2	
		M 6 X 12			
33	999 074 043 02	Hexagon-head bolt		1	
		M 6 X 65			
34	999 025 202 02	Washer		1	
35	911 612 450 00	Support		1	
36	900 025 007 02	Washer		1	
		A 8,4			
36	900 025 007 03	Washer		1	
		A 8,4			
37	999 512 555 00	Terminal		1	
		9,8 - 12,3			
38	964 615 135 00	Relay		1	
		for			

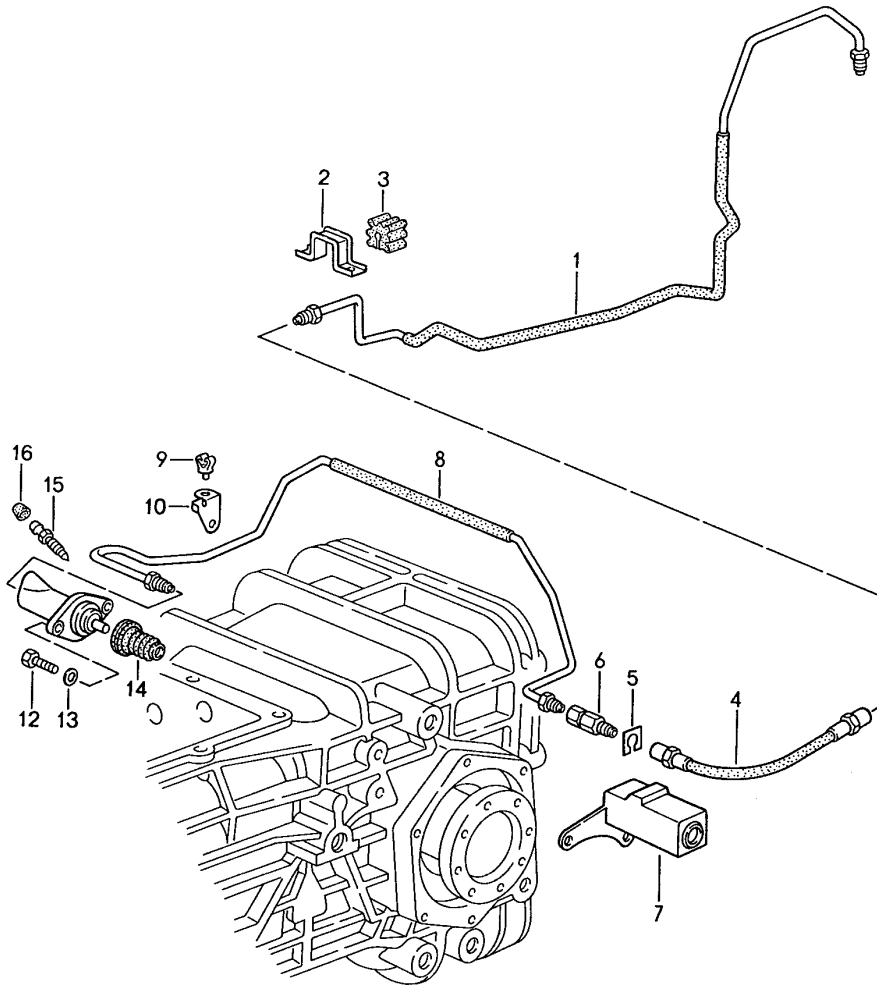
Model: 928 87

Model life 1987>>1991

Pos	Part Number	Description	Remark	Qty	Model
38	964 615 135 01	Pump Relay for Pump		1	
-	993 606 153 00	Lateral accelerat. sensor		1	
-	993 606 153 01	Lateral accelerat. sensor		1	
-	993 606 153 00	Lateral accelerat. sensor		1	
-	993 606 153 01	Lateral accelerat. sensor		1	

Model: 928 87

Model life 1987>>1991



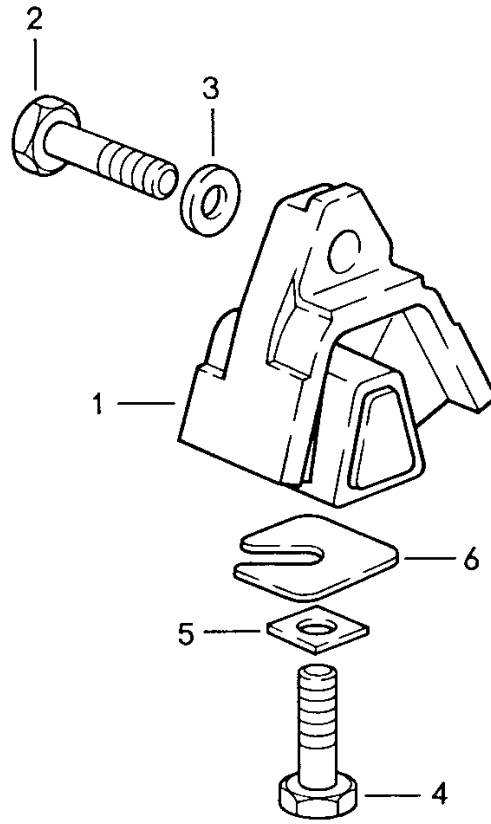
Model: 928 87

Model life 1987>>1991

Pos	Part Number	Description	Remark	Qty	Model
		Manual transmission	90-		G28.55
		Lock control 2			M221
1	928 315 095 02	Line		1	
2	928 315 807 00	Support		1	
3	928 315 805 00	Rubber mounting		1	
4	944 355 081 01	Brake hose		1	
4		Brake hose		1	
5	999 166 071 01	Support		1	
6	928 315 211 03	Pressure valve		1	
7	928 315 187 06	Support		1	
8	928 315 085 04	Connecting line		1	
9	999 651 190 40	Cable clip		1	
10	928 315 189 02	Support		1	
11	928 332 775 09	Slave cylinder		1	
12	N 010 233 6	Hexagon-head bolt		2	
		M 8 X 28			
12	900 075 136 03	Hexagon-head bolt		2	
		M 8 X 28			
13	900 025 007 02	Washer		2	
		A 8,4			
13	900 025 007 03	Washer		2	
		A 8,4			
14	928 332 051 02	Bellows		1	
14	928 332 051 04	Bellows		1	
15	211 611 477 A	Ventilation valve		1	
16	211 611 483	Dust boot		1	

Model: 928 87

Model life 1987>>1991



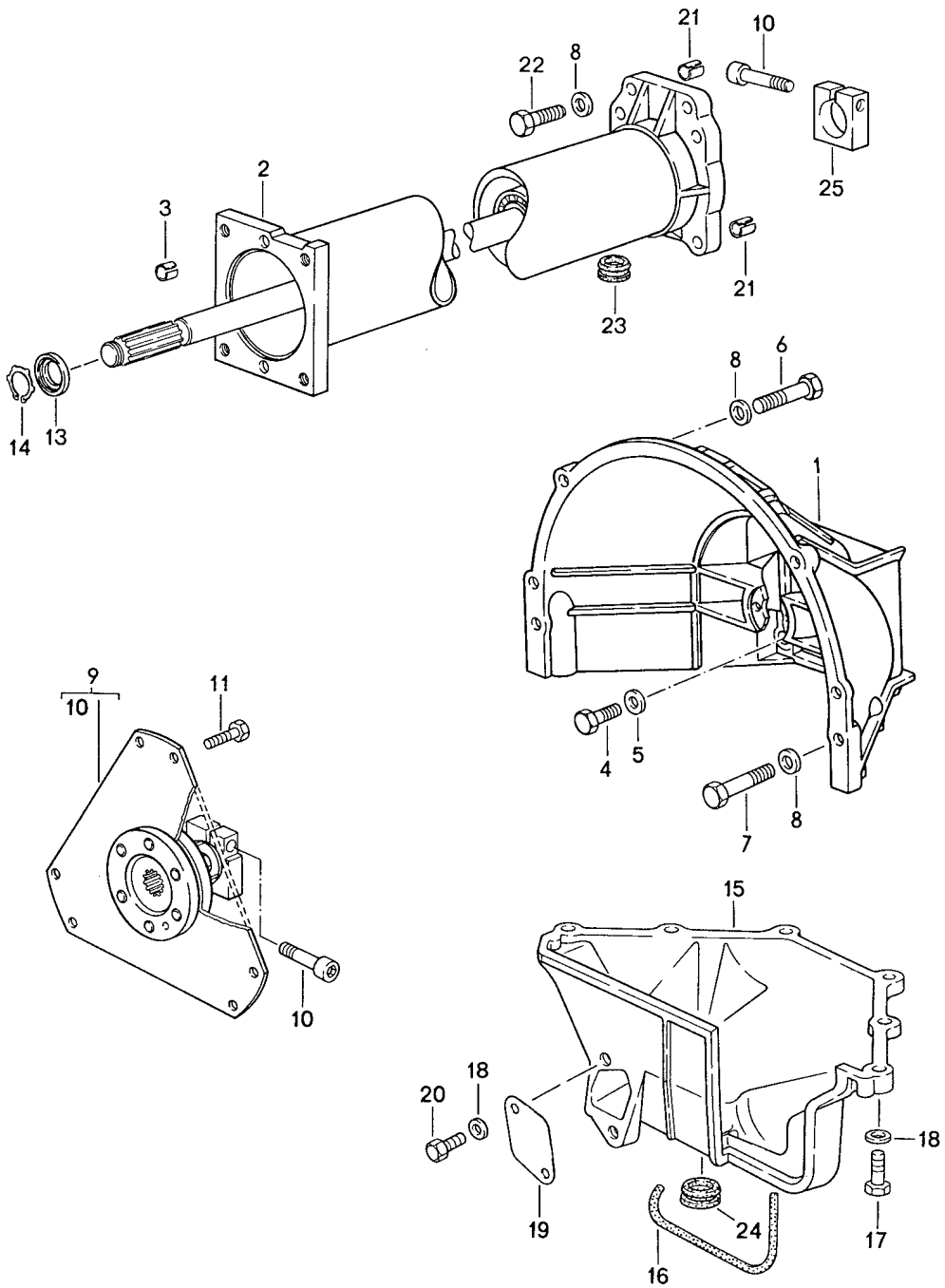
Model: 928 87

Model life 1987>>1991

Pos	Part Number	Description	Remark	Qty	Model
		Manual transmission			G28.12/13/55
		Transmission suspension			
1	928 375 045 16	Transmission mounting		2	
2	N 010 142 2	Hexagon-head bolt		2	
		M 12 X 1,5 X 50			
3	901 333 143 01	Washer		2	
4	N 040 108 1	Hexagon-head bolt		2	
		M 12 X 1,5 X 40			
5	999 025 086 02	Square washer		2	
		12,1 X 24			
6	928 331 520 01	Washer		X	
		1 MM			
(6)	928 331 520 02	Washer		X	
		2 MM			
(6)	928 331 520 03	Washer		X	
		3 MM			
(6)	928 331 520 04	Washer		X	
		4 MM			

Model: 928 87

Model life 1987>>1991



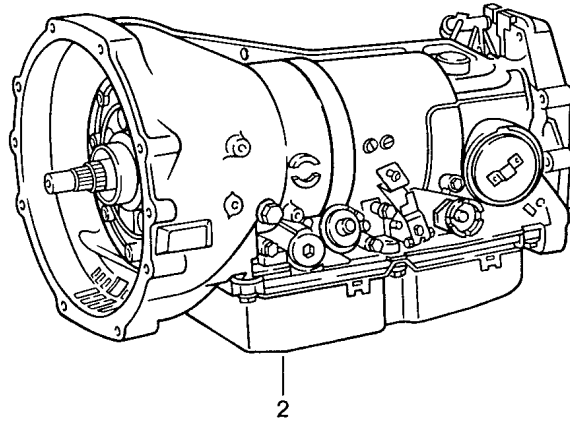
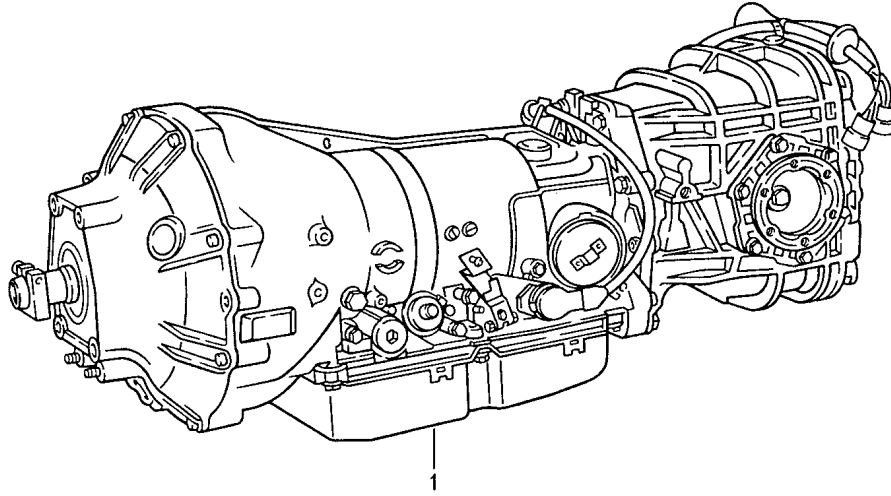
Model: 928 87

Model life 1987>>1991

Pos	Part Number	Description	Remark	Qty	Model
		Automatic transmission			A28.12/14/16
		Central tube			
1	928 116 402 00	Clutch housing	-88	1	
1	928 116 402 01	Clutch housing	89-	1	
2	960 421 012 07	Central tube		1	
		Ready for installation			
3	900 197 042 01	Roll pin		2	
		10 X 12			
4	N 010 445 2	Hexagon-head bolt		4	
		BM 10 X 45			
4	900 074 372 01	Hexagon-head bolt		4	
		BM 10 X 45			
5	900 025 008 09	Washer		4	
		A 10,5			
5	900 025 008 04	Washer		4	
		A 10,5			
6	N 010 142 2	Hexagon-head bolt		2	
		M 12 X 1,5 X 50			
7	N 010 165 3	Hexagon-head bolt		2	
		M 12 X 1,5 X 65			
7	900 082 109 01	Hexagon-head bolt		2	
		M 12 X 1,5 X 65			
8	N 011 531 14	Washer		8	
		A 13			
9	922 116 041 03	Drive plate		1	
10	931 421 240 00	Clamping screw		2	
11	003 323 699 A	Hexagon-head bolt		1	
11	003 323 699 B	Hexagon-head bolt		1	
13	922 421 257 00	Bush		1	
14	900 273 003 01	Circlip		1	
		22 X 1,2			
15	928 116 412 01	Lid	-88	1	
(15)	928 116 412 03	Lid	89-	1	
		Clutch housing			
16	928 116 427 02	Sealing strip		1	
		D= 10 X 340			
17	900 075 099 02	Hexagon-head bolt		6	
		M 8 X 30			
17	900 075 099 03	Hexagon-head bolt		6	
		M 8 X 30			
18	900 025 007 02	Washer		8	
		A 8,4			
18	900 025 007 03	Washer		8	
		A 8,4			
19	922 116 121 00	Cover plate		1	
20	N 010 237 6	Hexagon-head bolt		2	
		M 8 X 12			
20	N 010 237 14	Hexagon-head bolt		2	
		M 8 X 12			
21	900 197 044 01	Tensioning sleeve		2	
		16 X 16			
22	N 010 142 6	Hexagon-head bolt		4	
		M 12 X 1,5 X 50			
23	477 521 177	Cap		1	
24	928 116 425 00	Cap		1	
25	922 421 255 00	Clamping piece		1	

Model: 928 87

Model life 1987>>1991



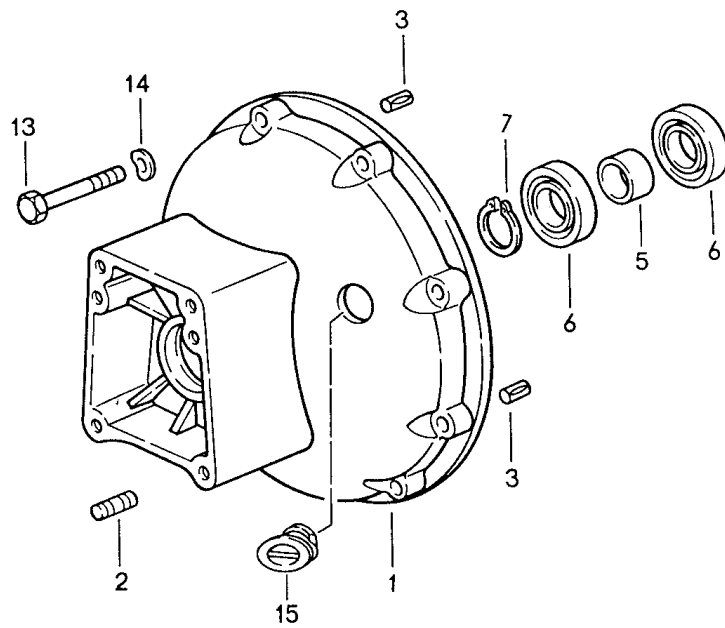
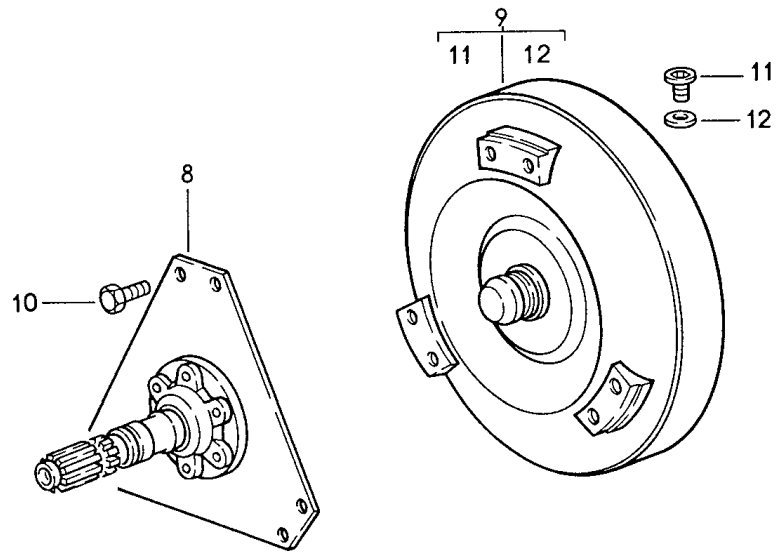
Model: 928 87

Model life 1987>>1991

Pos	Part Number	Description	Remark	Qty	Model
		Automatic transmission Replacement transmission			A28.12/14/16
1	960 300 004 12	Automatic transmission without Limited-slip differential	-88	1	A28.12
-	960 300 004 MX	Automatic transmission without Limited-slip differential	-88	1	A28.12
1	960 300 014 12	Automatic transmission with Limit.-slip different. 40%	-88	1	A28.12
1	960 300 014 MX	Automatic transmission with Limit.-slip different. 40%	-88	1	A28.12
1	960 300 004 14	Automatic transmission without Limited-slip differential	-88	1	A28.14
1	960 300 014 14	Automatic transmission with Limit.-slip different. 40%	-88	1	A28.14
1	960 300 004 16	Automatic transmission without Limited-slip differential	89	1	A28.16
1	960 300 014 16	Automatic transmission with Limit.-slip different. 40%	89	1	A28.16
1	960 300 030 16	Automatic transmission with Porsche Limited-slip differential	90	1	A28.16 M221
1	960 300 030 17	Automatic transmission with Porsche Limited-slip differential	91-	1	A28.16
-	960 300 030 SX	Transmission with Porsche Limited-slip differential	91-	1	A28.16 M221
2	722 270 210 1	Short transmission without converter and Differential	-88	1	A28.12/14
2	722 270 320 1	Short transmission without converter and Differential	89-	1	A28.16

Model: 928 87

Model life 1987>>1991



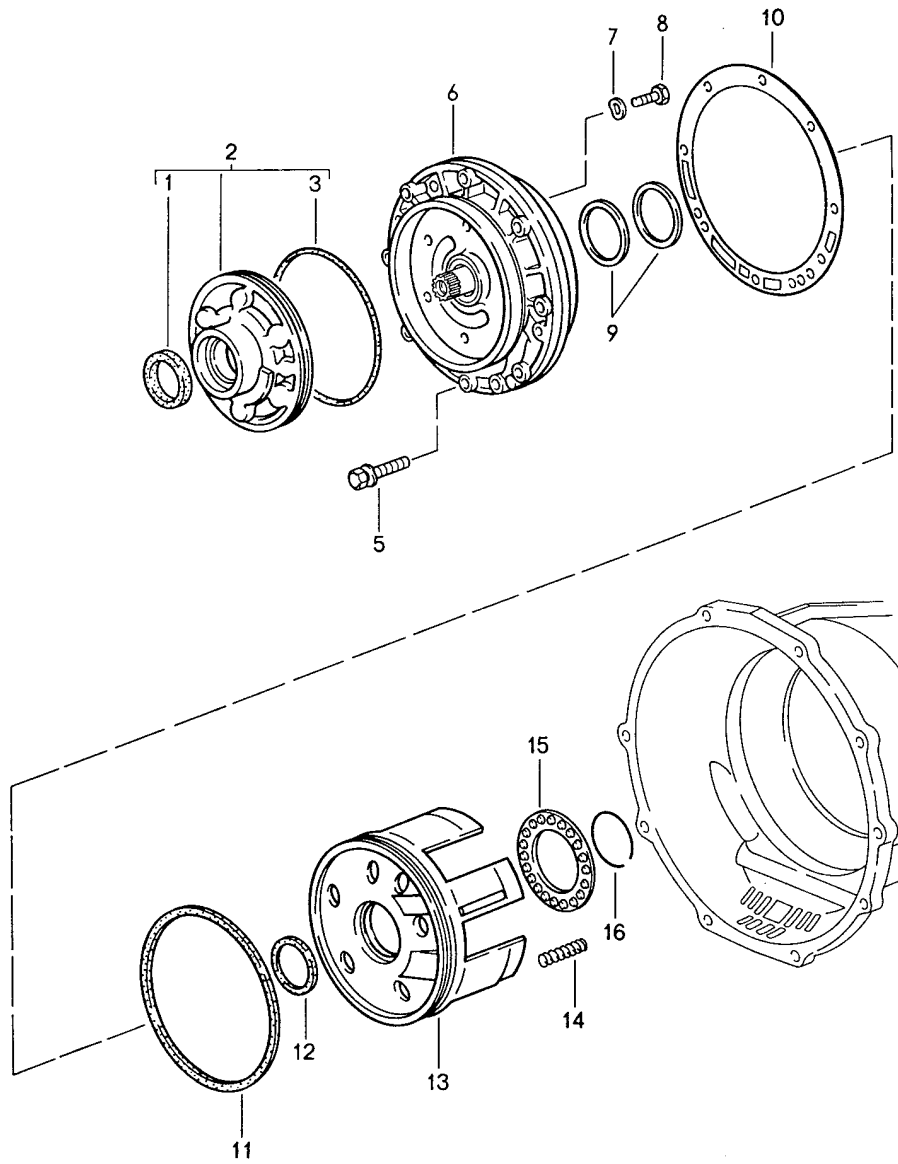
Model: 928 87

Model life 1987>>1991

Pos	Part Number	Description	Remark	Qty	Model
		Automatic transmission Converter Converter housing Converter housing Front		1	A28.12/14/16
1	960 321 101 03			1	
2	999 062 004 02	Stud BM 8 X 12		2	
3	900 185 011 02	Grooved pin		2	
5	922 421 260 00	Spacer sleeve		1	
6	900 052 122 00	Deep-groove ball bearing		2	
7	N 012 380 1	Circlip 40 X 1,75		1	
8	960 116 042 02	Drive plate		1	
9	722 250 060 2	Torque converter		1	
10	003 323 699 A	Hexagon-head bolt		6	
10	003 323 699 B	Hexagon-head bolt		6	
11	900 219 010 02	Screw plug		1	
12	900 123 033 20	Sealing ring		1	
13	N 014 715 3	Pan-head screw M 8 X 45		8	
13	900 067 103 01	Pan-head screw M 8 X 45		8	
14	900 025 007 02	Washer A 8,4		8	
14	900 025 007 03	Washer A 8,4		8	
15	960 321 115 01	Stopper		3	

Model: 928 87

Model life 1987>>1991



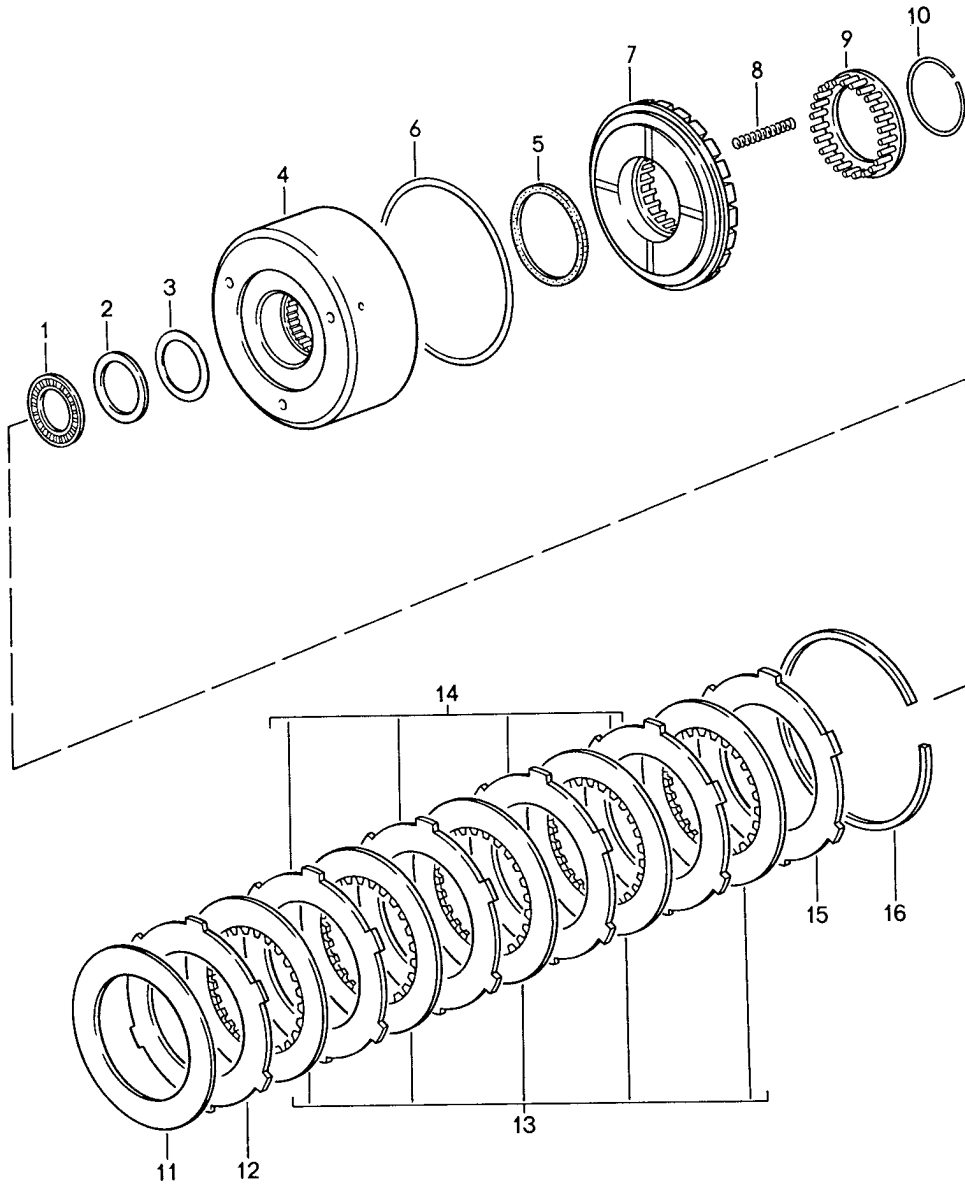
Model: 928 87

Model life 1987>>1991

Pos	Part Number	Description	Remark	Qty	Model
		Automatic transmission			A28.12/14/16
		Primary pump			
1	018 997 044 7	Sealing ring		1	
2	722 270 009 7	Primary pump	-88	1	
2	140 270 009 7	Primary pump	89	1	
2		Primary pump	90-	1	
3	016 997 144 8	Sealing ring		1	
5	960 307 915 00	Combination screw M 8 X 40		9	
6	722 270 050 5	Lid	-88	1	
(6)	722 270 170 5	Lid	89-	1	A28.16
7	N 012 241 8	Spring washer B 8		6	
8	N 040 222 2	Hexagon-head bolt M 8 X 32		6	
9	126 272 095 5	Sealing ring		2	
10	126 271 128 0	Gasket		1	
10		Gasket without asbestos		1	
11	126 272 019 2	Boot		1	
12	126 272 009 2	Boot		1	
13	126 272 093 1	Piston	-88	1	
(13)	126 272 223 1	Piston	89-	1	A28.16
14	100 993 040 2	Spring	-88	20	
(14)	126 993 270 2	Spring	89-	20	A28.16
15	126 272 036 4	Concave washer		1	
16	126 994 043 5	Circlip		1	

Model: 928 87

Model life 1987>>1991

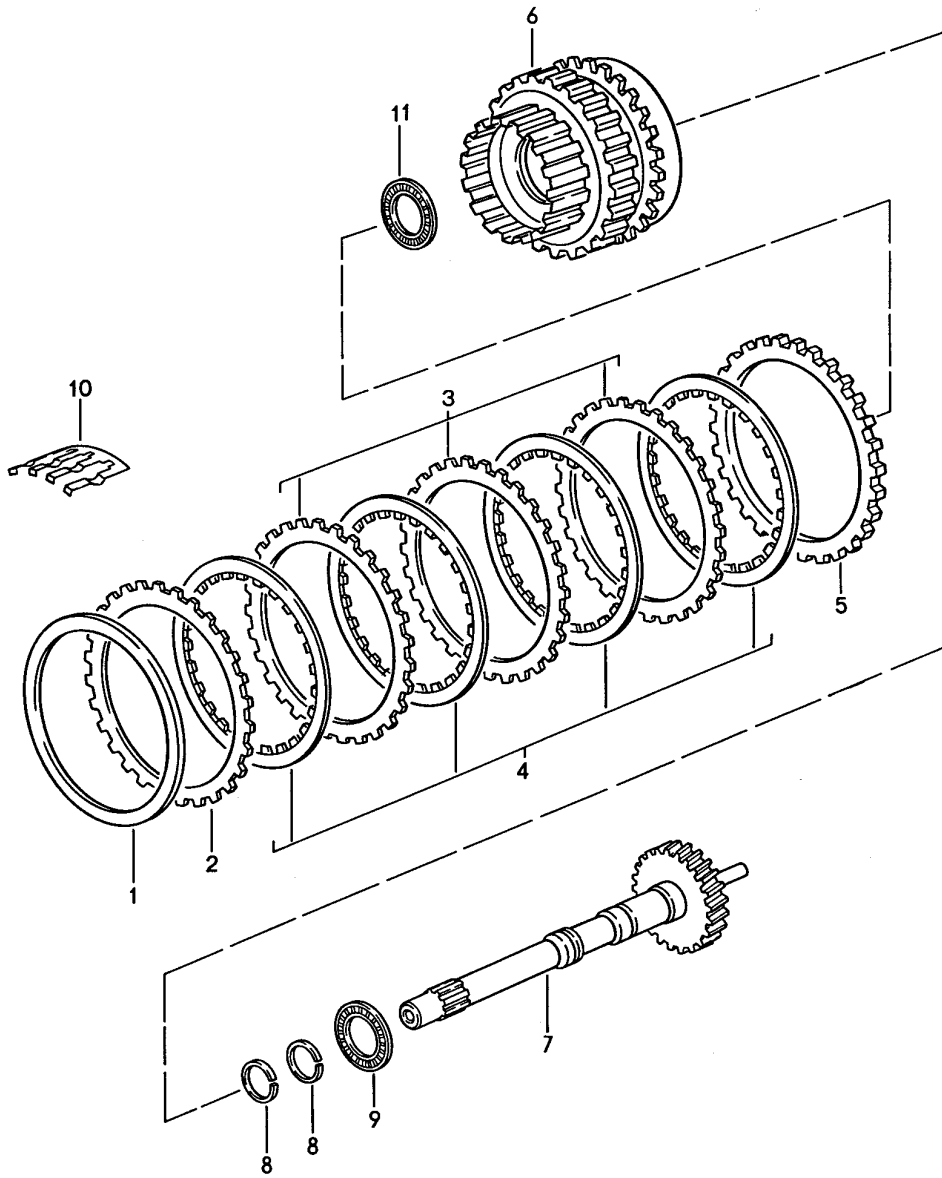


Model: 928 87 Model life 1987>>1991

Pos	Part Number	Description	Remark	Qty	Model
		Automatic transmission			A28.12/14/16
		Clutch			
		K 1			
1	007 981 681 0	Needle-roller bearing	-88	1	
(1)	010 981 431 0	Needle-roller bearing	89-	1	A28.16
2	000 272 256 2	Thrust washer		1	
3	126 272 055 2	Spacer		X	
		0,1 MM			
(3)	126 272 065 2	Spacer		X	
		0,2 MM			
(3)	126 272 075 2	Spacer		X	
		0,5 MM			
4	126 270 762 8	Disc carrier	-88	1	
		K 1			
(4)	126 270 274 9	Disc carrier	89-	1	A28.16
		K 1			
5	126 272 039 2	Boot		1	
		Inner			
6	109 272 099 2	Boot	-88	1	
		Outer			
(6)	100 272 019 2	Boot	89-	1	A28.16
		Outer			
7	126 272 113 1	Piston	-88	1	
		K 1			
(7)	126 272 203 1	Piston	89-	1	A28.16
		K 1			
8	126 993 700 2	Spring		24	
9	126 272 106 4	Concave washer	-88	1	
(9)	126 272 086 4	Concave washer	89-	1	A28.16
10	126 994 063 5	Circlip		1	
11	126 993 172 6	Cup spring		1	
12	126 272 492 6	Disc with external splines		1	
		2,0 MM		1	
13	126 272 062 5	Inner disc		1	
		2,14 MM			
14	126 272 502 6	Disc with external splines		X	
		3,5 MM			
(14)	126 272 512 6	Disc with external splines		X	
		4,0 MM			
15	126 272 322 6	Disc with external splines		1	
		4,5 MM			
16	126 994 053 4	Circlip		2	
		2,0 MM			
(16)	126 994 063 4	Circlip		X	
		2,5 MM			
(16)	126 994 073 4	Circlip		X	
		3,0 MM			
-	126 270 135 0	Guide ring	89-	1	A28.16
		K 1			
-	014 997 844 8	Sealing ring	89-	1	A28.16
		K 1			

Model: 928 87

Model life 1987>>1991



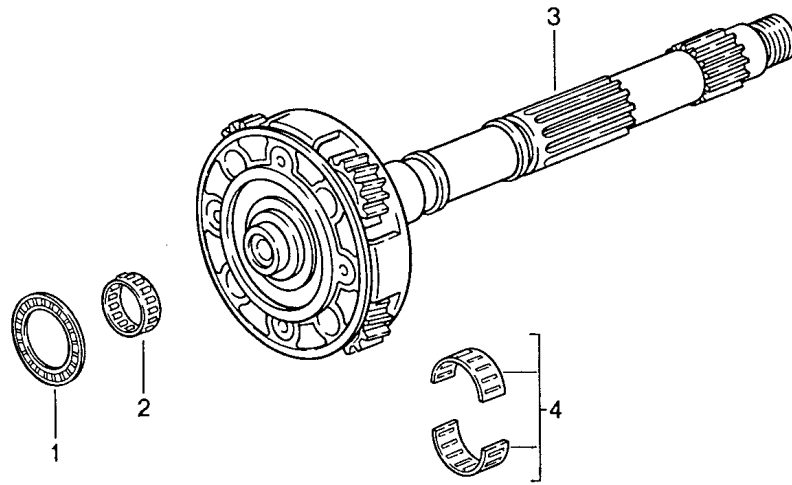
Model: 928 87

Model life 1987>>1991

Pos	Part Number	Description	Remark	Qty	Model
		Automatic transmission			A28.12/14/16
		Drive shaft			
		Gear set			
1	126 272 095 2	Spacer		X	
		2,5 MM			
(1)	126 272 105 2	Spacer		X	
		3,0 MM			
(1)	126 272 115 2	Spacer		X	
		3,5 MM			
2	126 272 682 6	Disc with external splines	-88	1	
		2,8 MM			
(2)		Disc with external splines	89-	1	A28.16
		2,8 MM			
(2)	126 272 642 6	Disc with external splines	89-	1	A28.16
		3,3 MM			
(2)	126 272 652 6	Disc with external splines	89-	1	A28.16
		3,8 MM			
3	126 272 672 6	Disc with external splines		X	
		2,3 MM			
(3)	126 272 682 6	Disc with external splines		X	
		2,8 MM			
4	126 272 092 5	Inner disc		4	
		2,1 MM			
5	126 272 692 6	Disc with external splines		1	
		7,7 MM			
6	126 270 044 3	Planet-gear carrier	-88	1	
		A >> 894 132			
(6)	126 270 414 3	Planet-gear carrier	-88	1	
		A 894 133 >>			
(6)	126 270 364 3	Planet-gear carrier	89-	1	A28.16
7	722 270 002 5	Drive shaft		1	
8	126 272 005 5	Sealing ring		2	
9	007 981 991 0	Needle-roller bearing	-88	1	
(9)	010 981 421 0	Needle-roller bearing	89-	1	A28.16
10	126 993 041 5	Spring		1	
(10)	126 993 182 6	Cup spring	89-	1	A28.16
		Reverse gear			
11	007 981 991 0	Needle-roller bearing	-88	1	
(11)	010 981 431 0	Needle-roller bearing	89-	1	A28.16

Model: 928 87

Model life 1987>>1991



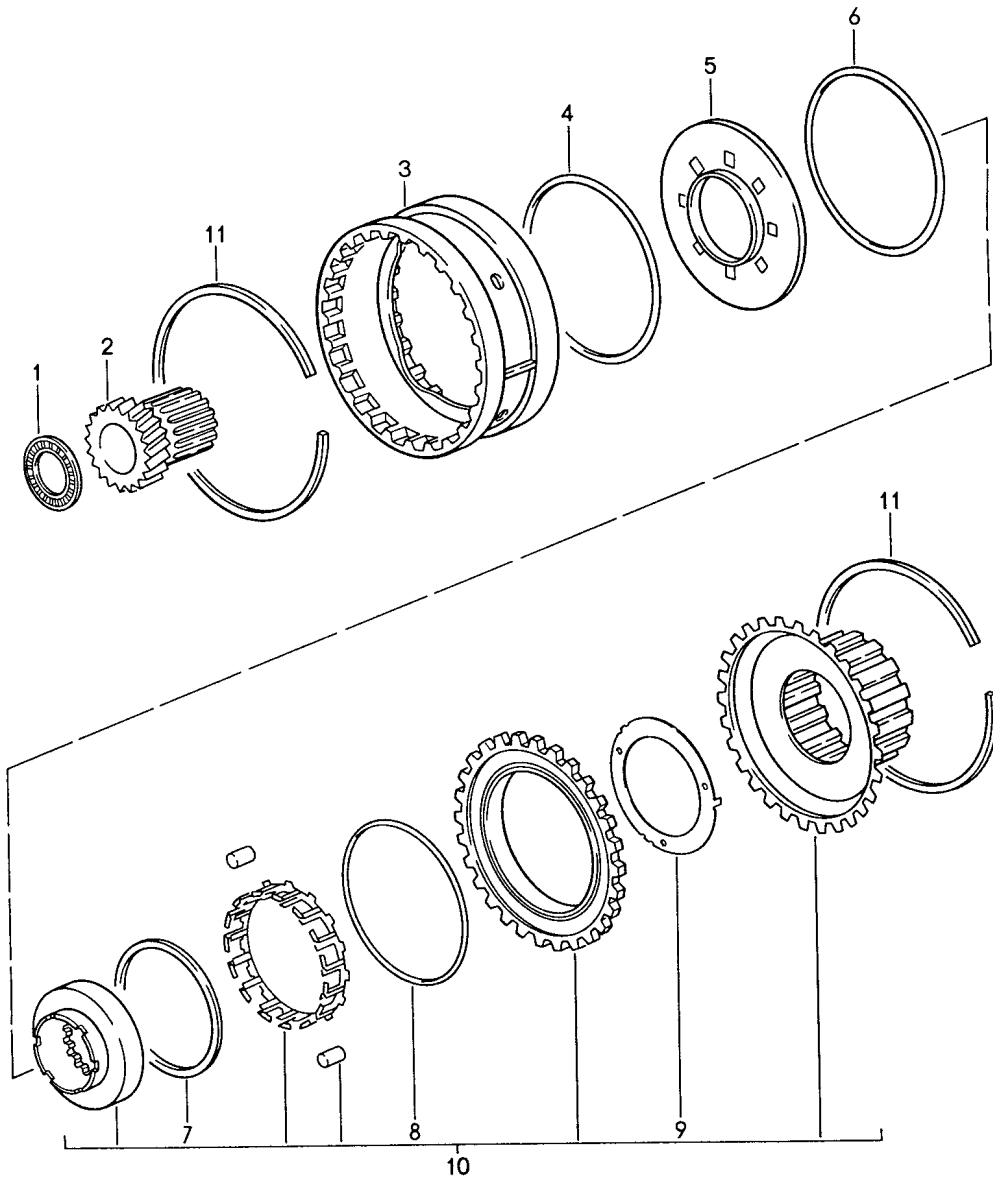
Model: 928 87

Model life 1987>>1991

Pos	Part Number	Description	Remark	Qty	Model
		Automatic transmission			A28.12/14/16
		Planet-gear carrier			
1	007 981 571 0	Needle-roller bearing		1	
2	008 981 001 0	Needle-roller bearing		1	
3	722 270 144 3	Planet-gear carrier		1	
4	011 981 821 0	Needle-roller bearing		1	

Model: 928 87

Model life 1987>>1991



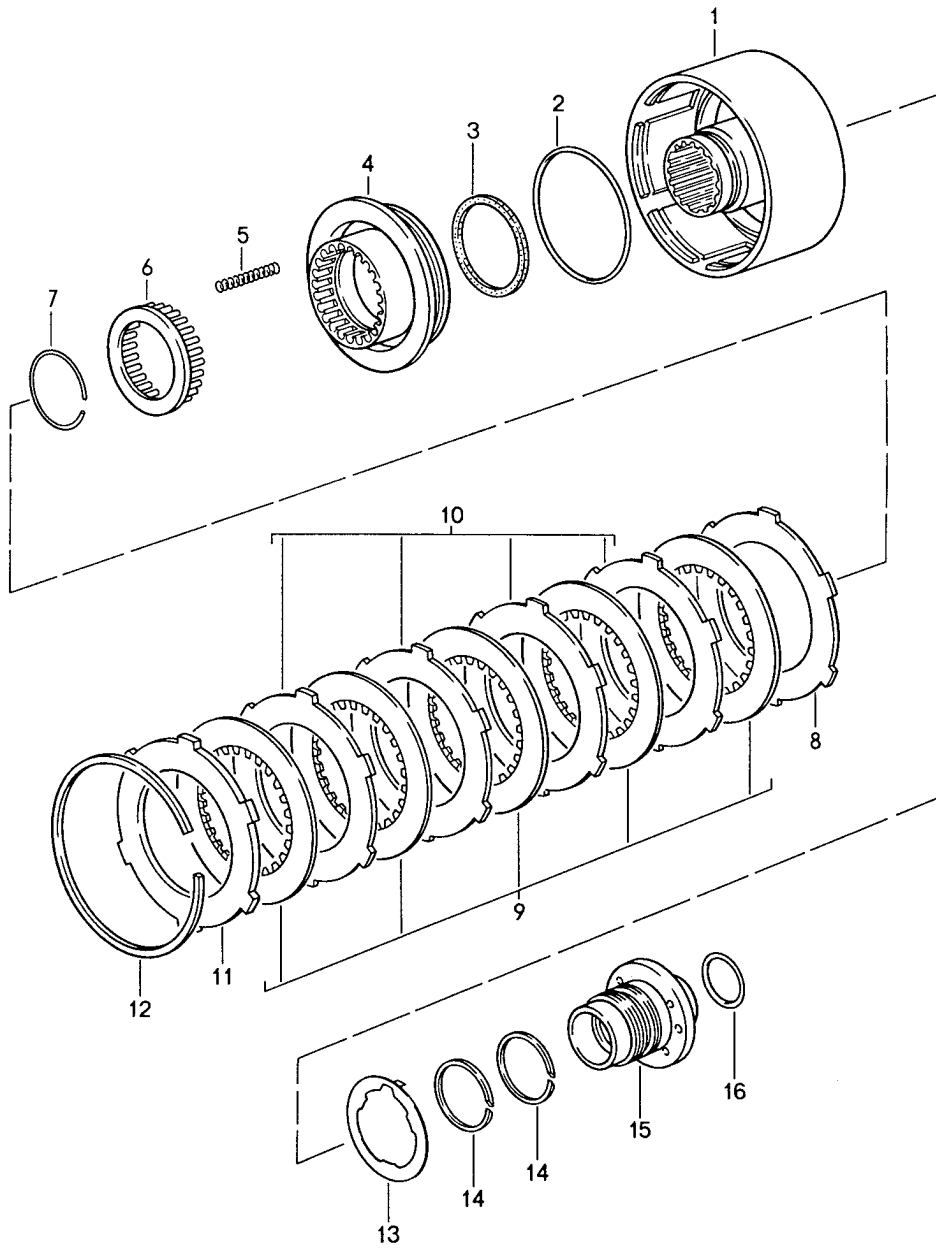
Model: 928 87

Model life 1987>>1991

Pos	Part Number	Description	Remark	Qty	Model
		Automatic transmission			A28.12/14/16
		Free wheel lock			
1	007 981 571 0	Needle-roller bearing		1	
2	126 272 000 7	Sun gear		1	
3	126 272 100 8	Driver		1	
4	126 272 175 2	Shim		X	
		0,1 MM			
(4)	126 272 185 2	Shim		X	
		0,2 MM			
(4)	126 272 195 2	Shim		X	
		0,5 MM			
5	126 270 007 6	Washer		1	
6	009 997 604 8	Sealing ring		1	
		A >> 723 862			
(6)	007 997 334 8	Sealing ring		1	
		A 723 863 >>			
7	126 272 176 2	Thrust washer		1	
8	000 997 614 8	Sealing ring		1	
9	126 272 306 2	Thrust washer		1	
10	126 270 503 1	Free wheel lock		1	
		with			
		Disc carrier			
		Inner			
11	126 272 017 3	Circlip		2	

Model: 928 87

Model life 1987>>1991

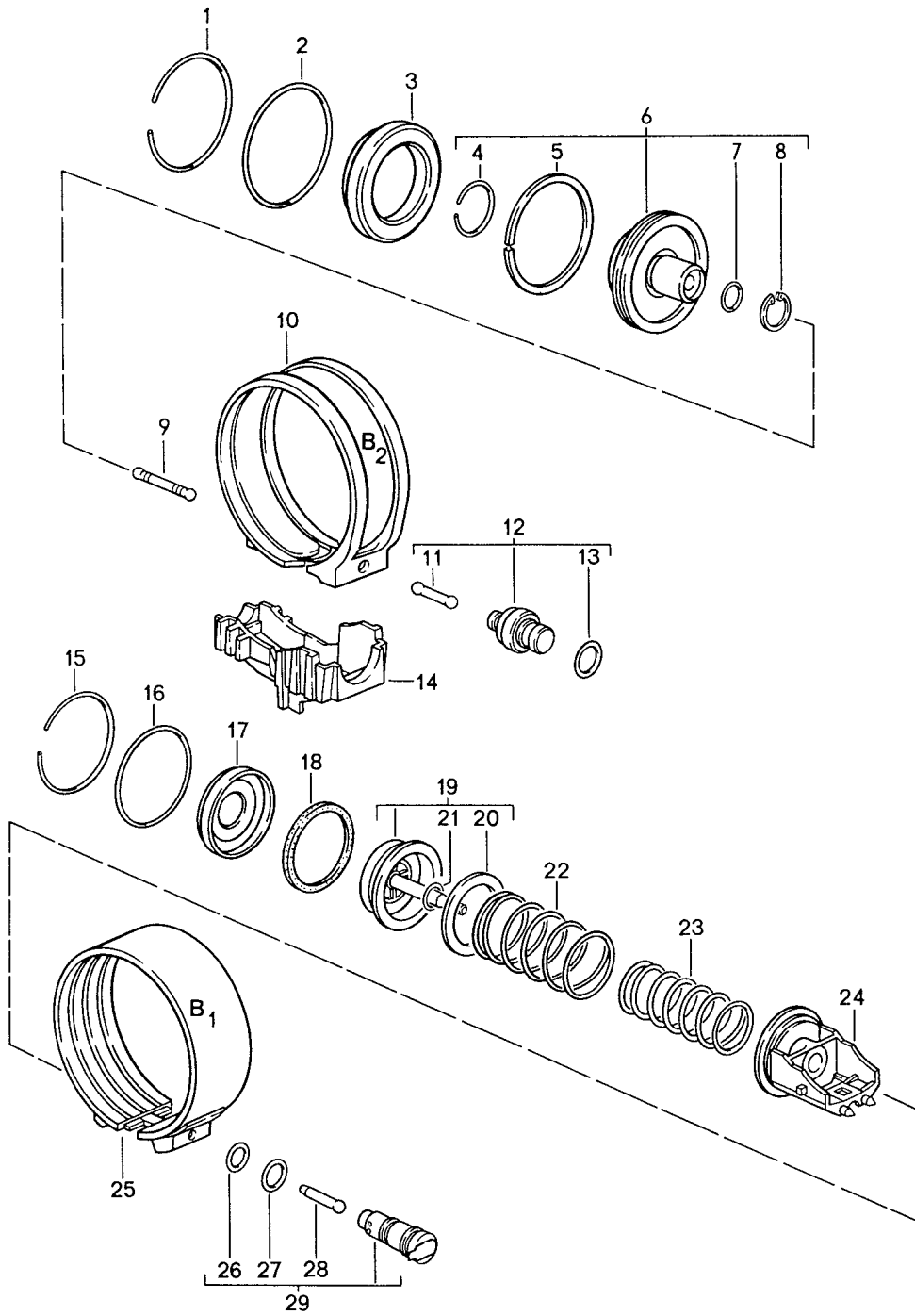


Model: 928 87 Model life 1987>>1991

Pos	Part Number	Description	Remark	Qty	Model
		Automatic transmission			A28.12/14/16
		Clutch			
		K 2			
1	126 270 892 8	Disc carrier		1	
		A >> 330 5964			
1	140 270 152 8	Disc carrier		1	
		A 330 5965 >>		1	
		Order also:			
		126 270 206 2		1	
		124 270 018 9		1	
2	126 272 025 5	Sealing ring		1	
3	126 272 039 2	Boot		1	
4	126 272 123 1	Piston		1	
5	126 993 070 3	Spring		21	
6	126 272 026 4	Concave washer		1	
7	126 994 063 5	Circlip		1	
8	126 272 472 6	Disc with external splines		1	
		2,0 MM			
9	126 272 072 5	Inner disc		5	
		2,14 MM			
10	126 272 362 6	Disc with external splines		X	
		3,0 MM			
(10)	126 272 482 6	Disc with external splines		X	
		3,5 MM			
(11)	126 272 342 6	Disc with external splines		X	
		4,5 MM			
12	126 272 027 3	Circlip		X	
		2,0 MM			
(12)	126 994 033 4	Circlip		X	
		2,5 MM			
(12)	126 994 043 4	Circlip		X	
		3,0 MM			
13	126 272 226 2	Thrust washer		1	
14	126 272 095 5	Sealing ring		2	
15	722 272 014 5	Flange		1	
16	006 997 754 8	Sealing ring		1	

Model: 928 87

Model life 1987>>1991



Model: 928 87 Model life 1987>>1991

Pos	Part Number	Description	Remark	Qty	Model
		Automatic transmission			A28.12/14/16
		Brake bands			
1	126 994 013 5	Circlip		1	
2	005 997 704 8	Sealing ring		1	
3	126 277 090 3	Lid		1	
4	900 906 037 00	Circlip		1	
		A 42			
5	126 277 245 5	Sealing ring		1	
6	124 270 003 2	Piston		1	
		Brake band			
		A >> 909 453			
(6)	107 270 003 2	Piston	-88	1	
		Brake band			
		A 909 454 >>			
(6)	107 270 043 2	Piston	89-	1	A28.16
		Brake band			
7	126 277 095 5	Sealing ring		1	
8	900 042 005 01	Circlip		1	
		25 X 1,2			
9	126 277 717 5	Pin		X	
		47,2 MM			
(9)	126 277 727 5	Pin		X	
		48,0 MM			
(9)	126 277 737 5	Pin		X	
		48,8 MM			
(9)	126 277 747 5	Pin		X	
		49,6 MM			
10	126 270 206 2	Brake band		1	
		A 383 608 >> 330 5964			
		Order also:			
		124 270 018 9		1	
10	126 270 206 2	Brake band		1	
		without asbestos			
11	126 277 517 5	Pin		1	
12	126 270 208 9	Valve		1	
		A >> 825 582			
(12)	126 270 368 9	Valve		1	
		A 825 583 >> 909 453			
(12)	126 270 338 9	Valve		1	
		A 909 454 >> 330 9639			
(12)	124 270 018 9	Valve		1	
13	005 997 814 8	Sealing ring		1	
14	126 277 094 0	Support		1	
		A >> 825 582			
(14)	140 277 004 0	Support		1	
		A 825 583 >>			
15	126 994 083 5	Circlip		1	
16	005 997 864 8	Sealing ring		1	
17	126 277 020 3	Lid		1	
18	115 272 109 2	Boot		1	
19	126 270 973 2	Piston		1	
20	900 234 109 02	Shim		X	
		8 X 14 X 0,5			
(20)	900 234 003 02	Shim		X	
		8 X 14 X 1,0			
(20)	900 234 003 01	Shim		X	
		8 X 14 X 1,0			
21	000 997 024 8	Sealing ring		1	
22	126 993 010 1	Spring		1	
		95,3 MM			
23	126 993 570 1	Spring		1	
		111,6 MM			
24	126 277 574 0	Support		1	

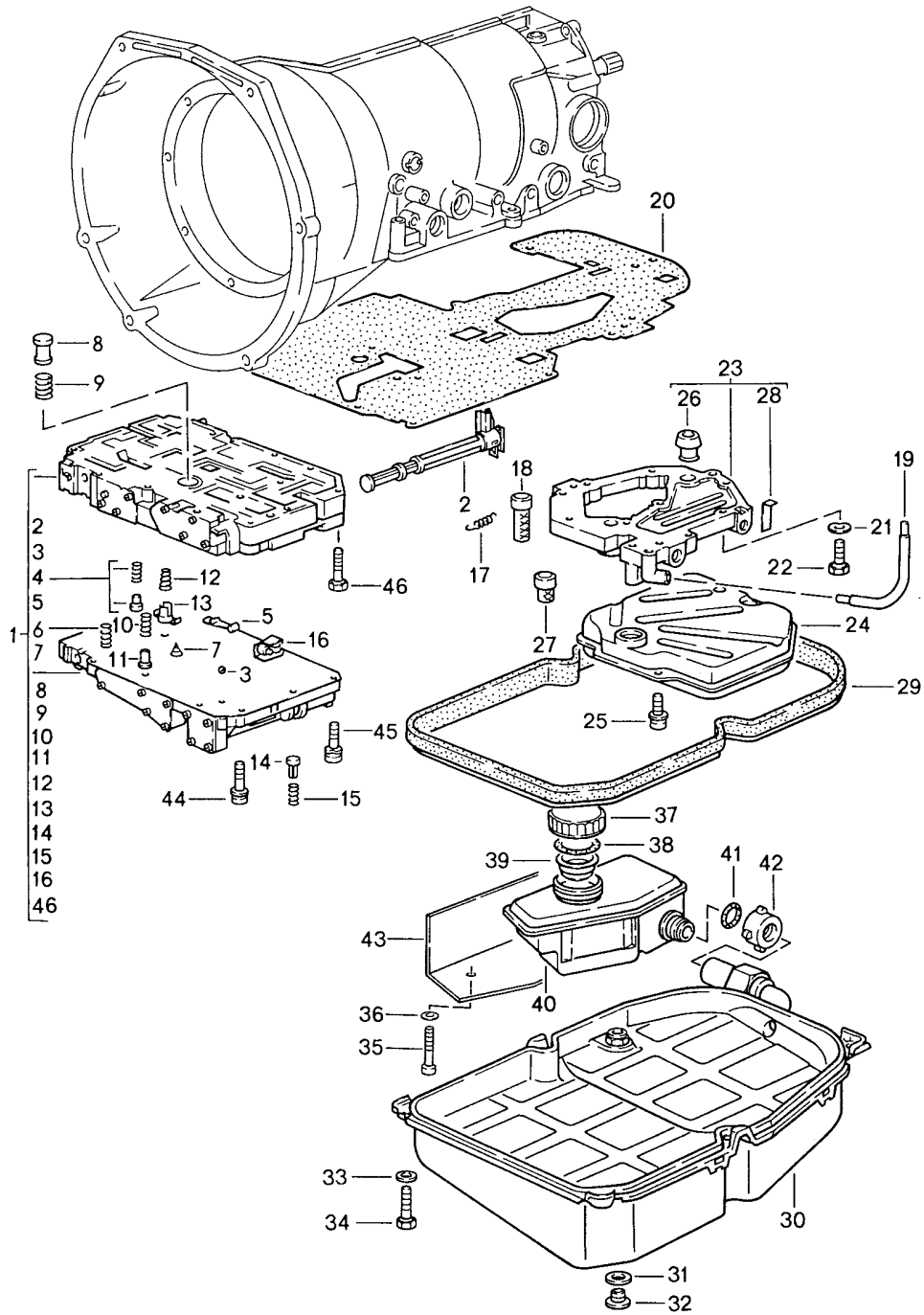
Model: 928 87

Model life 1987>>1991

Pos	Part Number	Description	Remark	Qty	Model
25	126 270 186 2	Brake band		1	
26	005 997 804 8	Sealing ring		1	
27	010 997 084 5	Sealing ring		1	
28	126 277 097 5	Pin		1	
29	126 270 308 9	Valve		1	

Model: 928 87

Model life 1987>>1991



Model: 928 87 Model life 1987>>1991

Pos	Part Number	Description	Remark	Qty	Model
		Automatic transmission			A28.12/14/16
		Shift-valve body			
1	722 270 340 7	Shift-valve body	-88	1	
(1)	722 270 380 7	Shift-valve body	89-	1	A28.16
2	126 270 057 0	Regulating valve		1	
3	116 991 002 9	Ball		18	
4	126 270 047 0	Slide		1	
5	126 270 258 9	Valve		1	
6	722 993 080 1	Spring		1	
7	115 993 150 5	Spring		1	
8	126 277 193 6	Valve		1	
9	126 993 200 2	Spring		1	
10	115 993 280 4	Spring		1	
11	126 270 198 9	Valve		1	
12	126 993 690 3	Spring		1	
13	126 277 223 6	Valve		1	
14	126 277 263 6	Valve		1	
15	126 993 730 3	Spring		1	
16	126 270 288 9	Valve		1	
(16)	126 270 218 9	Valve		1	
17	722 993 001 0	Spring		1	
18	126 270 029 8	Filter		1	
19	126 277 004 7	Oil tube		1	
20	126 277 108 0	Gasket		1	
21	N 012 226 5	Spring washer		9	
		B 6			
22	N 010 220 3	Hexagon-head bolt		9	
23	722 270 030 5	Lid		1	
24	126 277 029 5	Oil filter		1	
25	960 307 911 00	Combination screw		3	
		M 5 X 12			
26	126 270 058 9	Valve		1	
27	126 270 019 8	Strainer		2	
28	126 277 007 3	Lock		1	
		24 MM			
29	126 271 028 0	Oil sump gasket		1	
29	126 271 108 0	Oil sump gasket		1	
30	722 270 111 2	Oil pan		1	
		A >> 874 059			
(30)		Oil pan		1	
		A 874 060 >>			
31	900 123 062 30	Gasket		1	
32	960 307 912 00	Screw plug		1	
33	N 011 525 13	Washer		6	
		A 8,4			
34	N 010 244 11	Hexagon-head bolt		6	
		M 8 X 30			
34	N 010 244 25	Hexagon-head bolt		6	
		M 8 X 30			
35	900 067 008 02	Pan-head screw		2	
		M 6 X 40			
35	900 067 008 03	Pan-head screw		2	
		M 6 X 40			
36	N 011 666 7	Washer		2	
		B 6,4			
37	960 307 481 00	Threaded cover		1	
38	477 321 483 A	Gasket		1	
39	477 321 479 A	Strainer		1	
40	960 307 075 00	Filling container		1	
41	477 321 487	O-ring		X	
42	477 321 485	Union nut		1	
43	960 307 421 00	Heat shield		1	
44	960 307 913 00	Combination screw		12	

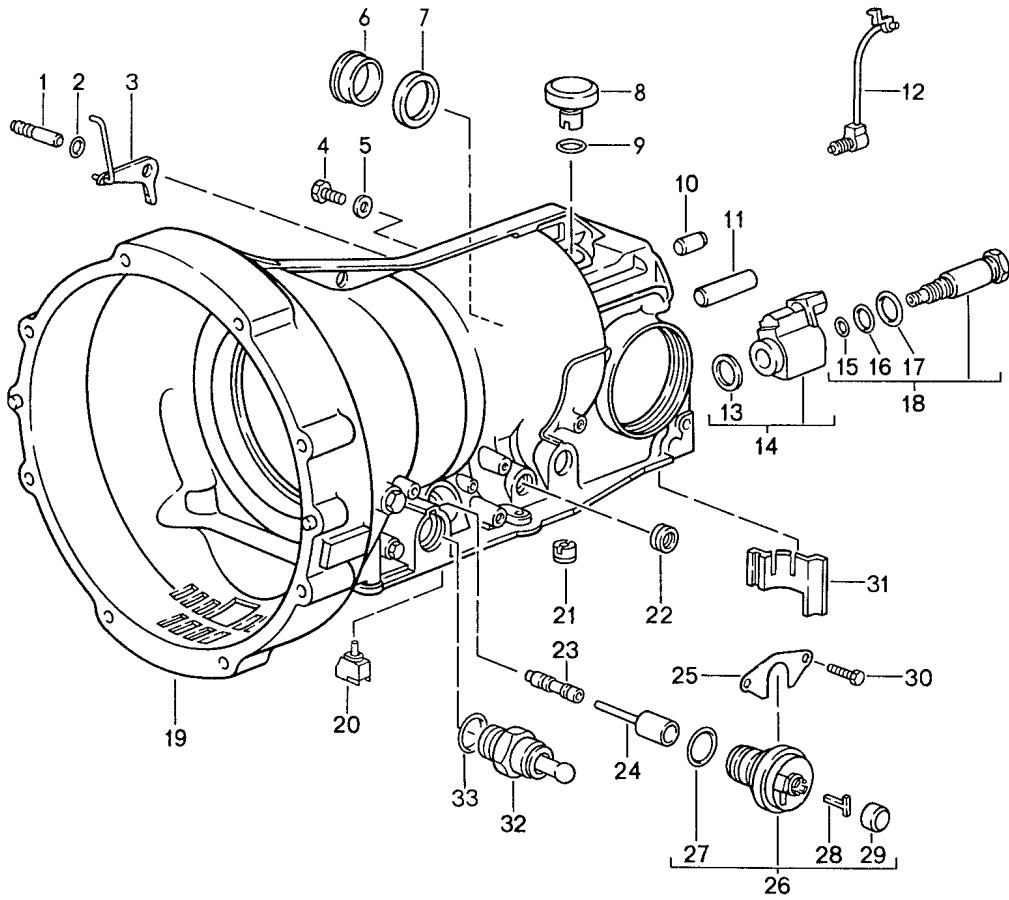
Model: 928 87

Model life 1987>>1991

Pos	Part Number	Description	Remark	Qty	Model
45	960 307 914 00	M 6 X 55 Combination screw		3	
46	900 014 006 02	M 6 X 50 Pan-head screw M 5 X 30		2	

Model: 928 87

Model life 1987>>1991



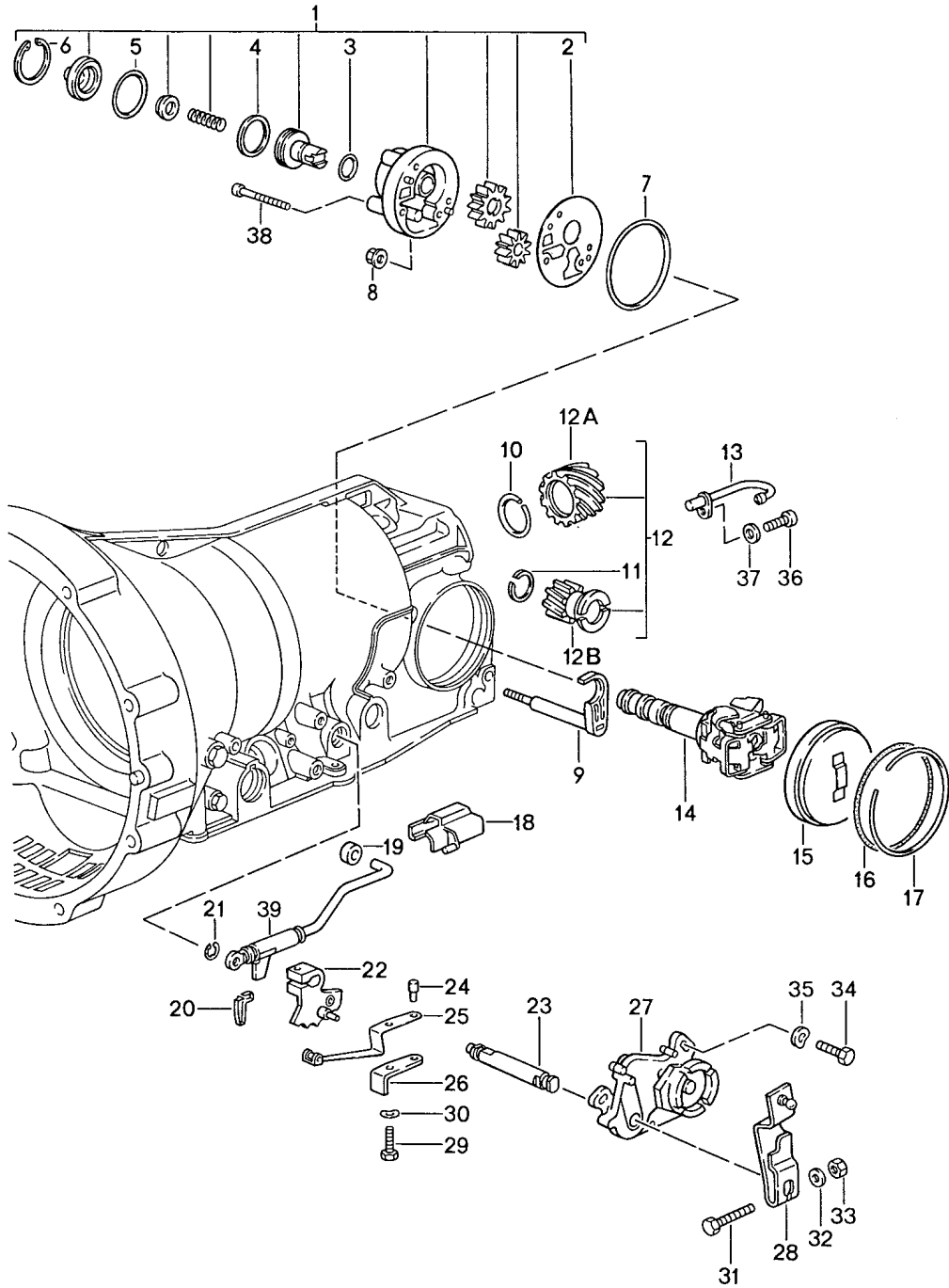
Model: 928 87

Model life 1987>>1991

Pos	Part Number	Description	Remark	Qty	Model
		Automatic transmission			A28.12/14/16
		Transmission case			
		Accessories			
1	126 278 027 4	Shaft		1	
2	005 997 744 8	Sealing ring		1	
3	126 270 045 9	Lever		1	
4	115 997 063 0	Screw plug		3	
5	900 123 105 30	Sealing ring		3	
6	126 277 035 0	Bush	-88	1	
(6)	126 277 085 0	Bush	89-	1	A28.16
7	006 997 734 7	Sealing ring		1	
8	126 270 018 2	Bleeder		1	
9	005 997 784 8	Sealing ring		1	
10	900 012 163 00	Straight pin		1	
(10)	N 013 220 2	Straight pin		2	
11	126 991 000 1	Bolt		1	
12	722 270 008 4	Oil splash tube		1	
13	115 304 016 0	Sealing ring		1	
14	000 304 279 0	Solenoid switch		1	
		-BINDER-			
		Only together with			
		000 304 229 0			
(14)		Solenoid switch		1	
		-ELEKTROTEILE-			
		Only together with			
		000 304 289 0			
15	001 997 354 8	Sealing ring		1	
16	008 997 304 8	Sealing ring		1	
17	008 997 314 8	Sealing ring		1	
18	000 304 289 0	Solenoid switch		1	
		-BINDER-			
		Only together with			
		000 304 239 0			
(18)		Solenoid switch		1	
		-ELEKTROTEILE-			
		Only together with			
		000 304 279 0			
19	722 270 111 1	Transmission case	-88	1	
(19)	722 270 141 1	Transmission case	89-	1	A28.16
20	126 270 105 0	Temperature restrictor		1	
		Red			
21	126 270 058 9	Valve		1	
22	006 997 014 7	Sealing ring		1	
23	126 277 213 2	Piston		1	
24	126 277 207 5	Pin		1	
24	126 277 937 5	Pin		1	
25	126 277 054 0	Support		1	
26	126 270 927 9	Pressure control valve		1	
27	014 997 114 8	Sealing ring		1	
28	126 277 044 0	Support		1	
29	126 277 008 1	Cover		1	
30	900 075 355 02	Combination screw		2	
30	900 075 355 01	Hexagon-head bolt		2	
31	126 277 008 4	Shim		1	
32	002 545 451 4	Overload protection switch		1	
33	016 997 354 8	Sealing ring		1	
-	140 277 004 2	Funnel		1	

Model: 928 87

Model life 1987>>1991



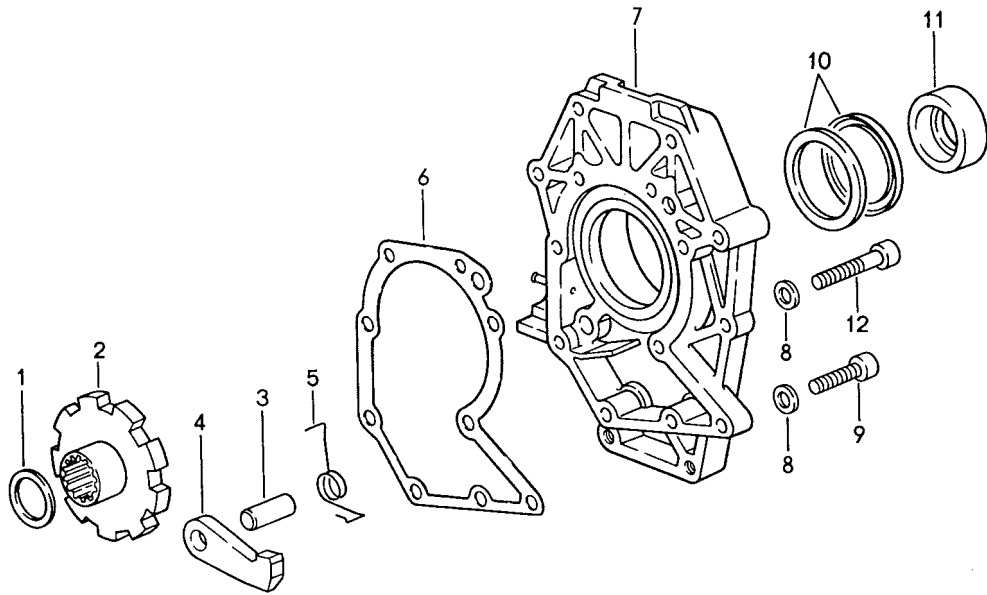
Model: 928 87

Model life 1987>>1991

Pos	Part Number	Description	Remark	Qty	Model
		Automatic transmission			A28.12/14/16
		Transmission case			
		Installation parts			
1	126 270 029 7	Secondary pump		1	
2	126 277 131 4	Intermediate plate		1	
3	126 277 205 5	Sealing ring		1	
4	005 997 844 8	Sealing ring		1	
5	126 277 085 5	Sealing ring		1	
6	900 042 045 07	Circlip		1	
7	005 997 854 8	Sealing ring		1	
8	960 302 902 00	Nut		1	
9	126 270 005 9	Lever		1	
10	722 994 023 5	Circlip		1	
11	999 152 053 01	Circlip		1	
12	126 270 044 2	Gear wheel		1	
12A	722 274 031 5	Gear wheel		1	
12B	126 274 041 5	Gear wheel		1	
-	722 274 005 1	Spacer ring		1	
		A >> 874 041			
13	126 270 038 4	Oil tube		1	
		A >> 877 595			
14	126 270 097 4	Centrifugal governor		1	
15	126 270 000 8	Lid		1	
16	016 997 394 8	Sealing ring		1	
17	126 994 023 5	Circlip		1	
18	126 277 607 7	Guide piece		1	
19	126 278 001 7	Roller		1	
20	126 271 039 4	Shim		1	
21	900 116 003 02	Lock washer		1	
21	900 116 003 09	Lock washer		1	
22	126 270 045 7	Shift segment		1	
23	126 278 021 0	Shaft		1	
24	126 991 031 0	Bolt		1	
25	126 270 027 8	Leaf spring		1	
26	126 278 034 0	Support		1	
27	000 545 660 6	Switch		1	
28	928 426 063 01	Lever		1	
29	900 075 369 07	Screw		1	
30	N 012 226 5	Spring washer		1	
31	900 074 015 02	Hexagon-head bolt		1	
31	900 074 015 03	Hexagon-head bolt		1	
32	N 011 524 7	Washer		1	
32	N 011 524 27	Washer		1	
33	900 076 010 02	Nut		1	
33	900 076 010 0B	Nut		1	
34	900 075 162 02	Hexagon-head bolt		2	
34	N 010 287 1	Hexagon-head bolt		2	
34	900 075 057 02	Hexagon-head bolt		2	
35	N 012 226 5	Spring washer		2	
36	900 067 206 02	Screw		1	
37	N 012 226 5	Spring washer		1	
		B 6			
38	N 044 703 3	Pan-head screw		3	
39	126 270 036 5	Linkage		1	

Model: 928 87

Model life 1987>>1991



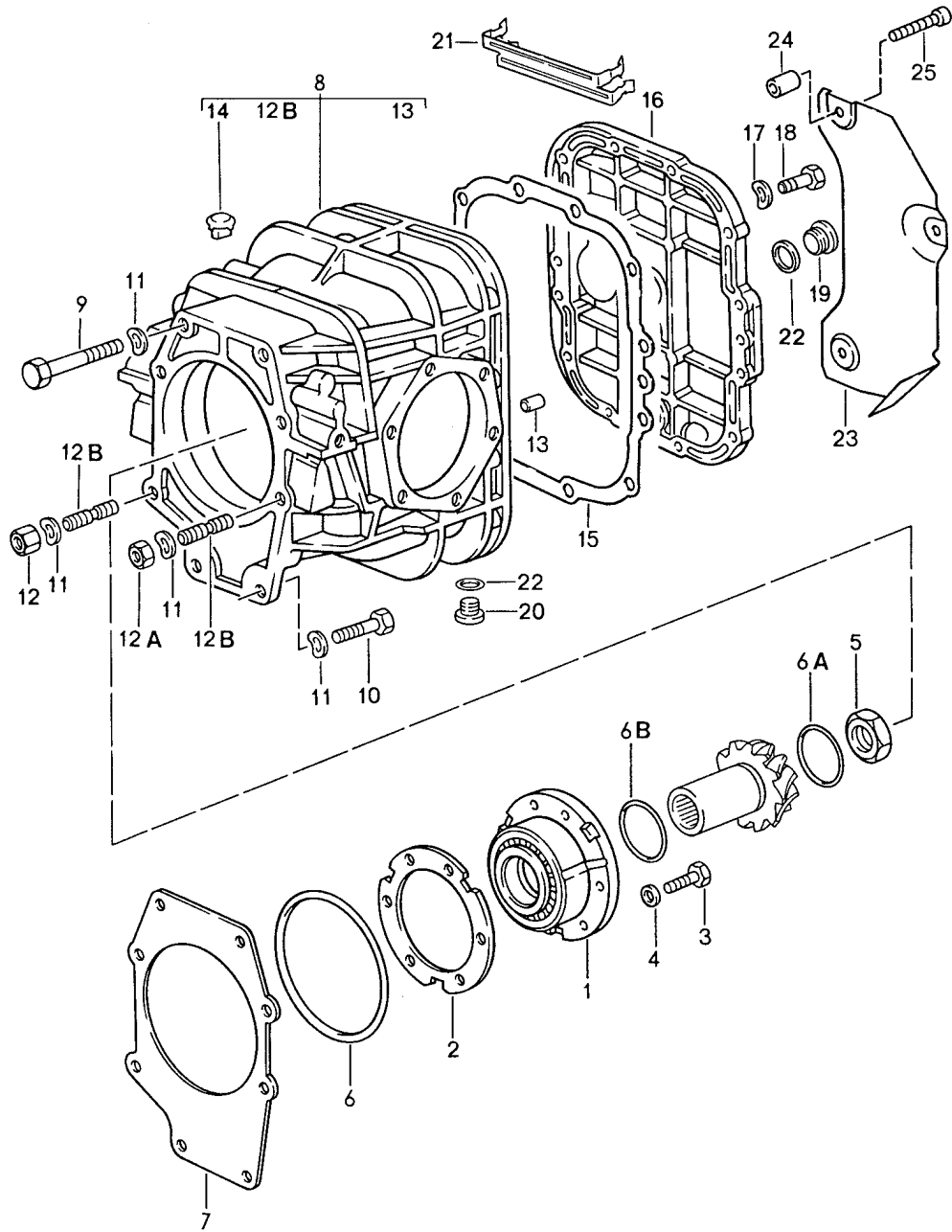
Model: 928 87

Model life 1987>>1991

Pos	Part Number	Description	Remark	Qty	Model
		Automatic transmission Intermediate plate			A28.12/14/16
1	126 272 075 2	Parking lock Spacer 0,5 MM		X	
2	126 272 011 7	Gear wheel		1	
3	126 991 000 1	Bolt		1	
4	123 278 002 1	Pawl		1	
5	126 993 062 0	Spring		1	
6	722 271 038 0	Gasket		1	
6		Gasket without asbestos		1	
7	960 321 031 03	Intermediate plate		1	
8	722 990 034 0	Washer		9	
8	900 031 005 03	Washer		9	
9	900 067 025 02	Screw		4	
10	999 113 307 40	Sealing ring		2	
11	960 302 403 03	Intermediate ring		1	
		Use also:			
11A	999 201 438 00	Shim		1	
12	900 067 222 02	Pan-head screw		5	

Model: 928 87

Model life 1987>>1991



Model: 928 87 Model life 1987>>1991

Pos	Part Number	Description	Remark	Qty	Model
		Automatic transmission			A28.12/14/16
		Differential 1			
1	960 302 063 09	Bearing sleeve		1	
2	960 302 299 05	Adjusting shim		X	
		0,15 MM			
2	960 302 299 06	Adjusting shim		X	
		0,20 MM			
2	960 302 299 07	Adjusting shim		X	
		0,25 MM			
2	960 302 299 08	Adjusting shim		X	
		0,40 MM			
2	960 302 299 09	Adjusting shim		X	
		0,50 MM			
3	N 014 726 7	Pan-head screw		6	
		M 8 X 30			
4	N 015 371 1	Shake-proof washer		6	
5	922 302 282 00	Collar nut		1	
6	999 701 743 40	O-ring		1	
		144,5 X 3			
6A	960 302 305 00	Round seal		1	
6B	960 302 303 00	Round seal		1	
7	960 302 297 05	Adjusting shim		X	
		0,15 MM			
7	960 302 297 06	Adjusting shim		X	
		0,20 MM			
7	960 302 297 07	Adjusting shim		X	
		0,25 MM			
7	960 302 297 08	Adjusting shim		X	
		0,40 MM			
7	960 302 297 09	Adjusting shim		X	
		0,50 MM			
8	960 321 041 02	Rear axle housing	-89	1	A28.12/14/16
(8)	960 321 041 03	Rear axle housing	90-	1	A28.16 M221
9	900 074 063 02	Hexagon-head bolt		4	
		M 10 X 55			
9	900 074 380 01	Hexagon-head bolt		4	
		M 10 X 55			
10	900 075 041 09	Hexagon-head bolt		2	
		M 10 X 25			
10	900 075 481 01	Hexagon-head bolt		2	
		M 10 X 25			
11	900 031 005 02	Washer		8	
		A 10,5			
11	900 031 005 03	Washer		8	
		A 10,5			
12	999 076 027 02	Nut		1	
12A	N 011 010 6	Hexagon nut		1	
		M 10			
12A	N 101 552 10	Hexagon nut		1	
		M 10			
12B	999 062 118 02	Stud		1	
		BM 10 X 28			
12B	999 062 182 02	Stud		1	
		BM 10 X 25			
13	900 012 086 00	Straight pin		2	
14	928 301 311 01	Bleeder		1	
15	928 301 395 03	Gasket		1	
16	928 301 306 01	Housing cover	-91	1	
16	928 301 306 07	Housing cover	91-	1	
17	900 025 007 02	Washer		12	
17	900 025 007 03	Washer		12	
18	900 075 099 02	Hexagon-head bolt		12	

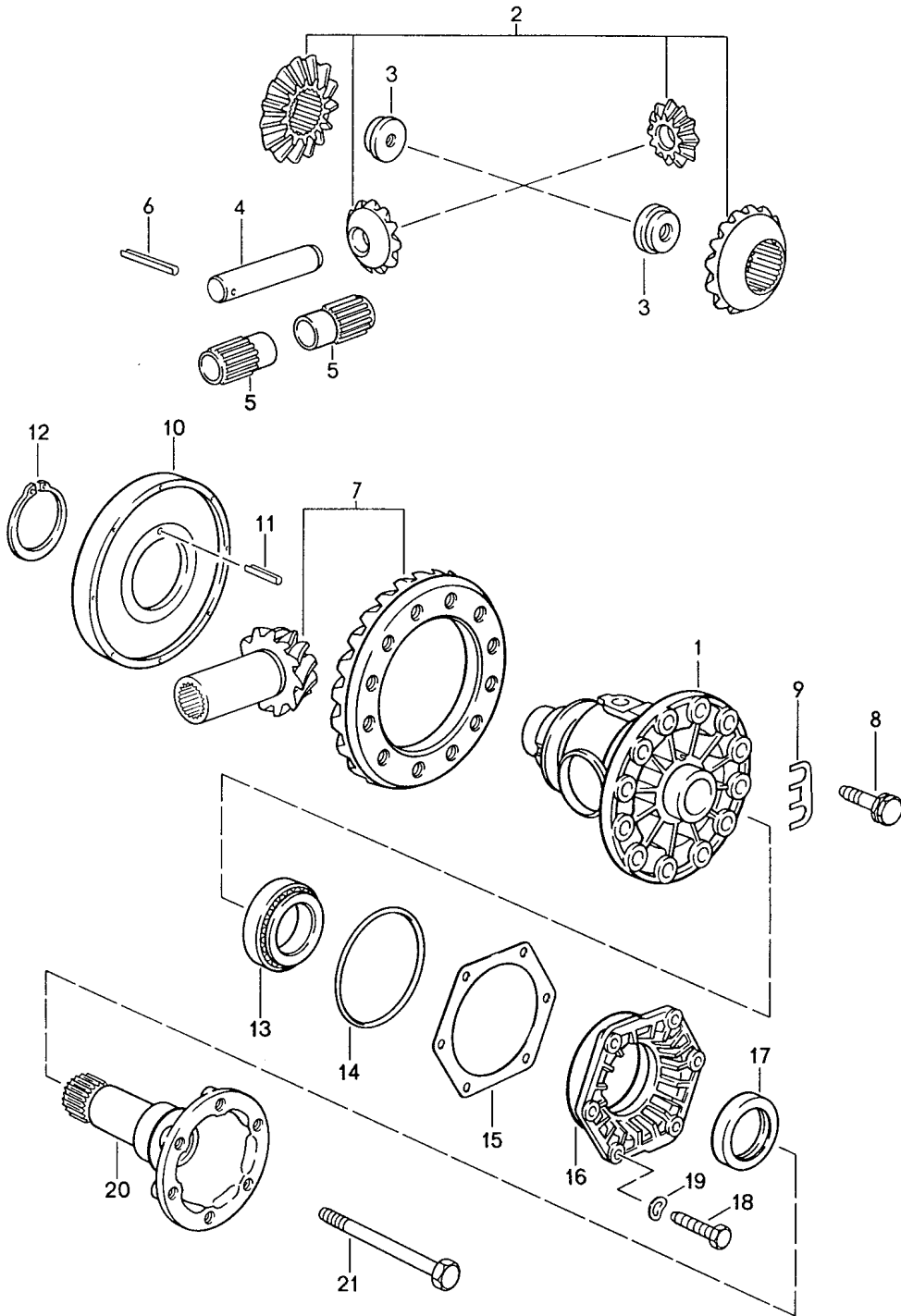
Model: 928 87

Model life 1987>>1991

Pos	Part Number	Description	Remark	Qty	Model
18	900 075 099 03	M 8 X 30 Hexagon-head bolt		12	
19	900 219 001 30	M 8 X 30 Screw plug		1	
20	999 063 008 02	Screw plug		1	
21	960 301 149 01	Heat shield		1	
22	900 123 118 30	Sealing ring		2	
23	960 321 305 00	Heat protection plate		1	
24	960 321 307 00	Spacer		3	
25	999 073 022 02	Hexagon-head bolt		3	

Model: 928 87

Model life 1987>>1991

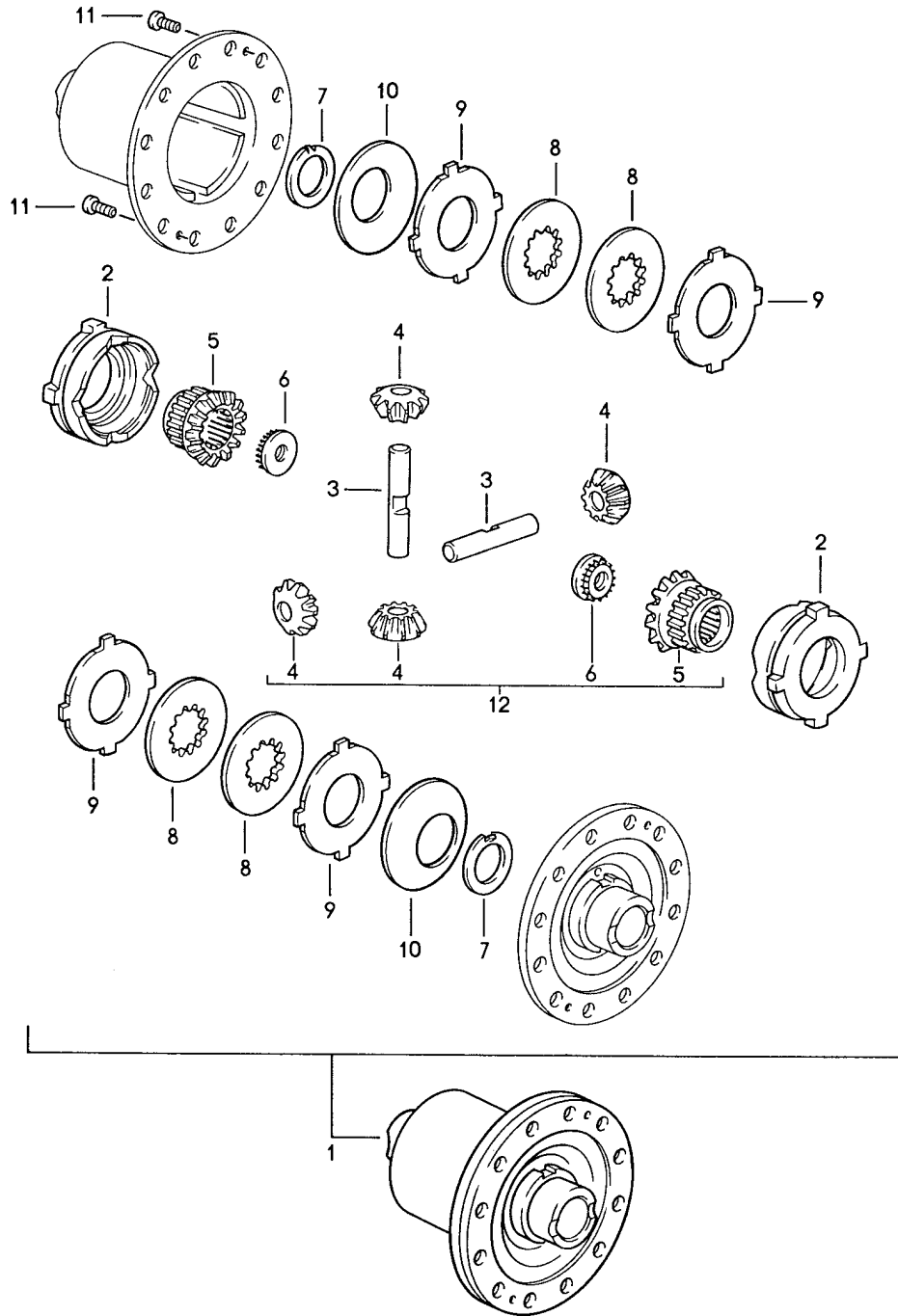


Model: 928 87 Model life 1987>>1991

Pos	Part Number	Description	Remark	Qty	Model
		Automatic transmission			A28.12/14/16
		Differential 2			
1	928 332 212 08	Differential housing	-89	1	
2	928 332 902 02	Differential pinions	-89	1	
		1 set			
2	950 332 902 00	Differential pinions	-89	1	
		1 set			
3	928 332 279 03	Threaded disc	-89	2	
4	928 332 207 07	Differential bolt	-89	1	
5	999 201 237 00	Needle cage	-89	2	
6	900 309 035 00	Roll pin	-89	1	
		5 X 40			
7	960 302 911 00	Ring gear and pinion shaft		1	A28.12
		33 : 15			
7	960 302 911 03	Ring gear and pinion shaft		1	A28.14/16
		33 : 13			
8	928 332 276 03	Hexagon-head bolt		12	
9	928 332 285 00	Tab washer		6	
10	928 318 024 05	Carrier disc with magnets	-89	1	
11	N 043 285 1	Roll pin	-89	1	
		5 X 18			
12	999 152 089 01	Circlip	-89	1	
13	999 059 027 00	Taper roller bearing		2	
13	999 059 027 02	Taper roller bearing		2	
14	928 332 217 02	O-ring		2	
15	928 332 219 00	Adjusting shim		X	
		0,15 MM			
15	928 332 219 01	Adjusting shim		X	
		0,20 MM			
15	928 332 219 02	Adjusting shim		X	
		0,25 MM			
15	928 332 219 03	Adjusting shim		X	
		0,50 MM			
15	928 332 219 04	Adjusting shim		X	
		0,10 MM			
16	928 332 213 02	Housing		2	
(16)	928 332 213 05	Housing	90-	1	M221
17	928 332 215 02	Shaft sealing ring		2	
18	900 075 099 02	Hexagon-head bolt		12	
		M 8 X 30			
18	900 075 099 03	Hexagon-head bolt		12	
		M 8 X 30			
19	900 025 007 02	Washer		12	
19	900 025 007 03	Washer		12	
20	928 332 206 10	Joint flange	-89	2	
20	928 332 206 20	Joint flange	90-	2	
21	900 074 181 02	Screw		2	
		M 10 X 95			

Model: 928 87

Model life 1987>>1991



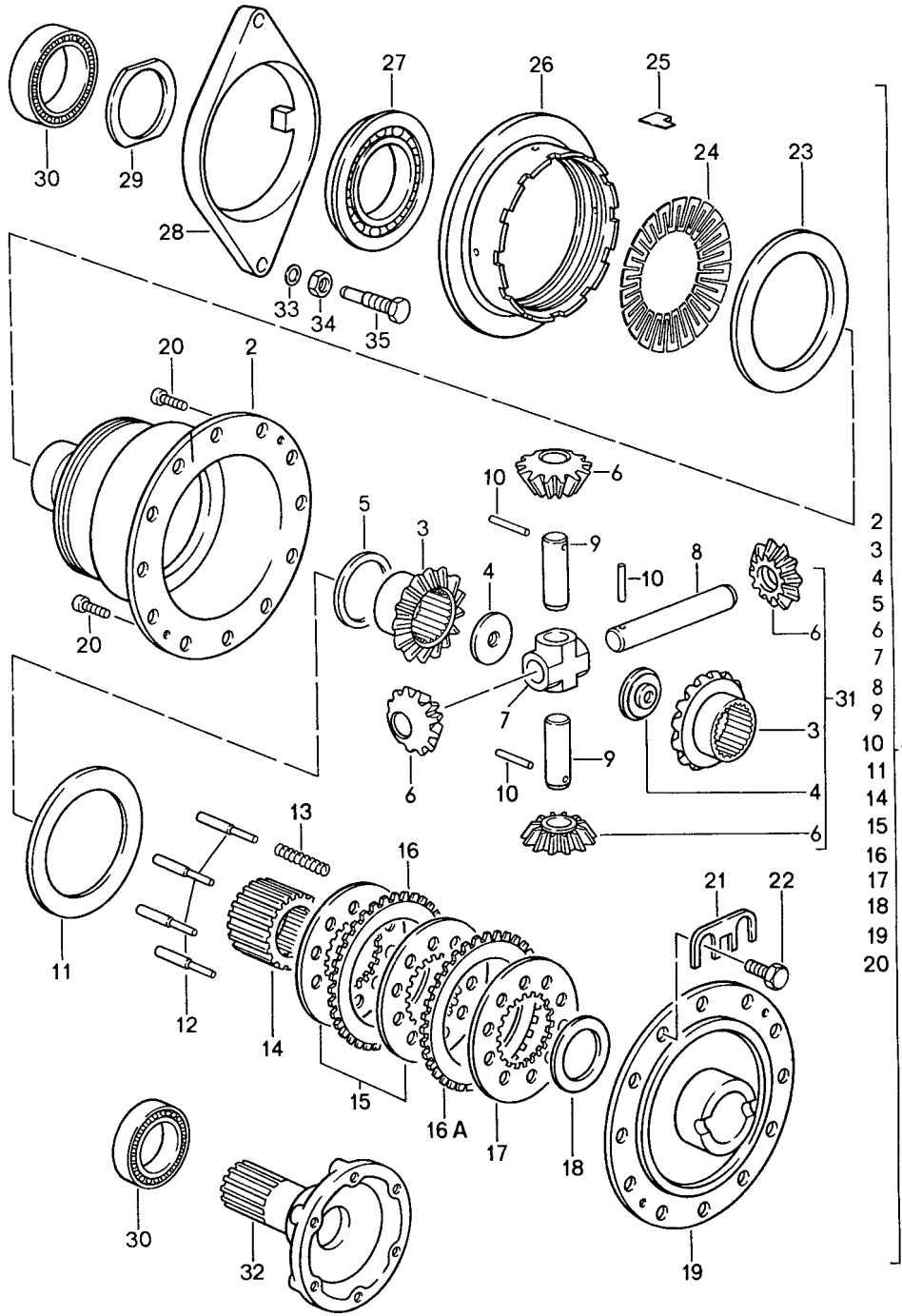
Model: 928 87

Model life 1987>>1991

Pos	Part Number	Description	Remark	Qty	Model
		Automatic transmission Limited-slip differential	-89		A28.12/14/16
1	928 332 052 20	Limit.-slip different. 40%		1	
2	928 332 511 00	Thrust ring		2	
3	928 332 541 00	Differential shaft		2	
4		Bevel pinion		4	
5		Shaft bevel gear		2	
6	928 332 279 01	Threaded disc		2	
7	901 332 561 11	Thrust washer		2	
8	928 332 551 00	Inner disc 2,0 MM		4	
9	917 332 552 10	Disc with external splines 1,9 MM		4	
(9)	917 332 552 11	Disc with external splines 2,0 MM		X	
(9)	917 332 552 12	Disc with external splines 2,1 MM		X	
10	928 332 555 20	Cup spring		2	
11	900 249 023 00	Countersunk-head screw M 6 X 10		2	
12	928 332 905 00	Differential pinions 1 set		1	

Model: 928 87

Model life 1987>>1991



Model: 928 87

Model life 1987>>1991

Pos	Part Number	Description	Remark	Qty	Model
		Automatic transmission Porsche	90-		A28.16 M221
1	928 332 075 03	Limited-slip differential		1	
2	928 332 701 15	Housing		1	
3		Shaft bevel gear		2	
4	943 332 279 02	Nut		2	
5	928 332 719 00	Thrust washer 1,8 MM		X	
5	928 332 719 01	Thrust washer 1,9 MM		X	
5	928 332 719 02	Thrust washer 2,0 MM		X	
5	928 332 719 03	Thrust washer 2,1 MM		X	
5	928 332 719 04	Thrust washer 2,2 MM		X	
6		Bevel pinion		4	
7	928 332 745 00	4 way connector		1	
8	928 332 741 00	Differential bolt		1	
9	928 332 743 00	Differential bolt		2	
10	900 309 035 00	Roll pin 5 X 40		3	
11	928 332 711 00	Thrust ring		1	
12	928 332 715 08	Pressure pin		4	
13	928 332 716 02	Coil pressure spring		4	
14	928 332 748 03	Disc carrier		1	
15	928 332 728 00	Inner disc		5	
16	928 332 726 05	Disc with external splines 1,5 MM		8	
16	928 332 726 03	Disc with external splines 1,1 MM		X	
16	928 332 726 04	Disc with external splines 1,3 MM		X	
16	928 332 726 13	Disc with external splines 1,3 MM		X	
16	928 332 726 06	Disc with external splines 1,7 MM		X	
16	928 332 726 07	Disc with external splines 1,9 MM		X	
16	928 332 726 08	Disc with external splines 2,1 MM		X	
16	928 332 726 09	Disc with external splines 2,3 MM		X	
16	928 332 726 10	Disc with external splines 2,5 MM		X	
16	928 332 726 12	Disc with external splines 2,5 MM		X	
16	928 332 726 11	Disc with external splines 2,7 MM		X	
17	928 332 724 00	Inner disc		5	
18	928 332 720 50	Thrust washer 1,8 MM		X	
18	928 332 720 51	Thrust washer 1,9 MM		X	
18	928 332 720 52	Thrust washer 2,0 MM		X	
18	928 332 720 53	Thrust washer 2,1 MM		X	
18	928 332 720 54	Thrust washer 2,2 MM		X	
18	928 332 720 55	Thrust washer 2,3 MM		X	

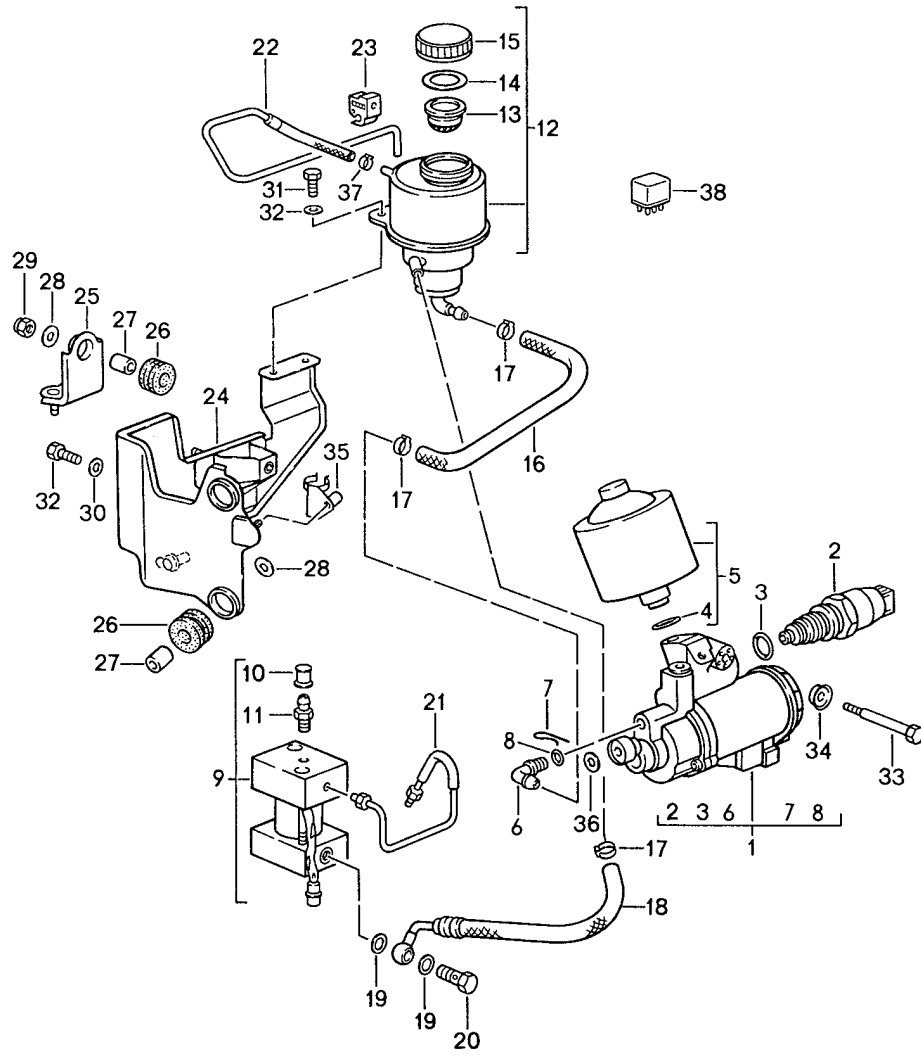
Model: 928 87

Model life 1987>>1991

Pos	Part Number	Description	Remark	Qty	Model
18	928 332 720 56	Thrust washer 2,4 MM		X	
19	928 332 706 10	Housing cover		1	
20	900 249 008 02	Countersunk-head screw M 6 X 12		2	
21	928 332 285 00	Tab washer		6	
22	928 332 276 03	Hexagon-head bolt		12	
23	928 332 713 02	Thrust ring		1	
24	928 332 756 06	Leverage washer		1	
25	950 332 753 02	Tab washer		1	
26	928 332 077 00	Adjusting nut	90	1	
26	928 332 750 01	Adjusting nut	91	1	
27	928 332 761 04	Engaging mount		1	
28	928 332 771 02	Engaging lever		1	
29	928 332 718 00	Washer		1	
30	999 059 027 00	Taper roller bearing		2	
30	999 059 027 02	Taper roller bearing		2	
31	928 332 907 00	Differential pinions 1 set		1	
32	928 332 206 20	Joint flange		2	
33	900 123 043 30	Sealing ring A 12 X 15,5		1	
34	N 011 020 8	Hexagon nut		1	
34	900 034 036 01	Hexagon nut		1	
35	928 332 271 05	Hexagon-head bolt		1	

Model: 928 87

Model life 1987>>1991



Model: 928 87 Model life 1987>>1991

Pos	Part Number	Description	Remark	Qty	Model
		Automatic transmission	90-		A28.16
		Lock control 1			M221
1	928 315 906 00	Pump		1	
2	964 606 904 00	Pressure switch		1	
3	999 707 094 40	O-ring		1	
		17,3 X 2,4			
4	999 707 123 40	O-ring		1	
		11,3 X 2,4			
5	928 315 905 00	Pressure accumulator		1	
6	999 230 366 40	Elbow		1	
7	999 021 003 00	Lock		1	
8	999 707 075 40	O-ring		1	
9	928 315 163 00	Valve support		1	
10	930 351 919 00	Ventilation valve		1	
11	930 351 927 00	Dust boot		1	
11	930 351 927 01	Dust boot		1	
12	928 315 013 01	Expansion tank		1	
13	211 611 381 B	Strainer		1	
14	901 355 908 00	Gasket		1	
15	911 355 905 02	Lid		1	
16	928 315 801 00	Feed line		1	
17	999 512 532 00	Terminal		3	
18	928 315 098 01	Hose line		1	
		Return line			
19	900 123 033 20	Sealing ring		2	
20	900 175 002 02	Screw		1	
21	928 315 091 02	Connecting line		1	
22	928 315 097 01	Vent line		1	
23	999 591 930 40	Support		1	
24	928 315 043 02	Support		1	
25	928 315 047 02	Bracket		1	
26	964 356 635 00	Rubber mounting		3	
27	928 355 633 00	Bush		3	
27	928 355 633 03	Bush		3	
28	N 011 550 1	Washer		X	
		B 6,5			
29	900 910 010 09	Lock nut		X	
		M 6			
30	N 011 666 7	Washer		4	
		B 6,4			
31	900 075 057 02	Hexagon-head bolt		2	
		M 6 X 16			
31	900 075 057 03	Hexagon-head bolt		2	
		M 6 X 16			
32	999 072 005 09	Hexagon nut		2	
		M 6 X 12			
32	999 072 005 01	Hexagon nut		2	
		M 6 X 12			
33	999 074 043 02	Hexagon-head bolt		1	
		M 6 X 65			
34	999 025 202 02	Washer		1	
35	911 612 450 00	Support		1	
36	900 025 007 02	Washer		1	
		A 8,4			
36	900 025 007 03	Washer		1	
		A 8,4			
37	999 512 527 00	Clamp		1	
38	964 615 135 00	Relay		1	
		for			
		Pump			
38	964 615 135 01	Relay		1	
		for			
		Pump			

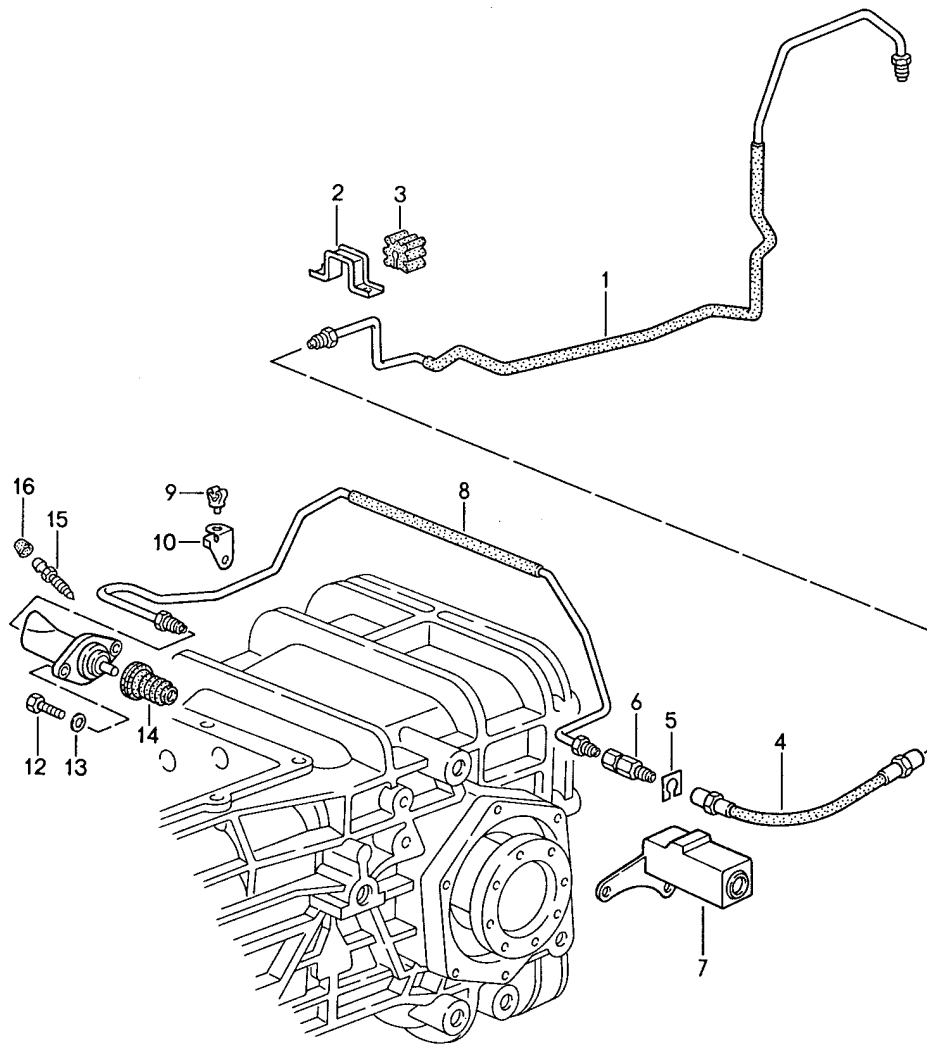
Model: 928 87

Model life 1987>>1991

Pos	Part Number	Description	Remark	Qty	Model
-	993 606 153 00	Lateral accelerat. sensor		1	
-	993 606 153 01	Lateral accelerat. sensor		1	
-	993 606 153 00	Lateral accelerat. sensor		1	
-	993 606 153 01	Lateral accelerat. sensor		1	

Model: 928 87

Model life 1987>>1991



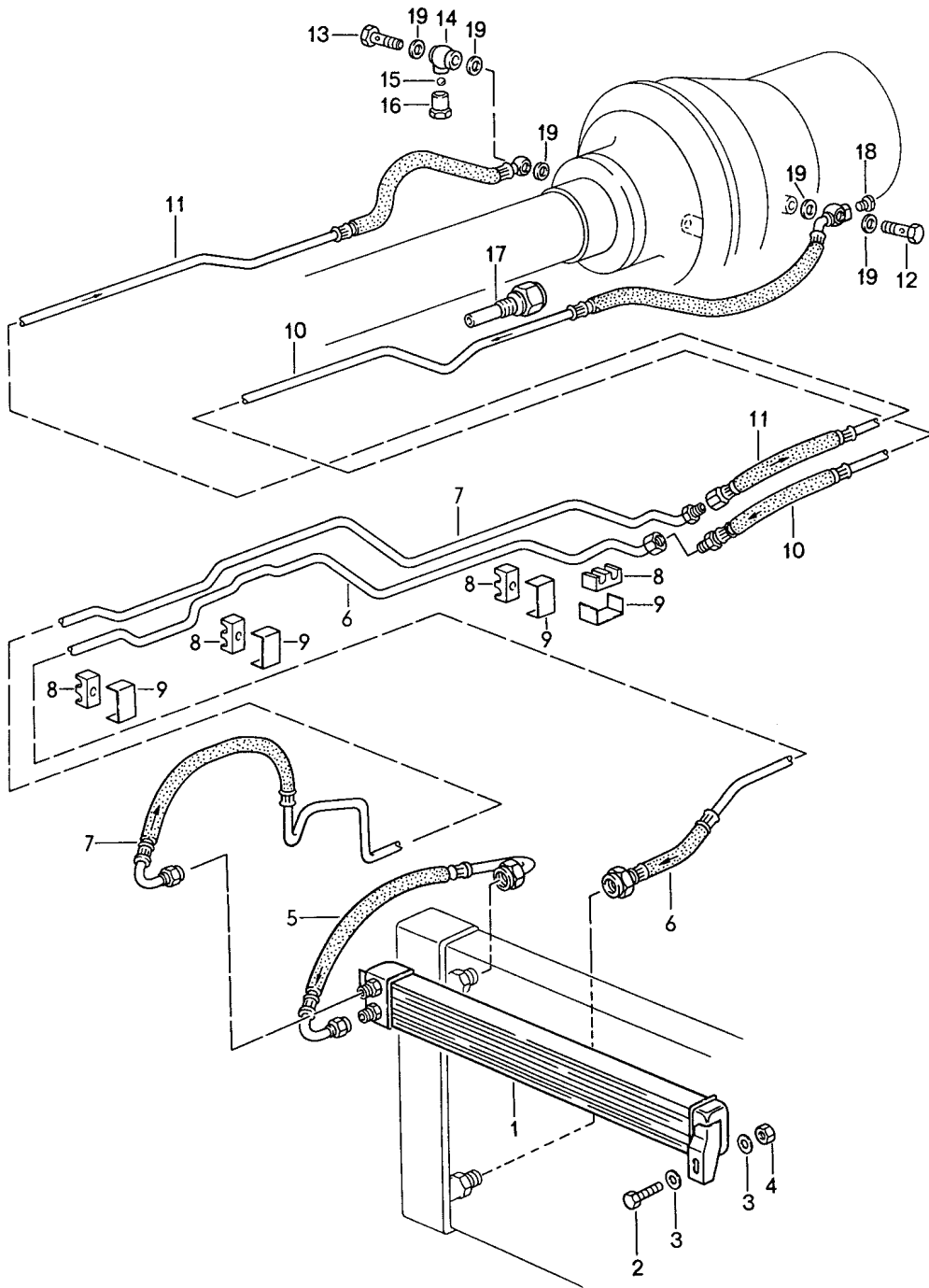
Model: 928 87

Model life 1987>>1991

Pos	Part Number	Description	Remark	Qty	Model
		Automatic transmission	90-		A28.16
		Lock control 2			M221
1	928 315 095 02	Line		1	
2	928 315 807 00	Support		1	
3	928 315 805 00	Rubber mounting		1	
4	944 355 081 01	Brake hose		1	
4		Brake hose		1	
5	999 166 071 01	Support		1	
6	928 315 211 03	Pressure valve		1	
7	928 315 187 06	Support		1	
8	928 315 085 04	Connecting line		1	
9	999 651 190 40	Cable clip		1	
10	928 315 189 02	Support		1	
11	928 332 775 09	Slave cylinder		1	
12	N 010 233 6	Hexagon-head bolt		2	
		M 8 X 28			
12	900 075 136 03	Hexagon-head bolt		2	
		M 8 X 28			
13	900 025 007 02	Washer		2	
		A 8,4			
13	900 025 007 03	Washer		2	
		A 8,4			
14	928 332 051 02	Bellows		1	
14	928 332 051 04	Bellows		1	
15	211 611 477 A	Ventilation valve		1	
16	211 611 483	Dust boot		1	

Model: 928 87

Model life 1987>>1991



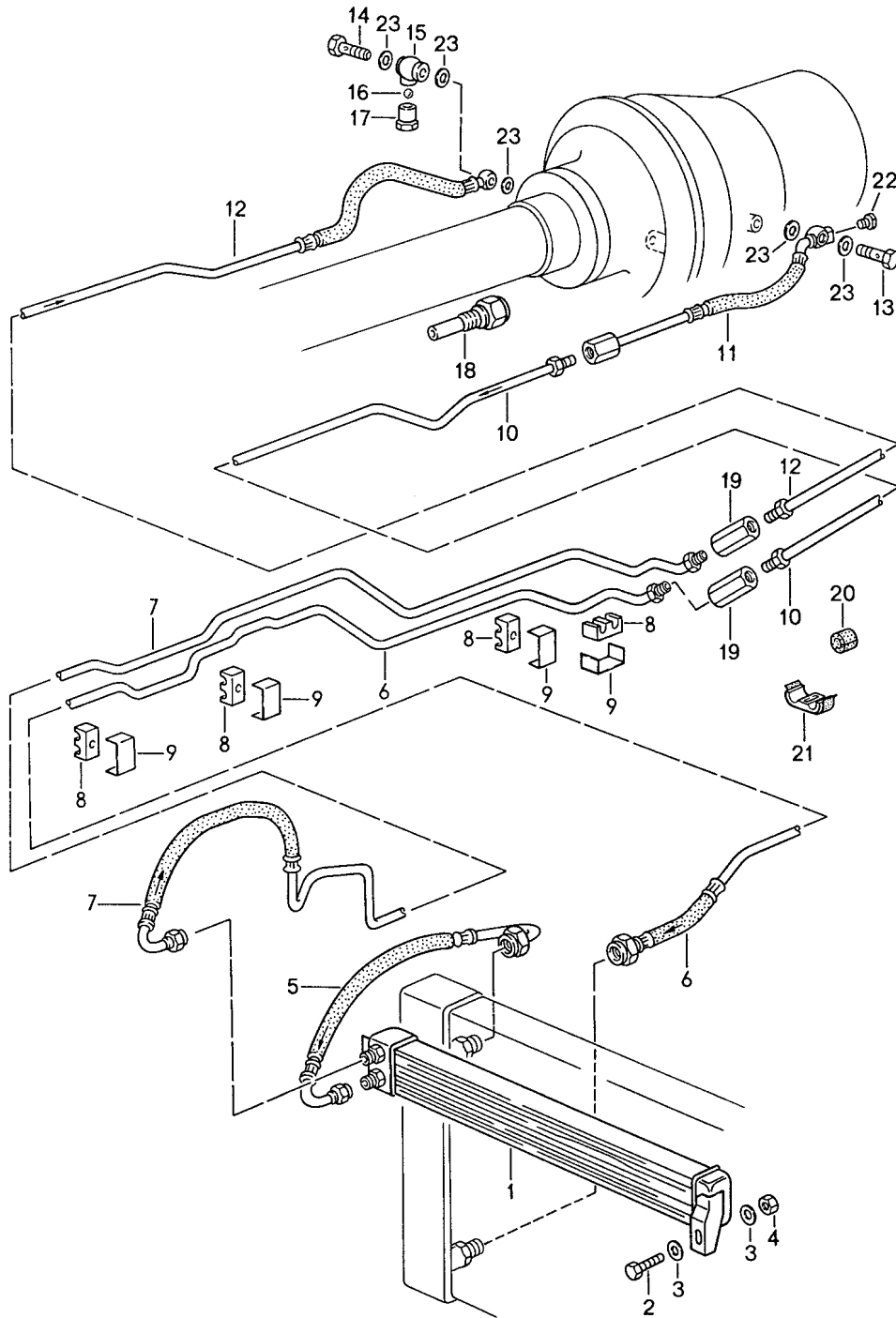
Model: 928 87

Model life 1987>>1991

Pos	Part Number	Description	Remark	Qty	Model
		Automatic transmission Atf cooler Atf lines for cars with Front muffler MOD.87-12.88 (MOD.89) for cars with Catalytic converter MOD.87			A28.12/14/16
1	928 307 027 06	Transmission oil cooler		1	
2	900 075 057 02	Hexagon-head bolt M 6 X 16		2	
2	900 075 057 03	Hexagon-head bolt M 6 X 16		2	
3	N 011 524 7	Washer A 6,4		4	
3	N 011 524 27	Washer A 6,4		4	
4	900 076 010 02	Nut		2	
4	900 076 010 0B	Nut		2	
5	928 307 072 01	Oil pipe		1	
5	928 307 072 02	Oil pipe		1	
6	960 307 028 02	Oil pipe Supply		1	
6	960 307 028 03	Oil pipe Supply		1	
7	928 307 073 01	Oil pipe Return line		1	
8	928 356 525 01	Rubber mounting		5	
9	928 356 555 00	Clamp		5	
10	928 307 070 00	Oil pipe Supply		1	
11	960 307 039 00	Oil pipe Return line		1	
11	960 307 039 01	Oil pipe Return line		1	
11	960 307 039 02	Oil pipe Return line		1	
12	999 134 030 02	Banjo bolt M 14 X 1,5		1	
13	960 307 161 01	Banjo bolt		1	
14	960 307 057 01	Nipple		1	
15	N 025 657 1	Ball		1	
16	960 307 163 00	Screw plug		1	
17	928 606 152 00	Temperature switch		1	
18	900 219 002 02	Screw plug		1	
19	900 123 007 30	Sealing ring A 14 X 18		X	

Model: 928 87

Model life 1987>>1991



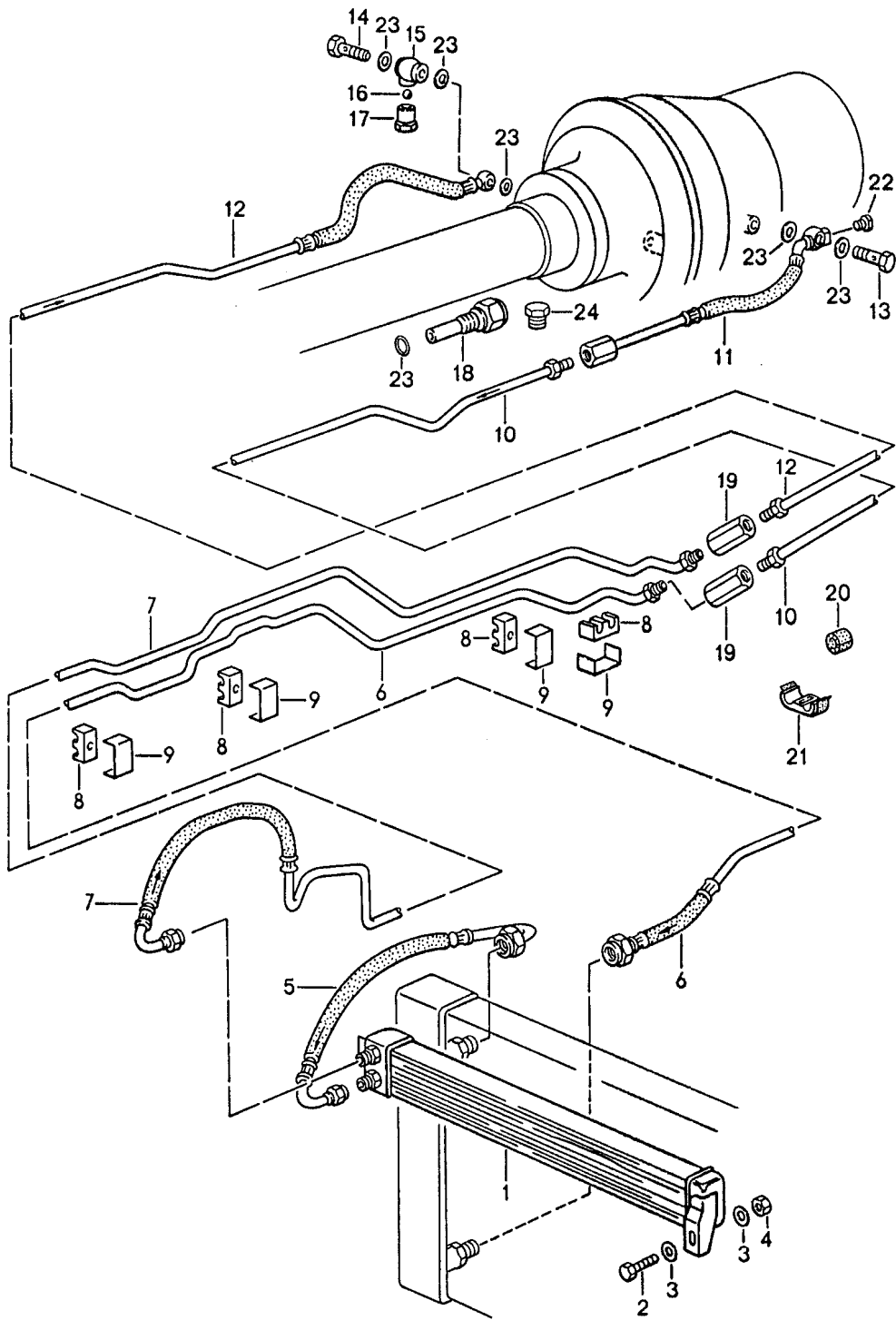
Model: 928 87

Model life 1987>>1991

Pos	Part Number	Description	Remark	Qty	Model
		Automatic transmission Atf cooler Atf lines for cars with Catalytic converter MOD.88-11/88 (MOD.89)			A28.12/14/16
1	928 307 027 06	Transmission oil cooler		1	
2	900 075 057 02	Hexagon-head bolt M 6 X 16		2	
2	900 075 057 03	Hexagon-head bolt M 6 X 16		2	
3	N 011 524 7	Washer A 6,4		4	
3	N 011 524 27	Washer A 6,4		4	
4	900 076 010 02	Nut		2	
4	900 076 010 0B	Nut		2	
5	928 307 072 01	Oil pipe		1	
5	928 307 072 02	Oil pipe		1	
6	960 307 076 00	Oil pipe Supply		1	
7	960 307 077 00	Oil pipe Return line		1	
8	928 356 525 01	Rubber mounting		5	
9	928 356 555 00	Clamp		5	
10	960 307 078 00	Oil pipe Supply		1	
11	960 307 073 00	Oil pipe Supply		1	
12	960 307 079 00	Oil pipe Return line		1	
13	999 134 030 02	Banjo bolt M 14 X 1,5		1	
14	960 307 161 01	Banjo bolt		1	
15	960 307 057 01	Nipple		1	
16	N 025 657 1	Ball		1	
17	960 307 163 00	Screw plug		1	
18	928 606 152 00	Temperature switch		1	
19	477 209 169	Connecting piece		2	
20	960 307 213 00	Protective tube		2	
21	960 307 211 00	Support		4	
22	900 219 002 02	Screw plug		1	
23	900 123 007 30	Sealing ring A 14 X 18		X	
-	960 307 209 00	Plate		X	

Model: 928 87

Model life 1987>>1991

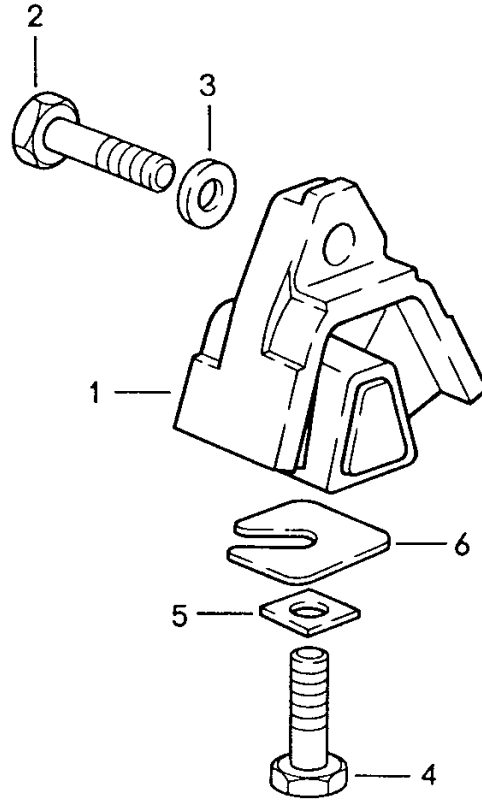


Model: 928 87 Model life 1987>>1991

Pos	Part Number	Description	Remark	Qty	Model
		Automatic transmission			A28.16
		Atf cooler			
		Atf lines			
		for cars with			
		Catalytic converter			
		MOD.88-11/88 (MOD.89)			
1	928 307 027 06	Transmission oil cooler		1	
2	900 075 057 02	Hexagon-head bolt		2	
		M 6 X 16			
2	900 075 057 03	Hexagon-head bolt		2	
		M 6 X 16			
3	N 011 524 7	Washer		4	
		A 6,4			
3	N 011 524 27	Washer		4	
		A 6,4			
4	900 076 010 02	Nut		2	
4	900 076 010 0B	Nut		2	
5	928 307 072 01	Oil pipe		1	
5	928 307 072 02	Oil pipe		1	
6	928 307 071 02	Oil pipe		1	
		Supply			
7	928 307 073 02	Oil pipe		1	
		Return line			
8	928 356 525 01	Rubber mounting		5	
9	928 356 555 00	Clamp		5	
10	928 307 080 01	Oil pipe		1	
		Supply			
11	928 307 069 01	Oil pipe		1	
		Supply			
12	928 307 074 01	Oil pipe		1	
		Return line			
13	999 134 030 02	Banjo bolt		1	
		M 14 X 1,5			
14	960 307 161 01	Banjo bolt		1	
15	960 307 057 01	Nipple		1	
16	N 025 657 1	Ball		1	
17	960 307 163 00	Screw plug		1	
18	928 606 152 00	Temperature switch	-90	1	
18		Temperature switch	91-	1	M208
19	477 209 169	Connecting piece		2	
20	960 307 213 00	Protective tube		2	
21	960 307 211 00	Support		4	
22	900 219 002 02	Screw plug		1	
23	900 123 007 30	Sealing ring		X	
		A 14 X 18			
24	900 219 002 02	Screw plug	91-	1	
		M 14 X 1,5			
-	960 307 209 00	Plate		X	

Model: 928 87

Model life 1987>>1991



Model: 928 87

Model life 1987>>1991

Pos	Part Number	Description	Remark	Qty	Model
		Automatic transmission			A28.12/14/16
		Transmission suspension			
1	928 375 045 16	Transmission mounting		2	
2	N 010 142 2	Hexagon-head bolt		2	
		M 12 X 1,5 X 50			
3	901 333 143 01	Washer		4	
3	999 025 091 02	Washer		2	
4	N 040 108 1	Hexagon-head bolt		2	
		M 12 X 1,5 X 40			
5	928 375 331 00	Square washer		2	
6	928 331 520 01	Washer		X	
		1 MM			
6	928 331 520 02	Washer		X	
		2 MM			
6	928 331 520 03	Washer		X	
		3 MM			
6	928 331 520 04	Washer		X	
		4 MM			

Model: 928 87

Model life 1987>>1991



Model: 928 87 Model life 1987>>1991

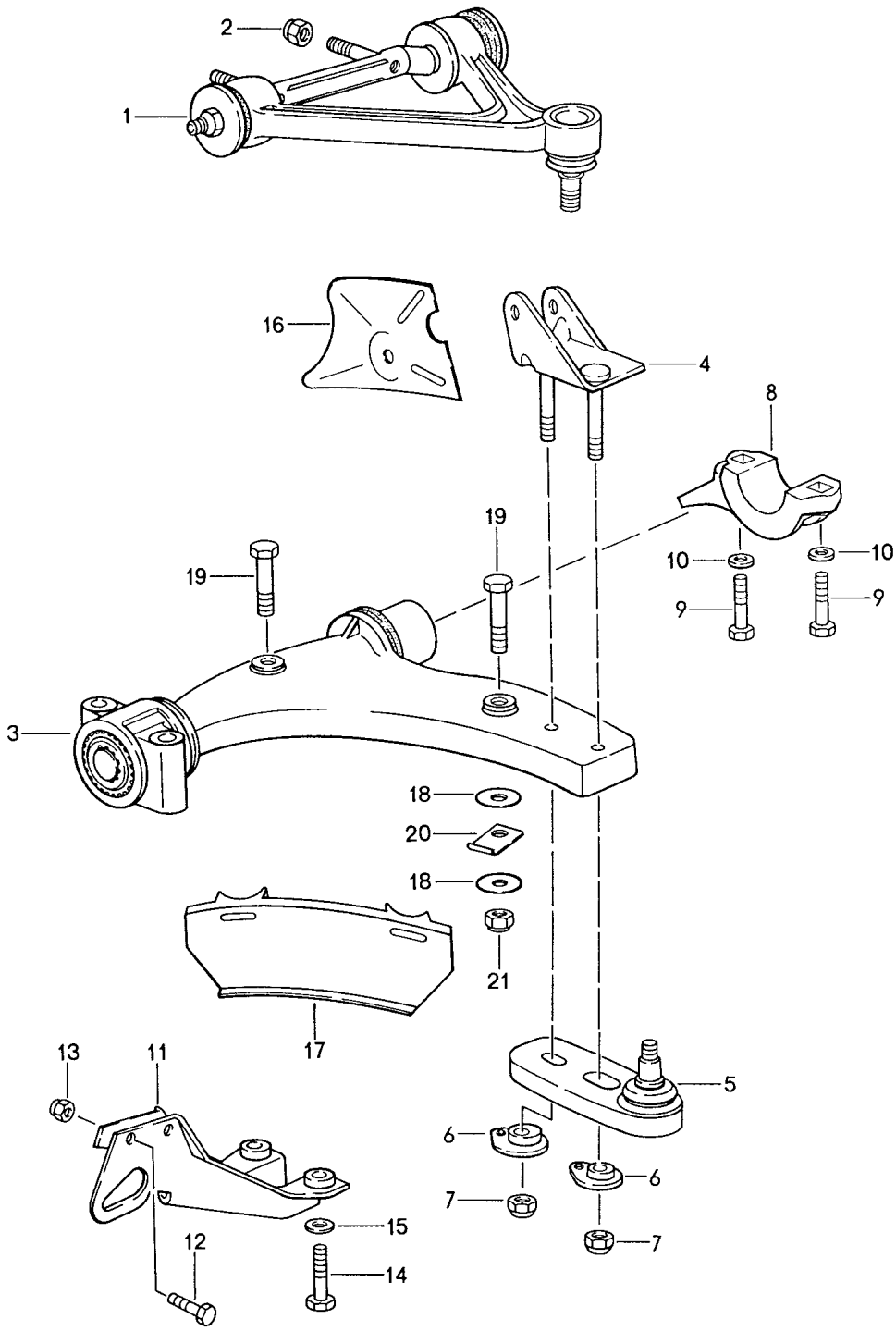
Pos	Part Number	Description	Remark	Qty	Model
>>	928 300 901 01	Gasket set Gasket set Manual transmission Comprising:		1	G28.12/13/55
-	928 301 111 00	O-ring		1	
-	928 301 111 01	O-ring		1	
-	928 301 393 06	Gasket		1	
-	928 301 393 07	Gasket		1	
-	928 301 395 03	Gasket		1	
-	928 302 167 03	Shaft sealing ring		1	
-	928 302 167 05	Shaft sealing ring		1	
-	928 302 283 00	Round seal		1	
-	928 302 283 01	Round seal		1	
-	928 303 120 01	Shaft sealing ring		1	
-	928 332 215 02	Shaft sealing ring		2	
-	928 332 217 02	O-ring		2	
-	928 303 313 00	Gasket		1	
-	999 701 904 40	O-ring		1	
>>	126 270 530 0	Gasket set Automatic transmission without Differential Comprising:		1	A28.12/14/16
-	018 997 044 7	Sealing ring		1	
-	016 997 144 8	Sealing ring		1	
-	126 272 005 5	Sealing ring		2	
-	126 272 025 5	Sealing ring		1	
-	126 272 039 2	Boot		2	
-	126 272 019 2	Boot		1	
-	126 272 009 2	Boot		1	
-	126 272 095 5	Sealing ring		2	
-	126 271 128 0	Gasket		1	
-	006 997 014 7	Sealing ring		1	
-	006 997 734 7	Sealing ring		1	
-	006 997 754 8	Sealing ring		1	
-	126 272 095 5	Sealing ring		2	
-	005 997 774 8	Sealing ring		1	
-	005 997 814 8	Sealing ring		1	
-	126 277 095 5	Sealing ring		1	
-	126 277 075 5	Sealing ring		1	
-	005 997 704 8	Sealing ring		1	
-	005 997 804 8	Sealing ring		1	
-	010 997 084 5	Sealing ring		1	
-	005 997 864 8	Sealing ring		1	
-	900 123 105 30	Sealing ring		3	
-	126 277 085 5	Sealing ring		1	
-	005 997 844 8	Sealing ring		1	
-	005 997 854 8	Sealing ring		1	
-	126 277 028 0	Sealing ring		1	
-	922 321 301 07	Sealing ring		1	
-	010 997 084 5	Sealing ring		1	
-	722 271 038 0	Gasket		1	
-	014 997 114 8	Sealing ring		1	
-	008 997 314 8	Sealing ring		1	
-	008 997 304 8	Sealing ring		1	
-	001 997 354 8	Sealing ring		1	
-	115 304 016 0	Sealing ring		1	
-	016 997 394 8	Sealing ring		1	
-	126 271 028 0	Oil sump gasket		1	
-	005 997 784 8	Sealing ring		1	
>>	960 302 901 00	Gasket set Differential Comprising:		1	A28.12/14/16

Model: 928 87 Model life 1987>>1991

Pos	Part Number	Description	Remark	Qty	Model
-	999 701 743 40	O-ring		1	
-	928 301 395 03	Gasket		1	
-	928 332 215 02	Shaft sealing ring		2	
-	928 332 217 02	O-ring		2	
>>	960 307 901 01	Oil filter set		1	A28.12/14/16
		Comprising:			
-	126 277 029 5	Oil filter		1	
-	126 271 028 0	Oil sump gasket		1	
-	N 013 806 2	Sealing ring		1	
-	900 123 033 20	Sealing ring		1	
-	928 116 911 01	Repair kit	-88	1	
		for			
		Clutch			
		Comprising:			
		Pressure plate		1	
		Clutch plate		1	
		Clutch release bearing		1	
		Guide tube		1	
-	928 116 911 02	Repair kit	88-	1	
		for			
		Clutch			
		Comprising:			
		Pressure plate		1	
		Clutch plate		1	
		Clutch release bearing		1	
		Guide tube		1	
-	928 116 911 03	Repair kit	88-	1	
		for			
		Clutch			
		Comprising:			
		Pressure plate		1	
		Clutch plate		1	
		Clutch release bearing		1	
		Guide tube		1	

Model: 928 87

Model life 1987>>1991



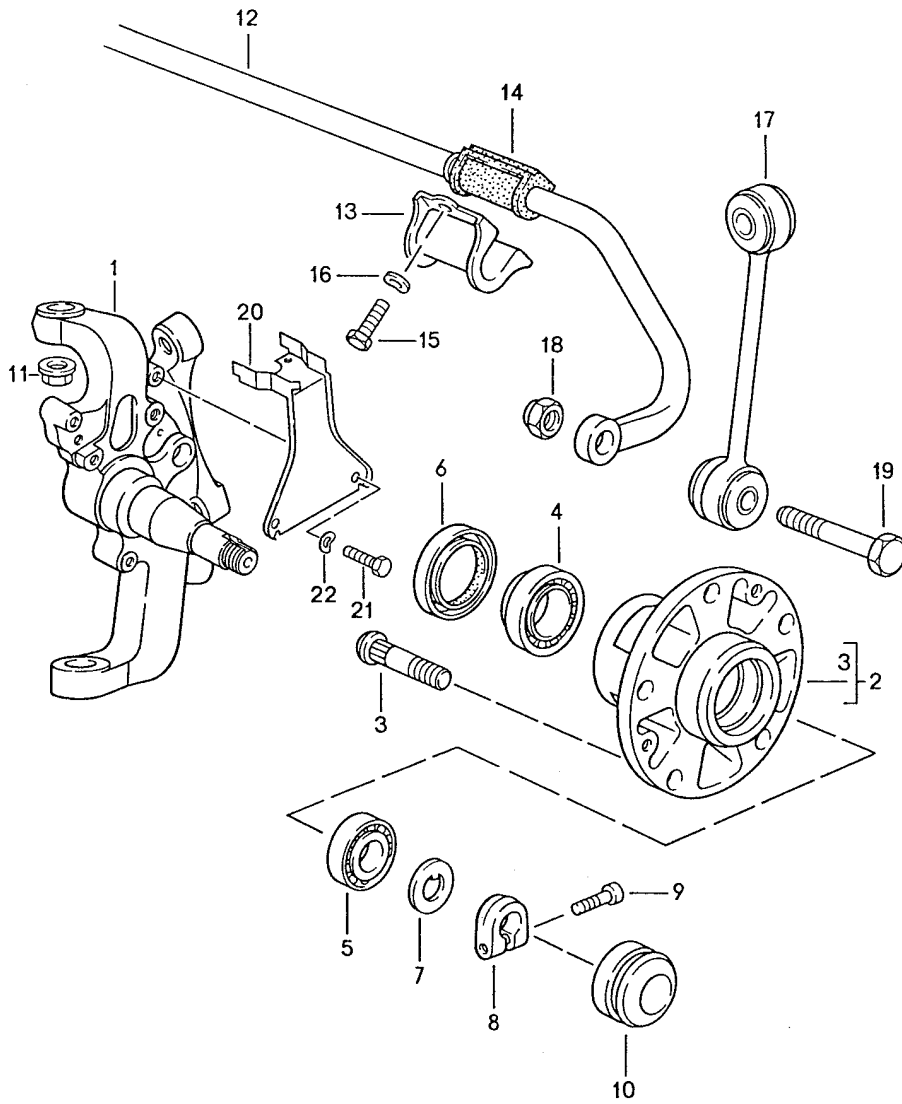
Model: 928 87

Model life 1987>>1991

Pos	Part Number	Description	Remark	Qty	Model
1	928 341 027 37	Wishbone	/L	1	
(1)	928 341 028 37	Wishbone Upper	/R	1	
2	N 900 385 01	Lock nut		4	
3	928 341 017 04	Wishbone Lower		2	
3	928 341 017 05	Wishbone Lower		2	
4	928 341 091 06	Clip	/L	1	
(4)	928 341 092 06	Clip	/R	1	
5	928 341 049 08	Articulated carrier		2	
5	928 341 049 09	Articulated carrier		2	
6	928 341 466 01	Eccentric		4	
7	900 910 115 02	Lock nut		4	
8	928 341 167 00	Supporting bow	-89	2	
8		Supporting bow	90-	2	
9	900 082 048 08	Hexagon-head bolt M 12 X 1,5 X 80		4	
9	900 082 048 03	Hexagon-head bolt M 12 X 1,5 X 80		4	
10	928 341 165 00	Washer		4	
10	928 341 165 01	Washer		4	
11	928 341 064 02	Protective bracket		2	
12	N 010 253 7	Hexagon-head bolt M 10 X 22		4	
13	N 021 130 3	Lock nut		4	
13	N 021 130 D	Lock nut		4	
14	900 082 039 02	Hexagon-head bolt M 12 X 1,5 X 100		4	
14	900 082 137 01	Hexagon-head bolt M 12 X 1,5 X 100		4	
15	901 333 143 02	Washer		4	
16	928 341 383 05	Baffle plate	/L -88	1	
(16)		Baffle plate	/L 89-	1	
(16)	928 341 384 05	Baffle plate	/R -88	1	
(16)		Baffle plate	/R 89-	1	
17	928 341 389 03	Spoiler	/L	2	
(17)	928 341 390 03	Spoiler	/R	1	
18	928 341 391 00	Retaining washer		4	
19	N 010 367 4	Hexagon-head bolt M 6 X 60		4	
19	900 074 021 03	Hexagon-head bolt M 6 X 60		4	
20	928 341 395 01	Fastening clip		4	
21	900 910 012 02	Lock nut M 6		4	
21	900 910 047 09	Lock nut M 6		4	

Model: 928 87

Model life 1987>>1991

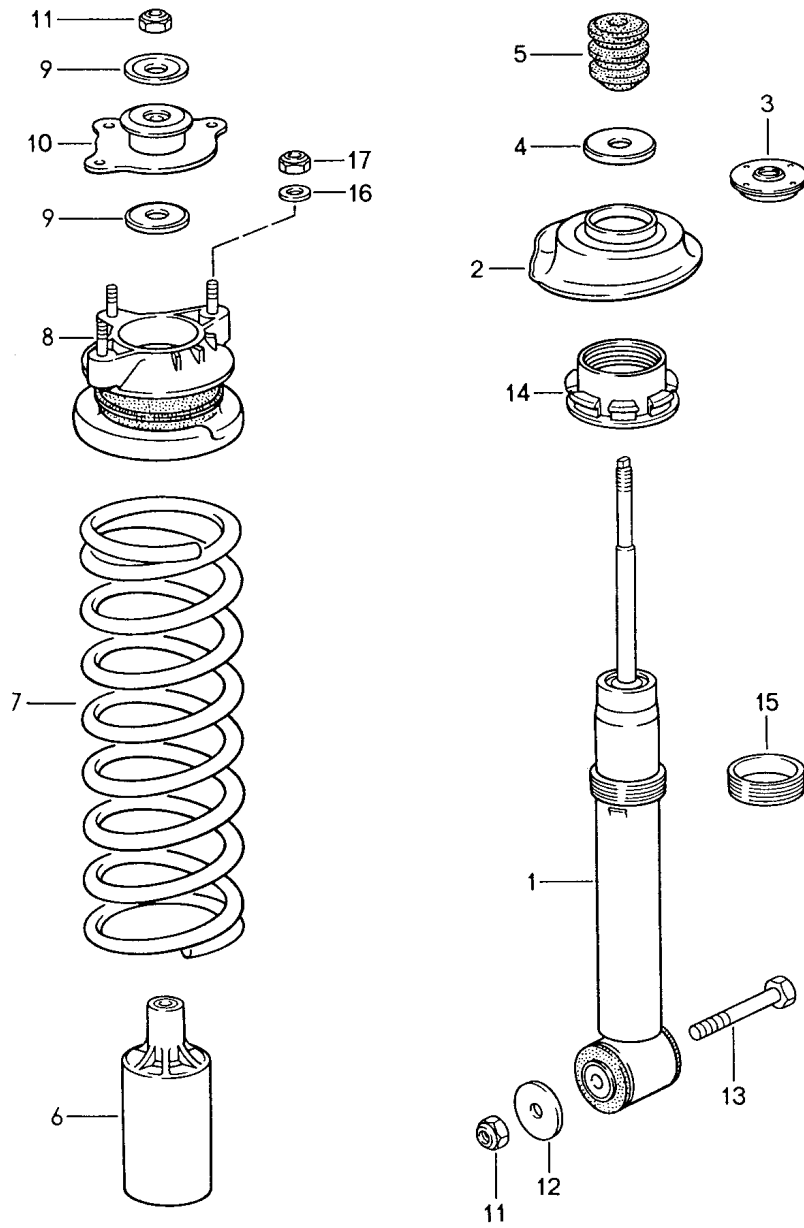


Model: 928 87 Model life 1987>>1991

Pos	Part Number	Description	Remark	Qty	Model
-	PCG 043 110 00	Steering knuckle Lubricants Grease Bearing 200 GR.		1	
1	928 341 057 16	Steering knuckle	/L -88	1	
(1)	928 341 057 17	Steering knuckle	/L 89-	1	
1	928 341 058 16	Steering knuckle	/R -88	1	
(1)	928 341 058 17	Steering knuckle	/R 89-	1	
2	928 341 066 04	Front wheel hub	-88	2	
(2)		Front wheel hub	89-	2	
3	928 341 671 02	Wheel bolt		10	
(3)		Wheel bolt Oversize		X	
4	999 059 090 00	Taper roller bearing		2	
5	999 059 089 01	Taper roller bearing		2	
6	477 405 641	Radial sealing ring		2	
7	911 341 663 00	Thrust washer		2	
8	911 341 673 00	Clamping nut		2	
9	999 119 001 01	Pan-head screw M 7 X 18		2	
9	999 119 001 0B	Pan-head screw M 7 X 18		2	
10	911 341 684 00	Cap		2	
11	900 380 010 09	Lock nut M 12 X 1,5		4	
12	928 343 073 06	Stabiliser 28MM		1	
13	928 343 777 00	Bearing clamp		2	
14	928 343 793 04	Stabiliser mounting 28MM		2	
15	900 075 043 02	Hexagon-head bolt M 10 X 30	/RL	4	
(15)	N 010 275 3	Hexagon-head bolt M 10 X 35	/LL	1	
(15)	900 075 460 01	Hexagon-head bolt M 10 X 35	/LL	1	
(15)	900 075 043 02	Hexagon-head bolt M 10 X 30	/LL	3	
16	900 027 016 02	Lock ring B 10		4	
16	900 027 016 03	Lock ring B 10		4	
17	928 343 069 01	Stabiliser mounting		2	
17	928 343 069 91	Stabiliser mounting		2	
18	N 022 141 1	Captive nut M 12 X 1,5		2	
18	900 360 002 01	Lock nut M 12 X 1,5		2	
18	900 360 002 0B	Lock nut M 12 X 1,5		2	
19	N 010 154 3	Hexagon-head bolt M 12 X 1,5 X 55		2	
20	928 341 085 01	Support	89-	2	M482
21	N 010 227 2	Hexagon-head bolt M 6 X 18	89-	4	M482
22	N 012 226 5	Spring washer B 6	89-	4	M482

Model: 928 87

Model life 1987>>1991

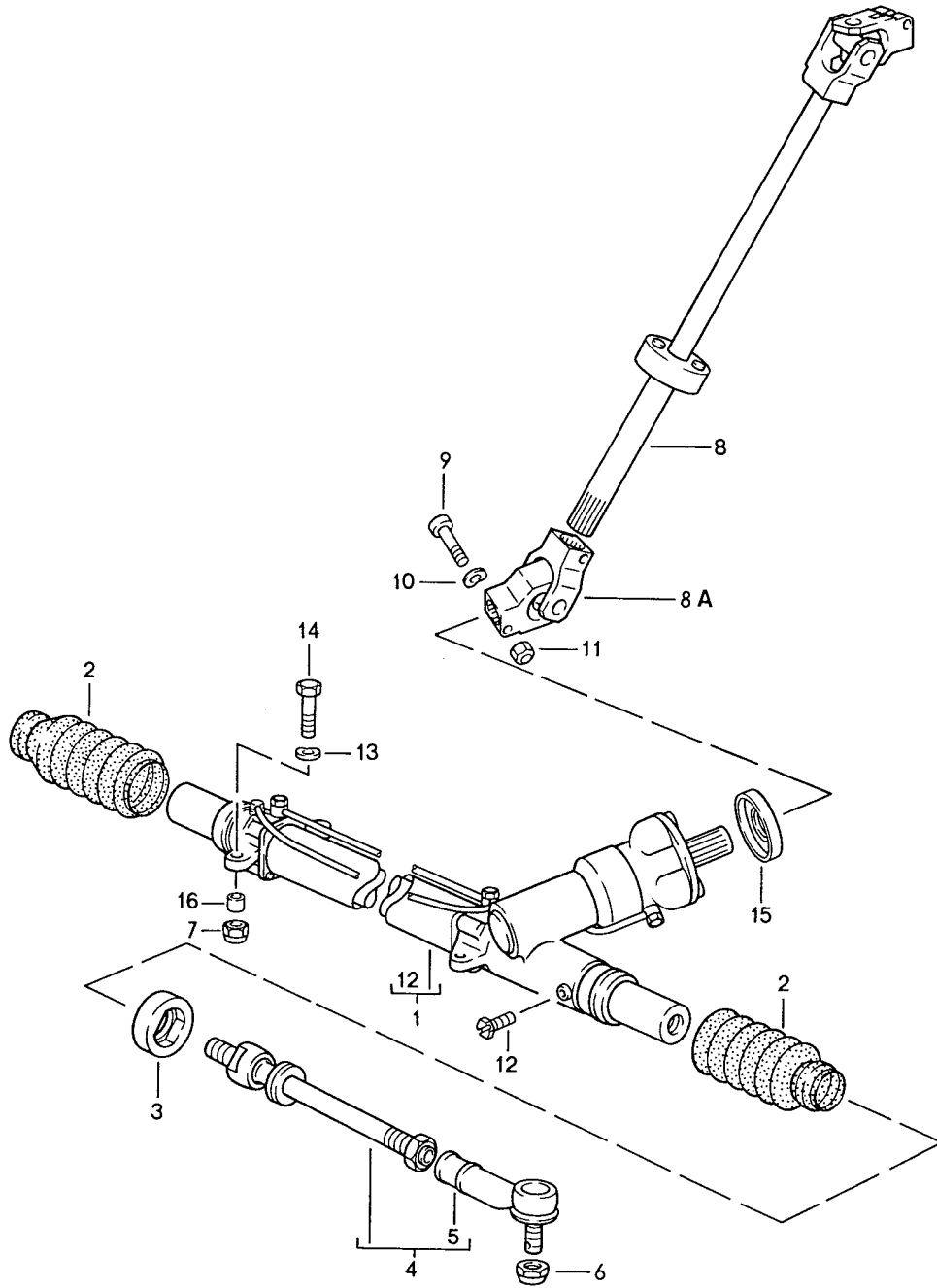


Model: 928 87 Model life 1987>>1991

Pos	Part Number	Description	Remark	Qty	Model
1	928 343 055 07	suspension Vibration damper - boge - Modification parts Sports suspension Only by sets Front axle 928.343.055.09	VR/VL	2	M474
(1)	928 343 055 08	928.343.055.09 Only together with Rear axle 928.333.051.17	HR/HL	2	M474
(1)	928 343 055 09	Vibration damper - bilstein -		2	M474 M637
2	928 343 525 03	Concave washer		2	
3	928 333 551 00	Supporting cover		2	
4	911 333 511 00	Washer		2	
5	928 343 527 02	Additional spring		2	
6	928 343 507 03	Boot		2	
7	928 343 511 09	Front wheel spring 1 set		1	
	928 343 511 09 404	Identification Brown			
7	928 343 511 09	Front wheel spring		1	
	928 343 511 09 403	Identification Brown 1 set			
7	928 343 511 12	Front wheel spring 1 set		1	M637
	928 343 511 12 504	Identification Orange			
8	928 343 047 07	Concave washer	-88	2	
8	928 343 047 08	Concave washer		2	
8	928 343 047 07	Concave washer	89-	2	
8	928 343 047 08	Concave washer	89-	2	
9	928 343 523 00	Washer		4	
10	928 343 051 01	Mounting for absorber		2	
11	N 022 141 1	Captive nut NM 12 X 1,5		4	
11	900 360 002 01	Lock nut NM 12 X 1,5		4	
11	900 360 002 0B	Lock nut NM 12 X 1,5		4	
12	999 025 074 02	Washer		2	
12	999 025 074 01	Washer		2	
13	900 082 044 02	Hexagon-head bolt M 12 X 1,5 X 125		2	
13	900 082 118 01	Hexagon-head bolt M 12 X 1,5 X 125		2	
14	928 343 535 02	Nut		2	
15	928 343 537 00	Threaded ring		2	
16	900 025 008 09	Washer A 10,5		6	
16	900 025 008 04	Washer A 10,5		6	
17	900 910 031 09	Lock nut NM 10		6	
17	900 910 031 01	Lock nut NM 10		6	

Model: 928 87

Model life 1987>>1991

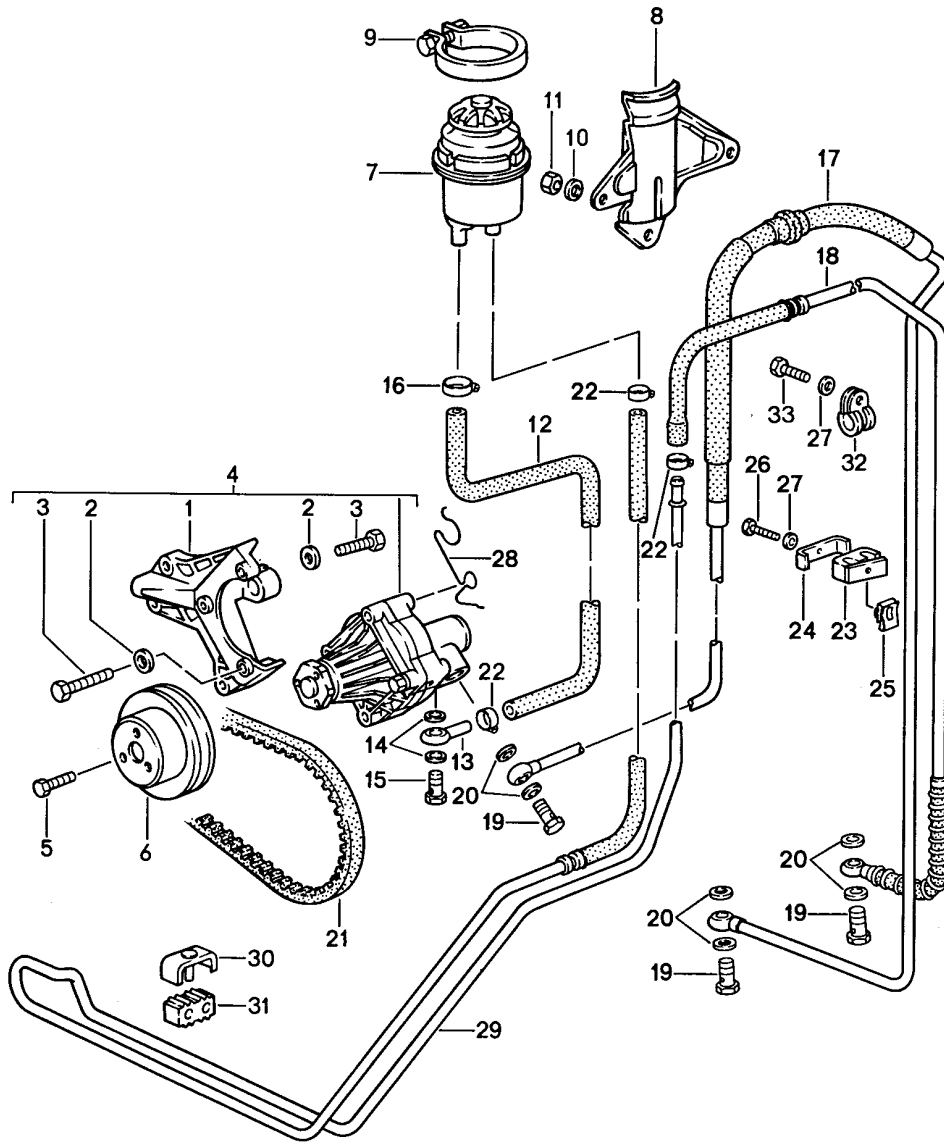


Model: 928 87 Model life 1987>>1991

Pos	Part Number	Description	Remark	Qty	Model
		Steering gear			
		Tie rod			
1	928 347 010 24	Steering gear	/LL -90	1	
1	928 347 010 27	Steering gear	/LL 91-	1	
1	928 347 010 DX	Steering gear	/LL 91-	1	
1	928 347 010 CX	Steering gear	/LL 91-	1	
1	928 347 010 27	Steering gear		1	
1	928 347 010 DX	Steering gear		1	
1	928 347 010 CX	Steering gear		1	
1	927 347 010 26	Steering gear	/RL -90	1	
1		Steering gear	/RL 91-	1	
(2)	928 347 191 03	Bellows		2	
3	928 347 329 04	Stop		2	
4	928 347 031 07	Tie rod		2	
4	928 347 031 09	Tie rod		2	
5	928 347 322 02	Ball joint		2	
6	900 910 046 02	Lock nut		2	
6	999 084 439 09	Lock nut		2	
6	999 084 445 09	Lock nut		2	
6	999 084 445 01	Lock nut		2	
7	N 021 130 3	Lock nut		4	
7	N 021 130 D	Lock nut		4	
8	928 347 093 01	Intermed. steering shaft	/LL	1	
(8)	927 347 093 01	Intermed. steering shaft	/RL	1	
8A	928 347 021 04	Universal joint		1	
9	N 010 359 4	Hexagon-head bolt		3	
10	N 012 241 8	Spring washer		3	
		B 8			
11	900 910 022 02	Lock nut		3	
12	999 063 002 40	Screw plug		1	
		AM 12 X 1,5			
13	900 028 005 02	Spring washer		4	
		A 10			
14	N 010 445 2	Hexagon-head bolt	/LL	4	
		M 10 X 45			
14	900 074 372 01	Hexagon-head bolt	/LL	4	
		M 10 X 45			
(14)	N 010 445 2	Hexagon-head bolt	/RL	3	
		M 10 X 45			
(14)	900 074 372 01	Hexagon-head bolt	/RL	3	
		M 10 X 45			
(14)	N 010 450 5	Hexagon-head bolt	/RL	1	
		M 10 X 50			
(14)	900 074 373 02	Hexagon-head bolt	/RL	1	
		M 10 X 50			
15	928 347 923 00	Protection cap		1	
16	928 347 779 03	Bush		4	

Model: 928 87

Model life 1987>>1991



Model: 928 87 Model life 1987>>1991

Pos	Part Number	Description	Remark	Qty	Model
		Power steering Lines			
1	928 347 121 03	Support	-90	1	
1		Support		1	
(1)	928 347 121 02	Support	91	1	
2	900 025 007 02	Washer A 8,4		5	
2	900 025 007 03	Washer A 8,4		5	
3	N 010 353 3	Hexagon-head bolt M 8 X 42		4	
4	928 347 089 01	Vane type pump	-90	1	
4	928 347 089 AX	Vane type pump		1	
4	928 347 089 BX	Vane type pump		1	
4	928 347 089 01	Vane type pump	91	1	
4	928 347 089 AX	Vane type pump	91-	1	
4	928 347 089 BX	Vane type pump	91-	1	
-	928 347 921 01	Repair kit for 928.347.089.00	-90	1	
5	999 072 005 09	Hexagon nut M 6 X 12		3	
5	999 072 005 01	Hexagon nut M 6 X 12		3	
6	928 347 441 10	Pulley		1	
7	928 347 015 03	Oil tank		1	
-	928 347 925 00	Lid for Oil tank		1	
-	928 347 927 00	Gasket for Lid		1	
8	928 347 333 00	Support		1	
-	928 501 817 02	Retaining bracket for Lines		1	
-	928 501 817 02 GRV	Retaining bracket Prime coated for Lines		1	
9	999 512 350 02	Hose clamp SGL 80-100-9		1	
10	900 151 008 02	Washer B 8,4		3	
11	900 084 004 03	Hexagon nut NM 8		3	
11	900 084 004 02	Hexagon nut NM 8		3	
12	928 347 445 05	Moulded hose		1	
12	928 347 445 06	Moulded hose Information available		1	
13	999 230 158 02	Nipple with elastic ring		1	
14	N 100 184 01	Sealing ring A 16 X 20		2	
15	900 134 014 02	Banjo bolt A 10		1	
16	999 512 346 00	Hose clamp		1	
17	928 347 447 05	Pressure line	/LL -90	1	
17	928 347 447 07	Pressure line	/LL 91	1	
(17)	927 347 447 02	Pressure line	/RL -90	1	
(17)	927 347 447 04	Pressure line	/RL 91	1	
18	928 347 449 07	Return line	/LL -90	1	
18	928 347 449 09	Return line	/LL 91	1	

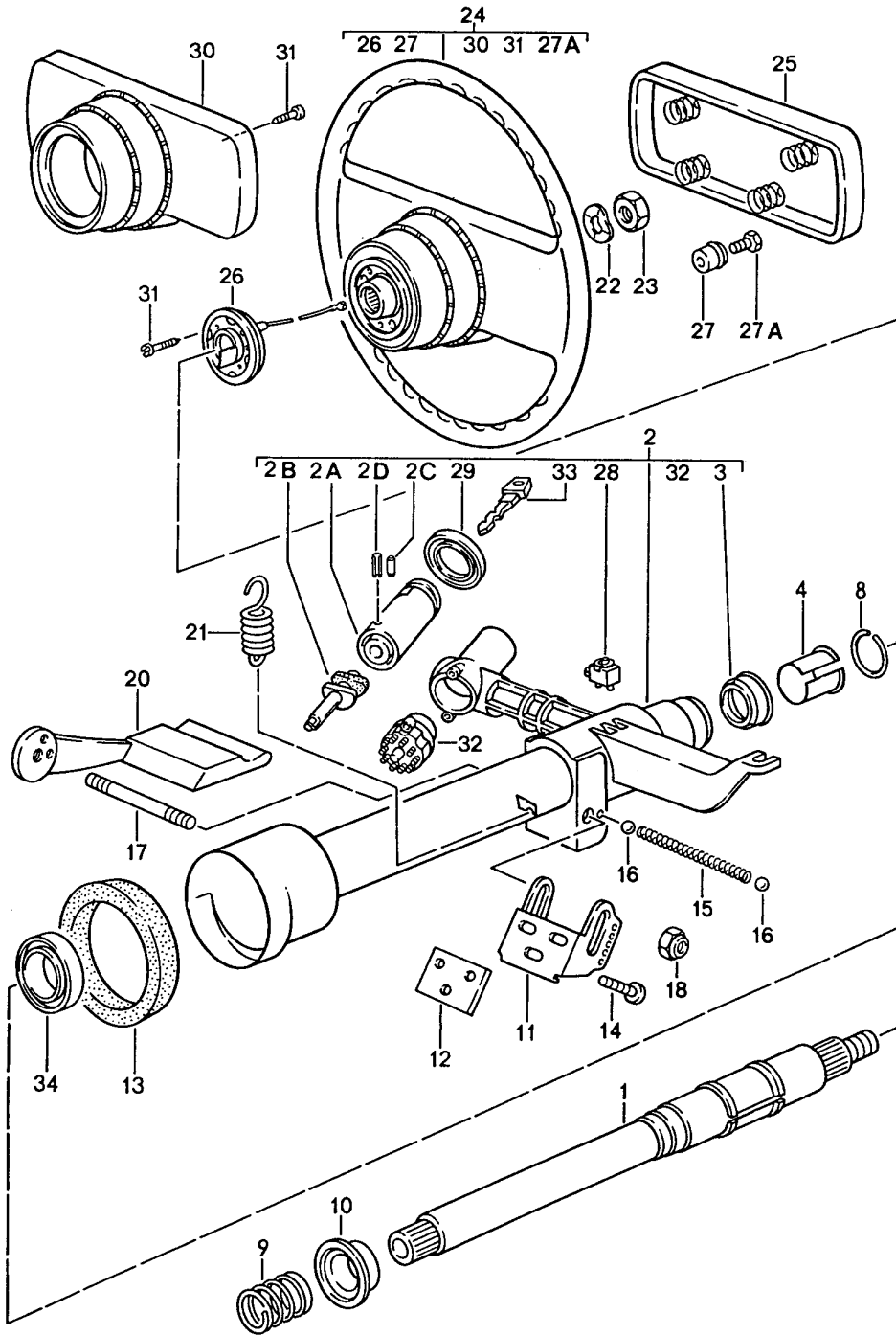
Model: 928 87

Model life 1987>>1991

Pos	Part Number	Description	Remark	Qty	Model
(18)	927 347 449 03	Return line	/RL -90	1	
(18)	927 347 449 05	Return line	/RL 91	1	
19	900 134 007 02	Banjo bolt		2	
19	900 134 007 01	Banjo bolt		2	
19	PCG 134 007 01	Banjo bolt		2	
20	900 123 042 20	Sealing ring 14 X 18		4	
21	999 192 286 50	V-belt 12,5 X 1000		1	
22	999 512 554 00	Hose clamp A 8 X 9		3	
23	999 511 121 40	Clip	-90	1	
(23)	928 347 560 00	Pipe clamp	91	1	
24	928 347 455 00	Shim	-90	1	
(24)	928 347 529 00	Shim	91	1	
25	999 507 003 02	Speed nut B 6,3		1	
25	999 507 003 01	Speed nut B 6,3		1	
26	900 187 032 02	Tapping screw 6,3 X 32		1	
(26)	900 143 155 02	Oval-head screw B 4,8 X 32 ZI		1	
27	N 011 524 7	Washer A 6,4		2	
27	N 011 524 27	Washer A 6,4		2	
28	928 347 429 00	Support		1	
(28)	928 347 429 01	Support		1	
29	928 347 350 00	Radiator coil		1	
30	928 347 555 00	Clamp		2	
31	928 347 527 00	Rubber mounting		2	
32	999 511 156 00	Clamp		2	
(32)	N 020 601 1	Pipe clamp		2	
(32)	N 020 601 A	Pipe clamp		2	
33	N 010 210 7	Hexagon-head bolt M 6 X 10		2	

Model: 928 87

Model life 1987>>1991



Model: 928 87 Model life 1987>>1991

Pos	Part Number	Description	Remark	Qty	Model
1	928 347 061 06	Steering parts			
		Steering wheel			
2	928 347 903 02	Steering shaft		1	
		Steering lock	-89	1	
		with			
		Steering outer tube			
		with 1 key			
		W/o stipulated lock number			
2	928 347 903 12	Steering lock	90-	1	
		with			
		Steering outer tube			
		with 1 key			
		W/o stipulated lock number			
(2)	928 347 903 03	Steering lock	-89	1	
		with			
		Steering outer tube			
		with 1 key			
		State lock number			
(2)	928 347 903 11	Steering lock	90-	1	
		with			
		Steering outer tube			
		with 1 key			
		State lock number			
2A	928 347 915 01	Lock cylinder	-89	1	
		for			
		Steering lock			
		with 1 key			
		W/o stipulated lock number			
2A		Lock cylinder	90-	1	
		for			
		Steering lock			
		with 1 key			
		W/o stipulated lock number			
2A	928 347 917 01	Lock cylinder	-89	1	
		for			
		Steering lock			
		with 1 key			
		with stipulated lock number			
2B	928 347 919 00	Control cams		1	
2B	928 347 755 02	Control cams		1	
		Use also:			
-	928 347 962 00	Intermediate piece		1	
-	900 015 030 02	Intermediate piece		2	
2C	900 091 001 00	Dowel pin		1	
		3 X 8			
2D	900 095 007 00	Roll pin		1	
		3 X 12			
3	928 347 791 00	Steering shaft bearing		1	
4	928 347 739 02	Support ring		1	
8	113 415 531	Circlip		1	
9	928 347 213 07	Compression spring		1	
-	N 100 545 01	Shim		X	
		0,3 MM			
-	N 027 416 1	Shim		X	
		0,5 MM			
-	N 100 511 01	Shim		X	
		1,0 MM			
-	N 100 512 01	Shim		X	
		1,5 MM			
10	928 347 241 01	Steering shaft bearing	-88	1	
10		Steering shaft bearing	89-	1	
11	928 347 369 04	Bracket		1	
12	928 347 370 01	Desk pad		X	

Model: 928 87 Model life 1987>>1991

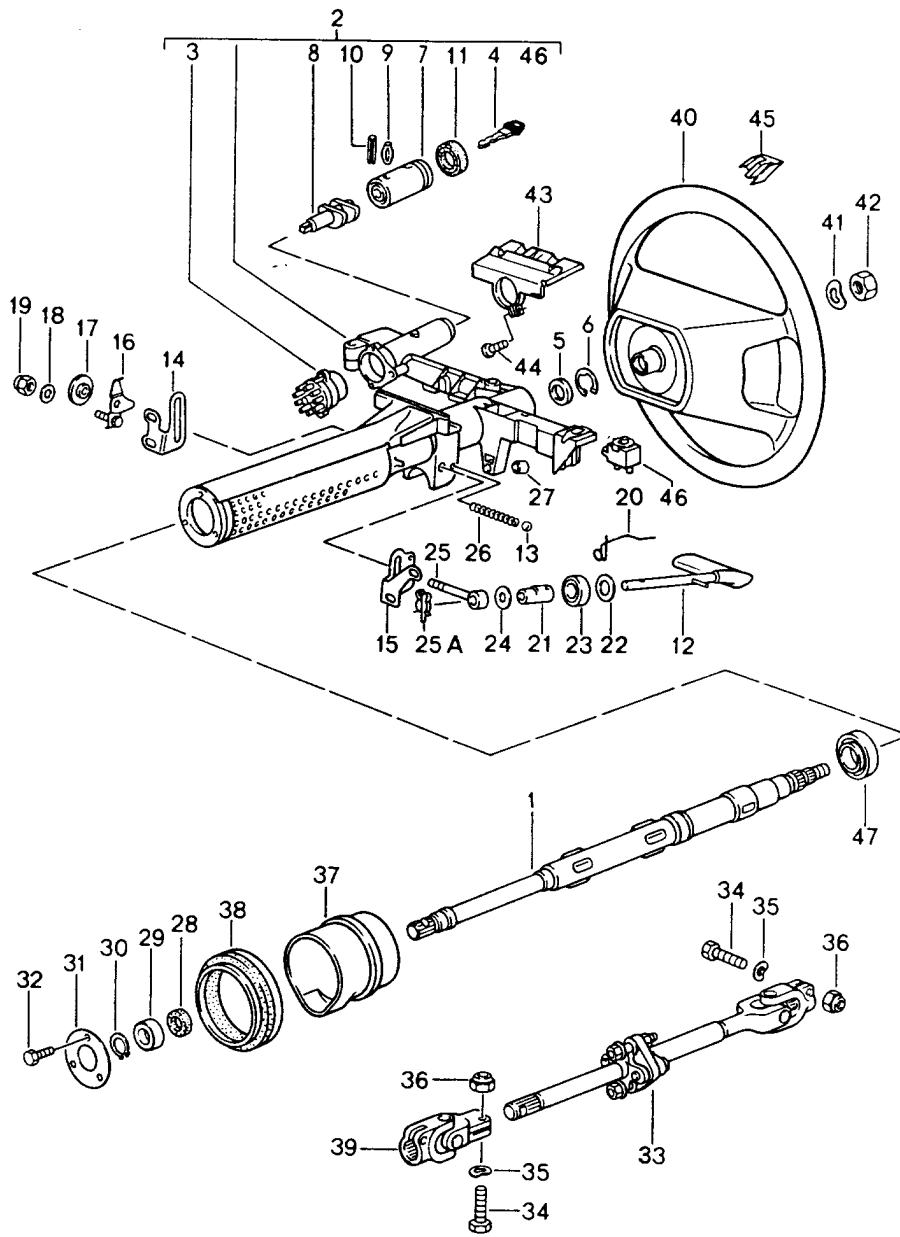
Pos	Part Number	Description	Remark	Qty	Model
(12)	928 347 370 02	Desk pad		X	
(12)	928 347 370 03	Desk pad		X	
13	928 347 659 02	Sealing ring		1	
14	N 014 782 1	Pan-head screw M 6 X 25		3	
15	928 347 375 01	Compression spring		1	
16	900 108 020 00	Ball 6 MM		2	
17	928 347 259 02	Threaded bolt		1	
18	900 910 022 02	Lock nut		2	
20	928 347 033 02	Control lever		1	
21	928 347 377 03	Tension spring		1	
22	N 012 239 1	Spring washer B 18		1	
23	900 078 007 02	Hexagon nut M 18 X 1,5		1	
24	928 347 084 02	Sports steering wheel	-90	1	
	928 347 084 02 1AJ	Black			
	928 347 084 02 7LD	Burgundy			
	928 347 084 02 5JX	Greyish green	-88		
	928 347 084 02 3LZ	Mahogany			
	928 347 084 02 2UT	Caramel			
	928 347 084 02 6KT	Venetian blue			
	928 347 084 02 2JZ	Marine blue			
	928 347 084 02 7LZ	Velvet red			
	928 347 084 02 8WH	Slate grey			
(24)	928 347 084 05	Sports steering wheel	91-	1	
	928 347 084 05 1AJ	Black			
	928 347 084 05 7WH	Classic grey			
	928 347 084 05 9WW	Cobalt blue			
	928 347 084 05 4XW	Magenta			
	928 347 084 05 M47	Matador red			
	928 347 084 05 D17	Carrara grey			
	928 347 084 05 J27	Sherwood green			
	928 347 084 05 L07	Scala red			
	928 347 084 05 A37	Greenwich grey			
(24)	928 347 084 04	Sports steering wheel	-90	1	M018
	928 347 084 04 7YA	Black			
	928 347 084 04 7LD	Burgundy			
	928 347 084 04 5JX	Greyish green	-88		
	928 347 084 04 2UT	Caramel			
	928 347 084 04 6KT	Venetian blue			
	928 347 084 04 2JZ	Marine blue			
	928 347 084 04 7LZ	Velvet red			
	928 347 084 04 8WH	Slate grey			
(24)	928 347 084 06	Sports steering wheel	91-	1	M018
	928 347 084 06 1AJ	Black			
	928 347 084 06 7WH	Classic grey			
	928 347 084 06 9WW	Cobalt blue			
	928 347 084 06 4XW	Magenta			
	928 347 084 06 M47	Matador red			
	928 347 084 06 D17	Carrara grey			
	928 347 084 06 J27	Sherwood green			
	928 347 084 06 L07	Scala red			
	928 347 084 06 A37	Greenwich grey			
	928 347 084 06 8WH	Slate grey			
25	911 347 859 01	Padded cap	87	1	
	911 347 859 01 1AJ	Black			
	911 347 859 01 7LD	Burgundy			
	911 347 859 01 5JX	Greyish green			
	911 347 859 01 3LZ	Mahogany			
	911 347 859 01 2UT	Caramel			
	911 347 859 01 6KT	Venetian blue			

Model: 928 87 Model life 1987>>1991

Pos	Part Number	Description	Remark	Qty	Model
25	911 347 859 01 2JZ	Marine blue			
	911 347 859 07	Padded cap	88-90	1	
	911 347 859 07 1AJ	Black			
	911 347 859 07 7LD	Burgundy			
	911 347 859 07 5JX	Greyish green	88		
	911 347 859 07 3LZ	Mahogany			
	911 347 859 07 2UT	Caramel			
	911 347 859 07 6KT	Venetian blue			
	911 347 859 07 2JZ	Marine blue			
	911 347 859 07 7LZ	Velvet red			
25	911 347 859 07 8WH	Slate grey			
	911 347 859 07	Padded cap	91-	1	
	911 347 859 07 1AJ	Black			
	911 347 859 07 7WH	Classic grey			
	911 347 859 07 9WW	Cobalt blue			
	911 347 859 07 4XW	Magenta			
	911 347 859 07 M47	Matador red			
	911 347 859 07 D17	Carrara grey			
	911 347 859 07 J27	Sherwood green			
	911 347 859 07 L07	Scala red			
26	911 347 859 07 A37	Greenwich grey			
	928 347 099 00	Slip ring		1	
27	321 419 779 A	Insulating bush		4	
27A	900 075 230 10	Hexagon-head bolt		4	
		M 4 X 16			
28	911 613 125 00	Buzzer contact		1	
29	928 347 913 00	Rubber boot		1	
30	928 347 857 02	Lining		1	
	928 347 857 02 1DB	Black			
	928 347 857 02 7LD	Burgundy			
	928 347 857 02 5JX	Greyish green	-88		
	928 347 857 02 8MF	Mahogany			
	928 347 857 02 5KF	Marine blue			
30	928 347 857 02	Lining	91-	1	
	928 347 857 02 1DB	Black			
	928 347 857 02 5XL	Classic grey			
	928 347 857 02 6ZH	Cobalt blue			
	928 347 857 02 5XW	Magenta			
31	113 415 869	Oval-head screw		6	
		M 3,5 X 10			
32		Ignition starter switch			
		See illustrations			
		9/01/00			
33		Engine electrics			
		Key			
		See group			
34	999 052 151 00	8/04/05			
		8/04/20			
		Deep-groove ball bearing		1	
		19 X 32 X 7			

Model: 928 87

Model life 1987>>1991



Model: 928 87 Model life 1987>>1991

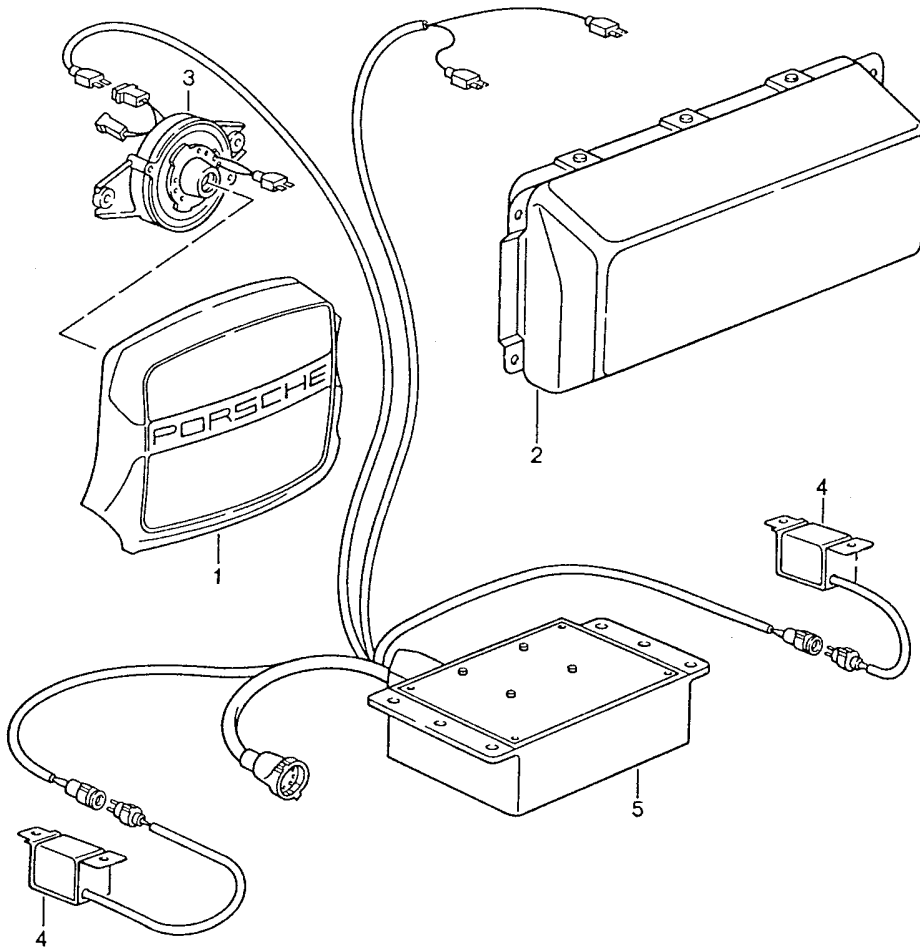
Pos	Part Number	Description	Remark	Qty	Model
		Steering parts	90-		
		Steering wheel			
		Airbag			
1	928 347 019 02	Steering shaft		1	
2	928 347 903 14	Steering lock		1	
		with			
		Steering outer tube			
		with 1 key			
		W/o stipulated lock number			
(2)	928 347 903 13	Steering lock		1	
		with			
		Steering outer tube			
		with 1 key			
		State lock number			
3		See group			
		9/01/00			
4		See group			
		8/04/05			
5	999 234 004 00	Shim		1	
6	999 042 017 01	Snap ring		1	
7	928 347 915 01	Lock cylinder		1	
		for			
		Steering lock			
		with 1 key			
		W/o stipulated lock number			
7	928 347 917 01	Lock cylinder		1	
		for			
		Steering lock			
		with 1 key			
		with stipulated lock number			
8	928 347 919 00	Control cams		1	
8	928 347 755 02	Control cams		1	
		Use also:			
-	928 347 962 00	Intermediate piece		1	
-	900 015 030 02	Intermediate piece		2	
9	900 091 001 00	Dowel pin		1	
		3 X 8			
10	900 095 007 00	Roll pin		1	
		3 X 12			
11	928 347 913 00	Rubber boot		1	
12	928 347 033 05	Control lever		1	
	928 347 033 05 70B	Black			
(12)	928 347 033 06	Control lever		1	
	928 347 033 06 70A	Black			
13	900 108 020 00	Ball		1	
14	928 347 366 00	Bracket	/R	1	
15	928 347 365 00	Bracket	/L	1	
16	928 347 082 00	Valve lever		1	
17	928 347 086 00	Adjusting nut		1	
18	900 223 003 02	Washer		1	
		6,4			
19	900 910 010 09	Lock nut		1	
		M 6			
20	928 347 376 01	Spring		1	
21	928 347 341 00	Eccentric		1	
(21)	928 347 341 01	Eccentric		1	
22	999 025 208 40	Washer		1	
		15,1 X 26 X 1,2			
23	999 201 340 00	Needle-roller bearing		1	
		15 X 28 X 13			
24	N 012 230 1	Washer		X	
		B 10			
25	928 347 055 00	Tensioning device		1	

Model: 928 87 Model life 1987>>1991

Pos	Part Number	Description	Remark	Qty	Model
25A	999 021 005 01	Cotter pin		1	
26	928 347 375 01	Compression spring		1	
27	999 924 002 40	Bush		1	
28	999 235 002 90	Sealing ring 24 X 33 X 8		1	
29	999 052 155 00	Deep-groove ball bearing 20 X 37 X 9		1	
30	999 041 021 01	Circlip 20 X 1,2		1	
31	928 347 719 01	Flange		1	
32	999 072 005 09	Hexagon nut M 6 X 12		3	
32	999 072 005 01	Hexagon nut M 6 X 12		3	
33	928 347 093 01	Intermed. steering shaft		1	
34	N 010 359 4	Hexagon-head bolt M 8 X 38		1	
35	N 012 241 8	Spring washer B 8		1	
36	900 910 022 02	Lock nut M 8		1	
37	928 347 709 11	Funnel		1	
38	928 347 659 02	Sealing ring		1	
39	928 347 021 04	Universal joint		1	
40	944 347 804 51	Sports steering wheel	91-	1	
	944 347 804 51 1AJ	Black			
	944 347 804 51 7WH	Classic grey			
	944 347 804 51 9WW	Cobalt blue			
	944 347 804 51 4XW	Magenta			
41	N 012 238 1	Spring washer B 16		1	
42	900 078 006 01	Hexagon nut M 16		1	
43	928 347 059 03	Guide runner		1	
44	N 014 128 13	Oval-head screw M 5 X 8		1	
45	944 347 836 00	Horn button	/R 91-	1	
	944 347 836 00 01C	Black			
	944 347 836 00 7WH	Classic grey			
	944 347 836 00 9WW	Cobalt blue			
	944 347 836 00 4XW	Magenta			
(45)	944 347 835 00	Horn button	/L 91-	1	
	944 347 835 00 01C	Black			
	944 347 835 00 7WH	Classic grey			
	944 347 835 00 9WW	Cobalt blue			
	944 347 835 00 4XW	Magenta			
-	944 612 355 00	Wiper contact		1	
-	944 347 831 00	Switch housing	/L 91-	1	
	944 347 831 00 01C	Satin black			
	944 347 831 00 6ZF	Cobalt blue			
	944 347 831 00 4XC	Classic grey			
	944 347 831 00 6WX	Magenta			
-	944 347 832 00	Switch housing	/R 91-	1	
	944 347 832 00 01C	Satin black			
	944 347 832 00 6ZF	Cobalt blue			
	944 347 832 00 4XC	Classic grey			
	944 347 832 00 6WX	Magenta			
47	999 052 160 00	Deep-groove ball bearing 30 X 42 X 7		1	
47	999 052 102 00	Deep-groove ball bearing 30 X 42 X 7		1	

Model: 928 87

Model life 1987>>1991



Model: 928 87 Model life 1987>>1991

Pos	Part Number	Description	Remark	Qty	Model
1	944 347 089 03	Airbag Switch unit Airbag unit Driver's side	90-	1	
	944 347 089 03 1AJ	Black			
	944 347 089 03 3LZ	Black	90		
	944 347 089 03 2JZ	Marine blue	90		
	944 347 089 03 7LD	Burgundy	90		
(1)	944 347 989 06	Airbag unit Driver's side Set		1	
	944 347 989 06 1AJ	Black			
	944 347 989 06 7WH	Classic grey			
	944 347 989 06 9WW	Cobalt blue			
	944 347 989 06 4XW	Magenta			
2	928 803 071 01	Airbag unit Passenger's side		1	
3	928 652 211 01	Support for contact		1	
4	928 613 220 02	Front sensor		2	
5	928 618 217 00	Switch unit		1	
-	928 618 401 00	Shear bolt		2	
-	964 612 901 00	Securing clip Blue		1	
-	999 073 030 02	Pan-head screw M 6 X 19		2	
-	N 013 968 7	Tapping screw B 4,8 X 13		2	
-	900 143 097 01	Tapping screw B 4,8 X 13		2	
-	944 618 401 00	Nut M 6		4	
-	N 011 524 7	Washer A 6,4		4	
-	N 011 524 27	Washer A 6,4		4	

Model: 928 87

Model life 1987>>1991



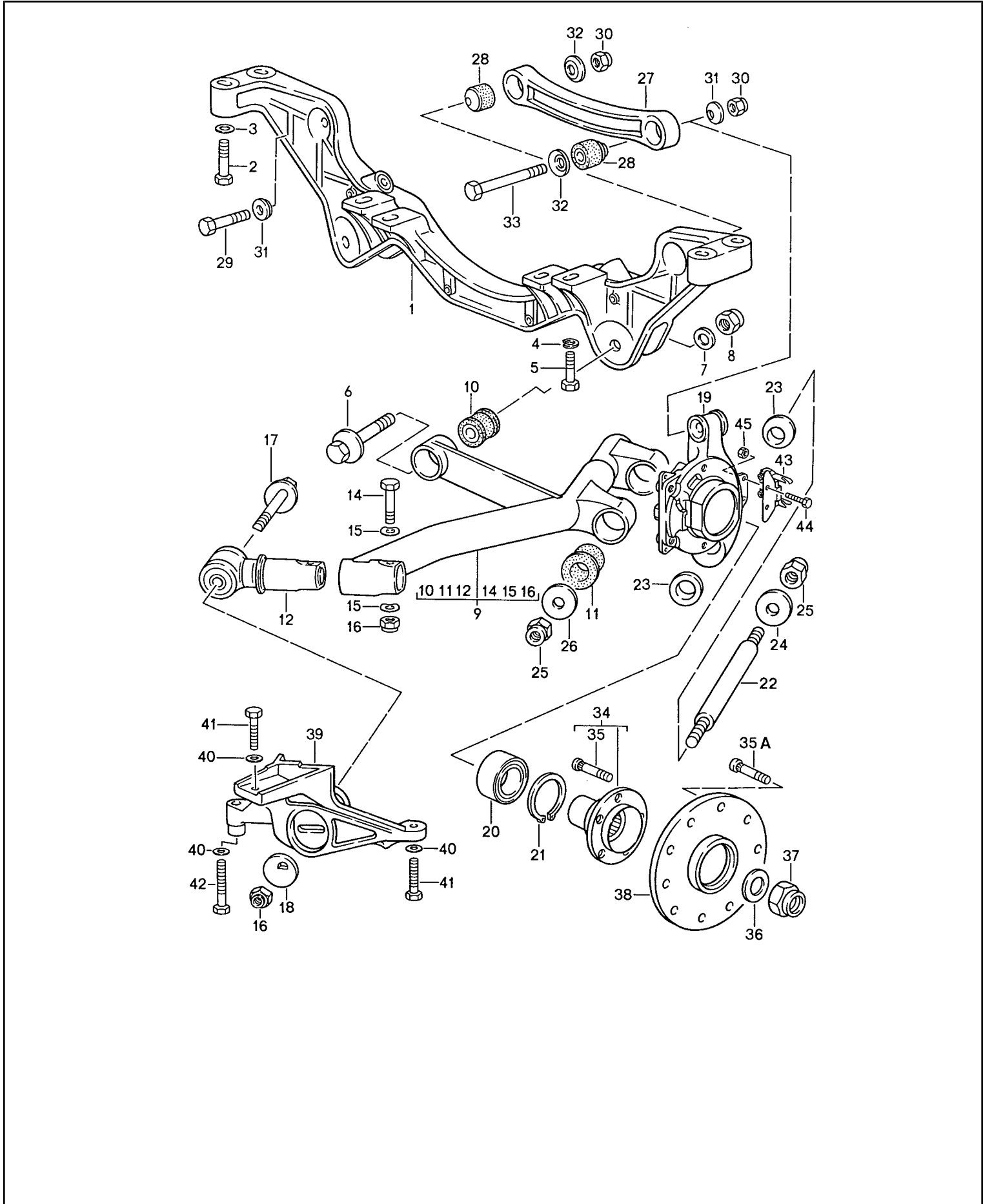
Model: 928 87

Model life 1987>>1991

Pos	Part Number	Description	Remark	Qty	Model
>>	928 347 921 01	Repair kits Repair kit for Vane type pump 928.347.089.00 Comprising: Sealing ring Front Sealing ring Inner Ring Inner O-ring Inner		X 1 1 1 1	

Model: 928 87

Model life 1987>>1991



Model: 928 87 Model life 1987>>1991

Pos	Part Number	Description	Remark	Qty	Model
1	928 331 131 17	Rear axle		1	M249
(1)	928 331 131 18	Rear axle cross member		1	M481
2	N 010 473 6	Hexagon-head bolt M 10 X 75		4	
3	900 223 011 01	Washer B 10,5		4	
3	900 223 011 02	Washer B 10,5		4	
4	999 025 086 02	Square washer 12,1 X 24		2	
4A	999 025 085 02	Washer 12,5 X 30 X 1		X	
5	N 010 141 4	Hexagon-head bolt M 12 X 1,5 X 45		2	
6	928 331 075 04	Eccentric screw		2	
7	928 331 581 00	Washer		2	
8	900 910 094 02	Lock nut		2	
9	928 331 043 06	Control arm	/L	1	
(9)	928 331 044 06	Control arm	/R	1	
10	928 331 588 10	Rubber mounting		2	
11	928 331 588 13	Rubber mounting		4	
11	928 331 588 15	Rubber mounting		4	
12	928 331 085 00	Rocker bar		2	
14	900 082 140 01	Hexagon-head bolt M 12 X 1,5 X 75		2	
15	900 028 014 02	Washer		4	
15	900 028 014 03	Washer		4	
16	N 022 141 4	Lock nut		4	
17	928 331 659 05	Eccentric screw		2	
18	928 331 523 12	Eccentric washer		2	
(19)	928 331 219 09	Wheel carrier	/L -88	1	
(19)	928 331 219 09	Wheel carrier	/L 89-	1	M482
19	928 331 220 09	Wheel carrier	/R -88	1	
(19)	928 331 220 09	Wheel carrier	/R 89-	1	M482
20	928 331 583 00	Angular-contact bearing		2	
(20)	999 053 050 00	Angular-contact bearing		2	
(20)	999 053 055 02	Angular-contact bearing		2	
21	900 042 030 02	Circlip		2	
22	928 331 641 01	Bearing pin		2	
23	928 331 655 06	Cone washer		4	
24	928 331 647 02	Washer		2	
25	900 910 094 02	Lock nut		4	
26	928 331 647 00	Washer		4	
27	928 331 101 02	Control arm		2	
28	928 331 089 02	Link bearing		4	
28	928 331 089 04	Link bearing		4	
29	N 010 470 7	Hexagon-head bolt M 10 X 70		2	
29	N 010 470 1	Hexagon-head bolt M 10 X 70		2	
30	900 910 031 09	Lock nut		4	
30	900 910 031 01	Lock nut		4	
32	928 331 575 01	Cone washer		4	
31	928 331 649 02	Cone washer		2	
33	N 010 482 3	Hexagon-head bolt M 10 X 105		2	
34	928 331 065 07	Rear-wheel hub with Wheel bolt		2	
(34)	928 331 065 08	Wheel hub Widening of track with		2	

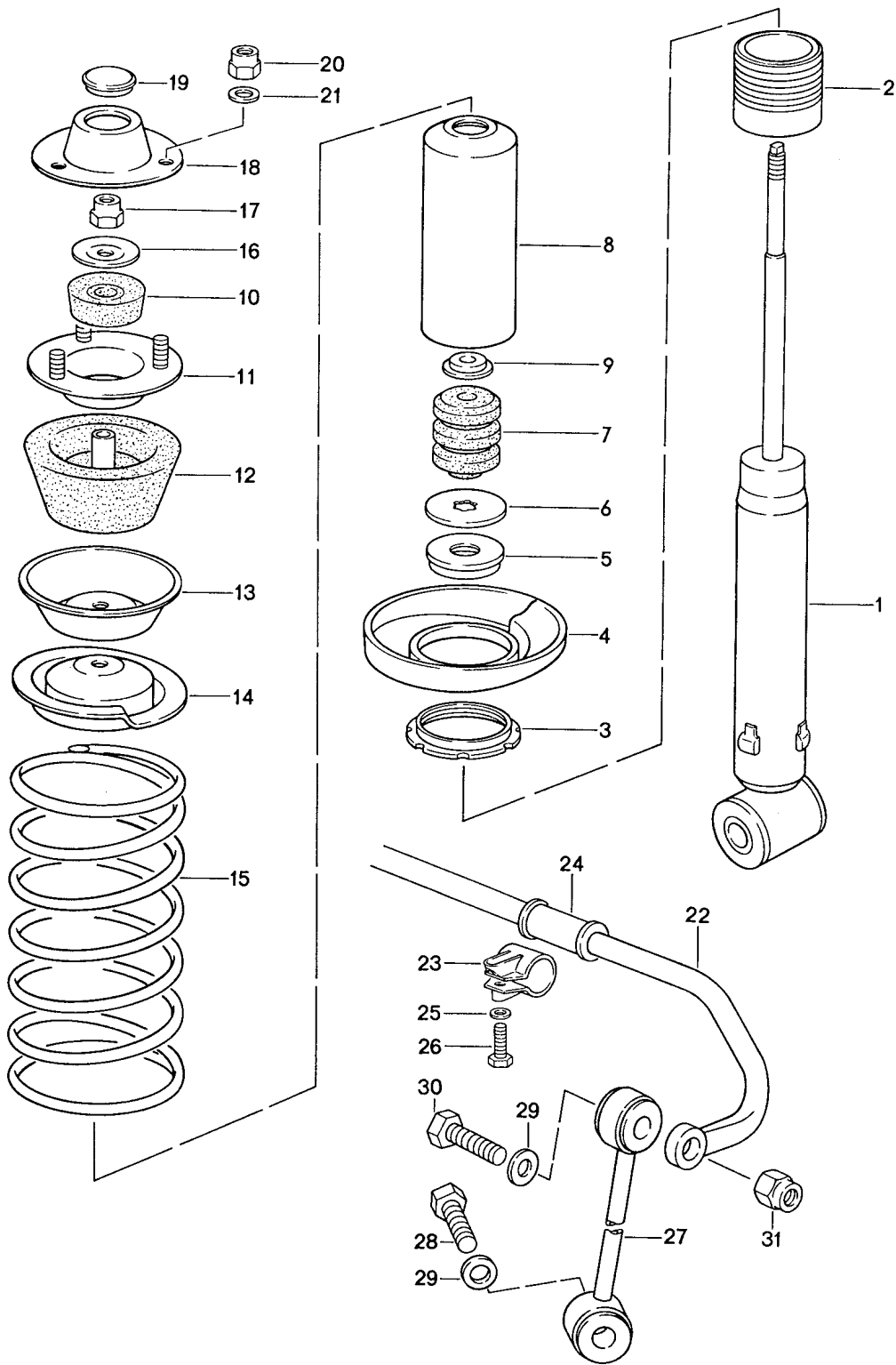
Model: 928 87

Model life 1987>>1991

Pos	Part Number	Description	Remark	Qty	Model
35	928 341 671 02	Wheel bolt Oversize		10	
(35)		Wheel bolt		10	
		Widening of track Oversize			
35A	904 341 671 00	Wheel bolt		10	M393
35A	993 331 671 02	Wheel bolt		10	M393
36	928 331 591 02	Washer		2	
37	900 910 093 02	Lock nut		2	
38	951 331 611 02	Spacer ring 17 MM		2	M393
39	928 331 111 00	Link bearing	/L	1	
(39)	928 331 112 00	Link bearing	/R	1	
40	900 223 011 01	Washer		10	
40	900 223 011 02	Washer		10	
41	N 010 450 5	Hexagon-head bolt M 10 X 50		4	
41	900 074 373 02	Hexagon-head bolt M 10 X 50		4	
42	N 010 473 6	Hexagon-head bolt M 10 X 75		6	
43	928 331 081 01	Support	89-	2	M482
44	900 075 014 02	Hexagon-head bolt M 6 X 18	89-	4	M482
44	900 075 014 03	Hexagon-head bolt M 6 X 18	89-	4	M482
45	900 910 012 02	Lock nut M 6	89-	4	M482
45	900 910 047 09	Lock nut M 6	89-	4	M482

Model: 928 87

Model life 1987>>1991



Model: 928 87 Model life 1987>>1991

Pos	Part Number	Description	Remark	Qty	Model
1	928 333 051 16	suspension Stabiliser Vibration damper		2	
(1)	928 333 051 17	- boge - Vibration damper		2	M474
2	928 333 511 05	- boge - Threaded sleeve	-89	2	M637
3	928 333 513 02	Adjusting nut		2	
4	928 333 521 07	Concave washer		2	
5	928 333 551 00	Supporting cover		2	
6	911 333 511 00	Washer		2	
7	928 333 518 10	Additional spring		2	
8	928 333 502 01	Protective tube		2	
9	928 333 517 01	Retaining ring		2	
10	928 333 465 01	Damping rubber		2	
11	928 333 064 00	Fastening plate		2	
12	928 333 043 00	Supporting rubber		2	
12	928 333 043 01	Supporting rubber		2	
13	928 333 436 02	Supporting plate		2	
14	928 333 522 08	Concave washer		2	
15	928 333 531 14	Rear wheel spring		2	
		Identification Blue			
	928 333 531 14 301	1 colour line			
	928 333 531 14 302	2 colour lines			
	928 333 531 14 303	3 colour lines			
15	928 333 531 14	Rear wheel spring		2	
		Identification Blue			
15	928 333 531 14 304	Rear wheel spring		2	
		Identification Blue			
16	928 333 525 01	Washer		2	
17	900 910 046 02	Lock nut		2	
17	999 084 439 09	Lock nut		2	
17	999 084 445 09	Lock nut		2	
17	999 084 445 01	Lock nut		2	
18	928 333 151 01	Lid		2	
18	928 333 151 02	Lid		2	
19	999 703 131 40	Lid		2	
20	900 910 031 09	Lock nut		6	
20	900 910 031 01	Lock nut		6	
21	900 025 008 09	Washer		6	
		A 10,5			
21	900 025 008 04	Washer		6	
		A 10,5			
22	928 333 701 34	Stabiliser		1	
		22 MM			
23	928 333 085 00	Clip		2	
24	928 333 754 26	Bearing		2	
		22 MM			
25	477 407 425	Washer		2	
26	N 010 472 4	Hexagon-head bolt		2	
		M 10 X 85			
26	900 074 375 01	Hexagon-head bolt		2	
		M 10 X 85			
27	928 333 059 01	Stabiliser mounting	/L	1	
27	928 333 059 02	Stabiliser mounting	/L	1	
27	928 333 060 01	Stabiliser mounting	/R	1	
27	928 333 060 02	Stabiliser mounting	/R	1	
28	N 010 445 2	Hexagon-head bolt		2	
		M 10 X 45			
28	900 074 372 01	Hexagon-head bolt		2	

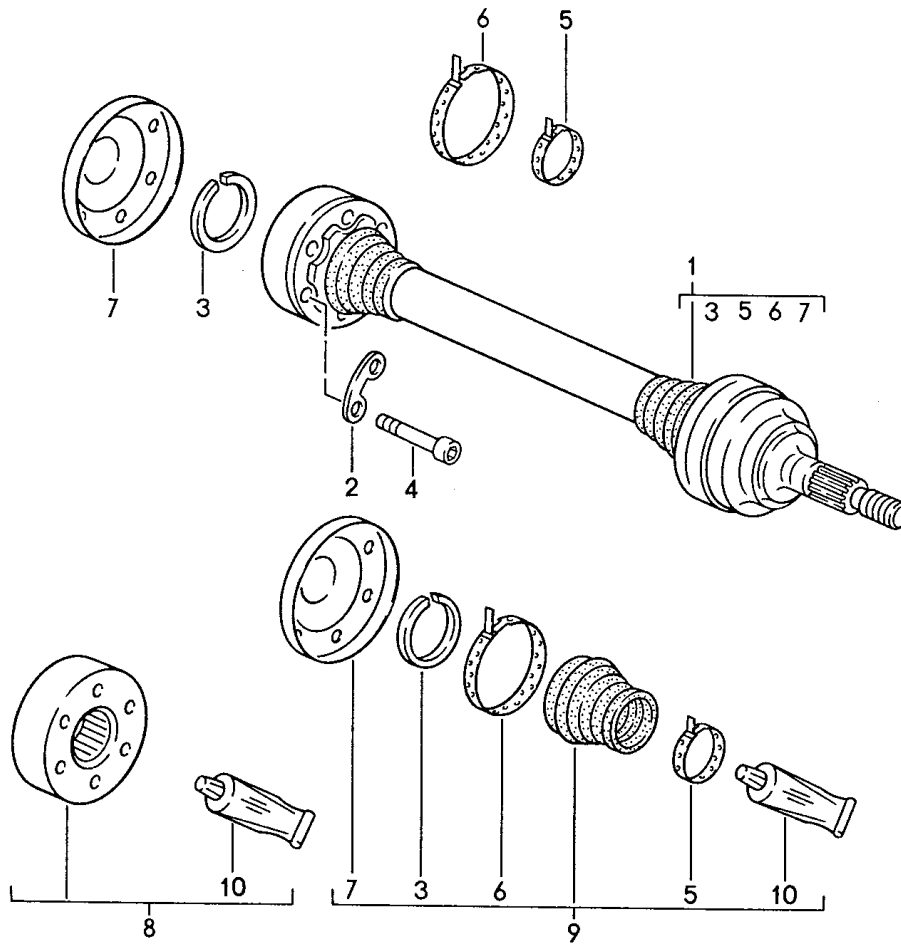
Model: 928 87

Model life 1987>>1991

Pos	Part Number	Description	Remark	Qty	Model
29	928 333 761 00	M 10 X 45 Washer		4	
30	900 074 063 02	Hexagon-head bolt M 10 X 55		2	
30	900 074 380 01	Hexagon-head bolt M 10 X 55		2	
31	900 910 031 09	Lock nut		2	
31	900 910 031 01	Lock nut		2	

Model: 928 87

Model life 1987>>1991



Model: 928 87

Model life 1987>>1991

Pos	Part Number	Description	Remark	Qty	Model
		Drive shaft			
1	928 332 033 44	Drive shaft		2	
1	928 332 033 49	Drive shaft		2	
1	928 332 033 50	Drive shaft		2	
1	928 332 033 44	Drive shaft		2	
1	928 332 033 49	Drive shaft		2	
1	928 332 033 50	Drive shaft		2	
2	911 332 191 00	Plate		6	
3	999 152 084 01	Circlip		2	
4	900 067 123 01	Pan-head screw M 10 X 50		12	
5	928 332 257 01	Clip		4	
6	911 332 257 00	Clip		4	
7	997 332 267 00	Lid		2	
8	928 332 923 01	Repair kit		X	
9	928 332 924 02	Repair kit		X	
9	000 043 301 08	Repair kit		X	
10	000 043 005 00	Grease Optimoly 1 90-gramme tube		X	

Model: 928 87

Model life 1987>>1991



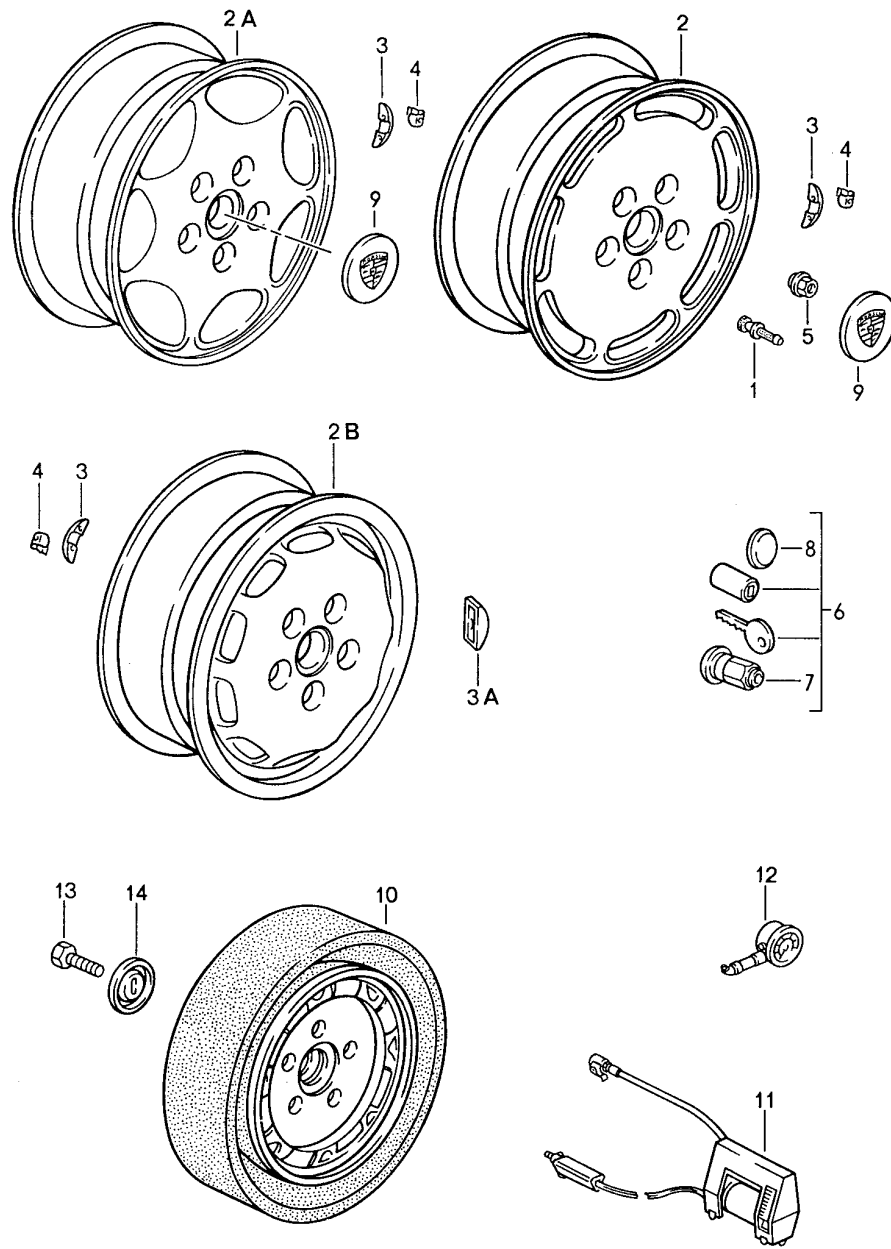
Model: 928 87

Model life 1987>>1991

Pos	Part Number	Description	Remark	Qty	Model
>>	928 332 924 02	Repair kit Repair kit for Drive shaft 928.332.033.43/44 Comprising: Dust bellows Grease for drive shaft Clip Circlip Lid		X 1 1 2 1 1	
>>	000 043 301 08	Repair kit for Drive shaft 928.332.033.43/44 Comprising: Dust bellows Grease for drive shaft Clip Circlip Lid		X 1 1 2 1 1	
>>	928 332 923 01	Repair kit for Drive shaft 928.332.033.43/44 Comprising: Joint Grease for drive shaft		X 1 1	

Model: 928 87

Model life 1987>>1991



Model: 928 87 Model life 1987>>1991

Pos	Part Number	Description	Remark	Qty	Model
		Wheels			
1	900 265 001 50	Rubber valve		4	
1	900 265 001 51	Rubber valve		4	
2	928 362 115 01	Alloy wheel 7 J X 16 ET 65 Forged Light platinum	-88	2	
2	928 362 155 01	Alloy wheel 7 J X 16 ET 65 Forged Light platinum	89-	2	M482 M347
(2)	928 362 117 01	Alloy wheel 8 J X 16 ET 52,3 Forged Light platinum	-88	2	
(2)	928 362 157 01	Alloy wheel 8 J X 16 ET 52,3 Forged Light platinum	89-	2	M482 M347
(2)	928 362 115 00	Alloy wheel 7 J X 16 ET 65 Forged Silver	-88	2	
(2)	928 362 155 00	Alloy wheel 7 J X 16 ET 65 Forged Silver	89-	2	M482
2A	928 362 154 05	Alloy wheel 7,5 X 16 ET 65 Cast	(GT) 90- (S4)	2	M482 M400
(2)	928 362 117 00	Alloy wheel 8 J X 16 ET 52,3 Forged Silver	-88	2	
(2)	928 362 157 00	Alloy wheel 8 J X 16 ET 52,3 Forged Silver	89-	2	M482
2A	928 362 158 02	Alloy wheel 9 J X 16 ET 52,3 Cast	(GT) 90- (S4)	2	M482 M400
2A	928 362 117 30	Alloy wheel 8 J X 16 ET 60 Forged Silver	-88	2	M393 M637
2A	928 362 119 30	Alloy wheel 9 J X 16 ET 60 Forged Silver	-88	2	M393 M637
2A	928 362 157 30	Alloy wheel 8 J X 16 ET 60 Forged Silver	89	2	M482 M393 M637 M639
2A	928 362 159 30	Alloy wheel 9 J X 16 ET 60 Forged Silver	89	2	M482 M393 M637 M639
2B	928 362 114 20	Alloy wheel 7 J X 16 ET 65 for winter use	-88	4	
(2B)	928 362 154 20	Alloy wheel 7 J X 16 ET 65 for winter use	89-	2	M482

Model: 928 87 Model life 1987>>1991

Pos	Part Number	Description	Remark	Qty	Model
(2B)	928 362 156 20	Alloy wheel 8 J X 16 ET 52,3 for winter use	89-	2	M482
3	928 361 421 00	Balance weight 5 G		X	
3	928 361 410 00	Balance weight 10 G		X	
3	928 361 422 00	Balance weight 15 G		X	
3	928 361 411 00	Balance weight 20 G		X	
3	928 361 423 00	Balance weight 25 G		X	
3	928 361 412 00	Balance weight 30 G		X	
3	928 361 424 00	Balance weight 35 G		X	
3	928 361 413 00	Balance weight 40 G		X	
3	928 361 425 00	Balance weight 45 G		X	
3	928 361 414 00	Balance weight 50 G		X	
3	928 361 426 00	Balance weight 55 G		X	
3	928 361 415 00	Balance weight 60 G		X	
3	928 361 416 00	Balance weight 70 G		X	
3	928 361 417 00	Balance weight 80 G		X	
3A	901 361 410 50	Balance stick-on weight 5 G		X	
3A	901 361 410 00	Balance stick-on weight 10 G		X	
3A	901 361 411 50	Balance stick-on weight 15 G		X	
3A	901 361 411 00	Balance stick-on weight 20 G		X	
3A	901 361 412 50	Balance stick-on weight 25 G		X	
3A	901 361 412 00	Balance stick-on weight 30 G		X	
3A	901 361 413 50	Balance stick-on weight 35 G		X	
3A	901 361 413 00	Balance stick-on weight 40 G		X	
3A	901 361 414 50	Balance stick-on weight 45 G		X	
3A	901 361 414 00	Balance stick-on weight 50 G		X	
3A	901 361 415 50	Balance stick-on weight 55 G		X	
3A	901 361 415 00	Balance stick-on weight 60 G		X	
3A	901 361 416 50	Balance stick-on weight 65 G		X	
3A	901 361 416 00	Balance stick-on weight 70 G		X	
3A	901 361 417 50	Balance stick-on weight 75 G		X	
3A	901 361 417 00	Balance stick-on weight 80 G		X	

Model: 928 87 Model life 1987>>1991

Pos	Part Number	Description	Remark	Qty	Model
4	928 361 420 01	Retaining clip for Balance weight		X	
4		Retaining clip for Balance weight		X	
5	999 182 003 36	Wheel nut		X	
6	928 361 047 03	Wheel nut Lockable 1 set		X	
6	965 361 955 00	Comprising: Wheel nut Wheel nut Lockable 1 set		4 X	
6	968 361 955 00	Comprising: Wheel nut Wheel nut Lockable 1 set		4 X	
6	993 361 057 00	Comprising: Wheel nut Wheel nut Lockable 1 set		4 X	
7	928 361 306 03	Comprising: Wheel nut		4 X	
8	965 361 167 00	Cap		X	
9	477 601 051 D	Hub cap for Alloy wheel 928.362.115.01		4	
9	477 601 051 G	Hub cap for Alloy wheel 928.362.115.01		4	
(9)	928 361 031 00	Platinum-metallic Hub cap for Alloy wheel 928.362.115.00		4	
(9)	928 361 032 01	Hub cap for Alloy wheel 928.362.114.20		4	
(9)	928 361 032 02	Silver metallic Hub cap for Alloy wheel 928.362.158.02	90-	4	
(9)	PCG 361 032 01	Porsche crest Black Hub cap for Alloy wheel 928.362.114.20	90-	4	
(9)	PCG 361 032 02	928.362.158.02 Porsche crest Black Hub cap for Alloy wheel	90-	4	

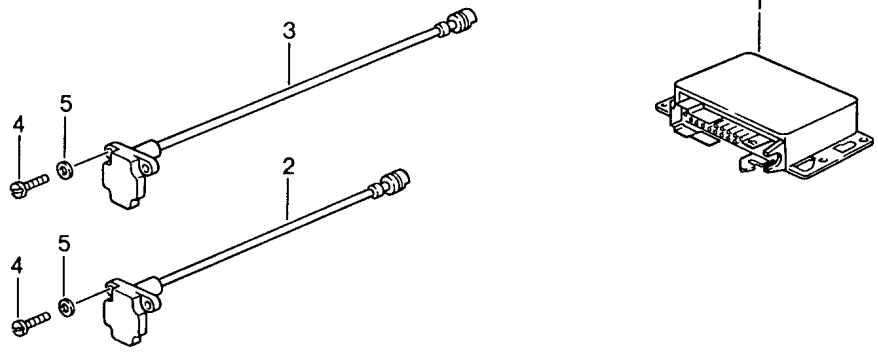
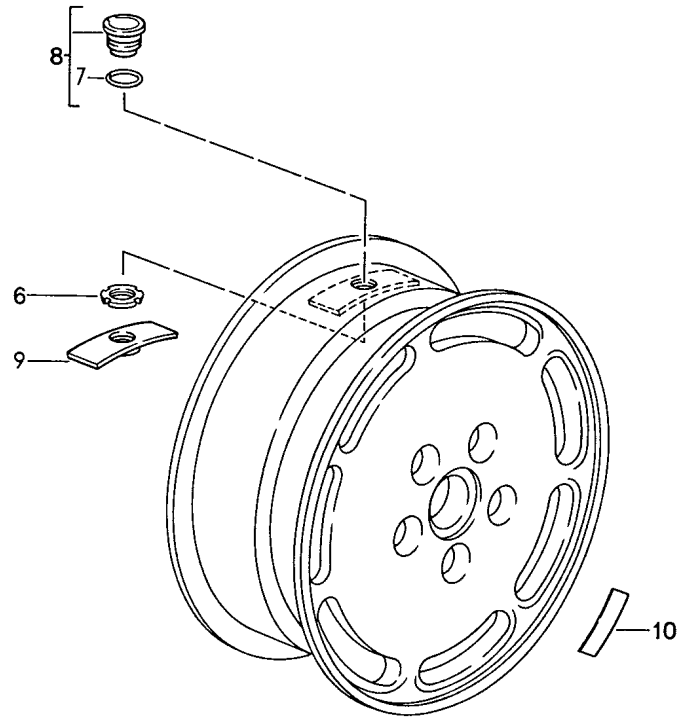
Model: 928 87

Model life 1987>>1991

Pos	Part Number	Description	Remark	Qty	Model
10	928 362 030 02	928.362.114.20 928.362.158.02 Porsche crest Black Emergency wheel 5 1/2 J X 15 with collapsible tire		1	
(10)		Emergency wheel 5 1/2 J X 15 with collapsible tire	(GB)	1	
-	996 361 521 00	Boot for Impeller		1	
11	911 361 510 02	Small electric compressor	87	1	
(11)	911 652 052 00	Small electric compressor	88-	1	
(11)	964 652 052 00	Small electric compressor	88-	1	
(11)	964 652 053 00	Compressor	88-	1	
(11)	993 652 053 00	Compressor	88-	1	
(11)	996 652 053 00	Compressor	88-	1	
(11)	997 652 051 00	Compressor	88-	1	
(11)	997 652 055 00	Compressor	88-	1	
12	911 722 202 00	Tyre pressure gauge Porsche Classic mit Lederhülle		1	
-	999 914 001 40	Plastic gloves		1	
-	911 361 522 00	Cover foil		1	
13	N 040 281 1	Hexagon-head bolt M 10 X 45		1	
13	900 075 516 01	Hexagon-head bolt M 10 X 45		1	
14	477 813 157	Mounting plate		1	

Model: 928 87

Model life 1987>>1991



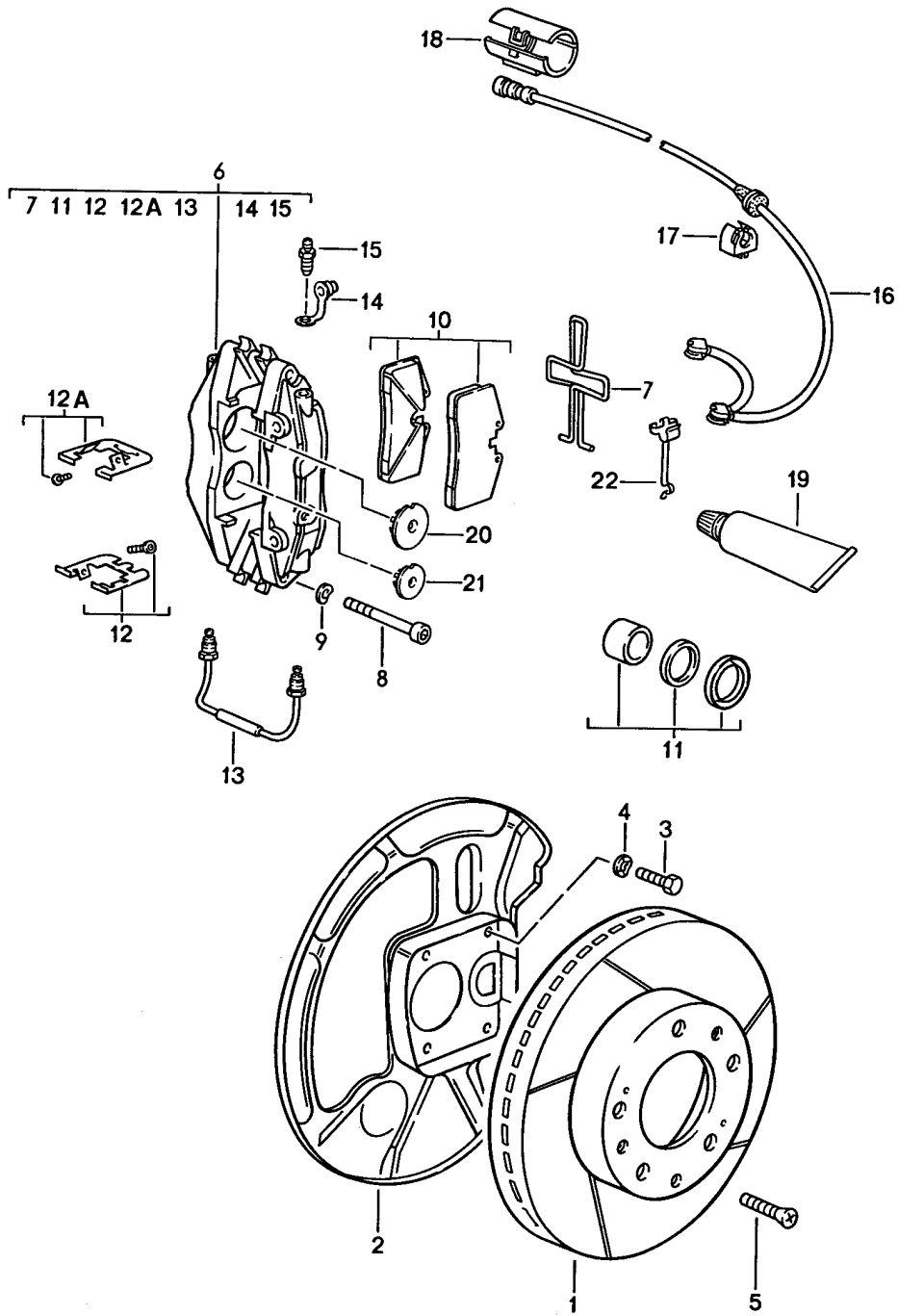
Model: 928 87

Model life 1987>>1991

Pos	Part Number	Description	Remark	Qty	Model
		Tyre pressure monitoring	89-		M482
1	928 618 150 01	Control unit	-90	1	
1		Control unit	91-	1	
2	928 606 413 00	Pressure transmitter	/V	2	
3	928 606 414 00	Pressure transmitter	/H	2	
4	N 044 734 1	Pan-head screw M 5 X 15		8	
4	900 067 137 01	Pan-head screw M 5 X 15		5	
5	N 012 225 3	Spring washer B 5		8	
6	928 361 203 01	Nut		8	
7	999 707 035 40	O-ring 30 X 1,5		8	
8	928 361 022 00	Pressure switch	/V	4	
8	928 361 023 00	Pressure switch	/H	4	
9	928 361 201 02	Protection cap		8	
(9)		Protection cap		8	
10	928 701 287 10	Indication sticker for Tyre Assembly		X	

Model: 928 87

Model life 1987>>1991



Model: 928 87 Model life 1987>>1991

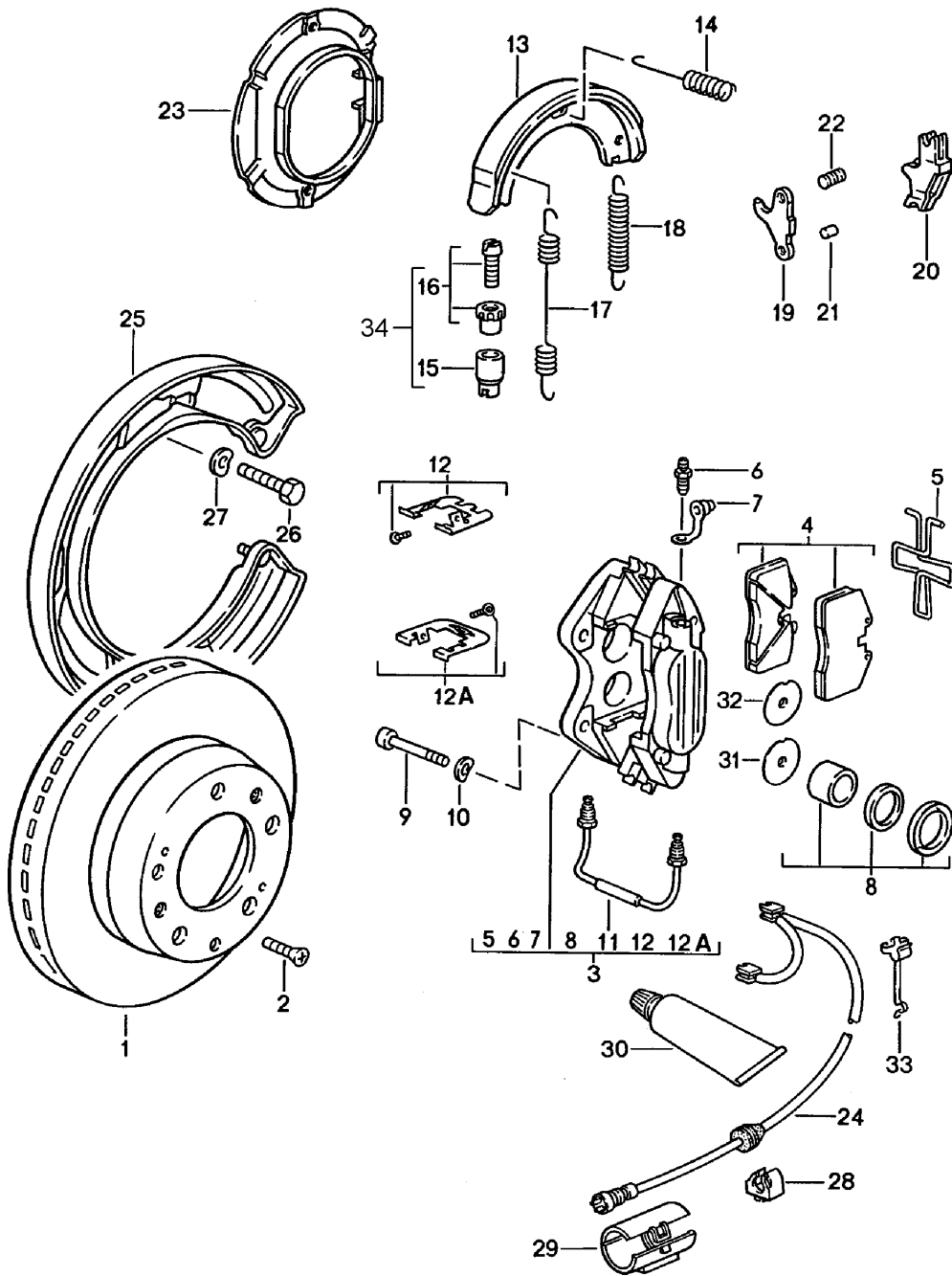
Pos	Part Number	Description	Remark	Qty	Model
		Disc brake Front See technical information GR.4 NR. 1/89			
1	928 351 043 60	Brake disc	/L	1	
(1)	928 351 044 60	Brake disc	/R	1	
2	928 351 083 03	Protective plate	/L -88	1	
2		Protective plate	/L 89-	1	
(2)	928 351 084 03	Protective plate	/R -88	1	
(2)		Protective plate	/R 89-	1	
3	N 010 227 2	Hexagon-head bolt M 7 X 12		8	
4	900 028 019 08	Spring washer B 7		8	
5	N 033 167 1	Countersunk-head screw M 6 X 12		4	
5	900 269 047 01	Countersunk-head screw M 6 X 12		4	
6	928 351 421 00	Fixed calliper without pad \$ 36/42 MM	/L 87	1	
(6)	928 351 421 01	Fixed calliper without pad \$ 36/44 MM	/L -88	1	
(6)	928 351 421 03	Fixed calliper without pad \$ 36/44 MM	/L 89-	1	
(6)		Fixed calliper without pad \$ 36/44 MM	/L 91-	1	
(6)	928 351 422 00	Fixed calliper without pad \$ 36/42 MM	/R 87	1	
(6)	928 351 422 01	Fixed calliper without pad \$ 36/44 MM	/R -88	1	
(6)	928 351 422 03	Fixed calliper without pad \$ 36/44 MM	/R 89-	1	
(6)		Fixed calliper without pad \$ 36/44 MM	/R 91-	1	
7	928 351 950 01	Expanding spring		2	
8	900 067 154 02	Pan-head screw M 12 X 1,5 X 70		4	
9	N 011 564 2	Washer		4	
9	N 011 564 4	Washer		4	
(10)	993 351 939 01	Brake pad repair set without asbestos Use also: Mounting parts		1	
11	928 351 919 00	Repair kit \$ 42 MM	87	X	
(11)	928 351 919 01	Gasket set \$ 44 MM	-88	X	
(11)	928 351 919 10	Gasket set \$ 44 MM	89-	X	
(11)	951 351 919 01	Gasket set \$ 36 MM	-88	X	
(11)	951 351 919 10	Gasket set \$ 36 MM	89-	X	
12	993 351 959 00	Repair kit		X	
12A	993 351 959 01	Repair kit		X	

Model: 928 87 Model life 1987>>1991

Pos	Part Number	Description	Remark	Qty	Model
13	928 351 971 00	Connecting line		2	
14	930 351 927 00	Dust boot		4	
14	930 351 927 01	Dust boot		4	
15	930 351 919 00	Ventilation valve		4	
16	928 612 315 02	Warning contact	-88	2	
(16)	928 612 365 01	Warning contact	89-	2	
17	928 612 409 00	Clip		6	
18	928 612 531 01	Push-on connector	/L	1	
(18)	928 612 531 00	Push-on connector	/R	1	
19	000 043 117 00	Brake cylinder paste 1 50-g tube		X	
19	000 043 305 11	Brake cylinder paste 1 50-g tube		X	
20	965 351 096 00	Damping plate	89-	4	
20		Damping plate \$ 44 MM	89-	4	
21	964 351 096 01	Damping plate \$ 36 MM Only together with 928.351.421/422.02	89-	4	
(20)	928 351 096 17	Damping plate \$ 44 MM		4	
(21)	928 351 096 19	Damping plate \$ 36 MM Only together with 928.351.421/422.01		4	
(20)	928 351 096 18	Damping plate \$ 42 MM		4	
(21)	928 351 096 19	Damping plate \$ 36 MM Only together with 928.351.421/422.00		4	
22	928 612 361 00	Cable holder	89-	2	

Model: 928 87

Model life 1987>>1991



Model: 928 87 Model life 1987>>1991

Pos	Part Number	Description	Remark	Qty	Model
		Disc brake Rear See technical information GR.4 NR. 1/89			
1	951 352 041 01	Brake disc		2	
1	951 352 041 03	Brake disc		2	
2	N 033 167 1	Countersunk-head screw M 6 X 12		4	
2	900 269 047 01	Countersunk-head screw M 6 X 12		4	
3	928 352 421 00	Fixed calliper	/L -88	1	
3	928 352 421 01	Fixed calliper	/L 89-	1	
(3)	928 352 422 00	Fixed calliper	/R -88	1	
(3)	928 352 422 01	Fixed calliper	/R 89-	1	
(4)	965 352 939 04	Brake pad repair set without asbestos Use also: Mounting parts		1	
5	951 352 950 00	Expanding spring		2	
6	930 351 919 00	Ventilation valve		2	
7	930 351 927 00	Dust boot		2	
7	930 351 927 01	Dust boot		2	
8	951 352 919 00	Gasket set \$ 30 MM	-88	X	
8	951 352 919 11	Gasket set \$ 30 MM	89-	X	
(8)	951 352 919 01	Repair kit \$ 28 MM	-88	X	
(8)	951 352 919 10	Gasket set \$ 28 MM	89-	X	
9	900 082 077 02	Hexagon-head bolt M 12 X 1,5 X 37 X 20		4	
9	900 082 145 01	Hexagon-head bolt M 12 X 1,5 X 37 X 20		4	
10	N 012 232 1	Spring washer B 12		4	
11	951 352 971 00	Connecting line		2	
12	993 352 959 00	Repair kit		X	
12A	993 352 959 01	Repair kit		X	
13	996 352 993 00	Repair kit		4	
(13)	997 352 993 02	Brake shoe 1 set Only together with Compression spring 996.352.741.00 Adjusting screw 993.352.071.00		1	
14	928 352 957 02	Compression spring		4	
(14)	996 352 741 00	Compression spring Only together with Repair kit 997.352.993.02		4	
15	911 352 944 00	Support bush		2	
16	911 352 098 00	Adjusting screw		2	
16	911 352 098 01	Adjusting screw		2	
17	901 352 954 10	Return spring		2	
18	901 352 932 10	Return spring		2	
19	993 352 073 00	Push-button lock		2	
20		Push-button lock		2	
21	993 352 737 00	Bolt		2	
22	928 352 447 00	Articulated bolt		2	
23	928 352 081 01	Brake mounting plate		2	
24	928 612 313 02	Warning contact	-88	2	

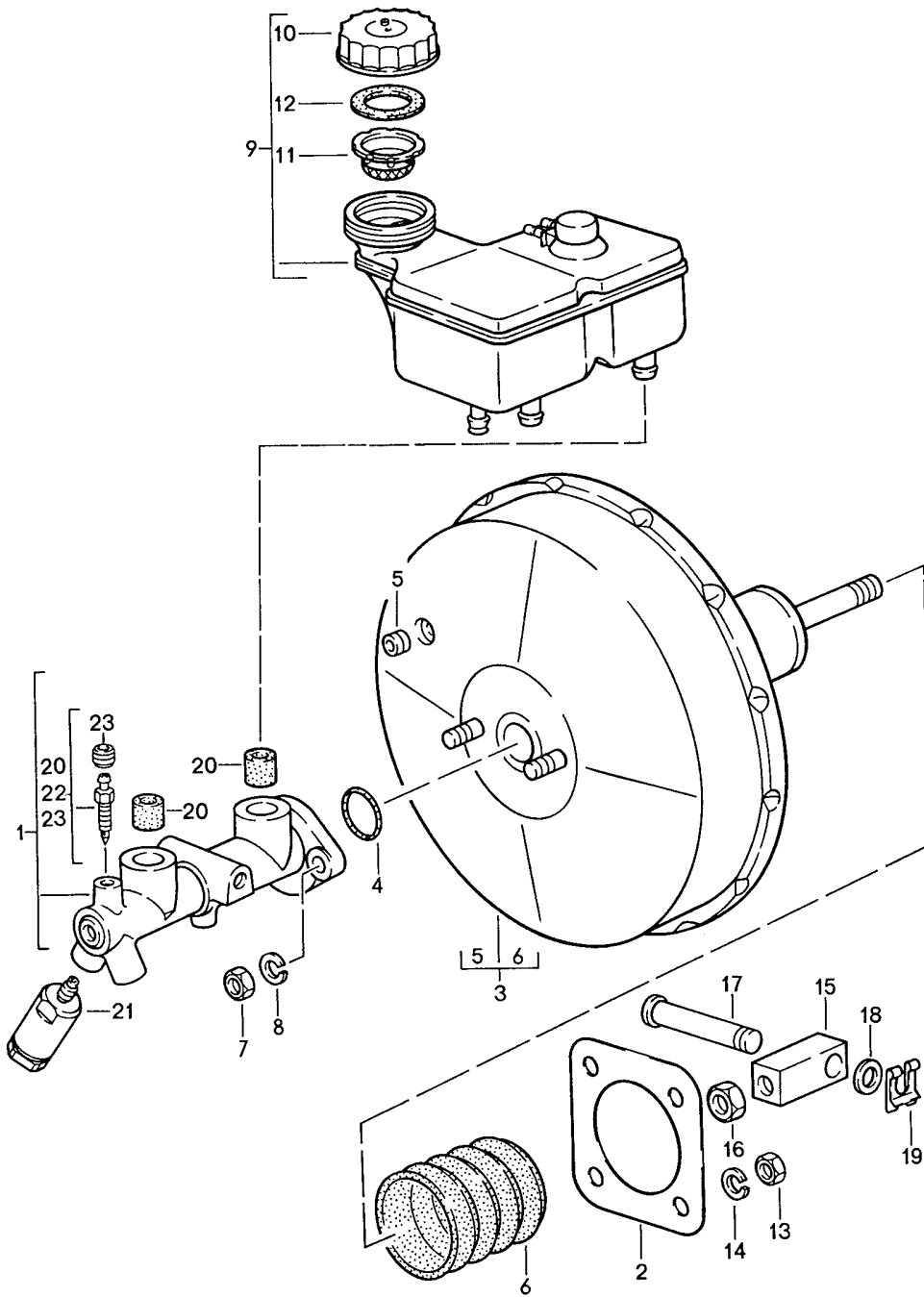
Model: 928 87

Model life 1987>>1991

Pos	Part Number	Description	Remark	Qty	Model
24	928 612 313 04	Warning contact		2	
(24)	928 612 363 01	Warning contact	89	2	
(24)		Warning contact	90-	2	
-	928 612 529 01	Cable clip		4	
-	928 612 409 00	Clip		6	
-	928 612 531 00	Push-on connector	/L	1	
-	928 612 532 00	Push-on connector	/R	1	
25	928 352 813 03	Protective plate	/L -88	1	
25	928 352 813 05	Protective plate	/L 89-	1	
(25)	928 352 814 03	Protective plate	/R -88	1	
(25)	928 352 814 05	Protective plate	/R 89-	1	
26	999 072 005 09	Hexagon nut M 6 X 12	-88	6	
26	999 072 005 01	Hexagon nut M 6 X 12		6	
26	N 010 217 9	Hexagon-head bolt M 6 X 20	89-	4	
27	N 012 226 5	Spring washer B 6		6	
28	928 612 409 00	Clip		6	
29	928 612 531 01	Push-on connector	/L	2	
(29)	928 612 531 00	Push-on connector	/R	2	
30	000 043 117 00	Brake cylinder paste 1 50-g tube		X	
30	000 043 305 11	Brake cylinder paste 1 50-g tube		X	
31	964 352 096 00	Damping plate	89-	4	
31	996 352 086 00	Damping plate	89-	4	
31		Damping plate \$ 30 MM		4	
32	964 352 096 01	Damping plate	89-	4	
(31)	928 352 096 10	Damping plate \$ 30 MM	-88	4	
(32)	928 352 096 11	Damping plate Only together with 928.352.421/422.00	-88	4	
33	928 612 361 00	Cable holder	89-	2	
34	993 352 071 00	Adjusting screw Only together with Repair kit 997.352.993.02		2	
34	298 609 723	Adjusting screw Only together with Repair kit 997.352.993.02		2	

Model: 928 87

Model life 1987>>1991



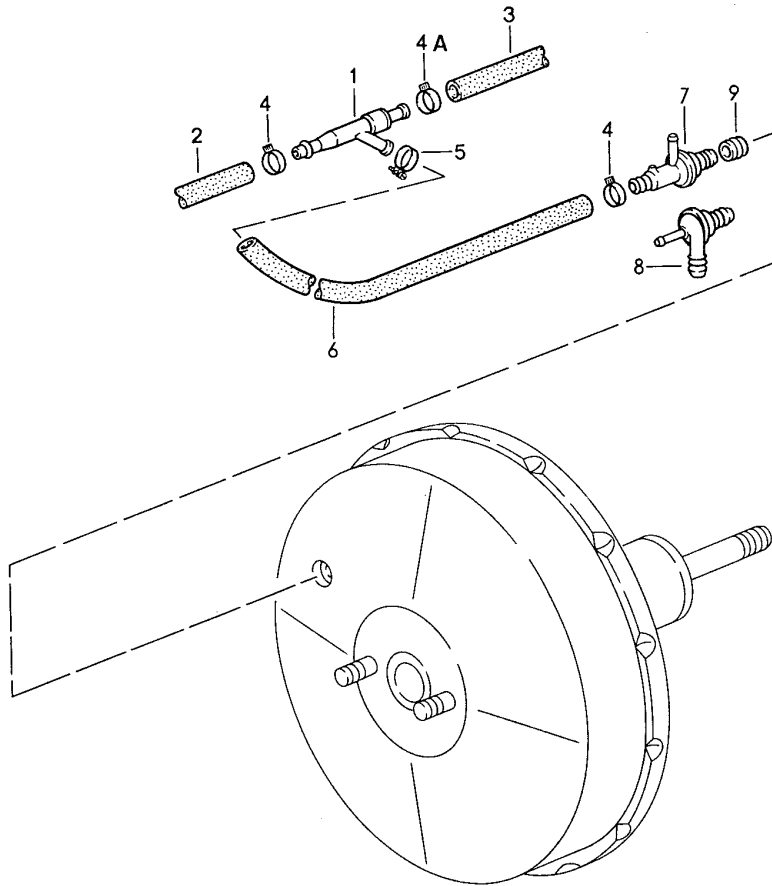
Model: 928 87

Model life 1987>>1991

Pos	Part Number	Description	Remark	Qty	Model
		Brake master cylinder			
		Brake booster			
1	928 355 011 24	Brake master cylinder	/LL	1	
(1)	927 355 011 24	Brake master cylinder	/RL	1	
2	477 611 951	Gasket		1	
3	928 355 023 09	Vacuum booster		1	
(4)	944 355 819 00	Gasket		1	
5	911 355 921 00	Rubber seal		1	
5	955 355 921 00	Rubber seal		1	
6	477 611 115	Bellows		1	
7	999 084 425 02	Lock nut		2	
		M 8			
8	N 011 525 13	Washer		2	
		A 8,4			
9	928 355 650 06	Container		1	
		Complete			
(9)		Container		1	
-	928 355 654 03	Support		1	
		for			
		Container			
10	477 611 361	Lid		1	
11	211 611 381 B	Strainer		1	
12	901 355 908 00	Gasket		1	
13	900 910 022 09	Lock nut		4	
		M 8			
13	900 910 022 03	Lock nut		4	
		M 8			
14	900 025 007 02	Washer		4	
		A 8,4			
14	900 025 007 03	Washer		4	
		A 8,4			
15	928 355 563 01	Intermediate piece		1	
16	900 034 003 02	Hexagon nut		1	
		M 10			
17	928 355 511 00	Bolt		1	
18	900 025 009 02	Washer		1	
		A 13			
19	N 012 653 1	Lock washer		1	
		B 9			
20	911 355 922 00	Sealing plug		2	
21	951 355 305 01	Brake pressure regulator		1	
22	928 351 945 03	Ventilation valve		1	
23	901 351 927 10	Dust boot		1	

Model: 928 87

Model life 1987>>1991



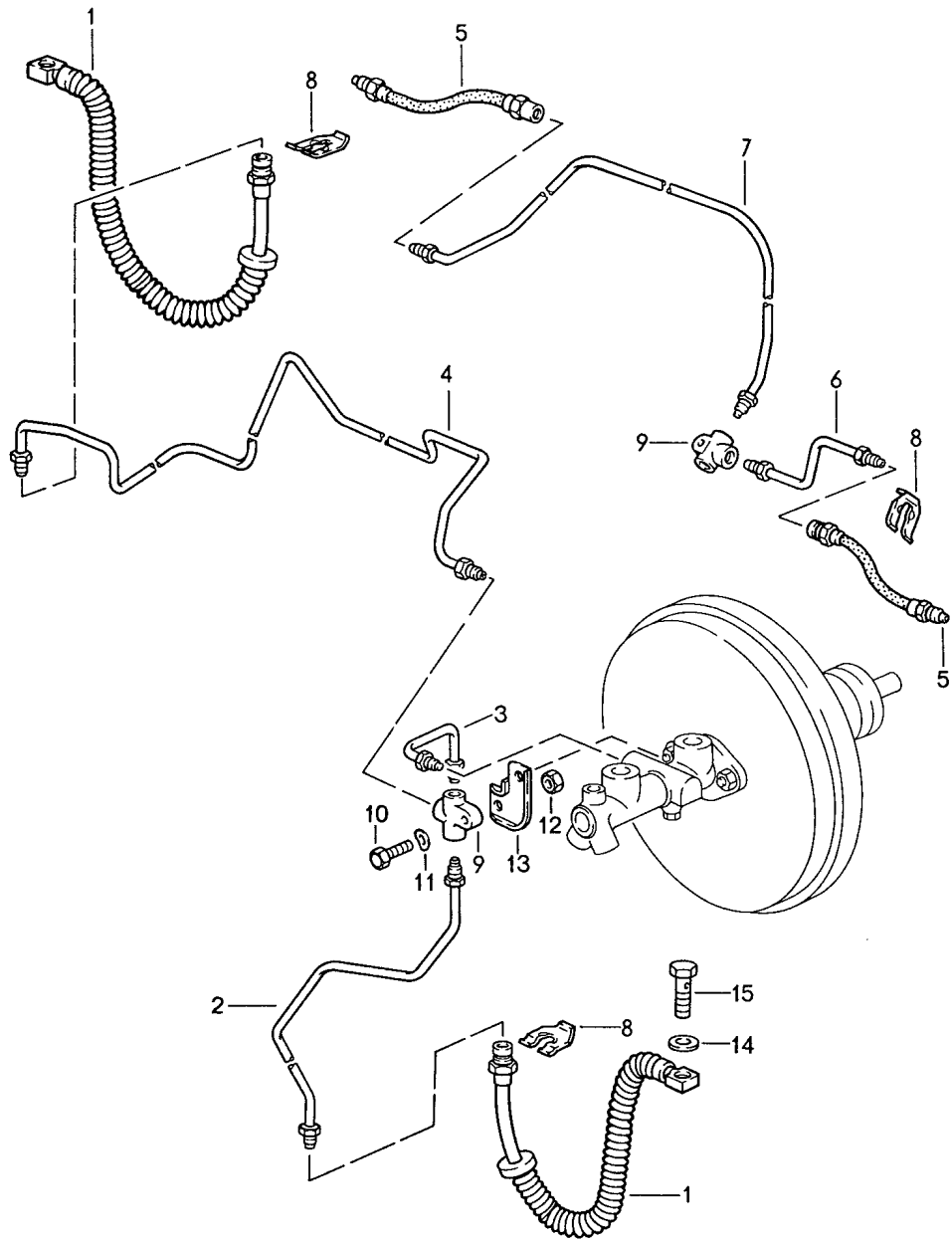
Model: 928 87

Model life 1987>>1991

Pos	Part Number	Description	Remark	Qty	Model
1	035 133 753 A	Venturi tube		1	
1	035 133 753 B	Venturi tube		1	
2		Vacuum hose See group 1/07/00			
3		Vacuum hose See group 1/07/00			
4	999 512 457 00	Clamp		2	
4A	999 512 554 00	Hose clamp		1	
5	999 512 381 02	Clamp		1	
5	999 512 456 00	Clamp		1	
6	928 110 663 00	Vacuum hose	/LL	1	
(6)	927 110 145 01	Vacuum hose	/RL	1	
7	928 355 660 03	Check valve	/LL	1	
8	477 611 933 A	Check valve	/RL	1	
9	911 355 921 00	Rubber seal		1	
9	955 355 921 00	Rubber seal		1	

Model: 928 87

Model life 1987>>1991



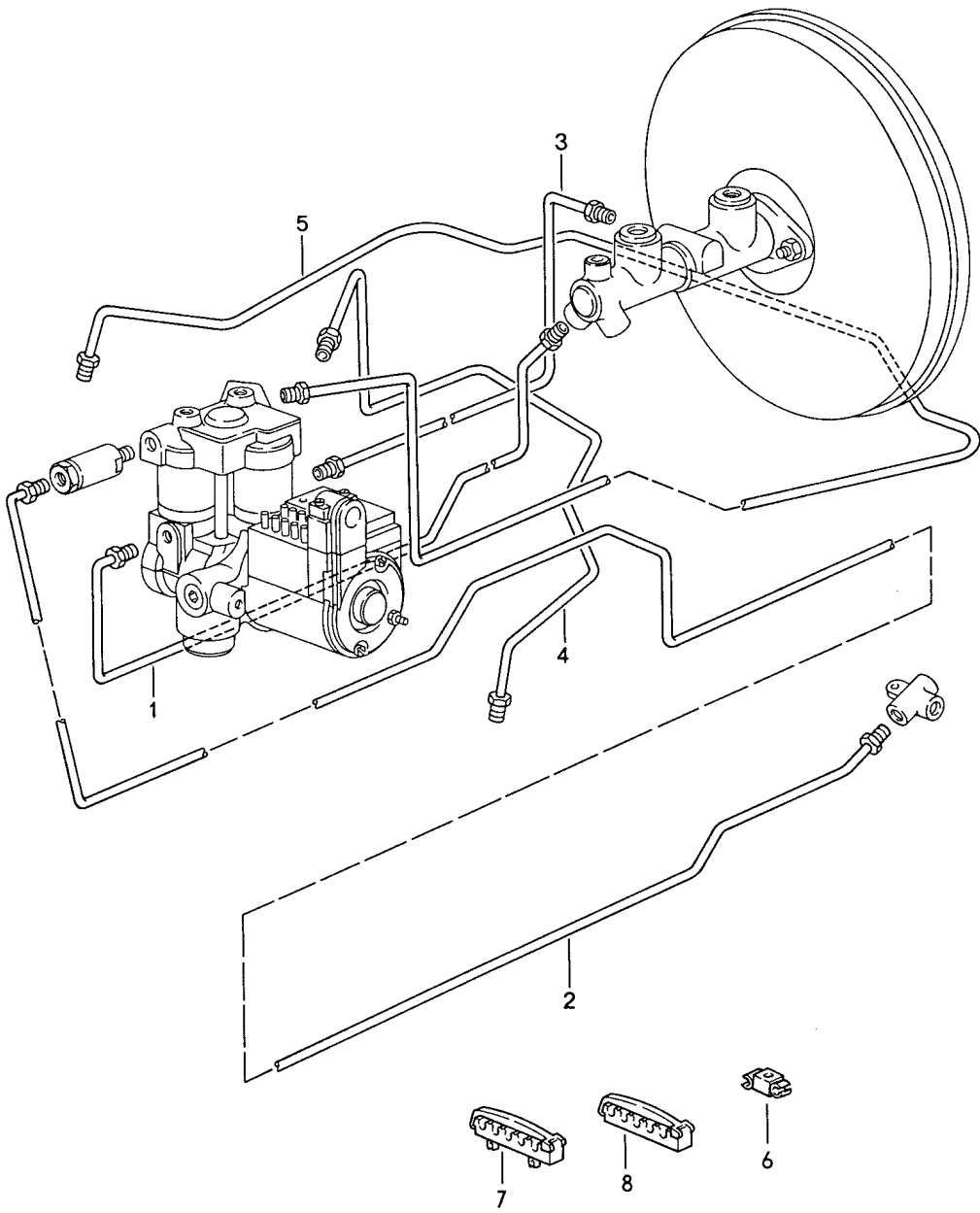
Model: 928 87

Model life 1987>>1991

Pos	Part Number	Description	Remark	Qty	Model
1	928 355 081 02	Brake lines Brake hose Front		2	
2	928 355 053 01	Brake line Left Front	/LL	1	
(2)	927 355 053 01	Brake line Left Front	/RL	1	
3	928 355 049 00	Brake line	/LL	1	
(3)	927 355 049 00	Brake line	/RL	1	
4	928 355 051 02	Brake line Front	/LL	1	
(4)	927 355 051 01	Brake line Front	/RL	1	
5	928 355 080 02	Brake hose Rear		2	
6	928 355 057 04	Brake line Rear	/L	1	
7	928 355 059 01	Brake line Rear	/R	1	
8	113 611 715 A	Brake hose bracket		4	
9	914 355 667 00	Distributor		4	
10	900 075 017 02	Hexagon-head bolt M 6 X 25		2	
10	900 075 017 03	Hexagon-head bolt M 6 X 25		2	
11	N 012 226 5	Spring washer B 6		2	
12	900 076 010 02	Nut M 6		2	
12	900 076 010 0B	Nut M 6		2	
13	928 355 651 00	Support	/LL	1	
(13)	927 355 651 00	Support	/RL	1	
14	N 013 806 2	Sealing ring A 10 X 14		2	
15	999 134 027 02	Banjo bolt M 10 X 1		2	
15	999 134 027 0B	Banjo bolt M 10 X 1		2	

Model: 928 87

Model life 1987>>1991



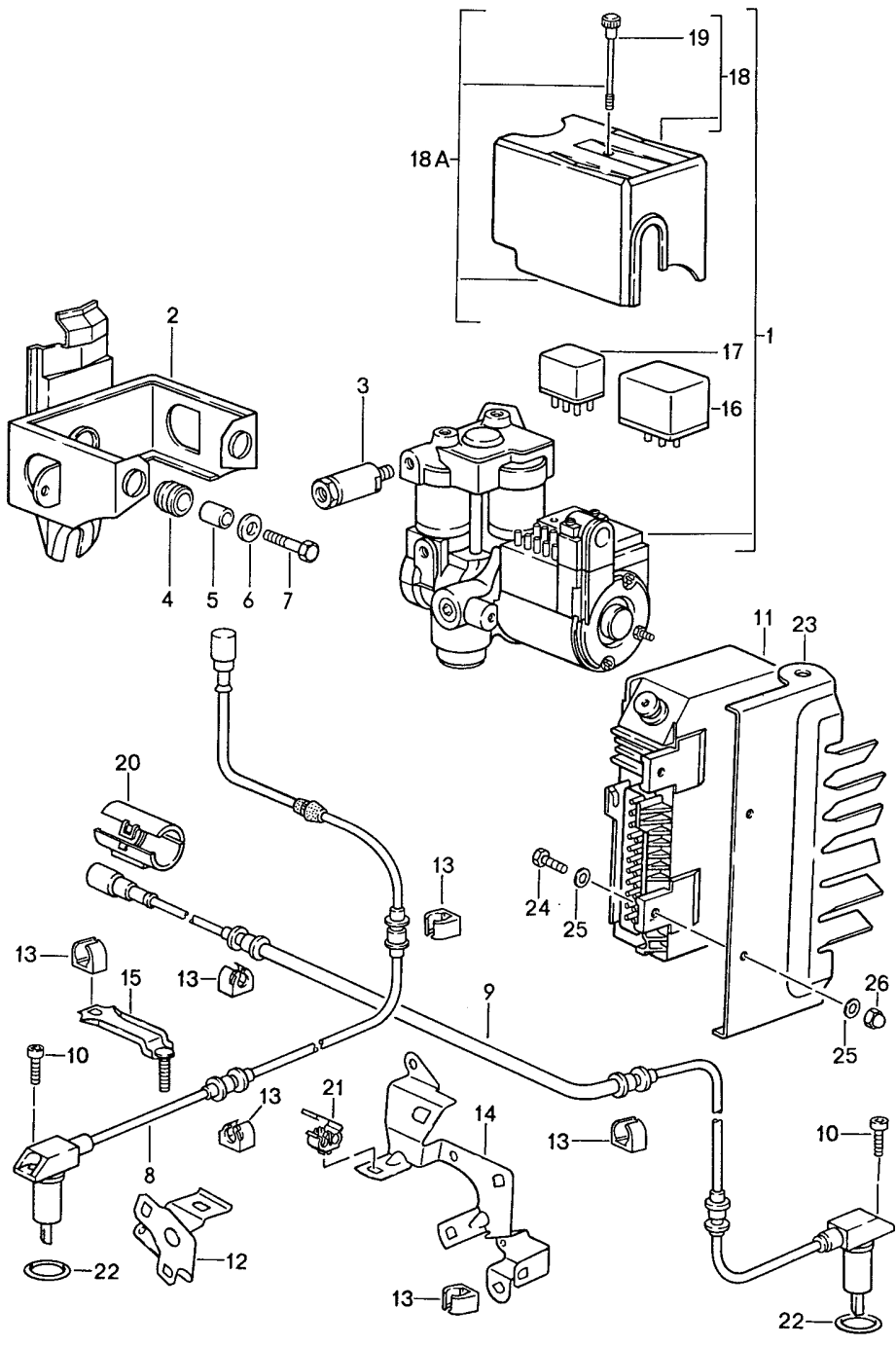
Model: 928 87

Model life 1987>>1991

Pos	Part Number	Description	Remark	Qty	Model
		Brake lines			
		Anti-lock brake system			
1	928 355 131 00	Brake line	/LL	1	
(1)	927 355 131 00	Brake line	/RL	1	
2	928 355 137 02	Brake line		1	
3	928 355 141 00	Brake line	/LL	1	
(3)	927 355 141 00	Brake line	/RL	1	
4	928 355 147 01	Brake line		1	
5	928 355 148 02	Brake line	/LL	1	
(5)	927 355 148 01	Brake line	/RL	1	
6	477 611 767 B	Cable clip		17	
7	928 355 637 00	Support		2	
8	928 355 637 01	Support		1	

Model: 928 87

Model life 1987>>1991



Model: 928 87 Model life 1987>>1991

Pos	Part Number	Description	Remark	Qty	Model
		Hydraulic unit			
		Speed sensor			
		Control unit			
		Anti-lock brake system			
(1)	928 355 755 DX	Hydraulic unit	-88	1	
(1)	928 355 755 05	Hydraulic unit	89-	1	
(1)	928 355 955 00	Hydraulic unit	90-	1	
2	928 355 041 04	Support		1	
3	951 355 305 01	Brake pressure regulator		1	
4	928 355 635 00	Rubber mounting		3	
5	928 355 633 00	Bush		3	
5	928 355 633 03	Bush		3	
6	N 011 666 7	Washer B 6,4		3	
7	N 010 219 2	Hexagon-head bolt M 6 X 28		3	
7	900 075 135 01	Hexagon-head bolt M 6 X 28		3	
8	928 606 404 02	Speed sensor	/V	2	
9	928 606 402 01	Speed sensor	/H	2	
10	N 014 740 2	Pan-head screw M 6 X 16	/V	2	
10	N 014 740 11	Pan-head screw M 6 X 16	/V	2	
(10)	N 014 743 2	Pan-head screw M 6 X 30	/H	2	
(10)	900 067 012 03	Pan-head screw M 6 X 30	/H	2	
11	928 618 118 00	Control unit	-88	1	
11	928 618 118 X	Control unit	-88	1	
(11)	928 618 118 00	Control unit	89	1	
(11)	928 618 118 X	Control unit	89	1	
(11)	928 618 120 01	Control unit	90-	1	
(11)	928 618 120 AX	Control unit	90-	1	
-	927 618 073 00	Bracket for Control unit Left	/RL -89	1	
-	927 618 074 00	Bracket for Control unit Right	/RL -89	1	
12	928 341 239 00	Support	/L	1	
(12)	928 341 240 00	Support	/R	1	
13	928 612 409 00	Clip		X	
14	928 331 239 00	Support	/L	1	
(14)	928 331 240 00	Support	/R	1	
15	928 331 099 01	Support		2	
16	928 618 930 00	Relay for Hydraulic unit 928.355.755.01	87	1	
(16)	928 618 930 01	Relay for Hydraulic unit 928.355.755.04/05/06	88-	1	
17	928 618 931 00	Relay for Hydraulic unit 928.355.755.01	87	1	
(17)	928 618 931 01	Relay for Hydraulic unit	88	1	

Model: 928 87 Model life 1987>>1991

Pos	Part Number	Description	Remark	Qty	Model
(17)	928 618 931 02	928.355.755.04 Relay for Hydraulic unit	89-	1	
18	928 355 960 00	928.355.755.05/06 Cap for Hydraulic unit	87	1	
18A	928 355 960 01	928.355.755.01 Cap for Hydraulic unit	88-	1	
19	928 355 961 00	928.355.755.04/05/06 Knurled screw for Hydraulic unit	87	1	
20	928 612 531 01	928.355.755.01 Push-on connector	/L	1	
(20)	928 612 531 00	Push-on connector	/R	1	
21	928 612 529 01	Cable clip		4	
22	900 174 032 40	O-ring 18 X 2,5		4	
23	928 618 433 00	Cooling plate	/LL 90-	1	
(23)	927 618 433 00	Cooling plate	/RL 90	1	
(23)	927 618 433 01	Cooling plate	/RL 91	1	
24	900 075 057 02	Hexagon-head bolt M 6 X 16	90-	2	
24	900 075 057 03	Hexagon-head bolt M 6 X 16	90-	2	
25	N 011 524 7	Washer A 6,4	90-	4	
25	N 011 524 27	Washer A 6,4	90-	4	
26	N 011 121 1	Cap nut M 6	90-	2	

Model: 928 87

Model life 1987>>1991



Model: 928 87

Model life 1987>>1991

Pos	Part Number	Description	Remark	Qty	Model
>>	928 351 939 01	Repair kits Brake pad repair set (JURID 238) Comprising: Brake pad Use also: Mounting parts	/V	1	
>>	928 351 939 02	Brake pad repair set without asbestos (TEXTAR T 400) Comprising: Brake pad Use also: Mounting parts	/V	1	M475
>>	993 351 939 01	Brake pad repair set without asbestos (TEXTAR T 428 FF) Comprising: Brake pad Use also: Mounting parts	/V	1	
>>	928 351 919 00	Repair kit Comprising: Piston Boot Inner Boot Outer \$ 42 MM	/V	2	
>>	928 351 919 01	Gasket set Comprising: Piston Boot Inner Boot Outer \$ 44 MM	/V	2	
>>	951 351 919 01	Gasket set Comprising: Piston Boot Inner Boot Outer \$ 36 MM	/V	2	
>>	993 351 959 00	Repair kit Comprising: Spring plate Screw Lower	/V	2	
>>	993 351 959 01	Repair kit Comprising: Spring plate Screw Upper	/V	2	
>>	951 351 939 01	Brake pad repair set (JURID 238) Comprising: Brake pad Use also: Mounting parts	/H	1	
>>	965 352 939 04	Brake pad repair set	/H	1	
>>		Brake pad repair set		1	

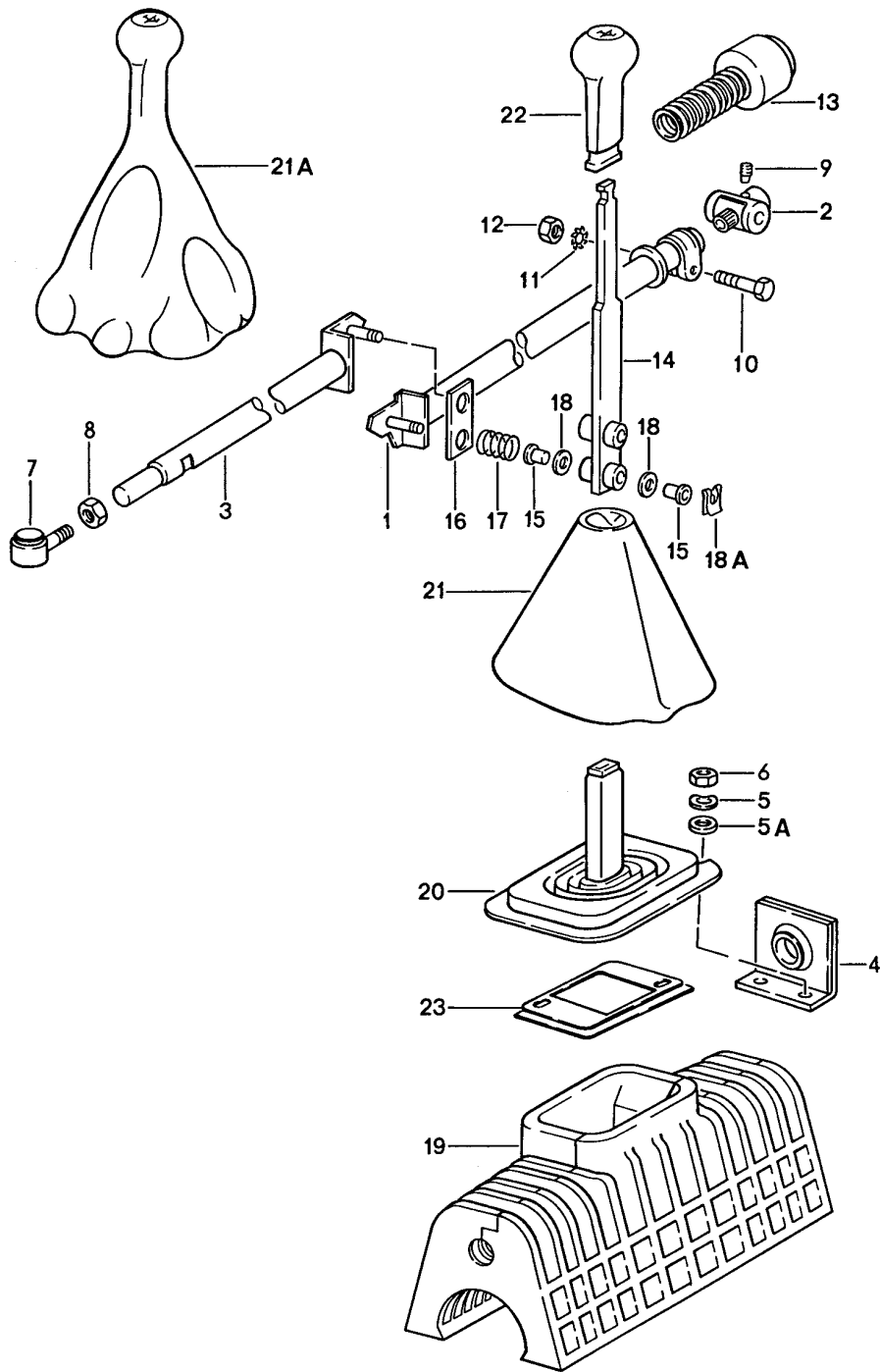
Model: 928 87

Model life 1987>>1991

Pos	Part Number	Description	Remark	Qty	Model
		without asbestos (TEXTAR T 428) Comprising: Brake pad		4	
>>	951 352 919 00	Use also: Mounting parts Gasket set	/H	2	
		Comprising: Piston		1	
		Boot		1	
		Inner Boot		1	
		Outer \$ 30 MM		1	
>>	951 352 919 01	Repair kit	/H	2	
		Comprising: Piston		1	
		Boot		1	
		Inner Boot		1	
		Outer \$ 28 MM		1	
>>	993 352 959 00	Repair kit	/H	2	
		Comprising: Spring plate		1	
		Upper Screw		2	
>>	993 352 959 01	Repair kit	/H	2	
		Comprising: Spring plate		1	
		Lower Screw		2	

Model: 928 87

Model life 1987>>1991

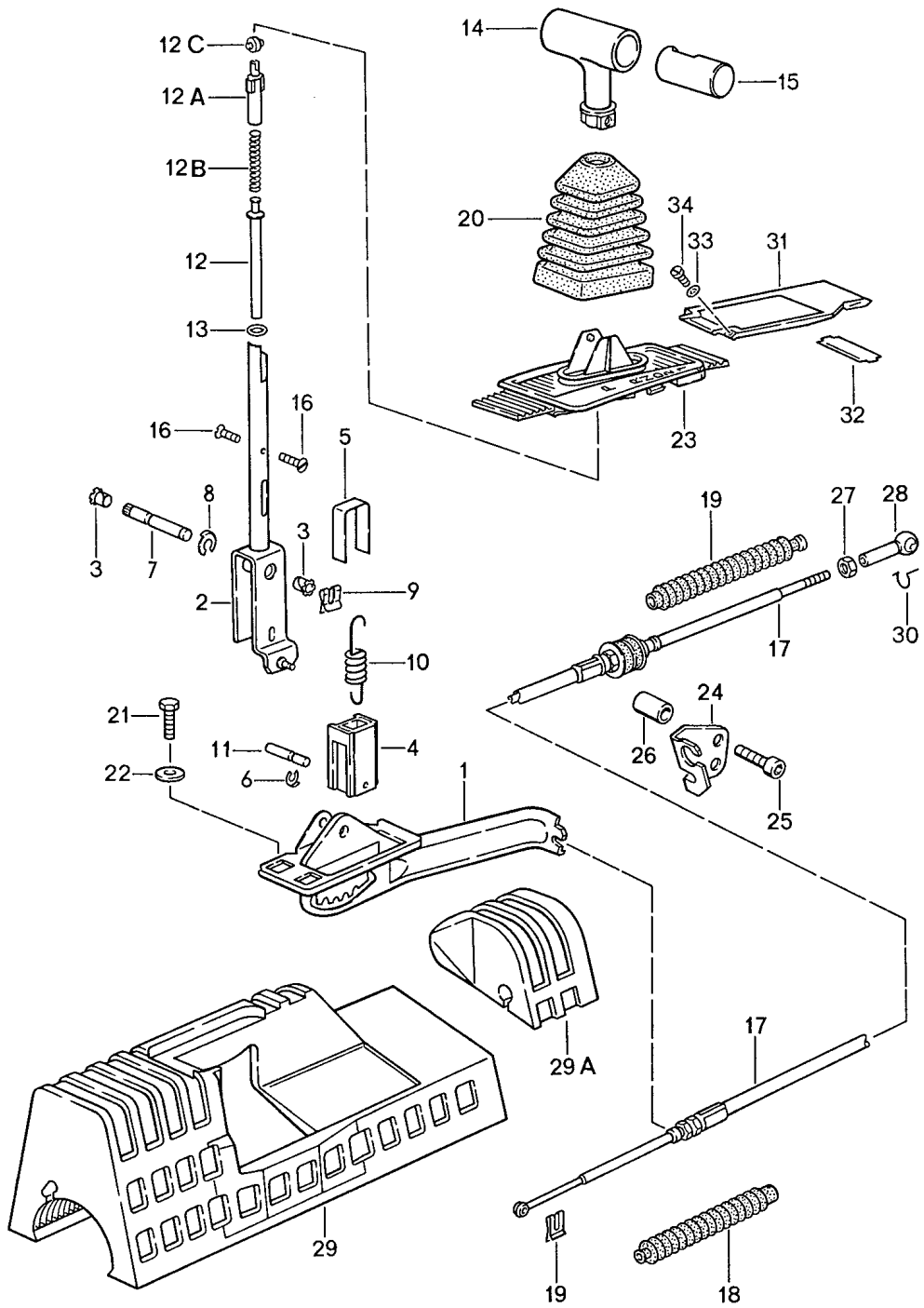


Model: 928 87 Model life 1987>>1991

Pos	Part Number	Description	Remark	Qty	Model
		Shift mechanism for cars with Manual transmission			
1	928 424 028 19	Gear shift rod		1	
2	928 424 029 00	Bearing body		1	
3	928 424 009 10	Guide tube		1	
4	928 424 017 05	Bearing bracket		1	
5	999 523 104 02	Lock washer 6 PN		2	
6	900 076 010 02	Nut M 6		2	
6	900 076 010 0B	Nut M 6		2	
7	928 424 005 01	Angular joint		1	
8	900 034 003 02	Hexagon nut M 10		1	
9	928 424 229 00	Conical screw		1	
10	N 040 222 2	Hexagon-head bolt M 8 X 32		1	
11	999 523 102 02	Washer		1	
11	999 523 102 0B	Washer		1	
12	900 076 025 02	Hexagon nut M 8		1	
12	900 076 064 02	Hexagon nut M 8		1	
13	928 424 209 01	Bellows		1	
14	928 424 067 11	Gearshift lever	/LL	1	
(14)	927 424 067 00	Gearshift lever	/RL	1	
14	928 424 067 50	Gearshift lever		1	M637 M639
15	999 924 002 40	Bush		4	
16	928 424 149 02	Friction strap		1	
17	928 424 147 03	Compression spring		2	
18	900 234 510 02	Support washer S 10 X 16		2	
19	928 424 182 03	Sound absorber		1	
20	928 424 181 04	Sleeve		1	
21A	928 424 073 03	Gearshift knob with Leather bellows	-90	1	
	928 424 073 03 1AJ	Black	-90		
	928 424 073 03 7LD	Burgundy	-90		
	928 424 073 03 5JX	Greyish green	-88		
	928 424 073 03 8LY	Mahogany	-90		
	928 424 073 03 3UY	Caramel	-88		
	928 424 073 03 3UJ	Caramel	-90		
	928 424 073 03 7JJ	Venetian blue	-90		
	928 424 073 03 4MT	Velvet red	-90		
	928 424 073 03 2WT	Slate grey	-90		
	928 424 073 03 8KY	Marine blue	-90		
21A	928 424 073 04	Head shift rod with Leather bellows	-91	1	
	928 424 073 04 1AJ	Black			
	928 424 073 04 6XL	Classic grey			
	928 424 073 04 9YL	Cobalt blue			
	928 424 073 04 6YL	Magenta			
	928 424 073 04 M05	Matador red			
	928 424 073 04 D35	Carrara grey			
	928 424 073 04 J25	Sherwood green			
	928 424 073 04 L07	Scala red			
	928 424 073 04 A37	Greenwich grey			
23	928 552 017 00	Frame		1	

Model: 928 87

Model life 1987>>1991



Model: 928 87 Model life 1987>>1991

Pos	Part Number	Description	Remark	Qty	Model
		Shift mechanism for cars with Automatic transmission			
1	928 426 031 00	Support		1	
2	928 426 261 01	Selector lever		1	
3	999 924 001 40	Bearing sleeve		2	
4	922 424 172 00	Locking piece		1	
5	922 424 171 01	Clip		1	
6	999 166 040 02	Kl-lock		1	
7	928 426 166 00	Bearing pin		1	
9	999 166 005 02	Sl-lock		1	
10	928 426 168 01	Tension spring		1	
11	922 424 167 01	Straight pin		1	
12	928 426 293 01	Push rod		1	
12A	928 426 271 01	Guide		1	
12B	999 521 037 01	Compression spring		1	
12C	321 713 137	Roller		1	
13	999 701 608 40	Round seal 5 X 2 B		2	
14	928 426 075 01	Selector knob	/LL	1	
	928 426 075 01 1AJ	Black			
	928 426 075 01 7LD	Burgundy	-90		
	928 426 075 01 5JX	Greyish green	-88		
	928 426 075 01 8LY	Mahogany	-90		
	928 426 075 01 3UY	Caramel	-88		
	928 426 075 01 3UJ	Caramel	-90		
	928 426 075 01 8KY	Marine blue	-90		
	928 426 075 01 7JJ	Venetian blue	-90		
	928 426 075 01 4MT	Velvet red	-90		
	928 426 075 01 2WT	Slate grey	-90		
	928 426 075 01 8YR	Black	91-		
	928 426 075 01 6XL	Classic grey	91-		
	928 426 075 01 9YL	Cobalt blue	91-		
	928 426 075 01 6YL	Magenta	91-		
	928 426 075 01 M05	Matador red	91-		
	928 426 075 01 D35	Carrara grey	91-		
	928 426 075 01 J25	Sherwood green	91-		
	928 426 075 01 L07	Scala red	91-		
	928 426 075 01 A37	Greenwich grey	91-		
(14)	927 426 075 01	Selector knob	/RL	1	
	927 426 075 01 1AJ	Black			
	927 426 075 01 7LD	Burgundy	-90		
	927 426 075 01 5JX	Greyish green	-90		
	927 426 075 01 8LY	Mahogany	-90		
	927 426 075 01 3UY	Caramel	-88		
	927 426 075 01 3UJ	Caramel	-90		
	927 426 075 01 8KY	Marine blue	-90		
	927 426 075 01 7JJ	Venetian blue	-90		
	927 426 075 01 4MT	Velvet red	-90		
	927 426 075 01 2WT	Slate grey	-90		
	927 426 075 01 8YR	Black	91-		
	927 426 075 01 6XL	Classic grey	91-		
	927 426 075 01 9YL	Cobalt blue	91-		
	927 426 075 01 6YL	Magenta	91-		
	927 426 075 01 M05	Matador red	91-		
	927 426 075 01 D35	Carrara grey	91-		
	927 426 075 01 J25	Sherwood green	91-		
	927 426 075 01 L07	Scala red	91-		
	927 426 075 01 A37	Greenwich grey	91-		
15	928 426 275 01	Key		1	
16	N 014 121 6	Oval-head screw M 4 X 6		2	
17	928 426 033 04	Cable		1	

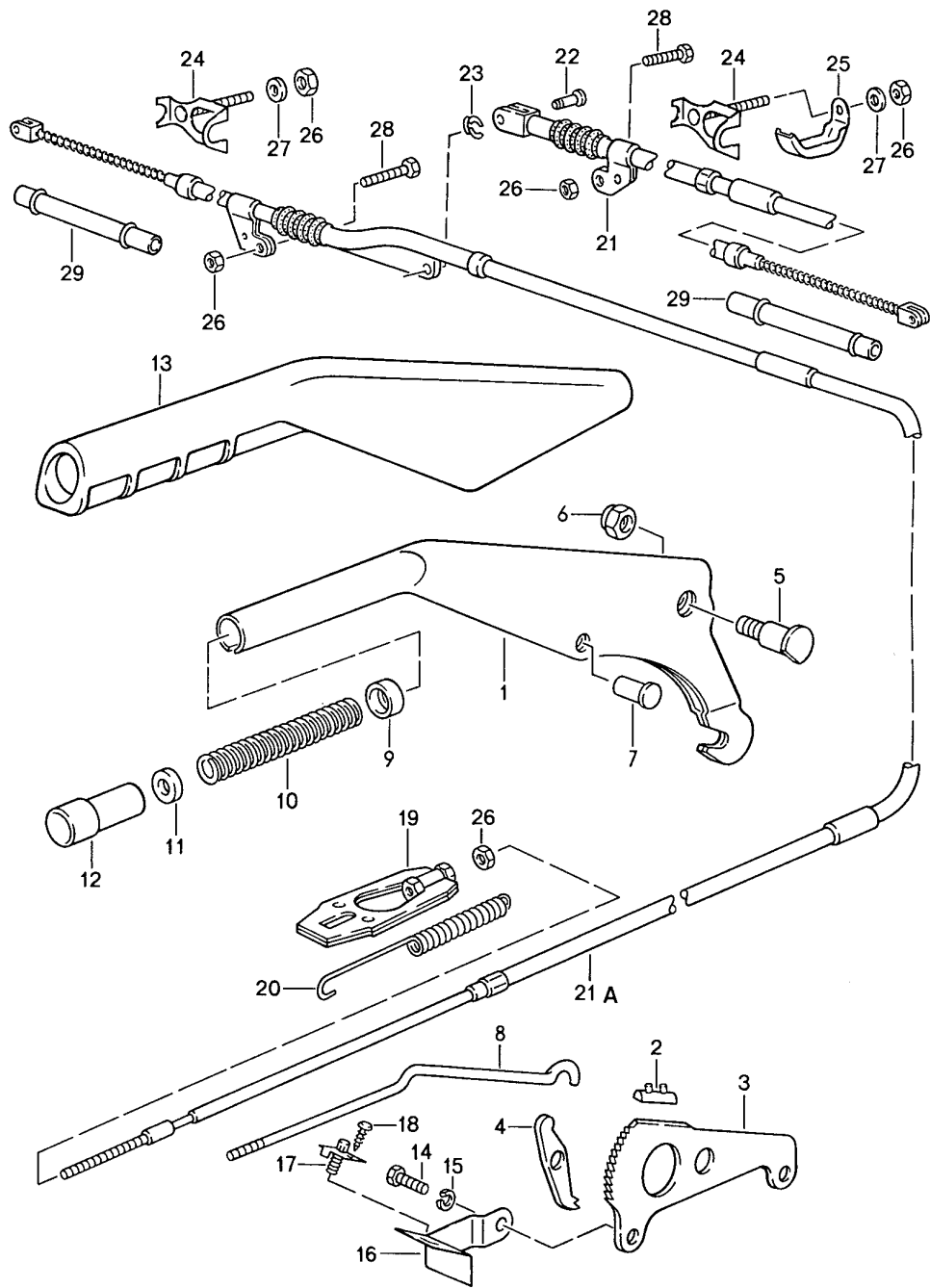
Model: 928 87

Model life 1987>>1991

Pos	Part Number	Description	Remark	Qty	Model
17	928 426 033 07	Cable		1	
18	922 424 103 00	Bellows		2	
19	N 012 644 1	Lock		1	
20	928 426 139 00	Bellows		1	
21	900 075 057 02	Hexagon-head bolt M 6 X 16		3	
21	900 075 057 03	Hexagon-head bolt M 6 X 16		3	
22	N 011 550 1	Washer B 6,5		3	
23	927 552 091 20	Frame	/RL	1	
(23)	928 552 091 20	Frame		1	
24	928 426 111 04	Retaining bracket		1	
25	N 014 715 3	Pan-head screw		2	
25	900 067 103 01	Pan-head screw		2	
26	928 426 113 00	Spacer sleeve		2	
27	N 011 005 14	Hexagon nut M 5		1	
27	900 076 091 01	Hexagon nut M 5		1	
28	911 423 147 00	Ball socket		1	
29	928 426 187 00	Sound absorber Lower part		1	
29A	928 426 188 00	Sound absorber Upper part		1	
30	900 169 014 02	Securing clip		1	
30	900 169 014 01	Securing clip		1	
31	928 552 181 02	Mounting Shift gate		1	
32	928 552 317 02	Separator for mounting Mounting Shift gate		1	
33	900 114 015 01	Shake-proof washer A 3,7		2	
34	900 146 032 02	Oval-head screw AM 3,5 X 10		2	

Model: 928 87

Model life 1987>>1991

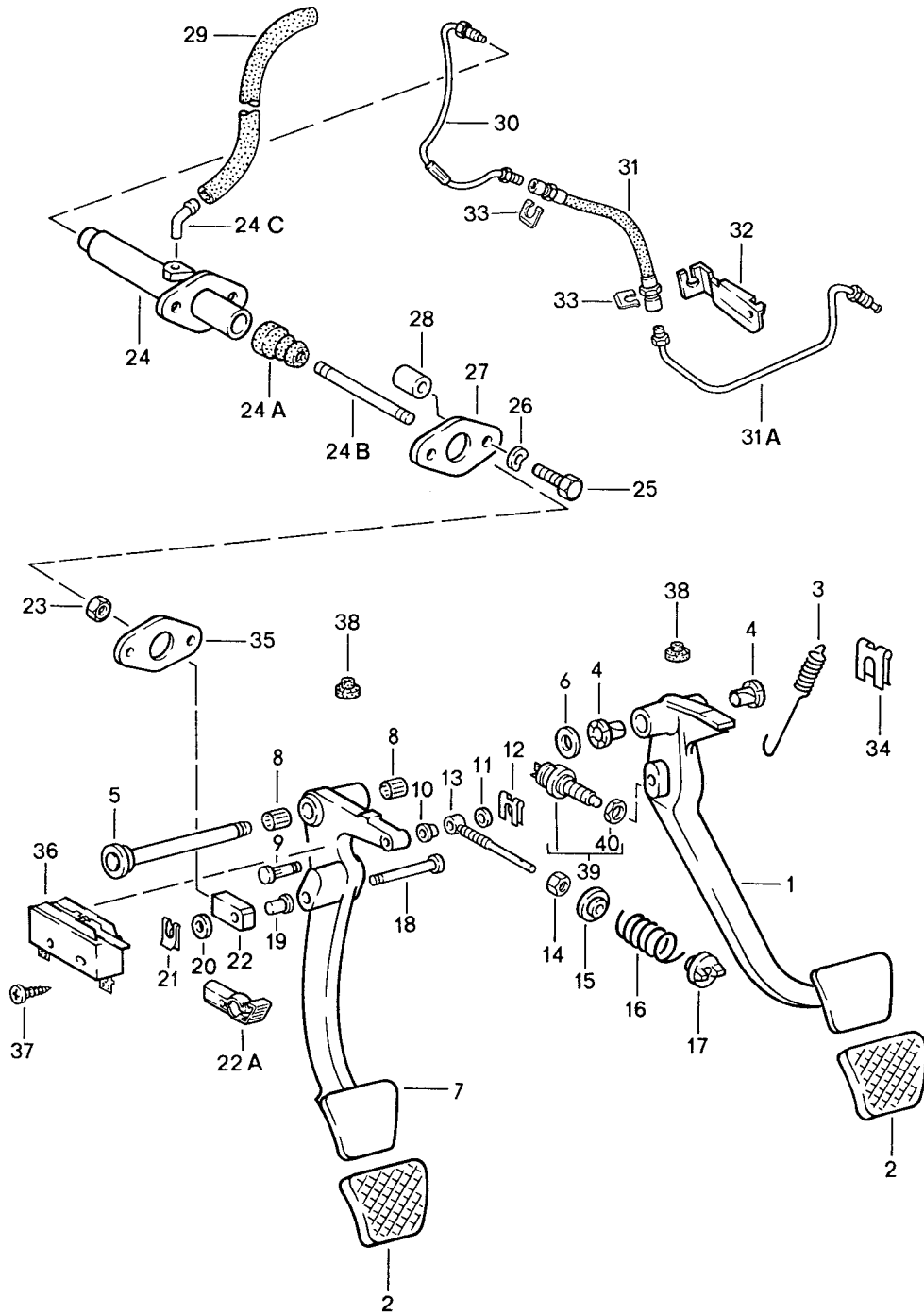


Model: 928 87 Model life 1987>>1991

Pos	Part Number	Description	Remark	Qty	Model
1	928 424 253 13	Actuator Handbrake Parking-brake lever	-90	1	
1A	928 424 051 00	Parking-brake lever	91-	1	
	928 424 051 00 8YR	Black			
	928 424 051 00 1AJ	Black			
	928 424 051 00 6XL	Classic grey			
	928 424 051 00 9YL	Cobalt blue			
	928 424 051 00 6YL	Magenta			
	928 424 051 00 M05	Matador red			
	928 424 051 00 D35	Carrara grey			
	928 424 051 00 J25	Sherwood green			
2	901 424 509 01	Stop		1	
3	928 424 541 14	Locking segment		1	
4	928 424 508 00	Pawl		1	
5	928 424 527 00	Bearing pin		1	
6	900 084 004 03	Hexagon nut		1	
6	900 084 004 02	Hexagon nut		1	
7	900 120 040 02	Rivet		1	
8	928 424 255 12	Push rod		1	
9	914 424 258 00	Guide sleeve		1	
10	901 424 543 00	Compression spring		1	
11	901 424 593 01	Ring		1	
12	928 424 523 12	Push button		1	
13	928 424 259 00	Cover for Parking-brake lever	-90	1	
14	N 010 239 11	Hexagon-head bolt M 8 X 18		2	
14	N 010 239 30	Hexagon-head bolt M 8 X 18		2	
15	900 027 015 02	Lock ring B 8		2	
15	900 027 015 03	Lock ring B 8		2	
16	928 424 535 00	Support	/LL	1	
(16)	927 424 535 00	Support	/RL	1	
17	113 947 561 G	Contact switch		1	
18	N 013 957 5	Oval-head sheetmetal screw B 3,5 X 9,5		1	
19	928 424 033 00	Turnbuckle		1	
20	477 711 975	Return spring		1	
21	928 424 551 16	Parking-brake cable	/L	1	
21	928 424 551 17	Parking-brake cable	/L	1	
21A	928 424 552 16	Parking-brake cable	/R	1	
21A	928 424 552 17	Parking-brake cable	/R	1	
22	999 166 048 02	Bolt A 6 X 17 X 14		1	
23	N 012 645 2	Lock washer		1	
24	928 424 045 00	Support		1	
25	928 424 423 01	Support		1	
26	900 910 010 02	Lock nut		5	
27	N 011 524 7	Washer A 6,4		2	
27	N 011 524 27	Washer A 6,4		2	
28	900 074 111 02	Hexagon-head bolt M 6 X 50		2	M481
(28)	N 010 349 5	Hexagon-head bolt M 6 X 45		2	M249
29	928 424 405 01	Guide tube		2	

Model: 928 87

Model life 1987>>1991



Model: 928 87 Model life 1987>>1991

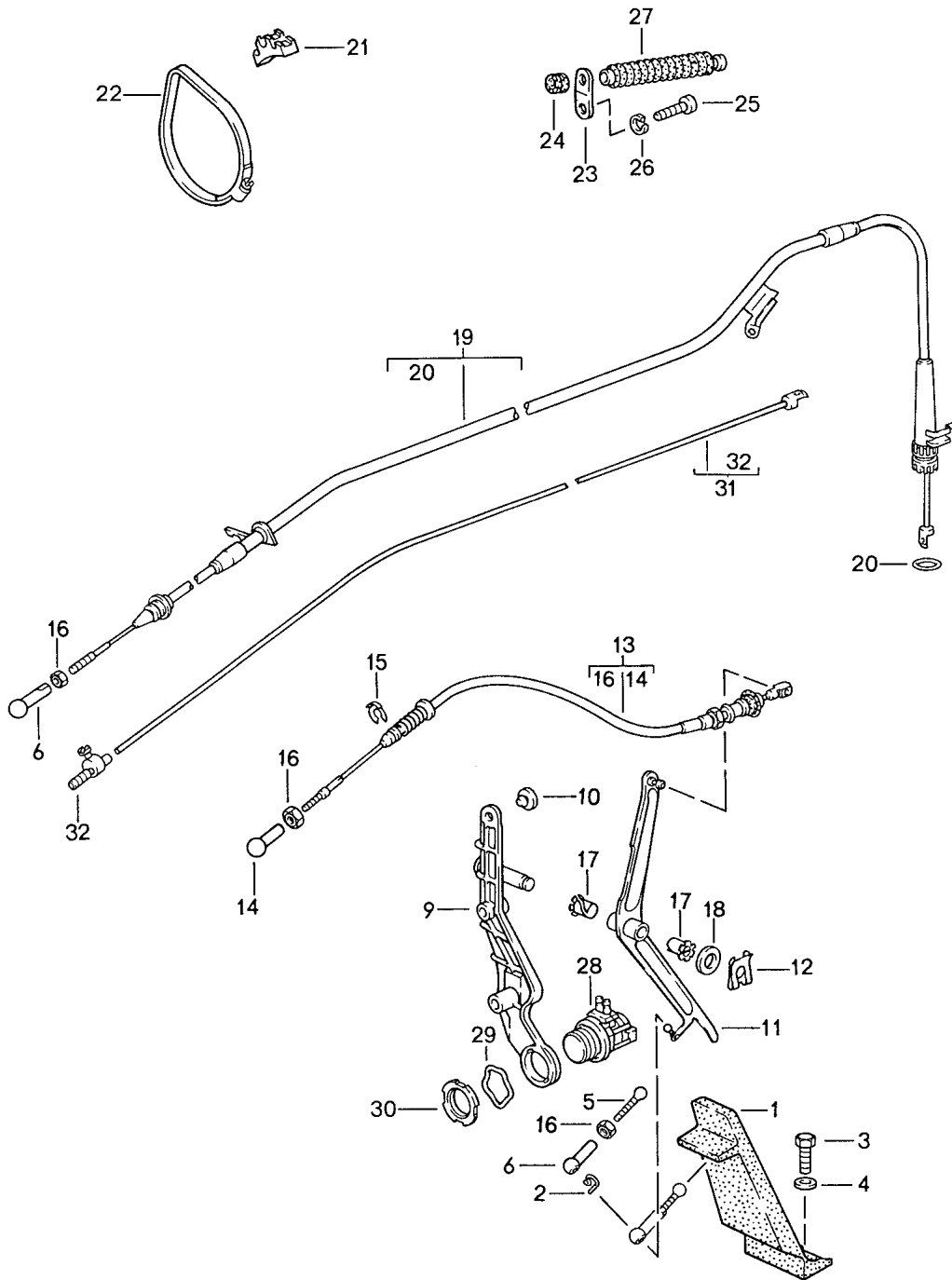
Pos	Part Number	Description	Remark	Qty	Model
		Pedals			
1	928 423 501 05	Brake pedal	/LL	1	M481
(1)	927 423 501 07	Brake pedal	/RL	1	M481
(1)	928 423 515 01	Brake pedal	/LL	1	M249
(1)	927 423 501 08	Brake pedal	/RL	1	M249
2	928 423 210 03	Rubber pad		2	
(2)	928 423 211 00	Pedal cap		1	M249
3	928 423 531 03	Return spring		1	
4	928 423 542 00	Bearing sleeve		2	
5	928 423 037 02	Bearing shaft		1	
-	928 423 523 00	Spacer sleeve		1	M249
6	N 011 565 3	Washer		2	
7	927 423 311 05	Clutch pedal	/RL	1	
7		Clutch pedal	/RL	1	
7	928 423 311 09	Clutch pedal	/LL	1	
7		Clutch pedal	/LL	1	
8	900 317 001 00	Needle-roller bearing		2	
9	928 423 355 00	Bolt		1	
9	928 423 355 01	Bolt		1	
10	999 924 001 40	Bearing sleeve		1	
11	900 089 006 02	Washer		1	
		A 8,4			
11	900 089 006 01	Washer		1	
		A 8,4			
12	N 900 470 01	Lock washer		1	
13	928 423 349 01	Guiding rod		1	
14	900 076 025 02	Hexagon nut		1	
		M 8			
14	900 076 064 02	Hexagon nut		1	
		M 8			
15	928 423 353 00	Concave washer		1	
16	928 423 357 04	Clutch power spring		1	
17	928 423 351 00	Knife-edge bearing		1	
18	928 423 513 00	Bolt	/LL	1	
19	999 924 002 40	Bush	/LL	1	
20	900 025 008 09	Washer	/LL	1	
		A 10,5	/LL		
20	900 025 008 04	Washer	/LL	1	
		A 10,5	/LL		
21	999 166 034 02	Sl-lock	/LL	1	
22	928 423 517 00	Clevis	/LL	1	
22A	999 168 017 40	Ball socket	/RL	1	
23	900 076 025 02	Hexagon nut		1	
		M 8			
23	900 076 064 02	Hexagon nut		1	
		M 8			
24	928 423 173 06	Clutch master cylinder	/LL	1	
(24)	927 423 173 02	Clutch master cylinder	/RL	1	
24A	928 423 908 00	Bellows		1	
24B	928 423 187 00	Piston rod	/LL	1	
(24B)	927 423 187 01	Piston rod	/RL	1	
24C	477 721 177	Angled pipe		1	
25	N 010 340 4	Hexagon-head bolt		2	
		M 8 X 40			
26	N 012 241 8	Spring washer		2	
		B 8			
27	928 423 521 00	Cover plate		1	
28	928 423 519 00	Spacer tube		2	
-	999 181 021 50	Hose		*	
29		375 MM		1	
30	928 423 197 02	Clutch tube	/LL -90	1	
30	928 423 197 04	Clutch tube	/LL 91-	1	
(30)	927 423 185 02	Clutch tube	/RL	1	

Model: 928 87 Model life 1987>>1991

Pos	Part Number	Description	Remark	Qty	Model
31	928 423 077 00	Clutch hose	/LL	1	
(31)	928 423 077 07	Clutch hose	/LL	1	
(31)		Clutch hose	/LL	1	
(31)	927 423 077 00	Clutch hose	/RL -88	1	
(31)	927 423 077 08	Clutch hose	/RL 89	1	
(31)		Clutch hose	/RL 90-	1	
31A	928 423 199 03	Clutch tube	/LL	1	
32	928 423 189 01	Bump stop	/LL	1	
-	N 011 010 6	Hexagon nut M 10		1	
-	N 101 552 10	Hexagon nut M 10		1	
(32)	927 423 189 00	Support	/RL	1	
33	928 423 183 01	Hose holder	/LL	2	
33		Hose holder	/RL	1	
34	N 012 654 1	Lock washer		1	
35	928 423 191 00	Gasket		1	
36	928 613 413 01	Microswitch		1	
37	900 143 013 02	Oval-head sheetmetal screw B 2,9 X 16		2	
38	999 703 183 40	Buffer		2	
39	477 945 515	Brake light switch		1	
40	481 945 529	Nut M 12 X 1		1	
		Vertical pedal adjustment 15 MM for Brake pedal And Clutch pedal			
-	928 423 207 00	Pedal spacer plate		2	M481
-	928 423 213 00	Pedal spacer plate		1	M249
-	900 067 057 02	Pan-head screw M 8 X 20		2	
-	900 067 057 03	Pan-head screw M 8 X 20		2	
-	900 115 013 01	Spring washer See technical information GR. X NR. 15 Vertical pedal adjustment 30 MM for Brake pedal And Clutch pedal		2	
-	928 423 207 00	Pedal spacer plate		4	M481
-	928 423 213 00	Pedal spacer plate		2	M249
-	900 067 081 02	Pan-head screw M 8 X 35		2	
-	900 067 102 02	Pan-head screw M 8 X 35		2	
-	900 115 013 01	Spring washer See technical information GR. X NR. 15		2	

Model: 928 87

Model life 1987>>1991



Model: 928 87

Model life 1987>>1991

Pos	Part Number	Description	Remark	Qty	Model
		Accelerator control			
		Left-hand drive			
1	911 423 111 02	Accelerator pedal		1	
1	911 423 111 03	Accelerator pedal		1	
2	900 169 014 02	Securing clip		1	
2	900 169 014 01	Securing clip		1	
3	999 072 005 09	Hexagon nut		2	
		M 6 X 12			
3	999 072 005 01	Hexagon nut		2	
		M 6 X 12			
4	N 011 666 7	Washer		2	
		B 6,4			
5	928 423 119 00	Push rod		1	
6	911 423 147 00	Ball socket		1	
9	928 423 021 03	Bearing bracket		1	
-	900 076 010 02	Nut		2	
		M 6			
-	900 076 010 0B	Nut		2	
		M 6			
-	N 012 226 5	Spring washer		2	
		B 6			
(10)	999 703 183 40	Buffer		1	
11	928 423 250 05	Reverse lever		1	
12	999 166 034 02	Sl-lock		1	
13	928 423 023 08	Accelerator cable		1	
14	911 423 147 00	Ball socket		1	
15	999 166 046 02	Lock		2	
16	N 011 005 14	Hexagon nut		3	
		BM 5			
16	900 076 091 01	Hexagon nut		3	
		BM 5			
17	999 924 002 40	Bush		2	
18	900 234 041 01	Shim		1	
		10 X 16 X 1,3			
19	928 423 041 06	Cable		1	M249
		for			
		Control pressure			
20	999 701 960 40	Sealing ring		1	
21	928 423 141 00	Support		2	M249
22	999 512 355 02	Hose clamp		2	M249
22	999 512 355 01	Hose clamp		2	M249
23	928 423 143 00	Support		1	M249
24	999 702 119 50	Rubber sleeve		1	M249
25	N 010 210 7	Hexagon-head bolt		1	
		M 6 X 10			
26	N 011 524 7	Washer		1	
		A 6,4			
26	N 011 524 27	Washer		1	
		A 6,4			
27	928 423 277 00	Sealing sleeve		1	M249
28	928 606 111 00	Kickdown switch		1	M249
29	928 613 419 00	Spring washer		1	M249
30	928 613 421 00	Grooved nut		1	M249
		M 28 X 1,5			
31	928 423 901 02	Cable		1	M249
32	477 723 601	Nipple		1	M249
		Vertical pedal adjustment			
		15 MM			
-	928 423 133 04	Bump stop		1	
-	928 423 119 01	Push rod	/LL	1	
-	927 423 119 01	Push rod	/RL	1	
-	911 423 147 00	Ball socket		1	
-	N 011 005 14	Hexagon nut		1	

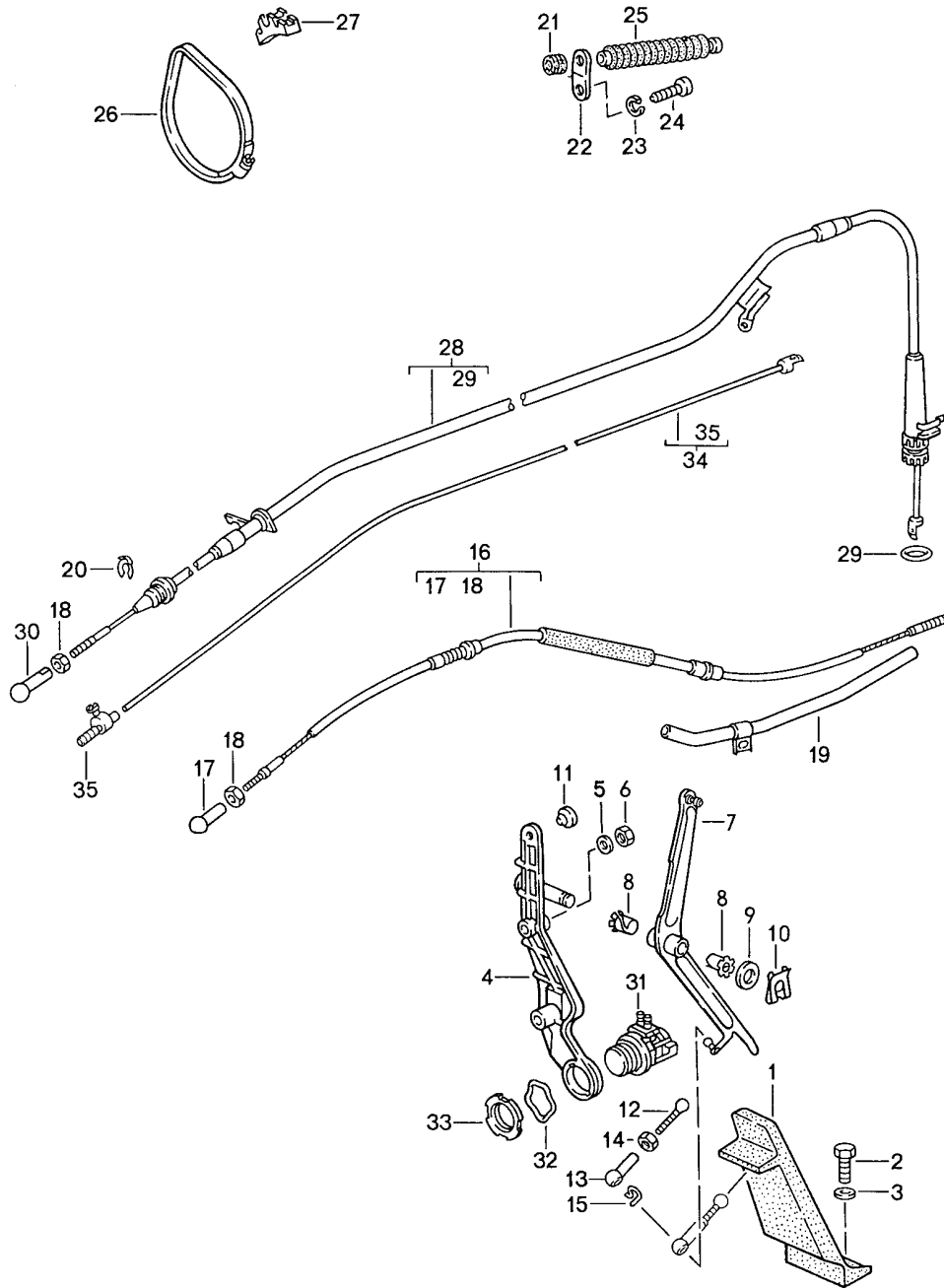
Model: 928 87

Model life 1987>>1991

Pos	Part Number	Description	Remark	Qty	Model
-	900 076 091 01	M 5 See technical information GR. X NR. 15 Hexagon nut		1	
-	928 423 133 05	M 5 See technical information GR. X NR. 15 Vertical pedal adjustment 30 MM Bump stop		1	
-	928 423 119 02	Push rod	/LL	1	
-	927 423 119 01	Push rod	/RL	1	
-	911 423 147 00	Ball socket		1	
-	N 011 005 14	Hexagon nut		1	
-	900 076 091 01	M 5 See technical information GR. X NR. 15 Hexagon nut		1	
		M 5 See technical information GR. X NR. 15			

Model: 928 87

Model life 1987>>1991



Model: 928 87

Model life 1987>>1991

Pos	Part Number	Description	Remark	Qty	Model
		Accelerator control Right-hand drive			
1	911 423 111 02	Accelerator pedal		1	
1	911 423 111 03	Accelerator pedal		1	
2	999 072 005 09	Hexagon nut M 6 X 12		2	
2	999 072 005 01	Hexagon nut M 6 X 12		2	
3	N 011 666 7	Washer B 6,4		2	
4	927 423 129 03	Bearing bracket		1	
5	900 076 025 02	Hexagon nut M 8		2	
5	900 076 064 02	Hexagon nut M 8		2	
6	N 012 241 8	Spring washer B 8		2	
7	927 423 250 02	Reverse lever		1	
8	999 924 002 40	Bush		2	
9	900 234 041 01	Shim 10 X 16 X 1,3		1	
10	999 166 034 02	Sl-lock		2	
11	999 703 183 40	Buffer		2	
12	927 423 119 00	Push rod		1	
13	911 423 147 00	Ball socket		3	
14	N 011 005 14	Hexagon nut M 5		1	
14	900 076 091 01	Hexagon nut M 5		1	
15	900 169 014 02	Securing clip		1	
15	900 169 014 01	Securing clip		1	
16	927 423 023 05	Accelerator cable		1	
17	N 015 521 3	Ball socket		2	
18	N 011 005 14	Hexagon nut M 5		2	
18	900 076 091 01	Hexagon nut M 5		2	
19	927 423 025 03	Guide tube		1	
20	999 166 046 02	Lock		1	M249
21	999 702 119 50	Rubber sleeve		1	M249
22	928 423 143 00	Support		1	M249
23	N 011 524 7	Washer A 6,4		1	M249
23	N 011 524 27	Washer A 6,4		1	M249
24	N 010 210 7	Hexagon-head bolt M 6 X 10		1	M249
25	928 423 277 00	Sealing sleeve		1	M249
26	999 512 355 02	Hose clamp		2	M249
26	999 512 355 01	Hose clamp		2	M249
27	928 423 141 00	Support		2	M249
28	928 423 041 06	Cable for Control pressure		1	M249
29	999 701 960 40	Sealing ring		1	
30	911 423 147 00	Ball socket		1	
31	928 606 111 00	Kickdown switch		1	M249
32	928 613 419 00	Spring washer		1	M249
33	928 613 421 00	Grooved nut		1	M249
34	928 423 901 01	Cable		1	M249
35	477 723 601	Nipple Vertical pedal adjustment 15 MM		1	M249

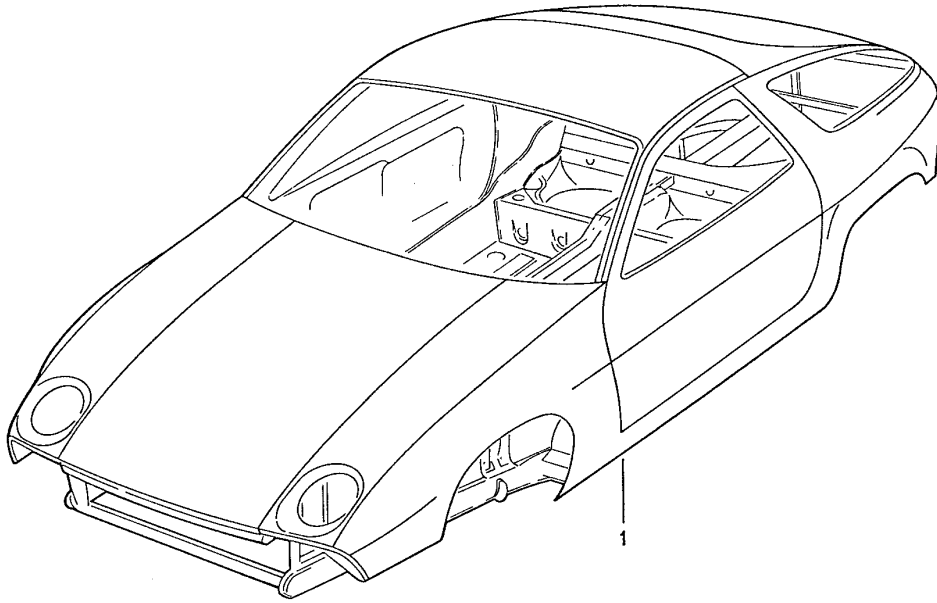
Model: 928 87

Model life 1987>>1991

Pos	Part Number	Description	Remark	Qty	Model
-	928 423 133 04	Bump stop		1	
-	927 423 119 01	Push rod		1	
-	911 423 147 00	Ball socket		1	
-	N 011 005 14	Hexagon nut M 5		1	
-	900 076 091 01	Hexagon nut M 5 Vertical pedal adjustment 30 MM		1	
-	928 423 133 05	Bump stop		1	
-	927 423 119 01	Push rod		1	
-	911 423 147 00	Ball socket		1	
-	N 011 005 14	Hexagon nut M 5		1	
-	900 076 091 01	Hexagon nut M 5		1	

Model: 928 87

Model life 1987>>1991



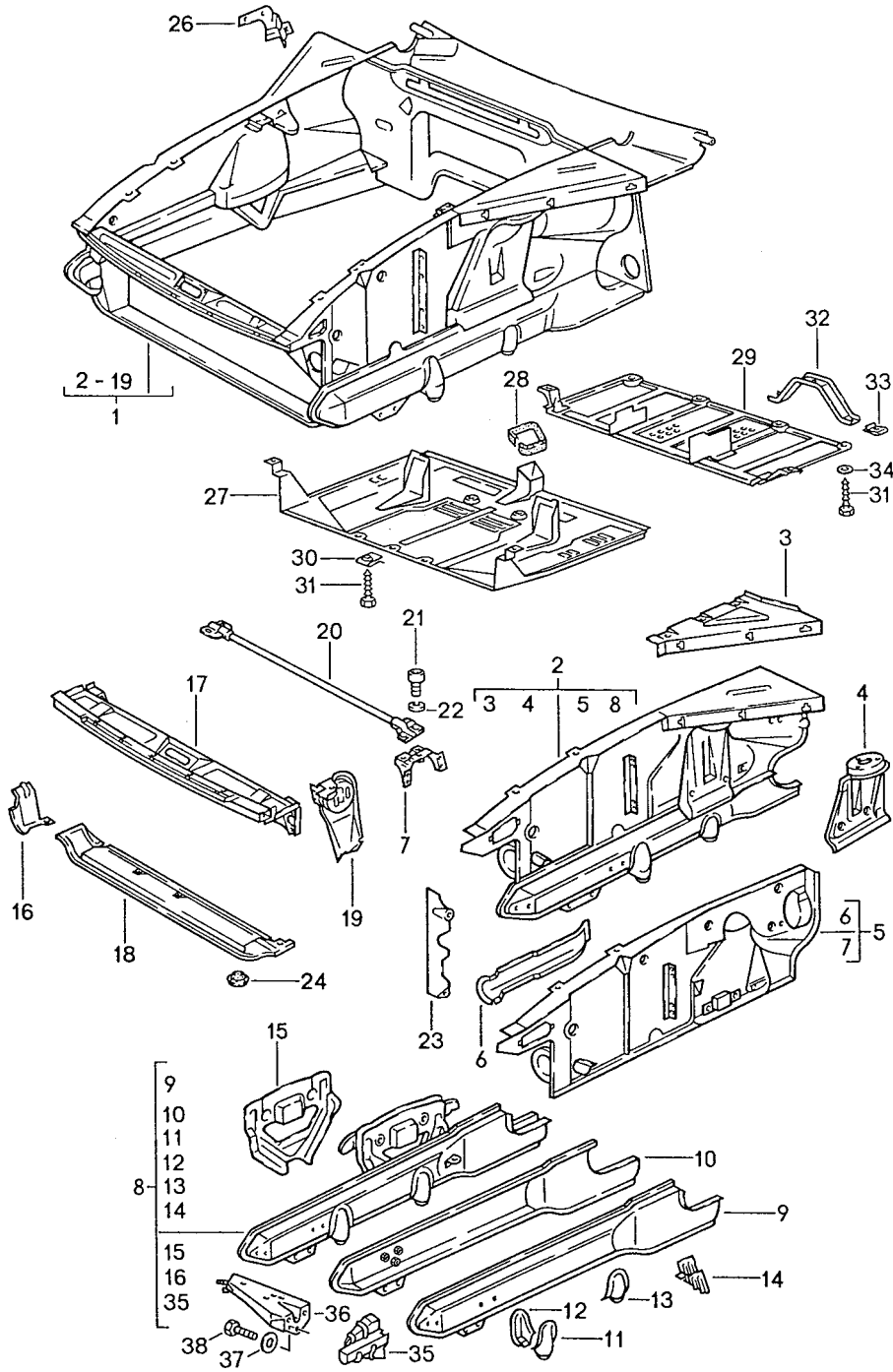
Model: 928 87

Model life 1987>>1991

Pos	Part Number	Description	Remark	Qty	Model
		Body in white Prime coated Sealed Sprayed with filler with Underbody protection BodysHELLs can only only available from current Model year available			
1	928 500 901 08	Body in white	/LL	1	
(1)	928 500 901 09	Body in white	/LL	1	AUT.
(1)	928 500 901 11	Body in white	/RL	1	
(1)	928 500 901 13	Body in white	/RL	1	AUT.
(1)	928 500 901 66	Body in white	/LL	1	M650
(1)	928 500 901 67	Body in white	/LL	1	AUT. M650
(1)	928 500 901 69	Body in white	/RL	1	M650
(1)	928 500 901 71	Body in white	/RL	1	AUT. M650

Model: 928 87

Model life 1987>>1991



Model: 928 87 Model life 1987>>1991

Pos	Part Number	Description	Remark	Qty	Model
1	928 501 011 05	Body front section		1	M481
(1)	928 501 011 06	Body front section	/LL -89	1	M481
(1)	928 501 011 10	Body front section	/LL 90	1	M481
(1)	928 501 011 11	Body front section	/LL 91	1	M481
		Airbag			
(1)	928 501 011 12	Body front section	/LL 91	1	M249
(1)	928 501 011 13	Body front section	/LL 91	1	M249
		Airbag			
(1)	928 501 011 55	Body front section	/LL -89	1	M249
(1)	928 501 011 08	Body front section	/LL 90	1	M249
(1)	927 501 011 05	Body front section	/RL -90	1	M481
(1)	927 501 011 06	Body front section	/RL 91	1	M481
(1)	927 501 011 07	Body front section	/RL 91	1	M249
(1)	927 501 011 55	Body front section	/RL -90	1	M249
(2)	928 501 013 07	Wheel housing	/LL /L	1	
(2)	928 501 014 07	Wheel housing	/LL /R	1	
(2)	927 501 013 07	Wheel housing	/RL /L	1	
(2)	927 501 014 07	Wheel housing	/RL /R	1	
3	928 501 081 02	Side member	/L	1	
(3)	928 501 082 02	Side member	/R	1	
4	928 501 083 03	Reinforcement	/L	1	
		Mounting			
		Suspension strut mounting			
(4)	928 501 084 03	Reinforcement	/R	1	
		Mounting			
		Suspension strut mounting			
(5)	928 501 035 05	Wheel housing	/LL /L	1	
(5)	927 501 035 05	Wheel housing	/RL /L	1	
(5)	928 501 036 05	Wheel housing	/LL /R	1	
(5)	927 501 036 05	Wheel housing	/RL /R	1	
6	928 501 121 03	Bracket	/L	1	
		Impact absorber			
(6)	928 501 122 03	Bracket	/R	1	
		Impact absorber			
7	928 501 551 03	Bearing bracket	/L	1	
		Transverse strut			
	928 501 551 03 GRV	Prime coated			
(7)	928 501 582 03	Bearing bracket	/R	1	
		Transverse strut			
	928 501 582 03 GRV	Prime coated			
(8)	928 501 015 07	Bracket	/L	1	
(8)	928 501 016 07	Bracket	/R	1	
9	928 501 105 03	Bracket	/L	1	
		Outer			
(9)	928 501 106 03	Bracket	/R	1	
		Outer			
10	928 501 103 02	Bracket	/L	1	
		Inner			
(10)	928 501 104 03	Bracket	/R	1	
		Inner			
11	928 501 139 02	Bracket	/L	1	
(11)	928 501 140 02	Bracket	/R	1	
12	928 501 135 02	Bracket	/L	1	
(12)	928 501 136 02	Bracket	/R	1	
13	928 501 195 02	Bracket	/L	1	
(13)	928 501 196 02	Bracket	/R	1	
14	928 501 307 02	Bracket	/L	1	
		for			
		Stabiliser			
14	928 501 307 02 GRV	Bracket	/L	1	
		Prime coated			
		for			

Model: 928 87

Model life 1987>>1991

Pos	Part Number	Description	Remark	Qty	Model
(14)	928 501 308 02	Stabiliser Bracket for Stabiliser	/R	1	
15	928 501 047 02	Bracket	/L	1	
(15)	928 501 048 02	Bracket	/R	1	
(16)	928 501 039 00	Connecting cap	/L	1	
16	928 501 040 00	Connecting cap	/R	1	
17	928 501 033 03	Terminal piece	/V	1	
18	928 501 031 05	Cross member		1	
19	928 501 127 03	Bracket for engine		1	
20	928 504 061 02	Pop-up headlight Transverse strut		1	
21	900 119 053 02	Pan-head screw M 10 X 16		4	
22	900 025 008 02	Washer A 10,5		4	
22	N 011 527 4	Washer A 10,5		4	
22	900 025 008 09	Washer A 10,5		4	
22	900 025 008 04	Washer A 10,5		4	
23	928 501 811 02	Lining for Radiator	/L	1	
(23)	928 501 812 03	Lining for Radiator	/R	1	
24	803 803 583 A	Stopper		9	
24	999 703 196 40	Lid		9	
25	928 504 357 02	Water drain valve		1	
26	928 501 313 03	Retaining bracket for expansion tank	/LL	1	
(26)	927 501 313 02	Retaining bracket for expansion tank	/RL	1	
27	928 504 021 02	Protective plate	/V	1	
28	928 504 215 00	Edge protection		1	
29	928 504 029 02	Protective plate	/H	1	
(29)	928 504 029 02 GRV	Protective plate	/H	1	
30	999 591 348 02	Speed nut B 4,8		9	
30	999 591 348 01	Speed nut B 4,8		9	
31	900 187 018 02	Hexagon-head tapping screw B 4,8 X 16		9	
32	928 504 137 02	Fastening angle		2	
32	928 504 137 02 GRV	Fastening angle Prime coated		2	
33	999 591 699 02	Speed nut B 4,8		4	
33	999 591 699 01	Speed nut B 4,8		4	
34	N 011 665 3	Washer B 5,3		4	
34	N 011 665 16	Washer B 5,3		4	
35	928 501 078 00	Reinforcement Towing lug		1	
36	928 501 596 00	Support for	-89	1	

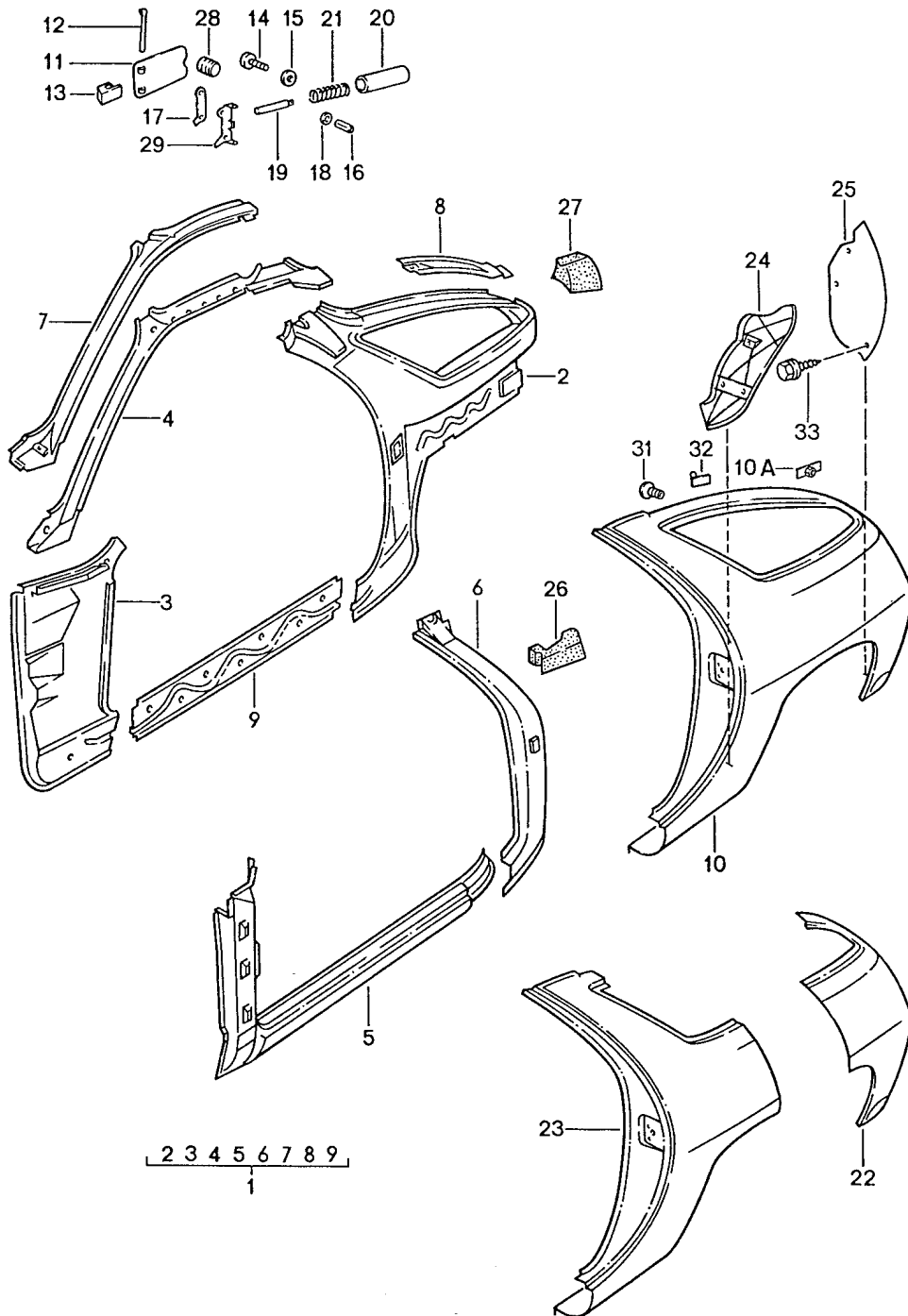
Model: 928 87

Model life 1987>>1991

Pos	Part Number	Description	Remark	Qty	Model
(36)	928 501 596 01	Fanfare Support for Fanfare	90-	1	
37	N 011 666 7	Washer B 6,4		3	
38	900 075 291 02	Hexagon-head bolt M 6 X 16		3	

Model: 928 87

Model life 1987>>1991



Model: 928 87 Model life 1987>>1991

Pos	Part Number	Description	Remark	Qty	Model
		Frame			
1	928 502 011 13	Side section			
		Side section	/LL 87	1	
		Left			
1	928 502 011 14	Side section	/LL 88	1	
		Left			
(1)	928 502 011 16	Side section	/LL 89	1	
		Left			
(1)	928 502 011 15	Side section	/LL 90-	1	
		Left			
(1)	928 502 011 68	Side section	/LL 87	1	M650
		Left			
(1)	928 502 011 69	Side section	/LL 88	1	M650
		Left			
(1)	928 502 011 17	Side section	/LL 89	1	M650
		Left			
(1)	928 502 011 70	Side section	/LL 90-	1	M650
		Left			
(1)	927 502 011 05	Side section	/RL 87	1	
		Left			
(1)	927 502 011 06	Side section	/RL 88-89	1	
		Left			
(1)	927 502 011 07	Side section	/RL 90-	1	
		Left			
(1)	927 502 011 16	Side section	/RL (AUS) 90-	1	
		Left			
(1)	927 502 011 63	Side section	/RL 87	1	M650
		Left			
(1)	927 502 011 64	Side section	/RL 88-89	1	M650
		Left			
(1)	927 502 011 65	Side section	/RL 90-	1	M650
		Left			
(1)	927 502 011 17	Side section	/RL (AUS) 90-	1	M650
		Left			
(1)	928 502 012 13	Side section	/LL 87-89	1	
		Right			
(1)	928 502 012 14	Side section	/LL 90-	1	
		Right			
(1)	928 502 012 68	Side section	/LL 87-89	1	M650
		Right			
(1)	928 502 012 15	Side section	/LL 90-	1	M650
		Right			
(1)	927 502 012 05	Side section	/RL -88	1	
		Right			
(1)	927 502 012 08	Side section	/RL 89	1	
		Right			
(1)	927 502 012 10	Side section	/RL 90-	1	
		Right			
(1)	927 502 012 16	Side section	/RL (AUS) 90-	1	
		Right			
(1)	927 502 012 63	Side section	/RL -88	1	M650
		Right			
(1)	927 502 012 09	Side section	/RL 89	1	M650
		Right			
(1)	927 502 012 06	Side section	/RL 89	1	M538
		Right			
(1)	927 502 012 07	Side section	/RL 89	1	M538/650
		Right			
(1)	927 502 012 11	Side section	/RL 90-	1	M650
		Right			

Model: 928 87 Model life 1987>>1991

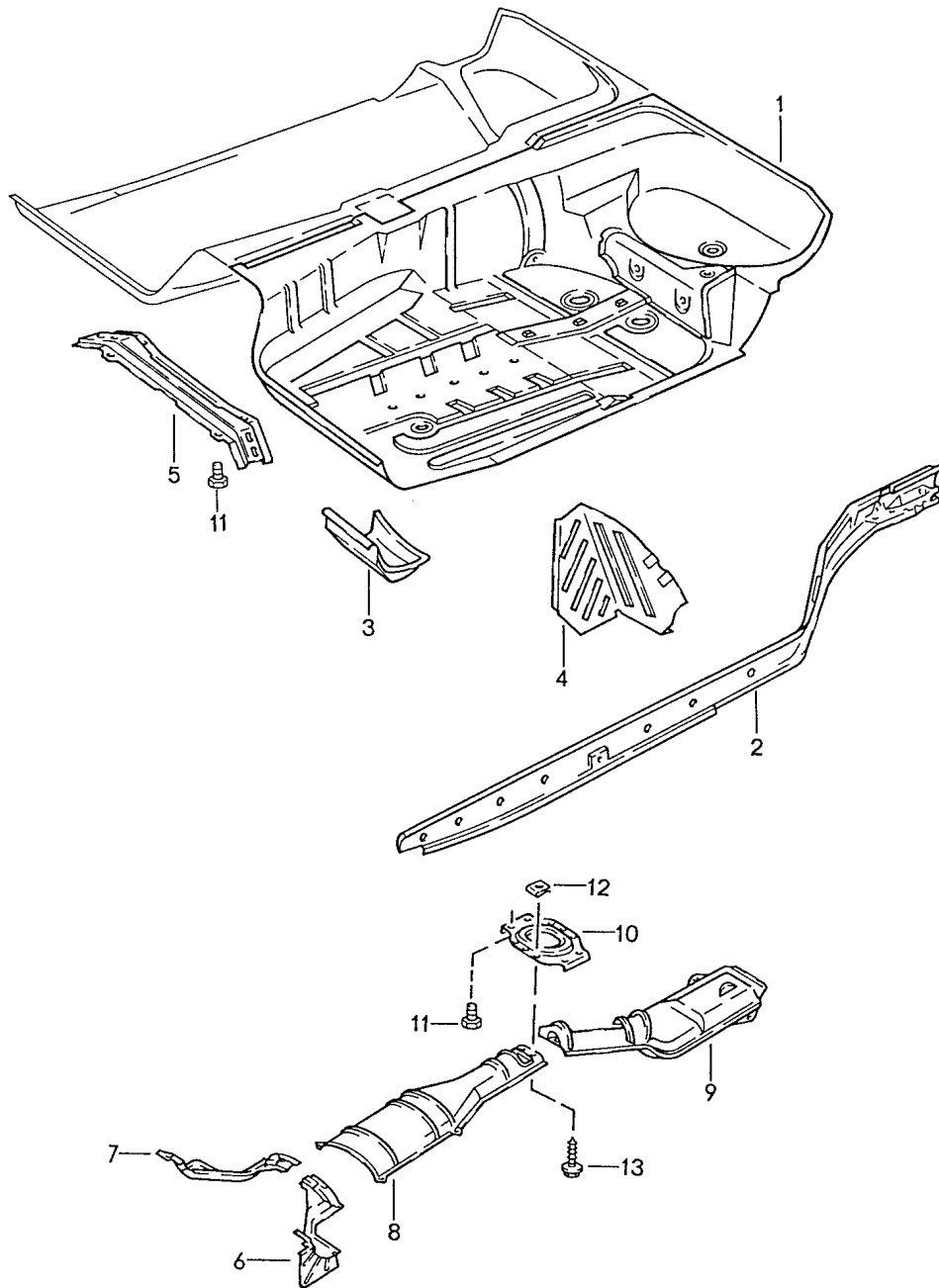
Pos	Part Number	Description	Remark	Qty	Model
(1)	927 502 012 17	Side section Right	/RL (AUS) 90-	1	M650
(2)	928 502 043 05	Side section Inner rear	/L -89	1	
(2)	928 502 043 06	Side section Inner rear	/L 90-	1	
(2)	927 502 043 03	Side section Inner rear	/RL /L (AUS) 90-	1	
(2)	928 502 044 05	Side section Inner rear	/R -89	1	
(2)	928 502 044 06	Side section Inner rear	/R 90-	1	
(2)	927 502 044 02	Side section Inner rear	/RL /R (AUS) 90-	1	
3	928 502 013 09	Side section Inner front	/LL /L 87	1	
3	928 502 013 10	Side section Inner front	/LL /L 88	1	
(3)	928 502 013 11	Side section Inner front	/LL /L 89-	1	
(3)	928 502 014 09	Side section Inner front	/LL /R -89	1	
(3)	928 502 014 12	Side section Inner front	/LL /R 90-	1	
(3)	927 502 013 10	Side section Inner front	/RL /L 87	1	
(3)	927 502 013 11	Side section Inner front	/RL /L 88-	1	
(3)	927 502 014 10	Side section Inner front	/RL /R -88	1	
(3)	927 502 014 11	Side section Inner front	/RL /R 89-	1	
(3)		Side section Inner front	/RL /R 89-90	1	M538
(3)		Side section Inner front	/RL /R 91	1	
4	928 502 301 02	Roof frame Lateral	/L	1	
(4)	928 502 302 02	Roof frame Lateral	/R	1	
(5)	928 502 015 03	Door sill	/L	1	
(5)	928 502 016 03	Door sill	/R	1	
6	928 502 051 02	Lock pillar	/L	1	
(6)	928 502 052 02	Lock pillar	/R	1	
7	928 502 331 02	Roof frame Lateral upper	/L	1	
(7)	928 502 332 02	Roof frame Lateral upper	/R	1	
8	928 502 033 02	Interior frame	/L	1	
(8)	928 502 034 02	Interior frame	/R	1	
9	928 502 111 02	Separator		2	
(10)	928 503 061 16	Side section	/L -89	1	
(10)	928 503 061 18	Side section	/L -89	1	M637/639
(10)	928 503 061 18 GRV	Side section Prime coated	/L	1	M637/639
(10)	928 503 061 18	Side section	/L 90-	1	
(10)	928 503 061 18 GRV	Side section Prime coated	/L 90-	1	
(10)	928 503 062 16	Side section	/R -89	1	
(10)	928 503 062 18	Side section	/R -89	1	M637/639

Model: 928 87 Model life 1987>>1991

Pos	Part Number	Description	Remark	Qty	Model
(10)	928 503 062 18 GRV	Side section Prime coated	/R	1	M637/639
(10)	928 503 062 18	Side section	/R 90-	1	
(10)	928 503 062 18 GRV	Side section Prime coated	/R 90-	1	
10A	928 512 591 02	Threaded plate	-88	2	M471
10A	928 512 591 02 GRV	It is necessary to rework Threaded plate Prime coated It is necessary to rework		2	M471
11	928 504 301 02	Flap		1	
12	928 504 313 02	Axle		1	
13	928 504 326 02	Stop		1	
14	900 146 109 00	Oval-head screw M 5 X 12		2	
15	N 011 665 11	Washer B 5,3		2	
16	900 095 036 02	Tensioning sleeve 2 X 8		1	
17	928 504 335 02	Desk pad		1	
18	928 504 347 02	Washer		1	
19	928 504 341 02	Guiding rod		1	
20	928 504 343 02	Protective tube		1	
21	928 504 345 02	Compression spring		1	
22	928 503 911 08	Sub-part Wing Rear	/L -89	1	
22	928 503 912 08	Sub-part Wing Rear	/R -89	1	
23	928 503 913 04	Sub-part Wing Front	/L -89	1	
(23)	928 503 914 04	Sub-part Wing Front	/R -89	1	
24	928 504 303 02	Wheel cover	/L -89	1	
(24)	928 504 303 03	Wheel-housing liner	/L 90-	1	
(24)	928 504 304 02	Wheel cover	/R -89	1	
(24)	928 504 304 03	Wheel-housing liner	/R 90-	1	
25	928 504 309 03	Wheel cover	/L 90	1	
(25)	928 504 309 04	Wheel cover	/L 90	1	M221
26	928 504 281 02	Seal	/L -89	1	
(26)	928 504 281 03	Seal	/L 90-	1	
(26)	928 504 282 02	Seal Lock pillar	/R	1	
27	928 504 283 02	Seal	/L /H 87-	1	
(27)	928 504 284 02	Seal	/R /H 87-	1	
28	999 703 135 40	Rubber buffer		1	
29	928 504 325 02	Hinge half		1	
31	999 015 005 07	Half-round screw		4	
32	928 503 621 02	Pneumatic spring mount		2	
33	900 187 115 02	Combination screw B 5,5 X 16		10	
33	900 187 115 01	Combination screw B 5,5 X 16		10	

Model: 928 87

Model life 1987>>1991

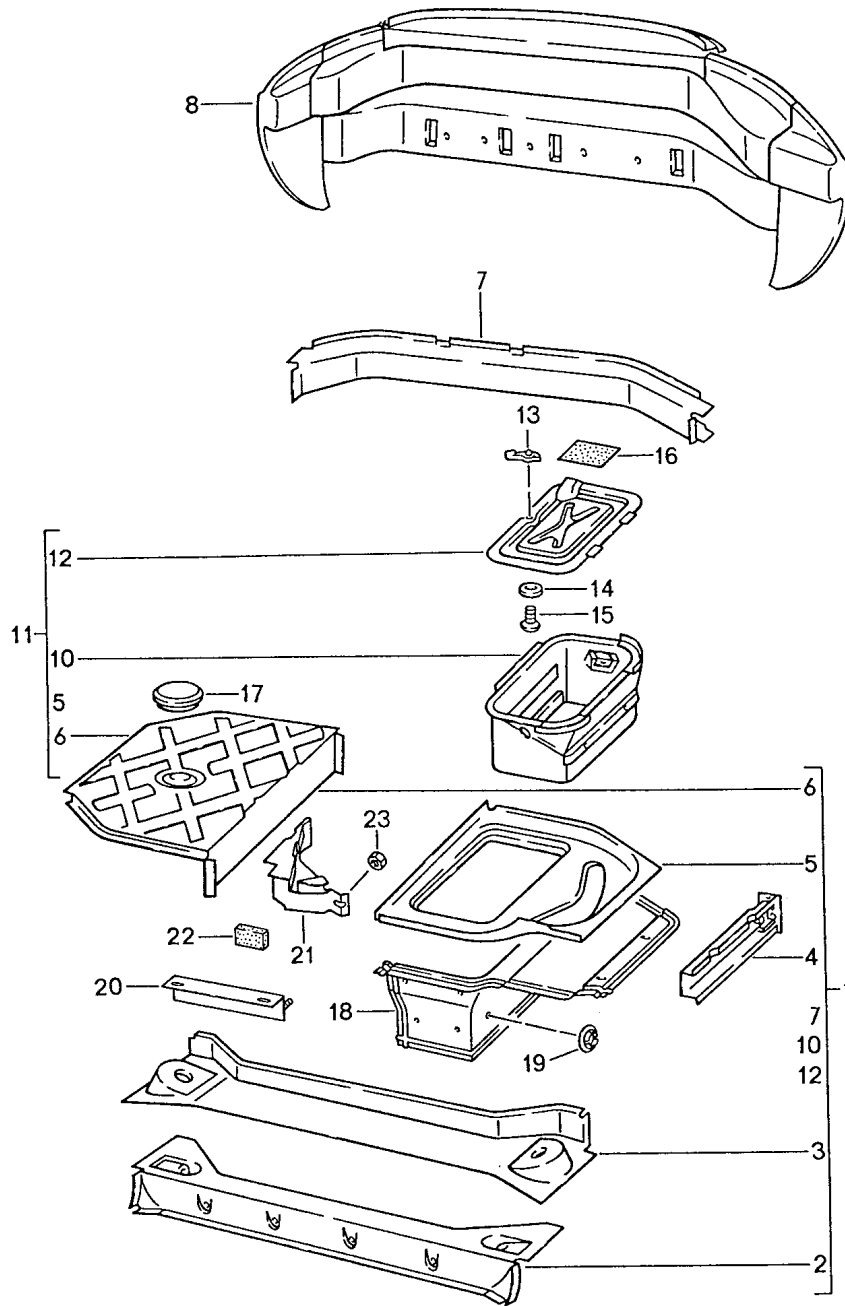


Model: 928 87 Model life 1987>>1991

Pos	Part Number	Description	Remark	Qty	Model
		Floor section Frame Centre			
1	928 501 953 04	Floor section	/LL /L -89	1	
(1)	928 501 954 04	Floor section	/LL /R -89	1	
(1)	927 501 953 04	Floor section	/RL /L -89	1	
(1)	927 501 954 04	Floor section	/RL /R -89	1	
(1)	928 501 051 14	Floor section Complete	/LL 90	1	M481
(1)	928 501 051 20	Floor section Complete	/LL 91	1	M481
(1)	928 501 051 63	Floor section Complete	/LL 90	1	M249
(1)	928 501 051 21	Floor section Complete	/LL 91	1	M249
(1)	927 501 051 10	Floor section Complete	/RL 90	1	M481
(1)	927 501 051 11	Floor section Complete	/RL 91	1	M481
(1)	927 501 051 56	Floor section Complete	/RL 90	1	M249
(1)	927 501 051 12	Floor section Complete	/RL 91	1	M249
(1)	928 501 053 08	Floor section	/LL /L 90-	1	
(1)	928 501 054 09	Floor section	/LL /R 90-	1	
(1)	927 501 053 07	Floor section	/RL /L 90-	1	
(1)	927 501 054 08	Floor section	/RL /R 90-	1	
2	928 501 021 04	Side member	/LL /L	1	
(2)	928 501 022 05	Side member	/LL /R	1	
(2)	927 501 021 05	Side member	/RL /L	1	
(2)	927 501 022 04	Bracket	/RL /R	1	
3	928 501 093 03	Gusset plate	/L	1	
(3)	928 501 094 03	Gusset plate	/R	1	
4	928 551 071 02	Foot support	/LL /L -89	1	
(4)	928 504 071 02	Foot support	/LL /L 90-	1	
(4)	927 551 071 02	Foot support	/RL /R	1	
5	928 501 901 05	Cross member		1	
6	928 504 921 05	Heat protection plate		1	
6A	928 504 825 02	Support for Heat protection plate		1	
7	928 504 924 05	Heat protection plate		1	
8	928 504 091 00	Heat protection plate		1	
(8)	928 504 091 01	Heat protection plate	(J)	1	
9	928 504 931 04	Heat protection plate	/L	1	
(9)	928 504 932 04	Heat protection plate	/R	1	
10	928 501 495 02	Bridge		1	
11	999 075 032 02	Seat belt Hexagon-head bolt M 8 X 20		4	
12	999 591 487 02	Speed nut B 5,5		16	
13	900 187 115 02	Combination screw B 5,5 X 16		16	
13	900 187 115 01	Combination screw B 5,5 X 16		16	

Model: 928 87

Model life 1987>>1991

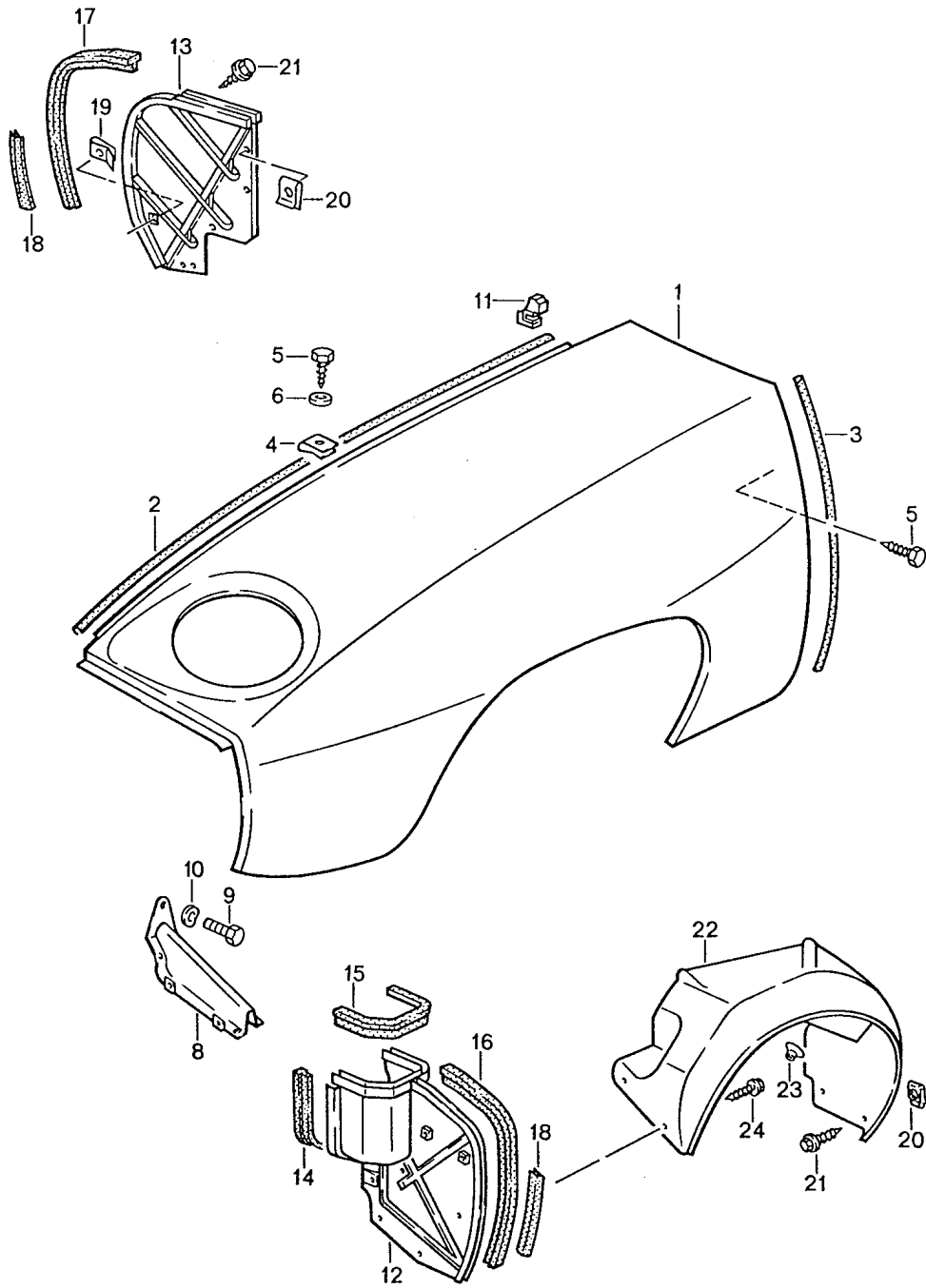


Model: 928 87 Model life 1987>>1991

Pos	Part Number	Description	Remark	Qty	Model
		Frame			
		Rear			
		Rear end			
(1)	928 501 071 05	Rear end	-89	1	
(1)	928 501 071 06	Rear end	90-	1	
	928 501 071 06 GRV	Prime coated			
2	928 501 515 03	Cross member		1	
		Lower half 2,4,5			
(3)	928 501 715 03	Cross member		1	
4	928 501 207 02	Extension	/L	1	
		Bracket			
(4)	928 501 208 04	Extension	/R	1	
		Bracket			
(5)	928 501 701 04	Floor section	/L	1	
(6)	928 501 702 03	Floor section	/R	1	
7	928 501 079 04	Cross member		1	
8	928 502 081 06	Terminal piece	/LL	1	
		Order also:			
		999.190.327.30		2	
8	927 502 081 06	Terminal piece	/RL	1	
		Order also:			
		999.190.327.30		2	
(10)	928 501 805 04	Battery box		1	
(11)	928 501 075 05	Floor section	/H -89	1	
(11)		Floor section	/H	1	
		Rear			
	928 501 075 05 GRV	Prime coated			
(11)	928 501 075 06	Floor section	90-	1	
12	928 504 011 04	Lid		1	
13	928 504 103 02	Latch		1	
14	N 011 665 3	Washer		1	
		B 5,3			
14	N 011 665 16	Washer		1	
		B 5,3			
15	N 013 973 4	Oval-head sheetmetal screw		1	
		B 5,5 X 13			
16	911 201 259 00	Desk pad		4	
		for			
		Emergency wheel			
17	928 504 207 02	Lid		1	
18	928 504 053 00	Heat protection plate		1	
19	999 591 736 02	Speed nut		10	
(18)	928 504 501 01	Heat protection plate	90-	1	
(18)		Heat protection plate	90-	1	
	928 504 501 01 GRV	Prime coated			
20	928 504 407 00	Fastening angle	90-	1	
-	999 591 865 02	Nut	90-	2	
-	999 591 736 02	Speed nut	90-	8	
-	900 151 027 02	Washer	90-	2	
-	900 151 027 03	Washer	90-	2	
-	N 021 196 1	Lock nut	90-	2	
-	N 021 196 3	Hexagon nut	90-	2	
21	928 612 541 00	Cover		1	
22	928 612 494 00	Foam part		1	
23	999 591 839 40	Plastic nut		1	

Model: 928 87

Model life 1987>>1991



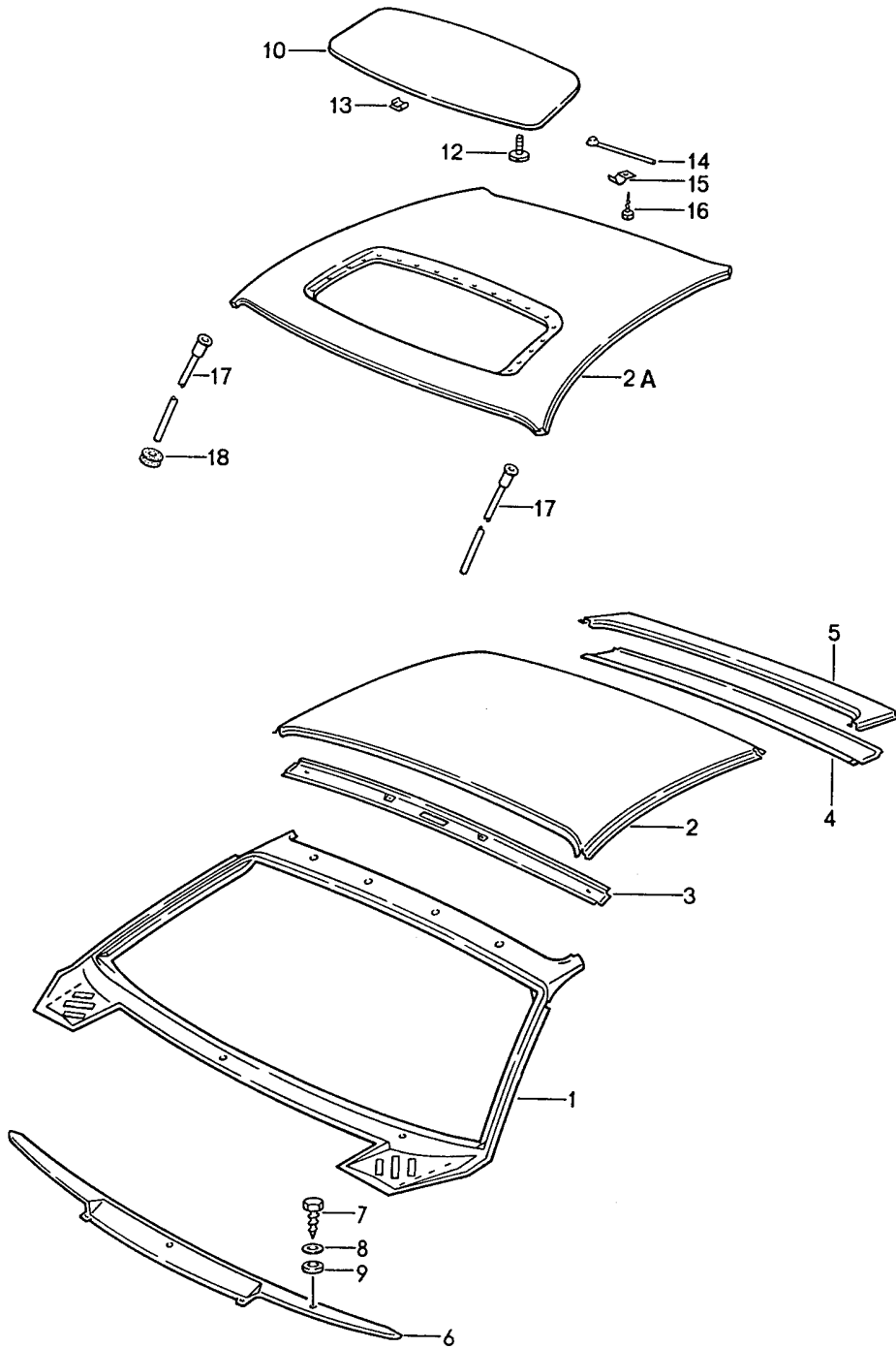
Model: 928 87

Model life 1987>>1991

Pos	Part Number	Description	Remark	Qty	Model
1	928 503 011 08	Wing		1	
1	928 503 012 08	Wing	/L -89	1	
1	928 503 011 10	Wing	/R -89	1	M637/639
1	928 503 012 10	Wing	/L -89	1	M637/639
1	928 503 011 10	Wing	/R -89	1	
1	928 503 012 10	Wing	/L 90-	1	
1	928 503 012 10	Wing	/R 90-	1	
2	000 043 129 00	Sealing strap		2	
3		Sealing strap		*	
4	999 507 003 02	Speed nut		26	
4	999 507 003 01	Speed nut		26	
5	999 450 007 02	Combination screw		24	
6	999 704 157 40	Washer		24	
		5,5 X 18 X 1,5			
8	928 503 031 04	Wing strut		2	
9	999 072 005 09	Hexagon nut		10	
		M 6 X 12			
9	999 072 005 01	Hexagon nut		10	
		M 6 X 12			
10	N 012 226 5	Spring washer		10	
11	928 511 579 03	Seal		2	
12	928 504 221 11	Cover	/L	1	
13	928 504 222 11	Cover	/R	1	
14	928 504 223 04	Sealing strap	/L	1	
15	928 504 223 05	Sealing strap	/L	1	
16	928 504 223 07	Sealing strap	/L	1	
17	928 504 223 08	Sealing strap	/L	1	
18	928 504 223 09	Sealing strap		2	
19	999 507 048 03	Speed nut		2	
		M 6			
20	999 591 487 02	Speed nut		15	
		B 5,5			
21	900 187 115 02	Combination screw		15	
		B 5,5 X 16			
21	900 187 115 01	Combination screw		15	
		B 5,5 X 16			
22	928 504 381 05	Wheel-housing liner	/L -89	1	
(22)	928 504 382 05	Wheel-housing liner	/R -89	1	
(22)	928 504 381 05	Wheel-housing liner	/L -89	1	M637/639
(22)	928 504 382 05	Wheel-housing liner	/R -89	1	M637/639
(22)	928 504 381 05	Wheel-housing liner	/L 90-	1	
(22)	928 504 382 05	Wheel-housing liner	/R 90-	1	
23	999 049 022 40	Plastic nut		2	
24	900 187 108 02	Tapping screw		4	
		BZ 6,3 X 16			
24	900 187 108 01	Tapping screw		4	
		BZ 6,3 X 16			

Model: 928 87

Model life 1987>>1991



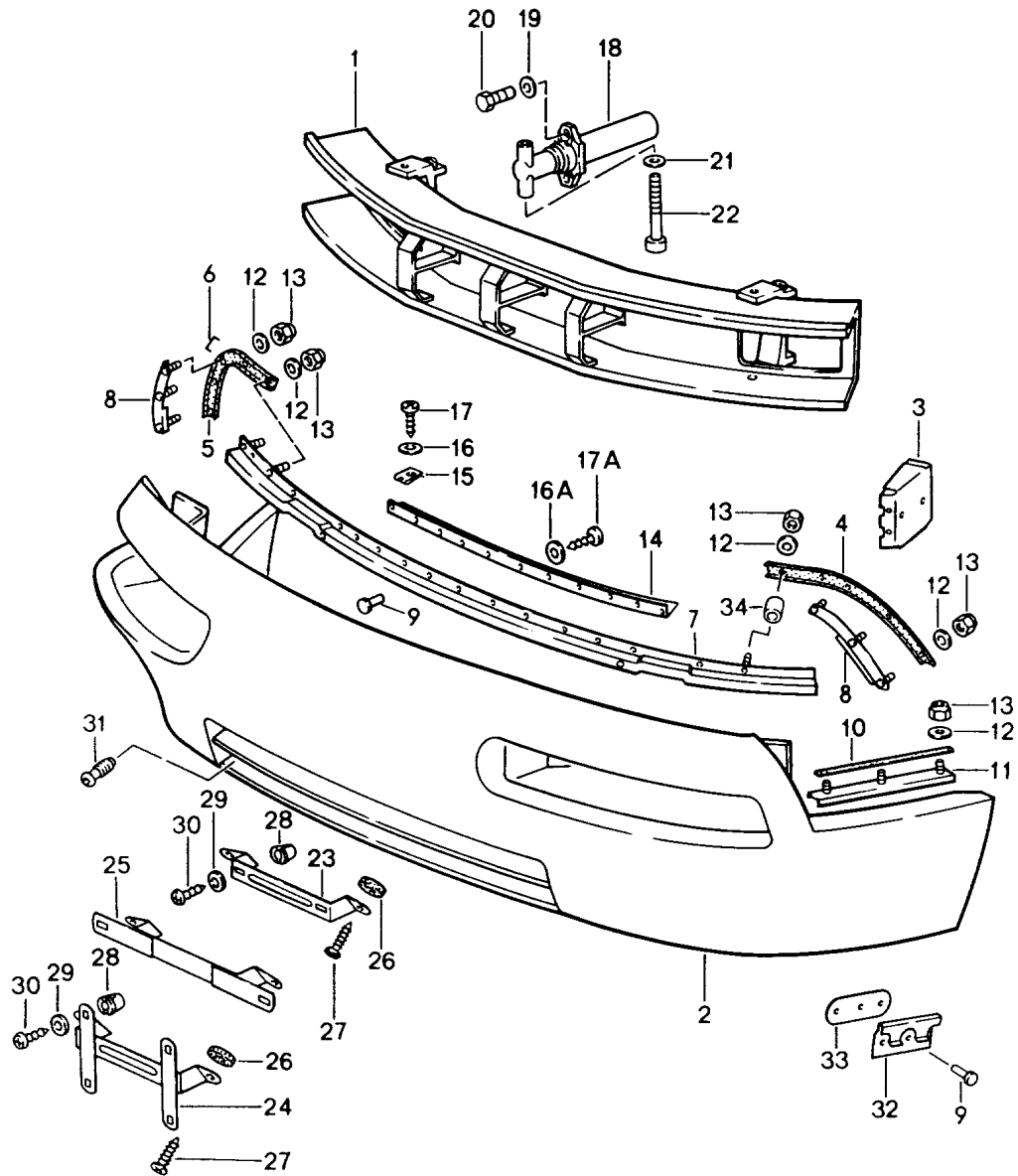
Model: 928 87

Model life 1987>>1991

Pos	Part Number	Description	Remark	Qty	Model
		Roof			
		Cowl			
1	928 503 041 08	Cowl	/LL	1	
(1)	927 503 041 04	Cowl	/RL	1	
2	928 503 501 02	Roof	-89	1	
(2)	928 503 501 03	Outer roof panel	90-	1	
2A	928 503 027 60	Roof	-88	1	M650
2A		Roof		1	M650
	928 503 027 60 GRV	Prime coated			
2A	928 503 027 61	Outer roof panel	89-	1	M650
3	928 502 383 02	Roof frame	/V	1	
4	928 502 393 02	Roof frame	/H	1	
		Lower			
5	928 502 395 02	Roof frame	/H	1	
		Upper			
6	928 559 117 02	Cowl panel	/LL	1	
		Outer part			
(6)	927 559 117 02	Cowl panel	/RL	1	
-	928 559 251 02	Gasket		1	
		Cowl panel			
		1600 MM			
7	900 187 010 02	Hexagon-head tapping screw		2	
		BZ 6,3 X 19			
7	900 187 010 03	Hexagon-head tapping screw		2	
		BZ 6,3 X 19			
8	900 151 003 02	Washer		2	
		A 6,4			
8	900 151 006 03	Washer		2	
		A 6,4			
9	999 704 157 40	Washer		2	
10	928 564 033 41	Lid		1	
10		Lid		1	
	928 564 033 41 GRV	Prime coated			
12	900 072 003 02	Adjusting screw		2	
		M 5 X 12			
13	999 591 898 02	Clamp	-90	18	
13	PCG 591 898 02	Clamp		18	
13	999 591 898 02	Clamp	91	18	
13	PCG 591 898 02	Clamp	91-	18	
14	928 564 081 02	Wire spring		1	
15	928 564 379 02	Clamping piece		1	
16	N 013 970 5	Oval-head sheetmetal screw		1	
		B 4,8 X 9,5			
16	N 106 568 02	Oval-head sheetmetal screw		1	
		B 4,8 X 9,5			
17	928 564 413 02	Water drain hose		2	
18	021 119 569 A	Rubber sleeve		2	

Model: 928 87

Model life 1987>>1991



Model: 928 87 Model life 1987>>1991

Pos	Part Number	Description	Remark	Qty	Model
		Bumper			
		Front			
1	928 505 010 20	Bracket		1	
(1)	928 505 010 21	Bracket		1	M215
(2)	928 505 113 20	Lining		1	
3	928 505 047 21	Support	87	2	M215
3		Support	88-	2	M215
(4)	928 505 051 00	Piping	/L -89	1	
	928 505 051 00 70B	Black			
(4)	928 505 051 01	Piping	/L -89	1	
	928 505 051 01 70B	Black			
(4)	928 505 143 03	Piping	/L 90-	1	
	928 505 143 03 01C	Satin black			
(5)	928 505 052 00	Piping	/R -89	1	
	928 505 052 00 70B	Black			
(5)	928 505 052 01	Piping	/R 91-	1	
	928 505 052 01 70B	Black			
(5)	928 505 143 03	Piping	/R 90-	1	
	928 505 143 03 01C	Satin black			
-	928 505 191 00	Cap		2	
6	999 591 539 07	Fastening clamp		X	
7	928 505 031 20	Retaining strip		2	
		Upper			
8	928 505 033 20	Retaining strip	/L	1	
(8)	928 505 034 20	Retaining strip	/R	1	
9	999 190 104 30	Blind rivet	-90	20	
(9)	999 190 114 30	Blind rivet	90	20	
(9)		Blind rivet	91-	31	
10	000 043 101 00	Sealing cord		1	
11	928 505 049 00	Attachment strip		2	
12	N 011 665 3	Washer		12	
		B 5,3			
12	N 011 665 16	Washer		12	
		B 5,3			
13	N 021 196 1	Lock nut		16	
		M 5			
13	N 021 196 3	Hexagon nut		16	
		M 5			
14	928 505 114 20	Rail		1	
15	999 591 485 02	Speed nut		5	
		B 4,8			
16	900 025 003 02	Washer		5	
		A 5,3			
16A	900 025 044 07	Washer		6	
		A 4,3			
17	900 143 147 07	Tapping screw	-90	5	
		B 4,8 X 16			
(17)		Tapping screw	91-	11	
		B 4,8X16			
17A	900 143 113 07	Oval-head screw		6	
		B 4,2 X 13			
17A	900 143 113 0G	Oval-head screw		6	
		B 4,2 X 13			
18	993 505 019 00	Impact pipe		2	
(18)	928 505 015 22	Impact absorber		2	M058/215
19	900 025 007 02	Washer		4	
		8,4			
19	900 025 007 03	Washer		4	
		8,4			
20	900 075 339 08	Hexagon-head bolt	-90	4	
		M 8 X 30			
20	900 075 339 01	Hexagon-head bolt		4	
		M 8 X 30			

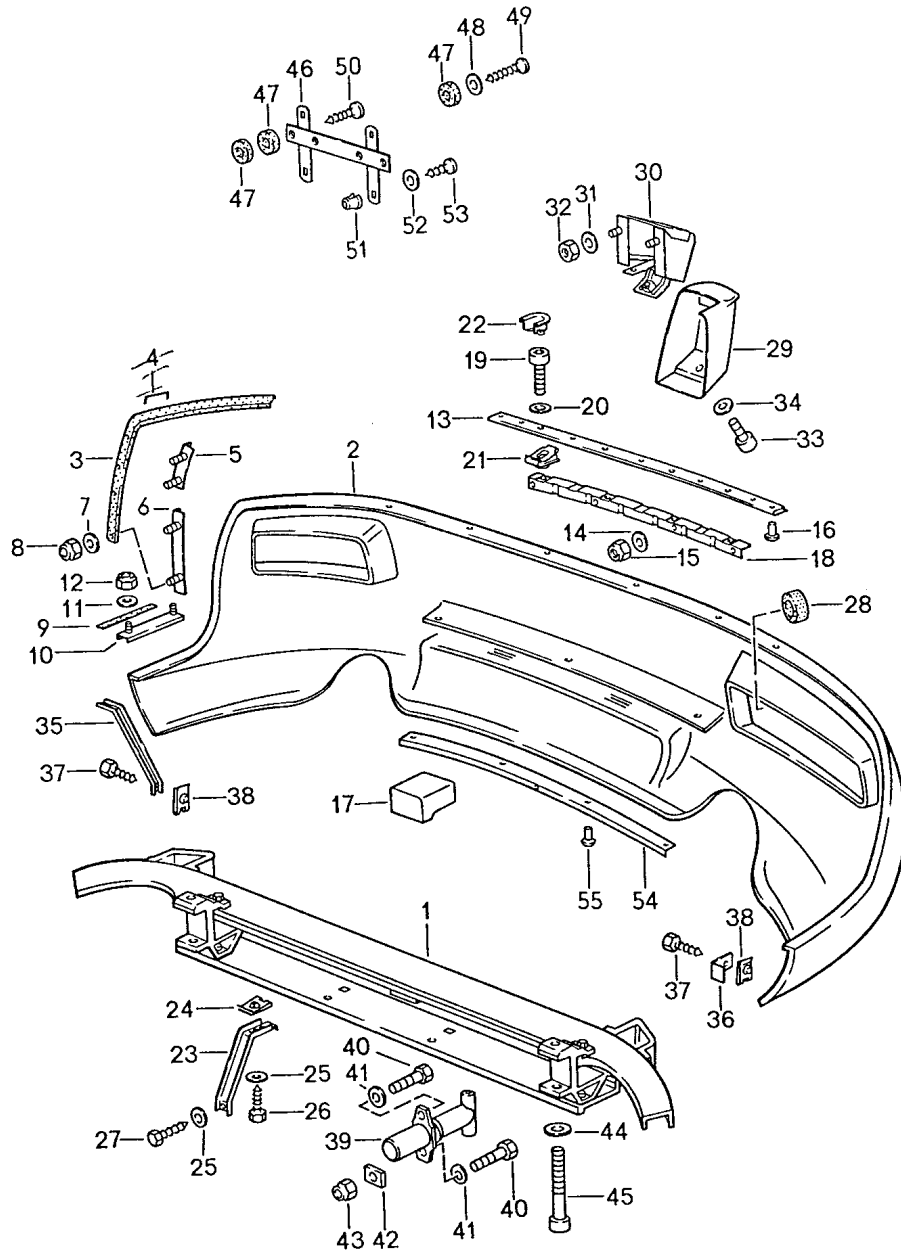
Model: 928 87

Model life 1987>>1991

Pos	Part Number	Description	Remark	Qty	Model
(20)	999 062 009 02	Stud M 8 X 28	91-	4	
(20)	900 060 105 01	Stud M 8 X 28	91-	4	
21	900 025 009 02	Washer A 13		2	
22	900 067 084 02	Pan-head screw M 12 X 110		2	
22	900 067 084 03	Pan-head screw M 12 X 110		2	
23	928 701 121 04	Support for Number plate		1	
25	928 701 050 05	Support for Number plate		1	
26	914 571 903 10	Sealing ring		2	
27	N 014 000 2	Tapping screw B 4,8 X 19		2	
28	999 591 498 40	Special nut		2	
29	N 011 522 8	Washer		2	
30	900 143 134 00	Tapping screw		2	
31	928 722 107 01	Cap Towing lug Front		1	
32	999 591 861 02	Clamp for Front spoiler		6	
33	999 591 862 02	Desk pad		6	
34	928 505 511 04	Sleeve	90-	2	

Model: 928 87

Model life 1987>>1991



Model: 928 87 Model life 1987>>1991

Pos	Part Number	Description	Remark	Qty	Model
		Bumper			
		Rear			
1	928 505 020 20	Bracket		1	
(1)	928 505 020 21	Bracket		1	M215
2	928 505 123 20	Lining		1	
(2)	928 505 123 21	Lining		1	M215
-	928 505 657 00	Cap		1	
	928 505 657 00 G2X	Prime coated for			
		Towing lug			
(3)	928 505 145 20	Piping	/L	1	
3	928 505 146 20	Piping	/R	1	
(3)	928 799 505 53	Piping	-89	2	
	928 799 505 53 70B	Black			
(3)	928 505 145 03	Piping	90-	2	
	928 505 145 03 01C	Black			
		Order also:			
-	928 505 191 00	Cap		1	
4	999 591 539 07	Fastening clamp		X	
(5)	928 505 035 20	Retaining strip	/L	1	
		Upper			
5	928 505 036 20	Retaining strip	/R	1	
		Upper			
(6)	928 505 037 20	Retaining strip	/L	1	
		Lower			
6	928 505 038 20	Retaining strip	/R	1	
		Lower			
-	928 505 511 04	Sleeve	90-	2	
7	N 011 665 3	Washer		8	
		B 5,3			
7	N 011 665 16	Washer		8	
		B 5,3			
8	900 910 009 02	Lock nut		8	
		M 5			
8	900 084 026 01	Lock nut		8	
		M 5			
9	000 043 101 00	Sealing cord		X	
10	928 505 043 00	Attachment strip		2	
11	N 011 665 3	Washer		4	
		B 5,3			
11	N 011 665 16	Washer		4	
		B 5,3			
12	900 910 009 02	Lock nut		4	
		M 5			
12	900 084 026 01	Lock nut		4	
		M 5			
13	928 505 447 00	Reinforcement strip		1	
14	N 011 665 3	Washer		4	
		B 5,3			
14	N 011 665 16	Washer		4	
		B 5,3			
15	900 910 009 02	Lock nut		4	
		M 5			
15	900 084 026 01	Lock nut		4	
		M 5			
16	999 190 104 30	Blind rivet	-90	X	
17	928 505 245 20	Buffer		2	
18	928 505 273 02	Retaining strip		1	
19	N 044 728 1	Pan-head screw		4	
		M 5 X 20			
19	900 067 125 01	Pan-head screw		4	
		M 5 X 20			
20	N 011 665 3	Washer		4	

Model: 928 87

Model life 1987>>1991

Pos	Part Number	Description	Remark	Qty	Model
20	N 011 665 16	B 5,3 Washer		4	
21	999 507 330 02	B 5,3 Cable holder		4	
21	999 507 312 12	M 5 Nut lock		4	
22	928 505 389 00	M 5 Cap		4	
22	928 505 389 00 01C	Cap Black		4	
23	928 505 279 02	Rear support		2	
24	N 902 689 01	Speed nut		2	
24	999 591 742 01	B 4,2 Speed nut		2	
25	900 025 002 02	B 4,2 Washer		4	
25	900 025 002 03	A 4,3 Washer		4	
26	N 043 884 1	A 4,3 Oval-head sheetmetal screw		2	
27	N 043 890 1	B 4,2 X 13 Tapping screw		2	
28	999 703 066 50	B 4,2 X 9,5 Stopper	-89	2	
(28)		Stopper	90-	2	
29	928 505 005 20	Buffer	/L	1	M215
	928 505 005 20 01C	Black			
(29)	928 505 006 20	Buffer	/R	1	M215
	928 505 006 20 01C	Black			
30	928 505 065 20	Mounting piece		2	M215
31	N 011 525 13	Washer		6	M215
32	900 076 025 02	A 8,4 Hexagon nut		6	M215
32	900 076 064 02	M 8 Hexagon nut		6	M215
33	900 067 185 07	M 8 Pan-head screw		2	M215
34	900 031 028 07	M 6 X 12 Washer		2	M215
35	928 505 522 02	6,4 Bracket	/R	1	
36	928 505 523 00	Retaining bracket	/L	1	
37	900 187 115 02	Combination screw		2	
37	900 187 115 01	B 3,5 X 16 Combination screw		2	
38	999 591 487 02	B 3,5 X 16 Speed nut		2	
39	928 505 018 20	B 5,5 Impact pipe		2	
(39)	928 505 016 22	Impact absorber		2	M058/215
40	900 075 339 08	Hexagon-head bolt	-90	4	
40	900 075 339 01	Hexagon-head bolt		4	
(40)	900 075 222 02	Combination screw	91-	4	
41	900 025 007 02	Washer		4	
41	900 025 007 03	8,4 Washer		4	
42	928 505 321 02	8,4 Desk pad		2	
43	900 910 095 02	Lock nut		2	
44	900 025 009 02	M 8 Washer		2	
45	900 067 084 02	A 13 Pan-head screw		2	

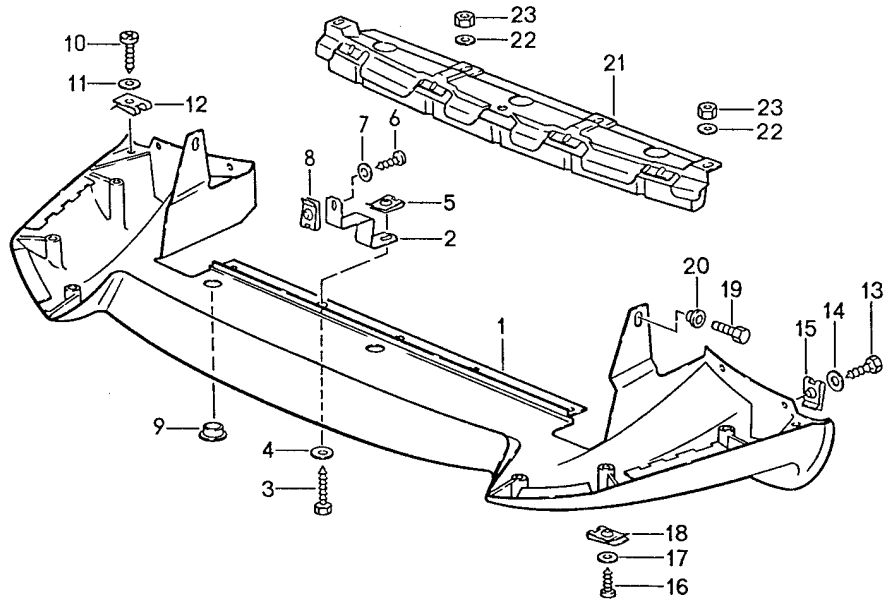
Model: 928 87

Model life 1987>>1991

Pos	Part Number	Description	Remark	Qty	Model
45	900 067 084 03	M 12 X 110 Pan-head screw		2	
(46)	928 701 050 03	M 12 X 110 Support for Number plate		1	CH
47	914 571 903 10	Sealing ring		2	
48	900 025 003 02	Washer A 5,3		2	
49	N 013 971 3	Oval-head sheetmetal screw B 4,8 X 22		2	
54	928 505 269 02	Reinforcement strip		1	
55	999 190 114 30	Blind rivet		X	

Model: 928 87

Model life 1987>>1991



Model: 928 87 Model life 1987>>1991

Pos	Part Number	Description	Remark	Qty	Model
		Spoiler			
		Front			
1	928 505 071 20	Front spoiler	-89	1	
	928 505 071 20 70B	Black			
(1)	928 505 071 21	Front spoiler	90-	1	
	928 505 071 21 70B	Black			
2	928 505 289 02	Support	-89	3	
3	900 187 121 02	Tapping screw		3	
		B 4,8 X 22			
4	N 011 665 3	Washer	-89	3	
		B 5,3			
4	N 011 665 16	Washer		3	
		B 5,3			
5	999 591 699 02	Speed nut	-89	3	
		B 4,8			
5	999 591 699 01	Speed nut	-89	3	
		B 4,8			
6	900 143 147 07	Tapping screw	-89	3	
		B 4,8 X 16			
7	N 011 665 3	Washer	-89	3	
		B 5,3			
7	N 011 665 16	Washer		3	
		B 5,3			
8	999 591 699 02	Speed nut	-89	3	
		B 4,8			
8	999 591 699 01	Speed nut	-89	3	
		B 4,8			
9	999 703 343 40	Stopper		1	
		F >>92HS8 41176			
		F >>92HS8 49649	(J)		
10	900 143 148 07	Tapping screw		2	
		B 4,8 X 19			
11	N 011 665 3	Washer		2	
		B 5,3			
11	N 011 665 16	Washer		2	
		B 5,3			
12	999 591 699 02	Speed nut	-89	2	
		B 4,8			
12	999 591 699 01	Speed nut	-89	2	
		B 4,8			
(12)	999 591 938 02	Clamp	-90	2	
		B 4,8			
(12)	999 591 938 01	Clamp	-90	2	
		B 4,8			
13	900 187 004 02	Hexagon-head tapping screw		4	
		4,8 X 19			
14	N 011 665 3	Washer		4	
		B 5,3			
14	N 011 665 16	Washer		4	
		B 5,3			
15	999 591 699 02	Speed nut		4	
		B 4,8			
15	999 591 699 01	Speed nut		4	
		B 4,8			
16	900 143 147 07	Tapping screw		6	
		B 4,8 X 16			
17	900 025 003 02	Washer		6	
		A 5,3		6	
18	999 591 699 02	Speed nut		6	
		B 4,8			
18	999 591 699 01	Speed nut		6	
		B 4,8			
19	N 010 215 13	Hexagon-head bolt		2	

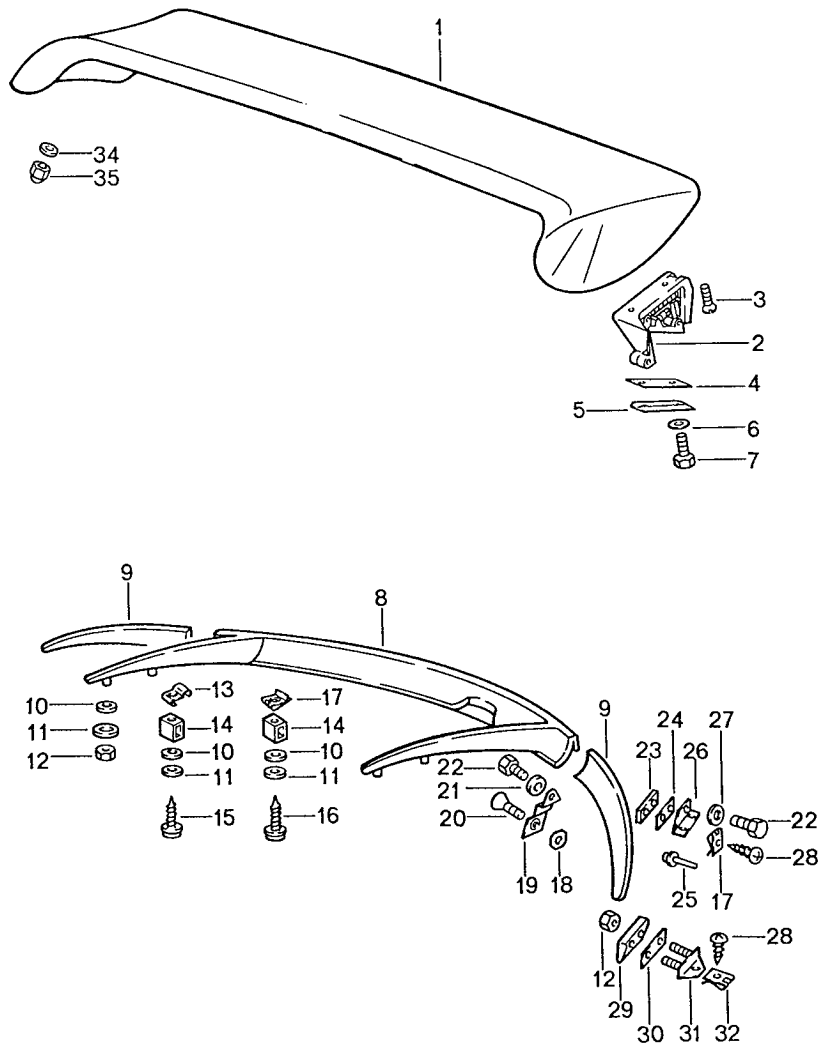
Model: 928 87

Model life 1987>>1991

Pos	Part Number	Description	Remark	Qty	Model
20	937 503 255 00	M 6 X 15 Spacer	-89	2	
20	900 151 027 02	Washer B 5,3	90-	2	
20	900 151 027 03	Washer B 5,3	90-	2	
21	928 505 059 02	Bracket Front spoiler	-89	1	
21		Bracket		1	
21	928 505 059 02 GRV	Front spoiler		1	
21	928 505 059 04	Bracket		1	
21	928 505 059 04 GRV	Prime coated Front spoiler		1	
21	928 505 059 03	Bracket Front spoiler	90-	1	
21	928 505 059 05	Bracket	90-	1	
21	928 505 059 05 GRV	Prime coated Front spoiler		1	
22	N 011 666 6	Washer B 6,4		4	
23	900 910 118 00	Lock nut M 6		4	

Model: 928 87

Model life 1987>>1991



Model: 928 87 Model life 1987>>1991

Pos	Part Number	Description	Remark	Qty	Model
		Spoiler Rear Spoiler Collapsible F >>92HS8 61296 Spoiler Collapsible	87	1	
1	928 512 078 04	Rear spoiler		1	
	928 512 078 04 70C	Black			
2	928 512 111 02	Hinge	/L	1	
2	928 512 112 02	Hinge	/R	1	
3	900 249 008 02	Countersunk-head screw M 6 X 12		4	
4	928 512 223 02	Adhesive film	/L	1	
4	928 512 224 02	Adhesive film	/R	1	
5	928 512 277 00	Desk pad		2	
6	900 151 037 07	Washer 6,4		4	
7	999 217 079 07	Hexagon-head bolt M 6 X 12		4	
		Spoiler Fixed F 92HS8 61297>>		1	
		Spoiler Fixed	88-	1	
1	928 512 078 03	Rear spoiler		1	
	928 512 078 03 70C	Black			
34	900 151 037 07	Washer A 6,4		4	
35	900 085 014 07	Cap nut M 6		4	
		Spoiler Integrated		1	M471
8	928 512 071 02	Rear spoiler		1	
9	928 512 073 02	Rear spoiler	/L	1	
9	928 512 074 02	Rear spoiler	/R	1	
10	928 559 143 02	Sealing ring		10	
10	928 559 143 03	Sealing ring		10	
11	999 025 083 70	Washer 3,7 X 11 X 0,5		10	
12	900 910 006 02	Lock nut M 4		4	
12	900 084 020 01	Lock nut M 4		4	
13	928 512 307 02	Speed nut		6	
14	928 512 199 02	Spacer		12	
15	999 450 004 02	Tapping screw B 4,2 X 28		4	
16	999 450 005 02	Tapping screw B 4,2 X 32		6	
17	N 015 429 2	Speed nut B 4,2		6	
17	N 015 429 6	Speed nut B 4,2		6	
18	928 512 611 02	Desk pad		2	
19	928 512 589 02	Retaining bracket		2	
20	999 219 003 07	Countersunk-head screw M 6 X 16		2	
21	900 151 037 07	Washer A 6,4		2	
22	999 217 006 07	Hexagon-head bolt M 6 X 10		4	
23	928 512 601 02	Threaded plate		2	

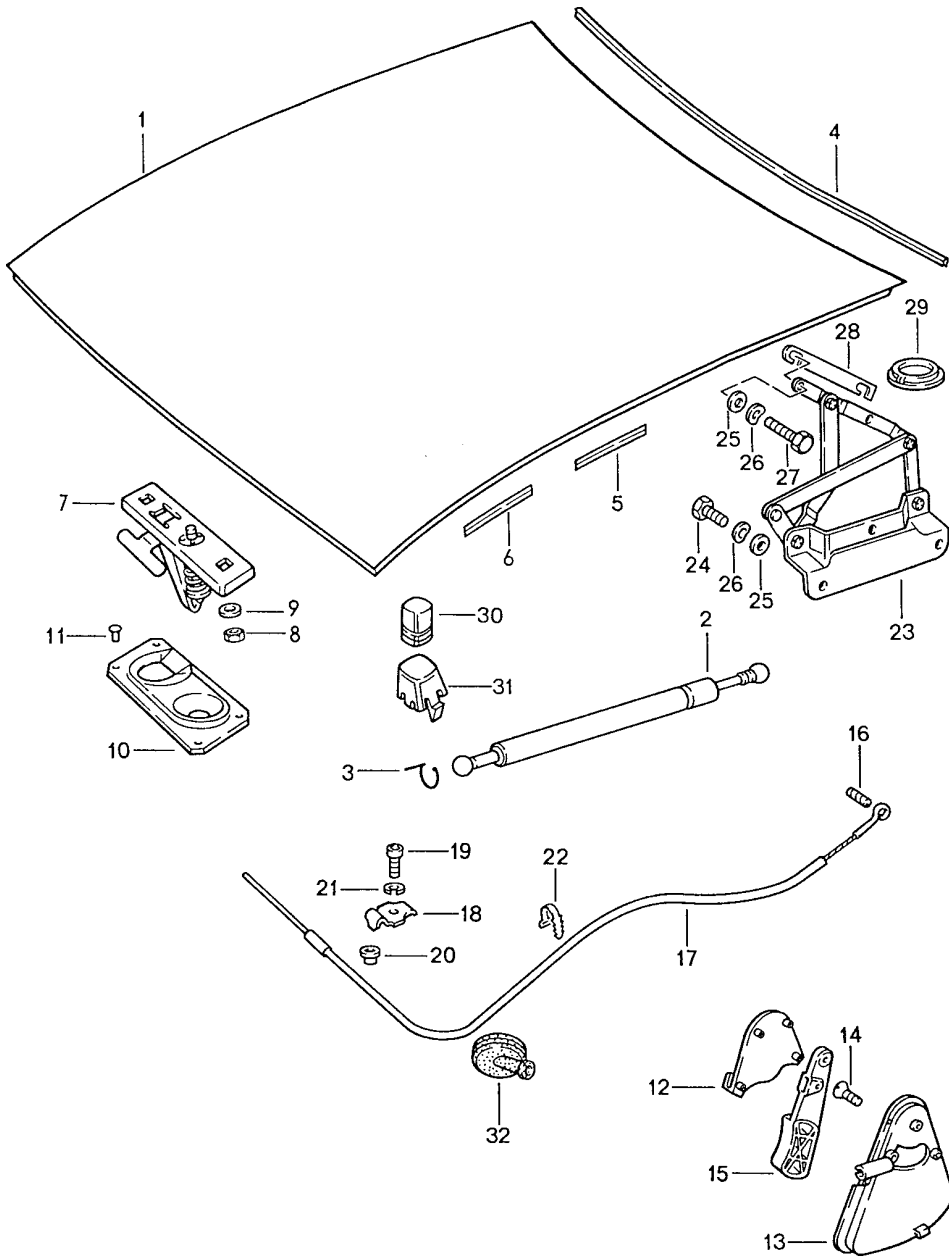
Model: 928 87

Model life 1987>>1991

Pos	Part Number	Description	Remark	Qty	Model
24	928 512 613 02	Desk pad		2	
25	999 190 151 30	Tubular rivet D 4 X 4,8 - 6		2	
26	928 512 595 02	Bracket		2	
27	N 011 524 7	Washer A 6,4		2	
27	N 011 524 27	Washer A 6,4		2	
28	N 013 965 9	Oval-head sheetmetal screw BZ 4,2 X 9,5		4	
29	928 512 609 02	Base wedge		2	
30	928 512 615 02	Desk pad		2	
31	928 512 605 02	Bracket		2	
32	999 507 229 02	Speed nut B 4,2		2	

Model: 928 87

Model life 1987>>1991



Model: 928 87

Model life 1987>>1991

Pos	Part Number	Description	Remark	Qty	Model
		Bonnet			
		Installation parts			
1	928 511 005 03	Bonnet	-90	1	
(1)	928 511 005 04	Bonnet	90-	1	
2	928 511 139 03	Gas-pressure spring		2	
3	900 169 016 02	Securing clip		4	
4	928 511 141 03	Gasket		1	
5	928 504 551 03	Gasket	-88	2	
		Lateral			
6		Gasket	-88	2	
		Lateral			
(6)		Gasket	89-	2	
		Lateral			
7	928 511 029 03	Lid lock		1	
		Upper part			
7	944 511 029 00	Lock upper part		1	
		Upper part			
8	900 076 010 02	Nut		2	
		M 6			
8	900 076 010 0B	Nut		2	
		M 6			
9	N 015 404 1	Washer		2	
		6,4			
9	900 223 030 02	Washer		2	
		6,4			
9	900 223 003 02	Washer		2	
		6,4			
10	928 511 027 02	Lid lock		1	
		Lower part			
11	999 190 128 30	Blind rivet		4	
		4,8 X 7,4			
12	928 511 143 02	Cover		1	
	928 511 143 02 70B	Black			
13	928 511 173 02	Bearing shell		1	
	928 511 173 02 70B	Black			
14	900 249 001 02	Countersunk-head screw		2	
		M 6 X 15			
14	900 249 031 01	Countersunk-head screw		2	
		M 6 X 15			
15	928 511 175 02	Pull handle		1	
	928 511 175 02 70B	Black			
16	900 197 018 00	Roll pin		1	
		4 X 12			
17	928 511 037 04	Wire pull	/LL -89	1	
(17)	927 504 037 00	Wire pull	/RL -89	1	
(17)	928 504 037 00	Wire pull	/LL 90-	1	
(17)	927 504 037 00	Wire pull	/RL 90-	1	
18	928 511 541 02	Clamping piece		1	
19	900 067 008 02	Pan-head screw		1	
		M 6 X 12			
19	900 067 008 03	Pan-head screw		1	
		M 6 X 12			
20	928 511 543 02	Sleeve		1	
21	N 012 007 2	Lock ring		1	
		A 6			
21	900 027 004 03	Lock ring		1	
		A 6			
22	999 513 007 40	Tie-wrap		1	
23	928 511 041 04	Lid hinge	/L -90	1	
(23)		Lid hinge	/L 91	1	
(23)	928 511 042 04	Lid hinge	/R -90	1	
(23)		Lid hinge	/R 91	1	
24	N 010 237 6	Hexagon-head bolt		6	

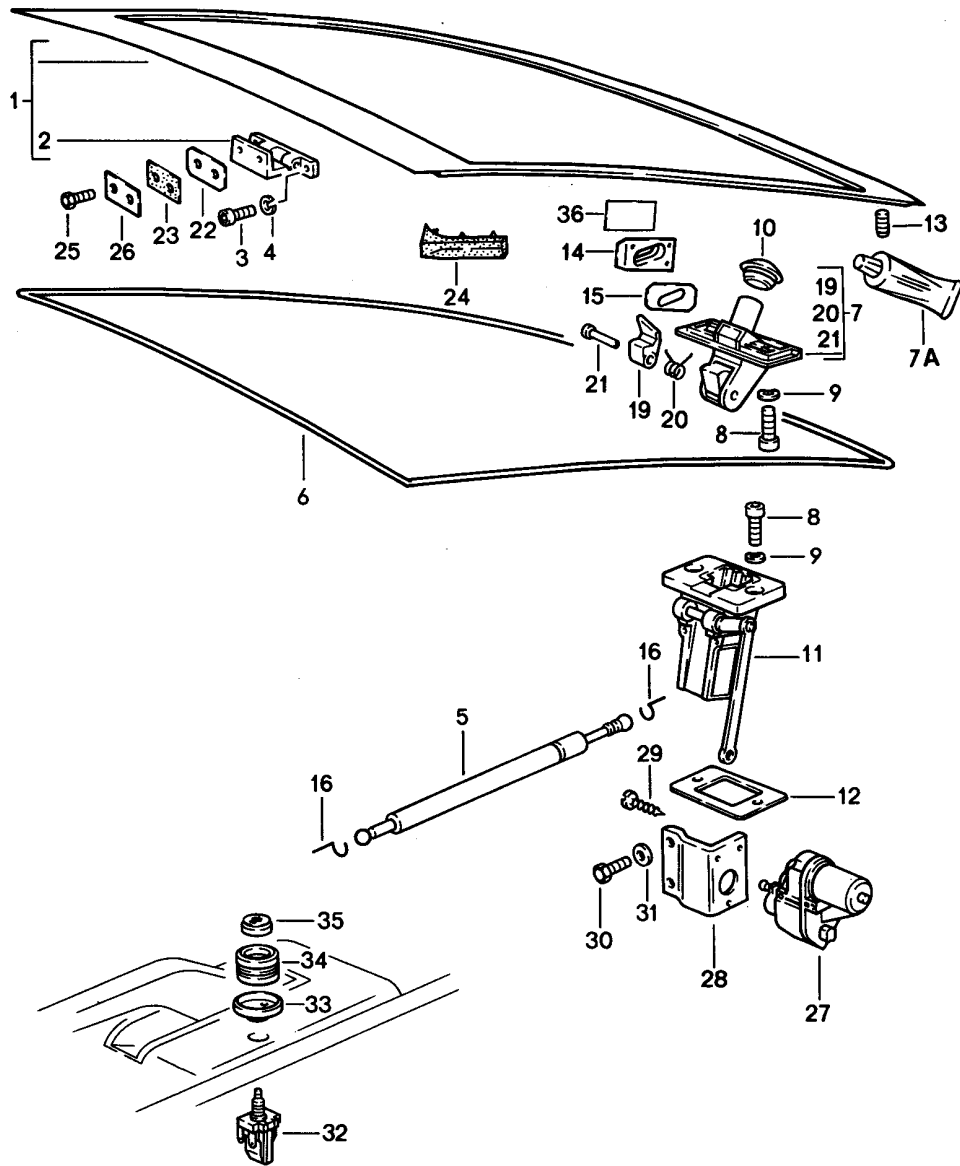
Model: 928 87

Model life 1987>>1991

Pos	Part Number	Description	Remark	Qty	Model
24	N 010 237 14	M 8 X 12 Hexagon-head bolt		6	
25	900 025 007 02	M 8 X 12 Washer		10	
25	900 025 007 03	8,4 Washer		10	
27	900 075 309 08	8,4 Hexagon-head bolt		4	
28	928 511 419 02	M 8 X 20 Compensating plate		X	
29	928 511 321 03	Cap		2	
30	999 703 132 40	Rubber buffer		2	
31	928 511 203 02	Support		2	
32	111 957 861	Grommet		1	

Model: 928 87

Model life 1987>>1991



Model: 928 87 Model life 1987>>1991

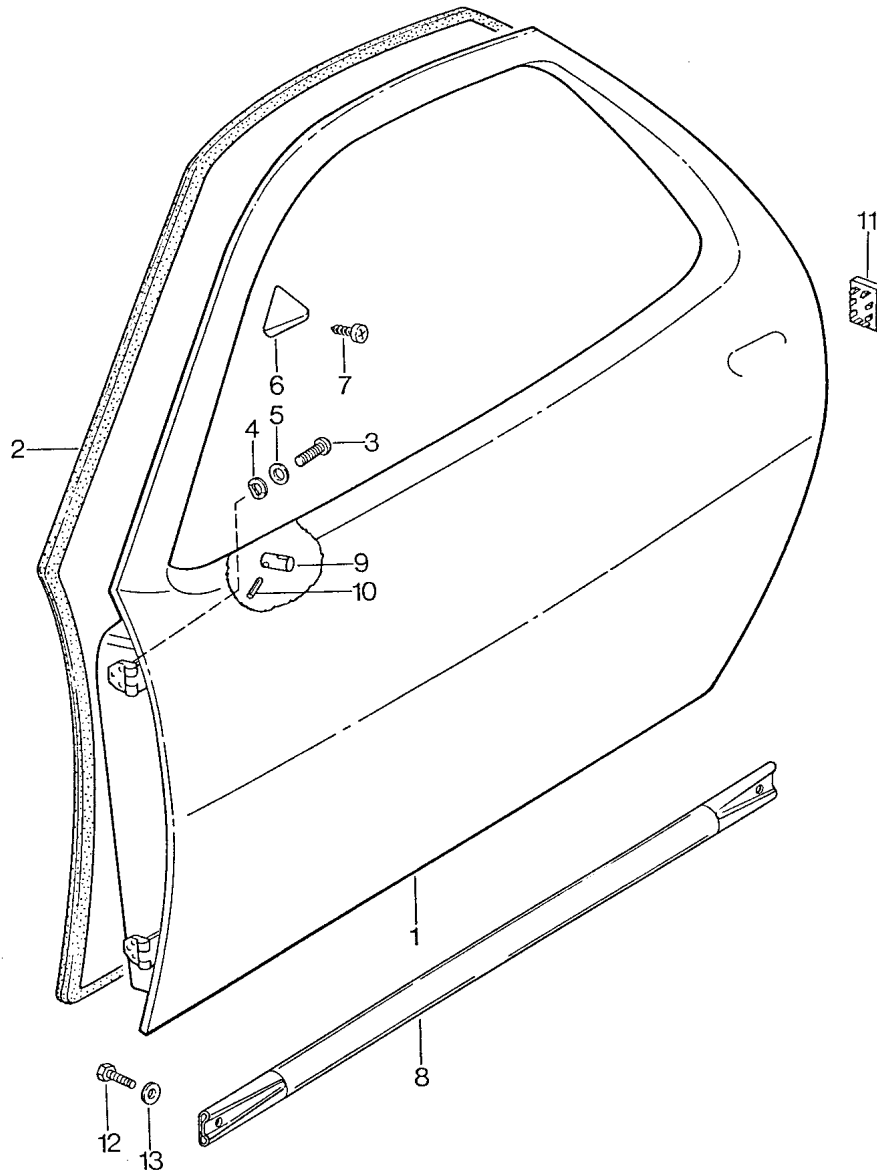
Pos	Part Number	Description	Remark	Qty	Model
		Rear lid Installation parts Differing parts for cars with Alarm system See group 8/04/20			
1	928 512 005 05	Rear lid		1	
	928 512 005 05 GRV	Prime coated			
(1)	928 512 005 06	Rear lid	88-89	1	M637
(1)		Rear lid	88-	1	M637
	928 512 005 06 GRV	Prime coated			
2	928 512 041 04	Hinge	-90	2	
(2)		Hinge	91-	2	
3	999 509 012 02	Pan-head screw M 6 X 20		8	
4	N 012 026 3	Lock ring A 6		8	
5	928 512 331 05	Gas-pressure spring		2	
6	928 512 129 04	Gasket	-89	1	
(6)		Gasket	90-	1	
-	000 043 204 38	mitverwenden Sealing compound		1	
7	928 512 903 02	Lid lock Upper part W/o stipulated lock number with 1 key		1	
(7)	928 512 901 02	Lid lock Upper part with stipulated lock number with 1 key State lock number		1	
7A	000 043 204 21	Grease for lock cylinder		X	
7A	G 052 778 A2	Grease for lock cylinder		X	
8	N 014 770 3	Pan-head screw M 8 X 15		4	
9	999 523 102 02	Washer		4	
9	999 523 102 0B	Washer		4	
10	928 512 169 02	Gasket	87	1	
(10)	928 512 169 03	Gasket	88-	1	
11	928 512 055 20	Lock cylinder Lid lock Lower part		1	
-	999 591 570 40	Clip for Connecting rod Lid lock Lower part		1	
12	928 512 179 02	Desk pad		X	
(12)	928 512 181 02	Desk pad		X	
13	999 703 140 40	Rubber buffer		2	
14	928 512 057 02	Guide wedge		2	
-	928 512 531 02	Adhesive film for Guide wedge		2	
15	928 512 263 02	Plate		2	
16	900 169 016 02	Securing clip		4	
19	928 512 161 02	Latch		1	
20	928 512 163 02	Spring		1	
21	928 512 165 02	Clinch pin		1	
22	928 512 409 02	Desk pad		X	

Model: 928 87 Model life 1987>>1991

Pos	Part Number	Description	Remark	Qty	Model
23	928 512 413 07	Gasket		2	
24	928 512 261 02	Water deflector	/L	1	
(24)	928 512 262 02	Water deflector	/R	1	
25	999 217 017 02	Hexagon-head bolt M 8 X 18		4	
26	928 512 417 03	Plate		2	
27	928 624 407 02	Electric motor		1	
27	928 624 407 BX	Electric motor		1	
28	928 624 049 00	Support		1	
29	N 013 954 2	Hexagon-head bolt B 2,9 X 13		3	
29	900 143 051 01	Oval-head sheetmetal screw B 2,9 X 13		3	
30	999 072 005 09	Hexagon nut M 6 X 12		2	
30	999 072 005 01	Hexagon nut M 6 X 12		2	
31	N 011 524 7	Washer A 6,4		2	
31	N 011 524 27	Washer A 6,4		2	
32	928 613 114 00	Switch Rear lid release		2	
33	928 613 431 00	Rosette Driver's side		1	
(33)		Rosette Driver's side		1	
	928 613 431 00 70B	Black			
(33)	928 613 431 01	Rosette Passenger's side		1	
(33)		Rosette Passenger's side		1	
	928 613 431 01 70B	Black			
34	928 613 433 00	Knob		2	
(34)		Knob		2	
	928 613 433 00 70B	Black			
35	928 613 437 00	Cap with symbol		2	
(35)		Cap with symbol		2	
	928 613 437 00 70B	Black			

Model: 928 87

Model life 1987>>1991



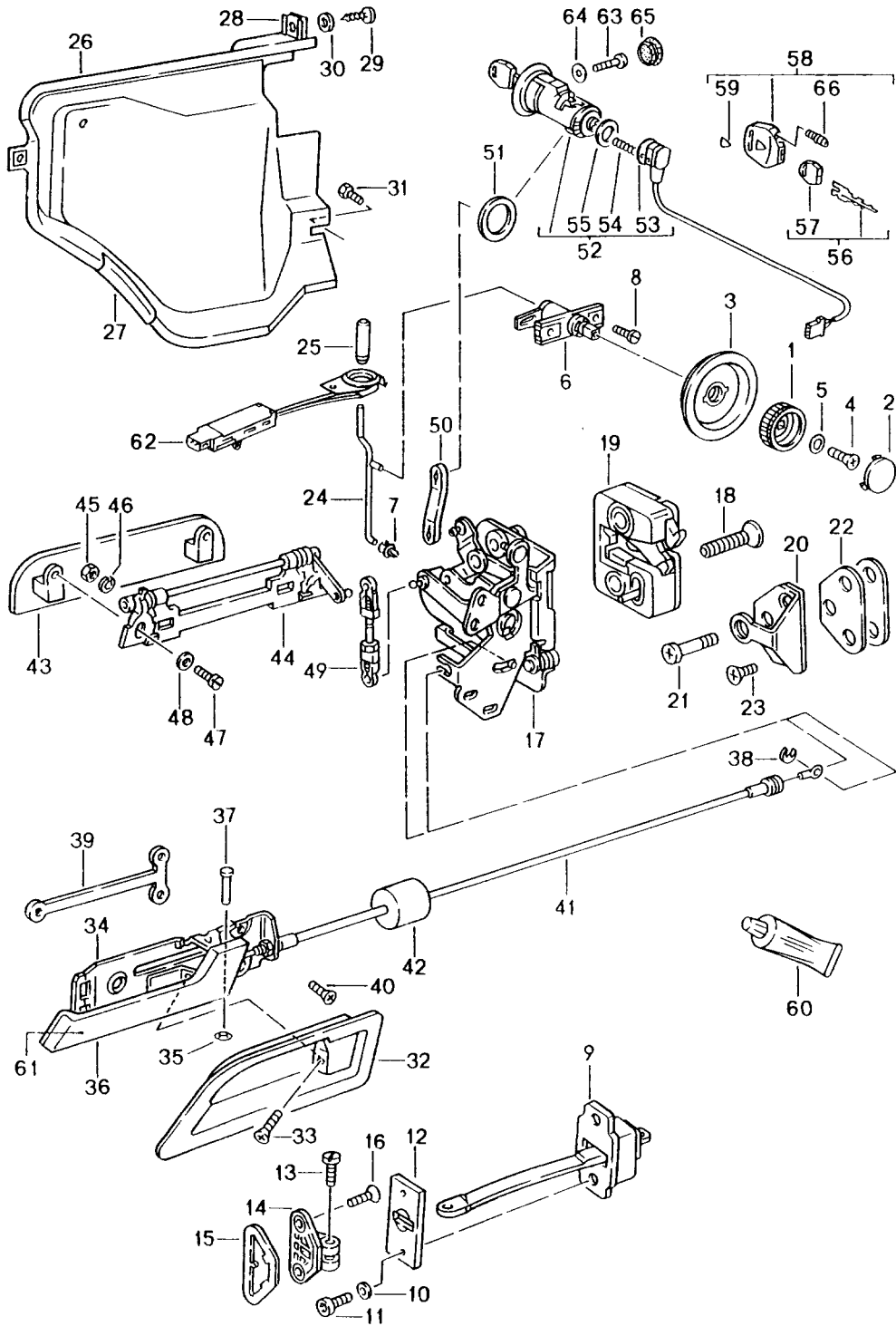
Model: 928 87

Model life 1987>>1991

Pos	Part Number	Description	Remark	Qty	Model
(1)	928 531 005 10	Door in white	/L	1	
	928 531 005 10 GRV	Door in white Prime coated Prepared for mirror			
(1)	928 531 006 10	Door in white	/R	1	
	928 531 006 10 GRV	Not prepared for mirror Prime coated			
(1)	927 531 005 10	Door in white	/RL /L	1	
	927 531 005 10 GRV	Not prepared for mirror Prime coated			
(1)	927 531 006 10	Door in white	/R	1	
	927 531 006 10 GRV	Prepared for mirror Prime coated			
2	928 537 345 03	Door seal	/L -90	1	
2	928 537 345 05	Door seal	/L 91	1	
(2)	928 537 346 03	Door seal	/R -90	1	
(2)	928 537 346 05	Door seal	/R 91	1	
3	N 014 770 3	Pan-head screw M 8 X 16		12	
4	900 025 007 02	Washer A 8,4		12	
4	900 025 007 03	Washer A 8,4		12	
5	999 523 102 02	Washer 8		12	
5	999 523 102 0B	Washer 8		12	
6	928 537 341 02	Thrust wedge	/L	1	
(6)	928 537 342 02	Thrust wedge	/R	1	
7	900 144 008 02	Counters. head tapp. screw B 3,5 X 9,5		2	
8	928 531 601 03	Reinforcement		2	
8	928 531 601 03 GRV	Reinforcement Reinforcement Prime coated		2	
9	928 531 235 03	Threaded piece		1	
10	N 013 295 1	Tensioning sleeve 3 X 12		1	
11	928 537 723 02	Dummy plug		2	
12	900 075 085 02	Hexagon-head bolt M 8 X 20		4	
13	N 012 009 3	Lock ring A 8		4	

Model: 928 87

Model life 1987>>1991



Model: 928 87 Model life 1987>>1991

Pos	Part Number	Description	Remark	Qty	Model
		Installation parts for Door Differing parts for cars with Alarm system See group 8/04/20			
1	928 537 581 03	Rotary knob		2	
2	911 531 703 00	Cap		2	
3	928 537 585 02	Covering		2	
4	999 218 010 02	Oval-head screw M 5 X 12		2	
5	N 011 665 3	Washer B 5,3		2	
5	N 011 665 16	Washer B 5,3		2	
6	928 537 096 02	Bearing		2	
7	993 531 563 00	Linkage clip		2	
8	N 013 968 7	Tapping screw B 4,8 X 13		4	
8	900 143 097 01	Tapping screw B 4,8 X 13		4	
9	928 537 033 04	Door support		2	
10	N 011 524 7	Washer A 6,4		4	
10	N 011 524 27	Washer A 6,4		4	
11	928 537 451 02	Pan-head screw		4	
12	928 537 371 02	Desk pad		2	
13	928 537 419 03	Pan-head screw		2	
14	928 537 417 02	Bearing bracket	/L	1	
14	928 537 417 03	Bearing bracket	/L	1	
(14)	928 537 418 02	Bearing bracket	/R	1	
15	928 537 425 02	Desk pad	/L	1	
(15)	928 537 426 02	Desk pad	/R	1	
16	928 537 459 02	Oval-head screw M 6 X 25		4	
17	928 537 907 03	Lock Inner part	/L -88	1	
(17)	927 537 908 03	Lock Inner part	/R -88	1	
(17)	928 537 053 09	Door lock Inner part	/LL /L 89-	1	
(17)	928 537 054 10	Door lock Inner part	/LL /R 89-	1	
(17)	927 537 053 10	Door lock Inner part	/RL /L 89-	1	
(17)	927 537 054 09	Door lock Inner part	/RL /R 89-	1	
18	928 537 721 02	Oval-head screw Outer part		4	
(19)	928 537 153 03	Door lock Outer part	/L	1	
19	928 537 154 03	Door lock Outer part	/R	1	
20	928 537 133 02	Door lock striker	-89	2	
20	928 537 133 04	Door lock striker	90-	1	
21	928 537 131 03	Lock pin	-89	2	
21		Lock pin	90-	1	
22	928 537 135 04	Desk pad	-90	2	
(22)		Desk pad	91	2	
23	900 249 024 00	Countersunk-head screw		4	

Model: 928 87

Model life 1987>>1991

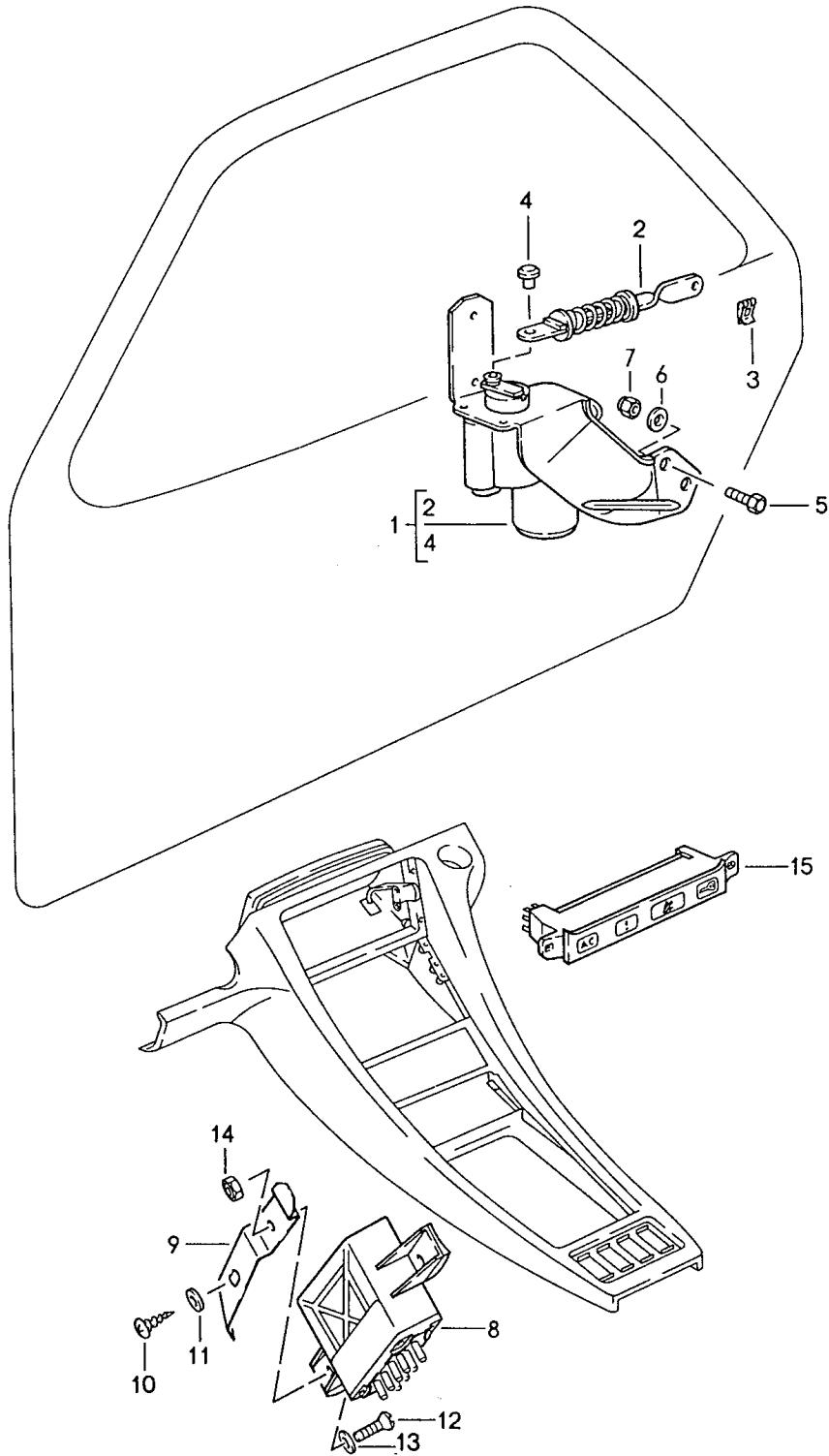
Pos	Part Number	Description	Remark	Qty	Model
		M 8 X 25			
24	928 537 160 04	Locking rod		2	
(24)	928 537 160 05	Locking rod	89-	2	
25	928 555 359 02	Locking knob	-88	2	
25		Locking knob		2	
		Doors			
	928 555 359 02 70B	Black			
(25)	928 637 138 00	Locking knob	89-	2	
	928 637 138 00 01C	Satin black			
26	928 537 333 03	Covering for lock	/L -88	1	
(26)	928 537 333 04	Covering for lock	/L 89-	1	
(26)	928 537 334 03	Covering for lock	/R -88	1	
(26)	928 537 334 04	Covering for lock	/R 89-	1	
-	999 911 037 50	Tread		*	
27		70 MM		2	
28	999 507 348 02	Speed nut		4	
		B 4,8			
28	999 507 348 01	Speed nut		4	
		B 4,8			
29	900 143 118 02	Tapping screw		4	
		B 4,8			
30	900 151 028 02	Washer		4	
		B 4,3			
30	900 151 028 01	Washer		4	
		B 4,3			
31	N 010 239 11	Hexagon-head bolt		2	
		M 8 X 18			
31	N 010 239 30	Hexagon-head bolt		2	
		M 8 X 18			
(32)	928 537 545 02	Finger plate	/L	1	
32	928 537 546 02	Finger plate	/R	1	
33	900 269 006 07	Countersunk-head screw		2	
		M 4 X 8			
34	928 537 049 02	Bearing plate	/L	1	
(34)	928 537 050 02	Bearing plate	/R	1	
35	999 591 242 01	Speed nut		2	
		D = 4,0			
36	928 537 169 00	Interior handle	/L	1	
	928 537 169 00 70B	Satin black			
(36)	928 537 170 00	Interior handle	/R	1	
	928 537 170 00 70B	Satin black			
37	928 537 557 02	Bolt		2	
38	900 116 002 01	Lock washer		2	
39	928 537 157 02	Nut lock		2	
40	900 269 015 02	Countersunk-head screw		6	
		M 5 X 10			
41	928 537 055 02	Bowden cable		2	
42	911 613 636 00	Damping piece		2	
43	928 537 661 02	Grab plate		2	
44	928 537 063 04	Bearing	/L	1	
(44)	928 537 064 04	Bearing	/R	1	
45	900 076 010 02	Nut		4	
		M 6			
45	900 076 010 0B	Nut		4	
		M 6			
46	N 012 006 4	Lock ring		4	
		B 6			
47	N 014 761 2	Pan-head screw		4	
		M 6 X 12			
47	900 119 129 01	Pan-head screw		4	
		M 6 X 12			
48	N 012 226 5	Spring washer		4	
		A 6			

Model: 928 87 Model life 1987>>1991

Pos	Part Number	Description	Remark	Qty	Model
49	928 537 140 03	Connecting rod		1	
50	928 537 111 04	Operating rod		2	
51	928 537 531 03	Desk pad		2	
52	928 537 633 05	Door lock cylinder with stipulated lock number without key State lock number Pos 53 Use also:		2	
52	928 537 903 02	Door lock cylinder with 1 key W/o stipulated lock number Pos 53 Use also:		2	
53	928 537 713 02	Contact switch	/L	1	
53	928 537 714 02	Contact switch	/R	1	
54	928 537 493 02	Compression spring		2	
55	928 537 495 03	Gasket		2	
56	928 538 033 02	Key State lock number with stipulated lock number Information available		3	
57	944 538 431 00	Key cap		2	
58	944 538 041 00	Key lamp		2	
58	944 538 041 01	Key lamp		2	
59	944 538 443 00	Crest		2	
60	000 043 204 21	Grease for lock cylinder		X	
60	G 052 778 A2	Grease for lock cylinder		X	
61	928 537 747 00	Luminous point		2	
62	928 637 137 00	Pulse sender	89-	2	
63	900 119 035 02	Pan-head screw M 6X8		2	
64	N 011 524 7	Washer		2	
64	N 011 524 27	Washer		2	
65	999 703 224 40	Cap		2	
66	928 537 630 02	Bulb		1	

Model: 928 87

Model life 1987>>1991



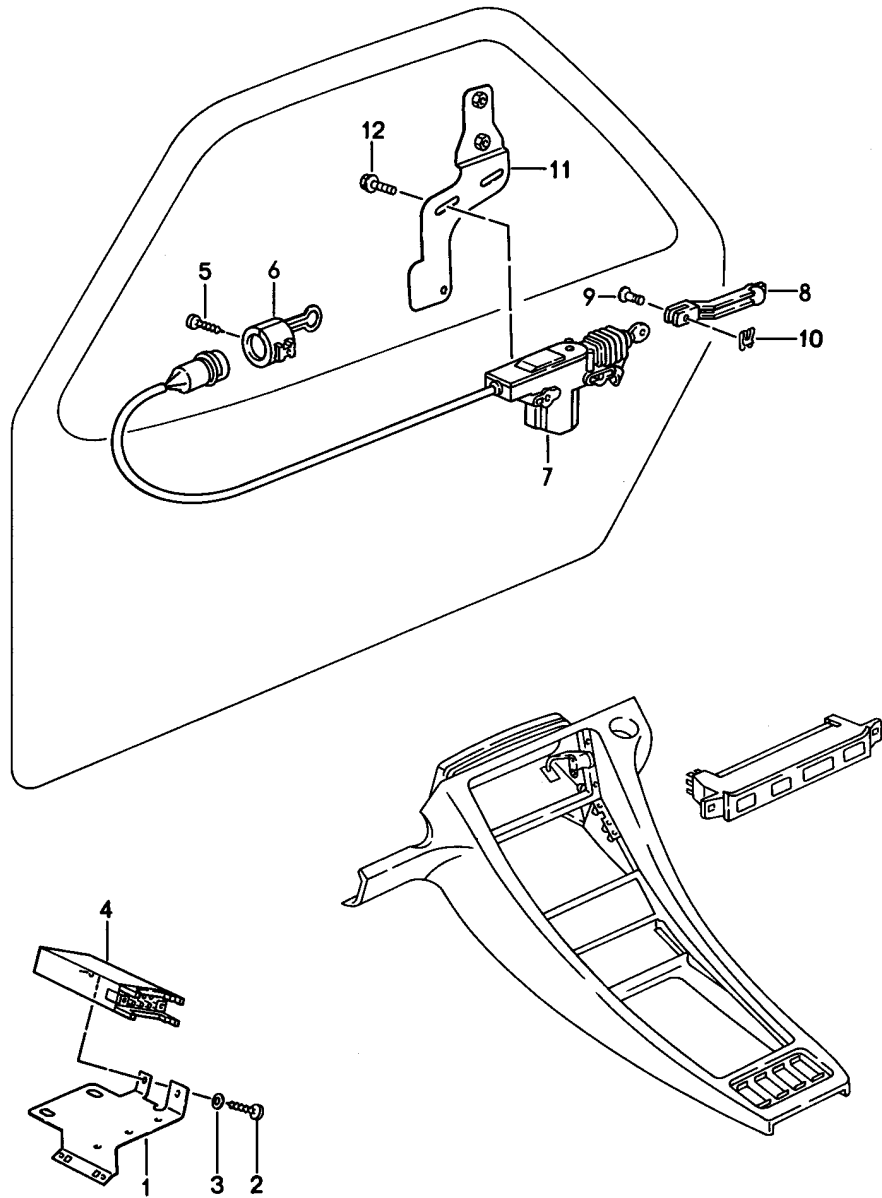
Model: 928 87

Model life 1987>>1991

Pos	Part Number	Description	Remark	Qty	Model
		Central locking system	-88		
1	928 624 401 02	Electric motor	/L	1	
1	928 624 402 02	Electric motor	/R	1	
2	928 624 403 00	Operating rod		2	
3	999 166 054 02	Sl-lock		4	
3	999 166 054 01	Sl-lock		4	
4	999 591 570 40	Clip		2	
5	N 010 207 6	Hexagon-head bolt M5 X 12		4	
5	N 010 207 17	Hexagon-head bolt M5 X 12		4	
6	900 151 027 02	Washer B5,3		4	
6	900 151 027 03	Washer B5,3		4	
7	900 910 009 02	Lock nut M5		4	
7	900 084 026 01	Lock nut M5		4	
8	928 618 125 00	Control unit		1	
9	928 618 135 00	Support		1	
10	N 014 139 7	Oval-head screw M 6 X 20		1	
11	N 011 524 7	Washer A 6,4		1	
11	N 011 524 27	Washer A 6,4		1	
12	N 014 140 5	Oval-head screw M 6 X 25		1	
13	N 011 524 7	Washer A 6,4		1	
13	N 011 524 27	Washer A 6,4		1	
14	900 076 010 02	Nut M 6		1	
14	900 076 010 0B	See group Nut M 6		1	
15		See group See illustrations 9/06/05 Wiring harnesses See group 9/02/11			

Model: 928 87

Model life 1987>>1991



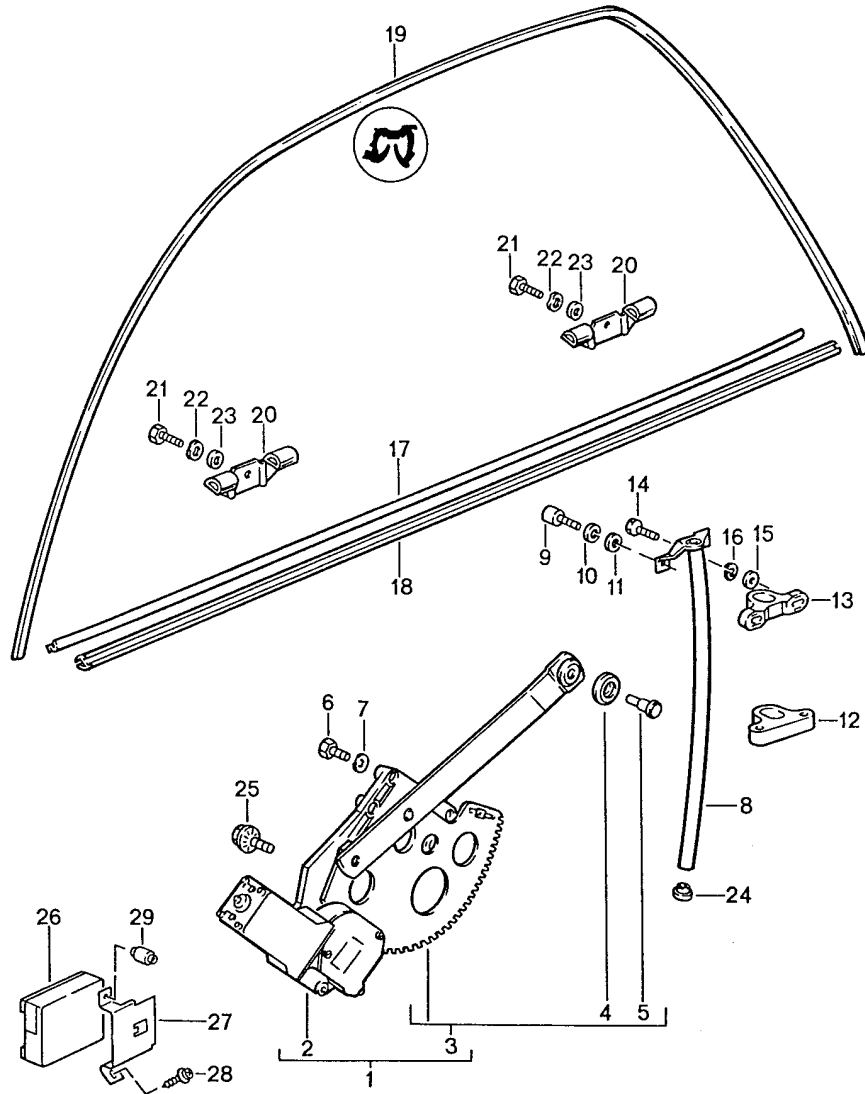
Model: 928 87

Model life 1987>>1991

Pos	Part Number	Description	Remark	Qty	Model
1	928 618 416 01	Central locking system	89-		
(1)		Mounting plate	89	1	
		Mounting plate	90	1	
2	N 013 957 5	Oval-head sheetmetal screw	-90	2	
		BZ 3,5 X 9,5			
3	N 011 521 3	Washer	-90	2	
		A 3,7			
4	911 618 113 01	Control unit	-90	1	
4	911 618 113 02	Control unit		1	
5	900 143 104 02	Oval-head sheetmetal screw		2	
		BZ 3,5 X 9,5			
6	944 612 450 01	Support		2	
7	928 624 211 00	Transmission element		2	
		for vehicles up to			
		MOD.90			
		Use also:			
		928 612 930 00		1	
-	928 612 930 00	Adapter		1	
		for vehicles up to			
		MOD.90			
8	928 537 571 00	Operating rod		2	
9	N 100 438 01	Bolt		2	
10	N 012 644 1	Lock		2	
11	928 537 113 03	Support	/L	1	
(11)	928 537 114 03	Support	/R	1	
12	999 919 035 02	Hexagon-head bolt		4	

Model: 928 87

Model life 1987>>1991



Model: 928 87 Model life 1987>>1991

Pos	Part Number	Description	Remark	Qty	Model
1	928 537 075 06	Power windows Engine and transmission with	/L -90	1	
(1)	928 537 076 06	Engine and transmission Engine and transmission with	/R -90	1	
(1)	928 537 075 06	Engine and transmission Engine and transmission with	/L 91	1	
(1)	928 537 076 06	Engine and transmission Engine and transmission with	/R 91	1	
2	928 624 013 03	Engine and transmission Engine and transmission for window opener	/L	1	
(2)	928 624 014 03	Engine and transmission Engine and transmission for window opener	/R	1	
3	928 537 909 04	Power windows without	/L	1	
(3)	928 537 910 04	Engine and transmission Power windows without	/R	1	
4	928 537 918 00	Roller		2	
5	928 537 917 00	Bolt		2	
6	N 010 210 13	Hexagon-head bolt M 6 X 10		8	
7	N 012 226 5	Spring washer A 6		8	
8	928 537 263 02	Guide tube	/L	1	
(8)	928 537 264 02	Guide tube	/R	1	
9	900 067 008 02	Pan-head screw M 6 X 12		4	
9	900 067 008 03	Pan-head screw M 6 X 12		4	
10	900 151 007 02	Washer B 7,4		4	
10	900 151 007 03	Washer B 7,4		4	
11	N 012 006 4	Lock ring B 6		4	
12	928 537 259 02	Slide Lower	/L	2	
(12)	928 537 260 02	Slide Lower	/R	2	
13	928 537 289 02	Slide Upper	/L	2	
(13)	928 537 290 02	Slide Upper	/R	2	
14	900 075 016 02	Hexagon-head bolt M 6 X 22		4	
14	900 075 016 03	Hexagon-head bolt M 6 X 22		4	
15	N 011 524 7	Washer B 6,4		4	
15	N 011 524 27	Washer B 6,4		4	
16	N 012 006 4	Lock ring B 6		4	
17	928 537 319 03	Sealing for door slot	/L	1	
(17)	928 537 320 03	Sealing for door slot	/R	1	
18	928 537 321 03	Sealing for door slot Outer	/L	1	

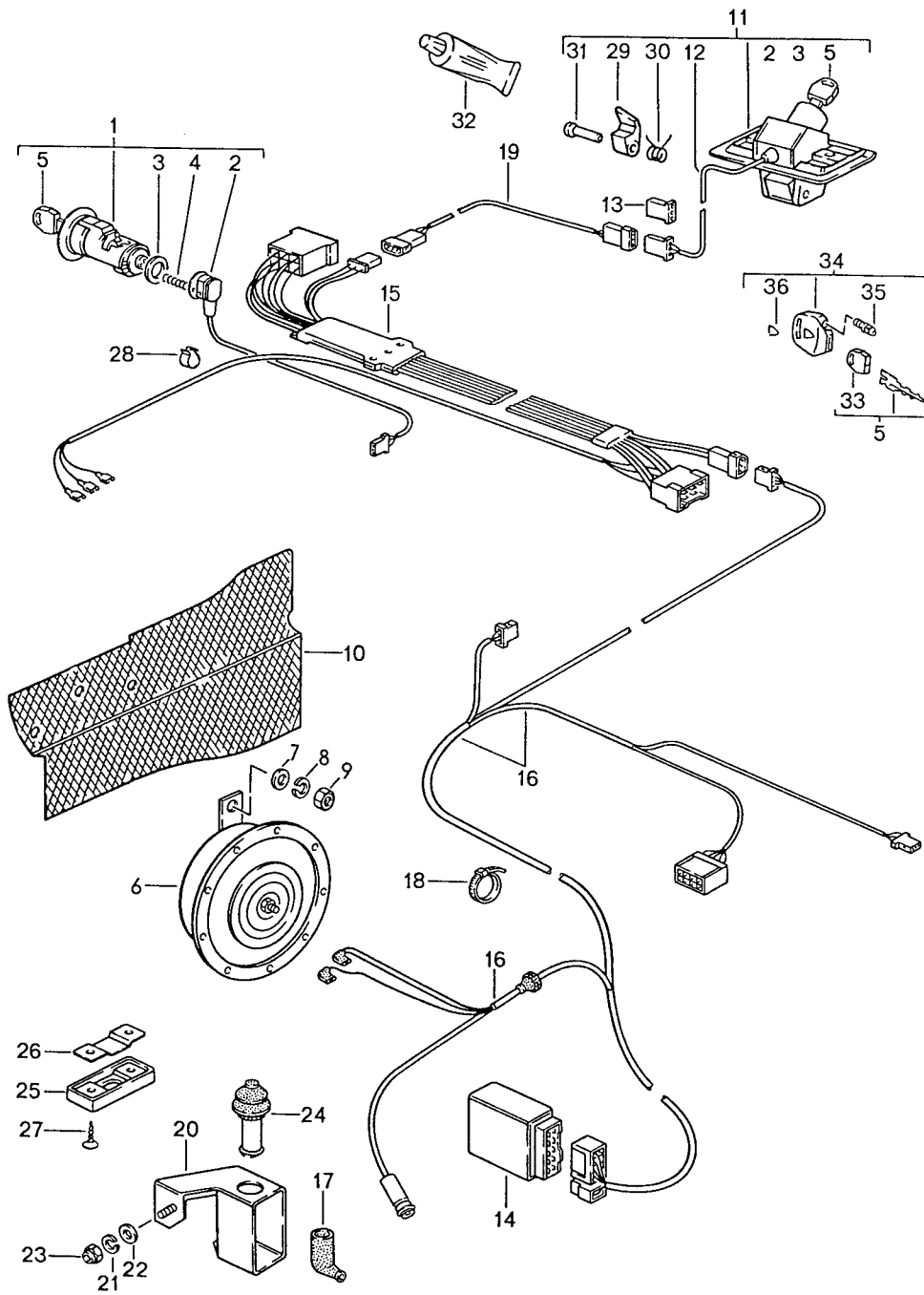
Model: 928 87

Model life 1987>>1991

Pos	Part Number	Description	Remark	Qty	Model
18	928 537 322 03	Sealing for door slot Outer	/R	1	
18	928 537 322 04	Sealing for door slot Outer	/R	1	
19	928 537 323 03	Window guide	/L	1	
(19)	928 537 324 03	Window guide	/R	1	
-	999 920 004 02	U-clamp		10	
20	928 537 085 03	Fleet angle		4	
21	N 014 761 2	Pan-head screw M 6 X 12		4	
21	900 119 129 01	Pan-head screw M 6 X 12		4	
22	N 012 226 5	Spring washer B 6		4	
23	999 025 108 02	Washer 6,4		4	
24	928 537 285 02	Insert		2	
25	999 093 004 02	Hexagon-head bolt		6	
26	928 618 040 00	Control unit	90-	1	
27	928 618 241 00	Support	90-	1	
28	900 143 143 02	Tapping screw B 4,2 X 16	90-	1	
28	900 143 143 0C	Tapping screw B 4,2 X 16	90-	1	
29	999 049 008 40	Plastic nut	90-	1	

Model: 928 87

Model life 1987>>1991



Model: 928 87

Model life 1987>>1991

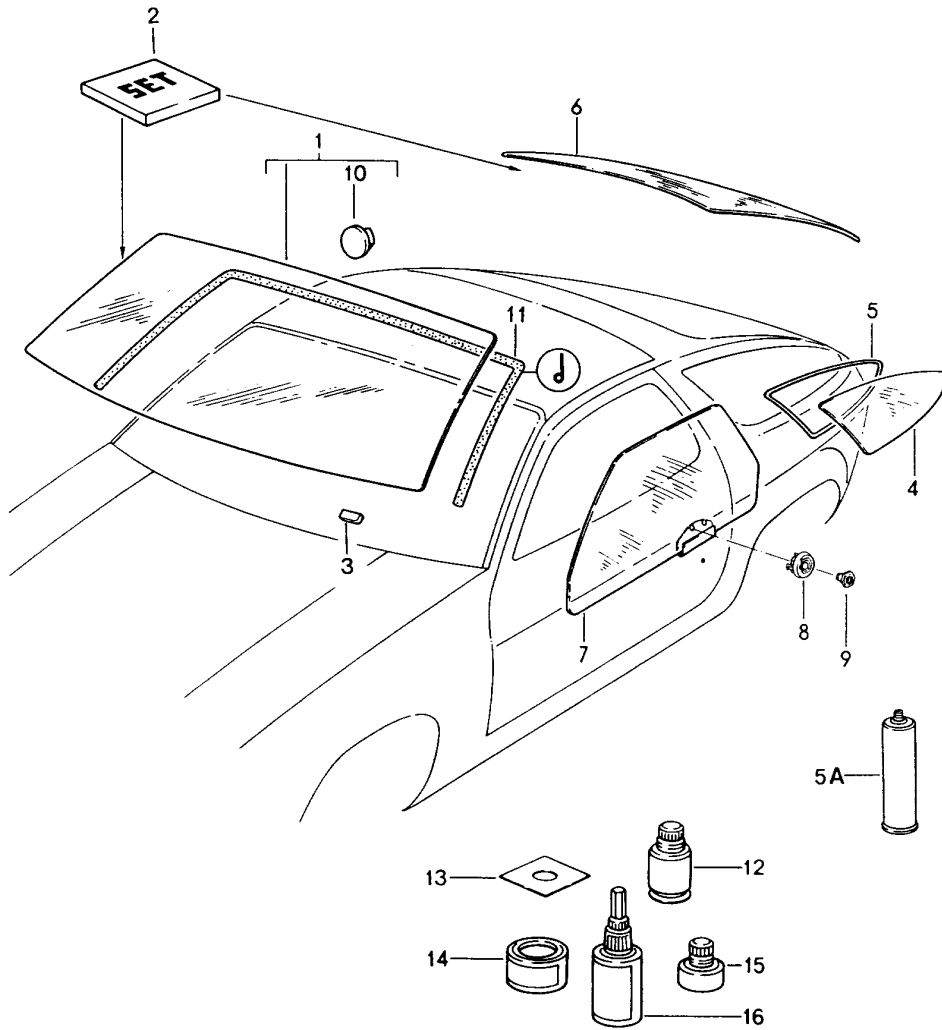
Pos	Part Number	Description	Remark	Qty	Model
1	928 537 906 02	Alarm system Door lock cylinder with Microswitch with stipulated lock number with 1 key State lock number	/R	1	M525/533
1	928 537 905 02	Door lock cylinder with Microswitch with stipulated lock number with 1 key State lock number	/L	1	
1	928 537 908 02	Door lock cylinder with Microswitch with 1 key	/R	1	
1	928 537 907 02	Door lock cylinder with Microswitch with 1 key	/L	1	
(2)	928 537 713 02	Contact switch	/L	1	
2	928 537 714 02	Contact switch	/R	1	
3	928 537 493 02	Compression spring		3	
4	928 537 495 03	Gasket		3	
5	928 538 032 02	Key State lock number with stipulated lock number		3	
6	928 635 105 00	High volume horn	-89	1	
(6)	964 637 117 00	Horn	90-	1	
7	900 025 008 09	Washer A 10,5		1	
7	900 025 008 04	Washer A 10,5		1	
(7)	900 025 007 02	Washer A 8,4	90-	1	
(7)	900 025 007 03	Washer A 8,4	90-	1	
8	900 027 016 02	Lock ring B 10		1	
8	900 027 016 03	Lock ring B 10		1	
9	N 011 010 6	Hexagon nut M 10		1	
9	N 101 552 10	Hexagon nut M 10		1	
(9)	900 076 025 02	Hexagon nut M 8	90-	1	
(9)	900 076 064 02	Hexagon nut M 8	90-	1	
10	928 504 353 02	Protective grille	/LL	1	
10	927 504 353 02	Protective grille	/RL	1	
11	928 512 901 03	Lid lock Upper part with stipulated lock number with 1 key State lock number		1 1	
11	928 512 903 03	Lid lock Upper part W/o stipulated lock number with 1 key		1 1	
12	928 512 070 02	Contact switch	/H	1	
13	171 971 999 B	Terminal sleeve housing		3	

Model: 928 87 Model life 1987>>1991

Pos	Part Number	Description	Remark	Qty	Model
14	928 637 104 00	Alarm control unit	-88	1	
(14)	928 637 104 01	Alarm control unit	(CH) -88	1	
(14)	928 637 104 03	Alarm control unit	89-90	1	
(14)	928 637 104 04	Alarm control unit	(CH) 89-90	1	
(14)	928 618 260 00	Alarm control unit	91	1	
(14)	928 618 260 01	Control unit	91	1	
(14)	928 618 260 03	Control unit	91	1	
-	928 618 261 00	Support for Control unit	91	1	
15	928 612 008 08	Wiring harness	-89	1	
(15)	928 612 008 09	Wiring harness	90-	1	
16	928 612 182 05	Wiring harness	-88	1	
16	928 612 182 07	Wiring harness	89-	1	
17	113 927 249	Protection cap		1	
18	999 513 003 40	Tie-wrap		4	
19	928 612 187 00	Wiring harness	/LL	1	
19	928 612 183 00	Wiring harness	/RL	1	
20	928 637 021 00	Switch housing		1	
21	N 012 005 3	Lock ring B 5		1	
22	900 151 027 02	Washer A 5,3		1	
22	900 151 027 03	Washer A 5,3		1	
23	N 011 005 14	Hexagon nut M 5		1	
23	900 076 091 01	Hexagon nut M 5		1	
24	928 613 173 00	Contact switch		1	
25	928 637 121 00	Protection cap		1	
26	928 637 123 00	Pressure plate		1	
27	N 014 098 6	Rais. counters. h. tap. s.		2	
28	999 591 465 02	Cable clamp		2	
29	928 512 161 03	Latch		1	
30	928 512 163 02	Spring		1	
31	928 512 165 02	Clinch pin		1	
32	000 043 204 21	Grease for lock cylinder		X	
32	G 052 778 A2	Grease for lock cylinder		X	
33	944 538 431 00	Key cap		3	
34	944 538 041 00	Key lamp		2	
34	944 538 041 01	Key lamp		2	
35	928 537 630 02	Bulb		2	
36	944 538 443 00	Crest		2	

Model: 928 87

Model life 1987>>1991



Model: 928 87 Model life 1987>>1991

Pos	Part Number	Description	Remark	Qty	Model
1	928 541 011 06	window glazing Windscreen Clear with Antenna	-88	1	
1	928 541 012 01	Windscreen Clear with Antenna	-88	1	
1	928 541 011 12	Windscreen Clear with Antenna	-88	1	
1	928 541 015 04	Windscreen Tinted Green with Antenna	-88	1	
1	928 541 015 05	Windscreen Tinted Green with Antenna		1	
1	928 541 015 04	Windscreen Sekuriflex Tinted Green with Antenna	-88	1	
1	928 541 015 05	Windscreen Sekuriflex Tinted Green with Antenna		1	
1	928 541 017 04	Windscreen Sekuriflex Clear with Antenna	-88	1	
1	928 541 016 05	Windscreen Green Green top tint with Antenna	-88	1	
1	928 541 016 06	Windscreen Green Green top tint with Antenna		1	
1	928 541 011 06	Windscreen Clear	89	1	
1	928 541 012 01	Windscreen Clear	89	1	
1	928 541 011 12	Windscreen Clear	89	1	
1	928 541 011 05	Windscreen Tinted Green	89	1	
1	928 541 011 11	Windscreen Tinted Green	89	1	
1	928 541 011 07	Windscreen	89	1	

Model: 928 87

Model life 1987>>1991

Pos	Part Number	Description	Remark	Qty	Model
1	928 541 013 01	Green Green top tint Windscreen	89	1	
1	928 541 011 13	Green Green top tint Windscreen	89	1	
1	928 541 011 06	Green Green top tint Windscreen	90	1	
1	928 541 012 01	Clear Windscreen	90	1	
1	928 541 011 12	Clear Windscreen	90	1	
1	928 541 011 05	Clear Windscreen	90	1	
1	928 541 011 11	Tinted Green Windscreen	90	1	
1	928 541 011 07	Tinted Green Windscreen	90	1	
1	928 541 013 01	Green Green top tint Windscreen	90	1	
1	928 541 011 13	Green Green top tint Windscreen	90	1	
1	928 541 011 06	Green Green top tint Windscreen	91	1	
1	928 541 012 01	Clear Windscreen	91	1	
1	928 541 011 12	Clear Windscreen	91	1	
1	928 541 011 05	Clear Windscreen	91	1	
1	928 541 011 11	Tinted Green Windscreen	91	1	
1	928 541 011 07	Tinted Green Windscreen	91	1	
1	928 541 013 01	Green Green top tint Windscreen	91	1	
1	928 541 011 13	Green Green top tint Windscreen	91	1	
1	928 541 011 06	Green Green top tint Windscreen	91	1	
1	928 541 012 01	Airbag Clear Windscreen	91	1	
1	928 541 011 12	Airbag Clear Windscreen	91	1	
1	928 541 011 05	Airbag Clear Windscreen	91	1	
1	928 541 011 05	Airbag Tinted Green Windscreen	91	1	

Model: 928 87 Model life 1987>>1991

Pos	Part Number	Description	Remark	Qty	Model
1	928 541 011 11	Windscreen Airbag Tinted Green	91	1	
1	928 541 011 07	Windscreen Airbag Green Green top tint	91	1	
1	928 541 013 01	Windscreen Airbag Green Green top tint	91	1	
1	928 541 011 13	Windscreen Airbag Green Green top tint	91	1	
-	911 541 112 02	Film for stickers		X	
2	999 915 509 40	Adhesive set		1	M562
2	000 043 300 94	Adhesive set Windscreen		1	M562
2	477 898 011 A	Sealing set Windscreen		1	
3	928 541 121 04	Spacer		2	
4	928 543 105 08	Side window Tinted Green	/L	1	
(4)	928 543 105 09	Side window Tinted Green	/L	1	M471
(4)	928 543 106 08	Side window Tinted Green	/R	1	
(4)	928 543 106 09	Side window Tinted Green	/R	1	M471
5	928 543 037 04	Sealing frame	/L	1	
(5)	928 543 038 04	Sealing frame without Rear spoiler	/R	1	
(5)	928 543 045 04	Sealing frame	/L -88	1	
(5)	928 543 046 04	Sealing frame with Rear spoiler	/R -88	1	
(5A)	000 043 204 82	Adhesive		1	
6	928 545 018 03	Rear window Tinted Green		1	M471
6	928 545 018 02	Rear window Tinted Green		1	
(6)	928 545 018 04	Rear window Tinted Green	89-	1	M602
-	477 898 011 A	Sealing set Rear window		1	
7	928 537 101 02	Door window glass Tinted Green	/L	1	
(7)	928 537 102 02	Door window glass Tinted Green	/R	1	
8	928 537 281 04	Fastening plug		4	
9	928 537 277 02	Threaded piece		4	

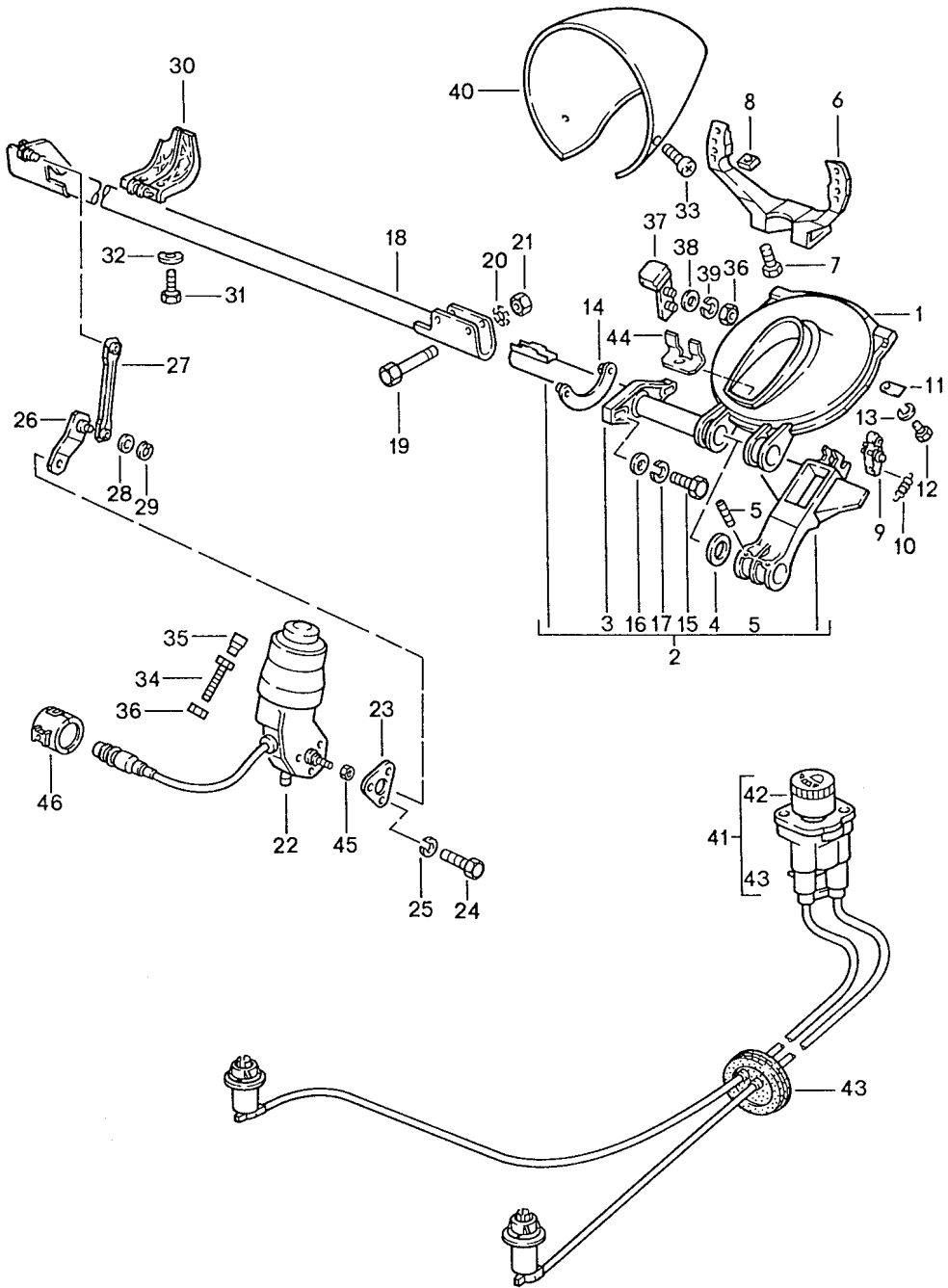
Model: 928 87

Model life 1987>>1991

Pos	Part Number	Description	Remark	Qty	Model
10	477 845 043	Retainer plate		1	
11	928 555 509 02	Piping		1	
		Windscreen			
	928 555 509 02 01C	Black			
11	928 555 509 03	Piping		1	
		Windscreen			
	928 555 509 03 01C	Black			
		Mounting parts for Interior mirror			
		See technical information GR.6 NR.2/91			
12	000 043 157 00	Cleaning agent		X	
13	000 043 177 00	Cover foil		1	
14	000 043 158 00	Primer		X	
		PRIMER			
15	000 043 202 65	Loctite		X	
		Activator			
16	000 043 051 00	Loctite		X	

Model: 928 87

Model life 1987>>1991



Model: 928 87

Model life 1987>>1991

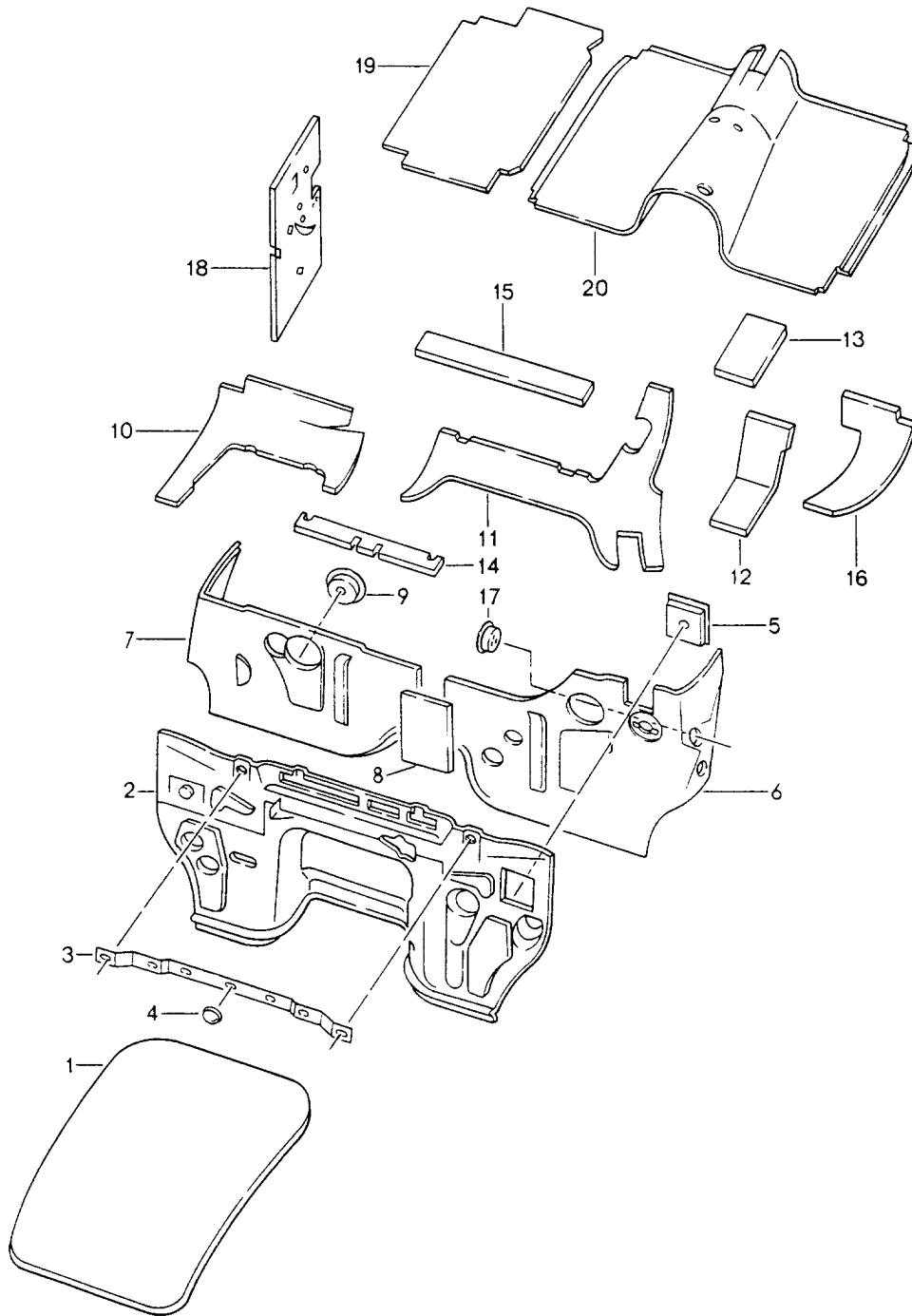
Pos	Part Number	Description	Remark	Qty	Model
1	928 750 243 05	Pop-up headlight			
1		Swivel frame	-89	2	
1		Swivel frame	90-	2	
2	928 750 097 05	Driving arm	/L -89	1	
(2)		Driving arm	/L 90-	1	
2	928 750 098 05	Driving arm	/R -89	1	
(2)		Driving arm	/R 90-	1	
3	928 750 211 04	Bearing		2	
		Headlamp			
		Shaft		1	
3	928 750 211 06	Bearing		2	
		Headlamp			
		Shaft		1	
4	928 750 253 02	Washer		4	
5	900 095 085 02	Spiral clamping pin		4	
6	928 750 285 03	Supporting arm	-89	2	
6	928 750 285 04	Supporting arm	90-	2	
7	900 067 011 02	Pan-head screw		4	
		M 6 X 20			
7	900 067 011 03	Pan-head screw		4	
		M 6 X 20			
-	999 025 108 02	Washer		4	
		6,5			
8	900 076 010 02	Nut		4	
		M 6			
8	900 076 010 0B	Nut		4	
		M 6			
9	928 750 079 02	Locking segment		2	
10	928 750 291 02	Tension spring		2	
11	928 750 325 02	Tab		4	
12	999 015 004 02	Screw		4	
		AM 5 X 10			
13	900 025 003 02	Washer		4	
		A 5,3			
14	928 750 071 02	Counterplate		2	
15	900 074 015 02	Hexagon-head bolt		4	
		M 6 X 30			
15	900 074 015 03	Hexagon-head bolt		4	
		M 6 X 30			
16	N 011 666 7	Washer		4	
		B 6,4			
17	N 012 006 4	Lock ring		4	
		B 6			
18	928 750 041 05	Shaft		1	
		Centre		1	
19	900 075 343 02	Hexagon-head bolt		4	
		M 6 X 45			
20	999 025 093 09	Washer		4	
		6,4			
21	900 910 012 02	Lock nut		4	
		M 6			
21	900 910 047 09	Lock nut		4	
		M 6			
22	928 624 023 00	Engine		1	
23	928 750 207 02	Plate		1	
24	999 072 005 09	Hexagon nut		3	
		M 6 X 12			
24	999 072 005 01	Hexagon nut		3	
		M 6 X 12			
25	N 012 006 4	Lock ring		3	
		B 6			
26	928 750 065 03	Lever		1	
27	928 750 067 02	Push rod		1	

Model: 928 87 Model life 1987>>1991

Pos	Part Number	Description	Remark	Qty	Model
28	900 031 001 02	Washer 8,4		2	
28	900 031 105 01	Washer 8,4		2	
29	900 116 009 01	Kl-lock 6		2	
30	928 750 183 03	Guide		1	
31	999 218 016 02	Combination screw M 6 X 16		2	
31	999 218 016 01	Combination screw M 6 X 16		2	
32	N 012 226 5	Spring washer B6		2	
33	999 919 008 07	Oval-head screw 4,0 X 13		1	
33	PCG 919 008 07	Oval-head screw Set 4,0 X 13 Pieces		1	
34	N 010 221 3	Hexagon-head bolt M 6 X 35		10 2	
35	914 504 319 00	Grommet		2	
36	900 076 010 02	Nut M 6		2	
36	900 076 010 0B	Nut M 6		2	
37	928 750 031 02	Stop bracket		2	
38	900 151 003 02	Washer A 6,4		4	
38	900 151 006 03	Washer A 6,4		4	
39	N 012 006 4	Lock ring B 6		4	
40	928 750 083 02	Housing		2	
(41)	928 631 220 01	Governor Headlight levelling system Manually adjustable	-89	1	
(41)	928 613 146 00	Potentiometer without Lines	90-	1	
42	928 631 221 01	Rotary knob	-89	1	
(42)	928 613 148 00	Rotary knob	90-	1	
	928 613 148 00 01C	Black			
-	928 631 223 02	Rosette	-89	1	
-	928 631 223 03	Rosette	90-	1	
-	928 799 750 07	Tension spring	-89	2	
-	900 034 013 02	Hexagon nut	90-	1	
-	900 034 013 01	Hexagon nut	90-	1	
43	927 631 224 01	Grommet	-89	1	
44	928 750 255 05	Bracket		2	
45	999 084 055 02	Lock nut M 8		1	
46	944 612 450 01	Support		1	

Model: 928 87

Model life 1987>>1991



Model: 928 87

Model life 1987>>1991

Pos	Part Number	Description	Remark	Qty	Model
		Body			
1	928 556 285 02	Sound proofing 1 Insulation Bonnet	/H	1	
2	928 556 089 06	Insulation	/LL	1	
(2)	927 556 089 05	Insulation Engine compartment	/RL	1	
3	928 556 623 02	Retaining strip		1	
4	999 591 590 02	Clamping washer		7	
5	928 556 057 03	Insert Firewall		1	
6	928 556 061 04	Sound absorber	/LL /L -89	1	
(6)	928 556 061 05	Sound absorber	/LL /L 90-	1	
(6)	927 556 061 04	Sound absorber Firewall	/RL /L 87-	1	
7	928 556 062 03	Sound absorber	/LL /R -89	1	
(7)	928 556 062 06	Sound absorber	/LL /R 90-	1	
(7)	927 556 062 04	Sound absorber Firewall	/RL /R	1	
8	928 556 065 03	Insulation Firewall		1	
9	928 556 063 05	Intermediate piece Insert Firewall		1 1	
10	928 556 155 04	Insulation	/LL -89	1	
(10)		Insulation	/LL 90-	1	
(10)	927 556 155 03	Insulation Cross panel Right	/RL	1	
11	928 556 159 06	Insulation	/LL -89	1	
(11)		Insulation	/LL 90-	1	
(11)	927 556 159 04	Insulation Cross panel Centre	/RL	1	
12	928 556 169 04	Insert	/LL -89	1	
(12)		Insert	/LL 90-	1	
(12)	927 556 169 03	Insert Steering shaft	/RL	1	
13	928 556 171 04	Insert	-89	1	
(13)		Insert Brake booster	90-	1	
14	928 556 267 02	Insulation Cross panel		1	
15	928 556 387 03	Insulation Heater		1	
16	928 556 173 05	Insulation	/LL -89	1	
(16)		Insulation	/LL 90-	1	
(16)	927 556 173 03	Insulation Cross panel	/RL	1	
17	928 556 075 05	Insert	/RL	1	
(17)	928 556 075 06	Headlight levelling system Insert	/LL	1	
(17)	928 556 075 05	Headlight levelling system Insert	(J) 88-	1	
18	928 556 353 04	Sound absorber	/LL /L -88	1	
(18)	928 556 353 05	Sound absorber	/LL 89-	1	
(18)	927 556 353 02	Insulation	/RL /R -89	1	
(18)	927 556 354 04	Insulation Side section	/RL /R 90-	1	
(19)	928 556 291 05	Insulation	/LL /L -89	1	
(19)	928 556 253 00	Insulation	/LL /L 90-	1	
(19)	927 556 291 03	Sound absorber	/RL /L	1	

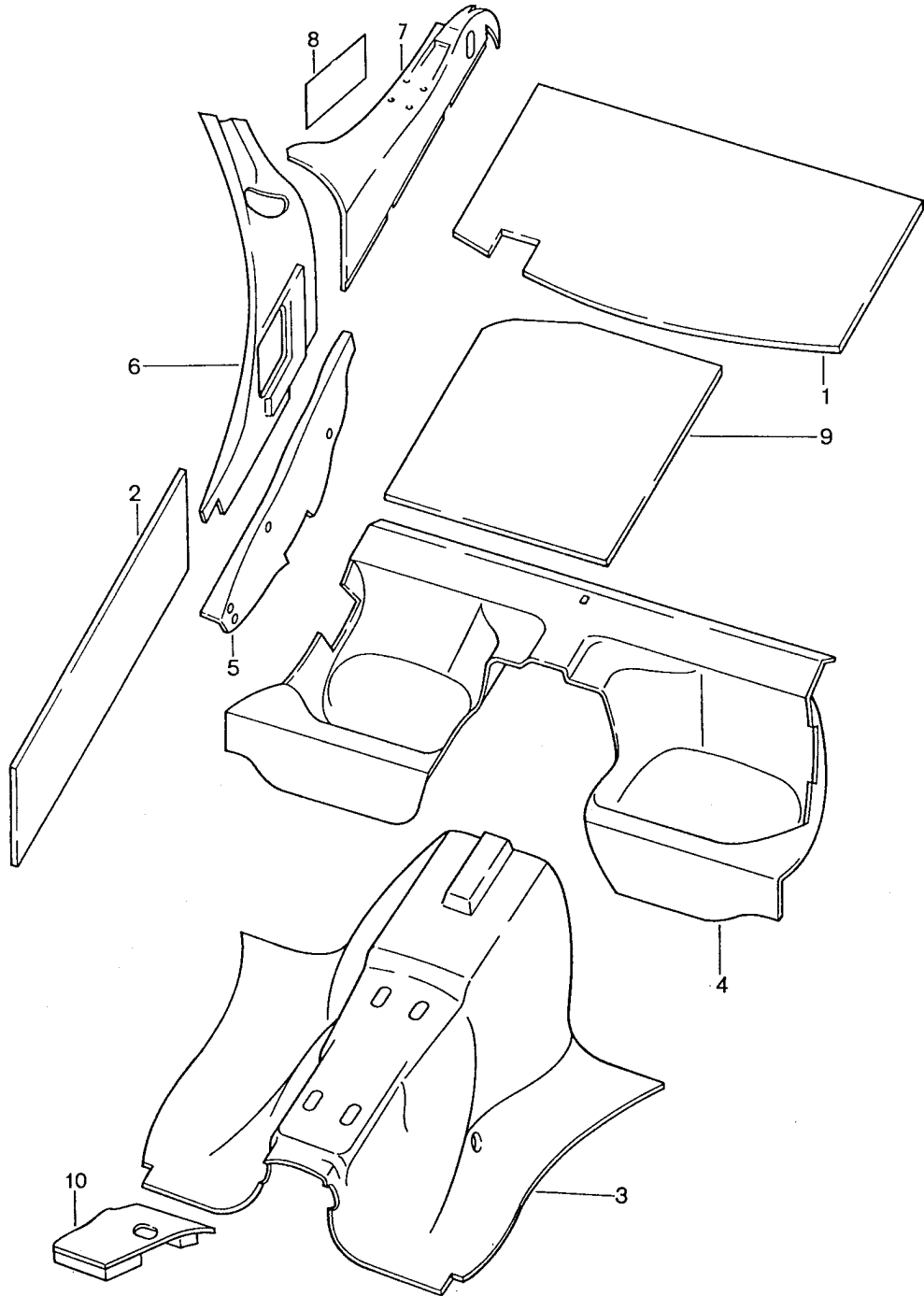
Model: 928 87

Model life 1987>>1991

Pos	Part Number	Description	Remark	Qty	Model
19	928 556 292 03	Sound absorber	/LL /R -89	1	
(19)	928 556 253 00	Insulation	/LL /R 90-	1	
(19)	927 556 292 05	Insulation Floor	/RL /R	1	
20	928 556 031 04	Insulation	-89	1	
(20)		Insulation Tunnel Front	90-	1	

Model: 928 87

Model life 1987>>1991

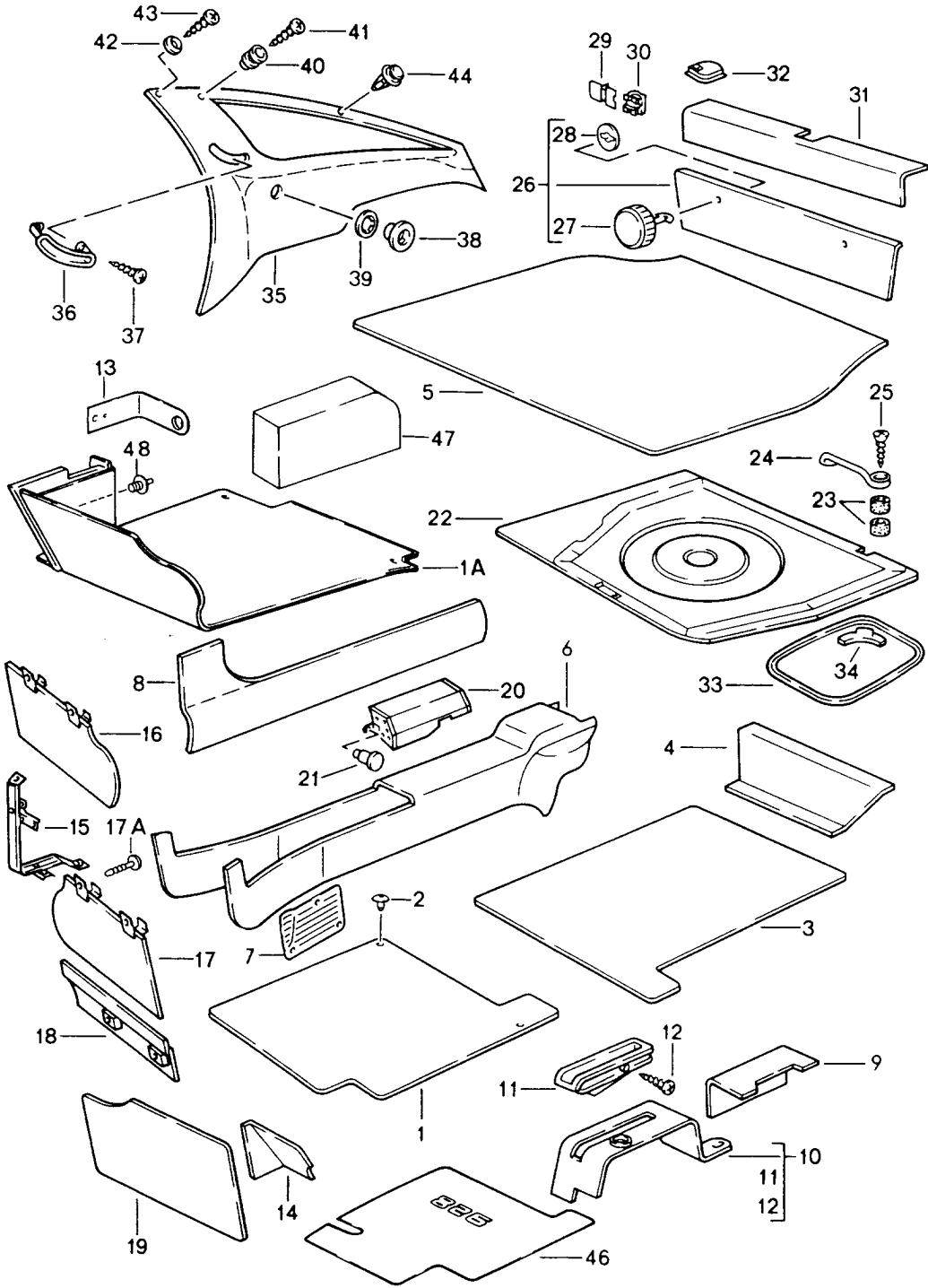


Model: 928 87 Model life 1987>>1991

Pos	Part Number	Description	Remark	Qty	Model
1	928 556 233 02	Body Sound proofing 2 Insulation		1	
2	928 556 235 02	Roof Insulation		2	
(3)	928 556 033 06	Door Insulation		1	
(4)	928 556 055 05	Tunnel Sound absorber		1	
5	928 556 205 04	Seat well Insulation	/L	1	
5	927 556 206 04	Insulation	/R	1	
6	928 556 261 05	Bracket Insulation	/V /L -88	1	
(6)		Insulation	/V /L 89-	1	
6	928 556 262 05	Insulation	/V /R -88	1	
(6)		Insulation	/V /R 89-	1	
7	928 556 251 03	Rear bulkhead Insulation	/H /L -88	1	
(7)	928 556 251 04	Sound absorber	/H /L 89	1	
(7)	928 556 251 05	Insulation	/H /L 90-	1	
7	928 556 252 03	Insulation	/H /R -88	1	
(7)	928 556 252 04	Sound absorber	/H /R 89	1	
(7)	928 556 252 05	Insulation	/H /R 90-	1	
9	928 556 239 02	Rear bulkhead Insulation		1	
(9)	928 556 239 03	Sound absorber		1	M293/295 M496 M195
(9)	928 556 239 04	Sound absorber		1	M195
		Boot floor plate		1	
10	928 556 495 02	Insulation	88-	1	/495 M195

Model: 928 87

Model life 1987>>1991



Model: 928 87 Model life 1987>>1991

Pos	Part Number	Description	Remark	Qty	Model
1	928 551 011 06	Linings			
	928 551 011 06	Carpet	/LL /L	1	
	928 551 011 06 70E	Black	-88		
	928 551 011 06 5FV	Black	89-		
	928 551 011 06 5MF	Mahogany			
	928 551 011 06 3KF	Marine blue	-88		
	928 551 011 06 4KV	Marine blue	89-		
	928 551 011 06 80E	Burgundy	-88		
	928 551 011 06 8MD	Burgundy			
	928 551 011 06 8JK	Greyish green	-88		
	928 551 011 06 2XF	Linen			
	928 551 011 06 8UT	Cashmere beige	89-		
	928 551 011 06 4MM	Plum red	-88		
	928 551 011 06 7VM	Silver-grey	-88		
	928 551 011 06 1VD	Champagne	-88		
	928 551 011 06 5UM	Caramel			
	928 551 011 06 3KM	Venetian blue			
	928 551 011 06 3WT	Slate grey			
	928 551 011 06 7VT	Silk grey			
	928 551 011 06 9MT	Velvet red			
	928 551 011 06 4XR	Classic grey			
	928 551 011 06 4ZN	Cobalt blue			
	928 551 011 06 8WZ	Magenta			
	928 551 011 06 6YR	Light grey			
	928 551 011 06 M33	Matador red			
	928 551 011 06 D13	Carrara grey			
	928 551 011 06 J23	Sherwood green			
(1)	928 551 011 08	Carpet	/LL /L	1	
	928 551 011 08 70E	Black	-88		
	928 551 011 08 5FV	Black			
	928 551 011 08 5MF	Mahogany	-90		
	928 551 011 08 3KF	Marine blue	-88		
	928 551 011 08 4KV	Marine blue			
	928 551 011 08 80E	Burgundy	-88		
	928 551 011 08 8MD	Burgundy			
	928 551 011 08 8JK	Greyish green	-88		
	928 551 011 08 2XF	Linen	-90		
	928 551 011 08 8UT	Cashmere beige			
	928 551 011 08 4MM	Plum red	-88		
	928 551 011 08 7VM	Silver-grey	-88		
	928 551 011 08 1VD	Champagne	-88		
	928 551 011 08 5UM	Caramel	-90		
	928 551 011 08 3KM	Venetian blue	-90		
	928 551 011 08 3WT	Slate grey			
	928 551 011 08 7VT	Silk grey			
	928 551 011 08 9MT	Velvet red			
	928 551 011 08 4XR	Classic grey	91		
	928 551 011 08 4ZN	Cobalt blue	91		
	928 551 011 08 8WZ	Magenta	91		
	928 551 011 08 6YR	Light grey	91		
	928 551 011 08 M33	Matador red	91		
	928 551 011 08 D13	Carrara grey	91		
	928 551 011 08 J23	Sherwood green/	91		
(1A)	928 551 010 05	Carpet	/LL /R	1	
	928 551 010 05 70E	Black			
	928 551 010 05 5FV	Black	89-		
	928 551 010 05 5MF	Mahogany			
	928 551 010 05 3KF	Marine blue			
	928 551 010 05 4KV	Marine blue	89-		
	928 551 010 05 80E	Burgundy			
	928 551 010 05 8MD	Burgundy			
	928 551 010 05 8JK	Greyish green			
	928 551 010 05 2XF	Linen			

Model: 928 87 Model life 1987>>1991

Pos	Part Number	Description	Remark	Qty	Model
	928 551 010 05 8UT	Cashmere beige	89-		
	928 551 010 05 4MM	Plum red			
	928 551 010 05 7VM	Silver-grey			
	928 551 010 05 1VD	Champagne			
	928 551 010 05 5UM	Caramel			
	928 551 010 05 3KM	Venetian blue			
	928 551 010 05 3WT	Slate grey			
	928 551 010 05 7VT	Silk grey			
	928 551 010 05 9MT	Velvet red			
	928 551 010 05 4XR	Classic grey			
	928 551 010 05 4ZN	Cobalt blue			
	928 551 010 05 8WZ	Magenta			
	928 551 010 05 6YR	Light grey			
	928 551 010 05 M33	Matador red			
	928 551 010 05 D13	Carrara grey			
	928 551 010 05 J23	Sherwood green			
(1A)	928 551 010 07	Carpet	/LL /R	1	
	928 551 010 07 70E	Black	-88		
	928 551 010 07 5FV	Black	89-		
	928 551 010 07 5MF	Mahogany			
	928 551 010 07 3KF	Marine blue	-88		
	928 551 010 07 4KV	Marine blue	89-		
	928 551 010 07 80E	Burgundy	-88		
	928 551 010 07 8MD	Burgundy			
	928 551 010 07 8JK	Greyish green	-88		
	928 551 010 07 2XF	Linen			
	928 551 010 07 8UT	Cashmere beige	89-		
	928 551 010 07 4MM	Plum red	-88		
	928 551 010 07 7VM	Silver-grey	-88		
	928 551 010 07 1VD	Champagne	-88		
	928 551 010 07 5UM	Caramel			
	928 551 010 07 3KM	Venetian blue			
	928 551 010 07 3WT	Slate grey			
	928 551 010 07 7VT	Silk grey			
	928 551 010 07 9MT	Velvet red			
	928 551 010 07 4XR	Classic grey			
	928 551 010 07 4ZN	Cobalt blue			
	928 551 010 07 8WZ	Magenta			
	928 551 010 07 6YR	Light grey			
	928 551 010 07 M33	Matador red			
	928 551 010 07 D13	Carrara grey			
	928 551 010 07 J23	Sherwood green			
(1A)	928 551 010 08	Carpet	/LL /R	1	
	928 551 010 08 70E	Black	-88		
	928 551 010 08 5FV	Black			
	928 551 010 08 5MF	Mahogany	-90		
	928 551 010 08 3KF	Marine blue	-88		
	928 551 010 08 4KV	Marine blue			
	928 551 010 08 80E	Burgundy	-88		
	928 551 010 08 8MD	Burgundy			
	928 551 010 08 8JK	Greyish green	-88		
	928 551 010 08 2XF	Linen	-90		
	928 551 010 08 8UT	Cashmere beige			
	928 551 010 08 4MM	Plum red	-88		
	928 551 010 08 7VM	Silver-grey	-88		
	928 551 010 08 1VD	Champagne	-88		
	928 551 010 08 5UM	Caramel	-90		
	928 551 010 08 3KM	Venetian blue	-90		
	928 551 010 08 3WT	Slate grey			
	928 551 010 08 7VT	Silk grey			
	928 551 010 08 9MT	Velvet red			
	928 551 010 08 4XR	Classic grey	91		
	928 551 010 08 4ZN	Cobalt blue	91		

Model: 928 87 Model life 1987>>1991

Pos	Part Number	Description	Remark	Qty	Model
	928 551 010 08 8WZ	Magenta	91		
	928 551 010 08 6YR	Light grey	91		
	928 551 010 08 M33	Matador red	91		
	928 551 010 08 D13	Carrara grey	91		
	928 551 010 08 J23	Sherwood green/	91		
(1A)	927 551 009 05	Carpet	/RL /L	1	
	927 551 009 05 70E	Black			
	927 551 009 05 5FV	Black	89-		
	927 551 009 05 5MF	Mahogany			
	927 551 009 05 3KF	Marine blue			
	927 551 009 05 4KV	Marine blue	89-		
	927 551 009 05 80E	Burgundy			
	927 551 009 05 8MD	Burgundy			
	927 551 009 05 8JK	Greyish green			
	927 551 009 05 2XF	Linen			
	927 551 009 05 8UT	Cashmere beige	89-		
	927 551 009 05 4MM	Plum red			
	927 551 009 05 7VM	Silver-grey			
	927 551 009 05 1VD	Champagne			
	927 551 009 05 5UM	Caramel			
	927 551 009 05 3KM	Venetian blue			
	927 551 009 05 3WT	Slate grey			
	927 551 009 05 7VT	Silk grey			
	927 551 009 05 9MT	Velvet red			
	927 551 009 05 4XR	Classic grey			
	927 551 009 05 4ZN	Cobalt blue			
	927 551 009 05 8WZ	Magenta			
	927 551 009 05 6YR	Light grey			
	927 551 009 05 M33	Matador red			
	927 551 009 05 D13	Carrara grey			
	927 551 009 05 J23	Sherwood green			
(1A)	927 551 009 07	Carpet	/RL /L 88-	1	
	927 551 009 07 70E	Black	-88		
	927 551 009 07 5FV	Black	89-		
	927 551 009 07 5MF	Mahogany	-90		
	927 551 009 07 3KF	Marine blue	-88		
	927 551 009 07 4KV	Marine blue	89-		
	927 551 009 07 80E	Burgundy	-88		
	927 551 009 07 8MD	Burgundy	89-90		
	927 551 009 07 8JK	Greyish green	-88		
	927 551 009 07 2XF	Linen	-90		
	927 551 009 07 8UT	Cashmere beige	89-		
	927 551 009 07 4MM	Plum red	-88		
	927 551 009 07 7VM	Silver-grey	-88		
	927 551 009 07 1VD	Champagne	-88		
	927 551 009 07 5UM	Caramel	-90		
	927 551 009 07 3KM	Venetian blue	-90		
	927 551 009 07 3WT	Slate grey	89-90		
	927 551 009 07 7VT	Silk grey	89-90		
	927 551 009 07 9MT	Velvet red	89-90		
	927 551 009 07 4XR	Classic grey	91		
	927 551 009 07 4ZN	Cobalt blue	91		
	927 551 009 07 8WZ	Magenta	91		
	927 551 009 07 6YR	Light grey	91		
	927 551 009 07 M33	Matador red	91		
	927 551 009 07 D13	Carrara grey	91		
	927 551 009 07 J23	Sherwood green	91		
(1)	927 551 012 06	Carpet	/RL /R 89-	1	
	927 551 012 06 5FV	Black	89-		
	927 551 012 06 5MF	Mahogany	-90		
	927 551 012 06 4KV	Marine blue	89-		
	927 551 012 06 8MD	Burgundy	89-90		
	927 551 012 06 2XF	Linen	-90		

Model: 928 87 Model life 1987>>1991

Pos	Part Number	Description	Remark	Qty	Model
	927 551 012 06 8UT	Cashmere beige	89-		
	927 551 012 06 5UM	Caramel	-90		
	927 551 012 06 3KM	Venetian blue	-90		
	927 551 012 06 3WT	Slate grey	89-90		
	927 551 012 06 7VT	Silk grey	89-90		
	927 551 012 06 9MT	Velvet red	89-90		
	927 551 012 06 4XR	Classic grey	91		
	927 551 012 06 4ZN	Cobalt blue	91		
	927 551 012 06 8WZ	Magenta	91		
	927 551 012 06 6YR	Light grey	91		
	927 551 012 06 M33	Matador red	91		
	927 551 012 06 D13	Carrara grey	91		
	927 551 012 06 J23	Sherwood green/	91		
-	928 551 342 00	Cover for Control units		1	
	928 551 342 00 5FV	Black			
	928 551 342 00 5MF	Mahogany	-90		
	928 551 342 00 4KV	Marine blue			
	928 551 342 00 8MD	Burgundy			
	928 551 342 00 2XF	Linen	-90		
	928 551 342 00 8UT	Cashmere beige			
	928 551 342 00 7VT	Silk grey			
	928 551 342 00 9MT	Velvet red			
	928 551 342 00 3WT	Slate grey			
	928 551 342 00 5UM	Caramel	-90		
	928 551 342 00 3KM	Venetian blue	-90		
	928 551 342 00 4XR	Classic grey	91		
	928 551 342 00 4ZN	Cobalt blue	91		
	928 551 342 00 8WZ	Magenta	91		
	928 551 342 00 6YR	Light grey	91		
	928 551 342 00 M33	Matador red	91		
	928 551 342 00 D13	Carrara grey	91		
	928 551 342 00 J23	Sherwood green	91		
2	N 900 685 01	Push button		4	
3	928 551 013 07	Carpet	/LL /L	1	
	928 551 013 07 70E	Black	-88		
	928 551 013 07 5FV	Black	89-		
	928 551 013 07 5MF	Mahogany			
	928 551 013 07 3KF	Marine blue	-88		
	928 551 013 07 4KV	Marine blue	89-		
	928 551 013 07 80E	Burgundy	-88		
	928 551 013 07 8MD	Burgundy			
	928 551 013 07 8JK	Greyish green	-88		
	928 551 013 07 2XF	Linen			
	928 551 013 07 4MM	Plum red	-88		
	928 551 013 07 7VM	Silver-grey	-88		
	928 551 013 07 1VD	Champagne	-88		
	928 551 013 07 5UM	Caramel			
	928 551 013 07 3KM	Venetian blue			
	928 551 013 07 8UT	Cashmere beige	89-		
	928 551 013 07 7VT	Silk grey			
	928 551 013 07 9MT	Velvet red			
	928 551 013 07 3WT	Slate grey			
	928 551 013 07 4XR	Classic grey			
	928 551 013 07 4ZN	Cobalt blue			
	928 551 013 07 8WZ	Magenta			
	928 551 013 07 6YR	Light grey			
	928 551 013 07 M33	Matador red			
	928 551 013 07 D13	Carrara grey			
	928 551 013 07 J23	Sherwood green			
(3)	928 551 013 08	Carpet	/LL /L	1	
	928 551 013 08 70E	Black	-88		

Model: 928 87 Model life 1987>>1991

Pos	Part Number	Description	Remark	Qty	Model
	928 551 013 08 5FV	Black			
	928 551 013 08 5MF	Mahogany	-90		
	928 551 013 08 3KF	Marine blue	-88		
	928 551 013 08 4KV	Marine blue			
	928 551 013 08 80E	Burgundy	-88		
	928 551 013 08 8MD	Burgundy			
	928 551 013 08 8JK	Greyish green	-88		
	928 551 013 08 2XF	Linen	-90		
	928 551 013 08 4MM	Plum red	-88		
	928 551 013 08 7VM	Silver-grey	-88		
	928 551 013 08 1VD	Champagne	-88		
	928 551 013 08 5UM	Caramel	-90		
	928 551 013 08 3KM	Venetian blue	-90		
	928 551 013 08 8UT	Cashmere beige			
	928 551 013 08 7VT	Silk grey			
	928 551 013 08 9MT	Velvet red			
	928 551 013 08 3WT	Slate grey			
	928 551 013 08 4XR	Classic grey	91		
	928 551 013 08 4ZN	Cobalt blue	91		
	928 551 013 08 8WZ	Magenta	91		
	928 551 013 08 6YR	Light grey	91		
	928 551 013 08 M33	Matador red	91		
	928 551 013 08 D13	Carrara grey	91		
	928 551 013 08 J23	Sherwood green/	91		
(3)	928 551 014 07	Carpet	/LL /R	1	
	928 551 014 07 70E	Black	-88		
	928 551 014 07 5FV	Black	89-		
	928 551 014 07 5MF	Mahogany			
	928 551 014 07 3KF	Marine blue	-88		
	928 551 014 07 4KV	Marine blue	89-		
	928 551 014 07 80E	Burgundy	-88		
	928 551 014 07 8MD	Burgundy			
	928 551 014 07 8JK	Greyish green	-88		
	928 551 014 07 2XF	Linen			
	928 551 014 07 4MM	Plum red	-88		
	928 551 014 07 7VM	Silver-grey	-88		
	928 551 014 07 1VD	Champagne	-88		
	928 551 014 07 5UM	Caramel			
	928 551 014 07 3KM	Venetian blue			
	928 551 014 07 8UT	Cashmere beige	89-		
	928 551 014 07 7VT	Silk grey			
	928 551 014 07 9MT	Velvet red			
	928 551 014 07 3WT	Slate grey			
	928 551 014 07 4XR	Classic grey			
	928 551 014 07 4ZN	Cobalt blue			
	928 551 014 07 8WZ	Magenta			
	928 551 014 07 6YR	Light grey			
	928 551 014 07 M33	Matador red			
	928 551 014 07 D13	Carrara grey			
	928 551 014 07 J23	Sherwood green			
(3)	928 551 014 08	Carpet	/LL /R	1	
	928 551 014 08 70E	Black	-88		
	928 551 014 08 5FV	Black			
	928 551 014 08 5MF	Mahogany	-90		
	928 551 014 08 3KF	Marine blue	-88		
	928 551 014 08 4KV	Marine blue			
	928 551 014 08 80E	Burgundy	-88		
	928 551 014 08 8MD	Burgundy			
	928 551 014 08 8JK	Greyish green	-88		
	928 551 014 08 2XF	Linen	-90		
	928 551 014 08 4MM	Plum red	-88		
	928 551 014 08 7VM	Silver-grey	-88		
	928 551 014 08 1VD	Champagne	-88		

Model: 928 87 Model life 1987>>1991

Pos	Part Number	Description	Remark	Qty	Model
	928 551 014 08 5UM	Caramel	-90		
	928 551 014 08 3KM	Venetian blue	-90		
	928 551 014 08 8UT	Cashmere beige			
	928 551 014 08 7VT	Silk grey			
	928 551 014 08 9MT	Velvet red			
	928 551 014 08 3WT	Slate grey			
	928 551 014 08 4XR	Classic grey	91		
	928 551 014 08 4ZN	Cobalt blue	91		
	928 551 014 08 8WZ	Magenta	91		
	928 551 014 08 6YR	Light grey	91		
	928 551 014 08 M33	Matador red	91		
	928 551 014 08 D13	Carrara grey	91		
	928 551 014 08 J23	Sherwood green/	91		
(3)	927 551 013 03	Carpet	/RL /L	1	
	927 551 013 03 70E	Black	-88		
	927 551 013 03 5FV	Black	89-		
	927 551 013 03 5MF	Mahogany	-90		
	927 551 013 03 3KF	Marine blue	-88		
	927 551 013 03 4KV	Marine blue	89-		
	927 551 013 03 80E	Burgundy	-88		
	927 551 013 03 8MD	Burgundy	89-90		
	927 551 013 03 8JK	Greyish green	-88		
	927 551 013 03 2XF	Linen	-90		
	927 551 013 03 4MM	Plum red	-88		
	927 551 013 03 7VM	Silver-grey	-88		
	927 551 013 03 1VD	Champagne	-88		
	927 551 013 03 5UM	Caramel	-90		
	927 551 013 03 3KM	Venetian blue	-90		
	927 551 013 03 8UT	Cashmere beige	89-		
	927 551 013 03 7VT	Silk grey	89-90		
	927 551 013 03 9MT	Velvet red	89-90		
	927 551 013 03 3WT	Slate grey	89-90		
	927 551 013 03 2YN	White	-88		
	927 551 013 03 4XR	Classic grey	91		
	927 551 013 03 4ZN	Cobalt blue	91		
	927 551 013 03 8WZ	Magenta	91		
	927 551 013 03 6YR	Light grey	91		
	927 551 013 03 M33	Matador red	91		
	927 551 013 03 D13	Carrara grey	91		
	927 551 013 03 J23	Sherwood green/	91		
(3)	927 551 014 03	Carpet	/RL /R	1	
	927 551 014 03 70E	Black	-88		
	927 551 014 03 5FV	Black	89-		
	927 551 014 03 5MF	Mahogany	-90		
	927 551 014 03 3KF	Marine blue	-88		
	927 551 014 03 4KV	Marine blue	89-		
	927 551 014 03 80E	Burgundy	-88		
	927 551 014 03 8MD	Burgundy	89-90		
	927 551 014 03 8JK	Greyish green	-88		
	927 551 014 03 2XF	Linen	-90		
	927 551 014 03 4MM	Plum red	-88		
	927 551 014 03 7VM	Silver-grey	-88		
	927 551 014 03 1VD	Champagne	-88		
	927 551 014 03 5UM	Caramel	-90		
	927 551 014 03 3KM	Venetian blue	-90		
	927 551 014 03 8UT	Cashmere beige	89-		
	927 551 014 03 7VT	Silk grey	89-90		
	927 551 014 03 9MT	Velvet red	89-90		
	927 551 014 03 3WT	Slate grey	89-90		
	927 551 014 03 2YN	White	-88		
	927 551 014 03 4XR	Classic grey	91		
	927 551 014 03 4ZN	Cobalt blue	91		
	927 551 014 03 8WZ	Magenta	91		

Model: 928 87 Model life 1987>>1991

Pos	Part Number	Description	Remark	Qty	Model
4	927 551 014 03 6YR	Light grey	91	1	
	927 551 014 03 M33	Matador red	91		
	927 551 014 03 D13	Carrara grey	91		
	927 551 014 03 J23	Sherwood green/	91		
	928 551 057 03	Lining	/L		
		Heel plate			
	928 551 057 03 70E	Black	-88		
	928 551 057 03 5FV	Black	89-		
	928 551 057 03 5MF	Mahogany	-90		
	928 551 057 03 3KF	Marine blue	-88		
	928 551 057 03 4KV	Marine blue	89-		
	928 551 057 03 80E	Burgundy	-88		
	928 551 057 03 8MD	Burgundy	89-90		
	928 551 057 03 8JK	Greyish green	-88		
	928 551 057 03 2XF	Linen	-90		
	928 551 057 03 4MM	Plum red	-88		
	928 551 057 03 7VM	Silver-grey	-88		
	928 551 057 03 1VD	Champagne	-88		
	928 551 057 03 5UM	Caramel	-90		
	928 551 057 03 3KM	Venetian blue	-90		
	928 551 057 03 8UT	Cashmere beige	89-		
	928 551 057 03 7VT	Silk grey	89-90		
	928 551 057 03 9MT	Velvet red	89-90		
	928 551 057 03 3WT	Slate grey	89-90		
	928 551 057 03 4XR	Classic grey	91		
	928 551 057 03 4ZN	Cobalt blue	91		
	928 551 057 03 8WZ	Magenta	91		
	928 551 057 03 6YR	Light grey	91		
	928 551 057 03 M33	Matador red	91		
	928 551 057 03 D13	Carrara grey	91		
	928 551 057 03 J23	Sherwood green	91		
	(4) 928 551 058 03	Lining	/R		
		Heel plate			
	928 551 058 03 70E	Black	-88		
	928 551 058 03 5FV	Black	89-		
	928 551 058 03 5MF	Mahogany	-90		
	928 551 058 03 3KF	Marine blue	-88		
	928 551 058 03 4KV	Marine blue	89-		
	928 551 058 03 80E	Burgundy	-88		
	928 551 058 03 8MD	Burgundy	89-90		
928 551 058 03 8JK	Greyish green	-88			
928 551 058 03 2XF	Linen	-90			
928 551 058 03 4MM	Plum red	-88			
928 551 058 03 7VM	Silver-grey	-88			
928 551 058 03 1VD	Champagne	-88			
928 551 058 03 5UM	Caramel	-90			
928 551 058 03 3KM	Venetian blue	-90			
928 551 058 03 8UT	Cashmere beige	89-			
928 551 058 03 7VT	Silk grey	89-90			
928 551 058 03 9MT	Velvet red	89-90			
928 551 058 03 3WT	Slate grey	89-90			
928 551 058 03 4XR	Classic grey	91			
928 551 058 03 4ZN	Cobalt blue	91			
928 551 058 03 8WZ	Magenta	91			
928 551 058 03 6YR	Light grey	91			
928 551 058 03 M33	Matador red	91			
928 551 058 03 D13	Carrara grey	91			
928 551 058 03 J23	Sherwood green	91			
5 928 551 061 03	Boot floor carpet		1		
	928 551 061 03 70E	Black	-88		
	928 551 061 03 5FV	Black	89-		
	928 551 061 03 5MF	Mahogany			
	928 551 061 03 3KF	Marine blue	-88		

Model: 928 87 Model life 1987>>1991

Pos	Part Number	Description	Remark	Qty	Model
	928 551 061 03 4KV	Marine blue	89-		
	928 551 061 03 80E	Burgundy	-88		
	928 551 061 03 8MD	Burgundy			
	928 551 061 03 8JK	Greyish green	-88		
	928 551 061 03 2XF	Linen			
	928 551 061 03 4MM	Plum red	-88		
	928 551 061 03 7VM	Silver-grey	-88		
	928 551 061 03 1VD	Champagne	-88		
	928 551 061 03 5UM	Caramel			
	928 551 061 03 3KM	Venetian blue			
	928 551 061 03 8UT	Cashmere beige	89-		
	928 551 061 03 7VT	Silk grey			
	928 551 061 03 9MT	Velvet red			
	928 551 061 03 3WT	Slate grey			
	928 551 061 03 4XR	Classic grey			
	928 551 061 03 4ZN	Cobalt blue			
	928 551 061 03 8WZ	Magenta			
	928 551 061 03 6YR	Light grey			
	928 551 061 03 M33	Matador red			
	928 551 061 03 D13	Carrara grey			
	928 551 061 03 J23	Sherwood green			
(5)	928 551 061 10	Boot floor carpet		1	
	928 551 061 10 70E	Black	-88		
	928 551 061 10 5FV	Black			
	928 551 061 10 5MF	Mahogany	-90		
	928 551 061 10 3KF	Marine blue	-88		
	928 551 061 10 4KV	Marine blue			
	928 551 061 10 80E	Burgundy	-88		
	928 551 061 10 8MD	Burgundy			
	928 551 061 10 8JK	Greyish green	-88		
	928 551 061 10 2XF	Linen	-90		
	928 551 061 10 4MM	Plum red	-88		
	928 551 061 10 7VM	Silver-grey	-88		
	928 551 061 10 1VD	Champagne	-88		
	928 551 061 10 5UM	Caramel	-90		
	928 551 061 10 3KM	Venetian blue	-90		
	928 551 061 10 8UT	Cashmere beige			
	928 551 061 10 7VT	Silk grey			
	928 551 061 10 9MT	Velvet red			
	928 551 061 10 3WT	Slate grey			
	928 551 061 10 4XR	Classic grey	91		
	928 551 061 10 4ZN	Cobalt blue	91		
	928 551 061 10 8WZ	Magenta	91		
	928 551 061 10 6YR	Light grey	91		
	928 551 061 10 M33	Matador red	91		
	928 551 061 10 D13	Carrara grey	91		
	928 551 061 10 J23	Sherwood green/	91		
(5)	928 551 061 04	Boot floor carpet		1	M293/295 M496
	928 551 061 04 70E	Black	-88		
	928 551 061 04 5FV	Black	89-		
	928 551 061 04 5MF	Mahogany			
	928 551 061 04 3KF	Marine blue	-88		
	928 551 061 04 4KV	Marine blue	89-		
	928 551 061 04 80E	Burgundy	-88		
	928 551 061 04 8MD	Burgundy			
	928 551 061 04 8JK	Greyish green	-88		
	928 551 061 04 2XF	Linen			
	928 551 061 04 4MM	Plum red	-88		
	928 551 061 04 7VM	Silver-grey	-88		
	928 551 061 04 1VD	Champagne	-88		
	928 551 061 04 5UM	Caramel			
	928 551 061 04 3KM	Venetian blue			

Model: 928 87 Model life 1987>>1991

Pos	Part Number	Description	Remark	Qty	Model
	928 551 061 04 8WT	Cashmere beige	89-		
	928 551 061 04 7VT	Silk grey			
	928 551 061 04 9MT	Velvet red			
	928 551 061 04 3WT	Slate grey			
(5)	928 551 061 05	Boot floor carpet	(AUS) (CDN)	1	
	928 551 061 05 70E	Black	-88		
	928 551 061 05 5FV	Black	89-		
	928 551 061 05 5MF	Mahogany			
	928 551 061 05 3KF	Marine blue	-88		
	928 551 061 05 4KV	Marine blue	89-		
	928 551 061 05 80E	Burgundy	-88		
	928 551 061 05 8MD	Burgundy			
	928 551 061 05 8JK	Greyish green	-88		
	928 551 061 05 2XF	Linen			
	928 551 061 05 4MM	Plum red	-88		
	928 551 061 05 7VM	Silver-grey	-88		
	928 551 061 05 1VD	Champagne	-88		
	928 551 061 05 5UM	Caramel			
	928 551 061 05 3KM	Venetian blue			
	928 551 061 05 8UT	Cashmere beige	89-		
	928 551 061 05 7VT	Silk grey			
	928 551 061 05 9MT	Velvet red			
	928 551 061 05 3WT	Slate grey			
	928 551 061 05 4XR	Classic grey			
	928 551 061 05 4ZN	Cobalt blue			
	928 551 061 05 8WZ	Magenta			
	928 551 061 05 6YR	Light grey			
	928 551 061 05 M33	Matador red			
	928 551 061 05 D13	Carrara grey			
	928 551 061 05 J23	Sherwood green			
(5)	928 551 061 13	Boot floor carpet	(AUS) (CDN)	1	
	928 551 061 13 70E	Black	-88		
	928 551 061 13 5FV	Black			
	928 551 061 13 5MF	Mahogany	-90		
	928 551 061 13 3KF	Marine blue	-88		
	928 551 061 13 4KV	Marine blue			
	928 551 061 13 80E	Burgundy	-88		
	928 551 061 13 8MD	Burgundy			
	928 551 061 13 8JK	Greyish green	-88		
	928 551 061 13 2XF	Linen	-90		
	928 551 061 13 4MM	Plum red	-88		
	928 551 061 13 7VM	Silver-grey	-88		
	928 551 061 13 1VD	Champagne	-88		
	928 551 061 13 5UM	Caramel	-90		
	928 551 061 13 3KM	Venetian blue	-90		
	928 551 061 13 8UT	Cashmere beige			
	928 551 061 13 7VT	Silk grey			
	928 551 061 13 9MT	Velvet red			
	928 551 061 13 3WT	Slate grey			
	928 551 061 13 4XR	Classic grey	91		
	928 551 061 13 4ZN	Cobalt blue	91		
	928 551 061 13 8WZ	Magenta	91		
	928 551 061 13 6YR	Light grey	91		
	928 551 061 13 M33	Matador red	91		
	928 551 061 13 D13	Carrara grey	91		
	928 551 061 13 J23	Sherwood green/	91		
(5)	928 551 061 07	Boot floor carpet		1	M195
	928 551 061 07 70E	Black	-88		
	928 551 061 07 5FV	Black	89-		
	928 551 061 07 5MF	Mahogany			
	928 551 061 07 3KF	Marine blue	-88		
	928 551 061 07 4KV	Marine blue	89-		
	928 551 061 07 80E	Burgundy	-88		

Model: 928 87 Model life 1987>>1991

Pos	Part Number	Description	Remark	Qty	Model
6	928 551 061 07 8MD	Burgundy		1	M195/496
	928 551 061 07 8JK	Greyish green	-88		
	928 551 061 07 2XF	Linen			
	928 551 061 07 4MM	Plum red	-88		
	928 551 061 07 7VM	Silver-grey	-88		
	928 551 061 07 1VD	Champagne	-88		
	928 551 061 07 5UM	Caramel			
	928 551 061 07 3KM	Venetian blue			
	928 551 061 07 8UT	Cashmere beige	89-		
	928 551 061 07 7VT	Silk grey			
	928 551 061 07 9MT	Velvet red			
	928 551 061 07 3WT	Slate grey			
	928 551 113 05	Lining Tunnel for cars with with It is necessary to rework			
	928 551 113 05 70E	Black	-88		
	928 551 113 05 5FV	Black	89-		
	928 551 113 05 5MF	Mahogany			
	928 551 113 05 3KF	Marine blue	-88		
	928 551 113 05 4KV	Marine blue	89-		
	928 551 113 05 80E	Burgundy	-88		
	928 551 113 05 8MD	Burgundy			
	928 551 113 05 8JK	Greyish green	-88		
	928 551 113 05 2XF	Linen			
	928 551 113 05 4MM	Plum red	-88		
	928 551 113 05 7VM	Silver-grey	-88		
	928 551 113 05 1VD	Champagne	-88		
	928 551 113 05 5UM	Caramel			
	928 551 113 05 3KM	Venetian blue			
928 551 113 05 8UT	Cashmere beige	89-			
928 551 113 05 7VT	Silk grey				
928 551 113 05 9MT	Velvet red				
928 551 113 05 3WT	Slate grey				
928 551 113 05 4XR	Classic grey				
928 551 113 05 4ZN	Cobalt blue				
928 551 113 05 8WZ	Magenta				
928 551 113 05 6YR	Light grey				
928 551 113 05 M33	Matador red				
928 551 113 05 D13	Carrara grey				
928 551 113 05 J23	Sherwood green				
(6) 928 551 113 06	Lining Tunnel for cars with with It is necessary to rework				
928 551 113 06 70E	Black	-88			
928 551 113 06 5FV	Black				
928 551 113 06 5MF	Mahogany	-90			
928 551 113 06 3KF	Marine blue	-88			
928 551 113 06 4KV	Marine blue				
928 551 113 06 80E	Burgundy	-88			
928 551 113 06 8MD	Burgundy				
928 551 113 06 8JK	Greyish green	-88			
928 551 113 06 2XF	Linen	-90			
928 551 113 06 4MM	Plum red	-88			
928 551 113 06 7VM	Silver-grey	-88			
928 551 113 06 1VD	Champagne	-88			
928 551 113 06 5UM	Caramel	-90			
928 551 113 06 3KM	Venetian blue	-90			
928 551 113 06 8UT	Cashmere beige				
928 551 113 06 7VT	Silk grey				

Model: 928 87 Model life 1987>>1991

Pos	Part Number	Description	Remark	Qty	Model
	928 551 113 06 9MT	Velvet red			
	928 551 113 06 3WT	Slate grey			
	928 551 113 06 4XR	Classic grey	91		
	928 551 113 06 4ZN	Cobalt blue	91		
	928 551 113 06 8WZ	Magenta	91		
	928 551 113 06 6YR	Light grey	91		
	928 551 113 06 M33	Matador red	91		
	928 551 113 06 D13	Carrara grey	91		
	928 551 113 06 J23	Sherwood green	91		
7	928 551 137 02	Scuff plate	/LL	1	
(8)	927 551 031 05	Lining	/RL /L	1	
		Side member			
	927 551 031 05 70E	Black	-88		
	927 551 031 05 5FV	Black	89-		
	927 551 031 05 5MF	Mahogany	-90		
	927 551 031 05 3KF	Marine blue	-88		
	927 551 031 05 4KV	Marine blue	89-		
	927 551 031 05 80E	Burgundy	-88		
	927 551 031 05 8MD	Burgundy	89-90		
	927 551 031 05 8JK	Greyish green	-88		
	927 551 031 05 2XF	Linen	-90		
	927 551 031 05 4MM	Plum red	-88		
	927 551 031 05 7VM	Silver-grey	-88		
	927 551 031 05 1VD	Champagne	-88		
	927 551 031 05 5UM	Caramel	-90		
	927 551 031 05 3KM	Venetian blue	-90		
	927 551 031 05 8UT	Cashmere beige	89-		
	927 551 031 05 7VT	Silk grey	89-90		
	927 551 031 05 9MT	Velvet red	89-90		
	927 551 031 05 3WT	Slate grey	89-90		
	927 551 031 05 4XR	Classic grey	91		
	927 551 031 05 4ZN	Cobalt blue	91		
	927 551 031 05 8WZ	Magenta	91		
	927 551 031 05 6YR	Light grey	91		
	927 551 031 05 M33	Matador red	91		
	927 551 031 05 D13	Carrara grey	91		
	927 551 031 05 J23	Sherwood green	91		
8	927 551 032 03	Lining	/RL /R	1	
		Side member			
	927 551 032 03 70E	Black	-88		
	927 551 032 03 5FV	Black	89-		
	927 551 032 03 5MF	Mahogany	-90		
	927 551 032 03 3KF	Marine blue	-88		
	927 551 032 03 4KV	Marine blue	89-		
	927 551 032 03 80E	Burgundy	-88		
	927 551 032 03 8MD	Burgundy	89-90		
	927 551 032 03 8JK	Greyish green	-88		
	927 551 032 03 2XF	Linen	-90		
	927 551 032 03 4MM	Plum red	-88		
	927 551 032 03 7VM	Silver-grey	-88		
	927 551 032 03 1VD	Champagne	-88		
	927 551 032 03 5UM	Caramel	-90		
	927 551 032 03 3KM	Venetian blue	-90		
	927 551 032 03 8UT	Cashmere beige	89-		
	927 551 032 03 7VT	Silk grey	89-90		
	927 551 032 03 9MT	Velvet red	89-90		
	927 551 032 03 3WT	Slate grey	89-90		
	927 551 032 03 4XR	Classic grey	91		
	927 551 032 03 4ZN	Cobalt blue	91		
	927 551 032 03 8WZ	Magenta	91		
	927 551 032 03 6YR	Light grey	91		
	927 551 032 03 M33	Matador red	91		
	927 551 032 03 D13	Carrara grey	91		

Model: 928 87 Model life 1987>>1991

Pos	Part Number	Description	Remark	Qty	Model
(8)	927 551 032 03 J23	Sherwood green	91	1	
	928 551 031 07	Lining	/LL /L		
		Side member			
	928 551 031 07 70E	Black	-88		
	928 551 031 07 5FV	Black	89-		
	928 551 031 07 5MF	Mahogany			
	928 551 031 07 3KF	Marine blue	-88		
	928 551 031 07 4KV	Marine blue	89-		
	928 551 031 07 80E	Burgundy	-88		
	928 551 031 07 8MD	Burgundy			
	928 551 031 07 8JK	Greyish green	-88		
	928 551 031 07 2XF	Linen			
	928 551 031 07 4MM	Plum red	-88		
	928 551 031 07 7VM	Silver-grey	-88		
	928 551 031 07 1VD	Champagne	-88		
	928 551 031 07 5UM	Caramel			
	928 551 031 07 3KM	Venetian blue			
	928 551 031 07 8UT	Cashmere beige	89-		
	928 551 031 07 7VT	Silk grey			
	928 551 031 07 9MT	Velvet red			
	928 551 031 07 3WT	Slate grey			
	928 551 031 07 4XR	Classic grey			
	928 551 031 07 4ZN	Cobalt blue			
	928 551 031 07 8WZ	Magenta			
	928 551 031 07 6YR	Light grey			
	928 551 031 07 M33	Matador red			
	928 551 031 07 D13	Carrara grey			
(8)	928 551 031 07 J23	Sherwood green		1	
	928 551 031 08	Lining	/LL /L		
		Side member			
	928 551 031 08 70E	Black	-88		
	928 551 031 08 5FV	Black			
	928 551 031 08 5MF	Mahogany	-90		
	928 551 031 08 3KF	Marine blue	-88		
	928 551 031 08 4KV	Marine blue			
	928 551 031 08 80E	Burgundy	-88		
	928 551 031 08 8MD	Burgundy			
	928 551 031 08 8JK	Greyish green	-88		
	928 551 031 08 2XF	Linen	-90		
	928 551 031 08 4MM	Plum red	-88		
	928 551 031 08 7VM	Silver-grey	-88		
	928 551 031 08 1VD	Champagne	-88		
	928 551 031 08 5UM	Caramel	-90		
	928 551 031 08 3KM	Venetian blue	-90		
	928 551 031 08 8UT	Cashmere beige			
	928 551 031 08 7VT	Silk grey			
	928 551 031 08 9MT	Velvet red			
	928 551 031 08 3WT	Slate grey			
	928 551 031 08 4XR	Classic grey	91		
	928 551 031 08 4ZN	Cobalt blue	91		
	928 551 031 08 8WZ	Magenta	91		
	928 551 031 08 6YR	Light grey	91		
	928 551 031 08 M33	Matador red	91		
	928 551 031 08 D13	Carrara grey	91		
8	928 551 031 08 J23	Sherwood green	91	1	
	928 551 032 07	Lining	/LL /R		
		Side member			
	928 551 032 07 70E	Black	-88		
	928 551 032 07 5FV	Black	89-		
	928 551 032 07 5MF	Mahogany			
	928 551 032 07 3KF	Marine blue	-88		
928 551 032 07 4KV	Marine blue	89-			
	928 551 032 07 80E	Burgundy	-88		

Model: 928 87 Model life 1987>>1991

Pos	Part Number	Description	Remark	Qty	Model
	928 551 032 07 8MD	Burgundy			
	928 551 032 07 8JK	Greyish green	-88		
	928 551 032 07 2XF	Linen			
	928 551 032 07 4MM	Plum red	-88		
	928 551 032 07 7VM	Silver-grey	-88		
	928 551 032 07 1VD	Champagne	-88		
	928 551 032 07 5UM	Caramel			
	928 551 032 07 3KM	Venetian blue			
	928 551 032 07 8UT	Cashmere beige	89-		
	928 551 032 07 7VT	Silk grey			
	928 551 032 07 9MT	Velvet red			
	928 551 032 07 3WT	Slate grey			
	928 551 032 07 4XR	Classic grey			
	928 551 032 07 4ZN	Cobalt blue			
	928 551 032 07 8WZ	Magenta			
	928 551 032 07 6YR	Light grey			
	928 551 032 07 M33	Matador red			
	928 551 032 07 D13	Carrara grey			
	928 551 032 07 J23	Sherwood green			
(8)	928 551 032 08	Lining	/LL /R	1	
		Side member			
	928 551 032 08 70E	Black	-88		
	928 551 032 08 5FV	Black			
	928 551 032 08 5MF	Mahogany	-90		
	928 551 032 08 3KF	Marine blue	-88		
	928 551 032 08 4KV	Marine blue			
	928 551 032 08 80E	Burgundy	-88		
	928 551 032 08 8MD	Burgundy			
	928 551 032 08 8JK	Greyish green	-88		
	928 551 032 08 2XF	Linen	-90		
	928 551 032 08 4MM	Plum red	-88		
	928 551 032 08 7VM	Silver-grey	-88		
	928 551 032 08 1VD	Champagne	-88		
	928 551 032 08 5UM	Caramel	-90		
	928 551 032 08 3KM	Venetian blue	-90		
	928 551 032 08 8UT	Cashmere beige			
	928 551 032 08 7VT	Silk grey			
	928 551 032 08 9MT	Velvet red			
	928 551 032 08 3WT	Slate grey			
	928 551 032 08 4XR	Classic grey	91		
	928 551 032 08 4ZN	Cobalt blue	91		
	928 551 032 08 8WZ	Magenta	91		
	928 551 032 08 6YR	Light grey	91		
	928 551 032 08 M33	Matador red	91		
	928 551 032 08 D13	Carrara grey	91		
	928 551 032 08 J23	Sherwood green	91		
9	928 551 091 02	Lining	/LL	1	
		Parking-brake cable			
	928 551 091 02 70E	Black	-88		
	928 551 091 02 5FV	Black	89-		
	928 551 091 02 5MF	Mahogany	-90		
	928 551 091 02 3KF	Marine blue	-88		
	928 551 091 02 4KV	Marine blue	89-		
	928 551 091 02 80E	Burgundy	-88		
	928 551 091 02 8MD	Burgundy	89-90		
	928 551 091 02 8JK	Greyish green	-88		
	928 551 091 02 2XF	Linen	-90		
	928 551 091 02 4MM	Plum red	-88		
	928 551 091 02 7VM	Silver-grey	-88		
	928 551 091 02 1VD	Champagne	-88		
	928 551 091 02 5UM	Caramel	-90		
	928 551 091 02 3KM	Venetian blue	-90		
	928 551 091 02 8UT	Cashmere beige	89-		

Model: 928 87 Model life 1987>>1991

Pos	Part Number	Description	Remark	Qty	Model
	928 551 091 02 7VT	Silk grey	89-90		
	928 551 091 02 9MT	Velvet red	89-90		
	928 551 091 02 3WT	Slate grey	89-90		
	928 551 091 02 4XR	Classic grey	91		
	928 551 091 02 4ZN	Cobalt blue	91		
	928 551 091 02 8WZ	Magenta	91		
	928 551 091 02 6YR	Light grey	91		
	928 551 091 02 M33	Matador red	91		
	928 551 091 02 D13	Carrara grey	91		
	928 551 091 02 J23	Sherwood green	91		
	928 551 091 02 L03	Scala red	91		
	928 551 091 02 A43	Greenwich grey	91		
(9)	927 551 091 02	Lining Parking-brake cable	/RL	1	
	927 551 091 02 70E	Black	-88		
	927 551 091 02 5FV	Black	89-		
	927 551 091 02 5MF	Mahogany	-90		
	927 551 091 02 3KF	Marine blue	-88		
	927 551 091 02 4KV	Marine blue	89-		
	927 551 091 02 80E	Burgundy	-88		
	927 551 091 02 8MD	Burgundy	89-90		
	927 551 091 02 8JK	Greyish green	-88		
	927 551 091 02 2XF	Linen	-90		
	927 551 091 02 4MM	Plum red	-88		
	927 551 091 02 7VM	Silver-grey	-88		
	927 551 091 02 1VD	Champagne	-88		
	927 551 091 02 5UM	Caramel	-90		
	927 551 091 02 3KM	Venetian blue	-90		
	927 551 091 02 8UT	Cashmere beige	89-		
	927 551 091 02 7VT	Silk grey	89-90		
	927 551 091 02 9MT	Velvet red	89-90		
	927 551 091 02 3WT	Slate grey	89-90		
	927 551 091 02 4XR	Classic grey	91		
	927 551 091 02 4ZN	Cobalt blue	91		
	927 551 091 02 8WZ	Magenta	91		
	927 551 091 02 6YR	Light grey	91		
	927 551 091 02 M33	Matador red	91		
	927 551 091 02 D13	Carrara grey	91		
	927 551 091 02 J23	Sherwood green	91		
	927 551 091 02 L03	Scala red	91		
	927 551 091 02 A43	Greenwich grey	91		
10	928 551 089 04	Lining Handbrake	/LL	1	
	928 551 089 04 70E	Black	-88		
	928 551 089 04 5FV	Black	89-		
	928 551 089 04 5MF	Mahogany			
	928 551 089 04 3KF	Marine blue	-88		
	928 551 089 04 4KV	Marine blue	89-		
	928 551 089 04 80E	Burgundy	-88		
	928 551 089 04 8MD	Burgundy			
	928 551 089 04 8JK	Greyish green	-88		
	928 551 089 04 2XF	Linen			
	928 551 089 04 4MM	Plum red	-88		
	928 551 089 04 7VM	Silver-grey	-88		
	928 551 089 04 1VD	Champagne	-88		
	928 551 089 04 5UM	Caramel			
	928 551 089 04 3KM	Venetian blue			
	928 551 089 04 8UT	Cashmere beige	89-		
	928 551 089 04 7VT	Silk grey			
	928 551 089 04 9MT	Velvet red			
	928 551 089 04 3WT	Slate grey			
	928 551 089 04 4XR	Classic grey			
	928 551 089 04 4ZN	Cobalt blue			

Model: 928 87 Model life 1987>>1991

Pos	Part Number	Description	Remark	Qty	Model
	928 551 089 04 8WZ	Magenta			
	928 551 089 04 6YR	Light grey			
	928 551 089 04 M33	Matador red			
	928 551 089 04 D13	Carrara grey			
	928 551 089 04 J23	Sherwood green			
	928 551 089 04 L03	Scala red			
	928 551 089 04 A43	Greenwich grey			
(10)	928 551 089 06	Lining	/LL	1	M637
		Handbrake			
	928 551 089 06 70E	Black	-88		
	928 551 089 06 5FV	Black	89-		
	928 551 089 06 5MF	Mahogany			
	928 551 089 06 3KF	Marine blue	-88		
	928 551 089 06 4KV	Marine blue	89-		
	928 551 089 06 80E	Burgundy	-88		
	928 551 089 06 8MD	Burgundy			
	928 551 089 06 8JK	Greyish green	-88		
	928 551 089 06 2XF	Linen			
	928 551 089 06 4MM	Plum red	-88		
	928 551 089 06 7VM	Silver-grey	-88		
	928 551 089 06 1VD	Champagne	-88		
	928 551 089 06 5UM	Caramel			
	928 551 089 06 3KM	Venetian blue			
	928 551 089 06 8UT	Cashmere beige	89-		
	928 551 089 06 7VT	Silk grey			
	928 551 089 06 9MT	Velvet red			
	928 551 089 06 3WT	Slate grey			
	928 551 089 06 4XR	Classic grey			
	928 551 089 06 4ZN	Cobalt blue			
	928 551 089 06 8WZ	Magenta			
	928 551 089 06 6YR	Light grey			
	928 551 089 06 M33	Matador red			
	928 551 089 06 D13	Carrara grey			
	928 551 089 06 J23	Sherwood green			
	928 551 089 06 L03	Scala red			
	928 551 089 06 A43	Greenwich grey			
(10)	928 551 089 08	Lining	/LL	1	
		Handbrake			
	928 551 089 08 70E	Black	-88		
	928 551 089 08 5FV	Black			
	928 551 089 08 5MF	Mahogany	-90		
	928 551 089 08 3KF	Marine blue	-88		
	928 551 089 08 4KV	Marine blue			
	928 551 089 08 80E	Burgundy	-88		
	928 551 089 08 8MD	Burgundy			
	928 551 089 08 8JK	Greyish green	-88		
	928 551 089 08 2XF	Linen	-90		
	928 551 089 08 4MM	Plum red	-88		
	928 551 089 08 7VM	Silver-grey	-88		
	928 551 089 08 1VD	Champagne	-88		
	928 551 089 08 5UM	Caramel	-90		
	928 551 089 08 3KM	Venetian blue	-90		
	928 551 089 08 8UT	Cashmere beige			
	928 551 089 08 7VT	Silk grey			
	928 551 089 08 9MT	Velvet red			
	928 551 089 08 3WT	Slate grey			
	928 551 089 08 4XR	Classic grey			
	928 551 089 08 4ZN	Cobalt blue			
	928 551 089 08 8WZ	Magenta			
	928 551 089 08 6YR	Light grey			
	928 551 089 08 M33	Matador red			
	928 551 089 08 D13	Carrara grey			
	928 551 089 08 J23	Sherwood green			

Model: 928 87 Model life 1987>>1991

Pos	Part Number	Description	Remark	Qty	Model
(10)	928 551 089 08 L03	Scala red		1	
	928 551 089 08 A43	Greenwich grey			
	928 551 089 10	Lining	/LL		
		Handbrake			
	928 551 089 10 70E	Black	-88		
	928 551 089 10 5FV	Black			
	928 551 089 10 5MF	Mahogany	-90		
	928 551 089 10 3KF	Marine blue	-88		
	928 551 089 10 4KV	Marine blue			
	928 551 089 10 80E	Burgundy	-88		
	928 551 089 10 8MD	Burgundy			
	928 551 089 10 8JK	Greyish green	-88		
	928 551 089 10 2XF	Linen	-90		
	928 551 089 10 4MM	Plum red	-88		
	928 551 089 10 7VM	Silver-grey	-88		
	928 551 089 10 1VD	Champagne	-88		
	928 551 089 10 5UM	Caramel	-90		
	928 551 089 10 3KM	Venetian blue	-90		
	928 551 089 10 8UT	Cashmere beige			
	928 551 089 10 7VT	Silk grey			
	928 551 089 10 9MT	Velvet red			
	928 551 089 10 3WT	Slate grey			
	928 551 089 10 4XR	Classic grey	91		
	928 551 089 10 4ZN	Cobalt blue	91		
	928 551 089 10 8WZ	Magenta	91		
	928 551 089 10 6YR	Light grey	91		
	928 551 089 10 M33	Matador red	91		
928 551 089 10 D13	Carrara grey	91			
928 551 089 10 J23	Sherwood green	91			
928 551 089 10 L03	Scala red	91			
928 551 089 10 A43	Greenwich grey	91			
10	928 551 089 05	Lining	/LL (J)	1	
		Handbrake			
	928 551 089 05 70E	Black	-88		
	928 551 089 05 5FV	Black	89-		
	928 551 089 05 5MF	Mahogany			
	928 551 089 05 3KF	Marine blue	-88		
	928 551 089 05 4KV	Marine blue	89-		
	928 551 089 05 80E	Burgundy	-88		
	928 551 089 05 8MD	Burgundy			
	928 551 089 05 8JK	Greyish green	-88		
	928 551 089 05 2XF	Linen			
	928 551 089 05 4MM	Plum red	-88		
	928 551 089 05 7VM	Silver-grey	-88		
	928 551 089 05 1VD	Champagne	-88		
	928 551 089 05 5UM	Caramel			
	928 551 089 05 3KM	Venetian blue			
	928 551 089 05 8UT	Cashmere beige	89-		
	928 551 089 05 7VT	Silk grey			
	928 551 089 05 9MT	Velvet red			
	928 551 089 05 3WT	Slate grey			
	928 551 089 05 4XR	Classic grey			
	928 551 089 05 4ZN	Cobalt blue			
	928 551 089 05 8WZ	Magenta			
	928 551 089 05 6YR	Light grey			
	928 551 089 05 M33	Matador red			
	928 551 089 05 D13	Carrara grey			
	928 551 089 05 J23	Sherwood green			
	928 551 089 05 L03	Scala red			
	928 551 089 05 A43	Greenwich grey			
(10)	928 551 089 09	Lining	/LL (J)	1	
		Handbrake			
	928 551 089 09 70E	Black	-88		

Model: 928 87 Model life 1987>>1991

Pos	Part Number	Description	Remark	Qty	Model
	928 551 089 09 5FV	Black			
	928 551 089 09 5MF	Mahogany	-90		
	928 551 089 09 3KF	Marine blue	-88		
	928 551 089 09 4KV	Marine blue			
	928 551 089 09 80E	Burgundy	-88		
	928 551 089 09 8MD	Burgundy			
	928 551 089 09 8JK	Greyish green	-88		
	928 551 089 09 2XF	Linen	-90		
	928 551 089 09 4MM	Plum red	-88		
	928 551 089 09 7VM	Silver-grey	-88		
	928 551 089 09 1VD	Champagne	-88		
	928 551 089 09 5UM	Caramel	-90		
	928 551 089 09 3KM	Venetian blue	-90		
	928 551 089 09 8UT	Cashmere beige			
	928 551 089 09 7VT	Silk grey			
	928 551 089 09 9MT	Velvet red			
	928 551 089 09 3WT	Slate grey			
	928 551 089 09 4XR	Classic grey			
	928 551 089 09 4ZN	Cobalt blue			
	928 551 089 09 8WZ	Magenta			
	928 551 089 09 6YR	Light grey			
	928 551 089 09 M33	Matador red			
	928 551 089 09 D13	Carrara grey			
	928 551 089 09 J23	Sherwood green			
	928 551 089 09 L03	Scala red			
	928 551 089 09 A43	Greenwich grey			
(10)	928 551 089 11	Lining	/LL (J)	1	
		Handbrake			
	928 551 089 11 70E	Black	-88		
	928 551 089 11 5FV	Black			
	928 551 089 11 5MF	Mahogany	-90		
	928 551 089 11 3KF	Marine blue	-88		
	928 551 089 11 4KV	Marine blue			
	928 551 089 11 80E	Burgundy	-88		
	928 551 089 11 8MD	Burgundy			
	928 551 089 11 8JK	Greyish green	-88		
	928 551 089 11 2XF	Linen	-90		
	928 551 089 11 4MM	Plum red	-88		
	928 551 089 11 7VM	Silver-grey	-88		
	928 551 089 11 1VD	Champagne	-88		
	928 551 089 11 5UM	Caramel	-90		
	928 551 089 11 3KM	Venetian blue	-90		
	928 551 089 11 8UT	Cashmere beige			
	928 551 089 11 7VT	Silk grey			
	928 551 089 11 9MT	Velvet red			
	928 551 089 11 3WT	Slate grey			
	928 551 089 11 4XR	Classic grey	91		
	928 551 089 11 4ZN	Cobalt blue	91		
	928 551 089 11 8WZ	Magenta	91		
	928 551 089 11 6YR	Light grey	91		
	928 551 089 11 M33	Matador red	91		
	928 551 089 11 D13	Carrara grey	91		
	928 551 089 11 J23	Sherwood green	91		
	928 551 089 11 L03	Scala red	91		
	928 551 089 11 A43	Greenwich grey	91		
(10)	928 551 089 07	Lining	/LL (J)	1	M637
		Handbrake			
	928 551 089 07 70E	Black	-88		
	928 551 089 07 5FV	Black	89-		
	928 551 089 07 5MF	Mahogany			
	928 551 089 07 3KF	Marine blue	-88		
	928 551 089 07 4KV	Marine blue	89-		
	928 551 089 07 80E	Burgundy	-88		

Model: 928 87 Model life 1987>>1991

Pos	Part Number	Description	Remark	Qty	Model
	928 551 089 07 8MD	Burgundy			
	928 551 089 07 8JK	Greyish green	-88		
	928 551 089 07 2XF	Linen			
	928 551 089 07 4MM	Plum red	-88		
	928 551 089 07 7VM	Silver-grey	-88		
	928 551 089 07 1VD	Champagne	-88		
	928 551 089 07 5UM	Caramel			
	928 551 089 07 3KM	Venetian blue			
	928 551 089 07 8UT	Cashmere beige	89-		
	928 551 089 07 7VT	Silk grey			
	928 551 089 07 9MT	Velvet red			
	928 551 089 07 3WT	Slate grey			
	928 551 089 07 4XR	Classic grey			
	928 551 089 07 4ZN	Cobalt blue			
	928 551 089 07 8WZ	Magenta			
	928 551 089 07 6YR	Light grey			
	928 551 089 07 M33	Matador red			
	928 551 089 07 D13	Carrara grey			
	928 551 089 07 J23	Sherwood green			
	928 551 089 07 L03	Scala red			
	928 551 089 07 A43	Greenwich grey			
10	927 551 089 04	Lining	/RL	1	
		Handbrake			
	927 551 089 04 70E	Black	-88		
	927 551 089 04 5FV	Black	89-		
	927 551 089 04 5MF	Mahogany			
	927 551 089 04 3KF	Marine blue	-88		
	927 551 089 04 4KV	Marine blue	89-		
	927 551 089 04 80E	Burgundy	-88		
	927 551 089 04 8MD	Burgundy			
	927 551 089 04 8JK	Greyish green	-88		
	927 551 089 04 2XF	Linen			
	927 551 089 04 4MM	Plum red	-88		
	927 551 089 04 7VM	Silver-grey	-88		
	927 551 089 04 1VD	Champagne	-88		
	927 551 089 04 5UM	Caramel			
	927 551 089 04 3KM	Venetian blue			
	927 551 089 04 8UT	Cashmere beige	89-		
	927 551 089 04 7VT	Silk grey			
	927 551 089 04 9MT	Velvet red			
	927 551 089 04 3WT	Slate grey			
	927 551 089 04 4XR	Classic grey			
	927 551 089 04 4ZN	Cobalt blue			
	927 551 089 04 8WZ	Magenta			
	927 551 089 04 6YR	Light grey			
	927 551 089 04 M33	Matador red			
	927 551 089 04 D13	Carrara grey			
	927 551 089 04 J23	Sherwood green			
	927 551 089 04 L03	Scala red			
	927 551 089 04 A43	Greenwich grey			
(10)	927 551 089 05	Lining	/RL	1	
		Handbrake			
	927 551 089 05 70E	Black	-88		
	927 551 089 05 5FV	Black			
	927 551 089 05 5MF	Mahogany	-90		
	927 551 089 05 3KF	Marine blue	-88		
	927 551 089 05 4KV	Marine blue			
	927 551 089 05 80E	Burgundy	-88		
	927 551 089 05 8MD	Burgundy			
	927 551 089 05 8JK	Greyish green	-88		
	927 551 089 05 2XF	Linen	-90		
	927 551 089 05 4MM	Plum red	-88		
	927 551 089 05 7VM	Silver-grey	-88		

Model: 928 87 Model life 1987>>1991

Pos	Part Number	Description	Remark	Qty	Model
	927 551 089 05 1VD	Champagne	-88		
	927 551 089 05 5UM	Caramel	-90		
	927 551 089 05 3KM	Venetian blue	-90		
	927 551 089 05 8UT	Cashmere beige			
	927 551 089 05 7VT	Silk grey			
	927 551 089 05 9MT	Velvet red			
	927 551 089 05 3WT	Slate grey			
	927 551 089 05 4XR	Classic grey			
	927 551 089 05 4ZN	Cobalt blue			
	927 551 089 05 8WZ	Magenta			
	927 551 089 05 6YR	Light grey			
	927 551 089 05 M33	Matador red			
	927 551 089 05 D13	Carrara grey			
	927 551 089 05 J23	Sherwood green			
	927 551 089 05 L03	Scala red			
	927 551 089 05 A43	Greenwich grey			
(10)	927 551 089 06	Lining	/RL	1	
		Handbrake			
	927 551 089 06 70E	Black	-88		
	927 551 089 06 5FV	Black			
	927 551 089 06 5MF	Mahogany	-90		
	927 551 089 06 3KF	Marine blue	-88		
	927 551 089 06 4KV	Marine blue			
	927 551 089 06 80E	Burgundy	-88		
	927 551 089 06 8MD	Burgundy			
	927 551 089 06 8JK	Greyish green	-88		
	927 551 089 06 2XF	Linen	-90		
	927 551 089 06 4MM	Plum red	-88		
	927 551 089 06 7VM	Silver-grey	-88		
	927 551 089 06 1VD	Champagne	-88		
	927 551 089 06 5UM	Caramel	-90		
	927 551 089 06 3KM	Venetian blue	-90		
	927 551 089 06 8UT	Cashmere beige			
	927 551 089 06 7VT	Silk grey			
	927 551 089 06 9MT	Velvet red			
	927 551 089 06 3WT	Slate grey			
	927 551 089 06 4XR	Classic grey	91		
	927 551 089 06 4ZN	Cobalt blue	91		
	927 551 089 06 8WZ	Magenta	91		
	927 551 089 06 6YR	Light grey	91		
	927 551 089 06 M33	Matador red	91		
	927 551 089 06 D13	Carrara grey	91		
	927 551 089 06 J23	Sherwood green	91		
	927 551 089 06 L03	Scala red	91		
	927 551 089 06 A43	Greenwich grey	91		
11	928 551 325 02	Rosette	-90	1	
	928 551 325 02 70B	Black			
(11)	928 551 325 03	Rosette	91	1	
	928 551 325 03 70B	Black			
12	900 143 001 02	Tapping screw B 2,9 X 6,5		2	
13	928 551 087 03	Fastening clip	-89	1	
14	928 551 035 02	Lining	/LL	1	
		Foot support			
	928 551 035 02 70E	Black	-88		
	928 551 035 02 5FV	Black	89-		
	928 551 035 02 5MF	Mahogany			
	928 551 035 02 3KF	Marine blue	-88		
	928 551 035 02 4KV	Marine blue	89-		
	928 551 035 02 80E	Burgundy	-88		
	928 551 035 02 8MD	Burgundy			
	928 551 035 02 8JK	Greyish green	-88		
	928 551 035 02 2XF	Linen			

Model: 928 87 Model life 1987>>1991

Pos	Part Number	Description	Remark	Qty	Model
	928 551 035 02 4MM	Plum red	-88		
	928 551 035 02 7VM	Silver-grey	-88		
	928 551 035 02 1VD	Champagne	-88		
	928 551 035 02 5UM	Caramel			
	928 551 035 02 3KM	Venetian blue			
	928 551 035 02 8UT	Cashmere beige	89-		
	928 551 035 02 7VT	Silk grey			
	928 551 035 02 9MT	Velvet red			
	928 551 035 02 3WT	Slate grey			
	928 551 035 02 4XR	Classic grey			
	928 551 035 02 4ZN	Cobalt blue			
	928 551 035 02 8WZ	Magenta			
	928 551 035 02 6YR	Light grey			
	928 551 035 02 M33	Matador red			
	928 551 035 02 D13	Carrara grey			
	928 551 035 02 J23	Sherwood green			
(14)	928 551 035 03	Lining	/LL	1	
		Foot support			
	928 551 035 03 70E	Black	-88		
	928 551 035 03 5FV	Black			
	928 551 035 03 5MF	Mahogany	-90		
	928 551 035 03 3KF	Marine blue	-88		
	928 551 035 03 4KV	Marine blue			
	928 551 035 03 80E	Burgundy	-88		
	928 551 035 03 8MD	Burgundy			
	928 551 035 03 8JK	Greyish green	-88		
	928 551 035 03 2XF	Linen	-90		
	928 551 035 03 4MM	Plum red	-88		
	928 551 035 03 7VM	Silver-grey	-88		
	928 551 035 03 1VD	Champagne	-88		
	928 551 035 03 5UM	Caramel	-90		
	928 551 035 03 3KM	Venetian blue	-90		
	928 551 035 03 8UT	Cashmere beige			
	928 551 035 03 7VT	Silk grey			
	928 551 035 03 9MT	Velvet red			
	928 551 035 03 3WT	Slate grey			
	928 551 035 03 4XR	Classic grey	91		
	928 551 035 03 4ZN	Cobalt blue	91		
	928 551 035 03 8WZ	Magenta	91		
	928 551 035 03 6YR	Light grey	91		
	928 551 035 03 M33	Matador red	91		
	928 551 035 03 D13	Carrara grey	91		
	928 551 035 03 J23	Sherwood green	91		
(14)	927 551 036 02	Lining	/RL	1	
		Foot support			
	927 551 036 02 70E	Black	-88		
	927 551 036 02 5FV	Black	89-		
	927 551 036 02 5MF	Mahogany	-90		
	927 551 036 02 3KF	Marine blue	-88		
	927 551 036 02 4KV	Marine blue	89-		
	927 551 036 02 80E	Burgundy	-88		
	927 551 036 02 8MD	Burgundy	89-90		
	927 551 036 02 8JK	Greyish green	-88		
	927 551 036 02 2XF	Linen	-90		
	927 551 036 02 4MM	Plum red	-88		
	927 551 036 02 7VM	Silver-grey	-88		
	927 551 036 02 1VD	Champagne	-88		
	927 551 036 02 5UM	Caramel	-90		
	927 551 036 02 3KM	Venetian blue	-90		
	927 551 036 02 8UT	Cashmere beige	89-		
	927 551 036 02 7VT	Silk grey	89-90		
	927 551 036 02 9MT	Velvet red	89-90		
	927 551 036 02 3WT	Slate grey	89-90		

Model: 928 87 Model life 1987>>1991

Pos	Part Number	Description	Remark	Qty	Model
	927 551 036 02 4XR	Classic grey	91		
	927 551 036 02 4ZN	Cobalt blue	91		
	927 551 036 02 8WZ	Magenta	91		
	927 551 036 02 6YR	Light grey	91		
	927 551 036 02 M33	Matador red	91		
	927 551 036 02 D13	Carrara grey	91		
	927 551 036 02 J23	Sherwood green	91		
15	928 551 073 06	Clip	/LL -89	2	
(15)	927 551 073 04	Clip	/RL	2	
16	927 551 062 05	Foot support	/RL -89	1	
(16)	927 551 062 06	Foot support	/RL 90-	1	
17	928 551 062 05	Foot support	/LL -89	1	
(17)	928 551 062 06	Foot support	/LL 90-	1	
17A	999 703 369 40	Stopper 6,9 - 7,1	/LL 90-	2	
18	928 551 066 03	Foot support	/LL -89	1	
19	928 551 049 02	Lining Firewall	/LL	1	
	928 551 049 02 70E	Black	-88		
	928 551 049 02 5FV	Black	89-		
	928 551 049 02 5MF	Mahogany	-90		
	928 551 049 02 3KF	Marine blue	-88		
	928 551 049 02 4KV	Marine blue	89-		
	928 551 049 02 80E	Burgundy	-88		
	928 551 049 02 8MD	Burgundy	89-90		
	928 551 049 02 8JK	Greyish green	-88		
	928 551 049 02 2XF	Linen	-90		
	928 551 049 02 4MM	Plum red	-88		
	928 551 049 02 7VM	Silver-grey	-88		
	928 551 049 02 1VD	Champagne	-88		
	928 551 049 02 5UM	Caramel	-90		
	928 551 049 02 3KM	Venetian blue	-90		
	928 551 049 02 8UT	Cashmere beige	89-		
	928 551 049 02 7VT	Silk grey	89-90		
	928 551 049 02 9MT	Velvet red	89-90		
	928 551 049 02 3WT	Slate grey	89-90		
	928 551 049 02 4XR	Classic grey	91		
	928 551 049 02 4ZN	Cobalt blue	91		
	928 551 049 02 8WZ	Magenta	91		
	928 551 049 02 6YR	Light grey	91		
	928 551 049 02 M33	Matador red	91		
	928 551 049 02 D13	Carrara grey	91		
	928 551 049 02 J23	Sherwood green	91		
(19)	927 551 050 02	Lining Firewall	/RL	1	
	927 551 050 02 70E	Black	-88		
	927 551 050 02 5FV	Black	89-		
	927 551 050 02 5MF	Mahogany	-90		
	927 551 050 02 3KF	Marine blue	-88		
	927 551 050 02 4KV	Marine blue	89-		
	927 551 050 02 80E	Burgundy	-88		
	927 551 050 02 8MD	Burgundy	89-90		
	927 551 050 02 8JK	Greyish green	-88		
	927 551 050 02 2XF	Linen	-90		
	927 551 050 02 4MM	Plum red	-88		
	927 551 050 02 7VM	Silver-grey	-88		
	927 551 050 02 1VD	Champagne	-88		
	927 551 050 02 5UM	Caramel	-90		
	927 551 050 02 3KM	Venetian blue	-90		
	927 551 050 02 8UT	Cashmere beige	89-		
	927 551 050 02 7VT	Silk grey	89-90		
	927 551 050 02 9MT	Velvet red	89-90		
	927 551 050 02 3WT	Slate grey	89-90		

Model: 928 87 Model life 1987>>1991

Pos	Part Number	Description	Remark	Qty	Model
	927 551 050 02 4XR	Classic grey	91		
	927 551 050 02 4ZN	Cobalt blue	91		
	927 551 050 02 8WZ	Magenta	91		
	927 551 050 02 6YR	Light grey	91		
	927 551 050 02 M33	Matador red	91		
	927 551 050 02 D13	Carrara grey	91		
	927 551 050 02 J23	Sherwood green	91		
20	928 551 505 06	Cover	/LL	1	
	928 551 505 06 70E	Black	-88		
	928 551 505 06 5FV	Black	89-		
	928 551 505 06 5MF	Mahogany	-90		
	928 551 505 06 3KF	Marine blue	-88		
	928 551 505 06 4KV	Marine blue	89-		
	928 551 505 06 80E	Burgundy	-88		
	928 551 505 06 8MD	Burgundy	89-90		
	928 551 505 06 8JK	Greyish green	-88		
	928 551 505 06 2XF	Linen	-90		
	928 551 505 06 4MM	Plum red	-88		
	928 551 505 06 7VM	Silver-grey	-88		
	928 551 505 06 1VD	Champagne	-88		
	928 551 505 06 5UM	Caramel	-90		
	928 551 505 06 3KM	Venetian blue	-90		
	928 551 505 06 8UT	Cashmere beige	89-		
	928 551 505 06 7VT	Silk grey	89-90		
	928 551 505 06 9MT	Velvet red	89-90		
	928 551 505 06 3WT	Slate grey	89-90		
	928 551 505 06 4XR	Classic grey	91		
	928 551 505 06 4ZN	Cobalt blue	91		
	928 551 505 06 8WZ	Magenta	91		
	928 551 505 06 6YR	Light grey	91		
	928 551 505 06 M33	Matador red	91		
	928 551 505 06 D13	Carrara grey	91		
	928 551 505 06 J23	Sherwood green/	91		
(20)	928 551 505 06 S				
	928 551 505 07	Cover	/LL	1	M637
	928 551 505 07 70E	Black	-88		
	928 551 505 07 5FV	Black	89-		
	928 551 505 07 5MF	Mahogany			
	928 551 505 07 3KF	Marine blue	-88		
	928 551 505 07 4KV	Marine blue	89-		
	928 551 505 07 80E	Burgundy	-88		
	928 551 505 07 8MD	Burgundy			
	928 551 505 07 8JK	Greyish green	-88		
	928 551 505 07 2XF	Linen			
	928 551 505 07 4MM	Plum red	-88		
	928 551 505 07 7VM	Silver-grey	-88		
	928 551 505 07 1VD	Champagne	-88		
	928 551 505 07 5UM	Caramel			
	928 551 505 07 3KM	Venetian blue			
	928 551 505 07 8UT	Cashmere beige	89-		
	928 551 505 07 7VT	Silk grey			
	928 551 505 07 9MT	Velvet red			
	928 551 505 07 3WT	Slate grey			
	928 551 505 07 4XR	Classic grey			
	928 551 505 07 4ZN	Cobalt blue			
	928 551 505 07 8WZ	Magenta			
	928 551 505 07 6YR	Light grey			
	928 551 505 07 M33	Matador red			
	928 551 505 07 D13	Carrara grey			
	928 551 505 07 J23	Sherwood green			
	928 551 505 07 S				
(20)	927 551 505 06	Cover	/RL	1	
	927 551 505 06 70E	Black	-88		

Model: 928 87 Model life 1987>>1991

Pos	Part Number	Description	Remark	Qty	Model
	927 551 505 06 5FV	Black	89-		
	927 551 505 06 5MF	Mahogany	-90		
	927 551 505 06 3KF	Marine blue	-88		
	927 551 505 06 4KV	Marine blue	89-		
	927 551 505 06 80E	Burgundy	-88		
	927 551 505 06 8MD	Burgundy	89-90		
	927 551 505 06 8JK	Greyish green	-88		
	927 551 505 06 2XF	Linen	-90		
	927 551 505 06 4MM	Plum red	-88		
	927 551 505 06 7VM	Silver-grey	-88		
	927 551 505 06 1VD	Champagne	-88		
	927 551 505 06 5UM	Caramel	-90		
	927 551 505 06 3KM	Venetian blue	-90		
	927 551 505 06 8UT	Cashmere beige	89-		
	927 551 505 06 7VT	Silk grey	89-90		
	927 551 505 06 9MT	Velvet red	89-90		
	927 551 505 06 3WT	Slate grey	89-90		
	927 551 505 06 4XR	Classic grey	91		
	927 551 505 06 4ZN	Cobalt blue	91		
	927 551 505 06 8WZ	Magenta	91		
	927 551 505 06 6YR	Light grey	91		
	927 551 505 06 M33	Matador red	91		
	927 551 505 06 D13	Carrara grey	91		
	927 551 505 06 J23	Sherwood green/	91		
	927 551 505 06 S				
21	999 058 001 00	Knurled screw M 6 X 10		2	
22	928 556 045 03	Spare wheel covering	-89	1	
(22)	928 556 045 04	Spare wheel covering	90-	1	
23	928 555 615 02	Spacer sleeve		8	
24	477 885 761	Retaining bar		4	
25	900 269 050 07	Countersunk-head screw M 5 X 25		8	
26	928 551 081 06	Plate for tools Rear	-90	1	
	928 551 081 06 70E	Black	-88		
	928 551 081 06 5FV	Black	89-90		
	928 551 081 06 5MF	Mahogany	-90		
	928 551 081 06 3KF	Marine blue	-88		
	928 551 081 06 4KV	Marine blue	89-		
	928 551 081 06 80E	Burgundy	-88		
	928 551 081 06 8MD	Burgundy	89-90		
	928 551 081 06 8JK	Greyish green	-88		
	928 551 081 06 2XF	Linen	-90		
	928 551 081 06 4MM	Plum red	-88		
	928 551 081 06 7VM	Silver-grey	-88		
	928 551 081 06 1VD	Champagne	-88		
	928 551 081 06 5UM	Caramel	-90		
	928 551 081 06 3KM	Venetian blue	-90		
	928 551 081 06 8UT	Cashmere beige	89-90		
	928 551 081 06 7VT	Silk grey	89-90		
	928 551 081 06 9MT	Velvet red	89-90		
	928 551 081 06 3WT	Slate grey	89-90		
(26)	928 551 081 08	Plate for tools Rear	91	1	
	928 551 081 08 5FV	Black			
	928 551 081 08 8UT	Cashmere beige			
	928 551 081 08 4XR	Classic grey			
	928 551 081 08 4ZN	Cobalt blue			
	928 551 081 08 8WZ	Magenta			
	928 551 081 08 6YR	Light grey			
	928 551 081 08 M33	Matador red			
	928 551 081 08 D13	Carrara grey			

Model: 928 87 Model life 1987>>1991

Pos	Part Number	Description	Remark	Qty	Model
	928 551 081 08 J23	Sherwood green			
	928 551 081 08 4KV	Marine blue			
27	928 551 221 02	Knob		2	
28	999 591 483 40	Lock washer		2	
29	928 551 199 02	Cap		2	
30	928 551 203 02	Locking cam		2	
31	928 551 653 02	Lining		1	
		Terminal piece			
	928 551 653 02 70E	Black	-88		
	928 551 653 02 5FV	Black	89-		
	928 551 653 02 5MF	Mahogany	-90		
	928 551 653 02 3KF	Marine blue	-88		
	928 551 653 02 4KV	Marine blue	89-		
	928 551 653 02 80E	Burgundy	-88		
	928 551 653 02 8MD	Burgundy	89-90		
	928 551 653 02 8JK	Greyish green	-88		
	928 551 653 02 2XF	Linen	-90		
	928 551 653 02 4MM	Plum red	-88		
	928 551 653 02 7VM	Silver-grey	-88		
	928 551 653 02 1VD	Champagne	-88		
	928 551 653 02 5UM	Caramel	-90		
	928 551 653 02 3KM	Venetian blue	-90		
	928 551 653 02 8UT	Cashmere beige	89-		
	928 551 653 02 7VT	Silk grey	89-90		
	928 551 653 02 9MT	Velvet red	89-90		
	928 551 653 02 3WT	Slate grey	89-90		
	928 551 653 02 4XR	Classic grey	91		
	928 551 653 02 4ZN	Cobalt blue	91		
	928 551 653 02 8WZ	Magenta	91		
	928 551 653 02 6YR	Light grey	91		
	928 551 653 02 M33	Matador red	91		
	928 551 653 02 D13	Carrara grey	91		
	928 551 653 02 J23	Sherwood green	91		
(32)	928 551 185 02	Rubber stop	/L	1	
	928 551 185 02 70B	Black			
(32)	928 551 186 02	Rubber stop	/R	1	
	928 551 186 02 70B	Black			
33	928 504 105 02	Gasket		1	
		for			
		Lid			
34	928 504 107 02	Sealing rubber		1	
		for			
		Battery cover			
35	928 555 021 07	Side trim panel	/L -88	1	
		with loudspeaker opening			
		Leatherette			
	928 555 021 07 05T	Black			
	928 555 021 07 1MX	Mahogany			
	928 555 021 07 1KX	Marine blue			
	928 555 021 07 3MX	Burgundy			
	928 555 021 07 4JX	Greyish green			
(35)	928 555 022 07	Side trim panel	/R -88	1	
		with loudspeaker opening			
		Leatherette			
	928 555 022 07 05T	Black			
	928 555 022 07 1MX	Mahogany			
	928 555 022 07 1KX	Marine blue			
	928 555 022 07 3MX	Burgundy			
	928 555 022 07 4JX	Greyish green			
(35)	928 555 921 00	Side trim panel	/L -88	1	M490
		with loudspeaker opening			
		Leatherette			
	928 555 921 00 05T	Black			

Model: 928 87 Model life 1987>>1991

Pos	Part Number	Description	Remark	Qty	Model
(35)	928 555 921 00 1MX	Mahogany			
	928 555 921 00 1KX	Marine blue			
	928 555 921 00 3MX	Burgundy			
	928 555 921 00 4JX	Greyish green			
	928 555 922 00	Side trim panel with loudspeaker opening Leatherette	/R -88	1	M490
(35)	928 555 922 00 05T	Black			
	928 555 922 00 1MX	Mahogany			
	928 555 922 00 1KX	Marine blue			
	928 555 922 00 3MX	Burgundy			
	928 555 922 00 4JX	Greyish green			
(35)	928 555 921 02	Side trim panel with loudspeaker opening Leatherette	/L 89-90	1	
	928 555 921 02 70A	Black			
	928 555 921 02 1MX	Mahogany			
	928 555 921 02 1KX	Marine blue			
	928 555 921 02 3MX	Burgundy			
(35)	928 555 922 02	Side trim panel with loudspeaker opening Leatherette	/R 89-90	1	
	928 555 922 02 70A	Black			
	928 555 922 02 1MX	Mahogany			
	928 555 922 02 1KX	Marine blue			
	928 555 922 02 3MX	Burgundy			
(35)	928 555 921 02	Side trim panel with loudspeaker opening Leatherette	/L 91	1	
	928 555 921 02 70A	Black			
	928 555 921 02 2WJ	Classic grey			
	928 555 921 02 9ZH	Cobalt blue			
	928 555 921 02 4WY	Magenta			
(35)	928 555 922 02	Side trim panel with loudspeaker opening Leatherette	/R 91	1	
	928 555 922 02 70A	Black			
	928 555 922 02 2WJ	Classic grey			
	928 555 922 02 9ZH	Cobalt blue			
	928 555 922 02 4WY	Magenta			
(35)	928 555 021 57	Side trim panel with loudspeaker opening Leather	/L -88	1	
	928 555 021 57 KZ2	Black			
	928 555 021 57 TV1	Mahogany			
	928 555 021 57 TS1	Marine blue			
	928 555 021 57 LG7	Burgundy			
(35)	928 555 021 57 QC2	Greyish green			
	928 555 021 57 UD5	Caramel			
	928 555 021 57 UD6	Venetian blue			
	928 555 022 57	Side trim panel with loudspeaker opening Leather	/R -88	1	
	928 555 022 57 KZ2	Black			
(35)	928 555 022 57 TV1	Mahogany			
	928 555 022 57 TS1	Marine blue			
	928 555 022 57 LG7	Burgundy			
	928 555 022 57 QC2	Greyish green			
	928 555 022 57 UD5	Caramel			
(35)	928 555 022 57 UD6	Venetian blue			
	928 555 921 01	Side trim panel with loudspeaker opening Leather	/L -88	1	M490

Model: 928 87 Model life 1987>>1991

Pos	Part Number	Description	Remark	Qty	Model
	928 555 921 01 KZ2	Black			
	928 555 921 01 TV1	Mahogany			
	928 555 921 01 TS1	Marine blue			
	928 555 921 01 LG7	Burgundy			
	928 555 921 01 QC2	Greyish green			
	928 555 921 01 UD5	Caramel			
	928 555 921 01 UD6	Venetian blue			
(35)	928 555 922 01	Side trim panel with loudspeaker opening Leather	/R -88	1	M490
	928 555 922 01 KZ2	Black			
	928 555 922 01 TV1	Mahogany			
	928 555 922 01 TS1	Marine blue			
	928 555 922 01 LG7	Burgundy			
	928 555 922 01 QC2	Greyish green			
	928 555 922 01 UD5	Caramel			
	928 555 922 01 UD6	Venetian blue			
(35)	928 555 921 03	Side trim panel with loudspeaker opening Leather	/L 89-90	1	M680
	928 555 921 03 KZ2	Black			
	928 555 921 03 TV1	Mahogany			
	928 555 921 03 TS1	Marine blue			
	928 555 921 03 LG7	Burgundy			
	928 555 921 03 4MT	Velvet red			
	928 555 921 03 2WT	Slate grey			
	928 555 921 03 UD5	Caramel			
	928 555 921 03 UD6	Venetian blue			
(35)	928 555 922 03	Side trim panel with loudspeaker opening Leather	/R 89-90	1	M680
	928 555 922 03 KZ2	Black			
	928 555 922 03 TV1	Mahogany			
	928 555 922 03 TS1	Marine blue			
	928 555 922 03 LG7	Burgundy			
	928 555 922 03 4MT	Velvet red			
	928 555 922 03 2WT	Slate grey			
	928 555 922 03 UD5	Caramel			
	928 555 922 03 UD6	Venetian blue			
(35)	928 555 921 03	Side trim panel with loudspeaker opening Leather	/L 91	1	M680
	928 555 921 03 8YR	Black			
	928 555 921 03 6XL	Classic grey			
	928 555 921 03 9YL	Cobalt blue			
	928 555 921 03 6YL	Magenta			
	928 555 921 03 M05	Matador red			
	928 555 921 03 D35	Carrara grey			
	928 555 921 03 J25	Sherwood green			
	928 555 921 03 H05	Marine blue			
(35)	928 555 922 03	Side trim panel with loudspeaker opening Leather	/R 91	1	M680
	928 555 922 03 8YR	Black			
	928 555 922 03 6XL	Classic grey			
	928 555 922 03 9YL	Cobalt blue			
	928 555 922 03 6YL	Magenta			
	928 555 922 03 M05	Matador red			
	928 555 922 03 D35	Carrara grey			
	928 555 922 03 J25	Sherwood green			
	928 555 922 03 H05	Marine blue			
36	928 555 275 04	Rosette	/L	1	
	928 555 275 04 70B	Black			

Model: 928 87 Model life 1987>>1991

Pos	Part Number	Description	Remark	Qty	Model
(36)	928 555 276 04	Rosette	/R	1	
	928 555 276 04 70B	Black			
37	900 143 007 02	Oval-head sheetmetal screw B 4,2 X 13		4	
37	900 073 507 01	Oval-head sheetmetal screw B 4,2 X 13		4	
38		See group 8/09/15 POS.9		2	
39		See group 8/09/15 POS.10		2	
40	928 555 469 03	Knob for Coat hook		2	
41	900 145 091 07	Tapping screw B 4,8 X 32		2	
42	999 591 102 07	Protection washer		5	
43	900 145 062 07	Tapping screw B 3,5 X 25		5	
44	823 867 299	Clip		6	
-	928 555 631 02	Luggage net		1	
46	928 551 911 01	Floor mat	/LL /L -88	1	
	928 551 911 01 70A	Black			
	928 551 911 01 40A	Brown			
(46)	928 551 912 01	Floor mat	/LL /R -88	1	
	928 551 912 01 70A	Black			
	928 551 912 01 40A	Brown			
47	928 551 099 00	Cover		1	M293/295 M496
	928 551 099 00 70E	Black	-88		
	928 551 099 00 5FV	Black	89-		
	928 551 099 00 5MF	Mahogany			
	928 551 099 00 3KF	Marine blue	-88		
	928 551 099 00 4KV	Marine blue	89		
	928 551 099 00 80E	Burgundy	-88		
	928 551 099 00 8MD	Burgundy	89		
	928 551 099 00 8JK	Greyish green	-88		
	928 551 099 00 2XF	Linen			
	928 551 099 00 4MM	Plum red	-88		
	928 551 099 00 7VM	Silver-grey	-88		
	928 551 099 00 1VD	Champagne	-88		
	928 551 099 00 5UM	Caramel			
	928 551 099 00 3KM	Venetian blue			
	928 551 099 00 8UT	Cashmere beige	89-		
	928 551 099 00 7VT	Silk grey			
	928 551 099 00 9MT	Velvet red			
	928 551 099 00 3WT	Slate grey			
(47)	928 551 099 01	Cover		1	M195
	928 551 099 01 70E	Black	-88		
	928 551 099 01 5FV	Black	89-		
	928 551 099 01 5MF	Mahogany			
	928 551 099 01 3KF	Marine blue	-88		
	928 551 099 01 4KV	Marine blue			
	928 551 099 01 80E	Burgundy	-88		
	928 551 099 01 8MD	Burgundy			
	928 551 099 01 8JK	Greyish green	-88		
	928 551 099 01 2XF	Linen			
	928 551 099 01 4MM	Plum red	-88		
	928 551 099 01 7VM	Silver-grey	-88		
	928 551 099 01 1VD	Champagne	-88		
	928 551 099 01 5UM	Caramel			
	928 551 099 01 3KM	Venetian blue			
	928 551 099 01 8UT	Cashmere beige	89-		
	928 551 099 01 7VT	Silk grey			

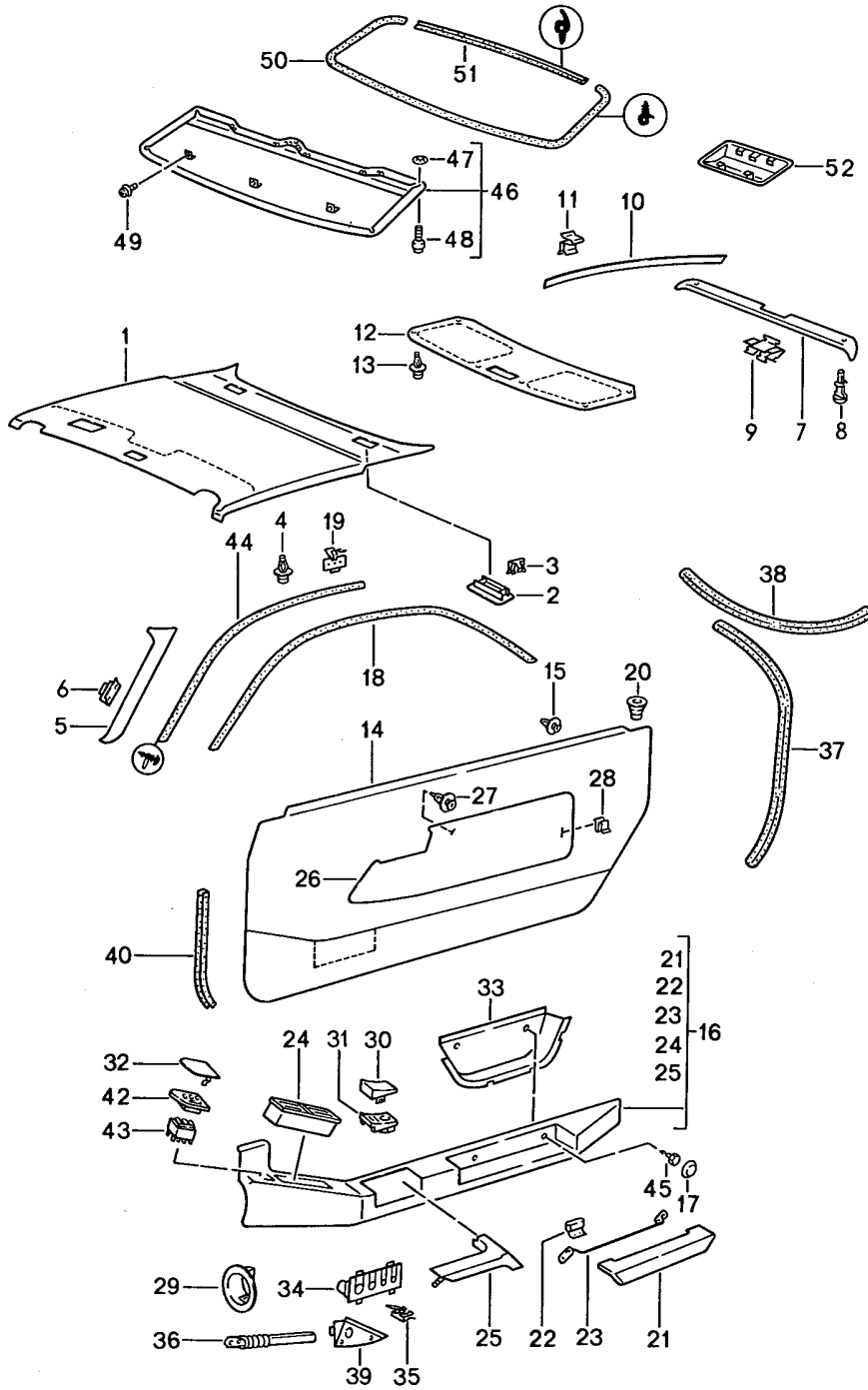
Model: 928 87

Model life 1987>>1991

Pos	Part Number	Description	Remark	Qty	Model
48	928 551 099 01 9MT 928 551 099 01 3WT 999 591 957 40	Velvet red Slate grey Fastening screw Cover Control units	89-	1	

Model: 928 87

Model life 1987>>1991



Model: 928 87 Model life 1987>>1991

Pos	Part Number	Description	Remark	Qty	Model
1	928 555 071 08	Door trim panel Rooflining Rooflining Leatherette		1	
	928 555 071 08 70A	Black			
	928 555 071 08 3MX	Burgundy	-90		
	928 555 071 08 2KA	Greyish green	-88		
	928 555 071 08 5MA	Mahogany	-90		
	928 555 071 08 3KA	Marine blue			
	928 555 071 08 6WG	Classic grey	91		
	928 555 071 08 6YU	Cobalt blue	91		
	928 555 071 08 6WW	Magenta	91		
(1)	928 555 071 54	Rooflining Leather		1	
	928 555 071 54 KZ2	Black	-90		
	928 555 071 54 LG7	Burgundy	-90		
	928 555 071 54 QC2	Greyish green	-88		
	928 555 071 54 TV1	Mahogany	-90		
	928 555 071 54 TS1	Marine blue	-90		
	928 555 071 54 UD5	Caramel	-90		
	928 555 071 54 UD6	Venetian blue	-90		
	928 555 071 54 4MT	Velvet red	-90		
	928 555 071 54 2WT	Slate grey	-90		
	928 555 071 54 8YR	Black	91		
	928 555 071 54 6XL	Classic grey	91		
	928 555 071 54 9YL	Cobalt blue	91		
	928 555 071 54 6YL	Magenta	91		
	928 555 071 54 M05	Matador red	91		
	928 555 071 54 D35	Carrara grey	91		
	928 555 071 54 J25	Sherwood green	91		
	928 555 071 54 H05	Marine blue	90-		
(1)	928 555 071 62	Rooflining Leatherette		1	M650
	928 555 071 62 70A	Black			
	928 555 071 62 5MA	Mahogany	-90		
	928 555 071 62 3KA	Marine blue			
	928 555 071 62 3MX	Burgundy	-90		
	928 555 071 62 1JL	Greyish green	-88		
	928 555 071 62 8WL	Classic grey	91		
	928 555 071 62 6YJ	Cobalt blue	91		
	928 555 071 62 6WZ	Magenta	91		
(1)	928 555 071 63	Rooflining Leather	-90	1	M650
	928 555 071 63 KZ2	Black			
	928 555 071 63 TV1	Mahogany			
	928 555 071 63 TS1	Marine blue			
	928 555 071 63 LG7	Burgundy			
	928 555 071 63 QC2	Greyish green			
	928 555 071 63 UD5	Caramel			
	928 555 071 63 UD6	Venetian blue			
(1)	928 555 071 63	Rooflining Leather	91	1	M650
	928 555 071 63 8YR	Black			
	928 555 071 63 6XL	Classic grey			
	928 555 071 63 9YL	Cobalt blue			
	928 555 071 63 6YL	Magenta			
	928 555 071 63 M05	Matador red			
	928 555 071 63 D35	Carrara grey			
	928 555 071 63 J25	Sherwood green			
	928 555 071 63 H05	Marine blue			
2	928 555 355 02	Cap	-89	2	
(2)	928 555 254 50	Cap	90-	2	
	928 555 254 50 1AJ	Black	90		

Model: 928 87 Model life 1987>>1991

Pos	Part Number	Description	Remark	Qty	Model
	928 555 254 50 2LX	Mahogany	90		
	928 555 254 50 7JX	Marine blue	90		
	928 555 254 50 7LD	Burgundy	90		
	928 555 254 50 4MT	Velvet red	90		
	928 555 254 50 2WT	Slate grey	90		
	928 555 254 50 4UC	Caramel	90		
	928 555 254 50 7KC	Venetian blue	90		
	928 555 254 50 8YR	Black	91		
	928 555 254 50 6XL	Classic grey	91		
	928 555 254 50 9YL	Cobalt blue	91		
	928 555 254 50 6YL	Magenta	91		
	928 555 254 50 M05	Matador red	91		
	928 555 254 50 D35	Carrara grey	91		
	928 555 254 50 J25	Sherwood green	91		
	928 555 254 50 H05	Marine blue			
3	928 555 365 03	Spring clamp		4	
4	823 867 299	Clip		15	
-	999 591 559 40	Clip		10	M650
5	928 555 073 02	Lining	/L	1	
		Windscreen frame			
		Leatherette			
	928 555 073 02 70A	Black			
	928 555 073 02 3MX	Burgundy	-90		
	928 555 073 02 4JX	Greyish green	-88		
	928 555 073 02 1MX	Mahogany	-90		
	928 555 073 02 1KX	Marine blue			
	928 555 073 02 9WH	Classic grey	91		
	928 555 073 02 7YG	Cobalt blue	91		
	928 555 073 02 9YF	Magenta	91		
(5)	928 555 074 02	Lining	/R	1	
		Windscreen frame			
		Leatherette			
	928 555 074 02 70A	Black			
	928 555 074 02 3MX	Burgundy	-90		
	928 555 074 02 4JX	Greyish green	-88		
	928 555 074 02 1MX	Mahogany	-90		
	928 555 074 02 1KX	Marine blue			
	928 555 074 02 9WH	Classic grey	91		
	928 555 074 02 7YG	Cobalt blue	91		
	928 555 074 02 9YF	Magenta	91		
(5)	928 555 251 50	Lining	/L -90	1	
		Windscreen frame			
		Leather			
	928 555 251 50 KZ2	Black	-90		
	928 555 251 50 LG7	Burgundy	-90		
	928 555 251 50 QC2	Greyish green	-88		
	928 555 251 50 TV1	Mahogany	-90		
	928 555 251 50 TS1	Marine blue	-90		
	928 555 251 50 UD5	Caramel	-90		
	928 555 251 50 UD6	Venetian blue	-90		
	928 555 251 50 4MT	Velvet red	89-90		
	928 555 251 50 2WT	Slate grey	89-90		
5	928 555 252 50	Lining	/R -90	1	
		Windscreen frame			
		Leather			
	928 555 252 50 KZ2	Black	-90		
	928 555 252 50 LG7	Burgundy	-90		
	928 555 252 50 QC2	Greyish green	-88		
	928 555 252 50 TV1	Mahogany	-90		
	928 555 252 50 TS1	Marine blue	-90		
	928 555 252 50 UD5	Caramel	-90		
	928 555 252 50 UD6	Venetian blue	-90		
	928 555 252 50 4MT	Velvet red	89-90		

Model: 928 87 Model life 1987>>1991

Pos	Part Number	Description	Remark	Qty	Model	
(5)	928 555 252 50 2WT	Slate grey	89-90	1		
	928 555 251 51	Lining	/L 91			
		Windscreen frame				
		Leather				
	928 555 251 51 8YR	Black				
	928 555 251 51 6XL	Classic grey				
	928 555 251 51 9YL	Cobalt blue				
	928 555 251 51 6YL	Magenta				
	928 555 251 51 M05	Matador red				
	928 555 251 51 D35	Carrara grey				
	928 555 251 51 J25	Sherwood green				
	928 555 251 51 H05	Marine blue				
	(5)	928 555 252 51	Lining			/R 91
			Windscreen frame			
			Leather			
928 555 252 51 8YR		Black				
928 555 252 51 6XL		Classic grey				
928 555 252 51 9YL		Cobalt blue				
928 555 252 51 6YL		Magenta				
928 555 252 51 M05		Matador red				
928 555 252 51 D35		Carrara grey				
928 555 252 51 J25		Sherwood green				
928 555 252 51 H05		Marine blue				
6		999 591 749 02	Clamp		4	
7		928 555 047 05	Lining	/H	1	
			Lid			
			Lower			
		Leatherette				
	928 555 047 05 5CT	Black	-90			
	928 555 047 05 1MA	Burgundy	-90			
	928 555 047 05 1JL	Greyish green	-88			
	928 555 047 05 5MA	Mahogany	-90			
	928 555 047 05 3KA	Marine blue				
	928 555 047 05 8WL	Classic grey	91			
	928 555 047 05 6YJ	Cobalt blue	91			
	928 555 047 05 6WZ	Magenta	91			
	7	928 555 047 53	Lining	/H		
			Lid			
			Lower			
		Leather				
928 555 047 53 KZ2		Black	-90			
928 555 047 53 LG7		Burgundy	-90			
928 555 047 53 QC2		Greyish green	-88			
928 555 047 53 TV1		Mahogany	-90			
928 555 047 53 TS1		Marine blue	-90			
928 555 047 53 UD5		Caramel	-90			
928 555 047 53 UD6		Venetian blue	-90			
928 555 047 53 4MT		Velvet red	89-90			
928 555 047 53 2WT		Slate grey	89-90			
928 555 047 53 8YR		Black	91			
928 555 047 53 6XL		Classic grey	91			
928 555 047 53 9YL	Cobalt blue	91				
928 555 047 53 6YL	Magenta	91				
928 555 047 53 M05	Matador red	91				
928 555 047 53 D35	Carrara grey	91				
928 555 047 53 J25	Sherwood green	91				
928 555 047 53 H05	Marine blue	91				
8	999 591 564 40	Expansion rivet		8		
9	928 555 438 02	Clamp		5		
10	928 555 037 02	Lining	/L	1		
		Lid				
		Lateral				

Model: 928 87 Model life 1987>>1991

Pos	Part Number	Description	Remark	Qty	Model
		Leatherette			
	928 555 037 02 5CT	Black			
	928 555 037 02 1MA	Burgundy	-90		
	928 555 037 02 1JL	Greyish green	-88		
	928 555 037 02 5MA	Mahogany	-90		
	928 555 037 02 3KA	Marine blue			
	928 555 037 02 8WL	Classic grey	91		
	928 555 037 02 6YJ	Cobalt blue	91		
	928 555 037 02 6WZ	Magenta	91		
(10)	928 555 038 02	Lining	/R	1	
		Lid			
		Lateral			
		Leatherette			
	928 555 038 02 5CT	Black			
	928 555 038 02 1MA	Burgundy	-90		
	928 555 038 02 1JL	Greyish green	-88		
	928 555 038 02 5MA	Mahogany	-90		
	928 555 038 02 3KA	Marine blue			
	928 555 038 02 8WL	Classic grey	91		
	928 555 038 02 6YJ	Cobalt blue	91		
	928 555 038 02 6WZ	Magenta	91		
(10)	928 555 037 50	Lining	/L	1	
		Lid			
		Lateral			
		Leather			
	928 555 037 50 KZ2	Black	-90		
	928 555 037 50 LG7	Burgundy	-90		
	928 555 037 50 QC2	Greyish green	-88		
	928 555 037 50 TV1	Mahogany	-90		
	928 555 037 50 TS1	Marine blue	-90		
	928 555 037 50 UD5	Caramel	-90		
	928 555 037 50 UD6	Venetian blue	-90		
	928 555 037 50 4MT	Velvet red	89-90		
	928 555 037 50 2WT	Slate grey	89-90		
	928 555 037 50 8YR	Black	91		
	928 555 037 50 6XL	Classic grey	91		
	928 555 037 50 9YL	Cobalt blue	91		
	928 555 037 50 6YL	Magenta	91		
	928 555 037 50 M05	Matador red	91		
	928 555 037 50 D35	Carrara grey	91		
	928 555 037 50 J25	Sherwood green	91		
	928 555 037 50 H05	Marine blue	91		
(10)	928 555 038 50	Lining	/R	1	
		Lid			
		Lateral			
		Leather			
	928 555 038 50 KZ2	Black	-90		
	928 555 038 50 LG7	Burgundy	-90		
	928 555 038 50 QC2	Greyish green	-88		
	928 555 038 50 TV1	Mahogany	-90		
	928 555 038 50 TS1	Marine blue	-90		
	928 555 038 50 UD5	Caramel	-90		
	928 555 038 50 UD6	Venetian blue	-90		
	928 555 038 50 4MT	Velvet red	89-90		
	928 555 038 50 2WT	Slate grey	89-90		
	928 555 038 50 8YR	Black	91		
	928 555 038 50 6XL	Classic grey	91		
	928 555 038 50 9YL	Cobalt blue	91		
	928 555 038 50 6YL	Magenta	91		
	928 555 038 50 M05	Matador red	91		
	928 555 038 50 D35	Carrara grey	91		
	928 555 038 50 J25	Sherwood green	91		
	928 555 038 50 H05	Marine blue	91		

Model: 928 87 Model life 1987>>1991

Pos	Part Number	Description	Remark	Qty	Model
11	928 555 437 02	Clamp		12	
12	928 555 527 02	Lining	/H	1	
		Lid			
		Upper			
		Leatherette			
	928 555 527 02 5CT	Black			
	928 555 527 02 1MA	Burgundy	-90		
	928 555 527 02 1JL	Greyish green	-88		
	928 555 527 02 5MA	Mahogany	-90		
	928 555 527 02 3KA	Marine blue			
	928 555 527 02 8WL	Classic grey	91		
	928 555 527 02 6YJ	Cobalt blue	91		
	928 555 527 02 6WZ	Magenta	91		
(12)	928 555 527 50	Lining	/H	1	
		Lid			
		Upper			
		Leather			
	928 555 527 50 KZ2	Black	-90		
	928 555 527 50 LG7	Burgundy	-90		
	928 555 527 50 QC2	Greyish green	-88		
	928 555 527 50 TV1	Mahogany	-90		
	928 555 527 50 TS1	Marine blue	-90		
	928 555 527 50 UD5	Caramel	-90		
	928 555 527 50 UD6	Venetian blue	-90		
	928 555 527 50 4MT	Velvet red	89-90		
	928 555 527 50 2WT	Slate grey	89-90		
	928 555 527 50 8YR	Black	91		
	928 555 527 50 6XL	Classic grey	91		
	928 555 527 50 9YL	Cobalt blue	91		
	928 555 527 50 6YL	Magenta	91		
	928 555 527 50 M05	Matador red	91		
	928 555 527 50 D35	Carrara grey	91		
	928 555 527 50 J25	Sherwood green	91		
	928 555 527 50 H05	Marine blue	91		
13	999 591 559 40	Clip		8	
14	928 555 225 00	Door trim panel	/L -88	1	
		Leatherette/carpet			
	928 555 225 00 BB2	Black/black			
	928 555 225 00 JP8	Burgundy/burgundy			
	928 555 225 00 QC6	Greyish green/grey-green			
	928 555 225 00 TY3	Mahogany/mahogany			
	928 555 225 00 TY2	Marine blue/marine blue			
	928 555 225 00 TY4	Black/linen			
	928 555 225 00 TY6	Mahogany/linen			
	928 555 225 00 TY5	Marine blue/linen			
	928 555 225 00 TY7	Burgundy/linen			
	928 555 225 00 TY8	Greyish green/linen			
(14)	928 555 226 00	Door trim panel	/R -88	1	
		Leatherette/carpet			
	928 555 226 00 BB2	Black/black			
	928 555 226 00 JP8	Burgundy/burgundy			
	928 555 226 00 QC6	Greyish green/grey-green			
	928 555 226 00 TY3	Mahogany/mahogany			
	928 555 226 00 TY2	Marine blue/marine blue			
	928 555 226 00 TY4	Black/linen			
	928 555 226 00 TY6	Mahogany/linen			
	928 555 226 00 TY5	Marine blue/linen			
	928 555 226 00 TY7	Burgundy/linen			
	928 555 226 00 TY8	Greyish green/linen			
14	928 555 225 02	Door trim panel	/L 89-90	1	
		Leatherette/carpet			
	928 555 225 02 SM3	Black/black			
	928 555 225 02 TY3	Mahogany/mahogany			

Model: 928 87 Model life 1987>>1991

Pos	Part Number	Description	Remark	Qty	Model
	928 555 225 02 SM5	Marine blue/marine blue			
	928 555 225 02 SM7	Burgundy/burgundy			
	928 555 225 02 TY4	Black/linen			
	928 555 225 02 TY6	Mahogany/linen			
	928 555 225 02 TY5	Marine blue/linen			
	928 555 225 02 TY7	Burgundy/linen			
	928 555 225 02 SL2	Black/cashmere beige			
	928 555 225 02 SL3	Marine blue/cashmere beige			
(14)	928 555 226 02	Door trim panel Leatherette/carpet	/R 89-90	1	
	928 555 226 02 SM3	Black/black			
	928 555 226 02 TY3	Mahogany/mahogany			
	928 555 226 02 SM5	Marine blue/marine blue			
	928 555 226 02 SM7	Burgundy/burgundy			
	928 555 226 02 TY4	Black/linen			
	928 555 226 02 TY6	Mahogany/linen			
	928 555 226 02 TY5	Marine blue/linen			
	928 555 226 02 TY7	Burgundy/linen			
	928 555 226 02 SL2	Black/cashmere beige			
	928 555 226 02 SL3	Marine blue/cashmere beige			
(14)	928 555 225 01	Door trim panel Leatherette/carpet	/L -88	1	M490
	928 555 225 01 BB2	Black/black			
	928 555 225 01 JP8	Burgundy/burgundy			
	928 555 225 01 QC6	Greyish green/grey-green			
	928 555 225 01 TY3	Mahogany/mahogany			
	928 555 225 01 TY2	Marine blue/marine blue			
	928 555 225 01 TY4	Black/linen			
	928 555 225 01 TY6	Mahogany/linen			
	928 555 225 01 TY5	Marine blue/linen			
	928 555 225 01 TY7	Burgundy/linen			
	928 555 225 01 TY8	Greyish green/linen			
(14)	928 555 226 01	Door trim panel Leatherette/carpet	/R -88	1	M490
	928 555 226 01 BB2	Black/black			
	928 555 226 01 JP8	Burgundy/burgundy			
	928 555 226 01 QC6	Greyish green/grey-green			
	928 555 226 01 TY3	Mahogany/mahogany			
	928 555 226 01 TY2	Marine blue/marine blue			
	928 555 226 01 TY4	Black/linen			
	928 555 226 01 TY6	Mahogany/linen			
	928 555 226 01 TY5	Marine blue/linen			
	928 555 226 01 TY7	Burgundy/linen			
	928 555 226 01 TY8	Greyish green/linen			
(14)	928 555 225 03	Door trim panel Leatherette/carpet	/L 89-90	1	M680
	928 555 225 03 SM3	Black/black			
	928 555 225 03 TY3	Mahogany/mahogany			
	928 555 225 03 SM5	Marine blue/marine blue			
	928 555 225 03 SM7	Burgundy/burgundy			
(14)	928 555 226 03	Door trim panel Leatherette/carpet	/R 89-90	1	M680
	928 555 226 03 SM3	Black/black			
	928 555 226 03 TY3	Mahogany/mahogany			
	928 555 226 03 SM5	Marine blue/marine blue			
	928 555 226 03 SM7	Burgundy/burgundy			
(14)	928 555 225 03	Door trim panel Leatherette/carpet	/L 91	1	
	928 555 225 03 SM3	Black/black			
	928 555 225 03 SM5	Marine blue/marine blue			
	928 555 225 03 APU	Classic grey/classic grey			
	928 555 225 03 ARU	Cobalt blue/cobalt blue			
	928 555 225 03 ASU	Magenta/Magenta			

Model: 928 87 Model life 1987>>1991

Pos	Part Number	Description	Remark	Qty	Model
	928 555 225 03 AQQ	Black/light grey			
	928 555 225 03 APW	Classic grey/light grey			
	928 555 225 03 ARW	Cobalt blue/light grey			
	928 555 225 03 ASW	Magenta/light grey			
	928 555 225 03 SL2	Black/cashmere beige			
(14)	928 555 226 03	Door trim panel	/R 91	1	
		Leatherette/carpet			
	928 555 226 03 SM3	Black/black			
	928 555 226 03 SM5	Marine blue/marine blue			
	928 555 226 03 APU	Classic grey/classic grey			
	928 555 226 03 ARU	Cobalt blue/cobalt blue			
	928 555 226 03 ASU	Magenta/Magenta			
	928 555 226 03 AQQ	Black/light grey			
	928 555 226 03 APW	Classic grey/light grey			
	928 555 226 03 ARW	Cobalt blue/light grey			
	928 555 226 03 ASW	Magenta/light grey			
	928 555 226 03 SL2	Black/cashmere beige			
(14)	928 555 225 50	Door trim panel	/L -88	1	
		Leather/carpet			
	928 555 225 50 LA2	Black/black			
	928 555 225 50 LL1	Burgundy/burgundy			
	928 555 225 50 QC7	Greyish green/grey-green			
	928 555 225 50 TZ2	Mahogany/mahogany			
	928 555 225 50 TY9	Marine blue/marine blue			
	928 555 225 50 TZ4	Black/linen			
	928 555 225 50 TZ6	Mahogany/linen			
	928 555 225 50 TZ5	Marine blue/linen			
	928 555 225 50 TZ7	Burgundy/linen			
	928 555 225 50 TZ8	Greyish green/linen			
	928 555 225 50 UC3	Black/lipstick red			
	928 555 225 50 UC6	Marine blue/lipstick red			
	928 555 225 50 UC4	Black/silver grey			
	928 555 225 50 UC5	Marine blue/silver-grey			
	928 555 225 50 RV9	Black/champagne			
	928 555 225 50 UC9	Marine blue/champagne			
	928 555 225 50 UC7	Caramel/caramel			
	928 555 225 50 UC8	Venetian bl./venetian blue			
(14)	928 555 226 50	Door trim panel	/R -88	1	
		Leather/carpet			
	928 555 226 50 LA2	Black/black			
	928 555 226 50 LL1	Burgundy/burgundy			
	928 555 226 50 QC7	Greyish green/grey-green			
	928 555 226 50 TZ2	Mahogany/mahogany			
	928 555 226 50 TY9	Marine blue/marine blue			
	928 555 226 50 TZ4	Black/linen			
	928 555 226 50 TZ6	Mahogany/linen			
	928 555 226 50 TZ5	Marine blue/linen			
	928 555 226 50 TZ7	Burgundy/linen			
	928 555 226 50 TZ8	Greyish green/linen			
	928 555 226 50 UC3	Black/lipstick red			
	928 555 226 50 UC6	Marine blue/lipstick red			
	928 555 226 50 UC4	Black/silver grey			
	928 555 226 50 UC5	Marine blue/silver-grey			
	928 555 226 50 RV9	Black/champagne			
	928 555 226 50 UC9	Marine blue/champagne			
	928 555 226 50 UC7	Caramel/caramel			
	928 555 226 50 UC8	Venetian bl./venetian blue			
(14)	928 555 225 52	Door trim panel	/L 89-90	1	
		Leather/carpet			
	928 555 225 52 SM4	Black/black			
	928 555 225 52 TZ2	Mahogany/mahogany			
	928 555 225 52 SM6	Marine blue/marine blue			
	928 555 225 52 SM8	Burgundy/burgundy			

Model: 928 87 Model life 1987>>1991

Pos	Part Number	Description	Remark	Qty	Model
	928 555 225 52 TZ4	Black/linen			
	928 555 225 52 TZ6	Mahogany/linen			
	928 555 225 52 TZ5	Marine blue/linen			
	928 555 225 52 TZ7	Burgundy/linen			
	928 555 225 52 SL5	Marine blue/cashmere beige			
	928 555 225 52 SL6	Black/silk grey			
	928 555 225 52 SL7	Marine blue/silk grey			
	928 555 225 52 SL8	Velvet red/velvet red			
	928 555 225 52 SL9	Slate grey/slate grey			
	928 555 225 52 UC7	Caramel/caramel			
	928 555 225 52 UC8	Venetian bl./venetian blue			
(14)	928 555 226 52	Door trim panel Leather/carpet	/R 89-90	1	
	928 555 226 52 SM4	Black/black			
	928 555 226 52 TZ2	Mahogany/mahogany			
	928 555 226 52 SM6	Marine blue/marine blue			
	928 555 226 52 SM8	Burgundy/burgundy			
	928 555 226 52 TZ4	Black/linen			
	928 555 226 52 TZ6	Mahogany/linen			
	928 555 226 52 TZ5	Marine blue/linen			
	928 555 226 52 TZ7	Burgundy/linen			
	928 555 226 52 SL5	Marine blue/cashmere beige			
	928 555 226 52 SL6	Black/silk grey			
	928 555 226 52 SL7	Marine blue/silk grey			
	928 555 226 52 SL8	Velvet red/velvet red			
	928 555 226 52 SL9	Slate grey/slate grey			
	928 555 226 52 UC7	Caramel/caramel			
(14)	928 555 226 52 UC8	Venetian bl./venetian blue	/L -88	1	M490
	928 555 225 51	Door trim panel Leather/carpet			
	928 555 225 51 LA2	Black/black			
	928 555 225 51 LL1	Burgundy/burgundy			
	928 555 225 51 QC7	Greyish green/grey-green			
	928 555 225 51 TZ2	Mahogany/mahogany			
	928 555 225 51 TY9	Marine blue/marine blue			
	928 555 225 51 TZ4	Black/linen			
	928 555 225 51 TZ6	Mahogany/linen			
	928 555 225 51 TZ5	Marine blue/linen			
	928 555 225 51 TZ7	Burgundy/linen			
	928 555 225 51 TZ8	Greyish green/linen			
	928 555 225 51 UC3	Black/lipstick red			
	928 555 225 51 UC6	Marine blue/lipstick red			
	928 555 225 51 UC4	Black/silver grey			
	928 555 225 51 UC5	Marine blue/silver-grey			
	928 555 225 51 RV9	Black/champagne			
	928 555 225 51 UC9	Marine blue/champagne			
	928 555 225 51 UC7	Caramel/caramel			
(14)	928 555 225 51 UC8	Venetian bl./venetian blue	/R -88	1	M490
	928 555 226 51	Door trim panel Leather/carpet			
	928 555 226 51 LA2	Black/black			
	928 555 226 51 LL1	Burgundy/burgundy			
	928 555 226 51 QC7	Greyish green/grey-green			
	928 555 226 51 TZ2	Mahogany/mahogany			
	928 555 226 51 TY9	Marine blue/marine blue			
	928 555 226 51 TZ4	Black/linen			
	928 555 226 51 TZ6	Mahogany/linen			
	928 555 226 51 TZ5	Marine blue/linen			
	928 555 226 51 TZ7	Burgundy/linen			
	928 555 226 51 TZ8	Greyish green/linen			
	928 555 226 51 UC3	Black/lipstick red			
	928 555 226 51 UC6	Marine blue/lipstick red			
	928 555 226 51 UC4	Black/silver grey			

Model: 928 87 Model life 1987>>1991

Pos	Part Number	Description	Remark	Qty	Model
(14)	928 555 226 51 UC5	Marine blue/silver-grey			
	928 555 226 51 RV9	Black/champagne			
	928 555 226 51 UC9	Marine blue/champagne			
	928 555 226 51 UC7	Caramel/caramel			
	928 555 226 51 UC8	Venetian bl./venetian blue			
	928 555 225 23	Door trim panel	/L 89-90	1	M680
		Leather/carpet			
	928 555 225 23 SM4	Black/black			
	928 555 225 23 TZ2	Mahogany/mahogany			
	928 555 225 23 SM6	Marine blue/marine blue			
	928 555 225 23 SM8	Burgundy/burgundy			
	928 555 225 23 TZ4	Black/linen			
	928 555 225 23 TZ6	Mahogany/linen			
	928 555 225 23 TZ5	Marine blue/linen			
928 555 225 23 TZ7	Burgundy/linen				
928 555 225 23 SL4	Black/cashmere beige				
928 555 225 23 SL5	Marine blue/cashmere beige				
928 555 225 23 SL6	Black/silk grey				
928 555 225 23 SL7	Marine blue/silk grey				
928 555 225 23 SL8	Velvet red/velvet red				
928 555 225 23 SL9	Slate grey/slate grey				
928 555 225 23 UC7	Caramel/caramel				
928 555 225 23 UC8	Venetian bl./venetian blue				
14	928 555 226 23	Door trim panel	/R 89-90	1	M680
		Leather/carpet			
	928 555 226 23 SM4	Black/black			
	928 555 226 23 TZ2	Mahogany/mahogany			
	928 555 226 23 SM6	Marine blue/marine blue			
	928 555 226 23 SM8	Burgundy/burgundy			
	928 555 226 23 TZ4	Black/linen			
	928 555 226 23 TZ6	Mahogany/linen			
	928 555 226 23 TZ5	Marine blue/linen			
	928 555 226 23 TZ7	Burgundy/linen			
	928 555 226 23 SL4	Black/cashmere beige			
	928 555 226 23 SL5	Marine blue/cashmere beige			
	928 555 226 23 SL6	Black/silk grey			
	928 555 226 23 SL7	Marine blue/silk grey			
	928 555 226 23 SL8	Velvet red/velvet red			
	928 555 226 23 SL9	Slate grey/slate grey			
	928 555 226 23 UC7	Caramel/caramel			
	928 555 226 23 UC8	Venetian bl./venetian blue			
(14)	928 555 225 53	Door trim panel	/L 89-90	1	M680
		Leather/carpet			
	928 555 225 53 SM4	Black/black			
	928 555 225 53 TZ2	Mahogany/mahogany			
	928 555 225 53 SM6	Marine blue/marine blue			
	928 555 225 53 SM8	Burgundy/burgundy			
	928 555 225 53 TZ4	Black/linen			
	928 555 225 53 TZ6	Mahogany/linen			
	928 555 225 53 TZ5	Marine blue/linen			
	928 555 225 53 TZ7	Burgundy/linen			
	928 555 225 53 SL4	Black/cashmere beige			
	928 555 225 53 SL5	Marine blue/cashmere beige			
	928 555 225 53 SL6	Black/silk grey			
	928 555 225 53 SL7	Marine blue/silk grey			
	928 555 225 53 SL8	Velvet red/velvet red			
	928 555 225 53 SL9	Slate grey/slate grey			
	928 555 225 53 UC7	Caramel/caramel			
	928 555 225 53 UC8	Venetian bl./venetian blue			
(14)	928 555 226 53	Door trim panel	/R 89-90	1	M680
		Leather/carpet			
	928 555 226 53 SM4	Black/black			
	928 555 226 53 TZ2	Mahogany/mahogany			

Model: 928 87 Model life 1987>>1991

Pos	Part Number	Description	Remark	Qty	Model
	928 555 226 53 SM6	Marine blue/marine blue			
	928 555 226 53 SM8	Burgundy/burgundy			
	928 555 226 53 TZ4	Black/linen			
	928 555 226 53 TZ6	Mahogany/linen			
	928 555 226 53 TZ5	Marine blue/linen			
	928 555 226 53 TZ7	Burgundy/linen			
	928 555 226 53 SL4	Black/cashmere beige			
	928 555 226 53 SL5	Marine blue/cashmere beige			
	928 555 226 53 SL6	Black/silk grey			
	928 555 226 53 SL7	Marine blue/silk grey			
	928 555 226 53 SL8	Velvet red/velvet red			
	928 555 226 53 SL9	Slate grey/slate grey			
	928 555 226 53 UC7	Caramel/caramel			
	928 555 226 53 UC8	Venetian bl./venetian blue			
(14)	928 555 225 53	Door trim panel Leather/carpet	/L 91	1	
	928 555 225 53 ATZ	Black/black			
	928 555 225 53 CFQ	Marine blue/marine blue			
	928 555 225 53 APV	Classic grey/classic grey			
	928 555 225 53 ARV	Cobalt blue/cobalt blue			
	928 555 225 53 ASV	Magenta/Magenta			
	928 555 225 53 AQR	Black/light grey			
	928 555 225 53 APX	Classic grey/light grey			
	928 555 225 53 ARX	Cobalt blue/light grey			
	928 555 225 53 ASX	Magenta/light grey			
	928 555 225 53 AQS	Black/cashmere beige			
	928 555 225 53 AVA	Matador red/matador red			
	928 555 225 53 AVB	Carrara grey/carrara grey			
	928 555 225 53 AVC	Sherwood gr./sherw. green			
(14)	928 555 226 53	Door trim panel Leather/carpet	/R 91	1	
	928 555 226 53 ATZ	Black/black			
	928 555 226 53 CFQ	Marine blue/marine blue			
	928 555 226 53 APV	Classic grey/classic grey			
	928 555 226 53 ARV	Cobalt blue/cobalt blue			
	928 555 226 53 ASV	Magenta/Magenta			
	928 555 226 53 AQR	Black/light grey			
	928 555 226 53 APX	Classic grey/light grey			
	928 555 226 53 ARX	Cobalt blue/light grey			
	928 555 226 53 ASX	Magenta/light grey			
	928 555 226 53 AQS	Black/cashmere beige			
	928 555 226 53 AVA	Matador red/matador red			
	928 555 226 53 AVB	Carrara grey/carrara grey			
	928 555 226 53 AVC	Sherwood gr./sherw. green			
15	823 867 299	Clip		4	
(16)	928 555 017 03	Door trim panel Leatherette	/L -88	1	
	928 555 017 03 70A	Black			
	928 555 017 03 3MX	Burgundy			
	928 555 017 03 2KA	Greyish green			
	928 555 017 03 5MA	Mahogany			
	928 555 017 03 3KA	Marine blue			
16	928 555 018 03	Armrest Leatherette	/R -88	1	
	928 555 018 03 70A	Black			
	928 555 018 03 3MX	Burgundy			
	928 555 018 03 2KA	Greyish green			
	928 555 018 03 5MA	Mahogany			
	928 555 018 03 3KA	Marine blue			
(16)	928 555 101 03	Armrest Leatherette	/L	1	
	928 555 101 03 WR4	Black			
	928 555 101 03 WR5	Mahogany	-90		

Model: 928 87 Model life 1987>>1991

Pos	Part Number	Description	Remark	Qty	Model
	928 555 101 03 WR6	Marine blue	-91		
	928 555 101 03 WR7	Burgundy	-90		
	928 555 101 03 WR8	Greyish green	-88		
	928 555 101 03 9WH	Classic grey			
	928 555 101 03 7YG	Cobalt blue			
	928 555 101 03 9YF	Magenta			
16	928 555 102 03	Armrest Leatherette	/R	1	
	928 555 102 03 WR4	Black			
	928 555 102 03 WR5	Mahogany	-90		
	928 555 102 03 WR6	Marine blue	-91		
	928 555 102 03 WR7	Burgundy	-90		
	928 555 102 03 WR8	Greyish green	-88		
	928 555 102 03 9WH	Classic grey			
	928 555 102 03 7YG	Cobalt blue			
	928 555 102 03 9YF	Magenta			
16	928 555 049 51	Door trim panel Leather	/L -88	1	
	928 555 049 51 KZ2	Black			
	928 555 049 51 7LD	Burgundy			
	928 555 049 51 QC2	Greyish green			
	928 555 049 51 TV1	Mahogany			
	928 555 049 51 TS1	Marine blue			
	928 555 049 51 UD5	Caramel			
	928 555 049 51 UD6	Venetian blue			
(16)	928 555 050 51	Door trim panel Leather	/R -88	1	
	928 555 050 51 KZ2	Black			
	928 555 050 51 7LD	Burgundy			
	928 555 050 51 QC2	Greyish green			
	928 555 050 51 TV1	Mahogany			
	928 555 050 51 TS1	Marine blue			
	928 555 050 51 UD5	Caramel			
	928 555 050 51 UD6	Venetian blue			
(16)	928 555 101 52	Armrest Leather	/L	1	
	928 555 101 52 WS1	Black	-90		
	928 555 101 52 WS2	Mahogany	-90		
	928 555 101 52 WS3	Marine blue	-90		
	928 555 101 52 WS4	Burgundy	-90		
	928 555 101 52 WS5	Greyish green	-88		
	928 555 101 52 WS6	Caramel	-90		
	928 555 101 52 WS7	Venetian blue	-90		
	928 555 101 52 SM1	Velvet red	89-90		
	928 555 101 52 SM2	Slate grey	89-90		
	928 555 101 52 8YR	Black	91		
	928 555 101 52 H05	Marine blue			
	928 555 101 52 6XL	Classic grey	91		
	928 555 101 52 9YL	Cobalt blue	91		
	928 555 101 52 6YL	Magenta	91		
(16)	928 555 102 52	Armrest Leather	/R	1	
	928 555 102 52 WS1	Black	-90		
	928 555 102 52 WS2	Mahogany	-90		
	928 555 102 52 WS3	Marine blue	-90		
	928 555 102 52 WS4	Burgundy	-90		
	928 555 102 52 WS5	Greyish green	-88		
	928 555 102 52 WS6	Caramel	-90		
	928 555 102 52 WS7	Venetian blue	-90		
	928 555 102 52 SM1	Velvet red	89-90		
	928 555 102 52 SM2	Slate grey	89-90		
	928 555 102 52 8YR	Black	91		
	928 555 102 52 H05	Marine blue			

Model: 928 87 Model life 1987>>1991

Pos	Part Number	Description	Remark	Qty	Model
17 (18)	928 555 102 52 6XL	Classic grey	91	4	
	928 555 102 52 9YL	Cobalt blue	91		
	928 555 102 52 6YL	Magenta	91		
	928 555 383 02	Cap			
	928 555 025 02	Lining	/L	1	
		Door frame			
		Leatherette			
	928 555 025 02 70A	Black			
	928 555 025 02 3MX	Burgundy	-90		
	928 555 025 02 2KA	Greyish green	-88		
928 555 025 02 5MA	Mahogany	-90			
928 555 025 02 3KA	Marine blue	-91			
928 555 025 02 6WG	Classic grey	91			
928 555 025 02 6YU	Cobalt blue	91			
928 555 025 02 6WW	Magenta	91			
18	928 555 026 02	Lining	/R	1	
	Door frame				
	Leatherette				
	928 555 026 02 70A	Black			
	928 555 026 02 3MX	Burgundy	-90		
	928 555 026 02 2KA	Greyish green	-88		
	928 555 026 02 5MA	Mahogany	-90		
	928 555 026 02 3KA	Marine blue	-91		
	928 555 026 02 6WG	Classic grey	91		
	928 555 026 02 6YU	Cobalt blue	91		
	928 555 026 02 6WW	Magenta	91		
(18)	928 555 025 50	Lining	/L	1	
	Door frame				
	Leather				
	928 555 025 50 KZ2	Black	-90		
	928 555 025 50 LG6	Dark green	-88		
	928 555 025 50 QC2	Greyish green	-88		
	928 555 025 50 TV1	Mahogany	-90		
	928 555 025 50 TS1	Marine blue	-90		
	928 555 025 50 UD5	Caramel	-90		
	928 555 025 50 UD6	Venetian blue	-90		
	928 555 025 50 4MT	Velvet red	89-90		
	928 555 025 50 2WT	Slate grey	89-90		
	928 555 025 50 LG7	Burgundy	89-90		
	928 555 025 50 8YR	Black	91-		
	928 555 025 50 6XL	Classic grey	91-		
	928 555 025 50 9YL	Cobalt blue	91-		
	928 555 025 50 6YL	Magenta	91-		
	928 555 025 50 M05	Matador red	91-		
	928 555 025 50 D35	Carrara grey	91-		
	928 555 025 50 J25	Sherwood green	91-		
(18)	928 555 025 50 H05	Marine blue			
	928 555 026 50	Lining	/R	1	
	Door frame				
	Leather				
	928 555 026 50 KZ2	Black	-90		
	928 555 026 50 LG6	Dark green	-88		
	928 555 026 50 QC2	Greyish green	-88		
	928 555 026 50 TV1	Mahogany	-90		
	928 555 026 50 TS1	Marine blue	-90		
	928 555 026 50 UD5	Caramel	-90		
	928 555 026 50 UD6	Venetian blue	-90		
	928 555 026 50 4MT	Velvet red	89-90		
	928 555 026 50 2WT	Slate grey	89-90		
	928 555 026 50 LG7	Burgundy	89-90		
	928 555 026 50 8YR	Black	91-		
	928 555 026 50 6XL	Classic grey	91-		
	928 555 026 50 9YL	Cobalt blue	91-		

Model: 928 87 Model life 1987>>1991

Pos	Part Number	Description	Remark	Qty	Model
	928 555 026 50 6YL	Magenta	91-		
	928 555 026 50 M05	Matador red	91-		
	928 555 026 50 D35	Carrara grey	91-		
	928 555 026 50 J25	Sherwood green	91-		
	928 555 026 50 H05	Marine blue			
19	999 591 760 02	Clamp		14	
20	928 555 569 02	Guide bush		2	
21	928 555 043 03	Lid		2	
		Leatherette			
	928 555 043 03 05T	Black			
	928 555 043 03 3MX	Burgundy	-90		
	928 555 043 03 4JX	Greyish green	-88		
	928 555 043 03 1MX	Mahogany	-90		
	928 555 043 03 1KX	Marine blue	-91		
	928 555 043 03 9WH	Classic grey	91		
	928 555 043 03 7YG	Cobalt blue	91		
	928 555 043 03 9YF	Magenta	91		
21	928 555 233 50	Lid		2	
		Leather			
	928 555 233 50 KZ2	Black	-90		
	928 555 233 50 LL1	Burgundy	-90		
	928 555 233 50 QC2	Greyish green	-88		
	928 555 233 50 TV1	Mahogany	-90		
	928 555 233 50 TS1	Marine blue	-90		
	928 555 233 50 UD5	Caramel	-90		
	928 555 233 50 UD6	Venetian blue	-90		
	928 555 233 50 4MT	Velvet red	89-90		
	928 555 233 50 2WT	Slate grey	89-90		
	928 555 233 50 8YR	Black	91		
	928 555 233 50 6XL	Classic grey	91		
	928 555 233 50 9YL	Cobalt blue	91		
	928 555 233 50 6YL	Magenta	91		
	928 555 233 50 M05	Matador red	91		
	928 555 233 50 D35	Carrara grey	91		
	928 555 233 50 J25	Sherwood green	91		
	928 555 233 50 H05	Marine blue			
22	928 555 607 02	Key		2	
22		Key		2	
	928 555 607 02 70B	Black			
(23)	928 555 553 02	Steering linkage	/L	1	
23	928 555 554 02	Steering linkage	/R	1	
(24)	928 574 087 03	Side vent	/L	1	
24	928 574 088 03	Side vent	/R	1	
(25)	928 555 053 04	Handle	/L	1	
		Leatherette			
	928 555 053 04 05T	Black			
	928 555 053 04 3MX	Burgundy	-90		
	928 555 053 04 4JX	Greyish green	-88		
	928 555 053 04 1MX	Mahogany	-90		
	928 555 053 04 1KX	Marine blue	-91		
	928 555 053 04 9WH	Classic grey	91		
	928 555 053 04 7YG	Cobalt blue	91		
	928 555 053 04 9YF	Magenta	91		
25	928 555 054 04	Handle	/R	1	
		Leatherette			
	928 555 054 04 05T	Black			
	928 555 054 04 3MX	Burgundy	-90		
	928 555 054 04 4JX	Greyish green	-88		
	928 555 054 04 1MX	Mahogany	-90		
	928 555 054 04 1KX	Marine blue	-91		
	928 555 054 04 9WH	Classic grey	91		
	928 555 054 04 7YG	Cobalt blue	91		
	928 555 054 04 9YF	Magenta	91		

Model: 928 87 Model life 1987>>1991

Pos	Part Number	Description	Remark	Qty	Model
(25)	928 555 267 52	Handle Leather	/L	1	
	928 555 267 52 KZ2	Black	-90		
	928 555 267 52 LL1	Burgundy	-90		
	928 555 267 52 QC2	Greyish green	-88		
	928 555 267 52 TV1	Mahogany	-90		
	928 555 267 52 TS1	Marine blue	-90		
	928 555 267 52 UD5	Caramel	-90		
	928 555 267 52 UD6	Venetian blue	-90		
	928 555 267 52 4MT	Velvet red	89-90		
	928 555 267 52 2WT	Slate grey	89-90		
	928 555 267 52 8YR	Black	91		
	928 555 267 52 6XL	Classic grey	91		
	928 555 267 52 9YL	Cobalt blue	91		
	928 555 267 52 6YL	Magenta	91		
	928 555 267 52 M05	Matador red	91		
	928 555 267 52 D35	Carrara grey	91		
	928 555 267 52 J25	Sherwood green	91		
	928 555 267 52 H05	Marine blue			
(25)	928 555 267 52	Handle Leather	/L	1	
	928 555 267 52 KZ2	Black	-90		
	928 555 267 52 LL1	Burgundy	-90		
	928 555 267 52 QC2	Greyish green	-88		
	928 555 267 52 TV1	Mahogany	-90		
	928 555 267 52 TS1	Marine blue	-90		
	928 555 267 52 UD5	Caramel	-90		
	928 555 267 52 UD6	Venetian blue	-90		
	928 555 267 52 4MT	Velvet red	89-90		
	928 555 267 52 2WT	Slate grey	89-90		
	928 555 267 52 8YR	Black	91		
	928 555 267 52 6XL	Classic grey	91		
	928 555 267 52 9YL	Cobalt blue	91		
	928 555 267 52 6YL	Magenta	91		
	928 555 267 52 M05	Matador red	91		
	928 555 267 52 D35	Carrara grey	91		
	928 555 267 52 J25	Sherwood green	91		
	928 555 267 52 H05	Marine blue			
25	928 555 268 52	Handle Leather	/R	1	
	928 555 268 52 KZ2	Black	-90		
	928 555 268 52 LL1	Burgundy	-90		
	928 555 268 52 QC2	Greyish green	-88		
	928 555 268 52 TV1	Mahogany	-90		
	928 555 268 52 TS1	Marine blue	-90		
	928 555 268 52 UD5	Caramel	-90		
	928 555 268 52 UD6	Venetian blue	-90		
	928 555 268 52 4MT	Velvet red	89-90		
	928 555 268 52 2WT	Slate grey	89-90		
	928 555 268 52 8YR	Black	91		
	928 555 268 52 6XL	Classic grey	91		
	928 555 268 52 9YL	Cobalt blue	91		
	928 555 268 52 6YL	Magenta	91		
	928 555 268 52 M05	Matador red	91		
	928 555 268 52 D35	Carrara grey	91		
	928 555 268 52 J25	Sherwood green	91		
	928 555 268 52 H05	Marine blue			
26	928 555 051 02	Cover Pin stripe velour	/L -90	1	
	928 555 051 02 7BN	Black-white	-88		
	928 555 051 02 8GJ	Blue-white	-88		
	928 555 051 02 1MJ	Burgundy-white	-88		
	928 555 051 02 3JV	Greyish green-white	-88		

Model: 928 87 Model life 1987>>1991

Pos	Part Number	Description	Remark	Qty	Model
	928 555 051 02 6LN	Mahogany-white	-88		
	928 555 051 02 2LN	Black-red	88		
	928 555 051 02 4TN	Cashmere beige-white	89-90		
	928 555 051 02 7BN	Black-white	89-90		
	928 555 051 02 6LN	Mahogany-white	89-90		
	928 555 051 02 8GJ	Blue-white	89-90		
	928 555 051 02 1MJ	Burgundy-white	89-90		
	928 555 051 02 4WJ	Linen white	89-90		
(26)	928 555 052 02	Cover	/R -90	1	
		Pin stripe velour			
	928 555 052 02 7BN	Black-white	-88		
	928 555 052 02 8GJ	Blue-white	-88		
	928 555 052 02 1MJ	Burgundy-white	-88		
	928 555 052 02 3JV	Greyish green-white	-88		
	928 555 052 02 6LN	Mahogany-white	-88		
	928 555 052 02 2LN	Black-red	88		
	928 555 052 02 4TN	Cashmere beige-white	89-90		
	928 555 052 02 7BN	Black-white	89-90		
	928 555 052 02 6LN	Mahogany-white	89-90		
	928 555 052 02 8GJ	Blue-white	89-90		
	928 555 052 02 1MJ	Burgundy-white	89-90		
	928 555 052 02 4WJ	Linen white	89-90		
26	928 555 051 02	Cover	/L -90	1	
		Porsche lettering cloth			
	928 555 051 02 2CZ	Black	-90		
	928 555 051 02 6HZ	Blue	-90		
	928 555 051 02 5LZ	Burgundy	-90		
	928 555 051 02 1JK	Greyish green	-88		
	928 555 051 02 4MR	Mahogany	-90		
	928 555 051 02 7TH	Cashmere beige	89-90		
	928 555 051 02 5WZ	Linen	89-90		
(26)	928 555 052 02	Cover	/R -90	1	
		Porsche lettering cloth			
	928 555 052 02 2CZ	Black	-90		
	928 555 052 02 6HZ	Blue	-90		
	928 555 052 02 5LZ	Burgundy	-90		
	928 555 052 02 1JK	Greyish green	-88		
	928 555 052 02 4MR	Mahogany	-90		
	928 555 052 02 7TH	Cashmere beige	89-90		
	928 555 052 02 5WZ	Linen	89-90		
26	928 555 051 02	Cover	/L	1	
		Pin stripe flannel			
	928 555 051 02 8BF	Anthracite	-88		
	928 555 051 02 6GF	Blue	-88		
	928 555 051 02 1MF	Burgundy	-88		
	928 555 051 02 9JF	Greyish green	-88		
	928 555 051 02 9LF	Mahogany	-88		
(26)	928 555 052 02	Cover	/R	1	
		Pin stripe flannel			
	928 555 052 02 8BF	Anthracite	-88		
	928 555 052 02 6GF	Blue	-88		
	928 555 052 02 1MF	Burgundy	-88		
	928 555 052 02 9JF	Greyish green	-88		
	928 555 052 02 9LF	Mahogany	-88		
26	928 555 051 02	Cover	/L	1	
		Multicolour			
	928 555 051 02 5TC	Cashmere beige	89-90		
	928 555 051 02 2VV	Black	89-90		
	928 555 051 02 8XV	Mahogany	89-90		
	928 555 051 02 9JV	Marine blue	89-90		
	928 555 051 02 1MV	Burgundy	89-90		
	928 555 051 02 6UV	Linen	89-90		
(26)	928 555 052 02	Cover	/R	1	

Model: 928 87 Model life 1987>>1991

Pos	Part Number	Description	Remark	Qty	Model
		Multicolour			
	928 555 052 02 5TC	Cashmere beige	89-90		
	928 555 052 02 2VV	Black	89-90		
	928 555 052 02 8XV	Mahogany	89-90		
	928 555 052 02 9JV	Marine blue	89-90		
	928 555 052 02 1MV	Burgundy	89-90		
	928 555 052 02 6UV	Linen	89-90		
26	928 555 051 50	Cover	/L -90	1	
		Leather			
	928 555 051 50 KZ2	Black	-90		
	928 555 051 50 LG7	Burgundy	-90		
	928 555 051 50 LG5	Champagne	-88		
	928 555 051 50 QC2	Greyish green	-88		
	928 555 051 50 TV1	Mahogany	-90		
	928 555 051 50 TS1	Marine blue	-90		
	928 555 051 50 TW1	Linen	-90		
	928 555 051 50 UD3	Plum red	-88		
	928 555 051 50 UD4	Silver-grey	-88		
	928 555 051 50 UD5	Caramel	-90		
	928 555 051 50 UD6	Venetian blue	-90		
	928 555 051 50 2WH	Cashmere beige	89-90		
	928 555 051 50 5VT	Silk grey	89-90		
	928 555 051 50 4MT	Velvet red	89-90		
	928 555 051 50 2WT	Slate grey	89-90		
(26)	928 555 052 50	Cover	/R -90	1	
		Leather			
	928 555 052 50 KZ2	Black	-90		
	928 555 052 50 LG7	Burgundy	-90		
	928 555 052 50 LG5	Champagne	-88		
	928 555 052 50 QC2	Greyish green	-88		
	928 555 052 50 TV1	Mahogany	-90		
	928 555 052 50 TS1	Marine blue	-90		
	928 555 052 50 TW1	Linen	-90		
	928 555 052 50 UD3	Plum red	-88		
	928 555 052 50 UD4	Silver-grey	-88		
	928 555 052 50 UD5	Caramel	-90		
	928 555 052 50 UD6	Venetian blue	-90		
	928 555 052 50 2WH	Cashmere beige	89-90		
	928 555 052 50 5VT	Silk grey	89-90		
	928 555 052 50 4MT	Velvet red	89-90		
	928 555 052 50 2WT	Slate grey	89-90		
(26)	928 555 051 51	Cover	/L 91	1	
		Leather			
	928 555 051 51 8YR	Black			
	928 555 051 51 6XL	Classic grey			
	928 555 051 51 9YL	Cobalt blue			
	928 555 051 51 6YL	Magenta			
	928 555 051 51 M05	Matador red			
	928 555 051 51 D35	Carrara grey			
	928 555 051 51 J25	Sherwood green/			
	928 555 051 51 H05	Marine blue			
(26)	928 555 052 51	Cover	/R 91	1	
		Leather			
	928 555 052 51 8YR	Black			
	928 555 052 51 6XL	Classic grey			
	928 555 052 51 9YL	Cobalt blue			
	928 555 052 51 6YL	Magenta			
	928 555 052 51 M05	Matador red			
	928 555 052 51 D35	Carrara grey			
	928 555 052 51 J25	Sherwood green/			
	928 555 052 51 H05	Marine blue			
27	433 867 299 A	Clip		4	
28	928 555 327 02	Clamp		4	

Model: 928 87 Model life 1987>>1991

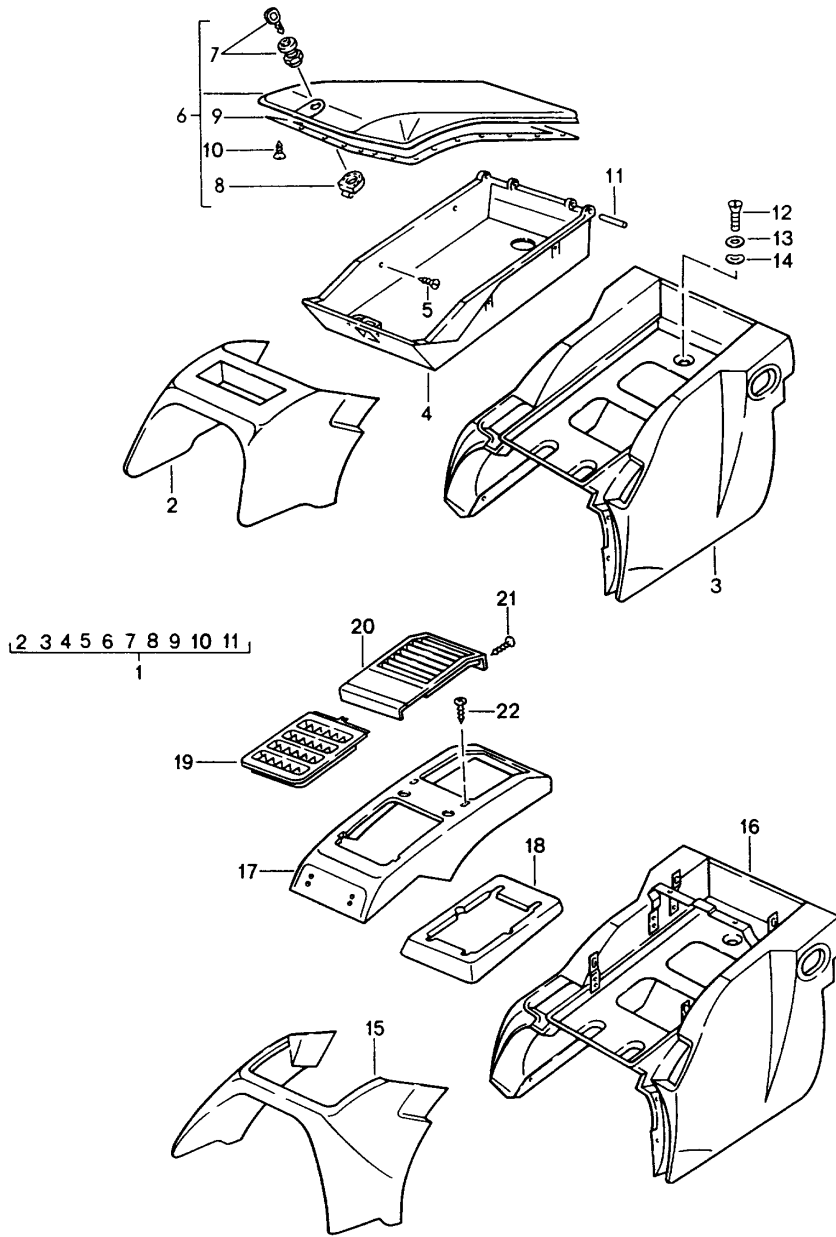
Pos	Part Number	Description	Remark	Qty	Model
29	928 555 317 02	Rosette		2	
29		Rosette		2	
	928 555 317 02 70B	Black			
30	928 555 363 02	Cover	/LL	1	
(30)	927 555 363 02	Cover	/RL	1	
31	928 555 461 03	Mounting piece	/LL	1	
		Door mirror switch			
	928 555 461 03 70B	Black			
(31)	927 555 462 03	Mounting piece	/RL	1	
		Door mirror switch			
	927 555 462 03 70B	Black			
32	928 555 361 02	Cover	/L	1	
		Memory switch			
	928 555 361 02 70B	Satin black			
(32)	928 555 362 02	Cover	/R	1	
		Memory switch			
	928 555 362 02 70B	Satin black			
33	928 555 087 03	Package box	/L	1	
	928 555 087 03 71B	Black			
(33)	928 555 088 03	Package box	/R	1	
	928 555 088 03 71B	Black			
-	928 555 479 03	Sealing film	/L -90	1	
-	928 555 480 03	Sealing film	/R -90	1	
-	928 555 479 03	Sealing film	/L 91	1	
-	928 555 480 03	Sealing film	/R 91	1	
		Door			
36	928 555 551 02	Cable guide		2	
37	928 555 579 02	Edge protection	/L	1	
(37)	928 555 580 02	Edge protection	/R	1	
38	928 555 425 02	Lining	/L	1	
		Side window			
	928 555 425 02 05T	Black	89-		
(38)	928 555 426 02	Lining	/R	1	
		Side window			
	928 555 426 02 05T	Black	89-		
39	928 555 263 02	Cover	/L	1	
(39)	928 555 264 02	Cover	/R	1	
		Cable guide			
40	928 551 315 03	Piping		2	
42	928 613 245 00	Mounting piece	/L	1	M537
	928 613 245 00 01C	Black			
(42)	928 613 246 00	Mounting piece	/R	1	M538
	928 613 246 00 01C	Black			
43	928 613 235 00	Memory switch	/L	1	M537
	928 613 235 00 01C	Satin black			
(43)	928 613 235 00	Memory switch	/R	1	M538
	928 613 235 00 01C	Satin black			
44	999 911 314 40	Piping		2	
45	900 187 032 02	Tapping screw		4	
46	928 564 069 40	Roofliner frame		1	M650
		Leatherette			
	928 564 069 40 70A	Black	88-		
	928 564 069 40 3MX	Burgundy	-90		
	928 564 069 40 2KA	Greyish green	-88		
	928 564 069 40 5MA	Mahogany	-90		
	928 564 069 40 3KA	Marine blue	-91		
	928 564 069 40 6WJ	Classic grey	91		
	928 564 069 40 7YU	Cobalt blue	91		
	928 564 069 40 6YU	Cobalt blue	91		
	928 564 069 40 8YA	Magenta	91		
(46)	928 564 069 50	Roofliner frame	-90	1	M650
		Leather			
	928 564 069 50 KZ2	Black			

Model: 928 87 Model life 1987>>1991

Pos	Part Number	Description	Remark	Qty	Model
	928 564 069 50 LG7	Burgundy			
	928 564 069 50 QC2	Greyish green			
	928 564 069 50 TV1	Mahogany			
	928 564 069 50 TS1	Marine blue			
	928 564 069 50 UD1	Caramel			
	928 564 069 50 UD2	Venetian blue			
(46)	928 564 069 50	Roofliner frame	91	1	M650
		Leather			
	928 564 069 50 8YR	Black			
	928 564 069 50 6XL	Classic grey			
	928 564 069 50 9YL	Cobalt blue			
	928 564 069 50 6YL	Magenta			
	928 564 069 50 M05	Matador red			
	928 564 069 50 D35	Carrara grey			
	928 564 069 50 J25	Sherwood green			
	928 564 069 50 H05	Marine blue			
47	999 591 377 02	Speed nut		3	
48	928 564 399 40	Sliding piece		3	
49	900 146 114 07	Combination screw		3	
		M 3,5 X 8			
50	928 564 259 02	Gasket		1	
51	928 564 261 02	Gasket		1	
52	928 555 301 60	Cover		1	
		Sunroof			
		Leatherette			
	928 555 301 60 70A	Black			
	928 555 301 60 3MX	Burgundy	-90		
	928 555 301 60 2KA	Greyish green	-88		
	928 555 301 60 5MA	Mahogany	-90		
	928 555 301 60 3KA	Marine blue	-90		
	928 555 301 60 6WG	Classic grey	91		
	928 555 301 60 6YU	Cobalt blue	91		
	928 555 301 60 6WW	Magenta	91		
(52)	928 555 301 61	Cover	-90	1	
		Sunroof			
		Leather			
	928 555 301 61 1AJ	Black			
	928 555 301 61 7LD	Burgundy			
	928 555 301 61 5JX	Greyish green			
	928 555 301 61 2LX	Mahogany			
	928 555 301 61 H05	Marine blue			
	928 555 301 61 4UC	Caramel			
	928 555 301 61 7KC	Venetian blue			
(52)	928 555 301 61	Cover	91	1	
		Sunroof			
		Leather			
	928 555 301 61 8YR	Black			
	928 555 301 61 H05	Marine blue			
	928 555 301 61 6XL	Classic grey			
	928 555 301 61 9YL	Cobalt blue			
	928 555 301 61 6YL	Magenta			
	928 555 301 61 M05	Matador red			
	928 555 301 61 D35	Carrara grey			
	928 555 301 61 J25	Sherwood green			

Model: 928 87

Model life 1987>>1991



Model: 928 87 Model life 1987>>1991

Pos	Part Number	Description	Remark	Qty	Model
1	928 522 065 60	Package box Rear	-90	1	
	928 522 065 60 KZ2	Black			
	928 522 065 60 LG7	Burgundy			
	928 522 065 60 QC2	Greyish green	-88		
	928 522 065 60 LG5	Champagne	-88		
	928 522 065 60 TV1	Mahogany			
	928 522 065 60 TS1	Marine blue			
	928 522 065 60 TW1	Linen			
	928 522 065 60 UD3	Plum red	-88		
	928 522 065 60 UD4	Silver-grey	-88		
	928 522 065 60 UD5	Caramel			
	928 522 065 60 UD6	Venetian blue			
	928 522 065 60 2WH	Cashmere beige			
	928 522 065 60 5VT	Silk grey			
	928 522 065 60 4MT	Velvet red			
	928 522 065 60 2WT	Slate grey			
(1)	928 522 065 62	Package box Rear	91	1	
	928 522 065 62 8YR	Black			
	928 522 065 62 6XL	Classic grey			
	928 522 065 62 9YL	Cobalt blue			
	928 522 065 62 6YL	Magenta			
	928 522 065 62 8ZL	Light grey			
	928 522 065 62 4YU	Cashmere beige			
	928 522 065 62 M05	Matador red			
	928 522 065 62 D35	Carrara grey			
	928 522 065 62 J25	Sherwood green			
1	928 522 065 10	Package box Leatherette	-90	1	
	928 522 065 10 05T	Black			
	928 522 065 10 3MX	Burgundy			
	928 522 065 10 4JX	Greyish green	-88		
	928 522 065 10 1MX	Mahogany			
	928 522 065 10 1KX	Marine blue			
	928 522 065 10 4WX	Linen			
	928 522 065 10 7RT	Cashmere beige			
(1)	928 522 065 10	Package box Rear	91	1	
	928 522 065 10 05T	Black			
	928 522 065 10 2WJ	Classic grey			
	928 522 065 10 9ZH	Cobalt blue			
	928 522 065 10 4WY	Magenta			
	928 522 065 10 1ZU	Light grey			
	928 522 065 10 7RT	Cashmere beige			
2	928 522 063 55	Package box Front part	-90	1	
	928 522 063 55 KZ2	Black			
	928 522 063 55 LG7	Burgundy			
	928 522 063 55 QC2	Greyish green	-88		
	928 522 063 55 LG5	Champagne	-88		
	928 522 063 55 TV1	Mahogany			
	928 522 063 55 TS1	Marine blue			
	928 522 063 55 TW1	Linen			
	928 522 063 55 UD3	Plum red	-88		
	928 522 063 55 UD4	Silver-grey	-88		
	928 522 063 55 UD5	Caramel			

Model: 928 87 Model life 1987>>1991

Pos	Part Number	Description	Remark	Qty	Model
	928 522 063 55 UD6	Venetian blue			
	928 522 063 55 2WH	Cashmere beige			
	928 522 063 55 5VT	Silk grey			
	928 522 063 55 4MT	Velvet red			
	928 522 063 55 2WT	Slate grey			
(2)	928 522 063 57	Package box	91	1	
		Front part			
		Leather			
	928 522 063 57 8YR	Black			
	928 522 063 57 6XL	Classic grey			
	928 522 063 57 9YL	Cobalt blue			
	928 522 063 57 6YL	Magenta			
	928 522 063 57 8ZL	Light grey			
	928 522 063 57 4YU	Cashmere beige			
	928 522 063 57 M05	Matador red			
	928 522 063 57 D35	Carrara grey			
	928 522 063 57 J25	Sherwood green			
(2)	928 522 063 07	Package box		1	
		Rear			
		Front part			
		Leatherette			
	928 522 063 07 4JX	Greyish green	-88		
	928 522 063 07 3MX	Burgundy	-90		
	928 522 063 07 1MX	Mahogany	-90		
	928 522 063 07 1KX	Marine blue	-90		
	928 522 063 07 4WX	Linen	-90		
	928 522 063 07 7RT	Cashmere beige	89-		
	928 522 063 07 05T	Black	87-		
	928 522 063 07 2WJ	Classic grey	91		
	928 522 063 07 9ZH	Cobalt blue	91		
	928 522 063 07 4WY	Magenta	91		
	928 522 063 07 1ZU	Light grey	91		
3	928 522 067 57	Package box	-90	1	
		Rear			
		Leather			
	928 522 067 57 KZ2	Black			
	928 522 067 57 LG7	Burgundy			
	928 522 067 57 QC2	Greyish green	-88		
	928 522 067 57 LG5	Champagne	-88		
	928 522 067 57 TV1	Mahogany			
	928 522 067 57 TS1	Marine blue			
	928 522 067 57 TW1	Linen			
	928 522 067 57 UD3	Plum red	-88		
	928 522 067 57 UD4	Silver-grey	-88		
	928 522 067 57 UD5	Caramel			
	928 522 067 57 UD6	Venetian blue			
	928 522 067 57 2WH	Cashmere beige			
	928 522 067 57 5VT	Silk grey			
	928 522 067 57 4MT	Velvet red			
	928 522 067 57 2WT	Slate grey			
(3)	928 522 067 59	Package box	91	1	
		Rear			
		Leather			
	928 522 067 59 8YR	Black			
	928 522 067 59 6XL	Classic grey			
	928 522 067 59 9YL	Cobalt blue			
	928 522 067 59 6YL	Magenta			
	928 522 067 59 8ZL	Light grey			
	928 522 067 59 4YU	Cashmere beige			
	928 522 067 59 M05	Matador red			
	928 522 067 59 D35	Carrara grey			
	928 522 067 59 J25	Sherwood green			
3	928 522 067 07	Package box		1	

Model: 928 87 Model life 1987>>1991

Pos	Part Number	Description	Remark	Qty	Model
		Rear			
		Leatherette			
	928 522 067 07 4JX	Greyish green	-88		
	928 522 067 07 3MX	Burgundy	-90		
	928 522 067 07 4WX	Linen	-90		
	928 522 067 07 1MX	Mahogany	-90		
	928 522 067 07 1KX	Marine blue	-90		
	928 522 067 07 05T	Black	87-		
	928 522 067 07 7RT	Cashmere beige	89-		
	928 522 067 07 2WJ	Classic grey	91		
	928 522 067 07 9ZH	Cobalt blue	91		
	928 522 067 07 4WY	Magenta	91		
	928 522 067 07 1ZU	Light grey	91		
4	928 522 279 02	Insert		1	
		Package box			
5	900 144 017 07	Tapping screw		6	
		B 2,9 X 13			
6	928 522 061 50	Lid	-90	1	
		Package box			
		Leather			
	928 522 061 50 KZ2	Black			
	928 522 061 50 LG7	Burgundy			
	928 522 061 50 QC2	Greyish green	-88		
	928 522 061 50 LG5	Champagne	-88		
	928 522 061 50 TV1	Mahogany			
	928 522 061 50 TS1	Marine blue			
	928 522 061 50 TW1	Linen			
	928 522 061 50 UD3	Plum red	-88		
	928 522 061 50 UD4	Silver-grey	-88		
	928 522 061 50 UD5	Caramel			
	928 522 061 50 UD6	Venetian blue			
	928 522 061 50 2WH	Cashmere beige			
	928 522 061 50 5VT	Silk grey			
	928 522 061 50 4MT	Velvet red			
	928 522 061 50 2WT	Slate grey			
(6)	928 522 061 51	Lid	91	1	
		Package box			
		Leather			
	928 522 061 51 8YR	Black			
	928 522 061 51 6XL	Classic grey			
	928 522 061 51 9YL	Cobalt blue			
	928 522 061 51 6YL	Magenta			
	928 522 061 51 8ZL	Light grey			
	928 522 061 51 4YU	Cashmere beige			
	928 522 061 51 M05	Matador red			
	928 522 061 51 D35	Carrara grey			
	928 522 061 51 J25	Sherwood green			
6	928 522 061 02	Lid		1	
		Package box			
		Leatherette			
	928 522 061 02 4WX	Linen	-90		
	928 522 061 02 3MX	Burgundy	-90		
	928 522 061 02 4JX	Greyish green	-88		
	928 522 061 02 1MX	Mahogany	-90		
	928 522 061 02 1KX	Marine blue	-90		
	928 522 061 02 05T	Black			
	928 522 061 02 7RT	Cashmere beige	89-		
	928 522 061 02 2WJ	Classic grey	91		
	928 522 061 02 9ZH	Cobalt blue	91		
	928 522 061 02 4WY	Magenta	91		
	928 522 061 02 1ZU	Light grey	91		
7	928 522 015 02	Push-button lock with 1 key		1	

Model: 928 87 Model life 1987>>1991

Pos	Part Number	Description	Remark	Qty	Model
8	928 522 069 02	Catch		1	
9	928 522 269 02	Cover strip for Lid		1	
10	900 143 066 07	Screw 7 X 7		3	
(10)	999 141 010 07	Countersunk-head screw 7 X 7		14	
11	900 309 010 00	Roll pin 3 X 32		2	
12	N 014 139 11	Oval-head screw M 6 X 12		4	
12	N 014 139 1B	Oval-head screw M 6 X 12		4	
13	900 089 005 02	Washer 6		4	
14	N 012 226 5	Spring washer A 6		4	
15	928 522 063 08	Package box for Auxiliary air conditioner Rear Leatherette		1	M570
	928 522 063 08 4WX	Linen	-90		
	928 522 063 08 3MX	Burgundy	-90		
	928 522 063 08 4JX	Greyish green	-88		
	928 522 063 08 1MX	Mahogany	-90		
	928 522 063 08 1KX	Marine blue	-90		
	928 522 063 08 05T	Black			
	928 522 063 08 7RT	Cashmere beige	89-		
	928 522 063 08 2WJ	Classic grey	91		
	928 522 063 08 9ZH	Cobalt blue	91		
	928 522 063 08 4WY	Magenta	91		
	928 522 063 08 1ZU	Light grey	91		
(15)	928 522 063 56	Package box for Auxiliary air conditioner Rear Leather	-90	1	M570
	928 522 063 56 KZ2	Black			
	928 522 063 56 LG7	Burgundy			
	928 522 063 56 QC2	Greyish green	-88		
	928 522 063 56 LG5	Champagne	-88		
	928 522 063 56 TV1	Mahogany			
	928 522 063 56 TS1	Marine blue			
	928 522 063 56 TW1	Linen			
	928 522 063 56 UD3	Plum red	-88		
	928 522 063 56 UD4	Silver-grey	-88		
	928 522 063 56 UD5	Caramel			
	928 522 063 56 UD6	Venetian blue			
	928 522 063 56 2WH	Cashmere beige			
	928 522 063 56 5VT	Silk grey			
	928 522 063 56 4MT	Velvet red			
	928 522 063 56 2WT	Slate grey			
(15)	928 522 063 58	Front part for Auxiliary air conditioner Rear Leather	91	1	M570
	928 522 063 58 8YR	Black			
	928 522 063 58 6XL	Classic grey			
	928 522 063 58 9YL	Cobalt blue			
	928 522 063 58 6YL	Magenta			

Model: 928 87 Model life 1987>>1991

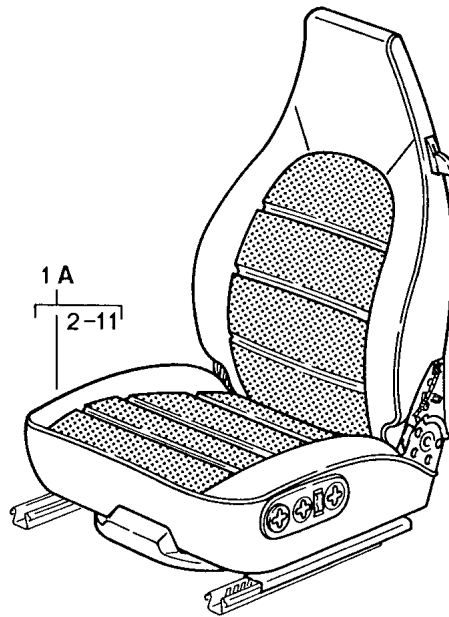
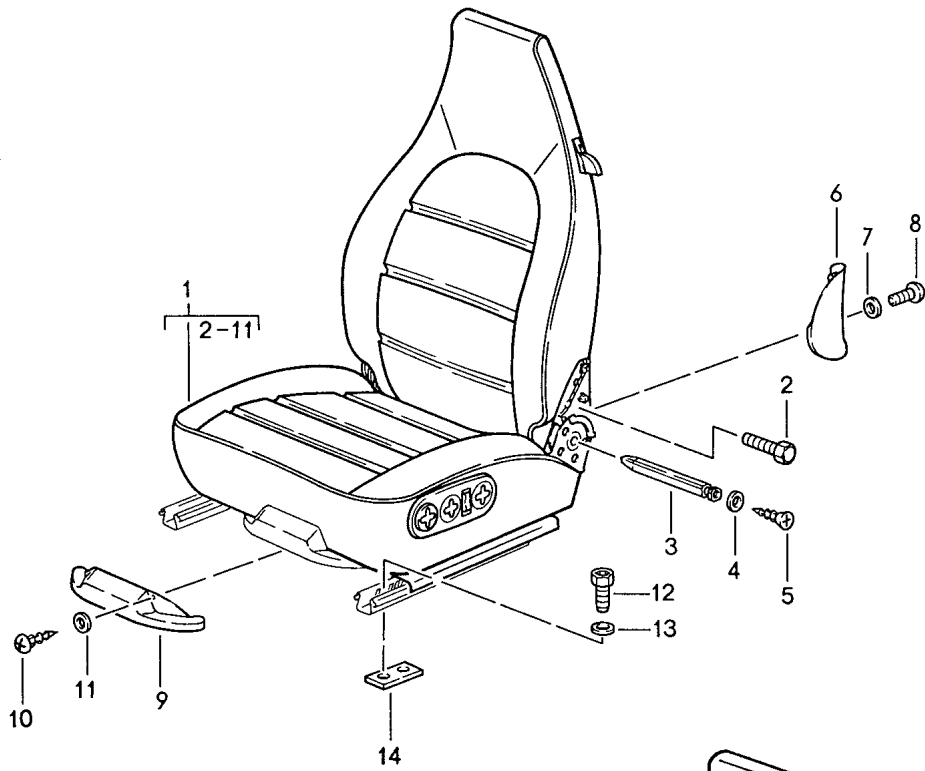
Pos	Part Number	Description	Remark	Qty	Model	
16	928 522 063 58 8ZL	Light grey		1	M570	
	928 522 063 58 4YU	Cashmere beige				
	928 522 063 58 M05	Matador red				
	928 522 063 58 D35	Carrara grey				
	928 522 063 58 J25	Sherwood green				
	928 522 067 08	Package box				
		Rear				
		Leatherette				
	928 522 067 08 4WX	Linen	-90			
	928 522 067 08 3MX	Burgundy	-90			
	928 522 067 08 4JX	Greyish green	-88			
	928 522 067 08 1MX	Mahogany	-90			
	928 522 067 08 1KX	Marine blue	-90			
	928 522 067 08 05T	Black	87-			
	928 522 067 08 7RT	Cashmere beige	89-			
	928 522 067 08 2WJ	Classic grey	91			
928 522 067 08 9ZH	Cobalt blue	91				
928 522 067 08 4WY	Magenta	91				
928 522 067 08 1ZU	Light grey	91				
(16) 928 522 067 58	Package box	-90	1	M570		
	Rear					
	Leather					
928 522 067 58 KZ2	Black					
928 522 067 58 LG7	Burgundy					
928 522 067 58 QC2	Greyish green	-88				
928 522 067 58 LG5	Champagne	-88				
928 522 067 58 TV1	Mahogany					
928 522 067 58 TS1	Marine blue					
928 522 067 58 TW1	Linen					
928 522 067 58 UD3	Plum red	-88				
928 522 067 58 UD4	Silver-grey	-88				
928 522 067 58 UD5	Caramel					
928 522 067 58 UD6	Venetian blue					
928 522 067 58 2WH	Cashmere beige					
928 522 067 58 5VT	Silk grey					
928 522 067 58 4MT	Velvet red					
928 522 067 58 2WT	Slate grey					
(16) 928 522 067 60	Package box	91	1	M570		
	Rear					
	Leather					
928 522 067 60 8YR	Black					
928 522 067 60 6XL	Classic grey					
928 522 067 60 9YL	Cobalt blue					
928 522 067 60 6YL	Magenta					
928 522 067 60 8ZL	Light grey					
928 522 067 60 4YU	Cashmere beige					
928 522 067 60 M05	Matador red					
928 522 067 60 D35	Carrara grey					
928 522 067 60 J25	Sherwood green					
17 928 570 031 00	Cover				1	M570
	Auxiliary air conditioner					
	Rear					
	Leatherette					
928 570 031 00 4WX	Linen	-90				
928 570 031 00 1MA	Burgundy	-90				
928 570 031 00 1JL	Greyish green	-88				
928 570 031 00 5MA	Mahogany	-90				
928 570 031 00 3KA	Marine blue	-90				
928 570 031 00 5CT	Black	87-				
928 570 031 00 7RT	Cashmere beige	89-				
928 570 031 00 2WJ	Classic grey	91				
928 570 031 00 9ZH	Cobalt blue	91				
928 570 031 00 4WY	Magenta	91				

Model: 928 87 Model life 1987>>1991

Pos	Part Number	Description	Remark	Qty	Model
(17)	928 570 031 00 1ZU 928 570 031 50	Light grey Cover for Auxiliary air conditioner Rear Leather	91 -90	1	M570
	928 570 031 50 KZ2	Black			
	928 570 031 50 LG7	Burgundy			
	928 570 031 50 QC2	Greyish green	-88		
	928 570 031 50 LG5	Champagne	-88		
	928 570 031 50 TV1	Mahogany			
	928 570 031 50 TS1	Marine blue			
	928 570 031 50 TW1	Linen			
	928 570 031 50 UD3	Plum red	-88		
	928 570 031 50 UD4	Silver-grey	-88		
	928 570 031 50 UD5	Caramel			
	928 570 031 50 UD6	Venetian blue			
	928 570 031 50 2WH	Cashmere beige			
	928 570 031 50 5VT	Silk grey			
	928 570 031 50 4MT	Velvet red			
	928 570 031 50 2WT	Slate grey			
(17)	928 570 031 51	Cover for Auxiliary air conditioner Rear Leather	91	1	M570
	928 570 031 51 8YR	Black			
	928 570 031 51 6XL	Classic grey			
	928 570 031 51 9YL	Cobalt blue			
	928 570 031 51 6YL	Magenta			
	928 570 031 51 8ZL	Light grey			
	928 570 031 51 4YU	Cashmere beige			
	928 570 031 51 M05	Matador red			
	928 570 031 51 D35	Carrara grey			
	928 570 031 51 J25	Sherwood green			
18	928 570 293 01	Gasket	-90	1	M570
(18)		Gasket	91	1	M570
19	928 570 033 00	Nozzle		1	M570
20	928 570 053 00	Grille		1	M570
	928 570 053 00 1DB	Black			
21	900 145 097 07	Tapping screw B 3,5 X 16		2	M570
22	999 591 716 02	Tapping nut 3,0		4	M570

Model: 928 87

Model life 1987>>1991



Model: 928 87

Model life 1987>>1991

Pos	Part Number	Description	Remark	Qty	Model
-	PCG 043 204 90 PCG 043 204 90 2CZ	Seat Complete Group 8/08/00 - 8/08/50 See group 8/08/00 - 8/08/95 Catalogue STZ.18 Cloth PORSCHE logo Black Pieces 2000 MM X 1500 MM		1	
-	TPC 000 000 00 TPC 000 000 00 6WC	Cloth by the running meter PORSCHE logo Classic grey Running meter		1	

Model: 928 87

Model life 1987>>1991



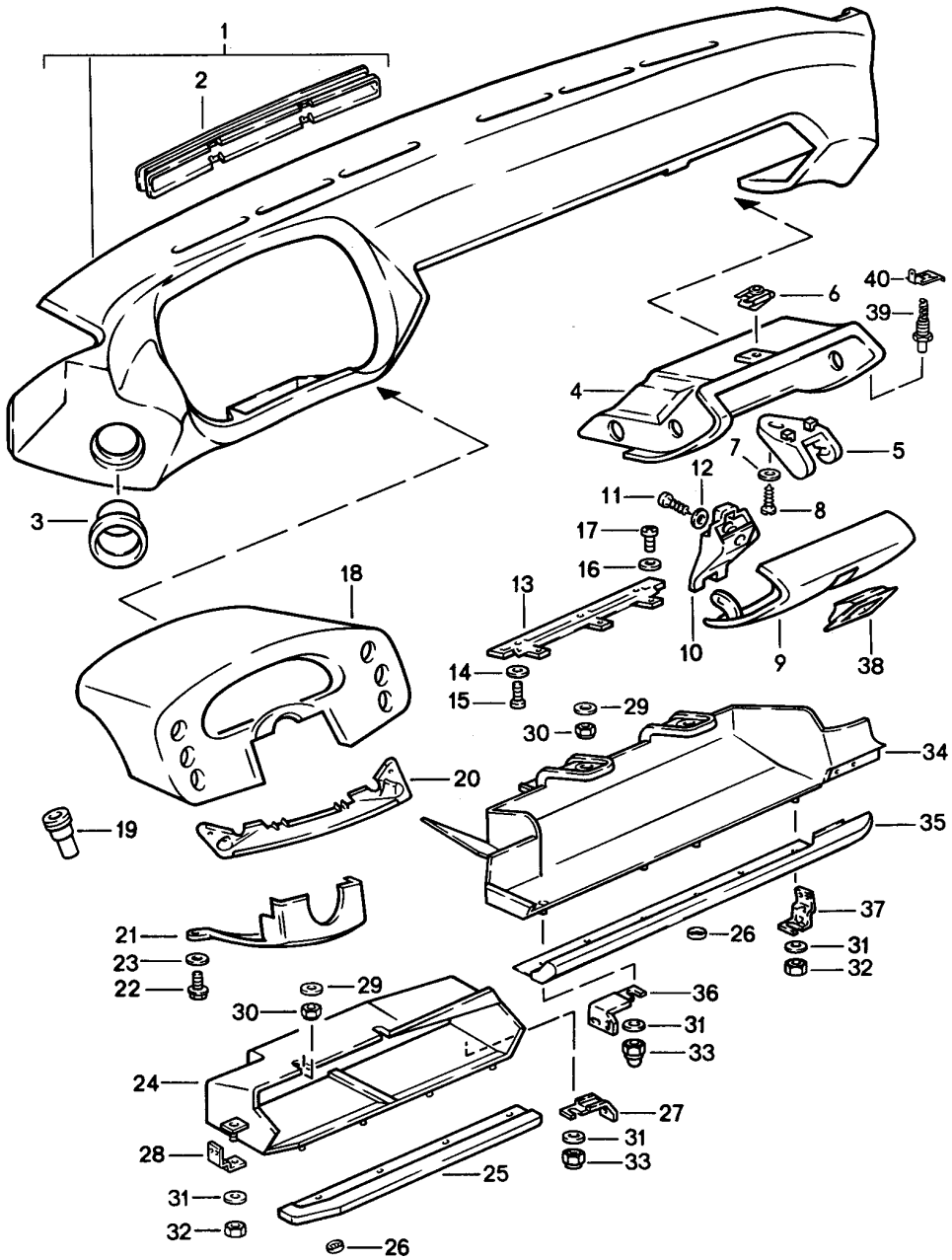
Model: 928 87

Model life 1987>>1991

Pos	Part Number	Description	Remark	Qty	Model
-	PCG 043 204 90 PCG 043 204 90 2CZ	Cloth Pieces Cloth PORSCHE logo Black Pieces 2000 MM X 1500 MM		1	
-	TPC 000 000 00 TPC 000 000 00 6WC	Cloth by the running meter PORSCHE logo Classic grey Running meter		1	

Model: 928 87

Model life 1987>>1991



Model: 928 87 Model life 1987>>1991

Pos	Part Number	Description	Remark	Qty	Model
1	928 552 023 04	Dashboard trim	-89	1	
		Dashboard trim	/LL		
		Leatherette			
	928 552 023 04 05T	Black			
	928 552 023 04 3MX	Burgundy			
	928 552 023 04 4JX	Greyish green			
	928 552 023 04 1MX	Mahogany			
	928 552 023 04 1KX	Marine blue			
1	927 552 023 04	Dashboard trim	/RL	1	
		Leatherette			
	927 552 023 04 05T	Black			
	927 552 023 04 3MX	Burgundy			
	927 552 023 04 4JX	Greyish green			
	927 552 023 04 1MX	Mahogany			
	927 552 023 04 1KX	Marine blue			
1	928 552 021 52	Dashboard trim	/LL	1	
		Leather			
	928 552 021 52 KZ2	Black			
	928 552 021 52 LG7	Burgundy			
	928 552 021 52 NY3	Greyish green			
	928 552 021 52 TV1	Mahogany			
	928 552 021 52 TS1	Marine blue			
	928 552 021 52 UD5	Caramel			
	928 552 021 52 UD6	Venetian blue			
	928 552 021 52 4MT	Velvet red			
	928 552 021 52 2WT	Slate grey			
1	927 552 021 52	Dashboard trim	/RL	1	
		Leather			
	927 552 021 52 KZ2	Black			
	927 552 021 52 LG7	Burgundy			
	927 552 021 52 NY3	Greyish green			
	927 552 021 52 TV1	Mahogany			
	927 552 021 52 TS1	Marine blue			
	927 552 021 52 UD5	Caramel			
	927 552 021 52 UD6	Venetian blue			
	927 552 021 52 4MT	Velvet red			
	927 552 021 52 2WT	Slate grey			
2	928 552 309 50	Defroster trim	/L	1	
	928 552 309 50 70B	Black			
(2)	928 552 310 50	Defroster trim	/R	1	
	928 552 310 50 70B	Black			
2	928 552 309 50	Defroster trim	/L	1	
		for			
		928.552.021.52	/LL		
		927.552.021.52	/RL		
		Leather			
(2)	928 552 310 50	Defroster trim	/R	1	
		for			
		928.552.021.52	/LL		
		927.552.021.52	/RL		
		Leather			
3	928 552 057 03	Cover		2	
		Air guide			
4	928 552 051 05	Glove compartment	/LL	1	
	928 552 051 05 71B	Black			
(4)	927 552 051 05	Glove compartment	/RL	1	
	927 552 051 05 71B	Black			
5	928 552 253 03	Closing element		1	
6	999 507 029 02	Speed nut		2	
7	900 151 002 07	Washer		2	
		A 5,3			
8	900 143 019 07	Oval-head sheetmetal screw		2	
		B 4,8 X 22			

Model: 928 87 Model life 1987>>1991

Pos	Part Number	Description	Remark	Qty	Model
9	928 552 053 04	Glove compartment cover Leatherette	/LL	1	
	928 552 053 04 CA1	Black			
	928 552 053 04 JQ5	Burgundy			
	928 552 053 04 NY1	Greyish green	-88		
	928 552 053 04 TV4	Mahogany			
	928 552 053 04 TS4	Marine blue			
(9)	927 552 053 04	Glove compartment cover Leatherette	/RL	1	
	927 552 053 04 CA1	Black			
	927 552 053 04 JQ5	Burgundy			
	927 552 053 04 NY1	Greyish green	-88		
	927 552 053 04 TV4	Mahogany			
	927 552 053 04 TS4	Marine blue			
(9)	928 552 059 52	Glove compartment cover Leather	/LL	1	
	928 552 059 52 LA1	Black			
	928 552 059 52 LL6	Burgundy			
	928 552 059 52 NY3	Greyish green	-88		
	928 552 059 52 TT9	Mahogany			
	928 552 059 52 TT8	Marine blue			
	928 552 059 52 UD5	Caramel			
	928 552 059 52 UD6	Venetian blue			
	928 552 059 52 SM1	Velvet red	89		
	928 552 059 52 SM2	Slate grey	89		
(9)	927 552 059 52	Glove compartment cover Leather	/RL	1	
	927 552 059 52 LA1	Black			
	927 552 059 52 LL6	Burgundy			
	927 552 059 52 NY3	Greyish green	-88		
	927 552 059 52 TT9	Mahogany			
	927 552 059 52 TT8	Marine blue			
	927 552 059 52 UD5	Caramel			
	927 552 059 52 UD6	Venetian blue			
	927 552 059 52 SM1	Velvet red	89		
	927 552 059 52 SM2	Slate grey	89		
10	928 552 903 02	Catch with lock cylinder with stipulated lock number State lock number		1	
11	900 143 113 07	Oval-head screw B 4,2 X 13		2	
11	900 143 113 0G	Oval-head screw B 4,2 X 13		2	
12	N 011 523 11	Washer A 5,3		2	
13	928 552 055 03	Hinge		1	
14	900 151 002 07	Washer A 5,3		3	
15	N 014 133 8	Oval-head screw M 5 X 12		3	
15	N 014 133 I	Oval-head screw M 5 X 12		3	
16	N 011 523 11	Washer A 5,3		3	
17	N 014 128 13	Oval-head screw M 5 X 8		3	
18	928 552 031 03	Instrument box		1	
	928 552 031 03 05T	Black			
	928 552 031 03 3MX	Burgundy			
	928 552 031 03 4JX	Greyish green	-88		
	928 552 031 03 1MX	Mahogany			
	928 552 031 03 1KX	Marine blue			

Model: 928 87 Model life 1987>>1991

Pos	Part Number	Description	Remark	Qty	Model
19	928 552 049 02	Spacer sleeve		4	
20	928 552 321 02	Cover		1	
21	928 552 135 03	Cover	-88	1	
	928 552 135 03 01C	Black			
	928 552 135 03 9MM	Burgundy			
	928 552 135 03 1DJ	Greyish green			
	928 552 135 03 4MJ	Mahogany			
	928 552 135 03 9JJ	Marine blue			
(21)	928 552 135 04	Cover	89	1	
	928 552 135 04 9MM	Burgundy			
	928 552 135 04 4MJ	Mahogany			
	928 552 135 04 01C	Black			
	928 552 135 04 9JJ	Marine blue			
(21)	928 552 135 05	Cover	89	1	M454
	928 552 135 05 9MM	Burgundy			
	928 552 135 05 4MJ	Mahogany			
	928 552 135 05 01C	Black			
	928 552 135 05 9JJ	Marine blue			
22	211 829 155	Hexagon-head bolt M 8		2	
23	900 025 007 02	Washer 8,4		2	
23	900 025 007 03	Washer 8,4		2	
24	928 552 117 02	Shelf Driver's side	/LL	1	
	928 552 117 02 71B	Black			
(24)	927 552 118 02	Shelf Driver's side	/RL	1	AUT.
	927 552 118 02 71B	Black			
(24)	927 552 118 03	Shelf Driver's side	/RL	1	
	927 552 118 03 71B	Black			
25	928 552 127 02	Edge protection Shelf Leatherette	/LL	1	
	928 552 127 02 05T	Black			
	928 552 127 02 3MX	Burgundy			
	928 552 127 02 4JX	Greyish green	-88		
	928 552 127 02 1MX	Mahogany			
	928 552 127 02 1KX	Marine blue			
(25)	927 552 128 02	Edge protection Shelf Leatherette	/RL	1	
	927 552 128 02 05T	Black			
	927 552 128 02 3MX	Burgundy			
	927 552 128 02 4JX	Greyish green	-88		
	927 552 128 02 1MX	Mahogany			
	927 552 128 02 1KX	Marine blue			
25	928 552 127 50	Edge protection Shelf Leather	/LL	1	
	928 552 127 50 KZ2	Black			
	928 552 127 50 LG7	Burgundy			
	928 552 127 50 NY3	Greyish green	-88		
	928 552 127 50 TV1	Mahogany			
	928 552 127 50 TS1	Marine blue			
	928 552 127 50 UD5	Caramel			
	928 552 127 50 UD6	Venetian blue			
	928 552 127 50 4MT	Velvet red	89		
	928 552 127 50 2WT	Slate grey	89		
(25)	927 552 128 50	Edge protection Shelf	/RL	1	

Model: 928 87 Model life 1987>>1991

Pos	Part Number	Description	Remark	Qty	Model
		Leather			
	927 552 128 50 KZ2	Black			
	927 552 128 50 LG7	Burgundy			
	927 552 128 50 NY3	Greyish green	-88		
	927 552 128 50 TV1	Mahogany			
	927 552 128 50 TS1	Marine blue			
	927 552 128 50 UD5	Caramel			
	927 552 128 50 UD6	Venetian blue			
	927 552 128 50 4MT	Velvet red	89		
	927 552 128 50 2WT	Slate grey	89		
26	999 507 251 02	Mecano-speed-fix \$ 5 MM		7	
(27)	927 552 381 02	Bracket	/R	1	
(28)	928 552 395 02	Bracket	/L	1	
29	N 011 524 7	Washer A 6,4		2	
29	N 011 524 27	Washer A 6,4		2	
30	900 085 003 02	Cap nut M 6		2	
31	900 151 027 02	Washer A 5,3		2	
31	900 151 027 03	Washer A 5,3		2	
32	N 011 005 14	Hexagon nut M 5		1	
32	900 076 091 01	Hexagon nut M 5		1	
33	N 011 141 2	Cap nut M 5		1	
34	928 552 077 02	Shelf	/LL	1	
	928 552 077 02 71B	Black			
(34)	927 552 077 02	Shelf	/RL	1	
	927 552 077 02 71B	Black			
35	928 552 079 02	Edge protection Shelf Leatherette	/LL	1	
	928 552 079 02 05T	Black			
	928 552 079 02 3MX	Burgundy			
	928 552 079 02 4JX	Greyish green	-88		
	928 552 079 02 1MX	Mahogany			
	928 552 079 02 1KX	Marine blue			
(35)	927 552 079 02	Edge protection Shelf Leatherette	/RL	1	
	927 552 079 02 05T	Black			
	927 552 079 02 3MX	Burgundy			
	927 552 079 02 4JX	Greyish green	-88		
	927 552 079 02 1MX	Mahogany			
	927 552 079 02 1KX	Marine blue			
(35)	928 552 097 50	Edge protection Shelf Leather	/LL	1	
	928 552 097 50 KZ2	Black			
	928 552 097 50 LG7	Burgundy			
	928 552 097 50 NY3	Greyish green	-88		
	928 552 097 50 TV1	Mahogany			
	928 552 097 50 TS1	Marine blue			
	928 552 097 50 UD5	Caramel			
	928 552 097 50 UD6	Venetian blue			
	928 552 097 50 4MT	Velvet red	89		
	928 552 097 50 2WT	Slate grey	89		
(35)	927 552 097 50	Edge protection	/RL	1	

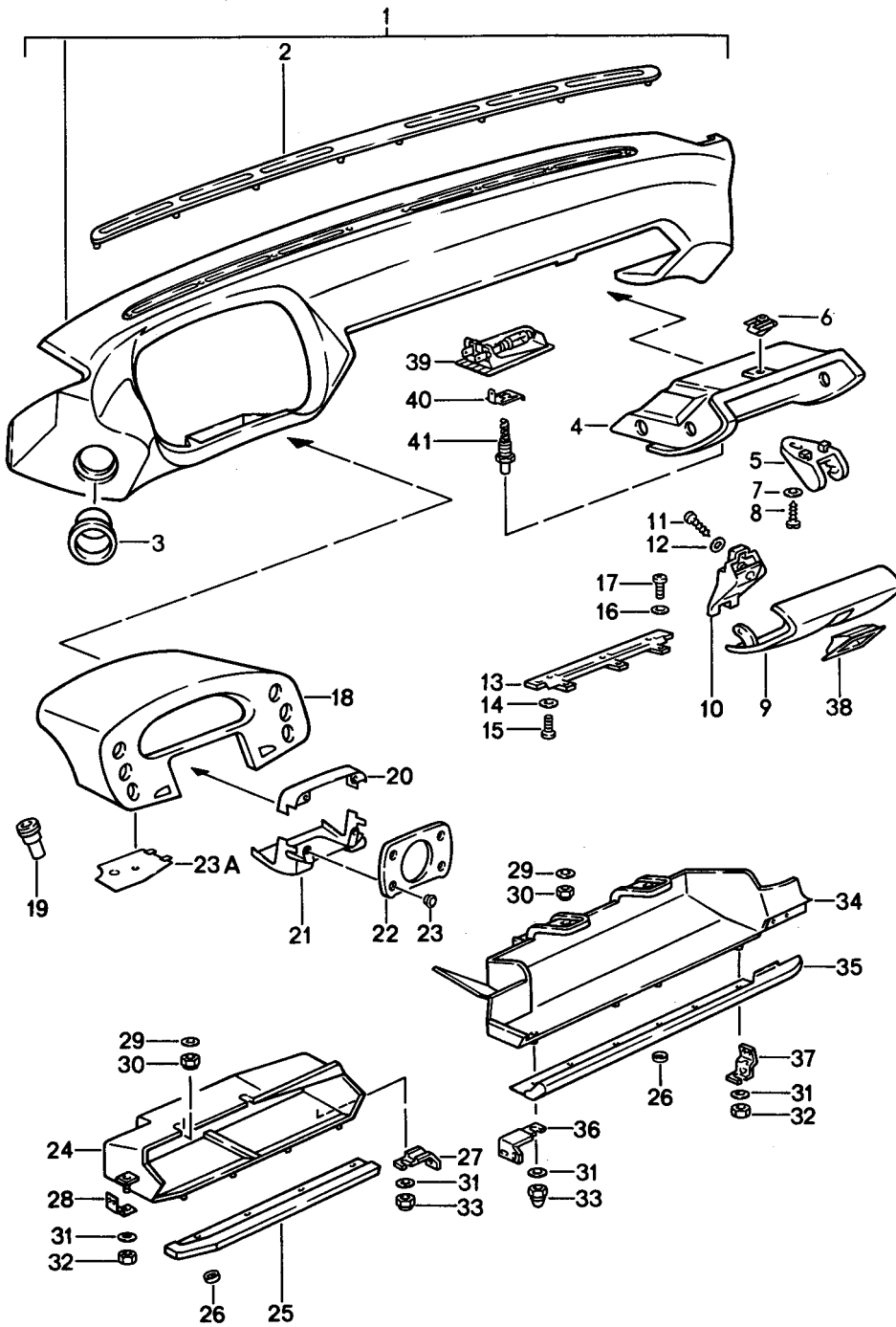
Model: 928 87

Model life 1987>>1991

Pos	Part Number	Description	Remark	Qty	Model
		Shelf			
		Leather			
	927 552 097 50 KZ2	Black			
	927 552 097 50 LG7	Burgundy			
	927 552 097 50 NY3	Greyish green	-88		
	927 552 097 50 TV1	Mahogany			
	927 552 097 50 TS1	Marine blue			
	927 552 097 50 UD5	Caramel			
	927 552 097 50 UD6	Venetian blue			
	927 552 097 50 4MT	Velvet red	89		
	927 552 097 50 2WT	Slate grey	89		
(36)	928 552 382 02	Bracket	/L	1	
(37)	928 552 395 02	Bracket	/R	1	
38	928 552 315 50	Rosette for Lid		1	M981
39	964 613 601 00	Door contact switch		1	
40	999 507 245 02	Speed nut		1	

Model: 928 87

Model life 1987>>1991



Model: 928 87 Model life 1987>>1991

Pos	Part Number	Description	Remark	Qty	Model
1	928 552 023 06	Dashbord trim	90-	1	
		Dashbord trim	/LL		
		Leatherette			
	928 552 023 06 05T	Black			
	928 552 023 06 3MX	Burgundy	90		
	928 552 023 06 1MX	Mahogany	90		
	928 552 023 06 1KX	Marine blue	90		
	928 552 023 06 9WH	Classic grey	91		
	928 552 023 06 7YG	Cobalt blue	91		
	928 552 023 06 9YF	Magenta	91		
(1)	927 552 023 06	Dashbord trim	/RL		
		Leatherette			
	927 552 023 06 05T	Black			
	927 552 023 06 3MX	Burgundy	90		
	927 552 023 06 1MX	Mahogany	90		
	927 552 023 06 1KX	Marine blue	90		
	927 552 023 06 9WH	Classic grey	91		
	927 552 023 06 7YG	Cobalt blue	91		
	927 552 023 06 9YF	Magenta	91		
1	928 552 021 54	Dashbord trim	/LL	1	
		Leather			
	928 552 021 54 KZ2	Black	90		
	928 552 021 54 LG7	Burgundy	90		
	928 552 021 54 TV1	Mahogany	90		
	928 552 021 54 TS1	Marine blue	90		
	928 552 021 54 UD5	Caramel	90		
	928 552 021 54 UD6	Venetian blue	90		
	928 552 021 54 4MT	Velvet red	90		
	928 552 021 54 2WT	Slate grey	90		
	928 552 021 54 8YR	Black	91		
	928 552 021 54 6XL	Classic grey	91		
	928 552 021 54 9YL	Cobalt blue	91		
	928 552 021 54 6YL	Magenta	91		
	928 552 021 54 M05	Matador red	91		
	928 552 021 54 D35	Carrara grey	91		
	928 552 021 54 J25	Sherwood green	91		
(1)	927 552 021 54	Dashbord trim	/RL		
		Leather			
	927 552 021 54 KZ2	Black	90		
	927 552 021 54 LG7	Burgundy	90		
	927 552 021 54 TV1	Mahogany	90		
	927 552 021 54 TS1	Marine blue	90		
	927 552 021 54 UD5	Caramel	90		
	927 552 021 54 UD6	Venetian blue	90		
	927 552 021 54 4MT	Velvet red	90		
	927 552 021 54 2WT	Slate grey	90		
	927 552 021 54 8YR	Black	91		
	927 552 021 54 6XL	Classic grey	91		
	927 552 021 54 9YL	Cobalt blue	91		
	927 552 021 54 6YL	Magenta	91		
	927 552 021 54 M05	Matador red	91		
	927 552 021 54 D35	Carrara grey	91		
	927 552 021 54 J25	Sherwood green	91		
2	928 552 309 51	Defroster trim		1	
	928 552 309 51 5XJ	Black			
	928 552 309 51 7UJ	Mahogany	90		
	928 552 309 51 8KM	Marine blue	90		
	928 552 309 51 9MJ	Burgundy	90		
	928 552 309 51 5XL	Classic grey	91		
	928 552 309 51 6ZH	Cobalt blue	91		
	928 552 309 51 5XW	Magenta	91		
-	900 336 001 02	Washer			
		4			

Model: 928 87 Model life 1987>>1991

Pos	Part Number	Description	Remark	Qty	Model
-	999 919 100 02	Screw 4,0 X 10		8	
3	928 552 057 03	Cover		1	
	928 552 057 03 70B	Black			
4	928 552 051 05	Glove compartment	/LL	1	
	928 552 051 05 71B	Black			
(4)	927 552 051 05	Glove compartment	/RL	1	
	927 552 051 05 71B	Black			
5	928 552 253 03	Closing element		1	
	928 552 253 03 70B	Black			
6	999 507 029 02	Speed nut		2	
7	900 151 002 07	Washer		2	
8	900 143 019 07	Oval-head sheetmetal screw B 4,8 X 22		2	
9	928 552 053 04	Glove compartment cover	/LL	1	
		Leatherette			
	928 552 053 04 CA1	Black			
	928 552 053 04 JQ5	Burgundy	90		
	928 552 053 04 TV4	Mahogany	90		
	928 552 053 04 TS4	Marine blue	90		
	928 552 053 04 9WH	Classic grey	91		
	928 552 053 04 7YG	Cobalt blue	91		
	928 552 053 04 9YF	Magenta	91		
(9)	927 552 053 04	Glove compartment cover	/RL	1	
		Leatherette			
	927 552 053 04 CA1	Black			
	927 552 053 04 JQ5	Burgundy	90		
	927 552 053 04 TV4	Mahogany	90		
	927 552 053 04 TS4	Marine blue	90		
	927 552 053 04 9WH	Classic grey	91		
	927 552 053 04 7YG	Cobalt blue	91		
	927 552 053 04 9YF	Magenta	91		
9	928 552 059 52	Glove compartment cover	/LL 90	1	
		Leather			
	928 552 059 52 LA1	Black	90		
	928 552 059 52 LL6	Burgundy			
	928 552 059 52 TT9	Mahogany			
	928 552 059 52 TT8	Marine blue			
	928 552 059 52 UD5	Caramel			
	928 552 059 52 UD6	Venetian blue			
	928 552 059 52 SM1	Velvet red			
	928 552 059 52 SM2	Slate grey			
(9)	927 552 059 52	Glove compartment cover	/RL 90	1	
		Leather			
	927 552 059 52 LA1	Black	90		
	927 552 059 52 LL6	Burgundy			
	927 552 059 52 TT9	Mahogany			
	927 552 059 52 TT8	Marine blue			
	927 552 059 52 UD5	Caramel			
	927 552 059 52 UD6	Venetian blue			
	927 552 059 52 SM1	Velvet red			
	927 552 059 52 SM2	Slate grey			
9	928 552 059 54	Glove compartment cover	/LL 91	1	
		Leather			
	928 552 059 54 8YR	Black			
	928 552 059 54 6XL	Classic grey			
	928 552 059 54 9YL	Cobalt blue			
	928 552 059 54 6YL	Magenta			
	928 552 059 54 M05	Matador red			
	928 552 059 54 D35	Carrara grey			
	928 552 059 54 J25	Sherwood green			
(9)	927 552 059 54	Glove compartment cover	/RL 91	1	
		Leather			

Model: 928 87 Model life 1987>>1991

Pos	Part Number	Description	Remark	Qty	Model
	927 552 059 54 8YR	Black			
	927 552 059 54 6XL	Classic grey			
	927 552 059 54 9YL	Cobalt blue			
	927 552 059 54 6YL	Magenta			
	927 552 059 54 M05	Matador red			
	927 552 059 54 D35	Carrara grey			
	927 552 059 54 J25	Sherwood green			
10	928 552 903 02	Catch with lock cylinder with stipulated lock number State lock number		1	
11	900 143 113 07	Oval-head screw B 4,2 X 13		2	
11	900 143 113 0G	Oval-head screw B 4,2 X 13		2	
12	N 011 523 11	Washer A 5,0		2	
13	928 552 055 03	Hinge		1	
14	900 151 002 07	Washer A 5,3		3	
15	N 014 133 8	Oval-head screw M 5 X 12		3	
15	N 014 133 I	Oval-head screw M 5 X 12		3	
16	N 011 523 11	Washer A 5,3		3	
17	N 014 128 13	Oval-head screw M 5 X 8		3	
18	928 552 031 04	Instrument box		1	
	928 552 031 04 05T	Black			
	928 552 031 04 3MX	Burgundy	90		
	928 552 031 04 1MX	Mahogany	90		
	928 552 031 04 1KX	Marine blue			
	928 552 031 04 9WH	Classic grey	91		
	928 552 031 04 7YG	Cobalt blue	91		
	928 552 031 04 9YF	Magenta	91		
19	928 552 049 02	Spacer sleeve		4	
20	928 552 569 02	Cover		1	
	928 552 569 02 9MM	Burgundy	90		
	928 552 569 02 4MJ	Mahogany	90		
	928 552 569 02 9JJ	Marine blue			
	928 552 569 02 01C	Black			
	928 552 569 02 4XC	Classic grey	91		
	928 552 569 02 6ZF	Cobalt blue	91		
	928 552 569 02 6WX	Magenta	91		
21	928 552 579 02	Cover		1	
	928 552 579 02 9MM	Burgundy	90		
	928 552 579 02 4MJ	Mahogany	90		
	928 552 579 02 9JJ	Marine blue			
	928 552 579 02 01C	Black			
	928 552 579 02 4XC	Classic grey	91		
	928 552 579 02 6ZF	Cobalt blue	91		
	928 552 579 02 6WX	Magenta	91		
22	928 552 567 02	Cover		1	
	928 552 567 02 9MM	Burgundy	90		
	928 552 567 02 4MJ	Mahogany	90		
	928 552 567 02 9JJ	Marine blue			
	928 552 567 02 01C	Black			
	928 552 567 02 4XC	Classic grey	91		
	928 552 567 02 6ZF	Cobalt blue	91		
	928 552 567 02 6WX	Magenta	91		
23	928 552 767 00	Cap		4	
	928 552 767 00 9MM	Burgundy	90		

Model: 928 87 Model life 1987>>1991

Pos	Part Number	Description	Remark	Qty	Model
	928 552 767 00 4MJ	Mahogany	90		
	928 552 767 00 9JJ	Marine blue			
	928 552 767 00 01C	Black			
	928 552 767 00 4XC	Classic grey	91		
	928 552 767 00 6ZF	Cobalt blue	91		
	928 552 767 00 6WX	Magenta	91		
(23A)	928 552 521 00	Cover	/L	1	
	928 552 521 00 9MM	Burgundy	90		
	928 552 521 00 4MJ	Mahogany	90		
	928 552 521 00 9JJ	Marine blue			
	928 552 521 00 01C	Satin black			
	928 552 521 00 4XC	Classic grey	91		
	928 552 521 00 6ZF	Cobalt blue	91		
	928 552 521 00 6WX	Magenta	91		
(23A)	928 552 522 00	Cover	/R	1	
	928 552 522 00 9MM	Burgundy	90		
	928 552 522 00 4MJ	Mahogany	90		
	928 552 522 00 9JJ	Marine blue			
	928 552 522 00 01C	Satin black			
	928 552 522 00 4XC	Classic grey	91		
	928 552 522 00 6ZF	Cobalt blue	91		
	928 552 522 00 6WX	Magenta	91		
24	928 552 117 02	Shelf	/LL	1	
	928 552 117 02 71B	Black			
(24)	927 552 118 02	Shelf	/RL	1	M249
(24)	927 552 118 03	Shelf	/RL	1	
		Driver's side			
25	928 552 127 02	Edge protection	/LL	1	
		Shelf			
		Leatherette			
	928 552 127 02 05T	Black			
	928 552 127 02 3MX	Burgundy	90		
	928 552 127 02 1MX	Mahogany	90		
	928 552 127 02 9WH	Classic grey	91		
	928 552 127 02 7YG	Cobalt blue	91		
	928 552 127 02 9YF	Magenta	91		
(25)	927 552 128 02	Edge protection	/RL	1	
		Shelf			
		Leatherette			
	927 552 128 02 05T	Black			
	927 552 128 02 3MX	Burgundy	90		
	927 552 128 02 1MX	Mahogany	90		
	927 552 128 02 9WH	Classic grey	91		
	927 552 128 02 7YG	Cobalt blue	91		
	927 552 128 02 9YF	Magenta	91		
(25)	928 552 127 50	Edge protection	/LL	1	
		Shelf			
		Leather			
	928 552 127 50 KZ2	Black	90		
	928 552 127 50 LG7	Burgundy	90		
	928 552 127 50 TV1	Mahogany	90		
	928 552 127 50 TS1	Marine blue			
	928 552 127 50 UD5	Caramel	90		
	928 552 127 50 UD6	Venetian blue	90		
	928 552 127 50 4MT	Velvet red	90		
	928 552 127 50 2WT	Slate grey	90		
	928 552 127 50 8YR	Black	91		
	928 552 127 50 6XL	Classic grey	91		
	928 552 127 50 9YL	Cobalt blue	91		
	928 552 127 50 6YL	Magenta	91		
	928 552 127 50 M05	Matador red	91		
	928 552 127 50 D35	Carrara grey	91		
	928 552 127 50 J25	Sherwood green	91		

Model: 928 87 Model life 1987>>1991

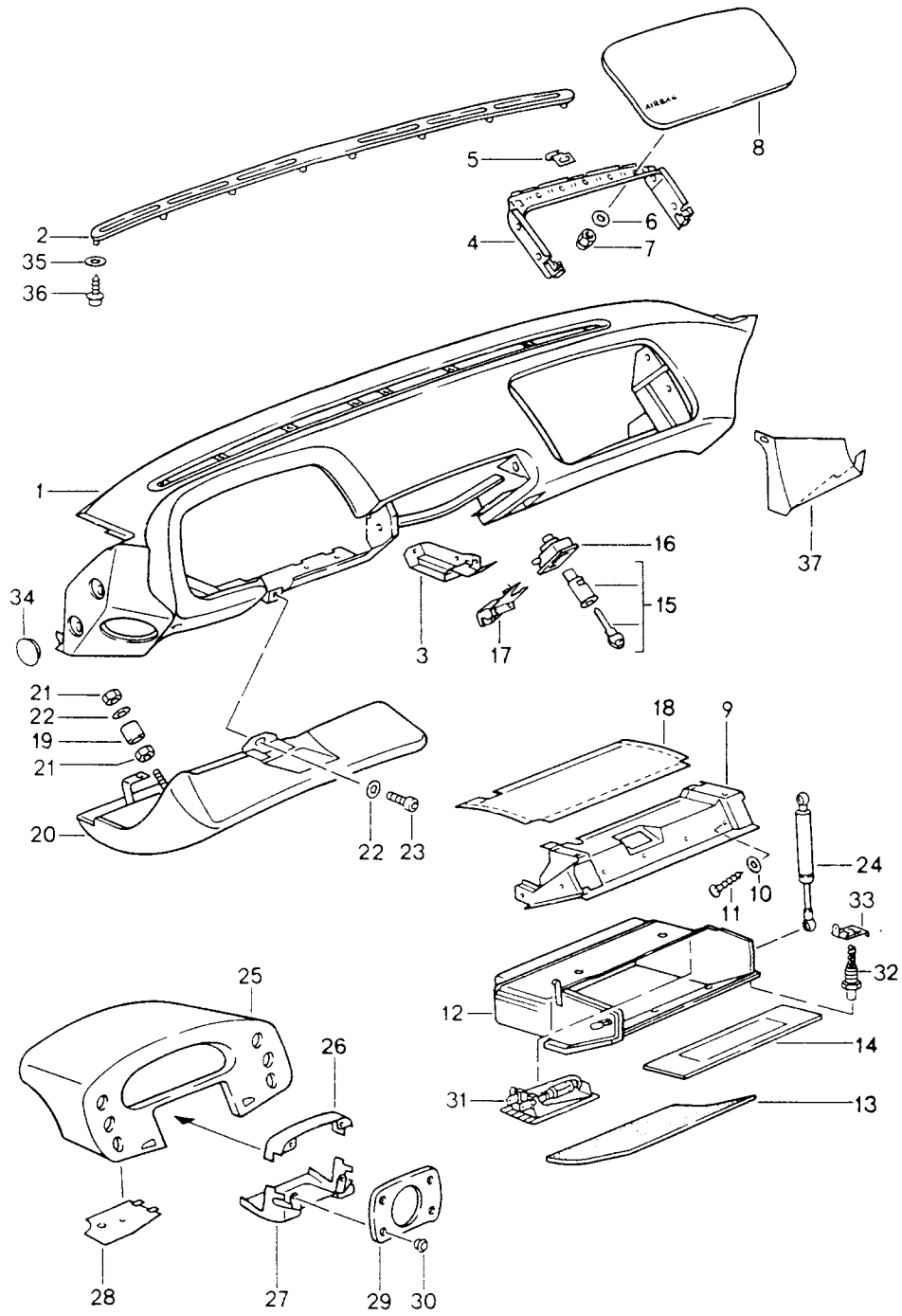
Pos	Part Number	Description	Remark	Qty	Model
(25)	927 552 128 50	Edge protection Shelf Leather	/RL	1	
	927 552 128 50 KZ2	Black	90		
	927 552 128 50 LG7	Burgundy	90		
	927 552 128 50 TV1	Mahogany	90		
	927 552 128 50 TS1	Marine blue			
	927 552 128 50 UD5	Caramel	90		
	927 552 128 50 UD6	Venetian blue	90		
	927 552 128 50 4MT	Velvet red	90		
	927 552 128 50 2WT	Slate grey	90		
	927 552 128 50 8YR	Black	91		
	927 552 128 50 6XL	Classic grey	91		
	927 552 128 50 9YL	Cobalt blue	91		
	927 552 128 50 6YL	Magenta	91		
	927 552 128 50 M05	Matador red	91		
	927 552 128 50 D35	Carrara grey	91		
	927 552 128 50 J25	Sherwood green	91		
26	999 507 251 02	Mecano-speed-fix \$ 5 MM		7	
27	927 552 381 02	Bracket	/R	1	
28	928 552 395 02	Bracket	/L	1	
29	N 011 524 7	Washer A 6,4		2	
29	N 011 524 27	Washer A 6,4		2	
30	900 085 003 02	Cap nut M 6		2	
31	900 151 027 02	Washer A 5,3		2	
31	900 151 027 03	Washer A 5,3		2	
32	N 011 005 14	Hexagon nut M 5		1	
32	900 076 091 01	Hexagon nut M 5		1	
33	N 011 141 2	Cap nut M 5		1	
34	928 552 077 02	Shelf	/LL	1	
	928 552 077 02 71B	Black			
(34)	927 552 077 02	Shelf	/RL	1	
	927 552 077 02 71B	Black			
35	928 552 079 02	Edge protection Shelf Leatherette	/LL	1	
	928 552 079 02 05T	Black			
	928 552 079 02 3MX	Burgundy	90		
	928 552 079 02 1MX	Mahogany	90		
	928 552 079 02 1KX	Marine blue			
	928 552 079 02 9WH	Classic grey	91		
	928 552 079 02 7YG	Cobalt blue	91		
	928 552 079 02 9YF	Magenta	91		
(35)	927 552 079 02	Edge protection Shelf Leatherette	/RL	1	
	927 552 079 02 05T	Black			
	927 552 079 02 3MX	Burgundy	90		
	927 552 079 02 1MX	Mahogany	90		
	927 552 079 02 1KX	Marine blue			
	927 552 079 02 9WH	Classic grey	91		
	927 552 079 02 7YG	Cobalt blue	91		
	927 552 079 02 9YF	Magenta	91		
(35)	928 552 097 50	Edge protection	/LL	1	

Model: 928 87 Model life 1987>>1991

Pos	Part Number	Description	Remark	Qty	Model
		Shelf			
		Leather			
	928 552 097 50 KZ2	Black	90		
	928 552 097 50 LG7	Burgundy	90		
	928 552 097 50 TV1	Mahogany	90		
	928 552 097 50 TS1	Marine blue			
	928 552 097 50 UD5	Caramel	90		
	928 552 097 50 UD6	Venetian blue	90		
	928 552 097 50 4MT	Velvet red	90		
	928 552 097 50 2WT	Slate grey	90		
	928 552 097 50 8YR	Black	91		
	928 552 097 50 6XL	Classic grey	91		
	928 552 097 50 9YL	Cobalt blue	91		
	928 552 097 50 6YL	Magenta	91		
	928 552 097 50 M05	Matador red	91		
	928 552 097 50 D35	Carrara grey	91		
	928 552 097 50 J25	Sherwood green	91		
(35)	927 552 097 50	Edge protection	/RL	1	
		Shelf			
		Leather			
	927 552 097 50 KZ2	Black	90		
	927 552 097 50 LG7	Burgundy	90		
	927 552 097 50 TV1	Mahogany	90		
	927 552 097 50 TS1	Marine blue			
	927 552 097 50 UD5	Caramel	90		
	927 552 097 50 UD6	Venetian blue	90		
	927 552 097 50 4MT	Velvet red	90		
	927 552 097 50 2WT	Slate grey	90		
	927 552 097 50 8YR	Black	91		
	927 552 097 50 6XL	Classic grey	91		
	927 552 097 50 9YL	Cobalt blue	91		
	927 552 097 50 6YL	Magenta	91		
	927 552 097 50 M05	Matador red	91		
	927 552 097 50 D35	Carrara grey	91		
	927 552 097 50 J25	Sherwood green	91		
36	928 552 382 02	Bracket	/L	1	
37	928 552 395 02	Bracket	/R	1	
38	928 552 315 50	Rosette		1	
	928 552 315 50 70B	Black			
39	928 632 111 01	Light		1	
		Central electrical system			
40	964 613 601 00	Door contact switch		1	
41	999 507 245 02	Speed nut		1	

Model: 928 87

Model life 1987>>1991



Model: 928 87 Model life 1987>>1991

Pos	Part Number	Description	Remark	Qty	Model
1	928 552 023 07	Dashbord trim Airbag Dashboard Leatherette	91	1	
	928 552 023 07 05T	Black			
	928 552 023 07 1KX	Marine blue			
	928 552 023 07 9WH	Classic grey	91		
	928 552 023 07 7YG	Cobalt blue	91		
	928 552 023 07 9YF	Magenta	91		
(1)	928 552 021 53	Dashbord Leather		1	
	928 552 021 53 TS1	Marine blue			
	928 552 021 53 8YR	Black	91		
	928 552 021 53 6XL	Classic grey	91		
	928 552 021 53 9YL	Cobalt blue	91		
	928 552 021 53 6YL	Magenta	91		
	928 552 021 53 M05	Matador red	91		
	928 552 021 53 D35	Carrara grey	91		
	928 552 021 53 J25	Sherwood green	91		
2	928 552 309 51	Defroster trim		1	
	928 552 309 51 5XJ	Black			
	928 552 309 51 8KM	Marine blue			
	928 552 309 51 5XL	Classic grey	91		
	928 552 309 51 6ZH	Cobalt blue	91		
	928 552 309 51 5XW	Magenta	91		
3	928 552 483 00	Retaining bracket		1	
4	928 552 113 00	Frame		1	
5	928 552 582 02	Hook		2	
6	900 151 027 02	Washer A 5,3		7	
6	900 151 027 03	Washer A 5,3		7	
7	900 096 014 02	Cap nut		4	
8	928 552 105 00	Lid Airbag Leatherette		1	
	928 552 105 00 05T	Black			
	928 552 105 00 1KX	Marine blue			
	928 552 105 00 9WH	Classic grey	91		
	928 552 105 00 7YG	Cobalt blue	91		
	928 552 105 00 9YF	Magenta	91		
(8)	928 552 015 00	Lid Airbag Leather		1	
	928 552 015 00 TT8	Marine blue			
	928 552 015 00 8YR	Black	91		
	928 552 015 00 6XL	Classic grey	91		
	928 552 015 00 9YL	Cobalt blue	91		
	928 552 015 00 6YL	Magenta	91		
	928 552 015 00 M05	Matador red	91		
	928 552 015 00 D35	Carrara grey	91		
	928 552 015 00 J25	Sherwood green	91		
9	928 552 419 00	Glove compartment		1	
	928 552 419 00 71B	Black			
10	N 011 665 10	Upper part Washer		7	
11	900 143 019 07	Oval-head sheetmetal screw B 4,8 X 22		7	
12	928 552 051 07	Glove compartment		1	
	928 552 051 07 71B	Black			
(13)	928 552 267 03	Carpet		1	
	928 552 267 03 4KV	Marine blue			

Model: 928 87 Model life 1987>>1991

Pos	Part Number	Description	Remark	Qty	Model
	928 552 267 03 8UT	Cashmere beige			
	928 552 267 03 5FV	Black			
	928 552 267 03 4XR	Classic grey	91		
	928 552 267 03 4ZN	Cobalt blue	91		
	928 552 267 03 8WZ	Magenta	91		
	928 552 267 03 6YR	Light grey	91		
	928 552 267 03 M33	Matador red	91		
	928 552 267 03 D13	Carrara grey	91		
	928 552 267 03 J23	Sherwood green	91		
13	928 552 053 05	Cover		1	
		Lower			
		Carpet			
	928 552 053 05 4KV	Marine blue			
	928 552 053 05 8UT	Cashmere beige			
	928 552 053 05 5FV	Black			
	928 552 053 05 4XR	Classic grey	91		
	928 552 053 05 4ZN	Cobalt blue	91		
	928 552 053 05 8WZ	Magenta	91		
	928 552 053 05 6YR	Light grey	91		
	928 552 053 05 M33	Matador red	91		
	928 552 053 05 D13	Carrara grey	91		
	928 552 053 05 J23	Sherwood green	91		
14	928 552 689 00	Rubber pad		1	
15	928 537 901 00	Lock cylinder		1	
		for			
		Glove compartment lock			
		State lock number			
16	928 538 051 00	Finger plate		1	
	928 538 051 00 01C	Satin black			
17	928 538 061 01	Catch		1	
(17)		Catch		1	M981
(18)	928 552 099 01	Cover	91	1	
		Glove compartment			
(18)		Cover		1	
	928 552 099 01 70B	Black			
19	999 924 061 02	Bush		1	
(19)	999 924 082 02	Bush		1	M981
20	928 552 131 00	Knee protection trim		1	
		Leatherette			
	928 552 131 00 1KX	Marine blue			
	928 552 131 00 05T	Black			
	928 552 131 00 7YG	Cobalt blue	91		
	928 552 131 00 9YF	Magenta	91		
	928 552 131 00 9WH	Classic grey	91		
(20)	928 552 131 50	Knee protection trim		1	M981
		Leather			
	928 552 131 50 TT8	Marine blue			
	928 552 131 50 8YR	Black	91		
	928 552 131 50 6XL	Classic grey	91		
	928 552 131 50 9YL	Cobalt blue	91		
	928 552 131 50 6YL	Magenta	91		
	928 552 131 50 M05	Matador red	91		
	928 552 131 50 D35	Carrara grey	91		
	928 552 131 50 J25	Sherwood green	91		
21	900 076 010 02	Nut		1	
21	900 076 010 0B	Nut		1	
22	900 031 011 02	Washer		1	
23	N 014 701 7	Pan-head screw		1	
24	928 552 752 00	Damper		1	
25	928 552 031 04	Instrument box		1	
	928 552 031 04 1KX	Marine blue			
	928 552 031 04 05T	Black			
	928 552 031 04 9WH	Classic grey	91		

Model: 928 87 Model life 1987>>1991

Pos	Part Number	Description	Remark	Qty	Model
26	928 552 031 04 7YG	Cobalt blue	91	1	
	928 552 031 04 9YF	Magenta	91		
	928 552 569 02	Cover			
	928 552 569 02 8JJ	Marine blue			
	928 552 569 02 01C	Black			
	928 552 569 02 4XC	Classic grey	91		
27	928 552 569 02 6ZF	Cobalt blue	91	1	
	928 552 569 02 6WX	Magenta	91		
	928 552 579 02	Cover			
	928 552 579 02 9JJ	Marine blue			
	928 552 579 02 01C	Black			
	928 552 579 02 4XC	Classic grey	91		
28	928 552 579 02 6ZF	Cobalt blue	91	1	
	928 552 579 02 6WX	Magenta	91		
	928 552 521 00	Cover			
		Instrument box			
		Lower			
	928 552 521 00 9JJ	Marine blue			
(28)	928 552 521 00 01C	Satin black		1	
	928 552 521 00 4XC	Classic grey	91		
	928 552 521 00 6ZF	Cobalt blue	91		
	928 552 521 00 6WX	Magenta	91		
	928 552 522 00	Cover			
		Instrument box			
29	928 552 522 00	Lower		1	
	928 552 522 00 9JJ	Marine blue			
	928 552 522 00 01C	Satin black			
	928 552 522 00 4XC	Classic grey	91		
	928 552 522 00 6ZF	Cobalt blue	91		
	928 552 522 00 6WX	Magenta	91		
30	928 552 567 03	Cover		1	
		Steering column switch			
	928 552 567 03 9JJ	Marine blue			
	928 552 567 03 01C	Black			
	928 552 567 03 4XC	Classic grey	91		
	928 552 567 03 6ZF	Cobalt blue	91		
31	928 552 567 03 6WX	Magenta	91	4	
	928 552 767 00	Cap			
	928 552 767 00 9JJ	Marine blue			
	928 552 767 00 01C	Black			
	928 552 767 00 4XC	Classic grey	91		
	928 552 767 00 6ZF	Cobalt blue	91		
32	928 552 767 00 6WX	Magenta	91	1	
	928 632 111 01	Light			
		Central electrical system			
	964 613 601 00	Door contact switch			
	999 507 245 02	Speed nut			
	999 703 381 40	Stopper			
33	999 703 381 40 01C	Satin black		1	
		25-27 X 33 X 5			
	900 336 001 02	Washer			
		4			
	999 919 100 02	Screw			
		4,0 X 10			
34	928 552 360 00	Terminal piece	/R	1	
		Carpet			
	928 552 360 00 5FV	Black			
	928 552 360 00 4KV	Marine blue			
	928 552 360 00 8UT	Cashmere beige			
	928 552 360 00 4XR	Classic grey	91		
	928 552 360 00 4ZN	Cobalt blue	91		
	928 552 360 00 8WZ	Magenta	91		
	928 552 360 00 6YR	Light grey	91		

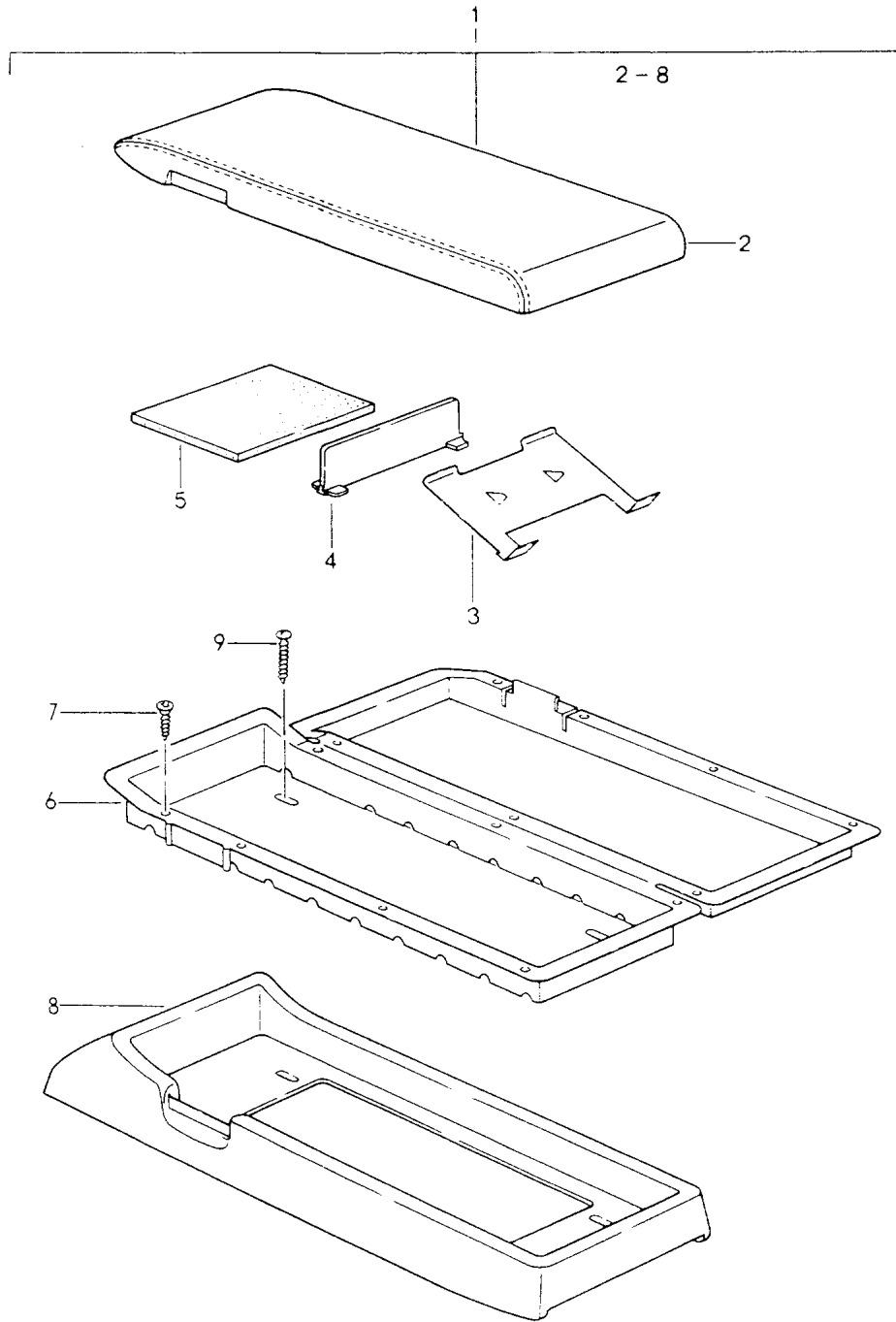
Model: 928 87

Model life 1987>>1991

Pos	Part Number	Description	Remark	Qty	Model
	928 552 360 00 M33	Matador red	91		
	928 552 360 00 D13	Carrara grey	91		
	928 552 360 00 J23	Sherwood green	91		

Model: 928 87

Model life 1987>>1991



Model: 928 87 Model life 1987>>1991

Pos	Part Number	Description	Remark	Qty	Model
1	928 555 701 53	Cassette box Cassette box Leather	/LL -90	1	
	928 555 701 53 KZ2	Black			
	928 555 701 53 LG7	Burgundy			
	928 555 701 53 QC2	Greyish green	-88		
	928 555 701 53 TV1	Mahogany			
	928 555 701 53 TS1	Marine blue			
	928 555 701 53 UD5	Caramel			
	928 555 701 53 UD6	Venetian blue			
	928 555 701 53 4MT	Velvet red	89-90		
	928 555 701 53 2WT	Slate grey	89-90		
(1)	927 555 701 53	Cassette box Leather	/RL -90	1	
	927 555 701 53 KZ2	Black			
	927 555 701 53 LG7	Burgundy			
	927 555 701 53 QC2	Greyish green	-88		
	927 555 701 53 TV1	Mahogany			
	927 555 701 53 TS1	Marine blue			
	927 555 701 53 UD5	Caramel			
	927 555 701 53 UD6	Venetian blue			
	927 555 701 53 4MT	Velvet red	89-90		
	927 555 701 53 2WT	Slate grey	89-90		
(1)	928 555 701 54	Cassette box Leather	/LL 91	1	
	928 555 701 54 8YR	Black			
	928 555 701 54 6XL	Classic grey			
	928 555 701 54 9YL	Cobalt blue			
	928 555 701 54 6YL	Magenta			
	928 555 701 54 M05	Matador red			
	928 555 701 54 D35	Carrara grey			
	928 555 701 54 J25	Sherwood green			
(1)	927 555 701 54	Cassette box Leather	/RL 91	1	
	927 555 701 54 8YR	Black			
	927 555 701 54 6XL	Classic grey			
	927 555 701 54 9YL	Cobalt blue			
	927 555 701 54 6YL	Magenta			
	927 555 701 54 M05	Matador red			
	927 555 701 54 D35	Carrara grey			
	927 555 701 54 J25	Sherwood green			
(1)	928 555 701 55	Cassette box Leather	/LL 91	1	
	928 555 701 55 8YR	Black			
	928 555 701 55 6XL	Classic grey			
	928 555 701 55 9YL	Cobalt blue			
	928 555 701 55 6YL	Magenta			
	928 555 701 55 M05	Matador red			
	928 555 701 55 D35	Carrara grey			
	928 555 701 55 J25	Sherwood green			
(1)	927 555 701 55	Cassette box Leather	/RL 91	1	
	927 555 701 55 8YR	Black			
	927 555 701 55 6XL	Classic grey			
	927 555 701 55 9YL	Cobalt blue			
	927 555 701 55 6YL	Magenta			
	927 555 701 55 M05	Matador red			
	927 555 701 55 D35	Carrara grey			
	927 555 701 55 J25	Sherwood green			
2	928 555 705 51	Lid Leather	/LL	1	
	928 555 705 51 KZ2	Black	-90		
	928 555 705 51 8YR	Black	91-		

Model: 928 87 Model life 1987>>1991

Pos	Part Number	Description	Remark	Qty	Model
	928 555 705 51 LG7	Burgundy	-90		
	928 555 705 51 QC2	Greyish green	-88		
	928 555 705 51 TV1	Mahogany	-90		
	928 555 705 51 TS1	Marine blue	-90		
	928 555 705 51 UD5	Caramel	-90		
	928 555 705 51 UD6	Venetian blue	-90		
	928 555 705 51 4MT	Velvet red	89-90		
	928 555 705 51 2WT	Slate grey	89-90		
	928 555 705 51 6XL	Classic grey	91		
	928 555 705 51 9YL	Cobalt blue	91		
	928 555 705 51 6YL	Magenta	91		
	928 555 705 51 M05	Matador red	91		
	928 555 705 51 D35	Carrara grey	91		
	928 555 705 51 J25	Sherwood green	91		
(2)	927 555 705 51	Lid	/RL	1	
		Leather			
	927 555 705 51 KZ2	Black	-90		
	927 555 705 51 8YR	Black	91-		
	927 555 705 51 LG7	Burgundy	-90		
	927 555 705 51 QC2	Greyish green	-88		
	927 555 705 51 TV1	Mahogany	-90		
	927 555 705 51 TS1	Marine blue	-90		
	927 555 705 51 UD5	Caramel	-90		
	927 555 705 51 UD6	Venetian blue	-90		
	927 555 705 51 4MT	Velvet red	89-90		
	927 555 705 51 2WT	Slate grey	89-90		
	927 555 705 51 6XL	Classic grey	91		
	927 555 705 51 9YL	Cobalt blue	91		
	927 555 705 51 6YL	Magenta	91		
	927 555 705 51 M05	Matador red	91		
	927 555 705 51 D35	Carrara grey	91		
	927 555 705 51 J25	Sherwood green	91		
3	928 555 731 02	Cassette rack		8	
	928 555 731 02 01C	Satin black			
4	928 555 741 02	Partition panel		1	
5	928 555 735 03	Cover		1	
		82 X 108			
6	928 555 729 03	Container insert	/LL	1	
	928 555 729 03 01C	Satin black			
(6)	927 555 729 03	Container insert	/RL	1	
	927 555 729 03 01C	Satin black			
7	900 143 065 07	Tapping screw		14	
		B 2,9 X 9,5			
7	900 073 003 01	Tapping screw		14	
		B 2,9 X 9,5			
8	928 555 703 51	Lower part	/LL	1	
		Leather			
	928 555 703 51 KZ2	Black	-90		
	928 555 703 51 8YR	Black	91-		
	928 555 703 51 LG7	Burgundy	-90		
	928 555 703 51 QC2	Greyish green	-88		
	928 555 703 51 TV1	Mahogany	-90		
	928 555 703 51 TS1	Marine blue	-90		
	928 555 703 51 UD5	Caramel	-90		
	928 555 703 51 UD6	Venetian blue	-90		
	928 555 703 51 4MT	Velvet red	89-90		
	928 555 703 51 2WT	Slate grey	89-90		
	928 555 703 51 6XL	Classic grey	91		
	928 555 703 51 9YL	Cobalt blue	91		
	928 555 703 51 6YL	Magenta	91		
	928 555 703 51 M05	Matador red	91		
	928 555 703 51 D35	Carrara grey	91		
	928 555 703 51 J25	Sherwood green	91		

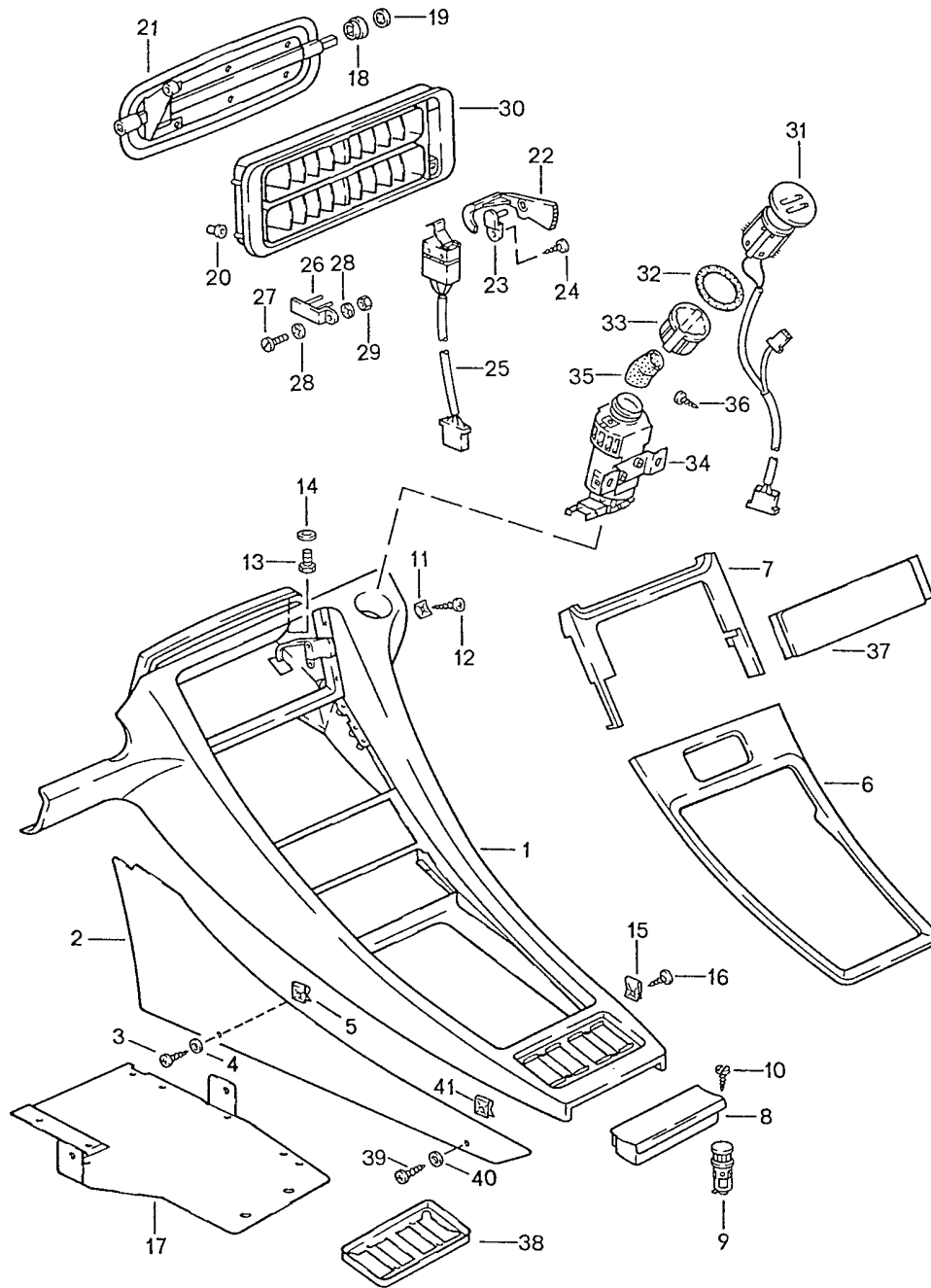
Model: 928 87

Model life 1987>>1991

Pos	Part Number	Description	Remark	Qty	Model
(8)	927 555 703 51	Lower part Leather	/RL	1	
	927 555 703 51 KZ2	Black	-90		
	927 555 703 51 8YR	Black	91-		
	927 555 703 51 LG7	Burgundy	-90		
	927 555 703 51 QC2	Greyish green	-88		
	927 555 703 51 TV1	Mahogany	-90		
	927 555 703 51 TS1	Marine blue	-90		
	927 555 703 51 UD5	Caramel	-90		
	927 555 703 51 UD6	Venetian blue	-90		
	927 555 703 51 4MT	Velvet red	89-90		
	927 555 703 51 2WT	Slate grey	89-90		
	927 555 703 51 6XL	Classic grey	91		
	927 555 703 51 9YL	Cobalt blue	91		
	927 555 703 51 6YL	Magenta	91		
	927 555 703 51 M05	Matador red	91		
	927 555 703 51 D35	Carrara grey	91		
	927 555 703 51 J25	Sherwood green	91		
9	999 450 001 07	Round head screw B 4,2 X 25		4	

Model: 928 87

Model life 1987>>1991



Model: 928 87 Model life 1987>>1991

Pos	Part Number	Description	Remark	Qty	Model
1	928 552 043 08	Centre console Centre console Leatherette	/LL	1	
	928 552 043 08 TS4	Marine blue	-90		
	928 552 043 08 JQ5	Burgundy	-90		
	928 552 043 08 NY1	Greyish green	-88		
	928 552 043 08 TV4	Mahogany	-90		
	928 552 043 08 TS4	Marine blue	-90		
	928 552 043 08 CA4	Black			
	928 552 043 08 9WH	Classic grey	91		
	928 552 043 08 7YG	Cobalt blue	91		
	928 552 043 08 9YF	Magenta	91		
(1)	928 552 043 10	Centre console Leatherette	91	1	M562
	928 552 043 10 CA4	Black			
	928 552 043 10 9WH	Classic grey	91		
	928 552 043 10 7YG	Cobalt blue	91		
	928 552 043 10 9YF	Magenta	91		
(1)	927 552 043 08	Centre console Leatherette	/RL	1	
	927 552 043 08 TS4	Marine blue	-90		
	927 552 043 08 JQ5	Burgundy	-90		
	927 552 043 08 NY1	Greyish green	-88		
	927 552 043 08 TV4	Mahogany	-90		
	927 552 043 08 TS4	Marine blue	-90		
	927 552 043 08 CA4	Black			
	927 552 043 08 9WH	Classic grey	91		
	927 552 043 08 7YG	Cobalt blue	91		
	927 552 043 08 9YF	Magenta	91		
(1)	928 552 045 55	Centre console Leather	/LL -90	1	
	928 552 045 55 LA1	Black	-90		
	928 552 045 55 LL6	Burgundy	-90		
	928 552 045 55 NY3	Greyish green	-88		
	928 552 045 55 TT9	Mahogany	-90		
	928 552 045 55 TT8	Marine blue	-90		
	928 552 045 55 UD5	Caramel	-90		
	928 552 045 55 UD6	Venetian blue	-90		
	928 552 045 55 SM1	Velvet red	89-90		
	928 552 045 55 SM2	Slate grey	89-90		
(1)	927 552 045 55	Centre console Leather	/RL -90	1	
	927 552 045 55 LA1	Black	-90		
	927 552 045 55 LL6	Burgundy	-90		
	927 552 045 55 NY3	Greyish green	-88		
	927 552 045 55 TT9	Mahogany	-90		
	927 552 045 55 TT8	Marine blue	-90		
	927 552 045 55 UD5	Caramel	-90		
	927 552 045 55 UD6	Venetian blue	-90		
	927 552 045 55 SM1	Velvet red	89-90		
	927 552 045 55 SM2	Slate grey	89-90		
(1)	928 552 045 55	Centre console Leather	/LL 91	1	
	928 552 045 55 8YR	Black			
	928 552 045 55 6XL	Classic grey			
	928 552 045 55 9YL	Cobalt blue			
	928 552 045 55 6YL	Magenta			
	928 552 045 55 M05	Matador red			
	928 552 045 55 D35	Carrara grey			
	928 552 045 55 J25	Sherwood green			
(1)	928 552 045 56	Centre console Leather	91	1	M562
	928 552 045 56 8YR	Black			

Model: 928 87 Model life 1987>>1991

Pos	Part Number	Description	Remark	Qty	Model
	928 552 045 56 6XL	Classic grey			
	928 552 045 56 9YL	Cobalt blue			
	928 552 045 56 6YL	Magenta			
	928 552 045 56 M05	Matador red			
	928 552 045 56 D35	Carrara grey			
	928 552 045 56 J25	Sherwood green			
(1)	927 552 045 55	Centre console Leather	/RL 91	1	
	927 552 045 55 8YR	Black			
	927 552 045 55 6XL	Classic grey			
	927 552 045 55 9YL	Cobalt blue			
	927 552 045 55 6YL	Magenta			
	927 552 045 55 M05	Matador red			
	927 552 045 55 D35	Carrara grey			
	927 552 045 55 J25	Sherwood green			
2	927 552 073 02	Side section Carpet Centre console	/L	1	M564
	927 552 073 02 70E	Black	-88		
	927 552 073 02 5FV	Black	89-		
	927 552 073 02 80E	Burgundy	-88		
	927 552 073 02 8MD	Burgundy	89-90		
	927 552 073 02 8JK	Greyish green	-88		
	927 552 073 02 1VD	Champagne	-88		
	927 552 073 02 5MF	Mahogany	-90		
	927 552 073 02 3KF	Marine blue	-88		
	927 552 073 02 4KV	Marine blue	89-90		
	927 552 073 02 2XF	Linen	-90		
	927 552 073 02 4MM	Plum red	-88		
	927 552 073 02 7VM	Silver-grey	-88		
	927 552 073 02 5UM	Caramel	-90		
	927 552 073 02 3KM	Venetian blue	-90		
	927 552 073 02 8UT	Cashmere beige	90-		
	927 552 073 02 7VT	Silk grey	89-90		
	927 552 073 02 9MT	Velvet red	89-90		
	927 552 073 02 3WT	Slate grey	89-90		
	927 552 073 02 4XR	Classic grey	91		
	927 552 073 02 4ZN	Cobalt blue	91		
	927 552 073 02 8WZ	Magenta	91		
	927 552 073 02 6YR	Light grey	91		
	927 552 073 02 M33	Matador red	91		
	927 552 073 02 D13	Carrara grey	91		
	927 552 073 02 J23	Sherwood green	91		
(2)	927 552 073 03	Lining Carpet Centre console	/L	1	M562
	927 552 073 03 70E	Black	-88		
	927 552 073 03 5FV	Black			
	927 552 073 03 80E	Burgundy	-88		
	927 552 073 03 8MD	Burgundy			
	927 552 073 03 8JK	Greyish green	-88		
	927 552 073 03 1VD	Champagne	-88		
	927 552 073 03 5MF	Mahogany	-90		
	927 552 073 03 3KF	Marine blue	-88		
	927 552 073 03 4KV	Marine blue			
	927 552 073 03 2XF	Linen	-90		
	927 552 073 03 4MM	Plum red	-88		
	927 552 073 03 7VM	Silver-grey	-88		
	927 552 073 03 5UM	Caramel	-90		
	927 552 073 03 3KM	Venetian blue	-90		
	927 552 073 03 8UT	Cashmere beige			
	927 552 073 03 7VT	Silk grey			
	927 552 073 03 9MT	Velvet red			

Model: 928 87 Model life 1987>>1991

Pos	Part Number	Description	Remark	Qty	Model
	927 552 073 03 3WT	Slate grey			
	927 552 073 03 4XR	Classic grey	91		
	927 552 073 03 4ZN	Cobalt blue	91		
	927 552 073 03 8WZ	Magenta	91		
	927 552 073 03 6YR	Light grey	91		
	927 552 073 03 M33	Matador red	91		
	927 552 073 03 D13	Carrara grey	91		
	927 552 073 03 J23	Sherwood green	91		
(2)	928 552 074 02	Side section Carpet Centre console	/R	1	M564
	928 552 074 02 70E	Black	-88		
	928 552 074 02 5FV	Black	89-		
	928 552 074 02 80E	Burgundy	-88		
	928 552 074 02 8MD	Burgundy	89-90		
	928 552 074 02 8JK	Greyish green	-88		
	928 552 074 02 1VD	Champagne	-88		
	928 552 074 02 5MF	Mahogany	-90		
	928 552 074 02 3KF	Marine blue	-88		
	928 552 074 02 4KV	Marine blue	89-90		
	928 552 074 02 2XF	Linen	-90		
	928 552 074 02 4MM	Plum red	-88		
	928 552 074 02 7VM	Silver-grey	-88		
	928 552 074 02 5UM	Caramel	-90		
	928 552 074 02 3KM	Venetian blue	-90		
	928 552 074 02 8UT	Cashmere beige	90-		
	928 552 074 02 7VT	Silk grey	89-90		
	928 552 074 02 9MT	Cashmere beige/	89-90		
	928 552 074 02 3WT	Slate grey	89-90		
	928 552 074 02 4XR	Classic grey	91		
	928 552 074 02 4ZN	Cobalt blue	91		
	928 552 074 02 8WZ	Magenta	91		
	928 552 074 02 6YR	Light grey	91		
	928 552 074 02 M33	Matador red	91		
	928 552 074 02 D13	Carrara grey	91		
	928 552 074 02 J23	Sherwood green	91		
(2)	928 552 074 03	Side section Carpet Centre console	/R	1	M562
	928 552 074 03 70E	Black	-88		
	928 552 074 03 5FV	Black			
	928 552 074 03 80E	Burgundy	-88		
	928 552 074 03 8MD	Burgundy			
	928 552 074 03 8JK	Greyish green	-88		
	928 552 074 03 1VD	Champagne	-88		
	928 552 074 03 5MF	Mahogany	-90		
	928 552 074 03 3KF	Marine blue	-88		
	928 552 074 03 4KV	Marine blue			
	928 552 074 03 2XF	Linen	-90		
	928 552 074 03 4MM	Plum red	-88		
	928 552 074 03 7VM	Silver-grey	-88		
	928 552 074 03 5UM	Caramel	-90		
	928 552 074 03 3KM	Venetian blue	-90		
	928 552 074 03 8UT	Cashmere beige			
	928 552 074 03 7VT	Silk grey			
	928 552 074 03 9MT	Velvet red			
	928 552 074 03 3WT	Slate grey			
	928 552 074 03 4XR	Classic grey	91		
	928 552 074 03 4ZN	Cobalt blue	91		
	928 552 074 03 8WZ	Magenta	91		
	928 552 074 03 6YR	Light grey	91		
	928 552 074 03 M33	Matador red	91		
	928 552 074 03 D13	Carrara grey	91		

Model: 928 87

Model life 1987>>1991

Pos	Part Number	Description	Remark	Qty	Model
3	928 552 074 03 J23 N 014 098 6	Sherwood green Rais. counters. h. tap. s. 4,8 X 16	91	4	
4	999 591 437 07	Washer 4,8		4	
5	999 507 002 02	Speed nut		2	
5	999 507 002 0B	Speed nut		2	
6	928 552 047 07	Cover Lower for Interior equipment Leather		1	
(6)	928 552 047 09	Cover Lower for Interior equipment Leather		1	M570
6	928 552 047 08	Cover Lower for Interior equipment Leatherette		1	
(6)	928 552 047 10	Cover Lower for Interior equipment Leatherette		1	M570
7	928 552 362 00	Cover Upper for Interior equipment Leatherette		1	
7	928 552 362 50	Cover Upper for Interior equipment Leather		1	
8	928 552 060 02	Ashtray	-90	1	
8	928 552 060 02 70B	Ashtray Black		1	
9	928 652 103 00	Cigarette lighter		1	
10	900 144 017 07	Tapping screw		2	
11	999 507 030 02	Speed nut 4,8		3	
12	900 187 018 02	Hexagon-head tapping screw 4,8 X 16		1	
13	900 075 145 02	Hexagon-head bolt M 5 X 16		2	
14	900 025 003 02	Washer A 5,3		2	
15	999 507 002 02	Speed nut		2	
15	999 507 002 0B	Speed nut		2	
16	900 143 046 07	Tapping screw B 4,8 X 16		6	
17	928 552 389 02	Mounting plate for Cruise control regulator And Receiving part		1	
18	928 574 291 02	Bearing sleeve		2	
19	999 591 459 02	Mecano-speed-fix		2	
20	999 702 111 50	Grommet		4	
(21)	928 574 125 02	Flap		1	

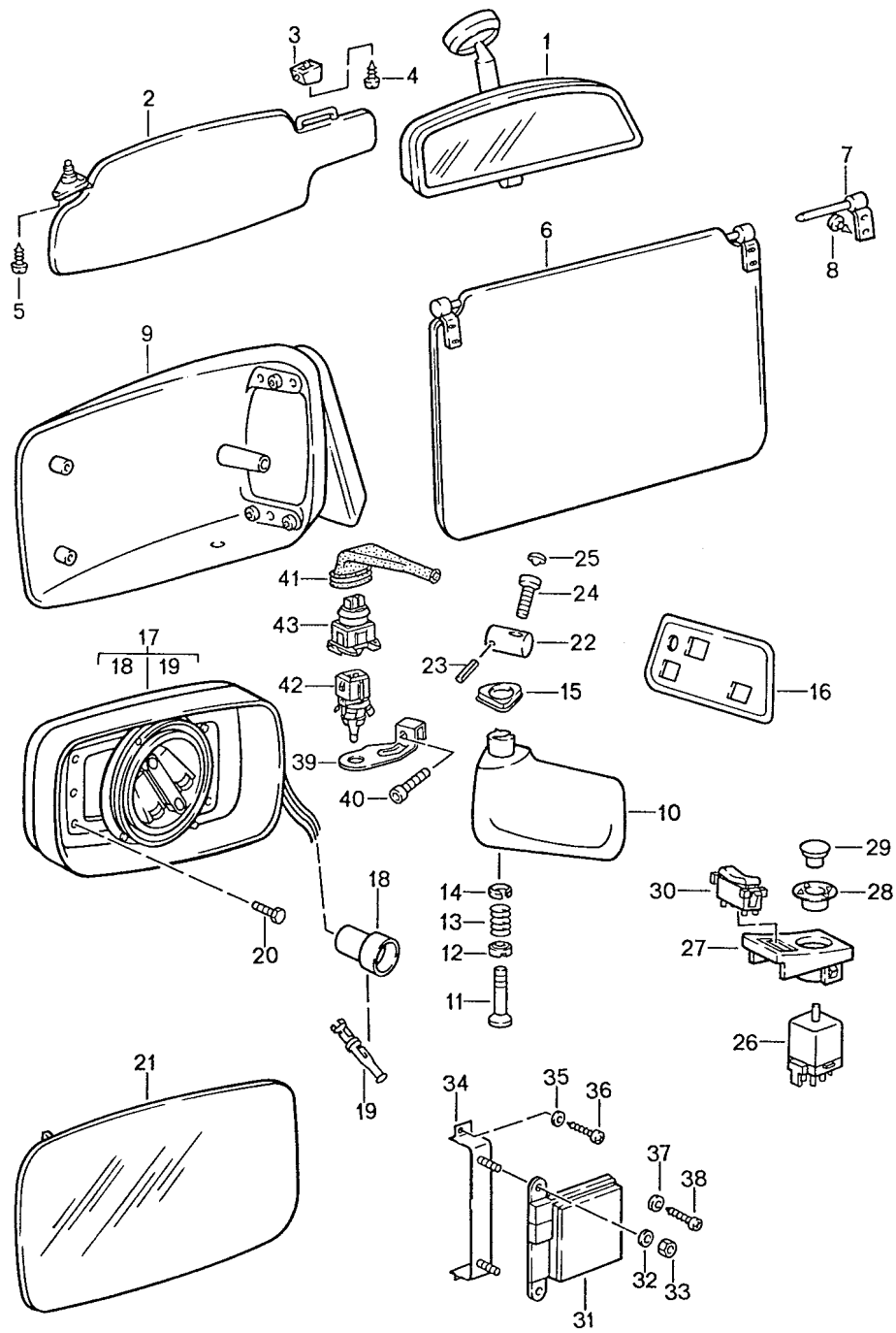
Model: 928 87

Model life 1987>>1991

Pos	Part Number	Description	Remark	Qty	Model
-	928 574 434 02	Shaft		1	
22	928 574 649 02	Actuating lever		1	
	928 574 649 02 70B	Satin black			
23	928 574 645 02	Fastening part		1	
24	900 143 031 02	Oval-head sheetmetal screw B 4,2 X 9,5		1	
25	928 613 049 01	Micro-changeover switch		1	
26	928 573 747 04	Support		1	
27	900 119 024 02	Pan-head screw M 4 X 12		1	
28	N 042 122 2	Shake-proof washer		2	
29	N 011 004 6	Hexagon nut M 4		1	
29	N 011 004 G	Nut M 4		1	
30	928 574 040 03	Covering frame for Interior equipment Leatherette		1	
30	928 574 040 50	Covering frame for Interior equipment Leather		1	
31	928 624 041 00	Interior sensor		1	
32	928 573 344 02	Sealing ring		1	
33	928 573 527 02	Connecting piece		1	
34	928 624 113 01	Interior sensor Blower		1	
35	928 624 312 01	Hose	/LL	1	
(35)	928 624 312 00	Hose	/RL	1	
36	N 013 968 7	Tapping screw B 4,8 X 13		2	
36	900 143 097 01	Tapping screw B 4,8 X 13		2	
37	928 552 270 05	Cover		1	
	928 552 270 05 70B	Black Radio			
38	928 552 313 50	Frame		1	
	928 552 313 50 70B	Black for tip switch for Interior equipment Leather			
39	N 014 098 6	Rais. counters. h. tap. s. 4,8 X 16		2	
40	999 591 437 07	Washer 4,8		2	
41	999 507 002 02	Speed nut		2	
41	999 507 002 0B	Speed nut		2	

Model: 928 87

Model life 1987>>1991



Model: 928 87 Model life 1987>>1991

Pos	Part Number	Description	Remark	Qty	Model
1	477 857 511 A	Sun visor			
		Interior mirror			
		Door mirror			
	477 857 511 A 70B	Interior mirror		1	
		Black			
(2)	928 731 031 11	Sun visor	/L	1	
		with mirror			
		Leatherette			
	928 731 031 11 CA9	Black			
	928 731 031 11 RS8	Burgundy	-90		
	928 731 031 11 RS9	Greyish green	-88		
	928 731 031 11 TV3	Mahogany	-90		
	928 731 031 11 TS3	Marine blue	-90		
	928 731 031 11 6WJ	Classic grey	91		
	928 731 031 11 7YU	Cobalt blue	91		
	928 731 031 11 8YA	Magenta	91		
(2)	928 731 032 11	Sun visor	/R	1	
		with mirror			
		Leatherette			
	928 731 032 11 CA9	Black			
	928 731 032 11 RS8	Burgundy	-90		
	928 731 032 11 RS9	Greyish green	-88		
	928 731 032 11 TV3	Mahogany	-90		
	928 731 032 11 TS3	Marine blue	-90		
	928 731 032 11 6WJ	Classic grey	91		
	928 731 032 11 7YU	Cobalt blue	91		
	928 731 032 11 8YA	Magenta	91		
(2)	928 731 031 12	Sun visor	/L (AUS) (S)	1	
		with mirror			
		Leatherette			
	928 731 031 12 CA9	Black			
	928 731 031 12 RS8	Burgundy	-90		
	928 731 031 12 RS9	Greyish green	-88		
	928 731 031 12 TV3	Mahogany	-90		
	928 731 031 12 TS3	Marine blue	-90		
	928 731 031 12 6WJ	Classic grey	91		
	928 731 031 12 7YU	Cobalt blue	91		
	928 731 031 12 8YA	Magenta	91		
(2)	928 731 032 12	Sun visor	/R (AUS) (S)	1	
		with mirror			
		Leatherette			
	928 731 032 12 CA9	Black			
	928 731 032 12 RS8	Burgundy	-90		
	928 731 032 12 RS9	Greyish green	-88		
	928 731 032 12 TV3	Mahogany	-90		
	928 731 032 12 TS3	Marine blue	-90		
	928 731 032 12 6WJ	Classic grey	91		
	928 731 032 12 7YU	Cobalt blue	91		
	928 731 032 12 8YA	Magenta	91		
(2)	928 731 053 50	Sun visor	/L	1	
		with mirror			
		Leather			
	928 731 053 50 LA1	Black	-90		
	928 731 053 50 TZ1	Burgundy	-90		
	928 731 053 50 UA1	Greyish green	-88		
	928 731 053 50 TY1	Mahogany	-90		
	928 731 053 50 TW9	Marine blue	-90		
	928 731 053 50 UD1	Caramel	-90		
	928 731 053 50 UD2	Venetian blue	-90		
	928 731 053 50 SM1	Velvet red	-90		
	928 731 053 50 SM2	Slate grey	-90		
(2)	928 731 054 50	Sun visor	/R	1	
		with mirror			

Model: 928 87 Model life 1987>>1991

Pos	Part Number	Description	Remark	Qty	Model
		Leather			
	928 731 054 50 LA1	Black	-90		
	928 731 054 50 TZ1	Burgundy	-90		
	928 731 054 50 UA1	Greyish green	-88		
	928 731 054 50 TY1	Mahogany	-90		
	928 731 054 50 TW9	Marine blue	-90		
	928 731 054 50 UD1	Caramel	-90		
	928 731 054 50 UD2	Venetian blue	-90		
	928 731 054 50 SM1	Velvet red	-90		
	928 731 054 50 SM2	Slate grey	-90		
(2)	928 731 053 50	Sun visor with mirror Leather	/L	1	
	928 731 053 50 8YR	Black	91		
	928 731 053 50 6XL	Classic grey	91		
	928 731 053 50 9YL	Cobalt blue	91		
	928 731 053 50 6YL	Magenta	91		
	928 731 053 50 M05	Matador red	91		
	928 731 053 50 D35	Carrara grey	91		
	928 731 053 50 J25	Sherwood green	91		
(2)	928 731 054 50	Sun visor with mirror Leather	/R	1	
	928 731 054 50 8YR	Black	91		
	928 731 054 50 6XL	Classic grey	91		
	928 731 054 50 9YL	Cobalt blue	91		
	928 731 054 50 6YL	Magenta	91		
	928 731 054 50 M05	Matador red	91		
	928 731 054 50 D35	Carrara grey	91		
	928 731 054 50 J25	Sherwood green	91		
(2)	928 731 053 51	Sun visor with mirror Leather	/L (AUS) (S)	1	
	928 731 053 51 LA1	Black	-90		
	928 731 053 51 TZ1	Burgundy	-90		
	928 731 053 51 UA1	Greyish green	-88		
	928 731 053 51 TY1	Mahogany	-90		
	928 731 053 51 TW9	Marine blue	-90		
	928 731 053 51 UD1	Caramel	-90		
	928 731 053 51 UD2	Venetian blue	-90		
(2)	928 731 054 51	Sun visor with mirror Leather	/R (AUS) (S)	1	
	928 731 054 51 LA1	Black	-90		
	928 731 054 51 TZ1	Burgundy	-90		
	928 731 054 51 UA1	Greyish green	-88		
	928 731 054 51 TY1	Mahogany	-90		
	928 731 054 51 TW9	Marine blue	-90		
	928 731 054 51 UD1	Caramel	-90		
	928 731 054 51 UD2	Venetian blue	-90		
(2)	928 731 053 51	Sun visor with mirror Leather	/L (AUS) (S)	1	
	928 731 053 51 8YR	Black	91		
	928 731 053 51 6XL	Classic grey	91		
	928 731 053 51 9YL	Cobalt blue	91		
	928 731 053 51 6YL	Magenta	91		
	928 731 053 51 M05	Matador red	91		
	928 731 053 51 D35	Carrara grey	91		
	928 731 053 51 J25	Sherwood green	91		
(2)	928 731 054 51	Sun visor with mirror Leather	/R (AUS) (S)	1	

Model: 928 87 Model life 1987>>1991

Pos	Part Number	Description	Remark	Qty	Model
	928 731 054 51 8YR	Black	91		
	928 731 054 51 6XL	Classic grey	91		
	928 731 054 51 9YL	Cobalt blue	91		
	928 731 054 51 6YL	Magenta	91		
	928 731 054 51 M05	Matador red	91		
	928 731 054 51 D35	Carrara grey	91		
	928 731 054 51 J25	Sherwood green	91		
3	911 731 331 00	Support		2	
3		Support		2	M650
4	900 143 034 07	Oval-head sheetmetal screw 3,9 X 19		2	
5	900 145 016 07	Tapping screw 4,2 X 19		6	
6	928 731 035 04	Sun visor	/H -91	2	
		Leatherette			
		Rear			
	928 731 035 04 70A	Black			
	928 731 035 04 3MX	Burgundy	-90		
	928 731 035 04 2KA	Greyish green	-88		
	928 731 035 04 5MA	Mahogany	-90		
	928 731 035 04 3KA	Marine blue	-90		
	928 731 035 04 6WJ	Classic grey	91		
	928 731 035 04 7YU	Cobalt blue	91		
	928 731 035 04 8YA	Magenta	91		
(6)	928 731 035 52	Sun visor	/H	2	
		Leather			
		Rear			
	928 731 035 52 LA1	Black	-90		
	928 731 035 52 LL6	Burgundy	-90		
	928 731 035 52 NY3	Greyish green	-88		
	928 731 035 52 TT9	Mahogany	-90		
	928 731 035 52 TT8	Marine blue	-90		
	928 731 035 52 UD1	Caramel	-90		
	928 731 035 52 UD2	Venetian blue	-90		
	928 731 035 52 SM1	Velvet red	-90		
	928 731 035 52 SM2	Slate grey	-90		
(6)	928 731 035 52	Sun visor	/H	2	
		Leather			
		Rear			
	928 731 035 52 8YR	Black	91		
	928 731 035 52 6XL	Classic grey	91		
	928 731 035 52 9YL	Cobalt blue	91		
	928 731 035 52 6YL	Magenta	91		
	928 731 035 52 M05	Matador red	91		
	928 731 035 52 D35	Carrara grey	91		
	928 731 035 52 J25	Sherwood green	91		
7	928 731 043 02	Bearing bracket	/L	1	
7	928 731 044 02	Bearing bracket	/R	1	
8	900 145 016 07	Tapping screw 4,2 X 19	90-	4	
9	911 731 043 03	Mirror housing	/L	1	
9	911 731 044 03	Mirror housing	/R	1	
10	928 731 141 06	Mirror base	/LL /L	1	
(10)	928 731 143 08	Mirror base	/LL /R	1	
(10)	927 731 141 06	Mirror base	/RL /R	1	
(10)	927 731 143 08	Mirror base	/RL /L	1	
9-10	944 731 021 01	Mirror housing	/L	1	
	944 731 021 01 G3M	with Mirror base Grey Prime coated			
11	911 731 257 02	Guide tube		2	
11	911 731 257 03	Guide tube		2	

Model: 928 87 Model life 1987>>1991

Pos	Part Number	Description	Remark	Qty	Model
12	911 731 345 02	Centring washer Lower		2 2	
13	911 731 029 01	Compression spring		2	
14	911 731 347 00	Centring washer Upper		2	
15	944 731 143 00	Seal		2	
16	928 731 247 03	Desk pad	/LL /L	1	
(16)	928 731 249 04	Desk pad	/LL /R	1	
(16)	927 731 247 03	Desk pad	/RL /R	1	
(16)	927 731 249 04	Desk pad	/RL /L	1	
17	944 731 027 01	Covering frame	/R /L	2	
(17)	928 624 067 00	Covering frame with Transmission		2	M537/538
18	803 971 980	Pin connector socket 7-pole		2	
19	N 017 564 1	Round connector 1,6 - 1		X	
20	999 143 003 02	Hexagon-head bolt M 5 X 10		6	
21	944 731 035 02	Mirror glass Plane		1	
(21)	944 731 035 04	Mirror glass Plane	(S)	1	
(21)	944 731 035 03	Mirror glass Convex		1	
(21)	944 731 035 05	Mirror glass Convex	(S)	1	
22	928 531 235 03	Threaded piece		2	
23	N 013 295 1	Tensioning sleeve		1	
24	999 218 019 02	Screw M 5 X 45	-90	2	
(24)	999 218 073 02	Pan-head screw M 5 X 45	91	2	
25	999 703 137 40	Cap		2	
26	928 613 241 00	Switch		1	
27	928 555 461 03	Mounting piece	/LL	1	
(27)	928 555 461 03 70B	Black		1	
(27)	927 555 462 03	Mounting piece	/RL	1	
(27)	927 555 462 03 70B	Black		1	
28	928 555 463 02	Threaded bush		1	
29	928 613 082 00	Knob		1	
30	928 613 240 00	Switch		1	
(30)	928 613 240 00 01C	Satin black		1	
31	928 618 136 00	Control unit	-89	1	M537/538
31	928 618 136 02	Control unit	90-	1	M537/538
32	N 011 525 13	Washer A 8,4	/LL	2	M537
33	900 076 025 02	Hexagon nut M 8	/LL	2	M537
33	900 076 064 02	Hexagon nut M 8	/LL	2	M537
34	928 618 431 00	Retaining bracket	/LL	1	M537
35	N 011 524 7	Washer A 6,4	/LL	2	M537
35	N 011 524 27	Washer A 6,4	/LL	2	M537
36	N 014 138 7	Oval-head screw M 6 X 10	/LL	2	M537
37	N 011 666 7	Washer B 6,4	/RL	2	M538
38	N 014 142 3	Oval-head screw M 6 X 20	/RL	2	M538

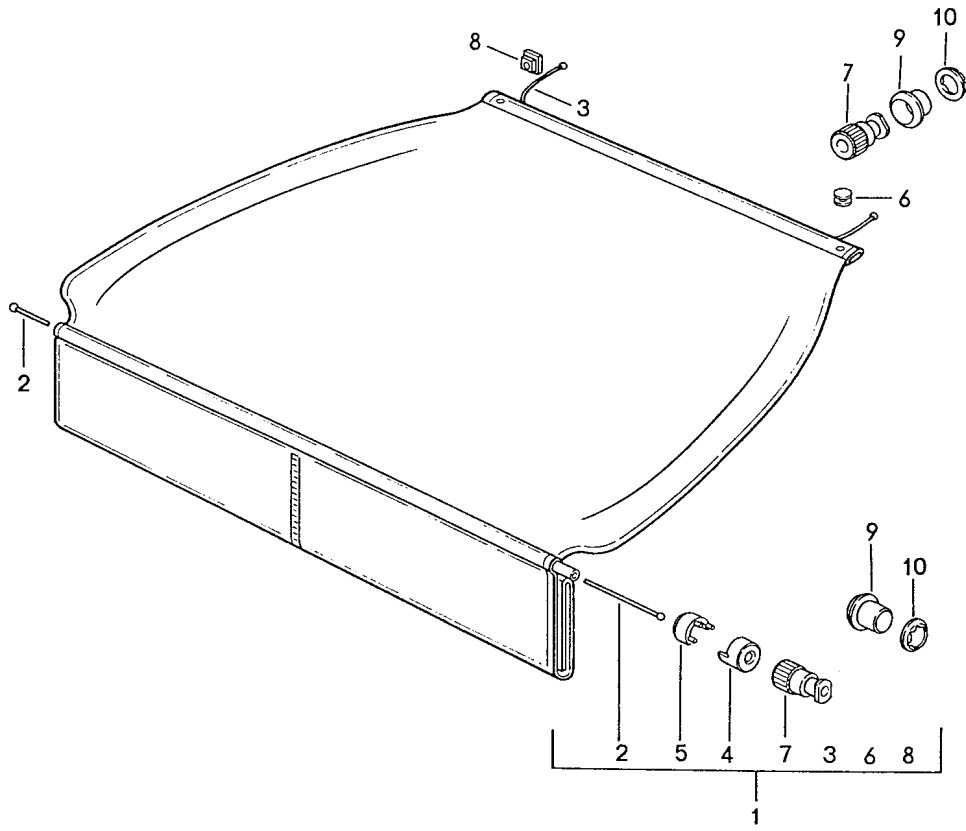
Model: 928 87

Model life 1987>>1991

Pos	Part Number	Description	Remark	Qty	Model
39	928 641 342 00	Support	/LL	1	
(39)	927 641 342 00	Support	/RL	1	
40	N 014 760 3	Pan-head screw M 5 X 12		1	
40	900 067 070 01	Pan-head screw M 5 X 12		1	
41	911 612 817 00	Protection cap		1	
42	928 641 142 00	Temperature sensor		1	
43	443 906 232	Connector housing		1	

Model: 928 87

Model life 1987>>1991



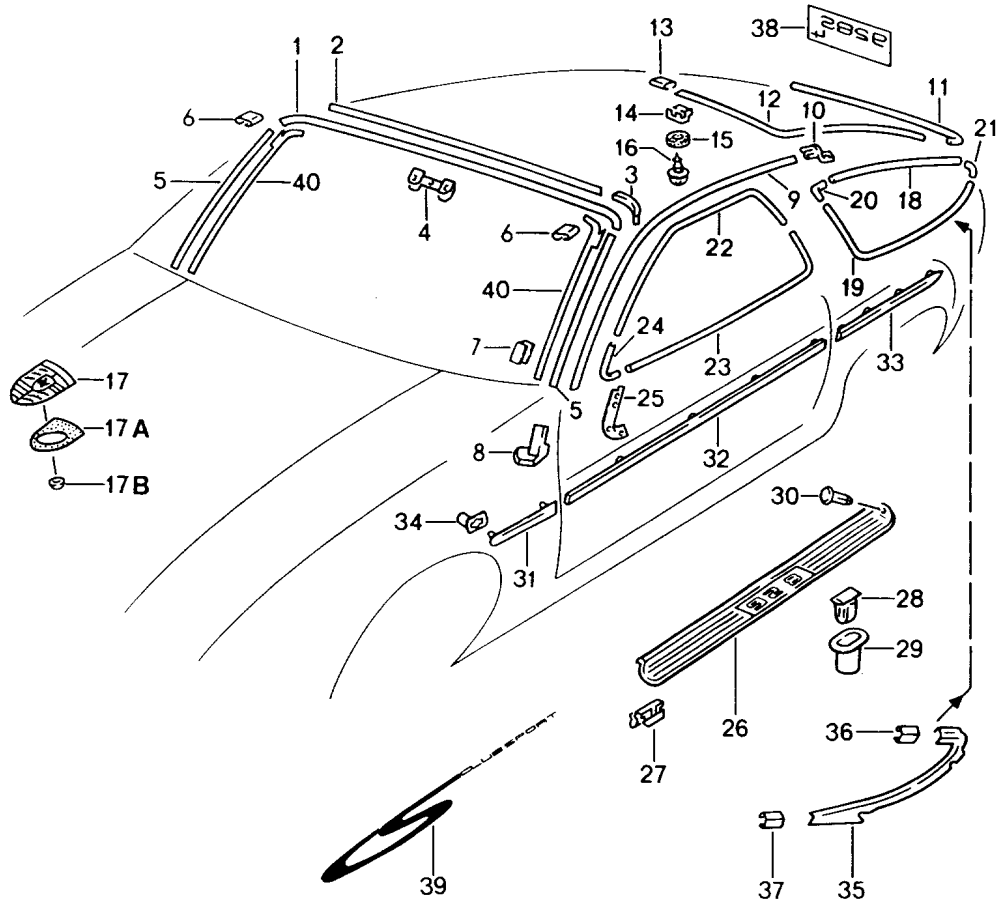
Model: 928 87

Model life 1987>>1991

Pos	Part Number	Description	Remark	Qty	Model
1	928 555 179 02	Luggage compartment cover		1	
	928 555 179 02 70G	Luggage compartment cover Black			
	928 555 179 02 30D	Blue	-88		
	928 555 179 02 40B	Brown	-88		
	928 555 179 02 2LB	Burgundy	-90		
	928 555 179 02 6JG	Greyish green	-90		
	928 555 179 02 7MG	Mahogany	-90		
	928 555 179 02 5KG	Marine blue	-90		
	928 555 179 02 5WG	Classic grey	91		
	928 555 179 02 7ZF	Cobalt blue	91		
	928 555 179 02 7YM	Magenta	91		
(1)	928 555 179 03	Luggage compartment cover		1	M293/295 M496
	928 555 179 03 70G	Black			
	928 555 179 03 7MG	Mahogany			
	928 555 179 03 5KG	Marine blue			
	928 555 179 03 2LB	Burgundy			
	928 555 179 03 6JG	Greyish green	-88		
-	999 701 639 40	Round rubber cord		*	
2		1150 MM		1	
3		740 MM		2	
4	928 555 795 02	End piece of pipe		2	
5	928 555 785 02	Clamp for fabric		2	
6	900 190 005 03	Tubular rivet B 4 X 9 X 6		2	
7	928 555 775 02	Belt end piece		4	
8	928 555 791 02	Rosette		2	
	928 555 791 02 70B	Black			
9	928 555 777 02	End piece of rope		4	
10	999 591 484 02	Clamping washer		4	

Model: 928 87

Model life 1987>>1991



Model: 928 87 Model life 1987>>1991

Pos	Part Number	Description	Remark	Qty	Model
		Decorative fittings			
		Exterior equipment			
1	928 559 103 04	Cover strip		1	
	928 559 103 04 70K	Black			
2	928 559 295 02	Adhesive tape		1	
3	928 559 245 03	Sealing strap		2	
4	928 559 285 02	Clamp		9	
5	928 559 105 05	Water drain strip	/L -90	1	
	928 559 105 05 70K	Black			
(5)	928 559 106 05	Water drain strip	/R -90	1	
	928 559 106 05 70K	Black			
(5)	928 559 105 07	Water drain strip	/L 91	1	
	928 559 105 07 70K	Black			
(5)	928 559 106 07	Water drain strip	/R 91	1	
	928 559 106 07 70K	Black			
6	928 559 213 05	Sleeve	/L	1	
	928 559 213 05 70K	Black			
6	928 559 214 05	Sleeve	/R	1	
	928 559 214 05 70K	Black			
7	928 559 107 02	Clamp		8	
8	928 559 111 05	End piece	/L	1	
	928 559 111 05 70B	Black			
(8)	928 559 112 05	End piece	/R	1	
	928 559 112 05 70B	Black			
9	928 559 119 04	Roof edge strip	/L	1	
9		Roof edge strip	/L	1	
	928 559 119 04 004				
(9)	928 559 120 04	Roof edge strip	/R	1	
(9)		Roof edge strip	/R	1	
	928 559 120 04 004				
10	928 559 121 03	Roof edge strip	/L	1	
(10)	928 559 122 03	Roof edge strip	/R	1	
		End piece			
11	928 559 151 04	Cover strip	-87	1	
	928 559 151 04 70K	Black			
		Lower			
(11)	928 559 151 05	Cover strip	88-	1	
	928 559 151 05 70K	Black			
		Lower			
12	928 559 153 06	Cover strip	/L	1	
	928 559 153 06 70K	Black			
		Lateral			
		for			
		Lid			
		with spoiler			
(12)	928 559 153 05	Cover strip	/L -89	1	M471
	928 559 153 05 70K	Black			
		Lateral			
		for			
		Lid			
		with spoiler			
(12)	928 559 154 06	Cover strip	/R	1	
	928 559 154 06 70K	Black			
		Lateral			
		for			
		Lid			
		with spoiler			
(12)	928 559 154 05	Cover strip	/R -89	1	M471
	928 559 154 05 70K	Black			
		Lateral			
		for			
		Lid			
		with spoiler			

Model: 928 87 Model life 1987>>1991

Pos	Part Number	Description	Remark	Qty	Model
13	928 559 155 03	Sleeve		3	
	928 559 155 03 70K	Black			
14	928 559 133 04	Retaining clip	-89	8	M471
14		Retaining clip		19	
15	928 559 143 02	Sealing ring	-89	8	M471
15	928 559 143 03	Sealing ring		8	M471
15	928 559 143 02	Sealing ring		19	
15	928 559 143 03	Sealing ring		19	
16	999 919 030 02	Screw	-89	8	M471
16		Screw		19	
17	901 559 210 20	Lid emblem		1	
17	901 559 210 26	Lid emblem		1	
17A	901 559 215 20	Desk pad		1	
17A	7L5 853 611 B	Desk pad		1	
17B	999 591 423 03	Tapping nut		2	
18	928 543 419 10	Moulding section	/L	1	
	928 543 419 10 70K	Black			
		Upper			
(18)	928 543 419 09	Moulding section	/L -89	1	M471
	928 543 419 09 70K	Black			
		Upper			
(18)	928 543 420 10	Moulding section	/R	1	
	928 543 420 10 70K	Black			
		Upper			
(18)	928 543 420 09	Moulding section	/R -89	1	M471
	928 543 420 09 70K	Black			
		Upper			
19	928 543 417 10	Moulding section	/L	1	
	928 543 417 10 70K	Black			
		Lower			
(19)	928 543 417 09	Moulding section	/L -89	1	M471
	928 543 417 09 70K	Black			
		Lower			
(19)	928 543 418 10	Moulding section	/R	1	
	928 543 418 10 70K	Black			
		Lower			
(19)	928 543 418 09	Moulding section	/R -89	1	M471
	928 543 418 09 70K	Black			
		Lower			
20	928 543 413 04	Corner piece		2	
	928 543 413 04 70K	Black			
		Upper			
21	928 543 415 05	Corner piece		2	
	928 543 415 05 70K	Black			
		Lower			
22	928 537 311 04	Moulding	/L	1	
	928 537 311 04 70K	Black			
		Upper			
(22)	928 537 312 04	Moulding	/R	1	
	928 537 312 04 70K	Black			
		Upper			
23	928 537 313 04	Moulding	/L	1	
	928 537 313 04 70K	Black			
		Lower			
(23)	928 537 314 04	Moulding	/R	1	
	928 537 314 04 70K	Black			
		Lower			
24	928 537 301 05	Moulding connection	/L	1	
	928 537 301 05 70K	Black			
(24)	928 537 302 05	Moulding connection	/R	1	
	928 537 302 05 70K	Black			
25	928 537 369 03	Desk pad	/L -87	1	
(25)	928 537 370 03	Desk pad	/R -87	1	

Model: 928 87 Model life 1987>>1991

Pos	Part Number	Description	Remark	Qty	Model
25	928 537 369 03	Desk pad	/L	1	
25	928 537 370 03	Desk pad	/R	1	
-	900 143 114 07	Oval-head sheetmetal screw B 3,5 X 9,5		2	
26	928 551 055 02	Scuff plate	/L	1	
(26)	928 551 056 02	Scuff plate	/R	1	
27	928 551 123 02	Clamp		12	
28	999 591 451 40	Fastening clamp		12	
29	999 702 116 40	Grommet Oval		12	
(29)	999 702 115 40	Grommet Round		2	
30	999 591 519 40	Expansion rivet		2	
31	928 559 037 03	Protective moulding	/L	1	
(31)	928 559 038 03	Protective moulding	/R	1	
-	928 559 175 03	Adhesive tape Wing		2	
32	928 559 033 03	Protective moulding	/L	1	
(32)	928 559 034 03	Protective moulding	/R	1	
-	928 559 965 00	Door Adhesive tape		2	
33	928 559 041 03	Protective moulding	/L	1	
(33)	928 559 042 03	Protective moulding	/R	1	
-	928 559 181 03	Side section Rear Adhesive tape		2	
34	928 559 281 02	Bush		10	
35	928 543 437 03	Trim frame	/L -89	1	M471
	928 543 437 03 70K	Black Rear spoiler			
(35)	928 543 438 03	Trim frame	/R -89	1	M471
	928 543 438 03 70K	Black Rear spoiler			
36	928 543 439 03	Sleeve	-89	2	M471
	928 543 439 03 70K	Black Trim frame Rear spoiler			
37	928 543 439 04	Sleeve	/L -89	1	M471
	928 543 439 04 70K	Black Trim frame Rear spoiler			
(37)	928 543 440 04	Sleeve	/R -89	1	M471
	928 543 440 04 70K	Black Trim frame Rear spoiler			
38	928 505 335 06	Logo Dark grey		1	928 S4
38	928 505 335 07	Logo Light grey		1	928 S4
38	928 559 921 00	Logo Prime coated -GT-		1	M481
38		Order also: Logo Prime coated -GT-		1	M481
-	928 559 421 00	Adhesive tape		2	
(38)	928 559 921 01	Logo Prime coated		1	M249

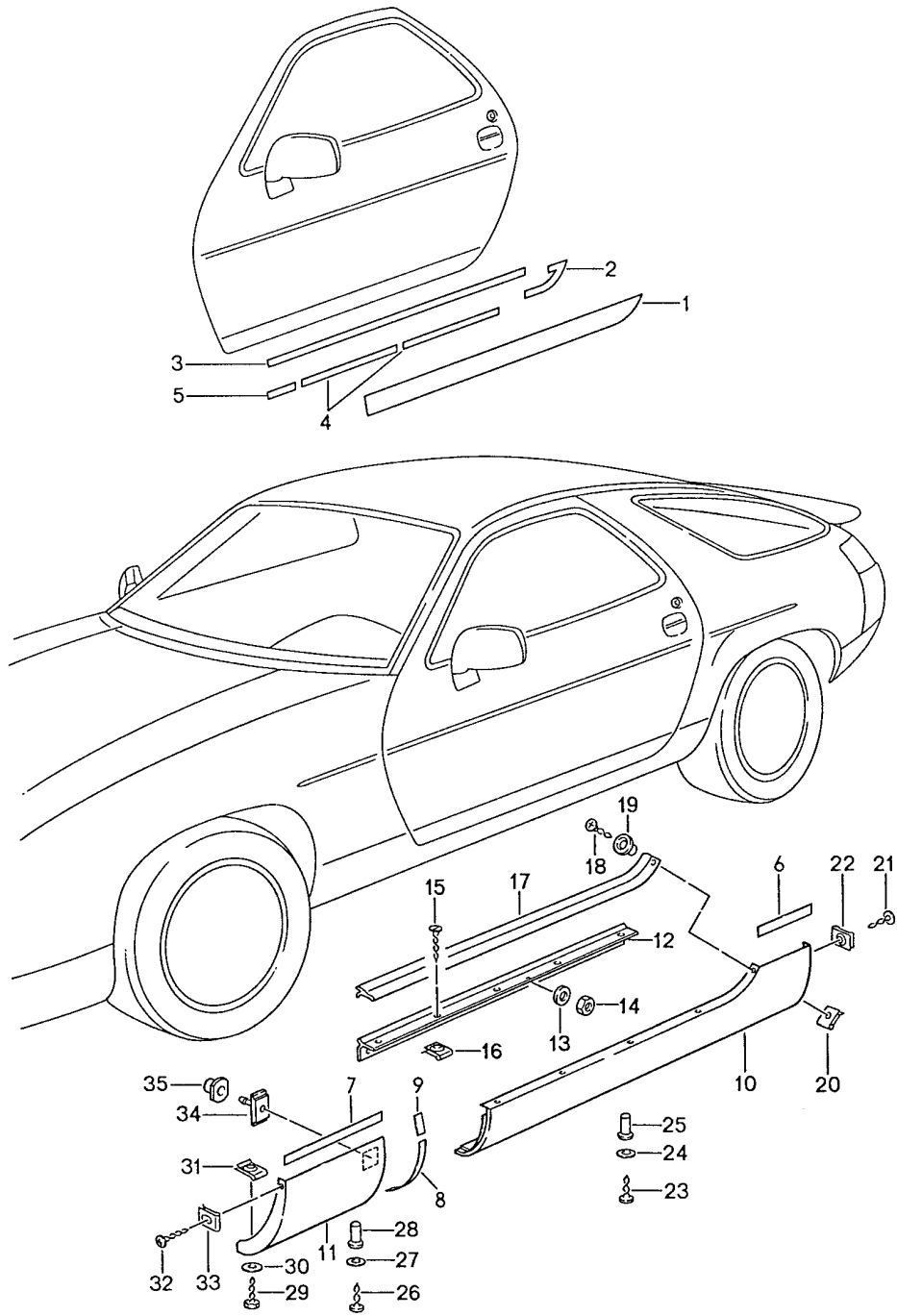
Model: 928 87

Model life 1987>>1991

Pos	Part Number	Description	Remark	Qty	Model
-	928 559 421 01	-S4- Order also: Adhesive tape		2	
39	928 559 339 00	Logo Black	-89	1	M637
(39)	928 559 339 01	Logo Silver	-89	1	M637
40	928 559 519 00	Sealing rubber	91	1	
	928 559 519 00 70C	Black Water drain strip Windscreen			
(40)	928 559 520 00	Sealing rubber	91	1	
	928 559 520 00 70C	Black Water drain strip Windscreen			

Model: 928 87

Model life 1987>>1991



Model: 928 87 Model life 1987>>1991

Pos	Part Number	Description	Remark	Qty	Model
1	928 559 197 02	Sill cover	/L	1	
(1)	928 559 198 02	Sill cover	/R	1	
2	928 559 397 03	Door Adhesive tape	/L	1	
(2)	928 559 398 03	Adhesive tape	/R	1	
-	000 043 113 00	Corner panel Adhesive tape		1	
3		1120 MM			
4		470 MM			
5		62 MM			
6		185 MM			
7		368 MM			
8		165 MM			
9		78 MM			
10	928 559 085 02	Sill cover	/L	1	
(10)	928 559 086 02	Sill cover	/R	1	
11	928 559 083 02	Door sill Sill cover	/L	1	
(11)	928 559 084 02	Sill cover	/R	1	
12	928 504 483 04	Wing Door sill rail	/L -87	1	
		F >>92HS8 40626	(J)		
		F >>92HS8 49605			
		F >>92HS8 60788			
(12)	928 504 483 05	Door sill rail	/L	1	
		F 92HS8 40627>>	(J)		
		F 92HS8 49606>>			
		F 92HS8 60789>>			
(12)	928 504 484 04	Door sill rail	/R -87	1	
		F >>92HS8 40626	(J)		
		F >>92HS8 49605			
		F >>92HS8 60788			
(12)	928 504 484 05	Door sill rail	/R	1	
		F 92HS8 40627>>	(J)		
		F 92HS8 49606>>			
		F 92HS8 60789>>			
13	N 011 524 7	Washer		10	
		A 6,4			
13	N 011 524 27	Washer		10	
		A 6,4			
14	900 910 096 02	Lock nut		10	
		M 6			
15	900 144 034 07	Tapping screw		10	
		B 4,2 X 16			
15	900 144 034 0G	Tapping screw		10	
		B 4,2 X 16			
16	999 591 797 02	Speed nut		10	
		B 4,2			
17	928 559 289 04	Cover strip	/L -87	1	
		F >>92HS8 40626	(J)		
		F >>92HS8 49605			
		F >>92HS8 60788			
(17)	928 559 290 04	Cover strip	/R -87	1	
		F >>92HS8 40626	(J)		
		F >>92HS8 49605			
		F >>92HS8 60788			
(17)	928 559 289 05	Cover strip	/L	1	
		F 92HS8 40627>>	(J)		
		F 92HS8 49606>>			
		F 92HS8 60789>>			
(17)	928 559 289 05 70B	Black			
(17)	928 559 290 05	Cover strip	/R	1	

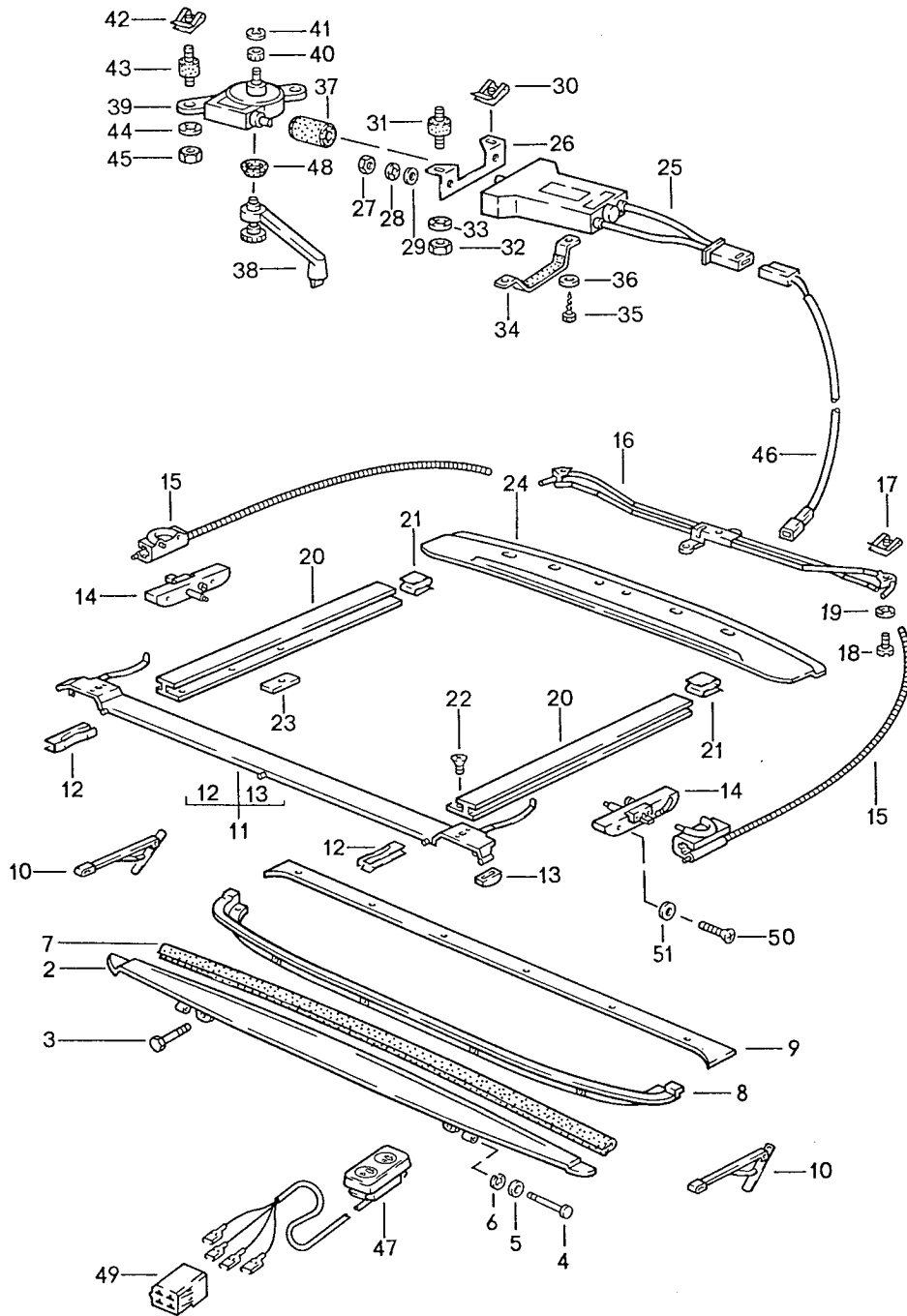
Model: 928 87

Model life 1987>>1991

Pos	Part Number	Description	Remark	Qty	Model
18	928 559 290 05 70B 900 144 035 07	F 92HS8 40627>> F 92HS8 49606>> F 92HS8 60789>> Black Tapping screw B 4,2 X 19	(J)	2	
19	928 559 314 00	Spacer sleeve		2	
20	999 591 873 02	Speed nut B 4,2		2	
21	900 144 033 07	Tapping screw B 4,2 X 13		2	
22	999 591 787 09	F >>92HS8 40080 F >>92HS8 49560 F >>92HS8 60065 Speed nut B 4,2	(J)	2	
23	900 143 085 07	F >>92HS8 40080 F >>92HS8 49560 F >>92HS8 60065 Tapping screw B 4,2 X 16	(J)	12	
24	N 011 665 3	Washer B 5,3		12	
24	N 011 665 16	Washer B 5,3		12	
25	999 591 717 40	Expander nut B 4,2		12	
26	900 143 147 07	Tapping screw B 4,8 X 16		2	
27	N 011 665 3	Washer B 5,3		2	
27	N 011 665 16	Washer B 5,3		2	
28	999 591 779 40	Expander nut B 4,8		2	
29	900 187 010 02	Hexagon-head tapping screw BZ 6,3 X 19		2	
29	900 187 010 03	Hexagon-head tapping screw BZ 6,3 X 19		2	
30	900 151 008 02	Washer B 8,4		2	
31	999 507 003 02	Speed nut B 6,3		2	
31	999 507 003 01	Speed nut B 6,3		2	
32	900 144 033 07	Tapping screw B 4,2 X 13		2	
33	999 591 787 09	F >>92HS8 40080 F >>92HS8 49560 F >>92HS8 60065 Speed nut B 4,2	(J)	2	
34	928 559 281 02	F >>92HS8 40080 F >>92HS8 49560 F >>92HS8 60065 Bush	(J)	2	
35	928 559 273 00	Support		2	

Model: 928 87

Model life 1987>>1991



Model: 928 87

Model life 1987>>1991

Pos	Part Number	Description	Remark	Qty	Model
		Sunroof			
		Electrically adjustable			
2	928 564 023 03	Wind deflector plate		1	
	928 564 023 03 70K	Black			
3	999 217 078 07	Hexagon-head bolt		2	
		M 4 X 6			
4	999 088 009 07	Bolt		2	
5	900 089 015 07	Washer		2	
6	900 116 001 07	Lock washer		2	
7	928 564 358 02	Edge protection		1	
8	928 564 341 03	Cover		1	
9	928 564 105 03	Cover strip		1	
10	928 564 057 02	Hinge	/L	1	
10	928 564 058 02	Hinge	/R	1	
11	928 564 061 40	Guide	/V	1	
12	928 564 267 02	Slide		2	
13	928 564 268 03	Guide shoe		2	
14	928 564 045 42	Gate guide	/L	1	
14	928 564 046 42	Gate guide	/R	1	
15	928 564 083 43	Guide	/L	1	
15	928 564 084 43	Guide	/R	1	
16	928 564 209 40	Guide tube		1	
17	999 507 248 02	Speed nut		2	
		M 5			
18	N 014 133 8	Oval-head screw		3	
		M 5 X 12			
18	N 014 133 I	Oval-head screw		3	
		M 5 X 12			
19	N 012 005 3	Lock ring		2	
		B 5			
20	928 564 015 42	Guide rail	/L	1	
20	928 564 016 42	Guide rail	/R	1	
21	999 591 448 02	Fixing clip		2	
22	900 269 052 07	Countersunk-head screw		6	
		M 4 X 10			
23	928 502 617 60	Threaded plate		2	
		M 4			
24	928 564 167 41	Water drain plate		1	
25	911 624 016 03	Motor		1	
26	928 624 105 02	Engine bracket		1	
27	N 011 005 14	Hexagon nut		2	
		M 5			
27	900 076 091 01	Hexagon nut		2	
		M 5			
28	N 012 005 3	Lock ring		2	
		B 5			
29	900 025 003 02	Washer		2	
		A 5,3			
30	999 507 248 02	Speed nut		1	
		M 5			
31	999 703 308 00	Bonded rubber mounting		2	
31	999 703 308 0A	Bonded rubber mounting		2	
32	N 011 005 14	Hexagon nut		2	
		M 5			
32	900 076 091 01	Hexagon nut		2	
		M 5			
33	N 012 005 3	Lock ring		2	
		B 5			
34	928 624 011 02	Motor mount		1	
35	N 013 883 3	Tapping screw		1	
		B 4,8 X 9,5			
36	900 025 003 02	Washer		1	
		A 5,3			

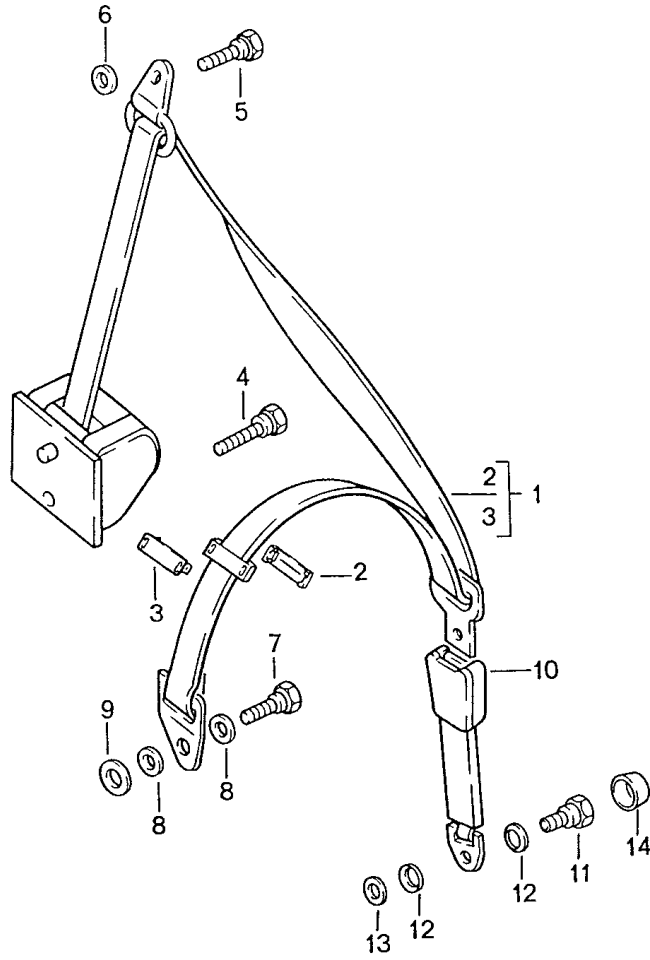
Model: 928 87

Model life 1987>>1991

Pos	Part Number	Description	Remark	Qty	Model
37	911 624 103 00	Clutch		1	
37	911 624 103 01	Clutch		1	
38	901 564 085 05	Crank		1	
39	928 564 025 02	Transmission		1	
40	928 564 125 02	Drive pinion		1	
41	900 116 003 02	Lock washer		1	
41	900 116 003 09	Lock washer		1	
42	999 507 248 02	Speed nut		2	
43	999 703 306 00	Bonded rubber mounting		2	
44	N 012 005 3	Lock ring B 5		2	
45	N 011 005 14	Hexagon nut M 5		2	
45	900 076 091 01	Hexagon nut M 5		2	
46	928 612 006 01	Wiring harness		1	
47	928 613 120 00	Tip switch	-89	1	M650
(47)	928 613 120 02	Tip switch	90-	1	M650
	928 613 120 02 01C	Black			
48	901 564 663 05	Cap		1	
49	928 612 413 03	Connector housing		1	
50	999 217 008 02	Hexagon-head bolt M 5 X 10		4	
51	900 025 003 02	Washer A 5,3		4	

Model: 928 87

Model life 1987>>1991

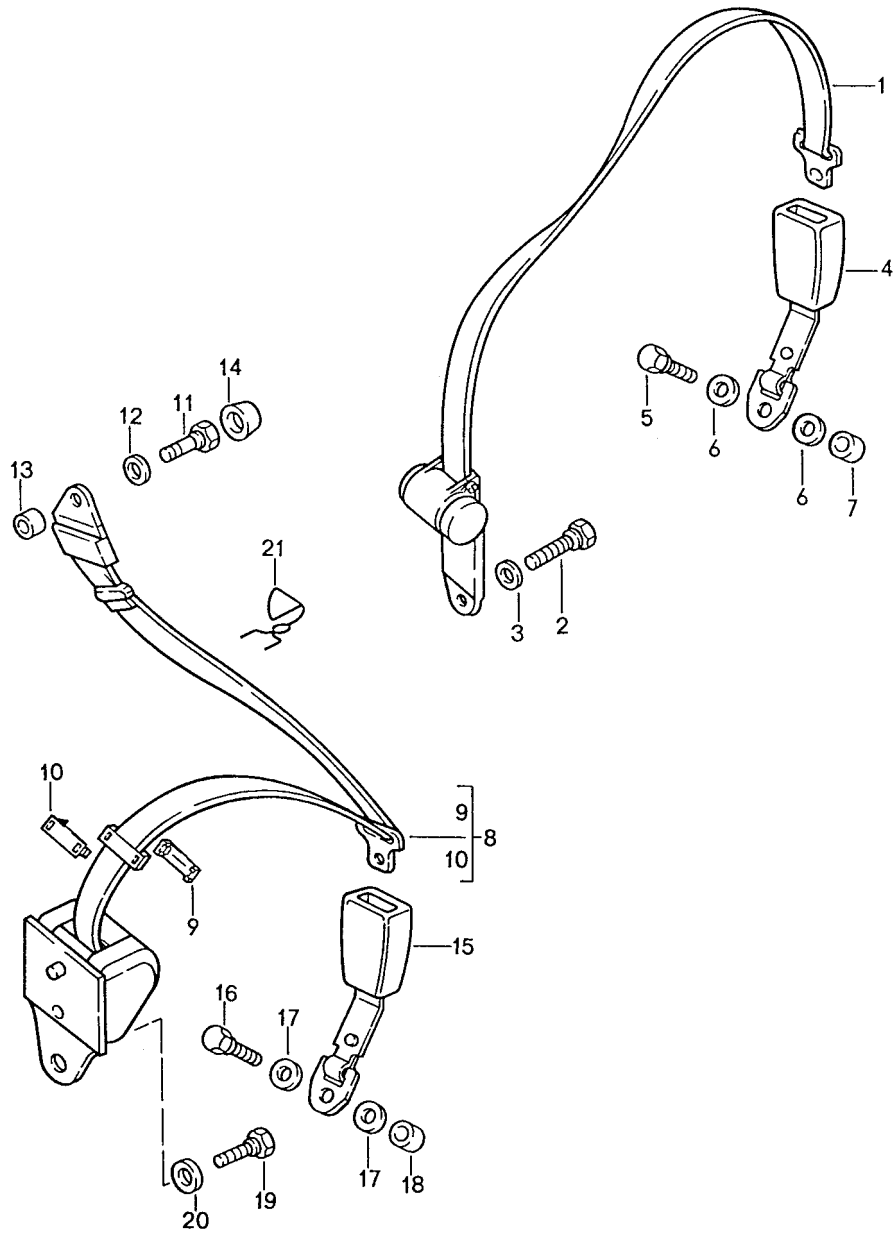


Model: 928 87 Model life 1987>>1991

Pos	Part Number	Description	Remark	Qty	Model
		Seat belt Automatic Front			
1	928 803 126 10	Seat belt	-90	2	
	928 803 126 10 70B	Black			
(1)	928 803 033 00	Seat belt	91	2	
	928 803 033 00 70B	Black			
2	928 803 151 02	Clip Upper part	-90	2	
3	928 803 153 02	Clip Lower part	-90	2	
4	928 803 121 02	Fastening screw		2	
5	111 857 793 E	Hexagon-head bolt for Relay lever		2	
6	928 803 212 02	Spacer		2	
7	111 857 793 E	Hexagon-head bolt		2	
8	211 857 771	Washer		4	
9	928 803 212 02	Spacer		2	
10	928 803 183 13	Seat-belt buckle Driver's side F >>92KS8 41283		1	
	928 803 183 13 70B	Black			
10	928 803 183 12	Seat-belt buckle Passenger's side F >>92KS8 41283		1	
	928 803 183 12 70B	Black			
10	964 803 183 01	Seat-belt buckle		1	
	964 803 183 01 70B	Black Driver's side			
10	964 803 183 00	Seat-belt buckle		1	
	964 803 183 00 70B	Black Passenger's side F 92KS8 41284>>			
(10)	964 803 183 05	Seat-belt buckle		1	
	964 803 183 05 70B	Black Driver's side for Sports seat F 92KS8 41284>>			
(10)	964 803 183 04	Seat-belt buckle		1	
	964 803 183 04 70B	Black Passenger's side for Sports seat F 92KS8 41284>>			
11	914 803 468 10	Screw		2	
		F >>92KS8 41283			
(11)	959 803 701 00	Hexagon-head bolt F 92KS8 41284>>		2	
(11)	959 803 701 01	Hexagon-head bolt F 92KS8 41284>>		2	
12	911 803 533 00	Cup spring F >>92KS8 41283		4	
(12)	999 028 014 02	Spring washer F 92KS8 41284>>		2	
13	911 803 531 00	Paper washer F >>92KS8 41283		2	
(13)	N 011 655 2	Washer F 92KS8 41284>>		2	
14	811 857 845	Cap		2	
	811 857 845 70B	Black			

Model: 928 87

Model life 1987>>1991



Model: 928 87 Model life 1987>>1991

Pos	Part Number	Description	Remark	Qty	Model
1	928 803 015 06	Seat belt Rear Lap belt Automatic	/L -88	1	
(1)	928 803 015 06 70B	Black			
	928 803 016 06	Lap belt Automatic	/R -88	1	
	928 803 016 06 70B	Black			
1	928 803 015 07	Lap belt Automatic	/L 89	1	
(1)	928 803 015 07 70B	Black			
	928 803 016 07	Lap belt Automatic	/R 89	1	
	928 803 016 07 70B	Black			
2	111 857 799 A	Hexagon-head bolt		2	
2	3B0 857 799	Hexagon-head bolt		2	
3	111 857 707 A	Spacer		2	
3	WHT 001 373	Spacer		2	
4	928 803 091 02	Lock		2	
5	111 857 793 E	Hexagon-head bolt		2	
6	211 857 771	Washer		4	
7	928 803 259 02	Spacer sleeve		2	
8	927 803 021 03	Seat belt Automatic	/L -87	1	M335
(8)	927 803 021 04	Seat belt Automatic	/L -88	1	M335
	927 803 021 04 70B	Black			
(8)	927 803 021 05	Seat belt Automatic	/L 89-	1	M335
	927 803 021 05 70B	Black			
(8)	928 803 021 00	Seat belt Automatic	/L 89-	1	M335
	928 803 021 00 70B	Black			
(8)	927 803 022 03	Seat belt Automatic	/R -87	1	M335
(8)	927 803 022 04	Seat belt Automatic	/R -88	1	M335
	927 803 022 04 70B	Black			
(8)	927 803 022 05	Seat belt Automatic	/R 89-	1	M335
	927 803 022 05 70B	Black			
(8)	928 803 022 00	Seat belt Automatic	/R 89-	1	M335
	928 803 022 00 70B	Black			
9	928 803 151 02	Clip		2	
10	928 803 153 02	Upper part Clip Lower part		2	
11	111 857 793 E	Hexagon-head bolt		2	
(11)	111 857 793 C	Hexagon-head bolt		2	
12	211 857 771	Washer		2	
13	901 803 116 40	Spacer sleeve		2	
14	811 857 845	Cap		2	
	811 857 845 70B	Black			
15	928 803 091 02	Lock		2	
16	111 857 793 E	Hexagon-head bolt		2	
17	211 857 771	Washer		4	
18	928 803 259 02	Spacer sleeve		2	
19	111 857 799 A	Hexagon-head bolt		2	
19	3B0 857 799	Hexagon-head bolt		2	
20	111 857 707 A	Seat belt Spacer		2	

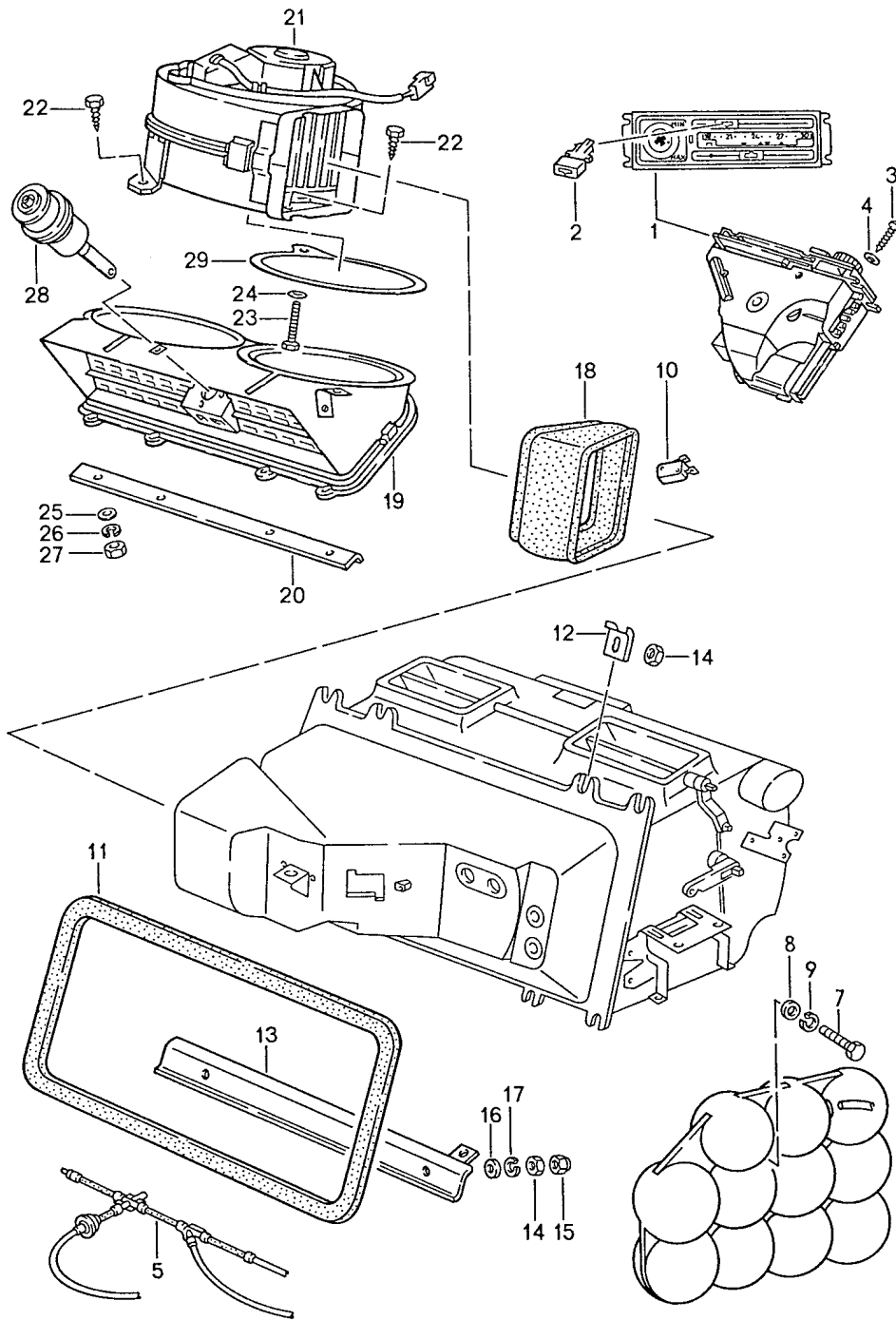
Model: 928 87

Model life 1987>>1991

Pos	Part Number	Description	Remark	Qty	Model
20	WHT 001 373	Spacer		2	
21	928 803 243 05	Eye	(AUS)	2	

Model: 928 87

Model life 1987>>1991



Model: 928 87

Model life 1987>>1991

Pos	Part Number	Description	Remark	Qty	Model
		Air conditioner			
		Control switch			
		Lines			
		Air guide			
1	928 573 060 08	Control switch	-90	1	
(1)	928 573 060 10	Control switch	91	1	
2	928 574 093 03	Control button		2	
		Blower switch			
		And			
		Rotary knob			
		See group			
		9/03/00 POS. 10+12			
	928 574 093 03 70B	Black			
3	999 919 008 07	Oval-head screw		1	
		4,0 X 13			
3	PCG 919 008 07	Oval-head screw		1	
		Set			
		4,0 X 13			
		Pieces		10	
4	N 011 522 14	Washer		4	
		A 4,3			
5	928 574 710 09	Vacuum line	/LL -90	1	
(5)	928 574 710 10	Vacuum line	/LL	1	M454
(5)	927 574 710 08	Vacuum line	/RL -90	1	
(5)	927 574 710 09	Vacuum line	/RL	1	M454
6	171 820 601	Vacuum tank		1	
7	N 010 221 3	Hexagon-head bolt		1	
		M 6 X 35			
8	N 011 524 7	Washer		1	
		A 6,4			
8	N 011 524 27	Washer		1	
		A 6,4			
9	N 012 006 4	Lock ring		1	
		B 6,4			
10	928 613 049 01	Micro-changeover switch		1	
11	928 574 387 02	Gasket		1	
12	928 574 581 02	Clip		2	
13	928 556 301 02	Reinforcement bracket	-89	1	
14	900 076 010 02	Nut	-89	6	
		M 6			
14	900 076 010 0B	Nut	-89	6	
		M 6			
15	900 070 002 02	Cap nut	-89	2	
		M 6			
16	N 011 524 7	Washer	-89	4	
		A 6,4			
16	N 011 524 27	Washer		4	
		A 6,4			
17	N 012 006 4	Lock ring	-89	6	
		B 6			
18	928 574 389 04	Rubber connecting piece		1	
19	928 573 031 05	Suction housing	/LL	1	
(19)	927 573 031 03	Suction housing	/RL	1	
20	928 556 303 02	Reinforcement bracket		1	
21	928 574 033 05	Blower	/LL	1	
(21)	927 574 033 04	Blower	/RL	1	
22	900 187 104 02	Tapping screw		2	
		B 4,8 X 13			
23	900 187 033 02	Tapping screw		1	
		B 4,8 X 50			
24	900 151 002 07	Washer		1	
		A 5,3			
25	N 011 524 7	Washer		4	

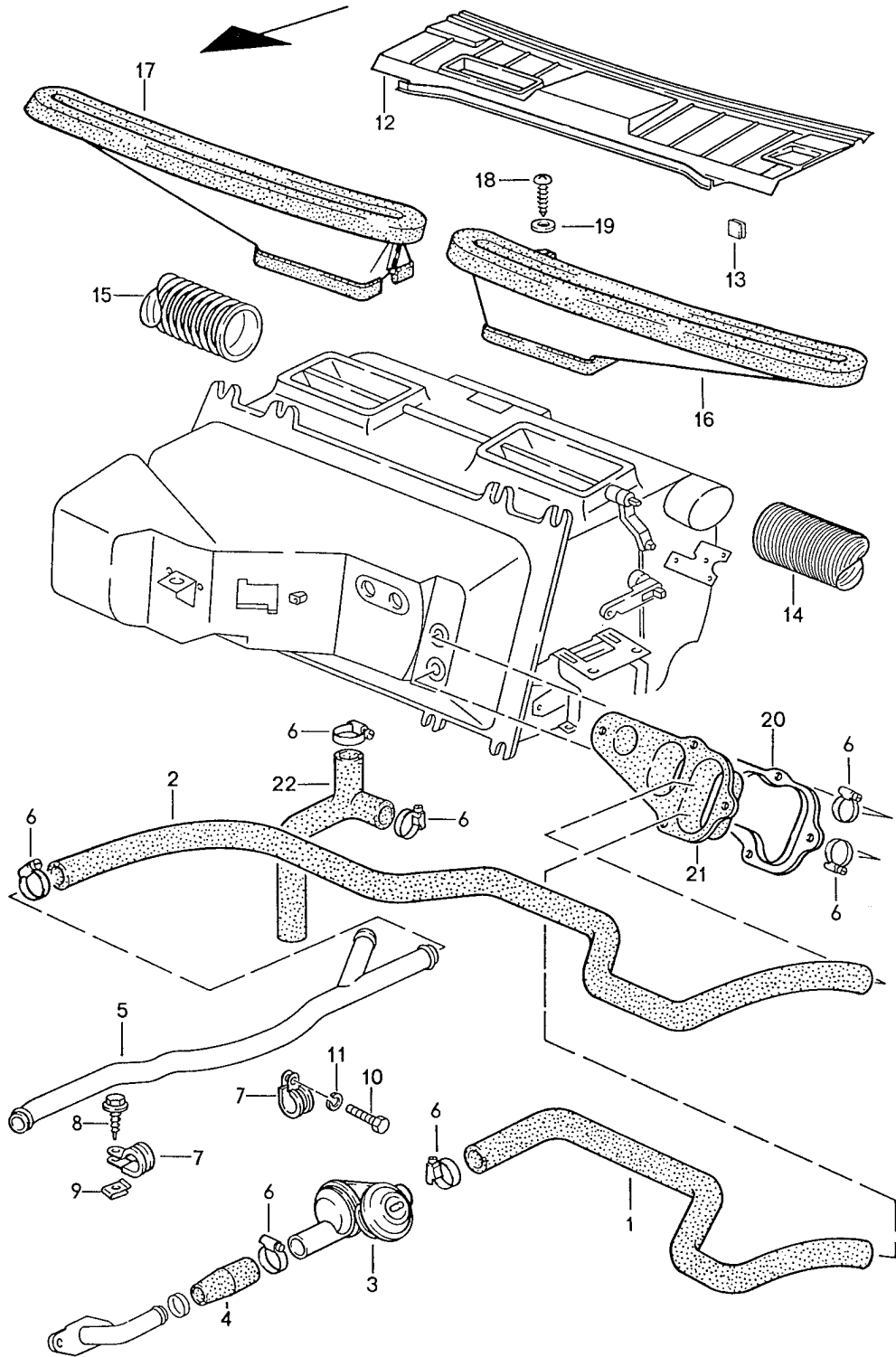
Model: 928 87

Model life 1987>>1991

Pos	Part Number	Description	Remark	Qty	Model
25	N 011 524 27	A 6,4 Washer		4	
26	N 012 006 4	A 6,4 Lock ring		4	
27	900 076 010 02	B 6 Nut		4	
27	900 076 010 0B	M 6 Nut		4	
28	928 573 077 04	M 6 Vacuum unit		1	
-	999 915 270 40	Suction housing Gasket		*	
29	928 574 133 02	6 X 15 Gasket		1	

Model: 928 87

Model life 1987>>1991



Model: 928 87 Model life 1987>>1991

Pos	Part Number	Description	Remark	Qty	Model
		Air conditioner			
		Hoses			
		Heating nozzles			
1	928 574 587 03	Heater hose	/LL	1	
		Intake			
(1)	927 574 587 03	Heater hose	/RL	1	
		Intake			
(2)	928 574 589 04	Heater hose	/LL	1	
		Return line			
(2)	927 574 589 03	Heater hose	/RL	1	
		Return line			
3	928 574 573 03	Disc valve		1	
3	928 574 573 04	Disc valve		1	
		Use also:			
-	986 307 507 00	Cap		1	
(4)	928 574 567 03	Connecting hose		1	
5	928 574 106 03	Heater pipeline	/LL	1	
(5)	927 574 106 04	Heater pipeline	/RL	1	
6	999 512 346 00	Hose clamp		6	
7	999 511 066 02	Clamp		2	
8	900 187 108 02	Tapping screw		1	
		BZ 6,3 X 16			
8	900 187 108 01	Tapping screw		1	
		BZ 6,3 X 16			
9	999 507 003 02	Speed nut		1	
		B 6,3 X 16			
9	999 507 003 01	Speed nut		1	
		B 6,3 X 16			
10	900 075 014 02	Hexagon-head bolt		1	
		M 6 X 18			
10	900 075 014 03	Hexagon-head bolt		1	
		M 6 X 18			
11	N 012 006 4	Lock ring		1	
		B 6			
12	928 574 553 05	Cowl panel covering	/LL -91	1	
12	928 574 553 06	Cowl panel covering	/LL	1	
12	928 574 157 00	Cowl panel covering	/LL	1	
(12)	927 574 157 00	Cowl panel covering	/RL -91	1	
		It is necessary to rework for			
		Intensive windscreen washer			
13	999 920 005 02	U-clamp		4	
13	999 920 005 01	U-clamp		4	
14	928 574 626 02	Flexible pipe	/LL /L	1	M573
(14)	928 572 228 00	Air guide	90-	1	
15	928 574 625 02	Flexible pipe	-89	1	
(15)	928 572 227 00	Air guide	90-	1	
(15)	928 572 625 00	Flexible pipe	90-	1	
16	928 574 631 02	Defroster vent	-89	1	
(16)	928 574 632 02	Defroster vent	90-	1	
17	928 574 631 02	Defroster vent	-89	1	
(17)	928 574 632 02	Defroster vent	90-	1	
-	928 574 652 05	Gasket	90-	2	
		Lower			
18	900 143 031 02	Oval-head sheetmetal screw		4	
		B 4,2 X 9,5			
19	900 025 002 02	Washer		4	
		A 4,3			
19	900 025 002 03	Washer		4	
		A 4,3			
20	928 573 065 03	Lid	/LL	1	
(20)	927 573 065 03	Lid	/RL	1	
21	928 573 551 03	Plate	/LL	1	

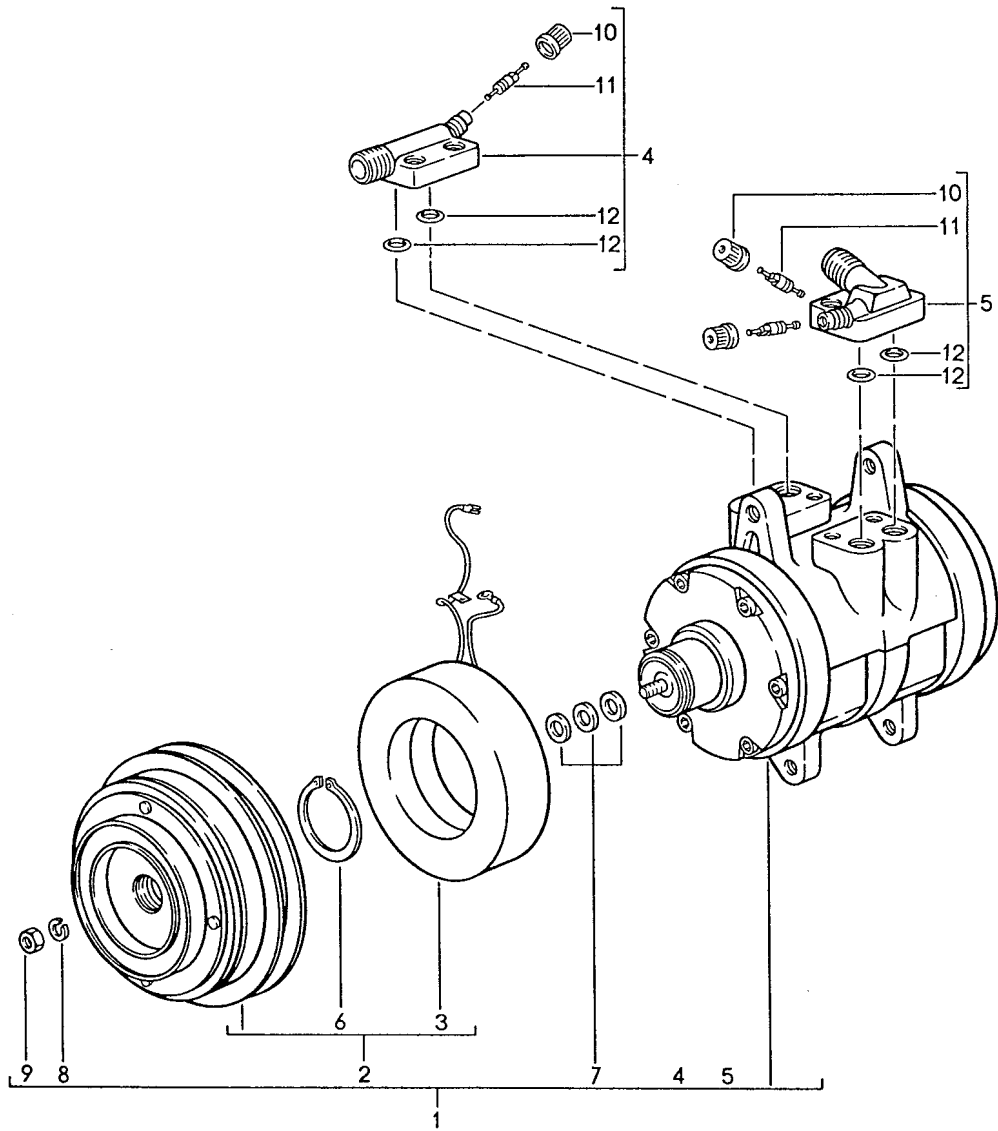
Model: 928 87

Model life 1987>>1991

Pos	Part Number	Description	Remark	Qty	Model
(21)	927 573 551 03	Plate	/RL	1	
22	928 574 583 04	Water drain hose		1	

Model: 928 87

Model life 1987>>1991



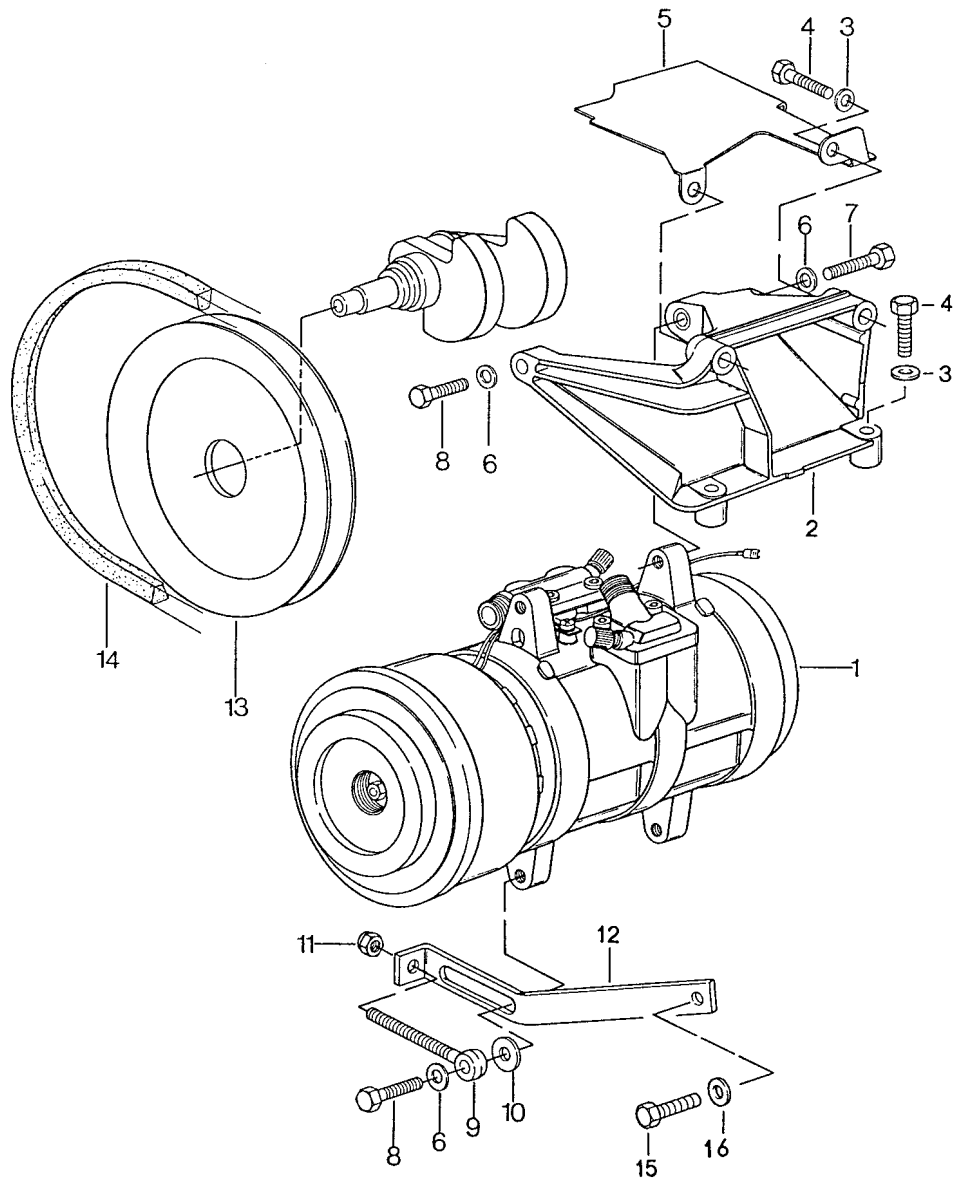
Model: 928 87

Model life 1987>>1991

Pos	Part Number	Description	Remark	Qty	Model
		Air conditioner			
		Compressor	-89		
1	928 126 010 06	Compressor		1	
2	928 126 901 00	Clutch		1	
3	928 126 925 00	Solenoid coil		1	
4	928 126 904 00	Pressure valve		1	
5	928 126 903 00	Suction valve		1	
6	477 298 843	Circlip		1	
7	477 298 829	Spacer		X	
		0,1 MM			
(7)	477 298 829 A	Spacer		X	
		0,2 MM			
(7)	477 298 829 B	Spacer		X	
		0,5 MM			
(7)	477 298 829 C	Spacer		X	
		0,8 MM			
(7)	477 298 829 B	Spacer		X	
		1,0 MM			
8	900 027 015 02	Lock ring		1	
		B8			
8	900 027 015 03	Lock ring		1	
		B8			
9	N 011 008 8	Hexagon nut		1	
		M8			
10	928 573 909 02	Cap		2	
11	928 573 908 03	Valve insert		2	
12	944 126 935 01	O-ring		4	

Model: 928 87

Model life 1987>>1991



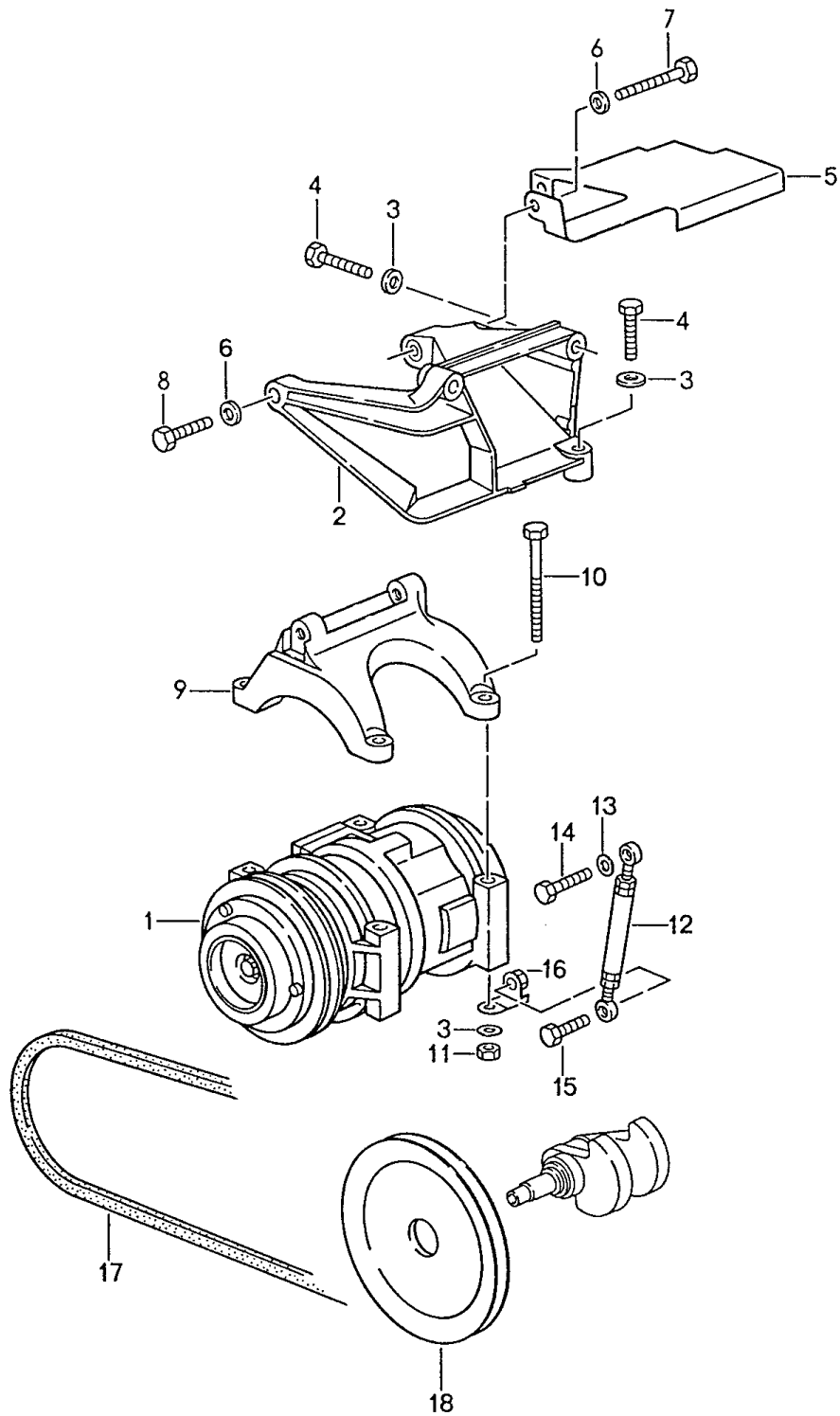
Model: 928 87

Model life 1987>>1991

Pos	Part Number	Description	Remark	Qty	Model
		Compressor Assembly	-89		
1	928 126 010 06	Compressor		1	
2	928 126 017 04	Compressor console		1	
3	900 025 007 02	Washer A 8,4		4	
3	900 025 007 03	Washer A 8,4		4	
4	N 010 340 6	Hexagon-head bolt M 8 X 40		4	
5	928 126 116 02	Heat shield		1	
6	900 025 008 09	Washer A 10,5		3	
6	900 025 008 04	Washer A 10,5		3	
7	900 083 059 02	Hexagon-head bolt M 10 X 45		1	
8	900 083 057 02	Hexagon-head bolt M 10 X 33		2	
9	999 460 003 02	Eye screw		1	
10	928 101 303 00	Washer		1	
11	900 084 004 03	Hexagon nut M 8		1	
11	900 084 004 02	Hexagon nut M 8		1	
12	928 126 123 03	Strut		1	
13	928 102 118 03	V-belt pulley	-89	1	
14	999 192 305 50	Narrow v-belt 12,5 X 1125		1	
15	N 010 233 6	Hexagon-head bolt M 8 X 28		1	
15	900 075 136 03	Hexagon-head bolt M 8 X 28		1	
16	900 025 007 02	Washer A 8,4		1	
16	900 025 007 03	Washer A 8,4		1	

Model: 928 87

Model life 1987>>1991



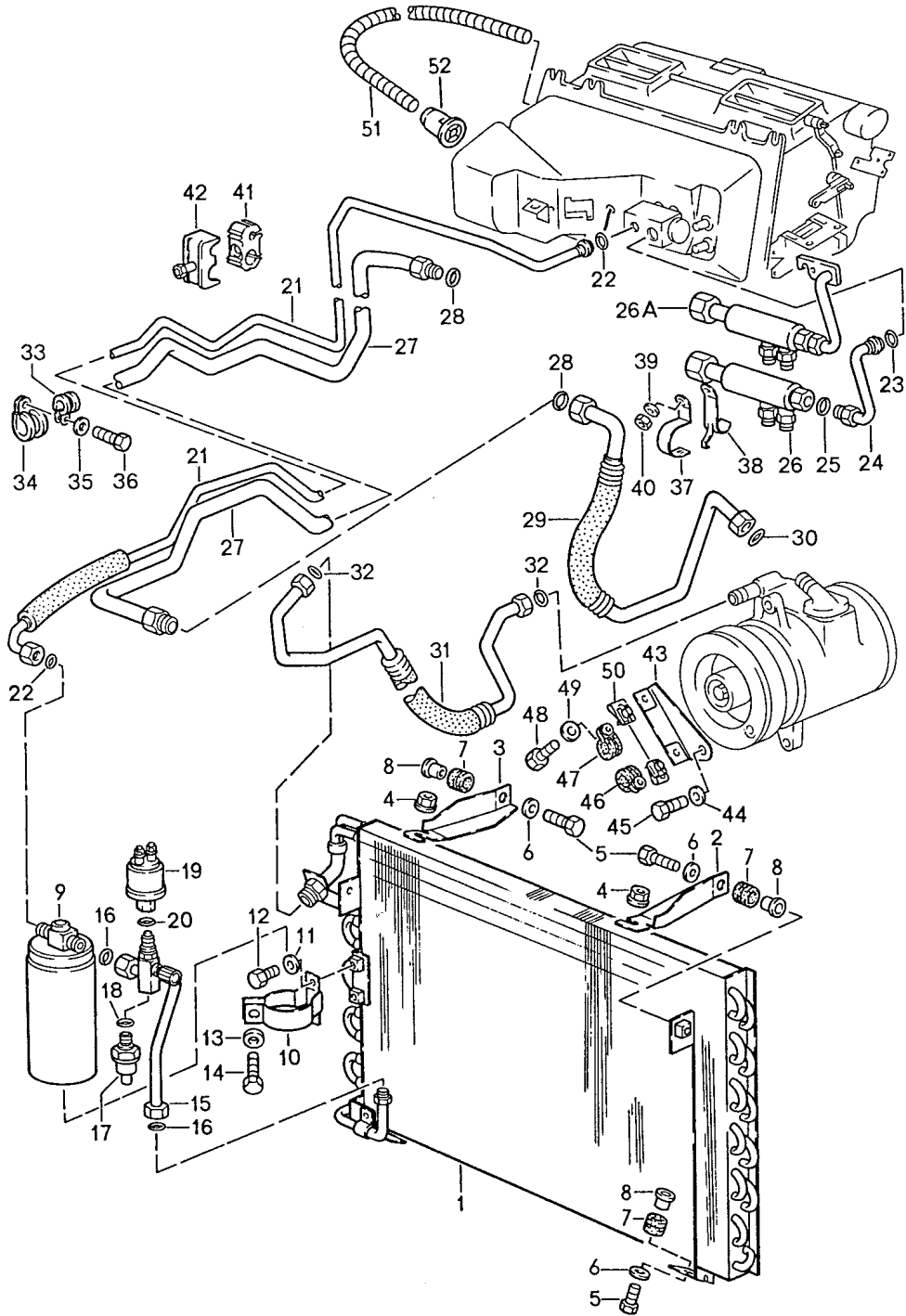
Model: 928 87

Model life 1987>>1991

Pos	Part Number	Description	Remark	Qty	Model
		Compressor			M637
		Assembly	90-		M573/637/639
1	928 126 113 00	Compressor		1	M639
(1)		Compressor	88	1	M637
2	928 126 017 04	Compressor console		1	
3	900 025 007 02	Washer		4	
		A 8,4			
3	900 025 007 03	Washer		4	
		A 8,4			
4	N 010 340 6	Hexagon-head bolt		4	
		M 8 X 40			
5	928 126 116 02	Heat shield		1	
6	900 025 008 09	Washer		3	
		A 10,5			
6	900 025 008 04	Washer		3	
		A 10,5			
7	900 083 059 02	Hexagon-head bolt		1	
		M 10 X 45			
8	900 083 057 02	Hexagon-head bolt		2	
		M 10 X 33			
(8)	900 083 048 02	Hexagon-head bolt	90-	1	
		M 10 X 1,25 X 40			
9	928 126 035 00	Support		1	
10	N 101 111 01	Hexagon-head bolt		4	
		M 8 X 95			
(10)		Hexagon-head bolt	90-	1	
		M 8 X 95			
(10)	900 074 195 02	Hexagon-head bolt	90-	3	
		M 8 X 100			
(10)	900 074 195 0B	Hexagon-head bolt	90-	3	
		M 8 X 100			
11	900 076 025 02	Hexagon nut		4	
		M 8			
11	900 076 064 02	Hexagon nut		4	
		M 8			
12	928 126 029 00	Strut		1	
13	900 025 007 02	Washer		1	
		A 8,4			
13	900 025 007 03	Washer		1	
		A 8,4			
14	N 040 222 2	Hexagon-head bolt		1	
		M 8 X 32			
(14)	N 010 233 6	Hexagon-head bolt	90-	1	
		M 8 X 28			
(14)	900 075 136 03	Hexagon-head bolt	90-	1	
		M 8 X 28			
15	N 100 067 01	Hexagon-head bolt		1	
		M 8 X 22			
(15)	900 074 321 02	Hexagon-head bolt	90-	1	
		M 8 X 40			
16	928 126 139 01	Bracket	90-	1	
18	928 102 118 04	V-belt pulley		1	
17	999 192 335 50	Narrow v-belt		1	
		12,5 X 1080			

Model: 928 87

Model life 1987>>1991



Model: 928 87 Model life 1987>>1991

Pos	Part Number	Description	Remark	Qty	Model
		Air conditioner Lines			
1	928 573 011 06	Auxiliary units Condenser		1	M481
(1)	928 573 021 00	Condenser		1	M249
2	928 573 101 03	Retaining bracket	/L	1	
3	928 573 102 03	Retaining bracket	/R	1	
4	999 084 613 02	Lock nut M 6		2	
5	N 010 217 9	Hexagon-head bolt M 6 X 20		4	
6	900 151 003 02	Washer A 6,4		4	
6	900 151 006 03	Washer A 6,4		4	
7	999 702 046 50	Grommet		4	
8	928 573 347 03	Spacer tube		4	
(9)	944 573 943 00	Desiccator		1	
10	944 573 081 00	Support		1	
11	900 025 003 02	Washer A 5,3		2	
12	N 010 207 6	Hexagon-head bolt M 5 X 12		2	
12	N 010 207 17	Hexagon-head bolt M 5 X 12		2	
13	900 025 003 02	Washer A 5,3		1	
14	900 075 145 02	Hexagon-head bolt M 5 X 15		1	
15	928 573 095 04	Connecting tube		1	
16	999 707 247 40	O-ring		2	
17	959 613 137 00	Low pressure switch		1	
18	900 174 011 40	O-ring		1	
19	928 606 150 00	Pressure transmitter		1	
19	928 606 150 01	Pressure transmitter		1	
20	999 707 261 40	O-ring		1	
21	928 573 093 08	Pressure line NW 8	/LL	1	
(21)	927 573 093 09	Pressure line NW 8	/RL	1	
22	999 707 247 40	O-ring		2	
23	999 707 251 40	O-ring		1	
24	928 573 092 03	Intake pipe NW 13 F >>92HS8 41972 F >>92HS8 49744	/LL (J)	1	
(24)	927 573 092 03	Intake pipe NW 13 F >>92HS8 41972	/RL	1	
25	999 707 252 40	O-ring F >>92HS8 41972 F >>92HS8 41972 F >>92HS8 49744	 /LL /RL (J)	1	
26	928 573 063 03	Fuel cooler F >>92HS8 41972 F >>92HS8 49744 for Fuel hose Return line 92835608103	/LL (J)	1	
26A	928 573 063 05	Fuel cooler F 92HS8 41973>> F 92HS8 49745>>	/LL (J)	1	

Model: 928 87 Model life 1987>>1991

Pos	Part Number	Description	Remark	Qty	Model
		for Fuel hose Return line 92835608104			
(26A)	927 573 063 01	Fuel cooler	/RL 88	1	
(26A)		Fuel cooler	/RL 89-	1	
27	928 573 091 10	Intake pipe NW 16		1	
28	999 707 252 40	O-ring		2	
29	928 573 098 05	Hose line NW 16	-89	1	
29	928 573 098 09	Hose line NW 16		1	
(29)	928 573 098 05	Hose line NW 16	-89	1	M637
(29)	928 573 098 09	Hose line NW 16		1	M637
(29)	928 573 098 06	Hose line NW 13	90-	1	M637
30	999 707 251 40	O-ring		1	
31	928 573 097 06	Hose line NW 10	-89	1	
(31)	928 573 097 09	Refrigerant line NW 10	-89	1	M637
(31)	928 573 097 11	Refrigerant line NW 10		1	M637
(31)	928 573 097 09	Refrigerant line NW 10	90-	1	M637
(31)	928 573 097 11	Refrigerant line NW 10	90-	1	
32	999 707 250 40	O-ring		2	
32	999 707 434 41	O-ring		2	
33	999 511 116 02	Clamp		1	
33	999 511 116 03	Clamp		1	
34	999 511 066 02	Clamp		1	
35	N 012 006 4	Lock ring B 6		1	
36	900 075 014 02	Hexagon-head bolt M 6 X 18		1	
36	900 075 014 03	Hexagon-head bolt M 6 X 18		1	
37	928 573 809 02	Support	/V	1	
38	928 573 807 02	Fuel cooler Support	/H	1	
39	N 011 524 7	Fuel cooler Washer A 6,4		1	
39	N 011 524 27	Washer A 6,4		1	
40	900 076 010 02	Nut M 6		1	
40	900 076 010 0B	Nut M 6		1	
41	999 703 353 40	Damping piece		1	
42	999 591 863 40	Clamp		1	
43	928 573 411 02	Fastening angle	-89	1	
44	900 025 008 09	Washer A 10,5		1	
44	900 025 008 04	Washer A 10,5		1	
45	900 083 026 02	Hexagon-head bolt M 10 X 1,25 X 20		1	
46	N 020 601 1	Pipe clamp		1	

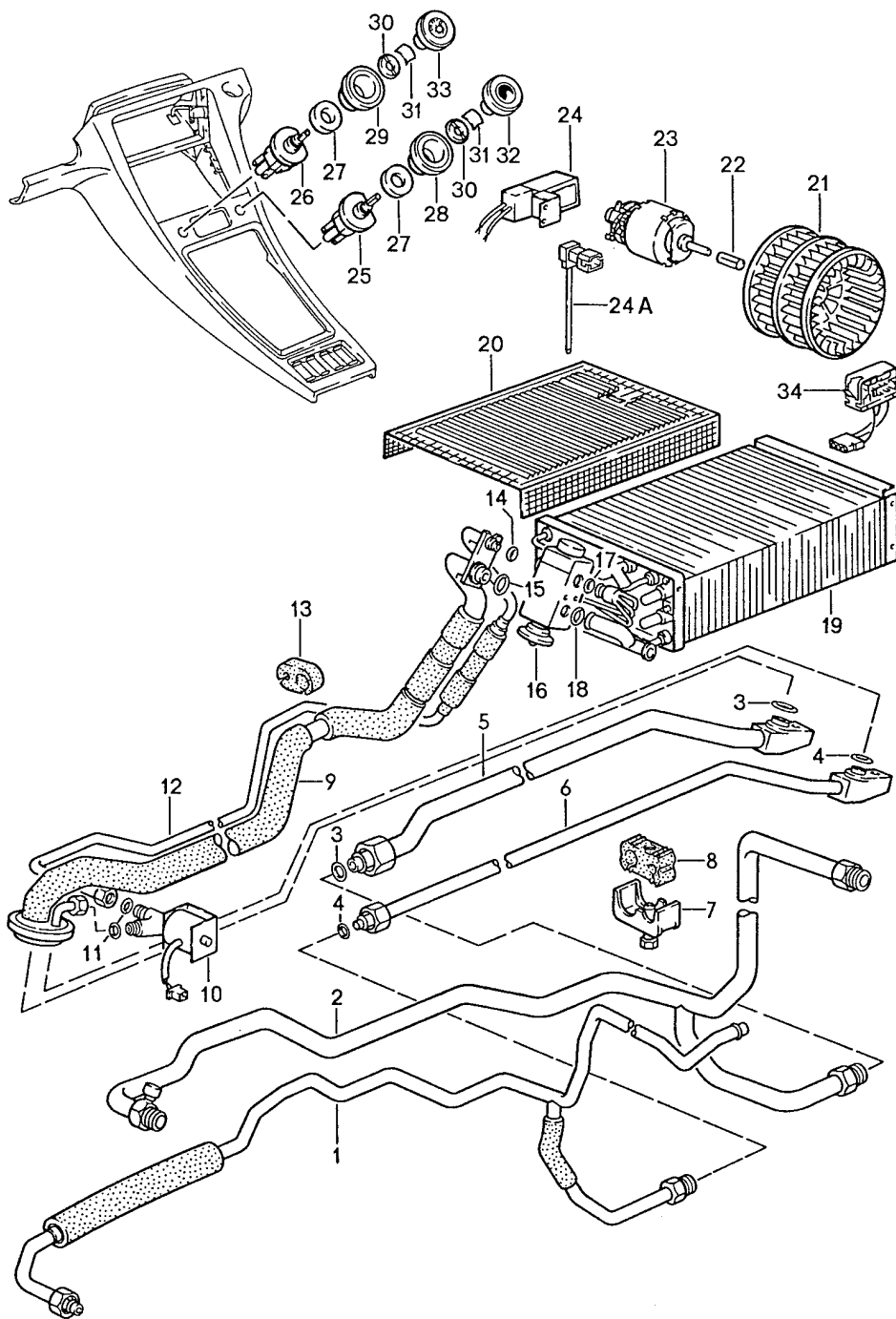
Model: 928 87

Model life 1987>>1991

Pos	Part Number	Description	Remark	Qty	Model
46	N 020 601 A	Pipe clamp		1	
47	999 511 118 02	Pipe clamp		1	
47	999 511 118 01	Pipe clamp		1	
48	900 075 057 02	Hexagon-head bolt M 6 X 16		2	
48	900 075 057 03	Hexagon-head bolt M 6 X 16		2	
49	N 011 524 7	Washer A 6,4		2	
49	N 011 524 27	Washer A 6,4		2	
50	999 507 326 02	Captive nut M 6		2	
51	928 573 357 02	Hose 850 MM		1	
52	928 573 355 02	Intake socket		1	

Model: 928 87

Model life 1987>>1991



Model: 928 87 Model life 1987>>1991

Pos	Part Number	Description	Remark	Qty	Model
		Air conditioner Lines			M570
1	928 570 093 04	Auxiliary units Pressure line NW 8	/LL	1	
(1)	927 570 093 03	Pressure line NW 8	/RL	1	
2	928 570 091 03	Intake pipe NW 16		1	
3	999 707 251 40	O-ring		2	
4	999 707 247 40	O-ring		2	
5	928 570 101 02	Refrigerant line NW 13		1	
6	928 570 103 02	Refrigerant line NW 8		1	
6	928 570 103 03	Pressure line NW 8		1	
7	999 591 863 40	Clamp		1	
8	999 591 864 40	Rubber mounting		1	
9	928 570 105 01	Refrigerant line		1	
10	928 615 201 01	Solenoid valve		1	
11	999 707 284 40	O-ring		2	
12	928 570 109 03	Refrigerant line		1	
13	928 570 455 00	Rubber mounting		1	
14	999 707 247 40	O-ring		1	
15	999 707 251 40	O-ring		1	
16	928 573 123 05	Expansion valve		1	
17	999 707 250 40	O-ring		1	
17	999 707 434 41	O-ring		1	
18	999 707 251 40	O-ring		1	
19	928 570 211 00	Evaporator		1	
20	928 570 291 00	Protective grille		1	
21	928 570 212 00	Impeller		1	
22	928 570 295 00	Bush		1	
23	928 624 117 00	Blower motor		1	
24	928 618 041 01	Control unit		1	
-	928 612 222 01	Wiring harness Control unit Connection point		1	
24A		Wiring harness		1	
-	928 612 221 01	Wiring harness Connection point Centre console		1	
25	928 613 153 00	Potentiometer		1	
26	911 613 243 00	Blower switch		1	
27	928 613 171 00	Spacer		2	
28	928 613 178 00	Rosette Interior equipment Leatherette	/R	1	
(28)	928 613 178 01	Rosette Interior equipment Leather	/R	1	
29	928 613 177 00	Rosette Interior equipment Leatherette	/L	1	
(29)	928 613 177 01	Rosette Interior equipment Leather	/L	1	
30	911 613 119 02	Rosette		2	
31	928 613 219 00	Spring clip		2	
32	928 613 154 01	Knob	/R	1	
33	928 613 155 01	Knob	/L	1	
-	928 570 425 01	Water drain hose		1	

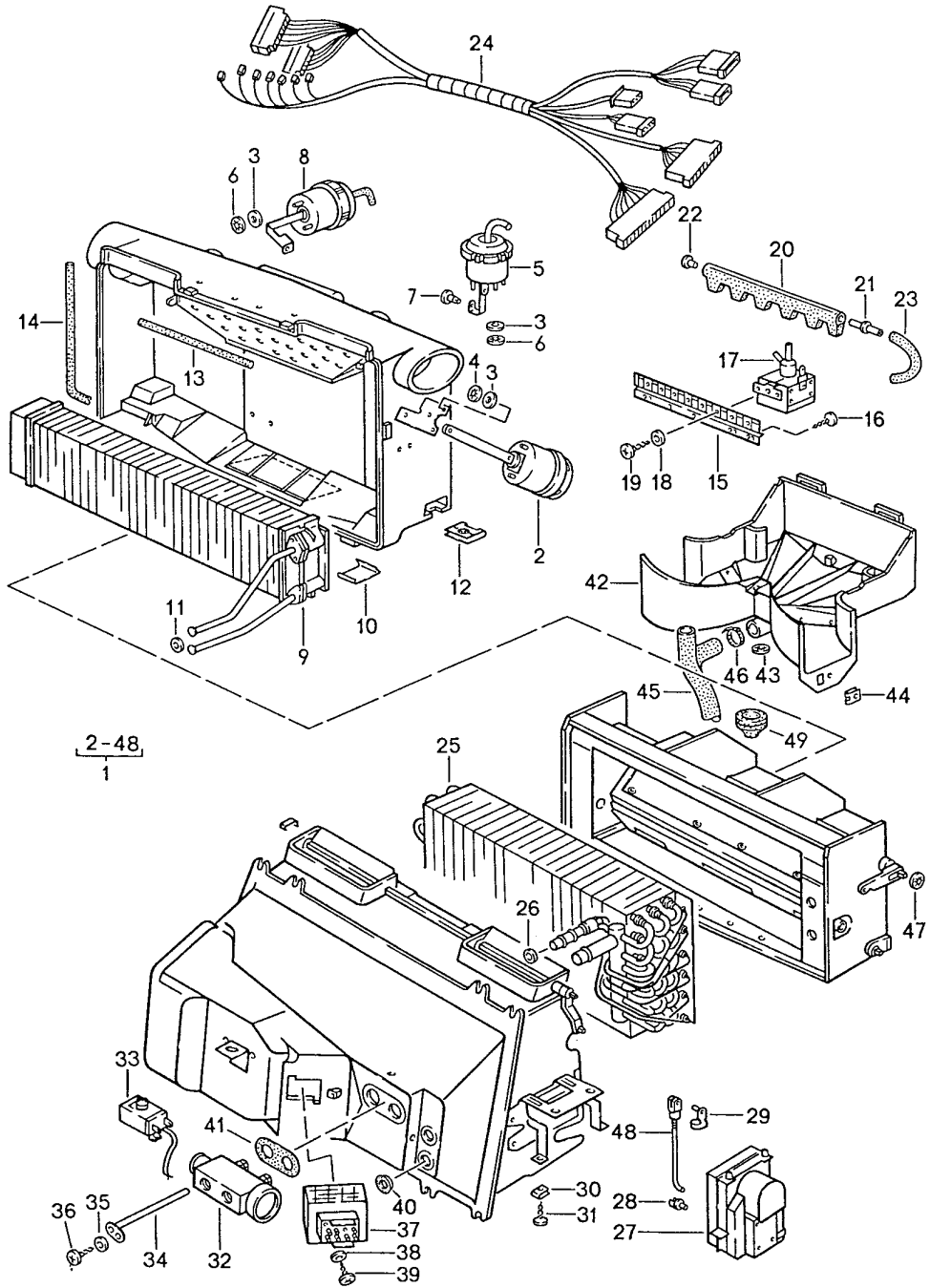
Model: 928 87

Model life 1987>>1991

Pos	Part Number	Description	Remark	Qty	Model
34	928 618 137 00	Series resistor		1	

Model: 928 87

Model life 1987>>1991



Model: 928 87 Model life 1987>>1991

Pos	Part Number	Description	Remark	Qty	Model
		Air conditioner			
		Air conditioner			
1	928 573 036 06	Air conditioner	/LL -88	1	
(1)	927 573 036 06	Air conditioner	/RL -88	1	
(1)	928 573 036 07	Air conditioner	/LL -89	1	
(1)	927 573 036 08	Air conditioner	/RL -89	1	
(1)	928 573 036 08	Air conditioner	/LL 90	1	
(1)	927 573 036 08	Air conditioner	/RL 90-	1	
(1)	928 573 036 09	Air conditioner	/LL 91-	1	
2	928 574 077 02	Vacuum unit		1	
		Defroster vent			
3	928 574 465 02	Rubber washer		9	
4	999 507 243 02	Kronen-fix		6	
5	928 574 079 06	Vacuum unit		1	
		Footwell			
6	999 507 247 02	Mecano-speed-fix		6	
7	928 574 735 02	Bolt		1	
8	928 573 309 03	Vacuum unit		1	
		Centre nozzle			
9	928 574 047 02	Heat exchanger	/LL	1	
(9)	927 574 047 02	Heat exchanger	/RL	1	
10	928 574 423 02	Clamp		8	
11	999 701 615 40	O-ring		2	
12	999 591 368 02	Speed nut		2	
		4,2			
-	999 911 214 50	Sealing cord		*	
13		152 MM		1	
14		800 MM		1	
15	928 573 693 04	Support		1	
16	999 919 010 02	Oval-head sheetmetal screw		3	
		B 4,2 X 9,5			
17	928 573 691 02	Solenoid valve	/LL	5	
(17)	928 573 692 02	Change-over valve	/RL	5	
18	900 025 001 02	Washer		5	
		A 3,2			
19	N 013 932 1	Oval-head sheetmetal screw		5	
		B 2,9 X 6,5			
20	928 573 695 03	Connection		1	
21	928 574 689 02	Connecting piece		4	
22	928 574 721 02	Stopper		2	
23	928 574 717 02	Moulded hose		4	
24	928 612 921 04	Wiring harness		1	
25	928 573 013 04	Evaporator	/LL	1	
(25)	927 573 013 04	Evaporator	/RL	1	
26	999 707 251 40	O-ring		1	
(26)	999 707 250 40	O-ring		1	
(26)	999 707 434 41	O-ring		1	
27	928 624 129 00	Control mechanism		1	
28	993 531 563 00	Linkage clip		1	
29	999 166 050 02	Bolt		1	
30	999 507 037 02	Speed nut		2	
		4,2			
31	900 143 121 07	Tapping screw		2	
		B 4,2 X 16			
31	900 143 121 0H	Tapping screw		2	
		B 4,2 X 16			
32	928 573 123 05	Expansion valve		1	
33	928 613 133 00	Temperature switch		1	
34	928 573 581 02	Capillary tube		1	
35	900 028 006 01	Washer		1	
		A 3			
36	N 013 953 2	Oval-head sheetmetal screw		1	
		B 2,9 X 9,5			

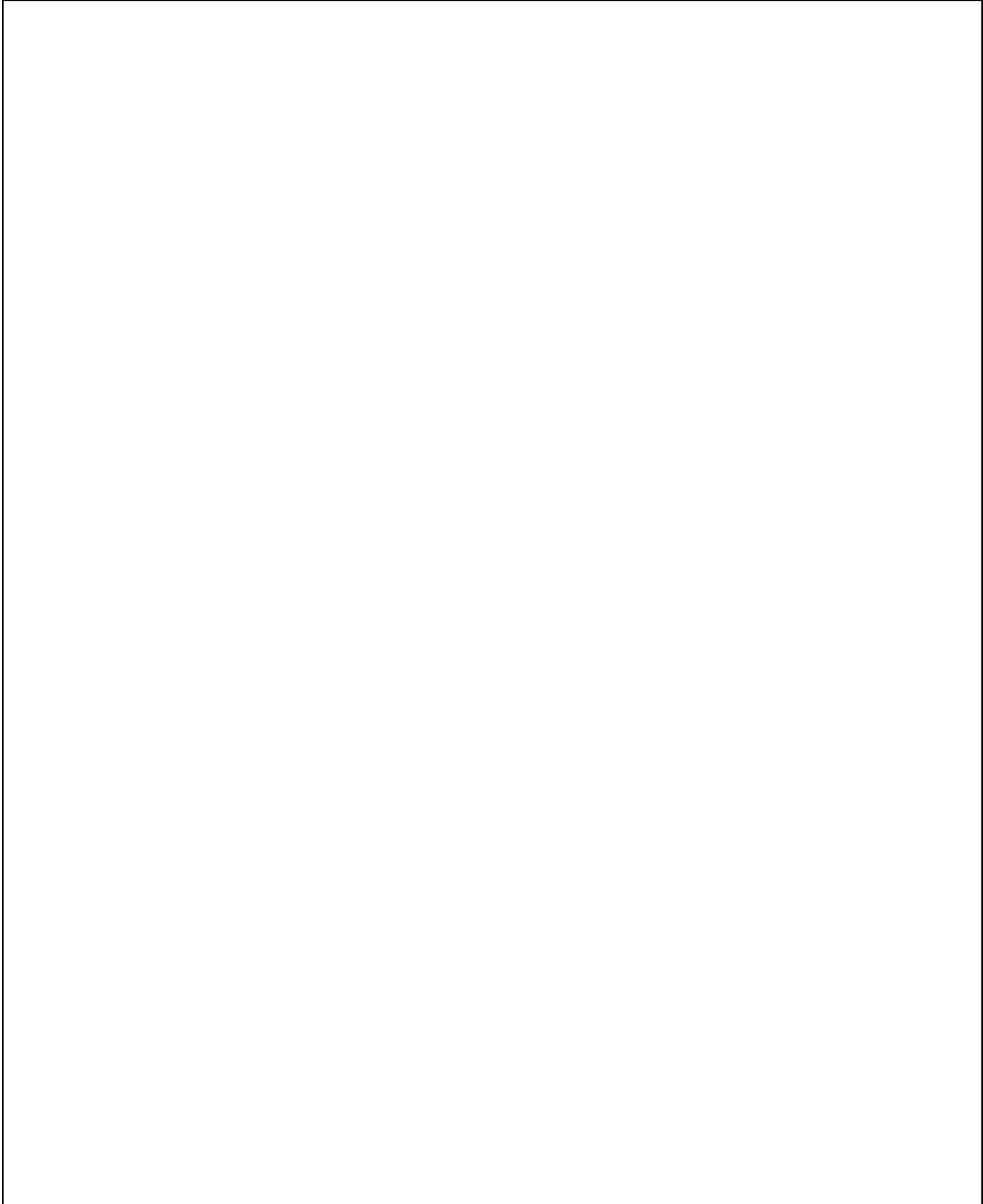
Model: 928 87

Model life 1987>>1991

Pos	Part Number	Description	Remark	Qty	Model
37	928 618 101 01	Thermo bi-metal switch	-88	1	
37	928 616 101 00	Series resistor	89-	1	
38	N 012 224 3	Spring washer A 4		2	
39	900 146 025 02	Half-round screw M 4 X 18		2	
40	928 574 383 02	Grommet		2	
41	928 573 383 03	Grommet		1	
42	928 574 027 02	Housing	-89	1	
(42)	928 574 027 03	Housing	90-	1	
43	999 507 244 02	Kronen-fix		1	
44	999 507 020 02	Speed nut 4,2		1	
44	999 507 020 01	Speed nut 4,2		1	
45	928 574 583 04	Water drain hose		1	
-	928 423 523 00	Spacer sleeve		1	
46	999 513 001 40	Tie-wrap		1	
47	999 591 425 03	Mecano-speed-fix		1	
-	928 573 299 02	Plastic foam strip 9,5 X 211		2	
48	928 573 313 02	Gear shift rod		1	
49	928 573 531 02	Grommet		1	

Model: 928 87

Model life 1987>>1991



Model: 928 87

Model life 1987>>1991

Pos	Part Number	Description	Remark	Qty	Model
		Conversion set Air conditioner Refrigerant R134a -- TI 1/95 --	87-90		
-	944 573 943 00	Desiccator with Desiccator Insert	87-90	1	928 S4 928 GT
-	999 707 247 40	O-ring 7,5 x 2 mm		2	
-	928 573 965 03	Valve Eckventil 90 Grad		1	
-	928 573 965 01	Valve TI 1/95		1	
-	928 573 965 02	Valve Eckventil 90 Grad		1	
-	928 573 965 00	Valve TI 1/95		1	
-	000 043 200 04	Oil		X	
-		Oil		X	
-		Refrigerant R 134a		X	
-	964 701 141 02	Sticker		2	

Model: 928 87

Model life 1987>>1991



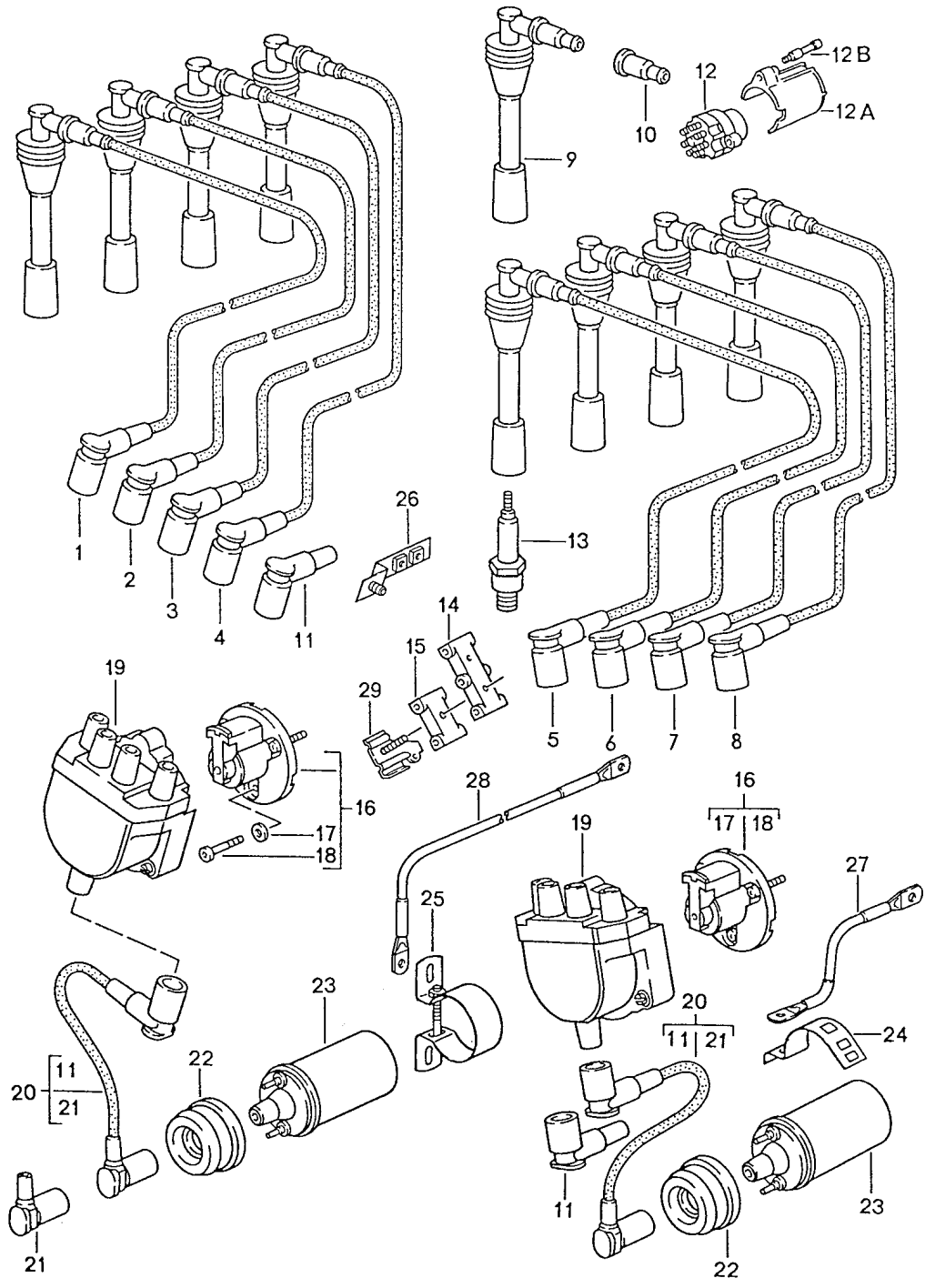
Model: 928 87

Model life 1987>>1991

Pos	Part Number	Description	Remark	Qty	Model
>>	928 799 537 13	Repair kits	-89	1	
>>	928 799 537 15	Set of locks	-89	1	M533
		Comprising:			
		Steering outer tube		1	
		with			
		Steering lock			
		Door lock cylinder		2	
		Lid lock		1	
		Upper part			
		Fuel tank cap		1	
		with lock cylinder			
		Glove compartment lock		1	
		with lock cylinder			
		Key		3	
		When required order also:			
		Key lamp			
		See group			
		8/04/05 POS.59			
>>	928 537 902 00	Set of locks	90-	1	
		Comprising:			
		Lock cylinder		1	
		for			
		Steering lock			
		Door lock cylinder		2	
		Lid lock		1	
		Upper part			
		Fuel tank cap		1	
		with lock cylinder			
		Glove compartment lock		1	
		with lock cylinder			
		Key		3	
>>	928 537 902 01	Set of locks	91	1	M562
		Comprising:			
		Lock cylinder		1	
		for			
		Steering lock			
		Door lock cylinder		2	
		Lid lock		1	
		Upper part			
		Fuel tank cap		1	
		with lock cylinder			
		Glove compartment lock		1	
		with lock cylinder			
		Key		3	
>>	928 559 075 02	Stone guard film	/L	1	
		1 set			
>>	928 559 076 02	Stone guard film	/R	1	
		1 set			

Model: 928 87

Model life 1987>>1991



Model: 928 87 Model life 1987>>1991

Pos	Part Number	Description	Remark	Qty	Model
		Engine electrics			
1	928 602 060 19	Ignition lead Cylinder 1		1	
2	928 602 060 20	Ignition lead Cylinder 2		1	
3	928 602 060 21	Ignition lead Cylinder 3		1	
4	928 602 060 22	Ignition lead Cylinder 4		1	
5	928 602 060 23	Ignition lead Cylinder 5		1	
6	928 602 060 24	Ignition lead Cylinder 6		1	
7	928 602 060 25	Ignition lead Cylinder 7		1	
8	928 602 060 26	Ignition lead Cylinder 8		1	
9	928 602 311 00	Spark plug connector		8	
10	999 659 001 40	Water protection cap		8	
11	928 602 557 00	Distributor plug Not for Cylinder 1		7	
(11)	944 602 557 00	Distributor plug Cylinder 1		2	
12	964 613 012 00	Ignition starter switch		1	
-	928 613 223 00	Retainer spring for Ignition starter switch	-89	1	
12A	928 612 088 02	Cap	90-	1	
12B	928 612 883 00	Bolt	90-	1	
		Spark plug Use also: 547 09222 for Spark plug		X	
-	547 09 222	Nut for Spark plug		X	
13	999 170 156 90	Spark plug Spark plug WR 7DC		8	M28.41/42 M28.47
14	928 602 323 00	Cable holder Single parts Complete in pairs Order		5	
15	928 602 322 00	Cable holder Single parts Complete in pairs Order		9	
(16)	928 602 213 00	Rotor		2	
17	N 012 005 3	Lock ring		6	
18	928 602 223 00	Screw		6	
19	928 602 211 01	Distributor cap		2	
20	928 602 039 00	Ignition lead	-88	2	
21	928 602 131 00	Ignition coil plug	-88	2	
22	927 602 801 00	Protection cap	-88	2	
23	944 602 115 00	Ignition coil	-88	2	
20	928 602 039 00	Ignition lead	89	2	
21	928 602 131 00	Ignition coil plug	89	2	
22	927 602 801 00	Protection cap	89	2	
23	944 602 115 00	Ignition coil	89	2	
(20)	928 602 040 00	Ignition lead	89	2	M298/299

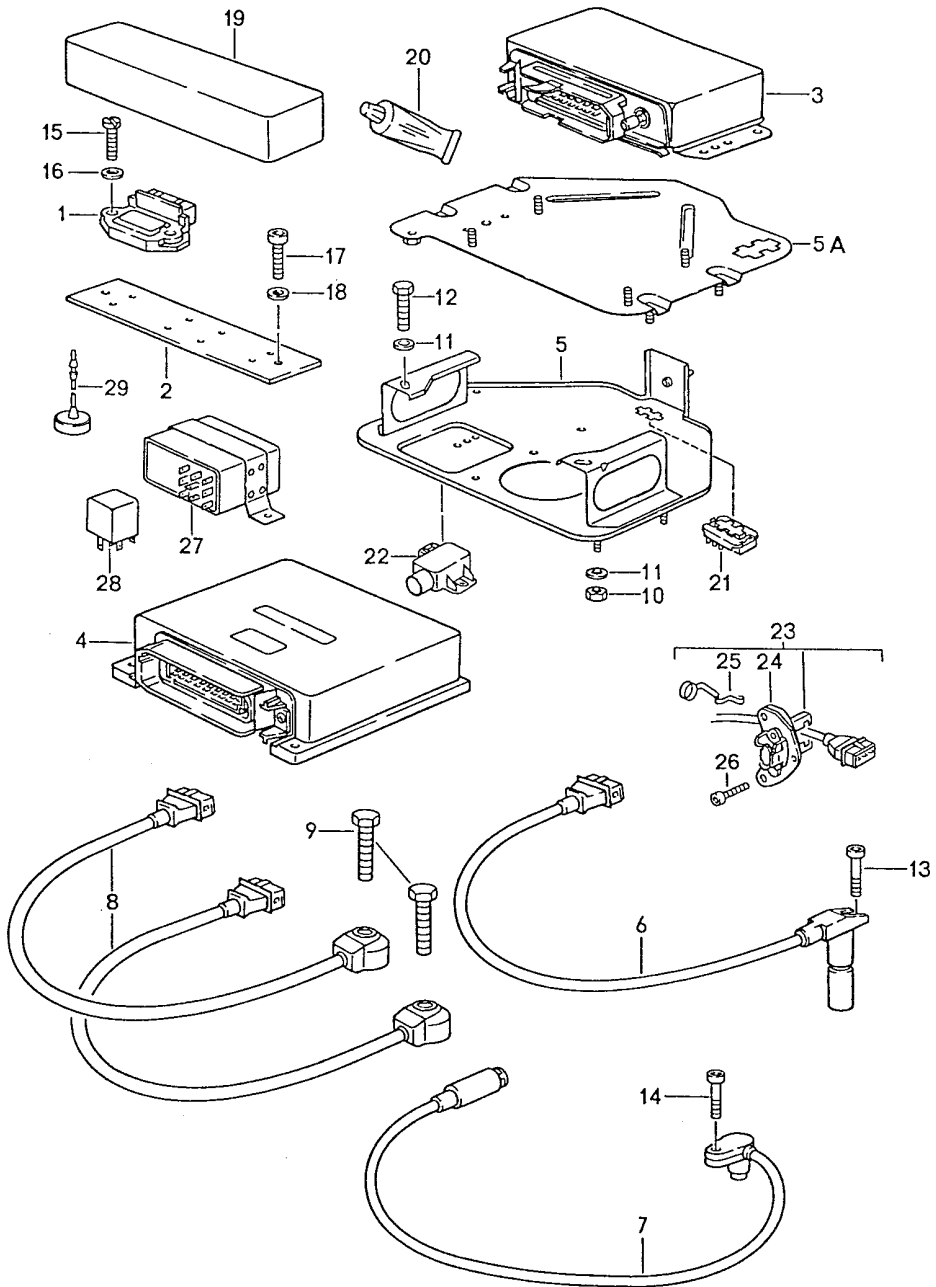
Model: 928 87

Model life 1987>>1991

Pos	Part Number	Description	Remark	Qty	Model
(21)	928 602 557 00	Distributor plug	89	2	M298/299
(22)	927 602 801 00	Protection cap	89	2	M298/299
(23)	928 602 116 00	Ignition coil	89	1	M298/299
(20)	928 602 040 01	Ignition lead	/L 90-	1	
(20)	928 602 040 00	Ignition lead	/R 90-	2	
(21)	928 602 557 00	Distributor plug	90-	2	
(22)	927 602 801 00	Protection cap	90-	2	
(23)	928 602 116 00	Ignition coil	90-	2	
24	928 602 511 00	Clamping bow		1	
25	944 602 117 00	Clamp		1	
26	928 602 067 00	Support		1	
27	928 612 819 00	Ground cable	/L	1	
28	928 612 814 00	Ground cable	/R	1	
29	928 602 041 00	Support	/L	2	
(29)	928 602 042 00	Support	/R	2	

Model: 928 87

Model life 1987>>1991



Model: 928 87

Model life 1987>>1991

Pos	Part Number	Description	Remark	Qty	Model
		Engine electrics			
		Lh-jetronic			
1	928 602 706 01	Ignition switch unit		2	
2	928 602 716 00	Heat dissipator		1	
3	928 618 124 11	Ignition control unit	87	1	
		See q-information			
		GR.2 NR.3/86			
(3)	928 618 124 15	Ignition control unit	88	1	
(3)	928 618 124 RX	Ignition control unit	88	1	
(3)	928 618 124 16	Ignition control unit	-89	1	M637
(3)	928 618 124 QX	Ignition control unit	-89	1	M637
(3)	928 618 124 22	Ignition control unit	89	1	M639
(3)	928 618 124 PX	Ignition control unit	89	1	M639
(3)	928 618 124 22	Ignition control unit	90-	1	M481
(3)	928 618 124 PX	Ignition control unit	90-	1	M481
(3)	928 618 124 15	Ignition control unit	90-	1	M249
(3)	928 618 124 RX	Ignition control unit	90-	1	M249
-	911 612 422 00	Adapter plug for cars without Catalytic converter		1	
-	928 618 951 00	Retaining clip	87	1	
(4)	928 618 123 13	Control unit	-90	1	
(4)	928 618 123 NX	Control unit	-90	1	
		Lh-jetronic			
(4)	928 618 123 14	Control unit	-90	1	M637/639
		Lh-jetronic			
(4)	928 618 123 MX	Control unit	-90	1	M637/639
		Lh-jetronic			
(4)	928 618 123 25	Control unit	91	1	M249
(4)	928 618 123 PX	Control unit	91	1	M249
		Lh-jetronic			
(4)	928 618 123 26	Control unit	91	1	M481
		Lh-jetronic			
(4)	928 618 123 RX	Control unit	91	1	M481
		Lh-jetronic			
5	928 618 010 01	Bracket	-88	1	
(5)	928 618 010 02	Bracket	89	1	
(5)		Bracket	/RL 90-	1	
(5)	928 618 231 01	Bracket	/LL 90-	1	
5A	928 618 130 01	Bracket	/LL 90-	1	
-	928 618 411 00	Grommet		1	
6	944 606 115 00	Pulse sender		1	
7	911 606 108 00	Timing mark sender	-88	1	
8	911 606 141 00	Knock sensor	-90	2	
(8)	928 606 144 00	Knock sensor	91-	2	
9	999 217 082 02	Hexagon-head bolt		2	
		M 8 X 30			
9	900 075 518 01	Hexagon-head bolt		2	
		M 8 X 30			
10	N 011 005 14	Hexagon nut		5	
		M 5			
10	900 076 091 01	Hexagon nut		5	
		M 5			
11	900 025 003 02	Washer		4	
		A 5,3			
12	N 010 205 6	Hexagon-head bolt		4	
		M 5 X 10			
12	900 075 105 02	Screw		4	
		M 5 X 10			
13	999 218 005 02	Pan-head screw		1	
		M 6 X 16			
13	999 218 005 01	Pan-head screw		1	
		M 6 X 16			

Model: 928 87 Model life 1987>>1991

Pos	Part Number	Description	Remark	Qty	Model
14	900 067 089 02	Pan-head screw M 6 X 25	-88	1	
14	900 067 089 01	Pan-head screw M 6 X 25		1	
15	900 075 260 02	Hexagon-head bolt M 6 X 15		4	
16	N 011 524 7	Washer A 6,4		4	
16	N 011 524 27	Washer A 6,4		4	
17	900 075 260 02	Hexagon-head bolt M 6 X 15		2	
18	N 011 524 7	Washer A 6,4		2	
18	N 011 524 27	Washer A 6,4		2	
19	928 602 707 00	Cover		1	
20	999 915 031 00	Sealing compound CURIL K 2 1 100-gramme tube		X	
21	928 607 431 00	Coding plug	-88	1	M481
(21)	928 607 432 00	Coding plug	-88	1	M249
(21)	928 607 435 00	Coding plug	(AUS) -88	1	M481
(21)	928 607 436 00	Coding plug	(AUS) -88	1	M249
(21)	928 607 431 00	Coding plug	89-	1	M481
(21)	928 607 432 00	Coding plug	89-	1	M249
(21)	928 607 438 00	Coding plug	89-	1	M298/481
(21)	928 607 439 00	Coding plug	89-	1	M249/299
(21)	928 607 440 00	Coding plug	89 (AUS)	1	M298/481
(21)	928 607 441 00	Coding plug	89 (AUS)	1	M249/299
22	928 606 303 00	Potentiometer for cars without Catalytic converter		1	
23	944 606 170 02	Hall sender Cylinders 1 - 4		1	
24	928 606 180 01	Cap		1	
25	928 606 282 00	Tensioning spring		1	
26	900 067 255 02	Pan-head screw M 5 X 12		2	
27	928 618 175 00	Relay Ignition circuit monitor.	89-	1	M298/299
27		Relay Ignition circuit monitor.	(J) 89-	1	
28	928 615 175 00	Plug bridge for cars without Catalytic converter	89-	1	
28	928 615 175 01	Plug bridge for cars without Catalytic converter	89-	1	
29	928 612 273 00	Cap for Plug socket Mounting parts Timing mark sender	89-	1	
-	N 011 524 7	Washer A 6,4		1	
-	N 011 524 27	Washer A 6,4		1	
-	N 010 212 4	Hexagon-head bolt M 6 X 12		1	
-	999 511 142 02	Clamp		1	

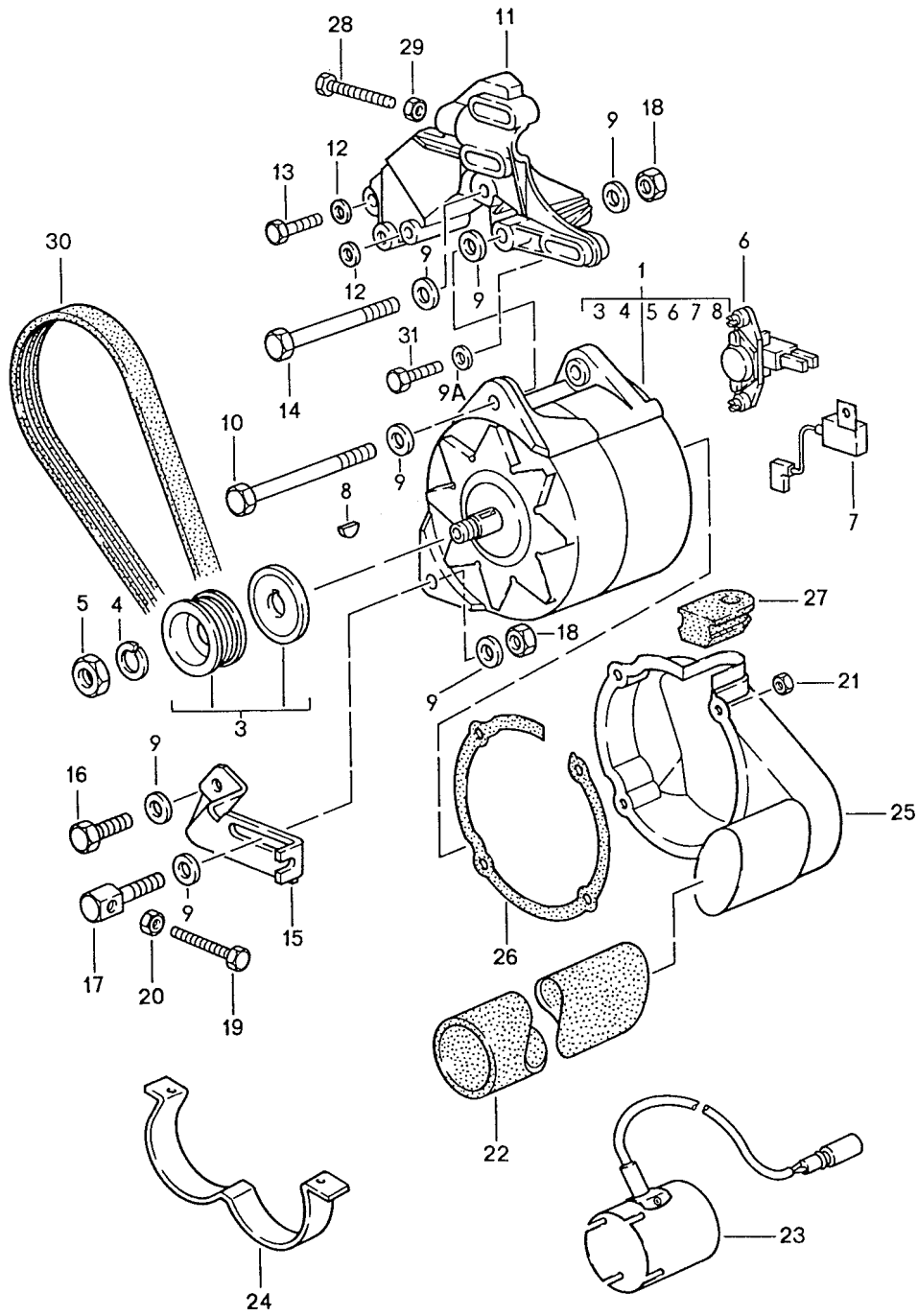
Model: 928 87

Model life 1987>>1991

Pos	Part Number	Description	Remark	Qty	Model
-	477 971 851	17 X 15 Sensor		1	
-	N 020 904 4	Cable clip Tie-wrap		1	

Model: 928 87

Model life 1987>>1991



Model: 928 87 Model life 1987>>1991

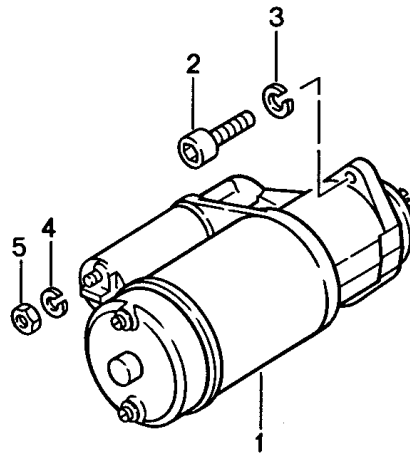
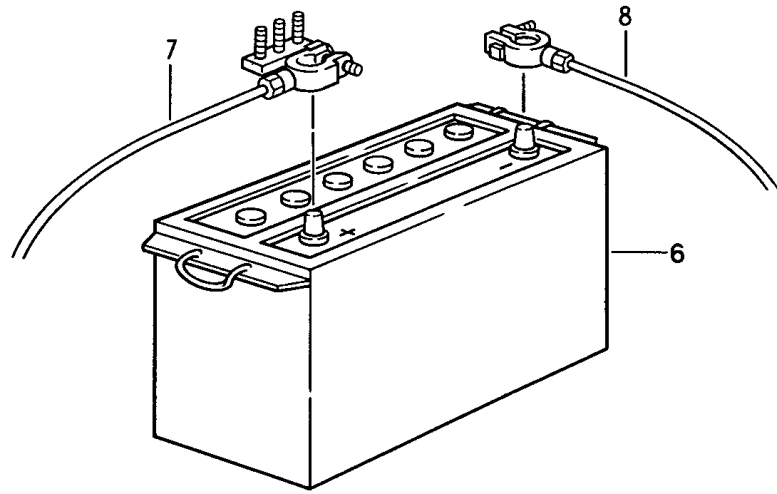
Pos	Part Number	Description	Remark	Qty	Model
1	928 603 011 01	Generator	-89	1	
(1)	928 603 049 00	Generator	88-	1	M637
(1)	928 603 011 05	Generator	90-	1	
(1)	928 603 011 EX	Generator	90-	1	
3	928 603 021 01	Pulley	-89	1	
(3)		Pulley	90-	1	
		1990 without Spacer			
4	N 012 016 1	Lock ring		1	
(4)	N 011 542 2	Washer	88-	1	M637
		A 17			
5	900 034 013 02	Hexagon nut		1	
		M 16 X 1,5			
5	900 034 013 01	Hexagon nut		1	
		M 16 X 1,5			
(5)	N 011 022 1	Hexagon nut	88-	1	M637
		M 16 X 1,5			
6	944 603 141 01	Regulator		1	
(6)	928 603 142 00	Regulator		1	
(6)	928 603 153 00	Regulator	88-	1	M637
7	944 603 143 00	Condenser		1	
8	928 603 903 00	Woodruff key		1	
9	900 025 008 09	Washer		7	
		A 10,5			
9	900 025 008 04	Washer		7	
		A 10,5			
9A	928 101 302 00	Washer		3	
		A 8,4			
10	900 074 197 02	Hexagon-head bolt		1	
		M 10 X 130			
11	928 101 123 02	Support		1	
12	900 025 007 02	Washer		2	
		A 8,4			
12	900 025 007 03	Washer		2	
		A 8,4			
13	N 010 335 5	Hexagon-head bolt		1	
		M 8 X 35			
13	900 075 032 03	Hexagon-head bolt		1	
		M 8 X 35			
14	900 074 197 02	Hexagon-head bolt		1	
		M 10 X 130			
15	928 101 127 00	Support		1	
16	900 075 041 09	Hexagon-head bolt		1	
		M 10 X 25			
16	900 075 481 01	Hexagon-head bolt		1	
		M 10 X 25			
17	928 101 129 00	Threaded bolt		1	
18	900 910 031 09	Lock nut		2	
		VM 10			
18	900 910 031 01	Lock nut		2	
		VM 10			
19	N 010 248 1	Hexagon-head bolt		1	
		M 8 X 60			
20	900 076 025 02	Hexagon nut		1	
		M 8			
20	900 076 064 02	Hexagon nut		1	
		M 8			
21	N 011 005 14	Hexagon nut		4	
		M 5			
21	900 076 091 01	Hexagon nut		4	
		M 5			

Model: 928 87 Model life 1987>>1991

Pos	Part Number	Description	Remark	Qty	Model
-	900 025 003 02	Washer A 5,3		4	
22	928 603 143 01	Flexible pipe 320 MM		1	
(22)	928 603 143 04	Flexible pipe 900 MM		1	
23	928 659 021 01	Outer sensor for Automatic air conditioner		1	
24	928 603 139 00	Retaining bar		1	
25	928 603 133 07	Ventilation cowl		1	
(25)	928 603 035 02	Ventilation cowl	88-	1	M637
26	928 603 135 03	Sealing ring		1	
(26)	928 603 135 04	Gasket	88-	1	M637
27	928 612 865 03	Hose piece		1	
(27)	928 612 865 04	Hose piece	88-	1	M637
(27)	928 612 865 06	Hose piece		1	M637
28	N 010 361 4	Hexagon-head bolt M 8 X 65		1	
28	N 010 361 13	Hexagon-head bolt M 8 X 65		1	
29	900 076 025 02	Hexagon nut M 8		1	
29	900 076 064 02	Hexagon nut M 8		1	
30	999 192 266 50	Poly-rib belt K 6 - 858 - LW	-89	1	
(30)		Poly-rib belt K 6 - 858 - LW	90-	1	M481
(30)	999 192 347 50	Poly-rib belt K 6 - 872 - LW	90-	1	M249
31	N 010 353 3	M 81L 51763 >> Hexagon-head bolt M 8 X 42		3	

Model: 928 87

Model life 1987>>1991

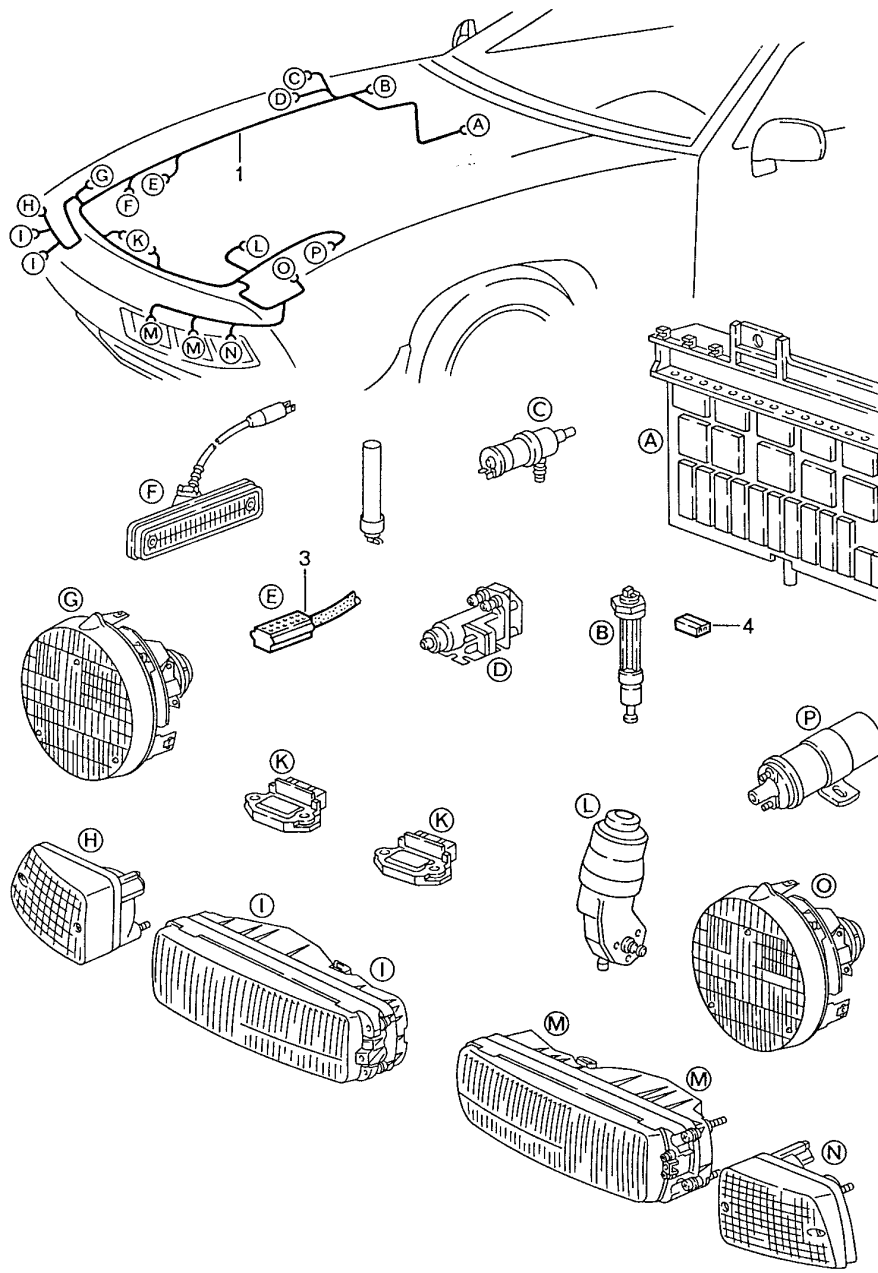


Model: 928 87 Model life 1987>>1991

Pos	Part Number	Description	Remark	Qty	Model
1	928 604 103 04	Starter		1	
(1)	928 604 103 DX	Battery		1	
		Starter			
		Starter			
		1,5 KW			
(1)	928 604 103 EX	Starter		1	
		1,5 KW			
2	900 067 124 02	Pan-head screw		2	
		M 10 X 35			
3	900 027 016 02	Lock ring		2	
		B 10			
3	900 027 016 03	Lock ring		2	
		B 10			
4	N 012 009 3	Lock ring		1	
		A 8			
5	900 076 025 02	Hexagon nut		1	
		M 8			
5	900 076 064 02	Hexagon nut		1	
		M 8			
6	928 611 105 01	Battery		1	
		12V - 72 AH			
(6)	928 611 173 02	Battery		1	
		12V - 72AH			
(6)	928 611 175 03	Battery		1	
		12V - 75AH			
(6)	999 611 053 20	Battery	88-	1	M637
		12V - 50 AH			
7		See group		.	
		9/02/12			
8		See group		.	
		9/02/12			
-	999 611 104 00	Pole covering	-89	1	
		Battery			
-	928 611 851 01	Pole covering	90-	1	
		Battery			
		Mounting parts			
		Battery			
-	928 611 209 02	Clamp		1	
-	900 067 147 02	Pan-head screw		1	
		M 8 X 25			
-	900 067 147 01	Pan-head screw		1	
		M 8 X 25			
-	N 011 525 13	Washer		1	
-	911 611 209 00	Bracket	88-	1	M637
-	N 014 725 2	Pan-head screw	88-	1	M637
		M 8 X 25			
-	900 067 018 03	Pan-head screw	88-	1	M637
		M 8 X 25			
-	N 011 525 13	Washer	88-	2	M637

Model: 928 87

Model life 1987>>1991



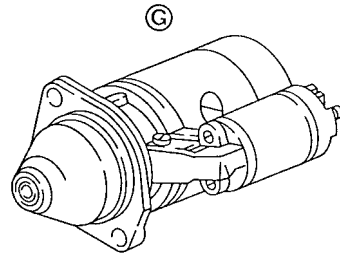
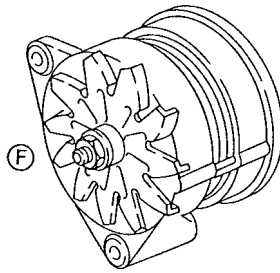
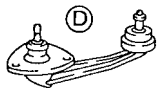
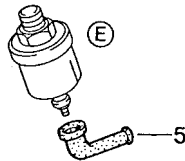
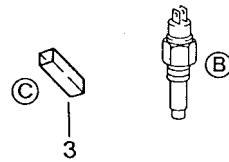
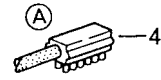
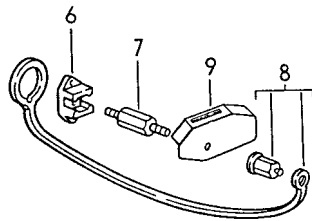
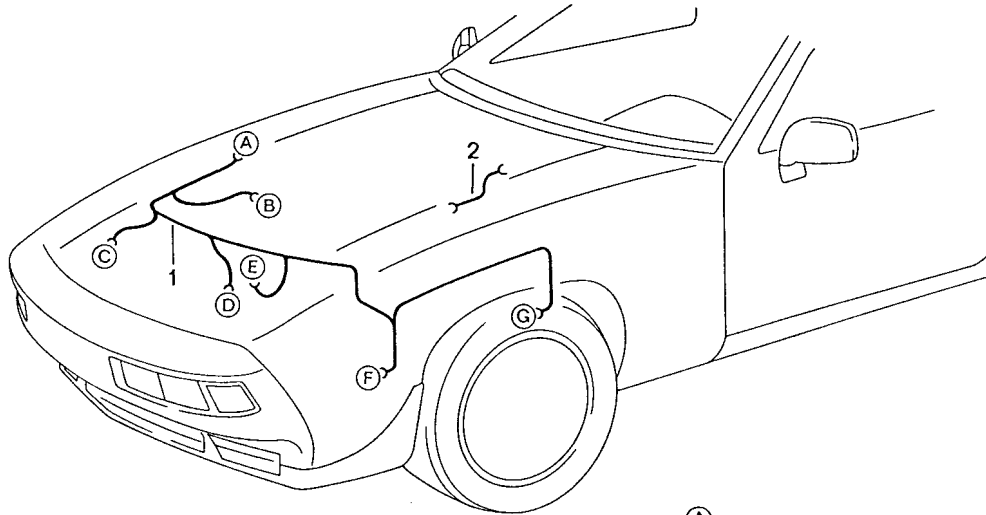
Model: 928 87

Model life 1987>>1991

Pos	Part Number	Description	Remark	Qty	Model
		Wiring harness Front			
1	928 612 001 22	Wiring harness	/LL -88	1	
(1)	928 612 001 26	Wiring harness	/LL 89	1	
(1)	928 612 001 30	Wiring harness	/LL 90	1	
(1)	928 612 001 34	Wiring harness	/LL 91-	1	
1	927 612 001 06	Wiring harness	/RL -88	1	
(1)		Wiring harness	/RL -88	1	
(1)	927 612 001 08	Wiring harness	/RL 89	1	
(1)	927 612 001 10	Wiring harness	/RL 90-	1	
(1)	927 612 001 12	Wiring harness	/RL 91-	1	
3	911 612 115 02	Connector housing		1	
4	810 971 989	Connector housing		1	
		Mounting parts			
-	999 511 138 02	Pipe clamp		1	
-	928 503 113 02	Hexagon-head bolt		1	
		M 6 X 25			
-	999 513 023 40	Tie-wrap		13	
		120 MM			
-	999 513 007 40	Tie-wrap		8	
		88 MM			
-	999 513 023 40	Tie-wrap		2	
		160 MM			

Model: 928 87

Model life 1987>>1991

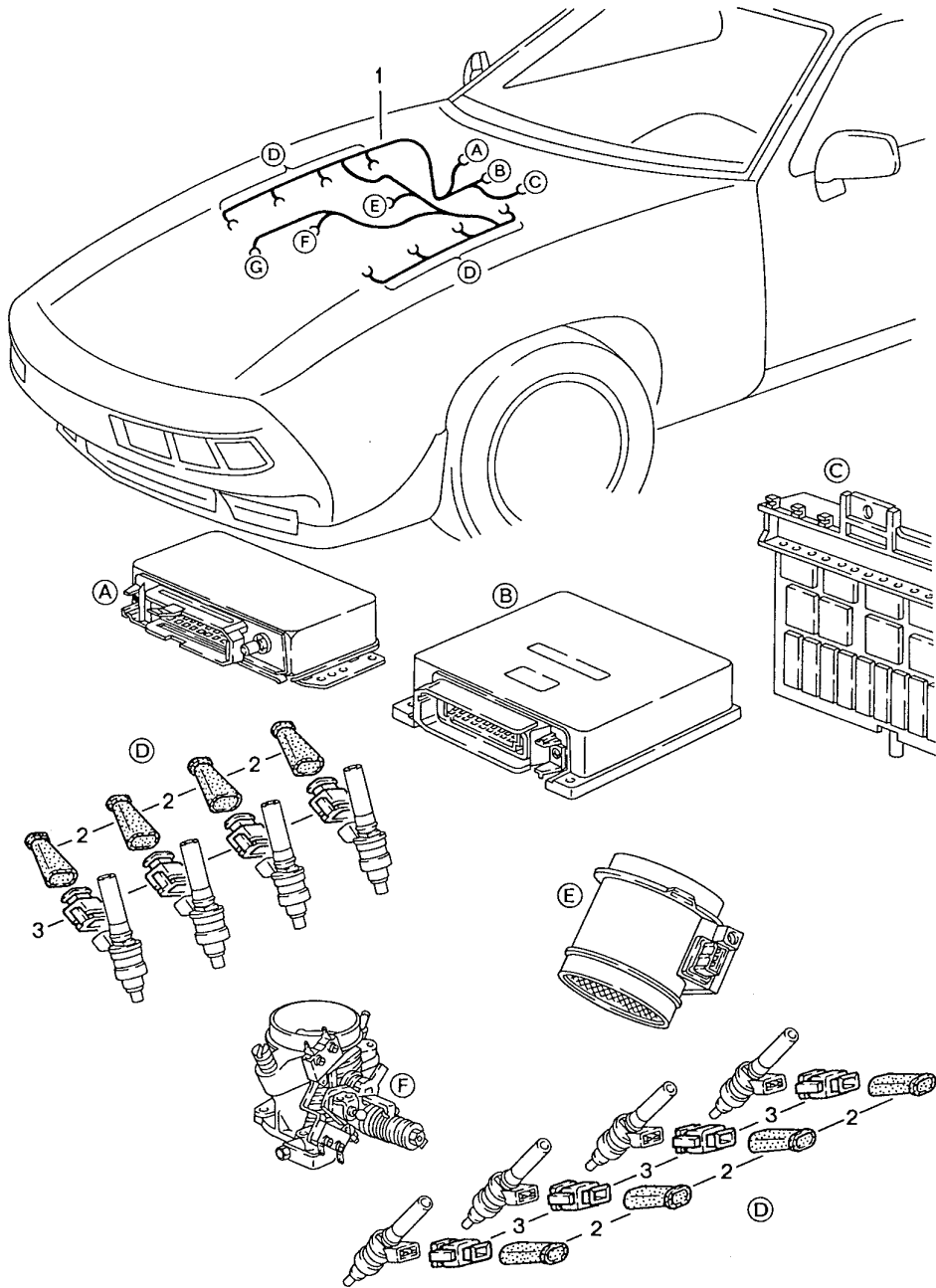


Model: 928 87 Model life 1987>>1991

Pos	Part Number	Description	Remark	Qty	Model
(1)	928 607 002 14	Wiring harness Engine Wiring harness M >> 81H 00957 M >> 81H 07304	87	1	M28.41 M28.42
(1)	928 607 002 15	Wiring harness M 81H 00958 >> M 81H 07305 >>	87	1	M28.41 M28.42
(1)	928 607 002 16	Wiring harness	88	1	M637
1	928 607 002 17	Wiring harness	88	1	
2	928 612 011 00	Wiring harness	89-	1	
3	928 612 011 00	Ground cable		1	
3	111 971 977	Flat connector socket		1	
4	911 612 113 05	Connector housing		1	
5	928 612 497 00	Protection cap		2	
6	928 612 867 00	Cable connection		1	
7	928 612 868 01	Hexagon-head bolt		1	
8	928 612 073 00	Protection cap		1	
8	928 612 073 01	Protection cap		1	
9	928 612 871 02	Cover		1	

Model: 928 87

Model life 1987>>1991



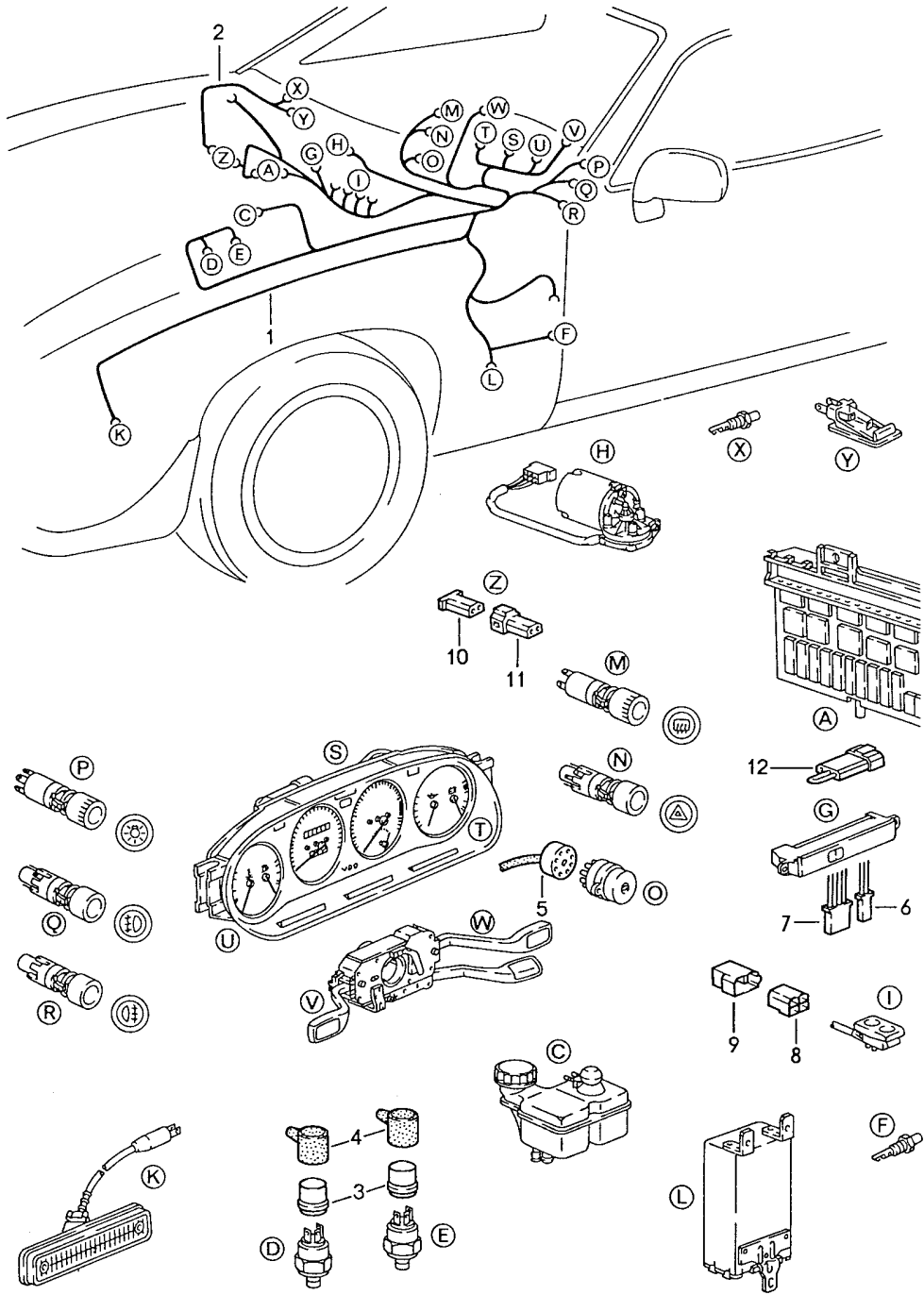
Model: 928 87

Model life 1987>>1991

Pos	Part Number	Description	Remark	Qty	Model
1	928 607 015 04	Wiring harness Lh-jetronic Wiring harness See q-information GR.2 NR.3/86	/LL -88	1	
(1)	928 607 015 08	Wiring harness	/LL 89	1	
(1)	928 607 015 09	Wiring harness	/LL 90	1	
(1)	928 607 015 11	Wiring harness	/LL 91-	1	
(1)	927 607 015 00	Wiring harness See q-information GR.2 NR.3/86	/RL -88	1	
(1)	927 607 015 03	Wiring harness	/RL 89-	1	
(1)	927 607 015 05	Wiring harness	/RL 91-	1	
2	944 612 128 00	Protection cap		10	
2	944 612 128 02	Protection cap		10	
3	928 612 825 00	Connector housing Mounting parts		8	
-	N 020 904 4	Tie-wrap		X	
-	N 020 626 2	Clip B 15 X 16		2	
-	999 651 159 02	Cable clamp		1	
-	999 511 177 02	Clamp B 20 X 15	/RL	1	
-	999 511 177 01	Clamp B 20 X 15	/RL	1	
-	999 511 076 02	Clamp B 20 X 18		1	

Model: 928 87

Model life 1987>>1991



Model: 928 87 Model life 1987>>1991

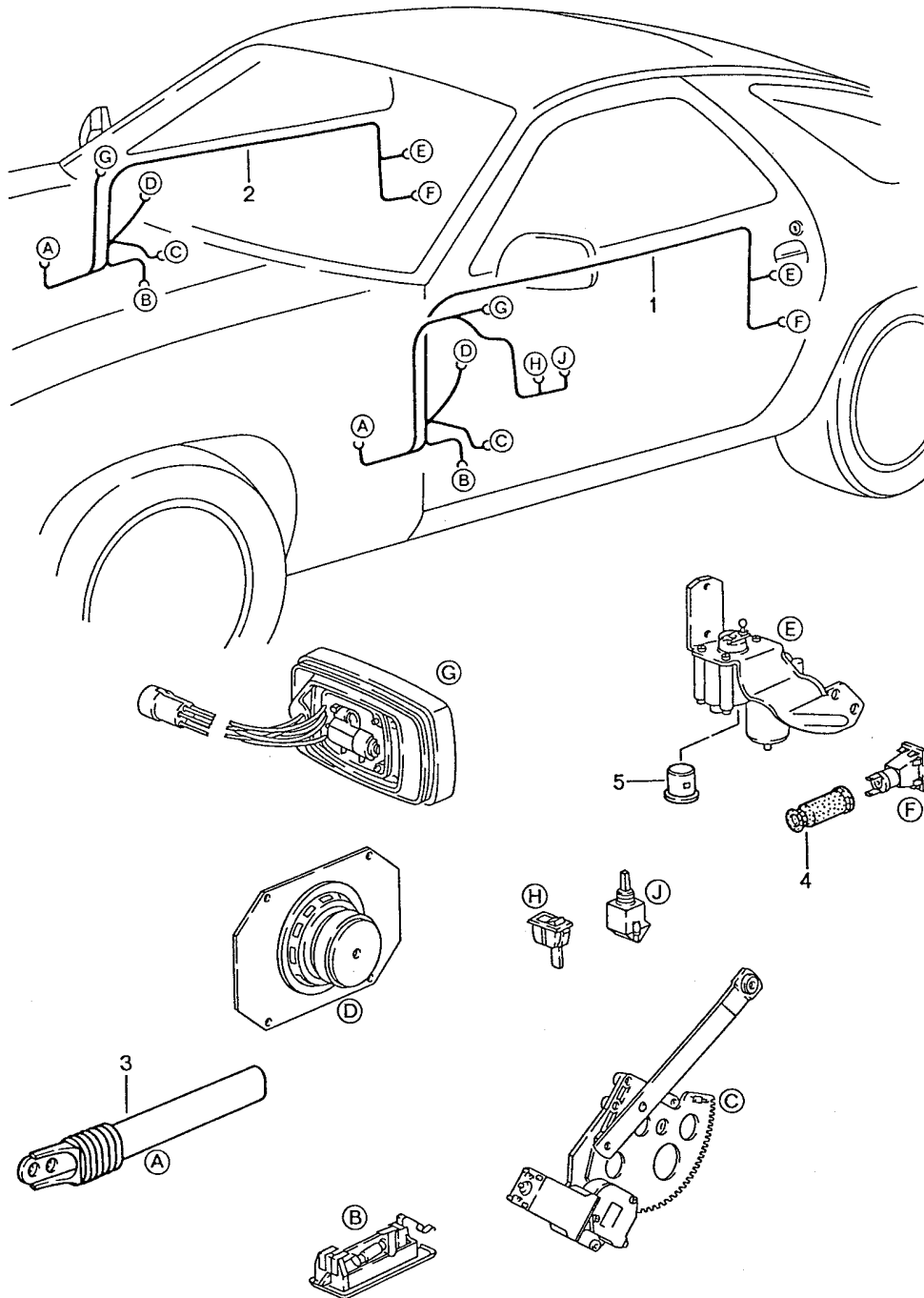
Pos	Part Number	Description	Remark	Qty	Model
		Wiring harness Dashboard			
1	928 612 003 31	Wiring harness	/LL 87	1	
(1)		Wiring harness	/LL 87	1	
(1)	928 612 003 37	Wiring harness	/LL 88	1	
(1)		Wiring harness	/LL 88	1	
(1)	928 612 003 41	Wiring harness	/LL 89	1	
(1)	928 612 003 51	Wiring harness	/LL 90	1	
(1)		Wiring harness	/LL 90	1	
(1)	928 612 003 65	Wiring harness	/LL 91	1	
(1)		Wiring harness	/LL 91-	1	
(1)	928 612 003 30	Wiring harness	/LL 87	1	M537
(1)		Wiring harness	/LL 87	1	M537
(1)	928 612 003 36	Wiring harness	/LL 88	1	M537
(1)		Wiring harness	/LL 88	1	M537
(1)	928 612 003 40	Wiring harness	/LL 89	1	M537
(1)	928 612 003 50	Wiring harness	/LL 90	1	M537
(1)		Wiring harness	/LL 90	1	M537
(1)	928 612 003 64	Wiring harness	/LL 91	1	M537
(1)		Wiring harness	/LL 91-	1	M537
(1)	928 612 003 38	Wiring harness	/LL 88	1	M637
(1)		Wiring harness	/LL 88-	1	M637
(1)	928 612 003 39	Wiring harness	/LL 88	1	M637
(1)		Wiring harness	/LL 88-	1	M637 M 607
1	927 612 003 20	Wiring harness	/RL 87	1	
(1)		F >>92HS8 41006 Wiring harness	/RL 87	1	
(1)	927 612 003 22	F >>92HS8 41006 Wiring harness	/RL 87	1	
(1)		F 92HS8 41007>>			
(1)	927 612 003 26	Wiring harness	/RL 88	1	
(1)		Wiring harness	/RL 88	1	
(1)	927 612 003 28	Wiring harness	/RL 89	1	
(1)	927 612 003 37	Wiring harness	/RL 90	1	
(1)		Wiring harness	/RL 90	1	
(1)	927 612 003 49	Wiring harness	/RL 91	1	
(1)		Wiring harness	/RL 91-	1	
1	927 612 003 19	Wiring harness	/RL 87	1	M538
(1)		F >>92HS8 40937 Wiring harness	/RL 87	1	M538
(1)		F >>92HS8 40937			
(1)	927 612 003 21	Wiring harness	/RL 87	1	M538
(1)		F 92HS8 40938>>			
(1)	927 612 003 25	Wiring harness	/RL 88	1	M538
(1)		Wiring harness	/RL 88	1	M538
(1)	927 612 003 29	Wiring harness	/RL 89	1	M538
(1)	927 612 003 36	Wiring harness	/RL 90	1	M538
(1)		Wiring harness	/RL 90	1	M538
(1)	927 612 003 48	Wiring harness	/RL 91	1	M538
(1)		Wiring harness	/RL 91-	1	M538
-	928 612 043 05	Wiring harness	/LL 90	1	
-		Wiring harness for	/LL 90-	1	
-	927 612 043 02	Instrument box Wiring harness	/RL 90	1	
-		Wiring harness for	/RL 90-	1	
2	928 612 038 00	Instrument box Wiring harness	-90	1	
(2)	928 612 038 02	Glove compartment light Wiring harness	91-	1	
		Glove compartment light			

Model: 928 87 Model life 1987>>1991

Pos	Part Number	Description	Remark	Qty	Model
3	113 945 525	Terminal sleeve housing		2	
4	211 945 521 C	Protection cap		2	
5	911 612 889 00	Connector housing		1	
6	171 971 998 A	Connector housing		1	
7	171 971 998 C	Connector housing		1	
8	928 612 414 04	Connector housing		X	
9	928 612 413 00	Connector housing		X	
		Blue			
(9)	928 612 413 03	Connector housing		X	
		Yellow			
10	171 971 999 A	Terminal sleeve housing		1	
11	171 971 998 A	Connector housing		1	
12	928 607 422 00	Coding plug	/RL -89	1	
(12)	928 607 421 00	Coding plug	/RL -88	1	M061
(12)		Coding plug	/RL 89	1	M061
-	928 612 202 03	Wiring harness	(J) -88	1	
		Switch unit			
		- EX -			
-	928 612 202 04	Wiring harness	(J) -89	1	
		Switch unit			
		- EX -			
-	928 612 202 06	Wiring harness	(J) 90-	1	
		Switch unit			
		- EX -			
-	928 612 204 01	Single line	(J) -88	1	
		Switch unit			
		- EX -			
-	911 617 108 00	Diode	(J) -88	1	
-	911 617 108 01	Diode	(J) -88	1	
		Use also:			
		825.971.990		1	
		Mounting parts			
-	999 513 002 40	Tie-wrap		1	
		286 MM			
-	N 020 910 4	Tie-wrap		1	
		286 MM			
-	999 513 003 40	Tie-wrap		1	
		286 MM			
-	999 513 023 40	Tie-wrap		1	
		293 MM			
-	999 513 007 40	Tie-wrap		8	
		80 MM			
-	999 651 152 02	Cable clamp		1	
-	999 651 152 01	Cable clamp		1	
-	999 591 380 02	Cable clamp		5	
-	477 971 939	Cable terminal		5	
-	PCG 971 939	Cable terminal		5	
-	928 612 091 00	Bridge		1	
		for			
		Central electrical system			
12A	928 612 088 02	Cap	90-	1	
12B	928 612 883 00	Bolt	90-	1	

Model: 928 87

Model life 1987>>1991

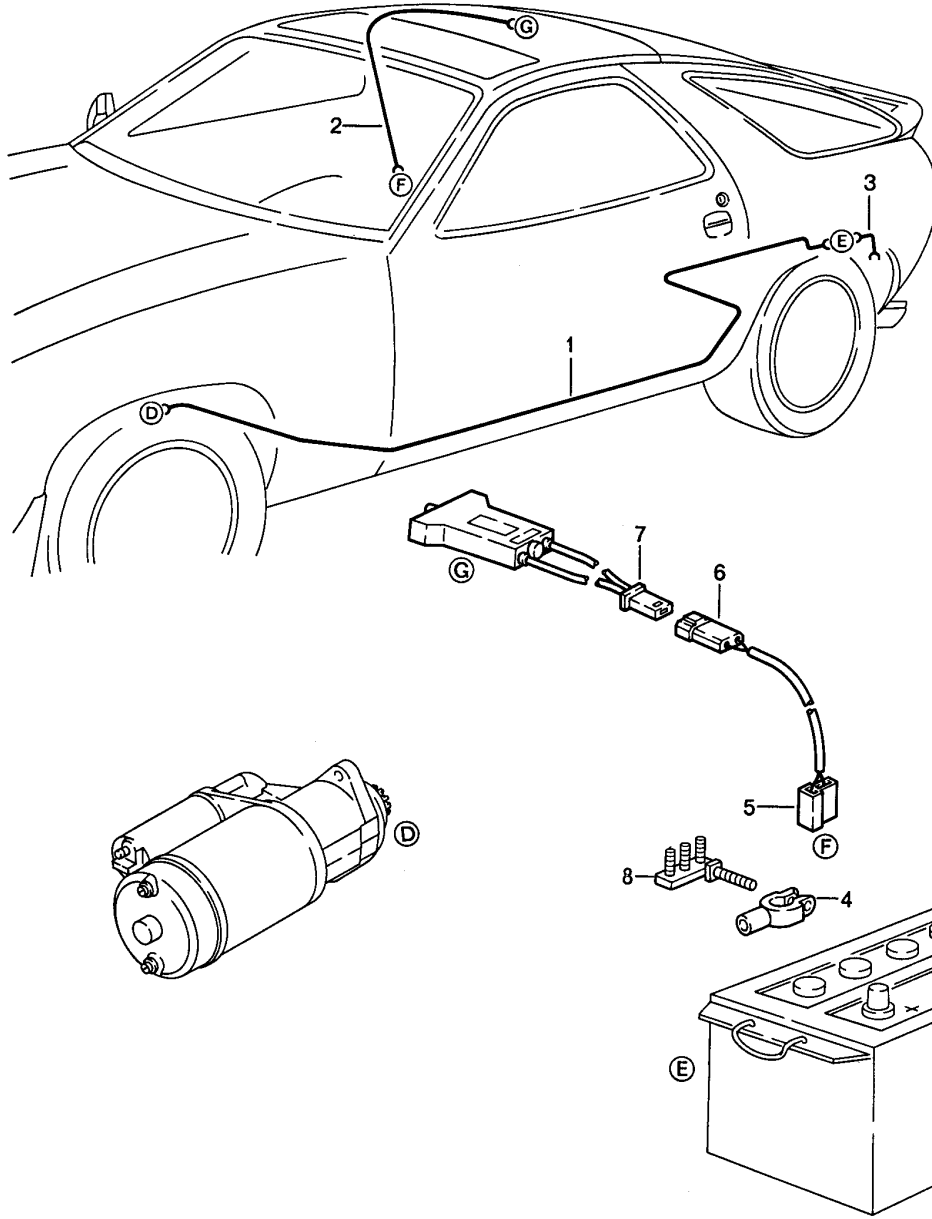


Model: 928 87 Model life 1987>>1991

Pos	Part Number	Description	Remark	Qty	Model
		Wiring harness Door			
1	928 612 167 05	Wiring harness	/LL -88	1	
(1)	928 612 167 11	Wiring harness	/LL 89	1	
(1)	928 612 167 17	Wiring harness	/LL 90	1	
(1)	928 612 167 21	Wiring harness	/LL 91	1	
(1)	928 612 167 07	Wiring harness	/LL 88	1	M637
(1)	927 612 167 02	Wiring harness	/RL -88	1	
(1)	927 612 167 06	Wiring harness	/RL 89	1	
(1)	928 612 167 17	Wiring harness	/RL 90	1	
(1)	928 612 167 22	Wiring harness	/RL 91	1	
(1)	928 612 167 03	Wiring harness	/LL -88	1	M537
(1)	928 612 167 09	Wiring harness	/LL 89	1	M537
(1)	928 612 167 15	Wiring harness	/LL 90	1	M537
(1)	928 612 167 19	Wiring harness	/LL 91	1	M537
(1)	927 612 167 00	Wiring harness	/RL -88	1	M538
(1)	927 612 167 04	Wiring harness	/RL 89	1	M538
(1)	928 612 167 15	Wiring harness	/RL 90	1	M538
(1)	928 612 167 20	Wiring harness	/RL 91	1	M538
2	928 612 167 06	Wiring harness	/LL -88	1	
(2)	928 612 167 12	Wiring harness	/LL 89	1	
(2)	928 612 167 18	Wiring harness	/LL 90	1	
(2)	928 612 167 22	Wiring harness	/LL 91	1	
(2)	928 612 167 08	Wiring harness	/LL 88-	1	M637
(2)	927 612 167 03	Wiring harness	/RL -88	1	
(2)	927 612 167 07	Wiring harness	/RL 89	1	
(2)	928 612 167 18	Wiring harness	/RL 90	1	
(2)	928 612 167 21	Wiring harness	/RL 91	1	
(2)	928 612 167 04	Wiring harness	/LL -88	1	M537
(2)	928 612 167 10	Wiring harness	/LL 89	1	M537
(2)	928 612 167 16	Wiring harness	/LL 90	1	M537
(2)	928 612 167 20	Wiring harness	/LL 91	1	M537
(2)	927 612 167 01	Wiring harness	/RL -88	1	M538
(2)	927 612 167 05	Wiring harness	/RL 89	1	M538
(2)	928 612 167 16	Wiring harness	/RL 90	1	M538
(2)	928 612 167 19	Wiring harness	/RL 91	1	M538
3	928 555 551 02	Cable guide		2	
4	999 659 002 50	Rubber cap		2	
5	928 612 131 00	Connector housing		2	
		Mounting parts			
-	477 971 851	Cable clip		4	
-	928 537 411 02	Clip Grey		4	

Model: 928 87

Model life 1987>>1991



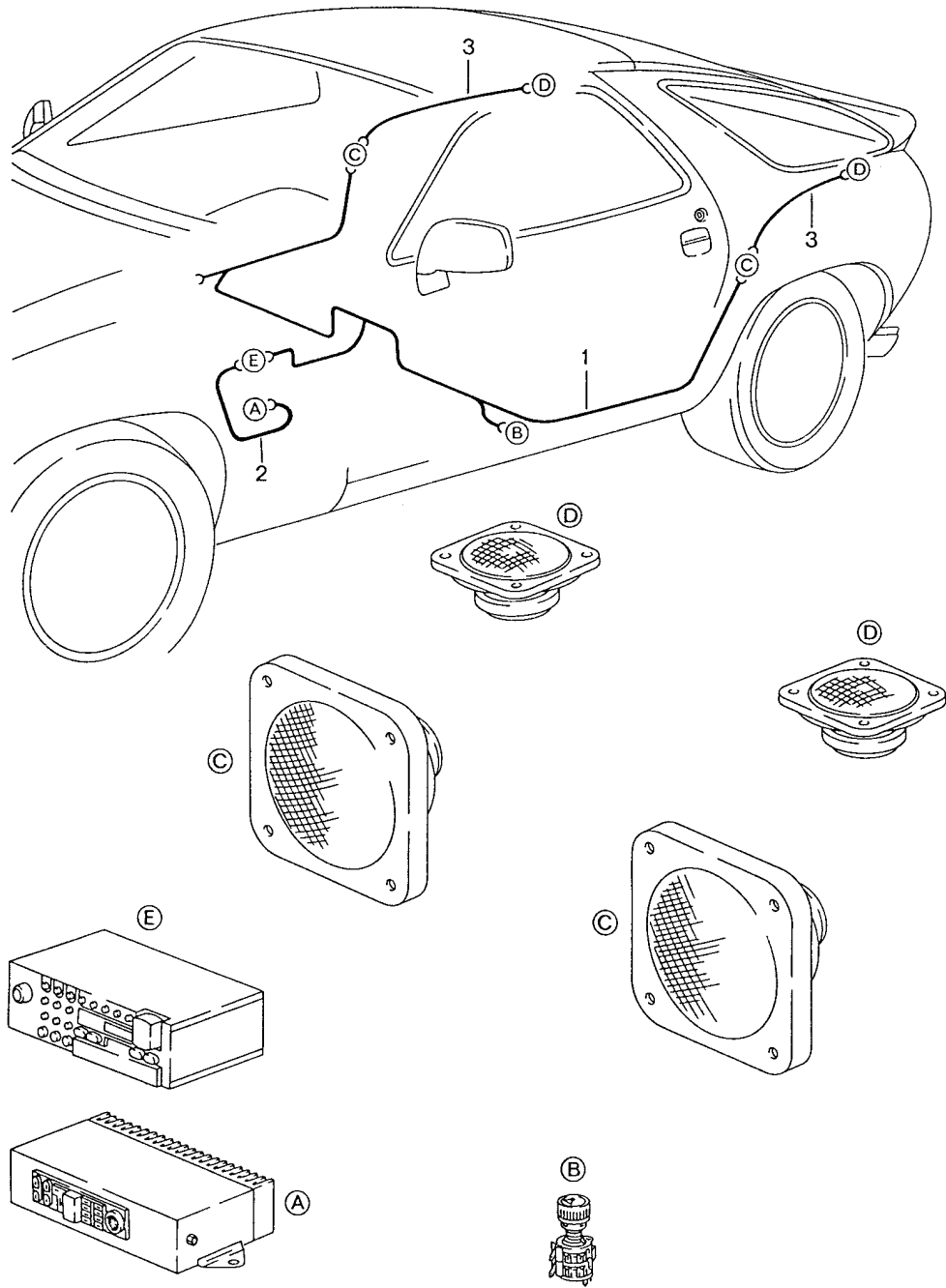
Model: 928 87

Model life 1987>>1991

Pos	Part Number	Description	Remark	Qty	Model
1	928 612 007 03	Wiring harness Passenger compartment	-89	1	
(1)	928 612 007 04	Wiring harness Starter battery	90-	1	
2	928 612 006 01	Wiring harness Sunroof	-89	1	
3	928 612 009 13	Ground cable Battery Body		1	
4	928 611 898 01	Terminal clamp	-89	1	
(4)	928 611 898 02	Terminal clamp	90-	1	
5	999 652 167 40	Terminal sleeve housing		1	
6	171 971 998 A	Connector housing		1	
7	171 971 999 A	Terminal sleeve housing		1	
8	928 611 850 03	Distributing piece	90	1	
(8)	928 611 085 00	Distributing piece Mounting parts Battery-starter cable	91-	1	
-	999 513 003 40	Tie-wrap		1	
-	999 511 156 00	Clamp 13/15 W 5		13	
-	999 591 839 40	Plastic nut T 5		13	
-	999 702 124 50	Grommet Mounting parts Ground cable		1	
-	900 075 398 02	Hexagon-head bolt M 8 X 16 SB		1	
-	N 012 241 8	Spring washer B 8		1	
-	900 151 008 02	Washer A 8,4		1	
-	999 702 128 50	Dummy grommet 8 X 10 X 15		1	

Model: 928 87

Model life 1987>>1991



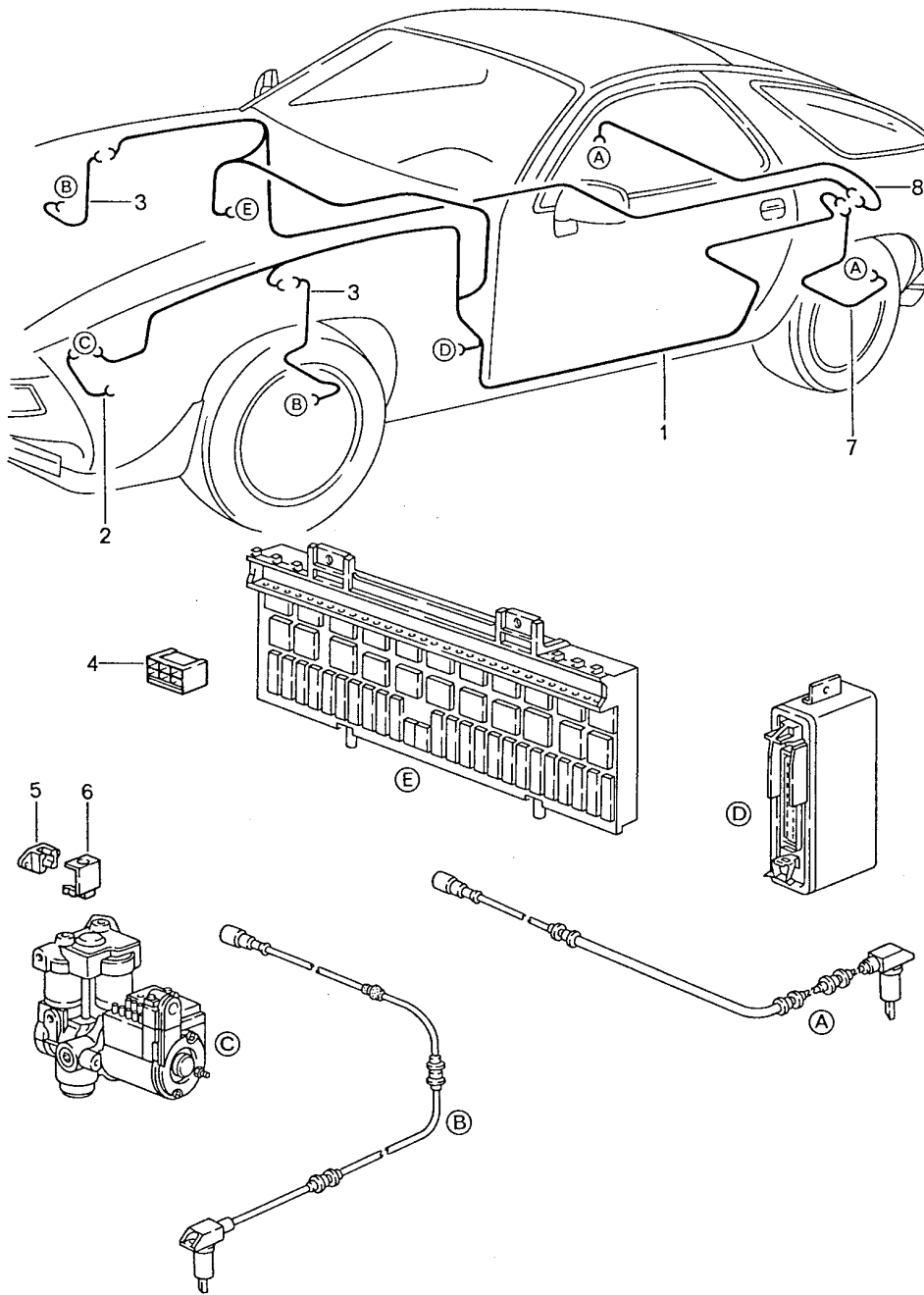
Model: 928 87

Model life 1987>>1991

Pos	Part Number	Description	Remark	Qty	Model
		Wiring harness Loudspeaker for cars without Booster			
1	928 612 066 04	Wiring harness	-88	1	
-	928 612 261 00	Plug bridge for cars with Booster	-88	1	
(1)	928 612 068 04	Wiring harness		1	
2	928 645 406 00	Connecting cable	-88	1	M494
(2)	928 645 172 00	Wiring harness	89 90	1	M680
(2)		Wiring harness	91-	1	
3	928 612 069 01	Wiring harness	-88	2	M490
(3)	928 612 069 02	Wiring harness	89 90	2	M680
(3)		Wiring harness	91-	2	
-	928 612 261 00	Plug bridge	91-	2	

Model: 928 87

Model life 1987>>1991



Model: 928 87

Model life 1987>>1991

Pos	Part Number	Description	Remark	Qty	Model
		Wiring harness Anti-lock brake system			
1	928 612 121 05	Wiring harness	/LL -88	1	
(1)	928 612 121 06	Wiring harness	/LL 89	1	
(1)	928 612 121 07	Wiring harness	/LL 89	1	M482
(1)	928 612 121 19	Wiring harness	90	1	
(1)	928 612 121 21	Wiring harness	91-	1	
(1)	927 612 121 04	Wiring harness	/RL -88	1	
(1)	927 612 121 05	Wiring harness	/RL 89	1	
(1)	927 612 121 06	Wiring harness	/RL 89	1	M482
(1)	927 612 121 18	Wiring harness	/RL 90	1	
(1)	927 612 121 20	Wiring harness	/RL 91-	1	
2	928 612 189 01	Ground strap		1	
3	928 612 403 00	Wiring harness	-88	2	
(3)	928 612 404 00	Wiring harness	89-	2	M482
4	161 971 975 A	Flat connector socket		1	
5	928 612 867 00	Cable connection		1	
6	928 612 874 00	Cap		1	
7	928 612 405 00	Wiring harness	/L -88	1	
(7)	928 612 420 00	Wiring harness	/L 89-	1	M482
8	928 612 406 00	Wiring harness	/R -88	1	
(8)	928 612 430 00	Wiring harness	/R 89-	1	M482

Model: 928 87 Model life 1987>>1991

Pos	Part Number	Description	Remark	Qty	Model
		Wiring harness Rear end			
1	928 612 004 33	Wiring harness	/LL -88	1	M481
(1)	928 612 004 37	Wiring harness	88	1	M637
(1)	928 612 004 39	Wiring harness	/LL 89	1	M481
(1)	928 612 004 49	Wiring harness	/LL 90	1	M481
(1)	928 612 004 57	Wiring harness	/LL 91-	1	M481
(1)	928 612 004 34	Wiring harness	/LL -88	1	M249
(1)	928 612 004 40	Wiring harness	/LL 89	1	M249
(1)	928 612 004 50	Wiring harness	/LL 90	1	M249
(1)	928 612 004 58	Wiring harness	/LL 91-	1	M249
(1)	927 612 004 20	Wiring harness	/RL -88	1	M481
(1)	927 612 004 22	Wiring harness	/RL 89	1	M481
(1)	927 612 004 28	Wiring harness	/RL 90	1	M481
(1)	927 612 004 32	Wiring harness	/RL 91-	1	M481
(1)	927 612 004 21	Wiring harness	/RL -88	1	M249
(1)	927 612 004 23	Wiring harness	/RL 89	1	M249
(1)	927 612 004 29	Wiring harness	/RL 90	1	M249
(1)	927 612 004 33	Wiring harness	/RL 91-	1	M249
-	N 100 641 01	Safety fuse T 1,0 B		1	
-	928 612 479 00	Rear lid release Fuse holder		1	
2	928 612 037 01	Wiring harness		1	
3	928 612 008 07	Wiring harness	-89	1	
(3)	928 612 008 09	Wiring harness	90-	1	
(4)	928 612 005 03	Wiring harness		1	
(4)	928 612 005 04	Wiring harness	89-	1	M602
6	928 612 039 01	Wiring harness	-88	1	
(6)	928 612 039 02	Wiring harness	89-	1	
7	928 612 012 07	Wiring harness	-90	1	M249
(7)	928 612 012 08	Wiring harness	91-	1	M249
7	928 612 016 02	Wiring harness	87	1	M481
(7)	928 612 016 03	Back-up light G >> 11H 05467			G28.12
		Wiring harness	87-	1	M481
(7)		Back-up light G 11H 05468 >>			G28.12
		Wiring harness	89	1	
(7)	928 612 016 04	Wiring harness	90	1	
-	928 612 072 00	Wiring harness	91-	1	
		for	-88	1	M460
-		Fuel pump			
		Wiring harness	89	1	
		for			
8	171 971 998 E	Fuel pump Connector housing		1	
9	171 971 998 C	6-pole Connector housing		1	
10	901 612 891 01	4-pole Connector housing		1	
11	944 612 215 00	Triple Connector housing		1	
		14-pole without			
		Contact bush 99965235122			
12	171 971 999 A	Terminal sleeve housing		1	
13	171 971 998 A	2-pole Connector housing		1	
		2-pole			

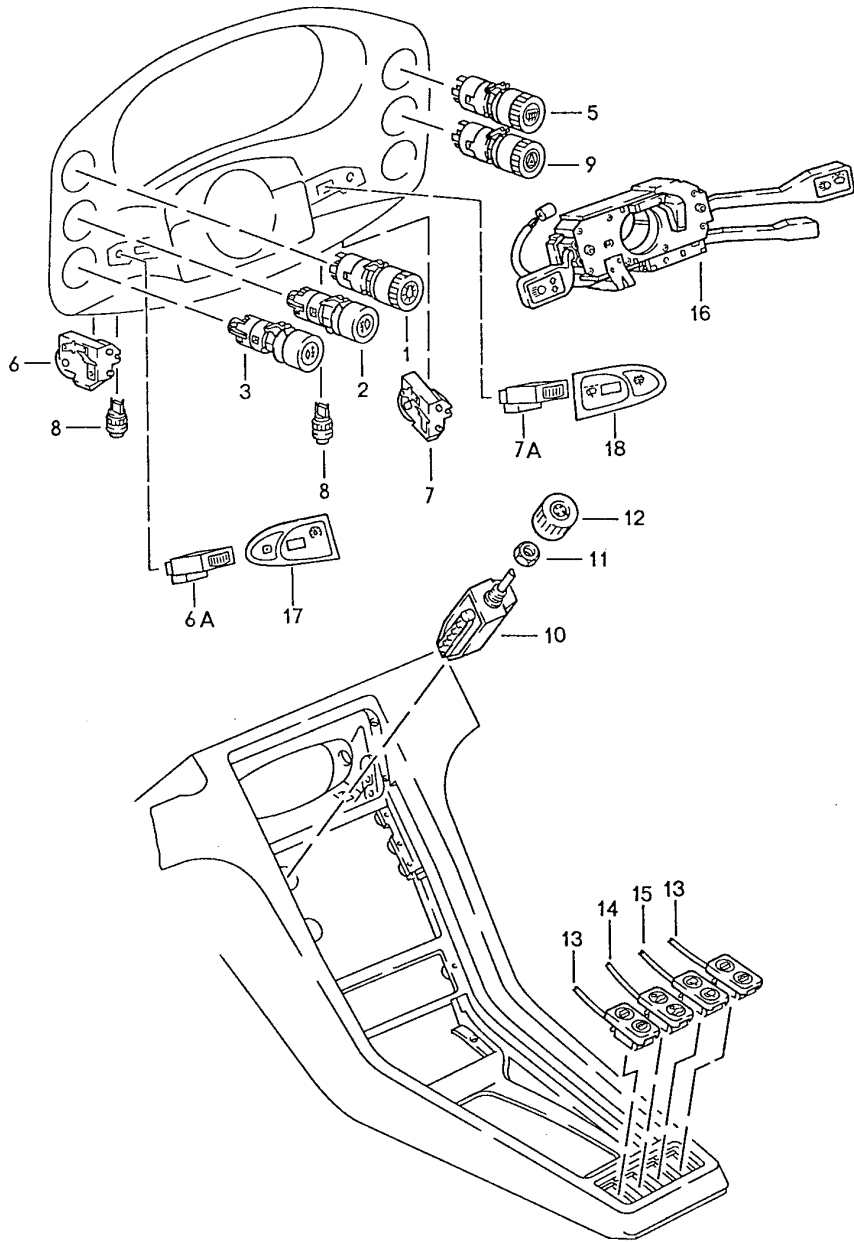
Model: 928 87

Model life 1987>>1991

Pos	Part Number	Description	Remark	Qty	Model
14	803 971 979	Plug socket		2	
15	928 612 131 00	Connector housing		1	
16	999 652 269 12	Contact spring		4	
		Mounting parts			
		Transmission			
-	999 651 160 02	Cable holder		2	
-	928 612 493 00	Cable holder		1	M249
-	999 651 168 40	Cable holder		1	M249
-	113 941 189	Grommet		1	
		Pulse sender			
-	999 651 158 02	Cable holder		1	
		Pulse sender			
		Wheel housing			
-	999 513 021 40	Tie-wrap		1	
		Rear lid			
-	477 971 939	Cable terminal		5	
-	PCG 971 939	Cable terminal		5	
-	999 591 380 02	Cable clamp		5	

Model: 928 87

Model life 1987>>1991



Model: 928 87 Model life 1987>>1991

Pos	Part Number	Description	Remark	Qty	Model
1	928 613 103 00	Switch Manually Combined switch for light		1	
2	928 613 111 00	Switch for Fog headlamp		1	
3	928 613 109 00	Switch for rear fog light for fog lamp		1	
(3)	928 613 130 00 928 613 130 00 70B	Push-button Black for Intensive windscreen washer	(J) 89	1	
5	928 613 107 01	Combined switch for Rear window heating		1	
6	928 613 121 01	Potentiometer	-89	1	
6A	928 613 031 00 928 613 031 00 70B	Potentiometer Black	90-	1	
7	928 613 122 00	Potentiometer Interval relay	-89	1	
7A	928 613 015 00 928 613 015 00 70B	Potentiometer Black Interval relay	90-	1	
8	928 613 124 00	Push-button Trip meter	-88	1	
(8)		Push-button for Intensive windscreen washer	-89	1	
9	928 613 105 01	Hazard warning light sw.		1	
10	928 613 127 00	Blower switch		1	
11	999 034 007 02	Hexagon flat nut M 12 X 1		1	
12	928 613 731 01	Rotary knob Blower switch		1	
-	999 591 434 02	Spring Blower switch		1	
13	928 613 123 05	Tip switch for window opener	-89	2	
(13)	928 613 123 07 928 613 123 07 01C	Tip switch Black for window opener	90-	2	
(14)	928 613 120 00	Tip switch	-89	1	M650
(14)	928 613 120 02 928 613 120 02 01C	Tip switch Black	90-	1	M650
15	928 613 129 03	Tip switch for Rear window wiper	-89	1	
(15)	928 613 129 04 928 613 129 04 70B	Tip switch Black for Rear window wiper	90-	1	
(15)	928 613 123 04 928 613 123 04 70B	Display specimen Black Switch		1	
16	928 613 101 03	Door mirror See group 8/09/10 Steering column switch with Headlight washer system without Cruise control	-88	1	

Model: 928 87

Model life 1987>>1991

Pos	Part Number	Description	Remark	Qty	Model
(16)	928 613 101 05	Steering column switch with Headlight washer system with Cruise control	-88	1	
(16)	928 613 101 06	Steering column switch with Headlight washer system with Cruise control Lettering English	-88	1	
(16)	928 613 101 07	Steering column switch with Headlight washer system with Cruise control	(F) -88	1	
(16)	928 613 333 00 928 613 333 00 01C	Steering column switch Black with Headlight washer system without Cruise control	89	1	
(16)	928 613 330 00 928 613 330 00 01C	Steering column switch Black with Headlight washer system with Cruise control	89	1	
(16)	928 613 331 00 928 613 331 00 01C	Steering column switch Black with Headlight washer system with Cruise control Lettering English	89	1	
(16)	928 613 332 00 928 613 332 00 01C	Steering column switch Black with Headlight washer system with Cruise control	(F) 89	1	
(16)	964 613 337 00 964 613 337 00 01C	Steering column switch Black with Headlight washer system without Cruise control	90-	1	
(16)	964 613 331 00 964 613 331 00 01C	Steering column switch Black with Headlight washer system with Cruise control	90-	1	
(16)	964 613 333 00 964 613 333 00 01C	Steering column switch Black with Headlight washer system with Cruise control	(F) 90-	1	
(16)	964 613 332 00 964 613 332 00 01C	Steering column switch Black	90-	1	

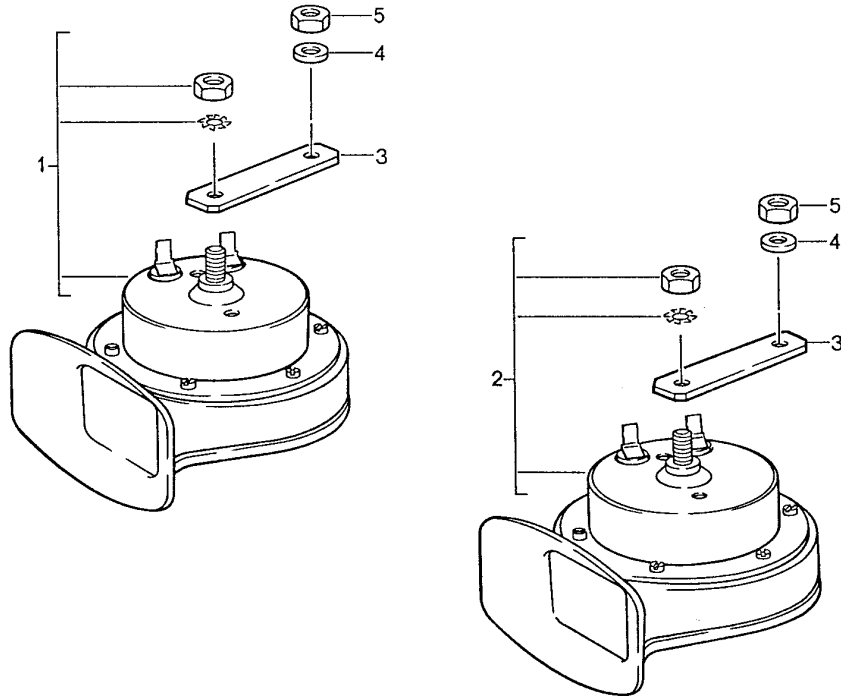
Model: 928 87

Model life 1987>>1991

Pos	Part Number	Description	Remark	Qty	Model
		with Headlight washer system			
		with Cruise control			
		Lettering English			
-	964 652 104 00	Contact plate	90-	1	
17	928 613 341 00	Switch	90-	1	
	928 613 341 00 70B	Black			
18	928 613 342 00	Switch	90-	1	
	928 613 342 00 70B	Black			
		Intensive windscreen washer			
-	999 651 165 02	Cable clamp		1	

Model: 928 87

Model life 1987>>1991



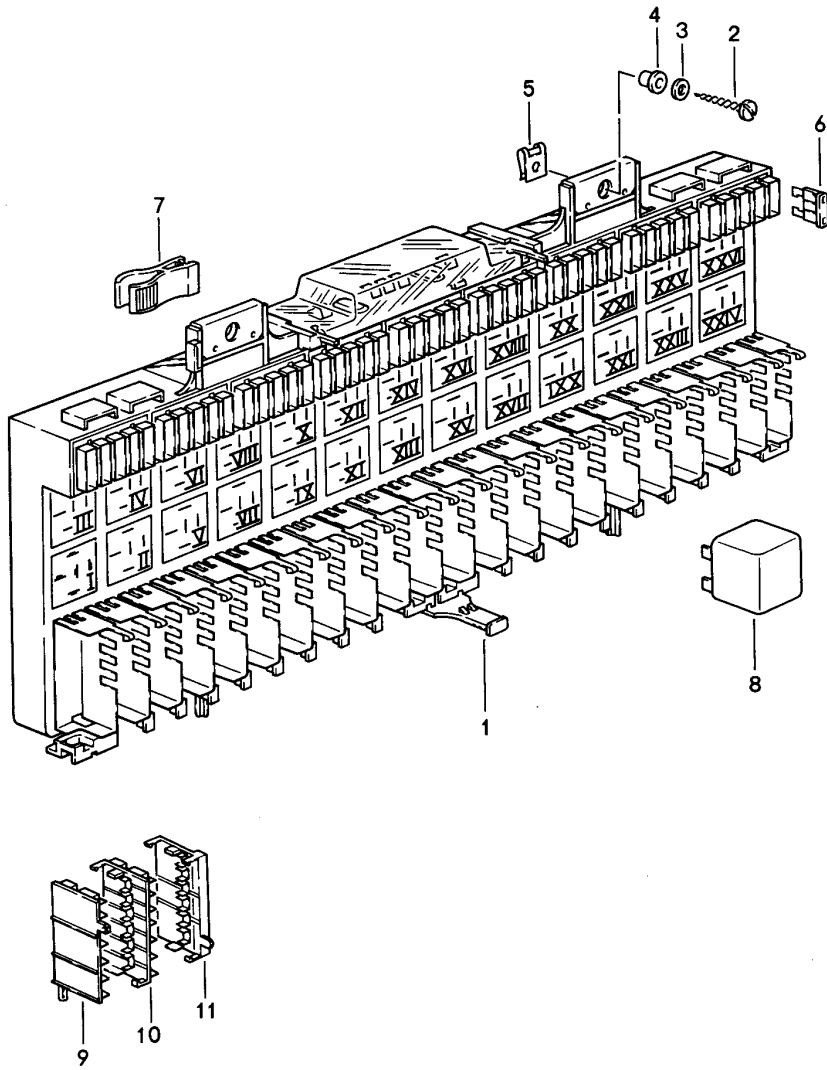
Model: 928 87

Model life 1987>>1991

Pos	Part Number	Description	Remark	Qty	Model
1	928 635 221 00	Fanfare Fanfare High-pitched	-89	1	
1	928 635 221 01	Fanfare High-pitched		1	
1	171 951 223	Fanfare High-pitched	90-	1	
1	928 635 221 00	Fanfare High-pitched	91-	1	
1	928 635 221 01	Fanfare High-pitched	91-	1	
2	928 635 222 00	Fanfare Low-pitched	-89	1	
2	171 951 221	Fanfare Low-pitched	90-	1	
2	928 635 222 00	Fanfare Low-pitched	91-	1	
3	944 635 411 00	Support	-89	2	
3	928 635 112 00	Support	90-	2	
4	900 025 007 02	Washer A 8		2	
4	900 025 007 03	Washer A 8		2	
5	900 910 003 02	Lock nut VM 8		2	
5	900 910 003 04	Lock nut M 8		2	

Model: 928 87

Model life 1987>>1991



Model: 928 87 Model life 1987>>1991

Pos	Part Number	Description	Remark	Qty	Model
		Central electrical system			
		Relay			
		Lock			
1	928 610 105 14	Mounting plate		1	
(1)	928 610 105 16	Mounting plate	-88	1	
(1)	928 610 105 17	Mounting plate	89	1	
1	928 610 105 19	Mounting plate	90	1	
(1)	928 610 105 21	Mounting plate	90	1	M193
(1)	928 610 105 22	Mounting plate	91	1	
2	N 013 935 2	Tapping screw		2	
		BZ 6,3 X 25			
3	N 902 076 01	Washer		2	
		6,4 X 17 X 1,6			
4	928 628 287 00	Grommet		2	
5	999 507 034 02	Speed nut		2	
		B 6,3			
6	999 607 001 00	Lock		X	
		1 AMP.			
(6)	999 607 004 00	Lock		X	
		5 AMP.			
(6)	999 607 005 00	Lock		X	
		7,5 AMP.			
(6)	999 607 083 00	Lock		X	
		7,5 AMP.			
(6)	N 017 131 11	Lock		X	
		10 AMP.			
(6)	999 607 007 00	Lock		X	
		15 AMP.			
(6)	999 607 085 00	Lock		X	
		15 AMP.			
(6)	N 017 131 13	Lock		X	
		20 AMP.			
(6)	999 607 009 00	Lock		X	
		25 AMP.			
(6)	999 607 087 00	Lock		X	
		25 AMP.			
(6)	999 607 010 00	Lock		X	
		30 AMP.			
(6)	999 607 088 00	Lock		X	
		30 AMP.			
7	443 941 802	Tool		1	
8		Relay	-88		
(8)	928 615 115 00	Slow-action relay		1	
		Rear window heating			
(8)	141 951 253 B	Relay socket/code: Relay	I-II	1	
		X-contact			
(8)	111 953 227 D	Relay socket/code: Flasher relay	IV	1	
		Relay socket/code:			
(8)	191 953 227 A	Flasher relay	V	1	
		Relay socket/code:			
(8)	1H0 953 227	Flasher relay	V	1	
		Relay socket/code:			
(8)	928 615 131 00	Flasher relay	V	1	M208
		Trailer coupling			
(8)	928 615 128 00	Relay socket/code: Relay	V	1	
		Power windows			
(8)	928 615 128 01	Relay socket/code: Relay	VI	1	
		Power windows			
		Relay socket/code:	VI		

Model: 928 87 Model life 1987>>1991

Pos	Part Number	Description	Remark	Qty	Model
(8)	928 618 205 00	Interval relay		1	
		Relay socket/code:	VII		
(8)	993 615 101 00	Switch unit		1	
		Relay socket/code:	VII		
(8)	993 615 101 01	Switch unit		1	
		Relay socket/code:	VII		
(8)	141 951 253 B	Relay		1	
		Defroster			
		Relay socket/code:	VIII		
(8)	928 618 113 01	Relay		1	
		Intensive windscreen washer			
		Relay socket/code:	IX		
(8)	928 618 113 02	Relay		1	IX
		Intensive windscreen washer			
(8)	141 951 253 B	Relay		1	
		Fresh air inlet box			
		Relay socket/code:	X		
(8)	928 618 223 00	Interference-suppr. choke		1	
		Relay socket/code:	XI		
(8)	141 951 253 B	Relay		1	
		Fanfare			
		Relay socket/code:	XII		
(8)		Relay		1	
		Fog headlamp			
		Relay socket/code:	XIII		
(8)	928 615 117 02	Relay		1	M193
		Fog headlamp			
		Relay socket/code:	XIII		
(8)	141 951 253 B	Relay		1	
		Starter			
		Relay socket/code:	XIV		
(8)	928 618 109 01	Relay		1	M249
		Kickdown			
		Relay socket/code:	XV		
(8)	928 615 203 00	Relay		1	
		Ignition control unit			
		Relay socket/code:	XVI		
(8)	928 615 124 01	Relay		1	
		Anti-lock brake system			
		Relay socket/code:	XVII		
(8)	928 615 124 03	Relay		1	
		Anti-lock brake system			
		Relay socket/code:	XVII		
(8)	944 615 119 00	Relay		1	
		Cooling air control			
		Relay socket/code:	XVIII		
(8)	928 618 111 00	Relay		1	
		Headlight washer system			
		Relay socket/code:	XIX		
(8)	141 951 253 B	Relay		1	
		Fuel pump			
		Relay socket/code:	XX		
(8)	928 618 225 01	Relay		1	
		Interior light			
		Relay socket/code:	XXI		
(8)	928 615 125 00	Bridge		1	M481
		Back-up light			
		Relay socket/code:	XXII		
(8)	141 951 253 B	Relay		1	M249
		Back-up light			
		Relay socket/code:	XXII		
(8)	928 618 107 04	Double relay		1	
		Headlamp			

Model: 928 87

Model life 1987>>1991

Pos	Part Number	Description	Remark	Qty	Model
(8)		Relay socket/code: Double relay Headlamp	XXIII	1	
(8)	928 618 107 01	Relay socket/code: Relay Headlamp	XXIV (GB)	1	
(8)		Relay socket/code: Relay Headlamp	XXIII (GB)	1	
(8)	141 951 253 B	Relay socket/code: Relay Lh-jetronic	XXIV	1	
(8)	928 615 115 00	Relay socket/code: Relay Slow-action relay Rear window heating	XXV 89	1	
(8)	141 951 253 B	Relay socket/code: Relay X-contact	I-II	1	
(8)	111 953 227 D	Relay socket/code: Flasher relay	IV	1	
(8)	191 953 227 A	Relay socket/code: Flasher relay	V	1	
(8)	1H0 953 227	Relay socket/code: Flasher relay	V	1	
(8)	944 615 112 02	Relay socket/code: Relay Trailer coupling	V	1	M208
(8)		Relay socket/code: Relay Power windows	V	1	
(8)	944 615 116 00	Relay socket/code: Relay Power windows	VI (AUS)	1	
(8)	993 615 101 00	Relay socket/code: Switch unit	VI	1	
(8)	993 615 101 01	Relay socket/code: Switch unit	VII	1	
(8)	141 951 253 B	Relay socket/code: Relay Defroster	VII	1	
(8)	928 618 113 01	Relay socket/code: Relay Intensive windscreen washer	VIII	1	
(8)	928 618 113 02	Relay socket/code: Relay Intensive windscreen washer	IX	1	IX
(8)	141 951 253 B	Relay socket/code: Relay Blower		1	
(8)	928 618 223 00	Relay socket/code: Interference-suppr. choke	X	1	
(8)	141 951 253 B	Relay socket/code: Relay Fanfare	XI	1	
(8)		Relay socket/code: Relay Fog headlamp	XII	1	
(8)	928 615 117 02	Relay socket/code: Relay Fog headlamp	XIII	1	M193
(8)	141 951 253 B	Relay socket/code: Relay Starter	XIII	1	

Model: 928 87 Model life 1987>>1991

Pos	Part Number	Description	Remark	Qty	Model
(8)	928 618 108 00	Relay socket/code: Relay Kickdown	XIV	1	
(8)	928 615 203 00	Relay socket/code: Relay Ignition control unit	XV	1	
(8)	928 615 124 01	Relay socket/code: Relay Anti-lock brake system	XVI	1	
(8)	928 615 124 03	Relay socket/code: Relay Anti-lock brake system	XVII	1	
(8)	944 615 119 00	Relay socket/code: Relay Cooling air control	XVII	1	
(8)	928 618 111 00	Relay socket/code: Relay Headlight washer system	XVIII	1	
(8)	141 951 253 B	Relay socket/code: Relay Fuel pump	XIX	1	
(8)	928 618 225 01	Relay socket/code: Relay Interior light	XX	1	
(8)	928 615 125 00	Relay socket/code: Bridge Back-up light	XXI	1	M481
(8)	928 615 114 00	Relay socket/code: Relay Back-up light	XXII	1	M249
(8)	928 615 114 01	Relay socket/code: Relay Back-up light	XXII	1	M249
(8)	928 618 107 04	Relay socket/code: Double relay Headlamp	XXII	1	
(8)		Relay socket/code: Double relay Headlamp	XXIII	1	
(8)	928 618 107 01	Relay socket/code: Relay Headlamp	XXIV (GB)	1	
(8)		Relay socket/code: Relay Headlamp	XXIII (GB)	1	
(8)	141 951 253 B	Relay socket/code: Relay Lh-jetronic	XXIV	1	
(8)	928 615 115 00	Relay socket/code: Relay Slow-action relay Rear window heating	XXV 90	1	
(8)	141 951 253 B	Relay socket/code: Relay Fog headlamp	I-II	1	
(8)		Relay socket/code: Relay Starter	IV	1	
(8)	944 615 119 00	Relay socket/code: Relay Cooling air control	V	1	
(8)	928 618 111 00	Relay socket/code: Relay	VI	1	

Model: 928 87 Model life 1987>>1991

Pos	Part Number	Description	Remark	Qty	Model
(8)	141 951 253 B	Headlight washer system Relay socket/code: Relay Fog headlamp	VII	1	M193
(8)	928 618 113 01	Relay socket/code: Relay Intensive windscreen washer	IX	1	
(8)	928 618 113 02	Relay socket/code: Relay Intensive windscreen washer	IX	1	IX
(8)	141 951 253 B	Relay X-contact		1	
(8)	993 615 101 00	Relay socket/code: Switch unit	X	1	
(8)	993 615 101 01	Relay socket/code: Switch unit	XI	1	
(8)	141 951 253 B	Relay socket/code: Relay Blower	XI	1	
(8)	111 953 227 D	Relay socket/code: Flasher relay	XII	1	
(8)	191 953 227 A	Relay socket/code: Flasher relay	XIII	1	
(8)	1H0 953 227	Relay socket/code: Flasher relay	XIII	1	
(8)	928 615 131 00	Relay socket/code: Flasher relay Trailer coupling	XIII	1	M208
(8)	141 951 253 B	Relay socket/code: Relay Defroster	XIII	1	
(8)	928 615 124 01	Relay socket/code: Relay Anti-lock brake system	XIV	1	
(8)	928 615 124 03	Relay socket/code: Relay Anti-lock brake system	XV	1	
(8)	141 951 253 B	Relay socket/code: Relay Fanfare	XV	1	
(8)	928 618 108 00	Relay socket/code: Relay Kickdown	XVI	1	M249
(8)	928 615 125 00	Relay socket/code: Bridge Back-up light	XVII	1	M481
(8)	928 615 114 00	Relay socket/code: Relay Back-up light	XVIII	1	M249
(8)	928 615 114 01	Relay socket/code: Relay Back-up light	XVIII	1	M249
(8)	928 618 225 01	Relay socket/code: Relay Interior light	XVIII	1	
(8)	928 618 223 00	Relay socket/code: Interference-suppr. choke	XIX	1	
(8)	928 615 203 00	Relay socket/code: Relay Ignition control unit	XXI	1	
(8)	928 618 107 04	Relay socket/code: Double relay Headlamp	XXII	1	

Model: 928 87 Model life 1987>>1991

Pos	Part Number	Description	Remark	Qty	Model
(8)		Relay socket/code: Double relay Headlamp	XXIII	1	
(8)	928 618 107 01	Relay socket/code: Relay Headlamp	XXIV (GB)	1	
(8)		Relay socket/code: Relay Headlamp	XXIII (GB)	1	
(8)	141 951 253 B	Relay socket/code: Relay Lh-jetronic	XXIV	1	
(8)		Relay socket/code: Relay Fuel pump	XXV	1	
(8)	928 615 115 00	Relay socket/code: Relay Slow-action relay Rear window heating	XXVI 91-	1	
(8)	141 951 253 B	Relay socket/code: Relay Fog headlamp	I-II	1	
(8)		Relay socket/code: Relay Starter	IV	1	
(8)	928 618 111 00	Relay socket/code: Relay Headlight washer system	V	1	
(8)	141 951 253 B	Relay socket/code: Relay Fog headlamp	VII (J)	1	
(8)	928 615 125 00	Relay socket/code: Bridge Fog headlamp	VIII	1	
(8)	928 618 113 01	Relay socket/code: Relay Intensive windscreen washer	VIII	1	
(8)	928 618 113 02	Relay socket/code: Relay Intensive windscreen washer	IX	1	IX
(8)	141 951 253 B	Relay X-contact		1	
(8)	993 615 101 00	Relay socket/code: Switch unit	X	1	
(8)	993 615 101 01	Relay socket/code: Switch unit	XI	1	
(8)	141 951 253 B	Relay socket/code: Relay Blower	XI	1	
(8)	111 953 227 D	Relay socket/code: Flasher relay	XII	1	
(8)	191 953 227 A	Relay socket/code: Flasher relay	XIII	1	
(8)	1H0 953 227	Relay socket/code: Flasher relay	XIII	1	
(8)	928 615 131 00	Relay socket/code: Flasher relay Trailer coupling	XIII	1	M208
(8)	141 951 253 B	Relay socket/code: Relay Defroster	XIII	1	
(8)	928 615 124 01	Relay socket/code: Relay	XIV	1	

Model: 928 87 Model life 1987>>1991

Pos	Part Number	Description	Remark	Qty	Model
(8)	928 615 124 03	Anti-lock brake system Relay socket/code: Relay	XV	1	
(8)	141 951 253 B	Anti-lock brake system Relay socket/code: Relay Fanfare	XV	1	
(8)	928 618 108 00	Relay socket/code: Relay Kickdown	XVI	1	M249
(8)	928 615 125 00	Relay socket/code: Bridge	XVII	1	M481
(8)	928 615 114 00	Back-up light Relay socket/code: Relay	XVIII	1	M249
(8)	928 615 114 01	Back-up light Relay socket/code: Relay	XVIII	1	M249
(8)	964 618 221 00	Back-up light Relay socket/code: Control unit Speedometer	XVIII	1	
(8)	928 618 223 00	Relay socket/code: Interference-suppr. choke Relay socket/code:	XIX	1	
(8)	928 615 203 00	Relay Ignition control unit Relay socket/code:	XXI	1	
(8)	928 618 107 04	Double relay for Relay socket/code:	XXII	1	
(8)		Double relay Relay socket/code:	XXIII	1	
(8)	141 951 253 B	Relay socket/code: Relay Lh-jetronic Relay socket/code:	XXIV	1	
(8)		Relay Fuel pump Relay socket/code: Relay for Front seat Electrically adjustable See group 8/08/20 Relay	XXV	1	
-	928 618 102 03	Centre console Warning time relay		1	
-	928 618 104 00	Seat belt Relay		1	
-	911 617 119 00	Rear window wiper Switch unit	(J)	2	
-	928 637 160 00	Emission control Relay	89-	1	M525
-		Relay Connector	89-	1	M533
9	928 612 331 00	Initial housing Red		8	
(9)		Initial housing Black		14	
10	928 612 332 00	Module housing		22	
11	928 612 335 25	Coding element -A-		1	

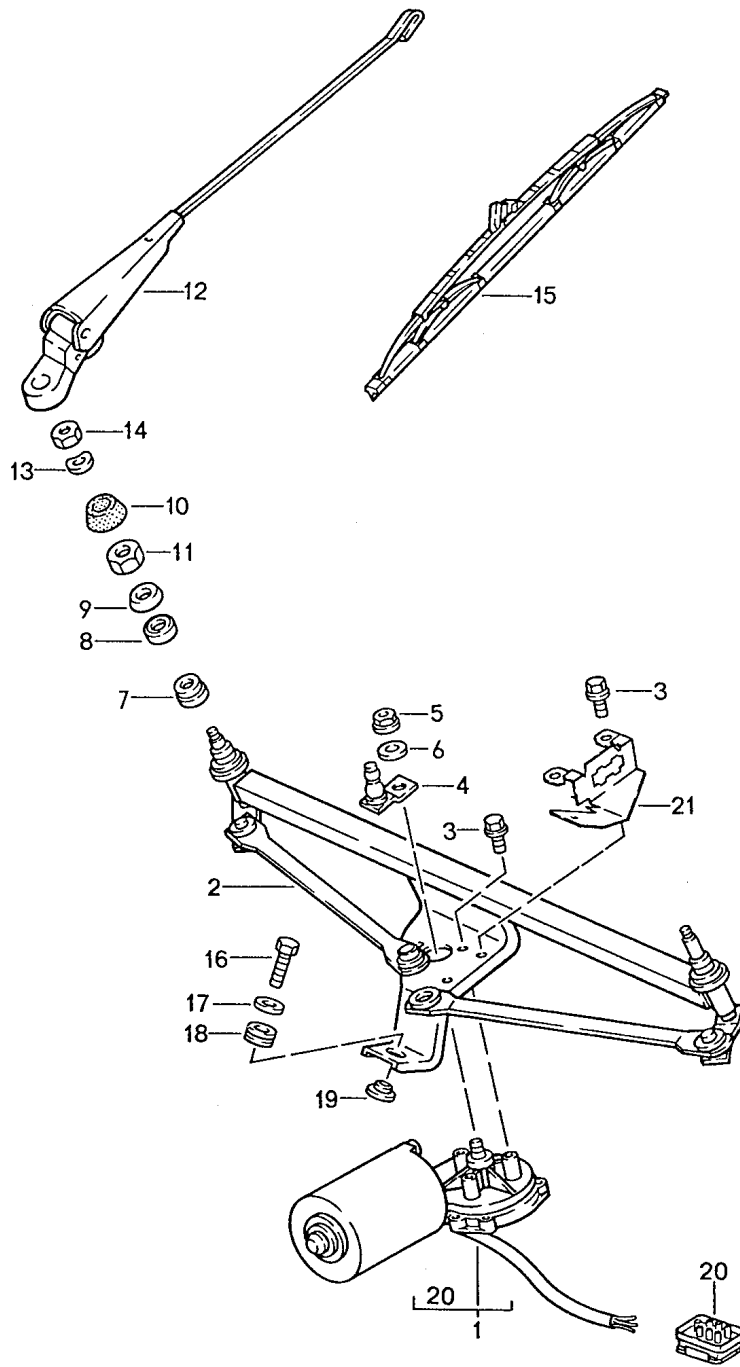
Model: 928 87

Model life 1987>>1991

Pos	Part Number	Description	Remark	Qty	Model
(11)		Coding element -B-		1	
(11)		Coding element -C-		1	
(11)		Coding element -D-		1	
(11)		Coding element -E-		1	
(11)		Coding element -F-		1	
(11)		Coding element -G-		1	
(11)		Coding element -H-		1	
(11)		Coding element -J-		1	
(11)		Coding element -K-		1	
(11)		Coding element -L-		1	
(11)		Coding element -M-		1	
(11)		Coding element -N-		1	
(11)		Coding element -O-		1	
(11)		Coding element -P-		1	
(11)		Coding element -Q-		1	
(11)		Coding element -R-		1	
(11)		Coding element -S-		1	
(11)		Coding element -T-		1	
(11)		Coding element -U-		1	
(11)		Coding element -V-		1	
(11)		Coding element -W-		1	

Model: 928 87

Model life 1987>>1991

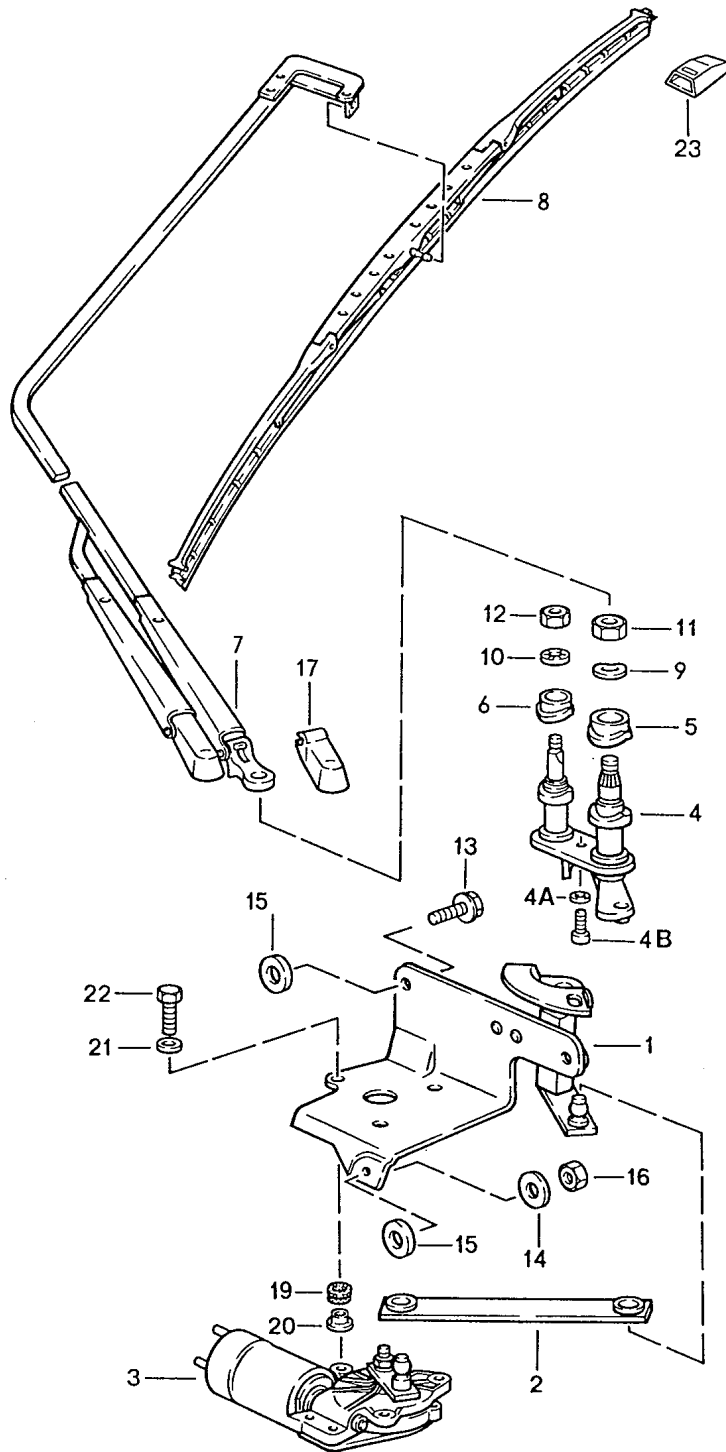


Model: 928 87 Model life 1987>>1991

Pos	Part Number	Description	Remark	Qty	Model
		Windscreen wiper system			
1	944 628 303 01	Wiper motor	/LL	1	
1	927 628 303 03	Wiper motor	/RL	1	
2	928 628 221 03	Crank drive	/LL	1	
2	927 628 221 03	Crank drive	/RL	1	
3	900 278 002 02	Hexagon-head bolt CM 6 X 16	-90	3	
(3)	999 217 164 02	Hexagon-head bolt M 6 X 15	91-	3	
4	928 628 243 04	Lever		1	
(4)		Lever		1	
5	900 076 025 02	Hexagon nut		1	
5	900 076 064 02	Hexagon nut		1	
6	N 012 229 3	Spring washer		1	
7	944 628 129 00	Rubber bush		2	
-	PCG 628 129 00	Bush		4	
		Satz bestehend aus 2 x 94462812800 2 x 94462812900			
8	944 628 128 00	Bush		2	
8	PCG 628 129 00	Bush		2	
9	944 628 125 00	Washer		2	
10	928 628 716 02	Grommet	/R	1	
(10)	928 628 717 01	Grommet	/L	1	
11	999 034 013 02	Hexagon nut		2	
12	928 628 213 10	Wiper arm	/LL -90	2	
(12)		Wiper arm	/LL 91-	2	
(12)	927 628 213 06	Wiper arm	/RL -90	2	
(12)		Wiper arm	/RL 91-	2	
-	928 628 623 00	Cap	-90	2	
-	928 628 623 01	Cap	91-	2	
	928 628 623 01 01C	Satin black			
13	803 955 437	Spring washer		2	
14	900 076 025 02	Hexagon nut		2	
14	900 076 064 02	Hexagon nut		2	
(15)	928 628 217 05	Wiper blade	/LL	2	
(15)	927 628 217 00	Wiper blade	/RL	2	
(15)	928 628 901 02	Wiper blade	91-	2	
16	N 010 217 9	Hexagon-head bolt M 6 X 20		1	
17	N 902 707 01	Washer 6,1 X 18 X 1,5		1	
18	944 628 126 00	Grommet		1	
19	944 628 127 00	Bush		1	
-	999 507 246 02	Speed nut M 6		1	
-	999 507 246 01	Speed nut M 6		1	
20	911 612 867 02	Connector		1	
21	928 628 230 00	Retaining bracket	/LL	1	
(21)	927 628 230 00	Retaining bracket	/RL	1	

Model: 928 87

Model life 1987>>1991



Model: 928 87

Model life 1987>>1991

Pos	Part Number	Description	Remark	Qty	Model
1	928 628 071 03	Rear window wiper Engine bracket with Bearing	-90	1	
1		Engine bracket with Bearing	91-	1	
2	928 628 202 02	Joint rod		1	
3	928 628 403 02	Wiper motor		1	
4	928 628 309 03	Wiper bearing		1	
4A	N 012 007 02	Lock ring A 6		1	
4B	900 075 057 02	Hexagon-head bolt		1	
4B	900 075 057 03	Hexagon-head bolt		1	
5	928 628 325 01	Bush		1	
6	928 628 326 01	Bush		1	
7	928 628 610 05	Wiper arm		1	
8	928 628 218 01	Wiper blade		1	
(8)	928 628 218 02	Wiper blade		1	
9	803 955 437	Spring washer B 8		1	
10	N 011 524 7	Washer 6,4		1	
10	N 011 524 27	Washer 6,4		1	
11	900 076 025 02	Hexagon nut M 8		1	
11	900 076 064 02	Hexagon nut M 8		1	
12	900 076 010 02	Nut M 6		1	
12	900 076 010 0B	Nut M 6		1	
13	900 075 338 02	Hexagon-head bolt M 6 X 25		2	
14	N 011 524 7	Washer 6,4 X 14		3	
14	N 011 524 27	Washer 6,4 X 14		3	
15	N 011 666 7	Washer 6,4		X	
16	900 910 010 09	Lock nut VM 6		1	
(17)	928 628 623 00	Cap		2	M471
17	928 628 621 00	Cap Guiding rod		1	
(17)	928 628 622 00	Cap Wiper arm Relay for Rear window wiper See group 9/03/10		1	
19	928 628 287 00	Grommet		3	
20	928 628 289 00	Bush		3	
21	N 011 524 7	Washer 6,4		3	
21	N 011 524 27	Washer 6,4		3	
22	900 075 014 02	Hexagon-head bolt M 6 X 18		3	
22	900 075 014 03	Hexagon-head bolt M 6 X 18		3	

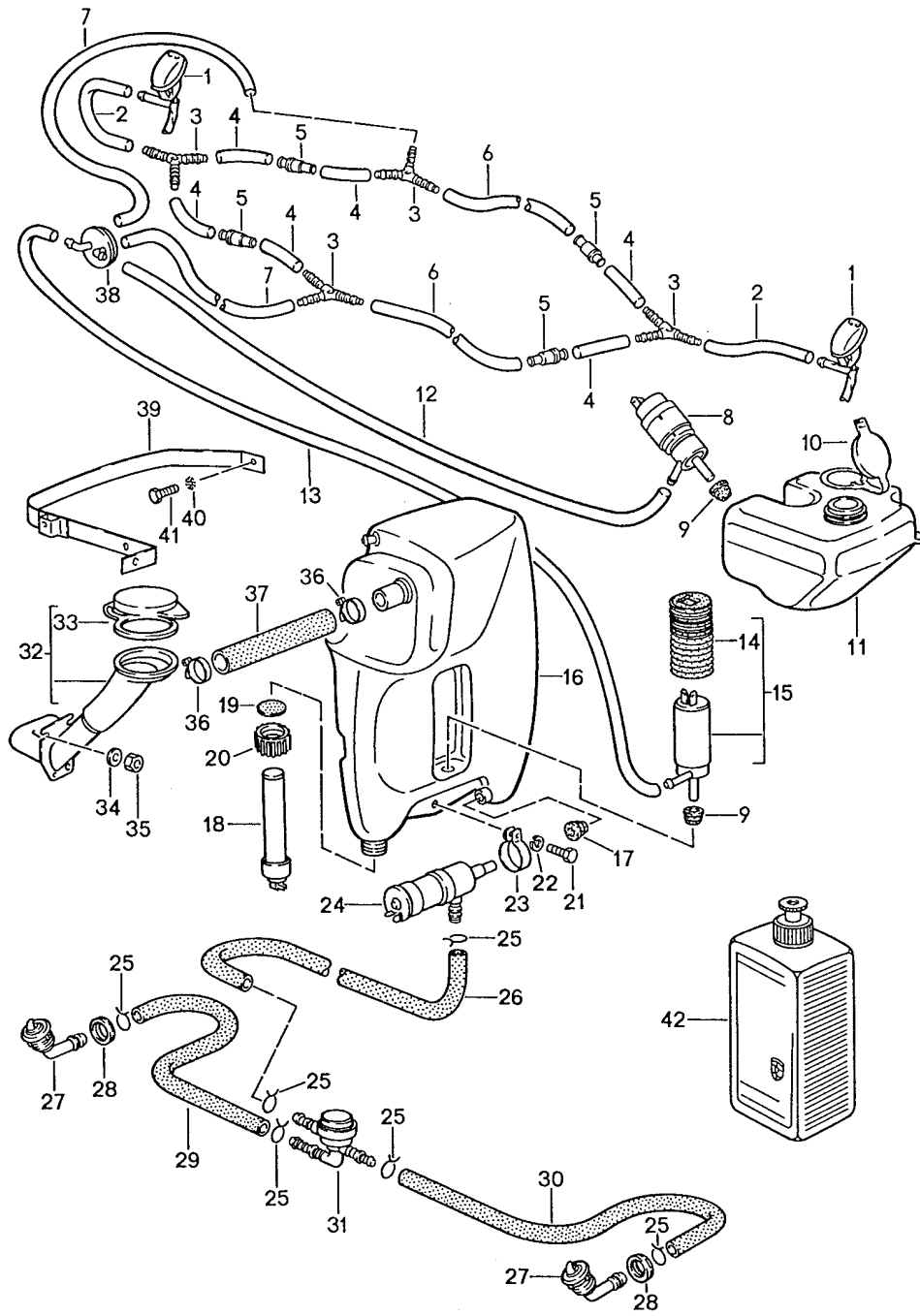
Model: 928 87

Model life 1987>>1991

Pos	Part Number	Description	Remark	Qty	Model
23	928 628 428 00	Cap	-89	1	

Model: 928 87

Model life 1987>>1991



Model: 928 87

Model life 1987>>1991

Pos	Part Number	Description	Remark	Qty	Model
		Windscreen washer system			
		Headlight washer system			
		Intensive windscreen washer			
1	928 628 077 00	Nozzle		2	
-	999 181 722 40	Hose		*	
		4,6 X 1,8			
2		120 MM		2	
3	999 137 054 40	Y-piece		4	
-	999 181 722 40	Hose		*	
		4,6 X 1,8			
4		60 MM		6	
5	914 628 215 00	Valve		4	
-	999 181 722 40	Hose		*	
		4,6 X 1,8			
6		230 MM		2	
7		270 MM		2	
8	431 955 651	Pump		1	
9	431 955 465 B	Sealing ring		2	
10	928 528 183 03	Lid		1	
11	928 528 091 00	Container	/LL	1	
(11)	927 528 091 00	Container	/RL	1	
-	999 181 722 40	Hose		*	
		4,6 X 1,8			
12		780 MM		1	
13		1000 MM		1	
14	928 612 504 00	Rubber mounting	-88	1	
(14)	928 612 504 01	Rubber sleeve	89-	1	
(15)	928 628 172 01	Pump	-88	1	
(15)		Pump	89-	1	
16	928 528 075 01	Container		1	
(16)		Container		1	
17	928 628 193 00	Gasket		1	
18	928 641 501 01	Tank gauge switch		1	
19	928 628 737 00	Sealing ring		1	
20	928 628 735 00	Cap		1	
21	900 075 014 02	Hexagon-head bolt		1	
		M 6 X 18			
21	900 075 014 03	Hexagon-head bolt		1	
		M 6 X 18			
22	N 011 524 7	Washer		1	
		6,4			
22	N 011 524 27	Washer		1	
		6,4			
23	928 628 185 01	Restraining strap		1	
24	191 955 681	Pump		1	
25	999 512 489 00	Hose clamp		6	
-	999 181 806 40	Hose		*	
26		2300 MM		1	
27	928 528 071 02	Jet carrier		2	
-	944 628 803 00	Rubber washer		4	
28	900 281 002 40	Hexagon nut		2	
-	999 181 806 40	Hose		*	
29		400 MM		1	
30		900 MM		1	
31	281 955 187	Valve		1	
32	928 528 179 01	Filler neck	/LL	1	
(32)	927 528 085 02	Filler neck	/RL	1	
33	928 528 181 02	Lid		1	
34	900 025 002 02	Washer	/LL	2	
		A 4,3			
34	900 025 002 03	Washer	/LL	2	
		A 4,3			
35	N 043 890 1	Tapping screw	/LL	2	

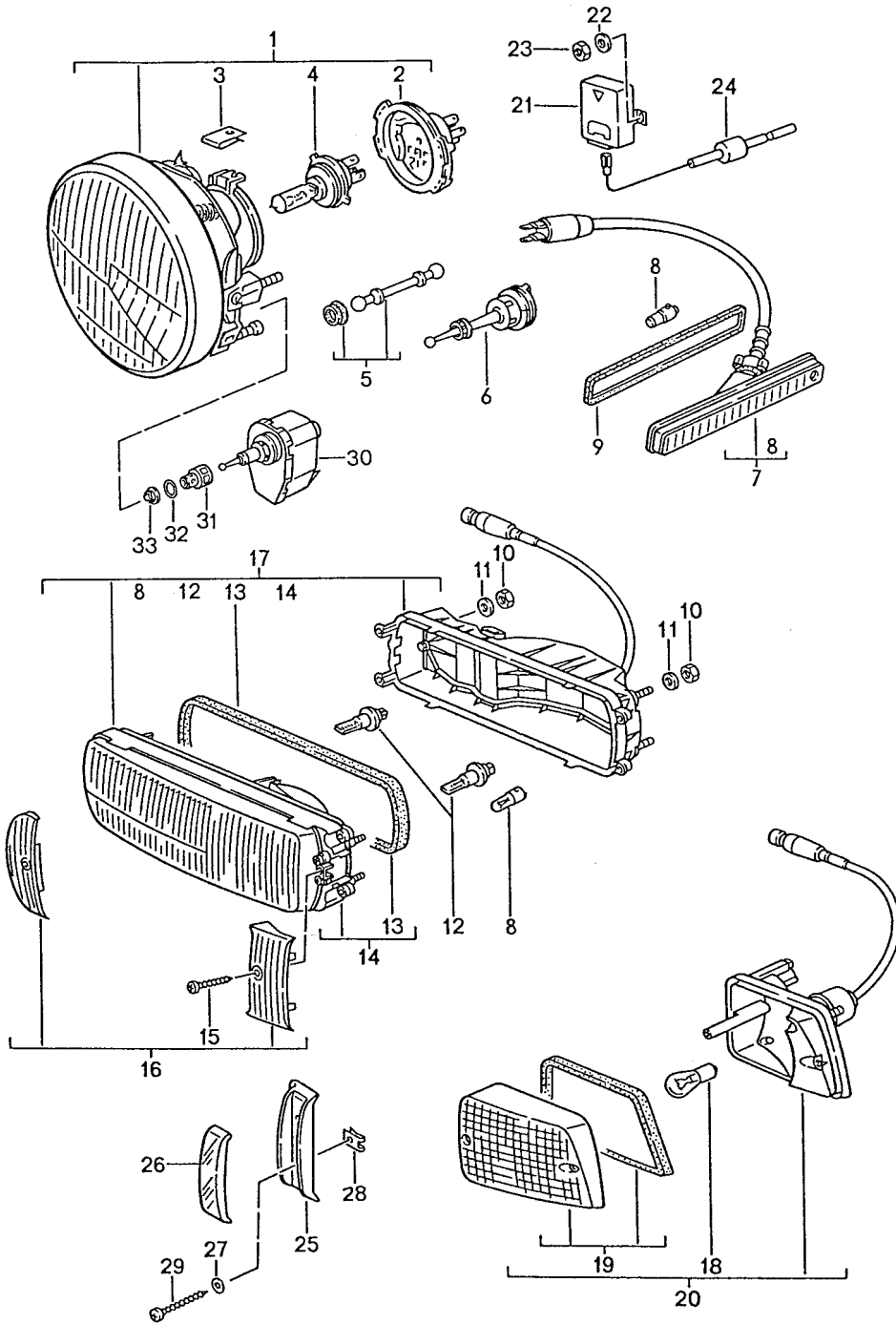
Model: 928 87

Model life 1987>>1991

Pos	Part Number	Description	Remark	Qty	Model
(34)	900 151 003 02	B 4,2 X 9,5 Washer 6,4	/RL	2	
(34)	900 151 006 03	Washer 6,4	/RL	2	
(35)	900 076 010 02	Nut M 6	/RL	2	
(35)	900 076 010 0B	Nut M 6	/RL	2	
36	999 512 272 02	Hose clamp		2	
37	999 181 286 50	Hose 270 MM		*	
37	PCG 181 286 50	Hose 270 MM		*	
38	928 528 073 04	Hose connection		1	
39	928 628 087 01	Restraining strap		1	
40	900 115 004 01	Serrated lock washer 8,4		2	
41	900 075 085 02	Hexagon-head bolt M 8 X 20		2	
42	928 628 931 00	Silicone remover 1000 ML		1	
42	000 044 000 93	Silicone remover 1000 ML		1	

Model: 928 87

Model life 1987>>1991



Model: 928 87 Model life 1987>>1991

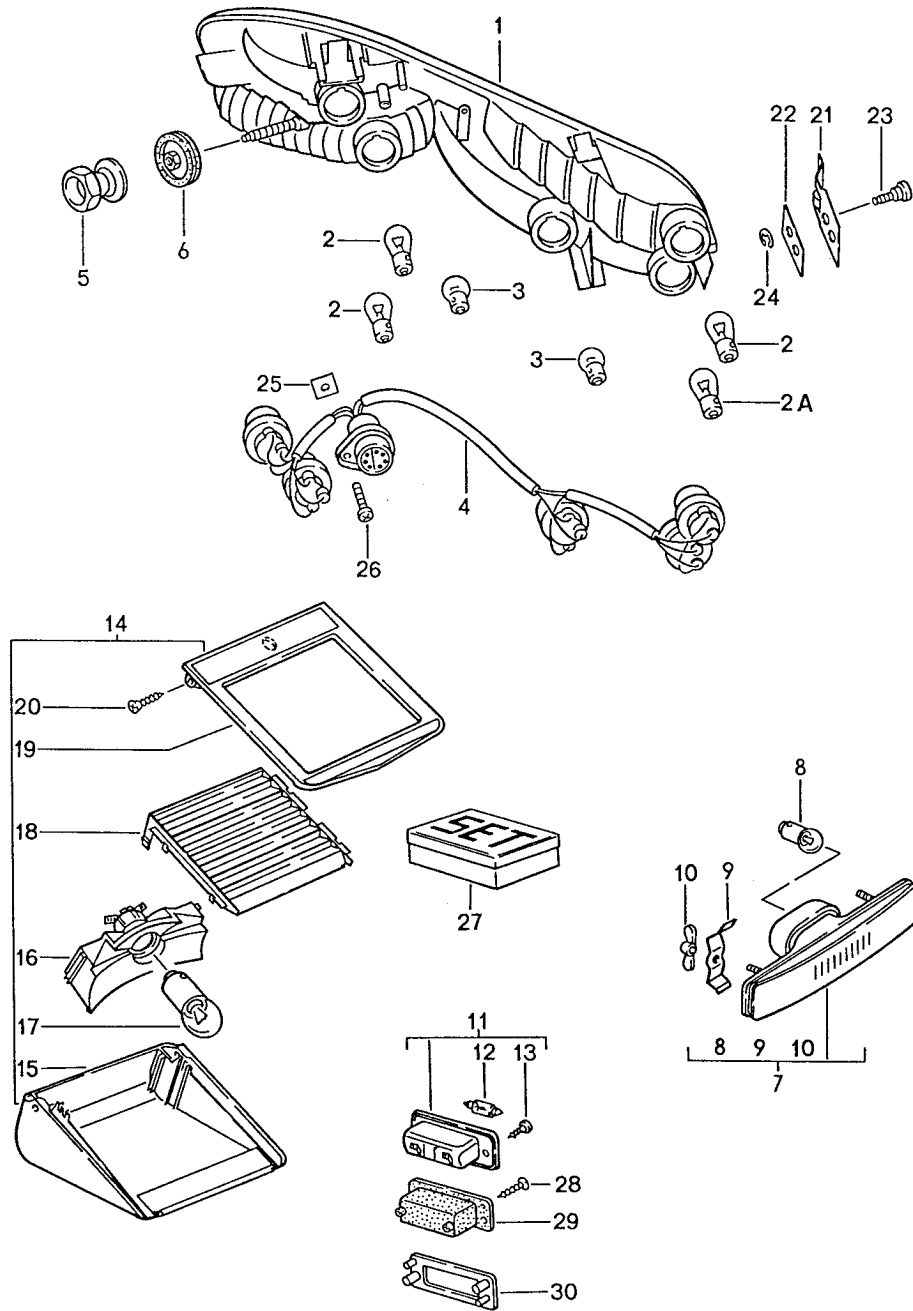
Pos	Part Number	Description	Remark	Qty	Model
1	928 631 101 03	Headlamp Direction indicator light Front	/LL	2	
(1)	928 631 102 01	Headlamp H-4	/RL	2	M492
(1)	928 631 101 04	Headlamp H-4	(F)	2	
2	928 631 923 00	Protective cap		2	
3	999 591 751 02	Speed nut B 3,9		6	
4	999 631 202 90	Bulb H-4		2	
(4)	999 631 202 91	Halogen bulb H-4	(F)	2	
5	928 631 203 03	Bolt	-89	2	
6	928 631 201 02	Support	-89	2	
7	928 631 410 01	Direction indicator light	-90	2	
7	928 631 410 02	Direction indicator light		2	
7	928 631 410 03	Direction indicator light		2	
(7)	928 631 410 01	Direction indicator light	91-	2	
(7)	928 631 410 02	Direction indicator light	91-	2	
(7)	928 631 410 03	Direction indicator light	91-	2	
8	900 631 103 90	Bulb 12 V-4 W		4	
9	928 631 448 00	Gasket		2	
10	N 011 005 14	Hexagon nut M 5		6	
10	900 076 091 01	Hexagon nut M 5		6	
11	N 011 665 3	Washer B 5,3		6	
11	N 011 665 16	Washer B 5,3		6	
(11)	944 503 255 00	Spacer		6	
12	900 631 126 90	Halogen bulb H-3		4	
13	951 631 167 00	Gasket		2	
14	928 631 951 00	Lamp insert	/L	1	
(14)	928 631 952 00	Lamp insert	/R	1	
(14)	928 631 951 01	Lamp insert	/L (F)	1	
(14)	928 631 952 01	Lamp insert	/R (F)	1	
15	900 143 004 00	Cross-recess screw		4	
16	928 631 961 00	Trim cover		2	
(16)	928 631 963 00	Trim cover	(F)	2	
17	928 631 405 00	Additional headlamp	/L	1	
(17)	928 631 406 00	Additional headlamp	/R	1	
(17)	928 631 407 00	Additional headlamp	/R (F)	1	
(17)	928 631 408 00	Additional headlamp	(F)	1	
18	900 631 127 90	Bulb 12 V-21 W		2	
19	928 631 929 01	Lens	/L	1	
(19)	928 631 930 01	Lens	/R	1	
20	928 631 421 21	Direction indicator light	/L	1	
(20)	928 631 421 20	Direction indicator light	/R	1	
21	911 618 231 00	Control unit	(GB) -88	1	
22	900 025 003 02	Washer A 5,3	(GB) -88	2	
23	N 011 005 14	Hexagon nut M 5	(GB)	2	
23	900 076 091 01	Hexagon nut M 5	(GB)	2	

Model: 928 87 Model life 1987>>1991

Pos	Part Number	Description	Remark	Qty	Model
24	927 612 220 00	Single line with Diode F >>92HS8 41006	(GB)	1	
(24)		Single line with Diode F >>92HS8 40937	(GB)	1	
(25)	928 505 045 20	Cap		2	(SA)
25		Cap		2	
	928 505 045 20 70B	Black			
26	928 505 045 20	Cap		2	(SA)
27	N 011 663 3	Washer B 3,7		4	(SA)
28	999 591 349 02	Speed nut		4	(SA)
29	900 143 084 07	Oval-head sheetmetal screw		4	(SA)
30	928 624 163 00	Adjusting motor	90-	2	
31	928 631 106 00	Adapter	90-	2	
32	928 624 165 00	Sealing ring	90-	2	
33	928 631 215 00	Circlip	90-	2	

Model: 928 87

Model life 1987>>1991



Model: 928 87 Model life 1987>>1991

Pos	Part Number	Description	Remark	Qty	Model
		Rear light			
		Rear light			
		1987-1991			
		Exchange			
		in pairs			
1	928 631 483 00	Rear light	/L	1	
		without rear foglamp			
(1)		Rear light	/L (J)	1	
		without rear foglamp			
(1)	928 631 484 00	Rear light	/R	1	
		without rear foglamp			
(1)		Rear light	/R (J)	1	
		without rear foglamp			
(1)	928 631 483 00	Rear light	/L	1	
		with rear foglamp			
(1)		Rear light	/L	1	
		with rear foglamp			
(1)	928 631 484 00	Rear light	/R	1	
		with rear foglamp			
(1)		Rear light	/R	1	
		with rear foglamp			
2	900 631 127 90	Bulb		3	
		12 V - 21 W			
2A	999 631 024 90	Bulb		1	
		12 V - 21/4 W			
3	900 631 104 90	Bulb		3	
		12 V - 5 W			
4	928 631 465 01	Wiring harness	-89	2	
		without rear foglamp			
(4)	928 631 465 00	Wiring harness		2	
		with rear foglamp			
5	928 631 468 00	Hexagon nut		2	
6	928 631 467 00	Washer		2	
-	999 703 066 50	Stopper		2	
11	928 631 620 00	License plate light	-88	2	
(11)	964 631 620 01	License plate light	89-	2	
(11)		License plate light	89-	2	
	964 631 620 01 01C	Black			
12	900 631 105 90	Bulb	-88	2	
(12)		Bulb	89-	2	
		12 V - 5 W			
13	900 145 044 07	Tapping screw	-88	4	
(13)	999 919 084 07	Oval-head screw	89-	4	
		B 4,2 X 22			
14	928 631 070 00	Additional brake light		1	
15	928 631 460 00	Housing for light		1	
16	928 631 471 00	Reflector		1	
17	900 631 127 90	Bulb		1	
18	928 631 472 00	Lens		1	
19	928 631 061 00	Frame for light		1	
20	900 145 099 07	Rais. counters. h. tap. s.		2	
		B 4,9 X 13			
21	928 631 457 01	Support		2	
22	928 631 459 01	Plate		2	
23	999 014 013 02	Pan-head screw		4	
24	N 012 432 1	Lock washer		4	
25	928 631 919 00	Cover plate		2	
26	N 014 133 8	Oval-head screw		2	
		M 5 X 12			
27	000 043 069 00	Adhesive set		1	
		for			
		Frame for light			
		Rear window			

Model: 928 87

Model life 1987>>1991

Pos	Part Number	Description	Remark	Qty	Model
27	000 043 303 19	Adhesive set for Frame for light Rear window		1	
28	999 919 067 02	Countersunk-head screw KA 3 X 10		4	
29	964 612 620 00	Cap		2	
30	928 631 603 00	Mounting plate		2	

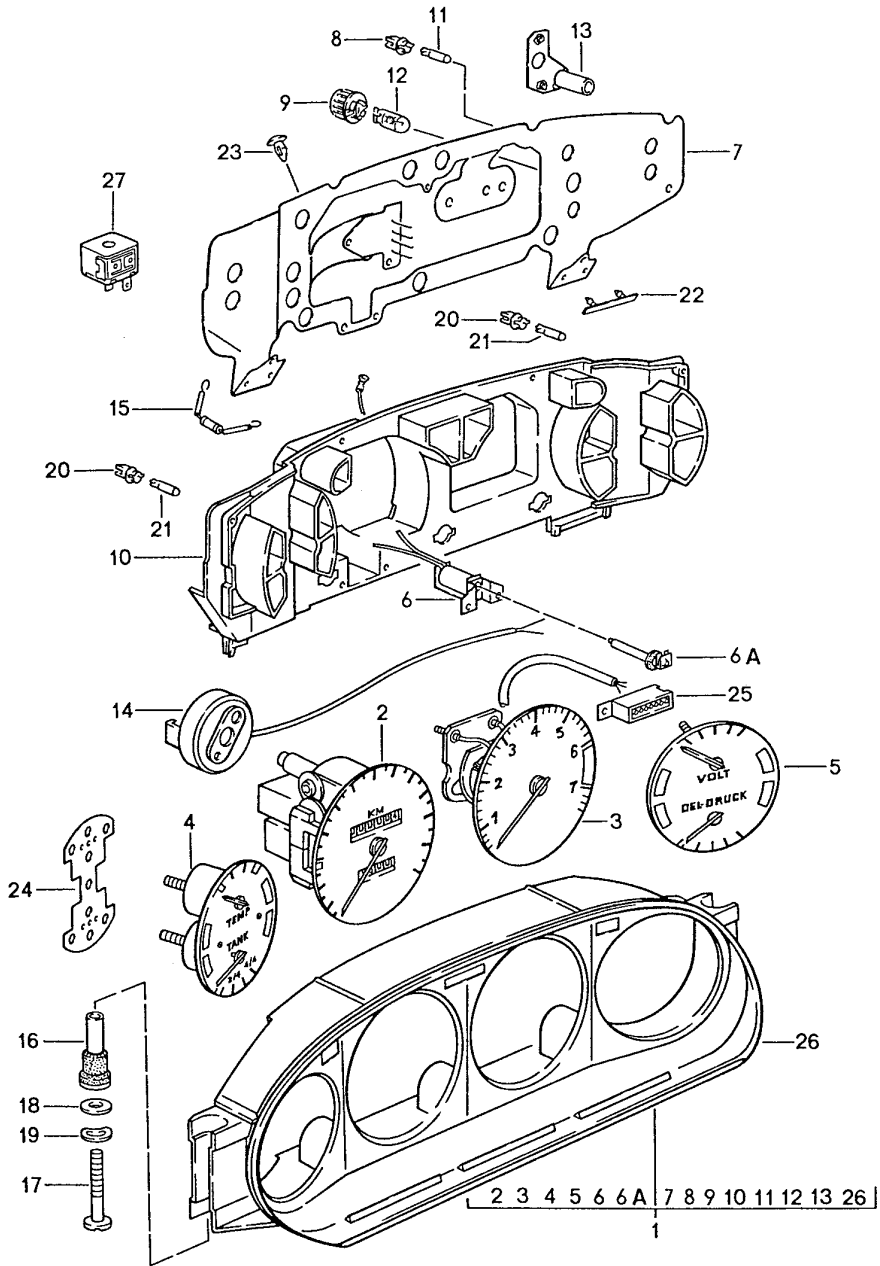
Model: 928 87

Model life 1987>>1991

Pos	Part Number	Description	Remark	Qty	Model
1	911 632 102 00	Interior lights Light Front Rear Rear lid		3 1 1 1	
2	900 631 106 90	Linolite lamp 12 V - 10 W		3	
3	928 632 101 00	Glove compartment light		1	
4	999 631 018 90	Bulb 12 V - 3 W		1	
(7)	928 632 105 01	Engine compartment lamp	-90	1	
7A	928 632 111 01	Light	91-	1	
7B	928 632 113 00	Cap	91-	1	
7C	928 632 112 00	Cap	91-	1	
8	900 631 115 90	Bulb 12 V - 10 W		1	
9	N 013 970 5	Oval-head sheetmetal screw B 4,8 X 9,5	-90	1	
9	N 106 568 02	Oval-head sheetmetal screw B 4,8 X 9,5		1	
(9)	900 143 164 02	Combination screw BZ 4,2 X 13 Z1	91-	1	
-	999 507 050 40	Expander nut	91-	1	
10	928 613 147 00	Door contact switch		2	
11	321 971 905	Rubber sleeve		2	
12	900 031 001 60	Washer 8,4		2	
13	964 613 601 00	Door contact switch		2	
14	928 613 119 00	Door contact switch		1	
-	900 631 102 90	Light 12 V - 2 W Ashtray light		1	
16	928 631 131 00	Door guard light		2	
17	900 631 120 90	Bulb 12 V - 2 W		2	
18	928 632 109 01	Footwell light		2	
18	823 947 105 B	Footwell light		2	
19	900 631 106 90	Linolite lamp 12 V - 10 W		2	

Model: 928 87

Model life 1987>>1991



Model: 928 87 Model life 1987>>1991

Pos	Part Number	Description	Remark	Qty	Model
(1)	928 641 104 37	Instrument cluster	-88	1	M481
2	928 641 967 07	Instrument cluster	(F)	1	
3	928 641 965 15	Speedometer		1	
4	928 641 965 15	Tachometer		1	
4	928 641 949 02	Indicator		1	
5	928 641 962 03	- temperat. - fuel gauge - Indicator		1	
(1)	928 641 134 03	Instrument cluster	(F)	1	M249
2	928 641 967 08	Speedometer		1	
2	928 641 967 HX	Speedometer		1	
3	928 641 965 16	Tachometer		1	
4	928 641 949 02	Indicator		1	
5	928 641 962 03	- temperat. - fuel gauge - Indicator		1	
(1)	928 641 106 37	Instrument cluster	(A) (CH) (S) (D) (I) (N) (SF) (B) (L) (NL)	1	M481
2	928 641 967 07	Speedometer		1	
3	928 641 965 15	Tachometer		1	
4	928 641 933 03	Indicator		1	
5	928 641 961 03	- temperat. - fuel gauge - Indicator		1	
5	928 641 961 CX	Indicator		1	
(1)	928 641 136 03	Instrument cluster	(A) (CH) (S) (D) (I) (N) (SF) (B) (L) (NL)	1	M249
2	928 641 967 08	Speedometer		1	
2	928 641 967 HX	Speedometer		1	
3	928 641 965 16	Tachometer		1	
4	928 641 933 03	Indicator		1	
5	928 641 961 03	- temperat. - fuel gauge - Indicator		1	
5	928 641 961 CX	Indicator		1	
(1)	928 641 116 37	Instrument cluster	(GB)	1	(HK) M481
2	928 641 957 06	Speedometer		1	
3	928 641 965 15	Tachometer		1	
4	928 641 943 02	Indicator		1	
5	928 641 963 03	- temperat. - fuel gauge - Indicator		1	
(1)	928 641 126 03	Instrument cluster	(GB)	1	(HK) M249
2	928 641 957 05	Speedometer		1	
3	928 641 965 16	Tachometer		1	
4	928 641 943 02	Indicator		1	
5	928 641 963 03	- temperat. - fuel gauge - Indicator		1	
(1)	928 641 127 03	Instrument cluster	(J)	1	M249
2	928 641 967 08	Speedometer		1	
2	928 641 967 HX	Speedometer		1	
3	928 641 965 16	Tachometer		1	
4	928 641 943 02	Indicator		1	
		- temperat. - fuel gauge -			

Model: 928 87

Model life 1987>>1991

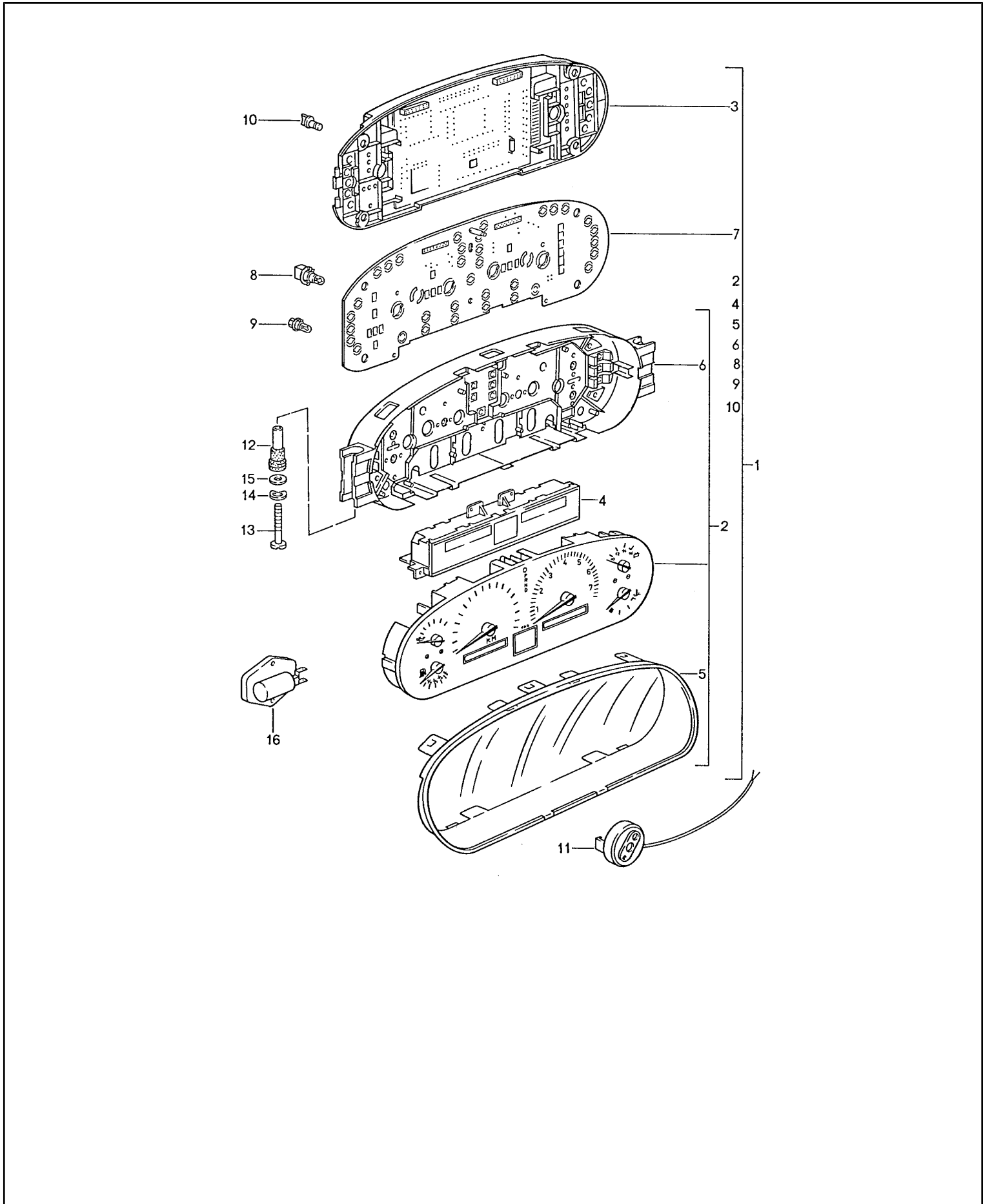
Pos	Part Number	Description	Remark	Qty	Model
5	928 641 963 03	Indicator - volt - oil -		1	
(1)	928 641 117 37	Instrument cluster		1	(SA) M481
2	928 641 967 09	Speedometer		1	
3	928 641 965 15	Tachometer		1	
4	928 641 943 02	Indicator - temperat. - fuel gauge -		1	
5	928 641 963 03	Indicator - volt - oil -		1	
(1)	928 641 137 03	Instrument cluster		1	(SA) M249
2	928 641 967 10	Speedometer		1	
3	928 641 965 16	Tachometer		1	
4	928 641 943 02	Indicator - temperat. - fuel gauge -		1	
5	928 641 963 03	Indicator - volt - oil - Valid for Other countries		1	
(1)	928 641 114 37	Instrument cluster		1	M481
2	928 641 967 07	Speedometer		1	
3	928 641 965 15	Tachometer		1	
4	928 641 943 02	Indicator - temperat. - fuel gauge -		1	
5	928 641 963 03	Indicator - volt - oil -		1	
(1)	928 641 124 03	Instrument cluster		1	M249
2	928 641 967 08	Speedometer		1	
2	928 641 967 HX	Speedometer		1	
3	928 641 965 16	Tachometer		1	
4	928 641 943 02	Indicator - temperat. - fuel gauge -		1	
5	928 641 963 03	Indicator - volt - oil -		1	
6	928 641 921 00	Solenoid coil		1	
6A	928 641 960 00	Trip meter Zero adjustment shaft Trip meter		1	
(7)	928 641 973 02	Printed circuit film		1	
8	999 631 301 90	Bulb 12 V-1,2 W		19	
9	928 641 927 00	Bulb socket 12 V-3,0 W		4	
9	928 641 927 01	Bulb socket 12 V-3,0 W		4	
10	928 641 968 01	Mounting plate		1	
11	999 631 301 90	Bulb 12 V-1,2 W		19	
12	900 631 019 90	Glass-base bulb 12 V-3 W		4	
13	928 641 958 00	Printed circuit board Temperature gauge Fuel-level indicator Charging control indicator		3	
(13)	928 641 959 00	Printed circuit board Oil pressure indicator		1	
14	928 606 210 01	Pulse sender		1	
15	928 641 981 01	Resistor		1	
16	928 552 049 02	Spacer sleeve		4	
17	N 019 908 1	Pan-head screw M 6 X 100		2	
18	N 011 524 7	Washer		2	

Model: 928 87 Model life 1987>>1991

Pos	Part Number	Description	Remark	Qty	Model
18	N 011 524 27	A 6,4 Washer		2	
(18)	N 011 524 7	A 6,4 Washer		2	
(18)	N 011 524 27	A 6,4 Washer		2	
19	N 012 226 5	A 6,4 Spring washer		2	
20	928 641 982 00	B 6 Bulb socket		4	
21	928 641 983 00	Bulb		4	
21	928 641 983 01	12 V-1,2W Bulb		4	
22	928 641 985 00	12 V-1,2W Clip		3	
23	928 641 984 00	Clip		4	
24	928 641 986 00	Gasket		2	
25	944 612 553 00	Connector housing		1	M249
26	928 641 987 00	Housing		1	
(27)	928 618 153 00	Relay		1	M215
		Buzzer			
		Mounting parts			
		Pulse sender			
-	915 660 509 00	Tensioning spring		1	
-	N 011 524 7	Washer		1	
		6,4			
-	N 011 524 27	Washer		1	
		6,4			
-	900 075 010 02	Hexagon nut		1	
		M 6 X 12			
-	N 010 212 14	Hexagon-head bolt		1	
		M 6 X 12			
-	999 072 005 09	Hexagon nut		1	
		M 6 X 12			
-	999 072 005 01	Hexagon nut		1	
		M 6 X 12			
-	999 651 158 02	Cable holder		1	
-	928 606 305 00	Retaining bracket		1	
-	113 142 261 A	Clip		1	

Model: 928 87

Model life 1987>>1991



Model: 928 87 Model life 1987>>1991

Pos	Part Number	Description	Remark	Qty	Model
1	928 641 158 00	Instrument cluster	89-	1	M481
2	928 641 990 11	Instrument cluster	89	1	
3	928 641 991 01	Instrument cluster Assembly - display -	(F)	1	M481/639
4	928 641 992 00	Module		1	
1	928 641 158 01	Instrument cluster	(F)	1	
2	928 641 990 11	Assembly - display -		1	
3	928 641 991 01	Assembly - electronics -		1	M249
4	928 641 992 00	Module		1	
1	928 641 159 00	Instrument cluster	(F)	1	
2	928 641 990 06	Assembly - display -		1	
3	928 641 991 01	Assembly - electronics -		1	M481
4	928 641 992 00	Module		1	
1	928 641 150 00	Instrument cluster	(A) (CH) (S) (D) (I) (N) (SF) (B) (L) (NL)	1	
2	928 641 990 10	Assembly - display -		1	
3	928 641 991 00	Assembly - electronics -		1	M481/639
4	928 641 992 00	Module		1	
1	928 641 150 01	Instrument cluster	(A) (CH) (S) (D) (I) (N) (NL) (B) (L) (SF)	1	
2	928 641 990 10	Assembly - display -		1	
3	928 641 991 00	Assembly - electronics -		1	M249
4	928 641 992 00	Module		1	
1	928 641 151 00	Instrument cluster	(A) (CH) (S) (D) (I) (N) (SF) (B) (L) (NL)	1	
2	928 641 990 05	Assembly - display -		1	
3	928 641 991 00	Assembly - electronics -		1	M481
4	928 641 992 00	Module		1	
1	928 641 156 00	Instrument cluster	(GB)	1	
2	928 641 990 13	Assembly - display -		1	
3	928 641 991 03	Assembly - electronics -		1	M481 M639
4	928 641 992 00	Module		1	
1	928 641 156 01	Instrument cluster	(GB)	1	
2	928 641 990 13	Assembly - display -		1	
3	928 641 991 03	Assembly - electronics -		1	

Model: 928 87 Model life 1987>>1991

Pos	Part Number	Description	Remark	Qty	Model
4	928 641 992 00	Module		1	
1	928 641 157 00	Instrument cluster	(GB)	1	M249
2	928 641 990 08	Assembly - display -		1	
3	928 641 991 03	Assembly - electronics -		1	
4	928 641 992 00	Module		1	
1	928 641 163 00	Instrument cluster	(J)	1	M249
2	928 641 990 07	Assembly - display -		1	
3	928 641 991 05	Assembly - electronics -		1	
4	928 641 992 00	Module Valid for Other countries		1	
1	928 641 154 00	Instrument cluster		1	M481
2	928 641 990 12	Assembly - display -		1	
3	928 641 991 02	Assembly - electronics -		1	
4	928 641 992 00	Module		1	
1	928 641 154 01	Instrument cluster		1	M481/639
2	928 641 990 12	Assembly - display -		1	
3	928 641 991 02	Assembly - electronics -		1	
4	928 641 992 00	Module		1	
1	928 641 155 00	Instrument cluster		1	M249
2	928 641 990 07	Assembly - display -		1	
3	928 641 991 02	Assembly - electronics -		1	
4	928 641 992 00	Module		1	
1	928 641 158 02	Instrument cluster	90 (F)	1	M481
2	928 641 990 11	Assembly - display -		1	
3	928 641 991 07	Assembly - electronics -		1	
4	928 641 992 00	Module		1	
1	928 641 159 01	Instrument cluster	(F)	1	M249
2	928 641 990 06	Assembly - display -		1	
3	928 641 991 07	Assembly - electronics -		1	
4	928 641 992 00	Module		1	
1	928 641 150 02	Instrument cluster	(A) (CH) (S) (D) (I) (N) (SF) (B) (L) (NL)	1	M481
2	928 641 990 10	Assembly - display -		1	
3	928 641 991 06	Assembly - electronics -		1	
4	928 641 992 00	Module		1	
1	928 641 151 01	Instrument cluster	(A) (CH) (S) (D) (I) (N) (SF) (B) (L) (NL)	1	M249
2	928 641 990 05	Assembly		1	

Model: 928 87 Model life 1987>>1991

Pos	Part Number	Description	Remark	Qty	Model
3	928 641 991 06	- display - Assembly		1	
4	928 641 992 00	- electronics - Module		1	
1	928 641 156 02	Instrument cluster	(GB)	1	M481
2	928 641 990 13	Assembly		1	
3	928 641 991 09	- display - Assembly		1	
4	928 641 992 00	- electronics - Module		1	
1	928 641 157 01	Instrument cluster	(GB)	1	M249
2	928 641 990 08	Assembly		1	
3	928 641 991 09	- display - Assembly		1	
4	928 641 992 00	- electronics - Module		1	
1	928 641 162 02	Instrument cluster	(J)	1	M481
2	928 641 990 12	Assembly		1	
3	928 641 991 11	- display - Assembly		1	
4	928 641 992 00	- electronics - Module		1	
1	928 641 163 01	Instrument cluster	(J)	1	M249
2	928 641 990 07	Assembly		1	
3	928 641 991 11	- display - Assembly		1	
4	928 641 992 00	- electronics - Module		1	
1	928 641 164 02	Instrument cluster	(I)	1	M481
2	928 641 990 15	Assembly		1	
3	928 641 991 12	- display - Assembly		1	
4	928 641 992 00	- electronics - Module		1	
1	928 641 165 01	Instrument cluster	(I)	1	M249
2	928 641 990 16	Assembly		1	
3	928 641 991 12	- display - Assembly		1	
4	928 641 992 00	- electronics - Module		1	
1	928 641 154 02	Instrument cluster		1	M481
2	928 641 990 12	Assembly		1	
3	928 641 991 08	- display - Assembly		1	
4	928 641 992 00	- electronics - Module		1	
1	928 641 155 01	Instrument cluster		1	M249
2	928 641 990 07	Assembly		1	
3	928 641 991 08	- display - Assembly		1	
4	928 641 992 00	- electronics - Module		1	
1	928 641 158 04	Instrument cluster	91- (F)	1	M481
2	928 641 990 11	Instrument cluster		1	
3	928 641 991 16	Assembly		1	
4	928 641 992 00	- display - Module		1	
1	928 641 159 03	Instrument cluster	(F)	1	M249
2	928 641 990 06	Assembly		1	
		- display -			

Model: 928 87 Model life 1987>>1991

Pos	Part Number	Description	Remark	Qty	Model
3	928 641 991 16	Assembly		1	
4	928 641 992 00	Module		1	
1	928 641 150 04	Instrument cluster	(A) (CH) (S) (D) (I) (N) (SF) (B) (L) (NL)	1	M481
2	928 641 990 10	Assembly - display -		1	
3	928 641 991 13	Assembly		1	
4	928 641 992 00	Module		1	
1	928 641 151 03	Instrument cluster	(A) (CH) (S) (D) (I) (N) (SF) (B) (L) (NL)	1	M249
2	928 641 990 05	Assembly - display -		1	
3	928 641 991 13	Assembly		1	
4	928 641 992 00	Module		1	
1	928 641 156 04	Instrument cluster	(GB)	1	M481
2	928 641 990 13	Assembly - display -		1	
3	928 641 991 15	Assembly		1	
4	928 641 992 00	Module		1	
1	928 641 157 03	Instrument cluster	(GB)	1	M249
2	928 641 990 08	Assembly - display -		1	
3	928 641 991 15	Assembly		1	
4	928 641 992 00	Module		1	
1	928 641 162 04	Instrument cluster	(J)	1	M481
2	928 641 990 12	Assembly - display -		1	
3	928 641 991 17	Assembly		1	
4	928 641 992 00	Module		1	
1	928 641 163 03	Instrument cluster	(J)	1	M249
2	928 641 990 07	Assembly - display -		1	
3	928 641 991 17	Assembly		1	
4	928 641 992 00	Module		1	
1	928 641 164 04	Instrument cluster	(I)	1	M481
2	928 641 990 15	Assembly - display -		1	
3	928 641 991 18	Assembly		1	
4	928 641 992 00	Module		1	
1	928 641 165 03	Instrument cluster	(I)	1	M249
2	928 641 990 16	Assembly - display -		1	
3	928 641 991 18	Assembly		1	
4	928 641 992 00	Module		1	
		Valid for Other countries			
1	928 641 154 04	Instrument cluster		1	M481
2	928 641 990 12	Assembly - display -		1	
3	928 641 991 14	Assembly		1	
4	928 641 992 00	Module		1	
1	928 641 155 03	Instrument cluster		1	M249
2	928 641 990 07	Assembly - display -		1	
3	928 641 991 14	Assembly		1	
4	928 641 992 00	Module		1	
5	928 641 987 01	Housing		1	

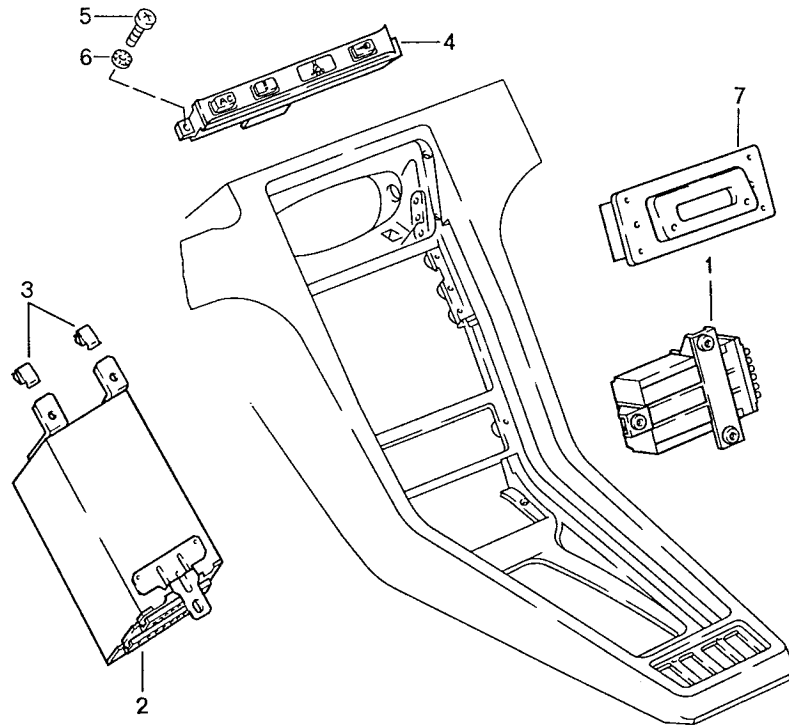
Model: 928 87

Model life 1987>>1991

Pos	Part Number	Description	Remark	Qty	Model
6	928 641 968 02	Housing		1	
7	928 641 973 03	Printed circuit board		1	
8	928 641 982 01	Glass-base bulb 12V 2W		4	
9	928 641 982 02	Glass-base bulb 12V 1,5W Red		4	
9	999 631 027 90	Glass-base bulb 12V 1,5W Clear		10	
9	928 641 982 04	Glass-base bulb 12V 1,2W		16	
10	928 641 984 01	Knob		4	
11	928 606 210 01	Pulse sender	-90	1	
12	928 552 049 02	Spacer sleeve		4	
13	N 019 908 1	Pan-head screw M 6 X 100		2	
14	N 011 524 7	Washer A 6,4		2	
14	N 011 524 27	Washer A 6,4		2	
15	N 012 226 5	Spring washer B 6		2	
16	928 616 110 00	Series resistor Mounting parts Pulse sender		1	
-	915 660 509 00	Tensioning spring	-90	1	
-	N 011 524 7	Washer 6,4	-90	1	
-	N 011 524 27	Washer 6,4		1	
-	999 072 005 09	Hexagon nut M 6 X 12	-90	1	
-	999 072 005 01	Hexagon nut M 6 X 12		1	
-	999 651 158 02	Cable holder	-90	1	
-	928 606 305 00	Retaining bracket	-90	1	
-	113 142 261 A	Clip	-90	1	

Model: 928 87

Model life 1987>>1991



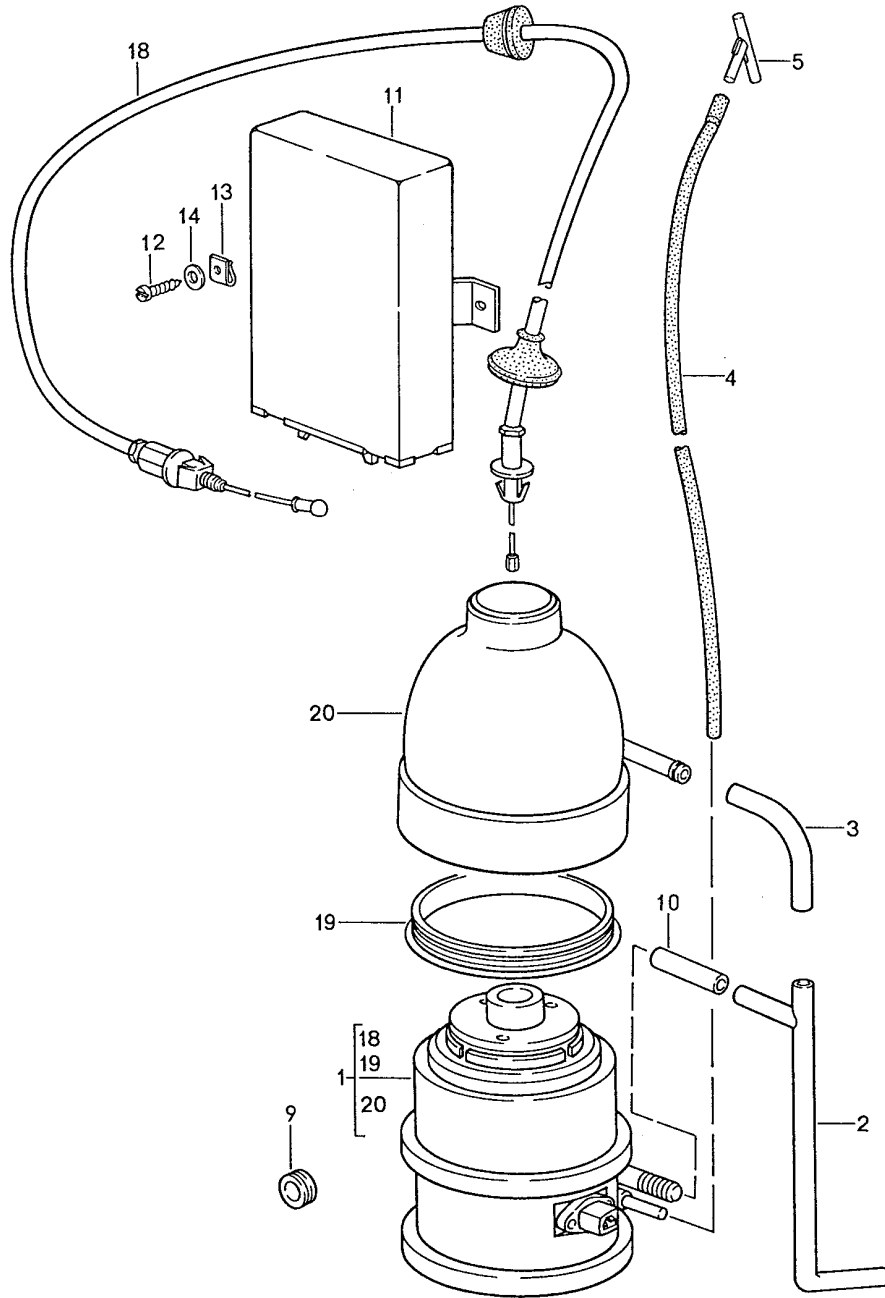
Model: 928 87

Model life 1987>>1991

Pos	Part Number	Description	Remark	Qty	Model
1	928 641 603 09	Central indicator Bulb controlling device	-90	1	
(1)		Bulb controlling device	-90	1	M612
(1)	928 641 603 11	Bulb controlling device	90	1	M602
(1)		Bulb controlling device	-90	1	M602/612
(1)	928 641 603 09	Bulb controlling device	91-	1	
(1)	928 641 603 11	Bulb controlling device	91-	1	M602
(1)		Bulb controlling device	(AUS) 91-	1	
(2)	928 641 602 05	Central indicator	(J) 87	1	
(2)		Central indicator	87	1	
(2)		Central indicator	88-	1	
3	999 591 470 02	Cable clamp	/RL	2	
4	928 641 609 15	Keypad	87	1	
			88		
(4)	928 641 609 10	Keypad	88	1	M637
			89		
		without air conditioner			
(4)	928 641 609 13	Keypad	88	1	M637
			89		
		with air conditioner			
(4)	928 641 609 17	Keypad	89	1	
(4)	928 641 609 22	Keypad	90-	1	
	928 641 609 22 70B	Black			
5	999 919 008 07	Oval-head screw		1	
		4,0 X 13			
5	PCG 919 008 07	Oval-head screw		1	
		Set			
		4,0 X 13			
		Pieces		10	
6	N 011 522 14	Washer		2	
		4,3			
7	928 641 701 03	Clock	-89	1	
		Digital display			
(7)	928 641 701 05	Clock	90-	1	
	928 641 701 05 70B	Black			
		Analogue display			
		Mounting parts			
		Indicator			
-	900 151 027 02	Washer		2	
		B 5,3			
-	900 151 027 03	Washer		2	
		B 5,3			
-	N 011 005 14	Hexagon nut		2	
		M 5			
-	900 076 091 01	Hexagon nut		2	
		M 5			

Model: 928 87

Model life 1987>>1991



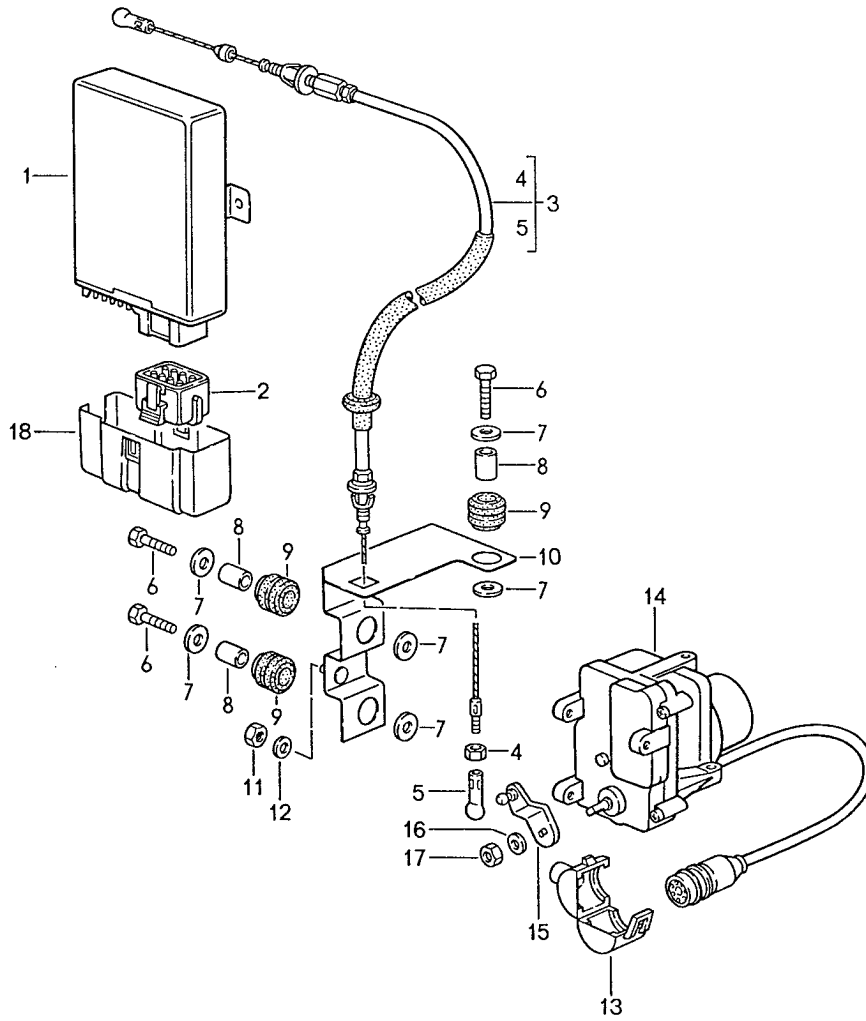
Model: 928 87

Model life 1987>>1991

Pos	Part Number	Description	Remark	Qty	Model
		Cruise control	87		
1	928 617 121 04	Drive link		1	
2	928 617 124 00	Breather pipe		1	
3	928 617 123 00	Connecting piece		1	
4		Vacuum line		1	
		See group			
		8/13/05 POS.5			
5	928 574 678 02	Y-piece		1	
9	021 119 569 A	Rubber sleeve		1	
-	N 020 359 1	Hose		*	
		9 X 14			
10		48 MM		1	
11	928 617 127 00	Cruise control regulator		1	
12	900 187 013 02	Hexagon-head tapping screw		2	
		4,2 X 13			
13	N 015 429 2	Speed nut		2	
13	N 015 429 6	Speed nut		2	
14	900 151 001 02	Washer		2	
		4,3			
18	928 617 125 03	Bowden cable		1	
19	928 617 902 00	Gasket		1	
20	928 617 903 00	Protection cap		1	

Model: 928 87

Model life 1987>>1991



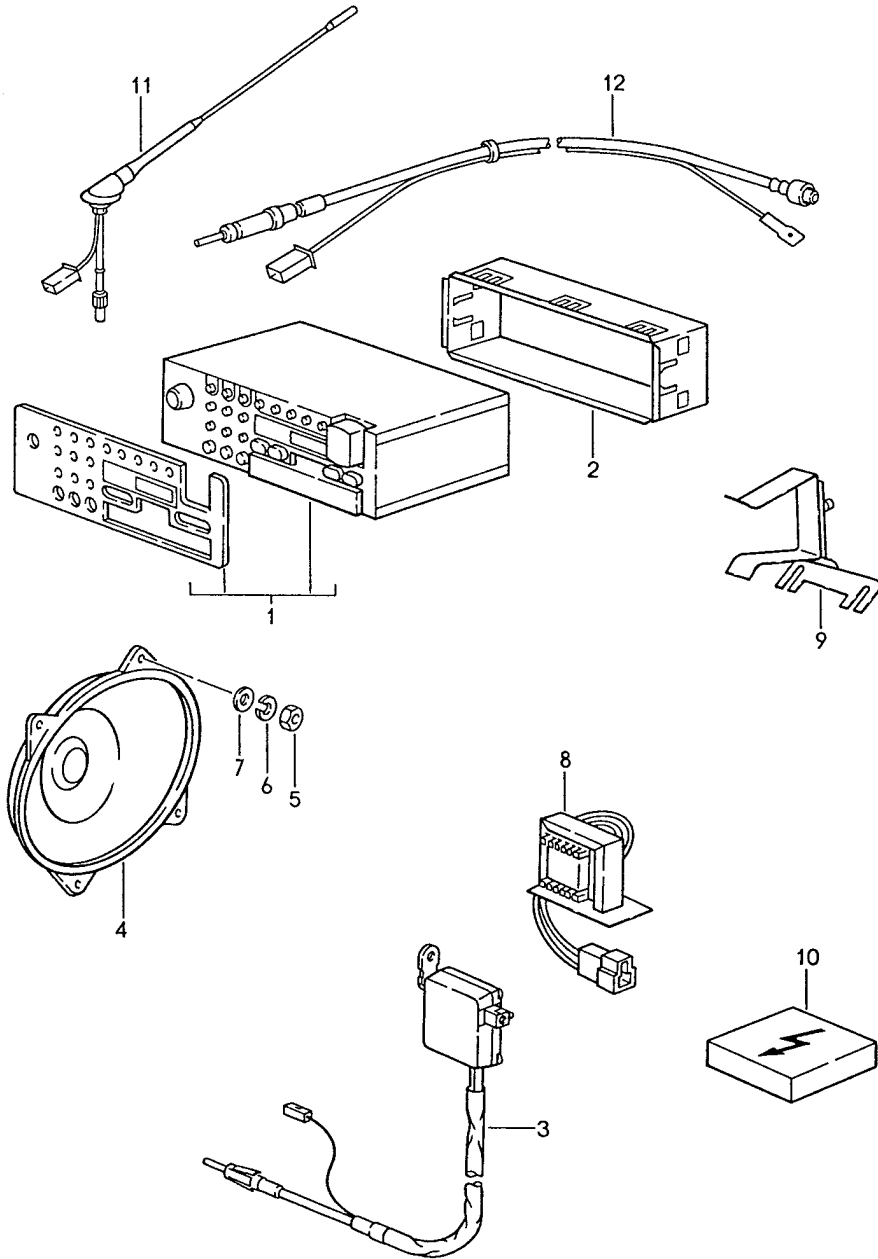
Model: 928 87

Model life 1987>>1991

Pos	Part Number	Description	Remark	Qty	Model
		Cruise control	88-		
1	911 617 227 00	Control unit		1	
1	911 617 227 X	Control unit		1	
2	911 617 427 00	Coding plug		1	
3	928 110 606 00	Bowden cable		1	
4	N 011 005 14	Hexagon nut		1	
4	900 076 091 01	Hexagon nut		1	
5	911 423 147 00	Ball socket		1	
6	900 075 017 02	Hexagon-head bolt M 6 X 25		3	
6	900 075 017 03	Hexagon-head bolt M 6 X 25		3	
7	N 011 666 7	Washer B 6,4		6	
8	999 531 014 02	Bush		3	
9	999 702 133 40	Rubber mounting		3	
10	928 617 065 00	Support		1	
11	900 076 010 02	Nut M 6		2	
11	900 076 010 0B	Nut M 6		2	
12	N 011 524 7	Washer A 6,4		2	
12	N 011 524 27	Washer A 6,4		2	
13	944 612 450 00	Fixing clip		1	
14	944 617 121 00	Drive link		1	
15	944 423 047 00	Rubber mounting		1	
16	N 012 229 3	Spring washer A 8		1	
17	N 011 018 4	Hexagon nut M 8 X 1		1	
18	911 617 133 02	Cap		1	

Model: 928 87

Model life 1987>>1991



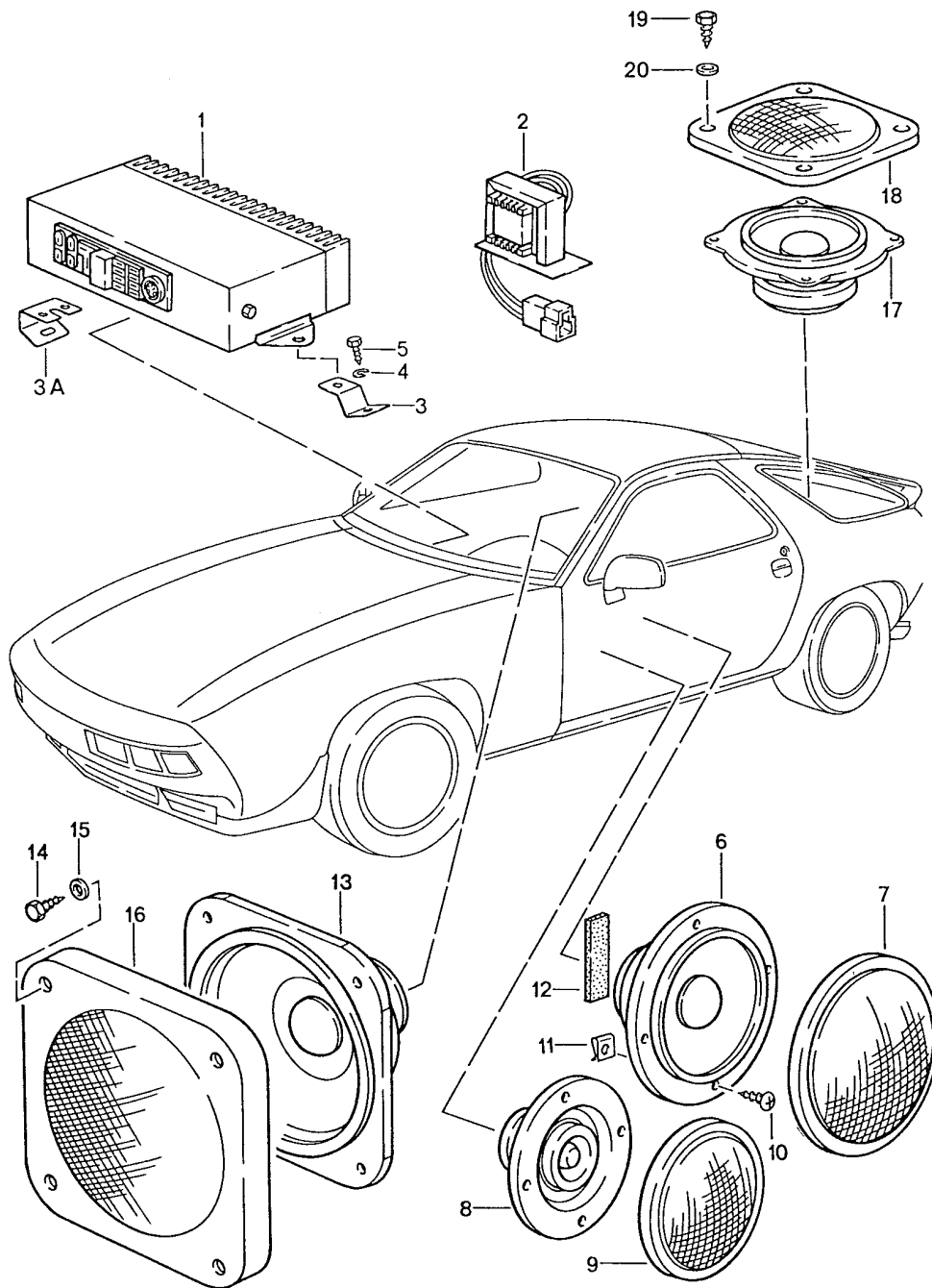
Model: 928 87

Model life 1987>>1991

Pos	Part Number	Description	Remark	Qty	Model
1	911 645 168 00	Radio Installation parts		1	
(1)	911 645 169 00	Radio LUDWIGSBURG SQM 26		1	
(1)	911 645 071 01	Radio BERLIN IQR 86	-87 88-	1	
(1)	911 645 159 01	Radio BERLIN IQR 88	(A) (CH) (D) -90	1	
(1)	911 645 139 02	Radio BREMEN SQR 46	-90	1	
(1)	964 645 101 00	Radio TORONTO SQR 46	91-	1	
-	928 645 903 00	Cover SYMPHONY Cover		1	
-	928 645 904 00	Cover Left Cover		1	
-	911 645 263 00	Right Connecting cable for	-88	1	M326
-	911 645 172 01	Antenna Connecting cable Radio		1	M326
-	928 645 018 00	Booster Installation set CD player CD 10	89-	1	
2	911 645 173 02	Retaining frame		1	
(2)	911 645 173 03	Retaining frame with	89-	1	
3	928 645 173 02	Alarm contact Antenna booster	-88	1	
3	964 645 173 01	Antenna booster		1	
-	941 645 183 00	Extension cable	-88	1	
4	928 645 402 00	Loudspeaker Front	-88	2	
(4)	928 645 403 00	Loudspeaker Rear	-88	2	
5	N 011 004 6	Hexagon nut M 4	-88	16	
5	N 011 004 G	Nut M 4		16	
6	900 027 011 01	Lock ring B 4	-88	16	
7	900 151 001 02	Washer A 4,3	-88	16	
(8)	999 619 138 00	Interference-suppr. choke	-90	1	
9	928 645 011 01	Retaining bracket	-90	1	
(9)	928 645 020 00	Retaining bracket	91-	1	
10	928 645 901 01	Suppression set		1	
11	928 645 201 00	Antenna with	89-	1	
-	928 645 902 00	Booster Antenna rod		1	
12	944 645 202 00	Extension cable for Antenna	89-	1	

Model: 928 87

Model life 1987>>1991



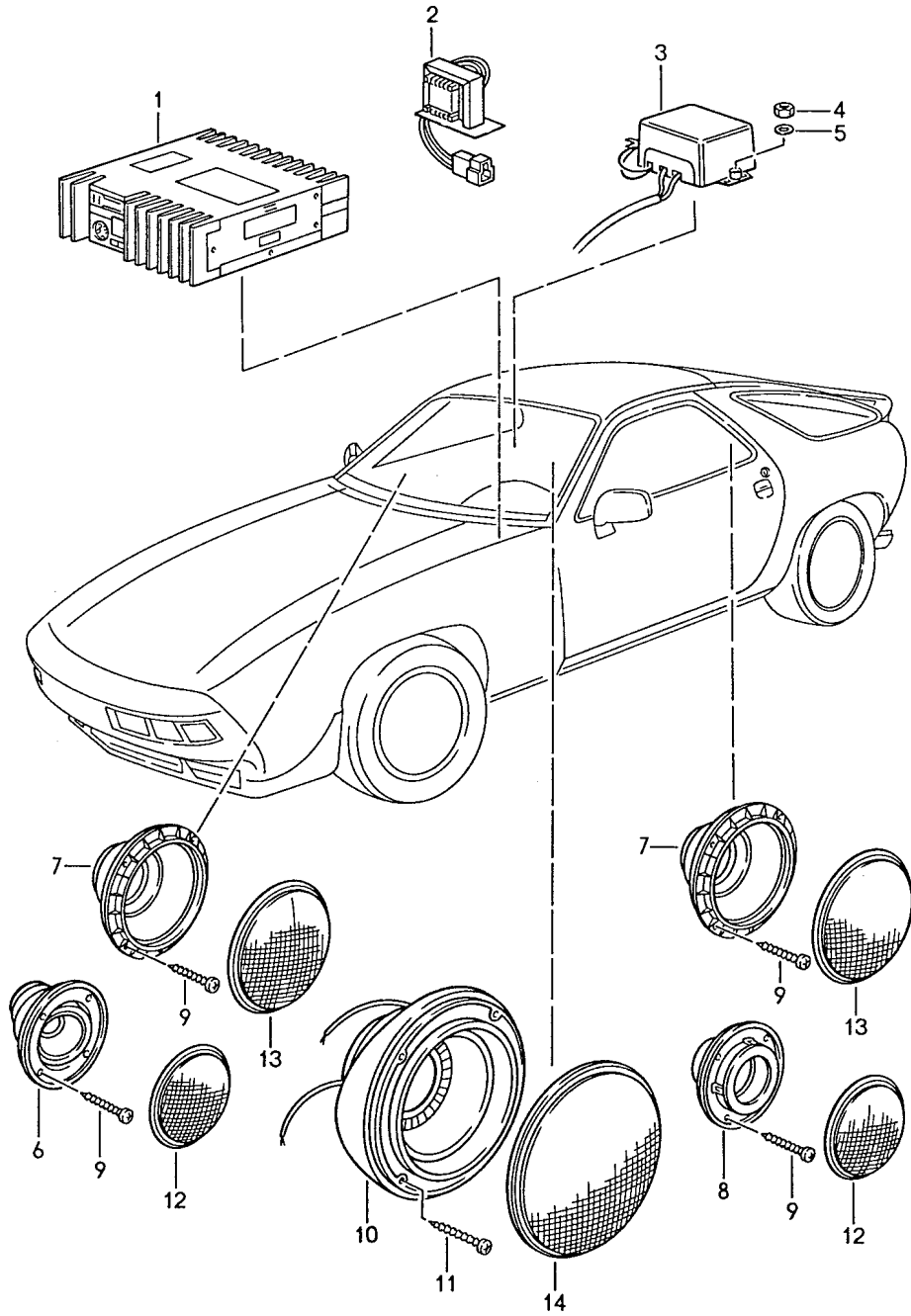
Model: 928 87

Model life 1987>>1991

Pos	Part Number	Description	Remark	Qty	Model
		Booster	-88		M490
		Loudspeaker			M490
1	928 645 405 02	Amplifier		1	
(2)	999 619 141 00	Interference-suppr. choke		1	
(2)	999 619 142 00	Interference-suppr. choke		1	
		Use also: for subsequent installat.			
		Radio			
3	928 645 077 01	Support		1	
(3A)	928 645 044 00	Retaining bar		1	
4	N 012 222 4	Spring washer		2	
		B 5			
5	N 013 968 7	Tapping screw		2	
		4,8 X 13			
5	900 143 097 01	Tapping screw		2	
		4,8 X 13			
6	928 645 428 00	Mid-range loudspeaker		2	
7	928 645 430 00	Grille		2	
8	928 645 427 00	Tweeter		2	
9	928 645 429 00	Grille		2	
10	900 143 047 07	Tapping screw		16	
		B 4,2 X 19			
10	900 073 007 01	Tapping screw		16	
		B 4,2 X 19			
11	999 591 583 02	Speed nut		16	
12	928 612 494 00	Foam part		2	
13	928 645 411 02	Bass loudspeaker		2	
14	900 143 135 07	Tapping screw		8	
		B 4,2 X 45			
15	900 025 049 07	Washer		8	
		A 4,3			
16	928 645 425 00	Cover	/L	1	
(16)	928 645 426 00	Cover	/R	1	
17	928 645 413 00	Mid-range loudspeaker		2	
18	928 645 423 00	Loudspeaker grille		2	
19	900 143 121 07	Tapping screw		8	
		B 4,2 X 16			
19	900 143 121 0H	Tapping screw		8	
		B 4,2 X 16			
20	900 025 049 07	Washer		8	
		A 4,3			
		Wiring harness for Loudspeaker See group 9/02/15			

Model: 928 87

Model life 1987>>1991



Model: 928 87

Model life 1987>>1991

Pos	Part Number	Description	Remark	Qty	Model
		Sound system	89-		
		with			
		Booster			
1	928 645 435 01	Booster		1	
2	999 619 142 00	Interference-suppr. choke		1	
3	928 645 441 00	Diplexer		2	
4	N 011 004 6	Hexagon nut		4	
		M 4			
4	N 011 004 G	Nut		4	
		M 4			
5	900 025 002 02	Washer		4	
		A 4,3			
5	900 025 002 03	Washer		4	
		A 4,3			
6	928 645 211 00	Tweeter		2	
7	928 645 212 00	Mid-range loudspeaker		4	
8	928 645 214 00	Tweeter		2	
9	900 143 047 07	Tapping screw		32	
		B 4,2 X 19			
9	900 073 007 01	Tapping screw		32	
		B 4,2 X 19			
10	928 645 215 00	Bass loudspeaker	/L	1	
(10)	928 645 216 00	Bass loudspeaker	/R	1	
11	900 143 077 02	Tapping screw		8	
		B 4,2 X 32			
12	928 555 689 00	Grille		4	
		for			
		Tweeter			
(12)		Grille		4	
	928 555 689 00 01C	Black			
		for			
		Tweeter			
13	928 555 691 00	Grille		4	
		for			
		Mid-range loudspeaker			
(13)		Grille		4	
	928 555 691 00 01C	Black			
		for			
		Mid-range loudspeaker			
14	928 555 693 00	Grille		2	
		for			
		Woofer			
(14)		Grille		2	
	928 555 693 00 01C	Black			
		for			
		Woofer			

Model: 928 87

Model life 1987>>1991



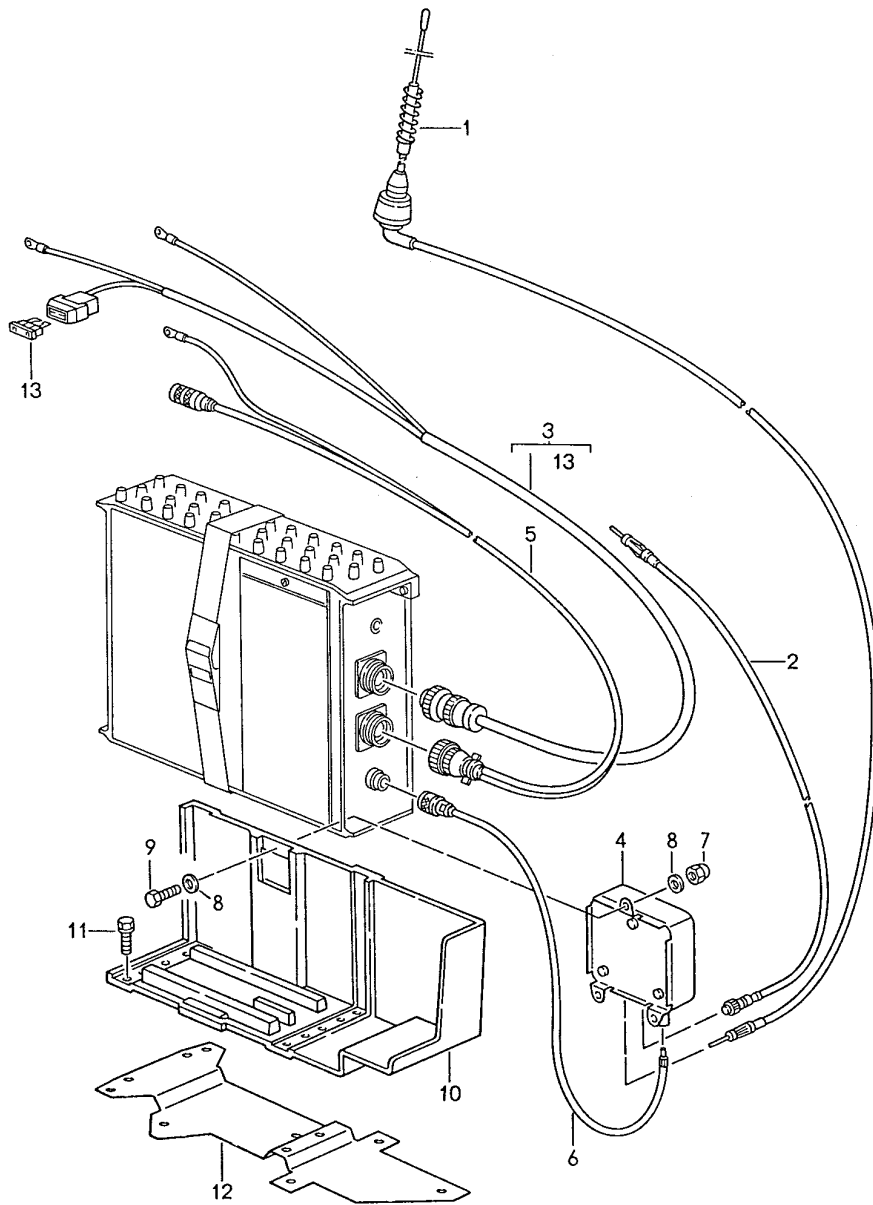
Model: 928 87

Model life 1987>>1991

Pos	Part Number	Description	Remark	Qty	Model
-	911 645 190 00	Radio Navigation system Installation parts		1	
-	911 645 191 00	Radio Navigation system with PORSCHE logo		1	
-	911 645 192 00	Radio Navigation system with TMC with PORSCHE logo		1	
-	911 645 195 00	Cover for Radio Navigation system with PORSCHE logo		1	
-	911 645 197 00	Cover for Radio Navigation system without PORSCHE logo		1	
-	911 645 196 00	Adapter		1	
-	911 642 105 00	Adapter		1	
-	911 642 105 00	Antenna		1	
-	911 642 100 00	Antenna		1	
-	911 642 100 00	Software Update		1	
-	911 642 100 01	Software Update		1	
-	911 642 100 02	Software Update		1	
-	911 642 100 00	Software Update 1-2014		1	
-	911 642 100 01	Software Update 1-2011		1	
-	911 642 100 02	Software Update 1-2013		1	
-	911 642 107 00	Software Update 1-2014		1	
-	911 642 107 00	Microphone		1	
-	911 645 199 00	Handheld transmitter		1	
-	911 645 190 01	Navigation system Knob Control part Navigation system		2	

Model: 928 87

Model life 1987>>1991



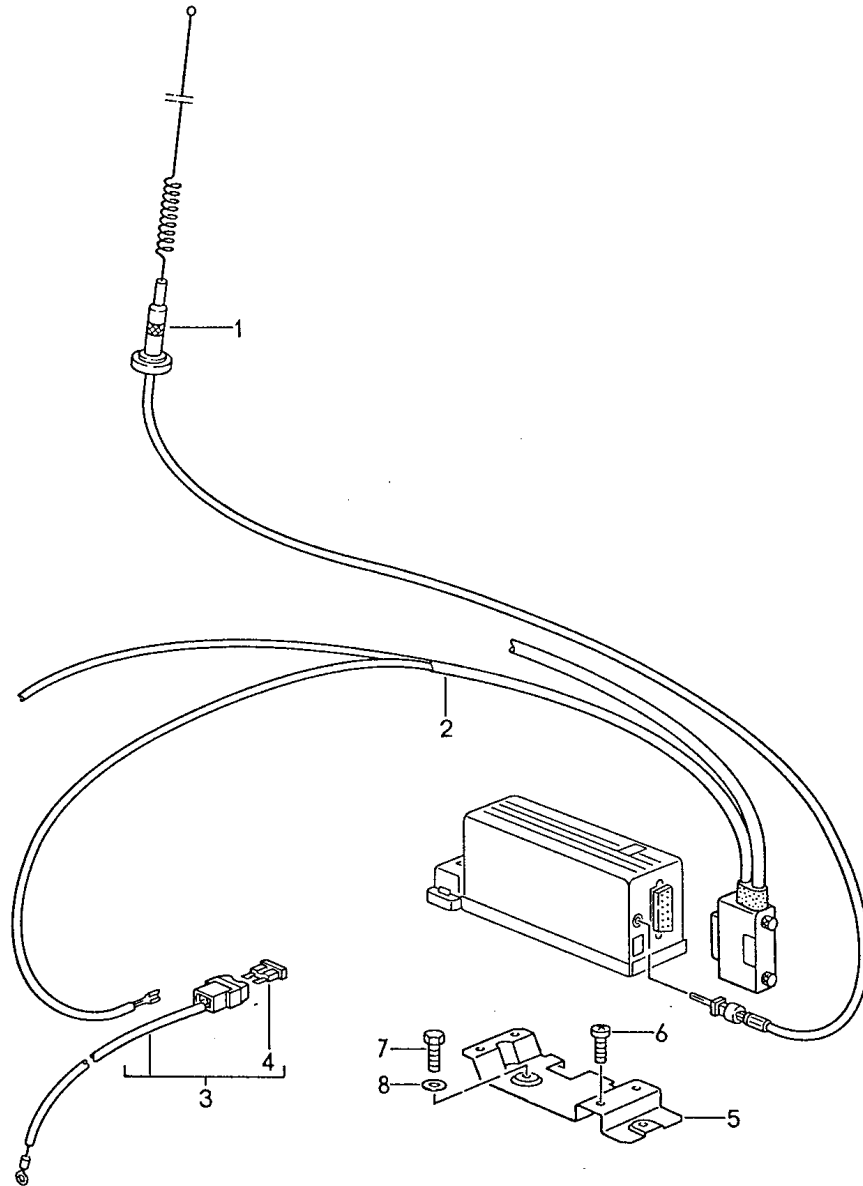
Model: 928 87

Model life 1987>>1991

Pos	Part Number	Description	Remark	Qty	Model
		Preparation for telephone			M496
1	928 646 125 00	Antenna		1	
2	928 646 032 00	Wiring harness		1	
3	928 646 071 03	Wiring harness		1	
4	928 646 115 00	Diplexer		1	
5	928 646 035 00	Wiring harness		1	
6	928 646 034 00	Line		1	
7	N 011 141 2	Cap nut M 5		3	
8	900 025 003 02	Washer A 5,3		6	
9	900 075 145 02	Hexagon-head bolt M 5 X 16		3	
10	928 646 117 00	Bracket		1	
11	999 075 048 02	Hexagon-head bolt M 6 X 22		4	
12	928 502 581 02	Retainer plate		1	
13	999 607 007 00	Lock 15 A		1	
13	999 607 085 00	Lock 15 A		1	

Model: 928 87

Model life 1987>>1991



Model: 928 87

Model life 1987>>1991

Pos	Part Number	Description	Remark	Qty	Model
		Preparation for telephone			M195
1	928 646 126 00	Antenna		1	
2	928 646 037 00	Wiring harness		1	
3	928 646 301 00	Wiring harness		1	
4	999 607 007 00	Lock		1	
		15 A			
4	999 607 085 00	Lock		1	
		15 A			
5	928 646 015 00	Retainer plate		1	
6	900 146 011 02	Oval-head screw		4	
		M 4 X 10			
7	900 075 057 02	Hexagon-head bolt		2	
		M 6 X 16			
7	900 075 057 03	Hexagon-head bolt		2	
		M 6 X 16			
8	900 025 014 02	Washer		2	
		B 6,4			