

**Model: 944 89****Model life 1989>>1991**

## ORDER-INFO

THIS PARTS CATALOGUE CONTAINS ALL ORDER INFORMATION OF  
TYPE 944 FROM MODEL YEAR 1989 TO MODEL YEAR 1991

IT IS AVAILABLE IN TWO EDITIONS IN THE FOLLOWING LANGUAGES:

EDITION

USA, CANADA

- \*

EDITION

ALL OTHER COUNTRIES

- GERMAN

\* - ENGLISH

- FRENCH

- ITALIAN

- SPANISH

UPDATING IS BEING PERFORMED BY CHANGING OF UPDATE.

THE EDITION CAN BE RECOGNIZED BY THE CURRENT NO.  
YEAR IN THE BOTTOM LINE OF SUBJECT UPDATE.

THE PREVIOUS UPDATE SHOULD NO LONGER BE USED.

ALL ILLUSTRATIONS ARE SUBJECT TO CHANGE WITHOUT OBLIGATION.

Model: 944 89

Model life 1989>>1991

EXPLANAT.- VIN

EXPLANATION OF THE ABRIDGED VERSION OF THE VEHICLE IDENT. NUMBERS (VIN)  
 =====  
 USED IN THE CATALOGUE  
 =====

DIGIT: 1 2 3 4 5 6 7 8 9 10 11 12 13 14 15 16 17

EXAMPLE: W P O Z Z Z 9 4 Z K N 4 0 0 1 2 5

=====  
 ! ! ! ! !  
 ! ! ! ! !

VEHICLE TYPE 1ST+2ND DIGIT-----+ ! ! ! !

MODEL YEAR-----+ ! ! ! !

MANUFACTURING LOCATION-(N=NECKARSULM/S=STUTTGART)-----+ ! ! ! !

VEHICLE TYPE 3RD DIGIT-----+ ! ! ! !

SERIAL NUMBER-----+ ! ! ! !

Model: 944 89

Model life 1989>>1991

SUMMARY TYPES

VEHICLE TYPE	MY	VEHICLE IDENT.NR.	ENGINE TYPE
944 COUPE	89 K	94KN4 00001>30000	M44.11/12, 121 KW
944 S2 COUPE	89 K	94KN4 00001>30000	M44.41, 155 KW
944 S2 CABRIO	89 K	94KN4 30001>50000	M44.41, 155 KW
944 TURBO COUPE	89 K	95KN1 00001>50000	M44.52, 184 KW
944 COUPE (USA)(CDN)	89 K	94KN4 50001>80000	M44.11/12, 121 KW
944 S2 COUPE (USA)(CDN)	89 K	94KN4 50001>80000	M44.41, 155 KW
944 S2 CABRIO (USA)(CDN)	89 K	94KN4 80001>99999	M44.41, 155 KW
944 TURBO COUPE (USA)(CDN)	89 K	95KN1 50001>99999	M44.52, 184 KW
944 S2 COUPE	90 L	94LN4 00001>30000	M44.41, 155 KW
944 S2 CABRIO	90 L	94LN4 30001>50000	M44.41, 155 KW
944 TURBO COUPE	90 L	95LN1 00001>30000	M44.52, 184 KW
944 S2 COUPE (USA)(CDN)	90 L	94LN4 50001>80000	M44.41, 155 KW
944 S2 CABRIO (USA)(CDN)	90 L	94LN4 80001>99999	M44.41, 155 KW
944 TURBO COUPE (CDN)	90 L	95LN1 50001>79999	M44.52, 184 KW

NECKARSULM

944 S2 COUPE	91 M	94MN4 00001>10000	M44.41, 155 KW
944 S2 CABRIO	91 M	94MN4 30001>40000	M44.41, 155 KW
944 TURBO COUPE	91 M	95MN1 00001>30000	M44.52, 184 KW
944 TURBO CABRIO	91 M	95MN1 30001>40000	M44.52, 184 KW
944 S2 COUPE (USA)(CDN)	91 M	94MN4 10001>20000	M44.41, 155 KW
944 S2 CABRIO (USA)(CDN)	91 M	94MN4 40001>50000	M44.41, 155 KW

STUTTGART

944 S2 COUPE	91 M	94MS4 00001>10000	M44.41, 155 KW
944 S2 CABRIO	91 M	94MS4 30001>40000	M44.41, 155 KW

Model: 944 89

Model life 1989>>1991

EXPL. ENGINE-NO.

EXPLANATION OF THE MOTOR-NUMBERS USED IN THE CATALOGUE

=====

DIGIT:	1 2 3	4 5 6 7 8
EXAMPLE:	4 2 L	0 0 1 3 6
	= = =	=====
	! ! !	!
ENGINE TYPE (4 = 4-CYL.-ENGINE)-----+	! !	!
	! !	!
ENGINE VERSION-----+	!	!
	!	!
MODEL YEAR-----+		!
		!
SERIAL NUMBER-----+		!

Model: 944 89

Model life 1989&gt;&gt;1991

## SUMMARY ENGINE

VEHICLE TYPE	ENGINE			TECHNICAL DATA
	TYPE	MY	ENGINE NO.	
944	M44.11	89 K	46K 00001>60000	4CYL/2,7L/121KW
944 M249	M44.12	89 K	46K 60001>70000	4CYL/2,7L/121KW
944 S2	M44.41	89 K	42K 00001>50000	4CYL/3L/155KW
944 TURBO	M44.52	89 K	47K 00001>10000	4CYL/2,5L/184KW
944 S2	M44.41	90 L	42L 00001>50000	4CYL/3L/155KW
944 TURBO	M44.52	90 L	47L 00001>10000	4CYL/2,5L/184KW
944 S2	M44.41	91 M	42M 00001>50000	4CYL/3L/155KW
944 TURBO	M44.52	91 M	47M 00001>01000	4CYL/2,5L/184KW

Model: 944 89

Model life 1989>>1991

EXPL. TRANSM. NO.

EXPLANATION OF THE TRANSMISSION-NUMBERS USED IN THE CATALOGUE

=====

DIGIT:	1	2	3	4	5	6	7	8
EXAMPLE:	A	O	T	1	9	1	1	9
	=====			====		====		=
		!		!		!		!
		!		!		!		!
IDENTIFICATION LETTER-----+				!		!		!
				!		!		!
MANUFACTURING DAY-----+						!		!
						!		!
MANUFACTURING MONTH-----+								!
								!
MANUFACTURING YEAR-----+								!

Model: 944 89

Model life 1989&gt;&gt;1991

## SUMM. TRANSMISS.

VEHICLE TYPE	TRANSM.		TRANSMISSION NO.	TECHNICAL DATA
	TYPE	MY		
944	016 J	89	ASG.. . . .>ASG.. . . .	5-SPEED
944 M220	016 J	89	ASH.. . . .>ASH.. . . .	5-SPEED
944 M249	087 M	89	RCE.. . . .>RCE.. . . .	3-SPEED
944 M249 (USA) (CDN)	087 N	89	RCF.. . . .>RCF.. . . .	3-SPEED
944 S2	083 F	89	AOS.. . . .>AOS.. . . .	5-SPEED
944 S2 M220	083 F	89	AOT.. . . .>AOT.. . . .	5-SPEED
944 TURBO	016 R	89	AOR.. . . .>AOR.. . . .	5-SPEED
944 S2	083 J	90	AOS.. . . .>AOS.. . . .	5-SPEED
944 S2 M220	083 F	90	AOT.. . . .>AOT.. . . .	5-SPEED
944 S2 (CH)	083 F	90	ASV.. . . .>ASV.. . . .	5-SPEED
944 S2 M220 (CH)	083 F	90	ASW.. . . .>ASW.. . . .	5-SPEED
944 TURBO	016 R	90	AOR.. . . .>AOR.. . . .	5-SPEED
944 S2	083 J	91	AOS.. . . .>AOS.. . . .	5-SPEED
944 S2 M220	083 F	91	AOT.. . . .>AOT.. . . .	5-SPEED
944 S2 (CH)	083 F	91	ASV.. . . .>ASV.. . . .	5-SPEED
944 S2 M220 (CH)	083 F	91	ASW.. . . .>ASW.. . . .	5-SPEED
944 TURBO	016 R	91	AOR.. . . .>AOR.. . . .	5-SPEED

Model: 944 89

Model life 1989>>1991

LEGENDS/NOTICES

LEGENDS AND NOTICES

=====

IN COLUMN -S- STATUS

-----

- N NEW ADDITION
- P PART ALREADY IN PROGRAMME, BUT NEW AT THIS APPLICATION
- W DELETED AT THIS APPLICATION, BUT CONTINUED TO BE CARRIED
- A STOCK TO BE USED UP
- U DELETED WITHOUT REPLACEMENT
- \* PART ALSO OR ONLY AVAILABLE IN REPAIR KIT
- > ALSO AVAILABLE IN EXCHANGE

IN COLUMN - ILL. -

-----

- 1 IDENTIFICATION NO. IN ILLUSTRATION
- (1) PART ONLY SIMILAR AS ILLUSTRATED
- PART IS NOT ILLUSTRATED

FIG.-NUMBERS FOR WHICH THERE IS SHOWN NO TEXT ARE NOT VALID FOR THIS EDITION OF CATALOGUE

IN COLUMN -PART NUMBER/CODE-

-----

000 000 000 00 PART NUMBER EQUALS ORDERING NO., IF A CODE IS SHOWN, IT WILL HAVE TO BE PART OF ORDERING NUMBER

01C COLOUR CODE

IN COLUMN -TEXT

-----

INSTALLATION WITH ENGINE OR CHASSIS NUMBER-RANGE

EXAMPLE:

M 42L 00389>> FROM ENGINE NO.



**Model: 944 89****Model life 1989>>1991**

F

&gt;&gt;94LN4 00889

UP TO CHASSIS NO.

Model: 944 89

Model life 1989>>1991

LEGENDS/NOTICES

IN COLUMN - A -  
-----

IDENTIFICATION LETTER FOR PERIOD OF INSTALLATION  
THAT IS REPEATED SEVERAL TIMES IN THE CATALOG GROUP.

EXPLANATION PLEASE FIND IN TEXT COLUMN OF THE CATALOG GROUP

IN COLUMN - QU - = NO. OF PIECES  
-----

- 1 NUMBER PER APPLICATION
- X NUMBER AS NEEDED
- \* AVAILABLE ONLY IN RUNNING LENGTHS 1 = 1 METRE

IN COLUMN - MODEL/SYMBOL -  
-----

- M650 OPTIONAL EQUIPMENT - SEE M-NO. LIST
- 90 LIMITATION OF MODEL YEAR FOR INSTANCE: VALID UP TO  
END OF MODEL YEAR 1990
- /LL LHD
- /RL RHD
- +
- /V FRONT I  
I
- /H REAR I  
I----> APPLIES TO
- /L LEFT I DIRECTION OF TRAVEL  
I
- /R RIGHT I  
-----+
- AUT. AUTOMATIC
- WW THE PART CAN BE USED INSTEAD OF THE  
PRECEDING ONE

Model: 944 89

Model life 1989&gt;&gt;1991

COUNTRY-EQIPM.

## EQUIPMENT BY COUNTRY REGULATIONS

=====

(A)	AUSTRIA
(AG)	ARABIAN GULF STATES
(AUS)	AUSTRALIA
(B)	BELGIUM
(CDN)	CANADA
(CH)	SWITZERLAND
(D)	FEDERAL REPUBLIC OF GERMANY
(DK)	DENMARK
(E)	SPAIN
(F)	FRANCE
(GB)	GREAT BRITAIN
(GR)	GREECE
(HK)	HONGKONG
(I)	ITALY
(J)	JAPAN
(L)	LUXEMBURG
(N)	NORWAY
(NL)	NETHERLANDS
(NZ)	NEW ZEALAND
(P)	PORTUGAL
(RC)	TAIWAN
(S)	SWEDEN
(SA)	SAUDI ARABIA
(SF)	FINLAND
(USA)	UNITED STATES OF AMERICA
(ZA)	SOUTH AFRICA

Model: 944 89 Model life 1989>>1991

NR	Description
M000	+-----+ ! Summary of optional extras "M"! +-----+
M018	Sports steering wheel with elevated hub 30 mm
M020	Speedometer with two scales mph-km/h
M024	Version for Greece
M027	Version for California
M030	Sport-type chassis "Koni" with vertical adjustment
M031	"Fichtel + Sachs" sports chassis without vertical adjustment
M034	Version for Italy
M036	Impact absorbers front and rear
M058	Impact absorbers, front and rear
M061	Version for Great Britain
M062	Version for Sweden
M063	Version Luxemburg
M070	Tarpaulin
M111	Version for Austria
M113	Version for Canada
M114	Version for Taiwan
M119	Version for Spain
M124	Version for France
M126	Control and indications in French lettering
M127	Control and indications in Swedish
M130	Control and indications in English lettering
M139	Seat heating system, left seat
M150	Operation with leaded gas
M157	Three-way catalytic converter, oxygen sensor and digital engine electronics (DME)
M158	Radio Blaupunkt RENO SWR 46
M160	Radio Blaupunkt Charleston SWR 26
M164	Tyres 215/60 VR 15 instead of 195/65 VR 15
M185	2-point seat belts, rear automatic
M186	2-point seat belts, rear manual
M193	Version for Japan
M195	Preparation for mobile telephone system
M197	Stronger battery
M198	Starter 1.7 kW
M215	Version for Saudi Arabia
M220	Locking differential 40 %
M225	Version for Belgium, engine designation: -B-
M249	Automatic transmission

Model: 944 89 Model life 1989>>1991

NR	Description
M261	Door mirror - flat - passenger's side, electrically adjustable and heatable
M262	Rear view mirror - flat -passenger's side, manual
M277	Version for Switzerland
M288	Headlamp washer
M299	Catalytic converter together with automatic transmission
M325	Version for South Africa/New Zealand
M326	Radio Blaupunkt Berlin IQR 88 with ARI
M328	Radio Blaupunkt Bremen SQR 46 with ARI
M329	Radio Blaupunkt Toronto SQR 48
M330	Radio Blaupunkt Toronto SQR 46
M335	Automatic seat belt, 3-point, rear
M340	Seat heating system, right seat
M341	Central locking system
M347	Forged wheels platinum-anodized rim 7 x 16 tire 225/50 VR 16
M379	Standard seat, left, electrical vertical adjustment
M380	Standard seat, right, electrical vertical adjustment
M381	Standard seat, left, manually adjustable
M382	Standard seat, right, manually adjustable
M383	Sports seat, left, electrically vertically adjustable
M387	Sports seat, right, electrically vertically adjustable
M393	Club Sport wheel 16-inch
M394	Magnesium alloy wheel (cast wheels), Telephone styling, 8J / 9J x 16
M395	Light-alloy rims, forged, 16-inch
M400	Cast wheel, club-sport 7.5/9J x 16 (cast aluminium)
M404	Anti-roll bar, front and rear
M412	Exterior engine oil cooler
M414	Exterior transmission oil cooler
M416	4-spoke steering wheel (leather), diameter 380 mm
M418	Side protection moldings
M423	Holder for cassettes and coins
M424	Automatic heating control

Model: 944 89 Model life 1989>>1991

NR	Description
M425	Rear window wiper
M429	Front fog lights, white
M430	Front fog lights, yellow
M431	4-spoke steering wheel (leather), diameter 363 mm
M437	Comfort seat, left, electrically adjustable
M438	Comfort seat, right, electrically adjustable
M441	Radio preparation
M447	Emergency wheel out of steel
M449	Emergency wheel, forged
M454	Automatic speed control
M455	Anti-theft device for wheels
M458	Aluminium alloy wheels (cast wheels) Telephone styling front 7J x 16 with tyres 205/50 VR 16 rear 8J x 16 with tyres 225/50 VR 16
M462	"Securiflex" windscreen
M463	Clear windscreen
M466	2nd rear fog lamp
M467	Door mirror for driver's side, convex, electrically heatable and adjustable
M472	Winged rear embellisher
M474	Shock absorber (sporting), front and rear
M479	Version for Australia
M484	Version for USA
M488	Inscriptions in German language
M490	Sound package
M492	Headlamps for left-hand traffic
M494	Additional amplifier
M496	Preparation for Philips telephone "C" network
M498	Deletion of model designation on rear end
M499	Version for Germany
M501	"Turbo" logo on wing
M513	Lumbar support, right seat
M525	Anti-theft device with continuous sound
M526	Door panels (cloth)
M528	Door mirror for passenger's side - convex - electrically heatable and adjustable
M529	Door mirror for passenger's side - convex - manual
M533	Anti-theft device
M553	Version for USA, Canada
M562	Airbag, driver's side and front passenger's side
M564	Without airbag
M566	Front fog lights, white
M567	Windscreen tinted, upper part

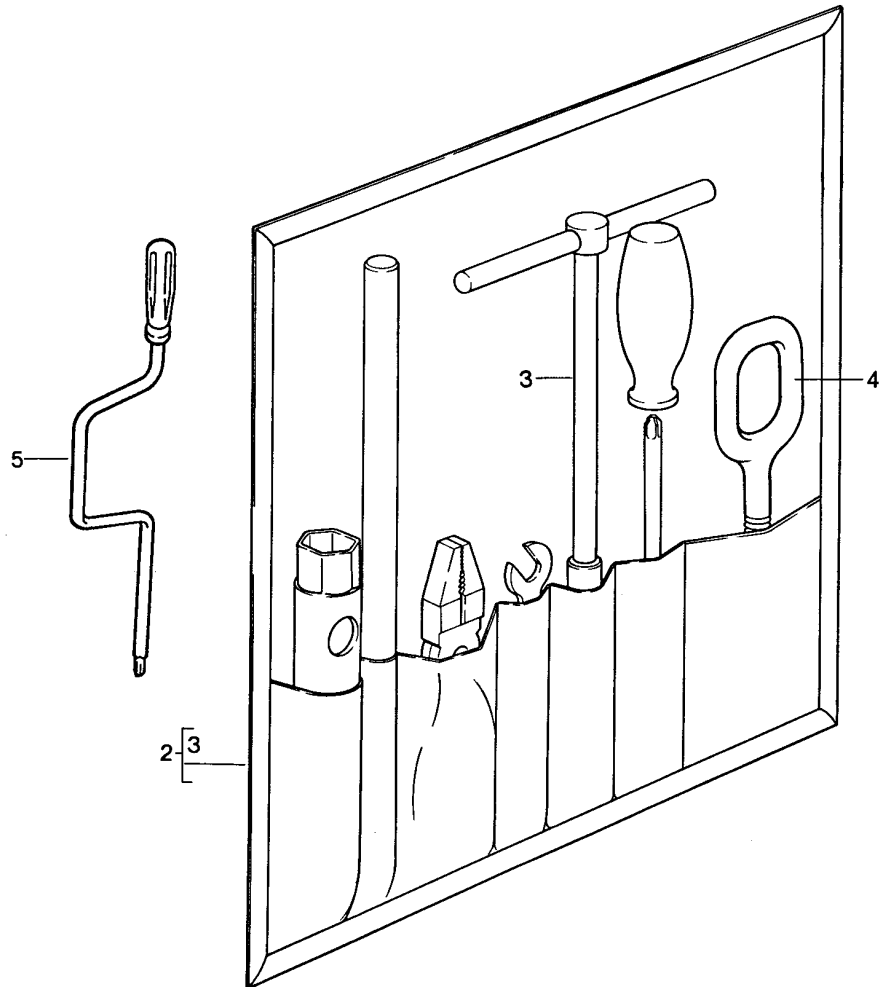
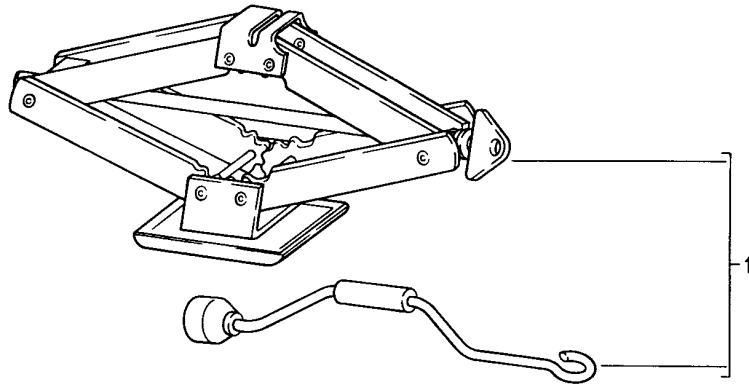
Model: 944 89

Model life 1989&gt;&gt;1991

NR	Description
	darker coloured
M573	Air conditioner
M576	Without rear fog lamp
M586	Lumbar support, left seat
M593	Anti-lock brake system (Bosch)
M602	Raised stop lamp
M605	Headlight levelling system
M612	Preparation for Philips telephone "C2" network
M637	Club Sport "CS"
M639	Version "GT"
M650	Detachable roof, electrical
M651	Electric window opener
M655	Folding top control, electrical
M657	Power assisted steering
M684	Rear seats, not split
M685	Rear seats, split
M686	Radio Blaupunkt Ludwigsburg SQM 26 ARI
M688	Radio Blaupunkt Boston SQM 23
M690	CD player "CD-10" radio + ARI
M691	CD player "CD-2" with radio
M719	Special conversions
M757	Special model 944 S2 coupe
M900	Tourist's cars
M930	Seat covers, rear, leather
M931	Seat covers, rear, leatherette
M932	Seat covers,, rear cloth/leatherette/leatherette
M934	Seat covers, rear, cloth/cloth/leatherette
M935	Seat covers, rear, draped leather
M945	Seat covers, front cloth/leatherette/leatherette
M946	Seat covers, front, leather/leather/leatherette
M947	Seat covers front: cloth/leather/leatherette rear: cloth/leatherette/leatherette
M980	Seat cover - draped leather
M981	Leather equipment without seat covers
M983	Seat covers, front, leather
M990	Seat covers, front, cloth/cloth/leatherette

Model: 944 89

Model life 1989>>1991



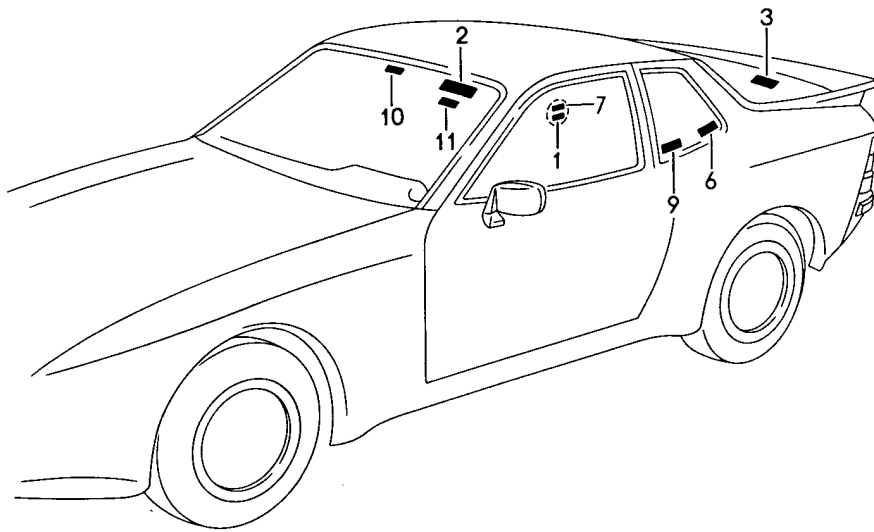
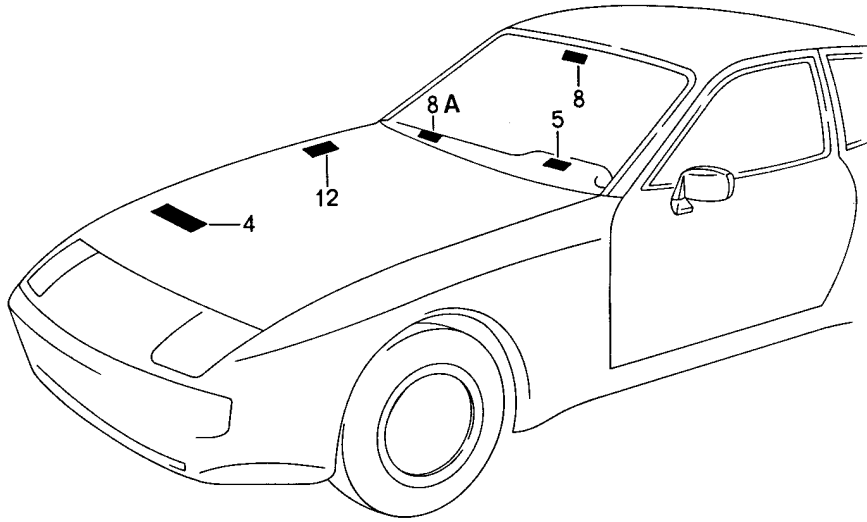


Model: 944 89 Model life 1989>>1991

Pos	Part Number	Description	Remark	Qty	Model
		Accessories			
(1)	000 721 710 01	Jack		1	
(1)	000 721 710 03	Jack		1	
(2)	944 721 027 05	Tool bag with contents Comprising:		1	
		Tool bag		1	
		Angular screw driver		1	
3	477 012 233	Spark plug wrench		1	
		Rim wrench		1	
		Operating rod for		1	
		Rim wrench		1	
		Double-end spanner 10 X 13		1	
		Handle		1	
		Insert for		1	
		Cross-recess screw			
		And			
		Slotted screw			
		Universal pliers		1	
-	928 361 311 00	Hook for		1	
		Cover			
		Wheel nut			
		Use also:			
4	996 721 151 00	Towing lug		1	944
4	928 722 101 05	Towing lug		1	M058
4	951 722 101 00	Towing lug		1	944S2/TURBO
4	996 721 151 00	Towing lug		1	944S2/TURBO
5	928 521 907 02	Crank for emergency control		1	M437/438

Model: 944 89

Model life 1989>>1991



Model: 944 89 Model life 1989>>1991

Pos	Part Number	Description	Remark	Qty	Model
		Stickers			
		Stickers			
		Tyre pressure			
1	937 701 127 00	Sticker		1	944
1	944 701 287 19	Sticker	(AUS)	1	944
1	944 701 287 20	Sticker	(AUS)	1	944
					M395/458
1	944 701 287 18	Sticker	(AUS)	1	944
					M164
1	951 701 127 00	Sticker	89	1	944S2
1	964 701 287 00	Sticker	90	1	944S2
			91		TURBO CABRIO
1	964 701 287 03	Sticker	91	1	944S2
1	951 701 287 05	Sticker	(AUS) -90	1	944S2
					M395/458
1	944 701 287 23	Sticker	(AUS) 91	1	944S2
					/399
					M395
1	951 701 287 09	Sticker	(AUS) -90	1	944S2
					M030/031
1	944 701 287 24	Sticker	91	1	944S2 COUPE
					M030/400
1	951 701 127 00	Sticker	89	1	TURBO
1	964 701 287 00	Sticker	90	1	TURBO
1	951 701 287 06	Sticker	(AUS) 89	1	TURBO
		7 J x 16			M393/637
		9 J x 16			
1	951 701 287 07	Sticker	(AUS) 89	1	TURBO
		7 J x 16			M393/637
		8 J x 16			
1	951 701 287 09	Sticker	(AUS) 90	1	TURBO
			91		TURBO CABRIO
			(AUS)		
		Stickers			
		Sekuriflex			
2	928 701 102 02	Indication sticker		1	
		German			
2	928 701 102 06	Indication sticker		1	
		English			
2	928 701 102 03	Indication sticker		1	
		French			
2	928 701 102 04	Indication sticker		1	
		Italian			
2	928 701 102 05	Indication sticker		1	
		Spanish			
		Stickers			
		Emergency wheel			
3	928 701 145 05	Sticker		1	
		German			
3	996 361 701 00	Sticker		1	
		English			
3	996 361 701 01	Sticker		1	
		French			
3	928 701 148 05	Sticker		1	
		Italian			
3	928 701 149 00	Sticker		1	
		Spanish			
3	928 701 150 00	Sticker	91	1	
		"MAX 80 KM/H"			
		Stickers			
		Engine specifications			
4	944 006 113 09	Sticker	(S)	1	944
4	944 006 117 10	Sticker	(AUS)	1	944

Model: 944 89 Model life 1989>>1991

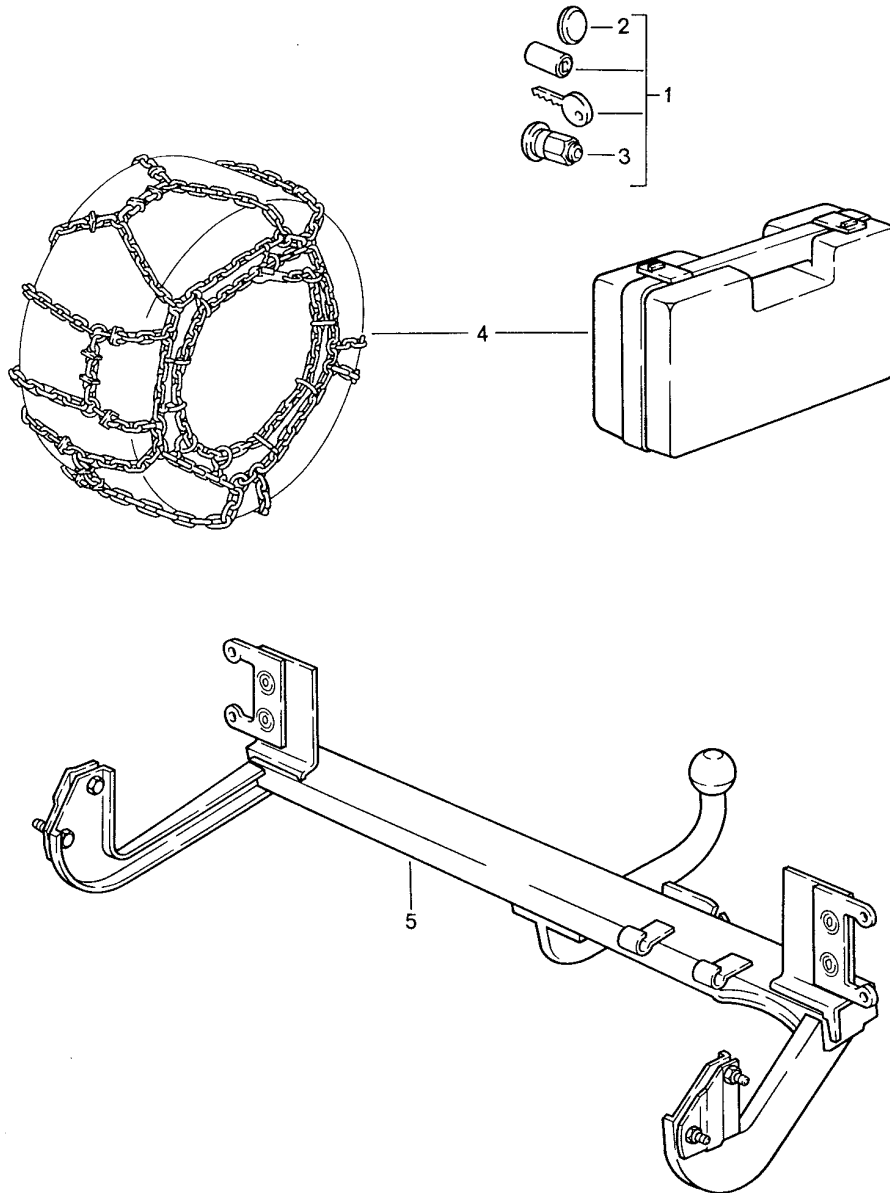
Pos	Part Number	Description	Remark	Qty	Model
4	944 006 115 31	Sticker	(N) -90	1	944S2
			(CDN) (USA)	1	
			(AUS)		
-	944 006 121 00	Sticker Bleeder Screw Connection piece		1	
4	944 006 115 32	Sticker	(AUS) 91 (CDN) (USA)	1	944S2
4	944 006 113 10	Sticker	(S)	1	944S2
4	944 006 117 11	Sticker	(AUS) 89	1	944S2
4	944 006 117 12	Sticker	(AUS) 90	1	944S2
4	944 006 117 13	Sticker	(AUS) 91	1	944S2
4	951 006 115 12	Sticker	-90 (AUS) (CDN)	1	TURBO
4	951 006 117 03	Sticker	(AUS) 89	1	TURBO
4	951 006 117 04	Sticker	(AUS) 90	1	TURBO
4	951 006 119 08	Sticker	(S) -90	1	TURBO
4	951 006 119 02	Sticker Stickers Unleaded Dashboard	(CH) -90	1	TURBO
5	928 701 173 02	Sticker English		1	
5	944 701 210 02	Sticker German		1	
5	928 701 173 03	Sticker French		1	
5	928 701 173 04	Sticker Swedish Stickers Unleaded Side window		1	
6	477 000 258	Sticker English		1	
6	944 701 201 03	Sticker German		1	
6	928 701 171 02	Sticker French		1	
6	944 701 201 05	Sticker Swedish		1	
6	911 701 257 02	Sticker Italian		1	
6	911 701 257 03	Sticker Spanish Stickers Octane rating		1	
7	928 006 117 07	Sticker Swedish		1	95ROZ
7	928 006 117 03	Sticker German		1	95ROZ
7	928 006 117 08	Sticker English		1	95ROZ
7	928 006 117 09	Sticker French	-90	1	95ROZ
7	928 006 117 12	Sticker French	91	1	95ROZ
7	928 006 117 10	Sticker Italian		1	95ROZ
7	928 006 117 11	Sticker Spanish		1	95ROZ
7	930 701 203 01	Sticker English		1	91ROZ

Model: 944 89 Model life 1989>>1991

Pos	Part Number	Description	Remark	Qty	Model
		Stickers Unleaded			CABRIO
7	944 701 201 07	Sticker German		1	
7	911 701 257 04	Sticker Italian		1	
7	911 701 257 05	Sticker Spanish		1	
7	944 701 201 06	Sticker Swedish		1	
8A	928 701 421 03	Airbag Sticker German	91	1	
8A	928 701 421 04	Sticker English French	91	1	
9	911 701 250 00	Sticker Alarm system Stickers Convertible top control Manually		2	CABRIO
10	941 701 151 10	Sticker German		1	
10	941 701 151 14	Sticker Spanish		1	
10	941 701 151 13	Sticker Italian		1	
10	941 701 151 15	Sticker Japanese		1	
10	941 701 151 12	Sticker French		1	
10	941 701 151 11	Sticker English Stickers Convertible top control Electric		1	CABRIO
10	941 701 151 16	Sticker German		1	
10	941 701 151 20	Sticker Spanish		1	
10	941 701 151 19	Sticker Italian		1	
10	941 701 151 21	Sticker Japanese		1	
10	941 701 151 18	Sticker French		1	
10	941 701 151 17	Sticker English Stickers Convertible top Latch		1	CABRIO
11	941 701 153 10	Sticker	/L	1	
(11)	941 701 154 10	Sticker	/R	1	
12	944 006 222 00	Sticker Contains asbestos	(CH) 90-	1	944/951
-	944 602 544 00	Sticker Firing order		1	

Model: 944 89

Model life 1989>>1991



Model: 944 89 Model life 1989>>1991

Pos	Part Number	Description	Remark	Qty	Model
1	928 361 047 03	Accessories Wheel nut Lockable 1 set Comprising: Wheel nut Lock Cap		1  4 4 4	
1	965 361 955 00	Wheel nut Lockable 1 set Comprising: Wheel nut Lock Cap		1  4 4 4	
1	968 361 955 00	Wheel nut Lockable 1 set Comprising: Wheel nut Lock Cap		1  4 4 4	
1	993 361 057 00	Wheel nut Lockable 1 set Comprising: Wheel nut Lock Cap		1  4 4 4	
2	965 361 167 00	Cap		4	
3	928 361 306 03	Wheel nut		4	
-	928 361 312 01	Blank key for Wheel nut Lockable Snow chains		X	
4	911 361 909 00	Snow chains 1 set for Tyre 185/70 R 15 205/55 R 16 215/60 R 15		1	
4	993 361 931 00	Snow chains 1 set for Tyre 225/50 R 16		1	
5	944 722 901 00	Trailer coupling Trailer coupling Complete with Electric installation set Use also:		1	
-	944 111 064 00	Hook for Rear muffler		2	
5	944 722 901 01	Trailer coupling Complete with Electric installation set Use also:		1	M058

Model: 944 89

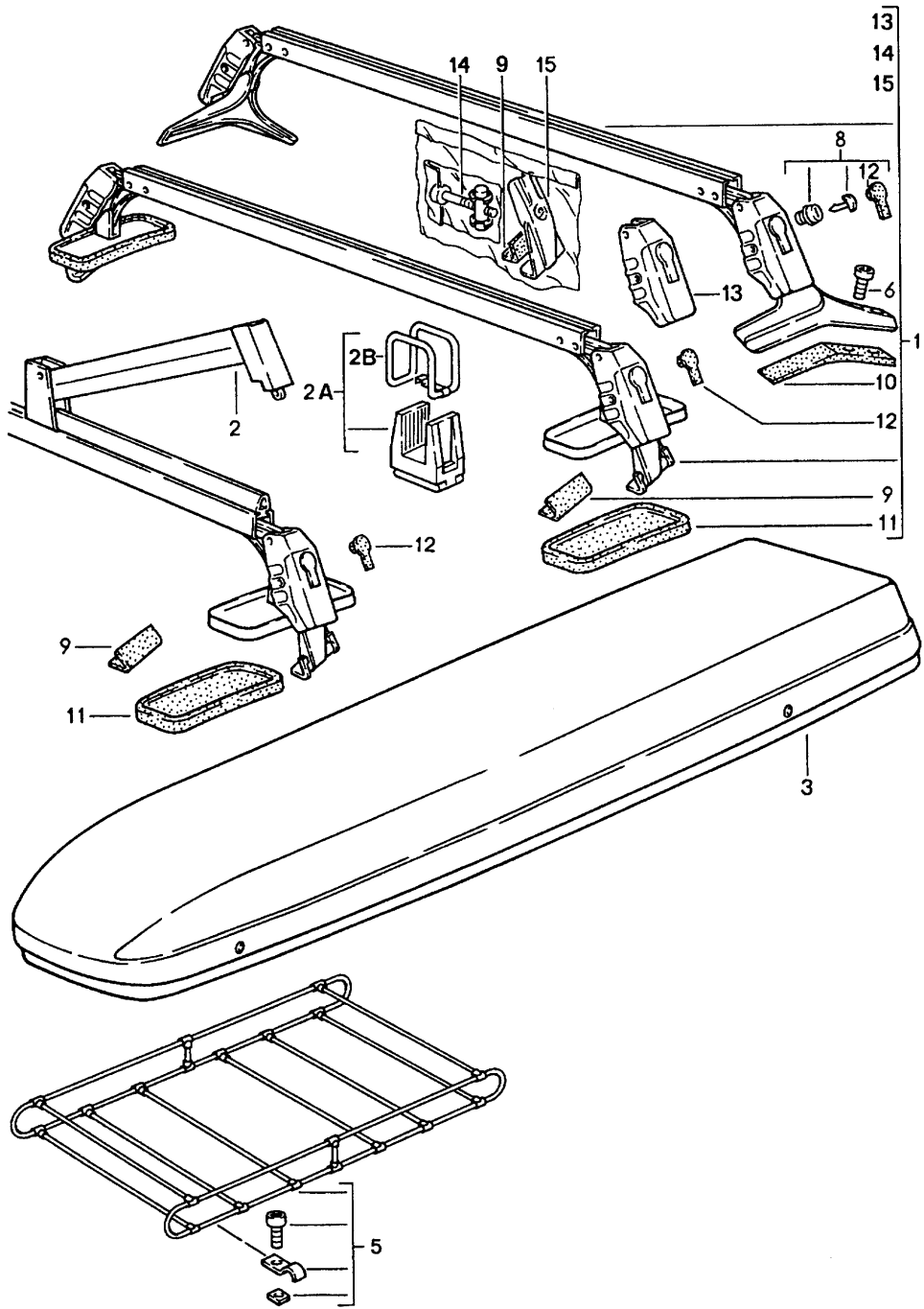
Model life 1989>>1991

Pos	Part Number	Description	Remark	Qty	Model
-	944 111 064 00	Hook for Rear muffler Deleted The Winged rear apron Use also:		2	
-	999 703 326 40	Stopper		4	
-	928 006 901 00	Sticker Drawbar load		1	
-	111 919 209 A	Indicator light		1	
-	900 631 132 90	Bulb 12V/1,2W		1	
-	431 953 231	Relay		1	



Model: 944 89

Model life 1989>>1991

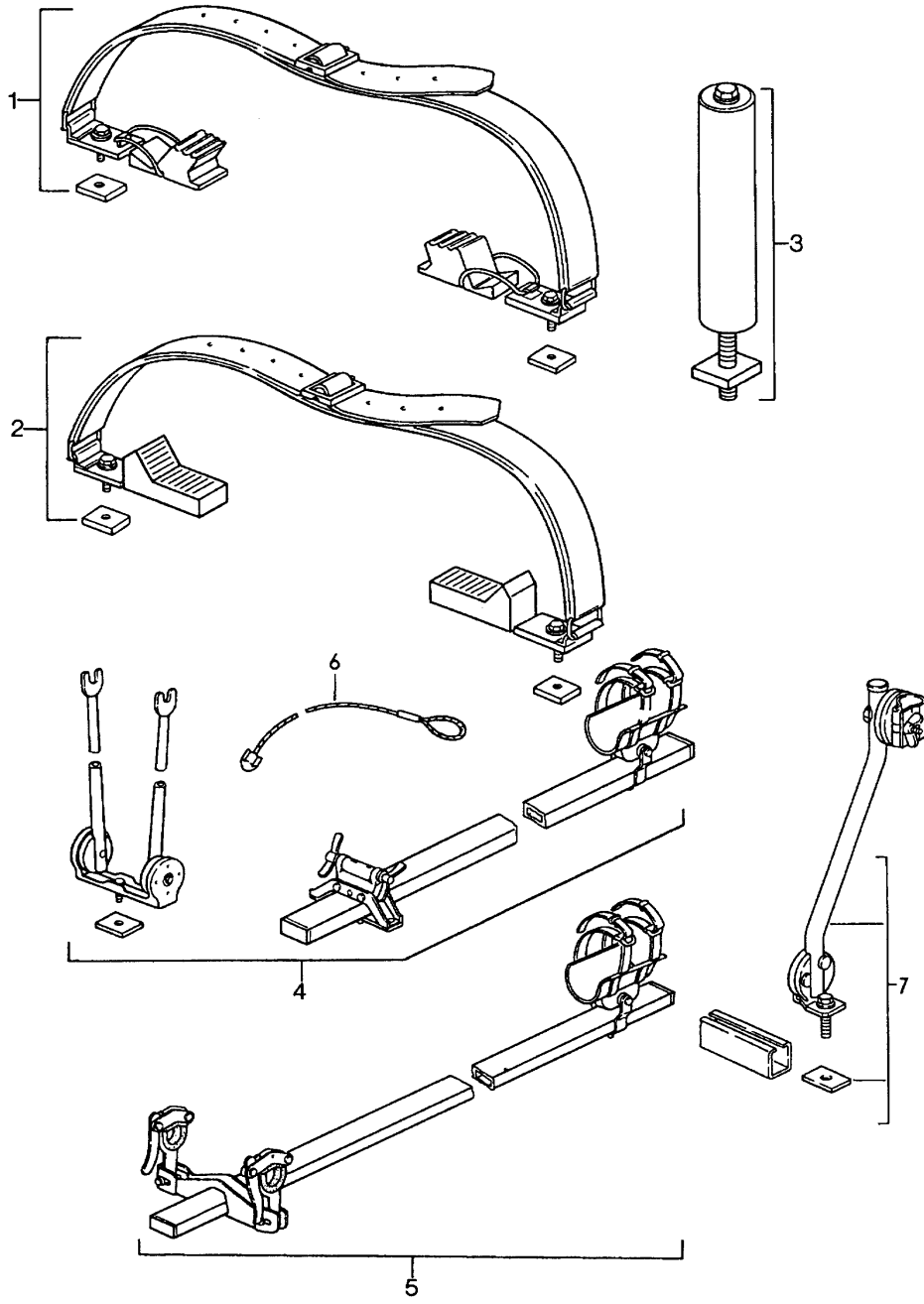


Model: 944 89 Model life 1989>>1991

Pos	Part Number	Description	Remark	Qty	Model
1	944 801 005 00	Roof transport system Roof rack 1 set		1	
2	928 801 061 02	Clamping bow 1 set		1	
2A	928 801 903 02	Rubber support for skis		1	
2B	928 801 193 02	Retaining strap		1	
3	928 801 063 02	Ski box	/L	1	
3	928 801 064 02	Ski box	/R	1	
5	928 801 081 02	Roof luggage rack set Set		1	
6	999 119 012 07	Pan-head screw		4	
8	928 801 011 02	Cylinder lock with keys		2	
9	477 091 145	Protection cap		2	
10	477 091 151 A	Protective rubber	/L	1	
(10)	477 091 152 A	Protective rubber	/R	1	
11	928 801 267 02	Rubber plate		2	
12	928 801 111 02	Protection cap		4	
13	928 801 107 02	Lid		2	
14	944 801 901 01	Parts kit Comprising: Bolt Screw Lock		X 1 1 2	
15	944 801 901 00	Parts kit Comprising: Support Desk pad Screw Washer		X 2 2 2 2	

Model: 944 89

Model life 1989>>1991



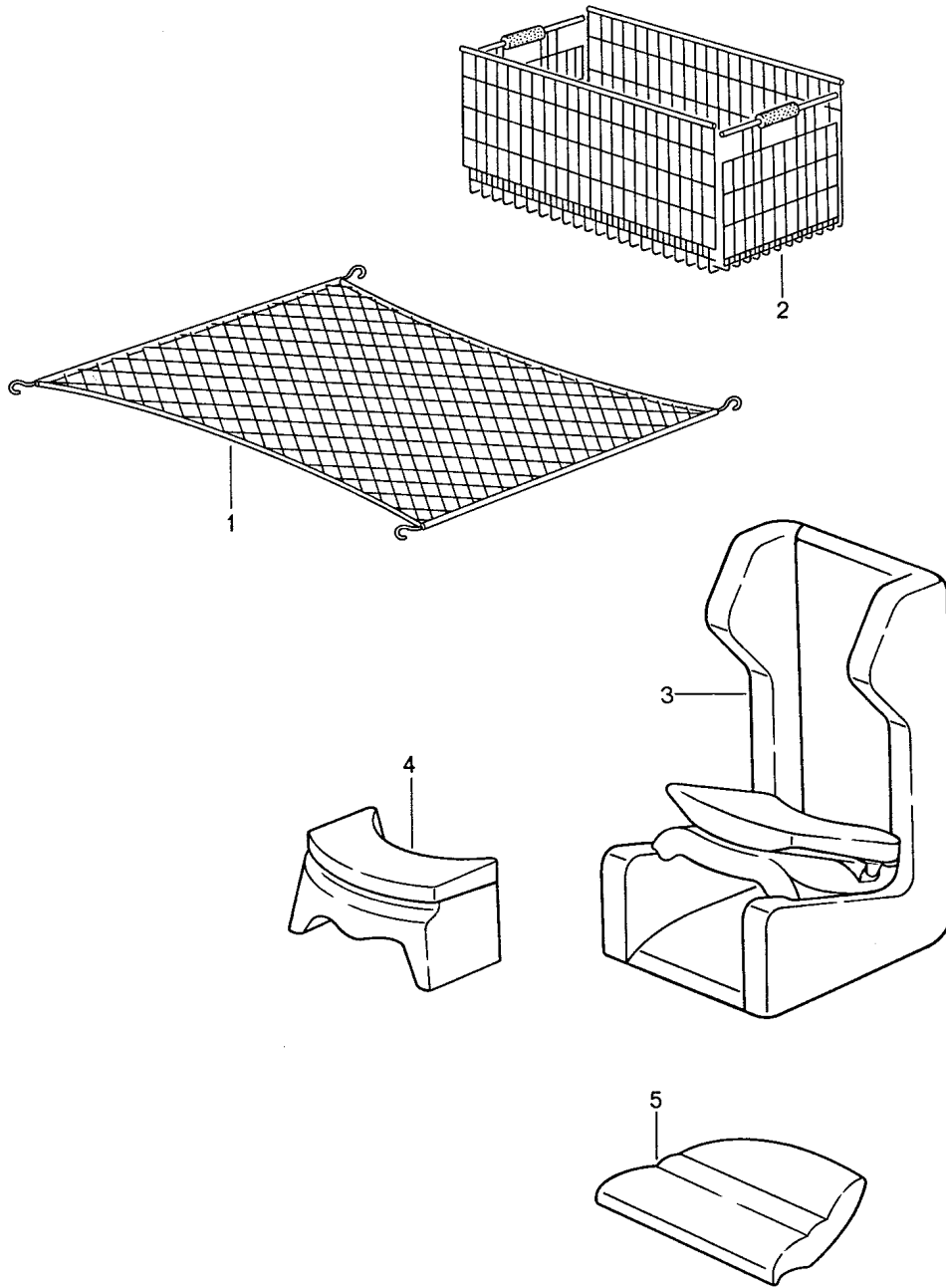
Model: 944 89

Model life 1989&gt;&gt;1991

Pos	Part Number	Description	Remark	Qty	Model
1	928 801 019 02	Roof transport system		1	
2	928 801 017 02	Set of surf board supports		1	
3	928 801 085 02	Set - canoe carrier		1	
4	928 801 093 02	Ladder support mandrel 1 set		1	
5	928 801 095 02	Set - bike carrier for Racing bike		1	
6	928 801 079 02	Set - bike carrier for Standard bike		1	
7	928 801 097 02	Safety rope for Anti-theft protection Support for bicycle		1	

Model: 944 89

Model life 1989>>1991



Model: 944 89 Model life 1989>>1991

Pos	Part Number	Description	Remark	Qty	Model
		Accessories			
1	477 863 539	Luggage net		1	
2	000 043 002 00	Car basket Foldable		1	
3	944 522 051 01	Child car seat Up to 4 years		1	
4	928 522 050 00	Child car seat Older than 4 years Only together with		1	
5	944 522 159 00	Child car seat cushion	/L	1	
	944 522 159 00 4CR	Black for Back seat			
5	944 522 160 00	Child car seat cushion	/R	1	
	944 522 160 00 4CR	Black for Back seat			
-	000 043 081 00	Floor mat Rubber 1 set		1 2	

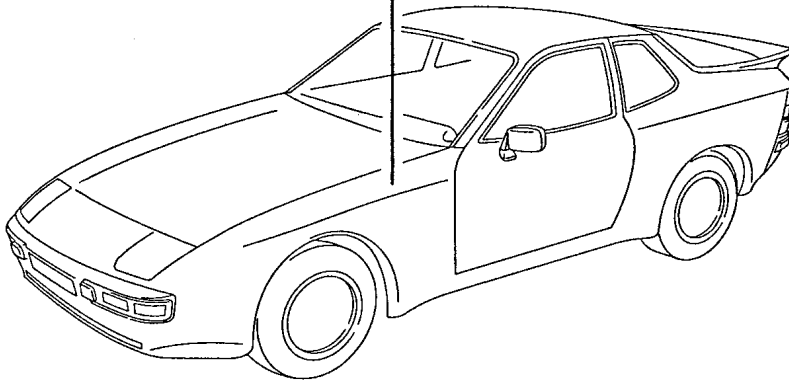
Model: 944 89

Model life 1989>>1991

FARBNUMMER  
COLOUR NUMBER  
NUMERO DE COULEUR  
NUMERO COLORE  
NUMERO DE COLOR

**80K19 2**  
**GUARDS RED**  
**INDISCHROT**  
**G1**

FARB BENENNUNG  
COLOUR  
COULEUR  
COLORE  
COLOR



Model: 944 89 Model life 1989>>1991

Pos	Part Number	Description	Remark	Qty	Model
-	L 090 E01	Paint touch-up applicator Paint touch-up applicator Paint Alpine white		X	L 90E
-	L 0Y5 D01	Paint Azure blue		X	L Y5D
-	L 0M3 A01	Paint Guards red		X	L M3A
-	911 095 932 20	Paint touch-up applicator	-90	X	L 041
-	911 095 932 20 700	Black			
-	L 0M3 B01	Paint touch-up applicator Rubystone red	91-	X	L M3B
-	L 0M5 A01	Paint touch-up applicator Maritime blue	91-	X	L M51
-	911 095 932 20	Paint touch-up applicator	91-	X	
	911 095 932 20 908	Grand prix white			
	911 095 932 20 80K	Guards red	91-		
	911 095 932 20 82N	Rubystone red	91-		
	911 095 932 20 38B	Maritime blue	91-		
		Paint touch-up applicator Set Comprising: Paint touch-up applicator Top-coat paint Paint touch-up applicator Clear lacquer			
-	L 0Y9 Y02	Paint Satin black metallic	-90	X	L Y9Y
-	L 0Y7 U02	Paint Stone grey metallic	-90	X	L Y7U
-	L 0Y7 Y02	Paint Zermatt silver metallic	-90	X	L Y7Y
-	L 0Y5 U02	Paint Glacier blue metallic		X	L Y5U
-	L 0Y1 Z02	Paint Bamboo metallic	-90	X	L Y1Z
-	L 0M3 U02	Paint Velvet red metallic	-90	X	L M3U
-	L 0M5 P02	Paint Baltic blue metallic	-90	X	L M5P
-	L 0M1 U02	Paint Linen grey metallic	-90	X	L M1U
-	L 0Y7 T02	Paint Crystal silver metallic		X	L Y7T
-	L 0Y9 Z02	Paint Panther black metallic		X	L Y9Z
-	L 0Y7 P02	Paint Titanium metallic		X	L Y7P
-	L 0Z3 T02	Paint touch-up applicator Cyclamen red metallic		X	L Z3T
-	L 0M5 N02	Paint touch-up applicator Cobalt blue metallic	91-	X	L M5N
-	911 095 933 20	Paint touch-up applicator	91-	X	
	911 095 933 20 738	Black-metallic			
	911 095 933 20 38A	Amethyst metallic	91-		
	911 095 933 20 22D	Slate grey metallic	91-		
	911 095 933 20 92E	Polar silver metallic	91-		
	911 095 933 20 37W	Midnight Blue Metallic	91-		
	911 095 933 20 37U	Cobalt blue metallic	91-		



Model: 944 89

Model life 1989>>1991



Model: 944 89

Model life 1989&gt;&gt;1991

Pos	Part Number	Description	Remark	Qty	Model
-	928 101 921 00	Securing liquid Sealing compound Preservative agent Securing liquid Loctite -270- 10 CCM		X	
-	000 043 012 00	High strength Loctite -221- 10 CCM		X	
-	000 043 306 48	Low strength Loctite -221- 10 CCM		X	
-	000 043 010 00	Low strength Sealing compound Loctite -574- 50 CCM		X	
-	000 043 011 00	Loctite -638- 10 CCM		X	
-	000 043 013 00	for Balance shaft Loctite		X	
-	AMV 176 000 05	Adhesive remover -80646- Spraying can Adhesive sealing compound 310 CCM		1	
-		Loctite for pasting Metal Glass Ceramics Thermoset plastic		X	
-	000 043 051 00	Adhesive set Comprising: Loctite Loctite -317- 50 CCM		X	
-	000 043 202 65	Loctite AKTIVATOR NF 736 180 CCM		X	
-	000 043 019 01	Sealing compound SILASTIK 730 RTV 90 CCM		X	
-	PCG 043 019 01	Sealing compound SILASTIK 730 RTV 90 CCM		X	
-	PCG 043 300 86	Sealing compound Loctite 5920 80 CCM		X	
-	000 043 004 00	Mounting paste Optimoly ht 1 90-gramme tube		X	
-	000 043 020 00	Optimoly Mounting paste OPTIMOLY - TA 1 100-gramme tube Silver		X	

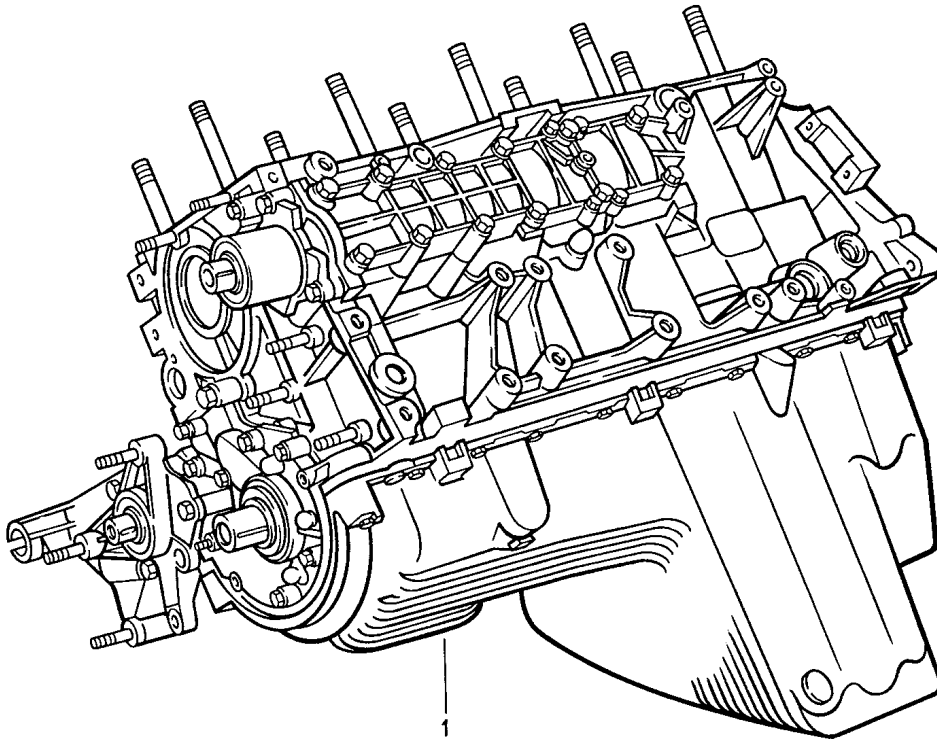
Model: 944 89

Model life 1989&gt;&gt;1991

Pos	Part Number	Description	Remark	Qty	Model
-	000 043 110 01	Grease OPTITEMP PU35 1 100-gramme tube		X	
-	000 043 204 21	Grease for lock cylinder Spraying can		X	
-	G 052 778 A2	Grease for lock cylinder Spraying can Preservative agent		X	
-	999 571 062 00	Care kit Comprising: Suitcase		1	
-	999 901 013 40	Liquid preservative		1	
-	999 901 014 41	Car shampoo		1	
-	999 901 015 40	Polisher		1	
-	999 901 016 40	Tar remover		1	
-	999 901 017 40	Dashboard cleaner		1	
-	999 901 018 40	Paint polish		1	
-	999 901 019 41	Insect remover		1	
-	999 901 020 40	Spot remover		1	
-	999 901 021 40	Polishing cotton		1	
-	999 901 022 40	Polishing cloth		1	
-	000 044 000 02	Leather care 250 ML		X	
-	999 901 017 41	Window cleaner Summer 250 ML		X	
-	999 901 017 42	Window cleaner Summer 250 ML		X	
-	000 044 000 87	Window cleaner Summer 250 ML		X	
-	999 901 033 40	Window cleaner Winter 1000 ML		X	
-	999 901 036 40	Car shampoo Refilling bottle 1000 ML		X	
-	999 917 803 00	Window cleaner Spray bottle 250 ML		X	
-	928 628 931 00	Silicone remover 1000 ML		X	
-	000 044 000 93	Silicone remover 1000 ML		X	
-	999 901 030 40	Rim cleaner Spray bottle 500 ML		X	
-	999 901 031 40	Rim cleaner Refilling bottle 1000 ML		X	

Model: 944 89

Model life 1989>>1991

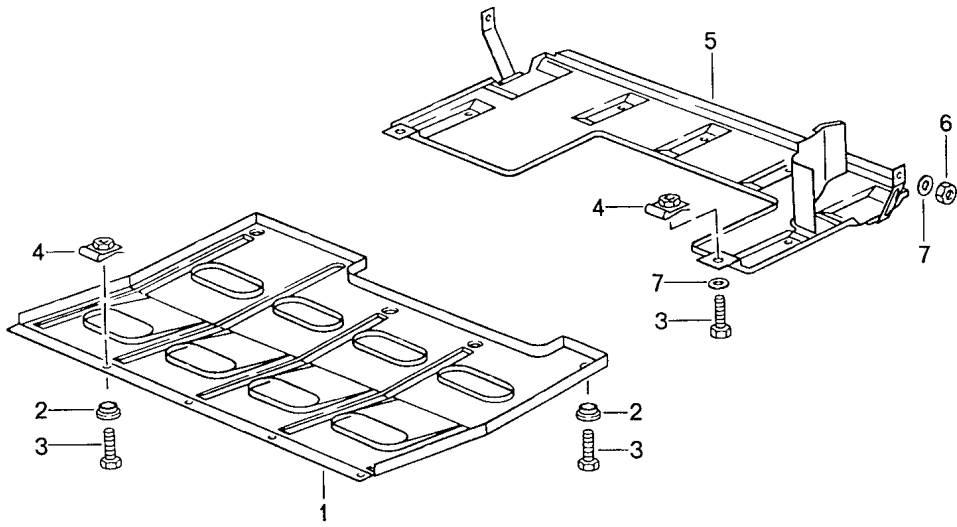


Model: 944 89 Model life 1989>>1991

Pos	Part Number	Description	Remark	Qty	Model
1	944 100 902 05	Short engine Crankcase		1	M44.11/12 M44..F
1	944 100 902 EX	Short engine		1	M44.11/12 M44..F
1	944 100 902 06	Short engine		1	M44.41 M44..G
1	944 100 902 FX	Short engine		1	M44.41 M44..G
1	944 100 902 02	Short engine		1	M44.52 M44..C
1	944 100 902 BX	Short engine		1	M44.52 M44..C
-	944 100 961 00	Crankcase with Threaded bolt Differential housing without Crankshaft Piston Balance shaft Oil pan Oil pump Oil-water radiator		1	M44.11/12 M44..C
-	944 100 962 00	Crankcase with Threaded bolt Differential housing without Crankshaft Piston Balance shaft Oil pan Oil pump Oil-water radiator		1	M44.41 M44..G

Model: 944 89

Model life 1989>>1991



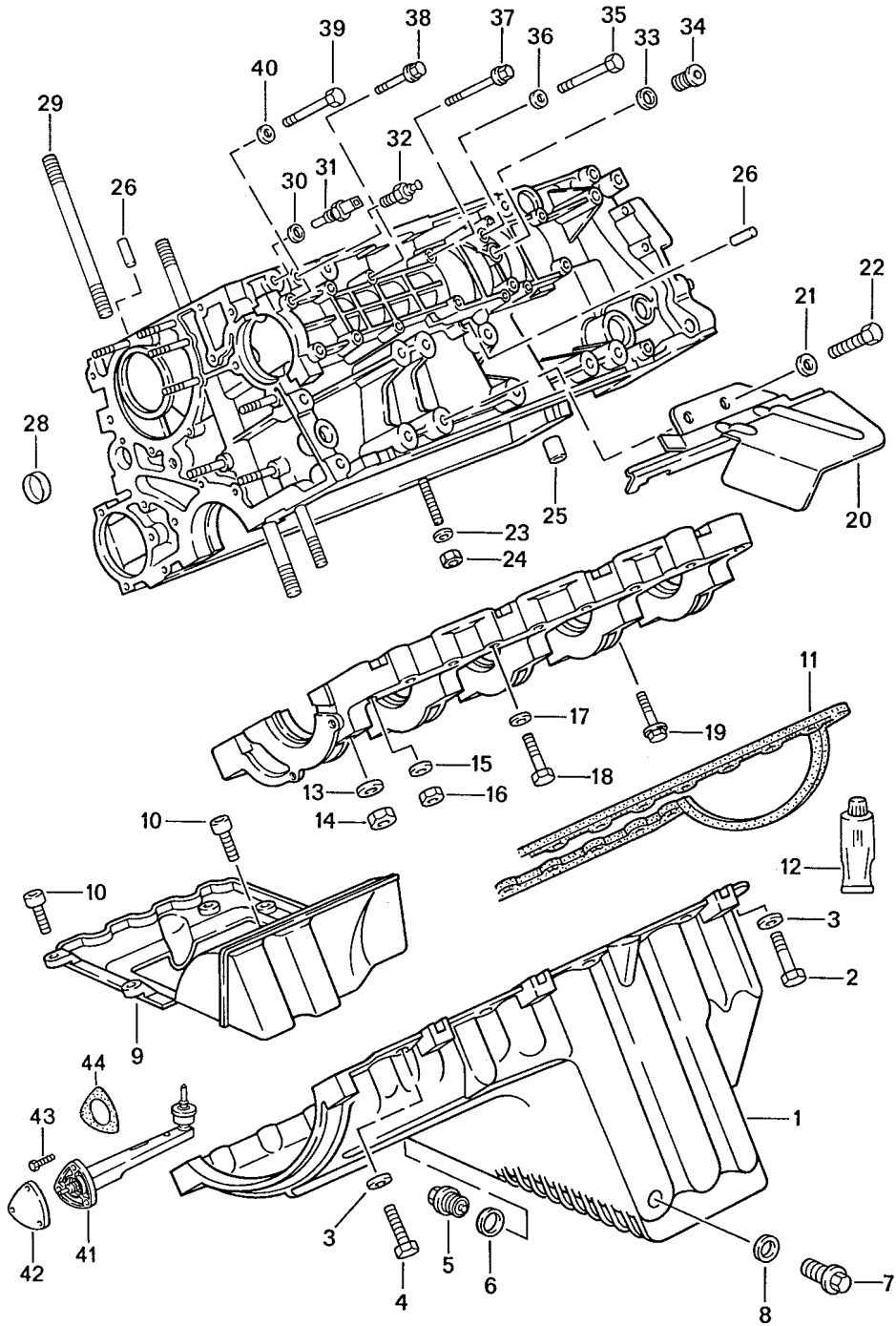
Model: 944 89

Model life 1989>>1991

Pos	Part Number	Description	Remark	Qty	Model
1	944 504 167 01	Protective plate		1	
2	944 503 257 00	Protective plate		8	
3	N 010 215 13	Spacer		11	
		Hexagon-head bolt			
		M 6 X 15			
4	999 507 326 02	Captive nut		3	
5	951 504 069 00	Protective plate		1	TURBO
6	900 076 010 02	Nut		2	TURBO
6	900 076 010 0B	Nut		2	TURBO
7	N 011 666 7	Washer		5	TURBO

Model: 944 89

Model life 1989>>1991





Model: 944 89

Model life 1989&gt;&gt;1991

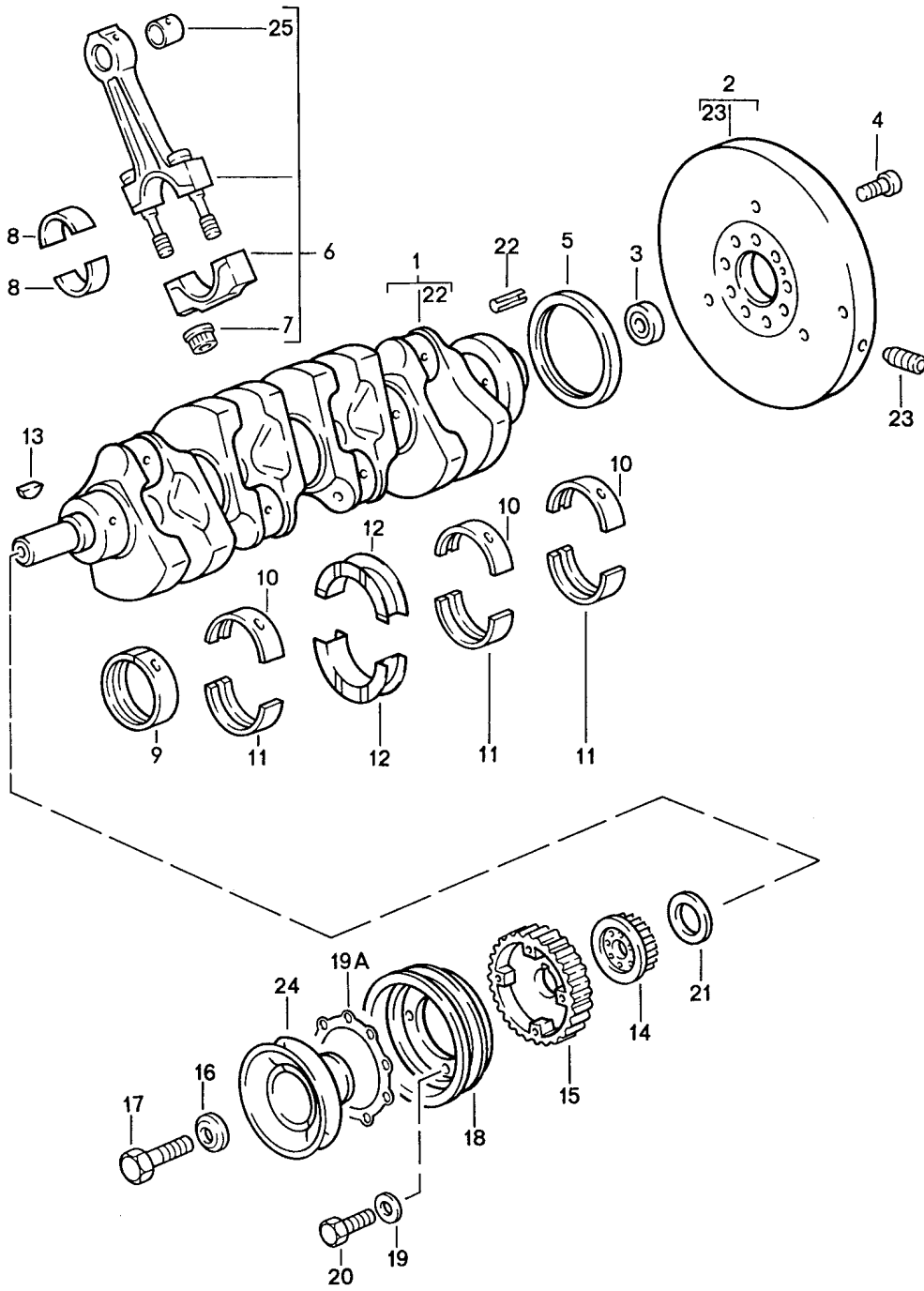
Pos	Part Number	Description	Remark	Qty	Model
1	944 101 201 14	Crankcase Mounting parts Oil pan M --46K M --46K M --47K		1	M44.11/12/52 M44.11 M44.12 M44.52
1	944 101 204 00	Oil pan		1	M44.41/52
2	N 040 259 1	Hexagon-head bolt M 6 X 50		4	
3	N 011 524 7	Washer		22	
3	N 011 524 27	Washer		22	
4	900 075 017 02	Hexagon-head bolt M 6 X 25		18	
4	900 075 017 03	Hexagon-head bolt M 6 X 25		18	
5	944 107 197 01	Screw plug		1	
6	900 123 118 30	Sealing ring		1	
7	N 016 164 1	Screw plug		1	
8	900 123 049 30	Sealing ring		1	
9	944 107 389 02	Insert for oil sump M --46K M --46K M --47K		1	M44.11 M44.12 M44.52
9	944 107 389 03	Insert for oil sump		1	M44.41/52
10	900 119 001 02	Pan-head screw M 5 X 12		7	
10	900 976 003 01	Pan-head screw M 5 X 12		7	
11	944 101 205 02	Oil sump gasket		1	
12	000 043 019 01	Sealing compound 1 tube SILASTIK 730 RTV		X	
12	PCG 043 019 01	Sealing compound 1 tube SILASTIK 730 RTV		X	
12	000 043 010 00	Loctite 574 1 50-g tube		1	
13	944 104 229 00	Washer		10	
14	N 011 020 8	Hexagon nut M 12 X 1,5		10	
14	900 034 036 01	Hexagon nut M 12 X 1,5		10	
15	928 101 303 00	Washer		7	
16	N 011 010 13	Hexagon nut M 10		7	
17	900 025 007 02	Washer		7	
17	900 025 007 03	Washer		7	
18	900 074 040 02	Hexagon-head bolt M 8 X 50		7	
19	900 075 345 02	Combination screw M 6 X 35		5	
19	900 075 345 01	Combination screw M 6 X 35		5	
20	944 101 033 04	Heat shield		1	
21	900 025 007 02	Washer		2	
21	900 025 007 03	Washer		2	
22	900 075 085 02	Hexagon-head bolt		2	
23	N 011 524 7	Washer		1	
23	N 011 524 27	Washer		1	
24	900 076 010 02	Nut		1	
24	900 076 010 0B	Nut		1	
25	928 101 195 03	Fitting bushing		1	

Model: 944 89 Model life 1989>>1991

Pos	Part Number	Description	Remark	Qty	Model
26	999 012 034 00	Straight pin 8 X 12		4	
28	N 011 919 1	Lid \$ 25 MM		2	
28	N 011 920 1	Lid \$ 26 MM		2	
29	944 101 197 01	Stud		10	M44.11/12
29	944 101 197 00	Stud		10	M44.52
29	944 101 197 03	Stud		10	M44.41
30	900 123 101 30	Sealing ring		1	
31	944 606 125 00	Temperature sensor		1	
32	928 606 201 01	Remote temperature sensor		1	
33	900 123 007 30	Sealing ring		1	
34	900 219 002 02	Screw plug		1	
35	900 074 326 08	Hexagon-head bolt M 8 X 58		4	
35	900 074 326 01	Hexagon-head bolt M 8 X 58		4	
36	999 025 141 02	Washer		4	
37	900 075 344 02	Hexagon-head bolt M 6 X 50 Z1		16	
37	900 075 344 01	Hexagon-head bolt M 6 X 50 Z1		16	
38	900 075 349 02	Hexagon-head bolt M 6 X 42 Z1		4	
39	900 074 139 02	Hexagon-head bolt M 8 X 55		X	
39		Hexagon-head bolt M 8 X 65		4	M657
39	900 074 139 03	Hexagon-head bolt M 8 X 55		X	
39		Hexagon-head bolt M 8 X 65		4	M657
40	900 025 007 02	Washer		8	
40	900 025 007 03	Washer		8	
41	944 613 150 00	Sender for Oil level		1	
42	944 101 329 01	Lid		1	
43	999 074 035 02	Hexagon-head bolt M 5 X 20		3	
44	944 101 233 02	Gasket		1	
-	999 062 044 02	Stud for Chain adjuster M 8 X 30		3	
-	999 062 093 02	Stud for Water pump M 6 X 35		3	
-	999 062 095 02	Stud for Water pump M 6 X 32		1	
-	999 062 258 08	Stud M 10 X 55		7	
-	944 101 185 05	Stud		2	
-	944 101 185 06	Stud M 12 X 110		8	

Model: 944 89

Model life 1989>>1991



Model: 944 89 Model life 1989>>1991

Pos	Part Number	Description	Remark	Qty	Model
		Crankshaft			
		Connecting rod			
1	944 102 015 13	Crankshaft		1	M44.11/12/52
1	944 102 015 11	Crankshaft		1	M44.41
2	944 102 051 01	Flywheel		1	M44.11
2	944 102 053 02	Flywheel		1	M44.12
2	944 102 105 07	Flywheel		1	M44.41
2	951 102 051 01	Flywheel		1	M44.52
3	931 102 111 00	Deep-groove ball bearing		1	
3	931 102 111 02	Deep-groove ball bearing		1	
4	930 102 206 00	Pan-head screw		9	
5	999 113 264 40	Radial sealing ring		1	
5	999 113 461 40	Radial sealing ring		1	
5	999 113 426 40	Radial sealing ring		1	
5	999 113 426 41	Radial sealing ring		1	
6	944 103 008 02	Connecting rod		4	
-	928 103 173 03	Connecting rod bolt		8	
7	928 103 172 02	Connecting rod nut		8	
8	928 103 143 02	Conrod bearing shell		8	
8	928 103 143 05	Connecting-rod bearing		8	
	928 103 143 05 002	Russet			
8	928 103 143 52	Conrod bearing shell Oversize 0.25 mm		X	
8	928 103 143 57	Conrod bearing shell Oversize 0.50 mm		X	
9	928 101 117 08	Main bearing bush i		1	
9	928 101 117 58	Main bearing bush i Undersize 0.25 mm		X	
9	928 101 117 68	Main bearing bush i Undersize 0.50 mm		X	
10	928 101 115 02	Main bearing shell		3	
	928 101 115 02 002	Upper half 2,4,5			
10	928 101 115 50	Main bearing shell Undersize 0.25 mm		X	
10	928 101 115 60	Main bearing shell OBERSCH Undersize 0.50 mm		X	
11	928 101 115 03	Main bearing shell		3	
	928 101 115 03 002	Lower half 2,4,5			
11	928 101 115 15	Main bearing shell Set Standard		3	
		Comprising: Lower half 2,4,5 Upper half 2,4,5			
11	928 101 115 16	Main bearing shell Set Standard		3	
		Comprising: Lower half 2,4,5 Upper half 2,4,5			
11	928 101 115 51	Main bearing shell Undersize 0.25 mm		X	
11	928 101 115 61	Main bearing shell Undersize 0.50 mm		X	
12	944 101 139 00	Thrust bearing		2	
	944 101 139 00 002	Yellow			
12	944 101 139 16	Thrust bearing		2	
12	928 101 133 53	Thrust bearing Undersize 0.25 mm		X	
12	928 101 133 63	Thrust bearing Undersize 0.50 mm		X	
13	900 117 036 00	Feather key		1	

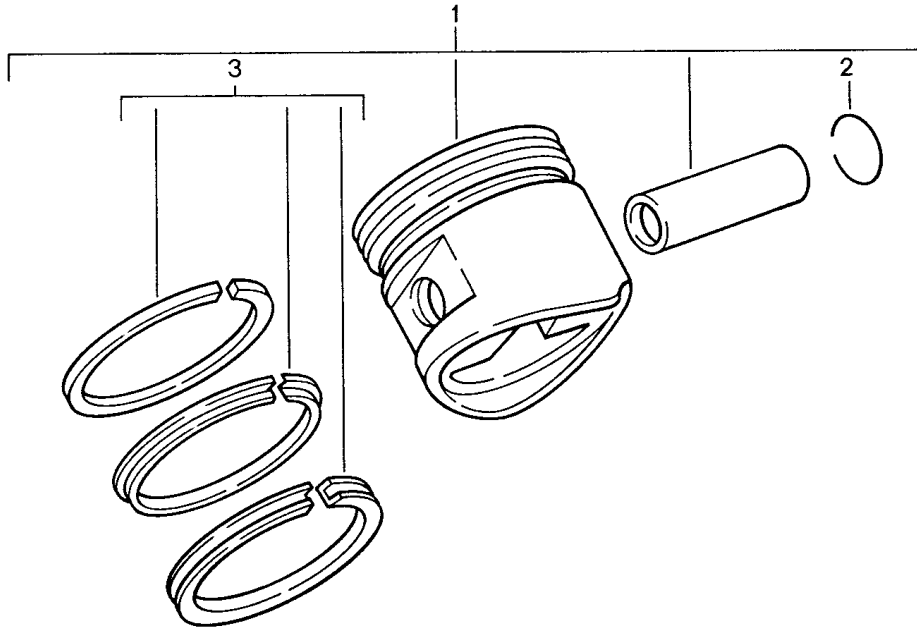
Model: 944 89

Model life 1989&gt;&gt;1991

Pos	Part Number	Description	Remark	Qty	Model
14	944 105 125 02	5 X 5 X 22 Gear wheel Driving mechanism Camshaft		1	M44.11/12/52
14	944 105 125 06	Gear wheel Driving mechanism Camshaft		1	M44.41
14	944 105 125 07	Gear wheel Driving mechanism Camshaft		1	M44.41
15	944 102 209 11	Gear wheel Driving mechanism Balance shaft		1	M44.11/12/52
15		Gear wheel Driving mechanism Balance shaft		1	M44.41
16	944 102 210 02	Washer		1	
17	900 082 085 02	Hexagon-head bolt M 16 X 1,5 X 60		1	
17	900 082 085 01	Hexagon-head bolt M 16 X 1,5 X 60		1	
18	944 102 116 12	Pulley		1	M44.11/12/52
18	944 102 123 06	Vibration damper		1	M44.41
19	900 031 011 02	Washer		X	M44.11/12
19A	944 102 124 00	Packing plate		1	M44.41
20	900 067 279 08	Pan-head screw		X	
21	900 234 127 00	Support washer		1	
22	900 095 031 00	Tensioning sleeve 6 X 16		1	
23	477 105 276	Threaded pin		3	
24	944 102 214 03	Pulley		1	M657
25	944 103 133 02	Piston pin bush		1	

Model: 944 89

Model life 1989>>1991



Model: 944 89

Model life 1989&gt;&gt;1991

Pos	Part Number	Description	Remark	Qty	Model
1	944 103 099 00	Piston Piston rings Piston Tolerance group 0 104,00 MM		4	M44.11/12
1	944 103 099 10	Piston Tolerance group 1 104,00 MM		4	M44.11/12
1	944 103 099 20	Piston Tolerance group 2 104,00 MM		4	M44.11/12
1	944 103 099 50	Piston Tolerance group 0 104,50		4	M44.11/12
1	944 103 099 60	Piston Tolerance group 1 104,50		4	M44.11/12
1	944 103 099 70	Piston Tolerance group 2 104,50		4	M44.11/12
1	944 103 068 00	Piston Tolerance group 0 104,00		4	M44.41
1	944 103 068 10	Piston Tolerance group 1 104,00		4	M44.41
1	944 103 068 20	Piston Tolerance group 2 104,00		4	M44.41
1	944 103 068 50	Piston Tolerance group 0 104,50		4	M44.41
1	944 103 068 60	Piston Tolerance group 1 104,50		4	M44.41
1	944 103 068 70	Piston Tolerance group 2 104,50		4	M44.41
1	951 103 091 01	Piston Tolerance group 0 100,00		4	M44.52
1	951 103 091 11	Piston Tolerance group 1 100,00		4	M44.52
1	951 103 091 21	Piston Tolerance group 2 100,00		4	M44.52
1	951 103 091 51	Piston Tolerance group 0 100,50		4	M44.52
1	951 103 091 61	Piston Tolerance group 1 100,50		4	M44.52
1	951 103 091 71	Piston Tolerance group 2 100,50		4	M44.52
2	N 012 277 1	Circlip		8	
3	944 103 902 24	Set of piston rings 104,00		4	M44.11/12
3	944 103 902 25	Set of piston rings 104,50		4	M44.11/12
3	944 103 902 60	Set of piston rings 104,00		4	M44.41

Model: 944 89

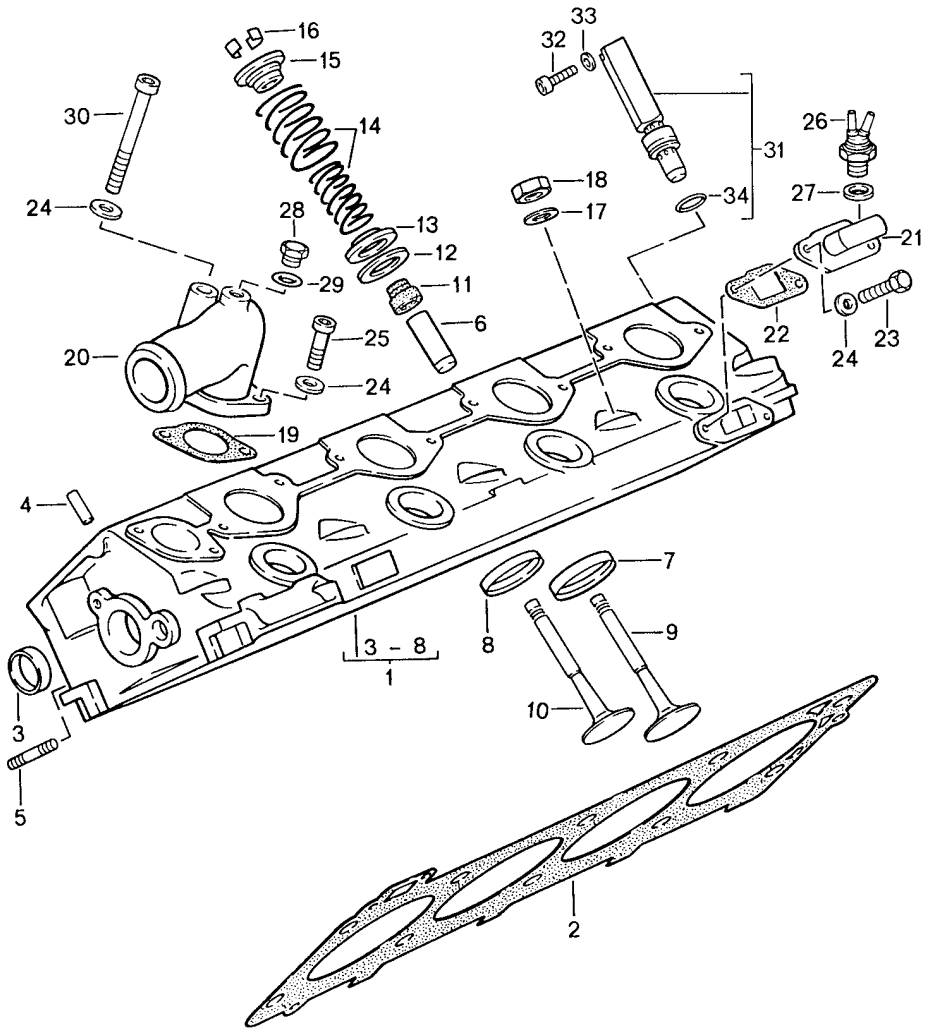
Model life 1989&gt;&gt;1991

Pos	Part Number	Description	Remark	Qty	Model
3	944 103 902 61	Set of piston rings 104,50		4	M44.41
3	951 103 901 02	Set of piston rings 100,00		4	M44.52
3	951 103 901 03	Set of piston rings 100,50		4	M44.52



Model: 944 89

Model life 1989>>1991



Model: 944 89 Model life 1989>>1991

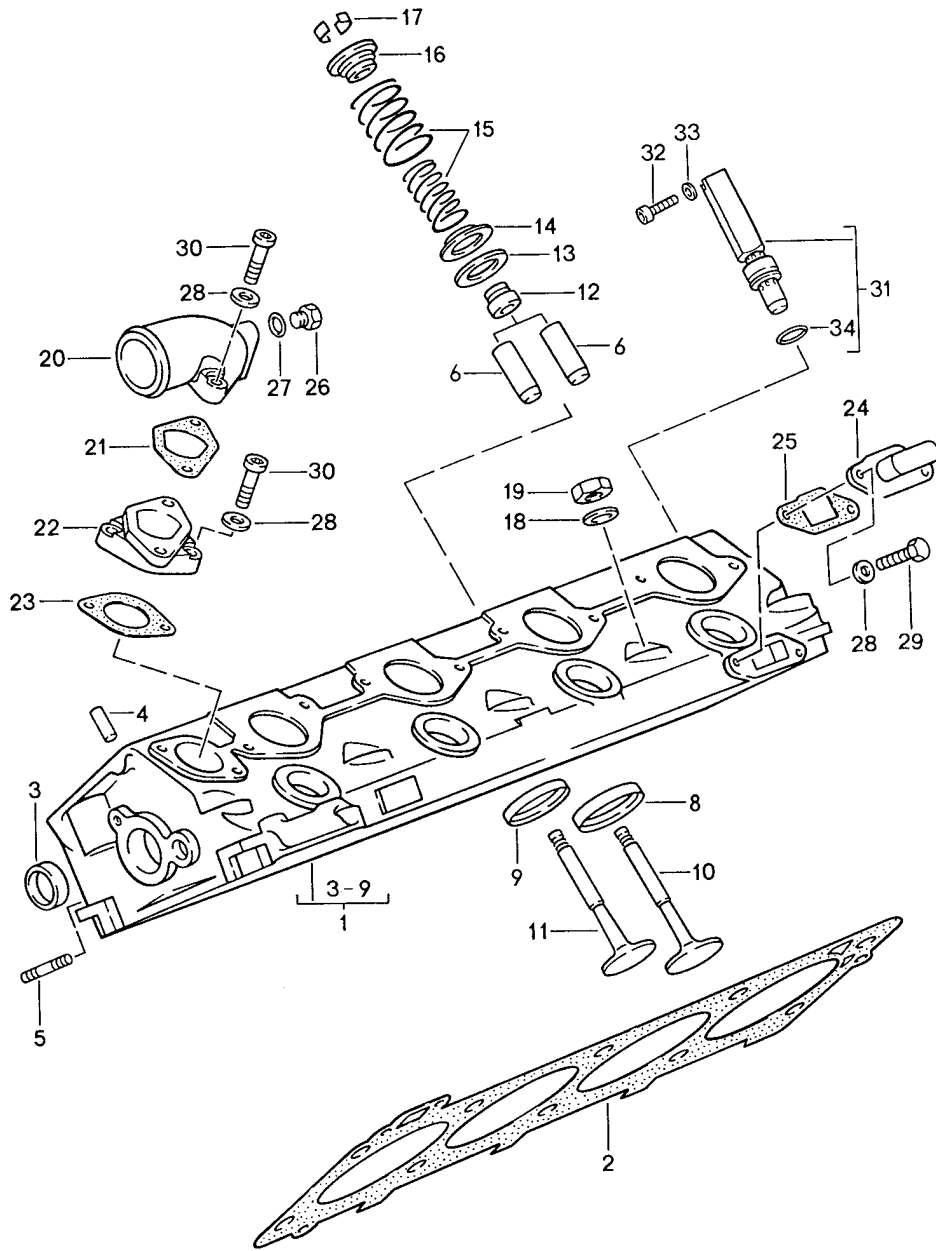
Pos	Part Number	Description	Remark	Qty	Model
		Cylinder head Valves			M44.11/12
1	944 104 040 02	Cylinder head		1	
2	944 104 394 04	Cylinder head gasket		1	
(2)	944 104 394 51	Cylinder head gasket for Recond. cylinder heads		1	
3	900 036 005 02	Lid		2	
4	900 302 019 00	Straight pin		2	
5	999 062 044 02	Stud M 8 X 30		8	
6	944 104 328 51	Valve guide 1st oversize		8	
7	944 104 332 50	Valve seat ring Intake Oversize		4	
8	944 104 347 50	Valve seat ring Exhaust Oversize		4	
9	944 105 409 03	Intake valve		4	
10	944 105 418 00	Exhaust valve		4	
-	000 043 204 48	Sleeve for Valve stem seal		X	
11	964 104 111 06	Valve stem seal		8	
(11)	964 104 111 07	Valve stem seal		8	
12	928 105 468 03	Washer 0,5		X	
12	928 105 470 03	Washer 1,0		X	
13	928 105 469 06	Washer		8	
14	928 105 905 09	Set of valve springs		8	
15	928 105 449 04	Concave washer		8	
16	901 105 417 00	Collet		16	
17	944 104 229 00	Washer		10	
18	999 076 043 02	Hexagon nut M 12 X 1,5		10	
19	944 104 311 01	Gasket		1	
20	944 104 315 04	Cooling water socket		1	
21	944 104 317 05	Adapter		1	
22	928 106 197 04	Gasket		1	
23	900 075 079 02	Hexagon-head bolt M 8 X 22		2	
24	900 025 007 02	Washer A 8,4		4	
24	900 025 007 03	Washer A 8,4		4	
25	N 014 725 2	Pan-head screw M 8 X 25		2	
25	900 067 018 03	Pan-head screw M 8 X 25		2	
26	928 110 128 01	Thermo valve		1	
27	N 013 808 3	Sealing ring A 10 X 16		1	
28	931 106 156 00	Screw plug		1	
29	N 013 830 7	Sealing ring A 8 X 12		1	
30	N 044 732 1	Pan-head screw M 8 X 75		1	
31	944 107 239 01	Pressure relief valve		1	
32	N 014 740 2	Pan-head screw		1	
32	N 014 740 11	Pan-head screw		1	
33	N 013 841 2	Sealing ring		1	

Model: 944 89 Model life 1989>>1991

Pos	Part Number	Description	Remark	Qty	Model
34	999 707 078 40	O-ring		1	

Model: 944 89

Model life 1989>>1991

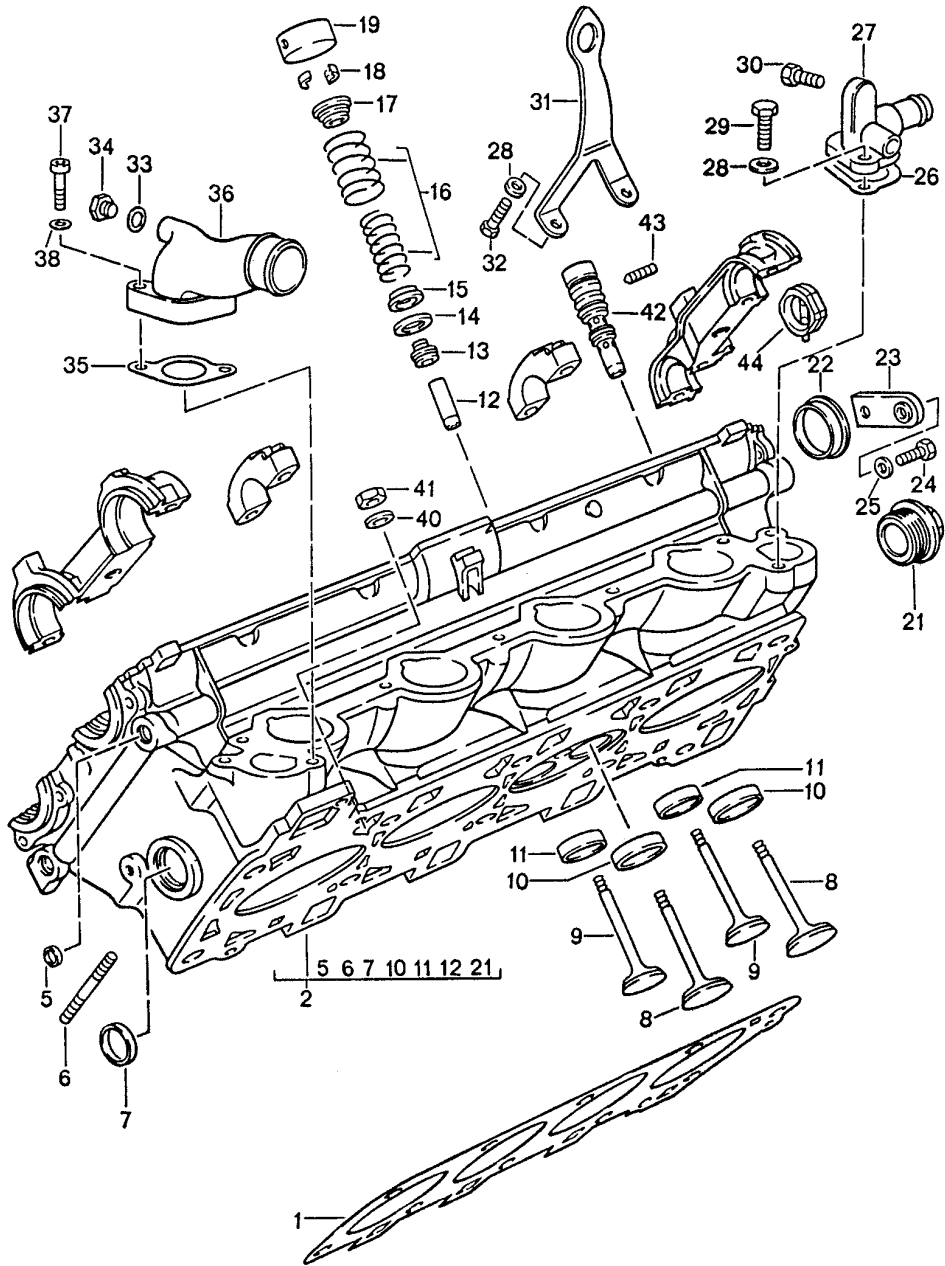


Model: 944 89 Model life 1989>>1991

Pos	Part Number	Description	Remark	Qty	Model
		Cylinder head Valves			M44.52
1	951 104 038 04	Cylinder head		1	
2	951 104 374 02	Cylinder head gasket		1	
(2)	951 104 374 50	Cylinder head gasket for Recond. cylinder heads		1	
3	900 036 005 02	Lid		2	
4	900 302 019 00	Straight pin		2	
5	999 062 044 02	Stud M 8 X 30		8	
6	944 104 328 51	Valve guide 1st oversize		8	
8	951 104 331 50	Valve seat ring Intake Oversize		4	
9	951 104 333 51	Valve seat ring Exhaust Oversize		4	
10	951 105 415 00	Intake valve		4	
11	951 105 416 07	Exhaust valve		4	
-	000 043 204 48	Sleeve for Valve stem seal		X	
12	951 104 195 01	Valve stem seal		8	
13	928 105 468 03	Washer 0,5 MM		X	
13	928 105 470 03	Washer 1,0 MM		X	
14	928 105 469 06	Washer		8	
15	951 105 905 10	Set of valve springs		8	
16	928 105 449 04	Concave washer		8	
17	901 105 417 00	Collet		16	
18	944 104 229 00	Washer		10	
19	999 076 043 02	Hexagon nut M 12 X 1,5		10	
20	951 104 315 00	Cooling water socket		1	
21	951 104 311 03	Gasket		1	
22	951 104 313 00	Intermediate piece		1	
23	944 104 311 06	Gasket		1	
24	944 104 317 05	Adapter		1	
25	928 106 197 04	Gasket		1	
26	931 106 156 00	Screw plug		1	
27	N 013 830 7	Sealing ring A 8 X 12		1	
28	900 025 007 02	Washer A 8,4		6	
28	900 025 007 03	Washer A 8,4		6	
29	N 044 704 1	Pan-head screw M 8 X 28		4	
30	N 014 777 2	Pan-head screw		4	
31	944 107 239 01	Pressure relief valve		1	
32	N 014 740 2	Pan-head screw		1	
32	N 014 740 11	Pan-head screw		1	
33	N 013 841 2	Sealing ring		1	
34	999 707 078 40	O-ring		1	
-	928 110 128 01	Thermo valve		1	
-	N 013 808 3	Sealing ring		1	

Model: 944 89

Model life 1989>>1991



Model: 944 89 Model life 1989>>1991

Pos	Part Number	Description	Remark	Qty	Model
		Cylinder head Valves			M44.41
1	944 104 394 04	Cylinder head gasket		1	
(1)	944 104 394 51	Cylinder head gasket for Recond. cylinder heads		1	
2	944 104 013 05	Cylinder head		1	
5	N 011 918 1	Lid		X	
6	999 062 139 02	Stud BM 8 X 26		12	
7	900 036 014 02	Lid		1	
8	928 105 641 05	Intake valve		8	
9	928 105 642 06	Exhaust valve		8	
-	000 043 204 45	Sleeve for Valve stem seal		X	
10	928 104 611 17	Valve seat ring Intake Oversize 0.25 mm		8	
11	928 104 612 14	Valve seat ring Exhaust Oversize 0.25 mm		8	
12	944 104 327 51	Valve guide 1st oversize		16	
13	928 104 601 07	Valve stem seal	-90	16	
13		Valve stem seal		16	
14	944 105 465 02	Washer 0,5 MM		X	
14	944 105 465 03	Washer 1,0 MM		X	
14	944 105 465 04	Washer 1,5 MM		X	
15	944 105 463 02	Washer		16	
16	944 105 907 03	Set of valve springs		16	
16	944 105 907 07	Set of valve springs		16	
17	944 105 467 03	Concave washer		16	
18	928 105 221 10	Valve collet		32	
19	928 105 312 02	Hydraulic valve tappet		16	
21	944 104 228 00	Screw plug		1	
21	944 104 228 01	Screw plug		1	
22	928 105 215 00	Lid		3	
23	928 105 205 00	Support		3	
24	900 075 016 02	Hexagon-head bolt M 6 X 22		3	
24	900 075 016 03	Hexagon-head bolt M 6 X 22		3	
25	N 011 524 7	Washer A 6,4		3	
25	N 011 524 27	Washer A 6,4		3	
26	928 106 167 01	Gasket		1	
27	928 104 713 03	Adapter		1	
28	900 025 007 02	Washer A 8,4		7	
28	900 025 007 03	Washer A 8,4		7	
29	900 075 029 09	Hexagon-head bolt M 8 X 25		2	
29	900 075 029 03	Hexagon-head bolt M 8 X 25		2	
30	N 010 113 4	Hexagon-head bolt		1	
31	944 104 415 01	Shackle for transportation		1	
32	N 012 241 11	Spring washer		2	

Model: 944 89

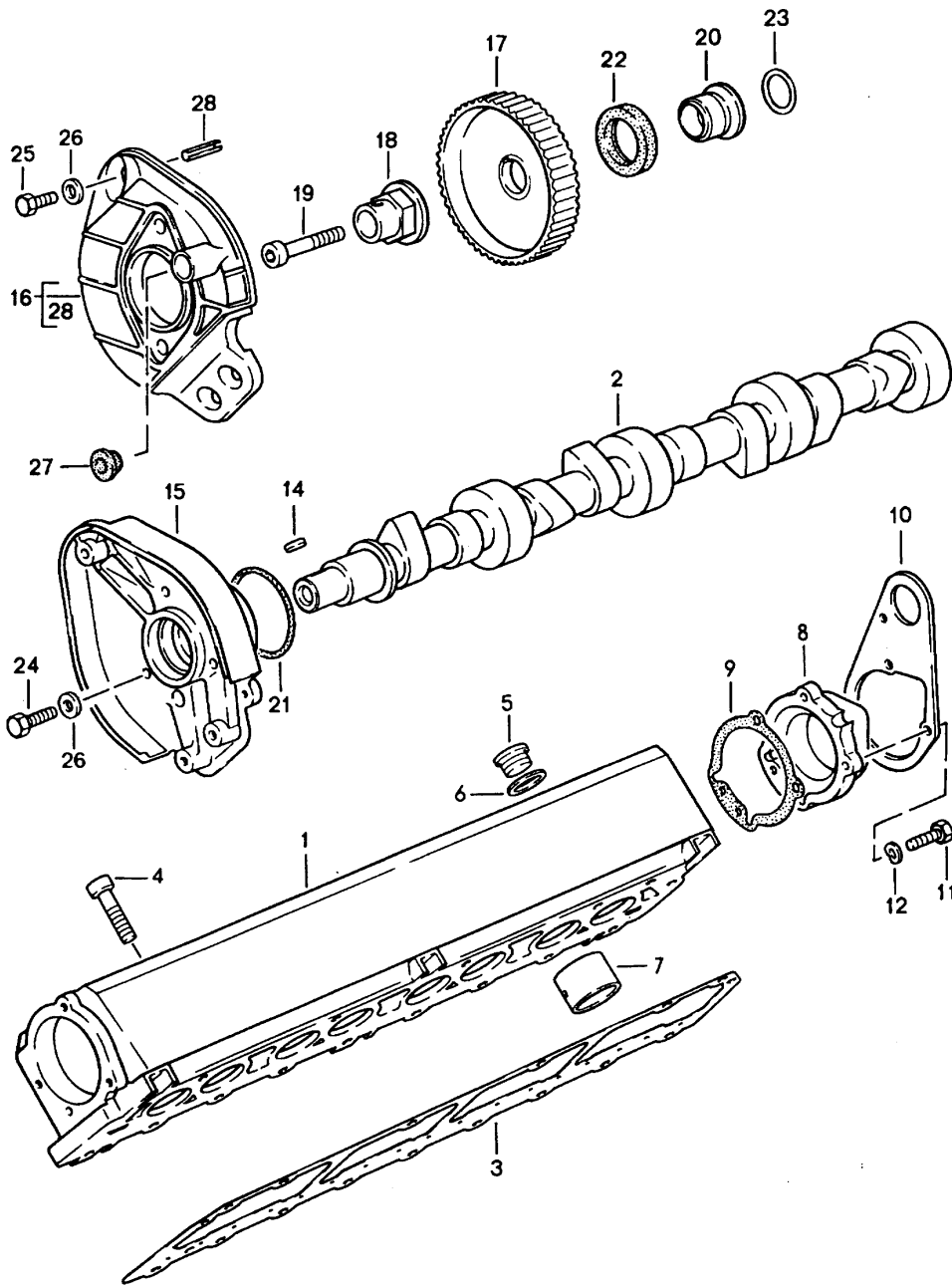
Model life 1989&gt;&gt;1991

Pos	Part Number	Description	Remark	Qty	Model
33	N 013 830 7	M 8 X 22 Sealing ring		1	
34	931 106 156 00	Screw plug		1	
35	944 104 365 04	Gasket		1	
36	944 104 312 01	Cooling water socket		1	
37	N 014 726 1	Pan-head screw M 8 X 30		2	
38	900 031 001 02	Washer		2	
38	900 031 105 01	Washer		2	
40	944 104 229 00	Washer		10	
41	999 076 043 02	Hexagon nut M 12 X 1,5		10	
42	944 107 139 00	Pressure relief valve		1	
43	999 218 035 02	Threaded pin M 6 X 20		1	
(44)	928 105 262 00	Pin		2	



Model: 944 89

Model life 1989>>1991



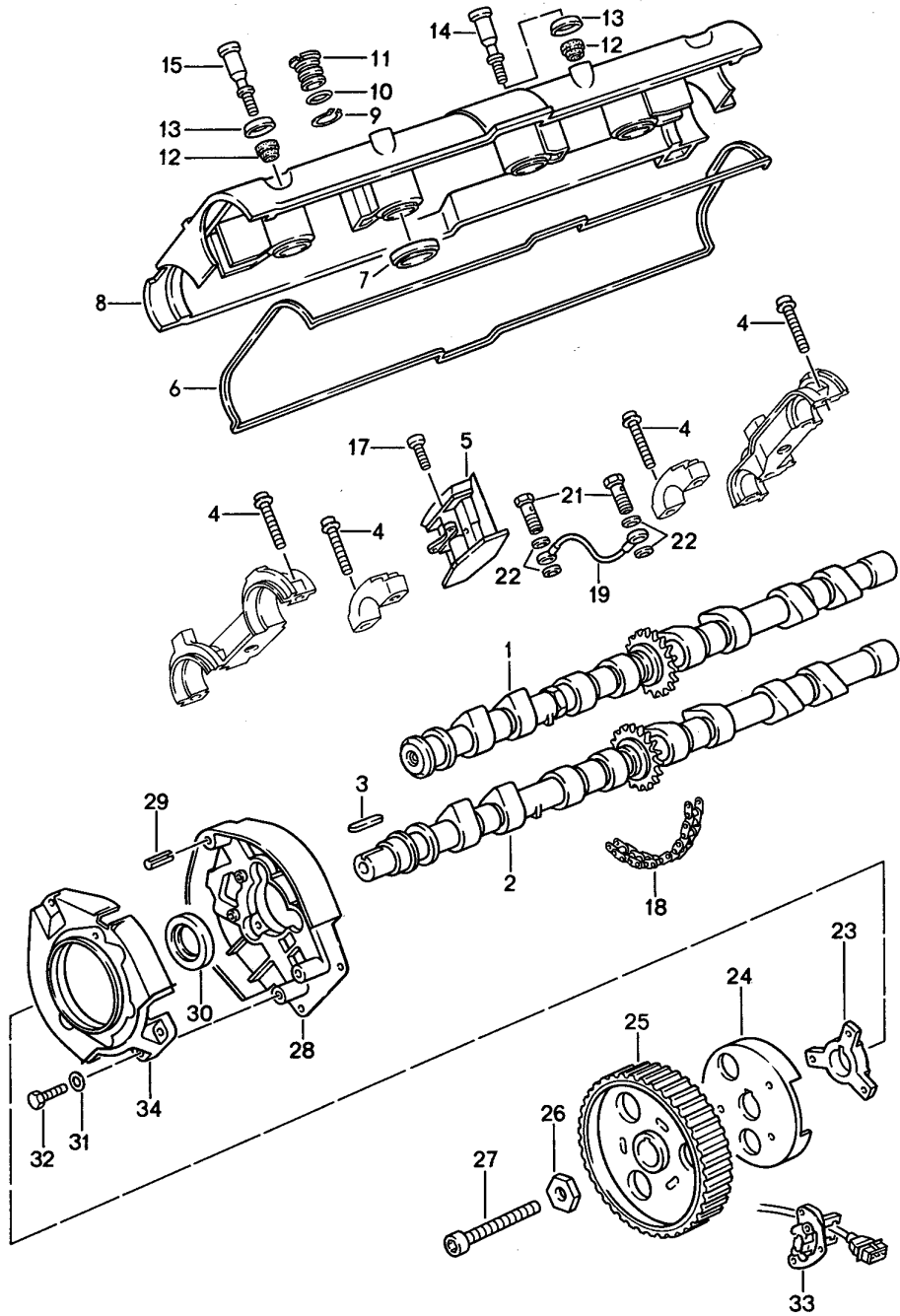
Model: 944 89

Model life 1989&gt;&gt;1991

Pos	Part Number	Description	Remark	Qty	Model
		Camshaft housing			M44.11/12/52
		Camshaft			
1	944 105 250 07	Camshaft housing		1	
2	944 105 155 10	Camshaft		1	M44.11/12
2	944 105 155 05	Camshaft		1	M44.52
3	944 105 199 03	Gasket		1	
4	900 067 214 02	Pan-head screw M 8 X 35		15	
4	900 067 214 01	Pan-head screw M 8 X 35		15	
5	900 219 009 30	Screw plug M 18 X 1,5		6	
6	900 123 140 30	Sealing ring A 18 X 22		6	
7	928 105 311 06	Hydraulic valve tappet		8	
7	928 105 311 08	Hydraulic valve tappet		8	
8	928 105 153 04	Lid		1	
9	928 105 189 02	Gasket		1	
10	944 101 413 02	Engine lifting bracket		1	
11	900 075 016 02	Hexagon-head bolt M 6 X 22		3	
11	900 075 016 03	Hexagon-head bolt M 6 X 22		3	
12	N 012 226 5	Spring washer B 6		3	
14	900 117 045 00	Feather key 4 X 4		1	
15	944 105 119 03	Camshaft bearing		1	
16	944 105 029 01	Bracket		1	
17	944 105 545 03	Camshaft timing gear		1	
17	944 105 545 13	Camshaft timing gear		1	
18	944 105 142 00	Driver		1	
19	999 510 022 08	Pan-head screw M 10 X 65		1	
20	928 105 139 04	Spacer sleeve		1	
20	928 105 139 05	Spacer sleeve		1	
21	999 701 602 40	O-ring 50 X 5		1	
22	999 113 349 40	Shaft sealing ring 32 X 47		1	
23	944 105 321 00	Gasket		1	
24	N 010 347 3	Hexagon-head bolt M 6 X 35		3	
25	900 074 015 02	Hexagon-head bolt M 6 X 30		3	
25	900 074 015 03	Hexagon-head bolt M 6 X 30		3	
26	N 011 524 7	Washer A 6,4		6	
26	N 011 524 27	Washer A 6,4		6	
27	944 105 131 00	Stopper		1	
28	999 095 103 01	Roll pin 8 X 16		2	

Model: 944 89

Model life 1989>>1991

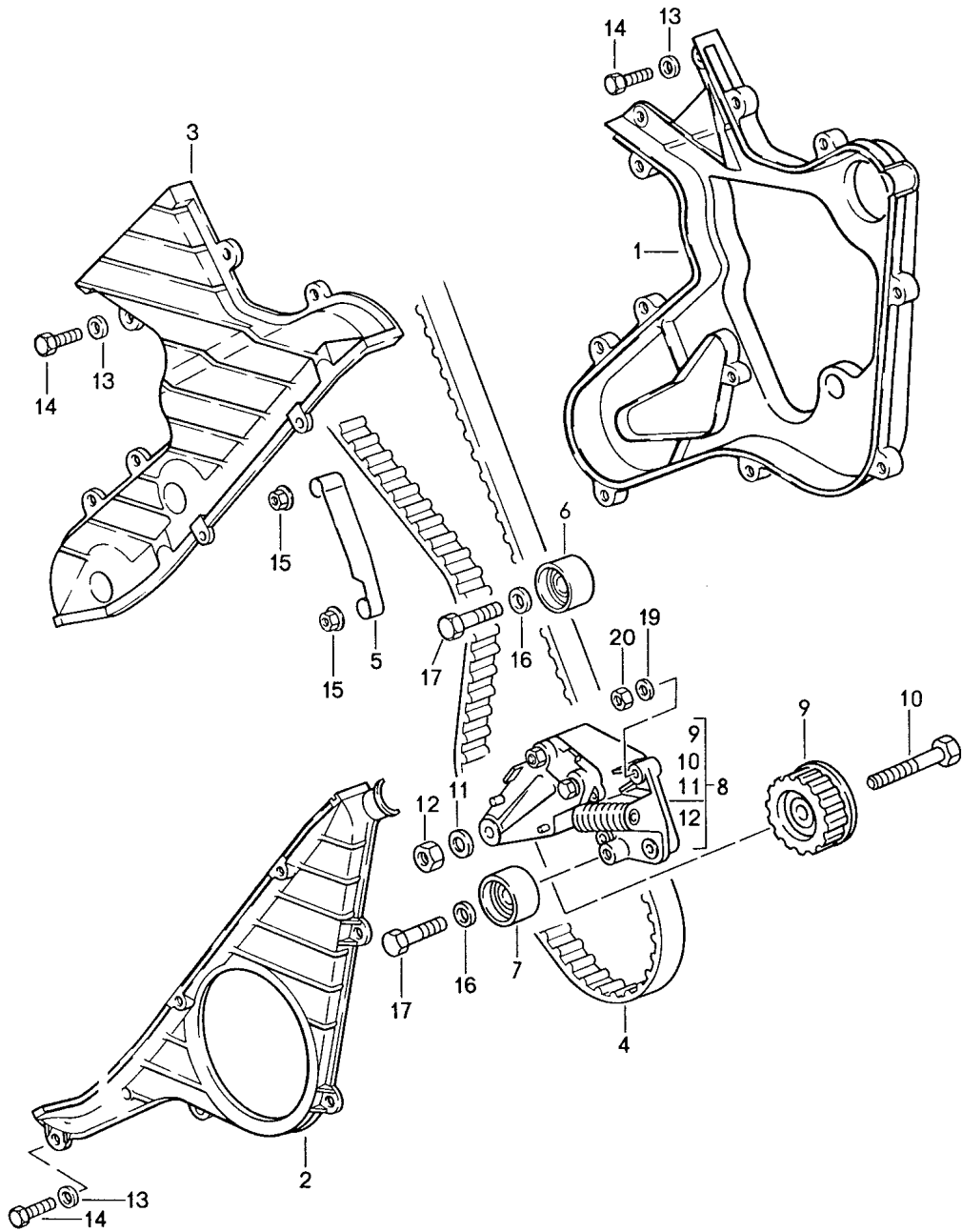


Model: 944 89 Model life 1989>>1991

Pos	Part Number	Description	Remark	Qty	Model
1	944 105 277 07	Camshaft		1	M44.41
2	944 105 275 09	Camshaft Intake Exhaust		1	
3	900 117 073 00	Feather key		1	
4	999 510 029 02	Combination screw M 8 X 40		24	
5	944 105 049 01	Chain adjuster		1	
-	928 105 509 01	Guide rail Upper		1	
-	944 105 949 00	Guide rail Repair kit		1	
6	928 104 447 09	Gasket		1	
7	928 104 443 08	Sealing ring		4	
8	928 104 461 08	Cylinder head cover		1	
9	N 012 420 1	Circlip		2	
10	900 174 056 40	O-ring		2	
11	928 104 485 01	Lid		2	
12	928 104 115 02	Thrust ring		13	
13	928 104 116 00	Thrust washer		13	
14	928 104 117 01	Pan-head screw Long		10	
14	928 104 117 03	Pan-head screw Long		10	
15	928 104 111 01	Pan-head screw Short		3	
15	928 104 111 02	Pan-head screw Short		3	
17	N 014 740 2	Pan-head screw		2	
17	N 014 740 11	Pan-head screw		2	
18	944 105 501 05	Timing chain		1	
19	944 105 167 07	Pipeline		1	
21	928 105 476 00	Banjo bolt		2	
(21)	928 105 476 04	Banjo bolt		2	
22	900 123 050 30	Sealing ring		4	
23	928 105 459 00	Hub		1	
24	944 105 229 03	Rotor trim		1	
25	944 105 545 12	Camshaft timing gear		1	
25	944 105 545 31	Camshaft timing gear		1	
26	928 105 457 02	Washer		1	
27	999 510 022 08	Pan-head screw		1	
28	944 105 179 08	Toothed belt covering		1	
28	944 105 179 09	Toothed belt covering		1	
28	944 105 179 10	Toothed belt covering		1	
29	999 095 103 01	Roll pin		1	
30	999 113 282 40	Shaft sealing ring		1	
31	900 025 007 02	Washer		3	
31	900 025 007 03	Washer		3	
32	900 075 014 02	Hexagon-head bolt		3	
32	900 075 014 03	Hexagon-head bolt		2	
32	900 075 345 01	Combination screw M 6 X 35 Z1		1	
33		Hall sender See group 9/01/01			
34	944 105 189 04	Toothed belt covering		1	
34	944 105 189 05	Toothed belt covering		1	
-	944 105 131 01	Stopper		1	

Model: 944 89

Model life 1989>>1991

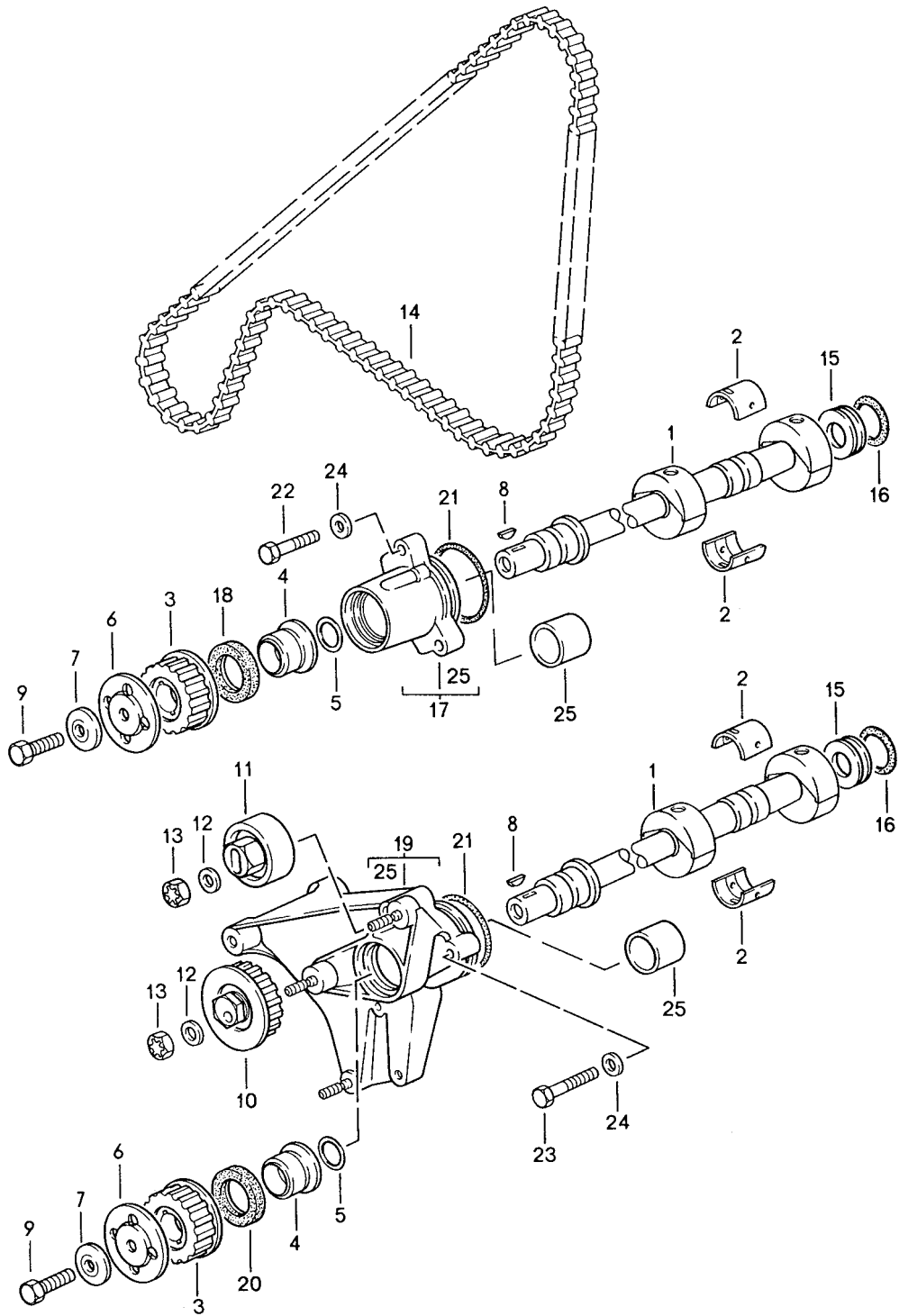


Model: 944 89 Model life 1989>>1991

Pos	Part Number	Description	Remark	Qty	Model
1	944 105 039 04	Driving mechanism Camshaft Toothed belt covering		1	M44.11/12 M44.52
(1)	944 105 039 05	M >> 47M 01258 Toothed belt covering		1	M44.52
1	944 105 033 08	M 47M 01259 >> Toothed belt covering		1	M44.52
2	944 105 037 00	Toothed belt covering		1	M44.41
(2)	944 105 037 01	M >> 47M 01258 Toothed belt covering		1	M44.52 M44.52
3	944 105 041 01	M 47M 01259 >> Toothed belt covering		1	M44.52
3	944 105 035 01	Toothed belt covering		1	M44.11/12/52
4	944 105 157 04	Toothed belt covering		1	M44.41
4	944 105 323 02	Toothed belt		1	M44.11/12/52
5	944 105 213 01	Toothed belt		1	M44.41
6	944 105 241 03	Securing clip		1	
6	944 105 241 04	Roller		1	
6	944 105 241 04	Roller		1	
7	944 105 241 02	Roller		1	M44.41
8	944 105 067 14	Tensioner for toothed belt		1	M44.11/12/52
8	944 105 067 13	Tensioner for toothed belt		1	M44.41
8	944 105 067 15	Tensioner for toothed belt		1	M44.41
8	944 105 067 16	Tensioner for toothed belt		1	M44.41
9	944 105 631 04	Tensioning roller		1	M44.11/12/52
9	944 105 631 06	Tensioning roller		1	M44.11/12/52
9	944 105 631 10	Tensioning roller		1	M44.41
10	N 010 445 2	Hexagon-head bolt M 10 X 45		1	
10	900 074 372 01	Hexagon-head bolt M 10 X 45		1	
11	900 025 008 09	Washer		1	
11	900 025 008 04	Washer		1	
12	900 910 034 02	Lock nut M 10		1	
13	N 011 524 7	Washer		11	
13	N 011 524 27	Washer		11	
14	999 072 005 09	Hexagon nut M 6 X 12		11	
14	999 072 005 01	Hexagon nut M 6 X 12		11	
15	999 084 092 02	Lock nut		2	
16	900 025 008 09	Washer		2	
16	900 025 008 04	Washer		2	
17	900 075 043 02	Hexagon-head bolt M 10 X 30		2	
19	900 025 007 02	Washer		3	
19	900 025 007 03	Washer		3	
20	900 076 025 02	Hexagon nut		3	
20	900 076 064 02	Hexagon nut		3	

Model: 944 89

Model life 1989>>1991



Model: 944 89

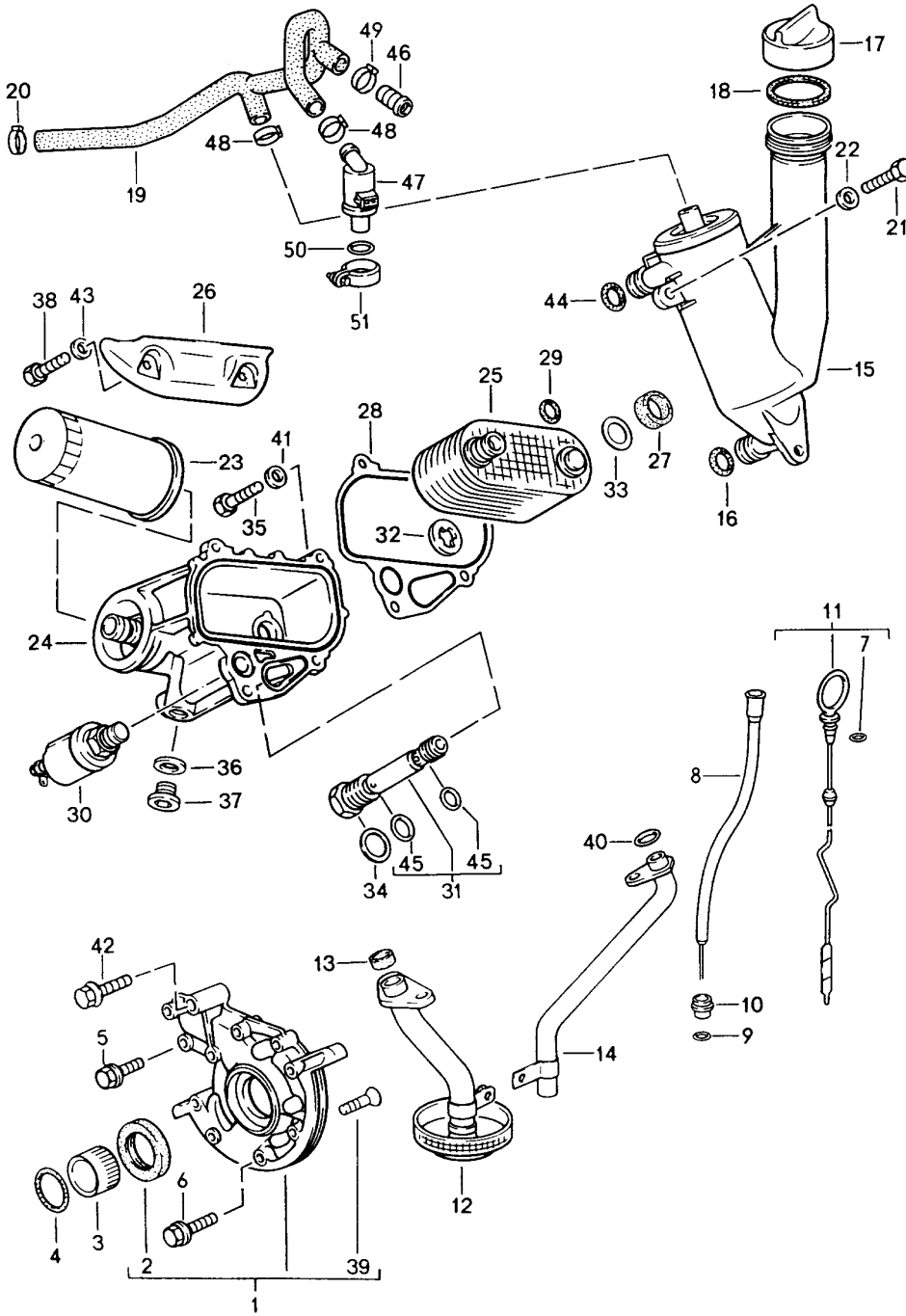
Model life 1989&gt;&gt;1991

Pos	Part Number	Description	Remark	Qty	Model
		Driving mechanism			
		Balance shaft			
1	944 102 023 01	Balance shaft		2	M44.11/12
1	944 102 923 00	Balance shaft		2	M44.41/52
2	944 101 121 10	Bearing shell		4	
3	944 102 205 04	Gear wheel		2	
4	928 105 139 02	Spacer sleeve		2	
5	944 105 321 00	Gasket		2	
6	944 102 281 04	Flange washer		2	
7	944 102 213 00	Washer		2	
7	944 102 213 01	Washer		2	
8	N 012 708 2	Woodruff key		2	
9	N 010 275 3	Hexagon-head bolt M 10 X 35		2	
9	900 075 460 01	Hexagon-head bolt M 10 X 35		2	
10	944 102 025 07	Tensioning roller		1	
11	944 102 277 06	Roller		1	
12	N 011 527 12	Washer A 10,5		2	
12	900 025 081 01	Washer A 10,5		2	
13	N 022 149 2	Lock nut M 10		2	
14	944 102 219 04	Toothed belt		1	
		Technical information Group 1 NR.15/95 Attention			
15	944 101 145 03	Locking ring		2	
16	999 701 875 40	Round seal		2	
17	944 101 045 00	Bearing case	/L	1	
18	999 113 282 40	Shaft sealing ring 30 X 47	/L	1	
19	944 101 042 02	Bearing case	/R	1	
20	999 113 281 40	Shaft sealing ring 30 X 48	/R	1	
21	999 701 652 40	O-ring 56,7 X 3,53		2	
22	N 010 335 5	Hexagon-head bolt M 8 X 35		3	
22	900 075 032 03	Hexagon-head bolt M 8 X 35		3	
23	N 010 360 6	Hexagon-head bolt M 8 X 60		3	M657
23	N 010 360 19	Hexagon-head bolt M 8 X 60		3	M657
24	900 025 007 02	Washer A 8,4		6	
24	900 025 007 03	Washer A 8,4		6	
25	944 101 125 02	Bearing sleeve		2	
25	944 101 125 50	Bearing sleeve 0,5 MM		2	
-	944 347 442 00	Oversize Dowel sleeve		1	M657



Model: 944 89

Model life 1989>>1991



Model: 944 89 Model life 1989>>1991

Pos	Part Number	Description	Remark	Qty	Model
		Engine lubrication			M44.11/12
1	944 107 014 11	Oil pump		1	
2	999 113 331 40	Shaft sealing ring 38 X 52 X 7		1	
3	944 107 161 02	Toothed sleeve		1	
3	944 107 161 04	Toothed sleeve		1	
4	999 707 283 40	Round seal 28 X 2,58		1	
5	900 075 345 02	Combination screw M 6 X 35		4	
5	900 075 345 01	Combination screw M 6 X 35		4	
6	900 075 343 02	Hexagon-head bolt M 6 X 45		3	
7	900 331 013 40	O-ring		1	
8	944 101 027 05	Guide tube			M44.11/12
9	900 174 044 40	Round seal		1	
10	944 107 329 00	Spacer sleeve		1	
11	944 107 025 01	Oil level dipstick		1	
12	944 107 032 07	Suction tube		1	
13	944 107 136 03	Sealing ring		1	
13	944 107 136 04	Sealing ring		1	
14	944 107 183 03	Return pipe M --46K M --46K		1	M44.11 M44.12
14	944 107 052 01	Return pipe M 46K -- M 46K --		1	
15	944 107 180 08	Oil separator		1	
16	999 701 661 40	Round seal 24 X 5		2	
17	944 107 091 01	Oil filler cover		1	
18	999 701 846 40	O-ring		1	
19	944 107 187 02	Moulded hose		1	
20	999 512 374 02	Hose clamp		1	
21	900 075 029 09	Hexagon-head bolt M 8 X 25		3	
21	900 075 029 03	Hexagon-head bolt M 8 X 25		3	
22	900 025 007 02	Washer A 8,4		7	
22	900 025 007 03	Washer A 8,4		7	
23	944 107 201 08	Oil filter		1	
24	944 107 149 06	Housing		1	
25	944 107 165 01	Oil-water radiator		1	
(26)	944 107 053 02	Cover plate		1	
27	944 107 153 02	Rubber ring		1	
28	944 107 147 03	Gasket		1	
29	999 707 043 40	O-ring		2	
30	928 606 203 01	Oil pressure sender		1	
30	928 606 203 04	Oil pressure sender		1	
31	944 107 035 02	Relief valve		1	
32	944 107 154 00	Washer		1	
33	944 107 219 00	Shim		X	
34	N 043 815 3	Sealing ring A 20 X 24		1	
35	900 075 029 09	Hexagon-head bolt M 8 X 25		4	
35	900 075 029 03	Hexagon-head bolt M 8 X 25		4	
36	900 123 106 30	Sealing ring A 18 X 24		1	

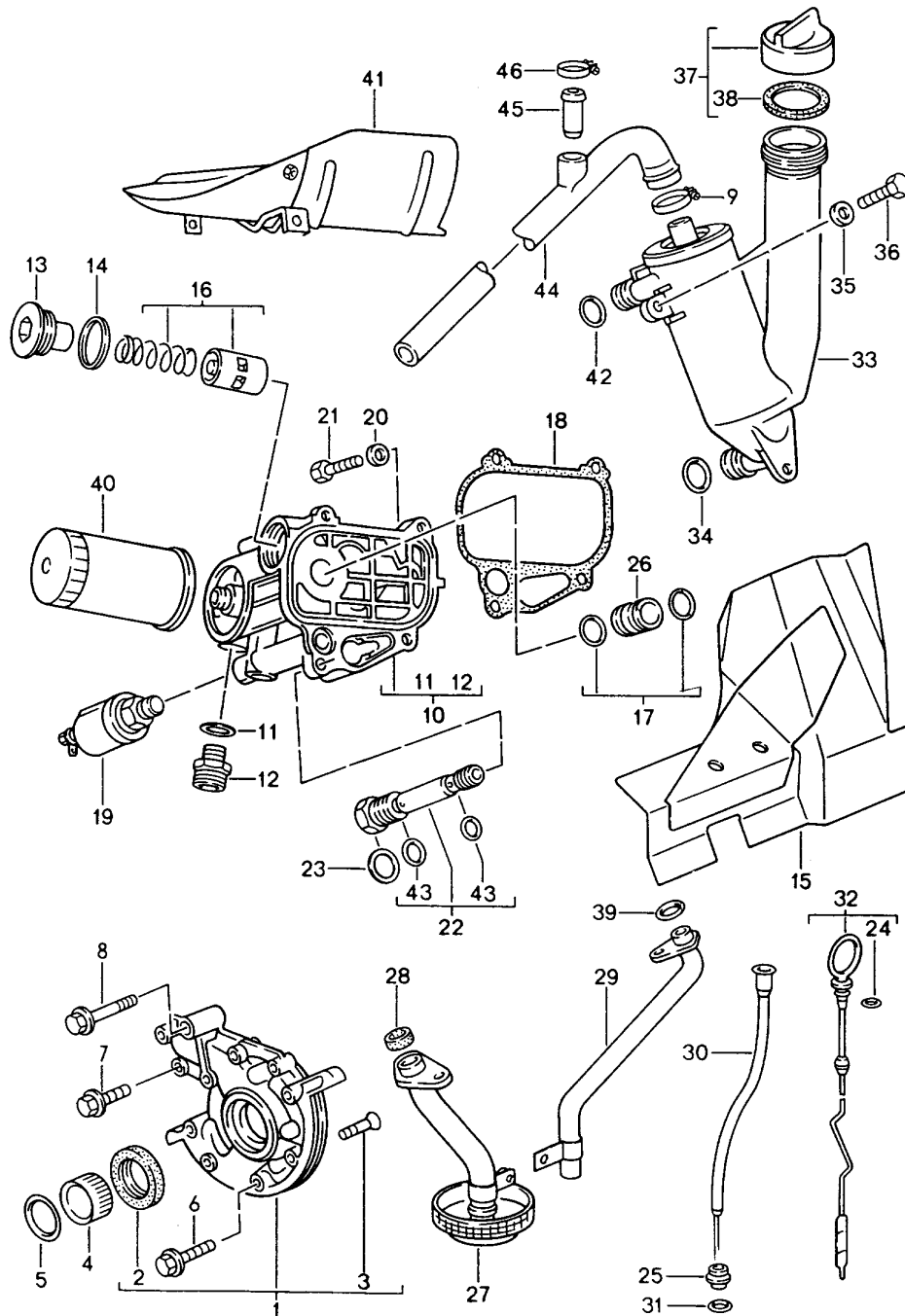
Model: 944 89

Model life 1989&gt;&gt;1991

Pos	Part Number	Description	Remark	Qty	Model
37	N 016 161 1	Screw plug		1	
37	900 124 013 02	Screw plug		1	
38	999 072 005 09	Hexagon nut M 6 X 12		2	
38	999 072 005 01	Hexagon nut M 6 X 12		2	
39	900 249 017 02	Countersunk-head screw M 6 X 25		2	
40	999 707 079 40	O-ring		1	
41	900 232 004 02	Washer		1	
41	900 232 004 01	Washer		1	
42	900 074 317 02	Hexagon-head bolt M 10 X 45 Z1		1	
43	N 011 524 7	Washer A 6,4		2	
43	N 011 524 27	Washer A 6,4		2	
44	999 701 613 40	Round seal 20 X 5		1	
45	999 707 144 40	Sealing ring		2	
46	944 107 324 00	Valve		1	
47	944 616 104 00	Heating tube		1	
48	999 512 346 02	Hose clamp		2	
48	999 512 676 00	Hose clamp		2	
49	999 512 457 00	Clamp		1	
50	900 174 056 40	O-ring		1	
51	999 512 480 02	Clip		1	
-	000 043 010 00	Loctite -574- 50 ML		1	
-	000 043 124 00	Loctite ACTIVATOR N -764- 120 ML		1	

Model: 944 89

Model life 1989>>1991



Model: 944 89 Model life 1989>>1991

Pos	Part Number	Description	Remark	Qty	Model
		Engine lubrication			M44.41/52
1	944 107 014 11	Oil pump		1	
2	999 113 331 40	Shaft sealing ring		1	
		38 X 52 X 7			
3	900 249 017 02	Countersunk-head screw		2	
		M 6 X 25			
4	944 107 161 02	Toothed sleeve		1	
4	944 107 161 04	Toothed sleeve		1	
5	999 707 283 40	Round seal		1	
		28 X 2,58			
6	900 075 343 02	Hexagon-head bolt		3	
		M 6 X 45			
7	900 075 345 02	Combination screw		4	
		M 6 X 35			
7	900 075 345 01	Combination screw		4	
		M 6 X 35			
8	900 074 317 02	Hexagon-head bolt		1	
		M 10 X 45 Z1			
9	999 512 252 02	Hose clamp		1	
10	951 107 051 00	Thermostat housing		1	M44.52
10	944 107 056 00	Thermostat housing		1	M44.41
11	900 123 011 30	Sealing ring		2	
		A 22 X 27			
12	900 915 101 02	Screw socket		2	
13	951 107 153 01	Screw plug		1	
14	900 123 136 30	Sealing ring		1	
		A 42 X 49			
15	951 101 025 00	Heat shield		1	M44.52
16	951 107 155 01	Thermostat		1	
17	999 707 043 40	O-ring		2	
18	944 107 147 03	Gasket		1	
19	928 606 203 01	Oil pressure sender		1	
19	928 606 203 04	Oil pressure sender		1	
20	900 232 004 02	Washer		4	
20	900 232 004 01	Washer		4	
21	900 075 029 09	Hexagon-head bolt		4	
		M 8 X 25			
21	900 075 029 03	Hexagon-head bolt		4	
		M 8 X 25			
22	944 107 035 02	Relief valve		1	M44.52
22		Relief valve		1	M44.41
23	N 043 815 3	Sealing ring		1	
		A 20 X 24			
24	900 331 013 40	O-ring		1	
25	944 107 329 00	Spacer sleeve		1	
26	951 107 152 03	Connection piece		1	
26	951 107 152 04	Connection piece		1	
27	944 107 032 07	Suction tube		1	
28	944 107 136 03	Sealing ring		1	
28	944 107 136 04	Sealing ring		1	
29	944 107 183 03	Return pipe		1	M44.52
		M --47K			M44.52
29	944 107 052 01	Return pipe		1	M44.41/52
		M 47K --			M44.52
30	951 101 027 03	Guide tube		1	M44.52
30	944 101 024 08	Guide tube		1	M44.41
31	900 174 044 40	Round seal		1	
32	944 107 025 01	Oil level dipstick		1	
33	944 107 180 09	Oil separator		1	M44.52
33	944 107 180 10	Oil separator		1	M44.41
34	999 701 661 40	Round seal		2	
		24 X 5			
35	900 025 007 02	Washer		3	

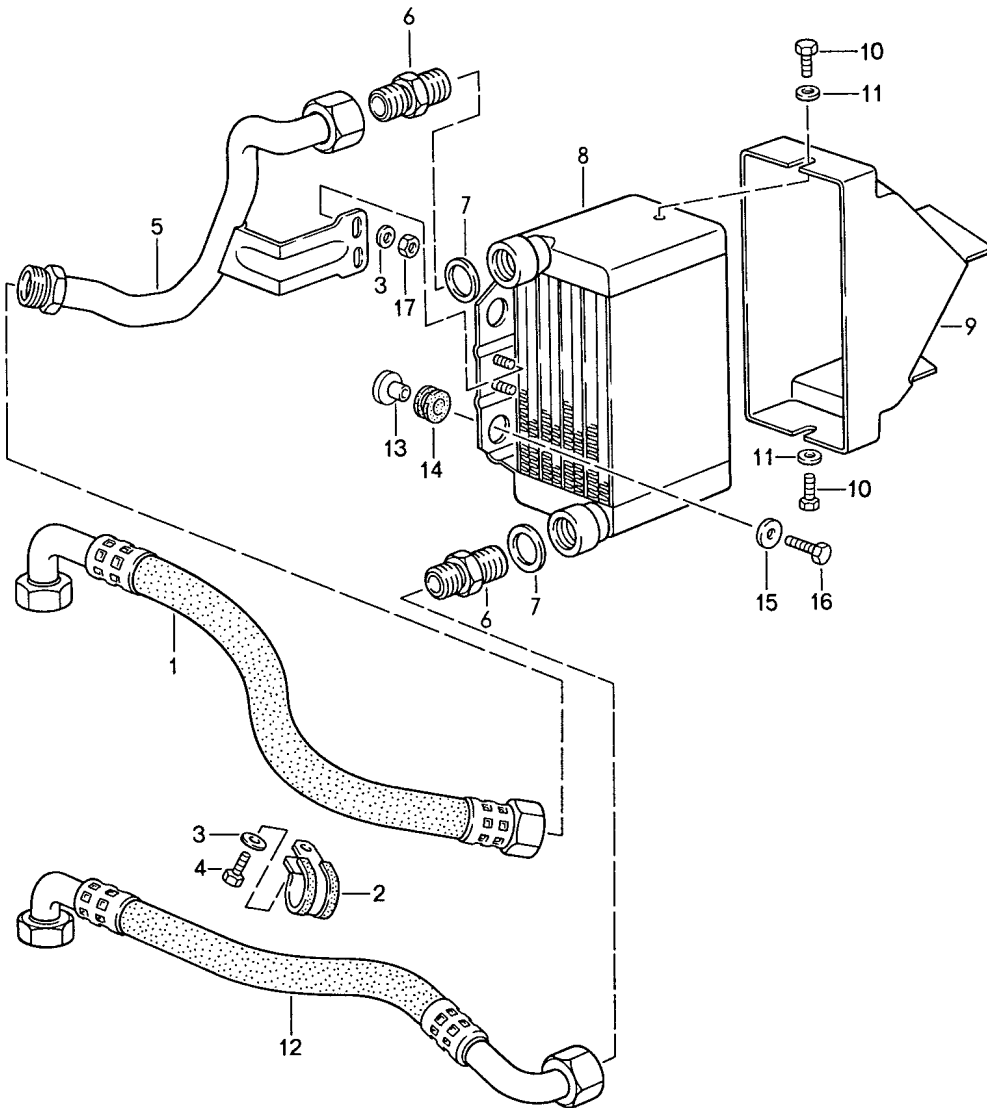
Model: 944 89

Model life 1989>>1991

Pos	Part Number	Description	Remark	Qty	Model
35	900 025 007 03	A 8,4 Washer		3	
36	900 075 029 09	A 8,4 Hexagon-head bolt		3	
36	900 075 029 03	M 8 X 25 Hexagon-head bolt		3	
37	944 107 091 01	M 8 X 25 Oil filler cover		1	
38	999 701 846 40	O-ring		1	
39	999 707 079 40	4,00 X 45,00 O-ring		1	M44.41/52
40	944 107 201 08	M 47K -- Oil filter		1	
41	951 107 053 01	Cover plate		1	M44.52
(41)	944 107 053 04	Cover plate		1	M44.41
42	999 701 613 40	Round seal		1	
43	999 707 144 40	20 X 5 Sealing ring		2	
44	944 107 311 03	Moulded hose		1	M44.41
45	944 107 324 00	Valve		1	
46	999 512 457 00	Clamp		1	
-	000 043 010 00	Loctite		1	
-	000 043 124 00	-574- 50 ML Loctite		1	
		ACTIVATOR N -764- 120 ML			

Model: 944 89

Model life 1989>>1991



Model: 944 89

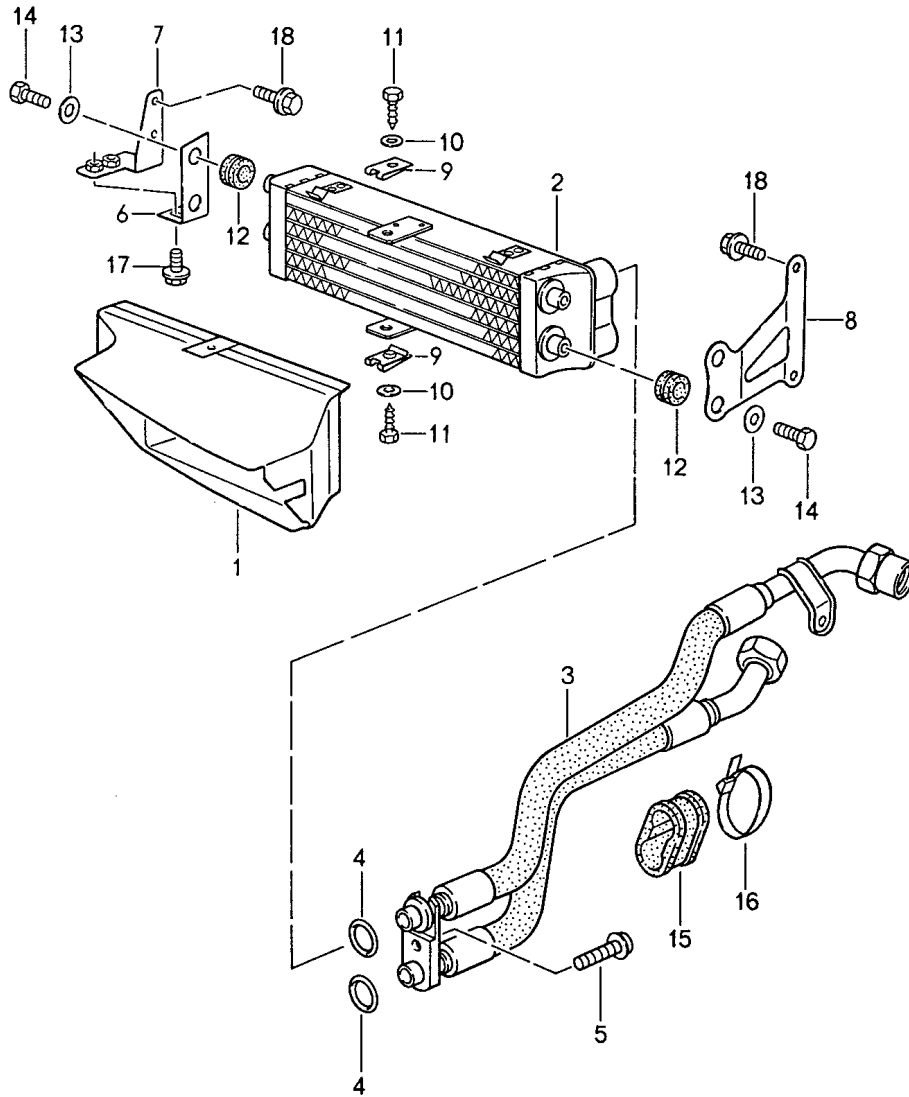
Model life 1989&gt;&gt;1991

Pos	Part Number	Description	Remark	Qty	Model
1	951 207 113 01	Oil cooling Oil pipe		1	M44.52
1	951 207 113 03	F >>95KN1 01308 Oil pipe	-89	1	
1	951 207 113 04	F 95KN1 01309>>95LN1 00350 Oil pipe		1	
1	951 207 113 02	F 95KN1 01309>>95LN1 00350 Oil pipe F 95LN1 00351>>	90-	1	
2	N 020 647 1	Clamp		1	
3	N 011 524 7	Washer		1	
3	N 011 524 27	Washer		1	
4	N 010 215 13	Hexagon-head bolt		1	
5	951 207 112 02	Oil pipe		1	
6	900 915 101 02	Screw socket		2	
7	900 123 011 30	Sealing ring A 22 X 27		2	
8	951 207 309 02	Oil cooler		1	
9	951 207 311 03	Air guide		1	
10	N 010 210 13	Hexagon-head bolt M 6 X 10		2	
11	N 011 666 7	Washer B 6,4		2	
12	951 207 111 03	Oil pipe		1	
13	951 207 114 00	Spacer sleeve		2	
14	056 129 669 B	Grommet		2	
15	N 011 612 3	Washer R 7		2	
15	N 011 612 C	Washer R 7		2	
16	900 075 341 02	Combination screw M 6 X 25		2	
16	900 075 341 01	Combination screw M 6 X 25		2	
17	900 076 010 02	Nut		2	
17	900 076 010 0B	Nut		2	



Model: 944 89

Model life 1989>>1991

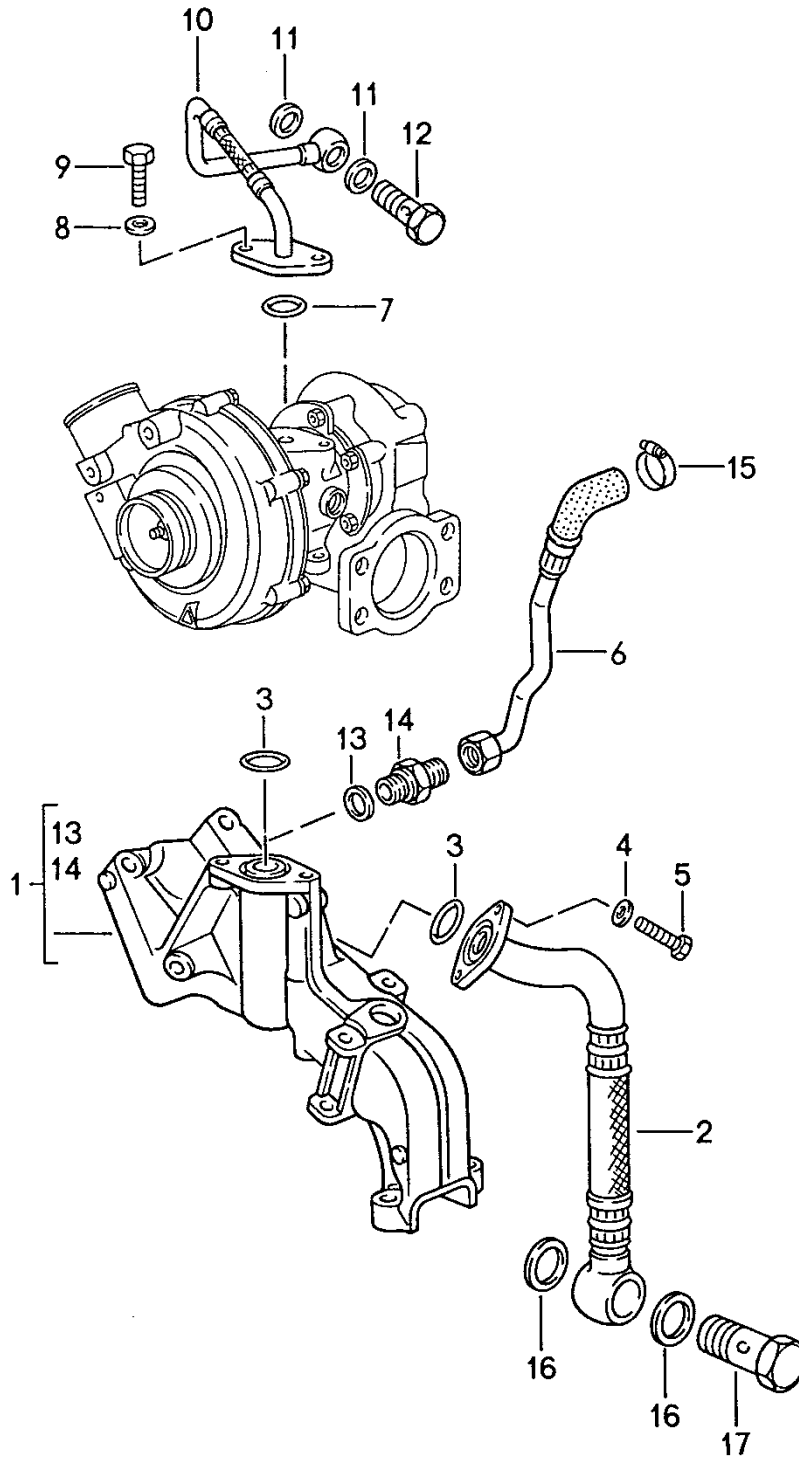


Model: 944 89 Model life 1989>>1991

Pos	Part Number	Description	Remark	Qty	Model
		Oil cooling			M44.41
1	944 207 311 00	Air guide		1	
2	944 207 309 00	Transmission oil cooler		1	
3	944 207 011 02	Oil pipe with Union nut	89	1	
(3)	944 207 011 03	Oil pipe ohne Union nut	90-	1	
(3)	944 207 011 05	Oil pipe ohne Union nut	90-	1	
4	900 331 022 40	O-ring		X	
5	N 090 378 1	Pan-head screw M 8 X 25		X	
6	944 207 315 00	Support		1	
7	944 207 313 00	Support		1	
8	944 207 317 00	Support		1	
9	999 591 489 02	Speed nut		2	
9	999 591 489 01	Speed nut		2	
10	N 011 665 3	Washer		2	
10	N 011 665 16	Washer		2	
11	N 013 884 4	Hexagon-head tapping screw		2	
12	056 129 669 B	Grommet		4	
13	N 011 612 3	Washer		4	
13	N 011 612 C	Washer		4	
14	999 072 005 09	Hexagon nut		4	
14	999 072 005 01	Hexagon nut		4	
15	930 207 265 00	Rubber mounting		1	
15	930 207 265 01	Rubber mounting		1	
16	N 020 906 3	Tie-wrap		1	
17	900 075 357 02	Combination screw M 6 X 12		2	
17	900 075 456 01	Combination screw M 6 X 12		2	
18	900 075 374 02	Combination screw M 6 X 14		4	
18	900 075 374 01	Combination screw M 6 X 14		4	

Model: 944 89

Model life 1989>>1991



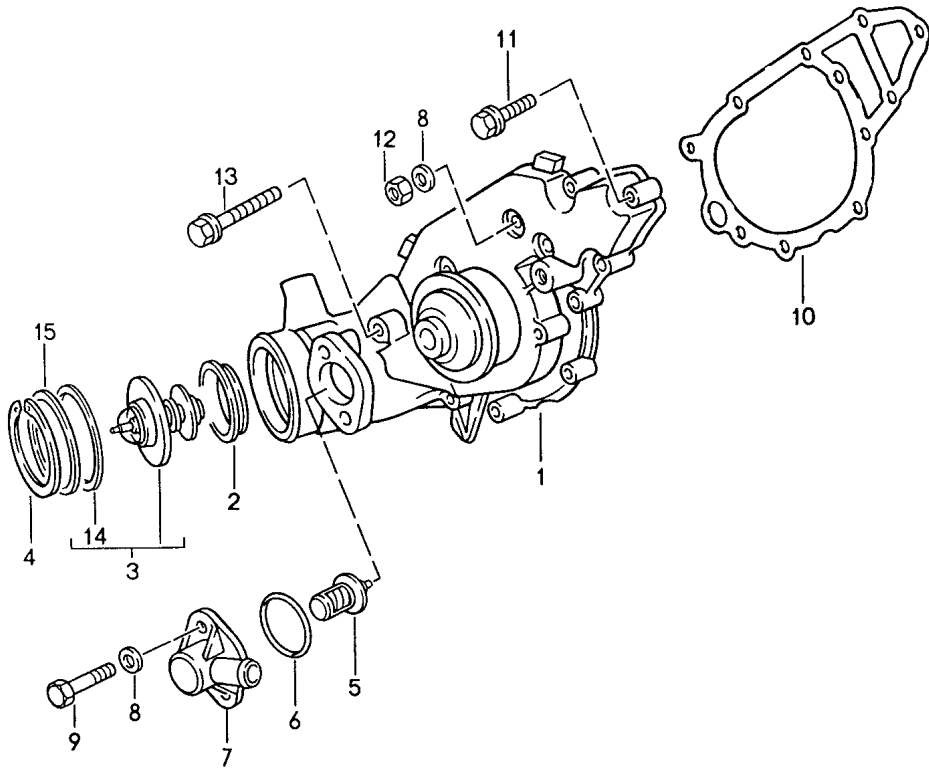
Model: 944 89

Model life 1989>>1991

Pos	Part Number	Description	Remark	Qty	Model
		Engine lubrication			M44.52
		Turbocharger			
1	951 101 023 00	Engine carrier		1	
2	951 107 108 00	Oil hose		1	
2	951 107 108 01	Oil hose		1	
3	900 174 058 40	Round seal		2	
4	N 011 524 7	Washer		2	
4	N 011 524 27	Washer		2	
5	N 010 217 9	Hexagon-head bolt M 6 X 20		2	
6	951 123 083 00	Vent line		1	
7	999 707 043 40	O-ring		1	
8	900 025 007 02	Washer		2	
8	900 025 007 03	Washer		2	
9	900 075 085 02	Hexagon-head bolt M 8 X 20		2	
10	951 107 317 05	Oil pipe		1	
11	900 123 007 30	Sealing ring A 14 X 18		2	
12	N 021 074 1	Banjo bolt		1	
12	N 021 074 7	Banjo bolt		1	
13	900 123 140 30	Sealing ring A 18 X 22		1	
14	N 100 462 01	Screw socket		1	
15	999 512 552 00	Hose clamp S 25 / 9 ZY		1	
15	999 512 552 01	Hose clamp S 25 / 9 ZY		1	
16	900 123 049 30	Sealing ring A 26 X 32		2	
17	N 100 407 01	Banjo bolt LL 22		1	

Model: 944 89

Model life 1989>>1991



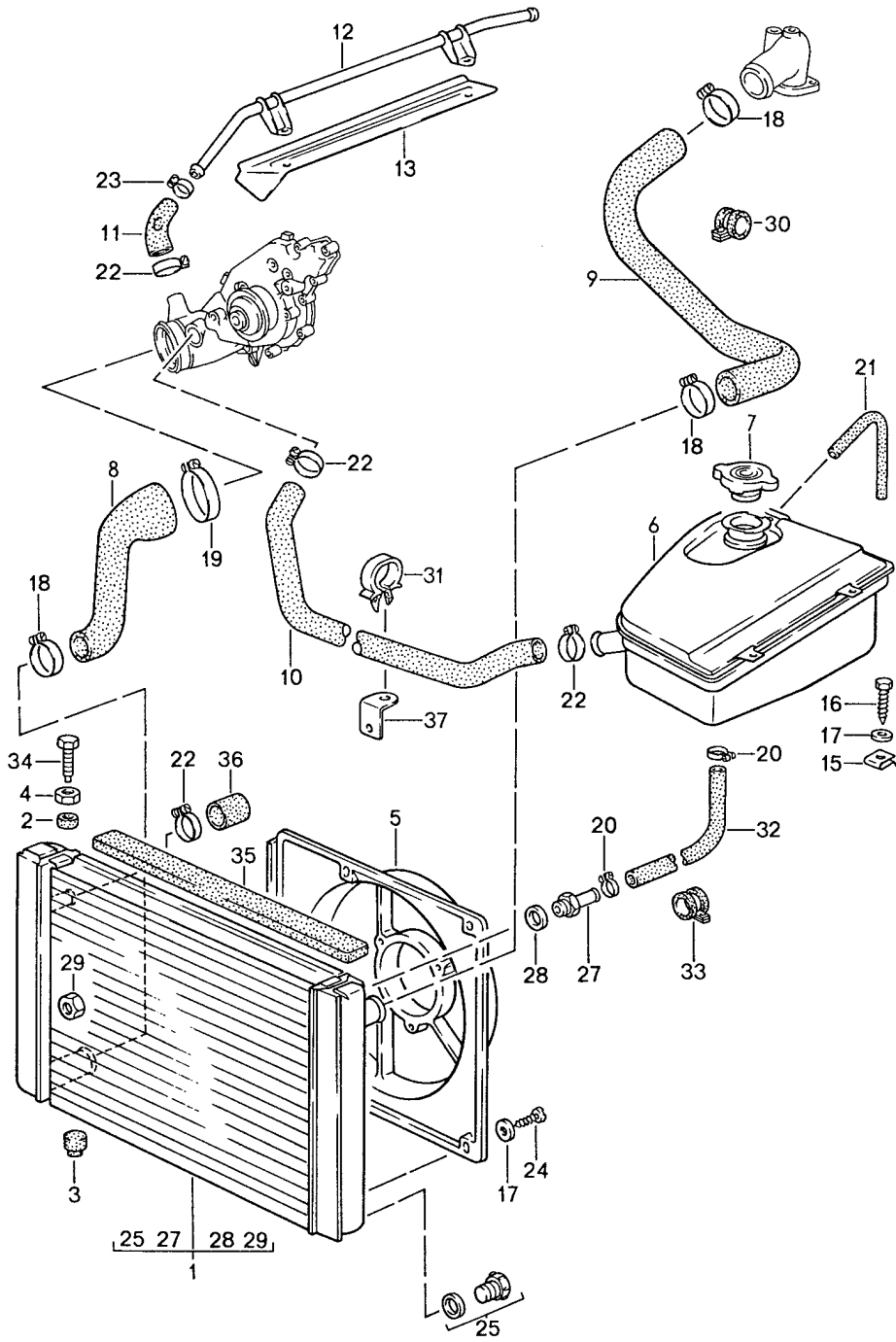
Model: 944 89

Model life 1989&gt;&gt;1991

Pos	Part Number	Description	Remark	Qty	Model
1	944 106 021 24	Water pump		1	M44.11/12/41
1	944 106 021 X	Water pump		1	M44.11/12/41
1	951 106 021 10	Water pump		1	M44.52
1	951 106 021 X	Water pump		1	M44.52
2	951 106 155 00	Sealing ring		1	
3	944 106 019 00	Thermostat		1	
4	900 042 025 01	Circlip 55 X 2		1	
5	951 106 311 00	Thermostat		1	M44.52
6	999 707 283 40	Round seal 28 X 2,5		1	
7	951 106 313 00	Housing Black		1	
8	N 011 524 7	Washer		2	
8	N 011 524 27	Washer		2	
9	900 067 011 02	Pan-head screw M 6 X 20		2	
9	900 067 011 03	Pan-head screw M 6 X 20		2	
10	944 106 132 03	Gasket		1	M44.11/12/41
10	944 106 132 04	Gasket		1	M44.52
11	900 075 345 02	Combination screw M 6 X 35		7	
11	900 075 345 01	Combination screw M 6 X 35		7	
12	900 076 010 02	Nut M 6		4	
12	900 076 010 0B	Nut M 6		4	
13	900 074 302 02	Hexagon-head bolt M 6 X 70		1	
13	900 074 302 01	Hexagon-head bolt M 6 X 70		1	
14	944 106 929 08	Sealing ring		1	
15	900 234 160 00	Shim		1	

Model: 944 89

Model life 1989>>1991



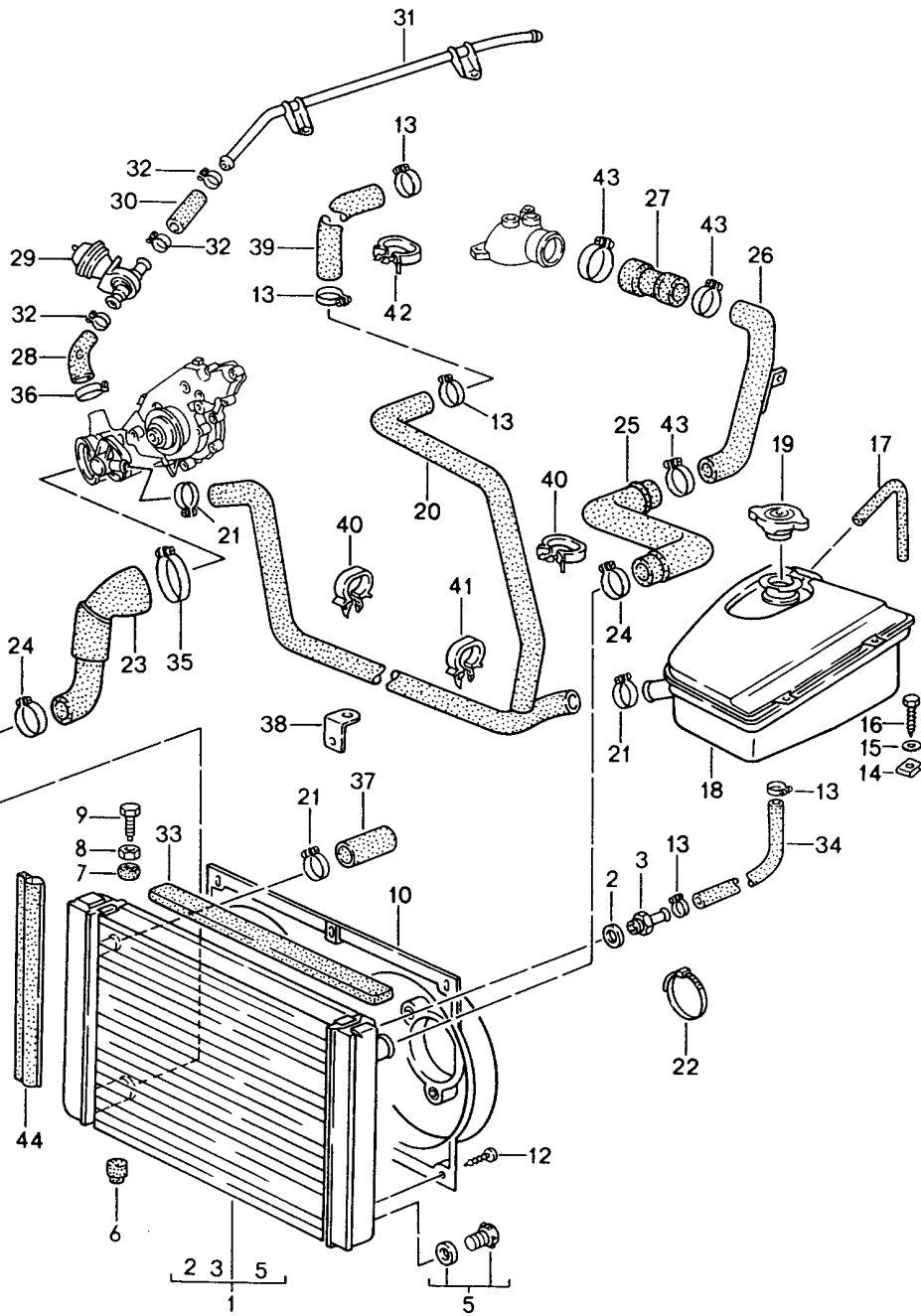
Model: 944 89 Model life 1989>>1991

Pos	Part Number	Description	Remark	Qty	Model
		Water cooling			M44.11/12
1	944 106 031 03	Radiator		1	
1	944 106 031 04	Radiator		1	
1	944 106 027 06	Radiator	AUT.	1	
2	951 106 053 00	Rubber mounting		2	
3	951 106 107 00	Rubber mounting		2	
4	900 076 025 02	Hexagon nut		2	
4	900 076 064 02	Hexagon nut		2	
5	944 106 141 02	Airscoop		1	
5	944 106 143 02	Airscoop for Air conditioner		1	
6	944 106 125 06	Expansion tank		1	
7	944 106 257 00	Lid		1	
8	944 106 237 07	Water hose		1	
9	944 106 239 07	Water hose		1	
10	944 106 215 01	Water hose		1	
11	944 106 241 03	Water hose		1	
12	944 106 243 03	Water tube		1	
13	944 106 247 00	Heat shield	AUT.	1	
15	477 955 461	Speed nut		2	
16	N 090 172 1	Combination screw 6,3 X 19		2	
16	N 090 172 6	Combination screw 6,3 X 19		2	
17	N 011 524 7	Washer A 6,4		6	
17	N 011 524 27	Washer A 6,4		6	
18	999 512 500 00	Hose clamp 32 - 50		3	
19	999 512 390 00	Hose clamp 60 - 80		1	
20	900 272 002 02	Hose clamp 10 - 16		3	
20	900 272 002 0B	Hose clamp 10 - 16		3	
21	944 106 251 00	Water hose		1	
22	999 512 392 00	Hose clamp 23 - 35		4	
23	999 512 346 00	Hose clamp 16 - 25		1	
24	900 187 111 02	Combination screw 6,3 X 12		4	
24	900 187 111 01	Combination screw 6,3 X 12		4	
25	944 106 353 01	Screw plug M 10 X 1,5		1	
27	944 106 927 00	Screw socket		1	
28	944 106 928 00	Sealing ring		1	
29	944 106 355 00	Nut	AUT.	2	
30	999 511 130 02	Pipe clamp 44/20		1	
31	321 971 847 A	Clip		1	
32	944 106 249 01	Water hose		1	
33	999 511 177 02	Clamp B 15		1	
33	999 511 177 01	Clamp B 15		1	
34	900 046 004 02	Hexagon-head bolt		2	
35	944 556 837 00	Sealing rubber		1	
36	944 106 103 02	Cap		1	
37	477 971 881 B	Retaining bracket		1	



Model: 944 89

Model life 1989>>1991



Model: 944 89

Model life 1989&gt;&gt;1991

Pos	Part Number	Description	Remark	Qty	Model
		Water cooling			M44.41
1	951 106 031 03	Radiator		1	
1	951 106 031 05	Radiator		1	
1	951 106 031 07	Radiator		1	
		with			
		Stopper			
-	PCG 106 031 07	Repair kit		1	
		Stopper			
		for			
		Radiator			
		Comprising:			
		Clip			
		Stopper			
2	944 106 928 00	Sealing ring		1	
3	944 106 927 00	Screw socket		1	
5	944 106 353 01	Screw plug		1	
6	951 106 107 00	Rubber mounting		2	
7	951 106 053 00	Rubber mounting		2	
8	900 076 025 02	Hexagon nut		2	
8	900 076 064 02	Hexagon nut		2	
9	900 046 004 02	Hexagon-head bolt		2	
10	951 106 143 00	Airscoop		1	
12	900 187 111 02	Combination screw		6	
		6,3 X 12			
12	900 187 111 01	Combination screw		6	
		6,3 X 12			
13	900 272 002 02	Hose clamp		2	
		10 - 16			
13	900 272 002 0B	Hose clamp		2	
		10 - 16			
14	477 955 461	Speed nut		2	
15	N 011 524 7	Washer		6	
		A 6,4			
15	N 011 524 27	Washer		6	
		A 6,4			
16	N 090 172 1	Combination screw		2	
		6,3 X 19			
16	N 090 172 6	Combination screw		2	
		6,3 X 19			
17	944 106 251 00	Water hose		1	
18	944 106 125 06	Expansion tank		1	
19	944 106 257 00	Lid		1	
20	944 106 217 02	Water hose		1	
21	999 512 392 00	Hose clamp		5	
22	999 513 003 40	Tie-wrap		4	
23	951 106 237 04	Water hose		1	
24	999 512 500 00	Hose clamp		5	
		32 - 50			
25	944 106 239 06	Water hose		1	
26	944 106 091 01	Cooling water tube		1	
27	944 106 235 01	Water hose		1	
28	944 106 241 04	Water hose		1	
29	928 574 573 03	Disc valve		1	
29	928 574 573 04	Disc valve		1	
		Use also:			
-	986 307 507 00	Cap		1	
30	944 106 253 01	Water hose		1	
31	944 106 243 07	Cooling water tube		1	
32	999 512 391 00	Hose clamp		3	
		16 - 25			
33	944 556 837 00	Sealing rubber		1	
34	951 106 249 01	Water hose		1	
35	999 512 390 00	Hose clamp		1	

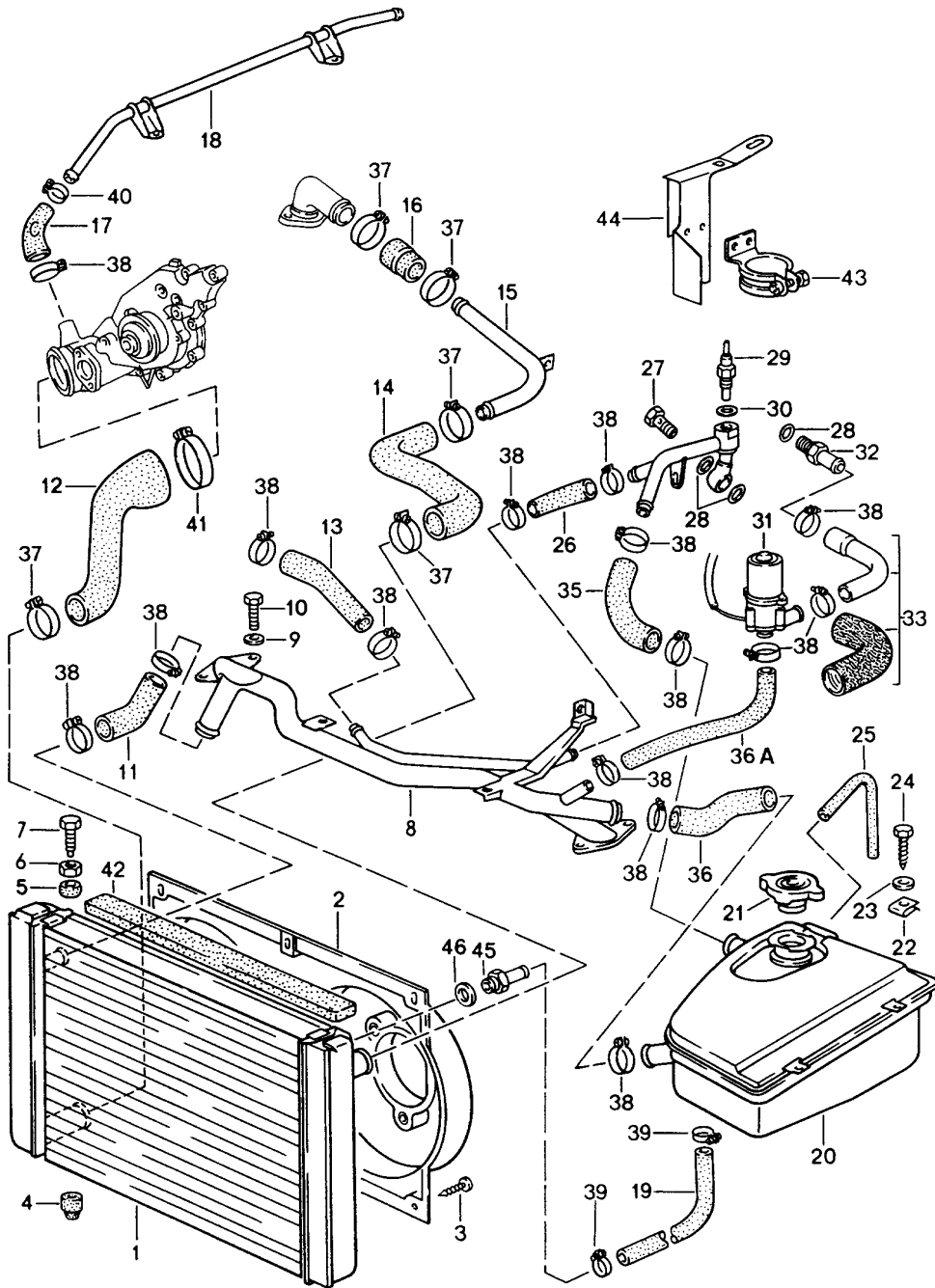
Model: 944 89

Model life 1989>>1991

Pos	Part Number	Description	Remark	Qty	Model
36	999 512 421 02	60 - 80 Hose clamp		1	
		23 - 35			
37	944 106 103 02	Cap		1	
38	477 971 881 B	Retaining bracket		1	
39	944 106 236 02	Water hose		1	
40	321 971 847 B	Clip		2	
41	321 971 847 A	Clip		1	
42	171 971 847 A	Clip		1	
43	999 512 384 02	Hose clamp		3	
		25 - 40			
44	944 025 115 00	Sealing rubber		*	
		334 MM		2	

Model: 944 89

Model life 1989>>1991



Model: 944 89 Model life 1989>>1991

Pos	Part Number	Description	Remark	Qty	Model
1	951 106 031 50	Water cooling Radiator		1	M44.52
2	951 106 143 00	Airscoop		1	M44.52
3	900 187 111 02	Combination screw		6	
3	900 187 111 01	Combination screw		6	
4	951 106 107 00	Rubber mounting		2	
5	951 106 053 00	Rubber mounting		2	
6	900 076 025 02	Hexagon nut M 8		2	
6	900 076 064 02	Hexagon nut M 8		2	
7	900 046 004 02	Hexagon-head bolt AM 8 X 40		2	
8	951 110 171 03	Bracket		1	
9	N 011 666 7	Washer B 6,4		4	
10	900 075 014 02	Hexagon-head bolt M 6 X 18		4	
10	900 075 014 03	Hexagon-head bolt M 6 X 18		4	
11	951 106 245 03	Water hose		1	
12	951 106 237 04	Water hose		1	
13	951 106 321 02	Water hose		1	
14	951 106 241 01	Water hose		1	
15	951 106 091 00	Water tube		1	
16	951 106 239 01	Water hose		1	
17	944 106 241 03	Water hose		1	
18	944 106 243 03	Water tube		1	
19	951 106 249 01	Water hose		1	
20	951 106 025 02	Expansion tank		1	
21	944 106 257 00	Lid		1	
22	477 955 461	Speed nut A 6,4		2	
24	N 090 172 1	Combination screw 6,3 X 19		2	
24	N 090 172 6	Combination screw 6,3 X 19		2	
25	944 106 251 00	Water hose		1	
26	951 106 322 02	Water hose		1	
27	900 175 005 02	Banjo bolt M 16 X 1,5		1	
28	N 013 848 5	Sealing ring A 16 X 22		3	
29	951 606 106 00	Temperature switch		1	
30	900 123 007 30	Sealing ring		1	
31	951 606 130 01	Water pump		1	
31		Water pump		1	
(32)	951 106 055 00	Line F >>95LN1 00896		1	
32	999 230 365 02	Connecting piece F 95LN1 00897>>		1	
(33)	951 106 248 01	Water hose F >>95LN1 00896		1	
33	951 106 048 00	Water hose F 95LN1 00897>>		1	
33	951 106 048 01	Water hose F 95LN1 00897>>		1	
34	951 106 056 08	Water tube		1	
35	951 106 251 02	Water hose		1	
36	951 106 243 01	Water hose		1	
36A	951 106 247 04	Water hose		1	
37	999 512 500 00	Hose clamp 32 - 50		X	

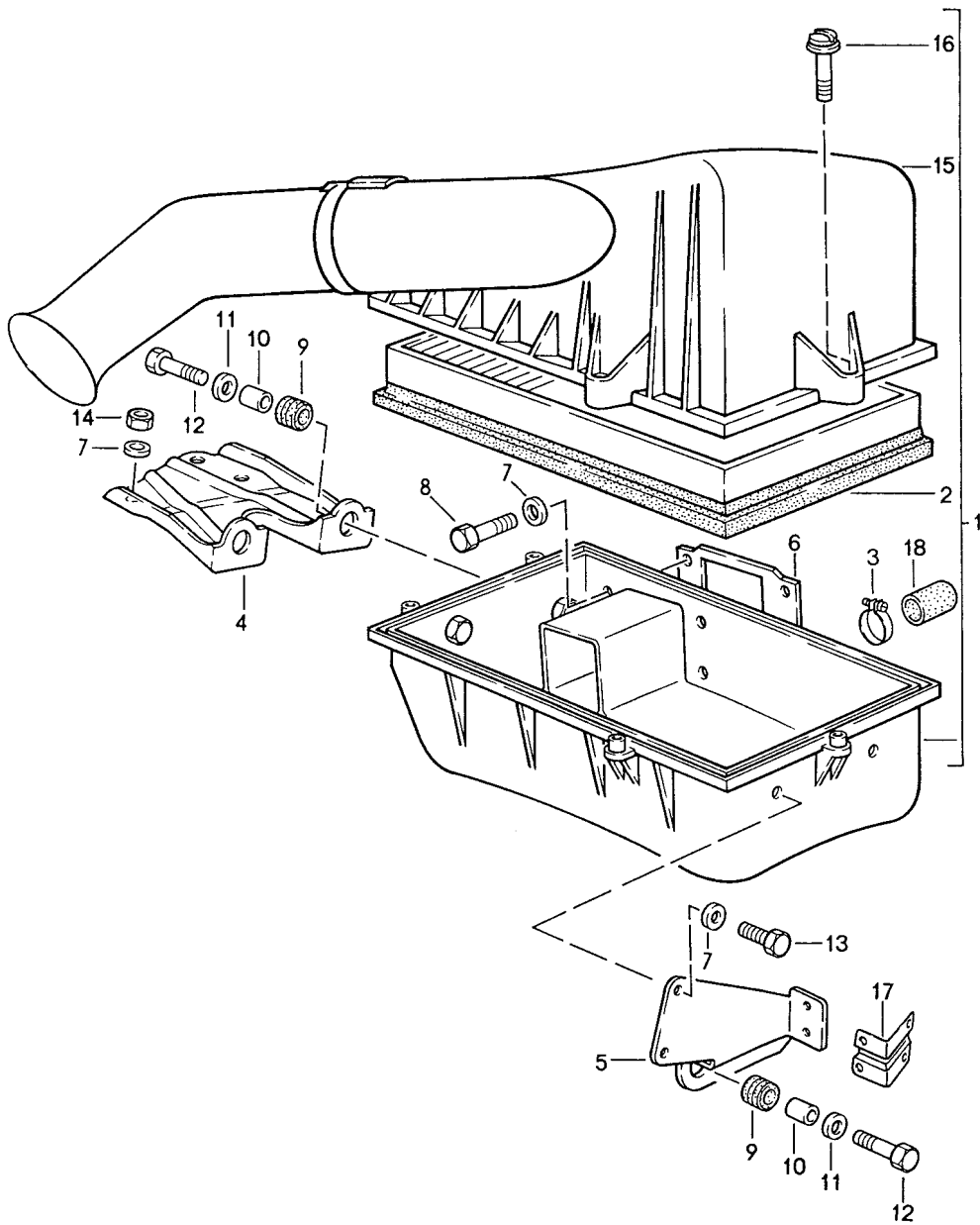
Model: 944 89

Model life 1989&gt;&gt;1991

Pos	Part Number	Description	Remark	Qty	Model
38	999 512 392 00	Hose clamp SGT 20 - 32/13		X	
39	900 272 002 02	Hose clamp 10 - 16		2	
39	900 272 002 0B	Hose clamp 10 - 16		2	
40	999 512 346 00	Hose clamp 16 - 25		X	
41	999 512 390 00	Hose clamp SB 60 - 80		1	
42	944 556 837 00	Sealing rubber		1	
43	951 106 325 00	Clamp for Water pump		1	
44	951 106 323 00	Support for Water pump		1	
45	944 106 927 00	Screw socket		1	
46	944 106 928 00	Sealing ring A 18 X 12		1	

Model: 944 89

Model life 1989>>1991



Model: 944 89

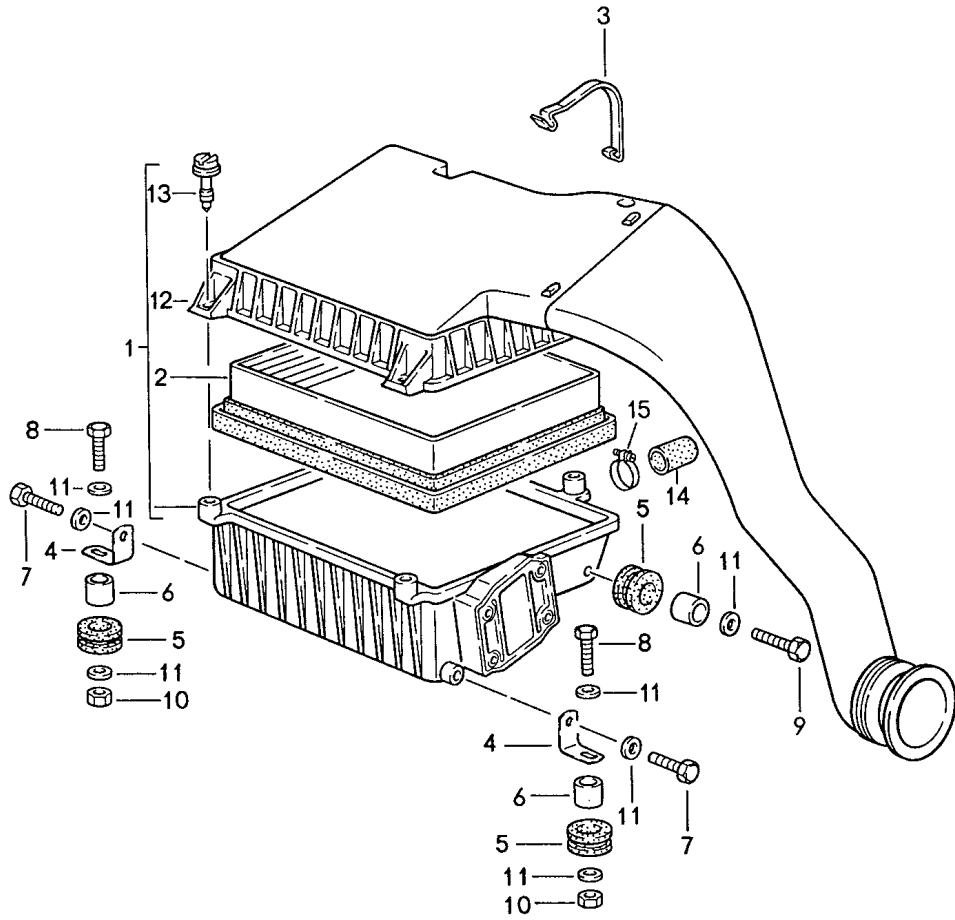
Model life 1989&gt;&gt;1991

Pos	Part Number	Description	Remark	Qty	Model
		Air cleaner system			M44.11/12
1	944 110 012 07	Air cleaner		1	
2	944 110 186 02	Air cleaner cartridge		1	
3		Hose clamp		1	
4	944 110 067 01	Support	/V	1	
5	944 110 155 01	Support	/H	1	
6	944 110 353 00	Gasket		1	
7	N 011 524 7	Washer		11	
		A 6,4			
7	N 011 524 27	Washer		11	
		A 6,4			
8	900 074 151 02	Hexagon-head bolt		X	
		M 6 X 38			
9	056 129 669 B	Grommet		4	
10	052 109 135	Spacer sleeve		4	
11	N 011 612 3	Washer		4	
		6,6			
11	N 011 612 C	Washer		4	
		6,6			
12	900 075 014 02	Hexagon-head bolt		4	
		M 6 X 18			
12	900 075 014 03	Hexagon-head bolt		4	
		M 6 X 18			
13	N 010 210 13	Hexagon-head bolt		4	
		M 6 X 10			
14	900 076 010 02	Nut		3	
		M 6			
14	900 076 010 0B	Nut		3	
		M 6			
15	944 110 221 01	Air cleaner cover without Screw		1	
16	944 110 225 00	Combination screw		5	
17	944 110 255 00	Support		1	
18	944 106 103 00	Cap		1	



Model: 944 89

Model life 1989>>1991



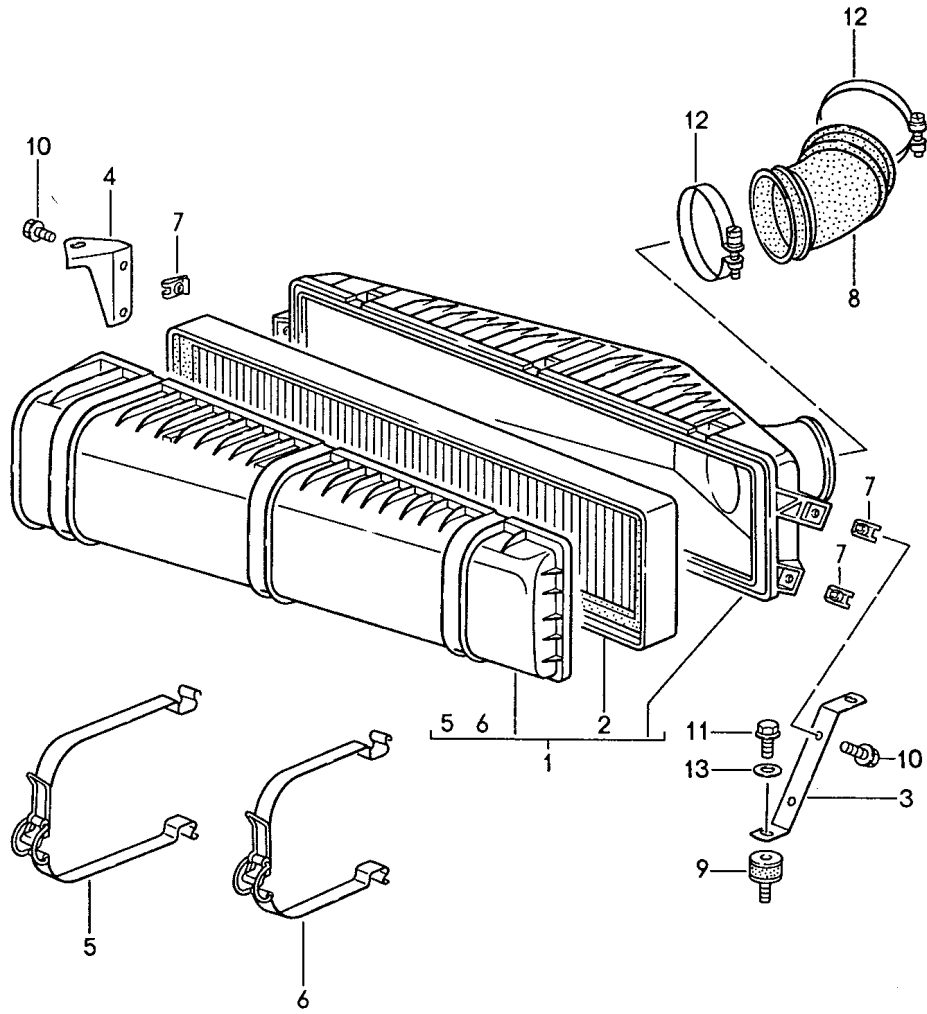
Model: 944 89

Model life 1989>>1991

Pos	Part Number	Description	Remark	Qty	Model
		Air cleaner system			M44.52
1	951 110 021 02	Air cleaner		1	
2	951 110 121 01	Air cleaner cartridge		1	
3	951 110 421 02	Clip		1	
4	951 110 169 02	Support		2	
5	951 110 173 00	Rubber sleeve		3	
6	951 110 175 00	Sleeve		3	
7	N 010 210 13	Hexagon-head bolt M 6 X 10		2	
8	N 010 217 9	Hexagon-head bolt M 6 X 20		2	
9	900 075 057 02	Hexagon-head bolt M 6 X 16		1	
9	900 075 057 03	Hexagon-head bolt M 6 X 16		1	
10	900 076 010 02	Nut M 6		2	
10	900 076 010 0B	Nut M 6		2	
11	N 011 524 7	Washer A 6,4		7	
11	N 011 524 27	Washer A 6,4		7	
12	951 110 021 50	Air cleaner cover		1	
13	944 110 225 01	Combination screw		X	
14	944 106 103 00	Cap		1	
15		Hose clamp		1	

Model: 944 89

Model life 1989>>1991



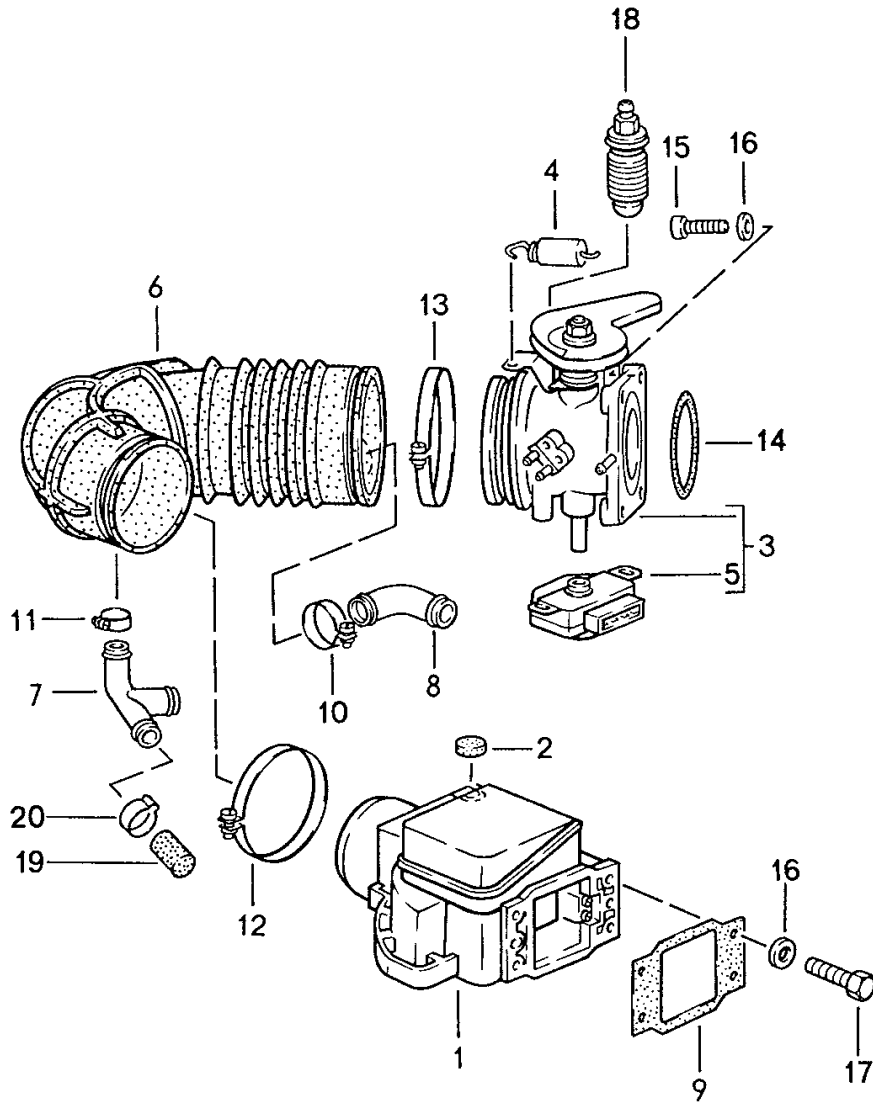
Model: 944 89

Model life 1989>>1991

Pos	Part Number	Description	Remark	Qty	Model
		Air cleaner system			M44.41
1	944 110 016 01	Air cleaner		1	
2	944 110 166 00	Air cleaner cartridge		1	
3	944 110 333 00	Retaining bracket		1	
4	944 110 334 00	Retaining bracket		1	
5	944 110 116 00	Clamp		2	
6	944 110 116 01	Clamp		1	
7	999 507 246 02	Speed nut		4	
7	999 507 246 01	Speed nut		4	
8	944 110 307 01	Air guide		1	
9	999 703 315 00	Bonded rubber buffer		3	
10	N 100 515 01	Hexagon-head bolt M 6 X 15		3	
11	900 075 363 02	Combination screw M 6 X 10 Z1		3	
12	999 512 317 00	Clip LC 60-80/9		2	
13	N 011 666 7	Washer 6,4		3	

Model: 944 89

Model life 1989>>1991



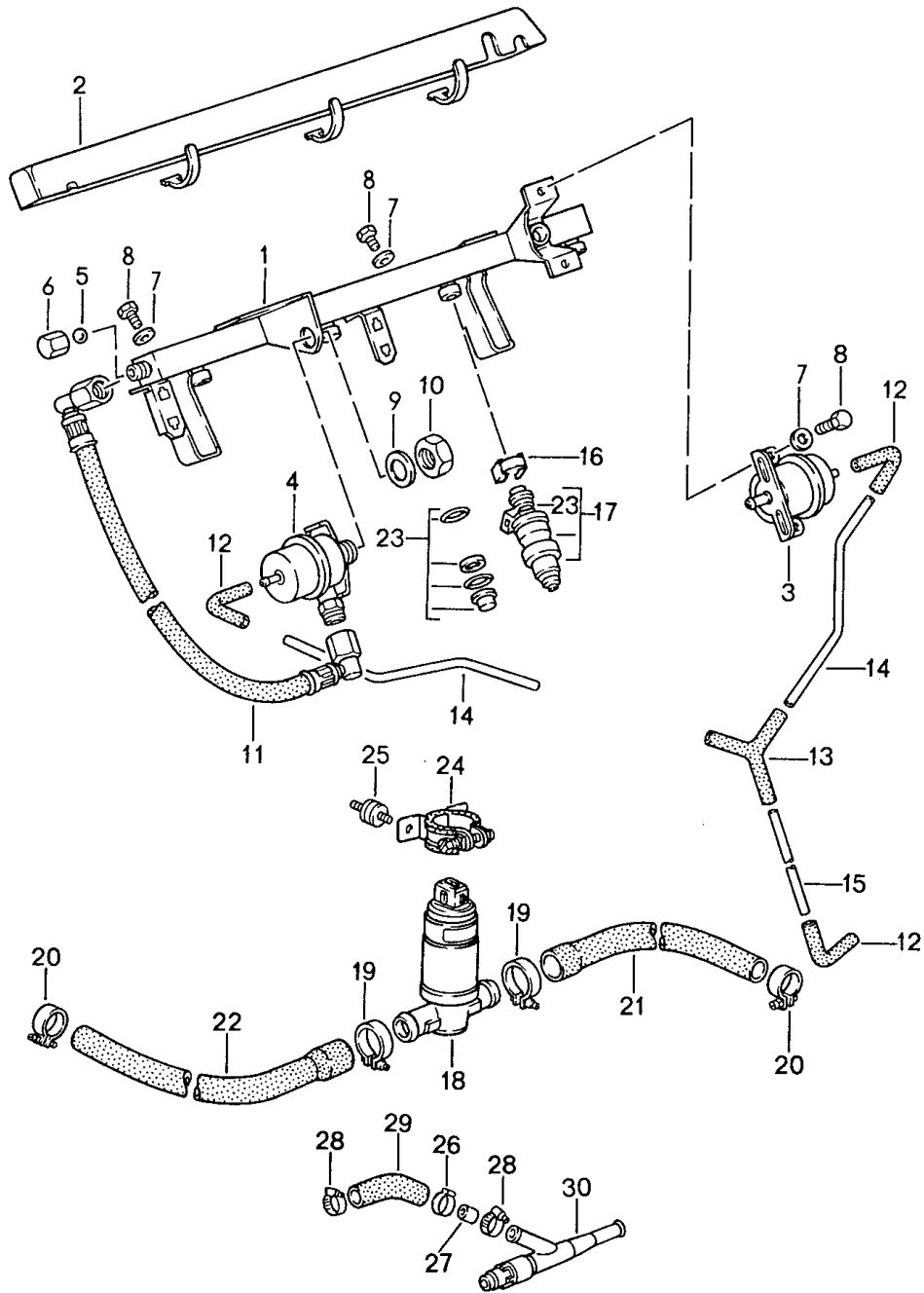
Model: 944 89

Model life 1989&gt;&gt;1991

Pos	Part Number	Description	Remark	Qty	Model
		L-jetronic 1			M44.11/12
1	944 606 121 01	Mass air flow meter		1	
1	944 606 121 AX	Mass air flow meter		1	
2	944 606 935 01	Stopper Blue		1	
3	944 110 094 02	Flap-Nozzle		1	M44.11
3	944 110 009 02	Flap-Nozzle	(B)	1	M44.11
3	944 110 095 02	Flap-Nozzle		1	M44.12
3	944 110 009 03	Flap-Nozzle	(B)	1	M44.12
4	944 110 071 00	Return spring with Damping piece		1	
(4)	944 110 271 00	Return spring without Damping piece		1	
4	944 110 071 01	Return spring with Damping piece	AUT.	1	
(4)	944 110 271 01	Return spring without Damping piece	AUT.	1	
5	944 606 113 01	Throttle-valve switch		1	
6	944 110 358 04	Air guide		1	
7	944 110 363 02	Connecting piece		1	
8	944 107 367 01	Connecting piece		1	
9	944 110 353 00	Gasket		1	
10	999 512 552 00	Hose clamp 25/9		1	
10	999 512 552 01	Hose clamp 25/9		1	
11	999 512 045 02	Hose clamp 22/9		1	
12	999 512 235 02	Hose clamp 77/9		1	
13	999 512 302 02	Hose clamp 85/9		1	
13	PCG 512 302 02	Hose clamp 85/9		1	
14	999 701 468 40	Round seal 67,5 X 4		1	
15	900 067 089 02	Pan-head screw M 6 X 25		4	
15	900 067 089 01	Pan-head screw M 6 X 25		4	
16	N 011 524 7	Washer A 6,4		8	
16	N 011 524 27	Washer A 6,4		8	
17	N 010 347 5	Hexagon-head bolt M 6 X 35		4	
18	930 110 919 00	Throttle screw		1	
19	930 110 256 00	Stopper		1	M44.11
20	999 512 457 00	Clamp		1	M44.11
-	930 110 520 00	Cap		1	

Model: 944 89

Model life 1989>>1991



Model: 944 89

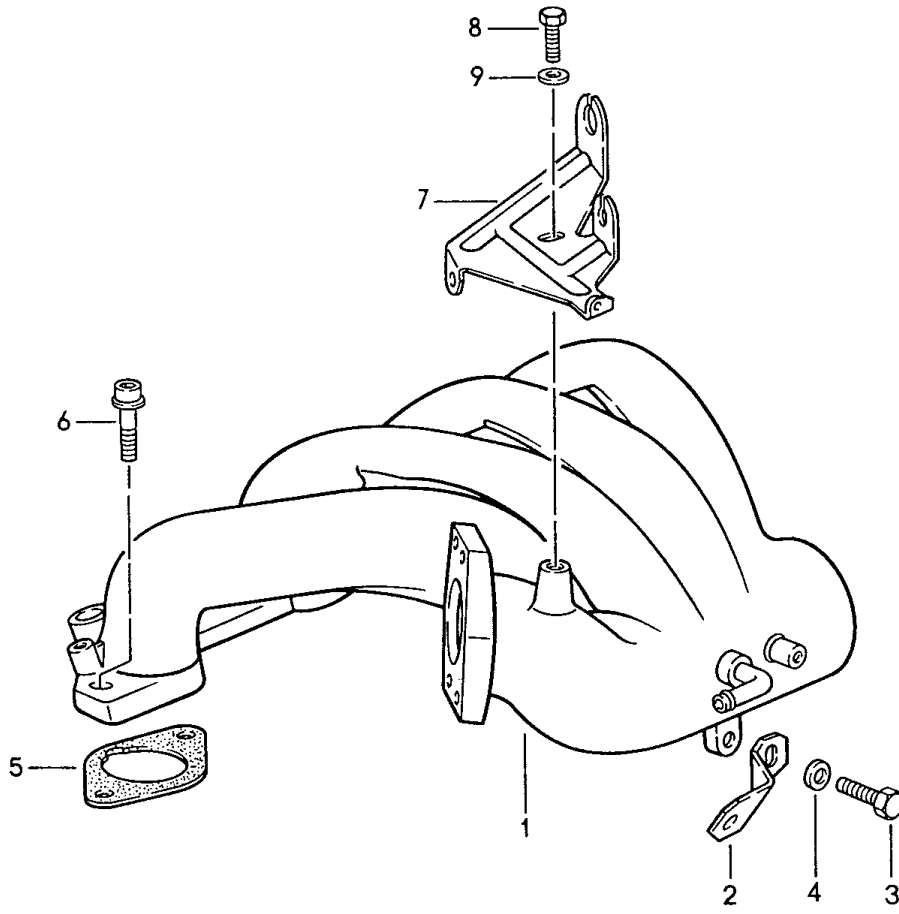
Model life 1989&gt;&gt;1991

Pos	Part Number	Description	Remark	Qty	Model
		L-jetronic 2			M44.11/12
1	944 110 080 20	Fuel collection pipe		1	
2	944 607 081 03	Cover		1	
3	944 110 198 04	Pressure regulator		1	
		M >> 46K 02979			M44.11
		M >> 46K 61255			M44.12
3	944 110 198 06	Pressure regulator		1	
		M 46K 02980 >>			M44.11
		M 46K 61256 >>			M44.12
4	944 110 201 04	Diaphragm damper		1	
5	900 108 022 00	Ball		1	
6	928 110 475 01	Cap nut		1	
6	928 110 475 03	Cap nut		1	
6	928 110 475 04	Cap nut		1	
7	N 011 524 7	Washer		4	
7	N 011 524 27	Washer		4	
8	999 072 005 09	Hexagon nut		4	
		M 6 X 12			
8	999 072 005 01	Hexagon nut		4	
		M 6 X 12			
9	N 012 238 5	Spring washer		1	
10	900 034 013 02	Hexagon nut		1	
		M 16 X 1,5			
10	900 034 013 01	Hexagon nut		1	
		M 16 X 1,5			
11	944 110 413 02	Fuel line		1	
12	928 574 717 02	Moulded hose		X	
13	928 573 727 03	Distributing piece		X	
13	928 573 727 05	Distributing piece		X	
-	N 020 139 11	Pipe		*	
		4 X 1			
14		180 MM		2	
15		380 MM		1	
16	930 110 388 00	Retaining clip		4	
16	930 110 388 01	Retaining clip		4	
17	944 606 114 00	Injector valve		4	
18	930 606 161 00	Idle-speed adjuster		1	
19	999 512 326 00	Hose clamp		2	
		SGT 23 - 35 / 9 W 2			
19	PCG 512 326 00	Hose clamp		2	
		SGT 23 - 35 / 9 W 2			
20	999 512 346 00	Hose clamp		2	
		SGT 16 - 25 / 9 W 2			
21	944 110 214 01	Hose		1	
22	944 110 217 00	Hose		1	
23	944 110 901 00	Gasket		4	
		for Injector valve			
24	999 512 395 02	Clamp		1	
25	928 110 191 10	Bonded rubber mounting		2	
25	999 703 264 00	Bonded rubber mounting		2	
26	999 512 457 00	Clamp		3	
		18,2 - 21,0			
27	944 110 241 04	Restrictor		1	
28	999 512 456 00	Clamp		2	
		19,8 - 22,6			
29	944 110 361 06	Hose		1	
30		See group 6/04/00			



Model: 944 89

Model life 1989>>1991



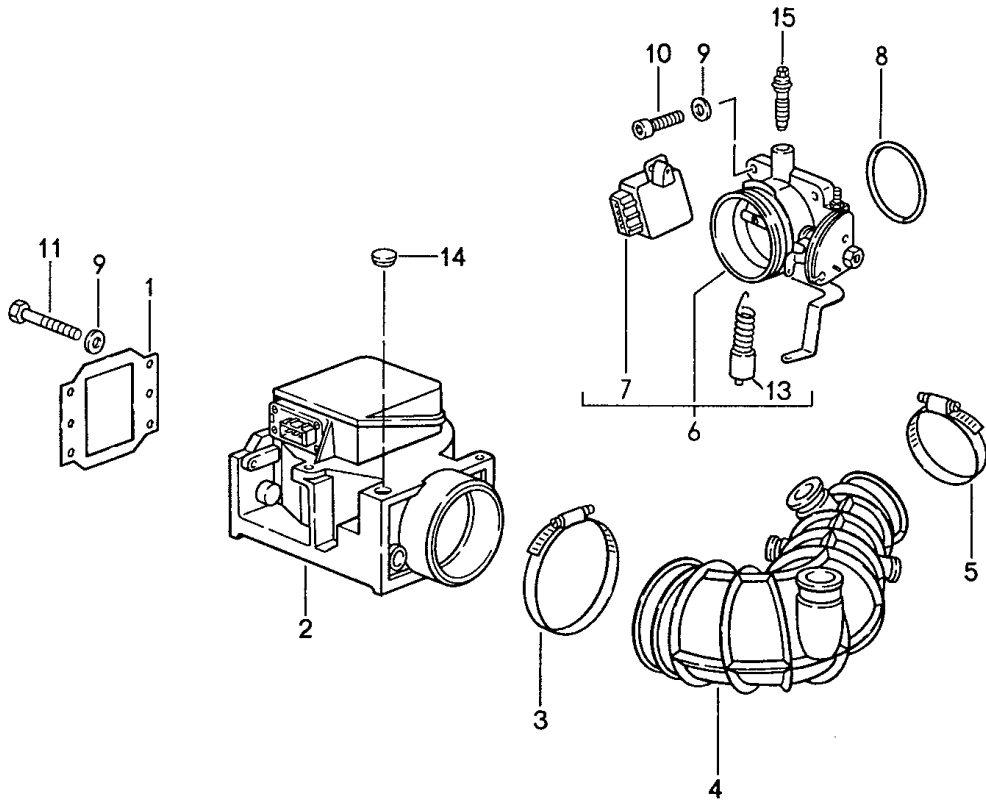
Model: 944 89

Model life 1989&gt;&gt;1991

Pos	Part Number	Description	Remark	Qty	Model
		L-jetronic 3			M44.11/12
1	944 110 060 00	Intake manifold		1	
2	944 110 165 01	Bracket		1	
3	900 075 085 02	Hexagon-head bolt M 8 X 20		1	
4	900 025 007 02	Washer 8,4		9	
4	900 025 007 03	Washer 8,4		9	
5	944 110 163 02	Gasket		4	
6	900 067 214 02	Pan-head screw M 8 X 35		8	
6	900 067 214 01	Pan-head screw M 8 X 35		8	
7	944 110 161 05	Support		1	
8	900 075 057 02	Hexagon-head bolt M 6 X 16		1	
8	900 075 057 03	Hexagon-head bolt M 6 X 16		1	
9	N 011 666 7	Washer B 6,4		1	

Model: 944 89

Model life 1989>>1991



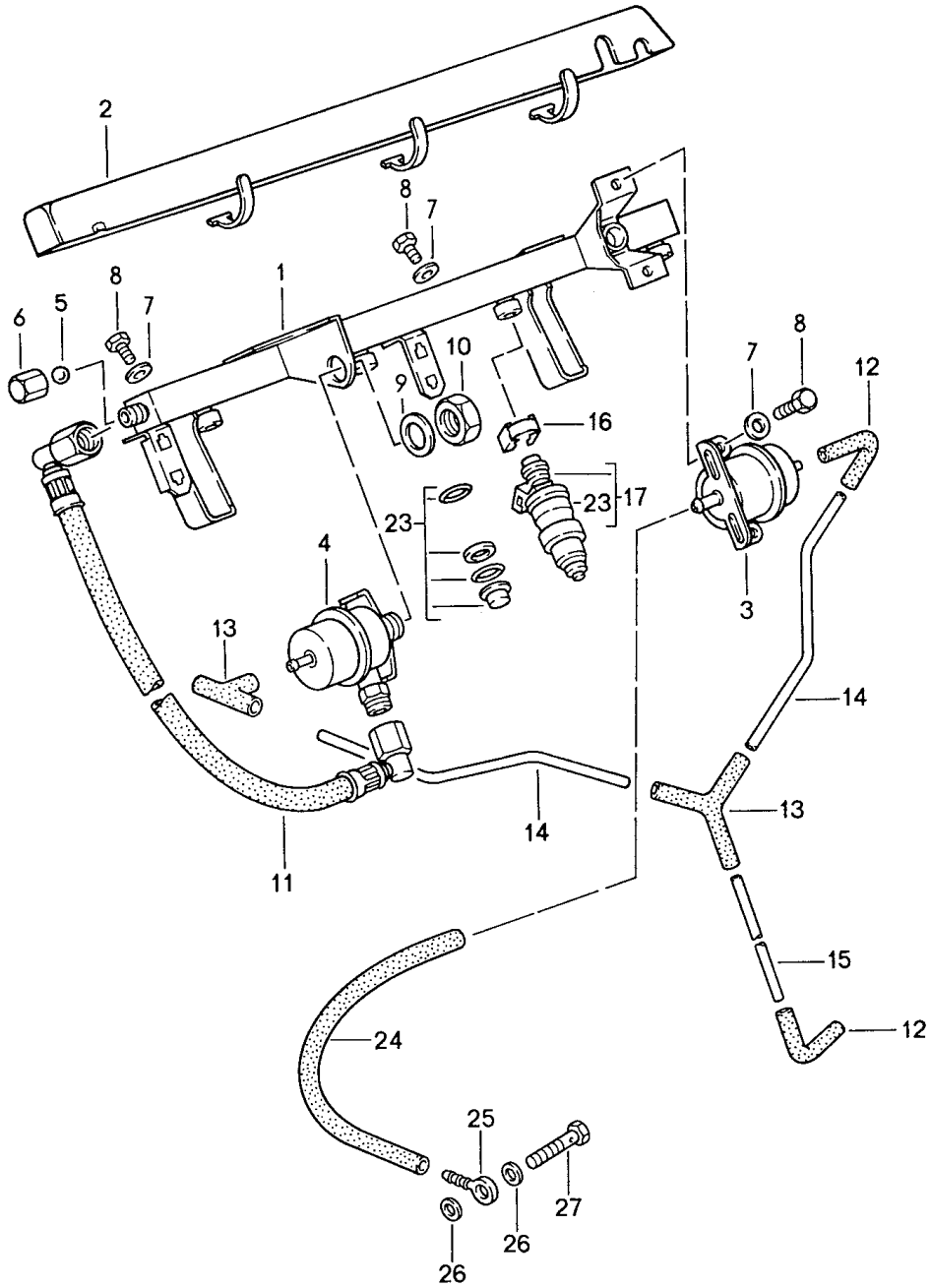
Model: 944 89

Model life 1989&gt;&gt;1991

Pos	Part Number	Description	Remark	Qty	Model
		L-jetronic 1			M44.52
1	928 110 201 01	Sealing frame		1	
2	951 606 121 01	Mass air flow meter		1	
3	999 512 226 02	Hose clamp		1	
4	951 110 198 02	Air guide		1	
5	999 512 342 02	Hose clamp S 60 / 9 ZY		1	
6	951 110 098 02	Flap-Nozzle		1	
7	951 606 113 00	Throttle-valve switch		1	
8	999 701 331 40	Round seal		1	
9	N 011 524 7	Washer		8	
9	N 011 524 27	Washer		8	
10	N 014 734 1	Pan-head screw M 6 X 22		4	
11	900 075 343 02	Hexagon-head bolt M 6 X 45		4	
13	951 110 098 90	Return spring		1	
14	944 606 935 01	Stopper		1	
15	951 110 919 00	Throttle screw		1	

Model: 944 89

Model life 1989>>1991



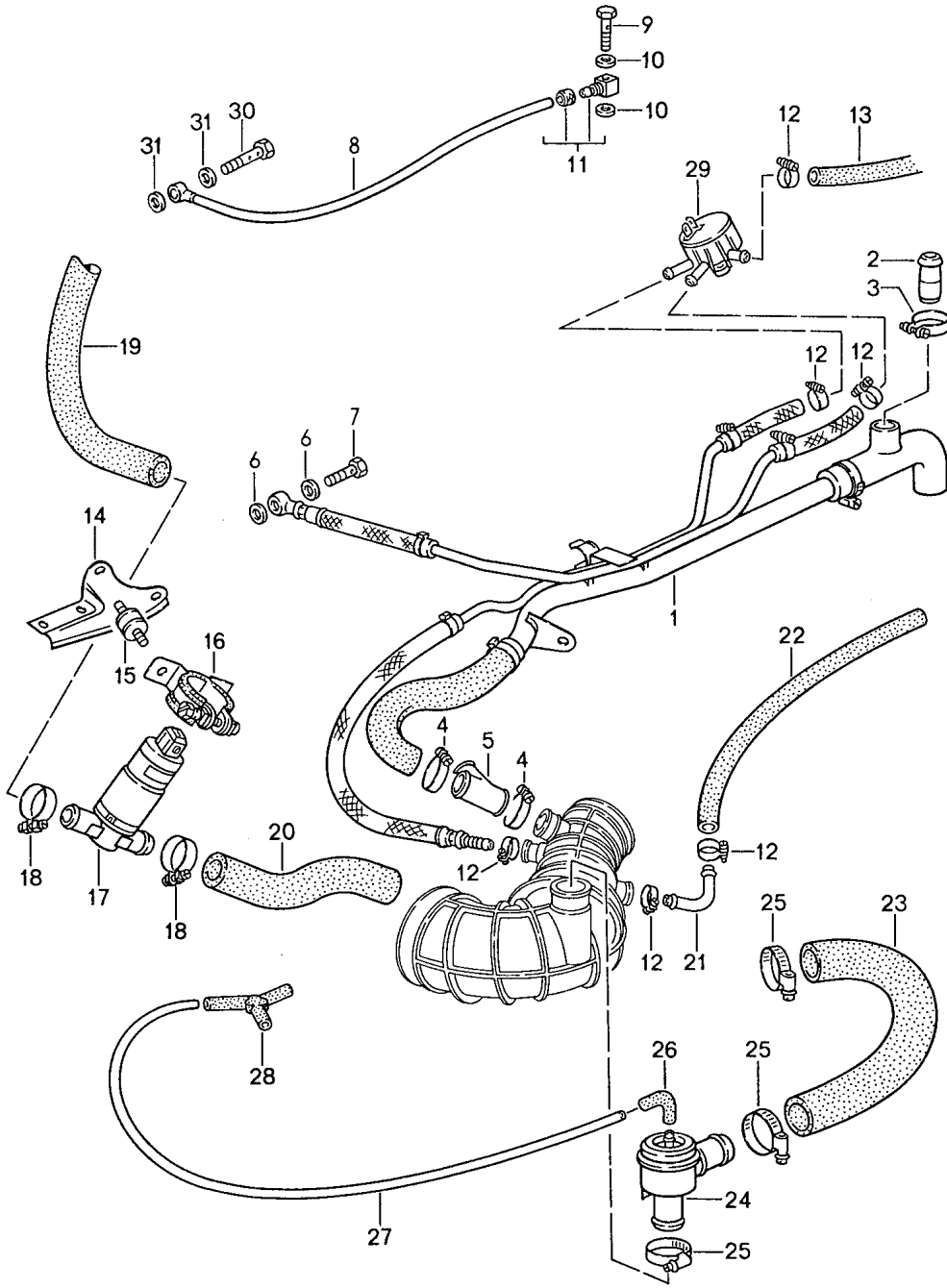
Model: 944 89

Model life 1989&gt;&gt;1991

Pos	Part Number	Description	Remark	Qty	Model
		L-jetronic 2			M44.52
1	944 110 080 20	Fuel collection pipe		1	
2	944 607 081 03	Cover		1	
3	944 110 198 03	Pressure regulator M >> 47K 02563		1	
3	944 110 198 05	Pressure regulator M 47K 02564 >>		1	
4	944 110 201 03	Diaphragm damper		1	
5	900 108 022 00	Ball		1	
6	928 110 475 01	Cap nut		1	
6	928 110 475 03	Cap nut		1	
6	928 110 475 04	Cap nut		1	
7	N 011 524 7	Washer		4	
7	N 011 524 27	Washer		4	
8	999 072 005 09	Hexagon nut M 6 X 12		4	
8	999 072 005 01	Hexagon nut M 6 X 12		4	
9	N 012 238 5	Spring washer		1	
10	900 034 013 02	Hexagon nut M 16 X 1,5		1	
10	900 034 013 01	Hexagon nut M 16 X 1,5		1	
11	944 110 413 02	Fuel line		1	
12	928 574 717 02	Moulded hose		X	
13	928 573 727 03	Distributing piece		X	
13	928 573 727 05	Distributing piece		X	
-	N 020 139 11	Pipe 4 X 1		*	
14		180 MM		2	
15		380 MM		1	
16	930 110 388 00	Retaining clip		4	
16	930 110 388 01	Retaining clip		4	
17	951 606 110 00	Injector valve SGT 23 - 35 / 9W2		4	
23	944 110 901 00	Gasket for Injector valve		4	
24	951 110 323 00	Hose		1	
25	999 230 113 02	Nipple		1	
26	900 123 050 30	Sealing ring		2	
27	911 110 899 00	Banjo bolt		1	

Model: 944 89

Model life 1989>>1991



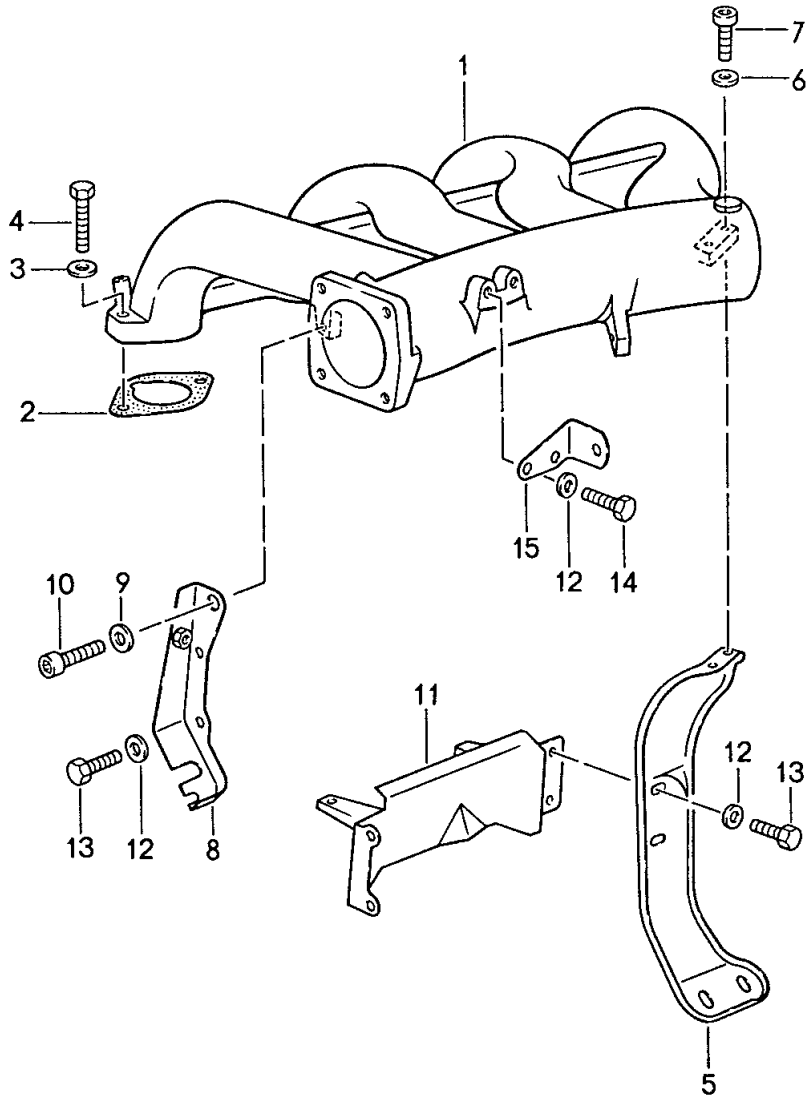
Model: 944 89 Model life 1989>>1991

Pos	Part Number	Description	Remark	Qty	Model
		L-jetronic 3			M44.52
1	951 110 061 04	Control line		1	
2	944 107 324 00	Valve		1	
3	999 512 457 00	Clamp		1	
4	999 512 346 02	Hose clamp		2	
4	999 512 676 00	Hose clamp		2	
5	951 110 225 01	Pipe		1	
6	900 123 043 30	Sealing ring		2	
7	N 021 071 2	Banjo bolt		1	
8	944 618 810 00	Pressure line		1	
9	959 618 115 00	Banjo bolt		1	
10	959 618 116 00	Sealing ring		2	
10	959 618 116 01	Sealing ring		2	
11	959 618 117 00	Ring piece		1	
11	959 618 117 01	Ring piece		1	
12	999 512 301 02	Hose clamp		6	
12	PCG 512 301 02	Hose clamp		6	
13	951 123 331 02	Hose Cycle valve Wastegate		1	
14	951 110 597 01	Retaining bracket		1	
15	928 110 191 10	Bonded rubber mounting		2	
15	999 703 264 00	Bonded rubber mounting		2	
16	999 512 395 02	Clamp		1	
17	930 606 161 00	Idle-speed adjuster		1	
18	999 512 421 02	Hose clamp		2	
19	951 110 221 00	Hose		1	
20	951 110 217 01	Hose		1	
21	951 110 190 00	Connecting piece		1	
22	999 181 152 50	Fuel hose 600 MM		*	
23	951 110 511 00	Hose		1	
24	993 110 337 50	Shut-off valve		1	
24	993 110 337 51	Shut-off valve		1	
25	999 512 356 02	Hose clamp		3	
26	928 574 717 02	Moulded hose		1	
-	N 020 139 11	Pipe 4 X 1 550 MM		*	
27				1	
28	928 573 727 02	Distributing piece		1	
(28)	928 573 729 02	Distributing piece		1	
29	951 606 117 00	Cycle valve		1	
30	N 900 887 01	Banjo bolt		1	
31	900 123 115 30	Sealing ring		3	



Model: 944 89

Model life 1989>>1991

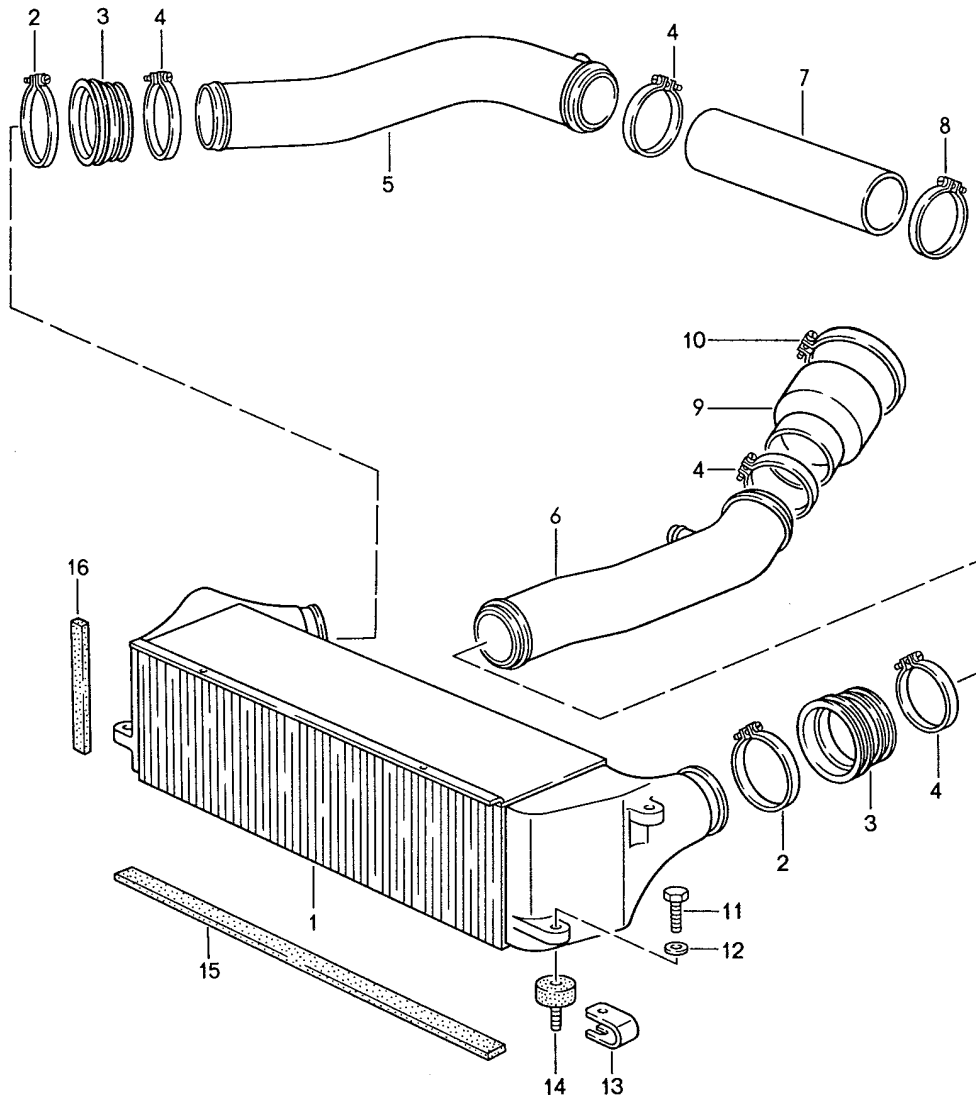


Model: 944 89 Model life 1989>>1991

Pos	Part Number	Description	Remark	Qty	Model
		L-jetronic 4			M44.52
1	951 110 052 03	Intake manifold		1	
2	944 110 163 05	Gasket		4	
2		Gasket	(S)	4	
3	900 025 007 02	Washer		8	
3	900 025 007 03	Washer		8	
4	900 067 214 02	Pan-head screw M 8 X 35		8	
4	900 067 214 01	Pan-head screw M 8 X 35		8	
5	951 110 155 01	Bracket		1	
6	900 031 011 02	Washer		2	
7	900 067 089 02	Pan-head screw M 6 X 22		2	
7	900 067 089 01	Pan-head screw M 6 X 22		2	
8	951 110 153 03	Bracket		1	
(8)	951 110 154 03	Bracket		1	M573
9	900 025 007 02	Washer		1	
9	900 025 007 03	Washer		1	
10	900 075 085 02	Hexagon-head bolt M 8 X 22		1	
11	951 110 315 01	Heat shield		1	
12	N 011 524 7	Washer		6	
12	N 011 524 27	Washer		6	
13	999 072 005 09	Hexagon nut M 6 X 12		4	
13	999 072 005 01	Hexagon nut M 6 X 12		4	
14	900 075 057 02	Hexagon-head bolt M 6 X 15		2	
14	900 075 057 03	Hexagon-head bolt M 6 X 15		2	
15	951 110 162 04	Support		1	

Model: 944 89

Model life 1989>>1991

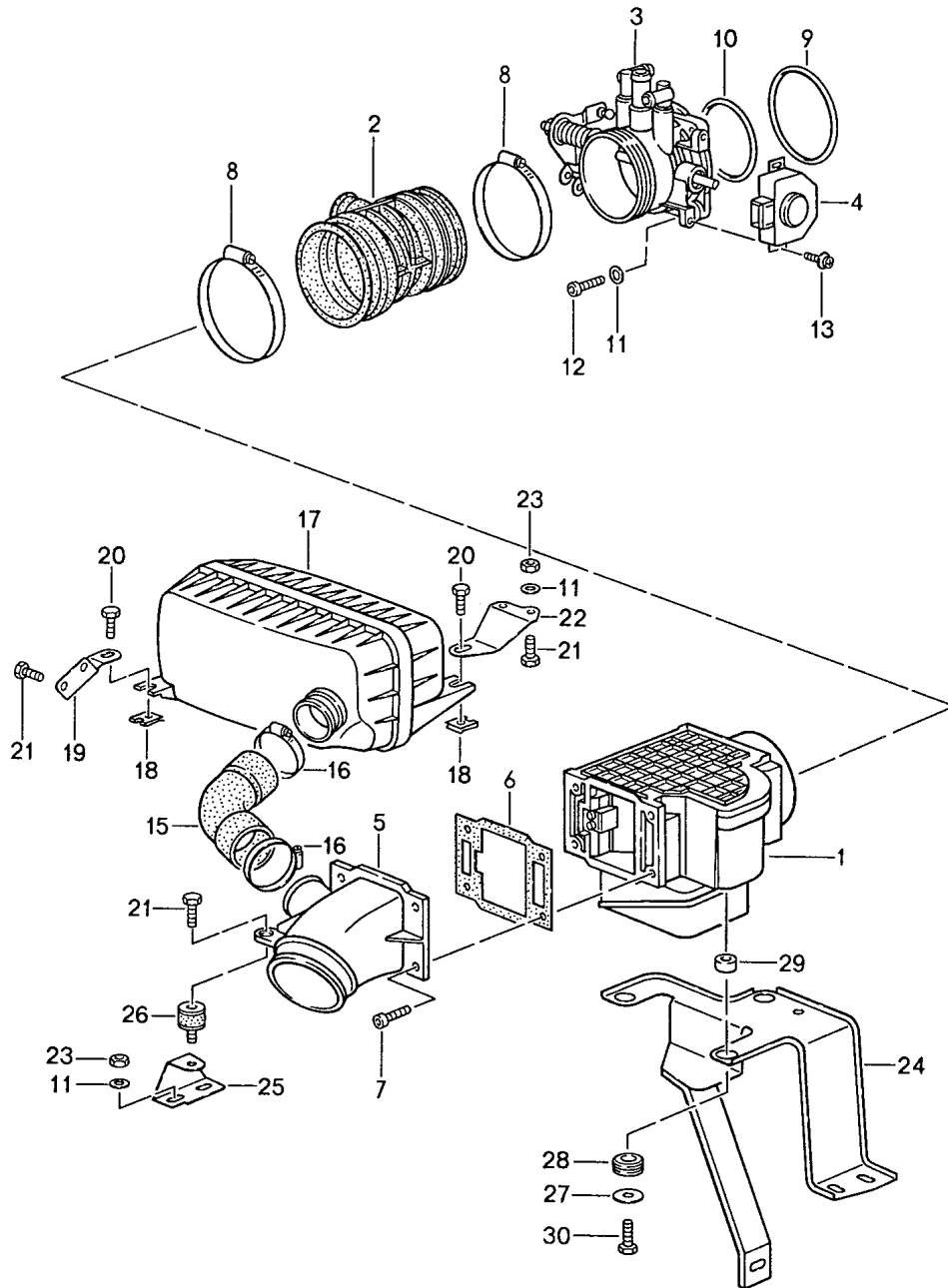


Model: 944 89 Model life 1989>>1991

Pos	Part Number	Description	Remark	Qty	Model
		Charge air cooler			M44.52
1	951 110 037 00	Charge air cooler		1	
2	999 512 270 02	Hose clamp A 9 X 75		2	
3	951 110 371 01	Hose		2	
4	999 512 040 02	Hose clamp S 63 / 9		4	
4	PCG 512 040 02	Hose clamp S 63 / 9		4	
5	951 110 310 03	Pipe		1	
6	951 110 311 04	Pipe		1	
7	951 110 370 02	Hose		1	
8	999 512 324 02	Hose clamp S 59 / 9		1	
9	951 110 372 01	Hose		1	
10	999 512 006 02	Hose clamp S 78 / 9		1	
10	PCG 512 006 02	Hose clamp S 78 / 9		1	
11	900 075 016 02	Hexagon-head bolt M 6 X 22		4	
11	900 075 016 03	Hexagon-head bolt M 6 X 22		4	
12	N 011 666 7	Washer A 6,4		4	
13	931 110 212 00	Retaining bar		4	
14	999 703 315 00	Bonded rubber buffer		4	
15	999 911 278 40	Sealing strap		1	
16	000 043 205 06	Sealing strap		2	

Model: 944 89

Model life 1989>>1991



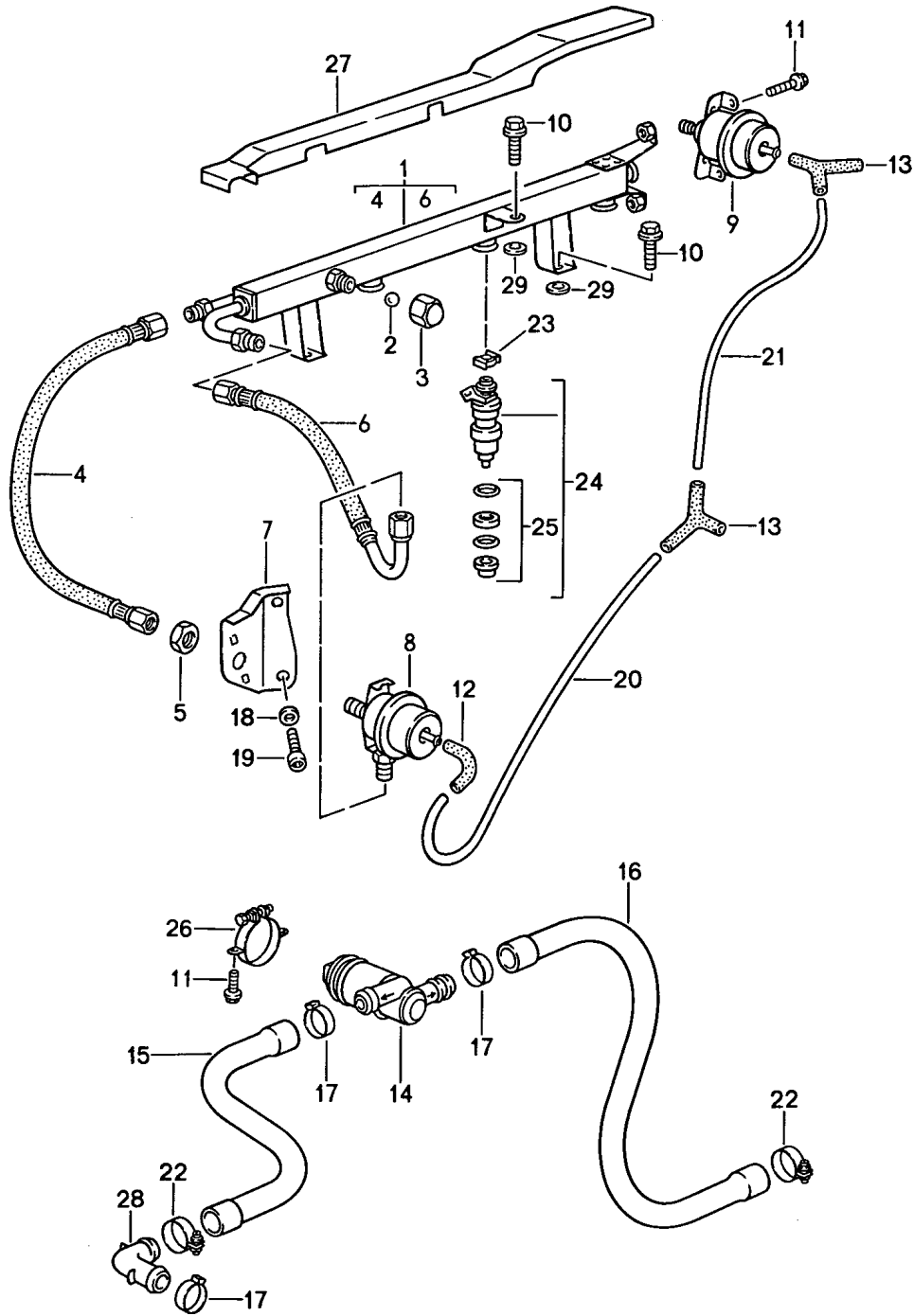
Model: 944 89

Model life 1989&gt;&gt;1991

Pos	Part Number	Description	Remark	Qty	Model
		L-jetronic 1			M44.41
1	944 606 124 00	Mass air flow meter		1	
2	944 110 308 01	Air guide		1	
3	944 110 025 02	Throttle body		1	
4	944 606 113 01	Throttle-valve switch		1	
5	944 110 303 02	Connection piece		1	
5	944 110 303 01	Connection piece	(CH)	1	
6	928 110 201 01	Sealing frame		1	
7	900 075 221 02	Pan-head screw M 6 X 16 Z1		4	
8	999 512 351 02	Hose clamp 70 - 90 /9		2	
9	999 707 036 40	Round seal 82 X 2,5		1	
10	999 701 331 40	Round seal 65 X 3		1	
11	N 011 524 7	Washer A 6,4		6	
11	N 011 524 27	Washer A 6,4		6	
12	900 067 089 02	Pan-head screw M 6 X 25		4	
13	900 146 120 02	Oval-head screw		2	
15	944 110 304 00	Hose	(CH)	1	
16	999 512 499 00	Hose clamp 32 - 50/9	(CH)	2	
17	944 110 302 01	Damper	(CH)	1	
18	999 507 246 02	Speed nut		2	
18	999 507 246 01	Speed nut		2	
19	944 110 316 00	Support		1	
20	N 100 515 01	Hexagon-head bolt M 6 X 15 Z1		2	
21	900 075 357 02	Combination screw M 6 X 12 Z1		6	
21	900 075 456 01	Combination screw M 6 X 12 Z1		6	
22	944 110 306 00	Support		1	
23	900 076 010 02	Nut M 6		3	
23	900 076 010 0B	Nut M 6		3	
24	944 606 024 00	Bracket		1	
25	944 606 034 01	Bracket		1	
26	999 703 315 00	Bonded rubber buffer		1	
27	N 011 612 3	Washer R 7		3	
27	N 011 612 C	Washer R 7		3	
28	056 129 669 B	Grommet		3	
29	052 109 135	Spacer sleeve		3	
30	900 075 014 02	Hexagon-head bolt M 6 X 18		3	
30	900 075 014 03	Hexagon-head bolt M 6 X 18		3	

Model: 944 89

Model life 1989>>1991



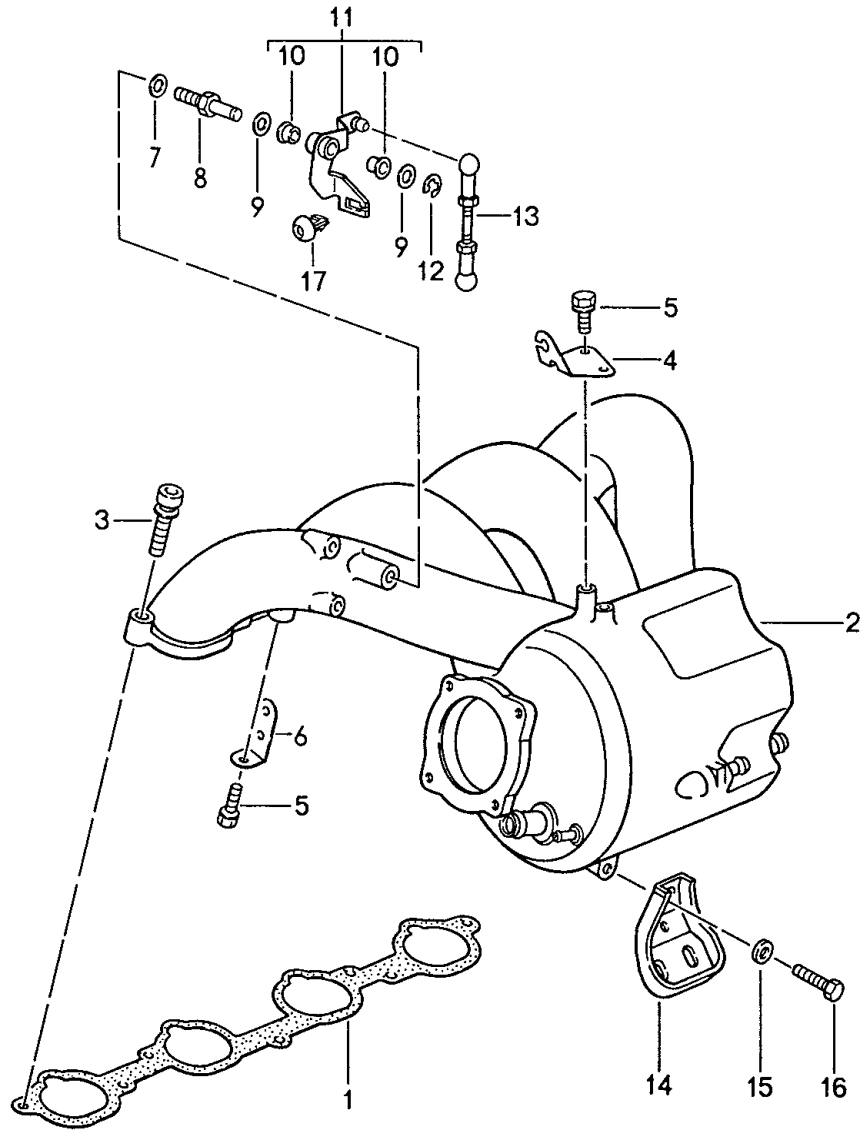
Model: 944 89 Model life 1989>>1991

Pos	Part Number	Description	Remark	Qty	Model
		L-jetronic 2			M44.41
1	944 110 080 14	Fuel collection pipe		1	
2	900 108 022 00	Ball		1	
3	928 110 475 01	Cap nut		1	
3	928 110 475 03	Cap nut		1	
3	928 110 475 04	Cap nut		1	
4	944 110 384 03	Fuel line		1	
5	900 034 013 02	Hexagon nut BM 16 X 1,5		1	
5	900 034 013 01	Hexagon nut BM 16 X 1,5		1	
6	944 110 384 04	Fuel line		1	
7	944 110 381 03	Support		1	
8	944 110 201 04	Diaphragm damper		1	
9	944 110 198 06	Pressure regulator		1	
10	900 075 355 02	Combination screw		3	
10	900 075 355 01	Hexagon-head bolt		3	
11	900 075 357 02	Combination screw M 6 X 16		2	
11	900 075 456 01	Combination screw M 6 X 16		2	
12	928 574 717 03	Moulded hose		2	
13	928 573 727 03	Distributing piece		2	
13	928 573 727 05	Distributing piece		2	
14	964 606 160 00	Idle-speed adjuster		1	
15	944 110 235 02	Moulded hose		1	
16	944 110 214 04	Moulded hose		1	
17	999 512 455 00	Hose clamp		3	
18	N 011 524 7	Washer		2	
18	N 011 524 27	Washer		2	
19	900 067 009 02	Pan-head screw		2	
19	900 067 429 01	Pan-head screw		2	
-	N 020 139 11	Pipe 4 X 1 230 MM		*	
20		500 MM		1	
21				1	
22	999 512 252 02	Hose clamp SGL 23 - 35/9		2	
23	930 110 388 00	Retaining clip		4	
23	930 110 388 01	Retaining clip		4	
24	944 606 112 01	Injector valve	-90	4	
24	944 606 120 00	Injector valve	91-	4	
25	944 110 901 00	Gasket for Injector valve	-90	4	
26	944 110 147 00	Clamp		1	
27	944 607 010 01	Cover		1	
28	944 110 212 01	Connecting piece		1	
29	999 025 220 30	Spacer	-90	1	
29	999 025 220 3A	Spacer		1	



Model: 944 89

Model life 1989>>1991



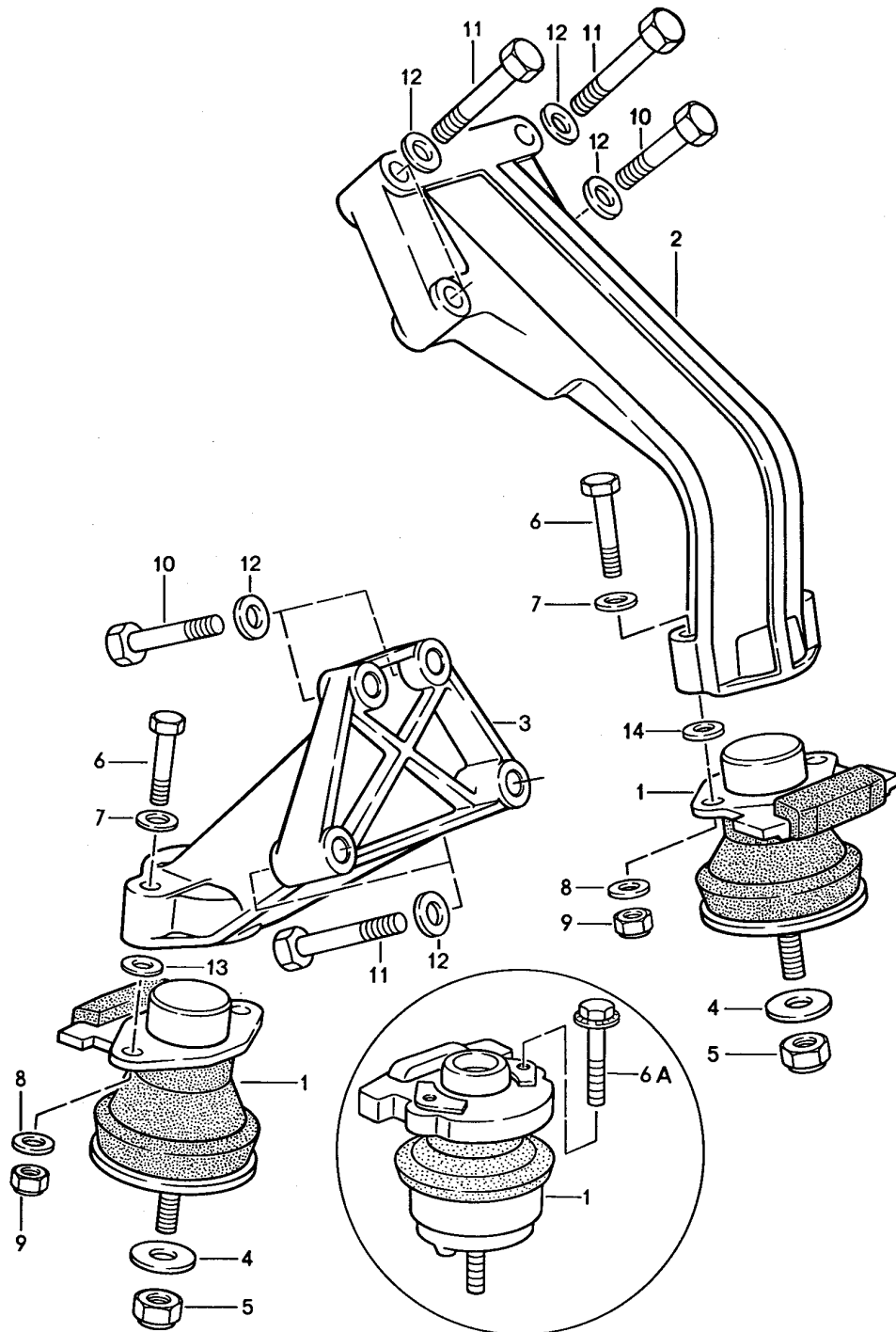
Model: 944 89

Model life 1989&gt;&gt;1991

Pos	Part Number	Description	Remark	Qty	Model
		L-jetronic 3			M44.41
1	944 110 305 02	Gasket		1	
2	944 110 035 00	Intake manifold	-90	1	
2	944 110 035 01	Intake manifold	91-	1	
3	999 067 035 02	Pan-head screw M 8 X 35		7	
4	944 110 224 02	Support		1	
5	900 075 357 02	Combination screw M 6 X 12		3	
6		Retaining bracket		1	
5	900 075 456 01	Combination screw M 6 X 12		3	
		Retaining bracket		1	
7	900 025 007 02	Washer		1	
7	900 025 007 03	Washer		1	
8	944 110 232 00	Bearing pin		1	
9	930 110 572 00	Washer		2	
10	999 924 069 00	Bearing sleeve		2	
11	944 110 204 02	Reverse lever		1	
12	N 012 436 2	Lock washer		1	
13	944 110 234 00	Pull rod		1	
14	944 110 164 04	Bracket		1	
15	900 223 001 02	Washer		3	
16	900 075 079 02	Hexagon-head bolt		3	
17	964 423 435 00	Clip		1	

Model: 944 89

Model life 1989>>1991

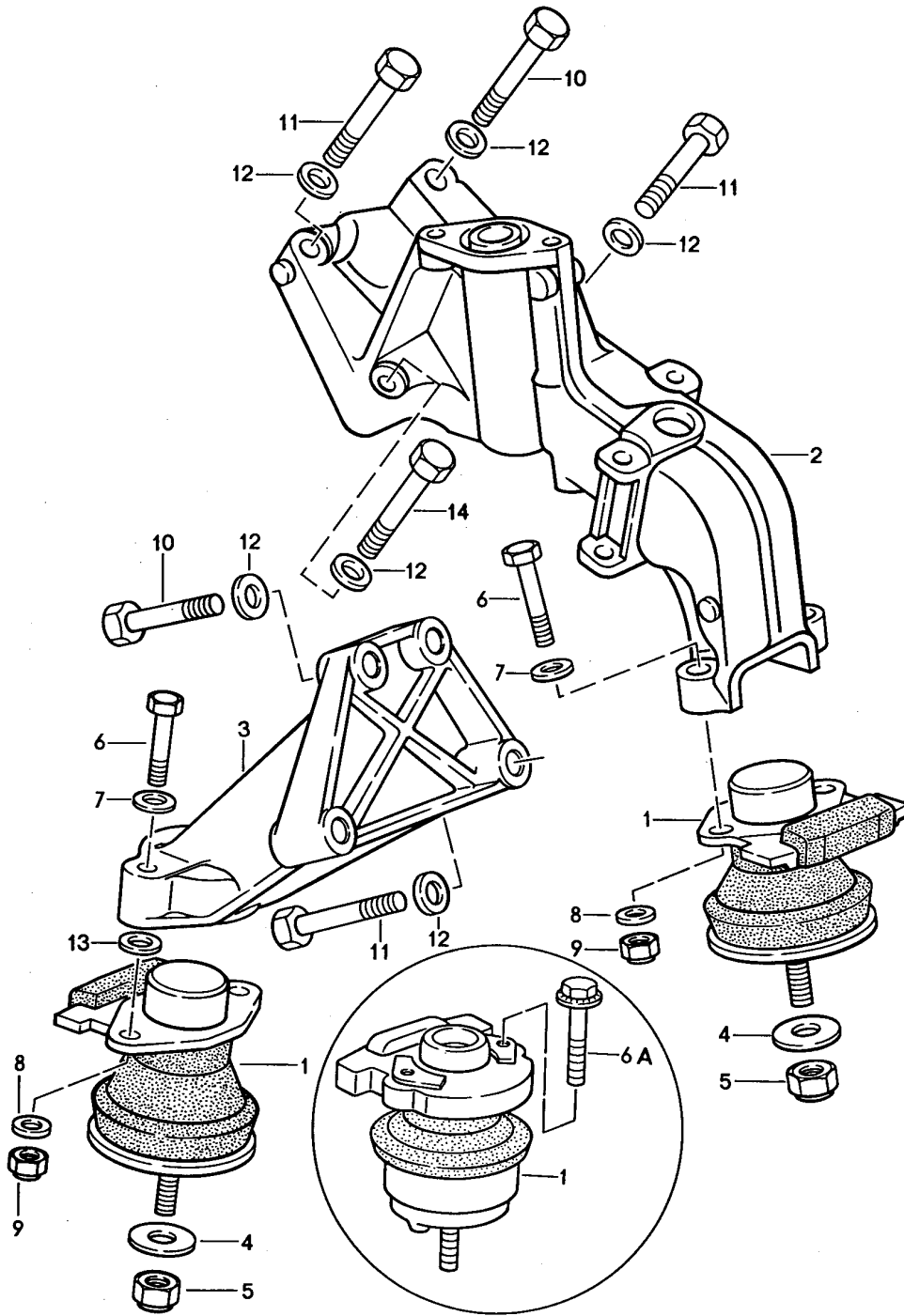


Model: 944 89 Model life 1989>>1991

Pos	Part Number	Description	Remark	Qty	Model
		Engine suspension See technical information GRP.1 NR. 4/90			M44.11/12/41
1	944 375 042 04	Hydraulic mount		2	M44.11/12
1	951 375 042 04	Hydraulic mount		2	M44.41 COUPE
1		Hydraulic mount		2	M44.41 CABRIO
2	944 375 123 03	Engine carrier	/L	1	M44.11/12
2	944 375 123 06	Engine carrier	/L	1	M44.41
3	944 375 124 02	Engine carrier	/R	1	
4	477 407 425	Washer		2	
5	N 022 149 2	Lock nut VM 10		2	
6	N 010 351 6	Hexagon-head bolt M 8 X 52		4	
6	900 074 342 01	Hexagon-head bolt M 8 X 52		4	
6A	900 378 024 02	Hexagon-head bolt M 8 X 38		4	
(6A)	900 378 034 02	Hexagon-head bolt M 8 X 42		4	
7	900 223 001 02	Washer 8,4		4	
8	900 025 007 02	Washer A 8,4		4	
8	900 025 007 03	Washer A 8,4		4	
9	900 910 022 09	Lock nut VM 8		4	
9	900 910 022 03	Lock nut VM 8		4	
10	N 010 445 3	Hexagon-head bolt M 10 X 45		3	
11	900 074 063 02	Hexagon-head bolt M 10 X 55		5	
11	900 074 380 01	Hexagon-head bolt M 10 X 55		5	
12	900 025 008 09	Washer A 10,5		8	
12	900 025 008 04	Washer A 10,5		8	
13	900 223 001 02	Washer		2	COUPE
14		Washer		2	M44.41 COUPE

Model: 944 89

Model life 1989>>1991



Model: 944 89

Model life 1989>>1991

Pos	Part Number	Description	Remark	Qty	Model
		Engine suspension See technical information GRP.1 NR.4/90			M44.52
1	951 375 042 04	Hydraulic mount		2	
2	951 101 023 00	Engine carrier	/L	1	
3	944 375 124 02	Engine carrier	/R	1	
4	477 407 425	Washer		2	
5	N 022 149 2	Lock nut		2	
6	N 010 351 6	Hexagon-head bolt M 8 X 52		4	
6	900 074 342 01	Hexagon-head bolt M 8 X 52		4	
6A	900 378 024 02	Hexagon-head bolt M 8 X 38		4	
(6A)	900 378 034 02	Hexagon-head bolt M 8 X 42		4	
7	900 223 001 02	Washer		4	
8	900 025 007 02	Washer		4	
8	900 025 007 03	Washer		4	
9	900 910 022 09	Lock nut		4	
9	900 910 022 03	Lock nut		4	
10	N 010 445 3	Hexagon-head bolt M 10 X 45		4	
11	900 074 063 02	Hexagon-head bolt M 10 X 55		2	
11	900 074 380 01	Hexagon-head bolt M 10 X 55		2	
12	900 025 008 09	Washer		8	
12	900 025 008 04	Washer		8	
13	900 223 001 02	Washer		2	
14	900 067 222 02	Pan-head screw M 10 X 55		1	

Model: 944 89

Model life 1989>>1991



Model: 944 89 Model life 1989>>1991

Pos	Part Number	Description	Remark	Qty	Model
>>	944 100 901 03	Repair kits Maintenance set Gasket set Gasket set for crankcase Comprising:		1	
-	999 701 614 40	Round seal		2	
-	999 113 282 40	Shaft sealing ring		1	
-	999 113 281 40	Shaft sealing ring		1	
-	999 701 652 40	O-ring		2	
-	944 101 205 02	Oil sump gasket		1	
-	N 043 815 3	Sealing ring		2	
-	999 113 264 40	Radial sealing ring		1	
-	999 113 461 40	Radial sealing ring		1	
-	999 113 426 40	Radial sealing ring		1	
-	999 113 426 41	Radial sealing ring		1	
-	944 105 321 00	Gasket		2	
-	944 106 132 04	Gasket		1	
-	999 113 331 40	Shaft sealing ring		1	
-	999 707 283 40	Round seal		1	
-	944 107 136 03	Sealing ring		1	
-	944 107 136 04	Sealing ring		1	
-	900 123 106 30	Sealing ring		1	
-	944 107 153 02	Rubber ring		1	
-	999 707 043 40	O-ring		2	
-	944 107 147 03	Gasket		1	
-	999 701 661 40	Round seal		2	
-	900 123 101 30	Sealing ring		1	
-	900 123 118 30	Sealing ring		1	
-	951 107 241 02	Sealing ring		1	
-	900 123 007 30	Sealing ring		1	
>>	944 101 901 00	Set of crankshaft bearings Comprising:		1	
-	928 101 117 08	Main bearing bush i		1	
-	928 101 115 15	Main bearing shell Set Standard Comprising: Lower half 2,4,5 Upper half 2,4,5		3	
-	928 101 115 16	Main bearing shell Set Standard Comprising: Lower half 2,4,5 Upper half 2,4,5		3	
-	928 101 115 01	Main bearing shell		3	
-	944 101 139 00	Thrust bearing		2	
	944 101 139 00 002	Yellow			
>>	928 101 901 52	Set of crankshaft bearings 1 set Undersize 0.25 mm Comprising:		1	
-	928 101 117 58	Main bearing bush i		1	
-	928 101 115 50	Main bearing shell Upper		3	
-	928 101 115 51	Main bearing shell Lower		3	
-	928 101 133 53	Thrust bearing		2	
>>	928 101 901 62	Set of crankshaft bearings 1 set Undersize 0.50 mm Comprising:		1	



Model: 944 89 Model life 1989>>1991

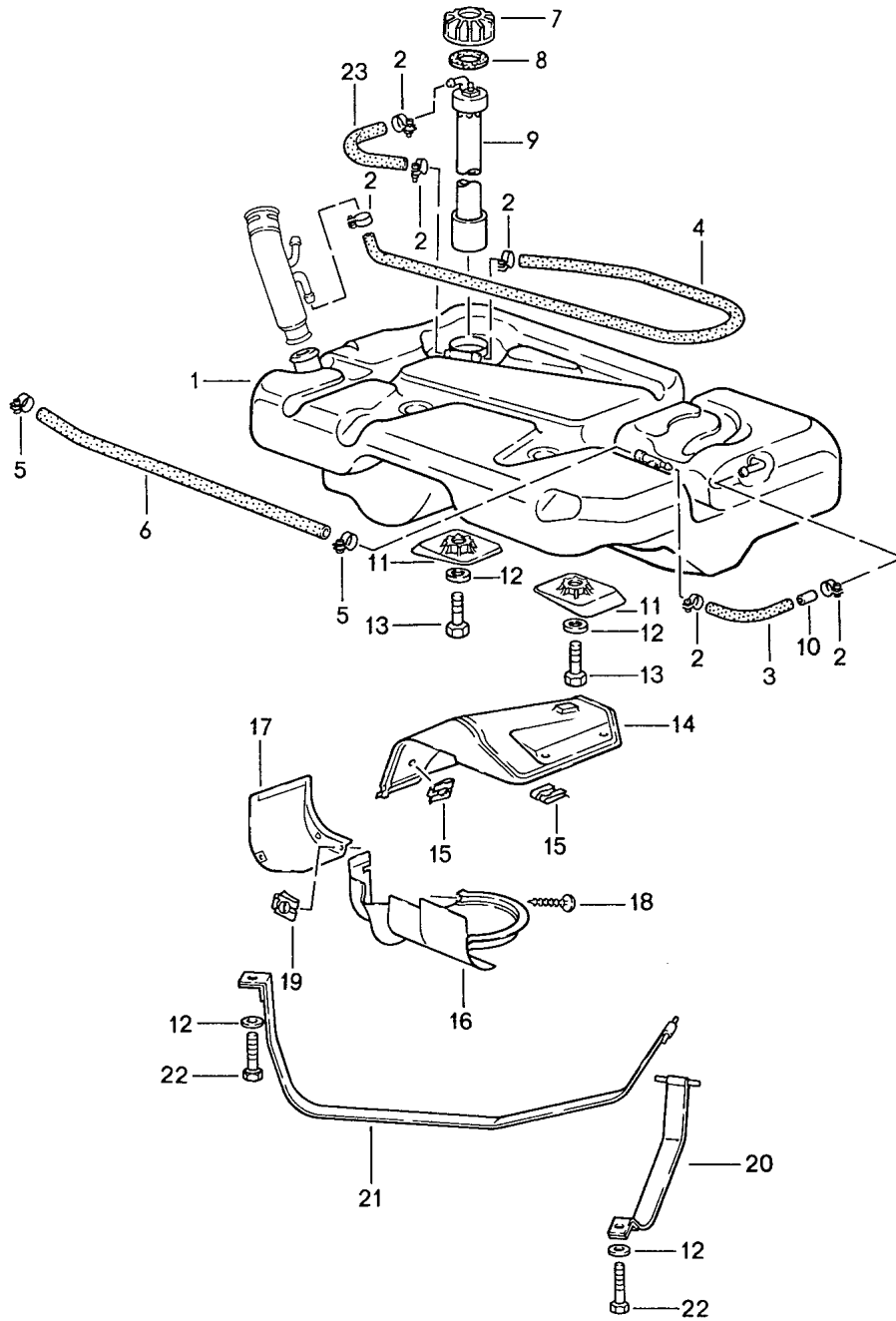
Pos	Part Number	Description	Remark	Qty	Model
-	928 101 117 68	Main bearing bush i		1	
-	928 101 115 60	Main bearing shell		3	
		Top half			
-	928 101 115 61	Main bearing shell		3	
		Lower			
-	928 101 133 63	Thrust bearing		2	
>>	944 100 901 05	Gasket set		1	M44.11/12
		for cylinder head			
		Comprising:			
-	944 104 394 04	Cylinder head gasket		1	
-	964 104 111 06	Valve stem seal		8	
-	964 104 111 07	Valve stem seal		8	
-	944 111 196 01	Gasket		4	
-	944 105 199 03	Gasket		1	
-	944 110 163 02	Gasket		4	
-	928 106 197 04	Gasket		1	
-	944 104 311 01	Gasket		1	
-	999 701 602 40	O-ring		1	
-	999 113 349 40	Shaft sealing ring		1	
-	928 105 189 02	Gasket		1	
-	944 105 321 00	Gasket		1	
-	900 123 140 30	Sealing ring		6	
-	999 701 468 40	Round seal		1	
-	944 111 135 01	Gasket		2	
>>	951 100 901 00	Gasket set		1	M44.52
		for cylinder head			
		Comprising:			
-	951 104 374 02	Cylinder head gasket		1	
-	951 104 195 01	Valve stem seal		8	
-	944 111 196 00	Gasket		4	
-	944 111 197 00	Gasket		4	
-	944 111 197 04	Gasket		4	
-	928 105 199 12	Gasket		1	
-	944 110 163 05	Gasket		4	
-	928 106 197 04	Gasket		1	
-	944 104 311 01	Gasket		1	
-	951 104 311 03	Gasket		1	
-	928 105 184 00	Sealing ring		1	
-	928 105 184 01	Sealing ring		1	
-	999 701 602 40	O-ring		1	
-	999 113 349 40	Shaft sealing ring		1	
-	928 105 189 02	Gasket		1	
-	944 105 321 00	Gasket		1	
-	900 123 140 30	Sealing ring		6	
-	999 701 331 40	Round seal		1	
-	944 111 205 04	Sealing ring		2	
>>	944 100 901 06	Gasket set		1	M44.41
		for cylinder head			
		Comprising:			
-	944 104 394 04	Cylinder head gasket		1	
-	928 104 601 07	Valve stem seal		16	
-	944 104 365 02	Gasket		1	
-	928 106 167 01	Gasket		1	
-	928 104 447 09	Gasket		1	
-	999 113 282 40	Shaft sealing ring		1	
-	900 123 050 30	Sealing ring		4	
-	900 174 056 40	O-ring		2	
-	928 104 115 02	Thrust ring		13	
-	944 110 305 02	Gasket		1	
-	999 701 331 40	Round seal		1	
-	999 707 036 40	Round seal		1	
-	944 111 205 00	Sealing ring		4	
-	944 111 135 01	Gasket		2	

Model: 944 89 Model life 1989>>1991

Pos	Part Number	Description	Remark	Qty	Model
>>	944 103 902 24	Set of piston rings 104,00 MM		4	M44.11/12
>>	944 103 902 25	Set of piston rings 104,50 MM		4	M44.11/12
>>	944 103 902 60	Set of piston rings 104,00 MM		4	M44.41
>>	944 103 902 61	Set of piston rings 104,50 MM		4	M44.41
>>	951 103 901 02	Set of piston rings 100,00 MM		4	M44.52
>>	951 103 901 03	Set of piston rings 100,50 MM		4	M44.52
>>	951 100 930 01	Maintenance set for Periodic maintenance Comprising:		1	M44.52
-	944 107 201 03	Oil filter		1	
-	951 110 121 01	Air cleaner cartridge		1	
-	900 123 118 30	Sealing ring		1	
-	999 170 156 90	Spark plug		4	
>>	944 100 930 03	Maintenance set for Periodic maintenance Comprising:		1	M44.11/12
-	944 107 201 03	Oil filter		1	
-	944 110 186 02	Air cleaner cartridge		1	
-	900 123 118 30	Sealing ring		1	
-	999 170 156 90	Spark plug		4	
>>	944 100 930 07	Maintenance set for Periodic maintenance Comprising:		1	(AG)(SG) M44.11/12
-	944 107 201 08	Oil filter		1	
-	944 110 186 02	Air cleaner cartridge		1	
-	900 123 118 30	Sealing ring		1	
-	999 170 156 90	Spark plug		4	
>>	944 100 930 04	Maintenance set for Periodic maintenance Comprising:		1	M44.41
-	944 107 201 08	Oil filter		1	
-	944 110 166 00	Air cleaner cartridge		1	
-	900 123 118 30	Sealing ring		1	
-	999 170 179 90	Spark plug		4	
>>	944 110 901 00	Gasket for Injector valve		4	
>>	000 043 202 61	Retrofit kit FUER AU	(D)	1	M44.41

Model: 944 89

Model life 1989>>1991

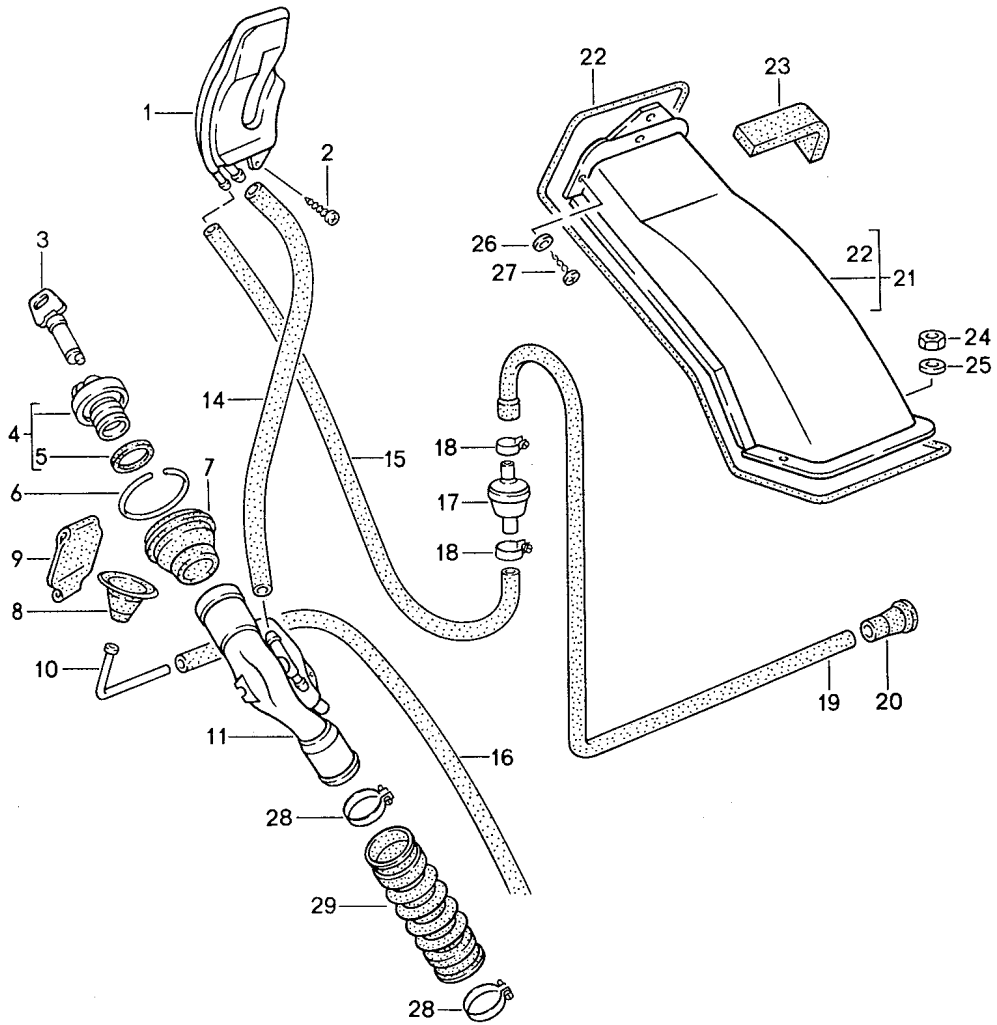


Model: 944 89 Model life 1989>>1991

Pos	Part Number	Description	Remark	Qty	Model
1	951 201 021 03	Fuel tank		1	
2	N 023 570 2	Hose clamp		6	
-	999 181 716 50	Hose		*	
		9,5 X 3			
3		220 MM		1	
4		1900 MM		1	COUPE
4	941 201 713 11	Hose		1	CABRIO
5	999 512 482 00	Hose clamp		2	
		SM 9C21-W3			
6	951 201 123 03	Hose		1	COUPE
6	941 201 711 11	Hose		1	CABRIO
7	951 201 375 00	Union nut		1	
8	944 201 327 00	Sealing ring		1	
9	944 641 037 01	Tank gauge		1	
10	911 201 263 02	Restrictor		1	
11	951 201 173 02	Fastening plate		2	
12	N 900 741 01	Washer		2	
13	900 075 033 02	Stud		2	
		M 8 X 40			
13	900 075 033 03	Stud		2	
		M 8 X 40			
14	944 201 435 00	Heat protection plate		1	
15	N 012 653 3	Lock washer		4	
16	944 201 331 00	Cover		1	
17	951 201 025 00	Lid		1	
18	900 143 124 07	Tapping screw		2	
19	N 015 482 1	Speed nut		2	
20	951 201 315 00	Restraining strap	/L -89	1	
20	951 201 315 04	Restraining strap	/L	1	
20	951 201 315 02	Restraining strap	/L 90-	1	
21	951 201 312 01	Restraining strap	/R -89	1	
21	951 201 312 02	Restraining strap	/R 90-	1	
22	900 075 033 02	Stud		2	
		M 8 X 40		2	
22	900 075 033 03	Stud		2	
		M 8 X 40		2	
23	951 201 227 01	Hose		1	
24	N 023 570 2	Hose clamp		1	
		A 9 X 15 ZY			

Model: 944 89

Model life 1989>>1991

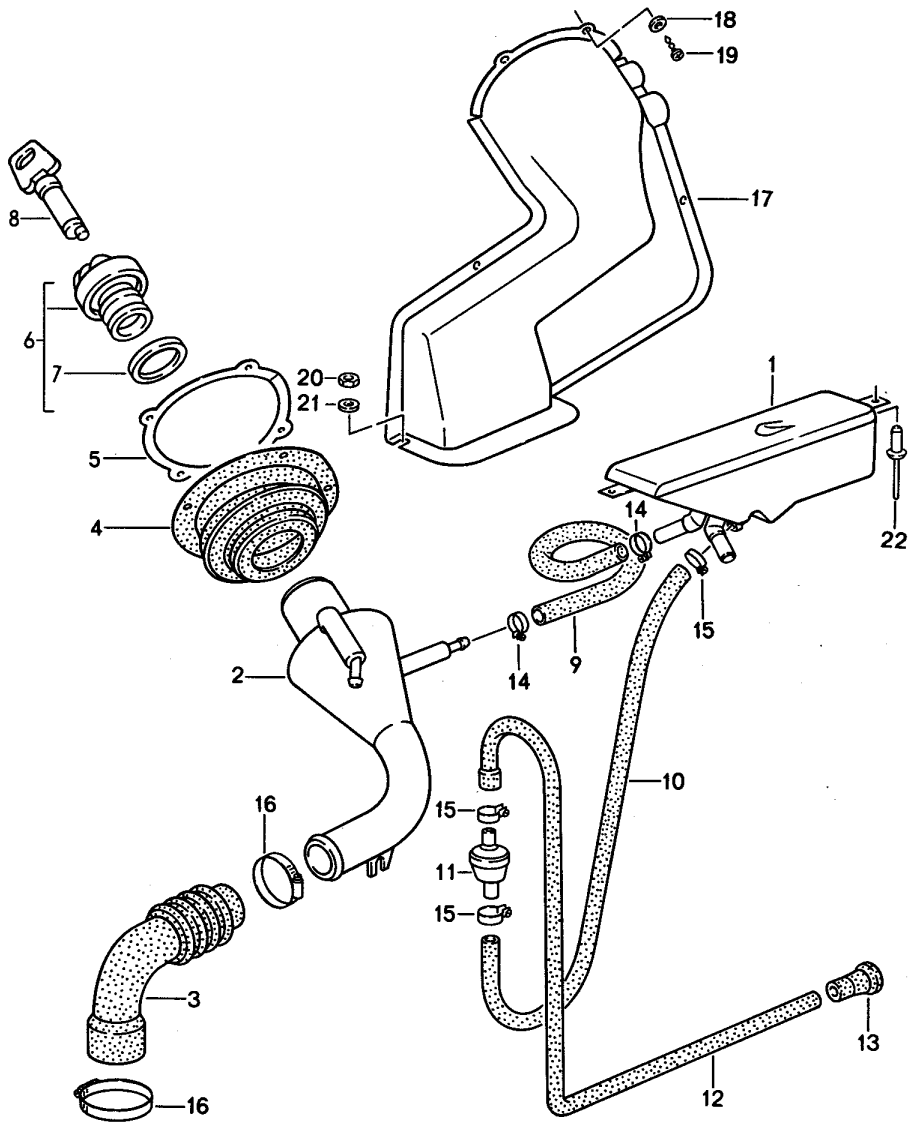


Model: 944 89 Model life 1989>>1991

Pos	Part Number	Description	Remark	Qty	Model
1	944 201 041 03	Filler neck Expansion tank		1	COUPE
2	N 043 864 1	Hexagon-head bolt BM 3 X 6		1	
3	477 201 594	Lock cylinder with 1 key W/o stipulated lock number		1	
3	477 201 594 A	Lock cylinder with 1 key State lock number		1	
4	944 201 061 01	Fuel tank cap		1	
5	944 201 553 00	Gasket		1	
6	900 906 045 03	Circlip		1	
7	931 201 281 02	Sleeve		1	
8	944 201 461 00	Grommet		1	
9	928 201 057 02	Protective flap		1	
10	477 201 283 A	Connection piece		1	
11	944 201 043 04	Filler neck		1	M150
11	944 201 043 03	Filler neck		1	
11		Filler neck	(J)	1	
14	999 181 354 40	Hose		1	
15	951 201 449 01	Hose		1	
16	477 201 393 A	Hose		1	
16	477 201 393 C	Hose		1	
17	928 201 083 02	Shut-off valve		1	
18	N 023 570 2	Hose clamp		2	
19	944 201 159 01	Breather hose		1	
20	321 201 890 A	End piece		1	
21	944 201 047 03	Cover		1	
-	000 043 202 08	Packing cord		*	
22		\$ 4 MM		1	
-	000 043 205 05	Sound absorber		*	
23		100 MM		X	
24	N 011 005 14	Hexagon nut M 5		2	
24	900 076 091 01	Hexagon nut M 5		2	
25	900 025 003 02	Washer A 5,3		2	
26	900 151 028 02	Washer 4,3		3	
26	900 151 028 01	Washer 4,3		3	
27	N 013 957 5	Oval-head sheetmetal screw B 3,5 X 9,5		3	
28	113 201 281 B	Hose clamp		2	
29	944 201 319 00	Hose		1	
-	431 971 848 A	Clip		2	

Model: 944 89

Model life 1989>>1991



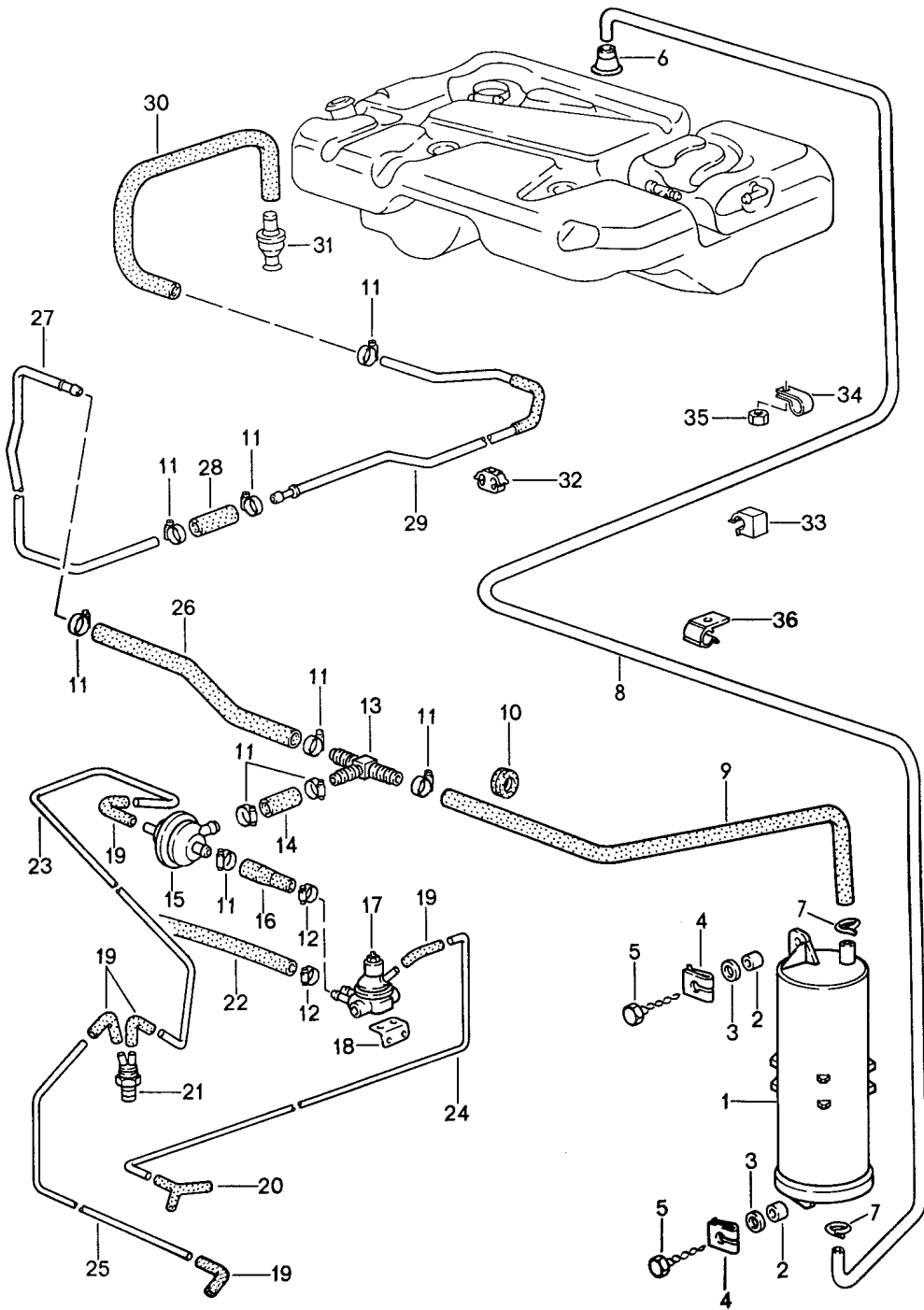
Model: 944 89 Model life 1989>>1991

Pos	Part Number	Description	Remark	Qty	Model
		Filler neck			CABRIO
1	941 201 165 11	Expansion tank		1	
2	941 201 351 10	Filler neck		1	M150
2	941 201 043 13	Filler neck		1	M150
2	941 201 351 11	Filler neck		1	
3	941 201 353 10	Bellows		1	
4	941 201 349 10	Sealing rubber		1	
5	941 201 393 10	Support		1	
6	944 201 061 01	Fuel tank cap		1	
7	944 201 553 00	Gasket		1	
8	477 201 594	Lock cylinder with Key		1	
8	477 201 594 A	W/o stipulated lock number Lock cylinder with 1 key State lock number		1	
9	941 201 717 10	Hose		1	
10	941 201 715 11	Moulded hose		1	
11	928 201 083 02	Shut-off valve		1	
12	944 201 159 01	Breather hose		1	
13	321 201 890 A	It is necessary to rework End piece		1	
14	999 512 482 00	Hose clamp 9 X 21		2	
15	N 023 569 2	Hose clamp AR 9 X 16		3	
15	PCG 023 569 2	Hose clamp AR 9 X 16		3	
16	113 201 281 B	Hose clamp		2	
17	941 201 149 10	Cover		1	
18	900 151 028 02	Washer 4,3		2	
18	900 151 028 01	Washer 4,3		2	
19	N 013 957 5	Oval-head sheetmetal screw B 3,5 X 9,5		2	
20	N 011 005 14	Hexagon nut M 5		2	
20	900 076 091 01	Hexagon nut M 5		2	
21	N 011 665 3	Washer B 51		2	
21	N 011 665 16	Washer B 51		2	
22	941 201 273 10	Rivet		2	



Model: 944 89

Model life 1989>>1991



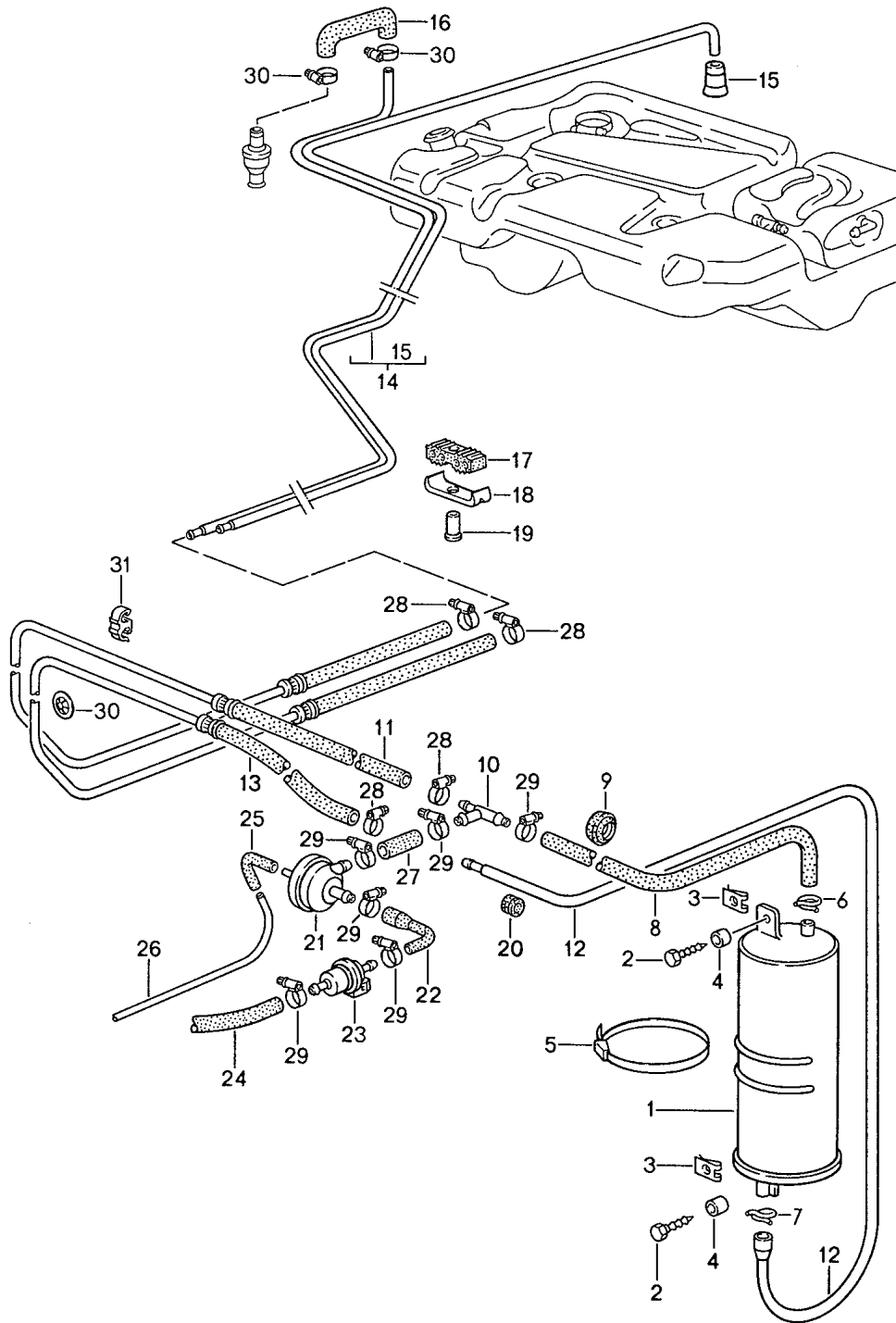
Model: 944 89

Model life 1989&gt;&gt;1991

Pos	Part Number	Description	Remark	Qty	Model
		Carbon canister			COUPE
1	928 201 014 06	Carbon canister		1	
2	477 201 279	Sleeve		2	
3	N 011 666 7	Washer		2	
4	N 015 449 1	Speed nut		2	
5	N 090 172 1	Combination screw B 6,3 X 19		2	
5	N 090 172 6	Combination screw B 6,3 X 19		2	
6	321 201 890 A	End piece 6,5 X 450		1	
7	N 023 569 2	Hose clamp		2	
7	PCG 023 569 2	Hose clamp		2	
8	944 201 737 00	Vent line		1	
9	999 181 353 40	Hose		1	
10	021 119 569 A	Rubber sleeve		1	
11	999 512 554 00	Hose clamp 12 - 22		9	
12	999 512 160 02	Hose clamp S 13/9		2	
12	PCG 512 160 02	Hose clamp S 13/9		2	
13	477 201 767 B	T-piece		1	
14	999 181 352 40	Hose		1	
15	928 110 429 08	Vacuum valve		1	
16	944 110 182 02	Hose		1	944/TURBO
16	944 110 182 04	Moulded hose		1	944S2
17	944 110 429 00	Control valve		1	944/TURBO
17	944 605 240 01	Bleeder valve		1	944S2
18	944 110 366 00	Retaining bracket		1	
19	928 574 717 02	Moulded hose		4	
20	928 573 727 02	Distributing piece		1	
21	058 131 851 A	Thermo valve		1	
-	999 181 152 50	Fuel hose 7,5 X 13,5		*	
22		730 MM		1	944
22		600 MM		1	TURBO
(22)	944 110 180 00	Moulded hose		1	944S2
-	N 020 139 1	Hose 4 X 1		*	
23		850 MM		1	
24		580 MM		1	
25		480 MM		1	
26	944 201 773 00	Hose		1	
26	944 201 773 01	Hose		1	
27	944 201 153 00	Breather pipe		1	
28	944 201 775 00	Hose		1	
29	477 201 743 E	Pipe		1	
30	944 201 159 01	Breather hose		1	
31	928 201 083 02	Shut-off valve		1	
32	999 591 715 40	Cable holder		6	
32	999 591 715 4A	Cable holder		6	
33	999 507 054 40	Mounting parts Cable holder		X	
34	999 511 200 40	Clip		X	
35	999 049 008 40	Plastic nut		X	
36	431 971 848 A	Clip		X	

Model: 944 89

Model life 1989>>1991



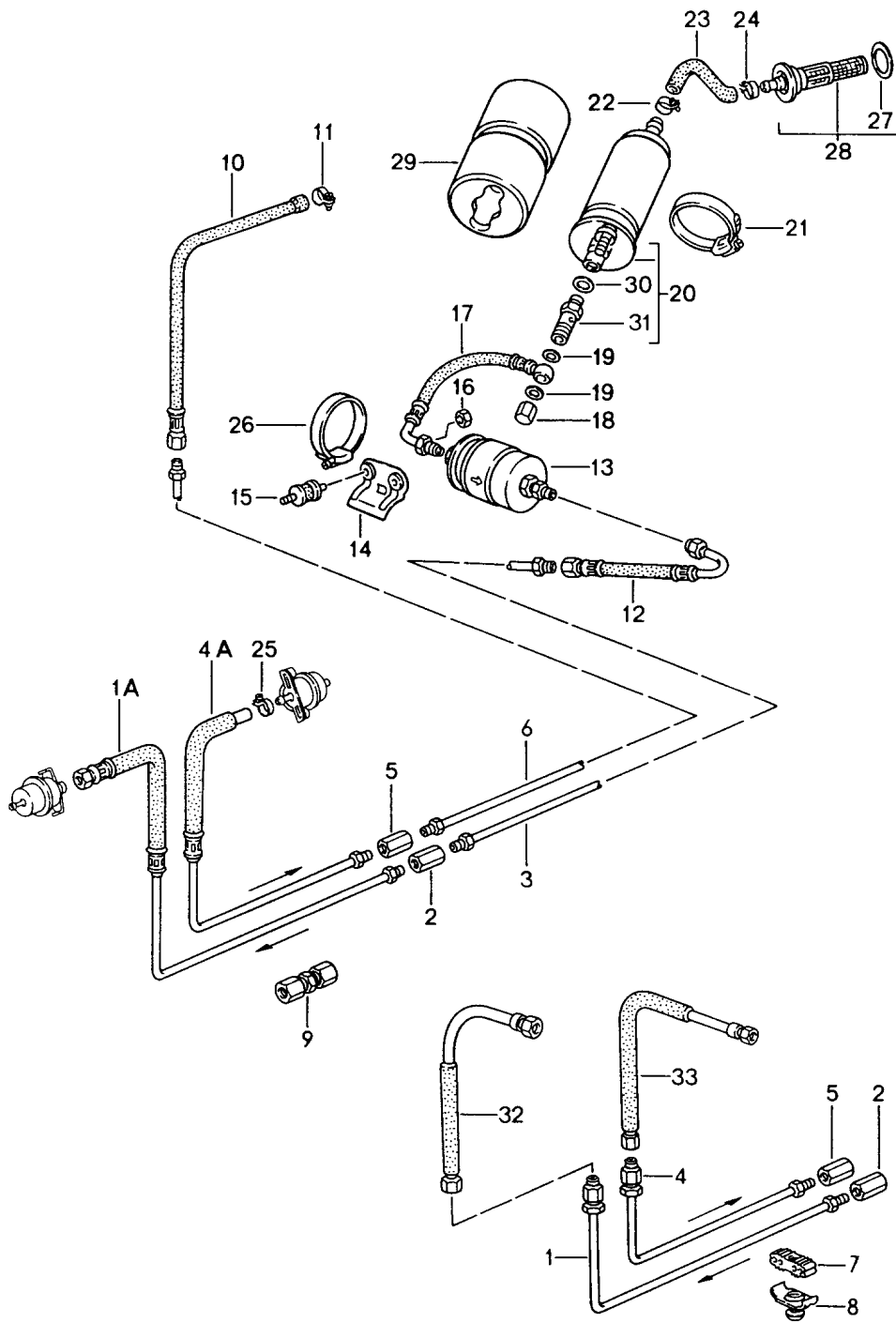
Model: 944 89

Model life 1989>>1991

Pos	Part Number	Description	Remark	Qty	Model
		Carbon canister			CABRIO
1	928 201 014 06	Carbon canister		1	
2	N 090 172 1	Combination screw B 6,3 X 19		2	
2	N 090 172 6	Combination screw B 6,3 X 19		2	
3	N 015 449 1	Speed nut		2	
4	477 201 279	Sleeve		2	
5	N 020 906 3	Tie-wrap		1	
6	N 023 569 2	Hose clamp		1	
6	PCG 023 569 2	Hose clamp		1	
7	999 512 304 02	Hose clamp		1	
-	N 020 362 1	Hose		*	
8		480 MM		1	
9	021 119 569 A	Rubber sleeve		1	
10	477 201 767 B	T-piece		1	
11	941 201 153 10	Vent line		1	
12	941 201 193 10	Line		1	
13	941 201 163 10	Line	/LL	1	
13	942 201 163 10	Line	/RL	1	
14	941 201 173 10	Line		1	
15	321 201 890 A	End piece		1	
16	944 201 449 00	Hose		1	
17	941 356 533 10	Rubber mounting		7	
18	941 356 555 11	Support		7	
18		Support		7	
19	999 511 199 40	Clamp		7	
20	999 702 119 50	Rubber sleeve		1	
21	928 110 429 08	Vacuum valve		1	
22	944 110 182 04	Moulded hose		1	
23	944 605 240 01	Bleeder valve		1	
24	944 110 180 00	Moulded hose		1	
25	928 574 717 03	Moulded hose		1	
-	N 020 139 1	Hose		*	
		4 X 1			
26		550 MM		1	
-	N 020 362 1	Hose		*	
		12 X 2,5			
27		50 MM		1	
28	999 512 160 02	Hose clamp		4	
28	PCG 512 160 02	Hose clamp		4	
29	999 512 554 00	Hose clamp		6	
		12 - 22			
30	N 903 350 01	Clamping washer		1	
31	999 591 740 40	Cable holder		1	

Model: 944 89

Model life 1989>>1991

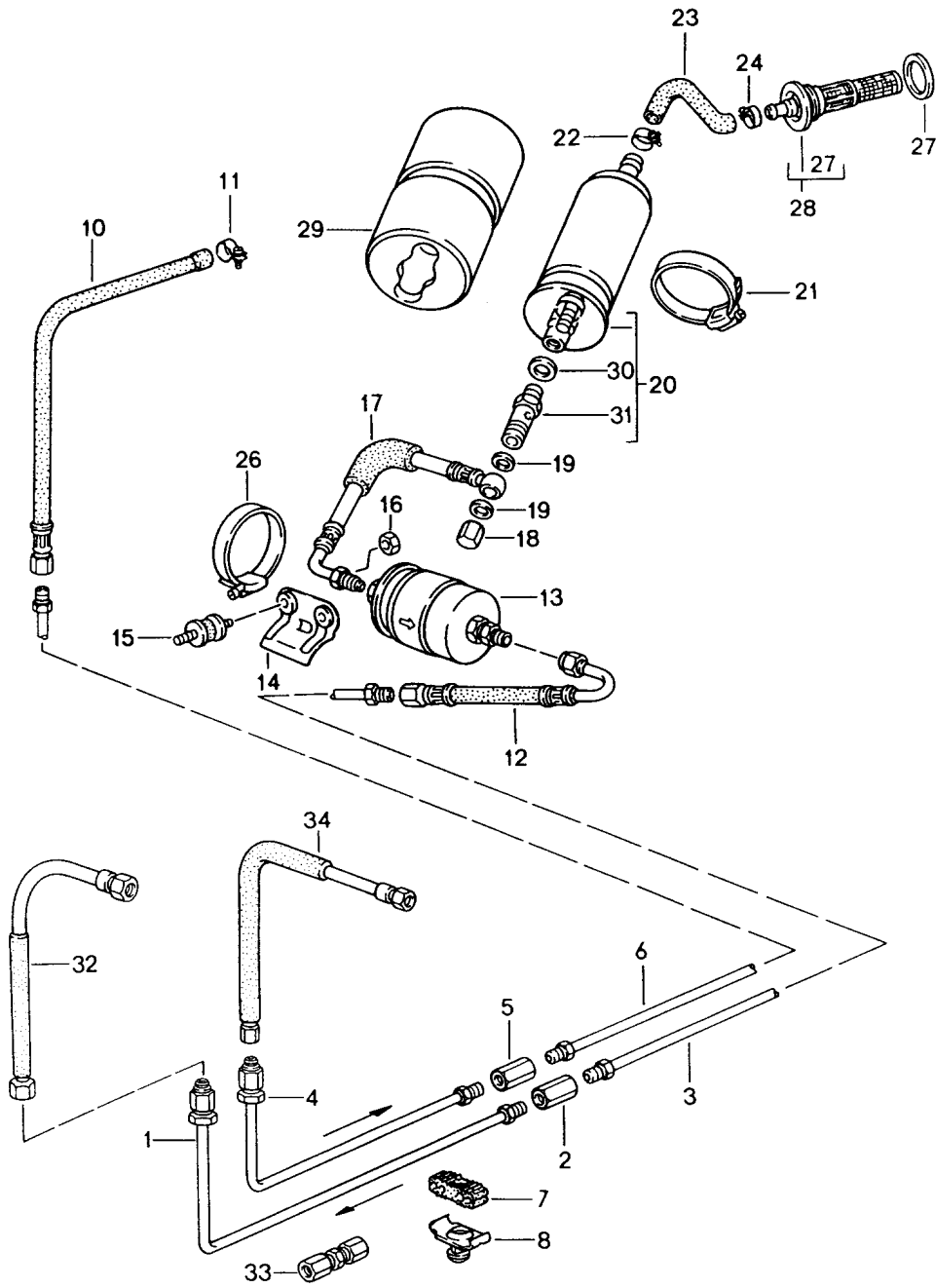


Model: 944 89 Model life 1989>>1991

Pos	Part Number	Description	Remark	Qty	Model
1A	951 356 919 03	Fuel system Fuel line F >>94KN4 04558 F >>95KN1 01326		1	M44.11/12/52 M44.11/12 M44.51/52
1A	951 356 919 04	Fuel line F >>94KN4 04558 F >>95KN1 01326		1	M44.11/12 M44.51/52
1	944 356 969 10	Fuel line F 94KN4 04559>> F 95KN1 01327>>		1	M44.11/12 M44.51/52
2	477 209 169	Connecting piece		1	
3	951 356 967 02	Fuel line		1	
4A	951 356 917 03	Fuel return line F >>94KN4 04558 F >>95KN1 01326		1	M44.11/12 M44.51/52
4	944 356 937 10	Fuel return line F 94KN4 04559>> F 95KN1 01327>>		1	M44.11/12 M44.51/52
5	477 209 161	Connecting piece		1	
6	951 356 935 02	Fuel return line		1	
6	951 356 935 03	Fuel return line		1	
7	999 591 975 40	Rubber mounting		9	
8	999 511 199 40	Clamp		9	
9	000 043 200 28	Connection piece		1	
10	951 356 061 02	Fuel hose		1	
11	N 023 569 2	Hose clamp		1	
11	PCG 023 569 2	Hose clamp		1	
12	941 356 047 10	Fuel hose		1	
12	951 356 047 03	Fuel hose		1	M249
13	928 110 253 04	Fuel filter		1	(AG)(SA)
13	928 110 253 06	Fuel filter		1	
14	951 356 471 01	Support		1	
14		Support		1	M249
15	944 610 115 00	Bonded rubber mounting		2	
16	900 076 010 02	Nut		1	
16	900 076 010 0B	Nut		1	
17	951 356 041 07	Fuel line		1	
17	951 356 041 04	Fuel line		1	M249
17	951 356 041 08	Fuel line		1	M249
18	928 110 475 01	Cap nut		1	
18	928 110 475 03	Cap nut		1	
18	928 110 475 04	Cap nut		1	
19	N 013 812 2	Sealing ring		2	
20	944 608 102 06	Fuel pump		1	944
20	944 608 102 04	Fuel pump		1	TURBO
21	999 512 397 00	Hose clamp		1	
22	999 512 554 00	Hose clamp		1	
23	951 356 557 00	Fuel hose		1	
24	999 512 346 00	Hose clamp		1	
25	N 023 577 2	Hose clamp		1	
25	PCG 023 577 2	Hose clamp		1	
26	999 512 390 00	A9 x 14 Hose clamp		1	
27	928 201 187 02	Sealing ring		1	
28	928 201 081 04	Fuel filter		1	
29	944 356 091 00	Housing		1	
30	N 013 812 3	Sealing ring		1	
31	944 608 951 01	Check valve		1	
32	951 356 029 02	Fuel hose		1	
33	951 356 027 13	Fuel hose		1	
34	000 043 200 28	Repair kit Connection piece		*	

Model: 944 89

Model life 1989>>1991



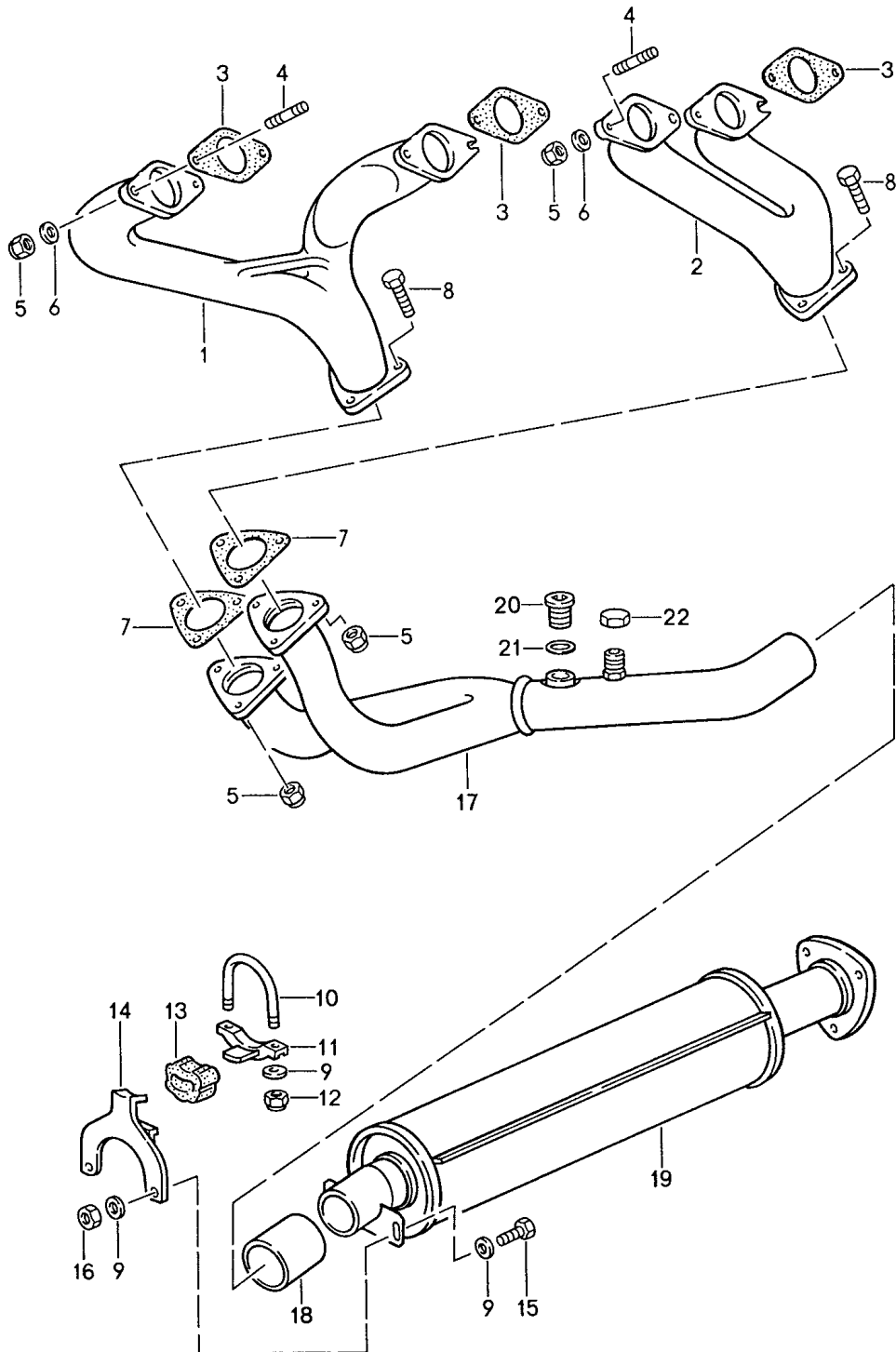
Model: 944 89 Model life 1989>>1991

Pos	Part Number	Description	Remark	Qty	Model
1	944 356 969 10	Fuel system		1	M44.41/52
2	477 209 169	Fuel line		1	COUPE
3	951 356 967 02	Connecting piece		1	COUPE
-	941 356 967 02	Fuel line		1	COUPE
-	941 356 069 10	Fuel line		1	CABRIO M44.41/52
4	944 356 937 10	Complete		1	COUPE
		Fuel return line			
		It is necessary to rework			
5	477 209 161	Connecting piece		1	COUPE
6	951 356 935 02	Fuel return line		1	COUPE
6	951 356 935 03	Fuel return line		1	COUPE
-	941 356 037 10	Fuel return line		1	CABRIO M44.41/52
7	999 591 975 40	Complete		9	COUPE
7	941 356 533 10	Rubber mounting		7	CABRIO
8	999 511 199 40	Rubber mounting		9	COUPE
8	941 356 555 11	Clamp		7	CABRIO
8		Support		7	CABRIO
10	951 356 061 02	Support		1	
11	N 023 569 2	Fuel hose		1	
11	PCG 023 569 2	Hose clamp		1	
12	941 356 047 10	Hose clamp		1	
13	928 110 253 04	Fuel hose		1	(AG)(SA)
13	928 110 253 06	Fuel filter		1	
14	951 356 471 01	Fuel filter		1	
15	944 610 115 00	Support		1	
16	900 076 010 02	Bonded rubber mounting		2	
16	900 076 010 0B	Nut		1	
16	900 076 010 0B	Nut		1	
17	951 356 041 07	Fuel line		1	
18	928 110 475 01	Fuel line		1	
18	928 110 475 03	Cap nut		1	
18	928 110 475 04	Cap nut		1	
19	N 013 812 2	Cap nut		1	
20	944 608 102 06	Sealing ring		2	
21	999 512 397 00	Fuel pump		1	
22	999 512 554 00	Hose clamp		1	
23	951 356 557 00	Hose clamp		1	
24	999 512 346 00	Fuel hose		1	
26	999 512 390 00	Hose clamp		1	
27	928 201 187 02	Hose clamp		1	
28	928 201 081 04	Sealing ring		1	
29	944 356 091 00	Fuel filter		1	
30	N 013 812 3	Housing		1	
31	944 608 951 01	Sealing ring		1	
32	944 356 029 12	Check valve		1	
34	944 356 027 14	Fuel hose		1	
34	944 356 027 17	Fuel hose		1	



Model: 944 89

Model life 1989>>1991



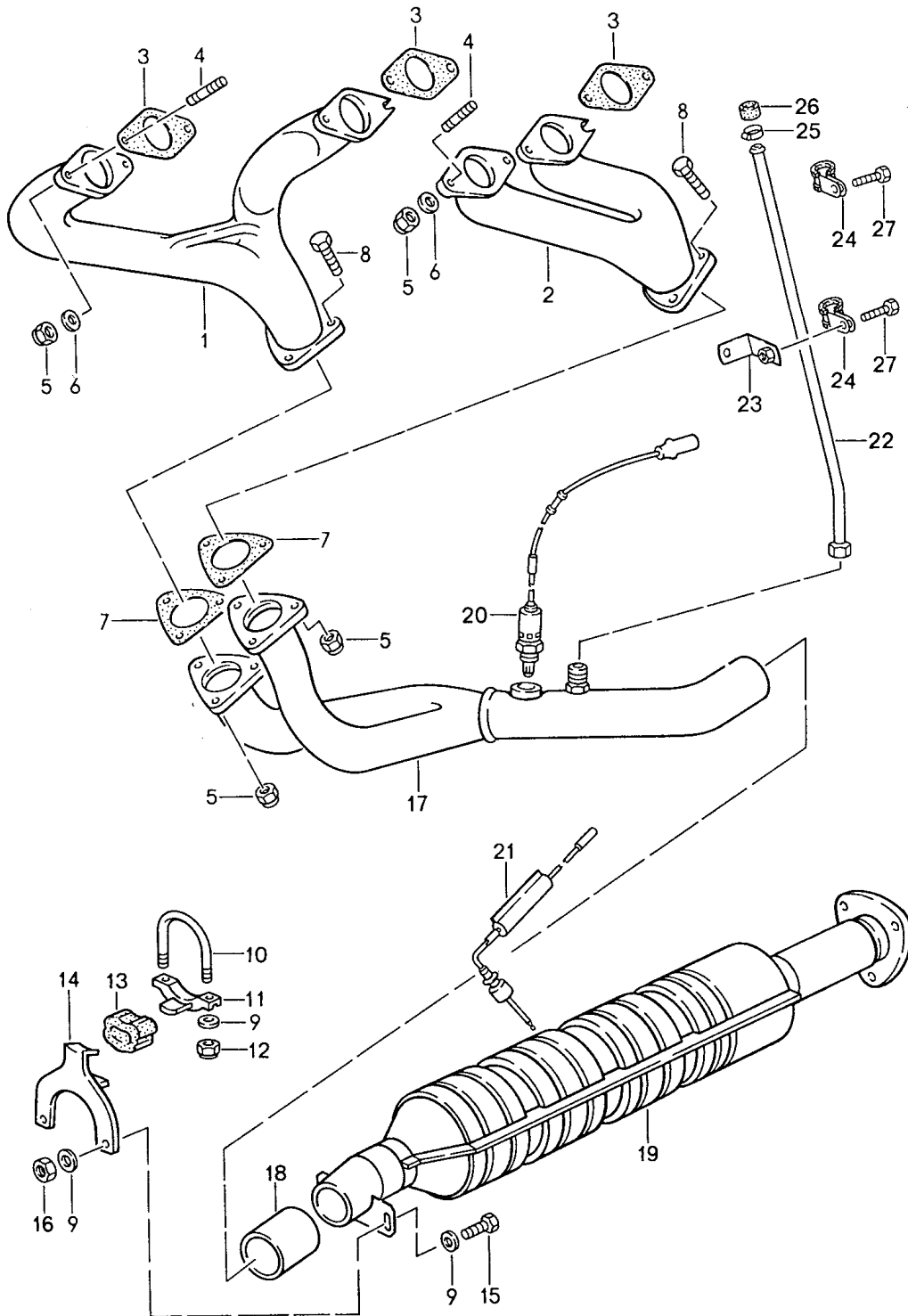
Model: 944 89

Model life 1989>>1991

Pos	Part Number	Description	Remark	Qty	Model
		Exhaust system			M44.11/12
		Front muffler			
1	944 111 127 05	Exhaust manifold Cylinders 1 and 4		1	
2	944 111 129 04	Exhaust manifold Cyl. 2 and 3		1	
3	944 111 196 00	Gasket		4	WW
3	944 111 197 00	Gasket		4	WW
3	944 111 197 04	Gasket		4	WW
3	944 111 196 01	Gasket		4	WW
4	999 062 044 02	Stud M 8 X 30		8	
5	999 084 052 02	Lock nut M 8		14	
6	928 111 181 00	Washer		8	
7	944 111 135 01	Gasket		2	
8	900 074 282 02	Screw M 8 X 37		6	
9	900 025 007 02	Washer		6	
9	900 025 007 03	Washer		6	
10	477 253 139	Clip		1	
10	477 253 139 00	Clip		1	
11	944 111 307 00	Support		1	
12	900 910 003 02	Lock nut VM 8		2	
12	900 910 003 04	Lock nut VM 8		2	
13	944 111 142 01	Rubber mounting		1	
13	944 111 142 02	Rubber mounting		1	
13	944 111 142 03	Rubber mounting		1	
14	931 111 061 02	Hook		1	
15	N 010 240 16	Hexagon-head bolt M 8 X 20		2	
16	900 076 025 02	Hexagon nut M 8		2	
16	900 076 064 02	Hexagon nut M 8		2	
17	944 111 987 03	Exhaust pipe		1	
18	944 111 981 00	Sleeve		1	
19	944 111 985 03	Front muffler		1	M44.11
19	944 111 985 01	Front muffler		1	M44.12
20	900 219 015 00	Screw plug		1	
21	900 123 009 20	Sealing ring		1	
22	951 111 171 00	Cap		1	

Model: 944 89

Model life 1989>>1991

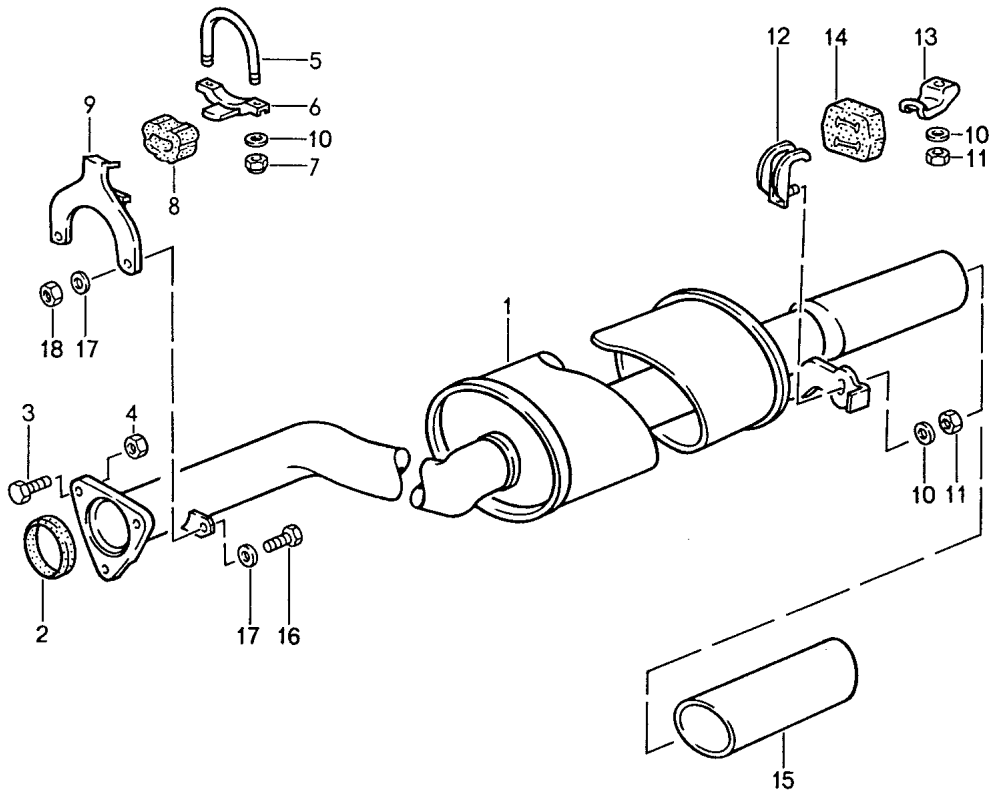


Model: 944 89 Model life 1989>>1991

Pos	Part Number	Description	Remark	Qty	Model
		Exhaust system			M44.11/12
		Catalytic converter			
1	944 111 127 05	Exhaust manifold Cylinders 1 and 4		1	
2	944 111 129 04	Exhaust manifold Cyl. 2 and 3		1	
3	944 111 196 01	Gasket		4	WW
3	944 111 196 00	Gasket		4	WW
3	944 111 197 00	Gasket		4	WW
3	944 111 197 04	Gasket		4	WW
4	999 062 044 02	Stud M 8 X 30		8	
5	999 084 052 02	Lock nut M 8		14	
6	928 111 181 00	Washer		8	
7	944 111 135 01	Gasket		2	
8	900 074 282 02	Screw M 8 X 37		6	
9	900 025 007 02	Washer		6	
9	900 025 007 03	Washer		6	
10	477 253 139	Clip		1	
10	477 253 139 00	Clip		1	
11	944 111 307 00	Support		1	
12	900 910 003 02	Lock nut VM 8		2	
12	900 910 003 04	Lock nut VM 8		2	
13	944 111 142 01	Rubber mounting		1	
13	944 111 142 02	Rubber mounting		1	
13	944 111 142 03	Rubber mounting		1	
14	931 111 061 02	Hook		1	
15	N 010 240 16	Hexagon-head bolt M 8 X 20		2	
16	900 076 025 02	Hexagon nut M 8		2	
16	900 076 064 02	Hexagon nut M 8		2	
17	944 111 987 03	Exhaust pipe		1	
18	944 111 981 00	Sleeve		1	
19	944 111 989 05	Catalytic converter		1	M44.11
19	944 111 989 03	Catalytic converter		1	M44.12
19	944 111 991 06	Catalytic converter	(J)	1	M44.11
19	944 111 991 03	Catalytic converter	(J)	1	M44.12
19	944 111 989 06	Catalytic converter	(CH)	1	M44.11
20	944 606 135 02	Oxygen sensor		1	
21	951 606 019 00	Temperature sensor	(J)	1	
22	944 111 175 05	Exhaust emission tube		1	
23	944 111 177 02	Support		1	
24	N 020 609 3	Clip		1	
25	999 512 160 02	Hose clamp		1	
25	PCG 512 160 02	Hose clamp		1	
26	034 133 335 D	Cap		1	
27	999 072 005 09	Hexagon nut M 6 X 12		1	
27	999 072 005 01	Hexagon nut M 6 X 12		1	

Model: 944 89

Model life 1989>>1991



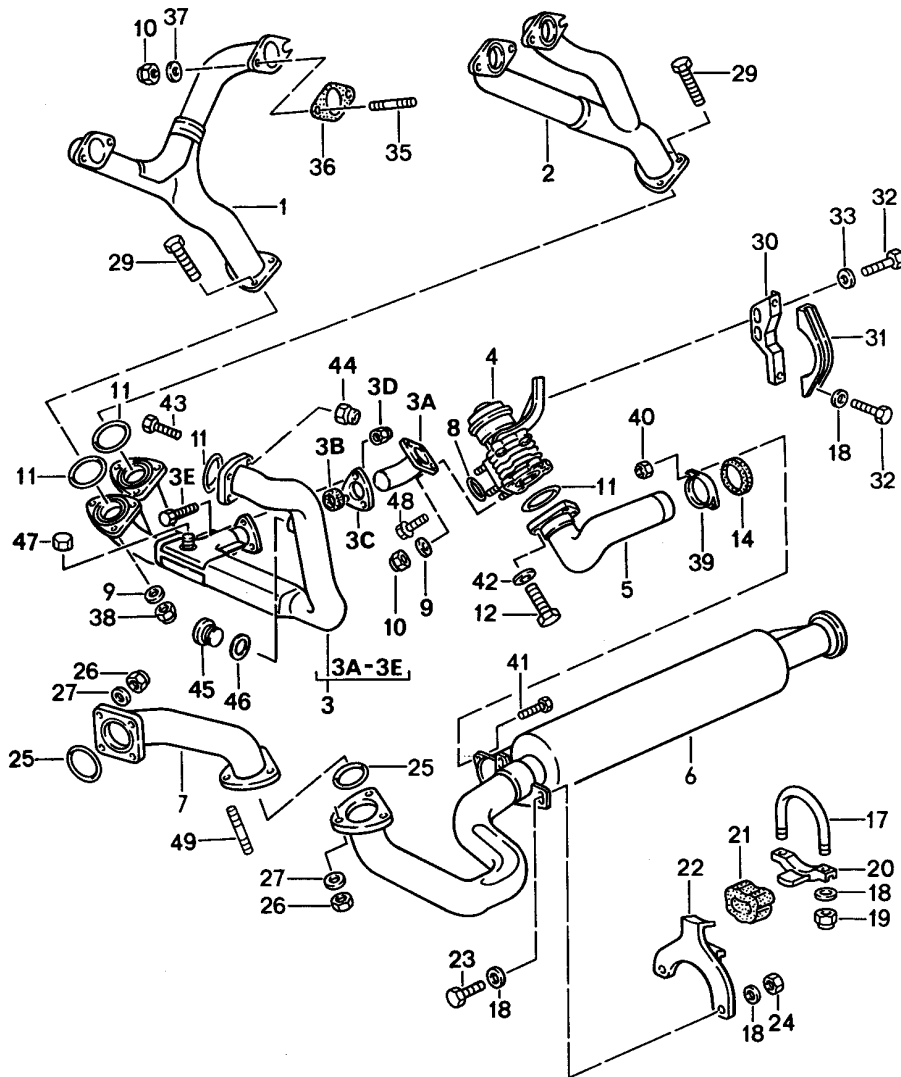
Model: 944 89

Model life 1989>>1991

Pos	Part Number	Description	Remark	Qty	Model
		Exhaust system			M44.11/12
		Rear muffler			
1	944 111 041 03	Rear muffler		1	M44.11
1	944 111 083 01	Rear muffler		1	M44.12
1	944 111 041 03	Rear muffler	(CH)	1	M44.11
2	944 111 204 00	Sealing ring		1	M44.11
2	944 111 204 01	Sealing ring		1	M44.11
2	944 111 203 00	Sealing ring		1	M44.12
3	900 074 268 02	Hexagon-head bolt M 8 X 40		3	
4	999 084 052 02	Lock nut VM 8		3	
5	477 253 139	Clip		1	
5	477 253 139 00	Clip		1	
6	944 111 307 00	Support		1	
7	900 910 003 02	Lock nut VM 8		2	
7	900 910 003 04	Lock nut VM 8		2	
8	944 111 142 01	Rubber mounting		1	
8	944 111 142 02	Rubber mounting		1	
8	944 111 142 03	Rubber mounting		1	
9	944 111 211 00	Hook		1	M44.11
9	931 111 061 02	Hook		1	M44.12
9	944 111 211 00	Hook	(CH)	1	M44.12
10	900 025 007 02	Washer A 8,4		6	
10	900 025 007 03	Washer A 8,4		6	
11	900 076 025 02	Hexagon nut		4	
11	900 076 064 02	Hexagon nut		4	
12	944 111 064 01	Hook		2	M44.11
12	931 111 264 01	Hook		2	M44.12
13	931 111 121 01	Hook		2	
14	928 111 259 02	Rubber mounting		2	
15	477 253 191 F	Information available Ornamental exhaust pipe Chrome		1	
15	477 253 192 G	Ornamental exhaust pipe Chrome		1	
15	477 253 192 D	Ornamental exhaust pipe Black		1	
16	900 075 085 02	Hexagon-head bolt		2	M44.12
17	900 025 007 02	Washer		2	M44.12
17	900 025 007 03	Washer		2	M44.12
18	900 076 025 02	Hexagon nut		2	M44.12
18	900 076 064 02	Hexagon nut		2	M44.12

Model: 944 89

Model life 1989>>1991



Model: 944 89 Model life 1989>>1991

Pos	Part Number	Description	Remark	Qty	Model
		Exhaust system			M44.52
		Front muffler			
1	951 111 127 07	Exhaust manifold		1	
		Cylinders 1 and 4			
2	951 111 129 05	Exhaust manifold		1	
		Cyl. 2 and 3			
3	951 111 096 16	Exhaust pipe		1	
3A	951 123 027 01	Exhaust pipe		1	
3B	930 123 134 04	Gasket		1	
3C	951 123 260 01	Flange		1	
3D	999 084 051 02	Lock nut		3	
3E	900 074 267 02	Hexagon-head bolt		3	
4	951 123 015 04	Wastegate	-89	1	
4		Wastegate	90-	1	
5	951 123 040 06	Exhaust pipe		1	
5	951 123 040 08	Exhaust pipe		1	CABRIO
6	951 111 093 04	Front muffler		1	
7	951 111 097 02	Exhaust pipe	-89	1	
7	951 111 098 01	Exhaust pipe	90-	1	
8	993 111 195 00	Sealing ring		1	
9	999 025 078 02	Washer		14	
10	999 084 052 02	Lock nut		14	
11	944 111 205 04	Sealing ring		4	
12	900 075 079 02	Hexagon-head bolt		4	
		M 8 X 25			
14	951 123 134 02	Gasket		1	
16	900 074 268 02	Hexagon-head bolt		2	
17	477 253 139	Clip		1	
17	477 253 139 00	Clip		1	
18	900 025 007 02	Washer		6	
18	900 025 007 03	Washer		6	
19	900 910 003 02	Lock nut		2	
19	900 910 003 04	Lock nut		2	
		VM 8			
20	944 111 307 00	Support		1	
21	944 111 142 01	Rubber mounting		1	
21	944 111 142 02	Rubber mounting		1	
21	944 111 142 03	Rubber mounting		1	
22	951 111 061 01	Hook		1	
23	900 075 087 02	Hexagon-head bolt		2	
23	900 075 087 03	Hexagon-head bolt		2	
24	900 076 025 02	Hexagon nut		2	
24	900 076 064 02	Hexagon nut		2	
25	944 111 205 03	Sealing ring		2	
26	999 084 047 02	Lock nut		8	
27	900 025 008 09	Washer		8	
27	900 025 008 04	Washer		8	
28	900 074 284 02	Screw		4	
		M 10 X 40			
29	900 074 283 02	Screw		6	
		M 8 X 45			
30	951 123 155 02	Support		1	
31	951 123 179 02	Clip		1	
32	900 075 085 02	Hexagon-head bolt		2	
33	900 223 001 02	Washer		2	
34	900 075 085 02	Hexagon-head bolt		2	
		M 8 X 20			
35	999 062 044 02	Stud		8	
36	944 111 196 00	Gasket		4	WW
36	944 111 197 00	Gasket		4	WW
36	944 111 197 04	Gasket		4	WW
36	944 111 196 01	Gasket		4	WW
38	999 084 052 02	Lock nut		6	



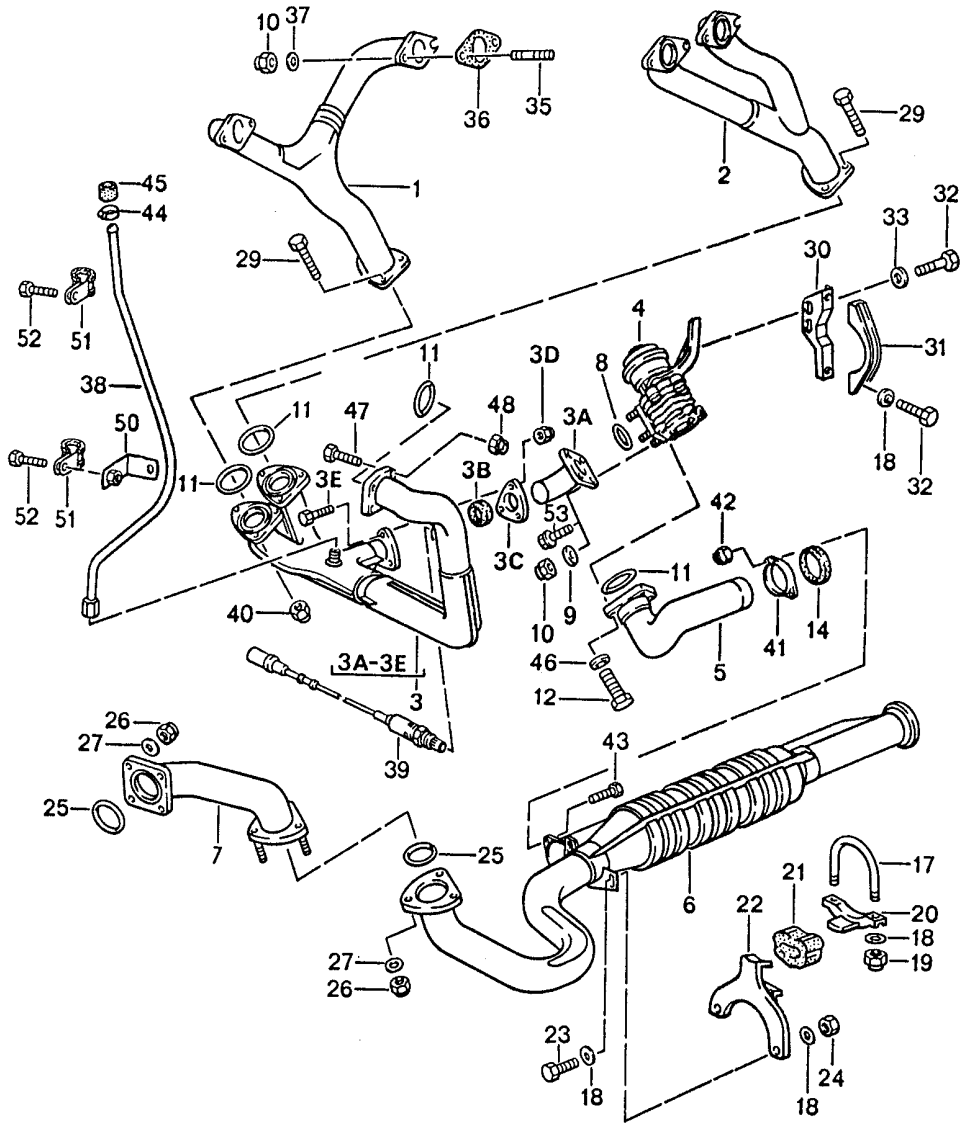
Model: 944 89

Model life 1989&gt;&gt;1991

Pos	Part Number	Description	Remark	Qty	Model
		M 8			
39	951 123 138 01	Flange		1	
40	900 910 096 02	Lock nut		2	
		M 6			
41	900 074 234 02	Hexagon-head bolt		2	
		M 6 X 45			
42	N 012 009 1	Lock ring		4	
43	N 010 020 2	Hexagon-head bolt		4	
		M 10 X 38			
44	N 900 730 01	Lock nut		3	
44	N 900 730 0A	Lock nut		3	
45	900 219 015 00	Screw plug		1	
46	944 111 207 00	Sealing ring		1	
47	951 111 171 00	Cap		1	
48	900 075 420 02	Hexagon-head bolt		4	
49	900 081 052 02	Stud		3	

Model: 944 89

Model life 1989>>1991



Model: 944 89 Model life 1989>>1991

Pos	Part Number	Description	Remark	Qty	Model
		Exhaust system Catalytic converter			M44.52
1	951 111 127 07	Exhaust manifold Cylinders 1 and 4		1	
1	951 111 131 06	Exhaust manifold Cylinders 1 and 4	(J)	1	
2	951 111 129 05	Exhaust manifold Cyl. 2 and 3		1	
2	951 111 133 04	Exhaust manifold Cyl. 2 and 3	(J)	1	
3	951 111 096 16	Exhaust pipe		1	
3	951 111 096 15	Exhaust pipe	(J)	1	
3A	951 123 027 01	Exhaust pipe		1	
3B	930 123 134 04	Gasket		1	
3C	951 123 260 01	Flange		1	
3D	999 084 051 02	Lock nut		3	
3E	900 074 267 02	Hexagon-head bolt		3	
4	951 123 015 04	Wastegate	-89	1	
4		Wastegate	90-	1	
5	951 123 040 06	Exhaust pipe		1	
5		Exhaust pipe		1	CABRIO
6	951 111 094 11	Catalytic converter		1	
6	951 111 094 12	Catalytic converter	(J)	1	
7	951 111 098 01	Exhaust pipe		1	
8	993 111 195 00	Sealing ring		1	
9	999 025 078 02	Washer		X	
10	999 084 052 02	Lock nut		10	
11	944 111 205 04	Sealing ring		4	
12	900 075 079 02	Hexagon-head bolt M 8 X 25		4	
14	951 123 134 02	Gasket		1	
17	477 253 139	Clip		1	
17	477 253 139 00	Clip		1	
18	900 025 007 02	Washer		6	
18	900 025 007 03	Washer		6	
19	900 910 003 02	Lock nut		2	
19	900 910 003 04	Lock nut VM 8		2	
20	944 111 307 00	Support		1	
21	944 111 142 01	Rubber mounting		1	
21	944 111 142 02	Rubber mounting		1	
21	944 111 142 03	Rubber mounting		1	
22	951 111 061 01	Hook		1	
23	900 075 087 02	Hexagon-head bolt M 8 X 15		2	
23	900 075 087 03	Hexagon-head bolt M 8 X 15		2	
24	900 076 025 02	Hexagon nut		2	
24	900 076 064 02	Hexagon nut		2	
25	944 111 205 03	Sealing ring		2	
26	999 084 047 02	Lock nut		8	
27	900 025 008 09	Washer		8	
27	900 025 008 04	Washer		8	
29	900 074 282 02	Screw		6	
30	951 123 155 02	Support		1	
31	951 123 179 02	Clip		1	
32	900 075 085 02	Hexagon-head bolt M 8 X 20		2	
33	900 223 001 02	Washer		2	
34	900 075 085 02	Hexagon-head bolt M 8 X 20		2	
35	999 062 044 02	Stud		8	
36	944 111 196 00	Gasket		4	WW

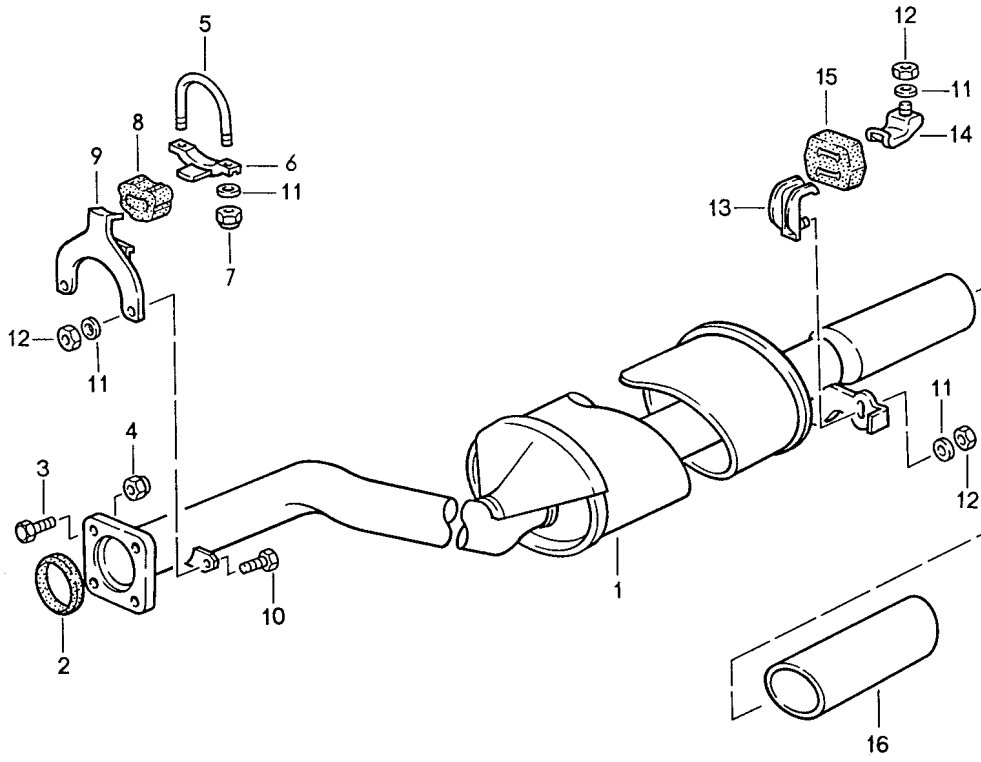
Model: 944 89

Model life 1989&gt;&gt;1991

Pos	Part Number	Description	Remark	Qty	Model
36	944 111 197 00	Gasket		4	WW
36	944 111 197 04	Gasket		4	WW
36	944 111 196 01	Gasket		4	WW
37	928 111 181 00	Washer		4	
38	951 111 175 02	Exhaust emission tube		1	
39	951 606 135 00	Oxygen sensor		1	
40	999 084 052 02	Lock nut		6	
41	951 123 138 01	Flange		1	
42	900 910 096 02	Lock nut M 6		2	
43	900 074 234 02	Hexagon-head bolt M 6 X 40		2	
44	999 512 160 02	Hose clamp		1	
44	PCG 512 160 02	Hose clamp		1	
45	034 133 335 D	Cap		1	
46	N 012 009 1	Lock ring		1	
47	N 010 020 2	Hexagon-head bolt M 10 X 38		4	
48	N 900 730 01	Lock nut		3	
48	N 900 730 0A	Lock nut		3	
50	944 111 177 02	Support		1	
51	N 020 609 3	Clip		2	
52	999 072 005 09	Hexagon nut M 6 X 12		2	
52	999 072 005 01	Hexagon nut M 6 X 12		2	
53	900 075 420 02	Hexagon-head bolt		4	

Model: 944 89

Model life 1989>>1991

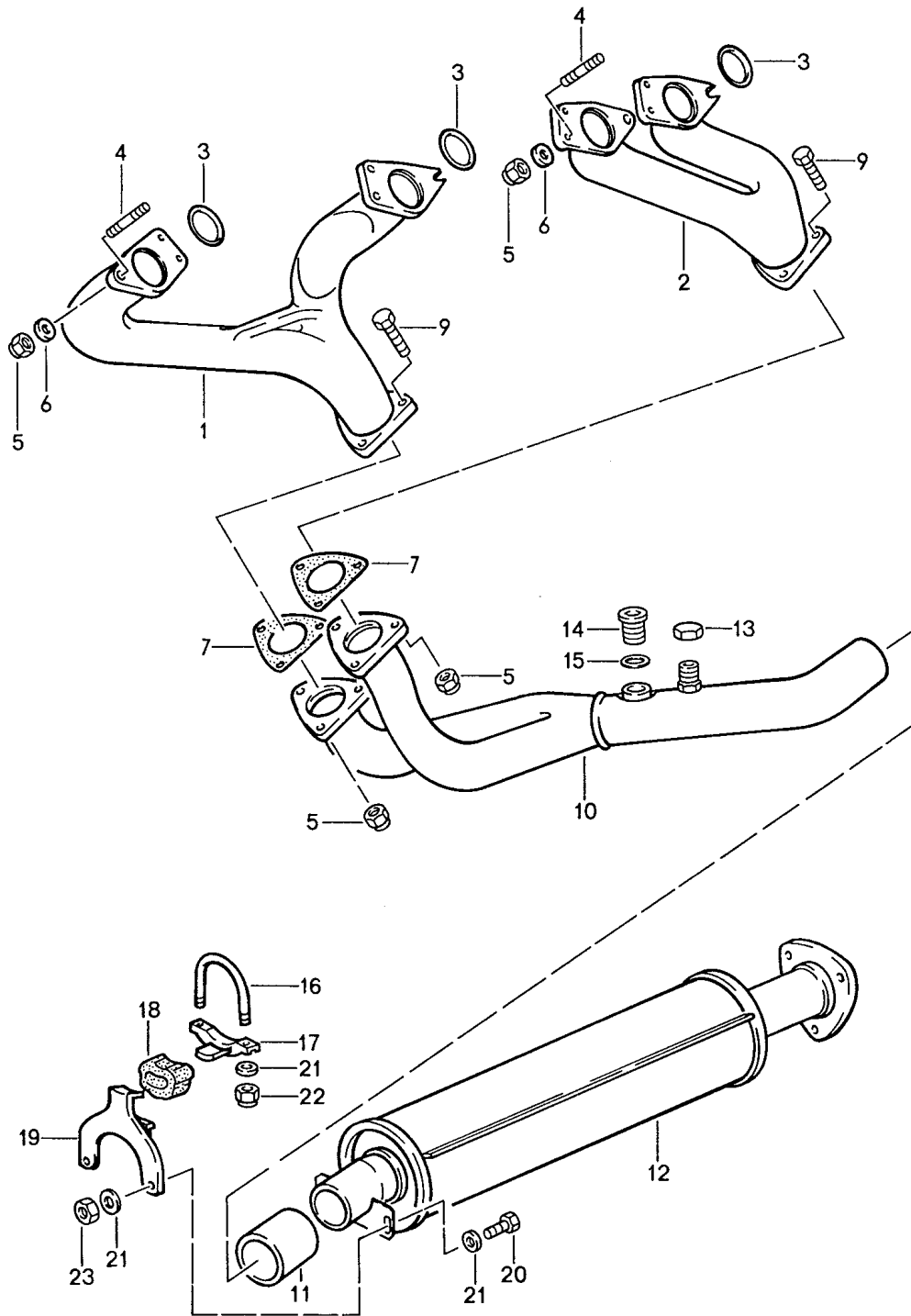


Model: 944 89 Model life 1989>>1991

Pos	Part Number	Description	Remark	Qty	Model
		Exhaust system			M44.52
		Rear muffler			
1	951 111 083 01	Rear muffler	-89	1	
(1)	951 111 041 00	Rear muffler	90-	1	
(1)		Rear muffler	87- (CH)	1	
2	928 111 244 03	Sealing ring		1	
3	N 010 020 2	Hexagon-head bolt M 10 X 38		4	
4	N 900 730 01	Lock nut M 10		4	
4	N 900 730 0A	Lock nut M 10		4	
5	477 253 139	Clip		1	
5	477 253 139 00	Clip		1	
6	944 111 307 00	Support		1	
7	900 910 003 02	Lock nut M 8		2	
7	900 910 003 04	Lock nut VM 8		2	
8	944 111 142 01	Rubber mounting		1	
8	944 111 142 02	Rubber mounting		1	
8	944 111 142 03	Rubber mounting		1	
9	931 111 061 02	Hook	-89	1	
(9)	951 111 111 02	Hook	90-	1	
(9)		Hook	87- (CH)	1	
10	900 075 078 02	Hexagon-head bolt M 8 X 15		2	
10	900 075 078 03	Hexagon-head bolt M 8 X 15		2	
11	900 025 007 02	Washer		8	
11	900 025 007 03	Washer		8	
12	900 076 025 02	Hexagon nut M 8		8	
12	900 076 064 02	Hexagon nut M 8		8	
13	931 111 264 01	Hook	-89	2	
(13)	944 111 064 01	Hook	90-	2	
(13)		Hook	87- (CH)	2	
14	931 111 121 01	Hook		2	
15	928 111 259 02	Rubber mounting Information available		1	
16	477 253 191 F	Ornamental exhaust pipe Chrome		1	
16	477 253 192 G	Ornamental exhaust pipe Chrome		1	

Model: 944 89

Model life 1989>>1991



Model: 944 89

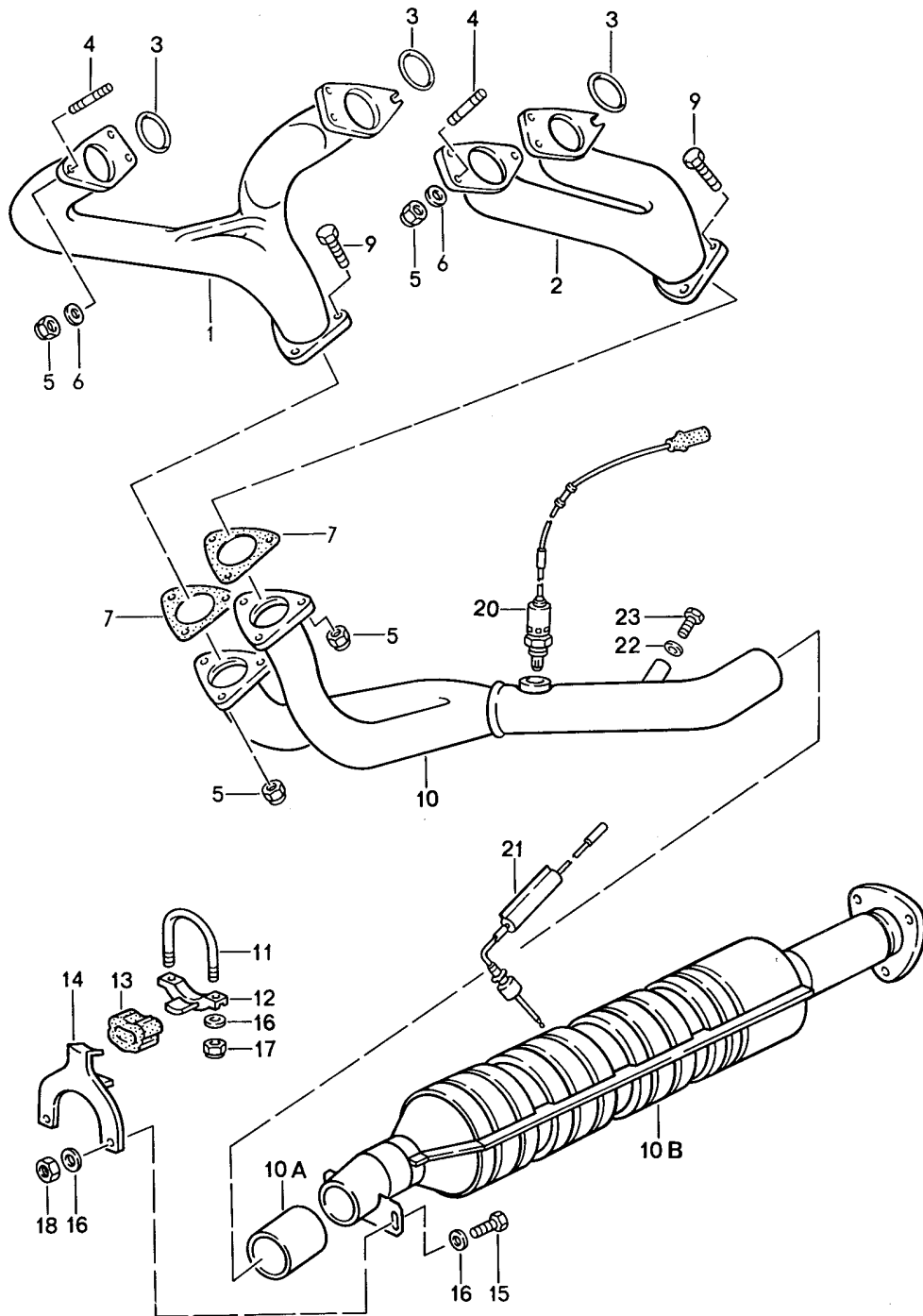
Model life 1989>>1991

Pos	Part Number	Description	Remark	Qty	Model
		Exhaust system			M44.41
		Front muffler			
1	944 111 183 03	Exhaust manifold Cylinders 1 and 4		1	
2	944 111 184 02	Exhaust manifold Cyl. 2 and 3		1	
3	944 111 205 00	Sealing ring		4	
4	999 062 139 02	Stud		12	
5	999 084 052 02	Lock nut M 8		18	
6	928 111 181 00	Washer		12	
7	944 111 135 01	Gasket A 8,4		2	
9	900 074 282 02	Screw		6	
10	944 111 987 07	Exhaust pipe		1	
11	944 111 981 01	Sleeve		1	
12	944 111 985 02	Front muffler		1	
13	951 111 171 00	Cap		1	
14	900 219 015 00	Screw plug		1	
15	900 123 009 20	Sealing ring		1	
16	477 253 139	Clip		1	
16	477 253 139 00	Clip		1	
17	944 111 307 00	Support		1	
18	944 111 142 01	Rubber mounting		1	
18	944 111 142 02	Rubber mounting		1	
18	944 111 142 03	Rubber mounting		1	
19	931 111 061 02	Hook		1	
20	900 075 087 02	Hexagon-head bolt M 8 X 15		2	
20	900 075 087 03	Hexagon-head bolt M 8 X 15		2	
21	900 025 007 02	Washer A 8,4		4	
21	900 025 007 03	Washer A 8,4		4	
22	900 910 003 02	Lock nut VM 8		2	
22	900 910 003 04	Lock nut VM 8		2	
23	900 076 025 02	Hexagon nut M 8		2	
23	900 076 064 02	Hexagon nut M 8		2	



Model: 944 89

Model life 1989>>1991



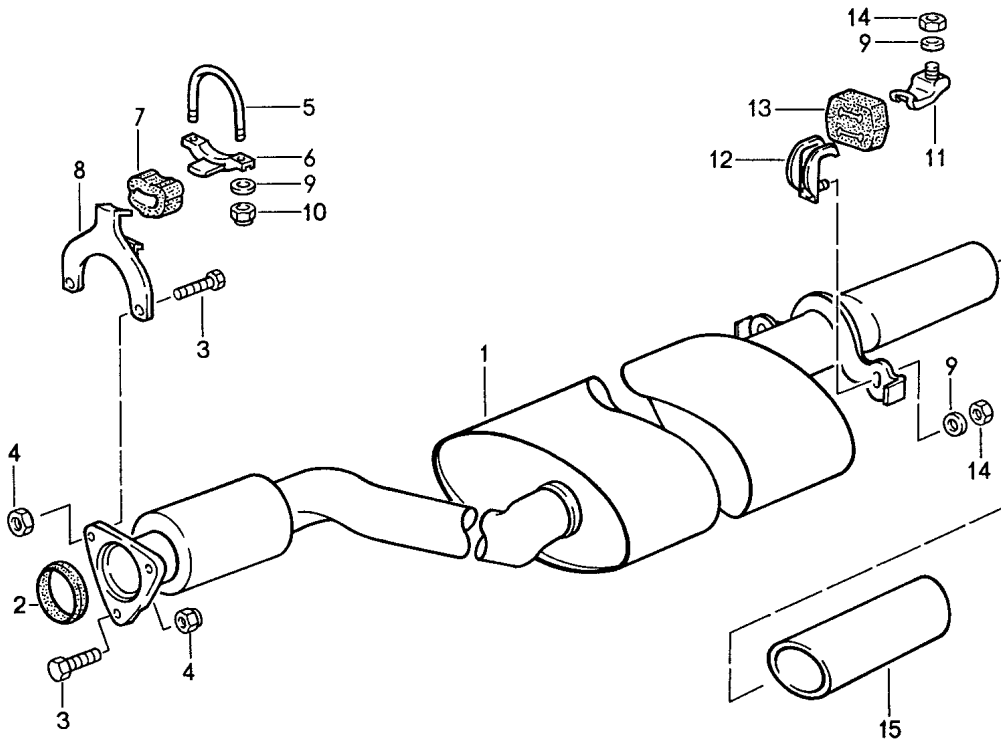
Model: 944 89

Model life 1989&gt;&gt;1991

Pos	Part Number	Description	Remark	Qty	Model
		Exhaust system Catalytic converter			M44.41
1	944 111 183 03	Exhaust manifold Cylinders 1 and 4		1	
2	944 111 184 02	Exhaust manifold Cyl. 2 and 3		1	
3	944 111 205 00	Sealing ring		4	
4	999 062 139 02	Stud		12	
5	999 084 052 02	Lock nut M 8		18	
6	928 111 181 00	Washer		12	
7	944 111 135 01	Gasket		2	
8	999 025 078 02	Washer A 8,4		6	
9	900 074 282 02	Screw M 8 X 37		6	
10	944 111 987 07	Exhaust pipe		1	
10A	944 111 981 01	Sleeve		1	
10B	944 111 989 07	Catalytic converter		1	
10B	944 111 991 07	Catalytic converter	(J)	1	
11	477 253 139	Clip		1	
11	477 253 139 00	Clip		1	
12	944 111 307 00	Support		1	
13	944 111 142 01	Rubber mounting		1	
13	944 111 142 02	Rubber mounting		1	
13	944 111 142 03	Rubber mounting		1	
14	931 111 061 02	Hook		1	
15	900 075 087 02	Hexagon-head bolt M 8 X 15		2	
15	900 075 087 03	Hexagon-head bolt M 8 X 15		2	
16	900 025 007 02	Washer A 8,4		4	
16	900 025 007 03	Washer A 8,4		4	
17	900 910 003 02	Lock nut VM 8		2	
17	900 910 003 04	Lock nut VM 8		2	
18	900 076 025 02	Hexagon nut M 8		2	
18	900 076 064 02	Hexagon nut M 8		2	
19	944 111 275 02	Exhaust emission tube		1	
20	944 606 135 02	Oxygen sensor			
21	951 606 019 00	Temperature sensor	(J)		
22	N 043 813 3	Sealing ring		1	
23	900 083 080 00	Hexagon-head bolt		1	

Model: 944 89

Model life 1989>>1991

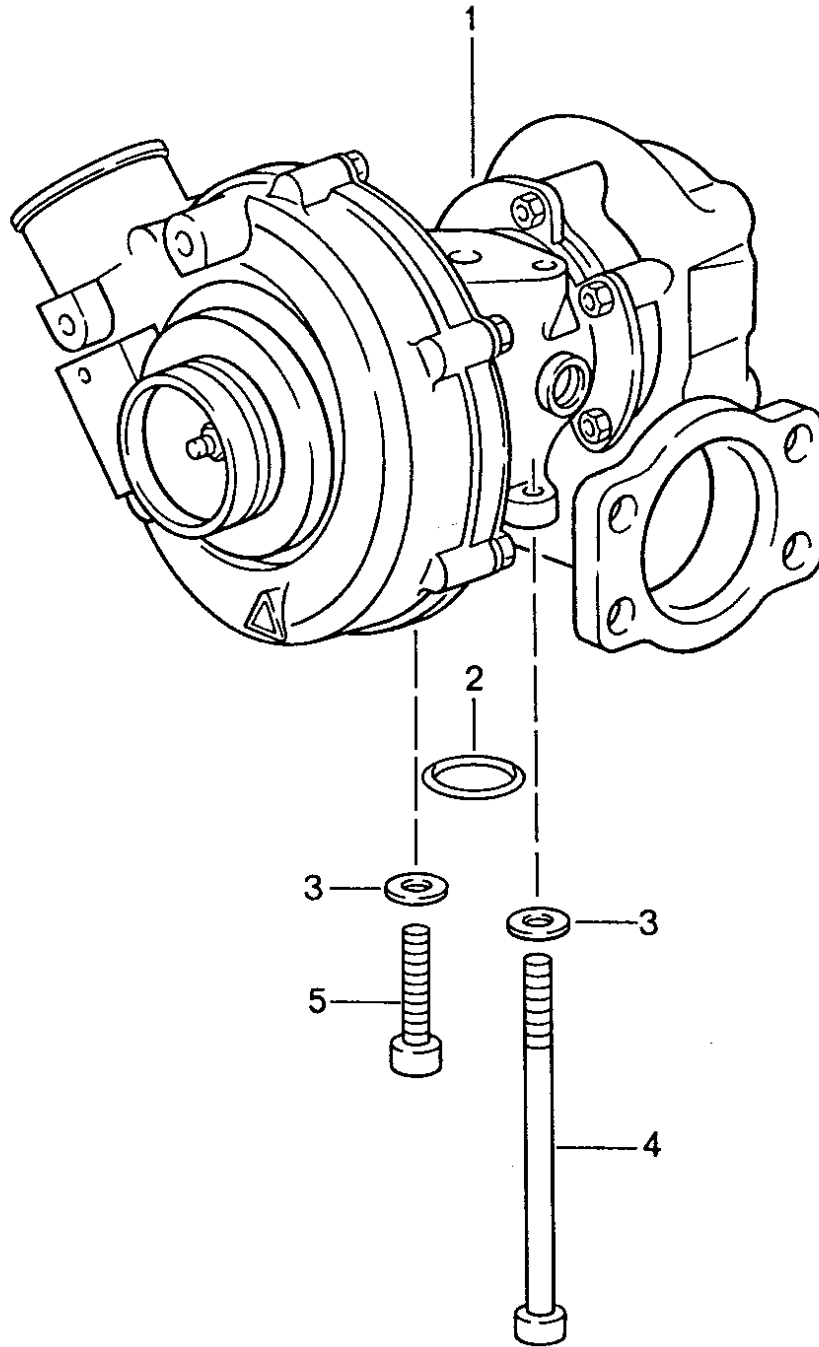


Model: 944 89 Model life 1989>>1991

Pos	Part Number	Description	Remark	Qty	Model
		Exhaust system			M44.41
		Rear muffler			
1	944 111 041 03	Rear muffler		1	
2	944 111 204 00	Sealing ring		1	
2	944 111 204 01	Sealing ring		1	
3	900 074 268 02	Hexagon-head bolt BM 8 X 40		3	
4	999 084 052 02	Lock nut M 8		3	
5	477 253 139	Clip		1	
5	477 253 139 00	Clip		1	
6	944 111 307 00	Support		1	
7	944 111 142 01	Rubber mounting		1	COUPE
7	944 111 142 02	Rubber mounting		1	
7	944 111 142 03	Rubber mounting		1	
7	944 111 142 01	Rubber mounting		1	CABRIO
7	944 111 142 02	Rubber mounting		1	CABRIO
7	944 111 142 03	Rubber mounting		1	CABRIO
8	944 111 211 00	Hook		1	
9	900 025 007 02	Washer A 8,4		6	
9	900 025 007 03	Washer A 8,4		6	
10	900 910 003 02	Lock nut VM 8		2	
10	900 910 003 04	Lock nut VM 8		2	
11	931 111 121 01	Hook		2	
12	944 111 064 01	Hook		2	
13	928 111 259 02	Rubber mounting Information available		2	
14	900 076 025 02	Hexagon nut M 8		4	
14	900 076 064 02	Hexagon nut M 8		4	
15	477 253 191 F	Ornamental exhaust pipe		1	
15	477 253 192 G	Ornamental exhaust pipe Chrome		1	

Model: 944 89

Model life 1989>>1991



Model: 944 89

Model life 1989>>1991

Pos	Part Number	Description	Remark	Qty	Model
		Turbocharger See q-information Group 2 3/87			M44.52
1	951 123 131 03	Turbocharger		1	
1	951 123 131 05	Turbocharger		1	
1	951 123 131 EX	Turbocharger		1	
2	900 174 058 40	Round seal		1	
3	900 025 007 02	Washer		2	
3	900 025 007 03	Washer		2	
4	N 044 721 1	Pan-head screw M 8 X 125		1	
5	900 067 214 02	Pan-head screw M 8 X 35		1	
5	900 067 214 01	Pan-head screw M 8 X 35		1	
-	900 081 052 02	Stud M 10 X 25		4	

Model: 944 89

Model life 1989>>1991



Model: 944 89 Model life 1989>>1991

Pos	Part Number	Description	Remark	Qty	Model
>>	951 123 901 00	Repair kits Gasket set for Turbocharger without Mounting parts Comprising:		1	M44.52
-	900 123 019 30	Sealing ring		2	
-	999 707 043 40	O-ring		1	
-	900 174 058 40	Round seal		1	
-	944 111 205 03	Sealing ring		2	
-	944 111 205 04	Sealing ring		1	
-	900 123 019 30	Sealing ring		1	
>>	944 113 911 02	Conversion set for subsequent installation Catalytic converter Comprising:		1	M44.12
-	000 043 059 00	Installation instructions		1	
-	944 111 081 05	Catalytic converter		1	
-	944 111 135 01	Gasket		2	
-	944 111 203 00	Sealing ring		1	
-	900 074 287 02	Hexagon-head bolt		9	
-	900 025 007 02	Washer		6	
-	900 025 007 03	Washer		6	
-	N 022 008 4	Lock nut		9	
-	900 910 097 02	Lock nut		6	
-	944 606 135 02	Oxygen sensor		1	
-	944 423 193 01	Support		1	
-	N 020 680 1	Clip		1	
-	N 010 207 6	Hexagon-head bolt		1	
-	N 010 207 17	Hexagon-head bolt		1	
-	N 012 225 2	Spring washer		1	
-	N 011 005 14	Hexagon nut		1	
-	900 076 091 01	Hexagon nut		1	
-	951 504 869 00	Cover plate		1	
-	999 591 485 02	Speed nut		4	
-	N 090 239 1	Combination screw		4	
-	944 111 175 02	Exhaust emission tube		1	
-	944 111 177 02	Support		1	
-	944 111 179 00	Support		1	
-	999 072 005 09	Hexagon nut		2	
-	999 072 005 01	Hexagon nut		2	
-	N 011 524 7	Washer		2	
-	N 011 524 27	Washer		2	
-	900 076 010 02	Nut		2	
-	900 076 010 0B	Nut		2	
-	034 133 335 D	Cap		1	
-	999 512 160 02	Hose clamp		1	
-	PCG 512 160 02	Hose clamp		1	
-	944 701 201 02	Sticker		1	
-	944 201 901 00	Sleeve		1	
>>	944 113 911 04	Conversion set for subsequent installation Catalytic converter Comprising:		1	M44.11
-	000 043 060 00	Installation instructions		1	
-	944 111 081 07	Catalytic converter		1	
-	944 111 135 01	Gasket		2	
-	900 074 282 02	Screw		6	
-	999 084 052 02	Lock nut		9	
-	944 111 204 00	Sealing ring		1	
-	944 111 204 01	Sealing ring		1	
-	900 074 268 02	Hexagon-head bolt		3	



Model: 944 89 Model life 1989>>1991

Pos	Part Number	Description	Remark	Qty	Model
-	N 010 240 16	Hexagon-head bolt		1	
-	900 076 025 02	Hexagon nut		1	
-	900 076 064 02	Hexagon nut		1	
-	N 011 525 13	Washer		2	
-	944 111 175 03	Exhaust emission tube		1	
-	944 111 177 02	Support		1	
-	944 111 279 01	Support		1	
-	999 072 005 09	Hexagon nut		2	
-	999 072 005 01	Hexagon nut		2	
-	900 076 010 02	Nut		2	
-	900 076 010 0B	Nut		2	
-	N 011 666 7	Washer		4	
-	034 133 335 D	Cap		1	
-	999 512 006 02	Hose clamp		1	
-	PCG 512 006 02	Hose clamp		1	
-	944 606 135 02	Oxygen sensor		1	
-	944 612 621 00	Clamping bow		1	
-	951 504 869 00	Cover plate		1	
-	999 591 485 02	Speed nut		2	
-	N 090 239 1	Combination screw		2	
-	944 701 201 02	Sticker		1	
-	911 701 241 00	Sticker		1	
-	944 201 901 00	Sleeve		1	
>>	951 113 911 00	Conversion set for subsequent installation Catalytic converter Comprising:		1	M44.52
-	000 043 059 00	Installation instructions		1	
-	951 111 094 11	Catalytic converter		1	
-	951 123 139 00	Support washer		1	
-	951 123 134 02	Gasket		1	
-	951 123 135 00	Clamp		2	
-	900 074 268 02	Hexagon-head bolt		2	
-	999 084 052 02	Lock nut		2	
-	944 111 205 03	Sealing ring		1	
-	900 025 008 09	Washer		4	
-	900 025 008 04	Washer		4	
-	999 084 047 02	Lock nut		4	
-	928 111 244 03	Sealing ring		1	
-	N 010 020 2	Hexagon-head bolt		3	
-	N 900 730 01	Lock nut		3	
-	N 900 730 0A	Lock nut		3	
-	951 606 135 00	Oxygen sensor		1	
-	951 111 175 00	Exhaust emission tube		1	
-	944 111 177 02	Support		1	
-	944 111 179 00	Support		1	
-	999 072 005 09	Hexagon nut		2	
-	999 072 005 01	Hexagon nut		2	
-	N 011 524 7	Washer		2	
-	N 011 524 27	Washer		2	
-	900 076 010 02	Nut		2	
-	900 076 010 0B	Nut		2	
-	035 133 335 B	Cap		1	
-	999 512 160 02	Hose clamp		1	
-	PCG 512 160 02	Hose clamp		1	
-	944 201 901 00	Sleeve		1	
-	944 701 201 02	Sticker		1	
-	944 101 033 00	Heat shield		1	
>>	944 113 911 05	Conversion set for subsequent installation Catalytic converter Comprising:		1	M44.41
-	944 111 081 09	Catalytic converter		1	

Model: 944 89 Model life 1989>>1991

Pos	Part Number	Description	Remark	Qty	Model
-	944 111 204 00	Sealing ring		1	
-	944 111 204 01	Sealing ring		1	
-	900 074 268 02	Hexagon-head bolt		3	
-	999 084 052 02	Lock nut		9	
-	944 111 135 01	Gasket		2	
-	900 074 282 02	Screw		6	
-	900 076 025 02	Hexagon nut		2	
-	900 076 064 02	Hexagon nut		2	
-	900 075 087 02	Hexagon-head bolt		2	
-	900 075 087 03	Hexagon-head bolt		2	
-	900 025 007 02	Washer		4	
-	900 025 007 03	Washer		4	
-	944 606 135 02	Oxygen sensor		1	
-	951 504 869 00	Cover plate		1	
-	999 591 485 02	Speed nut		4	
-	N 090 239 1	Combination screw		4	
-	944 201 901 00	Sleeve		1	
-	928 006 117 03	Sticker		1	
-	944 701 201 02	Sticker		1	
-	000 043 140 00	Installation instructions		1	
-	911 701 241 00	Sticker		1	
-	944 612 621 00	Clamping bow		1	
>>	944 111 901 00	Set of fastening parts for Front muffler for Rear muffler Comprising:		1	M44.12
-	944 111 135 01	Gasket		2	
-	900 074 287 02	Hexagon-head bolt		9	
-	N 022 008 4	Lock nut		9	
-	900 910 097 02	Lock nut		9	
-	N 011 525 13	Washer		8	
-	477 253 140 A	Bearing		2	
-	N 010 240 16	Hexagon-head bolt		2	
-	900 076 025 02	Hexagon nut		2	
-	900 076 064 02	Hexagon nut		2	
-	944 111 981 00	Sleeve		1	
-	931 111 061 02	Hook		1	
-	944 111 203 00	Sealing ring		1	
-	928 111 259 02	Rubber mounting Information available		2	
-	930 113 153 00	Cap		1	
>>	944 111 901 01	Set of fastening parts for Rear muffler Comprising:		1	M44.12
-	944 111 203 00	Sealing ring		1	
-	900 074 287 02	Hexagon-head bolt		3	
-	N 022 008 4	Lock nut		3	
-	900 910 097 02	Lock nut		3	
-	944 111 142 01	Rubber mounting		2	
-	944 111 142 02	Rubber mounting		2	
-	944 111 142 03	Rubber mounting		2	
-	N 010 240 16	Hexagon-head bolt		2	
-	N 011 525 13	Washer		4	
-	900 076 025 02	Hexagon nut		4	
-	900 076 064 02	Hexagon nut		4	
-	928 111 259 02	Rubber mounting Information available		2	
-	477 253 191 F	Ornamental exhaust pipe		1	
-	477 253 192 G	Ornamental exhaust pipe Chrome		1	

Model: 944 89 Model life 1989>>1991

Pos	Part Number	Description	Remark	Qty	Model
-	931 111 061 02	Hook		1	
-	931 111 264 01	Hook		2	
>>	944 111 901 02	Set of fastening parts for Front muffler And Rear muffler		1	M44.12
-	944 111 135 01	Gasket		2	
-	900 074 287 02	Hexagon-head bolt		9	
-	N 022 008 4	Lock nut		9	
-	900 910 097 02	Lock nut		9	
-	N 011 525 13	Washer		12	
-	N 010 240 16	Hexagon-head bolt		4	
-	900 076 025 02	Hexagon nut		6	
-	900 076 064 02	Hexagon nut		6	
-	477 253 140 A	Bearing		2	
-	928 111 259 02	Rubber mounting Information available		2	
-	477 253 191 F	Ornamental exhaust pipe		1	
-	477 253 192 G	Ornamental exhaust pipe Chrome		1	
-	931 111 061 02	Hook		2	
-	931 111 264 01	Hook		2	
-	930 113 153 00	Cap		1	
-	944 111 981 00	Sleeve		1	
-	944 111 203 00	Sealing ring		1	
>>	944 111 901 03	Set of fastening parts for Front muffler for Catalytic converter Comprising:		1	M44.11
-	944 111 135 01	Gasket		2	
-	900 074 282 02	Screw		6	
-	900 074 268 02	Hexagon-head bolt		3	
-	999 084 052 02	Lock nut		9	
-	944 111 142 01	Rubber mounting		2	
-	944 111 142 02	Rubber mounting		2	
-	944 111 142 03	Rubber mounting		2	
-	928 111 259 02	Rubber mounting Information available		2	
-	900 025 007 02	Washer		2	
-	900 025 007 03	Washer		2	
-	900 076 025 02	Hexagon nut		2	
-	900 076 064 02	Hexagon nut		2	
-	N 010 240 16	Hexagon-head bolt		2	
>>	944 111 901 04	Set of fastening parts for Rear muffler Comprising:		1	M44.11
-	900 074 268 02	Hexagon-head bolt		3	
-	999 084 052 02	Lock nut		3	
-	944 111 142 01	Rubber mounting		2	
-	944 111 142 02	Rubber mounting		2	
-	944 111 142 03	Rubber mounting		2	
-	928 111 259 02	Rubber mounting Information available		2	
-	900 025 007 02	Washer		2	
-	900 025 007 03	Washer		2	
-	900 076 025 02	Hexagon nut		2	
-	900 076 064 02	Hexagon nut		2	
-	477 253 191 F	Ornamental exhaust pipe		1	
-	477 253 192 G	Ornamental exhaust pipe		1	

Model: 944 89 Model life 1989>>1991

Pos	Part Number	Description	Remark	Qty	Model
>>	944 111 901 05	Chrome Set of fastening parts for Front muffler And Rear muffler Comprising:		1	M44.11
-	944 111 135 01	Gasket		2	
-	900 074 282 02	Screw		6	
-	900 074 268 02	Hexagon-head bolt		3	
-	999 084 052 02	Lock nut		9	
-	944 111 142 01	Rubber mounting		2	
-	944 111 142 02	Rubber mounting		2	
-	944 111 142 03	Rubber mounting		2	
-	928 111 259 02	Rubber mounting		2	
		Information available			
-	900 025 007 02	Washer		4	
-	900 025 007 03	Washer		4	
-	900 076 025 02	Hexagon nut		4	
-	900 076 064 02	Hexagon nut		4	
-	N 010 240 16	Hexagon-head bolt		2	
-	477 253 191 F	Ornamental exhaust pipe		1	
-	477 253 192 G	Ornamental exhaust pipe		1	
		Chrome			
>>	951 111 901 00	Set of fastening parts for Front muffler for Catalytic converter Comprising:		1	M44.52
-	900 910 096 02	Lock nut		2	
-	951 123 134 02	Gasket		1	
-	900 074 234 02	Hexagon-head bolt		2	
-	900 025 007 02	Washer		4	
-	900 025 007 03	Washer		4	
-	944 111 142 01	Rubber mounting		2	
-	944 111 142 02	Rubber mounting		2	
-	944 111 142 03	Rubber mounting		2	
-	951 111 061 01	Hook		1	
-	900 075 087 02	Hexagon-head bolt		2	
-	900 075 087 03	Hexagon-head bolt		2	
-	900 076 025 02	Hexagon nut		2	
-	900 076 064 02	Hexagon nut		2	
-	944 111 205 03	Sealing ring		1	
-	999 084 047 02	Lock nut		3	
-	900 025 008 09	Washer		3	
-	900 025 008 04	Washer		3	
-	928 111 244 03	Sealing ring		1	
-	N 010 020 2	Hexagon-head bolt M 10 X 38		4	
-	N 900 730 01	Lock nut		4	
-	N 900 730 0A	Lock nut		4	
-	928 111 259 02	Rubber mounting		2	
		Information available			
>>	951 111 901 01	Set of fastening parts for Rear muffler Comprising:		1	M44.52
-	928 111 244 03	Sealing ring		1	
-	N 010 020 2	Hexagon-head bolt M 10 X 38		4	
-	N 900 730 01	Lock nut		4	
-	N 900 730 0A	Lock nut		4	

Model: 944 89

Model life 1989>>1991

Pos	Part Number	Description	Remark	Qty	Model
-	944 111 142 01	Rubber mounting		2	
-	944 111 142 02	Rubber mounting		2	
-	944 111 142 03	Rubber mounting		2	
-	900 075 087 02	Hexagon-head bolt		2	
-	900 075 087 03	Hexagon-head bolt		2	
-	900 025 007 02	Washer		4	
-	900 025 007 03	Washer		4	
-	900 076 025 02	Hexagon nut		4	
-	900 076 064 02	Hexagon nut		4	
-	928 111 259 02	Rubber mounting		2	
		Information available			
-	477 253 191 F	Ornamental exhaust pipe		1	
-	477 253 192 G	Ornamental exhaust pipe		1	
		Chrome			
-	931 111 061 02	Hook		1	
-	931 111 264 01	Hook		2	
>>	951 111 901 02	Set of fastening parts for Front muffler And Rear muffler Comprising:		1	M44.52
-	900 910 096 02	Lock nut		2	
-	951 123 134 02	Gasket		1	
-	900 074 234 02	Hexagon-head bolt		2	
-	900 025 007 02	Washer		8	
-	900 025 007 03	Washer		8	
-	944 111 142 01	Rubber mounting		2	
-	944 111 142 02	Rubber mounting		2	
-	944 111 142 03	Rubber mounting		2	
-	951 111 061 01	Hook		1	
-	900 075 087 02	Hexagon-head bolt		4	
-	900 075 087 03	Hexagon-head bolt		4	
-	900 076 025 02	Hexagon nut		6	
-	900 076 064 02	Hexagon nut		6	
-	944 111 205 03	Sealing ring		1	
-	999 084 047 02	Lock nut		3	
-	900 025 008 09	Washer		3	
-	900 025 008 04	Washer		3	
-	928 111 244 03	Sealing ring		1	
-	N 010 020 2	Hexagon-head bolt		4	
		M 10 X 38			
-	N 900 730 01	Lock nut		4	
-	N 900 730 0A	Lock nut		4	
-	928 111 259 02	Rubber mounting		2	
		Information available			
-	477 253 191 F	Ornamental exhaust pipe		1	
-	477 253 192 G	Ornamental exhaust pipe		1	
		Chrome			
-	931 111 061 02	Hook		2	
-	931 111 264 01	Hook		1	



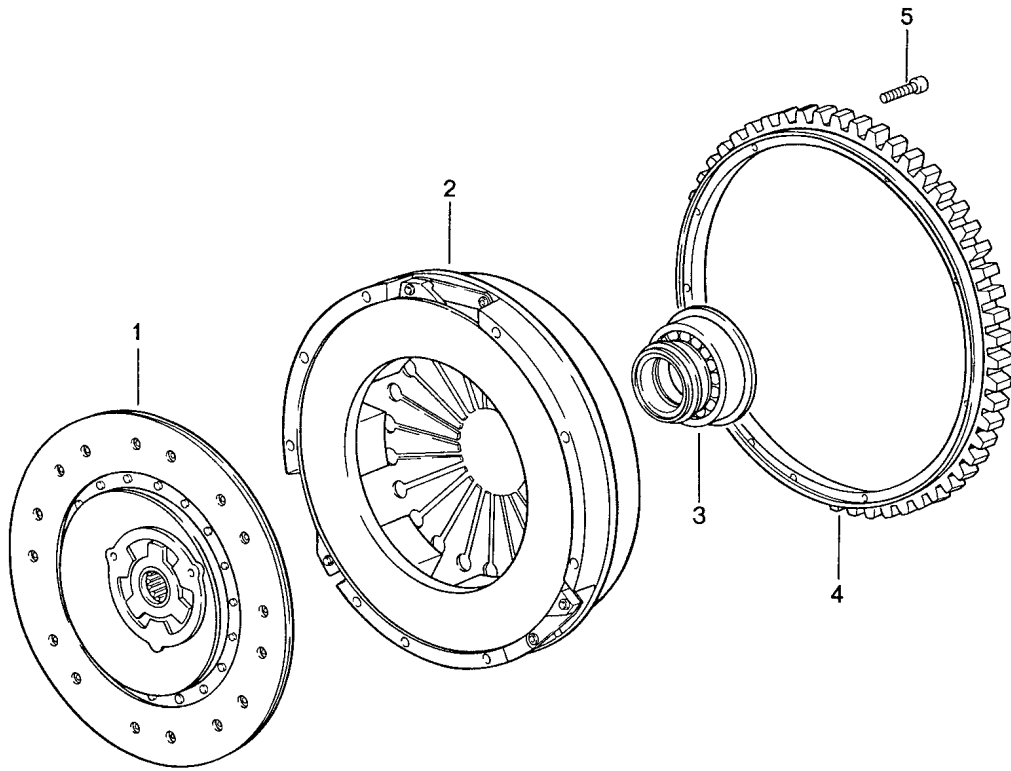
Model: 944 89

Model life 1989&gt;&gt;1991

Pos	Part Number	Description	Remark	Qty	Model
		Central tube for Manual transmission			
1	944 421 012 02	Central tube		1	944/TURBO
1	944 421 012 15	Central tube		1	944S2
		Ready for installation			
(1)	944 421 012 EX	Central tube		1	944S2
		Ready for installation			
2	922 421 051 02	Clamping sleeve		1	
2	922 421 051 03	Clamping sleeve		1	
2	944 421 241 02	Clamping sleeve		1	WW
3	931 421 240 00	Clamping screw		4	
4	477 521 277 C	Cap		1	
5	477 521 177	Cap		1	
6	N 010 275 4	Hexagon-head bolt M 10 X 35		4	
7	N 012 028 1	Lock ring 10		4	
8	944 116 043 06	Clutch housing		1	944/944S2
8	951 116 043 02	Clutch housing		1	TURBO
9	N 012 690 1	Grooved pin 10 X 32		3	
10	N 010 221 3	Hexagon-head bolt M 6 X 35		1	
11	900 076 010 02	Nut M 6		1	
11	900 076 010 0B	Nut M 6		1	
12	016 141 181	Guide sleeve		1	
13	N 090 194 2	Hexagon-head bolt M 7 X 16		3	
14	931 116 085 00	Clutch release lever		1	944/944S2
14	931 116 085 02	Clutch release lever		1	944/944S2
14	951 116 085 00	Clutch release lever		1	TURBO
15	999 201 213 00	Needle sleeve		2	
16	951 116 133 00	Clutch control shaft		1	
17	944 116 237 00	Clutch operating cylinder		1	
-	928 116 901 00	Repair kit Clutch operating cylinder		1	
18	N 010 233 6	Hexagon-head bolt M 8 X 28		2	
18	900 075 136 03	Hexagon-head bolt M 8 X 28		2	
19	900 027 015 02	Lock ring B 8		2	
19	900 027 015 03	Lock ring B 8		2	
20	931 116 177 00	Cap		1	
21	944 116 093 01	Protective plate		1	
24	900 075 040 02	Hexagon-head bolt M 10 X 20		2	
24	900 075 517 01	Hexagon-head bolt M 10 X 20		2	
25	N 012 028 1	Lock ring A 10		2	
26	N 010 142 2	Hexagon-head bolt M 12 X 50		2	
27	N 010 191 2	Hexagon-head bolt M 12 X 95		2	
27	900 082 142 01	Hexagon-head bolt M 12 X 95		2	
28	N 011 531 7	Washer A 13		4	

Model: 944 89

Model life 1989>>1991



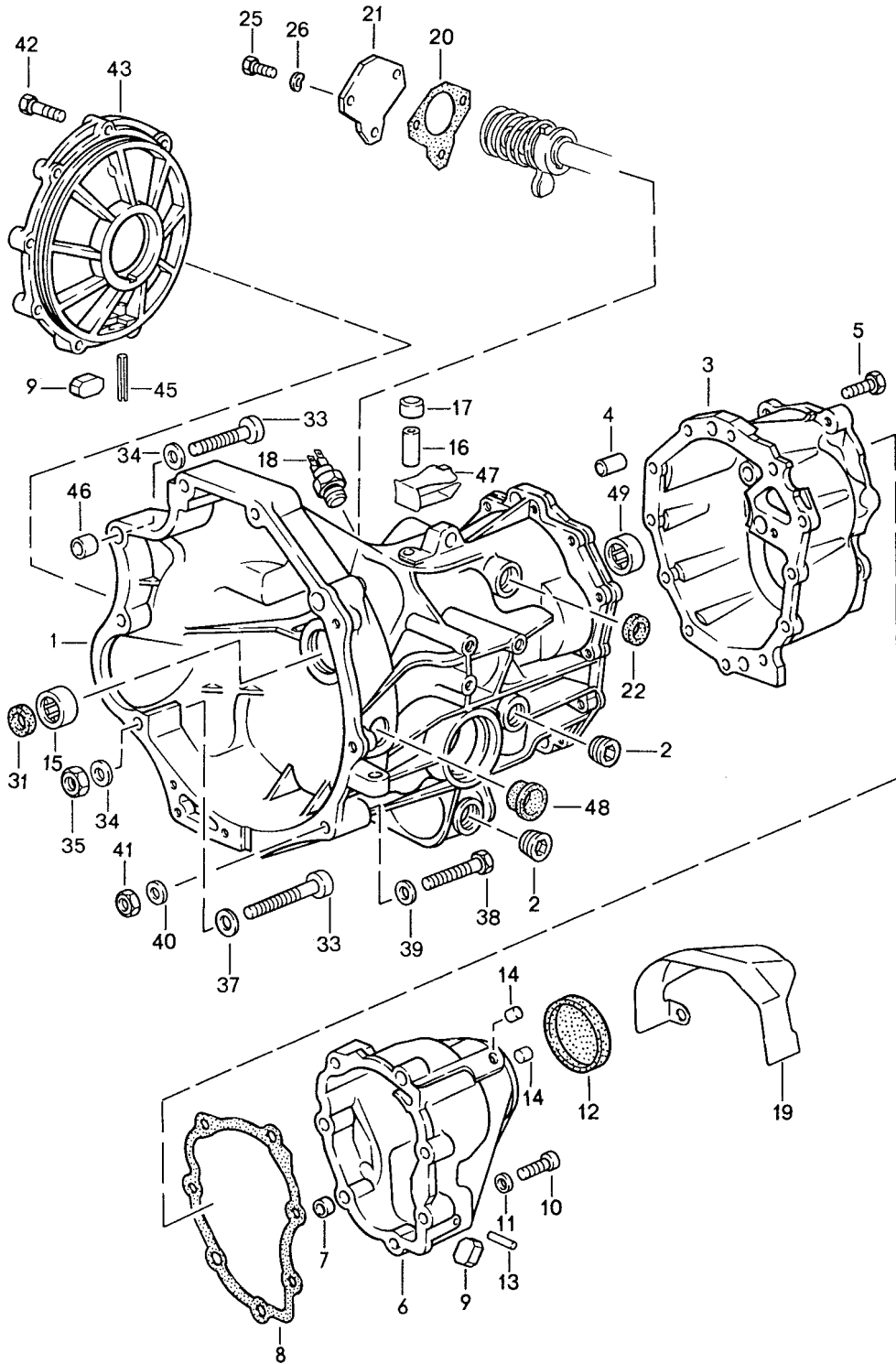


Model: 944 89 Model life 1989>>1991

Pos	Part Number	Description	Remark	Qty	Model
1	944 116 011 02	Clutch Clutch plate without asbestos Attention Set Use 94411691101		1	M44.11/41
1	951 116 011 15	Clutch plate without asbestos		1	M44.52
1	951 116 011 18	Clutch plate		1	M44.52
2	944 116 023 01	Pressure plate		1	M44.11
2	951 116 023 01	Pressure plate		1	M44.52
2	944 116 023 07	Pressure plate	89	1	M44.41
2		Pressure plate	90-	1	M44.41
3	931 116 082 04	Clutch release bearing		1	M44.11/41
3	951 116 082 01	Clutch release bearing		1	M44.52
4	944 116 239 03	Starter ring		1	M44.11/41
4	951 116 239 00	Starter ring		1	M44.52
5	900 067 020 02	Pan-head screw M 8 X 50		9	M44.11/41
5	900 067 362 01	Pan-head screw M 8 X 50		9	M44.11/41
5	999 510 012 02	Pan-head screw M 8 X 50		9	M44.52
-	951 116 911 00	Repair kit for Clutch POSITION 1+2+3		1	M44.52
-	944 116 911 00	Repair kit for Clutch POSITION 1+2+3		1	M44.11/41
-	944 116 911 01	Repair kit for Clutch Comprising: Pressure plate Drive plate Clutch release bearing		1	M44.11/41

Model: 944 89

Model life 1989>>1991



Model: 944 89 Model life 1989>>1991

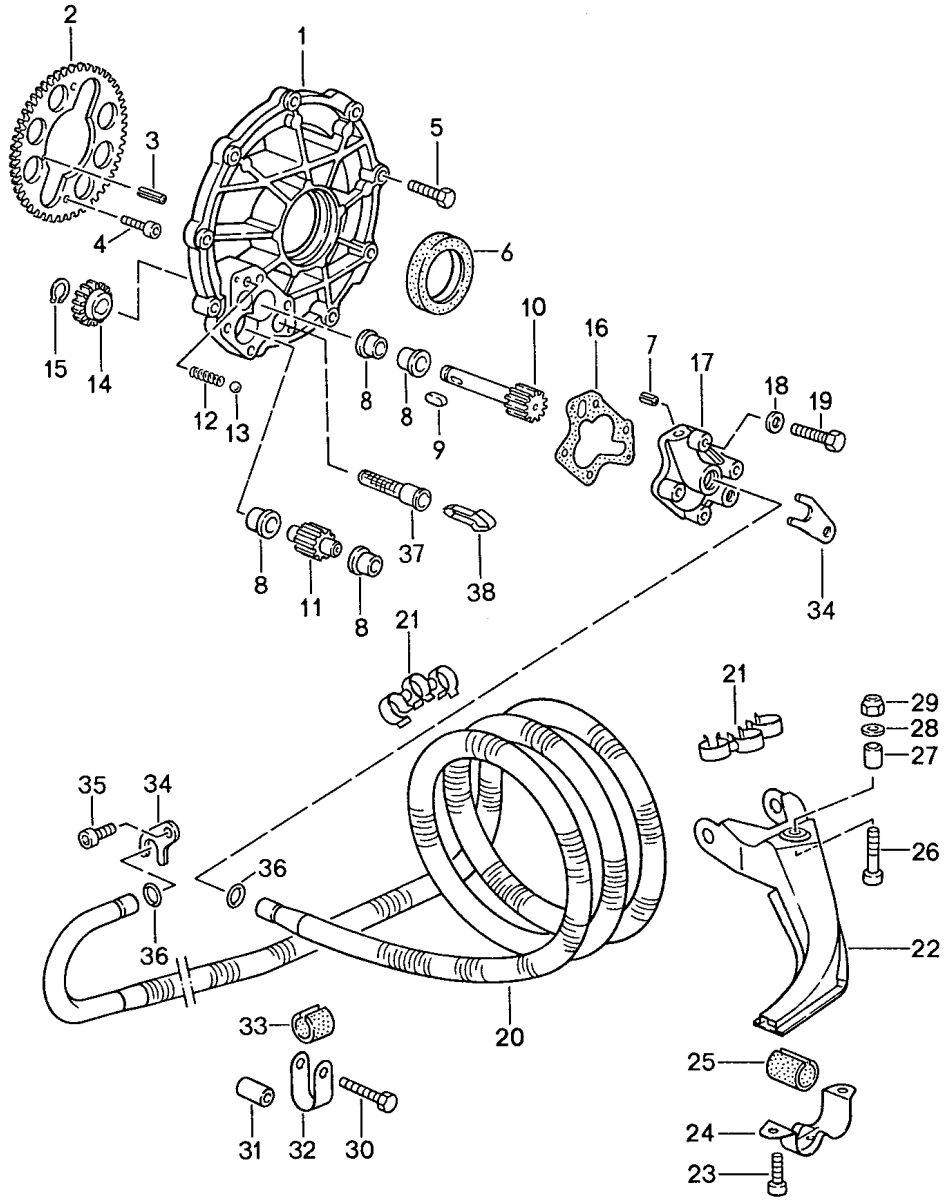
Pos	Part Number	Description	Remark	Qty	Model
		Replacement transmission Transmission case for Manual transmission			
-	016 300 049 S	Replacement transmission		1	ASG
-	016 300 049 T	Replacement transmission		1	ASH
-	016 300 049 TX	Manual transmission with Limited-slip differential		1	ASH
-	016 300 049 P	Replacement transmission		1	AOS
-	016 300 049 Q	Replacement transmission with Limited-slip differential		1	AOT
-	016 300 050 D	Replacement transmission	(CH)	1	ASV
-	016 300 050 E	Replacement transmission with Limited-slip differential	(CH)	1	ASW
-	016 300 049 R	Replacement transmission with Limited-slip differential		1	AOR
-	944 385 025 00	Capsule Left	(CH)	1	
-	944 385 026 00	Capsule Right	(CH)	1	
-	999 591 852 02	Clamp	(CH)	3	
1	016 301 103 BF	Transmission case		1	ASG ASH
1	016 301 103 AH	Transmission case		1	AOR AOS AOT ASV ASW
2	111 301 127 E	Screw plug M 24 X 1,5		2	
2	WHT 001 937	Screw plug M 24 X 1,5		2	
3	016 301 211 M	End plate		1	ASG ASH
3	016 301 211 N	Transmission cover		1	AOR AOS AOT ASV ASW
4	014 301 473	Sleeve		2	
4	0A2 301 473	Sleeve		2	
5	N 010 332 4	Hexagon-head bolt M 8 X 32		12	
6	016 301 231 F	Lid		1	ASG ASH AOS AOT ASV ASW 944/S/S2 AOR TURBO
6	016 301 231 AA	Lid Use also: 2X 019.301.115		1	
7	016 301 299	Dowel sleeve		2	
7	016 301 299 A	Dowel sleeve		2	
8	016 301 235 C	Gasket		1	
9	084 301 143 A	Magnet		2	
10	N 014 715 1	Pan-head screw M 8 X 45		7	
11	900 025 007 02	Washer 8,4		5	
11	900 025 007 03	Washer 8,4		5	
12	088 301 467 B	Lid		1	ASG ASH
12	088 301 467 D	Lid		1	ASG ASH
12	014 301 467 2	Transmission cover		1	ASG ASH
12	016 301 467	Lid		1	AOR AOS AOT ASV

Model: 944 89 Model life 1989>>1991

Pos	Part Number	Description	Remark	Qty	Model
13	N 013 371 1	Straight pin 6 M 6 X 24		1	ASW
14	019 301 115	Stopper		2	
15	083 311 123	Needle sleeve		1	
	083 311 123 TPP				
16	014 301 473	Sleeve		1	
16	0A2 301 473	Sleeve		1	
17	014 301 485	Cap		1	
18	084 941 521	Switch		1	
19	477 599 181 A	Protective plate		1	
20	016 301 455 A	Gasket		1	
21	016 301 453 B	Lid		1	
22	928 303 120 01	Shaft sealing ring		1	
25	900 075 057 02	Hexagon-head bolt M 6 X 16		3	
25	900 075 057 03	Hexagon-head bolt M 6 X 16		3	
26	N 012 226 5	Spring washer B 6		3	
31	016 311 113 C	Radial shaft seal		1	
32	N 090 194 2	Hexagon-head bolt M 7 X 16		3	
33	900 067 268 02	Pan-head screw M 12 X 80		3	
34	900 028 014 02	Washer B 12		3	
34	900 028 014 03	Washer B 12		3	
35	N 011 020 8	Hexagon nut M 12		1	
35	900 034 036 01	Hexagon nut M 12		1	
37	900 025 009 02	Washer A 13		4	
38	900 074 064 02	Hexagon-head bolt M 10 X 60		1	
38	900 074 377 01	Hexagon-head bolt M 10 X 60		1	
39	900 025 008 09	Washer A 10,5		1	
39	900 025 008 04	Washer A 10,5		1	
40	N 012 230 6	Spring washer B 10		1	
41	N 011 010 13	Hexagon nut M 10		1	
42	N 090 191 1	Hexagon-head bolt M 8 X 35		9	
43	088 409 131 C	Transmission cover		1	ASG ASH
43	016 409 131 B	Transmission cover		1	AOR AOS AOT ASV ASW
45	N 013 291 1	Tensioning sleeve 4 X 28		1	
46	019 301 153	Dowel sleeve		2	
47	016 301 349	Cover plate		1	
49	088 311 123	Needle sleeve		1	ASG ASH
49	016 311 123 B	Needle sleeve		1	AOR AOS AOT ASV ASW

Model: 944 89

Model life 1989>>1991

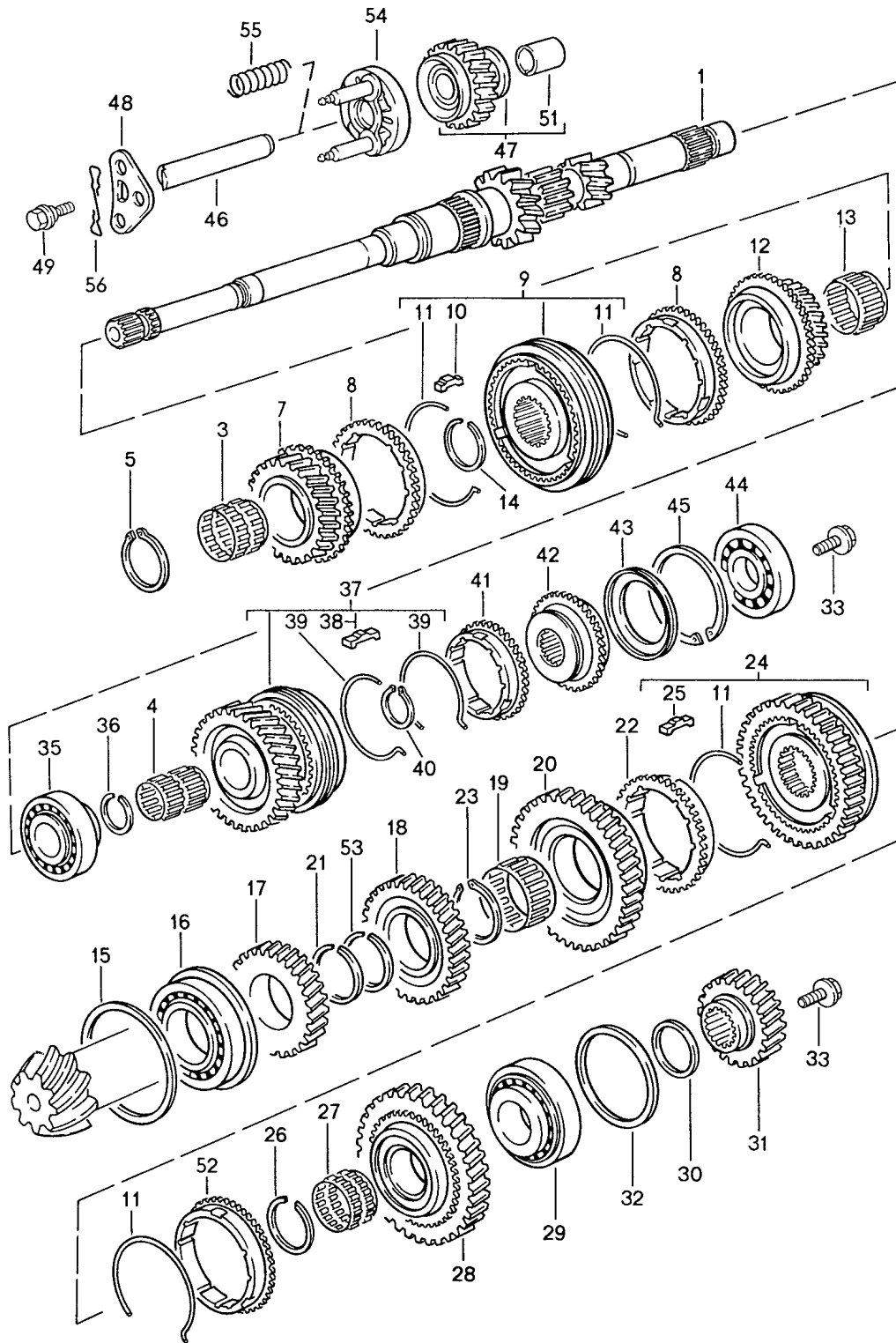


Model: 944 89 Model life 1989>>1991

Pos	Part Number	Description	Remark	Qty	Model
		Oil cooling			
1	016 409 131 B	Transmission cover		1	
2	016 115 165 A	Drive wheel		1	
2	016 115 165	Drive wheel		1	M220
3	N 100 792 01	Roll pin		1	
4	999 119 011 00	Pan-head screw M 8 X 1 X 25		4	M220
5	N 090 191 1	Hexagon-head bolt M 8 X 35		9	
6	016 409 399 B	Radial shaft seal		1	
7	900 012 068 00	Straight pin		2	
8	930 307 243 00	Bearing sleeve		4	
8	930 307 243 01	Bearing sleeve		4	
9	900 117 069 00	Woodruff key		1	
10	016 115 119	Oil pump gear		1	
11	930 307 241 00	Oil pump gear		1	
11	930 307 241 02	Oil pump gear		1	
12	930 307 321 00	Compression spring		1	
13	N 025 667 2	Ball		1	
14	016 115 125	Drive wheel		1	
15	900 041 005 01	Circlip		1	
16	016 115 189	Gasket 0,15 MM		X	
16	016 115 189 A	Gasket 0,20 MM		X	
17	016 115 107 A	Lid		1	
18	N 011 524 2	Washer		4	
19	N 010 346 5	Hexagon-head bolt M 6 X 30		4	
20	951 307 039 01	Radiator coil			
21	951 307 379 00	Clip		2	
22	951 307 089 02	Support		1	
23	N 014 750 3	Pan-head screw M 6 X 10		2	
23	N 014 750 13	Pan-head screw M 6 X 10		2	
24	951 307 385 03	Clip		1	
25	951 307 383 01	Hose		2	
26	900 067 214 02	Pan-head screw M 8 X 35		1	
26	900 067 214 01	Pan-head screw M 8 X 35		1	
27	016 301 299	Dowel sleeve		1	
27	016 301 299 A	Dowel sleeve		1	
28	900 025 007 02	Washer 8,4		1	
28	900 025 007 03	Washer 8,4		1	
29	900 910 003 02	Lock nut VM 8		1	
29	900 910 003 04	Lock nut VM 8		1	
30	900 074 134 02	Hexagon-head bolt M 8 X 45		1	
31	999 531 015 02	Sleeve		1	
32	999 511 144 02	Clip		1	
33	951 307 383 00	Hose		1	
34	016 301 161	Support		2	
35	N 014 715 3	Pan-head screw		1	
35	900 067 103 01	Pan-head screw		1	
36	N 028 203 3	O-ring		2	
37	016 115 157	Oil strainer		1	
38	016 115 191	Clamp		1	

Model: 944 89

Model life 1989>>1991



Model: 944 89 Model life 1989>>1991

Pos	Part Number	Description	Remark	Qty	Model
		Gears and shafts for Manual transmission			ASG ASH
1	016 311 105 S	Drive shaft		1	
3	016 311 115	Needle-roller bearing 4th speed		1	
4	016 311 116 A	Needle-roller bearing 5th gear		1	
5	016 311 344	Circlip		1	
7	016 311 351 B	Shifting gear 4th speed		1	
8	016 311 295	Synchroniser ring 3rd/4th gear		2	
8	016 311 247	Synchroniser ring 3rd/4th gear		2	
9	088 311 301 B	Synchronising hub 3rd/4th gear with Operating sleeve		1	
10	088 311 245	Detent 3rd/4th gear		3	
11	088 311 311 D	Spring		4	
12	005 311 285	Shifting gear 3rd gear		1	
13	016 311 213 H	Needle-roller bearing 3rd gear		1	
14	088 311 317	Circlip 1,50		1	
14	088 311 317 B	Circlip 1,56		X	
14	088 311 317 C	Circlip 1,62		X	
15	088 311 391	Shim 0,20		1	
15	088 311 391 A	Shim 0,25		X	
15	088 311 391 B	Shim 0,30		X	
15	088 311 391 C	Shim 0,35		X	
15	088 311 391 D	Shim 0,40		X	
15	088 311 391 E	Shim 0,65		X	
15	088 311 391 F	Shim 0,90		X	
15	088 311 391 G	Shim 1,15		X	
16	016 311 220 E	Taper roller bearing		1	
17	016 311 149 H	Gear wheel 4th speed		1	
18	016 311 131 E	Gear wheel 3rd gear		1	
19	016 311 229 A	Needle-roller bearing 2nd gear		1	
20	016 311 271	Shifting gear 2nd gear		1	
21	016 311 363 AA	Circlip 2,24		1	
21	016 311 363 AB	Circlip 2,26		X	
21	016 311 363 AC	Circlip 2,28		X	



Model: 944 89 Model life 1989>>1991

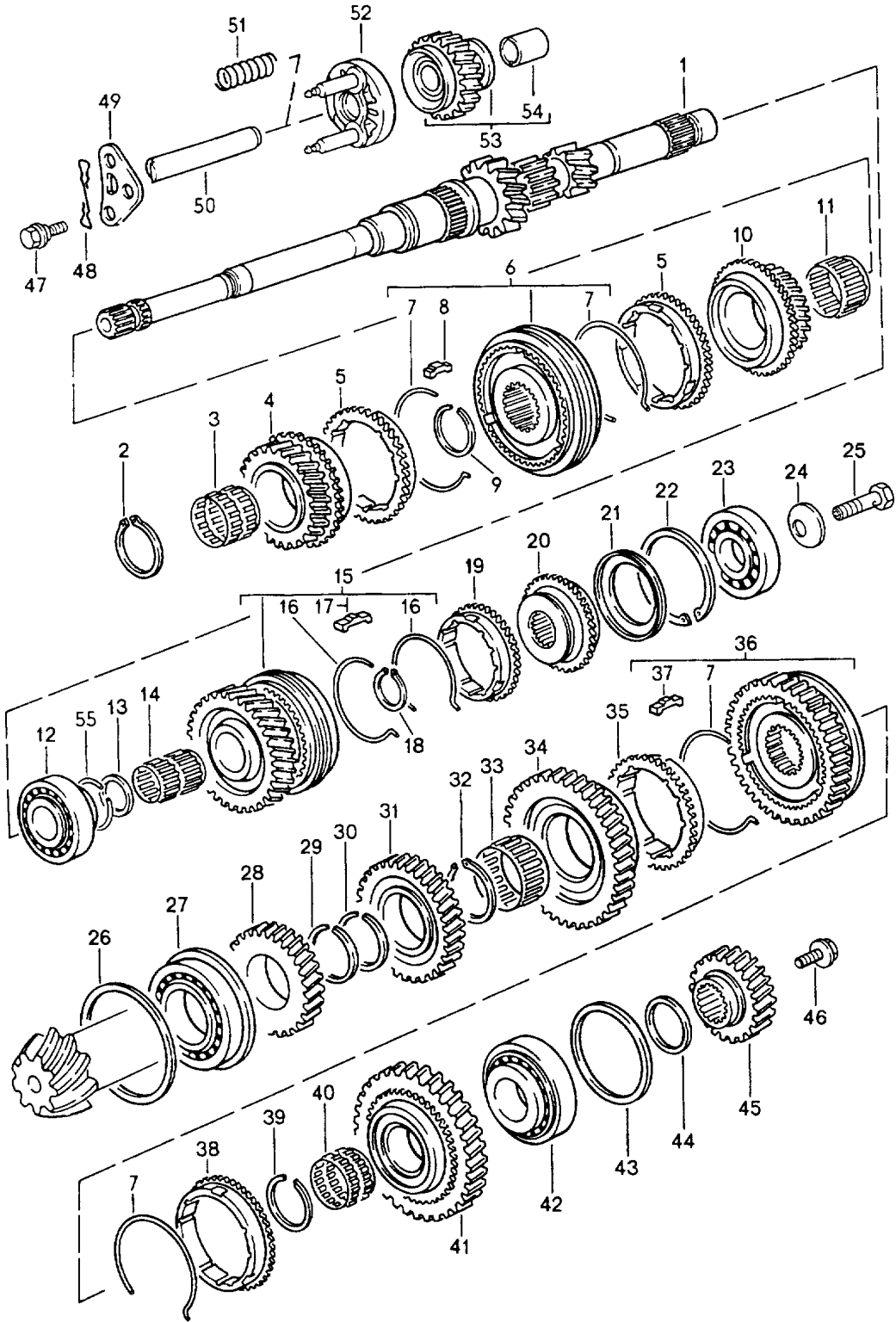
Pos	Part Number	Description	Remark	Qty	Model
21	016 311 363 AD	Circlip 2,30		X	
21	016 311 363 AE	Circlip 2,32		X	
21	016 311 363 AF	Circlip 2,34		X	
21	016 311 363 AG	Circlip 2,36		X	
21	016 311 363 AH	Circlip 2,38		X	
21	016 311 363 AJ	Circlip 2,40		X	
22	016 311 295	Synchroniser ring 2nd gear		1	
22	016 311 247	Synchroniser ring 2nd gear		1	
23	016 311 287	Circlip 1,65		1	
23	016 311 287 A	Circlip 1,70		X	
23	016 311 287 B	Circlip 1,75		X	
24	016 311 239 E	Synchronising hub 1st / 2nd gear with Operating sleeve		1	
25	088 311 313	Detent 1st / 2nd gear		3	
26	016 311 327	Circlip 1,50		1	
26	016 311 327 A	Circlip 1,55		X	
26	016 311 327 B	Circlip 1,60		X	
27	016 311 207 A	Needle-roller bearing 1st gear		1	
28	016 311 257	Shifting gear 1st gear		1	
29	016 311 375 H	Taper roller bearing		1	
29	016 311 375 J	Taper roller bearing		1	
30	016 311 391	Adjusting shim 1,10		1	
30	016 311 391 A	Adjusting shim 1,40		X	
30	016 311 391 A1	Adjusting shim 1,40		X	
30	016 311 391 B	Adjusting shim 1,70		X	
30	016 311 391 C	Adjusting shim 2,00		X	
30	016 311 391 D	Adjusting shim 2,30		X	
31	016 311 159 C	Gear wheel 5th gear		1	
32	016 311 393 AP	Shim 0,24		1	
32	016 311 393 AQ	Shim 0,27		X	
32	016 311 393 AR	Shim 0,30		X	
32	016 311 393 AS	Shim 0,33		X	
32	016 311 393 M	Shim		X	

Model: 944 89 Model life 1989>>1991

Pos	Part Number	Description	Remark	Qty	Model
32	016 311 393 N	0,36 Shim		X	
32	016 311 393 P	0,39 Shim		X	
32	016 311 393 Q	0,42 Shim		X	
32	016 311 393 R	0,45 Shim		X	
32	016 311 393 S	0,69 Shim		X	
32	016 311 393 T	0,93 Shim		X	
32	016 311 393 AA	1,17 Shim		X	
33	N 902 582 01	1,41 Clamping screw		2	
35	016 311 427	Cylindrical-roller bearing		1	
36	N 900 606 01	Circlip A 27 X 1,35		1	
36	N 900 606 02	Circlip A 27 X 1,40		X	
36	N 900 606 03	Circlip A 27 X 1,45		X	
37	016 311 353 B	Shifting gear 5th gear		1	
38	016 311 246	Detent 5th gear		3	
39	014 311 311 C	Spring 5th gear		2	
40	N 900 607 01	Circlip A 27 X 1,9		1	
41	014 311 295 E	Synchroniser ring 5th gear		1	
42	016 311 192 A	Clutch hub 5th gear		1	
43	016 311 449	Dust plate		1	
44	016 311 445	Four-point bearing		1	
44	016 311 44F	Four-point bearing		1	
45	N 900 608 01	Circlip A 68 X 2,83		1	
45	N 900 608 02	Circlip A 68 X 2,90		X	
46	016 311 519 B	Reverse idler gear shaft		1	
47	016 311 529 D	Reverse idler gear		1	
48	016 311 853 B	Retainer plate		1	
49	088 301 291 A	Shouldered bolt M 8 X 16		1	
51	088 311 533	Bush		1	
52	016 311 247	Synchroniser ring 1st gear		1	
53	016 311 363 AJ	Circlip 2,40		1	
54	016 311 839 C	Synchroniser ring		1	
55	016 311 859 C	Compression spring		1	
56	016 311 861 C	Spring clip		1	

Model: 944 89

Model life 1989>>1991



Model: 944 89 Model life 1989>>1991

Pos	Part Number	Description	Remark	Qty	Model
		Gears and shafts for Manual transmission			AOR AOS AOT ASV ASW
1	016 311 105 AL	Drive shaft		1	
2	016 311 344	Circlip		1	
3	016 311 115	Needle-roller bearing 4th speed		1	
4	016 311 347 A	Shifting gear 4th speed		1	
5	016 311 295	Synchroniser ring 3rd/4th gear		2	
5	016 311 247	Synchroniser ring 3rd/4th gear		2	
6	016 311 301 B	Synchronising hub 3rd/4th gear with Operating sleeve		1	
7	088 311 311 D	Spring		4	
8	088 311 245	Detent 3rd/4th gear		3	
9	088 311 317	Circlip 1,50		1	
9	088 311 317 B	Circlip 1,56		X	
9	088 311 317 C	Circlip 1,62		X	
10	016 311 279	Shifting gear 3rd gear		1	
11	016 311 213 H	Needle-roller bearing 3rd gear		1	
11		Needle-roller bearing		1	
12	016 311 427 C	Cylindrical-roller bearing		1	
13	016 311 155 B	Thrust washer		1	
14	016 311 116 A	Needle-roller bearing 4th speed		1	
15	016 311 353 K	Shifting gear 5th gear		1	AOR
15	016 311 353 AD	Shifting gear 5th gear		1	AOS AOT ASV ASW
16	014 311 311 C	Spring		2	
17	016 311 246	Detent 5th gear		3	
18	N 900 607 01	Circlip A 27 X 1,9		1	
19	014 311 295 E	Synchroniser ring 5th gear		1	
20	016 311 192 A	Clutch hub 5th gear		1	
21	016 311 449	Dust plate		1	
22	N 900 608 01	Circlip A 68 X 2,83		1	
22	N 900 608 02	Circlip A 68 X 2,90		X	
23	016 311 445	Four-point bearing		1	
23	016 311 44F	Four-point bearing		1	
24	016 311 324	Cup spring		1	
25	020 311 308 C	Screw		1	
26	016 311 391 E	Shim 0,20		1	
26	016 311 391 F	Shim 0,25		X	
26	016 311 391 G	Shim		X	

Model: 944 89

Model life 1989&gt;&gt;1991

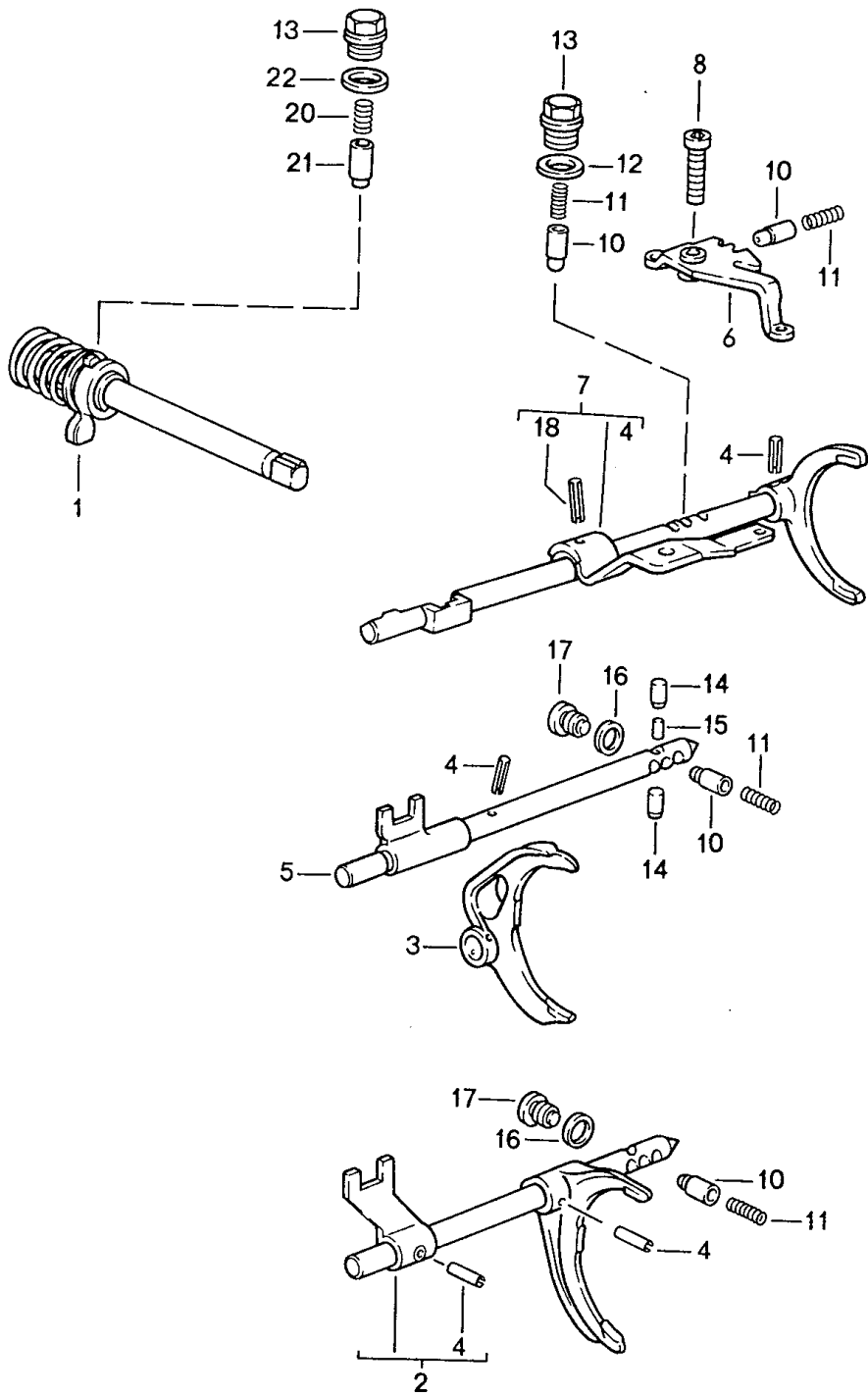
Pos	Part Number	Description	Remark	Qty	Model
26	016 311 391 H	0,30 Shim		X	
26	016 311 391 J	0,35 Shim		X	
26	016 311 391 K	0,40 Shim		X	
26	016 311 391 L	0,65 Shim		X	
26	016 311 391 M	0,90 Shim		X	
27	016 311 220 L	1,15 Taper roller bearing		1	
27	PCG 311 220 L	Taper roller bearing		1	
28	016 311 149 K	Gear wheel 4th speed			
29	016 311 363 AA	Circlip 2,24		1	
29	016 311 363 AB	Circlip 2,26		X	
29	016 311 363 AC	Circlip 2,28		X	
29	016 311 363 AD	Circlip 2,30		X	
29	016 311 363 AE	Circlip 2,32		X	
29	016 311 363 AF	Circlip 2,34		X	
29	016 311 363 AG	Circlip 2,36		X	
29	016 311 363 AH	Circlip 2,38		X	
29	016 311 363 AJ	Circlip 2,40		X	
30		Circlip 2,40		1	
31	016 311 131 G	Gear wheel 3.GANG		1	
32	016 311 287	Circlip 1,65		1	
32	016 311 287 A	Circlip 1,70		X	
32	016 311 287 B	Circlip 1,75		X	
33	016 311 229 A	Needle-roller bearing 2nd gear		1	
34	016 311 265 B	Shifting gear 2nd gear		1	
35	016 311 295	Synchroniser ring 2nd gear		1	
35	016 311 247	Synchroniser ring 2nd gear		1	
36	016 311 239 E	Synchronising hub 1st / 2nd gear		1	
37	088 311 313	Detent 1st / 2nd gear		3	
38	016 311 247	Synchroniser ring		1	
39	016 311 327	Circlip 1,50		1	
39	016 311 327 A	Circlip 1,55		X	
39	016 311 327 B	Circlip 1,60		X	
40	016 311 207 A	Needle-roller bearing		1	

Model: 944 89 Model life 1989>>1991

Pos	Part Number	Description	Remark	Qty	Model
41	016 311 257 C	1st gear Shifting gear		1	
42	016 311 375 H	1st gear Taper roller bearing		1	
42	016 311 375 J	Taper roller bearing		1	
43	016 311 393 AP	Shim 0,24		X	
43	016 311 393 AQ	Shim 0,27		X	
43	016 311 393 AR	Shim 0,30		X	
43	016 311 393 AS	Shim 0,33		X	
43	016 311 393 M	Shim 0,36		X	
43	016 311 393 N	Shim 0,39		X	
43	016 311 393 P	Shim 0,42		X	
43	016 311 393 Q	Shim 0,45		X	
43	016 311 393 R	Shim 0,69		X	
43	016 311 393 S	Shim 0,93		X	
43	016 311 393 T	Shim 1,17		X	
43	016 311 393 AA	Shim 1,41		X	
44	016 311 391	Adjusting shim 1,10		X	
44	016 311 391 A	Adjusting shim 1,40		X	
44	016 311 391 A1	Adjusting shim 1,40		X	
44	016 311 391 B	Adjusting shim 1,70		X	
44	016 311 391 C	Adjusting shim 2,00		X	
44	016 311 391 D	Adjusting shim 2,30		X	
45	016 311 159 T	Gear wheel 5th gear		1	AOR
45	016 311 159 AG	Gear wheel 5th gear		1	AOS AOT ASV ASW
46	N 902 582 01	Clamping screw		1	
47	088 301 291 A	Shouldered bolt		1	
48	016 311 861 C	Spring clip		1	
49	016 311 853 B	Retainer plate		1	
50	016 311 519 B	Reverse idler gear shaft		1	
51	016 311 859 C	Compression spring		1	
52	016 311 839 C	Synchroniser ring		1	
53	016 311 529 D	Reverse idler gear		1	
54	088 311 533	Bush		1	
55	016 311 287 C	Circlip		1	

Model: 944 89

Model life 1989>>1991



Model: 944 89

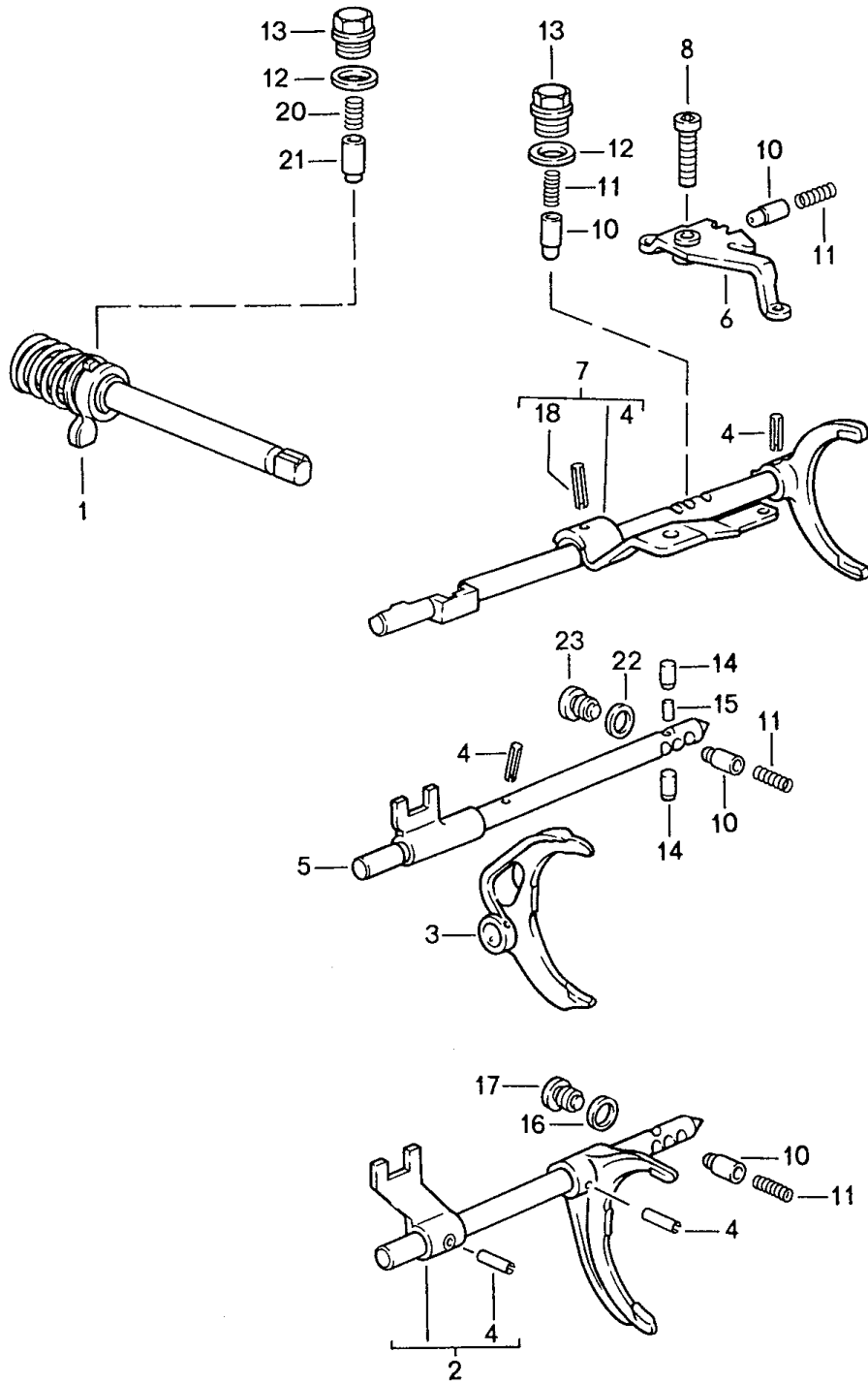
Model life 1989&gt;&gt;1991

Pos	Part Number	Description	Remark	Qty	Model
		Transmission control for			ASG ASH
1	016 311 475 G	Manual transmission Shift rod		1	
2	016 311 549 A	Ready for installation Shift fork		1	
3	016 311 561 A	1st gear And 2nd gear Shift fork		1	
4	N 900 073 01	3rd gear And 4th speed Tensioning sleeve		4	
5	016 311 567	6 X 22 Gear shift rod		1	
6	016 311 573 B	3rd gear And 4th speed Reverse lever		1	
7	016 311 575 C	Gear shift rod		1	
8	084 311 589 B	5th gear And Reverse gear Pan-head screw		1	
10	084 311 621 D	M 10 X 32 Bush		4	
11	014 311 641 A	Compression spring		4	
12	900 123 140 30	Sealing ring		1	
13	005 311 689	A 18 X 22 Screw plug		1	
14	014 311 629	Detent		2	
15	014 311 635	Intermediate piece		1	
16	088 311 599	Sealing ring		2	
17	088 311 721	Stop screw		2	
18	N 013 336 1	Tensioning sleeve		1	
20	016 311 735 A	6 X 26 Compression spring		1	
21	016 311 717 C	Bush		1	
22	005 311 599	Sealing ring		1	



Model: 944 89

Model life 1989>>1991



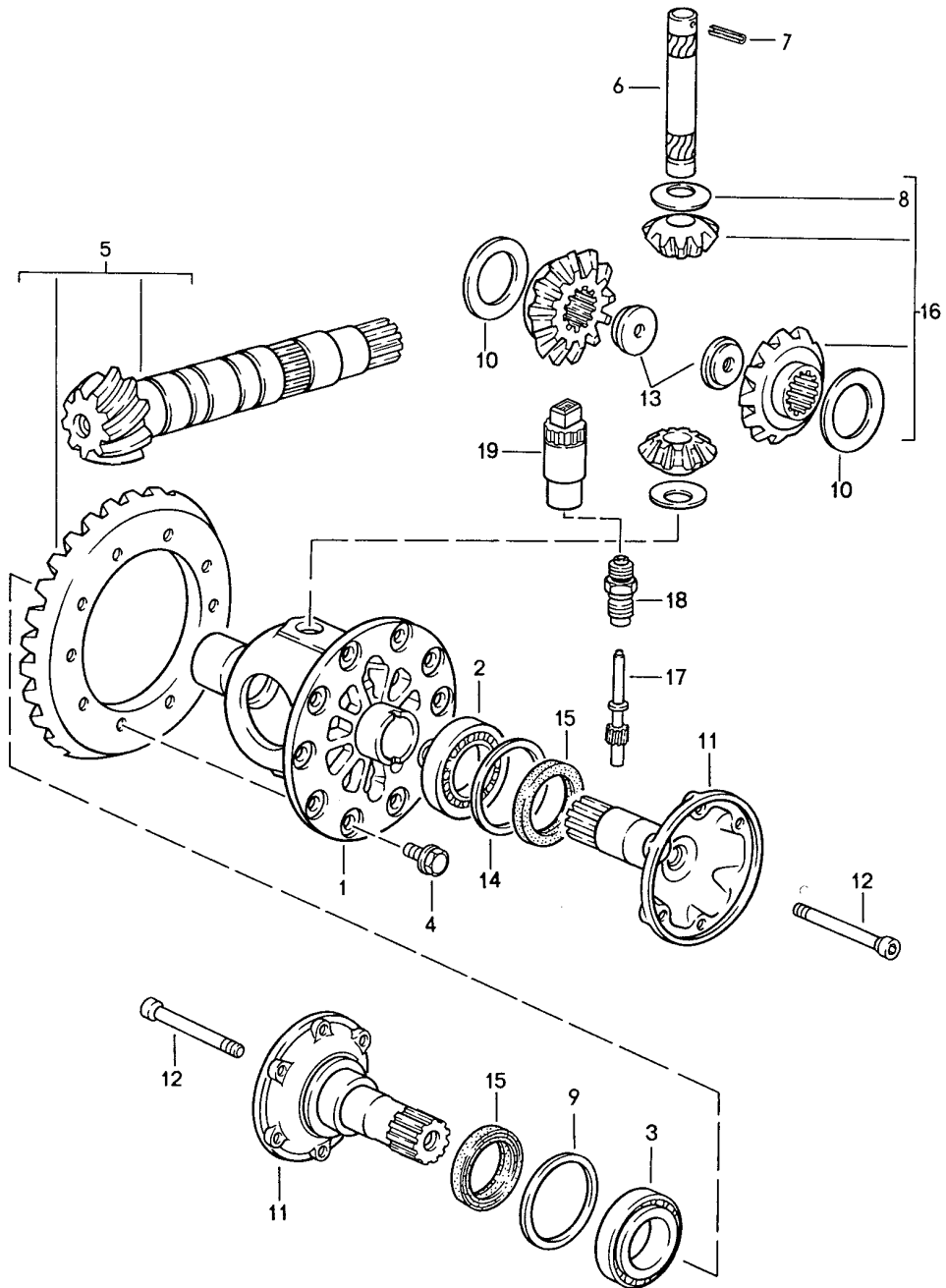
Model: 944 89

Model life 1989&gt;&gt;1991

Pos	Part Number	Description	Remark	Qty	Model
		Transmission control for			AOR AOS AOT
1	016 311 475 G	Manual transmission Shift rod		1	
2	016 311 549 C	Ready for installation Shift fork		1	
3	016 311 561 A	1st gear And 2nd gear Shift fork		1	
4	N 900 073 01	3rd gear And 4th speed Tensioning sleeve		4	
5	016 311 567 A	6 X 22 Gear shift rod		1	
6	016 311 573 B	3rd gear And 4th speed Reverse lever		1	
7	016 311 575 D	Gear shift rod		1	
8	084 311 589 B	5th gear And Reverse gear Pan-head screw		1	
10	084 311 621 D	M 10 X 32 Bush		4	
11	014 311 641 A	Compression spring		4	
12	005 311 599	Sealing ring		2	
13	005 311 689	Screw plug		2	
14	014 311 629	Detent		2	
15	014 311 635	Intermediate piece		1	
16	088 311 599	Sealing ring		1	
17	088 311 721	Stop screw		1	
18	N 013 336 1	Tensioning sleeve		1	
20	016 311 735 A	6 X 26 Compression spring		1	
21	016 311 717 C	Bush		1	
22	084 311 719	Sealing ring		1	
23	N 016 027 5	Screw plug		1	

Model: 944 89

Model life 1989>>1991



Model: 944 89 Model life 1989>>1991

Pos	Part Number	Description	Remark	Qty	Model
		Differential for Manual transmission			
1	016 409 121 F	Differential housing		1	
(1)	016 409 121 G	Differential housing		1	AOR
2	016 409 123	Taper roller bearing	/L	1	
3	113 517 185 C	Taper roller bearing	/R	1	
3	113 517 185 B	Taper roller bearing	/R	1	
4	088 409 135 A	Hexagon-head bolt M 10 X 18		10	
5	016 409 143 BM	Ring gear and pinion shaft 9 : 35		1	ASG ASH
5	016 409 143 AQ	Ring gear and pinion shaft 8 : 27		1	AOR
5	016 409 143 BN	Ring gear and pinion shaft 8 : 31		1	AOS AOT ASV ASW
6	016 409 177 B	Bolt		1	
7	N 013 319 1	Tensioning sleeve 5 X 36		1	
8	016 409 170	Thrust washer		2	
9	113 517 201 A	Adjusting shim 0,15	/R	1	
9	113 517 202 A	Adjusting shim 0,20	/R	X	
9	113 517 203 A	Adjusting shim 0,30	/R	X	
9	113 517 204 A	Adjusting shim 0,40	/R	X	
9	113 517 205 A	Adjusting shim 0,50	/R	X	
9	113 517 206 A	Adjusting shim 0,60	/R	X	
9	02A 409 210 A	Adjusting shim 0,70	/R	X	
9	02A 409 210 C	Adjusting shim 0,80	/R	X	
9	02A 409 210 E	Adjusting shim 0,90	/R	X	
9	02A 409 210 G	Adjusting shim 1,00	/R	X	
9	113 517 211 A	Adjusting shim 1,20	/R	X	
9	02A 409 210 1	Shim 1,20	/R	X	
9	02A 409 210 L	Adjusting shim 1,20	/R	X	
10	011 519 215	Thrust washer 0,50		2	
10	088 409 249	Thrust washer 0,60		X	
10	088 409 249 A	Thrust washer 0,70		X	
10	088 409 249 B	Thrust washer 0,80		X	
11	088 409 355 C	Flanged shaft		2	ASG ASH
11	016 409 355 A	Flanged shaft		2	AOR AOS
12	088 409 359	Screw		2	
13	016 409 161	Lock nut		2	
14	018 409 381	Shim 0,15	/L	1	
14	018 409 383	Shim 0,20	/L	X	

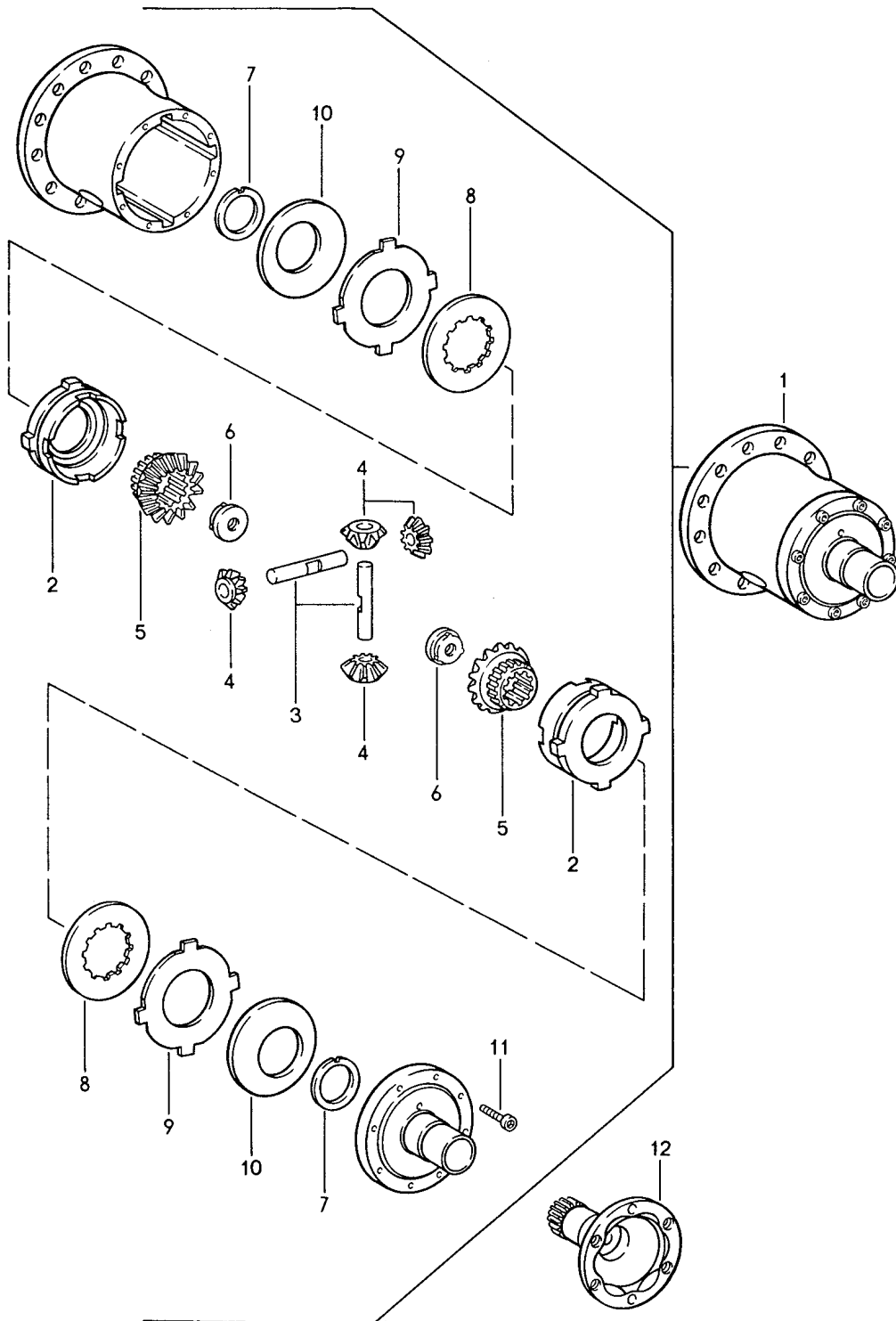
Model: 944 89

Model life 1989&gt;&gt;1991

Pos	Part Number	Description	Remark	Qty	Model
14	018 409 385	Shim 0,25	/L	X	
14	018 409 387	Shim 0,50	/L	X	
14	018 409 385	Shim 0,50	/L	X	
14	018 409 389	Shim 0,80	/L	X	
14	018 409 391	Shim 1,00	/L	X	
14	018 409 393	Shim 1,50	/L	X	
15	016 409 399 B	Radial shaft seal		2	
16	951 333 951 01	Differential pinions 1 set		1	
17	088 409 197	Speedometer pinion		1	
18	014 409 193 A	Bush		1	
19	944 606 210 00	Pulse sender		1	
-	016 409 187	Speedometer pinion Drive wheel		1	

Model: 944 89

Model life 1989>>1991



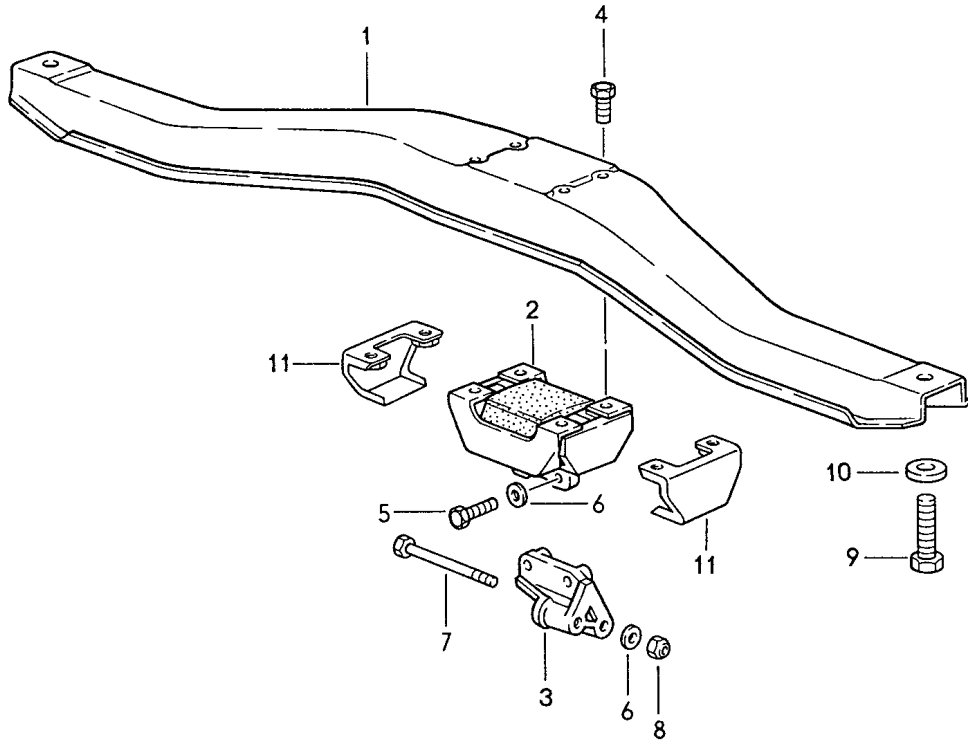
Model: 944 89

Model life 1989>>1991

Pos	Part Number	Description	Remark	Qty	Model
		Limited-slip differential for Manual transmission			M220
1	951 332 053 05	Limited-slip differential		1	
2	951 332 511 00	Thrust ring		2	
3	951 332 541 00	Differential shaft		2	
4	944 332 531 00	Bevel pinion		4	
5	944 332 535 00	Shaft bevel gear		2	
6	016 409 161	Lock nut		2	
7	944 332 561 00	Thrust washer		2	
8	951 332 551 00	Inner disc		2	
9	917 332 552 10	Disc with external splines 1,90		2	
9	917 332 552 11	Disc with external splines 2,00		X	
9	917 332 552 12	Disc with external splines 2,10		X	
10	928 332 555 00	Cup spring 2,00		2	
11	999 119 011 00	Pan-head screw M 8 X 1 X 25		2	
12	088 409 355 C	Flanged shaft		2	ASG ASH
12	016 409 355 A	Flanged shaft		2	AOR

Model: 944 89

Model life 1989>>1991





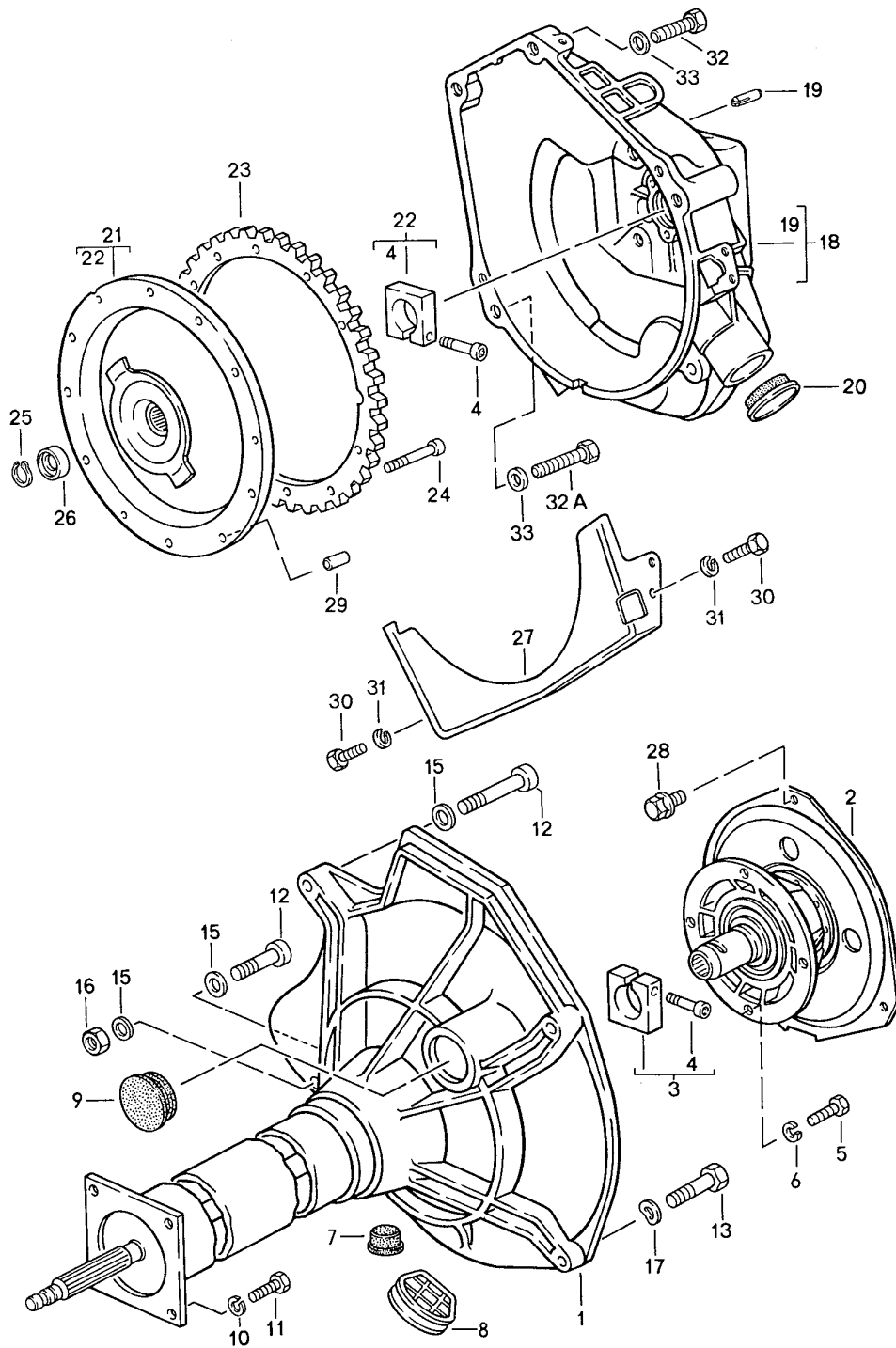
Model: 944 89

Model life 1989>>1991

Pos	Part Number	Description	Remark	Qty	Model
		Transmission suspension for			
1	944 375 024 03	Manual transmission Transmission carrier		1	
2	944 375 045 04	Transmission mounting		1	
3	944 375 287 04	Support		1	
4	900 075 087 02	Hexagon-head bolt M 8 X 16		4	
4	900 075 087 03	Hexagon-head bolt M 8 X 16		4	
5	900 075 099 02	Hexagon-head bolt M 8 X 30		2	
5	900 075 099 03	Hexagon-head bolt M 8 X 30		2	
6	900 025 007 02	Washer A 8,4		4	
6	900 025 007 03	Washer A 8,4		4	
7	N 010 391 4	Hexagon-head bolt M 8 X 100		2	
8	900 910 022 09	Lock nut M 8		2	
8	900 910 022 03	Lock nut M 8		2	
9	N 010 449 2	Hexagon-head bolt M 10 X 50		2	
9	900 074 373 01	Hexagon-head bolt M 10 X 50		2	
10	477 407 425	Washer		2	
11	944 375 079 01	Stop		2	

Model: 944 89

Model life 1989>>1991



Model: 944 89 Model life 1989>>1991

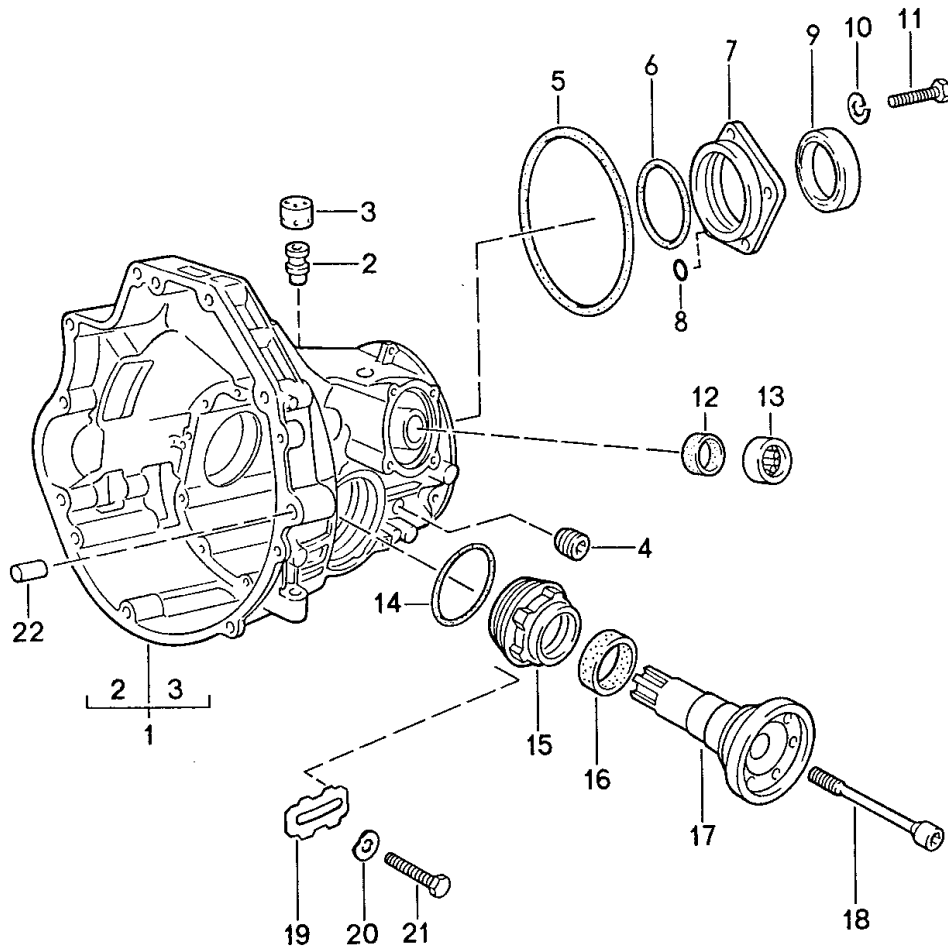
Pos	Part Number	Description	Remark	Qty	Model
		Central tube for Automatic transmission	-89		944
1	944 421 107 03	Central tube		1	
2	944 421 110 00	Converter mounting		1	
3	922 421 239 02	Clamping piece		1	
4	931 421 240 00	Clamping screw		2	
5	900 075 029 09	Hexagon-head bolt M 8 X 25		4	
5	900 075 029 03	Hexagon-head bolt M 8 X 25		4	
6	N 012 241 11	Spring washer B 8		4	
7	477 521 177	Cap		1	
8	477 521 277 C	Cap		1	
9	477 521 277 A	Cap		1	
10	900 027 016 02	Lock ring B 10		4	
10	900 027 016 03	Lock ring B 10		4	
11	N 010 275 4	Hexagon-head bolt M 10 X 35		4	
12	900 067 268 02	Pan-head screw M 12 X 80		3	
13	N 040 240 2	Hexagon-head bolt M 10 X 50		1	
14	900 028 014 02	Washer B 12		3	
14	900 028 014 03	Washer B 12		3	
15	N 011 531 7	Washer A 13		1	
16	N 011 020 8	Hexagon nut M 12		1	
16	900 034 036 01	Hexagon nut M 12		1	
17	900 025 008 09	Washer		1	
17	900 025 008 04	Washer		1	
18	944 116 043 06	Clutch housing		1	
19	N 012 690 1	Grooved pin 10 X 32		3	
20	931 116 177 00	Cap		2	
21	944 116 065 02	Damper		1	
22	922 421 255 00	Clamping piece		1	
23	944 116 239 02	Starter ring		1	
24	N 014 717 2	Pan-head screw M 8 X 40		9	
25	900 273 002 01	Circlip 17 X 1		1	
26	944 116 631 00	Spacer sleeve 1,00		1	
26	944 116 631 01	Spacer sleeve 2,00		X	
26	944 116 631 02	Spacer sleeve 3,00		X	
26	944 116 631 03	Spacer sleeve 4,00		X	
26	944 116 631 04	Spacer sleeve 5,00		X	
26	944 116 631 05	Spacer sleeve 6,00		X	
26	944 116 631 06	Spacer sleeve 7,00		X	

Model: 944 89 Model life 1989>>1991

Pos	Part Number	Description	Remark	Qty	Model
26	944 116 631 07	Spacer sleeve 8,00		X	
26	944 116 631 11	Spacer sleeve 8,00		X	
27	944 116 093 01	Protective plate		1	
28	003 323 699 A	Hexagon-head bolt		3	
28	003 323 699 B	Hexagon-head bolt		3	
29	999 095 019 00	Clamping pin S 10 X 20		2	
30	N 010 254 6	Hexagon-head bolt M 10 X 25		2	
30	N 010 254 F	Hexagon-head bolt M 10 X 25		2	
31	N 012 028 1	Lock ring A 10		2	
32	N 010 142 2	Hexagon-head bolt M 12 X 50		2	
32A	N 010 191 2	Hexagon-head bolt M 12 X 95		2	
32A	900 082 142 01	Hexagon-head bolt M 12 X 95		2	
33	N 011 531 7	Washer A 13		4	

Model: 944 89

Model life 1989>>1991



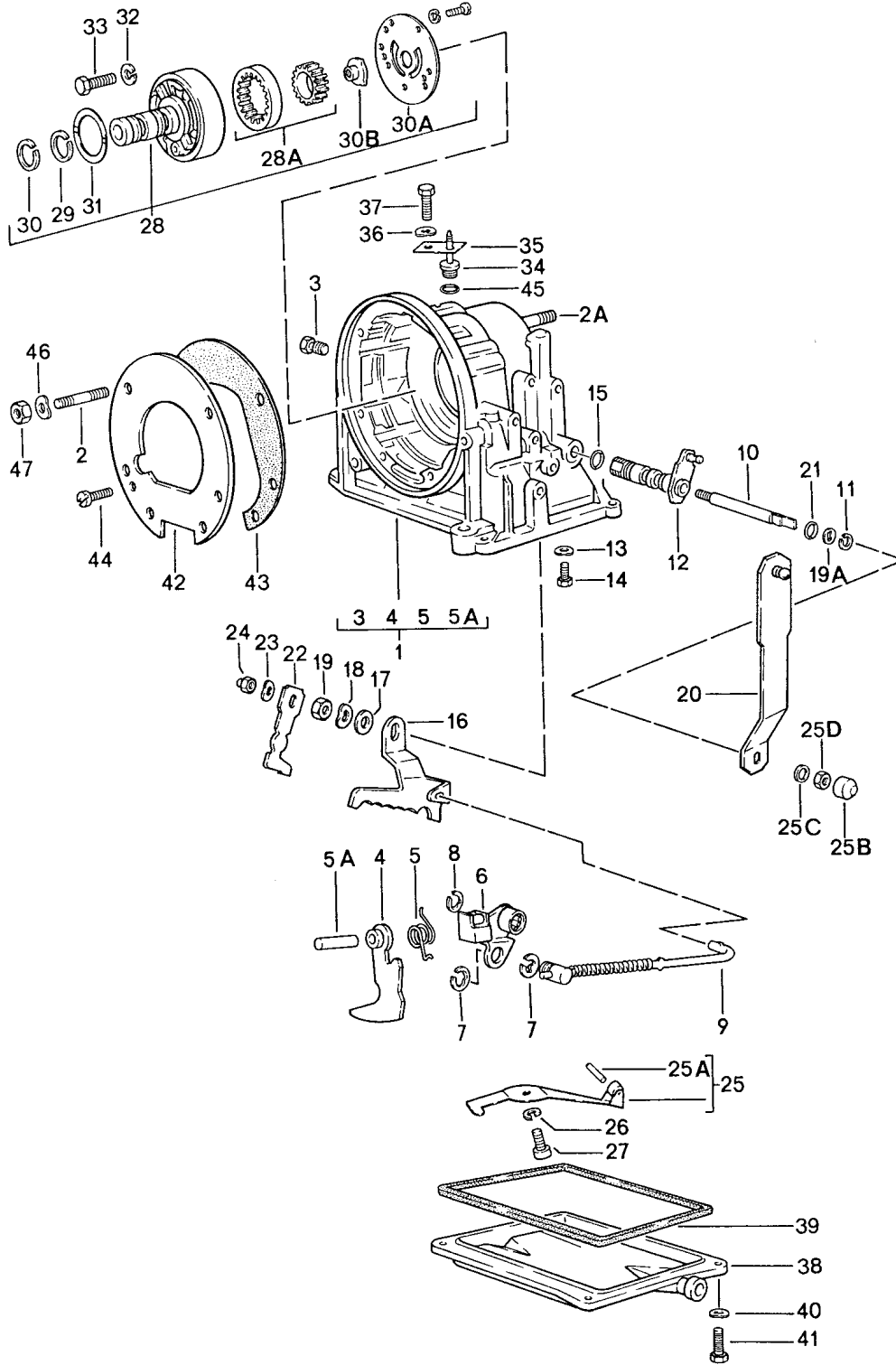
Model: 944 89

Model life 1989&gt;&gt;1991

Pos	Part Number	Description	Remark	Qty	Model
		Replacement transmission Final-drive housing for Automatic transmission	-89		944
-	087 300 038 D	Replacement transmission Ready for installation		1	RCE
-	087 300 038 E	Replacement transmission Ready for installation		1	RCF
1	087 409 051 P	Final-drive housing		1	RCE
1	087 409 051 Q	Final-drive housing		1	RCF
2	010 409 847	Breather pipe		2	
3	087 409 841	Lid		2	
4	111 301 127 E	Screw plug M 24 X 1,5		1	
4	WHT 001 937	Screw plug M 24 X 1,5		1	
5	010 409 549 B	Sealing ring		1	
6	087 409 549	Round seal		1	
7	087 409 623 A	Lid		1	
8	089 409 637 A	O-ring		1	
9	087 409 529 B	Radial shaft seal		2	
10	N 012 028 1	Lock ring A 10		5	
11	900 075 111 08	Hexagon-head bolt M 10 X 30		5	
12	087 409 133 C	Radial shaft seal		1	
13	082 409 139	Needle-roller bearing		1	
14	011 519 345	Round seal		2	
15	087 409 173	Adjusting ring		2	
16	016 409 399 B	Radial shaft seal		1	
17	087 409 355	Flanged shaft	/L	1	
17	087 409 356	Flanged shaft	/R	1	
18	087 409 359	Screw	/L	1	
18	087 409 360	Screw	/R	1	
19	010 409 257	Tab washer		2	
20	N 012 226 5	Spring washer B 6		2	
21	N 010 215 13	Hexagon-head bolt M 6 X 15		2	
22	019 301 153	Dowel sleeve		2	

Model: 944 89

Model life 1989>>1991



Model: 944 89

Model life 1989&gt;&gt;1991

Pos	Part Number	Description	Remark	Qty	Model
		Transmission case for Automatic transmission	-89		944
1	010 321 101 G	Transmission case		1	
2	N 900 044 02	Stud AM 8A X 56		4	
2A	N 014 523 2	Stud AM 10A X 38		2	
3	003 507 133 A	Screw plug M 10 X 1		3	
4	010 321 117 B	Lever for Parking lock		1	
5	010 321 121 A	Torsion spring		1	
5A	010 321 123	Bolt		1	
6	010 321 135	Engaging lever for Parking lock		1	
7	010 321 140	Lock washer		1	
8	N 012 438 1	Lock washer		1	
9	010 321 153 C	Operating rod		1	
10	010 321 209 C	Shaft		1	
11	N 023 641 1	Circlip A 10 X 1		1	
12	087 321 171 C	Lever for cable control		1	
13	N 012 226 5	Spring washer B 6		1	
14	N 010 224 1	Hexagon-head bolt M 6 X 3,5		1	
15	N 028 201 2	O-ring 14 X 2,5		1	
16	010 321 193 B	Locking segment		1	
17	211 611 179	Stop washer A 16		1	
18	N 012 238 5	Spring washer B 16		1	
19	N 011 164 2	Hexagon nut M 16 X 1,5		1	
19A	010 321 180 B	Support washer		1	
20	087 321 201 D	Lever for cable control		1	
21	010 321 182	O-ring		1	
22	010 321 215 E	Lever for Kickdown control		1	
23	N 012 228 3	Spring washer B 8		1	
24	N 011 008 8	Hexagon nut M 8		1	
25	010 321 221	Leaf spring		1	
25A	N 013 325 1	Tensioning sleeve 6 X 22		1	
25B	010 321 227	Dust boot		1	
25C	010 321 229	Spacer		1	
25D	N 011 137 1	Hexagon nut M 10 X 1		1	
26	900 027 015 02	Lock ring B 8		1	
26	900 027 015 03	Lock ring B 8		1	
27	N 010 239 11	Hexagon-head bolt M 8 X 18		1	

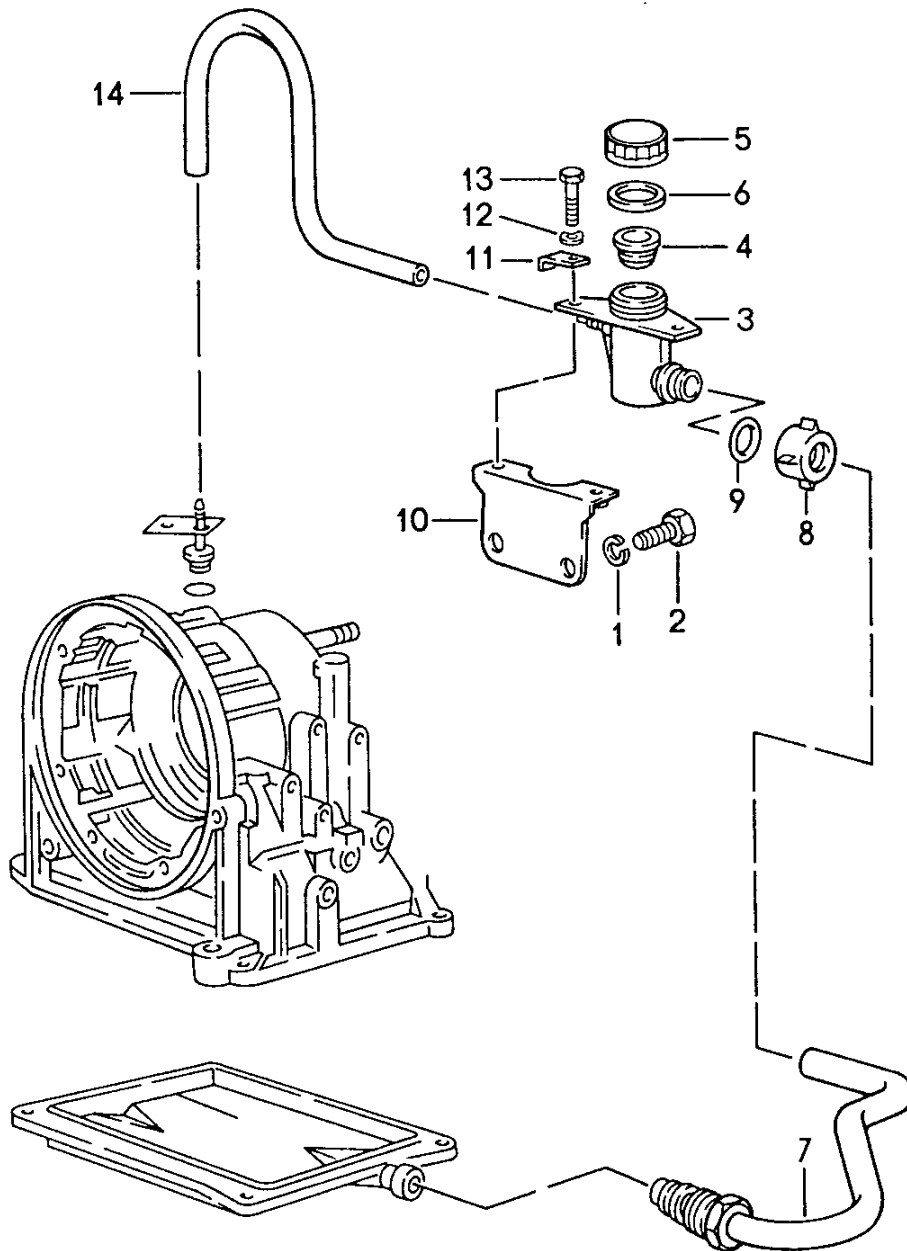


Model: 944 89 Model life 1989>>1991

Pos	Part Number	Description	Remark	Qty	Model
27	N 010 239 30	Hexagon-head bolt M 8 X 18		1	
28	010 321 241 F	Oil pump		1	
28A	003 321 263	Gear set for Oil pump		1	
29	003 321 261	Piston ring		2	
30	010 321 261	Piston ring		2	
30A	010 321 279	Plate		1	
30B	003 321 273	Driver		1	
31	010 323 161 A	Thrust washer		1	
31	PCG 323 161 A	Thrust washer		1	
32	N 012 006 4	Lock ring B 6		5	
33	N 010 347 3	Hexagon-head bolt M 6 X 35		5	
34	477 321 303 A	Lid		1	
35	011 321 307	Clip		1	
36	N 012 226 5	Spring washer B 6		1	
37	999 072 005 09	Hexagon nut M 6 X 12		1	
37	999 072 005 01	Hexagon nut M 6 X 12		1	
38	010 321 359 F	Oil pan		1	
39	010 321 371 B	Gasket		1	
40	N 012 038 1	Lock ring A 8		4	
41	N 010 240 16	Hexagon-head bolt M 8 X 20		4	
42	010 321 383 B	Intermediate plate		1	
43	010 321 385 B	Gasket		2	
44	900 014 004 02	Pan-head screw AM 5 X 15		1	
45	003 321 419	O-ring 24,5		1	
46	N 012 228 3	Spring washer B 8		4	
47	N 011 008 8	Hexagon nut M 8		4	

Model: 944 89

Model life 1989>>1991

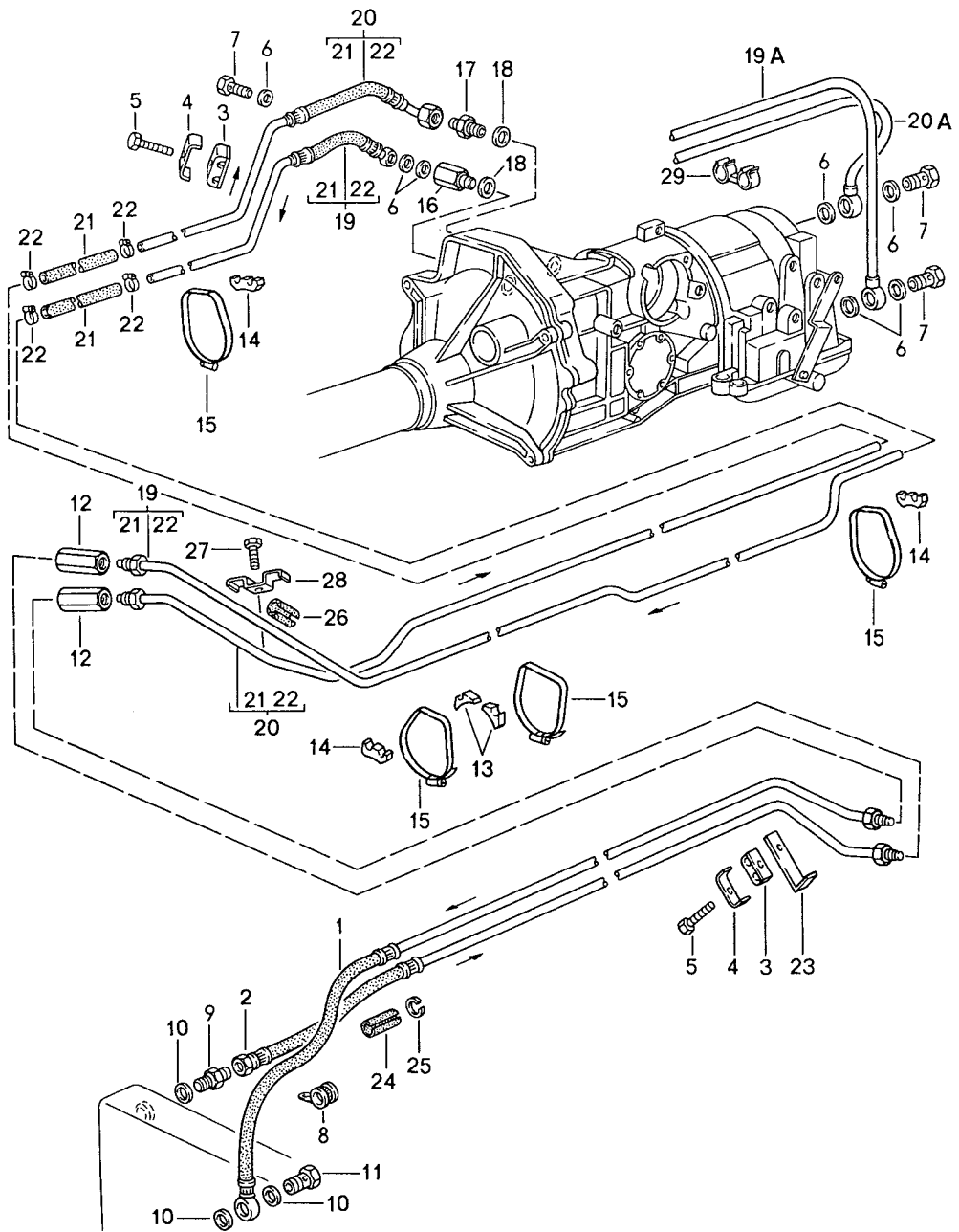


Model: 944 89 Model life 1989>>1991

Pos	Part Number	Description	Remark	Qty	Model
		Oil inlet for Automatic transmission	-89		944
1	N 012 028 1	Lock ring B 10		2	
2	N 010 253 7	Hexagon-head bolt M 10 X 22		2	
3	477 321 475	Filling container		1	
4	477 321 479 A	Strainer		1	
5	477 321 481	Screw-on cap		1	
6	477 321 483 A	Gasket		1	
7	477 321 405	Filler tube		1	
8	477 321 485	Union nut		1	
9	477 321 487	O-ring 18 X 3		2	
10	477 321 491	Support		1	
11	477 321 494	Packing plate		2	
12	N 012 226 5	Spring washer B 6		2	
13	N 010 215 13	Hexagon-head bolt M 6 X 15		2	
14	477 321 495	Hose 340 MM		1	

Model: 944 89

Model life 1989>>1991

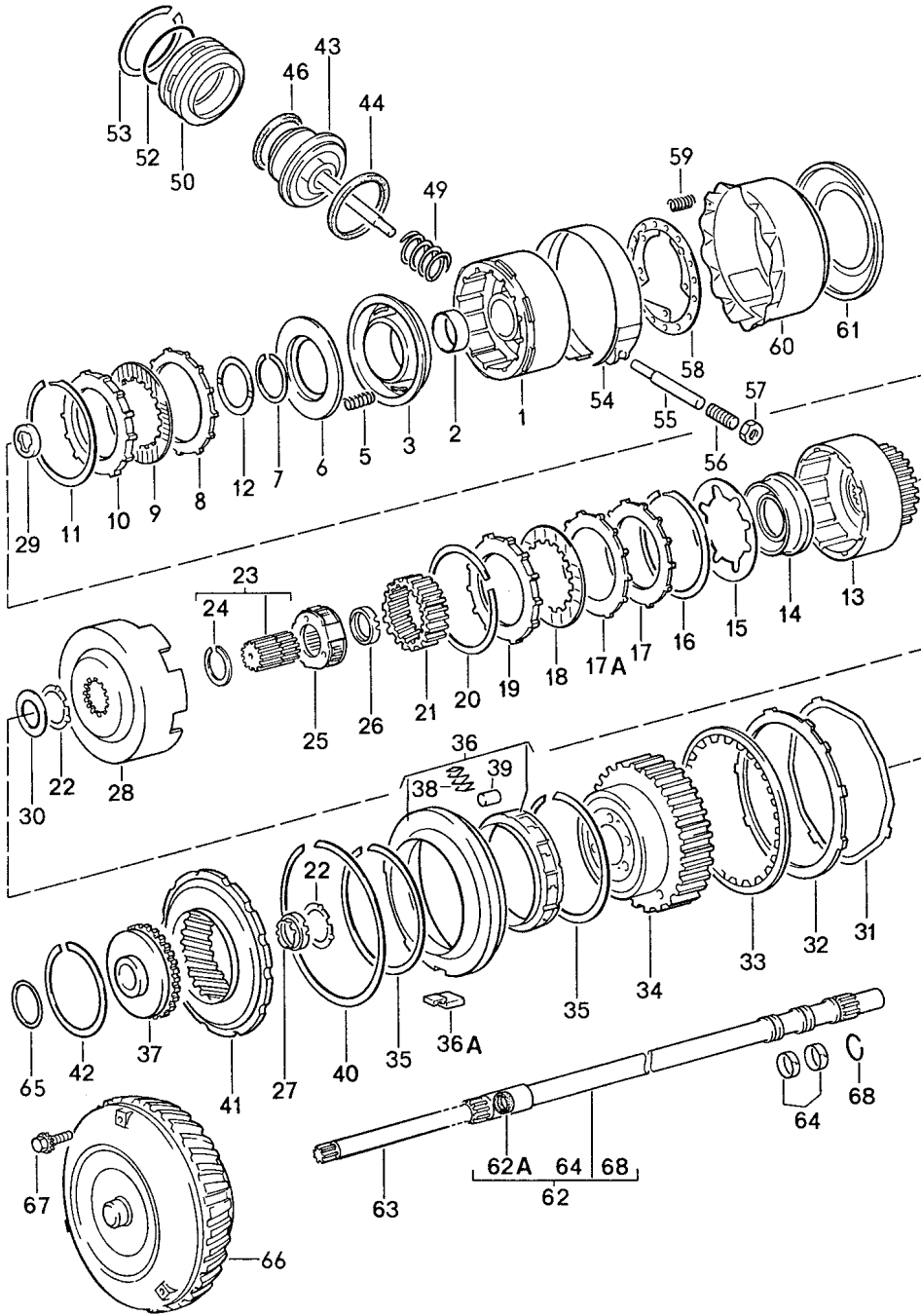


Model: 944 89 Model life 1989>>1991

Pos	Part Number	Description	Remark	Qty	Model
		Oil cooling for Automatic transmission	-89		944
1	944 307 010 03	Pressure line		1	
2	944 307 011 01	Return line		1	
3	999 511 121 40	Clip		3	
4	928 347 455 00	Shim		3	
5	N 010 220 3	Hexagon-head bolt M 6 X 30		3	
6	900 123 043 30	Sealing ring A 12 X 15,5		3	
7	999 134 018 02	Banjo bolt A 6		1	
8	999 511 118 02	Pipe clamp B 15		1	
8	999 511 118 01	Pipe clamp B 15		1	
9	N 900 450 01	Connection piece ALL 10		1	
10	900 123 007 30	Sealing ring A 14 X 18		3	
11	900 134 007 02	Banjo bolt A 8		1	
11	900 134 007 01	Banjo bolt A 8		1	
11	PCG 134 007 01	Banjo bolt A 8		1	
12	477 209 169	Connecting piece		2	
13	477 723 567	Support		2	
14	944 307 190 00	Support		3	
15	999 512 350 02	Hose clamp LA 80 - 100		4	
16	087 409 057	Union	(J)	1	
17	087 409 057 B	Union	(J)	1	
18	010 409 563 A	O-ring	(J)	2	
19	944 307 004 03	Pressure line	(J)	1	
19A	944 307 004 05	Pressure line		1	
20	944 307 005 02	Return line	(J)	1	
20	944 307 005 06	Return line	(J)	1	
20A	944 307 005 04	Return line		1	
21	999 181 532 50	Connecting hose		2	
22	999 512 554 00	Hose clamp LB 12 - 22		4	
23	944 107 237 00	Support		2	
24	922 307 121 00	Hose piece		2	
25	900 906 024 00	Circlip		2	
26	431 609 781	Protective tube		2	
27	N 010 215 13	Hexagon-head bolt M 6 X 15		1	
28	999 511 140 02	Pipe clamp		1	
29	999 651 218 09	Cable holder		2	

Model: 944 89

Model life 1989>>1991



Model: 944 89

Model life 1989&gt;&gt;1991

Pos	Part Number	Description	Remark	Qty	Model
		Transmission control for Automatic transmission	-89		944
1	087 323 109	Clutch drum		1	
2	010 323 115	Bearing sleeve		1	
3	010 323 121 B	Piston		1	
5	010 323 129 A	Compression spring		24	
6	010 323 131 A	Concave washer		1	
7	003 323 135 A	Circlip 55		1	
8	087 323 139	Disc with external splines		4	
9	087 323 141 A	Disc with external splines		4	
10	087 323 153	Pressure plate		1	
11	087 323 157 B	Circlip 2,03		1	
11	087 323 157	Circlip 1,50		X	
11	087 323 157 A	Circlip 1,70		X	
11	087 323 157 C	Circlip 2,30		X	
11	087 323 157 D	Circlip 2,50		X	
12	010 323 161 A	Thrust washer		1	
12	PCG 323 161 A	Thrust washer		1	
13	087 323 209	Clutch bell-housing		1	
14	010 323 217 A	Piston		1	
15	010 323 229 D	Cup spring		1	
16	010 323 157	Forward clutch Circlip 2,03		1	
17	010 323 237 A	Pressure plate		1	
17A	010 323 139	Disc with external splines Forward clutch		4	
18	010 323 241 B	Inner disc		5	
19	010 323 253 G	Pressure plate 2,30		1	
19	010 323 253 H	Pressure plate 2,70		X	
19	010 323 253 J	Pressure plate 3,10		X	
19	010 323 253 K	Pressure plate 3,50		X	
19	010 323 253 L	Pressure plate 3,90		X	
20	010 323 159 B	Lock ring		1	
21	010 323 273 C	Ring gear		1	
22	010 323 291 A	Thrust washer		1	
23	010 323 285 F	Sun gear		1	
24	N 042 465 1	Circlip		1	
25	010 323 303 F	Planet-gear carrier		1	
26	010 323 340 D	Needle-roller bearing		1	
27	010 323 339 D	Needle-roller bearing		1	
28	087 323 281	Driving shell		1	
29	010 321 157 A	Needle-roller bearing		1	
30	010 323 293 C	Thrust washer		1	
32	010 323 227 A	Disc with external splines		4	
33	010 323 231 C	Inner disc		4	
34	010 323 805 F	Planet-gear carrier		1	
35	010 323 651	Circlip		2	
36	010 323 383 C	Free wheel lock		1	
36A	010 323 389 E	1st gear Feather key		1	

Model: 944 89

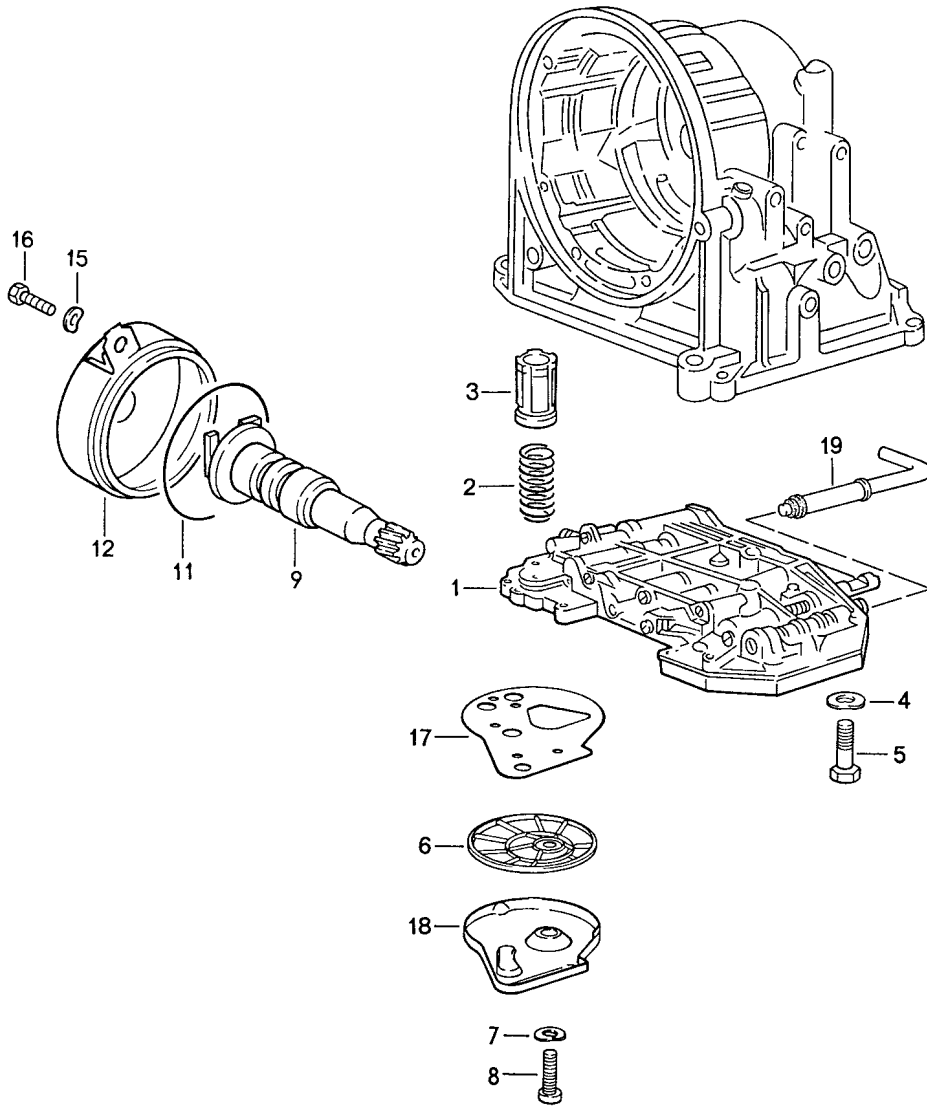
Model life 1989&gt;&gt;1991

Pos	Part Number	Description	Remark	Qty	Model
37	087 323 373	Hub		1	
38	010 323 643	Compression spring		10	
39	N 026 360 1	Roller		10	
40	010 323 653 A	Circlip		1	
40		Circlip		1	
41	090 323 363 B	Ring gear		1	
42	010 323 369 A	Circlip		1	
43	087 323 512 A	Piston		1	
44	003 323 525 A	Sealing ring		1	
46	010 323 487 C	Sealing ring		1	
49	010 323 505 A	Compression spring		1	
50	087 323 529	Lid		1	
52	010 323 533	Round seal		3	
53	010 323 537 A	Circlip		1	
54	010 323 461 A	Brake band		1	
55	010 323 543 A	Bolt		1	
56	010 323 455 A	Adjusting screw		1	
57	N 011 162 9	Hexagon nut M 12 X 1,5		1	
58	010 323 497 C	Supporting plate		1	
59	010 323 489 B	Compression spring		20	
60	010 323 493 G	Pipe		1	
61	010 323 477	Piston		1	
62	087 323 553 A	Turbine shaft		1	
62A	087 323 559	Sealing ring		1	
63	010 323 561 A	Oil pump shaft		1	
64	010 323 557 A	Piston ring		2	
65	010 323 345 C	Adjusting shim 0,40		1	
65	010 323 346 C	Adjusting shim 1,20		X	
66	003 323 571 J	Converter		1	RCE
66	082 323 571	Converter		1	RCF
67	003 323 699 A	Hexagon-head bolt		3	
67	003 323 699 B	Hexagon-head bolt		3	
68	010 323 558	Wire ring		1	



Model: 944 89

Model life 1989>>1991



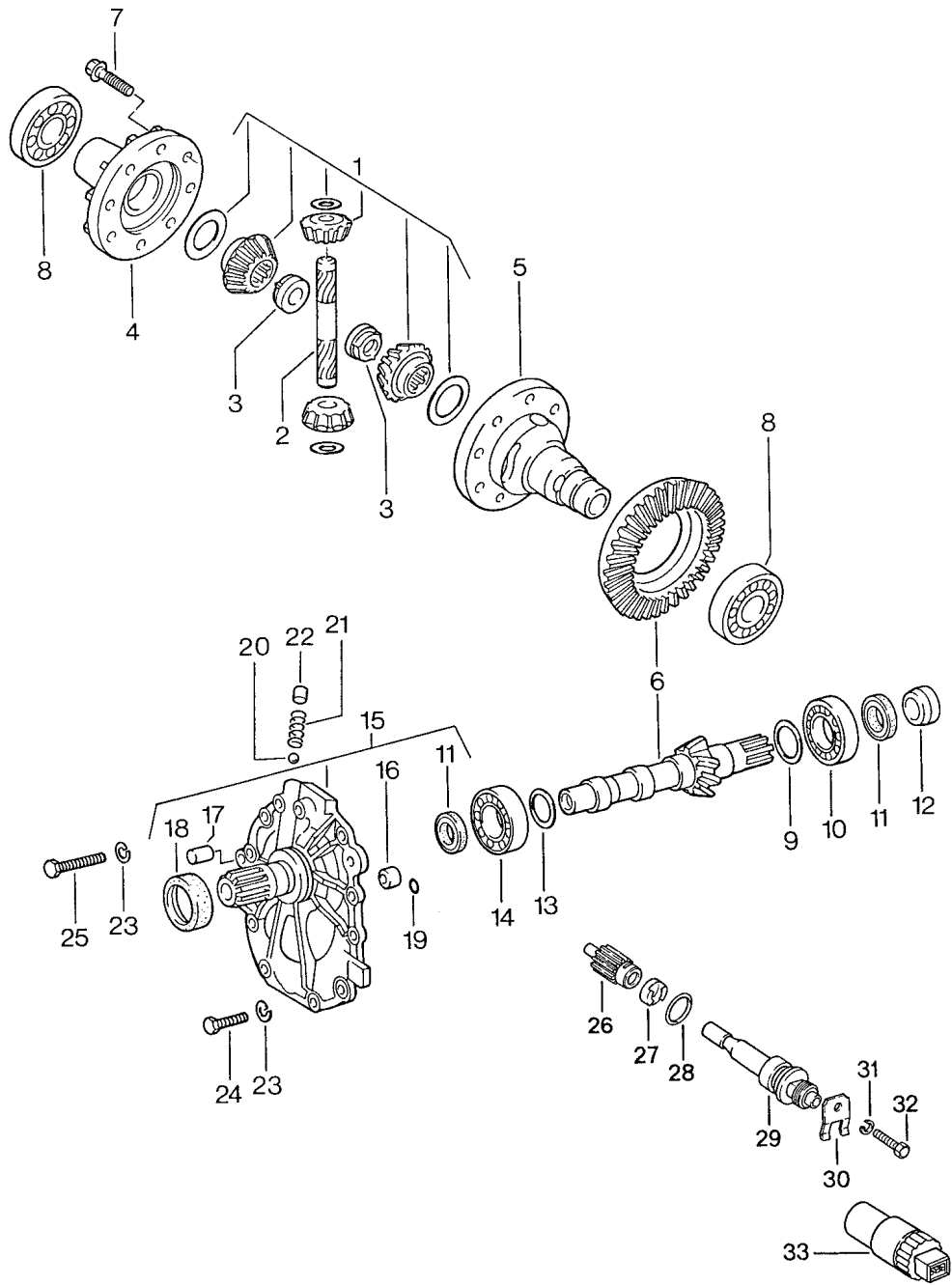
Model: 944 89

Model life 1989>>1991

Pos	Part Number	Description	Remark	Qty	Model
		Slide-valve gearbox Oil strainer Regulator for Automatic transmission	-89		944
1	087 325 037 C	Slide-valve gearbox		1	RCE
1	087 325 037 J	Slide-valve gearbox		1	RCF
2	003 325 417	Compression spring		1	
3	003 325 405 F	Piston		1	
4	N 012 226 5	Spring washer B 6		11	
5	N 010 346 5	Hexagon-head bolt M 6 X 30		11	
6	010 325 421 A	Oil strainer B 5		1	
8	900 014 004 02	Pan-head screw AM 5 X 15		2	
9	087 325 041 B	Regulator		1	
11	011 519 345	Round seal		1	
12	089 325 371 A	Lid		1	
15	N 012 228 3	Spring washer B 8		2	
16	N 010 240 16	Hexagon-head bolt 8 X 20		2	
17	010 325 443	Gasket		1	
18	010 325 429 A	Lid		1	
19	010 325 277	Manual valve		1	

Model: 944 89

Model life 1989>>1991



Model: 944 89

Model life 1989>>1991

Pos	Part Number	Description	Remark	Qty	Model
		Differential for Automatic transmission	-89		944
1	951 333 951 00	Differential pinions 1 set		1	
2	087 409 177	Axle		1	
3	016 409 161	Lock nut		2	
4	087 409 365	Lid		1	
5	087 409 121	Differential housing		1	
6	087 409 143 K	Ring gear and pinion shaft 12:37		1	RCE
6	087 409 143 J	Ring gear and pinion shaft 11:38		1	RCF
7	087 409 135 A	Hexagon-head bolt M 10 X 1 X 24		10	
8	113 517 185 C	Taper roller bearing		2	
8	113 517 185 B	Taper roller bearing		2	
9	087 409 641 D	Adjusting shim 1,10		1	
9	087 409 641 E	Adjusting shim 1,125		X	
9	087 409 641 F	Adjusting shim 1,15		X	
9	087 409 641 G	Adjusting shim 1,175		X	
9	087 409 641 H	Adjusting shim 1,20		X	
9	087 409 641 J	Adjusting shim 1,225		X	
9	087 409 641 K	Adjusting shim 1,25		X	
9	087 409 641 L	Adjusting shim 1,275		X	
9	087 409 641 M	Adjusting shim 1,30		X	
9	087 409 641 N	Adjusting shim 1,325		X	
9	087 409 641 P	Adjusting shim 1,35		X	
9	087 409 641 Q	Adjusting shim 1,375		X	
9	087 409 641 R	Adjusting shim 1,40		X	
9	087 409 641 S	Adjusting shim 1,425		X	
9	087 409 641 T	Adjusting shim 1,45		X	
9	087 409 641 AA	Adjusting shim 1,475		X	
9	087 409 641 AB	Adjusting shim 1,50		X	
9	087 409 641 AC	Adjusting shim 1,525		X	
9	087 409 641 AD	Adjusting shim 1,55		X	
9	087 409 641 AE	Adjusting shim 1,575		X	
9	087 409 641 AF	Adjusting shim 1,60		X	
9	087 409 641 AG	Adjusting shim 1,625		X	
9	087 409 641 AH	Adjusting shim 1,65		X	

Model: 944 89 Model life 1989&gt;&gt;1991

Pos	Part Number	Description	Remark	Qty	Model
9	087 409 641 AJ	Adjusting shim 1,675		X	
9	087 409 641 AK	Adjusting shim 1,70		X	
9	087 409 641 AL	Adjusting shim 1,725		X	
9	087 409 641 AM	Adjusting shim 1,75		X	
9	087 409 641 AN	Adjusting shim 1,775		X	
9	087 409 641 AP	Adjusting shim 1,80		X	
9	087 409 641 AQ	Adjusting shim 1,825		X	
9	087 409 641 AR	Adjusting shim 1,85		X	
9	087 409 641 AS	Adjusting shim 1,875		X	
9	087 409 641 AT	Adjusting shim 1,90		X	
10	087 409 551 C	Taper roller bearing		1	
11	087 409 085 B	Radial shaft seal		2	
12	087 409 639 A	Bush		1	
13	082 519 141 AE	Adjusting shim 1,10		1	
13	082 519 141 AF	Adjusting shim 1,125		X	
13	082 519 141 AG	Adjusting shim 1,15		X	
13	082 519 141 AH	Adjusting shim 1,175		X	
13	082 519 141 AJ	Adjusting shim 1,20		X	
13	082 519 141 AK	Adjusting shim 1,225		X	
13	082 519 141 AL	Adjusting shim 1,25		X	
13	082 519 141 AM	Adjusting shim 1,275		X	
13	082 519 141 AN	Adjusting shim 1,30		X	
13	082 519 141 AP	Adjusting shim 1,325		X	
13	082 519 141 AQ	Adjusting shim 1,35		X	
13	082 519 141 AR	Adjusting shim 1,375		X	
13	082 519 141 AS	Adjusting shim 1,40		X	
13	082 519 141 AT	Adjusting shim 1,425		X	
13	082 519 141 BA	Adjusting shim 1,45		X	
13	082 519 141 BB	Adjusting shim 1,475		X	
13	082 519 141 BC	Adjusting shim 1,50		X	
13	082 519 141 BD	Adjusting shim 1,525		X	
13	082 519 141 BE	Adjusting shim 1,55		X	
13	082 519 141 BF	Adjusting shim 1,575		X	

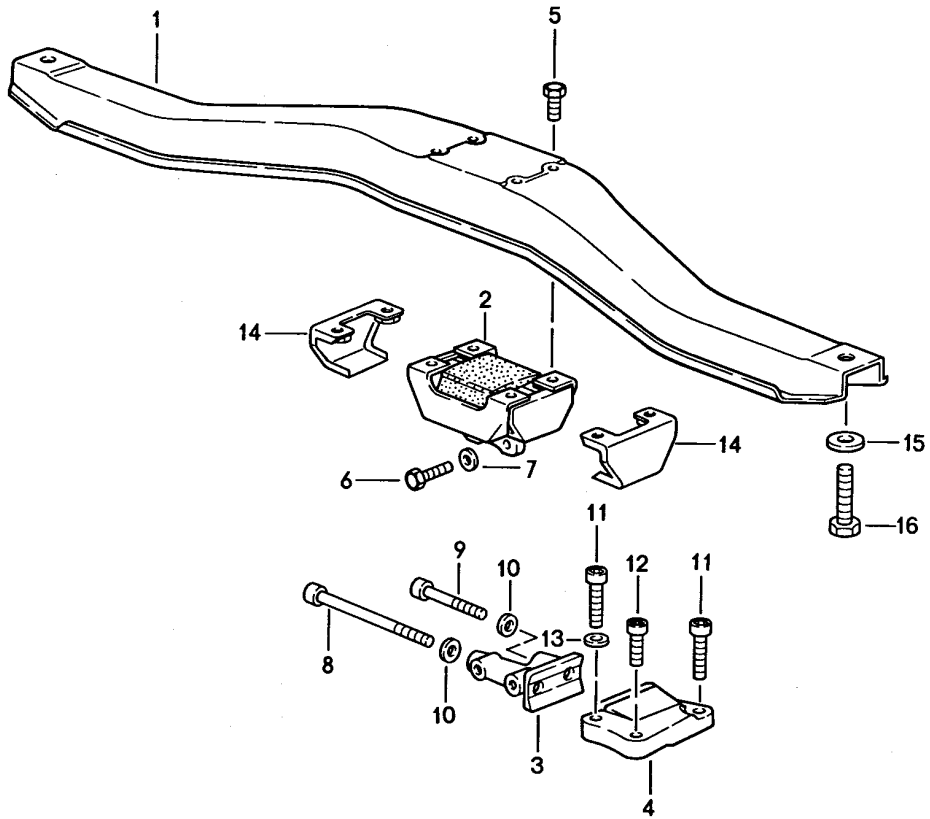
Model: 944 89

Model life 1989&gt;&gt;1991

Pos	Part Number	Description	Remark	Qty	Model
13	082 519 141 BG	Adjusting shim 1,60		X	
13	082 519 141 BH	Adjusting shim 1,625		X	
13	082 519 141 BJ	Adjusting shim 1,65		X	
13	082 519 141 BK	Adjusting shim 1,675		X	
13	082 519 141 BL	Adjusting shim 1,70		X	
13	082 519 141 BM	Adjusting shim 1,725		X	
13	082 519 141 BN	Adjusting shim 1,75		X	
13	082 519 141 BP	Adjusting shim 1,775		X	
13	082 519 141 BQ	Adjusting shim 1,80		X	
13	082 519 141 BR	Adjusting shim 1,825		X	
13	082 519 141 BS	Adjusting shim 1,85		X	
13	082 519 141 BT	Adjusting shim 1,875		X	
13	082 519 141 CA	Adjusting shim 1,90		X	
14	003 519 251	Taper roller bearing		1	
15	087 409 524 C	Lid		1	
16	019 301 153	Dowel sleeve		1	
17	N 022 301 1	Straight pin A 10 X 20		1	
18	010 409 568	Radial shaft seal		1	
19	089 409 637 A	O-ring 6 X 2		2	
20	N 025 657 1	Ball		1	
21	089 409 713	Compression spring		1	
22	087 409 095	Lid		2	
23	900 027 015 02	Lock ring A 8		11	
23	900 027 015 03	Lock ring A 8		11	
24	N 010 233 6	Hexagon-head bolt M 8 X 28		9	
24	900 075 136 03	Hexagon-head bolt M 8 X 28		9	
25	N 040 276 1	Hexagon-head bolt M 8 X 52		2	
26	010 409 196	Pinion		1	
27	010 409 189	Circlip		1	
28	003 321 419	O-ring		1	
29	010 409 193	Pinion support		1	
30	010 409 195 A	Support		1	
31	N 012 036 1	Lock ring		1	
32	N 010 215 13	Hexagon-head bolt M 6 X 15		1	
33	944 606 210 01	Pulse sender		1	
-	087 409 187	Drive pinion		1	
-	087 409 189	Bush		1	

Model: 944 89

Model life 1989>>1991



Model: 944 89

Model life 1989&gt;&gt;1991

Pos	Part Number	Description	Remark	Qty	Model
		Transmission suspension for Automatic transmission	-89		944
1	944 375 024 03	Transmission carrier		1	
2	944 375 045 04	Transmission mounting		1	
3	944 375 287 03	Support		1	
4	944 375 285 02	Suspender bracket		1	
5	900 075 087 02	Hexagon-head bolt M 8 X 16		1	
5	900 075 087 03	Hexagon-head bolt M 8 X 16		1	
6	900 075 099 02	Hexagon-head bolt M 8 X 30		2	
6	900 075 099 03	Hexagon-head bolt M 8 X 30		2	
7	900 025 007 02	Washer A 8,4		4	
7	900 025 007 03	Washer A 8,4		4	
8	N 100 359 03	Pan-head screw M 10 X 140		1	
9	N 014 752 3	Pan-head screw M 10 X 70		1	
10	900 025 008 09	Washer A 10,5		2	
10	900 025 008 04	Washer A 10,5		2	
11	N 014 733 1	Pan-head screw M 10 X 50		2	
12	900 067 124 02	Pan-head screw M 10 X 35		1	
13	900 031 005 02	Washer		3	
13	900 031 005 03	Washer		3	
14	944 375 079 01	Stop		2	
15	477 407 425	Washer		2	
16	N 010 449 2	Hexagon-head bolt		2	
16	900 074 373 01	Hexagon-head bolt		2	



Model: 944 89

Model life 1989>>1991

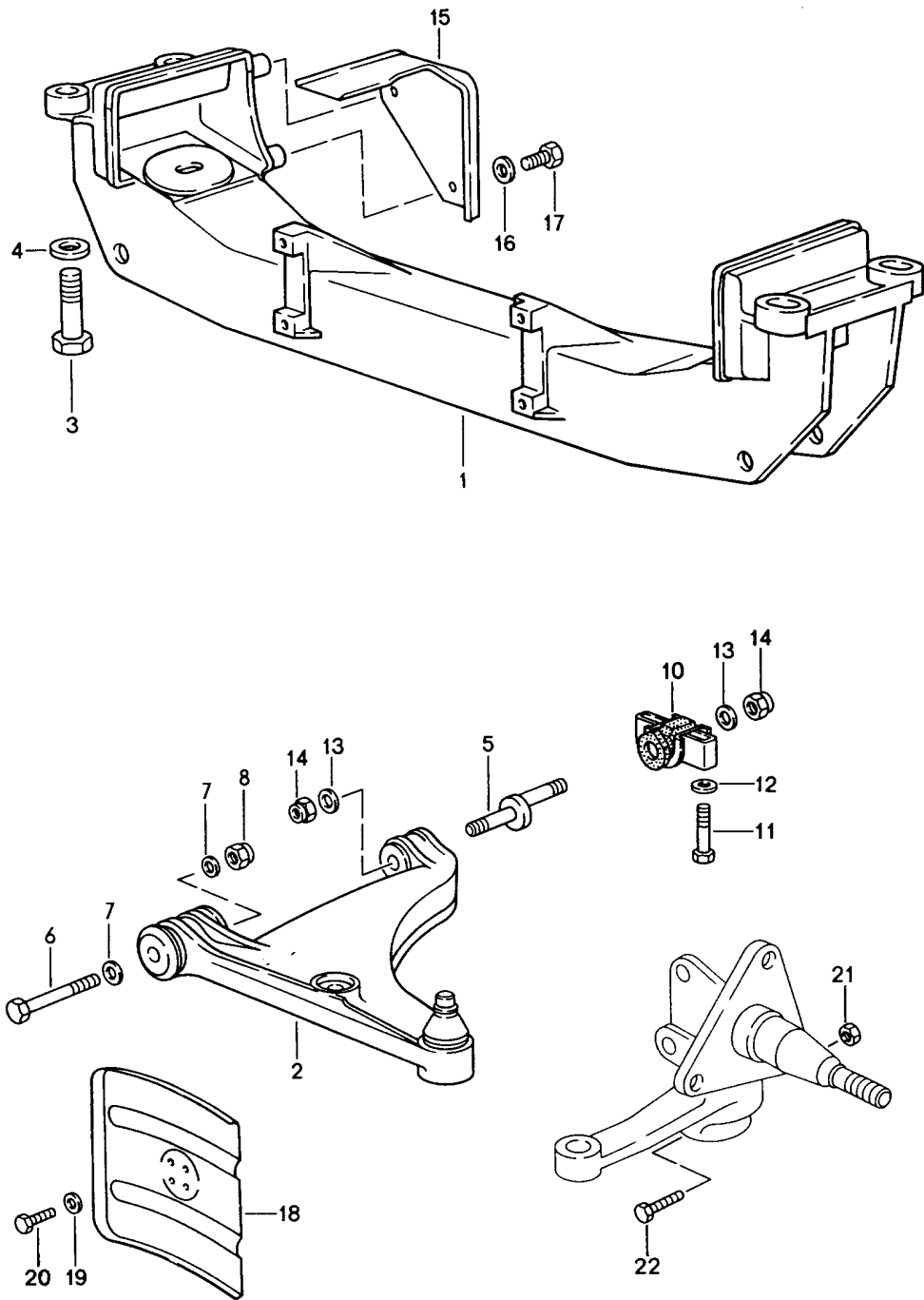


Model: 944 89 Model life 1989>>1991

Pos	Part Number	Description	Remark	Qty	Model
>>	477 300 912 B	Repair kits Gasket set for Manual transmission Comprising:		1	
-	928 303 120 01	Shaft sealing ring		1	
-	016 409 399 B	Radial shaft seal		2	
-	113 301 185 A	O-ring		1	
-	016 301 235 C	Gasket		1	
-	088 311 599	Sealing ring		2	
-	016 311 113 C	Radial shaft seal		1	
-	016 301 455 A	Gasket		1	
-	005 311 599	Sealing ring		1	
-	084 311 719	Sealing ring		1	
>>	477 398 001	Gasket set for Automatic transmission Comprising:	-89	1	944
-	010 321 182	O-ring		1	
-	010 321 371 B	Gasket		1	
-	010 321 385 B	Gasket		1	
-	003 321 419	O-ring		2	
-	010 323 117	Sealing ring		1	
-	010 323 119	Sealing ring		1	
-	010 323 487 C	Sealing ring		1	
-	003 323 525 A	Sealing ring		1	
-	010 323 533	Round seal		3	
-	087 409 085 B	Radial shaft seal		2	
-	087 409 133	Radial shaft seal		1	
-	016 409 399 B	Radial shaft seal		2	
-	087 409 529 B	Radial shaft seal		2	
-	010 409 549 B	Sealing ring		1	
-	087 409 549	Round seal		1	
-	010 409 568	Radial shaft seal		1	
-	089 409 637 A	O-ring		1	
-	011 519 345	Round seal		3	
-	N 028 201 2	O-ring		1	
>>	951 333 951 00	Differential pinions Differential pinions Use also: 088.409.249 A 088.409.249 B	-89	1	944

Model: 944 89

Model life 1989>>1991



Model: 944 89

Model life 1989&gt;&gt;1991

Pos	Part Number	Description	Remark	Qty	Model
		Wishbone			
		Cross member			
1	944 341 103 07	Cross member	/LL	1	
(1)	945 341 103 04	Cross member	/RL	1	
(1)		Cross member	/RL	1	
2	944 341 027 02	Wishbone	/L	1	
2	944 341 927 31	Wishbone	/L	1	
		Only together with 944.341.928.31	/R		
(2)	944 341 028 02	Wishbone	/R	1	
(2)	944 341 928 31	Wishbone	/R	1	
		Only together with 944.341.927.31	/L		
2	944 341 927 31	Wishbone	/L -89	1	M030
(2)	944 341 928 31	Wishbone	/R -89	1	M030
3	N 010 183 1	Hexagon-head bolt M 12 X 75		4	
4	999 025 074 02	Washer 12,4 X 34 X 5		4	
4	999 025 074 01	Washer 12,4 X 34 X 5		4	
5	951 341 431 02	Eccentric bolt		2	
5	951 341 431 03	Eccentric bolt		2	
6	900 082 039 02	Hexagon-head bolt M 12 X 1,5 X 100		2	
6	900 082 137 01	Hexagon-head bolt M 12 X 1,5 X 100		2	
7	900 025 009 02	Washer A 13		2	
8	N 021 131 1	Lock nut M 12 X 1,5		2	
10	951 341 023 00	Rubber mounting		2	
(10)	951 341 023 01	Rubber mounting		2	
10	951 341 023 30	Rubber mounting	-89	2	M030
11	N 040 321 1	Hexagon-head bolt M 10 X 65		4	
12	999 025 221 02	Washer 10,5		4	
12	999 025 221 0C	Washer 10,5		4	
13	900 223 010 02	Washer 13		4	
14	900 910 115 02	Lock nut		4	
15	951 341 108 02	Heat protection plate Right	/LL	1	
(15)	952 341 108 02	Heat protection plate Right	/RL	1	
(15)	951 341 107 00	Heat protection plate Left		1	
16	N 011 524 7	Washer A 6,4		2	
16	N 011 524 27	Washer A 6,4		2	
17	N 010 215 13	Hexagon-head bolt M 6 X 15		2	
18	951 341 590 00	Air baffle plate		2	
19	N 011 666 7	Washer B 6,4		8	
20	999 072 005 09	Hexagon nut M 6 X 12		8	
20	999 072 005 01	Hexagon nut M 6 X 12		8	
21	N 021 130 2	Lock nut		2	

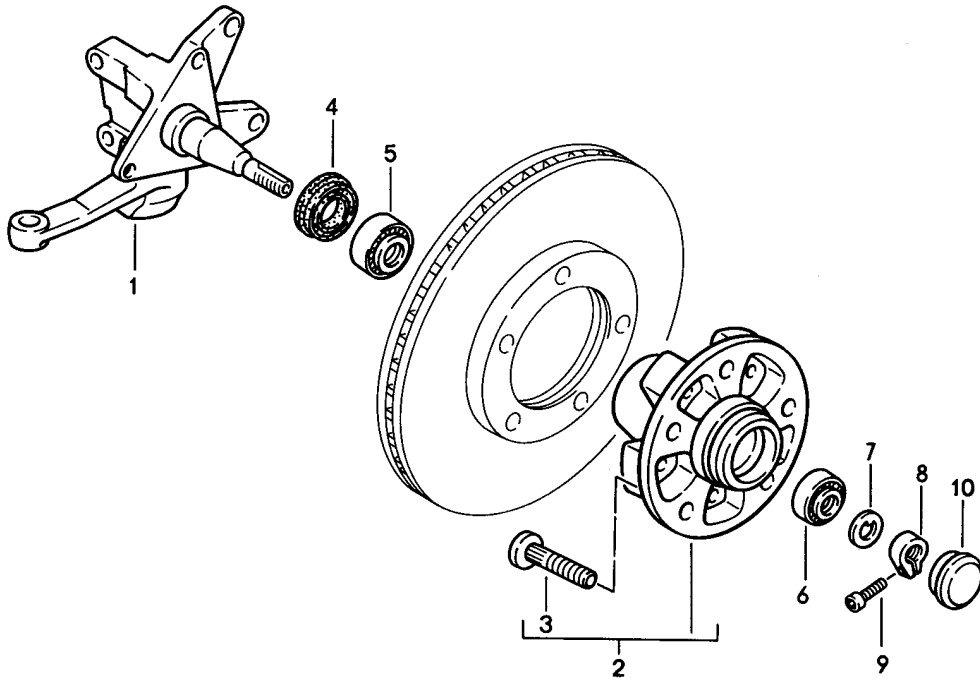
Model: 944 89

Model life 1989&gt;&gt;1991

Pos	Part Number	Description	Remark	Qty	Model
21	N 022 149 2	VM 10 Lock nut		2	
22	N 010 445 6	VM 10 Hexagon-head bolt M 10 X 45 X 20		2	
22	900 074 372 02	Hexagon-head bolt M 10 X 45 X 20		2	
-	952 347 713 00	Heat protection plate Lower	/RL	1	
-	952 347 711 01	Heat protection plate Upper	/RL	1	

Model: 944 89

Model life 1989>>1991

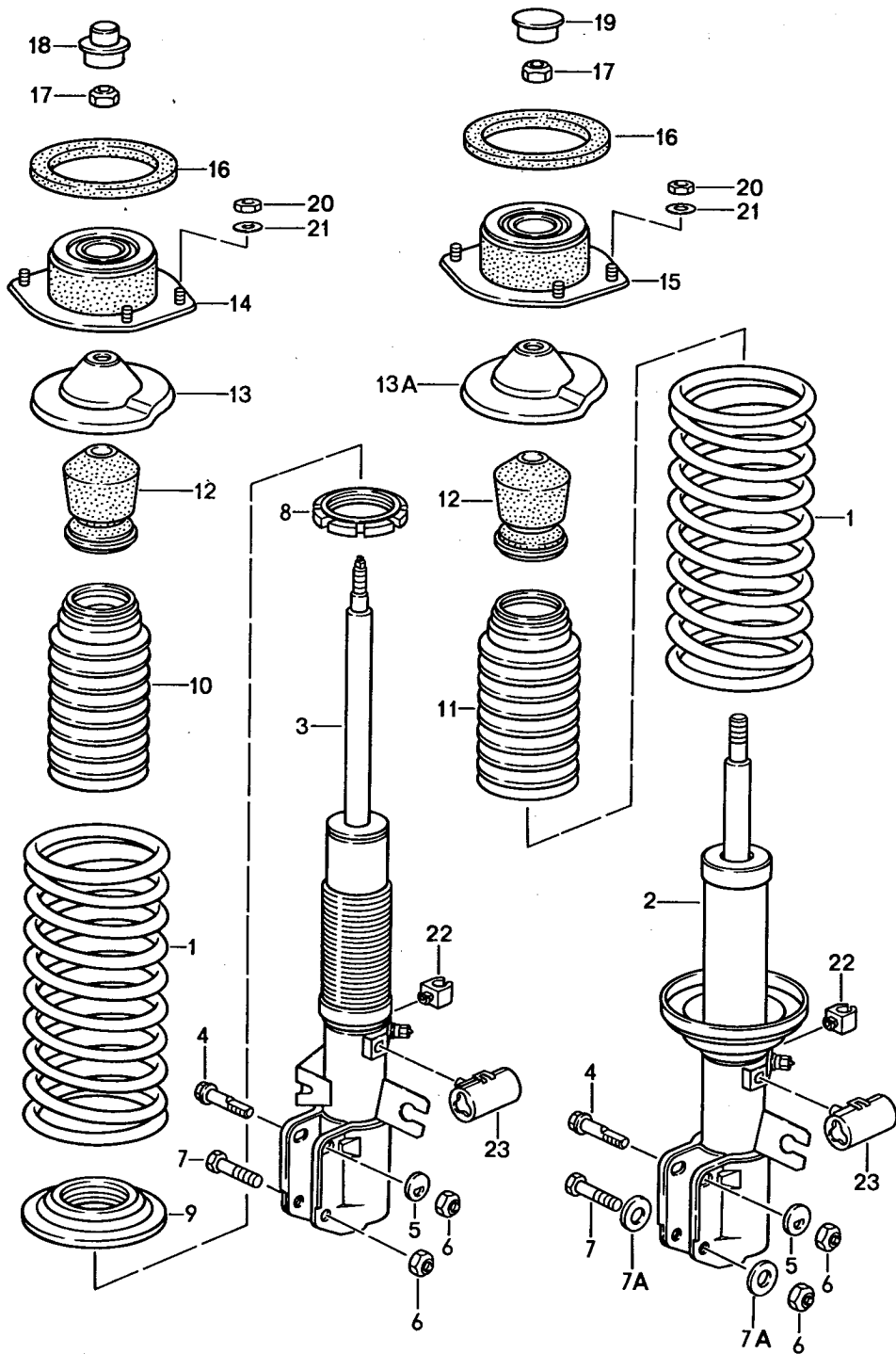


Model: 944 89 Model life 1989>>1991

Pos	Part Number	Description	Remark	Qty	Model
-	PCG 043 110 00	Steering knuckle Lubricants Grease Bearing 200 GR.		1	
1	944 341 655 06	Steering knuckle	/L -89	1	944
1	944 341 656 06	Steering knuckle	/R -89	1	944
1	951 341 655 06	Steering knuckle	/L	1	944S2
1		Steering knuckle	/L	1	944S2
1	951 341 656 06	Steering knuckle	/R	1	944S2
1		Steering knuckle	/R	1	944S2
1	951 341 655 34	Steering knuckle	/L	1	M030
			/L		TURBO
			/L 91		944S2
					M757
1		Steering knuckle	/L	1	M030
			/L		TURBO
			/L 91		944S2
					M757
1	951 341 656 34	Steering knuckle	/R	1	M030
			/R		TURBO
			/R 91		944S2
					M757
2	951 341 065 06	Front wheel hub	-89	2	944/944S2
2		Front wheel hub		2	944/944S2
2	951 341 065 08	Front wheel hub		2	M030
					TURBO
			91		944S2
					M757
3	928 341 671 02	Wheel bolt		10	
4	477 405 641	Radial sealing ring		2	
5	999 059 090 00	Taper roller bearing		2	
6	999 059 089 01	Taper roller bearing		2	
7	911 341 663 00	Thrust washer		2	
8	911 341 673 00	Clamping nut		2	
9	999 119 001 01	Pan-head screw		2	
9	999 119 001 0B	Pan-head screw		2	
10	477 405 692 C	Cap		2	

Model: 944 89

Model life 1989>>1991





Model: 944 89 Model life 1989>>1991

Pos	Part Number	Description	Remark	Qty	Model
		suspension Shock absorber Front See technical information GR.4, NR.2/92			
1	951 343 531 01	Coil spring 1 set Identification	-89	1	944
	951 343 531 01 104	Yellow F >>94KN4 00825			
1	951 343 531 00	Coil spring 1 set Identification	-89	1	944
	951 343 531 00 904	White F 94KN4 00826>>			
1	944 343 531 00	Coil spring 1 set Identification	-89	1	944 M030
	944 343 531 00 954	Blue Blue			
1	944 343 531 02	Coil spring 1 set Identification		1	944S2
	944 343 531 02 904	Violet			
1	944 343 531 03	Coil spring 1 set Identification	-89	1	944S2 M474
	944 343 531 03 904	Turquoise			
1	944 343 531 01	Coil spring 1 set Identification	90-	1	944S2 M030 TURBO
	944 343 531 01 104	Yellow Yellow			
1	944 343 531 33	Coil spring 1 set Identification		1	944S2 M030 TURBO TURBO M030
	944 343 531 33 104	Yellow Yellow			
1	944 343 531 04	Coil spring 1 set Identification	90- 91-	1	944S2 M031 944S2 M757
	944 343 531 04 904	Beige			
1	944 343 531 01	Coil spring 1 set Identification		1	TURBO
	944 343 531 01 104	Yellow	-89		
1	944 343 531 33	Coil spring 1 set Identification	-89	1	TURBO
	944 343 531 33 104	Yellow			
1	951 343 531 03	Coil spring 1 set Identification	90-	1	TURBO
	951 343 531 03 904	Grey			
2	951 343 031 05	Shock absorber	/L -89	1	944

Model: 944 89 Model life 1989>>1991

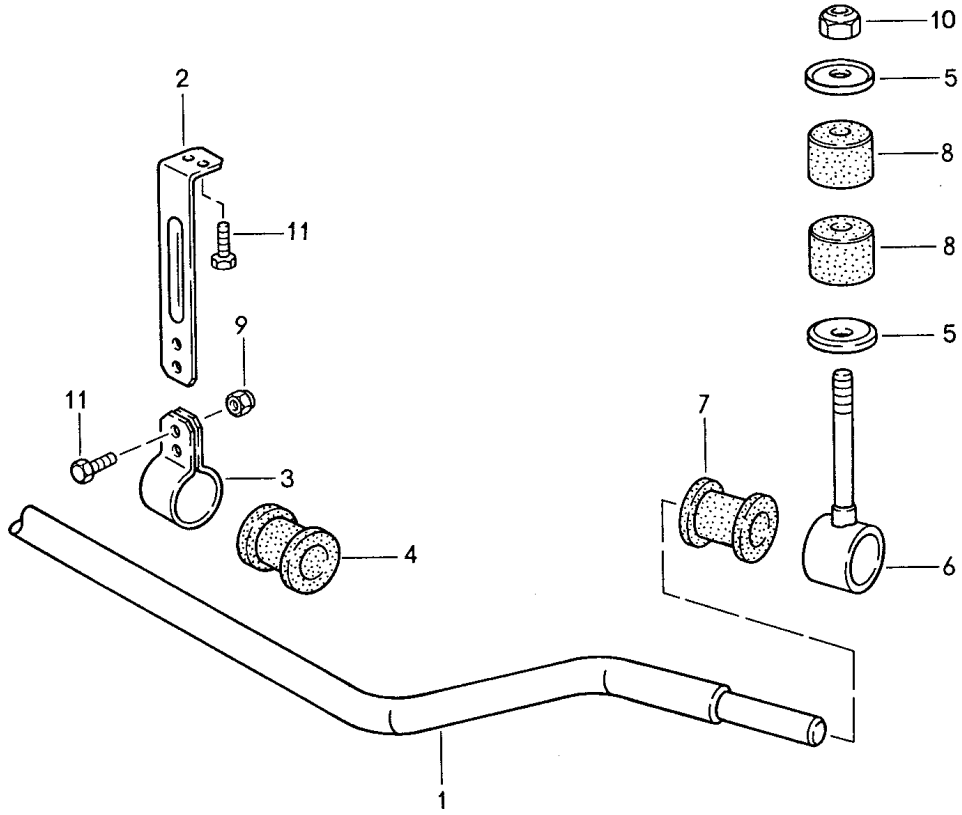
Pos	Part Number	Description	Remark	Qty	Model
(2)	951 343 032 05	- fichtel + sachs - F >>94KN4 00825 Shock absorber	/R -89	1	944
2	944 343 031 17	- fichtel + sachs - F >>94KN4 00825 Shock absorber	/L -89	1	944
(2)	944 343 032 17	- fichtel + sachs - F 94KN4 00826>> Shock absorber	/R -89	1	944
2	944 343 031 19	- fichtel + sachs - F 94KN4 00826>> Shock absorber	/L	1	944S2
(2)	944 343 032 19	- fichtel + sachs - Shock absorber	/R	1	944S2
2	951 343 031 12	- fichtel + sachs - Shock absorber	/L 90-	1	944S2
(2)	951 343 032 12	- fichtel + sachs - Shock absorber	/L 90-91 /L 91	1	M031 TURBO 944S2 M757 944S2
2	951 343 031 06	- fichtel + sachs - Shock absorber	/R 90- /R 90-91 /R 91	1	M031 TURBO 944S2 M757 944 M474
(2)	951 343 032 06	- koni - Shock absorber	/L -89	1	944 M474
2	951 343 031 11	- koni - Shock absorber	/R -89	1	944S2 M474
(2)	951 343 032 11	- koni - Shock absorber	/L -89	1	944S2 M474
3	951 343 031 32	- koni - Vibration damper	/R -89	1	944 M030 944S2 M030
(3)	951 343 032 32	- koni - Vibration damper	/L 90- /L -89 /L 90-	1	TURBO TURBO M030 944 M030 944S2 M030 TURBO TURBO M030
4	171 407 265	Eccentric screw		2	
5	944 343 175 00	Eccentric washer		2	
6	N 022 141 4	Lock nut		4	
7	900 082 058 02	M 12 X 1,5 Hexagon-head bolt		2	
7		M 12 X 1,5 X 50 Hexagon-head bolt		2	
7		M 12 X 1,5 X 55 Use also: POS. 7A Hexagon-head bolt		2	
		M 12 X 1,5 X 55			

Model: 944 89 Model life 1989>>1991

Pos	Part Number	Description	Remark	Qty	Model
		Use also:			
		POS. 7A			
7A	999 025 212 09	Washer 12,4 X 24 X 3		4	
7A	999 025 212 01	Washer 12,4 X 24 X 3		4	
8	951 343 524 00	Adjusting nut		2	
9	951 343 525 32	Concave washer		2	
10	951 343 529 30	Boot		2	
11	431 412 135	Boot	-89	2	
(11)	951 343 529 01	Boot	90-	2	
12	951 343 527 00	Rubber stop		2	
13	133 412 341	Concave washer		2	
13A	951 343 528 00	Concave washer		2	
14	951 343 018 30	Suspension strut mounting	-89	2	M030
15	951 343 018 04	Suspension strut mounting		2	
-	944 343 903 01	Insulation for Suspension strut mounting		2	
(16)	133 412 367	Sealing ring		2	
17	N 022 150 1	Lock nut M 14 X 1,5		2	
18	999 703 355 40	Cap		2	
19	999 703 346 40	Stopper		2	
20	N 011 008 8	Hexagon nut M 8		8	
21	900 025 041 02	Washer A 8,4		8	
22	928 612 409 00	Clip		2	
23	928 612 531 00	Push-on connector	/L	1	M593
(23)	928 612 531 01	Push-on connector	/R	1	M593
(23)	944 612 557 00	Support		2	

Model: 944 89

Model life 1989>>1991

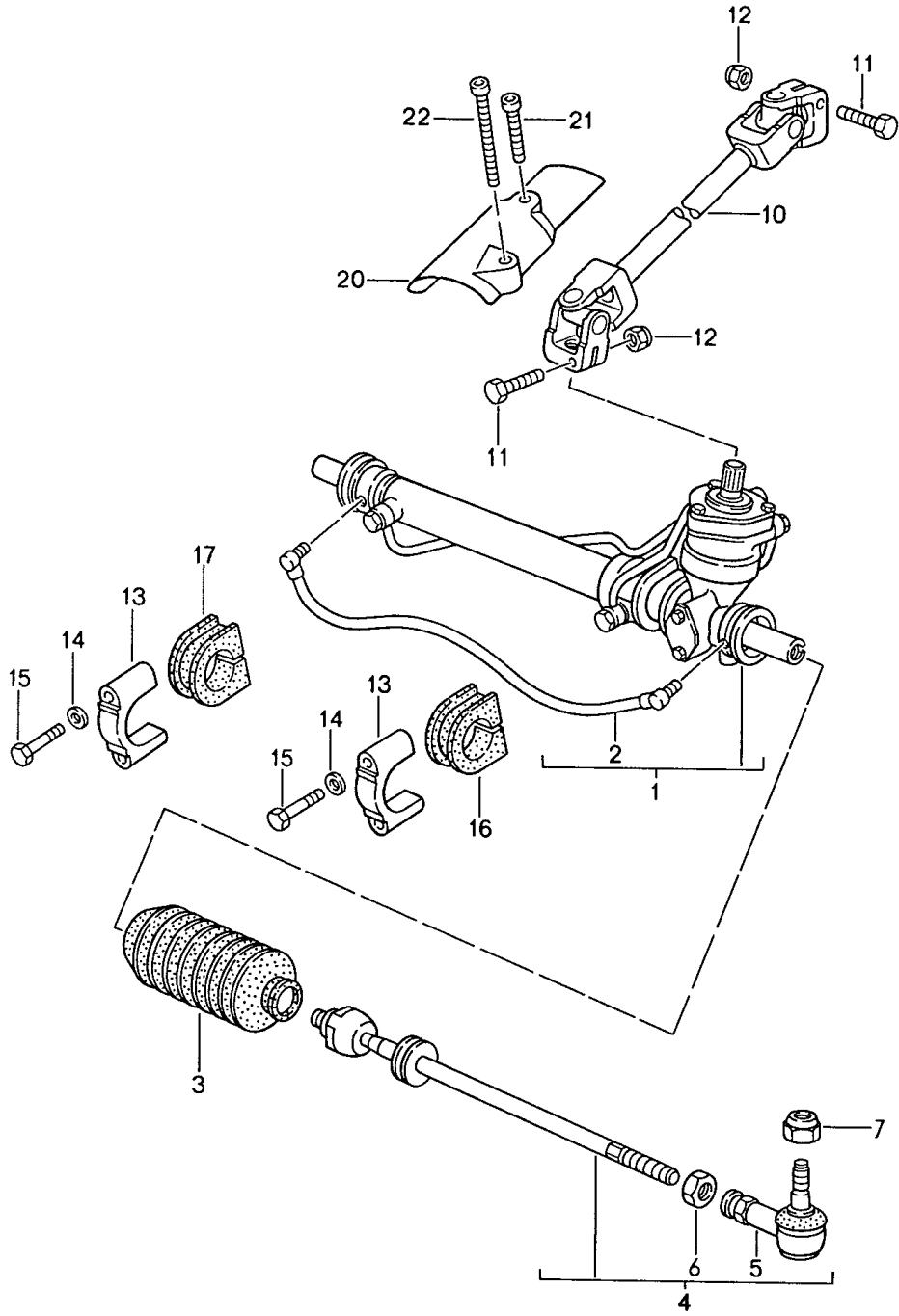


Model: 944 89 Model life 1989>>1991

Pos	Part Number	Description	Remark	Qty	Model
1	944 343 707 01	Stabiliser		1	
1	944 343 706 04	Stabiliser \$ 21,5 MM		1	
1	944 343 706 05	Stabiliser \$ 25,5 MM		1	
2	944 343 733 31	Suspension		2	
2		Suspension		2	
3	944 343 731 02	Clip		2	
3		Clip		2	
4	951 343 794 07	Rubber bush \$ 21,5 MM		2	
4	951 343 794 02	Rubber bush \$ 25,5 MM		2	
4	951 343 794 04	Rubber bush \$ 26,8 MM		2	
5	477 411 043	Concave washer		4	
6	951 343 075 00	Mounting		2	
7	951 343 793 00	Rubber bush for Stabiliser \$ 21,5 MM		2	
7	951 343 793 30	Rubber bush for Stabiliser \$ 25,5 MM ; \$ 26,8 MM		2	
8	951 343 795 01	Rubber mounting		4	
9	900 910 022 09	Lock nut VM 8		4	
9	900 910 022 03	Lock nut VM 8		4	
10	N 021 130 2	Lock nut VM 10		2	
10	N 022 149 2	Lock nut VM 10		2	
11	900 075 079 02	Hexagon-head bolt M 8 X 22		4	

Model: 944 89

Model life 1989>>1991

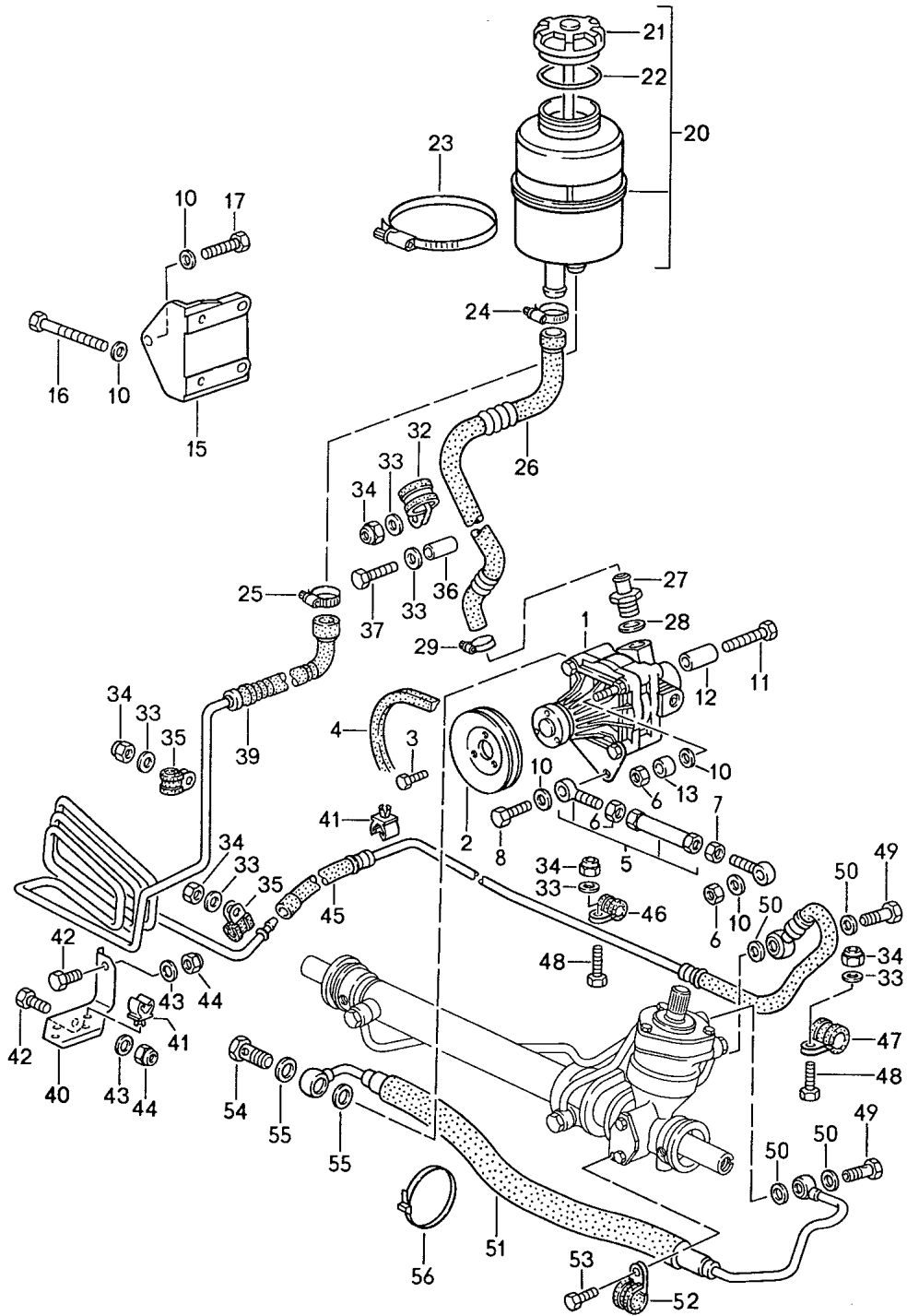


Model: 944 89 Model life 1989>>1991

Pos	Part Number	Description	Remark	Qty	Model
		Power steering			
		Steering gear			
		Tie rod			
1	944 347 011 24	Steering gear	/LL	1	
1	944 347 011 BX	Steering gear	/LL	1	
(1)	945 347 011 22	Steering gear	/RL	1	
(1)	945 347 011 BX	Steering gear	/RL	1	
2	944 347 311 00	Compensating line		1	
3	171 419 831 C	Boot		2	
3	PCG 419 831 C	Bellows		2	
4	944 347 033 23	Tie rod		2	
5	944 347 333 04	Ball joint		2	
6	900 034 024 07	Hexagon nut		2	
		M 14 X 1,5			
6	900 034 024 01	Hexagon nut		2	
		M 14 X 1,5			
7	N 022 141 1	Captive nut		2	
		M 12 X 1,5			
7	900 360 002 01	Lock nut		2	
		M 12 X 1,5			
7	900 360 002 0B	Lock nut		2	
		M 12 X 1,5			
10	944 347 027 02	Drive shaft	/LL	1	
10	944 347 027 03	Drive shaft	/LL	1	
(10)	945 347 027 00	Drive shaft	/RL	1	
11	N 010 335 7	Hexagon-head bolt		2	
		M 8 X 35			
12	900 910 022 09	Lock nut		2	
		M 8			
12	900 910 022 03	Lock nut		2	
		M 8			
13	944 347 223 01	Clip	/LL	2	
(13)	945 347 023 00	Clip	/RL	2	
14	900 025 007 02	Washer		4	
		A 8,4			
14	900 025 007 03	Washer		4	
		A 8,4			
15	N 010 360 6	Hexagon-head bolt	/LL	4	
		M 8 X 60			
15	N 010 360 19	Hexagon-head bolt	/LL	4	
		M 8 X 60			
15	900 074 281 08	Hexagon-head bolt	/LL	4	
		M 8 X 60			
(15)	900 074 134 02	Hexagon-head bolt	/RL	4	
		M 8 X 45			
16	944 347 137 00	Rubber insert	/L	1	
17	944 347 139 01	Rubber insert	/R	1	
20	951 101 129 00	Heat shield		1	TURBO
21	900 067 236 08	Pan-head screw		1	TURBO
		M 6 X 40			
22	900 067 237 08	Pan-head screw		1	TURBO
		M 6 X 70			
22	900 067 237 01	Pan-head screw		1	TURBO
		M 6 X 70			

Model: 944 89

Model life 1989>>1991





Model: 944 89

Model life 1989&gt;&gt;1991

Pos	Part Number	Description	Remark	Qty	Model
		Power steering Vane type pump Lines See technical information GR4, NR.6/90			
1	944 347 432 08	Vane type pump		1	
1	944 347 432 CX	Vane type pump		1	
2	944 347 437 03	Pulley		1	
3	999 072 005 09	Hexagon nut M 6 X 12		3	
3	999 072 005 01	Hexagon nut M 6 X 12		3	
4	999 192 236 50	Narrow v-belt 9,5 X 950		1	
5	944 347 053 02	Strut		1	
6	900 076 025 02	Hexagon nut M 8		3	
6	900 076 064 02	Hexagon nut M 8		3	
7	N 011 008 24	Hexagon nut M 8		1	
8	900 075 029 09	Hexagon-head bolt M 8 X 25		1	
8	900 075 029 03	Hexagon-head bolt M 8 X 25		1	
10	900 025 007 02	Washer A 8,4		8	
10	900 025 007 03	Washer A 8,4		8	
11	N 010 359 4	Hexagon-head bolt M 8 X 38		1	
12	944 347 441 02	Sleeve 26 MM		1	
13	944 347 442 00	Dowel sleeve 13 MM		1	
15	944 101 147 01	Bracket		1	
15	944 101 147 02	Bracket		1	
16	N 010 361 4	Hexagon-head bolt M 8 X 65		4	
16	N 010 361 13	Hexagon-head bolt M 8 X 65		4	
17	N 010 335 5	Hexagon-head bolt M 8 X 35		1	
17	900 075 032 03	Hexagon-head bolt M 8 X 35		1	
20	928 347 015 05	Container		1	
21	928 347 925 00	Lid		1	
22	928 347 927 00	Gasket		1	
23	999 512 350 02	Hose clamp \$ 80-100 MM		1	
24	999 512 346 02	Hose clamp 16-25		1	
24	999 512 676 00	Hose clamp 16-25		1	
25	999 512 554 00	Hose clamp 12-22		1	
26	944 347 445 05	Moulded hose		1	
27	999 230 357 02	Connection piece		1	
27	999 230 357 01	Connection piece		1	
28	N 100 184 01	Sealing ring 16 X 20		1	
29	999 512 346 00	Hose clamp		2	

Model: 944 89 Model life 1989&gt;&gt;1991

Pos	Part Number	Description	Remark	Qty	Model
33	N 011 524 7	16 - 25 Washer		4	
33	N 011 524 27	A 6,4 Washer		4	
34	900 910 012 02	A 6,4 Lock nut		4	
34	900 910 047 09	M 6 Lock nut		4	
35	999 511 116 02	M 6 Clamp		2	
35	999 511 116 03	10 X 15 Clamp		2	
36	944 105 101 00	10 X 15 Spacer sleeve		1	TURBO
37	N 014 715 3	Pan-head screw		1	TURBO
37	900 067 103 01	M 6 X 40 Pan-head screw		1	TURBO
39	944 347 459 03	M 6 X 40 Return line		1	
40	944 347 465 02	Support		1	
41	944 347 467 00	Cable clip		6	
42	900 075 078 02	Hexagon-head bolt		2	
42	900 075 078 03	M 8 X 15 Hexagon-head bolt		2	
43	900 025 007 02	M 8 X 15 Washer		2	
43	900 025 007 03	A 8,4 Washer		2	
44	900 084 004 03	A 8,4 Hexagon nut		2	
44	900 084 004 02	M 8 Hexagon nut		2	
45	944 347 449 06	M 8 Return line	/LL	1	
(45)	945 347 449 02	Return line	/RL	1	
46	999 511 153 02	Clip		1	
47	N 020 626 2	8 X 15 Clip		1	
48	900 075 016 02	16 X 15 Hexagon-head bolt		2	
48	900 075 016 03	M 6 X 22 Hexagon-head bolt		2	
49	999 134 032 02	M 6 X 22 Banjo bolt	/LL	2	
49		M 12 X 1,5 Banjo bolt	/RL	1	
49	N 021 053 2	M 12 X 1,5 Banjo bolt	/RL	1	
50	900 123 026 20	M 10 X 1 Sealing ring	/LL	4	
50		12 X 15,5 Sealing ring	/RL	2	
50	N 100 390 01	12 X 15,5 Gasket	/RL	2	
51	944 347 447 02	10 X 13,5 Pressure line	/LL	1	
(51)	945 347 447 02	Pressure line	/RL	1	
52	999 511 066 02	Clamp		1	
53	999 072 005 09	18 X 15 Hexagon nut		1	
53	999 072 005 01	M 6 X 12 Hexagon nut		1	
		M 6 X 12			

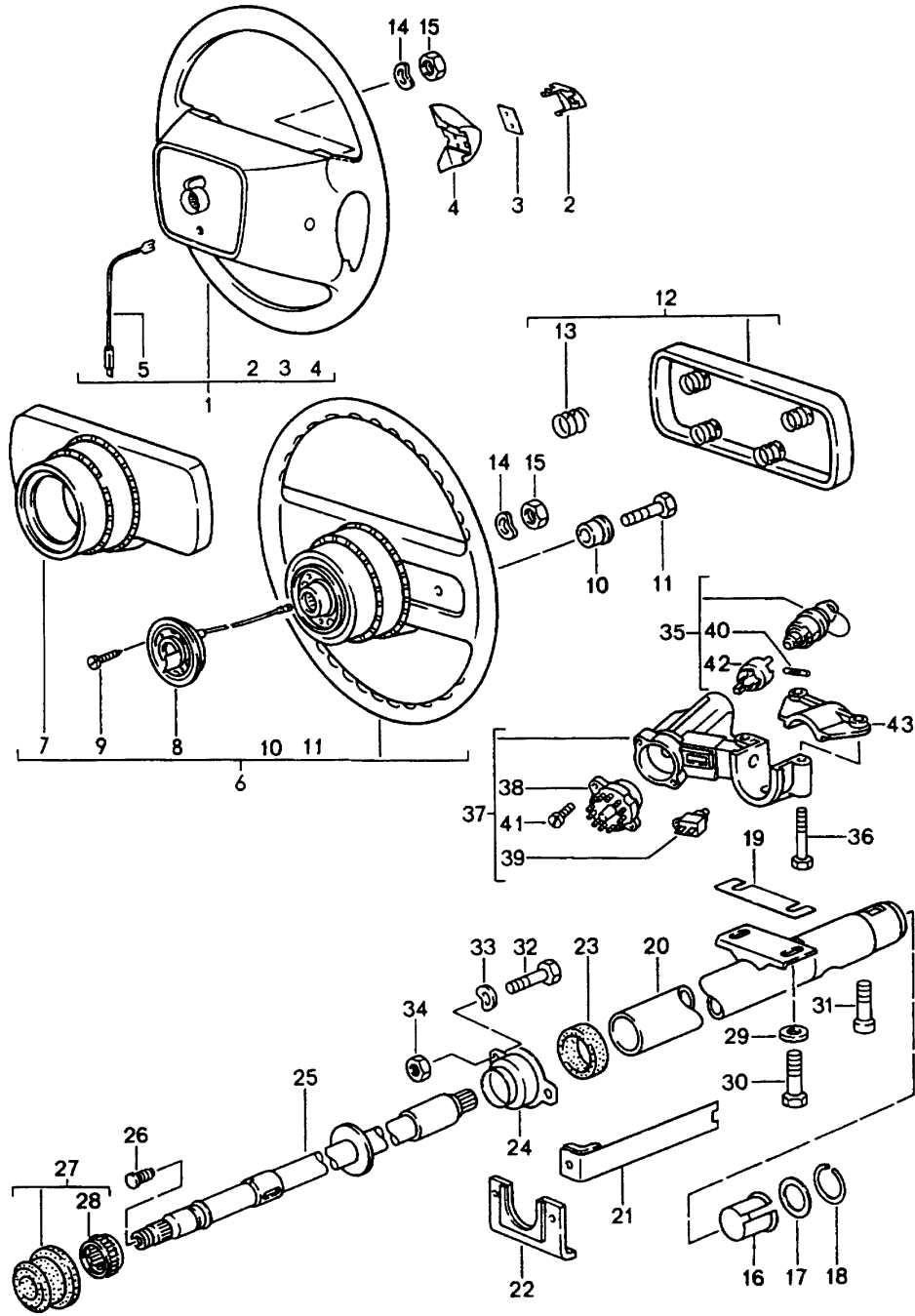
Model: 944 89

Model life 1989&gt;&gt;1991

Pos	Part Number	Description	Remark	Qty	Model
54	900 134 007 02	Banjo bolt A 8		1	
54	900 134 007 01	Banjo bolt A 8		1	
54	PCG 134 007 01	Banjo bolt A 8		1	
55	900 123 042 20	Sealing ring 14 X 18		2	
56	999 513 010 40	Tie-wrap 9 X 250		1	

Model: 944 89

Model life 1989>>1991



Model: 944 89 Model life 1989>>1991

Pos	Part Number	Description	Remark	Qty	Model
1	944 347 804 51	Steering wheel Steering column Steering lock Sports steering wheel Airbag		1	M562
	944 347 804 51 1AJ	Black			
	944 347 804 51 7LD	Burgundy	-90		
	944 347 804 51 2JZ	Marine blue	-90		
	944 347 804 51 9WW	Cobalt blue	91		
	944 347 804 51 7WH	Classic grey	91		
1	944 347 804 52	Sports steering wheel Airbag		1	M562
	944 347 804 52 2JZ	Marine blue	-90		
	944 347 804 52 9WW	Cobalt blue	91		
	944 347 804 52 6XL	Classic grey	91		
2	944 347 835 00	Horn button	/L	1	M562
	944 347 835 00 01C	Black			
	944 347 835 00 9MM	Burgundy	-90		
	944 347 835 00 9JJ	Marine blue	-90		
	944 347 835 00 6ZF	Cobalt blue	91		
	944 347 835 00 4XC	Classic grey	91		
2	944 347 836 00	Horn button	/R	1	M562
	944 347 836 00 01C	Black			
	944 347 836 00 9MM	Burgundy	-90		
	944 347 836 00 9JJ	Marine blue	-90		
	944 347 836 00 6ZF	Cobalt blue	91		
	944 347 836 00 4XC	Classic grey	91		
3	944 347 884 00	Contact spring		2	M562
4	944 347 831 00	Switch housing	/L	1	M562
	944 347 831 00 01C	Satin black			
	944 347 831 00 9MM	Burgundy	-90		
	944 347 831 00 9JJ	Marine blue	-90		
	944 347 831 00 6ZF	Cobalt blue	91		
	944 347 831 00 4XC	Classic grey	91		
4	944 347 832 00	Switch housing	/R	1	M562
	944 347 832 00 01C	Satin black			
	944 347 832 00 9MM	Burgundy	-90		
	944 347 832 00 9JJ	Marine blue	-90		
	944 347 832 00 6ZF	Cobalt blue	91		
	944 347 832 00 4XC	Classic grey	91		
5	944 612 355 00	Wiper contact		1	M562
6	944 347 084 05	Sports steering wheel Leatherette \$ 380	-90	1	
	944 347 084 05 1AJ	Black			
	944 347 084 05 7LD	Burgundy			
	944 347 084 05 9JJ	Marine blue			
6	944 347 084 08	Sports steering wheel Leather \$ 380	-90	1	
	944 347 084 08 1AJ	Black			
	944 347 084 08 7LD	Burgundy			
	944 347 084 08 8KY	Marine blue			
6	944 347 084 09	Sports steering wheel Leather \$ 363		1	M431
	944 347 084 09 1AJ	Black			
	944 347 084 09 7LD	Burgundy	-90		
	944 347 084 09 8KY	Marine blue	-90		
		F >>94LN4 01307	-90		
		F >>95LN1 00554	-90		
		F >>94LN4 03758	-90		
6	944 347 084 09	Sports steering wheel		1	M431

Model: 944 89 Model life 1989>>1991

Pos	Part Number	Description	Remark	Qty	Model
		Leather \$ 363			
	944 347 084 09 5YB	Marine blue	-90		
		F 94LN4 01308>>	-90		
		F 95LN1 00555>>	-90		
		F 94LN4 03759>>	-90		
6	944 347 084 09	Sports steering wheel		1	M431
		Leather \$ 363			
	944 347 084 09 9WW	Cobalt blue	91		
	944 347 084 09 7WH	Classic grey	91		
6	928 347 084 07	Steering wheel		1	M431
		Leather \$ 363			
	928 347 084 07 1AJ	Black			
	928 347 084 07 2JZ	Marine blue	-90		
	928 347 084 07 9WW	Cobalt blue	91		
	928 347 084 07 7WH	Classic grey	91		
6	944 347 084 10	Sports steering wheel		1	M018
		Leather with elevated hub \$ 363			
	944 347 084 10 1AJ	Black			
	944 347 084 10 7LD	Burgundy	-90		
	944 347 084 10 8KY	Marine blue	-90		
	944 347 084 10 9WW	Cobalt blue	91		
	944 347 084 10 7WH	Classic grey	91		
6	928 347 084 08	Steering wheel		1	M018
		Leather with elevated hub \$ 363			
	928 347 084 08 1AJ	Black			
	928 347 084 08 2JZ	Marine blue	-90		
	928 347 084 08 9WW	Cobalt blue	91		
	928 347 084 08 7WH	Classic grey	91		
7	928 347 857 02	Lining for Four-spoke steering wheel		1	
	928 347 857 02 1DB	Black			
	928 347 857 02 7LD	Burgundy	-90		
	928 347 857 02 5KF	Marine blue	-90		
	928 347 857 02 6ZH	Cobalt blue	91		
	928 347 857 02 5XL	Classic grey	91		
8	928 347 099 00	Slip ring		1	
9	113 415 869	Oval-head screw M 3,5 X 10		6	
10	321 419 779 A	Insulating bush		4	
11	N 010 261 3	Hexagon-head bolt M 4 X 15		4	
12	944 347 859 08	Padded cap	-90	1	
		Leatherette			
	944 347 859 08 1DB	Black			
	944 347 859 08 7LD	Burgundy			
	944 347 859 08 9JJ	Marine blue			
12	944 347 859 05	Padded cap		1	
		Leather			
	944 347 859 05 1AJ	Black			
	944 347 859 05 7LD	Burgundy	-90		
	944 347 859 05 8KY	Marine blue	-90		
	944 347 859 05 2JZ	Marine blue	-90		
	944 347 859 05 9WW	Cobalt blue	91		
	944 347 859 05 7WH	Classic grey	91		
13	171 419 697	Compression spring		4	

Model: 944 89 Model life 1989>>1991

Pos	Part Number	Description	Remark	Qty	Model
14	N 012 238 5	Spring washer B 16		1	
15	900 078 006 01	Hexagon nut M 16 X 1,5		1	
16	171 419 341	Support ring		1	
17	999 234 004 00	Shim		1	
18	999 042 017 01	Snap ring		1	
19	944 347 473 00	Shim		X	
20	944 347 063 07	Steering column tube		1	M562
20		Steering column tube		1	M562
20	944 347 063 04	Steering column tube		1	
23	999 707 008 40	O-ring		1	M562
23	411 417 613	Rubber mounting		1	
24	944 347 076 00	Support ring		1	M562
24	411 417 605	Support ring		1	
25	944 347 067 02	Steering column	/LL	1	
25	944 347 019 04	Steering column	/LL	1	TURBO
			/LL		944
					M657
			/LL		944S2
					M657
25	944 347 019 10	Steering column	/LL	1	M562
25		Steering column	/LL	1	M562
25	945 347 019 04	Steering column	/RL	1	TURBO
			/RL		944
					M657
			/RL		944S2
					M657
25	945 347 067 02	Steering column Use also:	/RL	1	
26	944 347 483 00	Stopper		1	
27	477 419 059	Needle sleeve		1	
28	113 415 511	Needle-roller bearing		1	
29	900 025 041 02	Washer A 8,4		2	
30	999 074 022 02	Shear bolt		2	
31	N 010 241 0	Hexagon-head bolt M 8 X 22		1	
32	N 010 215 13	Hexagon-head bolt M 6 X 15	/LL	2	
32	999 072 005 09	Hexagon nut M 6 X 12	/RL	2	
32	999 072 005 01	Hexagon nut M 6 X 12	/RL	2	
33	211 805 243	Spring washer		2	
35	944 538 075 00	Steering lock Lock cylinder W/o stipulated lock number When required order also:		1	
-	944 538 181 00	Cap Lock cylinder Black		1	
(35)	944 538 075 01	Lock cylinder with stipulated lock number When required order also:		1	
-	944 538 181 00	Cap Lock cylinder Black		1	
36	944 347 343 01	Shear bolt		2	
37	944 347 975 03	Housing for Steering lock		1	
38	964 613 012 00	Ignition starter switch		1	

Model: 944 89

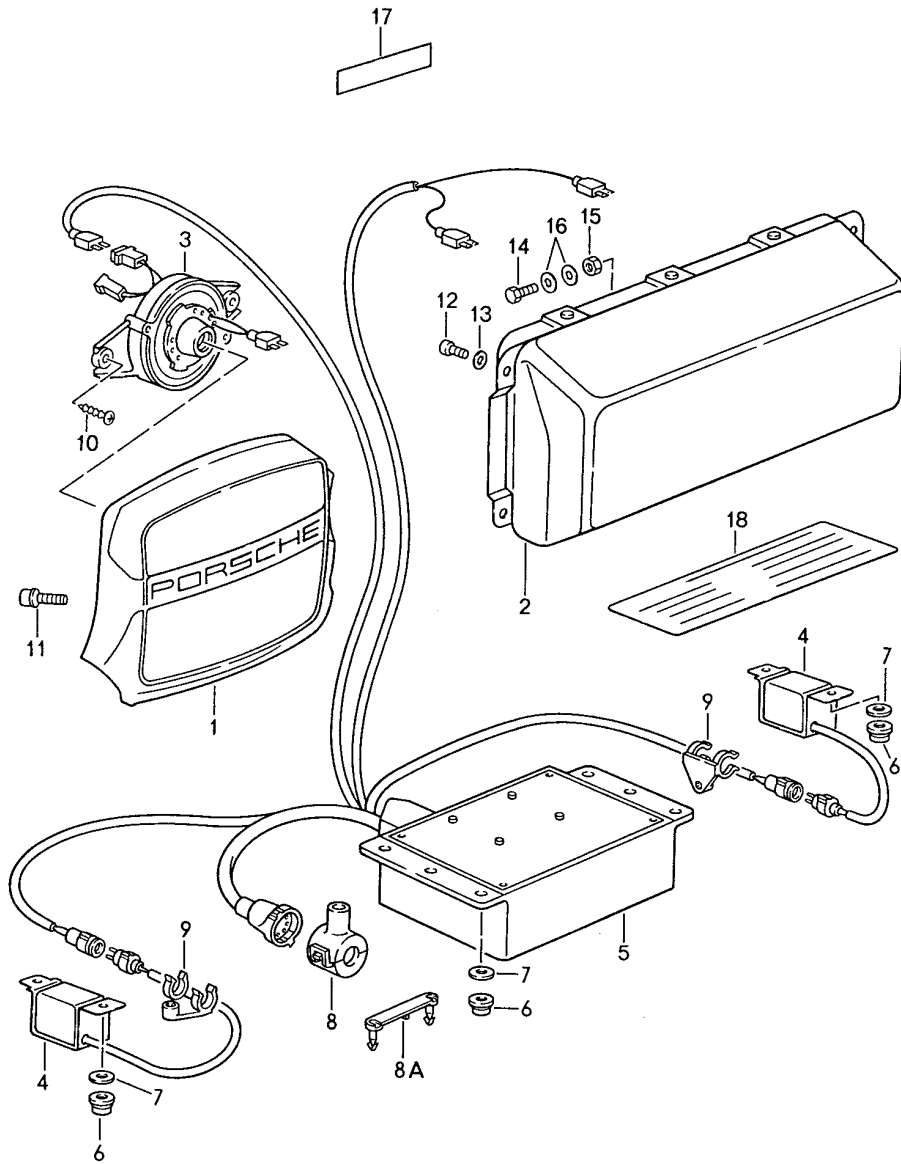
Model life 1989&gt;&gt;1991

Pos	Part Number	Description	Remark	Qty	Model
39	911 613 125 00	Buzzer contact		1	(SA)
40	944 347 363 00	Lock		1	
41	N 014 122 8	Oval-head screw		2	
41	N 014 122 17	Oval-head screw M 4 X 8		2	
42	944 538 183 00	Control cams		1	
43	944 347 351 02	Retainer plate		1	



Model: 944 89

Model life 1989>>1991

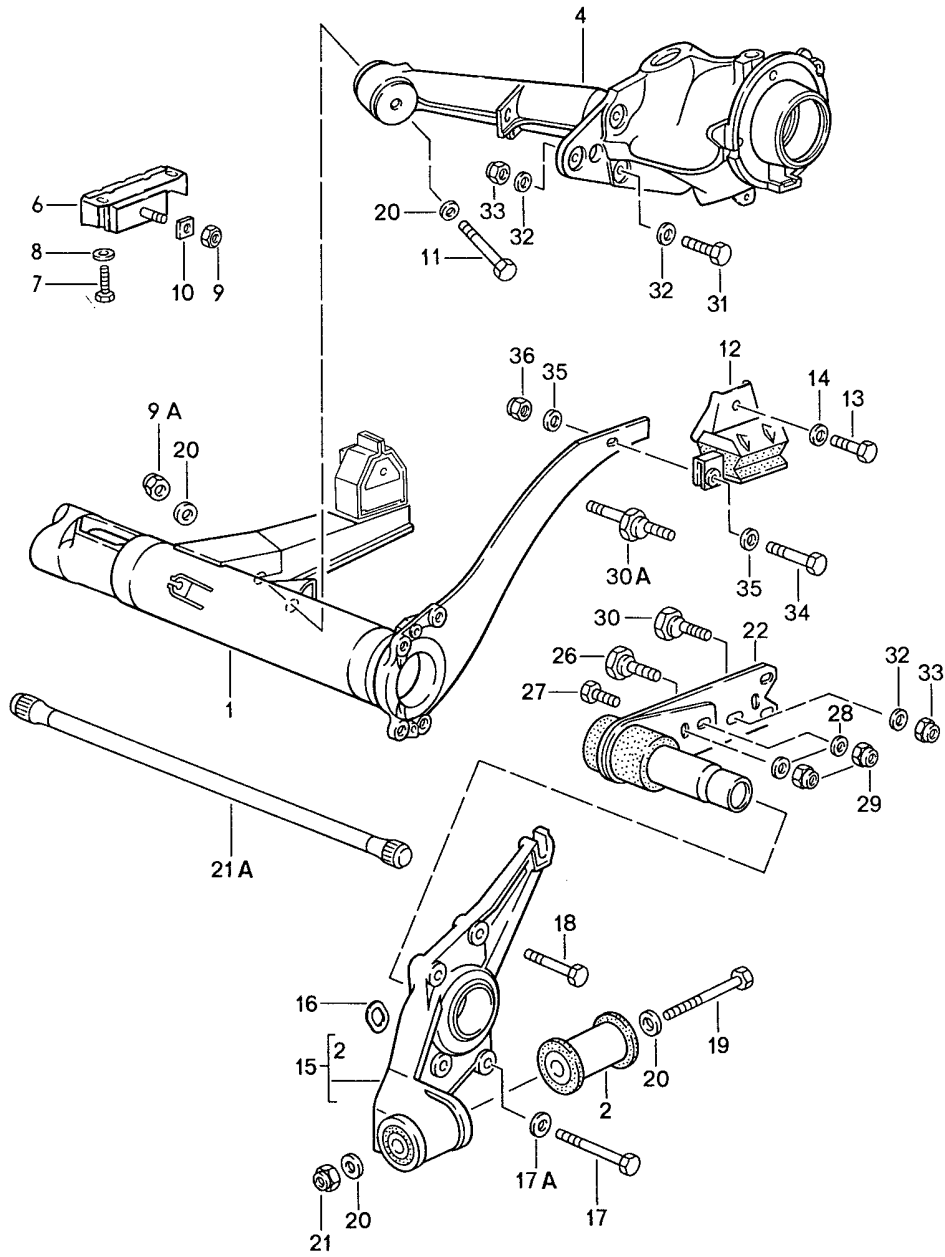


Model: 944 89 Model life 1989>>1991

Pos	Part Number	Description	Remark	Qty	Model
1	944 347 989 06	Airbag for Left-hand drive Airbag unit Driver's side Set Comprising: POS. 1 U. 11		1	M562
	944 347 989 06 1AJ	Black			
	944 347 989 06 9WW	Cobalt blue	91		
	944 347 989 06 7WH	Classic grey	91		
2	944 803 071 02	Airbag unit		1	
2		Airbag unit Passenger's side Use also: POS.12		1	
3	928 652 211 00	Support for contact		4	
4	928 613 220 02	Front sensor	90-	1	
5	944 618 217 01	Control unit		2	
5		Control unit		1	CABRIO
6	944 618 401 00	Nut		1	COUPE
7	N 011 524 7	M 6 Washer		4	
7	N 011 524 27	A 6,4 Washer		8	
7		A 6,4		8	
8A	964 612 901 00	Securing clip Blue	90-	1	
9	321 971 898 B	Support		2	
10	N 013 968 7	Tapping screw B 4,8 X 13		2	
10	900 143 097 01	Tapping screw B 4,8 X 13		2	
11	999 073 025 02	Pan-head screw M 6 X 19	-89	2	
(11)	999 073 030 02	Pan-head screw M 6 X 19	90-	2	
12	999 218 030 08	Pan-head screw M 6 X 10		4	
13	N 011 524 7	Washer A 6,4		4	
13	N 011 524 27	Washer A 6,4		4	
14	999 072 005 09	Hexagon nut M 6 X 12		1	
14	999 072 005 01	Hexagon nut M 6 X 12		1	
15	900 076 010 02	Nut M 6		1	
15	900 076 010 0B	Nut M 6		1	
16	N 011 666 7	Washer B 6,4		2	

Model: 944 89

Model life 1989>>1991



Model: 944 89 Model life 1989>>1991

Pos	Part Number	Description	Remark	Qty	Model
		Rear axle carrier			
		Rear-axle trailing arm			
1	944 331 045 02	Rear-axle cross-tube		1	
2	477 501 069 A	Rubber bush		2	
4	951 331 021 01	Rear-axle trailing arm	/L -89	1	
4	951 331 021 31	Rear-axle trailing arm	/L -89	1	M030
4	951 331 021 32	Rear-axle trailing arm	/L -89	1	M030/593
		When required order also:			
4		Rear-axle trailing arm	/L 90-	1	
		When required order also:			
-	964 331 199 02	Retainer plate		2	
-	900 074 130 02	Hexagon-head bolt		4	
		M 8 X 40			
-	900 075 033 02	Stud		4	
		M 8 X 40			
-	900 075 033 03	Stud		4	
		M 8 X 40			
(4)	951 331 022 01	Rear-axle trailing arm	/R -89	1	
(4)	951 331 022 31	Rear-axle trailing arm	/R -89	1	M030
(4)	951 331 022 32	Rear-axle trailing arm	/R -89	1	M030/593
(4)		Rear-axle trailing arm	/R 90-	1	
		Use also:			
-	964 331 199 02	Retainer plate		2	
-	900 074 130 02	Hexagon-head bolt		4	
		M 8 X 40			
-	900 075 033 02	Stud		4	
		M 8 X 40			
-	900 075 033 03	Stud		4	
		M 8 X 40			
6	477 501 089	Mounting	-89	2	944/944S2
6	951 333 088 30	Mounting	-89	2	M030
6	951 333 088 32	Mounting		2	M030
6	951 333 088 30	Mounting	90-	2	
6	951 333 088 32	Mounting	90-	2	
7	N 040 272 2	Hexagon-head bolt		4	
		M 10 X 35			
8	N 011 527 12	Washer		4	
		A 10,5			
8	900 025 081 01	Washer		4	
		A 10,5			
9	N 900 876 01	Lock nut		2	
		VM 10			
9A	N 021 131 1	Lock nut		2	
		M 12 X 1,5			
10	477 501 697	Washer		2	
11	N 010 190 4	Hexagon-head bolt		2	
		M 12 X 90			
12	944 331 075 00	Supporting mount	/L	1	
12	944 331 075 01	Supporting mount	/L	1	
12	951 333 083 30	Bearing	/L 89	1	TURBO
		When required order also:			
		94433107501		-	
12	944 331 075 00	Supporting mount	/L 90-	1	TURBO
12	944 331 075 01	Supporting mount	/L 90-	1	TURBO
(12)	944 331 076 00	Supporting mount	/R	1	
(12)	944 331 076 01	Supporting mount	/R	1	
(12)	951 333 084 30	Bearing	/R 89	1	TURBO
(12)	944 331 076 00	Supporting mount	/R 90-	1	TURBO
(12)	944 331 076 01	Supporting mount	/R 90-	1	TURBO
13	N 010 253 7	Hexagon-head bolt		2	
		M 10 X 22			
14	N 012 230 6	Spring washer		8	
		B 10			

Model: 944 89 Model life 1989>>1991

Pos	Part Number	Description	Remark	Qty	Model
15	944 331 059 00	Bearing flange	/L	1	
15		Bearing flange	/L	1	
(15)	944 331 060 00	Bearing flange	/R	1	
(15)		Bearing flange	/R	1	
16	951 331 667 00	Washer		2	
17	N 010 465 5	Hexagon-head bolt M 10 X 65		2	
17	900 074 248 03	Hexagon-head bolt M 10 X 65		2	
17A	N 012 230 6	Spring washer B 10		8	
18	N 010 455 3	Hexagon-head bolt M 10 X 55		6	
19	900 082 059 02	Hexagon-head bolt M 12 X 1,5 X 115		2	
20	803 199 347	Spring washer		8	
20	803 199 34H	Washer		8	
21	N 022 141 4	Lock nut VM 12 X 1,5		2	
		See technical information GR.4 NR.8/89			
21A	944 333 115 00	Torsion bar 23,5 MM	/L	1	944
21A	944 333 116 00	Torsion bar 23,5 MM	/R	1	944
21A	944 333 115 01	Torsion bar 24 MM	/L	1	944S2
21A	944 333 116 01	Torsion bar 24 MM	/R	1	944S2
(21A)	951 333 103 30	Torsion bar 25,5 MM	/L	1	TURBO 944/944S2 M030/031
(21A)	951 333 104 30	Torsion bar 25,5 MM	/R	1	TURBO 944/944S2 M030/031
22	951 333 021 00	Rear axle strut		2	
26	911 333 303 00	Eccentric screw		2	
26	911 333 303 01	Eccentric screw		2	
27	911 333 305 00	Hexagon-head bolt		2	
27	911 333 305 01	Hexagon-head bolt		2	
28	999 025 135 02	Washer		4	
29	900 910 092 02	Lock nut VM 16 X 1,5		4	
29	900 360 007 01	Lock nut VM 16 X 1,5		4	
30	477 511 519	Camber eccentric		2	
30A	477 511 515	Camber eccentric Only together with Stabiliser		2	
30A	477 511 516	Camber eccentric Only together with Stabiliser		2	
31	N 040 108 2	Hexagon-head bolt M 12 X 1,5 X 40		4	
32	N 011 531 7	Washer A 13		8	
33	N 022 141 4	Lock nut VM 12 X 1,5		4	
34	N 010 233 6	Hexagon-head bolt M 8 X 28		2	
34	900 075 136 03	Hexagon-head bolt M 8 X 28		2	
35	900 025 007 02	Washer		4	

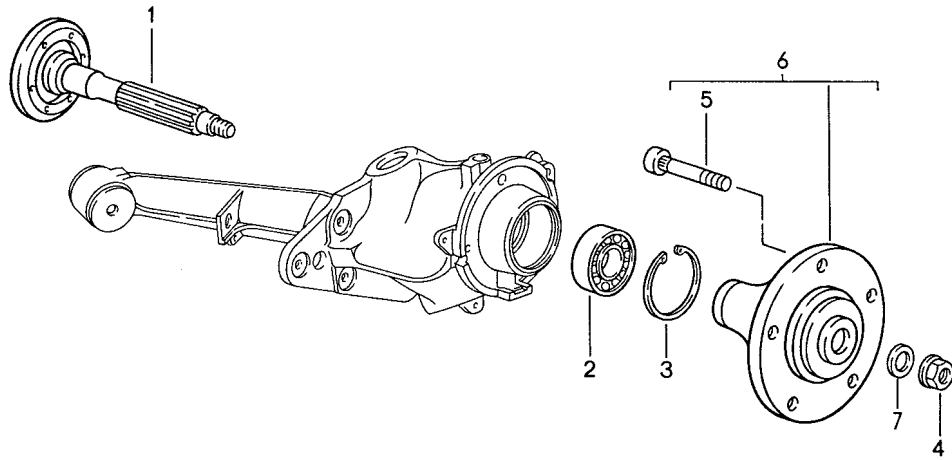
Model: 944 89

Model life 1989&gt;&gt;1991

Pos	Part Number	Description	Remark	Qty	Model
35	900 025 007 03	A 8,4 Washer		4	
36	900 910 022 09	A 8,4 Lock nut		2	
36	900 910 022 03	VM 8 Lock nut VM 8		2	

Model: 944 89

Model life 1989>>1991



Model: 944 89

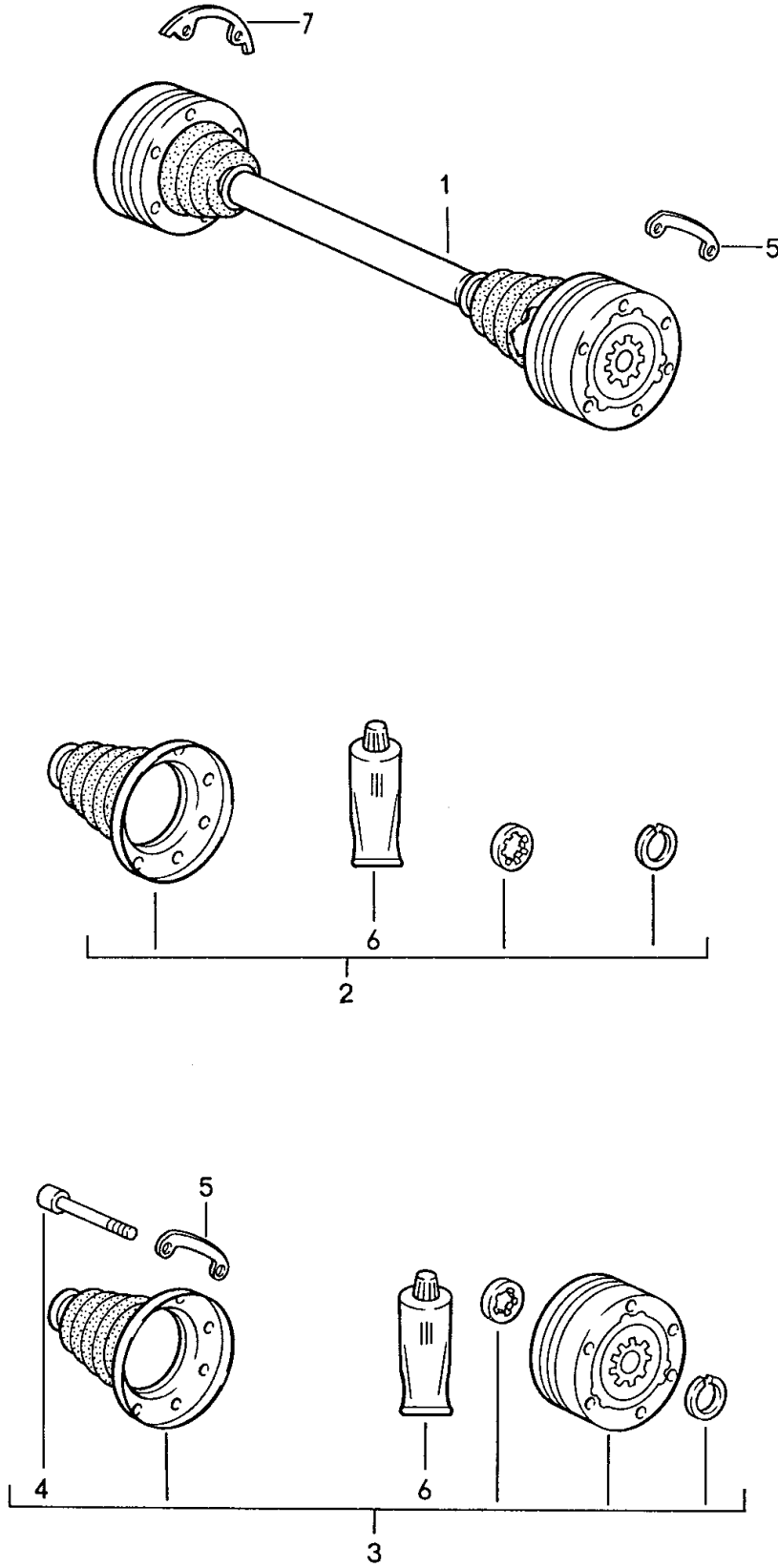
Model life 1989&gt;&gt;1991

Pos	Part Number	Description	Remark	Qty	Model
-	PCG 043 110 00	Rear wheel shaft Lubricants Grease Bearing 200 GR.		1	
1	951 332 235 35	Rear wheel shaft		2	
2	999 053 020 01	Angular-contact bearing		2	
3	N 012 350 1	Circlip		2	
4	900 910 093 02	Lock nut M 22 X 1,5		2	
5	904 341 671 00	Wheel bolt		10	
5	993 331 671 02	Wheel bolt		10	
6	944 331 067 01	Wheel hub		2	
6		Wheel hub		2	
7	928 331 591 02	Washer		2	



Model: 944 89

Model life 1989>>1991

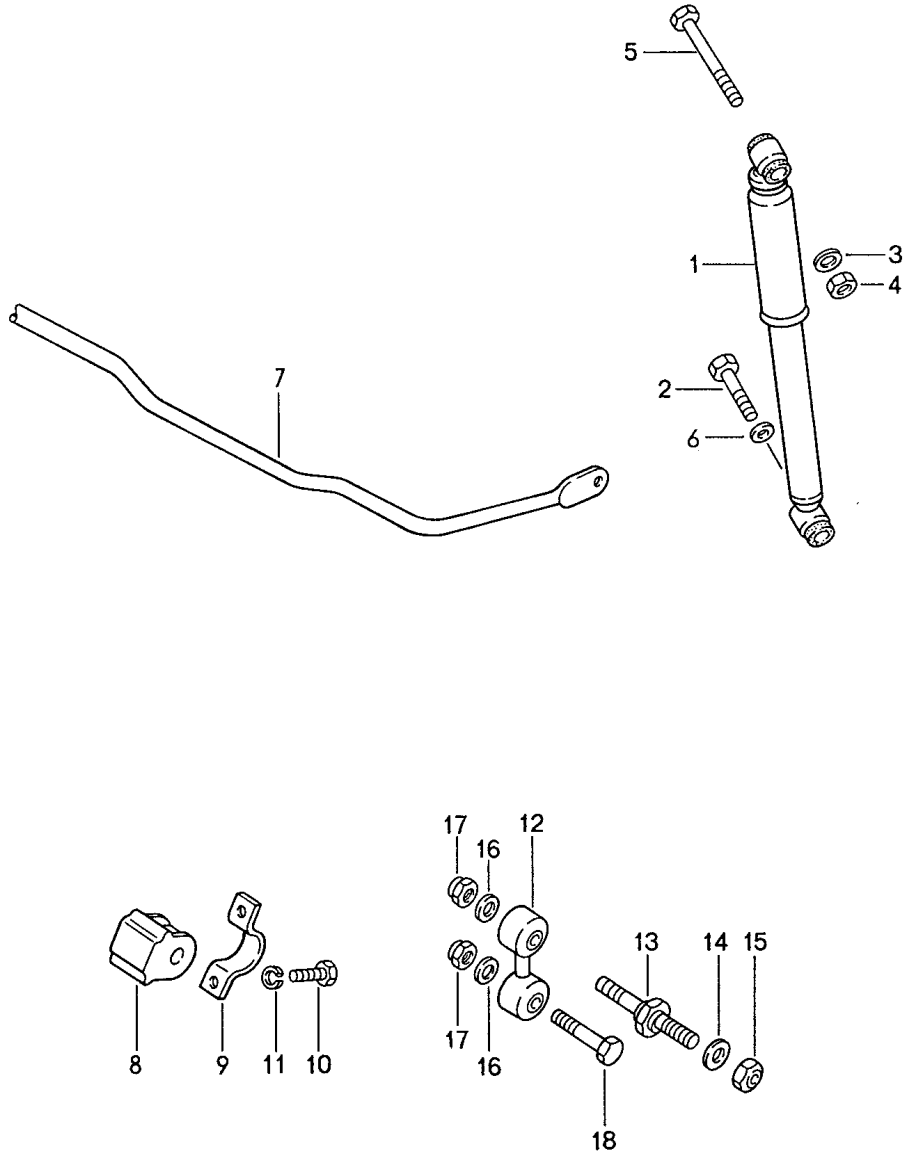


Model: 944 89 Model life 1989>>1991

Pos	Part Number	Description	Remark	Qty	Model
1	944 332 038 01	Drive shaft		2	944
1	951 332 038 02	Drive shaft		2	944S2/TURBO
1	951 332 038 06	Drive shaft		2	944S2/TURBO M030/031
1	951 332 038 07	Drive shaft		2	944S2/TURBO M030/031
1	944 332 038 09	Drive shaft	/L	1	M249
1	944 332 038 10	Drive shaft	/R	1	M249
2	944 331 903 00	Repair kit Dust bellows		4	944
(2)	951 332 903 00	Repair kit Dust bellows		4	944S2/TURBO M030/031
3	944 331 901 00	Repair kit Constant-velocity joint		4	944
(3)	951 332 901 00	Repair kit Constant-velocity joint		4	944S2/TURBO M030/031
4	893 407 237	Pan-head screw		24	
4	N 911 082 01	Multiple-tooth screw		24	
5	944 332 191 00	Plate		6	
6	000 043 110 01	Grease 1 100-gramme tube		X	
7	951 332 233 01	Plate		6	

Model: 944 89

Model life 1989>>1991



Model: 944 89

Model life 1989&gt;&gt;1991

Pos	Part Number	Description	Remark	Qty	Model
		Vibration damper Stabiliser See technical information GR.4 NR. 8/89			
1	951 333 032 06	Vibration damper - fichtel + sach's - F >>94KN4 00825	-89	2	944
1	951 333 032 05	Vibration damper - fichtel + sach's - F 94KN4 00826>>	-89	2	944
1	951 333 032 01	Vibration damper - koni -	-89	2	944 M474
1	951 333 032 04	Vibration damper - koni -	-89	2	944 M030
1	951 333 032 07	Vibration damper - fichtel + sach's -		2	944S2
1	951 333 032 08	Vibration damper - koni -	-89	2	944S2 M474
1	951 333 032 04	Vibration damper - koni -		2	944S2 M030
1	951 333 032 09	Vibration damper - fichtel + sach's -	90-	2	944S2 M031
1	951 333 032 04	Vibration damper - koni -	-89	2	TURBO
1	951 333 032 09	Vibration damper - fichtel + sach's -	90-	2	TURBO
1	951 333 032 04	Vibration damper - koni -	90-	2	TURBO M030
2	900 082 054 02	Hexagon-head bolt M 14 X 1,5 X 85		2	
3	043 101 129	Washer B 12		2	
3	900 025 009 02	Washer		2	
4	N 022 141 1	Captive nut M 12 X 1,5		2	
4	900 360 002 01	Lock nut M 12 X 1,5		2	
4	900 360 002 0B	Lock nut M 12 X 1,5		2	
5	900 082 044 02	Hexagon-head bolt M 12 X 1,5 X 125		2	
5	900 082 118 01	Hexagon-head bolt M 12 X 1,5 X 125		2	
6	999 025 062 02	Washer		2	
7	477 511 411	Stabiliser		1	
7	477 511 413	Stabiliser \$ 16 MM		1	
8	477 411 313 A	Stabiliser mounting \$ 16 MM		2	
8	477 411 313 B	Stabiliser mounting \$ 18 MM		2	
8	477 411 313 N	Stabiliser mounting \$ 18 MM		2	
9	113 411 333	Retaining bar		2	
10	900 075 085 02	Hexagon-head bolt		4	

Model: 944 89

Model life 1989&gt;&gt;1991

Pos	Part Number	Description	Remark	Qty	Model
11	900 027 015 02	M 8 X 20 Lock ring		4	
11	900 027 015 03	B 8 Lock ring		4	
12	477 511 051 A	B 8 Stabiliser mounting		2	
13	477 511 515	Stabiliser mounting		2	
13	477 511 516	Camber eccentric		2	
14	N 011 531 7	Camber eccentric		2	
15	N 022 141 4	Washer A 13		2	
16	N 011 527 12	Lock nut M 12 X 1,5		4	
16	900 025 081 01	Washer A 10,5		4	
17	N 022 149 2	Washer A 10,5		4	
18	N 010 452 4	Lock nut M 10		2	
18	900 074 374 01	Hexagon-head bolt M 10 X 52		2	

Model: 944 89

Model life 1989>>1991

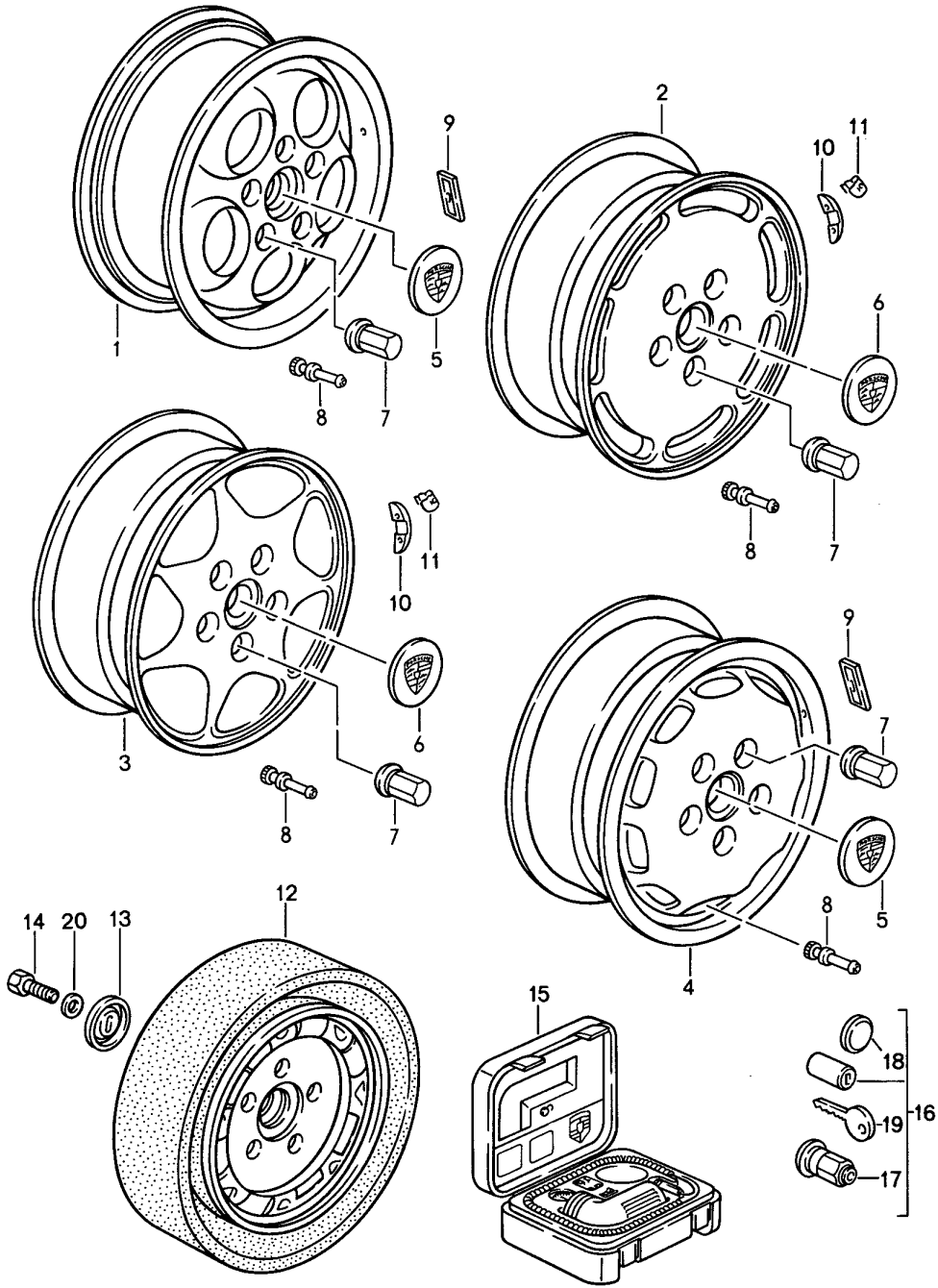


Model: 944 89 Model life 1989>>1991

Pos	Part Number	Description	Remark	Qty	Model
>>	944 331 903 00	Repair kits Repair kit Dust bellows Comprising: Dust bellows with Bellow support Spring		4	944
-	113 517 279	Circlip		1	
-	000 043 110 01	Grease 1 100-gramme tube		1	
>>	951 332 903 00	Repair kit Dust bellows Comprising: Dust bellows Bellow support		4	TURBO 944S2
-	911 332 257 00	Clip		1	
-	928 332 257 01	Clip		1	
-	900 041 013 01	Circlip		1	
-	000 043 110 01	Grease 1 100-gramme tube		1	
>>	944 331 901 00	Repair kit Constant-velocity joint Comprising: Constant-velocity joint Dust bellows with Bellow support Spring		4	944
-	113 517 279	Circlip		1	
-	000 043 110 01	Grease 1 100-gramme tube		1	
-	893 407 237	Pan-head screw		6	
-	N 911 082 01	Multiple-tooth screw		6	
>>	951 332 901 00	Repair kit Constant-velocity joint Comprising: Constant-velocity joint Dust bellows Bellow support		4	TURBO 944S2
-	911 332 257 00	Clip		1	
-	928 332 257 01	Clip		1	
-	900 041 013 01	Circlip		1	
-	000 043 110 01	Grease 1 100-gramme tube		1	
-	893 407 237	Pan-head screw		12	
-	N 911 082 01	Multiple-tooth screw		12	

Model: 944 89

Model life 1989>>1991





Model: 944 89 Model life 1989>>1991

Pos	Part Number	Description	Remark	Qty	Model
1	944 362 104 00	Disc wheel Alloy wheel 7 J X 15 ET 52,3 Silver		4	944
1	951 362 114 01	Alloy wheel 7 J X 16 ET 52,3 Silver	/V	2	944 M458
1	951 362 116 01	Alloy wheel 8 J X 16 ET 52,3 Silver	/H	2	944 M458
2	944 362 115 00	Alloy wheel 7 J X 16 ET 52,3 Silver	/V	2	944/944S2 M395
2	944 362 115 01	Alloy wheel 7 J X 16 ET 52,3 Platinum	/V	2	944/944S2 M395
2	928 362 117 00	Alloy wheel 8 J X 16 ET 52,3 Silver	/H	2	944/944S2 M395
2	928 362 117 01	Alloy wheel 8 J X 16 ET 52,3 Platinum	/H	2	944/944S2 M395
3	964 362 114 01	Alloy wheel 7 J X 16 ET 55 Silver	/V	2	944S2
3	964 362 116 01	Alloy wheel 8 J X 16 ET 52,3 Silver	/H	2	944S2
3	951 362 115 30	Alloy wheel 7 J X 16 ET 65 Silver	/V 89	2	TURBO
3	928 362 114 05	Alloy wheel 7 1/2 J X 16 ET 65 Silver	/V 90- 90-	2	TURBO 944S2 M030
3	928 362 119 30	Alloy wheel 9 J X 16 ET 60 Silver	/H 89	2	TURBO
3	928 362 118 02	Alloy wheel 9 J X 16 ET 52,3 Silver	/H 90- 90-	2	TURBO 944S2 M030
4	928 362 114 20	Alloy wheel 7 J X 16 ET 65 Silver	/V	2	TURBO
4	928 362 116 20	Alloy wheel 8 J X 16	/H	2	TURBO

Model: 944 89

Model life 1989&gt;&gt;1991

Pos	Part Number	Description	Remark	Qty	Model
5	928 361 032 01	ET 52,3 Silver Hub cap	-89	4	
(5)	928 361 032 02	Silver metallic Hub cap	90-	4	
(5)	PCG 361 032 01	Silver metallic Porsche crest Black Hub cap	90-	4	
(5)	PCG 361 032 02	Silver metallic Porsche crest Black Hub cap	90-	4	
6	928 361 031 00	Silver Hub cap		4	
6	477 601 051 D	Platinum Hub cap		4	
6	477 601 051 G	Platinum-metallic Hub cap		4	
7	999 182 003 36	Wheel nut		20	
8	900 265 001 50	Rubber valve \$ 15,2		4	
8	900 265 001 51	Rubber valve \$ 15,2		4	
9	901 361 410 50	Balance stick-on weight 5 G		X	
9	901 361 410 00	Balance stick-on weight 10 G		X	
9	901 361 411 50	Balance stick-on weight 15 G		X	
9	901 361 411 00	Balance stick-on weight 20 G		X	
9	901 361 412 50	Balance stick-on weight 25 G		X	
9	901 361 412 00	Balance stick-on weight 30 G		X	
9	901 361 413 50	Balance stick-on weight 35 G		X	
9	901 361 413 00	Balance stick-on weight 40 G		X	
9	901 361 414 50	Balance stick-on weight 45 G		X	
9	901 361 414 00	Balance stick-on weight 50 G		X	
9	901 361 415 50	Balance stick-on weight 55 G		X	
9	901 361 415 00	Balance stick-on weight 60 G		X	
9	901 361 416 50	Balance stick-on weight 65 G		X	
9	901 361 416 00	Balance stick-on weight 70 G		X	
9	901 361 417 50	Balance stick-on weight 75 G		X	
9	901 361 417 00	Balance stick-on weight 80 G		X	
10	928 361 421 00	Balance weight 5 G		X	
10	928 361 410 00	Balance weight 10 G		X	

Model: 944 89 Model life 1989>>1991

Pos	Part Number	Description	Remark	Qty	Model
10	928 361 422 00	Balance weight 15 G		X	
10	928 361 411 00	Balance weight 20 G		X	
10	928 361 423 00	Balance weight 25 G		X	
10	928 361 412 00	Balance weight 30 G		X	
10	928 361 424 00	Balance weight 35 G		X	
10	928 361 413 00	Balance weight 40 G		X	
10	928 361 425 00	Balance weight 45 G		X	
10	928 361 414 00	Balance weight 50 G		X	
10	928 361 426 00	Balance weight 55 G		X	
10	928 361 415 00	Balance weight 60 G		X	
10	928 361 416 00	Balance weight 70 G		X	
10	928 361 417 00	Balance weight 80 G		X	
11	928 361 420 01	Retaining clip		X	
12	944 362 030 01	Emergency wheel Steel wheel with collapsible tire		1	944
(12)	928 362 030 02	Emergency wheel Alloy wheel with collapsible tire		1	944S2/TURBO
13	477 813 157	Mounting plate		1	
14	900 075 411 02	Hexagon-head bolt M 10 X 65		1	
(14)	914 722 104 10	Wing screw		1	
15	911 652 052 00	Small electric compressor		1	
15	964 652 053 00	Compressor for emergency wheel		1	
15	993 652 053 00	Compressor for emergency wheel		1	
15	996 652 053 00	Compressor for emergency wheel		1	
15	997 652 051 00	Compressor for emergency wheel		1	
15	997 652 055 00	Compressor for emergency wheel		1	
16	928 361 047 03	Wheel nut Lockable 1 set		1	
16	965 361 955 00	Wheel nut Lockable 1 set		1	
16	968 361 955 00	Wheel nut Lockable 1 set		1	
16	993 361 057 00	Wheel nut Lockable 1 set		1	
17	928 361 306 03	Wheel nut Lockable without lock		4	
18	965 361 167 00	Cap		4	
19	928 361 312 01	Blank key for		X	

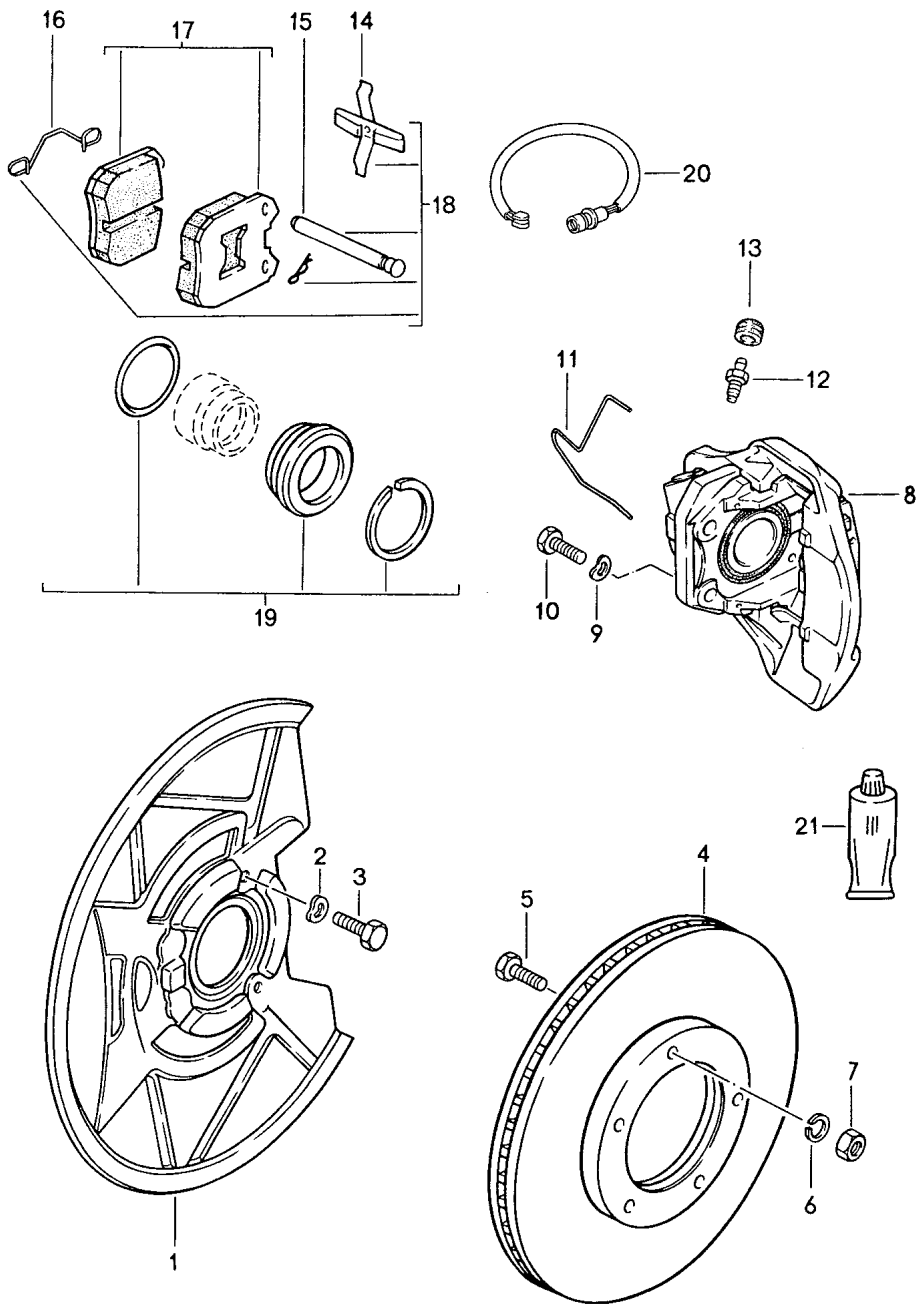
Model: 944 89

Model life 1989&gt;&gt;1991

Pos	Part Number	Description	Remark	Qty	Model
20	900 025 008 09	Wheel nut Lockable Washer A 10,5		1	
20	900 025 008 04	Washer A 10,5		1	

Model: 944 89

Model life 1989>>1991



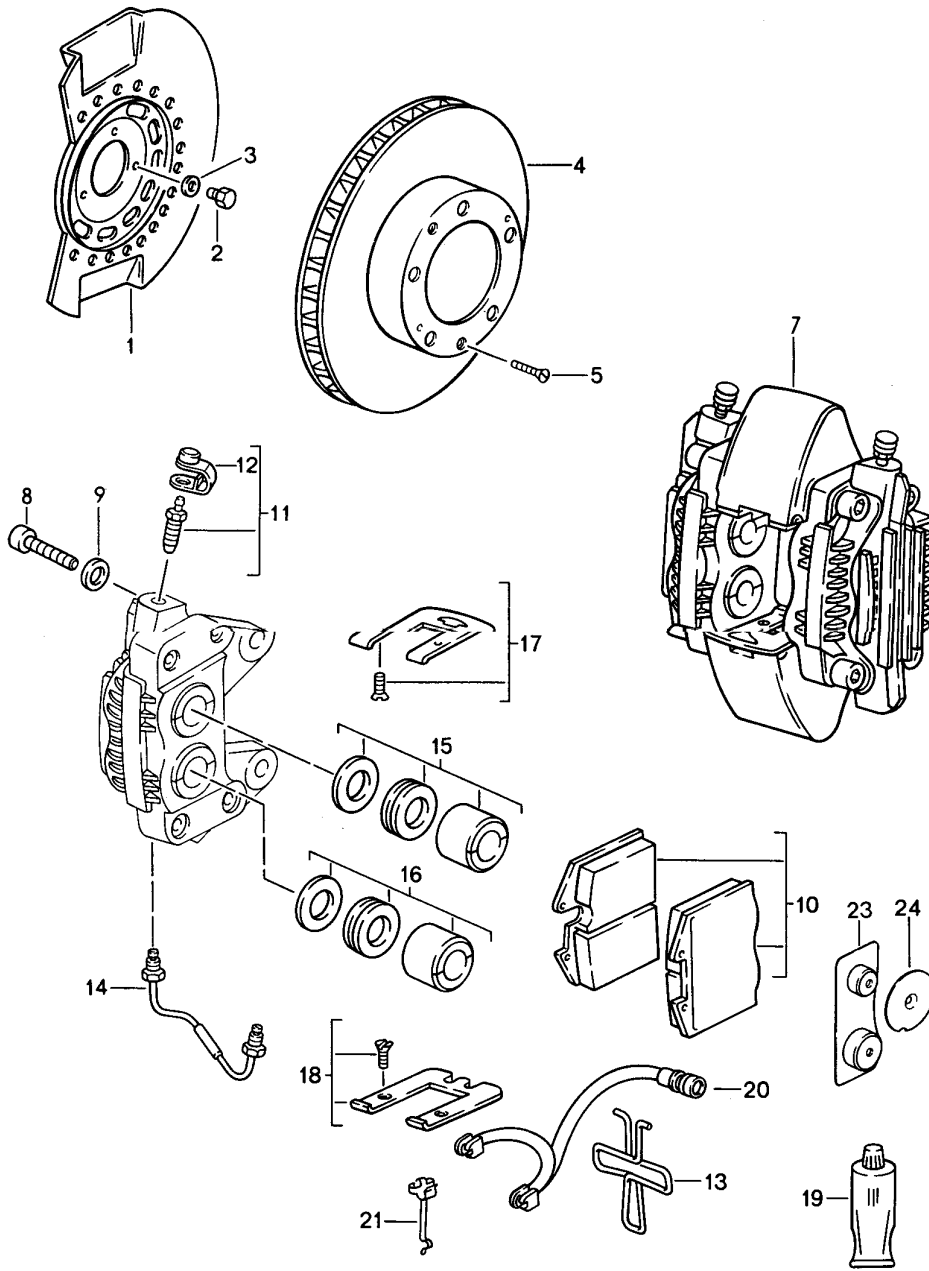
Model: 944 89

Model life 1989>>1991

Pos	Part Number	Description	Remark	Qty	Model
		Disc brake	-89		944
		Front axle			
1	944 351 085 00	Cover plate		2	
1	944 351 085 01	Cover plate		2	
2	N 012 234 5	Spring washer		6	
		B 7			
3	N 010 226 2	Hexagon-head bolt		6	
		M 7 X 10			
4	944 351 041 05	Brake disc		2	
5	900 075 079 02	Hexagon-head bolt		10	
		M 8 X 22			
6	N 012 241 1	Spring washer		10	
		B 8			
7	900 076 025 02	Hexagon nut		10	
		M 8			
7	900 076 064 02	Hexagon nut		10	
		M 8			
8	944 351 429 00	Floating calliper	/L	1	
8	944 351 430 00	Floating calliper	/R	1	
9	900 028 014 02	Washer		4	
		B 12			
9	900 028 014 03	Washer		4	
		B 12			
10	N 040 108 1	Hexagon-head bolt		4	
		M 12 X 1,5 X 40			
11	431 615 169	Guide spring		2	
11	PCG 615 169	Guide spring		2	
12	944 351 957 00	Ventilation valve		2	
13	944 351 959 00	Dust boot		2	
14	928 351 935 00	Expanding spring		2	
15	928 351 936 00	Retaining pin		4	
16	928 351 955 00	Safety seal		2	
17	944 351 951 02	Brake pad repair set		1	
		without asbestos			
17	944 351 951 03	Brake pad repair set		1	
		without asbestos			
18	944 351 952 01	Mounting parts		1	
19	928 351 941 00	Gasket set		1	
20	944 612 212 00	Warning contact		2	
20	944 612 212 06	Warning contact		2	
21	000 043 117 00	Brake cylinder paste		X	
		1 50-g tube			
21	000 043 305 11	Brake cylinder paste		X	
		1 50-g tube			

Model: 944 89

Model life 1989>>1991



Model: 944 89 Model life 1989>>1991

Pos	Part Number	Description	Remark	Qty	Model
		Disc brake Front axle See technical information GR.4, NR.1/89 GR.4, NR.1/93			944S2/TURBO
1	951 351 085 03	Cover plate	/L	1	
(1)	951 351 086 03	Cover plate	/R	1	
2	N 010 226 2	Hexagon-head bolt M 7 X 10		6	
3	N 012 234 5	Spring washer		6	
4	951 351 041 02	Brake disc		2	944S2
(4)	928 351 043 60	Brake disc	/L 90-	1	TURBO 944S2 M030
(4)	928 351 044 60	Brake disc	/R 90-	1	TURBO 944S2 M030
5	N 033 167 1	Countersunk-head screw M 6 X 12		4	
5	900 269 047 01	Countersunk-head screw M 6 X 12		4	
7	951 351 421 01	Fixed calliper with Scraper ring Piston \$ 36/40 F >>94KN4 02629	/L	1	944S2
7	951 351 421 03	Fixed calliper with Protection cap Piston \$ 36/40 F 94KN4 02630>>	/L	1	944S2
7	951 351 093 00	Fixed calliper with Scraper ring Piston \$ 36/44	/L	1	TURBO
7	928 351 421 03	Fixed calliper with Protection cap Piston \$ 36/44	/L 90-	1	TURBO 944S2 M030
(7)	951 351 422 01	Fixed calliper with Scraper ring Piston \$ 36/40 F >>94KN4 02629	/R	1	944S2
(7)	951 351 422 03	Fixed calliper with Protection cap Piston \$ 36/40 F 94KN4 02630>>	/R	1	944S2
(7)	951 351 094 00	Fixed calliper with Scraper ring Piston \$ 36/44	/R	1	TURBO
(7)	928 351 422 03	Fixed calliper with	/R 90-	1	TURBO 944S2



Model: 944 89 Model life 1989>>1991

Pos	Part Number	Description	Remark	Qty	Model
		Protection cap Piston \$ 36/44			M030
8	N 010 137 2	Hexagon-head bolt M 12 X 1,5 X 35		4	944S2
8	900 083 073 01	Hexagon-head bolt M 12 X 1,5 X 35		4	944S2
8	900 067 154 02	Pan-head screw M 12 X 1,5 X 70	90-	4	TURBO 944S2 M030
9	900 028 014 02	Washer B 12		4	944S2
9	900 028 014 03	Washer B 12		4	944S2
9	N 011 564 2	Washer B 13	90-	4	TURBO 944S2 M030
9	N 011 564 4	Washer B 13		4	TURBO 944S2 M030
10	951 351 939 08	Brake pad repair set without asbestos Use also: POS.(24)		1	944S2
10	993 351 939 01	Brake pad repair set without asbestos Use also: POS.(23)		1	TURBO 944S2 M030
11	930 351 919 00	Ventilation valve		4	
12	930 351 927 00	Dust boot		4	
12	930 351 927 01	Dust boot		4	
13	951 352 950 00	Expanding spring		2	944S2
13	928 351 950 01	Expanding spring	90-	2	TURBO 944S2 M030
14	951 351 971 00	Connecting line		2	944S2
14	928 351 971 00	Connecting line	90-	2	TURBO 944S2 M030
15	951 351 919 02	Gasket set with Scraper ring \$ 40 F >>94KN4 02629		2	944S2
15	951 351 919 11	Gasket set with Protection cap \$ 40 F 94KN4 02630>>		2	944S2
15	928 351 919 01	Gasket set with Scraper ring \$ 44		2	TURBO
15	928 351 919 10	Gasket set with Protection cap \$ 44	90-	2	TURBO 944S2 M030
16	951 351 919 01	Gasket set with Scraper ring		2	944S2

Model: 944 89 Model life 1989>>1991

Pos	Part Number	Description	Remark	Qty	Model
16	951 351 919 10	\$ 36 F >>94KN4 02629 Gasket set with Protection cap		2	944S2
16	951 351 919 01	\$ 36 F 94KN4 02630>> Gasket set with Scraper ring		2	TURBO
16	951 351 919 10	\$ 36 Gasket set with Protection cap	90-	2	TURBO 944S2 M030
17	964 351 959 01	\$ 36 Repair kit Spring plate		2	944S2
17	993 351 959 01	Repair kit Spring plate	90-	2	TURBO 944S2 M030
18	964 351 959 00	Repair kit Spring plate		2	944S2
18	993 351 959 00	Repair kit Spring plate	90-	2	TURBO 944S2 M030
19	000 043 020 00	Optimoly TA		X	
(19)	000 043 117 00	1 100-gramme tube Brake cylinder paste		X	
(19)	000 043 305 11	1 50-g tube Brake cylinder paste		X	
20	944 612 365 01	1 50-g tube Warning contact Use also:		2	
21	928 612 361 00	Cable holder		2	
22	951 341 705 00	Cable holder		2	
23	951 351 089 04	Vibration damper for Fixed calliper with Scraper ring		4	TURBO
23	951 351 089 03	\$ 25,2/33,8 Vibration damper for Fixed calliper with Protection cap	90-	4	TURBO 944S2 M030
24	928 351 096 19	\$ 19,7/27,3 Damping plate for Piston with Scraper ring		4	944S2
24	951 351 096 00	\$ 36 F >>94KN4 02629 Damping plate for Piston with Scraper ring		4	944S2
		\$ 40			

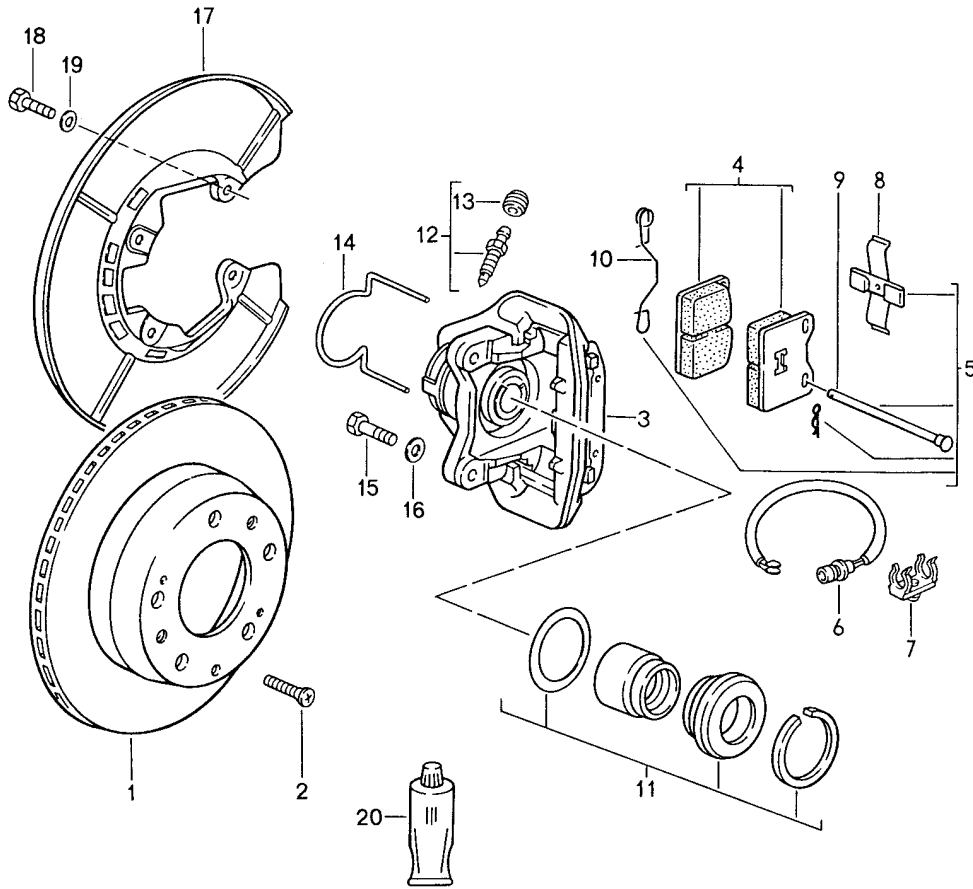
Model: 944 89

Model life 1989&gt;&gt;1991

Pos	Part Number	Description	Remark	Qty	Model
24	964 351 096 01	F >>94KN4 02629 Damping plate for Piston with Protection cap \$ 36		4	944S2
24	964 351 096 02	F 94KN4 02630>> Damping plate for Piston with Protection cap \$ 40 F 94KN4 02630>>		4	944S2

Model: 944 89

Model life 1989>>1991



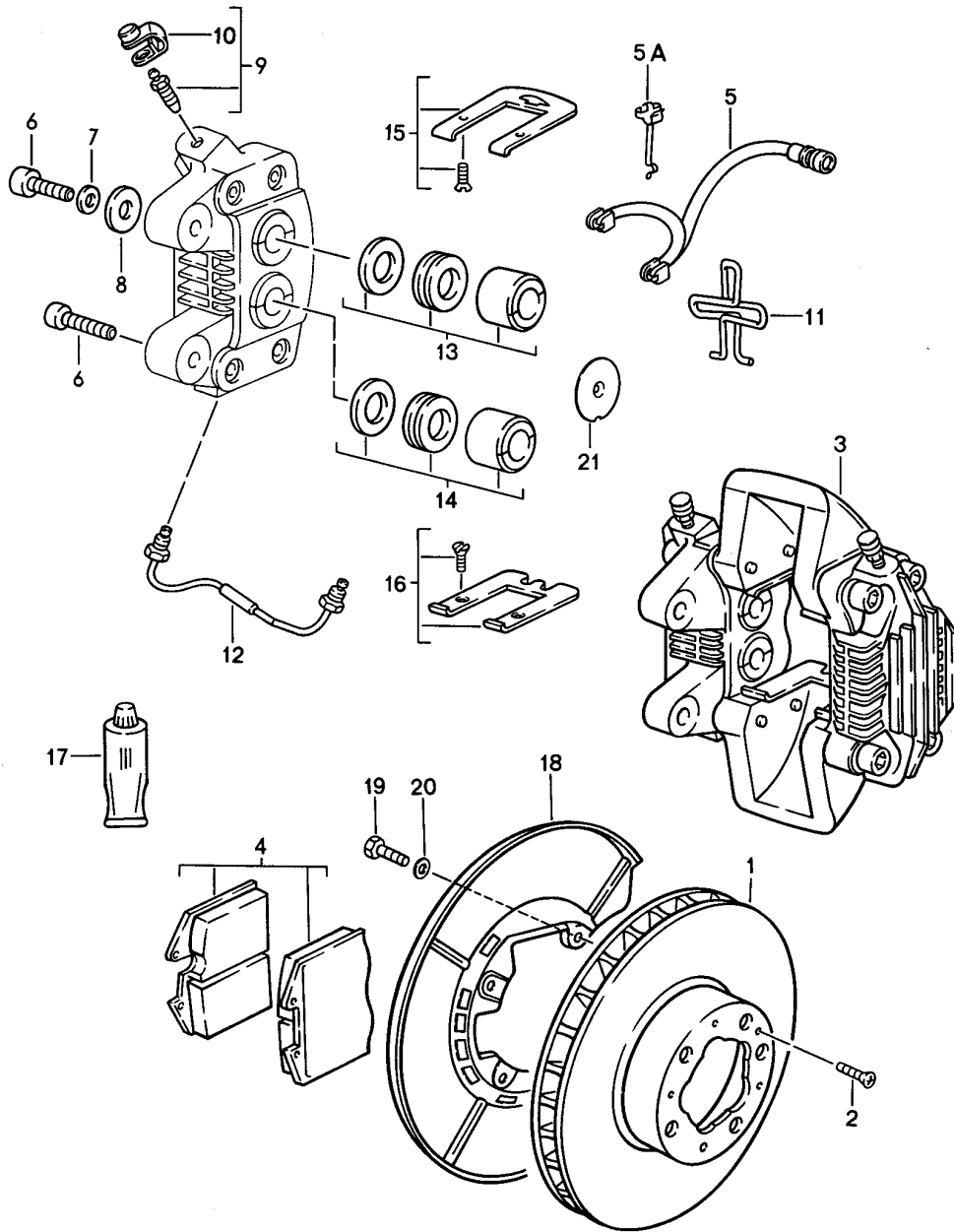
Model: 944 89

Model life 1989>>1991

Pos	Part Number	Description	Remark	Qty	Model
		Disc brake Rear axle	-89		944
1	944 352 041 03	Brake disc		2	
2	N 033 167 1	Countersunk-head screw M 6 X 12		2	
2	900 269 047 01	Countersunk-head screw M 6 X 12		2	
3	944 352 429 00	Floating calliper without pad	/L	1	
3	944 352 430 00	Floating calliper without pad	/R	1	
4	944 352 951 02	Brake pad repair set without asbestos		1	
4	928 352 951 02	Brake pad repair set without asbestos		1	
5	944 352 952 00	Mounting parts for Brake pad repair set		1	
6	944 612 212 01	Warning contact		2	
7	999 651 203 40	Cable holder		2	
8	928 352 935 00	Expanding spring		2	
9	928 351 936 00	Retaining pin		4	
10	944 352 963 00	Safety seal		2	
11	928 352 941 00	Gasket set		2	
12	901 352 977 10	Bleeder valve		2	
13	901 351 927 10	Dust boot		2	
14	944 352 954 00	Guide spring	/R	1	
(14)	944 352 953 00	Guide spring	/L	1	
15	900 082 077 02	Hexagon-head bolt M 12 X 1,5 X 37		4	
15	900 082 145 01	Hexagon-head bolt M 12 X 1,5 X 37		4	
16	900 028 014 02	Washer		4	
16	900 028 014 03	Washer		4	
17	964 352 801 00	Protective plate		2	
18	999 072 005 09	Hexagon nut M 6 X 12		8	
18	999 072 005 01	Hexagon nut M 6 X 12		8	
19	N 012 226 5	Spring washer B 8		8	
20	000 043 117 00	Brake cylinder paste 1 50-g tube		X	
20	000 043 305 11	Brake cylinder paste 1 50-g tube		X	

Model: 944 89

Model life 1989>>1991



Model: 944 89

Model life 1989&gt;&gt;1991

Pos	Part Number	Description	Remark	Qty	Model
		Disc brake Rear axle See technical information GR.4, NR.1/89 GR.4, NR.1/93			944S2/TURBO
1	951 352 041 02	Brake disc		2	
2	N 033 167 1	Countersunk-head screw M 6 X 12		2	
2	900 269 047 01	Countersunk-head screw M 6 X 12		2	
3	951 352 421 00	Fixed calliper with Scraper ring Piston \$ 28/30 F >>95KN1 00218	/L	1	TURBO
3	951 352 421 02	Fixed calliper with Protection cap Piston \$ 28/30 F >>95KN1 00218	/L	1	944S2/TURBO
(3)	951 352 422 00	Fixed calliper with Scraper ring Piston \$ 28/30 F 95KN1 00219>>	/R	1	TURBO
(3)	951 352 422 02	Fixed calliper with Protection cap Piston \$ 28/30 F >>95KN1 00219>>	/R	1	944S2/TURBO
4	951 351 939 08	Brake pad repair set without asbestos Use also: POS. (21)		1	944S2
4	965 352 939 04	Brake pad repair set without asbestos Use also: POS. (21)		1	TURBO 944S2 M030
5	944 612 365 01	Warning contact Use also:		2	
5A	928 612 361 00	Cable holder		2	
6	N 040 108 1	Hexagon-head bolt M 12 X 1,5 X 40		4	
7	900 028 014 02	Washer B 12		4	
7	900 028 014 03	Washer B 12		4	
8	999 025 131 01	Spacer		4	
9	930 351 919 00	Ventilation valve		4	
10	930 351 927 00	Dust boot		4	
10	930 351 927 01	Dust boot		4	
11	951 352 950 00	Expanding spring		2	
12	951 352 971 00	Connecting line		2	
13	951 352 919 11	Gasket set with Protection cap \$ 30		2	944S2
13	951 352 919 00	Gasket set		2	TURBO

Model: 944 89 Model life 1989>>1991

Pos	Part Number	Description	Remark	Qty	Model
13	951 352 919 11	with Scraper ring \$ 30 F >>95KN1 00218 Gasket set		2	TURBO
14	951 352 919 10	with Protection cap \$ 30 F 95KN1 00219>> Gasket set		2	944S2
14	951 352 919 01	with Protection cap \$ 28 Repair kit		2	TURBO
14	951 352 919 10	with Scraper ring \$ 28 F >>95KN1 00218 Gasket set		2	TURBO
15	993 352 959 01	with Protection cap \$ 28 F 95KN1 00219>> Repair kit		2	
16	993 352 959 00	Spring plate Repair kit		2	
17	000 043 020 00	Spring plate Optimoly TA		X	
(17)	000 043 117 00	1 100-gramme tube Brake cylinder paste		X	
(17)	000 043 305 11	Brake cylinder paste 1 50-g tube		X	
18	964 352 801 00	Protective plate		2	
(18)		Protective plate		2	
19	999 072 005 09	Hexagon nut M 6 X 12		8	
19	999 072 005 01	Hexagon nut M 6 X 12		8	
20	N 012 226 5	Spring washer		8	
21	928 352 096 10	Damping plate for Piston		4	TURBO
21	928 352 096 11	with Scraper ring \$ 30 F >>95KN1 00218 Damping plate for Piston		4	TURBO
21	964 352 096 00	with Scraper ring \$ 28 F >>95KN1 00218 Damping plate for Piston		4	TURBO 944S2
21	996 352 086 00	with Protection cap \$ 30 F 95KN1 00219>> Damping plate for		4	TURBO 944S2



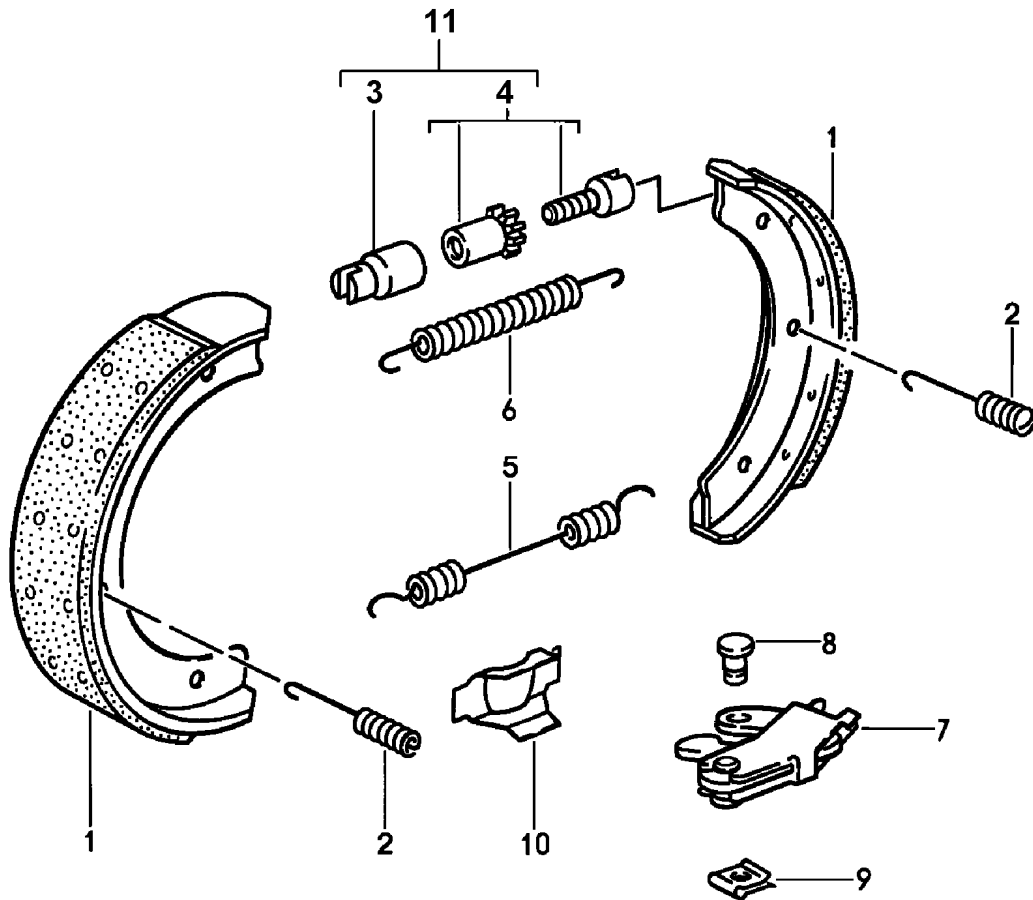
Model: 944 89

Model life 1989>>1991

Pos	Part Number	Description	Remark	Qty	Model
21	964 352 096 01	Piston with Protection cap \$ 30 F 95KN1 00219>> Damping plate for Piston with Protection cap \$ 28 F 95KN1 00219>>		4	TURBO 944S2

Model: 944 89

Model life 1989>>1991

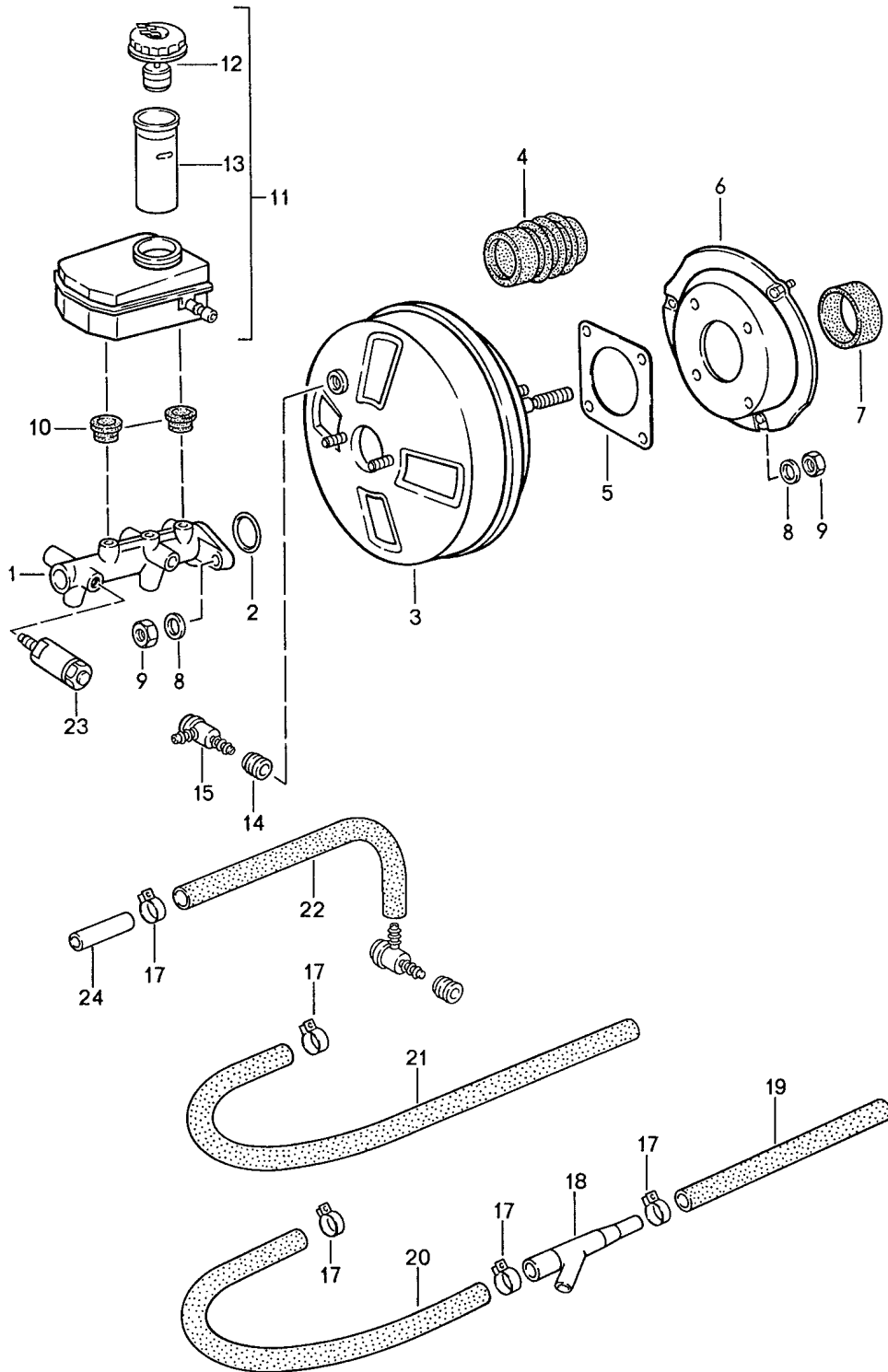


Model: 944 89 Model life 1989>>1991

Pos	Part Number	Description	Remark	Qty	Model
1	996 352 993 00	Handbrake Repair kit		1	
(1)	997 352 993 02	Brake shoe 1 set Only together with Compression spring 996.352.741.00 Adjusting screw 993.352.071.00		1	
2	928 352 957 02	Compression spring		4	
(2)	996 352 741 00	Compression spring Only together with Repair kit 997.352.993.02		4	
3	911 352 944 00	Support bush		2	
4	911 352 098 00	Adjusting screw		2	
4	911 352 098 01	Adjusting screw		2	
5	951 352 454 00	Return spring		2	
5	996 352 723 00	Tension spring		2	
6	901 352 932 10	Return spring		2	
7	951 352 090 00	Expanding bow		2	
8	477 609 459	Bolt		2	
9	N 900 588 01	Lock		2	
10	951 352 807 00	Supporting plate		2	
11	993 352 071 00	Adjusting screw Only together with Repair kit 997.352.993.02		2	
11	298 609 723	Adjusting screw Only together with Repair kit 997.352.993.02		2	

Model: 944 89

Model life 1989>>1991

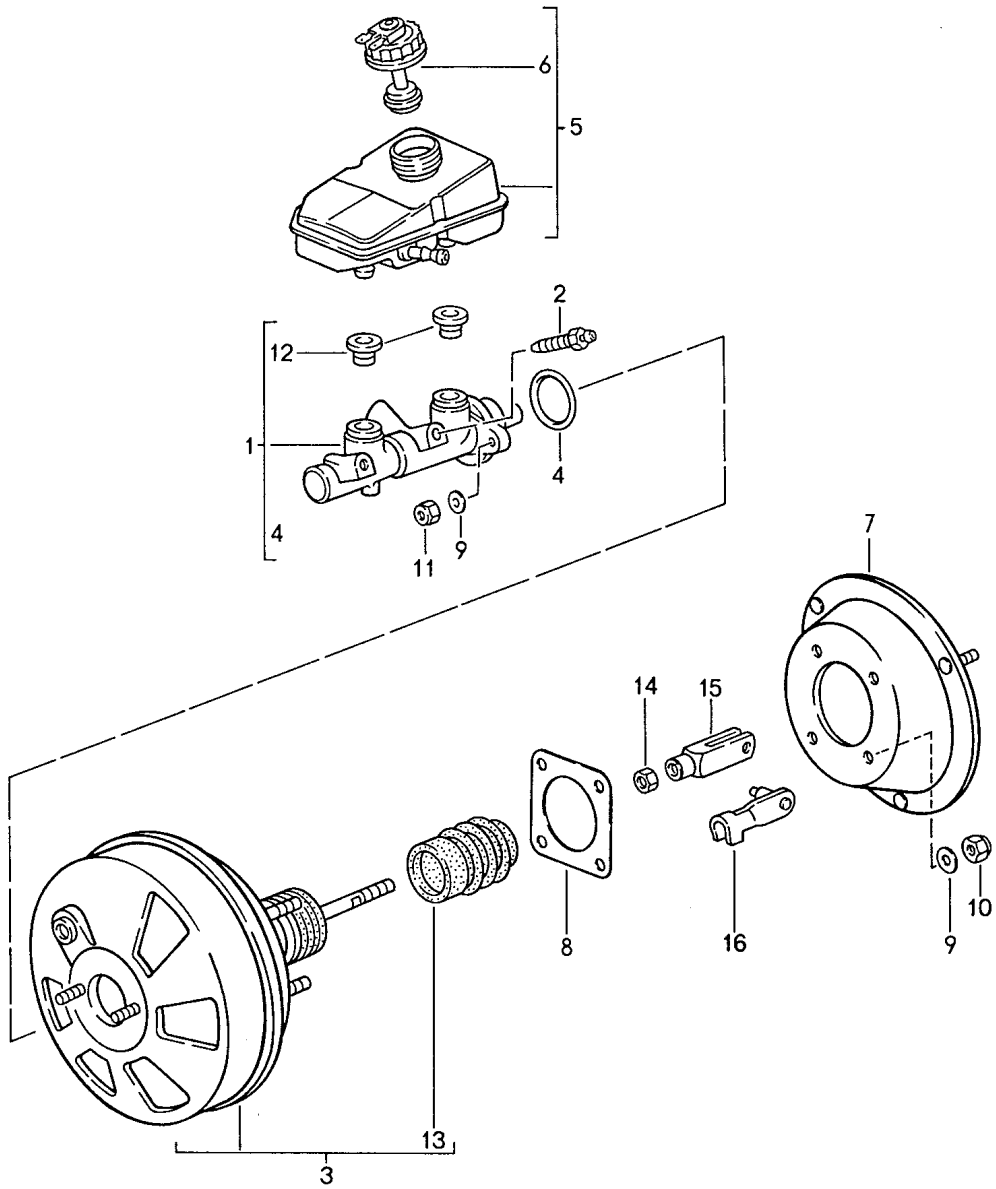


Model: 944 89 Model life 1989>>1991

Pos	Part Number	Description	Remark	Qty	Model
		Brake master cylinder	-90		
		Brake booster			
		Expansion tank			
1	944 355 011 10	Brake master cylinder	/LL	1	944,944S2
		- girling -			
1	951 355 011 01	Brake master cylinder		1	944,944S2
		- ate -			TURBO
		Brake light switch			
		See group			
		9/06/00			
2	251 611 243	Sealing ring		1	
3	944 355 023 10	Brake booster	/LL	1	944,944S2
		- girling -			
3	944 355 023 11	Brake booster		1	944,944S2
		- ate -			TURBO
4	944 355 323 00	Bellows		1	
5	477 611 951	Gasket		1	
6	951 355 021 01	Intermediate flange		1	
7	477 611 969 D	Gasket		1	
8	900 025 007 02	Washer		9	
8	900 025 007 03	Washer		9	
9	900 076 025 02	Hexagon nut		9	
		M 8			
9	900 076 064 02	Hexagon nut		9	
		M 8			
10	911 355 922 00	Sealing plug		2	
11	951 355 303 02	Expansion tank		1	
12	951 355 351 00	Lid		1	
		with float			
13	951 355 385 00	Restrictor bush		1	
14	911 355 921 00	Rubber seal		1	
14	955 355 921 00	Rubber seal		1	
15	477 611 933 A	Check valve		1	
15	191 611 933 F	Check valve		1	TURBO
17	999 512 346 00	Hose clamp		3	
18	035 133 753 A	Venturi tube		1	AUT.
18	035 133 753 B	Venturi tube		1	AUT.
-	999 239 011 40	Hose		*	
		12 X 19			
19		140 MM		1	AUT.
20	944 110 219 01	Moulded hose		1	AUT.
21	944 110 219 00	Moulded hose		1	944
(21)	944 110 435 02	Moulded hose		1	944S2
(21)	951 110 223 01	Moulded hose		1	TURBO
(21)	951 110 223 02	Moulded hose		1	TURBO
-	321 611 813	T-piece		1	TURBO
-	N 024 125 2	Hose clamp		2	TURBO
22	951 110 223 01	Moulded hose		1	TURBO
(22)	951 110 223 02	Moulded hose		1	TURBO
23	928 355 305 02	Regulator		1	944
23	951 355 305 01	Brake pressure regulator		1	944S2/TURBO
24	999 137 029 40	Hose connection		1	TURBO
-	951 355 023 02	Heat shield		1	TURBO
-	999 072 005 09	Hexagon nut		3	TURBO
		M 6 X 12			
-	999 072 005 01	Hexagon nut		3	TURBO
		M 6 X 12			
-	900 076 010 02	Nut		3	TURBO
		M 6			
-	900 076 010 0B	Nut		3	TURBO
		M 6			
-	N 011 547 1	Washer		6	TURBO
		A 6,5			

Model: 944 89

Model life 1989>>1991

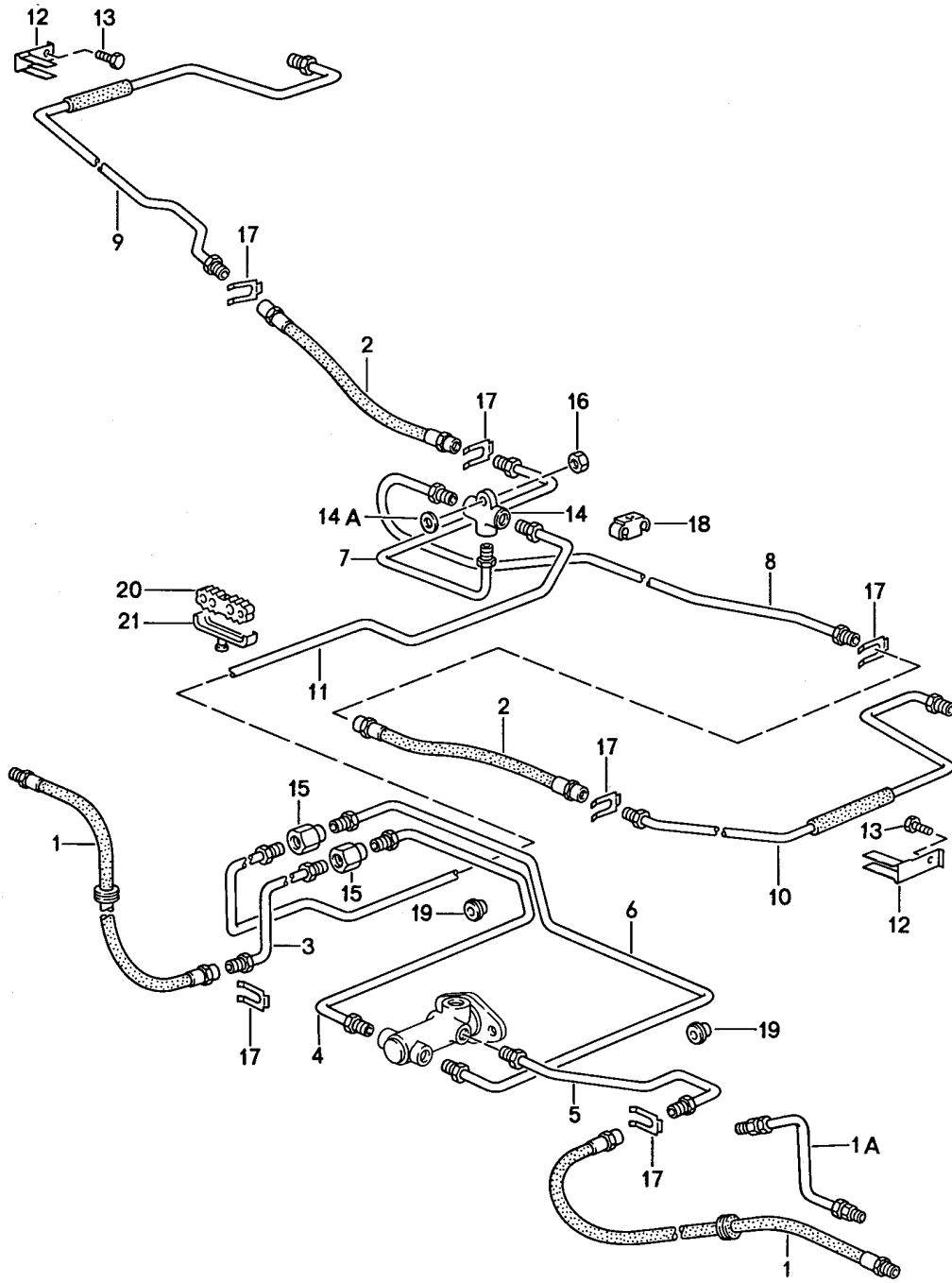


Model: 944 89 Model life 1989>>1991

Pos	Part Number	Description	Remark	Qty	Model
		Brake master cylinder Brake booster Expansion tank Anti-lock brake system			M593
1	951 355 011 01	Brake master cylinder - ate - Use also: POS.2		1	
2	930 351 919 00	Ventilation valve		1	
3	944 355 023 11	Brake booster - ate -		1	
4	251 611 243	Sealing ring		1	
5	951 355 303 02	Expansion tank		1	
6	951 355 351 00	Lid		1	
7	951 355 021 01	Intermediate flange		1	
8	477 611 951	Gasket		1	
9	900 025 007 02	Washer A 8,4		9	
9	900 025 007 03	Washer A 8,4		9	
10	900 910 022 09	Lock nut M 8		7	
10	900 910 022 03	Lock nut M 8		7	
11	999 084 425 02	Lock nut M 8		2	
12	911 355 922 00	Sealing plug		2	
13	944 355 323 00	Bellows		1	
14	N 011 010 6	Hexagon nut M 10		1	
14	N 101 552 10	Hexagon nut M 10		1	
15	999 166 061 30	Clevis		1	
16	N 023 476 1	Bolt		1	

Model: 944 89

Model life 1989>>1991



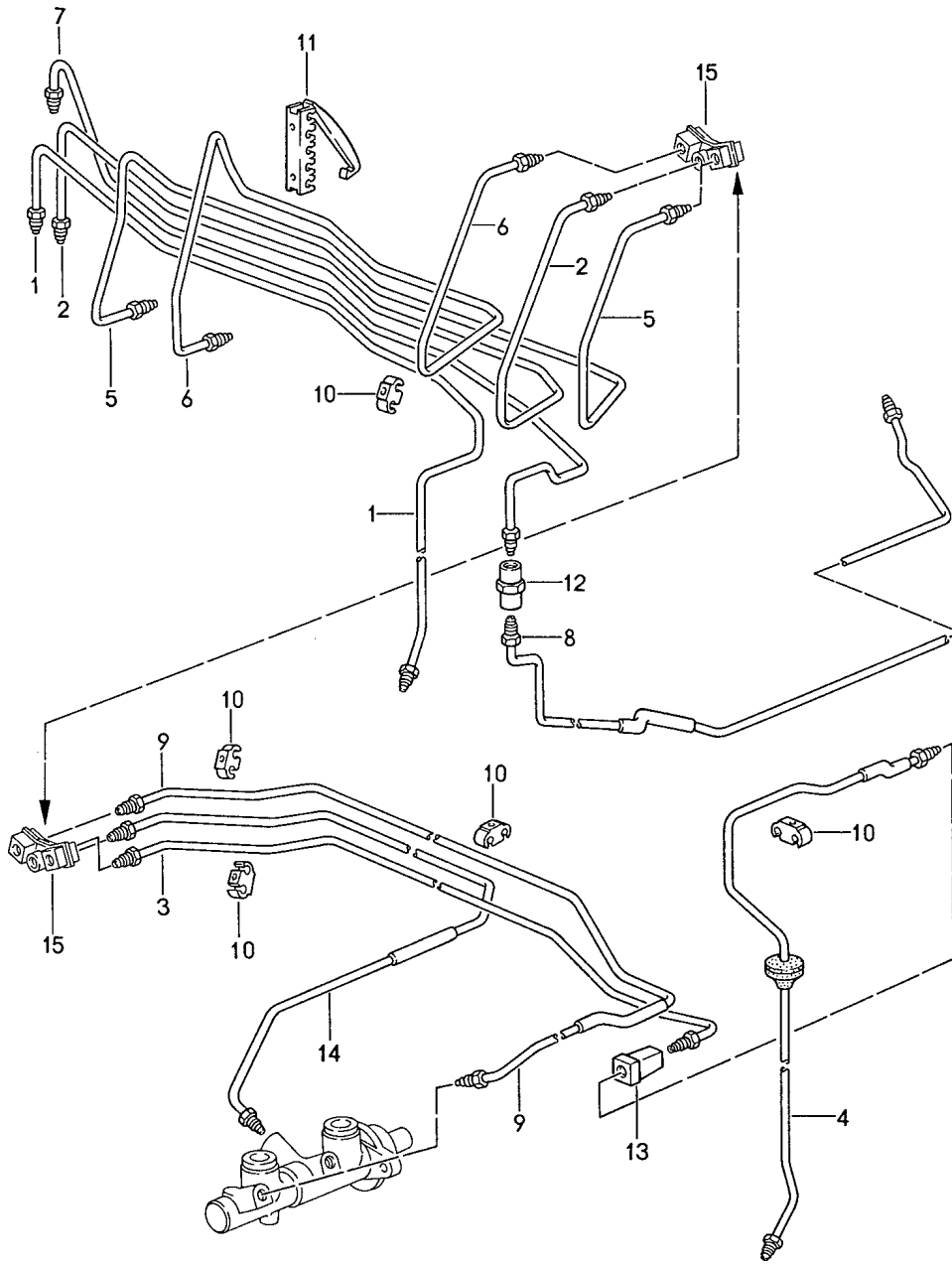


Model: 944 89 Model life 1989>>1991

Pos	Part Number	Description	Remark	Qty	Model
1	944 355 079 01	Brake lines		2	
1	951 355 079 31	Brake hose	/V	2	TURBO
		Brake hose	89-		944S2
					M030
1A	951 355 041 30	Brake line	/L	1	TURBO
			90-		944S2
					M030
(1A)	951 355 042 30	Brake line	/R	1	TURBO
			90-		944S2
					M030
2	944 355 081 01	Brake hose	/H	2	
3	951 355 032 10	Brake line	/R	1	COUPE
(3)	941 355 032 05	Brake line	/R 89-	1	CABRIO
4	951 355 031 15	Brake line	/R	1	
5	951 355 029 10	Brake line	/L	1	COUPE
(5)	941 355 029 05	Brake line	/L 89-	1	CABRIO
6	951 355 033 10	Brake line		1	944S2/TURBO
6	944 355 034 10	Brake line		1	944
7	951 355 062 03	Brake line	/R	1	
8	951 355 061 02	Brake line	/L	1	
9	951 355 036 02	Brake line	/R	1	
9	951 355 036 03	Brake line	/R	1	
10	951 355 035 02	Brake line	/L	1	
10	951 355 035 03	Brake line	/L	1	
11	951 355 037 02	Brake line		1	COUPE
(11)	941 355 037 12	Brake line	89-	1	CABRIO
12	477 611 783	Support		2	
13	N 010 210 13	Hexagon-head bolt		2	
14	914 355 667 00	Distributor		1	
14A	N 015 404 1	Washer		1	
14A	900 223 030 02	Washer		1	
14A	900 223 003 02	Washer		1	
(15)	944 355 083 02	Spacer sleeve		1	
16	N 011 116 5	Hexagon nut		1	
17	113 611 715 A	Brake hose bracket		8	
18	811 611 797	Clip		12	
19	951 355 755 00	Rubber sleeve		4	
20	999 591 975 40	Rubber mounting		8	
21	999 511 199 40	Clamp		8	

Model: 944 89

Model life 1989>>1991



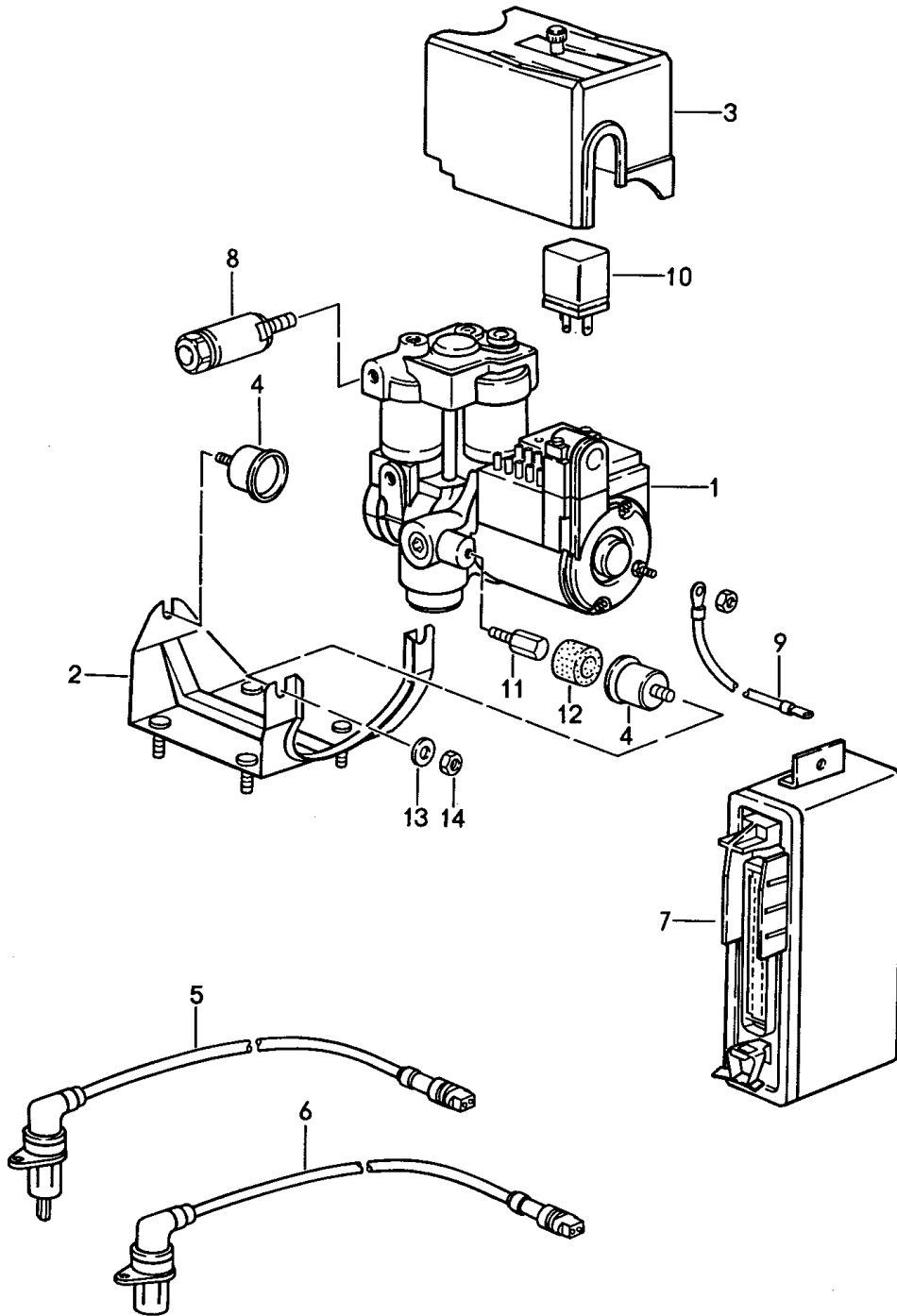
Model: 944 89

Model life 1989>>1991

Pos	Part Number	Description	Remark	Qty	Model
		Brake lines			M593
		Anti-lock brake system			
1	944 355 045 10	Brake line	/R	1	COUPE
(1)	941 355 045 05	Brake line	/R	1	CABRIO
2	944 355 047 15	Brake line	/L	1	
3	944 355 049 00	Brake line	/L	1	
4	944 355 051 01	Brake line	/L	1	COUPE
(4)	941 355 051 05	Brake line	/L	1	CABRIO
5	944 355 073 10	Brake line	/V	1	
5	944 355 073 13	Brake line	/V	1	
6	944 355 055 10	Brake line	/H	1	
7	944 355 069 00	Brake line	/H	1	944
7	944 355 061 00	Brake line	/H	1	944S2/TURBO
8	951 355 059 01	Brake line	/H	1	COUPE
(8)	941 355 059 12	Brake line	/H	1	CABRIO
9	944 355 034 10	Brake line		1	
10	811 611 797	Clip		6	
11	928 355 637 01	Support		1	
12	914 355 661 00	Intermediate piece		1	
13	944 355 665 00	Intermediate piece		1	
14	951 355 031 15	Brake line		1	
15	944 355 083 03	Intermediate piece		1	

Model: 944 89

Model life 1989>>1991



Model: 944 89 Model life 1989>>1991

Pos	Part Number	Description	Remark	Qty	Model
		Hydraulic unit Anti-lock brake system			M593
1	951 355 913 00	Hydraulic unit		1	
1		Hydraulic unit		1	
2	944 355 063 00	Support		1	
3	928 355 960 01	Cap		1	
4	944 355 631 00	Bearing sleeve		3	
5	928 606 404 02	Speed sensor	/V	2	
6	944 606 401 02	Speed sensor	/H	2	
7	928 618 118 00	Control unit		1	
7	928 618 118 X	Control unit		1	
8	951 355 305 01	Brake pressure regulator		1	944S2/TURBO
8	928 355 305 02	Regulator		1	944
9	928 612 189 01	Ground strap		1	
10	928 618 931 01	Relay for Valve		1	
10	928 618 930 01	Relay for Engine		1	
11	944 355 667 00	Bolt M 6		3	
12	437 614 177	Rubber buffer		3	
13	N 011 666 7	Washer B 6,4		3	
14	N 011 062 3	Cap nut M 6		3	

Model: 944 89

Model life 1989>>1991



Model: 944 89 Model life 1989>>1991

Pos	Part Number	Description	Remark	Qty	Model
		Repair kits See technical information GR.4, NR.1/89 GR.4, NR.4/90 GR.4, NR.1/91			
>>	944 351 951 02	Brake pad repair set without asbestos Comprising: Brake pad	/V -89	1	944
>>	944 351 951 03	Brake pad repair set without asbestos Comprising: Brake pad	/V	4	944
>>	944 351 952 01	Mounting parts for Brake pad repair set Comprising:	/V -89	1	944
-	928 351 935 00	Expanding spring		2	
-	928 351 936 00	Retaining pin		4	
-	928 351 955 00	Safety seal		2	
>>	928 351 941 00	Gasket set for Floating calliper Comprising: Gasket	/V -89	2	944
>>	951 351 939 08	Protection cap Clamping washer Brake pad repair set without asbestos Comprising: Brake pad	/V	1	944S2
-	951 351 096 00	Use also: Damping plate for Piston with Scraper ring \$ 40 MM		4	
-	928 351 096 19	F >>94KN4 02629 Damping plate for Piston with Scraper ring \$ 36 MM		4	
-	964 351 096 02	F >>94KN4 02629 Damping plate for Piston with Protection cap \$ 40 MM		4	
-	964 351 096 01	F 94KN4 02630>> Damping plate for Piston with Protection cap \$ 36 MM		4	
>>	951 351 919 02	F 94KN4 02630>> Gasket set for Fixed calliper	/V	2	944S2

Model: 944 89 Model life 1989>>1991

Pos	Part Number	Description	Remark	Qty	Model
>>	951 351 919 11	Comprising: Piston \$ 40 MM Sealing ring Scraper ring F >>94KN4 02629 Gasket set for Fixed calliper	/V	2	944S2
>>	951 351 919 01	Comprising: Piston \$ 40 MM Sealing ring Protection cap F 94KN4 02630>> Gasket set for Fixed calliper	/V	2	944S2
>>	951 351 919 10	Comprising: Piston \$ 36 MM Sealing ring Scraper ring F >>94KN4 02629 Gasket set for Fixed calliper	/V	2	944S2
>>	964 351 959 01	Comprising: Piston \$ 36 MM Sealing ring Protection cap F 94KN4 02630>> Repair kit	/V	2	944S2
>>	964 351 959 00	Comprising: Spring plate Countersunk-head screw Repair kit	/V	2	944S2
>>	993 351 939 01	Comprising: Spring plate Countersunk-head screw Brake pad repair set	/V	1	TURBO
>>		Brake pad repair set without asbestos	/V 90-	1	TURBO 944S2 M030
-	951 351 089 04	Comprising: Brake pad Use also: Vibration damper for Fixed calliper with Scraper ring \$ 25,2/33,8		4	TURBO
-	951 351 089 03	Vibration damper for Fixed calliper with Protection cap \$ 19,7/27,3	90-	4	TURBO 944S2 M030
>>	928 351 919 01	Gasket set for	/V	2	TURBO



Model: 944 89 Model life 1989>>1991

Pos	Part Number	Description	Remark	Qty	Model
>>	928 351 919 10	Fixed calliper Comprising: Piston \$ 44 MM Sealing ring Scraper ring Gasket set for Fixed calliper Comprising: Piston \$ 44 MM Sealing ring	/V	1 1 1 2	TURBO
>>	951 351 919 01	Protection cap Gasket set for Fixed calliper Comprising: Piston \$ 36 MM Sealing ring	/V	1 2	TURBO
>>	951 351 919 10	Scraper ring Gasket set for Fixed calliper Comprising: Piston \$ 36 MM Sealing ring	/V	1 2	TURBO
>>	993 351 959 01	Protection cap Repair kit Comprising: Spring plate Countersunk-head screw	/V	1 2 2	TURBO
>>	993 351 959 00	Repair kit Comprising: Spring plate Countersunk-head screw	/V	2 2	TURBO
>>	944 352 951 02	Brake pad repair set without asbestos	/H -89	1	944
>>	928 352 951 02	Brake pad repair set without asbestos	/H	1	944
>>	944 352 952 00	Mounting parts for Brake pad repair set Comprising: Expanding spring Retaining pin Retaining spring	/H -89	1 2 4 2 2	944
>>	928 352 941 00	Safety seal Gasket set for Floating calliper Comprising: Gasket Protection cap Clamping washer Slide	/H -89	4 2 1 1 1 2	944
>>	951 351 939 08	Brake pad repair set without asbestos Comprising: Brake pad Use also:	/H	1 4	944S2

Model: 944 89

Model life 1989&gt;&gt;1991

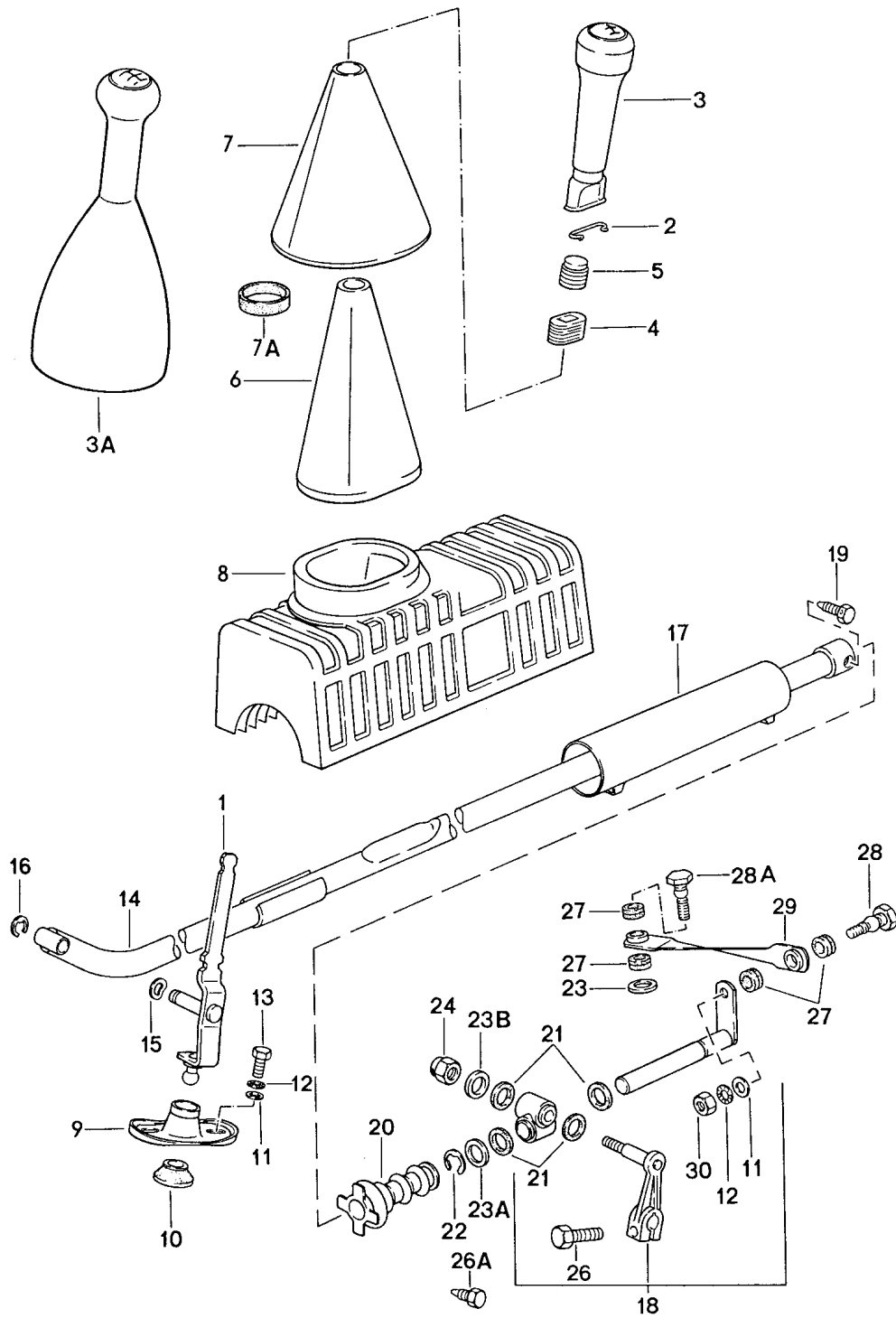
Pos	Part Number	Description	Remark	Qty	Model
-	964 352 096 00	Damping plate for Piston \$ 30 MM		4	
-	996 352 086 00	Damping plate for Piston \$ 30 MM		4	
-	964 352 096 01	Damping plate for Piston \$ 28 MM		4	
>>	965 352 939 04	Brake pad repair set without asbestos	/H	1	TURBO 944S2 M030
		Comprising: Brake pad		4	
		Use also:			
-	928 352 096 10	Damping plate for Piston with Scraper ring \$ 30 F >>95KN1 00218		4	TURBO
-	928 352 096 11	Damping plate for Piston with Scraper ring \$ 28 F >>95KN1 00218		4	TURBO
-	964 352 096 00	Damping plate for Piston with Protection cap \$ 30 F 95KN1 00219>>		4	TURBO 944S2
-	996 352 086 00	Damping plate for Piston with Protection cap \$ 30 F 95KN1 00219>>		4	TURBO 944S2
-	964 352 096 01	Damping plate for Piston with Protection cap \$ 28 F 95KN1 00219>>		4	TURBO 944S2
>>	951 352 919 11	Gasket set for Fixed calliper Comprising: Piston \$ 30 MM Sealing ring Protection cap	/H	2	944S2
				1	
				1	
>>	951 352 919 00	Gasket set for	/H	2	TURBO

Model: 944 89 Model life 1989>>1991

Pos	Part Number	Description	Remark	Qty	Model
>>	951 352 919 11	Fixed calliper Comprising: Piston \$ 30 MM Sealing ring Scraper ring F >>95KN1 00218	/H	1 1 1	
>>	951 352 919 10	Gasket set for Fixed calliper Comprising: Piston \$ 30 MM Sealing ring Protection cap F 95KN1 00219>>	/H	2	TURBO
>>	951 352 919 01	Gasket set for Fixed calliper Comprising: Piston \$ 28 MM Sealing ring Protection cap Repair kit for Fixed calliper Comprising: Piston \$ 28 MM Sealing ring Scraper ring F >>95KN1 00218	/H	1 1 1 2	944S2 TURBO
>>	951 352 919 10	Gasket set for Fixed calliper Comprising: Piston \$ 28 MM Sealing ring Scraper ring F >>95KN1 00218	/H	2	TURBO
>>	993 352 959 01	Gasket set for Fixed calliper Comprising: Piston \$ 28 MM Sealing ring Protection cap F 95KN1 00219>> Repair kit Comprising: Spring plate Countersunk-head screw	/H	1 1 1 2	944S2 TURBO
>>	993 352 959 00	Repair kit Comprising: Spring plate Countersunk-head screw	/H	2 1 2	944S2 TURBO

Model: 944 89

Model life 1989>>1991



Model: 944 89 Model life 1989>>1991

Pos	Part Number	Description	Remark	Qty	Model
		Actuator for Manual transmission See technical information GR.3 NR.3/92			
1	477 711 205 D	Gearshift lever		1	
2	477 711 269	Retainer spring		1	
3	477 711 289 A	Gearshift knob Leatherette	-90	1	
	477 711 289 A 01C	Black			
	477 711 289 A 9JJ	Marine blue			
	477 711 289 A 9MM	Burgundy			
3	477 711 289 B	Gearshift knob Leatherette	-90	1	
	477 711 289 B 01C	Black			
3A	944 424 075 00	Gearshift knob with Boot Leather		1	
	944 424 075 00 1AJ	Black			
	944 424 075 00 7LD	Burgundy	-90		
	944 424 075 00 2KR	Marine blue	-90		
	944 424 075 00 F04	Cobalt blue	91-		
	944 424 075 00 5YW	Classic grey	91-		
4	477 711 219	Vibration damper	-90	1	
(4)	931 424 111 00	Vibration damper		1	M018/416 M431
5	477 711 217	Vibration damper	-90	1	
(5)	931 424 110 00	Vibration damper		1	M018/416 M431
6	477 711 270 B	Inner sleeve F >>94MS4 00095 F >>94MS4 30323		1	
(6)	944 424 139 01	Bellows F 94MS4 00096>> F 94MS4 30324>>		1	
-	944 424 134 01	Retaining frame F 94MS4 00096>> F 94MS4 30324>>		1	
-	N 014 740 2	Pan-head screw M 6 X 16 F 94MS4 00096>> F 94MS4 30324>>		4	
-	N 014 740 11	Pan-head screw M 6 X 16 F 94MS4 00096>> F 94MS4 30324>>		4	
-	900 031 011 02	Washer A 6,4 F 94MS4 00096>> F 94MS4 30324>>		4	
7	944 424 023 00	Boot	-90	1	
	944 424 023 00 05T	Black			
	944 424 023 00 3MX	Burgundy			
	944 424 023 00 1KX	Marine blue			
7	944 424 023 01	Boot		1	
	944 424 023 01 05T	Black			
7A	477 711 257	Rubber ring	-90	1	
8	477 711 239	Sound absorber F >>94MS4 00095 F >>94MS4 30323		1	
(8)	944 424 180 00	Sound absorber F 94MS4 00096>>		1	

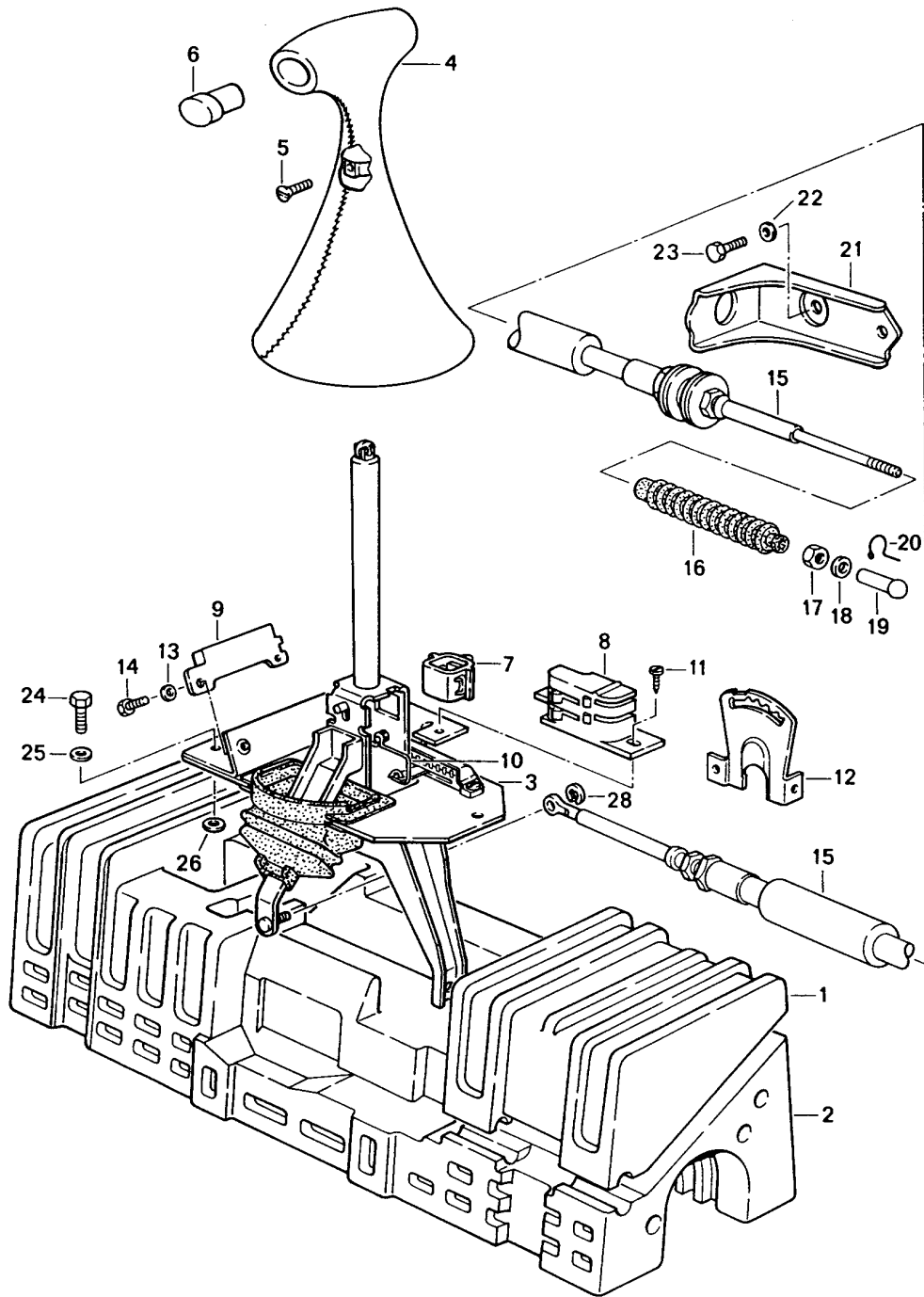
Model: 944 89

Model life 1989&gt;&gt;1991

Pos	Part Number	Description	Remark	Qty	Model
9	944 424 229 00	F 94MS4 30324>> Bearing bracket		1	
10	944 424 231 01	Bearing shell		1	
11	900 025 007 02	Washer A 8,4		3	
11	900 025 007 03	Washer A 8,4		3	
12	N 012 108 2	Serrated lock washer 8,4		3	
13	N 010 237 6	Hexagon-head bolt M 8 X 12		2	
13	N 010 237 14	Hexagon-head bolt M 8 X 12		2	
14	944 424 019 00	Gear shift rod		1	
15	900 028 005 02	Spring washer A 10		1	
16	900 116 005 02	Lock washer		1	
17	477 711 285	Protective tube		1	
18	944 424 013 02	Intermediate shift lever		1	
19	823 711 833	Hexagon-head bolt		1	
20	477 711 159 B	Bellows		1	
21	477 711 149	Sealing ring		4	
22	N 012 415 1	Circlip 15 X 1		1	
23	999 025 096 02	Washer		2	
23A	477 711 139 A	Washer		1	
23B	477 711 139	Washer		1	
24	900 910 003 02	Lock nut M 8		2	
24	900 910 003 04	Lock nut VM 8		2	
25	N 012 241 11	Spring washer B 8 X 15		2	
26	443 711 189 A	Hexagon-head bolt		1	
26A		Hexagon-head bolt		1	
27	477 711 155 A	Sealing ring		4	
28	944 424 147 00	Ball pin		1	
28A	477 711 147 A	Ball pin		1	
29	944 424 141 00	Joint rod		1	

Model: 944 89

Model life 1989>>1991



Model: 944 89

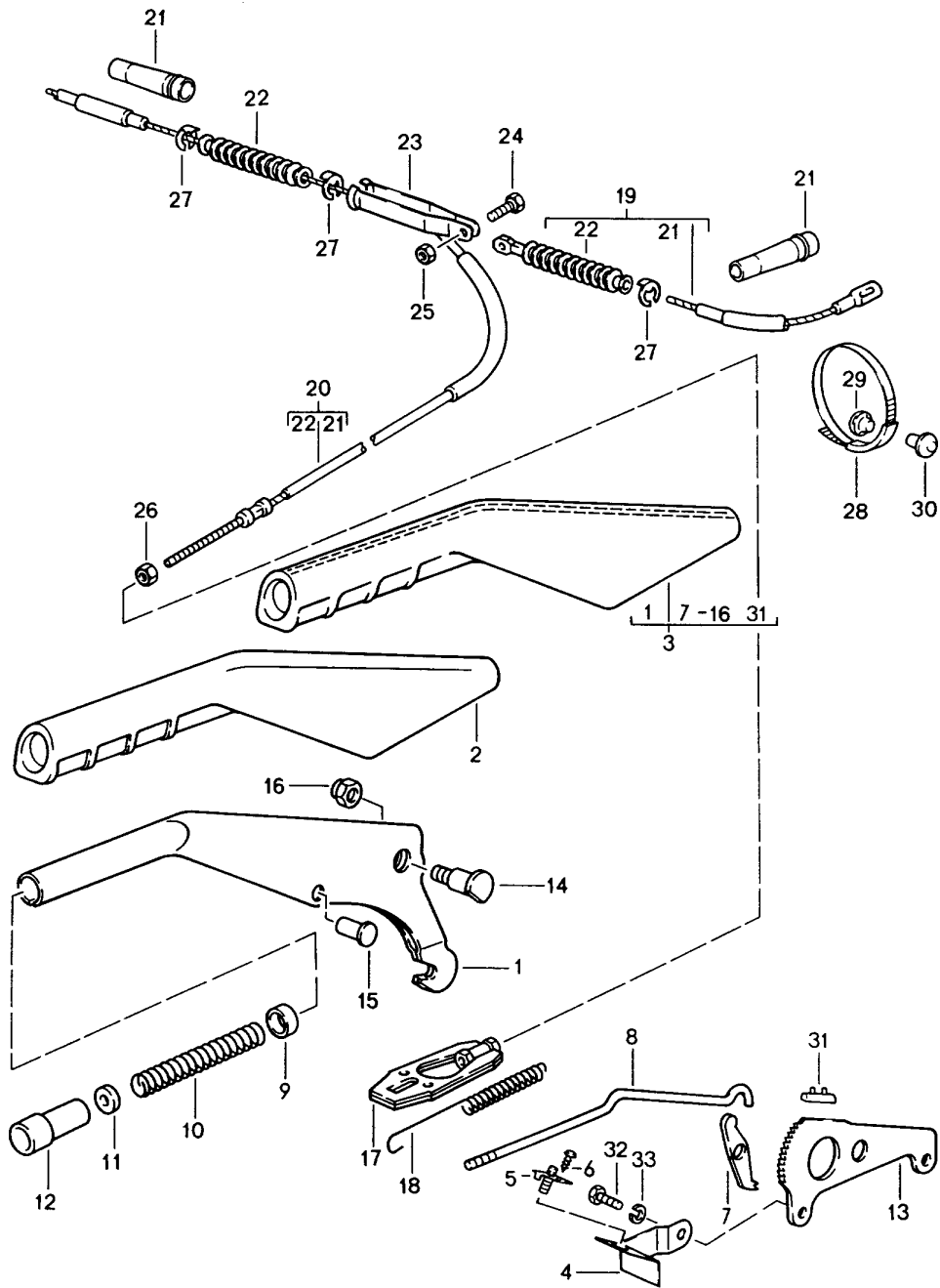
Model life 1989&gt;&gt;1991

Pos	Part Number	Description	Remark	Qty	Model
1	944 426 181 00	Actuator for Automatic transmission Sound absorber Upper part		1	
2	944 426 182 01	Sound absorber Lower part		1	
3	944 426 025 01	Shift mechanism		1	
4	928 426 075 00	Selector knob	/LL	1	
	928 426 075 00 1AJ	Black			
	928 426 075 00 7LD	Burgundy			
	928 426 075 00 8KY	Marine blue			
(4)	927 426 075 00	Selector knob	/RL	1	
	927 426 075 00 1AJ	Black			
	927 426 075 00 7LD	Burgundy			
	927 426 075 00 8KY	Marine blue			
5	N 014 121 6	Oval-head screw M 4 X 6		2	
6	928 426 275 01	Key		1	
7	171 927 145 A	Contacts		1	
8	311 927 147 B	Support for contact		1	
9	944 612 061 01	Switch		1	
10	944 613 621 01	Contact spring		1	
11	N 013 968 1	Oval-head sheetmetal screw B 4,8 X 13		2	
12	944 426 109 01	Detent		1	
13	900 025 003 02	Washer A 5,3		2	
14	900 075 001 03	Hexagon-head bolt M 5 X 8		2	
15	944 426 033 03	Cable		1	
16	477 609 715	Sealing sleeve		1	
17	N 011 005 14	Hexagon nut M 5		1	
17	900 076 091 01	Hexagon nut M 5		1	
18	N 011 665 3	Washer B 5,3		1	
18	N 011 665 16	Washer B 5,3		1	
19	911 423 147 00	Ball socket		1	
20	900 169 014 02	Securing clip		1	
20	900 169 014 01	Securing clip		1	
21	477 713 281 A	Retaining bracket		1	
22	900 025 007 02	Washer B 8		2	
22	900 025 007 03	Washer B 8		2	
23	900 075 085 02	Hexagon-head bolt M 8 X 20		2	
24	N 010 217 9	Hexagon-head bolt M 6 X 20		3	
25	N 011 524 7	Washer B 6		3	
25	N 011 524 27	Washer B 6		3	
26	N 900 067 01	Washer A 6,4 X 18 X 4		3	
28	N 012 325 1	Lock washer		1	



Model: 944 89

Model life 1989>>1991



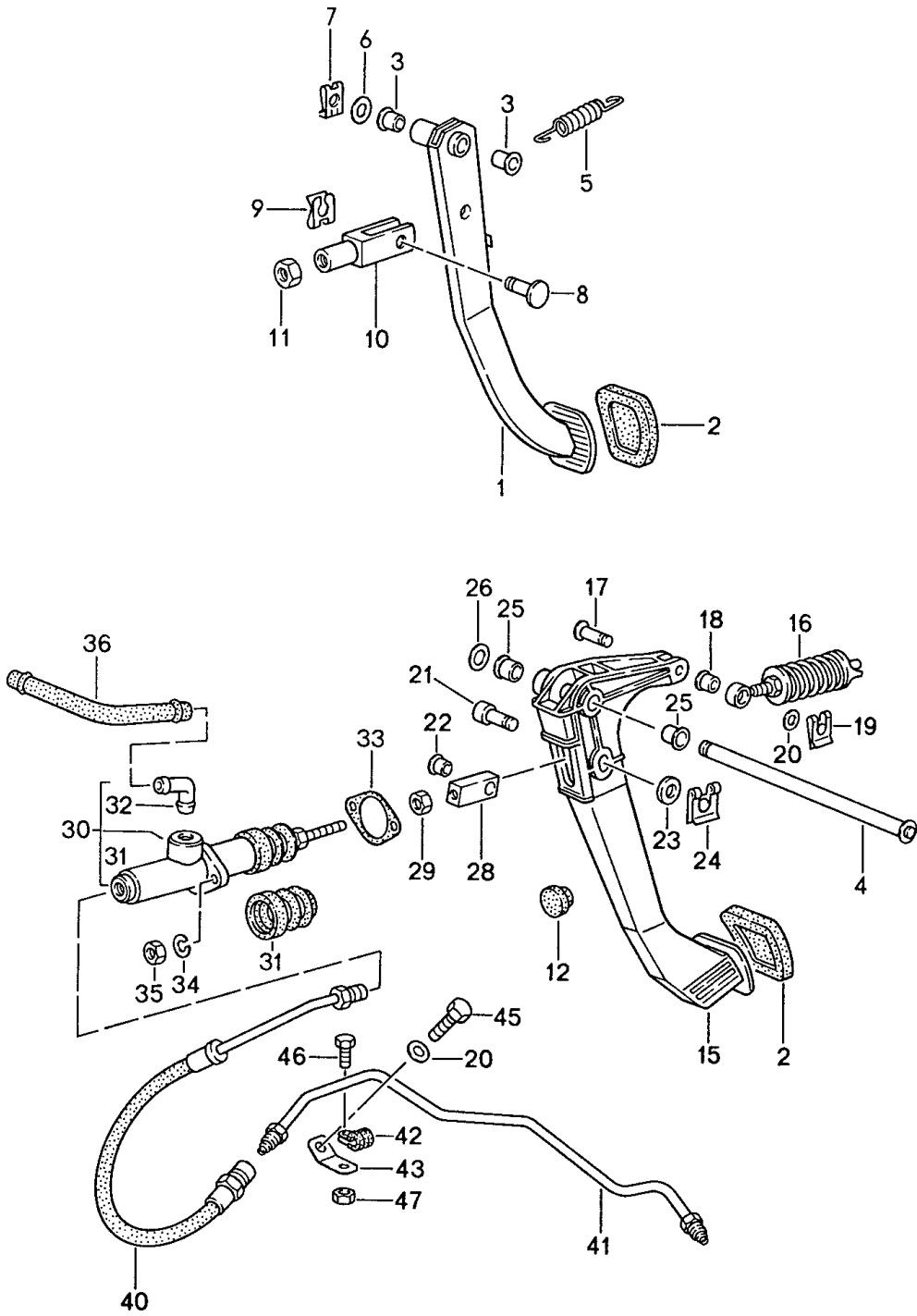
Model: 944 89

Model life 1989&gt;&gt;1991

Pos	Part Number	Description	Remark	Qty	Model
1	928 424 253 14	Parking-brake lever		1	
2	944 424 259 01	Cover	-90	1	
	944 424 259 01 1AJ	Black			
	944 424 259 01 7LD	Burgundy			
	944 424 259 01 7VX	Linen			
	944 424 259 01 2JZ	Marine blue			
3	944 424 049 00	Parking-brake lever		1	
		Leather			
	944 424 049 00 1AJ	Black			
	944 424 049 00 2JZ	Marine blue	-90		
	944 424 049 00 9WW	Cobalt blue	91-		
	944 424 049 00 7WH	Classic grey	91-		
4	944 424 535 00	Support	/LL	1	
(4)	945 424 535 00	Retainer plate	/RL	1	
5	968 613 601 00	Contact switch		1	
6	N 013 957 5	Oval-head sheetmetal screw		1	
		B 3,5 X 9,5			
7	928 424 508 00	Pawl		1	
8	928 424 255 12	Push rod		1	
9	914 424 258 00	Guide sleeve		1	
10	901 424 543 00	Compression spring		1	
11	901 424 593 01	Ring		1	
12	928 424 523 12	Push button		1	
13	928 424 541 14	Locking segment		1	
14	928 424 527 00	Bearing pin		2	
15	900 120 040 02	Rivet		1	
16	900 084 004 03	Hexagon nut		1	
16	900 084 004 02	Hexagon nut		1	
17	928 424 033 00	Turnbuckle		1	
18	944 424 537 00	Return spring		1	
19	951 424 071 02	Parking-brake cable		1	
		Short			
20	951 424 072 02	Parking-brake cable		1	
		Long			
21	477 609 723	Guide tube		2	
21	924 424 524 00	Guide tube		2	
22	477 609 715	Sealing sleeve		2	
23	477 711 965	Compensating bow		1	
24	N 010 217 9	Hexagon-head bolt		1	
		M 6 X 20			
25	900 910 012 02	Lock nut		1	
		M 6			
25	900 910 047 09	Lock nut		1	
		M 6			
26	900 076 010 02	Nut		1	
		M 6			
26	900 076 010 0B	Nut		1	
		M 6			
27	N 012 328 1	Lock washer		3	
		8			
28	477 711 979	Retaining strap		2	
29	N 013 530 3	Rivet		2	
30	N 013 510 1	Compression rivet		2	
31	901 424 509 01	Stop		1	
32	N 010 239 11	Hexagon-head bolt		1	
		M 8 X 18			
32	N 010 239 30	Hexagon-head bolt		1	
		M 8 X 18			
33	900 027 015 02	Lock ring		1	
		B 8			
33	900 027 015 03	Lock ring		1	
		B 8			

Model: 944 89

Model life 1989>>1991



Model: 944 89 Model life 1989>>1991

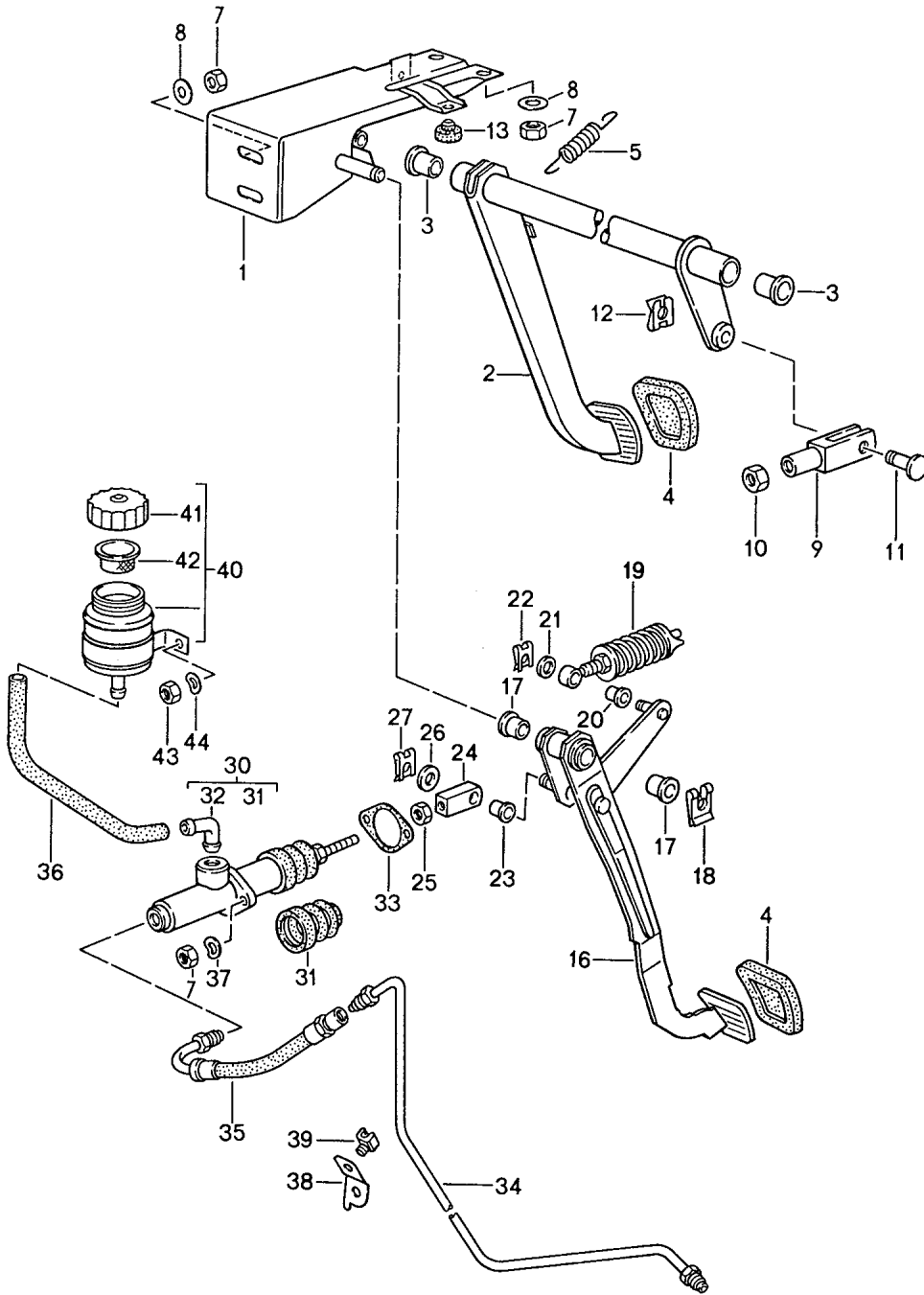
Pos	Part Number	Description	Remark	Qty	Model
		Brake Clutch Pedals Left-hand drive			
1	944 423 051 03	Brake pedal		1	
(1)	944 423 051 04	Brake pedal	-89	1	AUT.
2	321 721 173	Pedal cap		2	
(2)	827 723 173	Cap	-89	1	AUT.
3	999 924 003 40	Bush 12 X 13,6		2	
4	N 023 152 1	Bolt	89	1	944
4	951 423 061 01	Bolt	89	1	944S2/TURBO 944 M593
4	944 423 085 00	Bolt	90-	1	
4	N 023 151 2	Bearing pin	-89	1	AUT.
4	944 423 061 06	Bolt	-89	1	AUT. M593
5	321 721 191	Return spring		1	
6	311 955 255	Washer		2	
7	999 166 077 02	Safety clip		1	
8	999 088 010 02	Bolt 10 X 28 X 23,5		1	
9	999 021 001 07	Connector		1	
10	999 166 061 30	Clevis		1	
11	N 011 010 6	Hexagon nut M 10		1	
11	N 101 552 10	Hexagon nut M 10		1	
12	999 703 183 40	Buffer		1	
15	944 423 937 01	Clutch pedal	89	1	944
15	951 423 037 00	Clutch pedal	89	1	944S2/TURBO
15	944 423 038 02	Clutch pedal	90-	1	
16	477 721 353 A	Clutch power spring	89	1	944
16	951 423 053 02	Clutch power spring	89	1	944S2/TURBO
16	951 423 053 10	Clutch power spring	90-	1	944S2/TURBO
17	999 088 019 02	Bolt	90-	1	
18	999 924 001 40	Bearing sleeve		1	
19	N 900 470 01	Lock washer	89	1	
19	999 166 075 02	Safety clip	90-	1	
20	900 025 007 02	Washer A 8,4		2	
20	900 025 007 03	Washer A 8,4		2	
21	944 423 387 00	Bolt	90-	1	
22	999 924 002 40	Bush		1	
23	N 011 524 7	Washer A 6,4		1	
23	N 011 524 27	Washer A 6,4		1	
24	999 166 034 02	Sl-lock	89	1	
24	999 166 076 02	Safety clip	90-	1	
24	999 166 076 01	Safety clip	90-	1	
25	999 201 021 00	Needle sleeve	89	2	
25	999 924 039 00	Bush	90-	2	
26	311 955 255	Washer		X	
28	928 423 517 00	Clevis		1	
29	900 076 025 02	Hexagon nut M 8	89	1	
29	900 076 064 02	Hexagon nut M 8	89-	1	
29	N 011 118 11	Hexagon nut M 8	90-	1	

Model: 944 89 Model life 1989>>1991

Pos	Part Number	Description	Remark	Qty	Model
29	900 034 001 05	Hexagon nut M 8	90-	1	
30	477 721 171	Clutch master cylinder	89	1	
30	944 423 149 00	Clutch master cylinder	90-	1	
31	928 423 908 00	Bellows		1	
32	477 721 177	Angled pipe		1	
33	928 423 191 00	Gasket		1	
34	900 027 015 02	Lock ring B 8		2	
34	900 027 015 03	Lock ring B 8		2	
35	900 076 025 02	Hexagon nut M 8		2	
35	900 076 064 02	Hexagon nut M 8		2	
-	999 181 021 50	Hose 12,5 X 7,5 270 MM		*	
36				1	
40	477 721 189 A	Clutch hose		1	944/944S2
40	477 721 189 B	Clutch hose		1	944/944S2
(40)	951 423 189 01	Clutch hose		1	TURBO
41	944 423 091 00	Clutch pipeline		1	944/944S2
(41)	951 423 091 11	Clutch pipeline		1	TURBO
42	N 020 680 1	Clip		2	
43	944 423 193 01	Support		1	944/944S2
(43)	951 423 193 00	Support		1	TURBO
45	N 010 239 11	Hexagon-head bolt M 8 X 18		1	
45	N 010 239 30	Hexagon-head bolt M 8 X 18		1	
46	N 010 205 6	Hexagon-head bolt M 5 X 10		2	
46	900 075 105 02	Screw M 5 X 10		2	
47	N 011 005 14	Hexagon nut M 5		2	
47	900 076 091 01	Hexagon nut M 5		2	

Model: 944 89

Model life 1989>>1991



Model: 944 89 Model life 1989>>1991

Pos	Part Number	Description	Remark	Qty	Model
		Brake Clutch Pedals Right-hand drive			
1	945 423 021 11	Bracket		1	
2	945 423 051 01	Brake pedal		1	
(2)	945 423 051 03	Brake pedal	-89	1	AUT.
3	478 721 153	Bearing sleeve		2	
4	321 721 173	Pedal cap		2	
(4)	827 723 173	Cap	-89	1	AUT.
5	321 721 191	Return spring		1	
7	900 076 025 02	Hexagon nut M 8		5	
7	900 076 064 02	Hexagon nut M 8		5	
8	N 011 670 1	Washer B 8,4		3	
9	999 166 061 30	Clevis		1	
10	N 011 010 6	Hexagon nut M 10		1	
10	N 101 552 10	Hexagon nut M 10		1	
11	999 088 010 02	Bolt		1	
12	999 021 001 07	Connector		1	
13	999 703 183 40	Buffer		1	
16	945 423 037 01	Clutch pedal		1	
17	443 721 153 A	Bearing sleeve		2	
18	N 012 653 1	Lock washer		1	
19	477 721 353 A	Clutch power spring	89	1	944
19	951 423 053 02	Clutch power spring	89	1	944S2/TURBO
19	944 423 053 01	Clutch power spring	90-	1	944
19	951 423 053 10	Clutch power spring	90-	1	944S2/TURBO
20	999 924 001 40	Bearing sleeve		1	
21	900 025 007 02	Washer A 8,4		1	
21	900 025 007 03	Washer A 8,4		1	
22	999 166 075 02	Safety clip		1	
23	999 924 002 40	Bush		1	
24	478 721 179	Intermediate piece		1	
25	N 011 118 14	Hexagon nut M 8		1	
25	900 034 001 05	Hexagon nut M 8		1	
26	900 025 008 09	Washer A 10,5		1	
26	900 025 008 04	Washer A 10,5		1	
27	999 166 034 02	Sl-lock		1	
30	478 721 171	Clutch master cylinder	89	1	
30	945 423 149 00	Clutch master cylinder	90-	1	
31	928 423 908 00	Bellows		1	
32	477 721 177	Angled pipe		1	
33	928 423 191 00	Gasket		1	
34	945 423 091 02	Clutch tube		1	944/TURBO
34	945 423 091 10	Clutch tube		1	944S2
35	478 721 189	Clutch hose		1	944/TURBO
35	945 423 089 11	Clutch hose		1	944S2
-	999 181 021 50	Hose 7,5 X 12,5		*	
36		220 MM		1	
37	N 012 229 3	Spring washer A 8		2	

Model: 944 89

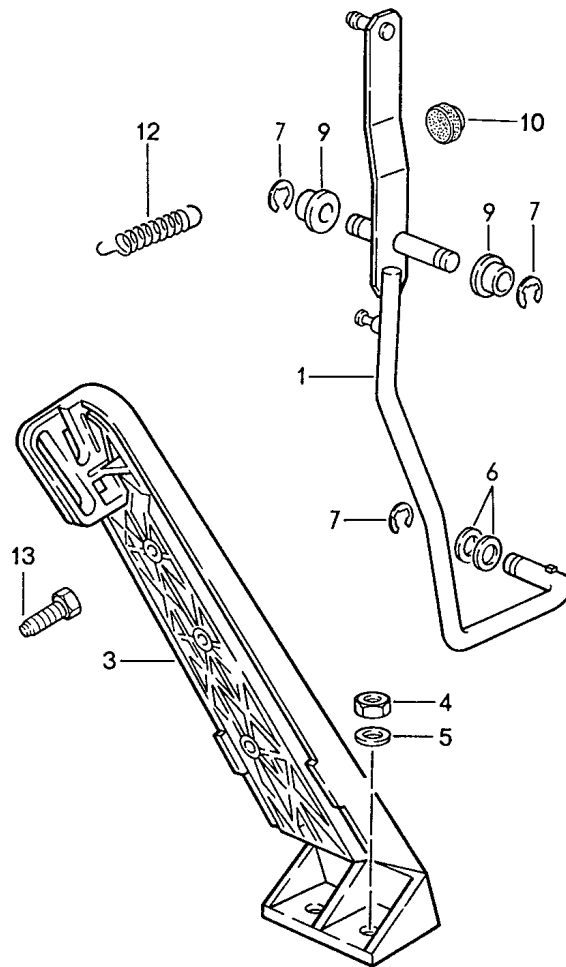
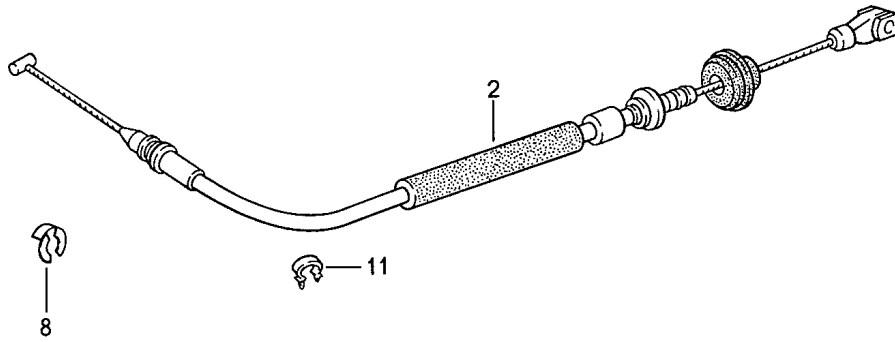
Model life 1989>>1991

Pos	Part Number	Description	Remark	Qty	Model
38	945 423 193 00	Support		1	944/TURBO
39	999 591 578 40	Clip		1	
40	944 423 210 00	Expansion tank		1	
41	477 611 361	Lid		1	
42	211 611 381 B	Strainer		1	
43	900 076 010 02	Nut M 6		2	
43	900 076 010 0B	Nut M 6		2	
44	N 012 226 5	Spring washer B 6		2	



Model: 944 89

Model life 1989>>1991

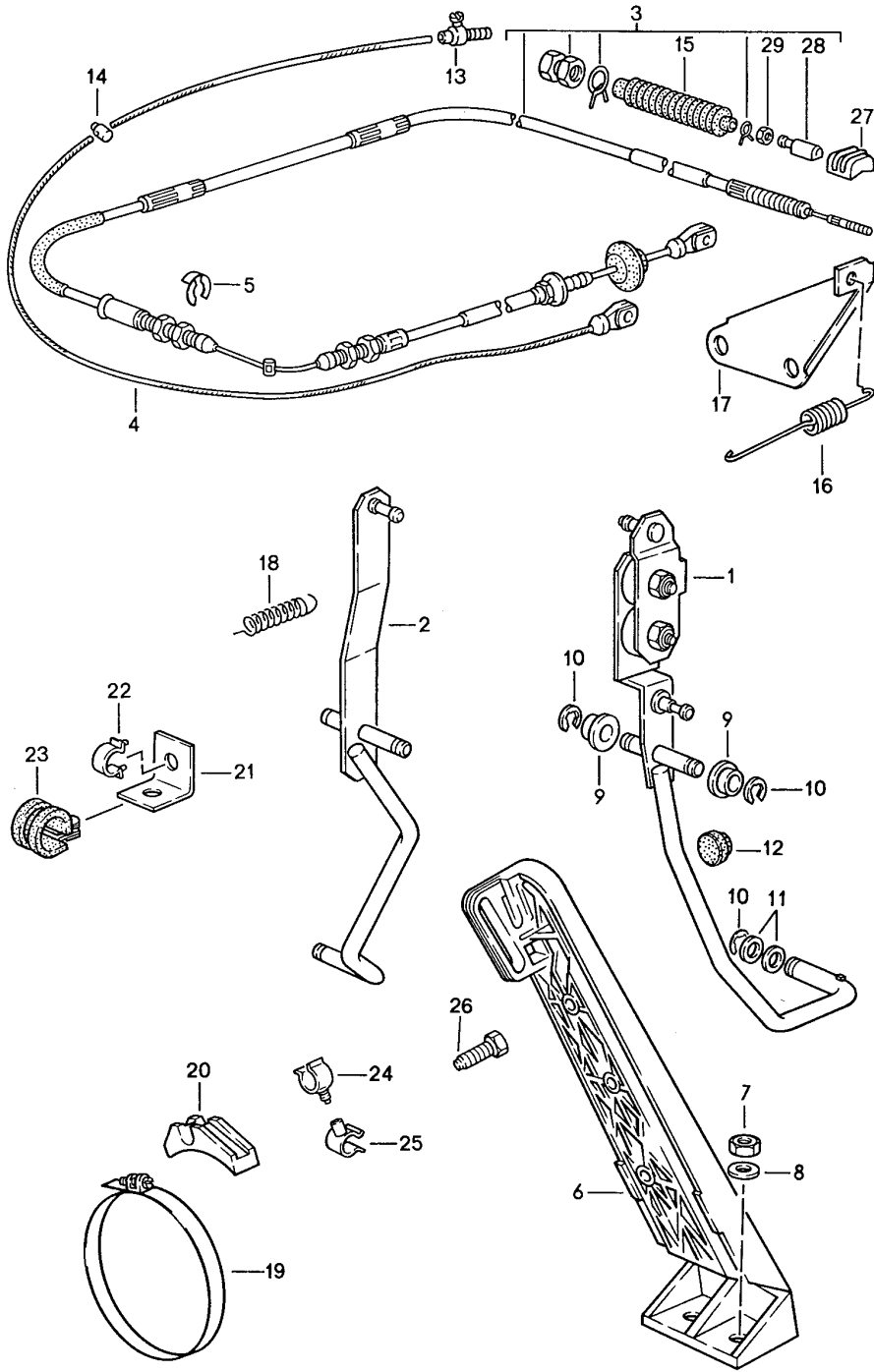


Model: 944 89 Model life 1989>>1991

Pos	Part Number	Description	Remark	Qty	Model
		Accelerator pedal			
		Accelerator cable			
		for			
		Manual transmission			
1	944 423 031 00	Accelerator pedal	/LL	1	
(1)	945 423 031 01	Accelerator pedal	/RL	1	
(1)	944 423 034 00	Accelerator control	/LL	1	M454
(1)	945 423 034 00	Accelerator control	/RL	1	M454
2	944 423 023 07	Accelerator cable	/LL	1	944
2	944 423 023 15	Accelerator cable	/LL -89	1	944S2
2	944 423 023 16	Accelerator cable	/LL 90-	1	944S2
(2)	951 423 023 03	Accelerator cable	/LL	1	TURBO
(2)	945 423 023 05	Accelerator cable	/RL	1	944
(2)	945 423 023 15	Accelerator cable	/RL -89	1	944S2
2	945 423 023 16	Accelerator cable	/RL 90-	1	944S2
(2)	952 423 023 03	Accelerator cable	/RL	1	TURBO
3	827 723 511 A	Accelerator pedal		1	
3	827 723 511 B	Accelerator pedal		1	
4	900 076 010 02	Nut		2	
		M 6			
4	900 076 010 0B	Nut		2	
		M 6			
5	803 817 121	Washer		2	
6	900 025 038 40	Washer		2	
7	999 166 060 02	Lock washer		3	
8	N 012 323 1	Lock washer		1	
9	477 721 543	Bearing sleeve		2	
10	999 703 183 40	Buffer		1	
11	477 971 851	Cable clip	/RL	1	
12	944 423 831 00	Spring		1	944/TURBO
12	944 423 833 00	Spring		1	944S2
13	944 423 731 00	Adjusting screw		1	

Model: 944 89

Model life 1989>>1991



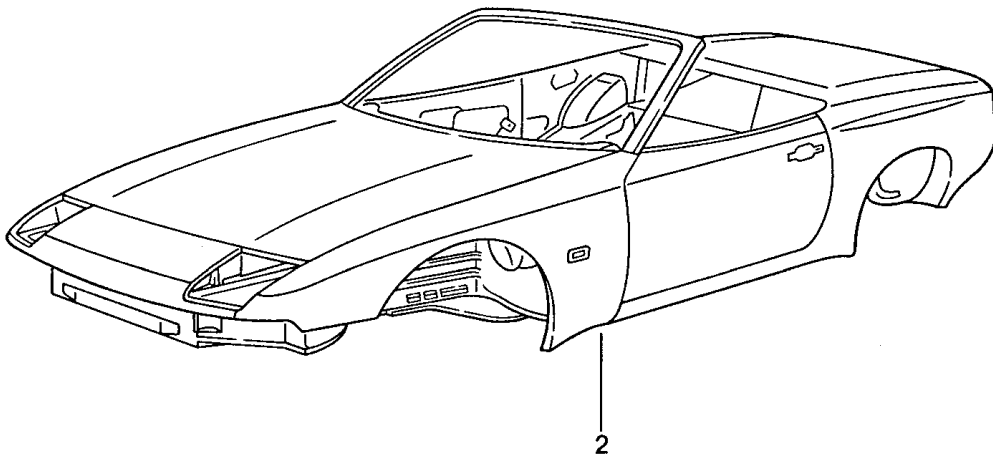
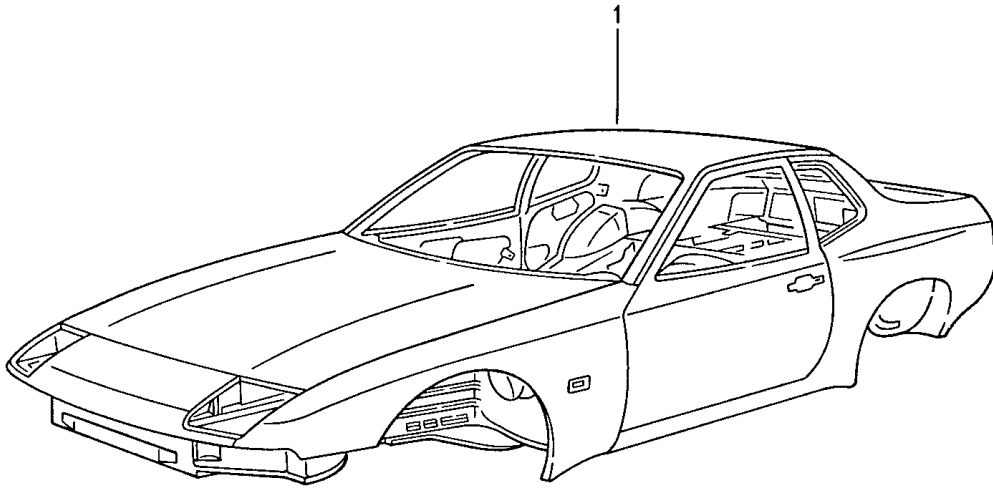
Model: 944 89

Model life 1989>>1991

Pos	Part Number	Description	Remark	Qty	Model
		Accelerator pedal			
		Accelerator cable			
		for			
		Automatic transmission			
1	944 423 033 00	Accelerator pedal	/LL	1	
2	945 423 031 01	Accelerator pedal	/RL	1	
3	944 423 071 07	Cable	/LL	1	
(3)	945 423 071 06	Cable	/RL	1	
4	944 423 973 03	Cable	/LL	1	
(4)	945 423 973 02	Cable	/RL	1	
5	N 012 323 1	Lock washer		1	
6	827 723 511 A	Accelerator pedal		1	
6	827 723 511 B	Accelerator pedal		1	
7	900 076 010 02	Nut		2	
		M 6			
7	900 076 010 0B	Nut		2	
		M 6			
8	803 817 121	Washer		2	
9	477 721 543	Bearing sleeve		2	
10	999 166 060 02	Lock washer		3	
11	900 025 038 40	Washer		2	
12	999 703 183 40	Buffer		1	
13	477 723 601	Nipple		1	
14	477 723 611	Nipple		1	
15	311 713 269 A	Bellows		1	
16	477 723 563 C	Tension spring		1	
17	944 423 141 00	Support		1	
18	944 423 833 00	Spring		1	
19	999 512 350 02	Hose clamp		1	
20	477 723 567	Support		1	
21	477 971 881 A	Retaining bracket		1	
22	477 971 851	Cable clip		1	
23	999 511 116 02	Clamp		X	
23	999 511 116 03	Clamp		X	
24	999 591 573 40	Hose holder		3	
25	999 591 572 40	Hose holder		3	
26	944 423 731 00	Adjusting screw		1	
27	171 721 570 A	Safety clip		1	
28	010 321 320	Ball socket		1	
29	N 011 005 14	Hexagon nut		1	
		M 5			
29	900 076 091 01	Hexagon nut		1	
		M 5			

Model: 944 89

Model life 1989>>1991

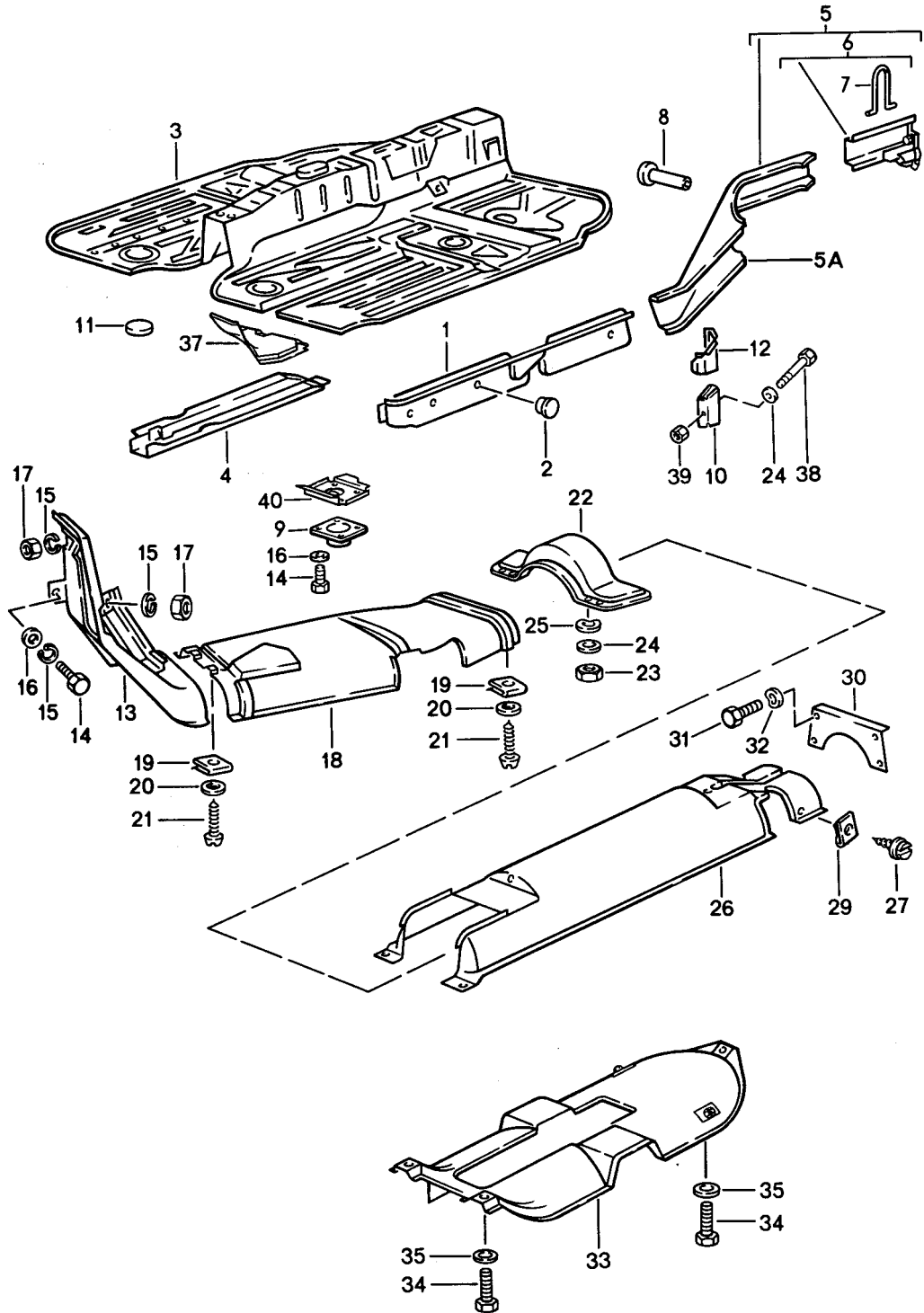


Model: 944 89 Model life 1989>>1991

Pos	Part Number	Description	Remark	Qty	Model
		Body in white Prime coated Sealed Sprayed with filler with Underbody protection BodysHELLS can only only available from current Model year available			
1	944 500 901 00	Body in white	/LL	1	944S2
(1)	944 500 901 01	Body in white	/LL	1	944S2
(1)	945 500 901 00	Body in white	/RL	1	M650 944S2
(1)	945 500 901 01	Body in white	/RL	1	944S2 M650
(1)	951 500 901 00	Body in white	/LL	1	TURBO
(1)	951 500 901 01	Body in white	/LL	1	TURBO M650
(1)	952 500 901 00	Body in white	/RL	1	TURBO
(1)	952 500 901 01	Body in white	/RL	1	TURBO M650
2	941 500 901 10	Body in white	/LL	1	CABRIO
2	942 500 901 10	Body in white	/RL	1	CABRIO

Model: 944 89

Model life 1989>>1991



Model: 944 89 Model life 1989>>1991

Pos	Part Number	Description	Remark	Qty	Model
1	944 501 119 01	Side member Heat shield	/L	1	
(1)	944 501 120 01	Side member Centre	/R	1	
2	999 703 119 40	Stopper		2	
(2)	803 803 583	Rubber sleeve		2	
(2)	999 703 195 40	Rubber sleeve		2	
(2)	803 803 583 A	Stopper		10	
(2)	999 703 196 40	Lid		10	
3	944 501 501 00	Floor section Centre		1	
4	477 803 283	Side member		2	
5	951 501 105 00	Side member	/L	1	
5	951 501 105 00 GRV	Use also: 477.803.145 Prime coated	/L	1	
(5A)	951 501 116 00	Use also: 477.803.145 Side member	/R	1	
6	477 803 125 A	Use also: 477.803.145 End piece	/L	1	
(6)	944 502 066 02	End piece	/R	1	
7	477 803 129	Retaining bow		2	
8	477 803 145	Bush		2	
9	951 501 265 00	Jacking point Centre		2	
10	951 501 083 00	Jacking point	/L /H	1	
10	951 501 083 00 GRV	Jacking point Rear Left	/L /H	1	
(10)	951 501 084 00	Prime coated Jacking point	/R /H	1	
(10)	951 501 084 00 GRV	Jacking point Rear Right	/R /H	1	
11	411 803 595	Prime coated Lid		2	
12	477 803 871 A	136 MM \$ Jacking point	/L /H	1	
(12)	477 803 872 A	Jacking point	/R /H	1	
13	477 809 214 A	Separator		1	
14	999 072 005 09	Hexagon nut M 6 X 12		X	
14	999 072 005 01	Hexagon nut M 6 X 12		X	
15	N 012 006 4	Lock ring B 6		3	
16	N 011 524 7	Washer A 6,4		X	
16	N 011 524 27	Washer A 6,4		X	
17	900 076 010 02	Nut M 6		2	
17	900 076 010 0B	Nut M 6		2	
18	477 803 387 B	Heat shield		1	
19	N 015 458 1	Speed nut B 4,8 X 20		4	
20	N 011 665 3	Washer		4	

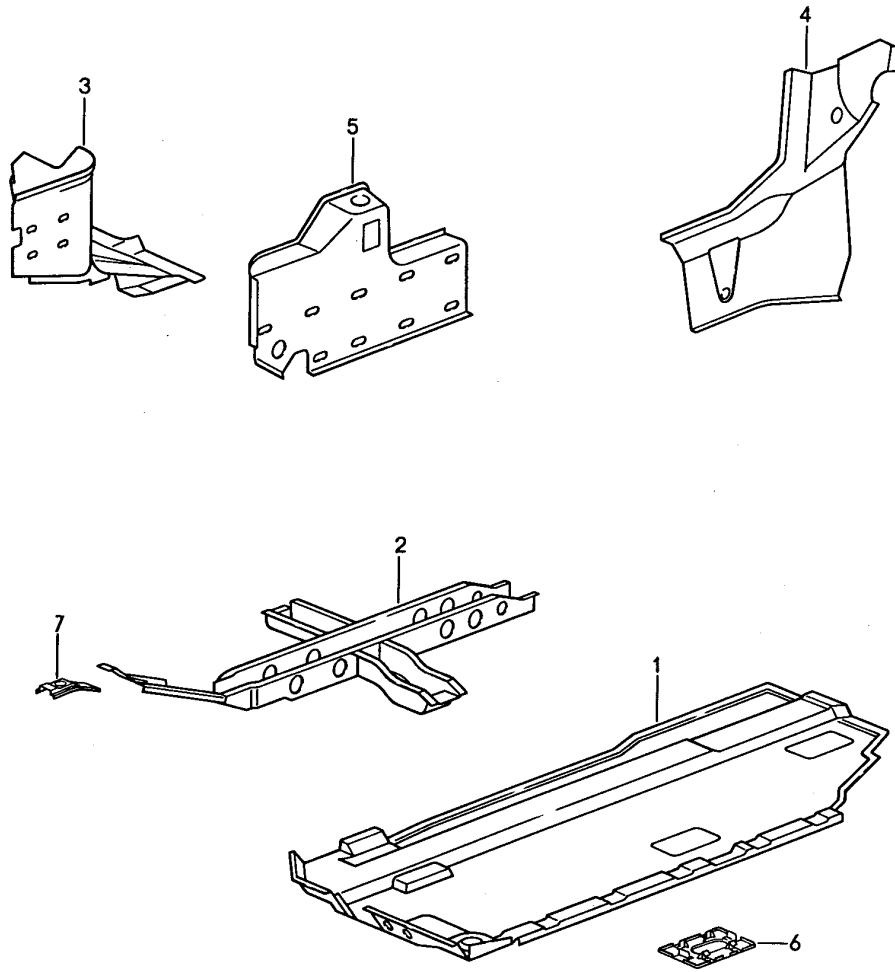


Model: 944 89 Model life 1989>>1991

Pos	Part Number	Description	Remark	Qty	Model
20	N 011 665 16	B 5,3 Washer		4	
21	N 013 968 7	B 5,3 Tapping screw		4	
21	900 143 097 01	B 4,8 X 13 Tapping screw		4	
22	477 803 253	B 4,8 X 13 Transverse strut		1	COUPE
(22)	941 501 255 10	Reinforcement		1	CABRIO
23	N 011 008 8	Hexagon nut M 8		4	
24	900 025 007 02	Washer A 8,4		4	
24	900 025 007 03	Washer A 8,4		4	
25	900 027 015 02	Lock ring B 8		4	
25	900 027 015 03	Lock ring B 8		4	
26	951 504 869 00	Cover plate		1	
27	N 090 239 1	Combination screw B 4,8 X 13		2	
29	999 591 485 02	Speed nut B 4,8 X 13		2	
30	477 803 291	Transverse strut		2	
31	N 010 237 6	Hexagon-head bolt M 8 X 12		8	
31	N 010 237 14	Hexagon-head bolt M 8 X 12		8	
32	N 012 229 3	Spring washer A 8		8	
(33)	951 503 139 00	Heat shield	89	1	M249
33	944 503 137 00	Heat shield		1	
34	999 072 005 09	Hexagon nut M 6 X 12		4	
34	999 072 005 01	Hexagon nut M 6 X 12		4	
35	N 011 666 7	Washer 6,4		4	
37	951 501 181 00	Gusset plate	/L	1	
(37)	951 501 182 00	Gusset plate	/R	1	
38	N 010 375 4	Hexagon-head bolt M 8 X 75		2	
39	900 910 003 02	Lock nut M 8		2	
39	900 910 003 04	Lock nut VM 8		2	
40	944 501 063 00	Jacking point	/L	1	
(40)	944 501 064 00	Jacking point	/R	1	

Model: 944 89

Model life 1989>>1991



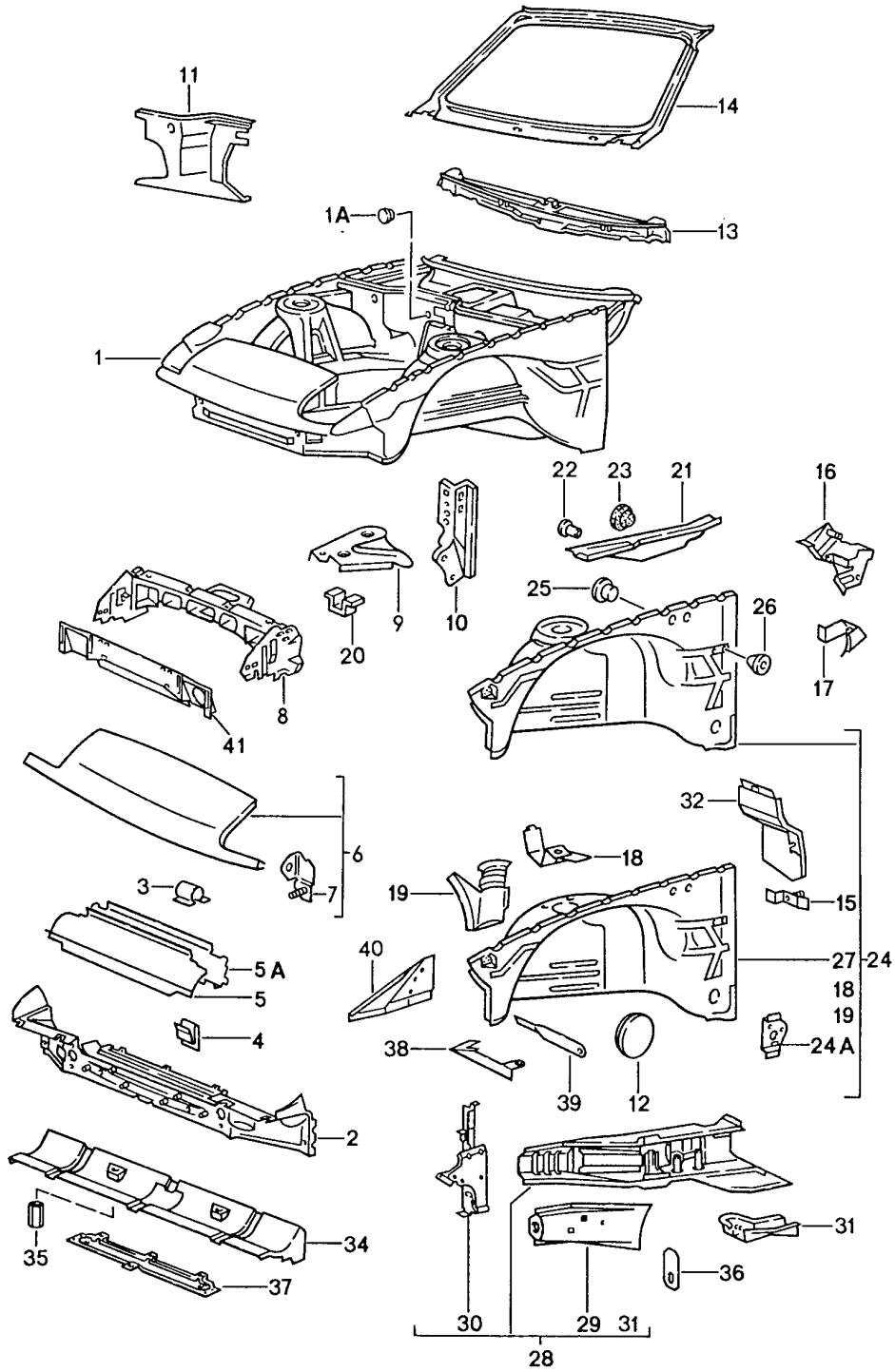
Model: 944 89

Model life 1989>>1991

Pos	Part Number	Description	Remark	Qty	Model
		Floor section Reinforcement			CABRIO
1	941 501 961 10	Floorpan	/L	1	
(1)	941 501 962 10	Floorpan	/R	1	
2	941 502 909 10	Reinforcement	/L	1	
(2)	941 502 910 10	Reinforcement	/R	1	
(3)	941 501 107 10	Reinforcement	/V /L	1	
		Wheel housing			
3	941 501 108 10	Reinforcement	/V /R	1	
		Wheel housing			
(4)	941 502 253 10	Reinforcement	/H /L	1	
4	941 502 254 10	Reinforcement	/H /R	1	
(5)	941 502 345 10	Reinforcement	/V /L	1	
5	941 502 346 10	Reinforcement	/V /R	1	
6	941 501 595 10	Cover		6	
7	941 501 457 10	Reinforcement	/V /L	1	
(7)	941 501 458 10	Reinforcement	/V /R	1	

Model: 944 89

Model life 1989>>1991



Model: 944 89 Model life 1989>>1991

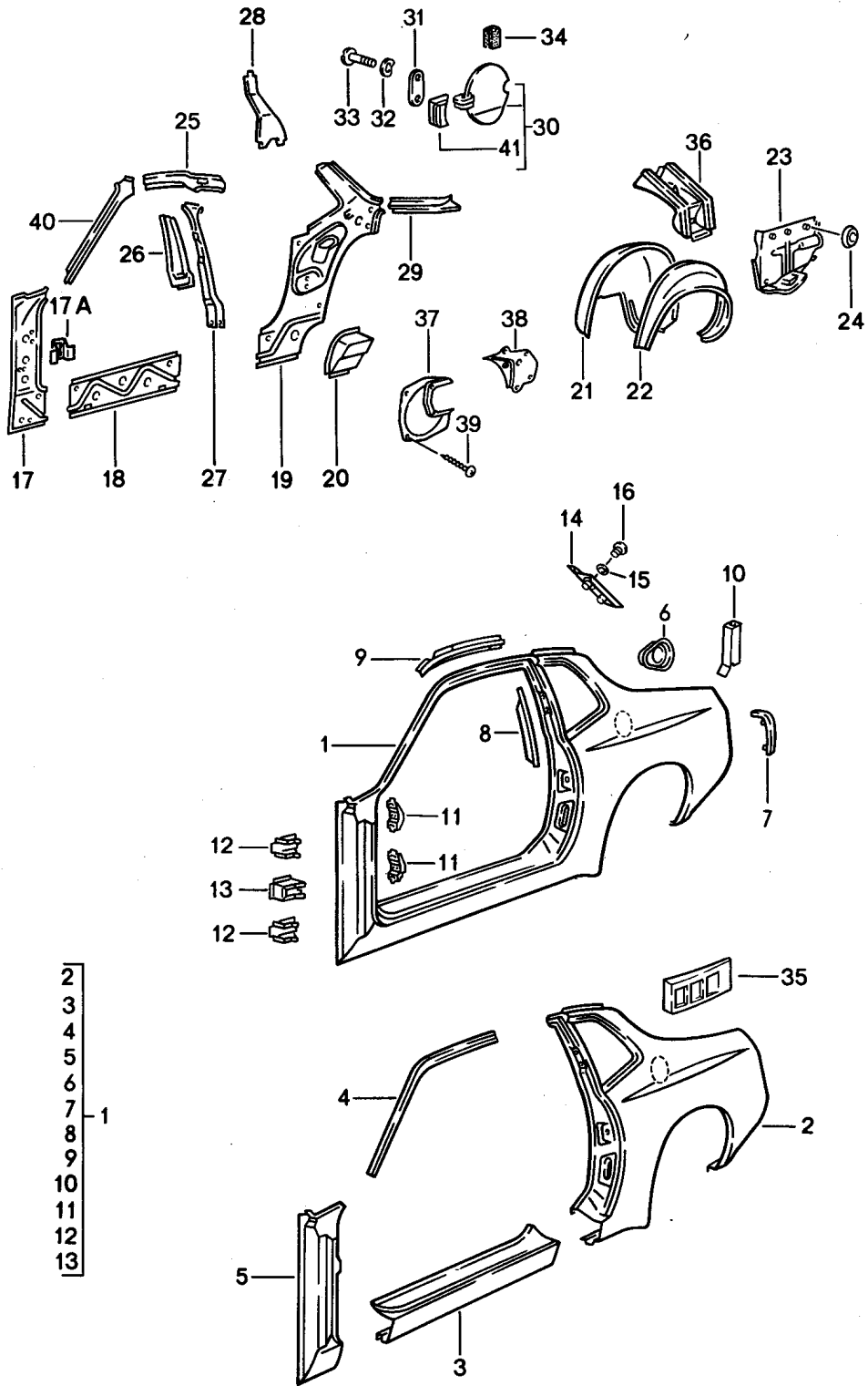
Pos	Part Number	Description	Remark	Qty	Model
1	951 501 011 39	Body front section		1	COUPE
1		Body front section	/LL	1	CABRIO
(1)	952 501 011 17	Body front section	/RL	1	COUPE
(1)	952 501 011 19	Body front section	/RL	1	CABRIO
1A	111 971 911 A	Grommet		1	
(2)	944 502 051 04	End plate		1	
		with			
		Cross member			
(2)		End plate		1	
	944 502 051 04 GRV	Prime coated			
		with			
		Cross member			
(2)	944 502 051 04	End plate		1	
	944 502 051 04 GRV	Prime coated			
		with			
		Cross member			
3	999 591 852 02	Clamp		5	
4	477 819 212	Clip		4	
5	944 575 321 00	Air guide	-89	1	944
5A	951 504 321 01	Air guide		1	944S2, TURBO
6	944 503 033 02	End plate	-89	1	944
(6)	951 503 033 00	End plate		1	944S2, TURBO
(7)	951 503 069 00	Bracket	/L	1	
(7)	951 503 070 00	Bracket	/R	1	
8	951 501 025 03	Lock carrier		1	
	951 501 025 03 GRV	Prime coated			
9	477 805 699 A	Corner plate	/L	1	
10	477 805 057 A	Reinforcement	/L	1	
(10)	477 805 058 A	Reinforcement	/R	1	
11	951 502 201 00	Cross panel	/L	1	
11		Firewall	/L	1	
		Left			
	951 502 201 00 GRV	Prime coated			
(11)	951 502 202 01	Cross panel	/R	1	
12	944 504 217 00	Lid		1	944S2
(12)	944 110 195 00	Bellows		1	TURBO
13	944 502 079 03	Cross member		1	
14	944 502 911 01	Windscreen frame		1	
15	945 501 183 00	Bracket	/RL	1	
16	945 501 346 00	Bearing bracket	/RL	1	
17	945 501 551 00	Stop	/RL	1	
18	944 501 094 01	Support		1	
		Ignition coil			
19	944 501 292 00	Support		1	
		Expansion tank			
20	477 805 693	Support		1	
		Horn			
21	944 502 119 03	Side member	/LL /L	1	
		Upper			
(21)	945 502 119 02	Side member	/RL /L	1	
		Upper			
21	944 502 120 03	Side member	/LL /R	1	
		Upper			
(21)	945 502 120 03	Side member	/RL /R	1	
		Upper			
22	311 881 945 A	Stopper	/R	2	
23	803 803 583 A	Stopper		6	
23	999 703 196 40	Lid		6	
(24)	944 501 901 04	Wheel housing	/L	1	
		Order also:			
		POSITION 15	/RL		
(24)	944 501 902 04	Wheel housing	/LL /R	1	

Model: 944 89 Model life 1989>>1991

Pos	Part Number	Description	Remark	Qty	Model
(24)	945 501 902 01	Wheel housing	/RL /R	1	
24A	944 502 071 00	Mounting		1	
25	999 703 103 40	Stopper	/L	2	
26	999 703 179 40	Stopper		X	
27	944 501 101 02	Wheel housing	/L	1	
(27)	944 501 102 02	Wheel housing	/R	1	
28	951 501 017 00	Side member	/L	1	
(28)	951 501 018 00	Side member	/R	1	
29	944 501 081 00	Filler plate	/L	1	
(29)	944 501 082 00	Filler plate	/R	1	
30	951 501 045 00	Separator	/L	1	
(30)	951 501 046 00	Separator	/R	1	
31	951 501 165 00	Closing element	/L	1	
(31)	951 501 166 00	Closing element	/R	1	
32	944 504 112 00	Water protection		1	M593
34	944 575 121 02	Cooling air duct	-89	1	944
35	999 049 001 40	Plastic nut		8	
36	477 809 035	Support		1	
		Water reservoir			
37	951 501 251 00	Cross member	-89	1	944
(37)		Cross member		1	944S2, TURBO
38	944 503 525 02	Bracket	/L	1	
	944 503 525 02 GRV	Prime coated			
(38)	944 503 526 00	Bracket	/R	1	
	944 503 526 00 GRV	Prime coated			
39	944 503 523 00	Bracket	/L	1	
	944 503 523 00 GRV	Prime coated			
(39)	944 503 524 00	Bracket	/R	1	
	944 503 524 00 GRV	Prime coated			
40	944 501 461 00	Supporting plate	/L	1	
(40)	951 501 862 00	Supporting plate	/R	1	
41	944 575 008 00	Air guide		1	944S2
-	944 501 097 00	Support		1	
		for			
		Ignition switch unit			

Model: 944 89

Model life 1989>>1991



- 2
- 3
- 4
- 5
- 6
- 7
- 8
- 9
- 10
- 11
- 12
- 13

Model: 944 89 Model life 1989>>1991

Pos	Part Number	Description	Remark	Qty	Model
1	944 503 061 04	Side section Side section	/L -90	1	COUPE
1	944 503 061 08	It is necessary to rework Side section	/L	1	TURBO
(1)	944 503 062 04	Side section It is necessary to rework	/R -90	1	TURBO
(1)	944 503 062 08	Side section	/R 91-	1	
2	944 503 903 02	Side section Outer	/L -90	1	
2		It is necessary to rework Side section	/L 91-	1	TURBO
(2)	944 503 904 02	Outer Side section	/R -90	1	
(2)		Outer It is necessary to rework Side section	/R 91-	1	TURBO
3	944 503 611 00	Outer			
3	944 503 611 02	Door sill	/L	1	
(3)	944 503 612 00	Door sill	/L	1	
(3)	944 503 612 02	Door sill	/R	1	
4	944 503 517 00	Door sill	/R	1	
(4)	944 503 518 00	Roof frame	/L	1	
5	944 503 605 01	Roof frame	/R	1	
(5)	944 503 606 01	Hinge pillar	/L	1	
6	944 503 068 00	Hinge pillar	/R	1	
7	477 809 375 A	Pot		1	
(7)	477 809 376 A	Tank filler neck Support	/L	1	
8	477 809 445	Bracket for light	/R	1	
(8)	477 809 446	Reinforcement	/L	1	
9	477 809 585	Reinforcement	/R	1	
(9)	477 809 586	End piece	/L	1	
(10)	944 501 217 00	End piece Supporting plate	/R	1	
11	477 809 653	Lid		2	
12	477 809 655	Boot floor lining			
13	477 809 625	Bearing bracket		4	
14	944 503 097 00	Hinge reinforcement		4	
(14)	944 503 098 00	Reinforcement	/L	1	
15	928 504 355 02	Reinforcement	/R	1	
16	999 015 005 07	Gasket		4	
17	477 809 393 A	Half-round screw		4	
(17)	477 809 394 A	Hinge pillar Use also: POS.17A	/L	1	
17A	944 502 373 00	Hinge pillar Use also: POS.17A	/R	1	
18	477 809 433	Mounting	/RL	1	
18	477 809 433 00	Switch		1	
19	944 502 901 04	Rear lid release Separator		2	
19		Separator		2	
19		Side section	/L -90	1	
19		Order also: POS.37		1	
19		POS.39		3	
19		M490:			
19		POS.38		1	
19		POS.39		4	
19		Side section	/L 91-	1	
19		Order also:			



Model: 944 89 Model life 1989>>1991

Pos	Part Number	Description	Remark	Qty	Model
		POS.37		1	
		POS.39		3	
		M490:			
		POS.38		1	
		POS.39		4	
(19)	944 502 902 04	Side section	/R -90	1	
		Order also:			
		POS.(37)		1	
		POS.39		3	
		M490:			
		POS.(38)		1	
		POS.39		4	
(19)		Side section	/R 91-	1	
		Order also:			
		POS.(37)		1	
		POS.39		3	
		M490:			
		POS.(38)		1	
		POS.39		4	
20	931 502 387 01	Corner plate	/L	1	
(20)	931 502 388 01	Corner plate	/R	1	
21	944 501 043 00	Wheel housing	/L	1	
(21)	944 501 044 01	Wheel-housing liner	/R	1	
22	931 502 411 01	Wheel housing	/L	1	
		It is necessary to rework			
(22)	931 502 412 01	Wheel housing	/R	1	TURBO
		It is necessary to rework			
23	944 502 025 00	Filler plate	/L /H	1	
23	944 502 025 02	Side section	/L /H	1	
		Inner			
		Left			
	944 502 025 02 GRV	Prime coated			
(23)	944 502 026 01	Side section	/R	1	
(23)	944 502 026 03	Side section	/R	1	
		Inner			
		Right			
	944 502 026 03 GRV	Prime coated			
24	803 803 583	Rubber sleeve		X	
24	999 703 195 40	Rubber sleeve		X	
(24)	021 119 569	Rubber sleeve		X	M650
25	477 809 037	Separator	/L	1	
(25)	477 809 038	Separator	/R	1	
26	477 809 397	Centre pillar	/L	1	
(26)	477 809 398	Centre pillar	/R	1	
27	944 502 049 00	Reinforcement	/L	1	
(27)	944 502 050 00	Reinforcement	/R	1	
29	944 502 439 00	Reinforcement	/L	1	
(29)	944 502 440 01	Reinforcement	/R	1	
30	944 504 095 00	Fuel filler flap		1	COUPE
(30)		Flap		1	CABRIO
		See group			
		8/02/25			
31	944 504 403 00	Desk pad		X	
32	N 012 222 4	Spring washer		2	
		A 5			
33	900 146 106 07	Oval-head screw		2	
		M 5 X 12			
34	944 504 397 00	Stop		1	
(35)	944 555 275 01	Filler piece	/L	1	
(35)	944 555 276 00	Filler piece	/R	1	
36	951 201 049 00	Cover		1	
		Lower part			
		Filler neck			

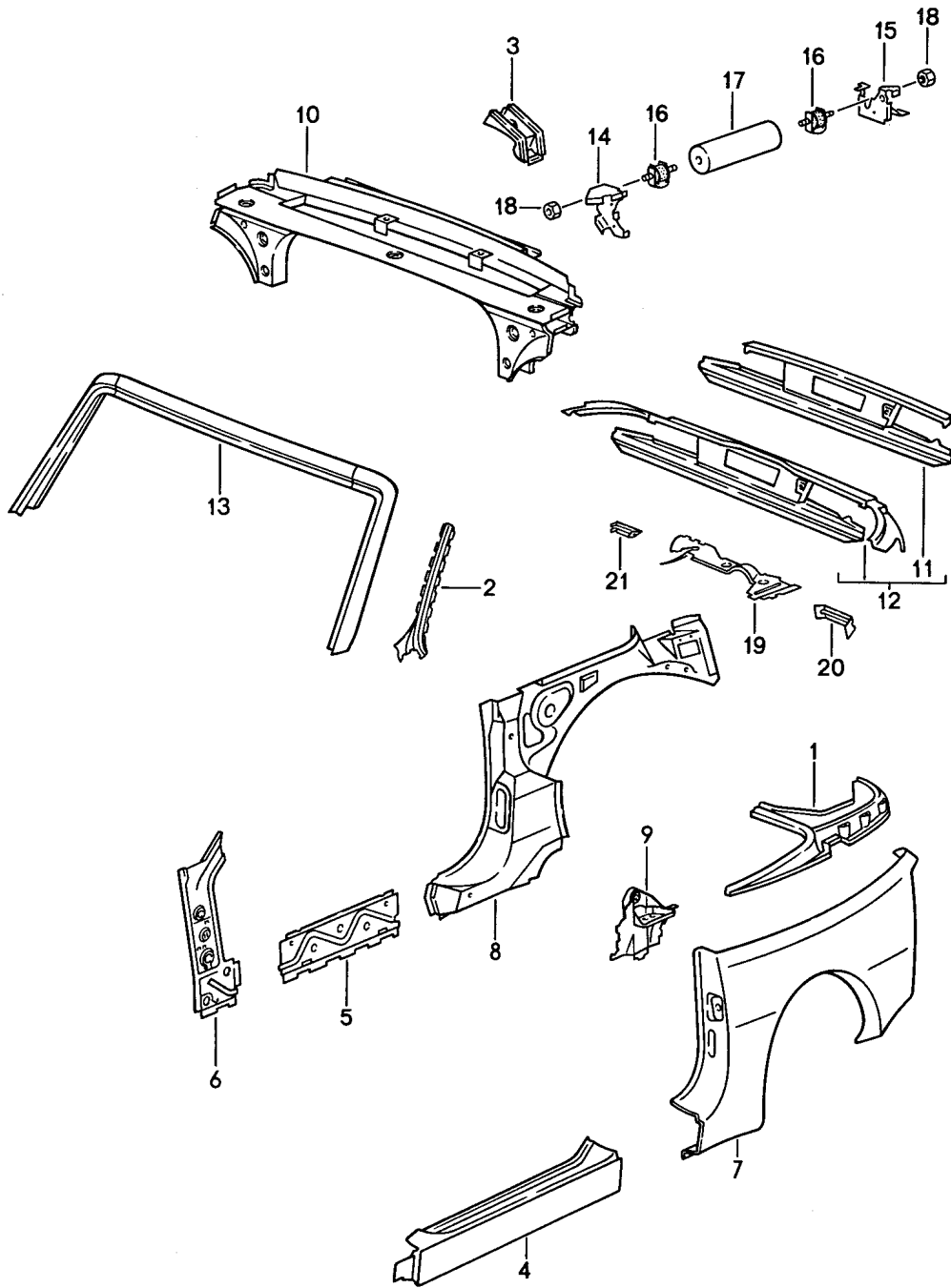
Model: 944 89

Model life 1989&gt;&gt;1991

Pos	Part Number	Description	Remark	Qty	Model
37	944 504 621 00	Adapter for Loudspeaker	/L	1	
(37)	944 504 622 00	Adapter for Loudspeaker	/R	1	
38	944 504 611 01	Adapter for Loudspeaker	/L	1	M490
(38)	944 504 612 01	Adapter for Loudspeaker	/R	1	M490
39	N 090 114 1	Tapping screw B 3,9 X 9,5		8	
40	944 502 041 00	Side section Inner	/L	1	
(40)	944 502 042 00	Side section Inner	/R	1	
41	944 504 391 00	Hinge		1	

Model: 944 89

Model life 1989>>1991



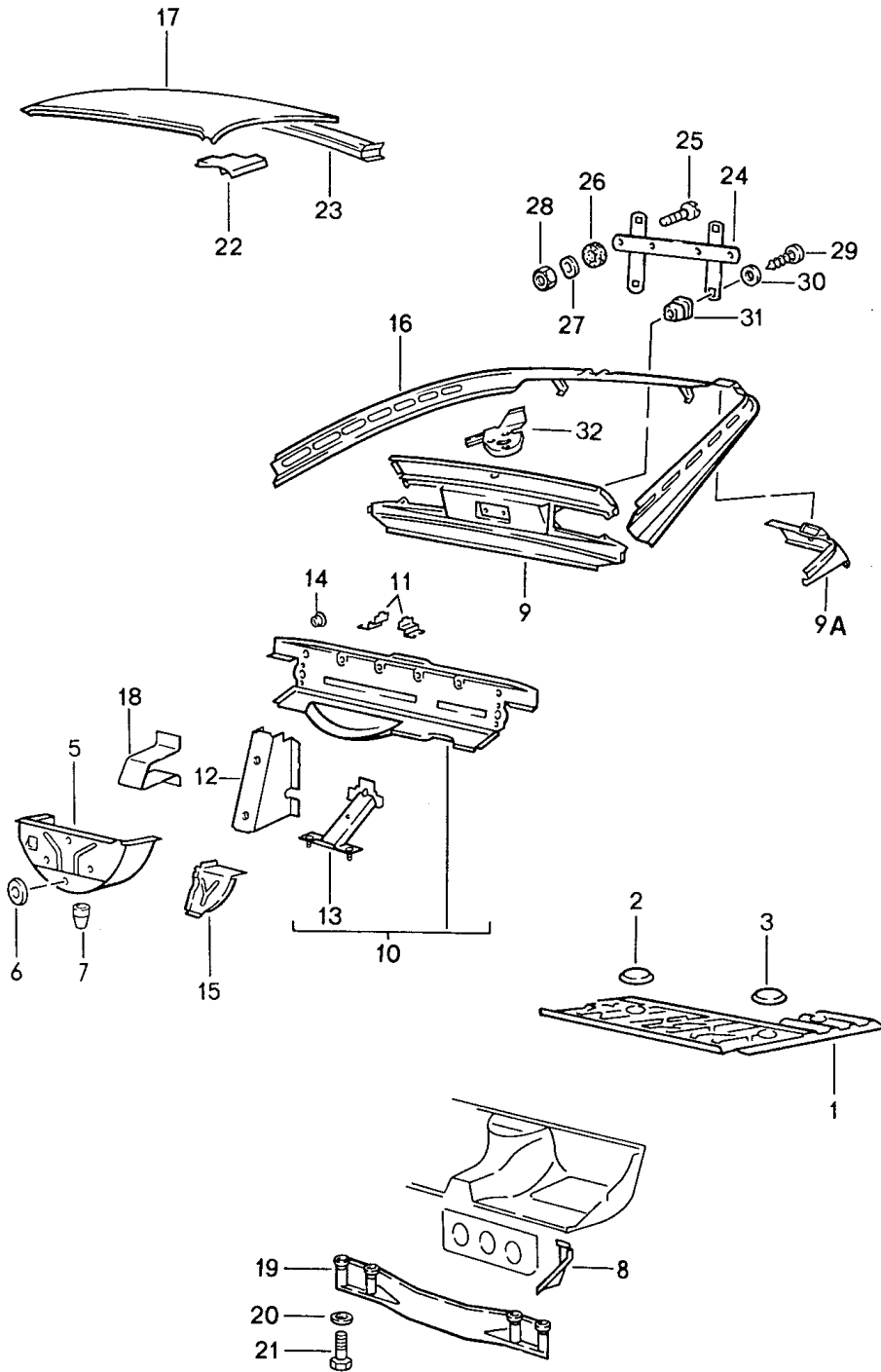
Model: 944 89

Model life 1989&gt;&gt;1991

Pos	Part Number	Description	Remark	Qty	Model
		Side section Windscreen frame Terminal piece			CABRIO
1	941 201 341 10	Reinforcement	/L	1	
(1)	941 201 342 10	Side section Reinforcement	/R	1	
2	941 502 325 10	Side section Reinforcement	/L	1	
(2)	941 502 326 10	Windscreen frame Reinforcement	/R	1	
3	941 201 347 10	Windscreen frame Reinforcement	/R	1	
4	941 503 311 10	Tank filler neck Lower part Door sill	/L	1	
(4)	941 503 312 10	Door sill	/R	1	
5	941 502 433 10	Separator	/L	1	
(5)	941 502 434 10	Separator	/R	1	
6	941 502 395 10	Hinge pillar	/L	1	
(6)	941 502 396 10	Hinge pillar	/R	1	
7	941 503 901 10	Side section	/L	1	
(7)	941 503 902 10	Side section	/R	1	
8	941 501 901 10	Side section	/L	1	
(8)	941 501 902 10	Side section	/R	1	
9	941 502 907 10	Convertible top support	/L	1	
(9)	941 502 908 10	Convertible top support	/R	1	
10	941 502 901 10	Cross member		1	
11	941 502 913 10	End plate		1	
12	941 502 903 10	Terminal piece		1	
13	941 502 905 10	Windscreen frame		1	
14	941 502 443 10	Support	/V	1	
15	941 502 441 10	Support	/H	1	
16	941 504 701 10	Buffer		2	
17	941 504 105 11	Vibration damper		1	
19	941 502 673 10	Reinforcement plate		1	
20	941 502 621 10	Reinforcement plate	/L	1	
21	941 502 622 10	Reinforcement plate	/R	1	

Model: 944 89

Model life 1989>>1991



Model: 944 89 Model life 1989>>1991

Pos	Part Number	Description	Remark	Qty	Model
		Transmission carrier			
		Boot floor plate			
		Roof			
1	951 501 075 00	Boot floor plate		1	
2	944 504 207 00	Lid		1	
		Tank gauge			
3	411 803 595	Lid		1	
		136 MM \$			
5	951 501 131 00	Spare-wheel well	/V -89	1	
5	951 501 131 02	Spare-wheel well	/V 90-	1	
6	803 803 583	Rubber sleeve		3	
6	999 703 195 40	Rubber sleeve		3	
7	111 701 309	Water drain sleeve		1	
8	477 813 145 B	Corner plate	/L	1	
(8)	477 813 146 B	Corner plate	/R	1	
9	944 503 037 01	End plate		1	
9A	944 502 345 01	Reinforcement	/L	1	
(9A)	944 502 346 01	Reinforcement	/R	1	
10	944 503 901 01	End plate		1	
11	477 813 169	Fastening angle	/L	1	
		Scissors type jack			
(11)	477 813 170	Fastening angle	/R	1	
		Scissors type jack			
12	944 503 165 01	Support		1	
13	944 502 091 00	Support		1	
		Rear muffler			
14	999 703 179 40	Stopper		1	
14		Stopper	/H	1	
(14)	999 703 180 40	Stopper	/V	1	
15	477 813 309	Corner panel	/L	1	
(15)	944 502 210 00	Corner panel	/R	1	
16	944 502 035 02	Lock carrier	/H	1	
17	944 503 912 02	Roof		1	
17	944 503 912 03	Roof		1	M650
18	944 503 171 00	Support for spare wheel		2	
19	477 813 285	Transverse strut		1	
		Seat well			
20	900 074 181 02	Screw		4	
		M 10 X 95			
21	900 025 008 09	Washer		4	
		10,5			
21	900 025 008 04	Washer		4	
		10,5			
22	477 817 033	Reinforcement plate	/V /L	1	
(22)	477 817 034	Reinforcement	/V /R	1	
23	477 817 171 A	Roof frame		1	
24	928 701 050 03	Support	(CH) (J) (USA)	1	
25	N 014 143 1	Oval-head screw		2	
		AM 6 X 22			
(25)	N 100 457 01	Countersunk-head screw	(CH) (J) (USA)	2	
		M 5 X 25			
26	803 011 243	Rubber washer		2	
(27)	N 011 665 3	Washer	(CH) (J) (USA)	2	
		A 5,3			
(27)	N 011 665 16	Washer	(CH) (J) (USA)	2	
		A 5,3			
28	900 910 009 02	Lock nut	(CH) (J) (USA)	2	
		M 5			

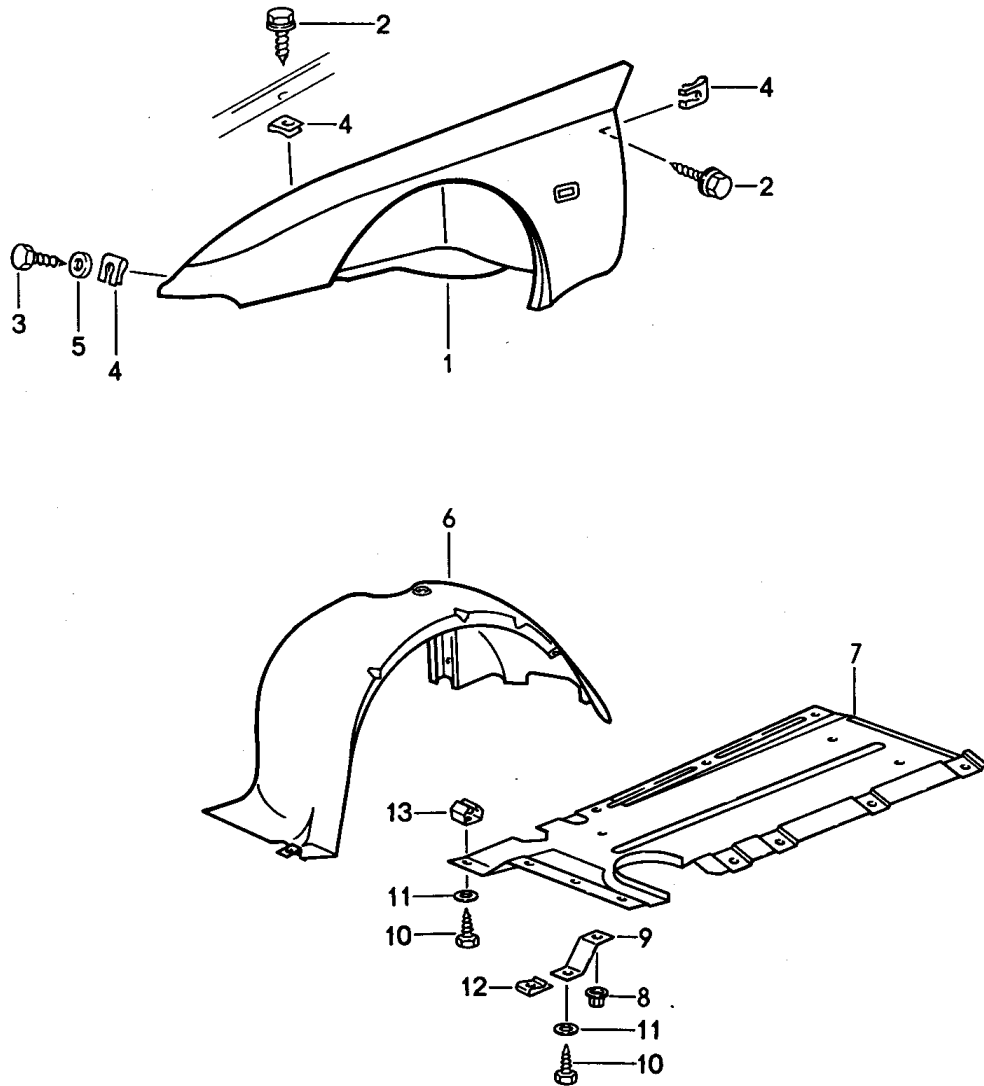
Model: 944 89

Model life 1989&gt;&gt;1991

Pos	Part Number	Description	Remark	Qty	Model
28	900 084 026 01	Lock nut	(CH) (J) (USA)	2	
29	900 143 134 00	M 5 Tapping screw	(CH) (J) (USA)	4	
30	N 011 522 8	BZ 4,2 X 9,5 Washer	(CH) (J) (USA)	4	
31	999 591 498 40	4,3 Special nut	(CH) (J) (USA)	4	
32	944 501 207 01	Retaining bracket Electric motor		1	

Model: 944 89

Model life 1989>>1991





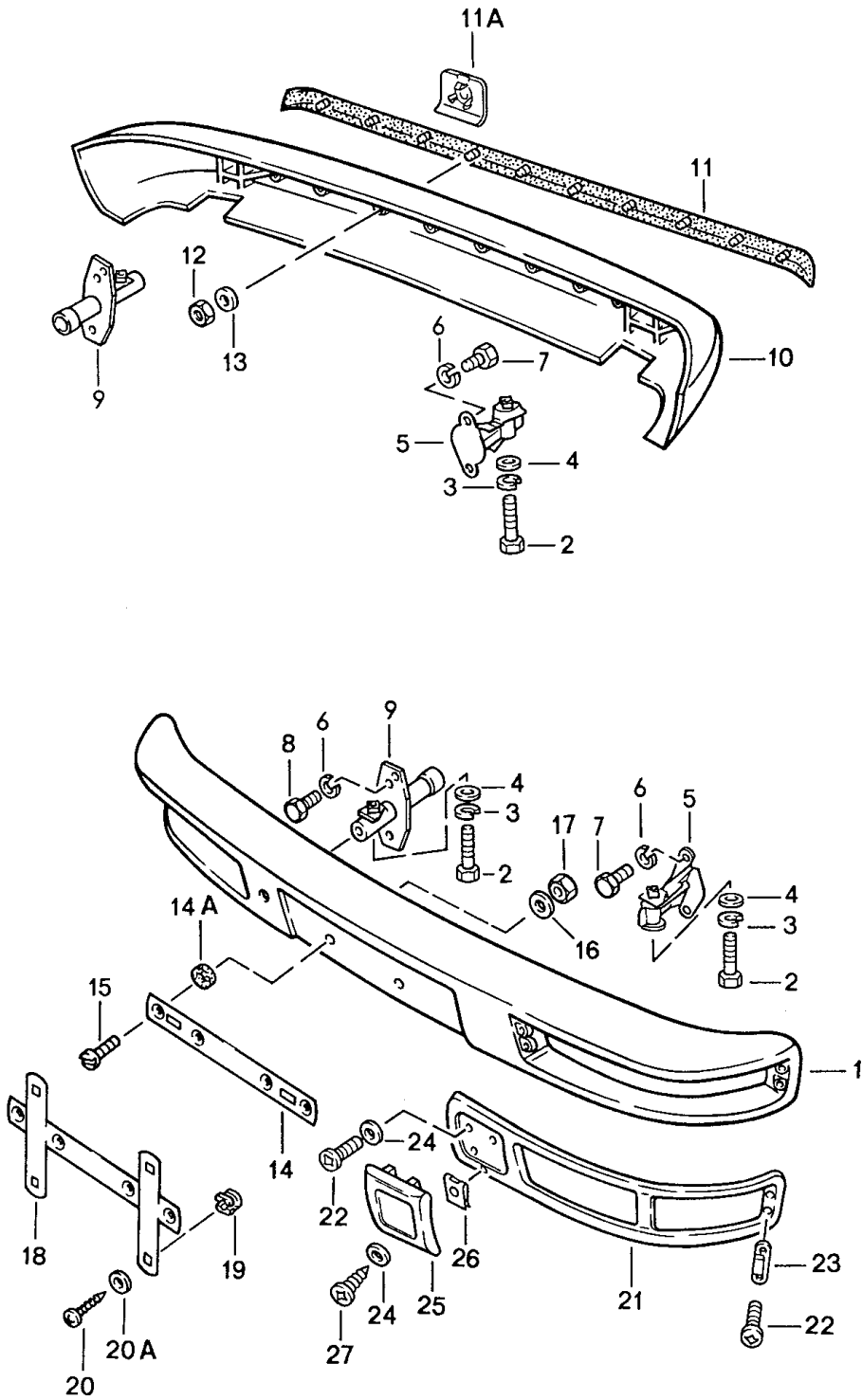
Model: 944 89

Model life 1989&gt;&gt;1991

Pos	Part Number	Description	Remark	Qty	Model
1	931 503 021 02	Wing	/L	1	944
(1)	931 503 022 02	Wing	/R	1	944
(1)	951 503 021 02	Wing	/L	1	944S2, TURBO
(1)	951 503 022 02	Wing	/R	1	944S2, TURBO
2	N 090 172 1	Combination screw		22	
3	N 013 891 1	Hexagon-head tapping screw 6,3 X 19		24	
4	999 507 003 02	Speed nut B 6,3 X 17		24	
4	999 507 003 01	Speed nut B 6,3 X 17		24	
5	N 011 524 7	Washer A 6,4		2	
5	N 011 524 27	Washer A 6,4		2	
6	944 504 381 03	Wheel-housing liner	/L	1	944
(6)	944 504 382 03	Wheel-housing liner	/R	1	944
(6)	944 504 381 08	Wheel-housing liner	/L	1	944S2, TURBO
(6)	944 504 382 08	Wheel-housing liner	/R	1	944S2, TURBO
7	944 504 311 00	Lining	/L	1	944S2, TURBO
(7)	944 504 312 00	Lining	/R	1	944S2, TURBO
8	999 049 008 40	Plastic nut		12	
9	944 504 281 00	Retaining bracket		4	
9	944 504 281 01	Support		4	
	944 504 281 01 GRV	Prime coated			
10	N 013 891 1	Hexagon-head tapping screw B6,3X19		X	
11	N 011 666 7	Washer B6,4		X	
12	999 507 034 02	Speed nut B6,3		X	
13	N 012 062 2	Speed nut B6,3		X	
14	944 504 907 00	Lid	/L	1	
(14)	944 504 908 00	Lid	/R	1	
15	999 591 485 02	Speed nut B 4,8		4	
16	900 143 159 07	Combination screw B 4,8 X 19		4	
17	999 190 361 40	Blind rivet A 5,0 X 12		2	

Model: 944 89

Model life 1989>>1991



Model: 944 89 Model life 1989>>1991

Pos	Part Number	Description	Remark	Qty	Model
		Bumper without Impact absorber			
1	931 505 087 00	Bumper	/V	1	
(1)	931 505 087 01	Bumper	/V	1	M288
2	900 074 064 02	Hexagon-head bolt M 10 X 60		4	
2	900 074 377 01	Hexagon-head bolt M 10 X 60		4	
3	900 027 016 02	Lock ring B 10		4	
3	900 027 016 03	Lock ring B 10		4	
4	900 025 008 09	Washer A 10,5		4	
4	900 025 008 04	Washer A 10,5		4	
5	477 807 131 A	Bumper reinforcement		3	
6	900 027 015 02	Lock ring A 8		8	
6	900 027 015 03	Lock ring A 8		8	
7	900 075 087 02	Hexagon-head bolt M 8 X 20		6	
7	900 075 087 03	Hexagon-head bolt M 8 X 20		6	
8	900 075 029 09	Hexagon-head bolt M 8 X 25		2	
8	900 075 029 03	Hexagon-head bolt M 8 X 25		2	
9	944 505 039 01	Bumper reinforcement	/V /R	1	944
9	944 505 039 03	Bumper reinforcement	/V /R	1	944
9	944 505 039 01	Bumper reinforcement	/H /R	1	944S2, TURBO M472
9	944 505 039 03	Bumper reinforcement	/H /R	1	944S2, TURBO M472
10	931 505 387 00	Bumper	/H	1	944
10	951 505 387 01	Bumper	/H	1	944S2, TURBO M472
10		Bumper	/H	1	944S2, TURBO M472
11	477 807 319	Protective moulding	/H	1	944
(11)	951 505 069 00	Protective moulding	/H	1	944S2, TURBO M472
11A	951 505 346 00	Lid Towing lug		1	944S2, TURBO M472
12	900 910 010 09	Lock nut M 6		10	
13	N 011 524 7	Washer A 6,4		10	
13	N 011 524 27	Washer A 6,4		10	
14	911 701 121 03	Support		1	
14A	914 571 903 10	Sealing ring		4	
15	N 100 457 01	Countersunk-head screw M 5 X 25		2	
16	N 011 665 3	Washer A 5,3		2	
16	N 011 665 16	Washer A 5,3		2	
17	900 910 009 02	Lock nut M 5		2	
17	900 084 026 01	Lock nut		2	

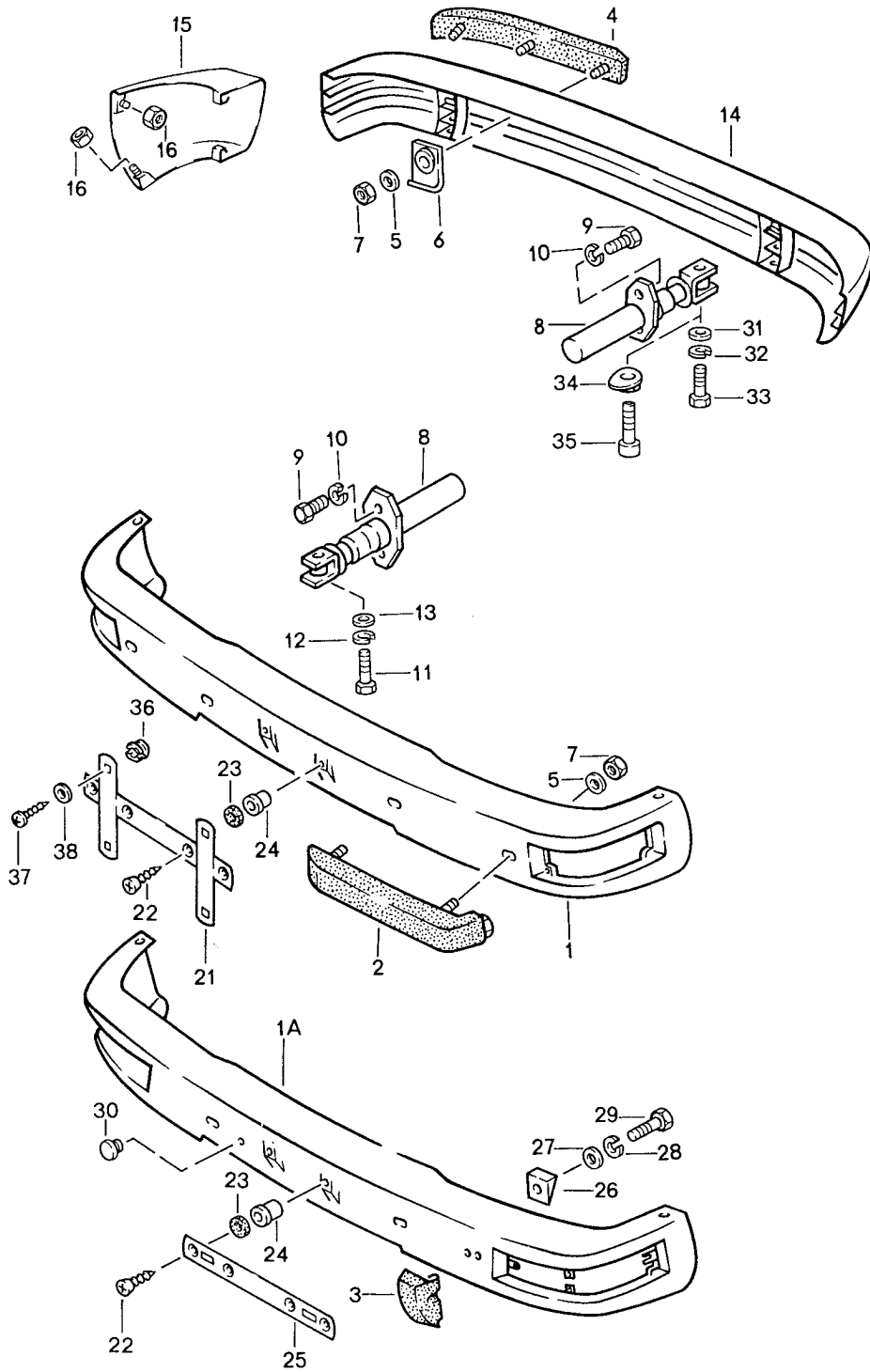
Model: 944 89

Model life 1989&gt;&gt;1991

Pos	Part Number	Description	Remark	Qty	Model
		M 5			
18	928 701 050 03	Support	/V (J)	1	
19	999 591 498 40	Special nut		X	
20	900 143 134 00	Tapping screw BZ 4,2 X 9,5		X	
20A	N 011 522 8	Washer 4,3		X	
		Towing lug		1	
		See group 0/01/00			
21	931 505 195 01	Frame for light	/L	1	
(21)	931 505 196 01	Frame for light	/R	1	
22	N 014 117 9	Oval-head screw M 4 X 15		10	
23	931 505 199 00	Clip		2	
24	900 025 002 02	Washer A 4,3		6	
24	900 025 002 03	Washer A 4,3		6	
25	931 505 201 00	Bumper horn	/L	1	
(25)	931 505 202 00	Bumper horn	/R	1	
26	999 507 018 02	Speed nut B 4,2		2	
26	999 507 018 01	Speed nut B 4,2		2	
27	900 143 047 07	Tapping screw B 4,2 X 19		2	
27	900 073 007 01	Tapping screw B 4,2 X 19		2	

Model: 944 89

Model life 1989>>1991



Model: 944 89

Model life 1989&gt;&gt;1991

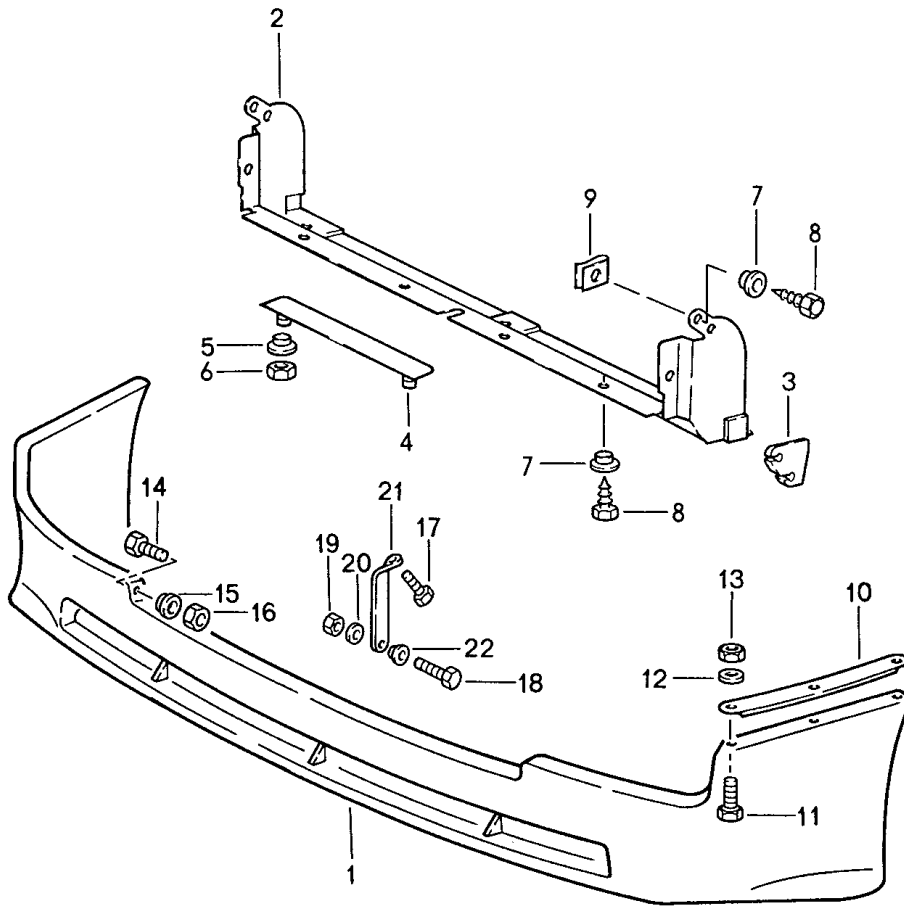
Pos	Part Number	Description	Remark	Qty	Model
		Bumper with Impact absorber			
1A	931 505 109 05	Bumper	/V	1	M058
(1A)	931 505 109 06	Bumper	/V	1	M058/288
3	477 807 353	Bumper horn	/L	1	M058
(3)	477 807 354	Bumper horn	/R	1	M058
(4)	944 505 061 00	Rubber moulding	/L	1	
(4)	944 505 061 01	Rubber moulding	/L	1	
4	944 505 062 00	Rubber moulding	/R	1	
4	944 505 062 01	Rubber moulding	/R	1	
5	N 011 612 3	Washer R 7		6	M058
5	N 011 612 C	Washer R 7		6	M058
6	477 807 197	Support	/H	6	
7	113 101 175	Hexagon nut		6	M058
8	944 505 017 03	Impact absorber		4	
9	N 010 240 16	Hexagon-head bolt M 8 X 20		8	
10	900 027 015 02	Lock ring A 8		8	
10	900 027 015 03	Lock ring A 8		8	
11	N 010 165 2	Hexagon-head bolt M 12 X 65	/V	2	
12	N 012 042 4	Lock ring B 12	/V	2	
13	N 011 531 7	Washer A 13	/V	2	
14	944 505 301 00	Bumper	/H		
(15)	931 505 059 00	Cover Prime coated	/L	1	
15	931 505 060 00	Cover Prime coated	/R	1	
16	900 910 007 02	Lock nut M 5		4	
21	928 701 050 03	Support		1	M036
22	N 043 983 1	Tapping screw B 5,5 X 32		2	
23	944 505 351 00	Spacer rubber		2	
24	N 902 508 01	Special nut		2	
25	911 701 121 03	Support		1	M058
26	477 807 361	Plate	/L	1	M058
(26)	477 807 362	Plate	/R	1	M058
27	N 011 652 1	Washer 7		2	M058
28	N 012 006 4	Lock ring B 6		2	M058
29	N 010 339 3	Hexagon-head bolt M 6 X 40		2	M058
30	999 703 181 40	Stopper Towing lug See group 0/01/00		1 1	M058 M058
32	N 012 042 4	Lock ring B 12	/H	2	
34	944 505 243 00	Eccentric washer	/H	2	
35	N 100 436 02	Pan-head screw M 12 X 1,5 X 65	/H	2	
35	900 067 428 01	Pan-head screw M 12 X 1,5 X 65	/H	2	
36	999 591 498 40	Special nut		X	

Model: 944 89 Model life 1989>>1991

Pos	Part Number	Description	Remark	Qty	Model
37	900 143 134 00	Tapping screw BZ 4,2 X 9,5		X	
38	N 011 522 8	Washer 4,3			

Model: 944 89

Model life 1989>>1991



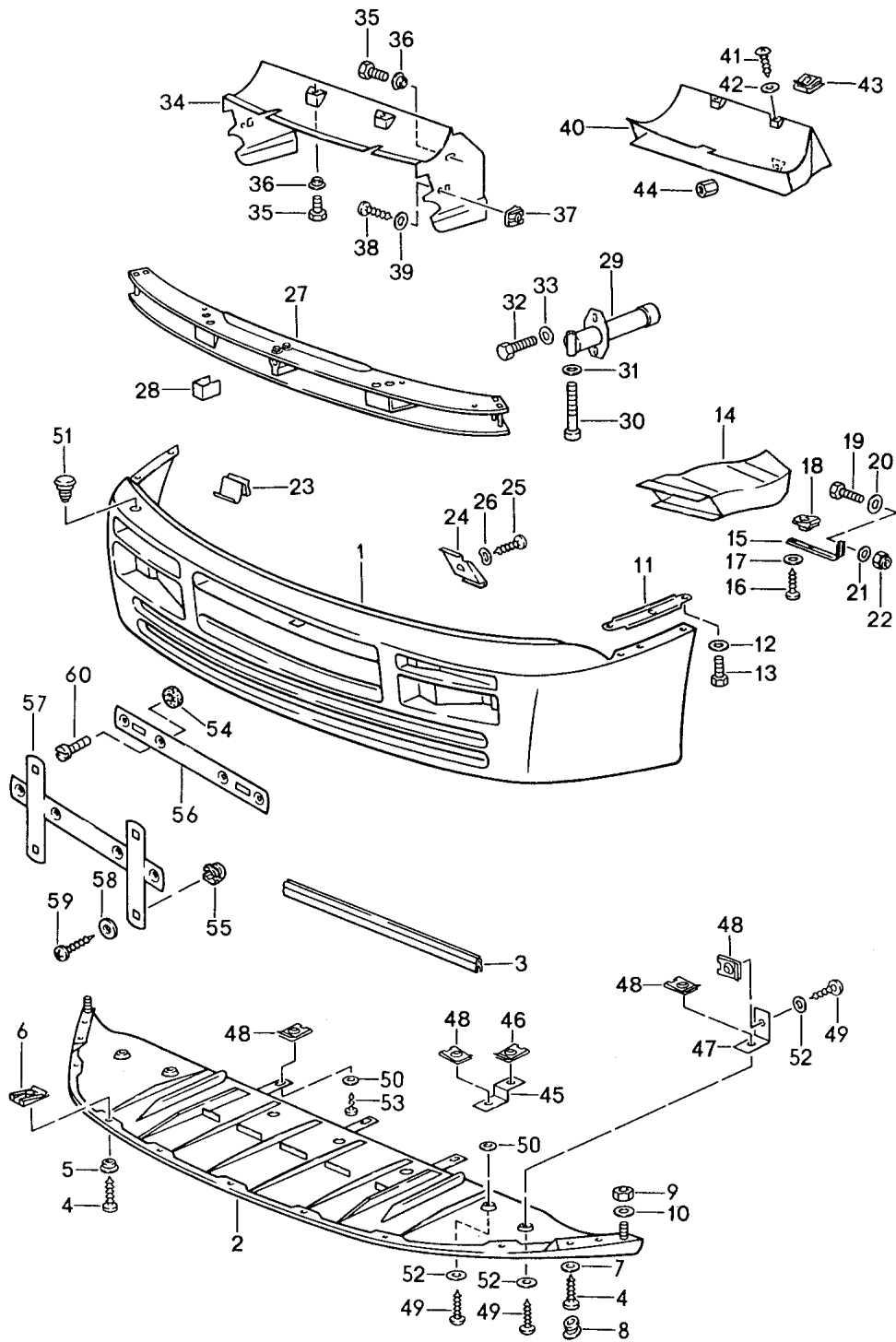


Model: 944 89 Model life 1989>>1991

Pos	Part Number	Description	Remark	Qty	Model
1	931 505 371 03	Front spoiler	-89	1	944
(1)	931 505 371 05	Front spoiler for Fog headlamp		1	
2	944 575 221 00	Air guide		1	
(2)	944 575 221 01	Air guide		1	M573
3	951 575 137 01	Grommet		1	M573
4	944 505 055 00	Attachment strip		2	
5	928 503 255 00	Spacer		4	
5		Spacer		4	
6	928 503 255 00 GRV	Prime coated			
6	900 910 010 09	Lock nut M 6		4	
7	937 503 255 01	Spacer		5	
8	N 010 215 13	Hexagon-head bolt M 6 X 15		5	
9	999 507 246 02	Speed nut M 6		2	
9	999 507 246 01	Speed nut M 6		2	
10	944 503 513 00	Attachment strip		2	
11	N 010 215 13	Hexagon-head bolt M6 X 15		6	
12	N 011 524 7	Washer A 6,4		6	
12	N 011 524 27	Washer A 6,4		6	
13	900 910 010 09	Lock nut M 6		6	
14	N 010 215 13	Hexagon-head bolt M6 X 15		2	
15	937 503 255 00	Spacer		2	
16	900 910 010 09	Lock nut M 6		2	
17	999 072 005 09	Hexagon nut M 6 X 12		2	
17	999 072 005 01	Hexagon nut M 6 X 12		2	
18	N 010 215 13	Hexagon-head bolt M 6 X 15		1	
19	900 910 010 09	Lock nut M 6		1	
20	N 011 524 7	Washer A 6,4		1	
20	N 011 524 27	Washer A 6,4		1	
21	944 505 179 00	Retaining bracket		1	
22	944 503 255 00	Spacer		1	

Model: 944 89

Model life 1989>>1991



Model: 944 89 Model life 1989>>1991

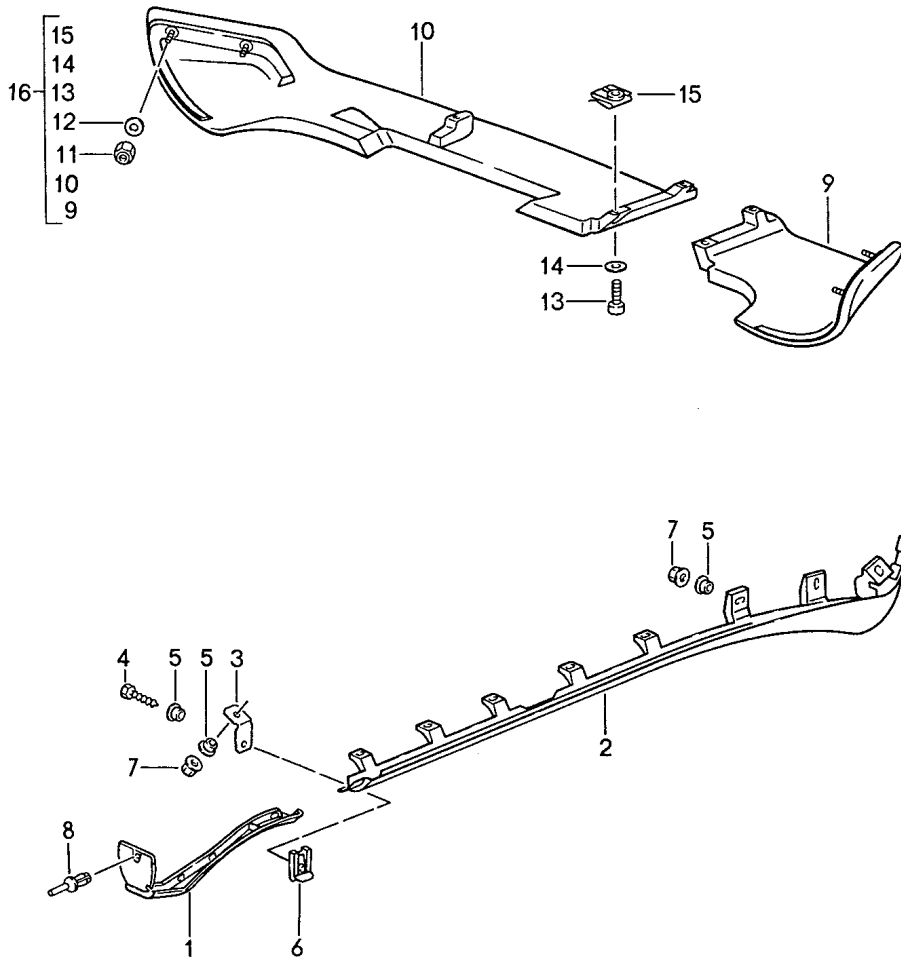
Pos	Part Number	Description	Remark	Qty	Model
		Front apron			944S2, TURBO
		And			
1	951 505 071 00	Bumper		1	
		Lining			
2	951 505 075 02	Upper part		1	
		Front apron			
		Lower part			
3	944 505 523 00	Piping		1	
4	N 013 967 9	Tapping screw		9	
		B 4,2			
5	951 505 157 00	Spacer		7	
6	999 591 742 02	Speed nut		9	
6	999 591 742 01	Speed nut		9	
7	900 151 028 02	Washer		2	
		B 4,3			
7	900 151 028 01	Washer		2	
		B 4,3			
8	951 505 347 00	Stopper		2	
9	900 910 010 09	Lock nut		2	
		M 6			
10	N 011 666 7	Washer		2	
		B 6,4			
11	951 505 513 00	Attachment strip	/L	1	
(11)	951 505 514 00	Attachment strip	/R	1	
12	N 011 666 7	Washer		6	
		B 6,4			
13	N 010 215 13	Hexagon-head bolt		6	
		M 6 X 15			
14	951 575 361 00	Air guide	/L	1	TURBO
(14)	951 575 362 00	Air guide	/R	1	TURBO
15	951 575 371 00	Fastening angle		2	TURBO
16	N 013 884 4	Hexagon-head tapping screw		4	TURBO
		BZ 4,8 X 13			
17	N 011 665 3	Washer		4	TURBO
		B 5,3			
17	N 011 665 16	Washer		4	TURBO
		B 5,3			
18	N 015 458 1	Speed nut		4	TURBO
		4,8 X 19			
19	N 010 215 13	Hexagon-head bolt		4	TURBO
		M 6 X 15			
20	N 011 666 7	Washer		4	TURBO
		B 6,4			
21	N 011 524 7	Washer		4	TURBO
		A 6,4			
21	N 011 524 27	Washer		4	TURBO
		A 6,4			
22	900 910 010 09	Lock nut		4	TURBO
		M 6			
23	951 505 373 00	Spring		4	
24	951 505 353 00	Cap		1	
25	900 143 072 02	Oval-head sheetmetal screw		1	
		B 3,9 X 19			
26	N 011 663 1	Washer		1	
		B 3,7			
27	951 505 010 01	Bumper		1	
28	951 505 349 00	Cap		1	
29	951 505 017 00	Impact pipe		2	
(29)	951 505 015 00	Impact absorber		2	M036/058
30	N 100 897 01	Pan-head screw		2	
		M 8 X 70			
30	N 100 897 02	Pan-head screw		2	
		M 8 X 70			

Model: 944 89 Model life 1989>>1991

Pos	Part Number	Description	Remark	Qty	Model
31	900 025 007 02	Washer 8,4		2	
31	900 025 007 03	Washer 8,4		2	
32	900 075 029 09	Hexagon-head bolt M 8 X 25		2	
32	900 075 029 03	Hexagon-head bolt M 8 X 25		2	
33	900 025 007 02	Washer A 8		2	
33	900 025 007 03	Washer A 8		2	
34	951 575 133 00	Air guide		1	
(34)	951 575 133 01	Air guide		1	M573
35	999 217 013 00	Hexagon-head bolt M 6		4	
36	937 503 255 01	Spacer		4	
37	N 015 458 1	Speed nut 4,8 X 19		2	
38	N 013 884 4	Hexagon-head tapping screw 4,8 X 13		2	
39	N 011 665 3	Washer B 5,3		2	
39	N 011 665 16	Washer B 5,3		2	
40	951 575 131 00	Air guide		1	TURBO
(40)	944 575 133 00	Air guide		1	944S2
41	900 143 007 02	Oval-head sheetmetal screw B 4,2 X 13		2	
41	900 073 507 01	Oval-head sheetmetal screw B 4,2 X 13		2	
42	900 025 002 02	Washer A 4,3		2	
42	900 025 002 03	Washer A 4,3		2	
43	N 015 447 1	Speed nut 4,2 X 10,3		2	
44	999 049 001 40	Plastic nut		2	
45	951 505 359 00	Fastening angle		2	
46	N 015 458 1	Speed nut		2	
47	951 505 355 00	Bracket		3	
48	N 015 470 2	Speed nut		6	
48	N 015 470 C	Speed nut		6	
49	N 013 968 7	Tapping screw		6	
49	900 143 097 01	Tapping screw		6	
50	N 011 665 3	Washer		6	
50	N 011 665 16	Washer		6	
51	951 628 301 00	Cover		2	
52	944 503 255 00	Spacer		6	
53	N 013 975 4	Oval-head sheetmetal screw		3	
54	951 701 133 00	Spacer		2	
55	999 591 498 40	Special nut		X	
56	911 701 121 03	Support		1	
57	928 701 050 03	Support		1	
58	N 011 522 8	Washer 4,3		X	
59	900 143 134 00	Tapping screw BZ 4,2 X 9,5		X	
60	900 144 020 02	Tapping screw B 4,8 X 32		2	

Model: 944 89

Model life 1989>>1991



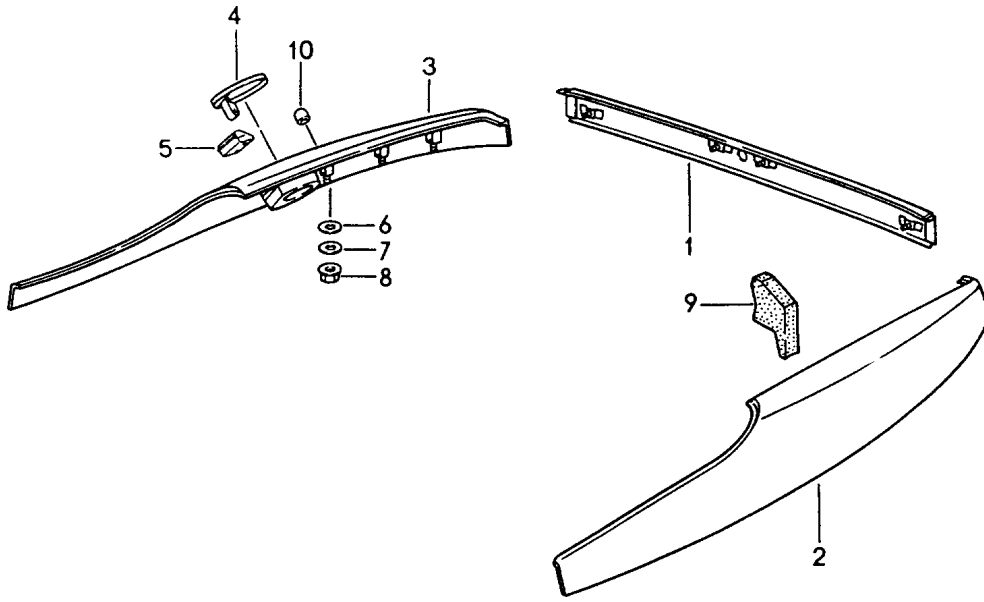
Model: 944 89

Model life 1989>>1991

Pos	Part Number	Description	Remark	Qty	Model
		Sill cover			944S2, TURBO
		Winged rear apron			944S2, TURBO M472
1	951 559 193 00	Sill cover	/V /L	1	
(1)	951 559 194 00	Sill cover	/V /R	1	
2	951 559 195 00	Sill cover	/H /L	1	COUPE
(2)	951 559 196 00	Sill cover	/H /R	1	COUPE
(2)	941 559 207 10	Sill cover	/H /L	1	CABRIO
	941 559 207 10 01C	Satin black			
(2)	941 559 208 10	Sill cover	/H /R	1	CABRIO
	941 559 208 10 01C	Satin black			
3	951 559 385 00	Fastening angle		2	COUPE
(3)	941 559 307 10	Fastening angle		10	CABRIO
4	N 013 891 1	Hexagon-head tapping screw B 6,3 X 19		8	
5	928 503 255 00	Spacer		22	
5		Spacer		22	
	928 503 255 00 GRV	Prime coated			
6	999 591 327 02	Speed nut B 6,3 X 25 X 16		6	
6	999 501 327 01	Speed nut B 6,3 X 25 X 16		6	
6	999 591 327 01	Speed nut B 6,3 X 25 X 16		6	
7	999 049 008 40	Plastic nut		10	
8	999 190 361 40	Blind rivet 5 X 12		2	
9	951 504 051 00	Winged rear apron	/L	1	
10	951 504 052 00	Winged rear apron	/R	1	
11	900 910 010 02	Lock nut M 6		4	
12	N 011 666 7	Washer B 6,4		4	
13	999 218 057 00	Pan-head screw M 6 X 10		5	COUPE
13		Pan-head screw M 6 X 16		5	CABRIO
14	N 011 557 6	Washer 6,4		5	
15	999 507 336 02	Captive nut M 6		5	
16	951 504 951 00	Winged rear apron Set See group 8/98/00		1	

Model: 944 89

Model life 1989>>1991



Model: 944 89

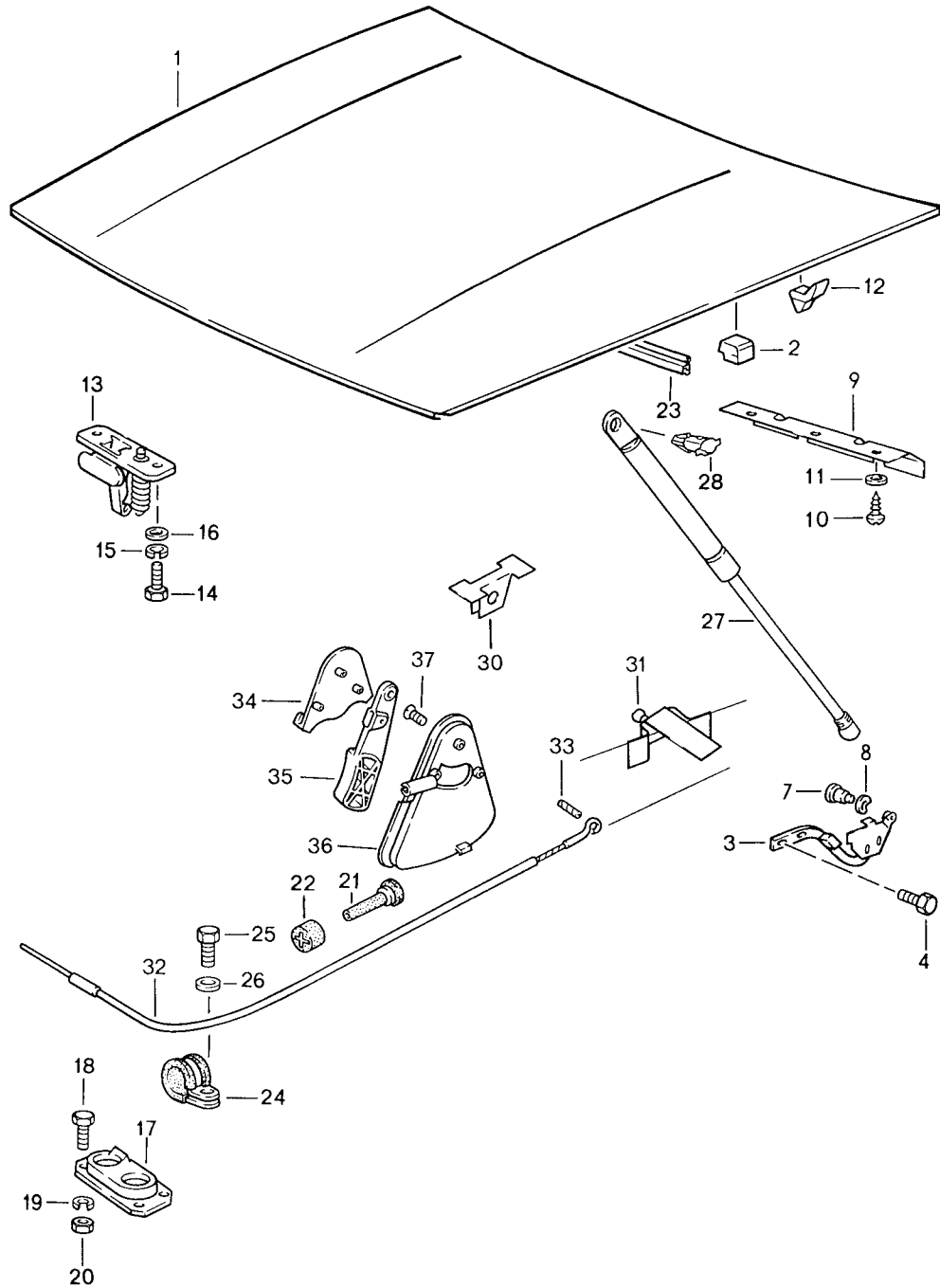
Model life 1989&gt;&gt;1991

Pos	Part Number	Description	Remark	Qty	Model
		Linings	/H		CABRIO
1	941 503 627 10	Terminal piece	/H	1	
2	941 503 625 10	Side section	/L	1	
3	941 503 626 10	Side section	/R	1	
4	941 504 095 10	Flap		1	
5	944 504 391 00	Hinge		1	
6	941 504 875 10	Rubber washer		14	
7	941 504 857 10	Washer		14	
8	900 377 009 02	Hexagon nut M5		14	
9	941 504 731 10	Filler piece		4	
10	941 201 361 10	Rubber buffer		2	



Model: 944 89

Model life 1989>>1991



Model: 944 89 Model life 1989>>1991

Pos	Part Number	Description	Remark	Qty	Model
		Lid			
		Front			
		Actuator			
1	944 511 905 00	Rear lid		1	
2	477 823 185	Filler piece		2	
3	944 511 301 00	Hinge	/L	1	
(3)	944 511 302 00	Hinge	/R	1	
(3)		Hinge	/R	1	
4	N 014 331 2	Hexagon-head bolt M 8 X 18		4	
7	944 511 307 00	Bearing pin		2	
8	944 511 309 00	Washer		2	
9	944 511 201 00	Tab washer		1	M533
10	900 143 007 02	Oval-head sheetmetal screw BZ 4,2 X 13		3	M533
10	900 073 507 01	Oval-head sheetmetal screw BZ 4,2 X 13		3	M533
11	900 025 002 02	Washer BZ 4,3		3	M533
11	900 025 002 03	Washer BZ 4,3		3	M533
12	937 511 237 00	Guide piece		2	
13	944 511 029 00	Lock upper part		1	
		Upper part			
14	999 072 005 09	Hexagon nut M 6 X 12		2	
14	999 072 005 01	Hexagon nut M 6 X 12		2	
17	928 511 027 02	Lid lock		1	
		Lower part			
18	900 075 116 02	Hexagon-head bolt M 4 X 8		4	
19	N 012 004 2	Lock ring		4	
		B 4			
20	N 011 004 6	Hexagon nut M 4		4	
20	N 011 004 G	Nut M 4		4	
21	477 823 591	Grommet		1	
22	477 823 593	Stopper		1	
23	928 511 141 04	Gasket		1	
24	999 511 177 02	Clamp		1	
24	999 511 177 01	Clamp		1	
25	999 072 005 09	Hexagon nut M 6 X 12		1	
25	999 072 005 01	Hexagon nut M 6 X 12		1	
26	N 011 524 7	Washer		1	
26	N 011 524 27	Washer		1	
27	944 511 351 01	Gas-pressure spring		2	
28	999 094 011 09	Bolt		2	
30	944 511 373 00	Pneumatic spring mount		2	
31	944 501 371 00	Pneumatic spring mount	/L	1	
(31)	944 501 372 00	Pneumatic spring mount	/R	1	
32	944 511 037 00	Bowden cable		1	
33	900 197 018 00	Roll pin 4 X 12		1	
34	928 511 143 02	Cover		1	
35	928 511 175 02	Pull handle		1	
36	928 511 173 02	Bearing shell		1	
37	900 249 001 02	Countersunk-head screw M 6 X 15		2	
37	900 249 031 01	Countersunk-head screw		2	

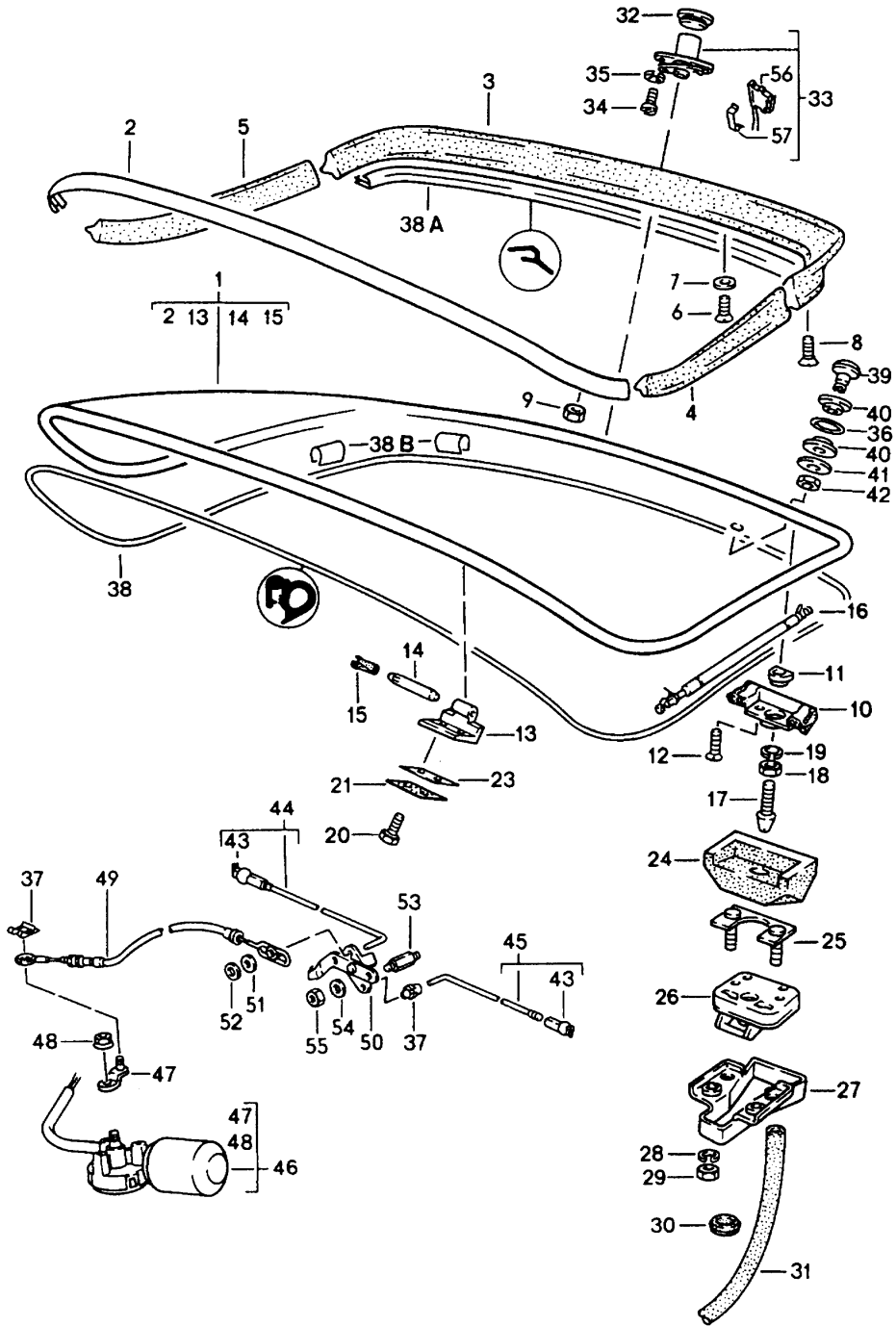
Model: 944 89

Model life 1989>>1991

Pos	Part Number	Description	Remark	Qty	Model
		M 6 X 15			

Model: 944 89

Model life 1989>>1991



Model: 944 89 Model life 1989>>1991

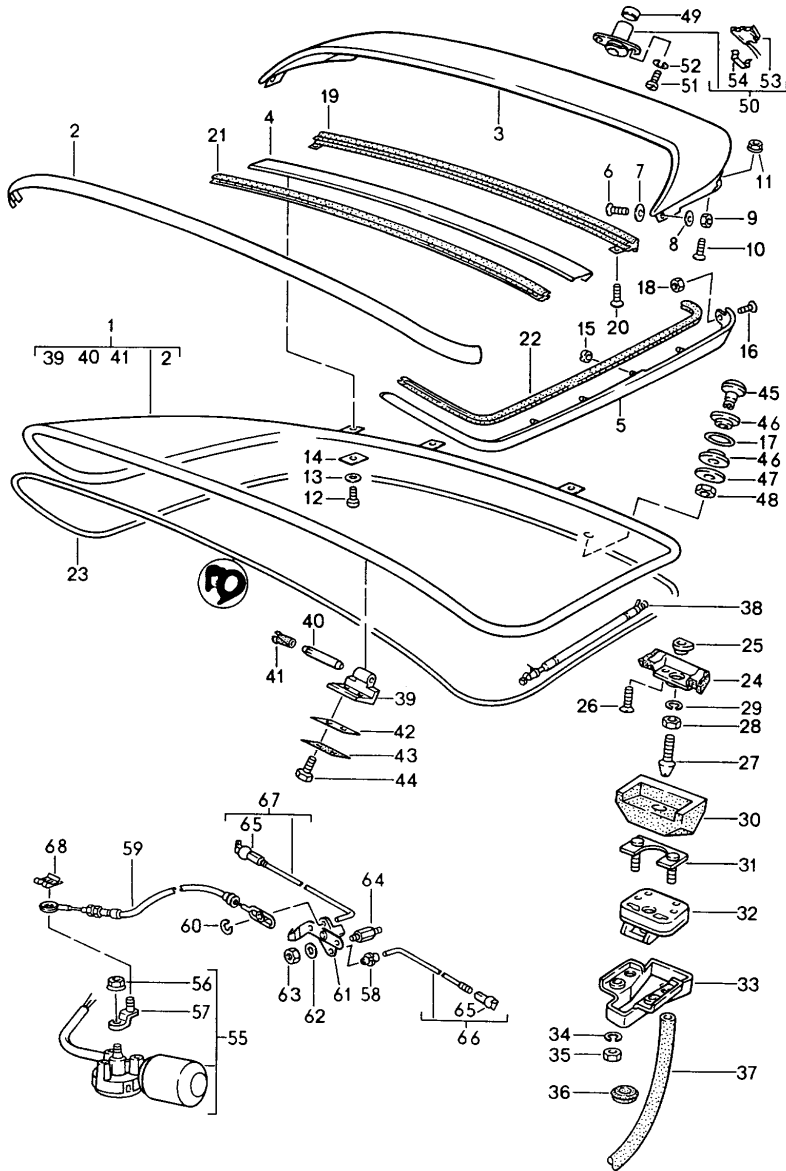
Pos	Part Number	Description	Remark	Qty	Model
		Rear lid Rear spoiler See technical information Group 5, 1/90	-90		COUPE
1	944 512 929 04	Rear lid		1	
1	944 512 929 05	Rear lid	(AUS) (S)	1	
2	477 853 313 A	Trim frame		1	
3	937 512 555 00	Rear spoiler		1	
4	937 512 557 00	Rear spoiler	/L	1	
5	937 512 558 00	Rear spoiler	/R	1	
6	N 033 183 1	Countersunk-head screw M 5 X 20		7	
6	N 033 183 A	Countersunk-head screw M 5 X 20		7	
7	477 827 453 A	Washer		7	
8	N 033 185 1	Countersunk-head screw M 4 X 16		4	
9	N 021 255 1	Slotted nut M 4		12	
10	944 512 033 01	Housing	/L	1	
10	944 512 033 04	Housing	/L	1	
(10)	944 512 034 01	Housing	/R	1	
(10)	944 512 034 04	Housing	/R	1	
11	477 827 035	Rubber mounting		2	
12	999 219 011 07	Countersunk-head screw M 6 X 16,		4	
12	999 219 011 0H	Countersunk-head screw M 6 X 16,		4	
12	999 219 011 0J	Countersunk-head screw M 6 X 16,		4	
13	477 827 305 B	Hinge half		2	
14	944 512 311 00	Hinge pin		2	
15	477 827 441	Bush		2	
(16)	944 512 348 00	Gas-pressure spring	/R	1	
16	944 512 349 00	Gas-pressure spring	/L	1	
17	944 538 547 00	Lock pin		2	
18	N 011 008 8	Hexagon nut M 8		2	
19	900 027 015 02	Lock ring B 8		2	
19	900 027 015 03	Lock ring B 8		2	
20	999 218 045 07	Pan-head screw M 8 X 16 Micro-self-locking		4	
21	928 512 417 03	Plate		2	
23	944 512 413 00	Gasket		2	
24	944 512 365 01	Gasket	/L	1	
(24)	944 512 366 01	Gasket	/R	1	
25	951 512 447 00	Reinforcement plate		2	
26	944 538 055 01	Rear lid lock	/L -89	1	
26	944 538 955 00	Rear lid lock	/L 90	1	
(26)	944 538 056 01	Rear lid lock	/R -89	1	
(26)	944 538 956 00	Rear lid lock	/R 90	1	
27	477 827 541	Water drip pan		2	
28	N 012 006 4	Lock ring B 6		4	
29	900 076 010 02	Nut M 6		4	
29	900 076 010 0B	Nut M 6		4	
30	111 971 911 A	Grommet		2	

Model: 944 89 Model life 1989&gt;&gt;1991

Pos	Part Number	Description	Remark	Qty	Model
31	477 827 547	Hose 400 MM		2	
32	477 827 529 A	Sealing ring		1	
(33)	944 538 911 01	Lock cylinder W/o stipulated lock number with 2 secondary keys		1	
(33)	944 538 073 00	Lock cylinder with stipulated lock number State lock number		1	
34	N 014 139 5	Oval-head screw M 6 X 12		2	
35	N 012 007 2	Lock ring A 6		2	
35	900 027 004 03	Lock ring A 6		2	
36	999 707 301 40	O-ring		1	
(37)	999 166 054 02	Sl-lock		1	
(37)	999 166 054 01	Sl-lock		1	
38	944 512 043 00	Seal for rear lid		1	
38A	944 512 463 00	Additional gasket		1	
38B	999 591 342 03	Clamp		4	
39	477 845 333	Screw plug		1	
40	477 955 439	Grommet		2	
41	477 845 331	Washer		1	
42	N 011 118 14	Hexagon nut M 8		1	
42	900 034 001 05	Hexagon nut M 8		1	
(43)	999 168 025 00	Ball socket		1	
44	944 512 092 01	Pull rod	/R	1	
45	944 512 091 00	Tension strut	/L	1	
46	944 624 024 02	Electric motor See technical information GR.5,NR.1/93		1	
47	944 624 814 00	Lever		1	
48	999 084 045 02	Lock nut		1	
49	944 512 097 03	Bowden cable		1	
50	944 512 095 00	Lever		1	
52	N 012 054 2	Clamping washer		1	
53	944 512 201 00	Stud		2	
54	N 011 524 7	Washer B 6		2	
54	N 011 524 27	Washer B 6		2	
55	900 076 010 02	Nut M 6		2	
55	900 076 010 0B	Nut M 6		2	
56	944 624 030 00	Microswitch		1	
57	999 591 910 00	Clamp		1	

Model: 944 89

Model life 1989>>1991



Model: 944 89 Model life 1989>>1991

Pos	Part Number	Description	Remark	Qty	Model
		Rear lid	90-		TURBO
		Rear spoiler	91-		944S2
1	951 512 929 00	Rear lid		1	
1	951 512 929 01	Rear lid	(AUS) (S)	1	
2	477 853 313 A	Trim frame		1	
3	951 512 101 00	Rear spoiler		1	
	951 512 101 00 03C	Rally black			
4	951 512 103 00	Rear spoiler		1	
	951 512 103 00 03C	Rally black			
5	951 512 405 00	Rear spoiler	/L	1	
	951 512 405 00 03C	Rally black			
(5)	951 512 406 00	Rear spoiler	/R	1	
	951 512 406 00 03C	Rally black			
6	N 033 184 1	Countersunk-head screw M 5 X 22		2	
6	N 033 184 A	Countersunk-head screw M 5 X 22		2	
7	803 955 637	Sealing washer		4	
8	900 151 027 07	Washer B 5,3 X 15		2	
9	900 034 033 07	Nut M 5		2	
10	900 269 054 07	Countersunk-head screw M 5 X 25		2	
11	900 380 001 02	Nut M 5		2	
12	N 102 158 01	Pan-head screw M 5 X 8		4	
13	900 025 053 07	Washer A 5,3 X 10		4	
14	951 512 733 01	Compensating plate		X	
15	N 021 255 1	Slotted nut M 4		14	
16	900 269 017 02	Countersunk-head screw M 5 X 12		2	
17	999 707 301 40	O-ring		1	
18	900 380 001 02	Nut M 5		2	
19	951 512 465 02	Additional gasket		1	
20	900 250 024 07	Screw DM 4 X 16		2	
20	900 250 024 0H	Screw DM 4 X 16		2	
21	951 512 603 00	Gasket		1	
22	951 512 605 01	Gasket	/L	1	
	951 512 605 01 01C	Black			
(22)	951 512 606 01	Gasket	/R	1	
	951 512 606 01 01C	Black			
23	944 512 043 00	Seal for rear lid		1	
24	944 512 033 03	Housing	/L	1	
(24)	944 512 034 03	Housing	/R	1	
25	477 827 035	Rubber mounting		2	
26	999 219 011 07	Countersunk-head screw M 6 X 16		4	
26	999 219 011 0H	Countersunk-head screw M 6 X 16		4	
26	999 219 011 0J	Countersunk-head screw M 6 X 16		4	
27	944 538 547 00	Lock pin		2	
28	N 011 008 8	Hexagon nut M 8		2	
29	900 027 015 02	Lock ring B 8		2	



Model: 944 89 Model life 1989>>1991

Pos	Part Number	Description	Remark	Qty	Model
29	900 027 015 03	Lock ring B 8		2	
30	944 512 365 01	Gasket	/L	1	
(30)	944 512 366 01	Gasket	/R	1	
31	951 512 447 00	Reinforcement plate		2	
32	944 538 955 00	Rear lid lock	/L	1	
(32)	944 538 956 00	Rear lid lock	/R	1	
33	477 827 541	Water drip pan		2	
34	N 012 006 4	Lock ring B 6		4	
35	900 076 010 02	Nut M 6		4	
35	900 076 010 0B	Nut M 6		4	
36	111 971 911 A	Grommet		2	
37	477 827 547	Hose 400 MM		2	
38	944 512 349 00	Gas-pressure spring	/L	1	
(38)	944 512 348 00	Gas-pressure spring	/R	1	
39	477 827 305 B	Hinge half		2	
40	944 512 311 00	Hinge pin		2	
41	477 827 441	Bush		2	
42	944 512 413 00	Gasket		2	
43	928 512 417 03	Plate		2	
44	999 218 045 07	Pan-head screw M 8 X 16 Micro-self-locking		4	
45	477 845 333	Screw plug		1	
46	477 955 439	Grommet		2	
47	477 845 331	Washer		1	
48	N 011 118 14	Hexagon nut M 8		1	
48	900 034 001 05	Hexagon nut M 8		1	
49	477 827 529 A	Sealing ring		1	
50	944 538 911 02	Lock cylinder W/o stipulated lock number with 2 secondary keys		1	
50	944 538 073 01	Lock cylinder with stipulated lock number State lock number		1	
51	N 014 139 5	Oval-head screw M 6 X 12		2	
52	N 012 007 2	Lock ring A 6		2	
52	900 027 004 03	Lock ring A 6		2	
53	944 624 030 00	Microswitch		1	
54	999 591 910 00	Clamp		1	
55	944 624 024 02	Electric motor See technical information GR.5,NR.1/93		1	
56	999 084 045 02	Lock nut		1	
57	944 624 814 00	Lever		1	
58	993 531 563 00	Linkage clip		1	
59	944 512 097 03	Bowden cable		1	
60	N 012 433 1	Lock washer		1	
61	944 512 095 00	Lever		1	
62	N 011 524 7	Washer B 6		2	
62	N 011 524 27	Washer B 6		2	
63	900 076 010 02	Nut		2	

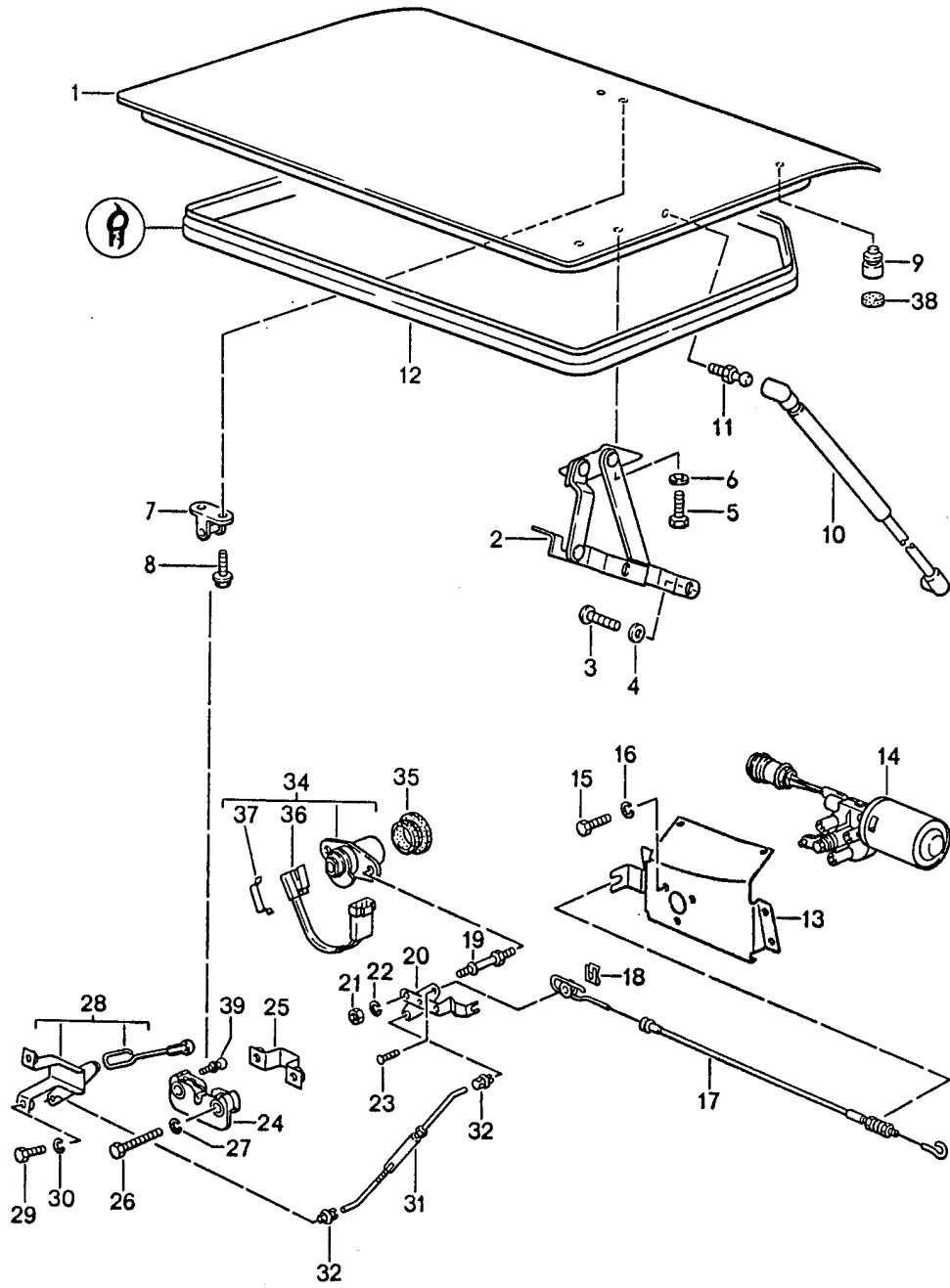
Model: 944 89

Model life 1989>>1991

Pos	Part Number	Description	Remark	Qty	Model
63	900 076 010 0B	M 6 Nut		2	
64	944 512 201 00	M 6 Stud		2	
65	999 168 025 00	Ball socket		1	
66	944 512 091 00	Tension strut	/L	1	
67	944 512 092 01	Pull rod	/R	1	
68	999 166 054 02	Sl-lock		1	
68	999 166 054 01	Sl-lock		1	

Model: 944 89

Model life 1989>>1991



Model: 944 89 Model life 1989>>1991

Pos	Part Number	Description	Remark	Qty	Model
		Rear lid			CABRIO
1	941 512 107 10	Lid		1	
2	941 512 131 10	Lid hinge	/L	1	
2	941 512 131 11	Lid hinge	/L	1	
2	941 512 131 12	Lid hinge	/L	1	
		Left			
		Rear			
		Cabriolet			
	941 512 131 12 GRV	Prime coated			
(2)	941 512 132 10	Lid hinge	/R	1	
(2)	941 512 132 11	Lid hinge	/R	1	
(2)	941 512 132 12	Lid hinge	/R	1	
3	900 075 366 02	Combination screw M 8 X 16		4	
4	900 151 008 02	Washer		4	
5	900 075 366 02	Combination screw M 8 X 16		4	
6	900 151 008 02	Washer		4	
7	941 512 103 10	Lock upper part		1	
8	N 902 180 01	Combination screw M 8 X 16		2	
9	999 703 140 40	Rubber buffer		2	
10	941 512 348 10	Gas-pressure spring		2	
11	941 512 341 10	Ball pin		4	
12	941 504 351 10	Seal for rear lid		1	
13	941 502 629 10	Mounting plate		1	
		Electric motor			
14	944 624 024 01	Electric motor		1	
15	999 217 004 02	Combination screw M 6 X 12		2	
17	944 512 097 03	Bowden cable		1	
18	999 166 054 02	Sl-lock		1	
18	999 166 054 01	Sl-lock		1	
19	944 512 201 00	Stud		2	
20	944 512 095 00	Lever		1	
21	900 076 010 02	Nut M 6		2	
21	900 076 010 0B	Nut M 6		2	
22	N 011 524 7	Washer A 6,4		2	
22	N 011 524 27	Washer A 6,4		2	
23	999 088 022 02	Bolt		1	
24	911 511 052 01	Lock lower part Lower part		1	
25	941 502 635 10	Support Lid lock		1	
26	N 010 220 3	Hexagon-head bolt M 6 X 30		2	
27	N 011 524 7	Washer A 6,4		2	
27	N 011 524 27	Washer A 6,4		2	
28	941 504 611 10	Lever		1	
29	900 075 355 02	Combination screw M 6 X 16		2	
29	900 075 355 01	Hexagon-head bolt M 6 X 16		2	
31	941 504 615 10	Connecting rod		1	
32	993 531 563 00	Linkage clip		2	
(34)	941 538 911 10	Lock cylinder W/o stipulated lock number		1	

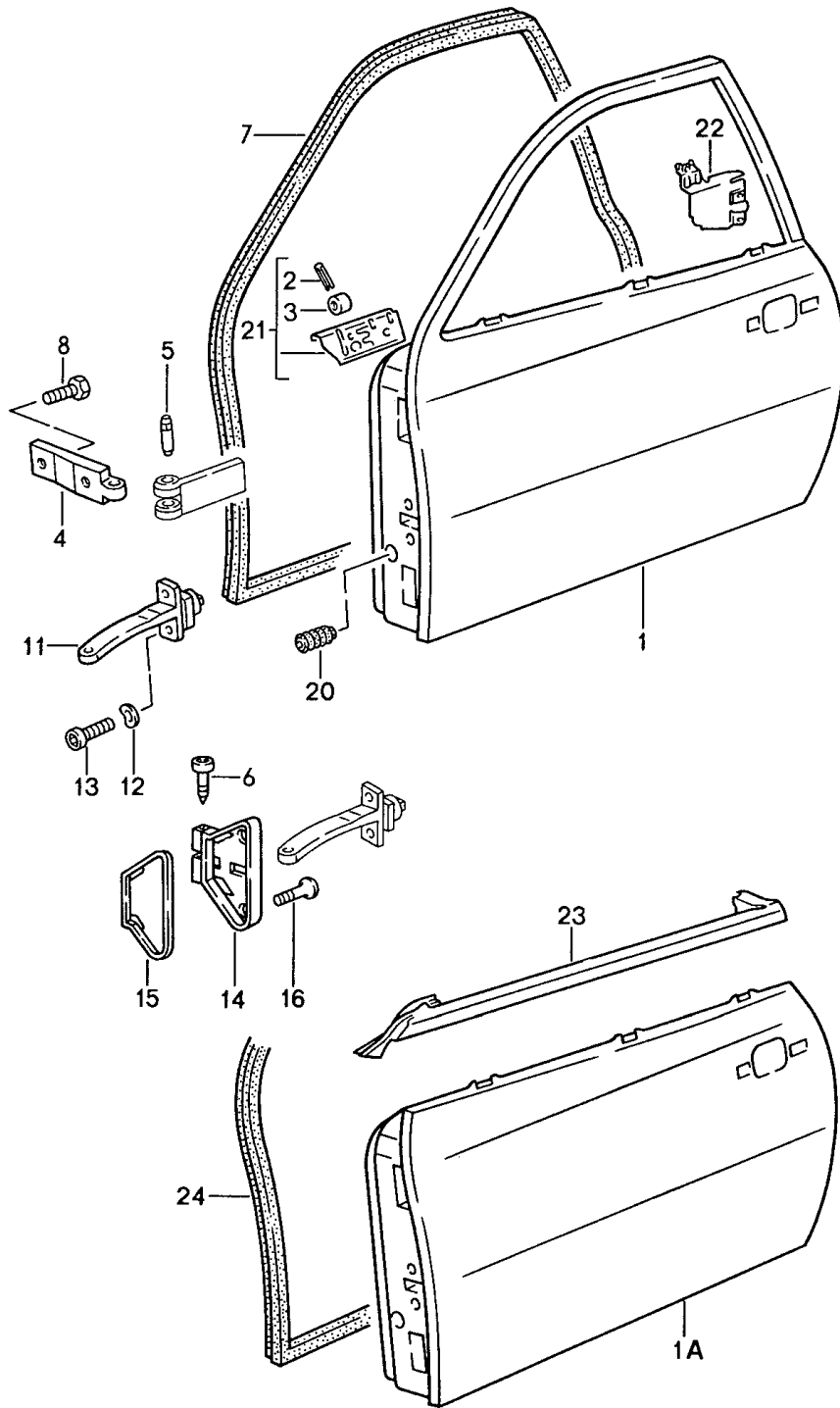
Model: 944 89

Model life 1989>>1991

Pos	Part Number	Description	Remark	Qty	Model
34	941 538 073 10	with 2 secondary keys Lock cylinder with stipulated lock number State lock number		1	
35	477 827 529 A	Sealing ring		1	
36	944 624 030 00	Microswitch		1	
37	999 591 910 00	Clamp		1	
38	999 703 402 40	Buffer		3	
39	941 512 552 10	Ball pin		1	

Model: 944 89

Model life 1989>>1991

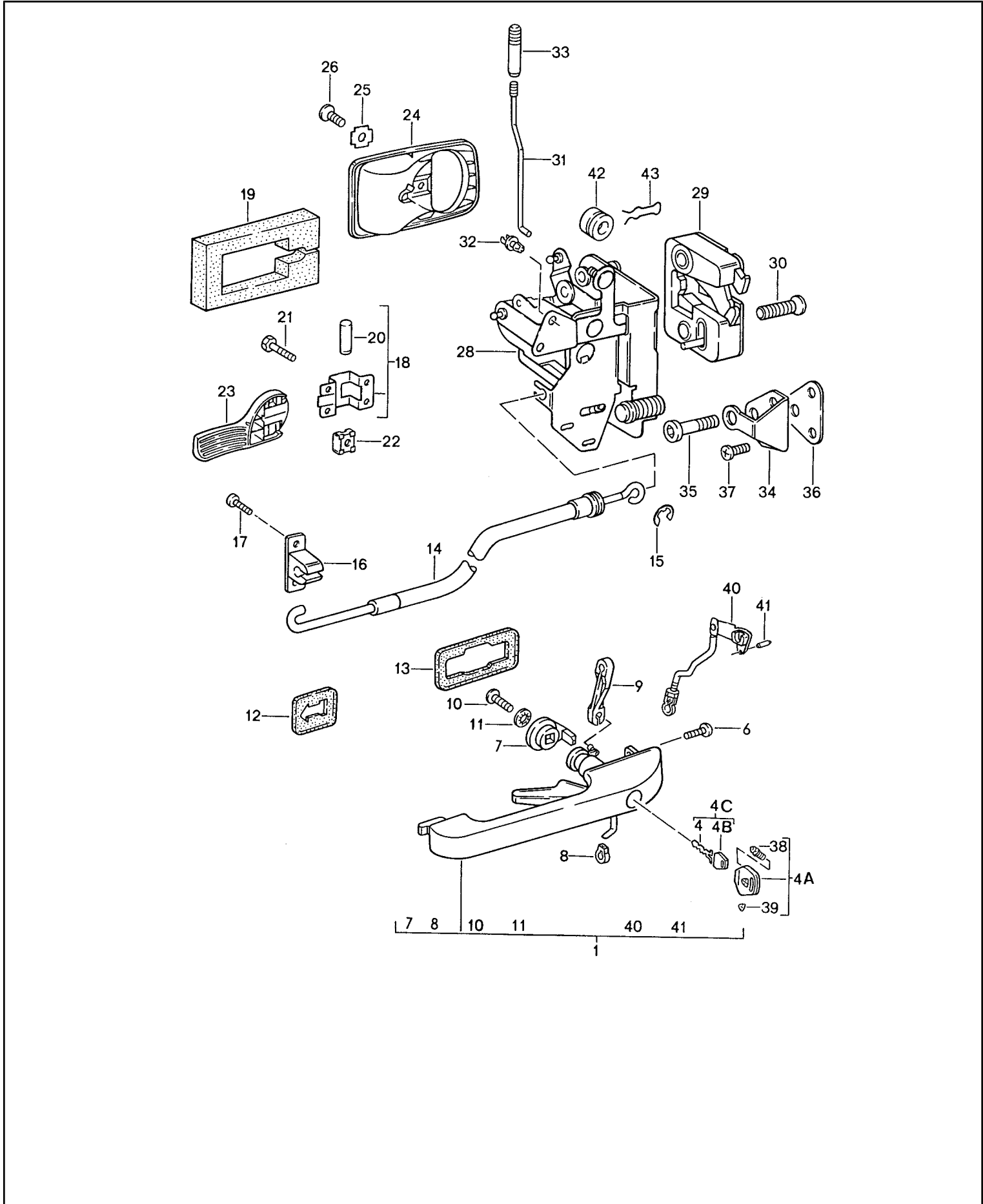


Model: 944 89 Model life 1989>>1991

Pos	Part Number	Description	Remark	Qty	Model
		Door			
1	944 531 005 02	Door in white	/L	1	COUPE
(1)	945 531 006 02	Door in white	/R	1	COUPE
1A	941 531 901 10	Door	/LL /L	1	CABRIO
(1A)	941 531 902 10	Door	/LL /R	1	CABRIO
(1A)	942 531 901 10	Door	/RL /L	1	CABRIO
(1A)	942 531 902 10	Door	/RL /R	1	CABRIO
2	N 013 295 1	Tensioning sleeve		2	
3	928 531 235 03	Threaded piece		2	
4	171 831 403	Hinge half		4	
5	321 831 421	Hinge pin		4	
6	928 537 419 03	Pan-head screw		2	
7	944 537 091 00	Door seal	/L	1	
(7)	944 537 092 00	Door seal	/R	1	
8	N 902 180 01	Combination screw M 8 X 14		8	
11	944 537 609 00	Door arrester		2	
12	N 011 524 7	Washer B 6		4	
12	N 011 524 27	Washer B 6		4	
13	900 067 008 02	Pan-head screw M 6 X 12		4	
13	900 067 008 03	Pan-head screw M 6 X 12		4	
14	928 537 417 02	Bearing bracket	/L	1	
14	928 537 417 03	Bearing bracket	/L	1	
(14)	928 537 418 02	Bearing bracket	/R	1	
15	928 537 425 02	Desk pad	/L	1	
(15)	928 537 426 02	Desk pad	/R	1	
16	928 537 459 02	Oval-head screw M 6 X 20		4	
20	477 971 910	Bellows		2	
21	944 531 239 00	Reinforcement plate Door mirror	/L	1	
(21)	944 531 240 00	Reinforcement plate Door mirror	/R	1	
22	944 531 135 00	Cover plate	/L	1	
(22)	944 531 136 00	Cover plate	/R	1	
23	941 537 093 10	Sealing strip Outer	/L	1	CABRIO
(23)	941 537 094 10	Sealing strip Outer	/R	1	CABRIO
(23)	941 537 572 10	Sealing for door slot Inner	/L	1	CABRIO
(23)	941 537 572 20	Sealing for door slot Inner	/L	1	CABRIO
(23)	941 537 572 10	Sealing for door slot Inner	/R	1	CABRIO
(23)	941 537 572 20	Sealing for door slot Inner	/R	1	CABRIO
24	941 537 091 10	Door seal	/L	1	CABRIO
(24)	941 537 092 10	Door seal	/R	1	CABRIO

Model: 944 89

Model life 1989>>1991





Model: 944 89

Model life 1989&gt;&gt;1991

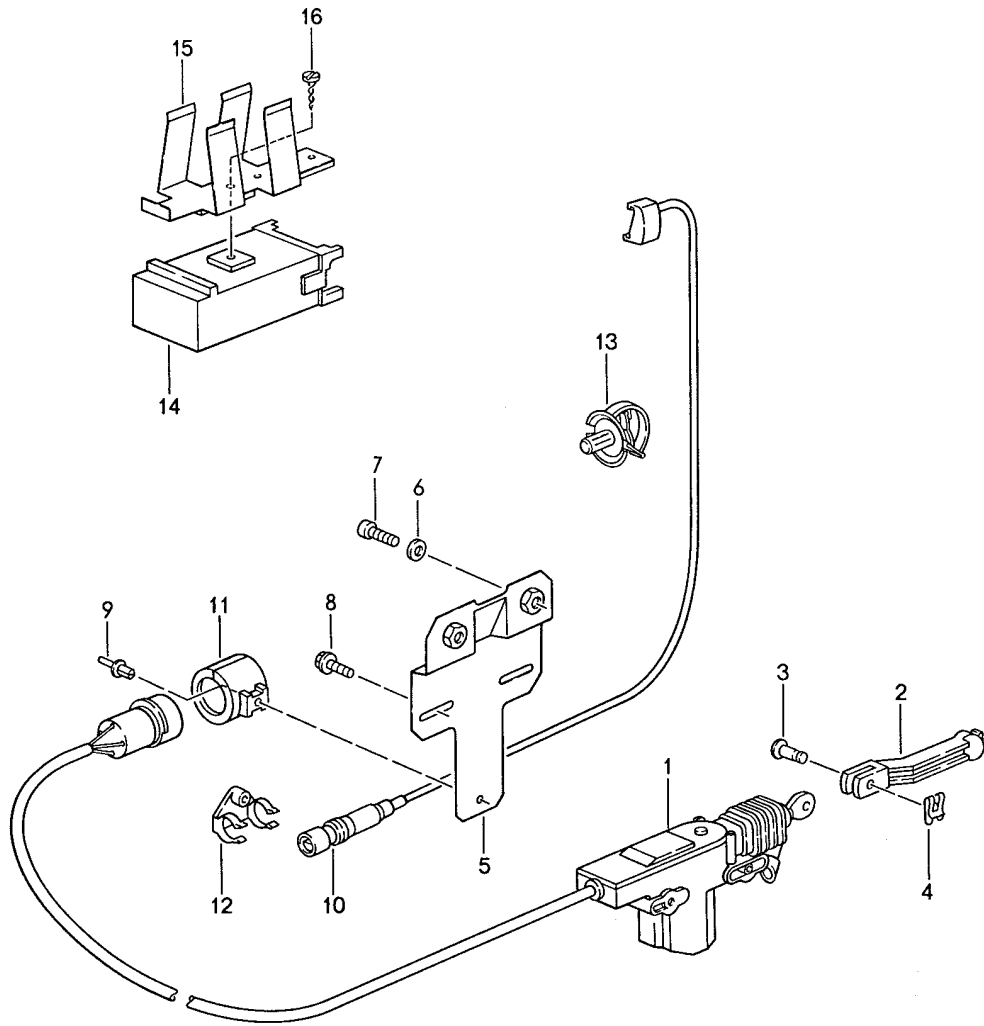
Pos	Part Number	Description	Remark	Qty	Model
(1)	944 538 905 06	Outer door handle Door lock Outer door handle W/o stipulated lock number When required order also: 911.613.133.00	/L	1	
(1)	944 538 905 07	Outer door handle with stipulated lock number When required order also: 911.613.133.00	/L	1	
(1)	944 538 906 06	Outer door handle W/o stipulated lock number When required order also: 911.613.133.00	/R	1	
(1)	944 538 906 07	Outer door handle with stipulated lock number When required order also: 911.613.133.00	/R	1	
-		Grease for lock cylinder See group 0/05/00		1	
4	944 538 331 00	Blank key		2	
4A	944 538 041 00	Key lamp		1	
4A	944 538 041 01	Key lamp		1	
4B	944 538 431 00	Key cap		1	
4C	944 538 933 00	Key with stipulated lock number State lock number Information available		1	
6	803 837 951	Self-lock. fillister screw		2	
7	477 837 497	Driver		2	
8	999 168 004 40	Ball socket		2	
9	477 837 505 A	Connecting piece	/L	1	
(9)	477 837 506 A	Connecting piece	/R	1	
10	N 033 165 1	Countersunk-head screw AM 4 X 8		2	
11	N 012 116 1	Serrated lock washer V 4,3		2	
12	867 837 209	Desk pad	/V	2	
13	171 837 211 A	Desk pad	/H	2	
14	477 837 017 A	Bowden cable		2	
15	999 166 054 02	Sl-lock 3,2		2	
15	999 166 054 01	Sl-lock 3,2		2	
16	477 837 115 A	Support		2	
17	999 217 029 02	Hexagon-head bolt M 6 X 10 Self-locking		4	
(17)	PCG 217 029 02	Hexagon-head bolt M 6 X 10 Self-locking		4	
18	944 537 029 00	Inner door release	/L	1	
(18)	944 537 030 00	Inner door release	/R	1	
19	477 831 304 A	Seal		2	
20	N 013 666 1	Rivet B 4 X 32		2	
21	999 217 029 02	Hexagon-head bolt		8	
(21)	PCG 217 029 02	Hexagon-head bolt M 6 X 10, SELBSTSICHERND		8	
22	477 837 521	Captive nut		8	
23	944 537 225 00	Handle	/L	1	

Model: 944 89 Model life 1989>>1991

Pos	Part Number	Description	Remark	Qty	Model
		Inner door release			
	944 537 225 00 3DL	Black			
	944 537 225 00 7XJ	Linen	-90		
	944 537 225 00 9JJ	Marine blue	-90		
	944 537 225 00 4LL	Burgundy	-90		
	944 537 225 00 6ZF	Cobalt blue	91-		
	944 537 225 00 4XC	Classic grey	91-		
(23)	944 537 226 00	Handle	/R	1	
		Inner door release			
	944 537 226 00 3DL	Black			
	944 537 226 00 7XJ	Linen	-90		
	944 537 226 00 9JJ	Marine blue	-90		
	944 537 226 00 4LL	Burgundy	-90		
	944 537 226 00 6ZF	Cobalt blue	91-		
	944 537 226 00 4XC	Classic grey	91-		
24	944 537 229 00	Rosette		2	
	944 537 229 00 3DL	Black			
	944 537 229 00 7XJ	Linen	-90		
	944 537 229 00 9JJ	Marine blue	-90		
	944 537 229 00 4LL	Burgundy	-90		
	944 537 229 00 6ZF	Cobalt blue	91-		
	944 537 229 00 4XC	Classic grey	91-		
26	N 014 216 1	Countersunk-head screw		2	
		AM 5 X 10			
28	928 537 053 09	Door lock	/LL /L	1	
		Inner part			
(28)	928 537 054 10	Door lock	/LL /R	1	
		Inner part			
(28)	927 537 053 10	Door lock	/RL /L	1	
		Inner part			
(28)	927 537 054 09	Door lock	/RL /R	1	
		Inner part			
29	928 537 153 03	Door lock	/L	1	
		Outer part			
(29)	928 537 154 03	Door lock	/R	1	
		Outer part			
30	928 537 721 02	Oval-head screw		4	
		M 8 X 35			
31	477 837 183 A	Locking rod		2	
(31)	477 837 183 B	Locking rod		2	M525/533
32	477 837 187	Clip		2	
33	944 555 359 01	Knob	-90	2	
	944 555 359 01 01C	Black			
33	944 637 138 00	Knob	-90	2	M525/533
33		Knob	-91	2	TURBO
33	944 637 238 00	Knob	91-	2	
	944 637 238 00 01C	Black			
34	928 537 133 02	Door lock striker	-90	2	
34	928 537 133 04	Door lock striker	91-	2	
35	928 537 131 03	Lock pin	-90	2	
35		Lock pin	91-	2	
36	928 537 135 04	Desk pad		2	
37	900 249 022 02	Countersunk-head screw		4	
		M 8 X 16			
38	928 537 630 02	Bulb		1	
		E 5,5			
39	944 538 443 00	Crest		1	
40	944 537 261 02	Reverse lever	/L	1	
(40)	944 537 262 02	Reverse lever	/R	1	
41	N 023 323 2	Roll pin		2	
42	928 537 613 02	Weight		2	
43	928 537 615 02	Spring clamp		2	

Model: 944 89

Model life 1989>>1991

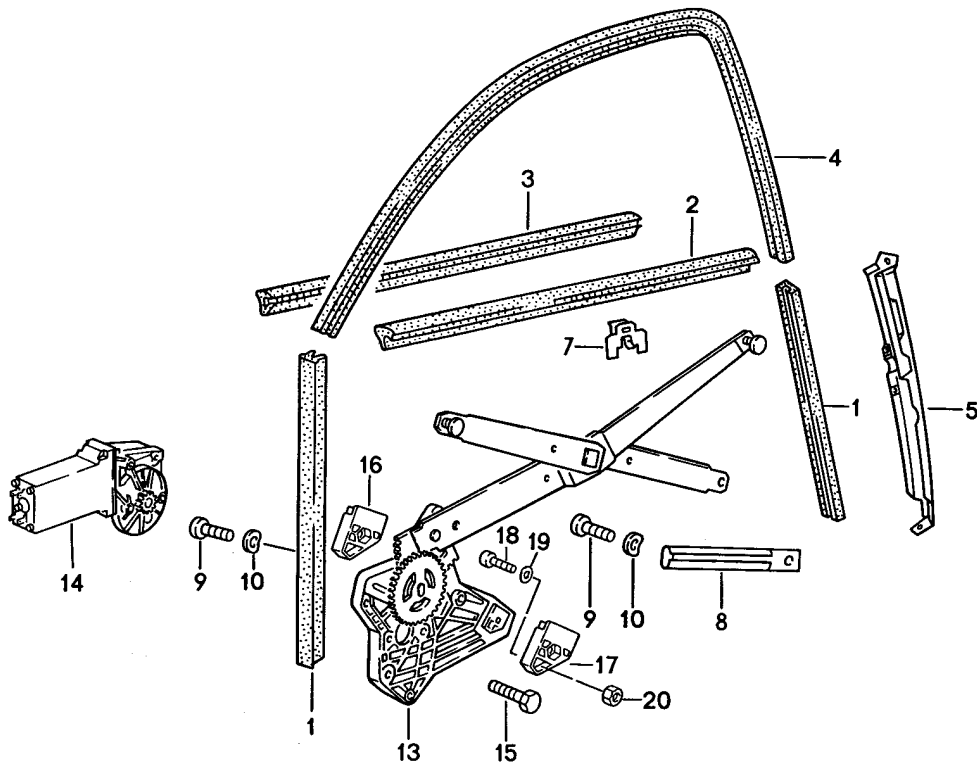


Model: 944 89 Model life 1989>>1991

Pos	Part Number	Description	Remark	Qty	Model
		Central locking system			
1	944 624 211 00	Transmission element		2	
1	928 624 211 00	Transmission element		2	
2	944 537 511 00	Operating rod		2	
3	N 100 438 01	Bolt		2	
4	N 012 644 1	Lock		2	
5	944 537 151 00	Mounting plate		2	
6	N 011 524 7	Washer A 6,4		4	
6	N 011 524 27	Washer A 6,4		4	
7	N 014 765 2	Pan-head screw M 6 X 10		4	
8	999 919 035 02	Hexagon-head bolt		4	
9	N 038 504 1	Expansion rivet 15 X 7,5		2	
10	964 613 134 00	Microswitch		2	
11	944 612 450 01	Support		2	
12	321 971 898 B	Support		2	
13	944 612 555 00	Cable holder		14	
14	911 618 113 01	Control unit	-90	1	
14	911 618 113 02	Control unit		1	
14	911 618 113 01	Control unit	-91	1	TURBO
14	911 618 113 02	Control unit		1	TURBO
(14)		Alarm control unit See group 9/09/00	91-	1	
15	944 618 163 00	Support	-90	1	
16	999 919 032 02	Oval-head screw	-90	1	

Model: 944 89

Model life 1989>>1991

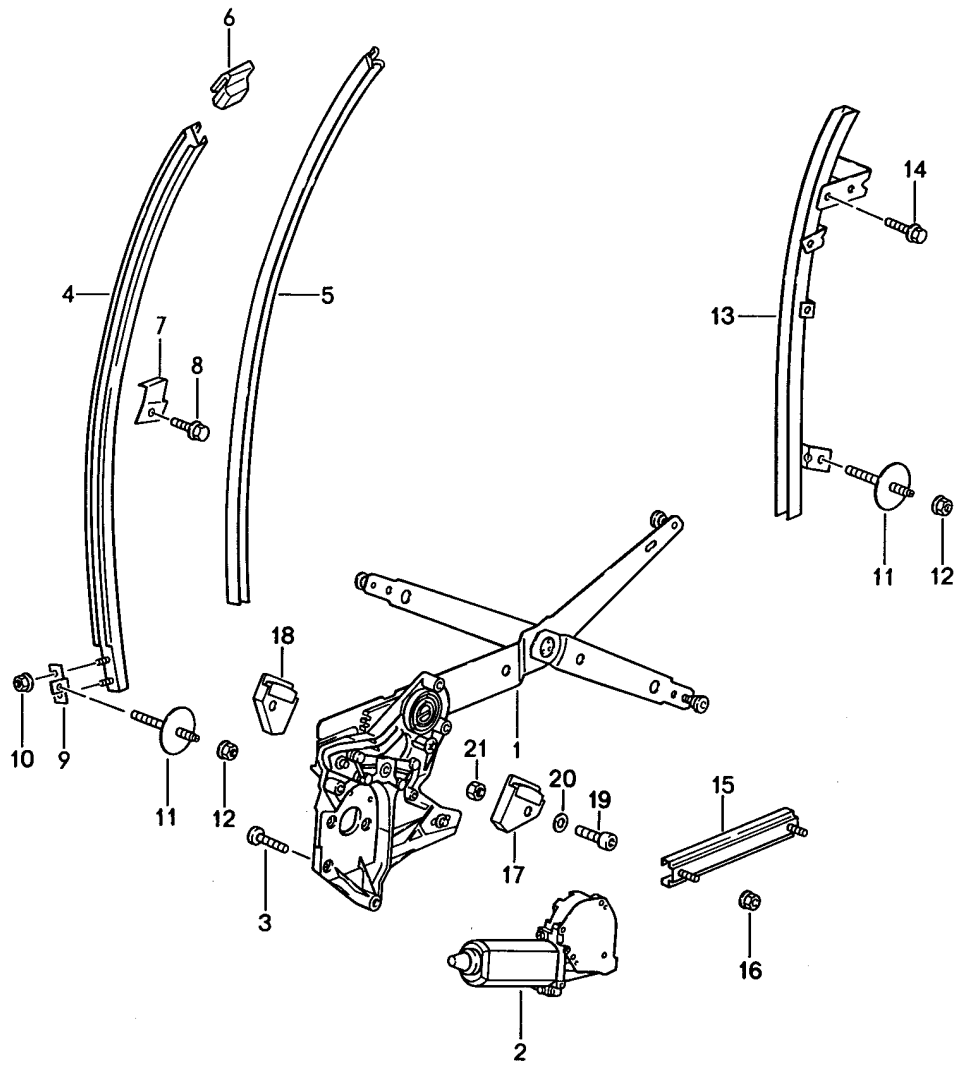


Model: 944 89 Model life 1989>>1991

Pos	Part Number	Description	Remark	Qty	Model
		Power windows			COUPE
		Window guide			
1	477 837 385	Window guide		4	
2	477 837 469 A	Sealing strip	/L	1	
		Outer			
(2)	477 837 470 A	Sealing strip	/R	1	
		Outer			
3	477 837 471 A	Sealing for door slot		2	
		Inner			
4	944 537 079 00	Window guide	/L	1	
(4)	944 537 080 00	Window guide	/R	1	
5	944 531 103 00	Window guide rail	/L	1	
(5)	944 531 104 00	Window guide rail	/R	1	
7	171 837 485	Clamp		10	
8	944 537 589 00	Guide rail		2	
9	999 217 029 02	Hexagon-head bolt		12	
		M 6 X 10			
		Self-locking			
10	N 011 652 1	Washer		12	
		A 7 X 12			
13	944 537 941 01	Cross-arm	/L	1	
(13)	944 537 942 01	Cross-arm	/R	1	
14	477 959 123 A	Engine and transmission	/L	1	
(14)	477 959 124 A	Engine and transmission	/R	1	
15	N 014 228 4	Countersunk-head screw		6	
		AM 6 X 12			
16	944 537 972 00	Stop	/L	1	
		Upper			
16		Stop	/R	1	
		Lower			
17	944 537 971 00	Stop	/L	1	
		Lower			
17		Stop	/R	1	
		Upper			
18	N 014 707 2	Pan-head screw		4	
		M8X15			
18	900 067 131 03	Pan-head screw		4	
		M8X15			
19	900 336 004 02	Lock washer		4	
20	N 011 118 8	Nut		4	
		M8			
20	900 034 001 03	Nut		4	
		M8			
20	900 034 001 04	Nut		4	
		M8			
		electrical components			
		Power windows			
		See group			
		9/02/27,9/03/00			

Model: 944 89

Model life 1989>>1991



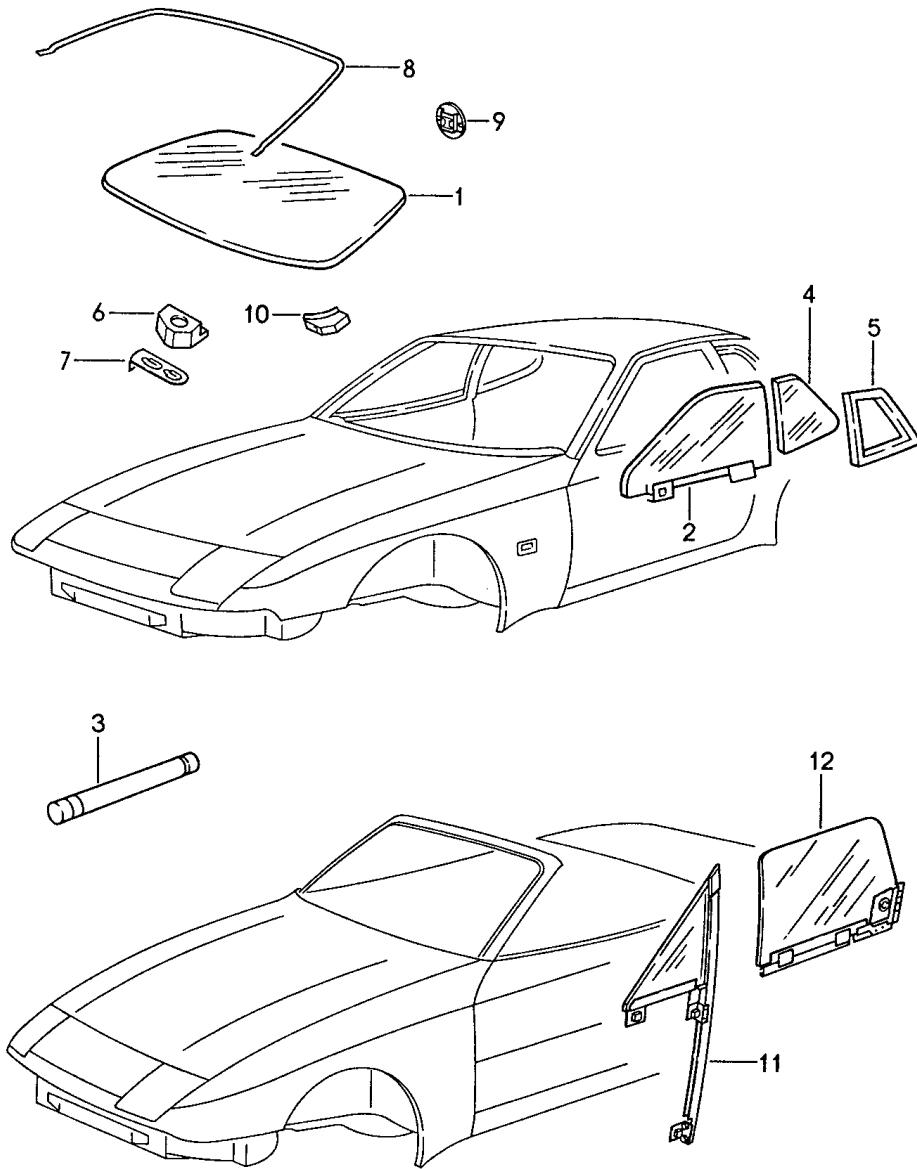
Model: 944 89 Model life 1989>>1991

Pos	Part Number	Description	Remark	Qty	Model
		Power windows			CABRIO
		Window guide			
(1)	941 537 901 10	Cross-arm	/L	1	
1	941 537 902 10	Cross-arm	/R	1	
(2)	477 959 123 A	Engine and transmission	/L	1	
2	477 959 124 A	Engine and transmission	/R	1	
3	N 014 228 4	Countersunk-head screw AM 6 X 12		6	
(4)	941 531 505 10	Window guide rail	/V /L	1	
4	941 531 506 10	Window guide rail	/V /R	1	
5	941 531 530 10	Window guide		2	
(6)	941 531 527 10	Terminal piece	/L	1	
6	941 531 528 10	Terminal piece	/R	1	
(7)	941 531 521 10	Support	/L	1	
7	941 531 522 10	Support	/R	1	
8	900 075 355 02	Combination screw M6X16		2	
8	900 075 355 01	Hexagon-head bolt M6X16		2	
(9)	941 531 525 10	Support	/L	1	
9	941 531 524 10	Support	/R	1	
10	941 531 637 10	Hexagon nut M6		4	
11	941 504 723 12	Threaded bolt		4	
12	941 531 637 10	Hexagon nut M6		4	
(13)	941 531 511 10	Window guide rail	/H /L	1	
13	941 531 512 10	Window guide rail	/H /R	1	
14	900 075 355 02	Combination screw M6X16		2	
14	900 075 355 01	Hexagon-head bolt M6X16		2	
15	941 537 499 10	Guide rail		2	
16	941 531 637 10	Hexagon nut M6		4	
17	944 537 972 00	Stop Upper	/L	1	
17		Stop Lower	/R	1	
18	944 537 971 00	Stop Lower	/L	1	
18		Stop Upper	/R	1	
19	N 014 707 2	Pan-head screw M8X15		4	
19	900 067 131 03	Pan-head screw M8X15		4	
20	900 336 004 02	Lock washer		4	
21	N 011 118 8	Nut M8		4	
21	900 034 001 03	Nut M8		4	
21	900 034 001 04	Nut M8		4	



Model: 944 89

Model life 1989>>1991

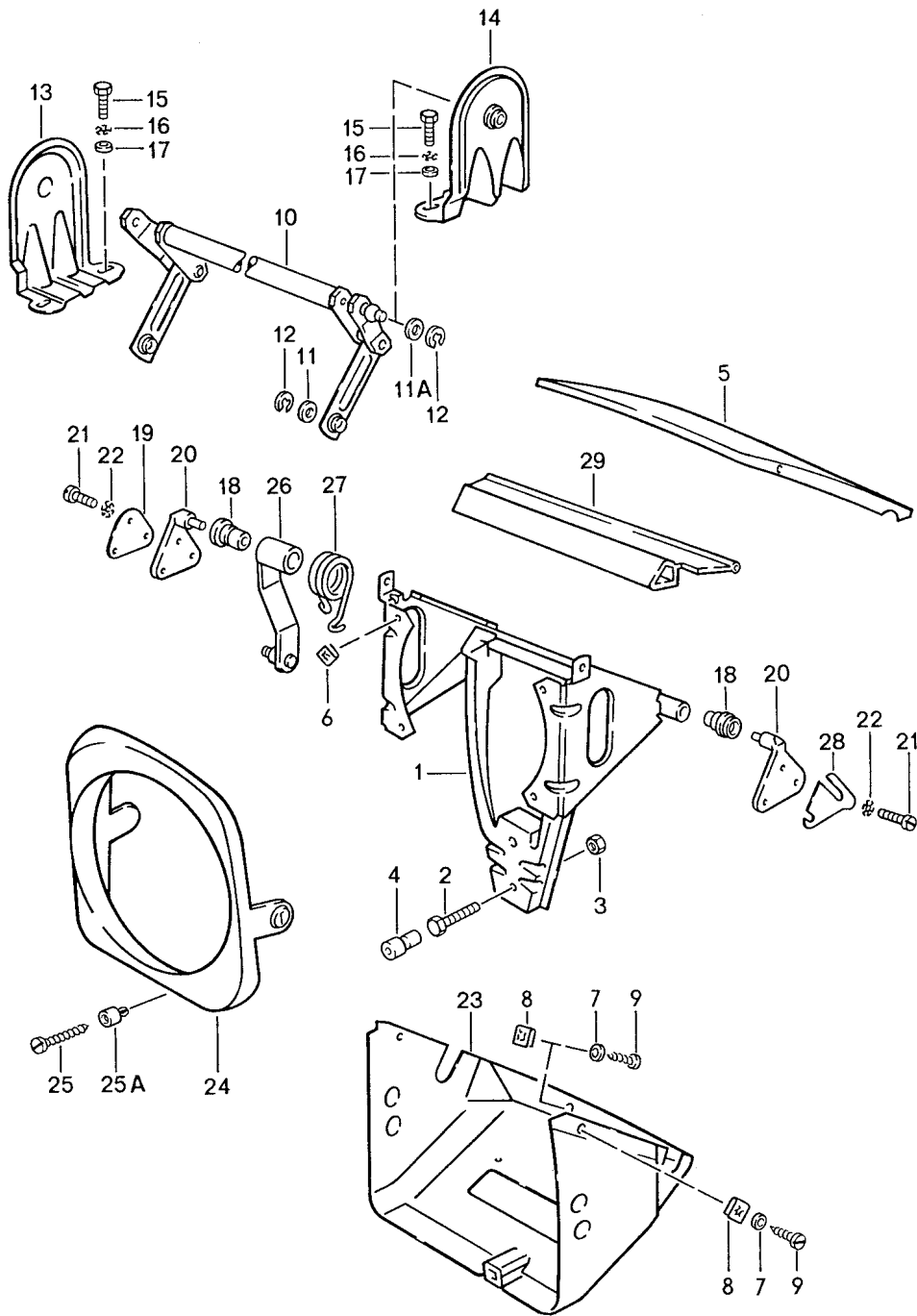


Model: 944 89 Model life 1989>>1991

Pos	Part Number	Description	Remark	Qty	Model
1	944 541 011 13	window glazing Windscreen Clear with Antenna		1	COUPE M462
(1)	944 541 011 12	Windscreen Tinted with Antenna		1	COUPE M462
(1)	944 541 011 14	Windscreen Green top tint with Antenna		1	COUPE M462
(1)	941 541 011 10	Windscreen Tinted with Antenna		1	CABRIO M462
(1)	941 541 011 11	Windscreen Clear with Antenna		1	CABRIO M462
2	944 542 023 01	Door window glass Tinted	/L	1	COUPE
(2)	944 542 024 01	Door window glass Tinted	/R	1	COUPE
3	000 043 300 94	Adhesive set Windscreen		1	
(3)	000 043 204 82	Adhesive for Cover strip		X	
4	477 845 311 A	Side window Tinted	/L	1	
(4)	477 845 312 A	Side window Tinted	/R	1	
5	944 557 321 00	Rubber seal	/L	1	
(5)	944 557 322 00	Rubber seal	/R	1	
6	944 559 031 02	Spacer		2	
7	944 559 337 00	Fastening part		2	
8	944 559 535 03	Cover strip It is necessary to rework		1	CABRIO
8	944 559 535 05	Cover strip It is necessary to rework		1	CABRIO
8	944 559 535 06	Cover strip It is necessary to rework		1	CABRIO
8	993 541 225 01	Covering frame It is necessary to rework		1	CABRIO
8	993 541 925 00	Covering frame It is necessary to rework		1	CABRIO
9		Adhesive plate Interior mirror See group 8/09/05		1	
10	944 559 341 00	Stopper	/L	1	
(10)	944 559 342 00	Stopper	/R	1	
11	941 542 901 10	Side window Tinted	/L	1	CABRIO
(11)	941 542 902 10	Side window Tinted	/R	1	CABRIO
12	941 542 903 10	Door window glass Tinted	/L	1	CABRIO
(12)	941 542 904 10	Door window glass Tinted	/R	1	CABRIO

Model: 944 89

Model life 1989>>1991



Model: 944 89

Model life 1989&gt;&gt;1991

Pos	Part Number	Description	Remark	Qty	Model
1	944 750 605 00	Pop-up headlight			
(1)	944 750 606 00	Swivel frame	/L	1	
2	N 010 221 3	Swivel frame	/R	1	
		Hexagon-head bolt		2	
		M 6 X 35			
3	900 076 010 02	Nut		2	
		M 6			
3	900 076 010 0B	Nut		2	
		M 6			
4	914 504 319 00	Grommet		2	
5	477 805 611	Housing cover	/L	1	944
(5)	951 503 611 00	Housing cover	/L	1	944S2, TURBO
(5)	477 805 612	Housing cover	/R	1	944
(5)	951 503 612 00	Housing cover	/R	1	944S2, TURBO
7	900 151 028 02	Washer		4	
		4,1			
7	900 151 028 01	Washer		4	
		4,1			
8	N 015 438 1	Speed nut		10	
		B 3,5 X 16,5			
9	N 014 086 4	Rais. counters. h. tap. s.		10	
		B 3,5 X 9,13			
10	477 805 615	Control shaft		1	
11	900 025 007 02	Washer		2	
11	900 025 007 03	Washer		2	
11A	477 805 695	Heat shield		1	
12	N 012 436 2	Lock washer		3	
		6			
13	477 805 617	Bearing bracket		1	
14	477 805 622	Bearing bracket		1	
15	N 010 215 13	Hexagon-head bolt		4	
		M 6 X 15			
16	N 012 105 3	Serrated lock washer		4	
		A 6,4			
17	N 011 524 7	Washer		4	
		A 6,4			
17	N 011 524 27	Washer		4	
		A 6,4			
18	477 805 623	Bush		4	
19	914 750 169 10	Plate		4	944
(19)	951 750 169 00	Plate		2	944S2, TURBO
20	914 750 271 10	Bearing bracket		4	944
(20)	951 750 271 00	Bearing bracket		2	944S2, TURBO
21	999 072 005 09	Hexagon nut		12	
		M 6 X 12			
21	999 072 005 01	Hexagon nut		12	
		M 6 X 12			
22	N 012 105 3	Serrated lock washer		12	
		A 6,4			
23	944 750 631 00	Housing	/L	1	
23	944 750 631 01	Housing	/L	1	
(23)	944 750 632 00	Housing	/R	1	
(23)	944 750 632 01	Housing	/R	1	
24	477 805 633	Retaining ring	/L	1	944
(24)	951 503 633 00	Retaining ring	/L	1	944S2, TURBO
(24)	477 805 634	Retaining ring	/R	1	944
(24)	477 805 634 A	Retaining ring	/R	1	944
(24)	951 503 634 00	Retaining ring	/R	1	944S2, TURBO
25	N 043 979 2	Tapping screw		2	
		BZ 4,2 X 45			
25A	477 857 173	Clip		2	
26	477 805 651	Driver		2	
27	477 805 661	Spring	/L	1	

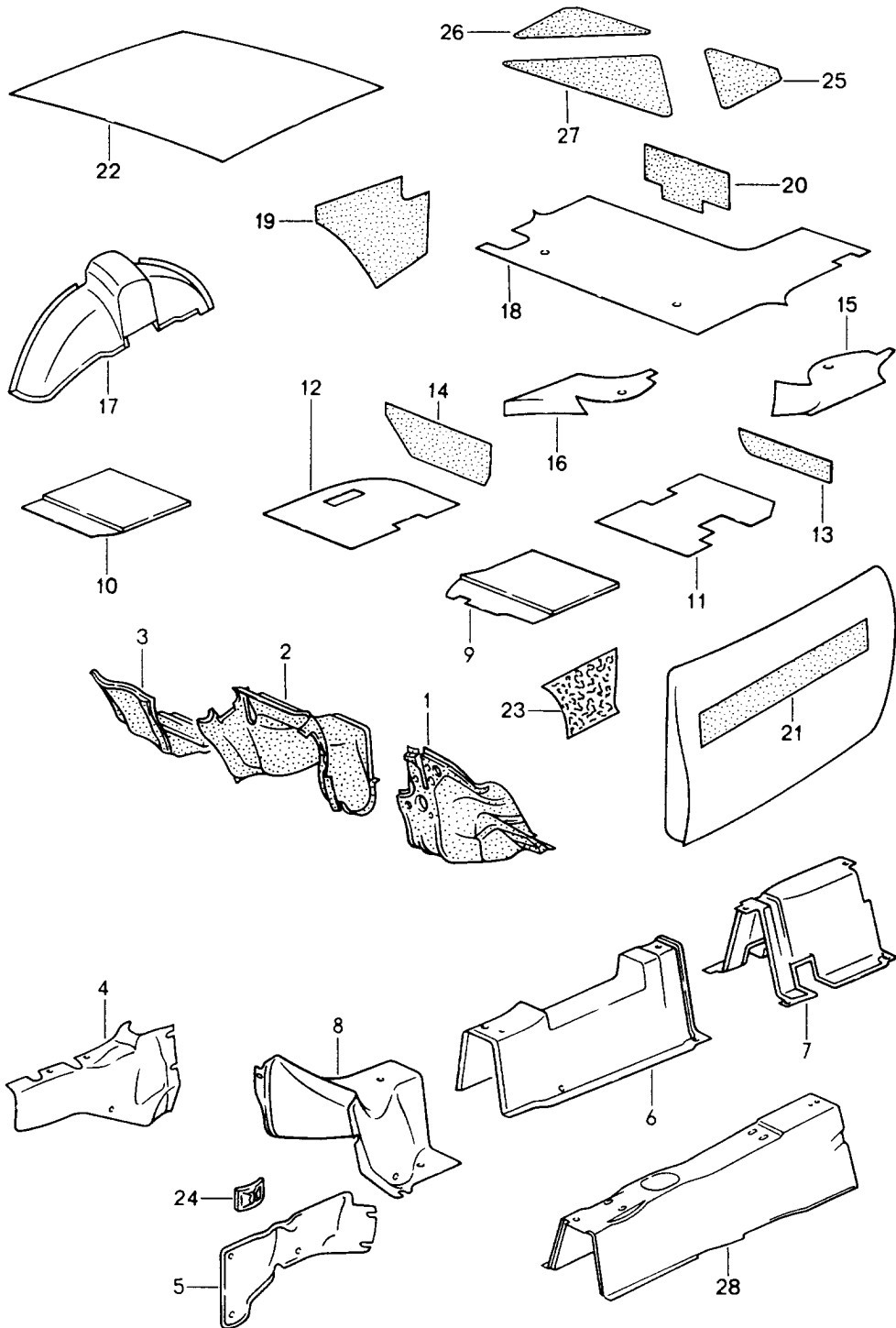
Model: 944 89

Model life 1989&gt;&gt;1991

Pos	Part Number	Description	Remark	Qty	Model
(27)	477 805 662	Spring	/R	1	
28	477 805 663	Plate		X	
29	477 853 363	Cover strip	/L	1	
(29)	477 853 364	Cover strip	/R	1	

Model: 944 89

Model life 1989>>1991

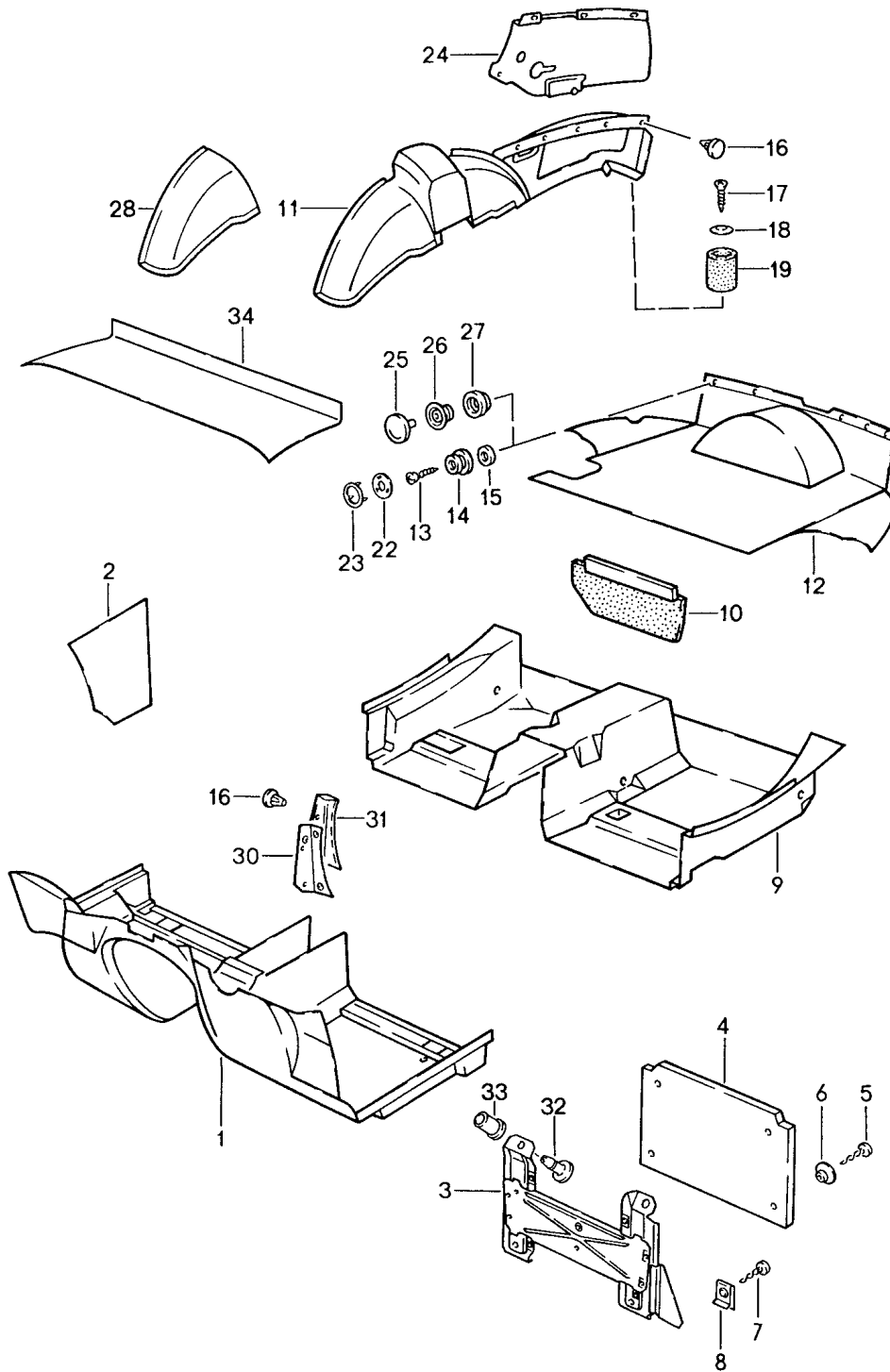


Model: 944 89 Model life 1989>>1991

Pos	Part Number	Description	Remark	Qty	Model
1	944 556 865 02	Sound absorber		1	
(1)	945 556 865 01	Sound absorber	/LL /L	1	
		Firewall	/RL /L		
2	944 556 855 02	Sound absorber	/LL	1	
(2)	945 556 855 01	Sound absorber	/RL	1	
		Firewall			
		Centre			
3	944 556 866 00	Insulation	/LL /R	1	
3	944 556 866 03	Sound absorber	/LL /R	1	
(3)	945 556 866 03	Sound absorber	/RL /R	1	
		Firewall			
4	944 556 074 00	Sound absorber	/R	1	
5	951 556 075 00	Heat protection	/L	1	TURBO
6	951 556 071 01	Sound absorber		1	
7	951 556 621 00	Heat protection		1	
8	944 556 077 00	Sound absorber	/LL	1	
(8)	945 556 077 00	Sound absorber	/RL	1	
9	944 556 775 01	Sound absorber	/LL /L	1	
(9)	945 556 775 01	Sound absorber	/RL /L	1	
10	944 556 776 01	Sound absorber	/LL /R	1	
(10)	945 556 776 01	Sound absorber	/RL /R	1	
11	944 556 157 00	Sound absorber	/L	1	
12	944 556 158 00	Sound absorber	/R	1	
13	944 556 085 00	Sound absorber	/L	1	
(13)	944 556 086 00	Sound absorber	/R	1	
(14)	944 556 085 00	Sound absorber	/L	1	
14	944 556 086 00	Sound absorber	/R	1	
15	944 556 777 01	Sound absorber	/L	1	
16	944 556 778 01	Sound absorber	/R	1	
(17)	944 556 885 00	Sound absorber	/L	1	
17	944 556 886 00	Sound absorber	/R	1	
18	944 556 081 00	Sound absorber		1	
		Boot floor plate			
(19)	477 863 865	Insulation	/L	1	
19	477 863 866	Sound absorber	/R	1	
20	477 863 867	Insulation		1	
		Spare-wheel well		1	
21	993 556 521 00	Insulation		2	
		Door			
22	944 556 609 00	Sound absorber		1	
22		Sound absorber		1	
		Roof			
23	944 556 853 02	Insulation	/LL /L	1	
23		Insulation	/LL /L	1	
(23)	945 556 853 02	Insulation	/RL /L	1	
(23)		Insulation	/RL /L	1	
(23)	944 556 854 03	Insulation	/LL /R	1	
(23)		Insulation	/LL /R	1	
(23)	944 556 854 04	Insulation	/LL /R	1	M593
(23)	945 556 854 04	Insulation	/RL /R	1	
(23)		Insulation	/RL /R	1	
(23)	945 556 854 05	Insulation	/RL /R	1	M593
24	N 900 661 01	Clamping washer		X	
25	941 556 315 11	Sound absorber	/L	1	CABRIO
25		Sound absorber	/L	1	CABRIO
26	941 556 316 11	Sound absorber	/R	1	CABRIO
26		Sound absorber	/R	1	CABRIO
27	941 556 317 11	Sound absorber		1	CABRIO
27		Sound absorber		1	CABRIO
		Centre			
28	944 556 871 00	Sound absorber		1	
		Tunnel			

Model: 944 89

Model life 1989>>1991





Model: 944 89 Model life 1989>>1991

Pos	Part Number	Description	Remark	Qty	Model
1	944 555 055 01	Linings Floor mat	/LL	1	COUPE
	944 555 055 01 1DR	Black			
	944 555 055 01 8WC	Linen	-90		
	944 555 055 01 4KF	Marine blue	-90		
	944 555 055 01 4JR	Burgundy	-90		
	944 555 055 01 G47	Cobalt blue	91-		
	944 555 055 01 D06	Classic grey	91-		
(1)	944 555 055 02	Floor mat	/LL	1	
	944 555 055 02 4JR	Burgundy			
(1)	941 555 055 10	Floor mat	/LL	1	CABRIO
	941 555 055 10 1DR	Black			
	941 555 055 10 8WC	Linen	-90		
	941 555 055 10 4KF	Marine blue	-90		
	941 555 055 10 4JR	Burgundy	-90		
	941 555 055 10 G47	Cobalt blue	91-		
	941 555 055 10 D06	Classic grey	91-		
(1)	945 555 055 01	Floor mat	/RL	1	COUPE
	945 555 055 01 1DR	Black			
	945 555 055 01 8WC	Linen	-90		
	945 555 055 01 4KF	Marine blue	-90		
	945 555 055 01 4JR	Burgundy	-90		
	945 555 055 01 G47	Cobalt blue	91-		
	945 555 055 01 D06	Classic grey	91-		
(1)	942 555 055 10	Floor mat	/RL	1	CABRIO
	942 555 055 10 1DR	Black			
	942 555 055 10 8WC	Linen	-90		
	942 555 055 10 4KF	Marine blue	-90		
	942 555 055 10 4JR	Burgundy	-90		
	942 555 055 10 G47	Cobalt blue	91-		
	942 555 055 10 D06	Classic grey	91-		
(2)	944 555 081 00	Lining	/LL /L	1	COUPE
	944 555 081 00 1DR	Black			
	944 555 081 00 8WC	Linen	-90		
	944 555 081 00 4KF	Marine blue	-90		
	944 555 081 00 4JR	Burgundy	-90		
	944 555 081 00 G47	Cobalt blue	91-		
	944 555 081 00 D06	Classic grey	91-		
(2)	944 555 082 00	Lining	/LL /R -90	1	COUPE
	944 555 082 00 1DR	Black			
	944 555 082 00 8WC	Linen	-90		
	944 555 082 00 4KF	Marine blue	-90		
	944 555 082 00 4JR	Burgundy	-90		
2	944 555 082 02	Lining	/LL /R	1	COUPE M593
	944 555 082 02 1DR	Black			
	944 555 082 02 8WC	Linen	-90		
	944 555 082 02 4KF	Marine blue	-90		
	944 555 082 02 4JR	Burgundy	-90		
	944 555 082 02 G47	Cobalt blue	91-		
	944 555 082 02 D06	Classic grey	91-		
(2)	941 555 543 10	Lining	/LL /L	1	CABRIO
	941 555 543 10 1DR	Black			
	941 555 543 10 8WC	Linen	-90		
	941 555 543 10 4KF	Marine blue	-90		
	941 555 543 10 4JR	Burgundy	-90		
	941 555 543 10 G47	Cobalt blue	91-		
	941 555 543 10 D06	Classic grey	91-		
(2)	941 555 544 10	Lining	/LL /R	1	CABRIO
	941 555 544 10 1DR	Black			
	941 555 544 10 8WC	Linen	-90		
	941 555 544 10 4KF	Marine blue	-90		
	941 555 544 10 4JR	Burgundy	-90		

Model: 944 89 Model life 1989>>1991

Pos	Part Number	Description	Remark	Qty	Model
(2)	941 555 544 10 G47	Cobalt blue	91-	1	COUPE
	941 555 544 10 D06	Classic grey	91-		
	945 555 082 00	Lining	/RL /R -90		
	945 555 082 00 1DR	Black			
	945 555 082 00 8WC	Linen	-90		
	945 555 082 00 4KF	Marine blue	-90		
(2)	945 555 082 00 4JR	Burgundy	-90	1	COUPE M593
	945 555 082 03	Lining	/RL /R		
	945 555 082 03 1DR	Black			
	945 555 082 03 8WC	Linen	-90		
	945 555 082 03 4KF	Marine blue	-90		
	945 555 082 03 4JR	Burgundy	-90		
(2)	945 555 082 03 G47	Cobalt blue	91-	1	COUPE
	945 555 082 03 D06	Classic grey	91-		
	945 555 081 00	Lining	/RL /L		
	945 555 081 00 1DR	Black			
	945 555 081 00 8WC	Linen	-90		
	945 555 081 00 4KF	Marine blue	-90		
(2)	945 555 081 00 4JR	Burgundy	-90	1	CABRIO
	945 555 081 00 G47	Cobalt blue	91-		
	945 555 081 00 D06	Classic grey	91-		
	942 555 543 10	Lining	/RL /L		
	942 555 543 10 1DR	Black			
	942 555 543 10 8WC	Linen	-90		
(2)	942 555 543 10 4KF	Marine blue	-90	1	CABRIO
	942 555 543 10 4JR	Burgundy	-90		
	942 555 543 10 G47	Cobalt blue	91-		
	942 555 543 10 D06	Classic grey	91-		
	942 555 544 10	Lining	/RL /R		
	942 555 544 10 1DR	Black			
3	942 555 544 10 8WC	Linen	-90	1	944
	942 555 544 10 4KF	Marine blue	-90		
	942 555 544 10 4JR	Burgundy	-90		
	942 555 544 10 G47	Cobalt blue	91-		
	942 555 544 10 D06	Classic grey	91-		
	944 551 049 01	Frame	/LL		
(3) 945 551 049 01	Frame	/RL	1		
(3) 945 551 049 02	Frame	/RL	1		
4	944 551 149 02	Foot support	/LL	1	
(4)	945 551 149 02	Foot support	/RL	1	
5	N 013 971 3	Oval-head sheetmetal screw B 4,8 X 22		4	
6	901 423 368 00	Desk pad		4	
7	N 013 968 7	Tapping screw B 4,8 X 13		2	
7	900 143 097 01	Tapping screw B 4,8 X 13		2	
8	999 591 348 02	Speed nut B 4,8		2	
8	999 591 348 01	Speed nut B 4,8		2	
9	944 555 071 00	Floor mat	/LL	1	COUPE
	944 555 071 00 1DR	Black			
	944 555 071 00 8WC	Linen	-90		
	944 555 071 00 4KF	Marine blue	-90		
	944 555 071 00 4JR	Burgundy	-90		
	944 555 071 00 G47	Cobalt blue	91-		
9	944 555 071 00 D06	Classic grey	91-	1	COUPE
	944 555 071 02	Floor mat	/LL		
(9)	944 555 071 02 8WC	Linen	-90	1	CABRIO
	941 555 071 10	Floor mat	/LL		
	941 555 071 10 1DR	Black			

Model: 944 89 Model life 1989>>1991

Pos	Part Number	Description	Remark	Qty	Model
	941 555 071 10 8WC	Linen	-90		
	941 555 071 10 4KF	Marine blue	-90		
	941 555 071 10 4JR	Burgundy	-90		
	941 555 071 10 G47	Cobalt blue	91-		
	941 555 071 10 D06	Classic grey	91-		
(9)	945 555 071 00	Floor mat	/RL	1	COUPE
	945 555 071 00 1DR	Black			
	945 555 071 00 8WC	Linen	-90		
	945 555 071 00 4KF	Marine blue	-90		
	945 555 071 00 4JR	Burgundy	-90		
	945 555 071 00 G47	Cobalt blue	91-		
	945 555 071 00 D06	Classic grey	91-		
(9)	942 555 071 10	Floor mat	/RL	1	CABRIO
	942 555 071 10 1DR	Black			
	942 555 071 10 8WC	Linen	-90		
	942 555 071 10 4KF	Marine blue	-90		
	942 555 071 10 4JR	Burgundy	-90		
	942 555 071 10 G47	Cobalt blue	91-		
	942 555 071 10 D06	Classic grey	91-		
(10)	477 863 571 A	Lining	/L	1	
	477 863 571 A 1DR	Black			
	477 863 571 A 8WC	Linen	-90		
	477 863 571 A 4KF	Marine blue	-90		
	477 863 571 A 4JR	Burgundy	-90		
	477 863 571 A G47	Cobalt blue	91-		
	477 863 571 A D06	Classic grey	91-		
10	477 863 572 A	Lining	/R	1	
	477 863 572 A 1DR	Black			
	477 863 572 A 8WC	Linen	-90		
	477 863 572 A 4KF	Marine blue	-90		
	477 863 572 A 4JR	Burgundy	-90		
	477 863 572 A G47	Cobalt blue	91-		
	477 863 572 A D06	Classic grey	91-		
11	944 555 083 02	Side trim panel	/L	1	COUPE
	944 555 083 02 1DR	Black			
	944 555 083 02 8WC	Linen	-90		
	944 555 083 02 4KF	Marine blue	-90		
	944 555 083 02 4JR	Burgundy	-90		
	944 555 083 02 G47	Cobalt blue	91-		
	944 555 083 02 D06	Classic grey	91-		
(11)	944 555 084 01	Side trim panel	/R	1	COUPE
	944 555 084 01 1DR	Black			
	944 555 084 01 8WC	Linen	-90		
	944 555 084 01 4KF	Marine blue	-90		
	944 555 084 01 4JR	Burgundy	-90		
	944 555 084 01 G47	Cobalt blue	91-		
	944 555 084 01 D06	Classic grey	91-		
11	944 555 083 03	Side trim panel	/L	1	COUPE M335
	944 555 083 03 1DR	Black			
	944 555 083 03 8WC	Linen	-90		
	944 555 083 03 4KF	Marine blue	-90		
	944 555 083 03 4JR	Burgundy	-90		
	944 555 083 03 G47	Cobalt blue	91-		
	944 555 083 03 D06	Classic grey	91-		
(11)	944 555 084 02	Side trim panel	/R	1	COUPE M335
	944 555 084 02 1DR	Black			
	944 555 084 02 8WC	Linen	-90		
	944 555 084 02 4KF	Marine blue	-90		
	944 555 084 02 4JR	Burgundy	-90		
	944 555 084 02 G47	Cobalt blue	91-		
	944 555 084 02 D06	Classic grey	91-		

Model: 944 89 Model life 1989>>1991

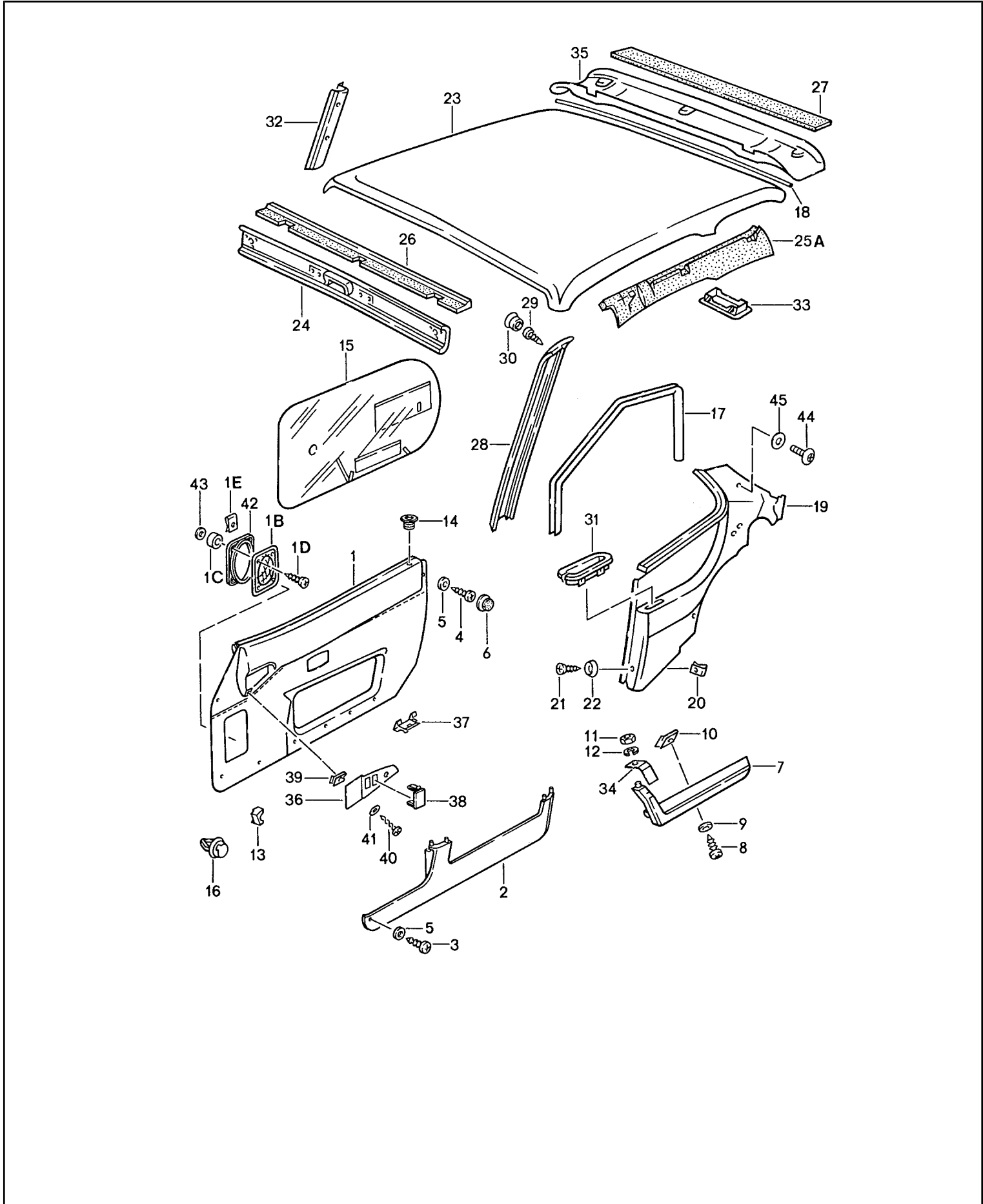
Pos	Part Number	Description	Remark	Qty	Model
(11)	941 555 083 10	Side trim panel	/L	1	CABRIO
	941 555 083 10 1DR	Black			
	941 555 083 10 8WC	Linen	-90		
	941 555 083 10 4KF	Marine blue	-90		
	941 555 083 10 4JR	Burgundy	-90		
	941 555 083 10 G47	Cobalt blue	91-		
	941 555 083 10 D06	Classic grey	91-		
(11)	941 555 084 10	Side trim panel	/R	1	CABRIO
	941 555 084 10 1DR	Black			
	941 555 084 10 8WC	Linen	-90		
	941 555 084 10 4KF	Marine blue	-90		
	941 555 084 10 4JR	Burgundy	-90		
	941 555 084 10 G47	Cobalt blue	91-		
	941 555 084 10 D06	Classic grey	91-		
12	945 555 063 03	Boot floor lining	89	1	COUPE
	945 555 063 03 1DR	Black			
	945 555 063 03 8WC	Linen			
	945 555 063 03 4KF	Marine blue			
	945 555 063 03 4JR	Burgundy			
(12)	945 555 063 05	Boot floor lining	(AUS) 89	1	COUPE
	945 555 063 05 1DR	Black			
	945 555 063 05 8WC	Linen			
	945 555 063 05 4KF	Marine blue			
	945 555 063 05 4JR	Burgundy			
12	944 555 063 11	Boot floor lining	90-	1	COUPE
	944 555 063 11 1DR	Black			
	944 555 063 11 8WC	Linen	90		
	944 555 063 11 4KF	Marine blue	90		
	944 555 063 11 4JR	Burgundy	90		
	944 555 063 11 G47	Cobalt blue	91-		
	944 555 063 11 D06	Classic grey	91-		
(12)	941 555 063 10	Boot floor lining		1	CABRIO
	941 555 063 10 1DR	Black			
	941 555 063 10 8WC	Linen	-90		
	941 555 063 10 4KF	Marine blue	-90		
	941 555 063 10 4JR	Burgundy	-90		
	941 555 063 10 G47	Cobalt blue	91-		
	941 555 063 10 D06	Classic grey	91-		
13	N 013 957 5	Oval-head sheetmetal screw B 3,5 X 9,5		6	
14	968 555 901 00	Set of fastening parts		6	
15	N 011 665 3	Washer 5,3		6	
15	N 011 665 16	Washer 5,3		6	
16	477 863 747	Clip		X	
	477 863 747 01C	Black			
	477 863 747 90V	Brown	-90		
	477 863 747 4BF	Grey	-90		
	477 863 747 9MM	Burgundy	-90		
	477 863 747 6ZF	Cobalt blue	91-		
	477 863 747 4XC	Classic grey	91-		
17	900 143 064 07	Tapping screw B 3,5 X 25		2	
18	N 011 521 3	Washer A 3,7 X 8		2	
19	999 703 176 40	Round buffer		2	
22	968 555 901 00	Set of fastening parts		6	
23		Set of fastening parts		6	
24	944 555 389 00	Cover	/LL	1	M650
(24)	945 555 389 00	Cover	/RL	1	M650
25	999 591 885 13	Push button Cap		6	

Model: 944 89 Model life 1989>>1991

Pos	Part Number	Description	Remark	Qty	Model
	999 591 885 13 041	Black			
	999 591 885 13 4BF	Grey	-90		
	999 591 885 13 3MC	Burgundy	-90		
	999 591 885 13 5KT	Marine blue	-90		
	999 591 885 13 G42	Cobalt blue	91-		
	999 591 885 13 C01	Classic grey	91-		
26	999 591 834 17	Snap fastener lower part		6	
27	999 591 836 17	Push button		6	
		Lower part			
(28)	941 555 325 10	Lining	/H /L	1	CABRIO
	941 555 325 10 1DR	Black			
	941 555 325 10 8WC	Linen	-90		
	941 555 325 10 4KF	Marine blue	-90		
	941 555 325 10 4JR	Burgundy	-90		
	941 555 325 10 G47	Cobalt blue	91-		
	941 555 325 10 D06	Classic grey	91-		
28	941 555 326 10	Lining	/H /R	1	CABRIO
	941 555 326 10 1DR	Black			
	941 555 326 10 8WC	Linen	-90		
	941 555 326 10 4KF	Marine blue	-90		
	941 555 326 10 4JR	Burgundy	-90		
	941 555 326 10 G47	Cobalt blue	91-		
	941 555 326 10 D06	Classic grey	91-		
30	478 863 765	Foot support	/RL /R	1	
(30)	478 863 763 A	Foot support	/RL /R	1	M249
31	478 863 767	Carpet	/RL /R	1	
	478 863 767 1DR	Black			
	478 863 767 8WC	Linen	-90		
	478 863 767 4KF	Marine blue	-90		
	478 863 767 4JR	Burgundy	-90		
	478 863 767 G47	Cobalt blue	91-		
	478 863 767 D06	Classic grey	91-		
(31)	478 863 767 A	Carpet	/RL /R	1	M249
	478 863 767 A 1DR	Black			
	478 863 767 A 8WC	Linen			
	478 863 767 A 4KF	Marine blue			
	478 863 767 A 4JR	Burgundy			
	478 863 767 A G47	Cobalt blue	91-		
	478 863 767 A D06	Classic grey	91-		
32	999 591 837 40	Push button		2	
33	944 551 437 00	Sleeve		2	
34	941 555 119 10	Luggage compartment trim		1	CABRIO
	941 555 119 10 1DR	Black			
	941 555 119 10 8WC	Linen	-90		
	941 555 119 10 4KF	Marine blue	-90		
	941 555 119 10 4JR	Burgundy	-90		
	941 555 119 10 G47	Cobalt blue	91-		
	941 555 119 10 D06	Classic grey	91-		

Model: 944 89

Model life 1989>>1991



Model: 944 89 Model life 1989>>1991

Pos	Part Number	Description	Remark	Qty	Model
(1)	944 555 017 01	Door trim panel Rooflining Door trim panel Leatherette	/L	1	M651
	944 555 017 01 NU1	Black			
	944 555 017 01 US4	Black/linen	-90		
	944 555 017 01 US2	Marine blue	-90		
	944 555 017 01 XU1	Marine blue/linen	-90		
	944 555 017 01 NU4	Burgundy	-90		
	944 555 017 01 ARZ	Cobalt blue	91-		
	944 555 017 01 APZ	Classic grey	91-		
1	944 555 018 01	Door trim panel Leatherette	/R	1	M651
	944 555 018 01 NU1	Black			
	944 555 018 01 US4	Black/linen	-90		
	944 555 018 01 US2	Marine blue	-90		
	944 555 018 01 XU1	Marine blue/linen	-90		
	944 555 018 01 NU4	Burgundy	-90		
	944 555 018 01 ARZ	Cobalt blue	91-		
	944 555 018 01 APZ	Classic grey	91-		
(1)	944 555 017 03	Door trim panel Leatherette	/L	1	M490/651
	944 555 017 03 NU1	Black			
	944 555 017 03 US4	Black/linen	-90		
	944 555 017 03 US2	Marine blue	-90		
	944 555 017 03 XU1	Marine blue/linen	-90		
	944 555 017 03 NU4	Burgundy	-90		
	944 555 017 03 ARZ	Cobalt blue	91-		
	944 555 017 03 APZ	Classic grey	91-		
(1)	944 555 018 03	Door trim panel Leatherette	/R	1	M490/651
	944 555 018 03 NU1	Black			
	944 555 018 03 US4	Black/linen	-90		
	944 555 018 03 US2	Marine blue	-90		
	944 555 018 03 XU1	Marine blue/linen	-90		
	944 555 018 03 NU4	Burgundy	-90		
	944 555 018 03 ARZ	Cobalt blue	91-		
	944 555 018 03 APZ	Classic grey	91-		
(1)	944 555 017 01	Door trim panel Leatherette/ Porsche lettering cloth	/L	1	M651
	944 555 017 01 NU5	Black			
	944 555 017 01 SQ2	Black/linen	-90		
	944 555 017 01 SM9	Blue	-90		
	944 555 017 01 SN1	Marine blue/linen	-90		
	944 555 017 01 NU8	Burgundy	-90		
	944 555 017 01 ARJ	Cobalt blue	91-		
	944 555 017 01 APJ	Classic grey	91-		
1	944 555 018 01	Door trim panel Leatherette/ Porsche lettering cloth	/R	1	M651
	944 555 018 01 NU5	Black			
	944 555 018 01 SQ2	Black/linen	-90		
	944 555 018 01 SM9	Blue	-90		
	944 555 018 01 SN1	Marine blue/linen	-90		
	944 555 018 01 NU8	Burgundy	-90		
	944 555 018 01 ARJ	Cobalt blue	91-		
	944 555 018 01 APJ	Classic grey	91-		
(1)	944 555 017 03	Door trim panel Leatherette/ Porsche lettering cloth	/L	1	M490/651
	944 555 017 03 NU5	Black			
	944 555 017 03 SQ2	Black/linen	-90		

Model: 944 89 Model life 1989>>1991

Pos	Part Number	Description	Remark	Qty	Model
	944 555 017 03 SM9	Blue	-90		
	944 555 017 03 SN1	Marine blue/linen	-90		
	944 555 017 03 NU8	Burgundy	-90		
	944 555 017 03 ARJ	Cobalt blue	91-		
	944 555 017 03 APJ	Classic grey	91-		
(1)	944 555 018 03	Door trim panel Leatherette/ Porsche lettering cloth	/R	1	M490/651
	944 555 018 03 NU5	Black			
	944 555 018 03 SQ2	Black/linen	-90		
	944 555 018 03 SM9	Blue	-90		
	944 555 018 03 SN1	Marine blue/linen	-90		
	944 555 018 03 NU8	Burgundy	-90		
	944 555 018 03 ARJ	Cobalt blue	91-		
	944 555 018 03 APJ	Classic grey	91-		
(1)	944 555 017 01	Door trim panel Leatherette/ Multicolour	/L	1	M651
	944 555 017 01 SQ8	Black			
	944 555 017 01 SQ3	Black/linen	-90		
	944 555 017 01 SQ7	Marine blue	-90		
	944 555 017 01 SQ5	Marine blue/linen	-90		
	944 555 017 01 SQ9	Burgundy	-90		
	944 555 017 01 AQX	Cobalt blue	91-		
	944 555 017 01 AQY	Classic grey	91-		
1	944 555 018 01	Door trim panel Leatherette/ Multicolour	/R	1	M651
	944 555 018 01 SQ8	Black			
	944 555 018 01 SQ3	Black/linen	-90		
	944 555 018 01 SQ7	Marine blue	-90		
	944 555 018 01 SQ5	Marine blue/linen	-90		
	944 555 018 01 SQ9	Burgundy	-90		
	944 555 018 01 AQX	Cobalt blue	91-		
	944 555 018 01 AQY	Classic grey	91-		
(1)	944 555 017 03	Door trim panel Leatherette/ Multicolour	/L	1	M490/651
	944 555 017 03 SQ8	Black			
	944 555 017 03 SQ3	Black/linen	-90		
	944 555 017 03 SQ7	Marine blue	-90		
	944 555 017 03 SQ5	Marine blue/linen	-90		
	944 555 017 03 SQ9	Burgundy	-90		
	944 555 017 03 AQX	Cobalt blue	91-		
	944 555 017 03 AQY	Classic grey	91-		
(1)	944 555 018 03	Door trim panel Leatherette/ Multicolour	/R	1	M490/651
	944 555 018 03 SQ8	Black			
	944 555 018 03 SQ3	Black/linen	-90		
	944 555 018 03 SQ7	Marine blue	-90		
	944 555 018 03 SQ5	Marine blue/linen	-90		
	944 555 018 03 SQ9	Burgundy	-90		
	944 555 018 03 AQX	Cobalt blue	91-		
	944 555 018 03 AQY	Classic grey	91-		
(1)	944 555 017 01	Door trim panel Leatherette/ Pin stripe velour	/L	1	M651
	944 555 017 01 NW4	Black-white	-90		
	944 555 017 01 SQ1	Black/linen	-90		
	944 555 017 01 SQ6	Marine blue-white	-90		
	944 555 017 01 NW7	Burgundy-white	-90		
	944 555 017 01 SQ4	Marine blue/linen	-90		



Model: 944 89 Model life 1989>>1991

Pos	Part Number	Description	Remark	Qty	Model
1	944 555 018 01	Door trim panel Leatherette/ Pin stripe velour	/R	1	M651
	944 555 018 01 NW4	Black-white	-90		
	944 555 018 01 SQ1	Black/linen	-90		
	944 555 018 01 SQ6	Marine blue-white	-90		
	944 555 018 01 NW7	Burgundy-white	-90		
	944 555 018 01 SQ4	Marine blue/linen	-90		
(1)	944 555 017 03	Door trim panel Leatherette/ Pin stripe velour	/L	1	M490/651
	944 555 017 03 NW4	Black-white	-90		
	944 555 017 03 SQ1	Black/linen	-90		
	944 555 017 03 SQ6	Marine blue-white	-90		
	944 555 017 03 NW7	Burgundy-white	-90		
	944 555 017 03 SQ4	Marine blue/linen	-90		
(1)	944 555 018 03	Door trim panel Leatherette/ Pin stripe velour	/R	1	M490/651
	944 555 018 03 NW4	Black-white	-90		
	944 555 018 03 SQ1	Black/linen	-90		
	944 555 018 03 SQ6	Marine blue-white	-90		
	944 555 018 03 NW7	Burgundy-white	-90		
	944 555 018 03 SQ4	Marine blue/linen	-90		
1	944 555 017 50	Door trim panel Leather	/L	1	M981
	944 555 017 50 QD4	Black			
	944 555 017 50 SP3	Black/linen	-90		
	944 555 017 50 SP5	Marine blue	-90		
	944 555 017 50 SP4	Marine blue/linen	-90		
	944 555 017 50 QD6	Burgundy	-90		
	944 555 017 50 ARQ	Cobalt blue	91-		
	944 555 017 50 APQ	Classic grey	91-		
(1)	944 555 018 50	Door trim panel Leather	/R	1	M981
	944 555 018 50 QD4	Black			
	944 555 018 50 SP3	Black/linen	-90		
	944 555 018 50 SP5	Marine blue	-90		
	944 555 018 50 SP4	Marine blue/linen	-90		
	944 555 018 50 QD6	Burgundy	-90		
	944 555 018 50 ARQ	Cobalt blue	91-		
	944 555 018 50 APQ	Classic grey	91-		
(1)	944 555 017 51	Door trim panel Leather	/L	1	M490/981
	944 555 017 51 QD4	Black			
	944 555 017 51 SP3	Black/linen	-90		
	944 555 017 51 SP5	Marine blue	-90		
	944 555 017 51 SP4	Marine blue/linen	-90		
	944 555 017 51 QD6	Burgundy	-90		
	944 555 017 51 ARQ	Cobalt blue	91-		
	944 555 017 51 APQ	Classic grey	91-		
(1)	944 555 018 51	Door trim panel Leather	/R	1	M490/981
	944 555 018 51 QD4	Black			
	944 555 018 51 SP3	Black/linen	-90		
	944 555 018 51 SP5	Marine blue	-90		
	944 555 018 51 SP4	Marine blue/linen	-90		
	944 555 018 51 QD6	Burgundy	-90		
	944 555 018 51 ARQ	Cobalt blue	91-		
	944 555 018 51 APQ	Classic grey	91-		
1B	477 867 081	Loudspeaker grille Loudspeaker		2	
	477 867 081 01C	Black			

Model: 944 89 Model life 1989>>1991

Pos	Part Number	Description	Remark	Qty	Model
(1B)	477 867 081 9MM	Burgundy			
	944 555 149 00	Loudspeaker grille		2	M651
	944 555 149 00 01C	Satin black			
(1B)	944 555 149 01	Loudspeaker grille	87-	2	
		Satin black			
1C	477 035 375	Bush		8	
1D	N 014 091 4	Rais. counters. h. tap. s. B 3,9 X 16		8	
1D	900 143 178 07	Oval-head sheetmetal screw		8	M651
1E	N 100 472 01	Speed nut		8	
(1E)	999 507 071 00	Speed nut		2	
(2)	944 555 273 00	Shelf	/L	1	
	944 555 273 00 1DR	Black			
	944 555 273 00 8WC	Linen	-90		
	944 555 273 00 4KF	Marine blue	-90		
	944 555 273 00 4JR	Burgundy	-90		
	944 555 273 00 G47	Cobalt blue	91-		
	944 555 273 00 D06	Classic grey	91-		
2	944 555 274 00	Shelf	/R	1	
	944 555 274 00 1DR	Black			
	944 555 274 00 8WC	Linen	-90		
	944 555 274 00 4KF	Marine blue	-90		
	944 555 274 00 4JR	Burgundy	-90		
	944 555 274 00 G47	Cobalt blue	91-		
	944 555 274 00 D06	Classic grey	91-		
(2)	944 555 043 00	Shelf	/L	1	M490
	944 555 043 00 1DR	Black			
	944 555 043 00 8WC	Linen	-90		
	944 555 043 00 4KF	Marine blue	-90		
	944 555 043 00 4JR	Burgundy	-90		
	944 555 043 00 G47	Cobalt blue	91-		
	944 555 043 00 D06	Classic grey	91-		
(2)	944 555 044 00	Shelf	/R	1	M490
	944 555 044 00 1DR	Black			
	944 555 044 00 8WC	Linen	-90		
	944 555 044 00 4KF	Marine blue	-90		
	944 555 044 00 4JR	Burgundy	-90		
	944 555 044 00 G47	Cobalt blue	91-		
	944 555 044 00 D06	Classic grey	91-		
3	N 013 962 2	Oval-head sheetmetal screw B 3,9 X 16		6	
4	311 867 167	Oval-head sheetmetal screw 4,2		4	
5	900 151 028 02	Washer 4,3		10	
5	900 151 028 01	Washer 4,3		10	
6	311 867 169	Cap		4	
	311 867 169 01C	Black			
	311 867 169 9JJ	Marine blue	-90		
	311 867 169 9MM	Burgundy	-90		
	311 867 169 6ZF	Cobalt blue	91-		
	311 867 169 4XC	Classic grey	91-		
(7)	477 867 171	Armrest	/L	1	
	477 867 171 041	Black			
	477 867 171 3WA	Linen	-90		
	477 867 171 1KA	Marine blue	-90		
	477 867 171 3MA	Burgundy	-90		
	477 867 171 G30	Cobalt blue	91-		
	477 867 171 B22	Classic grey	91-		
7	477 867 172	Armrest	/R	1	
	477 867 172 041	Black			
	477 867 172 3WA	Linen	-90		

Model: 944 89 Model life 1989>>1991

Pos	Part Number	Description	Remark	Qty	Model
	477 867 172 1KA	Marine blue	-90		
	477 867 172 3MA	Burgundy	-90		
	477 867 172 G30	Cobalt blue	91-		
	477 867 172 B22	Classic grey	91-		
(7)	944 555 075 50	Armrest	/L	1	M981
		Leather			
	944 555 075 50 1AJ	Black			
	944 555 075 50 7VX	Linen	-90		
	944 555 075 50 7JX	Marine blue	-90		
	944 555 075 50 7LD	Burgundy	-90		
	944 555 075 50 9YL	Cobalt blue	91-		
	944 555 075 50 6XL	Classic grey	91-		
(7)	944 555 076 50	Armrest	/R	1	M981
		Leather			
	944 555 076 50 1AJ	Black			
	944 555 076 50 7VX	Linen	-90		
	944 555 076 50 7JX	Marine blue	-90		
	944 555 076 50 7LD	Burgundy	-90		
	944 555 076 50 9YL	Cobalt blue	91-		
	944 555 076 50 6XL	Classic grey	91-		
8	900 143 046 02	Oval-head sheetmetal screw		6	
		B 4,8 X 16			
8	900 143 046 01	Oval-head sheetmetal screw		6	
		B 4,8 X 16			
9	N 012 222 4	Spring washer		6	
		A 5			
10	999 591 722 02	Speed nut		6	
		B 4,8 X 19,8			
11	900 910 010 09	Lock nut		2	
		M 6			
12	N 011 524 7	Washer		2	
		6			
12	N 011 524 27	Washer		2	
		6			
(13)	944 555 449 00	Mounting	/L	1	
13	944 555 450 00	Mounting	/R	1	
14	928 555 569 02	Guide bush		2	
(15)	944 555 177 05	Sealing film	/L	1	
(15)		Sealing film	/L	1	
15	944 555 178 05	Sealing film	/R	1	
15		Sealing film	/R	1	
16	823 867 299	Clip		27	
(17)	944 555 031 01	Door seal	/L	1	
(17)	944 555 032 01	Door seal	/R	1	
18	477 867 543	Roof strut		3	
(19)	944 555 021 07	Side trim panel	/L -90	1	
		Black			
	944 555 021 07 3KY	Marine blue			
	944 555 021 07 5LX	Burgundy			
(19)	944 555 021 09	Side trim panel	/L -90	1	M490
		Black			
	944 555 021 09 05T	Black			
	944 555 021 09 3KY	Marine blue			
	944 555 021 09 5LX	Burgundy			
19	944 555 022 07	Side trim panel	/R -90	1	
		Black			
	944 555 022 07 05T	Black			
	944 555 022 07 3KY	Marine blue			
	944 555 022 07 5LX	Burgundy			
(19)	944 555 022 09	Side trim panel	/R -90	1	M490
		Black			
	944 555 022 09 05T	Black			
	944 555 022 09 3KY	Marine blue			
	944 555 022 09 5LX	Burgundy			
19	944 555 021 11	Side trim panel	/L 91-	1	
		Black			
	944 555 021 11 05T	Black			

Model: 944 89 Model life 1989>>1991

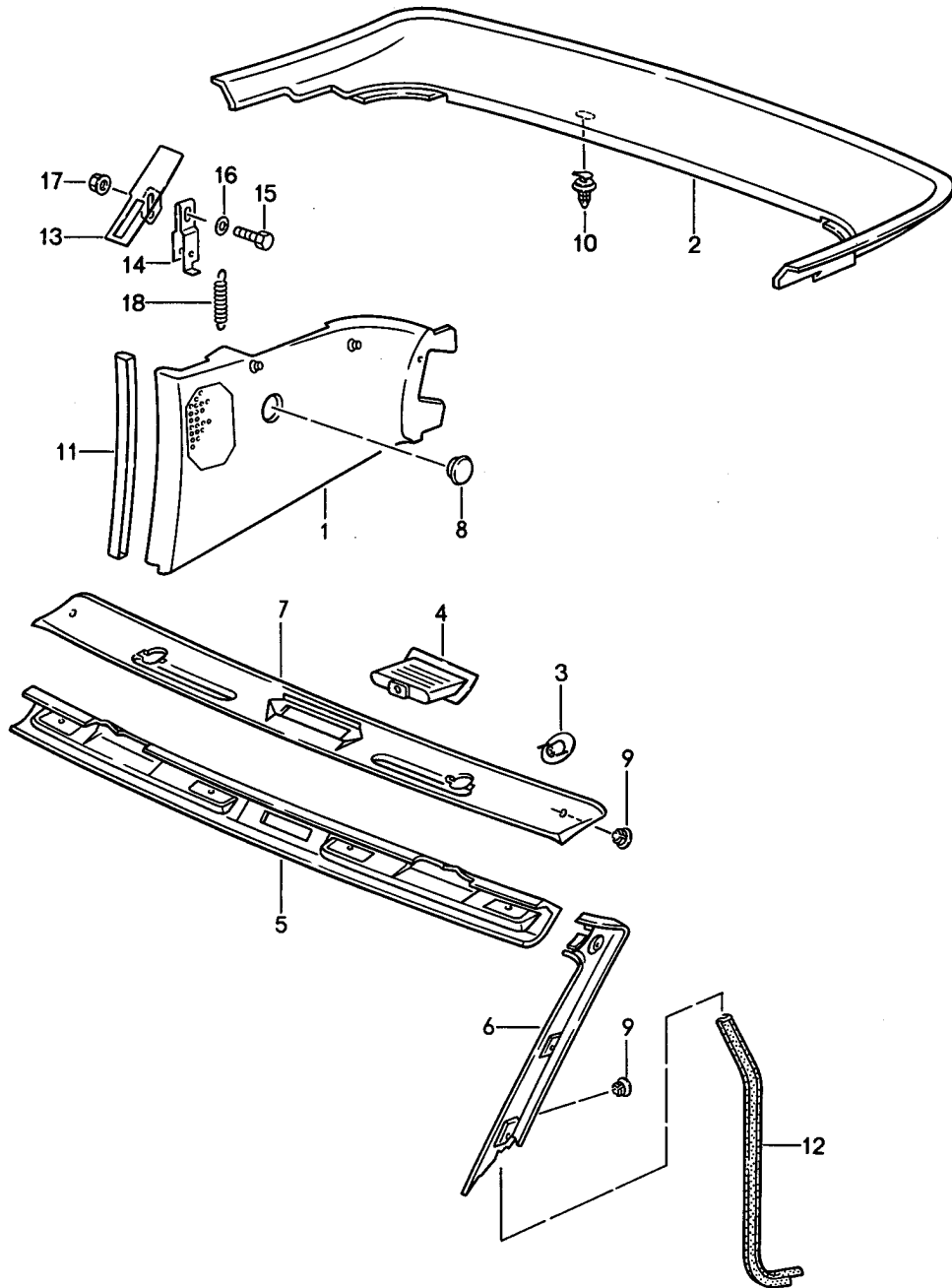
Pos	Part Number	Description	Remark	Qty	Model
	944 555 021 11 G01	Cobalt blue			
	944 555 021 11 B05	Classic grey			
(19)	944 555 021 13	Side trim panel	/L 91-	1	M490
	944 555 021 13 05T	Black			
	944 555 021 13 G01	Cobalt blue			
	944 555 021 13 B05	Classic grey			
(19)	944 555 022 11	Side trim panel	/R 91-	1	
	944 555 022 11 05T	Black			
	944 555 022 11 G01	Cobalt blue			
	944 555 022 11 B05	Classic grey			
(19)	944 555 022 13	Side trim panel	/R 91-	1	M490
	944 555 022 13 05T	Black			
	944 555 022 13 G01	Cobalt blue			
	944 555 022 13 B05	Classic grey			
20	N 015 438 1	Speed nut		2	
		B 3,5 X 16,5			
21	N 014 087 5	Oval-head sheetmetal screw		4	
		B 3,5 X 16			
21	900 145 104 01	Rais. counters. h. tap. s.		4	
		B 3,5 X 16			
22	N 011 578 1	Cone washer		4	
		3,7			
23	477 867 503	Rooflining		1	
	477 867 503 05T	Black			
	477 867 503 1KX	Marine blue	-90		
	477 867 503 8LC	Burgundy	-90		
	477 867 503 2YR	Cobalt blue	91-		
	477 867 503 4WH	Classic grey	91-		
(23)	944 555 519 00	Rooflining		1	M650
	944 555 519 00 05T	Black			
	944 555 519 00 3KY	Marine blue	-90		
	944 555 519 00 5LX	Burgundy	-90		
	944 555 519 00 3YW	Cobalt blue	91-		
	944 555 519 00 4YW	Classic grey	91-		
24	944 555 037 00	Lining	/V	1	
		Roof frame			
	944 555 037 00 05T	Black			
	944 555 037 00 1KX	Marine blue	-90		
	944 555 037 00 7MW	Burgundy	-90		
	944 555 037 00 7YG	Cobalt blue	91-		
	944 555 037 00 9WH	Classic grey	91-		
25A	944 555 115 00	Roof frame padding	/L	1	
(25A)	944 555 116 00	Roof frame padding	/R	1	
26	944 564 531 01	Roof frame padding	/V	1	M650
27	944 555 533 00	Roof frame padding	/H	1	M650
28	944 555 053 00	Lining	/L	1	
		Windscreen frame			
	944 555 053 00 05T	Black			
	944 555 053 00 1KX	Marine blue	-90		
	944 555 053 00 7MW	Burgundy	-90		
	944 555 053 00 7YG	Cobalt blue	91-		
	944 555 053 00 9WH	Classic grey	91-		
(28)	944 555 054 00	Lining	/R	1	
		Windscreen frame			
	944 555 054 00 05T	Black			
	944 555 054 00 1KX	Marine blue	-90		
	944 555 054 00 7MW	Burgundy	-90		
	944 555 054 00 7YG	Cobalt blue	91-		
	944 555 054 00 9WH	Classic grey	91-		
29	N 013 962 2	Oval-head sheetmetal screw		6	
		B 3,9 X 16			
30	914 552 233 10	Filler piece		6	
	914 552 233 10 01C	Black			

Model: 944 89 Model life 1989>>1991

Pos	Part Number	Description	Remark	Qty	Model
	914 552 233 10 9JJ	Marine blue			
	914 552 233 10 9MM	Burgundy			
	914 552 233 10 6ZF	Cobalt blue	91-		
	914 552 233 10 4XC	Classic grey	91-		
30	914 552 233 10	Filler piece		6	
	914 552 233 10 01C	Black			
	914 552 233 10 4XC	Classic grey			
31	477 867 653	Rosette		2	
32	477 867 655	Lining	/L	1	
	477 867 655 05T	Black			
	477 867 655 3KY	Marine blue	-90		
	477 867 655 5LX	Burgundy	-90		
	477 867 655 3YW	Cobalt blue	91-		
	477 867 655 4YW	Classic grey	91-		
(32)	477 867 656	Lining	/R	1	
	477 867 656 05T	Black			
	477 867 656 3KY	Marine blue	-90		
	477 867 656 5LX	Burgundy	-90		
	477 867 656 3YW	Cobalt blue	91-		
	477 867 656 4YW	Classic grey	91-		
33	477 867 923 A	Cap		2	
	477 867 923 A 01C	Black			
	477 867 923 A 9JJ	Marine blue	-90		
	477 867 923 A 9MM	Burgundy	-90		
	477 867 923 A 6ZF	Cobalt blue	91-		
	477 867 923 A 4XC	Classic grey	91-		
(34)	477 867 153	Fastening hook	/L	1	
34	477 867 154	Hook	/R	1	
35	944 555 041 01	Lining	/H	1	M650
	944 555 041 01 05T	Black			
	944 555 041 01 3KY	Marine blue	-90		
	944 555 041 01 5LX	Burgundy	-90		
	944 555 041 01 G23	Cobalt blue	91-		
	944 555 041 01 B17	Classic grey	91-		
35	944 555 041 02	Lining	/H	1	
	944 555 041 02 05T	Black			
		Surface is different			
(36)	944 555 271 00	Cover	/LL /L	1	
36	944 555 272 01	Cover	/LL /R	1	
(36)	945 555 271 01	Cover	/RL /L	1	
(36)	945 555 272 00	Cover	/RL /R	1	
37	944 555 437 00	Clamp		2	
38	951 613 255 00	Cover		X	
	951 613 255 00 1DB	Black			
39	N 100 509 02	Speed nut		4	
40	N 013 959 3	Oval-head sheetmetal screw B 3,5 X 16		4	
40	900 143 016 02	Oval-head sheetmetal screw B 3,5 X 16		4	
41	N 011 554 6	Washer 3,7		4	
42	944 555 159 00	Frame		2	M651
43	900 025 002 02	Washer		8	M651
43	900 025 002 03	Washer		8	M651
44	211 857 785 A	Stopper		2	
	211 857 785 A 01C	Black			
(44)	999 703 403 40	Stopper		2	
		besteht aus: Pos 44+45			
45	111 857 795	Cover disc		2	
(45)	999 703 403 40	Stopper		2	
		besteht aus: Pos 44+45			

Model: 944 89

Model life 1989>>1991



Model: 944 89 Model life 1989>>1991

Pos	Part Number	Description	Remark	Qty	Model
		Linings			CABRIO
(1)	941 555 021 10	Side trim panel	/L	1	
	941 555 021 10 05T	Black			
	941 555 021 10 3KY	Marine blue	-90		
	941 555 021 10 5LX	Burgundy	-90		
	941 555 021 10 G12	Cobalt blue	91-		
	941 555 021 10 B10	Classic grey	91-		
1	941 555 022 10	Side trim panel	/R	1	
	941 555 022 10 05T	Black			
	941 555 022 10 3KY	Marine blue	-90		
	941 555 022 10 5LX	Burgundy	-90		
	941 555 022 10 G12	Cobalt blue	91-		
	941 555 022 10 B10	Classic grey	91-		
2	941 555 232 10	Lining		1	
	941 555 232 10 A15	Anthracite			
3	941 555 335 10	Rosette		2	
	941 555 335 10 01C	Satin black			
4	941 555 339 10	Finger plate		1	
	941 555 339 10 01C	Satin black			
5	941 555 037 10	Lining		1	
		Windscreen frame			
	941 555 037 10 05T	Black			
	941 555 037 10 3KY	Marine blue	-90		
	941 555 037 10 5LX	Burgundy	-90		
	941 555 037 10 G12	Cobalt blue	91-		
	941 555 037 10 B10	Classic grey	91-		
6	941 555 053 10	Lining	/L	1	
		Windscreen frame			
	941 555 053 10 05T	Black			
	941 555 053 10 3KY	Marine blue	-90		
	941 555 053 10 5LX	Burgundy	-90		
	941 555 053 10 G12	Cobalt blue	91-		
	941 555 053 10 B10	Classic grey	91-		
(6)	941 555 054 10	Lining	/R	1	
		Windscreen frame			
	941 555 054 10 05T	Black			
	941 555 054 10 3KY	Marine blue	-90		
	941 555 054 10 5LX	Burgundy	-90		
	941 555 054 10 G12	Cobalt blue	91-		
	941 555 054 10 B10	Classic grey	91-		
7	941 555 337 10	Lining		1	
	941 555 337 10 05T	Black			
	941 555 337 10 3KY	Marine blue	-90		
	941 555 337 10 5LX	Burgundy	-90		
	941 555 337 10 G12	Cobalt blue	91-		
	941 555 337 10 B10	Classic grey	91-		
8	911 555 523 66	Cap		2	
	911 555 523 66 70B	Black			
	911 555 523 66 9JJ	Marine blue	-90		
	911 555 523 66 9MM	Burgundy	-90		
	911 555 523 66 6ZF	Cobalt blue	91-		
	911 555 523 66 4XC	Classic grey	91-		
9	941 504 710 10	Filler piece		8	
	941 504 710 10 01C	Black			
	941 504 710 10 9JJ	Marine blue	-90		
	941 504 710 10 9MM	Burgundy	-90		
	941 504 710 10 6ZF	Cobalt blue	91-		
	941 504 710 10 4XC	Classic grey	91-		
10	941 504 715 10	Fastening plug		8	
11	941 555 593 10	Piping		2	
12	941 555 743 11	Gasket	/L	1	
(12)	941 555 744 11	Gasket	/R	1	
		Hinge pillar			

Model: 944 89

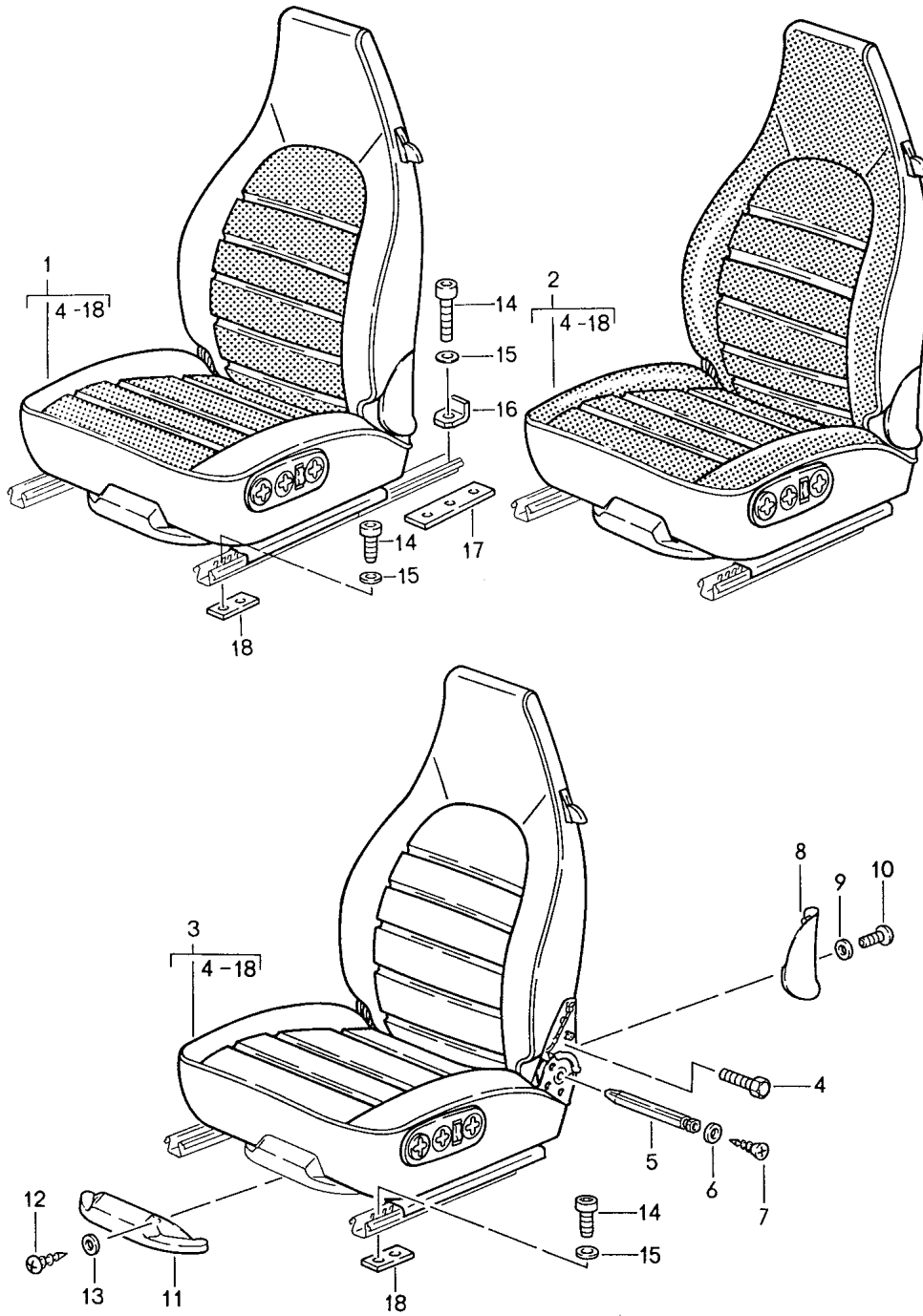
Model life 1989>>1991

Pos	Part Number	Description	Remark	Qty	Model
(13)	941 555 131 10	Cover	/L	1	
	941 555 131 10 A15	Anthracite			
13	941 555 132 10	Cover	/R	1	
	941 555 132 10 A15	Anthracite			
(14)	941 555 355 10	Joint fork	/L	1	
14	941 555 356 10	Joint fork	/R	1	
15	941 504 806 10	Hexagon-head bolt M 6 X 16		2	
16	N 011 524 7	Washer A 6,4		2	
16	N 011 524 27	Washer A 6,4		2	
17	900 910 010 09	Lock nut M 6		2	
18	941 555 525 10	Spring		2	



Model: 944 89

Model life 1989>>1991



Model: 944 89

Model life 1989>>1991

Pos	Part Number	Description	Remark	Qty	Model
-	PCG 043 204 90 PCG 043 204 90 2CZ	Seat Complete Group 8/08/00 - 8/08/70 See group 8/04/00 - 8/04/56 Catalogue STZ.18 Cloth PORSCHE logo Black Pieces 2000 MM X 1500 MM		1	
-	TPC 000 000 00 TPC 000 000 00 6WC	Cloth by the running meter PORSCHE logo Classic grey Running meter		1	

Model: 944 89

Model life 1989>>1991



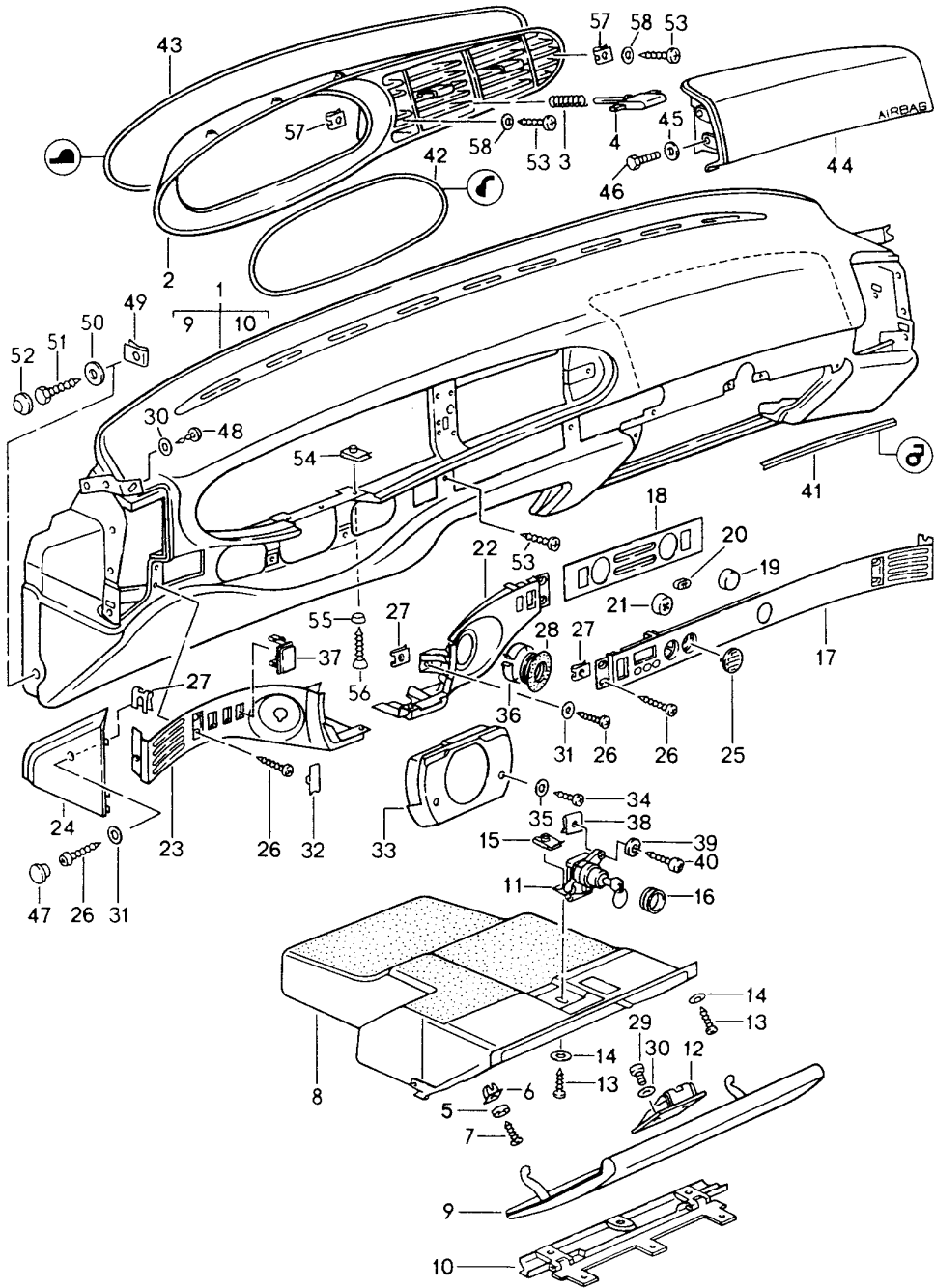
Model: 944 89

Model life 1989>>1991

Pos	Part Number	Description	Remark	Qty	Model
-	PCG 043 204 90 PCG 043 204 90 2CZ	Cloth Pieces Cloth PORSCHE logo Black Pieces 2000 MM X 1500 MM		1	
-	TPC 000 000 00 TPC 000 000 00 6WC	Cloth by the running meter PORSCHE logo Classic grey Running meter		1	

Model: 944 89

Model life 1989>>1991



Model: 944 89 Model life 1989>>1991

Pos	Part Number	Description	Remark	Qty	Model
1	944 552 085 00	Dashbord trim			
	944 552 085 00	Dashbord	/LL	1	
	944 552 085 00 NW8	Black			
	944 552 085 00 US3	Black/linen	-90		
	944 552 085 00 US1	Marine blue	-90		
	944 552 085 00 XP9	Marine blue/linen	-90		
	944 552 085 00 UR3	Burgundy	-90		
	944 552 085 00 ARN	Cobalt blue	91-		
	944 552 085 00 APN	Classic grey	91-		
(1)	944 552 085 21	Dashbord	/LL -90	1	M562
	944 552 085 21 NW8	Black			
	944 552 085 21 US3	Black/linen	-90		
	944 552 085 21 US1	Marine blue	-90		
	944 552 085 21 XP9	Marine blue/linen	-90		
	944 552 085 21 UR3	Burgundy	-90		
(1)	944 552 085 22	Dashbord	/LL 91-	1	M562
	944 552 085 22 NW8	Black			
	944 552 085 22 ARN	Cobalt blue	91-		
	944 552 085 22 APN	Classic grey	91-		
(1)	945 552 085 00	Dashbord trim	/RL	1	
	945 552 085 00 NW8	Black			
	945 552 085 00 US3	Black/linen	-90		
	945 552 085 00 US1	Marine blue	-90		
	945 552 085 00 XP9	Marine blue/linen	-90		
	945 552 085 00 UR3	Burgundy	-90		
	945 552 085 00 ARN	Cobalt blue	91-		
	945 552 085 00 APN	Classic grey	91-		
1	944 552 085 50	Dashbord	/LL	1	
		Leather			
	944 552 085 50 QE6	Black			
	944 552 085 50 SP1	Black/linen	-90		
	944 552 085 50 SR1	Marine blue	-90		
	944 552 085 50 SP2	Marine blue/linen	-90		
	944 552 085 50 US7	Burgundy	-90		
	944 552 085 50 ARP	Cobalt blue	91-		
	944 552 085 50 APP	Classic grey	91-		
(1)	944 552 085 52	Dashbord	/LL -90	1	M562
		Leather			
	944 552 085 52 QE6	Black			
	944 552 085 52 SP1	Black/linen	-90		
	944 552 085 52 SR1	Marine blue	-90		
	944 552 085 52 SP2	Marine blue/linen	-90		
	944 552 085 52 US7	Burgundy	-90		
(1)	944 552 085 53	Dashbord	/LL 91-	1	M562
		Leather			
	944 552 085 53 QE6	Black			
	944 552 085 53 ARP	Cobalt blue	91-		
	944 552 085 53 APP	Classic grey	91-		
(1)	945 552 085 50	Dashbord	/RL	1	
		Leather			
	945 552 085 50 QE6	Black			
	945 552 085 50 SP1	Black/linen	-90		
	945 552 085 50 SR1	Marine blue	-90		
	945 552 085 50 SP2	Marine blue/linen	-90		
	945 552 085 50 US7	Burgundy	-90		
	945 552 085 50 ARP	Cobalt blue	91-		
	945 552 085 50 APP	Classic grey	91-		
2	944 552 023 00	Dashbord trim	/LL	1	
	944 552 023 00 1DB	Black			
(2)	944 552 023 01	Dashbord trim	/LL	1	M562
	944 552 023 01 1DB	Black			
(2)	945 552 023 00	Dashbord trim	/RL	1	
	945 552 023 00 1DB	Black			

Model: 944 89 Model life 1989>>1991

Pos	Part Number	Description	Remark	Qty	Model
3	944 572 421 00	Spring		1	
4	944 572 419 00	Knob		1	
5	944 552 259 00	Plug		2	
6	999 591 679 40	Special nut		2	
7	N 902 662 01	Combination tapping screw B 3,5 X 16		2	
7	PCG 902 662 01	Combination tapping screw B 4,2 X 16		2	
8	944 552 049 00	Glove compartment	/LL	1	
(8)	944 552 049 01	Glove compartment	/LL	1	M573
(8)	945 552 049 00	Glove compartment	/RL	1	
(8)	944 552 049 20	Glove compartment		1	M562
(8)	944 552 049 21	Glove compartment		1	M562/573
9	944 552 123 00	Glove compartment cover	/LL	1	
	944 552 123 00 05T	Black			
	944 552 123 00 2VY	Linen	-90		
	944 552 123 00 3KY	Marine blue	-90		
	944 552 123 00 5LX	Burgundy	-90		
	944 552 123 00 G12	Cobalt blue	91-		
	944 552 123 00 B10	Classic grey	91-		
(9)	944 552 123 20	Glove compartment cover	/LL	1	M562
	944 552 123 20 05T	Black			
	944 552 123 20 2VY	Linen			
	944 552 123 20 3KY	Marine blue			
	944 552 123 20 5LX	Burgundy			
	944 552 123 20 G12	Cobalt blue	91-		
	944 552 123 20 B10	Classic grey	91-		
(9)	944 552 123 21	Glove compartment cover	/LL 90-	1	M562
	944 552 123 21 05T	Black			
	944 552 123 21 2VY	Linen	-90		
	944 552 123 21 3KY	Marine blue	-90		
	944 552 123 21 5LX	Burgundy	-90		
	944 552 123 21 G12	Cobalt blue	91-		
	944 552 123 21 B10	Classic grey	91-		
(9)	945 552 123 00	Glove compartment cover	/RL	1	
	945 552 123 00 05T	Black			
	945 552 123 00 2VY	Linen	-90		
	945 552 123 00 3KY	Marine blue	-90		
	945 552 123 00 5LX	Burgundy	-90		
	945 552 123 00 G12	Cobalt blue	91-		
	945 552 123 00 B10	Classic grey	91-		
9	944 552 123 50	Glove compartment cover	/LL	1	M981
		Leather			
	944 552 123 50 1AJ	Black			
	944 552 123 50 7VX	Linen	-90		
	944 552 123 50 7JX	Marine blue	-90		
	944 552 123 50 7LD	Burgundy	-90		
	944 552 123 50 9YL	Cobalt blue	91-		
	944 552 123 50 6XL	Classic grey	91-		
(9)	944 552 123 51	Glove compartment cover	/LL	1	M562/981
		Leather			
	944 552 123 51 1AJ	Black			
	944 552 123 51 7VX	Linen			
	944 552 123 51 7JX	Marine blue			
	944 552 123 51 7LD	Burgundy			
	944 552 123 51 9YL	Cobalt blue	91-		
	944 552 123 51 6XL	Classic grey	91-		
(9)	944 552 123 52	Glove compartment cover	/LL 90-	1	M562/981
		Leather			
	944 552 123 52 1AJ	Black			
	944 552 123 52 7VX	Linen	-90		

Model: 944 89 Model life 1989>>1991

Pos	Part Number	Description	Remark	Qty	Model
	944 552 123 52 7JX	Marine blue	-90		
	944 552 123 52 7LD	Burgundy	-90		
	944 552 123 52 9YL	Cobalt blue	91-		
	944 552 123 52 6XL	Classic grey	91-		
(9)	945 552 123 50	Glove compartment cover	/RL	1	M981
		Leather			
	945 552 123 50 1AJ	Black			
	945 552 123 50 7VX	Linen	-90		
	945 552 123 50 7JX	Marine blue	-90		
	945 552 123 50 7LD	Burgundy	-90		
	945 552 123 50 9YL	Cobalt blue	91-		
	945 552 123 50 6XL	Classic grey	91-		
10	928 552 055 03	Hinge		1	
(11)	944 538 951 02	Twist lock		1	
		for			
		Glove compartment			
		W/o stipulated lock number			
(11)	944 538 951 03	Twist lock		1	
		for			
		Glove compartment			
		with stipulated lock number			
(12)	944 538 061 21	Closing element		1	
		Twist lock			
13	N 013 958 14	Tapping screw		1	
		3,5 X 13			
14	N 011 663 4	Washer		1	
		B 3,7			
15	999 591 349 02	Speed nut		1	
		B 3,5			
16	944 538 529 00	Sealing ring		1	
		Glove compartment lock			
(16)	944 552 585 00	Retaining ring		1	
17	944 552 436 00	Strip for switches	/LL /R	1	
(17)	945 552 435 00	Strip for switches	/RL /R	1	
18		Cover			
		See group			
		8/13/30			
19		Knob		1	
		Blower switch			
		See group			
		8/13/30			
20		Knob		1	
		Slide			
		See group			
		8/13/30			
21		Knob		1	
		Thermostat			
		See group			
		8/13/30			
22	944 552 431 00	Strip for switches	/LL	1	
(22)	945 552 431 00	Strip for switches	/RL	1	
		Centre			
23	944 552 429 00	Strip for switches	/LL /L	1	
(23)	945 552 429 00	Strip for switches	/RL /L	1	
24	944 552 083 00	Trim cover	/L	1	
	944 552 083 00 1DB	Black			
(24)	944 552 084 00	Trim cover	/R	1	
	944 552 084 00 1DB	Black			
25	944 552 451 00	Rosette		1	
		Interior sensor			
26	N 013 959 3	Oval-head sheetmetal screw		4	
		3,5 X 16			
26	900 143 016 01	Oval-head sheetmetal screw		4	



Model: 944 89 Model life 1989>>1991

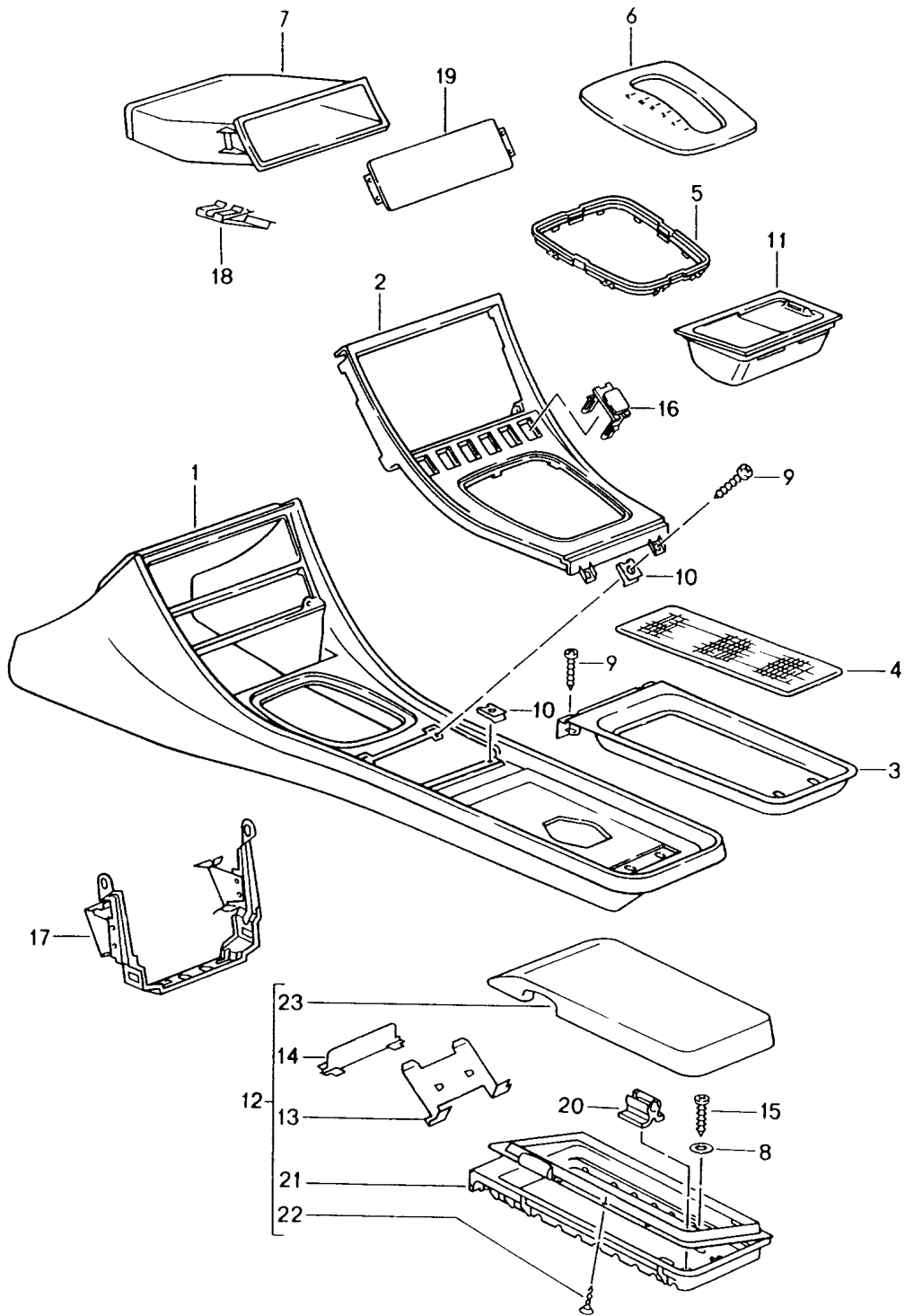
Pos	Part Number	Description	Remark	Qty	Model
27	N 015 438 1	B 3,5 X 16 Speed nut		2	
28	944 552 447 00	B 4,8 X 16 Cover		1	
29	N 014 128 13	Ignition starter lock Oval-head screw		2	
30	N 011 665 10	M 5 X 8 Washer		2	
31	N 011 554 6	B 5,3 Washer		1	
32	944 552 449 00	B 3,7 DIN 433 Cover	/L	1	
(32)	944 552 450 00	Cover	/R	1	
33	944 552 073 00	Strip for switches Lining		1	
(33)	944 552 073 01	944 552 073 00 1DB Black		1	M454
(33)	944 552 073 01 1DB	Black		1	M562
(33)	944 552 273 20	Lining		1	M562
(33)	944 552 273 20 1DB	Black		1	M562
(33)	944 552 373 20	Boot		1	M562
34	999 073 047 02	944 552 373 20 01C Black Tapping screw		2	
35	N 011 554 6	B 3,5 X 9,5 Washer		2	
36	944 552 452 00	3,7 Clip		1	
37	944 613 257 00	Cover	/LL	1	
37	944 613 257 00 1DB	Cover	/LL	1	
(37)	945 613 257 00	Black Cover	/RL	1	
(37)	944 613 256 00	Cover		1	CABRIO
38	999 591 763 02	Speed nut		3	
(38)	999 591 777 02	B 4,8 Push-button lock Speed nut		3	M562
39	N 011 556 2	B 4,8 Twist lock Washer		3	
40	N 013 975 4	5,3 Oval-head sheetmetal screw		3	
(40)	900 143 046 02	B 4,8 X 19 Push-button lock Oval-head sheetmetal screw		3	M562
(40)	900 143 046 01	B 4,8 X 16 Twist lock Oval-head sheetmetal screw		3	M562
41	944 552 035 00	B 4,8 X 16 Twist lock Gasket		1	
42	999 911 342 40	Piping		1	
43	999 911 320 40	Dashboard trim Inner Piping		1	
44	944 552 385 00	Dashboard trim Outer Lid		1	M562
	944 552 385 00 05T	Black			
	944 552 385 00 1KX	Marine blue	-90		
	944 552 385 00 7MW	Burgundy	-90		
	944 552 385 00 7YG	Cobalt blue	91-		
	944 552 385 00 9WH	Classic grey	91-		
45	N 011 666 7	Washer		4	M562

Model: 944 89 Model life 1989>>1991

Pos	Part Number	Description	Remark	Qty	Model
46	999 217 020 02	B 6,4 Hexagon-head bolt M 6 X 10 Micro-self-locking		4	M562
46	999 217 020 01	Hexagon-head bolt M 6 X 10 Micro-self-locking		4	M562
47	944 552 767 00	Cap		2	
	944 552 767 00 01C	Black			
48	N 013 968 7	Tapping screw B 4,2 X 13		2	
48	900 143 097 01	Tapping screw B 4,2 X 13		2	
49	N 015 449 1	Speed nut B 6,3		2	
50	999 025 167 07	Washer B 7,4		2	
51	900 187 123 07	Tapping screw B 6,3 X 22		2	
52	928 555 383 02	Cap		2	
	928 555 383 02 70B	Black			
53	N 013 959 3	Oval-head sheetmetal screw 3,5 X 16		10	
18	900 143 016 01	Oval-head sheetmetal screw B 3,5 X 16		10	
54	999 591 733 07	Speed nut 3,5		2	
55	N 100 401 02	Cone washer B 4,2		2	
56	900 145 070 07	Tapping screw 3,5 X 19		2	
57	N 015 438 1	Speed nut 3,5		3	
58	N 011 554 6	Washer 3,7		3	

Model: 944 89

Model life 1989>>1991



Model: 944 89 Model life 1989>>1991

Pos	Part Number	Description	Remark	Qty	Model
1	944 552 051 00	Cassette box		1	
		Centre console			
	944 552 051 00 05T	Black			
	944 552 051 00 2VY	Linen	-90		
	944 552 051 00 3KY	Marine blue	-90		
	944 552 051 00 5LX	Burgundy	-90		
	944 552 051 00 G12	Cobalt blue	91-		
	944 552 051 00 B10	Classic grey	91-		
(1)	944 552 051 50	Centre console		1	M981
		Leather			
	944 552 051 50 1AJ	Black			
	944 552 051 50 7VX	Linen	-90		
	944 552 051 50 7JX	Marine blue	-90		
	944 552 051 50 7LD	Burgundy	-90		
	944 552 051 50 9YL	Cobalt blue	91-		
	944 552 051 50 6XL	Classic grey	91-		
2	944 552 117 00	Covering frame		1	
(2)	944 552 117 01	Covering frame	/LL	1	M249
(2)	945 552 117 01	Covering frame	/RL	1	M249
3	944 552 155 00	Tray		1	
4	944 552 161 00	Centre console		1	
5	944 552 257 00	Insert		1	
7	944 552 157 00	Frame		1	
	944 552 157 00 1DB	Shelf		1	
8	900 151 028 07	Black		2	
9	N 013 958 14	Washer		6	
10	999 591 349 02	B 4,3		4	
11	944 552 171 00	Tapping screw		1	
12	944 552 063 00	3,5 X 13		1	
	944 552 063 00 05T	Speed nut			
	944 552 063 00 2VY	Ashtray	/LL -90		
	944 552 063 00 3KY	Cassette box			
	944 552 063 00 5LX	Black			
(12)	945 552 063 00	Linen	/RL -90	1	
	945 552 063 00 05T	Marine blue			
	945 552 063 00 2VY	Burgundy			
	945 552 063 00 3KY	Cassette box			
	945 552 063 00 5LX	Black			
12	944 552 063 01	Linen	/LL 91-	1	
	944 552 063 01 05T	Marine blue			
	944 552 063 01 G12	Burgundy			
	944 552 063 01 B10	Cassette box			
(12)	945 552 063 01	Black	/RL 91-	1	
	945 552 063 01 05T	Cobalt blue			
	945 552 063 01 G12	Classic grey			
	945 552 063 01 B10	Cassette box			
12	944 552 063 50	Leather	/LL	1	
	944 552 063 50 1AJ	Black			
	944 552 063 50 7VX	Linen	-90		
	944 552 063 50 7JX	Marine blue	-90		
	944 552 063 50 7LD	Burgundy	-90		
(12)	945 552 063 50	Cassette box	/RL	1	
		Leather			
	945 552 063 50 1AJ	Black			
	945 552 063 50 7VX	Linen	-90		
	945 552 063 50 7JX	Marine blue	-90		
	945 552 063 50 7LD	Burgundy	-90		
12	944 552 063 51	Cassette box	/LL	1	

Model: 944 89 Model life 1989>>1991

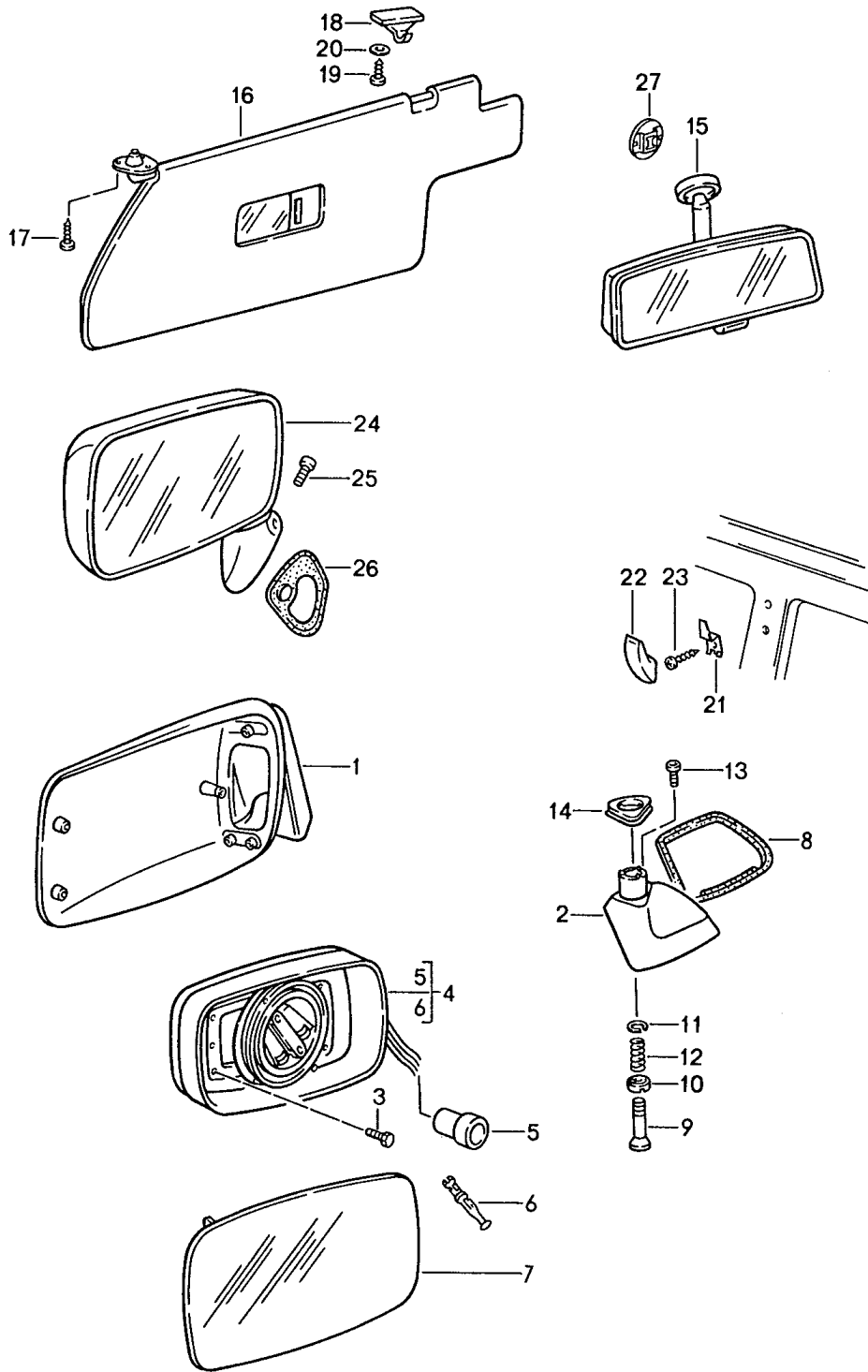
Pos	Part Number	Description	Remark	Qty	Model
		Leather			
	944 552 063 51 9YL	Cobalt blue	91-		
	944 552 063 51 6XL	Classic grey	91-		
(12)	945 552 063 51	Cassette box	/RL	1	
		Leather			
	945 552 063 51 9YL	Cobalt blue	91-		
	945 552 063 51 6XL	Classic grey	91-		
13	928 555 731 02	Cassette rack		8	
	928 555 731 02 01C	Satin black			
13	928 555 731 02	Cassette rack	91-	4	CABRIO
	928 555 731 02 01C	Satin black			
14	928 555 741 02	Partition panel		1	
15	N 902 663 01	Oval-head sheetmetal screw		2	
		4,2 X 25			
16	944 613 256 00	Cover		1	
		Fader			
(16)	944 613 259 01	Cover		5	
		Switch			
17	944 552 067 02	Support		1	
18	944 552 557 00	Spring clamp		2	
19	944 552 061 00	Cover		1	
19	944 552 261 01	Cover		1	
	944 552 261 01 1DB	Black			
19	944 552 261 02	Cover		1	
	944 552 261 02 1DB	Black			
20	999 507 367 40	Support		2	CABRIO
21	944 552 553 01	Frame	/LL	1	
		Cassette box			
	944 552 553 01 01C	Black			
(21)	945 552 553 01	Frame	/RL	1	
		Cassette box			
	945 552 553 01 01C	Black			
22	900 144 017 07	Tapping screw		8	
		2,9 X 13			
23	944 552 165 00	Lid	/LL	1	
		Leatherette			
	944 552 165 00 05T	Black			
	944 552 165 00 2WJ	Classic grey	91		
	944 552 165 00 9ZH	Cobalt blue	91		
	944 552 165 00 2VY	Linen	-90		
	944 552 165 00 1KX	Marine blue			
	944 552 165 00 5LX	Burgundy	-90		
(23)	945 552 165 00	Lid	/RL	1	
		Leatherette			
	945 552 165 00 05T	Black			
	945 552 165 00 2WJ	Classic grey	91		
	945 552 165 00 9ZH	Cobalt blue	91		
	945 552 165 00 2VY	Linen	-90		
	945 552 165 00 1KX	Marine blue			
	945 552 165 00 5LX	Burgundy	-90		
23	944 552 165 50	Lid	/LL	1	
		Leather			
	944 552 165 50 1AJ	Black	-90		
	944 552 165 50 8YR	Black	91-		
	944 552 165 50 7VX	Linen	-90		
	944 552 165 50 7JX	Marine blue	-90		
	944 552 165 50 7LD	Burgundy	-90		
	944 552 165 50 9YL	Cobalt blue	91		
	944 552 165 50 6XL	Classic grey	91		
(23)	945 552 165 50	Lid	/RL	1	
		Leather			
	945 552 165 50 1AJ	Black	-90		
	945 552 165 50 8YR	Black	91-		

Model: 944 89 Model life 1989>>1991

Pos	Part Number	Description	Remark	Qty	Model
	945 552 165 50 7VX	Linen	-90		
	945 552 165 50 7JX	Marine blue	-90		
	945 552 165 50 7LD	Burgundy	-90		
	945 552 165 50 9YL	Cobalt blue	91		
	945 552 165 50 6XL	Classic grey	91		

Model: 944 89

Model life 1989>>1991



Model: 944 89 Model life 1989>>1991

Pos	Part Number	Description	Remark	Qty	Model
		Sun visor			
		Door mirror			
		Interior mirror			
1	911 731 043 03	Mirror housing	/L	1	
(1)	911 731 044 03	Mirror housing	/R	1	
2	944 731 141 00	Mirror base	/LL /L	1	
(2)	944 731 142 00	Mirror base	/LL /R	1	
(2)	945 731 142 00	Mirror base	/RL /R	1	
2	945 731 141 00	Mirror base	/RL /L	1	
1-2	944 731 021 01	Mirror housing	/L	1	
	944 731 021 01 G3M	with			
		Mirror base			
		Grey			
		Prime coated			
3	999 143 003 02	Hexagon-head bolt		3	
		M 5 X 10			
4	944 731 027 01	Covering frame		1	
5	803 971 980	Pin connector socket		1	
6	N 017 564 1	Round connector		6	
7	944 731 035 02	Mirror glass		1	
		Plane			
(7)	944 731 035 03	Mirror glass		1	
		Convex			
(7)	944 731 035 04	Mirror glass	(S)	1	
		Plane			
(7)	944 731 035 05	Mirror glass	(S)	1	
		Convex			
(7)	477 857 611 B	Mirror glass		1	M637
		Plane			
(7)	477 857 611 D	Mirror glass	/LL /R	1	M637
		Convex			
8	944 731 505 01	Desk pad	/L	1	
(8)	945 731 506 01	Desk pad	/R	1	
9	911 731 257 02	Guide tube		1	
9	911 731 257 03	Guide tube		1	
10	911 731 345 02	Centring washer		1	
		Lower			
11	911 731 347 00	Centring washer		1	
		Upper			
12	911 731 029 01	Compression spring		1	
13	999 067 026 07	Pan-head screw		1	
		M 5 X 40 X 25			
14	944 731 143 00	Seal		1	
15	477 857 511 A	Interior mirror		1	
	477 857 511 A 01C	Satin black			
1	477 857 511 B	Interior mirror		1	
	477 857 511 B 01C	Satin black			
16	944 731 031 01	Sun visor	/L	1	COUPE
	944 731 031 01 05T	Black			
	944 731 031 01 XF4	Burgundy	-90		
	944 731 031 01 7YU	Cobalt blue	91-		
	944 731 031 01 6WJ	Classic grey	91-		
(16)	944 731 031 02	Sun visor	/L	1	COUPE
			(AUS) (S)		
	944 731 031 02 05T	Black			
	944 731 031 02 XF4	Burgundy	-90		
	944 731 031 02 7YU	Cobalt blue	91-		
	944 731 031 02 6WJ	Classic grey	91-		
(16)	944 731 032 01	Sun visor	/R	1	COUPE
	944 731 032 01 05T	Black			
	944 731 032 01 XF4	Burgundy	-90		
	944 731 032 01 7YU	Cobalt blue	91-		
	944 731 032 01 6WJ	Classic grey	91-		

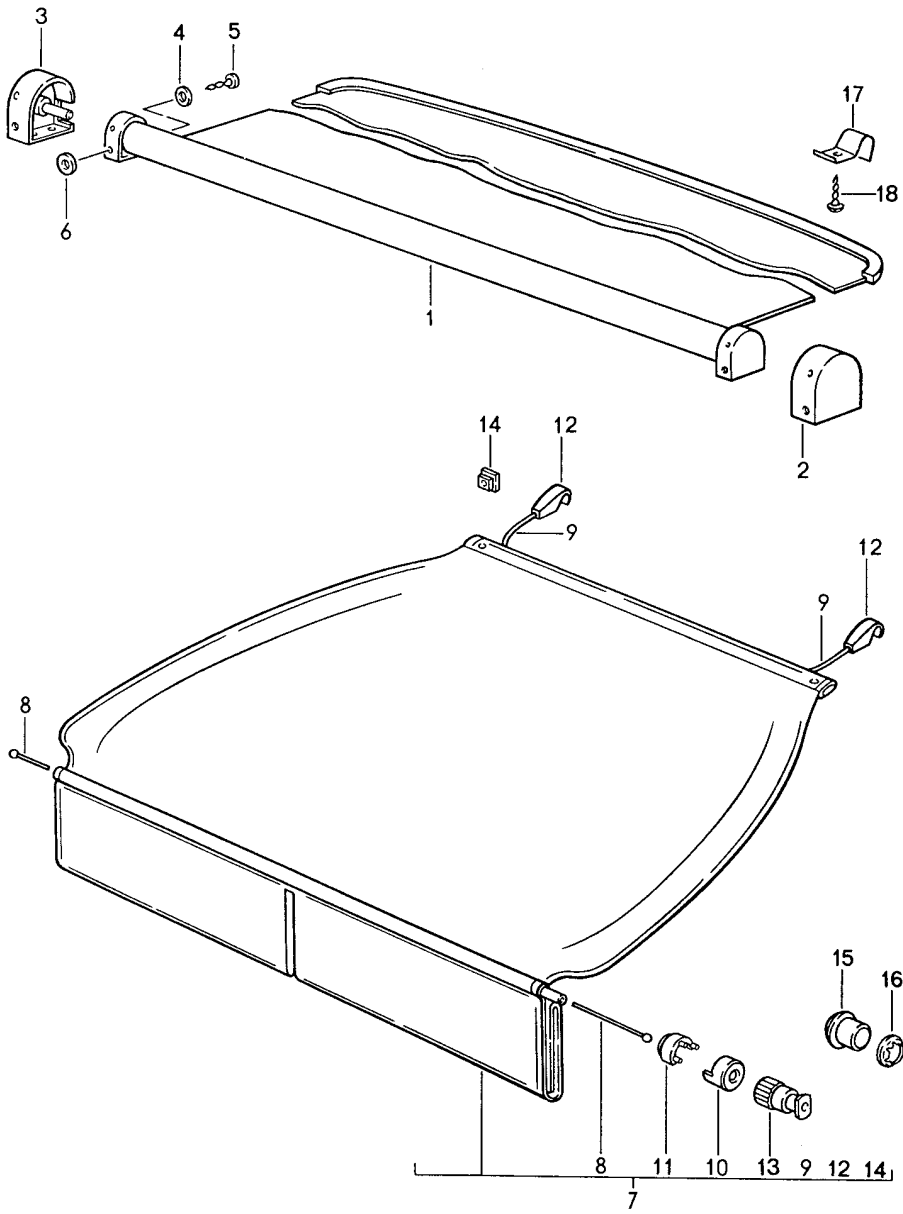


Model: 944 89 Model life 1989>>1991

Pos	Part Number	Description	Remark	Qty	Model
(16)	944 731 032 02	Sun visor	/R (AUS) (S)	1	COUPE
	944 731 032 02 05T	Black			
	944 731 032 02 XF4	Burgundy	-90		
	944 731 032 02 7YU	Cobalt blue	91-		
	944 731 032 02 6WJ	Classic grey	91-		
(16)	941 731 031 10	Sun visor	/L	1	CABRIO
	941 731 031 10 05T	Black			
	941 731 031 10 3KA	Marine blue	-90		
	941 731 031 10 XF4	Burgundy	-90		
	941 731 031 10 7YU	Cobalt blue	91-		
	941 731 031 10 6WJ	Classic grey	91-		
(16)	941 731 032 10	Sun visor	/R	1	CABRIO
	941 731 032 10 05T	Black			
	941 731 032 10 3KA	Marine blue	-90		
	941 731 032 10 XF4	Burgundy	-90		
	941 731 032 10 7YU	Cobalt blue	91-		
	941 731 032 10 6WJ	Classic grey	91-		
17	N 014 096 3	Rais. counters. h. tap. s. B 4,2 X 22		6	
18	944 731 439 00	Support		2	COUPE
(18)	964 731 319 40	Bearing bracket	/L	2	CABRIO
(18)	964 731 320 40	Bearing bracket	/R	2	CABRIO
		Sun visor			
19	900 143 047 07	Tapping screw B 4,2 X 19		4	
19	900 073 007 01	Tapping screw B 4,2 X 19		4	
20	900 151 028 02	Washer B 4,3		4	
20	900 151 028 01	Washer B 4,3		4	
21	901 552 872 20	Coat hook		2	
22	901 552 871 40	Cover		2	
23	900 250 007 02	Tapping screw AM 5 X 12		2	
24	477 857 521 D	Door mirror Plane	/LL /L	1	M637
(24)	477 857 522 D	Door mirror Plane	/LL /R	1	M637
(24)	477 857 522 H	Door mirror Convex	/LL /R	1	M637
(24)	478 857 522 D	Door mirror Plane	/RL /R	1	M637
25	999 067 026 07	Pan-head screw		1	M637
26	477 857 579	Desk pad	/L	1	M637
(26)	478 857 579	Desk pad	/R	1	M637
27	477 845 043	Retainer plate Adhesive set See group 0/05/00		1	

Model: 944 89

Model life 1989>>1991

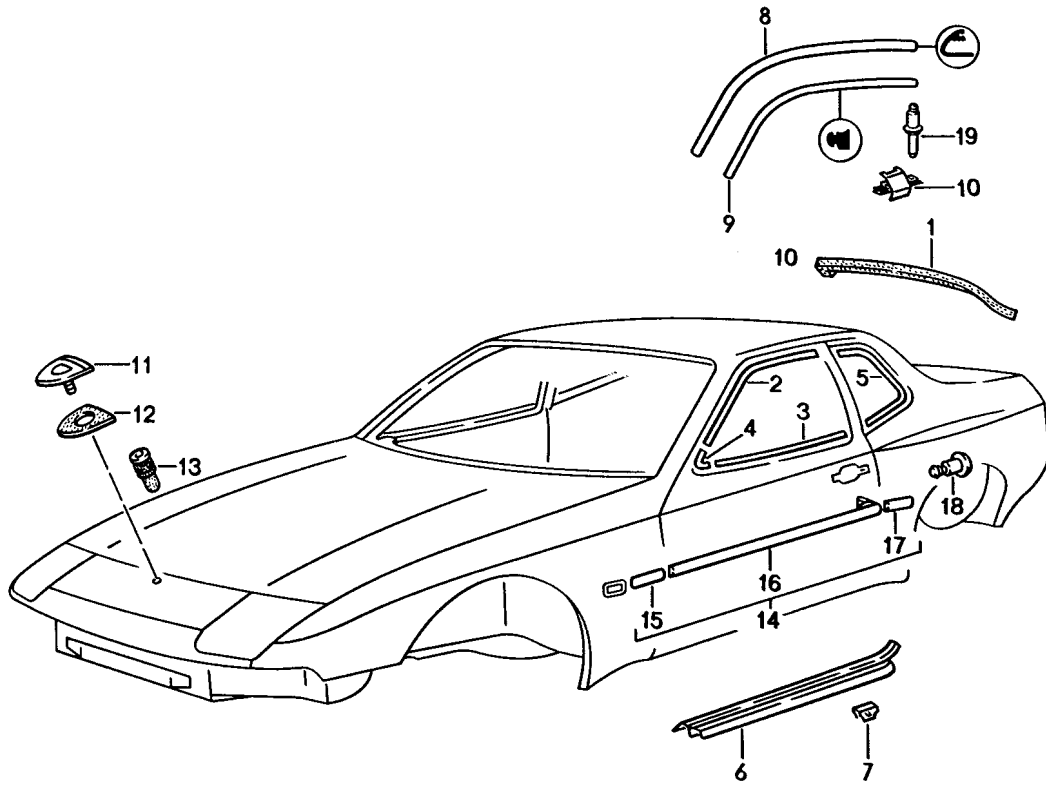


Model: 944 89 Model life 1989>>1991

Pos	Part Number	Description	Remark	Qty	Model
1	477 863 511 A	Luggage compartment cover	-90	1	
	477 863 511 A 05T	Luggage compartment cover Black			
	477 863 511 A 9JJ	Marine blue			
	477 863 511 A 5LX	Burgundy			
2	477 863 517 A	Lid	/L -90	1	
		Luggage compartment cover square wrench Breadth of rim 17,5 MM			
	477 863 517 A 05T	Black			
	477 863 517 A 9JJ	Marine blue			
	477 863 517 A 9MM	Burgundy			
3	477 863 518 A	Lid	/R -90	1	
		Luggage compartment cover Pin Breadth of rim 17,5 MM			
	477 863 518 A 05T	Black			
	477 863 518 A 9JJ	Marine blue			
	477 863 518 A 9MM	Burgundy			
(2)	477 863 517 B	Lid	/L -90	1	
		Luggage compartment cover Hole Breadth of rim 16 MM			
	477 863 517 B 05T	Black			
(3)	477 863 518 B	Lid	/R -90	1	
		Luggage compartment cover square wrench Breadth of rim 16 MM			
	477 863 518 B 05T	Black			
4	900 025 003 02	Washer A 5,3	-90	2	
5	N 013 971 3	Oval-head sheetmetal screw 4,8 X 22	-90	2	
6	999 704 139 40	Spacer	-90	2	
7	944 555 027 00	Luggage compartment cover		1	M685
	944 555 027 00 70G	Black			
	944 555 027 00 5KG	Marine blue	-90		
	944 555 027 00 2LB	Burgundy	-90		
	944 555 027 00 7ZF	Cobalt blue	91-		
	944 555 027 00 5WG	Classic grey	91-		
-	999 701 639 40	Round rubber cord		*	
8		1265 MM		1	
9		875 MM		2	
10	928 555 795 02	End piece of pipe		2	
11	928 555 785 02	Clamp for fabric		2	
12	944 555 775 00	Hook		2	
13	928 555 775 02	Belt end piece		2	
14	928 555 791 02	Rosette		2	
15	928 555 777 02	End piece of rope		2	
16	999 591 484 02	Clamping washer		2	
17	477 863 521 B	Hook		2	
18	N 013 932 4	Tapping screw		2	

Model: 944 89

Model life 1989>>1991

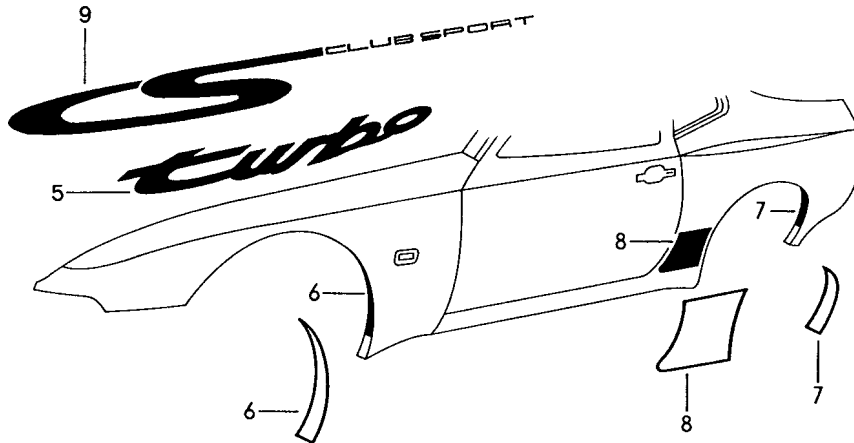
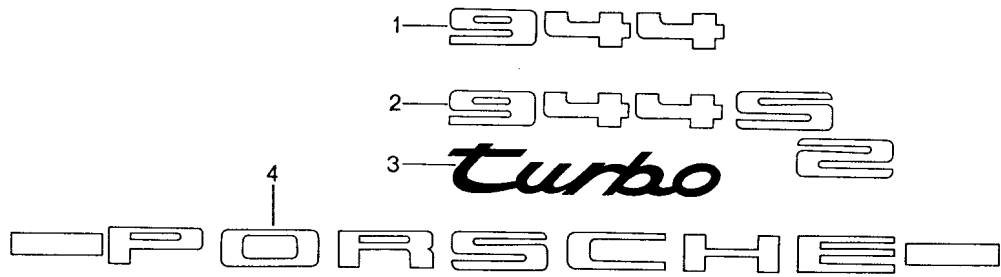
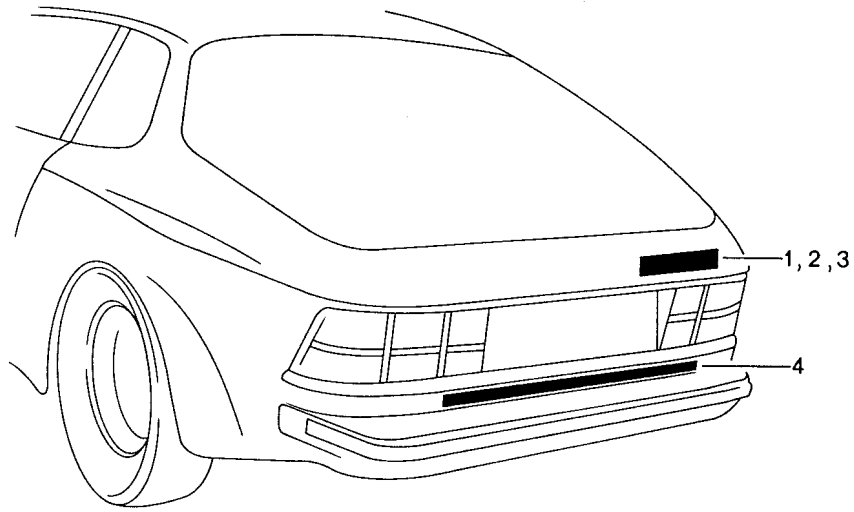


Model: 944 89 Model life 1989>>1991

Pos	Part Number	Description	Remark	Qty	Model
1	477 853 313 A	Moulding Trim frame	/H	1	
2	477 853 373 B	Moulding	/L	1	
(2)	477 853 374 B	Moulding	/R	1	
3	477 853 371 B	Moulding	/L	1	
3	PCG 853 371 B	Moulding	/L	1	
(3)	477 853 372 B	Moulding	/R	1	
4	477 853 375 A	Moulding		2	
5	477 853 365 A	Trim frame	/L	1	
(5)	477 853 366 A	Trim frame	/R	1	
6	944 551 121 00	Scuff plate	/L	1	
(6)	944 551 122 00	Scuff plate	/R	1	
7	477 853 655	Clamp		10	
7	999 507 851 01	Clamp		10	
8	944 559 705 00	Roof edge strip	/L	1	
(8)	944 559 706 00	Roof edge strip	/R	1	
9	944 559 707 00	Sealing rubber		2	
10	999 591 732 02	Clamp		12	
11	901 559 210 20	Lid emblem		1	
11	901 559 210 26	Lid emblem		1	
12	901 559 215 20	Desk pad		1	
12	7L5 853 611 B	Desk pad		1	
13	999 702 175 50	Grommet		2	
14	931 559 901 00	Set of moldings Use also: Adhesive AMV 176.000.05		1	M418
15	931 559 137 00	Side guard Wing	/V	2	
(15)	944 559 137 00	Side guard Wing		2	944S2
16	931 559 133 00	Side guard	/L	1	
(16)	931 559 134 00	Side guard Door	/R	1	
17	931 559 141 00	Side guard	/L	1	
(17)	931 559 142 00	Side guard Side section	/R	1	
-	931 559 175 00	Adhesive tape Side guard Wing		2	
-	944 559 177 00	Adhesive tape Side guard Wing		2	944S2
-	931 559 165 00	Adhesive tape Side guard Door		2	
-	931 559 182 00	Adhesive tape Side guard Side section		2	
-	AMV 176 000 05	Adhesive sealing compound		1	
18	999 190 326 40	Rivet		2	
19	431 805 121 A	Bolt		X	

Model: 944 89

Model life 1989>>1991



Model: 944 89 Model life 1989>>1991

Pos	Part Number	Description	Remark	Qty	Model
		Insignias			
1	944 559 193 00	Stone guard film		1	
		Logo	-89		
		Black			
1	944 559 193 01	Logo	-89	1	
		Silver			
(2)	944 559 220 00	Logo		1	944S2
		Black			
(2)	944 559 220 01	Logo		1	944S2
		Silver			
3	951 559 093 00	Logo		1	TURBO
		Black			
3	951 559 093 01	Logo		1	TURBO
		Silver			
4	477 853 635 B	Logo	/H	1	
		Black			
4	477 853 635 C	Logo	/H	1	
		Silver			
5	951 559 221 00	Logo		1	TURBO M501
		Black			
5	951 559 221 01	Logo		1	TURBO M501
		Silver			
6	944 559 321 00	Stone guard film	/L	1	
	944 559 321 00 3YK	Clear			
6	944 559 322 00	Stone guard film	/R	1	
	944 559 322 00 3YK	Clear			
6	944 559 321 01	Stone guard film	/L	1	
	944 559 321 01 6YA	Alpine white			
	944 559 321 01 1ZZ	Zermatt silver metallic	-89		
	944 559 321 01 9ZK	Crystal silver metallic	90-		
	944 559 321 01 Z07	Polar silver metallic	91-		
6	944 559 322 01	Stone guard film	/R	1	
	944 559 322 01 6YA	Alpine white			
	944 559 322 01 1ZZ	Zermatt silver metallic	-89		
	944 559 322 01 9ZK	Crystal silver metallic	90-		
	944 559 322 01 Z07	Polar silver metallic	91-		
7	944 559 323 00	Stone guard film	/L	1	
	944 559 323 00 3YK	Clear			
7	944 559 324 00	Stone guard film	/R	1	
	944 559 324 00 3YK	Clear			
7	944 559 323 01	Stone guard film	/L	1	
	944 559 323 01 6YA	Alpine white			
	944 559 323 01 1ZZ	Zermatt silver metallic	-89		
	944 559 323 01 9ZK	Crystal silver metallic	90-		
	944 559 323 01 Z07	Polar silver metallic	91-		
7	944 559 324 01	Stone guard film	/R	1	
	944 559 324 01 6YA	Alpine white			
	944 559 324 01 1ZZ	Zermatt silver metallic	-89		
	944 559 324 01 9ZK	Crystal silver metallic	90-		
	944 559 324 01 Z07	Polar silver metallic	91-		
8	944 559 325 00	Stone guard film	/L	1	
	944 559 325 00 3YK	Clear			
8	944 559 326 00	Stone guard film	/R	1	
	944 559 326 00 3YK	Clear			
8	944 559 325 01	Stone guard film	/L	1	
	944 559 325 01 6YA	Alpine white			
	944 559 325 01 1ZZ	Zermatt silver metallic	-89		
	944 559 325 01 9ZK	Crystal silver metallic	90-		
	944 559 325 01 Z07	Polar silver metallic	91-		
8	944 559 326 01	Stone guard film	/R	1	
	944 559 326 01 6YA	Alpine white			

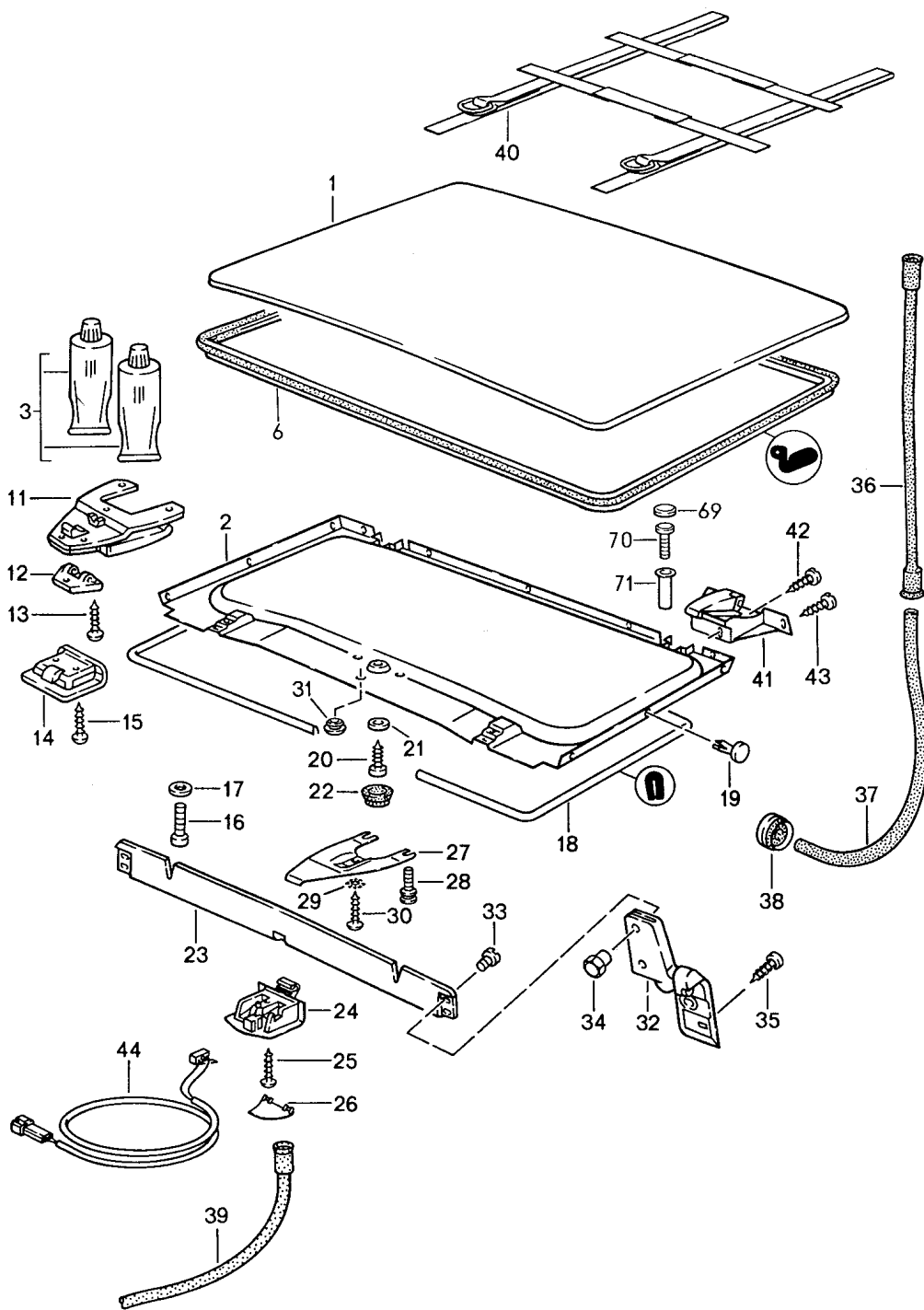
Model: 944 89 Model life 1989>>1991

Pos	Part Number	Description	Remark	Qty	Model
	944 559 326 01 1ZZ	Zermatt silver metallic	-89		
	944 559 326 01 9ZK	Crystal silver metallic	90-		
	944 559 326 01 Z07	Polar silver metallic	91-		
9	944 559 223 00	Logo Black		1	M637
9	944 559 223 01	Logo Silver		1	M637



Model: 944 89

Model life 1989>>1991



Model: 944 89 Model life 1989>>1991

Pos	Part Number	Description	Remark	Qty	Model
		Lifting roof			M650
1	944 564 917 01	Roof		1	
1		Roof		1	
2	944 564 047 02	Rooflining		1	
	944 564 047 02 05T	Black			
	944 564 047 02 3KY	Marine blue	-90		
	944 564 047 02 5LX	Burgundy	-90		
	944 564 047 02 G23	Cobalt blue	91-		
	944 564 047 02 B17	Classic grey	91-		
3	000 043 204 86	Adhesive set Comprising: Adhesive 150 ML Hardener 150 ML		X	
6	944 564 114 04	Gasket		1	
11	477 871 217	Roof catch	/V	2	
12	477 871 219	Bearing bracket		2	
13	N 033 174 1	Countersunk-head screw M 3 X 6		6	
13	900 269 001 01	Countersunk-head screw M 3 X 6		6	
14	477 871 665 A	Centring wedge	/V	2	
15	N 013 964 4	Oval-head sheetmetal screw B 4,2 X 16		5	
16	900 270 064 07	Countersunk-head screw M 5 X 16		2	
17	999 704 606 17	Washer		6	
18	944 564 623 00	Edge protection		1	
18	944 564 623 02	Edge protection		1	
19	477 871 053	Expansion rivet		11	
20	311 867 167	Oval-head sheetmetal screw		1	
21	900 151 028 02	Washer		1	
21	900 151 028 01	Washer		1	
22	311 867 169	Cap		1	
	311 867 169 01C	Black			
	311 867 169 9JJ	Marine blue	-90		
	311 867 169 9MM	Burgundy	-90		
	311 867 169 6ZF	Cobalt blue	91-		
	311 867 169 4XC	Classic grey	91-		
23	944 564 093 00	Air deflector		1	
24	944 564 683 00	Bearing		1	
25	N 013 964 4	Oval-head sheetmetal screw 4,2 X 16		5	
26	944 564 685 00	Flap		1	
27	944 564 223 00	Fastening part		1	
28	944 564 224 00	Adjusting screw		2	
29	N 012 222 4	Spring washer A 5		5	
30	N 014 133 8	Oval-head screw M 5 X 12		1	
31	944 564 233 00	Cap		3	
	944 564 233 00 01C	Black			
	944 564 233 00 9JJ	Marine blue	-90		
	944 564 233 00 9MM	Burgundy	-90		
	944 564 233 00 6ZF	Cobalt blue	91-		
	944 564 233 00 4XC	Classic grey	91-		
32	477 871 635 A	Hinge	/L	1	
(32)	477 871 636 A	Hinge	/R	1	
33	477 837 959	Self-lock. fillister screw		4	
34	477 871 701 A	Cap nut		4	
35	900 143 031 02	Oval-head sheetmetal screw B 4,2 X 9,5		4	

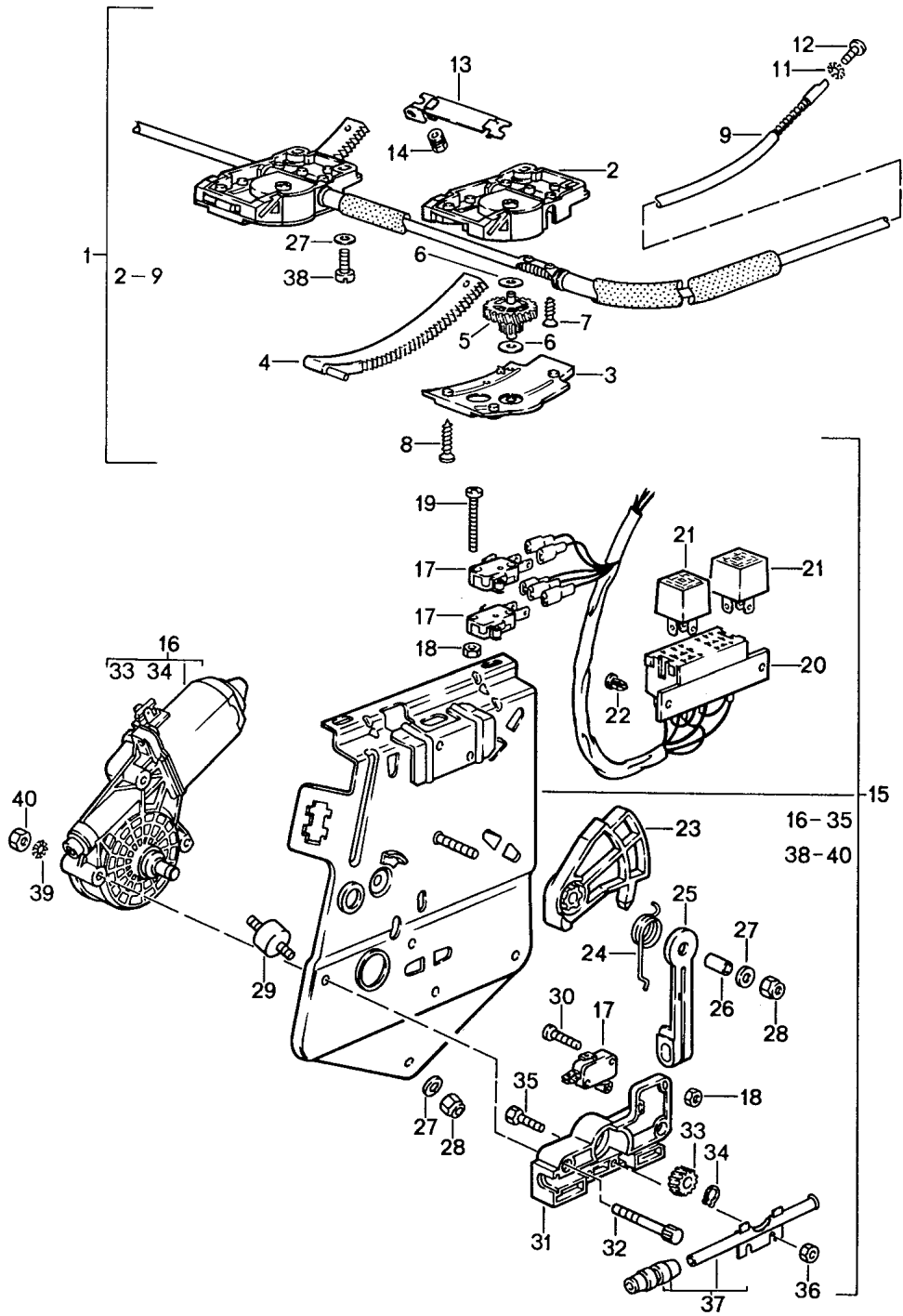
Model: 944 89

Model life 1989>>1991

Pos	Part Number	Description	Remark	Qty	Model
36	944 564 235 00	Water drain hose	/L /H	1	
(36)	944 564 064 00	Water drain hose	/R /H	1	
37	944 564 237 00	Water drain tube	/L /H	1	
(37)	944 564 238 00	Water drain tube	/R /H	1	
38	021 119 569	Rubber sleeve		X	
39	321 877 233 C	Water drain hose	/V	2	
40	944 721 811 00	Retaining strap		1	
41	944 564 161 00	Gate guide	/L /H	1	
(41)	944 564 162 00	Gate guide	/R /H	1	
(41)	944 564 162 02	Gate guide	/R /H	1	
42	N 014 133 8	Oval-head screw M 5 X 12		2	
43	N 014 264 4	Oval-head screw AM 5 X 10		4	
44	944 613 033 00	Microswitch		1	
69	999 703 347 40	Cap		4	
70	999 119 016 40	Adjusting screw M 4 X 10		4	
71	999 500 033 17	Blind rivet nut M 4		4	

Model: 944 89

Model life 1989>>1991



Model: 944 89 Model life 1989>>1991

Pos	Part Number	Description	Remark	Qty	Model
		Lifting roof Driving mechanism			M650
1	944 564 041 01	Assembly kit		1	
2	944 564 507 01	Guide		2	
3	944 564 509 01	Plate		2	
4	944 564 501 01	Segment	/L	1	
(4)	944 564 502 01	Segment	/R	1	
(4)	944 564 502 02	Segment	/R	1	
5	944 564 430 01	Gear wheel		2	
6	944 564 459 01	Shim		4	
7	999 919 051 02	Countersunk-head screw M 4 X 8		4	
8	999 919 052 02	Countersunk-head screw M 4 X 18		10	
9	944 564 043 02	Shaft		1	
9	944 564 043 03	Shaft		1	
11	999 523 116 01	Lock washer		3	
12	N 014 121 6	Oval-head screw M 4 X 6		1	
13	944 564 461 00	Support	/L	1	
(13)	944 564 462 00	Support	/R	1	
14	999 076 036 02	Adjusting nut M 4		4	
15	944 624 055 01	Electric drive		1	
16	944 624 011 01	Electric motor		1	
17	944 613 128 01	Microswitch		3	
18	N 011 002 2	Hexagon nut		4	
19	900 146 072 02	Oval-head screw M 3 X 25		2	
20	944 612 011 01	Wiring harness		1	
21	431 951 253 D	Relay		2	
21	999 657 016 90	Relay		2	
22	999 591 854 40	Expansion rivet		2	
23	944 564 535 00	Lever		1	
24	944 564 539 00	Spring		1	
25	944 564 537 00	Lever		1	
26	944 564 541 00	Sleeve		1	
27	N 011 524 7	Washer 6,4		6	
27	N 011 524 27	Washer 6,4		6	
28	900 910 012 02	Lock nut M 6		2	
28	900 910 047 09	Lock nut M 6		2	
29	999 703 349 00	Rubber mounting		1	
30	N 044 134 2	Oval-head screw M 3 X 20		2	
31	944 564 515 01	Housing		1	
32	944 564 543 00	Screw		2	
33	944 564 437 01	Pinion		1	
34	900 116 003 02	Lock washer		1	
34	900 116 003 09	Lock washer		1	
35	900 075 100 02	Hexagon-head bolt M 4 X 12		2	
35	900 075 100 03	Hexagon-head bolt M 4 X 12		2	
36	N 011 004 6	Hexagon nut M 4		2	
36	N 011 004 G	Nut M 4		2	
37	944 564 048 00	Pipe		1	
38	900 067 011 02	Pan-head screw		4	

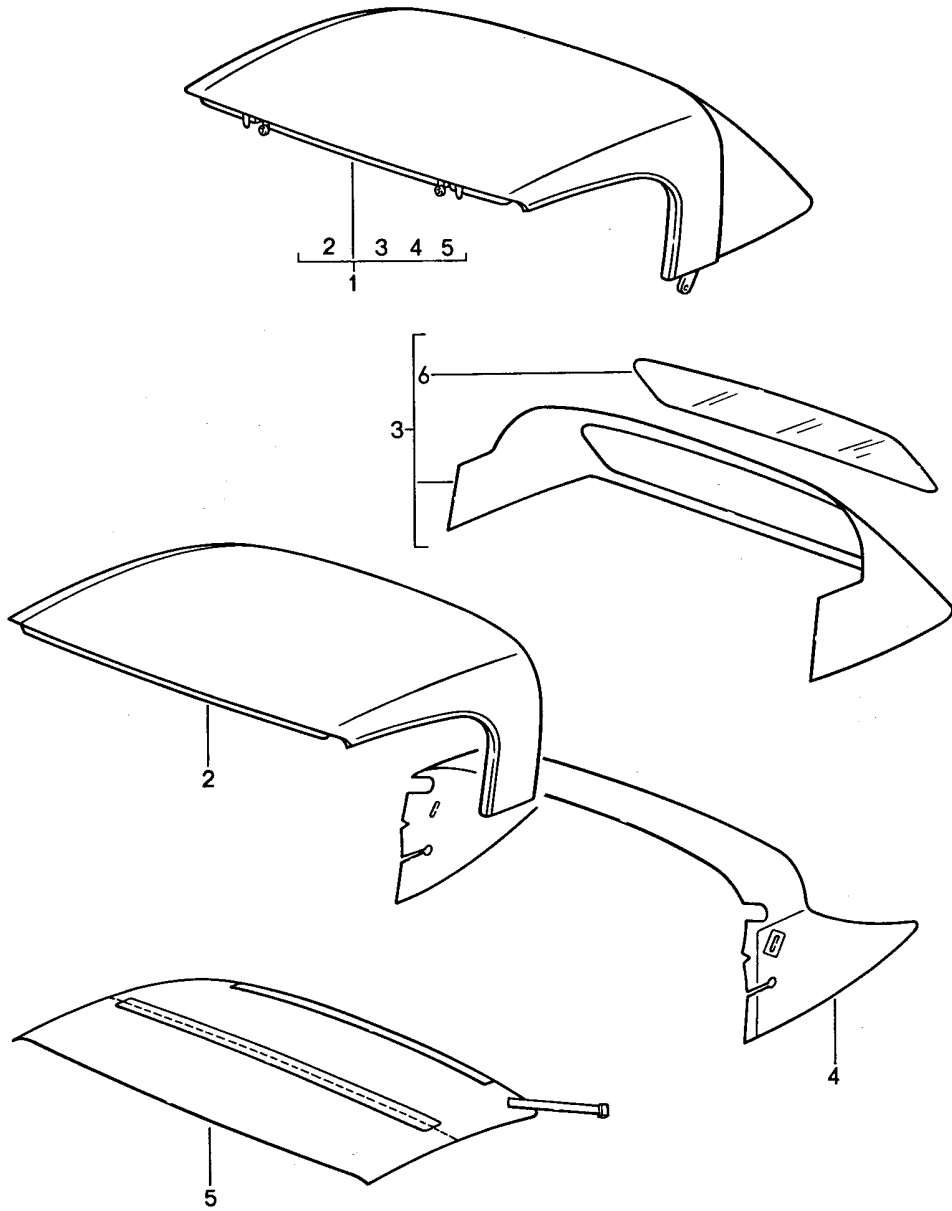
Model: 944 89

Model life 1989&gt;&gt;1991

Pos	Part Number	Description	Remark	Qty	Model
38	900 067 011 03	Pan-head screw		4	
39	999 523 117 01	Lock washer		3	
40	900 076 010 02	Nut		3	
		M 6			
40	900 076 010 0B	Nut		3	
		M 6			

Model: 944 89

Model life 1989>>1991



Model: 944 89

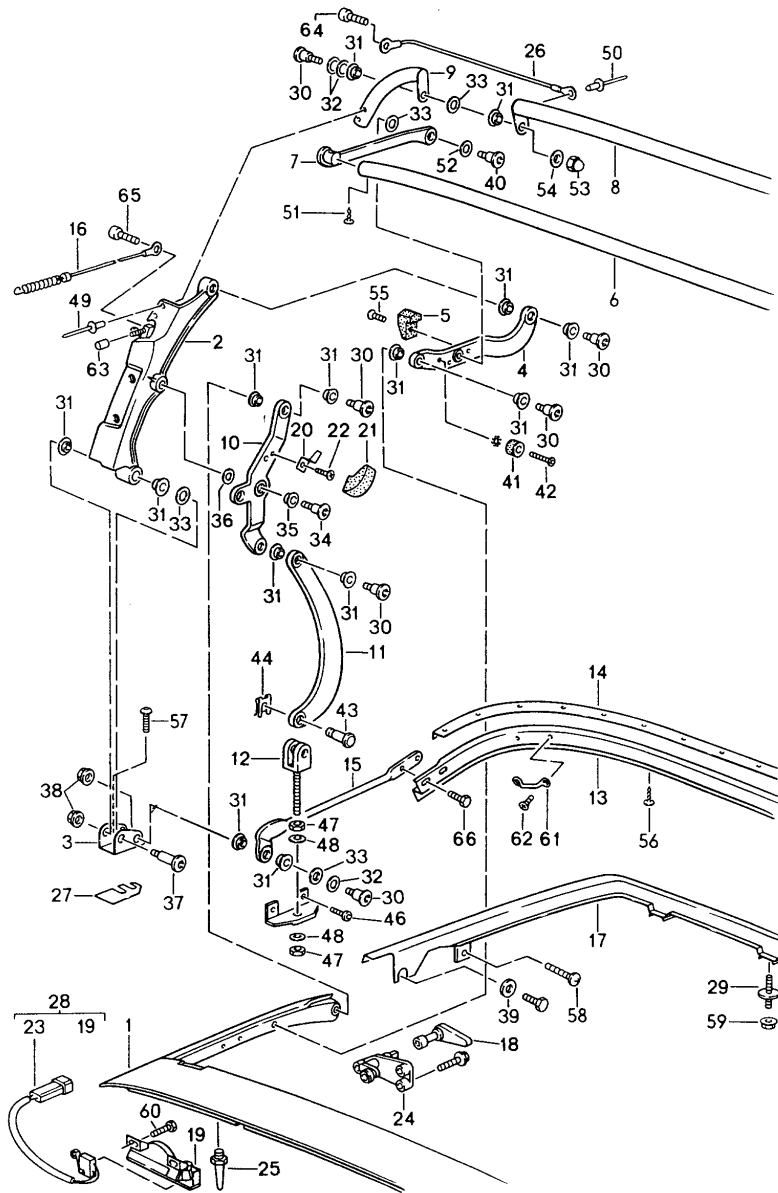
Model life 1989>>1991

Pos	Part Number	Description	Remark	Qty	Model
		Convertible top			CABRIO
		Convertible top covering			
1	941 561 901 10	Convertible top Ready for installation		1	
	941 561 901 10 2XW	Black			
	941 561 901 10 7JW	Dark blue	-90		
	941 561 901 10 9LW	Burgundy	-90		
	941 561 901 10 3ZL	Cobalt blue	91-		
2	941 561 051 10	Convertible top covering	/V	1	
	941 561 051 10 2XW	Black			
	941 561 051 10 7JW	Dark blue	-90		
	941 561 051 10 9LW	Burgundy	-90		
	941 561 051 10 3ZL	Cobalt blue	91-		
3	941 561 053 10	Convertible top covering with Rear window	/H	1	
	941 561 053 10 2XW	Black			
	941 561 053 10 7JW	Dark blue	-90		
	941 561 053 10 9LW	Burgundy	-90		
	941 561 053 10 3ZL	Cobalt blue	91-		
4	941 561 150 10	Roofliner	/H	1	
	941 561 150 10 A20	Black			
5	941 561 149 10	Roofliner	/V	1	
	941 561 149 10 A20	Black			
6	941 561 359 10	Rear window		1	
		It is necessary to rework			
-	999 591 983 12	Tenax upper part		X	
-	999 591 597 02	Tenax lower part		X	
		B 4,2 x 10			



Model: 944 89

Model life 1989>>1991



Model: 944 89

Model life 1989&gt;&gt;1991

Pos	Part Number	Description	Remark	Qty	Model
		Convertible top frame			CABRIO
1	941 561 125 10	Roof frame		1	
(2)	941 561 501 10	Connecting piece	/L	1	
(2)	941 561 201 10	Main folding top bow	/L	1	
2	941 561 502 10	Connecting piece	/R	1	
2	941 561 202 10	Main folding top bow	/R	1	
(3)	941 561 507 10	Convertible top support	/L	1	
3	941 561 508 10	Convertible top support	/R	1	
(4)	941 561 563 10	Lever	/L	1	
	941 561 563 10 03C	Rally black			
4	941 561 564 10	Lever	/R	1	
	941 561 564 10 03C	Rally black			
5	941 561 565 10	Buffer		2	
6	941 561 561 10	Intermed. folding top bow	/V	1	
(7)	941 561 569 10	Lever	/L	1	
	941 561 569 10 03C	Rally black			
7	941 561 570 10	Lever	/R	1	
	941 561 570 10 03C	Rally black			
8	941 561 503 10	Main folding top bow		1	
(9)	941 561 505 10	Extension	/L	1	
9	941 561 506 10	Extension	/R	1	
(10)	941 561 555 10	Lever	/L	1	
	941 561 555 10 03C	Rally black			
10	941 561 556 10	Lever	/R	1	
	941 561 556 10 03C	Rally black			
(11)	941 561 557 10	Lever	/L	1	
	941 561 557 10 03C	Rally black			
11	941 561 558 10	Lever	/R	1	
	941 561 558 10 03C	Rally black			
12	941 561 559 10	Joint fork		2	
13	941 561 509 10	Intermed. folding top bow	/H	1	
14	941 561 515 10	Connecting rail		1	
(15)	941 561 531 10	Connecting piece	/L	1	
15	941 561 532 10	Connecting piece	/R	1	
16	941 561 535 10	Tension rope		2	
17	941 561 471 10	Clamp		1	
18	911 565 075 62	Handle		2	
	911 565 075 62 70B	Black			
(19)	941 561 963 10	Gate guide	/L	1	
19	941 561 964 10	Gate guide	/R	1	
20	901 552 872 20	Coat hook		2	
21	901 552 871 40	Cover		2	
22	900 250 007 02	Tapping screw AM 5 X 12		2	
23	941 613 103 10	Microswitch		2	
(24)	941 565 031 10	Catch	/L	1	
24	941 565 032 10	Catch	/R	1	
25	941 565 214 10	Locating peg		2	
26	941 561 537 10	Tension rope		2	
27	941 561 527 10	Spacer plate		2	
(28)	941 561 963 10	Gate guide	/L	1	
28	941 561 964 10	Gate guide	/R	1	
29	941 504 717 10	Threaded bolt		4	
30	941 504 817 10	Screw M 8 X 22,5		12	
		Micro-self-locking			
30	941 504 817 11	Screw M 8 X 22,5		12	
		Micro-self-locking			
31	941 504 815 10	Bearing sleeve		24	
32	941 504 838 10	Lock washer		6	
33	941 561 574 10	Spacer sleeve		8	
34	941 504 826 10	Screw		2	

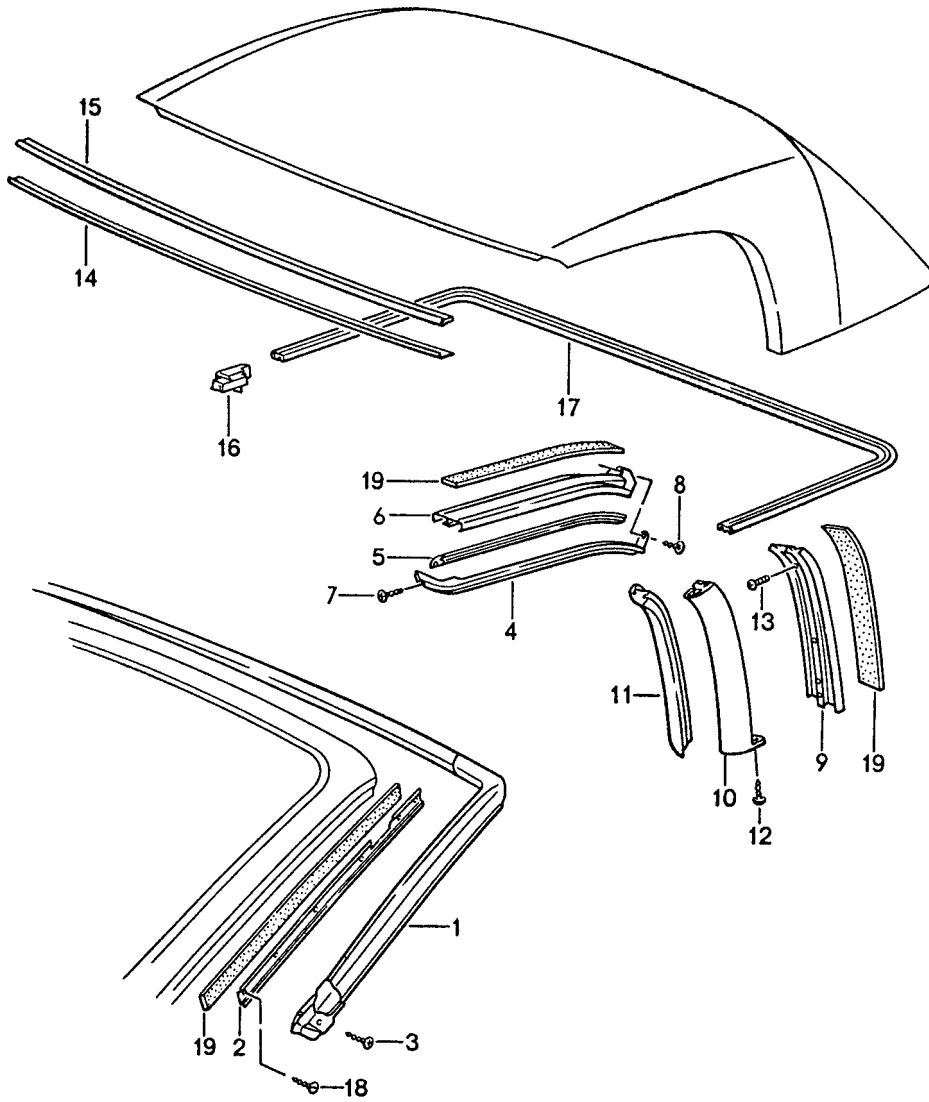
Model: 944 89

Model life 1989&gt;&gt;1991

Pos	Part Number	Description	Remark	Qty	Model
		M 10 X 21,5 Micro-self-locking			
35	999 924 028 00	Bearing sleeve		2	
36	911 561 430 00	Washer		2	
37	941 504 829 10	Screw M 8 X 42 Micro-self-locking		2	
38	900 377 003 02	Hexagon nut		4	
39	941 504 865 10	Washer		2	
40	941 504 818 10	Screw M 8 X 16,8		2	
41	911 561 402 00	Eccentric washer		2	
42	N 033 185 1	Countersunk-head screw		2	
43	911 561 761 65	Bolt		2	
44	999 166 034 02	Sl-lock		2	
45	911 561 431 65	Bearing bracket		2	
46	941 504 801 10	Screw M 8 X 20		4	
47	N 011 010 13	Hexagon nut M 10		4	
48	900 025 008 09	Washer A 10,5		4	
48	900 025 008 04	Washer A 10,5		4	
49	999 190 405 00	Blind rivet 4,8 X 13,9		4	
50	N 901 499 01	Blind rivet 4 X 7,4		2	
51	941 504 839 10	Screw 4,2 X 16		2	
52	941 504 835 10	Washer		2	
53	900 096 003 07	Cap nut M 8		2	
54	900 025 048 07	Washer A 8		2	
55	941 504 825 10	Screw M 4 X 8		2	
56	941 504 837 10	Screw		X	
57	941 504 801 10	Screw M 8 X 20		4	
58	941 504 844 10	Screw 4,8 X 16		2	
59	941 504 843 10	Nut M 6		4	
60	941 504 849 10	Screw M 6 X 10		4	
61	941 561 585 10	Retaining bar		2	
62	N 013 997 2	Counters. head tapp. screw B 4,2 X 13		4	
63	941 504 713 10	Rubber stop		2	
64	941 504 873 10	Screw M 4 X 11		2	
65	999 217 078 07	Hexagon-head bolt M 4 X 6		2	
66	941 504 841 10	Pan-head screw M 5 X 12		4	

Model: 944 89

Model life 1989>>1991

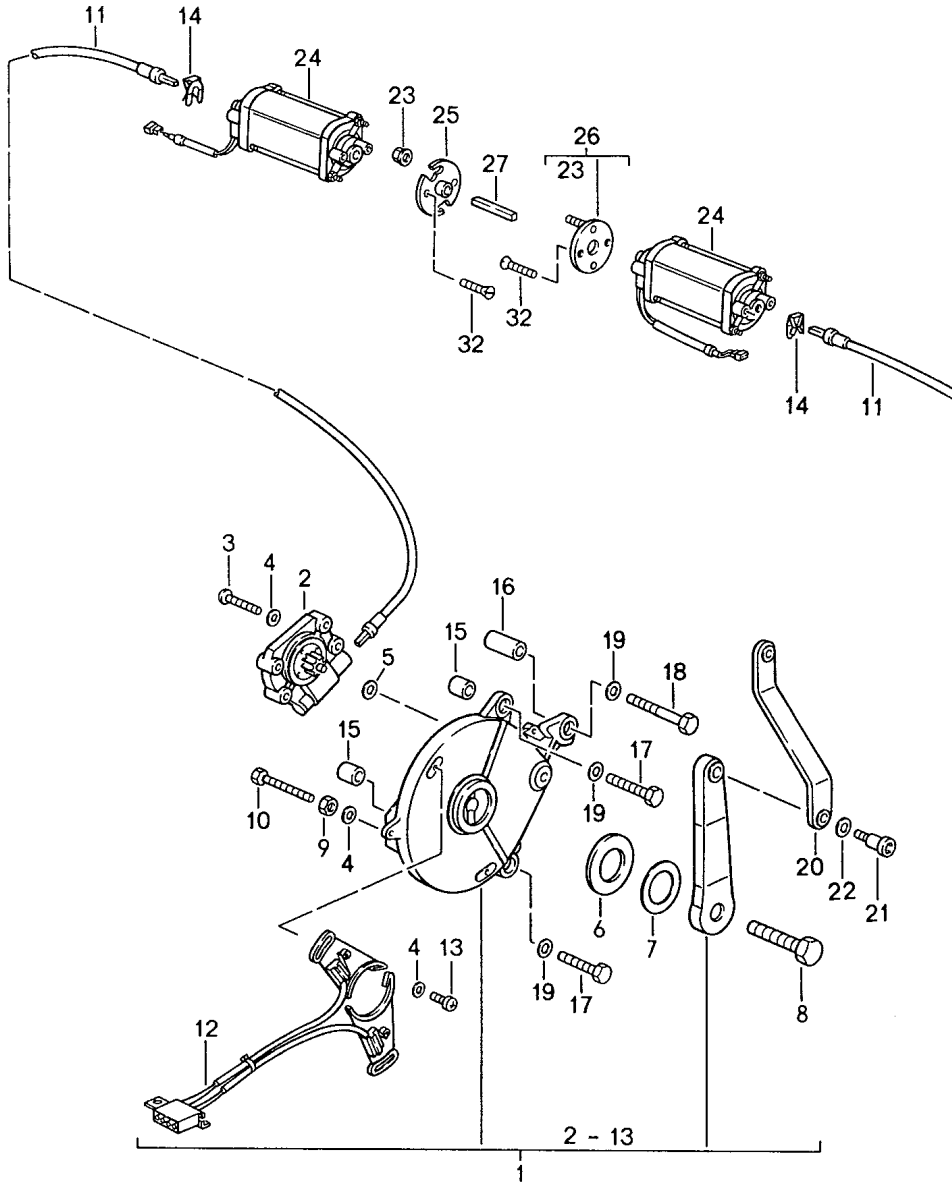


Model: 944 89 Model life 1989>>1991

Pos	Part Number	Description	Remark	Qty	Model
1	941 555 546 10	Seal Gasket Windscreen frame		1	CABRIO
2	941 555 541 10	Rail	/L	1	
(2)	941 555 542 10	Rail	/R	1	
3	941 504 708 10	Fastening plug		2	
4	941 561 387 10	Roof frame seal Outer Coated	/L	1	
4	941 561 387 11	Roof frame seal Outer Uncoated	/L	1	
(4)	941 561 388 10	Roof frame seal Outer Coated	/R	1	
(4)	941 561 388 11	Roof frame seal Outer Uncoated	/R	1	
5	941 561 385 10	Roof frame seal Inner	/L	1	
(5)	941 561 386 10	Roof frame seal Inner	/R	1	
6	941 561 389 10	Rail	/L	1	
(6)	941 561 390 10	Rail	/R	1	
7	900 143 113 07	Oval-head screw B 4,2 X 13,0		2	
7	900 143 113 0G	Oval-head screw B 4,2 X 13,0		2	
8	941 504 708 10	Fastening plug		4	
9	941 561 551 11	Rail	/L	1	
(9)	941 561 552 11	Rail	/R	1	
10	941 561 517 10	Gasket Outer Coated	/L	1	
10	941 561 517 11	Gasket Outer Uncoated	/L	1	
(10)	941 561 518 10	Gasket Outer Coated	/R	1	
(10)	941 561 518 11	Gasket Outer Uncoated	/R	1	
11	941 561 519 10	Gasket Inner	/L	1	
(11)	941 561 520 10	Gasket Inner	/R	1	
12	941 504 708 10	Fastening plug		4	
13	900 143 084 07	Oval-head sheetmetal screw B 3,5 X 16,0		9	
14	941 561 417 10	Rail		1	
15	941 561 419 10	Roof frame seal	/V	1	
16	941 803 301 10	Cover	/L	1	
(16)	941 803 302 10	Cover	/R	1	
17	941 504 361 10	Gasket	/H	1	
18	N 013 957 5	Oval-head sheetmetal screw B 3,5 X 9,5		1	I
19	941 504 709 10	Sealing strap Roller 15,3 M		X	

Model: 944 89

Model life 1989>>1991



Model: 944 89 Model life 1989>>1991

Pos	Part Number	Description	Remark	Qty	Model
		Convertible top control Electric			CABRIO
(1)	911 561 045 68	Transmission	/L	1	
1	911 561 046 68	Transmission	/R	1	
(2)	911 561 103 65	Planetary transmission	/L	1	
2	911 561 104 65	Planetary transmission	/R	1	
3	900 146 025 02	Half-round screw M 4 X 18		2	
4	900 025 002 02	Washer A 4,3		6	
4	900 025 002 03	Washer A 4,3		6	
5	900 234 003 02	Shim 8 X 14 X 1,0		2	
5	900 234 003 01	Shim 8 X 14 X 1,0		2	
6	999 025 254 10	Washer 30 X 50 X 1,5		2	
7	900 234 143 02	Shim 30 X 42 X 0,1		X	
8	900 378 288 01	Hexagon-head bolt M 12 X 30		2	
9	N 011 004 6	Micro-self-locking Hexagon nut M 4		2	
9	N 011 004 G	Nut M 4		2	
10	N 040 257 1	Hexagon-head bolt M 4 X 22		2	
(11)	911 561 107 66	Shaft	/L	1	
11	911 561 108 66	Shaft	/R	1	
12	911 613 037 00	Microswitch with Plate		1	
12	911 613 037 01	Microswitch with Plate It is necessary to rework Use also: Tie-wrap 1 x 999.513.049.40		1	
13	N 014 122 8	Oval-head screw M 4 X 8		2	
13	N 014 122 17	Oval-head screw M 4 X 8		2	
14	911 561 643 65	Spring clamp		2	
14	987 561 643 00	Spring clamp		2	
15	941 561 831 10	Bush		4	
16	941 561 833 10	Bush		2	
17	N 010 347 5	Hexagon-head bolt M 6 X 35		4	
18	N 040 303 1	Hexagon-head bolt M 6 X 50		2	
19	N 015 404 1	Washer A 6,4		6	
19	900 223 030 02	Washer A 6,4		6	
19	900 223 003 02	Washer A 6,4		6	
20	941 561 681 10	Push rod		2	
21	911 561 418 00	Screw M 8 X 20		2	
22	941 504 815 10	Bearing sleeve		4	

Model: 944 89

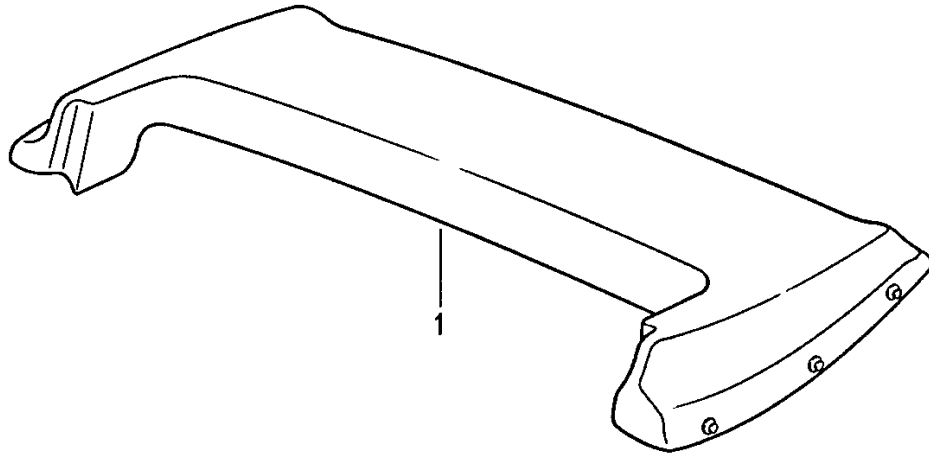
Model life 1989>>1991

Pos	Part Number	Description	Remark	Qty	Model
23	999 084 078 02	Hexagon nut M 5		2	
24	911 624 117 00	Electric motor		2	
25	911 624 269 01	Washer		1	
26	911 624 171 01	Washer		1	
27	911 624 273 00	Connecting piece		1	
32	999 919 045 02	Countersunk-head screw M 5 X 16		4	



Model: 944 89

Model life 1989>>1991



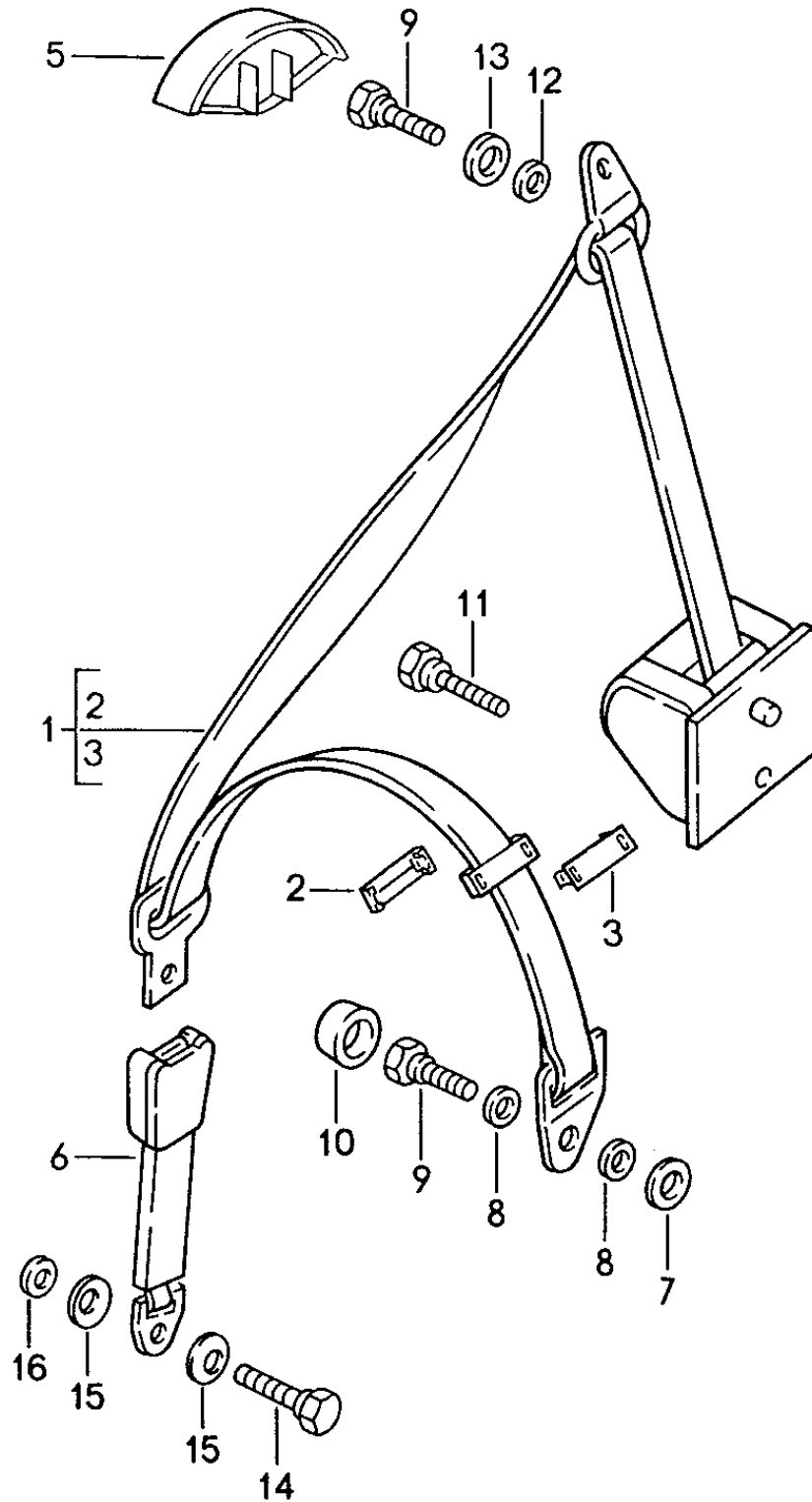
Model: 944 89

Model life 1989>>1991

Pos	Part Number	Description	Remark	Qty	Model
1	941 561 023 10	Convertible top cover		1	CABRIO
	941 561 023 10 2XW	Convertible top cover Black			
	941 561 023 10 7JW	Dark blue	-90		
	941 561 023 10 9LW	Burgundy	-90		
	941 561 023 10 3ZL	Cobalt blue	91-		
	941 561 023 10 5XF	Classic grey	91-		
-	999 591 983 12	Tenax upper part		X	
-	999 591 597 02	Tenax lower part B 4,2 x 10		X	
2	941 561 087 10	Bag		1	
	941 561 087 10 700	Convertible top cover Black			

Model: 944 89

Model life 1989>>1991



Model: 944 89 Model life 1989>>1991

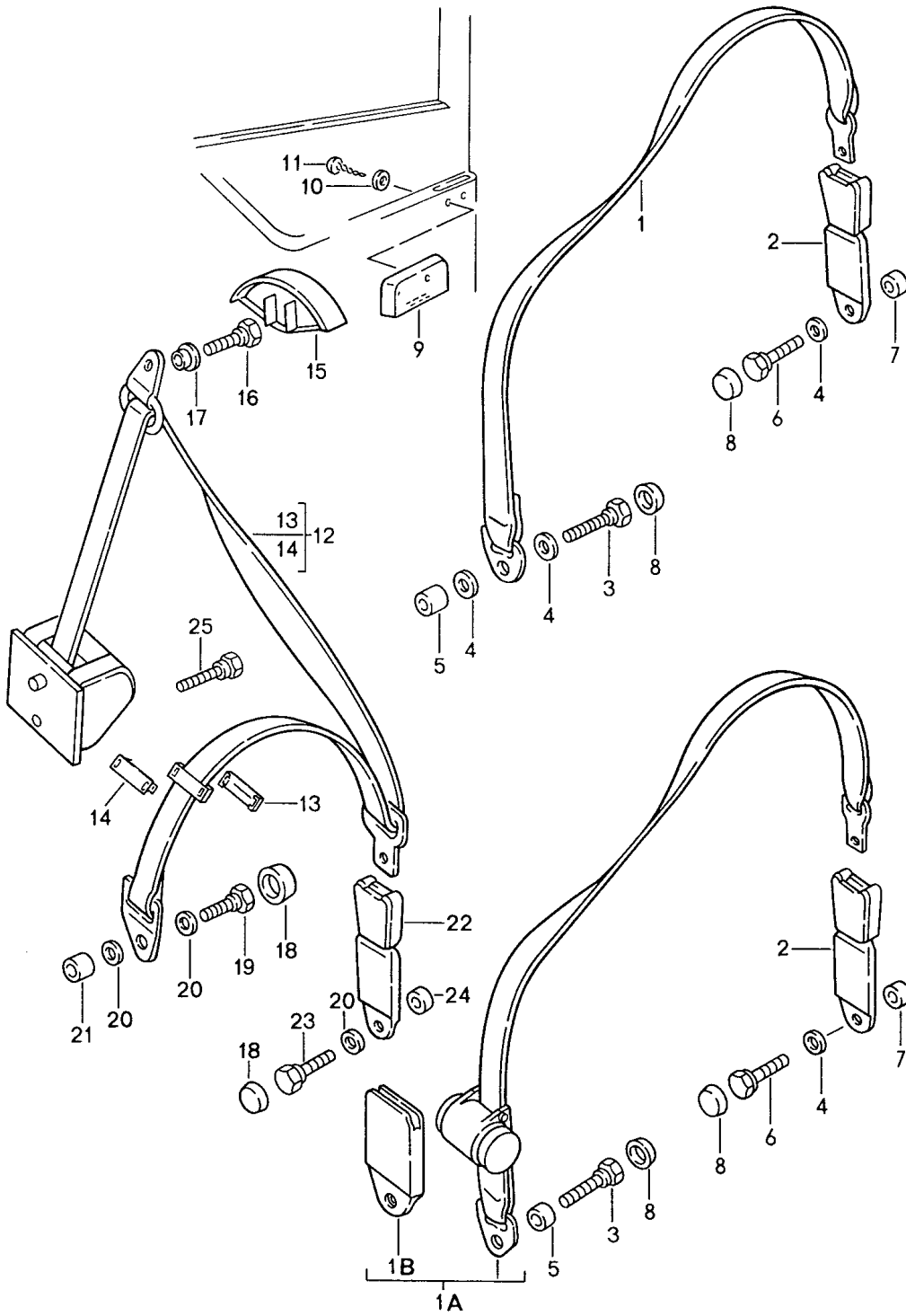
Pos	Part Number	Description	Remark	Qty	Model
		Seat belt Front			
1	944 803 125 00	Seat belt	/L	1	COUPE
1	941 803 125 10	Seat belt	/L	1	CABRIO
	941 803 125 10 70B	Satin black			
(1)	944 803 126 00	Seat belt	/R	1	COUPE
(1)	941 803 126 10	Seat belt	/R	1	CABRIO
	941 803 126 10 70B	Satin black			
2	928 803 151 02	Clip Upper part		2	
3	928 803 153 02	Clip Lower part		2	
5	944 803 141 00	Cover		2	
	944 803 141 00 70B	Black			
(5)	941 555 311 10	Cover	/L	1	CABRIO
	941 555 311 10 70B	Satin black			
(5)	941 555 312 10	Cover	/R	1	CABRIO
	941 555 312 10 70B	Satin black			
6	928 803 183 13	Seat-belt buckle F >>94KN4 01291 F >>95KN1 00776		1	944 TURBO
	928 803 183 13 70B	Satin black			
(6)	928 803 183 12	Driver's side Seat-belt buckle F >>94KN4 01291 F >>95KN1 00776		1	944 TURBO
	928 803 183 12 70B	Satin black			
6	928 803 183 11	Passenger's side Seat-belt buckle Driver's side F >>94KN4 01291 F >>95KN1 00776		1	M383/387 944 TURBO
	928 803 183 11 70B	Black			
(6)	928 803 183 10	Seat-belt buckle Passenger's side F >>94KN4 01291 F >>95KN1 00776		1	M383/387 944 TURBO
	928 803 183 10 70B	Black			
6	964 803 183 01	Seat-belt buckle Driver's side F 94KN4 01292>> F 95KN1 00777>>		1	944 TURBO
	964 803 183 01 70B	Black			
(6)	964 803 183 00	Seat-belt buckle Passenger's side F 94KN4 01292>> F 95KN1 00777>>		1	944 TURBO
	964 803 183 00 70B	Black			
6	964 803 183 05	Seat-belt buckle Driver's side F 94KN4 01292>> F 95KN1 00777>>		1	M383/387 944 TURBO
	964 803 183 05 70B	Black			
(6)	964 803 183 04	Seat-belt buckle Passenger's side F 94KN4 01292>> F 95KN1 00777>>		1	M383/387 944 TURBO
	964 803 183 04 70B	Black			
7	111 857 707 A	Spacer		2	
7	WHT 001 373	Spacer		2	
(7)	999 924 063 02	Spacer sleeve		2	/563 M562
8	911 803 533 00	Cup spring		2	

Model: 944 89 Model life 1989>>1991

Pos	Part Number	Description	Remark	Qty	Model
9	111 857 793 E	Hexagon-head bolt		2	
10	811 857 845	Cap		2	
11	111 857 799 A	Hexagon-head bolt		2	
11	3B0 857 799	Hexagon-head bolt		2	
12	928 803 212 02	Spacer		2	
13	928 803 157 02	Washer		2	
14	914 803 468 10	Screw		2	
		F >>94KN4 01291			944
		F >>95KN1 00776			TURBO
14	959 803 701 00	Hexagon-head bolt		2	
		F 94KN4 01292>>			944
		F 95KN1 00777>>			TURBO
14	959 803 701 01	Hexagon-head bolt		2	
		F 94KN4 01292>>			944
		F 95KN1 00777>>			TURBO
15	911 803 533 00	Cup spring		4	
		F >>94KN4 01291			944
		F >>95KN1 00776			TURBO
15	999 028 014 02	Spring washer		2	
		F 94KN4 01292>>			944
		F 95KN1 00777>>			TURBO
16	911 803 531 00	Paper washer		2	
		F >>94KN4 01291			944
		F >>95KN1 00776			TURBO
16	N 011 655 2	Washer		2	
		F 94KN4 01292>>			944
		F 95KN1 00777>>			TURBO

Model: 944 89

Model life 1989>>1991

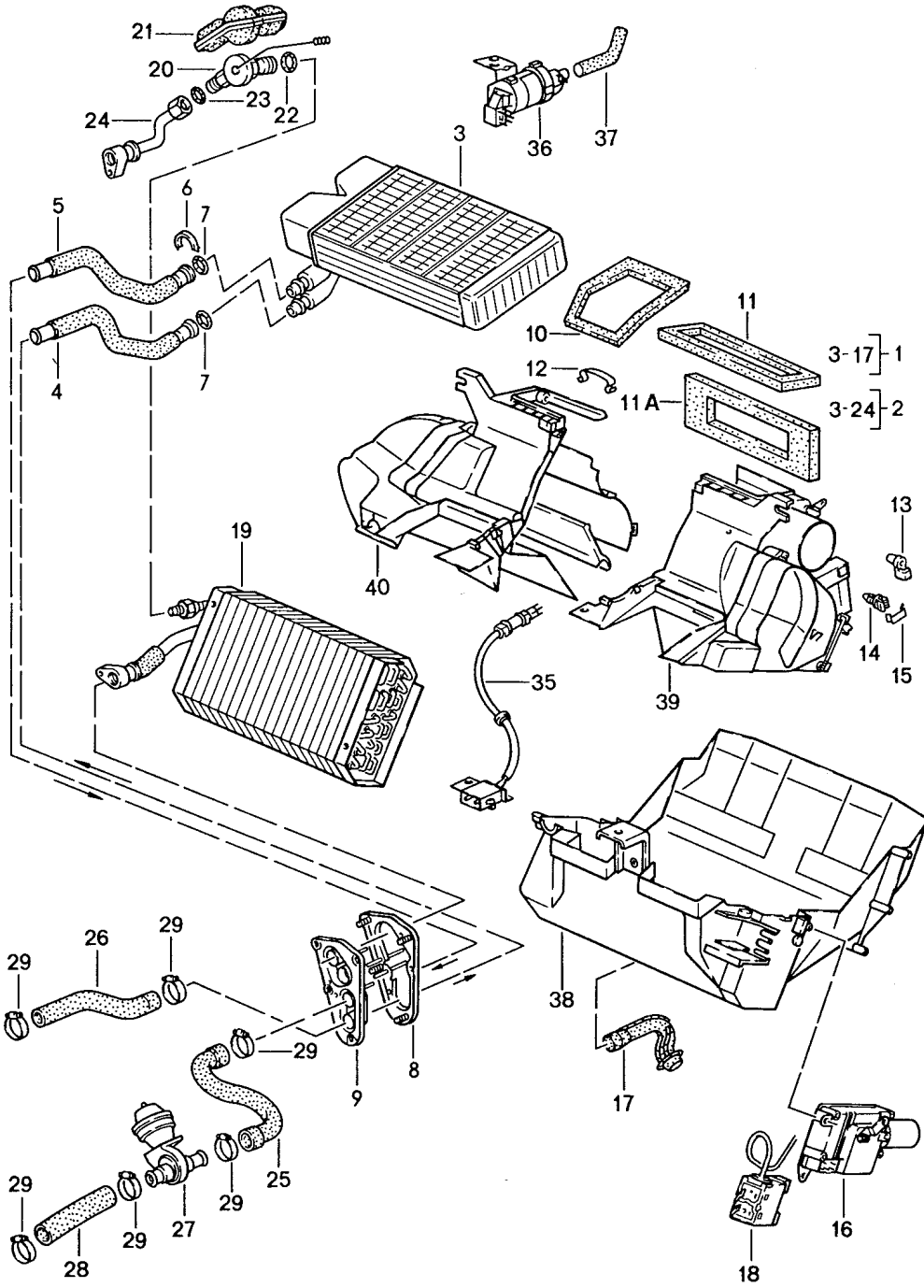


Model: 944 89 Model life 1989>>1991

Pos	Part Number	Description	Remark	Qty	Model
1	477 857 795	Seat belt Rear Lap belt		2	M186
	477 857 795 70B	Seat belt Manually Black			
1A	477 857 787 C	Seat belt		2	M185/215
	477 857 787 C 70B	Automatic			
1B	477 857 750 B	Cap		2	M185
2	477 857 739 A	Seat-belt buckle		2	
2	477 857 739 B	Seat-belt buckle		2	
	477 857 739 B 70B	Black			
3	111 857 793 E	Hexagon-head bolt		4	
4	211 857 771	Washer		6	
5	928 803 259 02	Spacer sleeve		2	
6	477 857 853	Screw		2	
7	999 209 033 02	Spacer sleeve		2	
8	811 857 845	Cap		4	
9	477 857 375 A	Support for seatbelt		2	
	477 857 375 A 01C	Black			
	477 857 375 A 9JJ	Marine blue	-90		
	477 857 375 A 9MM	Burgundy	-90		
	477 857 375 A 6ZF	Cobalt blue	91-		
	477 857 375 A 4XC	Classic grey	91-		
10	N 011 665 3	Washer B 5,3 X 15		4	
10	N 011 665 16	Washer B 5,3 X 15		4	
11	900 146 003 02	Oval-head screw M 5 X 11 Three-point seat belt Automatic		4	M335
(12)	945 803 021 02	Seat belt	/L	1	
	945 803 021 02 70B	Satin black			
12	945 803 022 02	Seat belt	/R	1	
	945 803 022 02 70B	Satin black			
13	928 803 151 02	Clip Upper part		2	
14	928 803 153 02	Clip Lower part		2	
15	944 803 141 00	Cover		2	
	944 803 141 00 70B	Black			
16	111 857 793 E	Hexagon-head bolt		2	
17	945 803 311 00	Spacer ring		2	
18	811 857 845	Cap		4	
19	803 019 811 B	Hexagon-head bolt		2	
20	211 857 771	Washer		6	
21	928 803 259 02	Spacer sleeve		2	
22	477 857 739 A	Seat-belt buckle		2	
22	477 857 739 B	Seat-belt buckle		2	
	477 857 739 B 70B	Black			
23	477 857 853	Screw		2	
24	999 209 033 02	Spacer sleeve		2	
25	911 803 150 00	Screw		2	

Model: 944 89

Model life 1989>>1991





Model: 944 89 Model life 1989>>1991

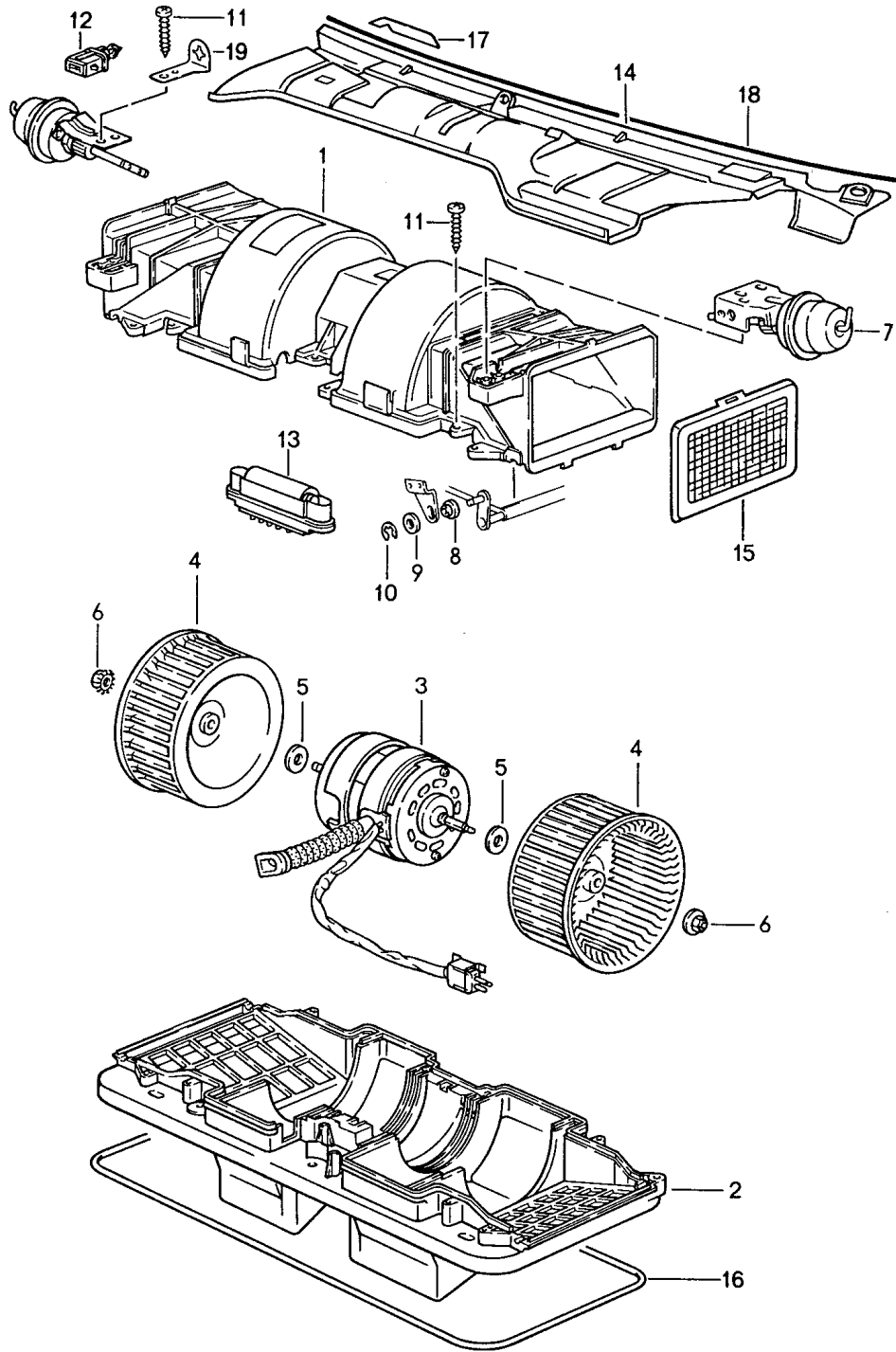
Pos	Part Number	Description	Remark	Qty	Model
1	944 572 020 03	Heater Air conditioner Heater		1	
1		Interior sensor Heater		1	
2	944 573 020 02	Interior sensor Heater		1	M573
2	944 573 020 04	Heater Interior sensor		1	M573
3	944 572 130 00	Heat exchanger Interior sensor		1	
4	944 572 184 00	Water tube Return line Interior sensor		1	
5	944 572 185 00	Water tube Supply Interior sensor		1	
6	944 572 287 00	Clip Interior sensor		2	
7	944 572 188 00	O-ring Interior sensor		2	
8	944 572 262 00	Mounting plate Interior sensor		1	
(9)	944 572 264 00	Gasket Interior sensor		1	
9	944 573 264 00	Gasket Interior sensor		1	M573
10	944 572 201 00	Gasket Interior sensor	/L	1	
(10)	944 572 202 00	Gasket Interior sensor	/R	1	
11	944 572 162 01	Gasket Interior sensor		1	
11A	944 572 162 02	Gasket Interior sensor		1	
12	944 572 215 00	Spring clamp Interior sensor		9	
13	944 572 313 00	Bearing Connecting rod		3	
14	944 572 314 00	Bearing Connecting rod		3	
15	944 572 217 00	Spring clamp Connecting rod		3	
16	944 624 119 00	Electric motor Defroster flap Footwell flap		2	
(16)	944 624 120 00	60 degrees Electric motor Temperature mixing flap 98 degrees		1	
17	944 572 221 00	Water drain hose Interior sensor		1	
18	944 659 221 00	Temperature sensor Interior sensor		1	M573
18	944 659 221 01	Temperature sensor Interior sensor		1	M573
19	944 573 211 01	Evaporator Interior sensor		1	M573
20	944 573 201 00	Expansion valve Interior sensor		1	M573
21	477 820 447 B	Insulator Interior sensor		1	M573

Model: 944 89 Model life 1989>>1991

Pos	Part Number	Description	Remark	Qty	Model
22	944 573 215 00	O-ring Interior sensor		1	M573
23	999 707 251 40	O-ring Interior sensor		1	M573
24	944 573 213 00	Refrigerant line Interior sensor		1	M573
25	944 572 587 01	Water hose Supply Interior sensor		1	944 ,TURBO
(25)	944 572 587 02	Water hose Supply Interior sensor		1	944S2
26	944 572 589 00	Water hose Return line Interior sensor		1	
27	928 574 573 03	Disc valve Interior sensor		1	
27	928 574 573 04	Disc valve Interior sensor		1	
-	986 307 507 00	Use also: Cap		1	
28	944 572 385 01	Heater hose Interior sensor		1	
29	999 512 346 00	Hose clamp SGT 16-25 Interior sensor		X	
35	944 653 121 00	Temperature sensor Interior sensor		1	
(35)	PCG 653 121 00	Temperature sensor Repair kit without Connector housing		1	
-	477 971 909	Rubber sleeve		1	
36	944 624 013 00	Interior sensor Interior sensor		1	
37	944 572 529 00	Hose Interior sensor			
38	944 572 135 01	Housing Lower part		1	
39	944 572 121 01	Housing	/L	1	
40	944 572 122 01	Housing	/R	1	

Model: 944 89

Model life 1989>>1991

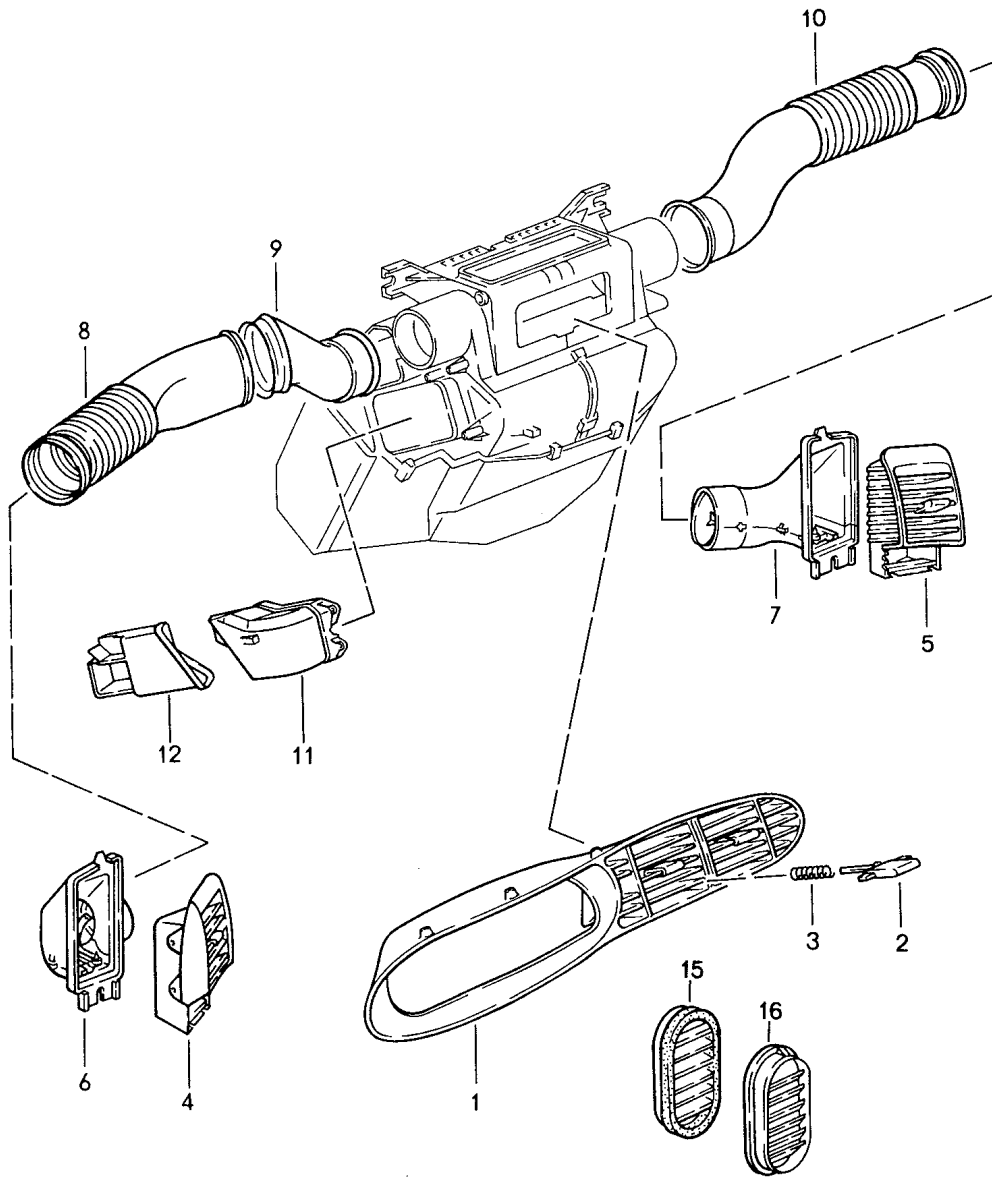


Model: 944 89 Model life 1989>>1991

Pos	Part Number	Description	Remark	Qty	Model
1	944 572 105 00	Blower Housing	89	1	
1	944 572 105 01	Upper part Housing	90-	1	
2	944 572 103 01	Upper part Housing	89	1	
2		Lower part Housing	90-	1	
3	944 624 117 00	Lower part Electric motor		1	
(3)		Electric motor		1	M573
4	944 572 211 00	Fan	/L	1	
(4)	944 572 212 00	Fan	/R	1	
5	944 572 470 00	Washer		2	
6	477 820 471 A	Nut M 5		2	
7	944 572 119 00	Vacuum unit	/L	1	
(7)	944 572 120 00	Vacuum unit	/R	1	
8	944 572 183 00	Bearing		2	
9	944 572 225 00	Washer		2	
10	944 572 222 00	Circlip		2	
11	944 572 464 00	Tapping screw B 5 X 12		16	
12	944 653 123 00	Outer sensor F >>94KN4 04397 F >>94KN4 30571 F >>95KN1 01326		1	944,944S2 CABRIO TURBO
12	964 659 120 00	Outer sensor F 94KN4 04398>> F 94KN4 30572>> F 95KN1 01327>>		1	944,944S2 CABRIO TURBO
13	944 616 101 00	Resistor	89	1	
(13)	944 616 105 00	Ballast resistor	90-	1	
14	944 572 063 04	Cover	/LL	1	
(14)	945 572 063 04	Cover	/RL	1	
15	944 572 104 00	Air cleaner		2	
16	477 898 011 A	Sealing set		1	
17	944 504 513 00	Filler piece		2	
18	000 043 204 87	Adhesive tape Roller 5 M		1	
19	944 572 213 01	Support F 94KN4 04398>> F 94KN4 30572>> F 95KN1 01327>>		1	944,944S2 CABRIO TURBO
-	944 572 905 00	Retrofit kit Particle filter Use also:	90- -89 -89	1	
-	944 572 464 00	Tapping screw		2	
-	944 616 105 00	Ballast resistor		1	
-	944 616 106 00	Cover		1	
-	944 572 593 00	Gasket		1	

Model: 944 89

Model life 1989>>1991

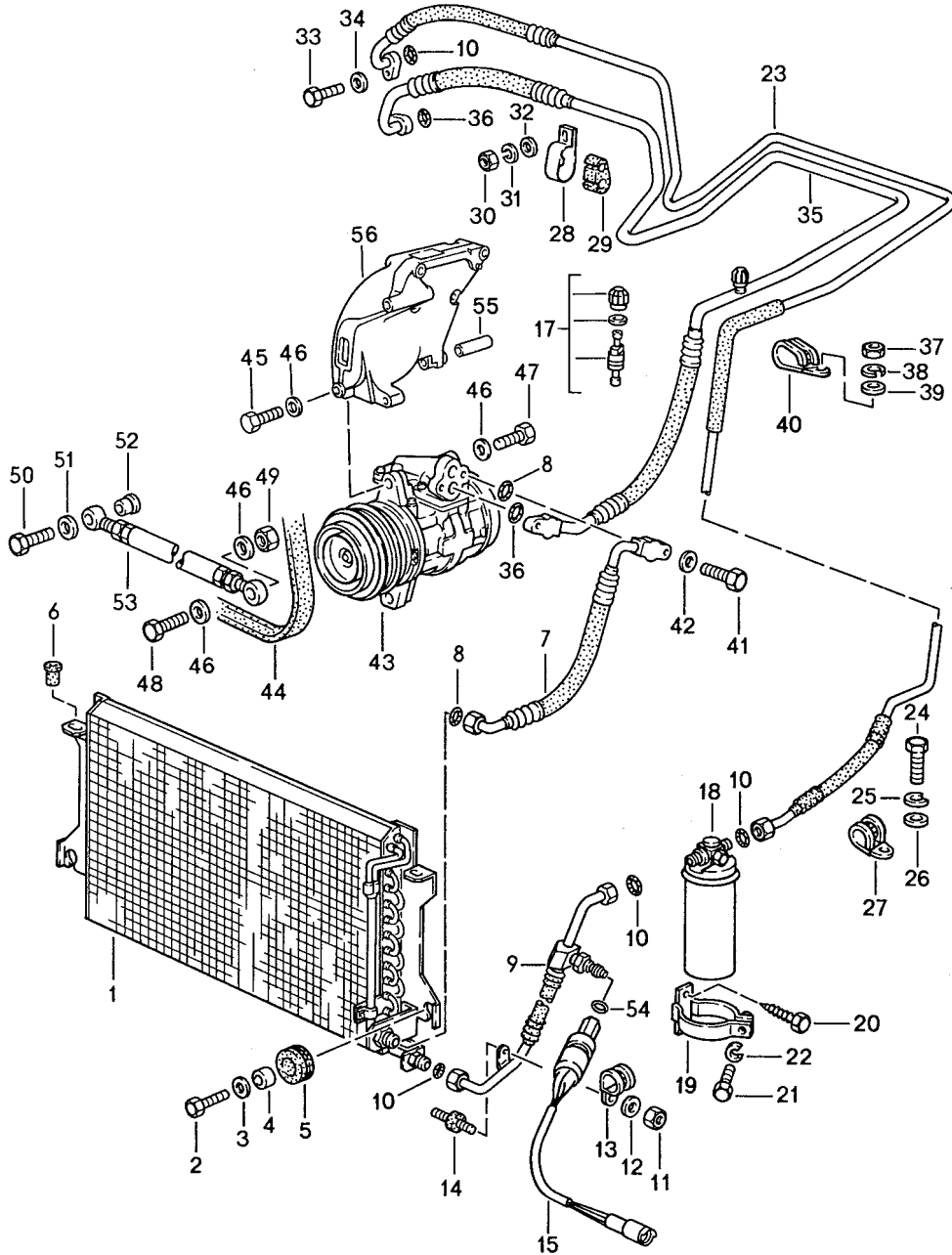


Model: 944 89 Model life 1989>>1991

Pos	Part Number	Description	Remark	Qty	Model
1	944 552 023 00	Air guide			
	944 552 023 00 1DB	Dashboard trim	/LL	1	
(1)	944 552 023 01	Black			
	944 552 023 01 1DB	Dashboard trim	/LL	1	M562
(1)	945 552 023 00	Black			
	945 552 023 00 1DB	Dashboard trim	/RL	1	
2	944 572 419 00	Black			
		Knob		1	
3	944 572 421 00	Spring		1	
4	944 572 251 00	Side vent	/L	1	
	944 572 251 00 QE7	Black			
	944 572 251 00 UR5	Marine blue	-90		
	944 572 251 00 QE9	Burgundy	-90		
	944 572 251 00 ARY	Cobalt blue	91-		
	944 572 251 00 APY	Classic grey	91-		
5	944 572 252 00	Side vent	/R	1	
	944 572 252 00 QE7	Black			
	944 572 252 00 UR5	Marine blue	-90		
	944 572 252 00 QE9	Burgundy	-90		
	944 572 252 00 ARY	Cobalt blue	91-		
	944 572 252 00 APY	Classic grey	91-		
6	944 572 241 00	Air guide	/L	1	
7	944 572 242 00	Air guide	/R	1	
8	944 572 425 00	Air guide	/LL	1	
(8)	941 572 425 10	Air guide	/LL 91-	1	CABRIO M562
(8)	945 572 425 00	Air guide	/RL	1	
9	944 572 427 00	Air guide	/LL	1	
(9)	941 572 427 11	Air guide	/LL 91-	1	CABRIO M562
(9)	945 572 427 00	Air guide	/RL	1	
10	944 572 426 00	Air guide		1	
11	944 572 125 00	Footwell outlet vent	/L	1	
(11)	944 572 126 00	Footwell outlet vent	/R	1	
12	944 572 415 00	Footwell outlet vent	/LL /L	1	
(12)	945 572 415 00	Footwell outlet vent	/RL /L	1	
(12)	944 572 416 00	Footwell outlet vent	/LL /R	1	
(12)	945 572 416 00	Footwell outlet vent	/RL /R	1	
15	477 819 179 A	Cover	/L	1	COUPE
(15)	477 819 180 A	Cover	/R	1	COUPE
(15)	477 819 177 A	Cover		2	CABRIO
16	477 819 175	Cover		2	

Model: 944 89

Model life 1989>>1991



Model: 944 89

Model life 1989&gt;&gt;1991

Pos	Part Number	Description	Remark	Qty	Model
		Refrigerant circuit			M573
1	944 573 011 05	Condenser		1	
2	N 010 217 9	Hexagon-head bolt M 6 X 20		2	
3	N 011 612 3	Washer R 6,6		2	
3	N 011 612 C	Washer R 6,6		2	
4	052 109 135	Spacer sleeve		2	
5	056 129 669 B	Grommet		2	
6	944 573 457 00	Rubber sleeve		2	
7	944 573 197 08	Refrigerant line		1	
7	944 573 097 11	Refrigerant line		1	
7	944 573 097 12	Refrigerant line		1	
8	999 707 250 40	O-ring		2	
8	999 707 434 41	O-ring		2	
9	944 573 095 10	Refrigerant line		1	
10	999 707 247 40	O-ring		4	
11	900 076 010 02	Nut M 6		1	
11	900 076 010 0B	Nut M 6		1	
12	900 025 008 09	Washer A 6,4		1	
12	900 025 008 04	Washer A 6,4		1	
13	N 020 647 1	Clamp RSGU 23/15		1	
14	928 110 191 00	Bonded rubber buffer		1	
15	964 613 137 00	Pressure switch		1	
17	928 573 096 03	Valve		1	
18	944 573 943 00	Desiccator		1	
19	944 573 081 00	Support		1	
20	N 013 884 5	Hexagon-head tapping screw B 4,8 X 13		2	
21	N 010 264 4	Hexagon-head bolt M 5 X 20		1	
22	N 012 005 3	Lock ring B 5		1	
23	944 573 093 05	Refrigerant line		1	
24	N 010 215 13	Hexagon-head bolt M 6 X 15		1	
25	N 012 006 4	Lock ring B 6		1	
26	N 011 524 7	Washer A 6,4		1	
26	N 011 524 27	Washer A 6,4		1	
27	999 511 116 02	Clamp B 15 X 10 GI		1	
27	999 511 116 03	Clamp B 15 X 10 GI		1	
28	944 573 453 00	Support		1	
29	944 573 455 00	Spacer		1	
30	900 076 010 02	Nut M 6		1	
30	900 076 010 0B	Nut M 6		1	
31	N 012 006 4	Lock ring B 6		1	
32	N 011 524 7	Washer A 6,4		1	
32	N 011 524 27	Washer		1	



Model: 944 89 Model life 1989>>1991

Pos	Part Number	Description	Remark	Qty	Model
33	900 075 016 02	A 6,4 Hexagon-head bolt M 6 X 22		2	
33	900 075 016 03	Hexagon-head bolt M 6 X 22		2	
34	N 011 524 7	Washer A 6,4		2	
34	N 011 524 27	Washer A 6,4		2	
35	944 573 091 05	Refrigerant line		1	944,944S2
35	944 573 091 07	Refrigerant line		1	944,944S2
(35)	951 573 091 02	Refrigerant line		1	TURBO
36	999 707 251 40	O-ring		2	
37	900 076 010 02	Nut M 6		1	
37	900 076 010 0B	Nut M 6		1	
38	N 012 006 4	Lock ring B 6		1	
39	N 011 524 7	Washer A 6,4		1	
39	N 011 524 27	Washer A 6,4		1	
40	N 902 512 01	Pipe clamp RSGW 1,5 X 15/15		1	
41	N 040 222 1	Hexagon-head bolt M 8 X 32		1	
42	900 025 007 02	Washer A 8,4		1	
42	900 025 007 03	Washer A 8,4		1	
43	944 126 008 00	Compressor		1	
44	999 192 285 50	Poly-rib belt K 6 - 1000 LW		1	
44	999 192 291 50	Poly-rib belt K 6 - 1000 LW		1	
44	999 192 299 50	Poly-rib belt K 6 - 1000 LW		1	
45	900 082 088 02	Hexagon-head bolt M 10 X 1,25 X 50		1	
45	900 082 146 01	Hexagon-head bolt M 10 X 1,25 X 50		1	
46	900 025 008 09	Washer A 10,5		4	
46	900 025 008 04	Washer A 10,5		4	
47	900 074 139 02	Hexagon-head bolt M 8 X 55		1	
47	900 074 139 03	Hexagon-head bolt M 8 X 55		1	
48	N 040 125 1	Hexagon-head bolt M 10 X 1,25 X 30		1	
49	900 910 034 02	Lock nut M 10		1	
50	N 010 359 4	Hexagon-head bolt M 8 X 38		1	
51	900 025 007 02	Washer A 8,4		1	
51	900 025 007 03	Washer A 8,4		1	
52	944 126 127 01	Bush		1	
53	944 126 021 03	Strut		1	
54	999 707 261 40	O-ring		1	

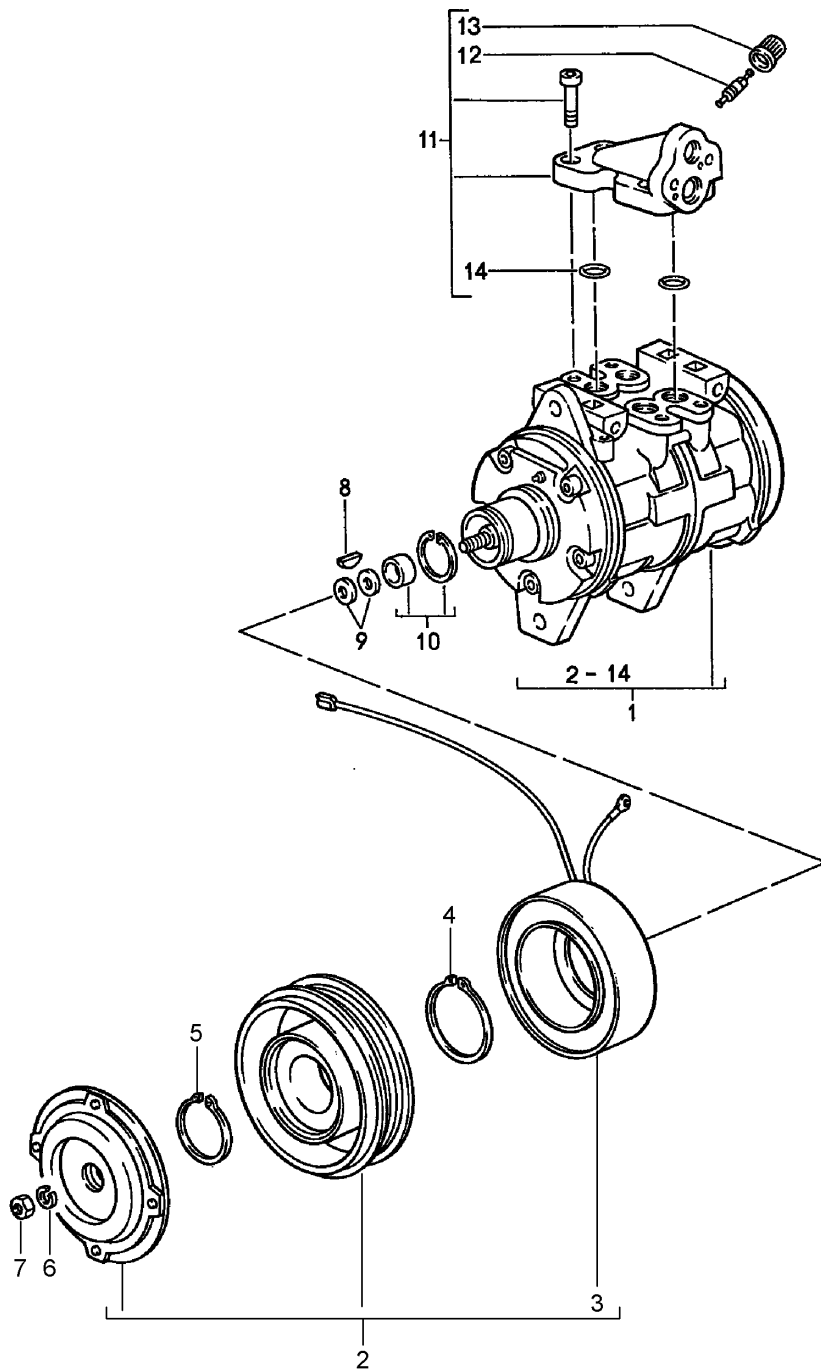
Model: 944 89

Model life 1989>>1991

Pos	Part Number	Description	Remark	Qty	Model
55	944 126 135 00	Sleeve		1	
56	944 126 123 06	Bracket		1	

Model: 944 89

Model life 1989>>1991

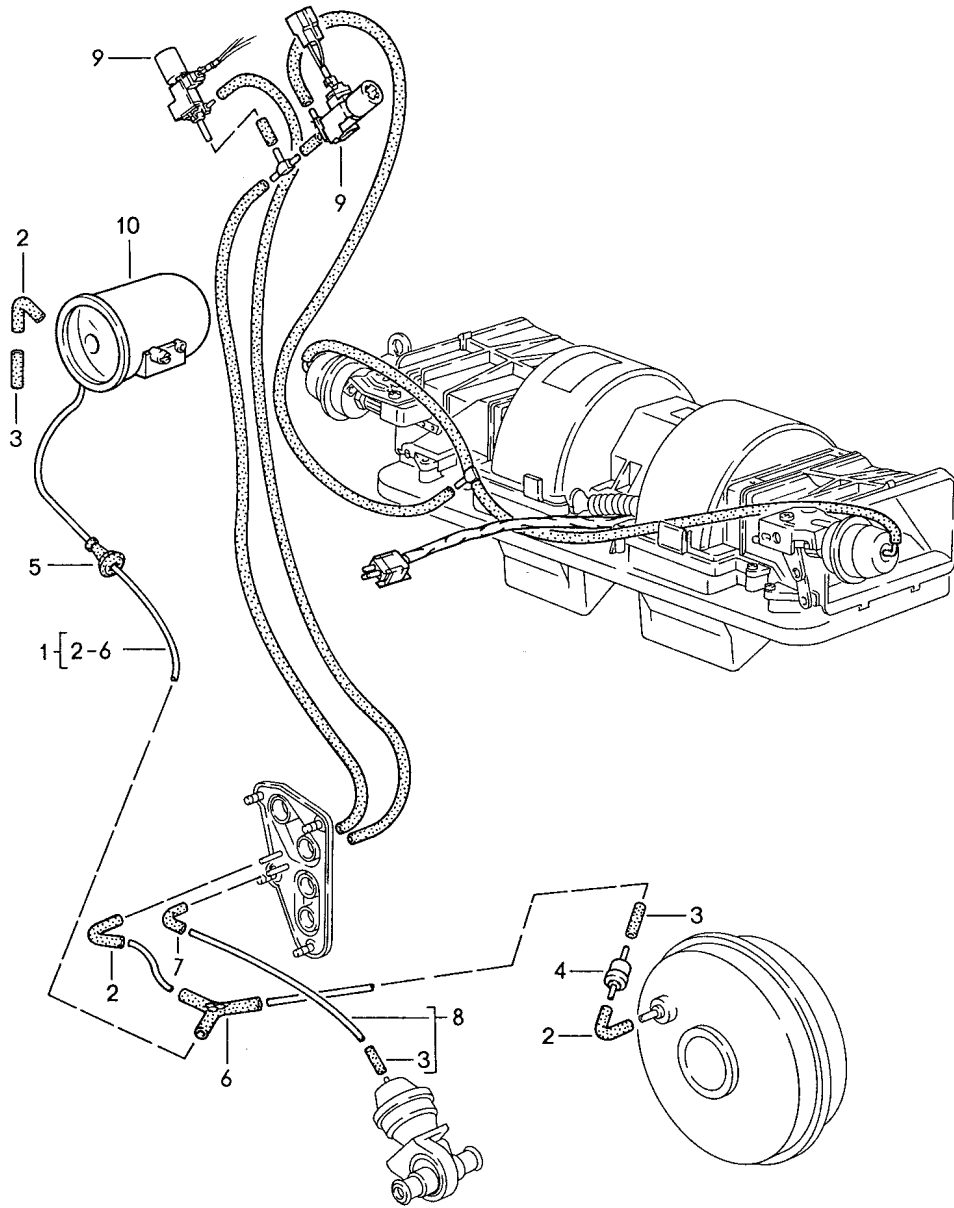


Model: 944 89 Model life 1989>>1991

Pos	Part Number	Description	Remark	Qty	Model
		Compressor			M573
1	944 126 008 00	Compressor		1	
2	944 126 923 01	Clutch		1	
3	944 126 925 01	Solenoid coil		1	
4	477 298 841	Circlip \$ 37 MM		1	
5	477 298 843	Circlip \$ 45,8 MM		1	
6	900 027 015 02	Lock ring B 8		1	
6	900 027 015 03	Lock ring B 8		1	
7	N 011 008 8	Hexagon nut M 8		1	
8	944 126 905 00	Spring		1	
9	477 298 829	Spacer 0,1 MM		X	
(9)	477 298 829 A	Spacer 0,2 MM		X	
(9)	477 298 829 B	Spacer 0,5 MM		X	
(9)	477 298 829 C	Spacer 0,8 MM		X	
(9)	477 298 829 B	Spacer 1,0 MM		X	
10	930 126 921 00	Set of shaft seals		1	
11	944 126 940 00	Valve		1	
12	928 573 908 03	Valve insert		1	
13	928 573 909 02	Cap		1	
14	944 126 935 01	O-ring		X	

Model: 944 89

Model life 1989>>1991

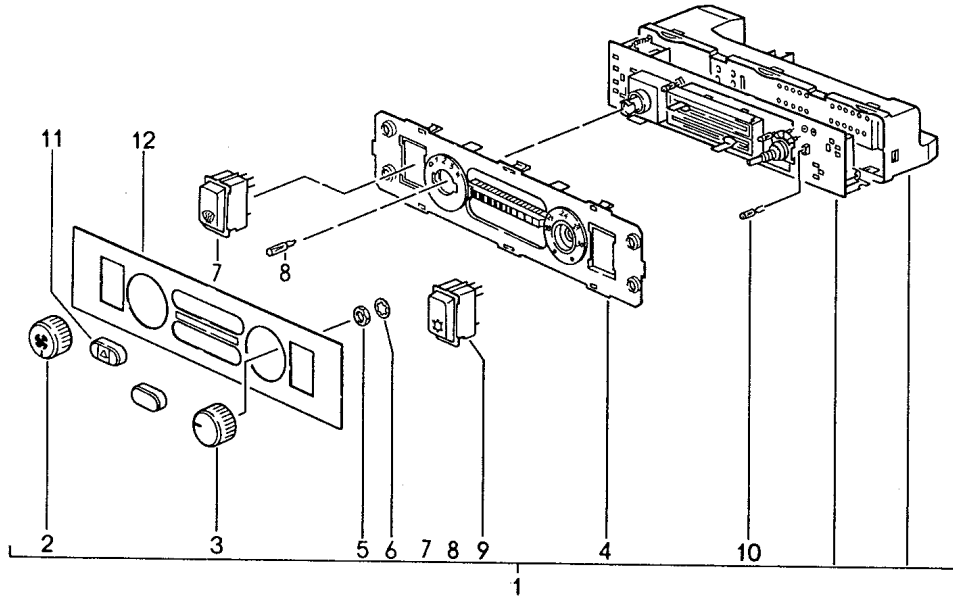


Model: 944 89 Model life 1989>>1991

Pos	Part Number	Description	Remark	Qty	Model
1	944 572 710 00	Vacuum control			
		Vacuum hose	/LL	1	
(1)	945 572 710 00	Vacuum hose	/RL	1	
2	928 574 717 02	Moulded hose	/LL	3	
3	928 574 747 03	Connecting piece	/RL	3	
4	928 537 361 02	Valve		1	
5	477 819 849	Grommet		1	
6	928 573 727 02	Distributing piece		1	
7	928 574 717 02	Moulded hose		1	
8	944 572 709 00	Vacuum hose		1	
9	944 659 215 01	Recirculating air valve		1	
9	944 659 215 03	Recirculating air valve		1	
(9)	944 659 215 02	Heater valve		1	
(9)	944 659 215 03	Heater valve		1	
10	945 573 808 00	Vacuum reservoir		1	

Model: 944 89

Model life 1989>>1991



Model: 944 89 Model life 1989>>1991

Pos	Part Number	Description	Remark	Qty	Model
1	944 653 021 03	Control switch		1	
	944 653 021 03 01C	Control switch Black			
(1)	944 653 021 04	Control switch		1	M573
	944 653 021 04 01C	Control switch Black			
2	944 653 207 00	Knob Blower switch		1	
3	944 653 208 00	Knob Temperature control		1	
4	944 653 912 00	Cover Clear		1	
5	999 034 021 30	Hexagon nut M 7 X 0,75		1	
6	900 028 045 02	Spring washer A 8		1	
7	944 653 923 00	Tip switch		1	M424
(7)	944 653 921 00	Tip switch		1	M573
8	900 631 134 90	Bulb 1,2W		1	
9	944 653 924 00	Tip switch		1	M424
(9)	944 653 922 00	Tip switch		1	M573
10	999 631 031 90	Bulb		3	
11	944 653 205 00	Knob		2	
12	944 653 203 00	Cover		1	
	944 653 203 00 1DB	Cover Black			



Model: 944 89

Model life 1989>>1991



Model: 944 89 Model life 1989>>1991

Pos	Part Number	Description	Remark	Qty	Model
>>	944 538 001 30	Repair kits Set of locks F >>94KN4 00723 F >>95KN1 00493		1	COUPE 944,944S2 TURBO
>>		Set of locks F 94KN4 00724>> F 95KN1 00494>>		1	COUPE 944,944S2 TURBO
>>	944 538 001 44	Set of locks	-90	1	COUPE
>>		Set of locks	91-	1	COUPE
>>	941 538 001 15	Set of locks	-90	1	CABRIO
>>		Set of locks		1	CABRIO
		Comprising: Door handle	/L	1	
		Door handle	/R	1	
		Lock cylinder		1	
		Ignition starter lock		1	
		Lock cylinder		1	
		Rear lid lock		2	
		Lock cylinder		1	
		Fuel tank cap		1	
		Glove compartment lock		1	
		Rear lid lock	/L	1	COUPE
		Rear lid lock	/R	1	COUPE
		Secondary key		3	
		Key ring		1	
		Key tag		1	
>>	000 043 300 94	Adhesive set Windscreen		1	
>>	000 043 303 19	Adhesive set Brake light		1	COUPE
>>	951 504 951 00	Raised Winged rear apron Set		1	944 M472
-	951 504 051 00	Winged rear apron	/L	1	
-	951 504 052 00	Winged rear apron	/R	1	
-	900 910 010 02	Lock nut M 6		4	
-	N 011 666 7	Washer		4	
-	999 218 057 00	Pan-head screw M 6 X 16		5	
-	N 011 557 6	Washer		5	
-	999 507 336 02	Captive nut M 6		5	
>>	944 501 941 00	Repair kit Blind rivet Comprising: Blind rivet Blind rivet Blind rivet		1 10 5 5	
>>	931 559 901 00	Assembly sleeve Set of moldings Comprising:		1	M418
-	931 559 137 00	Side guard Wing	/V	2	
-	931 559 133 00	Side guard Door	/L	1	
-	931 559 134 00	Side guard Door	/R	1	
-	931 559 141 00	Side guard Side section	/L	1	

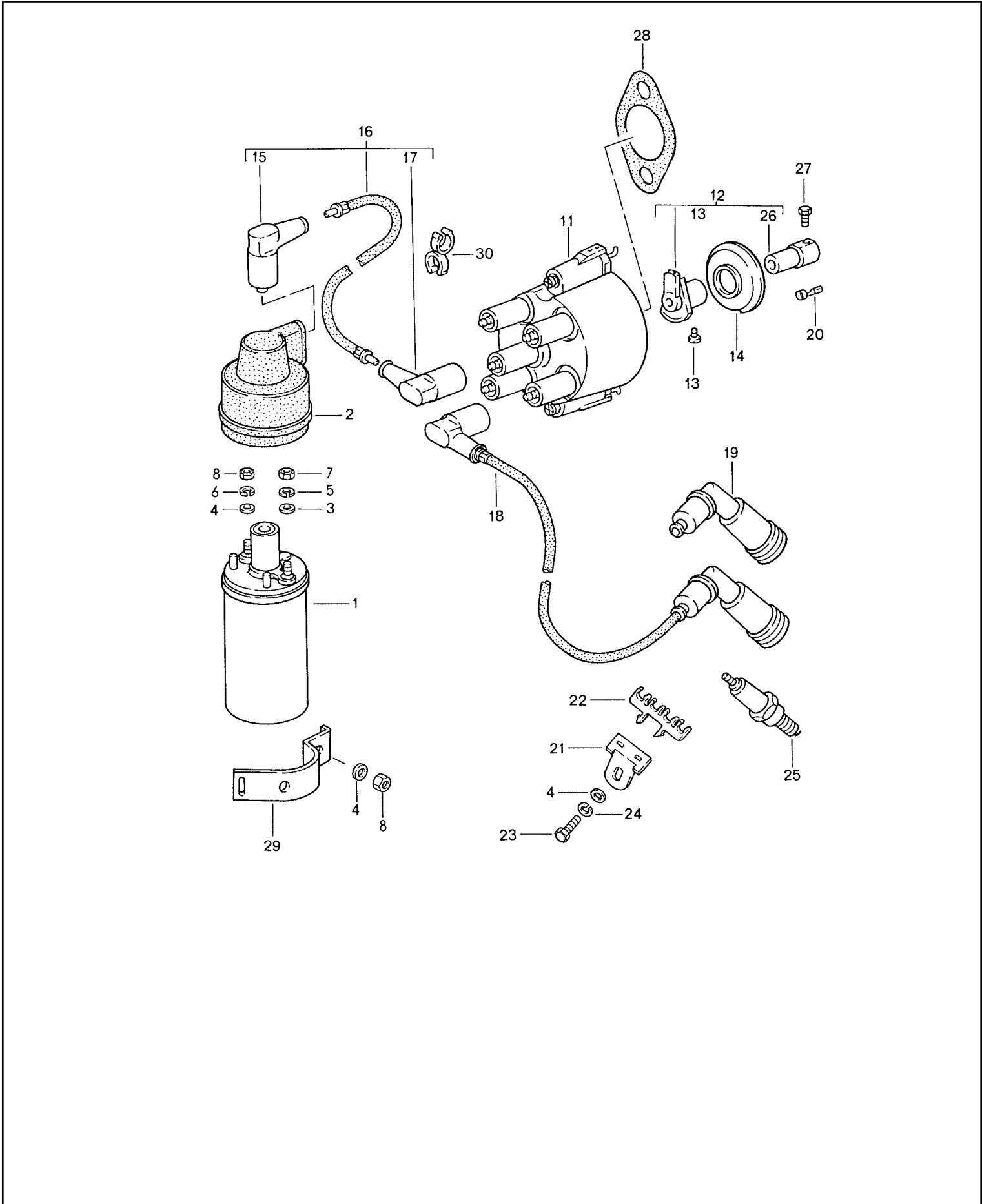
Model: 944 89

Model life 1989&gt;&gt;1991

Pos	Part Number	Description	Remark	Qty	Model
-	931 559 142 00	Side guard Side section Use also: Adhesive AMV 176.000.05	/R	1  1	

Model: 944 89

Model life 1989>>1991



Model: 944 89 Model life 1989>>1991

Pos	Part Number	Description	Remark	Qty	Model
1	944 602 115 00	Engine electrics 1 Ignition coil 12 V		1	M44.11/12/52
2	944 602 801 00	Protection cap		1	
3	900 025 003 02	Washer A 5,3		1	
4	N 011 524 7	Washer A 6,4		3	
4	N 011 524 27	Washer A 6,4		3	
5	N 012 005 3	Lock ring B 5		1	
6	N 012 006 4	Lock ring B 6		1	
7	N 011 005 14	Hexagon nut M 5		1	
7	900 076 091 01	Hexagon nut M 5		1	
8	900 076 010 02	Nut M 6		2	
8	900 076 010 0B	Nut M 6		2	
9	900 025 007 02	Washer A 8,4		2	
9	900 025 007 03	Washer A 8,4		2	
10	N 014 706 7	Pan-head screw		2	
10	N 014 706 8	Pan-head screw		2	
11	944 602 251 00	Distributor cap		1	
12	944 602 901 01	Rotor Comprising: POS. 12, 13, 26		1	
13		Pan-head screw		1	
14	944 602 803 00	Dust cover		1	
15	944 609 131 00	Ignition coil plug		1	
16	944 609 017 01	Ignition lead		1	
17	944 609 133 00	Distributor plug		5	
18	944 609 015 15	Ignition lead Cylinder 1		1	
(18)	944 609 015 16	Ignition lead Cylinder 2		1	
(18)	944 609 015 17	Ignition lead Cylinder 3		1	
(18)	944 609 015 18	Ignition lead Cylinder 4		1	
19	928 609 105 03	Ignition cable connector		4	
20	911 609 310 00	Cable screw		X	
21	944 609 217 00	Support		1	
22	052 905 471 A	Support		4	
23	999 072 005 09	Hexagon nut M 6 X 12		1	
23	999 072 005 01	Hexagon nut M 6 X 12		1	
24	N 012 226 5	Spring washer Spark plug Use also: 547 09222 for Spark plug		1	
-	547 09 222	Nut for Spark plug		X	
25	999 170 156 90	Spark plug		4	

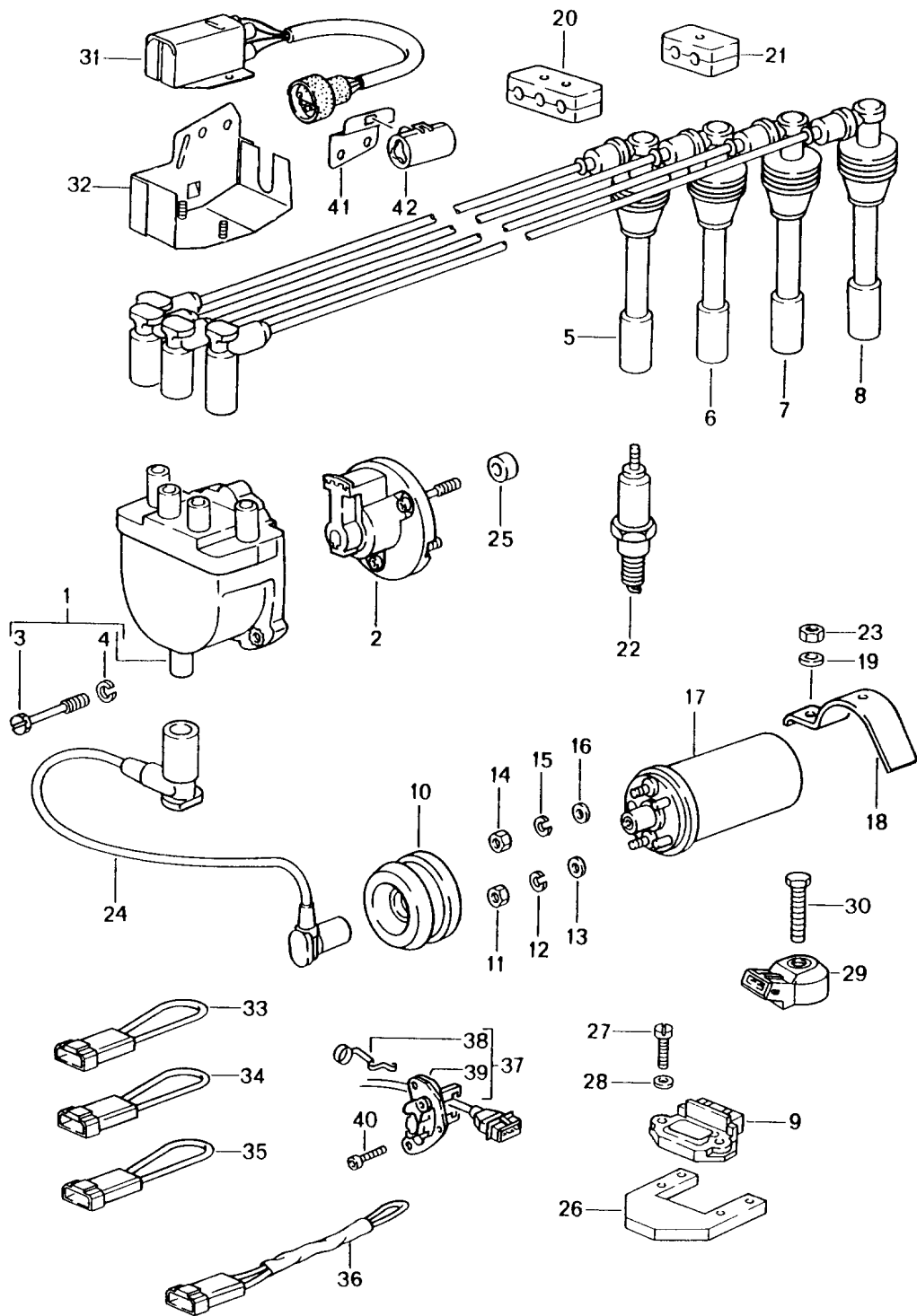
Model: 944 89

Model life 1989>>1991

Pos	Part Number	Description	Remark	Qty	Model
26		WR 7 DC		1	
27	999 217 008 02	- bosch - Connecting piece Hexagon-head bolt M 5 X 10		1	
28	944 602 257 00	Sealing sleeve		1	
29	944 602 294 01	Clamping bow		1	
30	944 609 227 00	Support		1	
-	944 609 219 00	Support for Ignition lead		1	M44.52

Model: 944 89

Model life 1989>>1991



Model: 944 89 Model life 1989>>1991

Pos	Part Number	Description	Remark	Qty	Model
		Engine electrics 1			M44.41
1	928 602 211 01	Distributor cap		1	
-	944 602 544 00	Sticker		1	
		Firing order			
2	944 602 213 00	Rotor		1	
2	944 602 213 01	Rotor		1	
3	928 602 223 00	Screw		3	
4	N 012 005 3	Lock ring		3	
		B 5			
5	944 602 060 05	Ignition lead		1	
		Cylinder 1			
6	944 602 060 06	Ignition lead		1	
		Cylinder 2			
7	944 602 060 07	Ignition lead		1	
		Cylinder 3			
8	944 602 060 08	Ignition lead		1	
		Cylinder 4			
9	928 602 706 01	Ignition switch unit		1	
10	944 602 801 00	Protection cap		1	
11	900 076 010 02	Nut		1	
		M 6			
11	900 076 010 0B	Nut		1	
		M 6			
12	N 012 006 4	Lock ring		1	
		B 6			
13	N 011 524 7	Washer		1	
		A 6.4			
13	N 011 524 27	Washer		1	
		A 6.4			
14	N 011 005 14	Hexagon nut		1	
		M 5			
14	900 076 091 01	Hexagon nut		1	
		M 5			
15	N 012 005 3	Lock ring		1	
		B 5			
16	900 025 003 02	Washer		1	
		A 5.3			
17	944 602 115 00	Ignition coil		1	
18	944 602 294 01	Clamping bow		1	
19	N 011 524 7	Washer		1	
		A 6,4			
19	N 011 524 27	Washer		1	
		A 6,4			
20	928 602 323 00	Cable holder		1	
		Single parts			
		Complete			
		in pairs			
		Order			
21	928 602 322 00	Cable holder		1	
		Single parts			
		Complete			
		in pairs			
		Order			
		Spark plug			
		Use also:			
		547 09222		X	
		for			
		Spark plug			
-	547 09 222	Nut		X	
		for			
		Spark plug			
22	999 170 179 90	Spark plug		4	
		Spark plug			
		WR 5 DC			

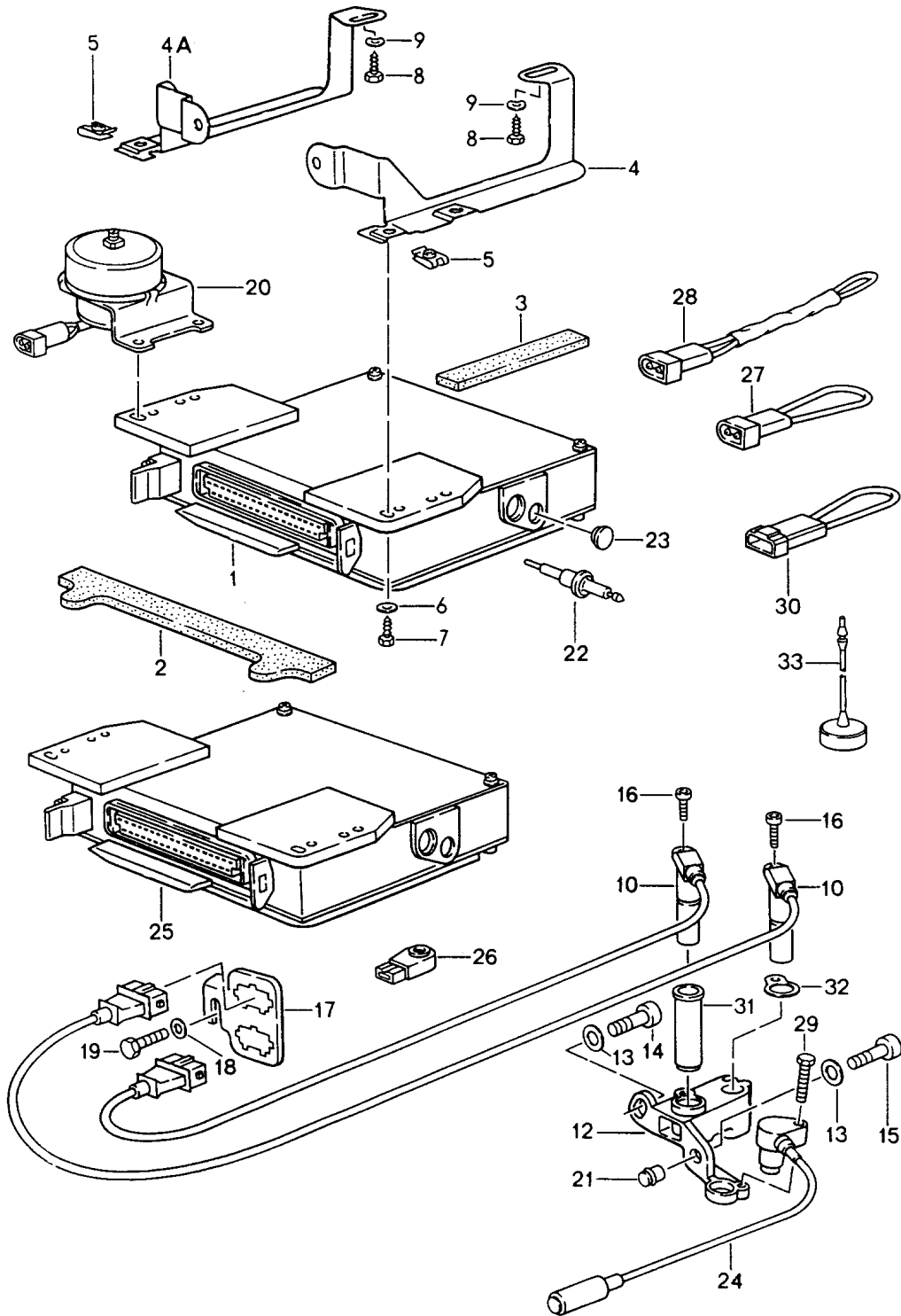


Model: 944 89 Model life 1989>>1991

Pos	Part Number	Description	Remark	Qty	Model
23	900 076 010 02	- bosch - Nut M 6		1	
23	900 076 010 0B	Nut M 6		1	
24	944 602 060 09	Ignition lead		1	
25	944 105 137 01	Spacer sleeve		3	
25	944 105 137 02	Spacer sleeve		3	
26	035 905 357 A	Heat dissipator		1	
27	N 014 125 1	Oval-head screw M 4 X 18		2	
28	900 025 003 02	Washer A 5,3		2	
29	944 606 145 00	Knock sensor		2	
30	N 010 233 6	Hexagon-head bolt		1	
30	900 075 136 03	Hexagon-head bolt		1	
31	944 616 523 00	Ballast resistor for Injector valve Support	-90	1	
32	944 606 141 02	Support		1	
34	928 607 421 00	Coding plug	(J)	1	
35	928 607 422 00	Coding plug		1	M150
36	944 612 522 00	Coding plug	(S)	1	
(36)	944 612 525 00	Coding plug		1	
37	944 606 170 02	Hall sender		1	
38	928 606 282 00	Tensioning spring		1	
39	928 606 180 01	Cap		1	
40	900 067 255 02	Pan-head screw M 5 X 12		2	
41	944 612 352 01	Support	/R	1	
(41)	944 612 351 02	Support	/L	1	
42	928 612 531 00	Push-on connector		1	

Model: 944 89

Model life 1989>>1991



Model: 944 89

Model life 1989&gt;&gt;1991

Pos	Part Number	Description	Remark	Qty	Model
1	944 618 121 06	Engine electrics 2 Control unit		1	M44.11/12
1	944 618 121 FX	Control unit		1	M44.11/12
1	944 618 124 02	Control unit - dme -	-90	1	M44.41
1	944 618 124 05	Control unit	91-	1	M44.41
1	944 618 124 EX	Control unit - dme -	91-	1	M44.41
1	951 618 121 10	Control unit - dme -		1	M44.52
1	951 618 121 KX	Control unit - dme -		1	M44.52
-	944 612 417 01	Cap for Plug socket	89 -91	1	944 TURBO
2	944 618 119 00	Plastic foam strip		1	
3	944 618 120 00	Plastic foam strip		1	
4	944 618 141 00	Bracket	/L	1	
4A	944 618 142 00	Bracket	/R	1	
5	N 901 561 01	Speed nut		4	
6	900 025 003 02	Washer A 5,3		4	
7	900 187 004 02	Hexagon-head tapping screw B 4,8 X 18		4	
8	N 013 884 5	Hexagon-head tapping screw B 4,8 X 13	/LL	2	
9	N 012 225 2	Spring washer B 5	/LL	2	
10	944 606 115 00	Pulse sender		2	
(12)	944 101 031 03	Support		1	
12	944 101 321 07	Support		1	
13	900 025 007 02	Washer A 8,4		2	
13	900 025 007 03	Washer A 8,4		2	
14	N 014 726 3	Pan-head screw M 8 X 30		1	
15	N 014 725 2	Pan-head screw M 8 X 25		1	
15	900 067 018 03	Pan-head screw M 8 X 25		1	
16	999 217 026 02	Locking screw M 6 X 24			
17	944 612 151 00	Support		1	
18	N 011 524 7	Washer A 6,4		1	
18	N 011 524 27	Washer A 6,4		1	
19	N 010 215 13	Hexagon-head bolt M 6 X 15		1	
20	944 606 051 00	altitude capsule	(J)	1	
21	900 197 047 08	Tensioning sleeve		1	
22	944 618 940 00	Adjusting key		1	
23	911 606 411 01	Stopper		1	
24	911 606 108 00	Timing mark sender		1	
25	951 618 113 09	Control unit Antiknock regulation		1	M44.52
25	951 618 113 JX	Control unit Antiknock regulation		1	M44.52
26	944 606 145 00	Knock sensor		1	M44.52
27	944 612 525 00	Coding plug	-89	1	
28	944 612 421 00	Adapter plug		1	

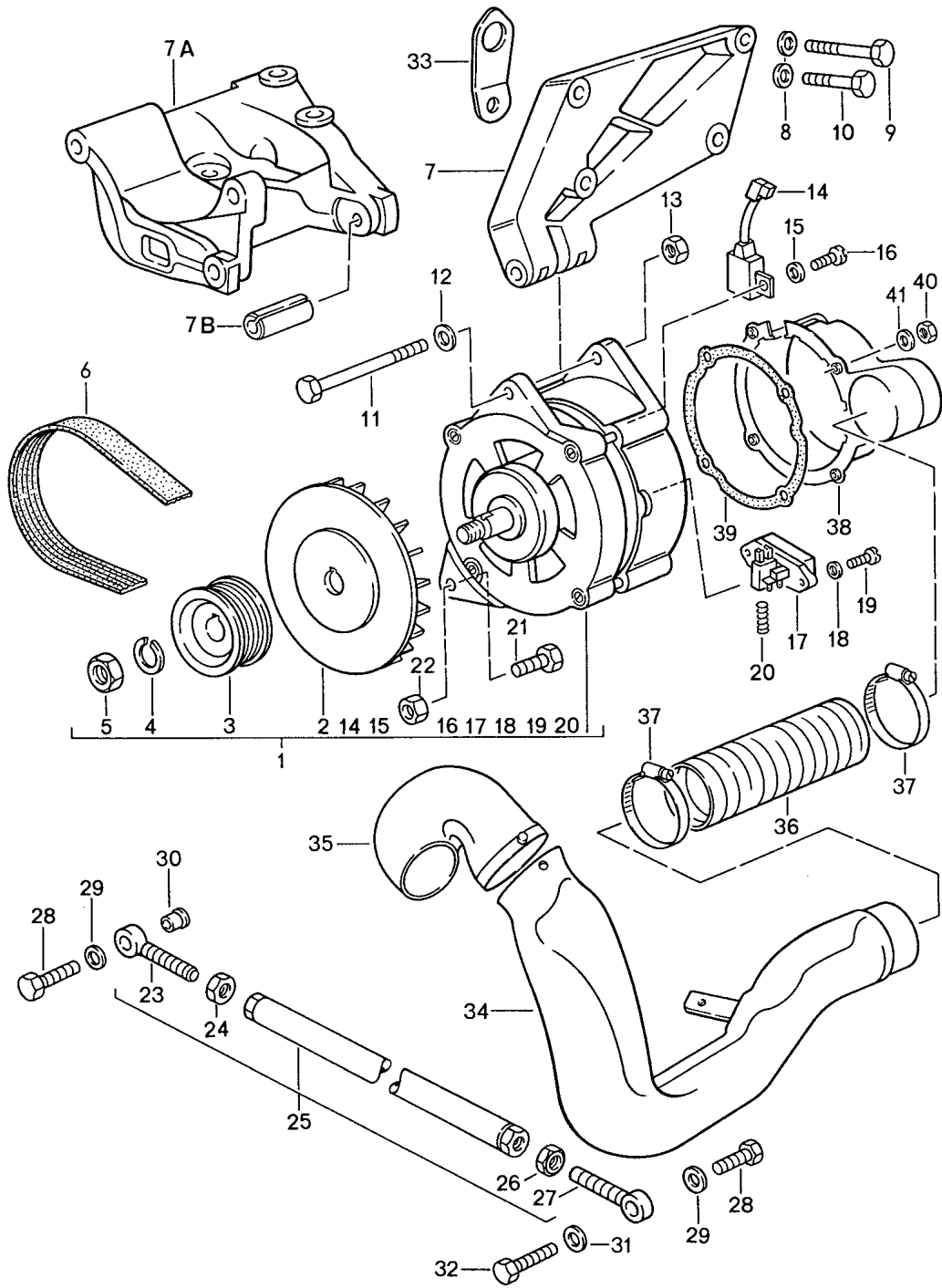
Model: 944 89

Model life 1989>>1991

Pos	Part Number	Description	Remark	Qty	Model
29	999 217 048 02	Hexagon-head bolt M 8 X 25		1	
30	911 612 422 00	Adapter plug		1	M150
31	944 101 320 00	Sleeve		1	
32	944 101 335 00	Washer 0,3		X	
32	951 101 325 00	Washer 2,0		X	
33	928 612 273 00	Cap for Plug socket		1	

Model: 944 89

Model life 1989>>1991



Model: 944 89

Model life 1989&gt;&gt;1991

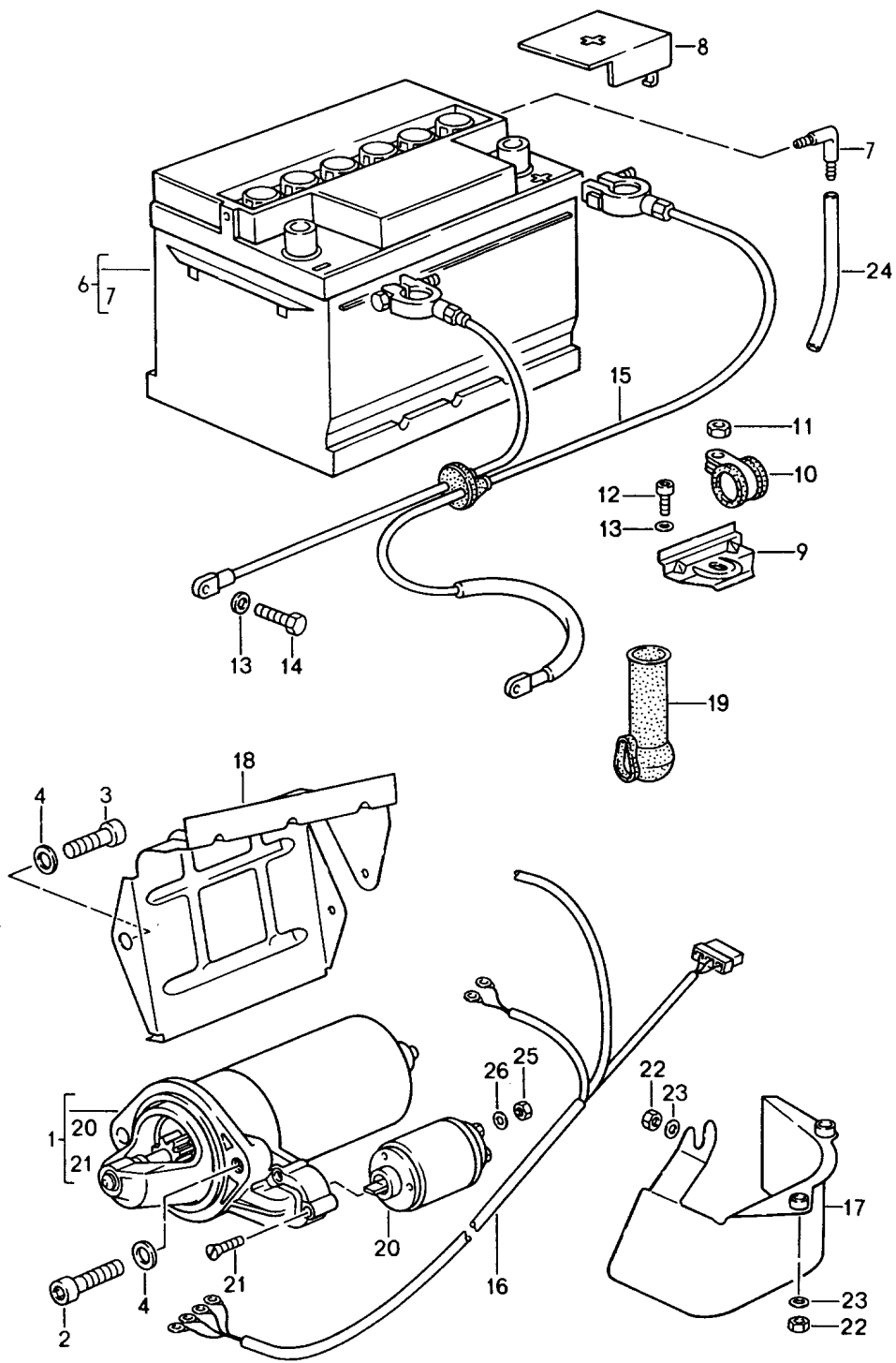
Pos	Part Number	Description	Remark	Qty	Model
		Generator with Mounting parts			
1	944 603 019 01	Generator		1	
1	928 603 011 05	Generator		1	
1	928 603 011 EX	Generator		1	
2	928 603 443 02	Fan		1	
3	944 603 021 01	Pulley		1	
4	928 603 611 00	Retainer		1	
5	900 034 013 02	Hexagon nut M 16 X 1,5		1	
5	900 034 013 01	Hexagon nut M 16 X 1,5		1	
6	999 192 290 50	Poly-rib belt K 6 X 720		1	
(6)	999 192 283 50	Poly-rib belt K 6 X 998		1	M573
(6)	999 192 299 50	Poly-rib belt K 6 X 1000		1	M573
7	944 603 134 02	Bracket		1	
7A	944 126 123 06	Bracket		1	M573
7A		Bracket		1	M573
7B	944 126 135 00	Sleeve		1	M573
8	N 011 527 12	Washer A 10,5		4	
8	900 025 081 01	Washer A 10,5		4	
9	N 010 470 7	Hexagon-head bolt M 10 X 70		4	
9	N 010 470 1	Hexagon-head bolt M 10 X 70		4	
(9)	N 010 470 7	Hexagon-head bolt M 10 X 70		3	M44.52
(9)	N 010 470 1	Hexagon-head bolt M 10 X 70		3	M44.52
10	N 010 480 3	Hexagon-head bolt M 10 X 80		1	M44.52
11	900 074 197 02	Hexagon-head bolt M 10 X 130		1	
12	900 025 008 09	Washer A 10,5		1	
12	900 025 008 04	Washer A 10,5		1	
13	900 910 031 09	Lock nut VF M 10		1	
13	900 910 031 01	Lock nut VF M 10		1	
14	944 603 143 00	Condenser		1	
15	N 012 226 5	Spring washer A 6		1	
16	N 010 710 8	Pan-head screw AM 6 X 10		1	
(17)	928 603 142 00	Regulator		1	
18	N 012 004 2	Lock ring B 4		2	
19	N 014 125 1	Oval-head screw AM 4 X 18		2	
20	059 903 519	Compression spring		1	
21	N 010 340 6	Hexagon-head bolt M 8 X 40		1	M573
22	900 910 022 09	Lock nut VM 8		1	M573
22	900 910 022 03	Lock nut		1	M573

Model: 944 89 Model life 1989&gt;&gt;1991

Pos	Part Number	Description	Remark	Qty	Model
		VM 8			
23	900 037 018 02	Eye screw		1	
24	900 076 033 02	Hexagon nut M 10		1	
25	944 126 021 03	Strut		1	
26	N 011 010 6	Hexagon nut M 10		1	
26	N 101 552 10	Hexagon nut M 10		1	
27	900 037 017 02	Eye screw		1	
28	N 010 445 2	Hexagon-head bolt M 10 X 45		1	
28	900 074 372 01	Hexagon-head bolt M 10 X 45		1	
29	900 025 008 09	Washer		2	
29	900 025 008 04	Washer		2	
30	944 126 127 01	Bush		1	
31	900 025 008 09	Washer A 10,5		1	M573
31	900 025 008 04	Washer A 10,5		1	M573
32	N 040 125 1	Hexagon-head bolt M 10 X 1,25 X 30		1	M573
33	944 101 411 02	Bracket for transportation		1	
(33)	944 101 411 04	Bracket for transportation M 42K 01037 >>		1	M44.41
34	944 603 441 00	Air guide Long		1	
35	944 603 442 00	Air guide Short		1	
36	944 603 153 00	Connecting hose 60 X 200		1	
(36)	944 603 153 01	Connecting hose 60 X 450		1	M573
-	900 910 010 09	Lock nut M 6		1	
-	N 011 524 7	Washer A 6,4		1	
-	N 011 524 27	Washer A 6,4		1	
37	999 512 349 02	Hose clamp		2	
37	999 512 349 01	Hose clamp		2	
37	999 512 349 0B	Hose clamp		2	
38	951 603 115 02	Ventilation cowl		1	
(38)	951 603 113 03	Ventilation cowl		1	M573
39	928 603 135 03	Sealing ring		1	
40	N 011 005 14	Hexagon nut M 5		4	
40	900 076 091 01	Hexagon nut M 5		4	
41	N 012 225 3	Spring washer B 5		4	
-	999 511 116 02	Clamp		1	
-	999 511 116 03	Clamp		1	
-	999 651 168 40	Cable holder		1	

Model: 944 89

Model life 1989>>1991





Model: 944 89 Model life 1989>>1991

Pos	Part Number	Description	Remark	Qty	Model
1	951 604 101 00	Battery Starter Wiring harnesses Starter 1,4 KW		1	
1	951 604 101 X	Starter 1,4 KW		1	
1	951 604 101 AX	Starter 1,4 KW		1	
1	951 604 102 00	Starter 1,7 KW		1	M198
2	N 010 491 1	Hexagon-head bolt M 12 X 50		1	
3	N 040 253 1	Hexagon-head bolt M 12 X 35		1	
4	900 028 014 02	Washer B 12		2	
4	900 028 014 03	Washer B 12		2	
(4)	900 025 009 02	Washer A 13		1	TURBO
(4)	N 011 564 2	Washer 13		1	TURBO
(4)	N 011 564 4	Washer 13		1	TURBO
6	999 611 053 20	Battery 50 AH		1	
6	944 611 105 00	Battery 12 V 63 AH	/LL	1	M197
6	999 611 065 20	Battery 12 V 65 AH	/LL	1	M198
6	999 611 065 22	Battery 12 V 65 AH	/LL	1	M198
6	999 611 070 20	Battery 12 V 75 AH	/RL	1	M197/198
6	999 611 070 21	Battery 12 V 75 AH	/RL	1	M197/198
7	893 915 507	Angled pipe		1	
8	477 915 429 A	Pole covering	/LL	1	
8	477 915 429	Pole covering	/RL	1	
9	914 611 233 10	Tension terminal	/LL	1	
(9)	945 611 021 00	Support	/RL	1	
10	999 511 077 02	Clamp	/LL	1	
11	477 915 489	Hexagon nut M 8	/LL	1	
11	900 034 001 05	Hexagon nut M 8	/LL	1	
12	900 067 057 02	Pan-head screw M 8 X 20	/RL	1	
12	900 067 057 03	Pan-head screw M 8 X 20		1	
13	900 025 007 02	Washer A 8,4		2	
13	900 025 007 03	Washer A 8,4		2	
14	N 010 241 0	Hexagon-head bolt M 8 X 16		1	
15	944 612 027 00	Wiring harness Battery Starter	/LL	1	
(15)	945 612 027 04	Wiring harness Battery Starter	/RL	1	

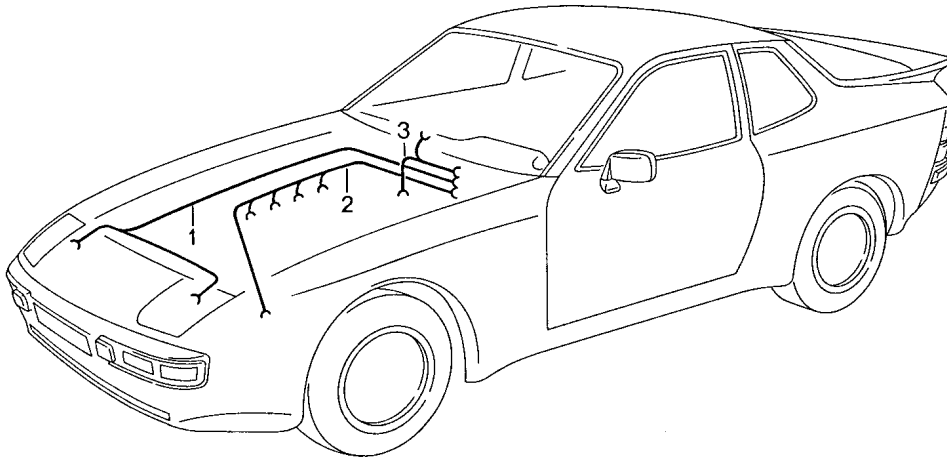
Model: 944 89

Model life 1989&gt;&gt;1991

Pos	Part Number	Description	Remark	Qty	Model
(15)	945 611 041 00	Ground strap Battery	/RL	1	
16	944 607 029 00	Wiring harness Starter Generator		1	944/TURBO
16	944 607 029 02	Wiring harness Starter Generator		1	944S2
16	944 607 029 01	Wiring harness Starter Generator		1	944/TURBO M573
16	944 607 029 03	Wiring harness Starter Generator		1	944S2 M573
(16)	945 612 013 00	Line Starter Hydraulic unit	/RL	1	M593
17	951 604 043 00	Heat shield	/L	1	TURBO
18	951 604 454 01	Heat shield	/R	1	TURBO
18	951 604 454 02	Heat shield	/R	1	TURBO
19	999 659 006 50	Protection cap		1	
20	951 604 902 00	Solenoid engaging switch		1	
20	951 604 904 00	Solenoid engaging switch		1	M198
21	951 604 901 00	Countersunk-head screw		3	
21	964 604 901 00	Fastening screw		3	M198
22	900 076 010 02	Nut M 6		3	TURBO
22	900 076 010 0B	Nut M 6		3	TURBO
23	N 011 524 7	Washer A 6,4		3	TURBO
23	N 011 524 27	Washer A 6,4		3	TURBO
-	477 915 505	Hose		*	
24		250 MM		1	
25	N 011 005 14	Hexagon nut M 5		1	
25	900 076 091 01	Hexagon nut M 5		1	
(25)	900 076 010 02	Nut M 6		1	M198
(25)	900 076 010 0B	Nut M 6		1	
26	900 025 003 02	Washer A 5.3		1	
(26)	N 011 524 7	Washer A 6.4		1	M198
(26)	N 011 524 27	Washer A 6.4		1	M198

Model: 944 89

Model life 1989>>1991

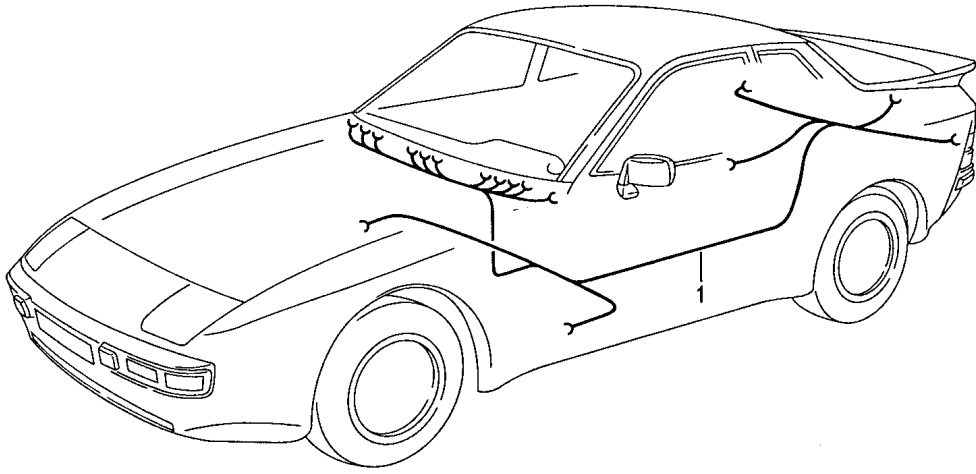


Model: 944 89 Model life 1989>>1991

Pos	Part Number	Description	Remark	Qty	Model
		Wiring harnesses Engine Heating Air conditioner			
1	944 612 008 02	Wiring harness Engine compartment	/LL	1	944
1	944 612 008 03	Wiring harness Engine compartment	/LL	1	944 M573
1	945 612 008 01	Wiring harness Engine compartment	/RL	1	944
1	945 612 008 02	Wiring harness Engine compartment	/RL	1	944 M573
1	944 612 008 00	Wiring harness Engine compartment	/LL	1	944S2
1	945 612 008 00	Wiring harness Engine compartment	/RL	1	944S2
1	951 612 008 00	Wiring harness Engine compartment	/LL	1	TURBO
1	952 612 008 00	Wiring harness Engine compartment	/RL	1	TURBO
2	944 607 021 06	Wiring harness - dme -	89	1	944
-	944 612 130 00	Rubber sleeve Seal Body		1	
2	944 607 040 06	Wiring harness - dme -	89	1	944S2
-	944 612 130 00	Rubber sleeve Seal Body		1	
2	944 607 040 08	Wiring harness - dme -	90	1	944S2
-	944 612 130 00	Rubber sleeve Seal Body		1	
2	944 607 040 09	Wiring harness - dme -	91-	1	944S2
-	944 612 130 00	Rubber sleeve Seal Body		1	
2	951 607 021 06	Wiring harness - dme -	89	1	TURBO
-	944 612 130 00	Rubber sleeve Seal Body		1	
2	951 607 021 08	Wiring harness - dme -	90-	1	TURBO
-	944 612 130 00	Rubber sleeve Seal Body		1	
3	944 612 633 00	Wiring harness Air conditioner Heater		1	
-	477 971 235	Ground strap Engine Body		1	

Model: 944 89

Model life 1989>>1991



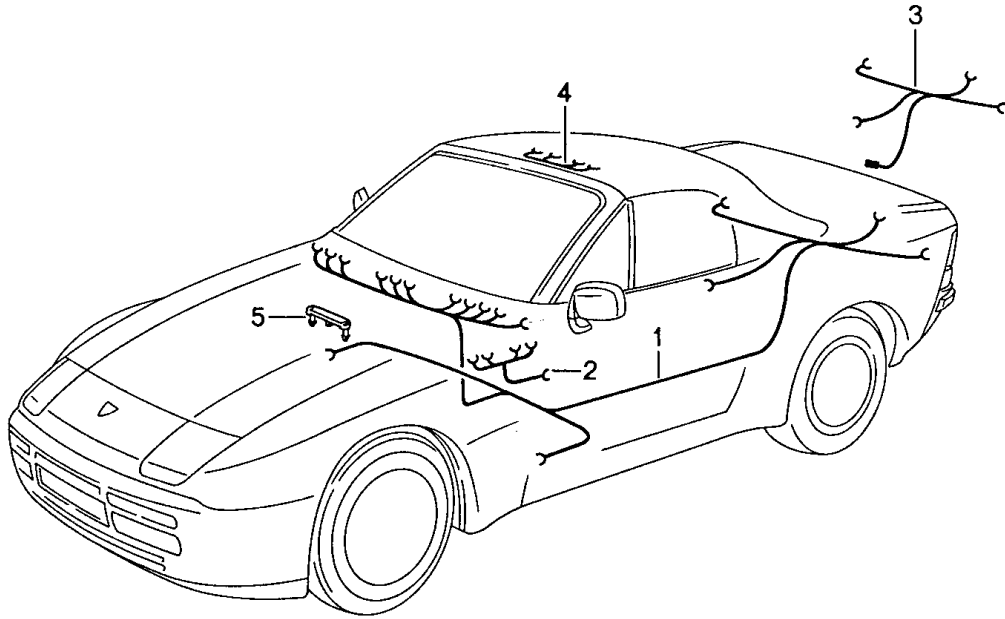
Model: 944 89

Model life 1989&gt;&gt;1991

Pos	Part Number	Description	Remark	Qty	Model
		Wiring harnesses Passenger compartment See technical information GR.1 NR.5/89			COUPE
1	951 612 006 28	Wiring harness Passenger compartment	/LL 89	1	
1	944 612 006 28	Wiring harness Passenger compartment	/LL 89	1	AUT.
1	944 612 006 32	Wiring harness Passenger compartment	/LL -90 /LL -91	1	944 TURBO
1	944 612 006 44	Wiring harness Passenger compartment	/LL 91	1	
1	951 612 006 29	Wiring harness Passenger compartment	89	1	(SA)
1	944 612 006 29	Wiring harness Passenger compartment	89	1	(SA) AUT.
1	944 612 006 33	Wiring harness Passenger compartment	-90 -91	1	944 (SA) TURBO (SA)
1	944 612 006 45	Wiring harness Passenger compartment	91	1	(SA)
1	952 612 006 20	Wiring harness Passenger compartment	/RL 89	1	
1	945 612 006 21	Wiring harness Passenger compartment	/RL 89	1	AUT.
1	945 612 006 23	Wiring harness Passenger compartment	/RL 90 /RL 91	1	TURBO
1	945 612 006 29	Wiring harness Passenger compartment	/RL 91	1	
-	928 612 220 00	Bridge adapter for cars without Airbag	91-	1	

Model: 944 89

Model life 1989>>1991



Model: 944 89

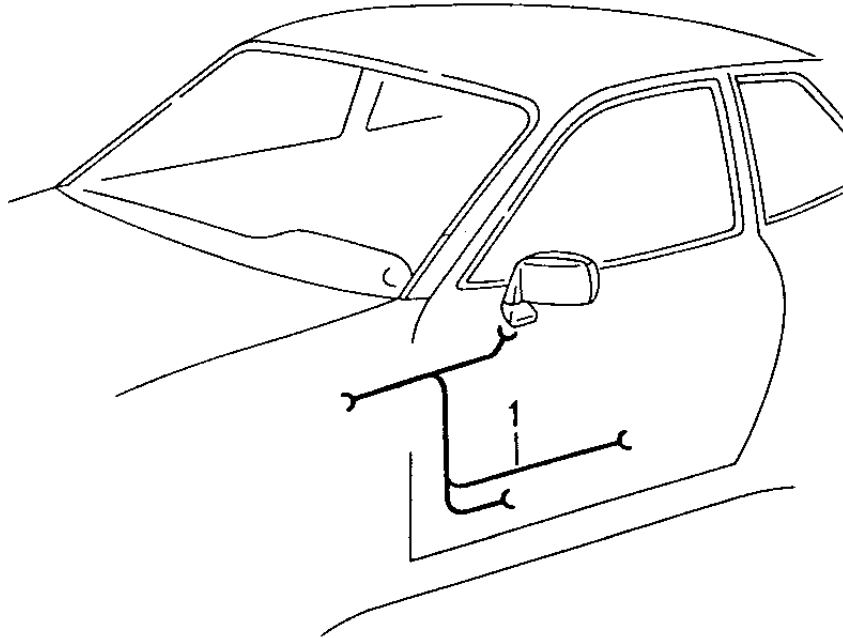
Model life 1989&gt;&gt;1991

Pos	Part Number	Description	Remark	Qty	Model
		Wiring harnesses Passenger compartment See technical information GR.1 NR.5/89			CABRIO
1	941 612 006 10	Wiring harness Passenger compartment	/LL 89	1	
1	941 612 006 11	Wiring harness Passenger compartment	89	1	(SA)
1	942 612 006 11	Wiring harness Passenger compartment	/RL 89	1	
1	951 612 006 54	Wiring harness Passenger compartment	/LL 90	1	944S2
1		Wiring harness Passenger compartment	/LL 90	1	944S2
1	941 612 006 20	Wiring harness Passenger compartment	/LL 91	1	TURBO
1	951 612 006 55	Wiring harness Passenger compartment	90 91	1	944S2(SA) TURBO(SA)
1	941 612 006 21	Wiring harness Passenger compartment	91	1	(SA)
1	942 612 006 12	Wiring harness Passenger compartment	/RL 90 /RL 91	1	944S2 TURBO
1	942 612 006 14	Wiring harness Passenger compartment	/RL 91	1	
2	944 612 024 00	Wiring harness for Window lowering	/LL 89	1	M655
(2)	945 612 024 00	Wiring harness for Window lowering	/RL 89	1	M655
3	941 612 911 10	Wiring harness for Convertible top		1	
4	941 612 911 00	Electric Wiring harness for Microswitch		1	
5	964 612 203 03	Securing clip Black		1	
-	928 612 220 00	Bridge adapter for cars without Airbag	91	1	



Model: 944 89

Model life 1989>>1991



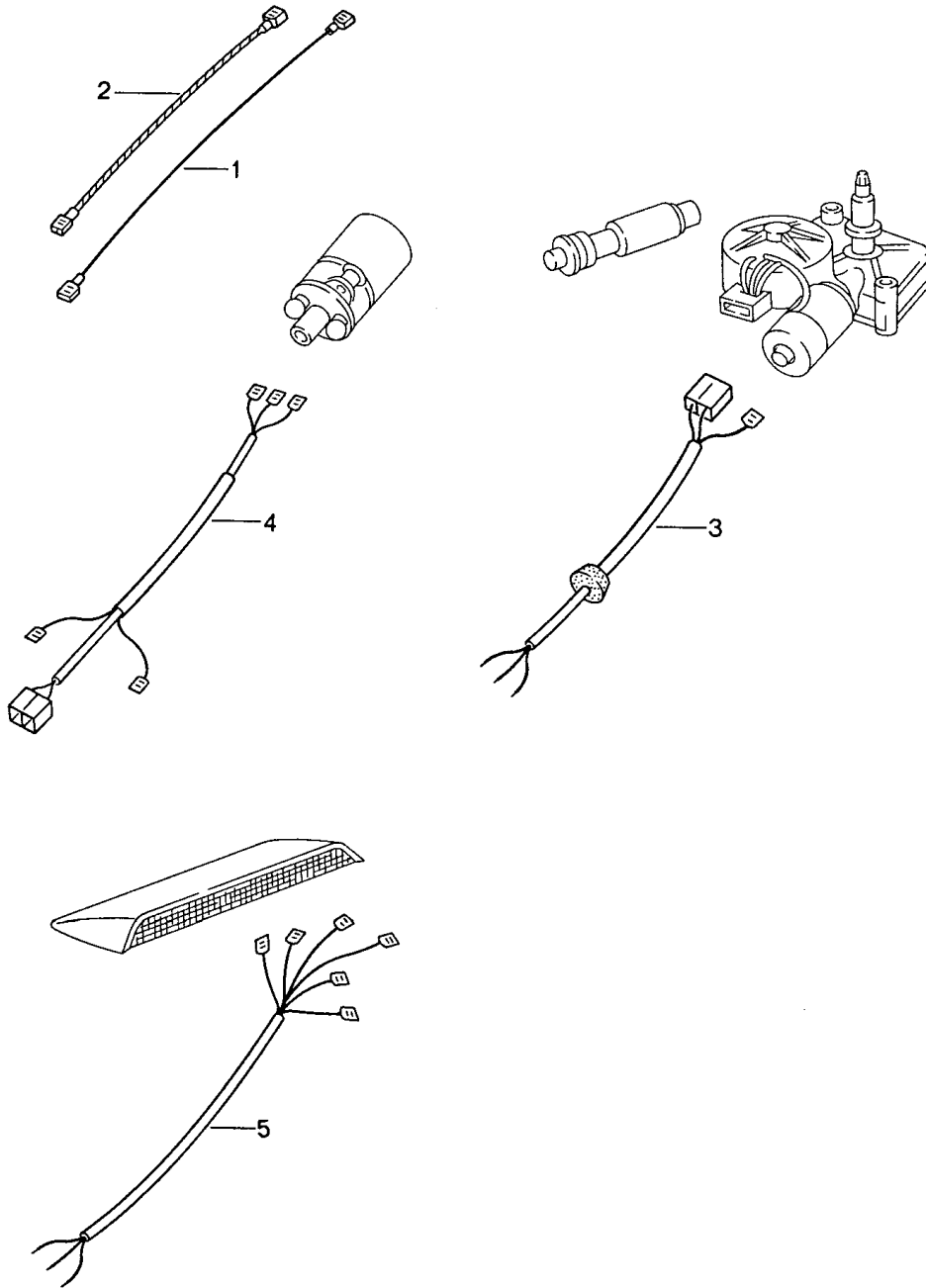
Model: 944 89

Model life 1989>>1991

Pos	Part Number	Description	Remark	Qty	Model
		Wiring harnesses Doors			COUPE/CABRIO
1	944 612 033 05	Wiring harness Driver's door	-90 -91	1	944 TURBO
1	944 612 033 06	Wiring harness Driver's door	91	1	944
1	944 612 033 05	Wiring harness Driver's door	89	1	CABRIO
1	944 612 025 00	Wiring harness Driver's door for cars with Window lowering	89	1	CABRIO
1	941 612 033 10	Wiring harness Driver's door	90 91	1	CABRIO TURBO CABRIO
1	941 612 033 11	Wiring harness Driver's door	91	1	CABRIO
(1)	944 612 034 05	Wiring harness Passenger's door	-90 -91	1	944 TURBO
(1)	944 612 034 06	Wiring harness Passenger's door	91	1	944

Model: 944 89

Model life 1989>>1991



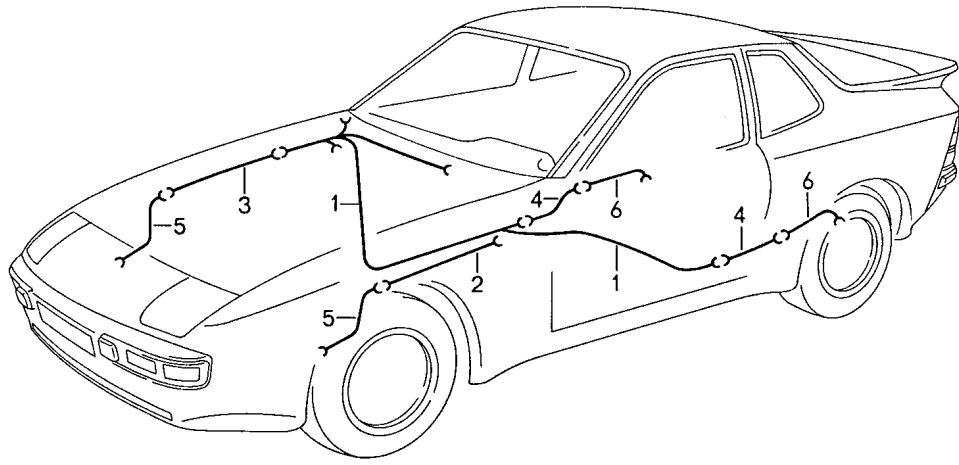
Model: 944 89

Model life 1989>>1991

Pos	Part Number	Description	Remark	Qty	Model
1	477 971 257 B	Wiring harnesses Rear end Single line Gas-pressure spring		2	COUPE CABRIO
2	477 971 263 B	Rear window Ground strap Gas-pressure spring		2	
3	477 971 345 A	Wiring harness Rear window wiper		1	
(3)	944 612 065 01	Wiring harness Rear window wiper And Additional brake light		1	
4	944 612 051 00	Wiring harness Fuel pump		1	
5	941 612 013 10	Wiring harness Luggage compartment lamp And Additional brake light		1	CABRIO
(5)	941 612 013 11	Wiring harness Luggage compartment lamp		1	CABRIO

Model: 944 89

Model life 1989>>1991

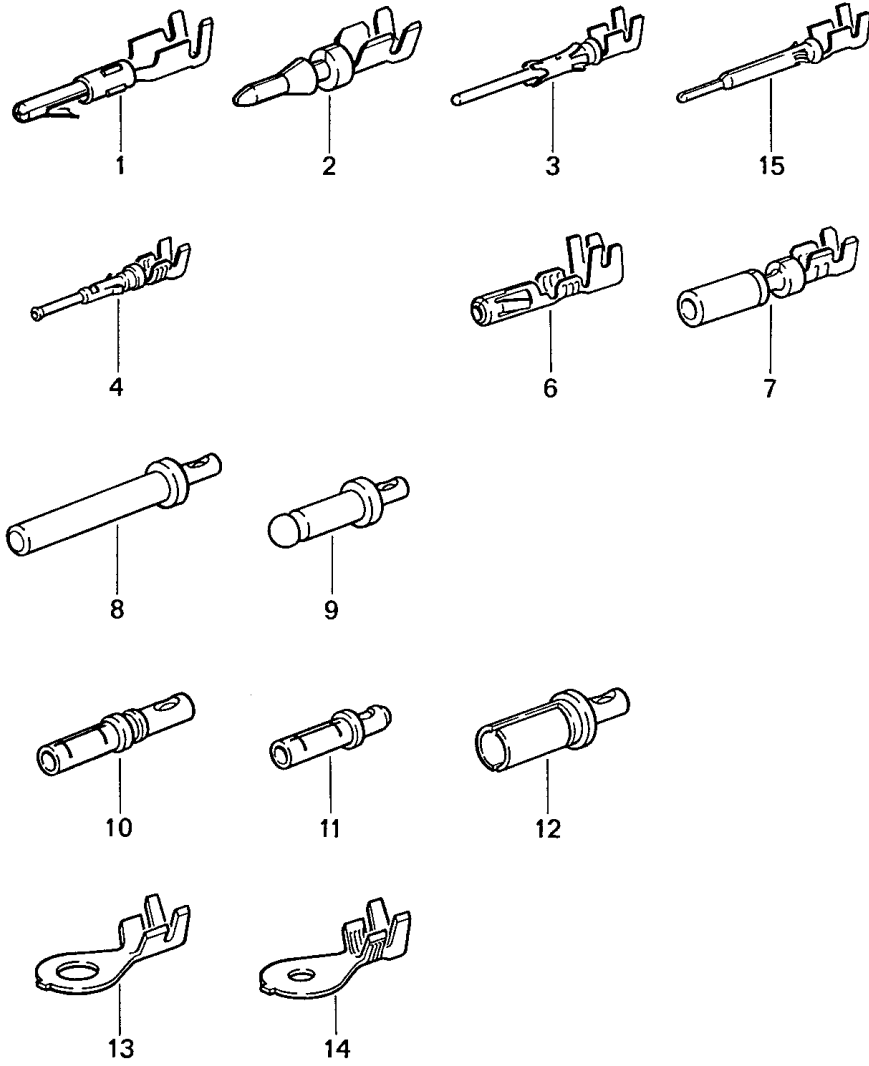


Model: 944 89 Model life 1989>>1991

Pos	Part Number	Description	Remark	Qty	Model
1	944 612 067 00	Wiring harnesses Anti-lock brake system Brake pad wear indicator Wiring harness	/LL	1	
1	945 612 067 00	Anti-lock brake system Wiring harness	/RL	1	
2	944 612 107 00	Anti-lock brake system Additional cable for		1	
2	944 612 111 00	Brake pad wear indicator Additional cable for Anti-lock brake system And		1	M593
3	944 612 108 00	Brake pad wear indicator Additional cable for		1	
3	944 612 110 00	Brake pad wear indicator Additional cable for ABS UND		1	M593
4	944 612 109 00	Brake pad wear indicator Additional cable for		2	
4	944 612 112 00	Brake pad wear indicator Additional cable for ABS UND		2	M593
5	928 606 404 02	Brake pad wear indicator Speed sensor		2	
6	944 606 401 02	Speed sensor		2	

Model: 944 89

Model life 1989>>1991



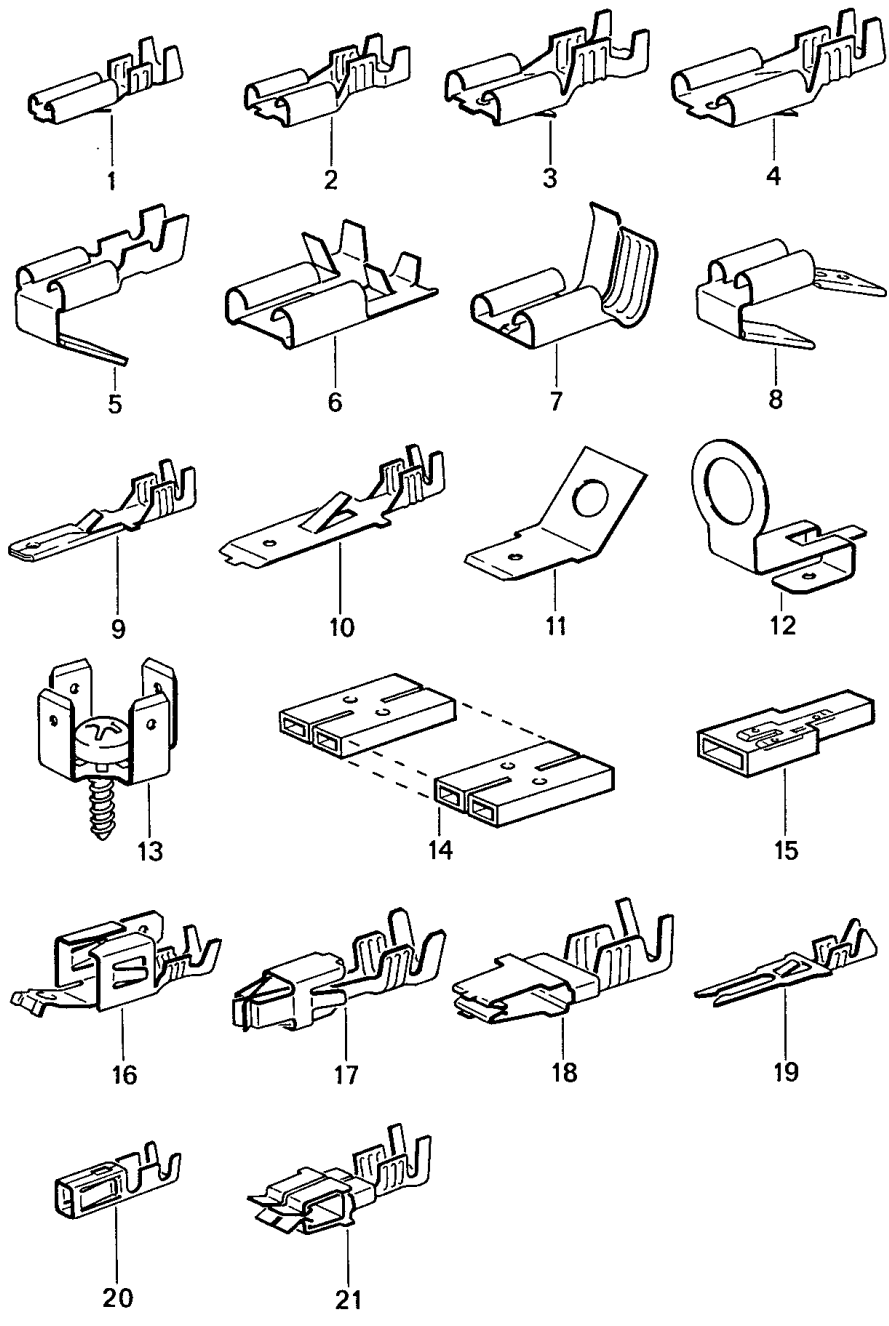
Model: 944 89 Model life 1989>>1991

Pos	Part Number	Description	Remark	Qty	Model
1	N 017 586 2	Round connector Contact pin Cable shoe		X	
2	944 612 428 00	Round connector \$ 0,5 - 1,0 CUZN		X	
3	N 017 564 1	Round connector \$ 0,5 - 1,0 CUSN		X	
4	N 017 562 4	Cylindrical socket \$ 0,5 - 1,0 CUSN		X	
6	N 017 599 4	Cylindrical socket \$ 2,5 - 6,0 CUSN		X	
7	944 612 427 00	Contact bush \$ 0,75 - 1,5 CUSN		X	
8	999 652 369 12	Pin \$ 0,5 - 2,0 CUAG		X	
9	911 612 907 00	Contact pin \$ 0,5 - 2,0 CUAG		X	
9	911 612 907 01	Contact pin \$ 0,5 - 2,0 CUAG		X	
10	944 612 548 00	Contact bush \$ 0,5 - 2,0 CUAG		X	
11	999 652 351 22	Contact bush \$ 0,5 - 2,0 CUBE		X	
12	999 652 371 12	Contact bush \$ 0,5 - 2,0 CUAG		X	
13	N 017 505 4	Cable shoe \$ 5,0 - 1,0		X	
(13)	N 017 515 4	Cable shoe \$ 5,0 - 2,5		X	
(13)	N 017 516 2	Cable shoe \$ 6,0 - 2,5		X	
(13)	999 650 532 00	Cable shoe \$ 8,0 - 2,5 CUSN		X	
(13)	999 652 246 10	Cable shoe \$ 8,0 - 2,5 CUSN		X	
(13)	999 652 225 10	Cable shoe \$ 8,0 - 2,5 CUSN		X	
(13)	999 652 235 10	Cable shoe \$ 10 - 2,5		X	
14	999 652 208 10	Cable shoe \$ 6,0 - 2,5		X	



Model: 944 89

Model life 1989>>1991



Model: 944 89

Model life 1989&gt;&gt;1991

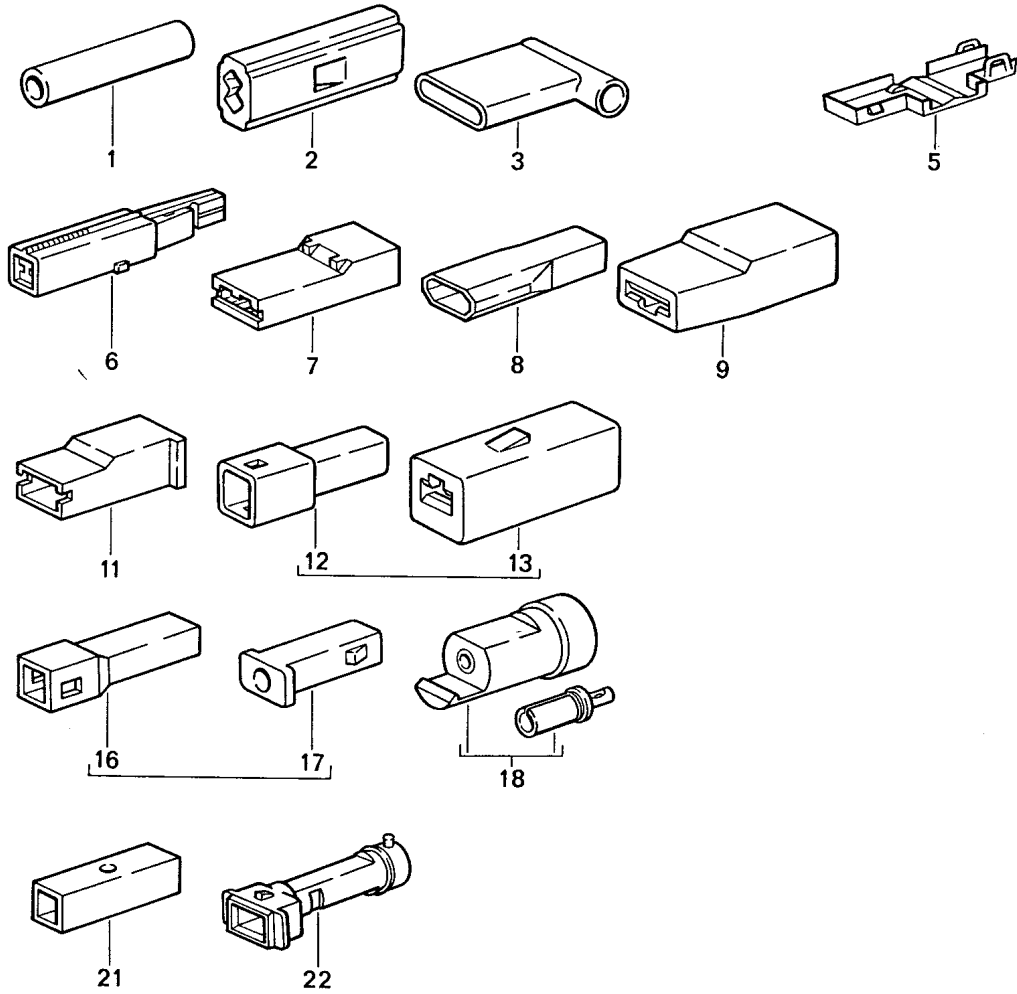
Pos	Part Number	Description	Remark	Qty	Model
1	111 971 958	Flat plug Push-on connector Flat receptacle with Clip 2,8 X 1		X	
(1)	N 017 243 1	Flat receptacle without Clip 2,8 X 1,5 CUZN		X	
2	111 971 959	Flat receptacle with Clip 6,3 X 0,8		X	
(2)	PCG 971 959	Flat receptacle without Clip 6,3 X 1,0 SN		X	
2	N 017 491 8	Flat receptacle with Clip 6,3 X 2,5 CUZN		X	
2	N 017 494 3	Flat receptacle with Clip 6,3 X 6,0 CUSN		X	
(2)	999 652 106 02	Flat receptacle without Clip 6,3 X 1,5 CUSN		X	
3	N 017 453 1	Flat receptacle without Clip 7,7 X 2,5 CUZN		X	
3	N 017 245 1	Flat receptacle without Clip 7,7 X 10 CUSN		X	
5	N 017 242 1	Flat receptacle with Push-on connector 6,3 X 1		X	
6	N 017 498 2	Flat receptacle 6,3 X 1 CUSN		X	
-	N 017 498 A	Flat plug 7,7 X 1 CuZn		X	
7	999 652 116 02	Retaining bracket 6,3 X 1,5		X	
8	999 652 122 10	Multiple plug connector 6,3		X	
9	N 017 457 2	Flat plug with Clip 2,8 X 1		X	
10	111 971 985	Flat plug with Clip 6,3 X 1		X	
10	111 971 986	Flat plug with Clip 6,3 X 2,5		X	
11	999 652 125 10	Flat plug		X	

Model: 944 89 Model life 1989>>1991

Pos	Part Number	Description	Remark	Qty	Model
11	999 652 315 02	6,3/\$ 2,8 Flat plug		X	
(11)		6,3/\$ 5,3 CUSN Flat plug		X	
12	911 603 911 00	6,3/\$ 5,3 Push-on connector		X	
13	171 971 519 A	6,3 Ground connector		X	
13	PCG 971 519 A	6,3 Ground connector		X	
14	999 652 142 40	Push-on connector		X	
(14)		6,3 Push-on connector		X	
		6,3 5-FACH			
		6,3 1-FACH			
15	999 652 151 40	Push-on connector		X	
16	999 652 275 10	6,3 Contact		X	
17	N 903 353 03	6,3 Contact spring		X	
18	999 652 451 22	\$ 2,5 - 3,5 Coding element		X	
19	999 652 380 12	6,3/\$ 0,5 - 1,0 Contact spring		X	
20	999 652 269 12	\$ 0,4 - 0,75 Contact spring		X	
21	999 652 456 22	Contact spring \$ 0,75 - 1,5		X	

Model: 944 89

Model life 1989>>1991



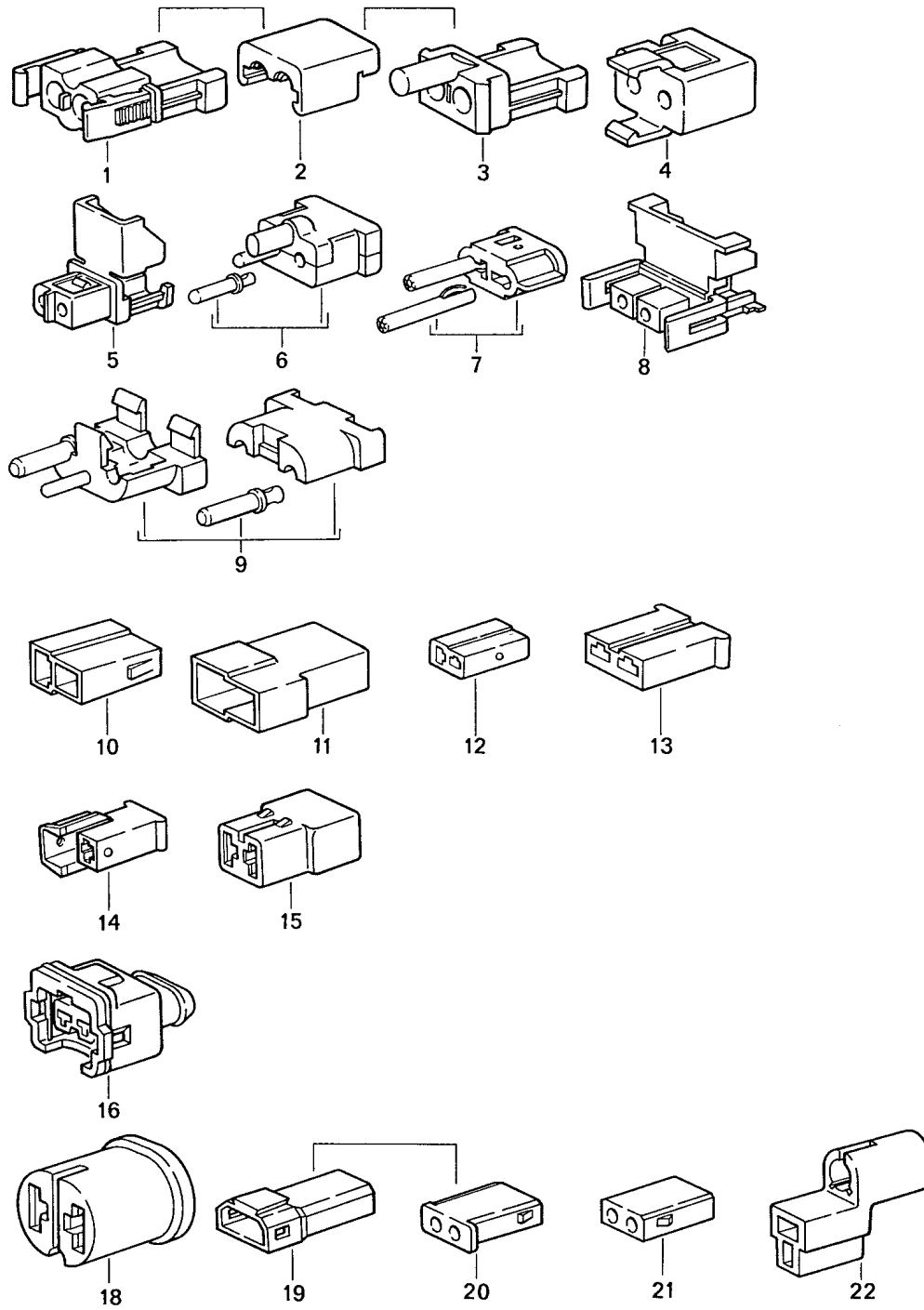
Model: 944 89

Model life 1989&gt;&gt;1991

Pos	Part Number	Description	Remark	Qty	Model
		Insulated cable connection Connector housing Single pole			
1	999 652 149 40	Insulated cable connection \$ 1,5		X	
2	111 971 921	Protection cap 6,3		X	
3	999 652 160 40	Sleeve 6,3		X	
5	211 971 921	Protection cap 6,3		X	
6	059 905 371	Diode connector 6,3		X	
7	111 971 921 B	Connector housing 6,3		X	
8	999 652 119 40	Connector housing 6,3		X	
9	825 971 990	Terminal sleeve housing 6,3		X	
11	431 971 995	Flat connector socket 6,3		X	
12	823 971 976	Flat connector socket 2,8		X	
13	823 971 990	Terminal sleeve housing 2,8		X	
16	171 971 998	Connector housing 1,6		X	
17	171 971 999	Terminal sleeve housing 1,6		X	
18	999 653 002 90	Connector housing with		X	
-	999 652 371 12	Contact bush		X	
21	111 971 977	Flat connector socket 6,3		X	
22	813 972 643 A	Flat connector socket		X	

Model: 944 89

Model life 1989>>1991

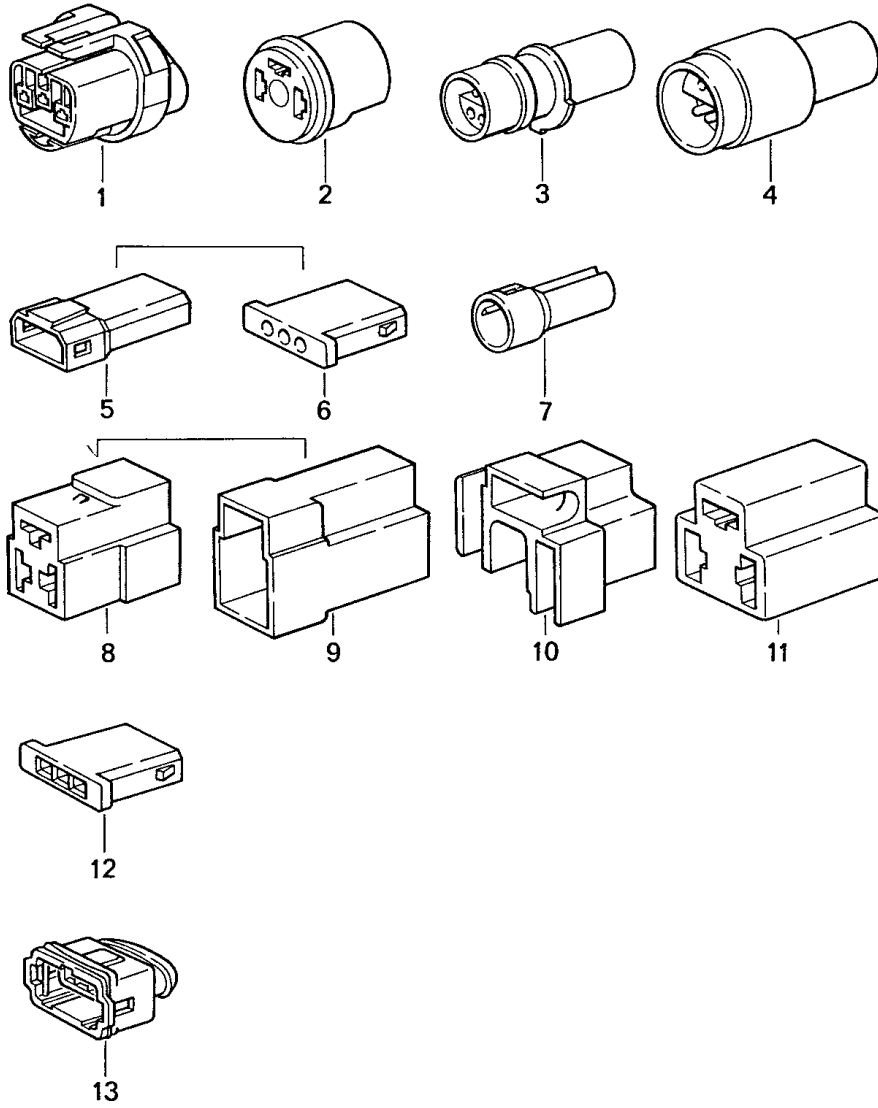


Model: 944 89 Model life 1989>>1991

Pos	Part Number	Description	Remark	Qty	Model
1	999 652 370 40	Connector housing 2-pole		X	
-	999 652 371 12	Connector housing for Contact bush		X	
2	999 652 372 40	Clip		X	
3	999 652 368 40	Connector housing for		X	
-	999 652 369 12	Pin		X	
4	911 612 887 00	Connector housing for		X	
-	999 652 351 22	Contact bush		X	
5	928 612 557 00	Connector housing for		X	
-	944 612 548 00	Contact bush		X	
6	999 652 381 00	Connector housing with Contact bush		X	
7	911 645 112 00	Adapter plug with Contact bush		2 X	
8	944 612 547 00	Connector housing for		X	
-	944 612 548 00	Contact bush		X	
9	911 612 118 00	Connector housing with Contact bush		X	
10	999 652 167 40	Terminal sleeve housing 6,3		2 X	
11	999 652 192 47	Connector housing 6,3		X	
12	810 971 989	Connector housing 6,3		X	
13	171 906 231	Connector housing 6,3		X	
14	171 971 934	Connector housing 6,3		X	
15	815 971 989	Connector housing 6,3		X	
16	022 906 231 A	Connector housing Grey for		X	
-	N 903 353 03	Contact spring		X	
16	928 612 825 00	Connector housing Beige		X	
18	810 971 993	Terminal sleeve housing		X	
19	171 971 998 A	Connector housing 1,6		X	
20	171 971 999 A	Connector housing 1,6		X	
21		Terminal sleeve housing 1,6		X	
22	944 612 439 00	Connector housing for Cigarette lighter		X	

Model: 944 89

Model life 1989>>1991





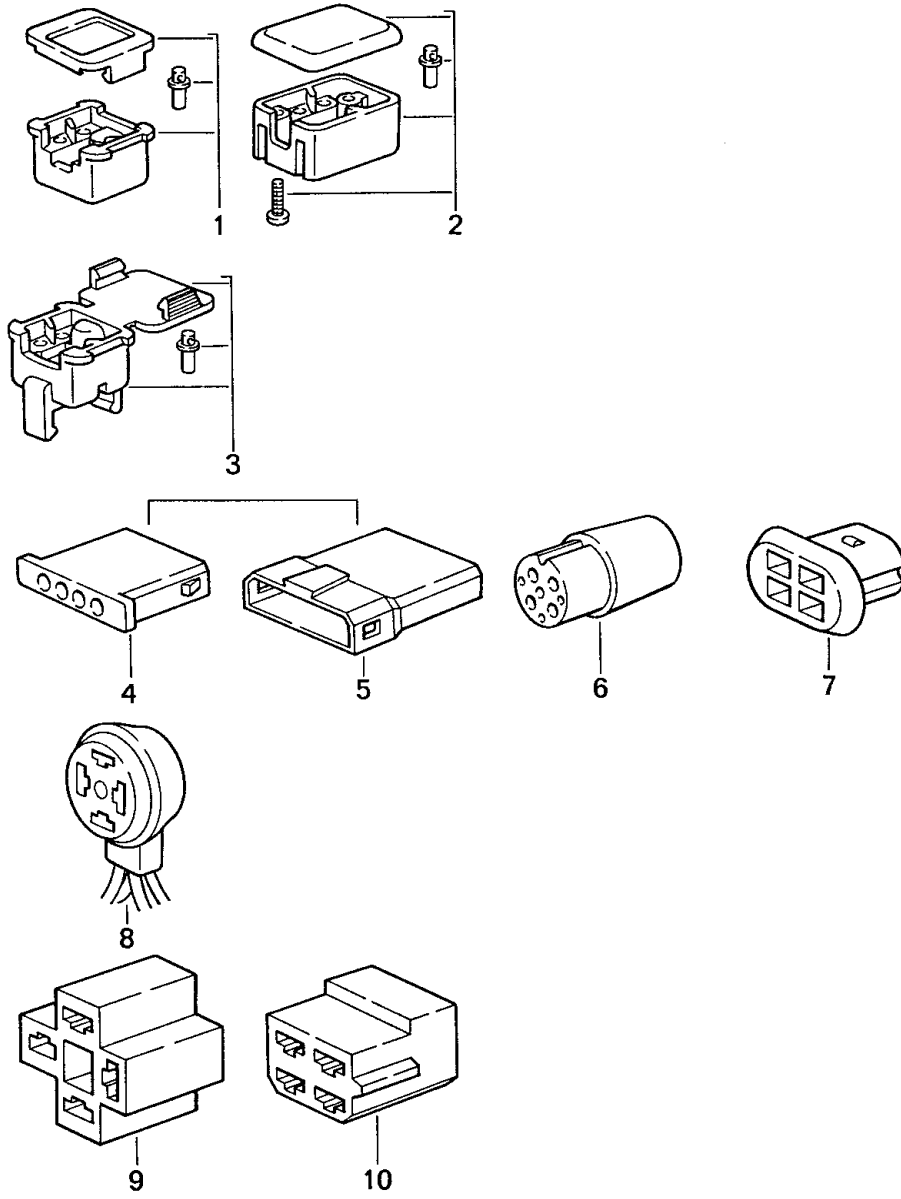
Model: 944 89

Model life 1989&gt;&gt;1991

Pos	Part Number	Description	Remark	Qty	Model
		Connector housing 3-pole			
1	165 941 165	Connector housing 3,5		X	
2	113 945 525	Terminal sleeve housing 6,3		X	
3	944 612 436 00	Connector for		X	
-	944 612 428 00	Round connector		X	
4	944 612 435 00	Connector housing for		X	
-	944 612 427 00	Contact bush		X	
5	171 971 998 B	Connector housing 1,6		X	
6	171 971 999 B	Terminal sleeve housing 1,6		X	
7	113 919 113	Connector housing 1,6		X	
8	821 971 970	Connector housing 6,3		X	
9	821 971 975	Flat connector socket 6,3		X	
10	111 941 341	Terminal sleeve housing 6,3		X	
11	914 612 327 10	Connector housing 6,3		X	
12	311 906 231 B	Connector housing		X	
13	022 906 233 B	Connector housing		X	

Model: 944 89

Model life 1989>>1991



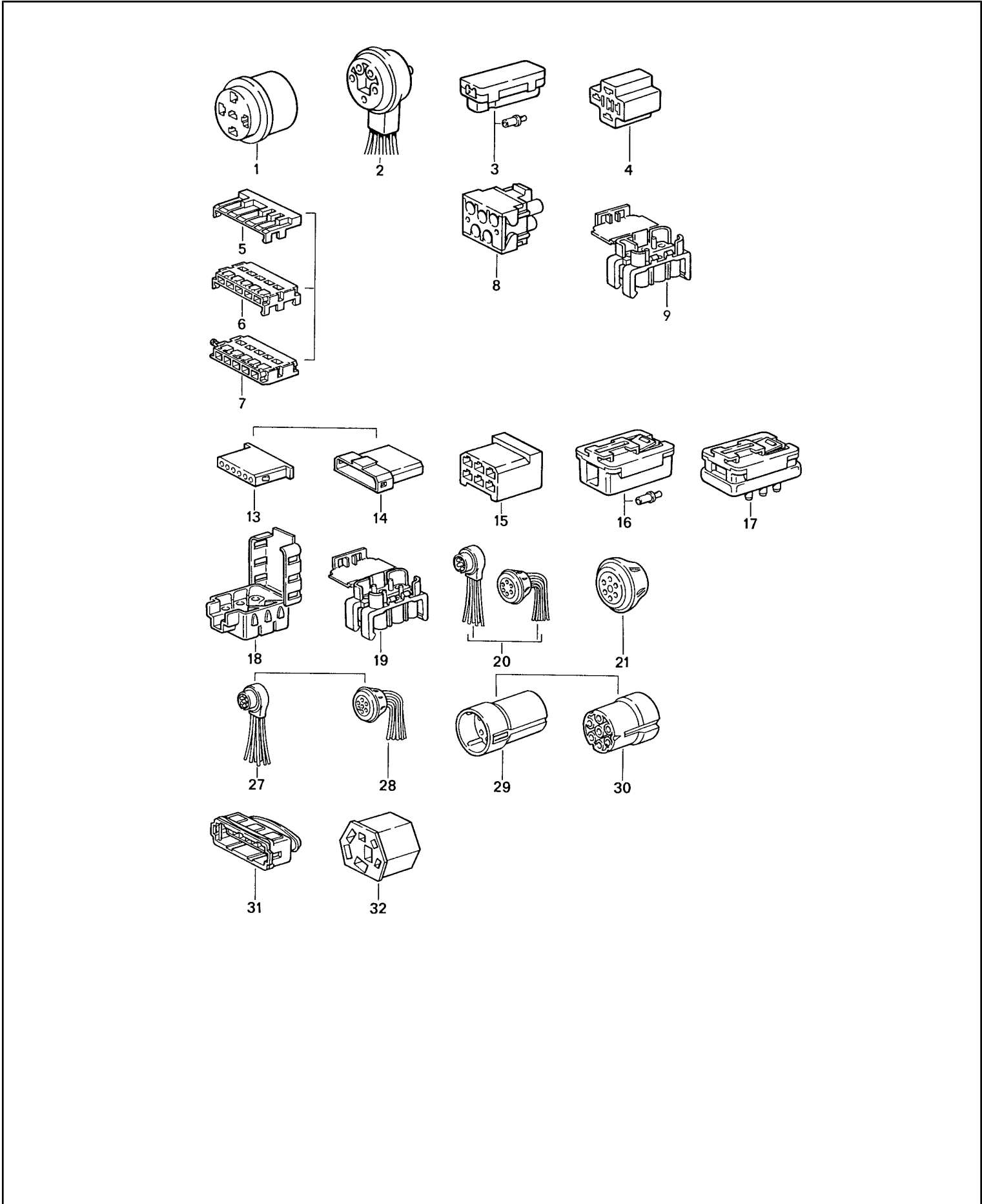
Model: 944 89

Model life 1989>>1991

Pos	Part Number	Description	Remark	Qty	Model
1	901 612 891 01	Connector housing 4-pole		X	
-	999 652 371 12	Connector housing with Contact bush		X	
2	901 612 891 00	Connector housing with		X	
-	999 652 371 12	Contact bush		X	
3	944 612 217 00	Connector housing with		X	
-	999 652 351 22	Contact bush		X	
4	171 971 999 C	Connector housing 1,6		X	
5	171 971 998 C	Connector housing 1,6		X	
6	914 612 325 00	Plug socket 1,6		X	
7	928 612 131 00	Connector housing		X	
8	901 612 334 00	Plug socket		X	
9	928 631 108 00	Connector housing 6,3		X	
10	803 905 897	Connector housing 6,3		X	

Model: 944 89

Model life 1989>>1991

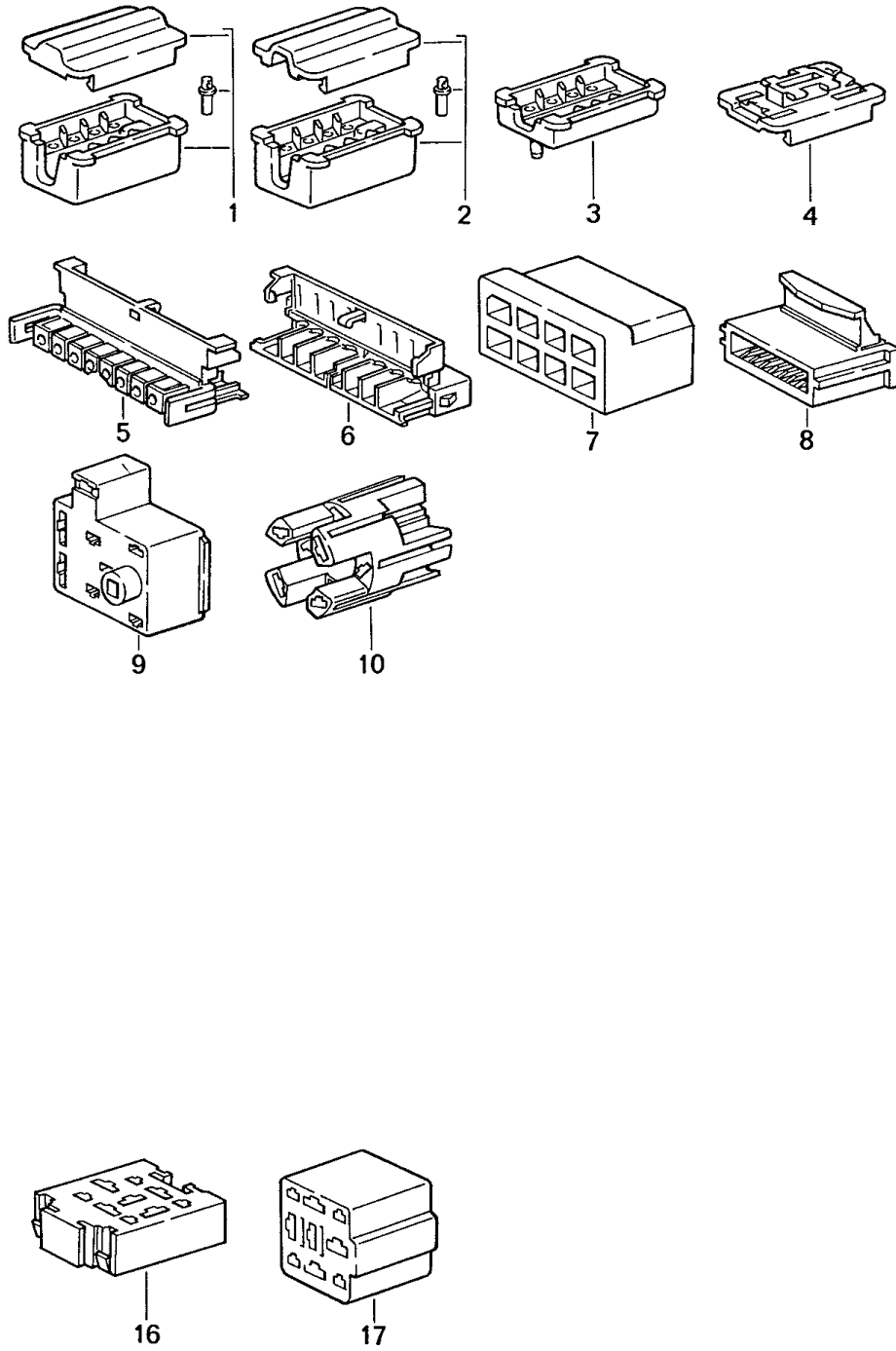


Model: 944 89 Model life 1989>>1991

Pos	Part Number	Description	Remark	Qty	Model
		Connector housing			
		5-pole			
		6-pole			
		7-pole			
		5-pole			
1	113 971 835	Terminal sleeve housing		X	
		2,8			
2	901 612 333 00	Plug socket		X	
		for			
		Standard type relay			
3	928 612 411 00	Clutch		X	
		with			
		Contact bush			
4	803 971 835 A	Terminal sleeve housing		X	
		for			
		Relay			
5	928 612 335 25	Coding element		X	
6	928 612 332 00	Module housing		X	
-	999 652 451 22	Coding element		X	
7	928 612 331 00	Initial housing		X	
8	928 612 542 00	Clutch housing		X	
9	944 612 539 00	Clutch		X	
		6-pole			
13	171 971 999 E	Connector housing		X	
		1,6			
14	171 971 998 E	Connector housing		X	
		1,6			
15	803 971 831	Terminal sleeve housing		X	
		6,3			
16	911 612 868 01	Clutch		X	
		with			
		Contact bush		6	
17	911 612 867 02	Connector		X	
		with			
		Contact pin		6	
18	928 612 469 00	Clutch		X	
		for			
		Contact pin			
19	944 612 537 00	Clutch		X	
20	901 612 330 00	Multiple plug connection		X	
21	901 612 061 00	Push-on connector		X	
		7-pole			
27	911 612 331 00	Connector		X	
28	911 612 332 00	Plug socket		X	
29	803 971 980	Pin connector socket		X	
30	803 971 979	Plug socket		X	
31	071 906 233	Terminal sleeve housing		X	
32	111 953 631	Terminal sleeve housing		X	

Model: 944 89

Model life 1989>>1991



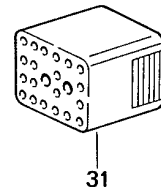
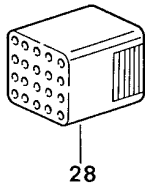
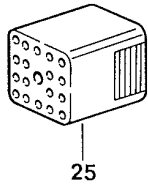
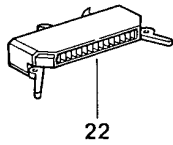
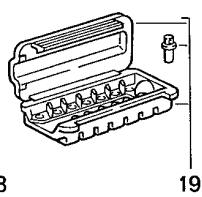
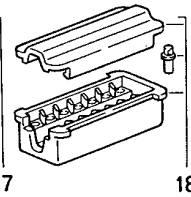
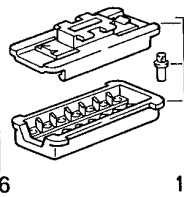
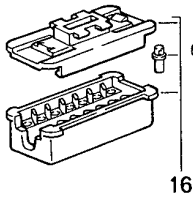
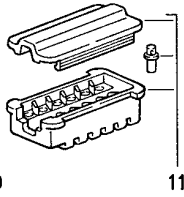
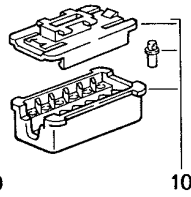
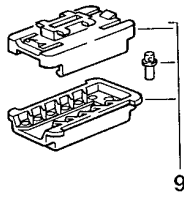
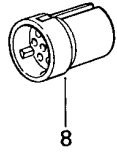
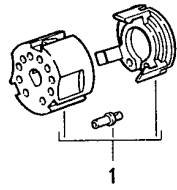
Model: 944 89

Model life 1989>>1991

Pos	Part Number	Description	Remark	Qty	Model
		Connector housing 8-pole			
		9-pole			
		8-pole			
1	944 612 117 00	Connector housing		X	
		with			
-	999 652 371 12	Contact bush		8	
2	928 612 117 01	Connector housing		X	
		with			
-	999 652 371 12	Contact bush		8	
3	999 652 395 40	Connector housing		X	
4	999 652 396 40	Clip		X	
5	944 612 554 00	Connector housing		X	
		for			
-	944 612 548 00	Contact bush			
6	944 612 553 00	Connector housing		X	
7	803 971 971	Connector housing		X	
		6,3			
8	113 971 998 B	Connector housing		X	
9	321 971 999 A	Terminal sleeve housing		X	
10	911 612 120 00	Connector housing		X	
		6,3			
		9-pole			
16	135 937 501 A	Relay carrier		X	
17	849 941 593	Connector housing		X	

Model: 944 89

Model life 1989>>1991



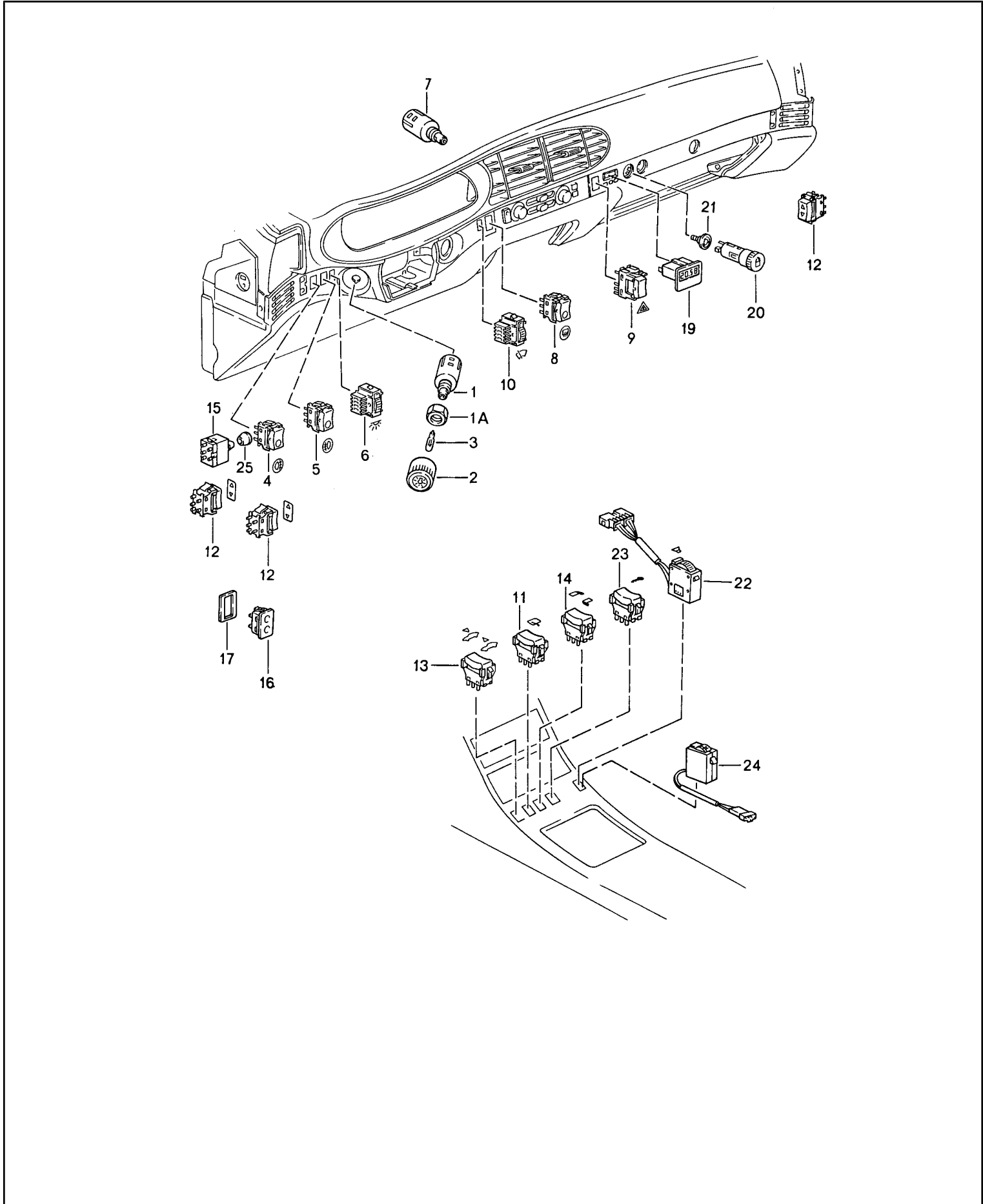


Model: 944 89 Model life 1989>>1991

Pos	Part Number	Description	Remark	Qty	Model
		Connector housing 10-pole Until 22-pole 10-pole			
1	911 612 889 00	Connector housing with		X	
(2)	944 613 531 01	Contact bush Connector housing for		10 X	
-	944 612 548 00	Contact bush 12-pole		X	
8	861 972 524	Connector housing		X	
9	911 612 122 02	Plug socket with		X	
9	911 612 122 04	Contact bush Plug socket with		12 X	
10	928 612 423 00	Contact bush Connector housing		12 X	
11	911 612 884 00	Connector housing		X	
11	911 612 121 01	Connector housing		X	
-	944 612 115 00	14-pole Cover		1	
16	911 612 115 02	14-pole Connector housing		X	
17	911 612 113 05	Connector housing		X	
18	911 612 115 03	Connector housing		X	
19	944 612 215 00	Connector housing without		X	
		Contact bush 99965235122 17-pole		14	
22	944 612 311 00	Connector housing for		X	
-	999 652 380 12	Contact spring 19-pole		X	
25	171 971 971 C	Connector housing Beige		X	
25	171 971 971 E	Connector housing White		X	
28	171 971 971	20-pole Connector housing Yellow		X	
28	171 971 971 D	Connector housing Red		X	
31	171 971 971 A	22-pole Connector housing Black		X	
31	171 971 971 B	Connector housing Blue		X	

Model: 944 89

Model life 1989>>1991



Model: 944 89 Model life 1989>>1991

Pos	Part Number	Description	Remark	Qty	Model
1	993 613 531 00	Switch Clock		1	
1A	900 034 013 02	Light switch		1	
1A	900 034 013 01	Hexagon nut		1	
2	944 613 533 01	Hexagon nut		1	
3	999 631 130 90	Knob		1	
3		Bulb 0,30 W		1	
4	944 613 121 01	Switch for Fog headlamp		1	
5	944 613 120 04	Switch for rear fog light		1	
6	944 613 131 00	Potentiometer		1	
7	944 641 321 00	Tip switch		1	
8	944 613 117 00	Trip meter Rocker switch for Rear window heating		1	
9	944 613 235 00	Hazard warning light sw.		1	
10	944 613 235 00 01C	Satin black		1	
10	944 613 115 00	Potentiometer Windscreen wiper system		1	
11	951 613 113 00	Rocker switch		1	
11	951 613 113 00 01C	Satin black for Rear window wiper		1	
12	951 613 133 00	Tip switch for Power window		3	
13	944 613 123 00	Tip switch		1	
13	944 613 123 00 01C	Satin black Lifting roof		1	
13	944 613 123 00	Tip switch		1	CABRIO
13	944 613 123 00 01C	Satin black for Convertible top Electric		1	
14	944 613 220 00	Rocker switch Mirror changeover switch		1	
15	928 613 241 00	Switch Door mirror		1	
16	944 613 129 01	Tip switch		1	
16	944 613 129 01 01C	Satin black for Rear lid release		1	
17	477 867 185 B	Mounting piece for Switch		1	
-	477 867 189	Spring clamp for Mounting piece		2	
19	944 641 913 00	Clock		1	
19	944 641 913 00 01C	Satin black		1	
-	944 641 900 00	Glass-base bulb		1	
20	944 652 307 00	Cigarette lighter		1	
21	644 652 112 00	Glower		1	
-	999 632 014 00	Bulb socket for Cigarette lighter		1	
-	N 012 469 1	Circlip for Cigarette lighter		1	
22	944 645 054 00	Fader		1	

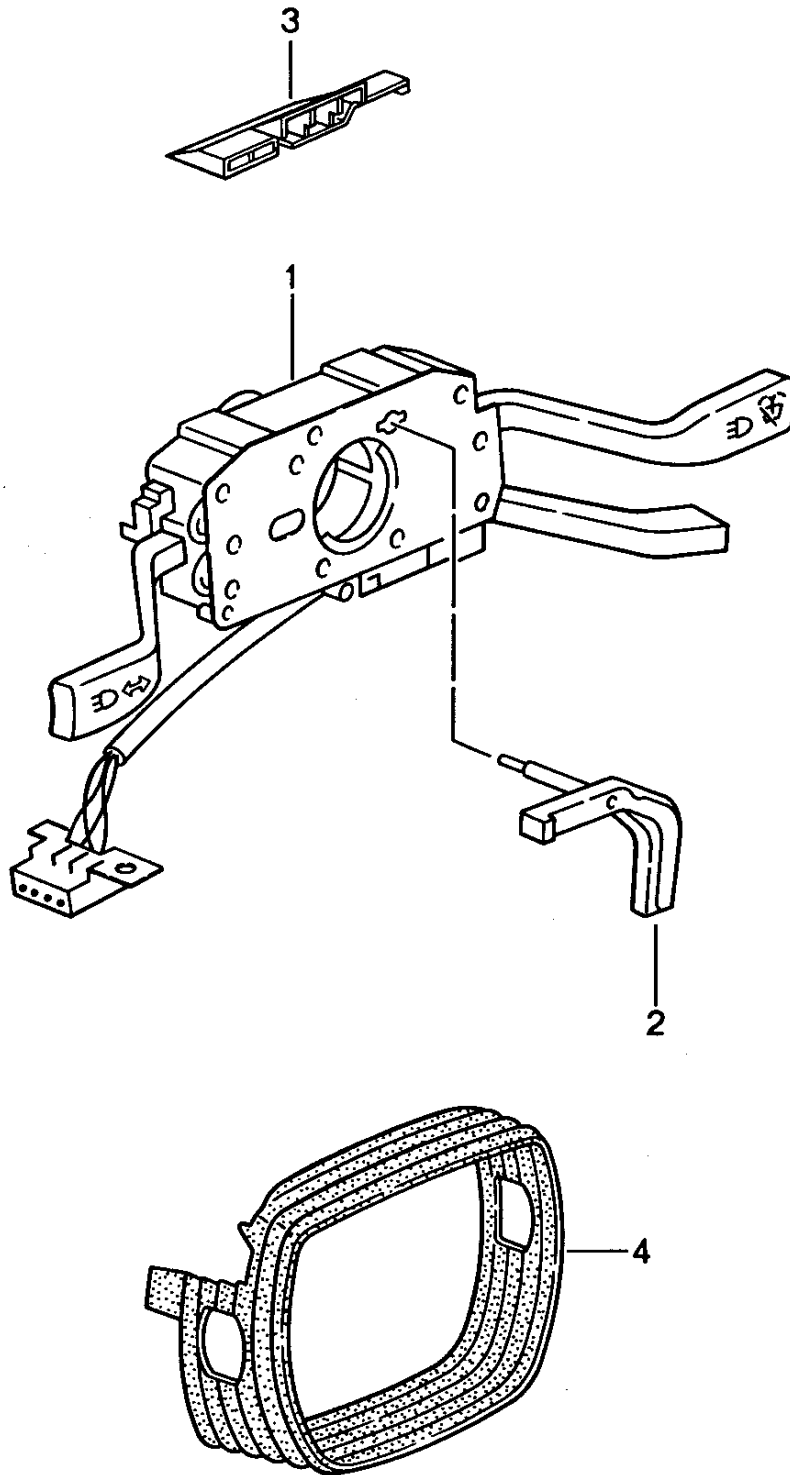
Model: 944 89

Model life 1989>>1991

Pos	Part Number	Description	Remark	Qty	Model
23	951 613 147 00 951 613 147 00 01C	Switch Satin black Door latch		1	
24	944 631 230 00	Switch for Headlight levelling system		1	
25	944 613 265 00	Knob for Switch Door mirror		1	

Model: 944 89

Model life 1989>>1991

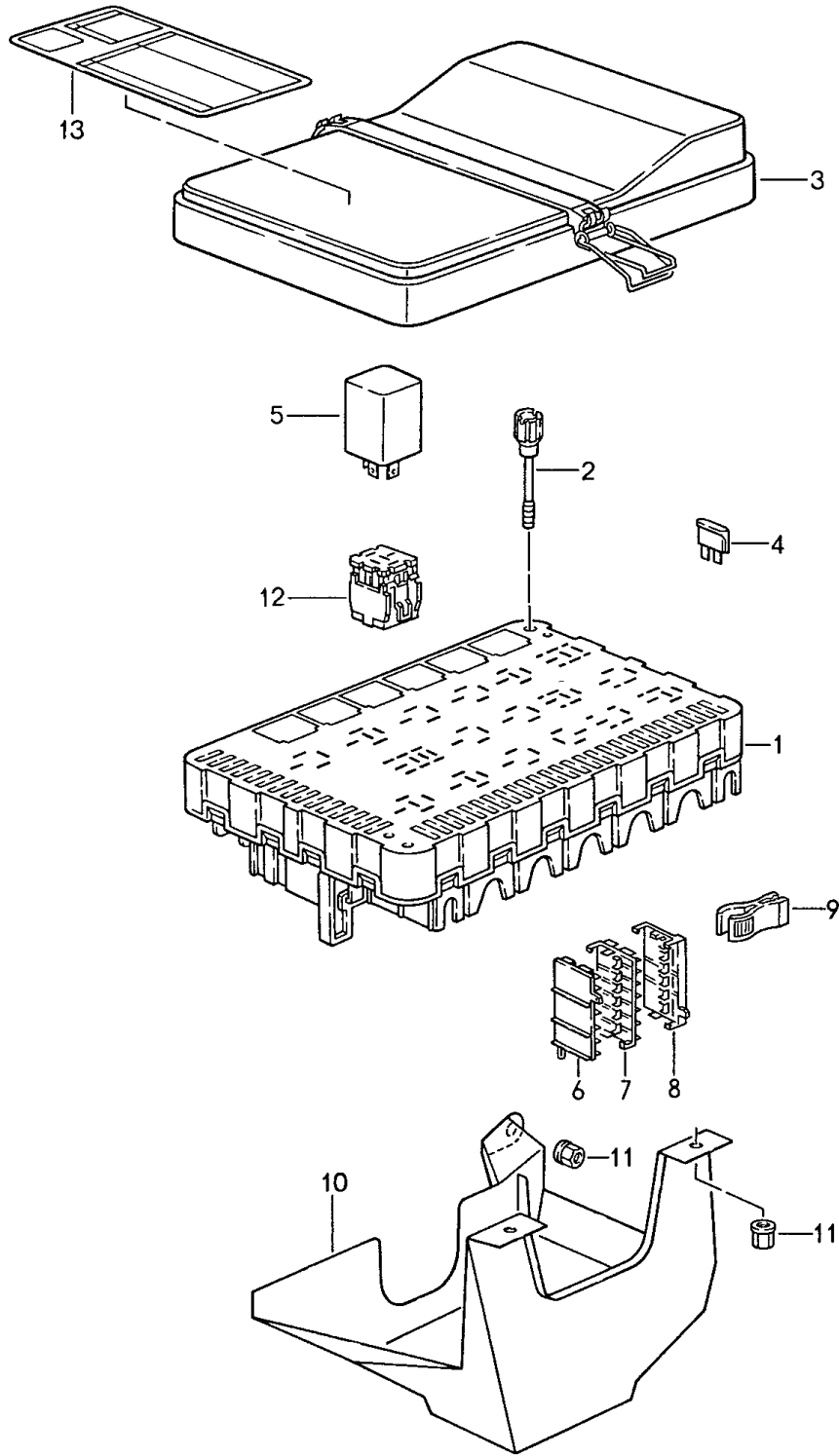


Model: 944 89 Model life 1989>>1991

Pos	Part Number	Description	Remark	Qty	Model
1	928 613 316 00 928 613 316 00 01C	Steering column switch Steering column switch Black for cars without Headlight washer system		1	
1	928 613 312 00 928 613 312 00 01C	Steering column switch Black for cars without Headlight washer system		1	M454/488
1	928 613 314 00 928 613 314 00 01C	Steering column switch Black for cars without Headlight washer system		1	M126/454
1	928 613 313 00 928 613 313 00 01C	Steering column switch Black for cars without Headlight washer system		1	M130/454
1	928 613 308 00 928 613 308 00 01C	Steering column switch Black for cars with Headlight washer system		1	
1	928 613 304 00 928 613 304 00 01C	Steering column switch Black for cars with Headlight washer system		1	M454/488
1	928 613 306 00 928 613 306 00 01C	Steering column switch Black for cars with Headlight washer system		1	M126/454
1	928 613 305 00 928 613 305 00 01C	Steering column switch Black for cars with Headlight washer system		1	M130/454
2	928 652 104 00	Contact plate		1	
3	944 843 613 02	Restricting wedge for Steering column switch	91	1	M562
4	944 552 373 20 944 552 373 20 01C	Boot Black for Steering column switch		1	M562

Model: 944 89

Model life 1989>>1991



Model: 944 89 Model life 1989>>1991

Pos	Part Number	Description	Remark	Qty	Model
		Central electrical system			
1	944 610 110 00	Mounting plate		1	
2	944 610 611 00	Screw		2	
3	944 610 017 02	Lid		1	
3		Lid		1	
		Lock			
4	999 607 005 00	Lock		X	
		7,5 A			
4	999 607 083 00	Lock		X	
		7,5 A			
4	999 607 007 00	Lock		X	
		15 A			
4	999 607 085 00	Lock		X	
		15 A			
4	999 607 009 00	Lock		X	
		25 A			
4	999 607 087 00	Lock		X	
		25 A			
4	999 607 010 00	Lock		X	
		30 A			
4	999 607 088 00	Lock		X	
		30 A			
5		Relay			
(5)	944 615 119 00	Relay for Blower		1	
		Relay socket/code:	G1		
(5)	141 951 253 B	Relay for KL 15		1	
		Relay socket/code:	G2		
(5)	928 615 203 00	Relay for Rear window heating		1	
		Relay socket/code:	G3		
(5)	111 953 227 D	Flasher relay		1	
		Relay socket/code:	G4		
(5)	191 953 227 A	Flasher relay		1	
		Relay socket/code:	G4		
(5)	1H0 953 227	Flasher relay		1	
		Relay socket/code:	G4		
(5)	928 615 131 00	Flasher relay for cars with Trailer coupling		1	
		Relay socket/code:	G4		
(5)	993 615 227 00	Relay for - dme - Fuel pump		1	
		Relay socket/code:	G5		
(5)	993 615 227 01	Relay for - dme - Fuel pump		1	
		Relay socket/code:	G5		
(5)	944 610 183 03	Adapter for cars with Rear fog light	/LL	1	
		Relay socket/code:	G6		
(5)	944 610 183 02	Adapter for cars with Fog headlamp Rear fog light	/LL	1	



Model: 944 89 Model life 1989>>1991

Pos	Part Number	Description	Remark	Qty	Model
(5)	944 610 183 01	Relay socket/code: Adapter for cars with Fog headlamp	G6 /LL (N)	1	
(5)	944 610 183 05	Relay socket/code: Adapter for cars with Fog headlamp	G6 (J)	1	
(5)	944 610 183 09	Relay socket/code: Adapter for cars with Rear fog light	G6 /RL 89	1	
(5)	944 610 183 10	Relay socket/code: Adapter for cars with Fog headlamp Rear fog light	G6 /RL 89	1	
(5)	944 610 183 07	Relay socket/code: Adapter for cars with Rear fog light Only together with Control unit for reduced light	G6 /RL (GB) 89	1	
(5)	944 610 183 09	Relay socket/code: Adapter for cars with Rear fog light	G6 /RL (GB) 89	1	
(5)	944 610 183 08	Relay socket/code: Adapter for cars with Fog headlamp Rear fog light Only together with Control unit for reduced light	G6 /RL (GB) 89	1	
(5)	944 610 183 10	Relay socket/code: Adapter for cars with Fog headlamp Rear fog light	G6 /RL (GB) 89	1	
(5)	944 610 183 03	Relay socket/code: Adapter for cars with Rear fog light	G6 /RL 90-	1	
(5)	944 610 183 02	Relay socket/code: Adapter for cars with Fog headlamp Rear fog light	G6 /RL 90-	1	
(5)	944 615 112 02	Relay socket/code: Relay for Power window	G6	1	
(5)	944 615 116 00	Relay socket/code: Relay for Power window	G7 (AUS)	1	
(5)	944 618 215 00	Relay socket/code: Relay Buzzer	G7	1	(SA)
(5)	993 615 101 00	Relay socket/code: Switch unit	G8	1	

Model: 944 89 Model life 1989>>1991

Pos	Part Number	Description	Remark	Qty	Model
(5)	993 615 101 01	Relay socket/code: Switch unit	G9	1	
(5)	944 615 105 02	Relay socket/code: Relay for 1 Motor fan	G9	1	944
(5)	944 615 104 03	Relay socket/code: Relay  for 2 Motor fan	G10	1	944 M573 944 S2 TURBO
(5)	944 615 104 04	Relay socket/code: Relay  for 2 Motor fan	G10	1	944 M573 944 S2 TURBO
(5)	141 951 253 B	Relay socket/code: Relay for Fog headlamp Rear fog light	G10	1	
(5)		Relay socket/code: Relay for Additional headlamp	G11	1	
(5)		Relay socket/code: Relay for Fanfare	G12	1	
(5)	191 937 503	Relay socket/code: Relay for KL.X	G13	1	
(5)	928 618 111 00	Relay socket/code: Relay for Headlight washer system	G14	1	
(5)	928 618 102 03	Relay socket/code: Warning time relay Warning time relay	G15 (USA) (CDN)	1	(SA)
(5)	911 617 119 00	Relay socket/code: Switch unit for Exhaust gas Temperature monitoring	G16 (J)	1	
(5)	944 615 115 00	Relay socket/code: Relay for Air-conditioning switch	G16	1	
(5)	944 615 115 01	Relay socket/code: Relay for Air-conditioning switch	G17	1	
(5)	141 951 253 B	Relay socket/code: Relay for fog lamp	G17 (J)	1	
(5)	928 637 160 00	Relay socket/code: Relay for Alarm system	G18 -90 -91	1	TURBO

Model: 944 89 Model life 1989>>1991

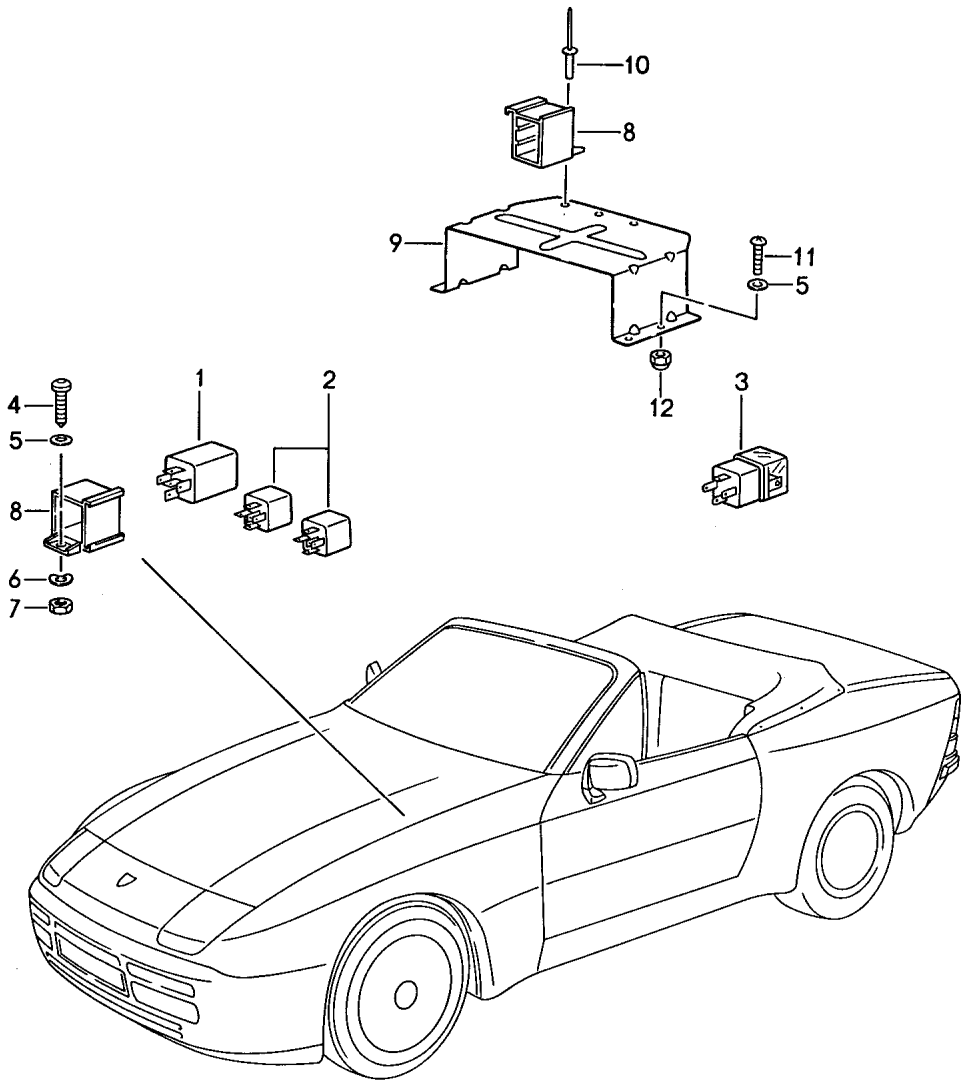
Pos	Part Number	Description	Remark	Qty	Model
(5)	928 615 175 00	Relay socket/code: Plug bridge	G19 -90	1	
(5)	928 615 175 01	Relay socket/code: Plug bridge	G19	1	
(5)	928 615 124 01	Relay socket/code: Relay for -ABS-	G19	1	
(5)	928 615 124 03	Relay socket/code: Relay for -ABS-	G20	1	
(5)	944 615 117 02	Relay socket/code: Relay for Lifting roof	G20	1	
(5)	941 615 101 11	Relay socket/code: Relay for Convertible top Electric	G21	1	
(5)	951 618 149 00	Relay socket/code: Relay for Water pump Turbocharger	G21	1	
(5)	951 618 149 02	Relay socket/code: Relay for Water pump Turbocharger	G22	1	
6	928 612 331 00	Relay socket/code: Initial housing Black	G22	X	
7	928 612 332 00	Module housing		X	
8	928 612 335 25	Coding element		X	
9	443 941 802	Tool		1	
10	944 610 219 02	Cover		1	
11	999 591 839 40	Plastic nut		3	
12	928 610 511 00	Relay carrier		6	
13	944 610 221 04	Assignment sticker German	89	1	
13		Assignment sticker German	-90 91	1	TURBO
13	944 610 221 05	Assignment sticker German	91	1	
13	944 610 231 04	Assignment sticker English	89	1	
13		Assignment sticker English	-90 91	1	TURBO
13	944 610 231 05	Assignment sticker English	91	1	
13	944 610 241 04	Assignment sticker French	89	1	
13		Assignment sticker French	-90 91	1	TURBO
13	944 610 241 05	Assignment sticker French	91	1	
13	944 610 251 04	Assignment sticker Italian	89	1	
13		Assignment sticker Italian	-90 91	1	TURBO

Model: 944 89 Model life 1989>>1991

Pos	Part Number	Description	Remark	Qty	Model
13	944 610 251 05	Assignment sticker Italian	91	1	
13	944 610 261 04	Assignment sticker Spanish	89	1	
13		Assignment sticker Spanish	-90 91	1	TURBO
13	944 610 261 05	Assignment sticker Spanish	91	1	
14	941 610 222 01	Assignment sticker German	-90 91	1	CABRIO CABRIO TURBO
14	941 610 222 02	Assignment sticker English	-90 91	1	CABRIO CABRIO TURBO
14	941 610 222 03	Assignment sticker French	-90 91	1	CABRIO CABRIO TURBO
14	941 610 222 04	Assignment sticker Spanish	-90 91	1	CABRIO CABRIO TURBO
14	941 610 222 05	Assignment sticker Italian	-90 91	1	CABRIO CABRIO TURBO

Model: 944 89

Model life 1989>>1991

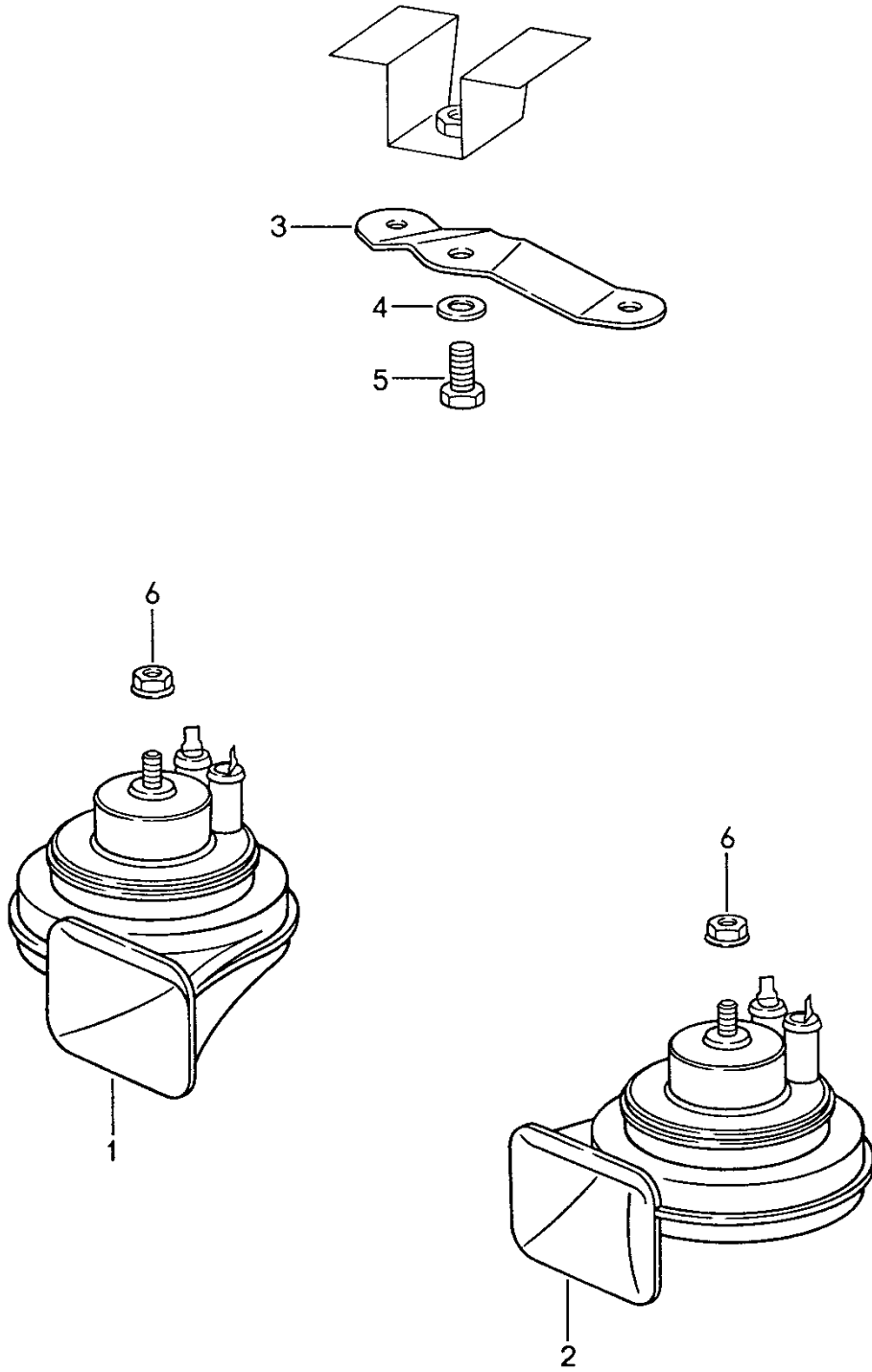


Model: 944 89 Model life 1989>>1991

Pos	Part Number	Description	Remark	Qty	Model
		Relay for Convertible top control			CABRIO
1	944 615 122 00	Slow-action relay		1	
2	944 615 119 00	Relay for Window lowering		2	
3	431 951 253 D	Relay for Convertible top control		2	
3	999 657 016 90	Relay for Convertible top control		2	
4	900 146 003 02	Oval-head screw M5		2	
5	900 025 003 02	Washer A 5,3		2	
6	N 012 035 1	Lock ring		2	
7	N 011 005 14	Hexagon nut		2	
7	900 076 091 01	Hexagon nut		2	
8	928 615 511 00	Relay holder		3	
9	944 618 551 00	Clip for Relay	91	1	
10	999 190 119 30	Blind rivet A 4,0 X 6,8	91	3	
11	N 014 129 6	Oval-head screw M 5 X 10		3	
12	N 011 125 2	Cap nut M 5		3	

Model: 944 89

Model life 1989>>1991



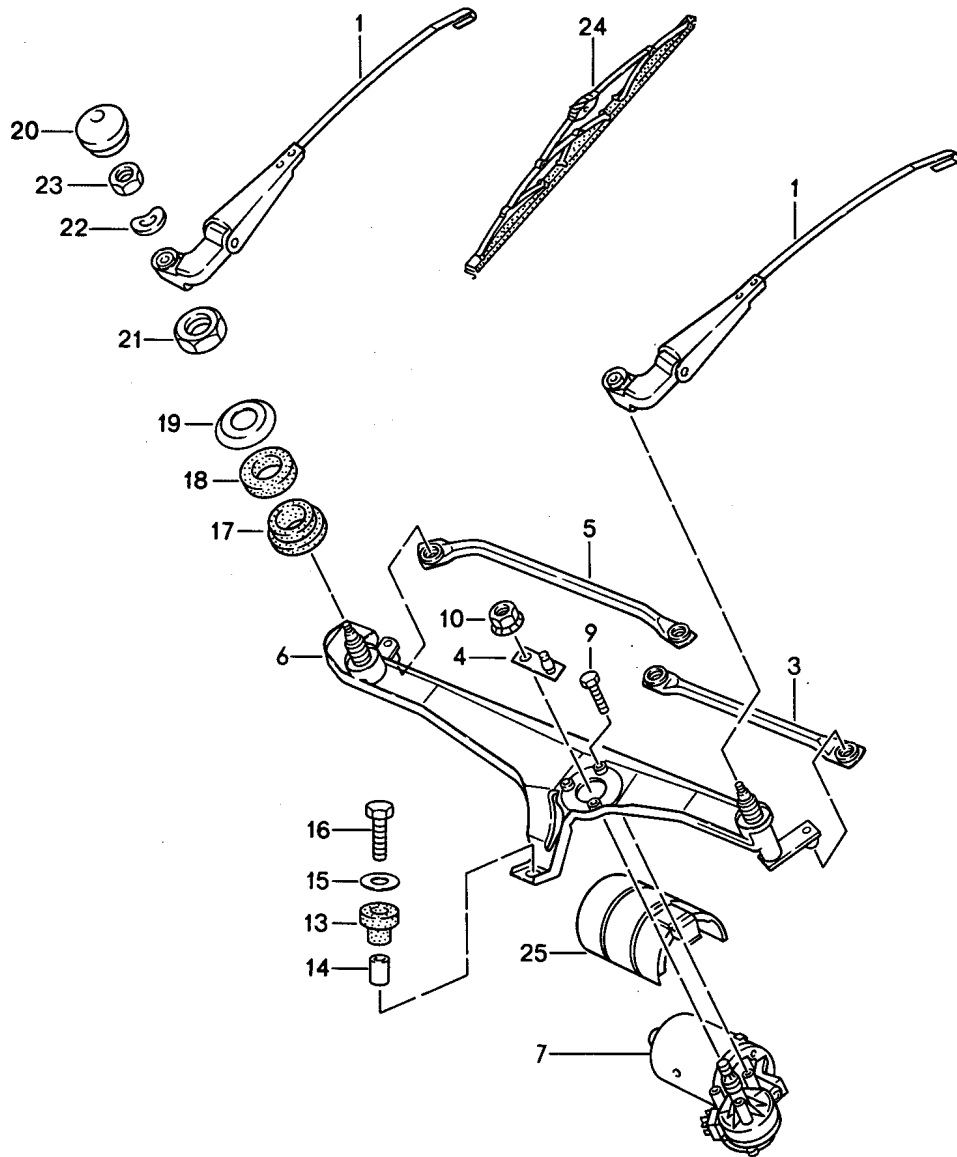
Model: 944 89 Model life 1989>>1991

Pos	Part Number	Description	Remark	Qty	Model
1	928 635 222 00	Horn Fanfare Low-pitched F >>94KN4 03115 F >>95KN1 01169		1	
1		Fanfare Low-pitched F >>94KN4 03115 F >>95KN1 01169		1	
1	944 635 205 00	Fanfare Low-pitched F 94KN4 03116>> F 95KN1 01170>>		1	
2	928 635 221 00	Fanfare High-pitched F >>94KN4 03115 F >>95KN1 01169		1	
2	928 635 221 01	Fanfare High-pitched F >>94KN4 03115 F >>95KN1 01169		1	
2	928 635 221 00	Fanfare High-pitched F >>94KN4 03115 F >>95KN1 01169		1	
2	928 635 221 01	Fanfare High-pitched F >>94KN4 03115 F >>95KN1 01169		1	
2	944 635 206 00	Fanfare High-pitched F 94KN4 03116>> F 95KN1 01170>>		1	
3	944 635 411 00	Support F >>94KN4 03115 F >>95KN1 01169		1	
3	944 635 204 00	Support F 94KN4 03116>> F 95KN1 01170>>		1	
4	N 012 228 3	Spring washer B 8		1	
5	900 075 078 02	Hexagon-head bolt M 8 X 15		1	
5	900 075 078 03	Hexagon-head bolt M 8 X 15		1	
6	N 011 118 11	Hexagon nut M 8 F >>94KN4 03115 F >>95KN1 01169		2	
6	900 034 001 05	Hexagon nut M 8 F >>94KN4 03115 F >>95KN1 01169		2	
-	N 012 119 2	Serrated lock washer A 8,4 F >>94KN4 03115 F >>95KN1 01169		2	
6	999 084 087 02	Lock nut M 6 F 94KN4 03116>> F 95KN1 01170>>		2	



Model: 944 89

Model life 1989>>1991



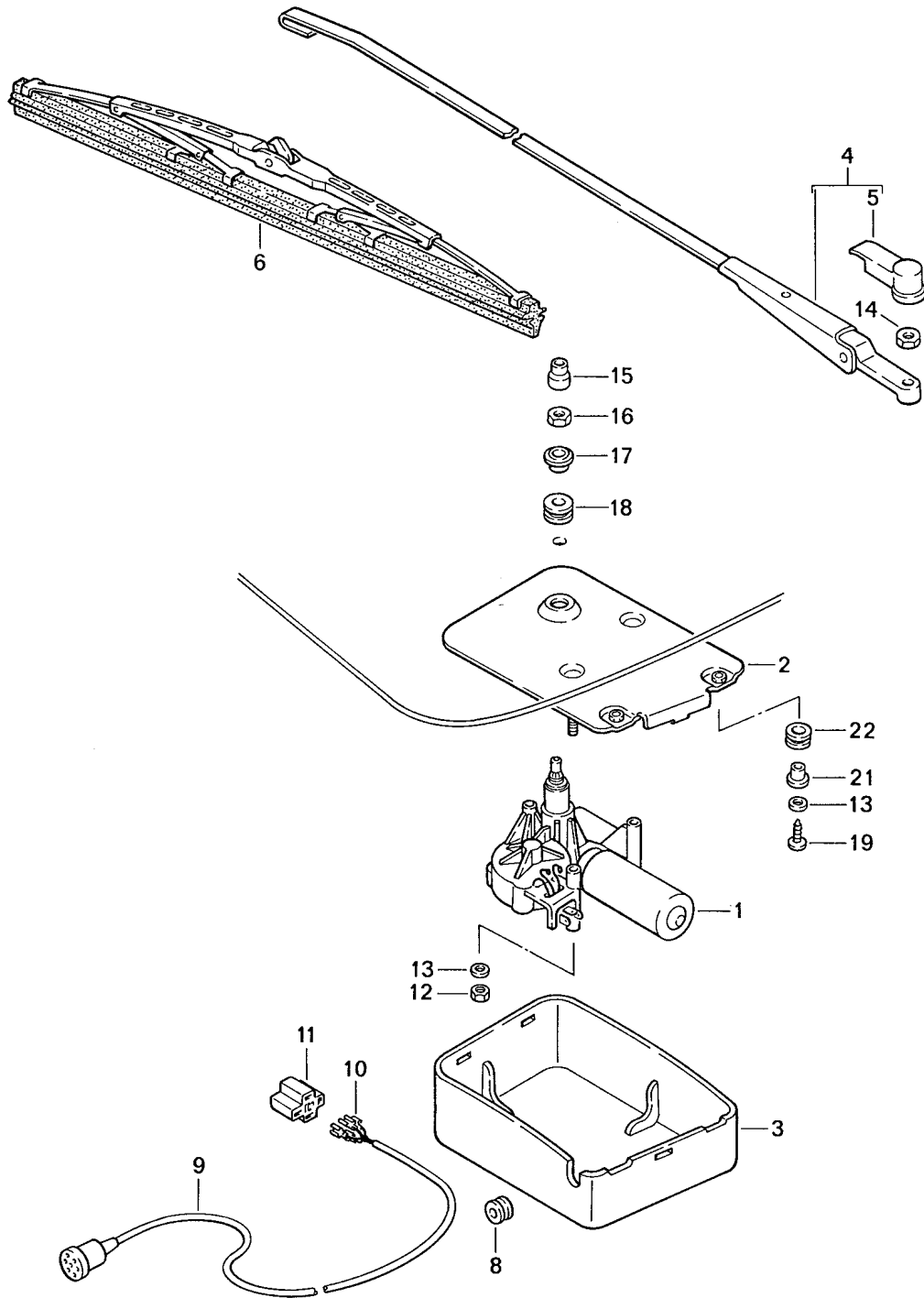
Model: 944 89

Model life 1989&gt;&gt;1991

Pos	Part Number	Description	Remark	Qty	Model
		Windscreen wiper system			
1	944 628 028 02	Wiper arm	/LL	2	
1	945 628 028 02	Wiper arm	/RL	2	
3	944 628 033 00	Connecting rod Short	/LL	1	
(3)	945 628 034 00	Connecting rod Short	/RL	1	
4	944 628 330 00	Crank		1	
5	944 628 034 00	Connecting rod Long	/LL	1	
(5)	945 628 033 00	Connecting rod Long	/RL	1	
6	944 628 961 00	Frame	/LL	1	
(6)	945 628 961 00	Frame	/RL	1	
7	944 628 303 01	Wiper motor		1	
9	900 278 003 02	Screw M 6 X 20		3	
10	N 012 229 3	Spring washer M 6		1	
13	944 628 126 00	Grommet		1	
14	944 628 127 00	Bush		1	
15	N 902 707 01	Washer B 6,4		1	
16	900 075 341 02	Combination screw M 6 X 20		1	
16	900 075 341 01	Combination screw M 6 X 20		1	
17	944 628 129 00	Rubber bush		2	
-	PCG 628 129 00	Bush Satz bestehend aus 2 x 94462812800 2 x 94462812900		4	
18	944 628 128 01	Rubber bush		2	
19	944 628 125 01	Flange washer		2	
19	944 628 125 02	Flange washer		2	
(20)	944 628 305 00	Cap		2	
21	999 034 013 02	Hexagon nut M 18 X 1,5		2	
22	803 955 437	Spring washer		2	
23	N 011 151 3	Hexagon nut M 8		2	
24	928 628 901 01	Wiper blade		2	
24	928 628 901 03	Wiper blade		2	
25	944 628 101 00	Cover		1	
25	944 628 101 02	Cover		1	
	944 628 101 02 01C	Satin black			

Model: 944 89

Model life 1989>>1991



Model: 944 89 Model life 1989>>1991

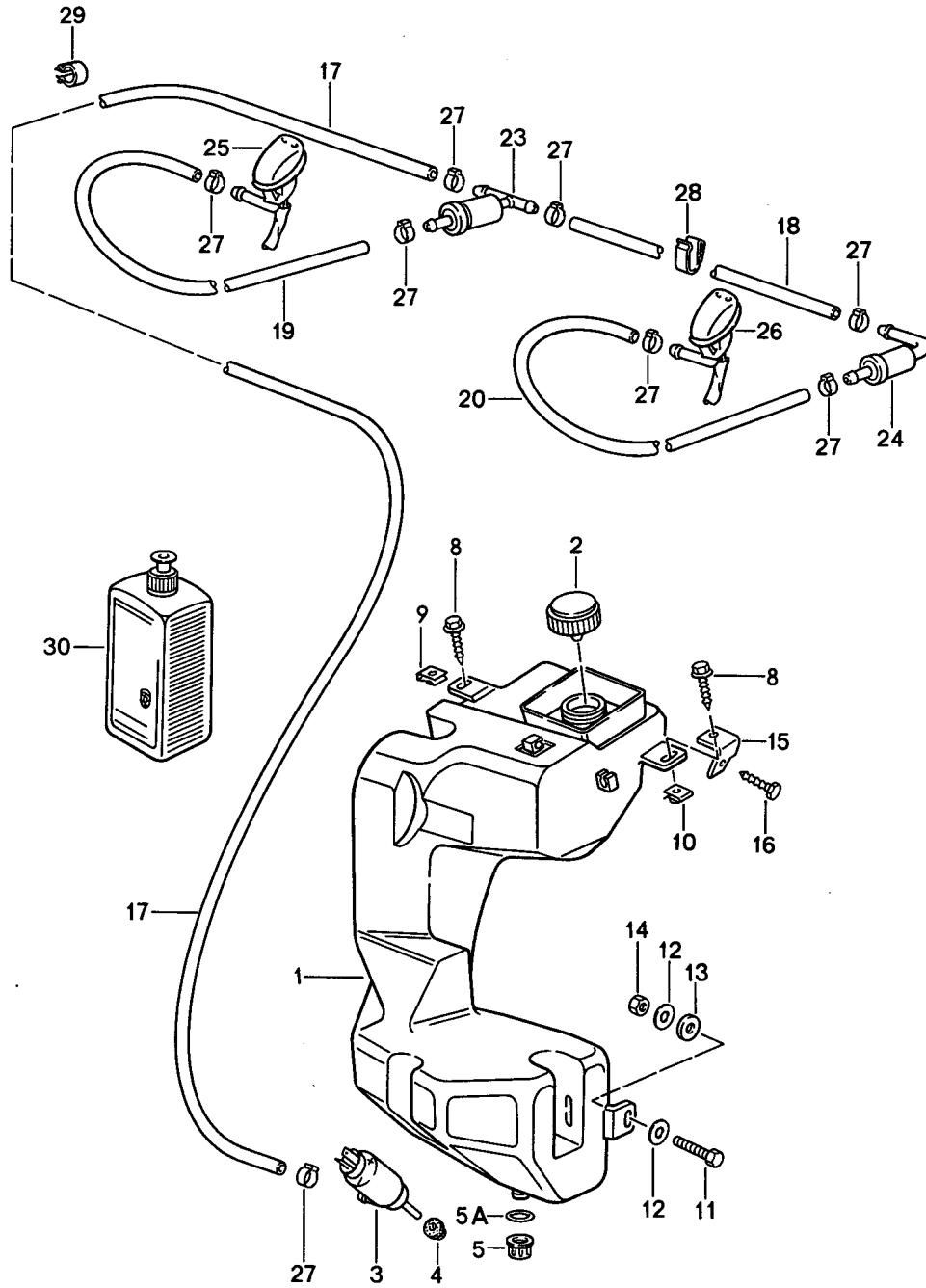
Pos	Part Number	Description	Remark	Qty	Model
		Rear window wiper See technical information GR.5, NR.1/90			M425
(1)	477 955 713 A	Wiper motor F >>94KN4 03598 F >>95KN1 01260		1	
1	944 628 030 00	Wiper motor F 94KN4 03599>> F 95KN1 01261>>		1	
(2)	944 628 071 01	Mounting plate F >>94KN4 03598 F >>95KN1 01260		1	
2	944 628 071 02 944 628 071 02 03C	Mounting plate Black F 94KN4 03599>> F 95KN1 01261>>		1	
3	477 955 737 A 477 955 737 A 01C	Cap Satin black		1	
(4)	477 955 409 A	Wiper arm F >>94KN4 03598 F >>95KN1 01260		1	
4	944 628 032 00	Wiper arm F 94KN4 03599>> F 95KN1 01261>>		1	
(5)	477 955 415	Cap F >>94KN4 03598 F >>95KN1 01260		1	
5	944 628 122 00	Cap F 94KN4 03599>> F 95KN1 01261>>		1	
(6)	928 628 218 01	Wiper blade F >>94KN4 03598 F >>95KN1 01260		1	
(6)	928 628 218 02	Wiper blade F >>94KN4 03598 F >>95KN1 01260		1	
6	944 628 132 00	Windscreen wiper blade F 94KN4 03599>> F 95KN1 01261>>		1	
6	944 628 132 01	Windscreen wiper blade F 94KN4 03599>> F 95KN1 01261>>		1	
8	111 941 189	Drain bush		1	
9	477 971 345 A	Wiring harness for cars without Additional brake light		1	
9	944 612 065 01	Wiring harness for cars with Additional brake light		1	
10	N 017 490 6	Flat connector 6,3 X 1		3	
11	803 971 835 A	Terminal sleeve housing		1	
12	900 076 010 02	Nut M 6		2	
12	900 076 010 0B	Nut M 6		2	
13	N 011 524 7	Washer A 6,4		4	
13	N 011 524 27	Washer A 6,4		4	
14	999 084 045 02	Lock nut M 6 F >>94KN4 03598		1	

Model: 944 89 Model life 1989>>1991

Pos	Part Number	Description	Remark	Qty	Model
14	N 011 151 3	F >>95KN1 01260 Hexagon nut M 8 F 94KN4 03599>> F 95KN1 01261>>		1	
15	211 955 275 A	Housing F >>94KN4 03598 F >>95KN1 01260		1	
16	311 955 243 A	Hexagon nut F >>94KN4 03598 F >>95KN1 01260		1	
16	477 955 149	Hexagon nut F 94KN4 03599>> F 95KN1 01261>>		1	
(17)	477 955 435 A	Spacer F >>94KN4 03598 F >>95KN1 01260		1	
17	445 955 753	Bush F 94KN4 03599>> F 95KN1 01261>>		1	
(18)	477 955 439	Grommet F >>94KN4 03598 F >>95KN1 01260		2	
18	533 955 758	Gasket F 94KN4 03599>> F 95KN1 01261>>		1	
(19)	N 014 140 5	Oval-head screw M 6 X 15 F >>94KN4 03598 F >>95KN1 01260		2	
19	N 014 133 8	Oval-head screw M 5 X 12 F 94KN4 03599>> F 95KN1 01261>>		2	
(21)	937 503 255 01	Spacer F >>94KN4 03598 F >>95KN1 01260		2	
21	999 209 017 02	Spacer sleeve F 94KN4 03599>> F 95KN1 01261>>		2	
(22)	111 953 547	Grommet F >>94KN4 03598 F >>95KN1 01260		2	
22	999 702 180 40	Rubber sleeve F 94KN4 03599>> F 95KN1 01261>>		2	

Model: 944 89

Model life 1989>>1991



Model: 944 89 Model life 1989>>1991

Pos	Part Number	Description	Remark	Qty	Model
1	944 628 061 00	Windscreen washer system Water reservoir for cars with		1	
(1)	944 628 060 00	Headlight washer system Water reservoir for cars without		1	
2	911 628 077 01	Headlight washer system Lid		1	
3	928 628 172 01	Pump		1	
4	431 955 465 B	Sealing ring		1	
5	999 063 015 40	Stopper		1	
5A	999 707 171 40	O-ring		1	
8	N 090 172 1	Combination screw B 6,3 X 19		2	
9	999 507 034 02	Speed nut B 6,3		1	
10	999 591 327 02	Speed nut B 6,3		1	
10	999 501 327 01	Speed nut B 6,3		1	
10	999 591 327 01	Speed nut B 6,3		1	
11	900 075 017 02	Hexagon-head bolt M 6 X 25		1	M288
11	900 075 017 03	Hexagon-head bolt M 6 X 25		1	M288
12	N 011 666 7	Washer B 6,4		2	M288
13	N 900 067 01	Washer 6,4 X 18 X 4		1	M288
14	900 076 010 02	Nut M 6		1	M288
14	900 076 010 0B	Nut M 6		1	
15	944 628 066 00	Support		1	
16	N 100 515 01	Hexagon-head bolt M 6 X 15		1	
-	999 181 722 40	Hose 4,6 X 1,8		*	
17		1830 MM		1	
(17)		2150 MM		1	M288
18		480 MM		1	
19		250 MM		1	
20		330 MM		1	
23	914 628 433 00	Valve		1	
24	477 955 481	Valve		1	
25	944 628 077 00	Nozzle	/R	1	
	944 628 077 00 01C	Black Heatable			
26	928 628 077 00	Nozzle	/L	1	
	928 628 077 00 70B	Black Heatable			
27	N 100 020 01	Clip 10/6		8	
27	999 512 527 00	Clamp 10/6		8	
28	944 628 181 00	Retaining clip		6	
(28)	431 971 848 A	Clip		X	
29	477 971 851	Cable clip		1	
30	999 901 017 41	Window cleaner 250 ML		X	
30	999 901 017 42	Summer Window cleaner		X	

Model: 944 89

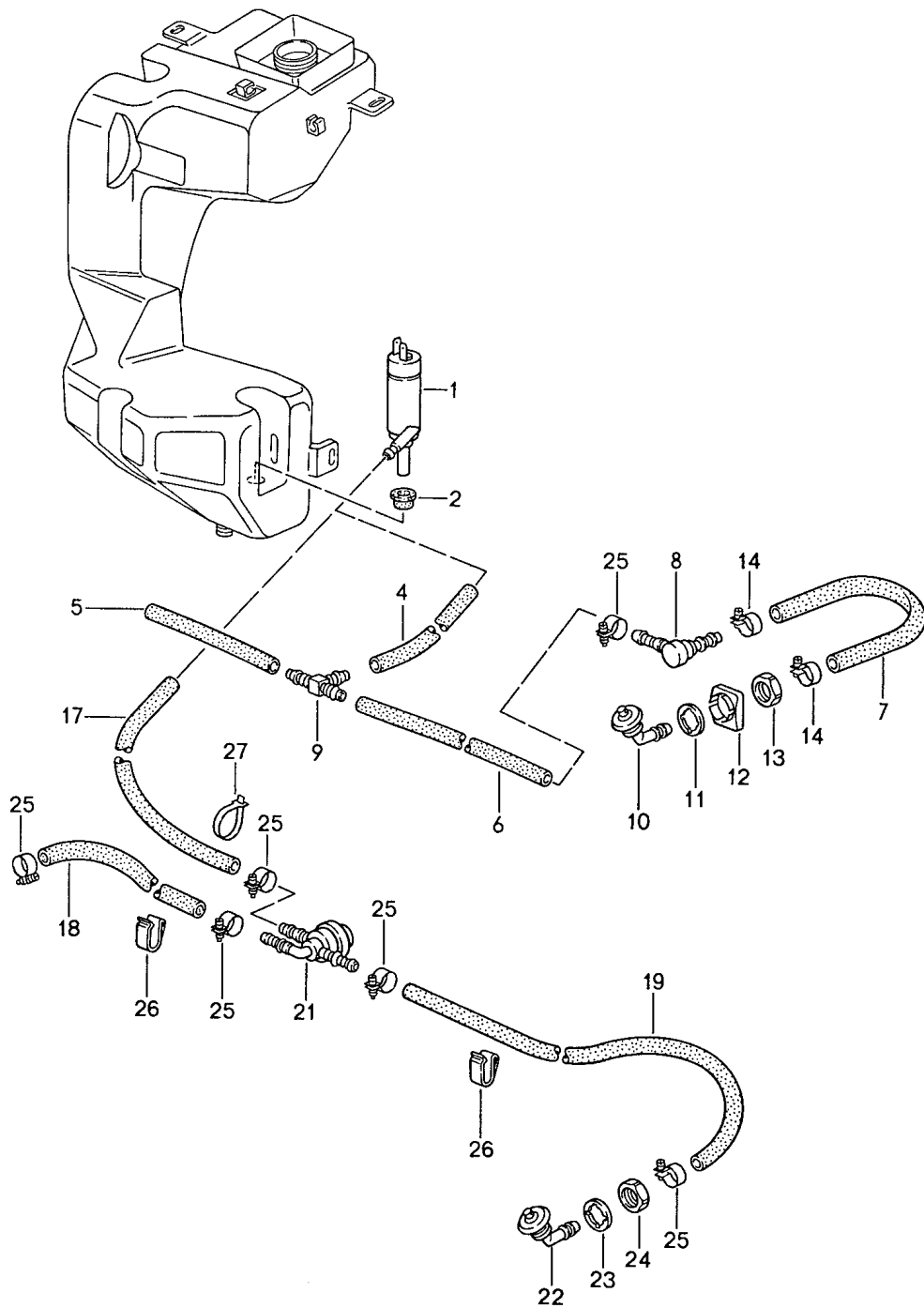
Model life 1989>>1991

Pos	Part Number	Description	Remark	Qty	Model
30	000 044 000 87	250 ML Summer Window cleaner		X	
30	999 901 033 40	250 ML Summer Window cleaner 1000 ML Winter		X	



Model: 944 89

Model life 1989>>1991

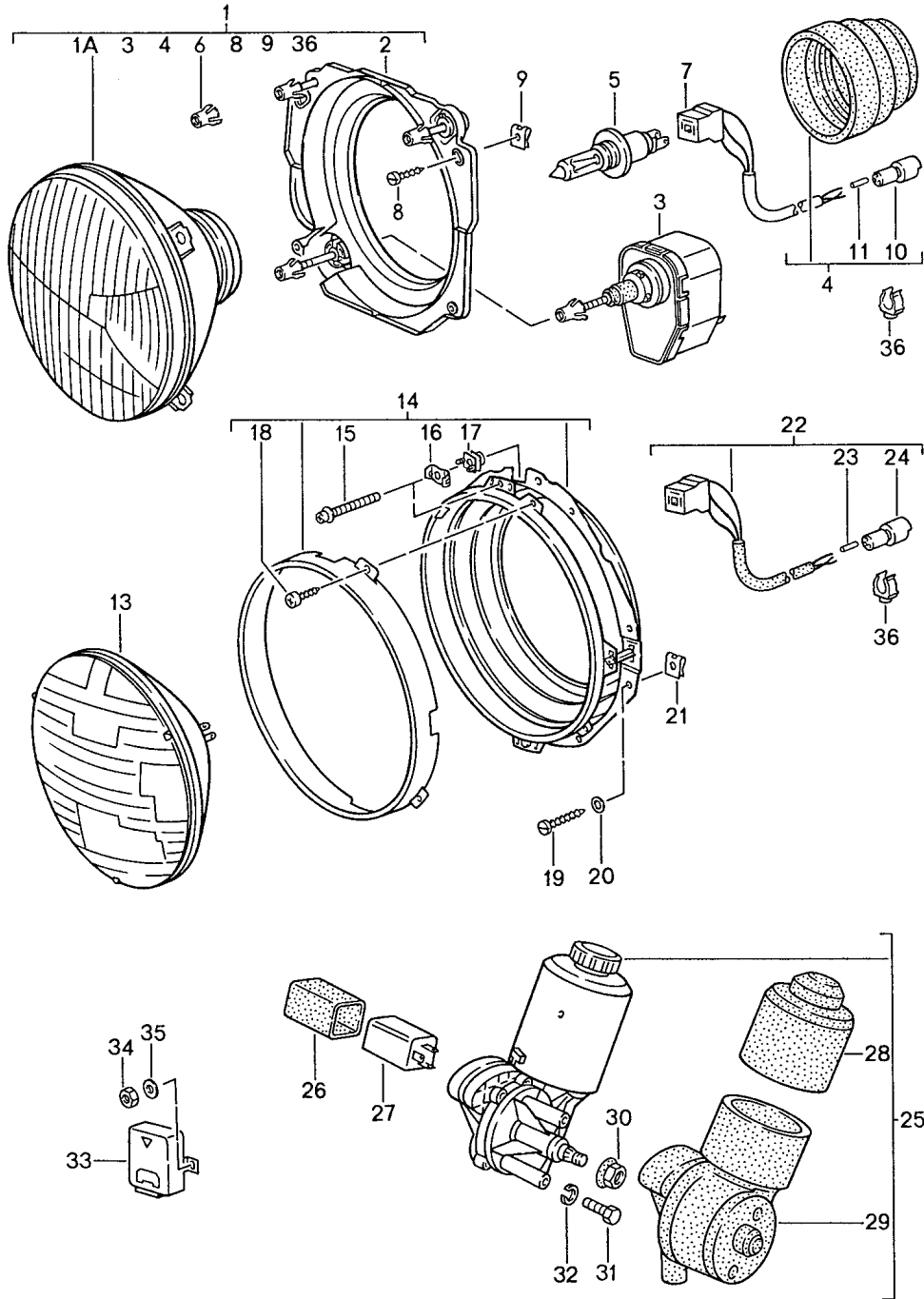


Model: 944 89 Model life 1989>>1991

Pos	Part Number	Description	Remark	Qty	Model
		Headlight washer system			M288
1	191 955 681	Pump		1	
2	431 955 465 A	Gasket		1	
-	N 020 126 1	Pipe		*	
		12,5 X 1,25			
4		410 MM		1	
5		60 MM		1	
(5)		100 MM		1	M036/058
6		800 MM		1	
(6)		890 MM		1	M036/058
7	928 528 161 02	Hose		2	
		9 X 1,5			
8	477 955 183	Pressure control valve		2	
9	113 955 975 B	T-piece		1	
10	928 528 071 02	Jet carrier		2	
	928 528 071 02 03C	Black			
(10)	477 955 177	Jet carrier		2	M036/058
11	944 628 803 00	Rubber washer		2	
12	944 628 801 00	Torsion protection		2	
13	N 019 121 1	Nut		2	
14	N 023 570 2	Hose clamp		4	
		15/9			
-	999 181 806 40	Hose		*	
17		700 MM		1	
18		480 MM		1	
19		550 MM		1	
21	281 955 187	Valve		1	
22	911 628 071 01	Jet carrier		2	
23	951 628 173 00	Desk pad		2	
24	N 019 121 1	Nut		2	
25	N 023 570 2	Hose clamp		6	
		15/9			
26	999 651 159 02	Cable clamp		6	
27	999 513 003 40	Tie-wrap		1	
		6,5 X 150			

Model: 944 89

Model life 1989>>1991



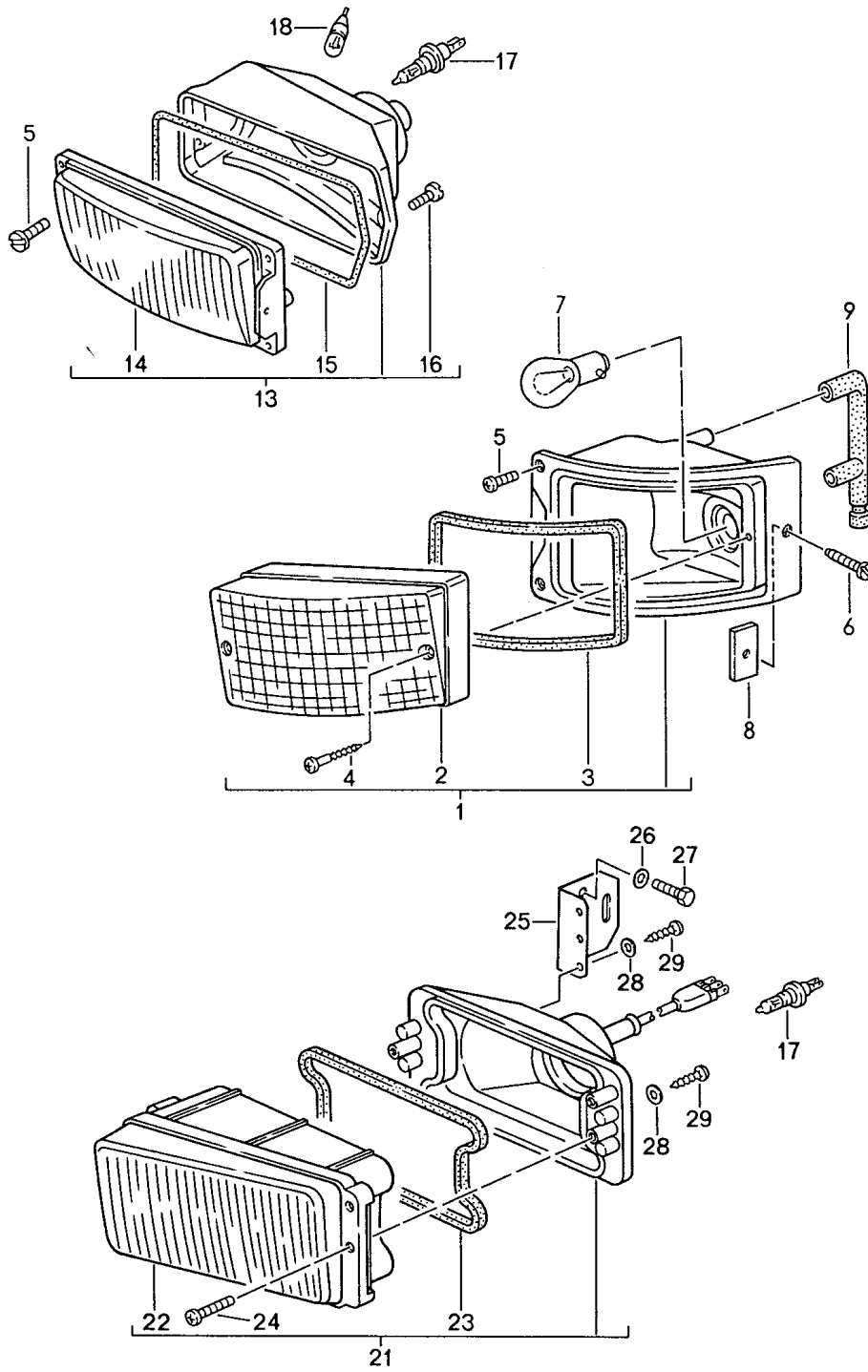
Model: 944 89

Model life 1989&gt;&gt;1991

Pos	Part Number	Description	Remark	Qty	Model
1	944 631 911 05	Headlamp Electric motor Pop-up headlight		2	
1	944 631 911 04	Headlamp Installation set		2	M605
1	944 631 911 09	Headlamp Installation set		2	M492
1	944 631 911 08	Headlamp Installation set		2	M492/605
1A	944 631 910 00	Headlamp		2	
1A	944 631 911 00	Headlamp		2	M492
2	944 631 907 00	Retaining frame		2	
3	944 631 909 00	Electric motor		2	M605
4	944 612 057 00	Cap		2	
5	999 631 202 90	Bulb		2	
5	999 631 202 91	Halogen bulb	(F)	2	
(5)	900 631 109 90	Bulb 12 V 45/50 W	(J)	2	
6	944 631 912 00	Articulated piece		6	
7	111 941 341	Terminal sleeve housing		2	
8	900 143 041 00	Oval-head sheetmetal screw B 3,9 X 19		6	
(8)	N 013 964 4	Oval-head sheetmetal screw B 4,2 X 16		2	
9	999 507 252 02	Nut B 3,9		6	
10	944 612 435 00	Connector housing		2	
11	944 612 427 00	Contact bush		2	
(11)	944 612 428 00	Round connector		4	
25	477 941 379 B	Electric motor		1	
26	477 971 923	Protection cap		1	
27	111 943 383 C	Relay		1	
27	928 615 116 01	Relay		1	
28	477 941 387	Protection cap		1	
29	477 941 386	Protection cap		1	
30	999 084 045 02	Lock nut M 6		1	
31	999 072 005 09	Hexagon nut M 6 X 12		3	
31	999 072 005 01	Hexagon nut M 6 X 12		3	
32	N 012 006 4	Lock ring B 6		3	
33	911 618 231 00	Control unit for reduced light	(GB) 89	1	
34	900 076 010 02	Nut M 6	(GB) 89	1	
34	900 076 010 0B	Nut M 6	89	1	
35	N 011 524 7	Washer A 6,4	(GB) 89	1	
35	N 011 524 27	Washer A 6,4	(GB) 89-	1	
36	999 651 224 40	Cable holder		2	
36	999 651 210 40	Cable holder		2	

Model: 944 89

Model life 1989>>1991



Model: 944 89 Model life 1989>>1991

Pos	Part Number	Description	Remark	Qty	Model
		Additional headlamp			944
		Fog headlamp			
		Direction indicator light			
1	477 953 043	Direction indicator light	/L	1	
(1)	477 953 044	Direction indicator light	/R	1	
2	477 953 161	Lens	/L	1	
(2)	477 953 162	Lens	/R	1	
3	477 953 165	Gasket		2	
4	331 945 185	Oval-head sheetmetal screw		4	
5	900 146 011 02	Oval-head screw		8	
		M 4 X 10			
6	N 014 119 1	Oval-head screw		2	
		M 4 X 20			
6	N 014 119 8	Oval-head screw		2	
		M 4 X 20			
7	900 631 127 90	Bulb		2	
		12 V - 21 W			
8	931 505 181 00	Threaded plate		2	
		M 4			
9	944 631 213 00	Moulded hose		2	
13	944 631 407 00	Additional headlamp	/L	1	
		White			
(13)	944 631 408 00	Additional headlamp	/R	1	
		White			
13	944 631 409 00	Additional headlamp	/L (F)	1	
		Yellow			
(13)	944 631 410 00	Additional headlamp	/R (F)	1	
		Yellow			
14	944 631 407 00	Additional headlamp	/L	1	
		White			
(14)	944 631 408 00	Additional headlamp	/R	1	
		White			
14	944 631 409 00	Additional headlamp	/L (F)	1	
		Yellow			
(14)	944 631 410 00	Additional headlamp	/R (F)	1	
		Yellow			
15	944 631 421 00	Gasket		2	
16	N 014 122 8	Oval-head screw		6	
16	N 014 122 17	Oval-head screw		6	
		M 4 X 8			
17	900 631 126 90	Halogen bulb		4	
		12 V - 55 W			
18	900 631 103 90	Bulb		2	
		12 V - 4 W			
21	944 631 201 01	Fog headlamp	/L	1	
		White			
(21)	944 631 202 01	Fog headlamp	/R	1	
		White			
21	944 631 203 01	Fog headlamp	/L (F)	1	
		Yellow			
(21)	944 631 204 01	Fog headlamp	/R (F)	1	
		Yellow			
22	944 631 901 00	Lens	/L	1	
		White			
(22)	944 631 902 00	Lens	/R	1	
		White			
22	944 631 903 00	Lens	/L (F)	1	
		Yellow			
(22)	944 631 904 00	Lens	/R (F)	1	
		Yellow			
23	437 941 715	Gasket		2	
24	N 010 707 2	Hexagon-head bolt		4	
25	944 501 375 00	Support		2	

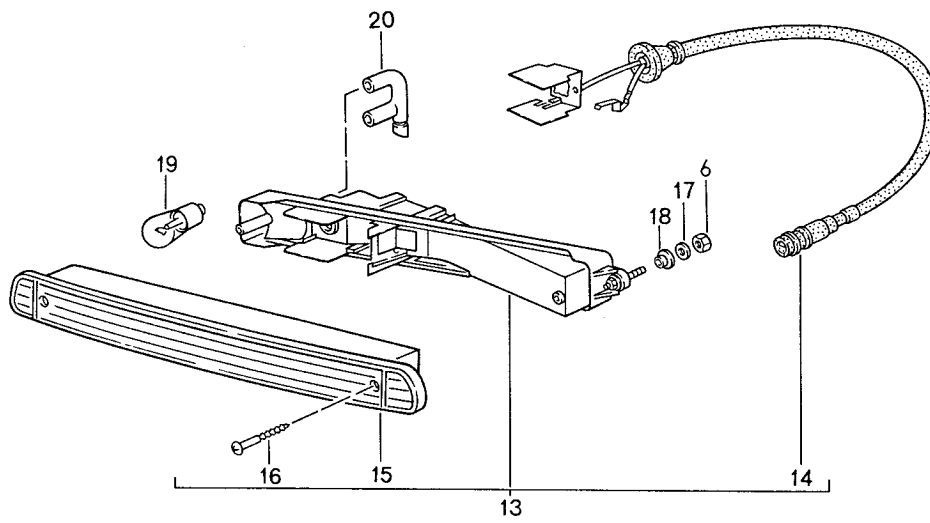
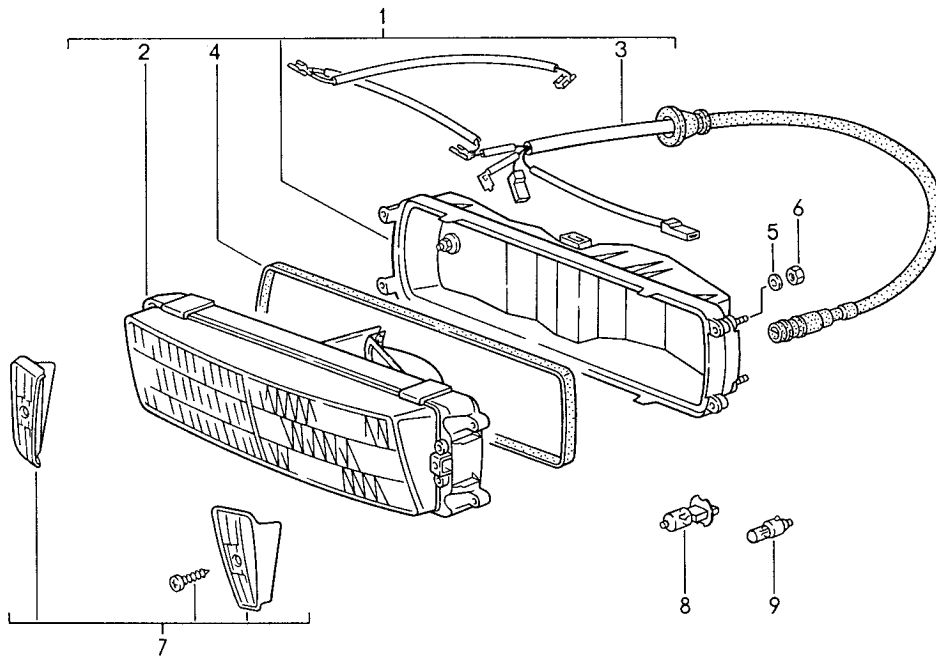
Model: 944 89

Model life 1989&gt;&gt;1991

Pos	Part Number	Description	Remark	Qty	Model
26	N 011 524 7	Washer A 6,4		4	
26	N 011 524 27	Washer A 6,4		4	
27	999 072 005 09	Hexagon nut M 6 X 12		4	
27	999 072 005 01	Hexagon nut M 6 X 12		4	
28	900 025 003 02	Washer A 5,3		8	
29	N 013 971 3	Oval-head sheetmetal screw B 4,8 X 22		8	

Model: 944 89

Model life 1989>>1991





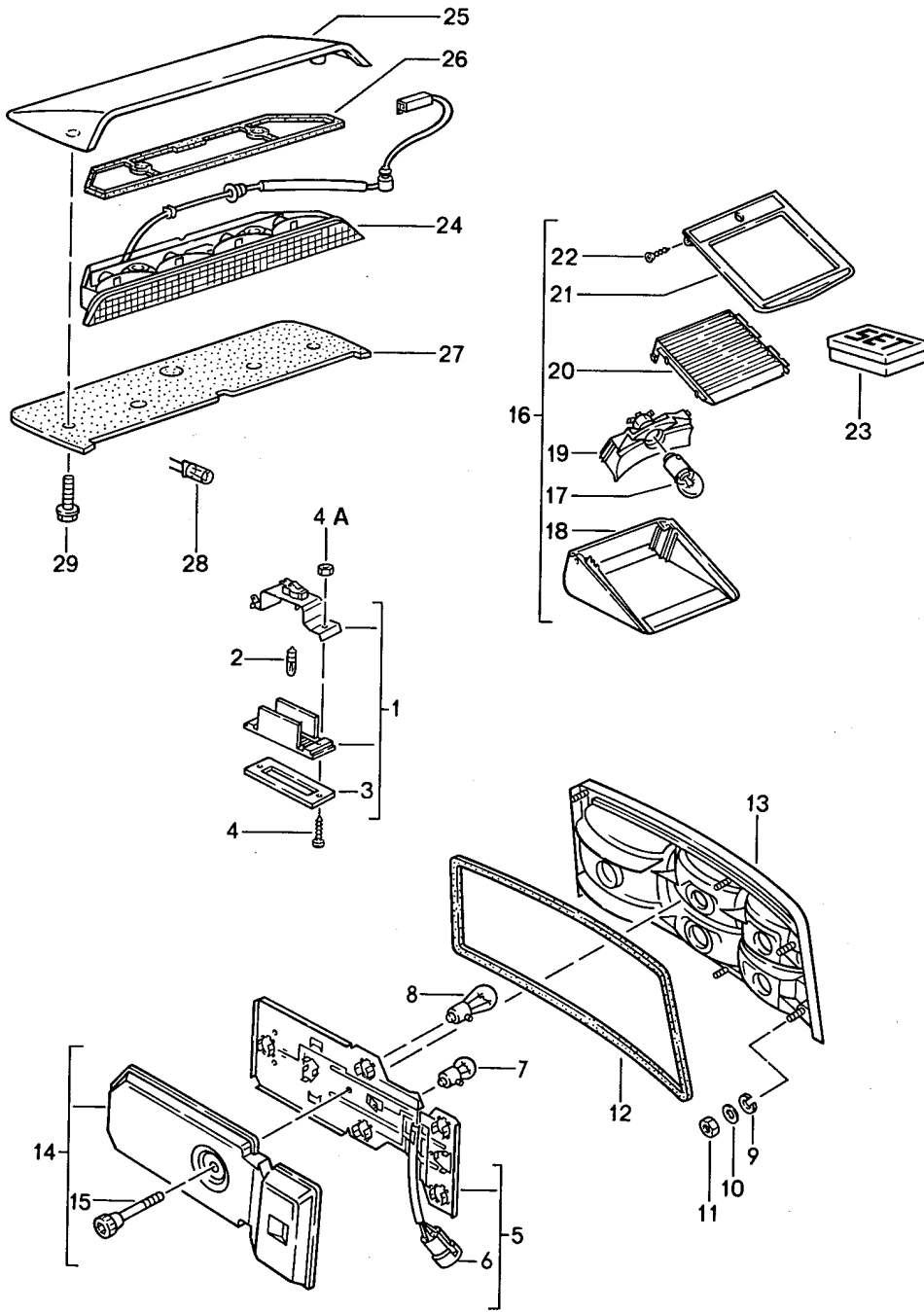
Model: 944 89

Model life 1989&gt;&gt;1991

Pos	Part Number	Description	Remark	Qty	Model
		Additional headlamp Direction indicator light			944S2/TURBO
1	951 631 211 00	Combined lights White	/L	1	
(1)	951 631 212 00	Combined lights White	/R	1	
1	951 631 213 00	Combined lights Yellow	/L (F)	1	
(1)	951 631 214 00	Combined lights Yellow	/R (F)	1	
2	951 631 221 00	Headlamp unit White	/L	1	
(2)	951 631 222 00	Headlamp unit White	/R	1	
2	951 631 221 01	Headlamp unit Yellow	/L (F)	1	
(2)	951 631 222 01	Headlamp unit Yellow	/R (F)	1	
3	951 612 061 00	Wiring harness		2	
4	951 631 167 00	Gasket		2	
5	N 011 665 3	Washer B 5,3		6	
5	N 011 665 16	Washer B 5,3		6	
6	N 011 005 14	Hexagon nut M 5		10	
6	900 076 091 01	Hexagon nut M 5		10	
7	951 631 931 00	Trim cover Set White	/L	1	
(7)	951 631 932 00	Trim cover Set White	/R	1	
7	951 631 933 00	Trim cover Set Yellow	/L (F)	1	
(7)	951 631 934 00	Trim cover Set Yellow	/R (F)	1	
8	900 631 126 90	Halogen bulb H 3		4	
9	900 631 103 90	Bulb 12 V - 4 W		2	
13	951 631 411 00	Direction indicator light	/L	1	
(13)	951 631 412 00	Direction indicator light	/R	1	
14	951 612 062 00	Wiring harness		2	
15	951 631 161 00	Lens	/L	1	
(15)	951 631 162 00	Lens	/R	1	
16	411 953 169	Oval-head sheetmetal screw		4	
17	N 011 692 3	Washer 5,1 X 15		4	
18	944 503 255 00	Spacer		4	
19	900 631 127 90	Bulb 12 V - 21 W		2	
20	951 631 313 00	Moulded hose		2	

Model: 944 89

Model life 1989>>1991



Model: 944 89 Model life 1989>>1991

Pos	Part Number	Description	Remark	Qty	Model
		License plate light			COUPE
		Rear light			CABRIO
		Additional brake light			
1	477 943 021 A	License plate light		2	
2	900 631 103 90	Bulb		2	
		HL 12 V, 4 W			
3	477 943 131	Gasket		2	
4	900 146 041 07	Oval-head screw		4	
		M 3 X 15			
4A	N 041 184 1	Lock nut		4	
5	477 945 113	Bulb holder	/L	1	
-	PCG 945 114	Bulb socket	/L	1	
		for			
		Bulb holder			
(5)	477 945 114	Bulb holder	/R	1	
-	PCG 945 114	Bulb socket	/R	1	
		for			
		Bulb holder			
6	803 971 980	Pin connector socket		2	
		7-pole			
7	900 631 104 90	Bulb		2	
		G 12V 5W			
8	900 631 127 90	Bulb		7	
		RL 12V, 21W			
9	N 012 005 3	Lock ring		12	
		B 5			
10	N 012 222 4	Spring washer		12	
		B 5			
11	N 011 005 14	Hexagon nut		12	
		M 5			
11	900 076 091 01	Hexagon nut		12	
		M 5			
12	000 043 172 00	Sealing cord		*	
		9 MM \$			
		Roller			
		10 M			
12		1070 MM		2	
13	477 945 205	Housing	/L	1	
		with			
		Lens			
(13)	477 945 206	Housing	/R	1	
		with			
		Lens			
(13)	477 945 215	Housing	/L	1	
		with			
		Lens			
		for cars with			
		Rear fog light			
(13)	477 945 216	Housing	/R	1	
		with			
		Lens			
		for cars with			
		Rear fog light			
14	477 945 285	Cap		2	
		with			
		Knurled screw			
15		Cap		2	
16	928 631 070 00	Additional brake light		1	COUPE
17	900 631 127 90	Bulb		1	
		12V 21W			
18	928 631 460 00	Housing for light		1	
19	928 631 471 00	Reflector		1	
20	928 631 472 00	Lens		1	

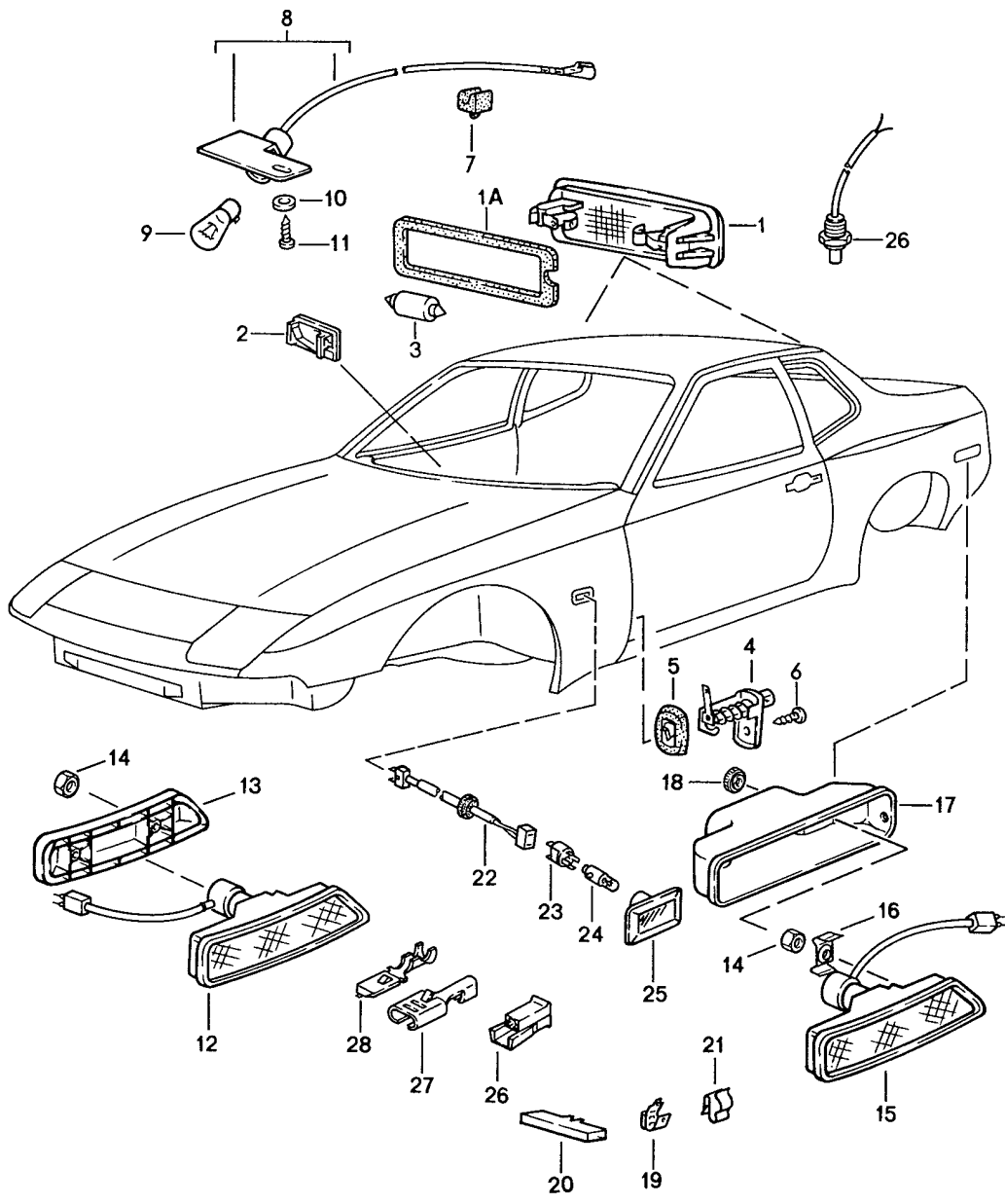
Model: 944 89

Model life 1989&gt;&gt;1991

Pos	Part Number	Description	Remark	Qty	Model
21	928 631 061 00	Frame for light		1	
22	900 145 099 07	Rais. counters. h. tap. s. B 2,9 X 13		2	
24	941 631 261 10	Lamp insert for Additional brake light		1	CABRIO
25	941 631 911 00	Housing		1	
26	941 631 911 30	Gasket		1	
27	941 631 911 10	Gasket		1	
28	941 631 911 20	Bulb		1	
29	999 217 127 02	Combination screw M 6 X 20		2	

Model: 944 89

Model life 1989>>1991

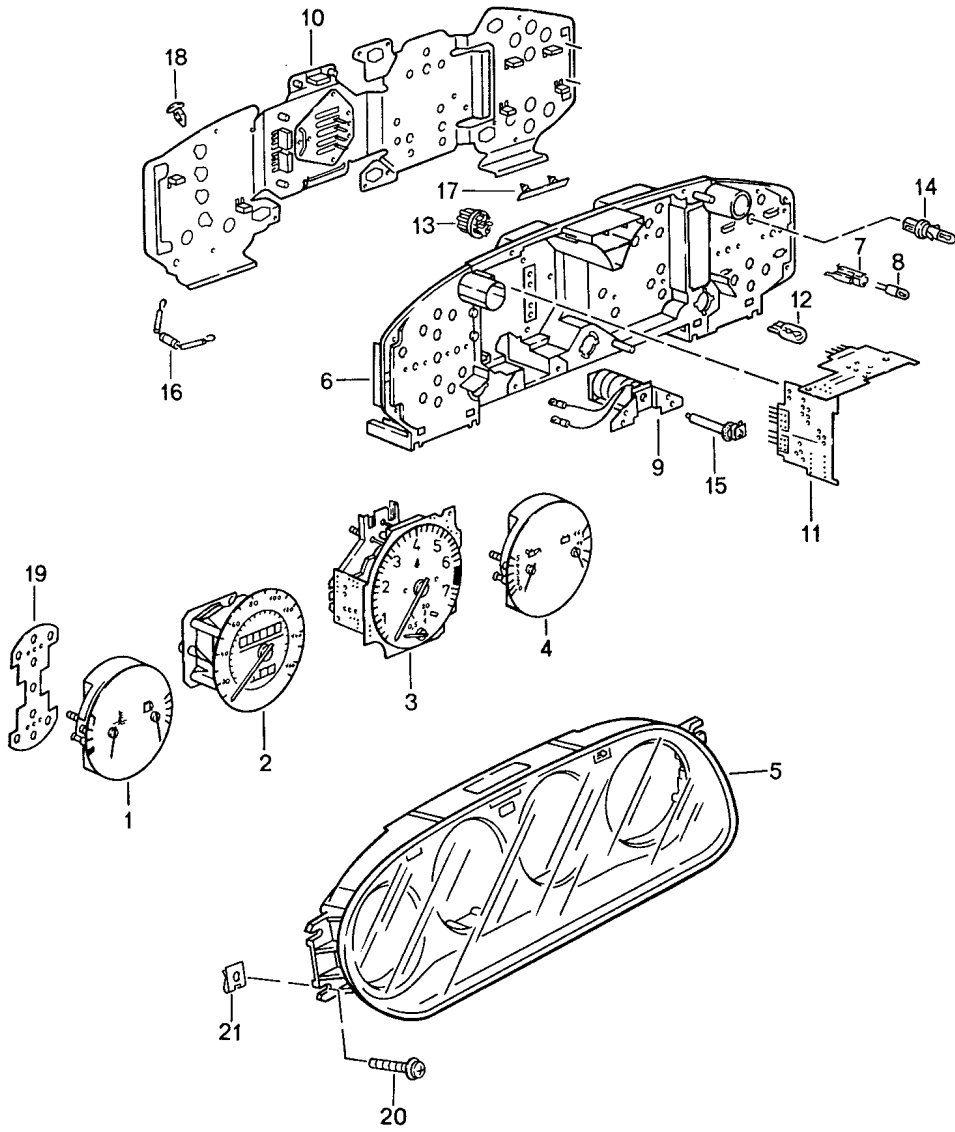


Model: 944 89 Model life 1989>>1991

Pos	Part Number	Description	Remark	Qty	Model
1	823 947 105 B	Interior light Direction indicator light Interior light		2	
1A	941 632 101 10	Luggage compartment lamp Gasket for Luggage compartment lamp		1	CABRIO
2	944 632 113 00	Glove compartment light	-90	1	
(2)	944 632 114 00	Glove compartment light	91-	1	
3	900 631 106 90	Linolite lamp 12V - 10W		2	
(3)	999 631 018 90	Bulb 12V - 3W		1	
4	968 613 601 00	Contact switch		2	
5	944 613 114 00	Gasket		2	
6	N 013 957 5	Oval-head sheetmetal screw BZ 3,5 X 9,5		2	
7	477 947 633	Clip		3	
8	944 628 051 00	Engine compartment lamp		1	
9	900 631 115 90	Bulb 12V - 10W		1	
10	900 151 028 02	Washer 4,3		1	
10	900 151 028 01	Washer 4,3		1	
11	900 143 031 02	Oval-head sheetmetal screw B 4,2 X 9,5		1	
19	111 971 511	Line distributor		2	
20	111 971 977	Flat connector socket Single pole		2	
22	477 971 193	Wiring harness		2	
23	161 949 111	Direction indicator light Bulb socket		2	
24	999 631 032 90	Bulb 12V - 5W		2	
25	4A0 949 101	Direction indicator light		2	
26	941 613 101 10	Switch for Luggage compartment lamp		1	CABRIO

Model: 944 89

Model life 1989>>1991



Model: 944 89

Model life 1989&gt;&gt;1991

Pos	Part Number	Description	Remark	Qty	Model
1	944 641 953 03	Instrument cluster Instrument cluster Left - temperat. - fuel gauge - German		1	
1	944 641 953 05	Instrument cluster Left - temperat. - fuel gauge - French		1	
1	944 641 953 04	Instrument cluster Left - temperat. - fuel gauge - English		1	
2	944 641 951 10	Speedometer 270 KM/H		1	944/944S2
2	944 641 951 11	Speedometer 170 MPH + 270 KM/H	(GB)	1	944/944S2
2	944 641 951 12	Speedometer 270 KM/H with Speed warning device		1	944/944S2 (SA)
2	944 641 951 18	Speedometer 270 KM/H		1	944 AUT.
2	944 641 951 19	Speedometer 170 MPH + 270 KM/H	(GB)	1	944 AUT.
2	944 641 951 20	Speedometer 270 KM/H with Speed warning device		1	944 AUT. (SA)
2	944 641 951 13	Speedometer 300 KM/H		1	TURBO
2	944 641 951 14	Speedometer 180 MPH + 300 KM/H	(GB)	1	TURBO
2	944 641 951 16	Speedometer 300 KM/H with Speed warning device		1	TURBO (SA)
3	944 641 952 08	Tachometer		1	944/944S2
3	944 641 952 12	Tachometer		1	944 AUT.
3	944 641 952 01	Tachometer		1	TURBO
4	944 641 954 03	Instrument cluster Right - volt - oil - German		1	
4	944 641 954 05	Instrument cluster Right - volt - oil - French		1	
4	944 641 954 04	Instrument cluster Right - volt - oil - English		1	
5	944 641 941 01	Covering frame		1	
6	928 641 968 01	Mounting plate		1	
7	928 641 982 00	Bulb socket		6	
8	928 641 983 00	Bulb		6	
8	928 641 983 01	Bulb		6	
9	928 641 921 00	Solenoid coil		1	
10	944 641 961 01	Printed circuit board		1	
11	944 641 959 02	Printed circuit board		1	
12	900 631 019 90	Glass-base bulb 12 V - 3 W		4	
13	928 641 927 00	Bulb socket		4	



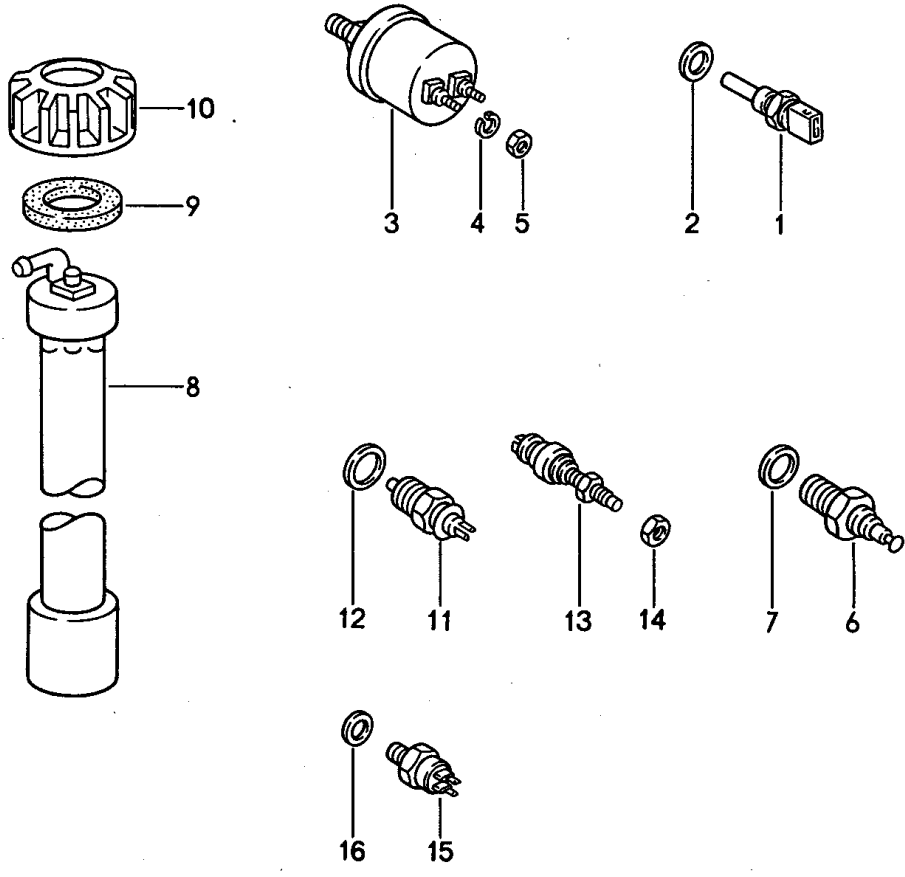
Model: 944 89

Model life 1989>>1991

Pos	Part Number	Description	Remark	Qty	Model
13	928 641 927 01	Bulb socket		4	
(13)	964 641 920 00	Glass-base bulb		1	
		Indicator light			
		Airbag			
14	999 631 301 90	Bulb		4	
15	928 641 960 00	Zero adjustment shaft		1	
16	928 641 981 01	Resistor		1	
17	928 641 985 00	Clip		3	
18	928 641 984 00	Clip		4	
19	928 641 986 00	Gasket		1	
20	900 143 151 02	Combination tapping screw		4	
		B 4,2 X 16			
21	N 015 429 2	Speed nut		4	
		B 4,2			
21	N 015 429 6	Speed nut		4	
		B 4,2			

Model: 944 89

Model life 1989>>1991

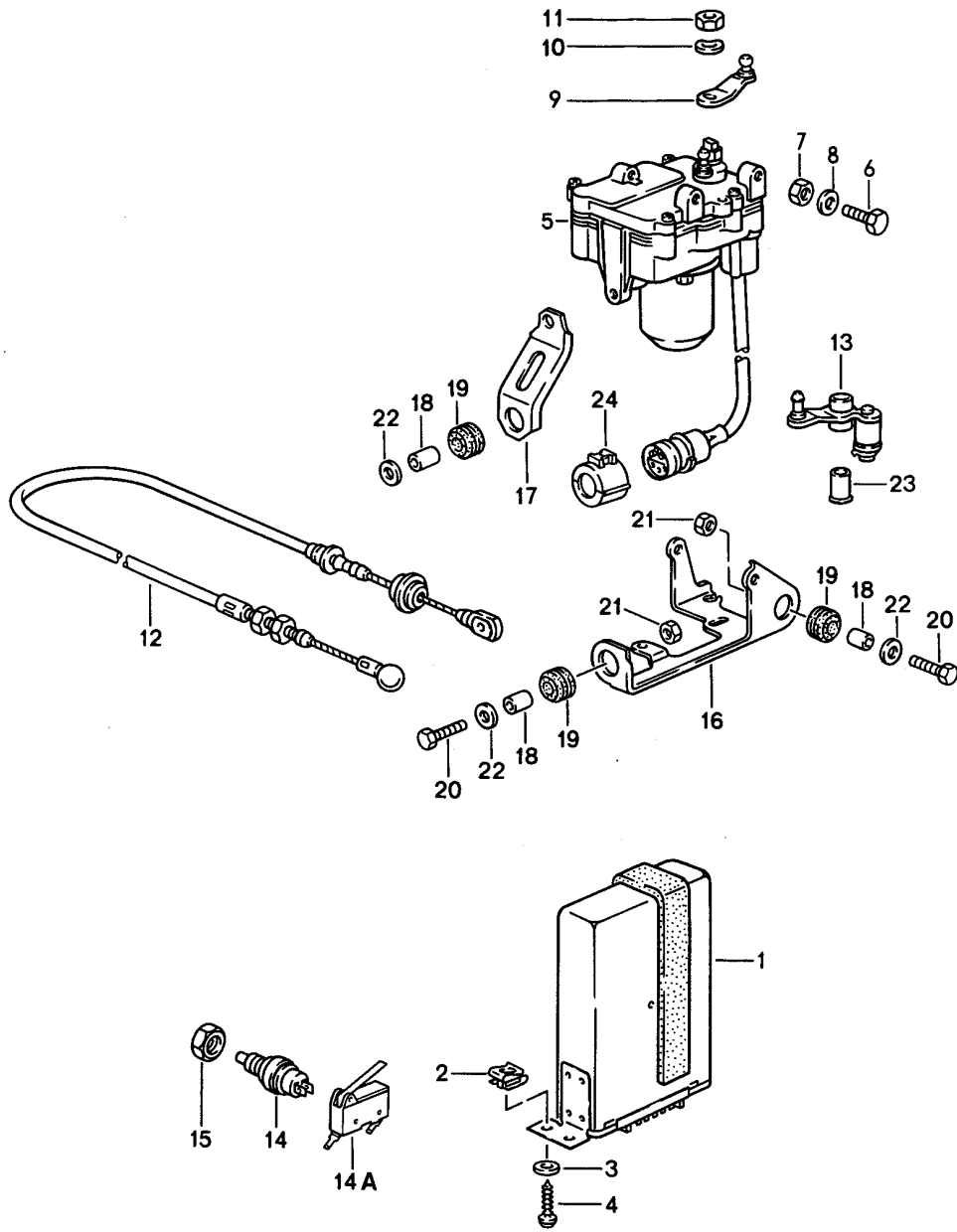


Model: 944 89 Model life 1989>>1991

Pos	Part Number	Description	Remark	Qty	Model
		Switch			
		And			
		Sender			
1	944 606 125 00	Temperature sensor		1	
2	900 123 101 30	Sealing ring		1	
		12 X 18			
3	928 606 203 01	Oil pressure sender		1	
3	928 606 203 04	Oil pressure sender		1	
4	N 012 224 3	Spring washer		2	
		A 4			
5	N 011 004 6	Hexagon nut		2	
		M 4			
5	N 011 004 G	Nut		2	
		M 4			
6	928 606 201 03	Temperature sensor		1	
		for cooling water			
7	900 123 007 30	Sealing ring		1	
		A 14 X 18			
8	944 641 037 01	Tank gauge		1	
9	944 201 327 00	Sealing ring		1	
10	951 201 375 00	Union nut		1	
11	084 941 521	Switch		1	
		Back-up light			
12	900 123 106 30	Sealing ring		1	
13	477 945 515	Brake light switch		1	
14	481 945 529	Nut		1	
15	944 606 137 00	Temperature switch		1	M44.41
		for			
		Intake manifold			
16	900 123 008 30	Sealing ring		1	M44.41

Model: 944 89

Model life 1989>>1991



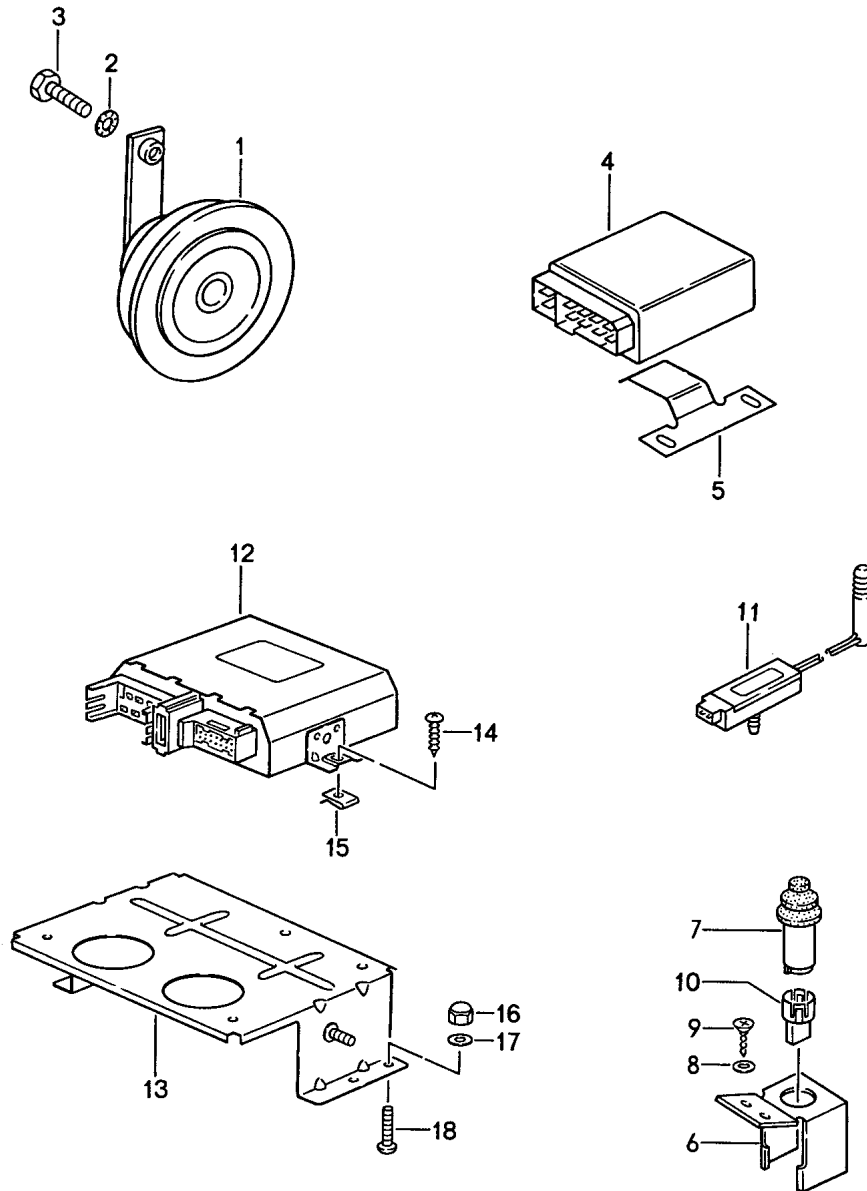
Model: 944 89

Model life 1989&gt;&gt;1991

Pos	Part Number	Description	Remark	Qty	Model
		Cruise control			M454
1	944 617 132 00	Control unit		1	
2	N 015 422 2	Speed nut B 4,2 X 17		2	
3	N 012 225 3	Spring washer B 5		2	
4	N 013 964 4	Oval-head sheetmetal screw B 4,2 X 16		2	
5	944 617 121 00	Drive link		1	
6	999 072 005 09	Hexagon nut M 6 X 12		2	
6	999 072 005 01	Hexagon nut M 6 X 12		2	
7	900 076 010 02	Nut M 6		2	
7	900 076 010 0B	Nut M 6		2	
8	N 011 524 7	Washer A 6,4		2	
8	N 011 524 27	Washer A 6,4		2	
9	944 423 047 00	Rubber mounting for Drive link		1	
10	N 012 229 3	Spring washer A 8		1	
11	N 011 018 4	Hexagon nut M 8 X 1		1	
12	944 423 025 02	Cable	/LL	1	
(12)	945 423 025 01	Cable	/RL	1	
13	944 423 055 00	Reverse lever	/LL	1	
13	945 423 055 00	Reverse lever	/RL	1	
14	944 613 413 00	Switch for Clutch pedal	/LL	1	
14A	928 613 413 01	Microswitch for Clutch pedal	/RL	1	
15	481 945 529	Nut M 12 X 1		1	
16	944 423 215 02	Support		1	
17	944 423 115 02	Strut		1	
18	999 531 014 02	Bush		3	
19	999 702 133 40	Rubber mounting		3	
20	900 075 017 02	Hexagon-head bolt M 6 X 25		2	
20	900 075 017 03	Hexagon-head bolt M 6 X 25		2	
21	900 076 010 02	Nut M 6		2	
21	900 076 010 0B	Nut M 6		2	
22	N 011 666 7	Washer B 6,1		4	
23	999 924 001 40	Bearing sleeve		2	
24	944 612 450 00	Fixing clip		1	
-	999 651 207 40	Cable holder		2	
-	171 721 570 A	Safety clip for Cable		1	

Model: 944 89

Model life 1989>>1991



Model: 944 89

Model life 1989&gt;&gt;1991

Pos	Part Number	Description	Remark	Qty	Model
1	944 637 103 01	Alarm system		1	
2	999 523 102 02	Horn		1	
2	999 523 102 0B	Washer J 8,4		1	
3	900 075 087 02	Washer J 8,4		1	
3	900 075 087 03	Hexagon-head bolt M 8 X 16		1	
4	928 637 104 03	Hexagon-head bolt M 8 X 16		1	
4	928 637 104 03	Alarm control unit	-90	1	944
4	928 637 104 04	Alarm control unit	-91 (CH) -90	1	TURBO 944
-	928 612 433 01	Alarm control unit	(CH)	1	TURBO
-	815 971 989	Terminal sleeve housing 8-pole Blue	-90	1	
5	944 637 051 00	Connector housing 2-pole Support	-90	1	944
5	944 637 051 01	Support	-91	1	TURBO
6	477 805 713	Support	-90	1	944S2
7	928 613 173 00	Contact switch		1	
8	N 011 521 3	Washer A 3,7		2	
9	N 013 957 5	Oval-head sheetmetal screw 3,5 X 9,5		2	
10	477 971 837	Connector housing for Contact switch		1	
11	944 637 138 00	Knob Door latch with Lamp insert	-90 -91	2	944 TURBO
11	944 637 238 00 944 637 238 00 01C	Knob Black Door latch with Lamp insert	91	2	
12	928 618 260 01	Control unit Alarm system	91	1	
12	928 618 260 03	Control unit Alarm system	91	1	
13	945 618 152 00	Central locking system Clip for Alarm control unit	/RL 91	1	
14	N 013 965 9	Oval-head sheetmetal screw 4,2 X 9,5	/RL 91	2	
15	999 591 723 02	Speed nut B 4,2	/RL 91	2	
16	N 011 125 2	Cap nut M 5	91	3	
17	900 025 003 02	Washer A 5,3	91	3	
18	N 014 129 6	Oval-head screw M 5 X 10	91	3	
-	928 612 925 00	Wiring harness Adapter for Additional function		1	

Model: 944 89

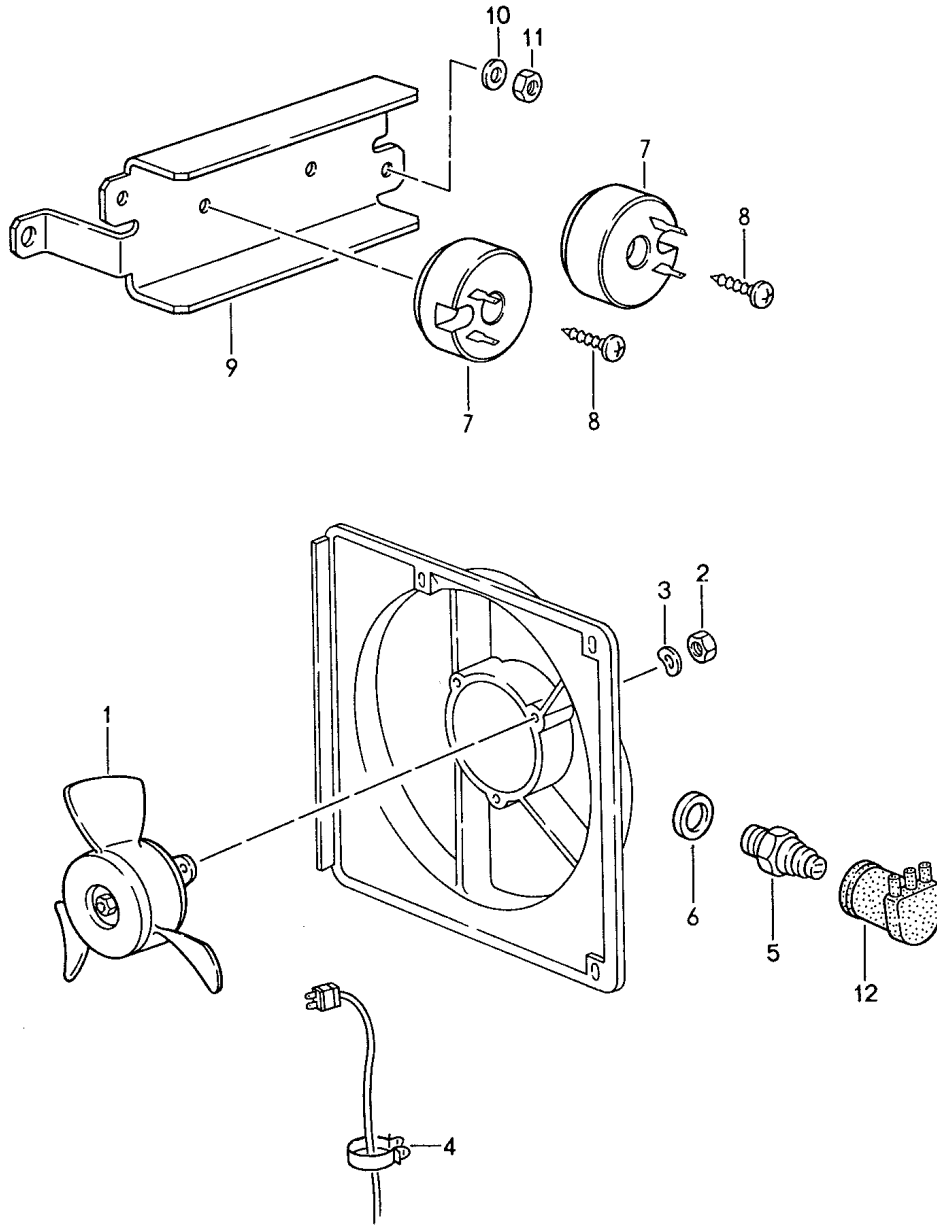
Model life 1989>>1991

Pos	Part Number	Description	Remark	Qty	Model
-	928 612 547 00	Use also: Connector housing		1	
-	171 971 998 C	Connector housing		1	
-	944 612 637 01	Protective tube		1	



Model: 944 89

Model life 1989>>1991

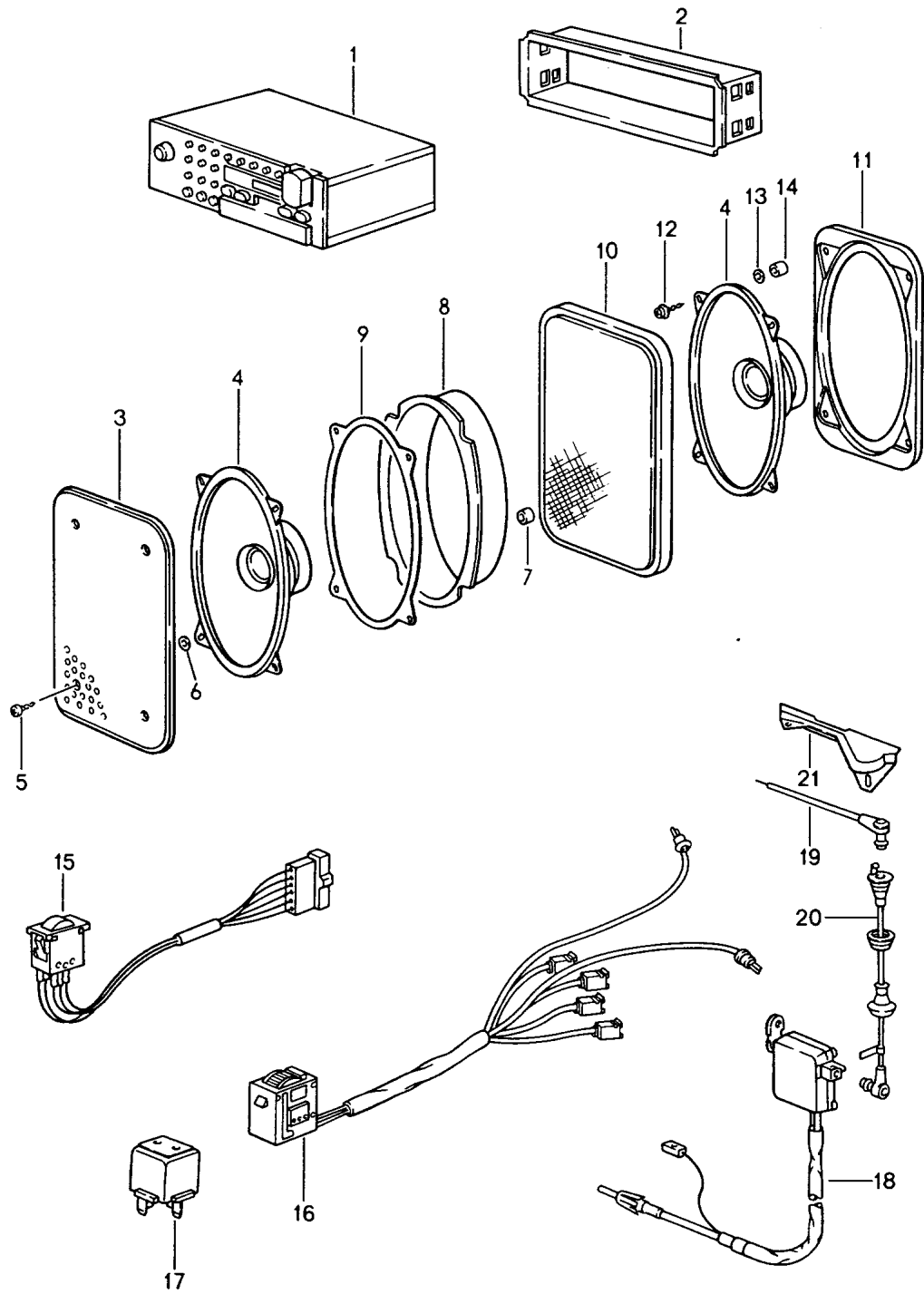


Model: 944 89 Model life 1989>>1991

Pos	Part Number	Description	Remark	Qty	Model
1	944 624 021 03	Electric fan		1	944
1		Electric fan		2	944
		Electric fan			M573
					944 S2
					TURBO
2	900 910 012 02	Lock nut M 6		3	
2	900 910 047 09	Lock nut M 6		3	
3	N 011 666 7	Washer A 6,4		3	
4	999 651 168 40	Cable holder		1	
5	944 606 481 00	Temperature switch		1	944
(5)	951 606 481 00	Switch		1	944
					M573
					944 S2
					TURBO
6	N 043 808 1	Sealing ring A 22 X 29		1	
7	944 616 521 00	Series resistor 52,5 W/0,9 OHM		1	944
7	944 616 521 01	Series resistor 52,5 W/0,9 OHM		1	944
7	944 616 521 00	Series resistor 52,5 W/0,9 OHM		2	944
		52,5 W/0,9 OHM			M573
7	944 616 521 01	Series resistor 52,5 W/0,9 OHM		2	TURBO
					944
					M573
7	944 616 522 00	Series resistor 70 W/0,6 OHM		2	TURBO
					944S2
7	944 616 522 01	Series resistor 70 W/0,6 OHM		2	944S2
8	900 250 016 02	Tapping screw AM 5 X 16		1	
9	944 616 511 01	Heat dissipator	/LL	1	
(9)	944 616 511 00	Heat dissipator	/RL	1	
10	N 012 226 5	Spring washer A 6		2	
11	900 076 010 02	Nut M 6		2	
11	900 076 010 0B	Nut M 6		2	
12	477 971 934	Protection cap		1	

Model: 944 89

Model life 1989>>1991



Model: 944 89 Model life 1989&gt;&gt;1991

Pos	Part Number	Description	Remark	Qty	Model
(1)	911 645 158 00	Radio Radio BOSTON SQM 23 W/o motorist radio information	-89	1	
(1)	911 645 159 01	Radio BREMEN SQR 46	-90	1	
(1)	964 645 101 00	Radio SYMPHONIE	91	1	
(1)	911 645 139 02	Radio TORONTO SQR 46	-90	1	
(1)	911 645 168 00	Radio LUDWIGSBURG SQM 26	-89	1	
(1)	911 645 071 01	Radio BERLIN IQR 88	-90	1	
(1)	928 645 018 00	Installation set CD player CD-10		1	
2	911 645 173 02	Retaining frame	-90	1	
2	911 645 173 03	Retaining frame		1	M525/533
(2)	944 645 031 00	Support for Receiving part BERLIN IQR 88	-90	1	
-	944 645 081 00	Pipe clamp for Support	-90	1	
3	477 867 081 477 867 081 01C 477 867 081 9MM	Loudspeaker grille Black Burgundy	/V	2	
4	944 645 451 00	Loudspeaker Front		2	
4	944 645 951 00	Loudspeaker HINWEISTEXT VORGÄNGER Attention		X	
4	944 645 461 01	Loudspeaker Rear		2	
4	944 645 463 00	Loudspeaker Rear	90-	2	CABRIO
5	N 014 091 4	Rais. counters. h. tap. s. 3,9 X 16	/V	8	
5	N 013 962 2	Oval-head sheetmetal screw 3,9 X 16	/H	8	
6	900 151 028 02	Washer	/H	8	
6	900 151 028 01	Washer	/H	8	
7	477 867 373	Bush	/V	8	
7	477 035 375	Bush	/H	8	
(7)	944 645 480 00	Spacer sleeve	/H 90-	8	CABRIO
8	944 645 015 00	Water protection	/V	2	
9	477 035 999	Gasket	/H	2	
10	944 555 149 00 944 555 149 00 01C	Loudspeaker grille Satin black		2	M651
10	944 555 149 01	Loudspeaker grille Satin black		2	
11	944 555 159 00	Frame		2	M651
12	900 143 178 07	Oval-head sheetmetal screw 3,9 X 22		8	M651
13	900 025 002 02	Washer		8	M651
13	900 025 002 03	Washer		8	M651
14	477 035 375	Bush		8	M651
16	944 645 054 00	Fader		1	
17	944 615 103 00	Switch unit for		1	

Model: 944 89

Model life 1989>>1991

Pos	Part Number	Description	Remark	Qty	Model
		Radio			
		Lifting roof			
18	944 645 173 01	Antenna booster		1	COUPE
18	964 645 173 01	Antenna booster		1	COUPE
18	928 645 173 02	Antenna booster		1	CABRIO
18	964 645 173 01	Antenna booster		1	CABRIO
19	944 645 185 01	Connecting cable for Antenna booster		1	
20	941 645 183 00	Extension cable for Antenna booster		1	
21	944 645 413 00	Cover		1	

Model: 944 89

Model life 1989>>1991



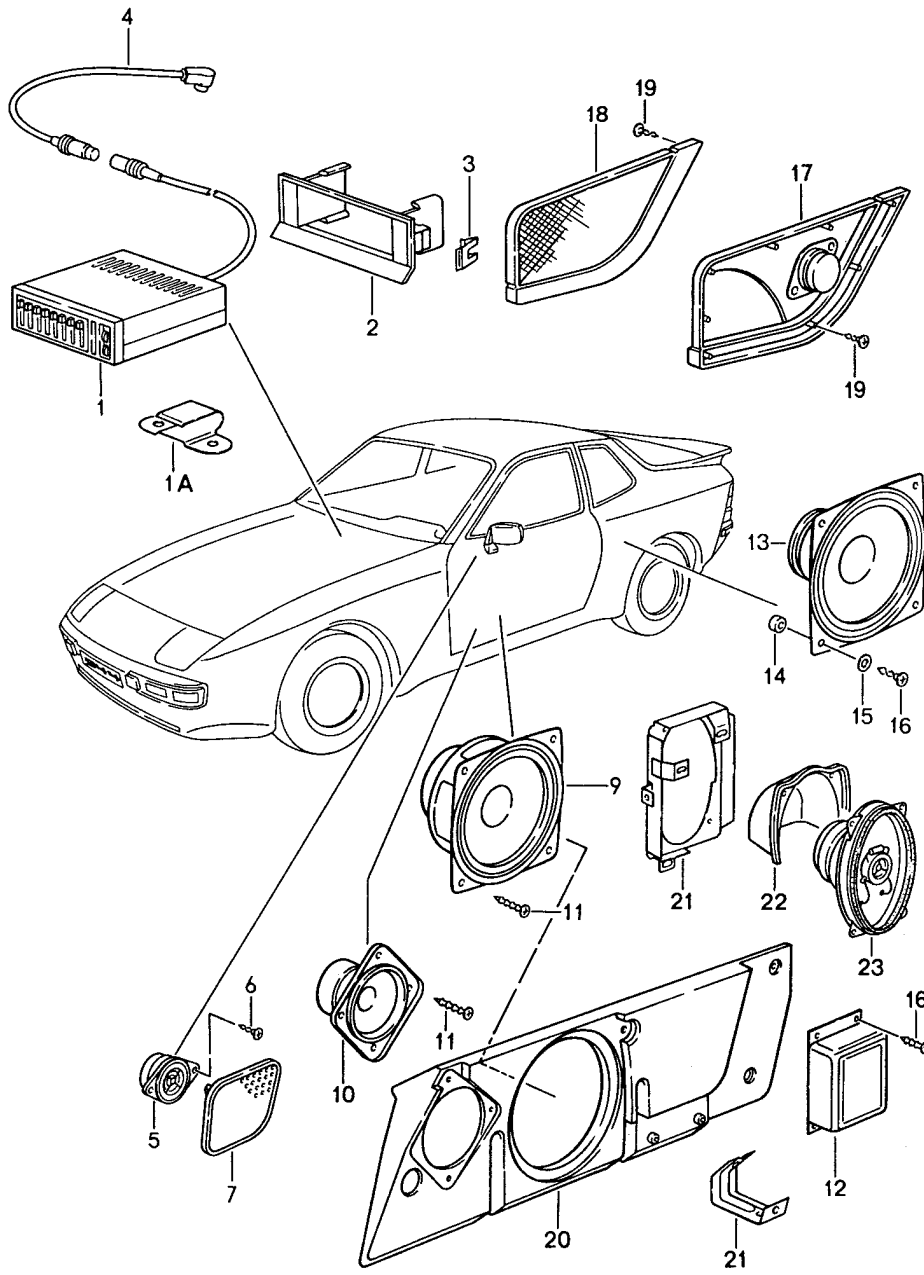
Model: 944 89

Model life 1989&gt;&gt;1991

Pos	Part Number	Description	Remark	Qty	Model
-	911 645 190 00	Radio Navigation system Installation parts		1	
-	911 645 191 00	Radio Navigation system with PORSCHE logo		1	
-	911 645 192 00	Radio Navigation system with TMC with PORSCHE logo		1	
-	911 645 195 00	Cover for Radio Navigation system with PORSCHE logo		1	
-	911 645 197 00	Cover for Radio Navigation system without PORSCHE logo		1	
-	911 645 196 00	Adapter		1	
-	911 642 105 00	Adapter		1	
-	911 642 105 00	Antenna		1	
-	911 642 100 00	Antenna		1	
-	911 642 100 00	Software Update 1-2011		1	
-	911 642 100 01	Software Update 1-2013		1	
-	911 642 100 02	Software Update 1-2014		1	
-	911 642 107 00	Microphone		1	
-	911 645 199 00	Handheld transmitter		1	
-	911 645 190 01	Navigation system Knob Control part Navigation system		2	

Model: 944 89

Model life 1989>>1991





Model: 944 89 Model life 1989>>1991

Pos	Part Number	Description	Remark	Qty	Model
1	944 645 417 01	for SOUNDSYSTEM Equaliser BEA 80		1	
(1)	944 645 417 02	Equaliser BEA 108		1	
-	944 645 517 00	Connecting cable for Radio Equaliser BEA 108		1	
1A	944 645 065 00	Retaining bar for Equaliser		1	
2	944 645 501 00	Cover for BEA 80		1	
(2)	944 645 501 01	Cover for BEA 108		1	
3	944 645 557 00	Spring clamp		2	
4	944 645 171 00	Connecting cable		1	
5	944 645 427 00	Tweeter		2	
6	N 013 958 7	Oval-head sheetmetal screw		4	
7	944 645 431 00	Cover	/L	1	
	944 645 431 00 01C	Black			
	944 645 431 00 9MM	Burgundy	-90		
	944 645 431 00 9JJ	Marine blue	-90		
	944 645 431 00 6ZF	Cobalt blue	91-		
	944 645 431 00 4XC	Classic grey	91-		
(7)	944 645 432 00	Cover	/R	1	
	944 645 432 00 01C	Black			
	944 645 432 00 9MM	Burgundy	-90		
	944 645 432 00 9JJ	Marine blue	-90		
	944 645 432 00 6ZF	Cobalt blue	91-		
	944 645 432 00 4XC	Classic grey	91-		
9	944 645 429 00	Woofers		2	
10	944 645 419 00	Mid-range loudspeaker		2	
11	900 143 031 02	Oval-head sheetmetal screw B 4,2 X 9,5		10	
12	944 645 437 00	Diplexer		2	
13	944 645 425 00	Woofers		2	
14	477 035 375	Bush		8	
(14)	944 645 480 00	Spacer sleeve	90-	8	CABRIO
15	900 025 002 02	Washer A 4,3		8	
15	900 025 002 03	Washer A 4,3		8	
16	N 013 953 2	Oval-head sheetmetal screw B 2,9 X 9,5		16	
17	944 645 045 00	Loudspeaker	/L	1	
	944 645 045 00 01C	Black			
	944 645 045 00 9MM	Burgundy	-90		
	944 645 045 00 9JJ	Marine blue	-90		
	944 645 045 00 6ZF	Cobalt blue	91-		
	944 645 045 00 4XC	Classic grey	91-		
18	944 645 046 00	Loudspeaker	/R	1	
	944 645 046 00 01C	Black			
	944 645 046 00 9MM	Burgundy	-90		
	944 645 046 00 9JJ	Marine blue	-90		
	944 645 046 00 6ZF	Cobalt blue	91-		
	944 645 046 00 4XC	Classic grey	91-		
19	999 919 032 02	Oval-head screw		16	

Model: 944 89

Model life 1989&gt;&gt;1991

Pos	Part Number	Description	Remark	Qty	Model
20	944 555 943 00	3,5 X 10 Retaining frame	/L	1	
20		Retaining frame	/L	1	
(20)	944 555 944 00	Retaining frame	/R	1	
(20)		Retaining frame	/R	1	
21	944 531 243 00	Retaining bracket for Retaining frame		4	
21	941 555 573 10	Mounting for Loudspeaker	/L	1	CABRIO
(21)	941 555 574 10	Mounting for Loudspeaker	/L	1	CABRIO
22	941 555 575 10	Covering for Loudspeaker		2	CABRIO
23	944 645 464 00	Loudspeaker		2	CABRIO

Model: 944 89

Model life 1989>>1991



Model: 944 89 Model life 1989>>1991

Pos	Part Number	Description	Remark	Qty	Model
>>	944 631 911 05	Installation set Repair kits Headlamp		2	
		Installation set Comprising:			
-	944 631 910 00	Headlamp		1	
-	944 631 907 00	Retaining frame		1	
-	944 612 057 00	Cap		1	
-	999 507 252 02	Nut B 3,9		3	
-	N 013 964 4	Oval-head sheetmetal screw B 4,2 X 16		1	
-	900 143 041 00	Oval-head sheetmetal screw B 3,9 X 19		3	
-	900 025 002 02	Washer A 4,3		3	
-	900 025 002 03	Washer A 4,3		3	
-	477 941 543	Spacer sleeve		3	
-	999 651 224 40	Cable holder		1	
-	999 651 210 40	Cable holder		1	
-	944 612 436 00	Connector		1	
-	944 612 427 00	Contact bush		2	
-	944 612 428 00	Round connector		1	
>>	944 631 911 04	Headlamp		2	M605
		Installation set Comprising:			
-	944 631 910 00	Headlamp		1	
-	944 631 907 00	Retaining frame		1	
-	944 612 057 00	Cap		1	
-	999 507 252 02	Nut B 3,9		3	
-	N 013 964 4	Oval-head sheetmetal screw B 4,2 X 16		1	
-	900 143 041 00	Oval-head sheetmetal screw B 3,9 X 19		3	
-	900 025 002 02	Washer A 4,3		3	
-	900 025 002 03	Washer A 4,3		3	
-	477 941 543	Spacer sleeve		3	
-	999 651 224 40	Cable holder		1	
-	999 651 210 40	Cable holder		1	
-	944 631 909 00	Electric motor		1	
>>	944 631 911 09	Headlamp		2	M492
		Installation set Comprising:			
-	944 631 911 00	Headlamp		1	
-	944 631 907 00	Retaining frame		1	
-	944 612 057 00	Cap		1	
-	999 507 252 02	Nut B 3,9		3	
-	N 013 964 4	Oval-head sheetmetal screw B 4,2 X 16		1	
-	900 143 041 00	Oval-head sheetmetal screw B 3,9 X 19		3	
-	900 025 002 02	Washer A 4,3		3	
-	900 025 002 03	Washer A 4,3		3	
-	477 941 543	Spacer sleeve		3	
-	999 651 224 40	Cable holder		1	
-	999 651 210 40	Cable holder		1	

Model: 944 89

Model life 1989&gt;&gt;1991

Pos	Part Number	Description	Remark	Qty	Model
-	944 612 436 00	Connector		1	
-	944 612 427 00	Contact bush		2	
-	944 612 428 00	Round connector		1	
>>	944 631 911 08	Headlamp Installation set Comprising:		2	M492/605
-	944 631 911 00	Headlamp		1	
-	944 631 907 00	Retaining frame		1	
-	944 612 057 00	Cap		1	
-	999 507 252 02	Nut B 3,9		3	
-	N 013 964 4	Oval-head sheetmetal screw B 4,2 X 16		1	
-	900 143 041 00	Oval-head sheetmetal screw B 3,9 X 19		3	
-	900 025 002 02	Washer A 4,3		3	
-	900 025 002 03	Washer A 4,3		3	
-	477 941 543	Spacer sleeve		3	
-	999 651 224 40	Cable holder		1	
-	999 651 210 40	Cable holder		1	
-	944 631 909 00	Electric motor		1	