

**Model: 996 01****Model life 2001>>2005**

## ORDER-INFO

THIS PARTS CATALOGUE CONTAINS ALL ORDER INFORMATION OF  
TYPE 996 TURBO FROM MODEL YEAR 2001

IT IS AVAILABLE IN TWO EDITIONS IN THE FOLLOWING LANGUAGES:

EDITION

USA, CANADA - \*

EDITION

ALL OTHER COUNTRIES - GERMAN

\* - ENGLISH

- FRENCH

- ITALIAN

- SPANISH

UPDATING IS BEING PERFORMED BY CHANGING OF UPDATE.

THE EDITION CAN BE RECOGNIZED BY THE CURRENT NO.  
IN THE BOTTOM LINE OF SUBJECT UPDATE.

THE PREVIOUS UPDATE SHOULD NO LONGER BE USED.

ALL ILLUSTRATIONS ARE SUBJECT TO CHANGE WITHOUT OBLIGATION.

THE SEATS FOR EACH MODEL ARE AVAILABLE IN THE PARTS CATALOGUE  
"SEATS (STZ 19)".

Model: 996 01

Model life 2001>>2005

EXPLANAT.- VIN

EXPLANATION OF THE ABRIDGED VERSION OF THE VEHICLE IDENT. NUMBERS (VIN)  
 =====  
 USED IN THE CATALOGUE  
 =====

DIGIT:		1	2	3	4	5	6	7	8	9	10	11	12	13	14	15	16	17
--------	--	---	---	---	---	---	---	---	---	---	----	----	----	----	----	----	----	----

EXAMPLE:		W	P	0	Z	Z	Z	9	9	Z	W	S	6	0	0	1	2	5
----------	--	---	---	---	---	---	---	---	---	---	---	---	---	---	---	---	---	---

								===		=	=	=						
--	--	--	--	--	--	--	--	-----	--	---	---	---	--	--	--	--	--	--

								!		!	!	!						!
--	--	--	--	--	--	--	--	---	--	---	---	---	--	--	--	--	--	---

VEHICLE TYPE 1ST+2ND DIGIT-----+										!	!	!						!
----------------------------------	--	--	--	--	--	--	--	--	--	---	---	---	--	--	--	--	--	---

										!	!	!						!
--	--	--	--	--	--	--	--	--	--	---	---	---	--	--	--	--	--	---

MODEL YEAR-----+											!	!						!
------------------	--	--	--	--	--	--	--	--	--	--	---	---	--	--	--	--	--	---

											!	!						!
--	--	--	--	--	--	--	--	--	--	--	---	---	--	--	--	--	--	---

MANUFACTURING LOCATION-----+												!						!
------------------------------	--	--	--	--	--	--	--	--	--	--	--	---	--	--	--	--	--	---

												!						!
--	--	--	--	--	--	--	--	--	--	--	--	---	--	--	--	--	--	---

VEHICLE TYPE 3RD DIGIT-----+																		!
------------------------------	--	--	--	--	--	--	--	--	--	--	--	--	--	--	--	--	--	---

																		!
--	--	--	--	--	--	--	--	--	--	--	--	--	--	--	--	--	--	---

SERIAL NUMBER-----+																		!
---------------------	--	--	--	--	--	--	--	--	--	--	--	--	--	--	--	--	--	---

Model: 996 01

Model life 2001>>2005

SUMMARY TYPES

VEHICLE TYPE	MY	VIN	ENGINE TYPE
996 TURBO	01 1	991S6 80061>85000	M96.70 309 KW
996 TURBO (USA)(CDN)(MEX)(BR)	01 1	991S6 85061>89000	M96.70 309 KW
996 TURBO GT2	01 1	991S6 95061>95900	M96.70S 340 KW
996 TURBO GT2	02 2	992S6 95061>95900	M96.70S 340 KW
996 TURBO GT2(USA,CDN,MEX,BR)	02 2	992S6 96061>96900	M96.70S 340 KW
996 TURBO	02 2	992S6 80061>85000	M96.70 309 KW
996 TURBO (USA)(CDN)(MEX)(BR)	02 2	992S6 85061>89000	M96.70 309 KW
996 TURBO GT2	03 3	993S6 95061>95900	M96.70S 340 KW
996 TURBO GT2(USA,CDN,MEX,BR)	03 3	993S6 96061>96900	M96.70S 340 KW
996 TURBO	03 3	993S6 80061>85000	M96.70 309 KW
996 TURBO (USA)(CDN)(MEX)(BR)	03 3	993S6 85061>89000	M96.70 309 KW
996 TURBO GT2	04 4	994S6 95061>95900	M96.70S 340 KW
996 TURBO GT2(USA,CDN,MEX,BR)	04 4	994S6 96061>96900	M96.70S 340 KW
996 TURBO	04 4	994S6 80061>85000	M96.70 309 KW
996 TURBO (USA)(CDN)(MEX)(BR)	04 4	994S6 85061>89000	M96.70 309 KW
996 TURBO CABRIO	04 4	994S6 70061>74000	M96.70 309 KW
996 TURBO CAB.(USA,CDN,MEX,BR)	04 4	994S6 75061>79000	M96.70 309 KW
996 TURBO GT2	05 5	995S6 95061>95900	M96.70SL 360 KW
996 TURBO GT2(USA,CDN,MEX,BR)	05 5	995S6 96061>96900	M96.70SL 360 KW
996 TURBO	05 5	995S6 80061>85000	M96.70 309 KW
996 TURBO (USA)(CDN)(MEX)(BR)	05 5	995S6 85061>89000	M96.70 309 KW
996 TURBO CABRIO	05 5	995S6 70061>74000	M96.70 309 KW
996 TURBO CAB.(USA,CDN,MEX,BR)	05 5	994S6 75061>79000	M96.70 309 KW

Model: 996 01

Model life 2001>>2005

EXPL. ENGINE-NO.

EXPLANATION OF THE MOTOR-NUMBERS USED IN THE CATALOGUE

=====

DIGIT:	1 2 3	4 5 6 7 8
EXAMPLE:	6 6 W	0 0 1 3 6
	= = =	=====
	! ! !	!
ENGINE TYPE (6 = 6-CYL.-ENGINE)-----+	! !	!
	! !	!
ENGINE VERSION-----+	!	!
	!	!
MODEL YEAR-----+		!
		!
SERIAL NUMBER-----+		!

Model: 996 01

Model life 2001&gt;&gt;2005

## SUMMARY ENGINES

VEHICLE TYPE	ENGINE			TECHNICAL DATA
	TYPE	MY	ENGINE NO.	
911 TURBO	M96.70	01 1	641 00501>60000	6ZYL/3,6L /309 KW
911 TURBO GT2	M96.70S	01 1	641 00501>60000	6ZYL/3,6L /340 KW
911 TURBO	M96.70	02 2	642 00501>60000	6ZYL/3,6L /309 KW
911 TURBO GT2	M96.70S	02 2	642 00501>60000	6ZYL/3,6L /340 KW
911 TURBO	M96.70	03 3	643 00501>60000	6ZYL/3,6L /309 KW
911 TURBO GT2	M96.70S	03 3	643 20501>60000	6ZYL/3,6L /340 KW
911 TURBO	M96.70	04 4	644 00501>60000	6ZYL/3,6L /309 KW
911 TURBO GT2	M96.70S	04 4	644 20501>60000	6ZYL/3,6L /340 KW
911 TURBO	M96.70	05 5	645 00501>60000	6ZYL/3,6L /309 KW
911 TURBO GT2	M96.70S	05 5	645 20501>60000	6ZYL/3,6L /360 KW

Model: 996 01

Model life 2001>>2005

EXPL. TRANSM. NO.

EXPLANATION OF THE TRANSMISSION-NUMBERS USED IN THE CATALOGUE

=====

DIGIT:	1	2	3	4	5	6	7	8	9	10	11
EXAMPLE:	G	9	6	0	0	1	0	0	5	4	3
	=	=====				=	=====				
	!		!			!			!		!
	!		!			!			!		!
TRANSMISSION TYPE-----+			!			!			!		!
			!			!			!		!
TRANSMISSION VERSION-----+						!			!		!
						!			!		!
INDEX OF VARIANTS-----+									!		!
									!		!
SERIAL NUMBER-----+											!

Model: 996 01

Model life 2001&gt;&gt;2005

## SUMM. TRANSMISS.

VEHICLE TYPE	TYPE	MY	TRANSMISSION NO.	TECHNICAL DATA
911 TURBO	G96.50	01 1	G9650 1 002001>999999	6-GANG
911 TURBO TIPTRONIC	A96.50	01 1	A9650 1 002001>999999	5-GANG
911 TURBO GT2	G96.88	01 1	G9688 2 002001>999999	6-GANG
911 TURBO	G96.50	02 2	G9650 1 002001>999999	6-GANG
911 TURBO TIPTRONIC	A96.50	02 2	A9650 1 002001>999999	5-GANG
911 TURBO GT2	G96.88	02 2	G9688 2 002001>999999	6-GANG
911 TURBO	G96.50	03 3	G9650 1 002001>999999	6-GANG
911 TURBO TIPTRONIC	A96.50	03 3	A9650 1 002001>999999	5-GANG
911 TURBO GT2	G96.88	03 3	G9688 2 002001>999999	6-GANG
911 TURBO	G96.50	04 4	G9650 1 002001>999999	6-GANG
911 TURBO TIPTRONIC	A96.50	04 4	A9650 1 002001>999999	5-GANG
911 TURBO GT2	G96.88	04 4	G9688 2 002001>999999	6-GANG
911 TURBO	G96.50	05 5	G9650 1 002001>999999	6-GANG
911 TURBO TIPTRONIC	A96.50	05 5	A9650 1 002001>999999	5-GANG
911 TURBO GT2	G96.88	05 5	G9688 2 002001>999999	6-GANG

Model: 996 01

Model life 2001>>2005

LEGENDS/NOTICES

LEGENDS AND NOTICES

=====

IN COLUMN -S- STATUS

-----

- N NEW ADDITION
- P PART ALREADY IN PROGRAMME, BUT NEW AT THIS APPLICATION
- W DELETED AT THIS APPLICATION, BUT CONTINUED TO BE CARRIED
- K RACING PART: MARKETED FROM WEISSACH EMW
- A STOCK TO BE USED UP
- U DELETED WITHOUT REPLACEMENT
- \* PART ALSO OR ONLY AVAILABLE IN REPAIR KIT
- > ALSO AVAILABLE IN EXCHANGE

IN COLUMN - ILL. -

-----

- 1 IDENTIFICATION NO. IN ILLUSTRATION
- (1) PART ONLY SIMILAR AS ILLUSTRATED
- PART IS NOT ILLUSTRATED

FIG.-NUMBERS FOR WHICH THERE IS SHOWN NO TEXT ARE NOT VALID FOR THIS EDITION OF CATALOGUE

IN COLUMN -PART NUMBER/CODE-

-----

000 000 000 00 PART NUMBER EQUALS ORDERING NO., IF A CODE IS SHOWN, IT WILL HAVE TO BE PART OF ORDERING NUMBER

01C COLOUR CODE

IN COLUMN -TEXT

-----

INSTALLATION WITH ENGINE OR CHASSIS NUMBER-RANGE

EXAMPLE:

M 66W 00389>>

FROM ENGINE NO.



Model: 996 01

Model life 2001>>2005

F

>>99WS6 00889

UP TO CHASSIS NO.

Model: 996 01

Model life 2001>>2005

LEGENDS/NOTICES

IN COLUMN - A -  
-----

IDENTIFICATION LETTER FOR PERIOD OF INSTALLATION  
THAT IS REPEATED SEVERAL TIMES IN THE CATALOG GROUP.

EXPLANATION PLEASE FIND IN TEXT COLUMN OF THE CATALOG GROUP

IN COLUMN - QU - = NO. OF PIECES  
-----

- 1 NUMBER PER APPLICATION
- X NUMBER AS NEEDED
- \* AVAILABLE ONLY IN RUNNING LENGTHS 1 = 1 METRE

IN COLUMN - MODEL/SYMBOL -  
-----

- M650 OPTIONAL EQUIPMENT - SEE M-NO. LIST
- 98 LIMITATION OF MODEL YEAR FOR INSTANCE: VALID UP TO  
END OF MODEL YEAR 1997
- /LL LHD
- /RL RHD
- +
- /V FRONT I  
I
- /H REAR I  
I----> APPLIES TO
- /L LEFT I DIRECTION OF TRAVEL  
I
- /R RIGHT I  
-----+
- WW THE PART CAN BE USED INSTEAD OF THE  
PRECEDING ONE.

Model: 996 01

Model life 2001&gt;&gt;2005

COUNTRY-EQIPM.

## EQUIPMENT BY COUNTRY REGULATIONS

=====

(A)	AUSTRIA
(AG)	ARABIAN GULF STATES
(AUS)	AUSTRALIA
(B)	BELGIUM
(BR)	BRAZIL
(CDN)	CANADA
(CH)	SWITZERLAND
(D)	FEDERAL REPUBLIC OF GERMANY
(DK)	DENMARK
(E)	SPAIN
(F)	FRANCE
(GB)	GREAT BRITAIN
(GR)	GREECE
(HK)	HONGKONG
(I)	ITALY
(J)	JAPAN
(L)	LUXEMBURG
(N)	NORWAY
(NL)	NETHERLANDS
(NZ)	NEW ZEALAND
(P)	PORTUGAL
(RC)	TAIWAN
(S)	SWEDEN
(SA)	SAUDI ARABIA
(SF)	FINLAND
(USA)	UNITED STATES OF AMERICA
(ZA)	SOUTH AFRICA

Model: 996 01

Model life 2001&gt;&gt;2005

NR	Description
IXAA	Aerokit Cup
IXAB	Spyder rear in body colour
IXAF	Turbo aerokit
IXAG	Carrera - rear spoiler
IXCA	Dashboard trim strip (3-part) sports seats
IXCC	Side air vents sports seats
IXCD	Center air vent bracket sports seats
IXCE	Rear center console sports seats
IXCG	Sports seat backrest in Aluminium Look finish
IXCZ	Short shifter
IXD9	Wheel painted in body colour
IXEA	Passive handset in leather
IXE8	Gear lever knob aluminium/dark burr maple/leather
IXE9	Handbrake lever aluminium/dark burr maple/leather
IXJB	Rear section of centre console in Arctic Silver
IXJ4	Leather cover for ignition lock surround
IXKB	Side air vent in light burr maple
IXKC	Side air vent in dark burr maple
IXKD	Side air vent in Carbon
IXKE	Side air vent in Arctic Silver
IXKG	"Defroster trim in light burr maple; leather"
IXKH	"Defroster trim in dark burr maple; leather"
IXKJ	Defroster trim in Carbon/leather
IXKL	Leather speaker covers
IXKM	Speaker covers in light burr maple
IXKN	Speaker covers in dark burr maple
IXKP	Carbon speaker covers
IXKR	Center air vent bracket in light burr maple
IXKS	Center air vent bracket in dark burr maple
IXKW	Center nozzle bracket arctic silver
IXKX	Instrument surround in Arctic Silver
IXLA	Boxster tailpipe
IXLF	Sports exhaust system
IXMA	Rooflining in leather
IXME	Rear section of centre console painted
IXMF	Front center console including 2 storage bins, leather
IXMJ	Rear section of centre console in Carbon
IXMK	Roll-over bar in exterior color
IXML	Rear center console in light burr maple
IXMP	Leather sun visor, 2 illuminated vanity mirrors *
IXMR	Sun visor in leather, 2 illuminated vanity mirrors,
IXMY	Roll-over bar in Arctic Silver
IXMZ	Rear section of centre console in leather
IXNB	Rear center console in dark burr maple
IXNG	Instrument surround in leather
IXNH	Side vent, left/right defroster trim in leather

Model: 996 01

Model life 2001&gt;&gt;2005

NR	Description
IXNN	Center air vent bracket in leather
IXNR	Carbon center air vent bracket
IXNS	Leather steering column trim, 4-part
IXNU	Leather trim strip (dashboard)
IXNV	Trim strip (dashboard) in light burr maple
IXNW	Trim strip (dashboard) in dark burr maple
IXNX	Carbon trim strip (dashboard)
IXNY	Trim strip in Arctic Silver
IXN3	Dashboard side air vent in leather
IXPA	3-spoke sports steering wheel in leather interior co
IXPB	3-spoke sports steering wheel, light burr maple, leather
IXPC	3-spoke sports steering wheel, dark burr maple, leather
IXPD	3-spoke sports steering wheel, Carbon/leather
IXPG	3-spoke sports steering wheel, sports seats
IXPP	Loudspeaker finisher on switch panel in interior colour
IXPW	Instrument surround in light burr maple
IXPX	Instrument surround in dark burr maple *
IXPY	Carbon instrument surround
IXRA	17-inch SPORTCLASSIC WHEEL
IXRB	18-inch Sport Classic II wheel
IXRC	18-inch SportTechno wheel
IXRL	18-inch SportDesign wheel
IXRN	17-mm spacers, rear
IXRP	5-mm spacers, front/rear
IXSA	Painted sports seat backrest
IXSB	Leather sports seat backrest
IXSC	Porsche Crest embossed in headrest
IXSD	Front seat controls in leather
IXSE	Bucket seat, left
IXSF	Bucket seat, right
IXSG	Racing bucket seat, left
IXSJ	6-point harness
IXSL	6-point safety catch
IXSM	Racing safety cage
IXSN	Omission of rear seats
IXSR	Carbon back for bucket seat, right
IXSS	Carbon back for bucket seat, left
IXSU	Upholstered seat
IXSW	Seat belts in Maritime Blue
IXSX	Seat belts in Guards Red
IXSY	Seat belts in Speed Yellow
IXTC	Door panel parts in leather
IXTE	Door panel parts in carbon/leather
IXTF	Door panel parts in arctic silver/leather

Model: 996 01

Model life 2001&gt;&gt;2005

NR	Description
IXTG	Inner door sills in leather
IXTJ	Door panel parts in light burr maple
IXTK	Door panel parts in dark burr maple
IXTL	Door panel parts in Carbon
IXTR	Door panel parts in Aluminium Look finish
IXV1	Defroster trim in leather
IXX1	Floor mats, logo, leather border
IXX2	Illuminated footwell
IXY5	Tiptronic gear selector gate in leather
IXZD	Interior light surround in leather
IX26	Steering wheel airbag, full leather
IX28	Steering wheel airbag, light burr walnut, leather
IX30	Steering wheel airbag, dark burr walnut, leather
IX45	Instrument dial in interior color
IX46	Tiptronic selector lever in aluminium/leather
IX47	Gear lever knob in Carbon/leather
IX48	Tiptronic selector lever in Carbon/aluminium
IX50	Powerkit 331/340 kW
IX54	Stainless steel tailpipes
IX58	Handbrake lever in Carbon/leather
IX65	Tiptronic selector lever in light burr maple/aluminium
IX66	Tiptronic selector lever in dark burr maple/aluminium
IX69	Door entry guards in Carbon with logo
IX70	Door entry guards in stainless steel with logo
IX71	Instrument dial painted/Aluminium Look finish
IX72	Gear lever knob aluminium/light burr maple/leather
IX73	Turbo sports suspension
IX74	Sports suspension (exclusive)
IX75	Differential lock (exclusive)
IX76	Inner door sill guard, left/right
IX77	Steering wheel airbag, carbon/leather
IX91	Handbrake lever aluminium/light burr maple/leather
IX97	Gear lever knob in aluminium/leather
IX98	Handbrake lever in aluminium/leather
IX99	Natural leather
I531	*
I804	GT2 Carbon exterior package
M000	+-----+ ! Summary of optional extras "M"! +-----+
M003	Racing safety devices
M014	Sport package 996
M024	Version for Greece
M030	Sport-type chassis
M032	Touring suspension
M034	Version for Italy
M058	Impact absorbers, front and rear

Model: 996 01

Model life 2001&gt;&gt;2005

NR	Description
M061	Version for Great Britain
M062	Version for Sweden
M063	Version Luxemburg
M064	Version for Netherlands
M065	Version for Denmark
M066	Version for Norway
M067	Version for Finland
M068	Version for Thailand
M069	Other country version
M071	EU country version
M072	Version for Mexico
M073	Version for Russia
M092	Special model Turbo S
M101	Engine parts 996 GT2
M111	Version for Austria
M113	Version for Canada
M114	Version for Taiwan
M119	Version for Spain
M124	Version for France
M126	Control and indications in French lettering
M127	Control and indications in Swedish
M130	Control and indications in English lettering
M139	Seat heating system, left seat
M150	Operation with leaded gas
M152	Fuel cooler
M193	Version for Japan
M197	Stronger battery
M210	Licence plate holder version 2
M211	Licence plate holder version 3
M215	Version for Saudi Arabia
M218	Licence plate holder version 4
M219	Differential
M220	Locking differential
M222	Anti-slip regulation (ASR)
M224	Automatic limited slip differential
M225	Version for Belgium
M249	Tiptronic transmission
M265	Automatic anti-dazzle interior mirror with rain sensor
M266	Automatic anti-dazzle door mirror
M270	Door mirror -flat- driver's side, electrically adjustable and heatable
M271	Door mirror -aspherical- driver's side, electrically adjustable and heatable
M273	Door mirrors, electrically adjustable and heatable
M274	Vanity mirror illuminated

Model: 996 01

Model life 2001&gt;&gt;2005

NR	Description
M277	Version for Switzerland
M288	Headlamp washer
M320	Radio "Porsche CR-11" ROW
M321	Radio "Porsche CR 22"
M322	Radio "Porsche CR 220"
M325	Version for South Africa/New Zealand
M326	Radio "Porsche CR-21" ROW
M327	Radio "Porsche CR 2200"
M329	Radio "Porsche CR-210" USA
M330	Radio "Porsche CR-31" ROW
M335	Automatic seat belt, 3-point, rear
M338	Rear-wheel drive
M339	All-wheel drive
M340	Seat heating system, right seat
M342	Seat heating system, left/right seat
M369	Standard seat, left
M370	Standard seat, right
M375	Sports seat, backrest shell, left
M376	Sports seat, backrest shell, right
M396	Cast wheel, 17-inch
M399	17-inch Carrera-4 wheel
M410	18-inch Turbo 2 wheel
M413	18-inch Turbo-Look wheel
M415	18-inch monobloc wheel Top
M416	Wheel, GT3 18-inch
M418	18-inch Turbo 2 wheel, GT Silver Metallic
M421	Front cassette compartment
M422	Rear cassette compartment
M424	CD compartment
M425	Rear window wiper
M426	Without rear window wiper
M432	Steering wheel with Tiptronic control
M436	3-spoke airbag steering wheel
M437	Comfort seat, left, electrically adjustable
M438	Comfort seat, right, electrically adjustable
M439	Electrical hood operation
M440	Manual antenna, 4 loudspeakers --- MY 2002 MY 2003 --- antenna diversity
M441	Radio preparation
M446	Concave wheel centers with full-colour Porsche Crest
M449	Cast iron brake GT2
M450	Ceramic brake (PCCB)



Model: 996 01

Model life 2001&gt;&gt;2005

NR	Description
M454	Automatic speed control
M465	Rear foglamp, left
M466	Rear foglamp, right
M476	Porsche Stability Management (PSM)
M479	Version for Australia
M480	6-speed manual transmission
M484	Version for USA
M488	Inscriptions in German language
M490	-MY 01 sound system
	MY 02 sound system Harmann analog
M492	Headlamps for left-hand traffic
M498	Deletion of model designation on rear end
M499	Version for Germany
M509	Fire extinguisher
M513	Lumbar support, right seat
M532	Alarm system remote control omitted
M533	Radio convertible-top operation omitted
M534	Theft security system
M535	Anti-theft lock 315 MHz
M536	Alarm siren and tilt sensor
M537	Seating position control for comfort seat, left
M538	Seating position control for comfort seat, right
M539	Mechanical seat-height adjustment, left
M540	Mechanical seat-height adjustment, right
M549	Roof Transport System
M550	Hard top
M551	Wind deflector
M553	Version for USA, Canada
M562	Airbag, driver's side and front passenger's side
M563	Side airbag
M566	Front fog lights, white
M567	Windscreen tinted, upper part darker coloured
M568	Windscreen without green top-tint
M571	Activated charcoal filter
M573	Air conditioner
M574	Without air conditioner
M580	Non-smoker's package
M581	Center console, front
M586	Lumbar support, left seat
M590	Power lid locking
M601	Xenon lighting system
M602	Raised stop lamp
M605	Headlight levelling system
M606	Daytime driving lights

Model: 996 01 Model life 2001>>2005

NR	Description
M614	Preparation for telephone installation Motorola 2200
M618	Preparation for telephone installation
M620	Electronic accelerator
M635	Parking assistent
M650	Electrical sliding roof
M651	Electric window opener
M652	without electric sunroof
M657	Power assisted steering
M659	On-board computer
M660	Obd 2
M661	Stricter emission-control concept
M662	Info/navigation system
M663	Passive handset
M664	Orvr
M665	PCM2 basic module including radio
M666	PCM2 telephone (GSM)
M668	PCM2 telephone handset
M670	PCM2 navigation
M680	-MY 01 digital sound package MY 02- sound system Bose analog
M685	Rear seats, split
M686	Radio "Porsche CDR-21" ROW
M688	Radio "Porsche CDR-210" USA
M689	Preperation of cd autochanger
M690	CD player "CD-10" radio + ARI
M692	CD autochanger "Porsche "
M695	CD radio "Porsche CDR 22"
M696	CD radio "Porsche CDR 220"
M698	CD radio "Porsche CDR 32"
M699	MD radio "Porsche MDR32"
M703	Trunk entrapment
M936	Seat covers, rear, leather
M937	Seat covers, rear, leatherette
M939	Seat covers, rear, draped leather
M946	Seat covers, front, leather/leather/leatherette
M971	Natural leather, Toro-embossed
M981	Leather equipment without seat covers
M982	Seat covers, front, draped leather/leather/leather
M983	Seat covers, front, leather
M985	Cover "lorica", without seat covers
M990	Seat covers, front, cloth/cloth/leatherette
M999	Passenger compartment monitoring sensor

Model: 996 01

Model life 2001&gt;&gt;2005

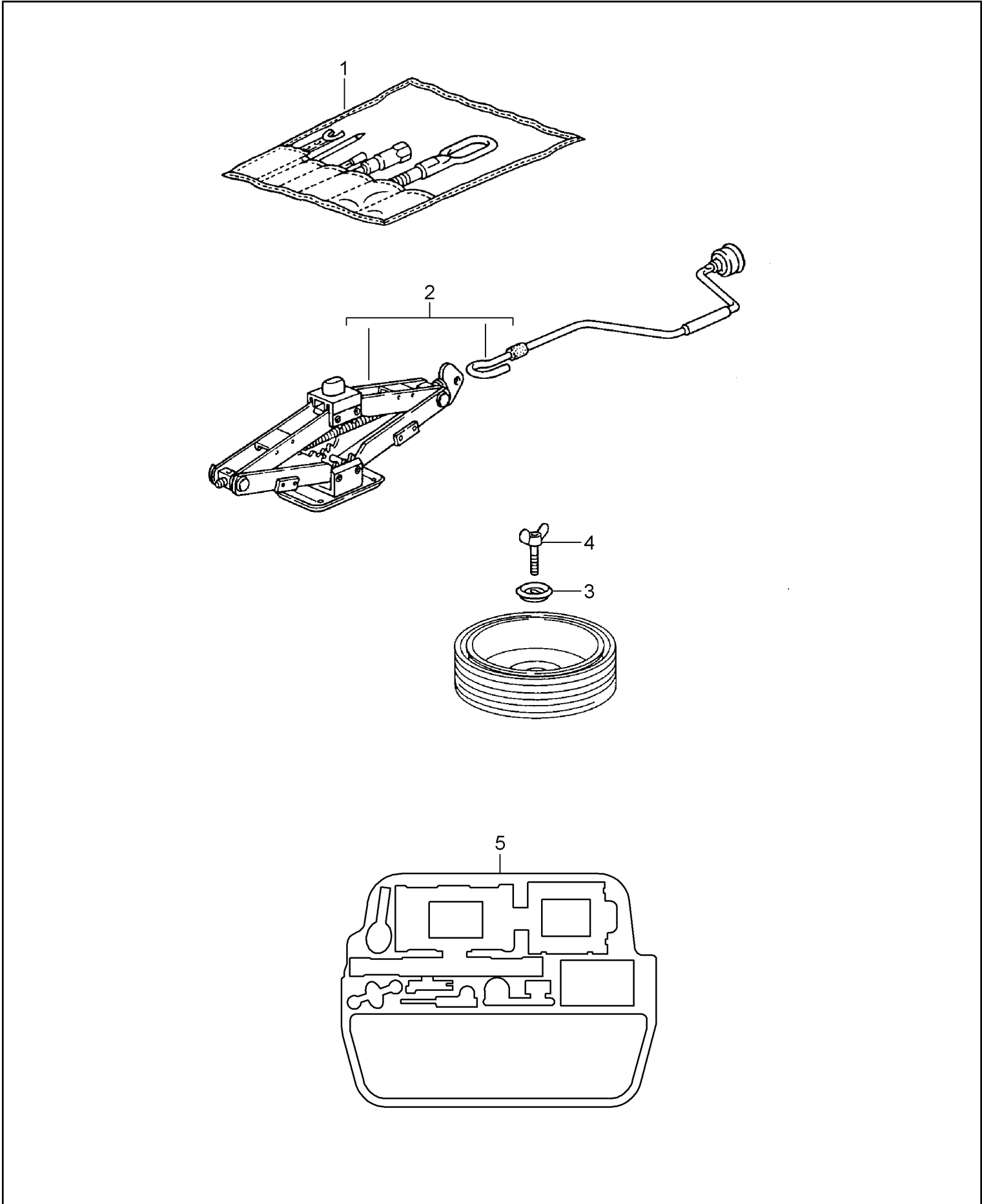
NR

Description

for leather colour of choice

Model: 996 01

Model life 2001>>2005

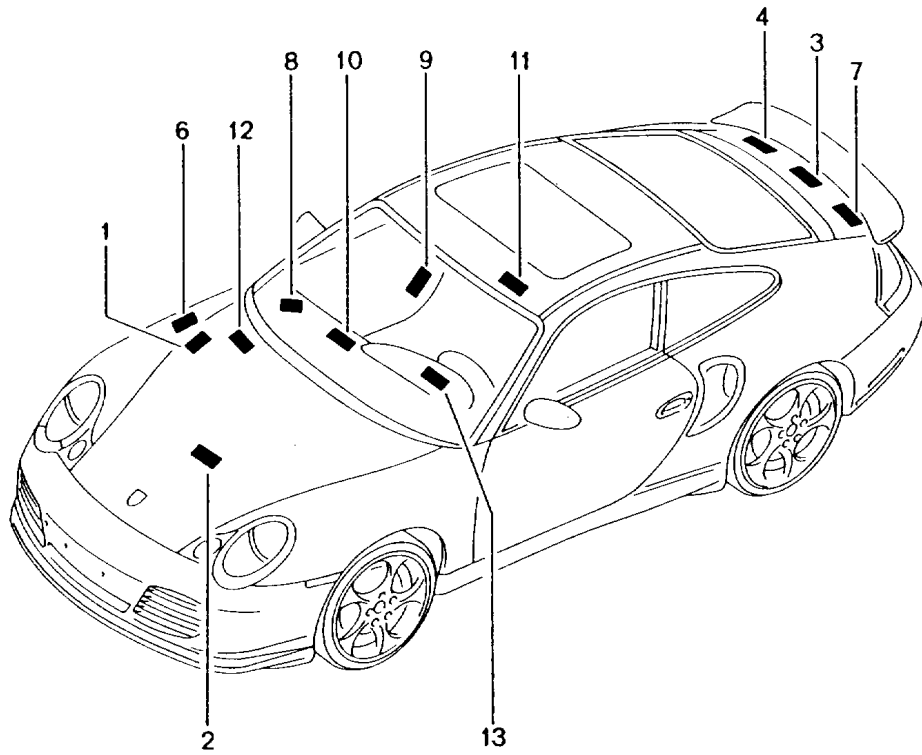


Model: 996 01 Model life 2001>>2005

Pos	Part Number	Description	Remark	Qty	Model
1	996 721 115 00	Tool Jack Fire extinguisher		1	
-	996 721 415 00	Tool bag with contents Comprising:		1	
-	996 361 521 00	Tool bag without Content		1	
-	996 361 521 00	Boot for Tyre		1	
-	999 914 001 40	Plastic gloves		1	
-	996 721 151 00	Towing lug		1	
-	477 012 229	Double-end spanner 10 X 13		1	
-	477 012 231	Screwdriver		1	
-	111 012 287	Handle for Screwdriver		1	
-	999 571 076 02	Socket wrench - 5 - for		1	
-	999 571 074 30	Headlamp Threaded bolt for Assembly Wheels		1	
-	477 012 221 A	Rim wrench		1	
-	999 571 070 30	Operating rod for Rim wrench		1	
2	996 721 211 00	Scissors type jack		1	
3	477 813 157	Mounting plate		1	
4	900 029 109 02	Wing screw M 10 X 65		1	
-	999 031 051 02	Washer 11,0 X 20 X 3,5		1	M450/680
5	996 721 163 90	Foam part		1	GT2
-		Compressor			GT2
-		Compressed air bottle See group 6/01/00			GT2
-	993 722 115 70	Fire extinguisher		1	GT2 M003
-	996 722 211 90	Spacer sleeve		2	GT2 M003
-	996 722 213 90	Stopper		2	GT2 M003
-	000 722 722 02	Warning triangle		1	
-	993 722 041 00	First-aid kit		1	

Model: 996 01

Model life 2001>>2005



Model: 996 01 Model life 2001>>2005

Pos	Part Number	Description	Remark	Qty	Model
		Stickers			
		Stickers			
		Tyre pressure			
1	996 701 287 48	Sticker		1	TURBO
1	996 701 287 51	Sticker		1	GT2
1	996 701 287 50	Sticker	(AUS) 01	1	TURBO
1		Sticker	(AUS) 02-	1	TURBO
1	996 701 287 53	Sticker	(AUS)	1	GT2
1	996 701 170 00	Sticker		1	M499
		First-aid kit			
		Stickers		1	
		Emergency wheel			
2	996 361 701 00	Sticker	(AUS)	1	
		English			
2	996 361 701 20	Sticker	(AUS) 02-	1	M450
		English			
2	928 701 150 00	Sticker		1	
		"MAX 80 KM/H"			
		Stickers			
		Engine specifications			
3	996 006 107 70	Sticker	(AUS) 01	1	TURBO
3	996 006 107 71	Sticker	(AUS) 02	1	TURBO
3	996 006 107 72	Sticker	(AUS) 03	1	TURBO
3	996 006 107 73	Sticker	(AUS) 04	1	TURBO
3	996 006 107 80	Sticker	(AUS) 01	1	GT2
3	996 006 107 81	Sticker	(AUS) 02	1	GT2
3	996 006 107 82	Sticker	(AUS) 03	1	GT2
3	996 006 107 83	Sticker	(AUS) 04	1	GT2
3	993 006 108 02	Sticker	01	1	M068
3	996 006 108 00	Sticker	02-	1	M068
		Stickers			
		Type of fuel			
6	996 006 117 00	Sticker		1	
		98 ROZ			
6	996 006 117 02	Sticker	(AUS)	1	
		96 ROZ			
6	996 006 117 01	Sticker		1	M150
		98 ROZ			
6	996 006 117 03	Sticker	(J)	1	
		93 RON/MON/2			
6	996 701 190 00	Sticker		1	
		Fuel tank cap			
7	997 006 544 00	Sticker		1	
		Engine oil			
		- MOBIL 1 -			
7	7PP 010 786 T	Sticker		1	
		Engine oil			
		- MOBIL 1 -			
(7)	996 006 120 00	Indication sticker		1	
		Expansion tank			
		Coolant			
		Stickers			
		Airbag			
8	3B0 010 219 B	Sticker		1	
		Child car seat			
8	8D0 010 141 Q	Sticker	(AUS) 05	1	
		Child car seat			
8	996 701 430 00	Sticker		1	TURBO
		Child car seat			
		German			
		English			
8	986 701 430 00	Sticker		1	GT2
		Child car seat			

Model: 996 01 Model life 2001>>2005

Pos	Part Number	Description	Remark	Qty	Model
8	996 701 430 01	German English Sticker Child car seat Italian French		1	TURBO
8	986 701 430 01	Sticker Child car seat Italian French		1	GT2
8	996 701 430 02	Sticker Child car seat English Spanish		1	TURBO
8	986 701 430 02	Sticker Child car seat English Spanish		1	GT2
8	996 701 430 03	Sticker Child car seat Swedish English		1	TURBO
8	986 701 430 03	Sticker Child car seat Swedish English		1	GT2
8	996 701 430 04	Sticker Child car seat Arabic English	04	1	TURBO
8	986 701 430 04	Sticker Child car seat Arabic English	04	1	GT2
12	996 701 141 01	Sticker Air conditioner		1	



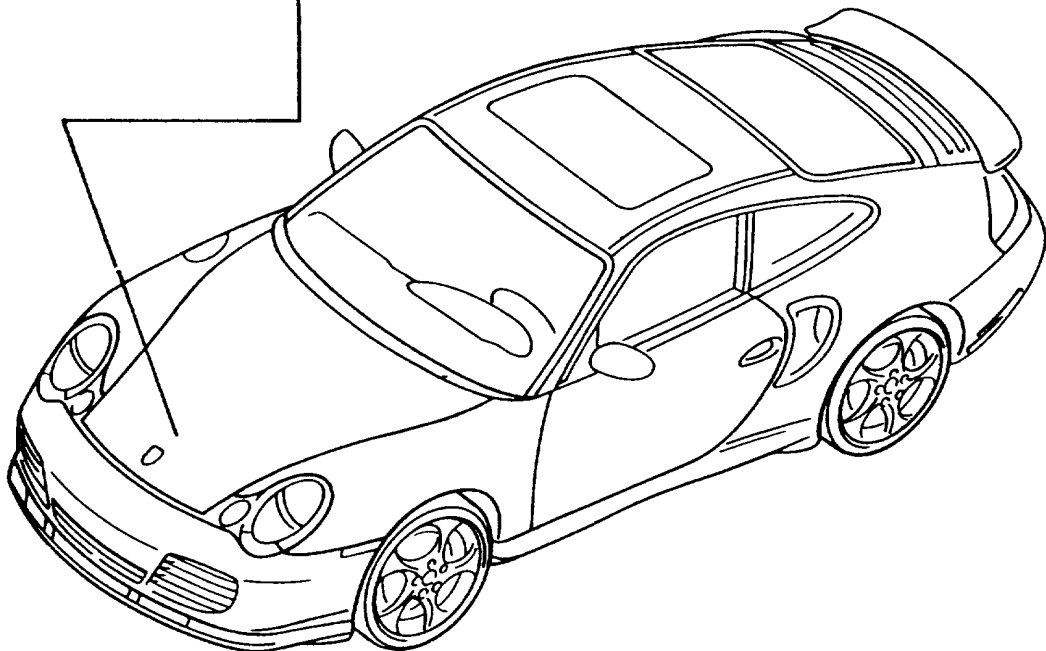
Model: 996 01

Model life 2001>>2005

FARBNUMMER  
COLOUR NUMBER  
NUMERO DE COULEUR  
NUMERO COLORE  
NUMERO DE COLOR

697|9 1  
DIAMOND BLUE METALLIC  
DIAMANT BLAU METALLIC  
F5

FARB BENENNUNG  
COLOUR  
COULEUR  
COLORE  
COLOR

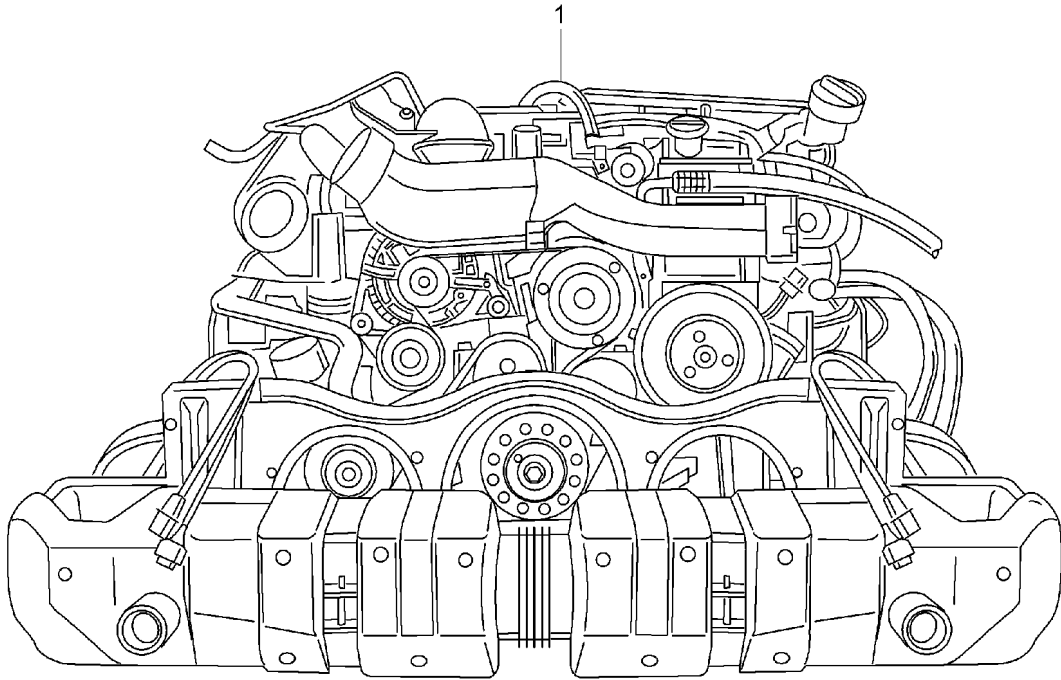


Model: 996 01 Model life 2001>>2005

Pos	Part Number	Description	Remark	Qty	Model
-	911 095 932 20	Paint touch-up applicator Lacquers		X	
	911 095 932 20 719	Paint touch-up applicator Black			A 1
	911 095 932 20 80K	Guards red			G 1
	911 095 932 20 9A3	Biarritz white			Z 2
	911 095 932 20 12G	Speed yellow			X 4
	911 095 932 20 347	Dark blue			55
	911 095 932 20 B9A	Carrara white			B 4
-	911 095 933 20	Paint touch-up applicator Set Comprising: Paint touch-up applicator Primer Paint touch-up applicator Clear lacquer		X	
	911 095 933 20 92T	Arctic silver metallic			X 1
	911 095 933 20 746	Black-metallic			Z 8
	911 095 933 20 2A2	Rainforest green metallic			J 4
	911 095 933 20 1A9	Zanzibar red	-02 03 -02		N 1 63
	911 095 933 20 8A4	Orient red metallic			L 1
	911 095 933 20 3A9	Lapis blue metallic	-02		E 3
	911 095 933 20 M5W	Lapis blue metallic	03-		J 2
	911 095 933 20 6A7	Meridian metallic	-03 04- -03		X 2 64
	911 095 933 20 6B5	Seal grey metallic			Y 1
	911 095 933 20 23I	Wimbledon green metallic			51
	911 095 933 20 22E	Forest green metallic			53
	911 095 933 20 39G	Violet metallic			54
	911 095 933 20 37U	Cobalt blue metallic			56
	911 095 933 20 92E	Polar silver metallic			58
	911 095 933 20 22D	Slate grey metallic			59
	911 095 933 20 37W	Midnight Blue Metallic	-02 03- -02		62 E 9
	911 095 933 20 C9Z	Basalt black metallic			Z 4
	911 095 933 20 M6W	Lagoon green metallic			G 4
	911 095 933 20 M3W	Carmon red metallic			E 4
	911 095 933 20 M7X	Atlas grey metallic			E 7
	911 095 933 20 M7Z	GT Silver Metallic			U 2
	911 095 933 20 M6X	Dark olive-metallic			7 G

Model: 996 01

Model life 2001>>2005



Model: 996 01 Model life 2001>>2005

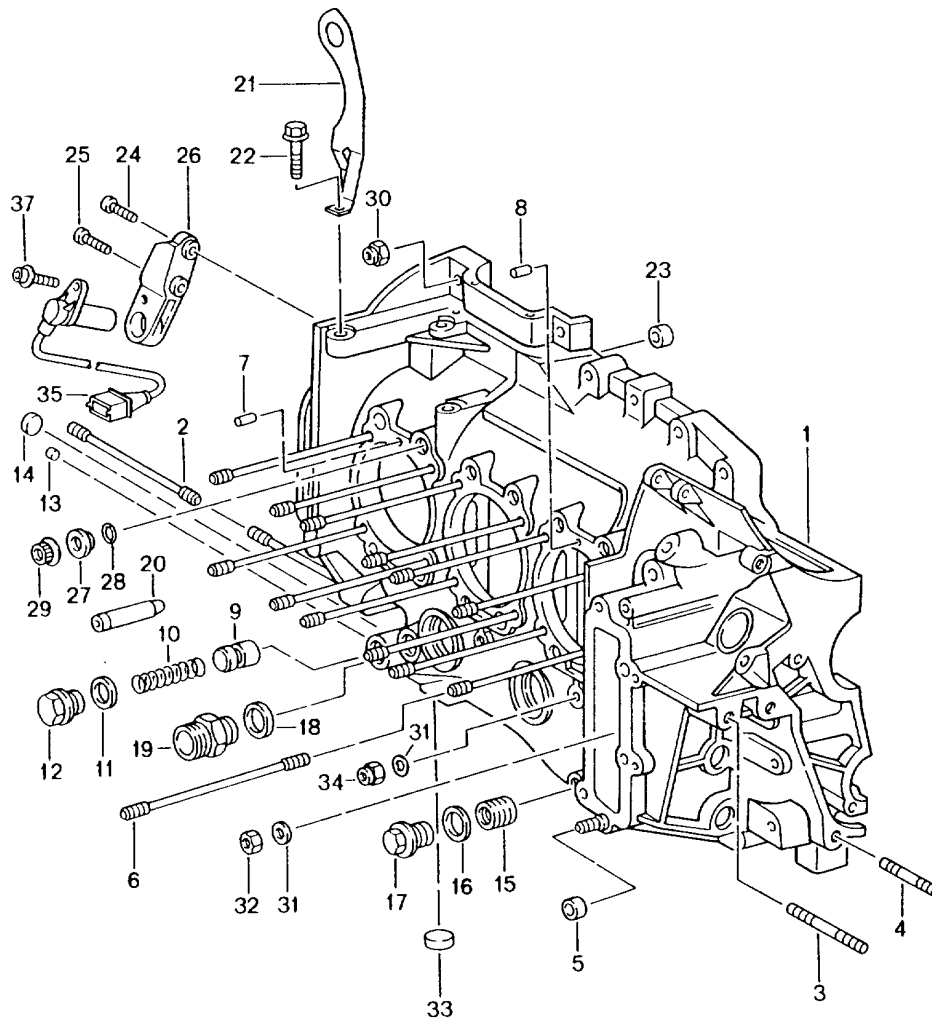
Pos	Part Number	Description	Remark	Qty	Model
		Replacement engine	02-		M96.70
		Ready for installation	02-		M96.70E
		Only			M96.70S
		Included			
		Fuel cooler			
1	996 100 970 00	Replacement engine	01	1	M96.70 M480
		See technical information			
		Group 1			
		NR.3/01			
1	996 100 970 01	Replacement engine	01	1	M96.70 M249
		See technical information			
		Group 1			
		NR.3/01		1	
		Replacement engine			
		Ready for installation			
1	996 100 970 02	Replacement engine	02	1	M96.70 M152 M480
1	996 100 970 13	Replacement engine	03	1	M96.70 M152 M480
1	996 100 970 21	Replacement engine	04	1	M96.70 M152 M480
1	996 100 970 29	Replacement engine	05	1	M96.70 M152 M480
1	996 100 970 03	Replacement engine	02	1	M96.70 M152 M249
1	996 100 970 14	Replacement engine	03	1	M96.70 M152 M249
1	996 100 970 22	Replacement engine	04	1	M96.70 M152 M249
1	996 100 970 30	Replacement engine	05	1	M96.70 M152 M249
		Replacement engine			
		Ready for installation			
1	996 100 970 09	Replacement engine	02	1	M96.70E IX50/M152 M480
1	996 100 970 19	Replacement engine	03	1	M96.70E IX50/M152 M480
1	996 100 970 25	Replacement engine	04	1	M96.70E IX50/M152 M480
1	996 100 970 33	Replacement engine	05	1	M96.70E IX50/X75 M152 M480
1	996 100 970 10	Replacement engine	02	1	M96.70E IX50/M152 M249
1	996 100 970 20	Replacement engine	03	1	M96.70E IX50/M152

Model: 996 01 Model life 2001>>2005

Pos	Part Number	Description	Remark	Qty	Model
1	996 100 970 26	Replacement engine	04	1	M249 M96.70E IX50/M152
1	996 100 970 34	Replacement engine	05	1	M249 M96.70E IX50/X75 M152 M249
1	996 100 970 06	Replacement engine Ready for installation	01	1	M96.70S M101/152
1	996 100 970 07	Replacement engine	02	1	M96.70S M101/152
1	996 100 970 17	Replacement engine	03	1	M96.70S M101/152
1	996 100 970 27	Replacement engine	04	1	M96.70S M101/152
1	996 100 970 35	Replacement engine	05	1	M96.70S M101/152

Model: 996 01

Model life 2001>>2005



Model: 996 01

Model life 2001&gt;&gt;2005

Pos	Part Number	Description	Remark	Qty	Model
1	996 101 901 71	Crankcase Left Crankcase with studs Use also: 000.043.203.73 Sealing compound Drei Bond 1209		1     X	
2	999 062 099 02	Stud BM 10 X 105		2	
2	900 060 096 01	Stud BM 10FO X 105		2	
3	999 062 170 02	Stud BM 10 X 70		1	
4	999 062 056 02	Stud BM 10 X 60		1	
(4)	900 060 098 01	Stud BM 10 X 60		1	
5	901 101 145 00	Dowel sleeve		4	
6	996 101 172 70	Stud		24	
7	900 012 046 00	Straight pin A 8,0 X 14		2	
8	900 012 057 00	Straight pin A 6,0 X 14		2	
9	911 107 512 00	Piston		1	
10	901 107 531 00	Compression spring		1	
10	901 107 531 01	Compression spring		1	
11	900 123 106 30	Sealing ring A 18 X 24		1	
12	999 064 026 02	Screw plug M 18 X 24		1	
12	999 064 026 01	Screw plug AM 18 X 1,5		1	
13	911 101 186 00	Stopper 7,5 X 8,0		1	
(13)	911 101 186 01	Stopper Oversize 8,5 X 8,0		1	
14	911 101 182 01	Stopper Oversize 14,00 X 8,5		1	
15	999 504 127 00	Threaded insert 20 X 1,5		1	
16	900 123 118 30	Sealing ring A 22 X 27		1	
17	944 107 197 01	Screw plug		1	
18	900 123 011 30	Sealing ring A 22 X 27		1	
19	999 136 044 09	Union 18		1	
19	999 136 044 01	Union 18		1	
20	996 101 018 51	Spray jet M 20 X 1,5		6	
21	996 101 251 72	Retaining bar		1	
22	900 074 040 02	Hexagon-head bolt M 8 X 50		1	
23	901 101 195 00	Dowel sleeve		2	
24	900 075 341 02	Combination screw M 6 X 25		1	
24	900 075 341 01	Combination screw M 6 X 25		1	
25	900 075 345 02	Combination screw		1	

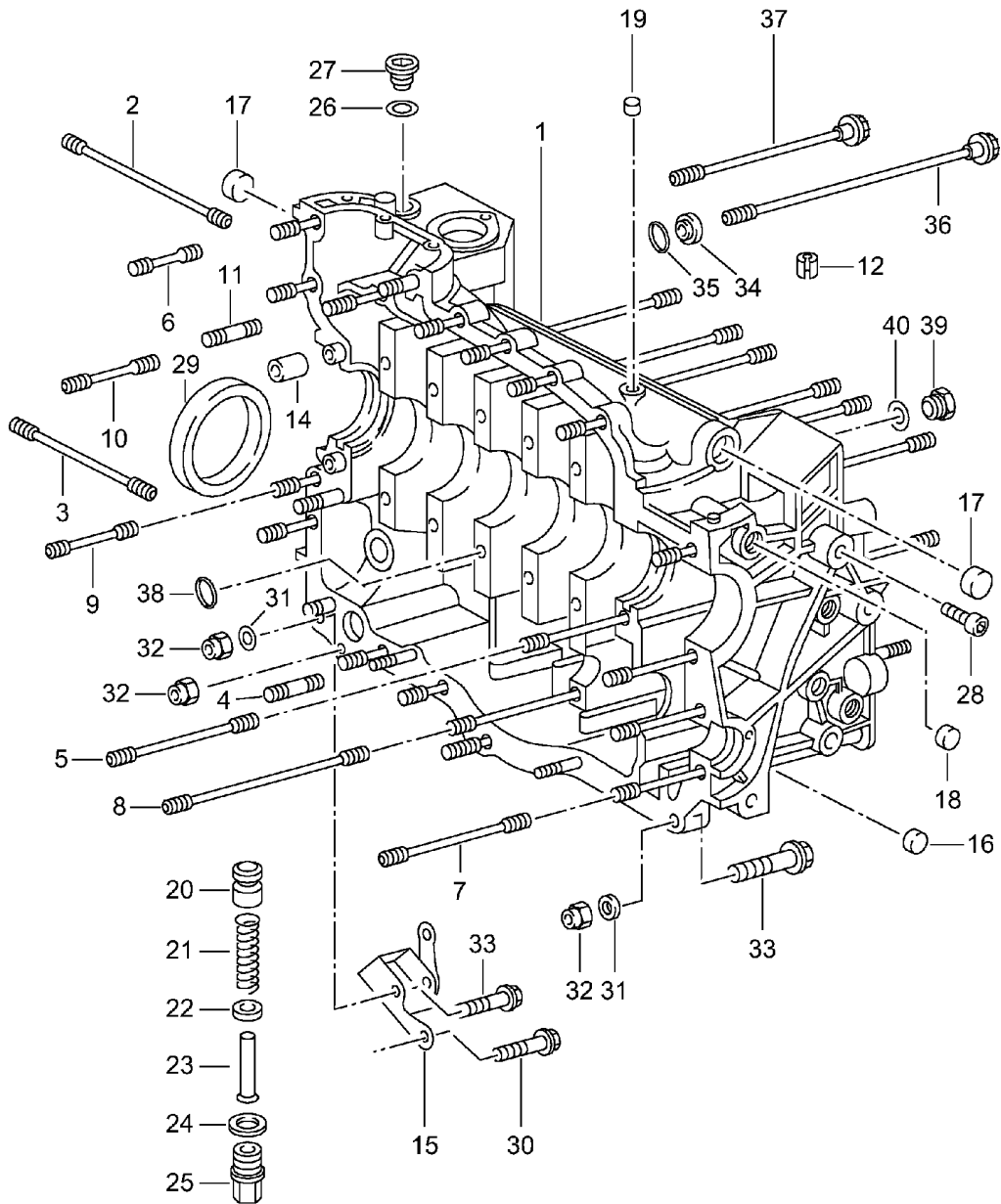
Model: 996 01 Model life 2001>>2005

Pos	Part Number	Description	Remark	Qty	Model
25	900 075 345 01	M 6 X 35 Combination screw		1	
26	964 101 187 01	M 6 X 35 Support		1	
27	964 101 313 02	Washer		15	
28	999 701 006 40	O-ring 8 X 2		15	
29	959 101 172 00	Nut		11	
30	999 084 095 02	Lock nut M 8		23	
30	900 910 003 01	Hexagon nut M 8		23	
31	900 025 008 09	Washer A 10,5		2	
31	900 025 008 04	Washer A 10,5		2	
32	900 076 078 01	Hexagon nut M 10 X 1,25		1	
33	911 101 184 01	Stopper Oversize 20,00 X 13		1	
34	999 084 096 02	Lock nut M 10		1	
34	900 910 130 01	Lock nut M 10		1	
35	996 606 105 00	Pulse sender		1	M480
36	986 606 112 02	Pulse sender	-02	1	M249
36	986 606 112 03	Pulse sender	03-	1	M249
37	999 218 005 02	Pan-head screw M 6 X 16		1	
37	999 218 005 01	Pan-head screw M 6 X 16		1	
38	999 507 842 40	Support Pulse sender		1	



Model: 996 01

Model life 2001>>2005



Model: 996 01

Model life 2001&gt;&gt;2005

Pos	Part Number	Description	Remark	Qty	Model
1	996 101 901 71	Crankcase Right Crankcase with studs Use also: 000.043.203.73 Sealing compound Drei Bond 1209		1  X	
2	999 062 225 02	Stud BM 10 X 140		1	
2	900 060 095 01	Stud BM 10 X 140		1	
3	999 062 099 02	Stud BM 10 X 105		1	
3	900 060 096 01	Stud BM 10 X 105		1	
4	999 062 007 02	Stud BM 8 X 22		3	
4	900 060 106 01	Stud BM 8 X 22		3	
5	996 101 175 70	Stud		1	
6	999 062 115 02	Stud BM 8 X 32		13	
7	999 062 156 02	Stud BM 8 X 78		3	
7	900 060 101 01	Stud BM 8 X 78		3	
8	999 062 276 02	Stud BM 10 X 110		1	
9	999 062 075 02	Stud BM 8 X 48		2	
10	999 062 138 02	Stud BM 8 X 52		1	
10	900 060 102 01	Stud BM8FO x 52		1	
11	999 062 009 02	Stud BM 8 X 28		1	
11	900 060 105 01	Stud BM 8 X 28		1	
12	900 095 025 01	Roll pin 8 X 16		1	
14	901 101 195 00	Dowel sleeve		2	
15	996 101 206 70	Hook		1	
16	911 101 184 01	Stopper Oversize 20,00 X 13		1	
17	911 101 185 01	Stopper Oversize 23,00 X 9		2	
18	911 101 182 01	Stopper Oversize 14,00 X 8,5		1	
19	911 101 186 00	Stopper 7,50 X 8		1	
19	911 101 186 01	Stopper Oversize 8,50 X 8		1	
20	911 107 512 00	Piston		1	
21	901 107 531 00	Compression spring		1	
21	901 107 531 01	Compression spring		1	
21	930 107 531 01	Compression spring		1	
22	964 107 532 00	Spacer ring		1	
23	930 107 533 00	Guide sleeve		1	

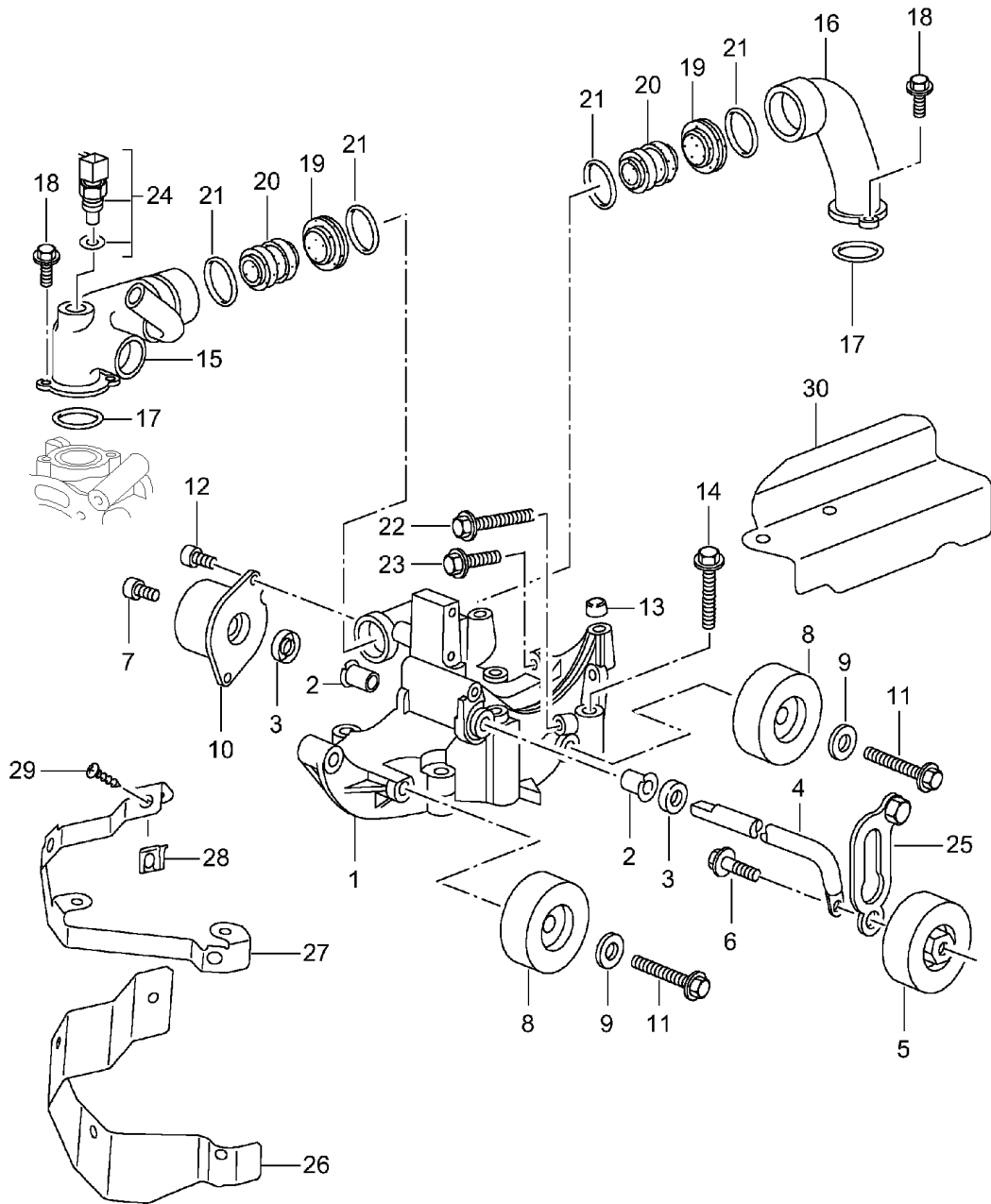
Model: 996 01

Model life 2001&gt;&gt;2005

Pos	Part Number	Description	Remark	Qty	Model
23	930 107 533 01	Guide sleeve		1	
24	900 123 106 30	Sealing ring A 18 X 24		1	
25	999 064 026 02	Screw plug		1	
25	999 064 026 01	Screw plug AM 18 X 1,5		1	
26	900 123 140 30	Sealing ring A 18 X 22		1	
27	900 219 009 30	Screw plug M 18 X 1,5		1	
28	999 074 017 02	Hexagon-head bolt M 10 X 18		1	
29	999 113 426 41	Radial sealing ring 90 X 110 X 12		1	
30	900 074 139 02	Hexagon-head bolt M 8 X 55		1	
31	900 031 001 02	Washer 8,4		26	
31	900 031 105 01	Washer 8,4		26	
32	999 084 095 02	Lock nut M 8		23	
32	900 910 003 01	Hexagon nut M 8		23	
33	900 074 134 02	Hexagon-head bolt M 8 X 45		2	
34	964 101 313 02	Washer		13	
35	999 701 006 40	O-ring 8 X 2		13	
36	959 101 173 01	Screw		11	
36	959 101 173 02	Screw		11	
37	964 101 174 00	Screw		2	
38	999 701 596 40	O-ring 8,3 X 2,4		4	
39	900 175 022 02	Banjo bolt		1	
40	900 123 152 30	Sealing ring		2	

Model: 996 01

Model life 2001>>2005

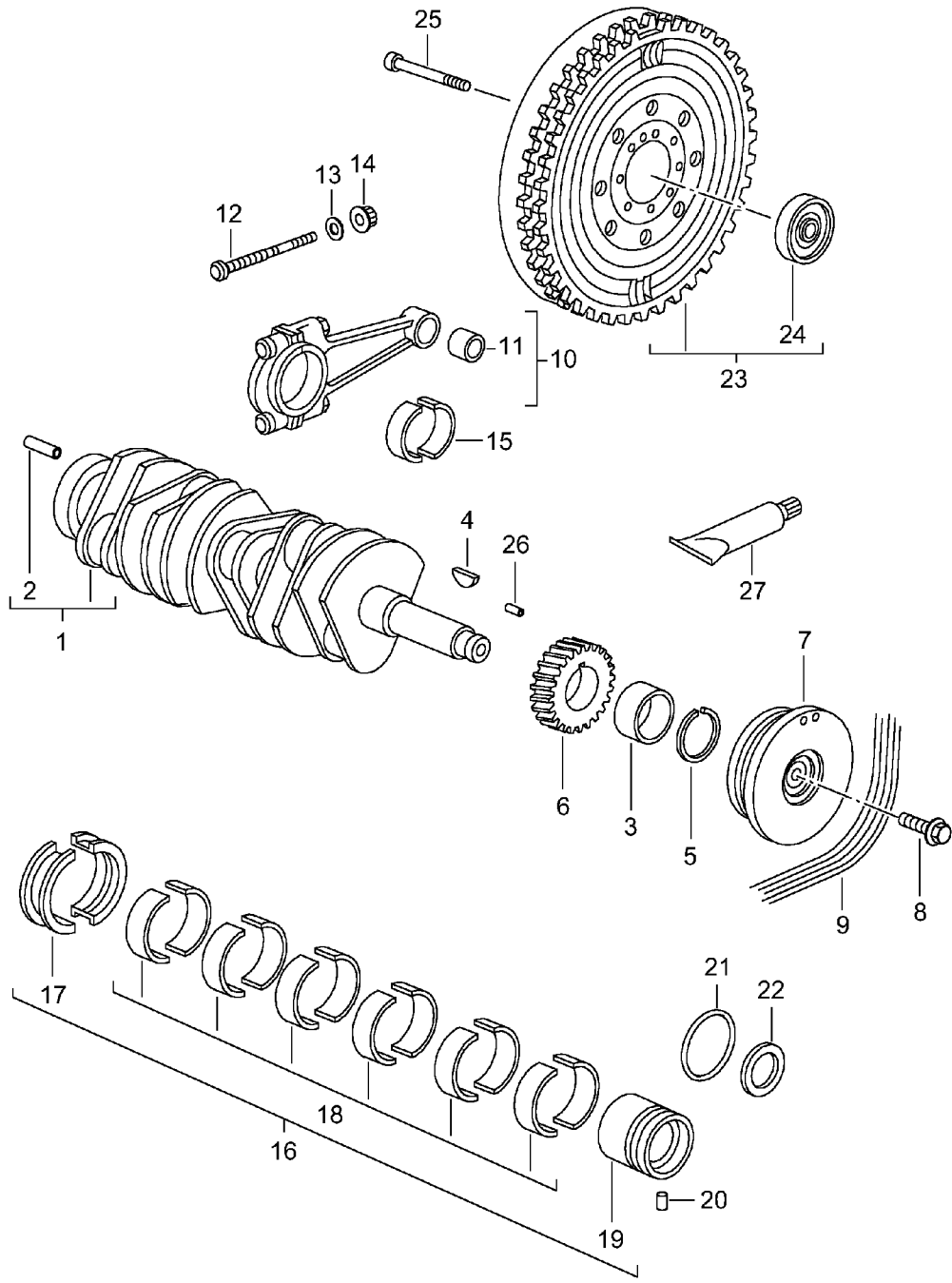


Model: 996 01 Model life 2001>>2005

Pos	Part Number	Description	Remark	Qty	Model
		Belt tensioner			
		Belt drive			
1	996 115 112 70	Bracket		1	
2	996 102 167 50	Bearing sleeve		2	
2	997 102 167 00	Bush		2	
3	996 102 365 50	Dust boot		2	
4	996 115 913 70	Lever		1	
(4)	996 115 913 71	Lever		1	
5	996 115 016 72	Tensioning roller		1	
6	999 072 041 09	Hexagon-head bolt M 10 X 30		1	
7	900 067 117 03	Pan-head screw M 6 X 16		1	
8	996 115 015 74	Deflection roller		2	
8	996 115 015 75	Deflection roller		2	
9	996 102 125 53	Cover disc		2	
10	996 115 221 71	Tensioner		1	
10	996 115 221 72	Tensioner		1	
11	900 378 200 09	Hexagon-head bolt		2	
11	900 378 313 01	Hexagon-head bolt M 10 X 55		2	
12	900 067 131 02	Pan-head screw M 8 X 16		2	
13	999 095 063 02	Dowel sleeve 11 M 6 X 10		2	
13	999 095 063 01	Dowel sleeve 11 M 6 X 10		2	
14	900 378 098 09	Hexagon-head bolt AM 10 X 60		4	
15	996 106 039 73	Connection piece		1	
16	996 106 440 72	Connection piece		1	
17	999 707 410 40	O-ring 39,20 X 3,00		2	
18	900 378 030 09	Hexagon-head bolt M 6 X 20		4	
19	996 106 214 70	Protective ring		2	
20	996 106 238 71	Joining socket		2	
21	999 707 411 40	O-ring 28,00 X 4,50		4	
22	900 378 150 09	Hexagon-head bolt M 8 X 55		1	
23	900 378 022 09	Hexagon-head bolt M 8 X 25		2	
24	996 606 410 00	Temperature sensor		1	
25	996 115 213 71	Driver		1	
26	996 115 521 71	Protective plate	/L	1	
(26)	996 115 521 73	Support	/L	1	
27	996 115 621 72	Support	/L	1	
		Not available 996.115.521.73 Use			
27	996 115 521 73	Support	/L	1	
		Not available 996.115.521.73 Use			
28	999 507 462 02	Speed nut		4	
28	999 507 462 09	Speed nut		4	
29	999 919 164 09	Oval-head screw		4	
30	996 115 661 72	Protective plate	/R	1	

Model: 996 01

Model life 2001>>2005



Model: 996 01 Model life 2001>>2005

Pos	Part Number	Description	Remark	Qty	Model
1	993 102 021 02	Crankshaft		1	
2	900 095 031 00	Crankshaft Tensioning sleeve 6 X 16		1	
3	959 102 321 00	Intermediate ring		1	
4	901 102 147 00	Woodruff key		1	
5	901 102 148 00	Circlip Number 0		1	
5	901 102 148 01	Circlip Number 1		1	
5	901 102 148 02	Circlip Number 2		1	
5	901 102 148 03	Circlip Number 3		1	
6		See group 1/03/15		1	
7	996 102 017 71	Pulley		1	
7	996 102 017 72	Pulley		1	
8	999 217 128 01	Hexagon-head bolt M 14 X 1,5 X 33		1	
9	999 192 379 50	Poly-rib belt		1	M573
10	996 103 975 70	Connecting rod Set Comprising: Connecting rods		1	
11	993 103 134 01	Connecting rod bush		6	
12	996 103 176 70	Connecting rod bolt		6	
14	993 103 174 02	Connecting rod nut		12	
15	993 103 147 15	Connecting-rod bearing		12	
16	964 101 901 00	Set of crankshaft bearings		6	
16	964 101 901 51	Set of crankshaft bearings Oversize Inner 0,25 MM		1	
16	964 101 901 56	Set of crankshaft bearings Oversize Inner 0,50 MM		1	
16	964 101 901 61	Set of crankshaft bearings Oversize Outer 0,25 MM		1	
16	964 101 901 71	Set of crankshaft bearings Oversize Inner 0,25 MM		1	
16	964 101 901 76	Set of crankshaft bearings Oversize Outer 0,25 MM		1	
17	930 101 131 15	Bearing shell Set I		1	
17	930 101 131 51	Bearing shell I Oversize Inner		2	

Model: 996 01 Model life 2001>>2005

Pos	Part Number	Description	Remark	Qty	Model
17	930 101 131 56	0,25 MM Bearing shell I Oversize Inner		2	
17	930 101 131 61	0,50 MM Bearing shell I Oversize Outer		2	
17	930 101 131 71	0,25 MM Bearing shell I Oversize Inner		2	
17	930 101 131 76	0,25 MM Bearing shell I Oversize Inner 0,50 MM Outer		2	
18	930 101 132 15	0,25 MM Bearing shell II-VII		12	
18	930 101 132 51	0,25 MM Bearing shell II-VII Oversize Inner		12	
18	930 101 132 92	0,25 MM Bearing shell II-VII Oversize Inner		12	
18		0,25 MM Bearing shell Bearing shell II-VII Oversize Inner		12	
18	930 101 132 56	0,25 MM Bearing shell II-VII Oversize Inner		12	
18	930 101 132 61	0,50 MM Bearing shell II-VII Oversize Outer		12	
18	930 101 132 71	0,25 MM Bearing shell II-VII Oversize Inner		12	
18	930 101 132 72	0,25 MM Bearing shell II-VII Oversize Outer		12	



Model: 996 01

Model life 2001&gt;&gt;2005

Pos	Part Number	Description	Remark	Qty	Model
18		Inner 0,25 MM Outer 0,25 MM Bearing shell Bearing shell II-VII Oversize		12	
18	930 101 132 76	Inner 0,25 MM Outer 0,25 MM Bearing shell II-VII Oversize		12	
19	964 101 138 01	Inner 0,50 MM Outer 0,25 MM Bearing sleeve VIII		1	
19	964 101 138 54	Inner 0,25 MM Outer 0,25 MM Bearing sleeve VIII Oversize		1	
19	964 101 138 55	Inner 0,50 MM Outer 0,25 MM Bearing sleeve VIII Oversize		1	
19	964 101 138 65	Inner 0,50 MM Outer 0,25 MM Bearing sleeve VIII Oversize		1	
19	964 101 138 66	Inner 0,25 MM Outer 0,25 MM Bearing sleeve VIII Oversize		1	
19	964 101 138 67	Inner 0,25 MM Outer 0,25 MM Bearing sleeve VIII Oversize		1	
20	900 012 061 00	Inner 0,50 MM Outer 0,25 MM Straight pin 5 H 8 X 10		1	
21	999 707 285 40	O-ring 51 X 4,5		1	
22	999 113 290 41	Radial sealing ring 30 X 50 X 10		1	
23	996 114 012 50	Double-mass flywheel		1	
24	999 052 169 00	Deep-groove ball bearing 30 X 37 X 4		1	
25	999 119 017 01	Pan-head screw M 10 X 1,25 X 62		9	
26	900 302 046 01	Straight pin M 5 X 18		1	

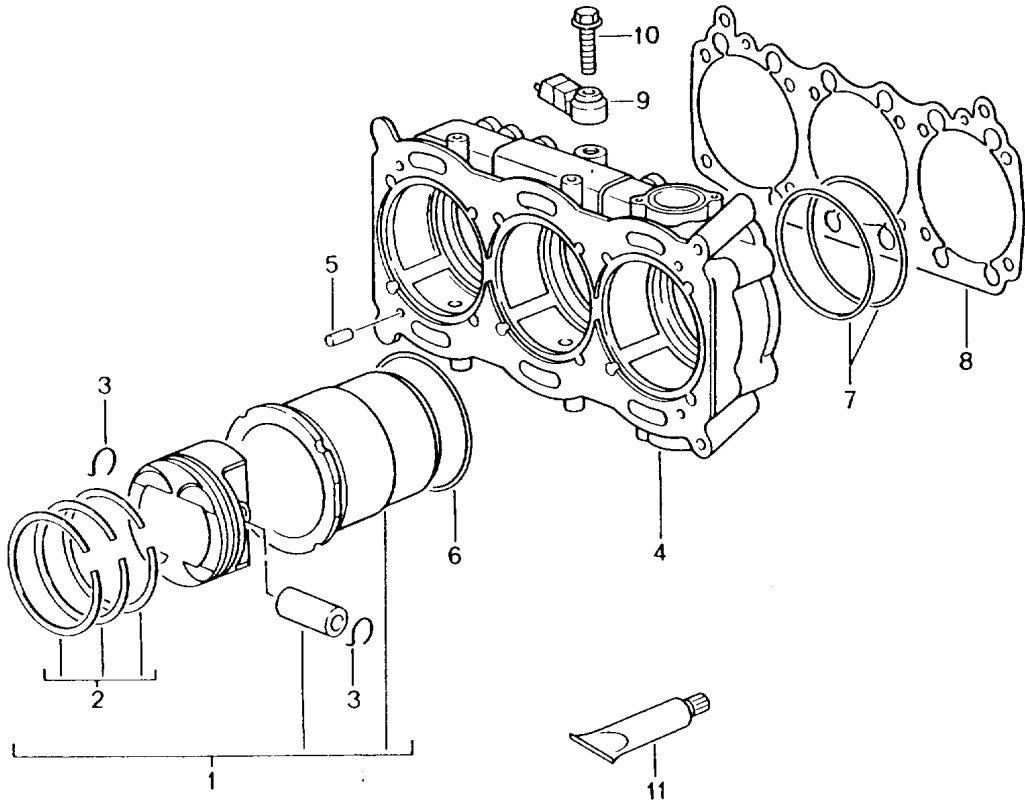
Model: 996 01

Model life 2001>>2005

Pos	Part Number	Description	Remark	Qty	Model
27	000 043 300 12	Grease 100 GR.		1	
(27)	000 043 300 21	Grease 100 Gr. for Titanium Connecting rod bolt		1	
(27)	000 043 024 00	Extreme-pressure grease 1 tube 80 Gr. for Connecting-rod bearing		1	

Model: 996 01

Model life 2001>>2005

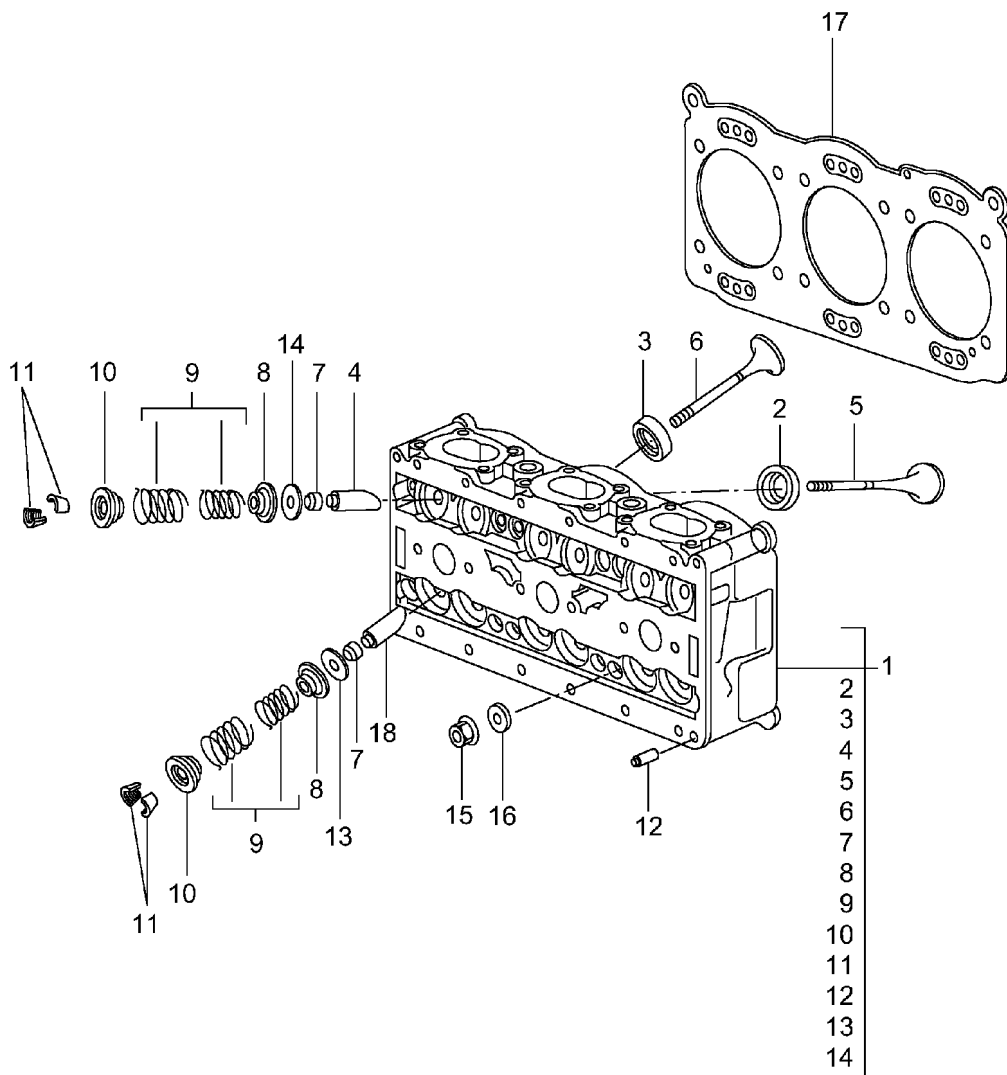


Model: 996 01 Model life 2001>>2005

Pos	Part Number	Description	Remark	Qty	Model
1	996 103 915 74	Cylinder with piston See workshop manual Cylinder with piston Identification /- 552 - 558 G		6	
1	996 103 916 73	Cylinder with piston Identification /+ 558 - 564		6	
(1)	996 103 915 79	Cylinder with piston Identification /- 552 - 558 G	-03	6	GT2
(1)	996 103 915 80	Cylinder with piston Identification /- 552 - 558 G		6	GT2
(1)	996 103 916 78	Cylinder with piston Identification /+ 558 - 564 G		6	GT2
2	996 103 925 70	Set of piston rings		6	
3	999 178 016 00	Circlip		12	
4	996 101 311 75	Housing		2	
5	900 012 046 00	Straight pin A 8,0 X 14		8	
6	999 707 393 40	O-ring 104,00 X 2,00		6	
7	999 707 394 40	O-ring 110,00 X 2,50		12	
8	996 101 193 72	Cylinder base gasket		2	
9	996 606 125 00	Knock sensor		2	
10	900 378 033 09	Hexagon-head bolt AM 8 X 30		2	
10	900 378 033 01	Hexagon-head bolt AM 8 X 30		2	
11	000 043 205 10	Grease 80 GR.		1	

Model: 996 01

Model life 2001>>2005



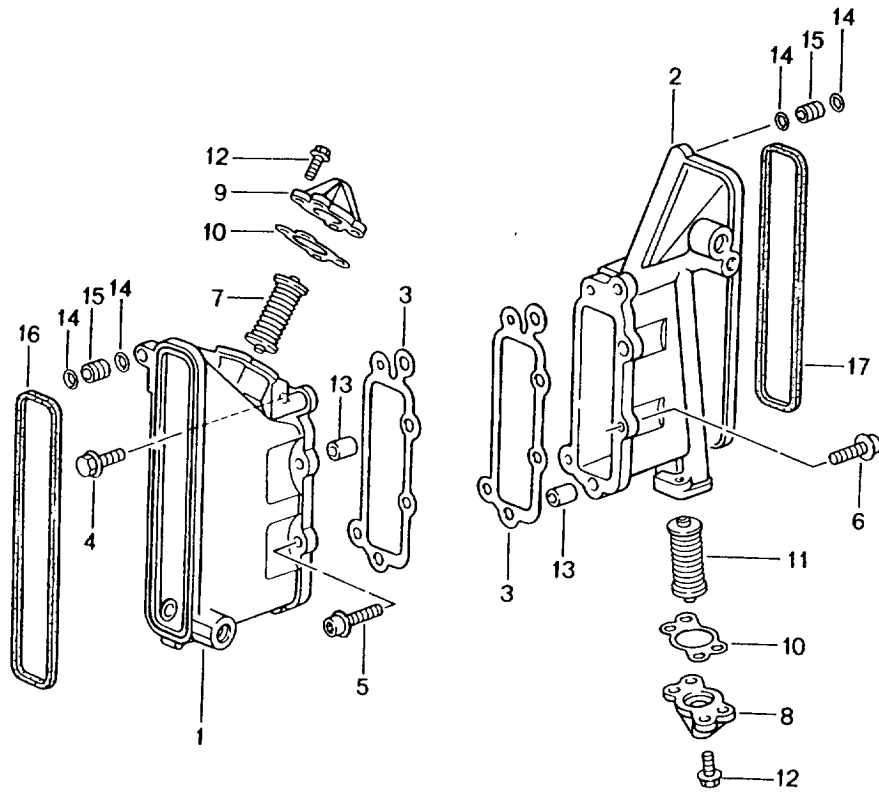
Model: 996 01

Model life 2001>>2005

Pos	Part Number	Description	Remark	Qty	Model
1	996 104 001 76	Cylinder head Cylinder head Ready for installation		2	
5	996 105 111 72	Intake valve		12	
6	996 105 113 72	Exhaust valve		12	
7	996 105 115 52	Valve stem seal		24	
8	996 105 117 73	Concave washer		24	
(8)	996 105 117 74	Concave washer		24	
9	996 105 093 70	Set of valve springs		24	
10	996 105 121 73	Concave washer		24	
11	996 105 123 52	Valve collet		48	
12	900 012 046 00	Straight pin		4	
13	996 105 461 90	Washer		12	
14	996 105 491 70	Spacer ring		12	
15	996 104 382 70	Cylinder head nut		24	
15	996 104 382 71	Cylinder head nut		24	
17	996 104 170 72	Cylinder head gasket		2	

Model: 996 01

Model life 2001>>2005



Model: 996 01

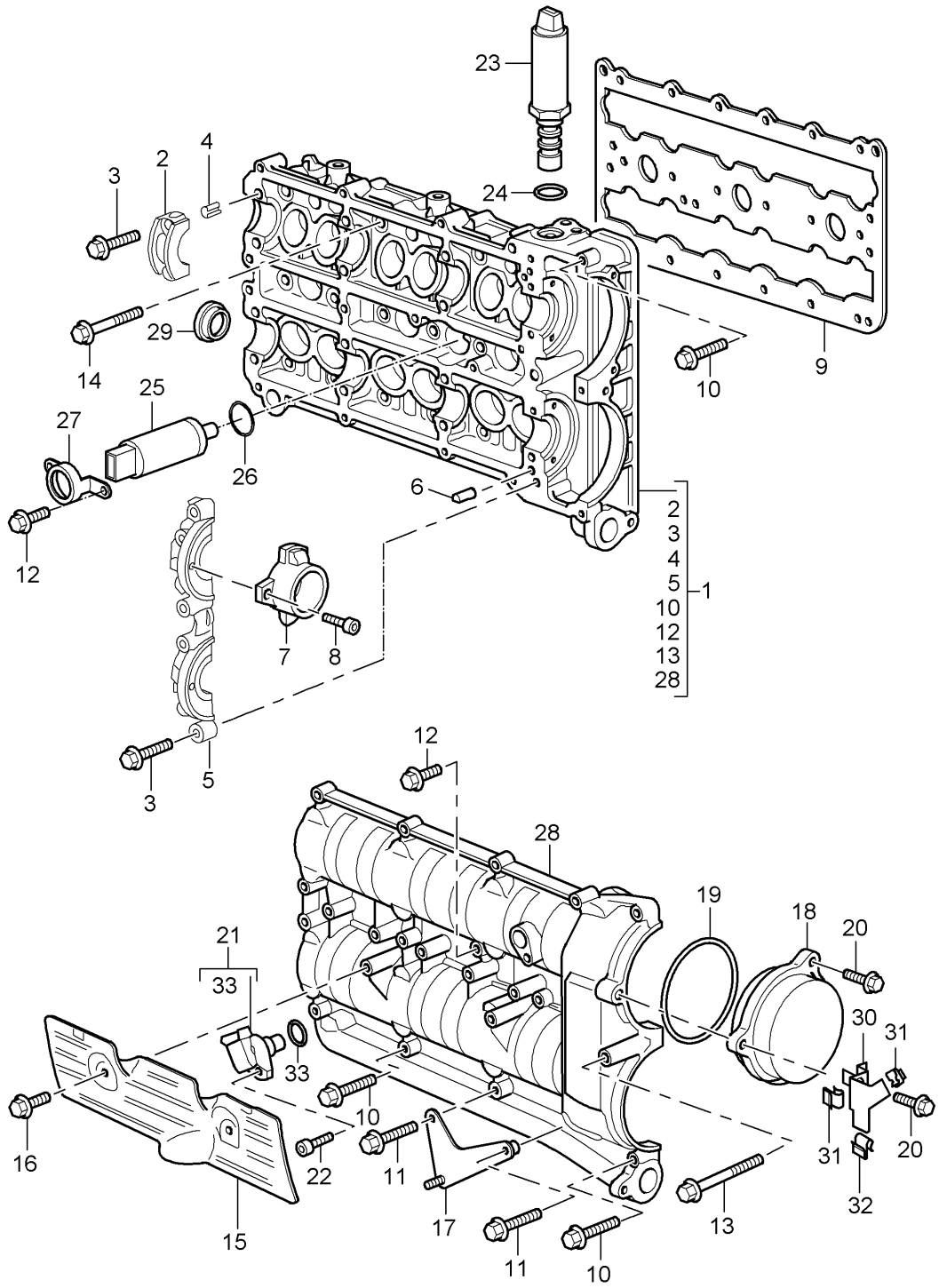
Model life 2001>>2005

Pos	Part Number	Description	Remark	Qty	Model
		Chain case			
		Chain adjuster			
1	996 105 143 77	Chain case	/L	1	
2	996 105 144 77	Chain case	/R	1	
3	996 105 192 71	Gasket		2	
4	900 378 022 09	Hexagon-head bolt AM 8 X 25		1	
5	900 067 276 02	Pan-head screw M 8 X 35		4	
5	900 067 276 01	Combination screw M 8 X 35		4	
6	900 067 247 02	Combination screw M 8 X 30		5	
6	900 067 247 01	Combination screw M 8 X 30		5	
7	959 105 051 01	Chain adjuster	/L	1	
8	993 105 022 01	Lid	/R	1	
9	996 105 023 70	Lid	/L	1	
10	964 105 177 03	Gasket		2	
11	959 105 052 01	Chain adjuster	/R	1	
12	900 378 030 09	Hexagon-head bolt		4	
13	901 101 145 00	Dowel sleeve		4	
14	999 707 229 40	O-ring 9,25 X 1,78		4	
15	996 105 229 90	Intermediate piece		2	
16	996 105 513 72	Gasket	/L	1	
17	996 105 514 72	Gasket	/R	1	



Model: 996 01

Model life 2001>>2005



Model: 996 01 Model life 2001>>2005

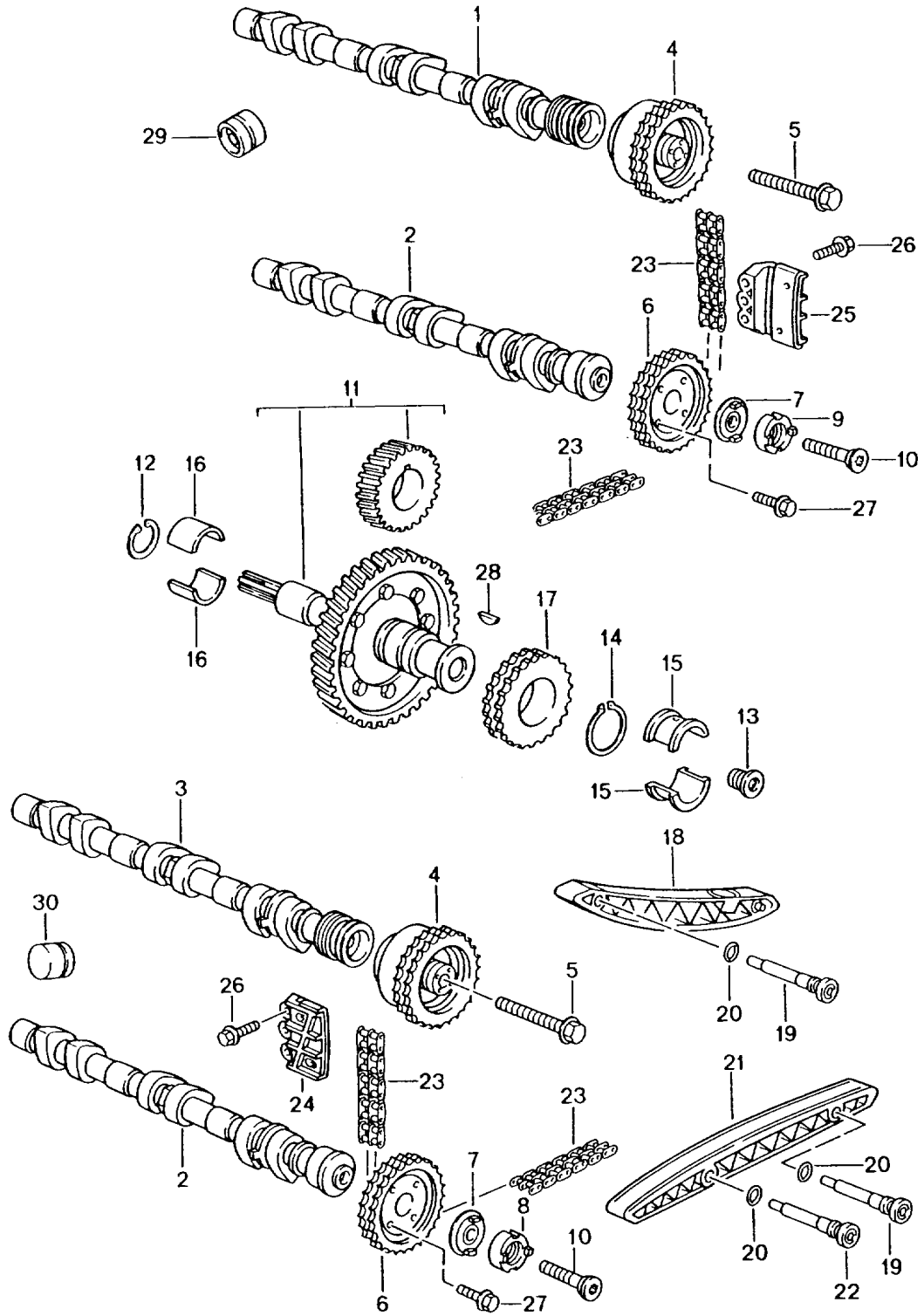
Pos	Part Number	Description	Remark	Qty	Model
1	996 105 029 77	Camshaft housing		1	
1	996 105 039 70	Camshaft housing	/L	1	
(1)	996 105 941 70	Camshaft housing	/L	1	
(1)	996 105 940 70	Camshaft housing	/R	1	
2		Housing		12	
3	900 378 177 09	Hexagon-head bolt AM 6 X 30		32	
4	944 104 361 00	Dowel sleeve		24	
5		Housing		2	
6	900 012 071 00	Straight pin A 4,0 X 8		4	
7	996 105 233 72	Oil-conducting housing	/L	1	
7	996 105 233 73	Oil-conducting housing	/L	1	
(7)	996 105 234 72	Oil-conducting housing	/R	1	
8	900 067 051 02	Pan-head screw M 5 X 10		6	
9	996 105 613 74	Gasket	/L	1	
9	996 105 613 75	Gasket	/L	1	
(9)	996 105 614 74	Gasket	/R	1	
(9)	996 105 614 75	Gasket	/R	1	
10	900 378 174 09	Hexagon-head bolt AM 6 X 35		22	
11	900 378 029 09	Hexagon-head bolt M 6 X 40		6	
11	900 378 029 01	Hexagon-head bolt M 6 X 40		6	
12	900 378 013 09	Hexagon-head bolt AM 6 X 25		16	
13	900 378 151 09	Hexagon-head bolt M 6 X 70		2	
13	900 385 027 01	Torx screw M 6 X 70		2	
14	900 378 224 09	Hexagon-head bolt AM 8 X 50		36	
15	996 104 426 73	Heat shield	/R	1	
(15)	996 104 427 74	Heat shield	/L	1	
16	900 378 036 09	Hexagon-head bolt M 6 X 12		4	
18	996 105 315 74	Lid		2	
19	999 707 482 40	O-ring 90,00 X 2,5		2	
19	999 707 482 41	O-ring 90,00 X 2,5		2	
20	900 378 030 09	Hexagon-head bolt M 6 X 20		6	
21	996 606 106 02	Hall sender	-02	2	
21	996 606 106 03	Hall sender	03-	2	
-	PCG 606 106 02	Stopper for Bore Hall sender Use also:		1	
-	999 707 404 40	O-ring		1	
22	900 067 117 09	Pan-head screw M 6 X 16		2	
23	996 105 303 71	Actuator Camshaft		2	
24	999 707 504 40	O-ring 24 X 2,50		2	
25	996 105 301 71	Actuator Valve		2	
(25)	996 105 301 72	Actuator		2	

Model: 996 01 Model life 2001>>2005

Pos	Part Number	Description	Remark	Qty	Model
26	999 707 409 40	Valve O-ring 26 X 3		2	
27	996 105 310 72	Support		2	
28		Lid Matching with: Camshaft housing	/L	1	
29	996 105 329 70	Lid		4	
30	996 606 167 02	Support		2	
31	999 507 753 03	Cable clamp 5,7 - 7,0		2	
32	999 651 386 02	Cable clamp 5,5 - 9,0		1	
32	999 651 386 01	Cable clamp 5,5 - 9,0		1	
33	999 707 404 40	O-ring 17,05 X 1,78		2	
-	996 607 117 00	Support for Connector		1	
-	000 043 024 00	Extreme-pressure grease 1 tube 80 Gr. for Camshaft		1	
-	000 043 204 58	Sealing compound Silicon FD 2210 Container 30 g		1	

Model: 996 01

Model life 2001>>2005



Model: 996 01

Model life 2001&gt;&gt;2005

Pos	Part Number	Description	Remark	Qty	Model
1	996 105 020 71	Valve control Camshaft Intake Cylinder 4-6		1	
2	996 105 213 71	Camshaft Exhaust		2	
3	996 105 019 71	Camshaft Intake Cylinder 1-3		1	
4	996 105 051 73	Actuator		2	
5	900 378 087 09	Hexagon-head bolt M 12 X 1,5 X 120		2	
5	900 378 087 02	Hexagon-head bolt M 12 X 1,5 X 120		2	
5	900 378 291 01	Hexagon-head bolt M 12 X 1,5 X 120		2	
6	996 105 178 91	Sprocket		2	
7	996 105 647 80	Washer		2	
8	959 105 161 00	Drive plate		1	
9	959 105 161 01	Drive plate		1	
9	959 105 161 04	Drive plate		1	
10	996 105 313 90	Hexagon socket head bolt		2	
11	996 105 911 70	Intermediate shaft with Timing gear Size 0		1	
11	996 105 911 71	Intermediate shaft with Timing gear Size 1		1	
12	900 041 026 01	Circlip 13 X 1		1	
13	993 105 275 52	Intermediate piece Information available		1	
14	900 041 025 01	Circlip 36 X 1,75		2	
15	996 101 137 80	Bearing		2	
16	996 101 435 70	Bearing shell		2	
17	901 105 125 04	Sprocket		2	
18	996 105 165 71	Tensioner blade		2	
19	964 105 171 02	Bolt		4	
20	900 123 131 30	Sealing ring		6	
(20)	900 123 152 30	Sealing ring		6	
21	996 105 167 70	Guide rail	/L	1	
(21)	996 105 166 70	Guide rail	/R	1	
22	959 105 175 01	Bearing pin		2	
23	996 105 552 71	Timing chain		2	
24	996 105 037 74	Guide rail	/L	1	
25	996 105 038 74	Guide rail	/R	1	
26	900 378 157 09	Hexagon-head bolt AM 6 X 25		6	
27	900 378 030 09	Hexagon-head bolt M 6 X 20		8	
28	900 118 010 00	Woodruff key 6,0 X 7,5		2	
29	996 105 255 20	Hydraulic valve tappet Intake		12	
30	996 105 041 72	Hydraulic valve tappet Exhaust		12	
-	996 105 280 74	Ring		6	
-	000 043 024 00	Extreme-pressure grease		1	

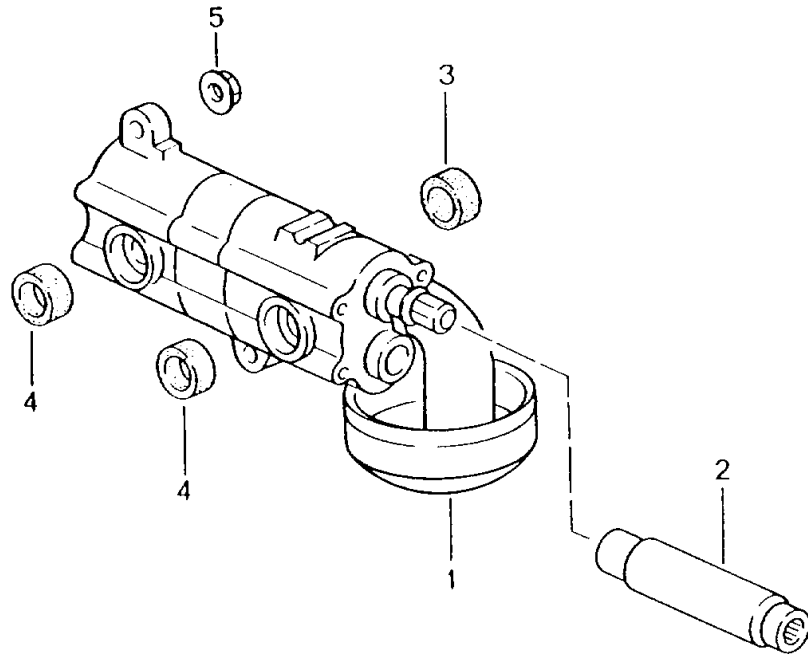
Model: 996 01

Model life 2001>>2005

Pos	Part Number	Description	Remark	Qty	Model
		1 tube 80 Gr. for Camshaft			

Model: 996 01

Model life 2001>>2005



Model: 996 01

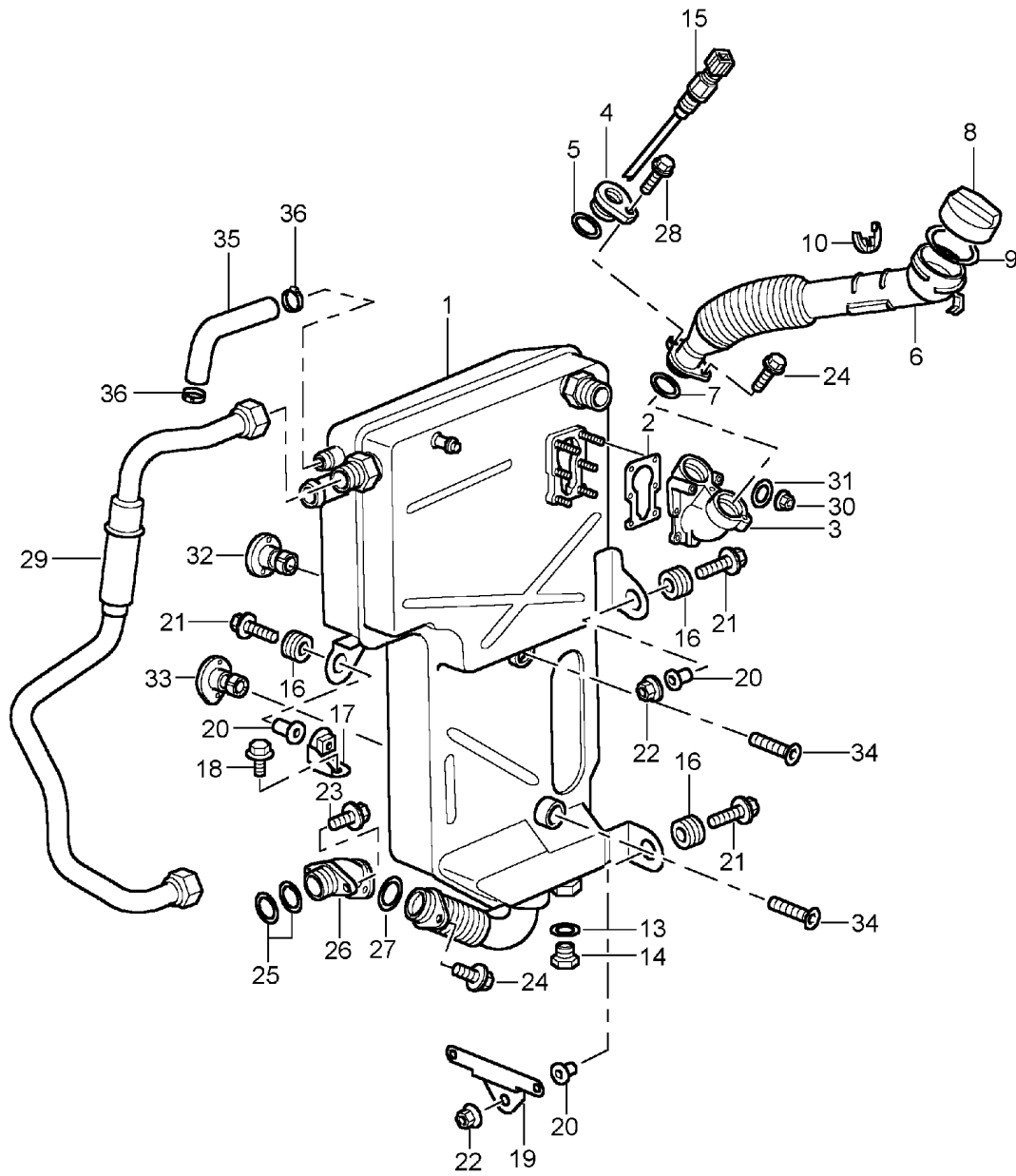
Model life 2001&gt;&gt;2005

Pos	Part Number	Description	Remark	Qty	Model
1	996 107 008 70	Oil pump		1	
(1)	996 107 007 93	Oil pump		1	GT2 IX50
2	930 107 143 03	Connecting shaft		1	
3	999 704 173 50	Sealing ring 19,5 X 26		1	
4	999 704 172 50	Sealing ring 16,3 X 22		2	
5	900 380 005 09	Hexagon nut M 8		3	



Model: 996 01

Model life 2001>>2005



Model: 996 01 Model life 2001>>2005

Pos	Part Number	Description	Remark	Qty	Model
		Engine lubrication			
		Oil tank			
1	996 207 070 72	Oil tank		1	
2	993 207 226 00	Gasket		1	
3	996 207 150 72	Intermediate piece		1	
4	996 207 212 70	Flange		1	
5	999 707 343 40	O-ring		1	
		25,07 X 2,62			
6	996 207 016 70	Filler tube		1	
		with			
		Oil level dipstick			
		Mounting			
(6)	996 107 150 59	Filler tube		1	
		without			
		Oil level dipstick			
		Mounting			
7	999 707 481 40	O-ring		1	
		24 X 3,0			
8	996 107 035 50	Lid		1	
(8)	996 107 035 51	Lid		1	
9	999 707 285 40	O-ring		1	
		51 X 4,5			
(9)	996 107 336 00	Gasket		1	
10	996 113 250 71	Retaining bracket		1	
		for			
		Filler tube			
13	900 123 010 20	Sealing ring		1	
14	900 065 018 00	Screw plug		1	
15	996 606 140 00	Oil-level sender		1	
16	999 702 193 40	Rubber sleeve		3	
		17,0 X 24,0 X 1,8			
17	996 207 407 72	Support		1	
18	900 378 074 09	Hexagon-head bolt		1	
		M 8 X 16			
19	996 207 417 73	Support		1	
20	999 209 037 02	Spacer sleeve		3	
		8,4 X 1,8			
21	900 378 108 09	Hexagon-head bolt		3	
		AM 8 X 35			
22	999 084 210 02	Hexagon nut		2	
		M 8			
23	N 014 726 1	Pan-head screw		1	
		M 8 X 30			
24	900 378 035 01	Hexagon-head bolt		3	
		M 6 X 16			
25	999 707 316 40	O-ring		2	
		21,89 X 2,62			
26	996 207 012 74	Intake connection		1	
27	999 707 364 40	Sealing ring		1	
		30 X 2,5			
28	900 378 030 09	Hexagon-head bolt		1	
		M 6 X 20			
29	996 107 027 73	Return line		1	
30	900 377 019 02	Hexagon nut		6	
		M 5			
30	900 377 009 01	Hexagon nut		6	
		M 5			
32	996 207 207 71	Spacer		1	
33	996 207 206 71	Spacer		1	
33	996 207 206 73	Spacer		1	
34	900 249 061 09	Countersunk-head screw		2	
		M 12 X 40			
35	996 207 137 70	Hose		1	

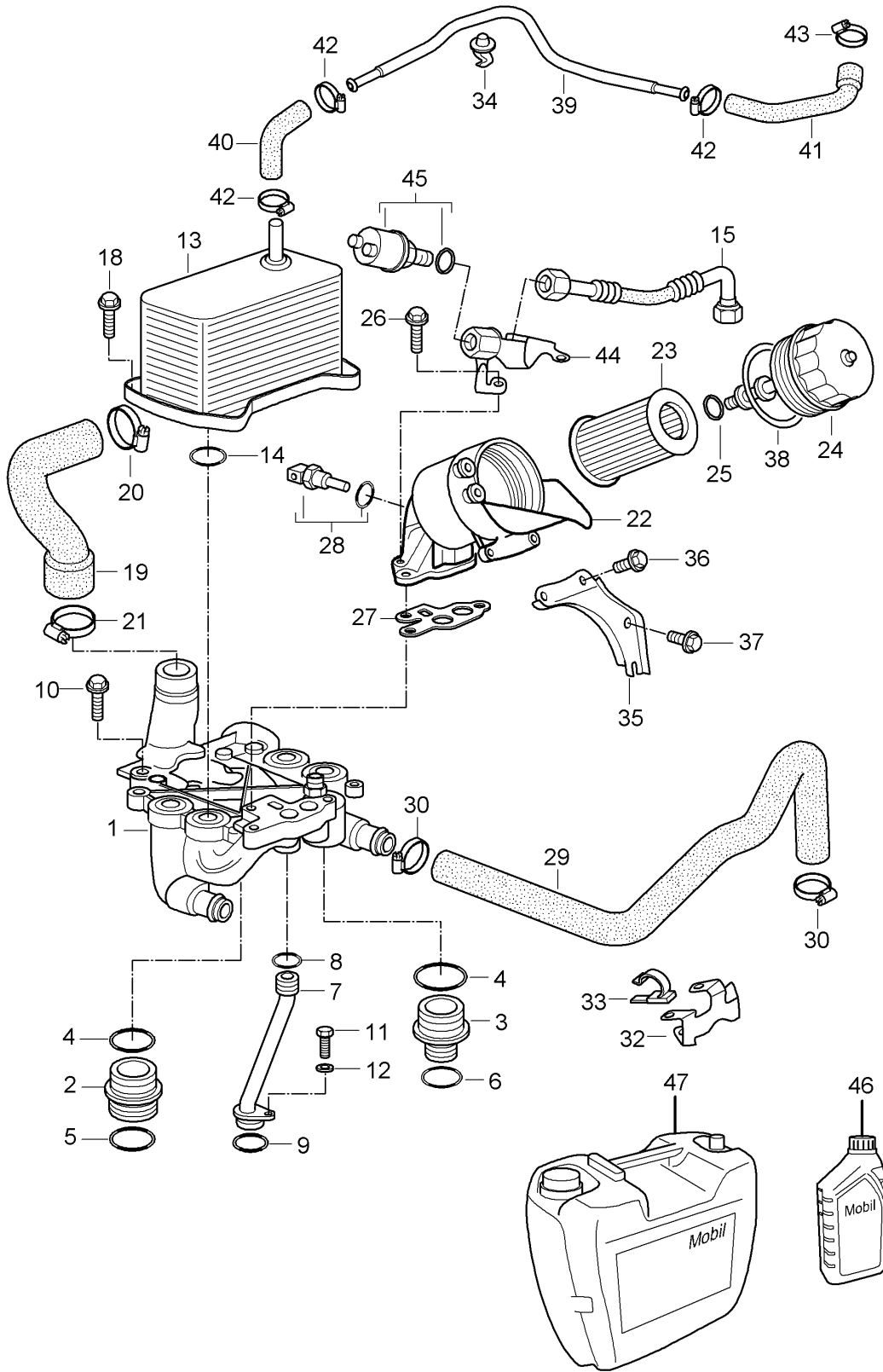
Model: 996 01

Model life 2001&gt;&gt;2005

Pos	Part Number	Description	Remark	Qty	Model
36	999 512 346 00	Hose clamp 16 - 27/9		2	

Model: 996 01

Model life 2001>>2005



Model: 996 01

Model life 2001&gt;&gt;2005

Pos	Part Number	Description	Remark	Qty	Model
		Oil filter			
		Bracket			
1	996 107 033 73	Bracket		1	
2	996 107 441 71	Joining socket		1	
3	996 107 451 72	Joining socket		1	
4	999 707 422 40	O-ring		2	
		32,92 X 3,53			
5	999 707 426 40	O-ring		1	
		37,69 X 3,53			
6	999 707 113 40	Round seal		1	
		20,22 X 3,53			
6	999 707 113 41	O-ring		1	
		20,22 X 3,53			
7	996 107 311 72	Return pipe		1	
8	999 701 789 40	O-ring		1	
		12,00 X 2,00			
9	999 707 446 40	O-ring		1	
		18,00 X 2,5			
10	900 075 341 02	Combination screw		4	
		M 6 X 25			
10	900 075 341 01	Combination screw		4	
		M 6 X 25			
11	900 378 177 09	Hexagon-head bolt		1	
		M 6 X 30			
12	N 011 524 7	Washer		1	
		A 6,4			
12	N 011 524 27	Washer		1	
		A 6,4			
13	996 107 025 71	Heat exchanger		1	
14	999 707 409 40	O-ring		4	
		26,00 X 3,00			
15	996 107 226 71	Oil pipe		1	
15	996 107 226 72	Oil pipe		1	
18	900 378 035 01	Hexagon-head bolt		4	
		M 6 X 16			
19	996 207 143 70	Breather hose		1	
20	999 512 252 02	Hose clamp		3	
		23 - 35/9			
21	999 512 348 02	Hose clamp		1	
		40 - 60/9			
22	996 107 201 74	Housing		1	
22	996 107 201 76	Housing		1	
23	996 107 225 52	Filter element		1	
23	996 107 225 53	Filter element		1	
24	996 107 285 70	Lid		1	
25	999 707 465 40	O-ring		1	
		10 X 2			
26	900 378 022 09	Hexagon-head bolt		3	
		AM 8 X 25			
27	996 107 217 70	Gasket		1	
28	996 606 410 00	Temperature sensor		1	
29	996 106 328 72	Water hose		1	
		Return line			
29	996 106 328 74	Water hose		1	
		Return line			
30	999 512 356 02	Hose clamp		2	
		25 - 40			
32	996 106 551 70	Support		1	
33	999 651 300 40	Hose holder		1	
34	999 507 699 40	Line bracket		1	
35	996 107 301 72	Support		1	
36	900 378 108 09	Hexagon-head bolt		2	
		AM 8 X 35			

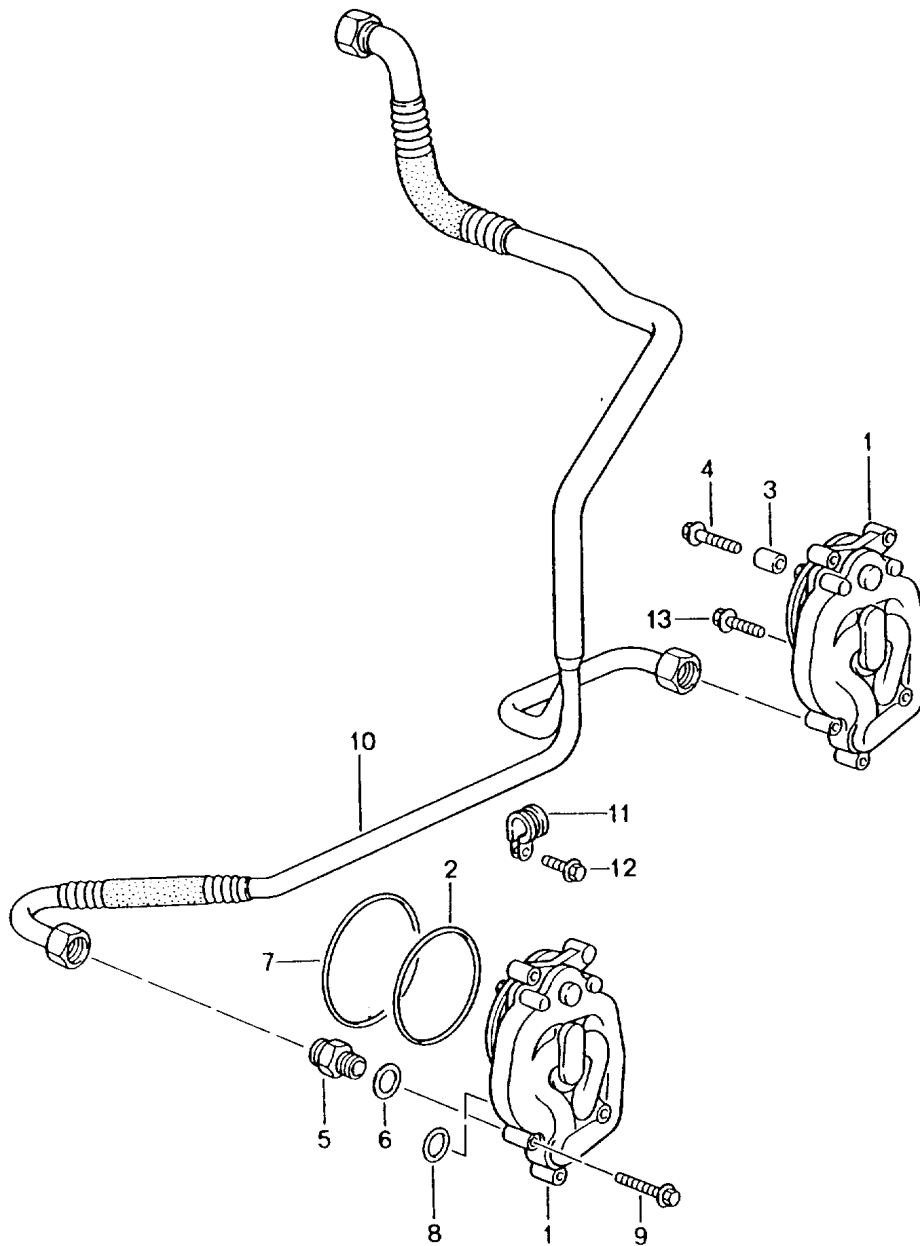
Model: 996 01

Model life 2001>>2005

Pos	Part Number	Description	Remark	Qty	Model
37	900 378 013 09	Hexagon-head bolt AM 6 X 25		2	
38	996 107 313 51	Sealing ring		1	
39	996 106 229 73	Vent line		1	
40	996 106 537 72	Breather hose		1	
41	996 106 531 73	Breather hose		1	
(41)	996 106 531 75	Breather hose		1	
42	999 512 427 02	Hose clamp 8 - 16 / 9		3	
43	999 512 554 00	Hose clamp 12 - 22 / 9		1	
44	996 107 032 70	Support		1	
45	996 606 203 00	Oil pressure switch		1	
46	000 043 301 19	Engine oil EXXON MOBIL 1 0W-40 1 LITER Container Information available		X	
47	000 043 301 21	Engine oil EXXON MOBIL 1 0W-40 20 LITER Container Information available		X	

Model: 996 01

Model life 2001>>2005



Model: 996 01

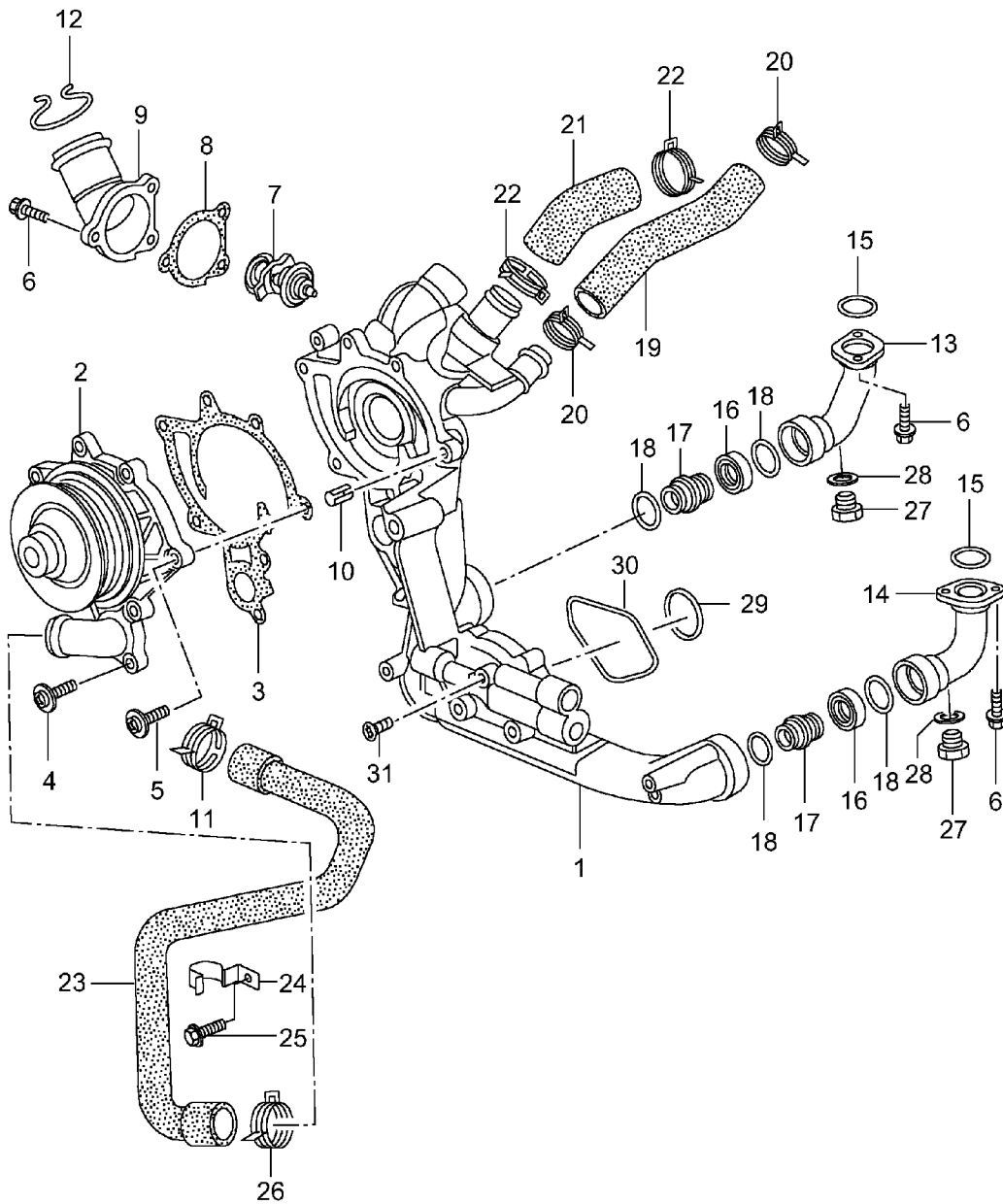
Model life 2001>>2005

Pos	Part Number	Description	Remark	Qty	Model
		Oil supply			
		Return line			
1	996 107 021 72	Oil pump		2	
2	999 707 425 40	O-ring		2	
		85,32 X 3,53			
3	996 104 117 50	Dowel sleeve		4	
4	900 378 177 09	Hexagon-head bolt		4	
		M 6 X 30			
5	900 915 006 02	Union		2	
		A 15			
6	900 123 106 30	Sealing ring		2	
		A 18 X 24			
7	999 707 482 40	O-ring		2	
		90,00 X 2,5			
7	999 707 482 41	O-ring		2	
		90,00 X 2,5			
8	999 707 499 40	O-ring		4	
		21,00 X 3,00			
9	900 378 174 09	Hexagon-head bolt		6	
		M 6 X 35			
10	996 107 019 72	Return line		1	
11	999 511 250 02	Pipe clamp		1	
12	900 378 036 09	Hexagon-head bolt		1	
		M 6 X 12			
13	900 378 013 09	Hexagon-head bolt		4	
		M 6 X 25			



Model: 996 01

Model life 2001>>2005



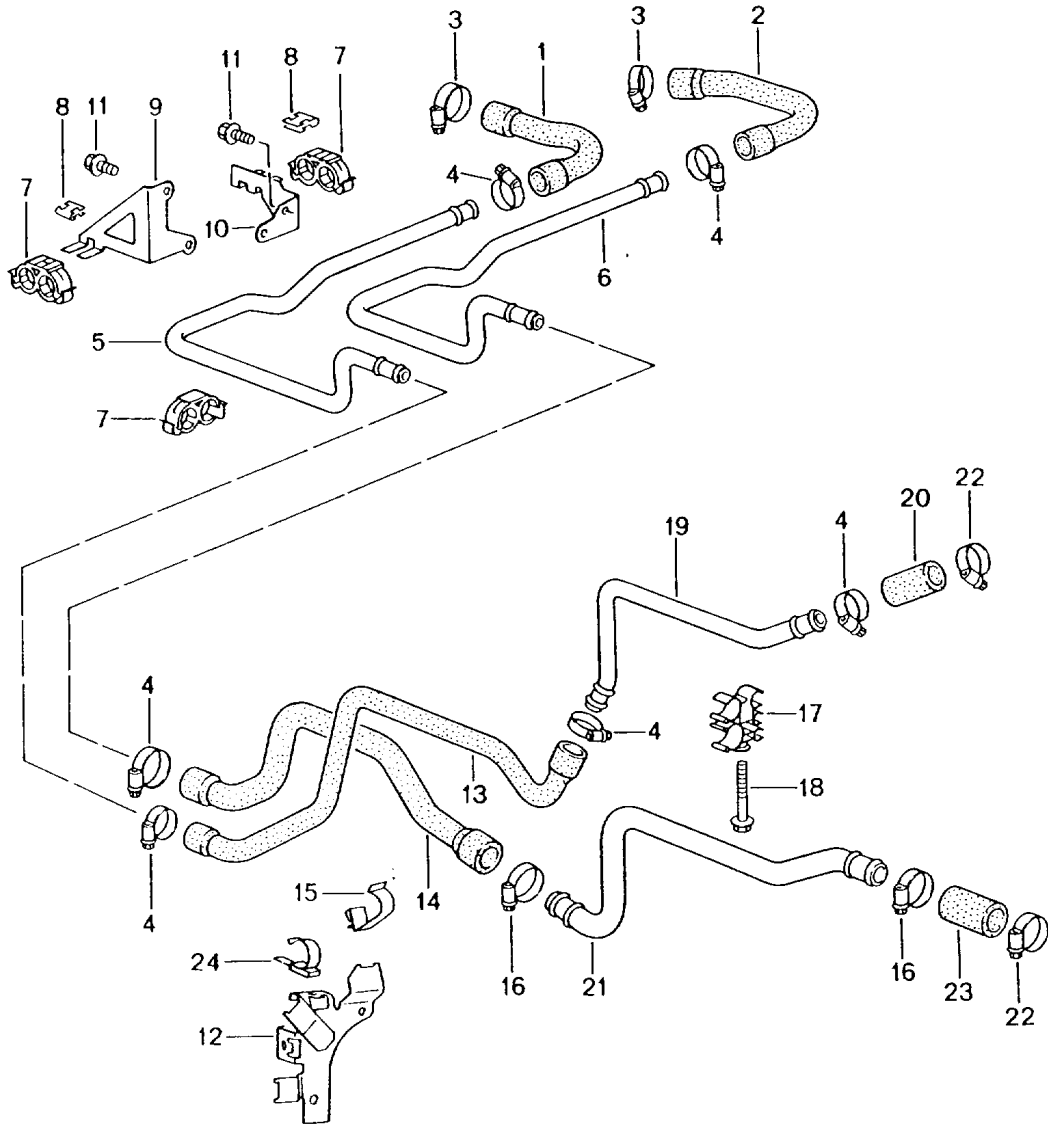
Model: 996 01

Model life 2001&gt;&gt;2005

Pos	Part Number	Description	Remark	Qty	Model
		Water pump			
		Water pump housing			
1	996 106 002 70	Water pump housing		1	
2	996 106 011 72	Water pump	-04	1	
(2)	996 106 011 75	Water pump		1	
(2)	996 106 011 76	Water pump		1	
(2)	996 106 011 77	Water pump		1	
3	996 106 340 71	Gasket		1	
4	999 073 188 09	Oval-head screw M 6 X 25		5	
5	999 073 110 09	Oval-head screw M 6 X 30		2	
5	999 073 110 01	Round head screw M 6 X 30		2	
6	900 378 030 09	Hexagon-head bolt AM 6 X 20		7	
7	996 106 125 70	Thermostat insert		1	
8	996 106 326 70	Gasket		1	
9	996 106 121 71	Lid		1	
10	996 106 103 50	Dowel sleeve 8,2 X 7		2	
11	999 512 356 02	Hose clamp		1	
12	996 106 802 10	Retainer spring		1	
13	996 106 139 71	Connection piece		1	
14	996 106 140 71	Connection piece		1	
15	999 707 410 40	O-ring 39,20 X 3,00		2	
16	996 106 214 70	Protective ring		2	
17	996 106 238 71	Joining socket		2	
18	999 707 411 40	O-ring 28,00 X 4,50		4	
19	996 106 477 73	Hose		1	
19	996 106 477 75	Hose		1	
20	999 512 551 00	Hose clamp 29 X 12		2	
20	999 512 551 01	Hose clamp 29 X 12		2	
21	996 106 529 71	Hose		1	
22	999 512 356 02	Hose clamp 35 X 12		2	
23	996 106 250 72	Hose		1	
23	996 106 250 74	Hose		1	
24	996 106 550 70	Support		1	
25	900 378 036 09	Hexagon-head bolt M 6 X 12		1	
26	999 512 356 02	Hose clamp 36 X 12		1	
27	900 219 007 02	Screw plug M 10 X 1		2	
27	900 219 007 01	Screw plug M 10 X 1		2	
28	900 123 144 30	Sealing ring A 10 X 13,5		2	
29	999 707 315 40	O-ring 33,3 X 2,4		1	
30	999 707 468 40	O-ring 68 X 2		1	
31	999 073 013 02	Countersunk-head screw M 6 X 10		1	

Model: 996 01

Model life 2001>>2005



Model: 996 01 Model life 2001>>2005

Pos	Part Number	Description	Remark	Qty	Model
1	996 106 212 72	Lines Heating		1	
2	996 106 222 72	Hose Supply		1	
3	999 512 552 00	Return line Hose clamp		2	
3	999 512 552 01	25 X 12 Hose clamp		2	
4	999 512 657 09	25 X 12 Hose clamp		6	
5	996 106 312 72	26 X 12 Water tube		1	
6	996 106 322 72	Supply Water tube		1	
7	999 507 700 41	Return line Hose holder		3	
8	999 507 701 02	19 U-clamp		4	
8	999 507 701 01	14 X 18 X 24,5 U-clamp		4	
9	996 106 533 72	Support	/L	1	M249
(9)	996 106 535 72	Support	/L	1	M480
10	996 106 534 71	Support	/R	1	M249
(10)	996 106 536 71	Support	/R	1	M480
11	900 378 036 09	Hexagon-head bolt		4	
12	996 106 523 74	M 6 X 12 Support		1	M249
(12)	996 106 526 72	Support		1	M480
13	996 106 432 72	Hose		1	M249
13	996 106 432 74	Supply Hose		1	M249
13	996 106 432 75	Supply Hose		1	M249
(13)	996 106 434 72	Supply Hose		1	M480
(13)	996 106 434 74	Supply Hose		1	M480
14	996 106 422 72	Hose		1	M249
(14)	996 106 422 73	Return line Hose		1	M249
(14)	996 106 422 79	Return line Hose		1	M249
(14)	996 106 424 72	Return line Hose		1	M480
(14)	996 106 424 74	Return line Hose		1	M480
(14)	996 106 422 75	Return line Hose		1	GT2
(14)	996 106 422 78	Return line Hose		1	GT2
15	999 507 720 02	Hose holder		3	
15	999 507 720 01	Hose holder		3	
16	999 512 551 00	Hose clamp		2	
16	999 512 551 01	32 X 12 Hose clamp		2	
17	996 106 455 71	32 X 12 Support		2	
18	900 378 113 09	Hexagon-head bolt		2	
		AM 6 X 45			

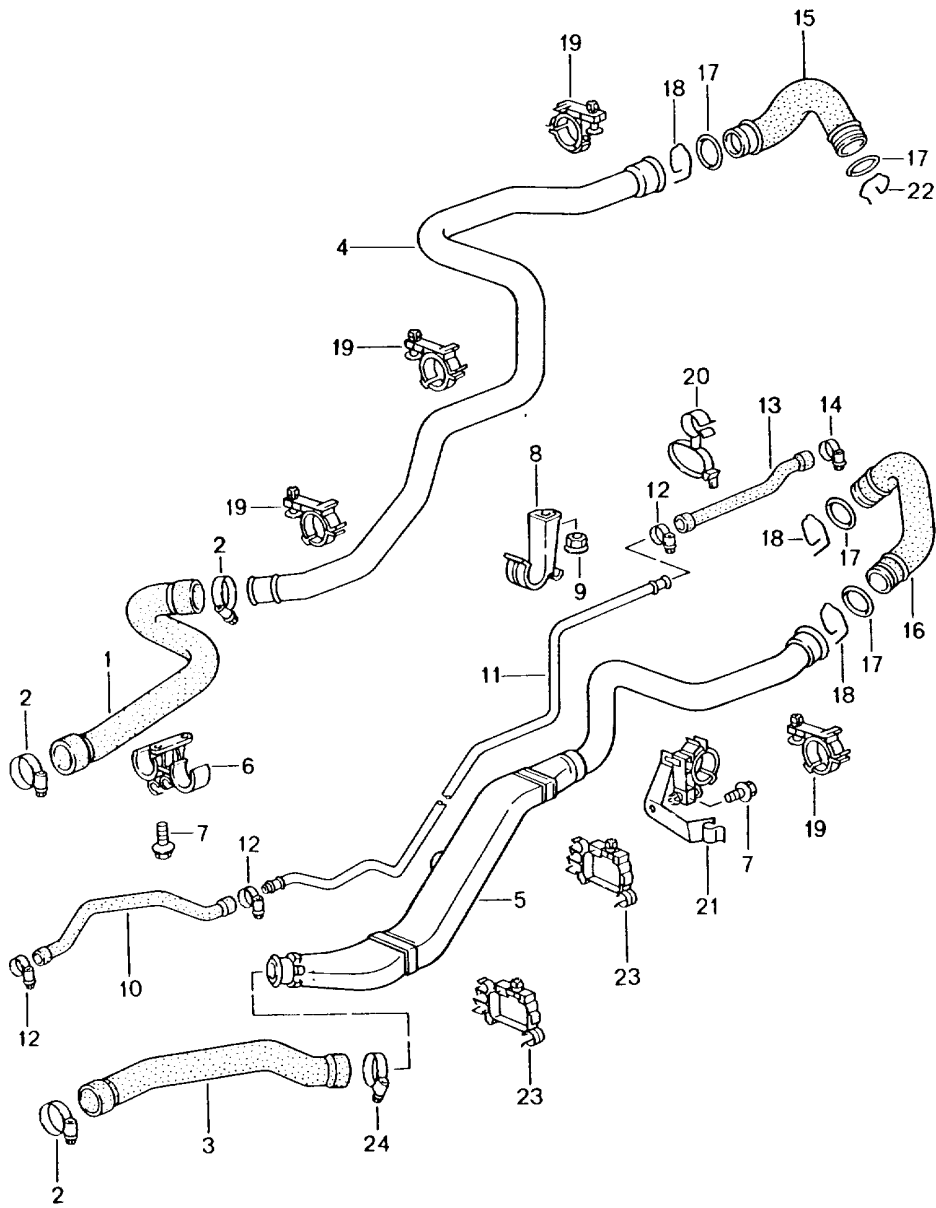
Model: 996 01

Model life 2001>>2005

Pos	Part Number	Description	Remark	Qty	Model
19	996 106 052 70	Water tube Supply		1	
-	999 511 744 40	Spacer		1	
20	996 106 233 72	Hose Supply		1	
20	996 106 233 74	Hose Supply		1	
21	996 106 254 71	Water tube Return line		1	
22	999 512 356 02	Hose clamp 25 - 40/9		2	
23	996 106 512 72	Hose Return line		1	
24	999 651 300 40	Hose holder		2	

Model: 996 01

Model life 2001>>2005

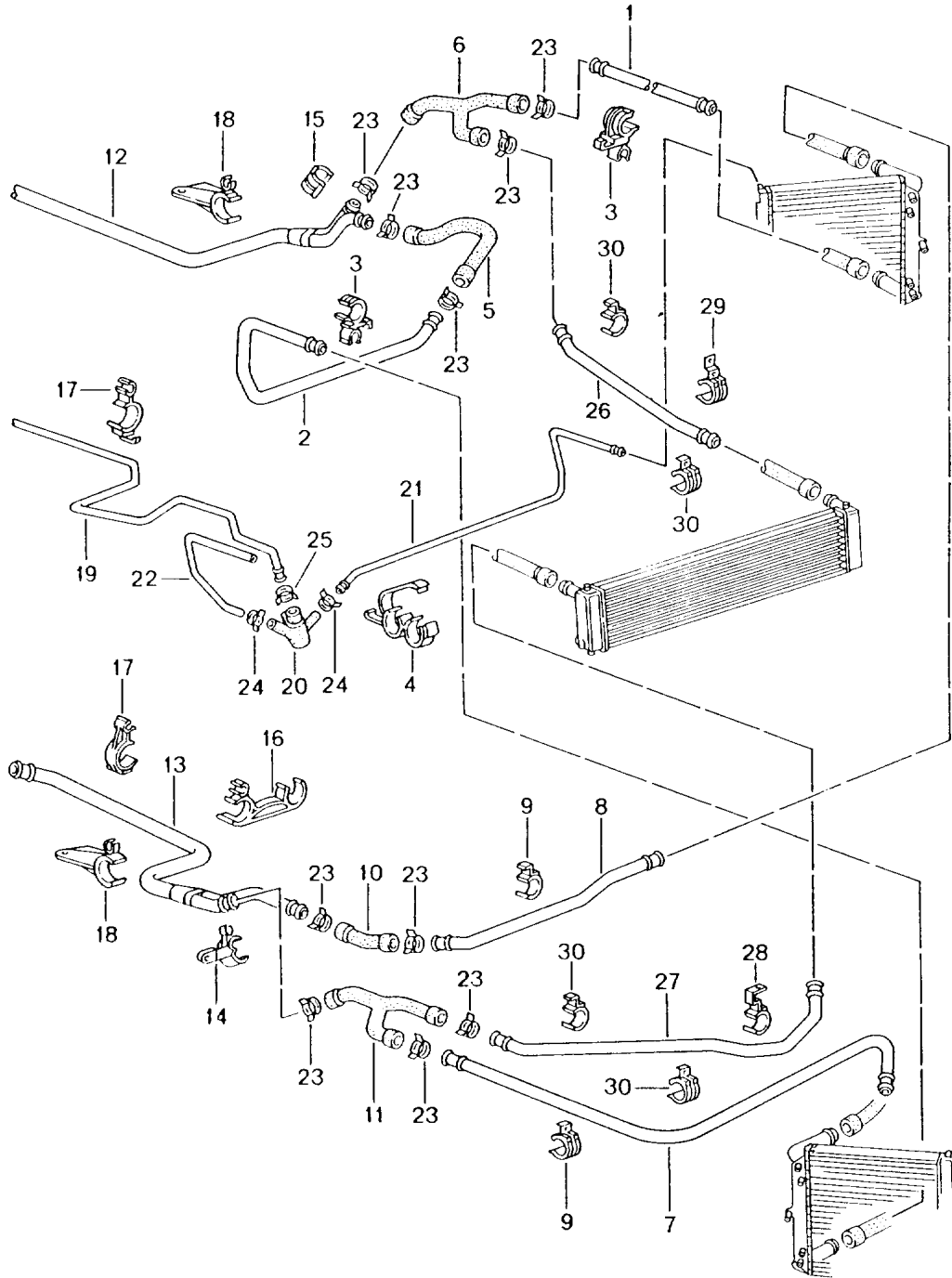


Model: 996 01 Model life 2001>>2005

Pos	Part Number	Description	Remark	Qty	Model
1	996 106 740 71	Water cooling 1 Hose	01	1	
		Use also: 996.106.610.74			
(1)	996 106 740 73	Hose	02-	1	
(1)	996 106 740 91	Hose	02	1	GT2
(1)	996 106 740 93	Hose	03-	1	GT2
(1)	996 106 740 94	Hose	03-	1	GT2
2	999 512 348 02	Hose clamp 49 X 12		3	
3	996 106 741 72	Hose		1	M480
3	996 106 741 74	Hose		1	M480
(3)	996 106 641 75	Hose		1	GT2
(3)	996 106 641 77	Hose		1	GT2
(3)	996 106 742 72	Hose		1	M249
(3)	996 106 742 73	Hose		1	M249
4	996 106 610 73	Water tube	01	1	
		Use also: 996.106.740.73			
(4)	996 106 610 74	Water tube	02-	1	
5	996 106 069 70	Water tube		1	
6	996 106 427 70	Support		1	
7	900 378 123 09	Hexagon-head bolt M 6 X 12		2	
8	996 106 417 51	Support		2	
9	900 377 010 09	Hexagon nut M 6		2	
10	996 106 336 72	Breather hose		1	
10	996 106 336 74	Breather hose		1	
(10)	996 106 136 91	Breather hose		1	GT2
11	996 106 681 74	Vent line		1	
12	999 512 554 00	Hose clamp 20 X 12		3	
				1	
13	996 106 251 71	Breather hose		1	
14	999 512 657 09	Hose clamp 26 X 12		2	
15	996 106 501 74	Hose		1	
(15)	996 106 501 76	Hose		1	
(15)	996 106 501 77	Hose		1	
16	996 106 502 74	Water hose		1	
17	996 106 801 03	O-ring		4	
18	996 106 802 11	Retainer spring		3	
19	996 106 417 73	Support		5	
20	999 511 237 40	Hose holder 10-52/-18		2	
21	996 106 509 71	Support		1	
22	996 106 802 10	Retainer spring		1	
23	996 106 429 71	Support		2	
24	999 512 348 02	Hose clamp 53 X 12		1	

Model: 996 01

Model life 2001>>2005





Model: 996 01 Model life 2001>>2005

Pos	Part Number	Description	Remark	Qty	Model
1	996 106 611 53	Water cooling 2 Water tube	/R	1	
2	996 106 711 03	Supply Water tube	/L	1	
(2)	996 106 615 54	Supply Water tube		1	GT2
3	996 106 414 55	Support		4	
4	996 106 525 04	Support		2	
5	996 106 723 02	Hose	/R	1	
(5)	996 106 623 53	Supply Water hose		1	GT2
6	996 106 724 72	Hose	/R	1	
6	996 106 724 74	Supply Hose	/R	1	
(6)	996 106 627 52	Supply Water hose		1	GT2
(6)	996 106 627 55	Water hose		1	GT2
7	996 106 715 01	Water tube	/L	1	
(7)	996 106 611 53	Return line Water tube		1	GT2
8	996 106 720 71	Water tube	/R	1	
(8)	996 106 615 54	Return line Water tube		1	GT2
9	996 106 419 52	Support		3	
10	996 106 727 03	Hose	/L	1	
(10)	996 106 627 52	Return line Water hose		1	GT2
(10)	996 106 627 55	Water hose		1	GT2
11	996 106 728 72	Hose	/L	1	
11	996 106 728 74	Return line Hose	/L	1	
(11)	996 106 624 53	Return line Water hose		1	GT2
12	996 106 752 03	Water tube		1	
(12)	996 106 652 54	Supply Distributing piece		1	GT2
13	996 106 751 04	Water tube		1	
(13)	996 106 651 54	Return line Distributing piece		1	GT2
14	996 106 513 01	Support	/L	1	
15	996 106 514 00	Support	/R	1	
16	996 106 540 00	Support		1	
16	997 106 540 02	Use with Transmission carrier 99637534303 Support		1	
17	996 106 515 01	Use with Transmission carrier 99737534300 Support		2	
18	996 106 520 01	Support		2	
19	996 106 227 72	Vent line		1	
(19)	996 106 127 53	Vent line		1	GT2
20	996 106 647 04	Y-piece		1	
20	996 106 647 05	Y-piece		1	
20	996 106 647 06	Y-piece		1	
(20)	996 106 546 54	Y-piece		1	GT2
(20)	996 106 546 55	Y-piece		1	GT2
(20)	996 106 546 56	Y-piece		1	GT2
21	996 106 766 71	Vent line	/R	1	
(21)	996 106 126 54	Vent line	/R	1	GT2

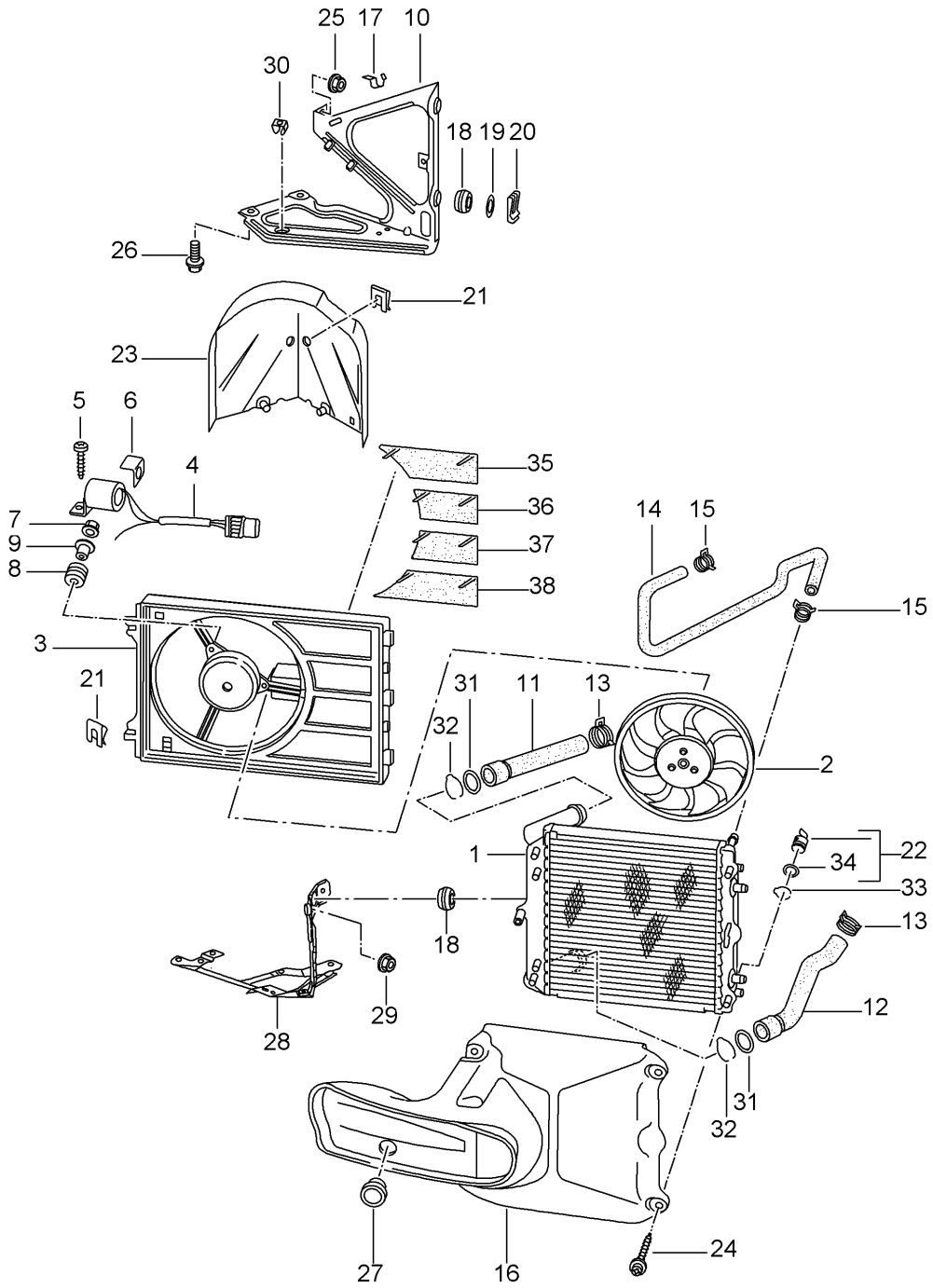
Model: 996 01

Model life 2001>>2005

Pos	Part Number	Description	Remark	Qty	Model
22	996 106 765 71	Vent line	/L	1	
(22)	996 106 225 54	Vent line	/L	1	GT2
23	999 512 499 00	Hose clamp 32 - 50		8	
24	999 512 554 00	Hose clamp 12 - 22		2	
25		Hose clamp 12 - 22		1	
26	996 106 725 71	Water tube	/L	1	
27	996 106 730 71	Water tube	/R	1	
28	996 106 574 71	Support	/R	1	
29	996 106 573 71	Support	/L	1	
30	996 106 473 70	Support		4	

Model: 996 01

Model life 2001>>2005



Model: 996 01 Model life 2001>>2005

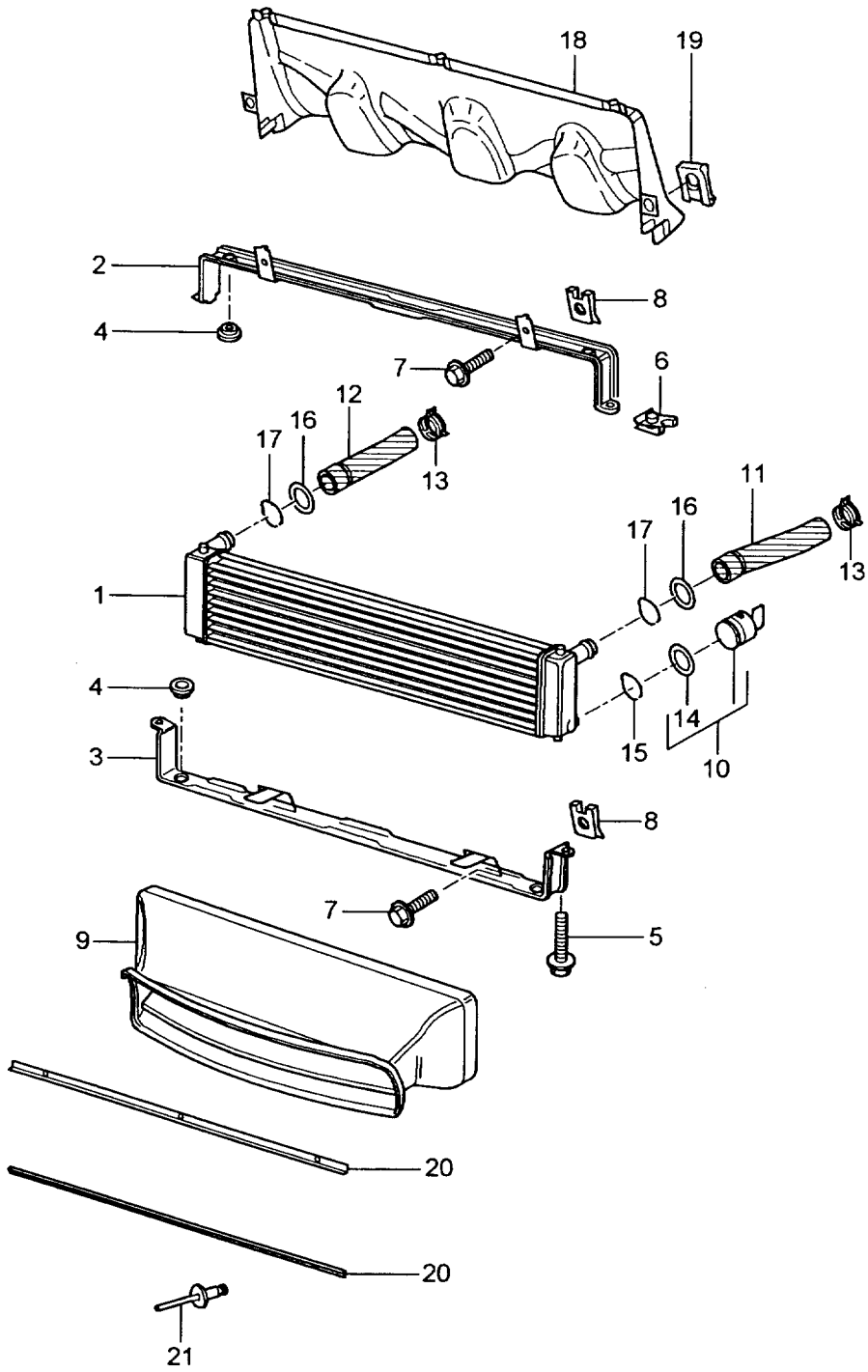
Pos	Part Number	Description	Remark	Qty	Model
		Water cooling 3			
1	996 106 131 71	Radiator		2	
1	996 106 131 72	Radiator	/L	1	
1	996 106 131 74	Radiator	/L	1	
(1)	996 106 132 70	Radiator	/R	1	
(1)	996 106 132 72	Radiator	/R	1	
2	996 624 127 00	Fan		2	
3	996 624 137 00	Air guide		2	
4	996 624 141 00	Series resistor		2	
5	996 624 145 00	Lens-head screw		2	
6	996 624 143 00	Support		2	
7	900 377 010 09	Hexagon nut		6	
8	996 624 173 00	Rubber mounting		6	
9	999 209 049 02	Spacer sleeve		6	
10	996 504 155 00	Bracket	/L	1	
(10)	996 504 156 00	Bracket	/R	1	
11	996 106 621 74	Water hose		2	
(11)	996 106 621 75	Water hose with one conection Radiator Centre	/R	1	GT2
(11)	996 106 621 80	Water hose with one conection Radiator Centre	/R	1	GT2
12	996 106 625 74	Hose	/L	1	
12	996 106 625 78	Hose	/L	1	
12	996 106 625 79	Hose	/L	1	
(12)	996 106 625 75	Hose with one conection Radiator Centre	/L	1	GT2
(12)	996 106 625 80	Hose with one conection Radiator Centre	/L	1	GT2
(12)	996 106 626 74	Water hose	/R	1	
13	999 512 552 00	Hose clamp 20 - 32 X 9		4	
13	999 512 552 01	Hose clamp 20 - 32 X 9		4	
14	996 106 137 75	Breather hose	/L	1	
(14)	996 106 137 78	Breather hose with Joining socket	/L	1	
(14)	996 106 138 78	Breather hose	/R	1	
(14)	996 106 138 74	Breather hose	/R	1	
(14)	996 106 138 83	Breather hose	/R	1	
(14)	996 106 138 75	Breather hose with one conection Radiator Centre	/R	1	GT2
(14)	996 106 138 84	Breather hose with one conection Radiator Centre	/R	1	GT2
15	996 106 802 15	Retainer spring		4	
16	996 575 321 02	Air guide	/L	1	
16	996 575 321 30	Cooling air duct	/L	1	GT2
(16)	996 575 322 02	Air guide	/R	1	
(16)	996 575 322 30	Cooling air duct	/R	1	GT2
17	999 651 305 02	Cable holder		2	
18	999 702 214 40	Grommet		6	

Model: 996 01 Model life 2001>>2005

Pos	Part Number	Description	Remark	Qty	Model
19	999 025 255 02	14 X 20,5 X 7,5 Washer		4	
20	999 166 083 09	Tab washer B 25		4	
21	999 166 077 02	Safety clip B 22		6	
22	996 106 545 71	Stopper		4	
23	996 575 351 00	Air guide	/L	1	
(23)	996 575 352 00	Air guide	/R	1	
24	999 919 134 09	Oval-head screw 6,0 X 16		4	
25	999 084 630 09	Hexagon nut M 8		2	
26	900 378 074 09	Hexagon-head bolt M 8 X 16		4	
27	999 702 214 40	Grommet 14 X 20,5 X 7,5		2	
(27)	803 803 583	Rubber sleeve 30,0 X 40,0	/R	1	
(27)	999 703 195 40	Rubber sleeve 30,0 X 40,0	/R	1	
28	996 504 523 01	Support	/L	1	
28	996 504 523 30	Support	/L	1	GT2
(28)	996 504 524 01	Support	/R	1	
(28)	996 504 524 30	Support	/R	1	GT2
29	900 377 003 02	Hexagon nut M 8		4	
30	999 507 590 02	Captive nut		1	
31	996 106 801 02	O-ring		4	
32	996 106 802 16	Retainer spring		4	
33	996 106 802 15	Retainer spring		2	
34	996 106 801 00	O-ring		2	
35	996 624 157 00	Air flap	/L	1	
(35)	996 624 158 00	Air flap	/R	1	
36	996 624 159 00	Air flap	/L	1	
(36)	996 624 160 00	Air flap	/R	1	
37	996 624 161 00	Air flap	/L	1	
(37)	996 624 162 00	Air flap	/R	1	
38	996 624 163 00	Air flap	/L	1	
(38)	996 624 164 00	Air flap	/R	1	
-	996 575 352 30	Air guide		1	GT2
-	996 575 351 30	Air guide		1	

Model: 996 01

Model life 2001>>2005

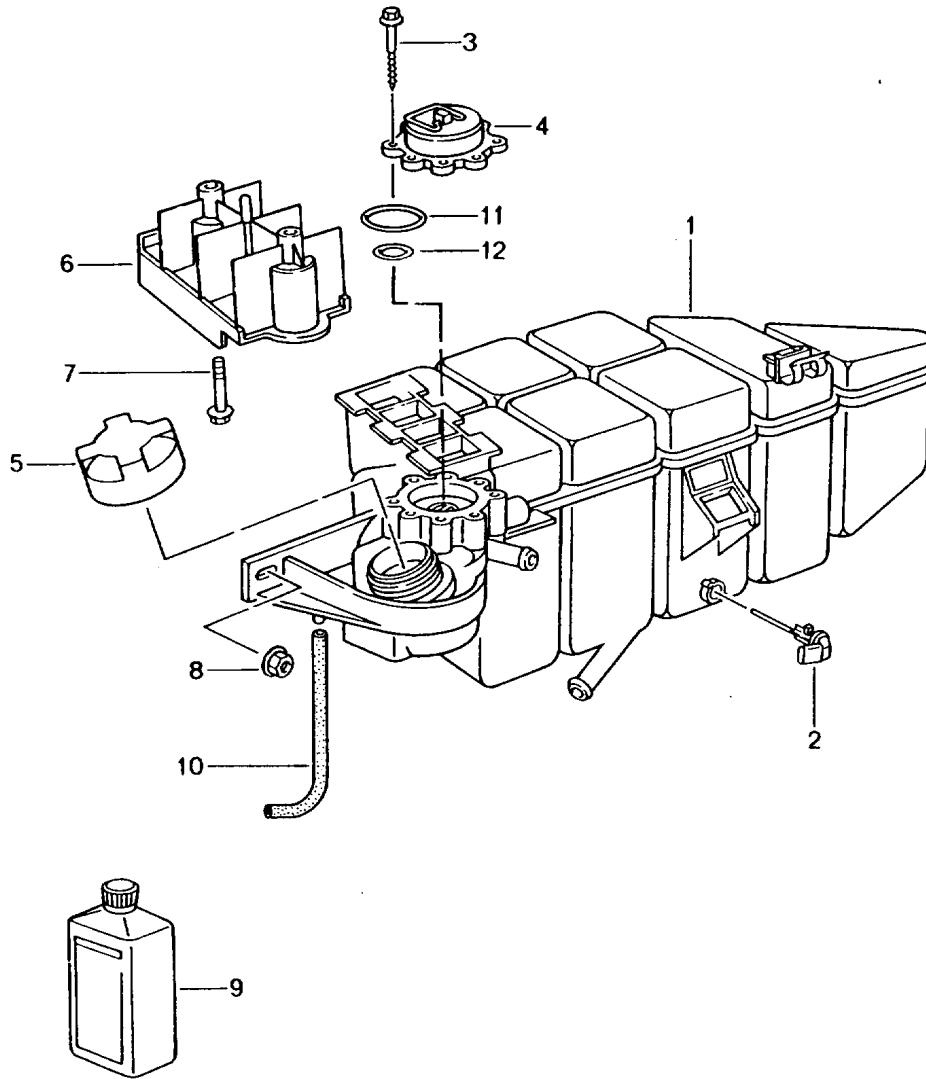


Model: 996 01 Model life 2001>>2005

Pos	Part Number	Description	Remark	Qty	Model
		Radiator Centre			
1	996 106 037 73	Radiator		1	
1	996 106 037 75	Radiator		1	
2	996 504 495 00	Retaining frame		1	
(2)	996 504 195 30	Bracket Upper		1	GT2
-	996 504 679 31	Spacer sleeve		2	GT2
3	996 504 493 00	Retaining frame		1	
(3)	996 504 413 30	Bracket Lower		1	GT2
4	930 113 430 00	Rubber mounting		4	
5	900 378 036 09	Hexagon-head bolt M 6 X 12		2	
6	999 507 550 02	Speed nut M 6		2	
7	900 378 074 09	Hexagon-head bolt M 8 X 16		4	
8	999 591 869 02	Speed nut M 8		4	
9	996 575 141 03	Air guide		1	
9	996 575 141 30	Cooling air duct		1	GT2
10	996 106 545 71	Stopper		1	
11	996 106 639 73	Water hose		1	
11	996 106 639 75	Water hose		1	
12	996 106 638 73	Water hose		1	
13	999 512 551 00	Hose clamp 32 X 12		2	
13	999 512 551 01	Hose clamp 32 X 12		2	
14	996 106 801 00	O-ring		1	
15	996 106 802 15	Retainer spring		1	
16	996 106 801 05	O-ring		2	
17	996 106 802 17	Retainer spring		2	
18	996 575 151 01	Air guide		1	TURBO
19	999 166 076 02	Safety clip		2	
19	999 166 076 01	Safety clip		2	
20	996 575 761 00	Attachment strip		2	
21	999 190 419 30	Blind rivet		6	

Model: 996 01

Model life 2001>>2005



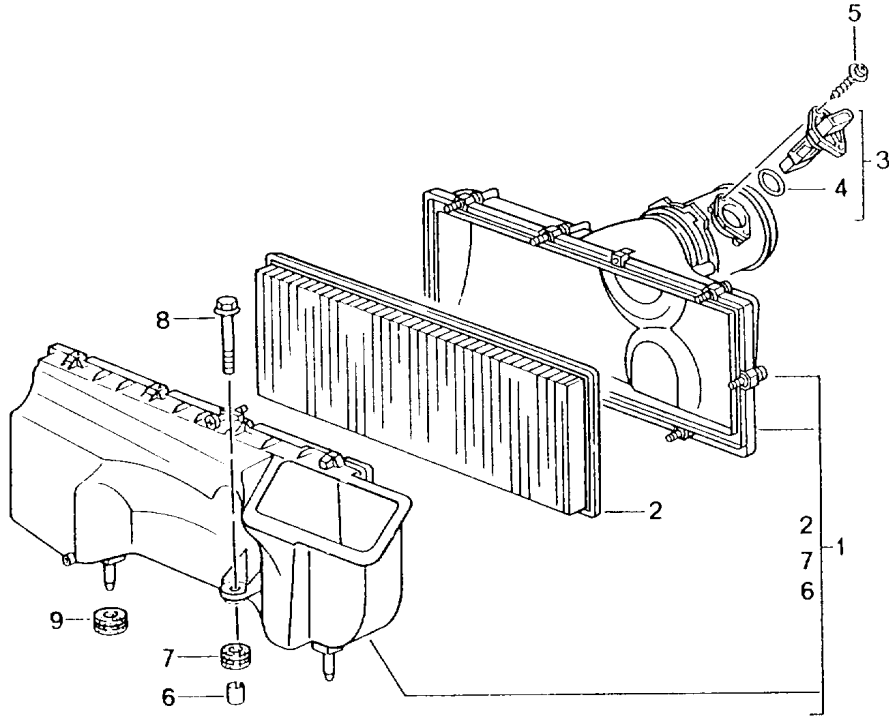


Model: 996 01 Model life 2001>>2005

Pos	Part Number	Description	Remark	Qty	Model
1	996 106 157 03	Water cooling 4		1	
2	996 641 503 00	Water reservoir		1	
3	999 919 058 02	Switch		1	
		Hexagon-head bolt		8	
		5,0 X 40			
4	996 106 347 01	Bleeder valve		1	
5	996 106 447 01	Lid		1	
		See technical manual			
		Group 1			
		Nr.190101			
6	996 106 405 71	Support		1	
7	900 378 168 09	Hexagon-head bolt		2	
		M 6 X 30			
8	999 084 629 09	Hexagon nut		1	
		M 6			
8	999 084 629 01	Hexagon nut		1	
		M 6			
9	000 043 203 78	Antifreeze		X	
		1 LTR.			
		Container			
(9)	000 043 203 79	Antifreeze		X	
		25 LTR.			
		Container			
(9)	000 043 300 31	Antifreeze		X	
		20 LTR.			
		Container			
(9)	000 043 301 03	Antifreeze		X	
		1 LTR.			
		Container			
(9)	000 043 301 04	Antifreeze		X	
		20 LTR.			
		Container			
10	996 106 297 00	Overflow hose		1	
11	999 707 370 40	O-ring		1	
		47 X 4			
12	999 707 371 40	O-ring		1	
		17 X 4			

Model: 996 01

Model life 2001>>2005



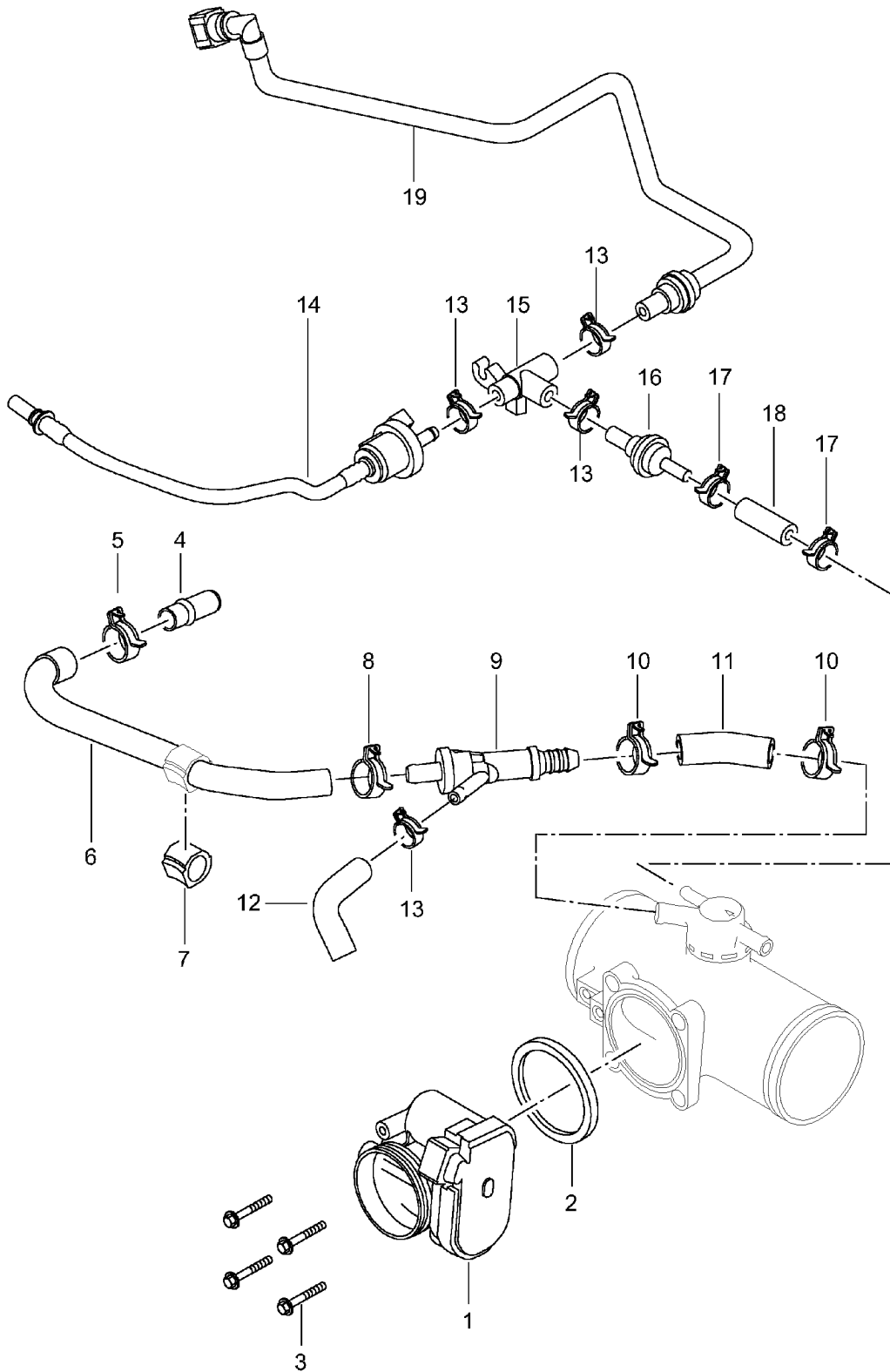
Model: 996 01

Model life 2001&gt;&gt;2005

Pos	Part Number	Description	Remark	Qty	Model
1	996 110 021 70	Air cleaner		1	
2	996 110 131 71	Air cleaner cartridge		1	
3	996 606 124 00	Mass air flow meter Information available		1	
4	986 606 925 00	O-ring		1	
5	999 919 160 07	Oval-head screw		2	
6	900 095 099 02	Roll pin 12,0 X 14		1	
7	999 702 246 40	Grommet 12,0 X 17,0 X 3		1	
8	999 075 063 02	Hexagon-head bolt M 6 X 34		1	
9	999 702 221 40	Grommet 11,8 X 18,0 X 18		2	

Model: 996 01

Model life 2001>>2005

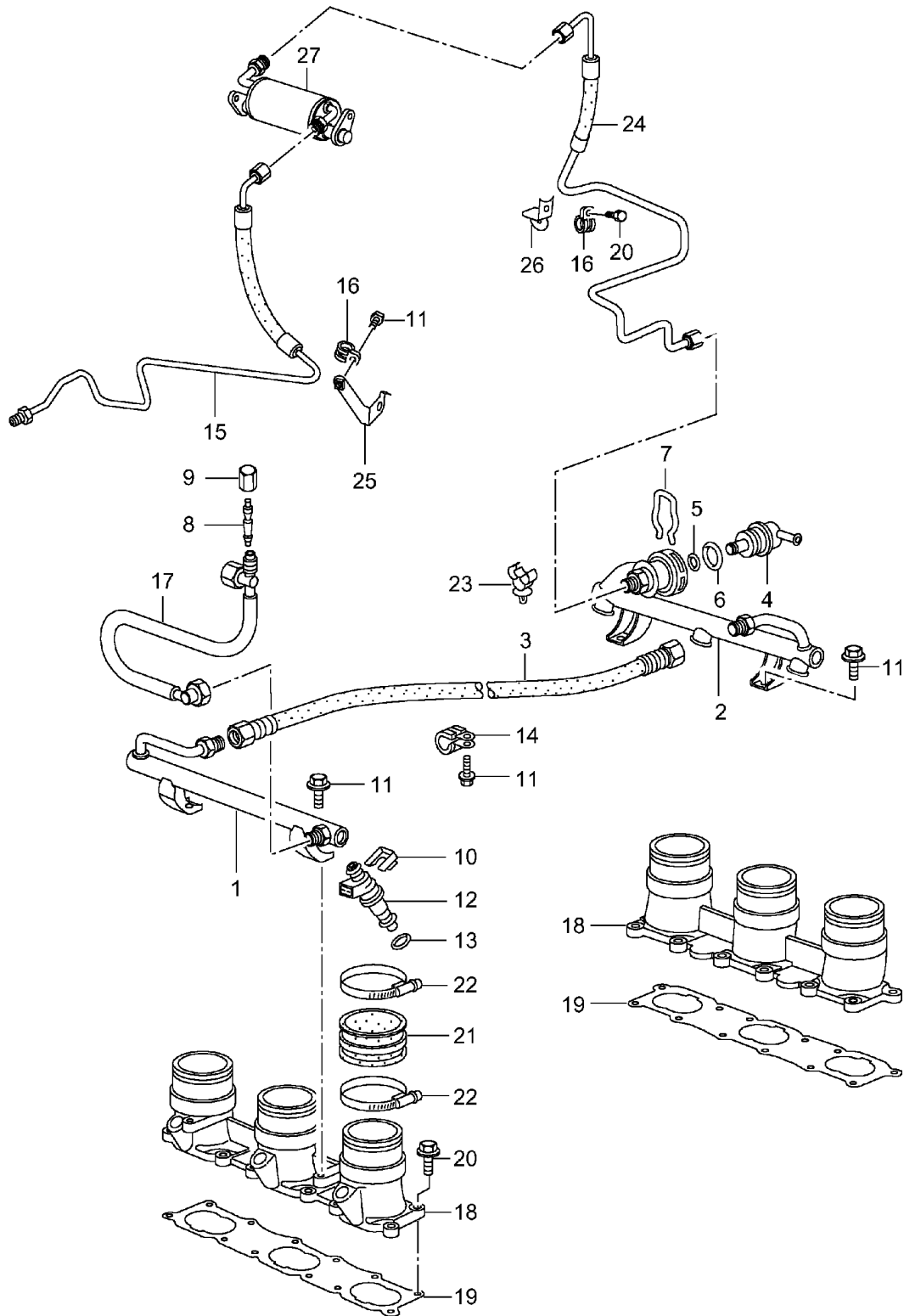


Model: 996 01 Model life 2001>>2005

Pos	Part Number	Description	Remark	Qty	Model
1	986 605 115 01	Throttle body		1	
2	996 110 318 01	Throttle body		1	
2	996 110 318 02	Gasket		1	
		Gasket		1	
		Information available			
3	900 378 032 09	Hexagon-head bolt		4	
4	996 110 657 70	Joining socket		1	
5	999 512 602 09	Hose clamp		1	
		24 X 12			
6	996 110 654 72	Hose		1	
6	996 110 654 73	Hose		1	
7	996 110 659 70	Spacer		1	
8	999 512 554 00	Hose clamp		1	
		20 X 12			
9	996 110 652 70	Venturi tube		1	
10	999 512 655 09	Hose clamp		2	
		22 X 12			
11	996 110 651 71	Hose		1	
11	996 110 651 72	Hose		1	
12	996 110 653 71	Hose		1	
12	996 110 653 72	Hose		1	
13	999 512 599 09	Hose clamp		3	
		18 X 12			
14	996 110 129 72	Vent line		1	
15	996 110 147 71	T-piece		1	
16	996 110 135 70	Valve		1	
17	999 512 585 09	Hose clamp		2	
		15 X 12			
18	996 110 127 71	Vent line		1	
18	996 110 127 72	Vent line		1	
19	996 110 145 71	Vent line		1	
		Left			
19	996 110 145 72	Vent line		1	
		Left			
-	996 606 113 00	Temperature sensor	-02	1	
-	996 606 013 00	Support		1	
		for			
		Temperature sensor			
-	900 378 074 09	Hexagon-head bolt		1	
		M 8 x 16			

Model: 996 01

Model life 2001>>2005



Model: 996 01 Model life 2001>>2005

Pos	Part Number	Description	Remark	Qty	Model
1	996 110 307 71	Fuel collection pipe		1	
2	996 110 308 71	Fuel collection pipe		1	
3	996 110 309 71	Fuel hose		1	
3	996 110 309 72	Fuel hose		1	
4	993 110 199 00	Pressure regulator		1	
5	999 707 276 40	O-ring 5 X 2,5		1	
6	999 707 277 40	O-ring 20 X 2,5		1	
7	993 110 196 00	Retaining clip		1	
8	993 110 217 00	Valve		1	
9	993 110 218 01	Cap		1	
10	996 110 113 52	Retaining clip		6	
11	900 378 036 09	Hexagon-head bolt M 6 X 12		6	
12	996 606 132 00	Injector valve		6	
13	944 110 901 01	O-ring 7,52 X 3,53		12	
14	999 511 234 02	Clamp 16 X 15		1	
15	996 110 324 72	Return line F >>991S6 82326 See technical information Group 1 NR.3/01		1	
(15)	996 110 324 74	Return line F 991S6 82327>> See technical information Group 1 NR.3/01		1	
(15)		Return line	02-	1	M152
(15)	996 110 324 75	Return line	02-	1	-M152
16	999 511 153 02	Clip 8 X 15		2	
17	996 110 315 73	Feed line		1	
-	999 181 423 40	Protective tube 15 X 410		*	
18	996 110 101 73	Intake manifold	/L	1	
(18)	996 110 102 73	Intake manifold	/R	1	
19	996 110 103 71	Gasket		2	
20	900 378 030 09	Hexagon-head bolt M 6 X 20		24	
21	993 110 687 51	Rubber sleeve Information available		6	
22	999 512 348 02	Hose clamp 40 - 60/9		12	
23	999 511 240 40	Cable holder 11,0 - 18,0		1	
24	996 110 314 72	Return line		1	
24		Return line	02-	1	M152
25	996 110 334 71	Support		1	
26	996 110 344 70	Support		1	
27		Fuel cooler See illustrations 8/13/26		1	
-	996 110 634 72	Support for Vent line		1	



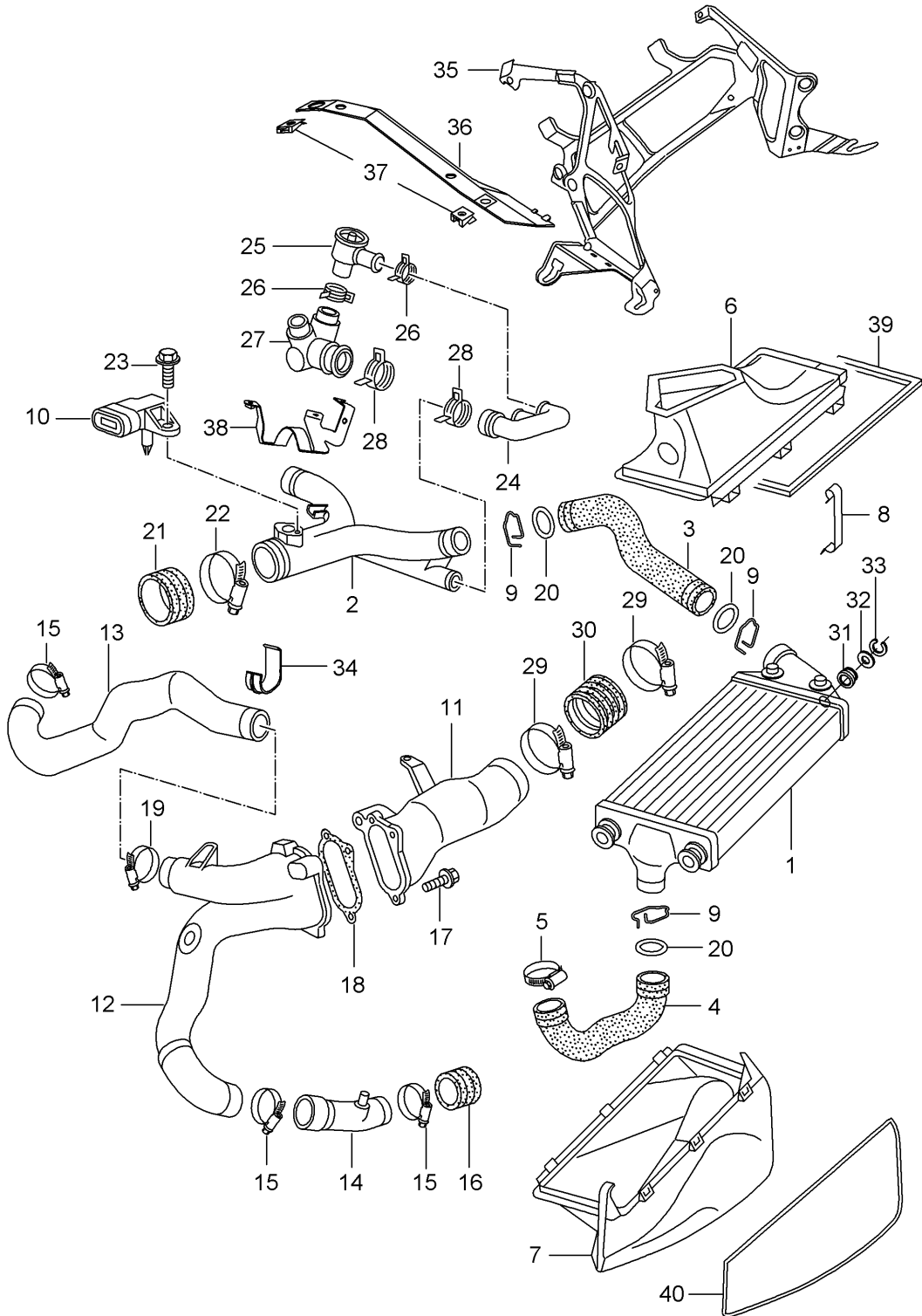


Model: 996 01 Model life 2001>>2005

Pos	Part Number	Description	Remark	Qty	Model
1	996 110 627 70	Intake distributor	/L	1	
2	996 110 618 70	Intake distributor	/R	1	
3	996 110 215 71	Intermediate piece		1	
4	996 110 685 71	Rubber sleeve		2	
5	999 512 350 02	Information available Hose clamp 80 - 100/9		4	
6	996 110 217 74	Lid		1	
7	996 110 686 70	Rubber sleeve		2	
8	999 512 351 02	Information available Hose clamp 70 - 90/9		4	
9	996 110 675 73	Support		1	
10	999 919 130 09	Hexagon-head bolt M 6 X 18		2	
11	900 378 036 09	Hexagon-head bolt M 6 X 12		3	
12	996 110 673 71	Support		1	
13	993 110 140 03	Vacuum tank		1	
14	999 919 115 02	Oval-head screw 5 X 12		1	

Model: 996 01

Model life 2001>>2005



Model: 996 01 Model life 2001>>2005

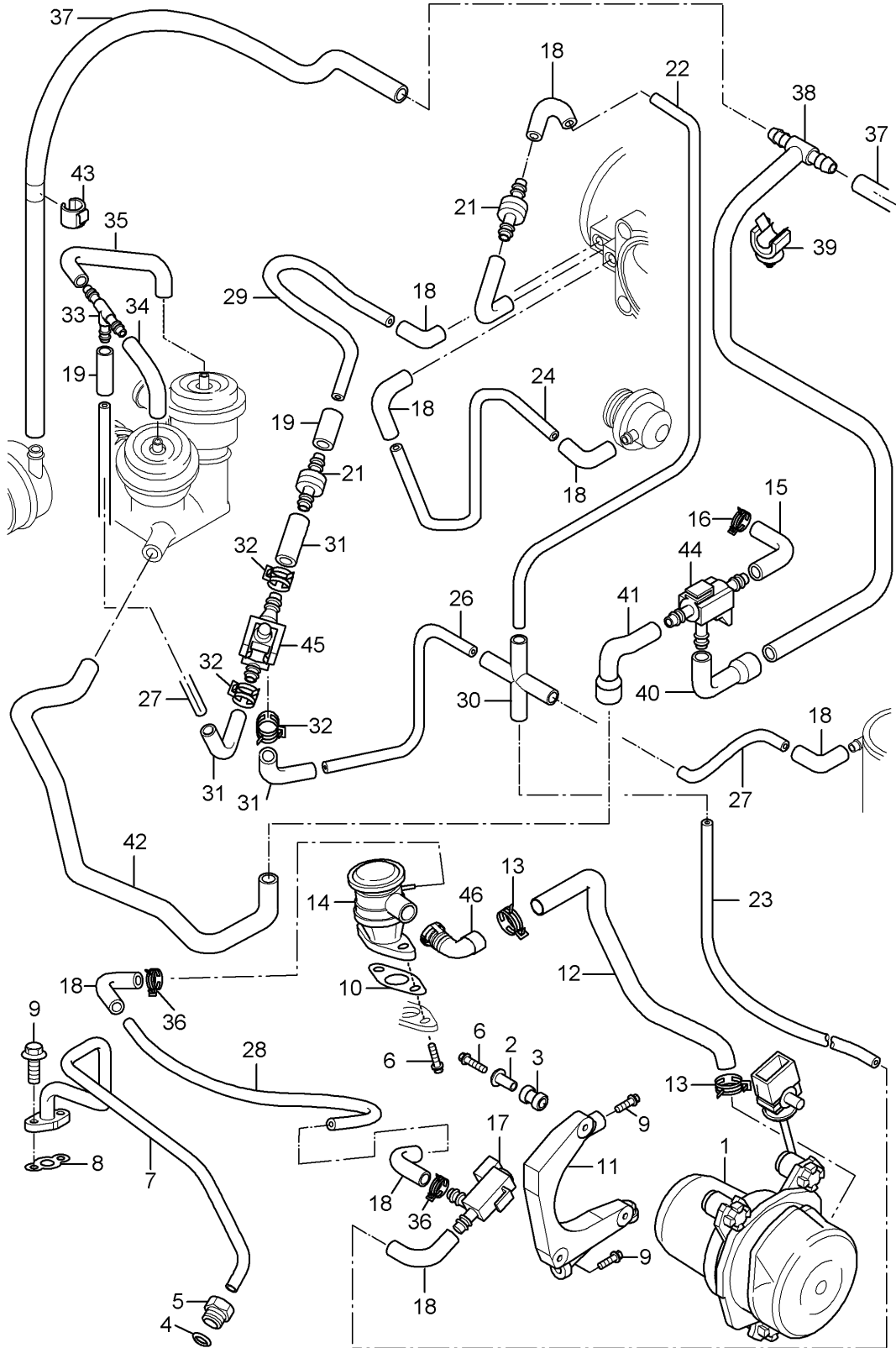
Pos	Part Number	Description	Remark	Qty	Model
		Turbocharging			TURBO/GT2
1	996 110 989 71	Charge air cooler	/L	1	GT2
1		Charge air cooler	/L	1	IX50
1	996 110 639 71	Charge air cooler	/L	1	
		Use also:			
		996.504.253.02		1	
(1)	996 110 990 71	Charge air cooler	/R	1	GT2
(1)		Charge air cooler	/R	1	IX50
(1)	996 110 640 71	Charge air cooler	/R	1	
		Use also:			
		996.504.254.02		1	
2	996 110 046 73	Pressure pipe		1	
3	996 110 645 73	Pressure hose	/L	1	
(3)	996 110 644 75	Pressure hose	/R	1	
4	996 110 631 74	Pressure hose	/L	1	
(4)	996 110 630 75	Pressure hose	/R	1	
5	999 512 349 02	Hose clamp		2	
		50 - 70			
5	999 512 349 01	Hose clamp		2	
		50 - 70			
6	996 575 657 00	Air guide	/L	1	
(6)	996 575 658 00	Air guide	/R	1	
7	996 575 571 00	Air guide	/L	1	
	996 575 571 00 01C	Satin black			
(7)	996 575 572 00	Air guide	/R	1	
	996 575 572 00 01C	Satin black			
8	996 504 847 00	Clamp		12	
9	996 106 802 12	Retainer spring		6	
10	996 606 180 00	Sensor		1	
11	996 110 622 72	Intake manifold		1	
12	996 110 623 71	Intake manifold		1	
		Distributor		1	
13	996 110 626 71	Intake manifold		1	
14	996 110 625 70	Intake manifold	/L	1	
(14)	996 110 624 70	Intake manifold	/R	1	
15	999 512 349 02	Hose clamp		4	
		50 - 70/9			
15	999 512 349 01	Hose clamp		4	
		50 - 70/9			
16	993 110 397 50	Rubber sleeve	/R	2	
17	900 378 013 09	Hexagon-head bolt		3	
		M 6 X 25			
18	996 110 613 71	Gasket		1	
19	999 512 317 00	Clip		1	
20	996 106 801 06	Sealing ring		6	
21	996 110 647 71	Rubber sleeve		1	
		Information available			
22	999 512 351 02	Hose clamp		2	
23	900 378 163 09	Hexagon-head bolt		1	
		M 6 X 16			
24	996 110 681 73	Distributor		1	
		Recirculating air valve			
25	993 110 337 50	Shut-off valve		2	
25	993 110 337 51	Shut-off valve		2	
26	999 512 630 00	Hose clamp		4	
		32 X 12			
27	996 110 683 73	Y-piece		1	
28	999 512 613 09	Hose clamp	/L	2	
		46 X 12	/R		
29	999 512 542 00	Hose clamp		2	
		80 - 100 / 9			
30	996 110 621 70	Air guide		1	
31	996 110 638 70	Rubber mounting		8	

Model: 996 01 Model life 2001>>2005

Pos	Part Number	Description	Remark	Qty	Model
32	999 025 255 02	Washer		8	
33	900 116 015 09	Lock washer		8	
34	996 110 636 70	Support		1	
35	996 504 253 02	Bracket	/L	1	
(35)	996 504 254 02	Bracket	/R	1	
36	996 504 353 00	Bracket	/L	1	
(36)	996 504 353 91	Bracket	/L	1	GT2
(36)	996 504 354 00	Bracket	/R	1	
(36)	996 504 354 91	Bracket	/R	1	GT2
37	999 507 668 02	Speed nut ST 4,8		X	
37	999 507 668 01	Speed nut ST 4,8		X	
38	996 110 671 70	Support for Pressure pipe		1	
39	996 575 759 01	Gasket	/L	1	
(39)	996 575 760 01	Gasket	/R	1	
		Air guide			
		Upper part/lower part			
40	999 911 674 00	Tread Gasket Lateral		1	

Model: 996 01

Model life 2001>>2005



Model: 996 01 Model life 2001>>2005

Pos	Part Number	Description	Remark	Qty	Model
1	996 605 104 00	Air injection		1	
1	996 605 104 01	Air pump		1	
2	999 209 054 02	Spacer sleeve 6,9 X 1,0 X 22		3	
3	999 703 481 40	Rubber mounting 10 X 13,2		3	
4	900 102 011 02	Cutting ring		1	
(4)	900 102 011 03	Cutting ring		1	
5	999 261 079 02	Cap screw		1	
6	900 378 177 09	Hexagon-head bolt M 6 X 30		5	
7	996 113 275 72	Air tube		1	
8	996 113 213 71	Gasket		1	
9	900 378 030 09	Hexagon-head bolt M 6 X 20		4	
10	993 113 258 51	Gasket		1	
11	996 113 240 74	Support		1	
12	996 113 255 72	Hose		1	
13	999 512 552 00	Hose clamp 20 - 32/9		2	
13	999 512 552 01	Hose clamp 20 - 32/9		2	
14	996 113 257 70	Valve		1	
15	996 110 649 71	Moulded hose		1	
16	999 512 522 02	Clamp 9.5 - 11.5		1	
17	996 605 123 01	Change-over valve		1	
17	7PP 906 270	Change-over valve		1	
-	999 652 838 40	Plug socket		1	
-	999 652 771 12	Connector		2	
-	999 704 161 40	Gasket		2	
18	928 574 717 03	Moulded hose		9	
19	999 239 040 40	Connecting piece		2	
20	928 573 727 03	Distributing piece		1	M249
20	928 573 727 05	Distributing piece		1	M249
21	964 110 950 01	Check valve		2	
21	964 110 950 02	Check valve		2	
-	000 043 205 01	Pipe 4 X 1,0 230 MM		*	
22		230 MM		1	
23		140 MM		1	
24		460 MM		1	
25		1100 MM		1	M249
-	900 918 005 40	Pipe 5 X 1,0 245 MM		*	
26		245 MM		1	
27		140 MM		2	
28		300 MM		1	
29		190 MM		1	
30	928 573 729 03	Distributing piece		1	
30	928 573 729 05	Distributing piece		1	
31	996 110 695 70	Moulded hose		3	
31	996 110 695 71	Moulded hose		3	
32	999 512 622 02	Clamp 11.8 - 13.8		3	
32	999 512 114 00	Clamp 11.8 - 13.8		3	
33	999 137 005 40	T-piece		1	
34	996 110 697 71	Moulded hose		1	
35	996 110 697 72	Moulded hose		1	
36	999 512 527 00	Clamp 8.5 - 10.0		2	

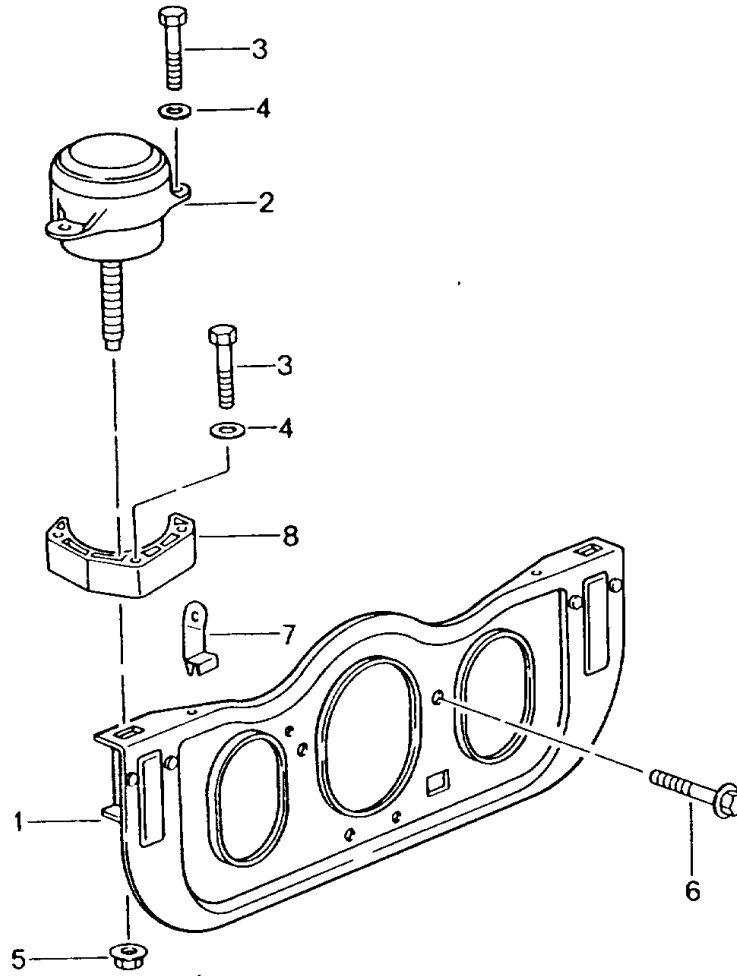
Model: 996 01

Model life 2001>>2005

Pos	Part Number	Description	Remark	Qty	Model
-	900 926 019 40	Hose		*	
37		780 MM		2	
38	996 110 656 70	Control line		1	
39	999 507 544 40	Cable holder		1	
40	996 110 666 70	Moulded hose		1	
41	996 110 658 70	Moulded hose		1	
42	996 110 650 71	Vent line		1	
43	999 507 658 09	Cable holder		2	
44	996 605 155 00	Cycle valve		1	
45	996 605 165 00	Change-over valve		1	
45	9A1 605 165 00	Change-over valve		1	
46	999 230 499 40	Connecting piece		1	

Model: 996 01

Model life 2001>>2005





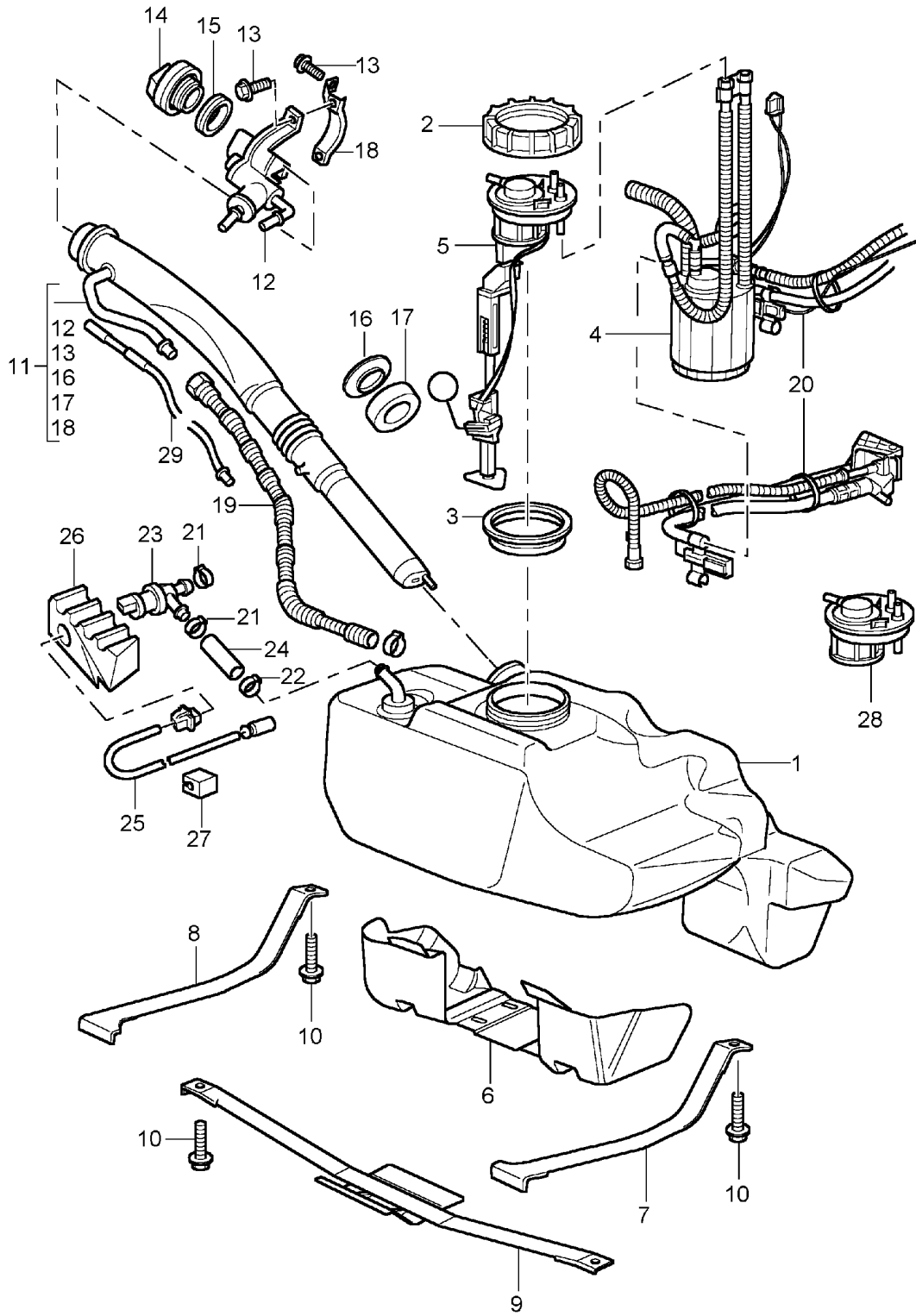
Model: 996 01

Model life 2001&gt;&gt;2005

Pos	Part Number	Description	Remark	Qty	Model
1	996 375 013 00	Engine suspension		1	
2	993 375 049 07	Engine carrier		2	
3	900 378 056 02	Engine mounting		6	
4	999 025 134 02	Hexagon-head bolt AM 8 X 60		4	
5	999 084 215 09	Washer 8,4 X 21 3,0		2	
6	900 378 065 09	Lock nut V M 12 X 1,5		4	
(7)	996 106 293 91	Hexagon-head bolt M 10 X 70		2	
8	996 375 221 01	Support Adapter		2	

Model: 996 01

Model life 2001>>2005



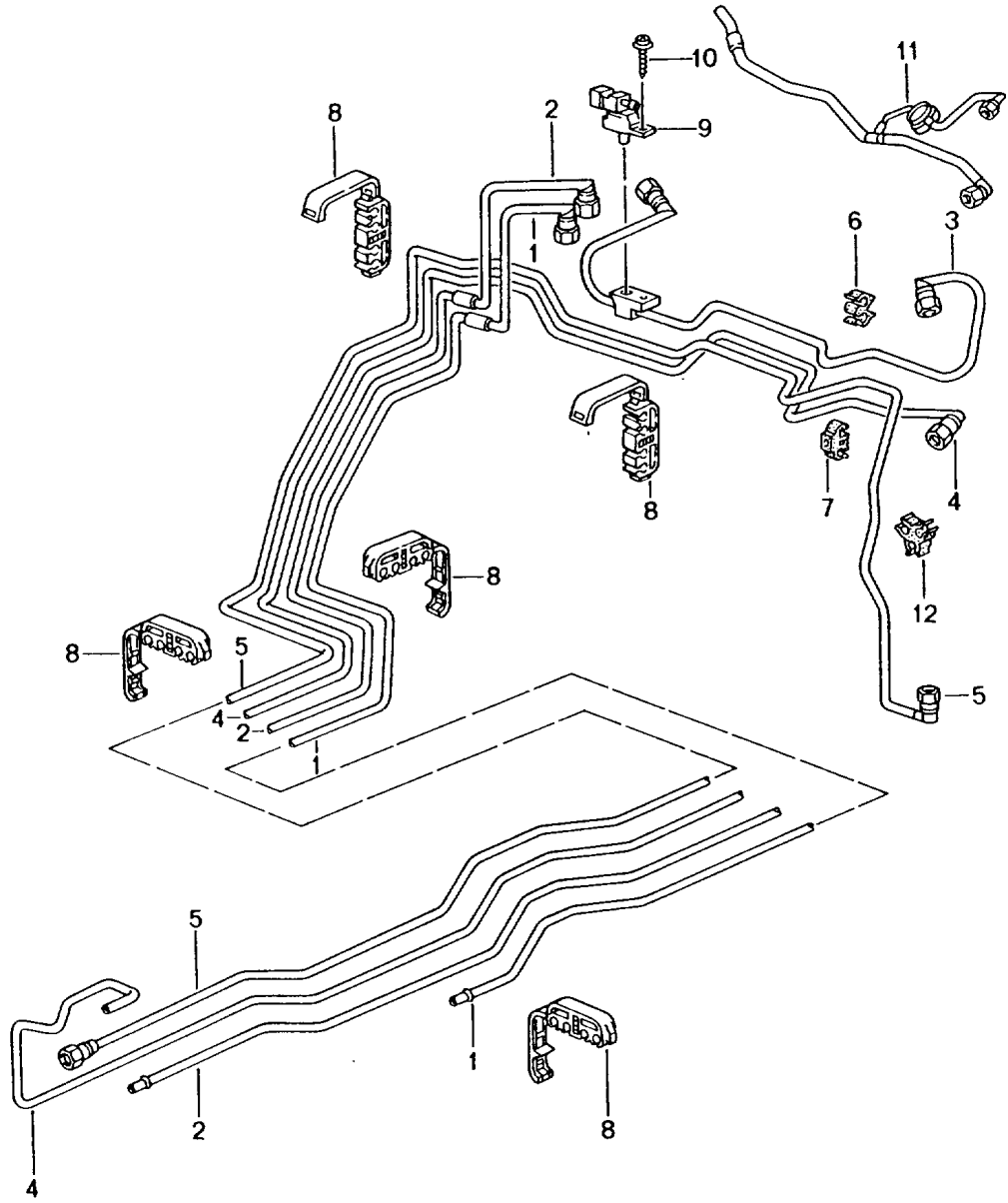
Model: 996 01

Model life 2001&gt;&gt;2005

Pos	Part Number	Description	Remark	Qty	Model
1	996 201 021 01	Fuel tank		1	
(1)	996 201 021 90	Fuel tank	/LL	1	GT2
(1)	996 201 022 01	Fuel tank	/RL	1	
(1)	996 201 022 90	Fuel tank	/RL	1	GT2
2	996 201 623 00	Union nut		1	
3	321 919 133	Sealing ring		1	
4	996 620 107 00	Fuel pump	/LL	1	
(4)	996 620 107 01	Fuel pump	/LL	1	
(4)	996 620 107 02	Fuel pump	/LL	1	
(4)	996 620 108 00	Fuel pump	/RL	1	
(4)	996 620 108 01	Fuel pump	/RL	1	
(4)	996 620 108 02	Fuel pump	/RL	1	
(4)	996 620 057 90	Fuel pump		1	GT2
(4)	996 620 057 91	Fuel pump		1	GT2
(4)	996 620 057 92	Fuel pump		1	GT2
5	996 620 827 02	Tank gauge	/LL	1	
(5)	996 620 808 00	Tank gauge	/LL	1	GT2
(5)	996 620 832 02	Tank gauge	/RL	1	GT2
(5)	996 620 828 02	Tank gauge	/RL	1	
6	996 201 331 01	Protective plate	/LL	1	
(6)	996 201 331 00	Protective plate	/LL	1	GT2
(6)	996 201 331 02	Protective plate	/RL	1	GT2
(6)	996 201 331 03	Protective plate	/RL	1	
7	996 201 105 03	Restraining strap		1	
(7)	996 201 105 02	Restraining strap		1	GT2
8	996 201 106 03	Restraining strap		1	
(8)	996 201 106 02	Restraining strap		1	GT2
9	996 201 107 01	Restraining strap	/LL	1	
(9)	996 201 107 90	Restraining strap	/LL	1	GT2
(9)	996 201 108 00	Restraining strap	/RL	1	GT2
10	900 075 479 09	Combination screw M 8 X 40		4	
11	996 201 043 03	Filler neck		1	
11	996 201 043 04	Filler neck	(J)	1	M150
11	996 201 043 09	Filler neck	/RL	1	GT2
12	996 201 143 01	Bleeder valve		1	
13	900 378 036 09	Hexagon-head bolt M 6 X 12		3	
14	996 201 241 03	Fuel tank cap with Clip		1	
-	999 507 499 40	Information available Expansion rivet		1	
15	191 201 557	Sealing ring Information available		1	
16	996 201 755 00	Support washer		1	
17	996 201 753 00	Gasket		1	
18	996 201 751 00	Support		1	
19	996 201 613 00	Vent line		1	
20	996 620 113 00	Venturi tube		1	
(20)	996 620 113 80	Venturi tube		1	GT2
28	996 620 841 90	Display specimen		1	GT2
30	000 043 206 89	Tank gauge Additive Fuel 100 ml Behälter	CHINA	1	
30	000 043 209 02	Additive Fuel 100 ml Behälter	CHINA	1	

Model: 996 01

Model life 2001>>2005



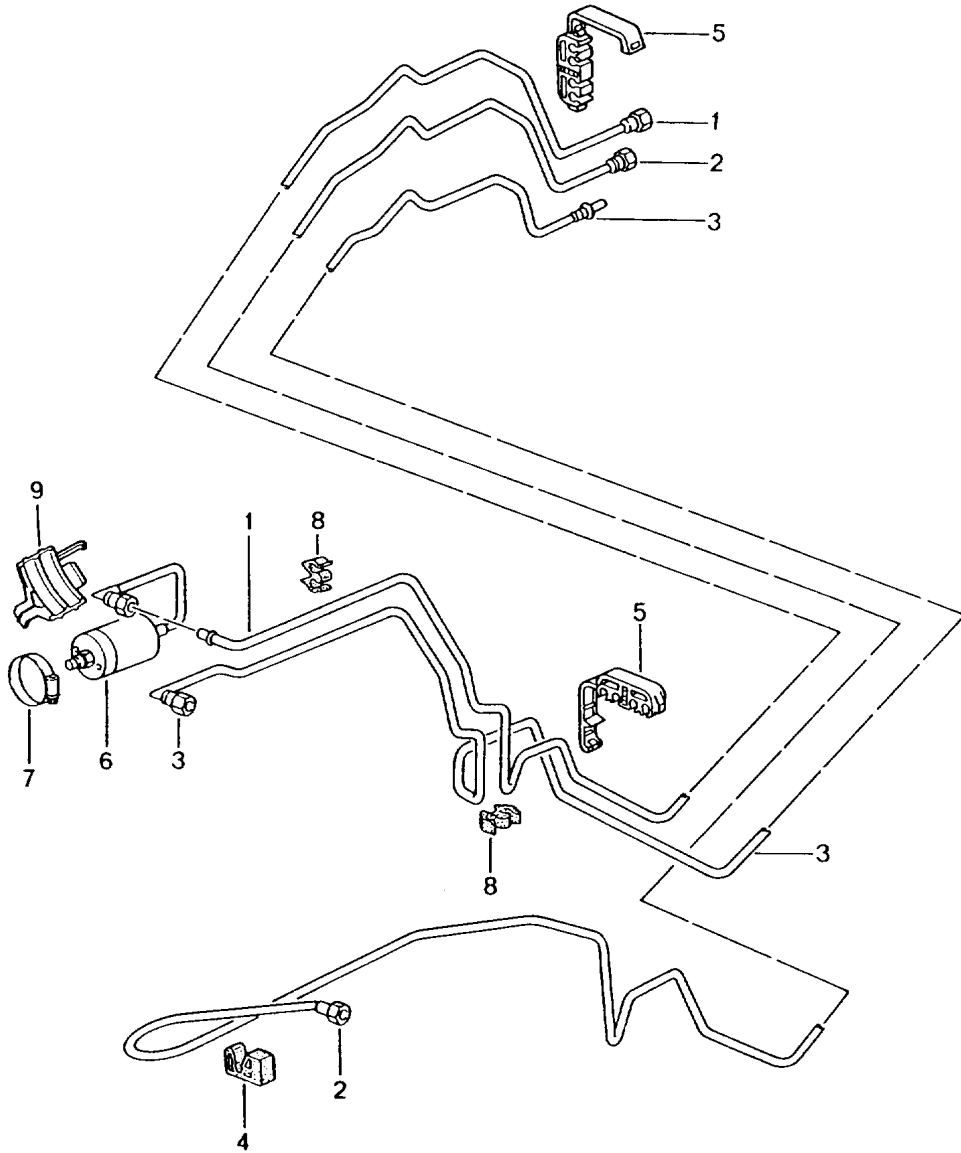
Model: 996 01

Model life 2001>>2005

Pos	Part Number	Description	Remark	Qty	Model
		Fuel system			
		Front			
1	996 201 261 01	Pressure line		1	-M101
(1)	996 201 261 90	Pressure line		1	M101
2	996 201 271 01	Return line		1	-M101
2	996 201 271 03	Return line		1	-M101
(2)	996 201 271 02	Return line		1	M101
3	996 201 251 02	Vent line		1	-M101
(3)	996 201 251 90	Vent line		1	M101
4	996 201 361 02	Air tube		1	
5	996 201 351 00	Air tube		1	
6	999 507 488 40	Cable holder		5	
7	999 507 487 40	Cable holder		1	
8	999 507 554 40	Cable holder		8	
9	996 606 205 00	Sensor		1	M660
10	999 919 042 02	Oval-head screw 5,0 X 12		1	M660

Model: 996 01

Model life 2001>>2005

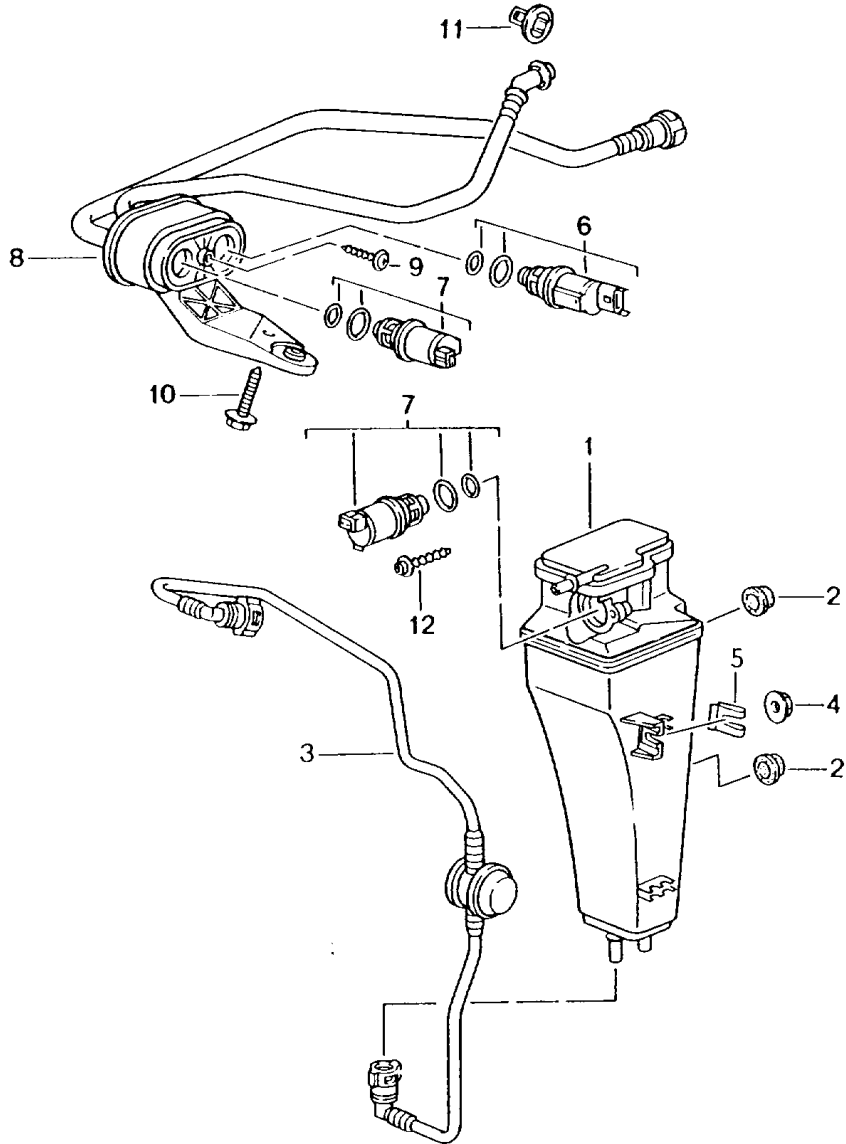


Model: 996 01 Model life 2001>>2005

Pos	Part Number	Description	Remark	Qty	Model
		Fuel system Rear			
1	996 201 265 02	Pressure line		1	
1	996 201 265 07	Pressure line		1	
2	996 201 275 01	Return line		1	
		F >>991S6 82326 See technical information Group 2 NR.3/01			
(2)	996 201 275 03	Return line F 991S6 82327>> See technical information Group 2 NR.3/01		1	
(2)	996 201 275 05	Fuel line F 991S6 82327>> See technical information Group 2 NR.3/01		1	
-	999 707 505 40	O-ring Black		1	
-	999 707 506 40	O-ring Beige		1	
3	996 201 355 01	Air tube		1	
4	999 591 922 40	Support		2	
5	999 507 521 40	Cable holder		2	
6	996 110 253 52	Fuel filter		1	
7	999 512 390 00	Hose clamp 60 - 80/13		1	
8	999 507 488 40	Cable holder		3	
9	996 110 257 03	Support		1	

Model: 996 01

Model life 2001>>2005





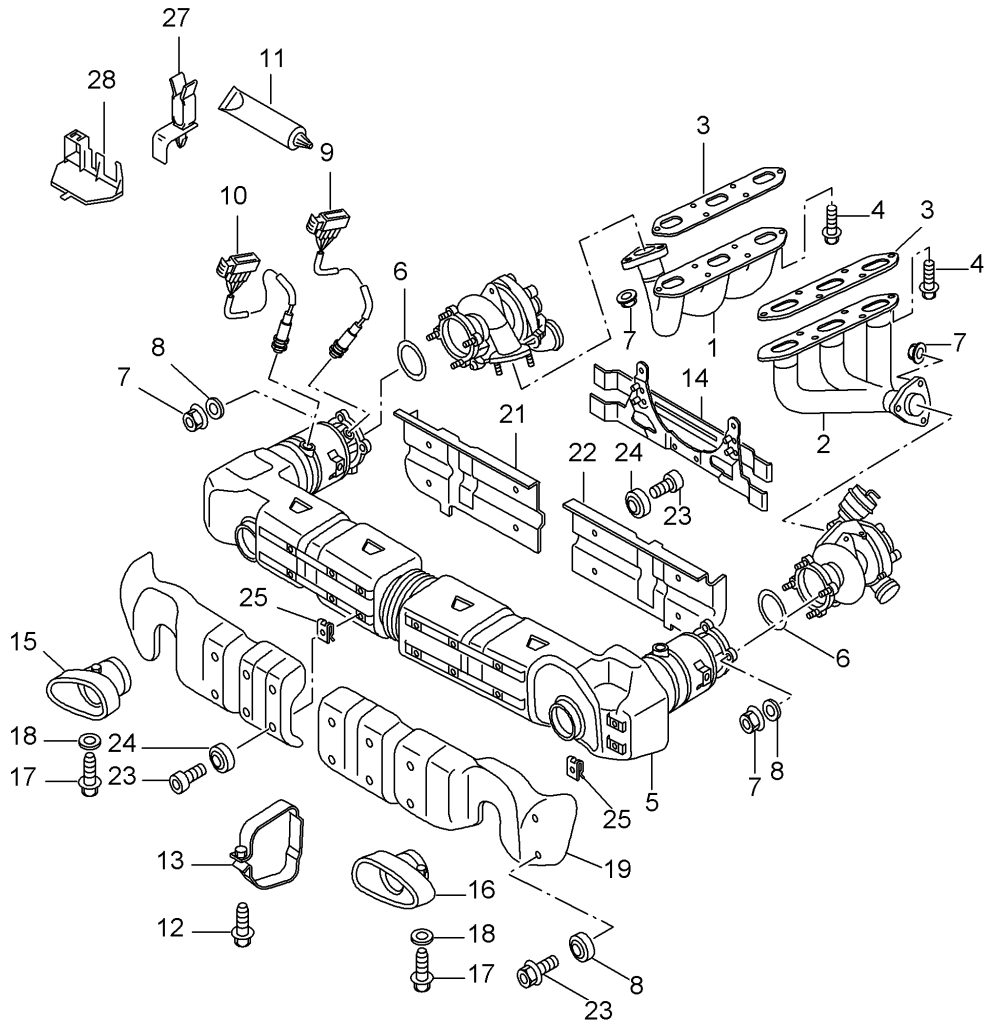
Model: 996 01

Model life 2001>>2005

Pos	Part Number	Description	Remark	Qty	Model
1	996 201 221 09	Carbon canister		1	
1	996 201 221 08	Carbon canister		1	
1	996 201 221 07	Carbon canister		1	M664
2	999 702 221 40	Grommet		2	
3	996 201 255 07	Vent line		1	
3	996 201 255 09	Vent line		1	
4	999 084 629 09	Hexagon nut M 6		1	
4	999 084 629 01	Hexagon nut M 6		1	
5	999 507 543 02	Clamp 2,00 - 3,00		1	
6	996 605 213 01	Valve		1	M664
7	996 605 201 01	Shut-off valve		1	M664
8	996 201 231 01	Valve housing		1	M664
9	999 919 190 02	Oval-head screw M 5 X 25		1	M664
10	900 378 154 09	Hexagon-head bolt M 8 X 35		2	M664
11	996 201 555 00	Clip		1	M664
12	999 919 171 07	Oval-head screw 5,0 X 20		1	

Model: 996 01

Model life 2001>>2005

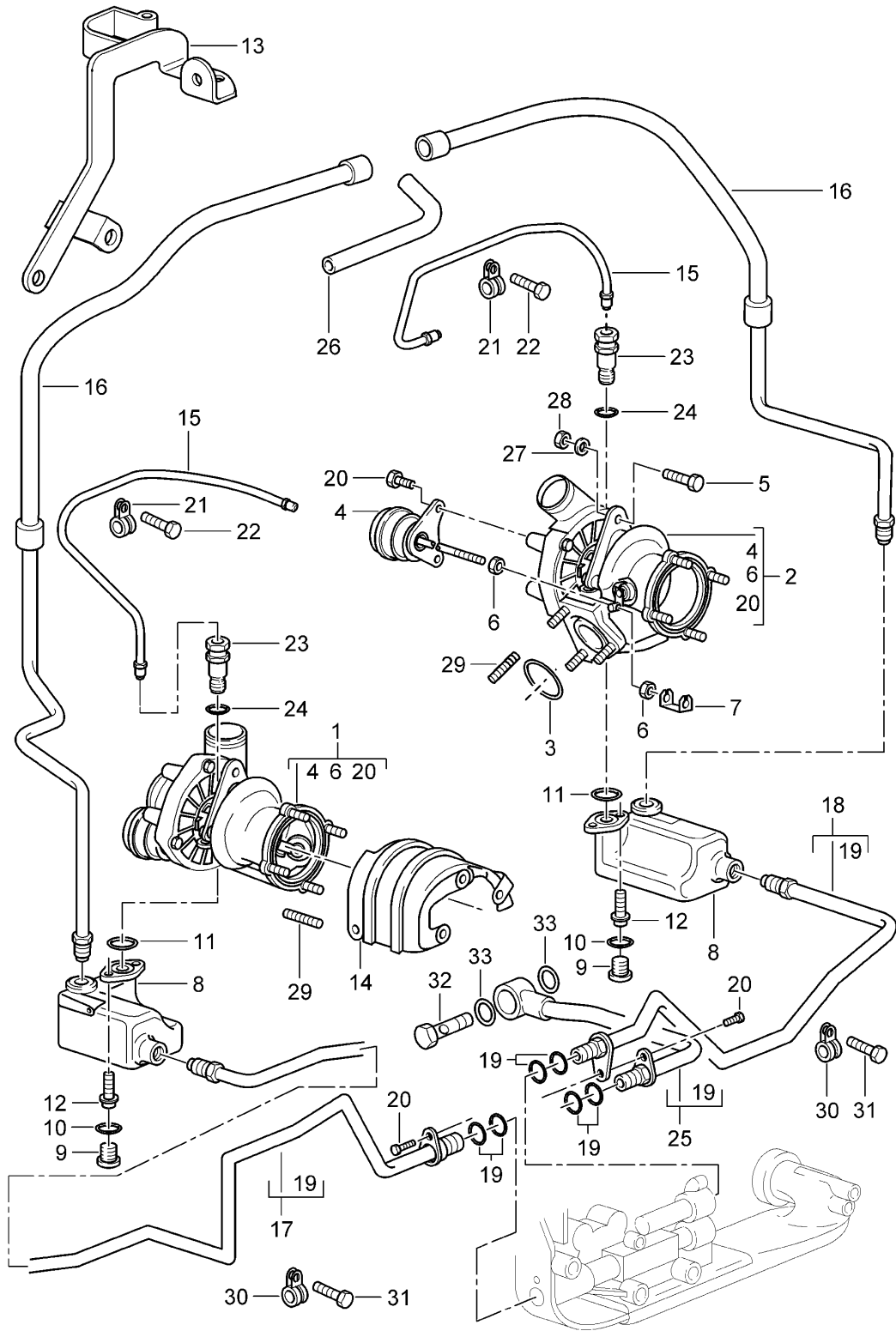


Model: 996 01 Model life 2001>>2005

Pos	Part Number	Description	Remark	Qty	Model
1	996 111 101 73	Exhaust system			
(1)	996 111 101 75	Exhaust manifold	/L	1	
2	996 111 102 73	Exhaust manifold	/R	1	
(2)	996 111 102 75	Exhaust manifold	/R	1	
3	996 111 107 71	Gasket		2	
4	900 378 227 09	Hexagon-head bolt M 8 X 28		18	
5	996 111 027 75	Muffler		1	
(5)	996 111 987 75	Muffler	01	1	GT2 IX50
(5)	996 111 987 77	Muffler	02-	1	GT2 IX50
6	996 111 217 70	Gasket		2	
7	999 084 052 02	Lock nut		16	
8	900 031 032 02	Washer		8	
9	996 606 128 00	Oxygen sensor		2	
(9)	996 606 128 01	Oxygen sensor		2	
10	996 606 138 01	Oxygen sensor		2	
11	000 043 207 07	Grease for oxygen sensor		1	
12	900 067 362 02	Pan-head screw		2	
12	900 067 362 01	Pan-head screw		2	
13	996 111 119 72	Restraining strap		2	
14	996 111 024 71	Support		1	
15	996 111 251 74	Tail pipe See technical information Group 2	/L	1	
(15)	996 111 981 01	NR. 8/01 Tail pipe	/L	1	IX54
16	996 111 252 74	Tail pipe See technical information Group 2		1	
(16)	996 111 982 01	NR. 8/01 Tail pipe	/R	1	IX54
17	900 074 287 02	Hexagon-head bolt M 8 X 35		2	
18	900 031 032 02	Washer		2	
19	996 111 205 72	Heat shield	/R	1	
(19)	996 111 204 72	Heat shield	/L	1	
21	996 111 207 71	Heat shield	/L	1	
(21)	996 111 207 72	Heat shield	/L	1	
22	996 111 208 71	Heat shield	/R	1	
(22)	996 111 208 72	Heat shield	/R	1	
23	900 119 001 02	Pan-head screw		18	
23	900 119 001 00	Pan-head screw		18	
24	996 111 283 70	Shim		20	
25	999 591 905 00	Speed nut M 5		20	
26	996 111 212 70	Hexagon-head bolt		2	
27	996 606 101 01	Cable holder		2	
28	996 606 107 02	Oxygen sensor Support Oxygen sensor Cable plug		2	

Model: 996 01

Model life 2001>>2005



Model: 996 01

Model life 2001&gt;&gt;2005

Pos	Part Number	Description	Remark	Qty	Model
		Turbocharger			
		Oil pipe			
		for			
		Turbocharger			
1	996 123 013 75	Turbocharger	/L	1	-IX50
1	996 123 013 76	Turbocharger	/L	1	-IX50
(1)	996 123 983 71	Turbocharger	/L	1	GT2
(1)	996 123 983 72	Turbocharger	/L	1	GT2
(1)	996 123 983 71	Turbocharger	/L	1	IX50
(1)	996 123 983 72	Turbocharger	/L	1	IX50
2	996 123 014 75	Turbocharger	/R	1	-IX50
2	996 123 014 76	Turbocharger	/R	1	-IX50
(2)	996 123 984 71	Turbocharger	/R	1	GT2
(2)	996 123 984 72	Turbocharger	/R	1	GT2
(2)	996 123 984 71	Turbocharger	/R	1	IX50
(2)	996 123 984 72	Turbocharger	/R	1	IX50
3	996 111 215 70	Gasket		2	
4	996 123 115 71	Control box	/L	1	
4	996 123 115 72	Control box	/L	1	
(4)	996 123 116 71	Control box	/R	1	
(4)	996 123 116 72	Control box	/R	1	
5	900 378 074 09	Hexagon-head bolt		2	
		M 8 X 16			
6	900 076 077 00	Hexagon nut		4	
		M 6			
7	993 123 117 50	Securing clip		2	
8	996 107 327 72	Oil collection container	/L	1	
(8)	996 107 328 72	Oil collection container	/R	1	
9	900 219 009 30	Screw plug		2	
		M 18 X 1,5			
10	900 123 140 30	Sealing ring		2	
		A 18 X 22			
11	999 701 598 40	O-ring		2	
		18,65 X 2,45			
12	900 067 271 02	Pan-head screw		4	
		M 8 X 20			
13	996 111 213 71	Bracket	/L	1	
(13)	996 111 214 71	Bracket	/R	1	
14	996 123 215 75	Heat shield	/L	1	
(14)	996 123 216 74	Heat shield	/R	1	
15	996 107 219 72	Pressure line	/L	1	
15	996 107 219 73	Pressure line	/L	1	
(15)	996 107 220 72	Pressure line	/R	1	
(15)	996 107 220 73	Pressure line	/R	1	
16	996 107 239 72	Vent line	/L	1	
16	996 107 239 74	Vent line	/L	1	
(16)	996 107 240 71	Vent line	/R	1	
(16)	996 107 240 72	Vent line	/R	1	
17	996 107 329 74	Intake pipe	/L	1	
(17)	996 107 329 75	Intake pipe	/L	1	
18	996 107 338 73	Intake pipe	/R	1	
18	996 107 338 74	Intake pipe	/R	1	
19	999 701 789 40	O-ring		6	
		12,0 X 2,0			
20	900 378 036 09	Hexagon-head bolt		6	
		M 6 X 12			
21	999 512 429 02	Clamp		2	
		6 X 15			
21	999 512 429 01	Clamp		2	
		6 X 15			
22	900 378 174 09	Hexagon-head bolt		2	
		M 6 X 35			
23	996 107 030 78	Check valve		2	

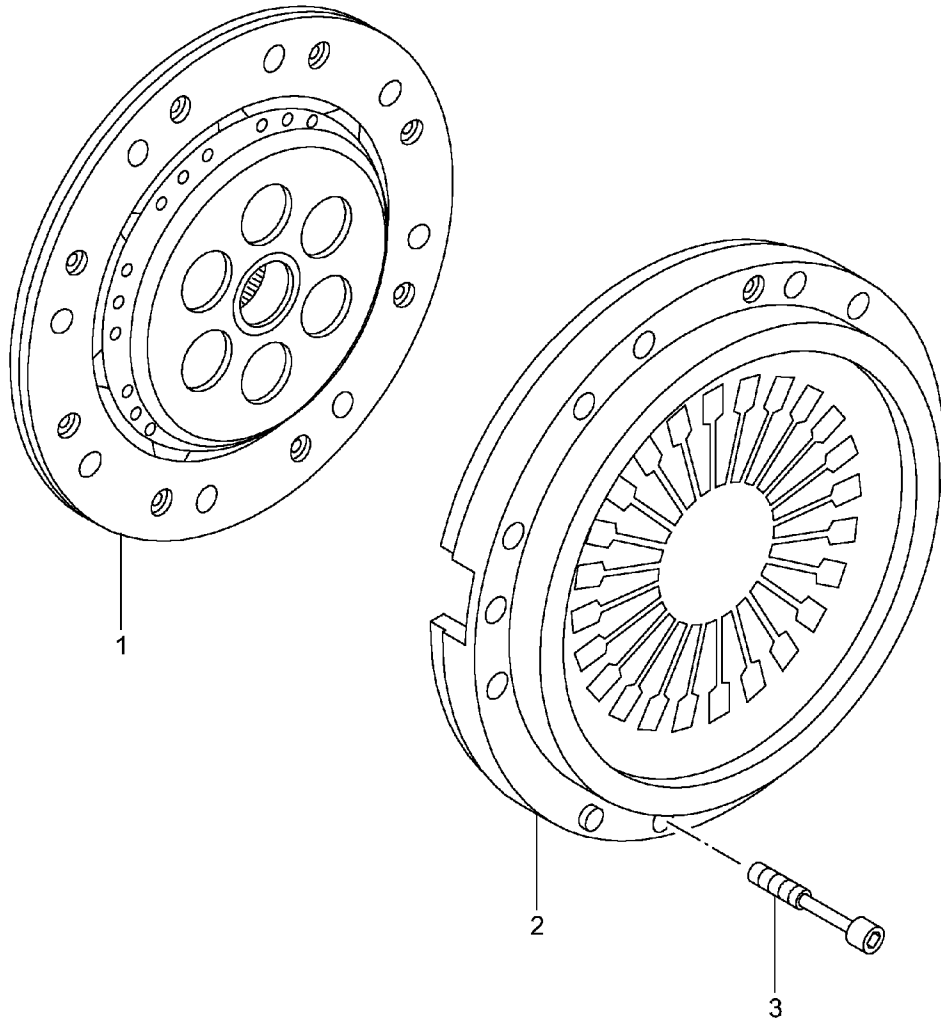
Model: 996 01

Model life 2001&gt;&gt;2005

Pos	Part Number	Description	Remark	Qty	Model
24	900 123 005 20	Sealing ring 12 X 16		2	
25	996 107 216 76	Oil pipe		1	
26	996 207 139 70	Breather hose		1	
27	900 336 005 00	Washer		2	
28	999 084 052 02	Lock nut		2	
29	900 081 059 00	Stud M 8 X 22		14	
29	900 081 059 01	Stud M 8 X 22		14	
30	999 511 251 02	Clamp 10 X 15		2	
30	999 511 251 01	Clip 10 X 15		2	
31	900 378 030 09	Hexagon-head bolt M 6 X 20		2	
32	900 175 022 02	Banjo bolt		1	
33	900 123 152 30	Sealing ring A 16 X 22		2	

Model: 996 01

Model life 2001>>2005



Model: 996 01

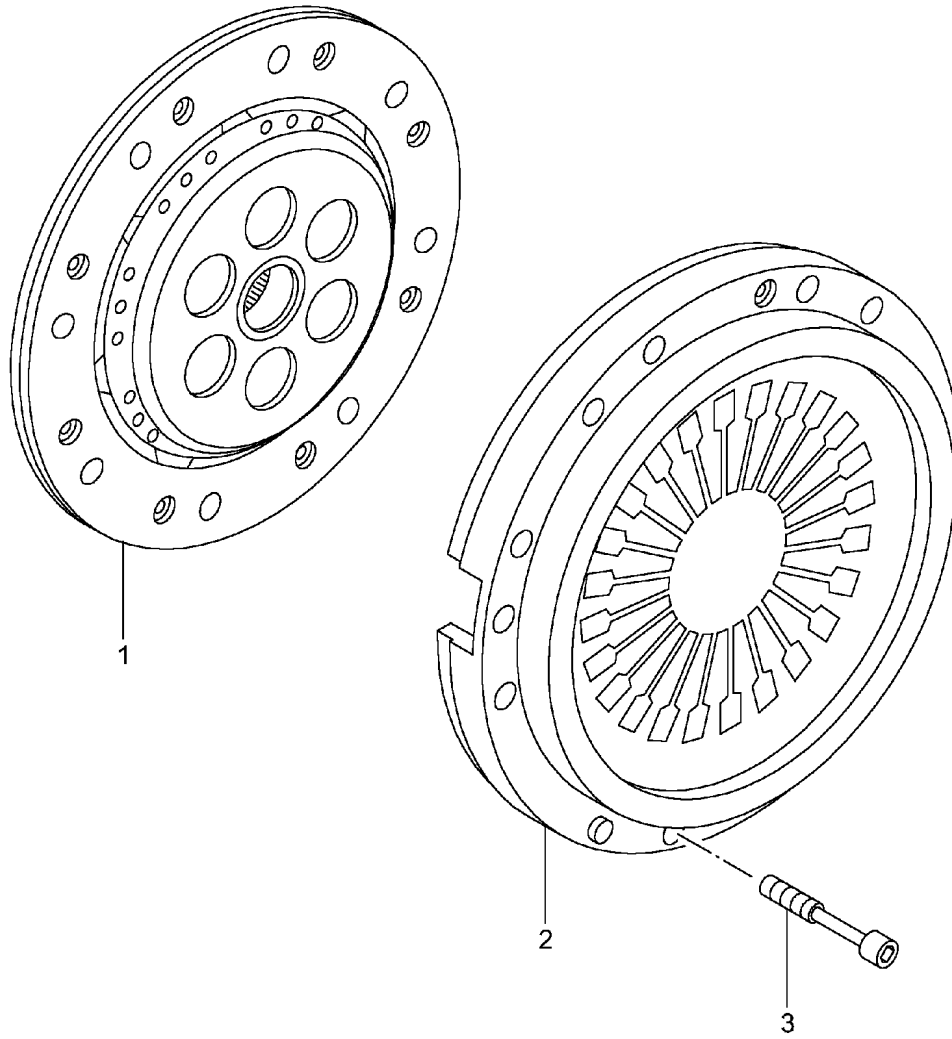
Model life 2001>>2005

Pos	Part Number	Description	Remark	Qty	Model
		Clutch	02-		M96.70 M96.70E
1	996 116 013 51	Clutch plate		1	
1	996 116 013 53	Clutch plate		1	
1	996 116 013 54	Clutch plate		1	
1	996 116 013 52	Clutch plate		1	M96.70E
1	996 116 013 53	Clutch plate		1	IX50 M96.70E
1	996 116 013 54	Clutch plate		1	IX50 M96.70E IX50
2	996 116 027 51	Pressure plate		1	
(2)	996 116 027 52	Pressure plate		1	
3	999 510 015 02	Pan-head screw M 8 X 40		9	
3	999 510 015 01	Pan-head screw M 8 X 40		9	



Model: 996 01

Model life 2001>>2005



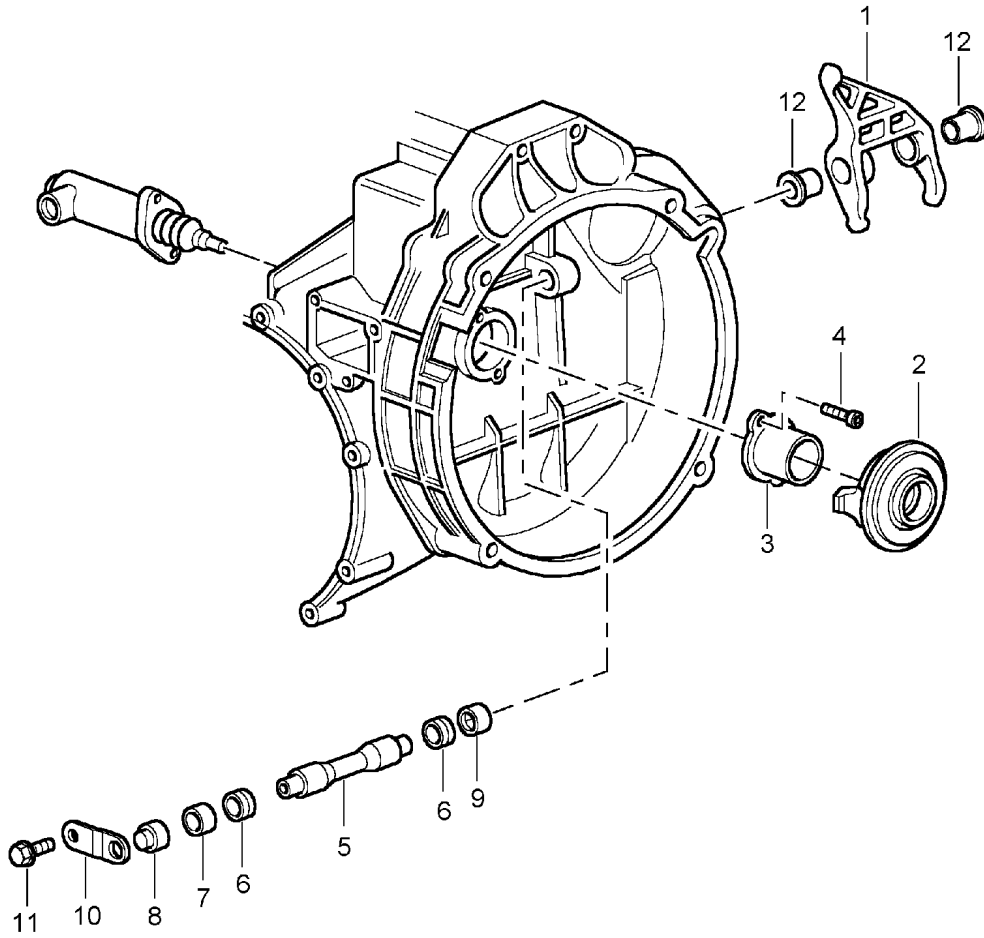
Model: 996 01

Model life 2001>>2005

Pos	Part Number	Description	Remark	Qty	Model
		Clutch M.96.70S			S M101
1	996 116 015 88	Clutch plate		1	
2	996 116 027 51	Pressure plate		1	
(2)	996 116 027 52	Pressure plate		1	
3	999 510 015 02	Pan-head screw M 8 X 40		9	
3	999 510 015 01	Pan-head screw M 8 X 40		9	

Model: 996 01

Model life 2001>>2005



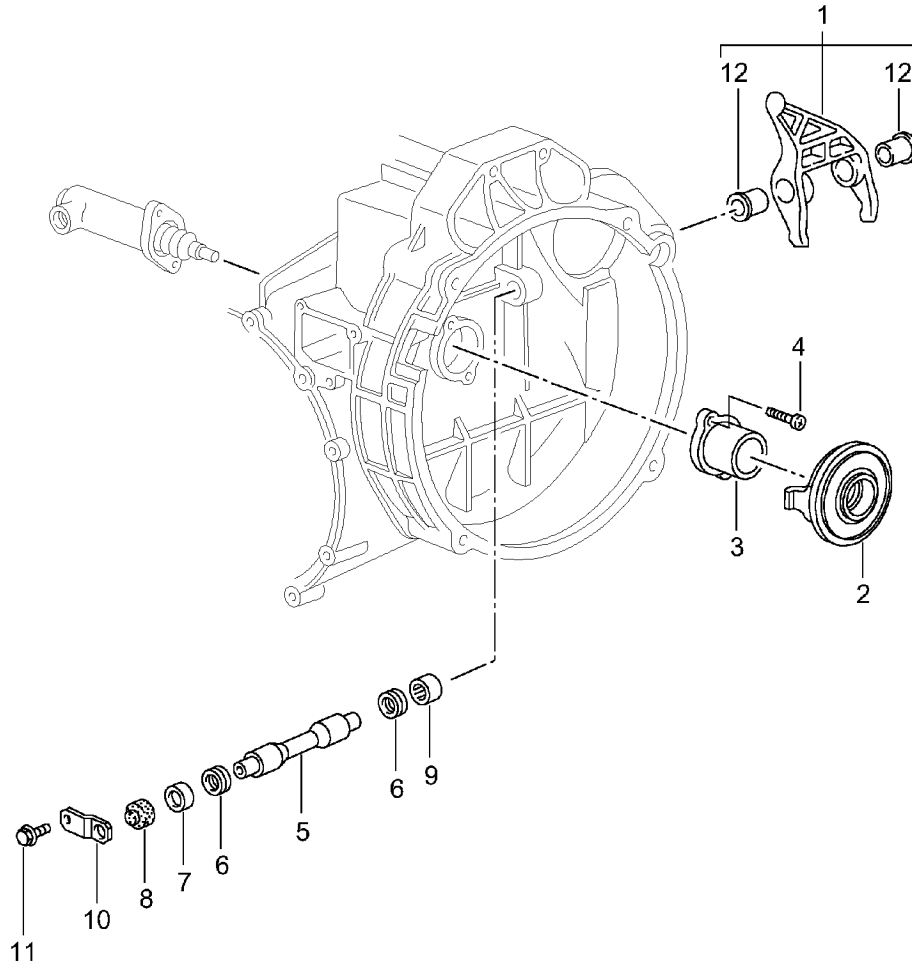
Model: 996 01

Model life 2001&gt;&gt;2005

Pos	Part Number	Description	Remark	Qty	Model
		Clutch release Clutch operating cylinder See group 7/02/08			G96.50
1	996 116 712 51	Clutch release lever		1	
2	950 116 080 08	Clutch release bearing		1	
3	950 116 813 06	Guide tube		1	
4	999 270 070 02	Oval-head screw M 6 X 14		2	
4	999 270 070 01	Oval-head screw M 6 X 14		2	
5	950 116 710 04	Clutch control shaft		1	
6	999 113 418 40	Gasket 13,02 X 16,4		2	
7	999 201 339 00	Bush		1	
7	999 201 339 01	Bush		1	
8	950 116 725 00	Cover		1	
9	999 201 365 00	Articulated bush		1	
9	999 201 365 01	Articulated bush		1	
10	950 116 713 02	Retaining bracket		1	
11	900 075 057 02	Hexagon-head bolt M 6 X 16		1	
11	900 075 057 03	Hexagon-head bolt M 6 X 16		1	
12	950 116 715 01	Bush		2	

Model: 996 01

Model life 2001>>2005



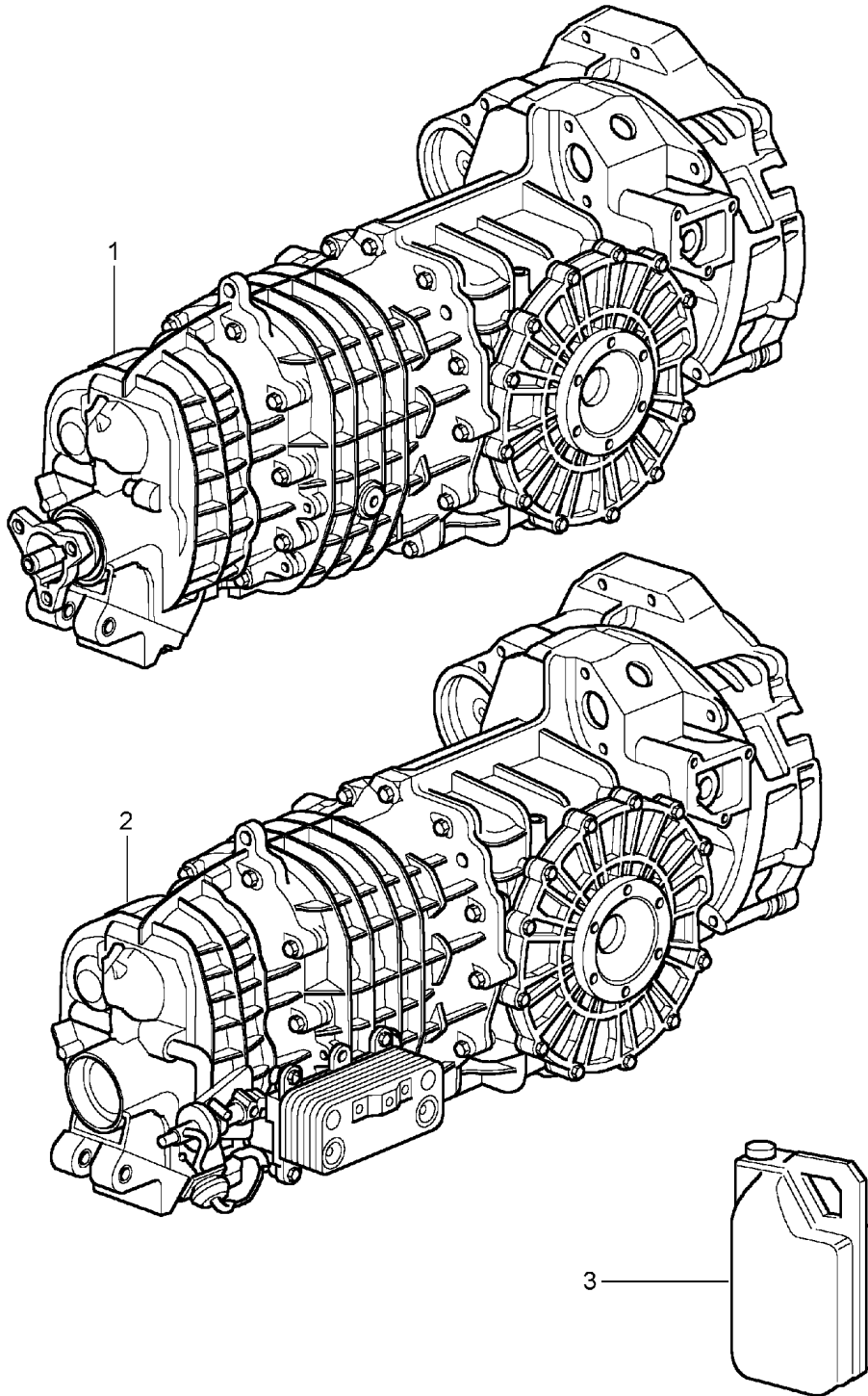
Model: 996 01

Model life 2001&gt;&gt;2005

Pos	Part Number	Description	Remark	Qty	Model
		Clutch release Clutch operating cylinder See group 7/02/08			G96.88
1	950 116 086 06	Release fork		1	
1	997 116 086 90	Release fork		1	
2	950 116 080 08	Clutch release bearing		1	
3	950 116 813 06	Guide tube		1	
4	999 270 070 02	Oval-head screw M 6 X 14		2	
4	999 270 070 01	Oval-head screw M 6 X 14		2	
5	950 116 710 04	Clutch control shaft		1	
6	999 113 418 40	Gasket 13,02 X 16,4		2	
7	999 201 339 00	Bush		1	
7	999 201 339 01	Bush		1	
8	950 116 725 00	Cover		1	
9	999 201 365 00	Articulated bush		1	
9	999 201 365 01	Articulated bush		1	
10	950 116 713 02	Retaining bracket		1	
11	900 075 057 02	Hexagon-head bolt M 6 X 16		1	
11	900 075 057 03	Hexagon-head bolt M 6 X 16		1	
12	950 116 715 01	Bush		2	

Model: 996 01

Model life 2001>>2005



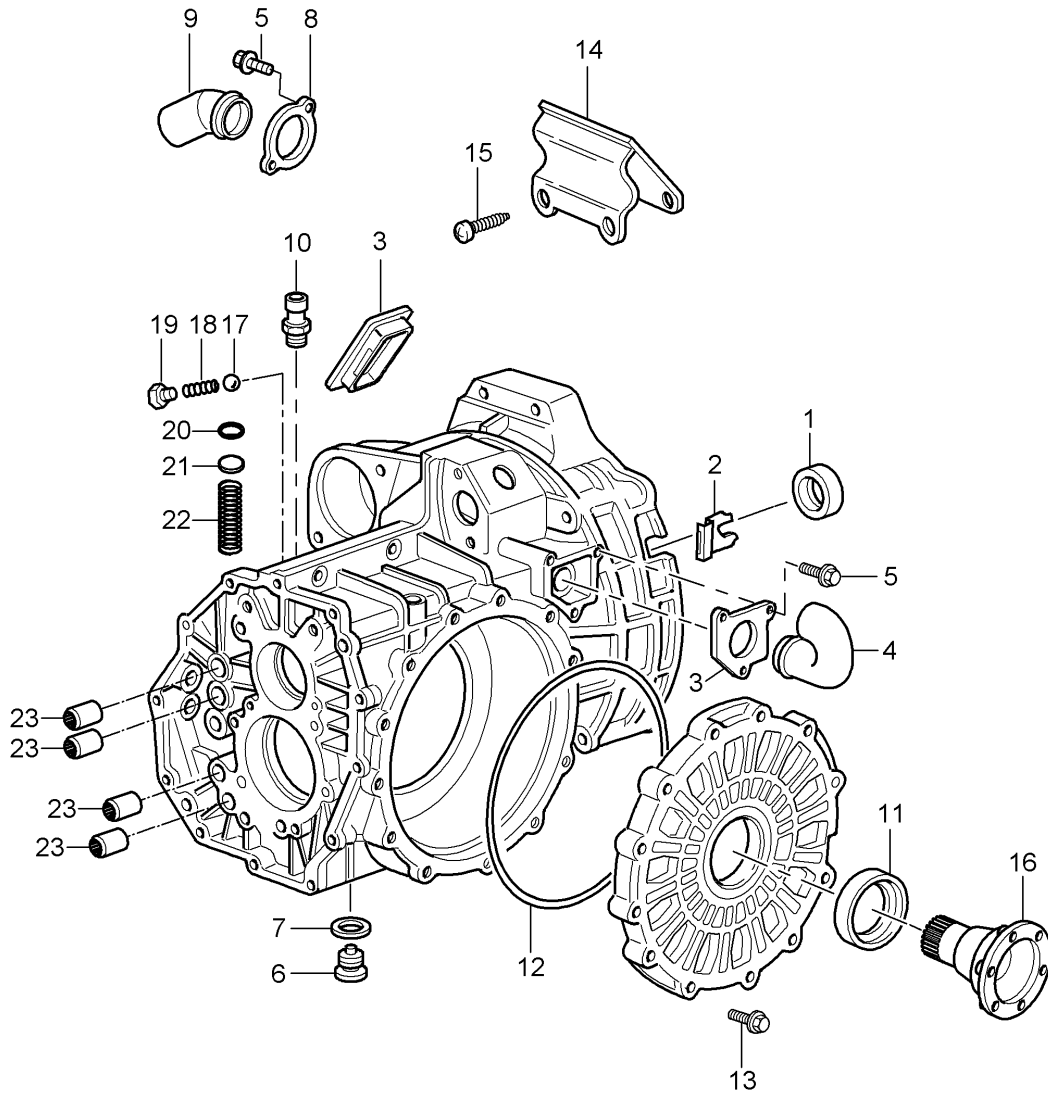
Model: 996 01 Model life 2001>>2005

Pos	Part Number	Description	Remark	Qty	Model
		Replacement transmission			G96.50 G96.88
1	996 300 010 50	Ready for installation Transmission without Limited-slip differential		1	G96.50
1	996 300 010 X	Transmission without Limited-slip differential		1	G96.50
(1)	996 300 010 55	Replacement transmission without Limited-slip differential	02-	1	G96.50 IX50
(1)		Replacement transmission without Limited-slip differential	02-	1	G96.50 IX50
(1)	996 300 020 55	Transmission with Limited-slip differential	04-	1	G96.50 IX75
(1)		Transmission with Limited-slip differential	04-	1	G96.50 IX75
2	996 300 020 88	Transmission with Limited-slip differential		1	G96.88
3	000 043 204 20	Transmission oil MOBILUBE PTX 75 W 90 Container 20 LTR.		X	



Model: 996 01

Model life 2001>>2005



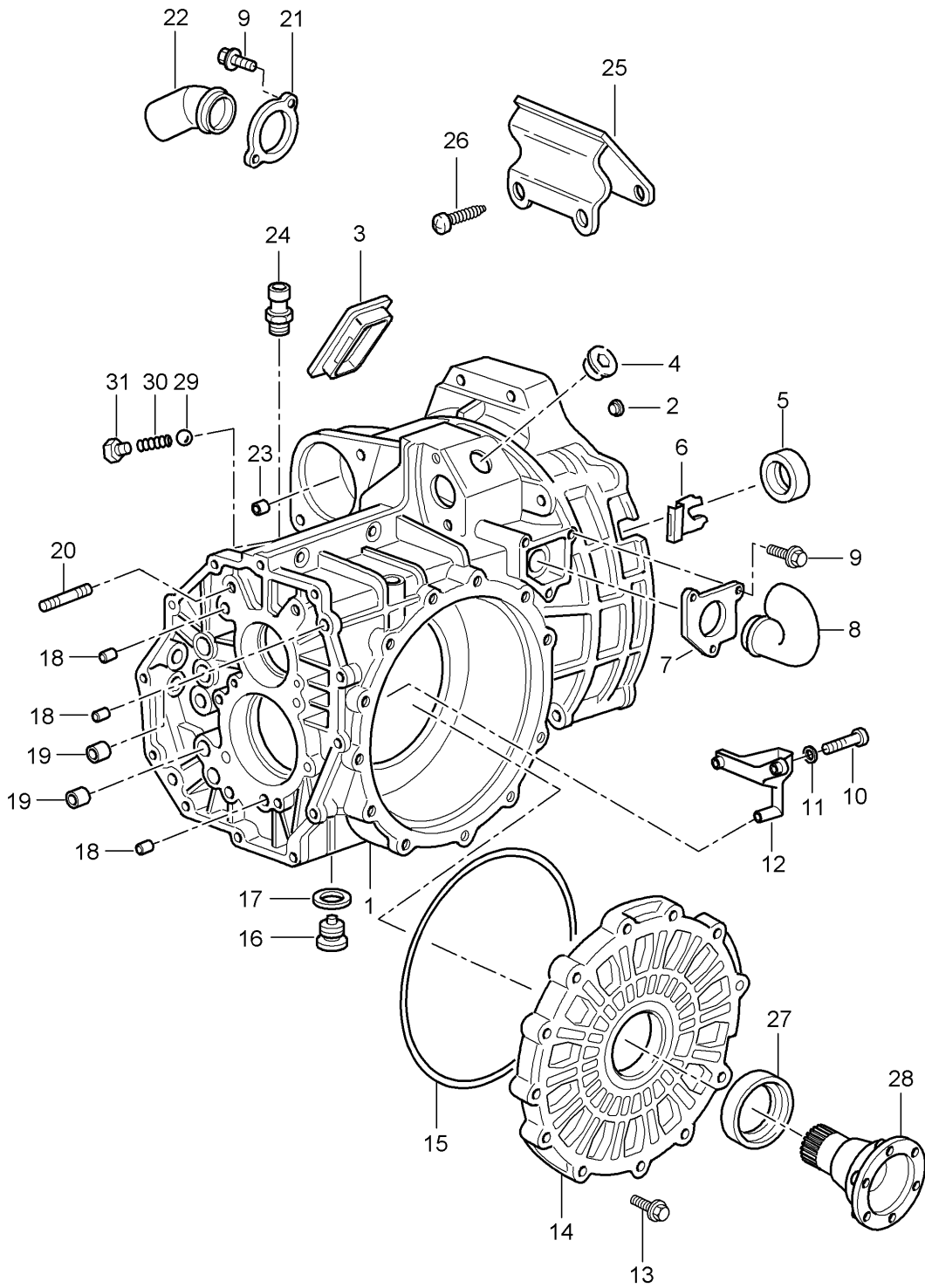
Model: 996 01

Model life 2001>>2005

Pos	Part Number	Description	Remark	Qty	Model
		Transmission case			G96.50
1	999 113 326 41	Shaft sealing ring 26,5 X 40		1	
2	993 116 630 00	Cap		1	
3	996 116 612 00	Flange		1	
4	993 116 610 00	Intake manifold		1	
5	900 378 035 01	Hexagon-head bolt M 6 X 16		5	
6	999 063 008 02	Screw plug with magnet M 22 X 1,5		1	
7	900 123 118 30	Sealing ring		1	
8	996 116 710 00	Flange socket		1	
9	993 116 610 00	Intake manifold		1	
10	996 301 071 00	Bleeder 17 X 12 X 28,1		1	
11	999 113 347 40	Shaft sealing ring 48 X 68 X 10		2	
12	999 707 328 40	O-ring 205 X 3,5		1	
13	996 301 317 00	Hexagon-head bolt M 8 X 35		12	
14	996 449 101 50	Hook		1	
14	997 449 101 50	Hook		1	
15	999 073 190 09	Oval-head screw M 8 X 60		2	
16	996 332 209 50	Joint flange		2	
17	900 108 064 00	Ball 8		4	
18	996 303 245 00	Compression spring		4	
19	900 124 023 02	Screw plug M 10 X 1		4	
20	996 303 257 00	Lid 20 X 4		1	
21	900 042 003 01	Circlip 20 X 1		1	
22	996 303 255 00	Compression spring		1	
23	996 303 513 00	Round socket 15 X 21 X 22		4	
-	996 606 103 01	Switch Back-up light		1	
-	000 043 209 23	Grease LIQUI MOLY PU 53 / WDR 50 GR.		X	

Model: 996 01

Model life 2001>>2005



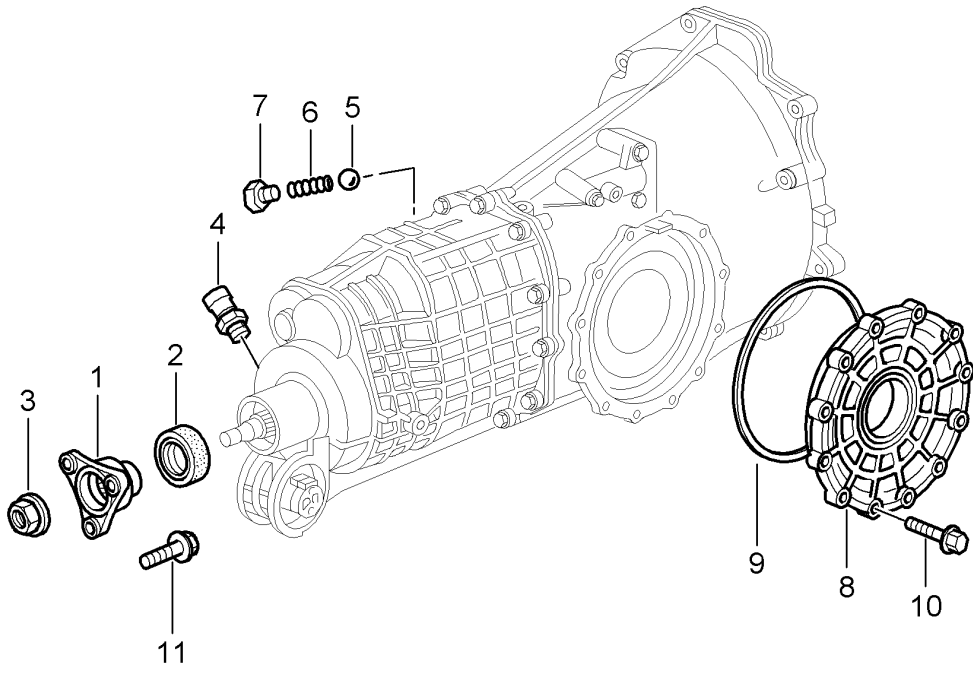
Model: 996 01

Model life 2001&gt;&gt;2005

Pos	Part Number	Description	Remark	Qty	Model
		Transmission case			G96.88
1	996 301 101 88	Transmission case		1	
2	999 036 002 40	Lid A 14		1	
3	950 301 151 01	Cap		1	
4	999 703 490 40	Lid 30 X 42		1	
5	999 113 326 41	Shaft sealing ring 26,5 X 40		1	
6	993 116 630 00	Cap		1	
7	996 116 612 00	Flange		1	
8	993 116 610 00	Intake manifold		1	
9	900 378 035 01	Hexagon-head bolt M 6 X 16		5	
10	900 067 005 02	Pan-head screw M 5 X 30		2	
10	900 067 005 03	Pan-head screw M 5 X 30		2	
11	900 025 003 02	Washer A 5,3		2	
11	900 025 080 01	Washer A 5,3		2	
12	964 307 107 00	Funnel		1	
13	996 301 317 00	Hexagon-head bolt M 8 X 35		12	
14	996 301 312 50	Transmission cover		1	
14	996 301 312 51	Transmission cover		1	
15	999 707 328 40	O-ring 205 X 3,5		1	
16	999 063 008 02	Screw plug with magnet M 22 X 1,5		1	
17	900 123 118 30	Sealing ring A 22 X 27		1	
18	900 012 144 00	Straight pin 12 M 6 X 14		4	
19	996 303 513 00	Round socket 15 X 21 X 22		4	
20	900 081 042 02	Stud BM 8 X 42		1	
21	996 116 710 00	Flange socket		1	
22	993 116 610 00	Intake manifold		1	
23	999 531 017 10	Bush 12,1 X 14		1	
24	996 301 071 00	Bleeder 17 X 12 X 28,1		1	
25	996 449 101 50	Hook		1	
25	997 449 101 50	Hook		1	
26	999 073 190 09	Oval-head screw M 8 X 60		2	
27	999 113 356 40	Shaft sealing ring 48 X 60 X 10		2	
28	950 332 209 01	Joint flange		2	
29	900 108 064 00	Ball 8		4	
30	996 303 245 00	Compression spring		4	
31	900 124 023 02	Screw plug M 10 X 1		4	
-	996 606 103 01	Switch Back-up light		1	

Model: 996 01

Model life 2001>>2005



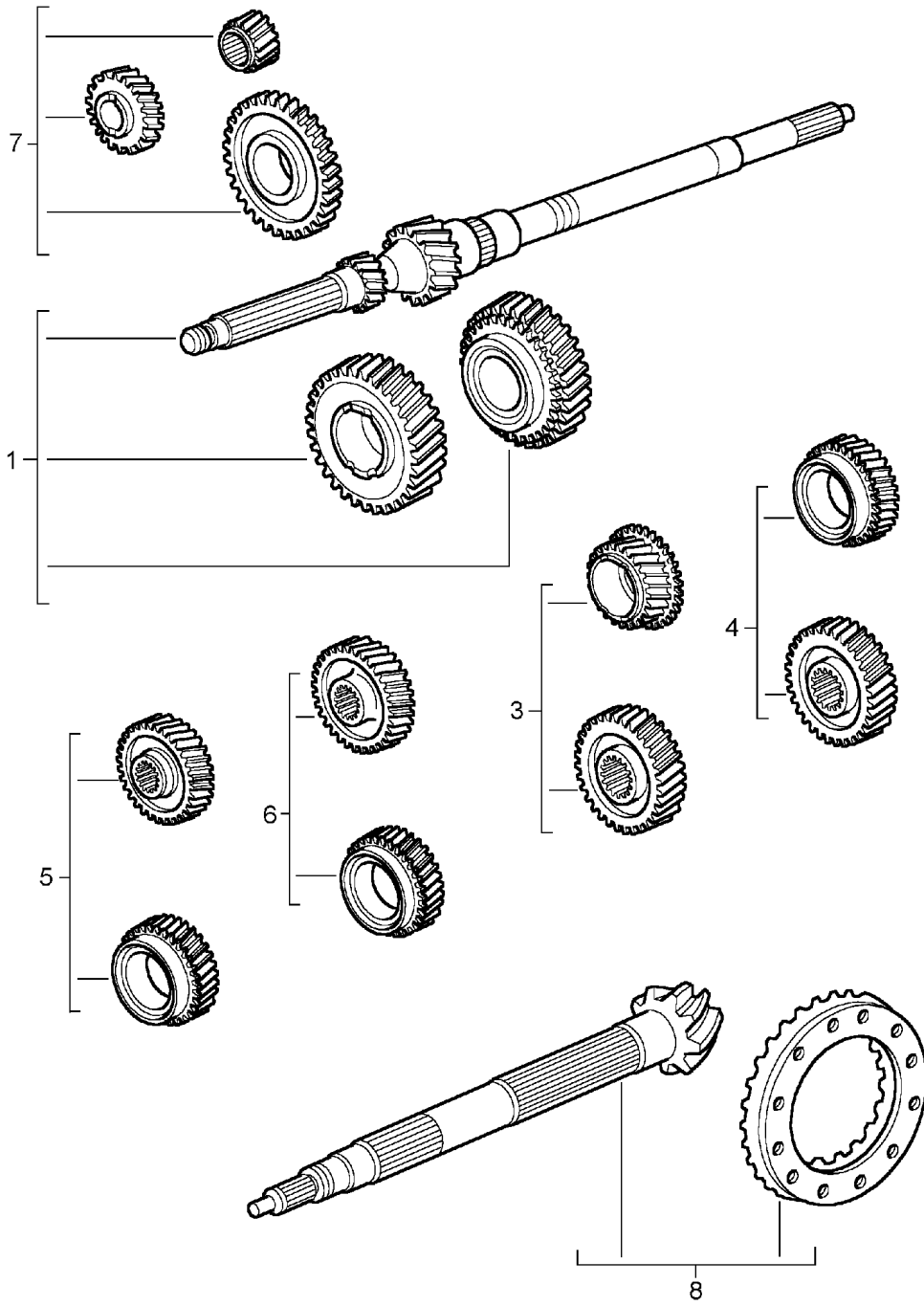
Model: 996 01

Model life 2001&gt;&gt;2005

Pos	Part Number	Description	Remark	Qty	Model
		Gear housing			G96.50
		Transmission cover			
1	996 302 033 50	Flange		1	
2	999 113 475 40	Shaft sealing ring		1	
		40 X 62 X10			
3	996 302 317 00	Collar nut		1	
4	996 606 103 01	Switch		1	
5	900 108 064 00	Ball		1	
		8			
6	996 303 245 00	Compression spring		1	
7	900 124 023 02	Screw plug		1	
		M 10 X 1			
8	996 301 312 51	Transmission cover		1	
		Lateral			
9	999 707 480 40	O-ring		1	
		205,0 X 3,5			
10	996 301 317 00	Hexagon-head bolt		12	
		M 8 X 35			
11	900 378 101 09	Hexagon-head bolt		3	
		M 10 X 35			
-	000 043 010 00	Loctite		1	
		574			

Model: 996 01

Model life 2001>>2005



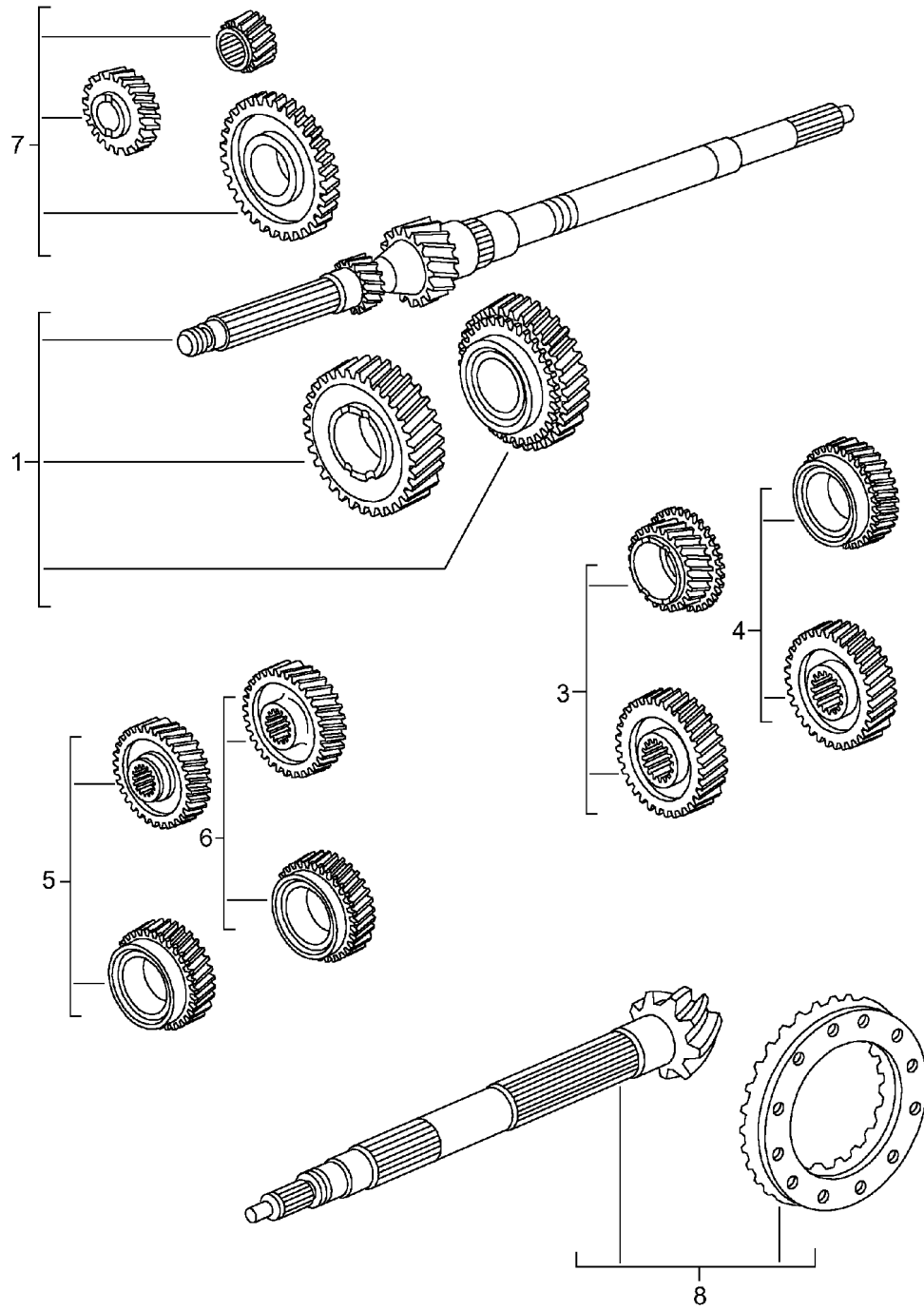
Model: 996 01 Model life 2001>>2005

Pos	Part Number	Description	Remark	Qty	Model
		Gear wheel sets			G96.50
		See technical information			
		Group 3			
		NR.1 / 03			
		NR.2 / 03			
1	996 302 901 50	Gear set 1st / 2nd gear 1st gear Z = 42 : 11 2nd gear Z = 43 : 21		1	
-	996 302 042 50	Loose gear wheel 2nd gear Z = 43 : 21		1	
3	996 302 953 02	Gear set 3rd gear Z = 38 : 27		1	
-	996 302 093 93	Loose gear wheel 3rd gear Z = 38 : 27		1	
4	996 302 954 02	Gear set 4th speed Z = 38 : 34		1	
-	996 302 094 93	Loose gear wheel 4th speed		1	
5	996 302 955 51	Gear set 5th gear Z = 34 : 37		1	
-	996 302 075 51	Loose gear wheel 5th gear Z = 34 : 37		1	
6	996 302 956 50	Gear set 6th gear Z = 30 : 40		1	
-	996 302 076 50	Loose gear wheel 6th gear Z = 30 : 40		1	
7	996 302 907 50	Gear set Reverse gear		1	
8	996 302 911 55	Ring gear and pinion shaft  31 : 9		1	G96.50 IX50
8	996 302 911 70	Ring gear and pinion shaft 31 : 9		1	G96.50



Model: 996 01

Model life 2001>>2005



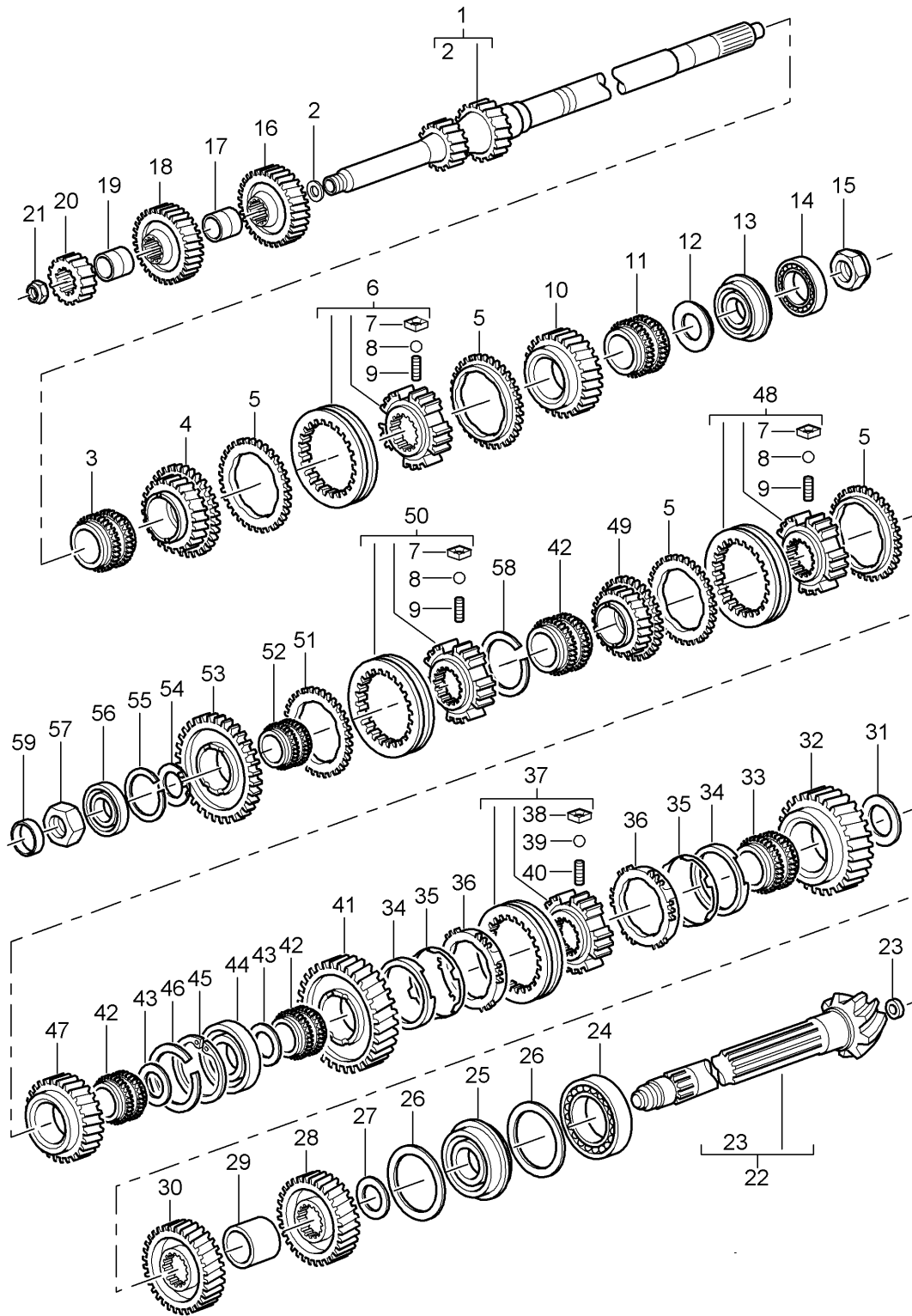
Model: 996 01

Model life 2001&gt;&gt;2005

Pos	Part Number	Description	Remark	Qty	Model
1	996 302 901 50	Gear wheel sets Gear set 1st / 2nd gear 1st gear Z = 42 : 11 2nd gear Z = 43 : 21		1	G96.88
3	996 302 953 03	Gear set 3rd gear Z = 38 : 27		1	
4	996 302 954 03	Gear set 4th speed Z = 38 : 34		1	
5	996 302 955 50	Gear set 5th gear Z = 34 : 37		1	
6	996 302 956 50	Gear set 6th gear Z = 30 : 40		1	
7	996 302 907 50	Gear set Reverse gear		1	
8	950 302 911 71	Ring gear and pinion shaft 31 : 9		1	

Model: 996 01

Model life 2001>>2005



Model: 996 01

Model life 2001&gt;&gt;2005

Pos	Part Number	Description	Remark	Qty	Model
		Gears and shafts See technical information Group 3 NR.1 / 03 NR.2 / 03 Gear wheel sets See group 3/03/00			G96.50
1		Drive shaft		1	
2	964 302 335 02	Washer 7 MM		1	
3	999 201 442 00	Needle-roller bearing 42 X 47 X 32		1	
4		Loose gear wheel 3rd gear See group 3/03/00		1	
5	928 304 211 23	Synchroniser ring		4	
6	996 304 021 51	Guide sleeve 3rd/4th gear		1	
7	928 304 251 00	Stone		9	
8	N 025 653 2	Ball 6,5 MM		9	
9	928 304 261 01	Compression spring		9	
10		Loose gear wheel 4th speed See group 3/03/00		1	
11	999 201 437 06	Needle cage 35 X 47 X 32,2		1	
12	996 302 294 50	Thrust washer 4th speed		1	
13	999 052 094 00	Four-point bearing 30 X 62 X 16		1	
14	999 110 117 01	Cylindrical-roller bearing 30 X 62 X 20		1	
15	999 034 033 00	Hexagon nut M 30 X 1,5		1	
16		Fixed gear wheel 6th gear See group 3/03/00		1	
17	950 302 268 12	Spacer sleeve 5th gear And 6th gear		1	
18		Fixed gear wheel 5th gear See group 3/03/00		1	
19	950 302 270 02	Spacer sleeve		1	
20		Fixed gear wheel Reverse gear		1	
21	999 034 035 00	Lock nut M 22 X 1,5		1	
22		Pinion shaft		1	
23	964 302 335 01	Washer 14,5		1	
24	999 110 119 01	Cylindrical-roller bearing 40 X 90 X 23		1	
25	999 052 164 00	Four-point bearing 40 X 82 X 18		1	
25	997 302 293 00	Angular-contact bearing		1	

Model: 996 01 Model life 2001>>2005

Pos	Part Number	Description	Remark	Qty	Model
26	996 302 163 50	40 X 82 X 18 Shim		X	
26	996 302 163 51	90 X 97 X 0,50 Shim		X	
26	996 302 163 52	90 X 97 X 0,55 Shim		X	
26	996 302 163 53	90 X 97 X 0,60 Shim		X	
26	996 302 163 54	90 X 97 X 0,65 Shim		X	
26	996 302 163 55	90 X 97 X 0,70 Shim		X	
26	996 302 163 56	90 X 97 X 0,75 Shim		X	
26	996 302 163 57	90 X 97 X 0,80 Shim		X	
26	996 302 163 58	90 X 97 X 0,85 Shim		X	
26	996 302 163 59	90 X 97 X 0,90 Shim		X	
26	996 302 163 60	90 X 97 X 0,95 Shim		X	
26	996 302 163 61	90 X 97 X 1,00 Shim		X	
26	996 302 163 62	90 X 97 X 1,05 Shim		X	
26	996 302 163 63	90 X 97 X 1,10 Shim		X	
26	996 302 163 64	90 X 97 X 1,15 Shim		X	
26	996 302 163 65	90 X 97 X 1,20 Shim		X	
26	996 302 163 66	90 X 97 X 1,25 Shim		X	
26	996 302 163 67	90 X 97 X 1,30 Shim		X	
26	996 302 163 68	90 X 97 X 1,35 Shim		X	
26	996 302 163 69	90 X 97 X 1,40 Shim		X	
26	996 302 163 70	90 X 97 X 1,45 Shim		X	
26	996 302 163 71	90 X 97 X 1,50 Shim		X	
26	996 302 163 72	90 X 97 X 1,55 Shim		X	
27	996 302 151 50	40 X 50 X 0,40 Shim		X	
27	996 302 151 51	40 X 50 X 0,45 Shim		X	
27	996 302 151 52	40 X 50 X 0,50 Shim		X	
27	996 302 151 53	40 X 50 X 0,55 Shim		X	
27	996 302 151 54	40 X 50 X 0,60 Shim		X	
27	996 302 151 55	40 X 50 X 0,65 Shim		X	
27	996 302 151 56	40 X 50 X 0,70 Shim		X	
27	996 302 151 57	40 X 50 X 0,80 Shim		X	

Model: 996 01 Model life 2001>>2005

Pos	Part Number	Description	Remark	Qty	Model
27	996 302 151 58	Shim 40 X 50 X 0,90		X	
27	996 302 151 59	Shim 40 X 50 X 1,00		X	
27	996 302 151 60	Shim 40 X 50 X 1,10		X	
27	996 302 151 61	Shim 40 X 50 X 1,20		X	
27	996 302 151 62	Shim 40 X 50 X 1,30		X	
27	996 302 151 63	Shim 40 X 50 X 0,75		X	
28		Fixed gear wheel 4th speed See group 3/03/00		1	
29	950 302 267 02	Spacer sleeve		1	
30		Fixed gear wheel 3rd gear See group 3/03/00		1	
31	950 302 292 00	Thrust washer 2nd gear		1	
32		Loose gear wheel 2nd gear See group 3/03/00		1	
33	999 201 225 04	Needle-roller bearing 39,68 X 50		1	
34	950 304 617 20	Ring		2	
35	996 304 613 20	Cone ring		2	
36	950 304 611 20	Synchroniser ring		2	
37	996 304 061 50	Guide sleeve 1st / 2nd gear		1	
38	950 304 651 00	Stone		3	
39	900 108 058 00	Ball 5 MM		3	
40	950 304 661 03	Compression spring		3	
41		Loose gear wheel 1st gear See group 3/03/00		1	
42	999 201 239 06	Needle-roller bearing 35 X 50 X 32,2		3	
43	950 302 295 07	Thrust washer 1st gear And 6th gear		2	
44	999 110 109 01	Cylindrical-roller bearing 35 X 80 X 18		1	
45	999 152 106 00	Circlip		1	
46	N 100 709 01	Circlip SP 80		1	
47		Loose gear wheel 6th gear See group 3/03/00		1	
48	950 304 021 23	Guide sleeve 5th gear And 6th gear		1	
49		Loose gear wheel 5th gear		1	

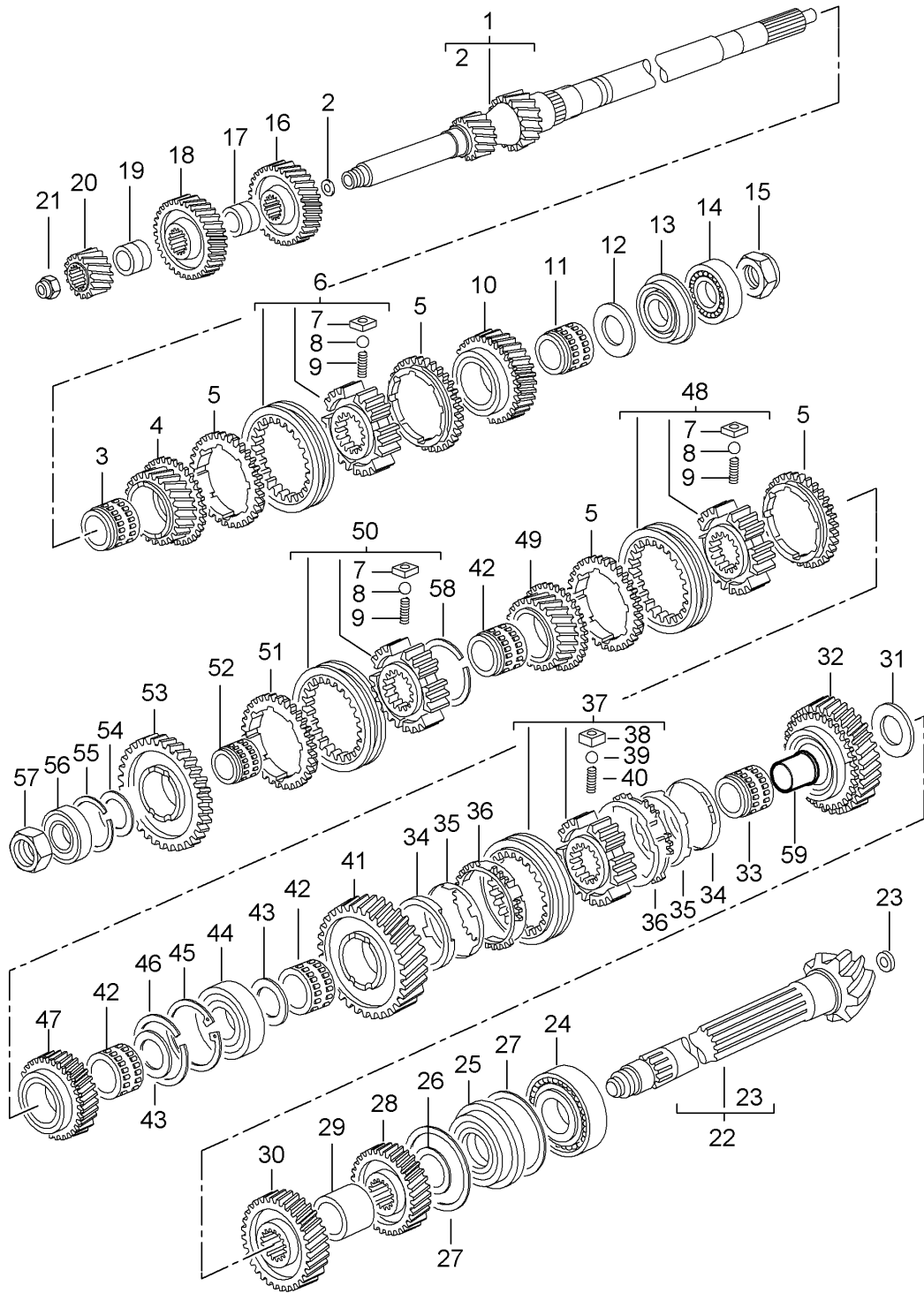
Model: 996 01

Model life 2001>>2005

Pos	Part Number	Description	Remark	Qty	Model
		See group 3/03/00			
50	996 304 021 50	Guide sleeve		1	
		Reverse gear			
51	928 304 211 24	Synchroniser ring		1	
		Reverse gear			
52	999 201 253 00	Needle cage		1	
		32 X 45 X 27,2			
53		Loose gear wheel		1	
		Reverse gear			
		See group 3/03/00			
54	950 302 296 07	Thrust washer		1	
		Reverse gear			
55	999 152 024 01	Circlip		1	
		62 X 1,50			
56	999 110 192 00	Cylindrical-roller bearing		1	
		30 X 62 X 16			
57	999 034 034 00	Hexagon nut		1	
		M 30 X 1,25			
58	999 152 111 00	Circlip		1	
		78 X 1,50			
59	996 302 330 50	Sleeve		1	
		Output flange			
60	999 201 472 00	Inner ring		1	
		39,68 X 45			

Model: 996 01

Model life 2001>>2005





Model: 996 01 Model life 2001>>2005

Pos	Part Number	Description	Remark	Qty	Model
		Gears and shafts			G96.88
		Gear wheel sets			
		See group			
		3/03/01			
1		Drive shaft		1	
2	964 302 335 02	Washer		1	
		7 MM			
3	999 201 442 00	Needle-roller bearing		1	
		42 X 47 X 32			
4		Loose gear wheel		1	
		3rd gear			
		See group			
		3/03/01			
5	928 304 211 23	Synchroniser ring		4	
6	996 304 021 51	Guide sleeve		1	
		3rd/4th gear			
7	928 304 251 00	Stone		9	
8	N 025 653 2	Ball		9	
		6,5 MM			
9	928 304 261 01	Compression spring		9	
10		Loose gear wheel		1	
		4th speed			
		See group			
		3/03/01			
11	999 201 437 06	Needle cage		1	
		35 X 47 X 32,2			
12	996 302 294 50	Thrust washer		1	
		4th speed			
13	999 052 094 00	Four-point bearing		1	
		30 X 62 X 16			
13	999 052 098 00	Four-point bearing		1	
		30 X 62 X 16			
14	999 110 117 01	Cylindrical-roller bearing		1	
		30 X 62 X 20			
15	999 034 033 00	Hexagon nut		1	
		M 30 X 1,5			
16		Fixed gear wheel		1	
		6th gear			
		See group			
		3/03/01			
17	950 302 268 12	Spacer sleeve		1	
		5th gear			
		And			
		6th gear			
18		Fixed gear wheel		1	
		5th gear			
		See group			
		3/03/01			
19	950 302 270 02	Spacer sleeve		1	
20		Fixed gear wheel		1	
		Reverse gear			
		See group			
		3/03/01			
21	999 034 035 00	Lock nut		1	
		M 22 X 1,5			
22		Pinion shaft		1	
		See group			
		3/03/01			
23	964 302 335 01	Washer		1	
		14,5			
24	999 110 119 01	Cylindrical-roller bearing		1	
		40 X 90 X 23			
25	999 052 164 00	Four-point bearing		1	

Model: 996 01 Model life 2001>>2005

Pos	Part Number	Description	Remark	Qty	Model
25	997 302 293 00	40 X 82 X 18 Angular-contact bearing		1	
26	996 302 163 50	40 X 82 X 18 Shim		X	
26	996 302 163 51	90 X 97 X 0,50 Shim		X	
26	996 302 163 52	90 X 97 X 0,55 Shim		X	
26	996 302 163 53	90 X 97 X 0,60 Shim		X	
26	996 302 163 54	90 X 97 X 0,65 Shim		X	
26	996 302 163 55	90 X 97 X 0,70 Shim		X	
26	996 302 163 56	90 X 97 X 0,75 Shim		X	
26	996 302 163 57	90 X 97 X 0,80 Shim		X	
26	996 302 163 58	90 X 97 X 0,85 Shim		X	
26	996 302 163 59	90 X 97 X 0,90 Shim		X	
26	996 302 163 60	90 X 97 X 0,95 Shim		X	
26	996 302 163 61	90 X 97 X 1,00 Shim		X	
26	996 302 163 62	90 X 97 X 1,05 Shim		X	
26	996 302 163 63	90 X 97 X 1,10 Shim		X	
26	996 302 163 64	90 X 97 X 1,15 Shim		X	
26	996 302 163 65	90 X 97 X 1,20 Shim		X	
26	996 302 163 66	90 X 97 X 1,25 Shim		X	
26	996 302 163 67	90 X 97 X 1,30 Shim		X	
26	996 302 163 68	90 X 97 X 1,35 Shim		X	
26	996 302 163 69	90 X 97 X 1,40 Shim		X	
26	996 302 163 70	90 X 97 X 1,45 Shim		X	
26	996 302 163 71	90 X 97 X 1,50 Shim		X	
26	996 302 163 72	90 X 97 X 1,55 Shim		X	
27	996 302 151 50	90 X 97 X 1,60 Shim		X	
27	996 302 151 51	40 X 50 X 0,40 Shim		X	
27	996 302 151 52	40 X 50 X 0,45 Shim		X	
27	996 302 151 53	40 X 50 X 0,50 Shim		X	
27	996 302 151 54	40 X 50 X 0,55 Shim		X	
27	996 302 151 55	40 X 50 X 0,60 Shim		X	
27	996 302 151 56	40 X 50 X 0,65 Shim		X	
27	996 302 151 56	40 X 50 X 0,70 Shim		X	

Model: 996 01 Model life 2001>>2005

Pos	Part Number	Description	Remark	Qty	Model
27	996 302 151 57	Shim 40 X 50 X 0,80		X	
27	996 302 151 58	Shim 40 X 50 X 0,90		X	
27	996 302 151 59	Shim 40 X 50 X 1,00		X	
27	996 302 151 60	Shim 40 X 50 X 1,10		X	
27	996 302 151 61	Shim 40 X 50 X 1,20		X	
27	996 302 151 62	Shim 40 X 50 X 1,30		X	
27	996 302 151 63	Shim 40 X 50 X 0,75		X	
28		Fixed gear wheel 4th speed See group 3/03/01		1	
(29)	964 307 331 01	Drive wheel Oil pump		1	
30		Fixed gear wheel 3rd gear See group 3/03/01		1	
31	950 302 292 00	Thrust washer 2nd gear		1	
32		Loose gear wheel 2nd gear See group 3/03/01		1	
33	999 201 471 02	Needle-roller bearing 45 X 50 X 32		1	
34	950 304 617 20	Ring		2	
35	996 304 613 20	Cone ring		2	
36	950 304 611 20	Synchroniser ring		2	
37	996 304 061 50	Guide sleeve 1st / 2nd gear		1	
38	950 304 651 00	Stone		3	
39	900 108 058 00	Ball 5 MM		3	
40	950 304 661 03	Compression spring		3	
41		Loose gear wheel 1st gear See group 3/03/01		1	
42	999 201 239 06	Needle-roller bearing 35 X 50 X 32,2		3	
43	950 302 295 07	Thrust washer 1st gear And 6th gear		2	
44	999 110 109 01	Cylindrical-roller bearing 35 X 80 X 18		1	
45	999 152 106 00	Circlip		1	
46	N 100 709 01	Circlip SP 80		1	
47		Loose gear wheel 6th gear See group 3/03/01		1	
48	950 304 021 23	Guide sleeve 5th gear And		1	

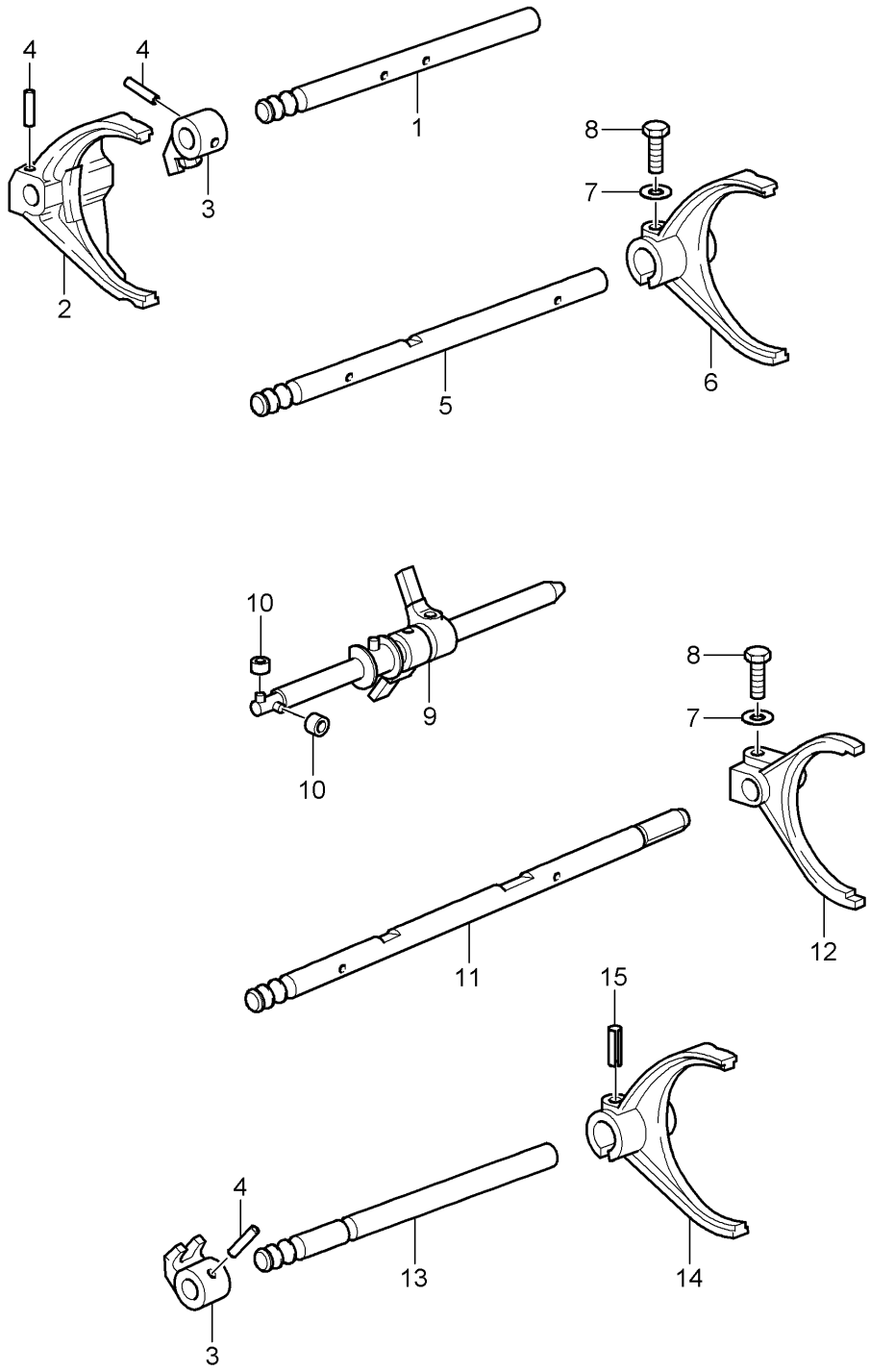
Model: 996 01

Model life 2001&gt;&gt;2005

Pos	Part Number	Description	Remark	Qty	Model
49		6th gear Loose gear wheel 5th gear See group 3/03/01		1	
50	996 304 021 50	Guide sleeve Reverse gear		1	
51	928 304 211 24	Synchroniser ring Reverse gear		1	
52	999 201 253 00	Needle cage 32 X 45 X 27,2		1	
53		Loose gear wheel Reverse gear See group 3/03/01		1	
54	950 302 296 07	Thrust washer Reverse gear		1	
55	999 152 024 01	Circlip 62 X 1,50		1	
56	999 110 192 00	Cylindrical-roller bearing 30 X 62 X 16		1	
57	999 034 034 00	Hexagon nut M 30 X 1,25		1	
58	999 152 111 00	Circlip 78 X 1,50		1	
59	999 201 472 00	Inner ring 39,68 X 45		1	

Model: 996 01

Model life 2001>>2005

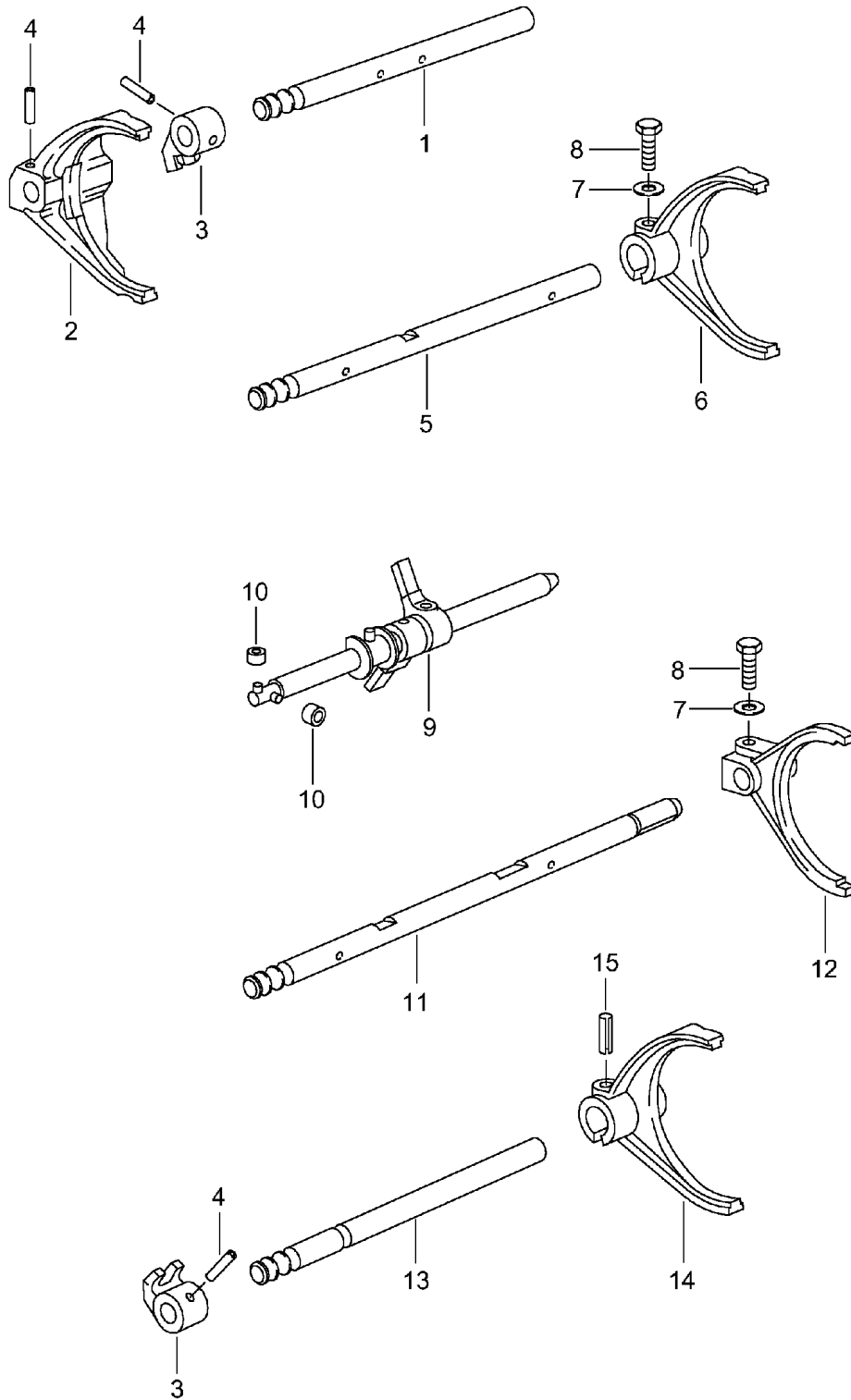


Model: 996 01 Model life 2001>>2005

Pos	Part Number	Description	Remark	Qty	Model
		Gear shift rod Shift fork Shift rod			G96.50
1	996 303 103 52	Gear shift rod 3rd/4th gear		1	
2	996 303 113 51	Shift fork 3rd/4th gear		1	
3	996 303 121 50	Driver		2	
4	900 309 008 00	Roll pin 6 X 24		3	
5	996 303 106 51	Gear shift rod 5th gear And 6th gear		1	
6	996 303 116 50	Shift fork 5th gear And 6th gear		1	
7	900 025 007 02	Washer A 8,4		2	
7	900 025 007 03	Washer A 8,4		2	
8	900 075 099 02	Hexagon-head bolt M 8 X 30		2	
8	900 075 099 03	Hexagon-head bolt M 8 X 30		2	
9	996 303 021 52	Shift rod		1	
10	996 303 403 00	Roller 10 X 5 X 3		4	
11	996 303 105 52	Gear shift rod Reverse gear		1	
12	996 303 115 50	Shift fork Reverse gear		1	
13	996 303 101 51	Gear shift rod 1st / 2nd gear		1	
14	996 303 111 51	Shift fork 1st / 2nd gear		1	
15	900 095 017 01	Roll pin 5,0 X 24		2	

Model: 996 01

Model life 2001>>2005



Model: 996 01

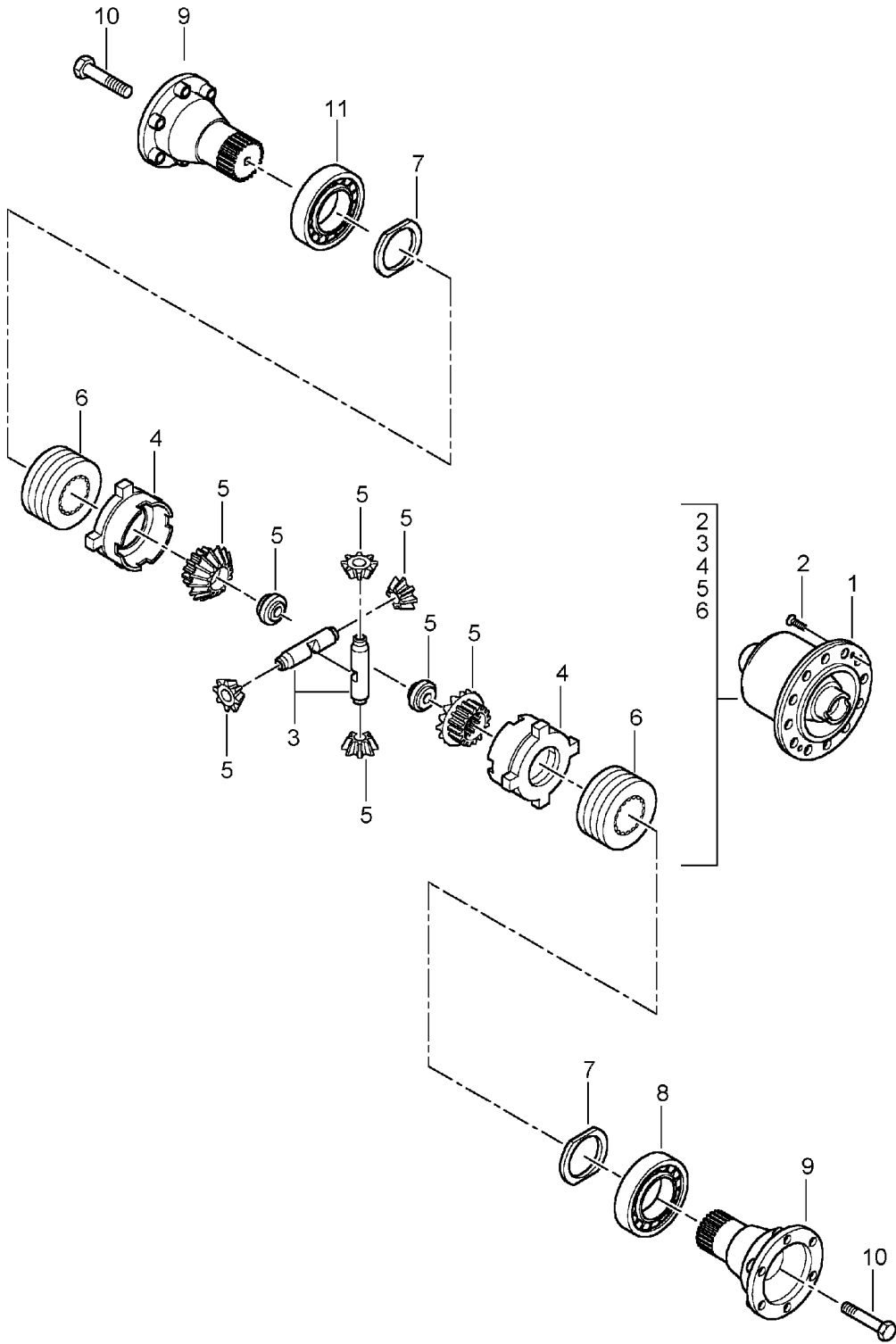
Model life 2001&gt;&gt;2005

Pos	Part Number	Description	Remark	Qty	Model
		Gear shift rod Shift fork Shift rod			G96.88
1	996 303 103 52	Gear shift rod 3rd/4th gear		1	
2	996 303 113 88	Shift fork 3rd/4th gear		1	
3	996 303 121 50	Driver		2	
4	996 303 301 00	Spiral clamping pin		3	
5	996 303 106 51	Gear shift rod 5th gear And 6th gear		1	
6	996 303 116 50	Shift fork 5th gear And 6th gear		1	
7	900 025 007 02	Washer A 8,4		2	
7	900 025 007 03	Washer A 8,4		2	
8	900 075 099 02	Hexagon-head bolt M 8 X 30		2	
8	900 075 099 03	Hexagon-head bolt M 8 X 30		2	
9	996 303 021 52	Shift rod		1	
10	996 303 403 00	Roller 10 X 5 X 3		4	
11	996 303 105 52	Gear shift rod Reverse gear		1	
12	996 303 115 50	Shift fork Reverse gear		1	
13	996 303 101 51	Gear shift rod 1st / 2nd gear		1	
14	996 303 111 51	Shift fork 1st / 2nd gear		1	
15	900 095 017 01	Roll pin 5,0 X 24		2	



Model: 996 01

Model life 2001>>2005



Model: 996 01 Model life 2001>>2005

Pos	Part Number	Description	Remark	Qty	Model
		Limited-slip differential Complete And Repair kits			G96.88
1	996 332 083 9B	Limited-slip differential 40/65 % FA. GKN		1	
2	950 332 983 03	Countersunk-head screw Set FA.GKN		1	
(2)	999 217 152 01	Hexagon-head bolt M 12 X 1,5 X 22,5		12	
3	950 332 983 06	Axle Set FA.GKN		1	
4	950 332 983 05	Ring Set FA.GKN		1	
5	950 332 983 02	Gear set FA.GKN		1	
6	950 332 983 36	Vanes FA.GKN		1	
7	996 332 266 50	Adjusting ring 50,4 X 65 X 1,50		X	
7	996 332 266 51	Adjusting ring 50,4 X 65 X 1,55		X	
7	996 332 266 52	Adjusting ring 50,4 X 65 X 1,60		X	
7	996 332 266 53	Adjusting ring 50,4 X 65 X 1,65		X	
7	996 332 266 54	Adjusting ring 50,4 X 65 X 1,70		X	
7	996 332 266 55	Adjusting ring 50,4 X 65 X 1,75		X	
7	996 332 266 56	Adjusting ring 50,4 X 65 X 1,80		X	
7	996 332 266 57	Adjusting ring 50,4 X 65 X 1,85		X	
7	996 332 266 58	Adjusting ring 50,4 X 65 X 1,90		X	
7	996 332 266 59	Adjusting ring 50,4 X 65 X 1,95		X	
7	996 332 266 60	Adjusting ring 50,4 X 65 X 2,00		X	
7	996 332 266 61	Adjusting ring 50,4 X 65 X 2,05		X	
7	996 332 266 62	Adjusting ring 50,4 X 65 X 2,10		X	
7	996 332 266 63	Adjusting ring 50,4 X 65 X 2,15		X	
7	996 332 266 64	Adjusting ring 50,4 X 65 X 2,20		X	
7	996 332 266 65	Adjusting ring 50,4 X 65 X 2,25		X	
7	996 332 266 66	Adjusting ring 50,4 X 65 X 2,30		X	
7	996 332 266 67	Adjusting ring 50,4 X 65 X 2,35		X	
7	996 332 266 68	Adjusting ring 50,4 X 65 X 2,40		X	
7	996 332 266 69	Adjusting ring 50,4 X 65 X 2,45		X	
7	996 332 266 70	Adjusting ring		X	

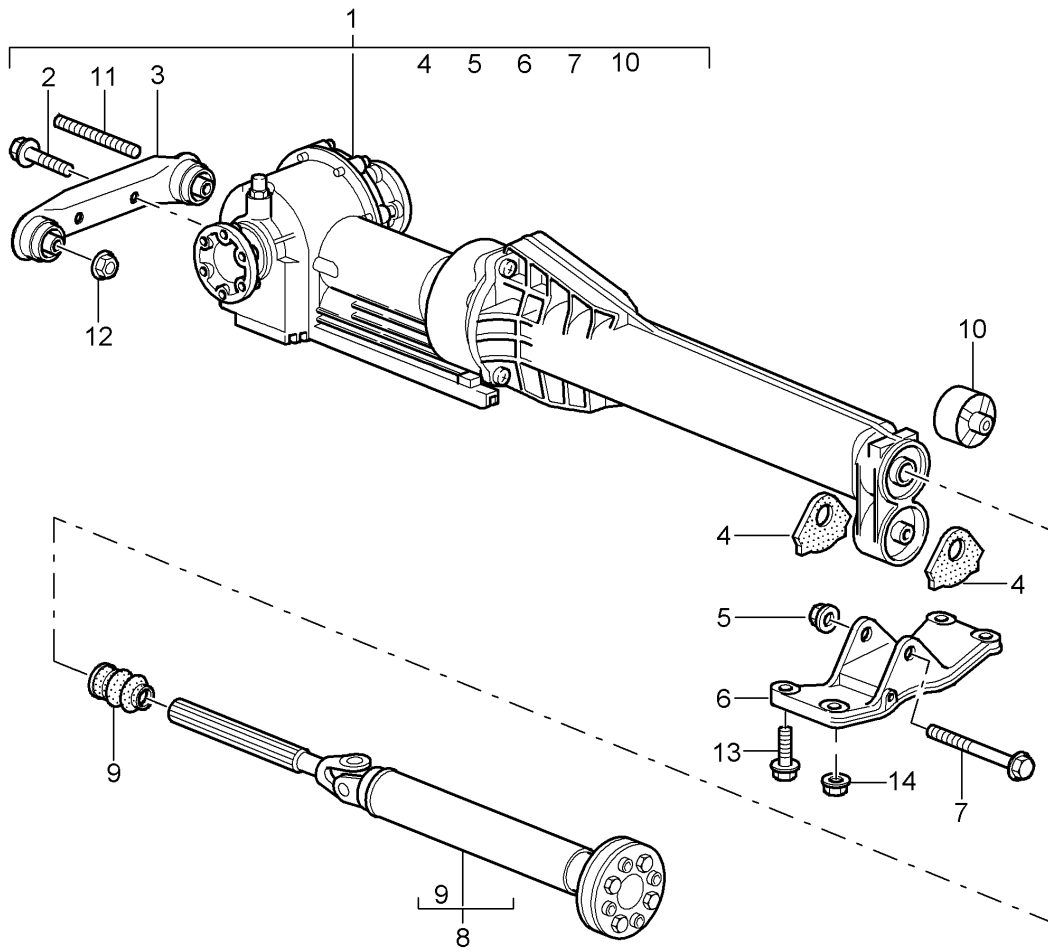
Model: 996 01

Model life 2001&gt;&gt;2005

Pos	Part Number	Description	Remark	Qty	Model
7	996 332 266 71	50,4 X 65 X 2,50 Adjusting ring		X	
7	996 332 266 72	50,4 X 65 X 2,55 Adjusting ring		X	
7	996 332 266 73	50,4 X 65 X 2,60 Adjusting ring		X	
7	996 332 266 74	50,4 X 65 X 2,65 Adjusting ring		X	
7	996 332 266 75	50,4 X 65 X 2,70 Adjusting ring		X	
7	996 332 266 76	50,4 X 65 X 2,75 Adjusting ring		X	
8	999 059 064 00	50,4 X 65 X 2,80 Taper roller bearing		1	
9	950 332 209 01	50 X 90 Joint flange		2	
10	N 010 472 4	Hexagon-head bolt		2	
		M 10 X 85			
10	900 074 375 01	Hexagon-head bolt		2	
		M 10 X 85			
11	999 059 066 01	Taper roller bearing		1	
		50 X 80 X 20			
11	999 059 066 02	Taper roller bearing		1	
		50 X 80 X 20			

Model: 996 01

Model life 2001>>2005

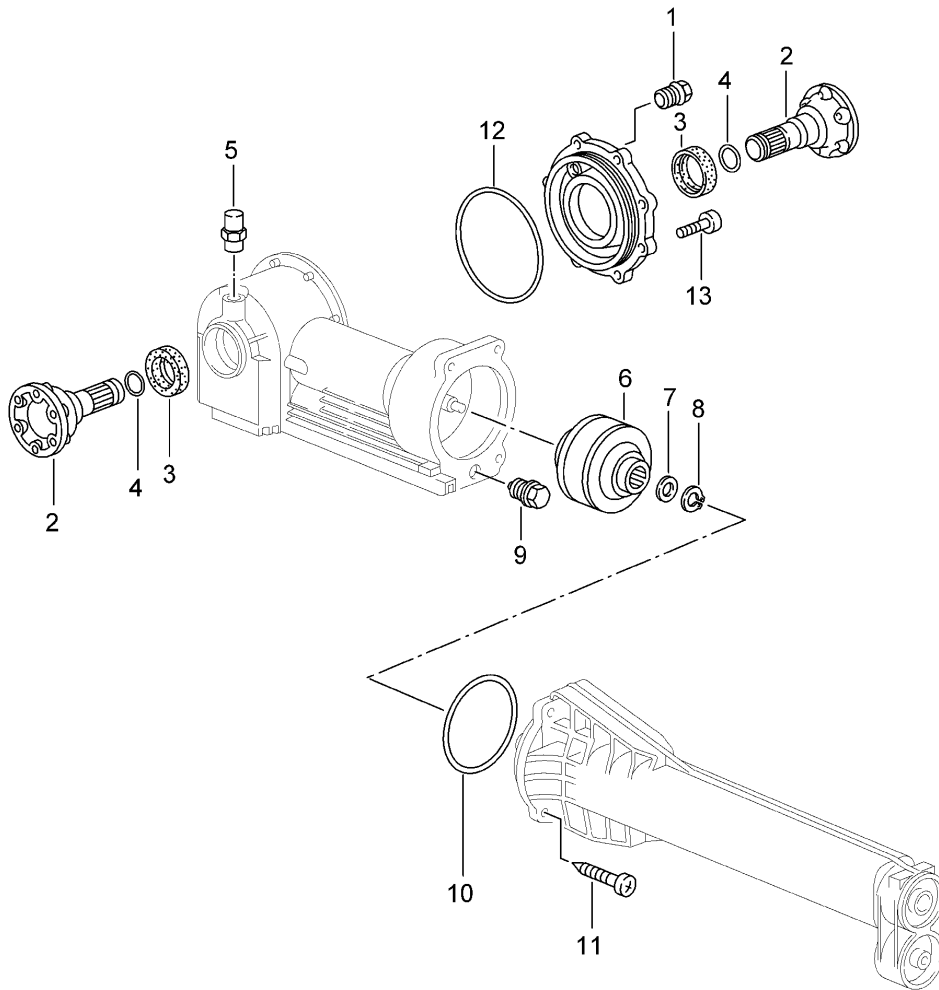


Model: 996 01 Model life 2001>>2005

Pos	Part Number	Description	Remark	Qty	Model
		Front-axle final drive Cardan shaft See technical information Group 3 NR.3 / 03			Z96.00
1	996 349 010 02	Front-axle final drive Ready for installation	-04	1	
(1)	996 349 010 03	Front-axle final drive Ready for installation	05-	1	
2	999 072 034 09	Conical screw M 10 X 28		2	
3	996 375 034 00	Transmission carrier Front		1	
4	996 375 257 01	Stop		2	
5	900 380 008 09	Lock nut M 10		1	
6	996 375 343 03	Transmission carrier Rear		1	
7	900 378 142 09	Hexagon-head bolt M 10 X 90		1	
8	996 421 020 50	Cardan shaft		1	
8	997 421 020 00	Cardan shaft		1	
8	997 421 020 01	Cardan shaft		1	
9	996 421 145 01	Boot		1	
-	PCG 421 020 01	Joint flange Bonded rubber mounting for Cardan shaft		1	
10	996 375 054 02	Transmission mounting Rear		1	
11	999 061 105 09	Stud M 10 X 90		2	
12	900 380 008 09	Lock nut M 10 Mount		2	
13	999 217 144 09	Front-axle final drive Cross member Combination screw M 10 X 48 Use with 99637534303		4	
13	999 217 144 01	Combination screw M 10 X 48 Use with 99637534303		4	
14	999 076 053 01	Hexagon nut M 10		2	

Model: 996 01

Model life 2001>>2005

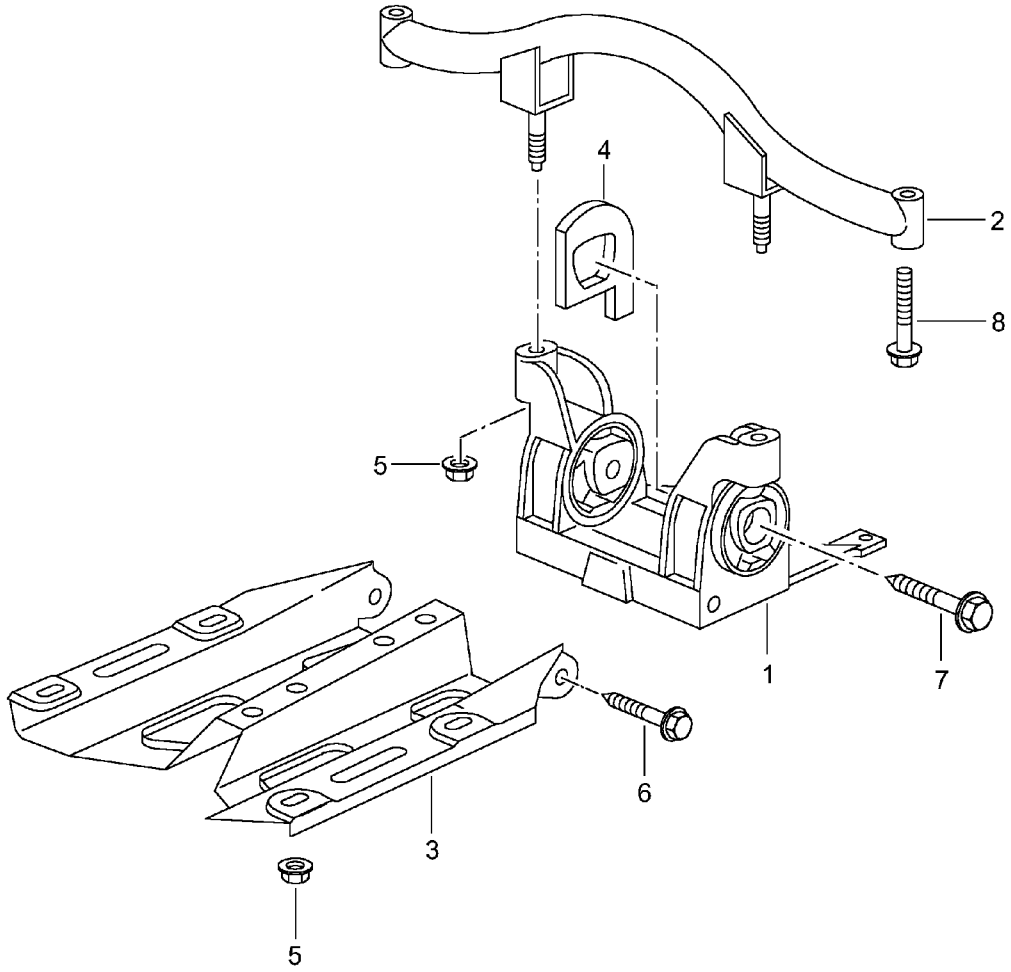


Model: 996 01 Model life 2001>>2005

Pos	Part Number	Description	Remark	Qty	Model
		Front-axle final drive Viscous clutch Single parts			Z96.00
-	PCG 349 010 02	Front-axle final drive Gasket set Comprising: POS. 1;3;4;9;10;12;13		1	
1	N 016 161 1	Screw plug M 18 X 1,5		1	
1	900 124 013 02	Screw plug M 18 X 1,5		1	
2	996 332 309 00	Joint flange		2	
3	999 113 454 40	Shaft sealing ring 40 X 60 X 9		2	
3	999 113 454 41	Shaft sealing ring 40 X 60 X 10		2	
4	996 332 311 00	Circlip 2,5 X 20		2	
5	996 301 071 00	Bleeder 17 X 12		1	
6	996 339 021 02	Viscous clutch		1	
7	900 234 174 00	Support washer 20 X 28 X 2,0		1	
8	999 041 021 01	Circlip 20 X 1,2		1	
9	900 124 025 02	Screw plug M 18 X 1,5 PM		1	
10	999 707 455 40	O-ring 123 X 3		1	
11	N 903 660 01	Torx screw M 8 x 36 for 996.349.010.02 GETRAG 630.0.0130.00 Old version		4	
(11)	900 385 141 01	Torx screw M 8 x 40 for 996.349.010.03 GETRAG 630.0.0173.00 New design		4	
-	996 337 411 00	Protection cap		1	
12	999 701 743 40	O-ring 144,5 X 3 for Lateral Transmission cover		1	
13	N 903 660 01	Torx screw M 8 X 36		8	

Model: 996 01

Model life 2001>>2005



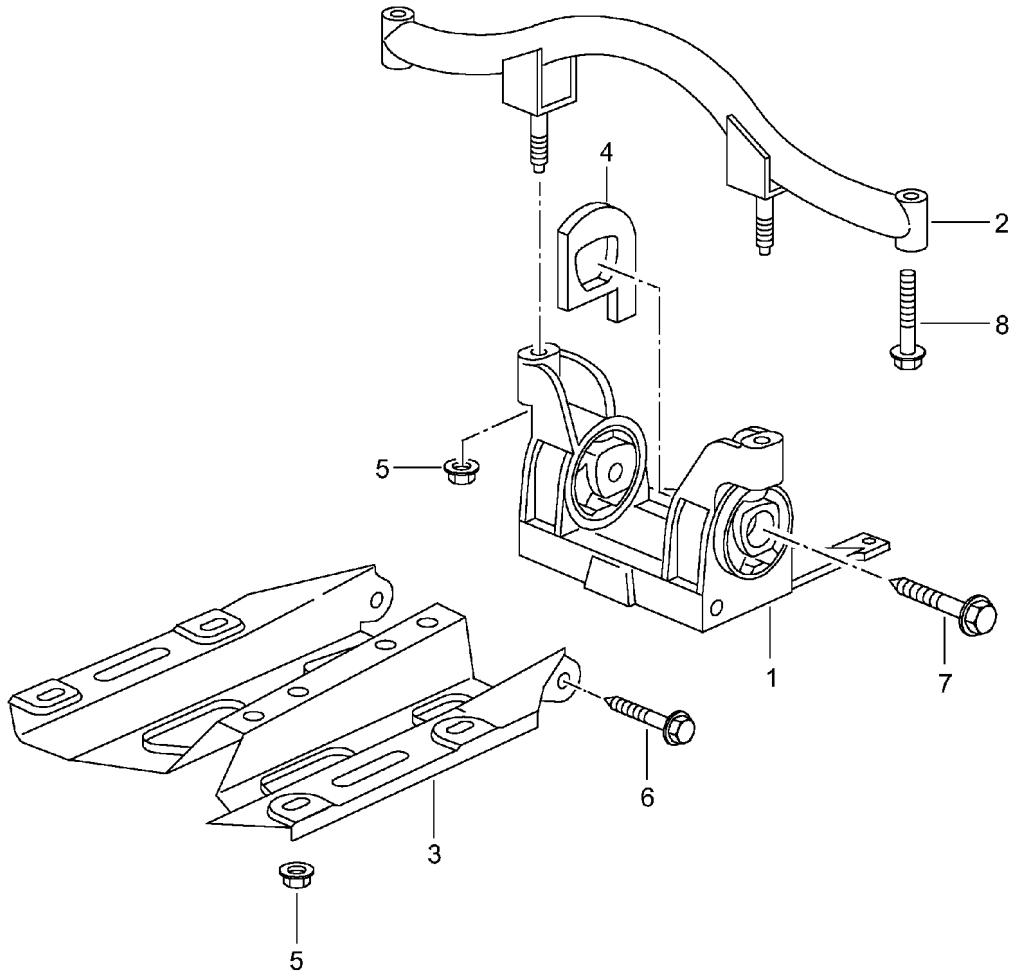


Model: 996 01 Model life 2001>>2005

Pos	Part Number	Description	Remark	Qty	Model
		Transmission suspension			G96.50
1	996 375 033 03	Transmission carrier		1	
2	996 375 317 06	Bracket Upper		1	
3	996 375 015 00	Side member		1	
4	996 375 259 08	Stop		2	
5	900 378 167 09	Hexagon-head bolt M 10 X 110		2	
5	900 378 294 01	Hexagon-head bolt M 10 X 110		2	
5	999 061 106 09	Stud M 10 X 83		2	
6	900 380 008 09	Lock nut M 10		2	
(6A)	999 076 053 09	Hexagon nut M 10		6	
7	999 072 010 09	Hexagon-head bolt M 12 X 1,5 X 100		2	
7	999 072 010 01	Hexagon-head bolt M 12 X 1,5 X 100		2	
8	999 072 008 09	Hexagon-head bolt M 12 X 1,5 X 70		3	
8	999 072 008 01	Hexagon-head bolt M 12 X 1,5 X 70		3	
9	900 378 061 09	Hexagon-head bolt M 12 X 1,5 X 50		1	
9	900 378 061 01	Hexagon-head bolt M 12 X 1,5 X 50		1	
10	900 378 076 09	Hexagon-head bolt M 10 X 50		1	
10	900 378 076 01	Hexagon-head bolt M 10 X 50		1	
11	900 377 011 09	Hexagon nut M 10		1	
11	900 377 011 01	Hexagon nut M 10		1	

Model: 996 01

Model life 2001>>2005



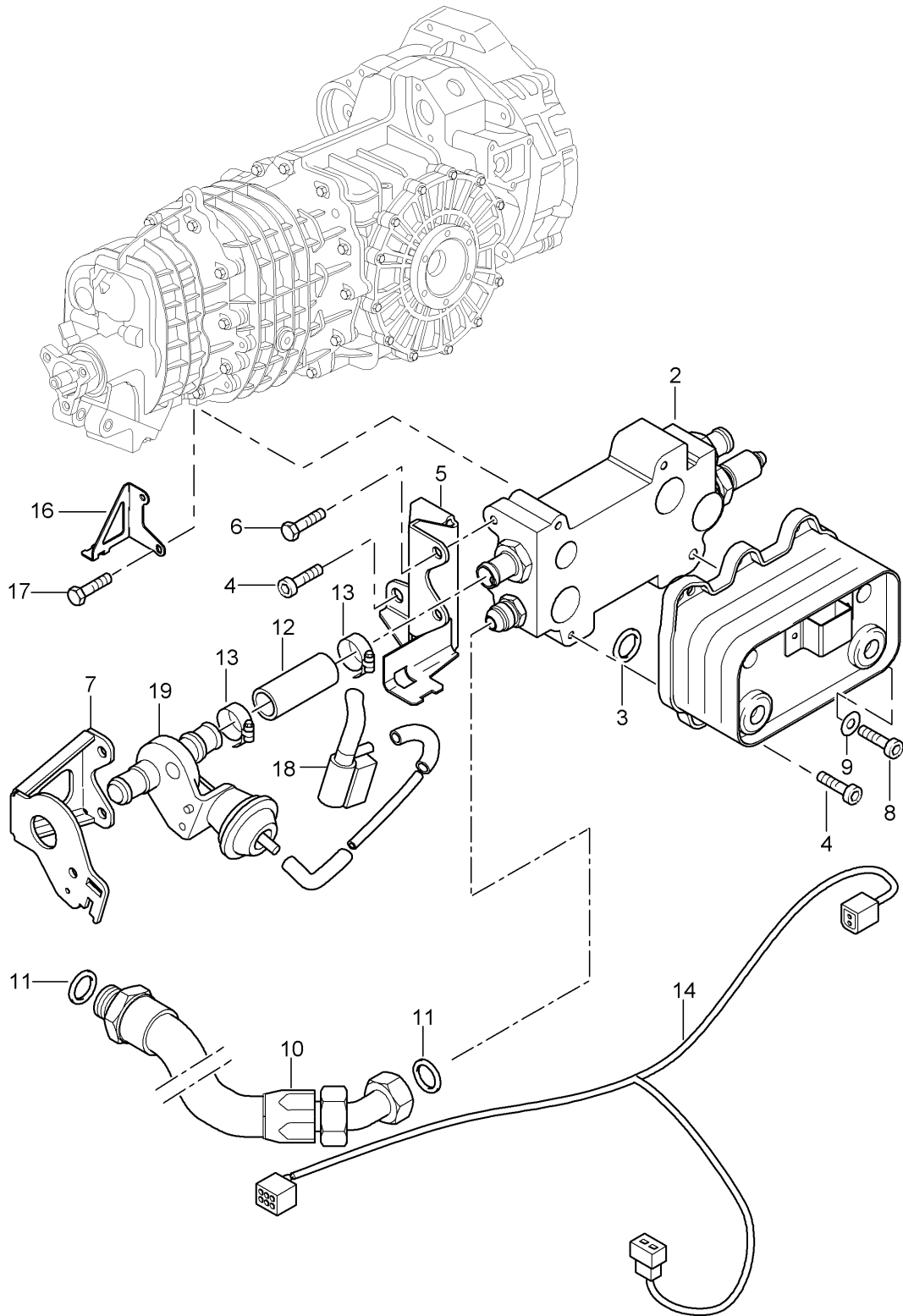
Model: 996 01

Model life 2001>>2005

Pos	Part Number	Description	Remark	Qty	Model
		Transmission suspension			G96.88
1	996 375 033 03	Transmission carrier		1	
2	996 375 317 06	Bracket Upper		1	
3	996 375 015 00	Side member		1	
4	996 375 259 08	Stop		2	
5	900 378 167 09	Hexagon-head bolt M 10 X 110		2	
5	900 378 294 01	Hexagon-head bolt M 10 X 110		2	
5	999 061 106 09	Stud M 10 X 83		2	
6	900 380 008 09	Lock nut M 10		2	
(6A)	999 076 053 09	Hexagon nut M 10		6	
7	999 072 010 09	Hexagon-head bolt M 12 X 1,5 X 100		2	
7	999 072 010 01	Hexagon-head bolt M 12 X 1,5 X 100		2	
8	999 072 008 09	Hexagon-head bolt M 12 X 1,5 X 70		3	
8	999 072 008 01	Hexagon-head bolt M 12 X 1,5 X 70		3	
9	900 378 061 09	Hexagon-head bolt M 12 X 1,5 X 50		1	
9	900 378 061 01	Hexagon-head bolt M 12 X 1,5 X 50		1	
10	900 378 076 09	Hexagon-head bolt M 10 X 50		1	
10	900 378 076 01	Hexagon-head bolt M 10 X 50		1	
11	900 377 011 09	Hexagon nut M 10		1	
11	900 377 011 01	Hexagon nut M 10		1	

Model: 996 01

Model life 2001>>2005



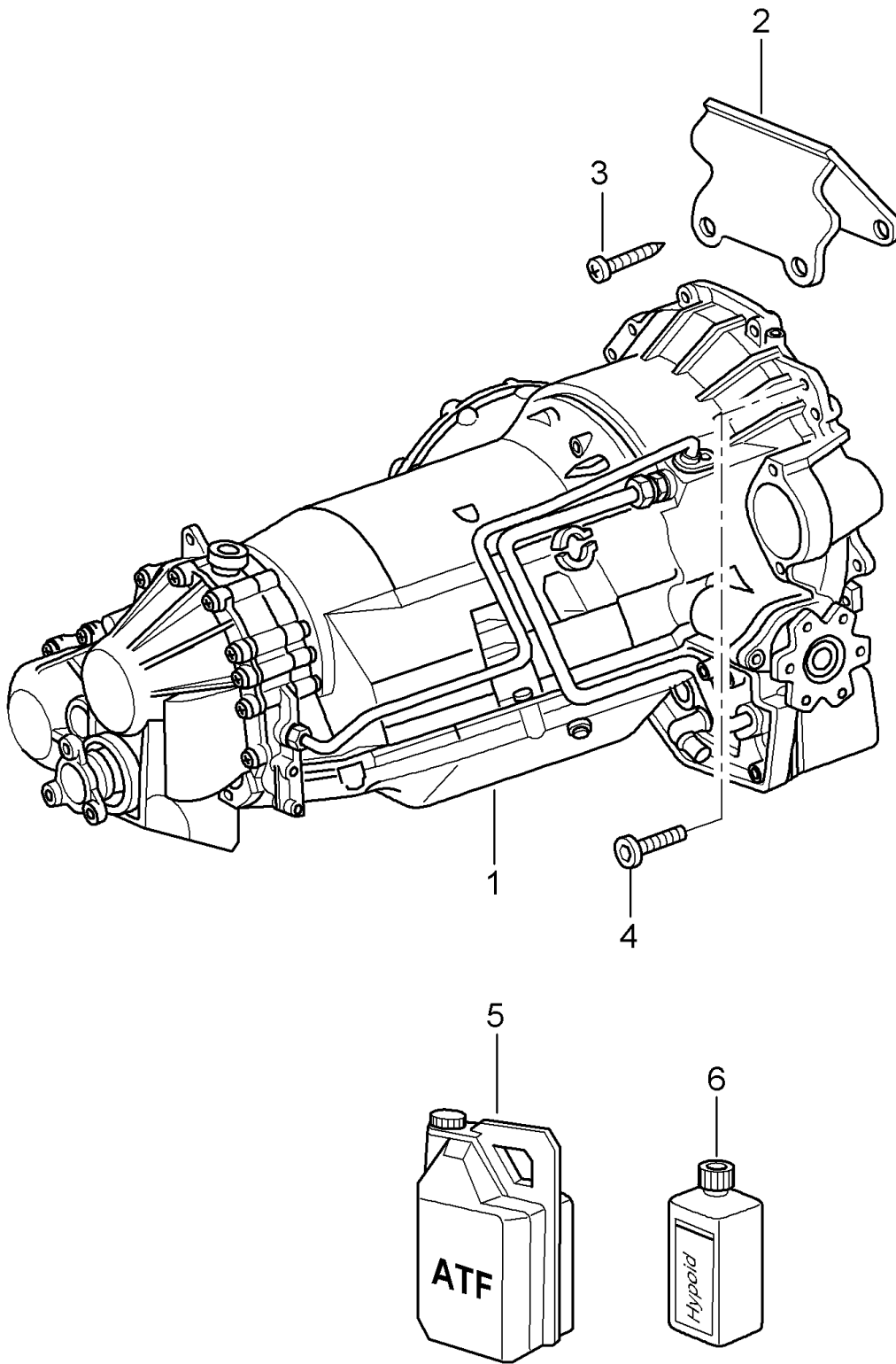
Model: 996 01

Model life 2001>>2005

Pos	Part Number	Description	Remark	Qty	Model
		Transmission oil cooler Lines			G96.88
1	996 307 015 8A	Transmission oil cooler		1	
2	996 307 020 8A	Port plate		1	
3	900 331 021 40	O-ring		4	
4	999 073 103 09	Oval-head screw M 6 X 16		5	
5	996 307 141 88	Support		1	
5	996 307 141 89	Support		1	
6	900 378 017 09	Hexagon-head bolt M 8 X 20		2	
7	996 307 145 88	Support		1	
8	900 186 030 02	Pan-head screw M 6 X 55		1	
8	900 378 191 01	Hexagon-head bolt M 6 X 55		1	
9	N 011 524 7	Washer A 6,4		1	
9	N 011 524 27	Washer A 6,4		1	
10	996 307 333 88	Oil hose		1	
11	900 123 152 30	Sealing ring A 16 X 22		2	
12	900 181 067 50	Water hose B18 X 3,5 X47		1	
13	999 512 552 00	Hose clamp A 20-32 / 9		2	
13	999 512 552 01	Hose clamp A 20-32 / 9		2	
14	996 612 401 70	Wiring harness		1	
15	811 971 848 B	Retaining clip		3	
16	996 106 536 72	Support		1	
16	996 106 536 73	Support		1	
17	900 378 074 09	Hexagon-head bolt M 8 X 16		2	
18	996 605 123 01	Change-over valve		1	
18	7PP 906 270	Change-over valve		1	
19	928 574 573 03	Disc valve		1	
19	928 574 573 04	Disc valve		1	
		Use also:			
-	986 307 507 00	Cap		1	
-	996 307 023 88	Oil pump		1	
-	996 307 023 90	Oil pump		1	
-	997 307 023 90	Oil pump		1	

Model: 996 01

Model life 2001>>2005

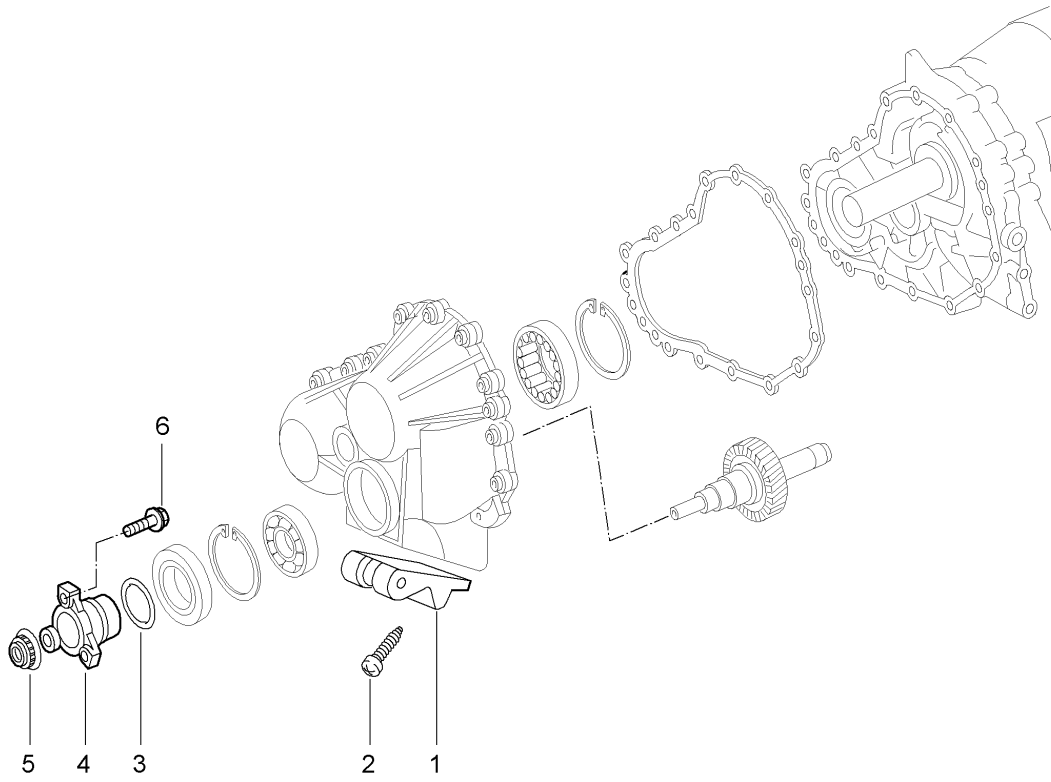


Model: 996 01 Model life 2001>>2005

Pos	Part Number	Description	Remark	Qty	Model
		Tiptronic			A96.50 A96.50 IX50
		Replacement transmission			
1	722 270 070 0	Transmission		1	
2	996 449 101 50	Hook		1	
(2)	997 449 101 50	Hook		1	
3	999 073 190 09	Oval-head screw M 8 X 60		2	
4	999 073 182 02	Lens-head screw M 8 X 35		4	
(4)	999 073 373 01	Round head screw M 8 X 35		4	
5	000 043 204 63	Transmission oil ATF 20 LTR. Container		X	
6	999 917 546 00	Transmission oil 75 W 90 1 LTR. Container		X	
-	210 997 003 2	Screw plug		1	
-	900 123 060 30	Sealing ring 24 x 29		1	

Model: 996 01

Model life 2001>>2005





Model: 996 01

Model life 2001&gt;&gt;2005

Pos	Part Number	Description	Remark	Qty	Model
		Tiptronic All-wheel Driving mechanism			A96.50
1	722 260 006 2	Bearing		1	
2	999 073 178 09	Oval-head screw M 8 X 30		4	
3	168 997 004 5	O-ring 28 X 3		1	
4	722 270 022 0	Flange		1	
5	140 990 115 0	Collar nut M 26 X 1,5		1	
6	900 378 101 09	Hexagon-head bolt AM 10 X 35		3	
-	022 997 944 7	Shaft sealing ring		1	

Model: 996 01

Model life 2001>>2005



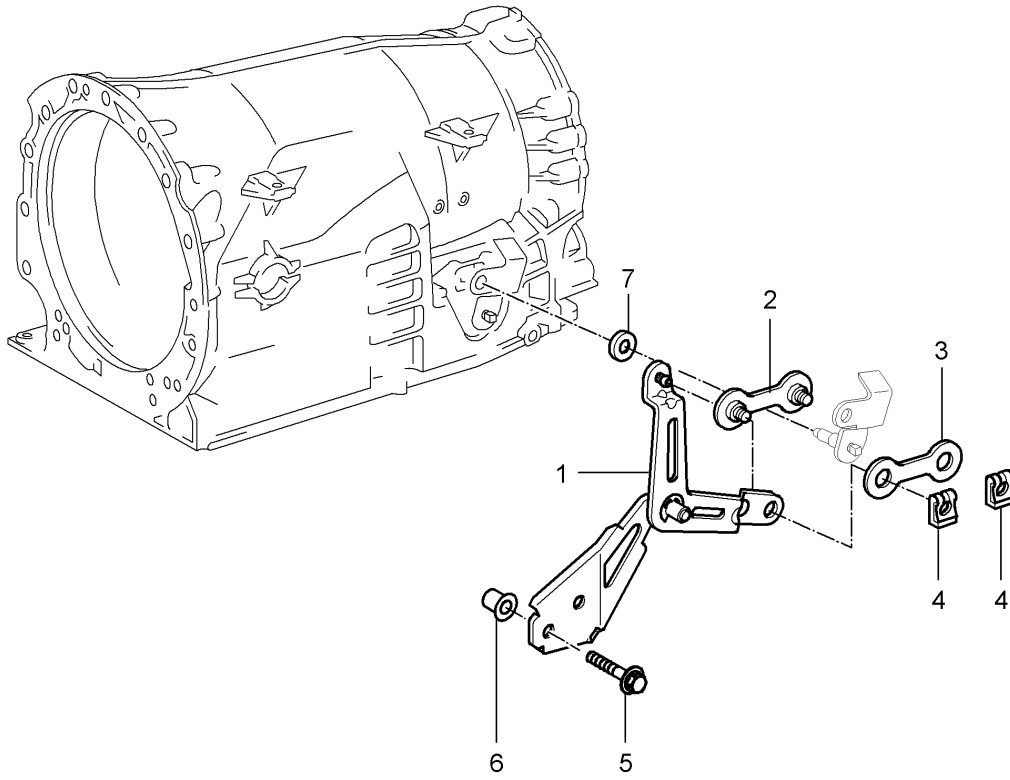
Model: 996 01

Model life 2001>>2005

Pos	Part Number	Description	Remark	Qty	Model
		Tiptronic Differential			A96.50
1	900 074 192 09	Differential housing Hexagon-head bolt M 10 X 55		1	
2	722 274 024 5	Drive flange		1	
3	999 113 484 40	Shaft sealing ring for Lid		1	
4	722 270 062 0	Flange		1	

Model: 996 01

Model life 2001>>2005



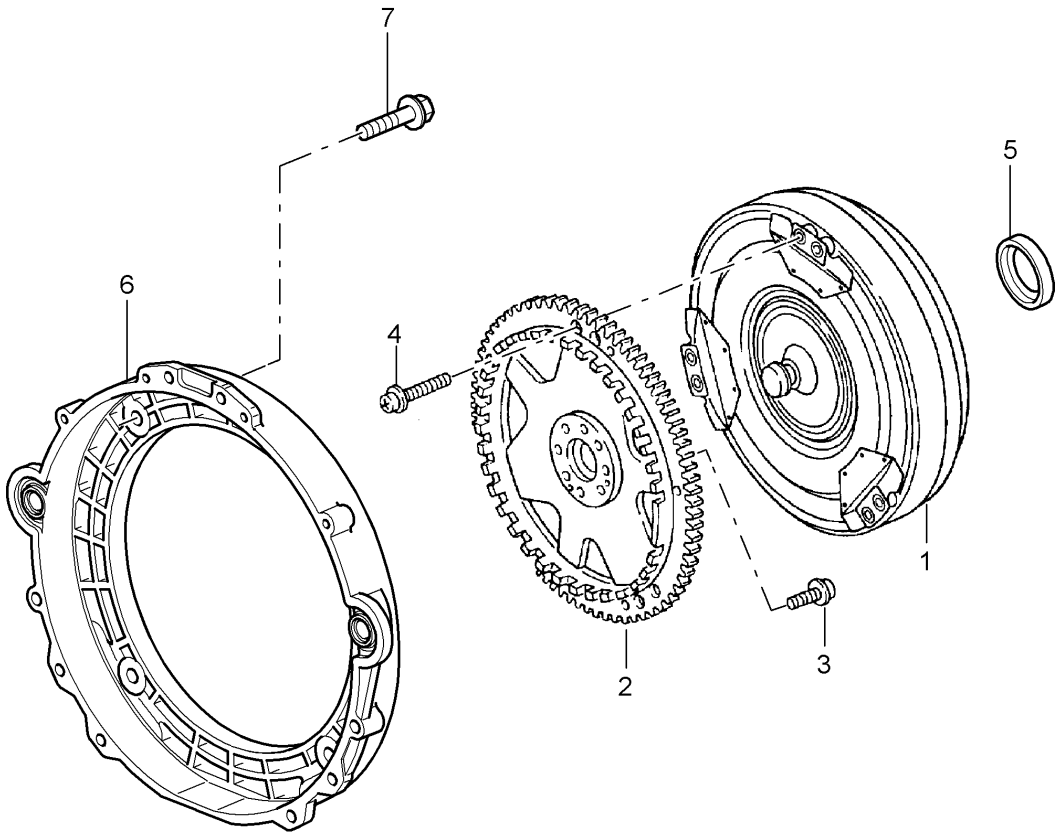
Model: 996 01

Model life 2001>>2005

Pos	Part Number	Description	Remark	Qty	Model
		Tiptronic			A96.50
		Selector lever			
1	722 270 011 0	Selector lever		1	
2	722 270 025 9	Lever		2	
3	722 278 032 0	Lever		1	
4	999 166 079 02	Lock washer		2	
5	999 073 095 01	Oval-head screw		2	
		M 8 X 30			
6	722 992 002 0	Sleeve		1	
-	722 278 024 0	Support		1	
-	722 278 044 0	Support		1	
7	009 997 484 7	Shaft sealing ring		1	
		Selector lever			

Model: 996 01

Model life 2001>>2005



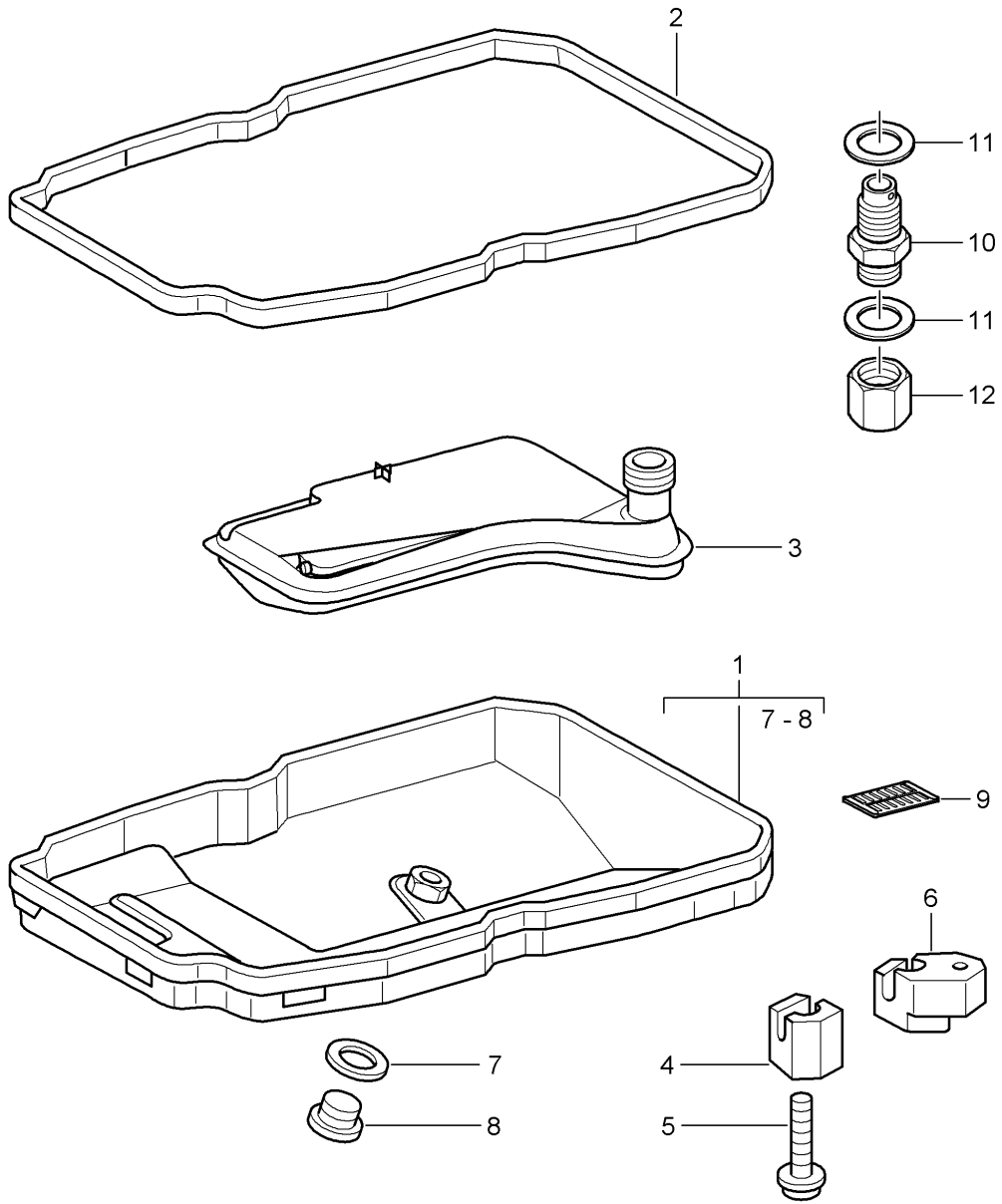
Model: 996 01

Model life 2001>>2005

Pos	Part Number	Description	Remark	Qty	Model
		Tiptronic Torque converter Drive plate			A96.50
1	722 250 130 2	Torque converter		1	
2	996 116 075 50	Drive plate		1	
3	999 119 019 01	Pan-head screw M 10 X 1 X 25 X 45		9	
4	900 067 369 09	Pan-head screw M 8 X 20		6	
5	018 997 044 7	Sealing ring for Oil pump		1	
6	996 116 011 50	Intermediate housing Engine And Transmission		1	
7	900 378 021 09	Hexagon-head bolt M 10 X 40		4	
7	900 378 021 01	Hexagon-head bolt M 10 X 40		4	

Model: 996 01

Model life 2001>>2005





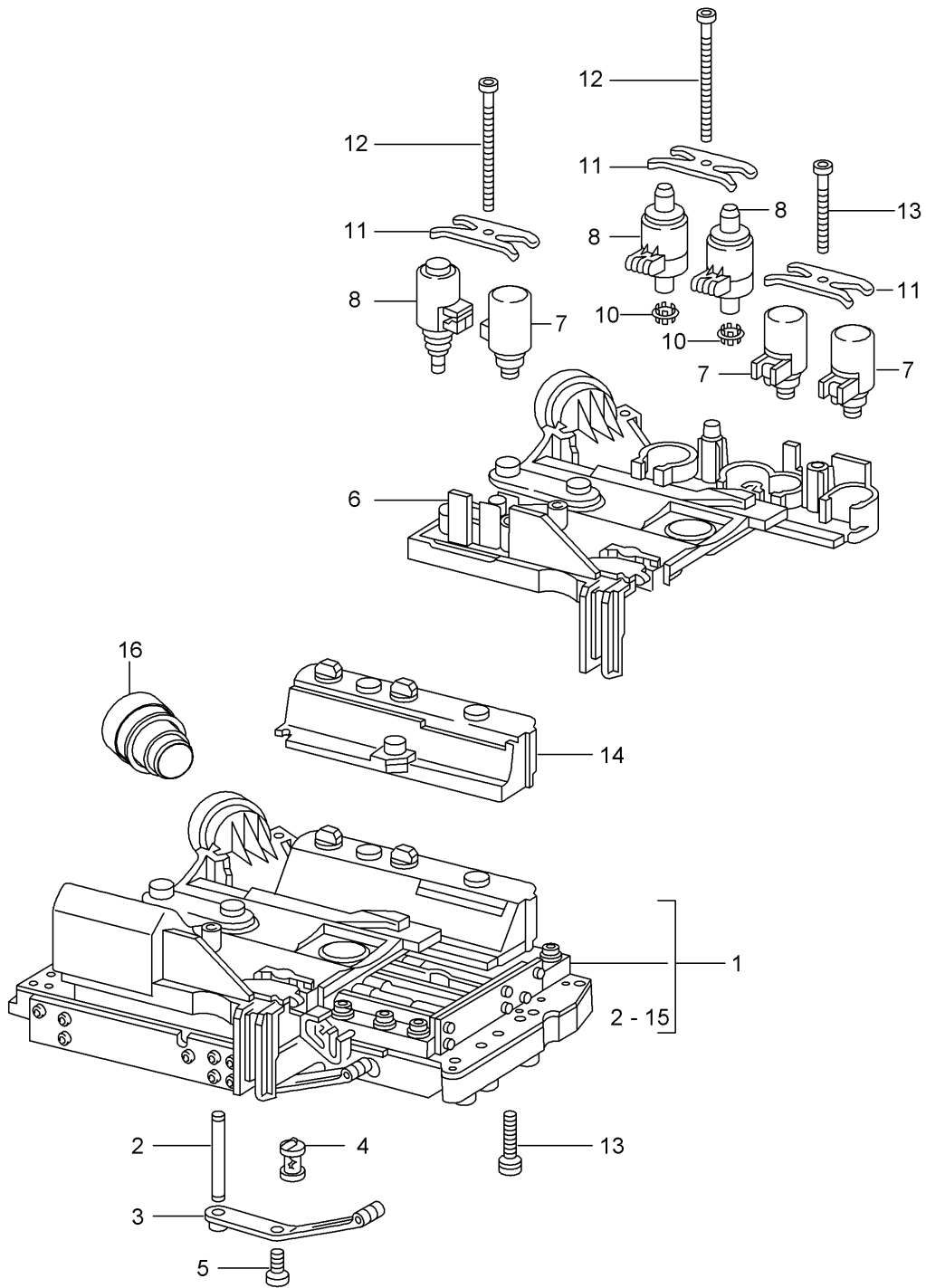
Model: 996 01

Model life 2001>>2005

Pos	Part Number	Description	Remark	Qty	Model
		Tiptronic			A96.50
		Oil filter			
		Oil pan			
1	722 270 161 2	Oil pan		1	
2	140 271 008 0	Gasket		1	
3	722 277 009 5	Oil filter		1	
4	140 271 006 8	Clamping sleeve		6	
5	999 073 202 09	Pan-head screw M 6 X 22		6	
5	999 073 202 01	Pan-head screw M 6 X 22		6	
6	140 271 016 8	Clamping sleeve		X	
7	900 123 062 20	Sealing ring		2	
8	900 219 007 02	Screw plug		2	
8	900 219 007 01	Screw plug		2	
9	220 271 009 8	Magnet		1	
10	996 307 055 11	Connection piece		1	
		Oil inlet			
11	900 123 007 30	Sealing ring 14 X 18		2	
12	900 070 011 01	Cap nut M14 X 1,5		1	

Model: 996 01

Model life 2001>>2005



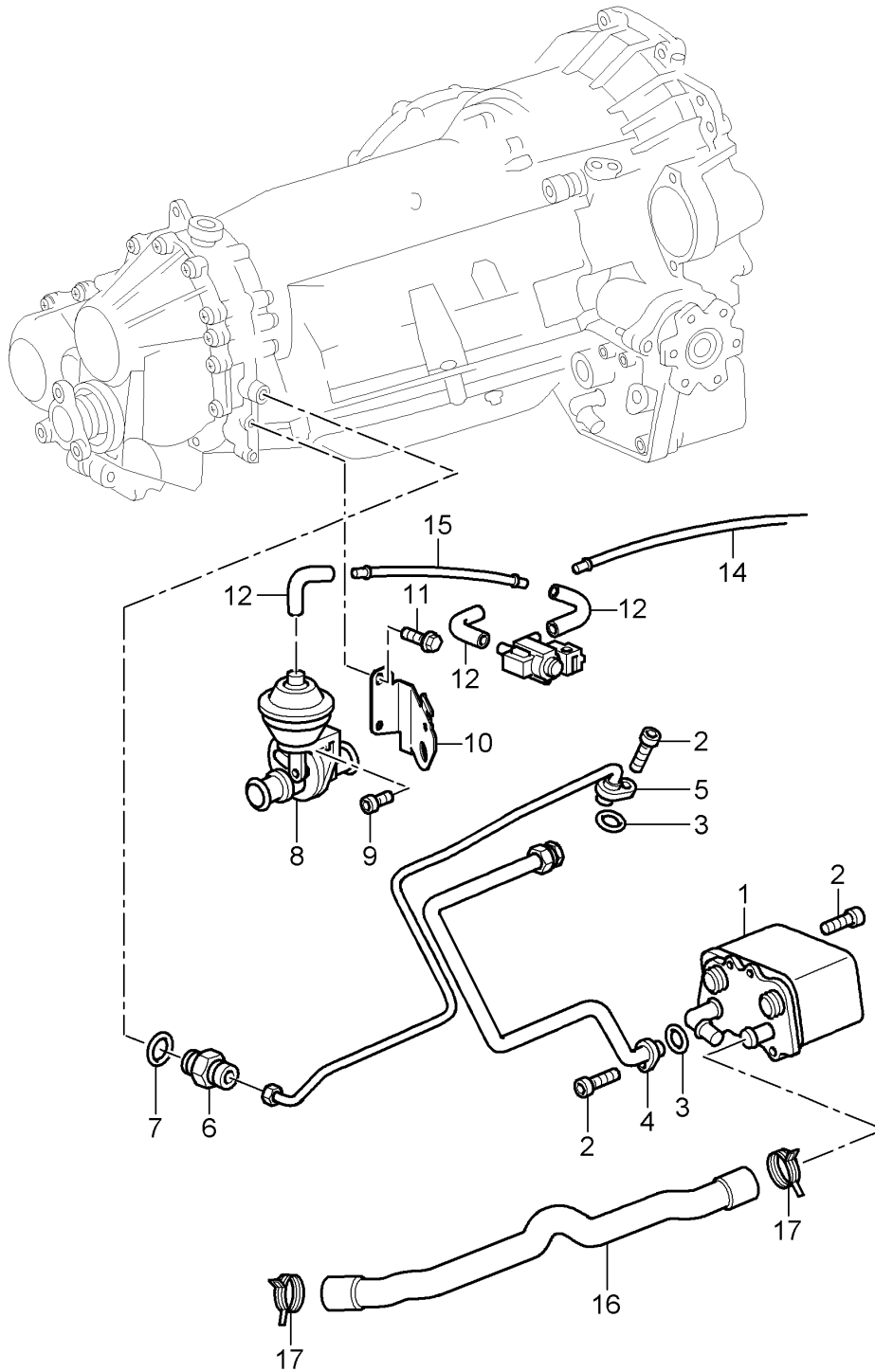
Model: 996 01

Model life 2001>>2005

Pos	Part Number	Description	Remark	Qty	Model
		Tiptronic Switch unit Solenoid valve Pressure regulator			A96.50
1	722 270 020 6	Switch unit		1	
2	140 277 007 5	Pin		1	
3	140 270 017 8	Spring		1	
4	140 270 029 8	Filter		1	
5	170 990 012 0	Screw		1	
6	140 270 056 1	Cover plate		1	
		Electronic unit		1	
6	140 270 086 1	Cover plate		1	
		Electronic unit		1	
6	140 270 116 1	Cover plate		1	
		Electronic unit		1	
7	140 277 053 5	Valve		3	
8	140 277 039 8	Solenoid valve		2	
9	140 277 043 5	Solenoid valve		1	
10	140 270 049 8	Filter		2	
11	140 276 000 3	Spring plate		3	
12	140 277 107 1	Screw		2	
13	140 277 117 10	Screw		1	
14	140 271 078 2	Cover		1	
16	000 043 207 28	Cable guide		1	

Model: 996 01

Model life 2001>>2005

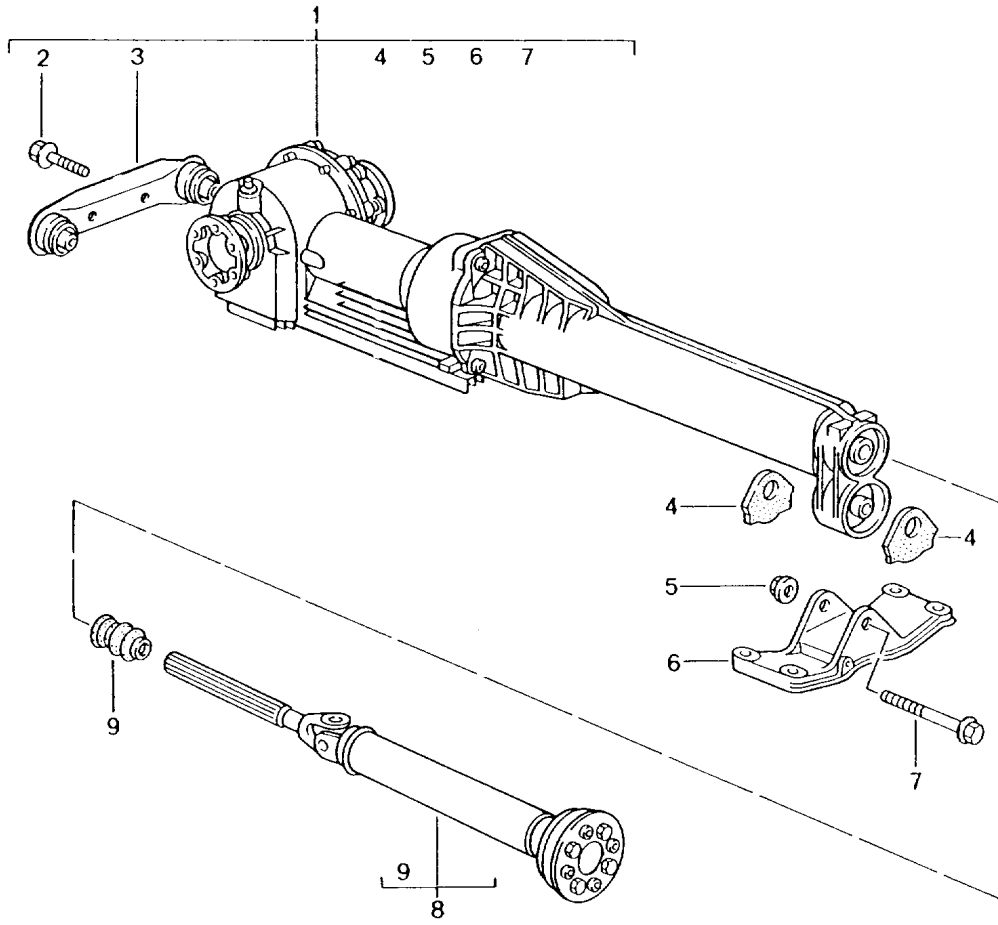


Model: 996 01 Model life 2001>>2005

Pos	Part Number	Description	Remark	Qty	Model
		Tiptronic			A96.50
		Atf cooler			
		Atf lines			
1	722 270 009 5	Atf cooler		1	
(1)	722 270 049 5	Atf cooler		1	
2	999 073 103 09	Oval-head screw		6	
		M 6 X 16			
3	029 997 184 8	Sealing ring		2	
		12,37 X 2,62			
4	722 270 089 6	Oil pipe		2	
5	722 270 079 6	Oil pipe		1	
6	000 997 117 1	Screw socket		1	
7	900 123 005 30	Sealing ring		1	
		A 12 X 16			
8	928 574 573 03	Disc valve		1	
8	928 574 573 04	Disc valve		1	
		Use also:			
-	986 307 507 00	Cap		1	
9	900 146 011 01	Round head screw		1	
		M 4 X 10			
10	997 106 533 00	Support		1	
11	900 378 036 01	Hexagon-head bolt		2	
		M 6 X 12			
12	928 574 717 05	Moulded hose		3	
12	928 574 717 06	Moulded hose		3	
13	996 605 123 01	Change-over valve		1	
13	7PP 906 270	Change-over valve		1	
-	999 181 742 40	Pipe		X	
		4,0 X 1,0			
14		950 MM		1	
15		75 MM		1	
16	996 307 711 12	Water hose		1	
17	999 512 656 09	Hose clamp		2	
		25 X 12			
18	999 707 388 40	O-ring		1	

Model: 996 01

Model life 2001>>2005

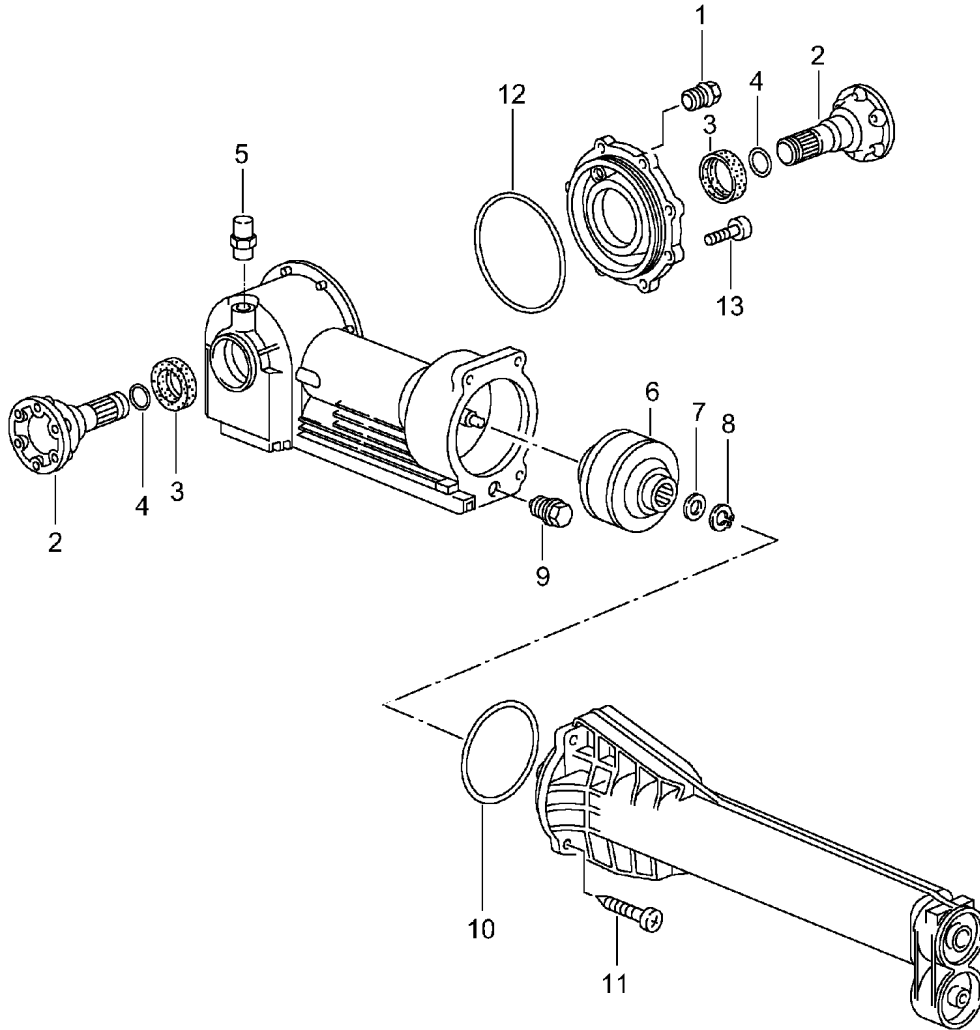


Model: 996 01 Model life 2001>>2005

Pos	Part Number	Description	Remark	Qty	Model
		Front-axle final drive Cardan shaft			Z96.00
1	996 349 010 02	Front-axle final drive Ready for installation	-04	1	
(1)	996 349 010 03	Front-axle final drive Ready for installation	05-	1	
2	999 072 034 09	Conical screw M 10 X 28		2	
3	996 375 034 00	Transmission carrier Front		1	
4	996 375 257 01	Stop		2	
5	900 380 008 09	Lock nut M 10		1	
6	996 375 343 03	Transmission carrier Rear		1	
7	900 378 142 09	Hexagon-head bolt M 10 X 90		1	
8	996 421 020 50	Cardan shaft		1	
8	997 421 020 00	Cardan shaft		1	
8	997 421 020 01	Cardan shaft		1	
9	996 421 145 01	Boot		1	
-	PCG 421 020 01	Joint flange Bonded rubber mounting for Cardan shaft		1	
10	996 375 054 02	Transmission mounting Rear		1	
-	999 061 105 09	Stud M 10 X 90		2	
-	900 380 008 09	Lock nut M 10 Mount Front-axle final drive Cross member		2	

Model: 996 01

Model life 2001>>2005



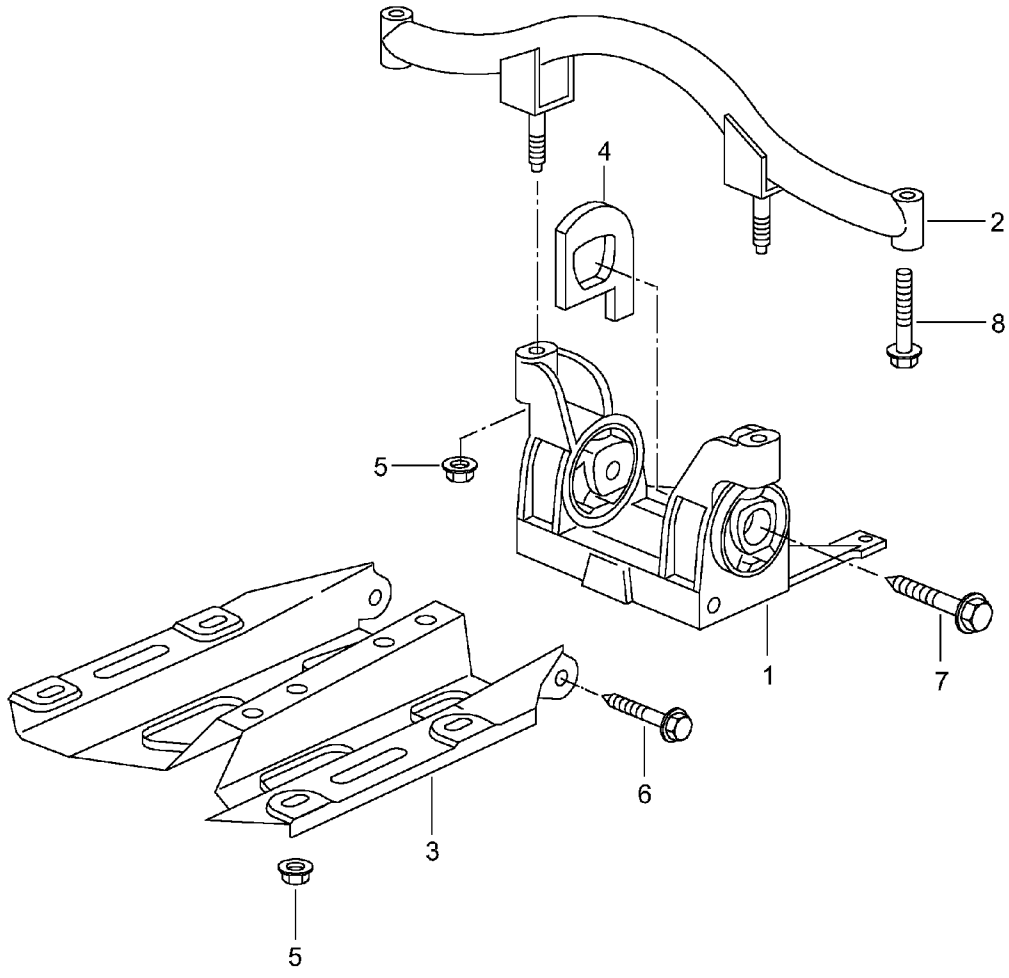


Model: 996 01 Model life 2001>>2005

Pos	Part Number	Description	Remark	Qty	Model
		Front-axle final drive Viscous clutch Single parts			Z96.00
-	PCG 349 010 02	Front-axle final drive Gasket set Comprising: POS. 1;3;4;9;10;12;13		1	
1	N 016 161 1	Screw plug M 18 X 1,5		1	
1	900 124 013 02	Screw plug M 18 X 1,5		1	
2	996 332 309 00	Joint flange		2	
3	999 113 454 40	Shaft sealing ring 40 X 60 X 9		2	
3	999 113 454 41	Shaft sealing ring 40 X 60 X 10		2	
4	996 332 311 00	Circlip 2,5 X 20		2	
5	996 301 071 00	Bleeder 17 X 12		1	
6	996 339 021 02	Viscous clutch		1	
7	900 234 174 00	Support washer 20 X 28 X 2,0		1	
8	999 041 021 01	Circlip 20 X 1,2		1	
9	900 124 025 02	Screw plug M 18 X 1,5 PM		1	
10	999 707 455 40	O-ring 123 X 3		1	
11	N 903 660 01	Torx screw M 8 X 36 for 996.349.010.02 GETRAG 630.0.0130.00 Old version		4	
(11)	900 385 141 01	Torx screw M 8 x 40 for 996.349.010.03 GETRAG 630.0.0173.00 New design		4	
-	996 337 411 00	Protection cap		1	
12	999 701 743 40	O-ring 144,5 X 3 for Lateral Transmission cover		1	
13	N 903 660 01	Torx screw M 8 X 36		8	

Model: 996 01

Model life 2001>>2005

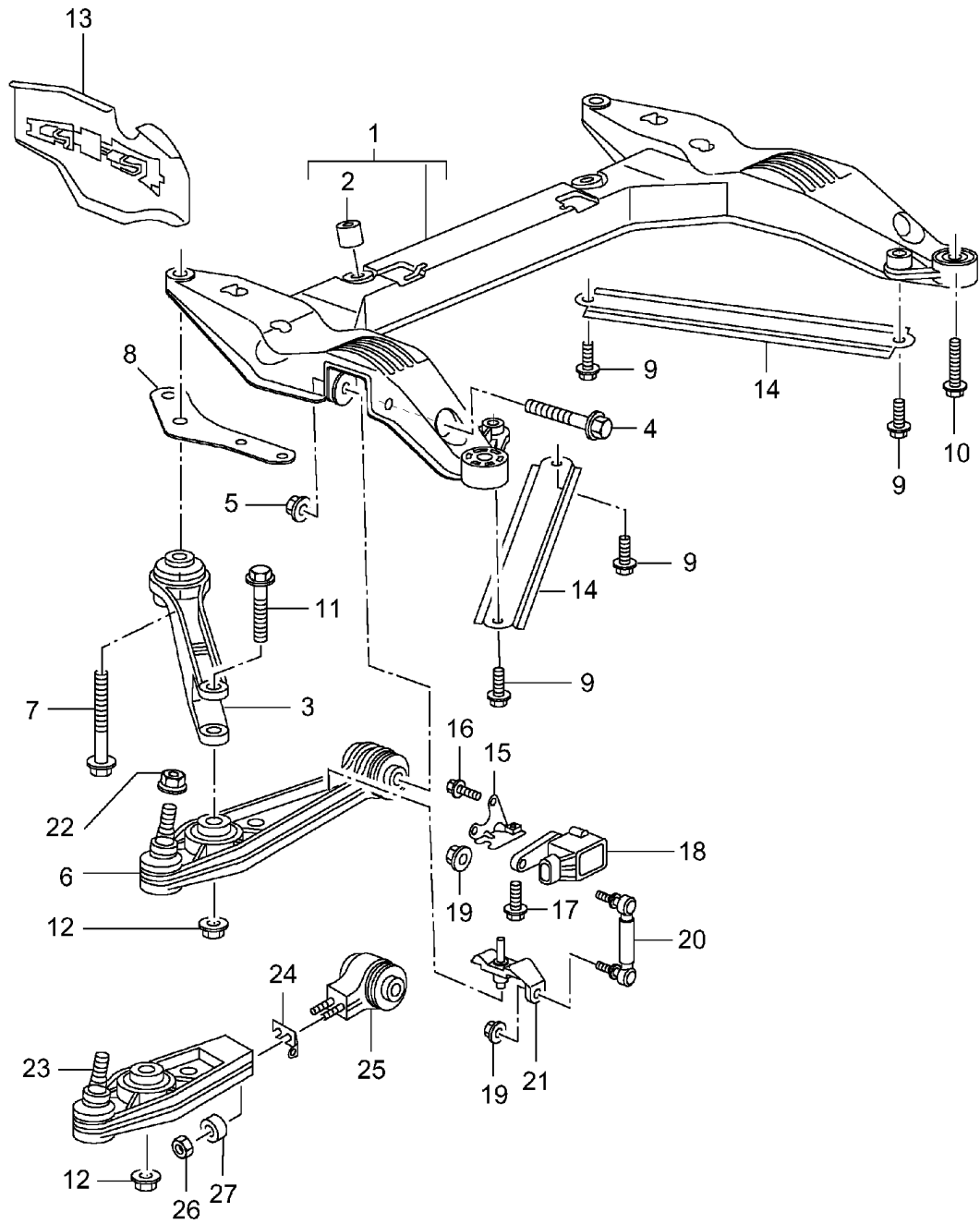


Model: 996 01 Model life 2001>>2005

Pos	Part Number	Description	Remark	Qty	Model
		Tiptronic Transmission suspension And Mount Intermediate flange			A96.50
1	996 375 033 03	Transmission carrier		1	
2	996 375 317 06	Bracket Upper		1	
3	996 375 015 00	Side member		1	
4	996 375 259 08	Stop		2	
5	900 378 167 09	Hexagon-head bolt M 10 X 110		2	
5	900 378 294 01	Hexagon-head bolt M 10 X 110		2	
5	999 061 106 09	Stud M 10 X 83		2	
6	900 380 008 09	Lock nut M 10		2	
(6A)	999 076 053 09	Hexagon nut M 10		6	
7	900 378 208 09	Hexagon-head bolt		2	
7	900 378 315 01	Hexagon-head bolt M 12 X 1,5 X 75		2	
8	999 072 008 09	Hexagon-head bolt M 12 X 1,5 X 70		3	
8	999 072 008 01	Hexagon-head bolt M 12 X 1,5 X 70		3	
-	999 073 182 02	Lens-head screw M 8 X 35		4	
-	999 073 373 01	Round head screw M 8 X 35		4	
-	900 378 108 09	Hexagon-head bolt M 8 X 35		4	
10	900 378 076 01	Hexagon-head bolt M 10 X 50		1	
11	900 377 011 01	Hexagon nut M 10		1	

Model: 996 01

Model life 2001>>2005



Model: 996 01 Model life 2001>>2005

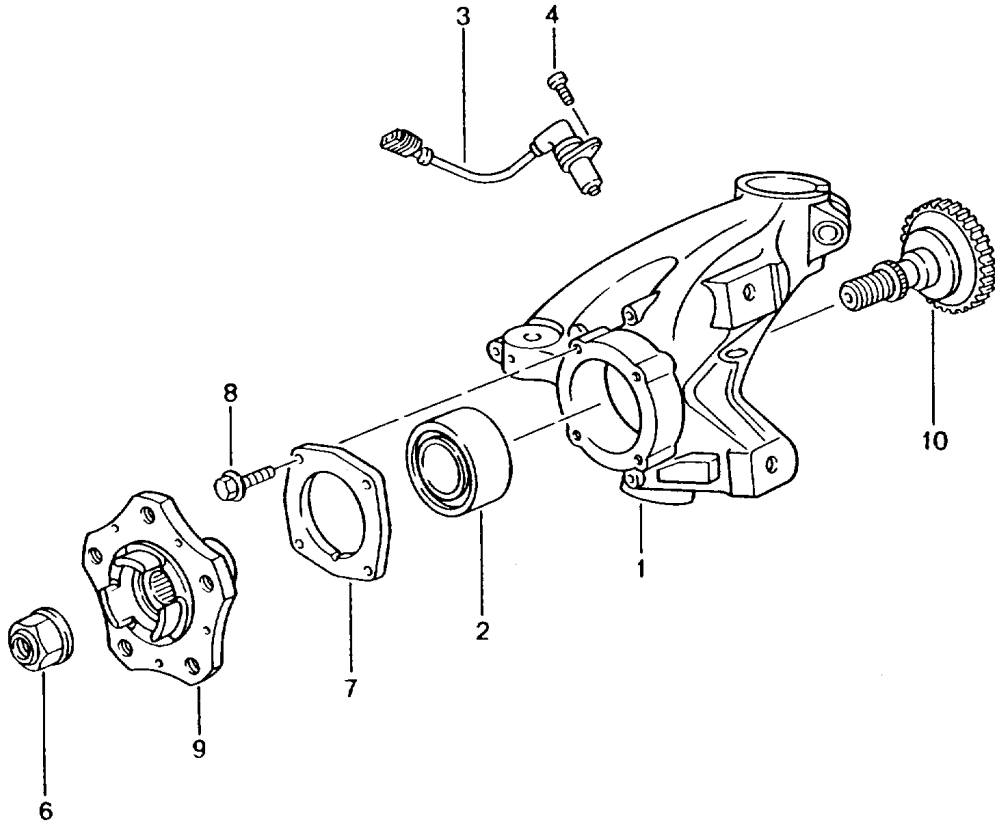
Pos	Part Number	Description	Remark	Qty	Model
		Cross member Wishbone			
1	996 341 081 30	Cross member	-01	1	TURBO
(1)	996 341 081 12	Cross member	02-	1	TURBO
(1)	996 341 081 14	Cross member	02-	1	TURBO
(1)	996 341 081 30	Cross member	-01	1	GT2
(1)	996 341 081 12	Cross member	02-	1	GT2
(1)	996 341 081 14	Cross member	02-	1	GT2
2	900 197 004 00	Guide sleeve 13 X 14		1	
3	996 341 043 03	Control arm		2	
(3)	996 341 043 06	Control arm		2	
4	900 378 165 09	Hexagon-head bolt M 12 X 1,5 X 95		2	
5	999 084 445 09	Lock nut M 12 X 1,5		2	
6	996 341 053 07	Wishbone	-03	2	
(6)	996 341 053 16	Wishbone	04-	2	
7	900 378 210 09	Hexagon-head bolt M 14 X 1,5 X 110		2	
8	996 341 145 06	Plate		2	
9	900 378 211 09	Hexagon-head bolt M 12 X 1,5 X 25		4	
10	900 378 192 09	Hexagon-head bolt	-01	2	TURBO
				4	TURBO
			02-	4	GT2
10	900 378 192 01	M 14 X 1,5 X 50 Hexagon-head bolt		2	TURBO
				4	TURBO
				4	GT2
11	900 378 135 09	M 14 X 1,5 X 50 Hexagon-head bolt		2	
		M 14 X 1,5 X 73		2	
11	900 378 135 01	Hexagon-head bolt		2	
		M 14 X 1,5 X 73		2	
12	900 380 012 09	Hexagon nut M 14 X 1,5		2	
12	900 380 012 01	Hexagon nut M 14 X 1,5		2	
13	996 341 483 02	Spoiler	/L	1	TURBO
(13)	996 341 483 05	Spoiler	/L 05-	1	TURBO
		F 995S6 75262>>			
		F 995S6 80255>>			
(13)	996 341 383 90	Spoiler	/L	1	GT2
(13)	996 341 117 90	Spoiler	/L -02	1	GT2
(13)	996 341 117 91	Spoiler	/L 03-	1	GT2
(13)	996 341 484 02	Spoiler	/R	1	TURBO
(13)	996 341 484 05	Spoiler	/R 05-	1	TURBO
		F 995S6 75262>>			
		F 995S6 80255>>			
(13)	996 341 384 90	Spoiler	/R	1	GT2
(13)	996 341 118 90	Spoiler	/R -02	1	GT2
(13)	996 341 118 91	Spoiler	/R 03-	1	GT2
14	996 504 433 00	Strut		2	
15	996 341 511 02	Support		1	M601
16	900 146 003 02	Oval-head screw M 5 X 10		2	M601
17	900 378 177 09	Hexagon-head bolt M 6 X 30		1	M601
18	996 631 121 00	Sensor		1	M601
19	900 380 015 09	Hexagon nut VM 6		2	M601
19	900 380 015 01	Hexagon nut		2	M601

Model: 996 01 Model life 2001>>2005

Pos	Part Number	Description	Remark	Qty	Model
		VM 6			
20	996 341 375 01	Strut		1	M601
21	996 341 371 03	Support		1	TURBO M601
22	999 084 449 09	Lock nut M 12 X 1,5		2	M601
23	996 341 122 90	Wishbone	/L	1	GT2
(23)	996 341 121 90	Wishbone	/R	1	GT2
24	996 341 543 30	Adjusting shim	/L	1	GT2
(24)	996 341 543 90	Adjusting shim	/R	1	GT2
25	996 341 441 90	Bearing flange		2	GT2
26	900 076 025 02	Hexagon nut M 8		4	GT2
26	900 076 064 02	Hexagon nut M 8		4	GT2
27	999 025 269 02	Washer 8,5		4	GT2

Model: 996 01

Model life 2001>>2005



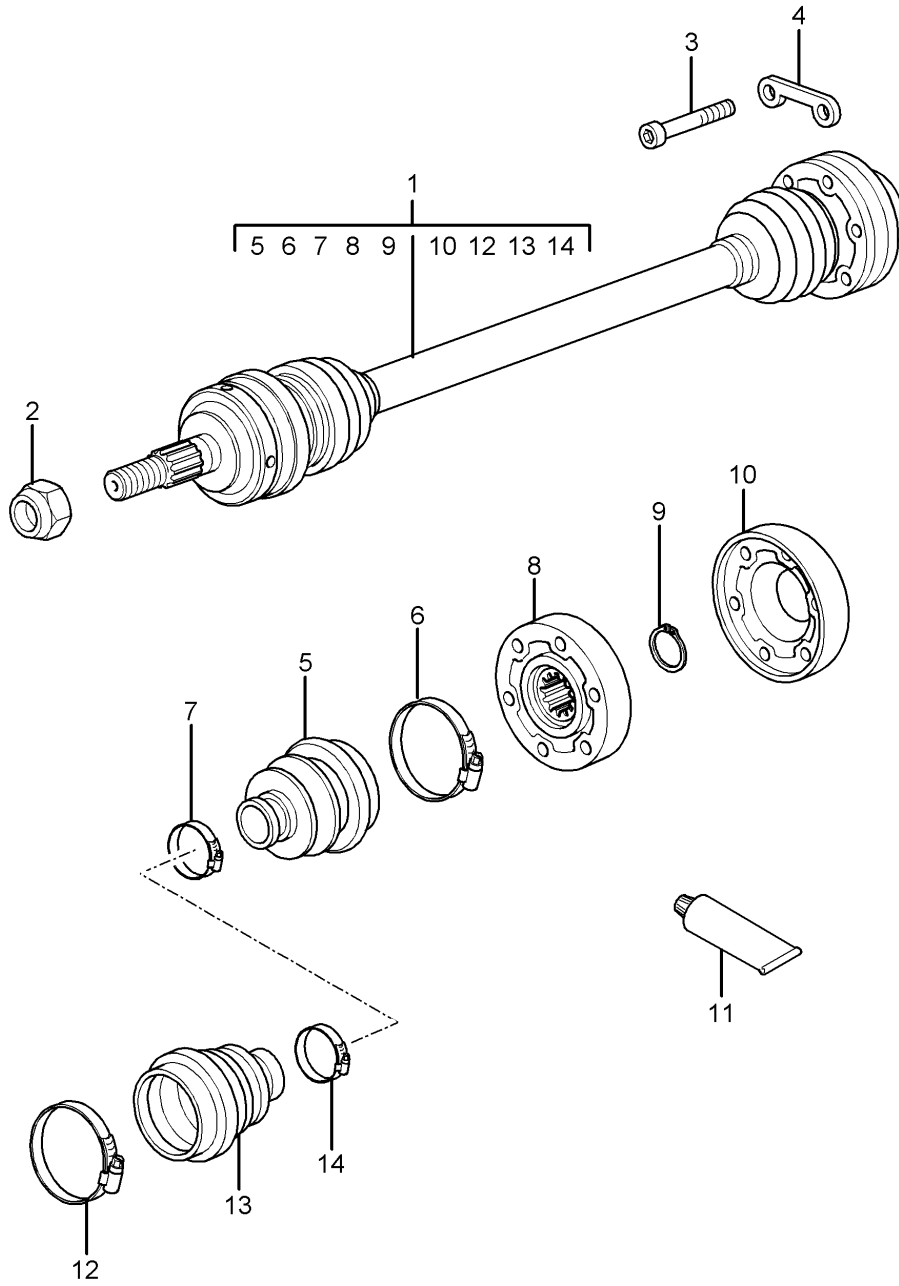
Model: 996 01 Model life 2001>>2005

Pos	Part Number	Description	Remark	Qty	Model
		Wheel carrier			
		Wheel hub			
(1)	996 341 165 05	Wheel carrier	/L	1	TURBO
(1)	996 341 157 91	Wheel carrier	/L	1	GT2
(1)	996 341 166 05	Wheel carrier	/R	1	TURBO
(1)	996 341 158 91	Wheel carrier	/R	1	GT2
2	999 053 042 07	Angular-contact bearing		2	
(2)	999 053 054 05	Angular-contact bearing		2	
3	996 606 406 00	Speed sensor	-03	2	
(3)	996 606 407 02	Speed sensor	04-	2	-M476
3	996 606 406 00	Speed sensor	04-	2	M476
-	996 606 235 90	Heat protection for Speed sensor	/L	1	GT2
-	996 606 236 90	Heat protection for Speed sensor	/R	1	GT2
-	996 341 321 70	Support for Cable		2	GT2
4	900 067 117 09	Anti-lock brake system Pan-head screw		2	
(6)	999 084 634 02	Lock nut M 6 X 16		2	
7	986 331 661 20	Lid		2	
8	999 217 042 09	Hexagon-head bolt M 22X 1,5		8	
9	997 341 605 01	Wheel hub		2	GT2
(9)		Wheel hub		2	TURBO
10	996 341 131 90	Tension bolt		2	GT2



Model: 996 01

Model life 2001>>2005

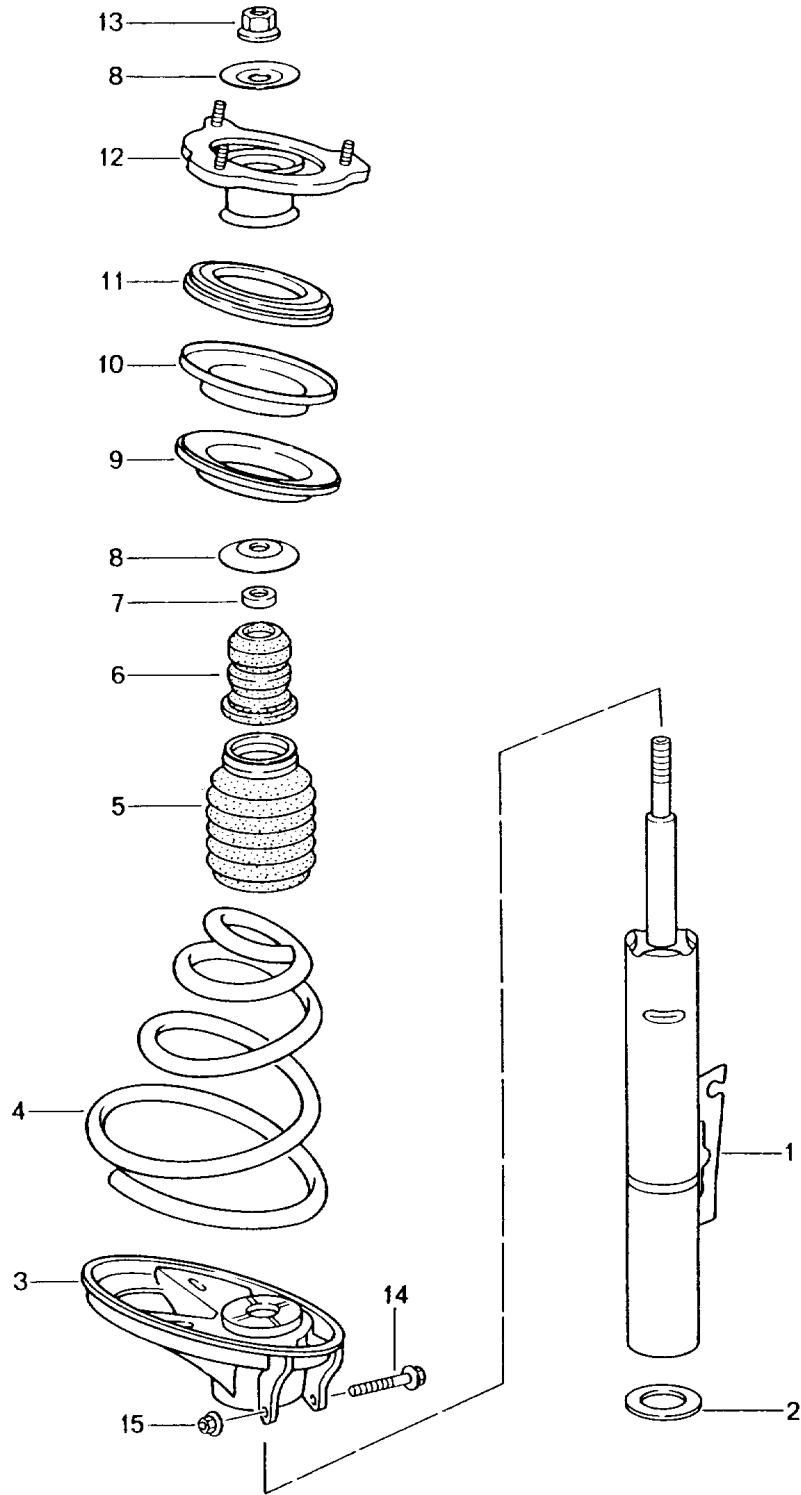


Model: 996 01 Model life 2001>>2005

Pos	Part Number	Description	Remark	Qty	Model
		Drive shaft			TURBO
1	996 349 038 10	Drive shaft		2	
2	999 084 641 02	Lock nut	-03	2	
		M 22 X 1,5			
(2)		Lock nut	04-	2	
		M 22 X 1,5			
3	900 067 211 09	Pan-head screw		12	
		M 8 X 50			
4	996 349 191 00	Plate		6	
(4)	996 349 191 01	Plate		6	
5	996 349 293 00	Dust bellows		2	
6	997 349 957 00	Clip		2	
7	996 349 257 03	Clip		2	
-	996 349 959 00	Bellow support		2	
		with			
		Dust bellows			
8	996 349 030 00	Joint		2	
9	900 041 011 01	Circlip		2	
10	996 349 267 00	Lid		2	
10	996 349 267 01	Lid		2	
11	000 043 110 01	Grease		X	
		1 100-gramme tube			
(11)	000 043 205 36	Sealing compound		X	
		Drive shaft			
		1 100-gramme tube			
12	996 349 257 00	Clip		2	
13	996 349 291 00	Dust bellows		2	
14	996 349 257 01	Clip		2	

Model: 996 01

Model life 2001>>2005



Model: 996 01

Model life 2001&gt;&gt;2005

Pos	Part Number	Description	Remark	Qty	Model
		suspension			TURBO
		Shock absorber strut			
1	996 343 043 17	Shock absorber	-03	2	COUPE
1	996 343 043 42	Shock absorber	-03	2	COUPE
(1)	996 343 043 28	Shock absorber	04-	2	COUPE
			04-	2	CABRIO
(1)	996 343 043 49	Shock absorber	04-	2	COUPE
			04-	2	CABRIO
(1)	996 343 980 33	Shock absorber	03-	2	IX73
					COUPE
		Mount			
		Shock absorber			
-	900 378 138 09	Hexagon-head bolt		2	
		M 12 X 1,5 X 70			
-	900 378 138 01	Hexagon-head bolt		2	
		M 12 X 1,5 X 70			
-	999 084 445 09	Lock nut		2	
		M 12 X 1,5			
2	996 343 521 01	Concave washer		2	
3	996 343 507 02	Concave washer	/L	1	
(3)	996 343 508 02	Concave washer	/R	1	
4	996 343 533 18	Coil spring	-03	1	COUPE
		1 set			
	996 343 533 18 504	Identification			
		Gold-coloured			
		White			
(4)	996 343 533 30	Coil spring	04-	1	COUPE
				1	CABRIO
		1 set			
	996 343 533 30 504	Identification			
		Pink			
		Blue			
(4)	996 343 980 27	Coil spring	03-	1	IX73
		1 set			COUPE
	996 343 980 27 504	Identification			
		Blue			
		Silver			
5	996 343 509 01	Bellows		2	
6	996 343 301 02	Additional spring		2	
(6)	996 343 980 35	Additional spring	03-	2	IX73
					COUPE
7	996 343 513 00	Washer		2	
8	996 343 107 03	Stop plate		2	
9	996 343 525 00	Compensating plate		X	
		3,0 MM			
(9)	996 343 525 01	Compensating plate		X	
		6,5 MM			
10	996 343 523 00	Support ring		1	
11	996 343 501 00	Angular-contact bearing		1	
12	996 343 015 04	Supporting mount	/L	1	
(12)	996 343 980 15	Supporting mount	/L 03-	1	IX73
					COUPE
(12)	996 343 016 04	Supporting mount	/R	1	
(12)	996 343 980 16	Supporting mount	/R 03-	1	IX73
					COUPE
-	999 084 447 09	Hexagon nut		6	
		M 8			
-	999 084 447 01	Hexagon nut		6	
		M 8			
13	900 380 012 09	Hexagon nut		2	
		M 14 X 1,5			
13	900 380 012 01	Hexagon nut		2	
		M 14 X 1,5			

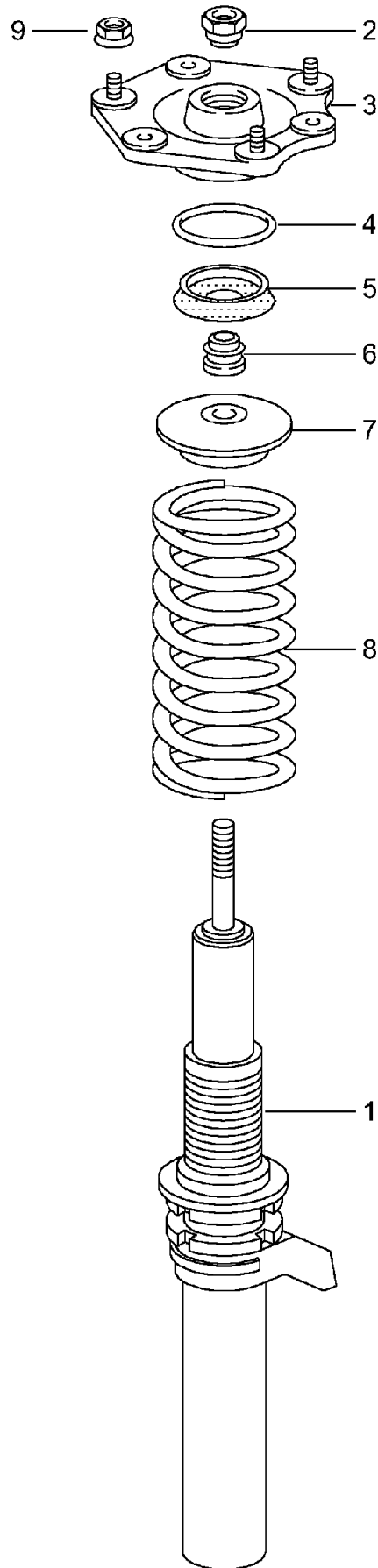
Model: 996 01

Model life 2001&gt;&gt;2005

Pos	Part Number	Description	Remark	Qty	Model
14	900 378 191 09	Hexagon-head bolt M 6 X 55		2	
15	900 377 010 09	Hexagon nut M 6		2	

Model: 996 01

Model life 2001>>2005



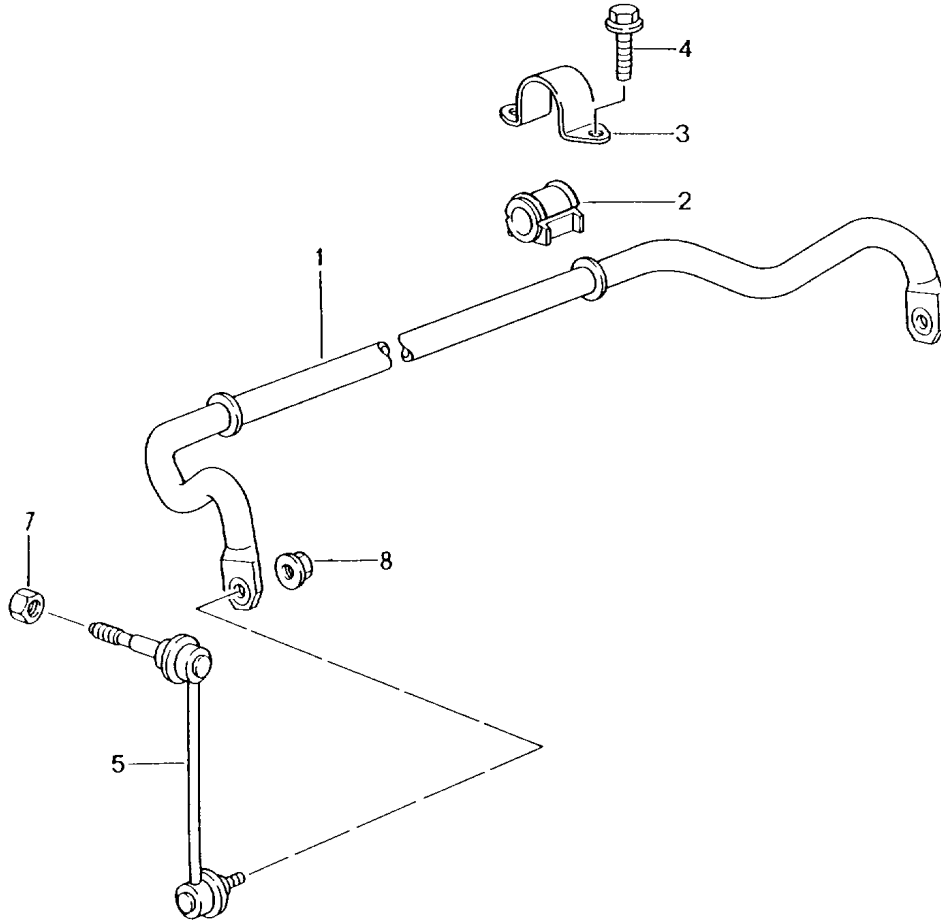
Model: 996 01

Model life 2001&gt;&gt;2005

Pos	Part Number	Description	Remark	Qty	Model
		suspension			GT2
-	996 343 031 93	Shock absorber strut		2	
		Spring strut			
		Complete			
-	996 343 031 98	Shock absorber		2	
		Spring strut			
		Complete			
1	996 343 041 93	Shock absorber		2	
		- bilstein -			
(1)	996 343 041 98	Shock absorber		2	
		- bilstein -			
		Mount			
		Shock absorber			
-	900 378 138 09	Hexagon-head bolt		2	
		M 12 X 1,5 X 70			
-	900 378 138 01	Hexagon-head bolt		2	
		M 12 X 1,5 X 70			
-	999 084 445 09	Lock nut		2	
		M 12 X 1,5			
2	996 343 561 91	Nut		2	
3	996 343 011 91	Supporting mount		2	
-	000 043 205 34	Grease		X	
		1 tube			
		100 ML			
		AUTOL			
		TOP 2000			
4	964 343 188 80	Retainer spring		6	
5	964 343 186 80	Sealing cap		2	
6	996 343 563 91	Spacer sleeve		2	
7	996 343 511 91	Spring hanger		2	
(7)	996 343 511 90	Spring hanger		2	
-	996 343 567 90	Bellows		2	
		for			
		Spring hanger			
-	996 343 551 90	Rubber ply		2	
		for			
		Coil spring			
-	996 343 551 91	Rubber ply		2	
		for			
		Coil spring			
-	996 343 931 90	Retrofit kit		1	
		Coil spring			
		See technical information			
		Group 4			
		NR.5/02			
-	996 343 105 93	Additional spring		2	
-	996 343 105 94	Additional spring		2	
8	996 343 531 93	Coil spring		1	
	996 343 531 93 504	1 set			
(8)	996 343 531 98	Coil spring		1	
	996 343 531 98 504	1 set			
9	999 084 447 09	Hexagon nut		6	
		M 8			
9	999 084 447 01	Hexagon nut		6	
		M 8			

Model: 996 01

Model life 2001>>2005



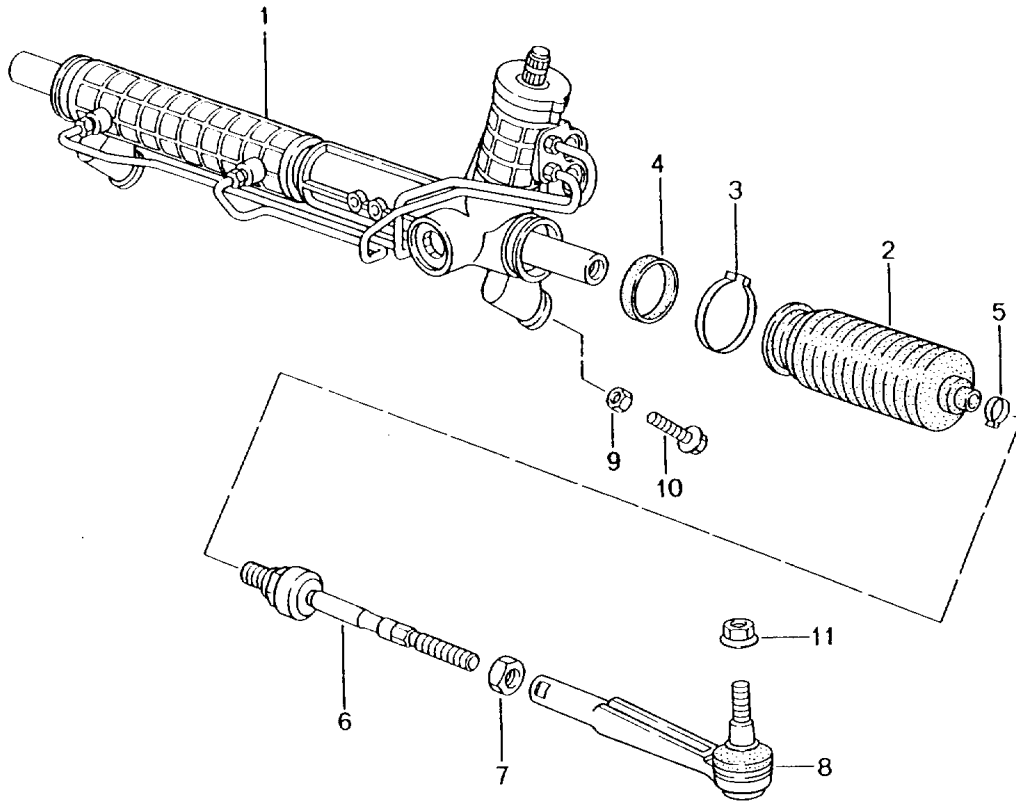


Model: 996 01 Model life 2001>>2005

Pos	Part Number	Description	Remark	Qty	Model
1	996 343 703 02	Stabiliser	-04	1	TURBO
(1)	996 343 703 04	Stabiliser	05-	1	TURBO
(1)	996 343 703 00	Stabiliser	04	1	IX75 TURBO/COUPE
(1)	996 343 703 03	Stabiliser	05-	1	IX75 TURBO/COUPE
(1)	996 343 701 90	Stabiliser		1	GT2
(2)	996 343 792 12	Stabiliser mounting		2	TURBO
(2)	996 343 792 11	Stabiliser mounting	04-	2	IX75 TURBO/COUPE
(2)	996 343 792 16	Stabiliser mounting		2	GT2
3	996 343 777 01	Clip		2	
4	900 378 070 09	Hexagon-head bolt M 10 X 30		4	
5	996 343 073 04	Stabiliser mounting		2	TURBO
(5)	996 343 069 91	Stabiliser mounting		2	GT2
(5)	996 343 069 92	Stabiliser mounting		2	GT2
(5)	996 343 069 92	Stabiliser mounting		2	GT2
7	999 084 624 09	Lock nut M 10		2	
7	999 084 624 0J	Lock nut M 10		2	
8	999 084 643 01	Hexagon nut M 10		2	TURBO
(8)	999 084 624 09	Lock nut M 10		2	GT2
(8)	999 084 624 0J	Lock nut M 10		2	GT2

Model: 996 01

Model life 2001>>2005

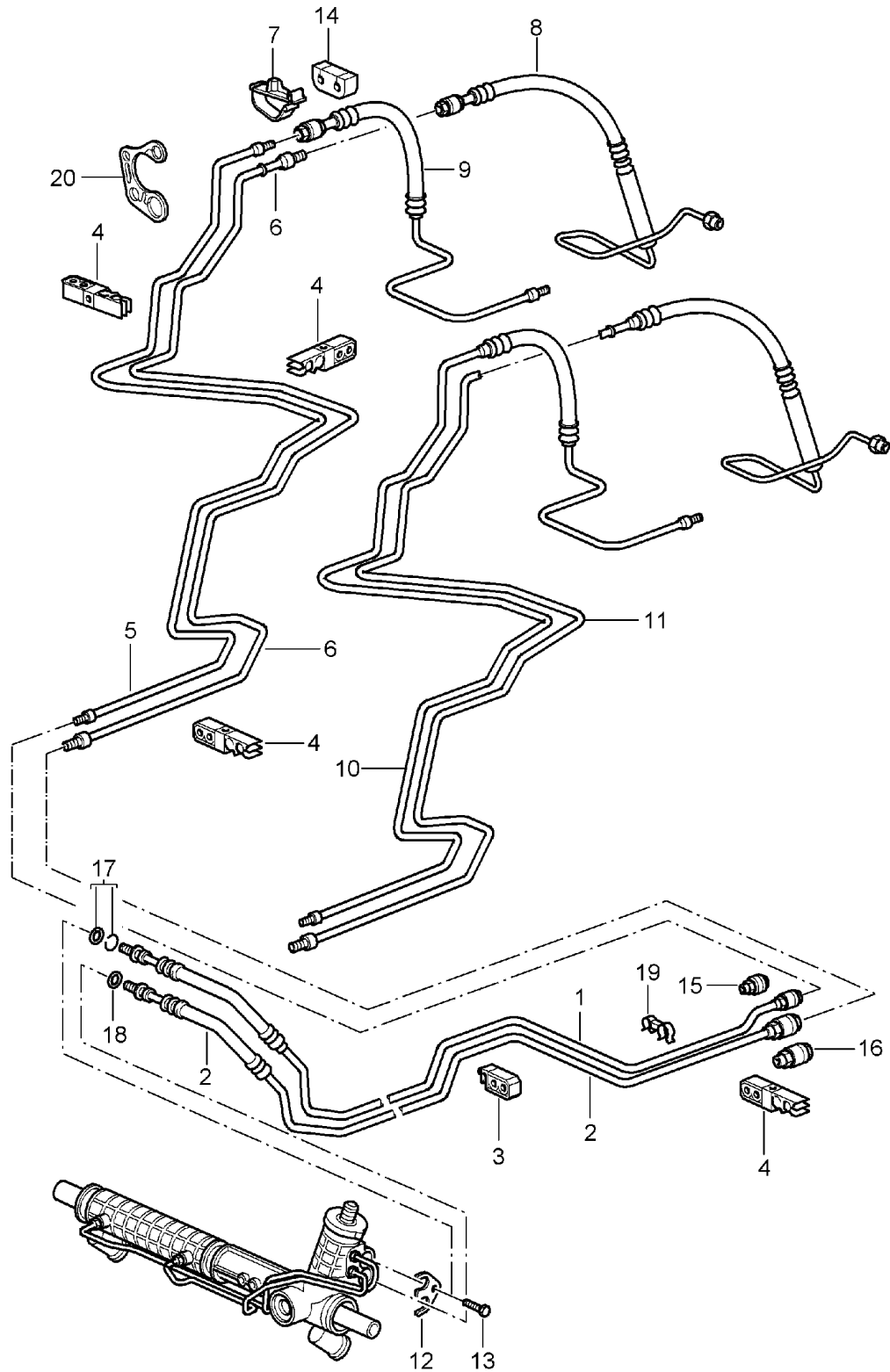


Model: 996 01 Model life 2001>>2005

Pos	Part Number	Description	Remark	Qty	Model
1	996 347 011 06	Power steering Steering gear	/LL	1	
(1)	996 347 011 07	Steering parts Steering gear	/LL	1	
(1)	996 347 011 10	Power steering Steering gear	/LL	1	
(1)	996 347 012 07	Power steering Steering gear	/RL	1	
(1)	996 347 012 08	Power steering Steering gear	/RL	1	
(1)	996 347 012 10	Power steering Steering gear	/RL	1	
-	996 347 110 01	Power steering Clip Pinion	-03	1	
-	996 347 110 02	Steering gear Clip Pinion	04-	1	
2	996 347 191 04	Steering gear Bellows	/LL	2	
3	996 347 293 04	Clamping ring	/LL	2	
4	997 347 373 00	Sealing ring	/LL	2	
5	999 512 645 09	Hose clamp		2	
6	996 347 322 03	Joint		2	
7	999 034 037 09	Hexagon nut M 14 X 1,5		2	
8	996 347 131 04	Track rod		2	
9		See illustrations 4/01/00 POS.2			
10	900 378 100 01	Hexagon-head bolt AM 10 X 45		2	
11	999 084 449 09	Lock nut M 12 X 1,5		2	

Model: 996 01

Model life 2001>>2005



Model: 996 01 Model life 2001>>2005

Pos	Part Number	Description	Remark	Qty	Model
		Power steering Lines			
1	996 347 451 28	Pressure line	/LL -01	1	
(1)	996 347 451 29	Pressure line	/LL 02	1	
(1)	996 347 451 30	Pressure line	/LL 03-	1	
(1)	996 347 451 31	Pressure line	/LL 03-	1	
(1)	996 347 452 06	Pressure line	/RL 01	1	
(1)	996 347 452 09	Pressure line	/RL 01	1	
(1)	996 347 452 26	Pressure line	/RL 02	1	
(1)	996 347 452 28	Pressure line	/RL 03-	1	
(1)	996 347 451 08	Pressure line	/LL 01	1	GT2
(1)	996 347 451 11	Pressure line	/LL 01	1	GT2
(1)	996 347 451 09	Pressure line	/LL 02	1	GT2
(1)	996 347 451 10	Pressure line	/LL 03-	1	GT2
(1)	996 347 452 04	Pressure line	/RL 01	1	GT2
(1)	996 347 452 07	Pressure line	/RL 02	1	GT2
(1)	996 347 452 08	Pressure line	/RL 03	1	GT2
2	996 347 449 29	Return line	/LL	1	
		F >>991S6 80594			
(2)		Return line	/LL 01	1	
		F 991S6 80595>>			
(2)	996 347 449 30	Return line	/LL 02-	1	
(2)	996 347 450 05	Return line	/RL 01	1	
(2)	996 347 450 25	Return line	/RL 02-	1	
(2)	996 347 449 09	Return line	/LL	1	GT2
(2)	996 347 450 03	Return line	/RL 01	1	GT2
(2)	996 347 450 08	Return line	/RL 01-	1	GT2
(2)	996 347 450 12	Return line	/RL 01-	1	GT2
(2)	996 347 450 06	Return line	/RL 02-	1	GT2
3	996 347 543 00	Cable holder		X	
(3)	996 347 553 00	Support	/RL	1	
4	996 355 543 00	Support		1	
-	996 347 674 00	Support	/RL	1	
		Pressure line			
		Return line			
5	996 347 539 51	Return line		1	
(5)	996 347 539 52	Return line		1	
		Centre			
		F >>994S6 80654			
		F >>994S6 70658			
		F >>994S6 95107			
6	996 347 545 51	Pressure line	01	1	
		Centre			
(6)	996 347 545 52	Pressure line	02-	1	
		Centre			
		F >>994S6 80654			
		F >>994S6 70658			
		F >>994S6 95107			
7	996 347 549 01	Support		2	
8	996 347 443 53	Pressure hose		1	
		Rear			
		F >>994S6 80654			
		F >>994S6 70658			
		F >>994S6 95107			
-	999 707 355 40	Sealing ring		1	
		Pressure line			
		F >>994S6 80654			
		F >>994S6 70658			
		F >>994S6 95107			
(9)	996 347 441 52	Return line		1	
		Rear			
		F >>994S6 80654			
		F >>994S6 70658			

Model: 996 01 Model life 2001>>2005

Pos	Part Number	Description	Remark	Qty	Model
(9)	996 347 441 53	F >>994S6 95107 Return line Rear F >>994S6 80654 F >>994S6 70658 F >>994S6 95107		1	
-	999 230 551 10	Threaded joint NW 10 F >>994S6 80654 F >>994S6 70658 F >>994S6 95107		1	
-	999 230 552 10	Threaded joint NW 6 F >>994S6 80654 F >>994S6 70658 F >>994S6 95107		1	
-	999 230 685 40	Circlip for Threaded joint F >>994S6 80654 F >>994S6 70658 F >>994S6 95107		1	
-	999 230 683 40	Safety clip for Threaded joint F >>994S6 80655 F >>994S6 70659 F >>994S6 95108		1	
10	996 347 439 50	Return line F 994S6 80655>> F 994S6 70659>> F 994S6 95108>> Information available		1	
10	996 347 439 53	Return line F 994S6 80655>> F 994S6 70659>> F 994S6 95108>>		1	
10	996 347 439 54	Return line F 994S6 80655>> F 994S6 70659>> F 994S6 95108>>		1	
11	996 347 445 50	Pressure line F 994S6 80655>> F 994S6 70659>> F 994S6 95108>>		1	
12	996 347 769 01	Tension shackle		1	
13	900 067 063 02	Pan-head screw M 10 X 20		1	
14	996 347 551 01	Retainer plate Mount Pressure line Return line Power steering		1	
-	996 347 771 02	Support Left	/RL	1	
-	996 347 672 02	Support Right	/RL	1	
-	996 347 547 00	Support Lines Mount Bracket		1	
-	996 347 544 01	Line bracket		1	
-	997 347 544 00	Support		1	

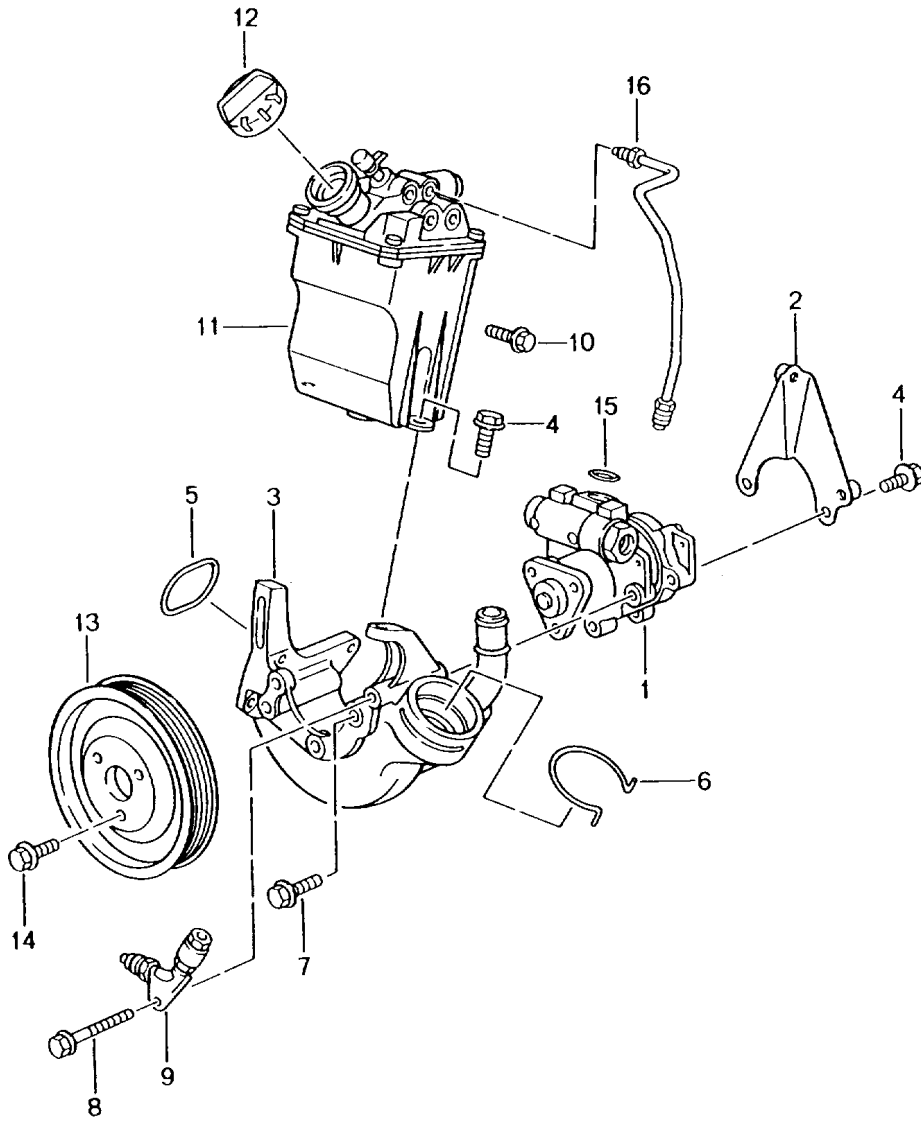
Model: 996 01

Model life 2001>>2005

Pos	Part Number	Description	Remark	Qty	Model
		Lines			
		Mount			
		Bracket			
15	999 230 539 10	Threaded joint		1	
16	999 230 540 10	Threaded joint		1	
17	999 230 543 40	Repair kit		1	
		Gaskets			
18	999 230 542 40	O-ring		1	
19	999 507 575 40	Support		1	
		9,0/13,0			
20	997 347 544 00	Support		1	

Model: 996 01

Model life 2001>>2005



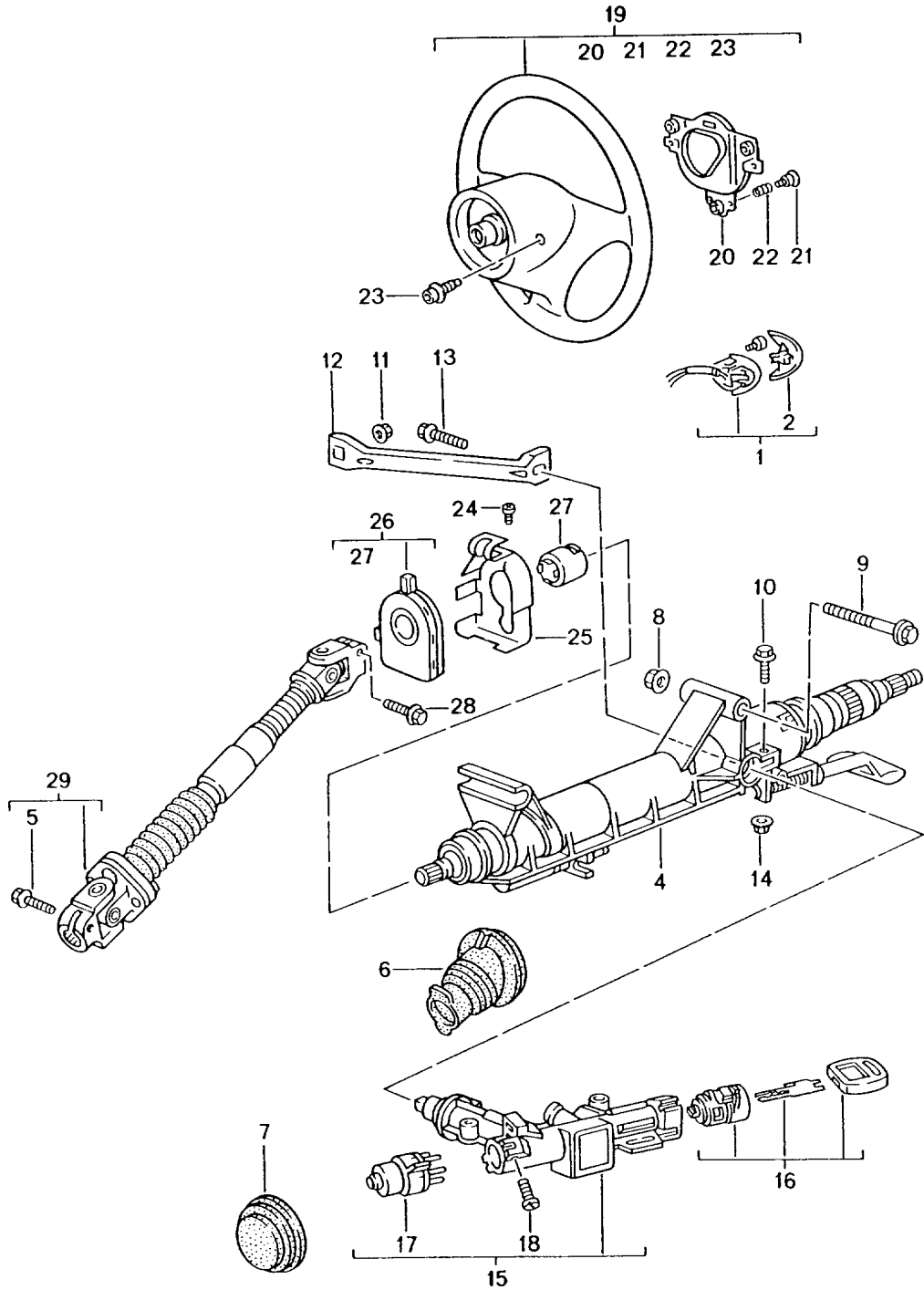


Model: 996 01 Model life 2001>>2005

Pos	Part Number	Description	Remark	Qty	Model
		Power steering Power-steering pump Container			
1	996 314 050 51	Power-steering pump		1	M249
(1)		Power-steering pump		1	GT2
(1)	996 314 040 01	Power-steering pump		1	M480
(1)	997 314 040 00	Power-steering pump		1	M480
2	996 314 431 52	Bracket		1	M249
(2)	996 314 431 32	Bracket		1	M480
(2)	996 314 431 53	Bracket		1	GT2
3	996 314 091 03	Bracket		1	
4	900 378 074 09	Hexagon-head bolt M 8 X 16		2	M249
(4)		Hexagon-head bolt M 8 X 16		1	M480
5	999 707 298 40	O-ring		1	
6	996 106 802 10	Retainer spring		1	
7	900 378 022 09	Hexagon-head bolt M 8 X 25		3	
8	900 378 078 09	Hexagon-head bolt M 6 X 80		1	M249
(8)		Hexagon-head bolt M 6 X 80		2	M480
9	996 347 643 52	Pressure line	01	1	
-	999 707 355 40	Sealing ring 7,65 x 1,65		1	
(9)	996 347 643 53	Pressure line	02-	1	
-	999 707 503 40	Sealing ring 7,8 x 1,7		1	
10	900 378 035 01	Hexagon-head bolt M 6 X 16		1	
11	996 314 220 51	Container	01	1	M249
(11)	996 314 920 53	Container	02-	1	M249
(11)	996 314 220 31	Container	01	1	M480
(11)	996 314 920 33	Container		1	M480
(11)	996 314 920 34	Container	-02	1	M480
(11)	997 314 920 30	Container		1	M480
(11)	997 314 920 31	Container		1	M480
(11)	996 314 920 53	Container		1	GT2
(11)	997 314 920 50	Container		1	GT2
-	996 314 331 00	Drip pan for Pentosin		1	
-	993 314 803 00	Indication sticker Green for Container		1	
-	811 611 797	Support		1	M480
12	996 314 223 51	Lid		1	
-	999 701 154 40	Sealing ring 33 X 2,4		1	
13	996 147 223 71	Pulley		1	
14	900 378 123 09	Hexagon-head bolt M 8 X 12		3	
15	999 707 204 40	Sealing ring 12.5 X 2N		1	
16	996 314 269 02	Pressure line		1	M480
-	000 043 203 33	Pentosin 1000 ML		X	GT2
-	000 043 206 56	Pentosin 1000 ML		X	

Model: 996 01

Model life 2001>>2005



Model: 996 01 Model life 2001>>2005

Pos	Part Number	Description	Remark	Qty	Model
1	996 347 831 00	Steering outer tube Steering shaft Steering wheels Switch without Lever		1 1	TURBO M249
2	996 347 835 00	Lever	/L	1	TURBO M249
(2)	996 347 835 00 01C 996 347 836 00	Black Lever	/R	1	TURBO M249
4	996 347 836 00 01C 996 347 007 06	Black Steering column Complete with Steering shaft See technical manual Group 4 NR.45....	-02	1	TURBO
(4)	996 347 007 07	Steering column Complete with Steering shaft	03-	1	TURBO
(8)	996 347 007 08	Steering column Complete with Steering shaft	03-	1	TURBO
(4)	996 347 007 05	Steering column Complete with Steering shaft		1	GT2
(8)	996 347 007 09	Steering column Complete with Steering shaft		1	GT-2
5	999 217 042 09	Hexagon-head bolt M 8 X 35		1	
6	986 347 037 01	Bellows Information available		1	
7	996 347 339 02	Rubber seal		1	
8	900 380 008 09	Lock nut M 10		1	
8	900 380 008 01	Hexagon nut M 10		1	
9	900 378 095 09	Hexagon-head bolt M 10 X 100		1	
10	900 378 157 09	Hexagon-head bolt AM 6 X 25		1	
11	999 076 055 09	Hexagon nut M 8		1	
12	996 347 243 01	Strut		1	
13	900 378 055 09	Hexagon-head bolt AM 8 X 40		1	
14	900 377 002 02	Hexagon nut M 6		1	
15	996 347 017 06	Steering lock	-03	1	
(15)	996 347 017 07	Steering lock See technical information Group 2 NR.2/03	04-	1	
16	996 347 917 00	Lock cylinder with stipulated lock number	-01	1	
(16)	996 347 917 01	Lock cylinder	02-	1	

Model: 996 01 Model life 2001>>2005

Pos	Part Number	Description	Remark	Qty	Model
(16)	996 347 915 00	with stipulated lock number Lock cylinder	-01	1	
(16)	996 347 915 01	W/o stipulated lock number Lock cylinder	02-	1	
(21)	996 347 915 02	W/o stipulated lock number Lock cylinder		1	
17	4A0 905 849 B	Ignition starter switch	-03	1	
(17)	4B0 905 849	Ignition starter switch See technical information Group 2 NR.2/03	04-	1	
18	996 347 901 00	Slotted screw		2	
19	996 347 804 54	Steering wheel		1	TURBO M480
	996 347 804 54 A28	Black			
	996 347 804 54 C60	Graphite grey			
	996 347 804 54 G30	Metropole blue			
	996 347 804 54 S40	Savanna			
	996 347 804 54 M40	Boxster red			
	996 347 804 54 J40	Nephrite green	-03		
	996 347 804 54 D11	Dark grey/natural			
	996 347 804 54 T11	Brown/natural			
	996 347 804 54 P20	Cinnamon brown			
(19)	996 347 804 57	Steering wheel	05-	1	TURBO S
	996 347 804 57 VTB	Dark grey/natural			
	996 347 804 57 VTL	Brown/natural			
(19)	996 347 804 54	Steering wheel		1	GT2
	996 347 804 54 A28	Black			
	996 347 804 54 D11	Dark grey/natural	02-		
	996 347 804 54 T11	Brown/natural	02-		
(19)	996 347 983 00	3-spoke steering wheel		1	IXPA/M480
	996 347 983 00 A28	Black			
	996 347 983 00 C60	Graphite grey			
	996 347 983 00 S40	Savanna			
	996 347 983 00 G30	Metropole blue			
	996 347 983 00 J40	Nephrite green	-03		
	996 347 983 00 M40	Boxster red			
	996 347 983 00 P20	Cinnamon brown			
	996 347 983 00 D11	Dark grey/natural			
	996 347 983 00 T11	Brown/natural			
(19)	996 347 983 04	3-spoke steering wheel		1	IXPB/M480
	996 347 983 04 A28	Black			
	996 347 983 04 C60	Graphite grey			
	996 347 983 04 S40	Savanna			
	996 347 983 04 G30	Metropole blue			
	996 347 983 04 J40	Nephrite green	-03		
	996 347 983 04 M40	Boxster red			
	996 347 983 04 P20	Cinnamon brown			
	996 347 983 04 D11	Dark grey/natural			
	996 347 983 04 T11	Brown/natural			
(19)	996 347 983 10	3-spoke steering wheel		1	IXPC/M480
	996 347 983 10 A28	Black			
	996 347 983 10 C60	Graphite grey			
	996 347 983 10 S40	Savanna			
	996 347 983 10 G30	Metropole blue			
	996 347 983 10 J40	Nephrite green	-03		
	996 347 983 10 M40	Boxster red			
	996 347 983 10 P20	Cinnamon brown			
	996 347 983 10 D11	Dark grey/natural			
	996 347 983 10 T11	Brown/natural			
(19)	996 347 983 12	3-spoke steering wheel		1	IXPD/M480
	996 347 983 12 A28	Black			

Model: 996 01 Model life 2001>>2005

Pos	Part Number	Description	Remark	Qty	Model
	996 347 983 12 C60	Graphite grey			
	996 347 983 12 S40	Savanna			
	996 347 983 12 G30	Metropole blue			
	996 347 983 12 J40	Nephrite green	-03		
	996 347 983 12 M40	Boxster red			
	996 347 983 12 P20	Cinnamon brown			
	996 347 983 12 D11	Dark grey/natural			
	996 347 983 12 T11	Brown/natural			
(19)	996 347 983 28	3-spoke steering wheel	03-	1	IXPG/M480
	996 347 983 28 A28	Black			
	996 347 983 28 C60	Graphite grey			
	996 347 983 28 S40	Savanna			
	996 347 983 28 G30	Metropole blue			
	996 347 983 28 J40	Nephrite green	-03		
	996 347 983 28 M40	Boxster red			
	996 347 983 28 P20	Cinnamon brown			
	996 347 983 28 D11	Dark grey/natural			
	996 347 983 28 T11	Brown/natural			
(19)	996 347 983 00	3-spoke steering wheel		1	IXPA/M480 GT2
	996 347 983 00 A28	Black			
	996 347 983 00 D11	Dark grey/natural	02-		
	996 347 983 00 T11	Brown/natural	02-		
(19)	996 347 983 12	3-spoke steering wheel		1	IXPD/M480 GT2
	996 347 983 12 A28	Black			
	996 347 983 12 D11	Dark grey/natural	02-		
	996 347 983 12 T11	Brown/natural	02-		
(19)	996 347 983 28	3-spoke steering wheel	03-	1	IXPG/M480 GT2
	996 347 983 28 A28	Black			
	996 347 983 28 D11	Dark grey/natural			
	996 347 983 28 T11	Brown/natural			
(19)	993 347 981 01	Four-spoke steering wheel	01	1	IX26/M480
	993 347 981 01 A28	Black			
	993 347 981 01 C60	Graphite grey			
	993 347 981 01 S40	Savanna			
	993 347 981 01 G30	Metropole blue			
	993 347 981 01 J40	Nephrite green			
	993 347 981 01 M40	Boxster red			
	993 347 981 01 P20	Cinnamon brown			
	993 347 981 01 D11	Dark grey/natural			
	993 347 981 01 T11	Brown/natural			
(19)	993 347 981 07	Four-spoke steering wheel	01	1	IX77/M480
	993 347 981 07 A28	Black			
	993 347 981 07 C60	Graphite grey			
	993 347 981 07 S40	Savanna			
	993 347 981 07 G30	Metropole blue			
	993 347 981 07 J40	Nephrite green			
	993 347 981 07 M40	Boxster red			
	993 347 981 07 P20	Cinnamon brown			
	993 347 981 07 D11	Dark grey/natural			
	993 347 981 07 T11	Brown/natural			
(19)	996 347 981 01	Four-spoke steering wheel	01	1	IX28/M480
	996 347 981 01 A28	Black			
	996 347 981 01 C60	Graphite grey			
	996 347 981 01 S40	Savanna			
	996 347 981 01 G30	Metropole blue			
	996 347 981 01 J40	Nephrite green			
	996 347 981 01 M40	Boxster red			
	996 347 981 01 P20	Cinnamon brown			
	996 347 981 01 D11	Dark grey/natural			
	996 347 981 01 T11	Brown/natural			

Model: 996 01 Model life 2001>>2005

Pos	Part Number	Description	Remark	Qty	Model
(19)	996 347 981 03	Four-spoke steering wheel	01	1	IX30/M480
	996 347 981 03 A28	Black			
	996 347 981 03 C60	Graphite grey			
	996 347 981 03 S40	Savanna			
	996 347 981 03 G30	Metropole blue			
	996 347 981 03 J40	Nephrite green			
	996 347 981 03 M40	Boxster red			
	996 347 981 03 P20	Cinnamon brown			
	996 347 981 03 D11	Dark grey/natural			
	996 347 981 03 T11	Brown/natural			
(19)	996 347 804 64	Steering wheel		1	TURBO M249/432
	996 347 804 64 A28	Black			
	996 347 804 64 C60	Graphite grey			
	996 347 804 64 G30	Metropole blue			
	996 347 804 64 S40	Savanna			
	996 347 804 64 M40	Boxster red			
	996 347 804 64 J40	Nephrite green	-03		
	996 347 804 64 D11	Dark grey/natural			
	996 347 804 64 T11	Brown/natural			
	996 347 804 64 P20	Cinnamon brown			
(19)	996 347 804 67	Steering wheel	05-	1	TURBO S
	996 347 804 67 VTB	Dark grey/natural			
	996 347 804 67 VTL	Brown/natural			
(19)	996 347 983 01	3-spoke steering wheel		1	IXPA/M249
	996 347 983 01 A28	Black			
	996 347 983 01 C60	Graphite grey			
	996 347 983 01 S40	Savanna			
	996 347 983 01 G30	Metropole blue			
	996 347 983 01 J40	Nephrite green	-03		
	996 347 983 01 M40	Boxster red			
	996 347 983 01 P20	Cinnamon brown			
	996 347 983 01 D11	Dark grey/natural			
	996 347 983 01 T11	Brown/natural			
(19)	996 347 983 05	3-spoke steering wheel		1	IXPB/M249
	996 347 983 05 A28	Black			
	996 347 983 05 C60	Graphite grey			
	996 347 983 05 S40	Savanna			
	996 347 983 05 G30	Metropole blue			
	996 347 983 05 J40	Nephrite green	-03		
	996 347 983 05 M40	Boxster red			
	996 347 983 05 P20	Cinnamon brown			
	996 347 983 05 D11	Dark grey/natural			
	996 347 983 05 T11	Brown/natural			
(19)	996 347 983 11	3-spoke steering wheel		1	IXPC/M249
	996 347 983 11 A28	Black			
	996 347 983 11 C60	Graphite grey			
	996 347 983 11 S40	Savanna			
	996 347 983 11 G30	Metropole blue			
	996 347 983 11 J40	Nephrite green	-03		
	996 347 983 11 M40	Boxster red			
	996 347 983 11 P20	Cinnamon brown			
	996 347 983 11 D11	Dark grey/natural			
	996 347 983 11 T11	Brown/natural			
(19)	996 347 983 13	3-spoke steering wheel		1	IXPD/M249
	996 347 983 13 A28	Black			
	996 347 983 13 C60	Graphite grey			
	996 347 983 13 S40	Savanna			
	996 347 983 13 G30	Metropole blue			
	996 347 983 13 J40	Nephrite green	-03		
	996 347 983 13 M40	Boxster red			
	996 347 983 13 P20	Cinnamon brown			
	996 347 983 13 D11	Dark grey/natural			

Model: 996 01 Model life 2001>>2005

Pos	Part Number	Description	Remark	Qty	Model
(19)	996 347 983 13 T11	Brown/natural			
	996 347 983 29	3-spoke steering wheel	03-	1	IXPG/M249
	996 347 983 29 A28	Black			
	996 347 983 29 C60	Graphite grey			
	996 347 983 29 S40	Savanna			
	996 347 983 29 G30	Metropole blue			
	996 347 983 29 J40	Nephrite green	-03		
	996 347 983 29 M40	Boxster red			
	996 347 983 29 P20	Cinnamon brown			
	996 347 983 29 D11	Dark grey/natural			
	996 347 983 29 T11	Brown/natural			
(19)	993 347 981 02	Four-spoke steering wheel	01	1	IX26/M249
	993 347 981 02 A28	Black			
	993 347 981 02 C60	Graphite grey			
	993 347 981 02 S40	Savanna			
	993 347 981 02 G30	Metropole blue			
	993 347 981 02 J40	Nephrite green			
	993 347 981 02 M40	Boxster red			
	993 347 981 02 P20	Cinnamon brown			
	993 347 981 02 D11	Dark grey/natural			
	993 347 981 02 T11	Brown/natural			
(19)	993 347 981 08	Four-spoke steering wheel	01	1	IX77/M249
	993 347 981 08 A28	Black			
	993 347 981 08 C60	Graphite grey			
	993 347 981 08 S40	Savanna			
	993 347 981 08 G30	Metropole blue			
	993 347 981 08 J40	Nephrite green			
	993 347 981 08 M40	Boxster red			
	993 347 981 08 P20	Cinnamon brown			
	993 347 981 08 D11	Dark grey/natural			
	993 347 981 08 T11	Brown/natural			
(19)	996 347 981 02	Four-spoke steering wheel	01	1	IX28/M249
	996 347 981 02 A28	Black			
	996 347 981 02 C60	Graphite grey			
	996 347 981 02 S40	Savanna			
	996 347 981 02 G30	Metropole blue			
	996 347 981 02 J40	Nephrite green			
	996 347 981 02 M40	Boxster red			
	996 347 981 02 P20	Cinnamon brown			
	996 347 981 02 D11	Dark grey/natural			
	996 347 981 02 T11	Brown/natural			
(19)	996 347 981 04	Four-spoke steering wheel	01	1	IX30/M249
	996 347 981 04 A28	Black			
	996 347 981 04 C60	Graphite grey			
	996 347 981 04 S40	Savanna			
	996 347 981 04 G30	Metropole blue			
	996 347 981 04 J40	Nephrite green			
	996 347 981 04 M40	Boxster red			
	996 347 981 04 P20	Cinnamon brown			
	996 347 981 04 D11	Dark grey/natural			
	996 347 981 04 T11	Brown/natural			
		Mount			
		Steering wheel			
		Steering shaft			
-	N 012 238 1	Spring washer		1	
		B 16			
-	900 078 006 01	Hexagon nut		1	
		M 16 X 1,5			
20	996 347 880 02	Retaining frame		1	
21	999 073 184 02	Round head screw		3	
		M 5 X 18,7			
22	999 521 079 02	Compression spring		3	
23	999 073 183 02	Pan-head screw		2	

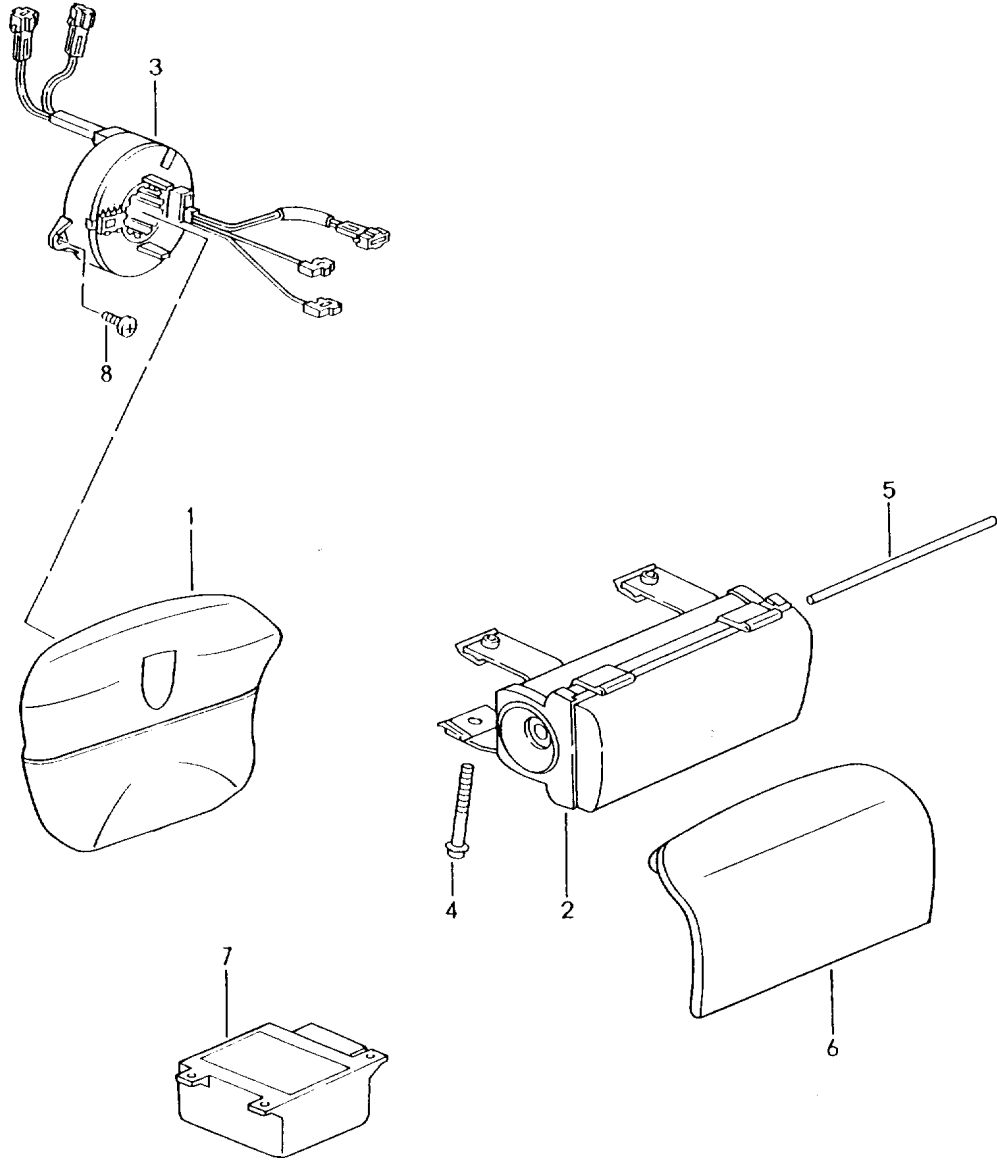
Model: 996 01 Model life 2001>>2005

Pos	Part Number	Description	Remark	Qty	Model
24		M 6 X 10,5 Oval-head screw		3	TURBO
25	996 347 617 00	M 3 X 5 Cover plate		1	TURBO
26	996 606 109 02	Steering-angle sensor See technical manual Group 4 NR.45....	-02	1	TURBO
(26)	996 606 119 00	Steering-angle sensor	03-	1	TURBO
-	996 610 123 00	Cable guide for Steering-angle sensor	-02	1	TURBO
-	996 610 123 01	Cable guide for Steering-angle sensor	03-	1	TURBO
27	996 347 705 00	Adapter		1	TURBO
28	999 217 042 09	Hexagon-head bolt M 8 X 35		1	
29	996 347 023 00	Steering shaft		1	
36	996 347 023 01	Steering shaft	01-	1	M476



Model: 996 01

Model life 2001>>2005



Model: 996 01 Model life 2001>>2005

Pos	Part Number	Description	Remark	Qty	Model
1	996 803 089 05	Airbag Airbag unit 3-spoke steering wheel Leather		1	TURBO
	996 803 089 05 A08	Black			
	996 803 089 05 A28	Black			
	996 803 089 05 C56	Graphite grey			
	996 803 089 05 C60	Graphite grey			
	996 803 089 05 S36	Savanna			
	996 803 089 05 S40	Savanna			
	996 803 089 05 G16	Metropole blue			
	996 803 089 05 G30	Metropole blue			
	996 803 089 05 J36	Nephrite green			
	996 803 089 05 J40	Nephrite green	-03		
	996 803 089 05 M36	Boxster red			
	996 803 089 05 M40	Boxster red			
	996 803 089 05 D11	Dark grey/natural			
	996 803 089 05 T11	Brown/natural			
	996 803 089 05 P16	Cinnamon brown			
	996 803 089 05 P20	Cinnamon brown			
1	996 803 089 09	Airbag unit 3-spoke steering wheel Leather		1	TURBO
	996 803 089 09 A28	Black			
	996 803 089 09 C60	Graphite grey			
	996 803 089 09 S40	Savanna			
	996 803 089 09 G30	Metropole blue			
	996 803 089 09 J40	Nephrite green	-03		
	996 803 089 09 M40	Boxster red			
	996 803 089 09 D11	Dark grey/natural			
	996 803 089 09 T11	Brown/natural			
	996 803 089 09 P20	Cinnamon brown			
(1)	996 803 089 05	Airbag unit 3-spoke steering wheel Leather	-02	1	GT2
	996 803 089 05 A28	Black			
	996 803 089 05 D11	Dark grey/natural	02		
	996 803 089 05 T11	Brown/natural	02		
(1)	996 803 089 09	Airbag unit 3-spoke steering wheel Leather	-02	1	GT2
	996 803 089 09 A28	Black			
	996 803 089 09 D11	Dark grey/natural	02		
	996 803 089 09 T11	Brown/natural	02		
(1)	996 803 089 09	Airbag unit 3-spoke steering wheel Leather	-02	1	GT2, TURBO
	996 803 089 09 G30	Metropole blue			
	996 803 089 09 T11	Brown/natural			
(1)	996 803 089 02	Airbag unit 3-spoke steering wheel Plastic material	03-	1	GT2
	996 803 089 02 A28	Black			
	996 803 089 02 D11	Dark grey/natural			
	996 803 089 02 T11	Brown/natural			
(1)	996 803 089 07	Airbag unit 3-spoke steering wheel Plastic material	03-	1	GT2
	996 803 089 07 A28	Black			
	996 803 089 07 D11	Dark grey/natural			
	996 803 089 07 T11	Brown/natural			
(1)	996 803 980 01	Airbag unit 3-spoke steering wheel		1	IXPA/XPB IXPC/XPD

Model: 996 01 Model life 2001>>2005

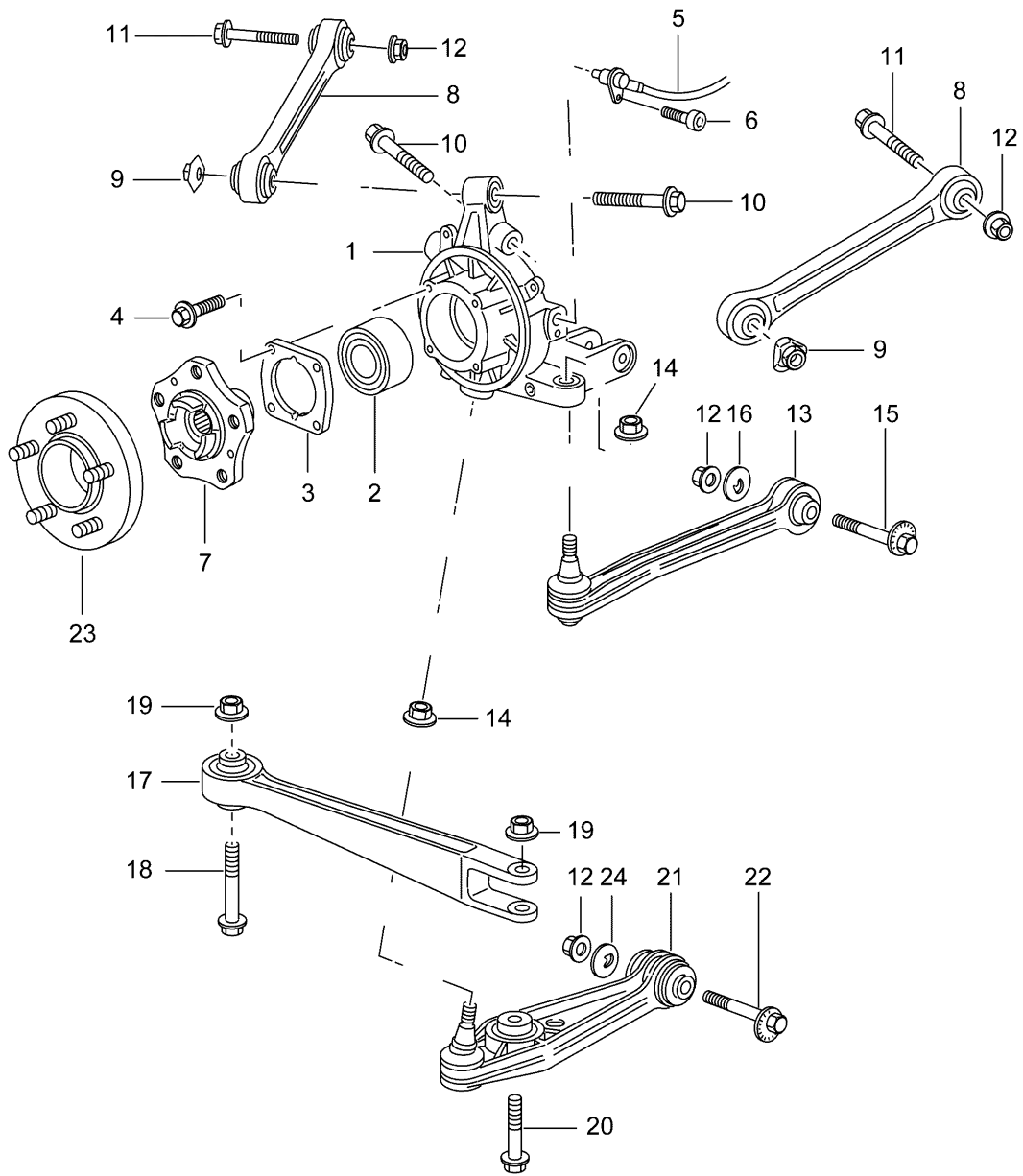
Pos	Part Number	Description	Remark	Qty	Model
		Leather Crest Coloured	03-		IXPG
	996 803 980 01 A28	Black			
	996 803 980 01 C60	Graphite grey			
	996 803 980 01 S40	Savanna			
	996 803 980 01 G30	Metropole blue			
	996 803 980 01 J40	Nephrite green	-03		
	996 803 980 01 M40	Boxster red			
	996 803 980 01 P20	Cinnamon brown			
	996 803 980 01 D11	Dark grey/natural			
	996 803 980 01 T11	Brown/natural			
(1)	996 803 980 01	Airbag unit		1	GT2 IXPA
		3-spoke steering wheel		1	IXPD
		Leather Crest Coloured	03-	1	IXPG
	996 803 980 01 A28	Black			
	996 803 980 01 D11	Dark grey/natural	02-		
	996 803 980 01 T11	Brown/natural	02-		
(1)	996 803 980 02	Airbag unit	01	1	X26/X28 X30/X77
		Four-spoke steering wheel			
		Leather Crest Embossed			
	996 803 980 02 A28	Black			
	996 803 980 02 C60	Graphite grey			
	996 803 980 02 S40	Savanna			
	996 803 980 02 G30	Metropole blue			
	996 803 980 02 J40	Nephrite green			
	996 803 980 02 M40	Boxster red			
	996 803 980 02 P20	Cinnamon brown			
	996 803 980 02 D11	Dark grey/natural			
	996 803 980 02 T11	Brown/natural			
2	996 803 071 06	Airbag unit	-01	1	
(2)	996 803 071 07	Airbag unit	-03	1	
		See technical information GR.6 NR.2/03			
(2)	996 803 071 08	Airbag unit	03-	1	
		See technical information GR.6 NR.2/03			
-	996 803 091 00	Airbag unit	/L	1	M563
-	996 803 092 00	Airbag unit	/R	1	M563
-	900 378 222 09	Hexagon-head bolt M 6 X 16		8	M563
3	996 652 211 00	Support for contact		1	M480
(3)	996 652 213 00	Support for contact		1	M249
4	900 378 137 09	Hexagon-head bolt AM 8 X 95		2	
5	996 803 611 00	Hinge pin		1	
6	996 803 173 05	Lid		1	TURBO
		Leather			
	996 803 173 05 A11	Black			
	996 803 173 05 C51	Graphite grey			
	996 803 173 05 S31	Savanna			
	996 803 173 05 G11	Metropole blue			
	996 803 173 05 J31	Nephrite green	-03		
	996 803 173 05 M31	Boxster red			
	996 803 173 05 P12	Cinnamon brown			
	996 803 173 05 D12	Dark grey/natural			
	996 803 173 05 T12	Brown/natural			
(6)	996 803 173 05	Lid		1	GT2

Model: 996 01 Model life 2001>>2005

Pos	Part Number	Description	Remark	Qty	Model
	996 803 173 05 A11	Leather Black			
	996 803 173 05 D12	Dark grey/natural	02-		
	996 803 173 05 T12	Brown/natural	02-		
(7)	996 618 219 01	Switch unit		1	M562/563
(7)	996 618 219 02	Switch unit		1	M562/563
-	900 377 010 09	Hexagon nut M 6		1	M562/563
-	944 618 401 00	Nut M 6		2	M562/563
-	996 618 221 00	Sensor	-01	2	M563
-	996 618 221 01	Airbag Sensor	02-	2	M563
-	999 073 152 09	Airbag Oval-head screw M 6 X 18		4	M563
8	900 146 024 07	Oval-head screw M 5 X 8		2	

Model: 996 01

Model life 2001>>2005



Model: 996 01 Model life 2001>>2005

Pos	Part Number	Description	Remark	Qty	Model
		Rear axle			
		Wheel carrier			
		Control arm			
		Wheel hub			
1	996 331 111 06	Wheel carrier	/L	1	
(1)	996 331 112 06	Wheel carrier	/R	1	
2	999 053 055 02	Angular-contact bearing		2	
3	996 331 661 01	Lid		2	
4	999 217 042 09	Hexagon-head bolt		8	
		M 8 X 35			
5	996 606 406 00	Speed sensor	-03	2	
(5)	996 606 407 02	Speed sensor	04-	2	-M476
5	996 606 406 00	Speed sensor	04-	2	M476
6	900 067 117 09	Pan-head screw		2	
		M 6 X 16			
7	996 331 605 04	Wheel hub		2	
(7)	997 331 605 00	Wheel hub		2	
8	996 331 047 02	Wishbone	-01	2	
(8)	996 331 047 03	Wishbone	-03	2	
(8)	996 331 047 05	Wishbone	04-	2	
9	999 084 452 09	Hexagon nut		4	
		M 12 X 1,5			
10	900 378 139 09	Hexagon-head bolt		4	
		M 12 X 80			
10	900 378 139 01	Hexagon-head bolt		4	
		M 12 X 80			
11	900 378 088 09	Hexagon-head bolt		4	
		M 12 X 100			
11	900 378 088 01	Hexagon-head bolt		4	
		M 12 X 100			
12	999 084 445 09	Lock nut		10	
		M 12 X 1,5			
13	996 331 045 12	Track rod		1	
(13)	997 331 045 04	Track rod		1	
14	999 084 449 09	Lock nut		4	
		M 12 X 1,5			
15	996 331 217 02	Eccentric screw		2	TURBO
		M 12 X 83			
(15)	993 331 217 80	Eccentric screw		2	GT2
		M 12 X 83			
16	996 331 219 00	Eccentric washer		2	TURBO
(16)	993 331 219 80	Eccentric washer		2	GT2
17	996 341 043 03	Control arm		2	
(17)	996 341 043 06	Control arm		2	
18	900 378 051 09	Hexagon-head bolt		2	
		M 14 X 100			
19	900 380 012 09	Hexagon nut		4	
		M 14 X 1,5			
19	900 380 012 01	Hexagon nut		4	
		M 14 X 1,5			
20	900 378 135 09	Hexagon-head bolt		2	
		M 14 X 75			
20	900 378 135 01	Hexagon-head bolt		2	
		M 14 X 75			
21	996 341 053 14	Wishbone	-03	2	
(21)	996 341 053 16	Wishbone	04-	2	
-	996 331 493 90	Spoiler	/L	1	GT2
		Wishbone			
-	996 331 127 90	Spoiler	/L	1	GT2
		Wishbone			
-	996 331 533 90	Rubber lip	/L	1	GT2
		Spoiler			
-	996 331 494 90	Spoiler	/R	1	GT2

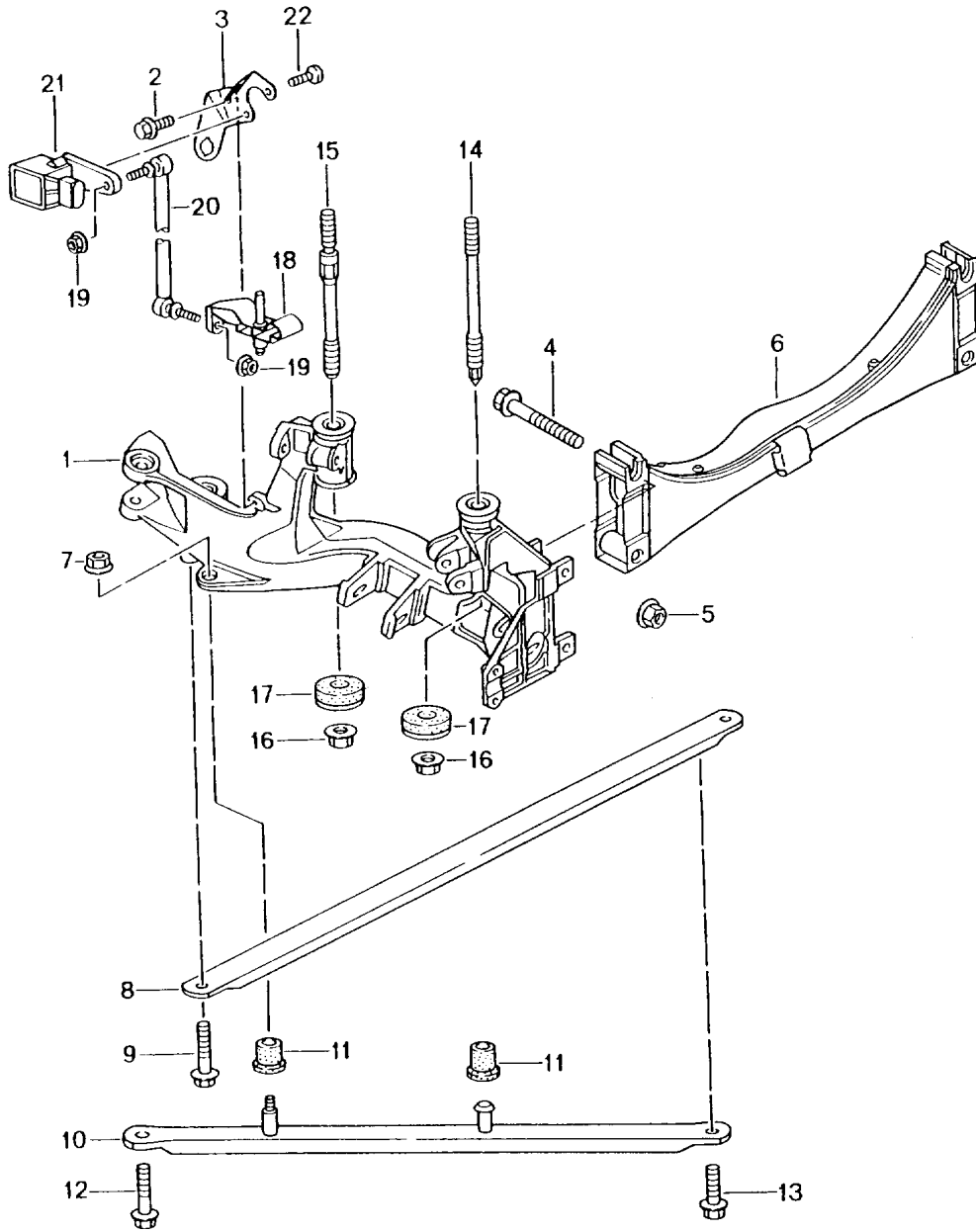
Model: 996 01

Model life 2001>>2005

Pos	Part Number	Description	Remark	Qty	Model
-	996 331 128 90	Wishbone Spoiler	/R	1	GT2
-	996 331 534 90	Wishbone Rubber lip Spoiler	/R	1	GT2
22	996 331 217 03	Eccentric screw		2	
23	996 361 617 00	Spacer ring	02-	2	/TURBO IXRN
24	996 331 219 00	17 MM with Wheel bolt Eccentric washer		2	

Model: 996 01

Model life 2001>>2005





Model: 996 01 Model life 2001>>2005

Pos	Part Number	Description	Remark	Qty	Model
		Rear axle Side section Bracket			
(1)	996 331 055 01	Side section	/L	1	TURBO
(1)	996 331 055 02	Side section	/L	1	TURBO
(1)	996 331 056 01	Side section	/R	1	TURBO
(1)	996 331 056 02	Side section	/R	1	TURBO
(1)	996 331 055 90	Side section	/L	1	GT2
(1)	996 331 056 90	Side section	/R	1	GT2
2	900 067 117 09	Pan-head screw M 6 X 16		2	
3	996 355 505 04	Support for Brake hose	/L	1	M601
(3)	996 355 506 02	Support for Brake hose F >>994S6 80654 F >>994S6 70658 F >>994S6 95107	/R	1	
(3)	997 355 506 02	Support for Brake hose F 994S6 80654>> F 994S6 70659>> F 994S6 95108>> F 994S6 65255>> F 994S6 76216>> F 994S6 96075>>	/R	1	
4	900 378 139 09	Hexagon-head bolt M 12 X 80		4	
4	900 378 139 01	Hexagon-head bolt M 12 X 80		4	
5	999 084 445 09	Lock nut M 12 X 1,5		4	
6	996 331 061 00	Cross member	-03	1	TURBO
(6)	996 331 061 01	Cross member	04-	1	TURBO
(6)	996 331 261 07	Cross member	01	1	GT2
(6)	997 331 261 02	Cross member	02-	1	GT2
7	999 076 053 09	Hexagon nut M 10		2	
8	996 331 171 03	Transverse strut Front		1	TURBO M480
(8)	996 331 171 04	Transverse strut Front		1	TURBO M249
(8)	997 331 171 00	Transverse strut Front		1	TURBO M249
(8)	996 331 171 03	Transverse strut Front		1	GT2
9	999 072 031 09	Hexagon-head bolt M 10 X 45		2	
9	999 072 031 01	Hexagon-head bolt M 10 X 45		2	
10	996 331 081 02	Strut	-04	2	
(10)	997 331 081 02	Strut		2	
11	996 331 385 00	Rubber mounting		6	
12	999 072 031 09	Hexagon-head bolt M 10 X 45		2	
12	999 072 031 01	Hexagon-head bolt M 10 X 45		2	
13	900 378 072 09	Hexagon-head bolt M 12 X 30		2	
13	900 378 072 01	Hexagon-head bolt		2	

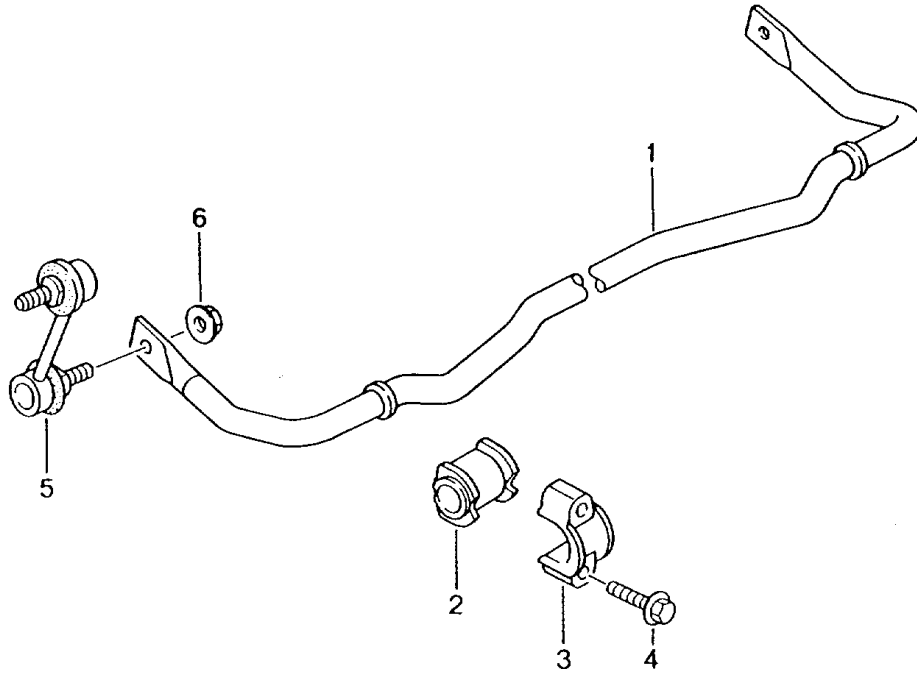
Model: 996 01

Model life 2001&gt;&gt;2005

Pos	Part Number	Description	Remark	Qty	Model
14	999 061 102 09	M 12 X 30 Stud		4	
15	999 061 103 09	M 12 X 1,5 Stud		2	
15	999 061 103 01	M 12 X 1,5 Stud		2	
16	999 084 445 09	M 12 X 1,5 Lock nut		6	
17	996 331 291 02	M 12 X 1,5 Washer		6	
18	996 341 371 03	Support		1	M601
19	900 380 015 09	Hexagon nut VM 6		2	M601
19	900 380 015 01	Hexagon nut VM 6		2	M601
20	996 331 375 01	Strut		1	M601
21	996 631 121 00	Sensor		1	M601
22	N 014 129 12	Oval-head screw M 5 X 10		2	M601

Model: 996 01

Model life 2001>>2005

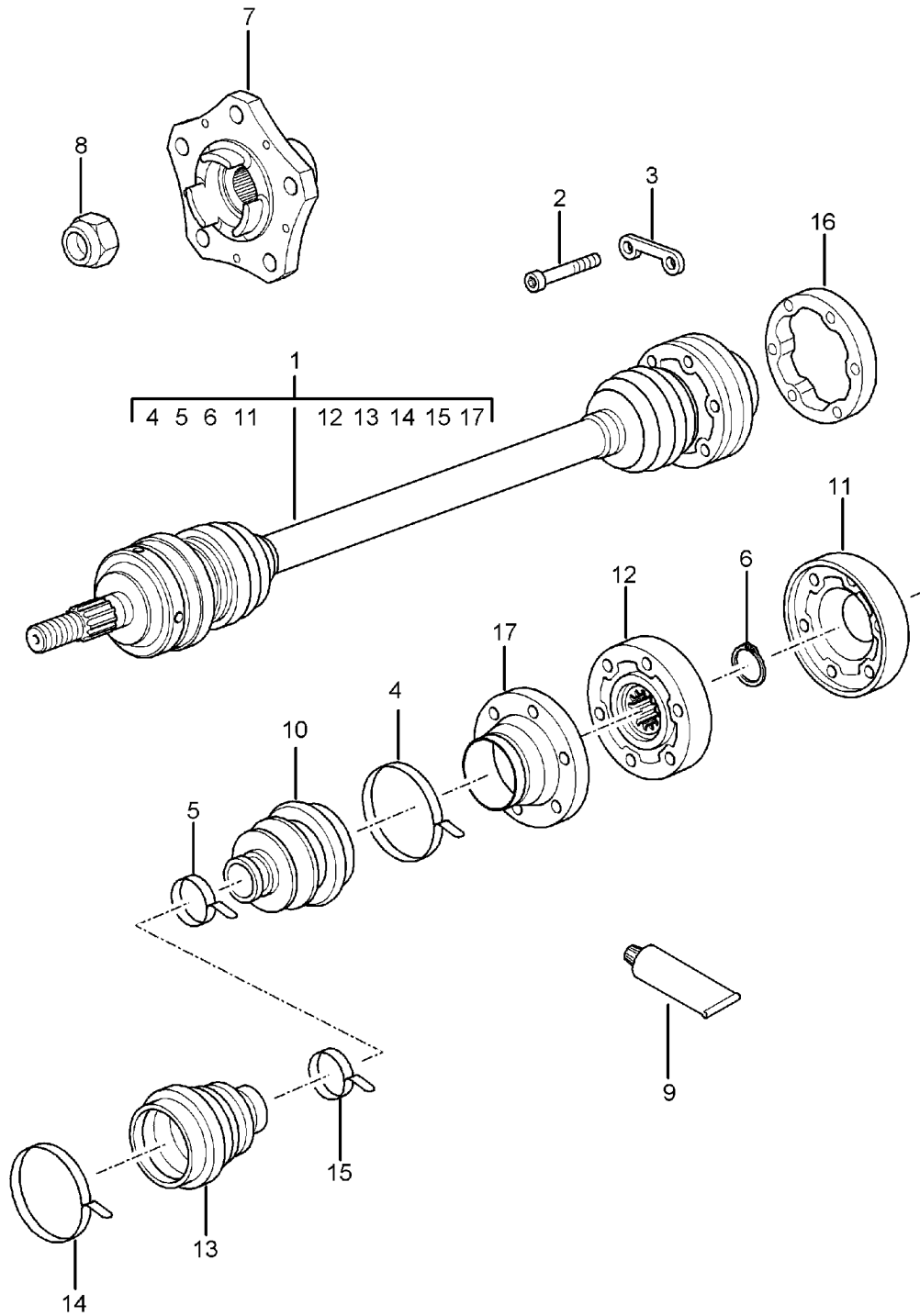


Model: 996 01 Model life 2001>>2005

Pos	Part Number	Description	Remark	Qty	Model
1	996 333 705 03	Stabiliser Stabiliser 21,70 MM	-04	1	TURBO
(1)	996 333 705 05	Stabiliser 21,70 MM		1	TURBO
(1)	996 333 705 04	Stabiliser 22,50 MM		1	IX75 TURBO/COUPE
(1)	996 333 705 06	Stabiliser 22,50 MM	04-	1	IX75 TURBO/COUPE
(1)	996 333 701 90	Stabiliser 20,77 MM		1	GT2
2	996 333 792 27	Stabiliser mounting		2	TURBO
(2)	996 333 792 29	Stabiliser mounting	04-	2	IX75 TURBO/COUPE
(2)	996 333 792 26	Stabiliser mounting Information available		2	GT2
3	996 333 777 01	Bearing clamp		2	
4	900 378 055 09	Hexagon-head bolt AM 8 X 40		4	
5	996 333 069 03	Stabiliser mounting		2	TURBO
(5)	996 333 069 90	Stabiliser mounting		2	GT2
(5)	996 333 069 91	Stabiliser mounting		2	GT2
6	999 084 643 09	Hexagon nut M 10		2	TURBO
(6)	999 084 624 09	Lock nut M 10		2	GT2
(6)	999 084 624 0J	Lock nut M 10		2	GT2

Model: 996 01

Model life 2001>>2005

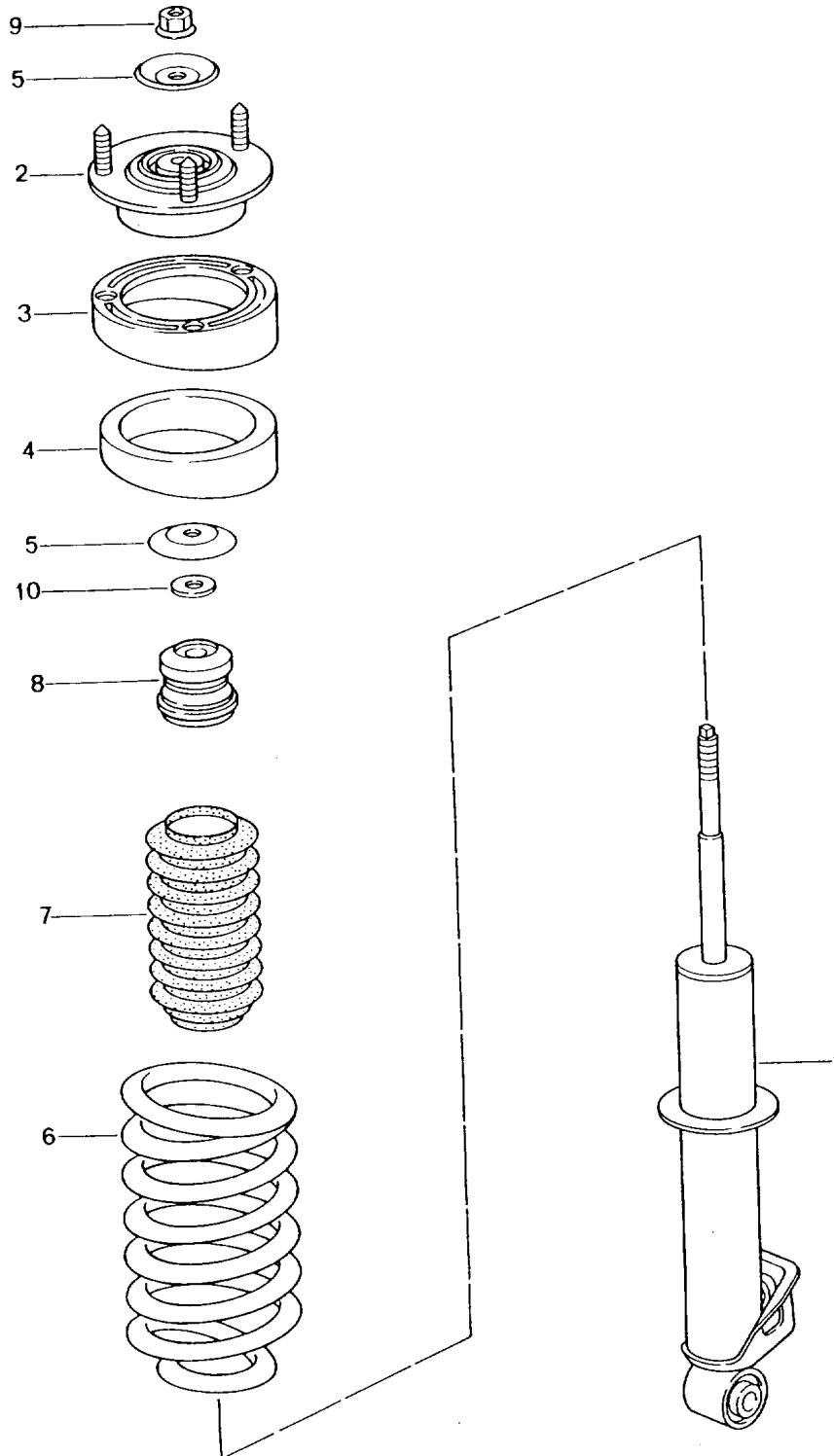


Model: 996 01 Model life 2001>>2005

Pos	Part Number	Description	Remark	Qty	Model
		Drive shaft			
		Wheel hub			
1	996 332 024 11	Drive shaft		2	M249
1	996 332 024 19	Drive shaft		2	M249
(1)	996 332 024 16	Drive shaft		2	M480
(1)	996 332 024 23	Drive shaft		2	M480
2	900 067 123 09	Pan-head screw M 10 X 50		12	M480
2	900 067 123 02	Pan-head screw M 10 X 50		12	M480
(2)	900 067 121 09	Pan-head screw M 10 X 65		12	M249
(2)	999 510 041 09	Pan-head screw M 10 X 65		12	
(2)	999 510 041 01	Pan-head screw M 10 X 65		12	
3	993 332 191 00	Plate	-02	6	
(3)	996 332 191 00	Plate	03-	6	
4	911 332 257 00	Clip \$ 73 MM		2	
5	928 332 257 01	Clip \$ 34 MM		2	
6	900 041 014 00	Circlip		2	
7	996 331 605 04	Wheel hub		2	
(7)	997 331 605 00	Wheel hub		2	
8	999 084 641 02	Lock nut M 22 X 1,5	-03	2	
(8)		Lock nut M 22 X 1,5	04-	2	
9	000 043 110 01	Grease 1 100-gramme tube		X	
(9)	000 043 205 36	Sealing compound Drive shaft 1 100-gramme tube		X	
10	928 332 293 02	Dust bellows		2	
11	928 332 267 01	Lid		2	
11	997 332 267 00	Lid		2	
12	928 332 030 08	Joint		2	
13	928 332 293 02	Dust bellows		2	
14	911 332 257 00	Clip		2	
15	928 332 257 01	Clip		2	
16	996 332 229 01	Spacer ring	-02	2	TURBO M249
(16)		Spacer ring	03-	2	TURBO M249
17	911 332 259 01	Bellow support		2	
17	911 332 259 02	Bellow support		2	

Model: 996 01

Model life 2001>>2005



Model: 996 01 Model life 2001>>2005

Pos	Part Number	Description	Remark	Qty	Model
		Shock absorber			TURBO
		Coil spring			
1	996 333 051 17	Shock absorber	-03	2	COUPE
(1)	996 333 051 36	- bilstein - Shock absorber	04-	2	COUPE
(1)	996 333 051 29	- bilstein - Shock absorber	04-	2	CABRIO
(1)	996 333 051 37	- bilstein - Shock absorber	04-	2	CABRIO
(1)	996 333 980 16	- bilstein - Shock absorber	03	2	IX73 COUPE
(1)	996 333 980 25	Vibration damper - bilstein - Mount	04-	2	IX73 COUPE
-	900 378 138 09	Shock absorber Hexagon-head bolt M 12 X 1,5 X 70		2	
-	900 378 138 01	Hexagon-head bolt M 12 X 1,5 X 70		2	
-	999 084 445 09	Lock nut M 12 X 1,5		2	
2	996 333 059 03	Supporting mount		2	
-	900 380 008 09	Lock nut M 10		6	
-	900 380 008 01	Hexagon nut M 10		6	
3	996 333 511 02	Compensating plate 0,5 MM		X	
(3)	996 333 511 03	Compensating plate 4,0 MM		X	
(3)	996 333 980 19	Compensating plate 3,0 MM	03-	X	IX73 COUPE
(3)	996 333 980 20	Compensating plate 7,0 MM	03-	X	IX73 COUPE
4	993 333 504 00	Base		2	
4	997 333 504 00	Base		2	
(4)	996 333 980 18	Ring	03-	2	IX73 COUPE
5	996 333 107 00	Stop plate		4	
6	996 333 531 19	Coil spring 1 set	-01	1	M480
	996 333 531 19 504	Identification Gold-coloured White F >>992S6 82161			
(6)	996 333 531 44	Coil spring 1 set	02-	1	COUPE M480
	996 333 531 44 504	Identification Gold-coloured White F 992S6 82162>>			
(6)	996 333 531 52	Coil spring 1 set	04-	1	CABRIO M480
	996 333 531 52 504	Identification Gold-coloured Silver			
(6)	996 333 531 59	Coil spring 1 set	04-	1	CABRIO M480
	996 333 531 59 504	Identification Gold-coloured Silver			
(6)	996 333 531 20	Coil spring	-01	1	M249



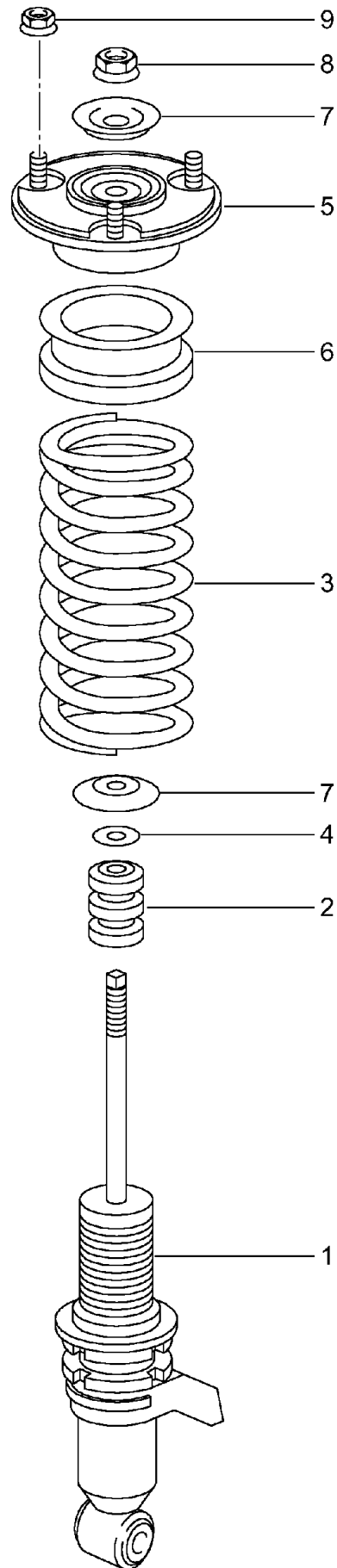
Model: 996 01

Model life 2001&gt;&gt;2005

Pos	Part Number	Description	Remark	Qty	Model
	996 333 531 20 504	1 set Identification Gold-coloured Red F >>992S6 81257			
(6)	996 333 531 45	Coil spring 1 set	02-	1	COUPE M249
	996 333 531 45 504	Identification Gold-coloured Red F 992S6 81258>>			
(6)	996 333 531 52	Coil spring 1 set	04-	1	CABRIO M249
	996 333 531 52 504	Identification Gold-coloured Silver			
(6)	996 333 531 59	Coil spring 1 set	04-	1	CABRIO M249
	996 333 531 59 504	Identification Gold-coloured Silver			
(6)	996 333 980 12	Coil spring 1 set	03-	1	IX73 COUPE
	996 333 980 12 504	Identification Green Blue			
7	993 333 107 01	Bellows		2	
8	996 333 105 03	Additional spring		2	
9	999 084 445 09	Lock nut M 10		2	
10	999 025 240 02	Washer Mount Shock absorber		2	
-	900 378 138 09	Hexagon-head bolt M 12 X 1,5 X 70		2	
-	900 378 138 01	Hexagon-head bolt M 12 X 1,5 X 70		2	
-	999 084 445 09	Lock nut M 12 X 1,5		2	
-	900 380 008 09	Lock nut M 10		6	
-	900 380 008 01	Hexagon nut M 10		6	

Model: 996 01

Model life 2001>>2005

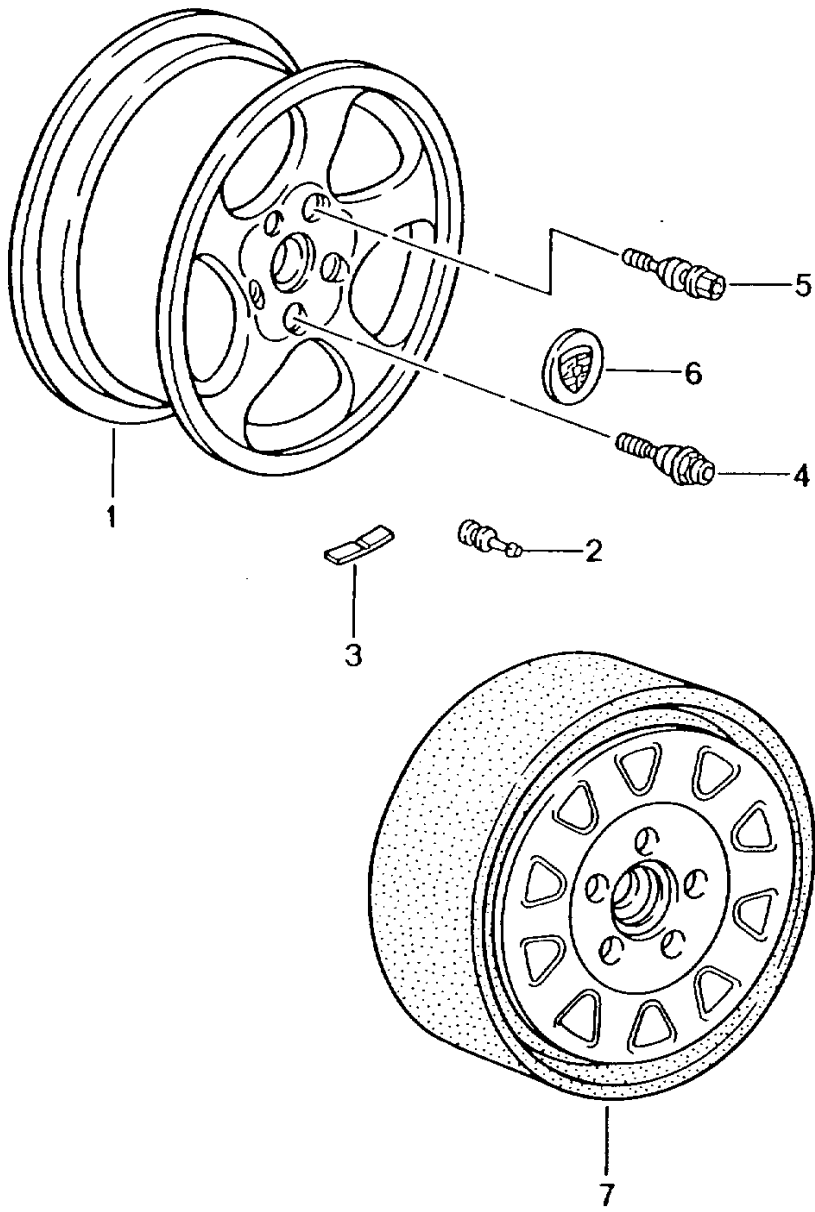


Model: 996 01 Model life 2001>>2005

Pos	Part Number	Description	Remark	Qty	Model
		Shock absorber			GT2
		Coil spring			
-	996 333 055 93	Spring strut		2	
		Complete			
-	996 333 803 30	Spring strut lock. device		X	
1	996 333 051 93	Shock absorber		2	
		- bilstein -			
		Mount			
		Shock absorber			
-	900 378 138 09	Hexagon-head bolt		2	
		M 12 X 1,5 X 70			
-	900 378 138 01	Hexagon-head bolt		2	
		M 12 X 1,5 X 70			
-	999 084 445 09	Lock nut		2	
		M 12 X 1,5			
2	996 333 105 93	Additional spring		2	
3	996 333 531 94	Coil spring		1	
	996 333 531 94 504	1 set			
(3)	996 333 531 98	Coil spring		1	
	996 333 531 98 504	1 set			
4	999 025 240 02	Washer		2	
		12,1 X 25 X 3			
5	996 333 059 03	Supporting mount		2	
-	996 333 551 90	Rubber support		2	
		See technical information			
		Group 4			
		NR.6-1			
6	996 333 529 92	Spring hanger		4	
7	996 333 107 00	Stop plate		4	
8	999 084 445 09	Lock nut		2	
		M 12X 1,5			
9	900 380 008 09	Lock nut		6	
		M 10			
9	900 380 008 01	Hexagon nut		6	
		M 10			

Model: 996 01

Model life 2001>>2005



Model: 996 01 Model life 2001>>2005

Pos	Part Number	Description	Remark	Qty	Model
		Wheels See technical information Group 4 NR.Y/03			
(1)	996 362 136 04	Disc wheel 8 J X 18 ET 50	/V	2	TURBO M410
(1)	996 362 136 01	Disc wheel 8 J X 18 ET 50	/V	2	TURBO M415
(1)	996 362 136 02	Disc wheel 8 J X 18 ET 50	/V 04-	2	TURBO M416
(1)	996 362 136 32	Disc wheel 8 J X 18 ET 50	/V 05-	2	TURBO S M092/418
(1)	996 362 136 51	Disc wheel 8 J X 18 ET 50	/V 02-	2	TURBO IXRC
(1)	996 362 136 31	Disc wheel 8,5 J X 18 ET 40	/V -03	2	GT2 M415
(1)	996 362 136 05	Disc wheel 8,5 J X 18 ET 40	/V 04-	2	GT2 M416
(1)	996 362 142 03	Disc wheel 11 J X 18 ET 45	/H -02	2	TURBO M410
(1)	996 362 142 11	Disc wheel 11 J X 18 ET 45	/H 03-	2	TURBO M410
(1)	996 362 142 01	Disc wheel 11 J X 18 ET 45	/H -02	2	TURBO M415
(1)	996 362 142 10	Disc wheel 11 J X 18 ET 45	/H 03-	2	TURBO M415
(1)	996 362 142 02	Disc wheel 11 J X 18 ET 45	/H 04-	2	TURBO M416
(1)	996 362 142 32	Disc wheel 11 J X 18 ET 45	/H 05-	2	TURBO S M092/418
(1)	996 362 140 01	Disc wheel for winter use 10 J X 18 ET 47	/H -02	2	TURBO M415
(1)	996 362 140 02	Disc wheel 10 J X 18 ET 47	/H 03-	2	TURBO M415

Model: 996 01 Model life 2001>>2005

Pos	Part Number	Description	Remark	Qty	Model
(1)	996 362 142 51	for winter use 10 J X 18 ET 47 Disc wheel	/H 02-03	2	TURBO IXRC
(1)	996 362 142 52	11 J X 18 ET 63 Disc wheel	/H 04-	2	TURBO IXRC
(1)	996 362 142 31	11 J X 18 ET 63 Disc wheel	/H -03	2	GT2 M415
(1)	996 362 144 00	12 J X 18 ET 45 Disc wheel	/H 04-	2	GT2 M416
(1)	996 362 140 02	12 J X 18 ET 45 Disc wheel	/H 03-	2	GT2 M415
(2)	993 361 073 00	for winter use 10 J X 18 ET 47 Valve		4	TURBO M410 M418
(2)	900 265 001 50	Steel Rubber valve		4	TURBO M415
(2)	900 265 001 51	Rubber Rubber valve		4	TURBO M415
(2)	993 361 073 00	Rubber Valve	02-	4	IXRC
(2)	900 265 001 50	Steel Rubber valve		4	GT2 M415
(2)	900 265 001 51	Rubber Use also: 993.361.163.90 Rubber valve		4	GT2 M415
3	901 361 410 50	Rubber Use also: 993.361.163.90 Balance stick-on weight 5 G.	-03	X	
(3)	1K0 601 178 C	Balance stick-on weight 5 G.	04-	X	
(3)	901 361 410 00	Balance stick-on weight 10 G.	-03	X	
(3)	1K0 601 179 C	Balance stick-on weight 10 G.	04-	X	
(3)	901 361 411 50	Balance stick-on weight 15 G.	-03	X	
(3)	1K0 601 181 C	Balance stick-on weight 15 G.	04-	X	
(3)	901 361 411 00	Balance stick-on weight 20 G.	-03	X	
(3)	1K0 601 182 C	Balance stick-on weight 20 G.	04-	X	
(3)	901 361 412 50	Balance stick-on weight 25 G.	-03	X	
(3)	1K0 601 183 C	Balance stick-on weight	04-	X	

Model: 996 01 Model life 2001>>2005

Pos	Part Number	Description	Remark	Qty	Model
(3)	901 361 412 00	25 G. Balance stick-on weight	-03	X	
(3)	1K0 601 184 C	30 G. Balance stick-on weight	04-	X	
(3)	901 361 413 50	30 G. Balance stick-on weight	-03	X	
(3)	1K0 601 185 C	35 G. Balance stick-on weight	04-	X	
(3)	901 361 413 00	35 G. Balance stick-on weight	-03	X	
(3)	1K0 601 186 C	40 G. Balance stick-on weight	04-	X	
(3)	901 361 414 50	40 G. Balance stick-on weight	-03	X	
(3)	1K0 601 187 C	45 G. Balance stick-on weight	04-	X	
(3)	901 361 414 00	45 G. Balance stick-on weight	-03	X	
(3)	1K0 601 188 C	50 G. Balance stick-on weight	04-	X	
(3)	901 361 415 50	50 G. Balance stick-on weight	-03	X	
(3)	1K0 601 189 C	55 G. Balance stick-on weight	04-	X	
(3)	901 361 415 00	55 G. Balance stick-on weight	-03	X	
(3)	1K0 601 190 C	60 G. Balance stick-on weight	04-	X	
(3)	997 361 465 00	60 G. Balance stick-on weight		X	
(3)	997 361 470 00	65 g. Balance stick-on weight		X	
(3)	997 361 475 00	70 g. Balance stick-on weight		X	
(3)	997 361 480 00	75 g. Balance stick-on weight		X	
(3)	997 361 485 00	80 g. Balance stick-on weight		X	
(3)	997 361 490 00	85 g. Balance stick-on weight		X	
(4)	996 361 057 01	90 g. Balance stick-on weight	-03	1	
(4)	996 361 057 02	Wheel bolt Anti-theft protection 1 set	04-	1	
(4)	997 361 057 02	Set Anti-theft protection 1 set	04-	1	
(5)	996 361 203 01	Set Wheel bolt Anti-theft protection	-03	16	
(5)	996 361 203 02	Wheel bolt See technical information Group 4 NR.7/03	04-	16	
-	999 182 003 36	Wheel bolt See technical information Group 4 NR.7/03	02-	10	/TURBO IXRN
6	996 361 305 00 996 361 305 00 9A1	Wheel nut Hub cap Silver Logo	-02	4	

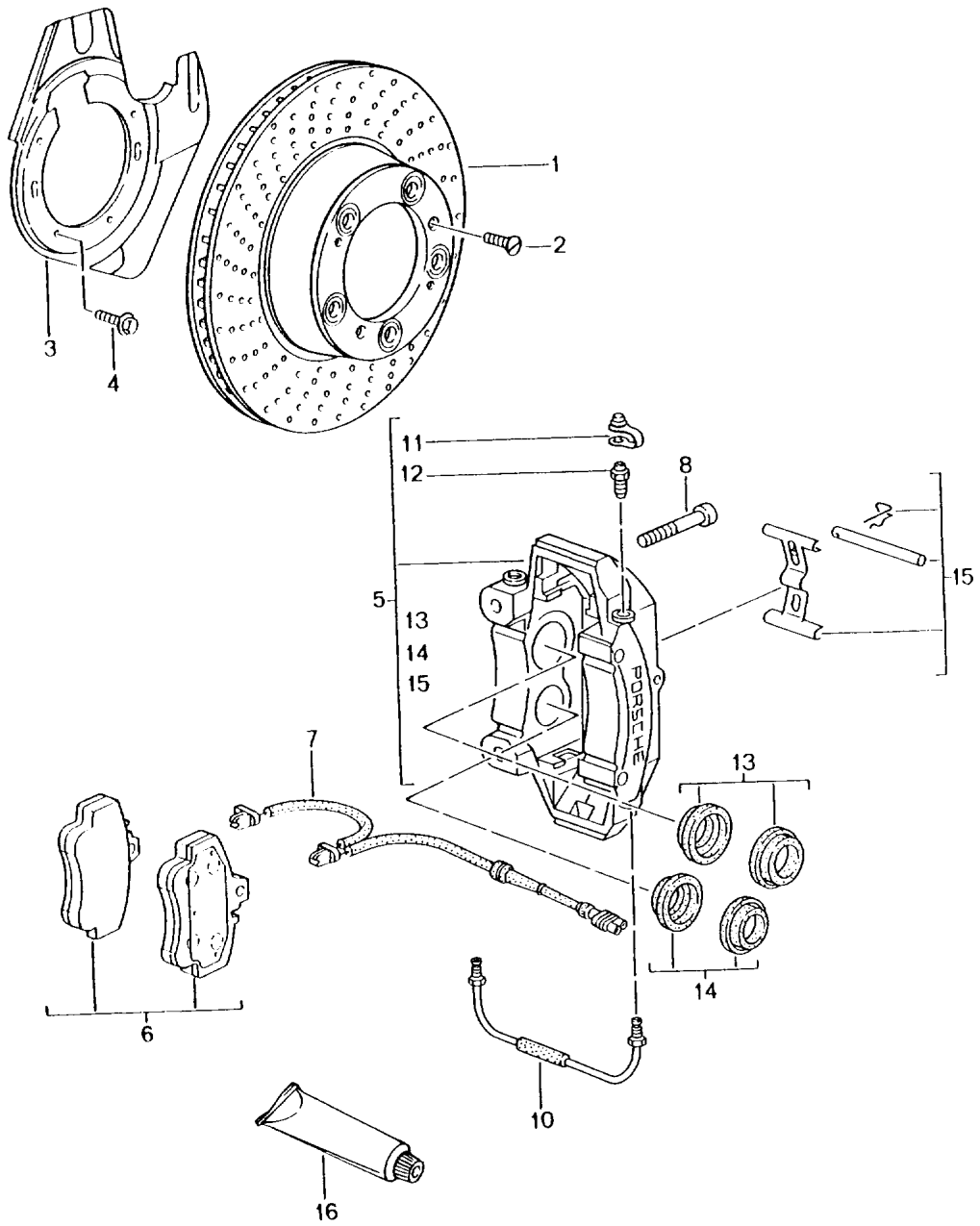
Model: 996 01 Model life 2001>>2005

Pos	Part Number	Description	Remark	Qty	Model
(6)	996 361 305 11 996 361 305 11 9A1	Turbo Hub cap Silver Logo	03-	4	
(6)	993 361 303 10 993 361 303 10 9A1	Turbo Hub cap Silver Crest Coloured Concave	03-	4	M446
(6)	996 361 303 13 996 361 303 13 M7Z	Hub cap GT Silver Metallic Crest Coloured	05-	4	M092
(6)	993 361 303 11 993 361 303 11 61M	Hub cap Silver Crest Black	-02	4	GT2
(6)	993 361 303 11 993 361 303 11 9A1	Hub cap Silver Crest Black	03	4	GT2
(6)	996 361 303 93 996 361 303 93 9A1	Hub cap Silver Logo GT2	04-	4	GT2
-	911 722 201 02	Tyre pressure gauge		1	
-	997 652 051 00	Compressor		1	
-	997 652 055 00	Compressor		1	
7	996 362 050 00	Emergency wheel	-03	1	
(7)	996 362 050 01	Emergency wheel	04-	1	
(7)	996 362 020 01	Emergency wheel	-03	1	M450
(7)	996 362 020 02	Emergency wheel		1	M450
(7)	996 362 020 03	Emergency wheel		1	
		Order also: Stickers See illustrations 0/01/05			
-	996 361 411 00	Belt for Emergency wheel		1	TURBO
-	999 915 631 40	Compressed air bottle with Sealing compound		X	



Model: 996 01

Model life 2001>>2005



Model: 996 01 Model life 2001>>2005

Pos	Part Number	Description	Remark	Qty	Model
		Disc brake Front axle See technical information Group 4 NR.5/03 Brake disc Only in pairs Replace Technical manual Attention			M450
1	996 351 409 02	Brake disc	/L	1	TURBO
(1)	996 351 410 02	Brake disc	/R	1	TURBO
(1)	996 351 031 02	Brake disc	/L -04	1	TURBO M450
(1)	996 351 031 03	Brake disc	/L 05-	1	TURBO M450
(1)	996 351 032 02	Brake disc	/R -04	1	TURBO M450
(1)	996 351 032 03	Brake disc	/R 05-	1	TURBO M450
(1)	996 351 031 92	Brake disc	/L -04	1	GT2
(1)	996 351 031 93	Brake disc	/L 05-	1	GT2
(1)	996 351 409 9H	Brake disc	/L	1	GT2 M449
(1)	996 351 032 92	Brake disc	/R -04	1	GT2
(1)	996 351 032 93	Brake disc	/R 05-	1	GT2
(1)	996 351 410 9H	Brake disc	/R	1	GT2 M449
2	900 269 047 09	Countersunk-head screw M 6 X 12		2	
2	900 269 047 01	Countersunk-head screw M 6 X 12		2	
3	996 351 805 00	Protective plate	/L	1	TURBO
(3)	996 351 806 00	Protective plate	/R	1	TURBO
(3)	996 351 801 30	Cover plate	/L	1	GT2
(3)	996 351 802 30	Cover plate	/R	1	GT2
4	999 217 116 09	Hexagon-head bolt M 6 X 16		X	
5	996 351 429 10	Fixed calliper without pad	/L	1	TURBO
(5)	996 351 430 10	Fixed calliper without pad	/R	1	TURBO
(5)	996 351 431 30	Fixed calliper without pad	/L	1	TURBO M450
(5)	996 351 432 30	Fixed calliper without pad	/R	1	TURBO M450
(5)	996 351 431 30	Fixed calliper without pad	/L	1	GT2
(5)		Fixed calliper without pad	/L	1	GT2 M449
(5)	996 351 432 30	Fixed calliper without pad	/R	1	GT2
(5)		Fixed calliper without pad	/R	1	GT2 M449
6	996 351 949 11	Brake pad repair set		1	TURBO
(6)	996 351 949 12	Brake pad repair set		1	TURBO
(6)	996 351 947 00	Use also: Mounting parts Brake pad repair set		1	TURBO M450
(6)	996 351 947 01	Brake pad repair set See technical manual		1	TURBO M450

Model: 996 01 Model life 2001>>2005

Pos	Part Number	Description	Remark	Qty	Model
(6)	997 351 948 01	Group 46 Nr.3620 Use also: Mounting parts Brake pad repair set See technical manual		1	TURBO M450
(6)	980 351 939 00	Group 46 Nr.3620 Use also: Mounting parts Brake pad repair set		1	GT2
(6)	996 351 948 00	Brake pad repair set Use also: Mounting parts		1	GT2 M449
-	996 351 089 00	Damping plate		4	TURBO
-	996 352 086 01	Damping plate See technical manual		6	TURBO M450
-	996 352 086 02	Group 46 Nr.3620 Damping plate See technical manual		6	TURBO M450
-	996 352 086 01	Group 46 NR.3620 Damping plate		6	GT2
-	996 352 086 02	Damping plate		6	GT2
7	996 612 365 00	Warning contact		2	TURBO
(7)	996 612 347 00	Warning contact		2	TURBO M450
(7)		Warning contact		2	GT2
(7)		Warning contact		2	GT2 M449
-	999 507 464 40	Support		2	
-	944 612 627 00	Line bracket for Warning contact		2	
8	999 067 050 09	Pan-head screw M 12 X 1,5 X 77		4	TURBO
(8)	999 067 047 09	Pan-head screw M 12 X 1,5 X 85		4	TURBO M450
(8)		Pan-head screw M 12 X 1,5 X 85		4	GT2
10	996 351 961 11	Connecting line	/L	1	TURBO
(10)	996 351 962 11	Connecting line	/R	1	TURBO
(10)	996 351 961 30	Connecting line		2	TURBO M450
(10)		Connecting line		2	GT2
11	930 351 927 00	Dust boot		2	
11	930 351 927 01	Dust boot		2	
12	930 351 919 00	Ventilation valve		2	
13	928 351 917 00	Repair kit Protection caps 44 MM \$		2	TURBO
(13)	996 351 915 01	Repair kit Protection caps 38 MM \$		2	TURBO M450
(13)		Repair kit Protection caps 38 MM \$		2	GT2
-	996 351 915 00	Repair kit		2	TURBO

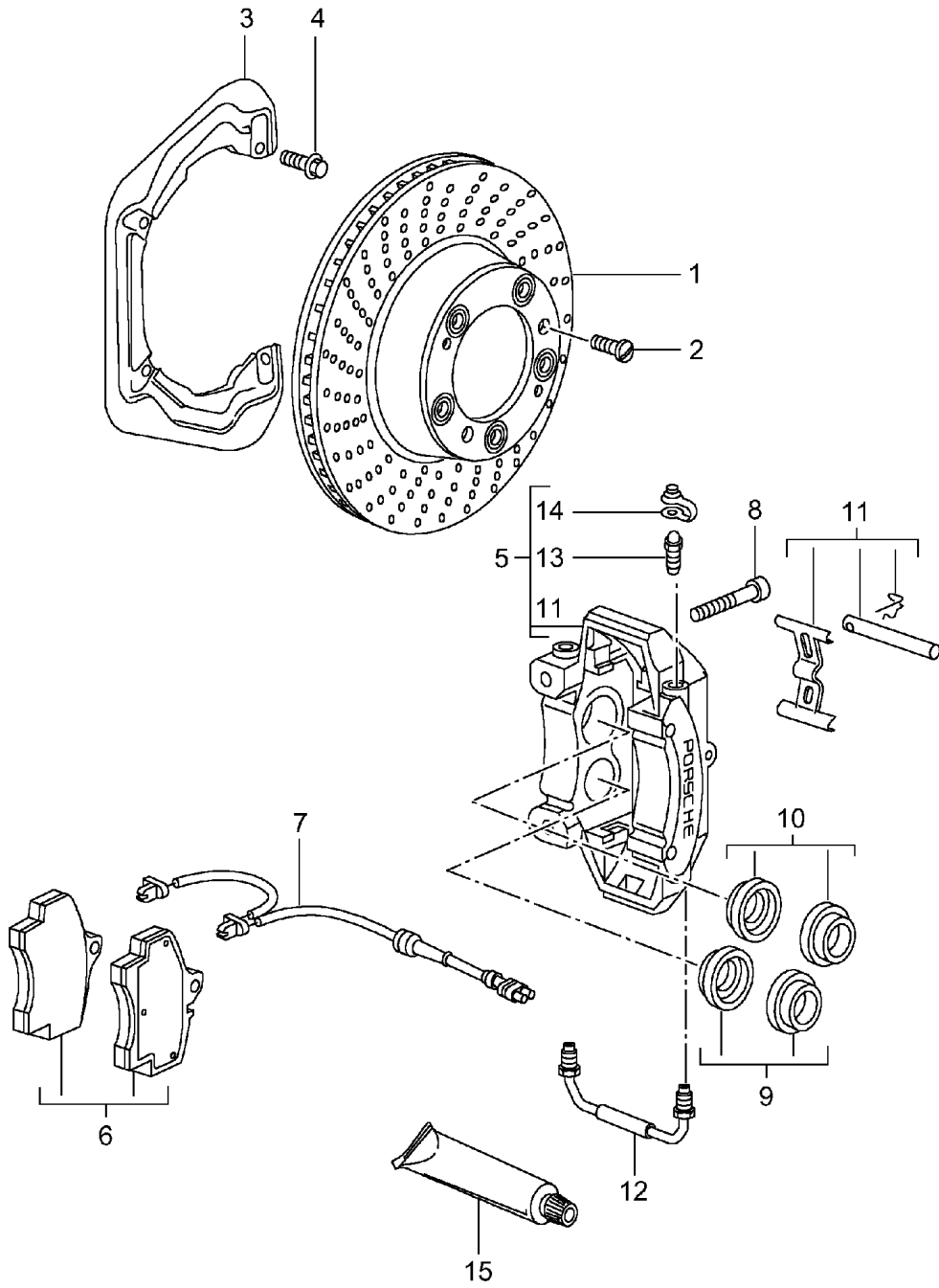
Model: 996 01

Model life 2001>>2005

Pos	Part Number	Description	Remark	Qty	Model
-		Protection caps 32 MM \$			M450
		Repair kit		2	GT2
		Protection caps 32 MM \$			
14	951 351 917 00	Repair kit		2	TURBO
		Protection caps 36 MM \$			
(14)	951 352 917 00	Repair kit		2	TURBO
		Protection caps 28 MM \$			M450
(14)		Repair kit		2	GT2
		Protection caps 28 MM \$			
15	996 351 959 11	Repair kit		1	TURBO
		Mounting parts			
(15)	996 351 959 30	Repair kit		1	TURBO
		Mounting parts			M450
(15)		Repair kit		1	GT2
		Mounting parts			
(15)		Repair kit		1	GT2
		Mounting parts			M449
16	000 043 117 00	Brake cylinder paste 50 G		X	
16	000 043 305 11	Brake cylinder paste 50 G		X	
(16)	000 043 020 00	Optimoly 100 G		X	

Model: 996 01

Model life 2001>>2005



Model: 996 01 Model life 2001>>2005

Pos	Part Number	Description	Remark	Qty	Model
		Disc brake Rear axle See technical information Group 4 NR.5/03 Brake disc Only in pairs Replace Technical manual Attention			M450
1	996 352 405 00	Brake disc	/L	1	TURBO
(1)	996 352 406 00	Brake disc	/R	1	TURBO
(1)	996 352 405 00	Brake disc	/L	1	GT2 M449
(1)	996 352 406 00	Brake disc	/R	1	GT2 M449
(1)	996 352 031 02	Brake disc	/L -04	1	TURBO M450
(1)	996 352 031 03	Brake disc	/L 05-	1	TURBO M450
(1)	996 352 032 02	Brake disc	/R -04	1	TURBO M450
(1)	996 352 032 03	Brake disc	/R 05-	1	TURBO M450
(1)	996 352 031 02	Brake disc	/L -04	1	GT2
(1)	996 352 031 03	Brake disc	/L 05-	1	GT2
(1)	996 352 032 02	Brake disc	/R -04	1	GT2
(1)	996 352 032 03	Brake disc	/R 05-	1	GT2
2	900 269 047 09	Countersunk-head screw M 6 X 12		2	
2	900 269 047 01	Countersunk-head screw M 6 X 12		2	
3	996 352 801 02	Cover plate		2	TURBO
(3)	996 352 801 03	Cover plate		2	TURBO
(3)	996 352 801 02	Cover plate		2	TURBO M450
(3)	996 352 801 03	Cover plate		2	TURBO M450
(3)	996 352 801 30	Cover plate	/L	2	GT2
(3)	996 352 802 30	Cover plate	/R	2	GT2
4	999 217 116 09	Hexagon-head bolt M 6 X 16		X	
5	996 352 425 60	Fixed calliper without pad	/L	1	TURBO
(5)	996 352 426 60	Fixed calliper without pad	/R	1	TURBO
(5)	996 352 423 30	Fixed calliper without pad	/L	1	TURBO M450
(5)	996 352 424 30	Fixed calliper without pad	/R	1	TURBO M450
(5)	996 352 423 30	Fixed calliper without pad	/L	1	GT2
(5)	996 352 424 30	Fixed calliper without pad	/R	1	GT2
(5)	996 352 425 30	Fixed calliper without pad	/L	1	GT2 M449
(5)	996 352 426 30	Fixed calliper without pad	/R	1	GT2 M449
(6)	996 352 949 02	Brake pad repair set	-04	1	TURBO
(6)	996 352 949 03	Brake pad repair set Use also: Mounting parts		1	TURBO

Model: 996 01

Model life 2001&gt;&gt;2005

Pos	Part Number	Description	Remark	Qty	Model
(6)	996 352 947 00	Brake pad repair set		1	TURBO M450
(6)	996 352 947 01	Brake pad repair set See technical manual Group 46 Nr.3820 Use also: Mounting parts		1	TURBO M450
(6)	997 352 948 00	Brake pad repair set See technical manual Group 46 Nr.3820 Use also: Mounting parts		1	TURBO M450
(6)	996 352 947 03	Brake pad repair set		1	GT2
(6)	996 352 949 30	Brake pad repair set		1	GT2 M449
(6)	996 352 948 90	Brake pad repair set Comfort version		1	GT2 M449
(6)	996 352 930 91	Brake pad Sport version Use also: Mounting parts		4	GT2 M449
-	964 352 096 01	Damping plate 28 MM \$		4	TURBO
-	964 352 096 00	Damping plate 30 MM \$		4	TURBO
-	996 352 086 00	Damping plate 30 MM \$		4	TURBO
-	996 352 086 01	Damping plate 28 MM \$ See technical manual Group 46 Nr.3819		8	TURBO M450
-	996 352 086 02	Damping plate 28 MM \$ See technical manual Group 46 Nr.3819		8	TURBO M450
-	996 352 086 01	Damping plate 28 MM \$		8	GT2
-	996 352 086 02	Damping plate 28 MM \$		8	GT2
-	964 352 096 00	Damping plate 30 MM		8	GT2 M449
-	996 352 086 00	Damping plate 30 MM		8	GT2 M449
7	996 612 365 00	Warning contact		2	TURBO
(7)	996 612 348 00	Warning contact		2	TURBO M450
(7)		Warning contact		2	GT2
(7)		Warning contact		2	GT2 M449
8	999 067 050 09	Pan-head screw M 12 X 1,5 X 77		4	TURBO
(8)	999 067 047 09	Pan-head screw M 12 X 1,5 X 85		4	TURBO M450
(8)		Pan-head screw M 12 X 1,5 X 85		4	GT2

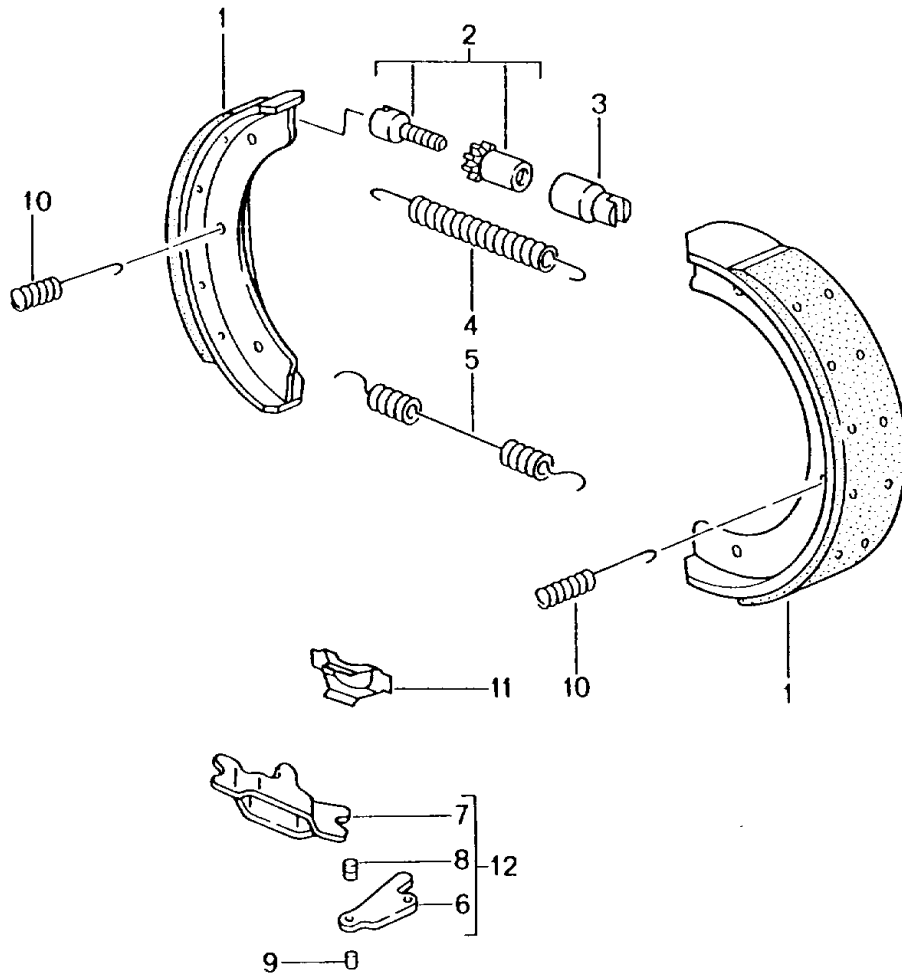
Model: 996 01 Model life 2001>>2005

Pos	Part Number	Description	Remark	Qty	Model
(8)	999 067 042 09	Pan-head screw M 12 X 1,5 X 77		4	GT2 M449
-	944 612 627 00	Line bracket for Warning contact		2	
9	951 352 917 01	Repair kit Protection caps 30 MM \$		X	
10	951 352 917 00	Repair kit Protection caps 28 MM \$		X	
11	996 351 959 01	Repair kit Mounting parts		1	TURBO
(11)	996 352 959 30	Repair kit Mounting parts		1	TURBO M450
(11)	996 351 959 01	Repair kit Mounting parts		1	TURBO M450
(11)	996 352 959 30	Repair kit Mounting parts		1	GT2
(11)	996 351 959 01	Repair kit Mounting parts		1	GT2
(11)		Repair kit Mounting parts		1	GT2 M449
12	996 351 962 00	Connecting line	/L	1	TURBO
(12)	996 351 961 00	Connecting line	/R	1	TURBO
(12)	996 352 961 30	Connecting line		2	TURBO M450
(12)		Connecting line		2	GT2
(12)	996 351 962 00	Connecting line	/L	1	GT2 M449
(12)	996 351 961 00	Connecting line	/R	1	GT2 M449
13	930 351 919 00	Ventilation valve		4	
14	930 351 927 00	Dust boot		4	
14	930 351 927 01	Dust boot		4	
15	000 043 117 00	Brake cylinder paste 50 G		X	
15	000 043 305 11	Brake cylinder paste 50 G		X	
(15)	000 043 020 00	Optimoly 100 G		X	



Model: 996 01

Model life 2001>>2005



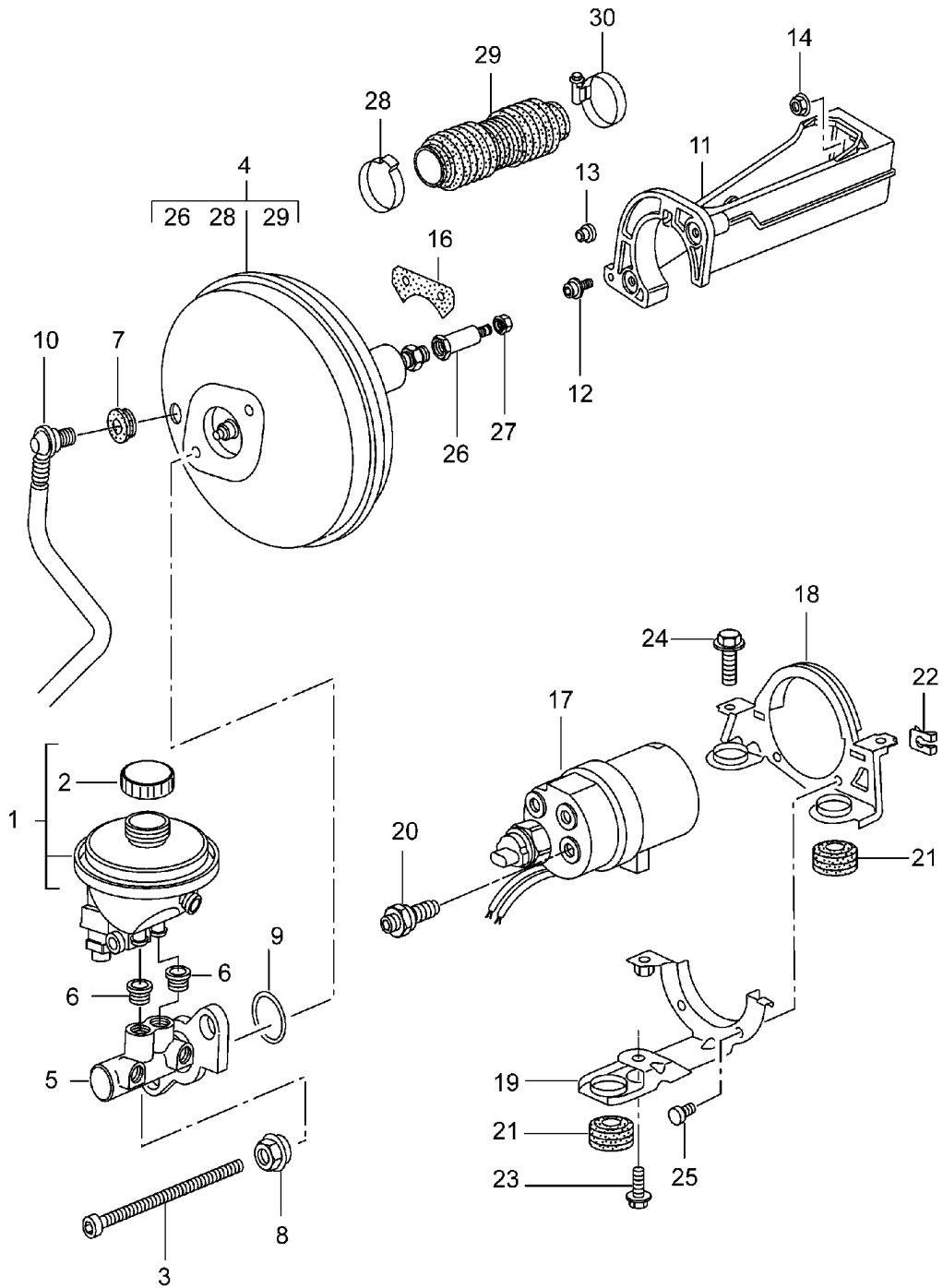
Model: 996 01

Model life 2001>>2005

Pos	Part Number	Description	Remark	Qty	Model
1	928 352 097 10	Handbrake			
(1)	996 352 993 01	Brake shoe	-02	4	
		1 set	03-	1	
(1)	996 352 993 02	Brake shoe	03-	1	
		1 set			
2	993 352 071 00	Adjusting screw		2	
2	298 609 723	Adjusting screw		2	
3	911 352 944 00	Support bush		2	
4	996 352 721 00	Tension spring		2	
		Short			
(4)	997 352 721 00	Tension spring		2	
		Short			
5	996 352 723 00	Tension spring		2	
		Long			
6	928 352 441 01	Actuating lever		2	
7	928 352 443 01	Clip		2	
8	993 352 735 00	Articulated bolt		2	
9	928 352 447 00	Articulated bolt		2	
10	996 352 741 00	Compression spring		4	
11	996 352 807 00	Supporting plate		2	
12	993 352 073 00	Push-button lock		2	
		Complete			

Model: 996 01

Model life 2001>>2005



Model: 996 01

Model life 2001&gt;&gt;2005

Pos	Part Number	Description	Remark	Qty	Model
		Brake master cylinder			
		Brake booster			
		Pre-charge pump			
1	996 355 013 47	Brake fluid reservoir	-03	1	TURBO
(1)	996 355 013 49	Brake fluid reservoir	04-	1	TURBO
(1)	996 355 013 00	Brake fluid reservoir	-03	1	GT2
(1)	996 355 013 01	Brake fluid reservoir	04-	1	GT2
2	996 355 119 01	Catch		1	
-	996 355 125 01	Contacts for Container 996.355.013.47 996.355.013.49		1	TURBO
-	996 355 125 00	Contacts for Container 996.355.013.00	-03	1	GT2
-	996 355 125 02	Contacts for Container 996.355.013.00/01	04-	1	GT2
3	999 073 124 09	Pan-head screw M 8 X 154 X 80		2	
4	996 355 923 00	Brake booster		1	TURBO
(4)	996 355 923 90	Brake booster		1	GT2
-	996 355 137 01	Catch Threaded joint Brake booster		1	
5	996 355 910 50	Brake master cylinder		1	
6	993 355 922 00	Grommet		2	
7	999 702 182 40	Rubber bush		1	
8	997 355 925 00	Hexagon nut		2	
9	996 355 912 00	Sealing ring		1	
(10)	996 355 577 42	Vacuum line	/LL -03	1	TURBO
(10)	996 355 577 43	Vacuum line	/LL 04-	1	TURBO
(10)	996 355 577 02	Vacuum line	/LL	1	GT2
(10)	996 355 578 42	Vacuum line	/RL -03	1	TURBO
(10)	996 355 578 43	Vacuum line	/RL 04-	1	TURBO
(10)	996 355 578 42	Vacuum line	/RL -03	1	GT2
(10)	996 355 578 43	Vacuum line	/RL 04-	1	GT2
11	996 423 251 01	Intermediate piece		1	
12	900 067 240 02	Combination screw M 6 X 12 Z1		2	
13	999 703 448 50	Stopper	/R	1	
14	900 380 005 09	Hexagon nut M 8		2	
15	996 355 221 00	Grommet		1	
16	996 423 301 00	Gasket		1	
-	996 355 901 01	Gasket Brake booster Bulkhead		1	
(17)	996 355 975 41	Pre-charge pump		1	TURBO
-	999 512 390 00	Hose clamp 60-80/13		1	TURBO
18	996 355 273 40	Support		1	TURBO
19	996 355 170 40	Support		1	TURBO
20	996 355 635 40	Adapter		1	TURBO
21	964 356 635 00	Rubber mounting		3	TURBO
-	999 045 004 40	Hexagon nut		3	TURBO
22	999 166 080 02	Lock		3	TURBO
(23)	900 378 036 09	Hexagon-head bolt M 6 X 12		1	TURBO
24	900 378 035 01	Hexagon-head bolt		2	TURBO

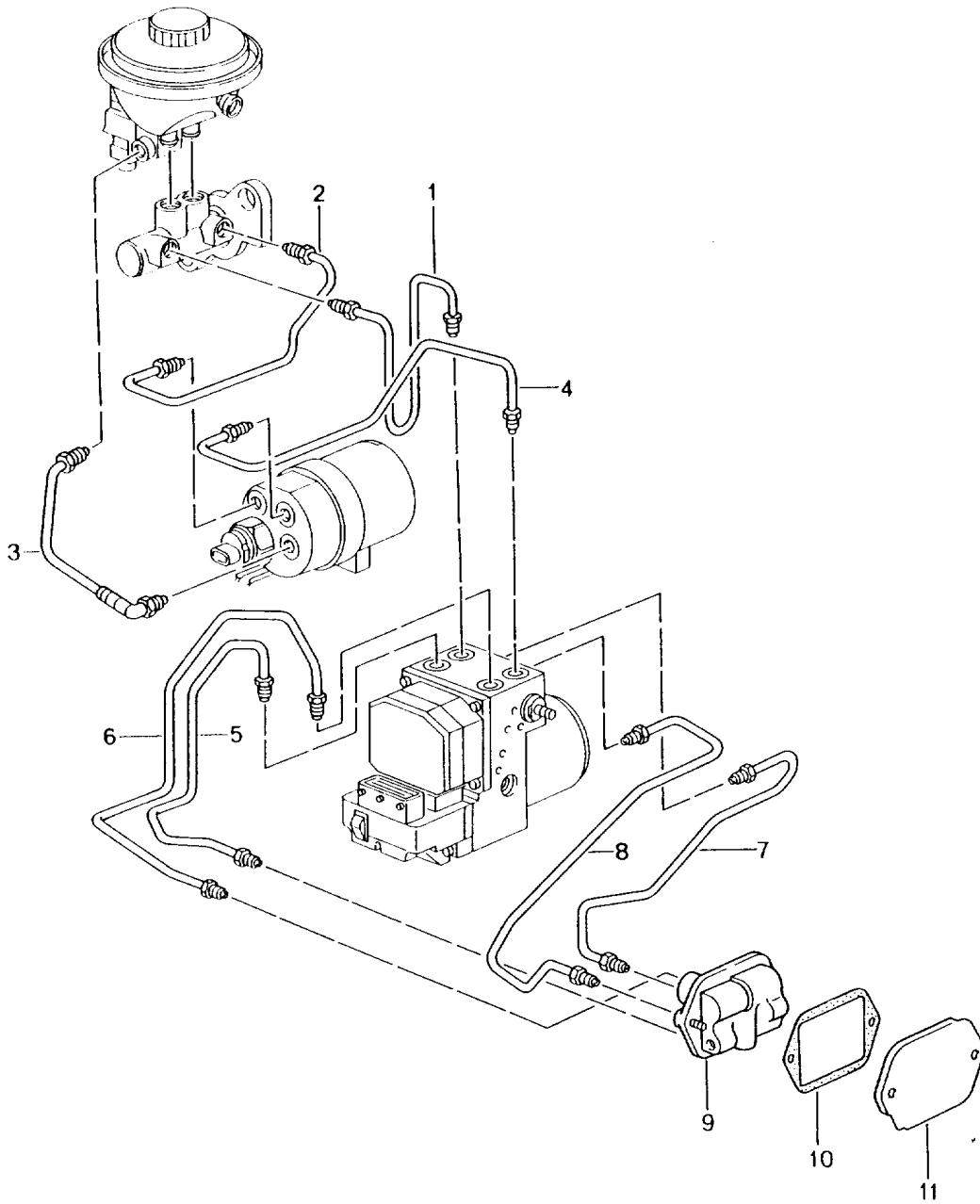
Model: 996 01

Model life 2001&gt;&gt;2005

Pos	Part Number	Description	Remark	Qty	Model
25	996 355 559 00	M 6 X 16 Bolt		2	TURBO
26	996 355 927 01	Connecting piece		1	
27	900 380 015 09	Hexagon nut M 6		1	
27	900 380 015 01	Hexagon nut M 6		1	
28	999 512 672 00	Clamp		1	
29	996 423 269 05	Bellows		1	
30	999 512 478 00	Hose clamp		1	

Model: 996 01

Model life 2001>>2005

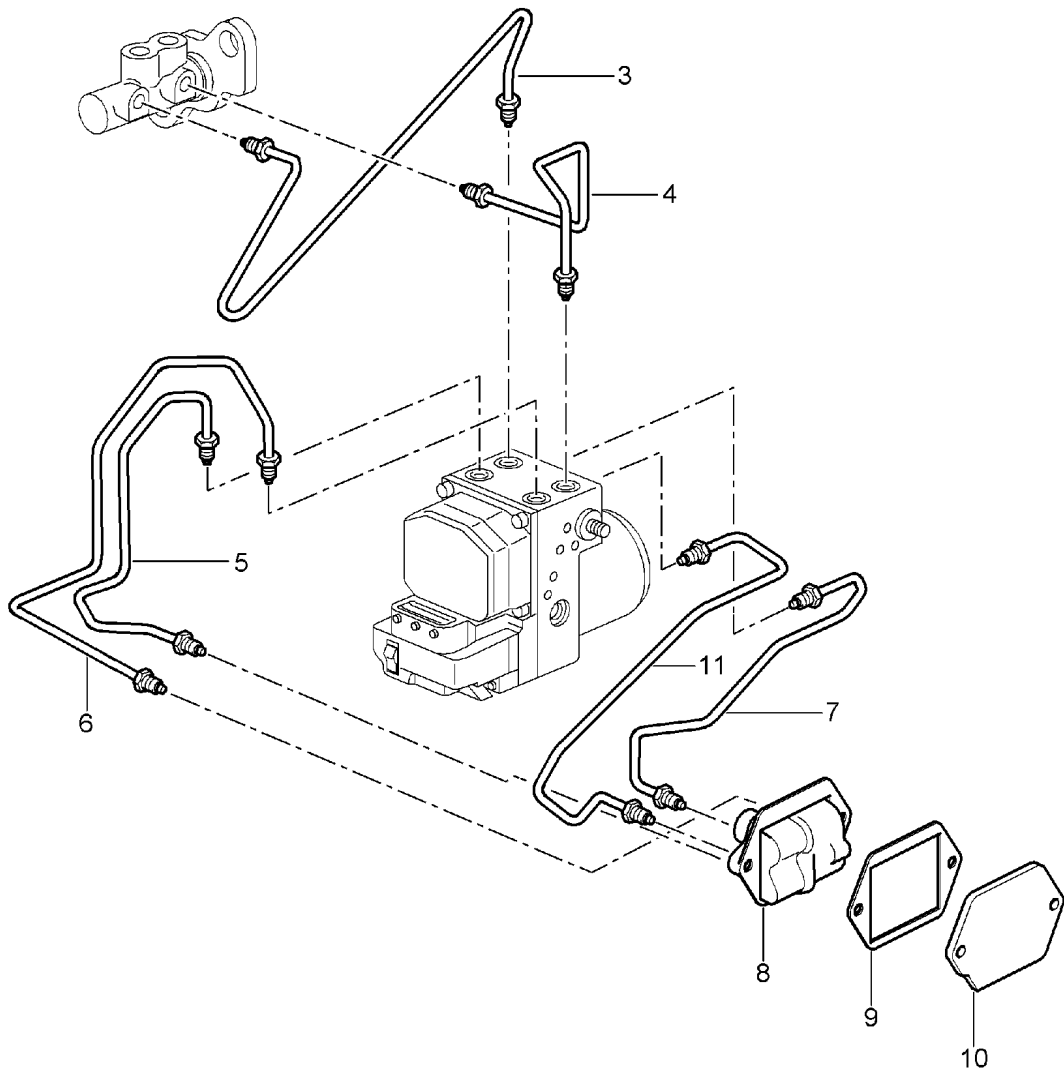


Model: 996 01 Model life 2001>>2005

Pos	Part Number	Description	Remark	Qty	Model
		Brake lines			TURBO
		Body front section			
(1)	996 355 311 42	Pressure line	/LL	1	
(1)	996 355 312 41	Pressure line	/RL	1	
2	996 355 307 40	Brake line		1	
3	996 355 323 41	Feed line		1	
(4)	996 355 333 41	Pressure line	/LL	1	
(4)	996 355 333 42	Pressure line	/LL	1	
(4)	996 355 330 41	Pressure line	/RL	1	
(5)	996 355 315 42	Brake line		1	
(5)	996 355 315 43	Brake line		1	
(6)	996 355 327 42	Brake line		1	
(6)	996 355 327 43	Brake line		1	
(7)	996 355 316 41	Brake line		1	
(8)	996 355 326 40	Brake line		1	
9	996 355 650 27	Intermediate piece		1	
10	996 355 752 00	Gasket	-01	1	
(10)	996 355 752 01	Gasket	02-	1	
11	996 355 753 00	Reinforcement		1	
11	996 355 753 01	Reinforcement		1	

Model: 996 01

Model life 2001>>2005



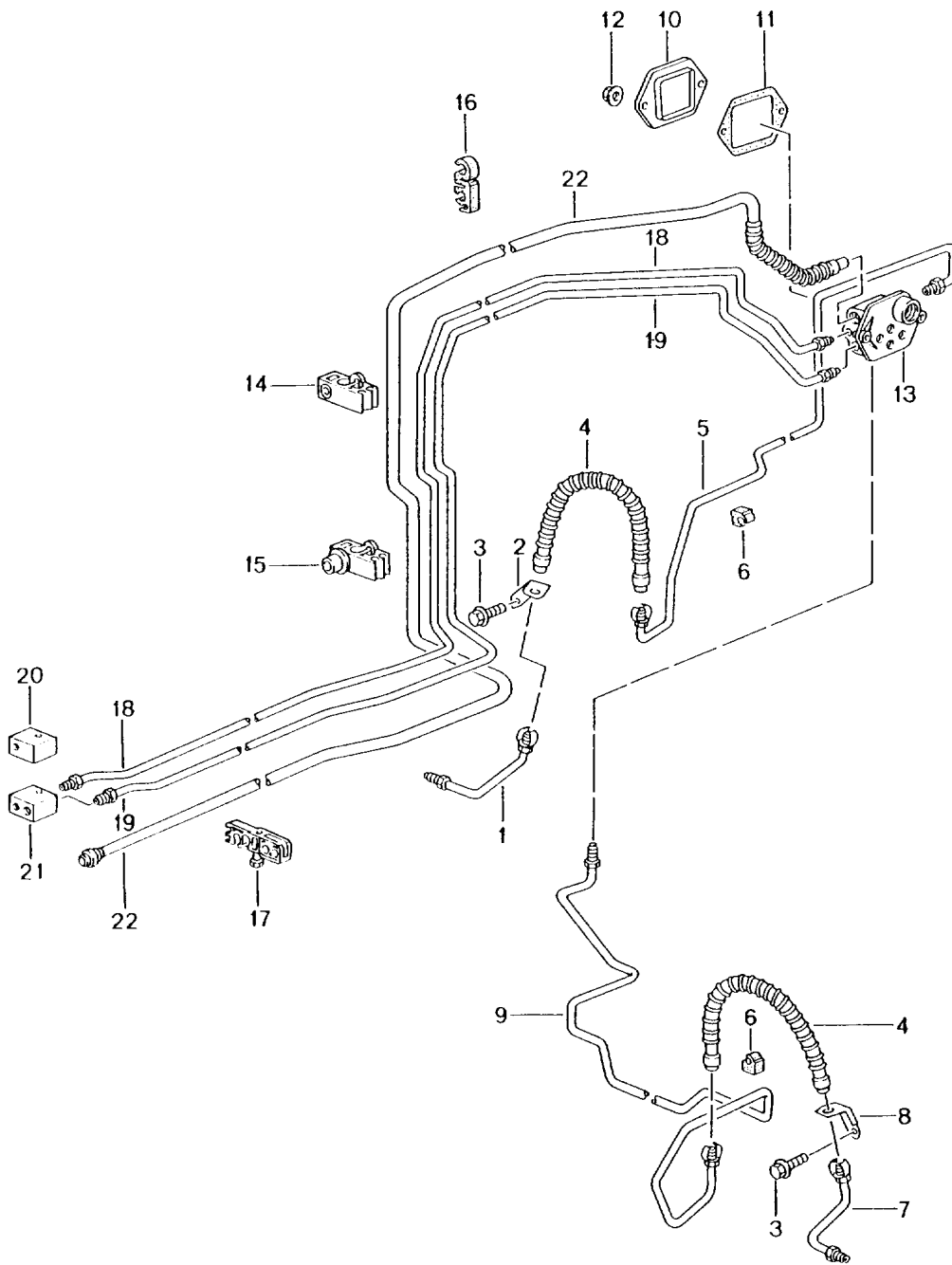


Model: 996 01 Model life 2001>>2005

Pos	Part Number	Description	Remark	Qty	Model
		Brake lines			GT2
		Body front section			
3	996 355 311 41	Pressure line	/LL	1	
(3)	996 355 310 41	Pressure line	/RL	1	
4	996 355 313 90	Brake line	/LL -03	1	
(4)	996 355 313 91	Brake line	/LL 04-	1	
(4)	996 355 328 90	Brake line	/RL -03	1	
(4)	996 355 328 91	Brake line	/RL 04-	1	
5	996 355 315 02	Brake line	-03	1	
(5)	996 355 315 43	Brake line	04-	1	
6	996 355 327 03	Brake line	-03	1	
(6)	996 355 327 43	Brake line	04-	1	
7	996 355 326 04	Brake line	-03	1	
(7)	996 355 316 41	Brake line	04-	1	
8	996 355 650 02	Intermediate piece	-03	1	
(8)	996 355 650 27	Intermediate piece	04-	1	
9	996 355 752 00	Gasket	-01	1	
(9)	996 355 752 01	Gasket	02-	1	
10	996 355 753 00	Reinforcement		1	
10	996 355 753 01	Reinforcement		1	
11	996 355 326 40	Brake line		1	

Model: 996 01

Model life 2001>>2005

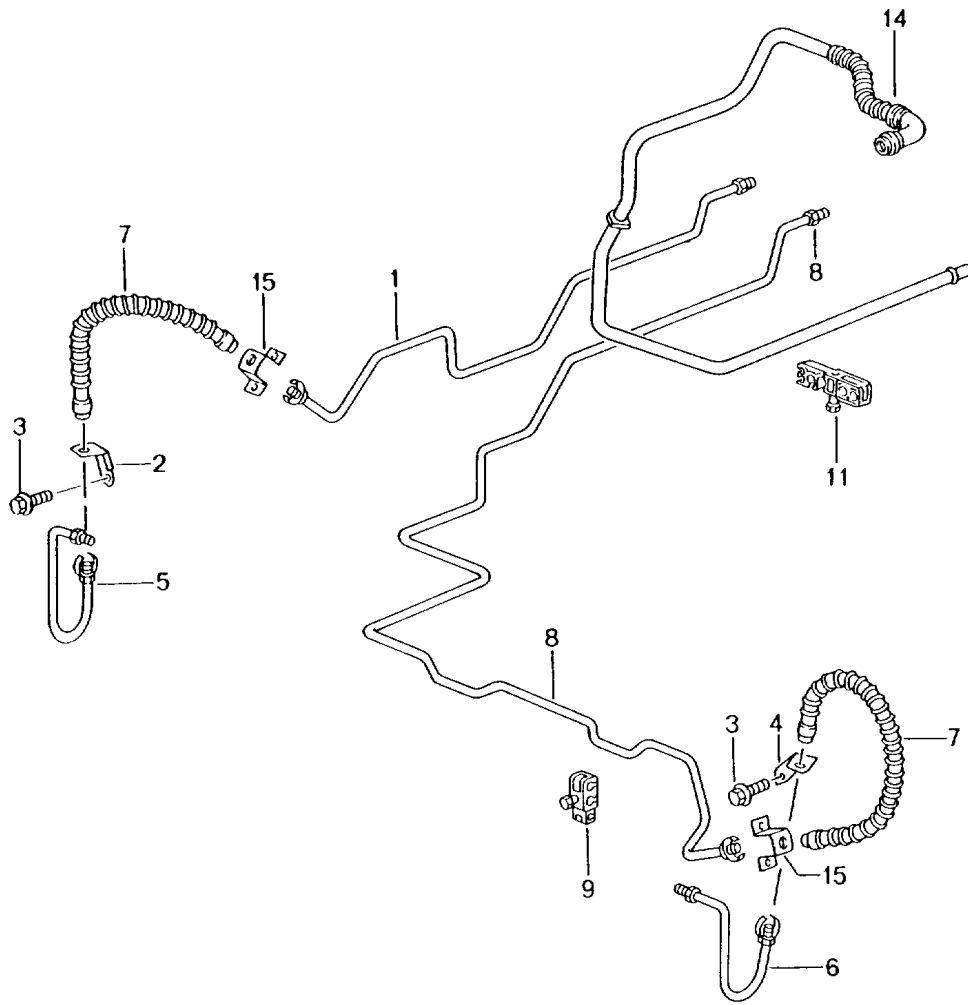


Model: 996 01 Model life 2001>>2005

Pos	Part Number	Description	Remark	Qty	Model
		Brake lines			
		Front axle			
		Underbody			
		Vacuum line			
1	996 355 587 02	Brake line	/L	1	TURBO
(1)	996 355 587 03	Brake line	/L	1	TURBO M450
(1)	996 355 581 9B	Brake line	/L	1	GT2
2	996 355 507 05	Brake hose bracket	/L	1	TURBO
(2)	996 355 501 06	Brake hose bracket	/L	1	GT2
3	900 067 117 09	Pan-head screw M 6 X 16		2	
4	996 355 139 01	Brake hose		2	
5	996 355 175 28	Brake line	/L	1	TURBO
(5)	996 355 175 08	Brake line	/L	1	GT2
6	999 591 930 40	Support		X	
7	996 355 588 02	Brake line	/R	1	TURBO
(7)	996 355 588 03	Brake line	/R	1	TURBO M450
(7)	996 355 584 9B	Brake line	/R	1	GT2
8	996 355 508 05	Brake hose bracket	/R	1	TURBO
(8)	996 355 502 06	Brake hose bracket	/R	1	GT2
9	996 355 176 32	Brake line	/R	1	TURBO
(9)	996 355 176 90	Brake line	/R	1	GT2
10	996 355 753 00	Reinforcement		1	
10	996 355 753 01	Reinforcement		1	
11	996 355 752 00	Gasket	-01	1	
(11)	996 355 752 01	Gasket	02-	1	
12	900 380 015 09	Hexagon nut M 6		3	
12	900 380 015 01	Hexagon nut M 6		3	
13	996 355 650 27	Intermediate piece		1	TURBO
(13)	996 355 650 02	Intermediate piece		1	GT2
14	996 355 545 00	Support		3	
15	996 355 549 00	Support		1	
16	996 355 547 01	Support		2	
17	996 355 543 00	Support		1	
18	996 355 177 07	Brake line	-02	1	
(18)	996 355 177 08	Brake line	03-	1	
19	996 355 179 07	Brake line	-02	1	TURBO
(19)	996 355 179 08	Brake line	03-	1	TURBO
		Brake line	04-	1	GT2
(19)	996 355 179 11	Brake line	03-	1	TURBO
		Brake line	04-	1	GT2
(21)	996 355 760 31	Connecting piece		1	TURBO
(21)	996 355 660 06	Connecting piece		1	GT2
22	996 355 571 07	Vacuum line		1	
-	999 230 535 40	Lock		1	
		Connecting piece			
		Vacuum line			

Model: 996 01

Model life 2001>>2005



Model: 996 01 Model life 2001>>2005

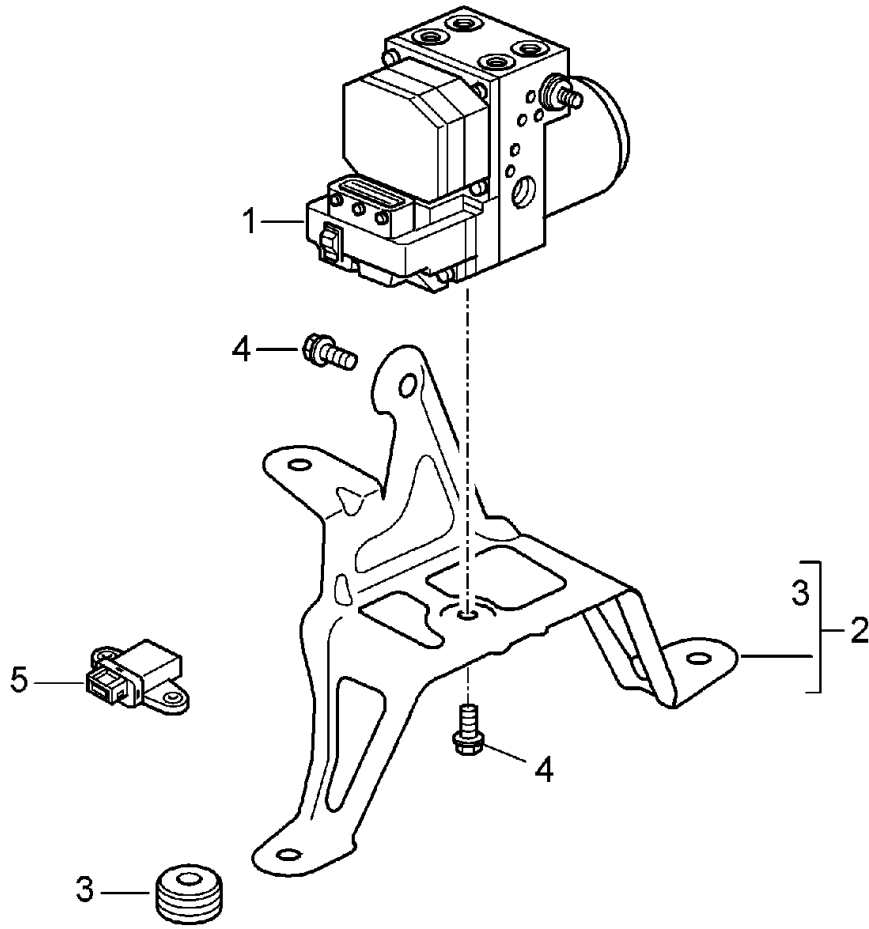
Pos	Part Number	Description	Remark	Qty	Model
1	996 355 189 06	Brake line	/L -02	1	
(1)	996 355 189 07	Underbody Rear axle Vacuum line Brake line	/L 03-	1	
(1)	997 355 189 00	F >>994S6 80654 F >>994S6 70658 F >>994S6 95107 Brake line	/R	1	
2	996 355 503 00	F 994S6 80655>> F 994S6 70659>> F 994S6 95108>> Brake hose bracket	/L /L	1 1	TURBO GT2 M449
(2)	996 355 503 10	Support	/L	1	TURBO M450
(2)		Support	/L	1	GT2
3	900 067 117 09	Pan-head screw M 6 X 16		2	
4	996 355 504 00	Brake hose bracket	/R /R	1 1	TURBO GT2 M449
(4)	996 355 504 10	Support	/R	1	TURBO M450
(4)		Support	/R	1	GT2
5	996 355 585 00	Brake line	/L /L	1 1	TURBO GT2 M449
(5)	996 355 585 10	Brake line	/L	1	TURBO M450
(5)		Brake line	/L	1	GT2
6	996 355 586 00	Brake line	/R /R	1 1	TURBO GT2 M449
(6)	996 355 586 10	Brake line	/R	1	TURBO M450
(6)		Brake line	/R	1	GT2
7	996 355 139 00	Brake hose		2	
8	996 355 190 51	Brake line	-01	1	
(8)	996 355 190 52	Brake line	02	1	
(8)	996 355 190 53	Brake line F >>994S6 80654 F >>994S6 70658 F >>994S6 95107	03-	1	
(8)	997 355 190 01	Brake line	/R	1	
(8)	997 355 190 02	Brake line F 994S6 80655>> F 994S6 70659>> F 994S6 95108>>	/R	1	
9	996 347 543 00	Cable holder		3	
11	996 355 543 00	Support		1	
14	996 355 575 51	Vacuum line F >>994S6 80654 F >>994S6 70658 F >>994S6 95107		1	
(14)	997 355 575 01	Vacuum line F 994S6 80655>> F 994S6 70659>> F 994S6 95108>>		1	
-	999 507 495 40	Support		1	
15	996 501 815 02	Support		2	

Model: 996 01                      Model life 2001>>2005

Pos	Part Number	Description	Remark	Qty	Model
	996 501 815 02 GRV	Prime coated			

Model: 996 01

Model life 2001>>2005



Model: 996 01 Model life 2001>>2005

Pos	Part Number	Description	Remark	Qty	Model
1	996 355 955 51	Hydraulic unit Anti-lock brake system Control Hydraulic unit 5.7 See technical manual Group 0 Diagnostic NR.45-5		1	TURBO
(1)	996 355 955 57	Hydraulic unit 5.7 See technical manual Group 0 Diagnostic NR.45-5		1	TURBO
(1)	996 355 955 58	Hydraulic unit 5.7 See technical manual Group 0 Diagnostic NR.45-5		1	TURBO
(1)	996 355 955 59	Hydraulic unit 5.7 See technical manual Group 0 Diagnostic NR.45-5		1	TURBO
(1)	996 355 955 63	Hydraulic unit 5.7 See technical manual Group 0 Diagnostic NR.45-5		1	TURBO
(1)	996 355 955 CX	Hydraulic unit 5.7 See technical manual Group 0 Diagnostic NR.45-5		1	TURBO
(1)	996 355 955 30	Hydraulic unit 5.3	-03	1	GT2
(1)	996 355 955 EX	Hydraulic unit 5.3		1	GT2
(1)	996 355 955 93	Hydraulic unit 5.7	04-	1	GT2
(1)	996 355 955 HX	Hydraulic unit 5.7	04-	1	GT2
2	996 355 033 41	Support with Rubber mounting		1	TURBO
(2)	996 355 033 02	Support Complete	-03	1	GT2
(2)	996 355 033 41	Support with Rubber mounting	04-	1	GT2
3	964 356 635 00	Rubber mounting		2	TURBO
(3)		Rubber mounting	04-	2	GT2
4	900 378 036 09	Hexagon-head bolt M 6 X 12		2	
(5)	996 606 147 00	Sensor See technical manual Group 0 Diagnostic		1	TURBO



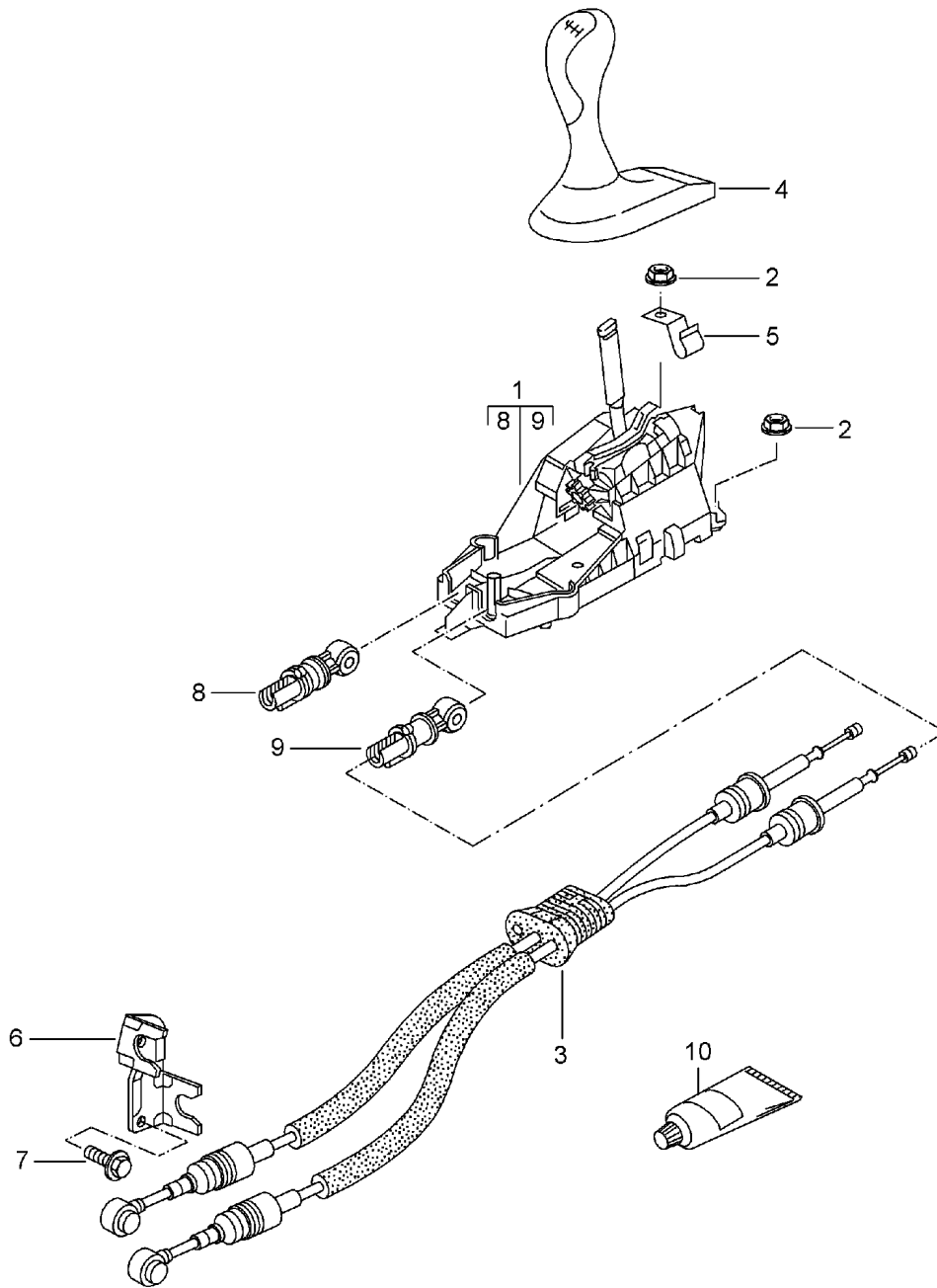
Model: 996 01

Model life 2001&gt;&gt;2005

Pos	Part Number	Description	Remark	Qty	Model
(5)	996 606 145 00	NR.45-5 Sensor See technical manual Group 0 Diagnostic		1	TURBO
-	996 622 901 00	NR.45-5 Adapter Cable for Sensor 996.606.145.00 See technical manual Group 4		1	TURBO
-	996 610 224 00	NR.45-7 Cable guide Sensor See technical manual Group 0 Diagnostic		1	TURBO
-	996 606 143 00	NR.45-5 Retaining bar Sensor See technical manual Group 0 Diagnostic		1	TURBO

Model: 996 01

Model life 2001>>2005



Model: 996 01 Model life 2001>>2005

Pos	Part Number	Description	Remark	Qty	Model
		Transmission control Manual transmission			
1	986 424 010 02	Gearshift bracket	-02	1	
(1)	986 424 010 03	Gearshift bracket	03	1	
(1)	996 424 010 05	Gearshift bracket	04-	1	TURBO
(1)	986 424 010 03	Gearshift bracket		1	GT2
(1)	996 424 983 00	Gearshift bracket	04	1	TURBO IXCZ
(1)	997 424 983 00	Gearshift bracket	05-	1	TURBO IXCZ
2	999 084 629 09	Hexagon nut M 6		4	
2	999 084 629 01	Hexagon nut M 6		4	
3	996 424 041 10	Cable	-01	1	TURBO
(3)	996 424 041 12	Cable	02-	1	TURBO
(3)	996 424 041 14	Cable	04-	1	TURBO
(3)	996 424 041 88	Cable	-03	1	GT2
(3)	996 424 041 89	Cable	04-	1	GT2
(3)	996 424 041 90	Cable		1	
-	986 424 411 00	Retainer spring Mount Cable for Support		2	
4	996 424 075 05	Gearshift knob	-02	1	TURBO
	996 424 075 05 FEN	Cinnamon brown Silver			
	996 424 075 05 VRE	Dark grey/natural Silver			
	996 424 075 05 VRF	Brown/natural Silver			
	996 424 075 05 FBH	Black/Silver			
	996 424 075 05 EVZ	Black/Silver			
	996 424 075 05 FBX	Graphite grey/silver			
	996 424 075 05 ENJ	Graphite grey/silver			
	996 424 075 05 FBJ	Savanna/Silver			
	996 424 075 05 ENK	Savanna/Silver			
	996 424 075 05 FBK	Metropole blue/silver			
	996 424 075 05 ENL	Metropole blue/silver			
	996 424 075 05 FBL	Nephrite green/silver			
	996 424 075 05 ENN	Nephrite green/silver			
	996 424 075 05 FBM	Boxster red/silver			
	996 424 075 05 ENO	Boxster red/silver			
4	996 424 075 05	Gearshift knob	03-	1	TURBO
	996 424 075 05 FGT	Black Sport silver			
	996 424 075 05 FGU	Graphite grey Sport silver			
	996 424 075 05 FGV	Savanna Sport silver			
	996 424 075 05 FGW	Metropole blue Sport silver			
	996 424 075 05 FGX	Nephrite green Sport silver	03 03		
	996 424 075 05 FGY	Boxster red Sport silver			
	996 424 075 05 FGZ	Cinnamon brown Sport silver			
	996 424 075 05 VSW	Dark grey/natural Sport silver			
	996 424 075 05 VSX	Brown/natural Sport silver			

Model: 996 01 Model life 2001>>2005

Pos	Part Number	Description	Remark	Qty	Model
(4)	996 424 075 20	Gearshift knob	05-	1	TURBO S
	996 424 075 20 VTA	Dark grey/natural			
	996 424 075 20 VTM	Brown/natural			
(4)	996 424 075 90	Gearshift knob	-02	1	GT2
	996 424 075 90 EVZ	Black			
	996 424 075 90 VRE	Dark grey/natural	02		
	996 424 075 90 VRF	Brown/natural	02		
(4)	996 424 075 90	Gearshift knob	03-	1	GT2
	996 424 075 90 FGT	Black			
		Sport silver			
	996 424 075 90 VSW	Dark grey/natural			
		Sport silver			
	996 424 075 90 VSX	Brown/natural			
		Sport silver			
(4)	996 424 981 18	Gearshift knob	-02	1	GT2 IX47
	996 424 981 18 VRJ	Black			
	996 424 981 18 D11	Dark grey/natural	02-		
	996 424 981 18 T11	Brown/natural	02-		
(4)	996 424 981 31	Gearshift knob		1	GT2 IX47
	996 424 981 31 VRJ	Black			
	996 424 981 31 D11	Dark grey/natural			
	996 424 981 31 T11	Brown/natural			
(4)	996 424 981 07	Gearshift knob	/LL	1	IX97
	996 424 981 07 VRJ	Black			
	996 424 981 07 C50	Graphite grey			
	996 424 981 07 S30	Savanna			
	996 424 981 07 G10	Metropole blue			
	996 424 981 07 J30	Nephrite green			
	996 424 981 07 M30	Boxster red			
	996 424 981 07 P11	Cinnamon brown			
	996 424 981 07 D11	Dark grey/natural			
	996 424 981 07 T11	Brown/natural			
(4)	996 424 981 08	Gearshift knob	/RL	1	IX97
	996 424 981 08 VRJ	Black			
	996 424 981 08 C50	Graphite grey			
	996 424 981 08 S30	Savanna			
	996 424 981 08 G10	Metropole blue			
	996 424 981 08 J30	Nephrite green			
	996 424 981 08 M30	Boxster red			
	996 424 981 08 P11	Cinnamon brown			
	996 424 981 08 D11	Dark grey/natural			
	996 424 981 08 T11	Brown/natural			
(4)	996 424 981 09	Gearshift knob	/LL	1	IX72
	996 424 981 09 VRJ	Black			
	996 424 981 09 C50	Graphite grey			
	996 424 981 09 S30	Savanna			
	996 424 981 09 G10	Metropole blue			
	996 424 981 09 J30	Nephrite green			
	996 424 981 09 M30	Boxster red			
	996 424 981 09 P11	Cinnamon brown			
	996 424 981 09 D11	Dark grey/natural			
	996 424 981 09 T11	Brown/natural			
(4)	996 424 981 10	Gearshift knob	/RL	1	IX72
	996 424 981 10 VRJ	Black			
	996 424 981 10 C50	Graphite grey			
	996 424 981 10 S30	Savanna			
	996 424 981 10 G10	Metropole blue			

Model: 996 01 Model life 2001>>2005

Pos	Part Number	Description	Remark	Qty	Model
(4)	996 424 981 10 J30	Nephrite green			
	996 424 981 10 M30	Boxster red			
	996 424 981 10 P11	Cinnamon brown			
	996 424 981 10 D11	Dark grey/natural			
	996 424 981 10 T11	Brown/natural			
	996 424 981 11	Gearshift knob	/LL	1	IXE8
	996 424 981 11 VRJ	Black			
	996 424 981 11 C50	Graphite grey			
	996 424 981 11 S30	Savanna			
	996 424 981 11 G10	Metropole blue			
(4)	996 424 981 11 J30	Nephrite green			
	996 424 981 11 M30	Boxster red			
	996 424 981 11 P11	Cinnamon brown			
	996 424 981 11 D11	Dark grey/natural			
	996 424 981 11 T11	Brown/natural			
	996 424 981 12	Gearshift knob	/RL	1	IXE8
	996 424 981 12 VRJ	Black			
	996 424 981 12 C50	Graphite grey			
	996 424 981 12 S30	Savanna			
	996 424 981 12 G10	Metropole blue			
(4)	996 424 981 12 J30	Nephrite green			
	996 424 981 12 M30	Boxster red			
	996 424 981 12 P11	Cinnamon brown			
	996 424 981 12 D11	Dark grey/natural			
	996 424 981 12 T11	Brown/natural			
	996 424 981 13	Gearshift knob	/LL	1	IX47
	996 424 981 13 VRJ	Black			
	996 424 981 13 C50	Graphite grey			
	996 424 981 13 S30	Savanna			
	996 424 981 13 G10	Metropole blue			
(4)	996 424 981 13 J30	Nephrite green			
	996 424 981 13 M30	Boxster red			
	996 424 981 13 P11	Cinnamon brown			
	996 424 981 13 D11	Dark grey/natural			
	996 424 981 13 T11	Brown/natural			
	996 424 981 14	Gearshift knob	/RL	1	IX47
	996 424 981 14 VRJ	Black			
	996 424 981 14 C50	Graphite grey			
	996 424 981 14 S30	Savanna			
	996 424 981 14 G10	Metropole blue			
(4)	996 424 981 14 J30	Nephrite green			
	996 424 981 14 M30	Boxster red			
	996 424 981 14 P11	Cinnamon brown			
	996 424 981 14 D11	Dark grey/natural			
	996 424 981 14 T11	Brown/natural			
	996 424 981 14 VRJ	Black			
	996 424 981 14 C50	Graphite grey			
	996 424 981 14 S30	Savanna			
	996 424 981 14 G10	Metropole blue			
	996 424 981 14 J30	Nephrite green			
(4)	996 424 981 23	Gearshift knob	/LL 03-	1	IX97
	996 424 981 23 VRJ	Black			
	996 424 981 23 C50	Graphite grey			
	996 424 981 23 S30	Savanna			
	996 424 981 23 G10	Metropole blue			
	996 424 981 23 J30	Nephrite green	03		
	996 424 981 23 M30	Boxster red			
	996 424 981 23 P11	Cinnamon brown			
	996 424 981 23 D11	Dark grey/natural			
	996 424 981 23 T11	Brown/natural			
(4)	996 424 981 24	Gearshift knob	/RL 03-	1	IX97
	996 424 981 24 VRJ	Black			
	996 424 981 24 C50	Graphite grey			
	996 424 981 24 S30	Savanna			

Model: 996 01 Model life 2001>>2005

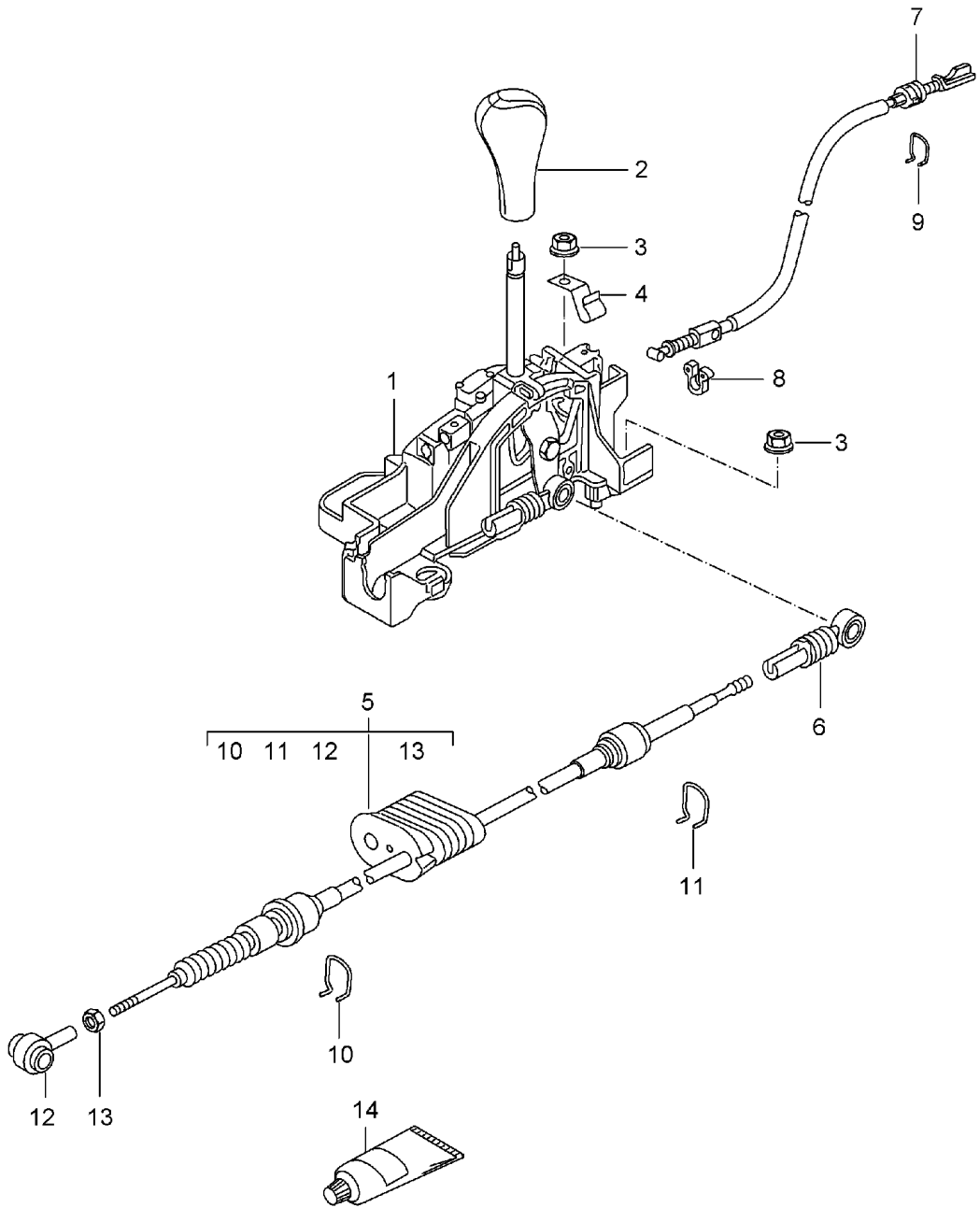
Pos	Part Number	Description	Remark	Qty	Model
	996 424 981 24 G10	Metropole blue			
	996 424 981 24 J30	Nephrite green	03		
	996 424 981 24 M30	Boxster red			
	996 424 981 24 P11	Cinnamon brown			
	996 424 981 24 D11	Dark grey/natural			
	996 424 981 24 T11	Brown/natural			
(4)	996 424 981 26	Gearshift knob	/LL 03-	1	IX72
	996 424 981 26 VRJ	Black			
	996 424 981 26 C50	Graphite grey			
	996 424 981 26 S30	Savanna			
	996 424 981 26 G10	Metropole blue			
	996 424 981 26 J30	Nephrite green	03		
	996 424 981 26 M30	Boxster red			
	996 424 981 26 P11	Cinnamon brown			
	996 424 981 26 D11	Dark grey/natural			
	996 424 981 26 T11	Brown/natural			
(4)	996 424 981 27	Gearshift knob	/RL 03-	1	IX72
	996 424 981 27 VRJ	Black			
	996 424 981 27 C50	Graphite grey			
	996 424 981 27 S30	Savanna			
	996 424 981 27 G10	Metropole blue			
	996 424 981 27 J30	Nephrite green	03		
	996 424 981 27 M30	Boxster red			
	996 424 981 27 P11	Cinnamon brown			
	996 424 981 27 D11	Dark grey/natural			
	996 424 981 27 T11	Brown/natural			
(4)	996 424 981 29	Gearshift knob	/LL 03-	1	IXE8
	996 424 981 29 VRJ	Black			
	996 424 981 29 C50	Graphite grey			
	996 424 981 29 S30	Savanna			
	996 424 981 29 G10	Metropole blue			
	996 424 981 29 J30	Nephrite green	03		
	996 424 981 29 M30	Boxster red			
	996 424 981 29 P11	Cinnamon brown			
	996 424 981 29 D11	Dark grey/natural			
	996 424 981 29 T11	Brown/natural			
(4)	996 424 981 30	Gearshift knob	/RL 03-	1	IXE8
	996 424 981 30 VRJ	Black			
	996 424 981 30 C50	Graphite grey			
	996 424 981 30 S30	Savanna			
	996 424 981 30 G10	Metropole blue			
	996 424 981 30 J30	Nephrite green	03		
	996 424 981 30 M30	Boxster red			
	996 424 981 30 P11	Cinnamon brown			
	996 424 981 30 D11	Dark grey/natural			
	996 424 981 30 T11	Brown/natural			
(4)	996 424 981 32	Gearshift knob	/LL 03-	1	IX47
	996 424 981 32 VRJ	Black			
	996 424 981 32 C50	Graphite grey			
	996 424 981 32 S30	Savanna			
	996 424 981 32 G10	Metropole blue			
	996 424 981 32 J30	Nephrite green	03		
	996 424 981 32 M30	Boxster red			
	996 424 981 32 P11	Cinnamon brown			
	996 424 981 32 D11	Dark grey/natural			
	996 424 981 32 T11	Brown/natural			
(4)	996 424 981 33	Gearshift knob	/RL 03-	1	IX47
	996 424 981 33 VRJ	Black			
	996 424 981 33 C50	Graphite grey			
	996 424 981 33 S30	Savanna			
	996 424 981 33 G10	Metropole blue			
	996 424 981 33 J30	Nephrite green	03		
	996 424 981 33 M30	Boxster red			

Model: 996 01 Model life 2001>>2005

Pos	Part Number	Description	Remark	Qty	Model
	996 424 981 33 P11	Cinnamon brown			
	996 424 981 33 D11	Dark grey/natural			
	996 424 981 33 T11	Brown/natural			
(4)	996 424 981 34	Gearshift knob	/LL 05	1	/092 IX97
	996 424 981 34 D11	Dark grey/natural			
	996 424 981 34 T11	Brown/natural			
(4)	996 424 981 35	Gearshift knob	/RL 05	1	/092 IX97
	996 424 981 35 D11	Dark grey/natural			
	996 424 981 35 T11	Brown/natural			
(4)	996 424 981 36	Gearshift knob	/LL 05	1	/092 IX72
	996 424 981 36 D11	Dark grey/natural			
	996 424 981 36 T11	Brown/natural			
(4)	996 424 981 37	Gearshift knob	/RL 05	1	/092 IX72
	996 424 981 37 D11	Dark grey/natural			
	996 424 981 37 T11	Brown/natural			
(4)	996 424 981 38	Gearshift knob	/LL 05	1	/092 IXE8
	996 424 981 38 D11	Dark grey/natural			
	996 424 981 38 T11	Brown/natural			
(4)	996 424 981 39	Gearshift knob	/RL 05	1	/092 IXE8
	996 424 981 39 D11	Dark grey/natural			
	996 424 981 39 T11	Brown/natural			
(4)	996 424 981 40	Gearshift knob	/LL 05	1	/092 IX47
	996 424 981 40 D11	Dark grey/natural			
	996 424 981 40 T11	Brown/natural			
(4)	996 424 981 41	Gearshift knob	/RL 05	1	/092 IX47
	996 424 981 41 D11	Dark grey/natural			
	996 424 981 41 T11	Brown/natural			
6	996 424 165 02	Bearing bracket		1	
7	999 073 209 09	Pan-head screw M 10 X 20		2	
-	996 424 445 00	Clip for		X	
8	996 424 145 01	Fastening part Fastening part for Cable		1	
9	996 424 147 00	Adjustable Fastening part for Cable		1	
10	000 043 205 93	Adjustable Grease 1 100-gramme tube		X	

Model: 996 01

Model life 2001>>2005





Model: 996 01 Model life 2001>>2005

Pos	Part Number	Description	Remark	Qty	Model
		Selector lever Tiptronic			TURBO
1	996 426 011 51	Selector lever with Housing		1	
1	996 426 011 52	Selector lever with Housing		1	
-	996 613 212 10	Switch		1	
-	996 624 223 00	Solenoid		1	
2	996 426 069 09	Gearshift knob	01	1	
	996 426 069 09 FEO	Cinnamon brown Silver			
	996 426 069 09 VRG	Dark grey/natural Silver			
	996 426 069 09 VRH	Brown/natural Silver			
	996 426 069 09 FBO	Silver			
	996 426 069 09 ERB	Black/Silver			
	996 426 069 09 FBP	Silver			
	996 426 069 09 EOP	Graphite grey/silver			
	996 426 069 09 FBR	Silver			
	996 426 069 09 EOR	Metropole blue/silver			
	996 426 069 09 FBS	Silver			
	996 426 069 09 EOT	Nephrite green/silver			
	996 426 069 09 FBT	Silver			
	996 426 069 09 EPC	Boxster red/silver			
	996 426 069 09 FBQ	Silver			
2	996 426 069 09 EOQ	Savanna/Silver			
	996 426 069 10	Gearshift knob	02	1	
	996 426 069 10 FEO	Cinnamon brown Silver			
	996 426 069 10 VRG	Dark grey/natural Silver			
	996 426 069 10 VRH	Brown/natural Silver			
	996 426 069 10 ERB	Black/Silver			
	996 426 069 10 EOP	Graphite grey/silver			
	996 426 069 10 EOR	Metropole blue/silver			
	996 426 069 10 EOT	Nephrite green/silver			
	996 426 069 10 EPC	Boxster red/silver			
	996 426 069 10 EOQ	Savanna/Silver			
(2)	996 426 069 10	Gearshift knob	03-	1	
	996 426 069 10 FGJ	Black Sport silver			
	996 426 069 10 FGK	Graphite grey Sport silver			
	996 426 069 10 FGL	Savanna Sport silver			
	996 426 069 10 FGM	Metropole blue Sport silver			
	996 426 069 10 FGN	Nephrite green Sport silver	03 03		
	996 426 069 10 FGO	Boxster red Sport silver			
	996 426 069 10 FGP	Cinnamon brown Sport silver			
	996 426 069 10 VSU	Dark grey/natural Sport silver			
	996 426 069 10 VSV	Brown/natural Sport silver			

Model: 996 01 Model life 2001>>2005

Pos	Part Number	Description	Remark	Qty	Model
(2)	996 426 069 10	Gearshift knob	05-	1	TURBO S
	996 426 069 10 FKO	Dark grey/natural			
	996 426 069 10 FKP	Brown/natural			
(2)	996 426 981 06	Gearshift knob	-02	1	IX46
	996 426 981 06 VRJ	Black			
	996 426 981 06 C50	Graphite grey			
	996 426 981 06 S30	Savanna			
	996 426 981 06 G10	Metropole blue			
	996 426 981 06 J30	Nephrite green			
	996 426 981 06 M30	Boxster red			
	996 426 981 06 P11	Cinnamon brown			
	996 426 981 06 D11	Dark grey/natural			
	996 426 981 06 T11	Brown/natural			
(2)	996 426 981 11	Gearshift knob	03-	1	IX46
	996 426 981 11 VRJ	Black			
	996 426 981 11 C50	Graphite grey			
	996 426 981 11 S30	Savanna			
	996 426 981 11 G10	Metropole blue			
	996 426 981 11 J30	Nephrite green	03		
	996 426 981 11 M30	Boxster red			
	996 426 981 11 P11	Cinnamon brown			
	996 426 981 11 D11	Dark grey/natural			
	996 426 981 11 T11	Brown/natural			
(2)	996 426 981 07	Gearshift knob	-02	1	IX65
(2)	996 426 981 08	Gearshift knob	-02	1	IX66
(2)	996 426 981 09	Gearshift knob	-02	1	IX48
(2)	996 426 981 12	Gearshift knob	03-	1	IX65
(2)	996 426 981 13	Gearshift knob	03-	1	IX66
(2)	996 426 981 14	Gearshift knob	03-	1	IX48
-	000 043 204 49	Repair kit Comprising: Key 996.426.275.02 V01 Compression spring 996.426.277.02 Roller 321.713.137	01	1	
-	000 043 204 57	Repair kit Comprising: Key 996.426.275.05 V01 Compression spring 996.426.277.02 Roller 321.713.137	-02	1	
-	000 043 204 69	Repair kit Comprising: Key 996.426.275.05 V03 Compression spring 996.426.277.02 Roller 321.713.137	03-	1	
-	000 043 204 50	Repair kit Comprising: Key Compression spring 996.426.277.02 Roller 321.713.137		1	IX46/X48 IX65/X66
3	999 084 629 09	Hexagon nut M 6		4	
3	999 084 629 01	Hexagon nut		4	

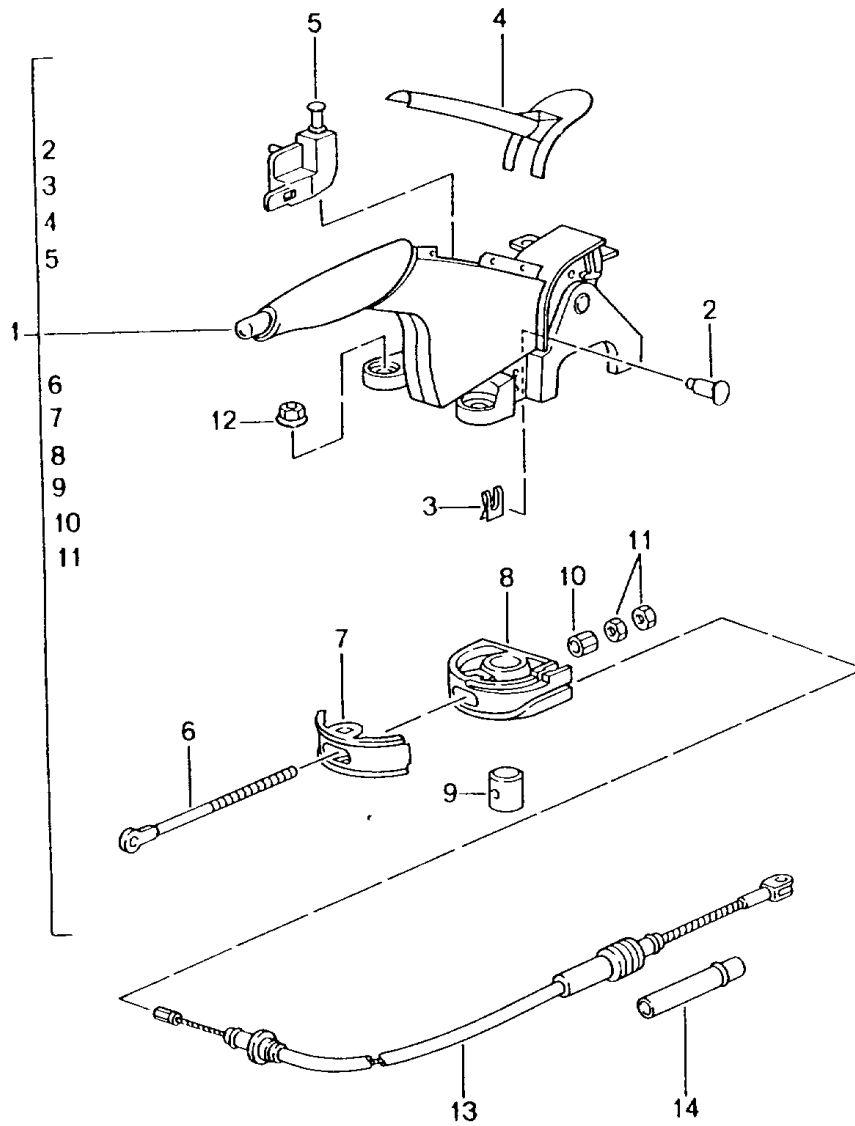
Model: 996 01

Model life 2001>>2005

Pos	Part Number	Description	Remark	Qty	Model
		M 6			
4	999 507 465 02	Cable holder		1	
5	996 426 033 50	Cable	-02	1	
(5)	996 426 033 51	Cable	03	1	
(5)	996 426 033 52	Cable	04-	1	
6	996 426 035 00	Fastening part for Cable Adjustable		1	
7	996 426 073 03	Cable		1	
8	996 426 181 00	Clip		1	
9	996 426 711 00	Securing clip		1	
10	996 426 335 00	Securing clip		1	
11	996 426 335 01	Securing clip		1	
12	996 426 380 51	Connecting piece		1	
13	900 076 010 02	Nut		1	
		M 6			
14	000 043 205 93	Grease 1 100-gramme tube		X	

Model: 996 01

Model life 2001>>2005



Model: 996 01

Model life 2001&gt;&gt;2005

Pos	Part Number	Description	Remark	Qty	Model
1	996 424 031 06	Handbrake Actuator Parking-brake lever Complete	-02	1	TURBO
	996 424 031 06 FEM	Cinnamon brown			
	996 424 031 06 VRC	Dark grey/natural			
	996 424 031 06 VRD	Brown/natural			
	996 424 031 06 EUK	Black			
	996 424 031 06 EUL	Graphite grey			
	996 424 031 06 EUM	Savanna			
	996 424 031 06 EUN	Metropole blue			
	996 424 031 06 EUP	Nephrite green			
	996 424 031 06 EUQ	Boxster red			
(1)	996 424 031 07	Parking-brake lever Complete	03-	1	TURBO
	996 424 031 07 FFR	Black			
	996 424 031 07 FFS	Sport silver			
	996 424 031 07 FFS	Graphite grey			
	996 424 031 07 FFS	Sport silver			
	996 424 031 07 FFU	Metropole blue			
	996 424 031 07 FFU	Sport silver			
	996 424 031 07 FFT	Savanna			
	996 424 031 07 FFT	Sport silver			
	996 424 031 07 FFV	Nephrite green	03		
	996 424 031 07 FFV	Sport silver	03		
	996 424 031 07 FFW	Boxster red			
	996 424 031 07 FFW	Sport silver			
	996 424 031 07 FFX	Cinnamon brown			
	996 424 031 07 FFX	Sport silver			
	996 424 031 07 VSR	Dark grey/natural			
	996 424 031 07 VSR	Sport silver			
	996 424 031 07 VST	Brown/natural			
	996 424 031 07 VST	Sport silver			
(1)	996 424 031 09	Parking-brake lever	05-	1	TURBO S
	996 424 031 09 VTP	Dark grey/natural			
	996 424 031 09 VTN	Brown/natural			
(1)	996 424 031 30	Parking-brake lever	/LL -02	1	GT2
	996 424 031 30 EUK	Black			
	996 424 031 30 VRC	Dark grey/natural	02		
	996 424 031 30 VRD	Brown/natural	02		
(1)	996 424 031 31	Parking-brake lever	/LL 03-	1	GT2
	996 424 031 31 FFR	Black			
	996 424 031 31 FFR	Sport silver			
	996 424 031 31 VSR	Dark grey/natural			
	996 424 031 31 VSR	Sport silver			
	996 424 031 31 VST	Brown/natural			
	996 424 031 31 VST	Sport silver			
(1)	996 424 032 30	Parking-brake lever	/RL -02	1	GT2
	996 424 032 30 EUK	Black			
	996 424 032 30 VRC	Dark grey/natural	02		
	996 424 032 30 VRD	Brown/natural	02		
(1)	996 424 032 31	Parking-brake lever	/RL 03-	1	GT2
	996 424 032 31 FFR	Black			
	996 424 032 31 FFR	Sport silver			
	996 424 032 31 VSR	Dark grey/natural			
	996 424 032 31 VSR	Sport silver			
	996 424 032 31 VST	Brown/natural			
	996 424 032 31 VST	Sport silver			
(1)	996 424 980 24	Parking-brake lever	/LL -02	1	GT2 IX58
	996 424 980 24 VRJ	Black			
	996 424 980 24 D11	Dark grey/natural	02		
	996 424 980 24 T11	Brown/natural	02		

Model: 996 01 Model life 2001>>2005

Pos	Part Number	Description	Remark	Qty	Model
(1)	996 424 980 50	Parking-brake lever	/LL 03-	1	GT2 IX58
	996 424 980 50 VRJ	Black			
	996 424 980 50 D11	Dark grey/natural			
	996 424 980 50 T11	Brown/natural			
(1)	996 424 980 25	Parking-brake lever	/RL -02	1	GT2 IX58
	996 424 980 25 VRJ	Black			
	996 424 980 25 D11	Dark grey/natural	02		
	996 424 980 25 T11	Brown/natural	02		
(1)	996 424 980 51	Parking-brake lever	/RL 03-	1	GT2 IX58
	996 424 980 51 VRJ	Black			
	996 424 980 51 D11	Dark grey/natural			
	996 424 980 51 T11	Brown/natural			
(1)	996 424 980 22	Parking-brake lever	/LL 01	1	IX98
	996 424 980 22 VRJ	Black			
	996 424 980 22 C50	Graphite grey			
	996 424 980 22 S30	Savanna			
	996 424 980 22 G10	Metropole blue			
	996 424 980 22 J30	Nephrite green			
	996 424 980 22 M30	Boxster red			
	996 424 980 22 P11	Cinnamon brown			
	996 424 980 22 D11	Dark grey/natural			
	996 424 980 22 T11	Brown/natural			
(1)	996 424 980 23	Parking-brake lever	/RL 01	1	IX98
	996 424 980 23 VRJ	Black			
	996 424 980 23 C50	Graphite grey			
	996 424 980 23 S30	Savanna			
	996 424 980 23 G10	Metropole blue			
	996 424 980 23 J30	Nephrite green			
	996 424 980 23 M30	Boxster red			
	996 424 980 23 P11	Cinnamon brown			
	996 424 980 23 D11	Dark grey/natural			
	996 424 980 23 T11	Brown/natural			
(1)	996 424 980 24	Parking-brake lever	/LL 01	1	IX58
	996 424 980 24 VRJ	Black			
	996 424 980 24 C50	Graphite grey			
	996 424 980 24 S30	Savanna			
	996 424 980 24 G10	Metropole blue			
	996 424 980 24 J30	Nephrite green			
	996 424 980 24 M30	Boxster red			
	996 424 980 24 P11	Cinnamon brown			
	996 424 980 24 D11	Dark grey/natural			
	996 424 980 24 T11	Brown/natural			
(1)	996 424 980 25	Parking-brake lever	/RL 01	1	IX58
	996 424 980 25 VRJ	Black			
	996 424 980 25 C50	Graphite grey			
	996 424 980 25 S30	Savanna			
	996 424 980 25 G10	Metropole blue			
	996 424 980 25 J30	Nephrite green			
	996 424 980 25 M30	Boxster red			
	996 424 980 25 P11	Cinnamon brown			
	996 424 980 25 D11	Dark grey/natural			
	996 424 980 25 T11	Brown/natural			
(1)	996 424 980 26	Parking-brake lever	/LL 01	1	IX91
	996 424 980 26 VRJ	Black			
	996 424 980 26 C50	Graphite grey			
	996 424 980 26 S30	Savanna			
	996 424 980 26 G10	Metropole blue			
	996 424 980 26 J30	Nephrite green			
	996 424 980 26 M30	Boxster red			
	996 424 980 26 P11	Cinnamon brown			

Model: 996 01 Model life 2001>>2005

Pos	Part Number	Description	Remark	Qty	Model
(1)	996 424 980 26 D11	Dark grey/natural	/RL 01	1	IX91
	996 424 980 26 T11	Brown/natural			
	996 424 980 27	Parking-brake lever			
	996 424 980 27 VRJ	Black			
	996 424 980 27 C50	Graphite grey			
	996 424 980 27 S30	Savanna			
	996 424 980 27 G10	Metropole blue			
	996 424 980 27 J30	Nephrite green			
	996 424 980 27 M30	Boxster red			
	996 424 980 27 P11	Cinnamon brown			
(1)	996 424 980 27 D11	Dark grey/natural	/LL 01	1	IXE9
	996 424 980 27 T11	Brown/natural			
	996 424 980 28	Parking-brake lever			
	996 424 980 28 VRJ	Black			
	996 424 980 28 C50	Graphite grey			
	996 424 980 28 S30	Savanna			
	996 424 980 28 G10	Metropole blue			
	996 424 980 28 J30	Nephrite green			
	996 424 980 28 M30	Boxster red			
	996 424 980 28 P11	Cinnamon brown			
(1)	996 424 980 28 D11	Dark grey/natural	/RL 01	1	IXE9
	996 424 980 28 T11	Brown/natural			
	996 424 980 29	Parking-brake lever			
	996 424 980 29 VRJ	Black			
	996 424 980 29 C50	Graphite grey			
	996 424 980 29 S30	Savanna			
	996 424 980 29 G10	Metropole blue			
	996 424 980 29 J30	Nephrite green			
	996 424 980 29 M30	Boxster red			
	996 424 980 29 P11	Cinnamon brown			
(1)	996 424 980 29 D11	Dark grey/natural	/LL 02	1	IX98
	996 424 980 29 T11	Brown/natural			
	996 424 980 30	Parking-brake lever Complete			
	996 424 980 30 VRJ	Black			
	996 424 980 30 C50	Graphite grey			
	996 424 980 30 S30	Savanna			
	996 424 980 30 G10	Metropole blue			
	996 424 980 30 J30	Nephrite green			
	996 424 980 30 M30	Boxster red			
	996 424 980 30 P11	Cinnamon brown			
(1)	996 424 980 30 D11	Dark grey/natural	/RL 02	1	IX98
	996 424 980 30 T11	Brown/natural			
	996 424 980 31	Parking-brake lever Complete			
	996 424 980 31 VRJ	Black			
	996 424 980 31 C50	Graphite grey			
	996 424 980 31 S30	Savanna			
	996 424 980 31 G10	Metropole blue			
	996 424 980 31 J30	Nephrite green			
	996 424 980 31 M30	Boxster red			
	996 424 980 31 P11	Cinnamon brown			
(1)	996 424 980 31 D11	Dark grey/natural	/LL 02	1	IX58
	996 424 980 31 T11	Brown/natural			
	996 424 980 32	Parking-brake lever Complete			
	996 424 980 32 VRJ	Black			
	996 424 980 32 C50	Graphite grey			
	996 424 980 32 S30	Savanna			
	996 424 980 32 G10	Metropole blue			
	996 424 980 32 J30	Nephrite green			
	996 424 980 32 M30	Boxster red			
	996 424 980 32 P11	Cinnamon brown			

Model: 996 01 Model life 2001>>2005

Pos	Part Number	Description	Remark	Qty	Model
(1)	996 424 980 32 D11	Dark grey/natural			
	996 424 980 32 T11	Brown/natural			
	996 424 980 33	Parking-brake lever Complete	/RL 02	1	IX58
	996 424 980 33 VRJ	Black			
	996 424 980 33 C50	Graphite grey			
	996 424 980 33 S30	Savanna			
	996 424 980 33 G10	Metropole blue			
	996 424 980 33 J30	Nephrite green			
	996 424 980 33 M30	Boxster red			
	996 424 980 33 P11	Cinnamon brown			
(1)	996 424 980 33 D11	Dark grey/natural			
	996 424 980 33 T11	Brown/natural			
	996 424 980 34	Parking-brake lever Complete	/LL 02	1	IX91
	996 424 980 34 VRJ	Black			
	996 424 980 34 C50	Graphite grey			
	996 424 980 34 S30	Savanna			
	996 424 980 34 G10	Metropole blue			
	996 424 980 34 J30	Nephrite green			
	996 424 980 34 M30	Boxster red			
	996 424 980 34 P11	Cinnamon brown			
(1)	996 424 980 34 D11	Dark grey/natural			
	996 424 980 34 T11	Brown/natural			
	996 424 980 35	Parking-brake lever Complete	/RL 02	1	IX91
	996 424 980 35 VRJ	Black			
	996 424 980 35 C50	Graphite grey			
	996 424 980 35 S30	Savanna			
	996 424 980 35 G10	Metropole blue			
	996 424 980 35 J30	Nephrite green			
	996 424 980 35 M30	Boxster red			
	996 424 980 35 P11	Cinnamon brown			
(1)	996 424 980 35 D11	Dark grey/natural			
	996 424 980 35 T11	Brown/natural			
	996 424 980 36	Parking-brake lever Complete	/LL 02	1	IXE9
	996 424 980 36 VRJ	Black			
	996 424 980 36 C50	Graphite grey			
	996 424 980 36 S30	Savanna			
	996 424 980 36 G10	Metropole blue			
	996 424 980 36 J30	Nephrite green			
	996 424 980 36 M30	Boxster red			
	996 424 980 36 P11	Cinnamon brown			
(1)	996 424 980 36 D11	Dark grey/natural			
	996 424 980 36 T11	Brown/natural			
	996 424 980 37	Parking-brake lever Complete	/RL 02	1	IXE9
	996 424 980 37 VRJ	Black			
	996 424 980 37 C50	Graphite grey			
	996 424 980 37 S30	Savanna			
	996 424 980 37 G10	Metropole blue			
	996 424 980 37 J30	Nephrite green			
	996 424 980 37 M30	Boxster red			
	996 424 980 37 P11	Cinnamon brown			
(1)	996 424 980 37 D11	Dark grey/natural			
	996 424 980 37 T11	Brown/natural			
	996 424 980 40	Parking-brake lever Complete	/LL 03-	1	IX98
	996 424 980 40 VRJ	Black			
	996 424 980 40 C50	Graphite grey			
	996 424 980 40 S30	Savanna			
	996 424 980 40 G10	Metropole blue			



Model: 996 01 Model life 2001>>2005

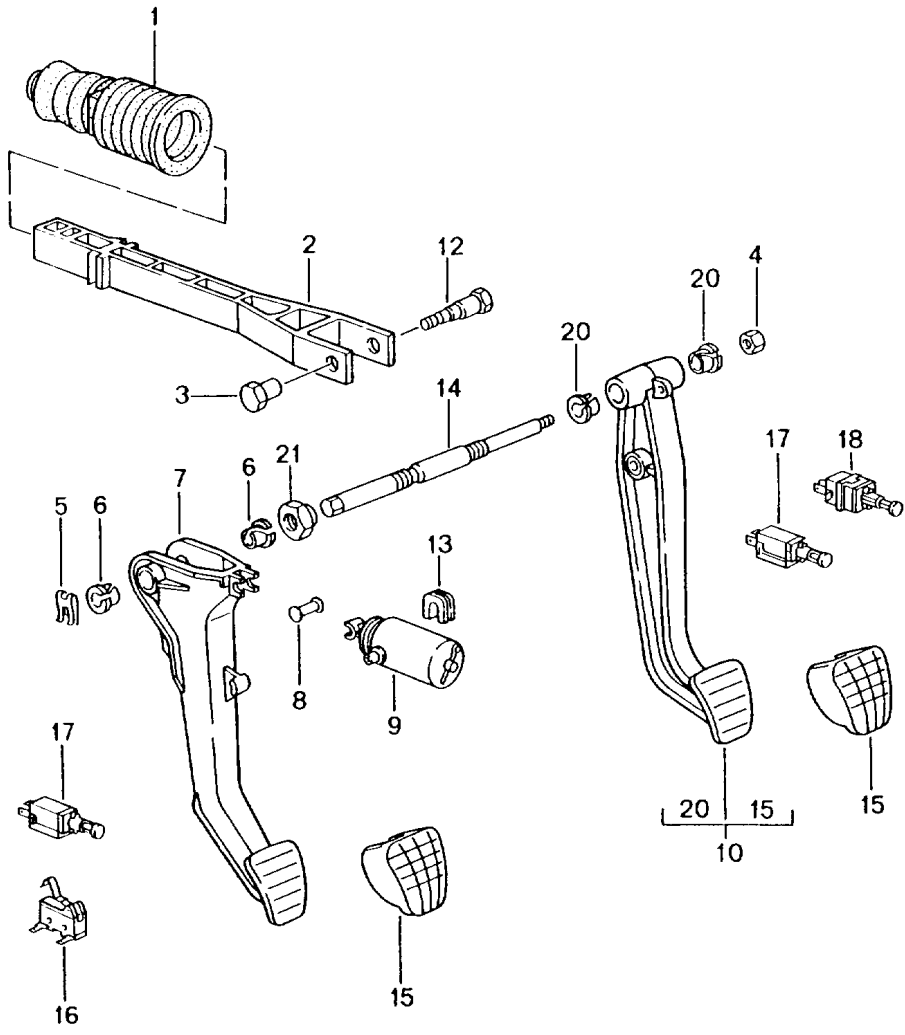
Pos	Part Number	Description	Remark	Qty	Model
	996 424 980 40 J30	Nephrite green	03		
	996 424 980 40 M30	Boxster red			
	996 424 980 40 P11	Cinnamon brown			
	996 424 980 40 D11	Dark grey/natural			
	996 424 980 40 T11	Brown/natural			
(1)	996 424 980 41	Parking-brake lever Complete	/RL 03-	1	IX98
	996 424 980 41 VRJ	Black			
	996 424 980 41 C50	Graphite grey			
	996 424 980 41 S30	Savanna			
	996 424 980 41 G10	Metropole blue			
	996 424 980 41 J30	Nephrite green	03		
	996 424 980 41 M30	Boxster red			
	996 424 980 41 P11	Cinnamon brown			
	996 424 980 41 D11	Dark grey/natural			
	996 424 980 41 T11	Brown/natural			
(1)	996 424 980 52	Parking-brake lever Complete	/LL 03-	1	IX58
	996 424 980 52 VRJ	Black			
	996 424 980 52 C50	Graphite grey			
	996 424 980 52 S30	Savanna			
	996 424 980 52 G10	Metropole blue			
	996 424 980 52 J30	Nephrite green	03		
	996 424 980 52 M30	Boxster red			
	996 424 980 52 P11	Cinnamon brown			
	996 424 980 52 D11	Dark grey/natural			
	996 424 980 52 T11	Brown/natural			
(1)	996 424 980 53	Parking-brake lever Complete	/RL 03-	1	IX58
	996 424 980 53 VRJ	Black			
	996 424 980 53 C50	Graphite grey			
	996 424 980 53 S30	Savanna			
	996 424 980 53 G10	Metropole blue			
	996 424 980 53 J30	Nephrite green	03		
	996 424 980 53 M30	Boxster red			
	996 424 980 53 P11	Cinnamon brown			
	996 424 980 53 D11	Dark grey/natural			
	996 424 980 53 T11	Brown/natural			
(1)	996 424 980 44	Parking-brake lever Complete	/LL 03-	1	IX91
	996 424 980 44 VRJ	Black			
	996 424 980 44 C50	Graphite grey			
	996 424 980 44 S30	Savanna			
	996 424 980 44 G10	Metropole blue			
	996 424 980 44 J30	Nephrite green	03		
	996 424 980 44 M30	Boxster red			
	996 424 980 44 P11	Cinnamon brown			
	996 424 980 44 D11	Dark grey/natural			
	996 424 980 44 T11	Brown/natural			
(1)	996 424 980 45	Parking-brake lever Complete	/RL 03-	1	IX91
	996 424 980 45 VRJ	Black			
	996 424 980 45 C50	Graphite grey			
	996 424 980 45 S30	Savanna			
	996 424 980 45 G10	Metropole blue			
	996 424 980 45 J30	Nephrite green	03		
	996 424 980 45 M30	Boxster red			
	996 424 980 45 P11	Cinnamon brown			
	996 424 980 45 D11	Dark grey/natural			
	996 424 980 45 T11	Brown/natural			
(1)	996 424 980 48	Parking-brake lever Complete	/LL 03-	1	IXE9
	996 424 980 48 VRJ	Black			

Model: 996 01 Model life 2001>>2005

Pos	Part Number	Description	Remark	Qty	Model
	996 424 980 48 C50	Graphite grey			
	996 424 980 48 S30	Savanna			
	996 424 980 48 G10	Metropole blue			
	996 424 980 48 J30	Nephrite green	03		
	996 424 980 48 M30	Boxster red			
	996 424 980 48 P11	Cinnamon brown			
	996 424 980 48 D11	Dark grey/natural			
	996 424 980 48 T11	Brown/natural			
(1)	996 424 980 49	Parking-brake lever Complete	/RL 03-	1	IXE9
	996 424 980 49 VRJ	Black			
	996 424 980 49 C50	Graphite grey			
	996 424 980 49 S30	Savanna			
	996 424 980 49 G10	Metropole blue			
	996 424 980 49 J30	Nephrite green	03		
	996 424 980 49 M30	Boxster red			
	996 424 980 49 P11	Cinnamon brown			
	996 424 980 49 D11	Dark grey/natural			
	996 424 980 49 T11	Brown/natural			
2	996 424 569 01	Bolt		1	
3	999 166 079 02	Lock washer SLB 6		1	
4	996 424 155 01	Cover		1	TURBO
	996 424 155 01 A03	Black			
	996 424 155 01 C53	Graphite grey			
	996 424 155 01 S33	Savanna			
	996 424 155 01 G13	Metropole blue			
	996 424 155 01 J33	Nephrite green	-03		
	996 424 155 01 M33	Boxster red			
	996 424 155 01 P13	Cinnamon brown			
(4)	996 424 155 30	Cover		1	GT2
	996 424 155 30 A03	Black			
5	996 613 112 01	Switch		1	
6	996 424 567 01	Pull rod		1	
7	964 424 570 00	Securing clip		1	
8	964 424 568 00	Turnbuckle		1	
9	996 424 574 00	Nipple		1	
10	996 424 572 00	Bush		1	
11	900 076 025 02	Hexagon nut M 8		2	
11	900 076 064 02	Hexagon nut M 8		2	
12	900 380 005 09	Hexagon nut M 8		2	
13	996 424 141 10	Parking-brake cable		2	
14	996 424 721 02	Guide tube		2	

Model: 996 01

Model life 2001>>2005



Model: 996 01 Model life 2001>>2005

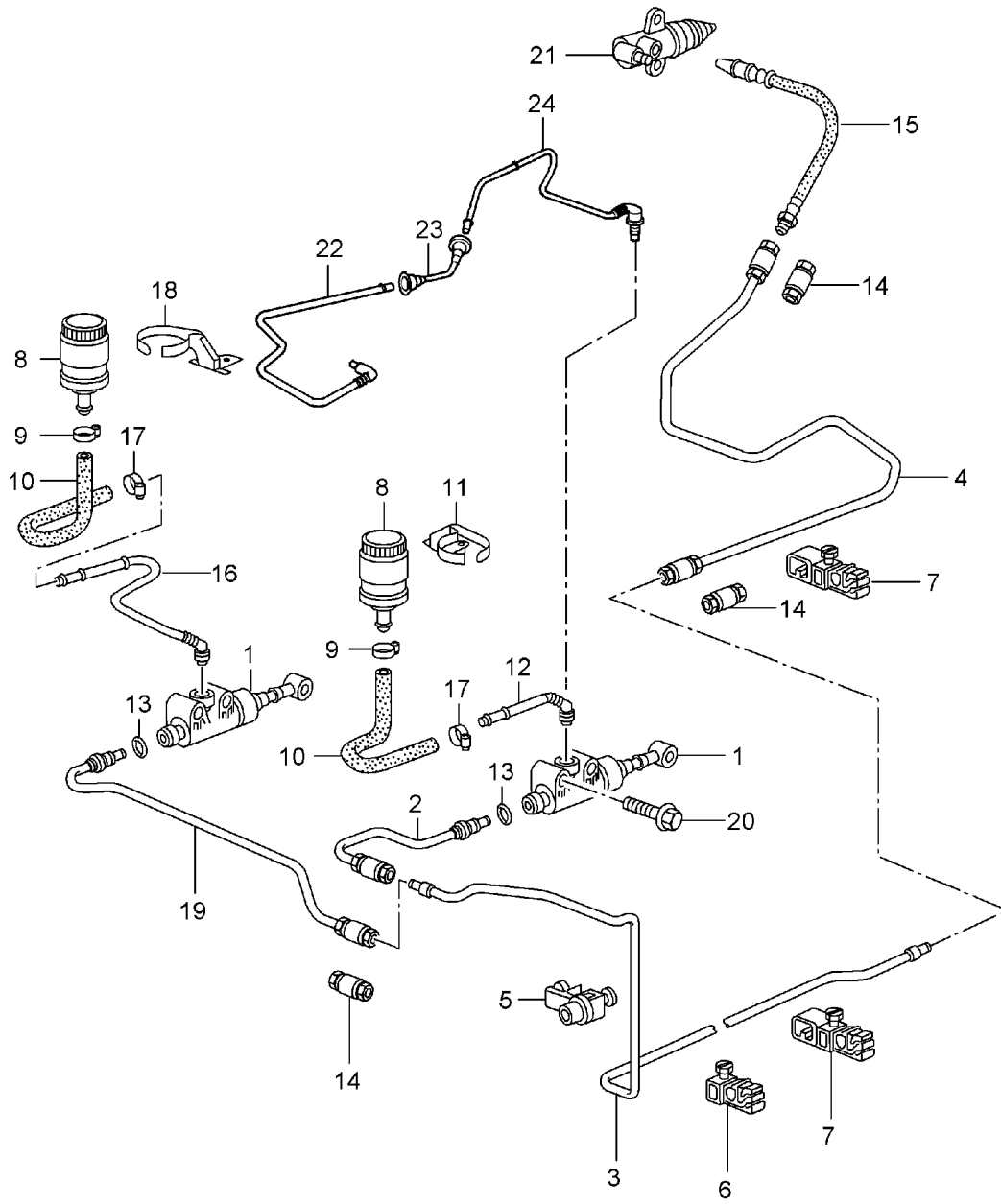
Pos	Part Number	Description	Remark	Qty	Model
-	000 043 203 37	Pedals Grease OPTITEMP LG2		X	
-	000 043 209 03	Grease OPTITEMP LG2		X	
1		Bellows See illustrations 6/04/00		1	
2	996 423 165 05	Push rod		1	
-	999 166 075 02	Safety clip Push rod Brake booster		1	
3	996 423 307 00	Sleeve		1	
4	900 380 005 09	Hexagon nut M 8		3 2	
5	999 507 601 01	Lock		1	M480
6	996 423 399 01	Bush		2	M480
7	996 423 139 10	Clutch pedal		1	M480
8	996 423 315 06	Bolt		1	M480
-	999 166 022 02	Kl-lock for Bolt		1	M480
9	996 423 081 51	Clutch power spring		1	TURBO M480
(9)	996 423 081 50	Clutch power spring	-03	1	TURBO M480
(9)	996 423 081 52	Clutch power spring	04	1	TURBO M480
(9)	996 423 081 53	Clutch power spring	05-	1	TURBO M480
(9)	996 423 081 54	Clutch power spring	05-	1	TURBO M480
(9)	996 423 081 13	Clutch power spring		1	GT2
(9)	996 423 881 06	Clutch power spring	-03	1	GT2
(9)	996 423 081 16	Clutch power spring	04	1	GT2
(9)	996 423 081 19	Clutch power spring	05	1	GT2
-	996 423 571 00	Bracket for Clutch power spring		1	M480
10	996 423 091 03	Brake pedal	/LL	1	M480
(10)	996 423 092 03	Brake pedal	/RL	1	M480
(10)	996 423 093 03	Brake pedal	/LL	1	TURBO M249
(10)	996 423 094 03	Brake pedal	/RL	1	TURBO M249
-	999 522 033 00	Return spring Brake pedal		2	
-	996 423 101 00	Protective tube Return spring Brake pedal		1	
-	996 423 243 00	Bush Return spring Brake pedal		1	
12	996 423 308 00	Bolt		1	
13	996 423 581 00	Bush		2	
14	996 423 281 05	Axle	/LL	1	M480
(14)	996 423 284 05	Axle	/RL	1	M480
(14)	996 423 283 05	Axle	/LL	1	TURBO M249
(14)	996 423 286 05	Axle	/RL	1	TURBO M249
-	996 423 277 00	Bearing sleeve Brake pedal	/RL	1	

Model: 996 01 Model life 2001>>2005

Pos	Part Number	Description	Remark	Qty	Model
15	996 423 210 03	Pedal cap		2	M480
(15)	996 423 212 03	Pedal cap		1	TURBO M249
17	996 613 113 01	Switch Brake pedal		2	TURBO M454
(17)	996 613 114 01	Switch Clutch pedal		1	TURBO M454
18	996 613 113 01	Switch		1	
19	964 613 211 00	Kickdown switch		1	TURBO M249
20	996 423 399 01	Bush	/LL	2	
(20)	999 924 133 40	Bush	/RL	2	
21	996 423 275 04	Cap nut	-03	1	
(21)	996 423 275 05	Cap nut	04-	1	

Model: 996 01

Model life 2001>>2005



Model: 996 01 Model life 2001>>2005

Pos	Part Number	Description	Remark	Qty	Model
		clutch actuation			
		Clutch master cylinder			
		Clutch pipeline			
1	996 423 171 50	Clutch master cylinder		1	TURBO
(1)	996 423 171 51	Clutch master cylinder	-02	1	TURBO
(1)	996 423 171 52	Clutch master cylinder	03-	1	TURBO
(1)	996 423 171 06	Clutch master cylinder		1	GT2
-	996 423 614 00	Circlip		1	
		Pressure line			
-	996 423 315 06	Bolt		1	
-	999 166 022 02	K1-lock		1	
		for			
		Bolt			
2	996 423 107 50	Clutch pipeline	/LL	1	TURBO
(2)	996 423 107 10	Clutch pipeline	/LL	1	GT2
3	996 423 109 50	Clutch pipeline		1	TURBO
(3)	996 423 109 10	Clutch pipeline		1	GT2
4	996 423 113 52	Clutch pipeline		1	TURBO
		F >>994S6 80654			
		F >>994S6 70658			
(4)	997 423 113 50	Clutch pipeline		1	TURBO
		F 994S6 80655>>			
		F 994S6 70659>>			
(4)	996 423 113 06	Clutch pipeline	-02	1	GT2
(4)	997 423 113 00	Clutch pipeline		1	GT2
		F 994S6 95108>>			
5	996 355 549 00	Support		1	
6	996 355 545 00	Support		2	
7	996 355 543 00	Support		4	
8	993 423 417 00	Container		1	
-	999 513 051 40	Hose clamp		1	
		3,5 - 78			
-	999 513 076 40	Tie-wrap		1	
		3,5 - 78			
9	999 512 532 00	Terminal		1	TURBO
10	996 423 343 50	Moulded hose	/LL	1	TURBO
(10)	996 423 344 50	Moulded hose	/RL	1	TURBO
(10)	997 423 344 50	Moulded hose	/RL	1	TURBO
(10)	996 423 137 02	Line	/LL	1	GT2
11	996 423 445 52	Support	/LL	1	TURBO
12	996 423 147 50	Clutch pipeline	/LL	1	TURBO
		Feed line			
(12)		Clutch pipeline	/LL -01	1	GT2
		Feed line			
(12)	996 423 147 00	Feed line	/LL 02-	1	GT2
(12)	996 423 147 01	Feed line	/LL 03-	1	GT2
13	999 707 403 40	Sealing ring		X	TURBO
(13)	999 707 333 40	Sealing ring		X	GT2
14	999 230 541 10	Threaded joint		X	
-	999 230 685 40	Circlip		X	
		for			
		Threaded joint			
15	996 423 377 52	Clutch hose		1	TURBO
(15)	996 423 377 53	Clutch hose		1	TURBO
(15)	996 423 377 90	Clutch hose		1	GT2
16	996 423 142 51	Clutch pipeline	/RL	1	TURBO
		Feed line			
(16)		Clutch pipeline	/RL -01	1	GT2
		Feed line			
(16)	996 423 142 01	Feed line	/RL 02-	1	GT2
(16)	996 423 142 02	Feed line	/RL 03-	1	GT2
17	999 512 650 09	Hose clamp		1	TURBO
18	996 423 446 52	Support	/RL	1	TURBO

Model: 996 01

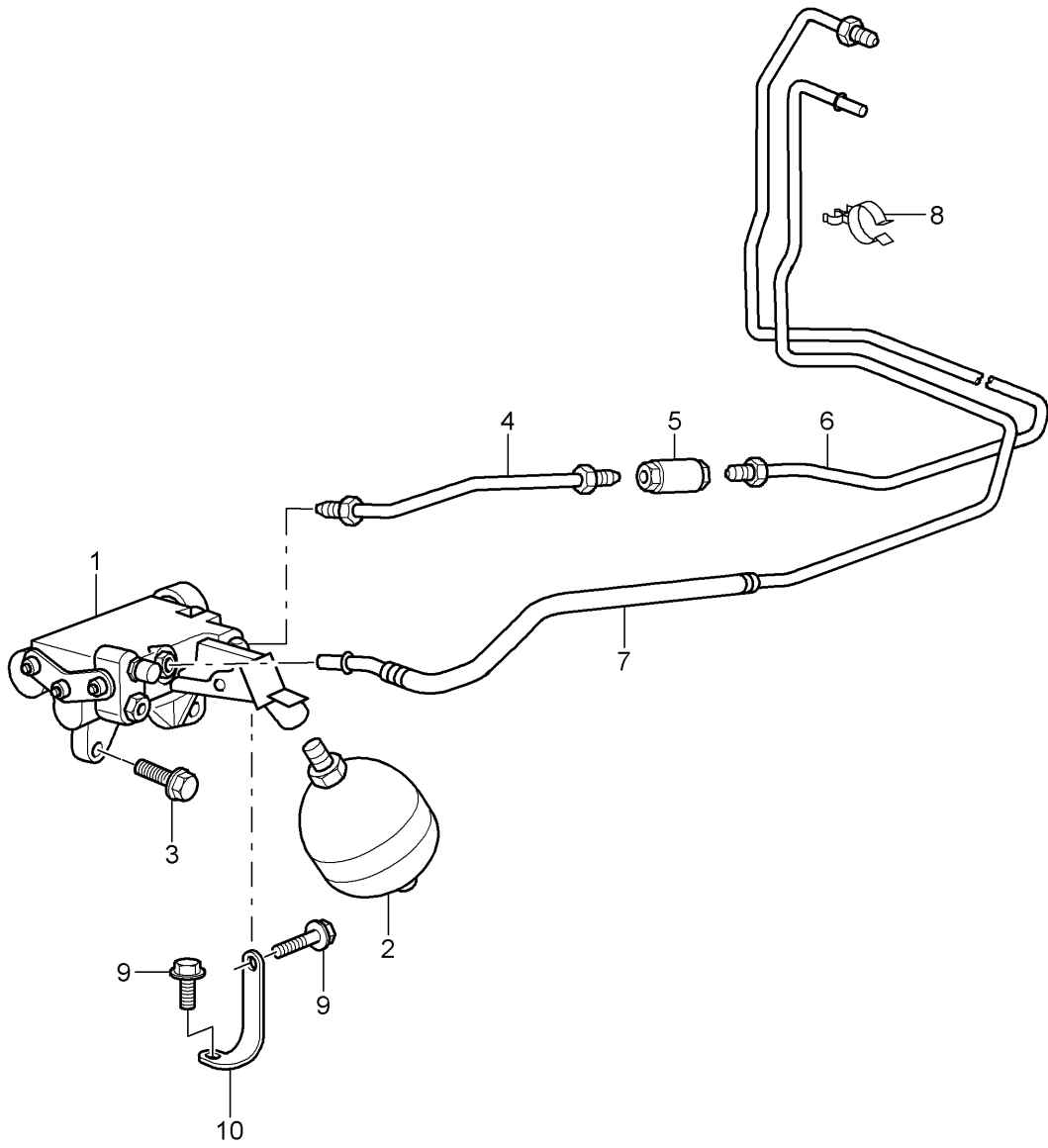
Model life 2001>>2005

Pos	Part Number	Description	Remark	Qty	Model
19	996 423 108 50	Clutch pipeline	/RL	1	TURBO
(19)	996 423 108 10	Clutch pipeline	/RL	1	GT2
20	900 378 029 01	Hexagon-head bolt M 6X 40		2	
21	996 116 237 90	Clutch operating cylinder		1	GT2
22	996 423 138 04	Feed line	/RL	1	GT2
23	996 423 140 02	Feed line	/RL	1	GT2
24	996 423 142 02	Feed line	/RL	1	GT2
-	000 043 203 33	Pentosin 1000 ML		X	TURBO
-	000 043 206 56	Pentosin 1000 ML		X	TURBO



Model: 996 01

Model life 2001>>2005

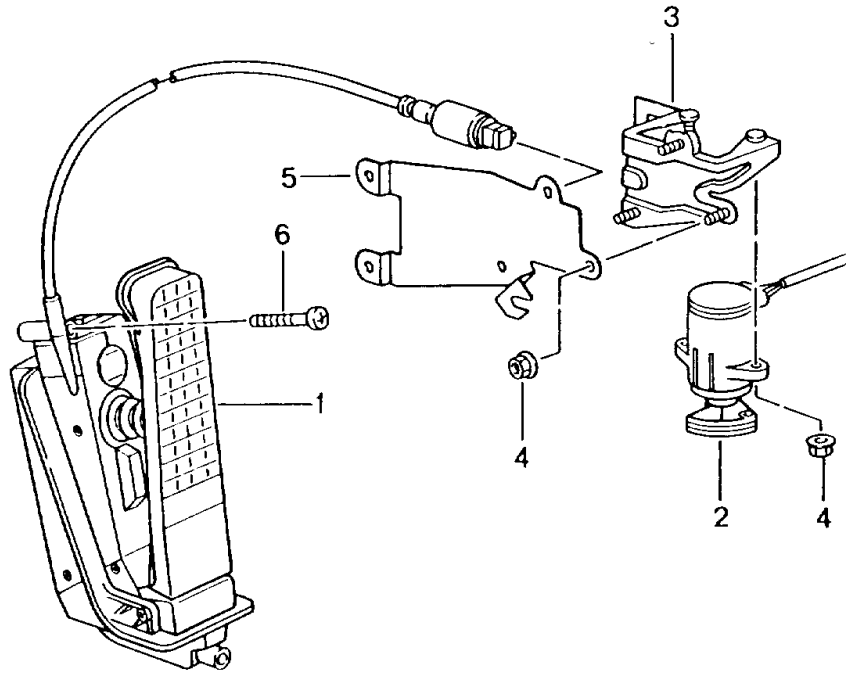


Model: 996 01 Model life 2001>>2005

Pos	Part Number	Description	Remark	Qty	Model
		clutch actuation			TURBO
		Clutch pipeline			
		Pressure accumulator			
		Clutch operating cylinder			
1	996 116 237 52	Clutch operating cylinder		1	
-	999 507 745 09	Cable clamp		1	
		13,5			
2	996 314 166 00	Pressure accumulator		1	
(2)	997 314 166 00	Pressure accumulator		1	
-	999 707 224 40	O-ring		1	
		for			
		Pressure accumulator			
3	900 075 222 09	Combination screw		2	
		M 8 X 30			
4	996 314 288 03	Pressure line		1	
-	996 314 211 00	Support		1	
		Pressure line			
5	999 136 041 02	Connecting piece		1	
6	996 314 282 03	Pressure line		1	
7	996 314 280 03	Return line		1	
(7)	996 314 280 04	Return line		1	
8	999 507 692 40	Line bracket		2	
-	000 043 203 33	Pentosin		X	
		1000 ML			
-	000 043 206 56	Pentosin		X	
		1000 ML			
9	900 378 017 01	Hexagon-head bolt		2	
		M 8 x 20			
10	996 116 201 51	Support		1	

Model: 996 01

Model life 2001>>2005



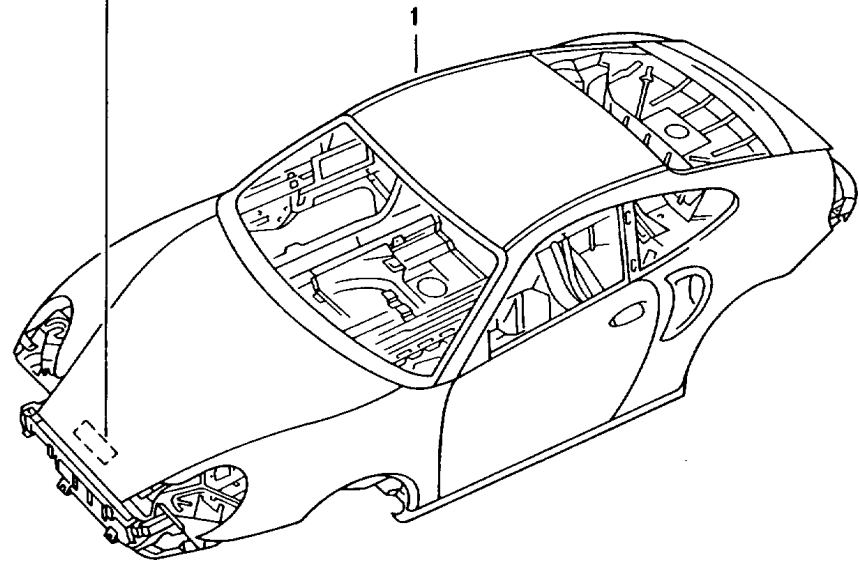
Model: 996 01 Model life 2001>>2005

Pos	Part Number	Description	Remark	Qty	Model
1	996 423 019 03	Pedals Accelerator control Accelerator control	/LL -02	1	TURBO M480
(1)	996 423 019 04	Accelerator control	/LL 03-	1	TURBO M480
(1)	996 423 019 03	Accelerator control	/LL -02	1	GT2
(1)	996 423 019 04	Accelerator control	/LL 03-	1	GT2
(1)	996 423 029 03	Accelerator control	/LL -02	1	TURBO M249
(1)	996 423 029 04	Accelerator control	/LL 03-	1	TURBO M249
(1)	996 423 029 03	Accelerator control	/LL -02	1	TURBO M249
(1)	996 423 029 04	Accelerator control	/LL 03-	1	TURBO M249
(1)	996 423 020 01	Accelerator control	/RL -02	1	TURBO M480
(1)	996 423 020 02	Accelerator control	/RL 03-	1	TURBO M480
(1)	996 423 020 01	Accelerator control	/RL -02	1	GT2
(1)	996 423 020 02	Accelerator control	/RL 03-	1	GT2
(1)	996 423 030 01	Accelerator control	/RL -02	1	TURBO M249
(1)	996 423 030 02	Accelerator control	/RL 03-	1	TURBO M249
-	996 423 396 00	Circlip Connecting rod Accelerator pedal	03-	1	
2	996 606 115 00	Pedal sensor		1	
2	996 606 115 01	Pedal sensor		1	
2	996 606 115 02	Pedal sensor		1	
3	996 423 389 01	Support		1	
4	900 377 010 09	Hexagon nut M 6		5	
5	996 423 394 00	Support	/RL	1	
6	900 146 157 09	Round head screw M 5 X 55		1	

Model: 996 01

Model life 2001>>2005

<b>B</b>	WPOZZZ 99 z 1 S 680061	A
<b>C</b>	996 420	
	M96.70 66W G9600	
	<b>Z8V9 BL</b>	
<b>D</b>	C00 i39 155 176 243	
	573 650 340 348 383	
<b>E</b>	425 430 474 498 567	
	650	
<b>F</b>	00311 00321 00341	
	04661 05981 08301	

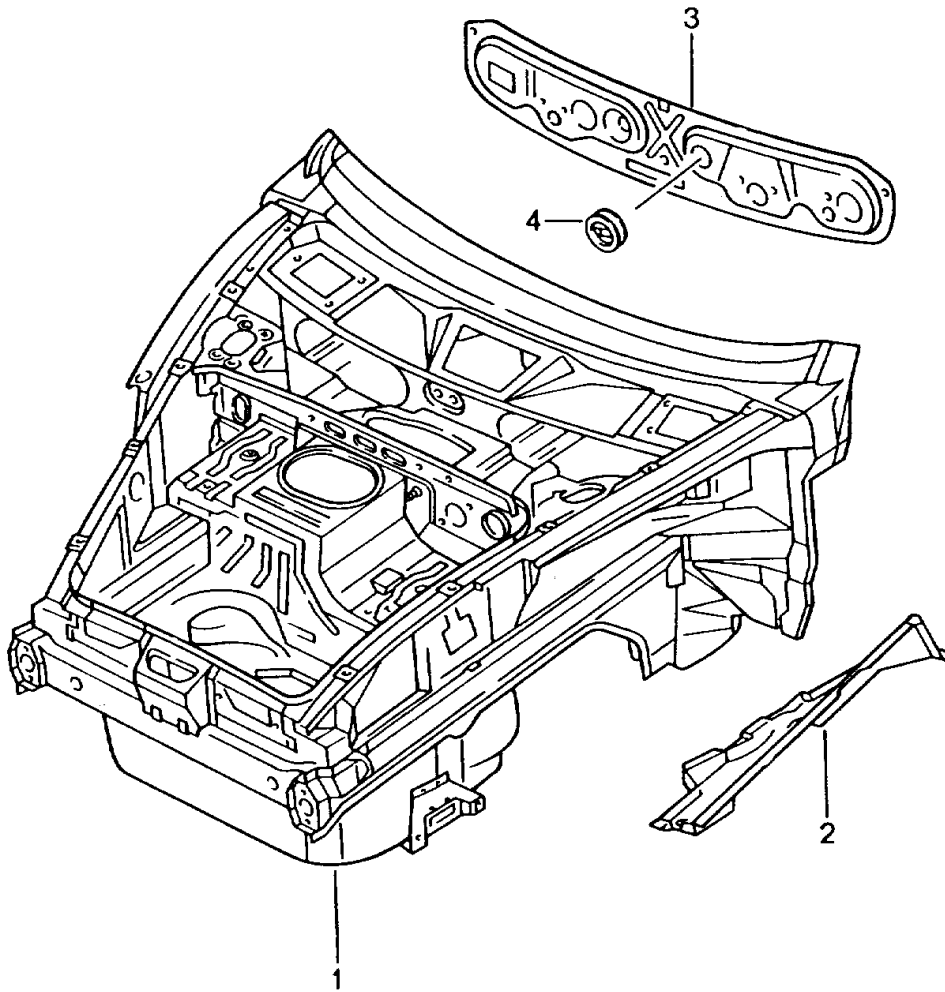


Model: 996 01 Model life 2001>>2005

Pos	Part Number	Description	Remark	Qty	Model
		Body in white Prime coated Sealed with Underbody protection with Doors/lids/wings BodysHELLs can only only available from current Model year available The data required for your order Can be found on the Vehicle data carrier Please indicate this data in your order Vehicle data carrier Vehicle Ident. No. Order type Country equipment Optional extras Additional applications			
A		Vehicle data carrier			
B		Vehicle Ident. No.			
C		Order type			
D		Country equipment			
E		Optional extras			
F		Additional applications			
1	996 500 900 00	Body in white		1	
	996 500 900 00 GRV	Prime coated			

Model: 996 01

Model life 2001>>2005



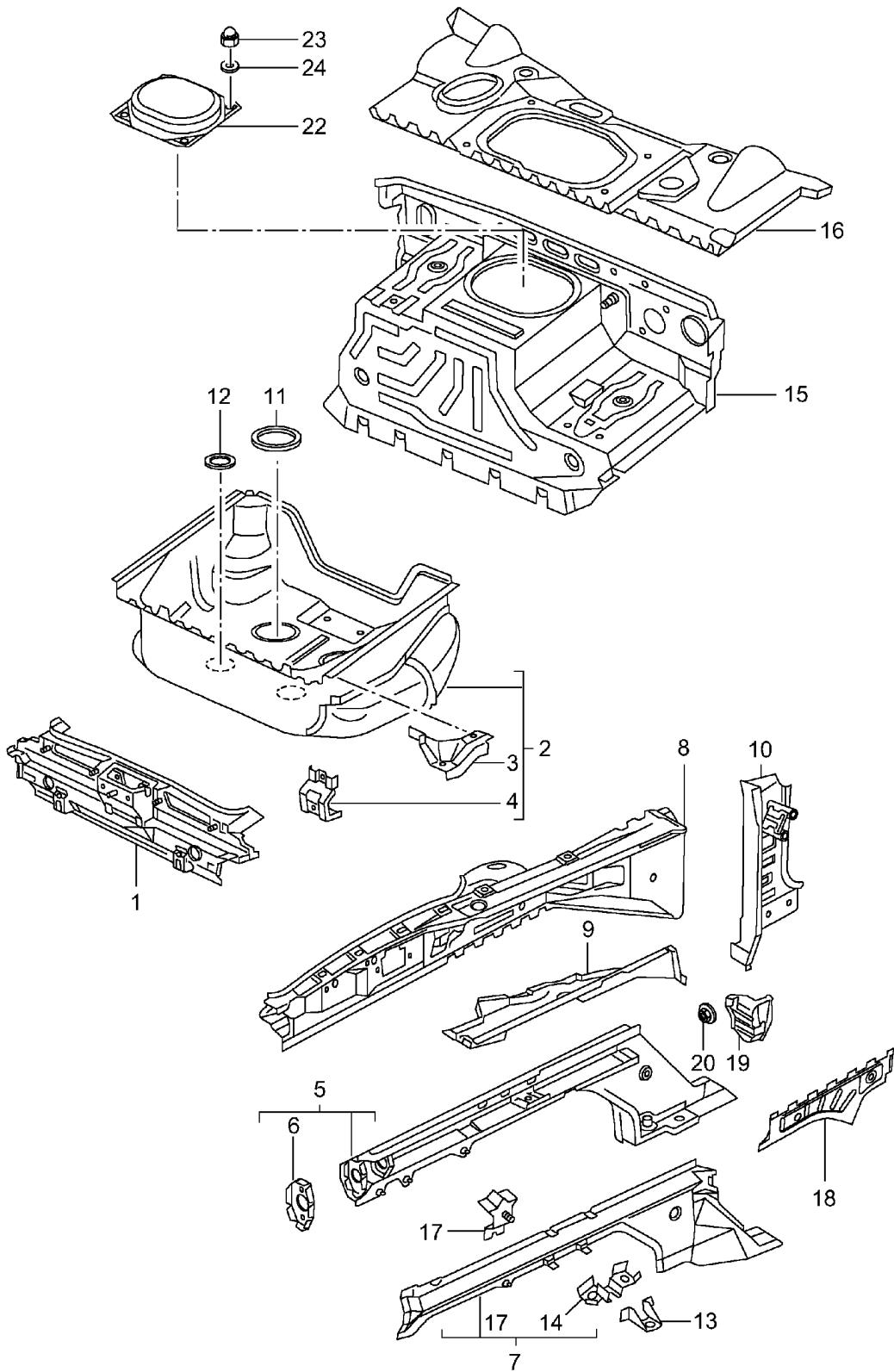
Model: 996 01 Model life 2001>>2005

Pos	Part Number	Description	Remark	Qty	Model
(1)	996 501 911 01	Body front section		1	
	996 501 911 01 GRV	Body front section Prime coated	/LL	1	
(1)	996 501 911 03	Body front section		1	
	996 501 911 03 GRV	Body front section Prime coated	/RL	1	
		Use also:			
2	996 501 443 00	Bottom half		1	
	996 501 443 00 GRV	Bottom half Prime coated	/L	1	
(2)	996 501 444 01	Side member		1	
	996 501 444 01 GRV	Side member Prime coated	/R	1	
3	996 504 121 02	Lid		1	
		Firewall	/LL	1	
(3)	996 504 121 03	Lid		1	
		Firewall	/RL	1	
-	999 702 255 40	Lid		1	
		61,5 X 72,6			



Model: 996 01

Model life 2001>>2005



Model: 996 01 Model life 2001>>2005

Pos	Part Number	Description	Remark	Qty	Model
		Body front section			
		Single parts			
1	996 501 231 01	Terminal piece		1	
	996 501 231 01 GRV	Prime coated			
(2)	996 501 979 01	Spare-wheel well		1	
	996 501 979 01 GRV	Prime coated			
3	996 501 649 00	Corner panel	/L	1	
	996 501 649 00 GRV	Prime coated			
(3)	996 501 650 00	Corner panel	/R	1	
	996 501 650 00 GRV	Prime coated			
4	996 501 621 00	Support		3	
	996 501 621 00 GRV	Prime coated			
5	996 501 305 06	Side member	/L	1	
	996 501 305 06 GRV	Prime coated			
(5)	996 501 306 06	Side member	/R	1	
	996 501 306 06 GRV	Prime coated			
6	996 501 377 01	Mounting		2	
	996 501 377 01 GRV	Prime coated			
7	996 501 915 00	Side member	/L	1	
	996 501 915 00 GRV	Prime coated			
(7)	996 501 916 00	Side member	/R	1	
	996 501 916 00 GRV	Prime coated			
8	996 501 935 00	Wheel housing	/L	1	
	996 501 935 00 GRV	Prime coated			
(8)	996 501 936 01	Wheel housing	/R	1	
	996 501 936 01 GRV	Prime coated			
9	996 501 443 00	Bottom half	/L	1	
	996 501 443 00 GRV	Prime coated			
(9)	996 501 444 01	Side member	/R	1	
	996 501 444 01 GRV	Prime coated			
10	996 501 937 01	Hinge pillar	/L	1	
	996 501 937 01 GRV	Prime coated			
(10)	996 501 938 01	Hinge pillar	/R	1	
	996 501 938 01 GRV	Prime coated			
11	996 504 201 01	Lid		2	
		\$ 145 MM			
12	996 504 213 01	Lid		2	
		\$ 85 MM			
14	996 501 815 02	Support		2	
	996 501 815 02 GRV	Prime coated			
(15)	996 502 015 02	Bulkhead	/LL	1	
	996 502 015 02 GRV	Prime coated			
(15)	996 502 015 03	Bulkhead	/RL	1	
	996 502 015 03 GRV	Prime coated			
16	996 502 017 05	Cross panel		1	
	996 502 017 05 GRV	Prime coated			
17	996 501 341 00	Support		2	
	996 501 341 00 GRV	Prime coated			
18	996 501 665 00	Separator	/L	1	
	996 501 665 00 GRV	Prime coated			
(18)	996 501 666 00	Separator	/R	1	
	996 501 666 00 GRV	Prime coated			
19	996 504 461 00	Cover	/L	1	
(19)	996 504 462 00	Cover	/R	1	
20	999 084 629 09	Hexagon nut		6	
		M 6			
20	999 084 629 01	Hexagon nut		6	
		M 6			
-	996 504 761 01	Gasket	/L	1	
-	996 504 762 01	Gasket	/R	1	
-	999 507 760 40	Expansion rivet		4	
		6,5 X 20			
22	996 504 471 00	Lid		1	

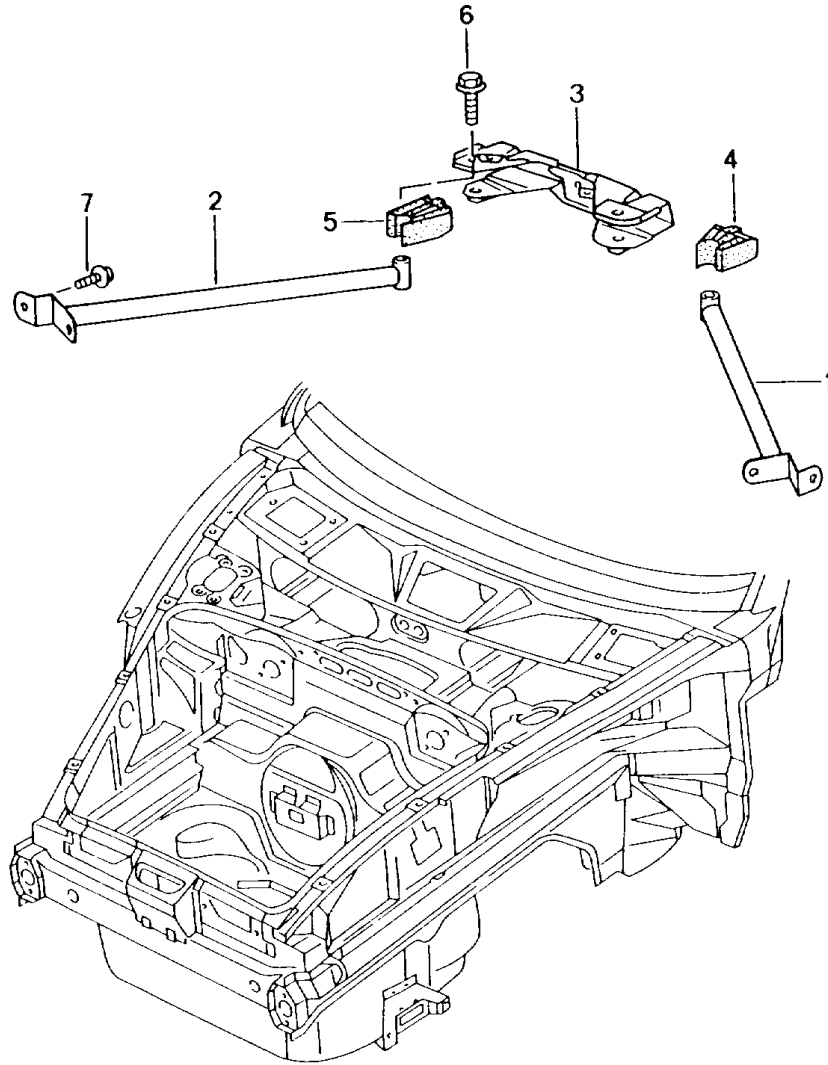
Model: 996 01

Model life 2001&gt;&gt;2005

Pos	Part Number	Description	Remark	Qty	Model
23	900 096 006 01	Cap nut M 6		4	
24	N 011 524 7	Washer A 6,4		4	
24	N 011 524 27	Washer A 6,4		4	

Model: 996 01

Model life 2001>>2005



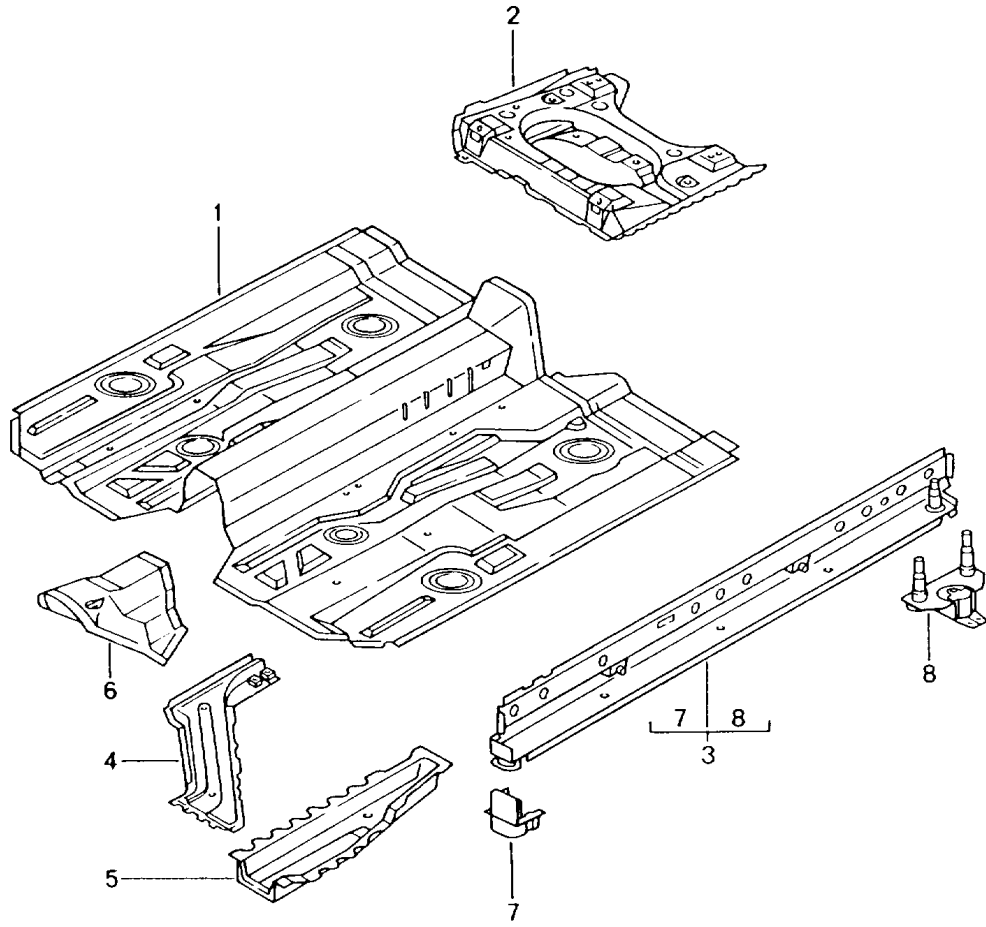
Model: 996 01

Model life 2001&gt;&gt;2005

Pos	Part Number	Description	Remark	Qty	Model
1	996 504 233 00	Dome strut		1	
1	996 504 233 01	Dome strut	/L -02	1	
2	996 504 234 00	Dome strut	/L	1	
2	996 504 234 01	Dome strut	/R -02	1	
3	996 504 359 00	Dome strut	/R	1	
3	996 504 359 00	Bracket		1	
4	996 504 633 00	Filler piece	/L	1	
5	996 504 634 00	Filler piece	/R	1	
6	900 378 100 09	Hexagon-head bolt AM 10 X 45		2	
7	900 075 010 09	Hexagon-head bolt M 6 X 12		4	

Model: 996 01

Model life 2001>>2005

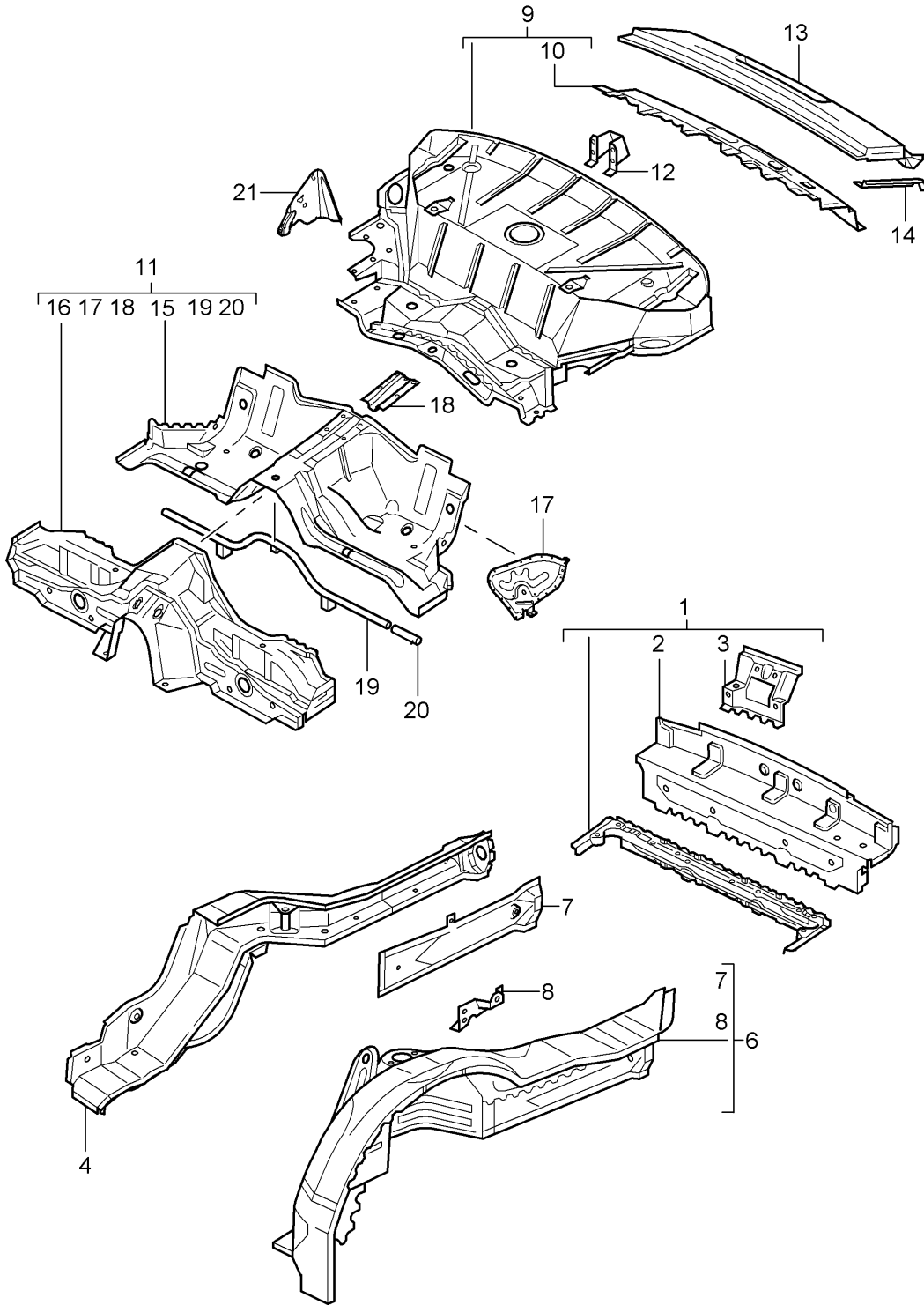


Model: 996 01 Model life 2001>>2005

Pos	Part Number	Description	Remark	Qty	Model
		Floor Centre			
1	996 501 551 00	Floor		1	
	996 501 551 00 GRV	Prime coated			
2	996 501 153 00	Seat support	/L	1	
	996 501 153 00 GRV	Prime coated			
(2)	996 501 154 00	Seat support	/R	1	
	996 501 154 00 GRV	Prime coated			
3	996 501 957 00	Side member	/L	1	
	996 501 957 00 GRV	Prime coated			
(3)	996 501 958 01	Side member	/R	1	
	996 501 958 01 GRV	Prime coated			
4	996 501 507 01	Reinforcement	/L	1	
	996 501 507 01 GRV	Prime coated			
(4)	996 501 508 01	Reinforcement	/R	1	
	996 501 508 01 GRV	Prime coated			
5	996 501 525 00	Side member	/L	1	
	996 501 525 00 GRV	Prime coated			
(5)	996 501 526 00	Side member	/R	1	
	996 501 526 00 GRV	Prime coated			
6	996 501 751 00	Extension		1	
	996 501 751 00 GRV	Prime coated			
7	996 501 785 00	Jacking point	/L /V	1	
	996 501 785 00 GRV	Prime coated			
(7)	996 501 786 00	Jacking point	/R /V	1	
	996 501 786 00 GRV	Prime coated			
8	996 501 481 01	Jacking point	/L /H	1	
	996 501 481 01 GRV	Prime coated			
(8)	996 501 482 01	Jacking point	/R /H	1	
	996 501 482 01 GRV	Prime coated			
9	996 501 409 01	Reinforcement		1	
	996 501 409 01 GRV	Prime coated			
		Tunnel			
10	996 501 719 00	Filler plate		1	
	996 501 719 00 GRV	Prime coated			
		Reinforcement			
-	996 504 201 01	Lid \$ 145 MM		X	
-	996 504 205 01	Lid \$ 130 MM		X	
-	996 504 207 01	Lid \$ 100 MM		X	

Model: 996 01

Model life 2001>>2005





Model: 996 01 Model life 2001>>2005

Pos	Part Number	Description	Remark	Qty	Model
1	996 501 173 05	Rear end Terminal piece		1	TURBO
	996 501 173 05 GRV	Prime coated			
1	996 501 173 07	Terminal piece		1	TURBO
	996 501 173 07 GRV	Prime coated			
1	996 501 173 08	Terminal piece		1	TURBO
	996 501 173 08 GRV	Prime coated			
1	996 501 173 90	Terminal piece		1	GT2
	996 501 173 90 GRV	Prime coated			
2	996 501 273 02	End plate		1	
	996 501 273 02 GRV	Prime coated			
		See TPI			
		Group 8			
		Nr.51			
3	996 501 247 01	Lock carrier		1	
	996 501 247 01 GRV	Prime coated			
4	996 501 977 00	Side member	/L	1	
	996 501 977 00 GRV	Prime coated			
(4)	996 501 978 00	Side member	/R	1	
	996 501 978 00 GRV	Prime coated			
6	996 501 943 00	Wheel housing	/L	1	
	996 501 943 00 GRV	Prime coated			
(6)	996 501 944 00	Wheel housing	/R	1	
	996 501 944 00 GRV	Prime coated			
7	996 501 595 01	Side member	/L	1	
	996 501 595 01 GRV	Prime coated			
(7)	996 501 596 01	Side member	/R	1	
	996 501 596 01 GRV	Prime coated			
9	996 502 191 12	Rear wall		1	COUPE
	996 502 191 12 GRV	Prime coated			
10	996 502 673 02	Cross member		1	COUPE
	996 502 673 02 GRV	Prime coated			
(10)	996 502 673 07	Cross member		1	CABRIO
	996 502 673 07 GRV	Prime coated			
(10)	996 502 561 01	Cross member		1	CABRIO
	996 502 561 01 GRV	Prime coated			
		Upper part			
11	996 501 949 00	Seat well	-01	1	
	996 501 949 00 GRV	Prime coated			
11	996 501 049 03	Seat well	02-	1	
	996 501 049 03 GRV	Prime coated			
13	996 503 211 02	Rear centre panel		1	
	996 503 211 02 GRV	Prime coated			
13	996 503 211 90	Rear centre panel		1	GT2
	996 503 211 90 GRV	Prime coated			
14	996 545 549 01	Piping	/L	1	
(14)	996 545 550 01	Piping	/R	1	
15	996 501 549 03	Seat well		1	
	996 501 549 03 GRV	Prime coated			
16	996 501 155 02	Cross member		1	
	996 501 155 02 GRV	Prime coated			
17	996 501 461 02	Reinforcement	/L	1	
	996 501 461 02 GRV	Prime coated			
(17)	996 501 462 02	Reinforcement	/R	1	
	996 501 462 02 GRV	Prime coated			
18	996 501 659 01	Bracket		1	
	996 501 659 01 GRV	Prime coated			
19	996 501 411 00	Pipe		1	
	996 501 411 00 GRV	Prime coated			
20	996 501 415 00	Sleeve		1	
	996 501 415 00 GRV	Prime coated			
(21)	996 504 797 00	Bracket	/L	1	
	996 504 797 00 GRV	Prime coated			

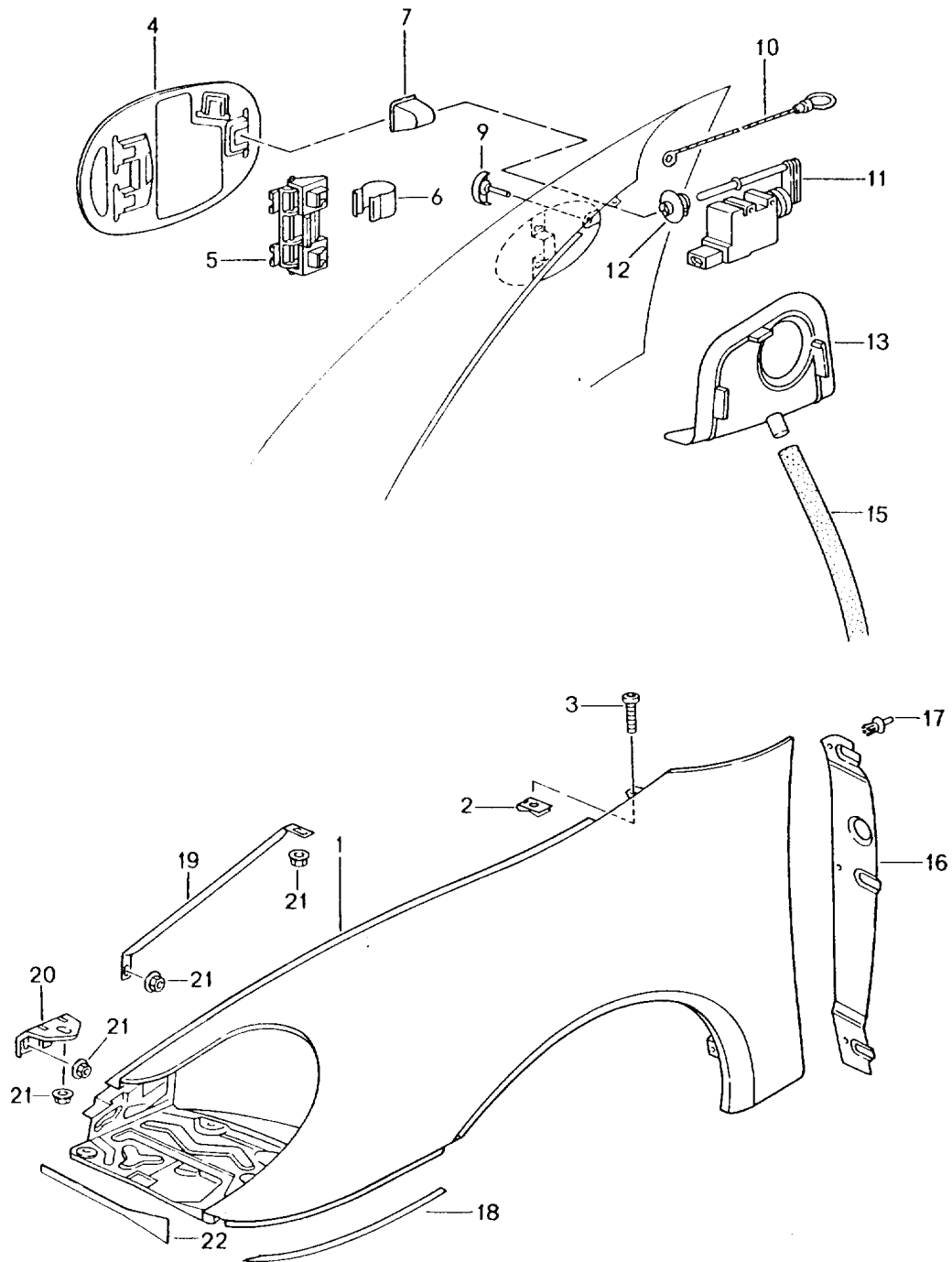
Model: 996 01

Model life 2001>>2005

Pos	Part Number	Description	Remark	Qty	Model
21	996 504 798 00	Belt			
		Bracket	/R	1	
	996 504 798 00 GRV	Prime coated			
22	996 502 653 01	Belt			
		Connecting piece	/L	1	COUPE
	996 502 653 01 GRV	Prime coated			
(22)	996 502 654 01	Connecting piece	/R	1	COUPE
	996 502 654 01 GRV	Prime coated			
(22)	997 502 553 00	Connecting piece	/L	1	CABRIO
	997 502 553 00 GRV	Prime coated			
(22)	997 502 554 00	Connecting piece		1	CABRIO
	997 502 554 00 GRV	Prime coated			

Model: 996 01

Model life 2001>>2005

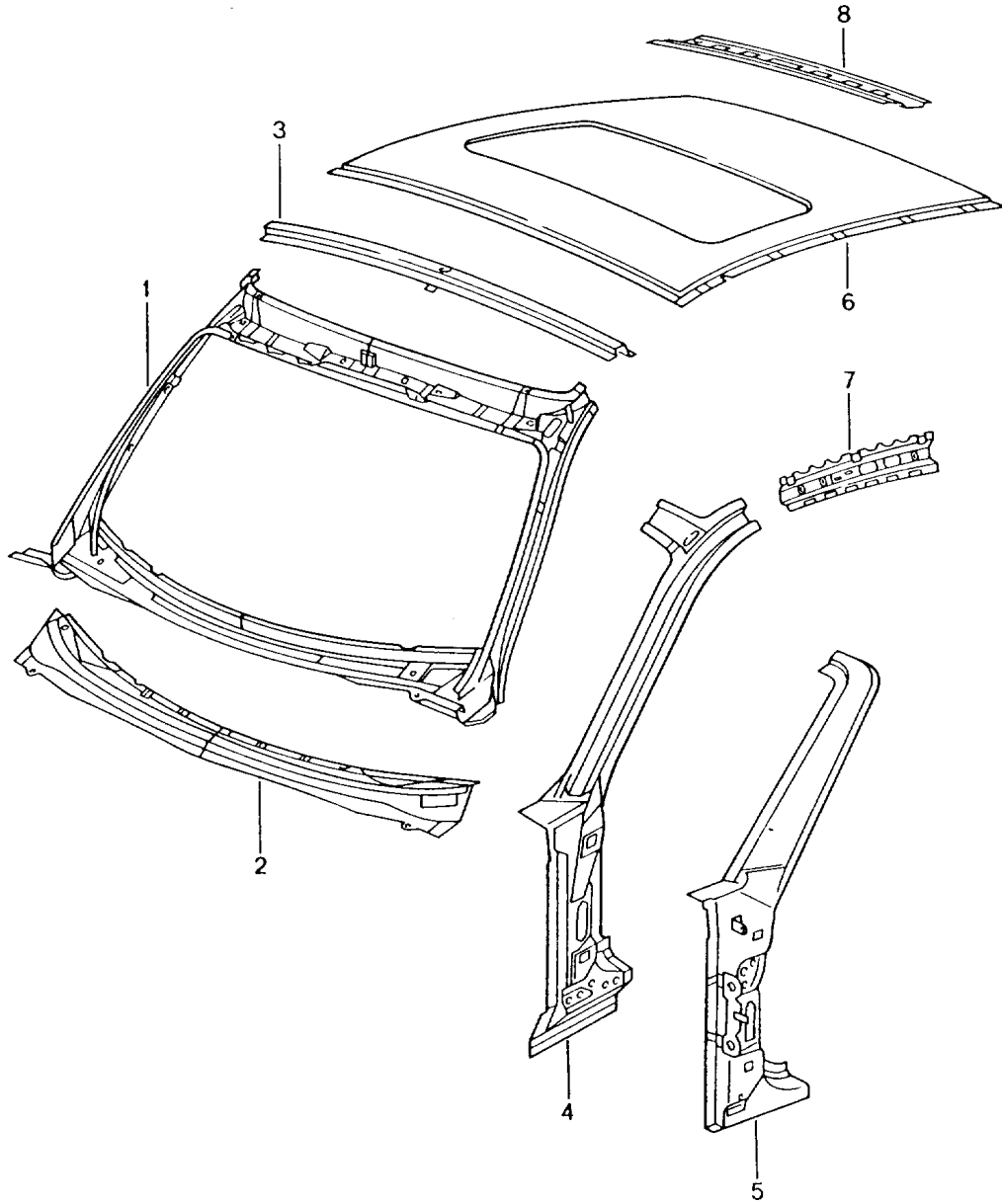


Model: 996 01 Model life 2001>>2005

Pos	Part Number	Description	Remark	Qty	Model
1	996 503 031 02	Wing		1	
	996 503 031 02 GRV	Prime coated	/L		
1	996 503 031 03	Wing		1	
	996 503 031 03 GRV	Prime coated	/L		
(1)	996 503 032 02	Wing		1	
	996 503 032 02 GRV	Prime coated	/R		
(1)	996 503 032 05	Wing		1	
	996 503 032 05 GRV	Prime coated	/R		
2	999 507 003 02	Speed nut		22	
		ST 6,3			
2	999 507 003 01	Speed nut		22	
		ST 6,3			
3	999 073 128 02	Tapping screw		22	
		ST 6,3 X 14			
4	996 504 133 01	Fuel filler flap		1	
	996 504 133 01 GRV	Prime coated			
5	996 201 063 00	Hinge		1	
6	996 201 413 01	Spring		1	
7	996 201 423 00	Cap		1	
9	996 201 513 00	Rubber stop		1	
10	996 201 493 00	Emergency operation		1	
11	996 624 113 00	Actuator		1	
12	996 624 505 02	Guide rose		1	
13	996 201 667 01	Sleeve		1	
15	996 201 153 00	Hose		1	
16	996 504 641 01	Cover		1	
	996 504 641 01 01C	Black	/L		
(16)	996 504 642 01	Cover		1	
	996 504 642 01 01C	Black	/R		
17	999 591 712 40	Expansion rivet		6	
		A 6,0 X 12,0			
18	996 504 531 01	Protective film		1	
(18)	996 504 532 01	Protective film	/L		
19	996 504 441 00	Strut	/R		
	996 504 441 00 GRV	Prime coated		2	
20	996 504 555 00	Bracket		2	
	996 504 555 00 GRV	Prime coated			
21	900 377 010 09	Hexagon nut		X	
		M 6			
22	996 504 617 00	Protective film		2	

Model: 996 01

Model life 2001>>2005

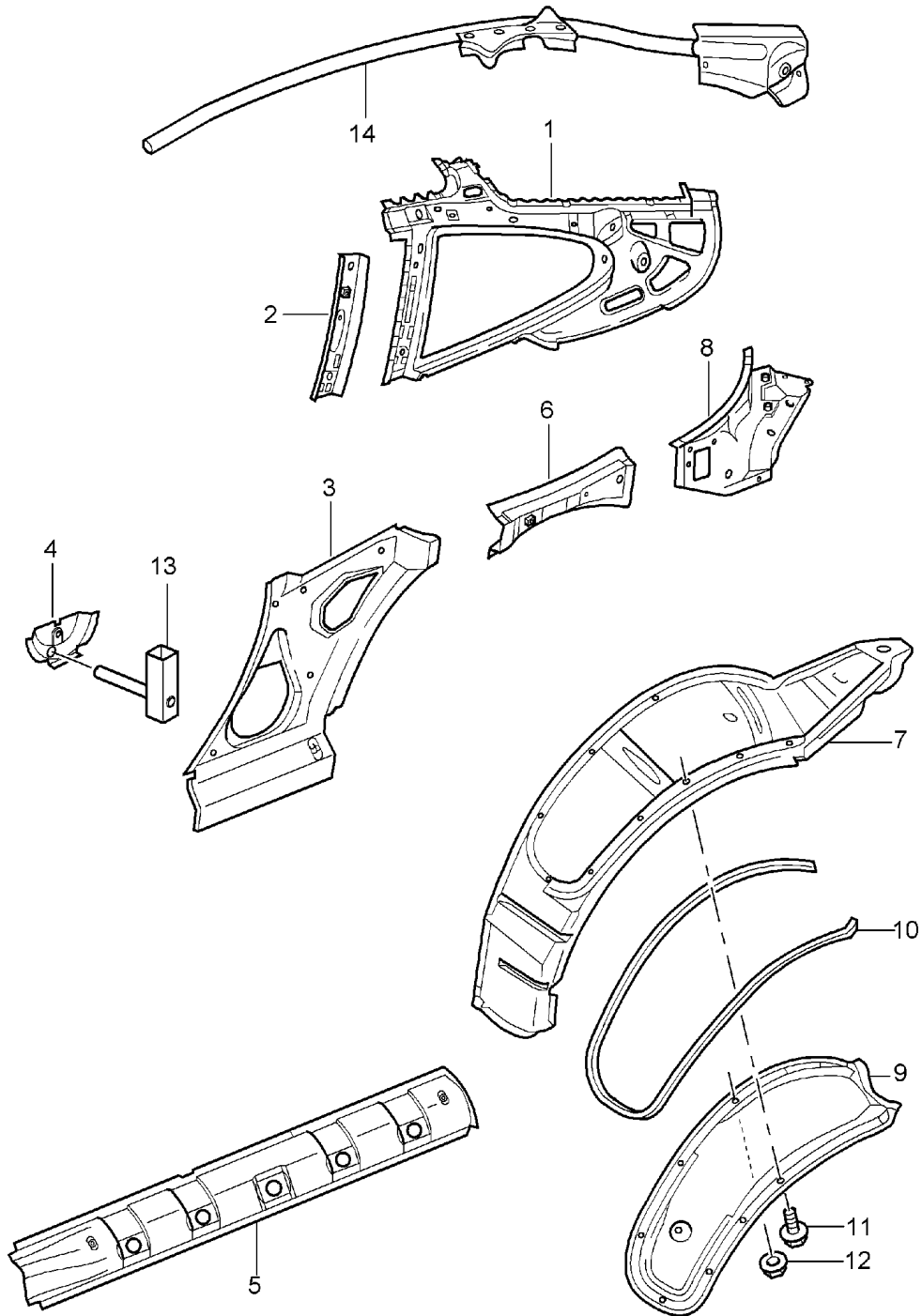


Model: 996 01 Model life 2001>>2005

Pos	Part Number	Description	Remark	Qty	Model
1	996 502 137 05 996 502 137 05 GRV	Cowl Cowl Prime coated Inner		1	COUPE
1	996 502 137 08  996 502 137 08 GRV	Cowl See group 8/07/09 Sun visor Prime coated Inner		1	COUPE
(1)	996 502 137 04 996 502 137 04 GRV	Cowl Prime coated Inner		1	CABRIO
2	996 502 527 01 996 502 527 01 GRV	Cowl Prime coated Outer		1	
3	996 502 529 00 996 502 529 00 GRV	Cowl Prime coated Outer		1	CABRIO
4	996 502 135 02 996 502 135 02 GRV	Reinforcement Prime coated Inner	/L	1	COUPE
(4)	996 502 136 02 996 502 136 02 GRV	Reinforcement Prime coated Inner	/R	1	COUPE
(4)	996 502 135 00 996 502 135 00 GRV	Reinforcement Prime coated Inner	/L	1	CABRIO
(4)	996 502 136 00 996 502 136 00 GRV	Reinforcement Prime coated Inner	/R	1	CABRIO
5	996 502 335 00 996 502 335 00 GRV	Hinge pillar Prime coated	/L	1	CABRIO
(5)	996 502 336 00 996 502 336 00 GRV	Hinge pillar Prime coated	/R	1	CABRIO
(6)	996 503 501 00 996 503 501 00 GRV	Outer roof panel Prime coated		1	
6	996 503 087 00 996 503 087 00 GRV	Outer roof panel Prime coated		1	M650
7	996 502 305 03 996 502 305 03 GRV	Roof frame Prime coated	/L	1	
(7)	996 502 306 03 996 502 306 03 GRV	Roof frame Prime coated	/R	1	
8	996 502 505 00 996 502 505 00 GRV	Roof frame Prime coated		1	
-	996 504 911 00	Plate with Threaded pin		X	
-	996 504 505 00	Threaded bush		X	
-	900 025 008 09	Washer A 10,5		X	
-	900 025 008 04	Washer A 10,5		X	
-	996 502 737 00	Speed nut M 6		2	CABRIO
-	997 502 739 00	Cowl Speed nut M 6 Cowl		1	CABRIO

Model: 996 01

Model life 2001>>2005



Model: 996 01 Model life 2001>>2005

Pos	Part Number	Description	Remark	Qty	Model
		Side section Inner			
1	996 502 043 02	Side section	/L	1	
	996 502 043 02 GRV	Prime coated			
(1)	996 502 044 02	Side section	/R	1	
	996 502 044 02 GRV	Prime coated			
2	996 502 423 01	Reinforcement	/L	1	
	996 502 423 01 GRV	Prime coated			
(2)	996 502 424 01	Reinforcement	/R	1	
	996 502 424 01 GRV	Prime coated			
2	996 502 423 02	Reinforcement	/L	1	
	996 502 423 02 GRV	Prime coated			
(2)	996 502 424 02	Reinforcement	/R	1	
	996 502 424 02 GRV	Prime coated			
3	996 502 083 00	Side section	/L	1	
	996 502 083 00 GRV	Prime coated			
3	996 502 083 02	Side section	/L	1	
	996 502 083 02 GRV	Prime coated			
(3)	996 502 084 00	Side section	/R	1	
	996 502 084 00 GRV	Prime coated			
(3)	996 502 084 02	Side section	/R	1	
	996 502 084 02 GRV	Prime coated			
4	996 502 383 00	Bracket		2	
	996 502 383 00 GRV	Prime coated			
5	996 502 733 00	Reinforcement	/L	1	
	996 502 733 00 GRV	Prime coated			
5	996 502 733 01	Reinforcement	/L	1	
	996 502 733 01 GRV	Prime coated			
(5)	996 502 734 00	Reinforcement	/R	1	
	996 502 734 00 GRV	Prime coated			
(5)	996 502 734 01	Reinforcement	/R	1	
	996 502 734 01 GRV	Prime coated			
-	999 703 433 40	Stopper 30 X 42 for POS. 5		10	
6	996 502 115 00	Side section	/L	1	
	996 502 115 00 GRV	Prime coated			
(6)	996 502 116 00	Side section	/R	1	
	996 502 116 00 GRV	Prime coated			
7	996 502 215 00	Wheel housing	/L	1	
	996 502 215 00 GRV	Prime coated			
(7)	996 502 216 00	Wheel housing	/R	1	
	996 502 216 00 GRV	Prime coated			
8	996 502 161 02	Side section	/L	1	
	996 502 161 02 GRV	Prime coated			
8	996 502 161 03	Side section	/L	1	
	996 502 161 03 GRV	Prime coated			
(8)	996 502 162 02	Side section	/R	1	
	996 502 162 02 GRV	Prime coated			
(8)	996 502 162 03	Side section	/R	1	
	996 502 162 03 GRV	Prime coated			
9	996 504 221 00	Lid	/L	1	
(9)	996 504 222 00	Lid	/R	1	
10	996 504 613 00	Gasket		2	
11	999 217 153 09	Hexagon-head bolt M 6 X 12		22	
12	999 084 629 09	Hexagon nut M 6		2	
12	999 084 629 01	Hexagon nut M 6		2	
13	996 502 617 00	Pipe	02-	2	
	996 502 617 00 GRV	Prime coated			



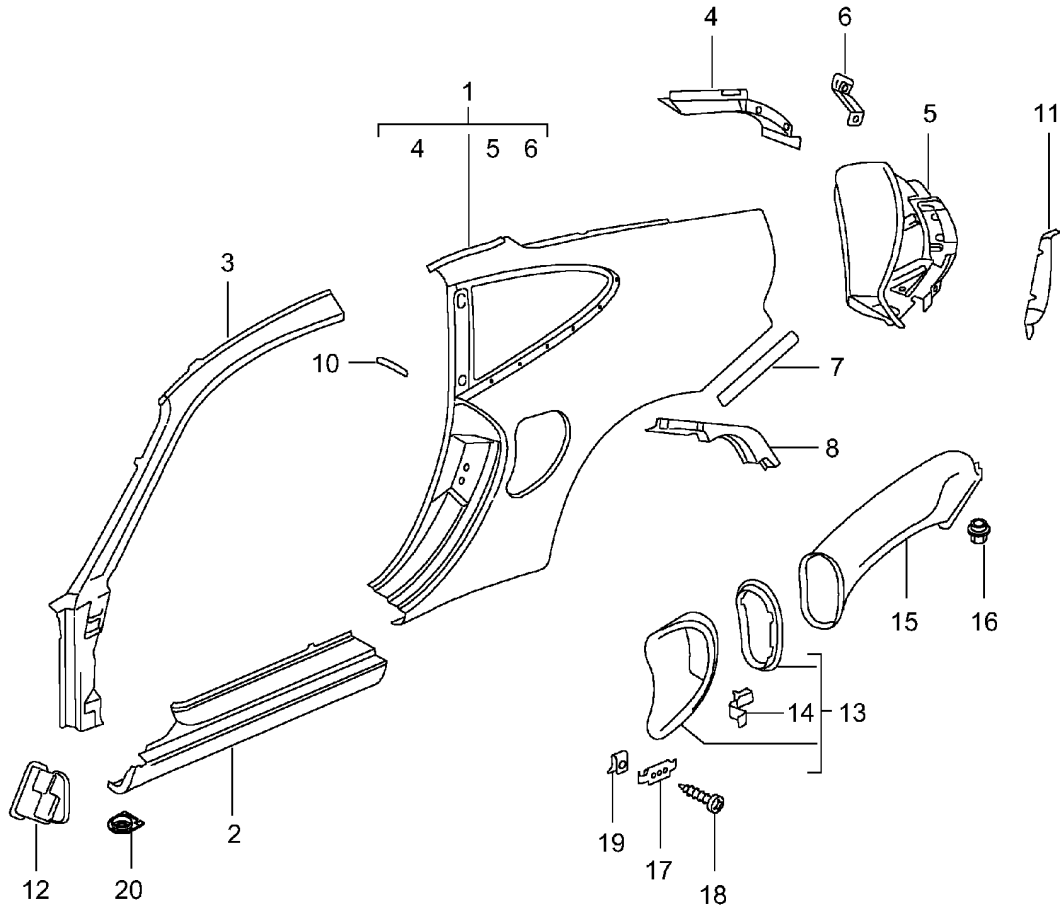
Model: 996 01

Model life 2001>>2005

Pos	Part Number	Description	Remark	Qty	Model
		See technical manual			
14	996 502 619 00	Pipe	/L 02-	1	
	996 502 619 00 GRV	Prime coated			
14	997 502 619 00	Pipe	/L 02-	1	
	997 502 619 00 GRV	Prime coated			
(14)	996 502 620 00	Pipe	/R 02-	1	
	996 502 620 00 GRV	Prime coated			
(14)	997 502 620 00	Pipe	/R 02-	1	
	997 502 620 00 GRV	Prime coated			

Model: 996 01

Model life 2001>>2005



Model: 996 01 Model life 2001>>2005

Pos	Part Number	Description	Remark	Qty	Model
		Side section Outer			
1	996 503 961 04	Side section	/L -01	1	
	996 503 961 04 GRV	Prime coated			
1	996 503 961 07	Side section	/L	1	
	996 503 961 07 GRV	Prime coated			
(1)	996 503 962 04	Side section	/R -01	1	
	996 503 962 04 GRV	Prime coated			
(1)	996 503 962 07	Side section	/R	1	
	996 503 962 07 GRV	Prime coated			
-	999 915 650 40	Use also: Adhesive		X	
		TEROMIX 6700			
-	000 043 300 48	Tool		X	
		See technical manual			
		Group 5			
		53 55 55			
2	996 503 963 02	Door sill	/L	1	
	996 503 963 02 GRV	Prime coated			
(2)	996 503 964 02	Door sill	/R	1	
	996 503 964 02 GRV	Prime coated			
3	996 503 965 01	Roof frame	/L -01	1	
	996 503 965 01 GRV	Prime coated			
3	996 503 965 03	Roof frame	/L	1	
	996 503 965 03 GRV	Prime coated			
(3)	996 503 966 01	Roof frame	/R -01	1	
	996 503 966 01 GRV	Prime coated			
(3)	996 503 966 03	Roof frame	/R	1	
	996 503 966 03 GRV	Prime coated			
4	996 502 665 02	Sealing channel	/L	1	
	996 502 665 02 GRV	Prime coated			
(4)	996 502 666 02	Sealing channel	/R	1	
	996 502 666 02 GRV	Prime coated			
5	996 502 461 01	Frame for light	/L	1	
	996 502 461 01 GRV	Prime coated			
(5)	996 502 462 01	Frame for light	/R	1	
	996 502 462 01 GRV	Prime coated			
6	996 502 213 01	Bracket	/L	1	
	996 502 213 01 GRV	Prime coated			
(6)	996 502 214 01	Bracket	/R	1	
	996 502 214 01 GRV	Prime coated			
7	996 504 631 01	Protective film	/L	1	
(7)	996 504 632 01	Protective film	/R	1	
(8)	996 504 907 01	Gasket	/L	1	
(8)	996 504 908 01	Gasket	/R	1	
-	999 507 557 40	Expansion rivet		4	
		7,8 X 12,3			
10	996 537 237 00	Protective film		2	
11	996 501 487 00	Angular plate	/L	1	
	996 501 487 00 GRV	Prime coated			
(11)	996 501 488 00	Angular plate	/R	1	
	996 501 488 00 GRV	Prime coated			
12	996 572 311 00	Water protection	/L	1	
(12)	996 572 312 00	Water protection	/R	1	
13	996 504 361 00	Air inlet	/L	1	
	996 504 361 00 G2X	Prime coated			
(13)	996 504 362 00	Air inlet		1	
	996 504 362 00 G2X	Prime coated			
14	996 504 605 00	Retainer spring		8	
15	996 575 559 00	Air guide	/L	1	
(15)	996 575 560 00	Air guide	/R	1	
16	999 045 004 40	Hexagon nut		4	
		M 6			

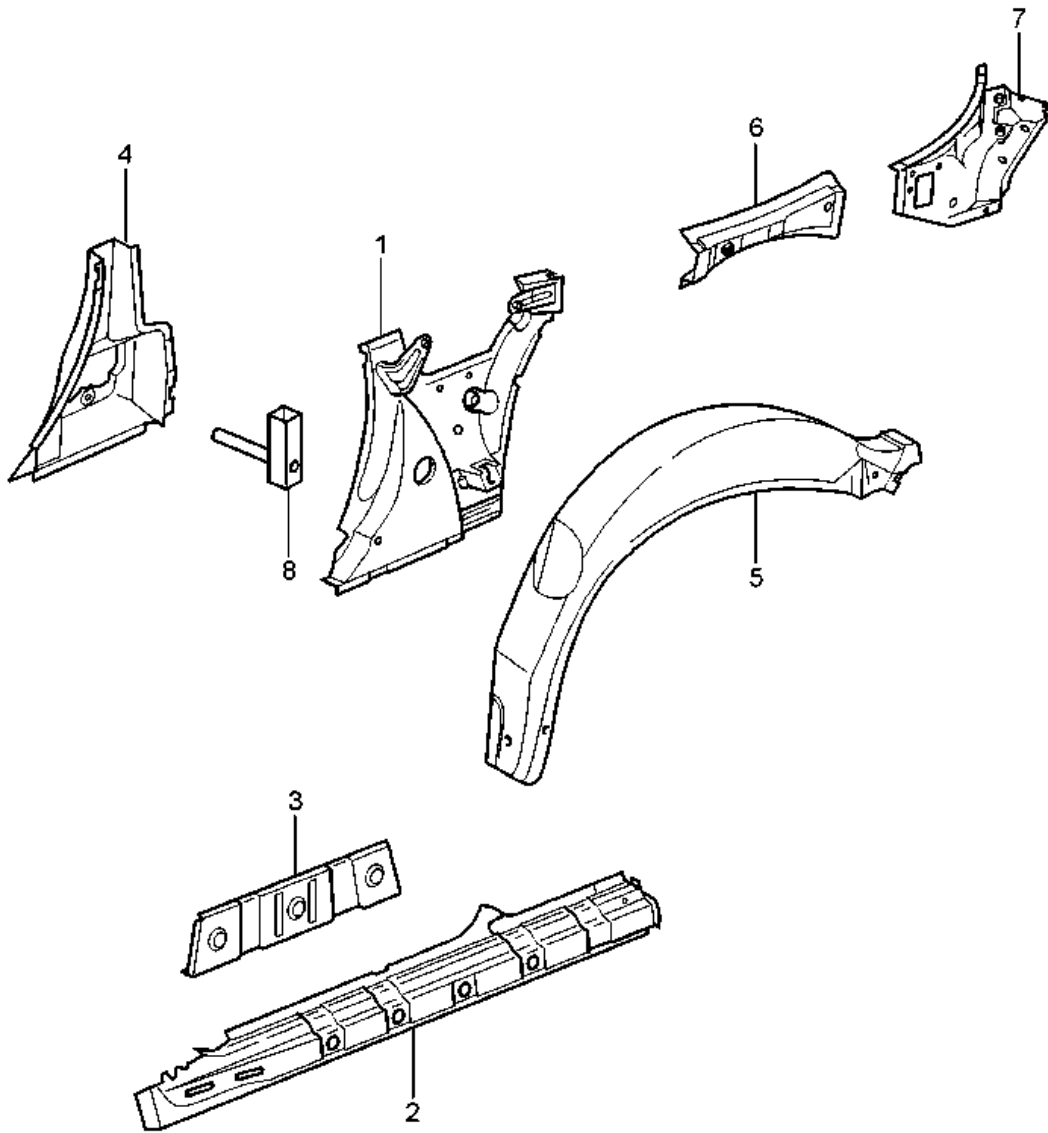
Model: 996 01

Model life 2001&gt;&gt;2005

Pos	Part Number	Description	Remark	Qty	Model
17	996 504 607 01	Clamp		8	
18	999 073 080 02	Combination screw ST 4,2 X 16		8	
19	999 591 474 02	Speed nut ST 4,2		8	
20	999 703 475 40	Water drain sleeve Door sill		2	
-	996 504 305 00	Support		2	
	996 504 305 00 GRV	Prime coated Charge air cooler			
-	999 076 066 09	Hexagon nut M 6		2	

Model: 996 01

Model life 2001>>2005

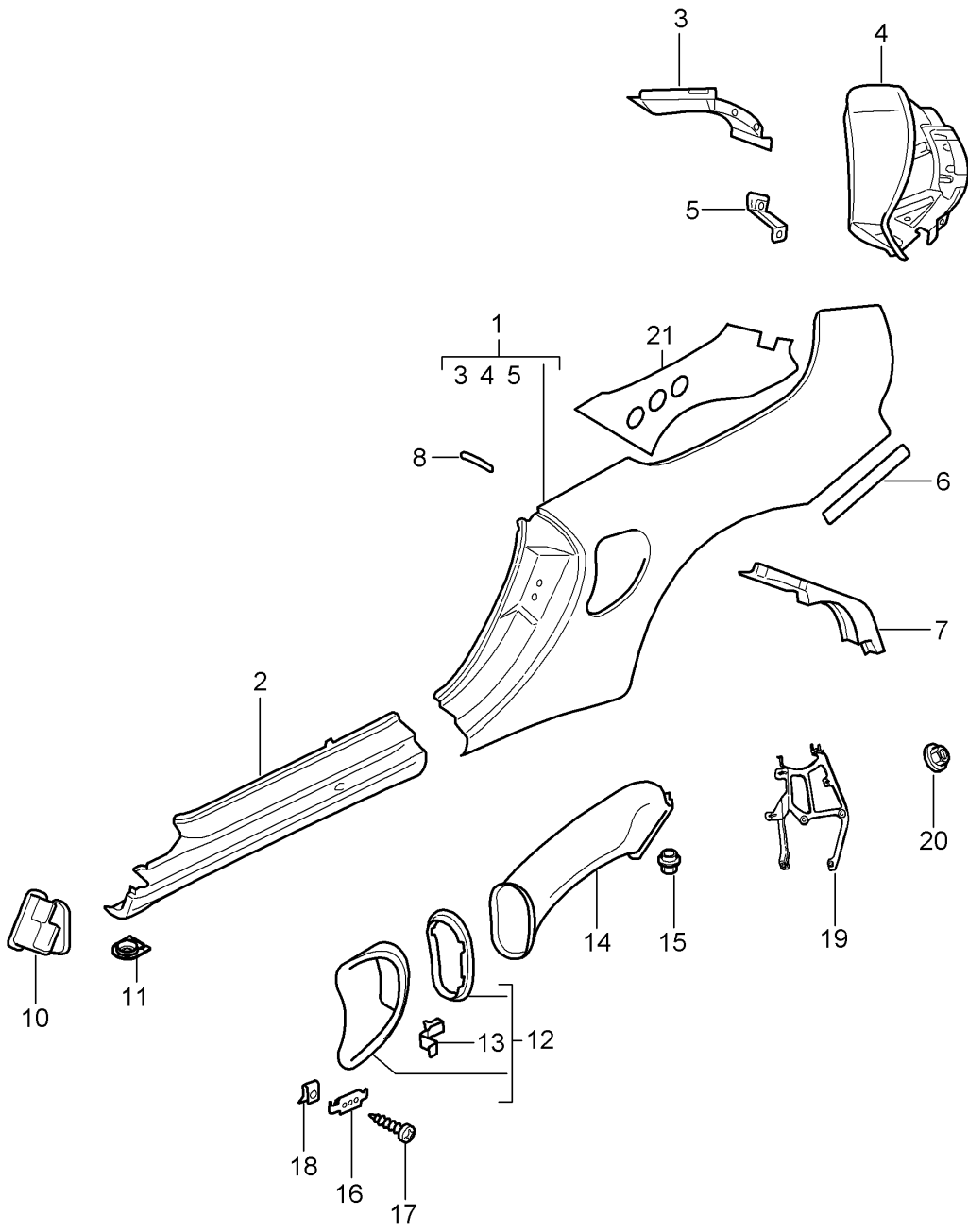


Model: 996 01 Model life 2001>>2005

Pos	Part Number	Description	Remark	Qty	Model
		Side section Inner			CABRIO
1	996 502 073 05	Side section	/L	1	
	996 502 073 05 GRV	Prime coated			
(1)	996 502 074 05	Side section	/R	1	
	996 502 074 05 GRV	Prime coated			
2	996 502 663 02	Reinforcement	/L	1	
	996 502 663 02 GRV	Prime coated			
(2)	996 502 664 02	Reinforcement	/R	1	
	996 502 664 02 GRV	Prime coated			
3	996 502 683 01	Separator	/L	1	
	996 502 683 01 GRV	Prime coated			
(3)	996 502 684 01	Separator	/R	1	
	996 502 684 01 GRV	Prime coated			
4	996 502 415 01	B-pillar	/L	1	
	996 502 415 01 GRV	Prime coated			
(4)	996 502 416 01	B-pillar	/R	1	
	996 502 416 01 GRV	Prime coated			
5	996 502 215 02	Wheel housing	/L	1	
	996 502 215 02 GRV	Prime coated			
(5)	996 502 216 02	Wheel housing	/R	1	
	996 502 216 02 GRV	Prime coated			
6	996 502 087 00	Side section	/L	1	
	996 502 087 00 GRV	Prime coated			
(6)	996 502 088 00	Side section	/R	1	
	996 502 088 00 GRV	Prime coated			
7	996 502 161 04	Side section	/L	1	
	996 502 161 04 GRV	Prime coated			
(7)	996 502 162 04	Side section	/R	1	
	996 502 162 04 GRV	Prime coated			
8	996 502 669 00	Pipe		2	
	996 502 669 00 GRV	Prime coated			

Model: 996 01

Model life 2001>>2005



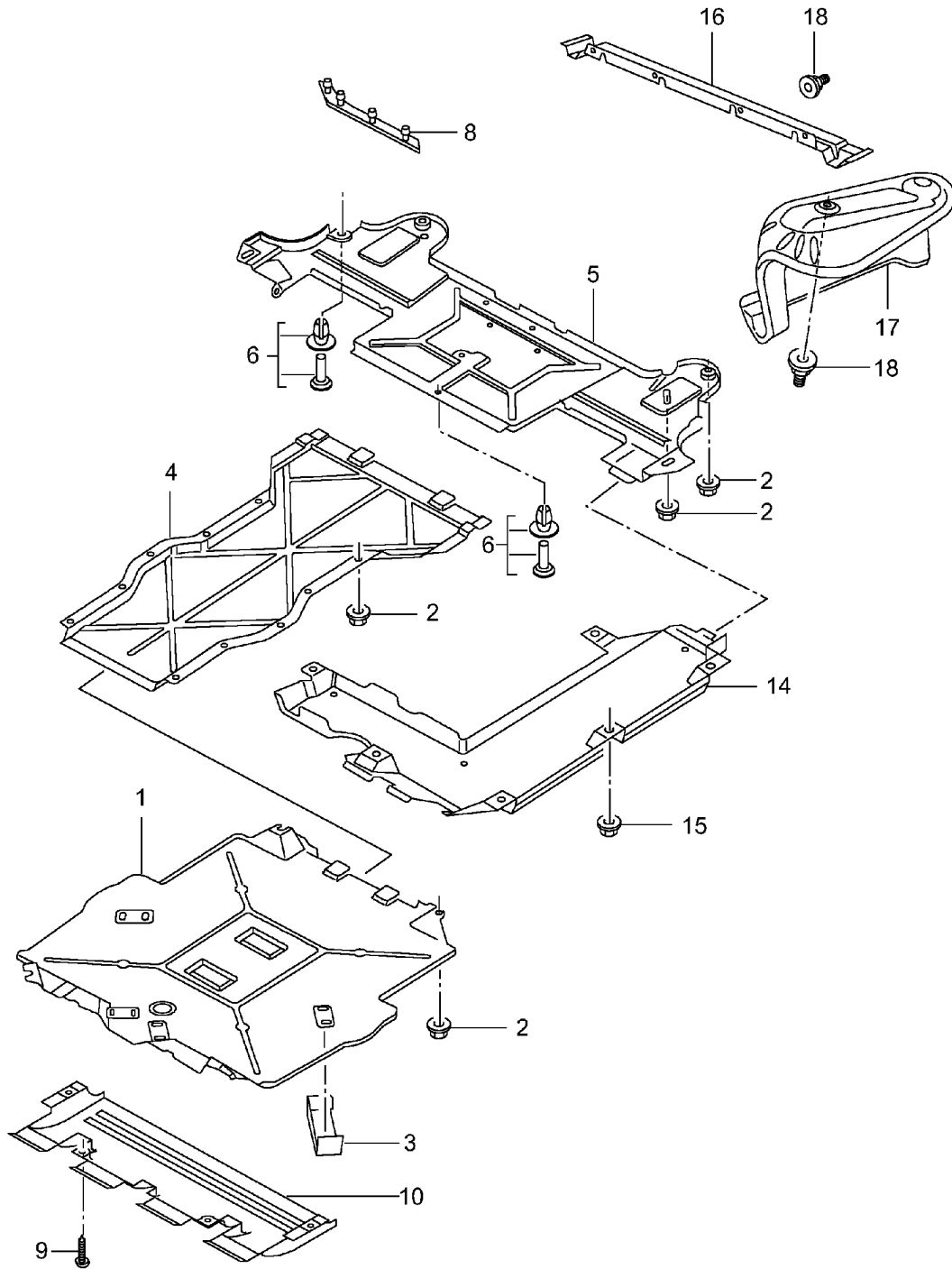
Model: 996 01 Model life 2001>>2005

Pos	Part Number	Description	Remark	Qty	Model
		Side section Outer	04-		CABRIO
1	996 503 961 10	Side section	/L	1	
	996 503 961 10 GRV	Prime coated			
(1)	996 503 962 10	Side section	/R	1	
	996 503 962 10 GRV	Prime coated			
-	999 915 650 40	Use also: Adhesive TEROMIX 6700		X	
-	000 043 300 48	Tool See technical manual Group 5 53 55 55		X	
2	996 503 963 03	Door sill	/L	1	
	996 503 963 03 GRV	Prime coated			
(2)	996 503 964 03	Door sill	/R	1	
	996 503 964 03 GRV	Prime coated			
3	996 502 665 04	Sealing channel	/L	1	
	996 502 665 04 GRV	Prime coated			
(3)	996 502 666 04	Sealing channel	/R	1	
	996 502 666 04 GRV	Prime coated			
4	996 502 461 01	Frame for light	/L	1	
	996 502 461 01 GRV	Prime coated			
(4)	996 502 462 01	Frame for light	/R	1	
	996 502 462 01 GRV	Prime coated			
5	996 502 213 01	Bracket	/L	1	
	996 502 213 01 GRV	Prime coated			
(5)	996 502 214 01	Bracket	/R	1	
	996 502 214 01 GRV	Prime coated			
6	996 504 631 02	Protective film	/L	1	
(6)	996 504 632 02	Protective film	/R	1	
(7)	996 504 907 01	Gasket	/L	1	
(7)	996 504 908 01	Gasket	/R	1	
8	996 537 237 00	Protective film		2	
10	996 572 311 00	Water protection	/L	1	
(10)	996 572 312 00	Water protection	/R	1	
11	999 703 475 40	Water drain sleeve		2	
12	996 504 361 01	Door sill Air inlet	/L	1	
	996 504 361 01 G2X	Prime coated			
(12)	996 504 362 01	Air inlet	/R	1	
	996 504 362 01 G2X	Prime coated			
13	996 504 605 00	Retainer spring		8	
14	996 575 559 01	Air guide	/L	1	
(14)	996 575 560 01	Air guide	/R	1	
15	999 045 004 40	Hexagon nut M 6		4	
16	996 504 607 01	Clamp		8	
17	999 073 080 02	Combination screw ST 4,2 X 16		8	
18	999 591 474 02	Speed nut ST 4,2		8	
19	996 504 305 00	Support		2	
	996 504 305 00 GRV	Prime coated			
20	999 076 066 09	Hexagon nut M 6		2	
21	996 504 697 02	Gasket	/L	1	
		Side section Outer			
(21)	996 504 698 02	Gasket	/R	1	
		Side section Outer			



Model: 996 01

Model life 2001>>2005

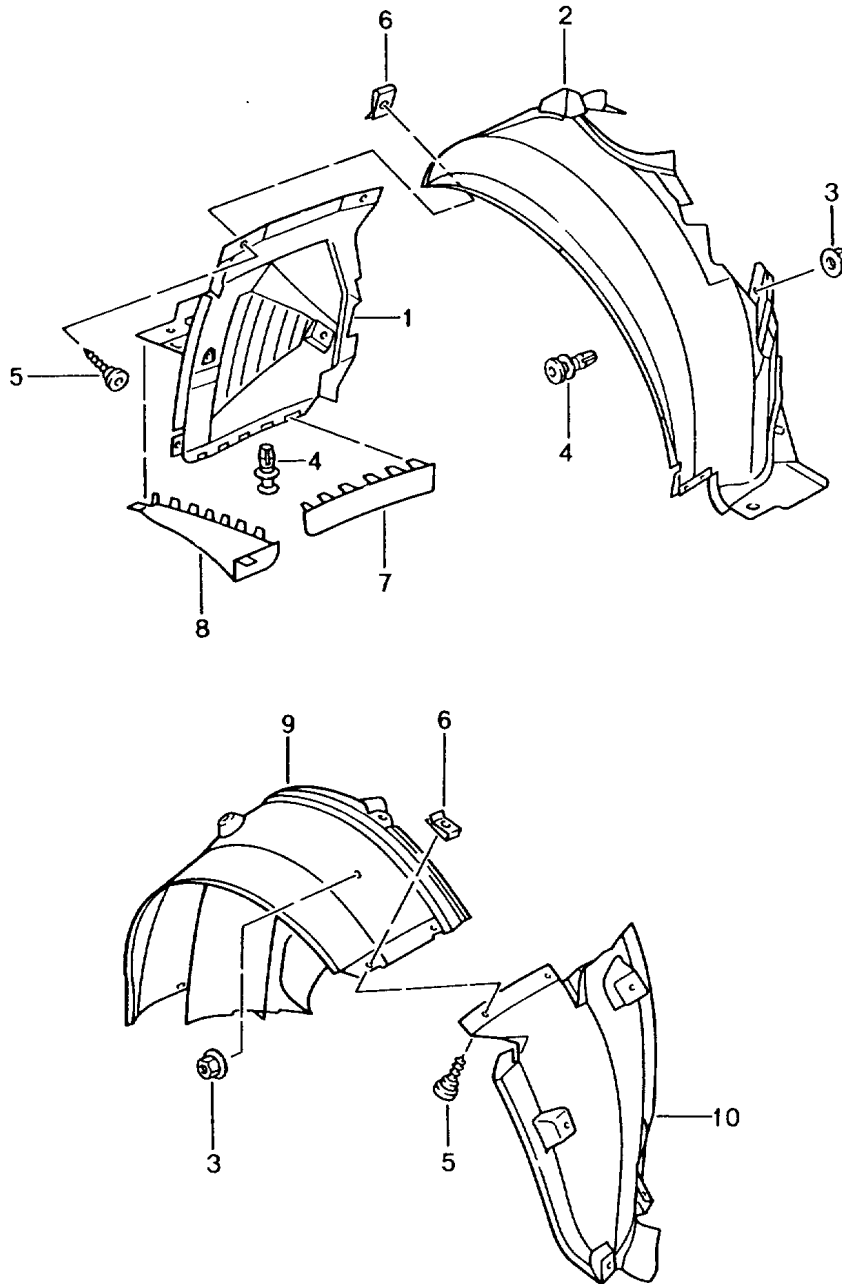


Model: 996 01 Model life 2001>>2005

Pos	Part Number	Description	Remark	Qty	Model
(1)	996 504 527 01	Linings for Underbody Cover		1	
2	999 049 022 40	Plastic nut T 5		21	
3	999 507 657 09	Clamp		6	
4	996 504 043 02	Cover Centre		1	
5	996 504 129 01	Cover		1	M249
5	996 504 129 03	Cover	05-	1	M092/249
(5)	996 504 029 00	Cover Rear		1	M480
6	999 507 497 40	Expansion rivet 8,0 X 14,0		4	
8	996 504 893 00	Rubber lip	/L	1	
(8)	996 504 894 00	Rubber lip	/R	1	
9	N 906 487 02	Tapping screw ST 4,8 X 16		4	
(10)	996 575 961 00	Air guide		1	IX50
10	996 575 161 01	Air guide		1	
14	996 504 561 00	Cover		1	
15	999 049 022 40	Plastic nut T5		6	
16	996 505 471 00	Heat protection Centre		1	
-	996 504 529 02	Air guide for Transmission		1	M480

Model: 996 01

Model life 2001>>2005

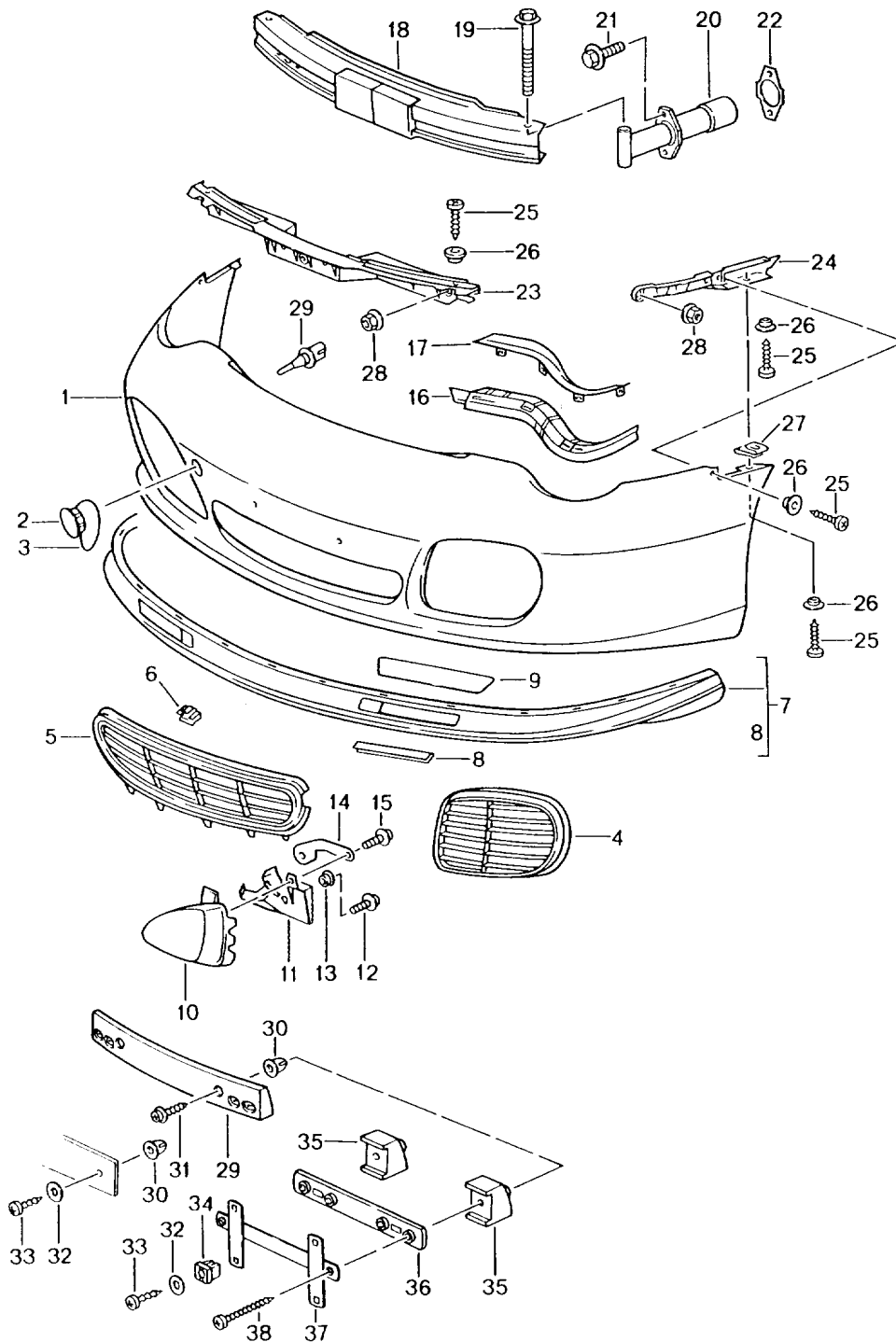


Model: 996 01 Model life 2001&gt;&gt;2005

Pos	Part Number	Description	Remark	Qty	Model
		Linings for Wheel housing			
1	996 504 123 00	Wheel-housing liner	/L /V	1	TURBO
1	996 504 123 90	Wheel-housing liner	/L /V	1	GT2
		Front			
(1)	996 504 124 00	Wheel-housing liner	/R /V	1	TURBO
(1)	996 504 124 90	Wheel-housing liner	/R /V	1	GT2
		Front			
2	996 504 203 05	Wheel-housing liner	/L /H	1	
2	996 504 203 08	Wheel-housing liner	/L /H	1	
		Front			
(2)	996 504 204 05	Wheel-housing liner	/R /H	1	
(2)	996 504 204 08	Wheel-housing liner	/R /H	1	
		Front			
3	999 049 022 40	Plastic nut T5		X	
4	999 507 497 40	Expansion rivet 8,0 X 14,0		X	
5	N 906 487 02	Tapping screw ST 4,8 X 16		X	
6	999 507 668 02	Speed nut ST 4,8		X	
6	999 507 668 01	Speed nut ST 4,8		X	
7	996 504 503 02	Rubber lip	/L	1	TURBO
(7)	996 504 504 02	Rubber lip	/R	1	TURBO
8	996 504 603 01	Air guide	/L	1	TURBO
(8)	996 504 604 01	Air guide	/R	1	TURBO
9	996 504 573 01	Wheel-housing liner	/L /V	1	TURBO
9	996 504 573 90	Wheel-housing liner	/L /V	1	GT2
		Rear			
(9)	996 504 574 01	Wheel-housing liner	/R /V	1	TURBO
(9)	996 504 574 90	Wheel-housing liner	/R /V	1	GT2
		Rear			
10	996 504 623 02	Wheel-housing liner	/L /H	1	TURBO
10	996 504 623 90	Wheel-housing liner	/L /H	1	GT2
(10)	996 504 624 02	Wheel-housing liner	/R /H	1	TURBO
(10)	996 504 624 90	Wheel-housing liner	/R /H	1	GT2
		Rear			
-	999 911 663 40	Sealing strap 10 X 10 X 180		2	
-	999 911 695 40	Sealing strap 10 X 30 X 680		2	
-	996 575 231 30	Air guide	/L /V	1	GT2
-	996 575 232 30	Air guide	/R /V	1	GT2
-	999 507 785 40	Cable holder		4	

Model: 996 01

Model life 2001>>2005



Model: 996 01 Model life 2001>>2005

Pos	Part Number	Description	Remark	Qty	Model
		Bumper			
		Front			
1	996 505 311 05	Lining		1	
	996 505 311 05 G2X	Prime coated			
2	964 505 103 00	Cap		1	
	964 505 103 00 G2X	Prime coated			
3	999 651 225 40	Safety rope		1	
4	996 505 563 00	Air inlet	/L	1	
	996 505 563 00 01C	Satin black			
(4)	996 505 564 00	Air inlet	/R	1	
	996 505 564 00 01C	Satin black			
(4)	996 505 563 01	Air inlet	/L	1	M215
	996 505 563 01 01C	Satin black			
(4)	996 505 564 01	Air inlet	/R	1	M215
	996 505 564 01 01C	Satin black			
5	996 505 561 00	Air inlet		1	
	996 505 561 00 01C	Satin black			
6	999 507 751 02	U-clamp		X	
7	996 505 355 00	Spoiler		1	
	996 505 355 00 01C	Satin black			
8	996 505 755 00	Reinforcement		2	
9	996 504 627 00	Protective film		1	
		Set			
10	996 505 527 00	Buffer	/L	1	M215
	996 505 527 00 70C	Rally black			
(10)	996 505 528 00	Buffer	/R	1	M215
	996 505 528 00 70C	Rally black			
11	996 505 533 00	Mounting	/L	1	M215
(11)	996 505 534 00	Mounting	/R	1	M215
12	900 378 158 09	Hexagon-head bolt		2	M215
		M 6 X 16			
13	999 209 044 09	Spacer		2	M215
14	996 505 523 00	Desk pad	/L	1	M215
(14)	996 505 524 00	Desk pad	/R	1	M215
15	900 067 148 02	Pan-head screw		2	M215
		M 5 X 25			
16	996 505 539 03	Bracket	/L	1	
(16)	996 505 540 03	Bracket	/R	1	
17	996 505 741 02	Cover	/L	1	
	996 505 741 02 01C	Satin black			
(17)	996 505 742 02	Cover	/R	1	
	996 505 742 02 01C	Satin black			
18	996 505 011 02	Bumper reinforcement		1	
(18)	996 505 011 03	Bumper reinforcement		1	M215
19	900 378 088 09	Hexagon-head bolt		2	
		M 12 X 100			
19	900 378 088 01	Hexagon-head bolt		2	
		M 12 X 100			
(20)	996 505 019 01	Impact pipe		2	
20	996 505 015 00	Impact absorber		2	M058
21	900 075 457 02	Combination screw		4	
22	996 505 775 00	Desk pad		2	
23	996 505 531 01	Retaining strip		1	
24	996 505 535 03	Retaining strip	/L	1	
(24)	996 505 536 03	Retaining strip	/R	1	
25	900 144 101 02	Tapping screw		9	
		ST 4,8 X 19			
26	999 209 045 09	Spacer		9	
27	999 507 072 02	Speed nut		X	
		ST 4,8			
28	999 076 048 02	Hexagon nut		11	
		M 6			
29	996 701 105 00	Support		1	M211

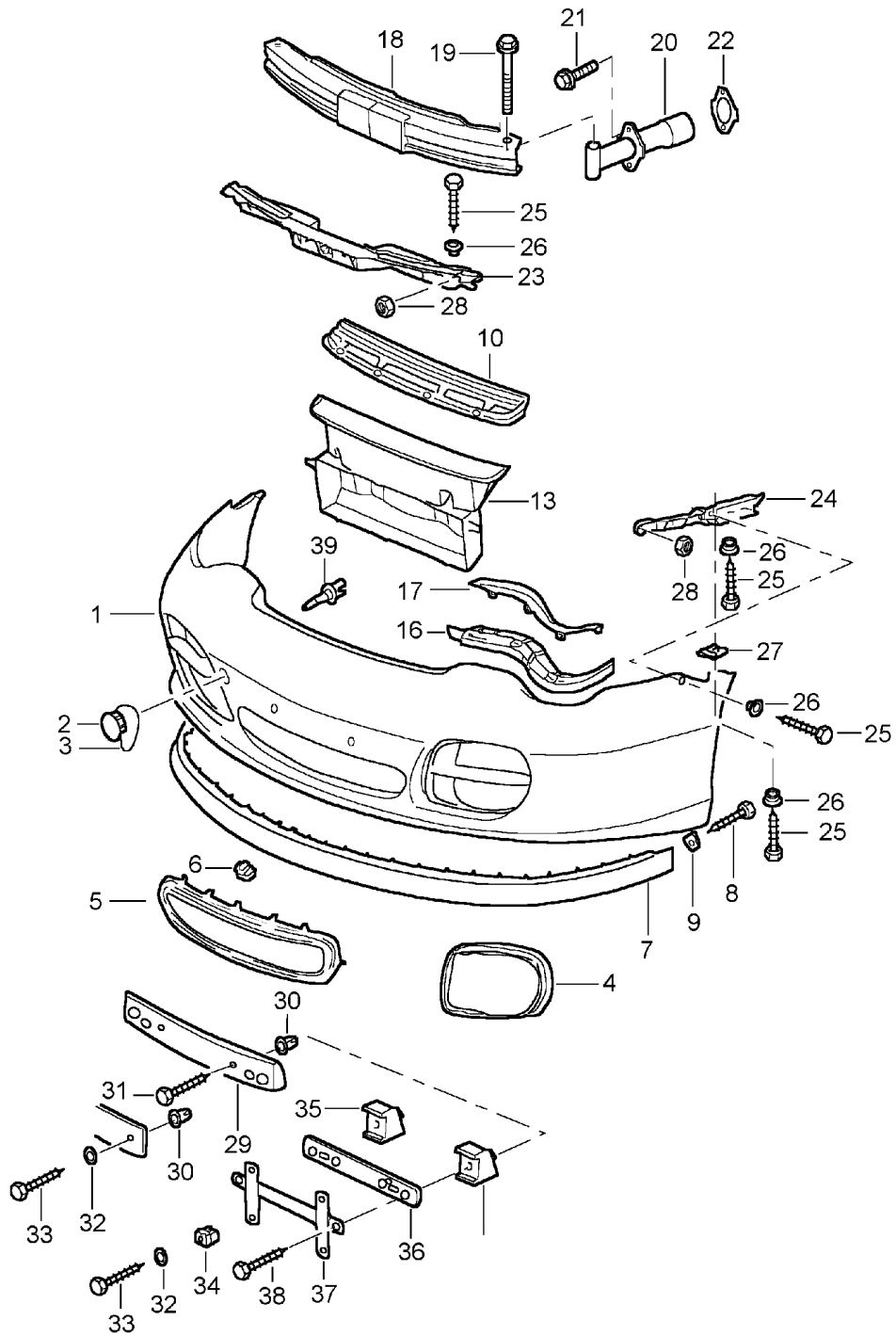
Model: 996 01

Model life 2001&gt;&gt;2005

Pos	Part Number	Description	Remark	Qty	Model
30	999 507 040 40	Expander nut 4,2		X	
31	999 073 080 02	Combination screw		X	
32	900 025 024 40	Washer		X	
33	900 143 134 00	Tapping screw B 4,2 X 9,5		X	
35	996 701 801 00	Spacer	/L	1	
(35)	996 701 802 00	Spacer	/R	1	
36	911 701 121 03	Support		1	M210
38	900 144 182 09	Tapping screw B 4,2 X 32		2	

Model: 996 01

Model life 2001>>2005





Model: 996 01 Model life 2001>>2005

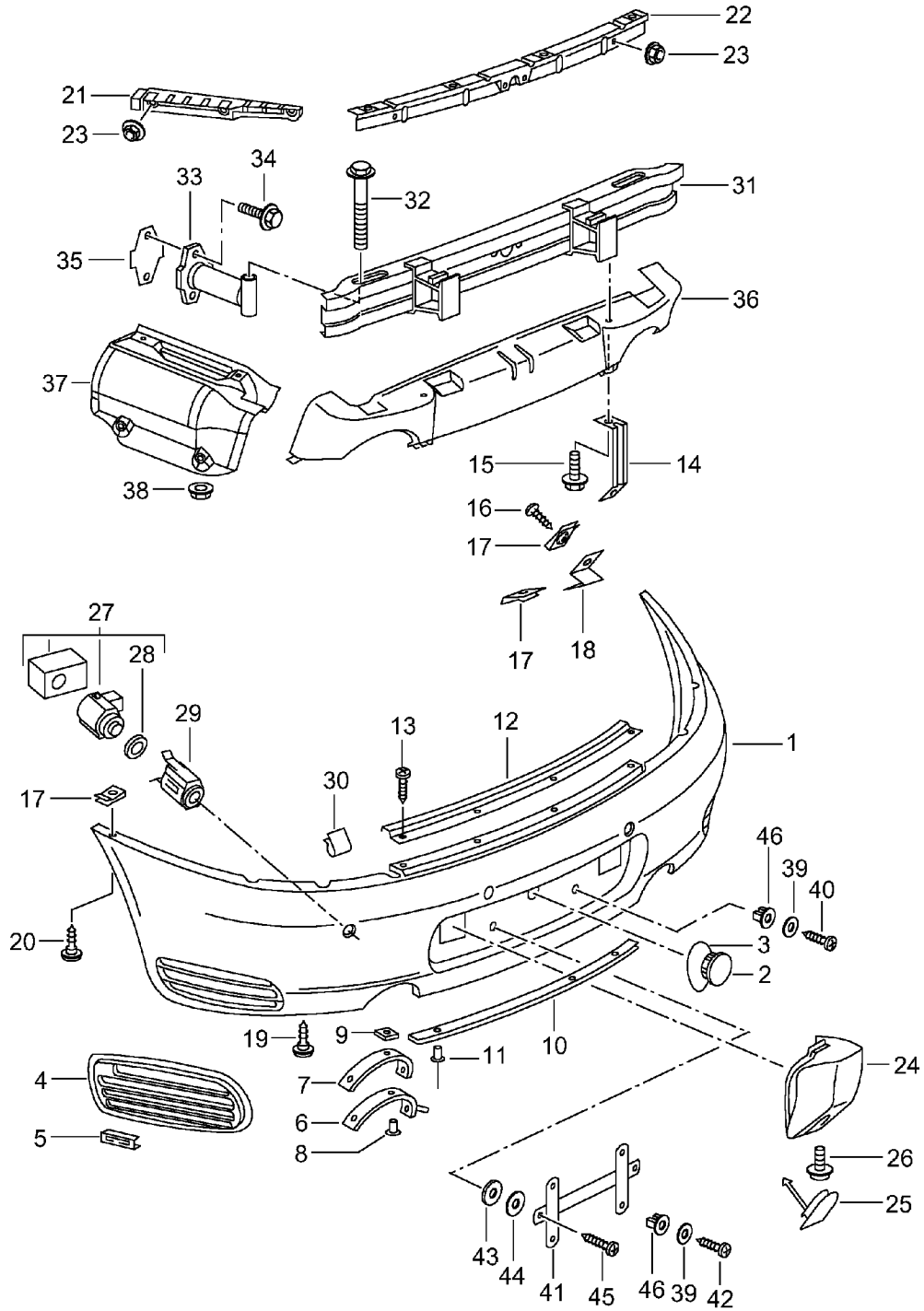
Pos	Part Number	Description	Remark	Qty	Model
		Bumper Front			GT2
1	996 505 311 30	Lining		1	
	996 505 311 30 G2X	Prime coated			
-	999 507 258 02	Speed nut		25	
-	900 623 012 07	Screw		6	
		M 5 X 16			
-	999 084 120 02	Hexagon nut		6	
		M 5			
2	964 505 103 00	Cap		1	
	964 505 103 00 G2X	Prime coated			
3	999 651 225 40	Safety rope		1	
4	996 505 563 30	Air inlet	/L	1	
	996 505 563 30 01C	Satin black			
(4)	996 505 564 30	Air inlet	/R	1	
	996 505 564 30 01C	Satin black			
5	996 505 561 30	Air inlet		1	
	996 505 561 30 01C	Satin black			
6	999 507 751 02	U-clamp		X	
7	996 505 555 30	Spoiler		1	
	996 505 555 30 01C	Satin black			
8	900 144 101 02	Tapping screw		2	
		ST 4,8 X 19			
9	999 507 072 02	Speed nut		2	
		ST 4,8			
10	996 575 326 30	Frame	-03	1	
10	996 575 326 31	Frame	04-	1	
		Carbon			
13	996 575 325 30	Air duct		1	
16	996 505 539 03	Bracket	/L	1	
(16)	996 505 540 03	Bracket	/R	1	
17	996 505 741 30	Cover	/L	1	
	996 505 741 30 01C	Satin black			
(17)	996 505 742 30	Cover	/R	1	
	996 505 742 30 01C	Satin black			
18	996 505 011 02	Bumper reinforcement		1	
(18)	996 505 011 03	Bumper reinforcement		1	M215
19	900 378 088 09	Hexagon-head bolt		2	
		M 12 X 100			
19	900 378 088 01	Hexagon-head bolt		2	
		M 12 X 100			
(20)	996 505 019 01	Impact pipe		2	
20	996 505 015 00	Impact absorber		2	M058
21	900 075 479 09	Combination screw		4	
		M 8 X 40			
(22)	996 505 773 32	Spacer plate		2	
		Impact absorber with Desk pad			
23	996 505 531 30	Retaining strip		1	
24	996 505 535 03	Retaining strip	/L	1	
(24)	996 505 536 03	Retaining strip	/R	1	
25	900 144 101 02	Tapping screw		9	
		ST 4,8 X 19			
26	999 209 045 09	Spacer		9	
27	999 507 072 02	Speed nut		X	
		ST 4,8			
28	999 076 048 02	Hexagon nut		11	
		M 6			
29	996 701 105 30	Support		1	M211
30	999 507 040 40	Expander nut		X	
		4,2			
31	999 073 080 02	Combination screw		X	

Model: 996 01 Model life 2001>>2005

Pos	Part Number	Description	Remark	Qty	Model
32	900 025 024 40	Washer		X	
33	900 143 134 00	Tapping screw B 4,2 X 9,5		X	
35	996 701 801 00	Spacer	/L	1	
(35)	996 701 802 00	Spacer	/R	1	
36	911 701 121 03	Support		1	M210
38	900 144 182 09	Tapping screw B 4,2 X 32		2	
39	996 641 142 00	Temperature sensor		1	
39	958 505 535 00	Sensor		1	

Model: 996 01

Model life 2001>>2005



Model: 996 01

Model life 2001&gt;&gt;2005

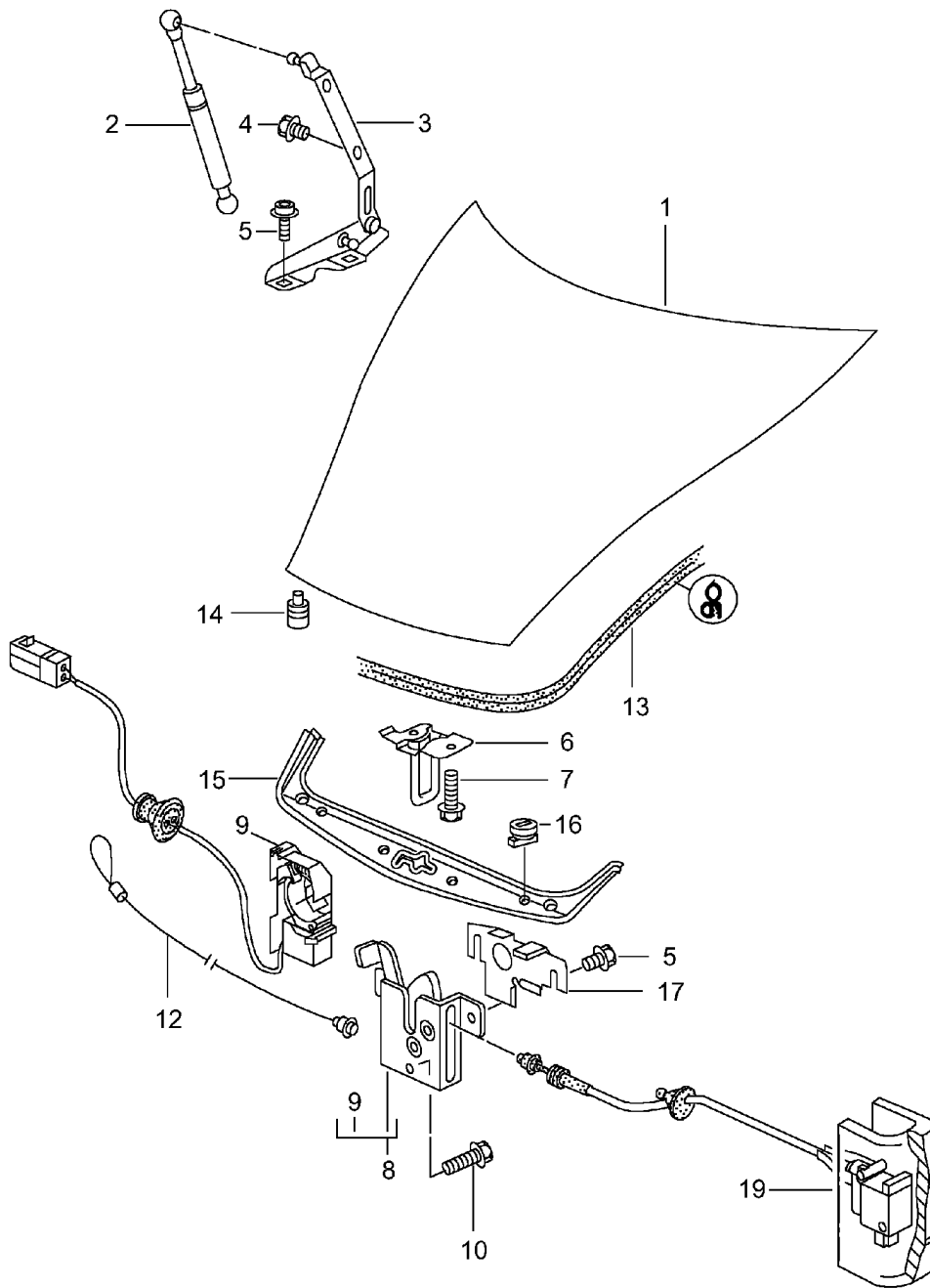
Pos	Part Number	Description	Remark	Qty	Model
1	996 505 411 16	Bumper Rear Lining		1	
(1)	996 505 411 16 G2X	Prime coated			
	996 505 911 00	Lining		1	M635
	996 505 911 00 G2X	Prime coated			
2	964 505 103 00	Cap		1	
	964 505 103 00 G2X	Prime coated			
3	999 651 225 40	Safety rope		1	
4	996 505 663 00	Ventilation grille	/L	1	
(4)	996 505 663 00 01C	Satin black			
	996 505 664 00	Ventilation grille	/R	1	
	996 505 664 00 01C	Satin black			
5	999 507 696 00	U-clamp		24	
6	996 505 611 02	Cover	/L	1	
(6)	996 505 612 02	Cover	/R	1	
7	996 505 621 00	Heat shield	/L	1	
(7)	996 505 622 00	Heat shield	/R	1	
8	900 056 001 30	Rivet 4 X 12		4	
9	999 166 051 08	Clamping washer 4,0		6	
10	996 505 837 03	Retaining strip		1	
11	999 190 104 30	Blind rivet A 3,2 X 7,9		4	
12	996 505 833 02	Rail		1	
13	900 144 101 02	Tapping screw ST 4,8 X 19		4	
14	996 505 639 03	Rear support		2	
15	999 075 056 09	Combination screw M 6 X 22		2	
16	N 906 487 02	Tapping screw ST 4,8 X 16		2	
17	999 507 072 02	Speed nut ST 4,8		X	
18	996 505 649 00	Bracket		2	
19	999 073 062 02	Tapping screw ST 4,8 X 19		2	
20	999 073 227 09	Tapping screw ST 4,8 X 19		6	
21	996 505 635 00	Retaining strip	/L	1	
(21)	996 505 636 00	Retaining strip	/R	1	
22	996 505 831 00	Retaining strip Centre		1	
23	999 076 048 02	Hexagon nut M 6		9	
24	996 505 425 01	Buffer	/L	1	M215
(24)	996 505 425 01 70C	Rally black			
	996 505 426 01	Buffer	/R	1	M215
	996 505 426 01 70C	Rally black			
25	996 505 403 00	Lid		2	M215
	996 505 403 00 70C	Rally black			
26	900 067 271 09	Combination screw		2	M215
27	000 043 204 56	Sensor		4	M635
28	996 606 473 00	Ring		4	M635
29	996 505 885 00	Housing		2	M635
	996 505 885 00 G2X	Prime coated			
(29)	996 505 887 00	Inner Housing		2	M635
	996 505 887 00 G2X	Prime coated			
30	999 507 623 40	Outer Cable holder		4	
31	996 505 021 02	Bumper reinforcement		1	

Model: 996 01 Model life 2001>>2005

Pos	Part Number	Description	Remark	Qty	Model
(31)	996 505 021 03	Bumper reinforcement		1	M215
32	900 378 088 09	Hexagon-head bolt M 12 X 100		2	
32	900 378 088 01	Hexagon-head bolt M 12 X 100		2	
33	996 505 019 01	Impact pipe		2	
(33)	996 505 015 00	Impact absorber		2	M058
34	900 075 457 02	Combination screw M 8 X 30		4	
35	993 505 775 00	Desk pad		2	
36	996 505 475 05	Heat protection		1	
37	996 505 477 02	Heat protection	/L -02	1	
37	996 505 477 03	Heat protection	/L	1	
(37)	996 505 478 02	Heat protection	/R -02	1	
(37)	996 505 478 03	Heat protection	/R	1	
38	999 049 025 09	Collar nut		12	
39	900 025 024 40	Washer		X	
40	999 073 080 02	Combination screw ST 4,2 X 16		X	
43	999 025 235 40	Rubber washer		X	
46	999 507 040 40	Expander nut ST 4,2		X	

Model: 996 01

Model life 2001>>2005



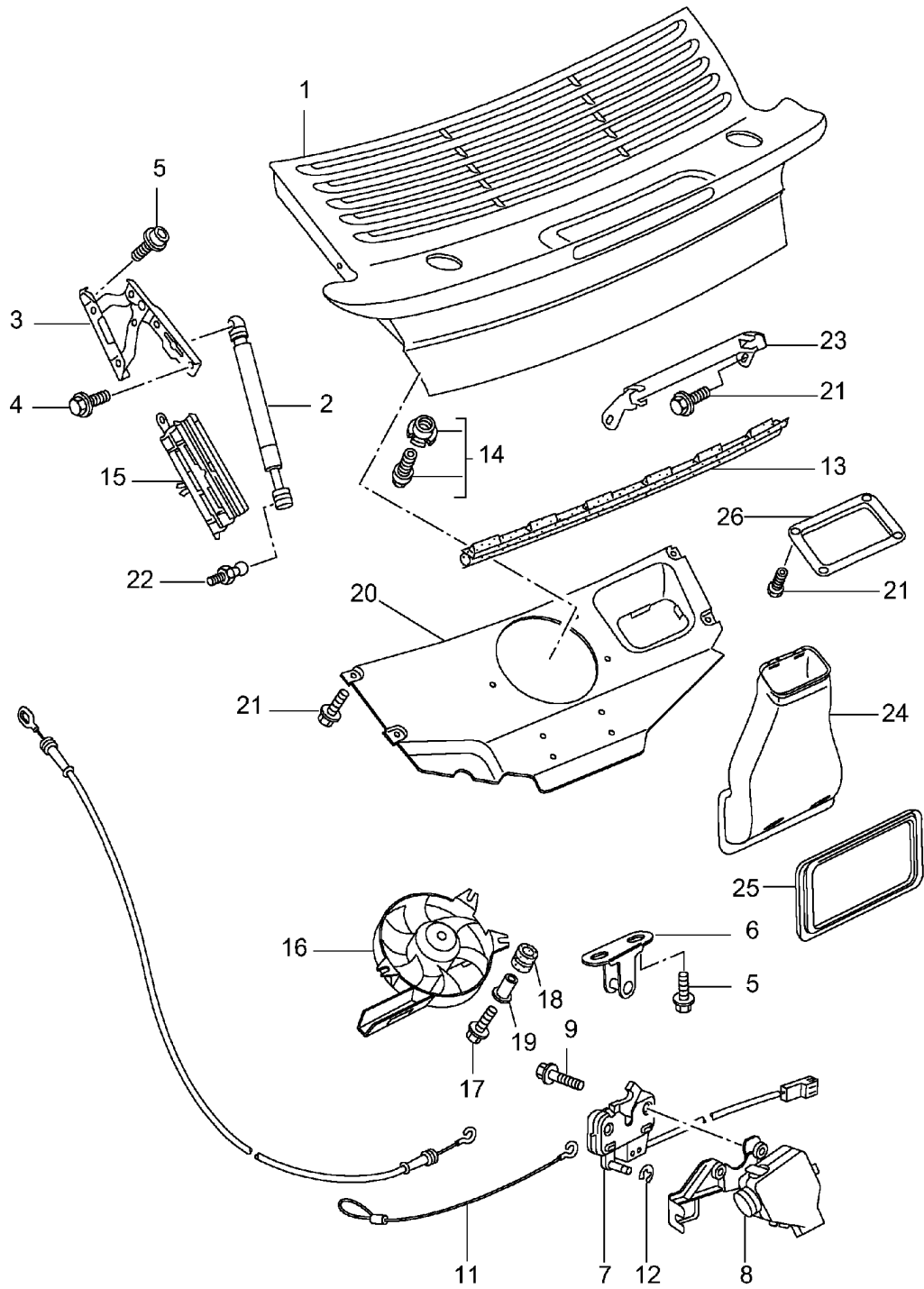
Model: 996 01

Model life 2001>>2005

Pos	Part Number	Description	Remark	Qty	Model
1	996 511 011 02	Lid Front		1	
	996 511 011 02 GRV	Lid Prime coated			
		Use also:			
-	000 043 204 38	Sealing compound		1	
2	996 511 551 01	Gas-pressure spring		2	
3	996 511 151 01	Hinge	/L	1	
(3)	996 511 152 01	Hinge	/R	1	
4	900 378 036 09	Hexagon-head bolt M 6 X 12		4	
5	900 075 466 09	Combination screw M 6 X 16		6	
6	996 511 051 02	Lock upper part		1	
7	900 378 173 09	Hexagon-head bolt M 6 X 20		2	
8	996 511 053 02	Lock lower part		1	
9	996 613 206 00	Microswitch		1	
10	900 075 466 09	Combination screw M 6 X 16		1	
12	996 511 521 00	Emergency operation		1	
13	996 511 611 00	Gasket		1	
14	999 703 140 40	Rubber buffer		2	
15	996 504 811 02	Trim cover		1	
	996 504 811 02 01C	Satin black			
16	999 590 036 40	Cap nut		4	
	999 590 036 40 01C	Satin black			
17	996 511 653 00	Cover		1	
19	996 511 127 00	Actuator		1	

Model: 996 01

Model life 2001>>2005



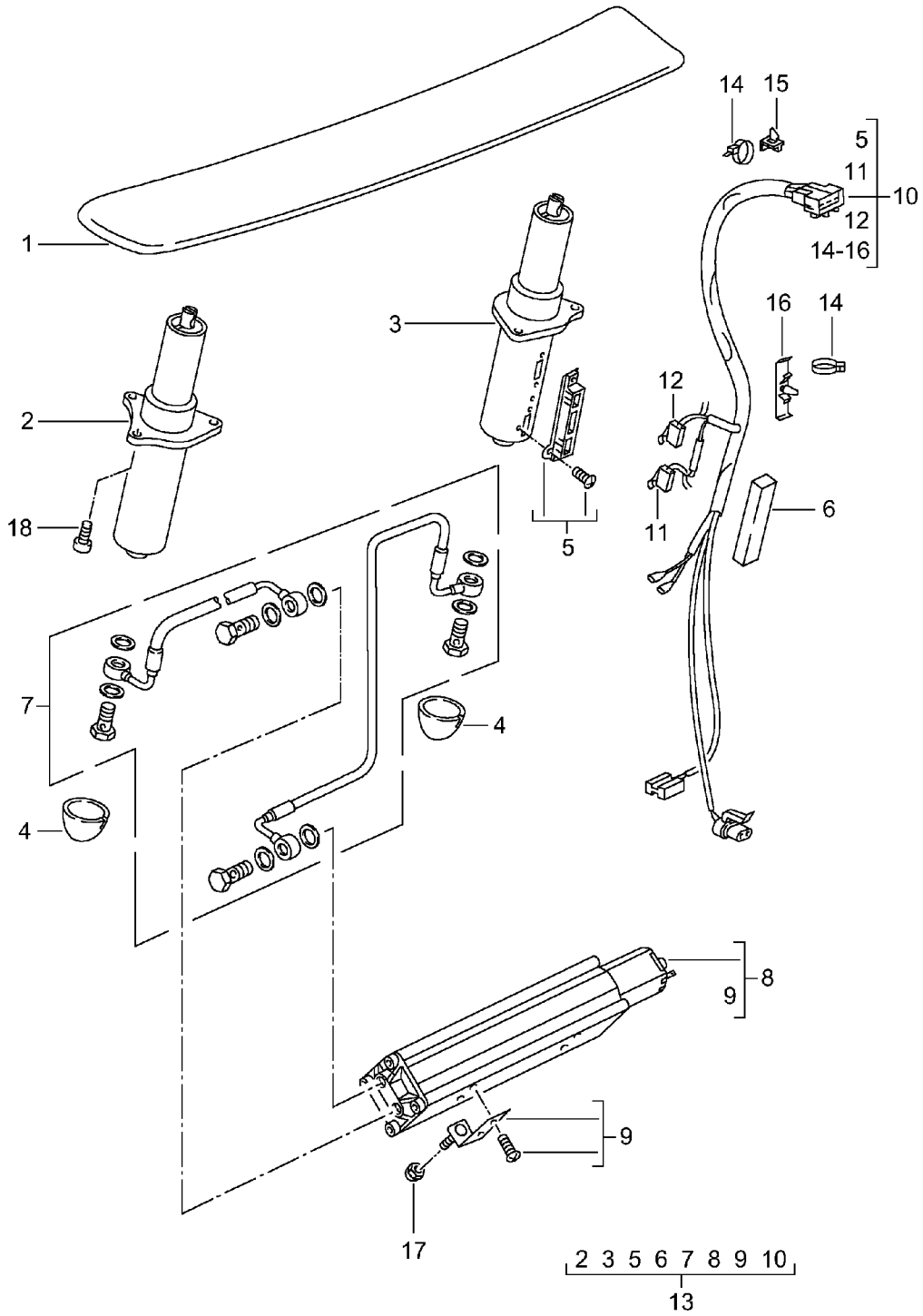


Model: 996 01 Model life 2001>>2005

Pos	Part Number	Description	Remark	Qty	Model
1	996 512 921 00	Lid Rear		1	
2	996 512 551 03	Lid Prime coated		2	
3	996 512 151 02	Gas-pressure spring		2	
(3)	996 512 152 01	Hinge	/L	1	
4	900 378 155 09	Hinge	/R	1	
5	900 075 466 09	Hexagon-head bolt M 6 X 16		4	
6	996 512 213 00	Combination screw M 6 X 16		6	
7	996 512 053 03	Lock upper part		1	
(8)	996 512 055 00	Lock lower part		1	
9	900 378 168 09	Actuator		1	
11	996 512 521 00	Hexagon-head bolt M 6 X 30		2	
12	900 116 002 02	Emergency operation		1	
13	996 512 611 00	Lock washer		1	
(13)	996 512 711 00	\$ 3,2 Gasket Lower		1	CABRIO
-	000 043 157 00	Gasket Upper		X	
14	996 512 987 00	Cleaning agent 30 ML		X	
15	996 610 230 00	Adjusting screw		2	
16	996 624 036 04	Cable holder		1	
17	900 378 030 09	Blower		1	
18	999 703 451 40	Hexagon-head bolt M 6 X 20		3	
19	999 209 049 02	Rubber sleeve		3	
20	996 512 543 00	Spacer sleeve		3	
(20)	996 512 543 30	Bracket		1	GT2
21	900 378 214 07	Bracket		1	
22	999 167 042 02	Hexagon-head bolt M 6 X 18		X	
22	999 167 051 03	Ball pin		1	
23	996 512 615 00	Ball pin		1	
24	996 110 141 71	Support		1	
25	996 110 143 70	Intake manifold Air cleaner		1	
26	996 512 334 00	Gasket		1	
		Intake manifold Air cleaner		1	GT2

Model: 996 01

Model life 2001>>2005

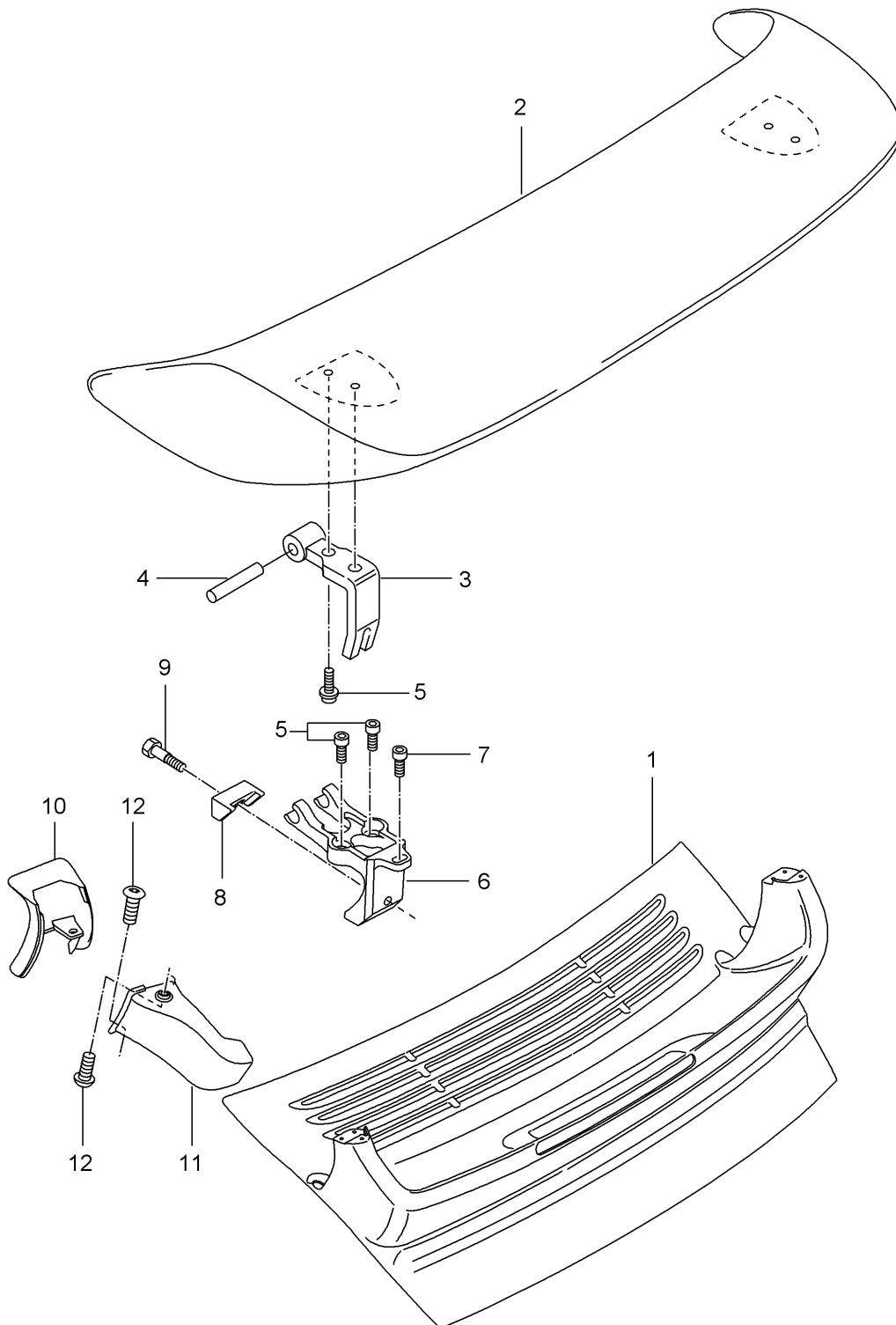


Model: 996 01 Model life 2001>>2005

Pos	Part Number	Description	Remark	Qty	Model
1	996 512 961 00	Rear spoiler		1	
2	996 512 951 01	Rear spoiler Hinge	/L	1	
		Order also: POS. 7			
3	996 512 952 01	Hinge	/R	1	
		Order also: POS. 7			
4	996 512 617 00	Cap		2	
5	996 512 918 00	Support		1	
6	996 613 248 00	Cap		1	
7	996 512 916 00	Lines		1	
8	996 512 943 01	Pump		1	
		Order also: POS. 7			
9	996 512 917 00	Support		1	
10	996 612 070 20	Wiring harness		1	
11	996 613 167 00	Microswitch		1	
		Order also: POS. 5			
12	996 613 171 00	Microswitch		1	
		Order also: POS. 5			
13	996 512 241 01	Driving mechanism		1	
-	996 613 148 00	Support		1	
		Microswitch			
		Driving mechanism			
16	999 651 284 40	Fixing clip		X	
17	999 084 454 07	Cap nut		4	
		M 6			
18	900 067 273 09	Combination screw		6	
		M 6 X 16			

Model: 996 01

Model life 2001>>2005

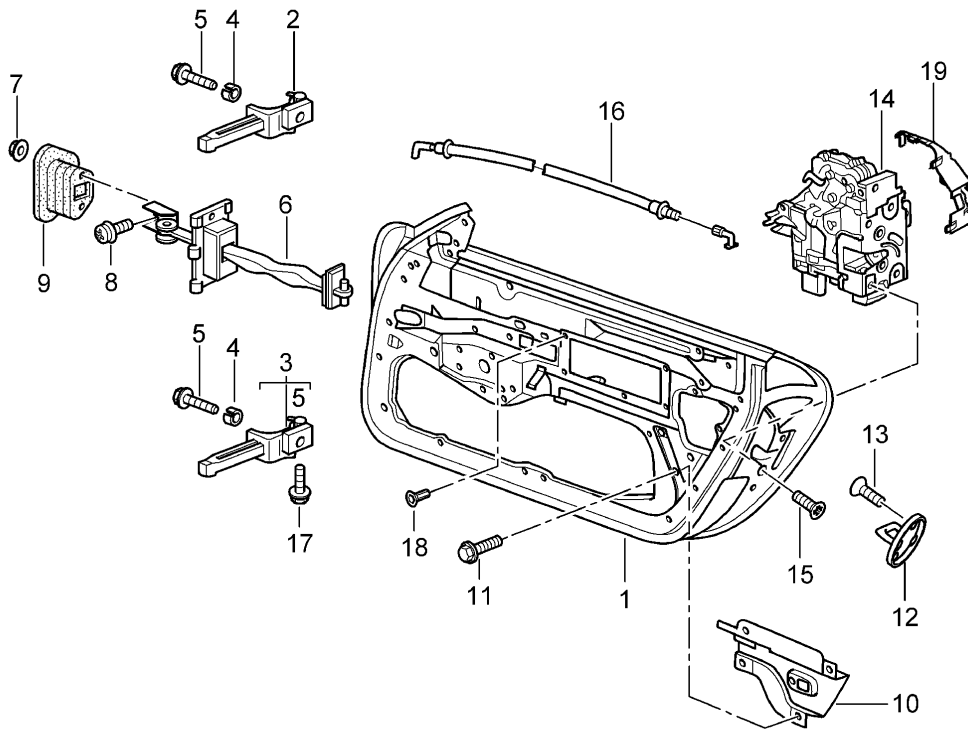


Model: 996 01 Model life 2001>>2005

Pos	Part Number	Description	Remark	Qty	Model
		Rear spoiler			GT2
1	996 512 221 30	Lid		1	
	996 512 221 30 G2X	Prime coated			
2	996 512 261 30	Spoiler	-03	1	
	996 512 261 30 G2X	Prime coated			
(2)	996 512 261 31	Rear spoiler Carbon	04-	1	
3	996 512 262 00	Hinge		2	
4	996 512 263 00	Bolt		2	
5	999 510 021 02	Pan-head screw M 6 X 22		4	
5	900 119 014 02	Pan-head screw M 6 X 20		8	
6	996 512 222 00	Hinge		2	
7	900 119 026 02	Pan-head screw M 6 X 30		2	
7	900 976 004 01	Pan-head screw M 6 X 30		2	
8	996 512 226 00	Clamping piece		2	
9	996 512 225 00	Bolt		2	
10	996 512 321 01	Air guide	/L	1	
	996 512 321 01 G2X	Prime coated			
(10)	996 512 322 01	Air guide	/R	1	
	996 512 322 01 G2X	Prime coated			
11	996 512 331 00	Air guide	/L	1	
(11)	996 512 332 00	Air guide	/R	1	
12	999 015 026 A2	Oval-head screw M 6 X 16		4	

Model: 996 01

Model life 2001>>2005



Model: 996 01 Model life 2001>>2005

Pos	Part Number	Description	Remark	Qty	Model
(1)	996 531 011 04 996 531 011 04 GRV	Door in white Installation parts Door lock Door in white Prime coated Use also: POS.17 See technical information Group 5 4/00	/L	1	
(1)	996 531 011 05 996 531 011 05 GRV	Door in white Prime coated Use also: POS.17 See technical information Group 5 4/00	/L	1	
1	996 531 012 04 996 531 012 04 GRV	Door in white Prime coated Use also: POS.17 See technical information Group 5 4/00	/R	1	
1	996 531 012 05 996 531 012 05 GRV	Door in white Prime coated Use also: POS.17 See technical information Group 5 4/00	/R	1	
-	000 043 204 38	Sealing compound		1	
(2)	996 531 321 04	Hinge	/L	1	
2	996 531 322 04	Hinge	/R	1	
(3)	996 531 319 03	Hinge	/L	1	
3	996 531 320 03	Hinge	/R	1	
4	996 531 831 00	Sleeve		4	
5	999 073 192 02	Pan-head screw M 8 X 33		2	
6	996 537 151 02	Door arrester		2	
7	999 084 212 02	Hexagon nut M 6		4	
8	999 073 138 09	Screw M 8 X 25		2	
9	996 537 751 00	Seal		2	
(10)	996 537 523 00 996 537 523 00 GRV	Bracket Prime coated	/L	1	
10	996 537 524 00 996 537 524 00 GRV	Bracket Prime coated	/R	1	
11	900 075 487 09	Combination screw M 6 X 16		10	
12	3B0 837 033 P	Door lock striker		2	
13	N 907 985 02	Countersunk-head screw M 8 X 16,5		4	
(14)	8N1 837 015	Door lock	/LL /L -01	1	
(14)	8N1 837 015 B	Door lock	/LL /L	1	
14	8N1 837 016	Door lock	/LL /R -01	1	
14	8N1 837 016 B	Door lock	/LL /R	1	
(14)	3B1 837 016 M	Door lock	/LL /R	1	M534/535
(14)	8N2 837 015	Door lock	/RL /L -01	1	
(14)	8N2 837 015 B	Door lock	/RL /L	1	
(14)	3B2 837 015 F	Door lock	/RL /L	1	M534/535
(14)	8N2 837 016	Door lock	/RL /R -01	1	

Model: 996 01

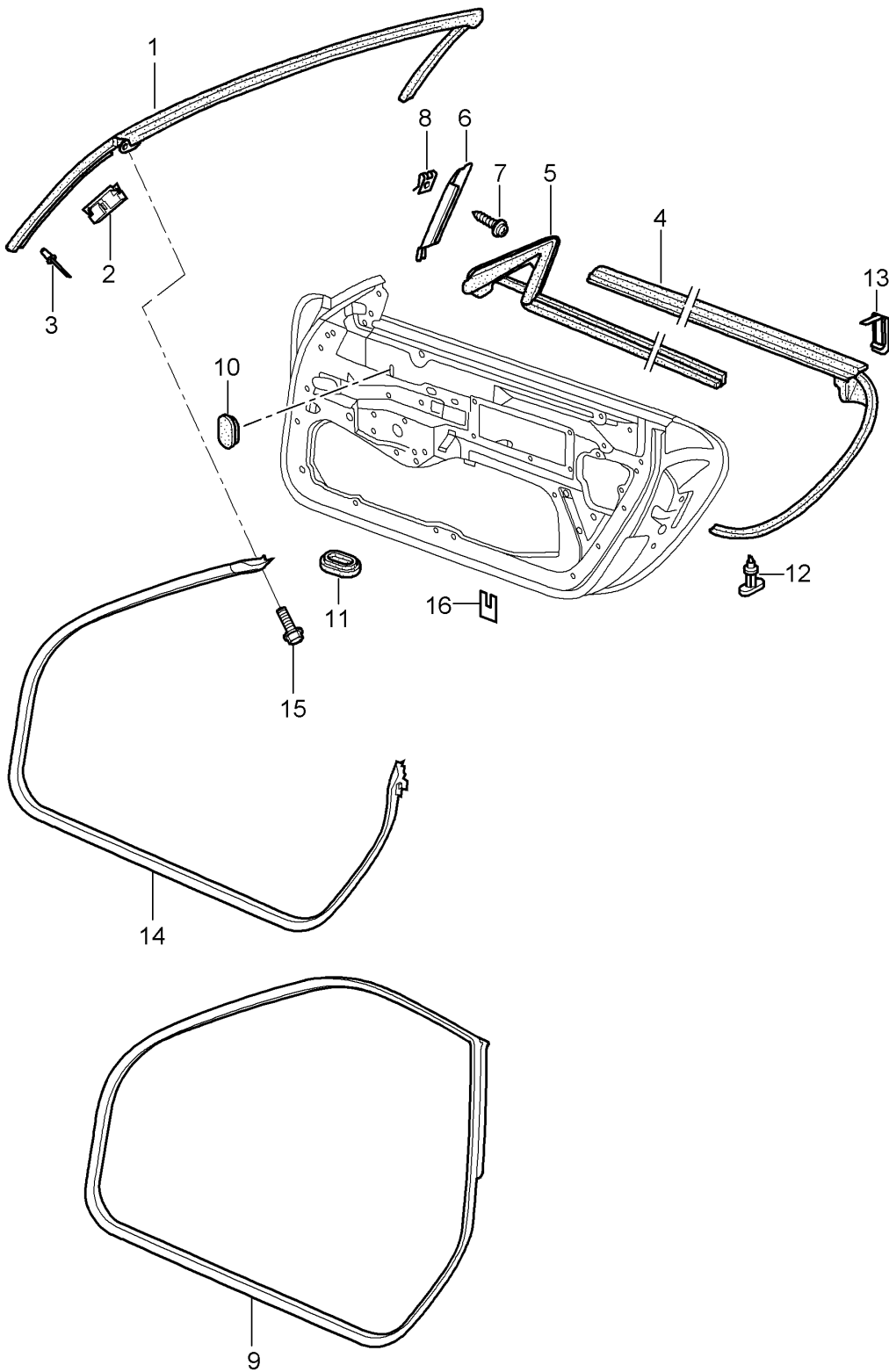
Model life 2001&gt;&gt;2005

Pos	Part Number	Description	Remark	Qty	Model
(14)	8N2 837 016 B	Door lock	/RL /R	1	
15	N 908 005 01	Oval-head screw M 8 X 14		4	
16	996 537 320 03	Bowden cable See workshop manual Group 70 59 19		2	
17	999 072 043 09	Hexagon-head bolt M 6 X 12 Micro-self-locking		4	
18	999 500 066 02	Blind rivet nut		6	M563
-	996 537 545 00	Cover Lock	/L	1	
-	996 537 546 00	Cover Lock	/R	1	



Model: 996 01

Model life 2001>>2005

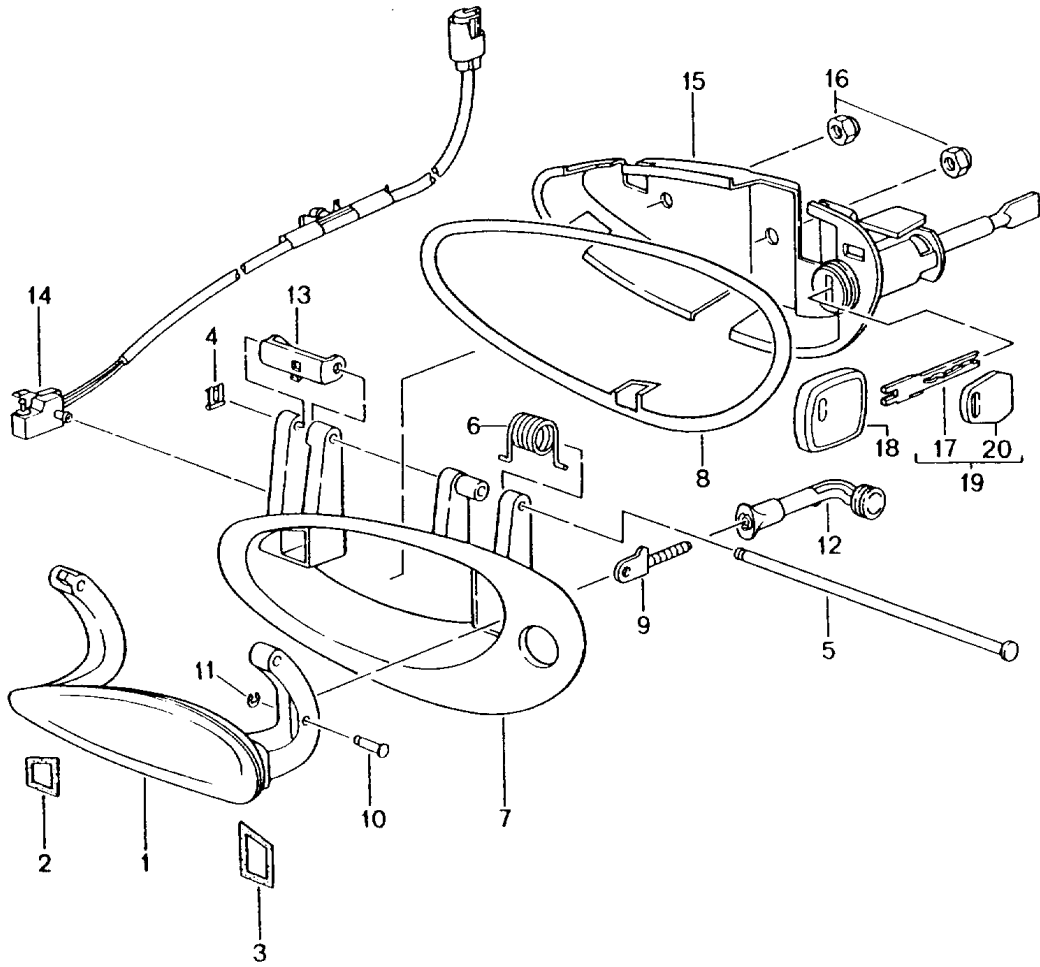


Model: 996 01 Model life 2001>>2005

Pos	Part Number	Description	Remark	Qty	Model
		Door seal			
		Gasket			
		Windscreen frame			
1	996 537 077 02	Gasket		1	CABRIO
2	999 507 678 01	U-clamp		2	CABRIO
		4,0-4,5			
3	999 190 445 37	Blind rivet		36	CABRIO
		A 4,0 X 7,9			
(4)	996 537 085 07	Sealing for door slot	/L	1	
		Outer			
4	996 537 086 07	Sealing for door slot	/R	1	
		Outer			
5	996 537 531 06	Sealing for door slot	/L	1	
		Inner			
5	996 537 532 06	Sealing for door slot	/R	1	
		Inner			
(6)	996 537 725 02	Window guide	/L	1	
6	996 537 726 02	Window guide	/R	1	
7	999 073 047 02	Tapping screw		2	
		ST 3,5 X 9,5			
8	999 591 725 02	Speed nut		2	
		ST 3,5			
(9)	996 537 075 03	Gasket	/L	1	COUPE
9	996 537 076 03	Gasket	/R	1	COUPE
10	999 703 441 40	Lid		4	
		20 X 28 X 1			
11	999 703 417 40	Lid		8	
		24 X 39			
12	999 507 578 40	Clip		36	
		Gasket			
		Outer			
13	999 507 571 02	Clamp		2	
14	996 537 075 04	Gasket	/L	1	CABRIO
(14)	996 537 076 04	Gasket	/R	1	CABRIO
15	900 075 483 02	Combination screw		2	CABRIO
		M 5 X 20			
16	996 537 337 00	Protective film		4	

Model: 996 01

Model life 2001>>2005

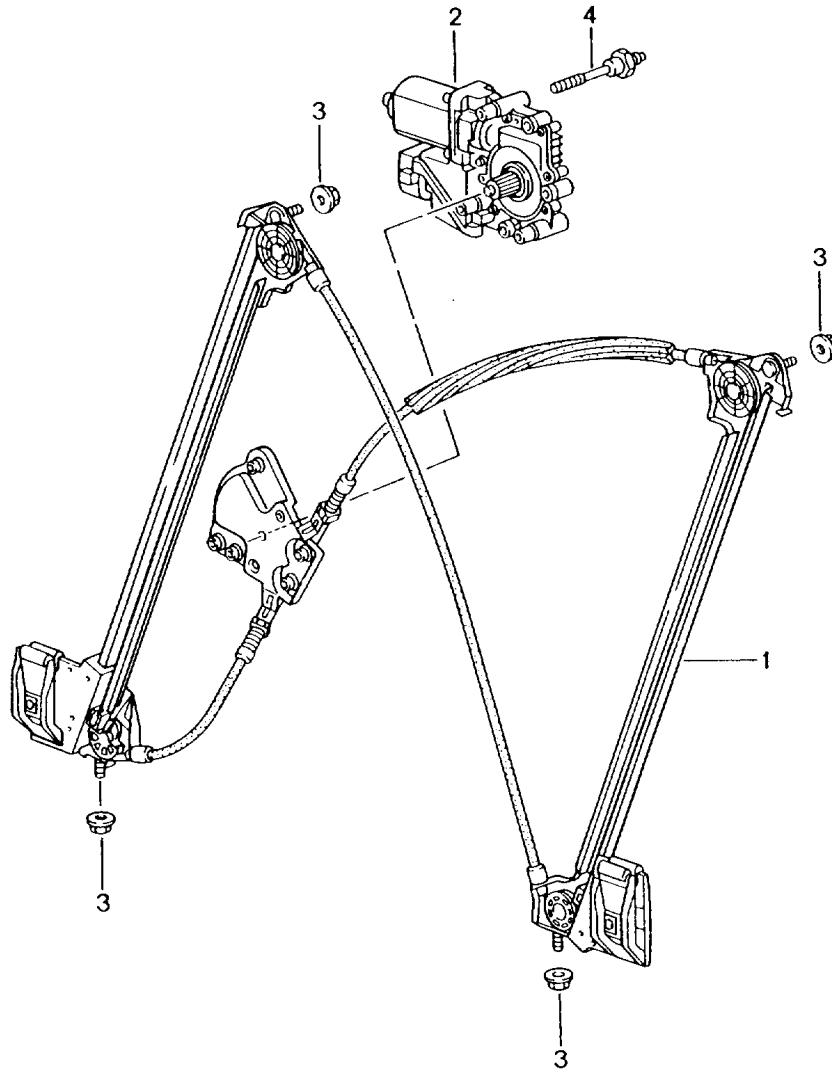


Model: 996 01 Model life 2001>>2005

Pos	Part Number	Description	Remark	Qty	Model
1	996 537 613 01	Door handle			
		Handle	/L	1	
	996 537 613 01 G2X	Prime coated			
(1)	996 537 614 01	Handle	/R	1	
	996 537 614 01 G2X	Prime coated			
2	996 537 623 01	Buffer		2	
3	996 537 625 00	Buffer		2	
4	996 537 631 00	Sl-lock		2	
5	996 537 621 00	Axle		2	
6	996 537 611 00	Return spring	/L	1	
(6)	996 537 612 00	Return spring	/R	1	
7	996 537 645 01	Handle liner	/LL /L	1	
	996 537 645 01 G2X	Prime coated			
(7)	996 537 645 01	Handle liner	/RL /L	1	M532
	996 537 645 01 G2X	Prime coated			
(7)	996 537 647 01	Handle liner	/RL /L	1	M534/535
	996 537 647 01 G2X	Prime coated			
(7)	996 537 646 01	Handle liner	/LL /R	1	M532
	996 537 646 01 G2X	Prime coated			
(7)	996 537 646 01	Handle liner	/RL /R	1	
	996 537 646 01 G2X	Prime coated			
(7)	996 537 648 01	Handle liner	/LL /R	1	M534/535
	996 537 648 01 G2X	Prime coated			
8	996 537 637 00	Desk pad	/L	1	
(8)	996 537 638 00	Desk pad	/R	1	
9	996 537 627 00	Operating rod		2	
10	996 537 629 01	Bolt		2	
11	996 537 641 00	Lock washer		2	
12	996 537 445 02	Connecting piece		2	
13	996 537 653 00	Eccentric	/L	1	
(13)	996 537 654 00	Eccentric	/R	1	
14	996 613 125 00	Microswitch	/L	1	
		Power windows			
(14)	996 613 126 00	Microswitch	/R	1	
		Power windows			
15	996 537 963 02	Support	/L	1	
		with lock cylinder			
		W/o stipulated lock number			
(15)	996 537 964 02	Support	/R	1	
		with lock cylinder			
		W/o stipulated lock number			
15	996 537 963 03	Support	/L	1	
		with lock cylinder			
		with stipulated lock number			
		State lock number			
(15)	996 537 964 03	Support	/R	1	
		with lock cylinder			
		with stipulated lock number			
		State lock number			
(15)	996 537 063 03	Support	/RL /L	1	
		without lock cylinder			
(15)	996 537 064 03	Support	/LL /R	1	
		without lock cylinder			
16	900 380 015 09	Hexagon nut		4	
		M 6			
17	996 538 531 00	Blank key		X	
18	996 538 423 01	Key cap		X	
19	996 538 932 00	Replacement key		X	
		with stipulated lock number			
		State lock number			
		Information available			
20	944 538 431 00	Key cap		X	

Model: 996 01

Model life 2001>>2005



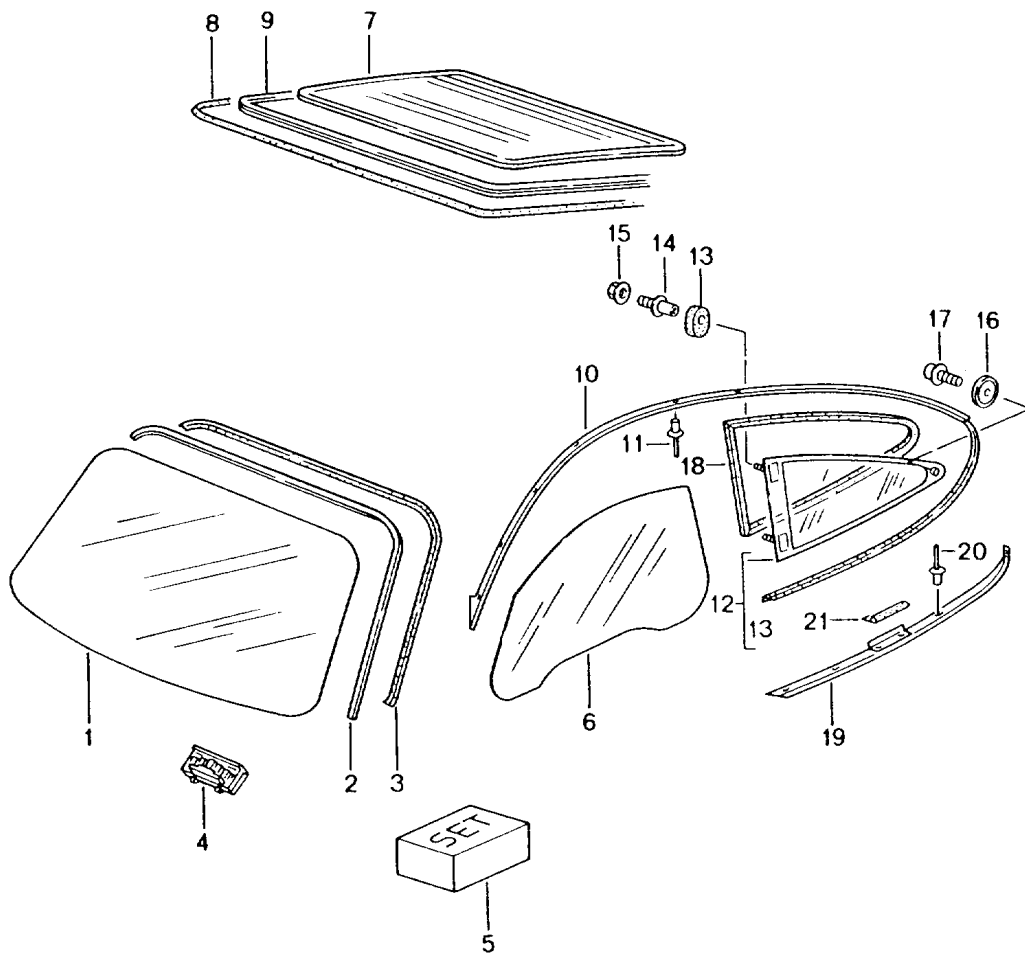
Model: 996 01

Model life 2001>>2005

Pos	Part Number	Description	Remark	Qty	Model
(1)	996 542 075 04	Power windows	/L	1	
1	996 542 076 04	Power windows	/R	1	
(2)	996 624 101 05	Electric motor	/L	1	COUPE
2	996 624 102 05	Electric motor	/R	1	COUPE
2	996 624 101 06	Electric motor	/L	1	CABRIO
2	996 624 102 06	Electric motor	/R	1	CABRIO
3	900 380 015 09	Hexagon nut M 6		14	
4	996 542 711 00	Threaded bolt		6	

Model: 996 01

Model life 2001>>2005



Model: 996 01 Model life 2001>>2005

Pos	Part Number	Description	Remark	Qty	Model
(1)	996 541 901 00	window glazing Windscreen		1	TURBO M568
(1)	996 541 901 04	Tinted Windscreen	02-	1	GT2 M568
(1)	996 541 901 02	Tinted Windscreen	-01	1	TURBO M265
(1)	996 541 901 06	Tinted Windscreen	02-	1	TURBO M265
(1)	996 541 901 01	Tinted Windscreen	-01	1	TURBO M567
(1)	996 541 901 05	Tinted Green top tint Windscreen	02-	1	GT2 M567
(1)	996 541 901 03	Tinted Green top tint Windscreen	-01	1	TURBO M265
(1)	996 541 901 07	Tinted Green top tint Windscreen	02-	1	TURBO M265
(1)	996 541 901 09	Tinted Green top tint Windscreen		1	GT2 M440
(1)	996 541 901 10	Tinted Green top tint Windscreen	03-	1	TURBO M265/440
(1)	996 541 901 11	Tinted Green top tint Windscreen	03-	1	TURBO M265/440
2	996 541 531 01	Sealing frame		1	
3	996 541 541 01	Trim frame	-01	1	
(3)	996 541 541 02	Trim frame	02-	1	
4	999 507 576 41	Support		2	
5	000 043 300 94	Adhesive set		1	
-	000 731 513 00	Adhesive plate for Interior mirror		1	
6	996 542 511 02	Door window glass	/L	1	COUPE
(6)	996 542 512 02	Door window glass	/R	1	COUPE
(6)	996 542 511 03	Door window glass	/L	1	CABRIO
(6)	996 542 512 03	Door window glass	/R	1	CABRIO
7	996 545 901 02	Rear window		1	
8	996 545 521 03	Sealing frame		1	
8	996 545 521 04	Sealing frame		1	
9	996 545 545 01	Trim frame	-01	1	
(9)	996 545 545 02	Trim frame	02-	1	
10	996 537 481 08	Roof frame seal	/L	1	
(10)	996 537 482 08	Roof frame seal	/R	1	
11	999 190 445 37	Blind rivet A 4,0 X 7,9		26	
12	996 543 111 03	Rear window	/L	1	
(12)	996 543 112 03	Rear window	/R	1	
13	996 543 611 02	Gasket		4	
14	996 543 435 00	Threaded bush		4	



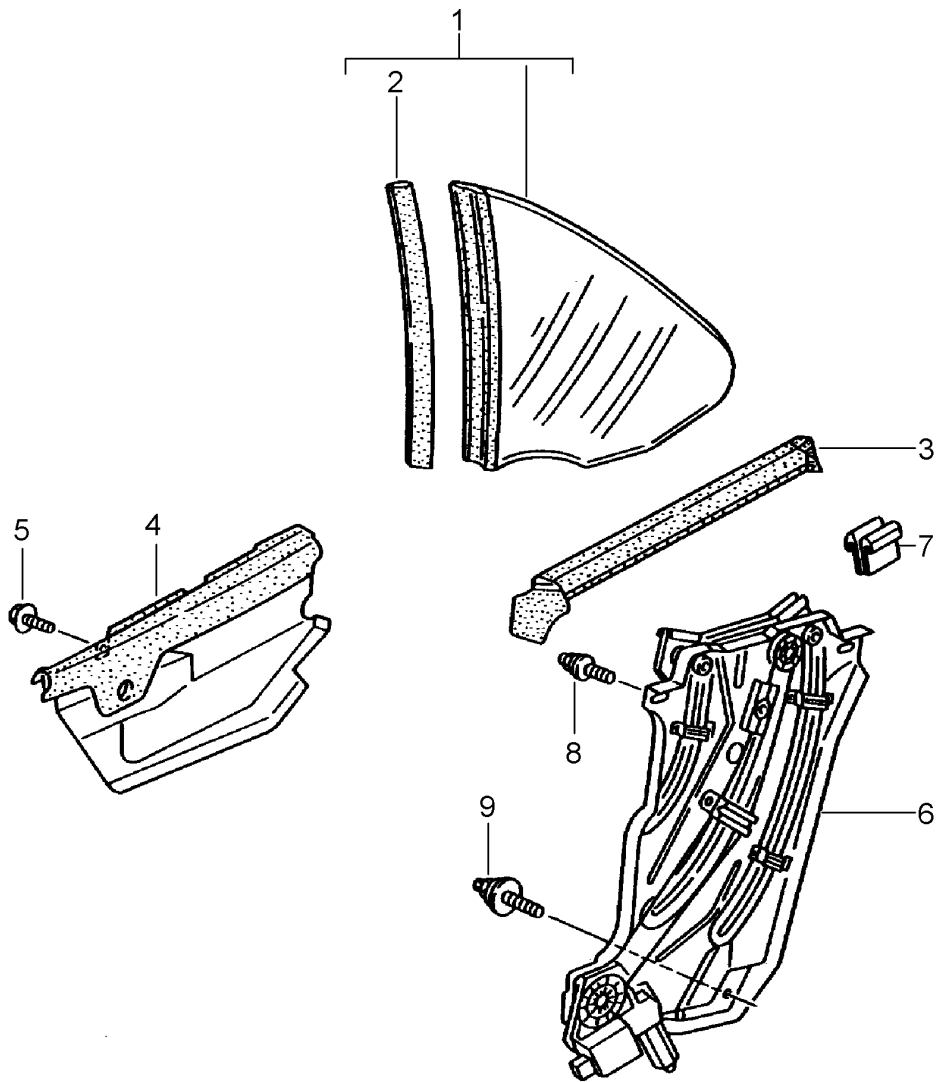
Model: 996 01

Model life 2001&gt;&gt;2005

Pos	Part Number	Description	Remark	Qty	Model
15	999 076 055 09	Hexagon nut M 8		4	
16	996 543 625 00	Sealing washer		2	
17	999 218 011 02	Pan-head screw M 6 X 12		2	
18	996 543 325 00	Sealing frame	/L	1	
(18)	996 543 326 00	Sealing frame	/R	1	
19	996 543 771 08	Retaining strip	/L	1	
(19)	996 543 772 08	Retaining strip	/R	1	
20	999 190 445 37	Blind rivet A 4,0 X 7,9		12	
21	996 543 543 01	Spacer		2	

Model: 996 01

Model life 2001>>2005



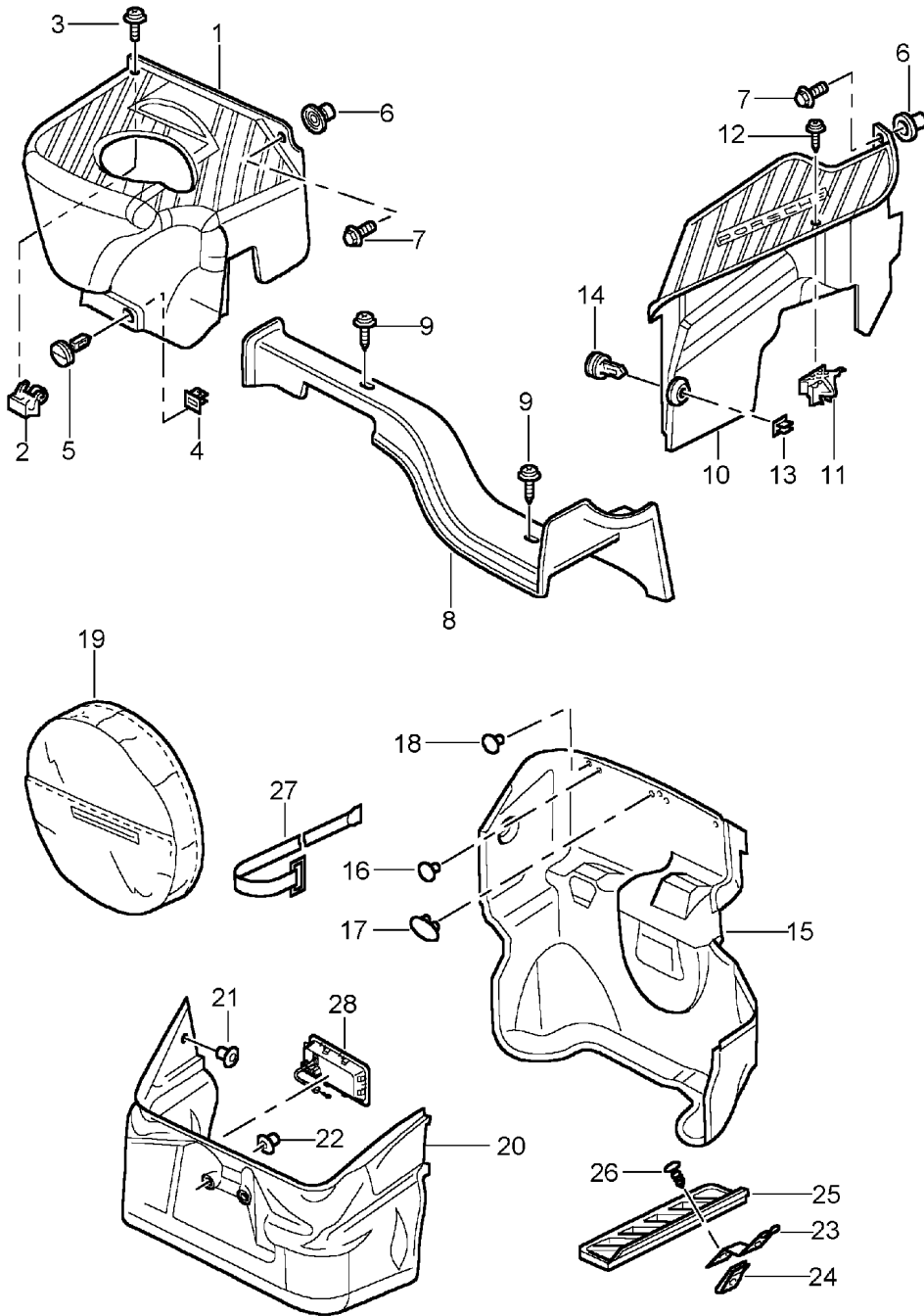
Model: 996 01

Model life 2001>>2005

Pos	Part Number	Description	Remark	Qty	Model
		Rear window			CABRIO
1	996 543 111 09	Rear window	/L	1	
1	997 543 111 11	Rear window	/L	1	
(1)	996 543 112 09	Rear window	/R	1	
(1)	997 543 112 11	Rear window	/R	1	
2	996 543 615 03	Gasket	/L	1	
(2)	996 543 616 03	Gasket	/R	1	
3	996 543 475 04	Gasket	/L	1	
		Outer			
(3)	996 543 476 04	Gasket	/R	1	
		Outer			
4	996 543 177 01	Gasket	/L	1	
		Inner			
(4)	996 543 178 01	Gasket	/R	1	
		Inner			
5	900 378 036 09	Hexagon-head bolt		4	
		M 6 X 12			
6	996 543 015 05	Power windows	/L	1	
(6)	996 543 016 05	Power windows	/R	1	
7	996 543 901 00	Insert		4	
8	996 543 903 00	Bolt		4	
		Upper			
9	996 543 905 00	Bolt		2	
		Lower			

Model: 996 01

Model life 2001>>2005



Model: 996 01 Model life 2001>>2005

Pos	Part Number	Description	Remark	Qty	Model
(1)	996 551 134 00	Luggage compartment Lining	/RL /R	1	M339
	996 551 134 00 01C	Satin black			
(1)	996 551 131 02	Lining	/LL /L	1	M339
		Brake booster			
	996 551 131 02 01C	Satin black			
2	999 507 512 40	Support		1	
		3,5			
3	999 073 050 02	Tapping screw		1	
		3,5 X 19			
4	999 590 046 40	Disc cam		1	
		10,0 X 11,5			
5	999 507 529 40	Catch		1	
		18,0			
6	999 500 078 00	Speed nut	/RL	3	
		M 6			
7	900 378 035 09	Hexagon-head bolt	/RL	3	
		M 6 X 16			
9	999 073 050 02	Tapping screw		3	
		3,5 X 19			
(10)	996 551 133 03	Lining	/RL /L	1	M339
		Hydraulic unit			
	996 551 133 03 01C	Satin black			
11	999 507 512 40	Support	/RL	5	
11		Support	/LL	3	
		3,5			
(11)	996 551 773 00	Support		1	M339
12	999 073 050 02	Tapping screw	/RL	6	
12		Tapping screw	/LL	3	
		3,5 X 19			
13	999 590 046 40	Disc cam	/RL	3	
13		Disc cam	/LL	3	
		10,0 X 11,5			
14	999 507 529 40	Catch		2	
		18,0			
(15)	996 551 051 09	Lining	/LL /H	1	M339
		Luggage compartment			
	996 551 051 09 C10	Grey			
(15)	996 551 051 10	Lining	/RL /H	1	M339
		Luggage compartment			
	996 551 051 10 C10	Grey			
(15)	996 551 051 22	Lining	/LL	1	TURBO M339
		Luggage compartment			
	996 551 051 22 A31	Black			
(15)	996 551 051 22	Lining	/LL 01-	1	GT2
		Luggage compartment			
	996 551 051 22 A31	Black			
(15)	996 551 051 21	Lining	/RL 01-	1	Turbo M339
		Luggage compartment			
	996 551 051 21 A31	Black			
(15)	996 551 051 21	Lining	/RL 01-	1	GT2
		Luggage compartment			
	996 551 051 21 A31	Black			
16	999 703 432 40	Stopper		4	
		8,0			
		12,2 X 25			
17	999 703 456 40	Cap		1	
		49 X 26			
		12,2 X 25			
18	999 703 455 40	Cap		2	
		12,2 X 25			

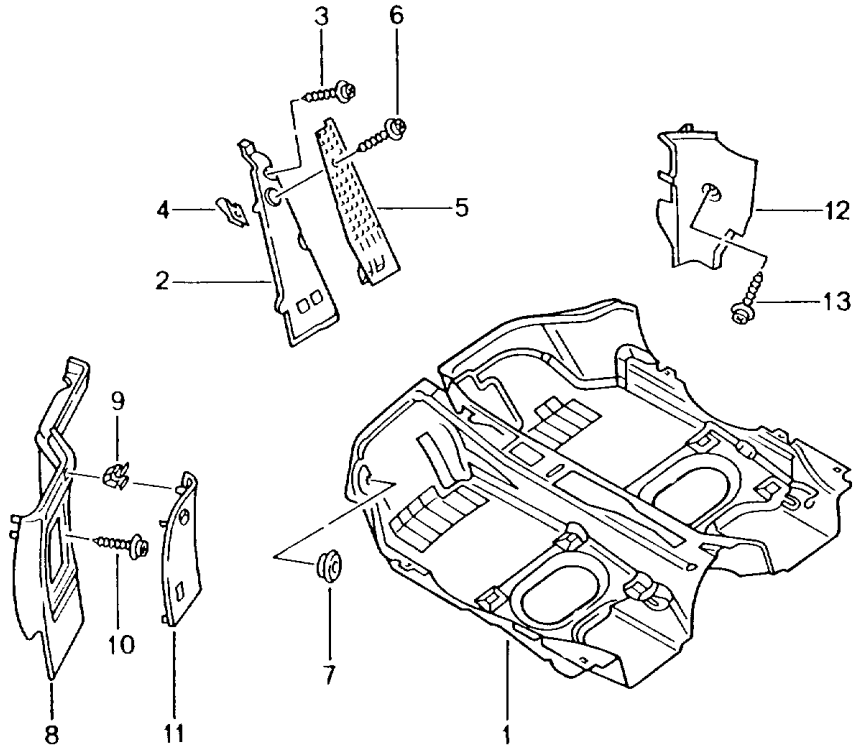
Model: 996 01

Model life 2001&gt;&gt;2005

Pos	Part Number	Description	Remark	Qty	Model
-	996 551 351 03	Lining Floor	01	1	M339
	996 551 351 03 A31	Black			
-	996 551 351 04	Lining Floor	02-	1	M339
	996 551 351 04 A31	Black			
(20)	996 551 045 07	Lining	/V 01	1	M339
	996 551 045 07 A31	Black			
(20)	996 551 045 07	Lining	/V 01	1	GT2
	996 551 045 07 A31	Black			
(20)	996 551 045 05	Lining	/V 02	1	M339
	996 551 045 05 A31	Black			
(20)	996 551 045 05	Lining	/V 02	1	GT2
	996 551 045 05 A31	Black			
(20)	996 551 045 10	Lining	/V 02-	1	M339
	996 551 045 10 A31	Black			
(20)	996 551 045 10	Lining	/V 02-	1	GT2
	996 551 045 10 A31	Black			
-	996 551 845 00	Adhesive carpet		1	
21	999 703 432 40	Stopper 8,0		2	
22	999 507 565 40	Plastic nut T5/ 24,15		2	
(22)	999 507 566 40	Plastic nut T5/ 39,70		1	
23	996 551 761 00	Support	/LL -02	1	M339
23	996 551 761 01	Support Cover Booster	/LL 03-	1	M339
24	999 591 725 02	Speed nut 3,5		1	M339
25	996 551 451 00	Cover Booster		1	M339
	996 551 451 00 01C	Satin black			
26	900 144 103 09	Tapping screw 3,5 X 13		1	

Model: 996 01

Model life 2001>>2005



Model: 996 01 Model life 2001>>2005

Pos	Part Number	Description	Remark	Qty	Model
1	996 551 011 02	Carpet	/LL	1	
	996 551 011 02 EEW	Linings			
	996 551 011 02 EEW	Carpet			
	996 551 011 02 EEW	Black			
	996 551 011 02 EEX	Graphite grey			
	996 551 011 02 EEY	Savanna			
	996 551 011 02 FAR	Nephrite green	-03		
	996 551 011 02 EFC	Boxster red			
	996 551 011 02 EEZ	Metropole blue			
	996 551 011 02 VRL	Dark grey			
	996 551 011 02 VRM	Brown/natural			
	996 551 011 02 FAP	Cinnamon brown			
(1)	996 551 011 03	Carpet	/RL	1	
	996 551 011 03 EEW	Black			
	996 551 011 03 EEX	Graphite grey			
	996 551 011 03 EEY	Savanna			
	996 551 011 03 FAR	Nephrite green	-03		
	996 551 011 03 EFC	Boxster red			
	996 551 011 03 EEZ	Metropole blue			
	996 551 011 03 VRL	Dark grey			
	996 551 011 03 VRM	Brown/natural			
	996 551 011 03 FAP	Cinnamon brown			
(1)	996 551 011 06	Carpet	/LL 04-	1	CABRIO M680
	996 551 011 06 EEW	Black			
	996 551 011 06 EEX	Graphite grey			
	996 551 011 06 EEY	Savanna			
	996 551 011 06 EFC	Boxster red			
	996 551 011 06 EEZ	Metropole blue			
	996 551 011 06 VRL	Dark grey/natural			
	996 551 011 06 VRM	Brown/natural			
	996 551 011 06 FAP	Cinnamon brown			
(1)	996 551 011 07	Carpet	/RL 04-	1	CABRIO M680
	996 551 011 07 EEW	Black			
	996 551 011 07 EEX	Graphite grey			
	996 551 011 07 EEY	Savanna			
	996 551 011 07 EFC	Boxster red			
	996 551 011 07 EEZ	Metropole blue			
	996 551 011 07 VRL	Dark grey/natural			
	996 551 011 07 VRM	Brown/natural			
	996 551 011 07 FAP	Cinnamon brown			
1	996 551 011 92	Carpet	/LL 01-	1	GT2
	996 551 011 92 EEW	Black			
1	996 551 011 93	Carpet	/RL 01-	1	GT2 M003
	996 551 011 93 EEW	Black			
-	996 551 813 00	Protective film	/LL	1	
-	996 551 815 00	Protective film	/RL	1	
		Carpet			
2	996 551 211 00	Foot support	/LL	1	
(2)	996 551 212 00	Foot support	/RL	1	
3	999 073 061 02	Tapping screw		2	
		4,8 X 16			
(3)	900 143 155 09	Combination screw	/RL	1	
		4,8 X 32			
4	999 591 485 02	Speed nut	/RL	2	
		4,8			
5	996 551 611 00	Cover	/LL	1	
(5)	996 551 612 00	Cover	/RL	1	
		Foot support			
6	999 919 161 09	Oval-head screw		2	
		5,0 X 18			

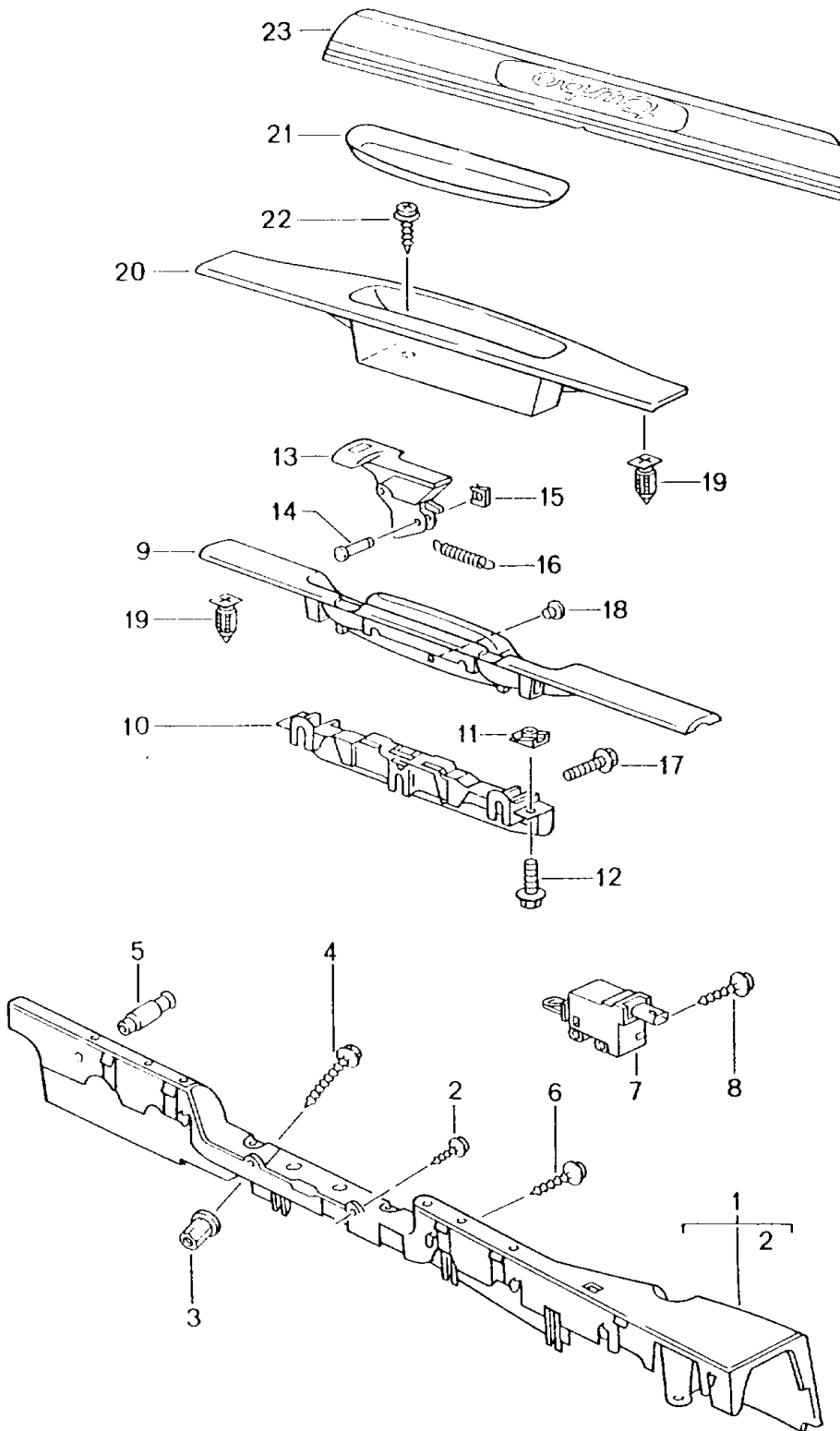


Model: 996 01 Model life 2001>>2005

Pos	Part Number	Description	Remark	Qty	Model
(6)	900 143 155 02	Oval-head screw 4,8 X 32	/RL	1	
7	803 803 583 A	Stopper 20,0 X 30,0		2	
7	999 703 196 40	Lid 20,0 X 30,0		2	
8	996 551 101 00	Lining Carpet	/LL	1	
	996 551 101 00 EAQ	Black			
	996 551 101 00 EAR	Graphite grey			
	996 551 101 00 EAS	Savanna			
	996 551 101 00 EAT	Nephrite green			
	996 551 101 00 EAU	Boxster red			
	996 551 101 00 EBU	Metropole blue			
	996 551 101 00 VRN	Dark grey			
	996 551 101 00 VRO	Brown/natural			
	996 551 101 00 FBZ	Cinnamon brown			
(8)	996 551 102 00	Lining Carpet	/RL	1	
	996 551 102 00 EAQ	Black			
	996 551 102 00 EAR	Graphite grey			
	996 551 102 00 EAS	Savanna			
	996 551 102 00 EAT	Nephrite green			
	996 551 102 00 EAU	Boxster red			
	996 551 102 00 EBU	Metropole blue			
	996 551 102 00 VRN	Dark grey			
	996 551 102 00 VRO	Brown/natural			
	996 551 102 00 FBZ	Cinnamon brown			
9	999 507 552 01	Spring clamp 9,0 X 13		2	
10	999 919 161 09	Oval-head screw 5,0 X 18		4	
11	996 551 621 00	Lid	/LL	1	
	996 551 621 00 01C	Satin black			
(11)	996 551 622 00	Lid	/RL	1	
	996 551 622 00 01C	Satin black			
12	996 551 712 01	Support Carpet	/LL /R	1	
(12)	996 551 711 00	Support Carpet	/RL /L	1	
13	999 073 226 09	Tapping screw 4,2 X 16		1	
-		Floor mats Set See group 8/07/05 Tequipement catalogue		1	

Model: 996 01

Model life 2001>>2005



Model: 996 01 Model life 2001>>2005

Pos	Part Number	Description	Remark	Qty	Model
		Lining			
		Door sill			
1	996 551 619 01	Support	/L	1	
(1)	996 551 620 01	Support	/R	1	
-	999 551 140 40	Felt strip		2	
2	900 143 082 02	Tapping screw 6,3 X 13		4	
3	999 500 078 00	Speed nut M 6		2	
(3)	999 049 022 40	Plastic nut		2	
4	900 378 029 09	Hexagon-head bolt M 6 X 40		2	
4	900 378 029 01	Hexagon-head bolt M 6 X 40		2	
5	996 551 873 00	Locating peg		2	
6	999 919 121 09	Oval-head screw 5,0 X 16		2	
(9)	996 551 019 20	Lining Complete Lacquered	/LL 01	1	
	996 551 019 20 A03	Black			
(9)	996 551 019 28	Lining Complete Lacquered	/LL 02-	1	
	996 551 019 28 A03	Black			
(9)	996 551 019 22	Lining Complete Lacquered	/LL 01	1	M537
	996 551 019 22 A03	Black			
(9)	996 551 019 30	Lining Complete Lacquered	/LL 02-	1	M537
	996 551 019 30 A03	Black			
(9)	996 551 019 21	Lining Complete Lacquered	/RL 01	1	
	996 551 019 21 A03	Black			
(9)	996 551 019 29	Lining Complete Lacquered	/RL 02-	1	
	996 551 019 29 A03	Black			
(9)	996 551 019 23	Lining Complete Lacquered	/RL 01	1	M538
	996 551 019 23 A03	Black			
(9)	996 551 019 31	Lining Complete Lacquered	/RL 02-	1	M538
	996 551 019 31 A03	Black			
(9)	996 551 980 20	Lining Complete Leather	/LL 01	1	IXTG
	996 551 980 20 A11	Black			
	996 551 980 20 C51	Graphite grey			
	996 551 980 20 S31	Savanna			
	996 551 980 20 G11	Metropole blue			
	996 551 980 20 J31	Nephrite green			
	996 551 980 20 M31	Boxster red			
	996 551 980 20 P12	Cinnamon brown			
	996 551 980 20 D12	Dark grey/natural			
	996 551 980 20 T12	Brown/natural			
(9)	996 551 980 21	Lining Complete	/RL 01	1	IXTG

Model: 996 01 Model life 2001>>2005

Pos	Part Number	Description	Remark	Qty	Model
		Leather			
	996 551 980 21 A11	Black			
	996 551 980 21 C51	Graphite grey			
	996 551 980 21 S31	Savanna			
	996 551 980 21 G11	Metropole blue			
	996 551 980 21 J31	Nephrite green			
	996 551 980 21 M31	Boxster red			
	996 551 980 21 P12	Cinnamon brown			
	996 551 980 21 D12	Dark grey/natural			
	996 551 980 21 T12	Brown/natural			
(9)	996 551 980 22	Lining Complete Leather		1	IXTG/M537
	996 551 980 22 A11	Black			
	996 551 980 22 C51	Graphite grey			
	996 551 980 22 S31	Savanna			
	996 551 980 22 G11	Metropole blue			
	996 551 980 22 J31	Nephrite green			
	996 551 980 22 M31	Boxster red			
	996 551 980 22 P12	Cinnamon brown			
	996 551 980 22 D12	Dark grey/natural			
	996 551 980 22 T12	Brown/natural			
(9)	996 551 980 23	Lining Complete Leather		1	IXTG/M538
	996 551 980 23 A11	Black			
	996 551 980 23 C51	Graphite grey			
	996 551 980 23 S31	Savanna			
	996 551 980 23 G11	Metropole blue			
	996 551 980 23 J31	Nephrite green			
	996 551 980 23 M31	Boxster red			
	996 551 980 23 P12	Cinnamon brown			
	996 551 980 23 D12	Dark grey/natural			
	996 551 980 23 T12	Brown/natural			
(9)	996 551 980 28	Lining Leather Complete	/LL 02-	1	IXTG
	996 551 980 28 VRK	Black			
	996 551 980 28 C51	Graphite grey			
	996 551 980 28 S31	Savanna			
	996 551 980 28 G11	Metropole blue			
	996 551 980 28 J31	Nephrite green			
	996 551 980 28 M31	Boxster red			
	996 551 980 28 P12	Cinnamon brown			
	996 551 980 28 D12	Dark grey/natural			
	996 551 980 28 T12	Brown/natural			
(9)	996 551 980 29	Lining Leather Complete	/RL 02-	1	IXTG
	996 551 980 29 VRK	Black			
	996 551 980 29 C51	Graphite grey			
	996 551 980 29 S31	Savanna			
	996 551 980 29 G11	Metropole blue			
	996 551 980 29 J31	Nephrite green			
	996 551 980 29 M31	Boxster red			
	996 551 980 29 P12	Cinnamon brown			
	996 551 980 29 D12	Dark grey/natural			
	996 551 980 29 T12	Brown/natural			
(9)	996 551 980 30	Lining Leather Complete	/LL 02-	1	IXTG/M537
	996 551 980 30 VRK	Black			
	996 551 980 30 C51	Graphite grey			

Model: 996 01 Model life 2001>>2005

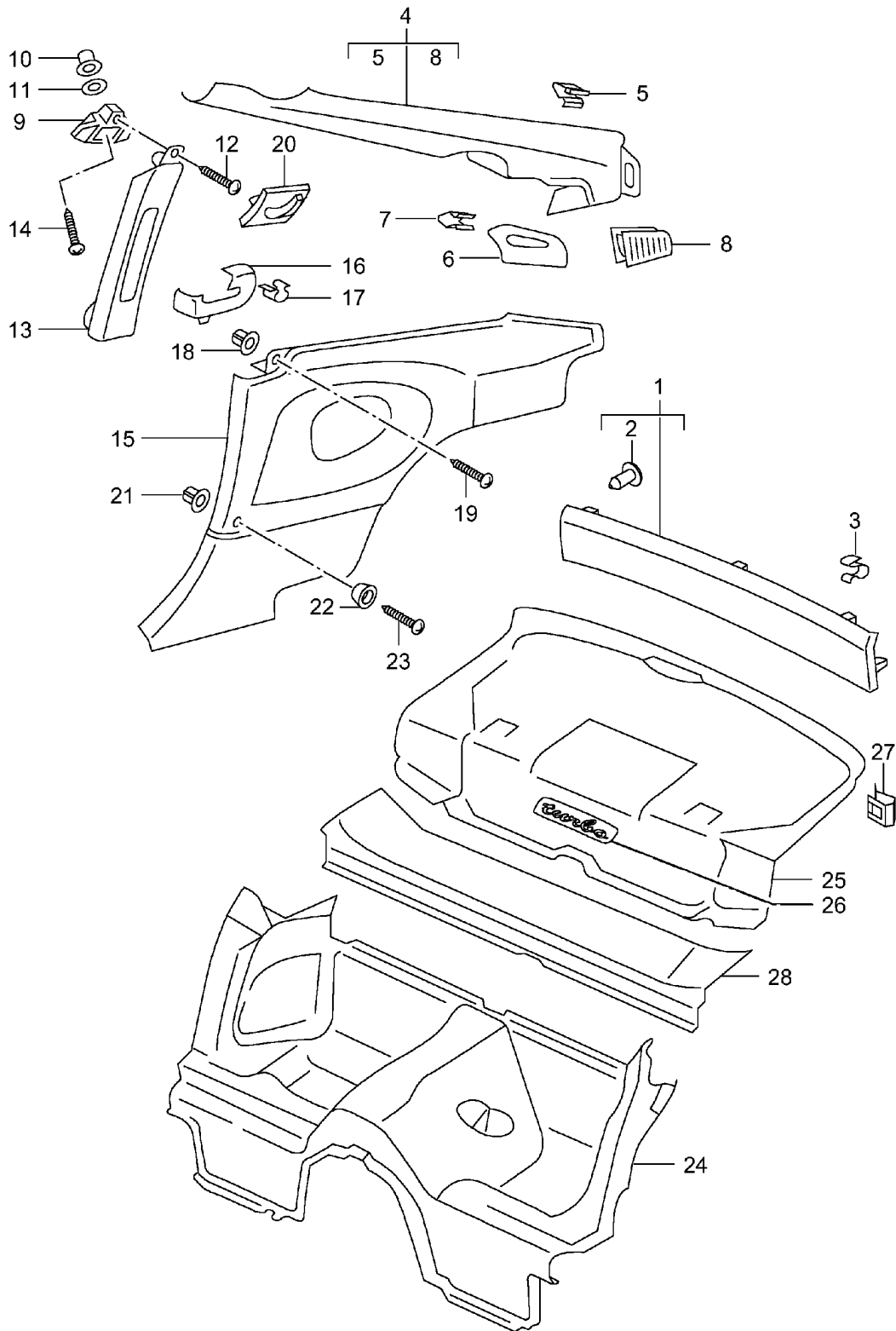
Pos	Part Number	Description	Remark	Qty	Model
	996 551 980 30 S31	Savanna			
	996 551 980 30 G11	Metropole blue			
	996 551 980 30 J31	Nephrite green			
	996 551 980 30 M31	Boxster red			
	996 551 980 30 P12	Cinnamon brown			
	996 551 980 30 D12	Dark grey/natural			
	996 551 980 30 T12	Brown/natural			
(9)	996 551 980 31	Lining Leather Complete	/RL 02	1	IXTG/M538
	996 551 980 31 VRK	Black			
	996 551 980 31 C51	Graphite grey			
	996 551 980 31 S31	Savanna			
	996 551 980 31 G11	Metropole blue			
	996 551 980 31 J31	Nephrite green			
	996 551 980 31 M31	Boxster red			
	996 551 980 31 P12	Cinnamon brown			
	996 551 980 31 D12	Dark grey/natural			
	996 551 980 31 T12	Brown/natural			
(9)	996 551 119 04	Lining		1	
	996 551 119 04 A03	Black			
(9)	996 551 119 05	Lining Lacquered		1	M537/538
	996 551 119 05 A03	Black			
17	999 067 046 09	Pan-head screw M 6 X 20		2	
18	999 703 443 40	Stopper 8,0 X 11 X 7,2		2	
	999 703 443 40 01C	Satin black			
19	999 507 484 40	Expander nut		12	
20	996 551 120 00	Lining Tray		1	
	996 551 120 00 A03	Black			
20	996 551 981 01	Lining Tray Leather		1	IXTG
	996 551 981 01 A11	Black			
	996 551 981 01 VRK	Black			
	996 551 981 01 C51	Graphite grey			
	996 551 981 01 S31	Savanna			
	996 551 981 01 J31	Nephrite green			
	996 551 981 01 M31	Boxster red			
	996 551 981 01 G11	Metropole blue			
	996 551 981 01 D12	Dark grey			
	996 551 981 01 T12	Brown/natural			
	996 551 981 01 P12	Cinnamon brown			
21	996 551 513 00	Mat		1	
22	999 919 164 09	Oval-head screw 5,0 X 12		2	
23	996 551 303 02	Scuff plate Lacquered		2	TURBO
	996 551 303 02 A03	Black			
23	996 551 303 07	Scuff plate Lacquered	05-	2	TURBO S M092
	996 551 303 07 A03	Black			
(23)	996 551 303 91	Scuff plate Lacquered		2	GT2
	996 551 303 91 A03	Black			
(23)	996 551 984 02	Scuff plate	/L	1	TURBO IX69
23	996 551 984 03	Scuff plate	/R	1	TURBO IX70

Model: 996 01 Model life 2001>>2005

Pos	Part Number	Description	Remark	Qty	Model
(23)	996 551 984 92	Scuff plate		1	GT2 IX69
(23)	996 551 984 93	Scuff plate		1	GT2 IX70

Model: 996 01

Model life 2001>>2005



Model: 996 01 Model life 2001>>2005

Pos	Part Number	Description	Remark	Qty	Model
1	996 555 081 03	Linings Rear Lining Leather		1	
	996 555 081 03 A11	Black			
	996 555 081 03 C51	Graphite grey			
	996 555 081 03 S31	Savanna			
	996 555 081 03 G11	Metropole blue			
	996 555 081 03 J31	Nephrite green			
	996 555 081 03 M31	Boxster red			
	996 555 081 03 P12	Cinnamon brown			
	996 555 081 03 D12	Dark grey			
	996 555 081 03 T12	Brown/natural			
2	999 507 687 05	Fixing clip		5	
3	999 651 307 02	Cable clamp 18,0		4	
(4)	996 555 187 03	Lining Upper Leather	/L	1	
	996 555 187 03 A11	Black			
	996 555 187 03 C51	Graphite grey			
	996 555 187 03 S31	Savanna			
	996 555 187 03 G11	Metropole blue			
	996 555 187 03 J31	Nephrite green			
	996 555 187 03 M31	Boxster red			
	996 555 187 03 P12	Cinnamon brown			
	996 555 187 03 D12	Dark grey			
	996 555 187 03 T12	Brown/natural			
4	996 555 188 03	Lining Upper Leather	/R	1	
	996 555 188 03 A11	Black			
	996 555 188 03 C51	Graphite grey			
	996 555 188 03 S31	Savanna			
	996 555 188 03 G11	Metropole blue			
	996 555 188 03 J31	Nephrite green			
	996 555 188 03 M31	Boxster red			
	996 555 188 03 P12	Cinnamon brown			
	996 555 188 03 D12	Dark grey			
	996 555 188 03 T12	Brown/natural			
-	999 551 609 40	Plastic washer 8,0 X 23 X 3,0		16	
5	999 507 676 09	Clamp 2,5/2,20		2	
5	999 507 479 09	Clamp 2,5/0,9		4	
(6)	996 555 545 01	Rosette	/L	1	TURBO
	996 555 545 01 A03	Black			
6	996 555 546 01	Rosette	/R	1	TURBO
	996 555 546 01 A03	Black			
(6)	996 555 545 30	Rosette Leather	/L	1	GT2
	996 555 545 30 A11	Black			
6	996 555 546 30	Rosette Leather	/R	1	GT2
	996 555 546 30 A11	Black			
7	999 507 533 02	Clamp		2	
(8)	996 555 645 00	Grille Lacquered	/L	1	
	996 555 645 00 A03	Black			
8	996 555 646 00	Grille Lacquered	/R	1	
	996 555 646 00 A03	Black			



Model: 996 01 Model life 2001>>2005

Pos	Part Number	Description	Remark	Qty	Model
(9)	996 555 821 02	Bracket	/L	1	
(9)	996 555 822 02	Bracket	/R	1	
(10)	999 507 695 02	Coat hook Speed nut 4,8		2	
11	999 025 268 09	Washer 6,4		2	
12	999 073 060 02	Tapping screw 4,8 X13		2	
(13)	996 555 183 05	Lining B-pillar Leather	/L	1	
	996 555 183 05 A11	Black			
	996 555 183 05 C51	Graphite grey			
	996 555 183 05 S31	Savanna			
	996 555 183 05 G11	Metropole blue			
	996 555 183 05 J31	Nephrite green	-03		
	996 555 183 05 M31	Boxster red			
	996 555 183 05 P12	Cinnamon brown			
	996 555 183 05 D12	Dark grey/natural			
	996 555 183 05 T12	Brown/natural			
(13)	996 555 184 05	Lining B-pillar Leather	/R	1	
	996 555 184 05 A11	Black			
	996 555 184 05 C51	Graphite grey			
	996 555 184 05 S31	Savanna			
	996 555 184 05 G11	Metropole blue			
	996 555 184 05 J31	Nephrite green	-03		
	996 555 184 05 M31	Boxster red			
	996 555 184 05 P12	Cinnamon brown			
	996 555 184 05 D12	Dark grey/natural			
	996 555 184 05 T12	Brown/natural			
14	999 073 130 02	Oval-head screw M 6 X 16		2	
(15)	996 555 071 11	Side trim panel Leather	/L -02	1	TURBO
	996 555 071 11 EVS	Black			
	996 555 071 11 DFV	Graphite grey			
	996 555 071 11 DFW	Savanna			
	996 555 071 11 DFX	Metropole blue			
	996 555 071 11 DFZ	Nephrite green			
	996 555 071 11 DGA	Boxster red			
	996 555 071 11 FEK	Cinnamon brown			
	996 555 071 11 VRT	Dark grey/natural			
	996 555 071 11 VRU	Brown/natural			
15	996 555 072 11	Side trim panel Leather	/R -02	1	TURBO
	996 555 072 11 EVS	Black			
	996 555 072 11 DFV	Graphite grey			
	996 555 072 11 DFW	Savanna			
	996 555 072 11 DFX	Metropole blue			
	996 555 072 11 DFZ	Nephrite green			
	996 555 072 11 DGA	Boxster red			
	996 555 072 11 FEK	Cinnamon brown			
	996 555 072 11 VRT	Dark grey/natural			
	996 555 072 11 VRU	Brown/natural			
(15)	996 555 071 16	Side trim panel Leather	/L 03-	1	TURBO
	996 555 071 16 EVS	Black			
	996 555 071 16 DFV	Graphite grey			
	996 555 071 16 DFW	Savanna			
	996 555 071 16 DFX	Metropole blue			

Model: 996 01 Model life 2001>>2005

Pos	Part Number	Description	Remark	Qty	Model
	996 555 071 16 DFZ	Nephrite green			
	996 555 071 16 DGA	Boxster red			
	996 555 071 16 FEK	Cinnamon brown			
	996 555 071 16 VRT	Dark grey/natural			
	996 555 071 16 VRU	Brown/natural			
15	996 555 072 16	Side trim panel Leather	/R 03-	1	TURBO
	996 555 072 16 EVS	Black			
	996 555 072 16 DFV	Graphite grey			
	996 555 072 16 DFW	Savanna			
	996 555 072 16 DFX	Metropole blue			
	996 555 072 16 DFZ	Nephrite green			
	996 555 072 16 DGA	Boxster red			
	996 555 072 16 FEK	Cinnamon brown			
	996 555 072 16 VRT	Dark grey/natural			
	996 555 072 16 VRU	Brown/natural			
(15)	996 555 071 91	Side trim panel Leather	/L 01-	1	GT2
	996 555 071 91 EVS	Black			
	996 555 071 91 VRT	Dark grey/natural	02-		
	996 555 071 91 VRU	Brown/natural	02-		
15	996 555 072 91	Side trim panel Leather	/R 01-	1	GT2
	996 555 072 91 EVS	Black			
	996 555 072 91 VRT	Dark grey/natural	02-		
	996 555 072 91 VRU	Brown/natural	02-		
-	999 551 609 40	Plastic washer 8,0 X 23 X 3,0		6	
(16)	996 555 061 00	Rosette Seat belt Lacquered	/L	1	
	996 555 061 00 A03	Black			
	996 555 061 00 C53	Graphite grey			
	996 555 061 00 S33	Savanna			
	996 555 061 00 G13	Metropole blue			
	996 555 061 00 J33	Nephrite green			
	996 555 061 00 M33	Boxster red			
	996 555 061 00 P13	Cinnamon brown			
16	996 555 062 00	Rosette Seat belt Lacquered	/R	1	
	996 555 062 00 A03	Black			
	996 555 062 00 C53	Graphite grey			
	996 555 062 00 S33	Savanna			
	996 555 062 00 G13	Metropole blue			
	996 555 062 00 J33	Nephrite green			
	996 555 062 00 M33	Boxster red			
	996 555 062 00 P13	Cinnamon brown			
17	999 507 533 02	Clamp 4,2 X 19		2	
18	999 507 050 40	Expander nut 4,2 4,2 X 19		2	
19	999 073 079 02	Tapping screw 4,2 X 19		2	
(20)	996 555 571 02	Coat hook Lacquered	/L	1	
	996 555 571 02 A03	Black			
	996 555 571 02 C53	Graphite grey			
	996 555 571 02 S33	Savanna			
	996 555 571 02 G13	Metropole blue			
	996 555 571 02 J33	Nephrite green			
	996 555 571 02 M33	Boxster red			

Model: 996 01 Model life 2001>>2005

Pos	Part Number	Description	Remark	Qty	Model				
20	996 555 571 02 P13	Cinnamon brown	/R	1					
	996 555 572 02	Coat hook Lacquered							
	996 555 572 02 A03	Black							
	996 555 572 02 C53	Graphite grey							
	996 555 572 02 S33	Savanna							
	996 555 572 02 G13	Metropole blue							
	996 555 572 02 J33	Nephrite green							
	996 555 572 02 M33	Boxster red							
21	996 555 572 02 P13	Cinnamon brown		2					
	999 507 050 40	Expander nut 4,2							
24	996 551 021 09	Adhesive carpet Seat well	01	1	TURBO				
	996 551 021 09 A10	Black							
	996 551 021 09 C50	Graphite grey							
	996 551 021 09 S30	Savanna							
	996 551 021 09 G10	Metropole blue							
	996 551 021 09 J30	Nephrite green							
	996 551 021 09 M30	Boxster red							
	996 551 021 09 P11	Cinnamon brown							
	996 551 021 09 D11	Dark grey/natural							
	996 551 021 09 T11	Brown/natural							
	(24)	996 551 021 05				Adhesive carpet Seat well	02-	1	
		996 551 021 05 A10				Black			
		996 551 021 05 C50				Graphite grey			
		996 551 021 05 S30				Savanna			
996 551 021 05 G10		Metropole blue							
996 551 021 05 J30		Nephrite green							
996 551 021 05 M30		Boxster red							
996 551 021 05 P11		Cinnamon brown							
996 551 021 05 D11		Dark grey/natural							
996 551 021 05 T11		Brown/natural							
(24)		996 551 021 91	Adhesive carpet Seat well	02- 02- 01	1	GT2			
		996 551 021 91 A10	Black						
		996 551 021 91 D11	Dark grey/natural						
		996 551 021 91 T11	Brown/natural						
	25	996 551 031 04	Adhesive carpet Rear wall Carpet				01	1	TURBO
		996 551 031 04 A10	Black						
		996 551 031 04 C50	Graphite grey						
		996 551 031 04 S30	Savanna						
		996 551 031 04 G10	Metropole blue						
		996 551 031 04 J30	Nephrite green						
		996 551 031 04 M30	Boxster red						
		996 551 031 04 P11	Cinnamon brown						
		996 551 031 04 D11	Dark grey						
		996 551 031 04 T11	Brown/natural						
25		996 551 031 05	Adhesive carpet Rear wall Carpet	01	1	TURBO M479			
		996 551 031 05 A10	Black						
		996 551 031 05 C50	Graphite grey						
		996 551 031 05 S30	Savanna						
	996 551 031 05 G10	Metropole blue							
	996 551 031 05 J30	Nephrite green							
	996 551 031 05 M30	Boxster red							
	996 551 031 05 P11	Cinnamon brown							
	996 551 031 05 D11	Dark grey							

Model: 996 01 Model life 2001>>2005

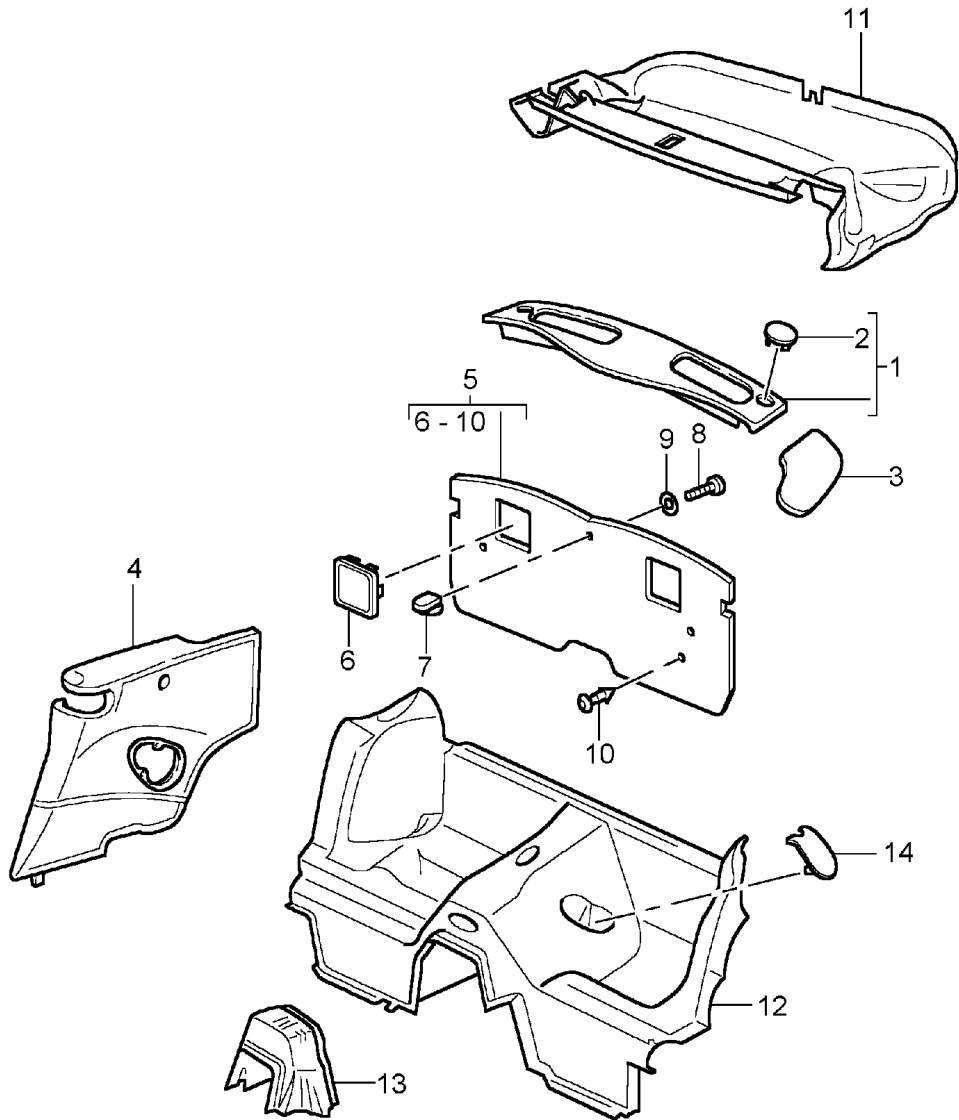
Pos	Part Number	Description	Remark	Qty	Model
25	996 551 031 05 T11	Brown/natural	02-	1	TURBO
	996 551 031 17	Adhesive carpet			
		Rear wall			
		Carpet			
	996 551 031 17 A10	Black			
	996 551 031 17 C50	Graphite grey			
	996 551 031 17 S30	Savanna			
	996 551 031 17 G10	Metropole blue			
	996 551 031 17 J30	Nephrite green			
	996 551 031 17 M30	Boxster red			
	996 551 031 17 P11	Cinnamon brown			
	996 551 031 17 D11	Dark grey			
25	996 551 031 17 T11	Brown/natural	02-	1	TURBO M479
	996 551 031 18	Adhesive carpet			
		Rear wall			
		Carpet			
	996 551 031 18 A10	Black			
	996 551 031 18 C50	Graphite grey			
	996 551 031 18 S30	Savanna			
	996 551 031 18 G10	Metropole blue			
	996 551 031 18 J30	Nephrite green			
	996 551 031 18 M30	Boxster red			
	996 551 031 18 P11	Cinnamon brown			
	996 551 031 18 D11	Dark grey			
(25)	996 551 031 18 T11	Brown/natural	02-	1	TURBO M680
	996 551 031 06	Adhesive carpet			
		Rear wall			
		Carpet			
	996 551 031 06 A10	Black			
	996 551 031 06 C50	Graphite grey			
	996 551 031 06 S30	Savanna			
	996 551 031 06 G10	Metropole blue			
	996 551 031 06 J30	Nephrite green			
	996 551 031 06 M30	Boxster red			
	996 551 031 06 P11	Cinnamon brown			
	996 551 031 06 D11	Dark grey/natural			
25	996 551 031 06 T11	Brown/natural	01	1	GT2
	996 551 031 90	Adhesive carpet			
		Rear wall			
-	996 551 031 90 A10	Black	01	2	M113
	996 551 551 00	Cover			
		Child car seat			
-	996 551 561 00	Desk pad		1	
26	996 551 305 00	Logo		1	TURBO
	996 551 305 00 A03	Black			
(26)	996 551 305 91	Logo		1	GT2
	996 551 305 91 A03	Black			
27	996 522 897 00	Clips nut		3	
28	996 551 033 02	Lining	01	1	
		Control units			
		Carpet			
	996 551 033 02 A10	Black			
	996 551 033 02 C50	Graphite grey			
	996 551 033 02 S30	Savanna			
	996 551 033 02 G10	Metropole blue			
	996 551 033 02 J30	Nephrite green			
	996 551 033 02 M30	Boxster red			
	996 551 033 02 P11	Cinnamon brown			
	996 551 033 02 D11	Dark grey			
	996 551 033 02 T11	Brown/natural			

Model: 996 01 Model life 2001>>2005

Pos	Part Number	Description	Remark	Qty	Model
28	996 551 033 05	Lining Control units Carpet	02-	1	
	996 551 033 05 A10	Black			
	996 551 033 05 C50	Graphite grey			
	996 551 033 05 S30	Savanna			
	996 551 033 05 G10	Metropole blue			
	996 551 033 05 J30	Nephrite green	-03		
	996 551 033 05 M30	Boxster red			
	996 551 033 05 P11	Cinnamon brown			
	996 551 033 05 D11	Dark grey			
	996 551 033 05 T11	Brown/natural			
(28)	997 551 033 01	Lining Control units Carpet	02-	1	M680
	997 551 033 01 A10	Black			
	997 551 033 01 C50	Graphite grey			
	997 551 033 01 S30	Savanna			
	997 551 033 01 G10	Metropole blue			
	997 551 033 01 J30	Nephrite green	-03		
	997 551 033 01 M30	Boxster red			
	997 551 033 01 P11	Cinnamon brown			
	997 551 033 01 D11	Dark grey/natural			
	997 551 033 01 T11	Brown/natural			
-	996 551 525 00	Cover Seat-belt buckle	/L	1	
	996 551 525 00 01C	Satin black			
-	996 551 526 00	Cover Seat-belt buckle	/R	1	
	996 551 526 00 01C	Satin black			

Model: 996 01

Model life 2001>>2005



Model: 996 01 Model life 2001>>2005

Pos	Part Number	Description	Remark	Qty	Model
1	996 555 083 04	Linings Rear Cover Convertible top Cloth	04-	1	CABRIO
	996 555 083 04 EDK	Black			
	996 555 083 04 EDL	Graphite grey			
	996 555 083 04 ERN	Metropole blue			
-	996 555 341 01	Flap Cover	/L	1	
	996 555 341 01 A07	Black			
	996 555 341 01 C07	Graphite grey			
	996 555 341 01 G03	Metropole blue			
-	996 555 342 01	Flap Cover	/R	1	
	996 555 342 01 A07	Black			
	996 555 342 01 C07	Graphite grey			
	996 555 342 01 G03	Metropole blue			
-	996 555 355 00	Hinge Outer		2	
-	996 555 356 00	Hinge Inner		2	
-	996 580 667 00	Support		2	M439
-	999 591 489 02	Speed nut ST 4,8		2	
-	999 591 489 01	Speed nut ST 4,8		2	
-	999 073 060 02	Tapping screw ST 4,8 X 18		3	
2	996 555 457 00	Lid Lacquered		2	
	996 555 457 00 A10	Black			
	996 555 457 00 C50	Graphite grey			
	996 555 457 00 G10	Metropole blue			
(3)	996 555 263 03	Flap Convertible top Cloth	/L	1	
	996 555 263 03 A07	Black			
	996 555 263 03 C07	Graphite grey			
	996 555 263 03 G03	Metropole blue			
3	996 555 264 03	Flap Convertible top Cloth	/R	1	
	996 555 264 03 A07	Black			
	996 555 264 03 C07	Graphite grey			
	996 555 264 03 G03	Metropole blue			
(4)	996 555 071 17	Side trim panel Leather	/L	1	
	996 555 071 17 EVS	Black			
	996 555 071 17 DFV	Graphite grey			
	996 555 071 17 DFW	Savanna			
	996 555 071 17 DFX	Metropole blue			
	996 555 071 17 DGA	Boxster red			
	996 555 071 17 FEK	Cinnamon brown			
	996 555 071 17 VRT	Dark grey/natural			
	996 555 071 17 VRU	Brown/natural			
4	996 555 072 17	Side trim panel Leather	/R	1	
	996 555 072 17 EVS	Black			
	996 555 072 17 DFV	Graphite grey			
	996 555 072 17 DFW	Savanna			
	996 555 072 17 DFX	Metropole blue			
	996 555 072 17 DGA	Boxster red			

Model: 996 01 Model life 2001>>2005

Pos	Part Number	Description	Remark	Qty	Model
	996 555 072 17 FEK	Cinnamon brown			
	996 555 072 17 VRT	Dark grey/natural			
	996 555 072 17 VRU	Brown/natural			
-	999 551 609 40	Plastic washer 8,0 X 23 X 3		2	M981
-	999 507 676 09	Clamp 2,5/2,2		2	M981
-	999 507 050 40	Expander nut		2	
-	999 073 142 09	Tapping screw 4,2 X 19		2	
-	999 073 048 02	Tapping screw 3,5 X 13		2	
-	996 555 671 01	Rosette Seat belt Lacquered	/L	1	
	996 555 671 01 A03	Black			
	996 555 671 01 C53	Graphite grey			
	996 555 671 01 S33	Savanna			
	996 555 671 01 G13	Metropole blue			
	996 555 671 01 M33	Boxster red			
	996 555 671 01 P13	Cinnamon brown			
-	996 555 672 01	Rosette Seat belt Lacquered	/R	1	
	996 555 672 01 A03	Black			
	996 555 672 01 C53	Graphite grey			
	996 555 672 01 S33	Savanna			
	996 555 672 01 G13	Metropole blue			
	996 555 672 01 M33	Boxster red			
	996 555 672 01 P13	Cinnamon brown			
-	999 507 533 02	Clamp		4	
5	996 555 281 06	Back wall lining Carpet		1	
	996 555 281 06 A10	Black			
	996 555 281 06 C50	Graphite grey			
	996 555 281 06 S30	Savanna			
	996 555 281 06 G10	Metropole blue			
	996 555 281 06 M30	Boxster red			
	996 555 281 06 P11	Cinnamon brown			
	996 555 281 06 D11	Dark grey/natural			
	996 555 281 06 T11	Brown/natural			
(5)	996 555 281 07	Back wall lining Carpet	/RL	1	M479
	996 555 281 07 A10	Black			
	996 555 281 07 C50	Graphite grey			
	996 555 281 07 S30	Savanna			
	996 555 281 07 G10	Metropole blue			
	996 555 281 07 M30	Boxster red			
	996 555 281 07 P11	Cinnamon brown			
	996 555 281 07 D11	Dark grey/natural			
	996 555 281 07 T11	Brown/natural			
6	996 555 785 00	Cover Release Carpet	/RL	1	M479
	996 555 785 00 EDA	Black			
	996 555 785 00 EDB	Graphite grey			
	996 555 785 00 EDC	Savanna			
	996 555 785 00 EDD	Metropole blue			
	996 555 785 00 EDG	Boxster red			
	996 555 785 00 FDJ	Cinnamon brown			
	996 555 785 00 VSM	Dark grey/natural			
	996 555 785 00 VSN	Brown/natural			
7	996 555 789 00	Base		1	

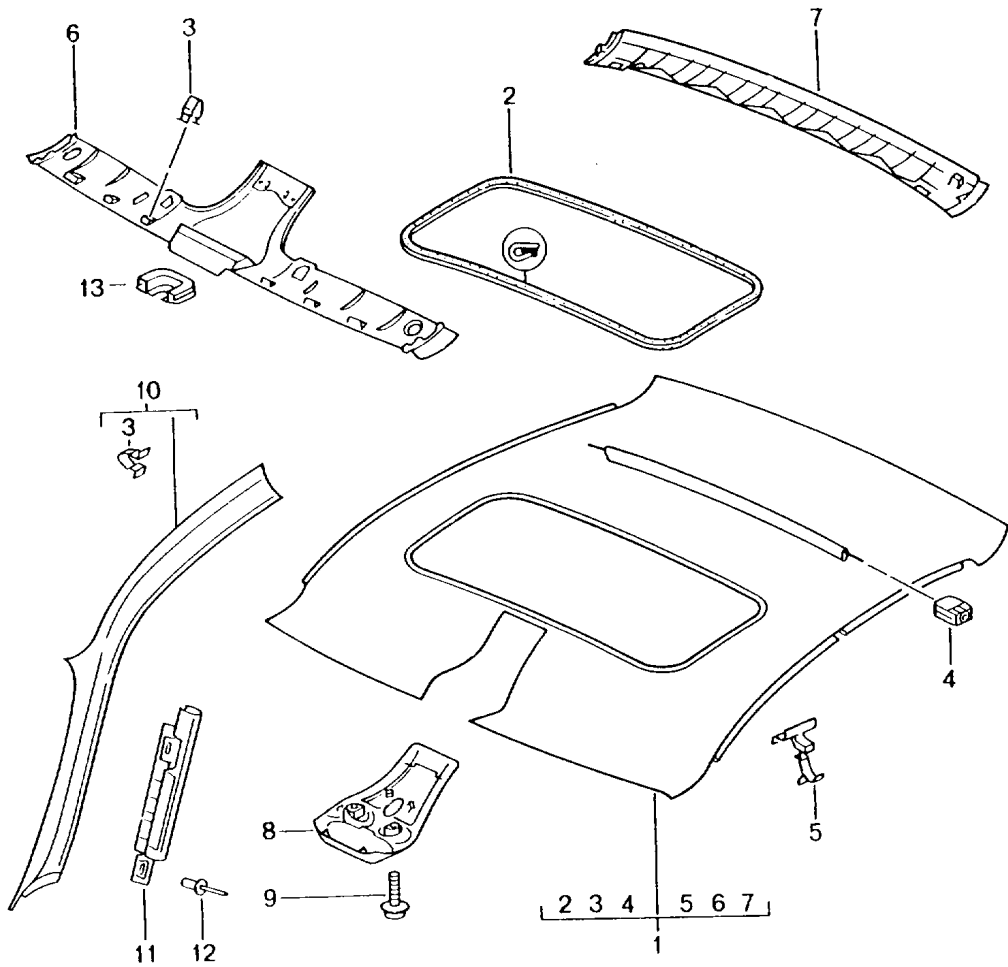


Model: 996 01 Model life 2001>>2005

Pos	Part Number	Description	Remark	Qty	Model
(10)	996 555 789 00 01C	Wind deflector Satin black			
	999 073 062 02	Tapping screw 4,8 X 19		2	
11	996 551 035 04	Lining Convertible top frame Carpet		1	
12	996 551 035 04 B04	Dark grey		1	IXSN/M685
	996 551 021 07	Lining			
		Seat well			
		Carpet			
	996 551 021 07 A10	Black			
	996 551 021 07 C50	Graphite grey			
	996 551 021 07 S30	Savanna			
	996 551 021 07 G10	Metropole blue			
	996 551 021 07 M30	Boxster red			
	996 551 021 07 P11	Cinnamon brown			
	996 551 021 07 D11	Dark grey/natural			
13	996 551 021 07 T11	Brown/natural		1	
	996 551 221 01	Cover Sensor			
14	996 551 525 00	Cover	/L	1	
		Seat-belt buckle			
(14)	996 551 525 00 01C	Satin black		1	
	996 551 526 00	Cover	/R		
		Seat-belt buckle			
	996 551 526 00 01C	Satin black			

Model: 996 01

Model life 2001>>2005



Model: 996 01 Model life 2001>>2005

Pos	Part Number	Description	Remark	Qty	Model
(1)	996 555 091 04	Rooflining	01	1	
	996 555 091 04 A14	Rooflining			
	996 555 091 04 A14	Black			
	996 555 091 04 C54	Graphite grey			
	996 555 091 04 S34	Savanna			
	996 555 091 04 G14	Metropole blue			
	996 555 091 04 J34	Nephrite green			
1	996 555 091 05	Rooflining	01	1	M650
	996 555 091 05 A14	Black			
	996 555 091 05 C54	Graphite grey			
	996 555 091 05 S34	Savanna			
	996 555 091 05 G14	Metropole blue			
	996 555 091 05 J34	Nephrite green			
(1)	996 555 091 06	Rooflining	02-04	1	
	996 555 091 06 A14	Black			
	996 555 091 06 C54	Graphite grey			
	996 555 091 06 S34	Savanna			
	996 555 091 06 G14	Metropole blue			
	996 555 091 06 J34	Nephrite green			
1	996 555 091 07	Rooflining	02-04	1	M650
	996 555 091 07 A14	Black			
	996 555 091 07 C54	Graphite grey			
	996 555 091 07 S34	Savanna			
	996 555 091 07 G14	Metropole blue			
	996 555 091 07 J34	Nephrite green			
1	996 555 091 06	Rooflining	05	1	M652
		Alcantara			
		Valid up to:			
		F >>995S6 80107			
		F >>995S6 95062			
	996 555 091 06 A14	Black			
	996 555 091 06 C54	Graphite grey			
	996 555 091 06 S34	Savanna			
	996 555 091 06 G14	Metropole blue			
1	996 555 091 07	Rooflining	05	1	TURBO M650
		Alcantara			
		Valid up to:			
		F >>995S6 80107			
		F >>995S6 95062			
	996 555 091 07 A14	Black			
	996 555 091 07 C54	Graphite grey			
	996 555 091 07 S34	Savanna			
	996 555 091 07 G14	Metropole blue			
(1)	997 555 091 00	Rooflining	05	1	M652
		Alcantara			
		Valid from:			
		F 995S6 80108>>			
		F 995S6 95063>>			
	997 555 091 00 A14	Black			
	997 555 091 00 C54	Graphite grey			
	997 555 091 00 S34	Savanna			
	997 555 091 00 G14	Metropole blue			
1	997 555 091 01	Rooflining	05	1	TURBO M650
		Alcantara			
		Valid from:			
		F 995S6 80108>>			
		F 995S6 95063>>			
	997 555 091 01 A14	Black			
	997 555 091 01 C54	Graphite grey			
	997 555 091 01 S34	Savanna			
	997 555 091 01 G14	Metropole blue			

Model: 996 01 Model life 2001>>2005

Pos	Part Number	Description	Remark	Qty	Model
(1)	996 555 982 02	Rooflining Leather	-04	1	IXMA/M652
	996 555 982 02 A11	Black			
	996 555 982 02 C51	Graphite grey			
	996 555 982 02 S31	Savanna			
	996 555 982 02 G11	Metropole blue			
	996 555 982 02 J31	Nephrite green	-03		
	996 555 982 02 M31	Boxster red			
	996 555 982 02 P12	Cinnamon brown			
	996 555 982 02 D12	Dark grey/natural			
	996 555 982 02 T12	Brown/natural			
1	996 555 982 03	Rooflining Leather	-04	1	IXMA/M650
	996 555 982 03 A11	Black			
	996 555 982 03 C51	Graphite grey			
	996 555 982 03 S31	Savanna			
	996 555 982 03 G11	Metropole blue			
	996 555 982 03 J31	Nephrite green	-03		
	996 555 982 03 M31	Boxster red			
	996 555 982 03 P12	Cinnamon brown			
	996 555 982 03 D12	Dark grey/natural			
	996 555 982 03 T12	Brown/natural			
(1)	996 555 982 02	Rooflining Leather Valid up to: F >>9956S 80107 F >>995S6 95062 F >>995S6 96063	05	1	IXMA/M652
	996 555 982 02 A11	Black			
	996 555 982 02 C51	Graphite grey			
	996 555 982 02 S31	Savanna			
	996 555 982 02 G11	Metropole blue			
	996 555 982 02 M31	Boxster red			
	996 555 982 02 P12	Cinnamon brown			
	996 555 982 02 D12	Dark grey/natural			
	996 555 982 02 T12	Brown/natural			
(1)	996 555 982 03	Rooflining Leather Valid up to: F >>9956S 80107 F >>995S6 95062 F >>995S6 96063	05	1	IXMA/M650
	996 555 982 03 A11	Black			
	996 555 982 03 C51	Graphite grey			
	996 555 982 03 S31	Savanna			
	996 555 982 03 G11	Metropole blue			
	996 555 982 03 M31	Boxster red			
	996 555 982 03 P12	Cinnamon brown			
	996 555 982 03 D12	Dark grey/natural			
	996 555 982 03 T12	Brown/natural			
(1)	997 555 980 00	Rooflining Leather Valid from: F 995S6 80108>> F 995S6 95063>>	05-	1	IXMA/M652
	997 555 980 00 A11	Black			
	997 555 980 00 C51	Graphite grey			
	997 555 980 00 S31	Savanna			
	997 555 980 00 G11	Metropole blue			
	997 555 980 00 M31	Boxster red			
	997 555 980 00 P12	Cinnamon brown			
	997 555 980 00 D12	Dark grey/natural			
	997 555 980 00 T12	Brown/natural			

Model: 996 01 Model life 2001>>2005

Pos	Part Number	Description	Remark	Qty	Model
(1)	997 555 980 01	Rooflining Leather Valid from: F 995S6 80108>> F 995S6 95063>>	05-	1	IXMA/M650
	997 555 980 01 A11	Black			
	997 555 980 01 C51	Graphite grey			
	997 555 980 01 S31	Savanna			
	997 555 980 01 G11	Metropole blue			
	997 555 980 01 M31	Boxster red			
	997 555 980 01 P12	Cinnamon brown			
	997 555 980 01 D12	Dark grey/natural			
	997 555 980 01 T12	Brown/natural			
-	999 551 609 40	Plastic washer 8,0 X 23 X 3,0		6	
2	996 564 231 02	Piping		1	M650
3	999 507 479 09	Clamp 2,5/0,9		3	
(3)	999 507 681 09	Clamp 2,5/3,0		10	
4	996 555 823 00	Support Transverse strut		2	M650
5	996 555 691 02	Clip		8	
(6)	996 555 553 08	Cover Rooflining Front	-04	1	
6	996 555 553 09	Cover Rooflining Front	-04	1	M650
(6)	996 555 553 08	Cover Rooflining Front Valid up to: F >>995S6 80107 F >>995S6 95062		1	M652
6	996 555 553 09	Cover Rooflining Front Valid up to: F >>995S6 80107 F >>995S6 95062		1	M650
(6)	997 555 591 00	Cover Rooflining Front Valid from: F 995S6 80108>> F 995S6 95063>>	05	1	M652
6	997 555 591 01	Cover Rooflining Front Valid from: F 995S6 80108>> F 995S6 95063>>	05	1	M650
(7)	996 555 155 06	Cover Rooflining	/H	1	
7	996 555 155 07	Cover Rooflining	/H	1	M650
(8)	996 555 557 05	Cover  Interior light Lacquered	-03	1	GT2 M652
	996 555 557 05 A03	Black			
(8)	996 555 557 10	Cover	04-	1	GT2

Model: 996 01 Model life 2001>>2005

Pos	Part Number	Description	Remark	Qty	Model
		Interior light Lacquered			M652
(8)	996 555 557 10 A03	Black			
	996 555 557 06	Cover	01	1	TURBO M650
		Interior light Lacquered			
	996 555 557 06 A03	Black			
	996 555 557 06 C53	Graphite grey			
	996 555 557 06 S33	Savanna			
	996 555 557 06 G13	Metropole blue			
	996 555 557 06 J33	Nephrite green			
	996 555 557 06 M33	Boxster red			
	996 555 557 06 P13	Cinnamon brown			
(8)	996 555 557 08	Cover	-03	1	TURBO M265/652
		Interior light Lacquered			
	996 555 557 08 A03	Black			
	996 555 557 08 C53	Graphite grey			
	996 555 557 08 S33	Savanna			
	996 555 557 08 G13	Metropole blue			
	996 555 557 08 J33	Nephrite green	-03		
	996 555 557 08 M33	Boxster red	01		
	996 555 557 08 P13	Cinnamon brown	01		
(8)	996 555 557 11	Cover		1	TURBO M265/652
		Interior light Lacquered			
	996 555 557 11 A03	Black			
	996 555 557 11 C53	Graphite grey			
	996 555 557 11 S33	Savanna			
	996 555 557 11 G13	Metropole blue			
	996 555 557 11 J33	Nephrite green	-03		
	996 555 557 11 M33	Boxster red			
	996 555 557 11 P13	Cinnamon brown			
(8)	996 555 557 09	Cover	01-	1	TURBO M265/650
		Interior light Lacquered			
	996 555 557 09 A03	Black			
	996 555 557 09 C53	Graphite grey			
	996 555 557 09 S33	Savanna			
	996 555 557 09 G13	Metropole blue			
	996 555 557 09 J33	Nephrite green	-03		
	996 555 557 09 M33	Boxster red	01		
	996 555 557 09 P13	Cinnamon brown	01		
8	996 555 993 01	Cover		1	IXZD
		Interior light Leather			
	996 555 993 01 A11	Black			
	996 555 993 01 C51	Graphite grey			
	996 555 993 01 S31	Savanna			
	996 555 993 01 G11	Metropole blue			
	996 555 993 01 J31	Nephrite green			
	996 555 993 01 M31	Boxster red			
	996 555 993 01 D12	Dark grey/natural			
	996 555 993 01 T12	Brown/natural			
	996 555 993 01 P12	Cinnamon brown			
(8)	996 555 993 03	Cover		1	IXZD/M265
		Interior light Leather			

Model: 996 01 Model life 2001>>2005

Pos	Part Number	Description	Remark	Qty	Model
	996 555 993 03 A11	Black			
	996 555 993 03 C51	Graphite grey			
	996 555 993 03 S31	Savanna			
	996 555 993 03 G11	Metropole blue			
	996 555 993 03 J31	Nephrite green			
	996 555 993 03 M31	Boxster red			
	996 555 993 03 D12	Dark grey/natural			
	996 555 993 03 T12	Brown/natural			
	996 555 993 03 P12	Cinnamon brown			
(8)	996 555 993 00	Information available Cover Interior light Leather		1	IXZD/M650
	996 555 993 00 A11	Black			
	996 555 993 00 C51	Graphite grey			
	996 555 993 00 S31	Savanna			
	996 555 993 00 G11	Metropole blue			
	996 555 993 00 J31	Nephrite green			
	996 555 993 00 M31	Boxster red			
	996 555 993 00 D12	Dark grey			
	996 555 993 00 T12	Brown/natural			
	996 555 993 00 P12	Cinnamon brown			
(8)	996 555 993 02	Cover Interior light Leather		1	IXZD/M265 M650
	996 555 993 02 A11	Black			
	996 555 993 02 C51	Graphite grey			
	996 555 993 02 S31	Savanna			
	996 555 993 02 G11	Metropole blue			
	996 555 993 02 J31	Nephrite green			
	996 555 993 02 M31	Boxster red			
	996 555 993 02 D12	Dark grey/natural			
	996 555 993 02 T12	Brown/natural			
	996 555 993 02 P12	Cinnamon brown			
(9)	999 073 061 02	Tapping screw 4,8 X 16		2	
(10)	996 555 181 09	Lining A-pillar Leather	/L	1	
	996 555 181 09 A11	Black			
	996 555 181 09 C51	Graphite grey			
	996 555 181 09 S31	Savanna			
	996 555 181 09 G11	Metropole blue			
	996 555 181 09 J31	Nephrite green			
	996 555 181 09 M31	Boxster red			
	996 555 181 09 P12	Cinnamon brown			
	996 555 181 09 D12	Dark grey/natural			
	996 555 181 09 T12	Brown/natural			
(10)	996 555 182 09	Lining A-pillar Leather	/R	1	
	996 555 182 09 A11	Black			
	996 555 182 09 C51	Graphite grey			
	996 555 182 09 S31	Savanna			
	996 555 182 09 G11	Metropole blue			
	996 555 182 09 J31	Nephrite green			
	996 555 182 09 M31	Boxster red			
	996 555 182 09 P12	Cinnamon brown			
	996 555 182 09 D12	Dark grey/natural			
	996 555 182 09 T12	Brown/natural			
(11)	996 555 291 00	Deformation element	/L	1	
11	996 555 292 00	Deformation element	/R	1	

Model: 996 01

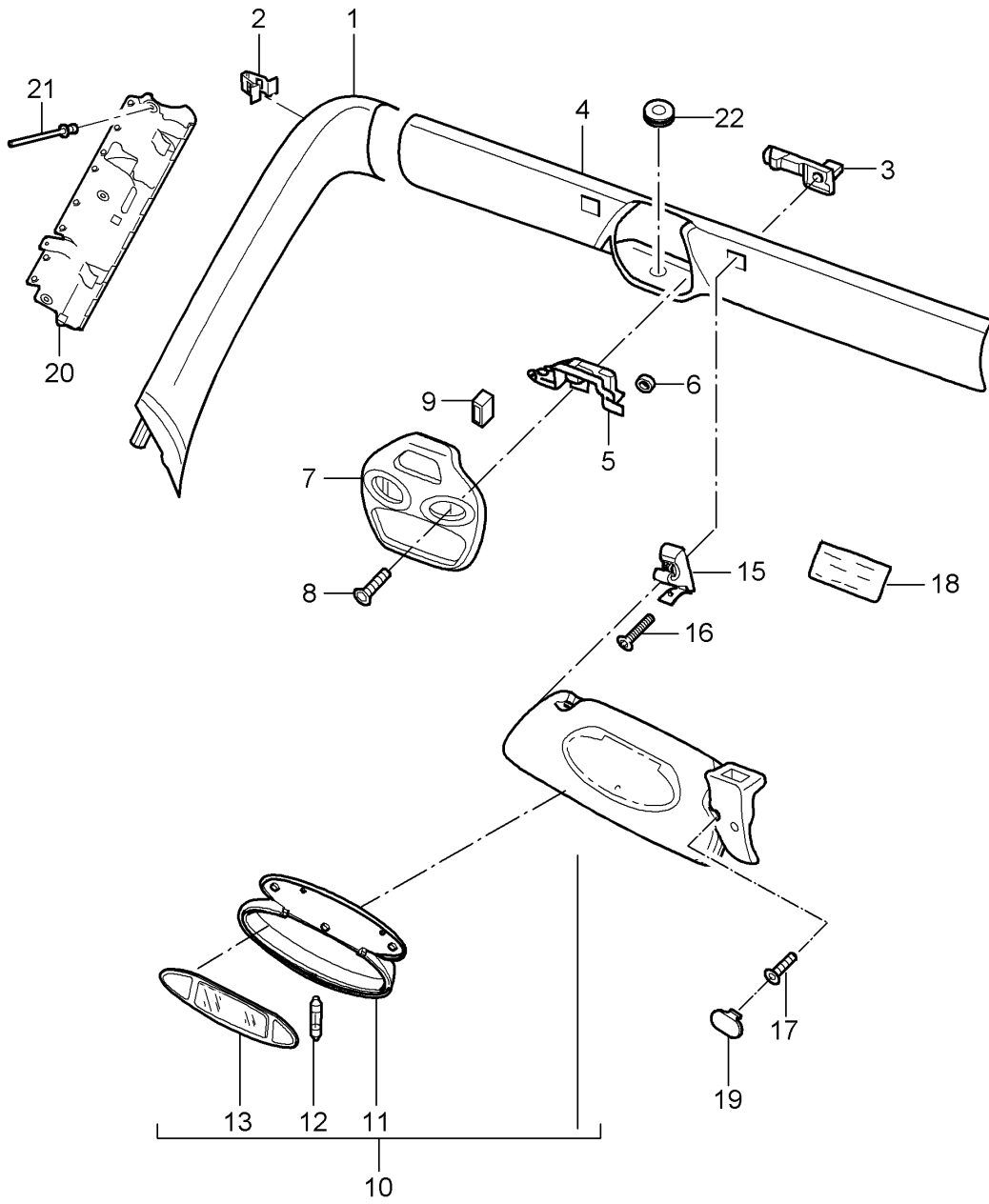
Model life 2001&gt;&gt;2005

Pos	Part Number	Description	Remark	Qty	Model
12	999 190 167 30	Blind rivet 4,0 X 6,3		10	
-	999 551 138 40	Felt strip 25 X 25 X 1		2	
13	996 555 619 00	Grommet Wiring harness Rain sensor		1	M265



Model: 996 01

Model life 2001>>2005



Model: 996 01 Model life 2001>>2005

Pos	Part Number	Description	Remark	Qty	Model
(1)	996 555 181 11	Windscreen frame Sun visors Lining A-pillar Leather	/L 04-	1	CABRIO COUPE/CABRIO CABRIO
	996 555 181 11 A11	Black			
	996 555 181 11 C51	Graphite grey			
	996 555 181 11 S31	Savanna			
	996 555 181 11 G11	Metropole blue			
	996 555 181 11 M31	Boxster red			
	996 555 181 11 D12	Dark grey/natural			
	996 555 181 11 T12	Brown/natural			
	996 555 181 11 P12	Cinnamon brown			
(1)	996 555 182 11	Lining A-pillar Leather	/R 04-	1	CABRIO
	996 555 182 11 A11	Black			
	996 555 182 11 C51	Graphite grey			
	996 555 182 11 S31	Savanna			
	996 555 182 11 G11	Metropole blue			
	996 555 182 11 M31	Boxster red			
	996 555 182 11 D12	Dark grey/natural			
	996 555 182 11 T12	Brown/natural			
	996 555 182 11 P12	Cinnamon brown			
2	999 507 574 02	Clamp 8 X 10/1,2		4	
2	999 507 681 09	Clamp 2,5/3,00		10	
3	986 731 541 01	Plate		2	
4	996 555 059 07	Lining	04-	1	CABRIO M265
		Windscreen frame Leather			
	996 555 059 07 A11	Black			
	996 555 059 07 C51	Graphite grey			
	996 555 059 07 S31	Savanna			
	996 555 059 07 G11	Metropole blue			
	996 555 059 07 M31	Boxster red			
	996 555 059 07 D12	Dark grey/natural			
	996 555 059 07 T12	Brown/natural			
	996 555 059 07 P12	Cinnamon brown			
5	996 613 795 01	Microswitch Convertible top Catch		1	CABRIO
6	999 507 534 02	Clamping washer 2,5		2	CABRIO
7	996 561 635 00	Cover Interior light Lacquered		1	CABRIO
8	996 561 635 00 A09 999 073 166 09	Rally black Countersunk-head screw M 6 X 25		2	CABRIO
9	996 561 609 00	Cap Mounting Catch		1	CABRIO
(10)	996 731 031 15	Sun visor	/L	1	COUPE M274
		Leatherette Valid up to: F >>995S6 80107 F >>995S6 95062			
	996 731 031 15 A12	Black			
	996 731 031 15 C52	Graphite grey			

Model: 996 01 Model life 2001>>2005

Pos	Part Number	Description	Remark	Qty	Model	
(10)	996 731 031 15 S32	Savanna	/R	1	COUPE M274	
	996 731 031 15 G12	Metropole blue				
	996 731 031 15 J32	Nephrite green				
		Information available				
	996 731 032 15	Sun visor				
		Leatherette				
		Valid up to:				
		F >>995S6 80107				
		F >>995S6 95062				
		996 731 032 15 A12				Black
	996 731 032 15 C52	Graphite grey				
	996 731 032 15 S32	Savanna				
	996 731 032 15 G12	Metropole blue				
	996 731 032 15 J32	Nephrite green				
(10)		Information available	/L	1	COUPE M274	
	997 731 031 00	Sun visor				
		Leatherette				
		Valid from:				
		F 995S6 80108>>				
		F 995S6 95063>>				
		997 731 031 00 A12				Black
		997 731 031 00 C52				Graphite grey
		997 731 031 00 S32				Savanna
		997 731 031 00 G12				Metropole blue
(10)	997 731 032 00	Sun visor	/R	1	COUPE M274	
		Leatherette				
		Valid from:				
		F 995S6 80108>>				
		F 995S6 95063>>				
		997 731 032 00 A12				Black
		997 731 032 00 C52				Graphite grey
		997 731 032 00 S32				Savanna
		997 731 032 00 G12				Metropole blue
	(10)	996 731 980 09				Sun visor
		Leatherette				
		Valid from:				
		F 995S6 80108>>				
		F 995S6 95063>>				
		997 731 032 00 A12	Black			
		997 731 032 00 C52	Graphite grey			
		997 731 032 00 S32	Savanna			
		997 731 032 00 G12	Metropole blue			
(10)		996 731 981 09	Sun visor	/R 01-	1	COUPE IXMP
		Leather				
		Valid up to:				
		F >>995S6 80107				
		F >>995S6 95062				
		996 731 980 09 VRK	Black			
		996 731 980 09 C51	Graphite grey			
		996 731 980 09 S31	Savanna			
		996 731 980 09 J31	Nephrite green			
		996 731 980 09 G11	Metropole blue			
	996 731 980 09 M31	Boxster red				
	996 731 980 09 D12	Dark grey/natural				
	996 731 980 09 T12	Brown/natural				
	996 731 980 09 P12	Cinnamon brown				
(10)	996 731 981 09	Sun visor	/R 01-	1	COUPE IXMP	
		Leather				
		Valid up to:				
		F >>995S6 80107				
		F >>995S6 95062				
		996 731 981 09 VRK				Black
		996 731 981 09 C51				Graphite grey
		996 731 981 09 S31				Savanna
		996 731 981 09 J31				Nephrite green
		996 731 981 09 G11				Metropole blue
	996 731 981 09 M31	Boxster red				

Model: 996 01 Model life 2001>>2005

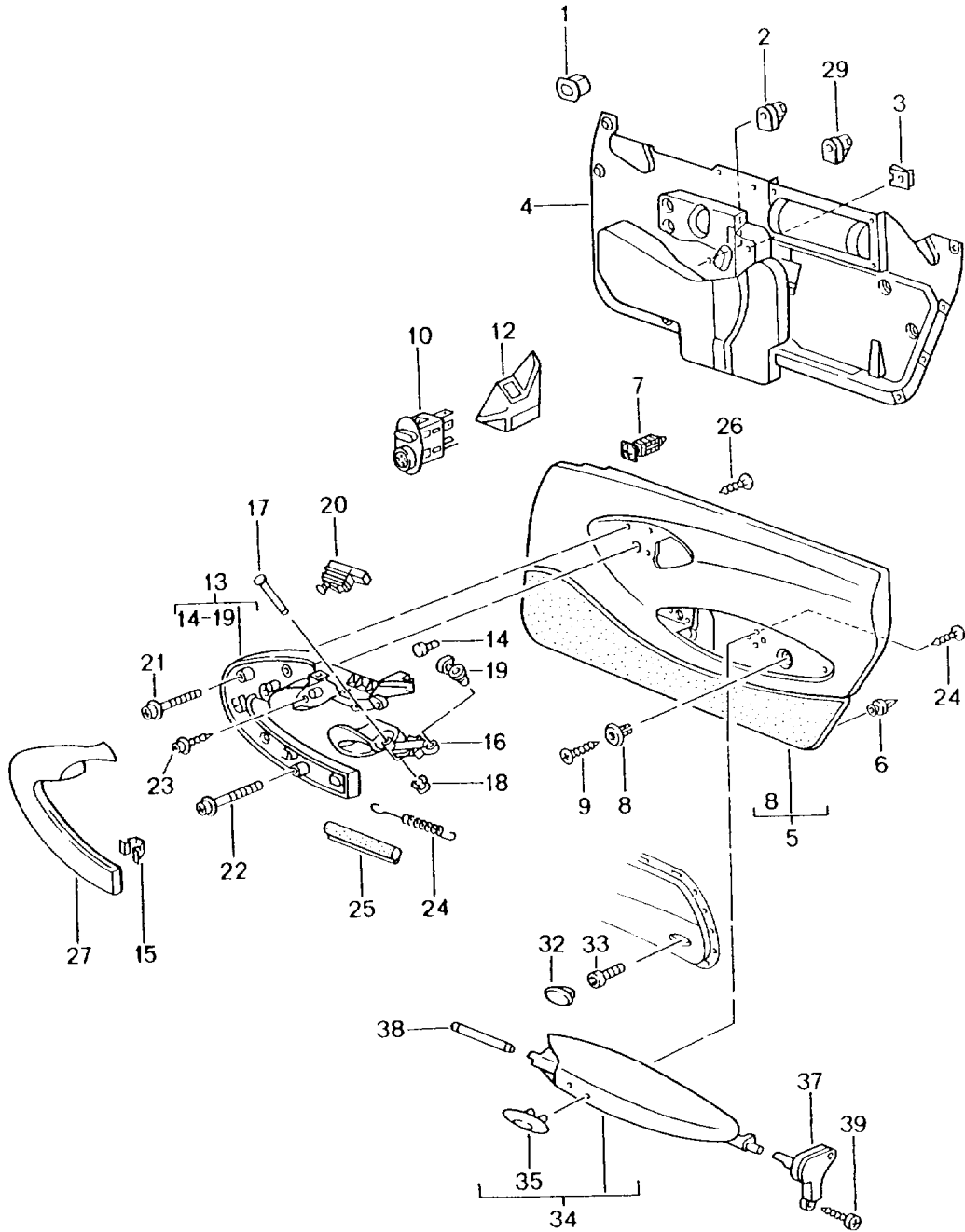
Pos	Part Number	Description	Remark	Qty	Model
(10)	996 731 981 09 D12	Dark grey/natural	/L	1	COUPE IXMP
	996 731 981 09 T12	Brown/natural			
	996 731 981 09 P12	Cinnamon brown			
	996 731 980 19	Sun visor			
		Leather			
		Valid from:			
		F 995S6 80108>>			
		F 995S6 95063>>			
	996 731 980 19 VRK	Black			
	996 731 980 19 C51	Graphite grey			
996 731 980 19 S31	Savanna	/R	1	COUPE IXMP	
996 731 980 19 G11	Metropole blue				
996 731 980 19 M31	Boxster red				
996 731 980 19 P12	Cinnamon brown				
996 731 980 19 D12	Dark grey/natural				
996 731 980 19 T12	Brown/natural				
996 731 981 19	Sun visor				
	Leather				
	Valid from:				
	F 995S6 80108>>				
	F 995S6 95063>>				
996 731 981 19 VRK	Black	/L 04-	1	CABRIO M274	
996 731 981 19 C51	Graphite grey				
996 731 981 19 S31	Savanna				
996 731 981 19 G11	Metropole blue				
996 731 981 19 M31	Boxster red				
996 731 981 19 P12	Cinnamon brown				
996 731 981 19 D12	Dark grey/natural				
996 731 981 19 T12	Brown/natural				
996 731 031 18	Sun visor				
	Leatherette				
996 731 031 18 A12	Black	/R 04-	1	CABRIO M274	
996 731 031 18 C52	Graphite grey				
996 731 031 18 S32	Savanna				
996 731 031 18 G12	Metropole blue				
996 731 032 18	Sun visor				
	Leatherette				
996 731 032 18 A12	Black				
996 731 032 18 C52	Graphite grey				
996 731 032 18 S32	Savanna				
996 731 032 18 G12	Metropole blue				
(10) 996 731 980 12	Sun visor	/L 04-	1	CABRIO IXMP	
	Leather				
996 731 980 12 VRK	Black				
996 731 980 12 C51	Graphite grey				
996 731 980 12 S31	Savanna				
996 731 980 12 M31	Boxster red				
996 731 980 12 G11	Metropole blue				
996 731 980 12 D12	Dark grey				
996 731 980 12 T12	Brown/natural				
996 731 980 12 P12	Cinnamon brown				
10 996 731 981 12	Sun visor	/R 04-	1	CABRIO IXMP	
	Leather				
996 731 981 12 VRK	Black				
996 731 981 12 C51	Graphite grey				
996 731 981 12 S31	Savanna				
996 731 981 12 M31	Boxster red				

Model: 996 01 Model life 2001>>2005

Pos	Part Number	Description	Remark	Qty	Model
	996 731 981 12 G11	Metropole blue			
	996 731 981 12 D12	Dark grey			
	996 731 981 12 T12	Brown/natural			
	996 731 981 12 P12	Cinnamon brown			
11	996 731 903 00	Mirror housing with Illumination		1	
	996 731 903 00 01C	Satin black			
12	999 631 137 90	Bulb 3 W	-01	4	M274
12	999 631 147 90	Bulb 3 W	02-	4	M274
13	996 731 531 01	Mirror glass with Frame		2	M274
	996 731 531 01 01C	Satin black			
(14)	996 561 607 01	Mounting	/L 04-	1	CABRIO
	996 561 607 01 A09	Rally black			
14	996 561 608 01	Mounting	/R 04-	1	CABRIO
	996 561 608 01 A09	Rally black			
15	996 731 341 00	Support Sun visor	/L	1	
	996 731 341 00 01C	Satin black			
(15)	996 731 342 00	Support Sun visor	/R	1	
	996 731 342 00 01C	Satin black			
16	999 073 139 02	Oval-head screw M 5 X 25 Valid up to: F >>995S6 80107 F >>995S6 95062		2	COUPE
16	999 073 326 09	Oval-head screw M 5 X 10 Valid from: F 995S6 80108>> F 995S6 95063>>		2	
(16)	999 500 093 02	Nut M 5		2	COUPE
17	999 073 166 09	Countersunk-head screw M 6 X 25	04-	4	CABRIO
18	996 701 401 12	Sticker Convertible top control German	04-	1	CABRIO
18	996 701 401 13	Indication sticker Convertible top control English	04-	1	CABRIO
19	996 561 613 00	Cover Mounting		2	CABRIO
	996 561 613 00 01C	Satin black			
20	996 555 291 00	Deformation element	/L	1	
20	996 555 292 00	Deformation element	/R	1	
21	999 190 167 30	A-pillar Blind rivet 4,0 X 6,3		10	
22	996 555 619 00	Grommet Wiring harness Rain sensor	01-	1	M265

Model: 996 01

Model life 2001>>2005



Model: 996 01 Model life 2001>>2005

Pos	Part Number	Description	Remark	Qty	Model
1	191 853 615 A	Door trim panel		3	
3	999 591 882 01	Accessories Grommet		2	
4	996 555 831 05	Speed nut		1	
(4)	996 555 832 05	M 6 Seal	/L	1	
-	000 043 101 00	Seal		1	
(5)	996 555 121 05	Use also: Sealing cord		1	
		Door trim panel	/L -02	1	GT2 M563
	996 555 121 05 ETC	Leather Black			
	996 555 121 05 VRV	Dark grey/natural			
	996 555 121 05 VRW	Brown/natural			
(5)	996 555 122 05	Door trim panel	/R -02	1	GT2 M563
	996 555 122 05 ETC	Leather Black			
	996 555 122 05 VRV	Dark grey/natural			
	996 555 122 05 VRW	Brown/natural			
(5)	996 555 121 08	Door trim panel	/L 03-	1	GT2 M563
	996 555 121 08 ETC	Leather Black			
	996 555 121 08 VRV	Dark grey/natural			
	996 555 121 08 VRW	Brown/natural			
(5)	996 555 122 08	Door trim panel	/R 03-	1	GT2 M563
	996 555 122 08 ETC	Leather Black			
	996 555 122 08 VRV	Dark grey/natural			
	996 555 122 08 VRW	Brown/natural			
(5)	996 555 121 07	Door trim panel	/L -02	1	M490/563/680
	996 555 121 07 ETC	Leather Black			
	996 555 121 07 ETD	Graphite grey			
	996 555 121 07 ETE	Savanna			
	996 555 121 07 ETF	Metropole blue			
	996 555 121 07 ETG	Nephrite green			
	996 555 121 07 ETH	Boxster red			
	996 555 121 07 VRV	Dark grey/natural			
	996 555 121 07 VRW	Brown/natural			
	996 555 121 07 FEL	Cinnamon brown			
(5)	996 555 122 07	Door trim panel	/R -02	1	M490/563/680
	996 555 122 07 ETC	Leather Black			
	996 555 122 07 ETD	Graphite grey			
	996 555 122 07 ETE	Savanna			
	996 555 122 07 ETF	Metropole blue			
	996 555 122 07 ETG	Nephrite green			
	996 555 122 07 ETH	Boxster red			
	996 555 122 07 VRV	Dark grey/natural			
	996 555 122 07 VRW	Brown/natural			
	996 555 122 07 FEL	Cinnamon brown			
(5)	996 555 121 09	Door trim panel	/L 03-	1	M563/680
	996 555 121 09 ETC	Leather Black			
	996 555 121 09 ETD	Graphite grey			
	996 555 121 09 ETE	Savanna			
	996 555 121 09 ETF	Metropole blue			
	996 555 121 09 ETG	Nephrite green			
	996 555 121 09 ETH	Boxster red			

Model: 996 01 Model life 2001>>2005

Pos	Part Number	Description	Remark	Qty	Model
(5)	996 555 121 09 FEL	Cinnamon brown			
	996 555 121 09 VRV	Dark grey/natural			
	996 555 121 09 VRW	Brown/natural			
	996 555 122 09	Door trim panel Leather	/R 03-	1	M563/680
	996 555 122 09 ETC	Black			
	996 555 122 09 ETD	Graphite grey			
	996 555 122 09 ETE	Savanna			
	996 555 122 09 ETF	Metropole blue			
	996 555 122 09 ETG	Nephrite green			
	996 555 122 09 ETH	Boxster red			
-	996 555 122 09 FEL	Cinnamon brown			
	996 555 122 09 VRV	Dark grey/natural			
6	999 911 688 40	Adhesive tape 10 X 0,1 X 370		4	
	999 507 582 40	Clip White 8,0 X 0,9		8	
7	999 507 651 40	Expander nut 9,0 X 0,9		2	
8	999 507 427 40	Expander nut 6,3	-04	2	
10	996 613 241 00	Switch Door mirror		1	
(12)	996 613 241 00 01C	Satin black			
	996 555 651 03	Lining Door mirror	/LL /L	1	
	996 555 651 03 A03	Black			
	996 555 651 03 C53	Graphite grey			
	996 555 651 03 S33	Savanna			
	996 555 651 03 G13	Metropole blue			
	996 555 651 03 J33	Nephrite green			
	996 555 651 03 M33	Boxster red			
	996 555 651 03 P13	Cinnamon brown			
	996 555 652 03	Lining Door mirror	/RL /R	1	
(12)	996 555 652 03 A03	Black			
	996 555 652 03 C53	Graphite grey			
	996 555 652 03 S33	Savanna			
	996 555 652 03 G13	Metropole blue			
	996 555 652 03 J33	Nephrite green			
	996 555 652 03 M33	Boxster red			
	996 555 652 03 P13	Cinnamon brown			
	996 555 652 02	Lining	/LL /R	1	
	996 555 652 02 A03	Black			
	996 555 652 02 C53	Graphite grey			
(12)	996 555 652 02 S33	Savanna			
	996 555 652 02 G13	Metropole blue			
	996 555 652 02 J33	Nephrite green			
	996 555 652 02 M33	Boxster red			
	996 555 652 02 P13	Cinnamon brown			
	996 555 651 02	Lining Door mirror	/RL /L	1	
	996 555 651 02 A03	Black			
	996 555 651 02 C53	Graphite grey			
	996 555 651 02 S33	Savanna			
	996 555 651 02 G13	Metropole blue			
(12)	996 555 651 02 J33	Nephrite green			
	996 555 651 02 M33	Boxster red			
	996 555 651 02 P13	Cinnamon brown			
	996 555 983 00	Lining	/LL /L	1	TURBO IXTF/XTR



Model: 996 01 Model life 2001>>2005

Pos	Part Number	Description	Remark	Qty	Model
		Leather			
	996 555 983 00 A11	Black			
	996 555 983 00 C51	Graphite grey			
	996 555 983 00 S31	Savanna			
	996 555 983 00 G11	Metropole blue			
	996 555 983 00 J31	Nephrite green			
	996 555 983 00 M31	Boxster red			
	996 555 983 00 D12	Dark grey/natural			
	996 555 983 00 T12	Brown/natural			
	996 555 983 00 P12	Cinnamon brown			
(12)	996 555 984 01	Lining	/LL /R	1	TURBO IXTF/XTR
		Leather			
	996 555 984 01 A11	Black			
	996 555 984 01 C51	Graphite grey			
	996 555 984 01 S31	Savanna			
	996 555 984 01 G11	Metropole blue			
	996 555 984 01 J31	Nephrite green			
	996 555 984 01 M31	Boxster red			
	996 555 984 01 D12	Dark grey/natural			
	996 555 984 01 T12	Brown/natural			
	996 555 984 01 P12	Cinnamon brown			
(12)	996 555 983 01	Lining	/RL /L	1	TURBO IXTF/XTR
		Leather			
	996 555 983 01 A11	Black			
	996 555 983 01 C51	Graphite grey			
	996 555 983 01 S31	Savanna			
	996 555 983 01 G11	Metropole blue			
	996 555 983 01 J31	Nephrite green			
	996 555 983 01 M31	Boxster red			
	996 555 983 01 D12	Dark grey/natural			
	996 555 983 01 T12	Brown/natural			
	996 555 983 01 P12	Cinnamon brown			
(12)	996 555 984 00	Lining	/RL /R	1	TURBO IXTF/XTR
		Leather			
	996 555 984 00 A11	Black			
	996 555 984 00 C51	Graphite grey			
	996 555 984 00 S31	Savanna			
	996 555 984 00 G11	Metropole blue			
	996 555 984 00 J31	Nephrite green			
	996 555 984 00 M31	Boxster red			
	996 555 984 00 D12	Dark grey/natural			
	996 555 984 00 T12	Brown/natural			
	996 555 984 00 P12	Cinnamon brown			
(12)	996 555 984 00	Lining	/RL /R 02-	1	GT2 IXTF/XTL/XTR
		Leather			
	996 555 984 00 A11	Black			
	996 555 984 00 C51	Graphite grey			
	996 555 984 00 S31	Savanna			
	996 555 984 00 G11	Metropole blue			
	996 555 984 00 J31	Nephrite green			
	996 555 984 00 M31	Boxster red			
	996 555 984 00 D12	Dark grey/natural			
	996 555 984 00 T12	Brown/natural			
	996 555 984 00 P12	Cinnamon brown			
		Cinnamon brown			

Model: 996 01 Model life 2001>>2005

Pos	Part Number	Description	Remark	Qty	Model
(12)	996 555 983 00	Lining	/LL /L 02-	1	GT2 IXTF/XTL/XTR
		Leather			
	996 555 983 00 A11	Black			
	996 555 983 00 D12	Dark grey/natural	03-		
	996 555 983 00 T12	Brown/natural	03-		
(12)	996 555 984 01	Lining	/LL /R 02-	1	GT2 IXTF/XTL/XTR
		Leather			
	996 555 984 01 A11	Black			
	996 555 984 01 D12	Dark grey/natural	03-		
	996 555 984 01 T12	Brown/natural	03-		
(12)	996 555 983 01	Lining	/RL /L 02-	1	GT2 IXTF/XTL/XTR
		Leather			
	996 555 983 01 A11	Black			
	996 555 983 01 D12	Dark grey/natural	03-		
	996 555 983 01 T12	Brown/natural	03-		
(12)	996 555 984 00	Lining	/RL /R 02-	1	GT2 IXTF/XTL/XTR
		Leather			
	996 555 984 00 A11	Black			
	996 555 984 00 D12	Dark grey/natural	03-		
	996 555 984 00 T12	Brown/natural	03-		
(13)	996 555 251 01	Inner door release	/LL /L 01	1	
		Leather			
	996 555 251 01 A11	Black			
	996 555 251 01 C51	Graphite grey			
	996 555 251 01 S31	Savanna			
	996 555 251 01 G11	Metropole blue			
	996 555 251 01 J31	Nephrite green			
	996 555 251 01 M31	Boxster red			
	996 555 251 01 P12	Cinnamon brown			
	996 555 251 01 D12	Dark grey			
	996 555 251 01 T12	Brown/natural			
13	996 555 252 01	Inner door release	/LL /R 01	1	
		Leather			
	996 555 252 01 A11	Black			
	996 555 252 01 C51	Graphite grey			
	996 555 252 01 S31	Savanna			
	996 555 252 01 G11	Metropole blue			
	996 555 252 01 J31	Nephrite green			
	996 555 252 01 M31	Boxster red			
	996 555 252 01 P12	Cinnamon brown			
	996 555 252 01 D12	Dark grey			
	996 555 252 01 T12	Brown/natural			
(13)	996 555 251 02	Inner door release	/RL /L 01	1	
		Leather			
	996 555 251 02 A11	Black			
	996 555 251 02 C51	Graphite grey			
	996 555 251 02 S31	Savanna			
	996 555 251 02 G11	Metropole blue			
	996 555 251 02 J31	Nephrite green			
	996 555 251 02 M31	Boxster red			
	996 555 251 02 P12	Cinnamon brown			
	996 555 251 02 D12	Dark grey			
	996 555 251 02 T12	Brown/natural			
13	996 555 252 02	Inner door release	/RL /R 01	1	
		Leather			
	996 555 252 02 A11	Black			
	996 555 252 02 C51	Graphite grey			
	996 555 252 02 S31	Savanna			
	996 555 252 02 G11	Metropole blue			

Model: 996 01 Model life 2001>>2005

Pos	Part Number	Description	Remark	Qty	Model
	996 555 252 02 J31	Nephrite green			
	996 555 252 02 M31	Boxster red			
	996 555 252 02 P12	Cinnamon brown			
	996 555 252 02 D12	Dark grey			
	996 555 252 02 T12	Brown/natural			
(13)	996 555 251 03	Inner door release Leather	/LL /L 02	1	
	996 555 251 03 A11	Black			
	996 555 251 03 C51	Graphite grey			
	996 555 251 03 S31	Savanna			
	996 555 251 03 G11	Metropole blue			
	996 555 251 03 J31	Nephrite green			
	996 555 251 03 M31	Boxster red			
	996 555 251 03 P12	Cinnamon brown			
	996 555 251 03 D12	Dark grey			
	996 555 251 03 T12	Brown/natural			
(13)	996 555 251 07	Inner door release Leather	/LL /L 02	1	
	996 555 251 07 A11	Black			
	996 555 251 07 C51	Graphite grey			
	996 555 251 07 S31	Savanna			
	996 555 251 07 G11	Metropole blue			
	996 555 251 07 J31	Nephrite green			
	996 555 251 07 M31	Boxster red			
	996 555 251 07 P12	Cinnamon brown			
	996 555 251 07 D12	Dark grey			
	996 555 251 07 T12	Brown/natural			
13	996 555 252 03	Inner door release Leather	/LL /R 02	1	
	996 555 252 03 A11	Black			
	996 555 252 03 C51	Graphite grey			
	996 555 252 03 S31	Savanna			
	996 555 252 03 G11	Metropole blue			
	996 555 252 03 J31	Nephrite green			
	996 555 252 03 M31	Boxster red			
	996 555 252 03 P12	Cinnamon brown			
	996 555 252 03 D12	Dark grey			
	996 555 252 03 T12	Brown/natural			
13	996 555 252 07	Inner door release Leather	/LL /R 02	1	
	996 555 252 07 A11	Black			
	996 555 252 07 C51	Graphite grey			
	996 555 252 07 S31	Savanna			
	996 555 252 07 G11	Metropole blue			
	996 555 252 07 J31	Nephrite green			
	996 555 252 07 M31	Boxster red			
	996 555 252 07 P12	Cinnamon brown			
	996 555 252 07 D12	Dark grey			
	996 555 252 07 T12	Brown/natural			
(13)	996 555 251 04	Inner door release Leather	/RL /L 02	1	
	996 555 251 04 A11	Black			
	996 555 251 04 C51	Graphite grey			
	996 555 251 04 S31	Savanna			
	996 555 251 04 G11	Metropole blue			
	996 555 251 04 J31	Nephrite green			
	996 555 251 04 M31	Boxster red			
	996 555 251 04 P12	Cinnamon brown			
	996 555 251 04 D12	Dark grey			
	996 555 251 04 T12	Brown/natural			
(13)	996 555 251 08	Inner door release Leather	/RL /L 02	1	
	996 555 251 08 A11	Black			

Model: 996 01 Model life 2001>>2005

Pos	Part Number	Description	Remark	Qty	Model
	996 555 251 08 C51	Graphite grey			
	996 555 251 08 S31	Savanna			
	996 555 251 08 G11	Metropole blue			
	996 555 251 08 J31	Nephrite green			
	996 555 251 08 M31	Boxster red			
	996 555 251 08 P12	Cinnamon brown			
	996 555 251 08 D12	Dark grey			
	996 555 251 08 T12	Brown/natural			
13	996 555 252 04	Inner door release Leather	/RL /R 02	1	
	996 555 252 04 A11	Black			
	996 555 252 04 C51	Graphite grey			
	996 555 252 04 S31	Savanna			
	996 555 252 04 G11	Metropole blue			
	996 555 252 04 J31	Nephrite green			
	996 555 252 04 M31	Boxster red			
	996 555 252 04 P12	Cinnamon brown			
	996 555 252 04 D12	Dark grey			
	996 555 252 04 T12	Brown/natural			
13	996 555 252 08	Inner door release Leather	/RL /R 02	1	
	996 555 252 08 A11	Black			
	996 555 252 08 C51	Graphite grey			
	996 555 252 08 S31	Savanna			
	996 555 252 08 G11	Metropole blue			
	996 555 252 08 J31	Nephrite green			
	996 555 252 08 M31	Boxster red			
	996 555 252 08 P12	Cinnamon brown			
	996 555 252 08 D12	Dark grey			
	996 555 252 08 T12	Brown/natural			
(13)	996 555 251 05	Inner door release Leather	/LL /L 03-	1	
	996 555 251 05 A11	Black			
	996 555 251 05 C51	Graphite grey			
	996 555 251 05 S31	Savanna			
	996 555 251 05 G11	Metropole blue			
	996 555 251 05 J31	Nephrite green			
	996 555 251 05 M31	Boxster red			
	996 555 251 05 P12	Cinnamon brown			
	996 555 251 05 D12	Dark grey/natural			
	996 555 251 05 T12	Brown/natural			
(13)	996 555 251 09	Inner door release Leather	/LL /L 03-	1	
	996 555 251 09 A11	Black			
	996 555 251 09 C51	Graphite grey			
	996 555 251 09 S31	Savanna			
	996 555 251 09 G11	Metropole blue			
	996 555 251 09 J31	Nephrite green			
	996 555 251 09 M31	Boxster red			
	996 555 251 09 P12	Cinnamon brown			
	996 555 251 09 D12	Dark grey			
	996 555 251 09 T12	Brown/natural			
(13)	996 555 252 05	Inner door release Leather	/LL /R 03-	1	
	996 555 252 05 A11	Black			
	996 555 252 05 C51	Graphite grey			
	996 555 252 05 S31	Savanna			
	996 555 252 05 G11	Metropole blue			
	996 555 252 05 J31	Nephrite green			
	996 555 252 05 M31	Boxster red			
	996 555 252 05 P12	Cinnamon brown			
	996 555 252 05 D12	Dark grey			
	996 555 252 05 T12	Brown/natural			

Model: 996 01 Model life 2001>>2005

Pos	Part Number	Description	Remark	Qty	Model
(13)	996 555 252 09	Inner door release Leather	/LL /R 03-	1	
	996 555 252 09 A11	Black			
	996 555 252 09 C51	Graphite grey			
	996 555 252 09 S31	Savanna			
	996 555 252 09 G11	Metropole blue			
	996 555 252 09 J31	Nephrite green			
	996 555 252 09 M31	Boxster red			
	996 555 252 09 P12	Cinnamon brown			
	996 555 252 09 D12	Dark grey/natural			
	996 555 252 09 T12	Brown/natural			
(13)	996 555 251 06	Inner door release Leather	/RL /L 03-	1	
	996 555 251 06 A11	Black			
	996 555 251 06 C51	Graphite grey			
	996 555 251 06 S31	Savanna			
	996 555 251 06 G11	Metropole blue			
	996 555 251 06 J31	Nephrite green			
	996 555 251 06 M31	Boxster red			
	996 555 251 06 P12	Cinnamon brown			
	996 555 251 06 D12	Dark grey/natural			
	996 555 251 06 T12	Brown/natural			
(13)	996 555 251 10	Inner door release Leather	/RL /L 03-	1	
	996 555 251 10 A11	Black			
	996 555 251 10 C51	Graphite grey			
	996 555 251 10 S31	Savanna			
	996 555 251 10 G11	Metropole blue			
	996 555 251 10 J31	Nephrite green			
	996 555 251 10 M31	Boxster red			
	996 555 251 10 P12	Cinnamon brown			
	996 555 251 10 D12	Dark grey/natural			
	996 555 251 10 T12	Brown/natural			
(13)	996 555 252 06	Inner door release Complete Leather	/RL /R 03-	1	
	996 555 252 06 A11	Black			
	996 555 252 06 C51	Graphite grey			
	996 555 252 06 S31	Savanna			
	996 555 252 06 G11	Metropole blue			
	996 555 252 06 J31	Nephrite green			
	996 555 252 06 M31	Boxster red			
	996 555 252 06 P12	Cinnamon brown			
	996 555 252 06 D12	Dark grey/natural			
	996 555 252 06 T12	Brown/natural			
(13)	996 555 252 10	Inner door release Complete Leather	/RL /R 03-	1	
	996 555 252 10 A11	Black			
	996 555 252 10 C51	Graphite grey			
	996 555 252 10 S31	Savanna			
	996 555 252 10 G11	Metropole blue			
	996 555 252 10 J31	Nephrite green			
	996 555 252 10 M31	Boxster red			
	996 555 252 10 P12	Cinnamon brown			
	996 555 252 10 D12	Dark grey/natural			
	996 555 252 10 T12	Brown/natural			
14	999 703 440 40	Buffer		2	
15	999 507 476 01	Clamp		12	
		8 X 10 X16			
(16)	996 555 425 03	Handle	/L -02	1	
	996 555 425 03 V01	Silver			

Model: 996 01 Model life 2001>>2005

Pos	Part Number	Description	Remark	Qty	Model
16	996 555 426 03	Handle	/R -02	1	
	996 555 426 03 V01	Silver			
(16)	996 555 425 04	Handle	/L 03-	1	
	996 555 425 04 V03	Silver			
16	996 555 426 04	Handle	/R 03-	1	
	996 555 426 04 V03	Silver			
17	999 166 084 02	Bolt 4 X 39 X 37		2	
18	999 166 026 02	Lock 4		2	
(19)	999 702 281 40	Grommet		2	
20	996 613 123 00	Microswitch		2	
21	999 073 113 09	Oval-head screw M 6 X 50		2	
22	999 073 112 09	Oval-head screw M 6 X 80		2	
23	999 073 061 02	Tapping screw 4,8 X 16		2	
24	999 522 015 00	Tension spring		2	
25	996 555 635 00	Hose		2	
26	999 073 080 02	Combination screw 4,2 X 16		8	
(27)	996 555 591 00	Cover Handle Leather	/L	1	
	996 555 591 00 A11	Black			
	996 555 591 00 C51	Graphite grey			
	996 555 591 00 S31	Savanna			
	996 555 591 00 G11	Metropole blue			
	996 555 591 00 J31	Nephrite green			
	996 555 591 00 M31	Boxster red			
	996 555 591 00 D12	Dark grey/natural			
	996 555 591 00 T12	Brown/natural			
	996 555 591 00 P12	Cinnamon brown			
27	996 555 592 00	Cover Handle Leather	/R	1	
	996 555 592 00 A11	Black			
	996 555 592 00 C51	Graphite grey			
	996 555 592 00 S31	Savanna			
	996 555 592 00 G11	Metropole blue			
	996 555 592 00 J31	Nephrite green			
	996 555 592 00 M31	Boxster red			
	996 555 592 00 D12	Dark grey/natural			
	996 555 592 00 T12	Brown/natural			
	996 555 592 00 P12	Cinnamon brown			
(27)	996 555 988 02	Cover Carbon	/L	1	IXTL
27	996 555 989 02	Cover Carbon	/R	1	IXTL
32	996 555 623 01	Cap	-02	2	
	996 555 623 01 V01	Silver			
32	996 555 623 02	Cap	03-	2	
	996 555 623 02 V03	Sport silver			
33	999 067 043 02	Pan-head screw M 5 X 10		1	
(34)	996 555 221 00	Lid Leather	/L -02	1	
	996 555 221 00 A11	Black			
	996 555 221 00 C51	Graphite grey			
	996 555 221 00 S31	Savanna			
	996 555 221 00 G11	Metropole blue			
	996 555 221 00 J31	Nephrite green			

Model: 996 01 Model life 2001>>2005

Pos	Part Number	Description	Remark	Qty	Model
34	996 555 221 00 M31	Boxster red			
	996 555 221 00 D12	Dark grey			
	996 555 221 00 T12	Brown/natural			
	996 555 221 00 P12	Cinnamon brown			
	996 555 222 00	Lid	/R -02	1	
		Leather			
	996 555 222 00 A11	Black			
	996 555 222 00 C51	Graphite grey			
	996 555 222 00 S31	Savanna			
	996 555 222 00 G11	Metropole blue			
34	996 555 222 00 J31	Nephrite green			
	996 555 222 00 M31	Boxster red			
	996 555 222 00 D12	Dark grey			
	996 555 222 00 T12	Brown/natural			
	996 555 222 00 P12	Cinnamon brown			
	996 555 221 01	Lid	/L 03-	1	
		Leather			
	996 555 221 01 A11	Black			
	996 555 221 01 C51	Graphite grey			
	996 555 221 01 S31	Savanna			
(34)	996 555 221 01 G11	Metropole blue			
	996 555 221 01 J31	Nephrite green			
	996 555 221 01 M31	Boxster red			
	996 555 221 01 P12	Cinnamon brown			
	996 555 221 01 D12	Dark grey/natural			
	996 555 221 01 T12	Brown/natural			
	996 555 222 01	Lid	/R 03-	1	
		Leather			
	996 555 222 01 A11	Black			
	996 555 222 01 C51	Graphite grey			
(34)	996 555 222 01 S31	Savanna			
	996 555 222 01 G11	Metropole blue			
	996 555 222 01 J31	Nephrite green			
	996 555 222 01 M31	Boxster red			
	996 555 222 01 P12	Cinnamon brown			
	996 555 222 01 D12	Dark grey/natural			
	996 555 222 01 T12	Brown/natural			
	996 555 980 00	Lid	/L -02	1	IXTJ
		Rootwood			
		Light			
(34)	996 555 980 04	Lid	/L 03-	1	IXTJ
		Rootwood			
34	996 555 981 00	Light			
		Lid	/R -02	1	IXTJ
34	996 555 981 00	Rootwood			
		Light			
34	996 555 981 04	Lid	/R 03-	1	IXTJ
		Rootwood			
(34)	996 555 981 04	Light			
		Lid	/L -02	1	IXTK
(34)	996 555 980 01	Rootwood			
		Dark			
(34)	996 555 980 05	Lid	/L 03-	1	IXTK
		Rootwood			
34	996 555 981 01	Dark			
		Lid	/R -02	1	IXTK
34	996 555 981 01	Rootwood			
		Dark			
34	996 555 981 05	Lid	/R 03-	1	IXTK
		Rootwood			
(34)	996 555 981 05	Dark			
		Lid	/L -02	1	IXTL
(34)	996 555 980 02	Carbon			
		Lid			

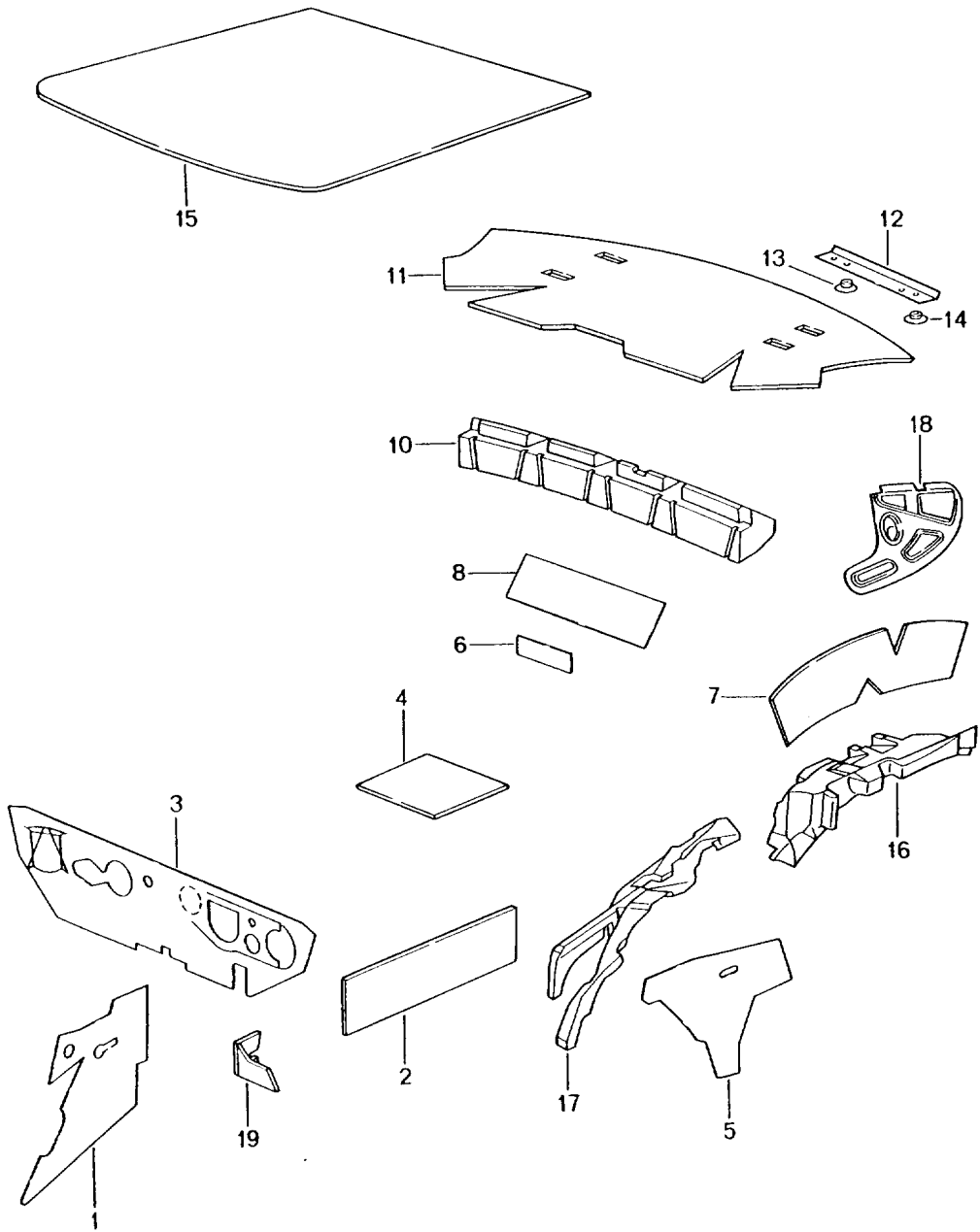
Model: 996 01 Model life 2001>>2005

Pos	Part Number	Description	Remark	Qty	Model
34	996 555 981 02	Lid Carbon	/R -02	1	IXTL
(34)	996 555 980 06	Lid Carbon	/L 03-	1	
(34)	996 555 981 06	Lid Carbon	/R 03-	1	
-	996 555 483 00	Buffer		4	
35	996 555 611 01	Handle Lacquered	-02	2	
	996 555 611 01 V01	Silver			
35	996 555 611 02	Handle Lacquered	03-	2	
	996 555 611 02 V03	Sport silver			
(37)	996 555 441 00	Closing element	/L	1	
37	996 555 442 00	Closing element	/R	1	
38	999 094 018 00	Bolt		2	



Model: 996 01

Model life 2001>>2005



Model: 996 01 Model life 2001>>2005

Pos	Part Number	Description	Remark	Qty	Model
1	996 556 605 01	Body Sound proofing 1 Sound absorber	/L	1	COUPE
(1)	996 556 606 01	Wheel housing Front Sound absorber	/R	1	
2	996 556 531 01	Wheel housing Front Insulation		2	
3	996 556 723 01	Door in white Sound absorber	/LL	1	
(3)	996 556 724 01	Firewall Sound absorber	/RL	1	
4	996 556 503 01	Firewall Insulation		1	
5	996 556 655 02	Floor 228 X 230 Sound absorber	/L	1	TURBO
(5)	996 556 656 02	Sound absorber Side trim panel	/R	1	TURBO
6	996 556 503 01	Insulation Seat well It is necessary to rework	/L /R	1	
7	996 556 507 01	160 X 40 Insulation	/H /L	1	
(7)	996 556 508 01	Insulation Wheel housing	/H /R	1	
8	996 556 511 01	Insulation Rear wall		1	
10	996 556 581 00	430 X 120 Sound absorber	-01	1	
11	996 556 711 03	Rear wall Sound absorber		1	
(11)	996 556 711 04	F >>994S6 80654 F >>994S6 95107 Engine compartment Sound absorber		1	
12	996 556 761 01	F 994S6 80655>> F 994S6 95108>> Engine compartment		1	
13	999 049 020 40	Retaining strip		5	
15	997 556 647 00	Plastic nut T5/30 X 5,1 Sound absorber		1	TURBO
(16)	996 556 812 01	Roof Filler piece Back wall lining		1	
16	996 556 657 00	Sound absorber	/H /L -02	1	
16	996 556 657 03	Sound absorber	/H /L 03-	1	
(16)	996 556 658 00	Sound absorber	/H /R -02	1	
(16)	996 556 658 03	Sound absorber	/H /R 03-	1	
17	996 556 571 00	Wheel-housing liner Sound absorber	/L	1	TURBO
(17)	996 556 572 00	Sound absorber Side trim panel	/R	1	TURBO
(18)	996 556 753 01	Seal	/L /O	1	
(18)	996 556 754 01	Seal Side section	/R /O	1	
19	1H0 819 943	Screw		2	
20	996 572 511 02	Sound absorber	/LL -02	1	
(20)	996 572 511 04	Air conditioner Sound absorber	/LL 03-	1	
		Air conditioner			

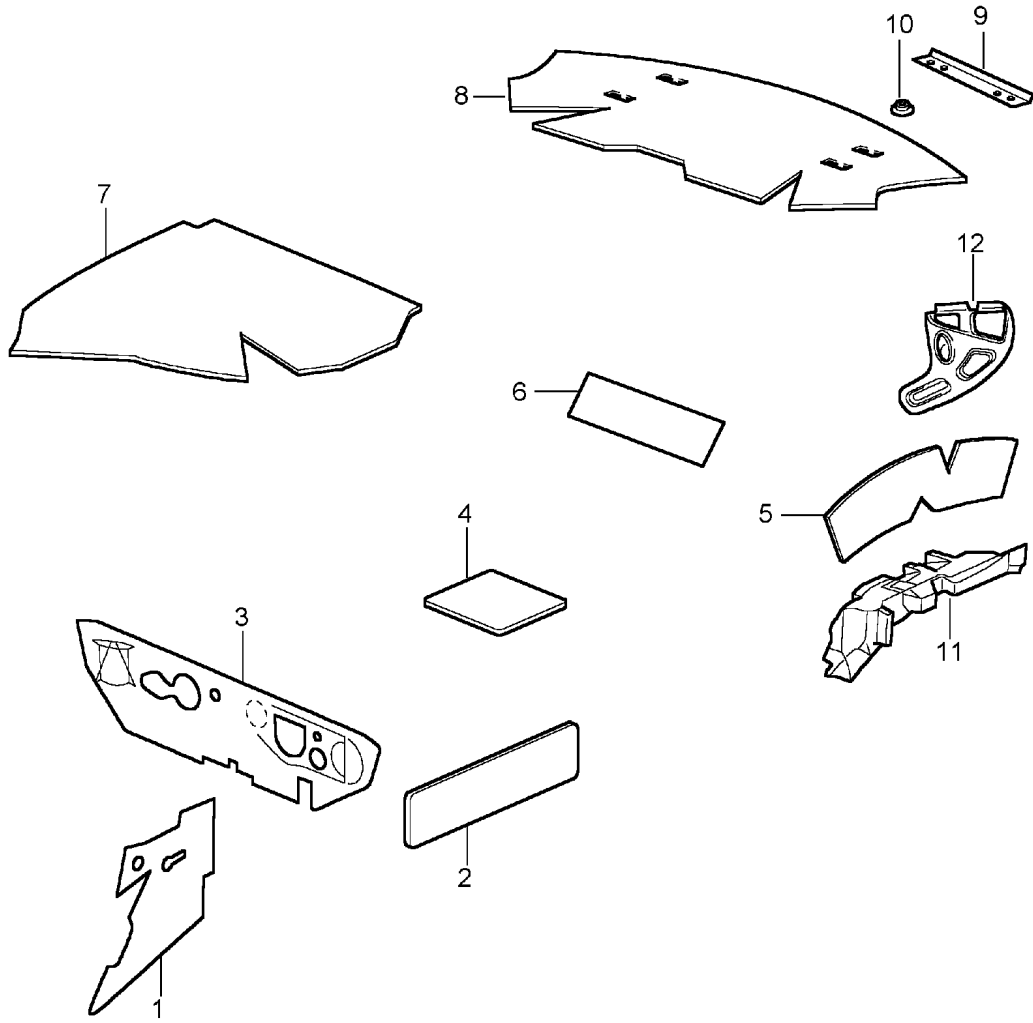
Model: 996 01

Model life 2001>>2005

Pos	Part Number	Description	Remark	Qty	Model
(20)	996 572 511 06	Sound absorber Air conditioner	/LL 03-	1	
(20)	996 572 511 03	Sound absorber Air conditioner	/RL -02	1	
(20)	996 572 511 05	Sound absorber Air conditioner	/RL 03-	1	
20	996 572 511 07	Sound absorber Air conditioner	/RL 03-	1	

Model: 996 01

Model life 2001>>2005

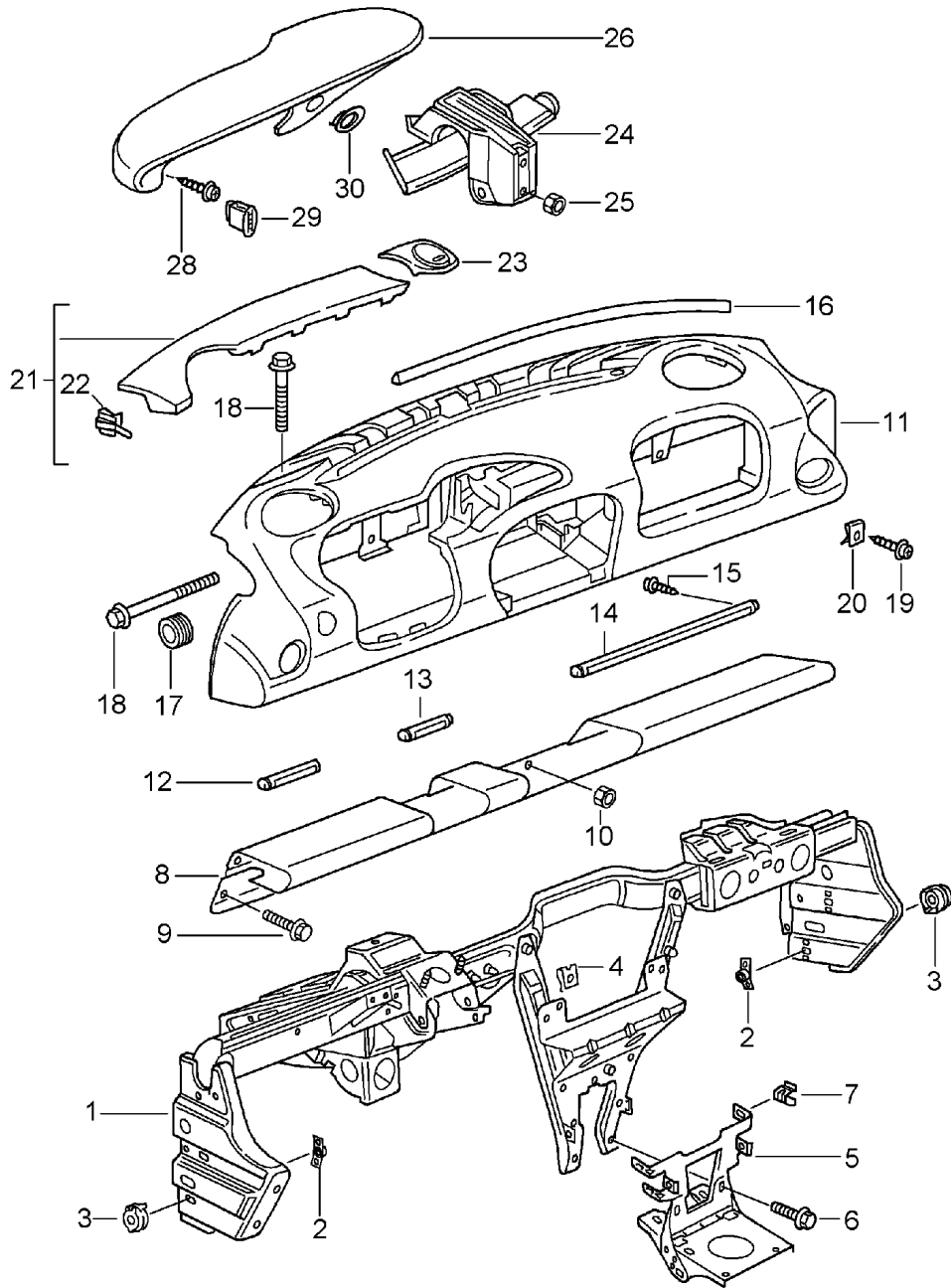


Model: 996 01 Model life 2001>>2005

Pos	Part Number	Description	Remark	Qty	Model
1	996 556 605 01	Body Sound proofing 1 Sound absorber	04- /L	1	CABRIO
(1)	996 556 606 01	Wheel housing Front Sound absorber	/R	1	
2	996 556 531 01	Wheel housing Front Insulation		2	
3	996 556 723 01	Door in white Sound absorber	/LL	1	
(3)	996 556 724 01	Firewall Sound absorber	/RL	1	
4	996 556 503 01	Firewall Insulation		2	
5	996 556 507 02	Floor 228 X 230 Insulation	/L	1	
(5)	996 556 508 02	Wheel housing Rear Insulation	/R	1	
6	996 556 511 01	Wheel housing Rear Insulation		1	
7	996 556 611 02	Rear wall 430 X 120 Sound absorber	/L	1	
(7)	996 556 612 01	Convertible top Tray Sound absorber	/R	1	
8	996 556 711 03	Convertible top Tray Sound absorber		1	
(8)	996 556 711 04	F >>99XS6 70858 Engine compartment Sound absorber		1	
9	996 556 761 01	F 99XS6 70859>> Engine compartment Retaining strip		1	
10	999 049 020 40	Engine compartment Plastic nut		5	
11	996 556 657 04	T5/30 X 5,1 Sound absorber	/L 04-	1	
11	996 556 658 04	Wheel-housing liner Rear Sound absorber	/R 04-	1	
12	996 556 653 00	Wheel-housing liner Rear Sound absorber	04-	1	
		Control units			

Model: 996 01

Model life 2001>>2005



Model: 996 01 Model life 2001>>2005

Pos	Part Number	Description	Remark	Qty	Model
		Dashboard trim with			
1	996 552 061 12	Retaining frame	/LL	1	
(1)	996 552 061 13	Retaining frame	/RL	1	
2	996 552 805 00	Threaded plate		4	
3	996 552 545 00	Shim		4	
4	999 507 462 02	Speed nut		9	
4	999 507 462 09	Speed nut		9	
4	999 591 855 02	Speed nut 4,8		1	
4	999 591 855 01	Speed nut 4,8		1	
(5)	996 552 309 08	Support		1	M476
7	999 507 574 02	Clamp 8 X 10/1,2		4	
11	996 552 101 00	Dashboard trim Leather	/LL 01	1	M981
	996 552 101 00 EVL	Black			
	996 552 101 00 C51	Graphite grey			
	996 552 101 00 S31	Savanna			
	996 552 101 00 G11	Metropole blue			
	996 552 101 00 J31	Nephrite green			
	996 552 101 00 M31	Boxster red			
	996 552 101 00 P12	Cinnamon brown			
	996 552 101 00 D12	Dark grey/natural			
	996 552 101 00 T12	Brown/natural			
(11)	996 552 102 00	Dashboard trim Leather	/RL 01	1	M981
	996 552 102 00 EVL	Black			
	996 552 102 00 C51	Graphite grey			
	996 552 102 00 S31	Savanna			
	996 552 102 00 G11	Metropole blue			
	996 552 102 00 J31	Nephrite green			
	996 552 102 00 M31	Boxster red			
	996 552 102 00 P12	Cinnamon brown			
	996 552 102 00 D12	Dark grey/natural			
	996 552 102 00 T12	Brown/natural			
(11)	996 552 101 01	Dashboard trim Leather with Cut-outs Glove compartment	/LL 02-	1	M981
	996 552 101 01 A11	Black			
	996 552 101 01 C51	Graphite grey			
	996 552 101 01 S31	Savanna			
	996 552 101 01 G11	Metropole blue			
	996 552 101 01 J31	Nephrite green			
	996 552 101 01 M31	Boxster red			
	996 552 101 01 P12	Cinnamon brown			
	996 552 101 01 D12	Dark grey/natural			
	996 552 101 01 T12	Brown/natural			
(11)	996 552 102 01	Dashboard trim Leather with Cut-outs Glove compartment	/RL 02-	1	M981
	996 552 102 01 A11	Black			
	996 552 102 01 C51	Graphite grey			
	996 552 102 01 S31	Savanna			
	996 552 102 01 G11	Metropole blue			
	996 552 102 01 J31	Nephrite green			
	996 552 102 01 M31	Boxster red			

Model: 996 01 Model life 2001>>2005

Pos	Part Number	Description	Remark	Qty	Model
	996 552 102 01 P12	Cinnamon brown			
	996 552 102 01 D12	Dark grey/natural			
	996 552 102 01 T12	Brown/natural			
-	999 551 145 40	Lining strap 15 X 1,3 X 50		2	
-	999 507 768 02	Speed nut 4,2		18	
-	999 507 533 02	Clamp 8 X 10/2,5		23	
-	996 552 749 00	Reinforcement strip	/LL 02-	1	
-	996 552 750 00	Reinforcement strip Driver's side	/RL 02-	1	
-	996 552 753 00	Reinforcement strip	/LL 02-	1	M573
-	996 552 754 00	Reinforcement strip Glove compartment	/RL 02-	1	M573
-	999 073 169 07	Tapping screw 4,8 X 16	02-	2	
-	999 507 462 02	Speed nut 4,8	02-	5	
-	999 507 462 09	Speed nut 4,8	02-	5	
-	999 507 796 02	U-clamp	02-	3	
12	996 552 381 02	Moulding Driver's side Lacquered	/LL /L	1	
	996 552 381 02 A03	Black			
	996 552 381 02 C53	Graphite grey			
	996 552 381 02 S33	Savanna			
	996 552 381 02 G13	Metropole blue			
	996 552 381 02 J33	Nephrite green			
	996 552 381 02 M33	Boxster red			
	996 552 381 02 P13	Cinnamon brown			
(12)	996 552 382 01	Moulding Driver's side Lacquered	/RL /R	1	
	996 552 382 01 A03	Black			
	996 552 382 01 C53	Graphite grey			
	996 552 382 01 S33	Savanna			
	996 552 382 01 G13	Metropole blue			
	996 552 382 01 J33	Nephrite green			
	996 552 382 01 M33	Boxster red			
	996 552 382 01 P13	Cinnamon brown			
12	996 552 996 00	Moulding Driver's side Leather	/LL /L	1	IXNU
	996 552 996 00 A11	Black			
	996 552 996 00 C51	Graphite grey			
	996 552 996 00 S31	Savanna			
	996 552 996 00 G11	Metropole blue			
	996 552 996 00 J31	Nephrite green			
	996 552 996 00 M31	Boxster red			
	996 552 996 00 D12	Dark grey/natural			
	996 552 996 00 T12	Brown/natural			
	996 552 996 00 P12	Cinnamon brown			
(12)	996 552 997 00	Moulding Driver's side Leather	/RL /R	1	IXNU
	996 552 997 00 A11	Black			
	996 552 997 00 C51	Graphite grey			
	996 552 997 00 S31	Savanna			
	996 552 997 00 G11	Metropole blue			
	996 552 997 00 J31	Nephrite green			
	996 552 997 00 M31	Boxster red			



Model: 996 01 Model life 2001>>2005

Pos	Part Number	Description	Remark	Qty	Model
12	996 552 997 00 D12	Dark grey		1	IXNV
	996 552 997 00 T12	Brown/natural			
	996 552 997 00 P12	Cinnamon brown			
	996 552 996 04	Cover strip Driver's side Rootwood Light	/LL /L		
(12)	996 552 997 04	Moulding Driver's side Rootwood Light	/RL /R	1	IXNV
12	996 552 996 05	Cover strip Driver's side Rootwood Dark	/LL /L	1	IXNW
(12)	996 552 997 05	Cover strip Driver's side Rootwood Dark	/RL /R	1	IXNW
12	996 552 996 01	Cover strip Driver's side Carbon	/LL /L	1	IXNX
(12)	996 552 997 01	Cover strip Driver's side Carbon	/RL /R	1	IXNX
12	996 552 996 03	Cover strip Driver's side Aluminium Arctic silver	/LL /L -02	1	IXNY
(12)	996 552 997 03	Cover strip Driver's side Aluminium Arctic silver	/RL /R -02	1	IXNY
12	996 552 996 12	Moulding Driver's side	/LL 03-	1	IXCA
(12)	996 552 997 12	Moulding Driver's side Aluminium Silver	/RL 03-	1	IXCA
13	996 552 383 02	Moulding Centre Lacquered	/LL	1	
	996 552 383 02 A03	Black			
	996 552 383 02 C53	Graphite grey			
	996 552 383 02 S33	Savanna			
	996 552 383 02 G13	Metropole blue			
	996 552 383 02 J33	Nephrite green			
	996 552 383 02 M33	Boxster red			
	996 552 383 02 P13	Cinnamon brown			
(13)	996 552 384 01	Moulding Centre Lacquered	/RL	1	
	996 552 384 01 A03	Black			
	996 552 384 01 C53	Graphite grey			
	996 552 384 01 S33	Savanna			
	996 552 384 01 G13	Metropole blue			
	996 552 384 01 J33	Nephrite green			
	996 552 384 01 M33	Boxster red			
	996 552 384 01 P13	Cinnamon brown			
13	996 552 998 00	Moulding Centre Leather	/LL	1	IXNU
	996 552 998 00 A11	Black			

Model: 996 01 Model life 2001>>2005

Pos	Part Number	Description	Remark	Qty	Model
	996 552 998 00 C51	Graphite grey			
	996 552 998 00 S31	Savanna			
	996 552 998 00 G11	Metropole blue			
	996 552 998 00 J31	Nephrite green			
	996 552 998 00 M31	Boxster red			
	996 552 998 00 D12	Dark grey/natural			
	996 552 998 00 T12	Brown/natural			
	996 552 998 00 P12	Cinnamon brown			
(13)	996 552 998 01	Moulding Centre Leather	/RL	1	IXNU
	996 552 998 01 A11	Black			
	996 552 998 01 C51	Graphite grey			
	996 552 998 01 S31	Savanna			
	996 552 998 01 G11	Metropole blue			
	996 552 998 01 J31	Nephrite green			
	996 552 998 01 M31	Boxster red			
	996 552 998 01 D12	Dark grey/natural			
	996 552 998 01 T12	Brown/natural			
	996 552 998 01 P12	Cinnamon brown			
13	996 552 998 08	Cover strip Centre Rootwood Light	/LL	1	IXNV
(13)	996 552 998 09	Moulding Centre Rootwood Light	/RL	1	IXNV
13	996 552 998 10	Cover strip Centre Rootwood Dark	/LL	1	IXNW
(13)	996 552 998 11	Cover strip Centre Rootwood Dark	/RL	1	IXNW
13	996 552 998 02	Cover strip Centre Carbon	/LL	1	IXNX
(13)	996 552 998 03	Cover strip Centre Carbon	/RL	1	IXNX
13	996 552 998 06	Cover strip Centre Aluminium Arctic silver	/LL -02	1	IXNY
(13)	996 552 998 07	Cover strip Centre Aluminium Arctic silver	/RL -02	1	IXNY
13	996 552 998 14	Moulding Centre Aluminium Silver	/LL 03-	1	IXCA
(13)	996 552 998 15	Moulding Centre Aluminium Silver	/RL 03-	1	IXCA
14	996 552 385 03	Moulding Passenger's side Lacquered	/LL /R	1	
	996 552 385 03 A03	Black			
	996 552 385 03 C53	Graphite grey			

Model: 996 01 Model life 2001>>2005

Pos	Part Number	Description	Remark	Qty	Model
	996 552 385 03 S33	Savanna			
	996 552 385 03 G13	Metropole blue			
	996 552 385 03 J33	Nephrite green			
	996 552 385 03 M33	Boxster red			
	996 552 385 03 P13	Cinnamon brown			
(14)	996 552 386 03	Moulding Passenger's side Lacquered	/RL /L	1	
	996 552 386 03 A03	Black			
	996 552 386 03 C53	Graphite grey			
	996 552 386 03 S33	Savanna			
	996 552 386 03 G13	Metropole blue			
	996 552 386 03 J33	Nephrite green			
	996 552 386 03 M33	Boxster red			
	996 552 386 03 P13	Cinnamon brown			
14	996 552 959 00	Moulding Passenger's side Leather	/LL /R	1	IXNU
	996 552 959 00 A11	Black			
	996 552 959 00 C51	Graphite grey			
	996 552 959 00 S31	Savanna			
	996 552 959 00 G11	Metropole blue			
	996 552 959 00 J31	Nephrite green			
	996 552 959 00 M31	Boxster red			
	996 552 959 00 D12	Dark grey/natural			
	996 552 959 00 T12	Brown/natural			
	996 552 959 00 P12	Cinnamon brown			
(14)	996 552 959 01	Moulding Passenger's side Leather	/RL /L	1	IXNU
	996 552 959 01 A11	Black			
	996 552 959 01 C51	Graphite grey			
	996 552 959 01 S31	Savanna			
	996 552 959 01 G11	Metropole blue			
	996 552 959 01 J31	Nephrite green			
	996 552 959 01 M31	Boxster red			
	996 552 959 01 D12	Dark grey/natural			
	996 552 959 01 T12	Brown/natural			
	996 552 959 01 P12	Cinnamon brown			
(14)	996 552 959 02	Moulding Passenger's side Rootwood Light	/LL /R	1	IXNV
(14)	996 552 959 03	Moulding Passenger's side Rootwood Light	/RL /L	1	IXNV
(14)	996 552 959 04	Moulding Passenger's side Rootwood Dark	/LL /R	1	IXNW
(14)	996 552 959 05	Moulding Passenger's side Rootwood Dark	/RL /L	1	IXNW
(14)	996 552 959 06	Moulding Passenger's side Carbon	/LL /R	1	IXNX
(14)	996 552 959 07	Moulding Passenger's side Carbon	/RL /L	1	IXNX
14	996 552 959 08	Moulding Passenger's side	/LL /R -02	1	IXNY

Model: 996 01 Model life 2001>>2005

Pos	Part Number	Description	Remark	Qty	Model
(14)	996 552 959 09	Aluminium Arctic silver Moulding Passenger's side	/RL /L -02	1	IXNY
14	996 552 959 11	Aluminium Arctic silver Moulding Passenger's side	/RL /L 03-	1	IXCA
(14)		Aluminium Silver Moulding Passenger's side	/RL /L 03-	1	
15	999 919 203 07	Oval-head screw 3 X 10		11	
16	996 552 645 00	Gasket Cowl		1	
17	999 703 466 40	Information available Stopper 15,0 X 5,0		2	
18	999 074 057 09	Hexagon-head bolt M 8 X 125		4	
19	999 073 169 07	Tapping screw 4,8 X 16		11	
20	999 507 462 02	Speed nut 4,8		19	
20	999 507 462 09	Speed nut 4,8		19	
21	996 552 185 04	Defroster trim	/L	1	
	996 552 185 04 A03	Black			
	996 552 185 04 C53	Graphite grey			
	996 552 185 04 S33	Savanna			
	996 552 185 04 G13	Metropole blue			
	996 552 185 04 J33	Nephrite green			
	996 552 185 04 M33	Boxster red			
	996 552 185 04 P13	Cinnamon brown			
(21)	996 552 186 04	Defroster trim Lacquered	/R	1	
	996 552 186 04 A03	Black			
	996 552 186 04 C53	Graphite grey			
	996 552 186 04 S33	Savanna			
	996 552 186 04 G13	Metropole blue			
	996 552 186 04 J33	Nephrite green			
	996 552 186 04 M33	Boxster red			
	996 552 186 04 P13	Cinnamon brown			
21	996 552 988 05	Defroster trim	/L	1	IXV1
	996 552 988 05 VRK	Black			
	996 552 988 05 C51	Graphite grey			
	996 552 988 05 S31	Savanna			
	996 552 988 05 J31	Nephrite green			
	996 552 988 05 M31	Boxster red			
	996 552 988 05 G11	Metropole blue			
	996 552 988 05 D12	Dark grey/natural			
	996 552 988 05 T12	Brown/natural			
	996 552 988 05 P12	Cinnamon brown			
(21)	996 552 989 05	Defroster trim Leather	/R	1	IXV1
	996 552 989 05 VRK	Black			
	996 552 989 05 C51	Graphite grey			
	996 552 989 05 S31	Savanna			
	996 552 989 05 J31	Nephrite green			
	996 552 989 05 M31	Boxster red			

Model: 996 01 Model life 2001>>2005

Pos	Part Number	Description	Remark	Qty	Model	
21	996 552 989 05 G11	Metropole blue				
	996 552 989 05 D12	Dark grey/natural				
	996 552 989 05 T12	Brown/natural				
	996 552 989 05 P12	Cinnamon brown				
	996 552 988 04	Defroster trim Carbon Leather	/L	1	IXKJ	
	996 552 988 04 VRK	Black				
	996 552 988 04 C51	Graphite grey				
	996 552 988 04 S31	Savanna				
	996 552 988 04 J31	Nephrite green				
	996 552 988 04 M31	Boxster red				
	996 552 988 04 G11	Metropole blue				
	996 552 988 04 D12	Dark grey/natural				
	996 552 988 04 T12	Brown/natural				
(21)	996 552 988 04 P12	Cinnamon brown				
21	996 552 989 04	Defroster trim Carbon Leather	/R	1	IXKJ	
	996 552 989 04 VRK	Black				
	996 552 989 04 C51	Graphite grey				
	996 552 989 04 S31	Savanna				
	996 552 989 04 J31	Nephrite green				
	996 552 989 04 M31	Boxster red				
	996 552 989 04 G11	Metropole blue				
	996 552 989 04 D12	Dark grey/natural				
	996 552 989 04 T12	Brown/natural				
	996 552 989 04 P12	Cinnamon brown				
	21	996 552 988 03	Defroster trim Dark maple rootwood Leather	/L 01-	1	IXKH
	996 552 988 03 VRK	Black				
	996 552 988 03 C51	Graphite grey				
996 552 988 03 S31	Savanna					
996 552 988 03 J31	Nephrite green					
996 552 988 03 M31	Boxster red					
996 552 988 03 G11	Metropole blue					
996 552 988 03 D12	Dark grey					
996 552 988 03 T12	Brown/natural					
996 552 988 03 P12	Cinnamon brown					
(21)	996 552 989 03	Defroster trim Dark maple rootwood Leather	/R 01-	1	IXKH	
996 552 989 03 VRK	Black					
996 552 989 03 C51	Graphite grey					
996 552 989 03 S31	Savanna					
996 552 989 03 J31	Nephrite green					
996 552 989 03 M31	Boxster red					
996 552 989 03 G11	Metropole blue					
996 552 989 03 D12	Dark grey					
996 552 989 03 T12	Brown/natural					
996 552 989 03 P12	Cinnamon brown					
21	996 552 988 02	Defroster trim Light maple rootwood Leather	/L 01-	1	IXKG	
996 552 988 02 VRK	Black					
996 552 988 02 C51	Graphite grey					
996 552 988 02 S31	Savanna					
996 552 988 02 J31	Nephrite green					
996 552 988 02 M31	Boxster red					
996 552 988 02 G11	Metropole blue					
996 552 988 02 D12	Dark grey/natural					
996 552 988 02 T12	Brown/natural					

Model: 996 01 Model life 2001>>2005

Pos	Part Number	Description	Remark	Qty	Model
(21)	996 552 988 02 P12	Cinnamon brown			
	996 552 989 02	Defroster trim	/R 01-	1	IXKG
		Light maple rootwood			
		Leather			
	996 552 989 02 VRK	Black			
	996 552 989 02 C51	Graphite grey			
	996 552 989 02 S31	Savanna			
	996 552 989 02 J31	Nephrite green			
	996 552 989 02 M31	Boxster red			
	996 552 989 02 G11	Metropole blue			
	996 552 989 02 D12	Dark grey/natural			
	996 552 989 02 T12	Brown/natural			
	996 552 989 02 P12	Cinnamon brown			
22	999 507 685 02	Clamp		2	
		1,5-2,0			
23	996 552 181 04	Cover		1	
	996 552 181 04 A03	Black			
	996 552 181 04 C53	Graphite grey			
	996 552 181 04 S33	Savanna			
	996 552 181 04 G13	Metropole blue			
	996 552 181 04 J33	Nephrite green			
	996 552 181 04 M33	Boxster red			
	996 552 181 04 P13	Cinnamon brown			
23	996 552 990 02	Cover		1	IXV1
		Light			
		Leather			
	996 552 990 02 VRK	Black			
	996 552 990 02 C51	Graphite grey			
	996 552 990 02 S31	Savanna			
	996 552 990 02 J31	Nephrite green			
	996 552 990 02 M31	Boxster red			
	996 552 990 02 G11	Metropole blue			
	996 552 990 02 D12	Dark grey/natural			
	996 552 990 02 T12	Brown/natural			
	996 552 990 02 P12	Cinnamon brown			
24	996 552 617 03	Support	/LL	1	
(24)	996 552 618 02	Support	/RL	1	
		Instrument			
		Wiring harness			
-	999 591 883 02	Speed nut		2	
		4,8			
-	999 591 883 01	Speed nut		2	
		4,8			
25	900 380 015 09	Hexagon nut		2	
		M 6			
26	996 552 025 01	Cover	/LL -02	1	
		Leather			
	996 552 025 01 ETQ	Black			
	996 552 025 01 EUR	Graphite grey			
	996 552 025 01 EUS	Savanna			
	996 552 025 01 EUT	Metropole blue			
	996 552 025 01 EUV	Nephrite green			
	996 552 025 01 EUW	Boxster red			
	996 552 025 01 FEJ	Cinnamon brown			
	996 552 025 01 VRP	Dark grey/natural			
	996 552 025 01 VRQ	Brown/natural			
(26)	996 552 026 01	Cover	/RL -02	1	
		Leather			
	996 552 026 01 ETQ	Black			
	996 552 026 01 EUR	Graphite grey			
	996 552 026 01 EUS	Savanna			
	996 552 026 01 EUT	Metropole blue			
	996 552 026 01 EUV	Nephrite green			

Model: 996 01 Model life 2001>>2005

Pos	Part Number	Description	Remark	Qty	Model
26	996 552 026 01 EUW	Boxster red		1	M981
	996 552 026 01 FEJ	Cinnamon brown			
	996 552 026 01 VRP	Dark grey/natural			
	996 552 026 01 VRQ	Brown/natural			
	996 552 025 02	Cover			
		Instruments			
		Leather			
	996 552 025 02 ETQ	Black			
	996 552 025 02 EUR	Graphite grey			
	996 552 025 02 EUS	Savanna			
996 552 025 02 EUT	Metropole blue				
996 552 025 02 EUW	Boxster red				
996 552 025 02 FEJ	Cinnamon brown				
996 552 025 02 VRP	Dark grey/natural				
996 552 025 02 VRQ	Brown/natural				
(26)	996 552 026 02	Cover	/RL 03-	1	M981
		Instruments			
		Leather			
	996 552 026 02 ETQ	Black			
	996 552 026 02 EUR	Graphite grey			
	996 552 026 02 EUS	Savanna			
	996 552 026 02 EUT	Metropole blue			
	996 552 026 02 EUW	Boxster red			
	996 552 026 02 FEJ	Cinnamon brown			
	996 552 026 02 VRP	Dark grey/natural			
	996 552 026 02 VRQ	Brown/natural			
(28)	999 073 220 09	Tapping screw 4,8 X 25	01-	2	
-	999 507 033 02	Speed nut 4,8		2	
-	999 507 033 01	Speed nut 4,8		2	
29	996 552 625 02	Cover	/LL	1	
		Microphone			
	996 552 625 02 A03	Black			
	996 552 625 02 C53	Graphite grey			
	996 552 625 02 S33	Savanna			
	996 552 625 02 G13	Metropole blue			
	996 552 625 02 J33	Nephrite green			
	996 552 625 02 M33	Boxster red			
	996 552 625 02 P13	Cinnamon brown			
(29)	996 552 626 02	Cover	/RL	1	
		Microphone			
		Lacquered			
	996 552 626 02 A03	Black			
	996 552 626 02 C53	Graphite grey			
	996 552 626 02 S33	Savanna			
	996 552 626 02 G13	Metropole blue			
	996 552 626 02 J33	Nephrite green			
	996 552 626 02 M33	Boxster red			
	996 552 626 02 P13	Cinnamon brown			
30	996 552 469 01	Rosette	/LL	1	
		Hazard warning light sw.			
		Lacquered			
	996 552 469 01 A03	Black			
	996 552 469 01 C53	Graphite grey			
	996 552 469 01 S33	Savanna			
	996 552 469 01 G13	Metropole blue			
	996 552 469 01 J33	Nephrite green			
	996 552 469 01 M33	Boxster red			
	996 552 469 01 P13	Cinnamon brown			
(30)	996 552 470 01	Rosette	/RL	1	
		Hazard warning light sw.			

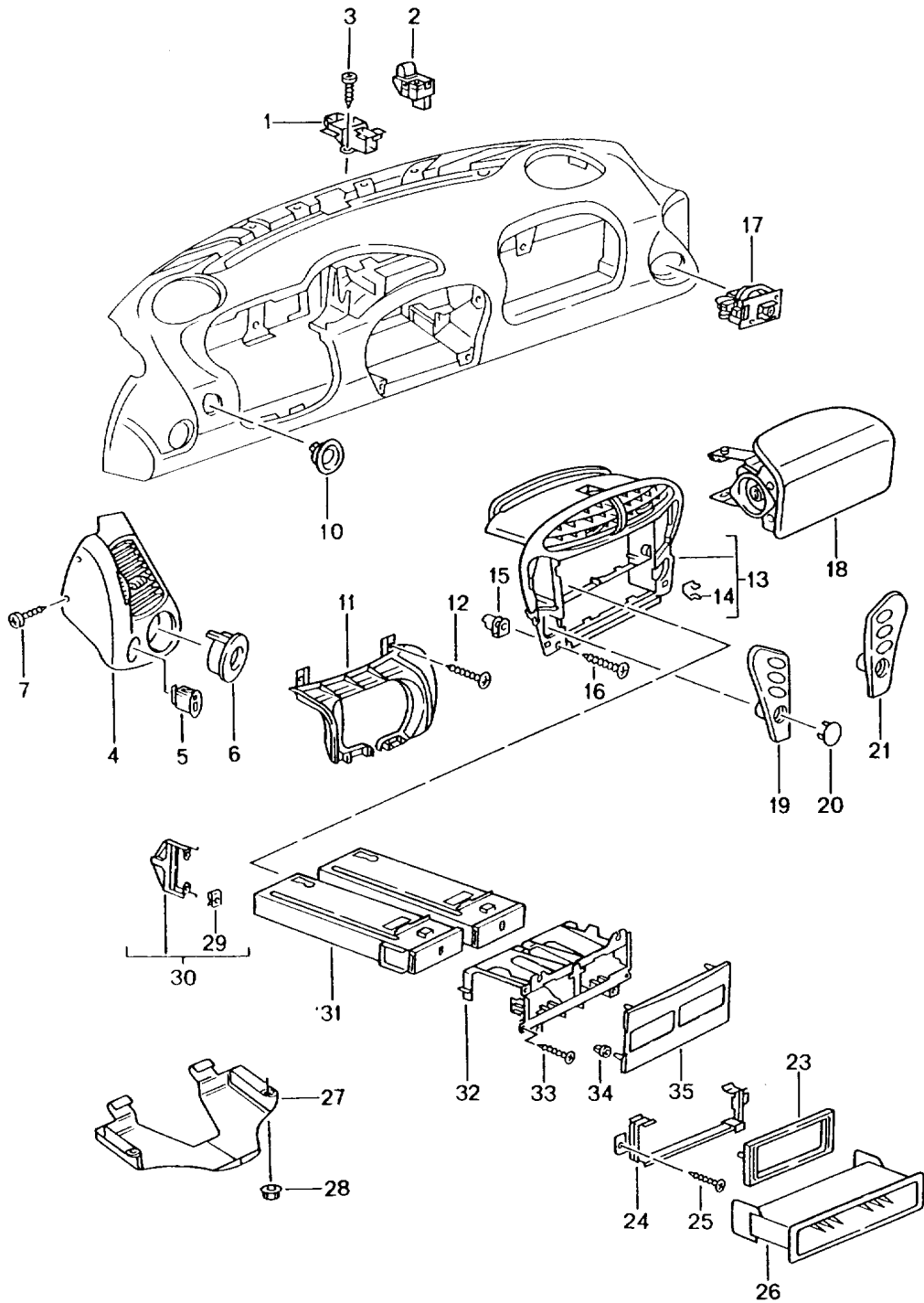
Model: 996 01 Model life 2001>>2005

Pos	Part Number	Description	Remark	Qty	Model
		Lacquered			
	996 552 470 01 A03	Black			
	996 552 470 01 C53	Graphite grey			
	996 552 470 01 S33	Savanna			
	996 552 470 01 G13	Metropole blue			
	996 552 470 01 J33	Nephrite green			
	996 552 470 01 M33	Boxster red			
	996 552 470 01 P13	Cinnamon brown			
30	996 552 966 00	Rosette	/LL	1	
		Hazard warning light sw.			
		Leather			
	996 552 966 00 A11	Black			
	996 552 966 00 C51	Graphite grey			
	996 552 966 00 S31	Savanna			
	996 552 966 00 G11	Metropole blue			
	996 552 966 00 J31	Nephrite green	-03		
	996 552 966 00 M31	Boxster red			
	996 552 966 00 P12	Cinnamon brown			
	996 552 966 00 D12	Dark grey/natural			
	996 552 966 00 T12	Brown/natural			
(30)	996 552 966 01	Rosette	/RL	1	
		Hazard warning light sw.			
		Leather			
	996 552 966 01 A11	Black			
	996 552 966 01 C51	Graphite grey			
	996 552 966 01 S31	Savanna			
	996 552 966 01 G11	Metropole blue			
	996 552 966 01 J31	Nephrite green	-03		
	996 552 966 01 M31	Boxster red			
	996 552 966 01 P12	Cinnamon brown			
	996 552 966 01 D12	Dark grey/natural			
	996 552 966 01 T12	Brown/natural			



Model: 996 01

Model life 2001>>2005



Model: 996 01 Model life 2001>>2005

Pos	Part Number	Description	Remark	Qty	Model
1	996 552 541 02	Accessories Dashboard trim Mounting Light	-01	1	
2	996 653 251 00	Sensor		1	M573
3	999 919 120 09	Oval-head screw 4,0 X 18		2	
4	996 552 225 05	Side vent Lacquered	/L	1	
	996 552 225 05 A03	Black			
	996 552 225 05 C53	Graphite grey			
	996 552 225 05 S33	Savanna			
	996 552 225 05 G13	Metropole blue			
	996 552 225 05 J33	Nephrite green			
	996 552 225 05 M33	Boxster red			
	996 552 225 05 P13	Cinnamon brown			
(4)	996 552 228 05	Side vent Lacquered	/R	1	
	996 552 228 05 A03	Black			
	996 552 228 05 C53	Graphite grey			
	996 552 228 05 S33	Savanna			
	996 552 228 05 G13	Metropole blue			
	996 552 228 05 J33	Nephrite green			
	996 552 228 05 M33	Boxster red			
	996 552 228 05 P13	Cinnamon brown			
4	996 552 984 00	Side vent Leather	/L 01-	1	IXN3
	996 552 984 00 VRK	Black			
	996 552 984 00 C51	Graphite grey			
	996 552 984 00 S31	Savanna			
	996 552 984 00 G11	Metropole blue			
	996 552 984 00 J31	Nephrite green			
	996 552 984 00 M31	Boxster red			
	996 552 984 00 D12	Dark grey/natural			
	996 552 984 00 T12	Brown/natural			
	996 552 984 00 P12	Cinnamon brown			
(4)	996 552 985 00	Side vent Leather	/R 01-	1	IXN3
	996 552 985 00 VRK	Black			
	996 552 985 00 C51	Graphite grey			
	996 552 985 00 S31	Savanna			
	996 552 985 00 G11	Metropole blue			
	996 552 985 00 J31	Nephrite green			
	996 552 985 00 M31	Boxster red			
	996 552 985 00 D12	Dark grey/natural			
	996 552 985 00 T12	Brown/natural			
	996 552 985 00 P12	Cinnamon brown			
4	996 552 984 03	Side vent Carbon Leather	/L	1	IXKD
	996 552 984 03 VRK	Black			
	996 552 984 03 C51	Graphite grey			
	996 552 984 03 S31	Savanna			
	996 552 984 03 J31	Nephrite green			
	996 552 984 03 M31	Boxster red			
	996 552 984 03 G11	Metropole blue			
	996 552 984 03 D12	Dark grey/natural			
	996 552 984 03 T12	Brown/natural			
	996 552 984 03 P12	Cinnamon brown			
(4)	996 552 985 03	Side vent Carbon Leather	/R	1	IXKD
	996 552 985 03 VRK	Black			

Model: 996 01 Model life 2001>>2005

Pos	Part Number	Description	Remark	Qty	Model
(4)	996 552 985 03 C51	Graphite grey	/L	1	IXKE
	996 552 985 03 S31	Savanna			
	996 552 985 03 J31	Nephrite green			
	996 552 985 03 M31	Boxster red			
	996 552 985 03 G11	Metropole blue			
	996 552 985 03 D12	Dark grey/natural			
	996 552 985 03 T12	Brown/natural			
	996 552 985 03 P12	Cinnamon brown			
	996 552 984 05	Side vent			
		Arctic silver			
		Leather			
	996 552 984 05 VRK	Black			
	996 552 984 05 C51	Graphite grey			
	996 552 984 05 S31	Savanna			
996 552 984 05 J31	Nephrite green				
996 552 984 05 M31	Boxster red				
996 552 984 05 G11	Metropole blue				
996 552 984 05 D12	Dark grey				
996 552 984 05 T12	Brown/natural				
996 552 984 05 P12	Cinnamon brown				
4	996 552 985 05	Side vent	/R	1	IXKE
		Arctic silver			
		Leather			
	996 552 985 05 VRK	Black			
	996 552 985 05 C51	Graphite grey			
	996 552 985 05 S31	Savanna			
	996 552 985 05 J31	Nephrite green			
	996 552 985 05 M31	Boxster red			
	996 552 985 05 G11	Metropole blue			
	996 552 985 05 D12	Dark grey			
	996 552 985 05 T12	Brown/natural			
	996 552 985 05 P12	Cinnamon brown			
4	996 552 984 02	Side vent	/L 01-	1	IXKC
		Rootwood			
		Dark grey			
		Leather			
	996 552 984 02 VRK	Black			
	996 552 984 02 C51	Graphite grey			
	996 552 984 02 S31	Savanna			
	996 552 984 02 J31	Nephrite green			
	996 552 984 02 M31	Boxster red			
	996 552 984 02 D12	Dark grey			
	996 552 984 02 T12	Brown/natural			
	996 552 984 02 P12	Cinnamon brown			
(4)	996 552 985 02	Side vent	/R 01-	1	IXKC
		Rootwood			
		Dark grey			
		Leather			
	996 552 985 02 VRK	Black			
	996 552 985 02 C51	Graphite grey			
	996 552 985 02 S31	Savanna			
	996 552 985 02 J31	Nephrite green			
	996 552 985 02 M31	Boxster red			
	996 552 985 02 D12	Dark grey			
	996 552 985 02 T12	Brown/natural			
	996 552 985 02 P12	Cinnamon brown			
5	996 552 621 01	Cover		1	
		Headlight levelling system			
		Lacquered			
	996 552 621 01 A03	Black			
	996 552 621 01 C53	Graphite grey			
	996 552 621 01 S33	Savanna			
	996 552 621 01 G13	Metropole blue			

Model: 996 01 Model life 2001>>2005

Pos	Part Number	Description	Remark	Qty	Model			
5	996 552 621 01 J33	Nephrite green		1	IXNH			
	996 552 621 01 M33	Boxster red						
	996 552 621 01 P13	Cinnamon brown						
	996 552 986 00	Cover						
		Headlight levelling system						
		Leather						
	996 552 986 00 A11	Black						
	996 552 986 00 C51	Graphite grey						
	996 552 986 00 S31	Savanna						
	996 552 986 00 J31	Nephrite green						
5	996 552 986 00 M31	Boxster red		2	IXKB			
	996 552 986 00 G11	Metropole blue						
	996 552 986 00 D12	Dark grey/natural						
	996 552 986 00 T12	Brown/natural						
	996 552 986 00 P12	Cinnamon brown						
	996 552 986 01	Cover						
		Headlight levelling system						
		Rootwood						
		Light						
	5	996 552 986 02	Cover				2	IXKC
		Headlight levelling system						
		Rootwood						
5	996 552 986 03	Dark		2	IXKD			
		Cover						
		Headlight levelling system						
		Carbon						
6	996 552 417 02	Rosette		1	IXNH			
		Interior sensor						
		Lacquered						
	996 552 417 02 A03	Black						
	996 552 417 02 C53	Graphite grey						
	996 552 417 02 S33	Savanna						
	996 552 417 02 G13	Metropole blue						
	996 552 417 02 J33	Nephrite green						
	996 552 417 02 M33	Boxster red						
	996 552 417 02 P13	Cinnamon brown						
6	996 552 987 00	Rosette		1	IXNH			
		Interior sensor						
		Leather						
	996 552 987 00 A11	Black						
	996 552 987 00 C51	Graphite grey						
	996 552 987 00 S31	Savanna						
	996 552 987 00 J31	Nephrite green						
	996 552 987 00 M31	Boxster red						
	996 552 987 00 G11	Metropole blue						
	996 552 987 00 D12	Dark grey/natural						
7	996 552 987 00 T12	Brown/natural		4				
	996 552 987 00 P12	Cinnamon brown						
	999 073 218 09	Tapping screw						
		4,2 X 16						
	10	996 552 235 03	Rosette			/LL	1	
			Ignition starter lock					
		996 552 235 03 A03	Black					
		996 552 235 03 C53	Graphite grey					
		996 552 235 03 S33	Savanna					
		996 552 235 03 G13	Metropole blue					
996 552 235 03 B13		Space grey						
996 552 235 03 J33		Nephrite green						
996 552 235 03 M33		Boxster red						
996 552 235 03 P13		Cinnamon brown						
(10)	996 552 236 03	Rosette	/RL	1				
		Ignition starter lock						
	996 552 236 03 A03	Black						

Model: 996 01 Model life 2001>>2005

Pos	Part Number	Description	Remark	Qty	Model
	996 552 236 03 C53	Graphite grey			
	996 552 236 03 S33	Savanna			
	996 552 236 03 G13	Metropole blue			
	996 552 236 03 B13	Space grey			
	996 552 236 03 J33	Nephrite green			
	996 552 236 03 M33	Boxster red			
	996 552 236 03 P13	Cinnamon brown			
10	996 552 980 00	Rosette	/LL 01-	1	IXJ4
		Ignition starter lock			
		Leather			
	996 552 980 00 A11	Black			
	996 552 980 00 C51	Graphite grey			
	996 552 980 00 S31	Savanna			
	996 552 980 00 G11	Metropole blue			
	996 552 980 00 J31	Nephrite green			
	996 552 980 00 M31	Boxster red			
	996 552 980 00 P12	Cinnamon brown			
	996 552 980 00 D12	Dark grey/natural			
	996 552 980 00 T12	Brown/natural			
(10)	996 552 980 01	Rosette	/RL 01-	1	IXJ4
		Ignition starter lock			
		Leather			
	996 552 980 01 A11	Black			
	996 552 980 01 C51	Graphite grey			
	996 552 980 01 S31	Savanna			
	996 552 980 01 G11	Metropole blue			
	996 552 980 01 J31	Nephrite green			
	996 552 980 01 M31	Boxster red			
	996 552 980 01 P12	Cinnamon brown			
	996 552 980 01 D12	Dark grey/natural			
	996 552 980 01 T12	Brown/natural			
11	996 552 271 03	Cover		1	
		Steering			
	996 552 271 03 A03	Black			
	996 552 271 03 C53	Graphite grey			
	996 552 271 03 S33	Savanna			
	996 552 271 03 G13	Metropole blue			
	996 552 271 03 J33	Nephrite green			
	996 552 271 03 M33	Boxster red			
	996 552 271 03 P13	Cinnamon brown			
11	986 552 988 03	Cover	01-	1	IXNS
		Steering			
		Leather			
	986 552 988 03 VRK	Black			
	986 552 988 03 S31	Savanna			
	986 552 988 03 G11	Metropole blue			
	986 552 988 03 J31	Nephrite green			
	986 552 988 03 M31	Boxster red			
	986 552 988 03 D12	Dark grey/natural			
	986 552 988 03 T12	Brown/natural			
	986 552 988 03 C51	Graphite grey			
	986 552 988 03 P12	Cinnamon brown			
-	999 591 850 02	Speed nut		2	
		4,2			
-	999 591 850 01	Speed nut		2	
		4,2			
13	996 552 131 04	Support frame	01	1	
	996 552 131 04 A03	Black			
	996 552 131 04 C53	Graphite grey			
	996 552 131 04 S33	Savanna			
	996 552 131 04 G13	Metropole blue			
	996 552 131 04 J33	Nephrite green			
	996 552 131 04 M33	Boxster red			

Model: 996 01 Model life 2001>>2005

Pos	Part Number	Description	Remark	Qty	Model
(13)	996 552 131 04 P13	Cinnamon brown			
	996 552 131 05	Support frame	01	1	M662
	996 552 131 05 A03	Black			
	996 552 131 05 C53	Graphite grey			
	996 552 131 05 S33	Savanna			
	996 552 131 05 G13	Metropole blue			
	996 552 131 05 J33	Nephrite green			
	996 552 131 05 M33	Boxster red			
	996 552 131 05 P13	Cinnamon brown			
(13)	996 552 969 08	Support frame		1	IXNN
	996 552 969 08 A11	Black			
	996 552 969 08 C51	Graphite grey			
	996 552 969 08 S31	Savanna			
	996 552 969 08 J31	Nephrite green			
	996 552 969 08 M31	Boxster red			
	996 552 969 08 D12	Dark grey/natural			
	996 552 969 08 T12	Brown/natural			
	996 552 969 08 P12	Cinnamon brown	01		
(13)	996 552 969 09	Support frame		1	IXNN/M662
		Leather			
	996 552 969 09 A11	Black			
	996 552 969 09 C51	Graphite grey			
	996 552 969 09 S31	Savanna			
	996 552 969 09 J31	Nephrite green			
	996 552 969 09 M31	Boxster red			
	996 552 969 09 D12	Dark grey/natural			
	996 552 969 09 T12	Brown/natural			
	996 552 969 09 P12	Cinnamon brown	01		
(13)	996 552 969 10	Support frame	01	1	IXKR
		Rootwood			
		Light			
	996 552 969 10 01C	Satin black			
	996 552 969 10 C53	Graphite grey			
	996 552 969 10 S33	Savanna			
	996 552 969 10 G13	Metropole blue			
	996 552 969 10 J33	Nephrite green			
	996 552 969 10 M33	Boxster red			
	996 552 969 10 D12	Dark grey			
	996 552 969 10 T12	Brown/natural			
	996 552 969 10 P13	Cinnamon brown	01		
(13)	996 552 969 11	Support frame	01	1	IXKR/M662
		Rootwood			
		Light			
	996 552 969 11 01C	Satin black			
	996 552 969 11 C53	Graphite grey			
	996 552 969 11 S33	Savanna			
	996 552 969 11 G13	Metropole blue			
	996 552 969 11 J33	Nephrite green			
	996 552 969 11 M33	Boxster red			
	996 552 969 11 D12	Dark grey/natural			
	996 552 969 11 T12	Brown/natural			
	996 552 969 11 P13	Cinnamon brown	01		
(13)	996 552 969 12	Support frame	01	1	IXKS
		Rootwood			
		Dark			
	996 552 969 12 01C	Satin black			
	996 552 969 12 C53	Graphite grey			
	996 552 969 12 S33	Savanna			
	996 552 969 12 G13	Metropole blue			
	996 552 969 12 J33	Nephrite green			
	996 552 969 12 M33	Boxster red			
	996 552 969 12 D12	Dark grey/natural			
	996 552 969 12 T12	Brown/natural			

Model: 996 01 Model life 2001>>2005

Pos	Part Number	Description	Remark	Qty	Model
	996 552 969 12 P13	Cinnamon brown	01		
	996 552 969 12 S30	Savanna			
(13)	996 552 969 13	Support frame	01	1	IXKS/M662
		Rootwood			
		Dark			
	996 552 969 13 01C	Satin black			
	996 552 969 13 C53	Graphite grey			
	996 552 969 13 S33	Savanna			
	996 552 969 13 G13	Metropole blue			
	996 552 969 13 J33	Nephrite green			
	996 552 969 13 M33	Boxster red			
	996 552 969 13 D12	Dark grey/natural			
	996 552 969 13 T12	Brown/natural			
	996 552 969 13 P13	Cinnamon brown	01		
(13)	996 552 969 14	Support frame	01	1	IXNR
		Carbon			
	996 552 969 14 01C	Satin black			
	996 552 969 14 C53	Graphite grey			
	996 552 969 14 S33	Savanna			
	996 552 969 14 G13	Metropole blue			
	996 552 969 14 J33	Nephrite green			
	996 552 969 14 M33	Boxster red			
	996 552 969 14 D12	Dark grey/natural			
	996 552 969 14 T12	Brown/natural			
	996 552 969 14 P13	Cinnamon brown	01		
(13)	996 552 969 15	Support frame	01	1	IXNR/M662
		Carbon			
	996 552 969 15 01C	Satin black			
	996 552 969 15 C53	Graphite grey			
	996 552 969 15 S33	Savanna			
	996 552 969 15 G13	Metropole blue			
	996 552 969 15 J33	Nephrite green			
	996 552 969 15 M33	Boxster red			
	996 552 969 15 D12	Dark grey			
	996 552 969 15 T12	Brown/natural			
	996 552 969 15 P13	Cinnamon brown	01		
(13)	996 552 969 16	Support frame	01	1	IXKW
	996 552 969 16 92T	Arctic silver			
(13)	996 552 969 17	Support frame	01	1	IXKW/M662
	996 552 969 17 92T	Arctic silver			
(15)	999 507 768 02	Speed nut		16	
		4,2			
(15)	999 507 767 02	Speed nut		2	
		4,2			
16	999 073 218 09	Tapping screw		4	
		4,2 X 16			
17	996 653 241 00	Interior sensor		1	M573
		Side vent			
18		See group		1	
		4/03/06			
19	996 552 233 04	Trim for switch	/L -01	1	
		Upper part/lower part			
	996 552 233 04 A03	Black			
	996 552 233 04 C53	Graphite grey			
	996 552 233 04 S33	Savanna			
	996 552 233 04 G13	Metropole blue			
	996 552 233 04 J33	Nephrite green			
	996 552 233 04 M33	Boxster red			
	996 552 233 04 P13	Cinnamon brown			
19	996 552 967 04	Trim for switch	/L 01	1	IXNN
		Leather			
	996 552 967 04 A11	Black			
	996 552 967 04 C51	Graphite grey			

Model: 996 01 Model life 2001>>2005

Pos	Part Number	Description	Remark	Qty	Model
	996 552 967 04 S31	Savanna			
	996 552 967 04 G11	Metropole blue			
	996 552 967 04 J31	Nephrite green			
	996 552 967 04 M31	Boxster red			
	996 552 967 04 D12	Dark grey			
	996 552 967 04 T12	Brown/natural			
	996 552 967 04 P12	Cinnamon brown			
19	996 552 967 05	Trim for switch Rootwood Light	/L 01	1	IXKR
19	996 552 967 06	Trim for switch Rootwood Dark	/L 01	1	IXKS
19	996 552 967 07	Trim for switch Carbon	/L 01	1	IXNR
21	996 552 234 04	Trim for switch Upper part/lower part	/R -01	1	
	996 552 234 04 A03	Black			
	996 552 234 04 C53	Graphite grey			
	996 552 234 04 S33	Savanna			
	996 552 234 04 G13	Metropole blue			
	996 552 234 04 J33	Nephrite green			
	996 552 234 04 M33	Boxster red			
	996 552 234 04 P13	Cinnamon brown			
21	996 552 968 04	Trim for switch Leather	/R 01	1	IXNN
	996 552 968 04 A11	Black			
	996 552 968 04 C51	Graphite grey			
	996 552 968 04 S31	Savanna			
	996 552 968 04 G11	Metropole blue			
	996 552 968 04 J31	Nephrite green			
	996 552 968 04 M31	Boxster red			
	996 552 968 04 D12	Dark grey			
	996 552 968 04 T12	Brown/natural			
	996 552 968 04 P12	Cinnamon brown			
21	996 552 968 05	Trim for switch Rootwood Light	/R 01	1	IXKR
21	996 552 968 06	Trim for switch Rootwood Dark	/R 01	1	IXKS
21	996 552 968 07	Trim for switch Carbon	/R 01	1	IXNR
23	996 552 677 00	Frame		1	
	996 552 677 00 01C	Satin black			
(23)	996 552 339 00	Frame Air-conditioning switch		1	M662
	996 552 339 00 01C	Black			
24	996 552 673 02	Retaining bar Radio		1	
(24)	996 552 653 01	Retaining bar		1	M662
25	999 073 218 09	Tapping screw 4,2 X 16		2	
26	996 552 253 01	Shelf Instead of Radio		1	
	996 552 253 01 01C	Satin black			
26	996 552 994 01	Shelf Leather		1	IXMF
	996 552 994 01 A11	Black			
	996 552 994 01 C51	Graphite grey			
	996 552 994 01 S31	Savanna			
	996 552 994 01 J31	Nephrite green			



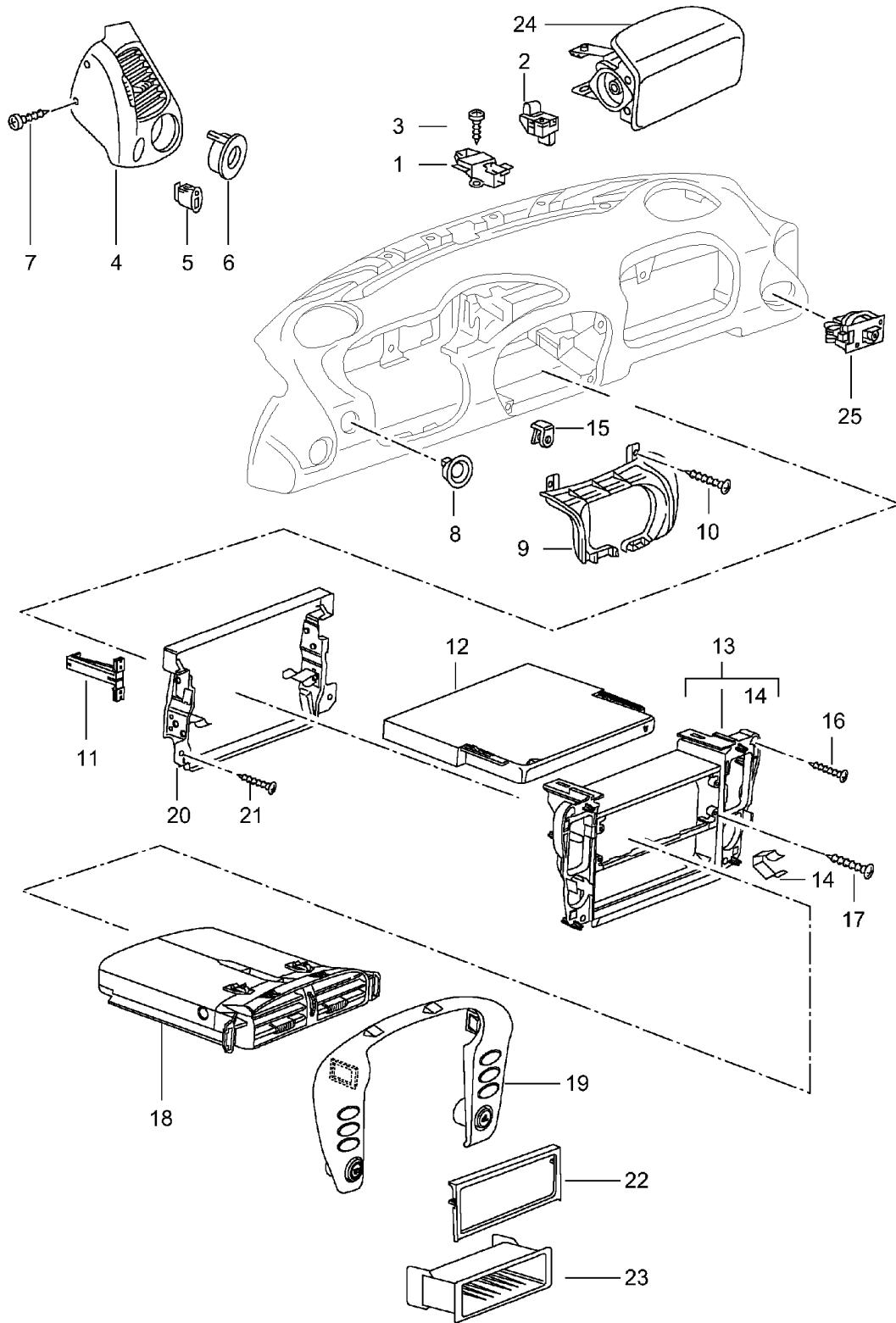
Model: 996 01

Model life 2001>>2005

Pos	Part Number	Description	Remark	Qty	Model
27	996 552 994 01 M31	Boxster red		1	
	996 552 994 01 G11	Metropole blue			
	996 552 994 01 D12	Dark grey			
	996 552 994 01 T12	Brown/natural			
	996 552 994 01 P12	Cinnamon brown			
	996 552 173 01	Shelf			
		Driver's side			
		Lacquered			
	996 552 173 01 A03	Black			
	996 552 173 01 C53	Graphite grey			
(28)	996 552 173 01 S33	Savanna		2	
	996 552 173 01 G13	Metropole blue			
	996 552 173 01 J33	Nephrite green			
	996 552 173 01 M33	Boxster red			
	996 552 173 01 P13	Cinnamon brown			
	999 591 712 40	Expansion rivet			
		6,0 X 12,0			

Model: 996 01

Model life 2001>>2005



Model: 996 01 Model life 2001>>2005

Pos	Part Number	Description	Remark	Qty	Model
1	996 552 541 02	Accessories Dashboard trim Mounting Light	02-	1	
2	996 653 251 00	Sensor		1	M573
3	999 919 120 09	Oval-head screw 4,0 X 18		2	
4	996 552 225 06	Side vent Lacquered	/L	1	
	996 552 225 06 A03	Black			
	996 552 225 06 C53	Graphite grey			
	996 552 225 06 S33	Savanna			
	996 552 225 06 G13	Metropole blue			
	996 552 225 06 J33	Nephrite green			
	996 552 225 06 M33	Boxster red			
	996 552 225 06 P13	Cinnamon brown			
(4)	996 552 228 06	Side vent Lacquered	/R	1	
	996 552 228 06 A03	Black			
	996 552 228 06 C53	Graphite grey			
	996 552 228 06 S33	Savanna			
	996 552 228 06 G13	Metropole blue			
	996 552 228 06 J33	Nephrite green			
	996 552 228 06 M33	Boxster red			
	996 552 228 06 P13	Cinnamon brown			
4	996 552 984 00	Side vent Leather	/L	1	IXN3
	996 552 984 00 VRK	Black			
	996 552 984 00 C51	Graphite grey			
	996 552 984 00 S31	Savanna			
	996 552 984 00 G11	Metropole blue			
	996 552 984 00 J31	Nephrite green			
	996 552 984 00 M31	Boxster red			
	996 552 984 00 D12	Dark grey/natural			
	996 552 984 00 T12	Brown/natural			
	996 552 984 00 P12	Cinnamon brown			
(4)	996 552 985 00	Side vent Leather	/R	1	IXN3
	996 552 985 00 VRK	Black			
	996 552 985 00 C51	Graphite grey			
	996 552 985 00 S31	Savanna			
	996 552 985 00 G11	Metropole blue			
	996 552 985 00 J31	Nephrite green			
	996 552 985 00 M31	Boxster red			
	996 552 985 00 D12	Dark grey/natural			
	996 552 985 00 T12	Brown/natural			
	996 552 985 00 P12	Cinnamon brown			
4	996 552 984 03	Side vent Carbon Leather	/L	1	IXKD
	996 552 984 03 VRK	Black			
	996 552 984 03 C51	Graphite grey			
	996 552 984 03 S31	Savanna			
	996 552 984 03 J31	Nephrite green			
	996 552 984 03 M31	Boxster red			
	996 552 984 03 G11	Metropole blue			
	996 552 984 03 D12	Dark grey/natural			
	996 552 984 03 T12	Brown/natural			
	996 552 984 03 P12	Cinnamon brown			
(4)	996 552 985 03	Side vent Carbon Leather	/R	1	IXKD
	996 552 985 03 VRK	Black			

Model: 996 01 Model life 2001>>2005

Pos	Part Number	Description	Remark	Qty	Model	
(4)	996 552 985 03 C51	Graphite grey				
	996 552 985 03 S31	Savanna				
	996 552 985 03 J31	Nephrite green				
	996 552 985 03 M31	Boxster red				
	996 552 985 03 G11	Metropole blue				
	996 552 985 03 D12	Dark grey/natural				
	996 552 985 03 T12	Brown/natural				
	996 552 985 03 P12	Cinnamon brown				
	996 552 984 05	Side vent				
		Arctic silver				
		Leather				
		996 552 984 05 VRK				Black
	4	996 552 984 05 C51				Graphite grey
996 552 984 05 S31		Savanna				
996 552 984 05 J31		Nephrite green				
996 552 984 05 M31		Boxster red				
996 552 984 05 G11		Metropole blue				
996 552 984 05 D12		Dark grey				
996 552 984 05 T12		Brown/natural				
996 552 984 05 P12		Cinnamon brown				
996 552 985 05		Side vent				
		Arctic silver				
		Leather				
		996 552 985 05 VRK	Black			
4		996 552 985 05 C51	Graphite grey			
	996 552 985 05 S31	Savanna				
	996 552 985 05 J31	Nephrite green				
	996 552 985 05 M31	Boxster red				
	996 552 985 05 G11	Metropole blue				
	996 552 985 05 D12	Dark grey				
	996 552 985 05 T12	Brown/natural				
	996 552 985 05 P12	Cinnamon brown				
	996 552 984 02	Side vent				
		Rootwood				
		Dark grey				
		Leather				
		996 552 984 02 VRK	Black			
(4)	996 552 984 02 C51	Graphite grey				
	996 552 984 02 S31	Savanna				
	996 552 984 02 J31	Nephrite green				
	996 552 984 02 M31	Boxster red				
	996 552 984 02 D12	Dark grey				
	996 552 984 02 T12	Brown/natural				
	996 552 984 02 P12	Cinnamon brown				
	996 552 985 02	Side vent				
		Rootwood				
		Dark grey				
		Leather				
		996 552 985 02 VRK				Black
	4	996 552 985 02 C51				Graphite grey
996 552 985 02 S31		Savanna				
996 552 985 02 J31		Nephrite green				
996 552 985 02 M31		Boxster red				
996 552 985 02 D12		Dark grey				
996 552 985 02 T12		Brown/natural				
996 552 985 02 P12		Cinnamon brown				
996 552 984 07		Side vent				
		Aluminium look				
		Leather				
		996 552 984 07 VRK	Black			
		996 552 984 07 C51	Graphite grey			
		996 552 984 07 S31	Savanna			
	996 552 984 07 G11	Metropole blue				

Model: 996 01 Model life 2001>>2005

Pos	Part Number	Description	Remark	Qty	Model				
(4)	996 552 984 07 J31	Nephrite green	/R 03-	1	IXCC				
	996 552 984 07 M31	Boxster red							
	996 552 984 07 P12	Cinnamon brown							
	996 552 984 07 D12	Dark grey/natural							
	996 552 984 07 T12	Brown/natural							
	996 552 985 07	Side vent							
		Aluminium look							
		Leather							
	996 552 985 07 VRK	Black							
	996 552 985 07 C51	Graphite grey							
	996 552 985 07 S31	Savanna							
	996 552 985 07 G11	Metropole blue							
	996 552 985 07 J31	Nephrite green							
	996 552 985 07 M31	Boxster red							
5	996 552 985 07 P12	Cinnamon brown		1					
	996 552 985 07 D12	Dark grey/natural							
	996 552 985 07 T12	Brown/natural							
	996 552 621 01	Cover							
		Headlight levelling system							
		Lacquered							
	996 552 621 01 A03	Black							
	996 552 621 01 C53	Graphite grey							
	996 552 621 01 S33	Savanna							
	996 552 621 01 G13	Metropole blue							
	996 552 621 01 J33	Nephrite green							
	996 552 621 01 M33	Boxster red							
	996 552 621 01 P13	Cinnamon brown							
	996 552 986 00	Cover							
5	996 552 986 00	Headlight levelling system		1	IXNH				
		Leather							
	996 552 986 00 A11	Black							
	996 552 986 00 C51	Graphite grey							
	996 552 986 00 S31	Savanna							
	996 552 986 00 J31	Nephrite green							
	996 552 986 00 M31	Boxster red							
	996 552 986 00 G11	Metropole blue							
	996 552 986 00 D12	Dark grey/natural							
	996 552 986 00 T12	Brown/natural							
	996 552 986 00 P12	Cinnamon brown							
	996 552 986 01	Cover							
	5	996 552 986 01				Headlight levelling system		2	TURBO IXKB
						Rootwood			
		Light							
		Cover							
5	996 552 986 02	Headlight levelling system		2	TURBO IXKC				
		Rootwood							
		Dark							
		Cover							
5	996 552 986 03	Headlight levelling system		2	IXKD				
		Carbon							
6	996 552 417 02	Rosette		1					
		Interior sensor							
		Lacquered							
	996 552 417 02 A03	Black							
	996 552 417 02 C53	Graphite grey							
	996 552 417 02 S33	Savanna							
	996 552 417 02 G13	Metropole blue							
	996 552 417 02 J33	Nephrite green							
	996 552 417 02 M33	Boxster red							
	996 552 417 02 P13	Cinnamon brown							
	996 552 987 00	Rosette							

Model: 996 01 Model life 2001>>2005

Pos	Part Number	Description	Remark	Qty	Model
		Interior sensor			
		Leather			
	996 552 987 00 A11	Black			
	996 552 987 00 C51	Graphite grey			
	996 552 987 00 S31	Savanna			
	996 552 987 00 J31	Nephrite green			
	996 552 987 00 M31	Boxster red			
	996 552 987 00 G11	Metropole blue			
	996 552 987 00 D12	Dark grey/natural			
	996 552 987 00 T12	Brown/natural			
	996 552 987 00 P12	Cinnamon brown			
7	999 073 218 09	Tapping screw 4,2 X 16		4	
8	996 552 235 03	Rosette	/LL	1	
		Ignition starter lock			
	996 552 235 03 A03	Black			
	996 552 235 03 C53	Graphite grey			
	996 552 235 03 S33	Savanna			
	996 552 235 03 G13	Metropole blue			
	996 552 235 03 J33	Nephrite green			
	996 552 235 03 M33	Boxster red			
	996 552 235 03 P13	Cinnamon brown			
(8)	996 552 236 03	Rosette	/RL	1	
		Ignition starter lock			
	996 552 236 03 A03	Black			
	996 552 236 03 C53	Graphite grey			
	996 552 236 03 S33	Savanna			
	996 552 236 03 G13	Metropole blue			
	996 552 236 03 J33	Nephrite green			
	996 552 236 03 M33	Boxster red			
	996 552 236 03 P13	Cinnamon brown			
8	996 552 980 00	Rosette	/LL	1	IXJ4
		Ignition starter lock			
		Leather			
	996 552 980 00 A11	Black			
	996 552 980 00 C51	Graphite grey			
	996 552 980 00 S31	Savanna			
	996 552 980 00 G11	Metropole blue			
	996 552 980 00 J31	Nephrite green			
	996 552 980 00 M31	Boxster red			
	996 552 980 00 P12	Cinnamon brown			
	996 552 980 00 D12	Dark grey/natural			
	996 552 980 00 T12	Brown/natural			
(8)	996 552 980 01	Rosette	/RL	1	IXJ4
		Ignition starter lock			
		Leather			
	996 552 980 01 A11	Black			
	996 552 980 01 C51	Graphite grey			
	996 552 980 01 S31	Savanna			
	996 552 980 01 G11	Metropole blue			
	996 552 980 01 J31	Nephrite green			
	996 552 980 01 M31	Boxster red			
	996 552 980 01 P12	Cinnamon brown			
	996 552 980 01 D12	Dark grey/natural			
	996 552 980 01 T12	Brown/natural			
9	996 552 271 03	Cover		1	
		Steering			
	996 552 271 03 A03	Black			
	996 552 271 03 C53	Graphite grey			
	996 552 271 03 S33	Savanna			
	996 552 271 03 G13	Metropole blue			
	996 552 271 03 J33	Nephrite green			
	996 552 271 03 M33	Boxster red			

Model: 996 01 Model life 2001>>2005

Pos	Part Number	Description	Remark	Qty	Model
9	996 552 271 03 P13 986 552 988 03	Cinnamon brown Cover		1	IXNS
	986 552 988 03 VRK	Steering Black			
	986 552 988 03 S31	Savanna			
	986 552 988 03 G11	Metropole blue			
	986 552 988 03 J31	Nephrite green			
	986 552 988 03 M31	Boxster red			
	986 552 988 03 D12	Dark grey/natural			
	986 552 988 03 T12	Brown/natural			
	986 552 988 03 C51	Graphite grey			
10	986 552 988 03 P12 999 919 123 09	Cinnamon brown Oval-head screw		8	
		5,0 X 20			
12	996 552 183 00	Support	/LL	1	
		Beverages			
	996 552 183 00 01C	Satin black			
12	996 552 183 02	Support	/LL	1	
		Beverages			
	996 552 183 02 01C	Satin black			
(12)	996 552 184 00	Support	/RL	1	
		Beverages			
	996 552 184 00 01C	Satin black			
12	996 552 958 00	Support	/LL	1	IXKR/XKS/XNN
		Beverages			
		Leather			
	996 552 958 00 A11	Black			
	996 552 958 00 C51	Graphite grey			
	996 552 958 00 S31	Savanna			
	996 552 958 00 G11	Metropole blue			
	996 552 958 00 J31	Nephrite green			
	996 552 958 00 M31	Boxster red			
	996 552 958 00 P12	Cinnamon brown			
	996 552 958 00 D12	Dark grey/natural			
	996 552 958 00 T12	Brown/natural			
(12)	996 552 958 01	Support	/RL	1	IXKR/XKS/XNN
		Beverages			
		Leather			
	996 552 958 01 A11	Black			
	996 552 958 01 C51	Graphite grey			
	996 552 958 01 S31	Savanna			
	996 552 958 01 G11	Metropole blue			
	996 552 958 01 J31	Nephrite green			
	996 552 958 01 M31	Boxster red			
	996 552 958 01 P12	Cinnamon brown			
	996 552 958 01 D12	Dark grey/natural			
	996 552 958 01 T12	Brown/natural			
13	996 552 231 11	Support frame		1	
	996 552 231 11 01C	Satin black			
(13)	996 552 231 13	Support frame	02	1	M662
	996 552 231 13 01C	Satin black			
(13)	996 552 231 12	Support frame	03-	1	M665
	996 552 231 12 01C	Satin black			
(13)	996 552 969 25	Support frame		1	IXNN
		Leather			
	996 552 969 25 A11	Black			
	996 552 969 25 C51	Graphite grey			
	996 552 969 25 S31	Savanna			
	996 552 969 25 G11	Metropole blue			
	996 552 969 25 J31	Nephrite green	-03		
	996 552 969 25 M31	Boxster red			
	996 552 969 25 D12	Dark grey/natural			
	996 552 969 25 T12	Brown/natural			

Model: 996 01 Model life 2001>>2005

Pos	Part Number	Description	Remark	Qty	Model
(13)	996 552 969 25 P12 996 552 969 27	Cinnamon brown Support frame Leather		1	IXNN/M662
	996 552 969 27 A11	Black			
	996 552 969 27 C51	Graphite grey			
	996 552 969 27 S31	Savanna			
	996 552 969 27 G11	Metropole blue			
	996 552 969 27 J31	Nephrite green			
	996 552 969 27 M31	Boxster red			
	996 552 969 27 D12	Dark grey			
	996 552 969 27 T12	Brown/natural			
(13)	996 552 969 27 P12 996 552 969 26	Cinnamon brown Support frame Leather	03-	1	IXNN/M665
	996 552 969 26 A11	Black			
	996 552 969 26 C51	Graphite grey			
	996 552 969 26 S31	Savanna			
	996 552 969 26 G11	Metropole blue			
	996 552 969 26 J31	Nephrite green	-03		
	996 552 969 26 M31	Boxster red			
	996 552 969 26 D12	Dark grey/natural			
	996 552 969 26 T12	Brown/natural			
	996 552 969 26 P12	Cinnamon brown			
13	996 552 969 28	Support frame Rootwood Light	02-	1	IXKR
(13)	996 552 969 30	Support frame  Rootwood Light	02	1	/662 IXKR
(13)	996 552 969 29	Support frame  Rootwood Light	03-	1	/665 IXKR
13	996 552 969 31	Support frame Rootwood Dark	02-	1	IXKS
(13)	996 552 969 33	Support frame  Rootwood Dark	02	1	/662 IXKS
(13)	996 552 969 32	Support frame  Rootwood Dark	03-	1	/665 IXKS
13	996 552 969 34	Support frame Carbon	02-	1	IXNR
13	996 552 969 36	Support frame  Carbon	02	1	/662 IXNR
13	996 552 969 35	Support frame  Carbon	03-	1	/665 IXNR
15	999 507 768 02	Speed nut 4,2		16	
(15)	999 507 767 02	Speed nut 4,2		2	
16	999 073 218 09	Tapping screw 4,2 X 16		4	
17	900 143 076 09	Tapping screw 4,2 X 25		2	M573
18	996 552 263 01 996 552 263 01 01C	Centre nozzle Satin black		1	



Model: 996 01 Model life 2001>>2005

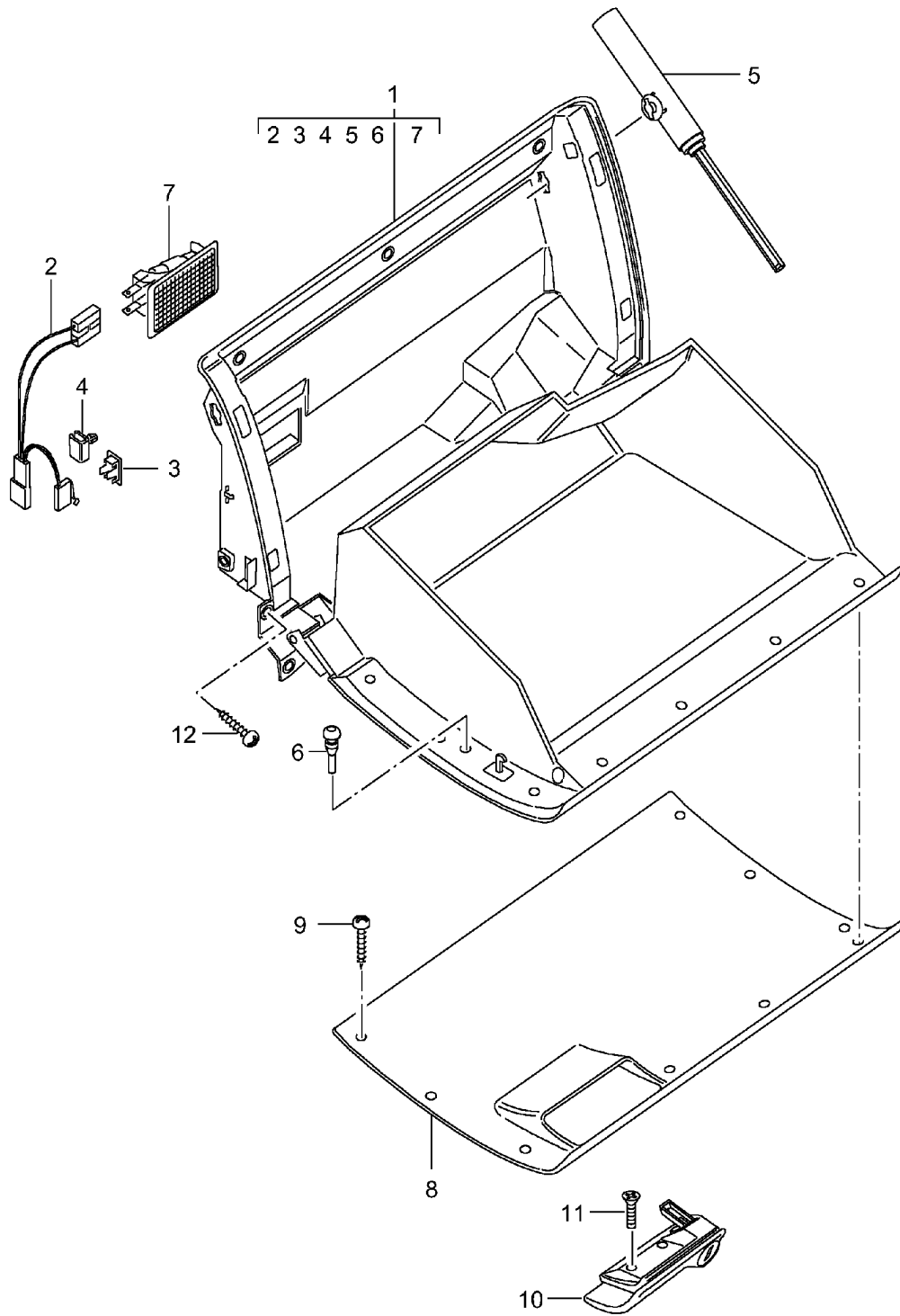
Pos	Part Number	Description	Remark	Qty	Model
(18)	996 552 950 00	Centre nozzle	02-	1	+XNN
	996 552 950 00 A11	Black			
	996 552 950 00 C51	Graphite grey			
	996 552 950 00 S31	Savanna			
	996 552 950 00 G11	Metropole blue			
	996 552 950 00 J31	Nephrite green			
	996 552 950 00 M31	Boxster red			
	996 552 950 00 P12	Cinnamon brown			
	996 552 950 00 D12	Dark grey/natural			
	996 552 950 00 T12	Brown/natural			
18	996 552 951 00	Centre nozzle	03-	1	IXCD
		Aluminium look			
	996 552 951 00 A11	Black			
	996 552 951 00 C51	Graphite grey			
	996 552 951 00 S31	Savanna			
	996 552 951 00 G11	Metropole blue			
	996 552 951 00 J31	Nephrite green			
	996 552 951 00 M31	Boxster red			
	996 552 951 00 P12	Cinnamon brown			
	996 552 951 00 D12	Dark grey/natural			
	996 552 951 00 T12	Brown/natural			
19	996 552 233 06	Trim for switch		1	
		Upper part/lower part			
	996 552 233 06 A03	Black			
	996 552 233 06 C53	Graphite grey			
	996 552 233 06 S33	Savanna			
	996 552 233 06 G13	Metropole blue			
	996 552 233 06 J33	Nephrite green	-03		
	996 552 233 06 M33	Boxster red			
	996 552 233 06 P13	Cinnamon brown			
19	996 552 967 08	Trim for switch		1	IXNN
		Leather			
	996 552 967 08 A11	Black			
	996 552 967 08 C51	Graphite grey			
	996 552 967 08 S31	Savanna			
	996 552 967 08 G11	Metropole blue			
	996 552 967 08 J31	Nephrite green			
	996 552 967 08 M31	Boxster red			
	996 552 967 08 D12	Dark grey/natural			
	996 552 967 08 T12	Brown/natural			
	996 552 967 08 P12	Cinnamon brown			
19	996 552 967 09	Trim for switch		1	IXKR
		Rootwood			
		Light			
19	996 552 967 10	Trim for switch		1	IXKS
		Rootwood			
		Dark			
19	996 552 967 11	Trim for switch		1	IXNR
		Carbon			
19	996 552 967 13	Trim for switch		1	IXKW
		Arctic silver			
20	996 552 673 03	Retaining bar		1	
		Radio			
(20)	996 552 653 03	Retaining bar	02	1	M662
(20)	996 552 653 02	Retaining bar	03-	1	M665
21	999 073 218 09	Tapping screw		2	
		4,2 X 16			
22	986 552 153 00	Frame		1	M574
		Air-conditioning switch			
	986 552 153 00 01C	Satin black			
22	996 552 677 01	Cover		1	M573
		Air-conditioning switch			
	996 552 677 01 01C	Satin black			

Model: 996 01 Model life 2001>>2005

Pos	Part Number	Description	Remark	Qty	Model
(22)	996 552 992 00	Frame		1	/573 IXKW/XNN
		Air-conditioning switch			
	996 552 992 00 A11	Black			
	996 552 992 00 C51	Graphite grey			
	996 552 992 00 S31	Savanna			
	996 552 992 00 J31	Nephrite green			
	996 552 992 00 M31	Boxster red			
	996 552 992 00 G11	Metropole blue			
	996 552 992 00 D12	Dark grey/natural			
	996 552 992 00 T12	Brown/natural			
	996 552 992 00 P12	Cinnamon brown			
23	996 552 253 01	Shelf		1	
		Instead of			
		Radio			
	996 552 253 01 01C	Satin black			
23	996 552 994 01	Shelf	02	1	IXMF
		Leather			
	996 552 994 01 A11	Black			
	996 552 994 01 C51	Graphite grey			
	996 552 994 01 S31	Savanna			
	996 552 994 01 J31	Nephrite green			
	996 552 994 01 M31	Boxster red			
	996 552 994 01 G11	Metropole blue			
	996 552 994 01 D12	Dark grey			
	996 552 994 01 T12	Brown/natural			
	996 552 994 01 P12	Cinnamon brown			
24		See group		1	
		4/03/06			
25	996 653 241 00	Interior sensor		1	

Model: 996 01

Model life 2001>>2005



Model: 996 01 Model life 2001>>2005

Pos	Part Number	Description	Remark	Qty	Model
1	996 552 119 00	Glove compartment	02-		
	996 552 119 00 01C	Glove compartment	/LL	1	
(1)	996 552 120 00	Satin black			
	996 552 120 00 01C	Glove compartment	/RL	1	
	996 552 120 00 01C	Satin black			
2	996 622 501 00	Wiring harness		1	
3	999 650 564 40	Clip		1	
		for			
		Wiring harness			
		Microswitch			
4	999 650 565 40	Clip		1	
		for			
		Wiring harness			
5	996 552 779 00	Damper		2	
6	999 703 491 50	Buffer		2	
		7 X 9,5 X 19,5			
7	928 632 101 00	Glove compartment light		1	
8	996 552 133 00	Glove compartment cover	/LL	1	
		Leatherette			
	996 552 133 00 A12	Black			
	996 552 133 00 C52	Graphite grey			
	996 552 133 00 S32	Savanna			
	996 552 133 00 G12	Metropole blue			
	996 552 133 00 J32	Nephrite green			
(8)	996 552 134 00	Glove compartment cover	/RL	1	
		Leatherette			
	996 552 134 00 A12	Black			
	996 552 134 00 C52	Graphite grey			
	996 552 134 00 S32	Savanna			
	996 552 134 00 G12	Metropole blue			
	996 552 134 00 J32	Nephrite green			
8	996 552 133 01	Glove compartment cover	/LL	1	
		Leather			
	996 552 133 01 A11	Black			
	996 552 133 01 C51	Graphite grey			
	996 552 133 01 S31	Savanna			
	996 552 133 01 G11	Metropole blue			
	996 552 133 01 J31	Nephrite green			
	996 552 133 01 M31	Boxster red			
	996 552 133 01 P12	Cinnamon brown			
	996 552 133 01 D12	Dark grey/natural			
	996 552 133 01 T12	Brown/natural			
(8)	996 552 134 01	Glove compartment cover	/RL	1	
		Leather			
	996 552 134 01 A11	Black			
	996 552 134 01 C51	Graphite grey			
	996 552 134 01 S31	Savanna			
	996 552 134 01 G11	Metropole blue			
	996 552 134 01 J31	Nephrite green			
	996 552 134 01 M31	Boxster red			
	996 552 134 01 P12	Cinnamon brown			
	996 552 134 01 D12	Dark grey/natural			
	996 552 134 01 T12	Brown/natural			
9	999 073 249 07	Tapping screw	02	11	
		3,5 X 11			
9	999 073 308 07	Tapping screw	03-	11	
		3,5 X 12			
10	996 552 349 00	Handle	/LL	1	
		Complete			
	996 552 349 00 V01	Silver			
(10)	996 552 350 00	Handle	/RL	1	
		Complete			
	996 552 350 00 V01	Silver			

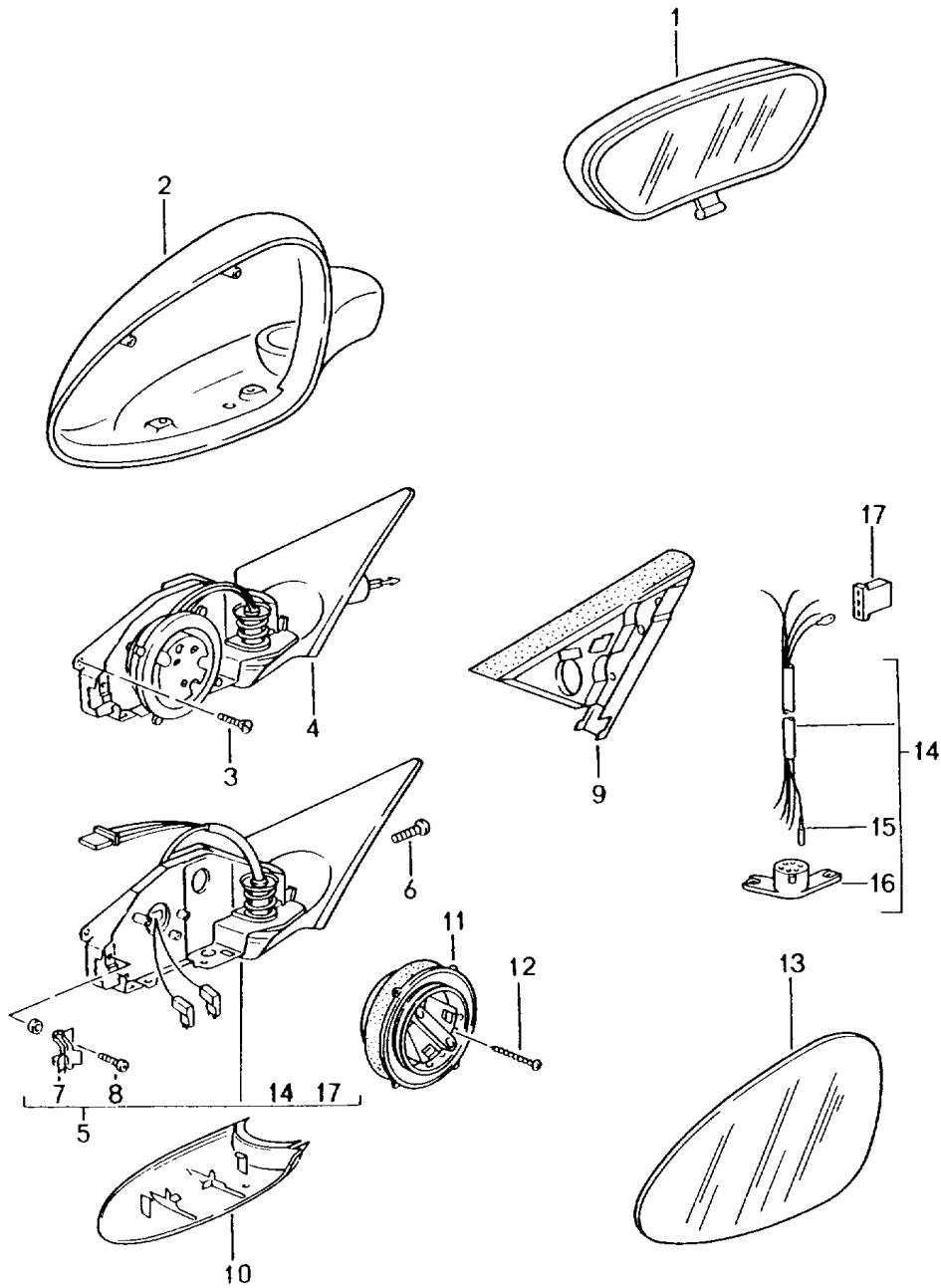
Model: 996 01

Model life 2001>>2005

Pos	Part Number	Description	Remark	Qty	Model
10	996 552 349 01	Handle	/LL 03-	1	
	996 552 349 01 V03	Sport silver			
(10)	996 552 350 01	Handle	/RL 03-	1	
	996 552 350 01 V03	Sport silver			
-	996 552 915 00	Lock cylinder		1	
		Glove compartment			
		Vehicle Ident. No.			
		Indicate			
11	999 073 240 02	Screw		2	
		M 4 X 10			
12	999 073 169 07	Tapping screw		7	
		4,8 X 16			

Model: 996 01

Model life 2001>>2005



Model: 996 01 Model life 2001>>2005

Pos	Part Number	Description	Remark	Qty	Model
		Interior mirror			
		Door mirror			
1	996 731 511 01	Interior mirror		1	
	996 731 511 01 01C	Satin black			
1	996 731 511 02	Interior mirror		1	M265
	996 731 511 02 01C	Satin black			
-	996 731 811 01	Cover	/L	1	M265
	996 731 811 01 01C	Satin black			
-	996 731 812 01	Cover	/R	1	M265
	996 731 812 01 01C	Satin black			
2	996 731 619 00	Housing	/L	1	
	996 731 619 00 G2L	Prime coated			
(2)	996 731 620 00	Housing	/R	1	
	996 731 620 00 G2L	Prime coated			
2	996 731 619 30	Housing	/L 04-	1	M 804/GT2
(2)	996 731 620 30	Housing	/R 04-	1	M 804/GT2
		Carbon			
3	999 919 170 02	Countersunk-head screw 3,0 X 10		6	
5	996 731 219 00	Mirror base	/LL /L	1	
		Door mirror			
		Electrically adjustable			
	996 731 219 00 G2L	Prime coated			
(5)	996 731 219 04	Mirror base	/LL /L	1	M266
		Door mirror			
		Electrically adjustable			
	996 731 219 04 G2L	Prime coated			
(5)	996 731 219 02	Mirror base	/LL /L	1	M537
		Door mirror			
		Electrically adjustable			
	996 731 219 02 G2L	Prime coated			
(5)	996 731 219 05	Mirror base	/LL /L	1	M266/537
		Door mirror			
		Electrically adjustable			
	996 731 219 05 G2L	Prime coated			
(5)	996 731 220 00	Mirror base	/LL /R	1	
		Door mirror			
		Electrically adjustable			
	996 731 220 00 G2L	Prime coated			
(5)	996 731 220 02	Mirror base	/LL /R	1	M537
		Door mirror			
		Electrically adjustable			
	996 731 220 02 G2L	Prime coated			
(5)	996 731 219 01	Mirror base	/RL /L	1	
		Door mirror			
		Electrically adjustable			
	996 731 219 01 G2L	Prime coated			
(5)	996 731 219 03	Mirror base	/RL /L	1	M538
		Door mirror			
		Electrically adjustable			
	996 731 219 03 G2L	Prime coated			
(5)	996 731 220 01	Mirror base	/RL /R	1	
		Door mirror			
		Electrically adjustable			
	996 731 220 01 G2L	Prime coated			
(5)	996 731 220 04	Mirror base	/RL /R	1	M266
		Door mirror			
		Electrically adjustable			
	996 731 220 04 G2L	Prime coated			
(5)	996 731 220 03	Mirror base	/RL /R	1	M538
		Door mirror			
		Electrically adjustable			
	996 731 220 03 G2L	Prime coated			

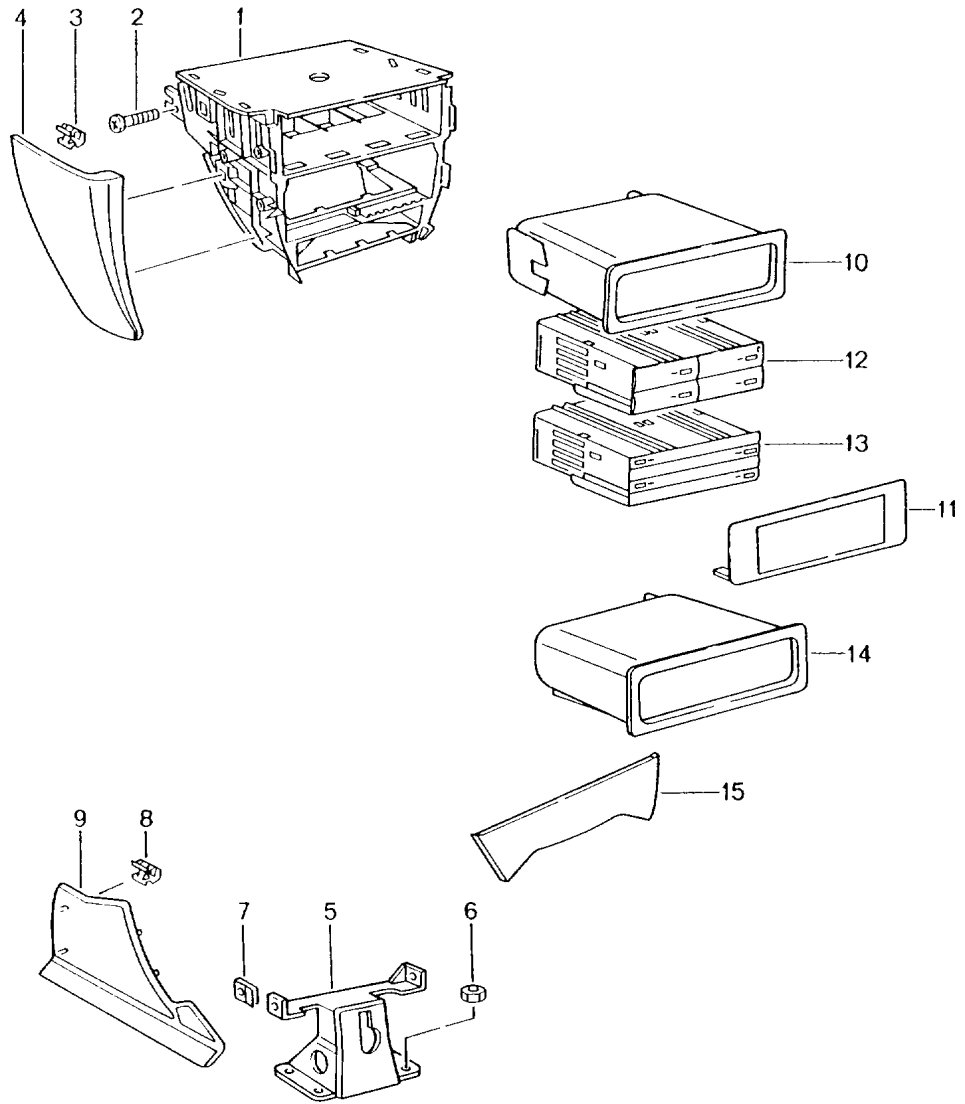
Model: 996 01 Model life 2001>>2005

Pos	Part Number	Description	Remark	Qty	Model
(5)	996 731 220 05	Mirror base Door mirror Electrically adjustable	/RL /R	1	M266/538
6	996 731 220 05 G2L 999 073 125 02	Prime coated Oval-head screw M 5 X 14		6	
7	999 507 549 02	Spring clamp		2	
8	900 278 010 02	Oval-head screw		2	
9	996 537 731 00	Filler piece	/L	1	
(9)	996 537 732 00	Filler piece Outer	/R	1	
(9)	996 537 733 00	Filler piece	/L	1	
(9)	996 537 734 00	Filler piece Inner	/R	1	
10	996 731 719 00	Cover Lower	/L	1	
(10)	996 731 719 00 G2L 996 731 720 00	Prime coated Cover Lower	/R	1	
11	996 731 720 00 G2L 996 624 047 00	Prime coated Adjusting motor		2	
(11)	996 624 048 00	Adjusting motor		2	M537/538
12	900 278 013 02	Oval-head screw M 3 X 30		6	
13	996 731 035 01	Mirror glass Plane	/L	1	M270
13	996 731 035 03	Mirror glass Plane	/L	1	M266/270
(13)	996 731 035 02	Mirror glass Aspherical	/L	1	M271
(13)	996 731 035 04	Mirror glass Aspherical		1	M266/271
(13)	996 731 037 01	Mirror glass Convex	/RL /L	1	
(13)	996 731 036 01	Mirror glass Plane	/RL /R	1	M270
(13)	996 731 036 03	Mirror glass Plane	/RL /R	1	M266/270
(13)	996 731 036 02	Mirror glass Aspherical	/RL /R	1	M271
(13)	996 731 036 04	Mirror glass Aspherical	/RL /R	1	M266/271
(13)	996 731 038 02	Mirror glass Convex	/LL /R	1	
(13)	996 731 038 04	Mirror glass Convex	/LL /R (SA)	1	(SA)
(14)	996 612 674 00	Wiring harness		1	
15	999 652 710 10	Cylindrical socket		30	
16	999 650 173 40	Pin connector socket 15-pole		2	
17	311 906 231 B	Connector housing 3-pole		2	
(17)	999 650 177 40	Plug socket 8-pole		2	M537/538
(17)	999 650 178 40	Slide 8-pole		2	M537/538



Model: 996 01

Model life 2001>>2005



Model: 996 01 Model life 2001>>2005

Pos	Part Number	Description	Remark	Qty	Model
1	996 552 115 02	Centre console Front		1	
	996 552 115 02 01C	Bracket Satin black			
1	996 552 973 01	Bracket	-03	1	/TURBO IXMF
		Leather			
	996 552 973 01 A11	Black			
	996 552 973 01 C51	Graphite grey			
	996 552 973 01 S31	Savanna			
	996 552 973 01 G11	Metropole blue			
	996 552 973 01 J31	Nephrite green			
	996 552 973 01 M31	Boxster red			
	996 552 973 01 D12	Dark grey/natural			
	996 552 973 01 T12	Brown/natural			
	996 552 973 01 P12	Cinnamon brown			
1	996 552 973 01	Bracket	01-	1	/GT2 IXMF
		Leather			
	996 552 973 01 A11	Black			
	996 552 973 01 D12	Dark grey/natural	02-		
	996 552 973 01 T12	Brown/natural	02-		
2	999 919 121 09	Oval-head screw		4	
		5,0 X 16			
3	999 507 476 01	Clamp		3	
		8,0 X 10,2			
4	996 552 091 07	Cover	/L	1	
		Leather			
	996 552 091 07 A11	Black			
	996 552 091 07 C51	Graphite grey			
	996 552 091 07 S31	Savanna			
	996 552 091 07 J31	Nephrite green			
	996 552 091 07 M31	Boxster red			
	996 552 091 07 G11	Metropole blue			
	996 552 091 07 D12	Dark grey/natural			
	996 552 091 07 T12	Brown/natural			
	996 552 091 07 P12	Cinnamon brown			
(4)	996 552 092 07	Cover	/R	1	
		Leather			
	996 552 092 07 A11	Black			
	996 552 092 07 C51	Graphite grey			
	996 552 092 07 S31	Savanna			
	996 552 092 07 J31	Nephrite green			
	996 552 092 07 M31	Boxster red			
	996 552 092 07 G11	Metropole blue			
	996 552 092 07 D12	Dark grey/natural			
	996 552 092 07 T12	Brown/natural			
	996 552 092 07 P12	Cinnamon brown			
(5)	996 552 267 05	Support		1	
		Lower			
6	999 084 629 09	Hexagon nut		4	
		M 6			
6	999 084 629 01	Hexagon nut		4	
		M 6			
7	999 920 011 40	Plug-in nut		4	
		5,0 X 1,0 X 8			
8	999 507 476 01	Clamp		2	
		8,0 X 10,2			
9	996 552 113 02	Cover	/L	1	
		Carpet			
	996 552 113 02 A10	Black			
	996 552 113 02 C50	Graphite grey			
	996 552 113 02 S30	Savanna			

Model: 996 01 Model life 2001>>2005

Pos	Part Number	Description	Remark	Qty	Model
	996 552 113 02 J30	Nephrite green			
	996 552 113 02 M30	Boxster red			
	996 552 113 02 G10	Metropole blue			
	996 552 113 02 D11	Dark grey/natural			
	996 552 113 02 T11	Brown/natural			
	996 552 113 02 P11	Cinnamon brown			
(9)	996 552 114 02	Cover	/R	1	
		Carpet			
	996 552 114 02 A10	Black			
	996 552 114 02 C50	Graphite grey			
	996 552 114 02 S30	Savanna			
	996 552 114 02 J30	Nephrite green			
	996 552 114 02 M30	Boxster red			
	996 552 114 02 G10	Metropole blue			
	996 552 114 02 D11	Dark grey/natural			
	996 552 114 02 T11	Brown/natural			
	996 552 114 02 P11	Cinnamon brown			
10	996 552 253 01	Shelf		1	
	996 552 253 01 01C	Satin black			
10	996 552 994 01	Shelf	-02	1	IXMF
		Leather			
	996 552 994 01 A11	Black			
	996 552 994 01 C51	Graphite grey			
	996 552 994 01 S31	Savanna			
	996 552 994 01 J31	Nephrite green			
	996 552 994 01 M31	Boxster red			
	996 552 994 01 G11	Metropole blue			
	996 552 994 01 D12	Dark grey			
	996 552 994 01 T12	Brown/natural			
	996 552 994 01 P12	Cinnamon brown			
11	996 552 443 00	Frame		1	
	996 552 443 00 01C	Satin black			
(11)	996 552 992 00	Frame		1	IXKW/XNN
		Air-conditioning switch			
		Leather			M573
	996 552 992 00 A11	Black			
	996 552 992 00 C51	Graphite grey			
	996 552 992 00 S31	Savanna			
	996 552 992 00 G11	Metropole blue			
	996 552 992 00 J31	Nephrite green			
	996 552 992 00 M31	Boxster red			
	996 552 992 00 D12	Dark grey/natural			
	996 552 992 00 T12	Brown/natural			
	996 552 992 00 P12	Cinnamon brown			
12	996 552 763 00	Cassette box	-02	4	M421
(12)	996 552 981 01	Tray	01-02	1	IXMF/M421
		Cassette box			
		Leather			
	996 552 981 01 A11	Black			
	996 552 981 01 C51	Graphite grey			
	996 552 981 01 S31	Savanna			
	996 552 981 01 G11	Metropole blue			
	996 552 981 01 J31	Nephrite green			
	996 552 981 01 M31	Boxster red			
	996 552 981 01 D12	Dark grey/natural			
	996 552 981 01 T12	Brown/natural			
	996 552 981 01 P12	Cinnamon brown	01-		
13	996 552 773 00	Box for cds		1	M424
(13)	996 552 981 00	Tray	-03	1	/TURBO IXMF
		Box for cds			
		Leather			
	996 552 981 00 A11	Black			

Model: 996 01 Model life 2001>>2005

Pos	Part Number	Description	Remark	Qty	Model
	996 552 981 00 C51	Graphite grey			
	996 552 981 00 S31	Savanna			
	996 552 981 00 G11	Metropole blue			
	996 552 981 00 J31	Nephrite green			
	996 552 981 00 M31	Boxster red			
	996 552 981 00 D12	Dark grey/natural			
	996 552 981 00 T12	Brown/natural			
	996 552 981 00 P12	Cinnamon brown	01-		
(13)	996 552 981 00	Tray	01-	1	/GT2 IXMF
		Box for cds			
		Leather			
	996 552 981 00 A11	Black			
	996 552 981 00 D12	Dark grey/natural	02-		
	996 552 981 00 T12	Brown/natural	02-		
14	996 552 243 01	Shelf		1	
	996 552 243 01 01C	Satin black			
14	996 552 982 01	Shelf	-03	1	/TURBO IXMF
		Leather			
	996 552 982 01 A11	Black			
	996 552 982 01 C51	Graphite grey			
	996 552 982 01 S31	Savanna			
	996 552 982 01 J31	Nephrite green			
	996 552 982 01 M31	Boxster red			
	996 552 982 01 G11	Metropole blue			
	996 552 982 01 D12	Dark grey/natural			
	996 552 982 01 T12	Brown/natural			
	996 552 982 01 P12	Cinnamon brown			
14	996 552 982 01	Shelf	01-	1	/GT2 IXMF
		Leather			
	996 552 982 01 A11	Black			
	996 552 982 01 D12	Dark grey/natural	02-		
	996 552 982 01 T12	Brown/natural	02-		
(14)	996 552 963 00	Cover	01-	1	IXMF/XNN
		Leather			
	996 552 963 00 A11	Black			
	996 552 963 00 C51	Graphite grey			
	996 552 963 00 S31	Savanna			
	996 552 963 00 J31	Nephrite green			
	996 552 963 00 M31	Boxster red			
	996 552 963 00 G11	Metropole blue			
	996 552 963 00 D12	Dark grey			
	996 552 963 00 T12	Brown/natural			
	996 552 963 00 P12	Cinnamon brown			
(14)	996 552 963 01	Cover	01-	1	IXKR
		Rootwood			
		Light			
(14)	996 552 963 02	Frame	01-	1	IXKS
		Rootwood			
		Dark			
(14)	996 552 963 04	Cover	01-	1	IXNR
		Carbon			
15	996 552 335 00	Trim for switch		1	
	996 552 335 00 01C	Satin black			
(15)	996 552 335 02	Trim for switch		1	M139/340
		2			
		Switch			
	996 552 335 02 01C	Satin black			
(15)	996 552 315 01	Trim for switch	05-	1	M092
	996 552 315 01 01C	Satin black			
(15)	996 552 315 02	Trim for switch	05-	1	M092/342

Model: 996 01 Model life 2001>>2005

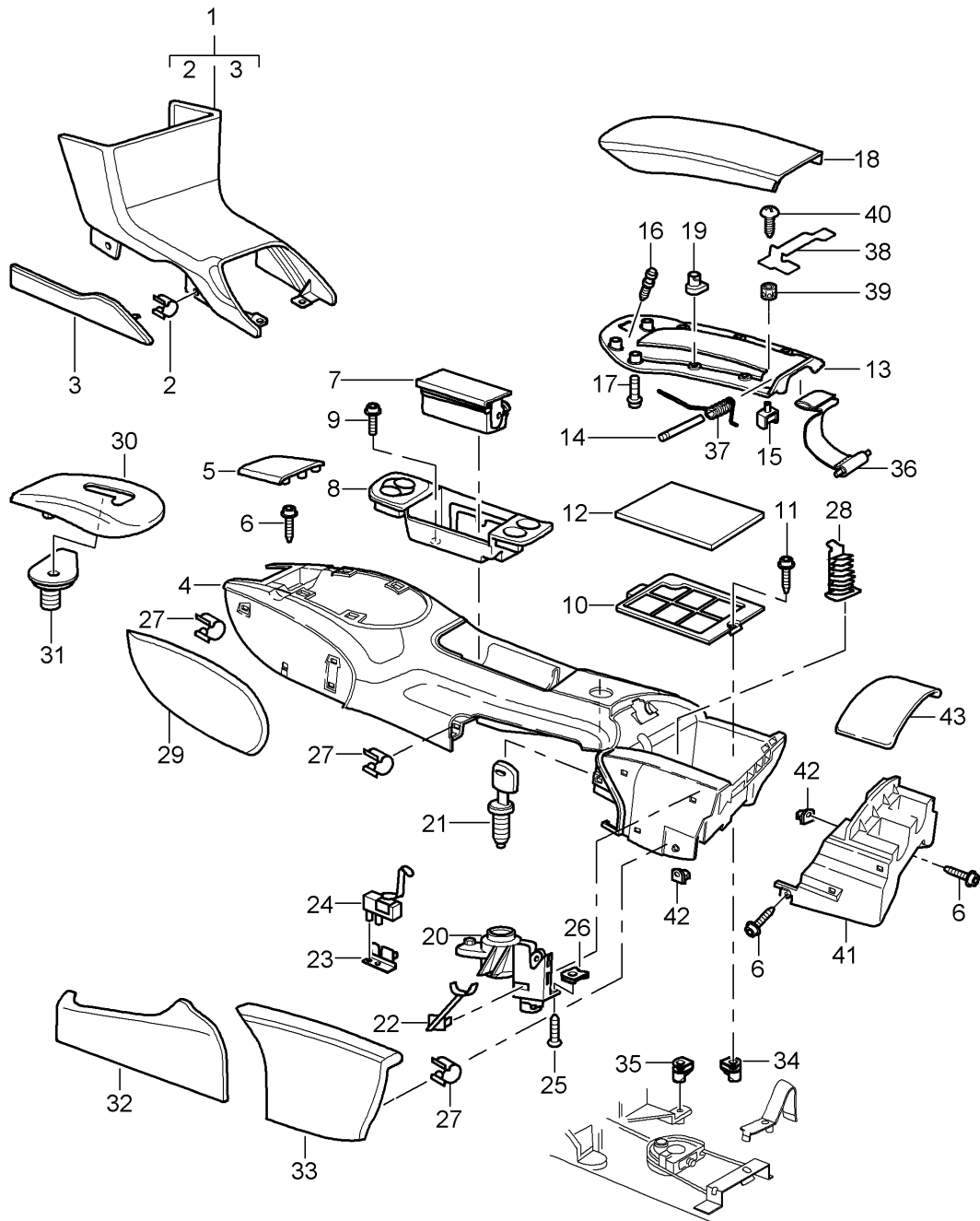
Pos	Part Number	Description	Remark	Qty	Model
(15)	996 552 315 02 01C 996 552 972 00	2 Switch Satin black Trim for switch		1	/581 IXKR
(15)	996 552 972 01	Light maple rootwood Trim for switch		1	/139/340 IXKR
(15)	996 552 972 02	2 Hole Light maple rootwood Trim for switch		1	/581 IXKS
(15)	996 552 972 03	Dark maple rootwood Trim for switch		1	/139/340 IXKS
(15)	996 552 972 04	2 Hole Dark maple rootwood Trim for switch		1	/581 IXNR
(15)	996 552 972 05	Carbon Trim for switch		1	/139/340 IXNR
15	996 552 983 00	2 Hole Carbon Trim for switch	01-	1	TURBO IXMF
	996 552 983 00 A11	Black			
	996 552 983 00 C51	Graphite grey			
	996 552 983 00 S31	Savanna			
	996 552 983 00 J31	Nephrite green			
	996 552 983 00 M31	Boxster red			
	996 552 983 00 G11	Metropole blue			
	996 552 983 00 D12	Dark grey/natural			
	996 552 983 00 T12	Brown/natural			
15	996 552 983 00 P12	Cinnamon brown Trim for switch	01-	1	TURBO IXNN
	996 552 983 00 A11	Black			
	996 552 983 00 C51	Graphite grey			
	996 552 983 00 S31	Savanna			
	996 552 983 00 J31	Nephrite green			
	996 552 983 00 M31	Boxster red			
	996 552 983 00 G11	Metropole blue			
	996 552 983 00 D12	Dark grey/natural			
	996 552 983 00 T12	Brown/natural			
15	996 552 983 00 P12	Cinnamon brown Trim for switch	01-	1	TURBO IXKW
	996 552 983 00 A11	Leather Black			
	996 552 983 00 C51	Graphite grey			
	996 552 983 00 S31	Savanna			
	996 552 983 00 J31	Nephrite green			
	996 552 983 00 M31	Boxster red			
	996 552 983 00 G11	Metropole blue			
	996 552 983 00 D12	Dark grey/natural			
	996 552 983 00 T12	Brown/natural			
15	996 552 983 00 P12	Cinnamon brown Trim for switch	01-	1	/GT2 IXMF

Model: 996 01 Model life 2001>>2005

Pos	Part Number	Description	Remark	Qty	Model
15	996 552 983 00 A11	Leather Black		1	/GT2 IXNN
	996 552 983 00 D12	Dark grey/natural	02-		
	996 552 983 00 T12	Brown/natural	02-		
	996 552 983 00	Trim for switch	01-		
15	996 552 983 00 A11	Leather Black		1	/GT2 IXKW
	996 552 983 00 D12	Dark grey/natural	02-		
	996 552 983 00 T12	Brown/natural	02-		
	996 552 983 00	Trim for switch	01-		
(15)	996 552 983 00 A11	Leather Black		1	IXMF/XNN M139/340
	996 552 983 00 D12	Dark grey/natural	02-		
	996 552 983 00 T12	Brown/natural	02-		
	996 552 983 01	Trim for switch	01-		
		2			
		Switch			
		Leather			
	996 552 983 01 A11	Black			
	996 552 983 01 C51	Graphite grey			
	996 552 983 01 S31	Savanna			
996 552 983 01 J31	Nephrite green				
996 552 983 01 M31	Boxster red				
996 552 983 01 G11	Metropole blue				
996 552 983 01 D12	Dark grey				
996 552 983 01 T12	Brown/natural				
996 552 983 01 P12	Cinnamon brown				

Model: 996 01

Model life 2001>>2005



Model: 996 01 Model life 2001>>2005

Pos	Part Number	Description	Remark	Qty	Model
1	986 552 113 02	Centre console Centre Lining Carpet	01-	1	GT2
	986 552 113 02 A10	Black			
	986 552 113 02 D11	Dark grey/natural	02-		
	986 552 113 02 T11	Brown/natural	02-		
2	999 507 533 02	Clamp 8,0 X 10,2	01-	26	GT2
3	986 552 513 02	Lid Carpet	/L 01-	1	GT2
	986 552 513 02 A10	Black			
	986 552 513 02 D11	Dark grey/natural	02-		
	986 552 513 02 T11	Brown/natural	02-		
3	986 552 514 02	Lid Carpet	/R 01-	1	GT2
	986 552 514 02 A10	Black			
	986 552 514 02 D11	Dark grey/natural	02-		
	986 552 514 02 T11	Brown/natural	02-		
4	996 552 125 02	Centre console	01	1	
	996 552 125 02 A03	Black			
	996 552 125 02 C53	Graphite grey			
	996 552 125 02 S33	Savanna			
	996 552 125 02 G13	Metropole blue			
	996 552 125 02 J33	Nephrite green			
	996 552 125 02 M33	Boxster red			
	996 552 125 02 P13	Cinnamon brown			
4	996 552 125 03	Centre console	02-	1	
	996 552 125 03 A03	Black			
	996 552 125 03 C53	Graphite grey			
	996 552 125 03 S33	Savanna			
	996 552 125 03 G13	Metropole blue			
	996 552 125 03 J33	Nephrite green			
	996 552 125 03 M33	Boxster red			
	996 552 125 03 P13	Cinnamon brown			
4	986 552 995 09	Centre console	-02	1	IXJB
4	986 552 995 09 92U	Arctic silver metallic			
	986 552 995 09	Centre console	01-	1	IXME
	986 552 995 09 39G	Violet metallic	-01		
	986 552 995 09 746	Black-metallic	-01		
	986 552 995 09 3W7	Dark blue	-01		
	986 552 995 09 23I	Wimbledon green metallic	-01		
	986 552 995 09 9A3	Biarritz white	-01		
	986 552 995 09 2A2	Rainforest green metallic	-02		
	986 552 995 09 92U	Arctic silver metallic			
	986 552 995 09 041	Black			
	986 552 995 09 84A	Guards red			
	986 552 995 09 12H	Speed yellow			
	986 552 995 09 8A3	Orient red metallic			
	986 552 995 09 M5W	Lapis blue metallic			
	986 552 995 09 6A6	Meridian metallic			
	986 552 995 09 39C	Midnight Blue Metallic			
	986 552 995 09 6B4	Seal grey metallic			
	986 552 995 09 2B4	Forest green metallic			
	986 552 995 09 3C8	Cobalt blue metallic			
	986 552 995 09 92M	Polar silver metallic			
	986 552 995 09 23F	Slate grey metallic			
	986 552 995 09 1A8	Zanzibar red			
	986 552 995 09 B9A	Carrara white	02-		
	986 552 995 09 C9Z	Basalt black metallic	02-		
	986 552 995 09 M6W	Lagoon green metallic	03-		
4	986 552 995 09	Centre console	03-	1	IXCE
	986 552 995 09 V03	Sport silver			



Model: 996 01 Model life 2001>>2005

Pos	Part Number	Description	Remark	Qty	Model
4	986 552 995 01	Centre console Leather	01	1	IXMZ
	986 552 995 01 VRK	Black			
	986 552 995 01 C51	Graphite grey			
	986 552 995 01 S31	Savanna			
	986 552 995 01 G11	Metropole blue			
	986 552 995 01 J31	Nephrite green			
	986 552 995 01 M31	Boxster red			
	986 552 995 01 D12	Dark grey/natural			
	986 552 995 01 T12	Brown/natural			
	986 552 995 01 P12	Cinnamon brown			
4	986 552 995 05	Centre console Leather	02-	1	IXMZ
	986 552 995 05 VRK	Black			
	986 552 995 05 C51	Graphite grey			
	986 552 995 05 S31	Savanna			
	986 552 995 05 G11	Metropole blue			
	986 552 995 05 J31	Nephrite green			
	986 552 995 05 M31	Boxster red			
	986 552 995 05 D12	Dark grey/natural			
	986 552 995 05 T12	Brown/natural			
	986 552 995 05 P12	Cinnamon brown			
4	986 552 995 08	Centre console Carbon		1	IXMJ
4	986 552 995 03	Centre console Rootwood Light	01	1	IXML
4	986 552 995 06	Centre console Rootwood Light	02-	1	IXML
4	986 552 995 07	Centre console Rootwood Dark		1	IXNB
-	996 552 841 01	Sound absorber Front		1	
-	996 552 841 02	Sound absorber Front		1	
-	996 552 843 01	Sound absorber Centre		1	
-	996 552 845 01	Sound absorber Rear		1	
5	986 552 241 02	Cover Front		1	GT2
	986 552 241 02 A03	Black			
6	999 919 121 09	Oval-head screw 5,0 X 16		X	
7	996 552 595 01	Insert Ashtray		1	
	996 552 595 01 A03	Black			
	996 552 595 01 C53	Graphite grey			
	996 552 595 01 S33	Savanna			
	996 552 595 01 G13	Metropole blue			
	996 552 595 01 J33	Nephrite green	-03		
	996 552 595 01 M33	Boxster red			
	996 552 595 01 P13	Cinnamon brown			
7	986 552 997 01	Insert Ashtray Leather		1	IXMZ
	986 552 997 01 A11	Black			
	986 552 997 01 C51	Graphite grey			
	986 552 997 01 S31	Savanna			
	986 552 997 01 G11	Metropole blue			
	986 552 997 01 J31	Nephrite green			

Model: 996 01 Model life 2001>>2005

Pos	Part Number	Description	Remark	Qty	Model	
7	986 552 997 01 M31	Boxster red		1	IXMJ	
	986 552 997 01 D12	Dark grey/natural				
	986 552 997 01 T12	Brown/natural				
	986 552 997 01 P12	Cinnamon brown				
	986 552 997 02	Insert Ashtray Carbon				
7	986 552 997 03	Insert Ashtray Rootwood		1	IXML	
		Light				
		Insert Ashtray Rootwood				
7	986 552 997 04	Dark Insert Ashtray Rootwood		1	IXNB	
		Dark				
		Insert Ashtray Lacquered				
8	986 552 997 00	Arctic silver	-02	1	IXCE	
		Silver	03-			
		Prime coated				
		996 552 095 02	Ashtray Lacquered			
		996 552 095 02 A03	Black			
		996 552 095 02 C53	Graphite grey			
		996 552 095 02 S33	Savanna			
		996 552 095 02 G13	Metropole blue			
		996 552 095 02 J33	Nephrite green			-03
		996 552 095 02 M33	Boxster red			
-	996 632 113 00	Cinnamon brown		1	IXMZ	
		Ashtray light				
8	986 552 996 05	Ashtray Leather		1	IXMZ	
		Black				
		Graphite grey				
		Savanna				
		Metropole blue				
		Nephrite green				
		Boxster red				
		Dark grey/natural				
		Brown/natural				
		Cinnamon brown				
		Ashtray Rootwood Light				
		Ashtray Rootwood Dark				
		Ashtray Carbon				
		Ashtray Arctic silver	-02			
		Silver	03-			
		(9)	999 591 941 40			Expansion rivet with Expander nut
10	996 552 365 00	Floor Shelf		1		
11	999 919 121 09	Oval-head screw M 5 X 16		1		
12	996 552 665 00	Insert Shelf		1		
13	996 552 205 00	Lid		1		

Model: 996 01 Model life 2001>>2005

Pos	Part Number	Description	Remark	Qty	Model
	996 552 205 00 01C	Satin black			
14	996 552 605 00	Hinge pin		1	
16	996 552 833 00	Rubber stop		2	
17	999 919 175 09	Oval-head screw 3,5 X 12		8	
18	996 552 155 03	Lid Leather		1	
	996 552 155 03 A11	Black			
	996 552 155 03 C51	Graphite grey			
	996 552 155 03 S31	Savanna			
	996 552 155 03 J31	Nephrite green			
	996 552 155 03 M31	Boxster red			
	996 552 155 03 G11	Metropole blue			
	996 552 155 03 P12	Cinnamon brown			
	996 552 155 03 D12	Dark grey/natural			
	996 552 155 03 T12	Brown/natural			
18	996 552 965 00	Lid Leather		1	IXMZ
	996 552 965 00 VRK	Black			
	996 552 965 00 C51	Graphite grey			
	996 552 965 00 S31	Savanna			
	996 552 965 00 G11	Metropole blue			
	996 552 965 00 J31	Nephrite green			
	996 552 965 00 M31	Boxster red			
	996 552 965 00 D12	Dark grey			
	996 552 965 00 T12	Brown/natural			
	996 552 965 00 P12	Cinnamon brown			
19	999 920 017 40	Plug-in nut 3,5 X 2,5 X 5		8	
20	996 552 097 01	Lock		1	
	996 552 097 01 01C	Satin black			
21	996 552 907 00	Lock cylinder W/o stipulated lock number		1	
21	996 552 907 01	Lock cylinder State lock number		1	
23	996 637 211 00	Support		1	
24	996 613 205 00	Microswitch		1	
25	999 919 121 09	Oval-head screw 5 X 16		3	
26	999 920 017 40	Plug-in nut 3,5 X 2,5 X 5		3	
27	999 507 476 01	Clamp 8,0 X 10,2		25	
28	996 552 695 00	Coin box		1	
	996 552 695 00 01C	Satin black			
29	996 552 087 03	Cover Leather	/L	1	M581
	996 552 087 03 A11	Black			
	996 552 087 03 C51	Graphite grey			
	996 552 087 03 S31	Savanna			
	996 552 087 03 J31	Nephrite green			
	996 552 087 03 M31	Boxster red			
	996 552 087 03 G11	Metropole blue			
	996 552 087 03 P12	Cinnamon brown			
	996 552 087 03 D12	Dark grey/natural			
	996 552 087 03 T12	Brown/natural			
(29)	996 552 088 03	Cover Leather	/R	1	M581
	996 552 088 03 A11	Black			
	996 552 088 03 C51	Graphite grey			
	996 552 088 03 S31	Savanna			
	996 552 088 03 J31	Nephrite green			
	996 552 088 03 M31	Boxster red			

Model: 996 01 Model life 2001>>2005

Pos	Part Number	Description	Remark	Qty	Model
	996 552 088 03 G11	Metropole blue			
	996 552 088 03 P12	Cinnamon brown			
	996 552 088 03 D12	Dark grey/natural			
	996 552 088 03 T12	Brown/natural			
(30)	996 552 655 01	Retaining frame		1	M480
(30)	996 552 259 00	Cover	/LL -02	1	M249
		Lacquered			
	996 552 259 00 EOY	Black	-02		
	996 552 259 00 ETR	Graphite grey	-02		
	996 552 259 00 ETS	Savanna	-02		
	996 552 259 00 ETT	Metropole blue	-02		
	996 552 259 00 ETV	Nephrite green	-02		
	996 552 259 00 ETW	Boxster red	-02		
	996 552 259 00 FAO	Cinnamon brown	-02		
(30)	996 552 259 01	Cover	/RL -02	1	M249
		Lacquered			
	996 552 259 01 EOY	Black	-02		
	996 552 259 01 ETR	Graphite grey	-02		
	996 552 259 01 ETS	Savanna	-02		
	996 552 259 01 ETT	Metropole blue	-02		
	996 552 259 01 ETV	Nephrite green	-02		
	996 552 259 01 ETW	Boxster red	-02		
	996 552 259 01 FAO	Cinnamon brown	-02		
30	996 552 259 02	Cover	/LL 03-	1	M249
		Lacquered			
	996 552 259 02 EOU	Black/Silver			
	996 552 259 02 EOZ	Graphite grey			
	996 552 259 02 EPA	Savanna			
	996 552 259 02 EPB	Metropole blue			
	996 552 259 02 EPD	Nephrite green	-03		
	996 552 259 02 EPE	Boxster red			
	996 552 259 02 EPF	Cinnamon brown			
(30)	996 552 259 03	Cover	/RL 03-	1	M249
		Lacquered			
	996 552 259 03 EOU	Black/Silver			
	996 552 259 03 EOZ	Graphite grey			
	996 552 259 03 EPA	Savanna			
	996 552 259 03 EPB	Metropole blue			
	996 552 259 03 EPD	Nephrite green	-03		
	996 552 259 03 EPE	Boxster red			
	996 552 259 03 EPF	Cinnamon brown			
(30)	996 552 977 20	Shift gate	/LL -02	1	IXY5/M249
		Cover			
		Leather			
	996 552 977 20 VRK	Black			
	996 552 977 20 C51	Graphite grey			
	996 552 977 20 S31	Savanna			
	996 552 977 20 J31	Nephrite green			
	996 552 977 20 M31	Boxster red			
	996 552 977 20 G11	Metropole blue			
	996 552 977 20 T12	Brown/natural			
	996 552 977 20 D12	Dark grey			
	996 552 977 20 P12	Cinnamon brown			
(30)	996 552 977 21	Shift gate	/RL -02	1	IXY5/M249
		Cover			
		Leather			
	996 552 977 21 VRK	Black			
	996 552 977 21 C51	Graphite grey			
	996 552 977 21 S31	Savanna			
	996 552 977 21 J31	Nephrite green			
	996 552 977 21 M31	Boxster red			
	996 552 977 21 G11	Metropole blue			
	996 552 977 21 T12	Brown/natural			

Model: 996 01 Model life 2001>>2005

Pos	Part Number	Description	Remark	Qty	Model
30	996 552 977 21 D12	Dark grey	/LL 03-	1	IXY5/M249
	996 552 977 21 P12	Cinnamon brown			
	996 552 977 26	Cover			
		Leather			
	996 552 977 26 VRK	Black			
	996 552 977 26 C51	Graphite grey			
	996 552 977 26 S31	Savanna			
	996 552 977 26 G11	Metropole blue			
	996 552 977 26 J31	Nephrite green			
	996 552 977 26 M31	Boxster red			
	996 552 977 26 P12	Cinnamon brown			
	996 552 977 26 D12	Dark grey/natural			
	(30)	996 552 977 26 T12			
996 552 977 27		Cover			
		Leather			
996 552 977 27 VRK		Black			
996 552 977 27 C51		Graphite grey			
996 552 977 27 S31		Savanna			
996 552 977 27 G11		Metropole blue			
996 552 977 27 J31		Nephrite green			
996 552 977 27 M31		Boxster red			
996 552 977 27 P12		Cinnamon brown			
996 552 977 27 D12		Dark grey/natural			
996 552 977 27 T12		Brown/natural			
31		996 552 687 00	Slide		1
	996 552 687 00 01C	Satin black			
32	996 552 283 02	Cover	-03	1	
		Handbrake			
	996 552 283 02 A03	Black			
	996 552 283 02 C53	Graphite grey			
	996 552 283 02 S33	Savanna			
	996 552 283 02 G13	Metropole blue			
	996 552 283 02 J33	Nephrite green			
	996 552 283 02 M33	Boxster red			
	996 552 283 02 P13	Cinnamon brown			
32	996 552 993 02	Cover		1	IXMJ
		Handbrake			
		Carbon			
32	996 552 993 03	Cover		1	TURBO IXML
		Handbrake			
		Rootwood			
		Light			
32	996 552 993 04	Cover		1	TURBO IXNB
		Handbrake			
		Rootwood			
32	996 552 993 01	Dark		1	IXCE
		Cover			
		Handbrake			
33	996 552 993 01 V03	Lacquered	/L	1	
	996 552 993 01	Sport silver			
	996 552 089 03	Cover			
		Leather			
	996 552 089 03 A11	Black			
	996 552 089 03 C51	Graphite grey			
	996 552 089 03 S31	Savanna			
	996 552 089 03 J31	Nephrite green			
	996 552 089 03 M31	Boxster red			
	996 552 089 03 G11	Metropole blue			
	996 552 089 03 P12	Cinnamon brown			
	996 552 089 03 D12	Dark grey/natural			
	996 552 089 03 T12	Brown/natural			
		-03			

Model: 996 01 Model life 2001>>2005

Pos	Part Number	Description	Remark	Qty	Model
(33)	996 552 090 03	Cover Leather	/R	1	
	996 552 090 03 A11	Black			
	996 552 090 03 C51	Graphite grey			
	996 552 090 03 S31	Savanna			
	996 552 090 03 J31	Nephrite green	-03		
	996 552 090 03 M31	Boxster red			
	996 552 090 03 G11	Metropole blue			
	996 552 090 03 P12	Cinnamon brown			
	996 552 090 03 D12	Dark grey/natural			
	996 552 090 03 T12	Brown/natural			
(33)	996 552 089 04	Cover Leather	/R 04-	1	CABRIO
	996 552 089 04 A11	Black			
	996 552 089 04 C51	Graphite grey			
	996 552 089 04 S31	Savanna			
	996 552 089 04 M31	Boxster red			
	996 552 089 04 G11	Metropole blue			
	996 552 089 04 P12	Cinnamon brown			
	996 552 089 04 D12	Dark grey/natural			
	996 552 089 04 T12	Brown/natural			
(33)	996 552 090 04	Cover Leather	/R 04-	1	CABRIO
	996 552 090 04 A11	Black			
	996 552 090 04 C51	Graphite grey			
	996 552 090 04 S31	Savanna			
	996 552 090 04 M31	Boxster red			
	996 552 090 04 G11	Metropole blue			
	996 552 090 04 P12	Cinnamon brown			
	996 552 090 04 D12	Dark grey/natural			
	996 552 090 04 T12	Brown/natural			
34	999 920 013 40	Plug-in nut 5,0 X 1,0 X 8		1	
35	999 920 012 40	Plug-in nut 5,0 X 3,5 X 8		2	
36	996 552 691 00	Retaining belt with Retaining pin		1	
(36)	996 552 960 01	Hinge Set Repair material	01	1	
(36)	996 552 507 00	Hinge	02-	1	
-	999 073 228 09	Tapping screw 4,8 X 13	02-	2	
37	996 552 795 01	Spring		1	
38	996 552 793 01	Retaining bracket Package box Lid		1	
39	999 507 645 02	Threaded piece		2	
40	999 073 081 02	Tapping screw 4,2 X 13		2	
41	996 552 227 00	Extension Lower part		1	COUPE
42	999 920 011 40	Plug-in nut 5,0 X 2 X 8		X	COUPE
43	996 552 127 00	Extension Upper part Leather		1	COUPE
	996 552 127 00 A11	Black			
	996 552 127 00 C51	Graphite grey			
	996 552 127 00 S31	Savanna			
	996 552 127 00 G11	Metropole blue			
	996 552 127 00 J31	Nephrite green	-03		

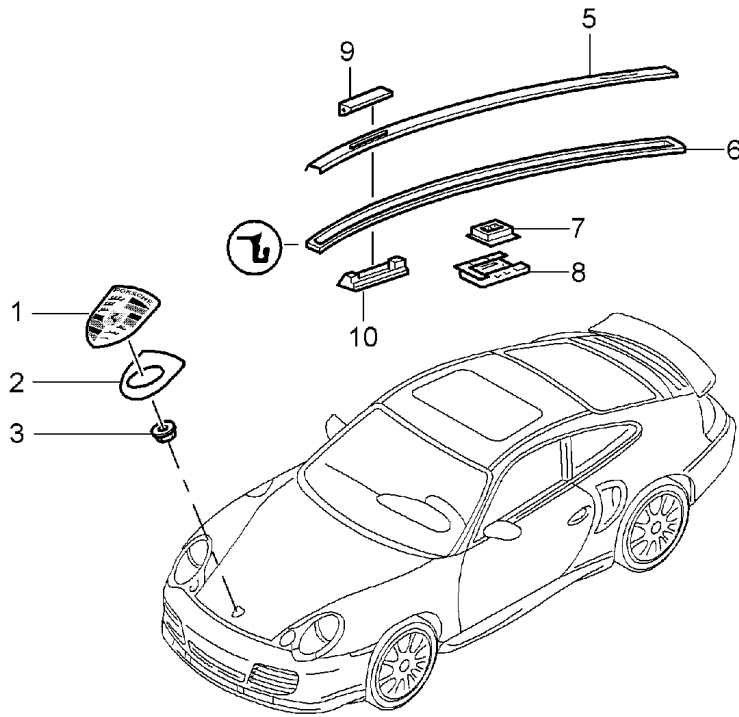
Model: 996 01 Model life 2001>>2005

Pos	Part Number	Description	Remark	Qty	Model
(43)	996 552 127 00 M31	Boxster red	-03	1	COUPE IXMZ
	996 552 127 00 P12	Cinnamon brown			
	996 552 127 00 D12	Dark grey/natural			
	996 552 127 00 T12	Brown/natural			
	996 552 962 00	Extension			
		Upper part			
		Leather			
	996 552 962 00 VRK	Black			
	996 552 962 00 C51	Graphite grey			
	996 552 962 00 S31	Savanna			
	996 552 962 00 G11	Metropole blue			
	996 552 962 00 J31	Nephrite green			
	996 552 962 00 M31	Boxster red			
	996 552 962 00 D12	Dark grey/natural			
996 552 962 00 T12	Brown/natural				
996 552 962 00 P12	Cinnamon brown				

Model: 996 01

Model life 2001>>2005

4 — *Turbo S* — 11



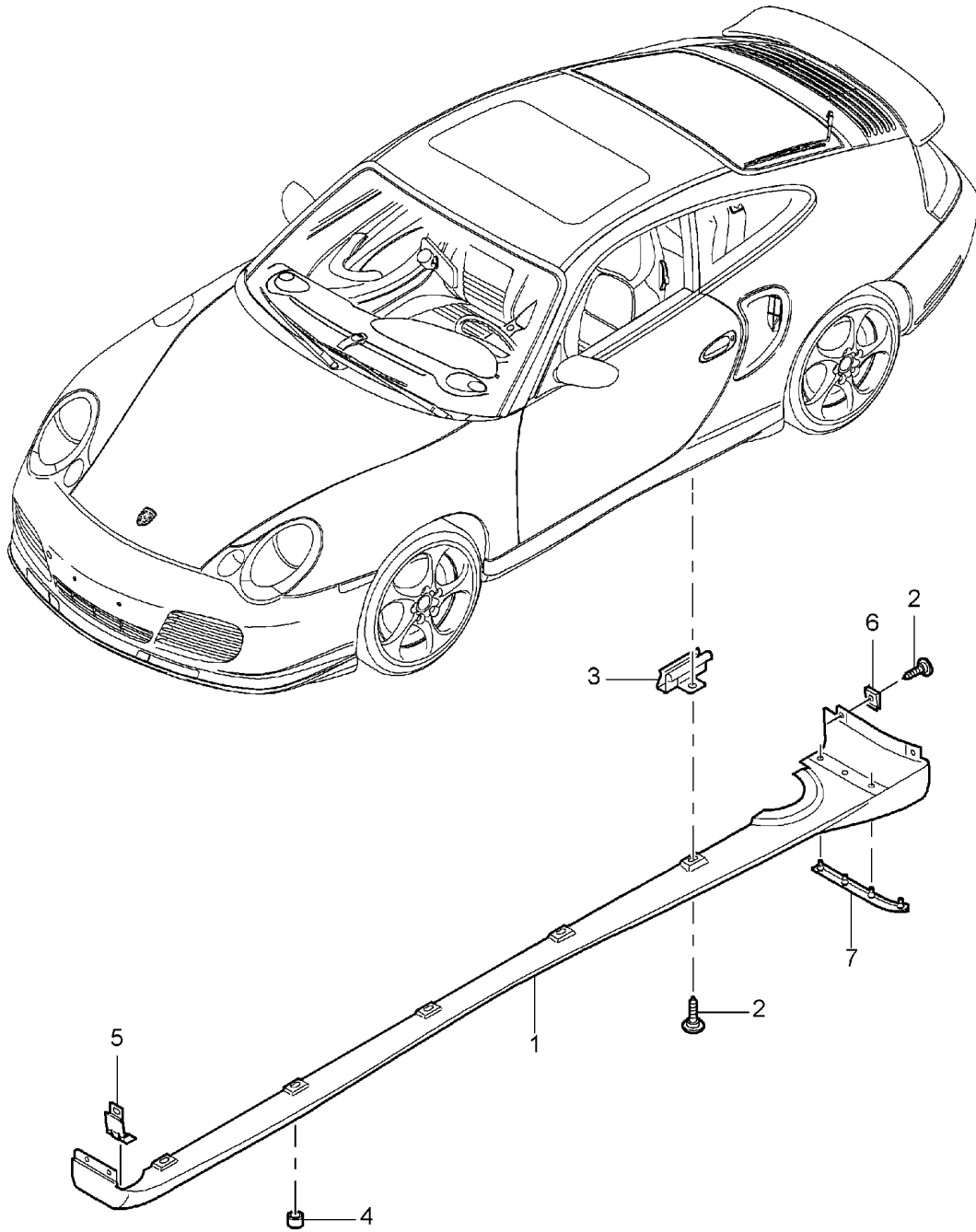


Model: 996 01 Model life 2001>>2005

Pos	Part Number	Description	Remark	Qty	Model
1	997 559 211 00	Insignias Decorative fittings Lid emblem		1	
(1)	996 559 211 01	Information available Lid emblem		1	
2	901 559 215 20	Information available Desk pad		1	
(2)	7L5 853 611 B	Desk pad		1	
3	999 591 423 03	Tapping nut		2	
4	996 559 237 03	Logo		1	TURBO
-	996 559 237 03 4PU	Chrome			
	996 559 237 91	Logo		1	GT2
	996 559 237 91 70C	Rally black			
(5)	996 559 401 00	Roof edge strip	/L	1	
	996 559 401 00 G2X	Prime coated			
(5)	996 559 402 00	Roof edge strip	/R	1	
	996 559 402 00 G2X	Prime coated			
(6)	996 559 721 00	Gasket	/L	1	
6	996 559 722 00	Gasket	/R	1	
7	996 559 405 01	Adapter		10	
(8)	996 559 403 01	Clip		10	
9	996 559 501 00	Flap	/V	2	
	996 559 501 00 G2X	Prime coated			
(9)	996 559 503 00	Flap	/H	2	
	996 559 503 00 G2X	Prime coated			
10	996 559 729 00	Bracket for Flap		4	
11	986 559 243 01	Logo Chrome	05-	1	M092

Model: 996 01

Model life 2001>>2005

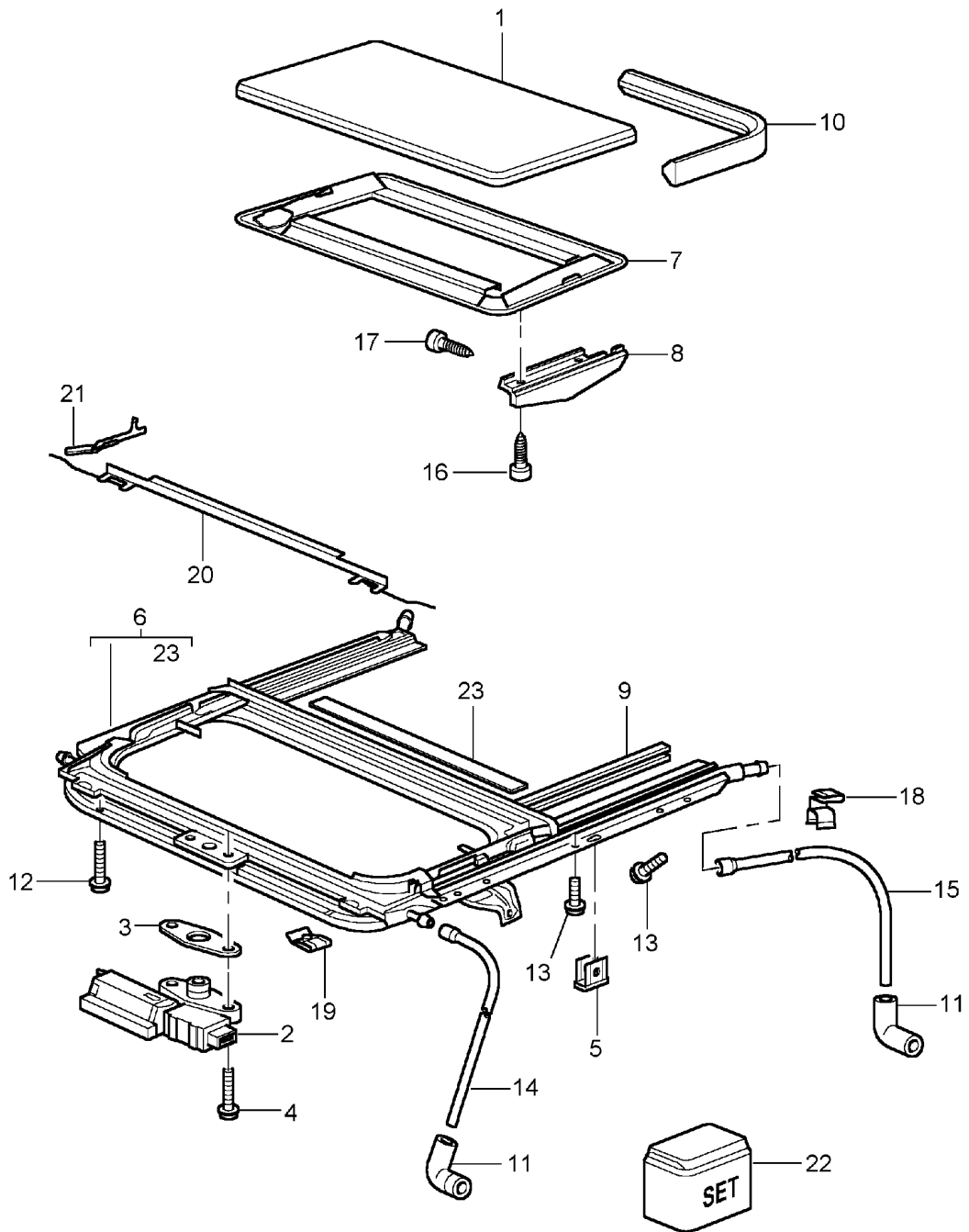


Model: 996 01 Model life 2001>>2005

Pos	Part Number	Description	Remark	Qty	Model
		Trim cover			
		Door sill			
		Single parts			
1	996 504 363 00	Sill cover	/L	1	
	996 504 363 00 01C	Satin black			
(1)	996 504 364 00	Sill cover	/R	1	
	996 504 364 00 01C	Satin black			
1	996 504 363 01	Sill cover	/L 02-	1	IXAF
	996 504 363 01 G2X	Prime coated			
1	996 504 364 01	Sill cover	/R 02-	1	IXAF
	996 504 364 01 G2X	Prime coated			
2	N 906 487 02	Tapping screw		10	
		4,8 X 16			
3	999 507 640 09	U-clamp		10	
		3,30 - 4,00			
4	996 504 715 00	Grommet		20	
5	996 504 743 00	Support	/L	1	
(5)	996 504 744 00	Support	/R	1	
6	999 507 668 02	Speed nut		4	
		4,8			
6	999 507 668 01	Speed nut		4	
		4,8			
7	996 504 893 00	Rubber lip	/L	1	
(7)	996 504 894 00	Rubber lip	/R	1	

Model: 996 01

Model life 2001>>2005



Model: 996 01 Model life 2001>>2005

Pos	Part Number	Description	Remark	Qty	Model
1	996 564 941 01	Sunroof Lid		1	M650
	996 564 941 01 GRV	Prime coated			
2	996 624 211 02	Driving mechanism		1	
2	997 624 211 00	Driving mechanism		1	
3	996 564 213 00	Spacer		1	
4	999 073 135 07	Countersunk-head screw		2	
5	999 703 258 41	Clip		2	
6	996 564 015 02	Frame Complete for vehicles up to 01.01 Use also:		1	
-	996 564 915 00	Assembly kit for Frame		1	
7	996 564 021 02	Roofliner		1	
	996 564 021 02 A14	Black			
	996 564 021 02 C54	Graphite grey			
	996 564 021 02 G14	Metropole blue			
	996 564 021 02 S34	Savanna			
7	996 564 021 03	Roofliner	01-02	1	
	996 564 021 03 A14	Black			
	996 564 021 03 C54	Graphite grey			
	996 564 021 03 S34	Savanna			
	996 564 021 03 G14	Metropole blue			
	996 564 021 03 J34	Nephrite green			
7	996 564 021 04	Roofliner	03-05	1	
	996 564 021 04 A14	Black			
	996 564 021 04 C54	Graphite grey			
	996 564 021 04 G14	Metropole blue			
	996 564 021 04 S34	Savanna			
7	996 564 983 00	Roofliner		1	IXMA
		Leather			
	996 564 983 00 A11	Black			
	996 564 983 00 C51	Graphite grey			
	996 564 983 00 S31	Savanna			
	996 564 983 00 G11	Metropole blue			
	996 564 983 00 J31	Nephrite green			
	996 564 983 00 M31	Boxster red			
	996 564 983 00 D12	Dark grey/natural			
	996 564 983 00 P12	Cinnamon brown			
-	996 564 950 00	Sound absorber for Roofliner		1	
8	996 564 181 00	Cover Outer	/L	1	
	996 564 181 00 01C	Black			
	996 564 181 00 M6X	Dark olive-metallic			
(8)	996 564 182 00	Cover Outer	/R	1	
	996 564 182 00 01C	Black			
	996 564 182 00 M6X	Dark olive-metallic			
(9)	996 564 241 00	Interior lining Inner	/R	1	
(9)	996 564 242 00	Interior lining Inner	/L	1	
10	997 564 211 00	Gasket		1	
11	999 702 248 41	Grommet		4	
12	999 073 131 02	Oval-head screw M6X25		4	
12	999 073 366 02	Oval-head screw M6X30		4	

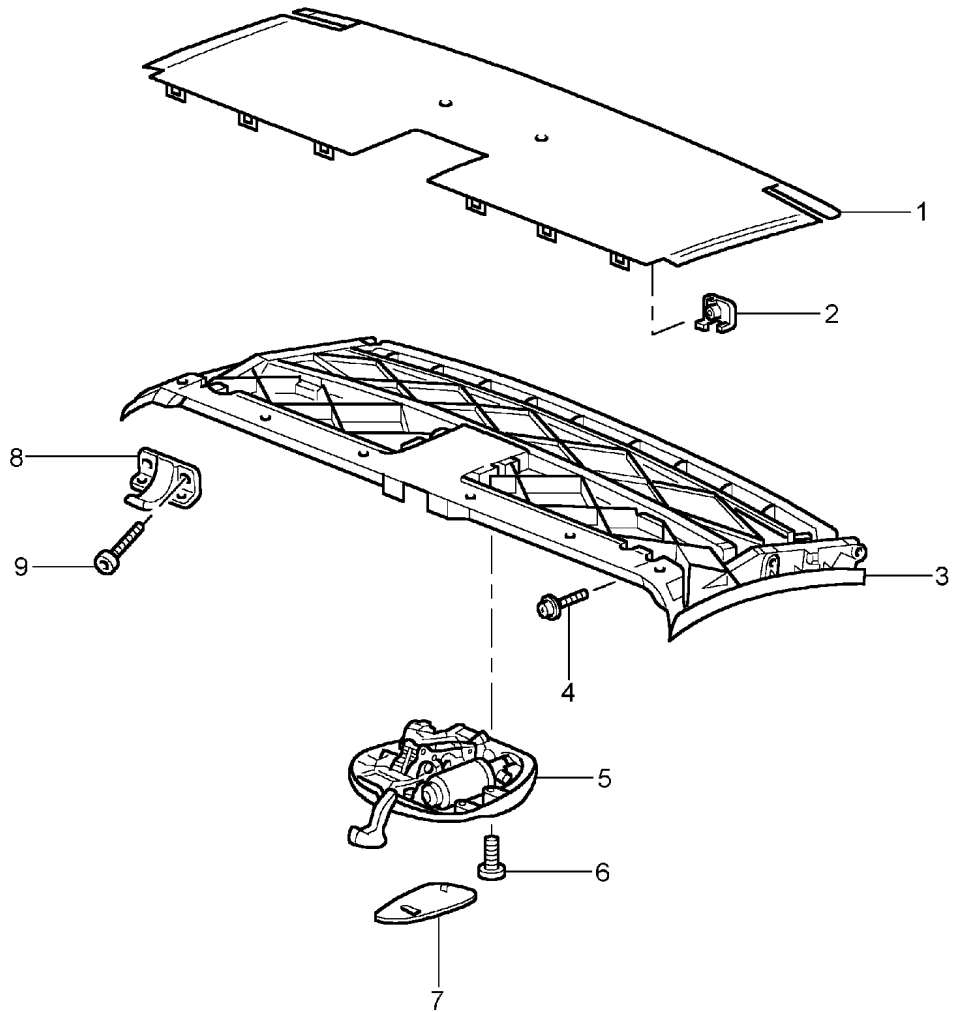
Model: 996 01

Model life 2001&gt;&gt;2005

Pos	Part Number	Description	Remark	Qty	Model
13	999 073 130 02	Oval-head screw M6X16		6	
14	996 564 207 00	Water drain hose Front		2	
15	996 564 237 01	Water drain hose Rear		2	
16	900 143 133 07	Tapping screw		4	
17	996 564 245 00	Combination screw		4	
18	999 507 631 02	Cable holder		6	
19	999 591 348 02	Speed nut		2	
19	999 591 348 01	Speed nut		2	
20	996 564 161 02	Air deflector		1	
21	996 564 521 01	Hinge		1	
(21)	996 564 522 01	Hinge		1	
22	996 564 915 00	Assembly kit		1	
23	996 564 907 01	Edge protection		1	

Model: 996 01

Model life 2001>>2005



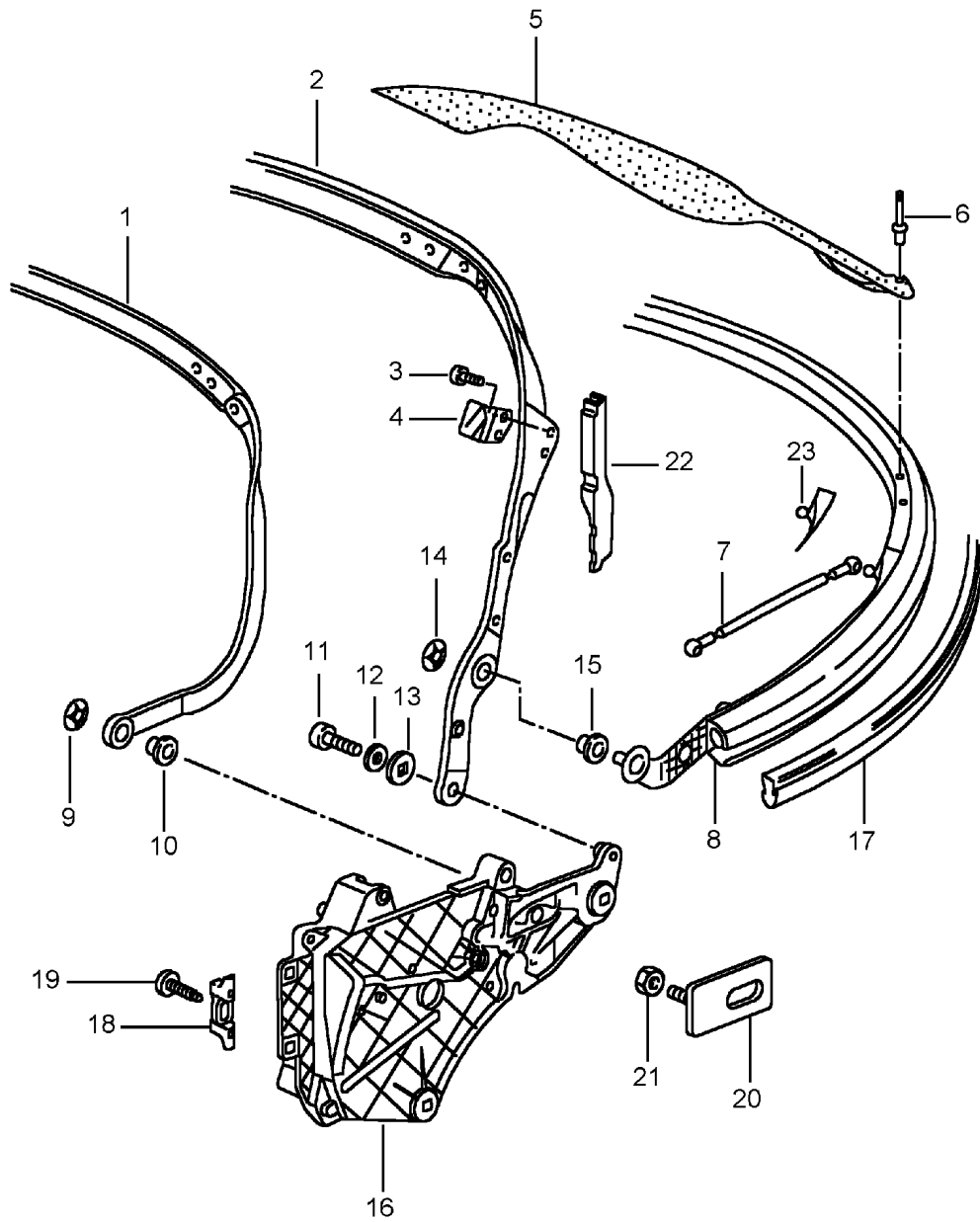
Model: 996 01 Model life 2001>>2005

Pos	Part Number	Description	Remark	Qty	Model
		Convertible top frame			TURBO
		Front			
		Roof frame			
		Catch			
1	996 561 963 00	Base		1	
2	996 561 731 00	Clip		6	
3	996 561 953 00	Roof frame		1	
	996 561 953 00 A09	Black			
4	996 561 247 00	Expansion rivet		6	
5	996 561 017 01	Catch	-04	1	
	996 561 017 01 A09	Black			
(5)	997 561 117 00	Catch	05-	1	
-	996 561 947 00	Adapter	-04	1	
-	997 561 515 00	Trim cover	05-	1	
	997 561 515 00 01C	Black			
6	999 073 195 09	Oval-head screw		4	
6	996 561 937 00	Set		1	
		Cap			
8	996 561 605 02	Centring journal	/L	1	
(8)	996 561 606 02	Centring journal	/R	1	
9	999 919 144 09	Oval-head screw		4	



Model: 996 01

Model life 2001>>2005

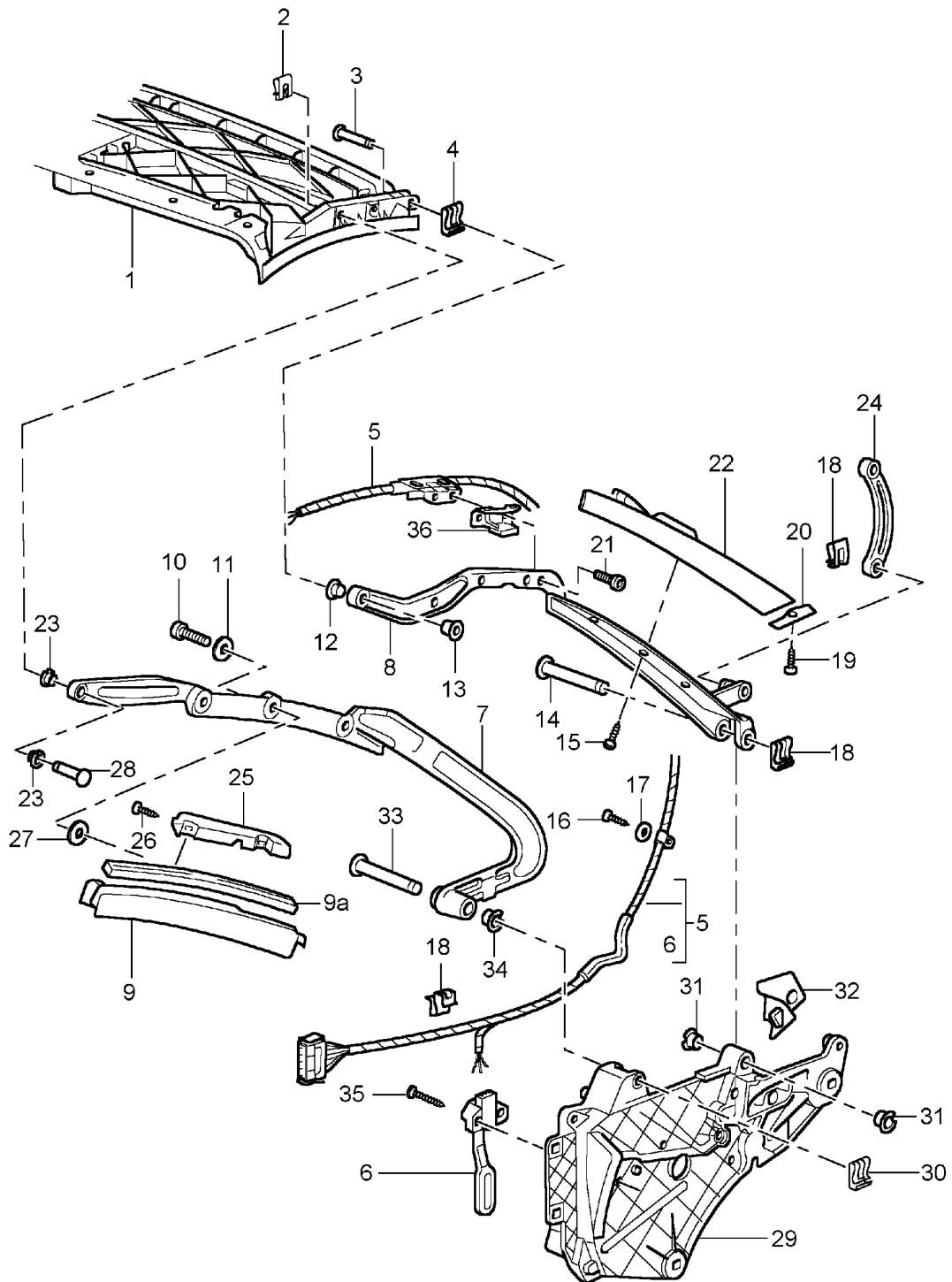


Model: 996 01 Model life 2001>>2005

Pos	Part Number	Description	Remark	Qty	Model
		Convertible top frame Single parts			TURBO
1	996 561 042 00	Roof strut		1	
2	996 561 037 00	Main folding top bow		1	
3	900 146 003 02	Oval-head screw		4	
4	996 561 959 00	Thrust wedge		2	
5	996 561 089 01	Restraining strap	/L	1	
(5)	996 561 090 01	Restraining strap	/R	1	
6	999 190 446 30	Blind rivet		X	
7	996 561 191 00	Tension rope		2	
8	996 561 041 01	Roof strut		1	
9	996 561 645 00	Lock		4	
10	999 924 122 40	Bush		4	
11	999 073 195 09	Oval-head screw		2	
12	900 151 006 09	Washer		2	
13	999 924 131 30	Washer		2	
14	996 561 645 00	Lock		4	
15	999 924 122 40	Bush		X	
16	996 561 443 00	Convertible top support	/L	1	
(16)	996 561 444 00	Convertible top support	/R	1	
17	996 561 693 00	Gaskets for Roof strut POS.8		1	
18	996 561 735 02	Adjusting shim		2	
19	999 073 138 09	Screw		2	
20	996 561 715 00	Support		2	
21	999 084 630 09	Hexagon nut		2	
22	996 561 259 00	Gasket	/L	1	
22	996 561 260 00	Gasket	/R	1	
23	996 561 055 01	Bracket for Tension rope	/L	1	
(23)	996 561 056 01	Bracket for Tension rope	/R	1	

Model: 996 01

Model life 2001>>2005

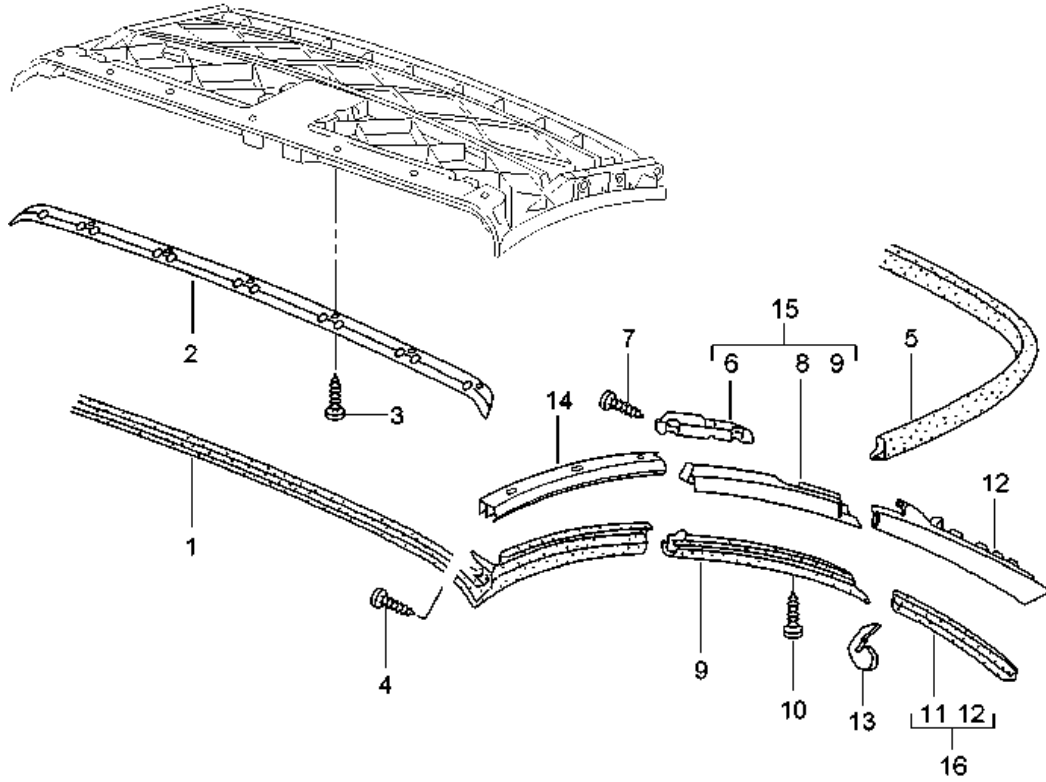


Model: 996 01 Model life 2001>>2005

Pos	Part Number	Description	Remark	Qty	Model
		Convertible top frame Single parts			TURBO
1	996 561 953 00	Roof frame		1	
	996 561 953 00 A09	Black			
2	999 166 075 02	Safety clip		X	
3	999 088 041 30	Bolt 8X23,2		2	
4	999 166 075 02	Safety clip		X	
5	996 612 005 15	Wiring harness	-04	1	
5	997 612 698 00	Wiring harness	05-	1	
6	996 613 313 02	Potentiometer		1	
7	996 561 335 00	Roof frame	/L	1	
(7)	996 561 336 00	Roof frame		1	
8	996 561 339 00	Roof frame	/L	1	
(8)	996 561 340 00	Roof frame	/R	1	
9		See illustrations 8/11/09	/L	1	
(9)		See illustrations 8/11/09	/R	1	
9A	996 561 219 00	Gasket for Sealing frame		2	
10	999 073 195 09	Oval-head screw M 6X20		X	
11	900 151 006 09	Washer		X	
12	999 924 152 00	Bush		2	
13		Bush		2	
14	999 088 037 30	Bolt		1	
15	999 919 152 09	Oval-head screw		X	
16	900 144 101 02	Tapping screw		X	
17	900 151 027 02	Washer		8	
18	999 166 076 02	Safety clip		X	
18	999 166 076 01	Safety clip		X	
19	999 919 141 09	Oval-head screw		4	
20	996 561 239 00	Gasket	/L	1	
(20)	996 561 240 00	Gasket	/R	1	
21	N 014 128 13	Oval-head screw		4	
22		See illustrations 8/11/09	/L	1	
(22)		See illustrations 8/11/09	/R	1	
23	999 924 152 00	Bush		4	
24	996 561 051 01	Lever	/L	1	
(24)	996 561 052 01	Lever	/R	1	
25		See illustrations 8/11/09	/L	1	
(25)		See illustrations 8/11/09	/R	1	
26	999 919 141 09	Oval-head screw		4	
27	999 025 267 09	Washer		8	
28	999 088 040 30	Bolt		2	
29	996 561 443 00	Convertible top support	/L	1	
(29)	996 561 444 00	Convertible top support	/R	1	
30	999 166 076 02	Safety clip		6	
30	999 166 076 01	Safety clip		6	
31	999 924 125 40	Bush		4	
32	996 561 249 01	Sealing strip	/L	1	
(32)	996 561 250 01	Sealing strip	/R	1	
33	999 088 031 30	Bolt		4	
34	999 924 125 40	Bush		4	
35	999 919 152 09	Oval-head screw		2	

Model: 996 01

Model life 2001>>2005

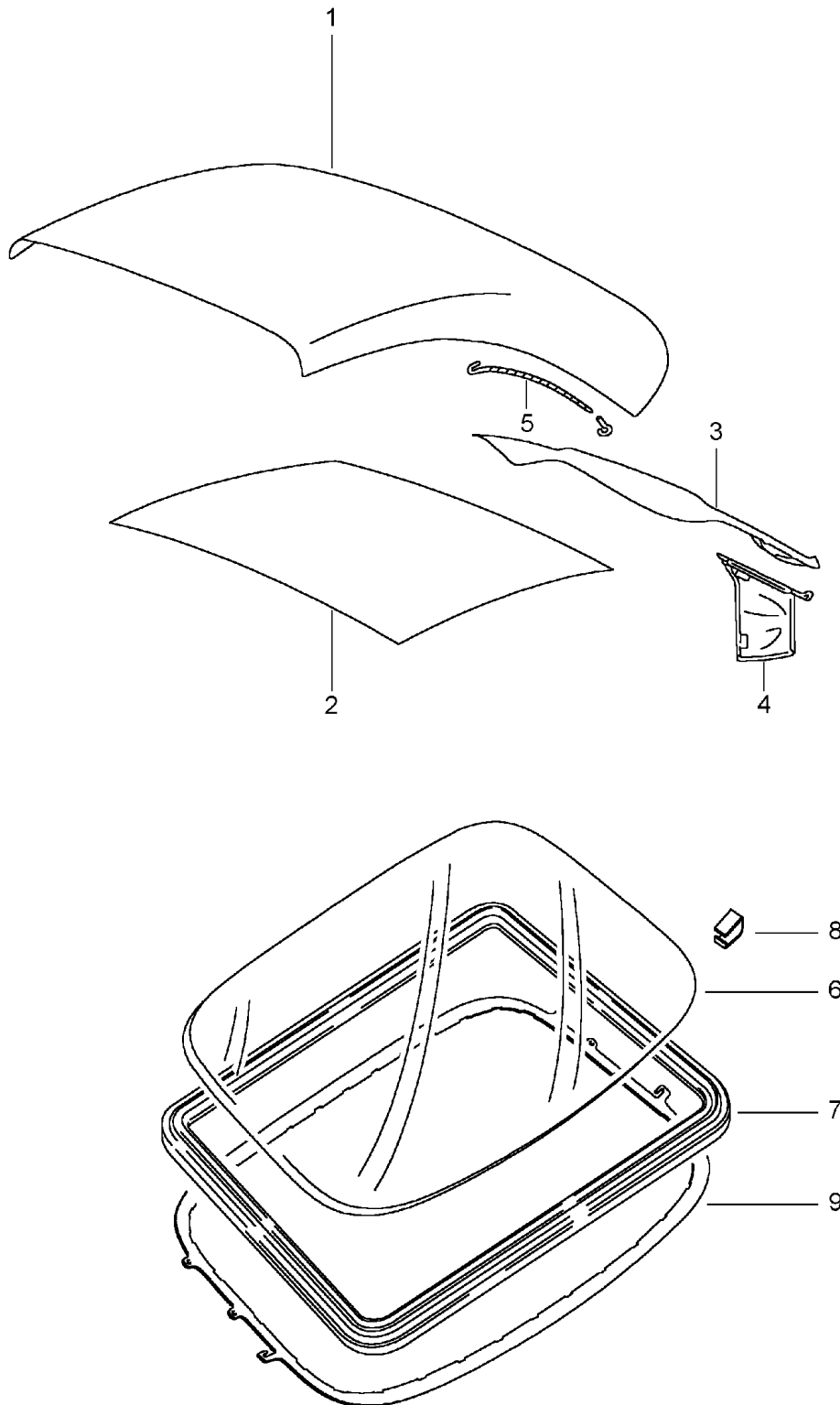


Model: 996 01 Model life 2001>>2005

Pos	Part Number	Description	Remark	Qty	Model
		Convertible top Seal			TURBO
1	996 561 027 00	Roof frame seal		1	
2	996 561 501 01	Retaining strip	-04	1	
2	997 561 501 00	Retaining strip	05-	1	
3	999 919 139 09	Oval-head screw		7	
4		Oval-head screw		2	
5	996 561 449 00	Gasket		1	
7	999 919 152 09	Oval-head screw		4	
8	996 561 355 00	Sealing frame	/L	1	
		Order			
(8)	996 561 356 00	Pos. 15 + 16 Sealing frame	/R	1	
		Order			
9	996 561 413 00	Pos. 15 + 16 Gasket	/L	1	
		Order			
(9)	996 561 414 00	Pos. 15 + 16 Gasket	/R	1	
		Order			
10	999 919 152 09	Pos. 15 + 16 Oval-head screw		8	
11	996 561 411 00	Gasket	/L	1	
		Order			
(11)	996 561 412 00	Pos. 15 + 16 Gasket	/R	1	
		Order			
12	996 561 319 00	Pos. 15 + 16 Frame	/L	1	
		Order			
(12)	996 561 320 00	Pos. 15 + 16 Frame	/R	1	
		Order			
13	996 561 935 00	Pos. 15 + 16 Filler piece		2	
		Set			
14	996 561 527 00	Mounting	/L	1	
14	996 561 528 00	Mounting	/R	1	
15	997 561 913 01	Gaskets	/L	1	
(15)	997 561 914 01	Gaskets	/R	1	
16	997 561 923 00	Gaskets	/L	1	
(16)	997 561 924 00	Gaskets	/R	1	
		Assembly kit			
		Pos. 11,12			
		Roof frame			
		Rear			

Model: 996 01

Model life 2001>>2005



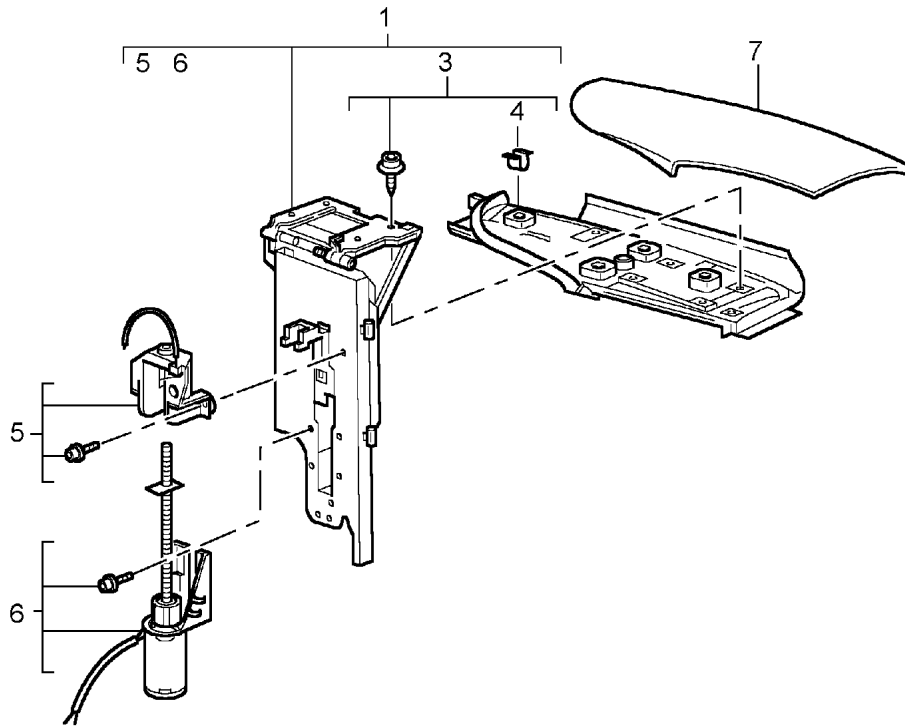
Model: 996 01 Model life 2001>>2005

Pos	Part Number	Description	Remark	Qty	Model
		Convertible top covering Roofliner			TURBO
1	996 561 915 02	Convertible top covering without Rear window	-04	1	
	996 561 915 02 A10	Black			
	996 561 915 02 C50	Graphite grey			
	996 561 915 02 G02	Metropole blue			
1	997 561 901 00	Convertible top covering without Rear window	05-	1	
	997 561 901 00 A10	Black			
	997 561 901 00 C50	Graphite grey			
	997 561 901 00 G02	Metropole blue			
1	997 561 901 01	Convertible top covering without Rear window	05-	1	
	997 561 901 01 A10	Black			
	997 561 901 01 C50	Graphite grey			
	997 561 901 01 G02	Metropole blue			
2	996 561 085 01	Roofliner		1	
	996 561 085 01 A21	Black			
3	996 561 089 01	Restraining strap	/L	1	
(3)	996 561 090 01	Restraining strap	/R	1	
4	996 561 095 01	Bag	/L	1	
	996 561 095 01 A20	Black Information available			
(4)	996 561 096 01	Bag	/R	1	
	996 561 096 01 A20	Black Information available			
5	996 561 931 01	Tension rope		2	
6	996 561 101 00	Rear window		1	
7	996 561 331 00	Gasket		1	
8	996 561 205 00	Clamp		32	
9	996 561 203 00	Frame		1	



Model: 996 01

Model life 2001>>2005



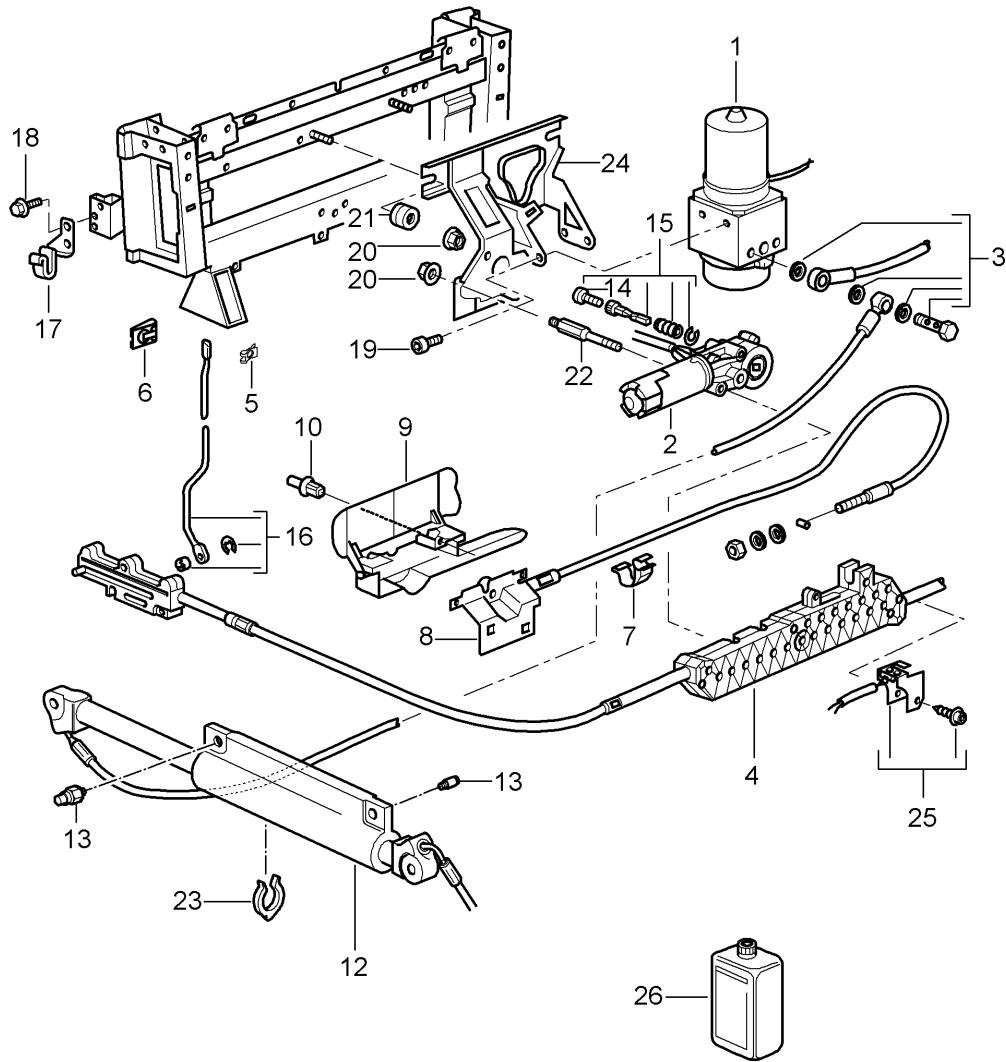
Model: 996 01

Model life 2001>>2005

Pos	Part Number	Description	Remark	Qty	Model
		Flap Lateral Folding top			TURBO
1	996 561 175 01	Flap	/L	1	
(1)	996 561 176 01	Flap	/R	1	
3	996 561 625 00	Lower part	/L	1	
(3)	996 561 626 00	Lower part	/R	1	
4	999 507 533 02	Clamp		X	
5	996 561 685 00	Microswitch	/L	1	
(5)	996 561 686 00	Microswitch	/R	1	
6	996 561 675 00	Driving mechanism	/L	1	
(6)	996 561 676 00	Driving mechanism	/R	1	
7		See illustrations 8/07/07	/R	1	

Model: 996 01

Model life 2001>>2005

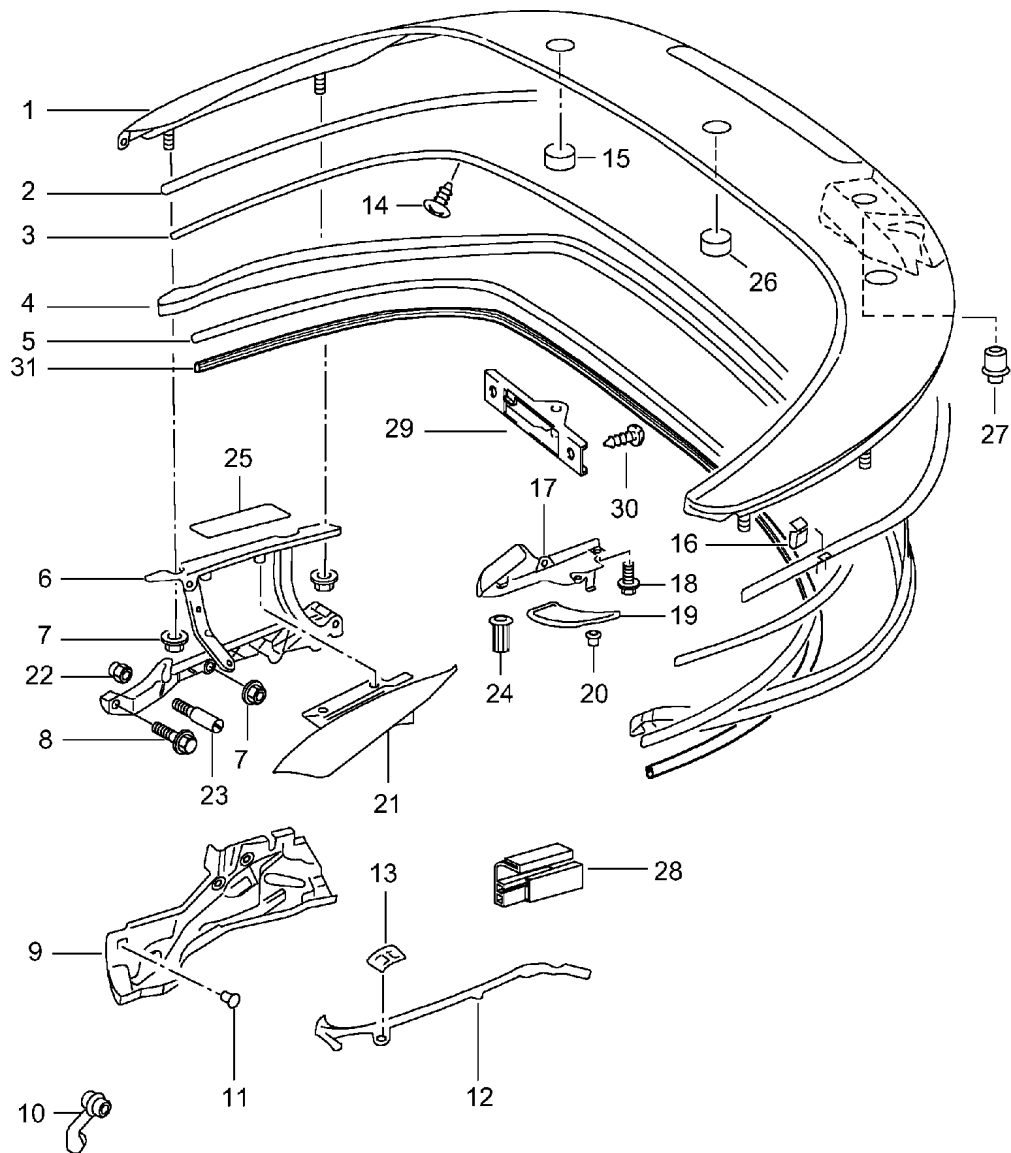


Model: 996 01 Model life 2001>>2005

Pos	Part Number	Description	Remark	Qty	Model
		Convertible top Driving mechanism Hydraulic Pump See workshop manual Group 6 61-7031		1	TURBO
1	996 561 307 02				
1	997 561 307 00	Hydraulic unit See workshop manual Group 6 61-7031 for subsequent installat. Order also:		1	
-	996 561 217 01	Support Hydraulic unit	-03	1	
2	996 561 933 01	Engine		1	
3	996 561 573 00	Banjo bolt		2	
4	996 561 021 04	Driving mechanism		1	
5	999 166 054 02	Sl-lock		2	
5	999 166 054 01	Sl-lock		2	
6	999 703 425 40	Spacer sleeve		3	
7	999 507 683 40	Cable holder		X	
8	996 561 065 01	Locking device		1	
9	996 561 265 03	Lining		1	
10	999 591 941 40	Expansion rivet		X	
12	996 561 945 02	Cylinder		2	
13	996 561 245 00	Bolt		1	
14	996 561 671 00	Screw		1	
15	996 561 673 01	Repair kit		1	
16	996 561 229 00	Push rod	/L	1	
16	996 561 230 00	Push rod	/R	1	
17	996 561 105 00	Bracket	/L	1	
(17)	996 561 106 00	Bracket	/R	1	
18	900 378 173 09	Hexagon-head bolt		X	
19	N 014 750 3	Pan-head screw		4	
19	N 014 750 13	Pan-head screw		4	
21	999 703 424 40	Rubber buffer		3	
22	996 561 863 01	Stud		2	
23	996 561 281 00	Retainer		2	
24	996 561 207 01	Support		1	
25	996 561 165 01	Microswitch		1	
26	000 043 204 89	Oil 250 ML		X	

Model: 996 01

Model life 2001>>2005

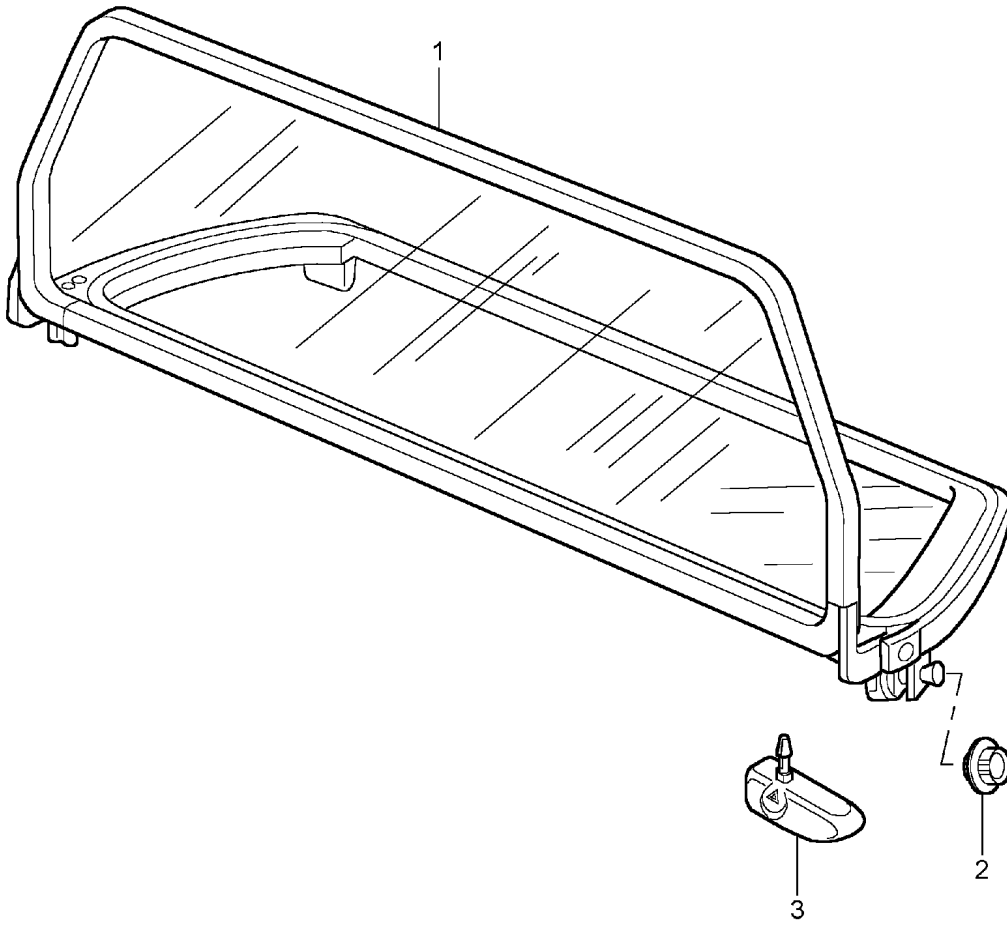


Model: 996 01 Model life 2001>>2005

Pos	Part Number	Description	Remark	Qty	Model
		Convertible top compartm. Lid Gaskets			TURBO
1	996 514 011 02	Lid		1	
	996 514 011 02 GRV	Prime coated			
2	996 514 631 00	Sealing strip	-05	1	
-	000 043 207 26	Adhesive tape		1	
3	996 514 731 00	Gasket		1	
4	996 514 714 00	Edge protection		1	
5	996 514 211 04	Gasket		1	
6	996 561 907 02	Hinge	/L	1	
6	996 561 908 02	Hinge	/R	1	
7	900 377 003 02	Hexagon nut		4	
8	900 378 180 09	Hexagon-head bolt		2	
9	996 561 805 03	Water drip pan	/L	1	
9	996 561 806 03	Water drip pan	/R	1	
10	996 561 815 01	Water drain hose	/L	1	
10	996 561 816 01	Water drain hose	/R	1	
-	996 561 809 00	Clamp for Pos. 10		2	
11	999 703 432 40	Stopper		2	
12	996 561 755 01	Water drain strip		1	
(12)	996 561 756 01	Water drain strip		1	
13	999 507 647 02	Tab washer		4	
14	999 073 047 02	Tapping screw		2	
15	996 561 633 01	Buffer		2	
16	999 507 600 09	U-clamp		2	
17	996 514 651 02	Mounting	/L	1	
17	996 514 652 02	Mounting	/R	1	
18	999 073 189 09	Torx screw		6	
19	996 504 861 00	Cover	/L	1	
	996 504 861 00 GRV	Prime coated			
(19)	996 504 862 00	Cover	/R	1	
	996 504 862 00 GRV	Prime coated			
20	999 702 264 40	Grommet		4	
21	996 561 061 02	Flap	/L	1	
21		Flap	/L	1	
(21)	996 561 062 02	Flap	/R	1	
(21)		Flap	/R	1	
22	999 500 086 02	Blind rivet nut		4	
23	999 242 004 02	Threaded pin		2	
24	900 360 001 02	Hexagon nut		2	
(24)	996 504 855 01	Mounting		4	
-	999 500 084 01	Special nut		X	
25	996 561 904 00	Gasket		X	
26	986 561 633 01	Buffer		1	
27	999 703 140 40	Rubber buffer		1	
28	996 561 401 00	Stop	/L	1	
(28)	996 561 402 00	Stop	/R	1	
29	996 561 465 00	Clip		1	
30	999 073 130 02	Oval-head screw		2	
31	996 514 511 00	Clip		2	

Model: 996 01

Model life 2001>>2005



Model: 996 01

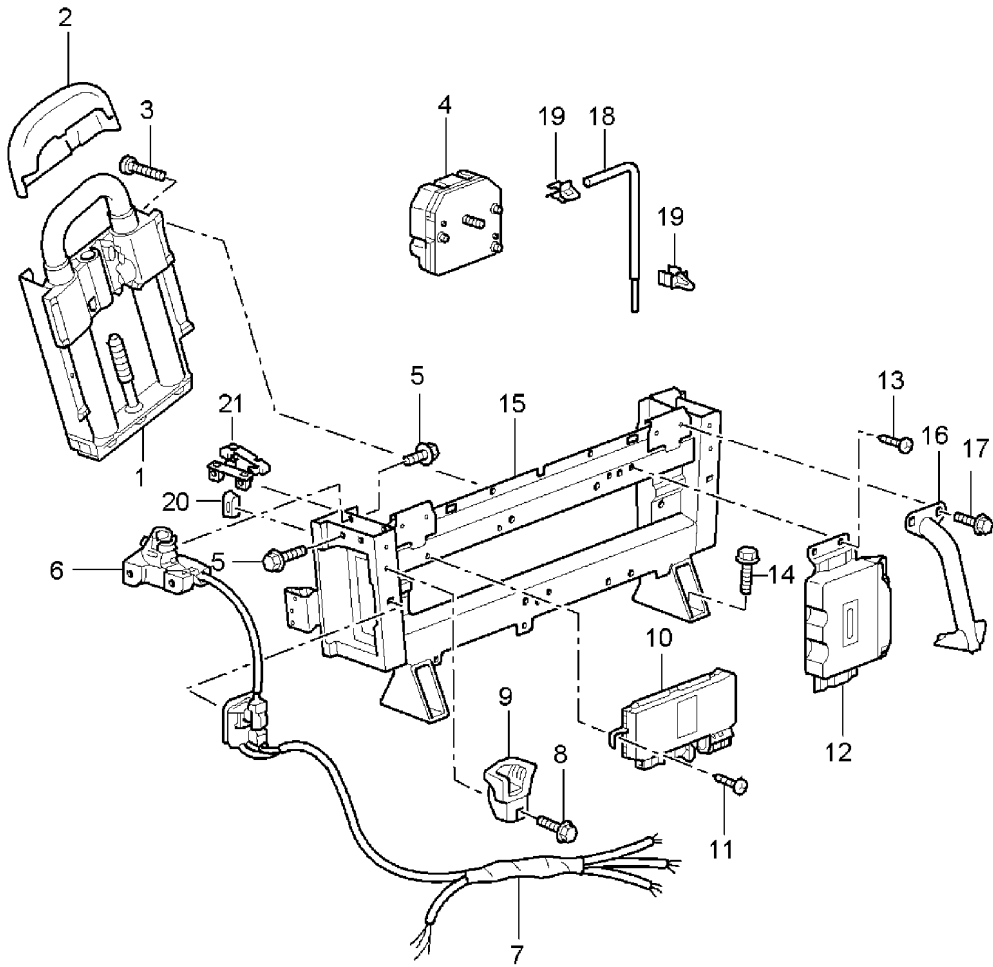
Model life 2001>>2005

Pos	Part Number	Description	Remark	Qty	Model
1	996 561 125 02	Wind deflector		1	TURBO
	996 561 125 02 01C	Black			
2	996 561 127 00	Rosette	/L	1	
	996 561 127 00 01C	Black			
2	996 561 128 00	Rosette	/R	1	
	996 561 128 00 01C	Black			
3	996 561 955 00	Repair kit	/L	1	
(3)	996 561 956 00	Repair kit	/R	1	



Model: 996 01

Model life 2001>>2005

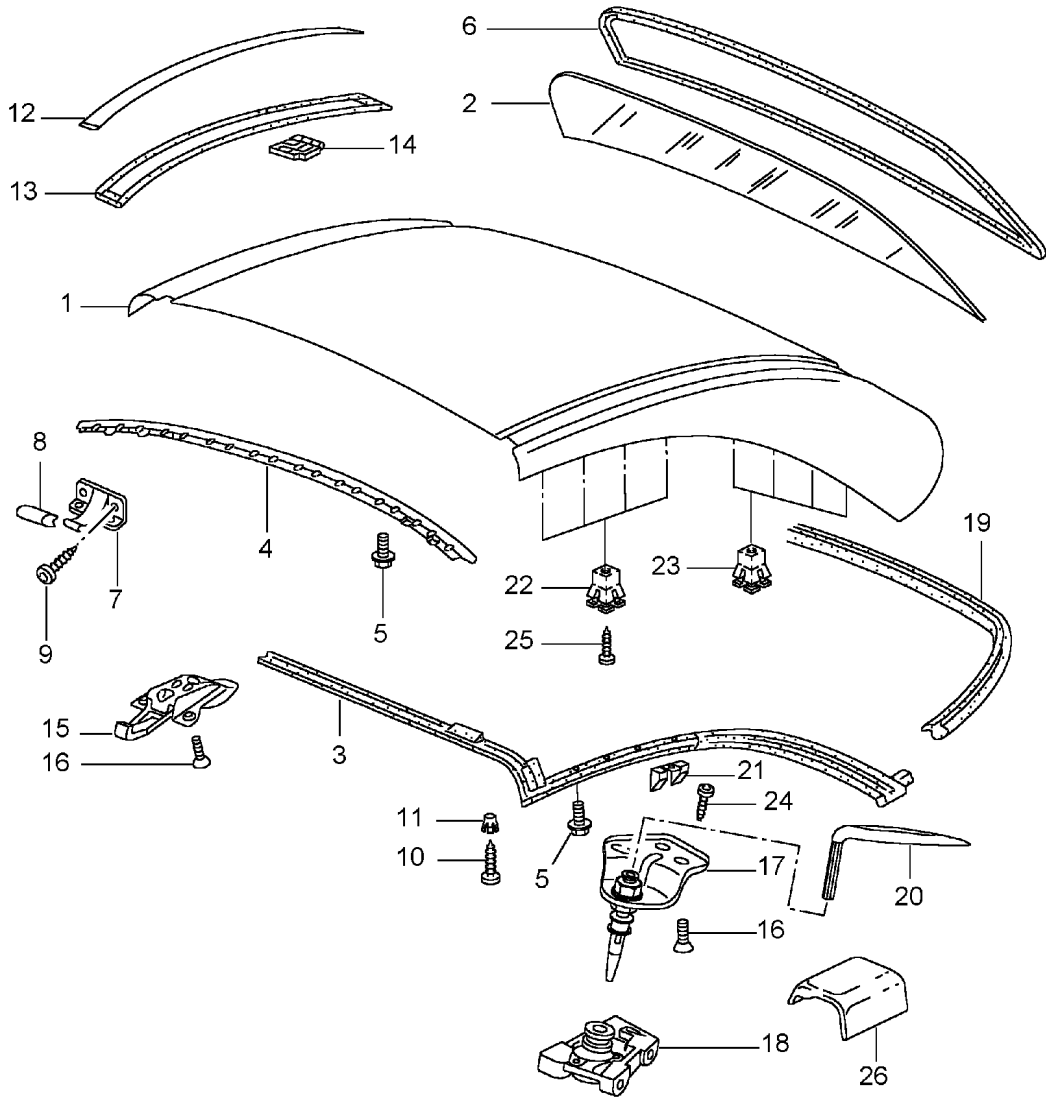


Model: 996 01 Model life 2001>>2005

Pos	Part Number	Description	Remark	Qty	Model
		Roll-over bar			TURBO CABRIO
1	996 580 021 01	Roll-over bar		2	
2	996 580 191 01	Cover		2	
3	900 067 382 09	Pan-head screw		12	
4	996 618 281 00	Control unit		1	
5	900 378 173 09	Hexagon-head bolt		4	
-	999 084 635 02	Shear-off nut		3	
6		Mounting		2	M550
		See illustrations 8/11/16			
7	996 612 065 15	Wiring harness		1	
8	900 378 173 09	Hexagon-head bolt		2	
9	996 561 463 02	Guide	/L	1	
9	996 561 464 02	Guide	/R	1	
10	996 618 111 04	Control unit		1	
11	999 073 060 02	Tapping screw		X	
12		See group 9/01/03		X	
13	999 073 060 02	Tapping screw		X	
14	900 378 173 09	Hexagon-head bolt		4	
15	996 580 311 02	Auxiliary support		1	
-	999 590 050 40	Catch		4	
-	999 650 176 40	Clip		3	
16	996 580 331 02	Bracket	/L	1	
(16)	996 580 332 02	Bracket	/R	1	
17	900 378 173 09	Hexagon-head bolt		X	
18	999 571 079 03	Screwdriver		1	
19	999 507 633 40	Clamp		2	
20	996 561 457 00	Sleeve		2	
21	996 561 297 00	Insert	/L	1	
(21)	996 561 298 00	Insert	/R	1	

Model: 996 01

Model life 2001>>2005

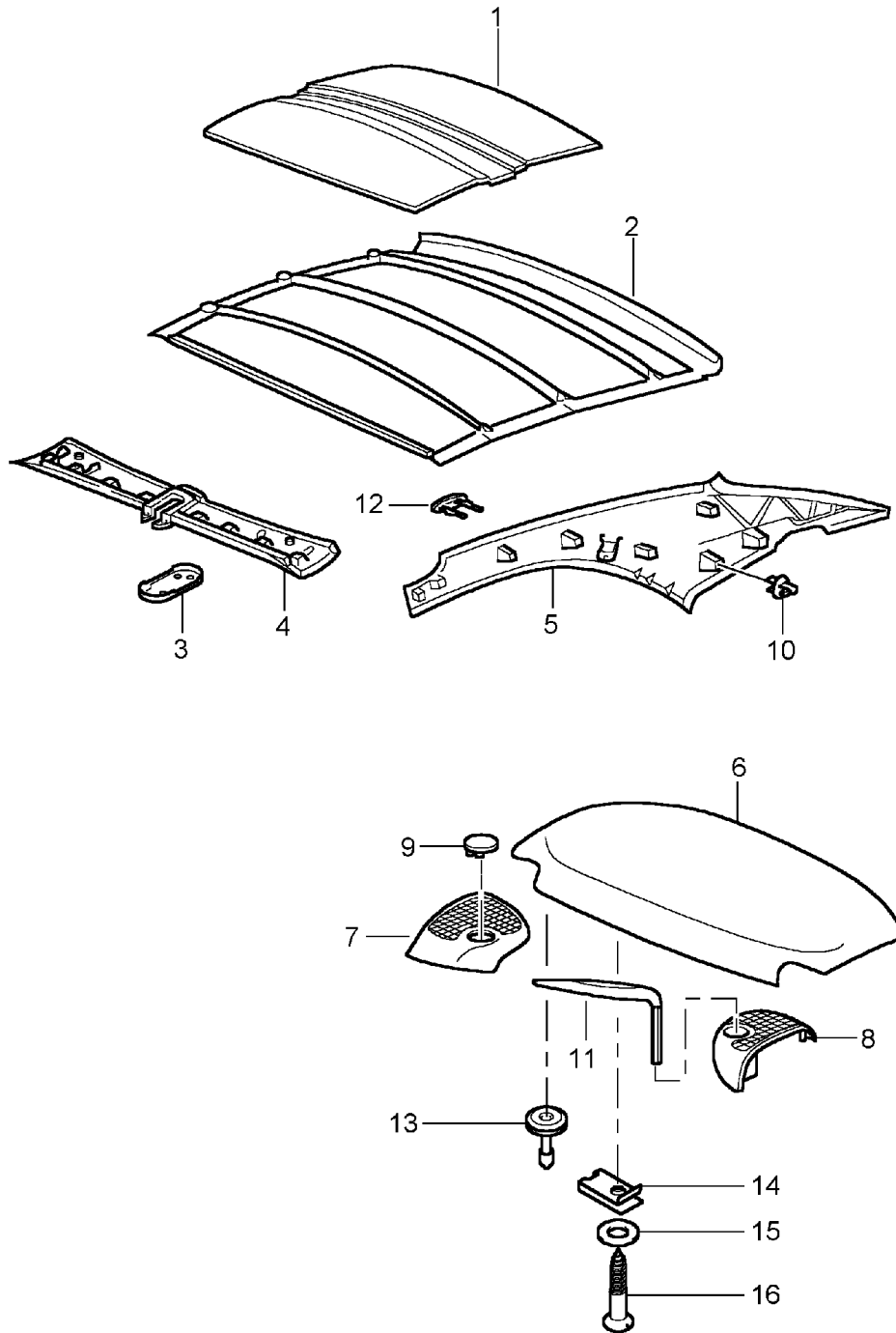


Model: 996 01 Model life 2001>>2005

Pos	Part Number	Description	Remark	Qty	Model
		Hardtop Accessories Gaskets			TURBO M550
1	996 563 911 00	Hardtop		1	
	996 563 911 00 GRV	Prime coated without Accessories			
2	996 563 091 00	Rear window Ready for installation		1	
3	996 563 025 02	Roof frame seal		1	
-	996 563 309 00	Retaining strip	/L	1	
-	996 563 310 00	Retaining strip	/R	1	
4	996 563 319 00	Retaining strip		1	
5	900 067 378 09	Pan-head screw		10	
6	996 563 029 00	Gasket		1	
7	996 563 405 00	Centring journal	/L	1	
(7)	996 563 406 00	Centring journal	/R	1	
8	996 563 705 01	Cap	/L	1	
8	996 563 706 01	Cap	/R	1	
9	999 919 144 09	Oval-head screw		4	
10	999 073 049 02	Tapping screw		14	
11	999 507 547 40	Expander nut		8	
12	996 563 707 00	Cover strip	/L	1	
	996 563 707 00 GRV	Prime coated			
(12)	996 563 708 00	Cover strip	/R	1	
	996 563 708 00 GRV	Prime coated			
13	996 563 361 00	Gasket	/L	1	
(13)	996 563 362 00	Gasket	/R	1	
14	986 563 721 00	Clip		8	
15	996 563 401 00	Catch		1	
16	900 378 030 09	Hexagon-head bolt M 6X20		3	
17	996 563 403 03	Catch	/L -04	1	
17	996 563 403 04	Catch	/L -05	1	
(17)	996 563 404 03	Catch	/R -04	1	
(17)	996 563 404 04	Catch	/R 05-	1	
18	996 561 653 03	Mounting	/L -04	1	
18	996 561 653 04	Mounting	/L 05-	1	
-	996 561 657 01	Insert	-04	1	
-	996 561 657 02	Insert	05-	1	
-	900 249 031 09	Countersunk-head screw		6	
(18)	996 561 654 03	Mounting	/R -04	1	
(18)	996 561 654 04	Mounting	/R 05-	1	
-	996 561 658 01	Insert	-04	1	
-	996 561 658 02	Insert	05-	1	
19	996 563 027 01	Gasket		1	
20	996 563 413 00	Tool	-04	1	
20	996 563 413 01	Tool	05-	1	
21	996 563 125 00	Thrust wedge		2	
22	999 507 923 40	Expander nut Green		8	
23	999 507 924 40	Expander nut Yellow		8	
24	999 450 008 09	Tapping screw		2	
25	999 073 049 02	Tapping screw		16	
26	996 563 421 01	Protective tab		2	
-	999 507 659 40	Expander nut	/L	1	
-	999 507 662 40	Expander nut	/R	1	

Model: 996 01

Model life 2001>>2005

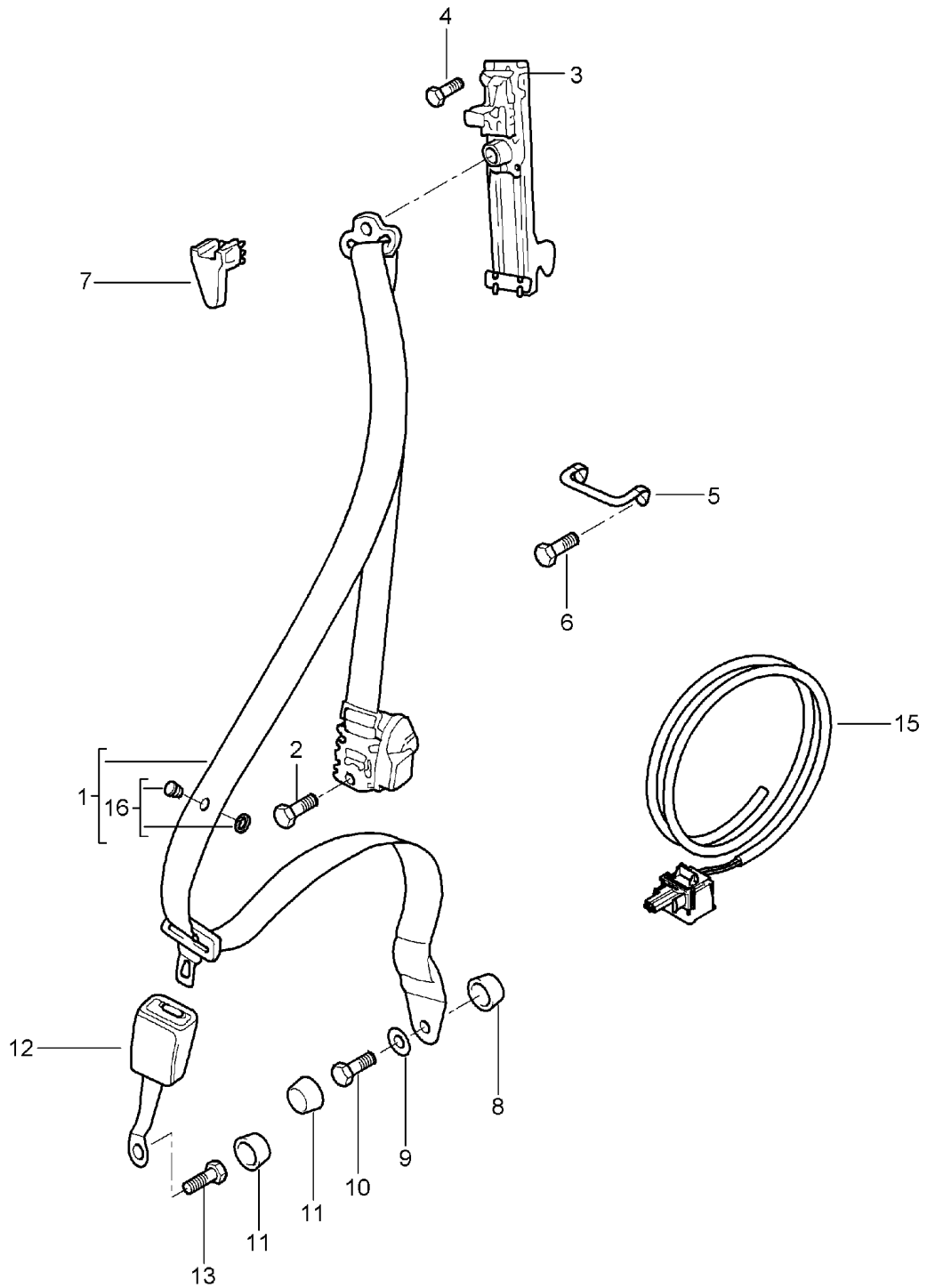


Model: 996 01 Model life 2001>>2005

Pos	Part Number	Description	Remark	Qty	Model
		Hardtop			TURBO
		Sound absorber			
1	996 563 523 00	Sound absorber		1	
2	996 563 111 00	Roofliner		1	
	996 563 111 00 A20	Black			
3	996 563 551 00	Trim cover		1	
	996 563 551 00 01C	Black			
4	996 563 501 00	Lining		1	
		Leatherette			
	996 563 501 00 A12	Black			
	996 563 501 00 B52	Space grey			
	996 563 501 00 C52	Graphite grey			
	996 563 501 00 G12	Metropole blue			
	996 563 501 00 S32	Savanna			
	996 563 501 00 J32	Nephrite green			
5	996 563 503 00	Lining	/L	1	
		Leatherette			
	996 563 503 00 A12	Black			
	996 563 503 00 B52	Space grey			
	996 563 503 00 C52	Graphite grey			
	996 563 503 00 G12	Metropole blue			
	996 563 503 00 S32	Savanna			
	996 563 503 00 J32	Nephrite green			
(5)	996 563 504 00	Lining	/R	1	
		Leatherette			
	996 563 504 00 A12	Black			
	996 563 504 00 B52	Space grey			
	996 563 504 00 C52	Graphite grey			
	996 563 504 00 G12	Metropole blue			
	996 563 504 00 S32	Savanna			
	996 563 504 00 J32	Nephrite green			
6	996 563 505 00	Lining		1	
	996 563 505 00 A07	Black			
	996 563 505 00 B07	Space grey			
	996 563 505 00 C07	Graphite grey			
	996 563 505 00 G07	Metropole blue			
7	996 563 554 00	Lining	/R	1	
	996 563 554 00 A10	Black			
	996 563 554 00 B50	Space grey			
	996 563 554 00 C50	Graphite grey			
	996 563 554 00 G10	Metropole blue			
8	996 563 553 00	Lining	/L	1	
	996 563 553 00 A10	Black			
	996 563 553 00 B50	Space grey			
	996 563 553 00 C50	Graphite grey			
	996 563 553 00 G10	Metropole blue			
9	996 555 457 00	Lid		2	
	996 555 457 00 A10	Black			
	996 555 457 00 C50	Graphite grey			
	996 555 457 00 G10	Metropole blue			
	996 555 457 00 B50	Space grey			
10	999 507 764 40	Clip		X	
11	996 563 413 00	Tool	-04	1	
11	996 563 413 01	Tool	05-	1	
12	996 563 561 00	Rubber stop		2	
	996 563 561 00 01C	Black for Sun visors			
13	999 507 764 40	Clip		X	
14	999 507 030 02	Speed nut		2	
15	900 151 027 02	Washer		2	
16	900 143 046 02	Oval-head sheetmetal screw		2	
16	900 143 046 01	Oval-head sheetmetal screw		2	

Model: 996 01

Model life 2001>>2005



Model: 996 01 Model life 2001>>2005

Pos	Part Number	Description	Remark	Qty	Model
		Seat belt Front			COUPE
1	996 803 033 04	Seat belt	/L -01	1	
1	996 803 033 02	Seat belt	/L 02-	1	
1	996 803 981 04	Seat belt	/L 02-	1	
	996 803 981 04 V02	Speed yellow			
	996 803 981 04 H03	Maritime blue			
	996 803 981 04 N13	Guards red			
(1)	996 803 034 08	Seat belt	/R -01	1	
(1)	996 803 034 04	Seat belt	/R 02-	1	
(1)	996 803 034 06	Seat belt	/R 02-	1	
		Black for Child car seat			
(1)	997 803 034 02	Seat belt	/R 02-	1	
	997 803 034 02 A23	Black for Child car seat			
(1)	996 803 982 06	Seat belt	/R 02-	1	
	996 803 982 06 V02	Speed yellow			
	996 803 982 06 H03	Maritime blue			
	996 803 982 06 N13	Guards red			
(1)	996 803 982 08	Seat belt	/R 02-	1	
		for Child car seat			
	996 803 982 08 V02	Speed yellow			
	996 803 982 08 H03	Maritime blue			
	996 803 982 08 N13	Guards red			
2	911 803 150 00	Screw		2	
3	996 803 231 02	Support for seatbelt Height adjustment		2	
4	900 067 131 02	Pan-head screw		2	
5	996 803 825 01	Relay lever		2	
6	900 378 036 09	Hexagon-head bolt		4	
7	996 803 521 00	Cover		2	
	996 803 521 00 01C	Black			
8	999 924 064 02	Spacer sleeve		2	
8	999 924 064 01	Spacer sleeve		2	
9	211 857 771	Washer		2	
10	999 075 073 09	Hexagon-head bolt		2	
11	811 857 845	Cap		2	
	811 857 845 01C	Satin black			
12	996 803 183 04	Seat-belt buckle Driver's side Information available		1	
12	996 803 183 07	Seat-belt buckle Driver's side	02-	1	
12	996 803 183 01	Seat-belt buckle Passenger's side		1	
12	996 803 183 08	Seat-belt buckle Passenger's side	02-	1	
13	999 218 101 02	Hexagon-head bolt		2	
15	996 612 991 10	Cable Driver's side for Seat-belt tensioner		X	
15	996 612 991 00	Cable Passenger's side for Seat-belt tensioner		X	
-	996 803 037 90	Seat belt 6-point Red	/L	1	GT2

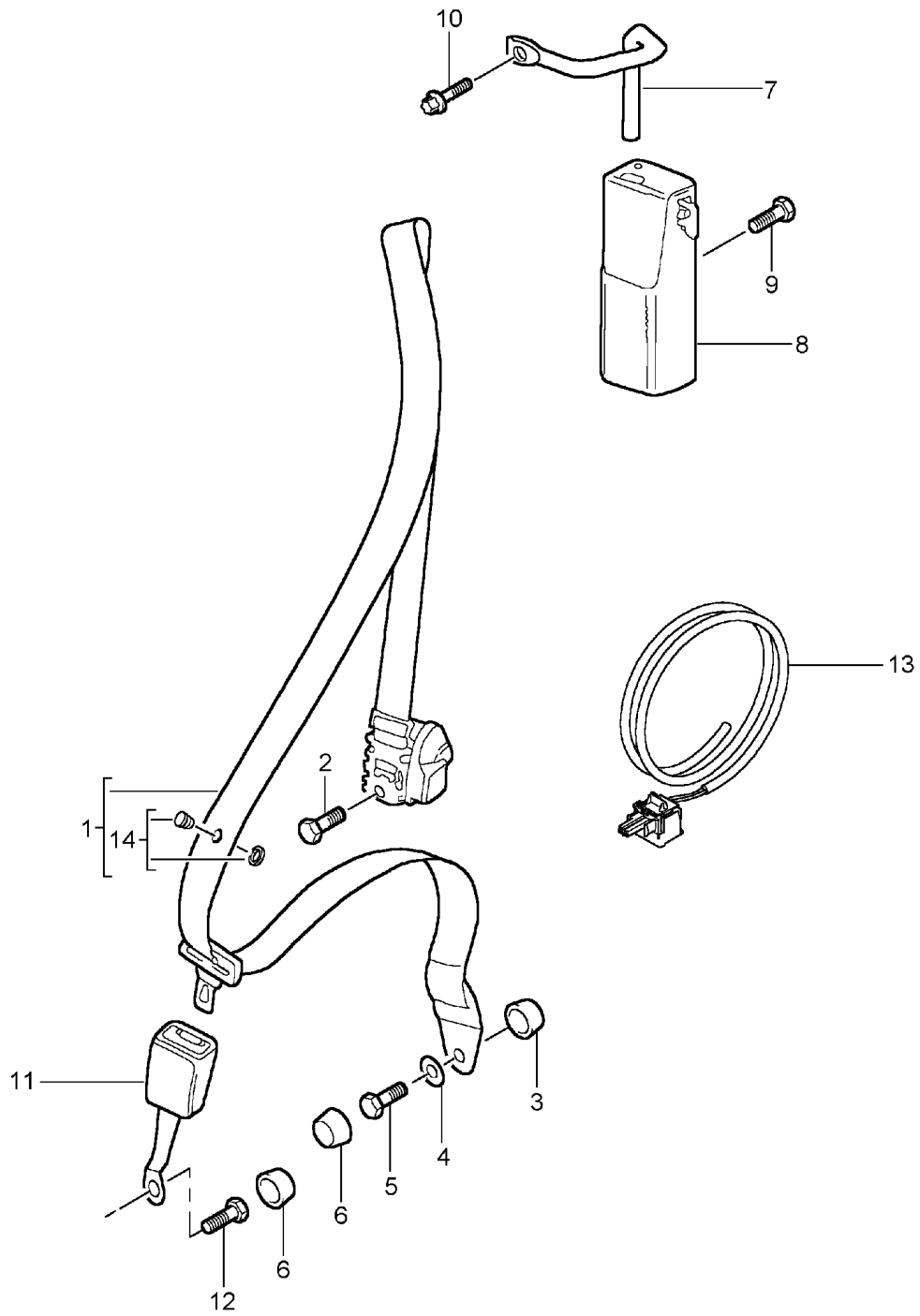


Model: 996 01 Model life 2001>>2005

Pos	Part Number	Description	Remark	Qty	Model
-	996 803 037 95	Seat belt 6-point Red	/L	1	GT2
-	996 803 038 90	Seat belt 6-point Red	/R	1	GT2
-	996 803 691 9A	Screw for 6-point		2	
-	996 803 689 9A	Spacer sleeve		2	
-	999 028 014 02	Spring washer		2	
-	996 803 687 9A	Guide sleeve		2	
-	999 025 230 02	Washer		2	
-	996 580 982 01	Roll cage with installation parts		1	
-	996 580 995 01	Installation parts for Roll cage		1	
16	955 803 056 00	Knob		2	
	955 803 056 00 HCP	Black			

Model: 996 01

Model life 2001>>2005

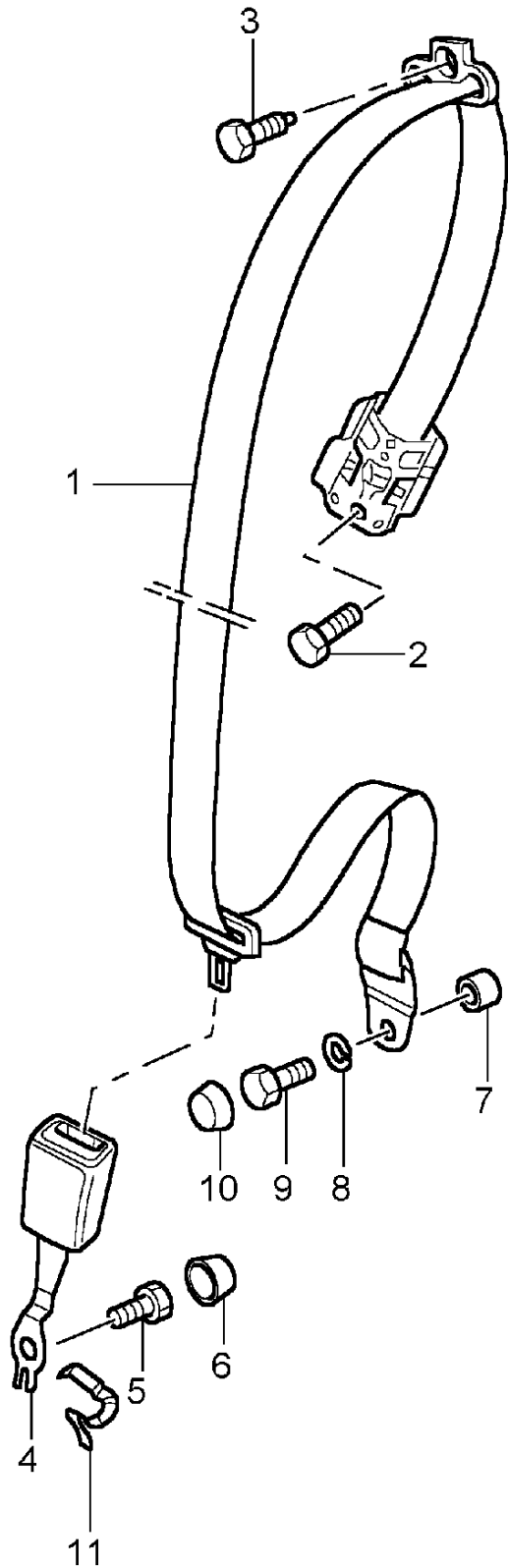


Model: 996 01 Model life 2001>>2005

Pos	Part Number	Description	Remark	Qty	Model
		Seat belt Front			CABRIO
1	996 803 033 03	Seat belt	/L	1	
1	996 803 981 03	Seat belt	/L	1	
	996 803 981 03 V02	Speed yellow			
	996 803 981 03 H03	Maritime blue			
	996 803 981 03 N13	Guards red			
(1)	996 803 034 05	Seat belt	/R	1	
(1)	996 803 982 07	Seat belt	/R	1	
	996 803 982 07 V02	Speed yellow			
	996 803 982 07 H03	Maritime blue			
	996 803 982 07 N13	Guards red			
(1)	996 803 982 09	Seat belt for Child car seat	/R	1	
	996 803 982 09 V02	Speed yellow			
	996 803 982 09 H03	Maritime blue			
	996 803 982 09 N13	Guards red			
2	911 803 150 00	Screw		2	
3	999 924 064 02	Spacer sleeve		2	
3	999 924 064 01	Spacer sleeve		2	
4	211 857 771	Washer		2	
5	803 019 811 B	Hexagon-head bolt		2	
6	811 857 845	Cap		2	
7	996 803 815 00	Reverse lever	/L	1	
7	996 803 816 00	Reverse lever	/R	1	
8	996 803 581 00	Mounting	/L	1	
8	996 803 582 00	Mounting	/R	1	
9	900 378 074 09	Hexagon-head bolt		4	
10	900 378 017 09	Hexagon-head bolt		2	
11	996 803 183 07	Seat-belt buckle Driver's side		1	
		Passenger's side			
11	996 803 183 08	Seat-belt buckle Passenger's side		1	
12	999 218 101 02	Hexagon-head bolt		2	
13	996 612 990 10	Cable Driver's side		X	
		for Seat-belt tensioner			
13	996 612 991 00	Cable Passenger's side		X	
		for Seat-belt tensioner			
14	955 803 056 00	Knob		2	
	955 803 056 00 HCP	Black			

Model: 996 01

Model life 2001>>2005

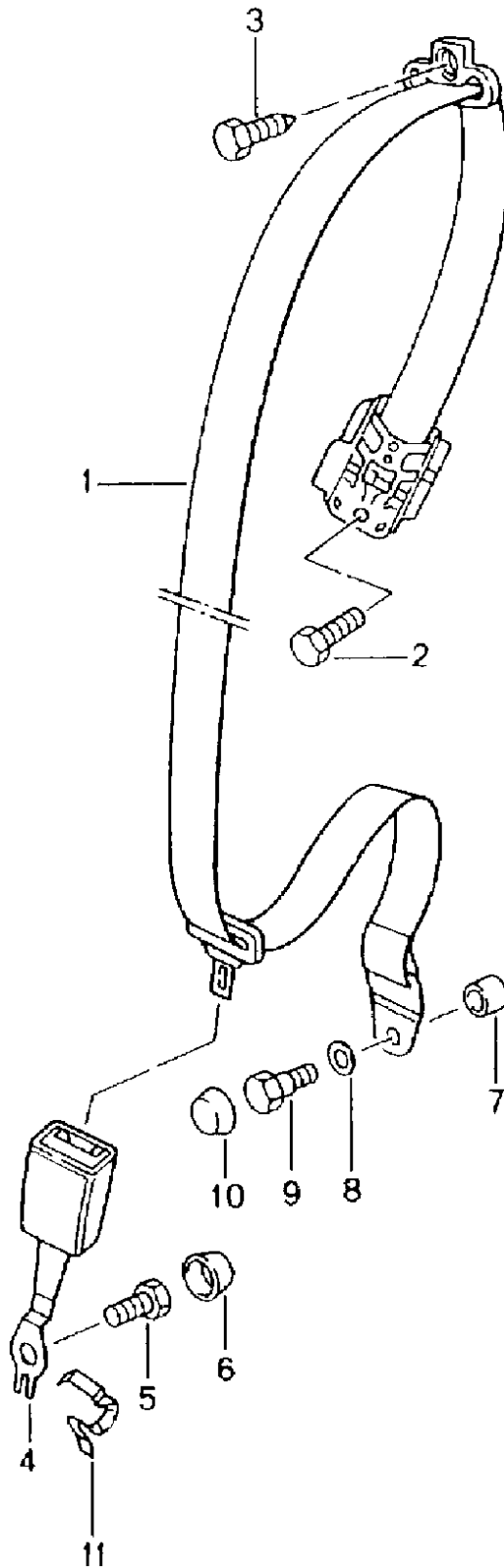


Model: 996 01 Model life 2001>>2005

Pos	Part Number	Description	Remark	Qty	Model
		Seat belt Rear			COUPE
1	996 803 035 08	Seat belt	/L	1	
1	996 803 983 06	Seat belt	/L	1	
	996 803 983 06 V02	Speed yellow			
	996 803 983 06 H03	Maritime blue			
	996 803 983 06 N13	Guards red			
(1)	996 803 036 08	Seat belt	/R	1	
(1)	996 803 984 06	Seat belt	/R	1	
	996 803 984 06 V02	Speed yellow			
	996 803 984 06 H03	Maritime blue			
	996 803 984 06 N13	Guards red			
2	911 803 150 00	Screw		2	
3	999 075 057 09	Hexagon-head bolt		2	
4	996 803 165 01	Seat-belt buckle	/L	1	
(4)	996 803 166 01	Seat-belt buckle	/R	1	
5	911 803 150 00	Screw		2	
6	811 857 845	Cap		2	
7	999 924 064 02	Spacer sleeve		2	
7	999 924 064 01	Spacer sleeve		2	
8	211 857 771	Washer		2	
9	803 019 811 B	Hexagon-head bolt		2	
10	811 857 845	Cap		2	M193
11	996 551 745 00	Fastening clamp	/L	2	
11	996 551 746 00	Fastening clamp	/R	2	

Model: 996 01

Model life 2001>>2005

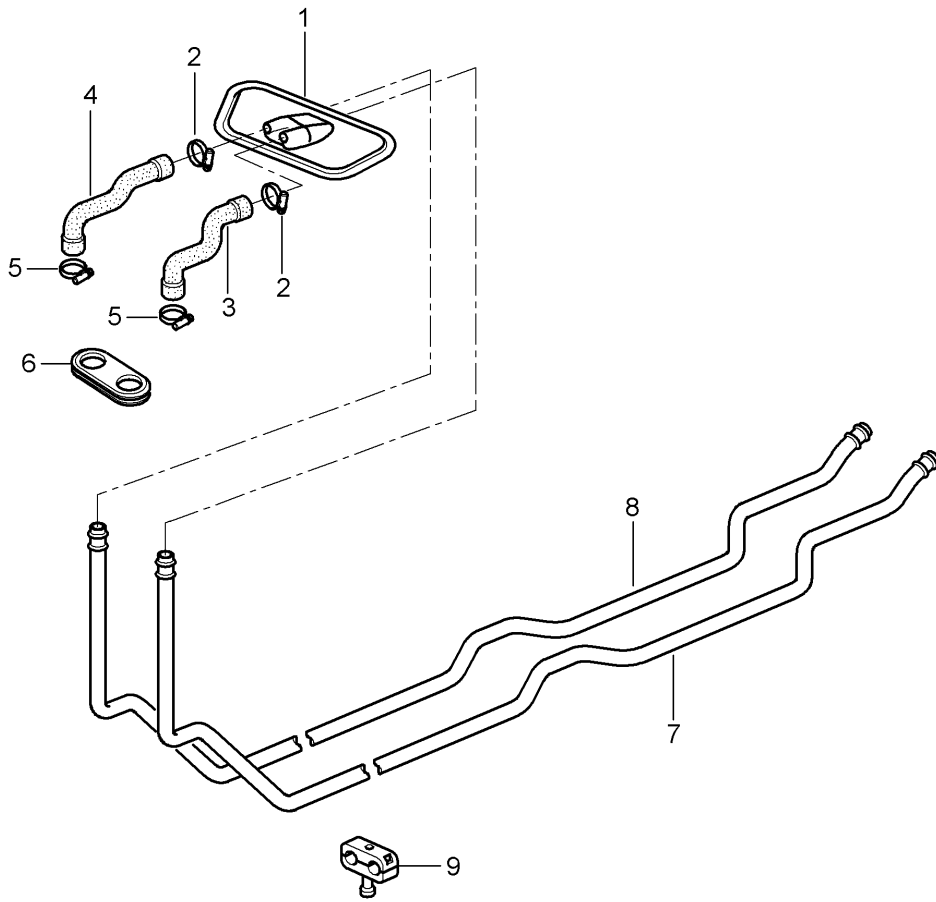


Model: 996 01 Model life 2001>>2005

Pos	Part Number	Description	Remark	Qty	Model
		Seat belt Rear			TURBO CABRIO
1	996 803 035 06	Seat belt	/L	1	CABRIO
1	996 803 983 08	Seat belt	/L	1	CABRIO
	996 803 983 08 V02	Speed yellow			
	996 803 983 08 H03	Maritime blue			
	996 803 983 08 N13	Guards red			
1	996 803 036 06	Seat belt	/R	1	CABRIO
1	996 803 984 08	Seat belt	/R	1	CABRIO
	996 803 984 08 V02	Speed yellow			
	996 803 984 08 H03	Maritime blue			
	996 803 984 08 N13	Guards red			
2	911 803 150 00	Screw		2	CABRIO
3	999 075 057 09	Hexagon-head bolt		2	
4	996 803 165 01	Seat-belt buckle	/L	1	
4	996 803 166 01	Seat-belt buckle	/R	1	
5	911 803 150 00	Screw		2	
6	811 857 845	Cap		2	
7	999 924 064 02	Spacer sleeve		2	
7	999 924 064 01	Spacer sleeve		2	
8	211 857 771	Washer		2	
9	803 019 811 B	Hexagon-head bolt		2	
10	811 857 845	Cap		2	
	811 857 845 01C	Satin black			
11	996 551 745 00	Fastening clamp		2	

Model: 996 01

Model life 2001>>2005





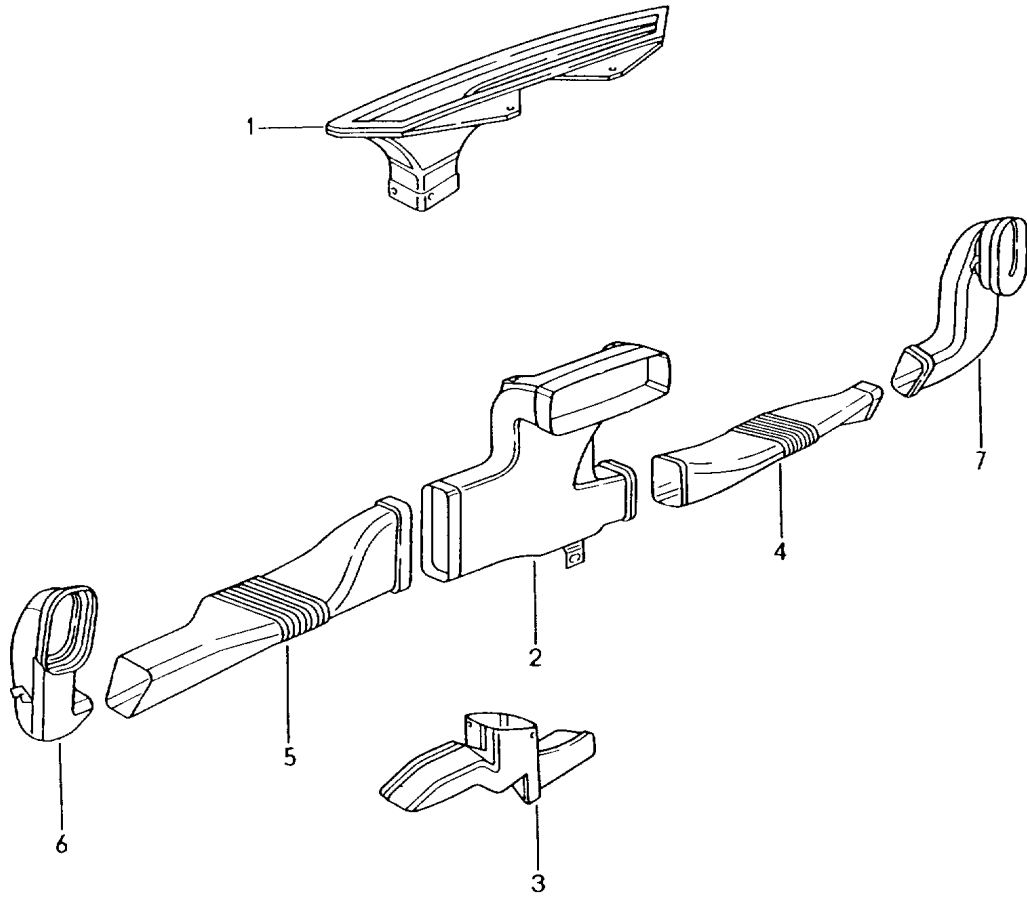
Model: 996 01

Model life 2001>>2005

Pos	Part Number	Description	Remark	Qty	Model
		Heating system 1			
		Feed line			
		Return line			
1	996 572 263 02	Gasket	/LL	1	
(1)	996 572 263 01	Gasket	/RL	1	
(1)	996 572 263 03	Gasket	/RL	1	
2	999 512 346 01	Hose clamp		1	
3	996 572 585 00	Heater hose	/LL	1	
3	996 572 585 04	Heater hose	/LL	1	
3	997 572 555 00	Heater hose	/LL	1	
(3)	996 572 585 01	Heater hose	/RL	1	
(3)	996 572 585 05	Heater hose	/RL	1	
(3)	997 572 555 01	Heater hose	/RL	1	
4	996 572 583 00	Heater hose	/LL	1	
4	996 572 583 04	Heater hose	/LL	1	
4	997 572 553 00	Heater hose	/LL	1	
(4)	996 572 583 01	Heater hose	/LL	1	
(4)	996 572 583 05	Heater hose	/RL	1	
(4)	997 572 553 01	Heater hose	/RL	1	
5	999 512 656 09	Hose clamp	/RL	1	
6	996 572 765 02	Grommet		1	
7	996 572 683 05	Return line		1	
8	996 572 681 04	Hot air duct		1	
9	999 511 230 40	Cable holder		4	
-	999 511 232 41	Rubber mounting		4	

Model: 996 01

Model life 2001>>2005



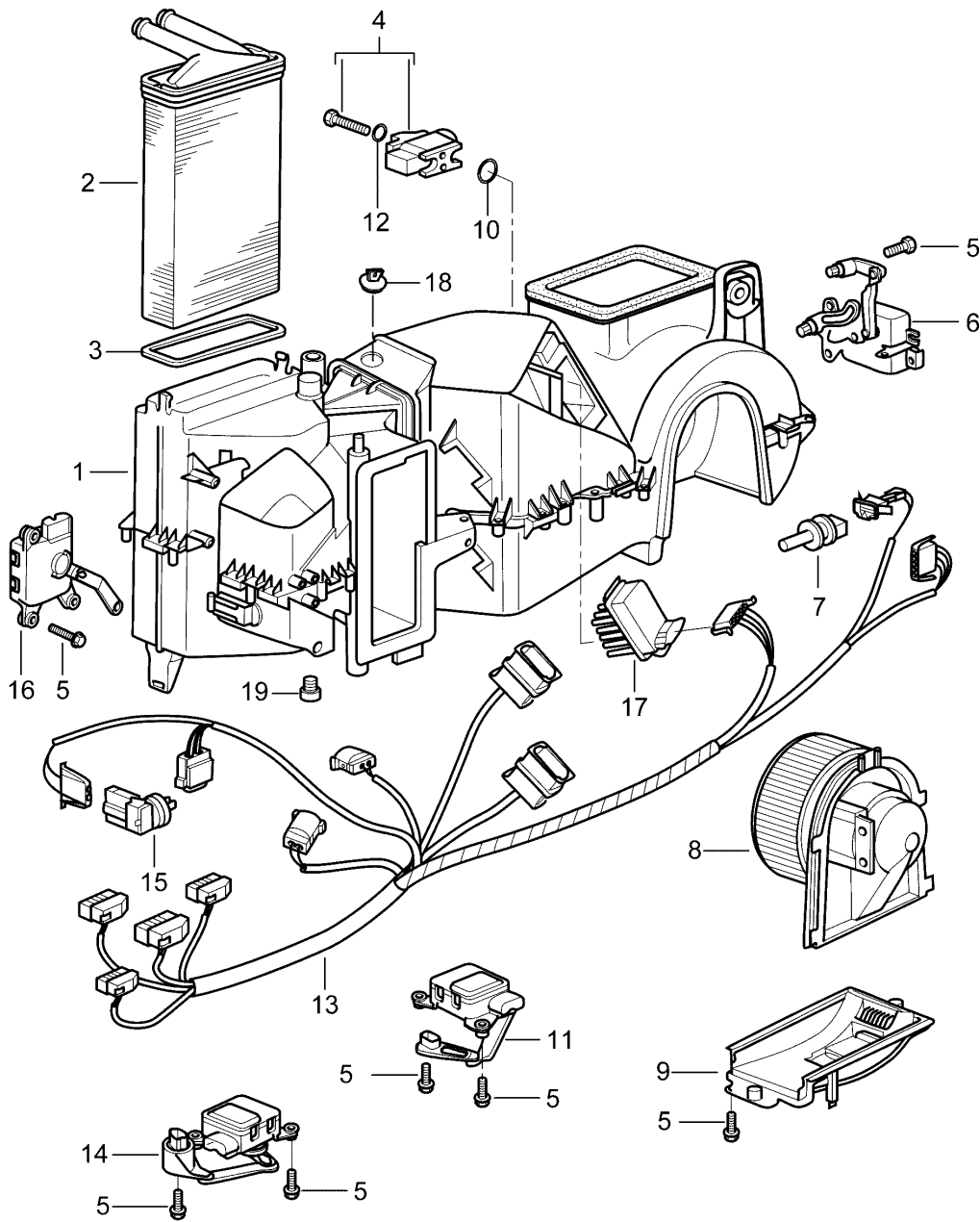
Model: 996 01

Model life 2001>>2005

Pos	Part Number	Description	Remark	Qty	Model
		Heating			
		Air distributor			
1	996 572 631 00	Defroster vent	/LL	1	
(1)	996 572 631 01	Defroster vent	/RL	1	
2	996 572 171 00	Air distributor	/LL -01	1	
2	996 572 171 04	Air distributor	/LL 02-	1	
2	996 572 171 05	Air distributor	/LL 03-	1	
(2)	996 572 171 01	Air distributor	/RL -01	1	
(2)	996 572 171 05	Air distributor	/RL 02-	1	
3	996 572 793 02	Footwell outlet vent	/LL	1	
3	996 572 793 04	Footwell outlet vent	/LL	1	M680
(3)	996 572 793 01	Footwell outlet vent	/RL -02	1	
(3)	996 572 793 05	Footwell outlet vent	/RL 03-	1	
(3)	996 572 793 06	Footwell outlet vent	/RL 03-	1	M680
4	996 572 464 02	Air guide	/LL /R	1	
4	996 572 464 00	Air guide	/RL /R	1	
5	996 572 463 00	Air guide	/LL /L	1	
5	996 572 463 02	Air guide	/RL /L	1	
6	996 572 767 00	Air guide	/LL /L	1	
6	996 572 767 01	Air guide	/RL /L	1	
7	996 572 768 00	Air guide	/RL /R	1	
(7)	996 572 768 01	Air guide	/LL /R	1	

Model: 996 01

Model life 2001>>2005



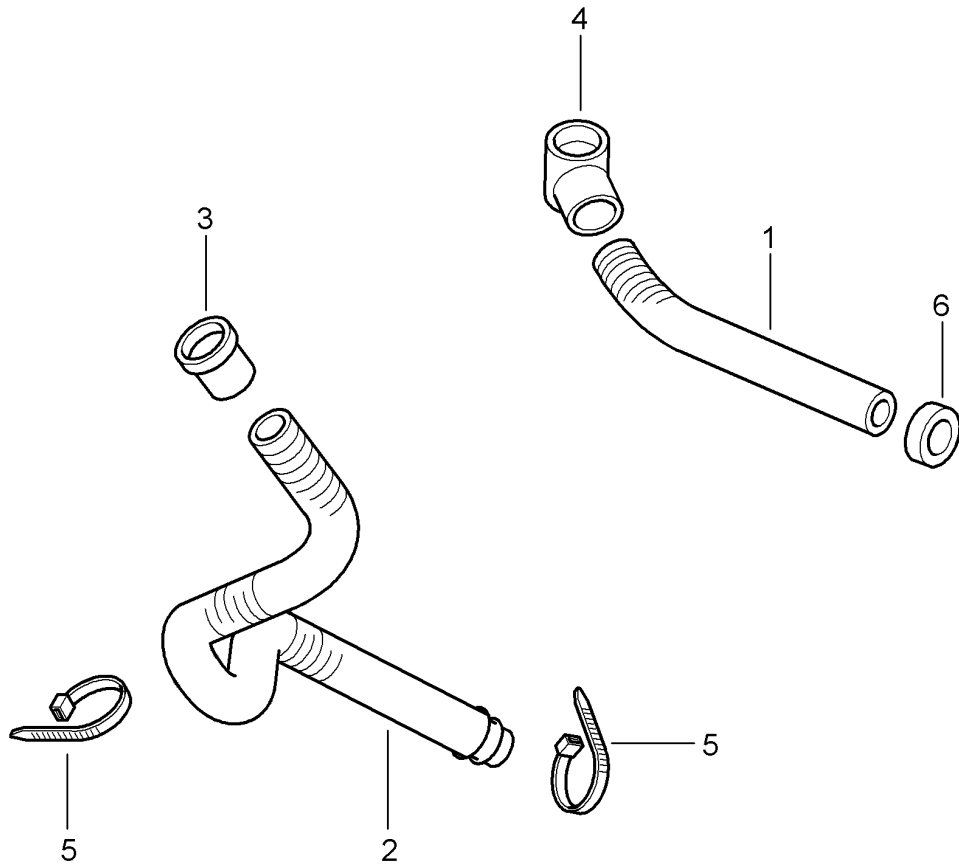
Model: 996 01

Model life 2001>>2005

Pos	Part Number	Description	Remark	Qty	Model
		Air conditioner Single parts			M573
1	996 573 901 02	Air conditioner without Heat exchanger with Evaporator	/LL	1	
1	996 573 901 01	Air conditioner without Heat exchanger with Evaporator	/RL	1	
2	996 572 129 00	Heat exchanger		1	
2	997 572 129 00	Heat exchanger		1	
3	996 572 913 00	Gasket		1	
4	996 573 929 01	Expansion valve		1	
5	900 143 093 01	Combination screw		2	
6	996 573 915 00	Electric motor Central valve	/LL	1	
6	996 573 915 01	Electric motor Central valve	/RL	1	
7	1J0 907 543 B	Temperature sensor		1	
8	996 624 107 01	Blower	/LL	1	
8	996 624 108 01	Blower	/RL	1	
9	996 573 905 00	Lid		1	
10	999 707 596 40	O-ring 14X1,82		1	
11	996 573 919 00	Electric motor Temperature valve	/LL	1	
(11)	996 573 919 01	Electric motor Temperature valve	/RL	1	
12	999 707 534 41	O-ring 17X2,00		1	
13	996 622 047 00	Wiring harness	/LL	1	TURBO
(13)	996 622 048 00	Wiring harness	/RL	1	TURBO
14	996 573 917 00	Electric motor Defroster flap	/LL	1	
(14)	996 573 917 01	Electric motor Defroster flap	/RL	1	
15	1H0 907 543 A	Temperature sensor		1	
16	996 573 921 00	Electric motor Air flow sensor plate	/LL	1	
16	996 573 921 01	Electric motor Air flow sensor plate	/RL	1	
17	996 573 923 00	Resistor		1	
18	997 573 935 00	Stopper		1	
19	996 573 927 00	Blower outlet sensor		1	

Model: 996 01

Model life 2001>>2005



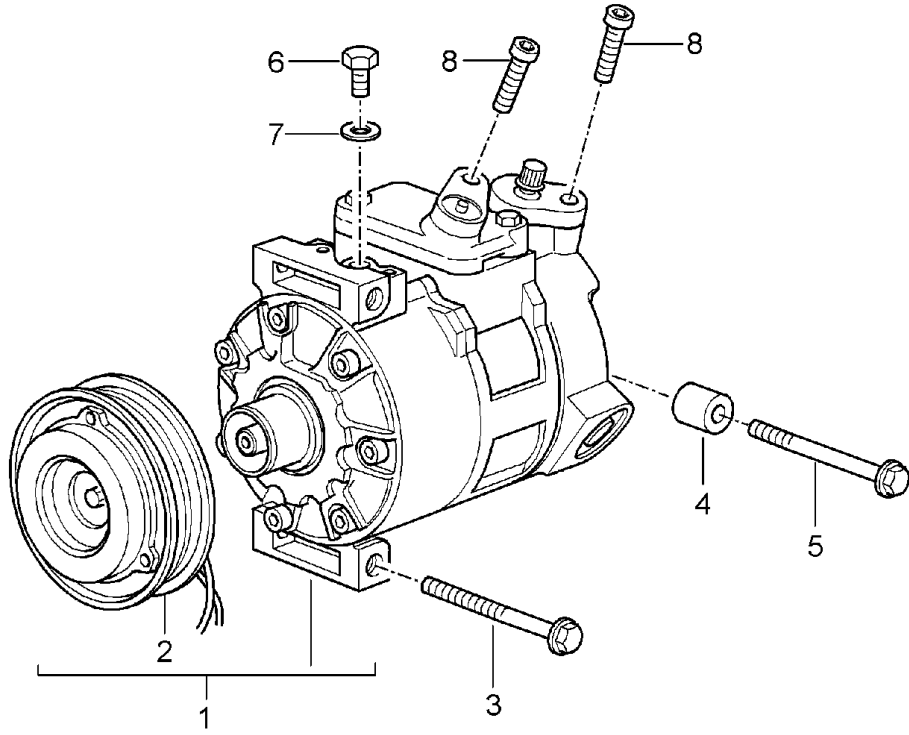
Model: 996 01

Model life 2001>>2005

Pos	Part Number	Description	Remark	Qty	Model
		Water drain tube			
		Mount			
		Sound absorber			
		Heater			
		Air conditioner			
1	996 504 643 00	Water drain tube		1	
2	996 504 644 00	Water drain tube		1	
3	996 504 645 00	Grommet		1	
4	996 504 646 00	Grommet		1	
5	999 513 049 40	Tie-wrap		1	
6	999 702 156 40	Grommet		1	
-	996 573 797 02	Connecting piece		1	
-	996 573 795 01	Grommet		1	
-	996 573 793 01	Water drain tube		1	
-	996 573 794 01	Water drain tube		1	
-	996 504 649 00	Grommet		2	

Model: 996 01

Model life 2001>>2005





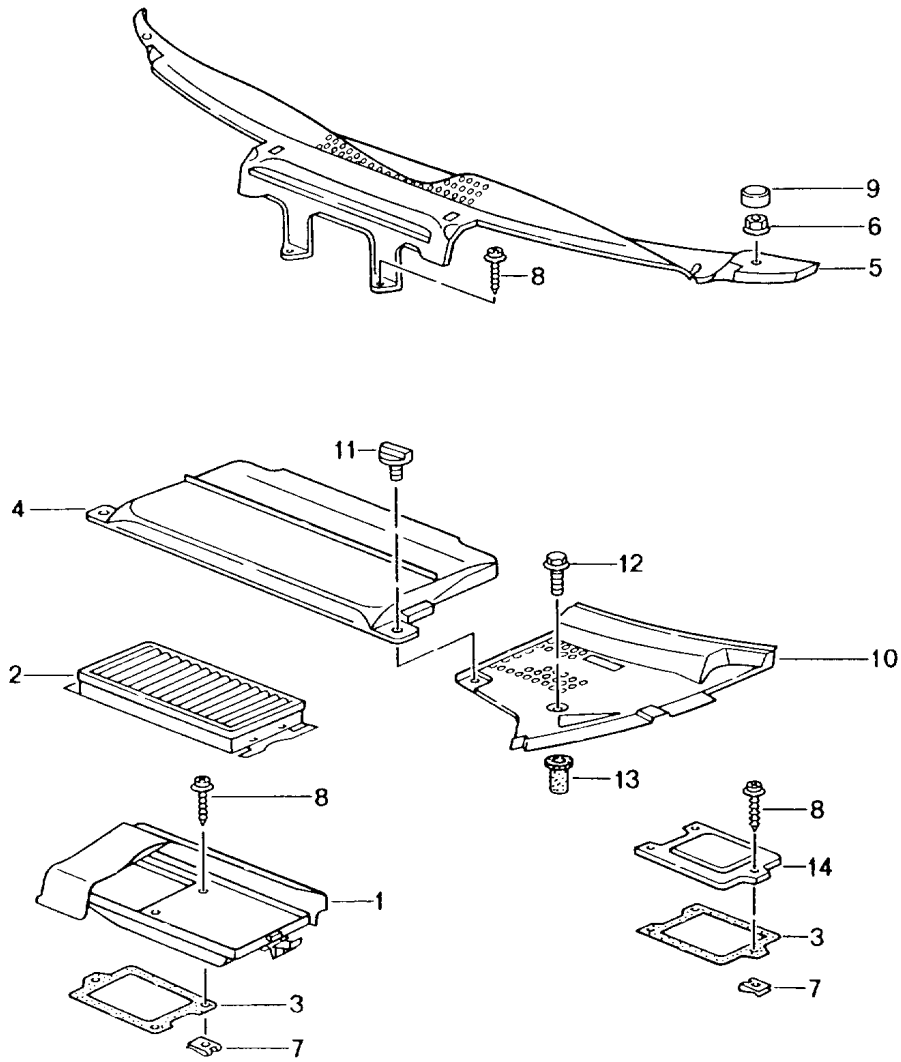
Model: 996 01

Model life 2001&gt;&gt;2005

Pos	Part Number	Description	Remark	Qty	Model
1	996 126 011 52	Compressor		1	
2	996 573 926 00	Magnetic clutch		1	
3	900 378 075 09	Hexagon-head bolt M 8X90		1	
4	996 126 102 71	Spacer		1	
5	900 378 136 09	Hexagon-head bolt M 8X120		1	
6	996 573 926 01	Oil filler screw		1	
7	996 573 926 02	Sealing ring		1	
8	900 067 252 02	Pan-head screw		2	

Model: 996 01

Model life 2001>>2005

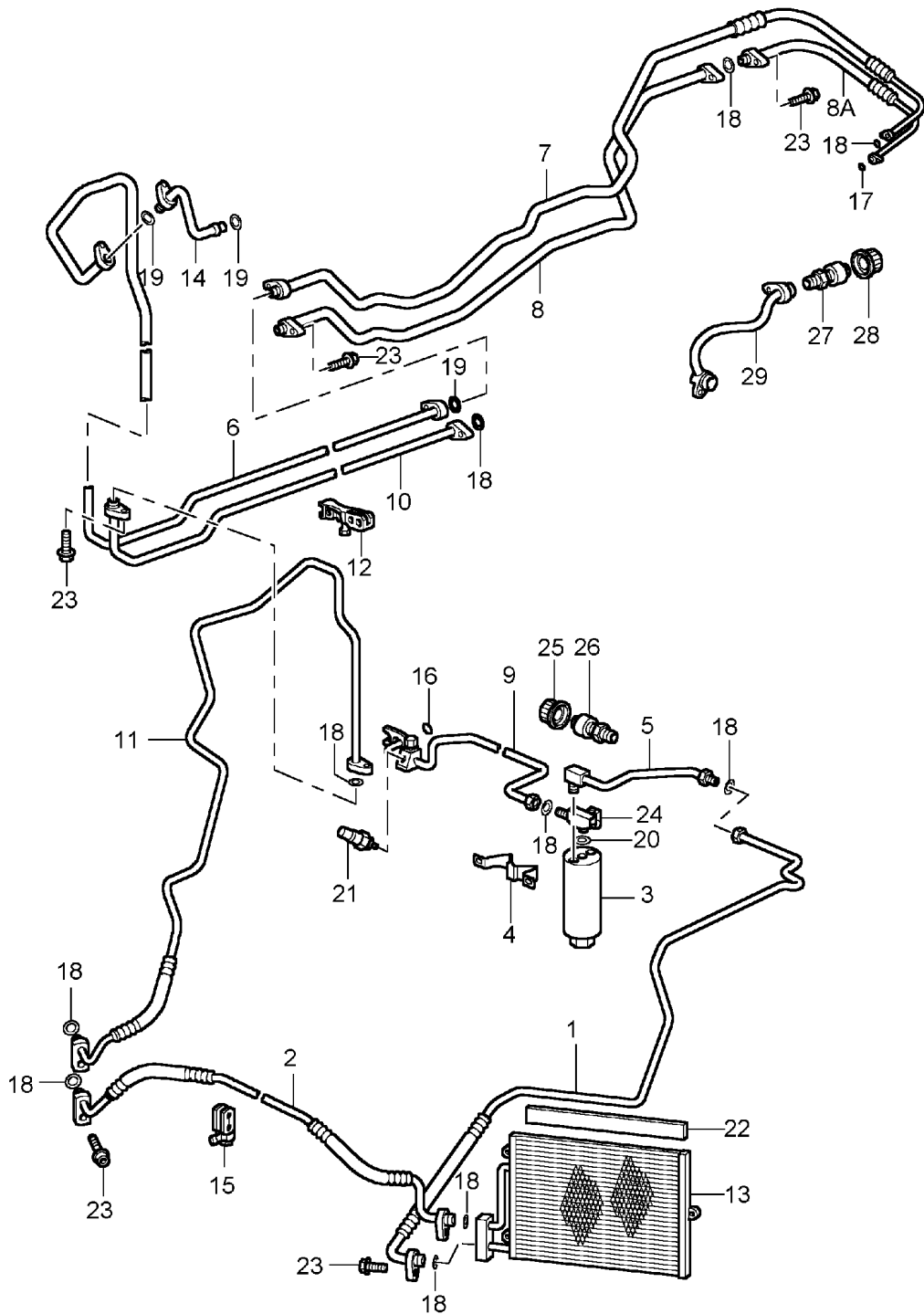


Model: 996 01 Model life 2001>>2005

Pos	Part Number	Description	Remark	Qty	Model
		Particle filter			
		Cowl panel covering			
1	996 572 019 02	Housing	/LL	1	
1	996 572 019 03	Housing	/RL	1	
2	996 572 219 02	Particle filter		1	-M571
2	996 571 219 03	Particle filter		1	M571
3	996 572 221 01	Gasket		1	
4	996 572 567 01	Cover		1	
	996 572 567 01 01C	Black			
		Battery			
(4)	996 572 729 00	Cover	/LL	1	
		Particle filter			
(4)	996 572 729 02	Cover	/RL	1	
		Particle filter			
5	996 572 563 06	Cowl panel covering	/LL	1	
	996 572 563 06 01C	Black			
		Use also:			
-	996 572 931 00	Gasket		1	
5	996 572 563 07	Cowl panel covering	/RL	1	
	996 572 563 07 01C	Black			
		Use also:			
-	996 572 931 00	Gasket		1	
6	999 049 008 40	Plastic nut		2	
7	999 591 722 02	Speed nut		3	
8	999 073 142 09	Tapping screw		3	
(9)	996 572 569 01	Cap	/L	1	
	996 572 569 01 01C	Black			
(9)	996 572 570 01	Cap	/R	1	
	996 572 570 01 01C	Black			
10	996 572 561 02	Cover	/L	1	
	996 572 561 02 01C	Black			
(10)	996 572 562 02	Cover	/R	1	
	996 572 562 02 01C	Black			
11	999 590 045 40	Screw plug		X	
12	999 073 143 09	Oval-head screw		2	
12	999 073 143 01	Oval-head screw		2	
13	999 500 092 00	Nut		2	
14	996 572 719 01	Lid	-03	2	
14	996 572 719 02	Lid	04-	2	
15	999 591 742 02	Speed nut		2	
		ST 4,2			
15	999 591 742 01	Speed nut		2	
		ST 4,2			

Model: 996 01

Model life 2001>>2005

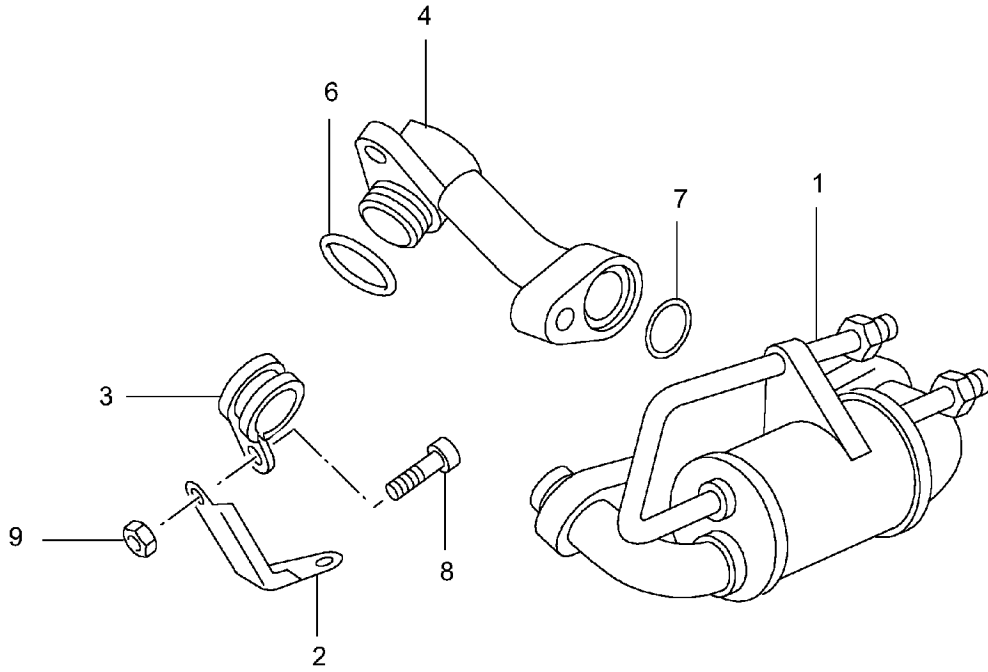


Model: 996 01 Model life 2001>>2005

Pos	Part Number	Description	Remark	Qty	Model
		Refrigerant circuit			
1	996 573 105 04	Refrigerant		1	
2	996 573 104 03	Refrigerant line		1	
3	944 573 143 01	Desiccator		1	
4	996 573 451 00	Support		1	
5	996 573 106 00	Refrigerant line		1	
6	996 573 091 01	Intake pipe		1	
7	996 573 095 04	Refrigerant line		1	
8	996 573 096 03	Refrigerant line		1	
8	996 573 096 05	Refrigerant line		1	
8A	996 573 097 03	Refrigerant line		1	
9	996 573 108 01	Pressure line	/RL	1	
(9)	996 573 108 03	Pressure line	/LL	1	
10	996 573 092 01	Pressure line		1	
11	996 573 094 03	Refrigerant line		1	
12	996 347 543 00	Cable holder		2	
13	996 573 111 02	Condenser		2	
14	996 573 093 02	Intake pipe	/LL	1	
14	996 573 093 03	Intake pipe	/RL	1	
15	996 347 543 00	Cable holder		2	
16	999 707 247 40	O-ring 7,5X2		2	
17	999 707 382 40	O-ring 23,8X2,4		8	
18	999 707 250 40	O-ring 10,6X2		8	
18	999 707 434 41	O-ring 10,6X2		8	
19	999 707 252 40	O-ring 17X2		3	
20	999 707 262 40	O-ring 6,7X1,8		X	
21	964 613 137 01	Pressure switch		1	
22	996 573 711 00	Cover strip		2	
(22)	996 573 711 01	Frame		2	
23	900 067 247 02	Combination screw		X	
23	900 067 247 01	Combination screw		X	
24	993 573 243 00	Distributing piece		1	
25	944 573 663 02	Cap		1	
26	996 573 466 00	Valve		1	
27	996 573 465 00	Valve		1	
28	944 573 663 01	Cap		1	
29	996 573 099 06	Intake pipe		1	

Model: 996 01

Model life 2001>>2005



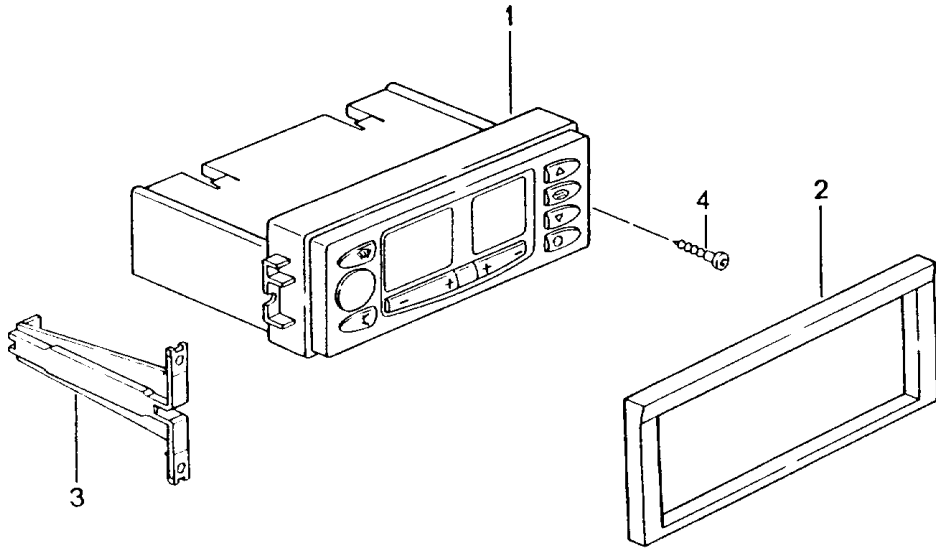
Model: 996 01

Model life 2001>>2005

Pos	Part Number	Description	Remark	Qty	Model
1	996 573 069 02	Fuel cooler		1	
2	996 573 231 00	Fuel cooler		1	
3	999 511 066 02	Support		1	
4	999 511 066 02	Clamp		1	
5	996 573 099 03	Intake pipe		1	
6	996 573 107 00	Intake pipe		1	
7	999 707 382 40	O-ring		X	
8	999 707 252 40	O-ring		X	
9	900 067 089 02	Pan-head screw		1	
	900 076 010 02	Nut		1	

Model: 996 01

Model life 2001>>2005



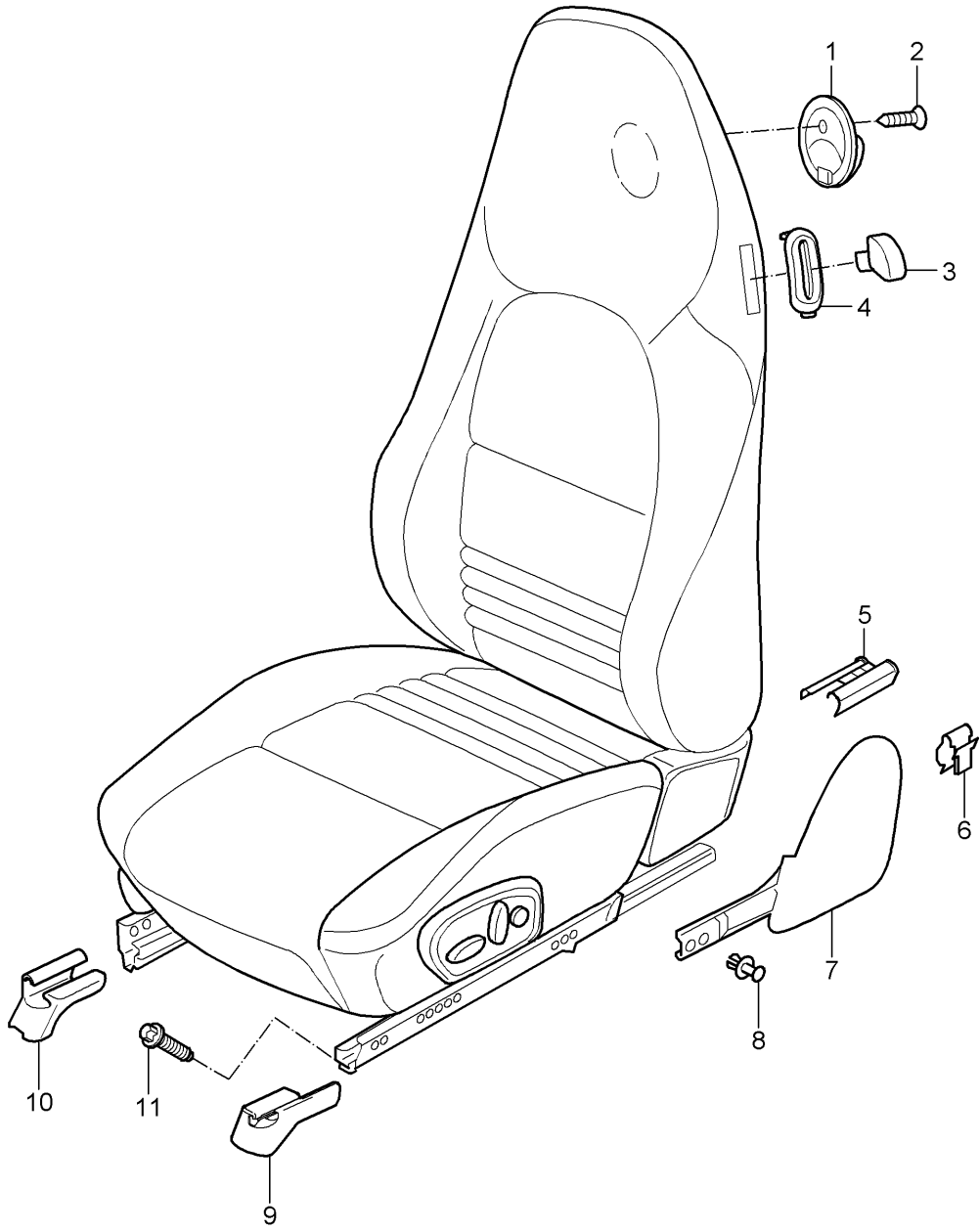


Model: 996 01 Model life 2001>>2005

Pos	Part Number	Description	Remark	Qty	Model
1	996 653 101 03	Control switch			
		Control part	-01	1	M573
	996 653 101 03 EFR	Black			
1	996 653 101 CX	Control part	-01	1	M573
	996 653 101 CX EFR	Black			
1	996 653 101 06	Control part	02	1	M573
	996 653 101 06 EFR	Black mat			
1	996 653 101 09	Control part	02	1	M573
	996 653 101 09 EFR	Black mat			
1	996 653 101 IX	Control part	02	1	M573
	996 653 101 IX EFR	Black mat			
1	996 653 101 08	Control part	02-	1	M573
	996 653 101 08 EFR	Gloss black			
1	996 653 101 HX	Control part	02-	1	M573
	996 653 101 HX EFR	Gloss black			
1	996 653 101 10	Control part	03-	1	M573
	996 653 101 10 FFA	Black mat			
1	996 653 101 JX	Control part	03-	1	M573
	996 653 101 JX FFA	Black mat			
2	996 552 677 00	Frame	-01	1	M573
	996 552 677 00 01C	Black			
2	996 552 677 01	Cover	02-	1	
	996 552 677 01 01C	Black			
(2)	996 552 339 00	Frame		1	M573/662
	996 552 339 00 01C	Black			
-	191 853 615 A	Grommet for POS.4		X	
3	996 573 501 00	Adapter		2	
4	900 143 076 09	Tapping screw		X	

Model: 996 01

Model life 2001>>2005



Model: 996 01 Model life 2001>>2005

Pos	Part Number	Description	Remark	Qty	Model
		Front seat			TURBO/GT2
		Front seat			
		Complete			
		Not available			
1	996 521 373 00	Coat hook	/L /R	2	
	996 521 373 00 A03	Black			
2	999 919 199 09	Countersunk-head screw		2	
		Coat hook			
		M 5 X 25			
3	996 521 421 00	Control button	/L	2	
		Backrest			
(3)	996 521 422 00	Control button	/R	2	
		Backrest			
4	996 521 323 02	Rosette	/L	2	M437/438
(4)	996 521 324 02	Rosette	/R	2	M437/438
6	999 507 592 01	Cable clamp		2	
		Cover			
		1,0 - 6,0			
7	996 521 315 01	Cap	/L -02	1	M437
		Cap	/L 03-		M375/437
	996 521 315 01 D05	Granite grey			
	996 521 315 01 A03	Black			
	996 521 315 01 C53	Graphite grey			
	996 521 315 01 S33	Savanna			
	996 521 315 01 G13	Metropole blue			
	996 521 315 01 J33	Nephrite green			
	996 521 315 01 M33	Boxster red			
(7)	996 521 316 01	Cap	/R -02	1	M438
	996 521 316 01 D05	Granite grey			
	996 521 316 01 A03	Black			
	996 521 316 01 C53	Graphite grey			
	996 521 316 01 S33	Savanna			
	996 521 316 01 G13	Metropole blue			
	996 521 316 01 J33	Nephrite green			
	996 521 316 01 M33	Boxster red			
(7)	996 521 316 01	Cap	/R 03-	1	M376/438
	996 521 316 01 D05	Granite grey			
	996 521 316 01 A03	Black			
	996 521 316 01 C53	Graphite grey			
	996 521 316 01 S33	Savanna			
	996 521 316 01 G13	Metropole blue			
	996 521 316 01 J33	Nephrite green			
	996 521 316 01 M33	Boxster red			
8	999 507 599 40	Expansion rivet		2	
		10,0			
9	996 521 359 01	Cover	/L	1	IXSE/M375
		Seat rail			
		Front			
(9)	996 521 359 01 01C	Satin black			
	996 521 361 01	Cover	/L	1	IXSF/M376
		Seat rail			
		Front			
(9)	996 521 361 01 01C	Satin black			
	996 521 363 01	Cover	/L	1	M437/438
		Seat rail			
		Front			
10	996 521 363 01 01C	Satin black			
	996 521 360 01	Cover	/R	1	IXSF/M376
(10)	996 521 360 01 01C	Satin black			
	996 521 362 01	Cover	/R	1	IXSE/M375
(10)	996 521 362 01 01C	Satin black			
	996 521 364 01	Cover	/R	1	M437/438
		Seat rail			

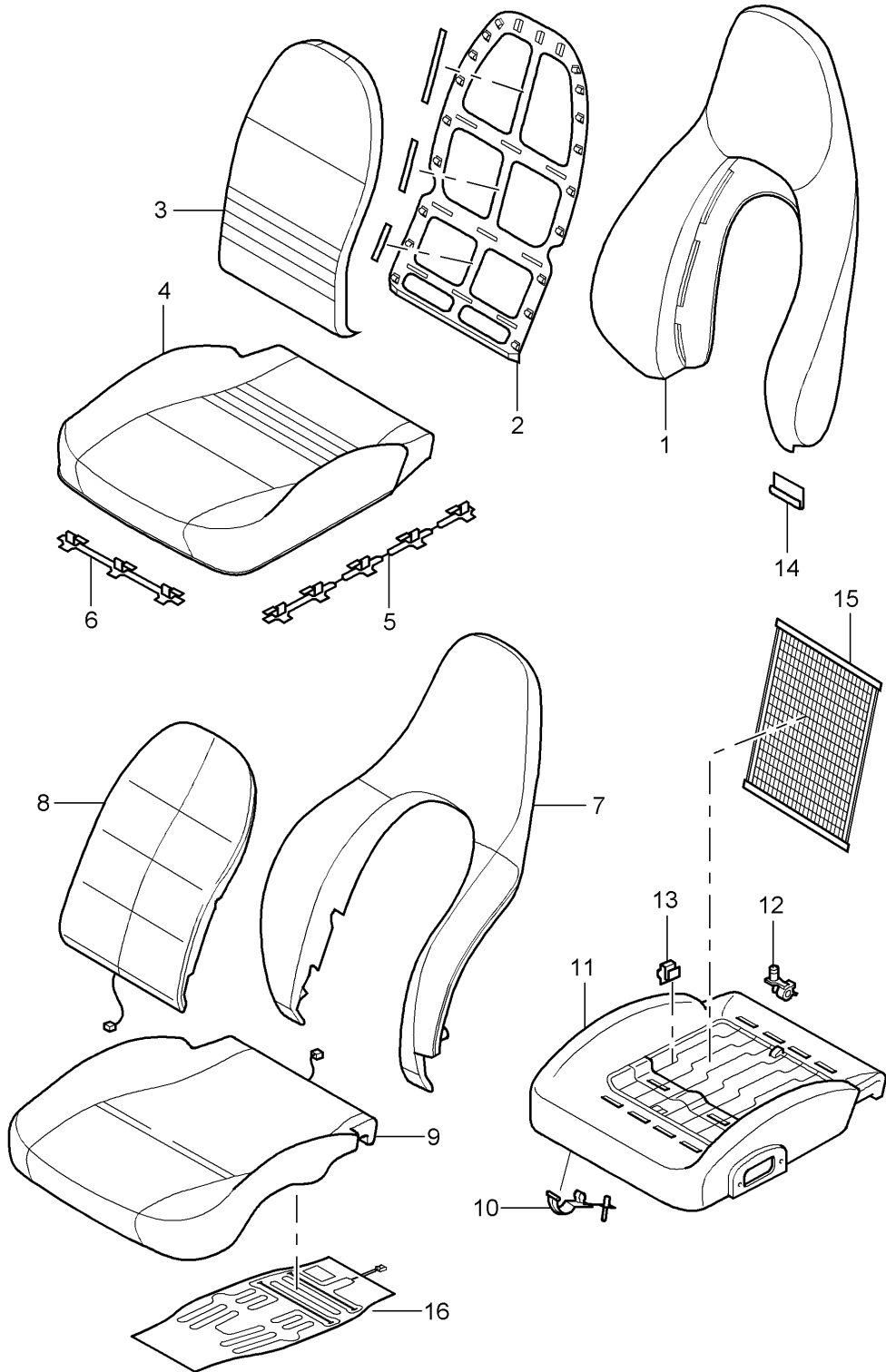
Model: 996 01

Model life 2001&gt;&gt;2005

Pos	Part Number	Description	Remark	Qty	Model
11	996 521 364 01 01C 999 141 039 07	Front Satin black Screw M 10 X 28		8	

Model: 996 01

Model life 2001>>2005



Model: 996 01 Model life 2001>>2005

Pos	Part Number	Description	Remark	Qty	Model
		Cover Foam part Comfort seat Standard seat			TURBO/GT2
1	996 521 141 02	Backrest cover Outer part Leather	/L /R -01	1	M437/438 M982/983
	996 521 141 02 EEF	Graphite grey			
	996 521 141 02 EFF	Metropole blue			
	996 521 141 02 EGF	Savanna			
	996 521 141 02 ELA	Nephrite green			
	996 521 141 02 ENA	Boxster red			
(1)	996 521 141 04	Cover Backrest Outer	/L /R 02-	1	IXSU M437/438 M982/983
	996 521 141 04 ERZ	Black			
	996 521 141 04 EEF	Graphite grey			
	996 521 141 04 EGF	Savanna			
	996 521 141 04 EFF	Metropole blue			
	996 521 141 04 ELA	Nephrite green			
	996 521 141 04 ENA	Boxster red			
	996 521 141 04 FEH	Cinnamon brown			
	996 521 141 04 VRA	Dark grey/natural			
	996 521 141 04 VRB	Brown/natural			
(1)	996 521 141 06	Cover Backrest Outer part	/L /R 01-	1	M437/438 M982/983
	996 521 141 06 ERZ	Black			
	996 521 141 06 EEF	Graphite grey			
	996 521 141 06 EGF	Savanna			
	996 521 141 06 EFF	Metropole blue			
	996 521 141 06 ELA	Nephrite green			
	996 521 141 06 ENA	Boxster red			
	996 521 141 06 FEH	Cinnamon brown			
	996 521 141 06 VRA	Dark grey/natural			
	996 521 141 06 VRB	Brown/natural			
(1)	996 521 993 01	Backrest cover Outer part with Porsche Crest Leather	/L /R	1	IXSC M437/438 M982/983
	996 521 993 01 8YR	Black			
	996 521 993 01 C50	Graphite grey			
	996 521 993 01 G10	Metropole blue			
	996 521 993 01 S30	Savanna			
	996 521 993 01 J30	Nephrite green			
	996 521 993 01 M30	Boxster red			
	996 521 993 01 T11	Brown/natural			
	996 521 993 01 D11	Dark grey/natural			
	996 521 993 01 P11	Cinnamon brown			
	996 521 993 01 ETO	Black			
(2)	996 521 551 01	Frame	/L /R 01-	1	M375/376
		Backrest cover			M437/438
3	996 521 151 05	Backrest cushion cover Leather Not for Lowering Foam part	/L /R 01-	1	M375/376 M437/438 M983
	996 521 151 05 ETO	Black			
	996 521 151 05 C50	Graphite grey			
	996 521 151 05 S30	Savanna			
	996 521 151 05 J30	Nephrite green			

Model: 996 01 Model life 2001>>2005

Pos	Part Number	Description	Remark	Qty	Model	
(3)	996 521 151 05 M30	Boxster red	01-	1	M437/438 M982	
	996 521 151 05 G10	Metropole blue				
	996 521 151 05 P11	Cinnamon brown				
	996 521 151 05 D11	Dark grey				
	996 521 151 05 T11	Brown/natural				
	996 521 151 06	Backrest cushion cover				
		Centre part				
		Draped leather				
		Not for				
		Lowering				
	Foam part					
	996 521 151 06 ETO	Black				
	996 521 151 06 C50	Graphite grey				
	996 521 151 06 S30	Savanna				
	996 521 151 06 G10	Metropole blue				
	996 521 151 06 J30	Nephrite green				
	996 521 151 06 M30	Boxster red				
	996 521 151 06 P11	Cinnamon brown				
	996 521 151 06 D11	Dark grey/natural				
	996 521 151 06 T11	Brown/natural				
(3)	996 521 151 07	Backrest cushion cover	01-	1	IXSU/M983 M375/376	
		Backrest cushion				
		996 521 151 07 ETO				Black
		996 521 151 07 C50				Graphite grey
		996 521 151 07 S30				Savanna
		996 521 151 07 G10				Metropole blue
		996 521 151 07 J30				Nephrite green
		996 521 151 07 M30				Boxster red
		996 521 151 07 P11				Cinnamon brown
		996 521 151 07 D11				Dark grey/natural
	996 521 151 07 T11	Brown/natural				
(3)	996 521 151 08	Backrest cushion cover	01-	1	IXSU/M982 M437/438	
		Backrest				
		Draped leather				
		Centre part				
		with				
		Lowering				
		996 521 151 08 ETO				Black
		996 521 151 08 C50				Graphite grey
		996 521 151 08 S30				Savanna
		996 521 151 08 G10				Metropole blue
	996 521 151 08 J30	Nephrite green				
	996 521 151 08 M30	Boxster red				
	996 521 151 08 P11	Cinnamon brown				
	996 521 151 08 D11	Dark grey/natural				
	996 521 151 08 T11	Brown/natural				
(3)	996 521 151 09	Cover	01-	1	M375/376 M437/438	
		Centre part				
	996 521 151 09 D13	Dark grey/natural				
		Special model				
		Forty fast years				
(4)	996 521 161 06	Cover for cushion	01-	1	M437/438 M983	
		Seat cushion				
		Leather				
		996 521 161 06 ERZ				Black
		996 521 161 06 EEF				Graphite grey
		996 521 161 06 EFF				Metropole bl./metrop. blue
		996 521 161 06 EGF				Savanna
		996 521 161 06 ELA				Nephrite green
		996 521 161 06 ENA				Boxster red
		996 521 161 06 VRA				Dark grey
	996 521 161 06 VRB	Brown/natural				
	996 521 161 06 FEH	Cinnamon brown				

Model: 996 01 Model life 2001>>2005

Pos	Part Number	Description	Remark	Qty	Model
(4)	996 521 161 09	Cover Seat cushion with Lowering		1	IXSU/M983 M437/438
	996 521 161 09 ERZ	Black	03-		
	996 521 161 09 EEF	Graphite grey			
	996 521 161 09 EGF	Savanna			
	996 521 161 09 EFF	Metropole blue			
	996 521 161 09 ELA	Nephrite green			
	996 521 161 09 ENA	Boxster red			
	996 521 161 09 FEH	Cinnamon brown			
	996 521 161 09 VRA	Dark grey/natural			
	996 521 161 09 VRB	Brown/natural			
(4)	996 521 161 10	Cover Seat cushion with Lowering		1	IXSU/M982 M437/438
	996 521 161 10 ERZ	Black	03-		
	996 521 161 10 EEF	Graphite grey			
	996 521 161 10 EGF	Savanna			
	996 521 161 10 EFF	Metropole blue			
	996 521 161 10 ELA	Nephrite green			
	996 521 161 10 ENA	Boxster red			
	996 521 161 10 FEH	Cinnamon brown			
	996 521 161 10 VRA	Dark grey/natural			
	996 521 161 10 VRB	Brown/natural			
(4)	996 521 161 11	Seat cover Seat cushion Special model		2	M437/438 M971/983
	996 521 161 11 VSY	Dark grey/natural 40 JAHRE PORSCHE			
(4)	996 521 161 07	Seat cover Draped leather	01-	2	M437/438 M982
	996 521 161 07 ERZ	Black			
	996 521 161 07 EEF	Graphite grey			
	996 521 161 07 FEH	Cinnamon brown	01-		
	996 521 161 07 EFF	Metropole blue			
	996 521 161 07 EGF	Savanna			
	996 521 161 07 ELA	Nephrite green			
	996 521 161 07 ENA	Boxster red			
	996 521 161 07 VRA	Dark grey			
	996 521 161 07 VRB	Brown/natural			
7	996 521 535 04	Foam part Backrest frame		2	M437/438
(7)	996 521 535 06	Foam part Backrest Outer part	02-	2	IXSU M437/438
(8)	996 521 531 00	Foam part Backrest cushion without heating		2	M375/376 M437/438
8	996 521 531 01	Foam part Backrest cushion with heating		2	M139 M340/342
(8)	996 521 539 00	Foam part Backrest with heating		2	IXSU/M340
(8)	996 521 537 00	Foam part Backrest cushion without heating		2	IXSU
(8)	996 521 539 00	Foam part Backrest cushion with heating with		2	IXSU/M342



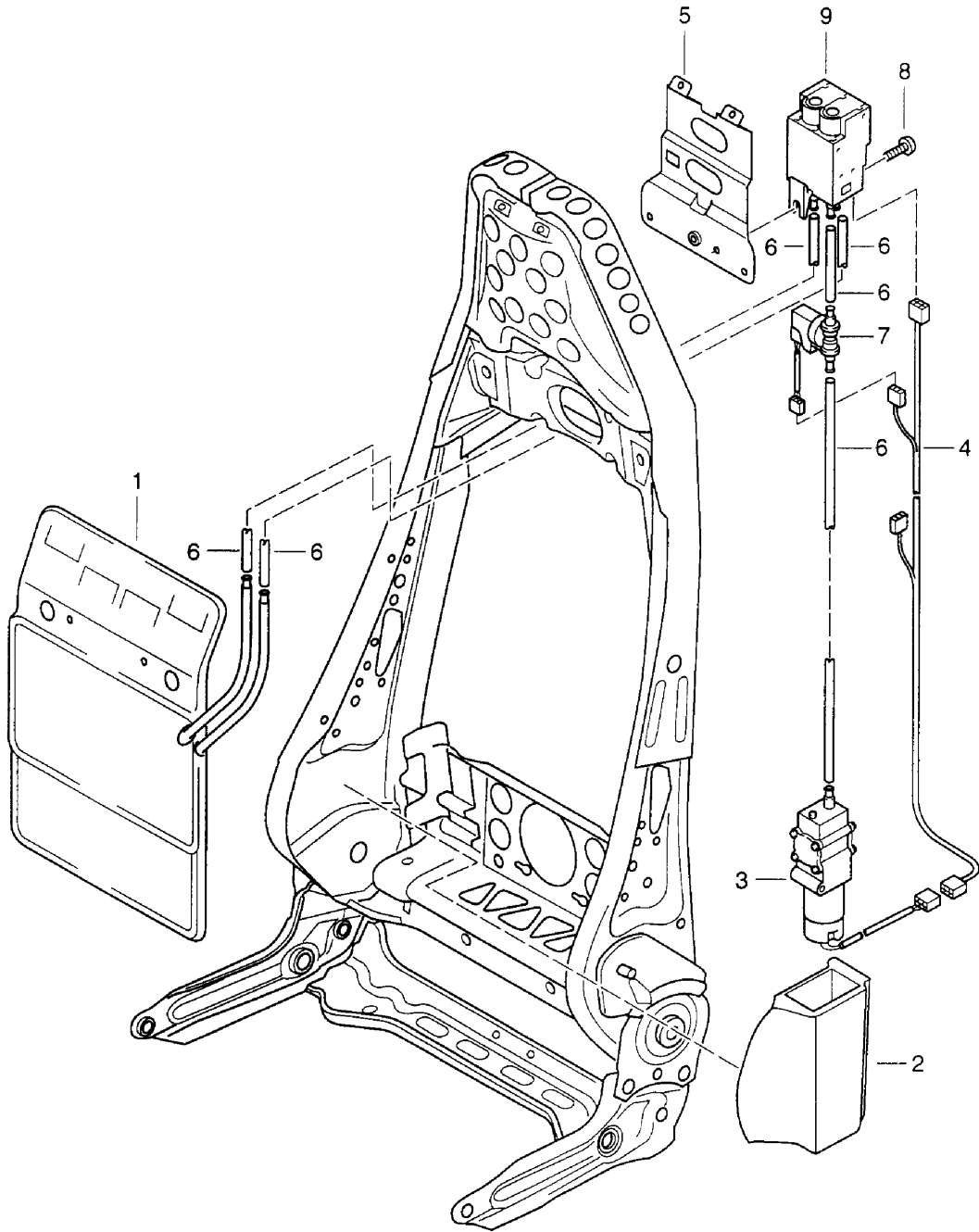
Model: 996 01

Model life 2001&gt;&gt;2005

Pos	Part Number	Description	Remark	Qty	Model
(9)	996 521 571 00	Lowering Foam part Seat cushion	01-	2	M437/438
(9)	996 521 523 00	Foam part Seat cushion without heating		2	IXSU M437/438
(9)	996 521 525 00	Foam part Seat cushion with heating		2	IXSU/M342 M437/438
10	996 521 597 00	Clip Cushion carrier		8	
(10)	996 521 937 00	Clip Cushion carrier	01-	10	
11	996 521 505 00	Cushion carrier Seat cushion Front seat	01-	2	
12	999 507 506 40	Cable holder 5,0		1	
13	999 651 314 01	Cable clamp 3,0 - 4,0		8	
14	996 521 515 00	Catch Backrest cover		4	
15	996 521 507 01	Mat Seat cushion Cushion carrier		1	
16	996 653 105 01	Heating element		1	M139/340 M342
(16)	996 653 105 02	Heating element Seat surface		1	IXSU/M342

Model: 996 01

Model life 2001>>2005

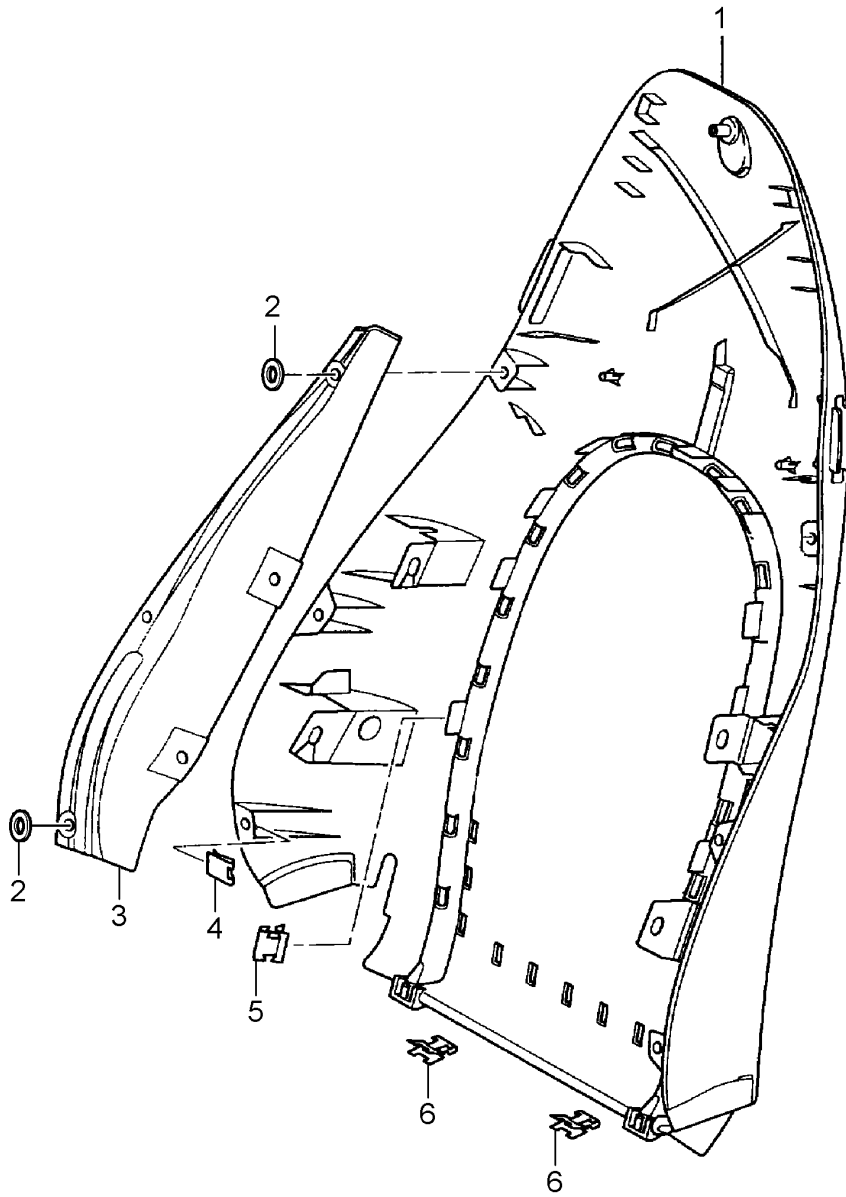


Model: 996 01 Model life 2001>>2005

Pos	Part Number	Description	Remark	Qty	Model
1	996 521 709 00	Lumbar support Lumbar support Complete		2	TURBO/GT2 M437/438 M513/586
2	996 521 719 00	Sound absorber Compressor		2	M437/438 M513/586
3	996 620 725 00	Compressor		2	M513/586
4	996 612 541 00	Wiring harness Seating position control Lumbar support adjustment		2	M513/586
(4)	996 612 542 00	Wiring harness Seating position control Lumbar support adjustment		2	M513/586 M538
5	996 521 721 00	Support Valve housing		2	M437/438 M513/586
6	999 181 749 40	Air hose Seating position control		2	M513/586
7	996 613 725 00	Pressure switch		2	M513/586
8	900 067 051 02	Pan-head screw M 5 X 10		2	M513/586
9	996 617 725 00	Valve housing Seating position control		2	M513/586
(9)	996 617 726 00	Valve housing Seating position control		2	M513/586 M537/538

Model: 996 01

Model life 2001>>2005

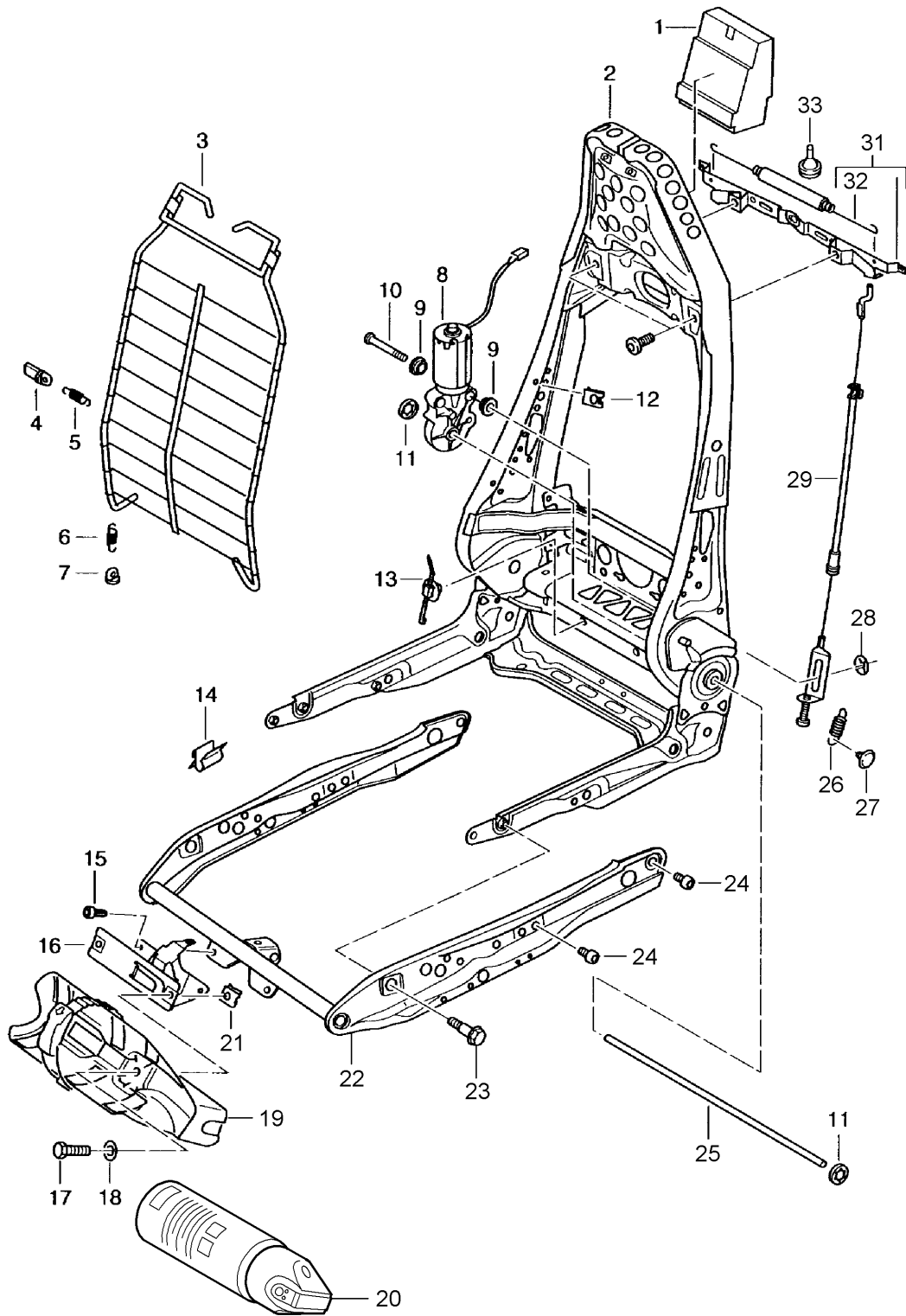


Model: 996 01 Model life 2001>>2005

Pos	Part Number	Description	Remark	Qty	Model
		Backrest shell Standard seat Comfort seat			TURBO/GT2
1	996 521 083 08	Backrest shell Leather	-01	1	M437/438 M982/983
	996 521 083 08 8YR	Black			
	996 521 083 08 C50	Graphite grey			
	996 521 083 08 S30	Savanna			
	996 521 083 08 G10	Metropole blue			
	996 521 083 08 J30	Nephrite green			
	996 521 083 08 M30	Boxster red			
	996 521 083 08 D11	Dark grey			
	996 521 083 08 T11	Brown/natural			
(1)	996 521 083 10	Backrest shell Leather	02-	1	M437/438 M982/983
	996 521 083 10 8YR	Black			
	996 521 083 10 C50	Graphite grey			
	996 521 083 10 S30	Savanna			
	996 521 083 10 G10	Metropole blue			
	996 521 083 10 J30	Nephrite green			
	996 521 083 10 M30	Boxster red			
	996 521 083 10 P11	Cinnamon brown			
	996 521 083 10 D11	Dark grey/natural			
	996 521 083 10 T11	Brown/natural			
(1)	996 521 083 11	Backrest shell	02-	1	M437/438
	996 521 083 11 A80	Black			
	996 521 083 11 C01	Graphite grey			M985
	996 521 083 11 S02	Savanna			
	996 521 083 11 G01	Metropole blue			
	996 521 083 11 J01	Nephrite green			
	996 521 083 11 M01	Boxster red			
	996 521 083 11 P01	Cinnamon brown			
2	900 151 027 02	Washer 5,3		4	
(3)	996 521 319 01	Cup Backrest	/L 01-	1	M437/438
(3)	996 521 320 01	Cup Backrest	/R 01-	1	M437/438
4	999 507 677 01	Speed nut M 5		8	
5	999 507 594 01	U-clamp Backrest cover		28	
6	311 881 247	1,0 - 2,0 Clip Mount Cover Centre part		2	

Model: 996 01

Model life 2001>>2005



Model: 996 01 Model life 2001>>2005

Pos	Part Number	Description	Remark	Qty	Model
		Backrest frame			TURBO/GT2
		Seat frame			
		Standard seat			
		Comfort seat			
1	996 521 883 00	Foam part		2	
2	996 521 329 01	Backrest frame		2	
3	996 521 355 01	Mat		2	
4	996 521 367 00	Support		8	
		Spring			
		Centre			
5	996 521 333 00	Spring		8	
		Centre			
6	996 521 331 01	Spring		4	
		Lower			
7	996 521 365 00	Support		4	
		Spring			
		Lower			
8	996 624 321 00	Engine		2	
		for backrest adjustment			
(8)	996 624 331 00	Engine		2	M537/538
		for backrest adjustment			
9	999 924 129 40	Bush		4	
		6 X 12 X 4,5			
10	999 073 141 02	Oval-head screw		2	
		M 6 X 42,5			
11	999 507 597 01	Clamping washer		4	
		10,0			
12	999 507 598 02	Speed nut		8	
		M 5			
13	999 513 063 40	Cable holder		4	
		12,0 - 35			
15	999 141 028 02	Pan-head screw		3	M509
		M 5 X 10			
16	996 521 674 00	Support	/LL	1	M509
		Fire extinguisher			
(16)	996 521 673 00	Support	/RL	1	M509
		Fire extinguisher			
17	900 067 137 02	Pan-head screw		2	M509
		M 5 X 16			
18	900 151 027 02	Washer		2	M509
		5,3			
19	996 521 607 00	Cup		1	M509
		Fire extinguisher			
20	996 722 115 00	Fire extinguisher		1	M509
		Information available			
		Information available			
21	999 507 067 02	Speed nut		2	M509
		M 5			
22	996 521 227 00	Seat frame		1	
23	996 521 681 01	Bearing pin		1	
		Complete			
24	999 141 027 02	Oval-head screw		8	
		M 8 X 10			
25	996 521 343 01	Drive shaft		2	
		for backrest adjustment			
26	999 522 032 00	Tension spring		4	
		0,7 X 7,5 X 15			
27	999 703 474 40	Stopper	-04	4	
		5,4 X 15 X 7,5			
(27)	999 703 102 40	Stopper	04-	4	
		4,5 X 9 X 11,2			
28	N 900 114 02	Clamping washer		4	
		4			

Model: 996 01

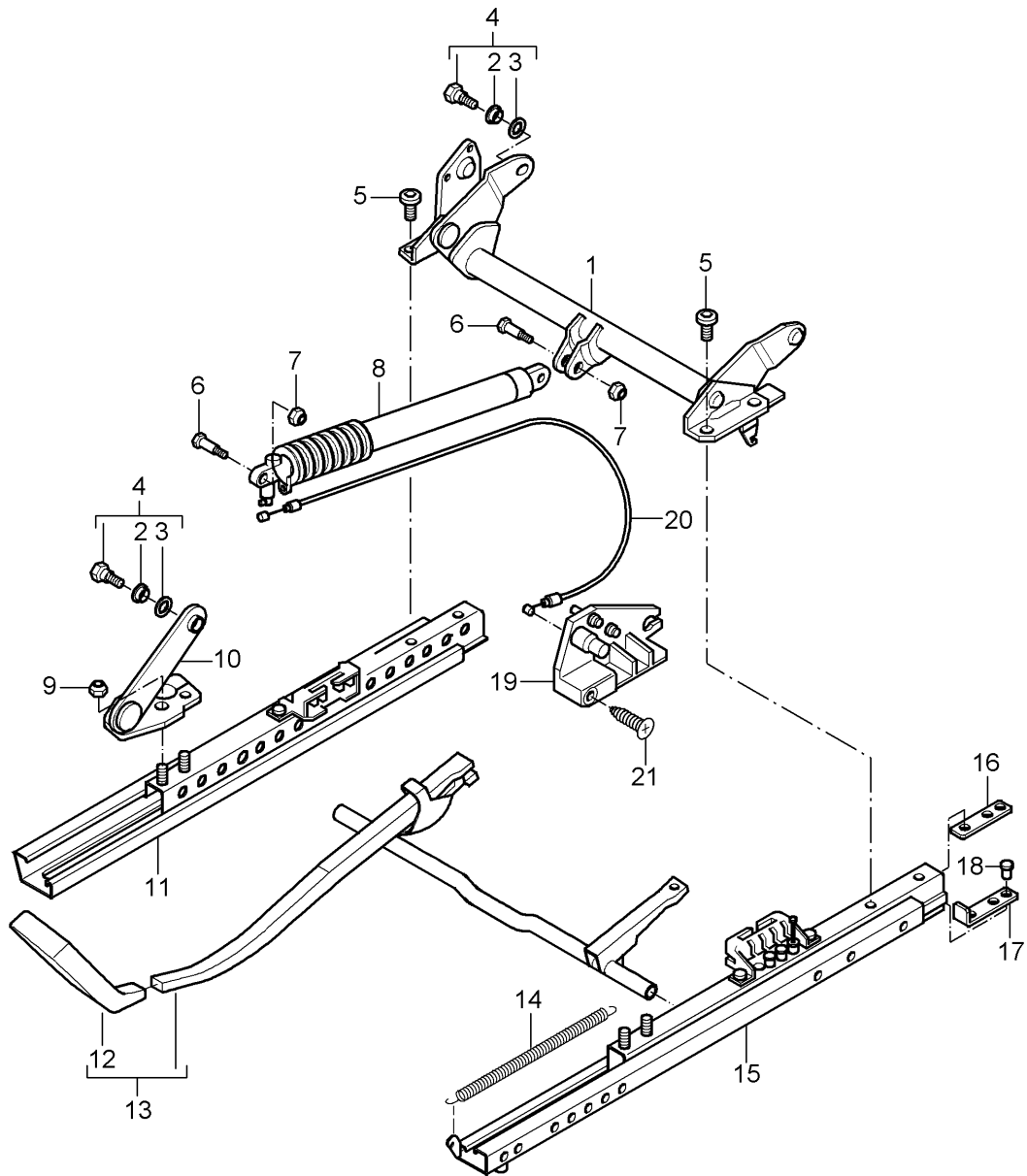
Model life 2001&gt;&gt;2005

Pos	Part Number	Description	Remark	Qty	Model
29	996 521 185 00	Cable		4	
31	996 521 175 00	Backrest locking lever		2	
32	996 521 195 00	Clutch power spring		2	
33	996 521 403 00	Rubber buffer		2	



Model: 996 01

Model life 2001>>2005



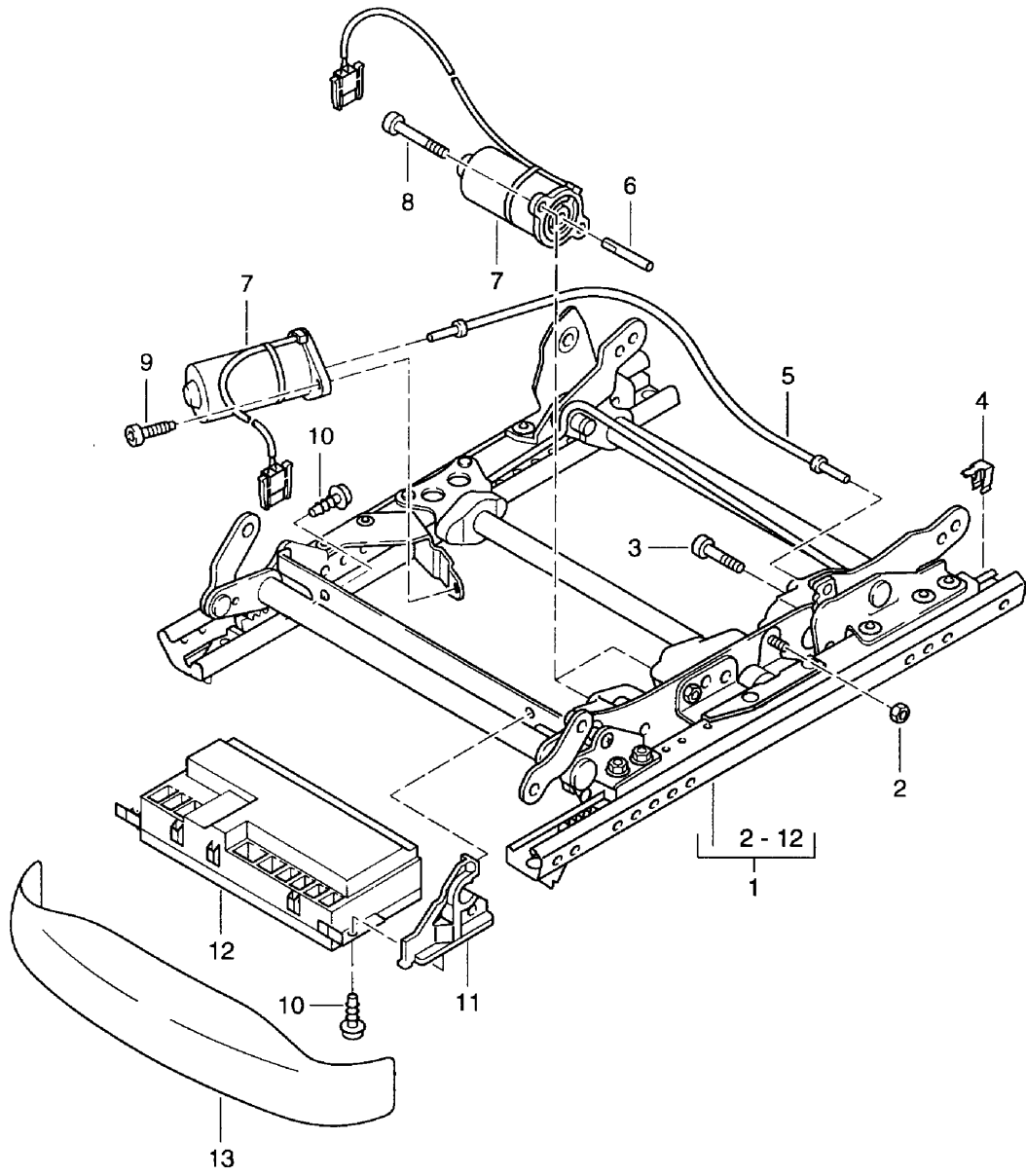
Model: 996 01

Model life 2001&gt;&gt;2005

Pos	Part Number	Description	Remark	Qty	Model
		Seat adjuster Standard seat with Height adjustment Mechanical			TURBO/GT2
1	996 521 641 00	Pipe Rear	/L	1	
(1)	996 521 642 00	Pipe Rear	/R	1	
3	999 209 051 00	Spacer sleeve 12,4 x 2,8		2	
4	996 521 259 02	Screw Seat-belt buckle Complete	/H	4	
-	996 521 681 00	Bearing pin Seat frame	/V	8	
5	986 521 659 00	Screw Adapter		8	
5	986 521 659 02	Screw Adapter		8	
6	999 311 008 01	Square screw Gas-pressure spring M 5 X 23,6		2	
7	986 521 687 00	Nut Gas-pressure spring		2	
8	996 521 615 01	Gas-pressure spring		1	M539/540
9	900 910 003 07	Hexagon nut Adapter M 8		8	
(10)	986 521 679 00	Adapter		2	
10	986 521 680 00	Adapter Seat frame Front		2	M539/540
11	996 521 692 01	Seat rail Inner		1	M375
(11)	996 521 691 01	Seat rail Inner		1	M376
12	996 521 617 01	Handle	/L	1	M375
(12)	996 521 618 01	Handle	/R	1	M376
13	996 521 621 02	Lever Complete	/L	1	M375
(13)	996 521 622 02	Lever Complete	/R	1	M376
14	996 521 645 00	Clutch power spring		2	M375/376
15	996 521 689 01	Seat rail Outer		1	M375
(15)	996 521 690 01	Seat rail Outer		1	M376
16	986 521 643 00	Threaded plate		4	M375/376
(17)	996 521 603 01	Stop		4	
18	996 521 601 00	Fixing clip Stop Rear		4	
19	996 521 675 00	Adjusting mechanism	/L	1	M539
(19)	996 521 676 00	Adjusting mechanism	/R	1	M540
20	986 521 683 00	Bowden cable		2	M539/540
21	999 919 180 07	Countersunk-head screw M 5 X 25		2	

Model: 996 01

Model life 2001>>2005

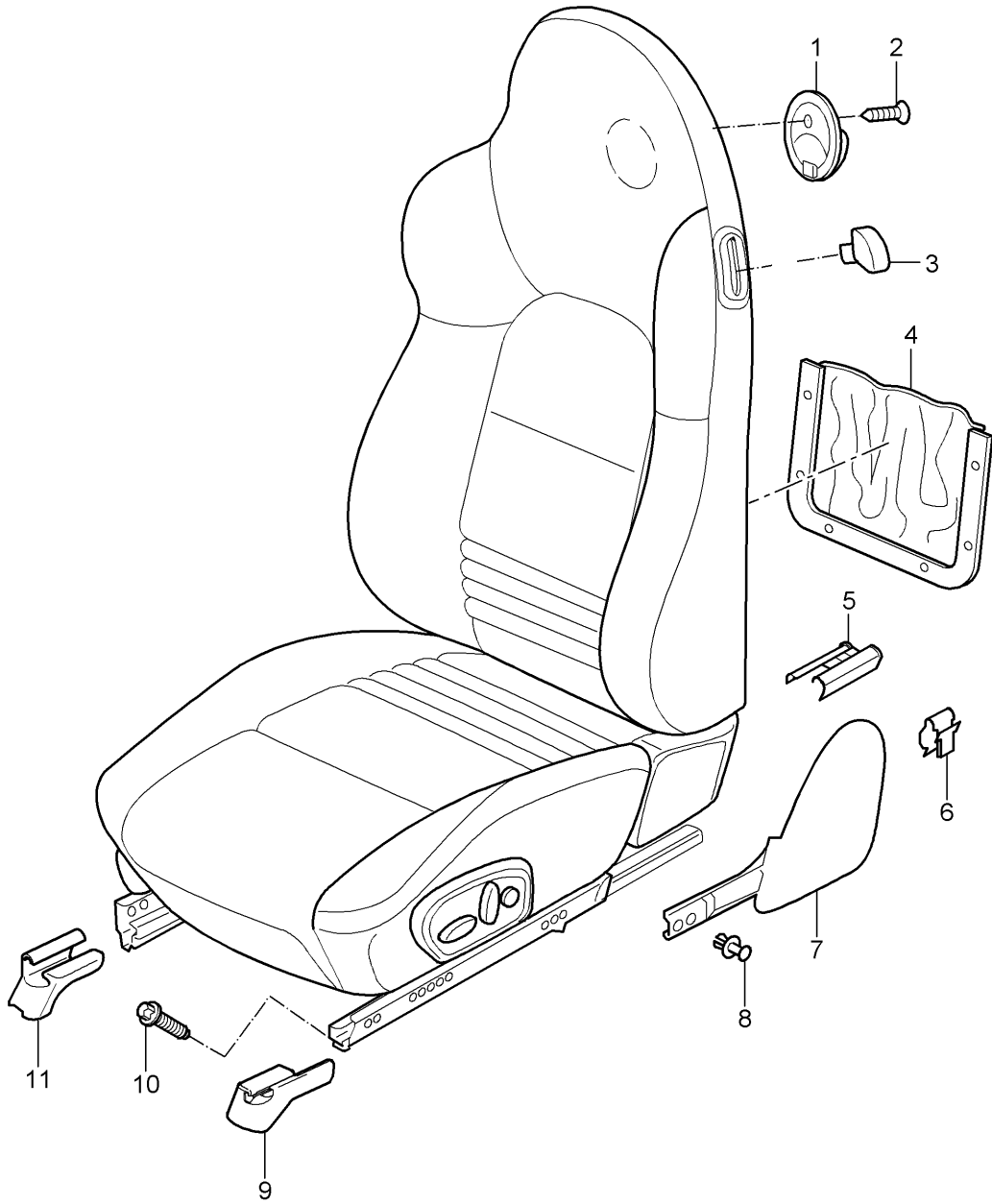


Model: 996 01 Model life 2001>>2005

Pos	Part Number	Description	Remark	Qty	Model
		Seat adjuster Comfort seat			TURBO/GT2
1	996 521 401 02	Seat adjuster Complete	/RL	1	M437
(1)	996 521 402 02	Seat adjuster Complete	/LL	1	M438
(1)	996 521 401 07	Seat adjuster	/LL	1	M437/537
(1)	996 521 402 07	Seat adjuster Complete	/RL	1	M438/538
2	999 084 451 02	Hexagon nut M 5		4	
3	999 073 144 02	Pan-head screw M 5 X 39,3		4	
5	996 521 609 00	Drive shaft Rear vertical adjustment		2	
6	996 521 611 00	Shaft		4	
7	996 624 322 00	Engine		X	M437/438
(7)	996 624 332 00	Engine Seating position control		X	M537/538
8	999 073 147 02	Pan-head screw M 5 X 58		8	M437/438
9	999 073 148 02	Oval-head screw M 5 X 14		4	M437/438
10	999 073 145 02	Oval-head screw M 5,0 X 12		X	
11	996 618 547 00	Support Control unit		4	M537/538
(12)	996 618 537 01	Control unit	01	2	M537/538
(12)	996 618 537 03	Control unit	-05	2	M537/538
13	996 521 317 00	Cover Control unit		2	M437/438
		Seating position control			M537/538
	996 521 317 00 01C	Black			

Model: 996 01

Model life 2001>>2005



Model: 996 01 Model life 2001>>2005

Pos	Part Number	Description	Remark	Qty	Model
		Sports seat			TURBO/GT2
		Sports seat			
		Complete			
		Not available			
1	996 521 373 00	Coat hook		2	
	996 521 373 00 A03	Black			
2	999 919 199 09	Countersunk-head screw		2	
		M5 x 25			
3	996 521 421 00	Control button	/L	2	
(3)	996 521 422 00	Control button	/R	2	
4	996 521 313 01	Bag		2	M983
		Leather			
	996 521 313 01 C50	Graphite grey			
	996 521 313 01 B50	Space grey			
	996 521 313 01 G10	Metropole blue			
	996 521 313 01 S30	Savanna			
	996 521 313 01 J30	Nephrite green			
	996 521 313 01 M30	Boxster red			
	996 521 313 01 D11	Dark grey			
	996 521 313 01 T11	Brown/natural			
	996 521 313 01 P11	Cinnamon brown			
6	999 507 592 01	Cable clamp		2	
		Cover			
		1,0 - 6,0			
7	996 521 315 01	Cap	/L	1	
	996 521 315 01 A03	Black			
	996 521 315 01 C53	Graphite grey			
	996 521 315 01 S33	Savanna			
	996 521 315 01 G13	Metropole blue			
	996 521 315 01 J33	Nephrite green			
	996 521 315 01 M33	Boxster red			
	996 521 315 01 B13	Space grey			
	996 521 315 01 P13	Cinnamon brown	01-		
(7)	996 521 316 01	Cap	/R	1	
	996 521 316 01 A03	Black			
	996 521 316 01 C53	Graphite grey			
	996 521 316 01 S33	Savanna			
	996 521 316 01 G13	Metropole blue			
	996 521 316 01 J33	Nephrite green			
	996 521 316 01 M33	Boxster red			
	996 521 316 01 B13	Space grey			
	996 521 316 01 P13	Cinnamon brown	01-		
8	999 507 599 40	Expansion rivet		2	
		10			
9	996 521 362 01	Cover	/L	1	IXSE/M375
		Inner			
	996 521 362 01 01C	Satin black			
(9)	996 521 361 01	Cover	/R	1	IXSF/M376
		Inner			
	996 521 361 01 01C	Satin black			
10	999 141 038 07	Torx screw	-02	8	IXSE/XSF
		M 10 X 26,5			
(10)	999 141 039 07	Screw	03-	8	IXSE/XSF
		M 10 X 28			
11	996 521 360 00	Cover	/R	1	IXSF/M376
		Outer			
	996 521 360 00 01C	Satin black			
11	996 521 360 01	Cover	/R	1	IXSF/M376
		Outer			
	996 521 360 01 01C	Satin black			
(11)	996 521 359 00	Cover	/L	1	IXSE/M375
		Outer			
	996 521 359 00 01C	Satin black			

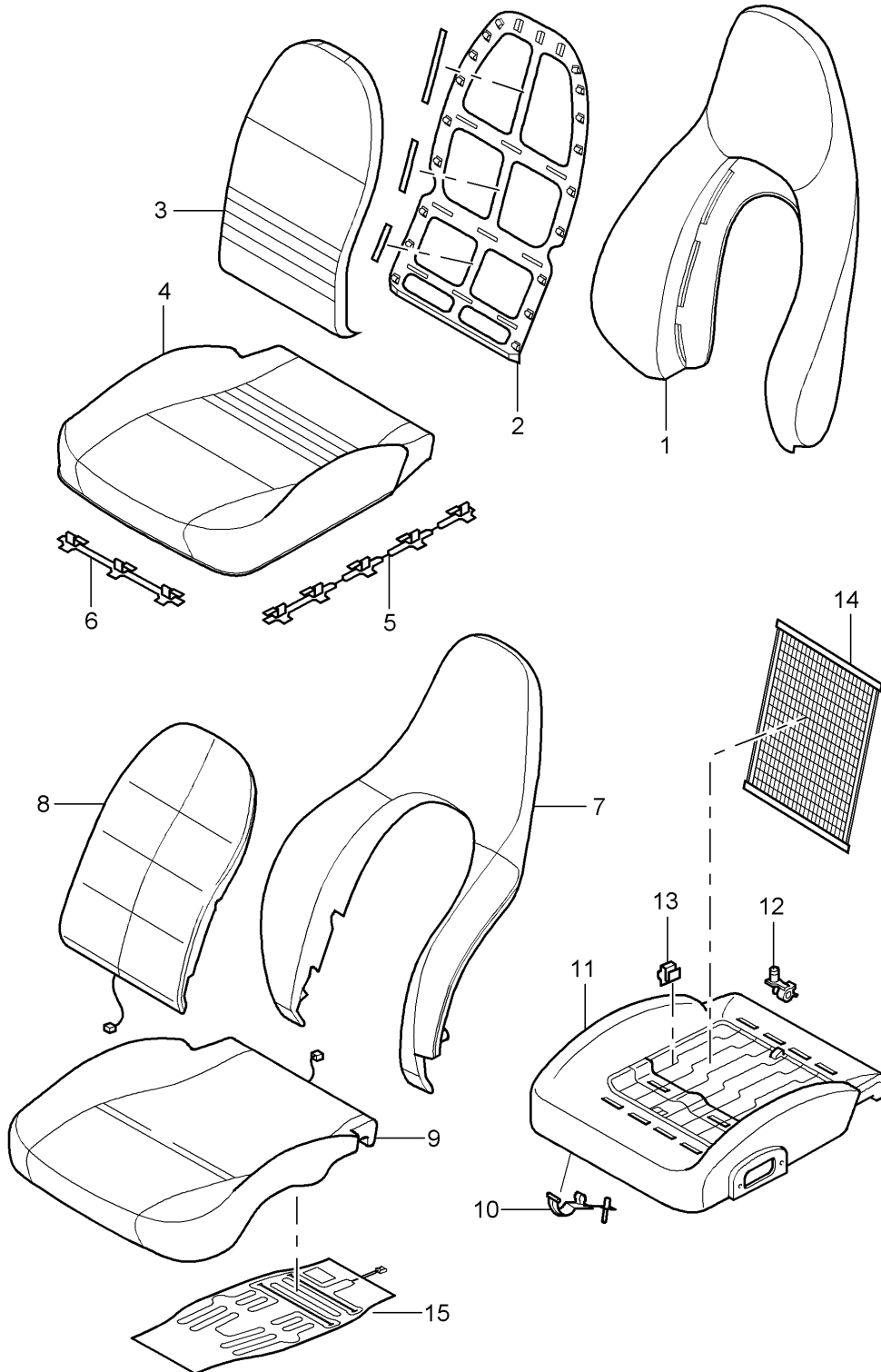
Model: 996 01

Model life 2001&gt;&gt;2005

Pos	Part Number	Description	Remark	Qty	Model
(11)	996 521 359 01 996 521 359 01 01C	Cover Outer Satin black	/L	1	IXSE/M375

Model: 996 01

Model life 2001>>2005





Model: 996 01 Model life 2001>>2005

Pos	Part Number	Description	Remark	Qty	Model
		Cover			TURBO/GT2
		Foam part			
		Sports seat			
1	996 521 993 02	Backrest cover with Porsche Crest Leather		2	M983 IXSC
	996 521 993 02 8YR	Black			
	996 521 993 02 C50	Graphite grey			
	996 521 993 02 B50	Space grey			
	996 521 993 02 G10	Metropole blue			
	996 521 993 02 S30	Savanna			
	996 521 993 02 J30	Nephrite green			
	996 521 993 02 M30	Boxster red			
	996 521 993 02 T11	Brown/natural			
	996 521 993 02 D11	Dark grey/natural			
	996 521 993 02 P11	Cinnamon brown			
	996 521 993 02 ETO	Black			
1	996 521 155 04	Backrest cover Outer part Leather	-01	2	M983
	996 521 155 04 EEF	Graphite grey			
	996 521 155 04 EGF	Savanna			
	996 521 155 04 EFF	Metropole blue			
	996 521 155 04 EGJ	Space grey			
	996 521 155 04 ELA	Nephrite green			
	996 521 155 04 ENA	Boxster red			
	996 521 155 04 ERZ	Black			
	996 521 155 04 VRA	Dark grey			
	996 521 155 04 VRB	Brown/natural			
(1)	996 521 155 05	Cover Backrest Outer part Leather		2	IXSU/M983
	996 521 155 05 ERZ	Black			
	996 521 155 05 EEF	Graphite grey			
	996 521 155 05 EGF	Savanna			
	996 521 155 05 EFF	Metropole blue			
	996 521 155 05 ELA	Nephrite green			
	996 521 155 05 ENA	Boxster red			
	996 521 155 05 FEH	Cinnamon brown			
	996 521 155 05 VRA	Dark grey/natural			
	996 521 155 05 VRB	Brown/natural			
(1)	996 521 155 06	Cover Backrest Outer part Leather	01-	2	M983
	996 521 155 06 ERZ	Black			
	996 521 155 06 EEF	Graphite grey			
	996 521 155 06 EGF	Savanna			
	996 521 155 06 EFF	Metropole blue			
	996 521 155 06 ELA	Nephrite green			
	996 521 155 06 ENA	Boxster red			
	996 521 155 06 FEH	Cinnamon brown			
	996 521 155 06 VRA	Dark grey/natural			
	996 521 155 06 VRB	Brown/natural			
(1)	996 521 155 07	Cover Outer part Special model	04	1	M971/983
		Forty fast years			
	996 521 155 07 VTE	Dark grey/natural			
(2)	996 521 551 01	Frame	01-	2	

Model: 996 01 Model life 2001>>2005

Pos	Part Number	Description	Remark	Qty	Model
3	996 521 151 05	Backrest Backrest cushion cover Leather	01-	2	M983
	996 521 151 05 C50	Graphite grey			
	996 521 151 05 G10	Metropole blue			
	996 521 151 05 S30	Savanna			
	996 521 151 05 J30	Nephrite green			
	996 521 151 05 M30	Boxster red			
	996 521 151 05 ETO	Black			
	996 521 151 05 D11	Dark grey			
	996 521 151 05 T11	Brown/natural			
(3)	996 521 151 07	Backrest cushion cover	03-	2	IXSU/M983
	996 521 151 07 ETO	Black			
	996 521 151 07 D11	Dark grey/natural			
	996 521 151 07 T11	Brown/natural			
(3)	996 521 151 09	Cover	04	2	M971/983
		Centre part			
		Special model			
		Forty fast years			
	996 521 151 09 D13	Dark grey/natural			
(4)	996 521 165 04	Cover	01-	2	M983
		Seat cushion			
		Leather			
		without heating			
	996 521 165 04 ERZ	Black			
	996 521 165 04 EEF	Graphite grey			
	996 521 165 04 EGF	Savanna			
	996 521 165 04 EFF	Metropole blue			
	996 521 165 04 ELA	Nephrite green			
	996 521 165 04 ENA	Boxster red			
	996 521 165 04 FEH	Cinnamon brown			
	996 521 165 04 VRA	Dark grey/natural			
	996 521 165 04 VRB	Brown/natural			
(4)	996 521 165 05	Cover	02-	2	IXSU/M983
		Seat cushion			
	996 521 165 05 ERZ	Black			
	996 521 165 05 EEF	Graphite grey			
	996 521 165 05 EGF	Savanna			
	996 521 165 05 EFF	Metropole blue			
	996 521 165 05 ELA	Nephrite green			
	996 521 165 05 ENA	Boxster red			
	996 521 165 05 FEH	Cinnamon brown			
	996 521 165 05 VRA	Dark grey/natural			
	996 521 165 05 VRB	Brown/natural			
(4)	996 521 165 06	Cover	04-	2	M971/983
		Seat cushion			
		Special model			
		Forty fast years			
	996 521 165 06 VSY	Dark grey/natural			
7	996 521 535 03	Foam part		2	
		Backrest frame			
(8)	996 521 535 05	Foam part	02-	2	IXSU
		Backrest			
		Outer part			
8	996 521 531 00	Foam part		2	
		Backrest cushion			
		without heating			
(8)	996 521 531 01	Foam part		2	M342
		Backrest cushion			
		with heating			
(8)	996 521 537 00	Foam part	02-	2	IXSU
		Backrest cushion			
		without heating			

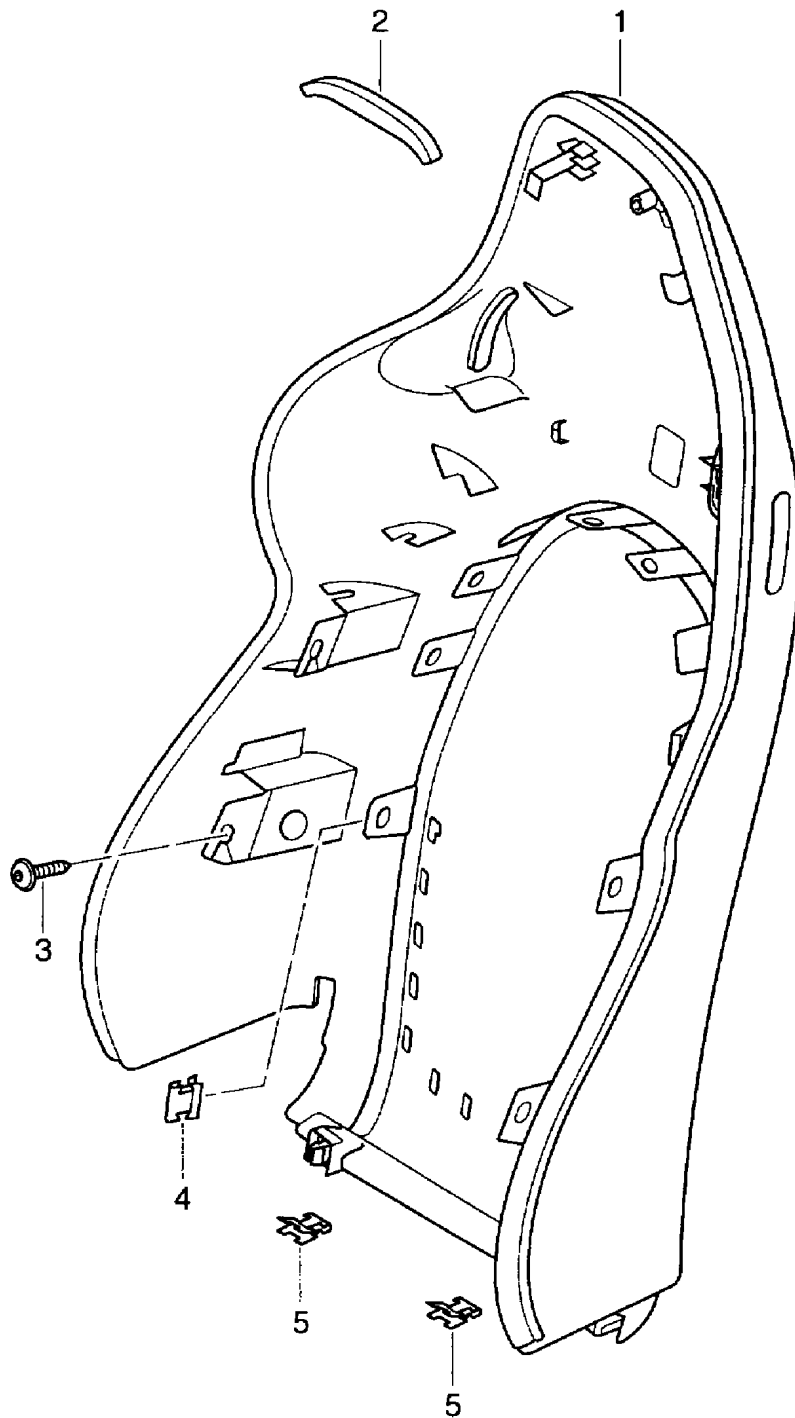
Model: 996 01

Model life 2001>>2005

Pos	Part Number	Description	Remark	Qty	Model
(8)	996 521 539 00	Foam part Backrest cushion with heating	02-	2	IXSU/M342
(9)	996 521 571 01	Foam part Seat cushion without heating	01-	2	
(9)	996 521 523 01	Foam part Seat cushion without heating	02-	2	IXSU
(9)	996 521 525 01	Foam part Seat cushion with heating	02-	2	IXSU/M342
10	996 521 597 00	Clip		8	
(10)	996 521 937 00	Clip for Cushion carrier	01-	10	
(11)	996 521 505 00	Cushion carrier Seat cushion Front seat	01-	2	
12	999 507 506 40	Cable holder 5,0		1	
13	999 651 314 01	Cable clamp 3,0 - 4,0		8	
14	996 521 507 01	Mat Seat cushion Cushion carrier		1	
15	996 653 105 01	Heating element Seat surface	01-	1	M342

Model: 996 01

Model life 2001>>2005



Model: 996 01 Model life 2001>>2005

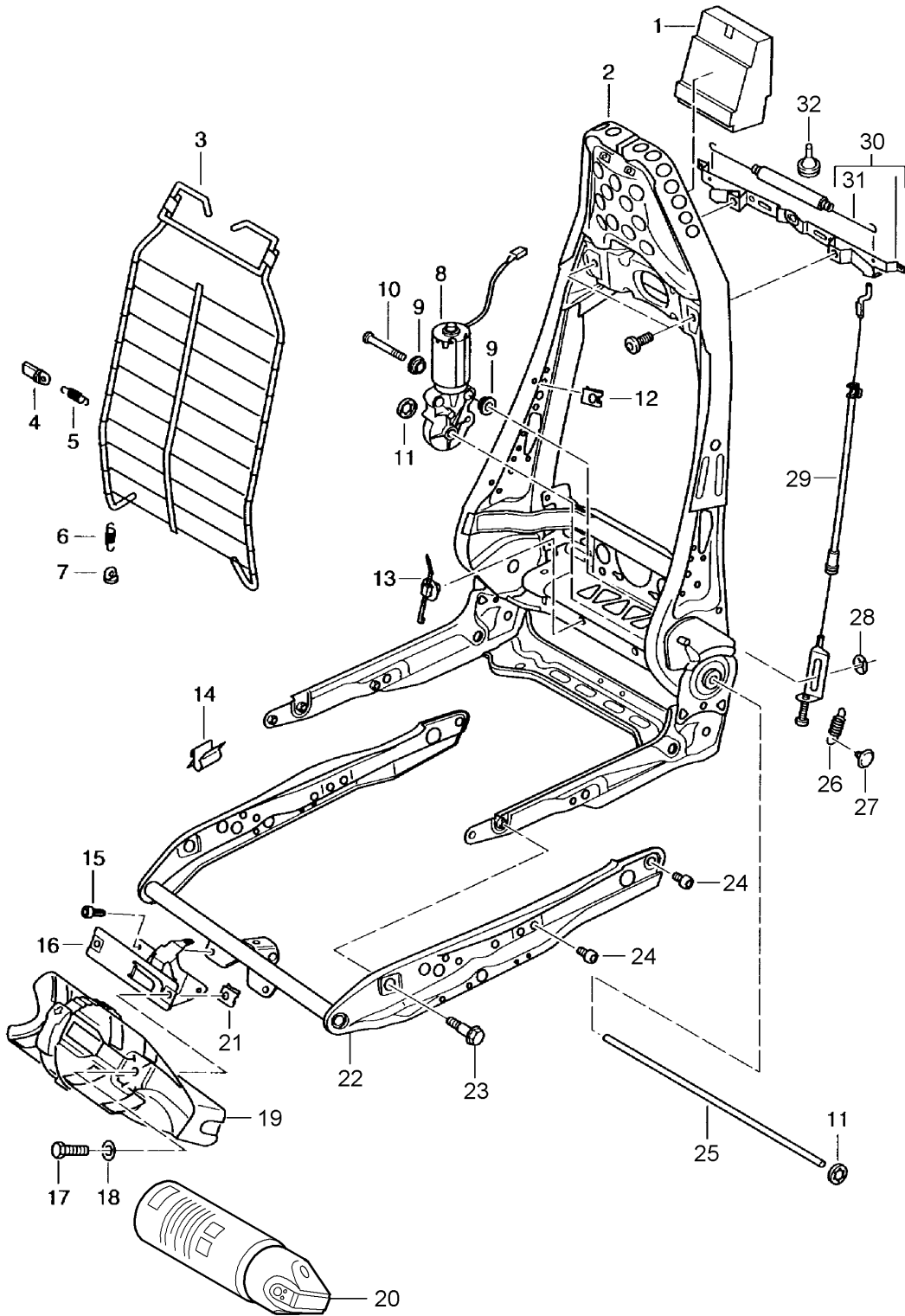
Pos	Part Number	Description	Remark	Qty	Model
		Backrest shell Sports seat			TURBO/GT2
1	996 521 083 06	Backrest shell Lacquered	-01	2	M375/376
	996 521 083 06 A03	Black			
	996 521 083 06 C53	Graphite grey			
	996 521 083 06 S33	Savanna			
	996 521 083 06 G13	Metropole blue			
	996 521 083 06 B13	Space grey			
	996 521 083 06 M33	Boxster red			
	996 521 083 06 J33	Nephrite green			
	996 521 083 06 P13	Cinnamon brown			
(1)	986 521 303 11	Backrest shell Sports seat	01-	1	M375/376
	986 521 303 11 A03	Black			
	986 521 303 11 C53	Graphite grey			
	986 521 303 11 S33	Savanna			
	986 521 303 11 G13	Metropole blue			
	986 521 303 11 J33	Nephrite green			
	986 521 303 11 M33	Boxster red			
	986 521 303 11 P13	Cinnamon brown			
(1)	996 521 992 02	Backrest shell Sports seat Lacquered		2	M375/376 IXSA
	996 521 992 02 80K	Guards red			
	996 521 992 02 747	Black			
	996 521 992 02 9A3	Biarritz white			
	996 521 992 02 12G	Speed yellow			
	996 521 992 02 92T	Arctic silver metallic			
	996 521 992 02 746	Black-metallic			
	996 521 992 02 2A2	Rainforest green metallic			
	996 521 992 02 1A9	Zanzibar red			
	996 521 992 02 8A4	Orient red metallic			
	996 521 992 02 6A7	Meridian metallic			
	996 521 992 02 6B5	Seal grey metallic			
	996 521 992 02 3A9	Lapis blue metallic			
	996 521 992 02 92E	Polar silver metallic			
	996 521 992 02 37U	Cobalt blue metallic			
	996 521 992 02 22E	Forest green metallic			
	996 521 992 02 22D	Slate grey metallic			
	996 521 992 02 37W	Midnight Blue Metallic			
	996 521 992 02 347	Dark blue			
	996 521 992 02 23I	Wimbledon green metallic			
	996 521 992 02 39G	Violet metallic			
(1)	986 521 987 03	Backrest shell Sports seat	01-	2	M375/376 IXSB
	986 521 987 03 A11	Black			
	986 521 987 03 C51	Graphite grey			
	986 521 987 03 S31	Savanna			
	986 521 987 03 G11	Metropole blue			
	986 521 987 03 J31	Nephrite green			
	986 521 987 03 M31	Boxster red			
	986 521 987 03 P12	Cinnamon brown			
	986 521 987 03 D12	Dark grey/natural			
	986 521 987 03 T12	Brown/natural			
(1)	996 521 987 03	Backrest shell Sports seat		2	M375/376 IXSB
	996 521 987 03 A11	Black			
	996 521 987 03 C51	Graphite grey			
	996 521 987 03 S31	Savanna			
	996 521 987 03 G11	Metropole blue			
	996 521 987 03 B51	Space grey			
	996 521 987 03 T12	Brown/natural			

Model: 996 01 Model life 2001>>2005

Pos	Part Number	Description	Remark	Qty	Model
	996 521 987 03 D12	Dark grey/natural			
	996 521 987 03 M31	Boxster red			
	996 521 987 03 J31	Nephrite green			
	996 521 987 03 P12	Cinnamon brown			
(1)	996 521 992 06	Backrest shell	04	2	M375/376 IXCG
		Sports seat			
		Lacquered			
	996 521 992 06 V03	Sport silver			
2	996 521 885 00	Foam part		2	M375/376
3	999 143 009 01	Screw		X	
		Backrest shell			
		M 5 X 16			
4	999 507 594 01	U-clamp		14	
		Mount			
		Backrest cover			
		1,0 - 2,0			
5	311 881 247	Clip		2	
		Mount			
		Cover			
		Centre part			

Model: 996 01

Model life 2001>>2005



Model: 996 01 Model life 2001>>2005

Pos	Part Number	Description	Remark	Qty	Model
		Seat frame			TURBO/GT2
		Backrest frame			
1	996 521 883 00	Foam part		2	M437/438
2	996 521 329 01	Backrest frame		2	
3	996 521 355 01	Mat		2	
4	996 521 367 00	Support		8	
		Spring			
		Centre			
5	996 521 333 00	Spring		8	
		Centre			
6	996 521 331 01	Spring		4	
		Lower			
7	996 521 365 00	Support		4	
		Spring			
		Lower			
8	996 624 321 00	Engine		2	
		for backrest adjustment			
9	999 924 129 40	Bush		4	
		6 X 4,5 x 12			
10	999 073 141 02	Oval-head screw		2	
		M 6 X 42,5			
11	999 507 597 01	Clamping washer		4	
		10,0			
12	999 507 598 02	Speed nut		8	
		M 5			
13	999 513 063 40	Cable holder		4	
		12,0 - 35			
14	999 651 313 07	Cable clamp		2	
		6,0			
15	999 141 028 02	Pan-head screw		3	M509
		M 5 X 10			
16	996 521 674 00	Support	/LL /R	1	M509
		Fire extinguisher			
(16)	996 521 673 00	Support	/RL /L	1	M509
		Fire extinguisher			
17	N 044 734 1	Pan-head screw		2	M509
		M 5 X 15			
17	900 067 137 01	Pan-head screw		2	
		M 5 X 15			
18	900 151 027 02	Washer		2	M509
		5,3			
19	996 521 607 00	Cup		1	M509
		Fire extinguisher			
20	996 722 115 00	Fire extinguisher		1	M509
		Information available			
		Information available			
21	999 507 067 02	Speed nut		2	M509
		M 5			
22	996 521 227 00	Seat frame		1	
23	996 521 681 01	Bearing pin		1	
		Complete			
24	999 141 027 02	Oval-head screw		8	
		M 8 X 10			
25	996 521 343 01	Drive shaft		2	
		for backrest adjustment			
26	999 522 032 00	Tension spring		4	
		0,7 X 7,5 X 15			
27	999 703 474 40	Stopper	-04	4	
		5,4 X 15 X 7,5			
(27)	999 703 102 40	Stopper	05-	4	
		4,5 X 6,9 X 11,2			
28	N 900 114 02	Clamping washer		4	
		4			



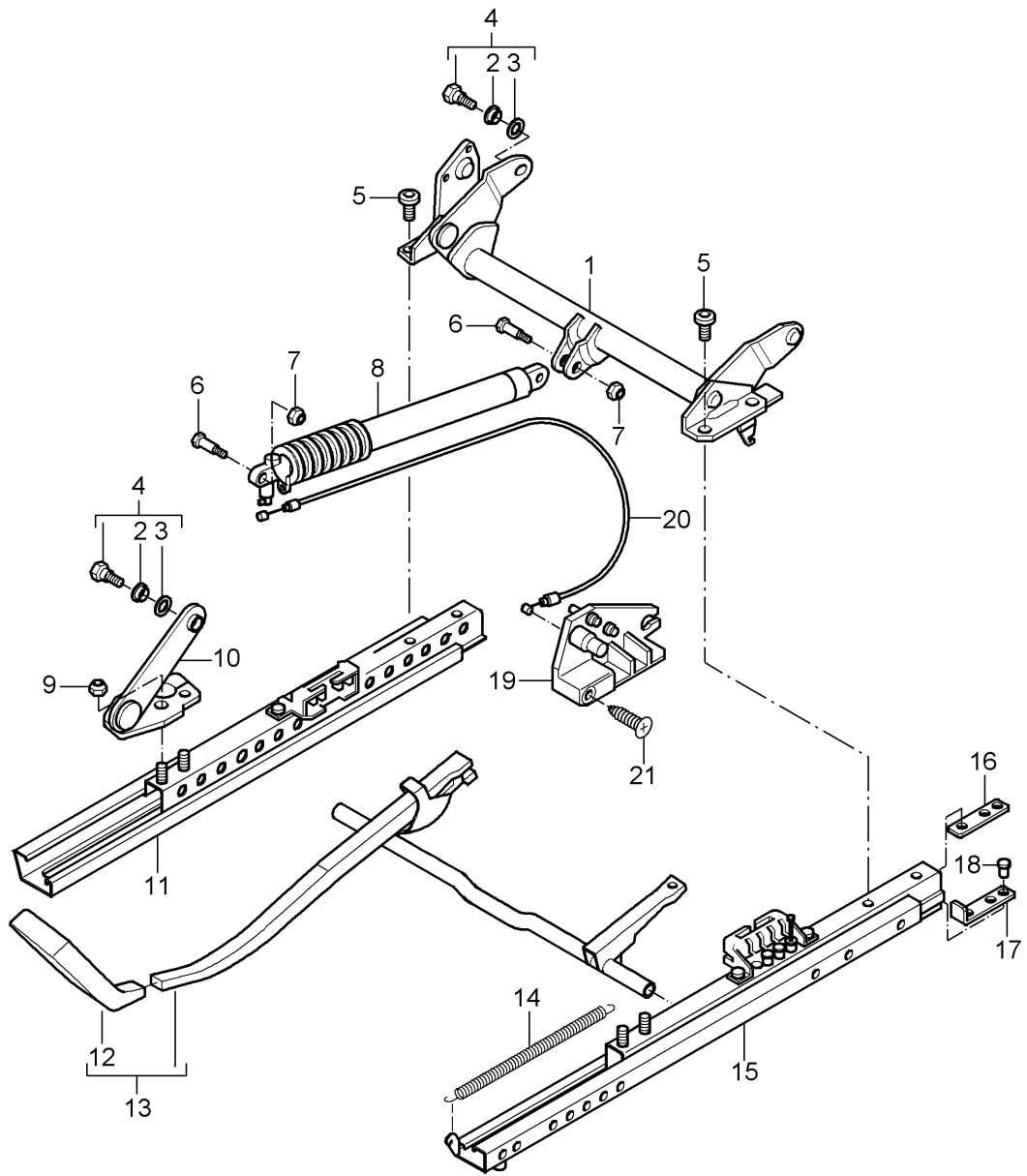
Model: 996 01

Model life 2001&gt;&gt;2005

Pos	Part Number	Description	Remark	Qty	Model
29	996 521 185 00	Cable		4	
30	996 521 175 00	Backrest locking lever		2	
31	996 521 195 00	Clutch power spring		2	
32	996 521 403 00	Rubber buffer		2	

Model: 996 01

Model life 2001>>2005



Model: 996 01

Model life 2001&gt;&gt;2005

Pos	Part Number	Description	Remark	Qty	Model
		Seat adjuster Sports seat with Height adjustment			TURBO/GT2
1	996 521 641 00	Pipe Rear	/L	1	M375
(1)	996 521 642 00	Pipe Rear	/R	1	M376
3	999 209 051 00	Spacer sleeve 12,4 X 2,8		2	
4	996 521 259 02	Screw Mount		4	
-	996 521 681 00	Seat-belt buckle Bearing pin	/V	4	
5	986 521 659 00	Seat frame Screw		8	
5	986 521 659 02	Adapter Screw		8	
6	999 311 008 01	Adapter Square screw Mount		2	
7	986 521 687 00	Gas-pressure spring M 5 X 23,6 Nut Mount		2	
8	996 521 615 01	Gas-pressure spring		1	M539/540
9	900 910 003 07	Hexagon nut Adapter M 8		8	
(10)	986 521 679 00	Adapter Seat frame Front	/L	2	M375/376
10	986 521 680 00	Adapter Seat frame Front	/R	2	M375/376
(11)	996 521 692 01	Seat rail Inner		1	M375
11	996 521 691 01	Seat rail Inner		1	M376
12	996 521 617 01	Handle	/L	1	M375
(12)	996 521 618 01	Seat adjuster Handle	/R	1	M376
13	996 521 621 02	Seat adjuster Lever	/L	1	M375
(13)	996 521 622 02	Seat adjuster Complete Lever	/R	1	M376
14	996 521 645 00	Seat adjuster Complete		2	M375/376
15	996 521 689 01	Clutch power spring Seat rail Outer		1	M375
(15)	996 521 690 01	Seat rail Outer		1	M376
16	986 521 643 00	Threaded plate		4	M375/376
(17)	996 521 603 01	Stop Short		4	M375/376
18	996 521 601 00	Fixing clip Stop		4	
19	996 521 675 00	Adjusting mechanism	/L	1	M539
(19)	996 521 676 00	Adjusting mechanism	/R	1	M540
21	986 521 683 00	Bowden cable		2	M539/540

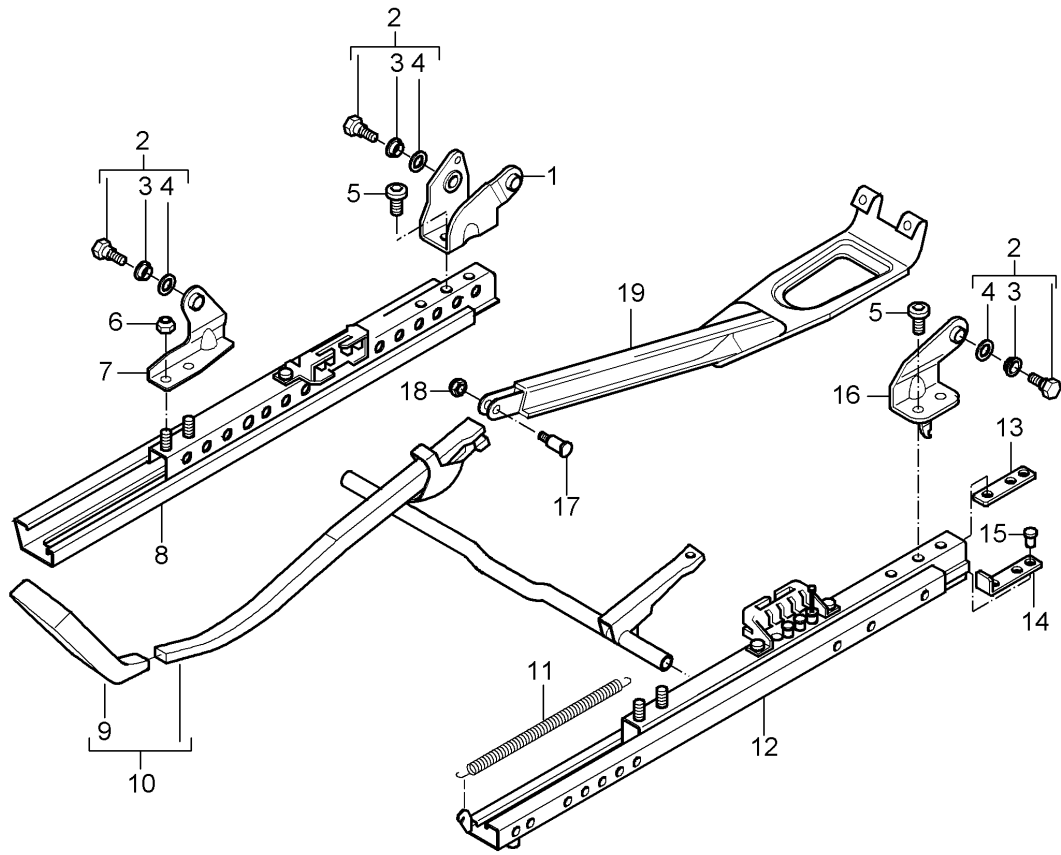
Model: 996 01

Model life 2001&gt;&gt;2005

Pos	Part Number	Description	Remark	Qty	Model
22	999 919 180 07	Countersunk-head screw M 5 X 18		2	

Model: 996 01

Model life 2001>>2005

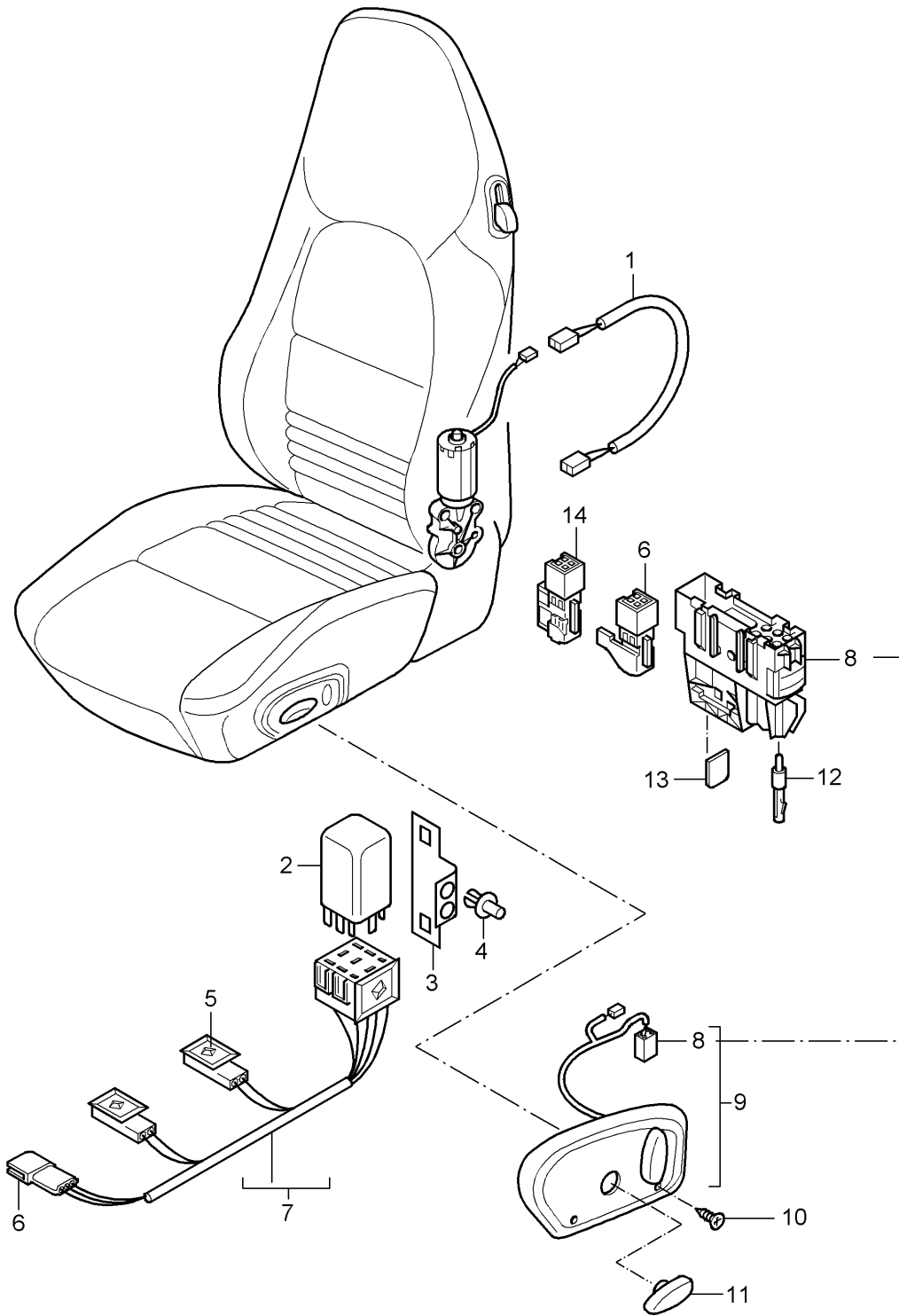


Model: 996 01 Model life 2001>>2005

Pos	Part Number	Description	Remark	Qty	Model
(1)	986 521 639 00	Seat adjuster Sports seat without Height adjustment Adapter	/L	1	TURBO/GT2
1	986 521 640 00	Seat-belt buckle Seat frame Inner rear Adapter	/R	1	
2	996 521 259 02	Seat-belt buckle Seat frame Inner rear Screw		8	
3	999 924 156 00	Complete Bush		4	
4	999 209 051 00	12 X 14 X 6,5 Spacer sleeve		2	
5	986 521 659 00	Screw		8	
5	986 521 659 02	Screw		8	
6	900 910 003 07	Hexagon nut Adapter M 8		8	
(7)	986 521 679 00	Adapter	/L	2	
7	986 521 680 00	Adapter Seat frame Front	/R	2	
8	996 521 692 01	Seat rail Inner	/R	1	M369/375
(8)	996 521 691 01	Seat rail Inner	/L	1	M370/376
9	996 521 617 01	Handle	/L	1	M369/375
(9)	996 521 618 01	Handle	/R	1	M370/376
10	996 521 621 01	Lever Complete	/L	1	M369/375
(10)	996 521 622 01	Lever Complete	/R	1	M370/376
11	996 521 645 00	Clutch power spring		2	
12	996 521 689 01	Seat rail Outer	/L	1	M369/375
(12)	996 521 690 01	Seat rail Outer	/R	1	M370/376
13	986 521 643 00	Threaded plate		4	
14	996 521 603 01	Stop		4	
15	996 521 601 00	Fixing clip Stop		4	
16	986 521 691 00	Adapter Seat frame Rear Outer	/L	1	
(16)	986 521 690 00	Adapter Seat frame Rear Outer	/R	1	
17	999 311 008 01	Square screw M 5 X 23,6		1	
18	986 521 687 00	Nut		1	
19	986 521 667 00	Seat adjuster guard		1	
21	996 521 665 00	Stop Telephone Inner		1	M614/618 M540/663

Model: 996 01

Model life 2001>>2005



Model: 996 01 Model life 2001>>2005

Pos	Part Number	Description	Remark	Qty	Model
		Wiring harnesses			TURBO/GT2
		Switch			
		Standard seat			
		Sports seat			
1	996 612 543 00	Wiring harness		2	
		for backrest adjustment			
2	996 618 521 00	Control unit		2	M342
		Seat heater			
3	996 618 531 00	Support		2	M342
		Control unit			
4	999 591 712 40	Expansion rivet	-02	2	
		6,0 X 12,0			
(4)	900 143 191 02	Tapping screw	02-	4	M342
		Support			
5	999 507 407 40	Clip		X	
6	999 650 216 40	Pin connector socket		1	
		4-pole			
7	996 612 540 01	Wiring harness		2	M342
		Seat heater			
8	999 650 180 40	Pin connector socket		2	
		6-pole			
9	996 613 713 01	Switch	/L	1	M375
		Seat adjuster			
	996 613 713 01 A03	Black			
	996 613 713 01 C53	Graphite grey			
	996 613 713 01 S33	Savanna			
	996 613 713 01 G13	Metropole blue			
	996 613 713 01 M33	Boxster red			
	996 613 713 01 P13	Cinnamon brown			
	996 613 713 01 ERR	Satin black			
(9)	996 613 714 01	Switch	/R	1	M376
		Seat adjuster			
	996 613 714 01 A03	Black			
	996 613 714 01 C53	Graphite grey			
	996 613 714 01 S33	Savanna			
	996 613 714 01 G13	Metropole blue			
	996 613 714 01 M33	Boxster red			
	996 613 714 01 P13	Cinnamon brown			
	996 613 714 01 ERR	Satin black			
(9)	986 613 980 00	Switch	/L	1	IXSD/M375
		Seat adjuster			
	986 613 980 00 S30	Savanna			
	986 613 980 00 8YR	Black			
	986 613 980 00 C50	Graphite grey			
	986 613 980 00 G10	Metropole blue			
	986 613 980 00 B50	Space grey			
	986 613 980 00 J30	Nephrite green			
	986 613 980 00 M30	Boxster red			
	986 613 980 00 VRJ	Black			
	986 613 980 00 D11	Dark grey/natural			
	986 613 980 00 T11	Brown/natural			
	986 613 980 00 P11	Cinnamon brown			
(9)	986 613 981 00	Switch	/R	1	IXSD/M376
		Seat adjuster			
	986 613 981 00 S30	Savanna			
	986 613 981 00 8YR	Black			
	986 613 981 00 C50	Graphite grey			
	986 613 981 00 G10	Metropole blue			
	986 613 981 00 B50	Space grey			
	986 613 981 00 J30	Nephrite green			
	986 613 981 00 M30	Boxster red			
	986 613 981 00 VRJ	Black			
	986 613 981 00 D11	Dark grey/natural			
	986 613 981 00 T11	Brown/natural			
	986 613 981 00 P11	Cinnamon brown			

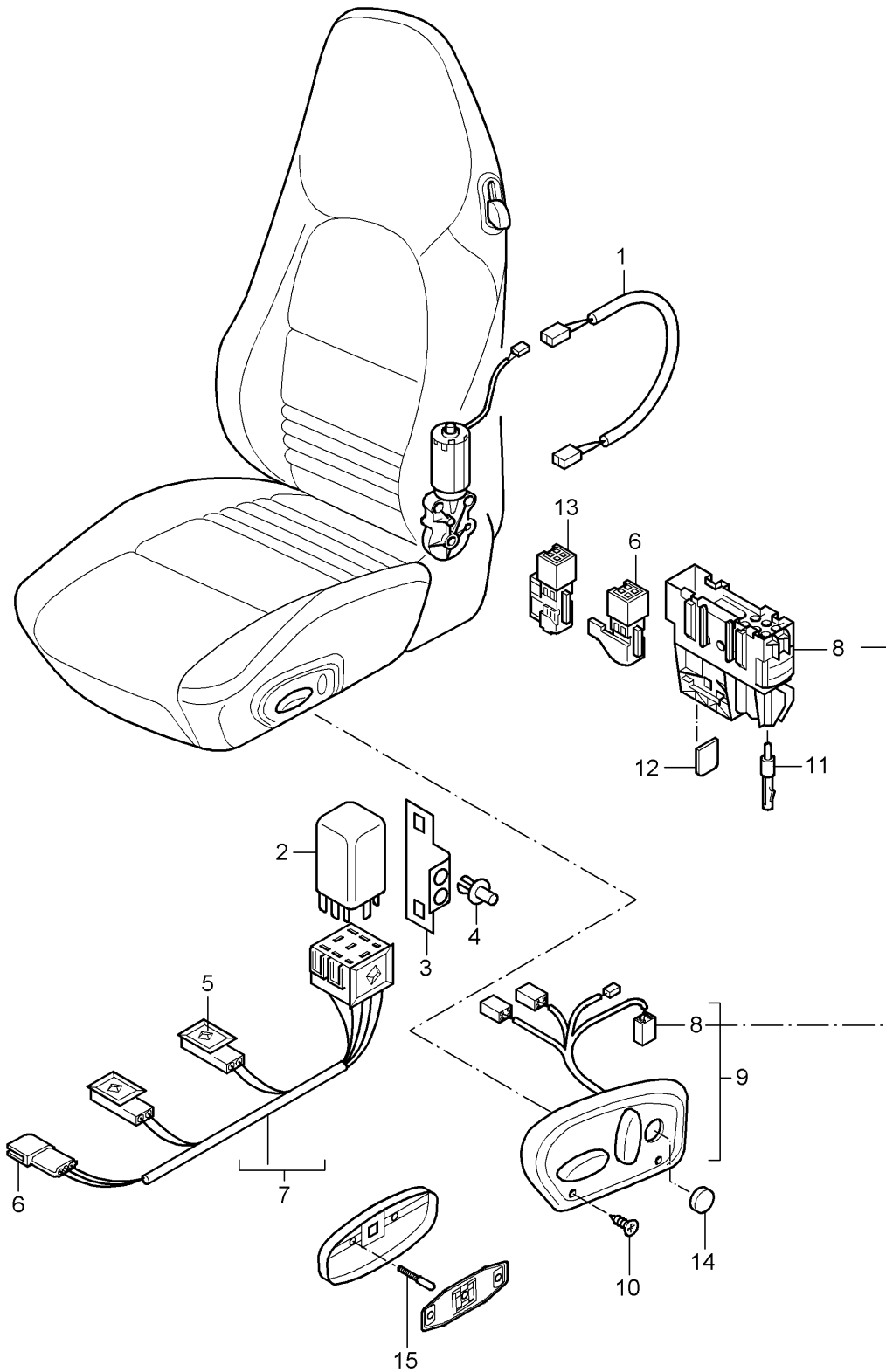


Model: 996 01 Model life 2001>>2005

Pos	Part Number	Description	Remark	Qty	Model
10	999 919 173 02	Countersunk-head screw 3,0 X 18		4	
11	986 521 627 00	Handle Height adjustment Electrically adjustable	/L	1	M539
(11)	986 521 628 00	Handle Height adjustment Electrically adjustable	/R	1	M540
12	999 650 225 40	Pin 2,5		2	
13	999 652 960 40	Lid		2	
14	999 650 218 40	Pin connector socket 4-pole		2	M342
(14)	999 650 216 40	Pin connector socket 4-pole		2	

Model: 996 01

Model life 2001>>2005



Model: 996 01 Model life 2001>>2005

Pos	Part Number	Description	Remark	Qty	Model
		Wiring harnesses			TURBO/GT2
1	996 612 543 00	Switch		2	
(1)	996 612 544 00	Wiring harness for backrest adjustment		2	M537/538
		Wiring harness for backrest adjustment with Seating position control			
2	996 618 521 00	Control unit		2	M342
		Seat heater			
3	996 618 531 00	Support		2	M342
		Control unit			
4	999 591 712 40	Expansion rivet	-02	2	
(4)	900 143 191 02	6,0 X 12,0 Tapping screw	02-	4	M342
		Support			
5	999 507 407 40	Clip		X	
6	999 650 216 40	Pin connector socket		1	
		4-pole			
		Black			
7	996 612 540 01	Wiring harness		2	M139/340
		Seat heater			M342
8	999 650 180 40	Pin connector socket		2	
		6-pole			
		Wiring harness			
		Passenger compartment			
9	996 613 715 01	Switch	/RL /L	1	M437
		Comfort seat			
	996 613 715 01 P13	Cinnamon brown			
	996 613 715 01 EJM	Granite grey			
	996 613 715 01 A03	Black			
	996 613 715 01 C53	Graphite grey			
	996 613 715 01 S33	Savanna			
	996 613 715 01 G13	Metropole blue			
	996 613 715 01 B13	Space grey			
	996 613 715 01 J33	Nephrite green			
	996 613 715 01 M33	Boxster red			
(9)	996 613 716 01	Switch	/R	1	M438
		Comfort seat			
		Complete			
	996 613 716 01 A03	Black			
	996 613 716 01 C53	Graphite grey			
	996 613 716 01 S33	Savanna			
	996 613 716 01 G13	Metropole blue			
	996 613 716 01 B13	Space grey			
	996 613 716 01 J33	Nephrite green			
	996 613 716 01 M33	Boxster red			
	996 613 716 01 P13	Cinnamon brown			
	996 613 716 01 EJM	Granite grey			
(9)	996 613 717 01	Switch	/RL /L	1	M437/586
		Comfort seat			
		Lumbar support			
		Complete			
	996 613 717 01 EJM	Granite grey			
	996 613 717 01 A03	Black			
(9)	996 613 718 01	Switch	/R	1	M438/513
		Comfort seat			
		Lumbar support			
		Complete			
	996 613 718 01 EJM	Granite grey			
	996 613 718 01 A03	Black			
(9)	996 613 981 03	Switch	/R	1	IXSD/M438 M513

Model: 996 01 Model life 2001>>2005

Pos	Part Number	Description	Remark	Qty	Model
		Comfort seat Lumbar support Complete Leather			
	996 613 981 03 C50	Graphite grey			
	996 613 981 03 VRJ	Black			
	996 613 981 03 S30	Savanna			
	996 613 981 03 G10	Metropole blue			
	996 613 981 03 M30	Boxster red			
	996 613 981 03 P11	Cinnamon brown			
	996 613 981 03 D11	Dark grey/natural			
	996 613 981 03 T11	Brown/natural			
(9)	996 613 719 01	Switch	/L	1	M437/537
	996 613 719 01 A03	Black			
	996 613 719 01 C53	Graphite grey			
	996 613 719 01 S33	Savanna			
	996 613 719 01 G13	Metropole blue			
	996 613 719 01 B13	Space grey			
	996 613 719 01 J33	Nephrite green			
	996 613 719 01 M33	Boxster red			
	996 613 719 01 EJM	Granite grey			
	996 613 719 01 P13	Cinnamon brown			
(9)	996 613 720 01	Switch	/RL /R	1	M438/538
		Comfort seat Seating position control Complete			
	996 613 720 01 A03	Black			
	996 613 720 01 C53	Graphite grey			
	996 613 720 01 S33	Savanna			
	996 613 720 01 G13	Metropole blue			
	996 613 720 01 J33	Nephrite green			
	996 613 720 01 M33	Boxster red			
	996 613 720 01 B13	Space grey			
	996 613 720 01 P13	Cinnamon brown			
	996 613 720 01 01C	Satin black			
(9)	996 613 721 01	Switch	/L	1	M437/537/586
	996 613 721 01 A03	Black			
	996 613 721 01 C53	Graphite grey			
	996 613 721 01 G13	Metropole blue			
	996 613 721 01 J33	Nephrite green			
	996 613 721 01 M33	Boxster red			
	996 613 721 01 S33	Savanna			
	996 613 721 01 P13	Cinnamon brown			
(9)	996 613 722 01	Switch	/RL /R	1	M438/513/538
		Comfort seat Seating position control Lumbar support Complete			
	996 613 722 01 EJM	Granite grey			
	996 613 722 01 A03	Black			
	996 613 722 01 C53	Graphite grey			
	996 613 722 01 S33	Savanna			
	996 613 722 01 G13	Metropole blue			
	996 613 722 01 J33	Nephrite green			
	996 613 722 01 M33	Boxster red			
	996 613 722 01 B13	Space grey			
	996 613 722 01 P13	Cinnamon brown			
10	999 919 173 02	Countersunk-head screw 3,0 X 18		4	
11	999 650 225 40	Pin 2,5		2	
12	999 652 960 40	Lid		2	
13	999 650 218 40	Pin connector socket		2	

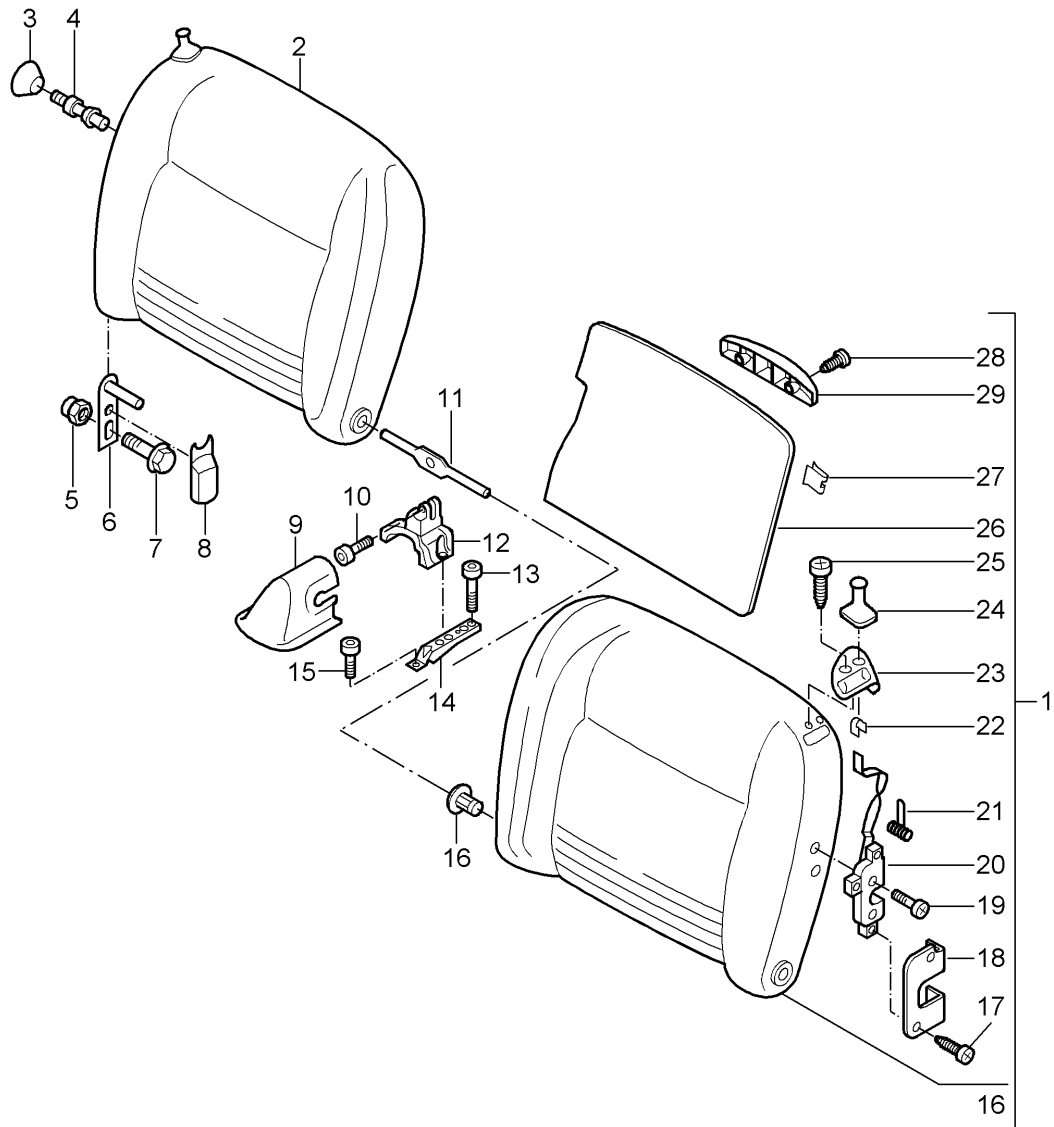
Model: 996 01

Model life 2001&gt;&gt;2005

Pos	Part Number	Description	Remark	Qty	Model
14	996 521 327 00	4-pole White Cover		X	M437/438
15	996 613 955 00	Lumbar support Control button Seat adjuster Repair kit		1	M437/438

Model: 996 01

Model life 2001>>2005



Model: 996 01 Model life 2001>>2005

Pos	Part Number	Description	Remark	Qty	Model
1	996 522 011 02	Back seat backrest Back seat backrest Leather/carpet	/L -01	1	TURBO/COUPE M936
	996 522 011 02 B50	Space grey			
	996 522 011 02 C50	Graphite grey			
	996 522 011 02 D11	Dark grey/natural			
	996 522 011 02 EVK	Black/black			
	996 522 011 02 G10	Metropole blue			
	996 522 011 02 J30	Nephrite green			
	996 522 011 02 M30	Boxster red			
	996 522 011 02 P11	Cinnamon brown			
	996 522 011 02 S30	Savanna			
	996 522 011 02 T11	Brown/natural			
	996 522 011 02 8YR	Black/black			
1	996 522 012 02	Back seat backrest Leather/carpet	/R -01	1	M936
	996 522 012 02 B50	Space grey			
	996 522 012 02 C50	Graphite grey			
	996 522 012 02 D11	Dark grey/natural			
	996 522 012 02 EVK	Black/black			
	996 522 012 02 G10	Metropole blue			
	996 522 012 02 J30	Nephrite green			
	996 522 012 02 M30	Boxster red			
	996 522 012 02 P11	Cinnamon brown			
	996 522 012 02 S30	Savanna			
	996 522 012 02 T11	Brown/natural			
	996 522 012 02 8YR	Black/black			
(1)	996 522 011 11	Back seat backrest Leather	/L 02-	1	M936
	996 522 011 11 EVK	Black			
	996 522 011 11 C50	Graphite grey			
	996 522 011 11 S30	Savanna			
	996 522 011 11 G10	Metropole blue			
	996 522 011 11 J30	Nephrite green			
	996 522 011 11 M30	Boxster red			
	996 522 011 11 P11	Cinnamon brown			
	996 522 011 11 D11	Dark grey/natural			
	996 522 011 11 T11	Brown/natural			
(1)	996 522 012 11	Back seat backrest Leather	/R 02-	1	M936
	996 522 012 11 EVK	Black			
	996 522 012 11 C50	Graphite grey			
	996 522 012 11 S30	Savanna			
	996 522 012 11 G10	Metropole blue			
	996 522 012 11 J30	Nephrite green			
	996 522 012 11 M30	Boxster red			
	996 522 012 11 P11	Cinnamon brown			
	996 522 012 11 D11	Dark grey/natural			
	996 522 012 11 T11	Brown/natural			
(1)	996 522 011 03	Back seat backrest	/L -02	1	M939
	996 522 011 03 B50	Space grey/space grey			
	996 522 011 03 C50	Graphite grey/graphite gr.			
	996 522 011 03 G10	Metropole bl./metrop. blue			
	996 522 011 03 S30	Savanna/savanna			
	996 522 011 03 J30	Nephrite gr./nephr. green			
	996 522 011 03 M30	Boxster red/boxster red			
	996 522 011 03 EVK	Black/black			
	996 522 011 03 D11	Dark grey/natural			
	996 522 011 03 T11	Brown/natural			
	996 522 011 03 P11	Cinnamon brown			
(1)	996 522 012 03	Back seat backrest Draped leather Carpet	/R -02	1	M939

Model: 996 01 Model life 2001>>2005

Pos	Part Number	Description	Remark	Qty	Model
	996 522 012 03 B50	Space grey/space grey			
	996 522 012 03 C50	Graphite grey/graphite gr.			
	996 522 012 03 G10	Metropole bl./metrop. blue			
	996 522 012 03 S30	Savanna/savanna			
	996 522 012 03 J30	Nephrite gr./nephr. green			
	996 522 012 03 M30	Boxster red/boxster red			
	996 522 012 03 EVK	Black/black			
	996 522 012 03 D11	Dark grey/natural			
	996 522 012 03 T11	Brown/natural			
	996 522 012 03 P11	Cinnamon brown			
(1)	996 522 011 12	Back seat backrest	/L 02-	1	M939
	996 522 011 12 EVK	Black			
	996 522 011 12 C50	Graphite grey			
	996 522 011 12 S30	Savanna			
	996 522 011 12 G10	Metropole blue			
	996 522 011 12 J30	Nephrite green			
	996 522 011 12 M30	Boxster red			
	996 522 011 12 P11	Cinnamon brown			
	996 522 011 12 D11	Dark grey/natural			
	996 522 011 12 T11	Brown/natural			
(1)	996 522 012 12	Back seat backrest	/R 02-	1	M939
		Draped leather			
	996 522 012 12 EVK	Black			
	996 522 012 12 C50	Graphite grey			
	996 522 012 12 S30	Savanna			
	996 522 012 12 G10	Metropole blue			
	996 522 012 12 J30	Nephrite green			
	996 522 012 12 M30	Boxster red			
	996 522 012 12 P11	Cinnamon brown			
	996 522 012 12 D11	Dark grey/natural			
	996 522 012 12 T11	Brown/natural			
(1)	996 522 011 16	Back seat backrest	04-	1	M936/971
	996 522 011 16 VTG	Dark grey/natural			
	996 522 011 16 VTK	Brown/natural	05-		
(1)	996 522 012 16	Back seat backrest	04-	1	M936/971
		Leather			
		Special model			
	996 522 012 16 VTG	Dark grey/natural			
	996 522 012 16 VTK	Brown/natural	05-		
2	996 522 221 02	Cover	/L -01	1	M936
		Back seat backrest			
	996 522 221 02 8YR	Black			
	996 522 221 02 C50	Graphite grey			
	996 522 221 02 S30	Savanna			
	996 522 221 02 G10	Metropole blue			
	996 522 221 02 B50	Space grey			
	996 522 221 02 J30	Nephrite green			
	996 522 221 02 M30	Boxster red			
(2)	996 522 221 06	Cover	/L 02-	1	M936
		Back seat backrest			
	996 522 221 06 ETO	Black			
	996 522 221 06 C50	Graphite grey			
	996 522 221 06 S30	Savanna			
	996 522 221 06 G10	Metropole blue			
	996 522 221 06 J30	Nephrite green			
	996 522 221 06 M30	Boxster red			
	996 522 221 06 P11	Cinnamon brown			
	996 522 221 06 D11	Dark grey/natural			
	996 522 221 06 T11	Brown/natural			
(2)	996 522 221 07	Cover	/L 02-	1	M939
		Back seat backrest			
	996 522 221 07 ETO	Black			
	996 522 221 07 C50	Graphite grey			



Model: 996 01 Model life 2001>>2005

Pos	Part Number	Description	Remark	Qty	Model
	996 522 221 07 S30	Savanna			
	996 522 221 07 G10	Metropole blue			
	996 522 221 07 J30	Nephrite green			
	996 522 221 07 M30	Boxster red			
	996 522 221 07 P11	Cinnamon brown			
	996 522 221 07 D11	Dark grey/natural			
	996 522 221 07 T11	Brown/natural			
(2)	996 522 222 02	Cover	/R -01	1	M939
		Backrest			
		Back seat backrest			
	996 522 222 02 8YR	Black			
	996 522 222 02 C50	Graphite grey			
	996 522 222 02 S30	Savanna			
	996 522 222 02 B50	Space grey			
	996 522 222 02 J30	Nephrite green			
	996 522 222 02 M30	Boxster red			
	996 522 222 02 G10	Metropole blue			
(2)	996 522 222 06	Cover	/R 02-	1	M936
		Back seat backrest			
	996 522 222 06 ETO	Black			
	996 522 222 06 C50	Graphite grey			
	996 522 222 06 S30	Savanna			
	996 522 222 06 G10	Metropole blue			
	996 522 222 06 J30	Nephrite green			
	996 522 222 06 M30	Boxster red			
	996 522 222 06 P11	Cinnamon brown			
	996 522 222 06 D11	Dark grey/natural			
	996 522 222 06 T11	Brown/natural			
(2)	996 522 222 07	Cover	/R 02-	1	M936
		Back seat backrest			
	996 522 222 07 ETO	Black			
	996 522 222 07 C50	Graphite grey			
	996 522 222 07 S30	Savanna			
	996 522 222 07 G10	Metropole blue			
	996 522 222 07 J30	Nephrite green			
	996 522 222 07 M30	Boxster red			
	996 522 222 07 P11	Cinnamon brown			
	996 522 222 07 D11	Dark grey/natural			
	996 522 222 07 T11	Brown/natural			
3	996 522 097 04	Rosette	-03	2	
	996 522 097 04 01C	Satin black			
(3)	996 522 097 06	Rosette	-03	2	
	996 522 097 06 01C	Satin black			
(3)	996 522 097 08	Rosette	03-	2	
	996 522 097 08 01C	Satin black			
4	996 522 267 04	Bolt	-01	2	
(4)	996 522 267 06	Bolt	02-	2	
5	996 522 271 00	Bush		2	
6	996 522 211 01	Bearing		2	
		Outer			
7	999 073 138 09	Screw		2	
		M 8 X 25			
8	996 522 425 01	Cover		1	
	996 522 425 01 01C	Satin black			
9	996 522 431 02	Cover		1	IXSN
	996 522 431 02 01C	Satin black			
10	900 067 358 09	Combination screw		1	IXSN
		M 5 X 16			
11	996 522 615 00	Bearing shaft	-02	1	
(11)	996 522 615 01	Bearing shaft	02-	1	
(11)	997 522 615 01	Bearing shaft	02-	1	
12	996 522 333 00	Bracket		1	IXSN
		Bearing			

Model: 996 01 Model life 2001>>2005

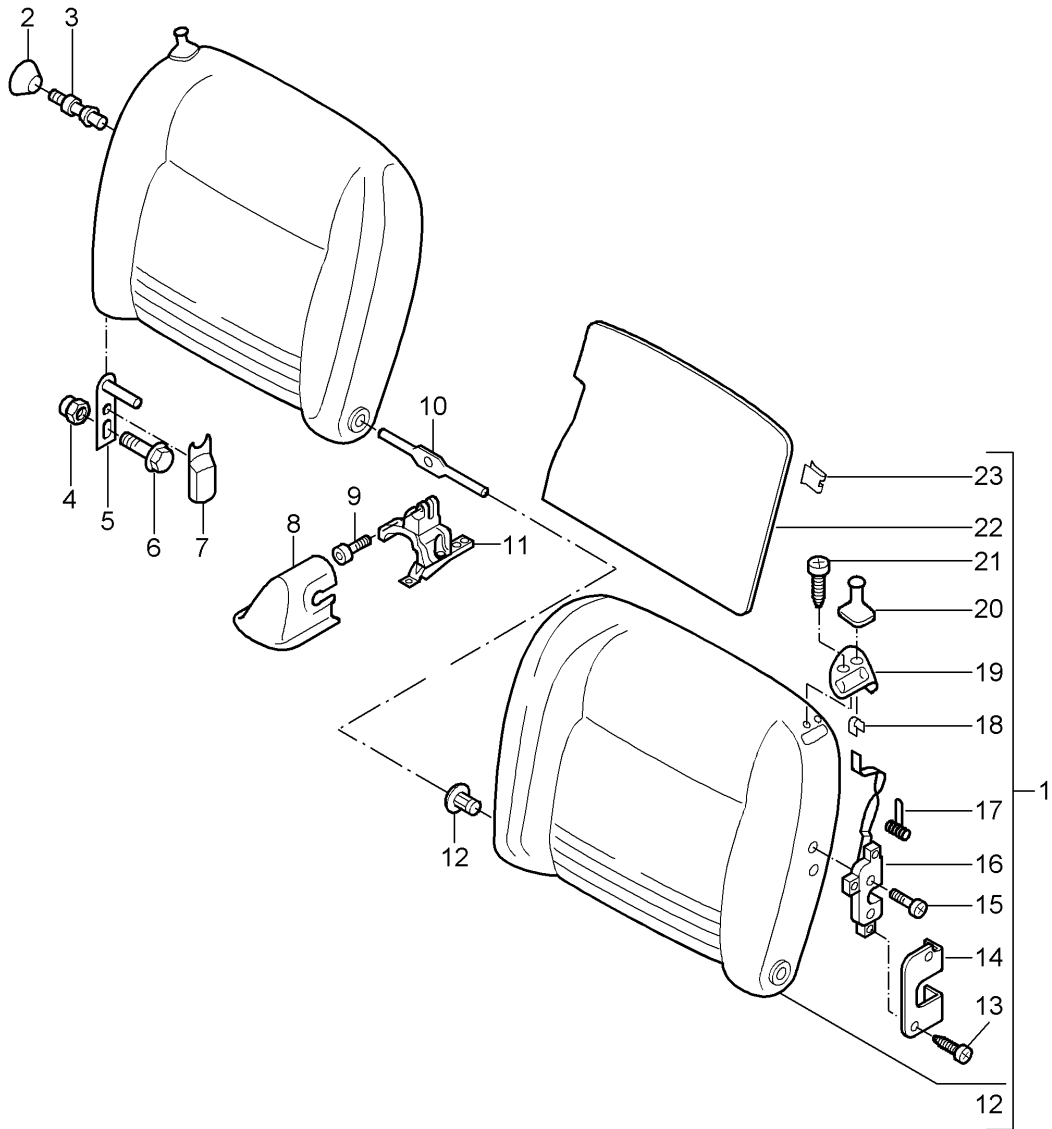
Pos	Part Number	Description	Remark	Qty	Model
13	999 073 188 09	Centre Oval-head screw M 6 X 25	/H	2	IXSN
14	996 522 261 00	Bearing bracket Centre		2	IXSN
15	999 073 151 09	Oval-head screw M 6 X 12	/V	2	IXSN
16	996 522 571 00	Protection washer		1	
	996 522 571 00 01C	Satin black			
17	999 073 049 02	Tapping screw ST 3,5 X 16		4	
18	996 522 771 00	Cover	/L	1	
	996 522 771 00 01C	Satin black			
18	997 522 771 00	Cover	/L	1	
	997 522 771 00 01C	Satin black			
(18)	996 522 772 00	Cover	/R	1	
	996 522 772 00 01C	Satin black			
(18)	997 522 772 00	Trim cover	/R	1	
	997 522 772 00 01C	Satin black			
19	900 269 028 02	Countersunk-head screw M 8 X 30		4	
20	996 522 281 02	Lock	/L	1	
(20)	996 522 282 02	Lock	/R	1	
21	996 522 653 00	Spring		2	
22	999 507 630 01	Clamp 2,0		2	
23	996 522 315 00	Rosette	/L	1	
	996 522 315 00 01C	Satin black			
(23)	996 522 316 00	Rosette	/R	1	
	996 522 316 00 01C	Satin black			
24	996 522 321 01	Actuating lever	/L	1	
	996 522 321 01 01C	Satin black			
(24)	996 522 322 01	Actuating lever	/R	1	
	996 522 322 01 01C	Satin black			
25	900 145 041 07	Tapping screw B 3,5 X 16		4	
26	996 522 173 00	Carpet Fine tuft velour	/L	1	
	996 522 173 00 B50	Space grey			
	996 522 173 00 C50	Graphite grey			
	996 522 173 00 G10	Metropole blue			
	996 522 173 00 S30	Savanna			
	996 522 173 00 J30	Nephrite green			
	996 522 173 00 M30	Boxster red			
	996 522 173 00 D11	Dark grey/natural			
26	996 522 173 00	Carpet Fine tuft velour Until Chassis number See technical information GR.7 NR. 17/11 KD-NR. 70	/L	1	
	996 522 173 00 A10	Black			
26	997 522 173 00	Carpet Fine tuft velour From Chassis number See technical information GR.7 NR. 17/11 KD-NR. 70	/L	1	
	997 522 173 00 A10	Black			
(26)	996 522 174 00	Carpet Fine tuft velour	/R	1	

Model: 996 01 Model life 2001>>2005

Pos	Part Number	Description	Remark	Qty	Model
	996 522 174 00 B50	Space grey			
	996 522 174 00 C50	Graphite grey			
	996 522 174 00 G10	Metropole blue			
	996 522 174 00 S30	Savanna			
	996 522 174 00 J30	Nephrite green			
	996 522 174 00 M30	Boxster red			
	996 522 174 00 D11	Dark grey/natural			
(26)	996 522 174 00	Carpet Fine tuft velour From Chassis number See technical information GR.7 NR. 17/11 KD-NR. 70	/R	1	
	996 522 174 00 A10	Black			
(26)	997 522 174 00	Carpet Fine tuft velour From Chassis number See technical information GR.7 NR. 17/11 KD-NR. 70	/R	1	
	997 522 174 00 A10	Black			
27	999 507 593 01	U-clamp 1,25 - 1,50		X	
28	999 073 050 02	Tapping screw 3,5 X 19		4	
29	993 522 421 00	Stop	-01	2	
	993 522 421 00 01C	Satin black			
(29)	996 522 421 00	Stop	02-	2	
	996 522 421 00 01C	Satin black			

Model: 996 01

Model life 2001>>2005



Model: 996 01 Model life 2001>>2005

Pos	Part Number	Description	Remark	Qty	Model
1	996 522 011 05	Back seat backrest Back seat backrest Leatherette/carpet	/L -01	1	TURBO/CABRIO
	996 522 011 05 C52	Graphite grey/graphite gr.			
	996 522 011 05 S32	Savanna/savanna			
	996 522 011 05 G12	Metropole bl./metrop. blue			
1	996 522 012 05	Back seat backrest Leatherette/carpet	/R -01	1	
	996 522 012 05 C52	Graphite grey/graphite gr.			
	996 522 012 05 S32	Savanna/savanna			
	996 522 012 05 G12	Metropole bl./metrop. blue			
(1)	996 522 011 13	Back seat backrest	/L 02-	1	
	996 522 011 13 EVJ	Black			
	996 522 011 13 C52	Graphite grey			
	996 522 011 13 S32	Savanna			
	996 522 011 13 G12	Metropole blue			
	996 522 011 13 J32	Nephrite green			
(1)	996 522 012 13	Back seat backrest Leatherette	/R 02-	1	
	996 522 012 13 EVJ	Black			
	996 522 012 13 C52	Graphite grey			
	996 522 012 13 S32	Savanna			
	996 522 012 13 G12	Metropole blue			
	996 522 012 13 J32	Nephrite green			
1	996 522 011 06	Back seat backrest Leather/carpet	/L -01	1	
	996 522 011 06 B50	Space grey			
	996 522 011 06 C50	Graphite grey			
	996 522 011 06 D11	Dark grey/natural			
	996 522 011 06 EVK	Black/black			
	996 522 011 06 G10	Metropole blue			
	996 522 011 06 J30	Nephrite green			
	996 522 011 06 M30	Boxster red			
	996 522 011 06 S30	Savanna			
	996 522 011 06 T11	Brown/natural			
	996 522 011 06 8YR	Black			
	996 522 011 06 P11	Cinnamon brown			
	996 522 011 06 D11	Dark grey/natural			
(1)	996 522 012 06	Back seat backrest Leather/carpet	/R -01	1	
	996 522 012 06 B50	Space grey			
	996 522 012 06 C50	Graphite grey			
	996 522 012 06 D11	Dark grey/natural			
	996 522 012 06 EVK	Black/black			
	996 522 012 06 G10	Metropole blue			
	996 522 012 06 J30	Nephrite green			
	996 522 012 06 M30	Boxster red			
	996 522 012 06 S30	Savanna			
	996 522 012 06 T11	Brown/natural			
	996 522 012 06 8YR	Black			
	996 522 012 06 P11	Cinnamon brown			
	996 522 012 06 D11	Dark grey/natural			
(1)	996 522 011 14	Back seat backrest	/L 02-	1	
	996 522 011 14 EVK	Black			
	996 522 011 14 C50	Graphite grey			
	996 522 011 14 S30	Savanna			
	996 522 011 14 G10	Metropole blue			
	996 522 011 14 J30	Nephrite green			
	996 522 011 14 M30	Boxster red			
	996 522 011 14 P11	Cinnamon brown			
	996 522 011 14 D11	Dark grey/natural			
	996 522 011 14 T11	Brown/natural			
(1)	996 522 012 14	Back seat backrest	/R 02-	1	

Model: 996 01 Model life 2001>>2005

Pos	Part Number	Description	Remark	Qty	Model
		Leather			
	996 522 012 14 EVK	Black			
	996 522 012 14 C50	Graphite grey			
	996 522 012 14 S30	Savanna			
	996 522 012 14 G10	Metropole blue			
	996 522 012 14 J30	Nephrite green			
	996 522 012 14 M30	Boxster red			
	996 522 012 14 P11	Cinnamon brown			
	996 522 012 14 D11	Dark grey/natural			
	996 522 012 14 T11	Brown/natural			
1	996 522 011 07	Back seat backrest Draped leather Carpet	/L -01	1	
	996 522 011 07 B50	Space grey/space grey			
	996 522 011 07 C50	Graphite grey/graphite gr.			
	996 522 011 07 G10	Metropole bl./metrop. blue			
	996 522 011 07 S30	Savanna/savanna			
	996 522 011 07 J30	Nephrite gr./neph. green			
	996 522 011 07 M30	Boxster red/boxster red			
	996 522 011 07 EVK	Black/black			
(1)	996 522 012 07	Back seat backrest Draped leather Carpet	/R -01	1	
	996 522 012 07 B50	Space grey/space grey			
	996 522 012 07 C50	Graphite grey/graphite gr.			
	996 522 012 07 G10	Metropole bl./metrop. blue			
	996 522 012 07 S30	Savanna/savanna			
	996 522 012 07 J30	Nephrite gr./neph. green			
	996 522 012 07 M30	Boxster red/boxster red			
	996 522 012 07 EVK	Black/black			
(1)	996 522 011 15	Back seat backrest	/L 02-	1	
	996 522 011 15 EVK	Black			
	996 522 011 15 C50	Graphite grey			
	996 522 011 15 S30	Savanna			
	996 522 011 15 G10	Metropole blue			
	996 522 011 15 J30	Nephrite green			
	996 522 011 15 M30	Boxster red			
	996 522 011 15 P11	Cinnamon brown			
	996 522 011 15 D11	Dark grey/natural			
	996 522 011 15 T11	Brown/natural			
(1)	996 522 012 15	Back seat backrest Draped leather	/R 02-	1	
	996 522 012 15 EVK	Black			
	996 522 012 15 C50	Graphite grey			
	996 522 012 15 S30	Savanna			
	996 522 012 15 G10	Metropole blue			
	996 522 012 15 J30	Nephrite green			
	996 522 012 15 M30	Boxster red			
	996 522 012 15 P11	Cinnamon brown			
	996 522 012 15 D11	Dark grey/natural			
	996 522 012 15 T11	Brown/natural			
(1)	996 522 011 17	Back seat backrest Leather	05-	1	M936/971
	996 522 011 17 VTG	Darkgrey natural/grey			
	996 522 011 17 VTK	Brown nat./brown nat.			
(1)	996 522 012 17	Back seat backrest Leather	05-	1	M936/971
	996 522 012 17 VTG	Darkgrey natural/grey			
	996 522 012 17 VTK	Brown nat./brown nat.			
2	996 522 097 03	Rosette		2	
	996 522 097 03 01C	Satin black			
2	996 522 097 05	Rosette	-02	2	
	996 522 097 05 01C	Satin black			

Model: 996 01 Model life 2001>>2005

Pos	Part Number	Description	Remark	Qty	Model
2	996 522 097 05	Rosette	-02	2	
	996 522 097 05 01C	Satin black			
2	996 522 097 08	Rosette	03-	2	
	996 522 097 08 01C	Satin black			
3	996 522 267 05	Bolt	-01	2	
3	996 522 267 07	Bolt	02-	2	
4	996 522 271 00	Bush		2	
5	996 522 211 01	Bearing Outer		2	
6	999 073 138 09	Screw M 8 X 25		2	
8	996 522 431 02	Cover		1	
	996 522 431 02 01C	Satin black			
9	N 044 734 1	Pan-head screw M 5 X 15		1	
9	900 067 137 01	Pan-head screw M 5 X 15		1	
10	996 522 615 00	Bearing shaft	-02	1	
10	996 522 615 01	Bearing shaft	02-	1	
10	997 522 615 01	Bearing shaft	02-	1	
11	996 522 041 00	Bearing Centre		1	
-	999 073 151 09	Oval-head screw M 6 X 12	/V	2	
-	999 073 188 09	Oval-head screw M 6 X 25	/H	2	
12	996 522 571 00	Protection washer		1	
	996 522 571 00 01C	Satin black			
13	999 073 049 02	Tapping screw ST 3,5 X 16		4	
14	996 522 771 00	Cover	/L	1	
	996 522 771 00 01C	Satin black			
14	997 522 771 00	Cover	/L	1	
	997 522 771 00 01C	Satin black			
(14)	996 522 772 00	Cover	/R	1	
	996 522 772 00 01C	Satin black			
(14)	997 522 772 00	Trim cover	/R	1	
	997 522 772 00 01C	Satin black			
15	900 269 028 02	Countersunk-head screw M 8 X 30		4	
16	996 522 281 01	Lock		1	
(16)	996 522 282 02	Lock	/R	1	
(16)	996 522 281 02	Lock	/L	1	
(16)	996 522 282 02	Lock	/R	1	
17	996 522 653 00	Spring		2	
18	999 507 630 01	Clamp		2	
19	996 522 315 00	Rosette	/L	1	
	996 522 315 00 01C	Satin black			
(19)	996 522 316 00	Rosette	/R	1	
	996 522 316 00 01C	Satin black			
20	996 522 321 00	Actuating lever	/L	1	
	996 522 321 00 01C	Satin black			
20	996 522 321 01	Actuating lever	/L	1	
	996 522 321 01 01C	Satin black			
(20)	996 522 322 00	Actuating lever	/R	1	
	996 522 322 00 01C	Satin black			
(20)	996 522 322 01	Actuating lever	/R	1	
	996 522 322 01 01C	Satin black			
21	900 145 041 07	Tapping screw B 3,5 X 16		4	
22	996 522 173 00	Carpet	/L	1	
	996 522 173 00 B50	Fine tuft velour Space grey			

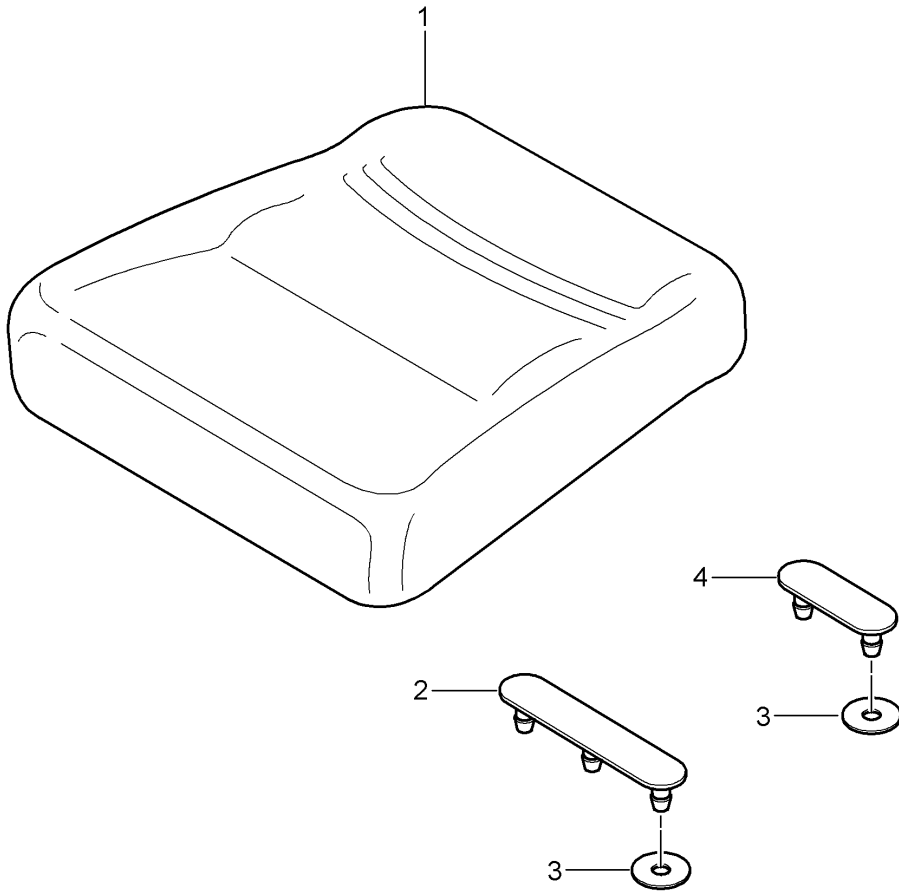
Model: 996 01 Model life 2001>>2005

Pos	Part Number	Description	Remark	Qty	Model	
22	996 522 173 00 C50	Graphite grey	/L	1		
	996 522 173 00 G10	Metropole blue				
	996 522 173 00 S30	Savanna				
	996 522 173 00 J30	Nephrite green				
	996 522 173 00 M30	Boxster red				
	996 522 173 00	Carpet				
		Fine tuft velour				
		Until				
		Chassis number				
		See technical information				
22	996 522 173 00 A10	Black	/L	1		
	997 522 173 00	Carpet				
		Fine tuft velour				
		From				
		Chassis number				
		See technical information				
		GR.7 NR. 17/11				
		KD-NR. 70				
		997 522 173 00 A10				Black
	(22)	996 522 174 00				Carpet
		Fine tuft velour				
	996 522 174 00 B50	Space grey				
	996 522 174 00 C50	Graphite grey				
	996 522 174 00 G10	Metropole blue				
	996 522 174 00 S30	Savanna				
	996 522 174 00 J30	Nephrite green				
	996 522 174 00 M30	Boxster red				
(22)	996 522 174 00	Carpet	/R	1		
		Fine tuft velour				
		Until				
		Chassis number				
		See technical information				
		GR.7 NR. 17/11				
		KD-NR. 70				
	996 522 174 00 A10	Black				
(22)	997 522 174 00	Carpet	/R	1		
		Fine tuft velour				
		From				
		Chassis number				
		See technical information				
		GR.7 NR. 17/11				
		KD-NR. 70				
	997 522 174 00 A10	Black				
23	999 507 593 01	U-clamp 1,25 - 1,50		X		



Model: 996 01

Model life 2001>>2005



Model: 996 01 Model life 2001>>2005

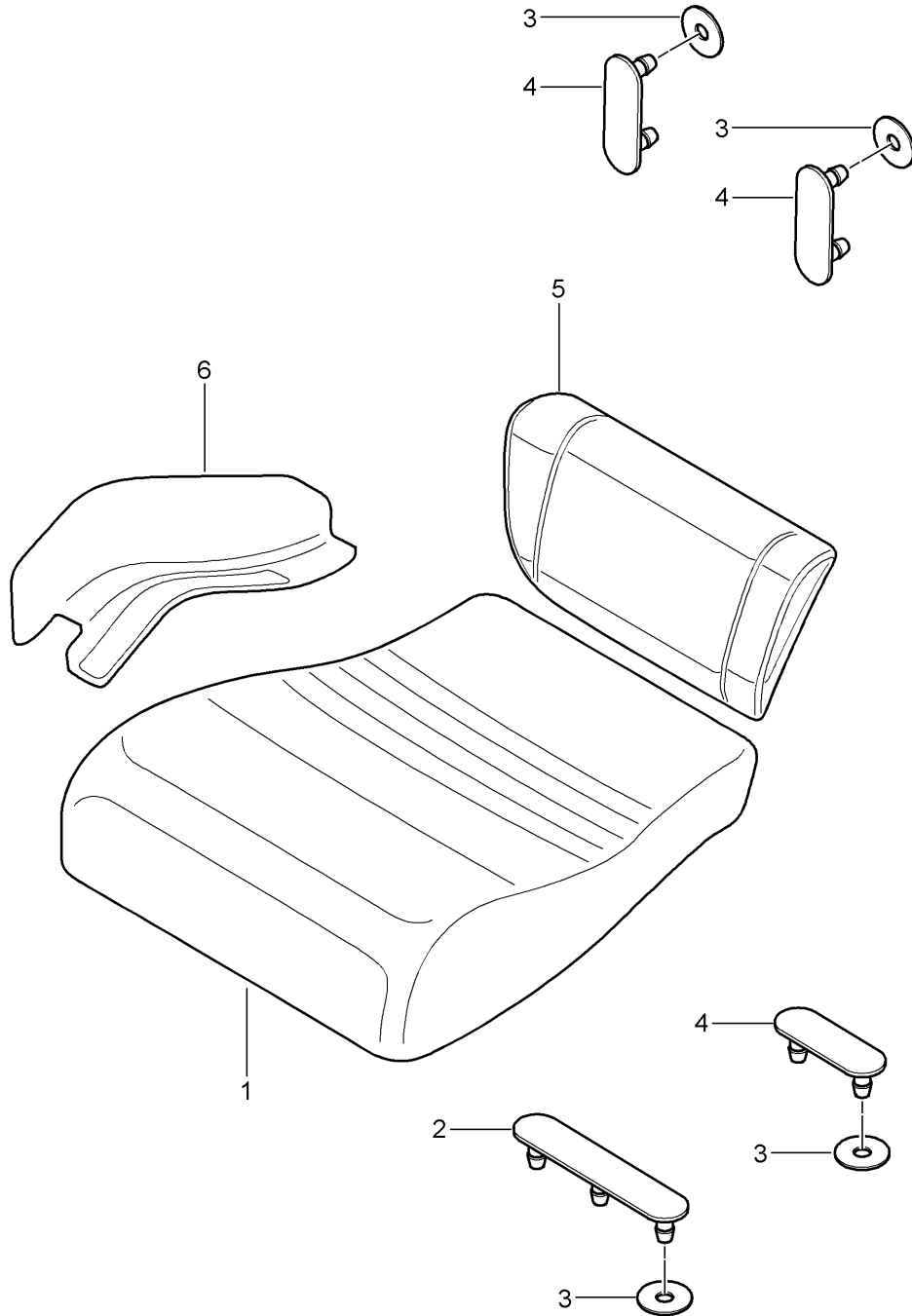
Pos	Part Number	Description	Remark	Qty	Model
1	996 522 051 02	Back seat cushion	/L -01	1	TURBO/COUPE
	996 522 051 02 8YR	Black			M936
	996 522 051 02 ETO	Black			
	996 522 051 02 C50	Graphite grey			
	996 522 051 02 S30	Savanna			
	996 522 051 02 G10	Metropole blue			
	996 522 051 02 J30	Nephrite green			
	996 522 051 02 M30	Boxster red			
	996 522 051 02 B50	Space grey			
	996 522 051 02 D11	Dark grey/natural			
	996 522 051 02 T11	Brown/natural			
	996 522 051 02 P11	Cinnamon brown			
(1)	996 522 052 02	Back seat cushion	/R -01	1	M936
		Leather			
	996 522 052 02 8YR	Black			
	996 522 052 02 ETO	Black			
	996 522 052 02 C50	Graphite grey			
	996 522 052 02 S30	Savanna			
	996 522 052 02 G10	Metropole blue			
	996 522 052 02 J30	Nephrite green			
	996 522 052 02 M30	Boxster red			
	996 522 052 02 B50	Space grey			
	996 522 052 02 D11	Dark grey/natural			
	996 522 052 02 T11	Brown/natural			
	996 522 052 02 P11	Cinnamon brown			
1	996 522 051 03	Back seat cushion	/L -01	1	M939
		Draped leather			
	996 522 051 03 8YR	Black			
	996 522 051 03 ETO	Black	01-		
	996 522 051 03 B50	Space grey			
	996 522 051 03 C50	Graphite grey			
	996 522 051 03 G10	Metropole blue			
	996 522 051 03 S30	Savanna			
	996 522 051 03 J30	Nephrite green			
	996 522 051 03 M30	Boxster red			
	996 522 051 03 D11	Dark grey			
	996 522 051 03 T11	Brown/natural			
	996 522 051 03 P11	Cinnamon brown			
(1)	996 522 052 03	Back seat cushion	/R -01	1	M939
		Draped leather			
	996 522 052 03 8YR	Black			
	996 522 052 03 ETO	Black	01-		
	996 522 052 03 B50	Space grey			
	996 522 052 03 C50	Graphite grey			
	996 522 052 03 G10	Metropole blue			
	996 522 052 03 S30	Savanna			
	996 522 052 03 J30	Nephrite green			
	996 522 052 03 M30	Boxster red			
	996 522 052 03 D11	Dark grey			
	996 522 052 03 T11	Brown/natural			
	996 522 052 03 P11	Cinnamon brown			
(1)	996 522 051 15	Back seat cushion	/L 01-	1	M936
		Leather			
	996 522 051 15 ETO	Black			
	996 522 051 15 C50	Graphite grey			
	996 522 051 15 S30	Savanna			
	996 522 051 15 G10	Metropole blue			
	996 522 051 15 J30	Nephrite green			
	996 522 051 15 M30	Boxster red			
	996 522 051 15 P11	Cinnamon brown			
	996 522 051 15 D11	Dark grey/natural			
	996 522 051 15 T11	Brown/natural			

Model: 996 01 Model life 2001>>2005

Pos	Part Number	Description	Remark	Qty	Model
(1)	996 522 052 15	Back seat cushion Leather	/R 01-	1	M936
	996 522 052 15 ETO	Black			
	996 522 052 15 C50	Graphite grey			
	996 522 052 15 S30	Savanna			
	996 522 052 15 G10	Metropole blue			
	996 522 052 15 J30	Nephrite green			
	996 522 052 15 M30	Boxster red			
	996 522 052 15 P11	Cinnamon brown			
	996 522 052 15 D11	Dark grey/natural			
	996 522 052 15 T11	Brown/natural			
(1)	996 522 051 16	Back seat cushion Draped leather	/L 01-	1	M939
	996 522 051 16 ETO	Black			
	996 522 051 16 C50	Graphite grey			
	996 522 051 16 S30	Savanna			
	996 522 051 16 G10	Metropole blue			
	996 522 051 16 J30	Nephrite green			
	996 522 051 16 M30	Boxster red			
	996 522 051 16 P11	Cinnamon brown			
	996 522 051 16 D11	Dark grey/natural			
	996 522 051 16 T11	Brown/natural			
(1)	996 522 052 16	Back seat cushion Draped leather	/R 01-	1	M939
	996 522 052 16 ETO	Black			
	996 522 052 16 C50	Graphite grey			
	996 522 052 16 S30	Savanna			
	996 522 052 16 G10	Metropole blue			
	996 522 052 16 J30	Nephrite green			
	996 522 052 16 M30	Boxster red			
	996 522 052 16 P11	Cinnamon brown			
	996 522 052 16 D11	Dark grey/natural			
	996 522 052 16 T11	Brown/natural			
(1)	996 522 051 23	Back seat cushion Special model Leather	/L	1	M936/971
	996 522 051 23 VTB	Dark grey/natural			
	996 522 051 23 VTL	Brown/natural			
(1)	996 522 052 23	Back seat cushion Special model Leather	/R	1	M936/971
	996 522 052 23 VTB	Dark grey/natural			
	996 522 052 23 VTL	Brown/natural			
2	996 522 893 00	Clip Triple		X	
3	996 522 897 00	Clips nut		X	
4	996 522 895 00	Clip Double		X	

Model: 996 01

Model life 2001>>2005



Model: 996 01 Model life 2001>>2005

Pos	Part Number	Description	Remark	Qty	Model
		Back seat cushion Back seat Centre part			TURBO/CABRIO
1	996 522 051 18	Back seat cushion Leather Not for Japan	/L -01	1	M936
	996 522 051 18 ETO	Black			
	996 522 051 18 S30	Savanna			
	996 522 051 18 J30	Nephrite green			
	996 522 051 18 P11	Cinnamon brown			
	996 522 051 18 T11	Brown/natural			
	996 522 051 18 C50	Graphite grey			
	996 522 051 18 G10	Metropole blue			
	996 522 051 18 M30	Boxster red			
	996 522 051 18 D11	Dark grey/natural			
(1)	996 522 052 18	Back seat cushion Leather Not for Japan	/R -01	1	M936
	996 522 052 18 ETO	Black			
	996 522 052 18 S30	Savanna			
	996 522 052 18 J30	Nephrite green			
	996 522 052 18 P11	Cinnamon brown			
	996 522 052 18 T11	Brown/natural			
	996 522 052 18 C50	Graphite grey			
	996 522 052 18 G10	Metropole blue			
	996 522 052 18 M30	Boxster red			
	996 522 052 18 D11	Dark grey/natural			
(1)	996 522 051 21	Back seat cushion Leather Japan	/L 01-	1	M193/936
	996 522 051 21 ETO	Black			
	996 522 051 21 S30	Savanna			
	996 522 051 21 J30	Nephrite green			
	996 522 051 21 P11	Cinnamon brown			
	996 522 051 21 T11	Brown/natural			
	996 522 051 21 C50	Graphite grey			
	996 522 051 21 G10	Metropole blue			
	996 522 051 21 M30	Boxster red			
	996 522 051 21 D11	Dark grey/natural			
(1)	996 522 052 21	Back seat cushion Leather Japan	/R 01-	1	M193/936
	996 522 052 21 ETO	Black			
	996 522 052 21 S30	Savanna			
	996 522 052 21 J30	Nephrite green			
	996 522 052 21 P11	Cinnamon brown			
	996 522 052 21 T11	Brown/natural			
	996 522 052 21 C50	Graphite grey			
	996 522 052 21 G10	Metropole blue			
	996 522 052 21 M30	Boxster red			
	996 522 052 21 D11	Dark grey/natural			
(1)	996 522 051 19	Back seat cushion Draped leather Not for Japan	/L 01-	1	M939
	996 522 051 19 ETO	Black			
	996 522 051 19 C50	Graphite grey			
	996 522 051 19 G10	Metropole blue			
	996 522 051 19 M30	Boxster red			
	996 522 051 19 D11	Dark grey/natural			
	996 522 051 19 T11	Brown/natural			

Model: 996 01

Model life 2001&gt;&gt;2005

Pos	Part Number	Description	Remark	Qty	Model
	996 522 051 19 S30	Savanna			
	996 522 051 19 J30	Nephrite green			
	996 522 051 19 P11	Cinnamon brown			
(1)	996 522 052 19	Back seat cushion Draped leather Not for Japan	/R 01-	1	M939
	996 522 052 19 ETO	Black			
	996 522 052 19 C50	Graphite grey			
	996 522 052 19 G10	Metropole blue			
	996 522 052 19 M30	Boxster red			
	996 522 052 19 D11	Dark grey/natural			
	996 522 052 19 T11	Brown/natural			
	996 522 052 19 S30	Savanna			
	996 522 052 19 J30	Nephrite green			
	996 522 052 19 P11	Cinnamon brown			
(1)	996 522 051 22	Back seat cushion Draped leather Japan	/L 01-	1	M193/939
	996 522 051 22 ETO	Black			
	996 522 051 22 S30	Savanna			
	996 522 051 22 J30	Nephrite green			
	996 522 051 22 P11	Cinnamon brown			
	996 522 051 22 T11	Brown/natural			
	996 522 051 22 C50	Graphite grey			
	996 522 051 22 G10	Metropole blue			
	996 522 051 22 M30	Boxster red			
	996 522 051 22 D11	Dark grey/natural			
(1)	996 522 052 22	Back seat cushion Draped leather Japan	/R 01-	1	M193/939
	996 522 052 22 ETO	Black			
	996 522 052 22 S30	Savanna			
	996 522 052 22 J30	Nephrite green			
	996 522 052 22 P11	Cinnamon brown			
	996 522 052 22 T11	Brown/natural			
	996 522 052 22 C50	Graphite grey			
	996 522 052 22 G10	Metropole blue			
	996 522 052 22 M30	Boxster red			
	996 522 052 22 D11	Dark grey/natural			
(1)	996 522 051 24	Back seat cushion Leather Not for Japan	/L 05-	1	M936/971
	996 522 051 24 VTB	Dark grey/natural			
	996 522 051 24 VTL	Brown/natural			
(1)	996 522 052 24	Back seat cushion Leather Not for Japan	/R 05-	1	M936/971
	996 522 052 24 VTB	Dark grey/natural			
	996 522 052 24 VTL	Brown/natural			
(1)	996 522 051 25	Back seat cushion Leather Japan	/L 05-	1	M193/936 M971 M971
	996 522 051 25 VTB	Dark grey/natural			
	996 522 051 25 VTL	Brown/natural			
(1)	996 522 052 25	Back seat cushion Leather Japan	/R 05-	1	M193/936 M971
	996 522 052 25 VTB	Dark grey/natural			
	996 522 052 25 VTL	Brown/natural			

Model: 996 01 Model life 2001>>2005

Pos	Part Number	Description	Remark	Qty	Model
2	996 522 893 00	Clip Triple		X	
3	996 522 897 00	Clips nut		X	
4	996 522 895 00	Clip		X	
5	996 522 235 08	Centre part Leather	/L	1	M936
	996 522 235 08 8YR	Black			
	996 522 235 08 C50	Graphite grey			
	996 522 235 08 S30	Savanna			
	996 522 235 08 G10	Metropole blue			
	996 522 235 08 B50	Space grey			
	996 522 235 08 J30	Nephrite green			
	996 522 235 08 M30	Boxster red			
	996 522 235 08 D11	Dark grey/natural			
	996 522 235 08 T11	Brown/natural			
	996 522 235 08 P11	Cinnamon brown			
(5)	996 522 236 08	Centre part Leather	/R	1	M936
	996 522 236 08 8YR	Black			
	996 522 236 08 C50	Graphite grey			
	996 522 236 08 S30	Savanna			
	996 522 236 08 G10	Metropole blue			
	996 522 236 08 B50	Space grey			
	996 522 236 08 J30	Nephrite green			
	996 522 236 08 M30	Boxster red			
	996 522 236 08 D11	Dark grey/natural			
	996 522 236 08 T11	Brown/natural			
	996 522 236 08 P11	Cinnamon brown			
(5)	996 522 235 09	Centre part Draped leather	/L	1	M939
	996 522 235 09 8YR	Black			
	996 522 235 09 C50	Graphite grey			
	996 522 235 09 S30	Savanna			
	996 522 235 09 G10	Metropole blue			
	996 522 235 09 B50	Space grey			
	996 522 235 09 J30	Nephrite green			
	996 522 235 09 M30	Boxster red			
	996 522 235 09 D11	Dark grey/natural			
	996 522 235 09 T11	Brown/natural			
	996 522 235 09 P11	Cinnamon brown			
(5)	996 522 236 09	Centre part Draped leather	/R	1	M939
	996 522 236 09 8YR	Black			
	996 522 236 09 C50	Graphite grey			
	996 522 236 09 S30	Savanna			
	996 522 236 09 G10	Metropole blue			
	996 522 236 09 B50	Space grey			
	996 522 236 09 J30	Nephrite green			
	996 522 236 09 M30	Boxster red			
	996 522 236 09 D11	Dark grey/natural			
	996 522 236 09 T11	Brown/natural			
	996 522 236 09 P11	Cinnamon brown			
(5)	996 522 235 13	Centre part Leather	/L 05-	1	M936/971
	996 522 235 13 D13	Dark grey/natural			
	996 522 235 13 T14	Brown/natural			
(5)	996 522 236 13	Centre part Leather	/R 05-	1	M936/971
	996 522 236 13 D13	Dark grey/natural			
	996 522 236 13 T14	Brown/natural			
(6)	996 522 065 03	Back seat extension Leather	/L	1	M193/936 M939
	996 522 065 03 8YR	Black			

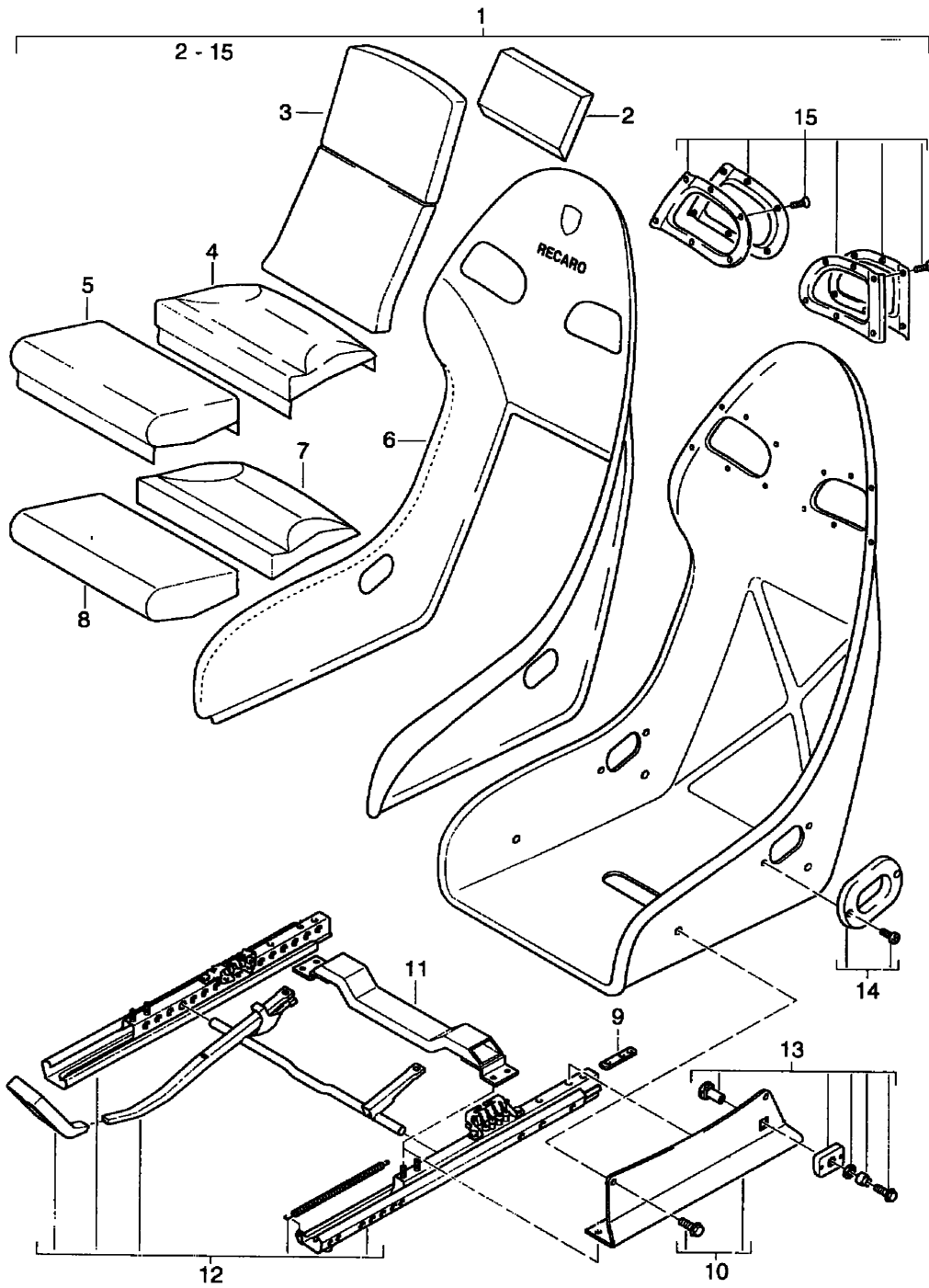
Model: 996 01 Model life 2001>>2005

Pos	Part Number	Description	Remark	Qty	Model
	996 522 065 03 C50	Graphite grey			
	996 522 065 03 S30	Savanna			
	996 522 065 03 G10	Metropole blue			
	996 522 065 03 J30	Nephrite green			
	996 522 065 03 M30	Boxster red			
	996 522 065 03 P11	Cinnamon brown			
	996 522 065 03 D11	Dark grey/natural			
	996 522 065 03 T11	Brown/natural			
(6)	996 522 066 03	Back seat extension Leather	/R	1	M193/936 M939
	996 522 066 03 8YR	Black			
	996 522 066 03 C50	Graphite grey			
	996 522 066 03 S30	Savanna			
	996 522 066 03 G10	Metropole blue			
	996 522 066 03 J30	Nephrite green			
	996 522 066 03 M30	Boxster red			
	996 522 066 03 P11	Cinnamon brown			
	996 522 066 03 D11	Dark grey/natural			
	996 522 066 03 T11	Brown/natural			



Model: 996 01

Model life 2001>>2005



Model: 996 01 Model life 2001>>2005

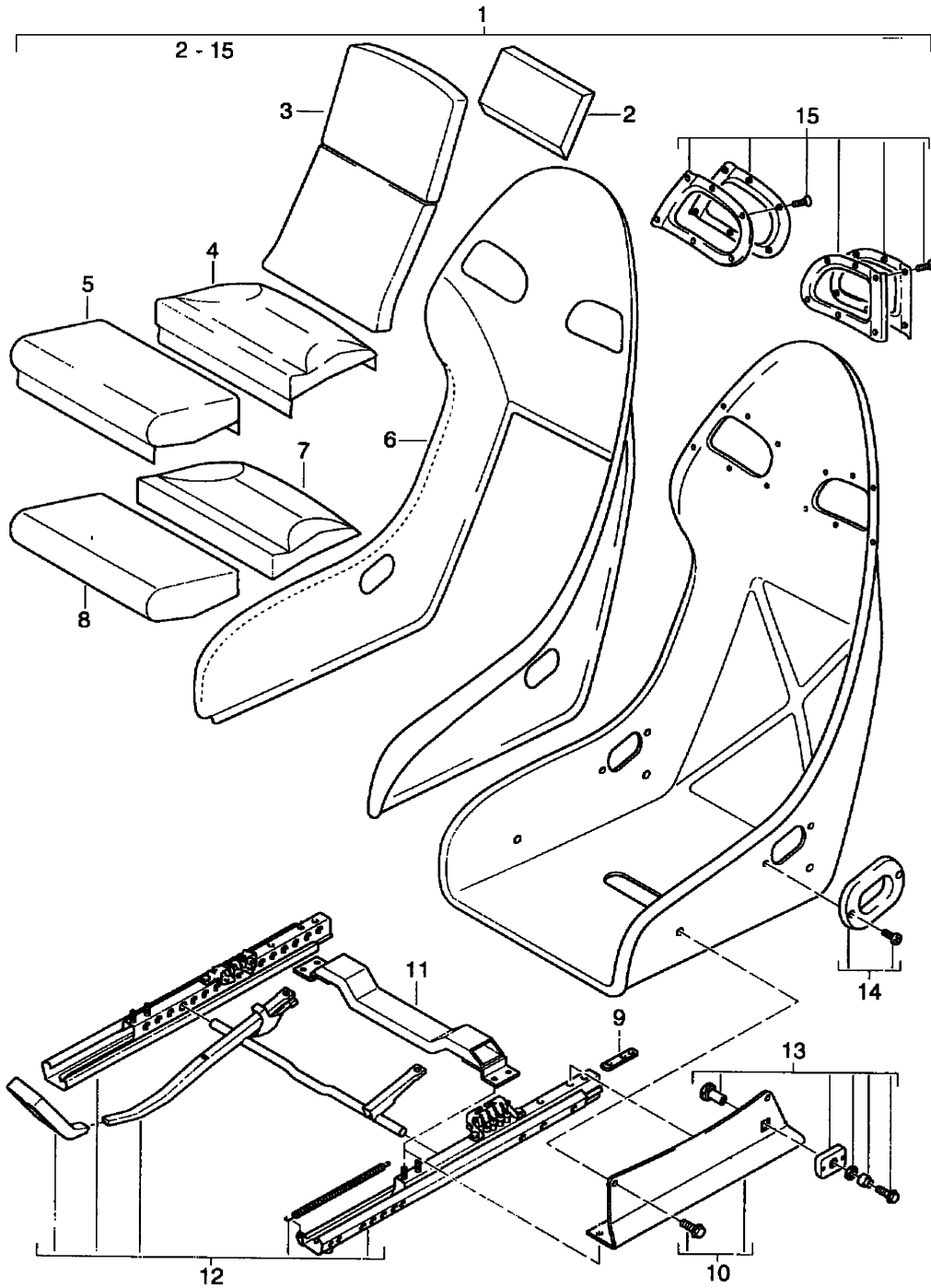
Pos	Part Number	Description	Remark	Qty	Model
1	996 521 985 00	Bucket seat Perlon velour	/LL /L	1	TURBO/GT2 IXSE/M990
(1)	996 521 986 00	Bucket seat Perlon velour Black	/LL /R	1	IXSF/M990
(1)	996 521 985 02	Bucket seat Perlon velour Black	/RL /L	1	IXSE/M990
(1)	996 521 986 02	Bucket seat Perlon velour Black	/RL /R	1	IXSF/M990
(1)	996 521 985 04	Bucket seat	/LL	1	IXSE M003/990
(1)	996 521 985 05	Bucket seat	/RL	1	IXSE M003/990
(1)	996 521 985 06	Bucket seat	/LL	1	IXSS/M990
(1)	996 521 985 08	Bucket seat	/RL	1	IXSS/M990
(1)	996 521 985 07	Bucket seat	/LL	1	IXSS/M983
(1)	996 521 985 07 ERZ	Black			
(1)	996 521 985 09	Bucket seat	/RL	1	IXSS/M983
(1)	996 521 985 09 ERZ	Black			
(1)	996 521 985 10	Bucket seat	/LL	1	IXSS M003/990
(1)	996 521 985 11	Bucket seat	/RL	1	IXSS M003/990
(1)	996 521 986 04	Bucket seat	/LL	1	IXSF M003/990
(1)	996 521 986 05	Bucket seat Cloth	/RL	1	IXSF M003/990
(1)	996 521 986 06	Bucket seat Cloth	/LL	1	IXSR/M990
(1)	996 521 986 08	Bucket seat Cloth	/RL	1	IXSR/M990
(1)	996 521 986 07	Bucket seat	/LL	1	IXSR/M983
(1)	996 521 986 07 ERZ	Black			
(1)	996 521 986 09	Bucket seat	/RL	1	IXSR/M983
(1)	996 521 986 09 ERZ	Black			
(1)	996 521 986 10	Bucket seat	/LL	1	IXSR M003/990
(1)	996 521 986 11	Bucket seat	/RL	1	IXSR M003/990
2	996 521 911 90	Lumbar support		2	
3	996 521 913 90	Backrest cushion Perlon velour Black		2	IXSE/XSF/XSR IXSS/M990
4	996 521 915 90	Cover for cushion Seat cushion Rear		2	IXSE/XSF/XSR IXSS/M990
5	996 521 919 90	Cover for cushion Seat cushion Front Perlon velour Black		2	IXSE/XSF M990
6	996 521 988 00	Outer lining Perlon velour Black		2	IXSE/XSF/XSS IXSR/M990
7	996 521 917 90	Foam part Seat cushion Rear		2	
8	996 521 921 90	Foam part		2	

Model: 996 01 Model life 2001>>2005

Pos	Part Number	Description	Remark	Qty	Model
9	996 521 931 90	Seat cushion Front		2	
(9)	996 521 603 01	Stop		2	M375/376
10	996 521 923 90	Short Parts kit Adapter		2	IXSE/XSS
(10)	996 521 924 90	Left seat Parts kit Adapter		2	IXSF/XSR
11	996 521 933 90	Right seat Cross member		X	M003
12	996 521 929 90	6-point seat belt Parts kit Seat rail	/L	1	IXSE/XSS
-	996 521 645 00	Use also: Clutch power spring	/L	2	
(12)	996 521 930 90	Parts kit Seat rail	/R	1	IXSF/XSR
-	996 521 645 00	Use also: Clutch power spring	/L	2	
(13)	996 521 925 90	Set of fastening parts Seat-belt buckle Inner		2	
13	996 521 927 90	Set of fastening parts Seat-belt buckle Outer		2	
14	996 521 907 90	Parts kit Cover Belt Lower		2	
15	996 521 905 90	Parts kit Cover Belt Upper		2	

Model: 996 01

Model life 2001>>2005



Model: 996 01 Model life 2001>>2005

Pos	Part Number	Description	Remark	Qty	Model
1	996 521 985 01	Bucket seat Leather	/LL /L	1	TURBO/GT2 IXSE/M983
	996 521 985 01 8YR	Black			
	996 521 985 01 B50	Space grey			
	996 521 985 01 C50	Graphite grey			
	996 521 985 01 G10	Metropole blue			
	996 521 985 01 S30	Savanna			
	996 521 985 01 J30	Nephrite green			
	996 521 985 01 M30	Boxster red			
	996 521 985 01 T11	Brown/natural			
(1)	996 521 986 01	Bucket seat Leather	/LL /R	1	IXSF/M983
	996 521 986 01 8YR	Black			
	996 521 986 01 B50	Space grey			
	996 521 986 01 C50	Graphite grey			
	996 521 986 01 G10	Metropole blue			
	996 521 986 01 S30	Savanna			
	996 521 986 01 J30	Nephrite green			
	996 521 986 01 M30	Boxster red			
	996 521 986 01 T11	Brown/natural			
1	996 521 985 03	Bucket seat Leather	/RL /L	1	IXSE/M983
	996 521 985 03 8YR	Black			
	996 521 985 03 B50	Space grey			
	996 521 985 03 C50	Graphite grey			
	996 521 985 03 G10	Metropole blue			
	996 521 985 03 S30	Savanna			
	996 521 985 03 J30	Nephrite green			
	996 521 985 03 M30	Boxster red			
	996 521 985 03 T11	Brown/natural			
(1)	996 521 986 03	Bucket seat Leather	/RL /R	1	IXSF/M983
	996 521 986 03 8YR	Black			
	996 521 986 03 B50	Space grey			
	996 521 986 03 C50	Graphite grey			
	996 521 986 03 G10	Metropole blue			
	996 521 986 03 S30	Savanna			
	996 521 986 03 J30	Nephrite green			
	996 521 986 03 M30	Boxster red			
	996 521 986 03 T11	Brown/natural			
2	996 521 911 90	Lumbar support		2	IXSE/XSF
3	996 521 989 00	Backrest cushion		2	IXSE/XSF/XSR
	996 521 989 00 B50	Space grey			
	996 521 989 00 C50	Graphite grey			
	996 521 989 00 D11	Dark grey/natural			
	996 521 989 00 ERZ	Black			
	996 521 989 00 G10	Metropole blue			
	996 521 989 00 J30	Nephrite green			
	996 521 989 00 M30	Boxster red			
	996 521 989 00 P11	Cinnamon brown			
	996 521 989 00 S30	Savanna			
	996 521 989 00 T11	Brown/natural			
	996 521 989 00 8YR	Black			
4	996 521 990 00	Cover for cushion Seat cushion Rear		2	IXSE/XSF/XSR IXSS/M983
	996 521 990 00 B50	Space grey			
	996 521 990 00 C50	Graphite grey			
	996 521 990 00 D11	Dark grey/natural			
	996 521 990 00 ERZ	Black			
	996 521 990 00 G10	Metropole blue			

Model: 996 01

Model life 2001&gt;&gt;2005

Pos	Part Number	Description	Remark	Qty	Model
	996 521 990 00 J30	Nephrite green			
	996 521 990 00 M30	Boxster red			
	996 521 990 00 P11	Cinnamon brown			
	996 521 990 00 S30	Savanna			
	996 521 990 00 T11	Brown/natural			
	996 521 990 00 8YR	Black			
5	996 521 991 00	Cover for cushion Seat cushion Front		2	IXSE/XSF IXSR/XSS
	996 521 991 00 B50	Space grey			
	996 521 991 00 C50	Graphite grey			
	996 521 991 00 D11	Dark grey/natural			
	996 521 991 00 ERZ	Black			
	996 521 991 00 G10	Metropole blue			
	996 521 991 00 J30	Nephrite green			
	996 521 991 00 M30	Boxster red			
	996 521 991 00 P11	Cinnamon brown			
	996 521 991 00 S30	Savanna			
	996 521 991 00 T11	Brown/natural			
	996 521 991 00 8YR	Black			
6	996 521 988 01	Outer lining Leather		2	IXSE/XSF/XSR IXSS/M983
	996 521 988 01 8YR	Black			
	996 521 988 01 B50	Space grey			
	996 521 988 01 C50	Graphite grey			
	996 521 988 01 G10	Metropole blue			
	996 521 988 01 S30	Savanna			
	996 521 988 01 J30	Nephrite green			
	996 521 988 01 M30	Boxster red			
7	996 521 917 90	Foam part Seat cushion Rear		2	
8	996 521 921 90	Foam part Seat cushion Front		2	
9	996 521 931 90	Stop		2	
(9)	996 521 603 01	Stop Short		2	M375/376
10	996 521 923 90	Parts kit Adapter Left seat		2	IXSE/XSS
10	996 521 924 90	Parts kit Right seat Adapter		2	IXSF/XSR
11	996 521 933 90	Cross member 6-point seat belt		X	M003
12	996 521 929 90	Parts kit Seat rail Use also:		1	IXSE/XSS
-	996 521 645 00	Clutch power spring	/L	2	
(12)	996 521 930 90	Parts kit Seat rail Use also:		1	IXSF/XSR
-	996 521 645 00	Clutch power spring	/L	2	
(13)	996 521 925 90	Set of fastening parts Seat-belt buckle Inner		2	
13	996 521 927 90	Set of fastening parts Seat-belt buckle Outer		2	
14	996 521 907 90	Parts kit Cover Belt		2	

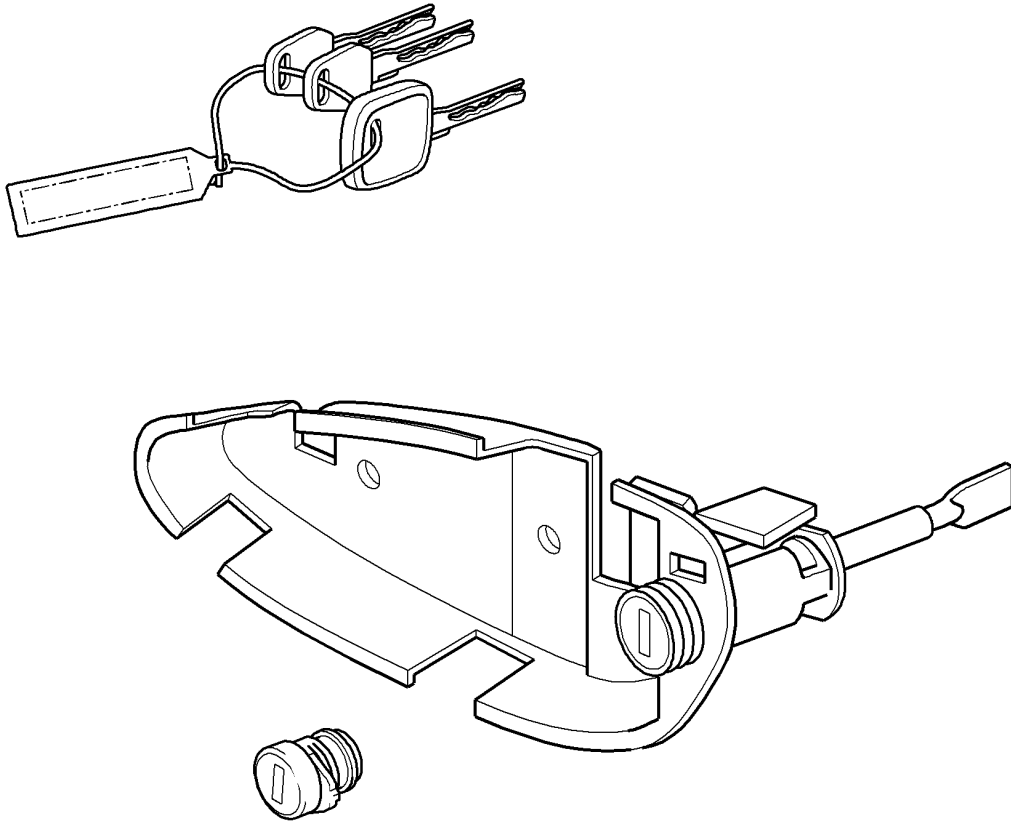
Model: 996 01

Model life 2001&gt;&gt;2005

Pos	Part Number	Description	Remark	Qty	Model
15	996 521 905 90	Lower Parts kit Cover Belt Upper		2	

Model: 996 01

Model life 2001>>2005





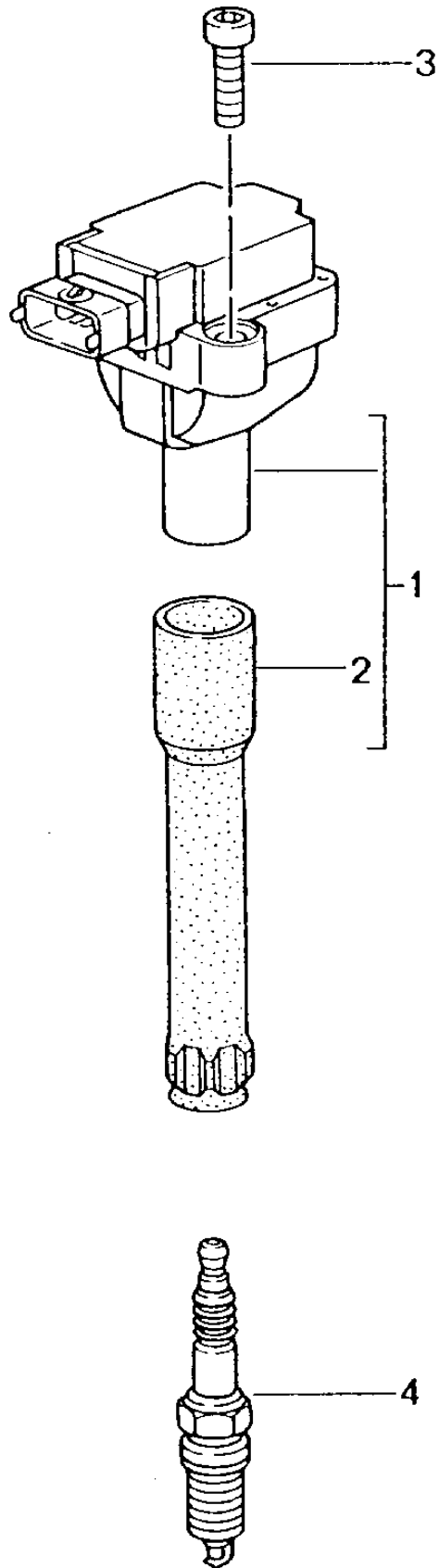
Model: 996 01

Model life 2001>>2005

Pos	Part Number	Description	Remark	Qty	Model
		Repair kits			
		Set of locks			
		Comprising:			
		Support			
		Outer door handle			
		Glove compartment lock			
		Key			
		Key tag			
>>	996 538 001 03	Set of locks	-01	1	M531/532
>>	996 538 001 06	Set of locks	02-	1	M531/532
>>	996 538 001 04	Set of locks	/LL -01	1	M534/535
>>	996 538 001 07	Set of locks	/LL 02-	1	M534/535
>>	996 538 001 05	Set of locks	/RL -01	1	M534/535
>>	996 538 001 08	Set of locks	/RL 02-	1	M534/535

Model: 996 01

Model life 2001>>2005



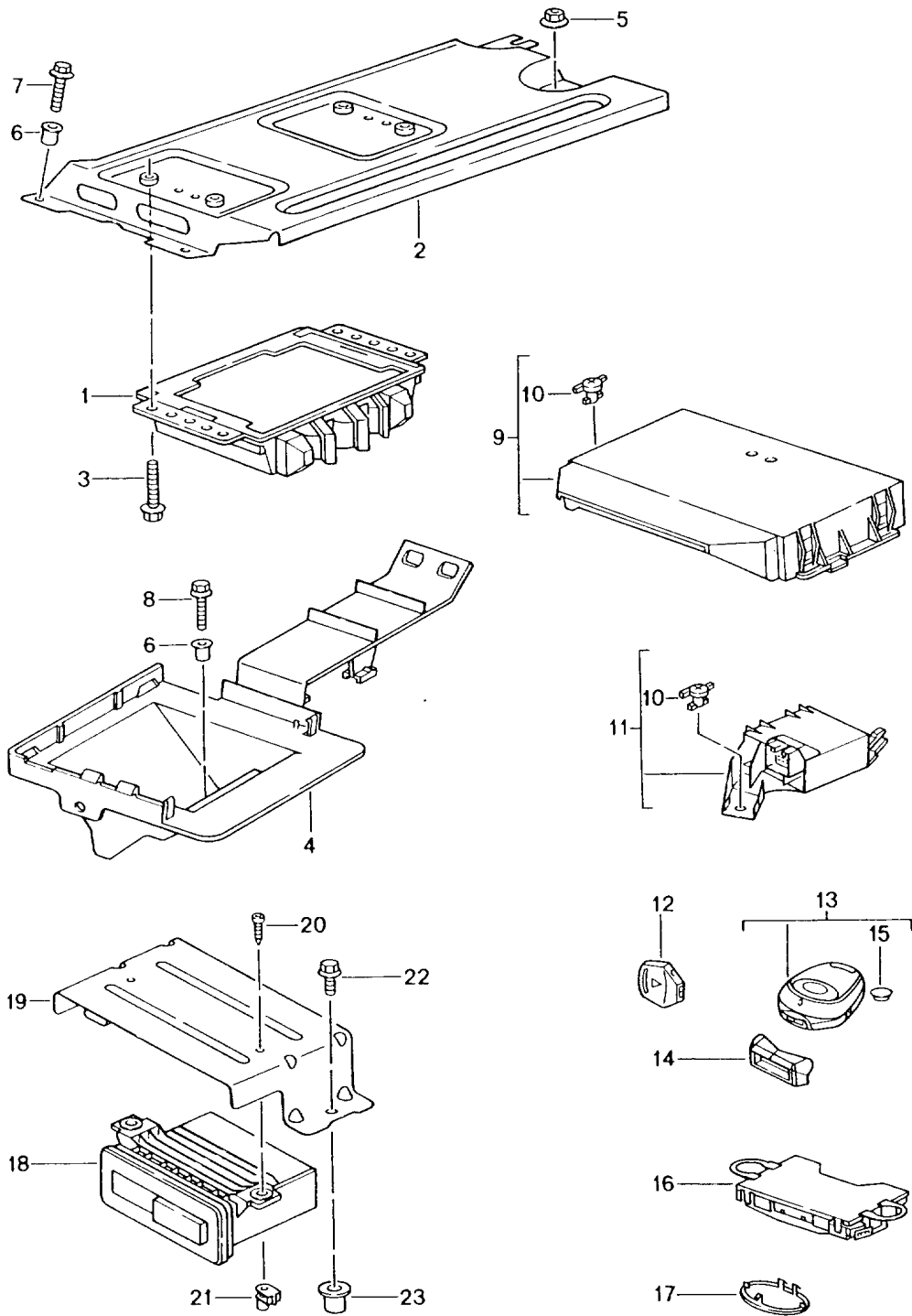
Model: 996 01

Model life 2001&gt;&gt;2005

Pos	Part Number	Description	Remark	Qty	Model
1	997 602 104 02	Ignition system Ignition coil Use also: 900.385.025.01		6 12	
2	996 602 105 00	Spark plug connector		6	
3	900 067 089 09	Pan-head screw M 6 X 25		12	
3	900 067 089 01	Pan-head screw M 6 X 25		12	
4	999 170 195 90	Spark plug 14FR 6LDU Tech. information memo GR.2 , NR.7/01		6	

Model: 996 01

Model life 2001>>2005



Model: 996 01 Model life 2001>>2005

Pos	Part Number	Description	Remark	Qty	Model
1	996 618 606 01	Control units Control unit - dme - See technical manual OBD II ; 0-8 S.1		1	
1	996 618 606 AX	Control unit - dme - See technical manual OBD II ; 0-8 S.1		1	
(1)	996 618 180 04	Control unit Tiptronic See technical information GR. 3 , NR. 5/02		1	M249
2	996 618 129 00	Support Control unit - dme - F >>991S6 81183		1	COUPE
(2)	996 618 129 01	Support Control unit - dme - F 991S6 81184>>		1	COUPE
(2)	996 618 131 00	Support Control unit - dme -	04-	1	CABRIO
3	900 378 036 01	Hexagon-head bolt M 6 X 12		4	COUPE
4	996 618 257 00	Support Control unit Tiptronic F >>994S6 70743	-04	1	M249
(4)	996 618 257 01	Support Control unit Tiptronic F 994S6 70744>>	04-	1	M249
5	999 084 629 01	Hexagon nut M 6		1	COUPE
6	999 500 078 00	Speed nut  M 6		2	COUPE
				3	M480 COUPE M249
6		F >>991S6 81183 Speed nut M 6 F 991S6 81184>>		1	M249
7	900 075 413 09	Combination screw M 6 X 16 Z2 F >>991S6 81183		2	COUPE
(7)	999 084 629 01	Hexagon nut M 6 F 991S6 81184>> F 991S6 85747>>		2	COUPE
(7)	999 073 060 02	Tapping screw 4,8 X 13 Control unit Convertible top control See group 8/11/15 Control unit Roll-over bar See group 8/11/15	04-	X	CABRIO  CABRIO  CABRIO
8	900 146 040 02	Screw M 6 X 25		1	M249

Model: 996 01 Model life 2001>>2005

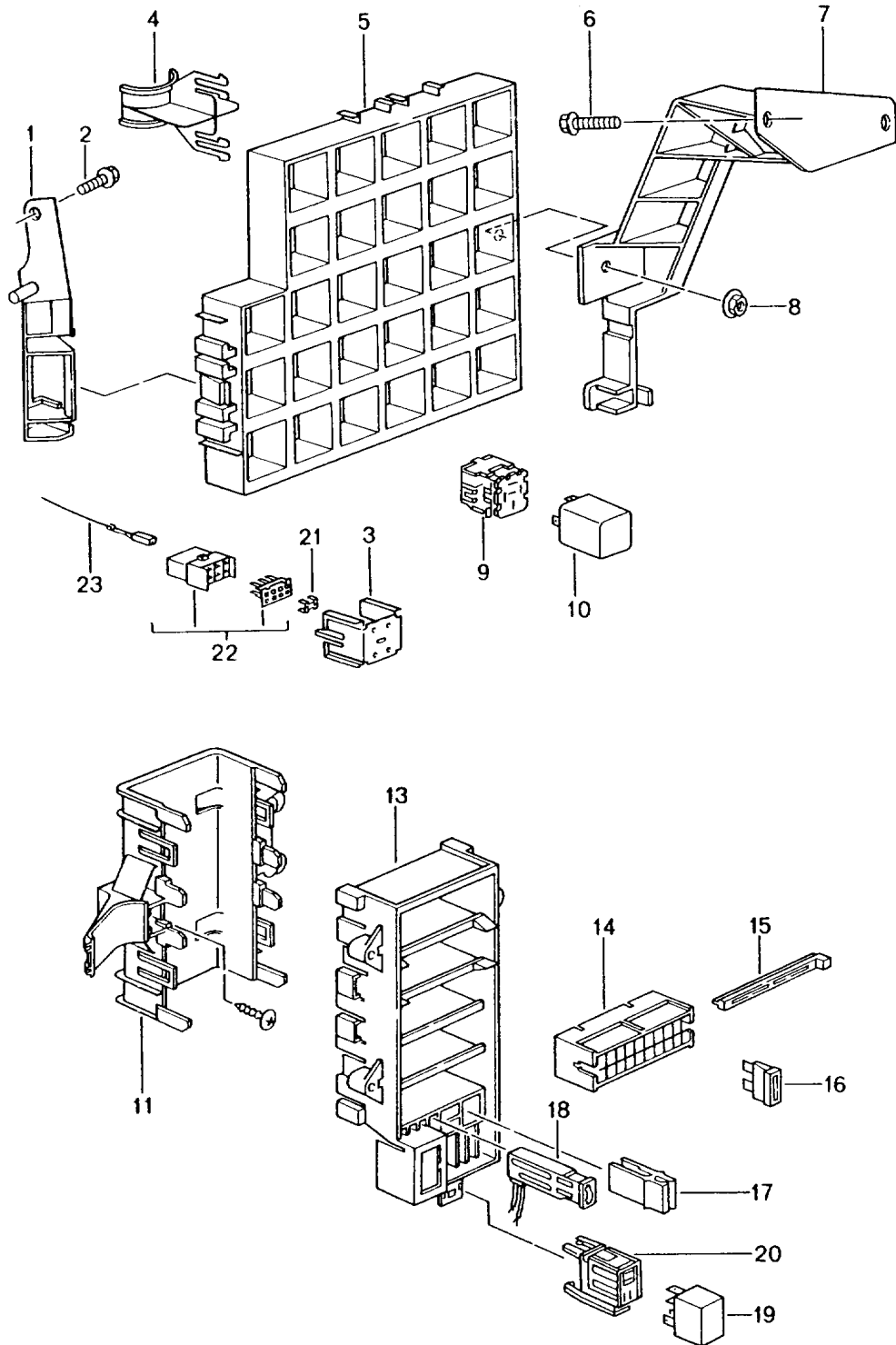
Pos	Part Number	Description	Remark	Qty	Model
9	996 618 262 02	Control unit Immobiliser Central locking system Alarm system		1	M534
-	996 612 034 00	Cable Antenna for POS. 9		1	M534
9	996 618 262 03	Control unit Immobiliser Central locking system Alarm system See technical information GR.9 NR.6/01		1	M535
-	996 612 035 00	Cable Antenna for POS. 9		1	M535
-	996 612 054 00	Connecting line Antenna booster Control unit POS. 9	03-	1	M665
-	999 607 064 00	Lock 15 A for POS. 8		X	
-	999 507 925 40	Fixing clip for Wiring harness Seat		1	
10	996 618 261 00	Locking device		1	
11	996 618 159 01	Signal transducer		1	
12	996 637 041 00	Key lamp		1	M532
-	928 537 630 02	Bulb for Key lamp		X	
13	996 637 244 30	Handheld transmitter	-03	1	COUPE M534
13	996 637 244 40	Handheld transmitter	04-	1	COUPE M534 CABRIO M533 M534
-	996 637 353 00	Handheld transmitter Upper part for 996.637.244.30/40		1	
13	996 637 244 41	Handheld transmitter	04-	1	CABRIO M534
-	996 637 355 00	Handheld transmitter Upper part for 996.637.244.41	04-	1	
13	996 637 244 42	Handheld transmitter	04-	1	COUPE M535 CABRIO M533 M535
-	996 637 353 00	Handheld transmitter Upper part for 996.637.244.31/36/42		1	
13	996 637 244 43	Handheld transmitter	04-	1	CABRIO

Model: 996 01 Model life 2001>>2005

Pos	Part Number	Description	Remark	Qty	Model
-	996 637 355 00	Handheld transmitter Upper part for 996.637.244.34/37/43	04-	1	M535
13	996 637 244 32	Handheld transmitter	(J) -03	1	COUPE
13	996 637 244 44	Handheld transmitter	(J)	1	COUPE
-	996 637 353 00	Handheld transmitter Upper part for 996.637.244.32/44		1	
13	996 637 244 45	Handheld transmitter	(J) 04-	1	CABRIO
-	996 637 355 00	Handheld transmitter Upper part for 996.637.244.45	04-	1	
-	996 637 443 00	Crest Coloured for Key lamp And Handheld transmitter	02-	1	
14	996 637 344 00	Identification ring Key 1 set Red Yellow		1	
14	996 637 344 01	Identification ring Key 1 set Blue Green		1	
15	999 611 108 00	Battery See technical information GR. 9 , NR. 17/03		1	M534/535
16	996 618 210 02	Sensor Interior monitoring		1	M534/535
16	996 618 210 03	Sensor Interior monitoring		1	M534/535 M999
(17)	996 618 212 02	Trim cover Alarm siren Tilt sensor See group 9/03/00		2	M536 M536
18	996 618 171 03	Control unit ParkAssist		1	M635
19	996 618 371 00	Support	01	1	M635
(19)	996 618 371 01	Support	02-	1	M635
20	999 919 120 09	Oval-head screw 4,0 X 18		2	M635
21	999 920 015 40	Plug-in nut 4,0		2	M635
22	900 378 179 09	Hexagon-head bolt M 6 X 16		2	M635
23	999 500 078 00	Speed nut M 6 Sensor See group 8/02/05		2	M635 M635

Model: 996 01

Model life 2001>>2005





Model: 996 01 Model life 2001>>2005

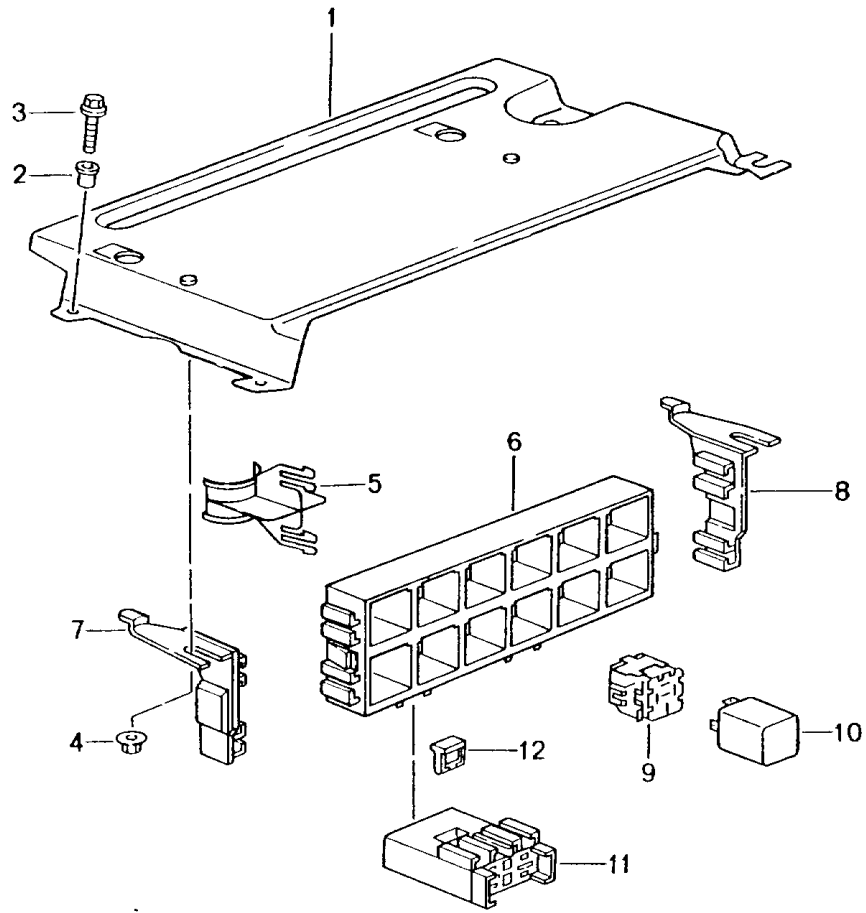
Pos	Part Number	Description	Remark	Qty	Model
		Central electrical system			
		Dashboard			
1	996 610 117 00	Support	/LL /L	1	
(1)	996 610 119 00	Support	/RL /L	1	
2	900 378 155 09	Hexagon-head bolt M 6 X 16 ASP		1	
3	996 610 104 00	Retaining frame		X	
4	996 610 112 00	Cable holder		X	
5	996 610 109 00	Relay carrier Support frame		1	
6	900 378 155 09	Hexagon-head bolt M 6 X 16 ASP		2	
7	996 610 116 00	Support	/LL /R	1	
(7)	996 610 118 00	Support	/RL /R	1	
8	900 377 010 01	Hexagon nut M 6		1	
9	928 610 511 00	Relay carrier		X	
10		Relay			
(10)	141 951 253 B	Relay Radiator fan 1 Setting 3		1	
(10)		Relay socket/code:	S1		
(10)		Relay Radiator fan 2 Setting 3		1	
(10)	1H0 953 227	Relay socket/code:	S2		
(10)		Flasher relay		1	
(10)		Relay socket/code:	S3		
(10)	996 615 117 00	Relay Rear window heating		1	
(10)		Relay socket/code:	S4		
(10)	996 615 111 00	Relay		1	M606
(10)		Relay socket/code:	S6/7		
(10)	996 618 113 00	Relay Headlight washer system		1	M288
(10)		Relay socket/code:	S8		
(10)	141 951 253 B	Relay KL. XE		1	
(10)		Relay socket/code:	S9		
(10)		Relay Fanfare		1	
(10)		Relay socket/code:	S10		
(10)		Relay (J)		1	
(10)		Relay socket/code:	S12		
(10)	996 615 101 00	Relay Fuel pump		1	
(10)		Relay socket/code:	S13		
(10)	996 615 103 00	Interval relay		1	
(10)		Relay socket/code:	S16		
(10)	141 951 253 B	Relay Heating		1	
(10)		Relay socket/code:	S18		
(10)		Relay Radiator fan 1 Setting 1		1	
(10)		Relay socket/code:	S19		
(10)		Relay Radiator fan 1 Setting2		1	
(10)		Relay socket/code:	S20		
(10)		Relay Radiator fan 2 Setting 1		1	

Model: 996 01 Model life 2001>>2005

Pos	Part Number	Description	Remark	Qty	Model
(10)		Relay socket/code: Relay Radiator fan 2 Setting2	S21	1	
11	996 610 210 00	Relay socket/code: Lid	S22	1	
13	996 610 211 01	Bracket		1	
14	999 650 209 40	Fuse holder		X	
15	999 650 210 40	Slide		X	
16	999 607 082 00	Lock 5 A		X	
(16)	999 607 083 00	Lock 7 , 5 A		X	
(16)	999 607 085 00	Lock 15 A		X	
(16)	999 607 087 00	Lock 25 A		X	
(16)	999 607 010 00	Lock 30 A		X	
(16)	999 607 089 00	Lock 40 A		X	
17	996 610 214 00	Tool		X	
-	996 610 217 04	Assignment sticker Lock	-02	X	
-	996 610 217 05	Assignment sticker Lock Emergency operation Lid	03-	X	
18	996 610 240 00	Terminal clamp		1	
19	999 657 006 90	Relay		1	
20	999 650 538 40	Relay carrier 5-pole Cover		1	
-		Rear spoiler See group 9/03/05			
-		Cover for Housing Lock See group 8/07/02		X	
21	999 650 319 22	Contact bridge 4-pole		X	
(21)	999 650 318 22	Contact bridge 8-pole		X	
22	999 650 317 40	Plug socket 8-pole		X	
23	999 650 320 22	Contact bush 2,8 / 0,75		X	
(23)	999 650 321 22	Contact bush 2,8 / 2,5		X	

Model: 996 01

Model life 2001>>2005



Model: 996 01 Model life 2001>>2005

Pos	Part Number	Description	Remark	Qty	Model
		Central electrical system			
		Rear end			
1	996 610 129 00	Mounting plate		1	COUPE
		F >>991S6 81183			
1	996 610 129 02	Mounting plate	01-05	1	COUPE
		F 991S6 81184>>995S6 80459			
(1)	996 610 229 03	Mounting plate	05-	1	COUPE
		F 995S6 80460>>			
2	999 500 078 00	Speed nut		2	COUPE
		F >>991S6 81183			
3	900 075 413 09	Combination screw		2	COUPE
		M 6 X 16 Z2			
		F >>991S6 81183			
(3)	999 084 629 01	Hexagon nut		2	
		M 6			
		F 991S6 81184>>			
4	900 380 015 01	Hexagon nut		2	
		M 6			
		F >>995S6 80459			
6	996 610 111 00	Relay carrier		1	
		Support frame			
7	996 610 126 00	Support	/R	1	
		F >>995S6 80459			
(7)	987 610 118 00	Support	/R	1	
		F 995S6 80460>>			
8	996 610 127 00	Support	/L	1	
		F >>995S6 80459			
(8)	987 610 117 00	Support	/L	1	
		F 995S6 80460>>			
-	996 610 128 00	Fixing clip	04-	2	CABRIO
9	928 610 511 00	Relay carrier		X	
10		Relay			
(10)	141 951 253 B	Relay		1	
		- dme -			
		Relay socket/code:	S1		
(10)		Relay		1	
		Ignition			
		Relay socket/code:	S2		
(10)	996 615 102 00	Relay		1	
		Spoiler			
		Relay socket/code:	S3		
(10)	964 615 215 00	Relay		1	M573
		Air conditioner			
		Relay socket/code:	S4		
(10)	999 657 018 90	Relay		1	M573
		Air conditioner			
		Relay socket/code:	S4		
(10)	996 615 112 00	Relay	04-	1	CABRIO
		Rear window heating			
		Relay socket/code:	S5		
(10)	141 951 253 B	Relay		1	
		Starter			
		Relay socket/code:	S7		
(10)		Relay		1	
		Blower			
		Engine compartment			
		Relay socket/code:	S8		
(10)	996 615 122 00	Relay	01	1	
		Spoiler			
		Only together with			
		Driving mechanism			
		Spoiler			
		996.512.241.01			

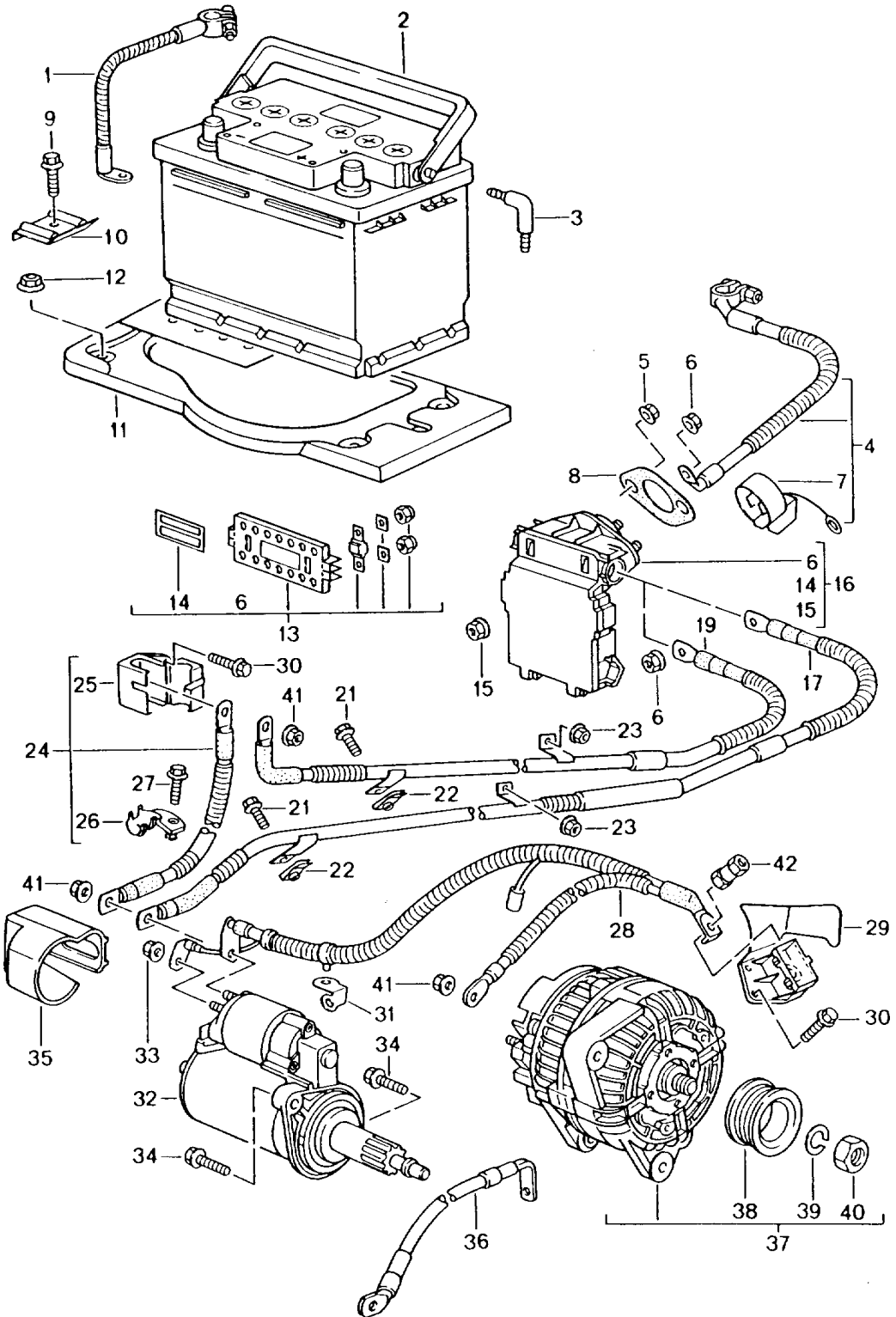
Model: 996 01

Model life 2001>>2005

Pos	Part Number	Description	Remark	Qty	Model
(10)	996 615 102 00	See TPI GR.9 , NR. 21 Relay socket/code: Relay Spoiler	S9 02-	1	
(10)	993 615 115 00	Relay socket/code: Relay Secondary pump	S9	1	M661
(10)	993 615 115 01	Relay socket/code: Relay Secondary pump	S10	1	M661
11	999 650 193 40	Relay socket/code: Fuse holder	S10	1	M661
12	999 650 371 40	Locking device		1	M661
-	999 650 194 22	Contact bush		X	M661
-	999 607 073 00	Lock 40 A		1	

Model: 996 01

Model life 2001>>2005



Model: 996 01 Model life 2001>>2005

Pos	Part Number	Description	Remark	Qty	Model
		Battery			
		Power distributor			
		Starter			
		Generator			
		Battery main switch			
1	997 611 090 00	Ground strap	/LL	1	
(1)	997 611 091 00	Ground strap	/RL	1	
2	999 611 080 20	Battery		1	
		80 AH			
(2)	999 611 080 21	Battery		1	
		80 AH			
2	999 611 070 20	Battery		1	GT2
		70 AH			
(2)	999 611 070 21	Battery		1	
		70 AH			
3	893 915 507	Angled pipe		1	
4	996 612 090 09	Cable	/LL	1	
		Battery			
		Power distributor			
(4)	996 612 090 10	Cable	/RL	1	
		Battery			
		Power distributor			
5	900 380 005 09	Hexagon nut		2	
		VM 8			
6	900 084 030 02	Hexagon nut		2	
		M 8			
		for			
		Power distributor			
7	996 610 309 00	Protection cap		1	
		Terminal clamp			
		Power distributor			
8	996 610 302 00	Flange gasket		1	
		for			
		Power distributor			
9	900 378 017 01	Hexagon-head bolt		1	
		M 8 X 20			
10	996 611 209 00	Rail		1	
(11)	997 504 151 01	Carrier plate for battery		1	
-	996 504 622 01	Gasket		1	
		Carrier plate for battery			
12	999 084 630 01	Hexagon nut		4	
		VM 8 SB			
13	996 610 306 00	Repair kit		1	
		Replacement			
		Fuse element			
		Comprising:			
-		Fuse element		1	
		50 AMPERE			
-		Fuse element		1	
		80 AMPERE			
-		Hexagon nut		4	
		M 5			
6	900 084 030 02	Hexagon nut		1	
		M 8			
-		Intermediate layer		4	
-		Cover		1	
		Blue			
14	996 610 311 00	Seal label		2	
		Red			
14		Seal label		2	
		Red			
15	900 084 031 02	Hexagon nut		7	
		M 6			

Model: 996 01 Model life 2001>>2005

Pos	Part Number	Description	Remark	Qty	Model
16	996 610 308 00	for Power distributor Repair kit Replacement Power distributor Comprising:		1	
-		Power distributor Complete		1	
15	900 084 031 02	Hexagon nut M 6		7	
6	900 084 030 02	Hexagon nut M 8		2	
14	996 610 311 00	Seal label Red Use also: POS. 8		2	
17	996 612 041 01	Cable Power distributor Starter	/LL	1	M480
(17)	996 612 043 00	Cable Power distributor Starter	/RL	1	M480
19	996 612 042 01	Cable Power distributor Connection point	/LL	1	M249
(19)	996 612 044 00	Cable Power distributor Connection point When required order also:	/RL	1	M249
-	996 610 187 00	Cable holder		1	
-	999 919 172 09	Hexagon-head bolt 7,0 X 14		1	
21	900 075 497 01	Combination screw M 5 X 10 Z2		1	
22	999 507 702 01	Speed nut M 5		1	
23	900 377 010 01	Hexagon nut M 6		1	
24	996 607 033 02	Wiring harness with Connection point Starter		1	M249
25	986 611 201 01	Connection point Complete		1	M249
26	996 607 115 00	Support		2	M249
27	999 919 046 01	Hexagon-head bolt 5 X 16		2	M249
(28)	996 607 031 04	Wiring harness		1	M480
28	996 607 032 04	Wiring harness with Connection point Generator Starter		1	M249
29	996 611 202 00	Connection point Complete		1	
30	900 378 035 01	Hexagon-head bolt M 6 X 16		2 4	M480 M249
31	996 607 042 01	Support		1	M249
32	996 604 107 01	Starter		1	
32	996 604 107 02	Starter		1	
32	996 604 107 BX	Starter		1	
33	900 377 010 01	Hexagon nut M 6		1	



Model: 996 01 Model life 2001&gt;&gt;2005

Pos	Part Number	Description	Remark	Qty	Model
34	900 378 101 09	Hexagon-head bolt AM 10 X 35		2	
35	996 604 118 00	Protection cap		1	M480
(35)	996 604 117 00	Protection cap		1	M249
		Starter			
36	996 607 034 01	Ground strap		1	
		Engine			
		Body			
37	997 603 012 06	Generator		1	M249
		with			
		Pulley			
		without			
		Free wheel lock			
(37)	997 603 012 07	Generator		1	M480
		with			
		Pulley			
		Free wheel lock			
(37)	997 603 012 09	Generator		1	M480
		with			
		Pulley			
		Free wheel lock			
(37)	997 603 012 JX	Generator		1	M480
		with			
		Pulley			
		Free wheel lock			
38	996 603 151 55	Pulley		1	M249
		without			
		Free wheel lock			
(38)	996 603 152 50	Pulley		1	M480
		with			
		Free wheel lock			
		Use also:			
		996.603.153.50			
-	996 603 153 50	Protection cap		1	M480
		for			
		Pulley			
		with			
		Free wheel lock			
39	N 012 016 1	Lock ring		1	
		B 16			
40	900 034 013 01	Hexagon nut		1	
		M 16 X 1,5			
-	996 603 113 00	Protection cap		1	M249
		for			
		POS. 40			
		Mounting parts			
		Regulator			
		Generator			
-	000 043 204 22	Oval-head screw		2	
		M 4 X 19			
		Micro-self-locking			
-	000 043 204 23	Spring washer		2	
		B4			
		Mounting parts			
		Generator			
-	900 378 167 09	Hexagon-head bolt		1	
		M 10 X 110			
-	900 378 294 01	Hexagon-head bolt		1	
		M 10 X 110			
-	900 378 098 09	Hexagon-head bolt		1	
		AM 10X 60			
41	900 377 003 03	Hexagon nut		3	
		M 8			

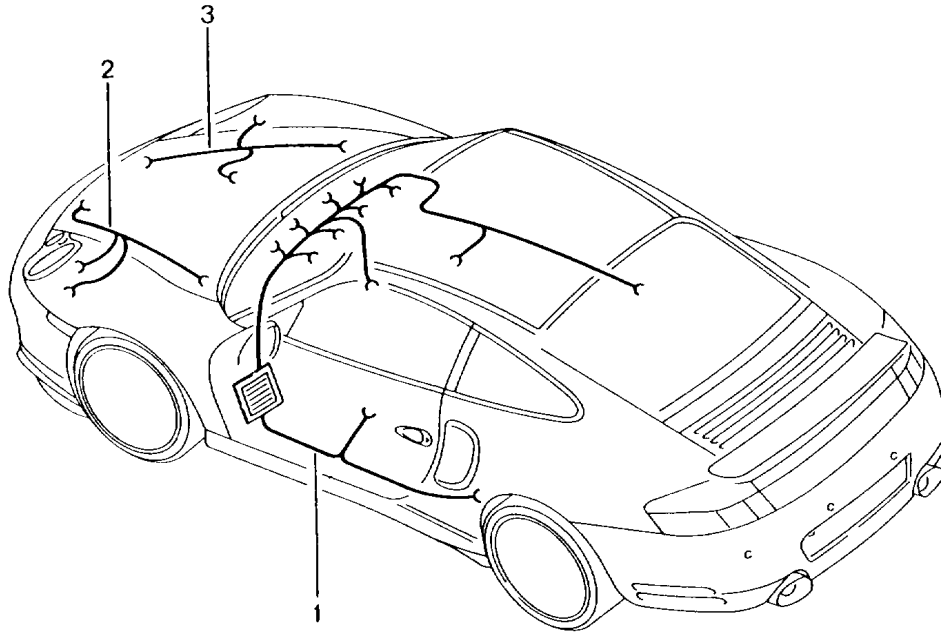
Model: 996 01

Model life 2001&gt;&gt;2005

Pos	Part Number	Description	Remark	Qty	Model
42	999 076 069 02	Hexagon nut M 8		1	
-	996 612 921 70	Assembly kit		1	GT2 M003/581
-	996 612 227 70	Battery main switch Comprising: Battery main switch		1	GT2 M003/581
-	996 613 185 70	Switch		1	GT2 M003/581
-	900 378 074 01	Inner Complete with Trim for switch Hexagon-head bolt		1	GT2 M003/581
-	900 075 459 09	M 8 X 16 Combination screw		1	GT2 M003/581
-	900 075 459 01	M 6 X 12 Combination screw		1	GT2 M003/581
-	996 612 921 75	M 6 X 12 Assembly kit		1	GT2 -M581/M003
-	996 612 227 70	Battery main switch Comprising: Battery main switch		1	GT2 -M581/M003
-	996 613 185 75	Switch		1	GT2 -M581/M003
-	900 378 074 01	Inner Complete with Trim for switch Hexagon-head bolt		1	GT2 -M581/M003
-	900 075 459 09	M 8 X 16 Combination screw		1	GT2 -M581/M003
-	900 075 459 01	M 6 X 12 Combination screw		1	GT2 -M581/M003
-	996 613 183 70	M 6 X 12 Rocker switch		1	GT2 M003
-	996 613 261 80	Outer Complete with Cover Rocker switch		1	GT2 M003
-	996 612 393 90	Outer Cable		1	GT2 M003
		Battery main switch Power distributor			

Model: 996 01

Model life 2001>>2005

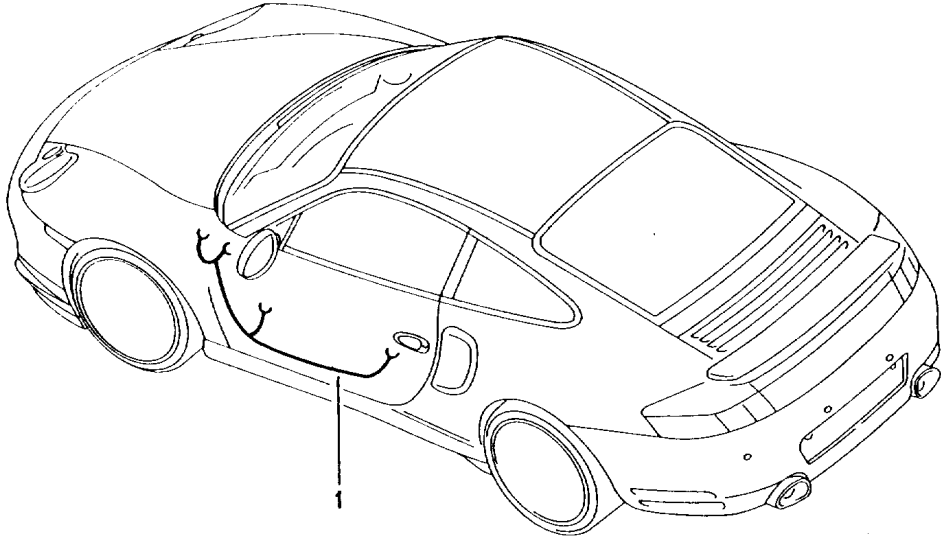


Model: 996 01 Model life 2001>>2005

Pos	Part Number	Description	Remark	Qty	Model
1	996 622 903 00	Wiring harnesses Passenger compartment Glove compartment FRONT luggage compartment Repair kit Anti-lock brake system Brake pad wear indicator Front axle Wiring harness		1	
-	996 610 120 00	Passenger compartment Vehicle Ident. No. Indicate Support		1	
-	999 651 302 40	Plug socket Diagnostic connector Fixing clip Wiring harness		X	
-	999 651 284 40	Passenger compartment Door sill Fixing clip Wiring harness		X	
-	996 622 501 00	Passenger compartment Door sill Wiring harness	02-	1	
-	999 650 564 40	Glove compartment Clip Microswitch	02-	1	
-	999 650 565 40	Clip Connector housing	02-	1	
2	996 622 313 00	Wiring harness FRONT luggage compartment	/L 01	1	
2	996 622 313 15	Wiring harness FRONT luggage compartment	/L 02-	1	
3	996 622 312 00	Wiring harness FRONT luggage compartment	/R 01	1	
3		Wiring harness FRONT luggage compartment Is a component of Wiring harness	/R 02-	1	
-	996 612 957 00	Passenger compartment Repair kit Wiring harness	/V /L	1	
-	996 612 957 70	Repair kit Wiring harness	/V /L	1	GT2
-	996 612 958 00	Repair kit Wiring harness	/V /R	1	
-	996 612 958 70	Repair kit Wiring harness Repair kit Wiring harness Rear axle See group 9/02/20	/V /R	1	GT2

Model: 996 01

Model life 2001>>2005



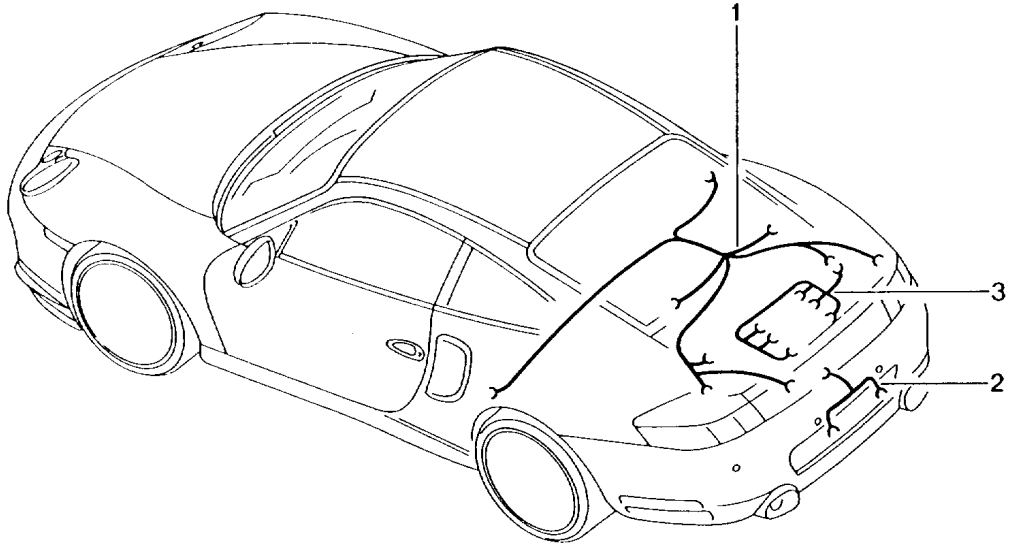
Model: 996 01

Model life 2001>>2005

Pos	Part Number	Description	Remark	Qty	Model
		Wiring harnesses Driver's door Passenger's door Convertible top control Auxiliary support			
1	996 612 634 11	Wiring harness Driver's door		1	
(1)	996 612 635 11	Wiring harness Passenger's door Mount Wiring harness Doors		1	
-	999 703 470 40	Cable clamp		2	M273
-	999 507 627 02	Cable clamp		2	
-	996 610 141 01	Rubber boot A-pillar		2	
-	996 610 144 00	Frame Reinforcement Rubber boot A-pillar		2	
-	996 610 321 00	Cable holder Door arrester		2	
-		Wiring harness Convertible top control See group 8/11/07	04-	1	CABRIO
-		Wiring harness Auxiliary support See group 8/11/15	04-	1	CABRIO

Model: 996 01

Model life 2001>>2005



Model: 996 01 Model life 2001>>2005

Pos	Part Number	Description	Remark	Qty	Model
		Wiring harnesses Rear end Additional brake light Rear lid License plate light Engine Transmission Repair kit Anti-lock brake system Brake pad wear indicator Rear axle			
1	996 622 905 00	Wiring harness Rear end Vehicle Ident. No. Indicate		1	
-	996 612 507 02	Wiring harness	04-	1	CABRIO M602
-	996 423 101 00	Additional brake light Protective tube	04-	1	CABRIO M602
-	996 612 070 30	for Wiring harness		1	IXAF
-	996 612 070 70	Wiring harness Rear lid		1	GT2
2	996 612 060 00	Wiring harness License plate light		1	
(2)	996 612 063 00	Wiring harness License plate light		1	M635
-	999 650 013 40	Fixing clip Connection point Wiring harness License plate light		1	
3	996 607 015 03	Wiring harness Engine	-02	1	
3	996 607 015 05	Wiring harness Engine	03-	1	
-	996 607 121 00	Cable guide	/L	1	
-	996 607 122 00	Cable guide	/R	1	
-	996 607 101 02	Support Connection point Wiring harness Engine		1	
-	997 610 131 00	Support Connection point Wiring harness Engine		1	
(3)	996 612 401 00	Wiring harness Transmission		1	M249
-	999 507 752 40	Cable holder for Wiring harness Transmission		1	M249
-	999 591 746 02	Cable clamp for Wiring harness Transmission		3	M249
-	999 591 746 01	Cable clamp for Wiring harness Transmission		3	M249
(3)	996 612 401 70	Wiring harness		1	GT2



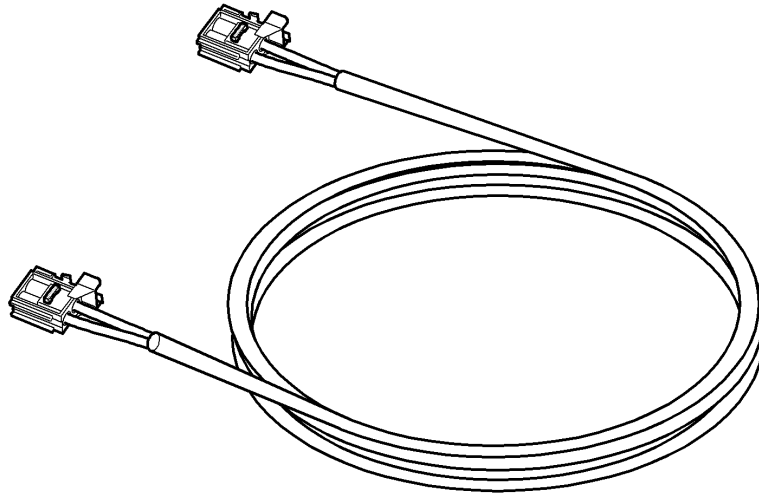
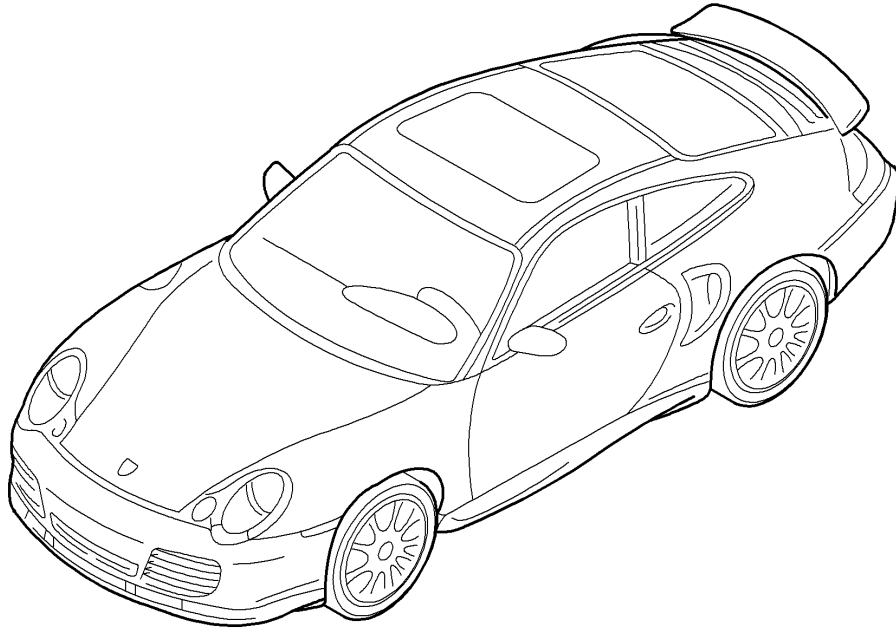
Model: 996 01

Model life 2001>>2005

Pos	Part Number	Description	Remark	Qty	Model
		Transmission Cooling Repair kit Wiring harness Anti-lock brake system Brake pad wear indicator Rear axle			
-	996 612 953 01	Repair kit Wiring harness	/H /L	1	
-	996 612 954 01	Repair kit Wiring harness Repair kit Wiring harness Front axle See group 9/02/10	/H /R	1	

Model: 996 01

Model life 2001>>2005

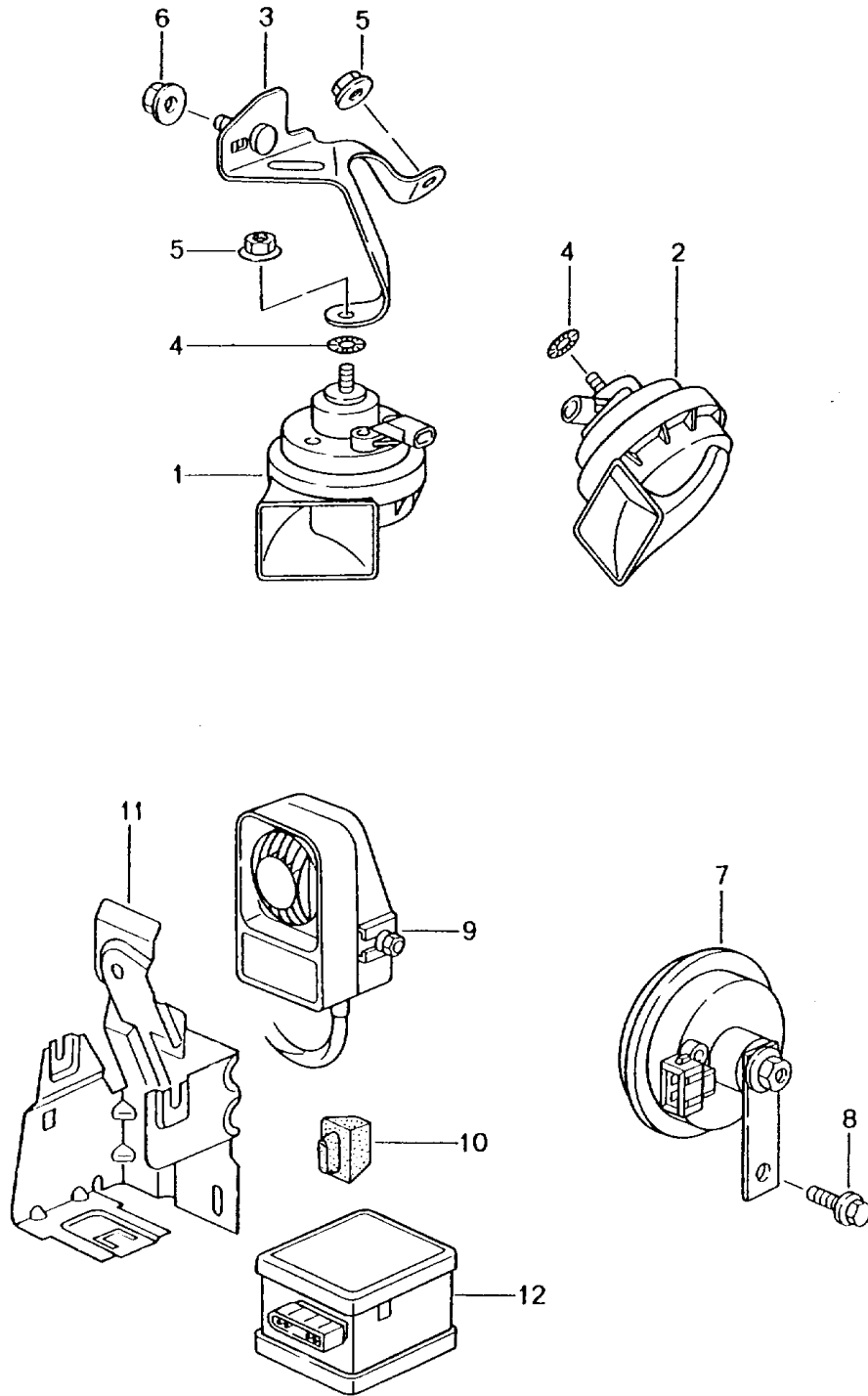


Model: 996 01 Model life 2001>>2005

Pos	Part Number	Description	Remark	Qty	Model
-	996 622 701 00	Optical waveguide Optical waveguide Module	03- /LL	1	M680
-	996 622 721 00	Optical waveguide Module	/RL	1	M680
-	996 622 702 00	Optical waveguide Module	/LL 04-	1	GT2 M666
-	996 622 722 00	Optical waveguide Module	/RL 04-	1	GT2 M666
-	996 622 707 00	Optical waveguide Module	/LL	1	M666/680
-	996 622 727 00	Optical waveguide Module	/RL	1	M666/680
-	996 622 708 00	Optical waveguide Module	/LL	1	M680/692
-	996 622 728 00	Optical waveguide Module	/RL	1	M680/692
-	996 622 729 00	Optical waveguide Module	/LL 04-	1	GT2 M692
-	996 622 709 00	Optical waveguide Module	/LL 04-	1	GT2 M692
-	996 622 718 00	Optical waveguide Module	/LL	1	M666/680 M692
-	996 622 738 00	Optical waveguide Module	/RL	1	M666/680 M692
-	996 622 739 00	Optical waveguide Module	/LL 04-	1	GT2 M666 M692
-	996 622 719 00	Optical waveguide Module	/RL 04-	1	GT2 M666 M692
-	996 610 122 00	Support Connection point Luggage compartment		1	
-	999 507 804 40	Expander nut for Support		1	
-	996 610 132 00	Cable guide T-piece Luggage compartment		1	

Model: 996 01

Model life 2001>>2005

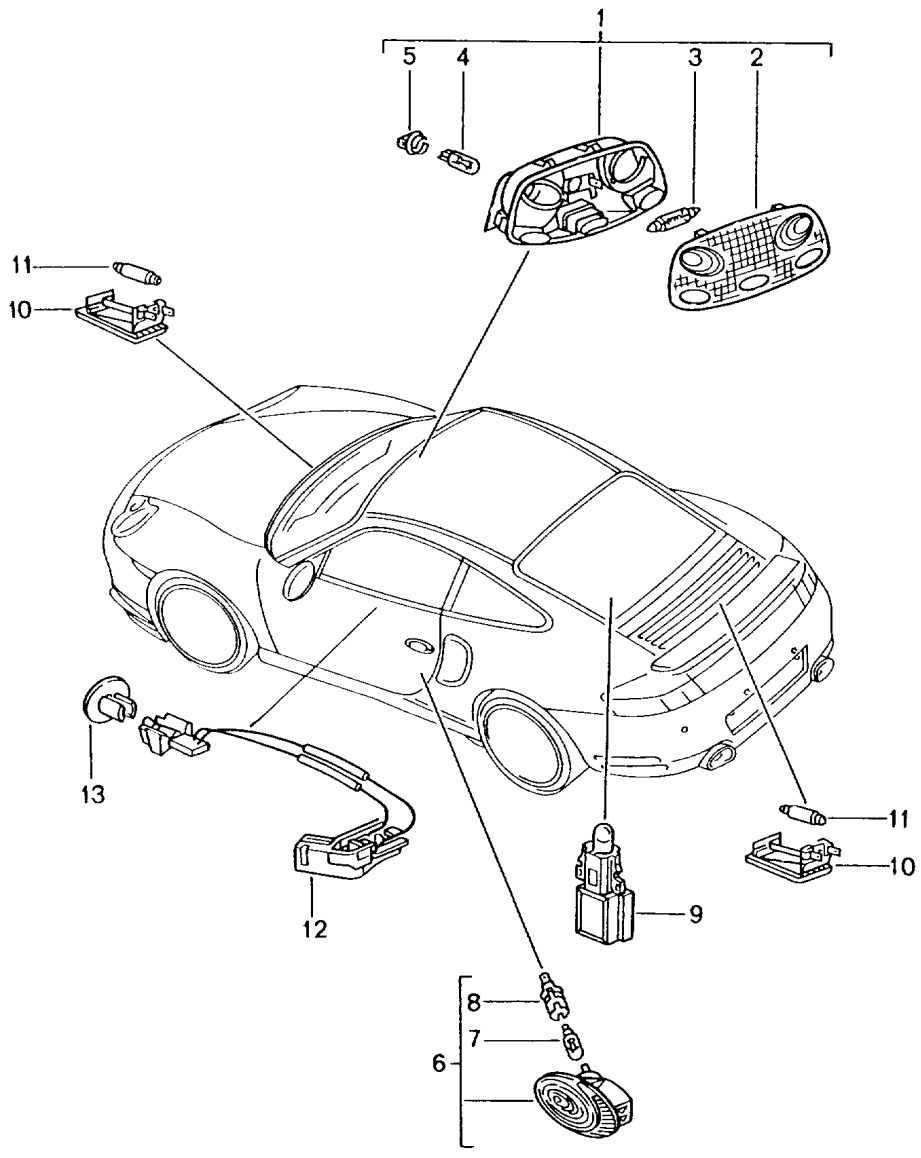


Model: 996 01 Model life 2001>>2005

Pos	Part Number	Description	Remark	Qty	Model
1	996 635 206 04	Fanfare Horn Alarm system		1	
1	996 635 206 07	Fanfare High-pitched		1	
2	996 635 205 04	Fanfare Low-pitched		1	
2	996 635 205 07	Fanfare Low-pitched		1	
3	996 635 150 00	Support		1	TURBO
(3)	996 635 150 30	Support		1	GT2
4	N 042 121 3	Shake-proof washer A 6,4		2	
5	900 380 015 01	Hexagon nut M 6		2	
6	900 377 003 03	Hexagon nut M 8		1	
7	996 637 117 02	Horn for Alarm system		1	
7	996 637 117 03	Horn for Alarm system		1	
8	900 075 459 09	Combination screw		1	
8	900 075 459 01	Combination screw M 6 X 12 Z2		1	
9	996 618 237 04	Alarm siren		1	M536
9	996 618 237 05	Alarm siren		1	M536
10	999 703 459 40	Rubber mounting		1	M536
11	996 637 420 01	Support	/LL	1	M536
(11)	996 637 419 01	Support for Alarm siren 99661823704	/RL	1	M536
(11)	996 637 419 03	Support for Alarm siren 99661823705	/RL	1	
12	996 618 265 00	Tilt sensor See technical manual GR.9 / 96 64 32 Use also:	-01	1	M536
-	996 622 904 00	Wiring harness		1	
-	999 650 118 40	Clip		1	M536
(12)	996 618 265 01	Tilt sensor	02-	1	M536
-	996 637 421 00	Support Tilt sensor	02-	1	M536
-	900 378 179 09	Hexagon-head bolt M 6 X 16	02-	1	M536
-	999 500 078 00	Speed nut M 6	02-	1	M536

Model: 996 01

Model life 2001>>2005



Model: 996 01 Model life 2001>>2005

Pos	Part Number	Description	Remark	Qty	Model
		Interior lights			
		Luggage compartment lamp			
		Engine compartment lamp			
		Footwell light			
		Glove compartment light			
		Combined lights			
		Door opener			
1	996 632 051 01	Interior light	01	1	M265
1	996 632 051 10	Interior light	02-	1	M265
(1)	996 632 053 01	Interior light	01	1	
(1)	996 632 053 10	Interior light	02-	1	GT2
2	996 632 151 00	Lens		1	M265
(2)	996 632 153 00	Lens	01	1	
(2)	996 632 153 10	Lens	02-	1	GT2
3	900 631 106 90	Linolite lamp		1	
		10 W			
4	999 631 134 90	Bulb		2	
		6 W			
5	999 632 018 00	Bulb socket		2	
6	996 632 132 01	Door guard light		2	
7	999 631 032 90	Bulb		2	
		5 W			
8	161 949 111	Bulb socket		2	
9	996 632 113 00	Ashtray light		1	
		Luggage compartment lamp			
		Engine compartment lamp			
		Footwell light			IXX2
10	997 632 201 00	Light		2	
-	996 632 980 00	Support		2	IXX2
		Footwell light			
(10)	928 632 101 00	Glove compartment light	02-	1	
11	900 631 106 90	Linolite lamp		2	
		10 W			
		Luggage compartment lamp			
		Engine compartment lamp			
(11)	999 631 018 90	Bulb	02-	1	
		3 W			
		Glove compartment light			
-	999 631 137 90	Bulb	01	4	M274
-	999 631 147 90	Bulb	02-	4	M274
		3 W			
12	996 632 121 02	Vanity mirror			
		Combined lights	/LL	1	
		Driver's door			
		Door opener			
		Ignition starter lock			
(12)	996 632 124 02	Combined lights	/RL	1	
		Driver's door			
		Door opener			
		Ignition starter lock			
(12)	996 632 122 02	Combined lights	/LL	1	
		Passenger's door			
		Door opener			
(12)	996 632 123 02	Combined lights	/RL	1	
		Passenger's door			
		Door opener			
13	996 632 125 00	Rosette	/LL	1	
		Driver's door			
		Combined lights			
		Ignition starter lock			
(13)	996 632 126 00	Rosette	/RL	1	
		Driver's door			
		Combined lights			

Model: 996 01

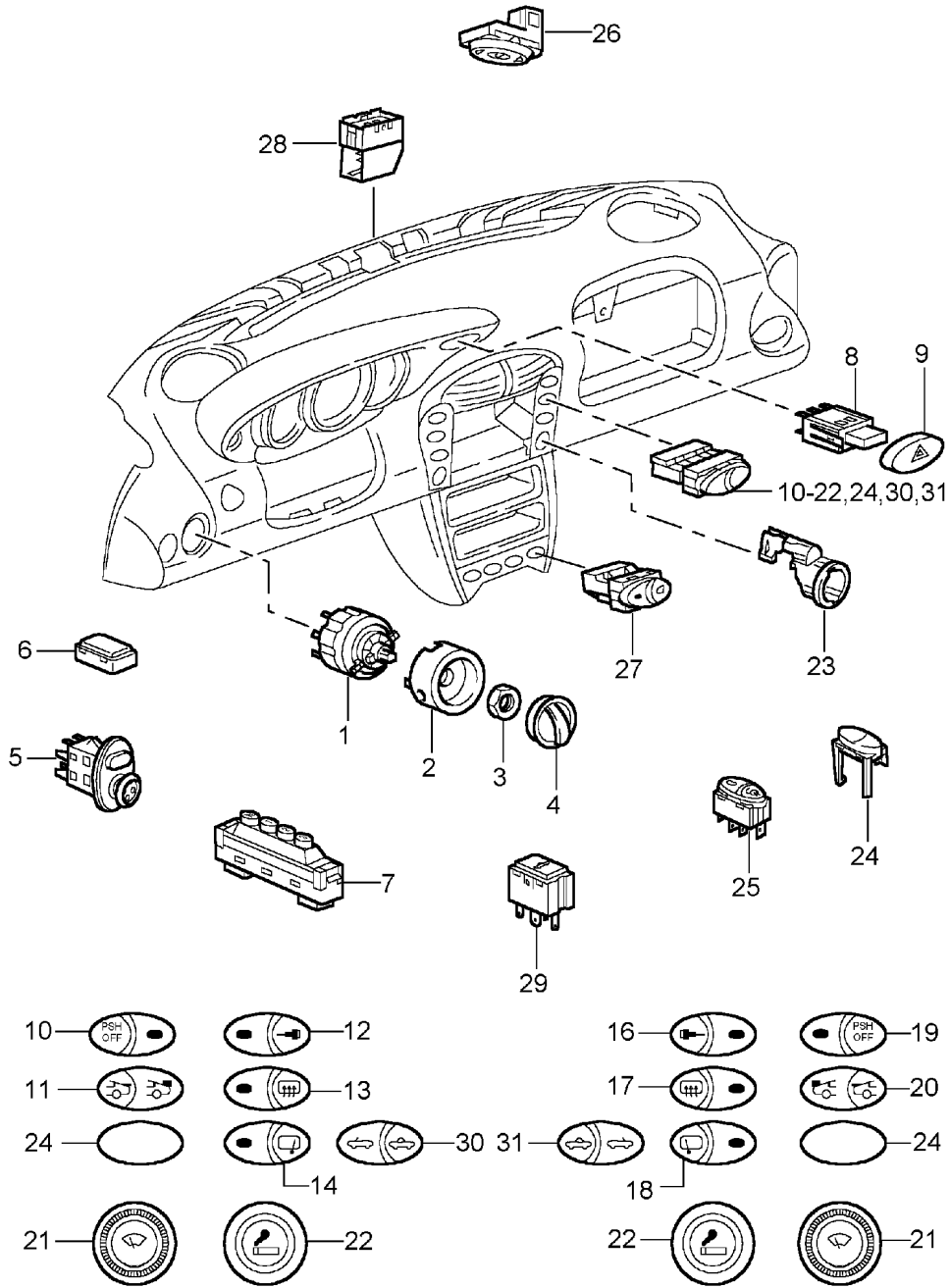
Model life 2001>>2005

Pos	Part Number	Description	Remark	Qty	Model
		Ignition starter lock			



Model: 996 01

Model life 2001>>2005



Model: 996 01 Model life 2001>>2005

Pos	Part Number	Description	Remark	Qty	Model
1	996 613 535 00	Switch Light switch		1	
2	996 613 631 01	Headlight unit	/LL	1	
2	996 613 631 02	Headlight unit	/LL	1	
(2)	996 613 632 01	Headlight unit	/RL	1	
3	999 034 030 09	Hexagon nut M 16 X 1		1	
4	996 613 533 01	Rotary knob	01	1	
	996 613 533 01 A01	Gloss black			
4	996 613 533 10	Rotary knob	02-	1	
	996 613 533 10 A05	Black mat			
5	996 613 241 00	Switch		1	M273
	996 613 241 00 01C	Satin black			
(5)	996 613 980 01	Door mirror Mirror changeover switch Door mirror Leather		1	IXTJ/XTK/XTL IXTR
	996 613 980 01 A11	Black			
	996 613 980 01 C51	Graphite grey			
	996 613 980 01 S31	Savanna			
	996 613 980 01 G11	Metropole blue			
	996 613 980 01 J31	Nephrite green			
	996 613 980 01 M31	Boxster red			
	996 613 980 01 P12	Cinnamon brown			
	996 613 980 01 D12	Dark grey/natural			
	996 613 980 01 T12	Brown/natural			
6	996 613 423 00	Cover Rear spoiler		1	
7	996 613 103 01	Memory switch	01	1	M537/538
(7)	996 613 103 02	Memory switch	02-	1	M537/538
8	996 613 120 01	Hazard warning light sw.		1	
9	996 613 121 00	Key	01	1	
	996 613 121 00 A02	Gloss black			
9	996 613 121 10	Key	02-	1	
	996 613 121 10 A05	Black mat			
-		Rosette Hazard warning light sw. See group 8/09/00		X	
10	996 613 145 00	Tip switch	/LL 01	1	M476
	996 613 145 00 A02	Gloss black			
10	996 613 145 10	Tip switch	/LL 02-	1	M476
	996 613 145 10 A05	Black mat			
11	996 613 155 00	Tip switch	/LL 01	1	
	996 613 155 00 A02	Gloss black Rear spoiler			
11	996 613 155 10	Tip switch	/LL 02-	1	
	996 613 155 10 A05	Black mat Rear spoiler			
12	996 613 144 00	Tip switch	/LL 01	1	
	996 613 144 00 A02	Gloss black Central locking system			
12	996 613 144 10	Tip switch	/LL 02-	1	
	996 613 144 10 A05	Black mat Central locking system			
13	996 613 134 00	Tip switch	/LL 01	1	
	996 613 134 00 A02	Gloss black Heating Rear window Door mirror			
13	996 613 134 10	Tip switch	/LL 02-	1	
	996 613 134 10 A05	Black mat Heating			

Model: 996 01 Model life 2001>>2005

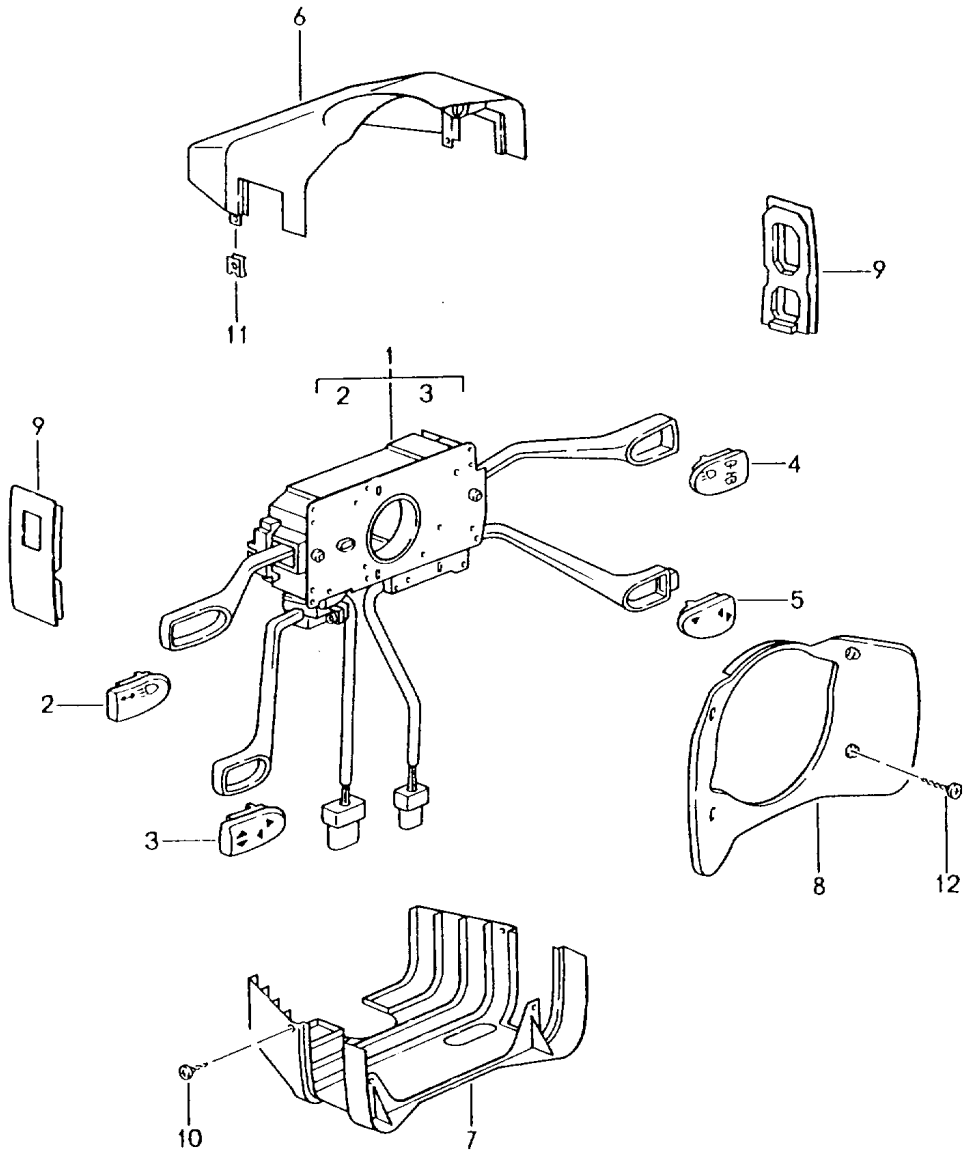
Pos	Part Number	Description	Remark	Qty	Model
14	996 613 136 00 996 613 136 00 A02	Rear window Door mirror Tip switch Gloss black	/LL 01	1	M425
14	996 613 136 10 996 613 136 10 A05	Rear window wiper Tip switch Black mat	/LL 02-	1	M425
16	996 613 143 00 996 613 143 00 A02	Rear window wiper Tip switch Gloss black	/RL 01	1	
16	996 613 143 10 996 613 143 10 A05	Central locking system Tip switch Black mat	/RL 02-	1	
17	996 613 133 00 996 613 133 00 A02	Central locking system Tip switch Gloss black	/RL 01	1	
17	996 613 133 10 996 613 133 10 A05	Heating Rear window Door mirror Tip switch Black mat	/RL 02-	1	
18	996 613 135 00 996 613 135 00 A02	Heating Rear window Door mirror Tip switch Gloss black	/RL 01	1	M425
18	996 613 135 10 996 613 135 10 A05	Rear window wiper Tip switch Black mat	/RL 02-	1	M425
19	996 613 146 00 996 613 146 00 A02	Rear window wiper Tip switch Gloss black	/RL 01	1	M476
19	996 613 146 10 996 613 146 10 A05	Tip switch Black mat	/RL 02-	1	M476
20	996 613 156 00 996 613 156 00 A02	Tip switch Gloss black Rear spoiler	/RL 01	1	
20	996 613 156 10 996 613 156 10 A05	Tip switch Black mat	/RL 02-	1	
21	996 613 115 00 996 613 115 00 A02	Rear spoiler Potentiometer Gloss black	01	1	
21	996 613 115 10 996 613 115 10 A05	Wipe interval Potentiometer Black mat	02-	1	GT2
(21)	996 613 127 00 996 613 127 00 A02	Wipe interval Potentiometer Gloss black	01	1	M265
(21)	996 613 127 10 996 613 127 10 A05	Wipe interval Potentiometer Black mat	02-	1	M265
22	996 652 101 00 996 652 101 10 996 652 101 10 A05	Wipe interval Cigarette lighter Cigarette lighter Black mat	01 02-	1 1	
22	997 652 101 00 997 652 101 00 A05	Cigarette lighter Black mat	02-	1	
23	996 652 102 01 996 652 102 10	Headlight unit Headlight unit	01 02-	1 1	
24	986 613 425 00 986 613 425 00 A01	Cover Gloss black Switch Display specimen	01	X	

Model: 996 01 Model life 2001>>2005

Pos	Part Number	Description	Remark	Qty	Model
24	996 613 425 10 996 613 425 10 A05	Cover Black mat Switch Display specimen	02-	X	
(24)	996 613 980 06 996 613 980 06 A05	Tip switch Black mat Footwell light	02-	1	IXX2
25	996 613 151 00 996 613 151 00 A02	Tip switch Gloss black Power windows	01	2	
25	996 613 151 10 996 613 151 10 A05	Tip switch Black mat Power windows	02-	2	
26	996 613 147 00 996 613 147 00 A02	Tip switch Gloss black Sunroof	01	1	M650
26	996 613 147 10 996 613 147 10 A05	Tip switch Black mat Sunroof	02-	1	M650
27	996 613 153 00 996 613 153 00 A02	Tip switch Gloss black Seat heater	/L 01	1	M139
(27)	996 613 154 00 996 613 154 00 A02	Tip switch Gloss black Seat heater	/R 01	1	M340
27	996 613 153 10 996 613 153 10 A05	Tip switch Black mat Seat heater	/L 02 /L 03-	1	M139 M342
(27)	996 613 154 10 996 613 154 10 A05	Tip switch Black mat Seat heater	/R 02 /R 03-	1	M340 M342
28	996 653 251 00	Sensor Alarm system with Light		1	M534/535 M573
29	996 613 105 10 996 613 105 10 A05	Tip switch Black mat Lid Front		1	
(29)	996 613 106 10 996 613 106 10 A05	Tip switch Black mat Lid Rear		1	
30	996 613 138 10 996 613 138 10 A05	Tip switch Black mat Convertible top control	/LL 04-	1	CABRIO
31	996 613 137 10 996 613 137 10 A05	Tip switch Black mat Convertible top control	/RL 04-	1	CABRIO

Model: 996 01

Model life 2001>>2005



Model: 996 01 Model life 2001>>2005

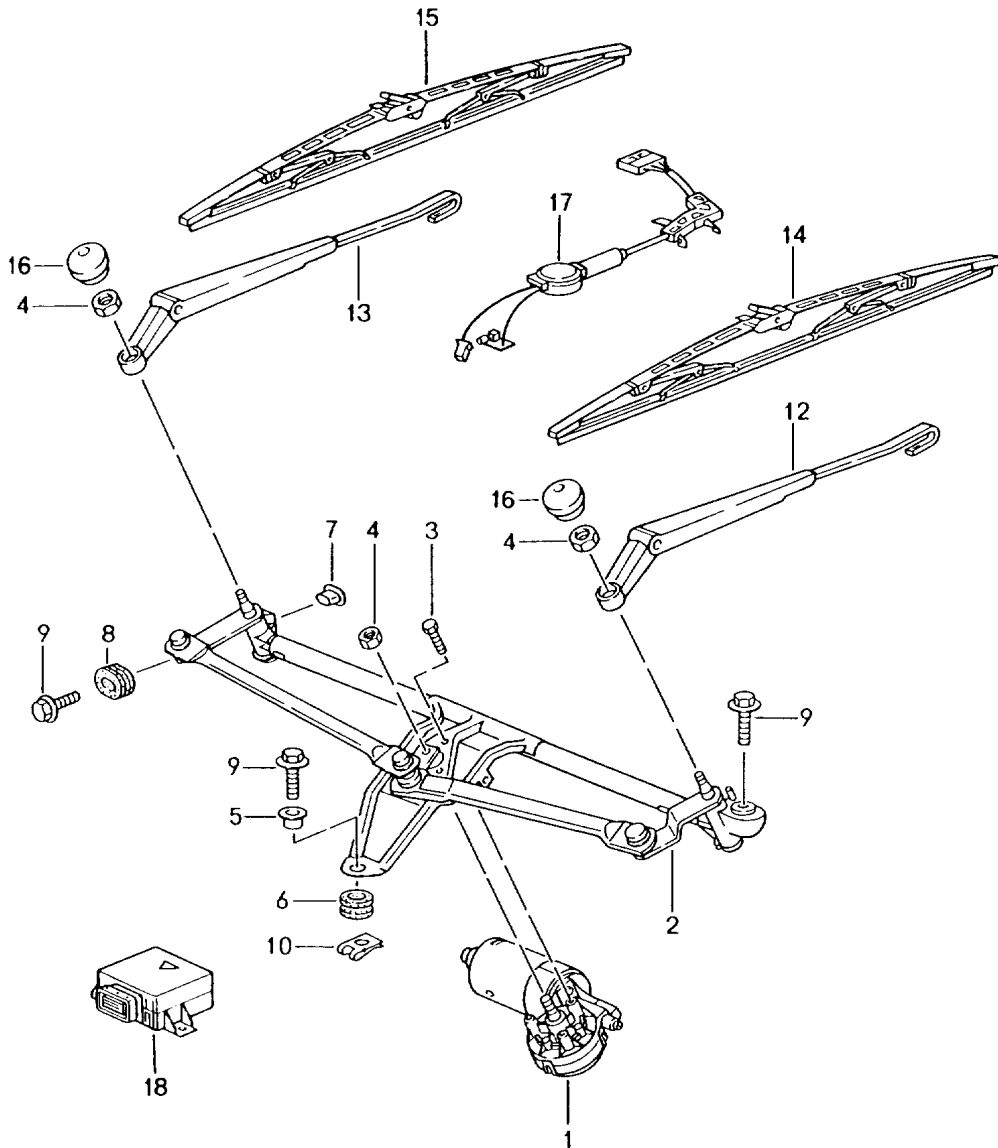
Pos	Part Number	Description	Remark	Qty	Model
1	996 613 219 10	Steering column switch		1	M454/659
1	996 613 219 10 EWC	Black mat/satin black			
1	996 613 215 10	Steering column switch		1	M659
	996 613 215 10 EWC	Black mat/satin black			
2	996 613 509 00	When required order also: Cap with symbol	01	1	
	996 613 509 00 A01	Gloss black			
		Direction indicator light			
		High beam			
2	996 613 509 10	Cap with symbol	02-	1	
	996 613 509 10 A05	Black mat			
		Direction indicator light			
		High beam			
3	996 613 503 01	Cap with symbol	01	1	M659
	996 613 503 01 A01	Gloss black			
3	996 613 503 10	Cap with symbol	02-	1	M659
	996 613 503 10 A05	Black mat			
4	996 613 507 00	Cap with symbol	01	1	M288
	996 613 507 00 A01	Gloss black			
4	996 613 507 10	Cap with symbol	02-	1	M288
	996 613 507 10 A05	Black mat			
5	996 613 504 00	Cap with symbol	01	1	M454
	996 613 504 00 A01	Gloss black			
		German			
5	996 613 504 10	Cap with symbol	02-	1	M454
	996 613 504 10 A05	Black mat			
		German			
(5)	996 613 505 00	Cap with symbol	01	1	M454
	996 613 505 00 A01	Gloss black			
		English			
(5)	996 613 505 10	Cap with symbol	02-	1	M454
	996 613 505 10 A05	Black mat			
		English			
(5)	996 613 506 00	Cap with symbol	01	1	M454
	996 613 506 00 A01	Gloss black			
		French			
(5)	996 613 506 10	Cap with symbol	02-	1	M454
	996 613 506 10 A05	Black mat			
		French			
6	996 552 273 01	Switch housing		1	
		Lacquered			
	996 552 273 01 A03	Black			
	996 552 273 01 C53	Graphite grey			
	996 552 273 01 G13	Metropole blue			
	996 552 273 01 J33	Nephrite green			
	996 552 273 01 M33	Boxster red			
	996 552 273 01 S33	Savanna			
	996 552 273 01 P13	Cinnamon brown			
7	996 552 275 03	Switch housing		1	
		Lacquered			
	996 552 275 03 A03	Black			
	996 552 275 03 C53	Graphite grey			
	996 552 275 03 G13	Metropole blue			
	996 552 275 03 J33	Nephrite green			
	996 552 275 03 M33	Boxster red			
	996 552 275 03 S33	Savanna			
	996 552 275 03 P13	Cinnamon brown			
-	996 610 206 00	Support		1	
		for			
		Connector housing			
8	996 552 277 00	Cover		1	
		Lacquered			

Model: 996 01 Model life 2001>>2005

Pos	Part Number	Description	Remark	Qty	Model
	996 552 277 00 A03	Black			
	996 552 277 00 C53	Graphite grey			
	996 552 277 00 G13	Metropole blue			
	996 552 277 00 J33	Nephrite green			
	996 552 277 00 M33	Boxster red			
	996 552 277 00 S33	Savanna			
	996 552 277 00 P13	Cinnamon brown			
9	993 552 573 00	Cover		1	M659
	993 552 573 00 01C	Satin black			
(9)	993 552 573 01	Cover		2	M454/659
	993 552 573 01 01C	Satin black			
10	900 143 002 07	Tapping screw B 2,9 X 9,5		2	
11	999 591 888 02	Speed nut B 2,9		2	
12	900 143 072 02	Oval-head sheetmetal screw B 3,5 X 19		4	

Model: 996 01

Model life 2001>>2005



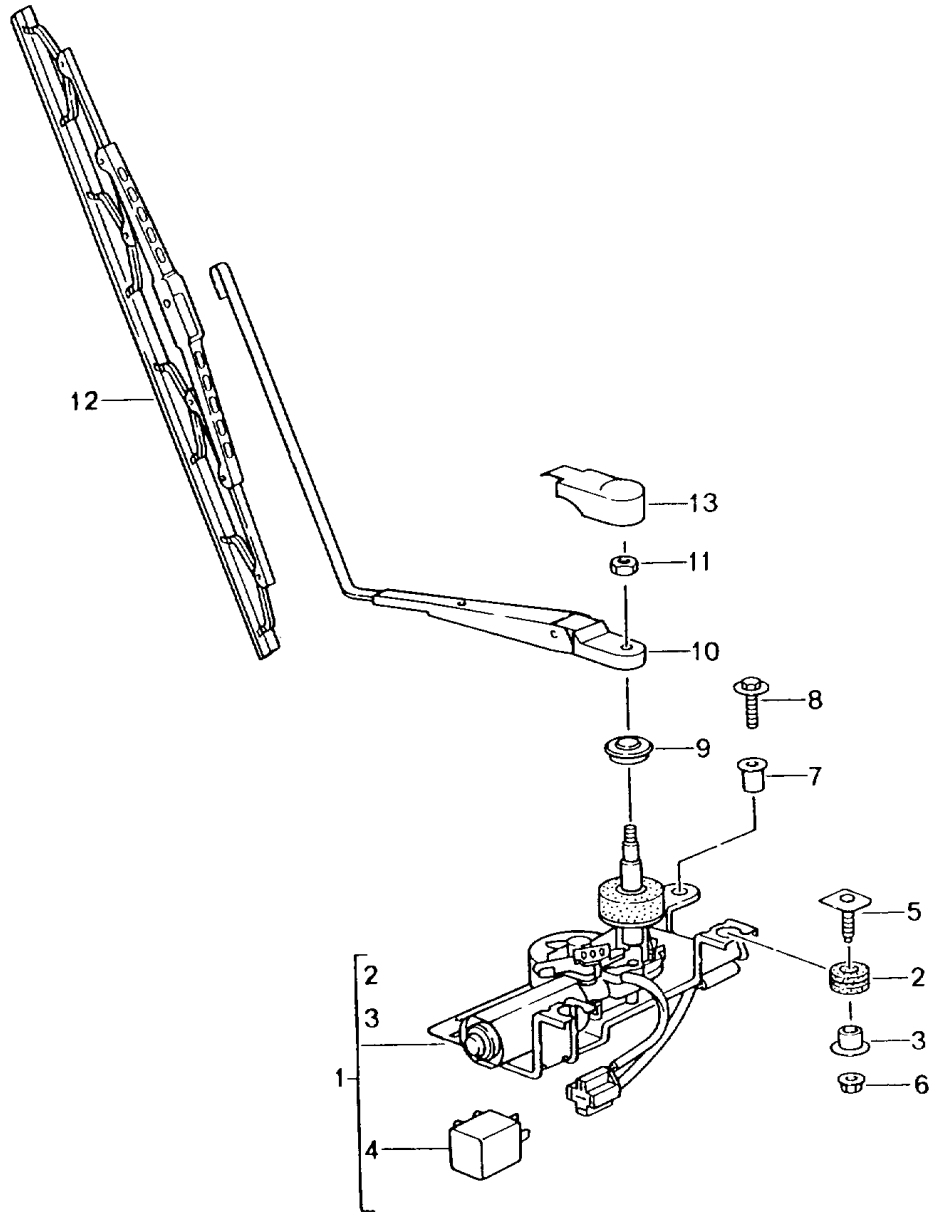


Model: 996 01 Model life 2001>>2005

Pos	Part Number	Description	Remark	Qty	Model
		Windscreen wiper system			
		Rain sensor			
1	997 624 105 01	Wiper motor	/LL	1	
(1)	997 624 106 01	Wiper motor	/RL	1	
2	997 628 235 01	Crank drive	/LL	1	
(2)	997 628 236 00	Crank drive	/RL	1	
(2)	997 628 236 01	Crank drive	/RL	1	
3	900 075 014 02	Hexagon-head bolt M 6 X 18	-04	3	
3	900 075 014 03	Hexagon-head bolt M 6 X 18		3	
(3)	999 073 152 02	Torx screw M 6 X 18	05	3	
4	900 076 064 02	Hexagon nut M 8		3	
5	999 924 102 02	Bearing sleeve		1	
6	999 702 204 50	Rubber bush		1	
7	996 628 713 00	Bearing sleeve		1	
8	996 628 703 00	Rubber bush		1	
9	999 075 075 01	Combination screw M 6 X 22 SC		3	
10	999 507 246 01	Speed nut M 6		1	
12	997 628 027 00	Wiper arm Driver's side	/LL	1	
(12)	997 628 030 00	Wiper arm Passenger's side	/RL	1	
13	997 628 029 00	Wiper arm Passenger's side	/LL	1	
(13)	997 628 028 00	Wiper arm Driver's side	/RL	1	
(14)	996 628 901 08	Wiper blade Set Driver's side Passenger's side See technical information GR. 9 , NR. 1/03	/LL	1	
(15)		Wiper blade Set Driver's side Passenger's side See technical information GR. 9 , NR. 1/03	/RL	1	
16	944 628 305 01	Cap		2	
17	996 612 506 00	Rain sensor		1	COUPE M265
(17)	996 612 516 00	with Wiring harness Rain sensor	04-	1	CABRIO M265
-	000 043 204 65	with Wiring harness Adhesive film for Rain sensor See technical manual GR. 9 / 92 12 19		1	M265
18	996 615 113 00	Control unit Rain sensor		1	M265

Model: 996 01

Model life 2001>>2005



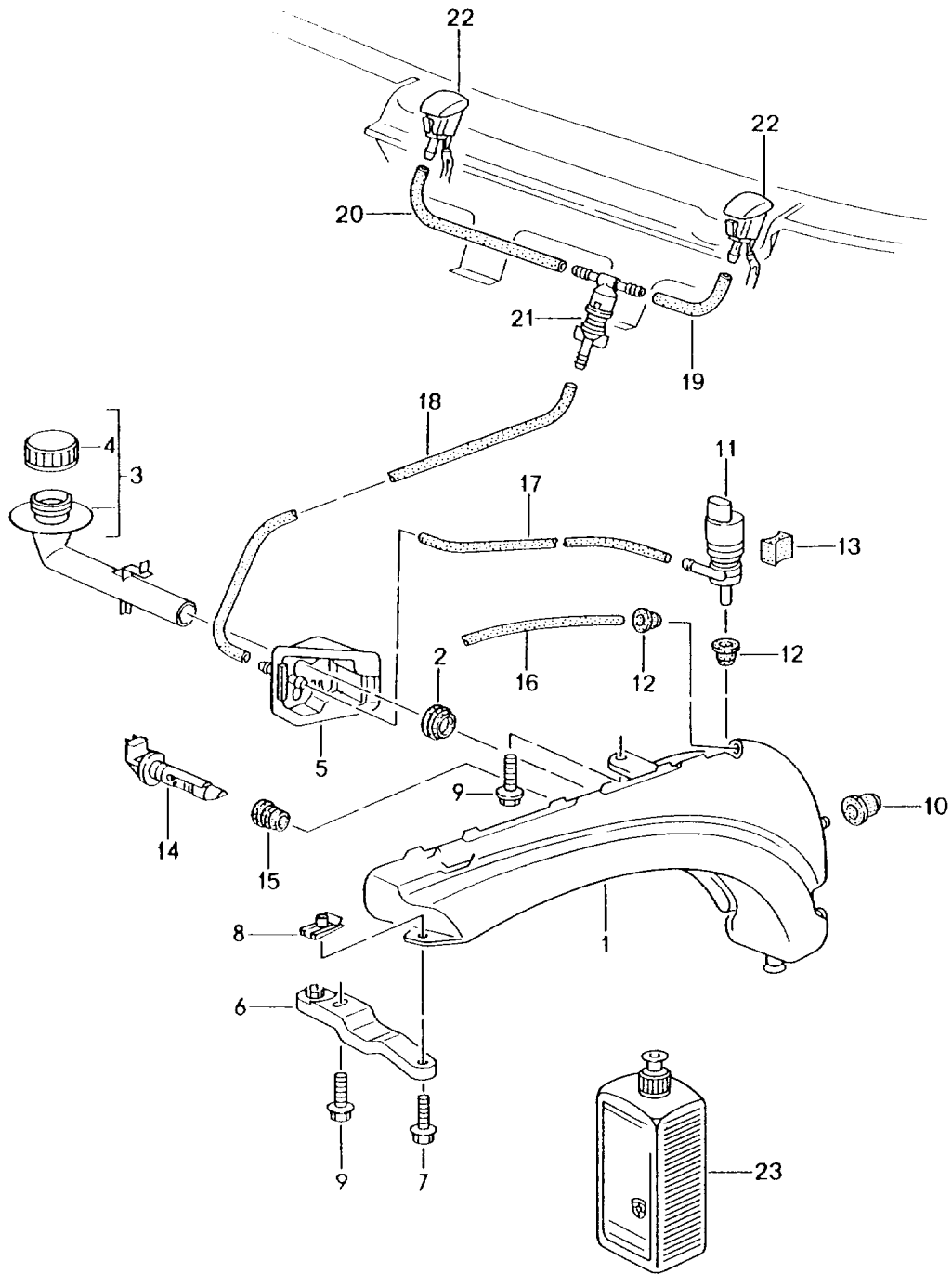
Model: 996 01

Model life 2001>>2005

Pos	Part Number	Description	Remark	Qty	Model
		Rear window wiper			
1	996 628 080 00	Wiper motor		1	
2	999 702 204 50	Rubber bush		2	
3	999 924 102 02	Bearing sleeve		2	
4	928 618 104 00	Relay		1	
5	999 081 004 02	Screw		2	
6	999 084 212 02	Hexagon nut M 6		2	
7	999 500 078 00	Speed nut		1	
8	999 075 056 09	Combination screw M 6 X 22 Z2		1	
9	996 628 273 01	Grommet		1	
10	996 628 040 00	Wiper arm		1	
11	900 076 064 02	Hexagon nut M 8		1	
12	996 628 045 00	Wiper blade		1	
13	996 628 122 00	Cap		1	

Model: 996 01

Model life 2001>>2005

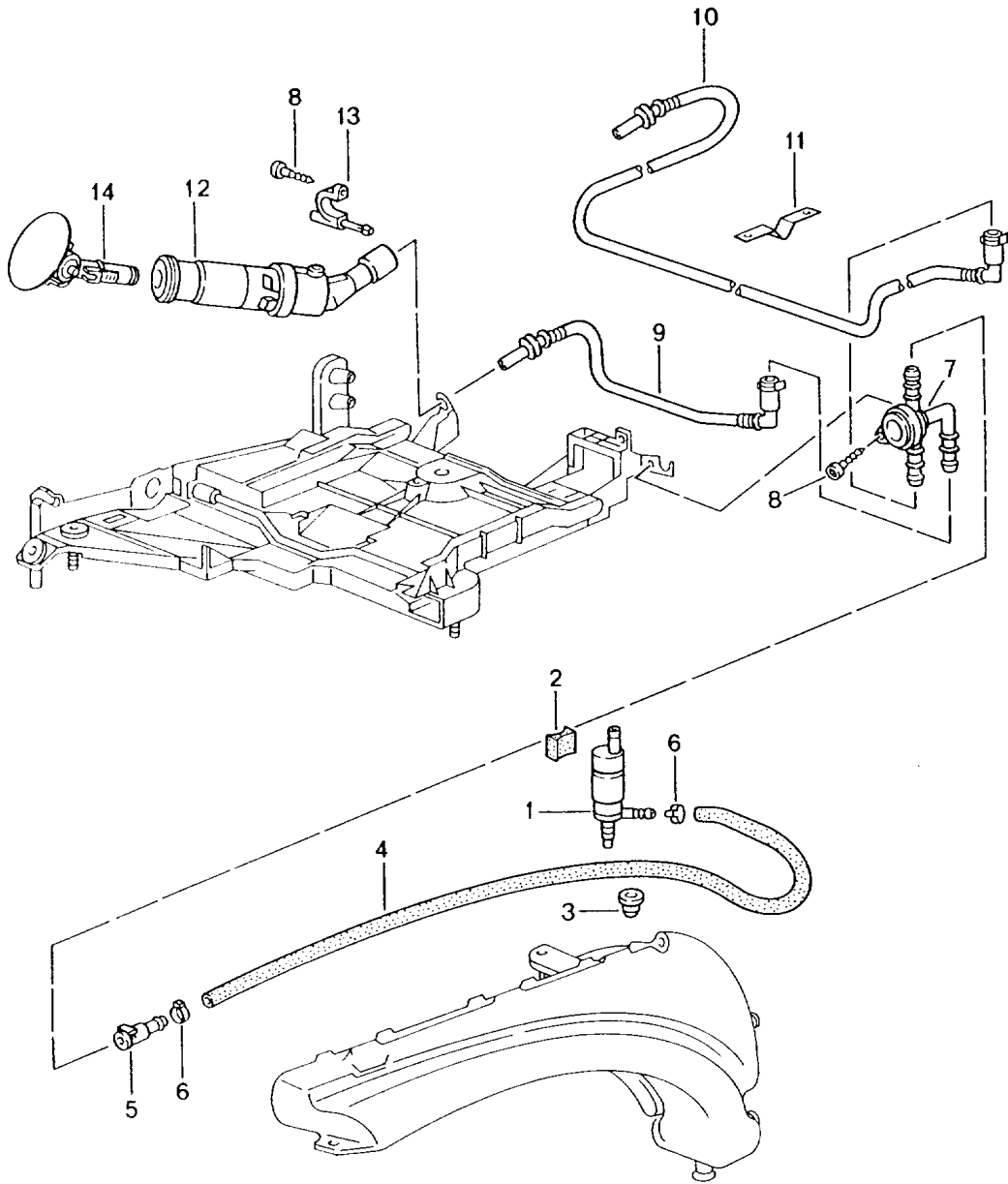


Model: 996 01 Model life 2001>>2005

Pos	Part Number	Description	Remark	Qty	Model
		Windscreen washer system			
1	996 528 701 00	Water reservoir		1	M288
2	996 528 711 00	Gasket		1	
3	996 528 605 00	Filler neck		1	
4	996 528 607 00	Lid		1	
5	996 528 615 01	Bracket		1	
-	999 137 091 40	Joining socket		X	
		Repair material for Bracket 996.528.615.00/01			
6	996 528 611 02	Support		1	M288
7	900 378 030 09	Hexagon-head bolt M 6 X 20		1	M288
8	999 591 882 02	Speed nut M 6		1	M288
8	999 591 882 01	Speed nut M 6		1	M288
9	900 378 154 01	Hexagon-head bolt AM 8 X 35 SB		2	M288
10	999 702 221 40	Grommet		2	
11	996 628 172 00	Pump		1	
12	431 955 465 B	Sealing ring		2	
13	993 628 213 00	Spacer		1	M288
14	996 628 105 00	Tank gauge switch		1	
15	996 528 721 00	Grommet		1	
16	999 181 347 40	Breather pipe 640 MM		*	M288
-	999 181 815 40	Hose 5,0 X 2,5		*	
17		400 MM		1	
18		560 MM		1	
19		80 MM		1	
20		380 MM		1	
21	996 628 102 00	T-piece		1	
(22)	996 628 077 03	Nozzle		2	
		Not Adjustable When required order also:			
-	997 612 976 00	Repair kit		2	
		Wiring harness			
23	999 901 017 41	Window cleaner 250 ML Summer		X	
23	999 901 017 42	Window cleaner 250 ML Summer		X	
23	000 044 000 87	Window cleaner 250 ML Summer		X	
23	999 901 033 40	Window cleaner 1000 ML Winter		X	

Model: 996 01

Model life 2001>>2005

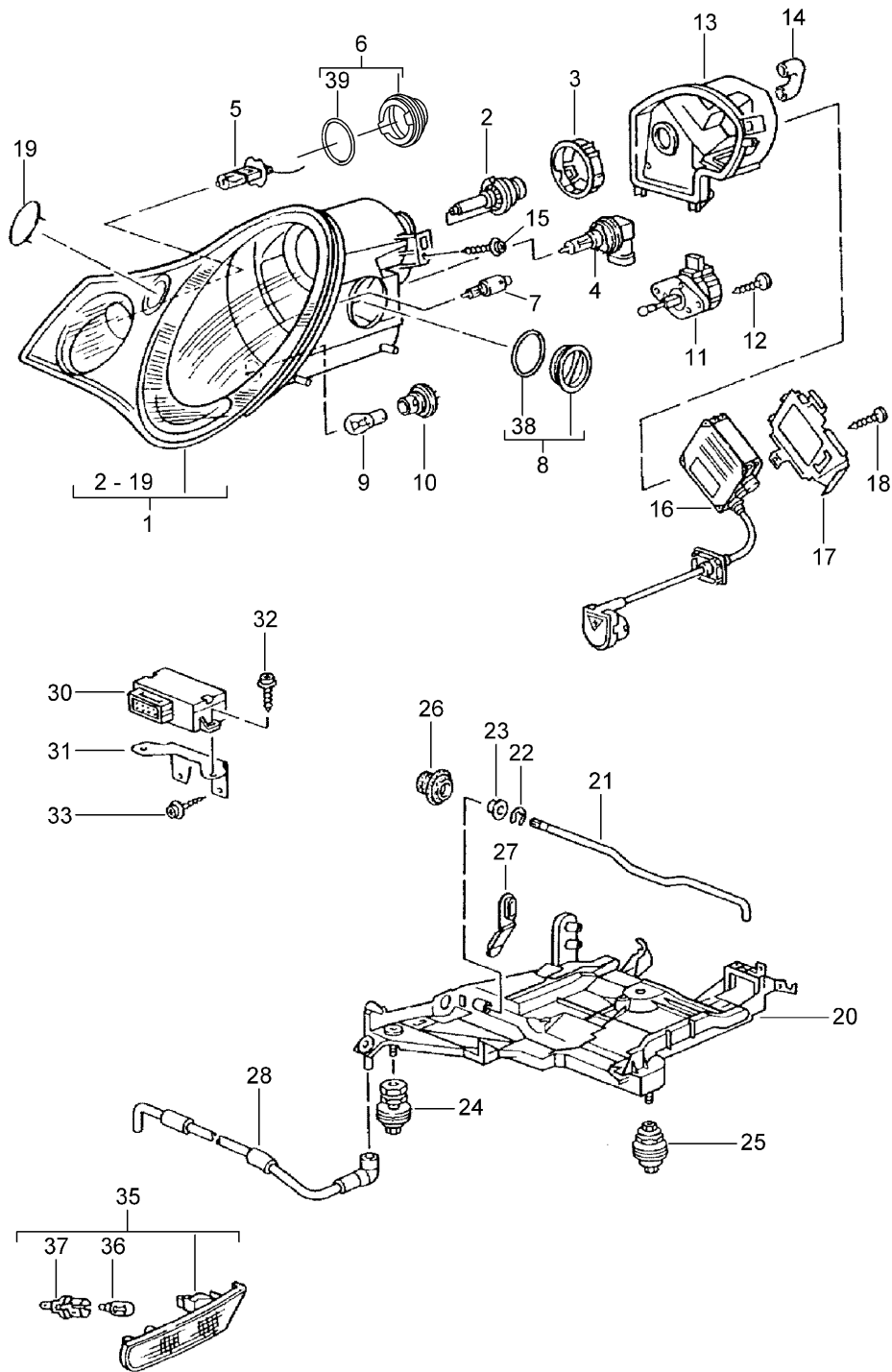


Model: 996 01 Model life 2001>>2005

Pos	Part Number	Description	Remark	Qty	Model
		Headlight washer system			M288
1	996 624 502 00	Pump		1	
2	993 628 213 00	Spacer		1	
3	928 628 193 00	Gasket without Strainer		1	
(3)	996 628 393 00	Gasket with Strainer		1	
-	999 181 750 40	Hose 10 X 3 1020 MM		*	
4				1	
5	996 628 204 00	Clutch		1	
6	999 512 673 00	Hose clamp		2	
7	996 628 160 00	Distributing piece		1	
8	999 919 017 02	Oval-head screw 4,0 X 16		3	
9	996 628 135 00	Pipeline	/L	1	
(10)	996 628 136 01	Pipeline	/R	1	
11	996 628 110 00	Support		2	
12	996 628 161 00	Jet carrier	/L	1	
(12)	996 628 162 00	Jet carrier	/R	1	
13	996 631 116 00	Guide pin		2	
14	996 628 143 00	Trim cover with Nozzle	/L	1	
(14)	996 628 144 00	Trim cover with Nozzle	/R	1	

Model: 996 01

Model life 2001>>2005





Model: 996 01

Model life 2001&gt;&gt;2005

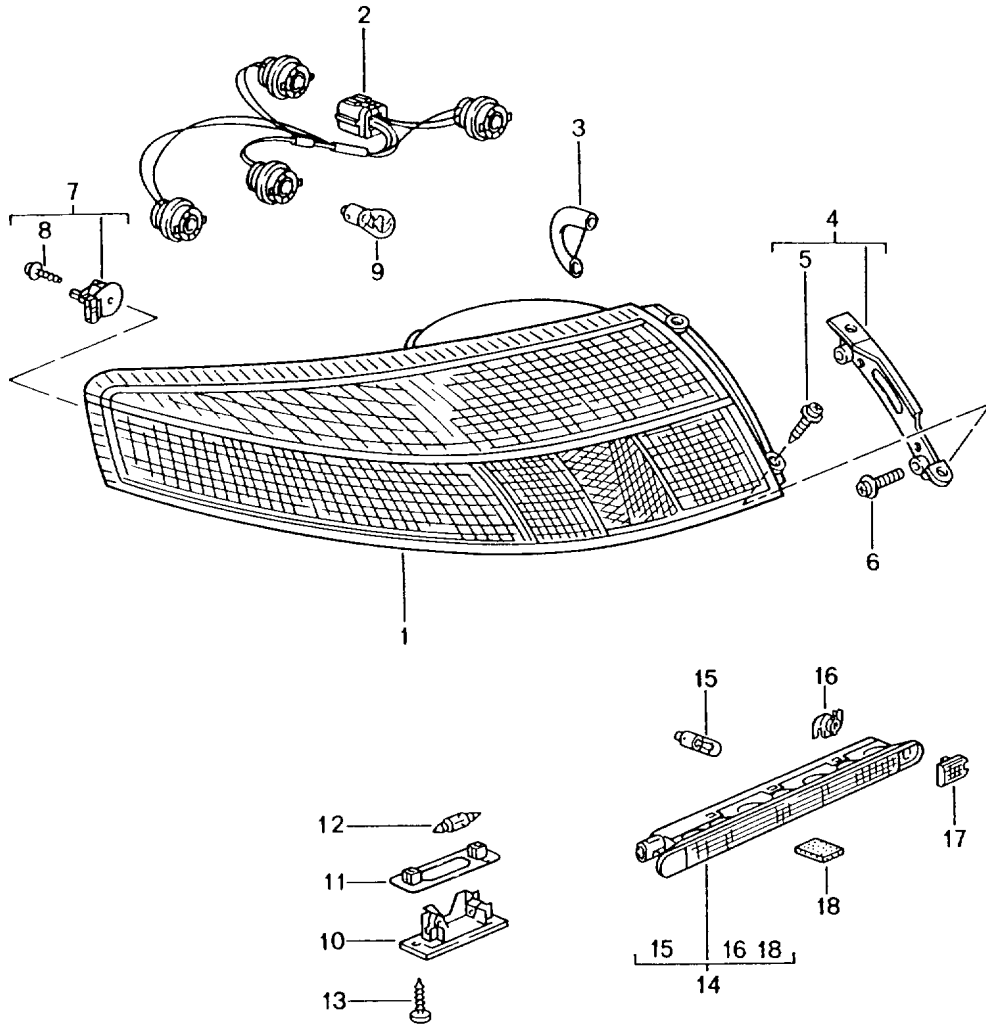
Pos	Part Number	Description	Remark	Qty	Model
		Headlamp			M601
		Direction indicator light			
1	996 631 055 10	Headlamp	/L	1	
1	996 631 056 10	Headlamp	/R	1	
1	996 631 065 10	Headlamp	/L	1	M492
1	996 631 066 10	Headlamp	/R	1	M492
2	999 631 036 90	Bulb		2	
		- PHILIPS -			
3	996 631 179 00	Retainer		2	
4	999 631 144 91	Halogen bulb		2	
		H 11			
5	900 631 126 90	Halogen bulb		2	
		H 3			
6	996 631 123 00	Lid		2	
		Fog headlamp			
7	999 631 140 90	Bulb		2	
		H 6 W			
		Position light			
8	996 631 134 00	Lid		2	
		Position light			
9	900 631 131 90	Bulb		2	
		21 W			
		Yellow			
		Direction indicator light			
10	996 631 118 00	Bulb socket		2	
		Direction indicator light			
11	996 631 135 00	Bearing bracket		2	
		Headlight levelling system			
12	999 919 093 02	Oval-head screw		4	
		4,0 X 10			
13	996 631 101 10	Protective cap	/L	1	
		Headlamp			
(13)	996 631 102 10	Protective cap	/R	1	
		Headlamp			
14	996 631 120 00	Breather adapter		2	
15	999 919 050 02	Oval-head screw		4	
		4,0 X 12			
16	996 631 183 00	Control unit		2	
17	996 631 161 00	Support	/L	1	
(17)	996 631 162 00	Support	/R	1	
18	999 919 017 02	Oval-head screw		2	
		4,0 X 16			
19		Trim cover			
		And			
		Nozzle			
		Headlight washer system			
		See group			
		9/04/20			
20	996 631 173 00	Mounting	/L	1	
(20)	996 631 174 00	Mounting	/R	1	
21	996 631 273 00	Clamping bow		2	
22	900 116 004 09	Lock washer		2	
23	996 631 272 00	Bearing sleeve		2	
24	996 631 079 00	Fastening part		4	
25	996 631 078 00	Fastening part		2	
26	999 703 413 40	Stopper		2	
27	993 631 170 03	Stopper		6	
-	996 631 140 00	Sealing washer		2	
		Ventilation pipe			
(28)	996 631 149 00	Ventilation component		2	
		See technical information			
		GR.9 , NR. 7/02			
30	996 618 151 15	Control unit		1	

Model: 996 01 Model life 2001>>2005

Pos	Part Number	Description	Remark	Qty	Model
31	996 618 155 00	Headlight levelling system Support F >>991S6 83455 F >>991S6 95108	01	1	
(31)	996 618 155 13	Support F 991S6 83456>> F 991S6 95109>>	01	1	
(31)	996 618 155 10	Support	02-	1	
32	900 143 157 07	Combination screw BZ 4,2 X 13 Z2		2	
33	999 073 169 07	Tapping screw ST 4,8 X 16	01	2	
33	999 073 196 09	Tapping screw ST 4,8 X 9,5	02-	1	
-	999 591 855 02	Speed nut 4,8	02-	1	
-	999 591 855 01	Speed nut 4,8 Sensor Headlight levelling system See group 4/01/00 5/01/01	02-     /V /H	1	
		Side marker light Direction indicator light			
35	996 631 043 01	Direction indicator light	/L	1	
35	996 631 043 02	Direction indicator light	/L	1	
(35)	996 631 043 03	Direction indicator light	/L	1	
(35)	996 631 044 01	Direction indicator light	/R	1	
(35)	996 631 044 02	Direction indicator light	/R	1	
(35)	996 631 044 03	Direction indicator light	/R	1	
36	999 631 138 90	Bulb 5 W Yellow		2	
(37)	996 631 133 01	Bulb socket		2	
38	PCG 631 134 00	Gasket for Lid		2	
39	PCG 631 123 00	Position light Gasket for Lid Fog headlamp		2	

Model: 996 01

Model life 2001>>2005

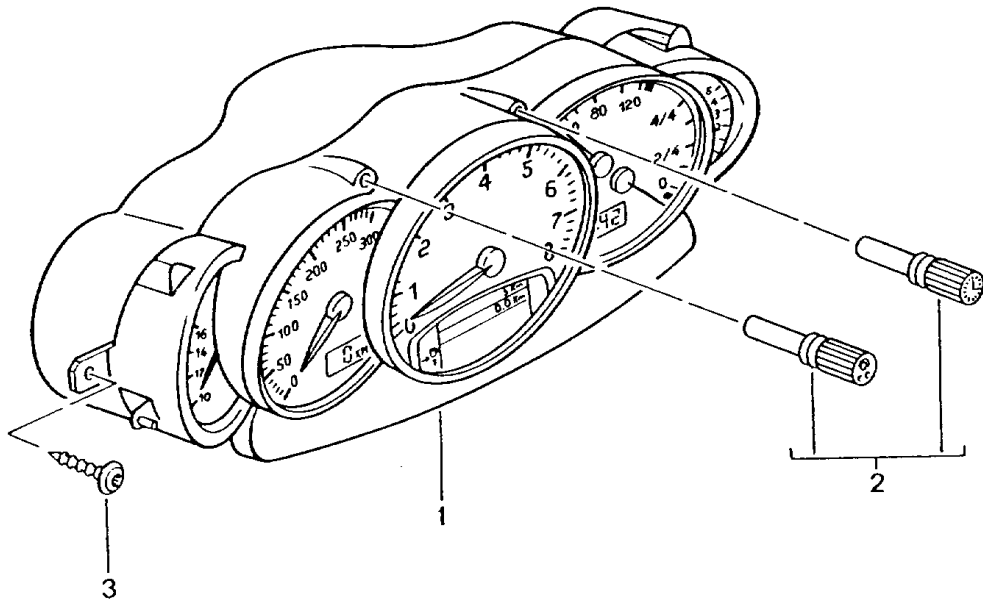


Model: 996 01 Model life 2001>>2005

Pos	Part Number	Description	Remark	Qty	Model
		Rear light			
		License plate light			
		Additional brake light			
1	996 631 487 00	Tail light housing	/L	1	
(1)	996 631 488 00	Tail light housing	/R	1	
2	996 631 437 01	Wiring harness		2	
3	996 631 451 01	Connection piece		4	
4	996 631 465 01	Support	/L	1	
(4)	996 631 466 01	Support	/R	1	
5	900 146 117 09	Combination screw M 5 X 16 Z2	01	4	
5	999 073 250 09	Oval-head screw M 5 X 15	02-	4	
6	999 074 113 02	Combination screw M 5 X 18		4	
7	996 631 471 00	Mounting		2	
8	999 919 121 09	Oval-head screw		2	
9	900 631 127 90	Bulb 21 W White		X	
9	900 631 131 90	Bulb 21 W Yellow		X	
(9)	900 631 128 90	Bulb 21/5 W		X	
(9)	900 631 104 90	Bulb 5 W		X	
10	964 631 620 00	License plate light		2	
	964 631 620 00 01C	Black			
11	993 631 166 00	Desk pad		2	
12	900 631 105 90	Bulb 12V 5W		2	
13	900 143 085 07	Tapping screw 4,2 X 16		4	
14	996 631 050 01	Additional brake light		1	M602
14	996 631 050 03	Additional brake light		1	M602
14	996 631 050 05	Additional brake light		1	M602
14	996 631 050 07	Additional brake light		1	M602
15	900 631 019 90	Glass-base bulb 3 W		X	M602
16	996 631 168 00	Fastening part		1	M602
17	996 631 165 00	Cap		1	M602
18	996 631 105 00	Desk pad		2	M602

Model: 996 01

Model life 2001>>2005

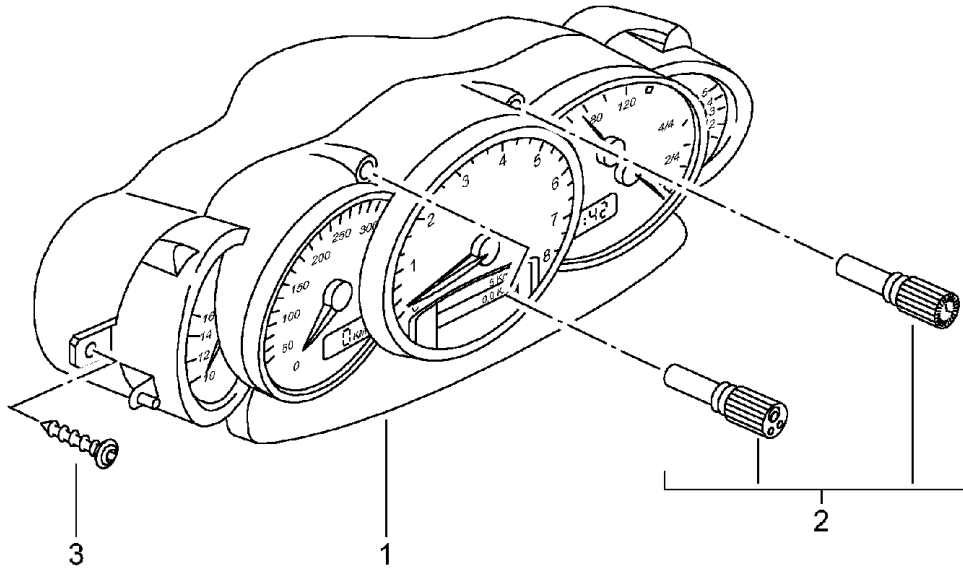


Model: 996 01 Model life 2001>>2005

Pos	Part Number	Description	Remark	Qty	Model
1	996 641 215 04	Instruments Complete Tech. information memo GR.9 , NR.10/01 Instruments X45/X71 See group 9/06/02 Instrument cluster		1	TURBO M480
(1)	996 641 215 04 70C 996 641 985 22	Complete Rally black Instrument cluster	05	1	TURBO S M480
(1)	996 641 985 22 70C 996 641 215 05	Complete Rally black Instrument cluster		1	GT2 M480
(1)	996 641 215 05 70C 996 641 216 04	Complete Rally black Instrument cluster		1	TURBO M249
(1)	996 641 216 04 70C 996 641 985 23	Complete Rally black Instrument cluster	05	1	TURBO S M249
(1)	996 641 985 23 70C 996 641 217 04	Complete Rally black Instrument cluster	(GB)	1	TURBO M480
(1)	996 641 217 04 70C 996 641 985 24	Complete Rally black Instrument cluster	(GB) 05	1	TURBO S M480
(1)	996 641 985 24 70C 996 641 217 05	Complete Rally black Instrument cluster	(GB)	1	GT2
(1)	996 641 217 05 70C 996 641 218 04	Complete Rally black Instrument cluster	(GB)	1	TURBO M249
(1)	996 641 218 04 70C 996 641 985 25	Complete Rally black Instrument cluster	(GB) 05	1	TURBO S M249
(2)	996 641 985 25 70C 996 641 911 00	Complete Rally black Knob Actuator Trip meter And Clock		1	
(3)	999 919 188 09	Oval-head screw 5,0 X 30		2	

Model: 996 01

Model life 2001>>2005



Model: 996 01 Model life 2001>>2005

Pos	Part Number	Description	Remark	Qty	Model
		Instruments Complete Tech. information memo GR.9 , NR.10/01 Instrument cluster Dial Lacquered Interior colour	01-		IX45/X71
1	996 641 985 08	Instrument cluster Complete		1	M480
	996 641 985 08 J33	Nephrite green			
	996 641 985 08 C53	Graphite grey			
	996 641 985 08 S33	Savanna			
	996 641 985 08 G13	Metropole blue			
	996 641 985 08 M33	Boxster red			
	996 641 985 08 P13	Cinnamon brown			
	996 641 985 08 D12	Dark grey/natural			
	996 641 985 08 T12	Brown/natural			
1	996 641 985 10	Instrument cluster Complete	(GB)	1	M480
	996 641 985 10 J33	Nephrite green			
	996 641 985 10 C53	Graphite grey			
	996 641 985 10 S33	Savanna			
	996 641 985 10 G13	Metropole blue			
	996 641 985 10 M33	Boxster red			
	996 641 985 10 P13	Cinnamon brown			
	996 641 985 10 D12	Dark grey/natural			
	996 641 985 10 T12	Brown/natural			
1	996 641 985 09	Instrument cluster Complete		1	M249
	996 641 985 09 J33	Nephrite green			
	996 641 985 09 C53	Graphite grey			
	996 641 985 09 S33	Savanna			
	996 641 985 09 G13	Metropole blue			
	996 641 985 09 M33	Boxster red			
	996 641 985 09 P13	Cinnamon brown			
	996 641 985 09 D12	Dark grey/natural			
	996 641 985 09 T12	Brown/natural			
1	996 641 985 11	Instrument cluster Complete	(GB)	1	M249
	996 641 985 11 J33	Nephrite green			
	996 641 985 11 C53	Graphite grey			
	996 641 985 11 S33	Savanna			
	996 641 985 11 G13	Metropole blue			
	996 641 985 11 M33	Boxster red			
	996 641 985 11 P13	Cinnamon brown			
	996 641 985 11 D12	Dark grey/natural			
	996 641 985 11 T12	Brown/natural			
1	996 641 985 02	Instrument cluster Aluminium Complete		1	IX71 TURBO M480
1	996 641 985 02 70C	Rally black			
1	996 641 985 22	Instrument cluster Complete	05	1	TURBO S M480
1	996 641 985 22 70C	Rally black			
1	996 641 984 55	Instrument cluster Complete		1	GT2
1	996 641 984 55 70C	Rally black			
1	996 641 985 04	Instrument cluster	(GB)	1	TURBO

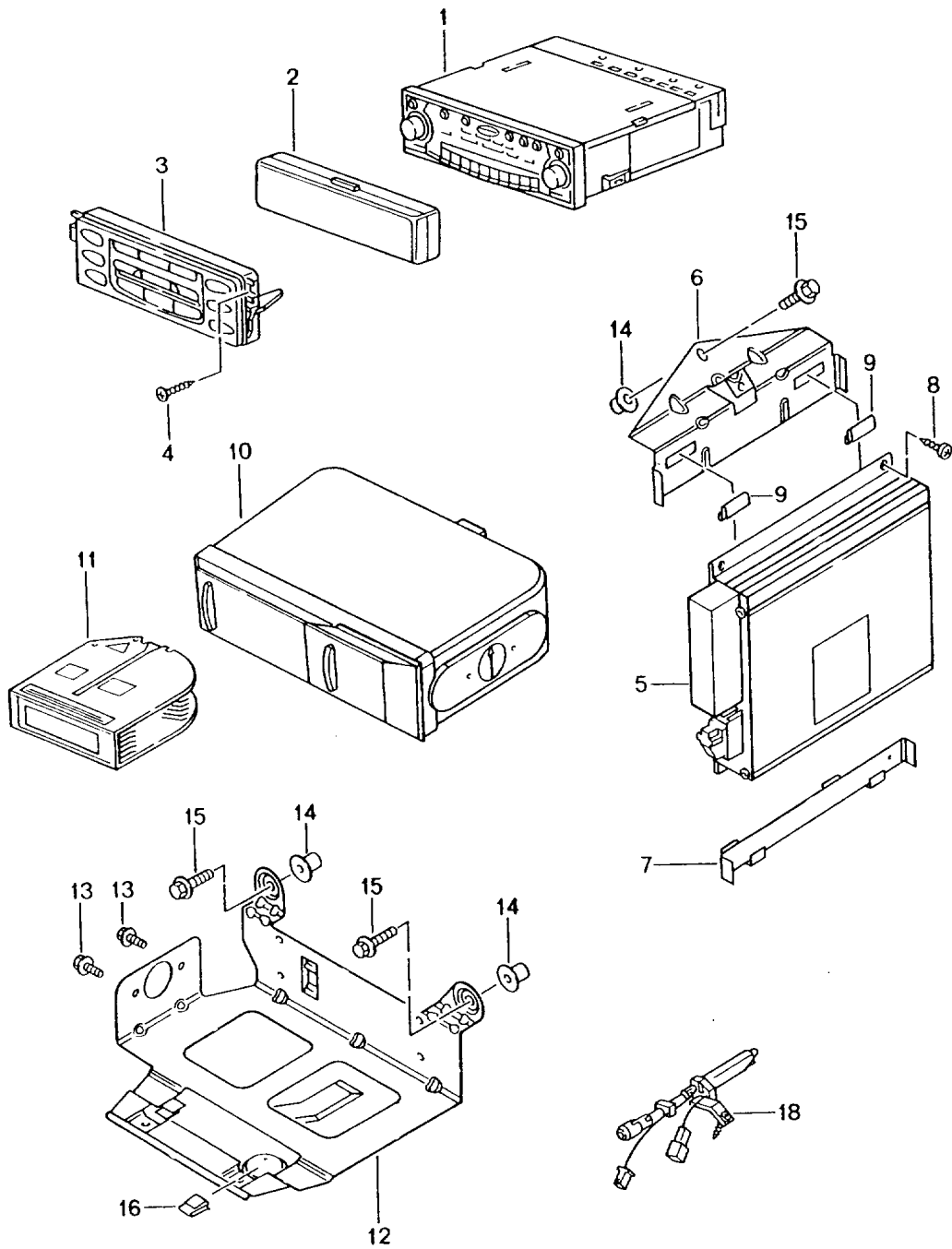


Model: 996 01 Model life 2001>>2005

Pos	Part Number	Description	Remark	Qty	Model
1	996 641 985 04 70C 996 641 985 24	Complete Rally black Instrument cluster	(GB) 05	1	M480 TURBO S M480
1	996 641 985 24 70C 996 641 984 57	Complete Rally black Instrument cluster	(GB)	1	GT2
1	996 641 984 57 70C 996 641 985 03	Complete Rally black Instrument cluster		1	M249
1	996 641 985 03 70C 996 641 985 23	Complete Rally black Instrument cluster	05	1	TURBO S M249
1	996 641 985 23 70C 996 641 985 05	Complete Rally black Instrument cluster	(GB)	1	M249
1	996 641 985 05 70C 996 641 985 25	Complete Rally black Instrument cluster	(GB) 05	1	TURBO S M249
2	996 641 985 25 70C 996 641 911 00	Complete Rally black Knob Actuator Trip meter And		1	
3	999 919 188 09	Clock Oval-head screw 5,0 X 30		1	

Model: 996 01

Model life 2001>>2005



Model: 996 01 Model life 2001>>2005

Pos	Part Number	Description	Remark	Qty	Model
1		Radio Booster Radio See catalogue - EQUIPMENT -	-02 -02		
(2)	996 645 190 00	Case for Control part Radio		1	
-	996 645 106 00	Contact plate Alarm contact for Radio	01	1	
-	996 645 107 00	Contact plate Alarm contact for Radio	02	1	
3	996 645 201 02	Control part	01	1	M680
	996 645 201 02 EFR	Gloss black			
4	999 919 182 09	Oval-head screw 4,0 X 20	01	2	M680
5	996 645 321 00	Booster	01	1	M490
(5)	996 645 322 01	Booster Digital sound processing	01	1	M680
(5)	996 645 338 00	Booster Bose	02	1	M680
(5)	996 645 341 00	Additional amplifier Bose	02	1	M680
6	996 645 235 01	Support Upper part	/LL 01	1	M490/680
(6)	996 645 235 02	Support Upper part	/LL 02	1	M680
(6)	996 645 265 00	Support	02	1	M680
(6)	996 645 239 01	Support Additional amplifier		1	M680
7	996 645 335 00	Support Lower part	/LL	1	M490/680
(7)	996 645 236 00	Support	/RL	1	M490/680
8	900 143 031 02	Oval-head sheetmetal screw 4,2 X 9,5		2	M490/680
9	999 507 510 02	U-clamp		2	M490/680
(9)	999 591 954 09	U-clamp	/RL	2	M490/680
(9)	999 507 532 02	U-clamp	/RL	2	M490/680
(9)	999 507 532 01	U-clamp	/RL	2	/M 608 M490
-	999 591 725 02	Speed nut ST 3,5	/LL	1	M490/680
-	999 507 771 40	Stopper 5,5 X 4,8	02	1	M680
-	999 073 048 02	Tapping screw 3,5 X 13	02	1	M680
10	993 645 130 00	CD changer CDC - 3		1	M692
11	993 645 113 00	Magazine for CD changer		1	M692
12	996 645 231 00	Support	/LL	1	M692
(12)	996 645 232 01	Support	/RL	1	M692
-	996 610 207 00	Cable cover CD changer	/LL	1	M692
13	999 075 067 09	Combination screw M 4 X 8		6	M692
14	999 500 078 00	Speed nut		3	

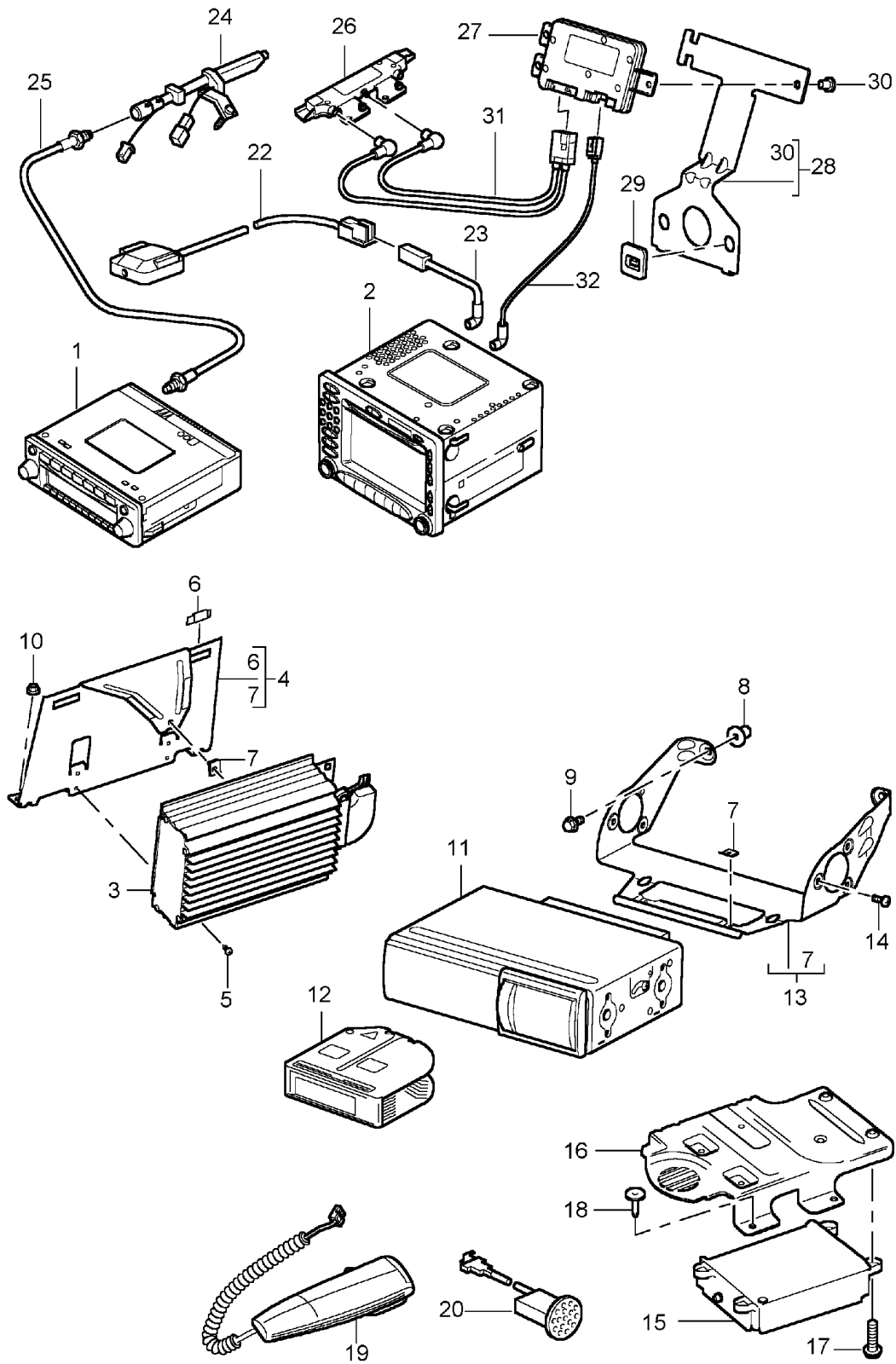
Model: 996 01

Model life 2001&gt;&gt;2005

Pos	Part Number	Description	Remark	Qty	Model
15	900 378 188 09	M 6 Hexagon-head bolt		3	
16	999 507 532 02	M 6 X 20 U-clamp		2	
16	999 507 532 01	U-clamp		2	
18	996 647 105 00	Antenna booster		1	
-	996 612 072 00	Connecting cable Antenna booster Radio		1	

Model: 996 01

Model life 2001>>2005



Model: 996 01 Model life 2001>>2005

Pos	Part Number	Description	Remark	Qty	Model
1		Radio Navigation system Telephone Radio See catalogue Tequipment	03- 03- 03-		
2	996 642 204 05	Control part	04	1	GT2 M665
2	996 642 204 05 A05 996 642 204 06	Black mat Control part	04	1	GT2 M665
2	996 642 204 06 A05 996 642 204 07	Black mat Control part	04-	1	GT2 M665
2	996 642 204 07 A05 996 642 214 02 996 642 214 02 A05	Black mat Control part Black mat See technical information	03	1	M665/680
2	996 642 214 03 996 642 214 03 A05	Control part Black mat See technical information	03	1	M665/680
2	996 642 214 04 996 642 214 04 A05	Control part Black mat See technical information	03	1	M665/680
2	996 642 214 05 996 642 214 05 A05	Control part Black mat See technical information	03-	1	M665/680
2	996 642 214 06 996 642 214 06 A05	Control part Black mat See technical information	-04	1	M665/680
2	996 642 214 07 996 642 214 07 A05	Control part Black mat See technical information	03-	1	M665/680
-	996 642 951 00	Rotary knob for POS. 2	/L 03-	1	
-	996 642 952 00	Rotary knob for POS. 2	/R 03-	1	
-	996 642 941 00	Cover Drawer SIM card for POS. 2	03-	1	
-	996 642 205 01	Module Navigation system	03	1	M670
-	996 642 205 02	Module Navigation system	03-	1	M670
-	996 642 030 00	CD-ROM Navigation system See technical information	03	1	M670
		GR.9 , NR. 10/03			

Model: 996 01 Model life 2001>>2005

Pos	Part Number	Description	Remark	Qty	Model
-	996 642 030 01	CD-ROM Navigation system	-04	1	M670
-	996 642 030 02	CD-ROM Navigation system	05	1	M670
-	996 642 034 01	CD-ROM Navigation system	(ZA) 04	1	M670
-	996 642 034 02	CD-ROM Navigation system	(ZA) 05	1	M670
-	996 642 035 01	CD-ROM Navigation system See technical information	04	1	(SA), (AG) M670
-	996 642 036 01	CD-ROM Navigation system	(AUS) 04	1	M670
-	996 642 036 02	CD-ROM Navigation system See technical information	(AUS) 05	1	M670
-	996 642 037 01	CD-ROM Navigation system	04	1	/M 074 M068 M670
-	996 642 037 02	CD-ROM Navigation system See technical information	05	1	/M 074 M068 M670
3	996 645 333 02	Booster See technical information	03	1	M680
3	996 645 333 03	Booster See technical information	03	1	M680
3	996 645 333 04	Booster See technical information	03	1	M680
3	996 645 333 05	Booster See technical information	03-	1	M680
3	996 645 333 07	Booster See technical information	03-	1	M680
4	996 645 265 00	Support		1	M680
5	900 143 031 02	Oval-head sheetmetal screw 4,2 X 9,5		2	M680
6	999 507 510 02	U-clamp		2	M680
7	999 507 532 02	U-clamp		X	
7	999 507 532 01	U-clamp		X	
8	999 500 078 00	Speed nut M 6		X	
9	900 378 188 09	Hexagon-head bolt M 6 X 20		X	

Model: 996 01 Model life 2001>>2005

Pos	Part Number	Description	Remark	Qty	Model
10	900 380 015 01	Hexagon nut M 6		2	M680
11	996 645 140 02	CD changer CDC 4 Adjustment Installation Attention See technical information GR.9 , NR. 2/03 GR.9 , NR. 3/03	/RL	1	M692
11	997 645 140 02	CD changer CDC 4 Adjustment Installation Attention See technical information GR.9 , NR. 2/03 GR.9 , NR. 3/03	/LL	1	M692
11	997 645 140 03	CD changer CDC 4 Adjustment Installation Attention See technical information GR.9 , NR. 2/03 GR.9 , NR. 3/03	/LL	1	M692
12	996 645 113 00	Magazine CD changer		1	M692
13	996 645 229 00	Support	/LL	1	M692
(13)	996 645 230 00	Support	/RL	1	M692
14	N 014 128 13	Oval-head screw M 5 X 8		6	M692
15	996 642 207 01	Control unit Telephone See technical information GR.9 , NR. 2/03 GR.9 , NR. 3/03		1	M666
15	996 642 207 02	Control unit Telephone See technical information GR.9 , NR. 2/03 GR.9 , NR. 3/03	03	1	M666
15	996 642 207 04	Control unit Telephone See technical information GR.9 , NR. 2/03 GR.9 , NR. 3/03	03	1	M666
15	996 642 207 05	Control unit Telephone See technical information GR.9 , NR. 9/04		1	M666
15	997 646 207 01	Control unit Telephone MOTOROLA		1	M666
15	997 646 207 02	Control unit Telephone MOTOROLA		1	M666
15	997 646 208 04	F 994S6 80740>>995S6 80189 F 994S6 71020>>995S6 70167 Control unit Telephone HARMAN - BECKER F 995S6 80190>>		1	TURBO/COUPE TURBO/CABRIO M666  TURBO/COUPE



Model: 996 01 Model life 2001>>2005

Pos	Part Number	Description	Remark	Qty	Model
-	997 612 989 00	F 995S6 70168>> When required order also: Connecting line Adapter for Control unit 997.646.208.04		1	TURBO/CABRIO M666
16	996 642 216 00	Support		1	M666
17	900 378 035 01	Hexagon-head bolt M 6 X 16		2	M666
18	999 073 060 02	Tapping screw 4,8 X 13 Antenna Telephone See group 9/11/10		4	M666
19	996 642 212 01	Receiver Telephone		1	M668
19	996 642 212 02	Receiver Telephone		1	M668
(19)	996 642 980 14	Receiver Telephone Leather 996 642 980 14 A11 Black 996 642 980 14 C51 Graphite grey 996 642 980 14 S31 Savanna 996 642 980 14 G11 Metropole blue 996 642 980 14 J31 Nephrite green 996 642 980 14 M31 Boxster red 996 642 980 14 P12 Cinnamon brown 996 642 980 14 D12 Dark grey/natural 996 642 980 14 T12 Brown/natural		1	IXEA
(19)	996 642 980 15	Receiver Telephone Leather 996 642 980 15 A11 Black 996 642 980 15 C51 Graphite grey 996 642 980 15 S31 Savanna 996 642 980 15 G11 Metropole blue 996 642 980 15 J31 Nephrite green 996 642 980 15 M31 Boxster red 996 642 980 15 P12 Cinnamon brown 996 642 980 15 D12 Dark grey/natural 996 642 980 15 T12 Brown/natural		1	IXEA
20	996 646 307 02	Bracket Telephone See group 9/11/10 Microphone	/LL 04	1	GT2 M618 M666
(20)	996 646 307 03	996 646 307 02 A03 Black 996 646 307 02 C53 Graphite grey 996 646 307 02 S33 Savanna 996 646 307 02 G13 Metropole blue 996 646 307 02 J33 Nephrite green 996 646 307 02 M33 Boxster red 996 646 307 02 P13 Cinnamon brown Microphone	/LL	1	M618/666 M680
	996 646 307 03 A03	Black			
	996 646 307 03 C53	Graphite grey			
	996 646 307 03 S33	Savanna			

Model: 996 01 Model life 2001>>2005

Pos	Part Number	Description	Remark	Qty	Model
(20)	996 646 307 03 G13	Metropole blue	/RL 04	1	GT2 M618 M666
	996 646 307 03 J33	Nephrite green			
	996 646 307 03 M33	Boxster red			
	996 646 307 03 P13	Cinnamon brown			
	996 646 308 02	Microphone			
(20)	996 646 308 02 A03	Black	/RL	1	M618/666 M680
	996 646 308 02 C53	Graphite grey			
	996 646 308 02 S33	Savanna			
	996 646 308 02 G13	Metropole blue			
	996 646 308 02 J33	Nephrite green			
(20)	996 646 308 02 M33	Boxster red	/LL	1	M680
	996 646 308 02 P13	Cinnamon brown			
	996 646 308 03	Microphone			
	996 646 308 03 A03	Black			
	996 646 308 03 C53	Graphite grey			
(20)	996 646 308 03 S33	Savanna	/RL	1	M680
	996 646 308 03 G13	Metropole blue			
	996 646 308 03 J33	Nephrite green			
	996 646 308 03 M33	Boxster red			
	996 646 308 03 P13	Cinnamon brown			
(20)	996 646 307 04	Microphone	/RL	1	M680
	996 646 307 04 A03	Black			
	996 646 307 04 C53	Graphite grey			
	996 646 307 04 S33	Savanna			
	996 646 307 04 G13	Metropole blue			
(20)	996 646 307 04 J33	Nephrite green	/RL	1	M680
	996 646 307 04 M33	Boxster red			
	996 646 307 04 P13	Cinnamon brown			
	996 646 308 04	Microphone			
	996 646 308 04 A03	Black			
(20)	996 646 308 04 C53	Graphite grey	/L	1	M440
	996 646 308 04 S33	Savanna			
	996 646 308 04 G13	Metropole blue			
	996 646 308 04 J33	Nephrite green			
	996 646 308 04 M33	Boxster red			
22	996 642 206 00	Antenna GPS		1	M670
23	996 612 009 00	Connecting line Antenna Module Navigation system		1	M670
24	996 647 105 00	Antenna booster Radio		1	M441
25	996 612 072 01	Connecting line Antenna booster Radio		1	M441
(26)	996 647 117 00	Antenna booster	/L	1	M440
	996 647 118 00	Antenna booster	/R	1	M440
27	996 647 124 00	Control unit		1	M440
28	996 647 202 00	Support		1	M440
29	999 507 772 40	Clip		1	M440
30	999 507 771 40	Stopper		1	M440
(31)	996 612 057 00	Connecting line Antenna booster Left	/LL	1	M665
		Control unit Connecting line Antenna booster Left	/RL	1	M665

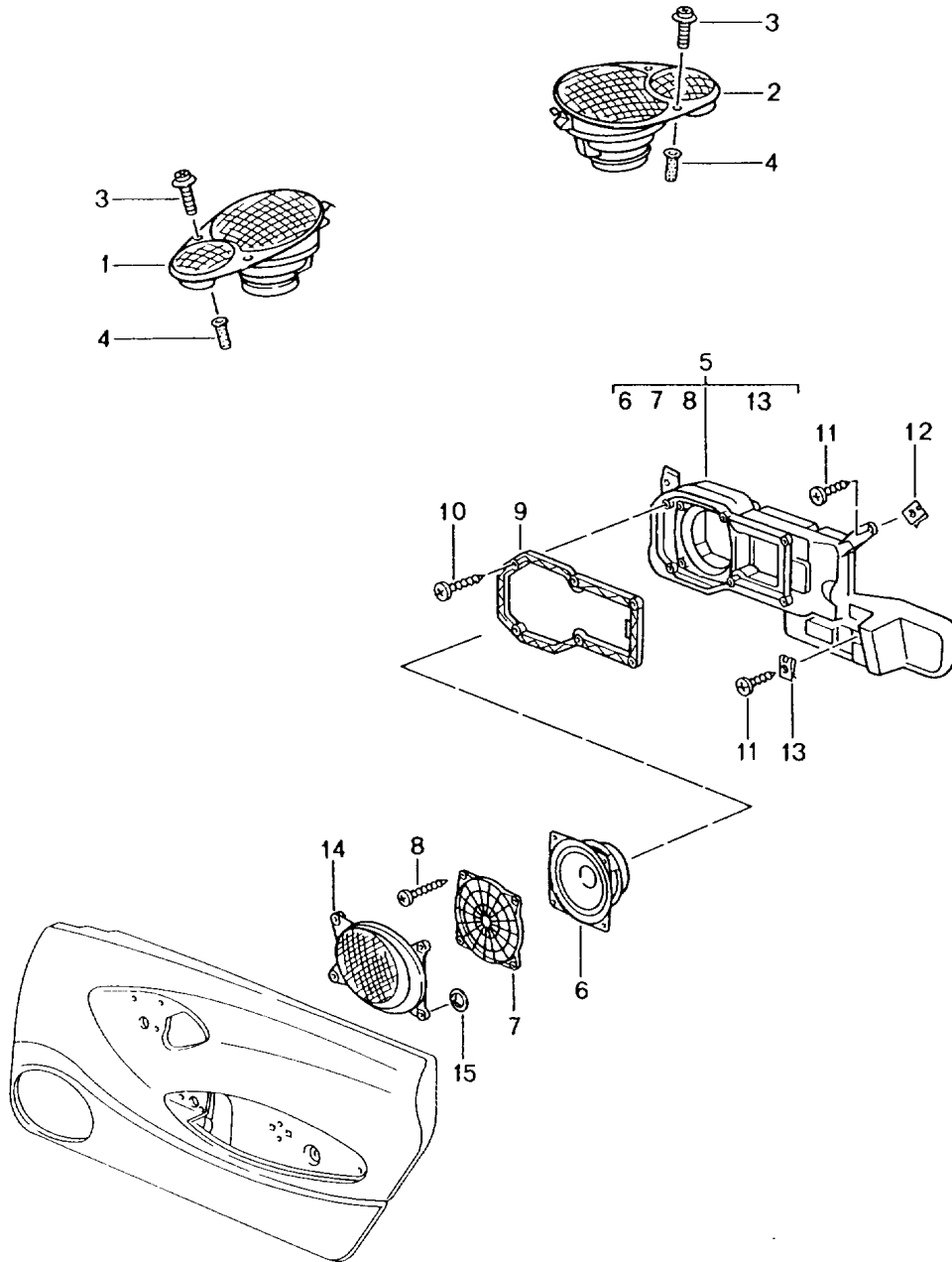
Model: 996 01

Model life 2001>>2005

Pos	Part Number	Description	Remark	Qty	Model
(31)	996 612 056 00	Control unit Connecting line Antenna booster Right	/LL	1	M665
(31)	996 612 066 00	Control unit Connecting line Antenna booster Right	/RL	1	M665
32	996 612 058 00	Control unit Connecting line Control unit Control part Connector CURRY	/LL	1	M665
(32)	996 612 068 00	Control unit Connecting line Control part Connector CURRY	/RL	1	M665
(32)	996 612 059 00	Control unit Connecting line Control part Connector	/LL	1	M665
(32)	996 612 069 00	Natural colours Control unit Connecting line Control part Connector Natural colours	/RL	1	M665

Model: 996 01

Model life 2001>>2005



Model: 996 01 Model life 2001>>2005

Pos	Part Number	Description	Remark	Qty	Model
		Loudspeaker			
		Loudspeaker			
		M 680/MJ.02-			
		See group			
		9/11/06			
1	996 645 037 01	Loudspeaker	/V /L	1	M490
	996 645 037 01 C50	Graphite grey			
	996 645 037 01 G10	Metropole blue			
	996 645 037 01 J30	Nephrite green			
	996 645 037 01 M30	Boxster red			
	996 645 037 01 S30	Savanna			
	996 645 037 01 P10	Cinnamon brown			
(1)	996 645 048 01	Loudspeaker	/H /L	1	M490
	996 645 048 01 C50	Graphite grey			
	996 645 048 01 G10	Metropole blue			
	996 645 048 01 J30	Nephrite green			
	996 645 048 01 M30	Boxster red			
	996 645 048 01 S30	Savanna			
	996 645 048 01 P10	Cinnamon brown			
2	996 645 038 01	Loudspeaker	/V /R	1	M490
	996 645 038 01 C50	Graphite grey			
	996 645 038 01 G10	Metropole blue			
	996 645 038 01 J30	Nephrite green			
	996 645 038 01 M30	Boxster red			
	996 645 038 01 S30	Savanna			
	996 645 038 01 P10	Cinnamon brown			
(2)	996 645 047 01	Loudspeaker	/H /R	1	M490
	996 645 047 01 C50	Graphite grey			
	996 645 047 01 G10	Metropole blue			
	996 645 047 01 J30	Nephrite green			
	996 645 047 01 M30	Boxster red			
	996 645 047 01 S30	Savanna			
	996 645 047 01 P10	Cinnamon brown			
1	996 645 037 02	Loudspeaker	/V /L	1	M490
	996 645 037 02 01C	Satin black			
(1)	996 645 035 02	Loudspeaker	/V /L	1	GT2 M441
	996 645 035 02 01C	Satin black			
(1)	996 645 048 02	Loudspeaker	/H /L	1	M490
	996 645 048 02 01C	Satin black			
(1)	996 645 046 02	Loudspeaker	/H /L	1	GT2 M441
	996 645 046 02 01C	Satin black			
2	996 645 038 02	Loudspeaker	/V /R	1	M490
	996 645 038 02 01C	Satin black			
(2)	996 645 036 02	Loudspeaker	/V /R	1	GT2 M441
	996 645 036 02 01C	Satin black			
(2)	996 645 047 02	Loudspeaker	/H /R	1	M490
	996 645 047 02 01C	Satin black			
(2)	996 645 045 02	Loudspeaker	/H /R	1	GT2 M441
	996 645 045 02 01C	Satin black			
(2)	996 645 049 02	Loudspeaker grille		X	GT2
	996 645 049 02 01C	Satin black			
		Loudspeaker			
		Front			
		Leather			
1	996 645 983 01	Loudspeaker	/V /L	1	M490
	996 645 983 01 VRK	Black			
	996 645 983 01 S31	Savanna			
	996 645 983 01 C51	Graphite grey			
	996 645 983 01 G11	Metropole blue			

Model: 996 01 Model life 2001>>2005

Pos	Part Number	Description	Remark	Qty	Model
(1)	996 645 983 01 J31	Nephrite green		1	GT2 M441
	996 645 983 01 M31	Boxster red			
	996 645 983 01 P12	Cinnamon brown			
	996 645 983 01 D12	Dark grey/natural			
	996 645 983 01 T12	Brown/natural			
	996 645 981 01	Loudspeaker	/V /L		
	996 645 981 01 VRK	Black			
	996 645 981 01 S31	Savanna			
	996 645 981 01 C51	Graphite grey			
	996 645 981 01 G11	Metropole blue			
2	996 645 981 01 J31	Nephrite green		1	M490
	996 645 981 01 M31	Boxster red			
	996 645 981 01 P12	Cinnamon brown			
	996 645 981 01 D12	Dark grey/natural			
	996 645 981 01 T12	Brown/natural			
	996 645 984 01	Loudspeaker	/V /R		
	996 645 984 01 VRK	Black			
	996 645 984 01 S31	Savanna			
	996 645 984 01 C51	Graphite grey			
	996 645 984 01 G11	Metropole blue			
(2)	996 645 984 01 J31	Nephrite green		1	GT2 M441
	996 645 984 01 M31	Boxster red			
	996 645 984 01 P12	Cinnamon brown			
	996 645 984 01 D12	Dark grey/natural			
	996 645 984 01 T12	Brown/natural			
	996 645 982 01	Loudspeaker	/V /R		
	996 645 982 01 VRK	Black			
	996 645 982 01 S31	Savanna			
	996 645 982 01 C51	Graphite grey			
	996 645 982 01 G11	Metropole blue			
(1)	996 645 982 01 J31	Nephrite green		1	IXKL M490
	996 645 982 01 M31	Boxster red			
	996 645 982 01 P12	Cinnamon brown			
	996 645 982 01 D12	Dark grey/natural			
	996 645 982 01 T12	Brown/natural			
		Loudspeaker			
		Rear			
		Leather			
	996 645 989 05	Loudspeaker	/H /L		
	996 645 989 05 VRK	Black			
(1)	996 645 989 05 S31	Savanna		1	GT2 M441
	996 645 989 05 C51	Graphite grey			
	996 645 989 05 G11	Metropole blue			
	996 645 989 05 J31	Nephrite green			
	996 645 989 05 M31	Boxster red			
	996 645 989 05 P12	Cinnamon brown			
	996 645 989 05 D12	Dark grey/natural			
	996 645 989 05 T12	Brown/natural			
	996 645 987 05	Loudspeaker	/H /L		
	996 645 987 05 VRK	Black			
(2)	996 645 987 05 S31	Savanna		1	M490
	996 645 987 05 C51	Graphite grey			
	996 645 987 05 G11	Metropole blue			
	996 645 987 05 J31	Nephrite green			
	996 645 987 05 M31	Boxster red			
	996 645 987 05 P12	Cinnamon brown			
	996 645 987 05 D12	Dark grey/natural			
	996 645 987 05 T12	Brown/natural			
	996 645 988 05	Loudspeaker	/H /R		
	996 645 988 05 VRK	Black			

Model: 996 01 Model life 2001>>2005

Pos	Part Number	Description	Remark	Qty	Model
	996 645 988 05 S31	Savanna			
	996 645 988 05 C51	Graphite grey			
	996 645 988 05 G11	Metropole blue			
	996 645 988 05 J31	Nephrite green			
	996 645 988 05 M31	Boxster red			
	996 645 988 05 P12	Cinnamon brown			
	996 645 988 05 D12	Dark grey/natural			
	996 645 988 05 T12	Brown/natural			
(2)	996 645 986 05	Loudspeaker	/H /R	1	GT2 M441
	996 645 986 05 VRK	Black			
	996 645 986 05 S31	Savanna			
	996 645 986 05 C51	Graphite grey			
	996 645 986 05 G11	Metropole blue			
	996 645 986 05 J31	Nephrite green			
	996 645 986 05 M31	Boxster red			
	996 645 986 05 P12	Cinnamon brown			
	996 645 986 05 D12	Dark grey/natural			
	996 645 986 05 T12	Brown/natural			
		Loudspeaker			IXKM
		Rear			
		Light maple rootwood			
(1)	996 645 989 01	Loudspeaker	/H /L	1	M490
	996 645 989 01 A03	Black			
	996 645 989 01 C53	Graphite grey			
	996 645 989 01 S33	Savanna			
	996 645 989 01 G13	Metropole blue			
	996 645 989 01 J33	Nephrite green			
	996 645 989 01 M33	Boxster red			
	996 645 989 01 P13	Cinnamon brown			
	996 645 989 01 D12	Dark grey/natural			
	996 645 989 01 T12	Brown/natural			
(2)	996 645 988 01	Loudspeaker	/H /R	1	M490
	996 645 988 01 A03	Black			
	996 645 988 01 C53	Graphite grey			
	996 645 988 01 S33	Savanna			
	996 645 988 01 G13	Metropole blue			
	996 645 988 01 J33	Nephrite green			
	996 645 988 01 M33	Boxster red			
	996 645 988 01 P13	Cinnamon brown			
	996 645 988 01 D12	Dark grey/natural			
	996 645 988 01 T12	Brown/natural			
		Loudspeaker			IXKN
		Rear			
		Dark maple rootwood			
(2)	996 645 989 02	Loudspeaker	/H /L	1	M490
	996 645 989 02 A03	Black			
	996 645 989 02 C53	Graphite grey			
	996 645 989 02 S33	Savanna			
	996 645 989 02 G13	Metropole blue			
	996 645 989 02 J33	Nephrite green			
	996 645 989 02 M33	Boxster red			
	996 645 989 02 P13	Cinnamon brown			
	996 645 989 02 D12	Dark grey/natural			
	996 645 989 02 T12	Brown/natural			
(2)	996 645 988 02	Loudspeaker	/H /R	1	M490
	996 645 988 02 A03	Black			
	996 645 988 02 C53	Graphite grey			
	996 645 988 02 S33	Savanna			
	996 645 988 02 G13	Metropole blue			
	996 645 988 02 J33	Nephrite green			
	996 645 988 02 M33	Boxster red			
	996 645 988 02 P13	Cinnamon brown			

Model: 996 01 Model life 2001>>2005

Pos	Part Number	Description	Remark	Qty	Model
	996 645 988 02 D12	Dark grey/natural			
	996 645 988 02 T12	Brown/natural			
		Loudspeaker			IXKP
		Rear			
		Carbon			
(1)	996 645 989 03	Loudspeaker	/H /L	1	M490
	996 645 989 03 A03	Black			
	996 645 989 03 C53	Graphite grey			
	996 645 989 03 S33	Savanna			
	996 645 989 03 G13	Metropole blue			
	996 645 989 03 J33	Nephrite green			
	996 645 989 03 M33	Boxster red			
	996 645 989 03 P13	Cinnamon brown			
	996 645 989 03 D12	Dark grey/natural			
	996 645 989 03 T12	Brown/natural			
(1)	996 645 987 03	Loudspeaker	/H /L	1	GT2 M441
	996 645 987 03 A03	Black			
	996 645 987 03 C53	Graphite grey			
	996 645 987 03 S33	Savanna			
	996 645 987 03 G13	Metropole blue			
	996 645 987 03 J33	Nephrite green			
	996 645 987 03 M33	Boxster red			
	996 645 987 03 P13	Cinnamon brown			
	996 645 987 03 D12	Dark grey/natural			
	996 645 987 03 T12	Brown/natural			
(2)	996 645 988 03	Loudspeaker	/H /R	1	M490
	996 645 988 03 A03	Black			
	996 645 988 03 C53	Graphite grey			
	996 645 988 03 S33	Savanna			
	996 645 988 03 G13	Metropole blue			
	996 645 988 03 J33	Nephrite green			
	996 645 988 03 M33	Boxster red			
	996 645 988 03 P13	Cinnamon brown			
	996 645 988 03 D12	Dark grey/natural			
	996 645 988 03 T12	Brown/natural			
(2)	996 645 986 03	Loudspeaker	/H /R	1	GT2 M441
	996 645 986 03 A03	Black			
	996 645 986 03 C53	Graphite grey			
	996 645 986 03 S33	Savanna			
	996 645 986 03 G13	Metropole blue			
	996 645 986 03 J33	Nephrite green			
	996 645 986 03 M33	Boxster red			
	996 645 986 03 P13	Cinnamon brown			
	996 645 986 03 D12	Dark grey/natural			
	996 645 986 03 T12	Brown/natural			
3	999 919 166 07	Oval-head screw 4,0 X 30	01	8	
3		Oval-head screw 4,0 X 30	/H 02-	4	
(3)	999 073 224 09	Tapping screw 4,2 X 25	/V 02-	4	
4	999 920 015 40	Plug-in nut 4,0	01	8	
4		Plug-in nut 4,0	/H 02-	4	
(4)	999 507 767 02	Speed nut 4,2	/V 02-	2	
(4)	999 507 768 02	Speed nut 4,2	/V 02-	2	
(5)	996 645 551 00	Loudspeaker	/L	1	M490
5	996 645 552 00	Loudspeaker	/R	1	M490



Model: 996 01 Model life 2001>>2005

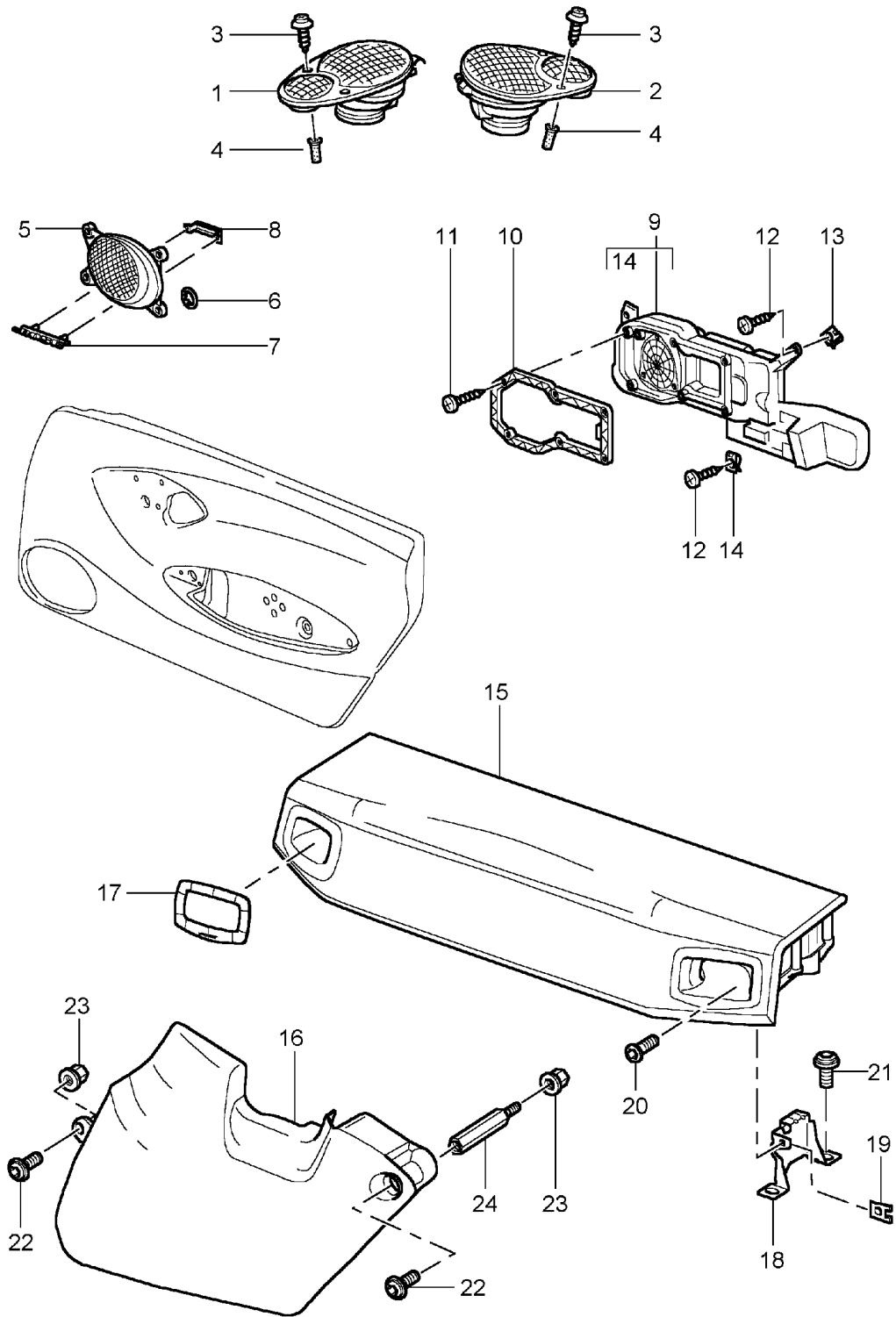
Pos	Part Number	Description	Remark	Qty	Model
6	996 645 501 00	Woofer		2	M490
7	996 645 550 00	Protective grille		2	M490
(8)	999 919 176 07	Oval-head screw 4,0 X 16		8	M490
9	996 645 553 00	Frame		2	M490
10	999 919 086 02	Oval-head screw 4,0 X 14		12	M490
11	999 073 061 02	Tapping screw 4,8 X 16		8	M490
12	999 591 499 02	Speed nut 4,8		6	M490
13	999 507 759 09	Speed nut 4,8		2	M490
14	996 555 801 01	Loudspeaker grille		2	M490
	996 555 801 01 A03	Black			
(14)	000 043 206 22	Loudspeaker grille Leather		2	IXKL/M490
	000 043 206 22 VRK	Black			
	000 043 206 22 S31	Savanna			
	000 043 206 22 C51	Graphite grey			
	000 043 206 22 G11	Metropole blue			
	000 043 206 22 J31	Nephrite green			
	000 043 206 22 M31	Boxster red			
	000 043 206 22 P12	Cinnamon brown			
	000 043 206 22 D12	Dark grey/natural			
	000 043 206 22 T12	Brown/natural			
(14)	000 043 206 23	Loudspeaker grille Light maple rootwood	/L	1	IXKM/M490
	000 043 206 23 A03	Black			
	000 043 206 23 C53	Graphite grey			
	000 043 206 23 S33	Savanna			
	000 043 206 23 G13	Metropole blue			
	000 043 206 23 J33	Nephrite green			
	000 043 206 23 M33	Boxster red			
	000 043 206 23 P13	Cinnamon brown			
	000 043 206 23 D12	Dark grey/natural			
	000 043 206 23 T12	Brown/natural			
(14)	000 043 206 49	Loudspeaker grille Light maple rootwood	/R	1	IXKM/M490
	000 043 206 49 A03	Black			
	000 043 206 49 C53	Graphite grey			
	000 043 206 49 S33	Savanna			
	000 043 206 49 G13	Metropole blue			
	000 043 206 49 J33	Nephrite green			
	000 043 206 49 M33	Boxster red			
	000 043 206 49 P13	Cinnamon brown			
	000 043 206 49 D12	Dark grey/natural			
	000 043 206 49 T12	Brown/natural			
(14)	000 043 206 24	Loudspeaker grille Dark maple rootwood	/L	1	IXKN/M490
	000 043 206 24 A03	Black			
	000 043 206 24 C53	Graphite grey			
	000 043 206 24 S33	Savanna			
	000 043 206 24 G13	Metropole blue			
	000 043 206 24 J33	Nephrite green			
	000 043 206 24 M33	Boxster red			
	000 043 206 24 P13	Cinnamon brown			
	000 043 206 24 D12	Dark grey/natural			
	000 043 206 24 T12	Brown/natural			
(14)	000 043 206 50	Loudspeaker grille Dark maple rootwood	/R	1	IXKN/M490
	000 043 206 50 A03	Black			
	000 043 206 50 C53	Graphite grey			

Model: 996 01 Model life 2001>>2005

Pos	Part Number	Description	Remark	Qty	Model
	000 043 206 50 S33	Savanna			
	000 043 206 50 G13	Metropole blue			
	000 043 206 50 J33	Nephrite green			
	000 043 206 50 M33	Boxster red			
	000 043 206 50 P13	Cinnamon brown			
	000 043 206 50 D12	Dark grey/natural			
	000 043 206 50 T12	Brown/natural			
(14)	000 043 206 25	Loudspeaker grille Carbon	/L	1	IXKP/M490
	000 043 206 25 A03	Black			
	000 043 206 25 C53	Graphite grey			
	000 043 206 25 S33	Savanna			
	000 043 206 25 G13	Metropole blue			
	000 043 206 25 J33	Nephrite green			
	000 043 206 25 M33	Boxster red			
	000 043 206 25 P13	Cinnamon brown			
	000 043 206 25 D12	Dark grey/natural			
	000 043 206 25 T12	Brown/natural			
(14)	000 043 206 51	Loudspeaker grille Carbon	/R	1	IXKP/M490
	000 043 206 51 A03	Black			
	000 043 206 51 C53	Graphite grey			
	000 043 206 51 S33	Savanna			
	000 043 206 51 G13	Metropole blue			
	000 043 206 51 J33	Nephrite green			
	000 043 206 51 M33	Boxster red			
	000 043 206 51 P13	Cinnamon brown			
	000 043 206 51 D12	Dark grey/natural			
	000 043 206 51 T12	Brown/natural			
(14)	000 043 206 88	Loudspeaker grille Frame Leather Grille Aluminium look		2	IXTR/M490
	000 043 206 88 A10	Black			
	000 043 206 88 C50	Graphite grey			
	000 043 206 88 S30	Savanna			
	000 043 206 88 G10	Metropole blue			
	000 043 206 88 J30	Nephrite green			
	000 043 206 88 M30	Boxster red			
	000 043 206 88 P11	Cinnamon brown			
	000 043 206 88 D11	Dark grey/natural			
	000 043 206 88 T11	Brown/natural			
15	999 591 946 02	Clamping washer 5,0		8	M490
15	999 591 946 03	Clamping washer 5,0		8	M490

Model: 996 01

Model life 2001>>2005



Model: 996 01 Model life 2001>>2005

Pos	Part Number	Description	Remark	Qty	Model
1	996 645 033 00	Loudspeaker	02-	1	M680
	996 645 033 00 C50	Graphite grey	/V /L		M680
	996 645 033 00 G10	Metropole blue			
	996 645 033 00 J30	Nephrite green			
	996 645 033 00 M30	Boxster red			
	996 645 033 00 S30	Savanna			
	996 645 033 00 P10	Cinnamon brown			
(1)	996 645 044 00	Loudspeaker	/H /L	1	COUPE M680
			/H /R 04-		CABRIO M680
	996 645 044 00 C50	Graphite grey			
	996 645 044 00 G10	Metropole blue			
	996 645 044 00 J30	Nephrite green			
	996 645 044 00 M30	Boxster red			
	996 645 044 00 S30	Savanna			
	996 645 044 00 P10	Cinnamon brown			
2	996 645 034 00	Loudspeaker	/V /R	1	M680
	996 645 034 00 C50	Graphite grey			
	996 645 034 00 G10	Metropole blue			
	996 645 034 00 J30	Nephrite green			
	996 645 034 00 M30	Boxster red			
	996 645 034 00 S30	Savanna			
	996 645 034 00 P10	Cinnamon brown			
(2)	996 645 043 00	Loudspeaker	/H /R	1	COUPE M680
			/H /L 04-		CABRIO M680
	996 645 043 00 C50	Graphite grey			
	996 645 043 00 G10	Metropole blue			
	996 645 043 00 J30	Nephrite green			
	996 645 043 00 M30	Boxster red			
	996 645 043 00 S30	Savanna			
	996 645 043 00 P10	Cinnamon brown			
1	996 645 033 01	Loudspeaker	/V /L	1	M680
	996 645 033 01 01C	Satin black			
(1)	996 645 044 01	Loudspeaker	/H /L	1	COUPE M680
			/H /R 04-		CABRIO M680
	996 645 044 01 01C	Satin black			
2	996 645 034 01	Loudspeaker	/V /R	1	M680
	996 645 034 01 01C	Satin black			
(2)	996 645 043 01	Loudspeaker	/H /R	1	COUPE M680
			/H /L 04-		CABRIO M680
	996 645 043 01 01C	Satin black			
		Loudspeaker			
		Front			
		Leather			
1	996 645 983 02	Loudspeaker	/V /L	1	M680
	996 645 983 02 VRK	Black			
	996 645 983 02 S31	Savanna			
	996 645 983 02 C51	Graphite grey			
	996 645 983 02 G11	Metropole blue			
	996 645 983 02 J31	Nephrite green			
	996 645 983 02 M31	Boxster red			
	996 645 983 02 P12	Cinnamon brown			
	996 645 983 02 D12	Dark grey/natural			
	996 645 983 02 T12	Brown/natural			
2	996 645 984 02	Loudspeaker	/V /R	1	M680

Model: 996 01 Model life 2001>>2005

Pos	Part Number	Description	Remark	Qty	Model
	996 645 984 02 VRK	Black			
	996 645 984 02 S31	Savanna			
	996 645 984 02 C51	Graphite grey			
	996 645 984 02 G11	Metropole blue			
	996 645 984 02 J31	Nephrite green			
	996 645 984 02 M31	Boxster red			
	996 645 984 02 P12	Cinnamon brown			
	996 645 984 02 D12	Dark grey/natural			
	996 645 984 02 T12	Brown/natural			
		Loudspeaker			IXKL
		Rear			
		Leather			
(1)	996 645 989 06	Loudspeaker	/H /L /H /R 04-	1	COUPE M680 CABRIO M680
	996 645 989 06 VRK	Black			
	996 645 989 06 S31	Savanna			
	996 645 989 06 C51	Graphite grey			
	996 645 989 06 G11	Metropole blue			
	996 645 989 06 J31	Nephrite green			
	996 645 989 06 M31	Boxster red			
	996 645 989 06 P12	Cinnamon brown			
	996 645 989 06 D12	Dark grey/natural			
	996 645 989 06 T12	Brown/natural			
(2)	996 645 988 06	Loudspeaker	/H /R /H /L 04-	1	COUPE M680 CABRIO M680
	996 645 988 06 VRK	Black			
	996 645 988 06 S31	Savanna			
	996 645 988 06 C51	Graphite grey			
	996 645 988 06 G11	Metropole blue			
	996 645 988 06 J31	Nephrite green			
	996 645 988 06 M31	Boxster red			
	996 645 988 06 P12	Cinnamon brown			
	996 645 988 06 D12	Dark grey/natural			
	996 645 988 06 T12	Brown/natural			
		Loudspeaker			IXKM
		Rear			
		Light maple rootwood			
(1)	996 645 989 07	Loudspeaker	/H /L /H /R 04-	1	COUPE M680 CABRIO M680
	996 645 989 07 A03	Black			
	996 645 989 07 C53	Graphite grey			
	996 645 989 07 S33	Savanna			
	996 645 989 07 G13	Metropole blue			
	996 645 989 07 J33	Nephrite green			
	996 645 989 07 M33	Boxster red			
	996 645 989 07 P13	Cinnamon brown			
	996 645 989 07 D12	Dark grey/natural			
	996 645 989 07 T12	Brown/natural			
(2)	996 645 988 07	Loudspeaker	/H /R /H /L 04-	1	COUPE M680 CABRIO M680
	996 645 988 07 A03	Black			
	996 645 988 07 C53	Graphite grey			
	996 645 988 07 S33	Savanna			
	996 645 988 07 G13	Metropole blue			
	996 645 988 07 J33	Nephrite green			

Model: 996 01 Model life 2001>>2005

Pos	Part Number	Description	Remark	Qty	Model
	996 645 988 07 M33	Boxster red			
	996 645 988 07 P13	Cinnamon brown			
	996 645 988 07 D12	Dark grey/natural			
	996 645 988 07 T12	Brown/natural			
		Loudspeaker			IXKN
		Rear			
		Dark maple rootwood			
(1)	996 645 989 08	Loudspeaker	/H /L	1	COUPE M680 CABRIO M680
			/H /R 04-		
	996 645 989 08 A03	Black			
	996 645 989 08 C53	Graphite grey			
	996 645 989 08 S33	Savanna			
	996 645 989 08 G13	Metropole blue			
	996 645 989 08 J33	Nephrite green			
	996 645 989 08 M33	Boxster red			
	996 645 989 08 P13	Cinnamon brown			
	996 645 989 08 D12	Dark grey/natural			
	996 645 989 08 T12	Brown/natural			
(2)	996 645 988 08	Loudspeaker	/H /R	1	COUPE M680 CABRIO M680
			/H /L 04-		
	996 645 988 08 A03	Black			
	996 645 988 08 C53	Graphite grey			
	996 645 988 08 S33	Savanna			
	996 645 988 08 G13	Metropole blue			
	996 645 988 08 J33	Nephrite green			
	996 645 988 08 M33	Boxster red			
	996 645 988 08 P13	Cinnamon brown			
	996 645 988 08 D12	Dark grey/natural			
	996 645 988 08 T12	Brown/natural			
		Loudspeaker			IXKP
		Rear			
		Carbon			
(1)	996 645 989 09	Loudspeaker	/H /L	1	COUPE M680 CABRIO M680
			/H /R 04-		
	996 645 989 09 A03	Black			
	996 645 989 09 C53	Graphite grey			
	996 645 989 09 S33	Savanna			
	996 645 989 09 G13	Metropole blue			
	996 645 989 09 J33	Nephrite green			
	996 645 989 09 M33	Boxster red			
	996 645 989 09 P13	Cinnamon brown			
	996 645 989 09 D12	Dark grey/natural			
	996 645 989 09 T12	Brown/natural			
(2)	996 645 988 09	Loudspeaker	/H /R	1	COUPE M680 CABRIO M680
			/H /L 04-		
	996 645 988 09 A03	Black			
	996 645 988 09 C53	Graphite grey			
	996 645 988 09 S33	Savanna			
	996 645 988 09 G13	Metropole blue			
	996 645 988 09 J33	Nephrite green			
	996 645 988 09 M33	Boxster red			
	996 645 988 09 P13	Cinnamon brown			
	996 645 988 09 D12	Dark grey/natural			
	996 645 988 09 T12	Brown/natural			
3	999 919 166 07	Oval-head screw	/H	4	

Model: 996 01 Model life 2001>>2005

Pos	Part Number	Description	Remark	Qty	Model
(3)	999 073 224 09	4,0 X 30 Tapping screw	/V	4	
4	999 920 015 40	4,2 X 25 Plug-in nut	/H	4	
(4)	999 507 767 02	4,0 Speed nut	/V	2	
(4)	999 507 768 02	4,2 Speed nut	/V	2	
5	996 555 801 01	Loudspeaker grille		2	M680
(5)	996 555 801 01 A03	Black			
	000 043 206 22	Loudspeaker grille		2	IXKL/M680
		Leather			
	000 043 206 22 VRK	Black			
	000 043 206 22 S31	Savanna			
	000 043 206 22 C51	Graphite grey			
	000 043 206 22 G11	Metropole blue			
	000 043 206 22 J31	Nephrite green			
	000 043 206 22 M31	Boxster red			
	000 043 206 22 P12	Cinnamon brown			
	000 043 206 22 D12	Dark grey/natural			
	000 043 206 22 T12	Brown/natural			
(5)	000 043 206 23	Loudspeaker grille	/L	1	IXKM/M680
		Light maple rootwood			
	000 043 206 23 A03	Black			
	000 043 206 23 C53	Graphite grey			
	000 043 206 23 S33	Savanna			
	000 043 206 23 G13	Metropole blue			
	000 043 206 23 J33	Nephrite green			
	000 043 206 23 M33	Boxster red			
	000 043 206 23 P13	Cinnamon brown			
	000 043 206 23 D12	Dark grey/natural			
	000 043 206 23 T12	Brown/natural			
(5)	000 043 206 49	Loudspeaker grille	/R	1	IXKM/M680
		Light maple rootwood			
	000 043 206 49 A03	Black			
	000 043 206 49 C53	Graphite grey			
	000 043 206 49 S33	Savanna			
	000 043 206 49 G13	Metropole blue			
	000 043 206 49 J33	Nephrite green			
	000 043 206 49 M33	Boxster red			
	000 043 206 49 P13	Cinnamon brown			
	000 043 206 49 D12	Dark grey/natural			
	000 043 206 49 T12	Brown/natural			
(5)	000 043 206 24	Loudspeaker grille	/L	1	IXKN/M680
		Dark maple rootwood			
	000 043 206 24 A03	Black			
	000 043 206 24 C53	Graphite grey			
	000 043 206 24 S33	Savanna			
	000 043 206 24 G13	Metropole blue			
	000 043 206 24 J33	Nephrite green			
	000 043 206 24 M33	Boxster red			
	000 043 206 24 P13	Cinnamon brown			
	000 043 206 24 D12	Dark grey/natural			
	000 043 206 24 T12	Brown/natural			
(5)	000 043 206 50	Loudspeaker grille	/R	1	IXKN/M680
		Dark maple rootwood			
	000 043 206 50 A03	Black			
	000 043 206 50 C53	Graphite grey			
	000 043 206 50 S33	Savanna			
	000 043 206 50 G13	Metropole blue			
	000 043 206 50 J33	Nephrite green			
	000 043 206 50 M33	Boxster red			

Model: 996 01 Model life 2001>>2005

Pos	Part Number	Description	Remark	Qty	Model			
(5)	000 043 206 50 P13	Cinnamon brown	/L	1	IXKP/M680			
	000 043 206 50 D12	Dark grey/natural						
	000 043 206 50 T12	Brown/natural						
	000 043 206 25	Loudspeaker grille Carbon						
	000 043 206 25 A03	Black						
	000 043 206 25 C53	Graphite grey						
	000 043 206 25 S33	Savanna						
	000 043 206 25 G13	Metropole blue						
	000 043 206 25 J33	Nephrite green						
	000 043 206 25 M33	Boxster red						
	000 043 206 25 P13	Cinnamon brown						
	000 043 206 25 D12	Dark grey/natural						
	000 043 206 25 T12	Brown/natural						
	000 043 206 51	Loudspeaker grille Carbon				/R	1	IXKP/M680
(5)	000 043 206 51 A03	Black	/R	1	IXKP/M680			
	000 043 206 51 C53	Graphite grey						
	000 043 206 51 S33	Savanna						
	000 043 206 51 G13	Metropole blue						
	000 043 206 51 J33	Nephrite green						
	000 043 206 51 M33	Boxster red						
	000 043 206 51 P13	Cinnamon brown						
	000 043 206 51 D12	Dark grey/natural						
	000 043 206 51 T12	Brown/natural						
	000 043 206 88	Loudspeaker grille Frame Leather Grille Aluminium look				/R	2	IXTR/M680
	000 043 206 88 A10	Black						
	000 043 206 88 C50	Graphite grey						
	000 043 206 88 S30	Savanna						
	000 043 206 88 G10	Metropole blue						
000 043 206 88 J30	Nephrite green							
000 043 206 88 M30	Boxster red							
000 043 206 88 P11	Cinnamon brown							
000 043 206 88 D11	Dark grey/natural							
000 043 206 88 T11	Brown/natural							
6	999 591 946 02	Clamping washer 5,0		8	M680			
6	999 591 946 03	Clamping washer 5,0		8	M680			
7	996 645 511 00	Logo		2	M680			
8	996 645 512 00	Clip		2	M680			
9	996 645 561 00	Loudspeaker	/L	1	M680			
(9)	996 645 562 00	Loudspeaker	/R	1	M680			
10	996 645 553 00	Frame		2	M680			
11	999 919 086 02	Oval-head screw 4,0 X 14		12	M680			
12	999 073 061 02	Tapping screw 4,8 X 16		8	M680			
13	999 591 499 02	Speed nut 4,8		6	M680			
14	999 507 759 09	Speed nut 4,8		2	M680			
15	996 645 564 00	Subwoofer	/H	1	M680 COUPE M680			
	996 645 564 00 FFB	Black						
	996 645 564 00 FFC	Graphite grey						
	996 645 564 00 FFD	Savanna						
	996 645 564 00 FFE	Metropole blue						



Model: 996 01 Model life 2001>>2005

Pos	Part Number	Description	Remark	Qty	Model
16	996 645 564 00 FFG	Nephrite green			
	996 645 564 00 FFH	Boxster red			
	996 645 564 00 FFJ	Cinnamon brown			
	996 645 564 00 VSP	Dark grey/natural			
	996 645 564 00 VSQ	Brown/natural			
	996 645 567 00	Subwoofer	/LL 04-	1	CABRIO M680
	996 645 567 00 A10	Black			
	996 645 567 00 C50	Graphite grey			
	996 645 567 00 S30	Savanna			
	996 645 567 00 G10	Metropole blue			
	996 645 567 00 J30	Nephrite green			
(16)	996 645 567 00 M30	Boxster red			
	996 645 567 00 P11	Cinnamon brown			
	996 645 567 00 D11	Dark grey/natural			
	996 645 567 00 T11	Brown/natural			
	996 645 566 00	Subwoofer	/RL 04-	1	CABRIO M680
	996 645 566 00 A10	Black			
	996 645 566 00 C50	Graphite grey			
	996 645 566 00 S30	Savanna			
	996 645 566 00 G10	Metropole blue			
	996 645 566 00 J30	Nephrite green			
	996 645 566 00 M30	Boxster red			
17	996 645 566 00 P11	Cinnamon brown			
	996 645 566 00 D11	Dark grey/natural			
	996 645 566 00 T11	Brown/natural			
	996 645 568 00	Rosette	/H	2	COUPE M680
	996 645 568 00 A10	Black			
	996 645 568 00 C50	Graphite grey			
	996 645 568 00 S30	Savanna			
	996 645 568 00 G10	Metropole blue			
	996 645 568 00 J30	Nephrite green			
	996 645 568 00 M30	Boxster red			
	996 645 568 00 P10	Cinnamon brown			
(18)	996 645 245 00	Support	/L	1	COUPE M680
		M 6,0 X 25			
18	996 645 246 00	Support	/R	1	COUPE M680
19		M 6,0 X 25			
	999 507 766 02	Speed nut		2	COUPE M680
20		M 6			
	999 073 113 09	Oval-head screw		2	COUPE M680
21		M 6,0 X 50 ASP			
	900 380 015 01	Hexagon nut		4	COUPE M680
22		VM 6			
	999 073 223 07	Oval-head screw	04-	2	CABRIO M680
22		M 6,0 X 25			
	999 073 223 01	Combination screw	04-	2	CABRIO M680
23		M 6,0 X 25			
	999 500 069 01	Blind rivet nut	04-	2	CABRIO M680
		M 6/0,5 - 3			

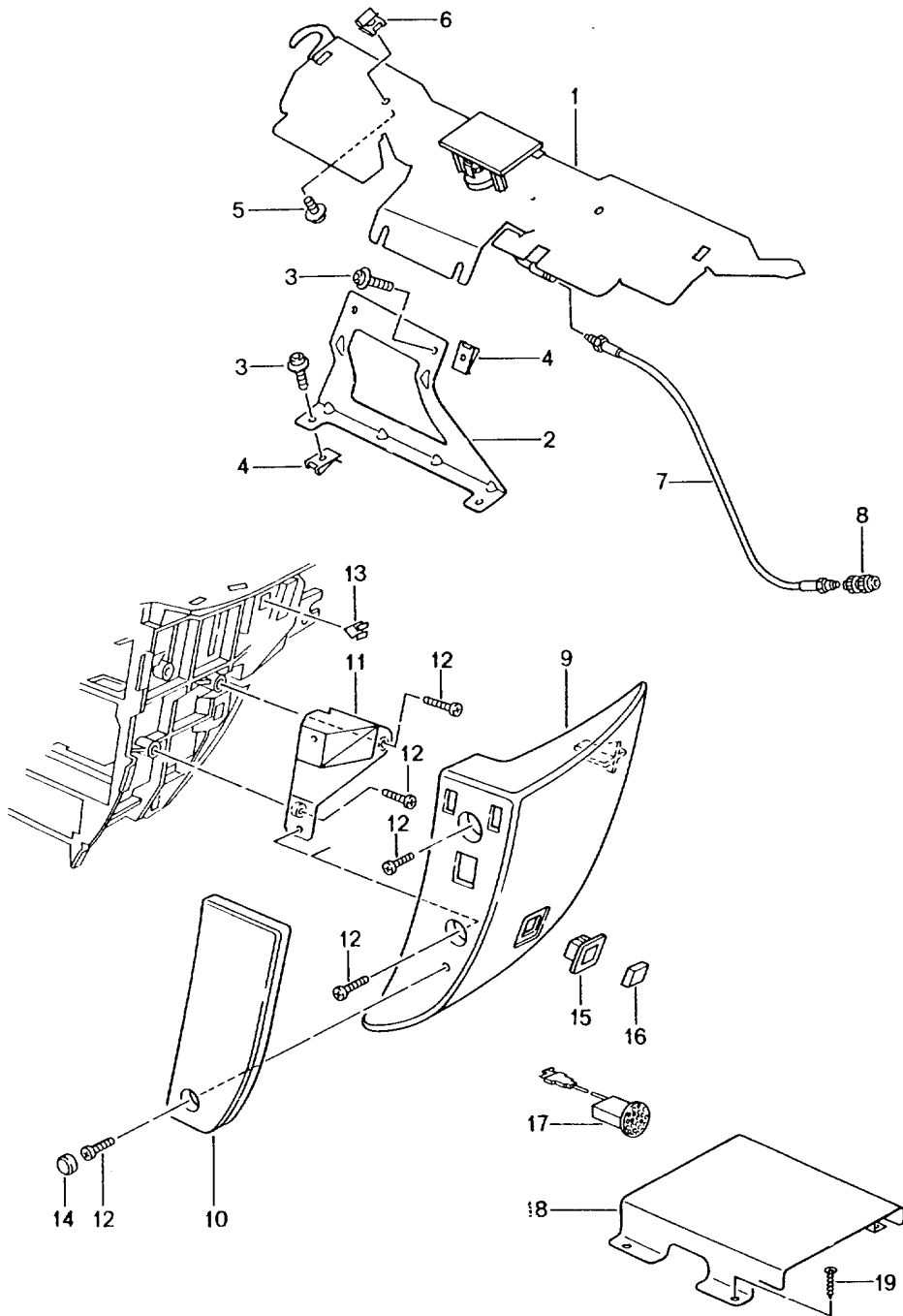
Model: 996 01

Model life 2001&gt;&gt;2005

Pos	Part Number	Description	Remark	Qty	Model
24	999 061 272 36	Spacer bolt M 6 X 82,5	04-	1	CABRIO M680

Model: 996 01

Model life 2001>>2005



Model: 996 01 Model life 2001>>2005

Pos	Part Number	Description	Remark	Qty	Model
		Preparation for telephone			M618
1	996 647 125 00	Antenna	/LL	1	
(1)	996 647 126 00	Antenna	/RL	1	
2	996 647 127 00	Support POS. 3 + 4 Attention	/LL -04	1	
(2)	997 647 127 00	Support POS. 3 + 4 Attention	/LL 04-	1	
(2)	996 647 128 00	Support POS. 3 + 4 Attention	/RL -04	1	
(2)	997 647 128 00	Support POS. 3 + 4 Attention	/RL 04-	1	
3	999 073 203 00	Round head screw M 5 X 12 - Z2 for Support 996.647.127/128.00	-04	4	
3	999 073 236 0A	Oval-head screw M 6 X 10 for Support 997.647.127/128.00	04-	4	
4	999 507 067 09	Speed nut M 5 for Support 996.647.127/128.00	-04	4	
4	999 507 550 01	Speed nut M 6 for Support 997.647.127/128.00	04-	4	
5	999 073 210 00	Tapping screw 4,8 X 13		2	
6	999 507 441 01	Speed nut 4,8		2	
7	996 612 037 00	Extension cable		1	M618
(7)	996 612 007 00	Extension cable	03-	1	M666
8	964 646 318 00	Adapter plug	/LL	1	M618
(8)	996 646 318 00	Adapter plug	/RL	1	M618
9	996 552 094 03	Bracket Leather	/LL	1	
	996 552 094 03 A11	Black			
	996 552 094 03 C51	Graphite grey			
	996 552 094 03 S31	Savanna			
	996 552 094 03 J31	Nephrite green			
	996 552 094 03 M31	Boxster red			
	996 552 094 03 G11	Metropole blue			
	996 552 094 03 P12	Cinnamon brown			
	996 552 094 03 D12	Dark grey/natural			
	996 552 094 03 T12	Brown/natural			
(9)	996 552 093 03	Bracket Leather	/RL	1	
	996 552 093 03 A11	Black			
	996 552 093 03 C51	Graphite grey			
	996 552 093 03 S31	Savanna			
	996 552 093 03 J31	Nephrite green			
	996 552 093 03 M31	Boxster red			
	996 552 093 03 G11	Metropole blue			
	996 552 093 03 P12	Cinnamon brown			

Model: 996 01 Model life 2001>>2005

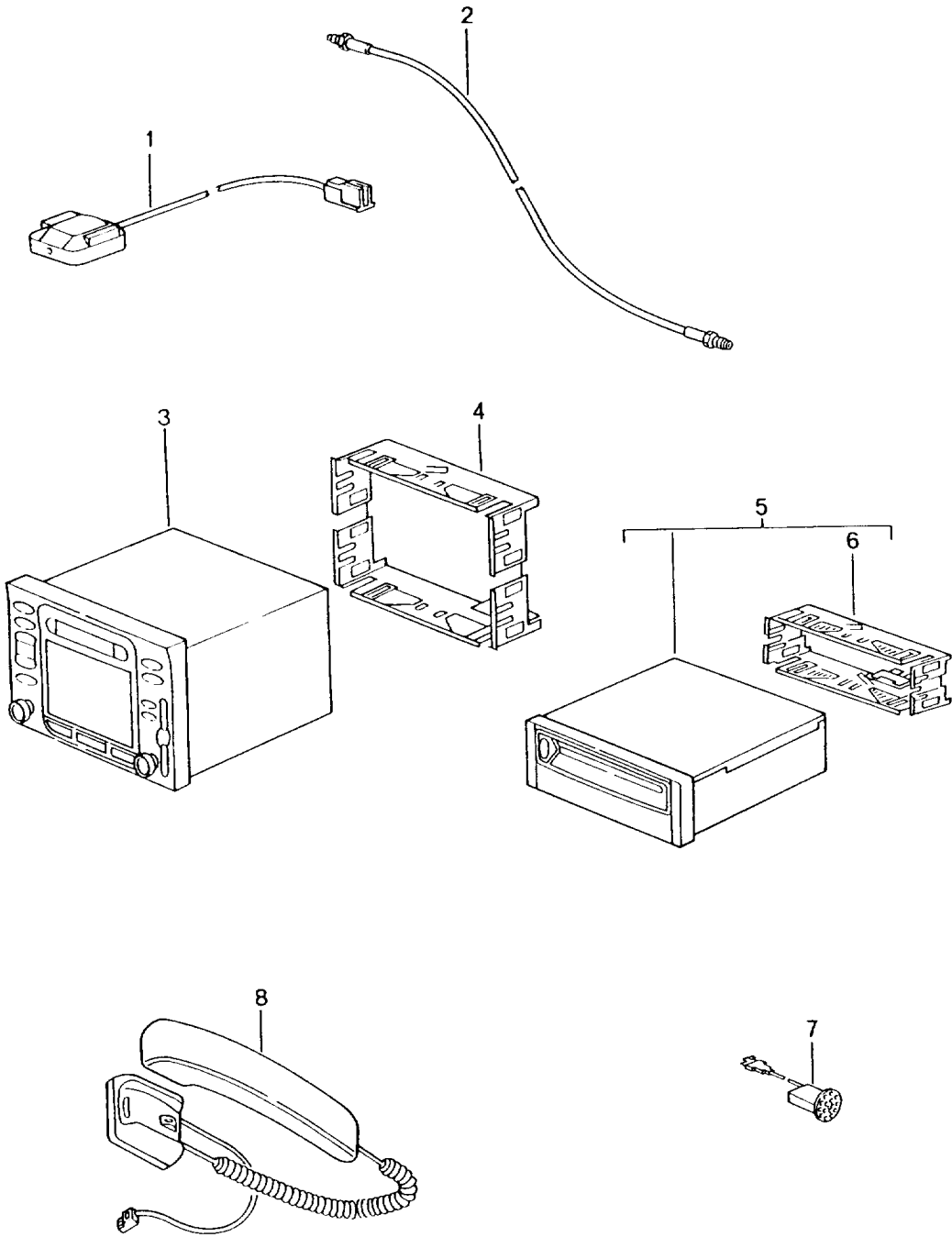
Pos	Part Number	Description	Remark	Qty	Model
	996 552 093 03 D12	Dark grey/natural			
	996 552 093 03 T12	Brown/natural			
10	996 552 298 00	Attachment	/LL	1	
	996 552 298 00 01C	Satin black			
(10)	996 552 297 00	Attachment	/RL	1	
	996 552 297 00 01C	Satin black			
10	996 552 979 00	Attachment	/LL	1	IXEA
		Leather			
	996 552 979 00 A11	Black			
	996 552 979 00 C51	Graphite grey			
	996 552 979 00 S31	Savanna			
	996 552 979 00 G11	Metropole blue			
	996 552 979 00 J31	Nephrite green			
	996 552 979 00 M31	Boxster red			
	996 552 979 00 P12	Cinnamon brown			
	996 552 979 00 D12	Dark grey/natural			
	996 552 979 00 T12	Brown/natural			
(10)	996 552 979 01	Attachment	/RL	1	IXEA
		Leather			
	996 552 979 01 A11	Black			
	996 552 979 01 C51	Graphite grey			
	996 552 979 01 S31	Savanna			
	996 552 979 01 G11	Metropole blue			
	996 552 979 01 J31	Nephrite green			
	996 552 979 01 M31	Boxster red			
	996 552 979 01 P12	Cinnamon brown			
	996 552 979 01 D12	Dark grey/natural			
	996 552 979 01 T12	Brown/natural			
11	996 552 624 02	Adapter		1	
-	996 552 582 00	Filler piece	/LL	1	
		Bracket			
		Telephone			
	996 552 582 00 01C	Satin black			
-	996 552 581 00	Filler piece	/RL	1	
		Bracket			
		Telephone			
	996 552 581 00 01C	Satin black			
12	999 919 121 09	Oval-head screw		6	
		5,0 X 16			
13	999 507 476 01	Clamp		3	
		8,0 X 10,2			
14	996 552 824 00	Cap		1	
	996 552 824 00 01C	Satin black			
14	996 552 978 00	Cap		1	IXEA
		Leather			
	996 552 978 00 A11	Black			
	996 552 978 00 C51	Graphite grey			
	996 552 978 00 S31	Savanna			
	996 552 978 00 G11	Metropole blue			
	996 552 978 00 J31	Nephrite green			
	996 552 978 00 M31	Boxster red			
	996 552 978 00 P12	Cinnamon brown			
	996 552 978 00 D12	Dark grey/natural			
	996 552 978 00 T12	Brown/natural			
15	996 646 125 01	Frame		1	
16	996 646 126 00	Cover		1	
17	996 646 307 01	Microphone	/LL 01	1	
	996 646 307 01 A03	Black			
	996 646 307 01 C53	Graphite grey			
	996 646 307 01 S33	Savanna			
	996 646 307 01 G13	Metropole blue			
	996 646 307 01 J33	Nephrite green			
	996 646 307 01 M33	Boxster red			

Model: 996 01 Model life 2001>>2005

Pos	Part Number	Description	Remark	Qty	Model
(17)	996 646 307 01 P13	Cinnamon brown			
	996 646 308 01	Microphone	/RL 01	1	
	996 646 308 01 A03	Black			
	996 646 308 01 C53	Graphite grey			
	996 646 308 01 S33	Savanna			
	996 646 308 01 G13	Metropole blue			
	996 646 308 01 J33	Nephrite green			
	996 646 308 01 M33	Boxster red			
(17)	996 646 308 01 P13	Cinnamon brown			
	996 646 307 02	Microphone	/LL 02	1	
	996 646 307 02 A03	Black			
	996 646 307 02 C53	Graphite grey			
	996 646 307 02 S33	Savanna			
	996 646 307 02 G13	Metropole blue			
	996 646 307 02 J33	Nephrite green			
	996 646 307 02 M33	Boxster red			
(17)	996 646 307 02 P13	Cinnamon brown			
	996 646 308 02	Microphone	/RL 02	1	
	996 646 308 02 A03	Black			
	996 646 308 02 C53	Graphite grey			
	996 646 308 02 S33	Savanna			
	996 646 308 02 G13	Metropole blue			
	996 646 308 02 J33	Nephrite green			
	996 646 308 02 M33	Boxster red			
	996 646 308 02 P13	Cinnamon brown			
18	996 646 235 01	Support		1	M618
19	999 073 060 02	Tapping screw 4,8 X 13		4	M618
-	996 521 663 01	Stop Seat rail Inner		1	M437/438
-	996 521 665 00	Stop Seat rail Inner		1	M375/376 M539/540

Model: 996 01

Model life 2001>>2005



Model: 996 01 Model life 2001>>2005

Pos	Part Number	Description	Remark	Qty	Model
		Navigation system	-02		M662
		Receiver	-02		M663
		See technical information			
		GR.9 , NR.2/02			
		Antenna			
		Telephone			
		See group			
		9/11/10			
1	996 642 206 00	Antenna		1	
		- GPS -			
2	996 612 038 00	Extension cable		1	
		Telephone			
(2)	996 612 970 01	Extension cable		1	
		- GPS -			
(3)	996 642 904 04	Control part	01	1	
	996 642 904 04 EFR	Gloss black			
		Tech. information memo			
		GR.9 , 2A/00			
-	996 642 953 00	Rotary knob	/L 01	1	
-	996 642 954 00	Rotary knob	/R 01	1	
(3)	996 642 944 00	Control part	02	1	
	996 642 944 00 EWD	Black mat			
-	996 642 955 00	Rotary knob	/L 02	1	
-	996 642 956 00	Rotary knob	/R 02	1	
4	996 642 103 01	Retaining frame		1	
(5)	996 642 122 01	Computer	01	1	
	996 642 122 01 EFR	Gloss black			
		F >>991S6 82634			
		CD-ROM			
		for			
		Computer			
		996.642.122.01.EFR			
-	996 642 131 06	CD-ROM		1	M499
-	996 642 132 06	CD-ROM		1	M124
-	996 642 133 06	CD-ROM		1	M061
-	996 642 134 06	CD-ROM		1	M111/277
-	996 642 135 06	CD-ROM		1	M063/064
					M225
-	996 642 136 06	CD-ROM		1	M119
-	996 642 137 06	CD-ROM		1	M062
-	996 642 138 06	CD-ROM		1	M034
(5)	996 642 122 03	Computer	01	1	
	996 642 122 03 EFR	Gloss black			
		F 991S6 82635>>			
(5)	996 642 122 12	Computer	02	1	
	996 642 122 12 EWD	Black mat			
		CD-ROM			
		for			
		Computer			
		996.642.122.03.EFR			
		996.642.122.12.EWD			
-	996 642 131 07	CD-ROM		1	M499
-	996 642 132 07	CD-ROM		1	M124
		Replacement			
		See catalogue			
		Tequipment			
-	996 642 133 07	CD-ROM		1	M061
-	996 642 134 07	CD-ROM		1	M111/277
-	996 642 135 07	CD-ROM		1	M063/064
					M225
-	996 642 136 07	CD-ROM		1	M119
-	996 642 137 07	CD-ROM		1	M062
-	996 642 138 07	CD-ROM		1	M034



Model: 996 01 Model life 2001>>2005

Pos	Part Number	Description	Remark	Qty	Model
6	993 645 173 00	Retaining frame		1	
7	996 646 307 01	Microphone	/LL 01	1	
	996 646 307 01 A03	Black			
	996 646 307 01 C53	Graphite grey			
	996 646 307 01 S33	Savanna			
	996 646 307 01 G13	Metropole blue			
	996 646 307 01 J33	Nephrite green			
	996 646 307 01 M33	Boxster red			
	996 646 307 01 P13	Cinnamon brown			
(7)	996 646 308 01	Microphone	/RL 01	1	
	996 646 308 01 A03	Black			
	996 646 308 01 C53	Graphite grey			
	996 646 308 01 S33	Savanna			
	996 646 308 01 G13	Metropole blue			
	996 646 308 01 J33	Nephrite green			
	996 646 308 01 M33	Boxster red			
	996 646 308 01 P13	Cinnamon brown			
(7)	996 646 307 02	Microphone	/LL 02	1	
	996 646 307 02 A03	Black			
	996 646 307 02 C53	Graphite grey			
	996 646 307 02 S33	Savanna			
	996 646 307 02 G13	Metropole blue			
	996 646 307 02 J33	Nephrite green			
	996 646 307 02 M33	Boxster red			
	996 646 307 02 P13	Cinnamon brown			
(7)	996 646 308 02	Microphone	/RL 02	1	
	996 646 308 02 A03	Black			
	996 646 308 02 C53	Graphite grey			
	996 646 308 02 S33	Savanna			
	996 646 308 02 G13	Metropole blue			
	996 646 308 02 J33	Nephrite green			
	996 646 308 02 M33	Boxster red			
	996 646 308 02 P13	Cinnamon brown			
8	996 642 111 01	Receiver		1	M663
8	996 642 980 00	Receiver		1	IXEA
		Leather			
	996 642 980 00 A11	Black			
	996 642 980 00 C51	Graphite grey			
	996 642 980 00 S31	Savanna			
	996 642 980 00 G11	Metropole blue			
	996 642 980 00 J31	Nephrite green			
	996 642 980 00 M31	Boxster red			
	996 642 980 00 P12	Cinnamon brown			
	996 642 980 00 D12	Dark grey/natural			
	996 642 980 00 T12	Brown/natural			
		Bracket			
		See group			
		9/11/10			
		Stop			
		Seat rail			
		See group			
		9/11/10			