

Model: 996 98**Model life 1998>>2005**

ORDER-INFO

THIS PARTS CATALOGUE CONTAINS ALL ORDER INFORMATION OF
TYPE 996 FROM MODEL YEAR 1998

IT IS AVAILABLE IN TWO EDITIONS IN THE FOLLOWING LANGUAGES:

EDITION

USA, CANADA - *

EDITION

ALL OTHER COUNTRIES - GERMAN

* - ENGLISH

- FRENCH

- ITALIAN

- SPANISH

UPDATING IS BEING PERFORMED BY CHANGING OF UPDATE.

THE EDITION CAN BE RECOGNIZED BY THE CURRENT NO.
IN THE BOTTOM LINE OF SUBJECT UPDATE.

THE PREVIOUS UPDATE SHOULD NO LONGER BE USED.

ALL ILLUSTRATIONS ARE SUBJECT TO CHANGE WITHOUT OBLIGATION.

THE SEATS FOR EACH MODEL ARE AVAILABLE IN THE PARTS CATALOGUE
"SEATS (STZ 19)".

Model: 996 98

Model life 1998>>2005

SUMMARY TYPES

| VEHICLE TYPE | MY | VIN | ENGINE | TYPE |
|--------------------------------|----|---------------------|--------|--------|
| 996 COUPE | 98 | W 99WS6 00061>10000 | M96.01 | 220 KW |
| 996 COUPE (MEX) | 98 | W 99WS6 20061>30000 | M96.01 | 220 KW |
| 996 COUPE (USA)(CDN) | 98 | W 99XS6 20061>30000 | M96.01 | 220 KW |
| 996 COUPE (BR) | 98 | W 99VS6 29801>30000 | M96.01 | 220 KW |
| 996 COUPE (BR) | 98 | W 99WS6 29801>30000 | M96.01 | 220 KW |
| 996 CABRIO | 98 | W 99WS6 40061>49999 | M96.01 | 220 KW |
| 996 CABRIO (USA)(CDN)(MEX) | 98 | W 99WS6 50061>59999 | M96.01 | 220 KW |
| 996 COUPE 2 | 99 | X 99XS6 00061>09999 | M96.01 | 220 KW |
| 996 COUPE 2 (USA)(CDN)(MEX) | 99 | X 99XS6 20061>29999 | M96.01 | 220 KW |
| 996 COUPE 2 (BR) | 99 | X 99WS6 29801>29999 | M96.01 | 220 KW |
| 996 COUPE 2 (BR) | 99 | X 99XS6 29801>29999 | M96.01 | 220 KW |
| 996 COUPE 4 | 99 | X 99XS6 00061>09999 | M96.02 | 220 KW |
| 996 COUPE 4 (USA)(CDN)(MEX) | 99 | X 99XS6 20061>29999 | M96.02 | 220 KW |
| 996 COUPE 4 (BR) | 99 | X 99WS6 29401>29500 | M96.02 | 220 KW |
| 996 COUPE 4 (BR) | 99 | X 99XS6 29401>29500 | M96.02 | 220 KW |
| 996 CABRIO 2 | 99 | X 99XS6 40061>49999 | M96.01 | 220 KW |
| 996 CABRIO 2 (USA)(CDN)(MEX) | 99 | X 99XS6 50061>59999 | M96.01 | 220 KW |
| 996 CABRIO 2 (BR) | 99 | X 99WS6 59601>59700 | M96.01 | 220 KW |
| 996 CABRIO 2 (BR) | 99 | X 99XS6 59601>59700 | M96.01 | 220 KW |
| 996 CABRIO 4 | 99 | X 99XS6 40061>49999 | M96.02 | 220 KW |
| 996 CABRIO 4 (USA)(CDN)(MEX) | 99 | X 99XS6 50061>59999 | M96.02 | 220 KW |
| 996 CABRIO 4 (BR) | 99 | X 99WS6 59801>59999 | M96.02 | 220 KW |
| 996 CABRIO 4 (BR) | 99 | X 99XS6 59801>59999 | M96.02 | 220 KW |
| 996 COUPE 2/4 | 00 | Y 99YS6 00061>10000 | M96.04 | 220 KW |
| 996 COUPE 2/4(USA.CDN.MEX.BR) | 00 | Y 99YS6 20061>29000 | M96.04 | 220 KW |
| 996 COUPE 2/4 (BR) | 00 | Y 99XS6 50061>59000 | M96.04 | 220 KW |
| 996 CABRIO 2/4 | 00 | Y 99YS6 40061>49000 | M96.04 | 220 KW |
| 996 CABRIO 2/4(USA.CDN.MEX.BR) | 00 | Y 99YS6 50061>59000 | M96.04 | 220 KW |
| 996 CABRIO 2/4(BR) | 00 | Y 99XS6 50061>59000 | M96.04 | 220 KW |
| 996 COUPE 2/4 | 01 | 1 991S6 00061>10000 | M96.04 | 221 KW |
| 996 COUPE 2/4(USA.CDN.MEX.BR) | 01 | 1 991S6 20061>29000 | M96.04 | 221 KW |
| 996 CABRIO 2/4 | 01 | 1 991S6 40061>49000 | M96.04 | 221 KW |
| 996 CABRIO 2/4(USA.CDN.MEX.BR) | 01 | 1 991S6 50061>59000 | M96.04 | 221 KW |
| 996 COUPE 2/4/4S | 02 | 2 992S6 00061>10000 | M96.03 | 232 KW |
| 996 COUPE 2/4/4S(US.CN.MX.BR) | 02 | 2 992S6 20061>29000 | M96.03 | 232 KW |
| 996 TARGA 2/4 | 02 | 2 992S6 30061>35000 | M96.03 | 232 KW |
| 996 TARGA 2/4(USA.CDN.MEX.BR) | 02 | 2 992S6 35061>40000 | M96.03 | 232 KW |
| 996 CABRIO 2/4 | 02 | 2 992S6 40061>49000 | M96.03 | 232 KW |
| 996 CABRIO 2/4(USA.CDN.MEX.BR) | 02 | 2 992S6 50061>59000 | M96.03 | 232 KW |
| 996 COUPE 2/4/4S | 03 | 3 993S6 00061>10000 | M96.03 | 235 KW |
| 996 COUPE 2/4/4S(US.CN.MX.BR) | 03 | 3 993S6 20061>29000 | M96.03 | 235 KW |
| 996 TARGA 2/4 | 03 | 3 993S6 30061>35000 | M96.03 | 235 KW |
| 996 TARGA 2/4(USA.CDN.MEX.BR) | 03 | 3 993S6 35061>40000 | M96.03 | 235 KW |
| 996 CABRIO 2/4 | 03 | 3 993S6 40061>49000 | M96.03 | 235 KW |

Model: 996 98**Model life 1998>>2005**

996 CABRIO 2/4(USA.CDN.MEX.BR) 03 3 993S6 50061>59000 M96.03 235 KW

Model: 996 98

Model life 1998>>2005

SUMMARY TYPES

| VEHICLE TYPE | MY | VIN | ENGINE TYPE |
|--------------------------------|----|---------------------|---------------|
| 996 COUPE 2/4/4S | 04 | 4 994S6 00061>10000 | M96.03 235 KW |
| 996 COUPE 2/4/4S(US.CN.MX.BR) | 04 | 4 994S6 20061>29000 | M96.03 235 KW |
| 996 TARGA 2/4 | 04 | 4 994S6 30061>35000 | M96.03 235 KW |
| 996 TARGA 2/4(USA.CDN.MEX.BR) | 04 | 4 994S6 35061>40000 | M96.03 235 KW |
| 996 CABRIO 2/4 | 04 | 4 994S6 40061>49000 | M96.03 235 KW |
| 996 CABRIO 2/4/4S(US.CN.MX.BR) | 04 | 4 994S6 50061>59000 | M96.03 235 KW |
| 996 COUPE 4S | 05 | 5 995S6 00061>10000 | M96.03 235 KW |
| 996 COUPE 4S(USA.CDN.MEX.BR) | 05 | 5 995S6 20061>29000 | M96.03 235 KW |
| 996 TARGA 2/4 | 05 | 5 995S6 30061>35000 | M96.03 235 KW |
| 996 TARGA 2/4(USA.CDN.MEX.BR) | 05 | 5 995S6 35061>40000 | M96.03 235 KW |
| 996 CABRIO 2/4 | 05 | 5 995S6 40061>49000 | M96.03 235 KW |
| 996 CABRIO 2/4/4S(US.CN.MX.BR) | 05 | 5 995S6 50061>59000 | M96.03 235 KW |

Model: 996 98

Model life 1998>>2005

EXPL. ENGINE-NO.

EXPLANATION OF THE MOTOR-NUMBERS USED IN THE CATALOGUE

=====

| | | | | | | | | |
|---------------------------------------|---|---|---|---|---|---|---|---|
| DIGIT: | 1 | 2 | 3 | 4 | 5 | 6 | 7 | 8 |
| EXAMPLE: | 6 | 6 | W | 0 | 0 | 1 | 3 | 6 |
| | = | = | = | = | = | = | = | = |
| | ! | ! | ! | | | ! | | |
| ENGINE TYPE (6 = 6-CYL.-ENGINE)-----+ | ! | ! | | | | ! | | |
| | ! | ! | | | | ! | | |
| ENGINE VERSION-----+ | ! | | | | | ! | | |
| | | | | | | ! | | |
| MODEL YEAR-----+ | | | | | | ! | | |
| | | | | | | ! | | |
| SERIAL NUMBER-----+ | | | | | | ! | | |

Model: 996 98

Model life 1998>>2005

SUMMARY ENGINES

| VEHICLE TYPE | ENGINE | | ENGINE NO. | TECHNICAL DATA |
|-----------------------|--------|----------|-------------|-------------------|
| | TYPE | MY | | |
| 911 CARRERA | M96.01 | 98 W 66W | 00501>60000 | 6ZYL/3,4L /220 KW |
| 911 CARRERA | M96.01 | 99 X 66X | 00501>60000 | 6ZYL/3,4L /220 KW |
| 911 CARRERA +M620 C4 | M96.02 | 99 X 68X | 00501>60000 | 6ZYL/3,4L /220 KW |
| 911 CARRERA 2/4 | M96.04 | 00 Y 66Y | 00501>60000 | 6ZYL/3,4L /220 KW |
| 911 CARRERA 2/4 | M96.04 | 01 1 661 | 00501>60000 | 6ZYL/3,4L /220 KW |
| 911 CARRERA 2/4/4S FL | M96.03 | 02 2 662 | 00501>60000 | 6ZYL/3,6L /232 KW |
| 911 CARRERA 2/4/4S FL | M96.03 | 03 3 663 | 00501>60000 | 6ZYL/3,6L /235 KW |
| 911 CARRERA 2/4/4S FL | M96.03 | 04 4 664 | 00501>60000 | 6ZYL/3,6L /235 KW |
| 911 CARRERA 2/4/4S FL | M96.03 | 05 5 665 | 00501>60000 | 6ZYL/3,6L /235 KW |

Model: 996 98

Model life 1998>>2005

EXPL. TRANSM. NO.

EXPLANATION OF THE TRANSMISSION-NUMBERS USED IN THE CATALOGUE

=====

| | | | | | | | | | | | |
|----------------------------|---|-------|---|---|---|---|-------|---|---|----|----|
| DIGIT: | 1 | 2 | 3 | 4 | 5 | 6 | 7 | 8 | 9 | 10 | 11 |
| EXAMPLE: | G | 9 | 6 | 0 | 0 | 1 | 0 | 0 | 5 | 4 | 3 |
| | = | ===== | | | | = | ===== | | | | |
| | ! | | ! | | | ! | | | ! | | ! |
| | ! | | ! | | | ! | | | ! | | ! |
| TRANSMISSION TYPE-----+ | | | ! | | | ! | | | ! | | ! |
| | | | ! | | | ! | | | ! | | ! |
| TRANSMISSION VERSION-----+ | | | | | | ! | | | ! | | ! |
| | | | | | | ! | | | ! | | ! |
| INDEX OF VARIANTS-----+ | | | | | | | | | ! | | ! |
| | | | | | | | | | ! | | ! |
| SERIAL NUMBER-----+ | | | | | | | | | | | ! |

Model: 996 98

Model life 1998>>2005

SUMM. TRANSMISS.

| VEHICLE TYPE | TYPE | MY | TRANSMISSION NO. | TECHNICAL DATA |
|-------------------------|--------|------|-----------------------|----------------|
| 911 CARRERA | G96.00 | 98 W | G9600 1 002001>999999 | 6-GANG |
| 911 CARRERA M220 | G96.00 | 98 W | G9600 2 002001>999999 | 6-GANG |
| 911 CARRERA TIPTRONIC | A96.00 | 98 W | A9600 1 002001>999999 | 5-GANG |
| 911 CARRERA | G96.00 | 99 X | G9600 1 002001>999999 | 6-GANG |
| 911 CARRERA M220 | G96.00 | 99 X | G9600 2 002001>999999 | 6-GANG |
| 911 CARRERA TIPTRONIC | A96.00 | 99 X | A9600 1 002001>999999 | 5-GANG |
| 911 CARRERA 4 | G96.30 | 99 X | G9630 1 002001>999999 | 6-GANG |
| 911 CARRERA 4 TIPTRONIC | A96.30 | 99 X | A9630 1 002001>999999 | 5-GANG |
| 911 CARRERA 2 | G96.00 | 00 Y | G9600 1 002001>999999 | 6-GANG |
| 911 CARRERA 2 TIPTRONIC | A96.00 | 00 Y | A9600 1 002001>999999 | 5-GANG |
| 911 CARRERA 4 | G96.30 | 00 Y | G9630 1 002001>999999 | 6-GANG |
| 911 CARRERA 4 TIPTRONIC | A96.30 | 00 Y | A9630 1 002001>999999 | 5-GANG |
| 911 CARRERA 2 | G96.00 | 01 1 | G9600 1 002001>999999 | 6-GANG |
| 911 CARRERA 2 TIPTRONIC | A96.00 | 01 1 | A9600 1 002001>999999 | 5-GANG |
| 911 CARRERA 4 | G96.30 | 01 1 | G9630 1 002001>999999 | 6-GANG |
| 911 CARRERA 4 TIPTRONIC | A96.30 | 01 1 | A9630 1 002001>999999 | 5-GANG |
| 911 CARRERA 2 | G96.01 | 02 2 | G9601 1 002001>999999 | 6-GANG |
| 911 CARRERA 2 TIPTRONIC | A96.10 | 02 2 | A9610 1 002001>999999 | 5-GANG |
| 911 CARRERA 4 | G96.31 | 02 2 | G9631 1 002001>999999 | 6-GANG |
| 911 CARRERA 4 TIPTRONIC | A96.35 | 02 2 | A9635 1 002001>999999 | 5-GANG |
| 911 CARRERA 2 | G96.01 | 03 3 | G9601 1 002001>999999 | 6-GANG |
| 911 CARRERA 2 TIPTRONIC | A96.10 | 03 3 | A9610 1 002001>999999 | 5-GANG |
| 911 CARRERA 4 | G96.31 | 03 3 | G9631 1 002001>999999 | 6-GANG |
| 911 CARRERA 4 TIPTRONIC | A96.35 | 03 3 | A9635 1 002001>999999 | 5-GANG |
| 911 CARRERA 2 | G96.01 | 04 4 | G9601 1 002001>999999 | 6-GANG |
| 911 CARRERA 2 TIPTRONIC | A96.10 | 04 4 | A9610 1 002001>999999 | 5-GANG |
| 911 CARRERA 4 | G96.31 | 04 4 | G9631 1 002001>999999 | 6-GANG |
| 911 CARRERA 4 TIPTRONIC | A96.35 | 04 4 | A9635 1 002001>999999 | 5-GANG |
| 911 CARRERA 2 | G96.01 | 05 5 | G9601 1 002001>999999 | 6-GANG |
| 911 CARRERA 2 TIPTRONIC | A96.10 | 05 5 | A9610 1 002001>999999 | 5-GANG |
| 911 CARRERA 4 | G96.31 | 05 5 | G9631 1 002001>999999 | 6-GANG |
| 911 CARRERA 4 TIPTRONIC | A96.35 | 05 5 | A9635 1 002001>999999 | 5-GANG |

Model: 996 98

Model life 1998>>2005

LEGENDS/NOTICES

LEGENDS AND NOTICES

=====

IN COLUMN -S- STATUS

- N NEW ADDITION
- P PART ALREADY IN PROGRAMME, BUT NEW AT THIS APPLICATION
- W DELETED AT THIS APPLICATION, BUT CONTINUED TO BE CARRIED
- A STOCK TO BE USED UP
- U DELETED WITHOUT REPLACEMENT
- * PART ALSO OR ONLY AVAILABLE IN REPAIR KIT
- > ALSO AVAILABLE IN EXCHANGE

IN COLUMN - ILL. -

- 1 IDENTIFICATION NO. IN ILLUSTRATION
- (1) PART ONLY SIMILAR AS ILLUSTRATED
- PART IS NOT ILLUSTRATED

FIG.-NUMBERS FOR WHICH THERE IS SHOWN NO TEXT ARE NOT VALID FOR THIS EDITION OF CATALOGUE

IN COLUMN -PART NUMBER/CODE-

000 000 000 00 PART NUMBER EQUALS ORDERING NO., IF A CODE IS SHOWN, IT WILL HAVE TO BE PART OF ORDERING NUMBER

01C COLOUR CODE

IN COLUMN -TEXT

INSTALLATION WITH ENGINE OR CHASSIS NUMBER-RANGE

EXAMPLE:

M 66W 00389>> FROM ENGINE NO.

Model: 996 98**Model life 1998>>2005**

F

>>99WS6 00889

UP TO CHASSIS NO.

Model: 996 98

Model life 1998>>2005

LEGENDS/NOTICES

IN COLUMN - A -

IDENTIFICATION LETTER FOR PERIOD OF INSTALLATION
THAT IS REPEATED SEVERAL TIMES IN THE CATALOG GROUP.

EXPLANATION PLEASE FIND IN TEXT COLUMN OF THE CATALOG GROUP

IN COLUMN - QU - = NO. OF PIECES

- 1 NUMBER PER APPLICATION
- X NUMBER AS NEEDED
- * AVAILABLE ONLY IN RUNNING LENGTHS 1 = 1 METRE

IN COLUMN - MODEL/SYMBOL -

- M650 OPTIONAL EQUIPMENT - SEE M-NO. LIST
- 98 LIMITATION OF MODEL YEAR FOR INSTANCE: VALID UP TO
END OF MODEL YEAR 1997
- /LL LHD
- /RL RHD
- +
- /V FRONT I
I
- /H REAR I
I----> APPLIES TO
- /L LEFT I DIRECTION OF TRAVEL
I
- /R RIGHT I
-----+
- WW THE PART CAN BE USED INSTEAD OF THE
PRECEDING ONE.

Model: 996 98

Model life 1998>>2005

COUNTRY-EQIPM.

EQUIPMENT BY COUNTRY REGULATIONS

=====

| | |
|-------|-----------------------------|
| (A) | AUSTRIA |
| (AG) | ARABIAN GULF STATES |
| (AUS) | AUSTRALIA |
| (B) | BELGIUM |
| (BR) | BRAZIL |
| (CDN) | CANADA |
| (CH) | SWITZERLAND |
| (D) | FEDERAL REPUBLIC OF GERMANY |
| (DK) | DENMARK |
| (E) | SPAIN |
| (F) | FRANCE |
| (GB) | GREAT BRITAIN |
| (GR) | GREECE |
| (HK) | HONGKONG |
| (I) | ITALY |
| (J) | JAPAN |
| (L) | LUXEMBURG |
| (N) | NORWAY |
| (NL) | NETHERLANDS |
| (NZ) | NEW ZEALAND |
| (P) | PORTUGAL |
| (RC) | TAIWAN |
| (S) | SWEDEN |
| (SA) | SAUDI ARABIA |
| (SF) | FINLAND |
| (USA) | UNITED STATES OF AMERICA |
| (ZA) | SOUTH AFRICA |

Model: 996 98

Model life 1998>>2005

| NR | Description |
|------|--|
| IXAA | Aerokit Cup |
| IXAB | Spyder rear in body colour |
| IXAF | Turbo aerokit |
| IXAG | Carrera - rear spoiler |
| IXAH | Carrera 4S aerokit |
| IXCA | Dashboard trim strip (3-part) sports seats |
| IXCC | Side air vents sports seats |
| IXCD | Center air vent bracket sports seats |
| IXCE | Rear center console sports seats |
| IXCG | Sports seat backrest in Aluminium Look finish |
| IXCZ | Short shifter |
| IXD9 | Wheel painted in body colour |
| IXEA | Passive handset in leather |
| IXE8 | Gear lever knob aluminium/dark burr maple/leather |
| IXE9 | Handbrake lever aluminium/dark burr maple/leather |
| IXJB | Rear section of centre console in Arctic Silver |
| IXJ4 | Leather cover for ignition lock surround |
| IXKB | Side air vent in light burr maple |
| IXKC | Side air vent in dark burr maple |
| IXKD | Side air vent in Carbon |
| IXKE | Side air vent in Arctic Silver |
| IXKG | "Defroster trim in light burr maple; leather" |
| IXKH | "Defroster trim in dark burr maple; leather" |
| IXKJ | Defroster trim in Carbon/leather |
| IXKL | Leather speaker covers |
| IXKM | Speaker covers in light burr maple |
| IXKN | Speaker covers in dark burr maple |
| IXKP | Carbon speaker covers |
| IXKR | Center air vent bracket in light burr maple |
| IXKS | Center air vent bracket in dark burr maple |
| IXKW | Center nozzle bracket arctic silver |
| IXKX | Instrument surround in Arctic Silver |
| IXLA | Boxster tailpipe |
| IXLF | Sports exhaust system |
| IXMA | Rooflining in leather |
| IXME | Rear section of centre console painted |
| IXMF | Front center console including 2 storage bins, leather |
| IXMJ | Rear section of centre console in Carbon |
| IXMK | Roll-over bar in exterior color |
| IXML | Rear center console in light burr maple |
| IXMP | Leather sun visor, 2 illuminated vanity mirrors * |
| IXMR | Sun visor in leather, 2 illuminated vanity mirrors, |
| IXMY | Roll-over bar in Arctic Silver |
| IXMZ | Rear section of centre console in leather |
| IXNB | Rear center console in dark burr maple |
| IXNG | Instrument surround in leather |

Model: 996 98

Model life 1998>>2005

| NR | Description |
|------|---|
| IXNH | Side vent, left/right defroster trim in leather |
| IXNN | Center air vent bracket in leather |
| IXNR | Carbon center air vent bracket |
| IXNS | Leather steering column trim, 4-part |
| IXNU | Leather trim strip (dashboard) |
| IXNV | Trim strip (dashboard) in light burr maple |
| IXNW | Trim strip (dashboard) in dark burr maple |
| IXNX | Carbon trim strip (dashboard) |
| IXNY | Trim strip in Arctic Silver |
| IXN3 | Dashboard side air vent in leather |
| IXPA | 3-spoke sports steering wheel in leather interior co |
| IXPB | 3-spoke sports steering wheel, light burr maple, leather |
| IXPC | 3-spoke sports steering wheel, dark burr maple, leather |
| IXPD | 3-spoke sports steering wheel, Carbon/leather |
| IXPG | 3-spoke sports steering wheel, sports seats |
| IXPP | Loudspeaker finisher on switch panel in interior colour |
| IXPW | Instrument surround in light burr maple |
| IXPX | Instrument surround in dark burr maple |
| | * |
| IXPY | Carbon instrument surround |
| IXRA | 17-inch SPORTCLASSIC WHEEL |
| IXRB | 18-inch Sport Classic II wheel |
| IXRC | 18-inch SportTechno wheel |
| IXRL | 18-inch SportDesign wheel |
| IXRN | 17-mm spacers, rear |
| IXRP | 5-mm spacers, front/rear |
| IXSA | Painted sports seat backrest |
| IXSB | Leather sports seat backrest |
| IXSC | Porsche Crest embossed in headrest |
| IXSD | Front seat controls in leather |
| IXSE | Bucket seat, left |
| IXSF | Bucket seat, right |
| IXSG | Racing bucket seat, left |
| IXSJ | 6-point harness |
| IXSL | 6-point safety catch |
| IXSM | Racing safety cage |
| IXSN | Omission of rear seats |
| IXSR | Carbon back for bucket seat, right |
| IXSS | Carbon back for bucket seat, left |
| IXSU | Upholstered seat |
| IXSW | Seat belts in Maritime Blue |
| IXSX | Seat belts in Guards Red |
| IXSY | Seat belts in Speed Yellow |
| IXTC | Door panel parts in leather |
| IXTE | Door panel parts in carbon/leather |

Model: 996 98

Model life 1998>>2005

| NR | Description |
|------|---|
| IXTF | Door panel parts in arctic silver/leather |
| IXTG | Inner door sills in leather |
| IXTJ | Door panel parts in light burr maple |
| IXTK | Door panel parts in dark burr maple |
| IXTL | Door panel parts in Carbon |
| IXTR | Door panel parts in Aluminium Look finish |
| IXV1 | Defroster trim in leather |
| IXX1 | Floor mats, logo, leather border |
| IXX2 | Illuminated footwell |
| IXY5 | Tiptronic gear selector gate in leather |
| IXZD | Interior light surround in leather |
| IX26 | Steering wheel airbag, full leather |
| IX28 | Steering wheel airbag, light burr walnut, leather |
| IX30 | Steering wheel airbag, dark burr walnut, leather |
| IX45 | Instrument dial in interior color |
| IX46 | Tiptronic selector lever in aluminium/leather |
| IX47 | Gear lever knob in Carbon/leather |
| IX48 | Tiptronic selector lever in Carbon/aluminium |
| IX51 | Powerkit 250 kW |
| IX58 | Handbrake lever in Carbon/leather |
| IX65 | Tiptronic selector lever in light burr maple/aluminium |
| IX66 | Tiptronic selector lever in dark burr maple/aluminium |
| IX69 | Door entry guards in Carbon with logo |
| IX70 | Door entry guards in stainless steel with logo |
| IX71 | Instrument dial painted/Aluminium Look finish |
| IX72 | Gear lever knob aluminium/light burr maple/leather |
| IX73 | Turbo sports suspension |
| IX74 | Sports suspension (exclusive) |
| IX75 | Differential lock (exclusive) |
| IX76 | Inner door sill guard, left/right |
| IX77 | Steering wheel airbag, carbon/leather |
| IX91 | Handbrake lever aluminium/light burr maple/leather |
| IX97 | Gear lever knob in aluminium/leather |
| IX98 | Handbrake lever in aluminium/leather |
| IX99 | Natural leather |
| M000 | +-----+ ! Summary of optional extras "M"! +-----+ |
| M004 | GT3 RS (street) |
| M014 | Sport package 996 |
| M024 | Version for Greece |
| M030 | Sport-type chassis |
| M032 | Touring suspension |
| M034 | Version for Italy |
| M058 | Impact absorbers, front and rear |
| M061 | Version for Great Britain |
| M062 | Version for Sweden |

Model: 996 98

Model life 1998>>2005

| NR | Description |
|------|--|
| M063 | Version Luxemburg |
| M064 | Version for Netherlands |
| M065 | Version for Denmark |
| M066 | Version for Norway |
| M067 | Version for Finland |
| M068 | Version for Thailand |
| M069 | Other country version |
| M071 | EU country version |
| M072 | Version for Mexico |
| M073 | Version for Russia |
| M094 | Special model Millennium |
| M095 | Special model '911 Anniversary Edition' |
| M111 | Version for Austria |
| M113 | Version for Canada |
| M114 | Version for Taiwan |
| M119 | Version for Spain |
| M124 | Version for France |
| M126 | Control and indications in French lettering |
| M127 | Control and indications in Swedish |
| M130 | Control and indications in English lettering |
| M139 | Seat heating system, left seat |
| M150 | Operation with leaded gas |
| M193 | Version for Japan |
| M197 | Stronger battery |
| M210 | Licence plate holder version 2 |
| M211 | Licence plate holder version 3 |
| M215 | Version for Saudi Arabia |
| M218 | Licence plate holder version 4 |
| M219 | Differential |
| M220 | Locking differential 40 % |
| M222 | Anti-slip regulation (ASR) |
| M224 | Automatic limited slip differential |
| M225 | Version for Belgium |
| M249 | Tiptronic transmission |
| M265 | Automatic anti-dazzle interior mirror with rain sensor |
| M266 | Automatic anti-dazzle door mirror |
| M270 | Door mirror -flat- driver's side, electrically adjustable and heatable |
| M271 | Door mirror -aspherical- driver's side, electrically adjustable and heatable |
| M273 | Door mirrors, electrically adjustable and heatable |
| M274 | Vanity mirror illuminated |
| M277 | Version for Switzerland |
| M288 | Headlamp washer |
| M320 | Radio "Porsche CR-11" ROW |

Model: 996 98

Model life 1998>>2005

| NR | Description |
|------|---|
| M321 | Radio "Porsche CR 22" |
| M322 | Radio "Porsche CR 220" |
| M325 | Version for South Africa/New Zealand |
| M326 | Radio "Porsche CR-21" ROW |
| M327 | Radio "Porsche CR 2200" |
| M329 | Radio "Porsche CR-210" USA |
| M330 | Radio "Porsche CR-31" ROW |
| M335 | Automatic seat belt, 3-point, rear |
| M338 | Rear-wheel drive |
| M339 | All-wheel drive |
| M340 | Seat heating system, right seat |
| M342 | Seat heating system, left/right seat |
| M369 | Standard seat, left |
| M370 | Standard seat, right |
| M375 | Sports seat, backrest shell, left |
| M376 | Sports seat, backrest shell, right |
| M392 | 17-inch Carrera wheel |
| M396 | Cast wheel, 17-inch |
| M399 | 17-inch Carrera-4 wheel |
| M408 | 18-inch Techno wheel |
| M411 | 18-inch Carrera wheel |
| M413 | 18-inch Turbo-Look wheel |
| M414 | 18-inch Turbo-Look wheel, high gloss finish |
| M415 | 18-inch monobloc wheel Top |
| M416 | Wheel, GT3 18-inch |
| M417 | 18-inch Carrera wheel, polished |
| M421 | Front cassette compartment |
| M422 | Rear cassette compartment |
| M424 | CD compartment |
| M425 | Rear window wiper |
| M432 | Steering wheel with Tiptronic control |
| M436 | 3-spoke airbag steering wheel |
| M437 | Comfort seat, left, electrically adjustable |
| M438 | Comfort seat, right, electrically adjustable |
| M439 | Electrical hood operation |
| M440 | Manual antenna, 4 loudspeakers --- MY 2002 MY 2003 --- antenna diversity |
| M441 | Radio preparation |
| M446 | Concave wheel centers with full-colour Porsche Crest |
| M450 | Ceramic brake (PCCB) |
| M454 | Automatic speed control |
| M465 | Rear foglamp, left |

Model: 996 98 Model life 1998>>2005

| NR | Description |
|------|--|
| M466 | Rear foglamp, right |
| M476 | Porsche Stability Management (PSM) |
| M479 | Version for Australia |
| M480 | 6-speed manual transmission |
| M484 | Version for USA |
| M488 | Inscriptions in German language |
| M490 | -MY 01 sound system MY 02 sound system Harmann analog |
| M492 | Headlamps for left-hand traffic |
| M498 | Deletion of model designation on rear end |
| M499 | Version for Germany |
| M509 | Fire extinguisher |
| M513 | Lumbar support, right seat |
| M531 | Anti-drive-off feature, central locking system |
| M532 | Alarm system remote control omitted |
| M533 | Radio convertible-top operation omitted |
| M534 | Theft security system |
| M535 | Anti-theft lock 315 MHz |
| M536 | Alarm siren and tilt sensor |
| M537 | Seating position control for comfort seat, left |
| M538 | Seating position control for comfort seat, right |
| M539 | Mechanical seat-height adjustment, left |
| M540 | Mechanical seat-height adjustment, right |
| M549 | Roof Transport System |
| M550 | Hard top |
| M551 | Wind deflector |
| M553 | Version for USA, Canada |
| M562 | Airbag, driver's side and front passenger's side |
| M563 | Side airbag |
| M566 | Front fog lights, white |
| M567 | Windscreen tinted, upper part darker coloured |
| M571 | Activated charcoal filter |
| M573 | Air conditioner |
| M574 | Without air conditioner |
| M580 | Non-smoker's package |
| M581 | Center console, front |
| M586 | Lumbar support, left seat |
| M590 | Power lid locking |
| M601 | Litronic headlights |
| M602 | Raised stop lamp |
| M605 | Headlight levelling system |
| M606 | Daytime driving lights |
| M614 | Preparation for telephone installation |

Model: 996 98 Model life 1998>>2005

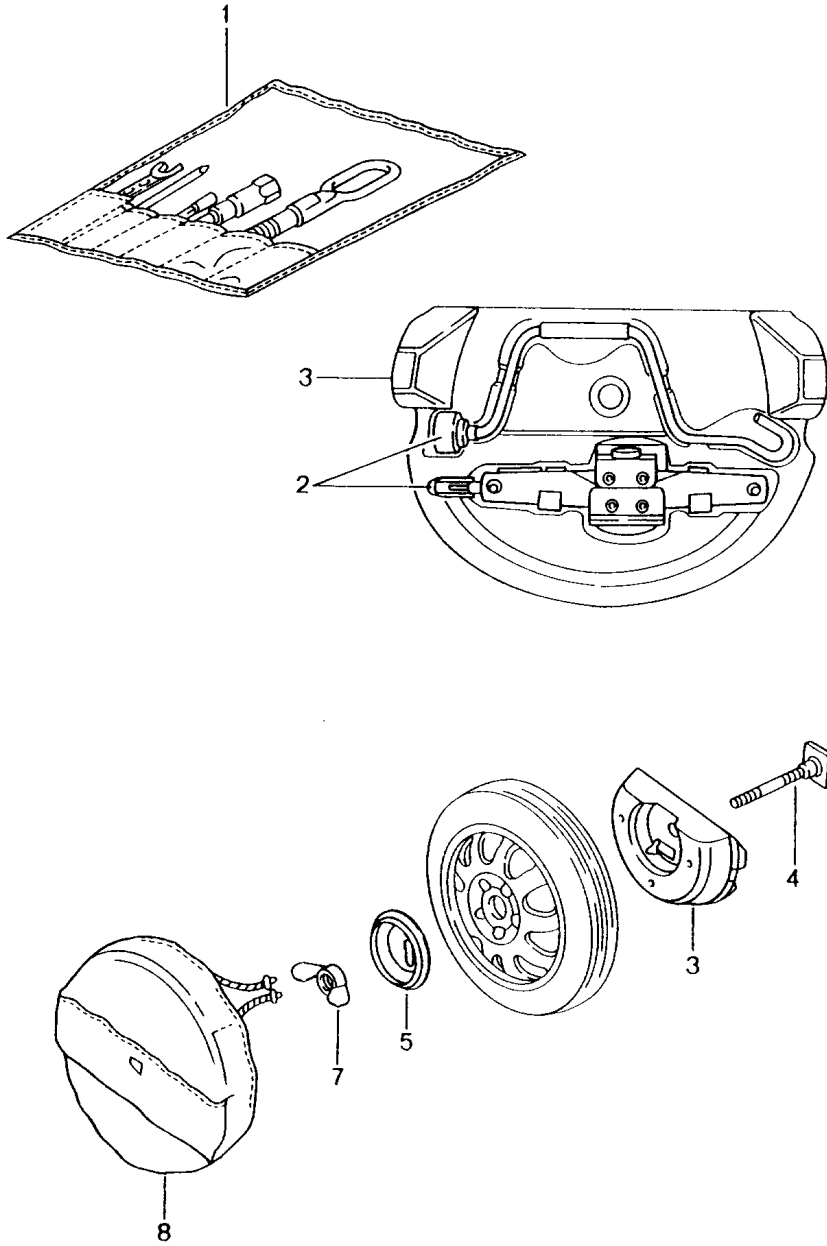
| NR | Description |
|------|---|
| | Motorola 2200 |
| M618 | Preparation for telephone installation |
| M620 | Electronic accelerator |
| M635 | Parking assistent |
| M650 | Electrical sliding roof |
| M651 | Electric window opener |
| M652 | without electric sunroof |
| M657 | Power assisted steering |
| M659 | On-board computer |
| M660 | Obd 2 |
| M661 | Stricter emission-control concept |
| M662 | Info/navigation system |
| M663 | Passive handset |
| M664 | Orvr |
| M665 | PCM2 basic module including radio |
| M666 | PCM2 telephone (GSM) |
| M668 | PCM2 telephone handset |
| M670 | PCM2 navigation |
| M680 | -MY 01 digital sound package MY 02- sound system Bose analog |
| M685 | Rear seats, split |
| M686 | Radio "Porsche CDR-21" ROW |
| M688 | Radio "Porsche CDR-210" USA |
| M689 | Preperation of cd autochanger |
| M692 | CD autochanger "Porsche " |
| M695 | CD radio "Porsche CDR 22" |
| M696 | CD radio "Porsche CDR 220" |
| M698 | CD radio "Porsche CDR 32" |
| M699 | MD radio "Porsche MDR32" |
| M936 | Seat covers, rear, leather |
| M937 | Seat covers, rear, leatherette |
| M939 | Seat covers, rear, draped leather |
| M946 | Seat covers, front, leather/leather/leatherette |
| M971 | Natural leather, Toro-embossed |
| M981 | Leather equipment without seat covers |
| M982 | Seat covers, front, draped leather/leather/leather |
| M983 | Seat covers, front, leather |
| M985 | Cover "lorica", without seat covers |
| M990 | Seat covers, front, cloth/cloth/leatherette |
| M999 | Passenger compartment monitoring sensor for leather colour of choice |

Model: 996 98

Model life 1998>>2005

Model: 996 98

Model life 1998>>2005

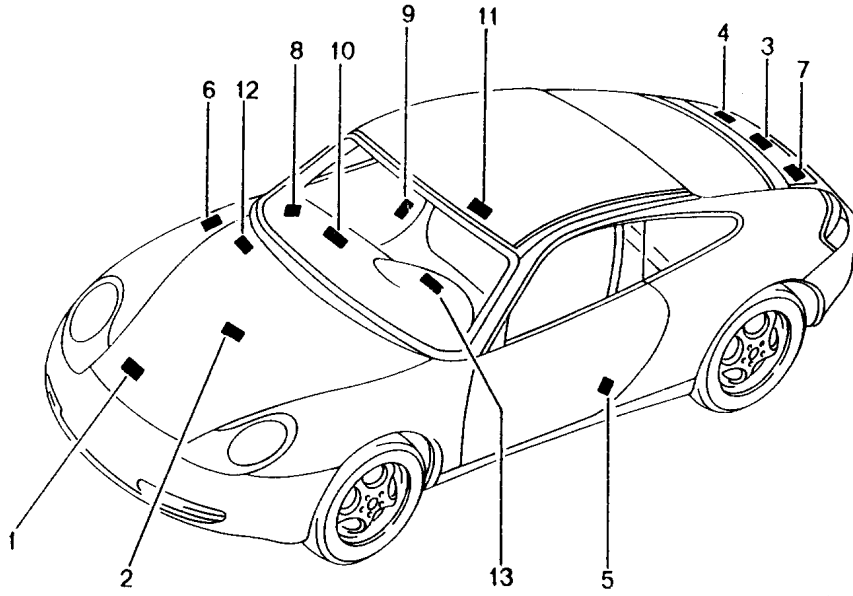


Model: 996 98 Model life 1998>>2005

| Pos | Part Number | Description | Remark | Qty | Model |
|-----|----------------|--|--------|-----|-----------------|
| 1 | 996 721 115 00 | Tool Jack | | 1 | |
| - | 996 721 415 00 | Tool bag with contents Comprising: | | 1 | |
| - | 996 721 521 00 | Tool bag without Content | | 1 | |
| - | 996 361 521 00 | Boot for Tyre | | 1 | |
| - | 999 914 001 40 | Plastic gloves | | 1 | |
| - | 996 721 151 00 | Towing lug | | 1 | |
| - | 477 012 229 | Double-end spanner 10 X 13 | | 1 | |
| - | 477 012 231 | Screwdriver | | 1 | |
| - | 111 012 287 | Handle for Screwdriver | | 1 | |
| - | 999 571 076 02 | Socket wrench - 5 - for Headlamp | | 1 | |
| - | 999 571 074 30 | Threaded bolt for Assembly Wheels | | 1 | |
| - | 477 012 221 A | Rim wrench | | 1 | |
| - | 999 571 070 30 | Operating rod for Rim wrench | | 1 | |
| 2 | 996 721 211 00 | Scissors type jack | | 1 | |
| 3 | 996 722 101 00 | Foam part | | 1 | M338 |
| 4 | 996 721 701 00 | Fastening part | | 1 | M338 |
| 5 | 477 813 157 | Mounting plate | | 1 | |
| 7 | 900 029 004 02 | Winged nut M 10 | | 1 | M338 |
| (7) | 900 029 109 02 | Wing screw M 10 X 65 | 99- | 1 | M339 |
| - | 999 031 051 02 | Washer 11,0 X 20 X 3,5 | | 1 | C4S M450/680 |
| 8 | | See group 8/07/00 POS.19 | | 1 | |
| - | 000 722 722 02 | Warning triangle | | 1 | |
| - | 993 722 041 00 | First-aid kit | | 1 | |

Model: 996 98

Model life 1998>>2005



Model: 996 98 Model life 1998>>2005

| Pos | Part Number | Description | Remark | Qty | Model |
|-----|----------------|-----------------------|-----------|-----|----------|
| | | Stickers | | | |
| | | Stickers | | | |
| | | Tyre pressure | | | |
| 1 | 996 701 287 20 | Sticker | -01 | 1 | M338 |
| 1 | 996 701 287 40 | Sticker | 02- | 1 | M338 |
| 1 | 996 701 287 23 | Sticker | -01 | 1 | M339 |
| 1 | 996 701 287 43 | Sticker | 02- | 1 | M339 |
| 1 | 996 701 287 48 | Sticker | 02- | 1 | C4S |
| 1 | 996 701 287 22 | Sticker | (AUS) -01 | 1 | M338 |
| 1 | 996 701 287 42 | Sticker | (AUS) 02- | 1 | M338 |
| 1 | 996 701 287 25 | Sticker | (AUS) -01 | 1 | M339 |
| 1 | 996 701 287 45 | Sticker | (AUS) 02- | 1 | M339 |
| 1 | 996 701 287 50 | Sticker | (AUS) 02- | 1 | C4S |
| 1 | 996 701 170 00 | Sticker | 99- | 1 | M339/499 |
| | | First-aid kit | | | |
| | | Stickers | | 1 | |
| | | Emergency wheel | | | |
| 2 | 996 361 701 10 | Sticker | (AUS) | 1 | M338 |
| | | English | | | |
| 2 | 996 361 701 00 | Sticker | (AUS) | 1 | M339 |
| | | English | | | |
| 2 | 996 361 701 20 | Sticker | 03- | 1 | C4S |
| | | English | (AUS) | | M450 |
| 2 | 928 701 150 00 | Sticker | | 1 | |
| | | "MAX 80 KM/H" | | | |
| | | Stickers | | | |
| | | Engine specifications | | | |
| 3 | 996 006 107 00 | Sticker | (AUS) 98 | 1 | |
| 3 | 996 006 107 01 | Sticker | (AUS) 99 | 1 | |
| 3 | 996 006 107 03 | Sticker | (AUS) 00 | 1 | |
| 3 | 996 006 107 04 | Sticker | (AUS) 01 | 1 | |
| 3 | 996 006 107 05 | Sticker | (AUS) 02 | 1 | |
| 3 | 996 006 107 06 | Sticker | (AUS) 03 | 1 | |
| 3 | 996 006 107 07 | Sticker | (AUS) 04 | 1 | |
| 3 | 993 006 108 02 | Sticker | -01 | 1 | M068 |
| 3 | 996 006 108 00 | Sticker | 02- | 1 | M068 |
| 4 | 928 701 140 04 | Sticker | -99 | 1 | M068/325 |
| | | Exhaust gas | | | |
| | | Stickers | | | |
| | | Type of fuel | | | |
| 6 | 996 006 117 00 | Sticker | | 1 | |
| | | 98 ROZ | | | |
| 6 | 996 006 117 02 | Sticker | (AUS) | 1 | |
| | | 96 ROZ | | | |
| 6 | 996 006 117 01 | Sticker | | 1 | M150 |
| | | 98 ROZ | | | |
| 6 | 996 006 117 03 | Sticker | (J) | 1 | |
| | | 93 RON/MON/2 | | | |
| 6 | 996 701 190 00 | Sticker | 01- | 1 | |
| | | Fuel tank cap | | | |
| 7 | 997 006 544 00 | Sticker | | 1 | |
| | | Engine oil | | | |
| | | - MOBIL 1 - | | | |
| 7 | 7PP 010 786 T | Sticker | | 1 | |
| | | Engine oil | | | |
| | | - MOBIL 1 - | | | |
| 7 | 996 006 120 00 | Indication sticker | 00- | 1 | |
| | | Expansion tank | | | |
| | | Coolant | | | |
| | | Stickers | | | |
| | | Airbag | | | |
| 8 | 996 701 421 01 | Sticker | 98 | 1 | |

Model: 996 98 Model life 1998>>2005

| Pos | Part Number | Description | Remark | Qty | Model |
|-----|----------------|--------------------------------------|----------|-----|-------|
| 8 | 3B0 010 219 B | Child car seat Sticker | 99- | 1 | |
| 8 | 8D0 010 141 Q | Child car seat Sticker | (AUS) 05 | 1 | |
| 8 | 996 701 430 00 | Child car seat Sticker | 01- | 1 | |
| | | Child car seat German | | | |
| | | English | | | |
| 8 | 996 701 430 01 | Sticker | 01- | 1 | |
| | | Child car seat Italian | | | |
| | | French | | | |
| 8 | 996 701 430 02 | Sticker | 01- | 1 | |
| | | Child car seat English | | | |
| | | Spanish | | | |
| 8 | 996 701 430 03 | Sticker | 01- | 1 | |
| | | Child car seat Swedish | | | |
| | | English | | | |
| 8 | 996 701 430 04 | Sticker | 04- | 1 | |
| | | Child car seat Arabic | | | |
| | | English | | | |
| 12 | 996 701 141 01 | Sticker | | 1 | |
| | | Air conditioner Stickers | | | |
| | | Convertible top control See group | | | |
| | | 8/07/09 | | | |

Model: 996 98

Model life 1998>>2005



Model: 996 98

Model life 1998>>2005

| Pos | Part Number | Description | Remark | Qty | Model |
|-----|-------------|---|--------|-----|-------|
| | | Repair kit Maintenance set Assembly kit | | | |

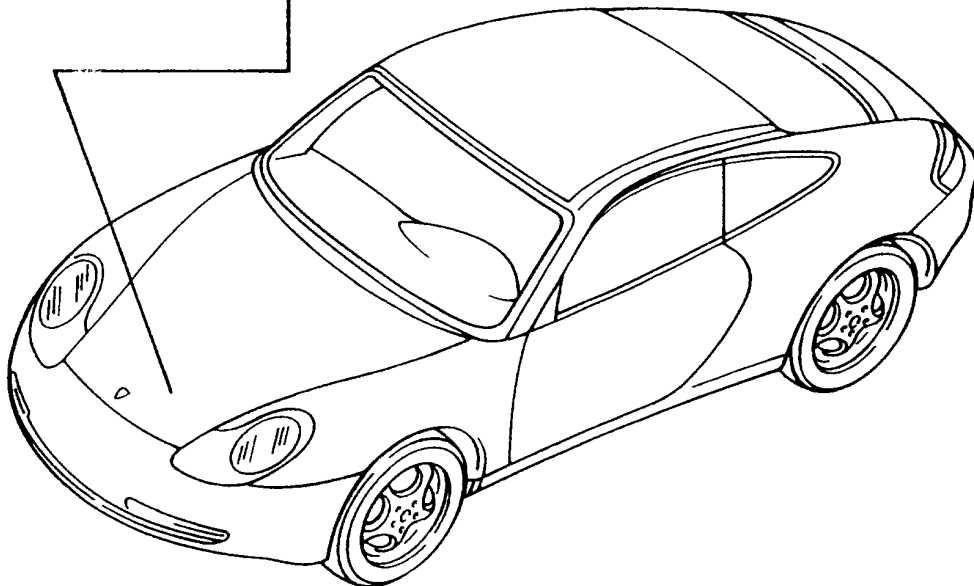
Model: 996 98

Model life 1998>>2005

FARBNUMMER
COLOUR NUMBER
NUMERO DE COULEUR
NUMERO COLORE
NUMERO DE COLOR

697|9 1
DIAMOND BLUE METALLIC
DIAMANT BLAU METALLIC
F5

FARB BENENNUNG
COLOUR
COULEUR
COLORE
COLOR

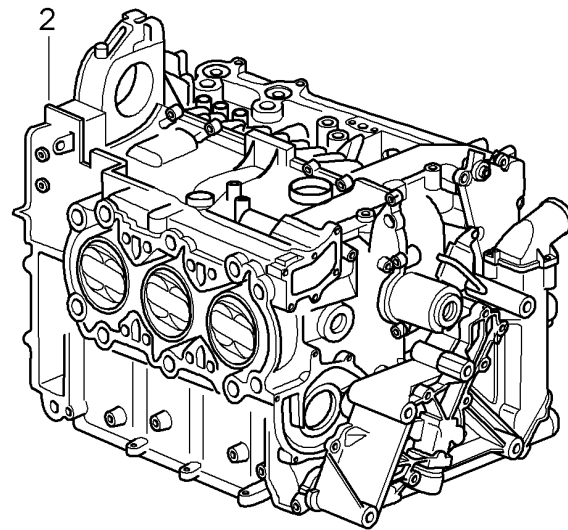
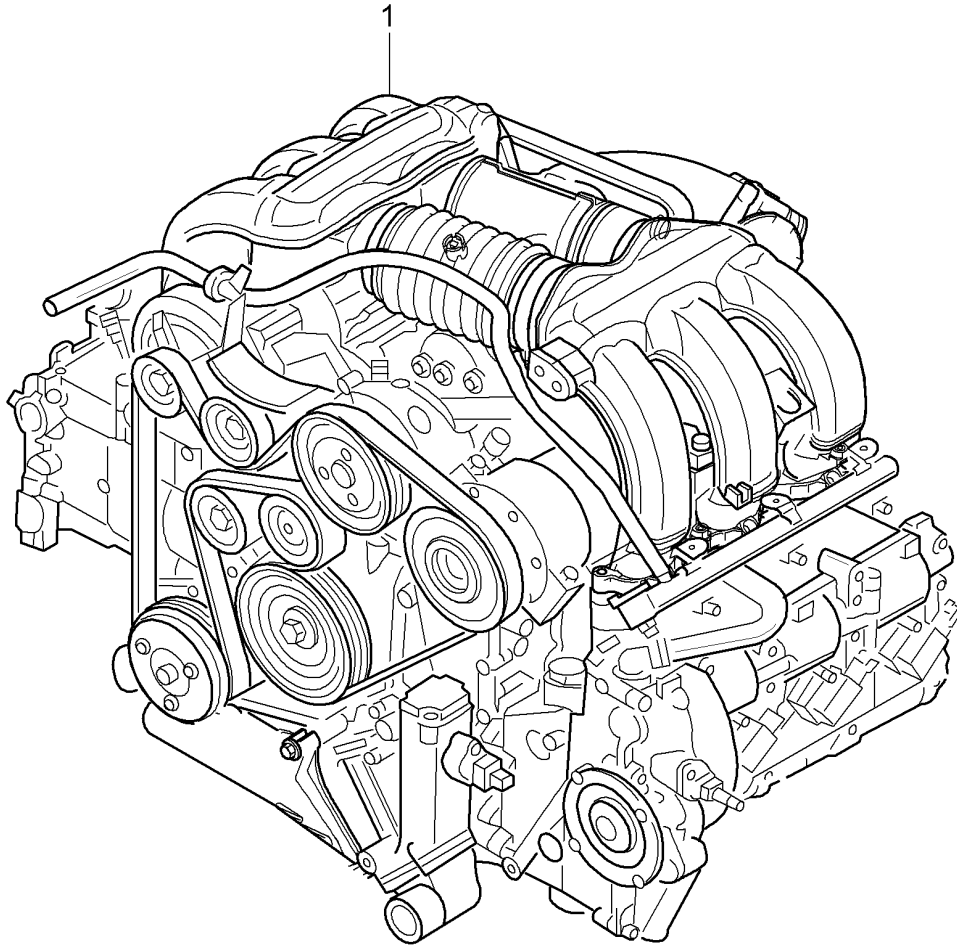


Model: 996 98 Model life 1998>>2005

| Pos | Part Number | Description | Remark | Qty | Model |
|-----|--------------------|--|--------|-----|----------|
| - | 911 095 932 20 | Paint touch-up applicator Lacquers | | X | |
| | 911 095 932 20 719 | Paint touch-up applicator Black | | | A 1 |
| | 911 095 932 20 80K | Guards red | | | G 1 |
| | 911 095 932 20 3AT | Glacier white | | | Z 1 |
| | 911 095 932 20 9A3 | Biarritz white | | | Z 2 |
| | 911 095 932 20 12L | Pastel yellow | | | Q 1 |
| | 911 095 932 20 3AR | Blue turquoise | | | J 1 |
| | 911 095 932 20 12G | Speed yellow | | | 50 / X 4 |
| | 911 095 932 20 347 | Dark blue | | | 55 |
| | 911 095 932 20 B9A | Carrara white | | | B 4 |
| - | 911 095 933 20 | Paint touch-up applicator Set Comprising: Paint touch-up applicator Primer Paint touch-up applicator Clear lacquer | | X | |
| | 911 095 933 20 92T | Arctic silver metallic | | | X 1 |
| | 911 095 933 20 3AY | Ocean blue metallic | | | E 1 |
| | 911 095 933 20 3AW | Zenith blue metallic | | | F 1 |
| | 911 095 933 20 84R | Arena red metallic | | | H 8 |
| | 911 095 933 20 25H | Ocean jade metallic | | | J 3 |
| | 911 095 933 20 746 | Black-metallic | | | Z 8 |
| | 911 095 933 20 40W | Vesuvio grey metallic | | | K 3 |
| | 911 095 933 20 554 | Mirage metallic | | | T 1 |
| | 911 095 933 20 23I | Wimbledon green metallic | | | 51 |
| | 911 095 933 20 22E | Forest green metallic | | | 53 |
| | 911 095 933 20 2A2 | Rainforest green metallic | | | J 4 |
| | 911 095 933 20 39G | Violet metallic | | | 54 |
| | 911 095 933 20 37U | Cobalt blue metallic | | | 56 |
| | 911 095 933 20 92E | Polar silver metallic | | | 58 |
| | 911 095 933 20 22D | Slate grey metallic | | | 59 |
| | 911 095 933 20 39N | Iris blue metallic | | | 61 |
| | 911 095 933 20 37W | Midnight Blue Metallic | -02 | | 62 |
| | | | -02 | | E 9 |
| | 911 095 933 20 3C4 | Violet/chromaflair | 00 | | /K 7 |
| | 911 095 933 20 8A4 | Orient red metallic | | | L 1 |
| | 911 095 933 20 3A9 | Lapis blue metallic | -02 | | E 3 |
| | 911 095 933 20 M5W | Lapis blue metallic | 03- | | J 2 |
| | 911 095 933 20 6A7 | Meridian metallic | -03 | | X 2 |
| | | | -03 | | 64 |
| | 911 095 933 20 1A9 | Zanzibar red | -02 | | N 1 |
| | | | -02 | | 63 |
| | 911 095 933 20 6B5 | Seal grey metallic | | | Y 1 |
| | 911 095 933 20 C9Z | Basalt black metallic | | | Z 4 |
| | 911 095 933 20 M6W | Lagoon green metallic | | | G 4 |
| | 911 095 933 20 M3W | Carmon red metallic | | | E 4 |
| | 911 095 933 20 M7X | Atlas grey metallic | | | E 7 |
| | 911 095 933 20 M7Z | GT Silver Metallic | 04 | | |
| | | | 04 | | U 2 |
| | | Lacquers 1 LTR | | | |
| - | 911 095 903 80 | Synthetic resin prime coat | | X | /K 7 |
| | 911 095 903 80 3C4 | Violet/chromaflair | | | M094 |

Model: 996 98

Model life 1998>>2005



Model: 996 98 Model life 1998>>2005

| Pos | Part Number | Description | Remark | Qty | Model |
|-----|----------------|---|--------|-----|------------------------------------|
| 1 | 996 100 996 09 | Replacement engine | 03 | 1 | M480 M96.03 M660/661 |
| 1 | 996 100 996 18 | Replacement engine | 04 | 1 | M480 M96.03 M660/661 M480 |
| 1 | 996 100 996 28 | Technical information GRUPPE 1 NR.4/04 Attention Replacement engine | 05 | 1 | M96.03 M660/661 M480 |
| 1 | 996 100 996 05 | Replacement engine | 02 | 1 | M96.03 M660/661 M249 |
| 1 | 996 100 996 08 | Replacement engine | 02 | 1 | M96.03 M660/661 M249 |
| 1 | 996 100 996 10 | Replacement engine | 03 | 1 | M96.03 M660/661 M249 |
| 1 | 996 100 996 19 | Replacement engine | 04 | 1 | M96.03 M660/661 M249 |
| 1 | 996 100 996 29 | Technical information GRUPPE 1 NR.4/04 Attention Replacement engine | 05 | 1 | M96.03 M249 M660/661 |
| 2 | 996 100 996 50 | Short engine Comprising: Crankcase Connecting rod Crankshaft Oil pump Timing chain Parts kit without Gaskets Use also: 99610101600 99610421554 99610622352 00004320435 00004330013 90037813100 99917020791 | -01 | 1 | M96.01/02/04 |
| 2 | 996 100 996 TX | Short engine Comprising: Crankcase Connecting rod Crankshaft Oil pump Timing chain Parts kit without Gaskets Use also: 99610101600 99610421554 99610622352 | -01 | 1 | M96.01/02/04 |

Model: 996 98 Model life 1998>>2005

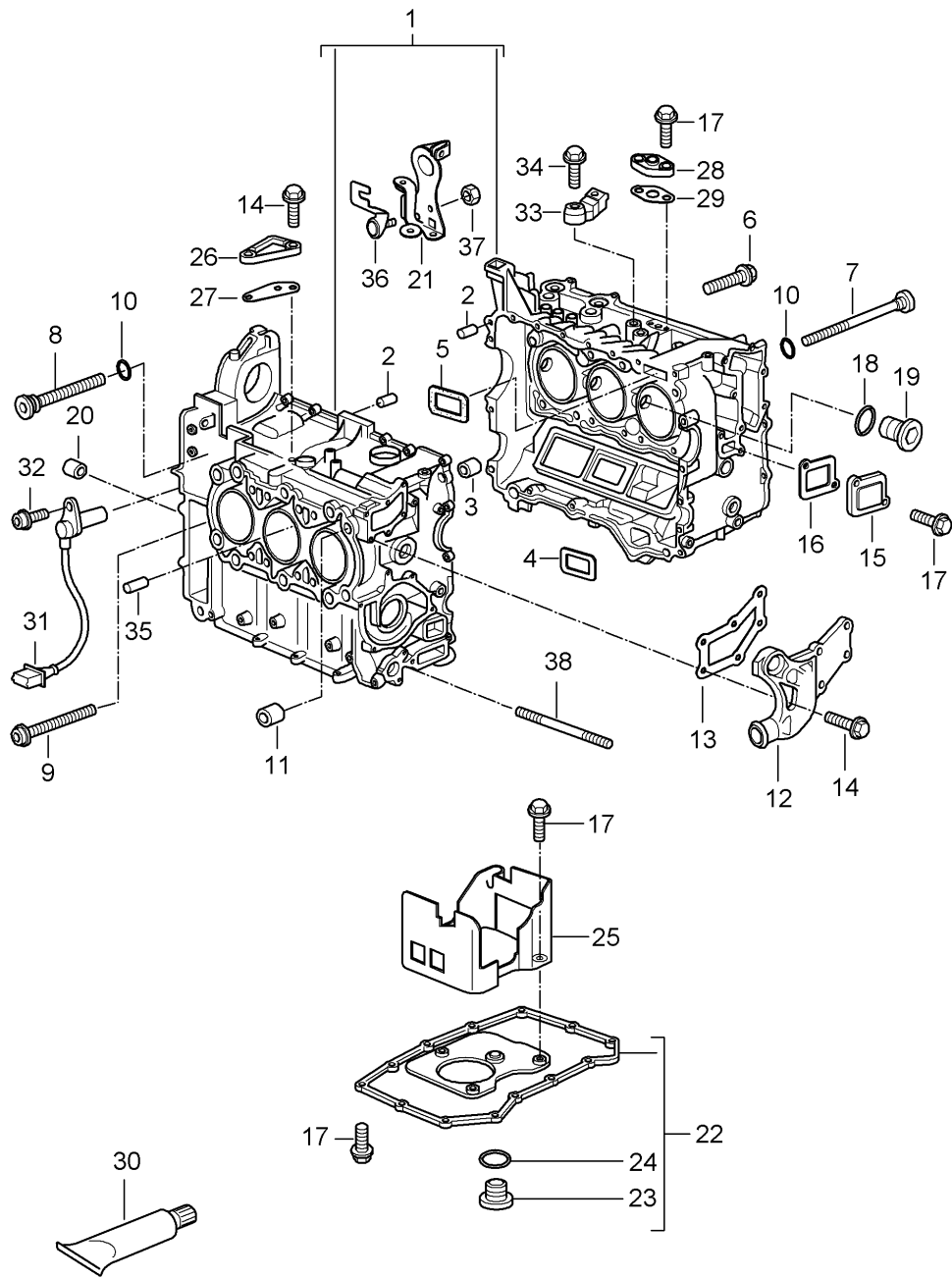
| Pos | Part Number | Description | Remark | Qty | Model |
|-----|----------------|---|--------|----------------------------|-------------------|
| - | 996 104 270 05 | 00004320435 00004330013 90037813100 99917020791 Cylinder head gasket Short engine 99610099650/TX Parts kit for seals Cylinder head Use also: 99610426900 99610133150 99610133650 99611023350 99611321351 99610722151 99970740940 94411090101 99610632150 99970721540 99970755440 99970734340 99970738940 99611110755 | | X X 12 6 1 | |
| - | 996 106 326 50 | Gasket Thermostat housing Short engine Parts kit for seals Accessories Use also: 99970220650 99970734840 99611010350 99610710351 99610634054 99610726150 | | 1 2 2 2 1 1 | |
| 2 | 996 100 951 50 | Short engine Comprising: Crankcase Connecting rod Crankshaft Oil pump Timing chain Parts kit without Gaskets Use also: 99610101600 99610421554 90037813100 99917020791 00004320435 00004330013 99610612553 99610522352 | 99-01 | 1 | M96.01/02 IX51 |
| 2 | 996 100 951 TX | Short engine Comprising: Crankcase Connecting rod Crankshaft Oil pump Timing chain Parts kit | 99-01 | 1 | M96.01/02 IX51 |

Model: 996 98 Model life 1998>>2005

| Pos | Part Number | Description | Remark | Qty | Model |
|-----|----------------|--|--------|---|----------------|
| 2 | 996 100 996 XX | Gaskets Use also: 99610101600 99610421554 99610421602 99610524403 00004320435 00004330013 99610612553 99907507100 99917022390 Short engine Comprising: Crankcase Connecting rod Crankshaft Oil pump Timing chain Parts kit without Gaskets Use also: 99610101600 99610421554 99610421602 99610524403 00004320435 00004330013 99610612553 99907507100 99917022390 | -05 | 1 4 2 4 X X 1 12 6 1 | M96.03 IX51 |
| - | 996 104 201 04 | Cylinder head gasket 99610099665/XX Parts kit for seals Use also: 99710420103 99610133150 99610420300 99970176141 99610590305 99610133650 99611323350 99611321351 99610632150 99610631651 99970755440 99610722151 99970738940 99611110755 99970740940 94411090101 | | 1 1 6 6 4 1 1 1 1 1 4 2 2 2 2 12 | |
| - | 996 106 326 50 | Gasket Short engine 99610099665/XX Parts kit for seals Accessories Use also: 99970220650 99970734840 99610733750 99611010350 99610634054 | | 1 1 1 2 1 | |

Model: 996 98

Model life 1998>>2005



Model: 996 98 Model life 1998>>2005

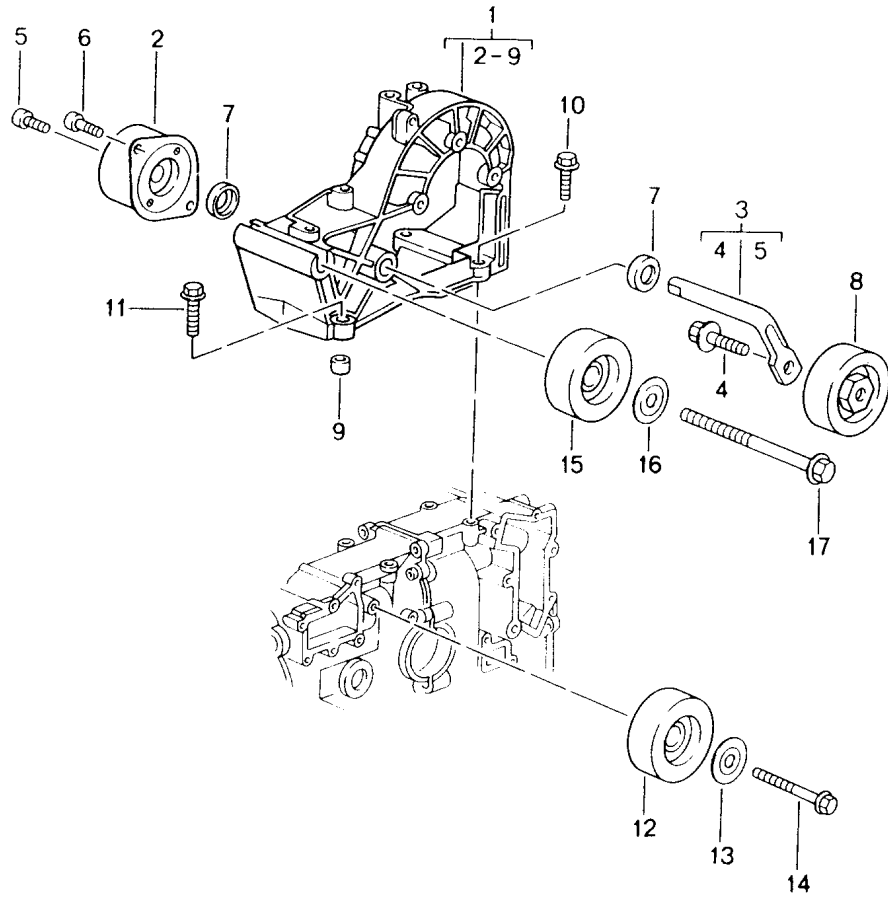
| Pos | Part Number | Description | Remark | Qty | Model |
|-----|----------------|--|--------|--------|------------------------|
| | | Crankcase | | | M96.01/02/03 |
| 1 | 996 101 901 01 | Crankcase M >> 66X 11005 M >> 68X 05167 Use also: 996 101 007 05 996 101 018 51 | | 1 | M96.04 M96.01/02/04 |
| (1) | 996 101 006 03 | Crankcase | | 1 | M96.03 |
| (1) | 996 101 901 06 | Crankcase | | 1 | M96.03 |
| 2 | 999 012 049 00 | Straight pin | | 3 | |
| 3 | 996 101 253 50 | Dowel sleeve | | 1 | |
| 3 | 996 101 253 51 | Dowel sleeve | | 1 | |
| 4 | 996 101 361 51 | Gasket | | 1 | |
| 5 | 996 101 363 50 | Gasket | | 1 | |
| 6 | 900 378 174 09 | Hexagon-head bolt M 6 X 35 | | 25 | |
| (6) | 999 217 151 09 | Hexagon-head bolt M 6 X 35 | | 25 | |
| (6) | 900 385 270 01 | Outer hexagon round screw M 6 X 35 | | 25 | |
| 7 | 996 101 219 52 | Screw 9 X 150 | | 1 | |
| 8 | 996 101 229 00 | Screw M 9 X 94 | | 1 | |
| 9 | 996 101 203 00 | Screw 9 X 94 | | 1 | |
| 10 | 999 701 789 40 | O-ring 12 X 2 | | 2 | |
| 11 | 999 095 043 01 | Use also: 999 917 788 00 Dowel sleeve 17M 6 X 18,5 | | 1 4 | |
| 12 | 996 101 021 51 | Lid | | 1 | |
| 12 | 996 101 021 52 | Lid | | 1 | |
| 13 | 996 101 331 50 | Gasket | | 1 | |
| 14 | 900 378 103 09 | Hexagon-head bolt M 6 X 20 | | 10 | |
| 15 | 996 101 216 51 | Lid | | 1 | |
| 15 | 996 101 016 00 | Lid | | 1 | |
| 16 | 996 101 336 50 | Gasket | | 1 | |
| 17 | 900 378 035 01 | Hexagon-head bolt M 6 X 16 | | 24 | |
| 18 | 900 123 147 30 | Sealing ring A 27 X 32 | | 1 | |
| 19 | 900 219 017 30 | Screw plug M 27 X 2 | | 1 | |
| 20 | 014 301 153 B | Dowel sleeve 13 X 16 X13,5 | | 2 | |
| 21 | 996 101 213 56 | Retaining bar | | 1 | |
| 21 | 996 101 213 57 | Retaining bar | | 1 | |
| 21 | 996 101 213 58 | Retaining bar | | 1 | |
| 22 | 996 107 031 55 | Oil pan | 98- | 1 | |
| 22 | 996 107 031 57 | Oil pan | 98- | 1 | |
| 22 | 996 107 031 58 | Oil pan | 98- | 1 | |
| 23 | 900 219 009 30 | Screw plug M 18 X 1,5 | | 1 | |
| 24 | 900 123 106 30 | Sealing ring A 18 X 24 | | 1 | |
| 25 | 996 107 243 51 | Bulkhead | | 1 | |
| 26 | 996 113 140 53 | Lid | | 1 | |
| 27 | 996 113 233 50 | Gasket | | 1 | |
| 28 | 996 113 340 50 | Lid | | 1 | |

Model: 996 98 Model life 1998>>2005

| Pos | Part Number | Description | Remark | Qty | Model |
|------|----------------|--|--------|-----|-------|
| 29 | 996 113 213 51 | Gasket | | 1 | |
| 30 | 000 043 204 35 | Sealing compound 50 ML Loctite 5900 | | X | |
| 31 | 986 606 112 01 | Pulse sender | | 1 | |
| 31 | 986 606 112 02 | Pulse sender | -02 | 1 | |
| 31 | 986 606 112 03 | Pulse sender | 03- | 1 | |
| 32 | 999 218 005 02 | Pan-head screw M 6 X 16 | | 1 | |
| 32 | 999 218 005 01 | Pan-head screw M 6 X 16 | | 1 | |
| 33 | 996 606 121 00 | Knock sensor | | 2 | |
| 33 | 996 606 125 00 | Knock sensor | | 2 | |
| 34 | 900 378 033 09 | Hexagon-head bolt AM 8 X 30 | -00 | 2 | |
| (34) | 900 378 033 01 | Hexagon-head bolt AM 8 X 30 | -00 | 2 | |
| 34 | 900 378 108 09 | Hexagon-head bolt AM 8 X 35 | 01- | 2 | |
| (34) | 900 378 108 01 | Hexagon-head bolt AM 8 X 35 | 01- | 2 | |
| 35 | 900 095 137 01 | Roll pin 5,0 X 12 | | 2 | |
| 36 | 996 101 613 50 | Support | | 1 | M249 |
| 37 | 900 377 010 09 | Hexagon nut M 6 | | 1 | M249 |
| 38 | 999 218 110 09 | Stud M 10 X 102 | | 4 | |
| - | 900 036 029 02 | Lid B 16 | | 2 | |
| - | 999 036 005 02 | Lid B 50 | | 2 | |

Model: 996 98

Model life 1998>>2005

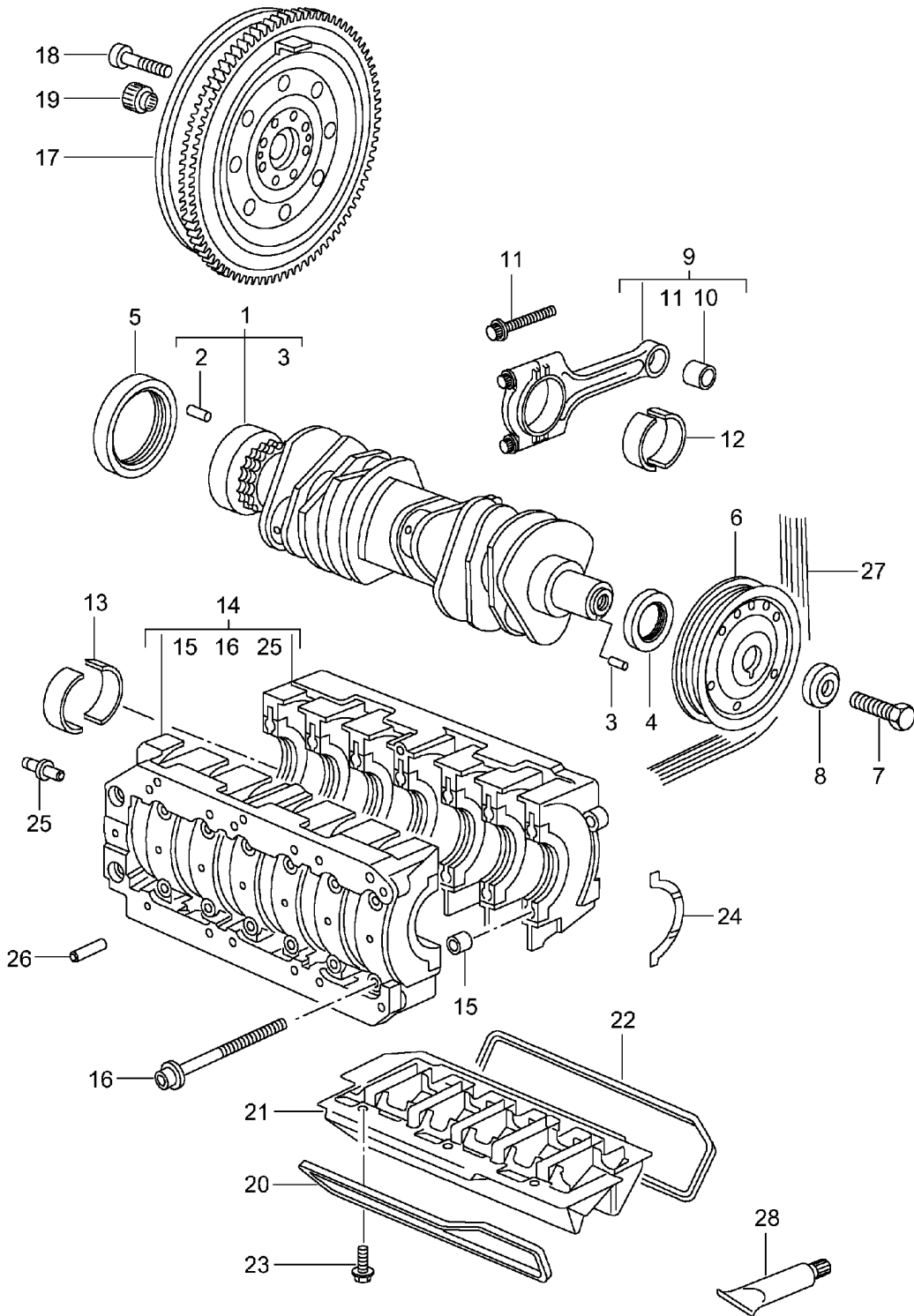


Model: 996 98 Model life 1998>>2005

| Pos | Part Number | Description | Remark | Qty | Model |
|------|----------------|--|--------|-----|------------------------|
| | | Belt tensioner | | | M96.01/02/03 M96.04 |
| | | Belt drive | | | |
| 1 | 996 102 016 69 | Bracket | | 1 | |
| 1 | 996 102 016 01 | Bracket | | 1 | |
| 1 | 996 102 016 03 | Bracket | | 1 | |
| 2 | 996 102 260 50 | Tensioner | | 1 | |
| 3 | 996 102 360 51 | Lever | | 1 | |
| 4 | 999 072 039 09 | Hexagon-head bolt M 10 X 30 | -98 | 1 | |
| 4 | 999 072 041 09 | Hexagon-head bolt M 10 X 30 | | 1 | |
| 5 | 900 067 117 09 | Pan-head screw M 6 X 16 | | 1 | |
| 6 | 999 067 045 09 | Pan-head screw M 8 X 22 | | 2 | |
| 7 | 996 102 365 50 | Dust boot | | 2 | |
| 8 | 996 102 117 54 | Tensioning roller | | 1 | |
| 8 | 996 102 117 56 | Tensioning roller | | 1 | M249 |
| (8) | 997 102 117 00 | Tensioning roller | | 1 | M480 |
| 9 | 999 095 064 00 | Dowel sleeve 12 M 6 X 13 | | 2 | |
| 10 | 900 378 022 09 | Hexagon-head bolt AM 8 X 25 | | 2 | |
| 11 | 900 378 108 09 | Hexagon-head bolt AM 8 X 35 | | 2 | |
| 12 | 996 102 119 57 | Deflection roller | -01 | 1 | |
| 12 | 996 102 119 58 | Deflection roller | 02- | 1 | M249 |
| (12) | 997 102 119 00 | Deflection roller | | 1 | M480 |
| 13 | 996 102 127 52 | Cover disc | | 1 | |
| 13 | 996 102 127 54 | Cover disc | | 1 | |
| 14 | 900 378 150 09 | Hexagon-head bolt AM 8 X 55 M >> 66X 06240 M >> 68X 02730 | | 1 | |
| 14 | 900 378 159 09 | Hexagon-head bolt | | 1 | |
| 14 | 900 378 056 02 | Hexagon-head bolt AM 8 X 60 M 66X 06241 >> M 68X 02731 >> | | 1 | |
| 15 | 996 102 118 53 | Deflection roller | -01 | 1 | |
| 15 | 996 102 118 56 | Deflection roller | 02- | 1 | M249 |
| (15) | 997 102 118 00 | Deflection roller | | 1 | M480 |
| 16 | 996 102 125 53 | Cover disc | | 1 | |
| 16 | 996 102 125 52 | Cover disc | | 1 | |
| 17 | 900 378 181 09 | Hexagon-head bolt M 10 X 145 | | 1 | |

Model: 996 98

Model life 1998>>2005



Model: 996 98 Model life 1998>>2005

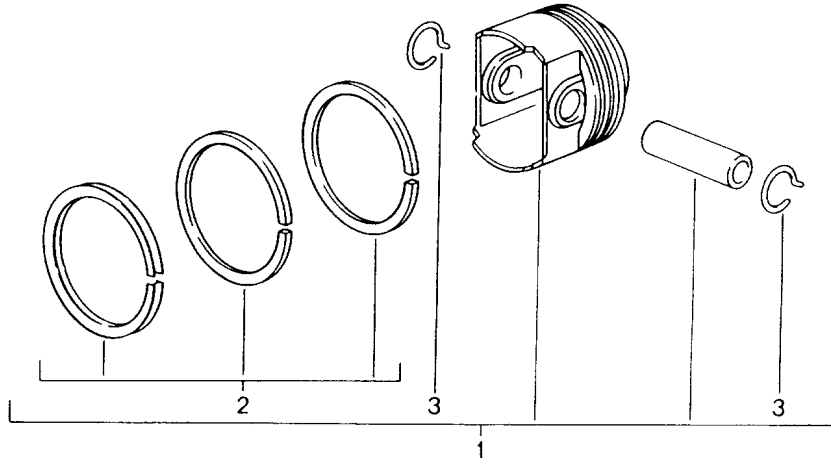
| Pos | Part Number | Description | Remark | Qty | Model |
|-----|----------------|--|--------|-----|------------------------|
| | | Crankshaft | | | M96.01/02/03 M96.04 |
| 1 | 996 102 011 54 | Crankshaft | 98 | 1 | |
| 1 | 996 102 011 55 | Crankshaft | 99 | 1 | |
| 1 | 996 102 011 57 | Crankshaft | 00 | 1 | |
| | | Rollenkette See technical information Group 1 NR. 10/00 | | | |
| (1) | 996 102 011 56 | Crankshaft ZAHNKETTE See technical information Group 1 NR. 10/00 | 01 | 1 | |
| (1) | 996 102 011 58 | Crankshaft ZAHNKETTE See technical information Group 1 NR. 10/00 | 01 | 1 | |
| (1) | 996 102 012 02 | Crankshaft | 02- | 1 | M96.03 |
| (1) | 996 102 012 03 | Crankshaft | 02- | 1 | M96.03 |
| 2 | 900 095 031 01 | Roll pin 6,0 X 16 | | 1 | |
| 3 | 900 012 154 00 | Straight pin A 4,0 X 10 | -01 | 1 | |
| 3 | 900 302 021 00 | Straight pin A 4,0 X 10 | | 1 | |
| 4 | 999 113 475 40 | Shaft sealing ring 40 X 62 X 10 | | 1 | |
| 5 | 999 113 476 40 | Shaft sealing ring 85 X 105 X 11 | | 1 | |
| 5 | 999 113 490 40 | Shaft sealing ring 85 X 105 X 11 | | 1 | |
| 5 | 997 101 212 00 | Shaft sealing ring 85 x 105 x 11 | | 1 | |
| 6 | 996 102 115 62 | Pulley | -01 | 1 | |
| (6) | 996 102 115 63 | Pulley | | 1 | |
| 7 | 900 082 085 09 | Hexagon-head bolt M 16 X 1,5 X 60 | | 1 | |
| 8 | 996 102 315 50 | Thrust washer | | 1 | |
| (9) | 996 103 975 01 | Connecting rod Set Connecting rods Comprising: 6 Connecting rods See workshop manual 986 GR.1-1 | -01 | 1 | |
| (9) | 996 103 985 00 | Connecting rod Set Connecting rods Comprising: 6 Connecting rods See workshop manual 986 GR.1-1 | 02- | 1 | M96.03 |
| (9) | 996 103 985 01 | Connecting rod Set Connecting rods Comprising: 6 Connecting rods See workshop manual | 02- | 1 | M96.03 |

Model: 996 98 Model life 1998>>2005

| Pos | Part Number | Description | Remark | Qty | Model |
|------|----------------|--------------------------|--------|-----|--------|
| | | 986 GR.1-1 | | | |
| 10 | 996 103 111 51 | Connecting rod bush | | 6 | |
| 11 | 996 103 115 51 | Connecting rod bolt | | 12 | |
| 11 | 997 103 115 01 | Connecting rod bolt | | 12 | |
| 12 | 996 103 121 62 | Connecting-rod bearing | | 12 | |
| 13 | 996 101 205 10 | Crankshaft bearing | -01 | 14 | |
| 13 | 996 101 209 01 | Crankshaft bearing | 02- | 14 | M96.03 |
| 14 | 996 101 012 61 | Bearing case | -98 | 1 | |
| | | Use also: | | | |
| | 996 101 018 51 | | | 6 | |
| (14) | 996 101 012 64 | Bearing case | -98 | 1 | |
| | | Use also: | | | |
| | 996 101 018 51 | | | 6 | |
| (14) | 996 101 007 05 | Bearing case | -01 | 1 | |
| | | Use also: | | | |
| | 996 101 018 51 | | | 6 | |
| (14) | 996 101 057 03 | Bearing case | 02- | 1 | M96.03 |
| | | Use also: | | | |
| | 996 101 018 51 | | | 6 | |
| 15 | 999 095 064 00 | Dowel sleeve | | 3 | |
| | | 12 M 6 X 13 | | | |
| 16 | 996 101 115 59 | Screw | | 14 | |
| | | M 9 X 127 | | | |
| 17 | 996 114 012 03 | Double-mass flywheel | | 1 | |
| 18 | 999 073 092 09 | Pan-head screw | | 8 | |
| | | M 10 X 1 X 50 | | | |
| 18 | 999 073 092 01 | Pan-head screw | | 8 | |
| | | M 10 X 1 X 50 | | | |
| 19 | 999 052 210 00 | Deep-groove ball bearing | | 1 | |
| | | 15 X 35 X 11 | | | |
| 20 | 996 101 241 51 | Gasket | | 1 | |
| 21 | 996 101 016 50 | Oil separator | -01 | 1 | |
| (21) | 996 101 010 00 | Oil separator | 02- | 1 | M96.03 |
| 22 | 996 101 242 51 | Gasket | | 1 | |
| 23 | 999 218 005 02 | Pan-head screw | | 6 | |
| | | M 6 X 16 | | | |
| 23 | 999 218 005 01 | Pan-head screw | | 6 | |
| | | M 6 X 16 | | | |
| 24 | 996 101 129 51 | Thrust washer | | 2 | |
| (24) | 996 101 129 52 | Thrust washer | -01 | 2 | |
| (24) | 996 101 132 00 | Thrust washer | 02- | 2 | M96.03 |
| 25 | 996 101 117 53 | Straight pin | | 1 | |
| 26 | 996 101 018 51 | Spray jet | | 6 | |
| 27 | 996 102 151 65 | Poly-rib belt | | 1 | |
| 27 | 996 102 151 64 | Poly-rib belt | | 1 | M573 |
| 28 | 000 043 204 17 | Extreme-pressure grease | | X | |
| | | 100 GR. | | | |
| 28 | 000 043 305 56 | Extreme-pressure grease | | X | |
| | | 100 GR. | | | |

Model: 996 98

Model life 1998>>2005

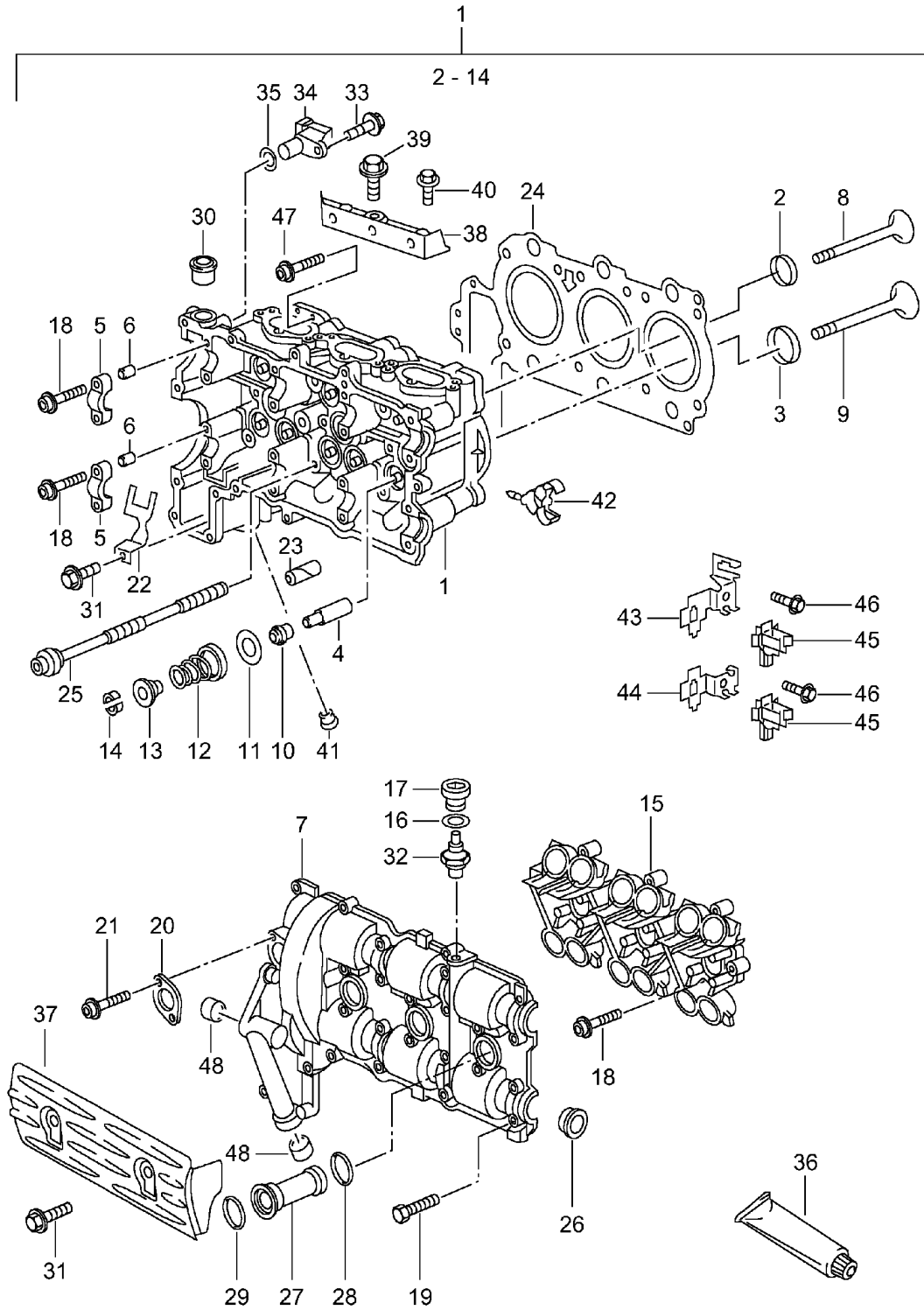


Model: 996 98 Model life 1998>>2005

| Pos | Part Number | Description | Remark | Qty | Model |
|-----|----------------|--|--------|-----|--|
| 1 | 996 103 051 18 | Piston Piston Tolerance range X Identification - 544 - 547 G | | 6 | M96.01/02/03 M96.04 M96.01/02/04 |
| 1 | 996 103 051 19 | Piston Tolerance range X Identification + 547 - 550 G | | 6 | M96.01/02/04 |
| 1 | 996 103 052 09 | Piston Tolerance range X Identification - 526 - 532 G | | 6 | M96.03 |
| 1 | 996 103 052 10 | Piston Tolerance range X Identification + 532 - 538 G | | 6 | M96.03 |
| (1) | 996 103 052 19 | Piston Tolerance range X Identification - 525 - 530 G | | 6 | M96.03 |
| (1) | 996 103 052 20 | Piston Tolerance range X Identification + 531 - 536 G | | 6 | M96.03 |
| 2 | 996 103 053 02 | Set of piston rings | | 6 | M96.01/02/04 |
| (2) | 996 103 053 04 | Set of piston rings | | 6 | M96.03 |
| 3 | 996 103 141 02 | Circlip | -99 | 12 | |
| 3 | 996 103 141 03 | Circlip | 00- | 12 | |

Model: 996 98

Model life 1998>>2005



Model: 996 98 Model life 1998>>2005

| Pos | Part Number | Description | Remark | Qty | Model |
|------|----------------|---|--------|-----|--------------|
| 1 | 996 104 003 02 | Cylinder head Cylinder head Cylinder 1-3 | -01 | 1 | M96.01/02/04 |
| 1 | 996 104 003 03 | Cylinder head Cylinder 1-3 | | 1 | |
| 1 | 996 104 003 05 | Cylinder head Cylinder 1-3 | | 1 | |
| 1 | 996 104 003 AX | Cylinder head Cylinder 1-3 | | 1 | |
| 1 | 996 104 004 02 | Cylinder head Cylinder 4-6 | | 1 | |
| 1 | 996 104 004 03 | Cylinder head Cylinder 4-6 | | 1 | |
| 1 | 996 104 004 05 | Cylinder head Cylinder 4-6 | | 1 | |
| 1 | 996 104 004 AX | Cylinder head Cylinder 4-6 | | 1 | |
| 5 | | Housing Matching with: Cylinder head | | 4 | |
| 6 | 996 104 117 50 | Dowel sleeve | | 16 | |
| 7 | | Lid Matching with: Cylinder head | | 2 | |
| 8 | 996 105 111 52 | Intake valve | | 12 | |
| 9 | 996 105 113 59 | Exhaust valve | -98 | 12 | |
| 9 | 996 105 247 00 | Exhaust valve | | 12 | |
| 10 | 996 105 115 52 | Valve stem seal | | 24 | |
| 11 | 996 105 117 51 | Concave washer | | 24 | |
| 12 | 996 105 119 53 | Valve spring | | 24 | |
| 13 | 996 105 121 54 | Concave washer | | 24 | |
| 14 | 996 105 123 51 | Valve collet | | 48 | |
| 15 | 996 104 105 53 | Housing | -01 | 2 | |
| 16 | N 013 814 8 | Sealing ring A 14 X 18 | | 1 | |
| 16 | 900 123 007 30 | Sealing ring A 14 X 18 | | 1 | |
| 17 | 900 219 018 30 | Screw plug M 14 X 1,5 | | 1 | |
| 18 | 900 067 316 02 | Combination screw M 6 X 35 | | 38 | |
| 19 | 900 378 177 09 | Hexagon-head bolt | | 23 | |
| (19) | 999 217 155 09 | Hexagon-head bolt AM 6 X 30 | | 23 | |
| 20 | 996 105 223 51 | Lid | | 2 | |
| 20 | 996 105 223 52 | Lid | | 2 | |
| 21 | 900 378 030 09 | Hexagon-head bolt M 6 X 20 | | 4 | |
| 22 | 996 104 233 01 | Heat shield | | 1 | |
| 23 | 000 043 203 64 | Assembly kit for Valve stem seal | | 1 | |
| 23 | 000 043 204 46 | Sleeve for Valve stem seal | | 1 | |

Model: 996 98 Model life 1998>>2005

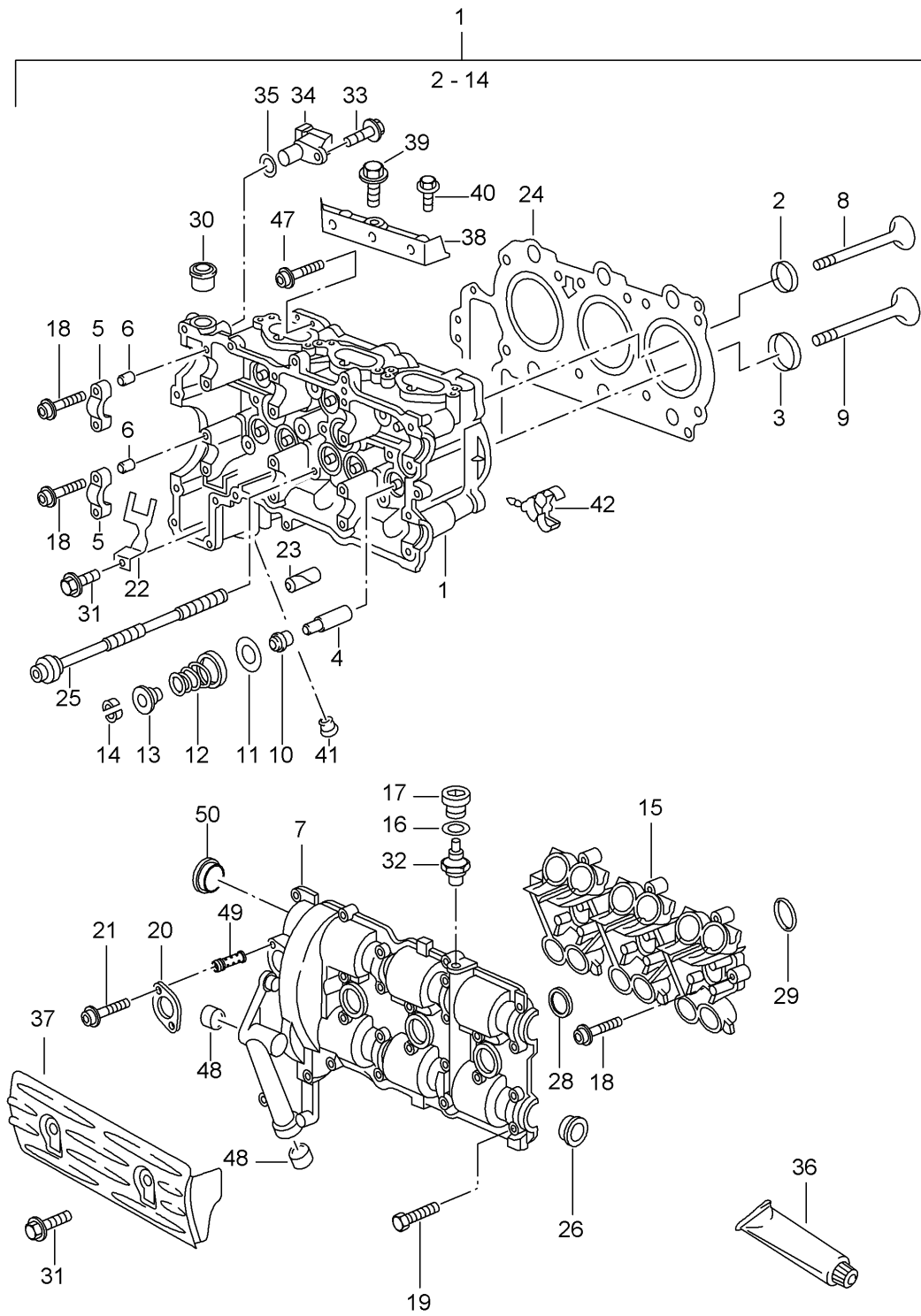
| Pos | Part Number | Description | Remark | Qty | Model |
|------|----------------|---|--------|-------------|-----------|
| 24 | 996 104 270 05 | Cylinder head gasket Cylinder 1 - 3 | | 1 | |
| 24 | 996 104 971 05 | Cylinder head gasket Cyl. 1 - 3 Oversize Only Exchange Engine | | 1 | M96.01/04 |
| (24) | 996 104 269 00 | Identification Attention Cylinder head gasket Cylinder 4 - 6 | | 1 | |
| (24) | 996 104 968 00 | Cylinder head gasket Cyl. 4 - 6 Oversize Only Exchange Engine | | 1 | M96.01/04 |
| 25 | 996 104 180 56 | Identification Attention Screw M 10 X 230 | | 24 | |
| 25 | 996 104 180 58 | Screw M 10 X 230 | | 24 | |
| 26 | 996 104 215 54 | Lid | | 6 | |
| 27 | 996 105 325 52 | Pipe | | 6 | |
| 28 | 999 707 343 40 | Use also: 999 917 788 00 O-ring 25,07 X 2,62 | | 1 6 | |
| 29 | 999 707 215 40 | O-ring 27,94 X 5,33 | | 6 | |
| 30 | 996 104 207 53 | Connection piece | | 1 | |
| 31 | 900 378 163 09 | Hexagon-head bolt M 6 X 16 for POS.22 | | 1 | |
| (31) | | Hexagon-head bolt M 6 X 16 for POS.37 Together with Ignition coil 99760210700 See illustrations 9/01/00 POS.1 | | 4 | |
| (31) | 900 075 333 01 | Combination screw M 6 X 25 for POS.37 Together with Ignition coil 99760210702 See illustrations 9/01/00 POS.1 | | 4 | |
| - | 999 025 193 30 | Use also: 99902519330 99902522030 Spacer | | 4 4 4 | |

Model: 996 98 Model life 1998>>2005

| Pos | Part Number | Description | Remark | Qty | Model |
|------|----------------|--|--------|-----|-------|
| - | 999 025 220 30 | 3 MM Spacer | | 4 | |
| - | 999 025 220 3A | 5 MM Spacer | | 4 | |
| 32 | 996 606 203 00 | Oil pressure switch | | 1 | |
| 33 | 999 218 005 02 | Pan-head screw M 6 X 16 | | 2 | M660 |
| 33 | 999 218 005 01 | Pan-head screw M 6 X 16 | | 2 | M660 |
| 34 | 996 606 106 02 | Hall sender | | 2 | M660 |
| - | PCG 606 106 02 | Stopper for Bore Hall sender Use also: | | 1 | |
| 35 | 999 707 404 40 | O-ring 17,05 X 1,78 | | 1 | M660 |
| 36 | 000 043 203 73 | Sealing compound 30 ML | | X | |
| (36) | 000 043 204 35 | Sealing compound 50 ML | | X | |
| (36) | 000 043 024 00 | Extreme-pressure grease 1 tube 80 Gr. for Camshaft | | 1 | |
| 37 | 996 104 425 02 | Heat shield | | 2 | |
| 38 | 996 104 125 00 | Bracket | | 2 | |
| 39 | 900 378 108 09 | Hexagon-head bolt M 8 X 35 | | 4 | |
| 40 | 900 378 017 09 | Hexagon-head bolt M 8 X 20 | | 2 | |
| 41 | 999 036 026 02 | Lid 10 MM | | X | |
| 41 | 999 036 026 01 | Lid 10 MM | | X | |
| 42 | 999 507 075 40 | Cable holder 3,0 - 12 | | 2 | |
| 43 | 996 607 105 00 | Support | | 1 | |
| 44 | 996 607 103 00 | Support | | 1 | |
| 45 | 986 607 104 00 | Support | | 2 | |
| 46 | 900 378 036 09 | Hexagon-head bolt M 6 X 12 | | 2 | |
| 47 | 900 067 377 09 | Pan-head screw M 6 X 30 | | 8 | |
| 47 | 900 987 004 01 | Combination screw M 6 x 30 | | 8 | |
| 47 | 900 387 004 01 | Combination screw M 6 x 30 | | 8 | |
| 48 | 900 036 023 02 | Lid D 18 | | 2 | |
| 48 | 900 036 023 01 | Lid D 18 | | 2 | |

Model: 996 98

Model life 1998>>2005



Model: 996 98 Model life 1998>>2005

| Pos | Part Number | Description | Remark | Qty | Model |
|-----|----------------|--|--------|--------|--------|
| 1 | 996 104 903 00 | Cylinder head Cylinder head Cyl. 1 - 3 | 02- | 1 | M96.03 |
| (1) | 996 104 909 00 | Cylinder head Cyl. 1 - 3 Use also: 997.107.021.03 | | 1 | |
| (1) | 996 104 909 AX | Cylinder head Cyl. 1 - 3 Use also: 997.107.021.03 | | X 1 | |
| 1 | 996 104 905 00 | Cylinder head Cyl. 1 - 3 | | X 1 | IX51 |
| 1 | 996 104 905 AX | Cylinder head Cyl. 1 - 3 | | 1 | IX51 |
| (1) | 996 104 904 00 | Cylinder head Cyl. 4 - 6 | | 1 | |
| (1) | 996 104 908 00 | Cylinder head Cyl. 4 - 6 Use also: 997.107.021.03 | | 1 | |
| (1) | 996 104 912 00 | Cylinder head Cyl. 4 - 6 Use also: 997.107.021.03 | | X 1 | |
| (1) | 996 104 912 AX | Cylinder head Cyl. 4 - 6 Use also: 997.107.021.03 | | X 1 | |
| (1) | 996 104 906 00 | Cylinder head Cyl. 4 - 6 M >> 683 00433 | | X 1 | IX51 |
| (1) | 996 104 910 00 | Cylinder head Cyl. 4 - 6 M 683 00434 >> | | 1 | IX51 |
| (1) | 996 104 910 AX | Cylinder head Cyl. 4 - 6 M 683 00434 >> | | 1 | IX51 |
| 5 | | Housing Matching with: Cylinder head | | 4 | |
| 6 | 996 104 117 50 | Dowel sleeve | | 16 | |
| 7 | | Lid Matching with: Cylinder head | | 2 | |
| 8 | 996 105 271 00 | Intake valve | | 12 | |
| 8 | 996 105 271 02 | Intake valve | | 12 | |
| 9 | 996 105 273 01 | Exhaust valve | | 12 | |
| 9 | 996 105 273 03 | Exhaust valve | | 12 | |
| 9 | 996 105 273 04 | Exhaust valve | | 12 | |
| 10 | 996 105 115 52 | Valve stem seal | | 24 | |
| 11 | 996 105 117 51 | Concave washer Lower | | 12 | |
| 12 | 996 105 118 00 | Valve spring Exhaust | | 12 | |
| 12 | 996 105 118 01 | Valve spring Exhaust | | 12 | |
| 13 | 996 105 121 54 | Concave washer Upper | | 12 | |
| - | 996 105 147 00 | Concave washer Lower | | 12 | |
| - | 996 105 939 00 | Set of valve springs Intake | | 12 | |

Model: 996 98

Model life 1998>>2005

| Pos | Part Number | Description | Remark | Qty | Model |
|------|----------------|--|--------|-----|-------|
| - | 996 105 145 00 | Concave washer Upper | | 12 | |
| 14 | 996 105 123 51 | Valve collet | | 48 | |
| 15 | 996 104 042 00 | Housing Cam follower Hydraulic | 02 | 2 | |
| (15) | 996 104 042 04 | Housing Cam follower Hydraulic | 03- | 2 | |
| (15) | 996 104 042 05 | Housing Cam follower Hydraulic | | 2 | |
| 16 | 900 123 007 30 | Sealing ring A 14 X 18 | | 1 | |
| 17 | 900 219 018 30 | Screw plug M 14 X 1,5 | | 1 | |
| 18 | 900 067 316 02 | Combination screw M 6 X 35 | | 38 | |
| 19 | 999 217 155 09 | Hexagon-head bolt AM 6 X 30 | | 23 | |
| 20 | 996 105 244 02 | Lid | | 4 | |
| 20 | 996 105 244 03 | Lid | | 4 | |
| 21 | 900 378 030 09 | Hexagon-head bolt M 6 X 20 | | 4 | |
| 22 | 996 104 233 01 | Heat shield | | 1 | |
| 23 | 000 043 204 46 | Sleeve for Valve stem seal | | 1 | |
| 24 | 996 104 201 02 | Cylinder head gasket | | 2 | |
| (24) | 996 104 201 04 | Cylinder head gasket | | 2 | |
| 25 | 996 104 180 58 | Screw M 10 X 230 | | 24 | |
| 26 | 996 104 215 54 | Lid | | 4 | |
| 27 | 996 105 325 52 | Pipe | | 6 | |
| 28 | 996 104 203 00 | Gasket | | 6 | |
| 29 | 999 701 761 40 | O-ring 28 X 2 | | 6 | |
| 30 | 996 104 207 53 | Connection piece | | 1 | |
| 31 | 900 378 163 09 | Hexagon-head bolt M 6 X 16 | | 5 | |
| 32 | 996 606 203 00 | Oil pressure switch | | 1 | |
| 33 | 999 218 005 02 | Pan-head screw M 6 X 16 | | 2 | |
| 33 | 999 218 005 01 | Pan-head screw M 6 X 16 | | 2 | |
| 34 | 996 606 106 02 | Hall sender | -02 | 2 | |
| (34) | 996 606 106 03 | Hall sender | 03- | 2 | |
| 35 | 999 707 404 40 | O-ring 17,05 X 1,78 | | 2 | |
| 36 | 000 043 204 35 | Sealing compound 50 ML | | X | |
| (36) | 000 043 024 00 | Extreme-pressure grease 1 tube 80 Gr. for Camshaft | | 1 | |
| 37 | 996 104 445 01 | Heat shield | | 2 | |
| 37 | 996 104 445 02 | Heat shield | | 2 | |
| 38 | 996 104 126 00 | Bracket | | 2 | |
| 38 | 996 104 126 01 | Bracket | | 2 | |
| 38 | 996 104 126 02 | Bracket | | 2 | |
| 39 | 900 378 022 09 | Hexagon-head bolt M 8 X 35 | | 4 | |

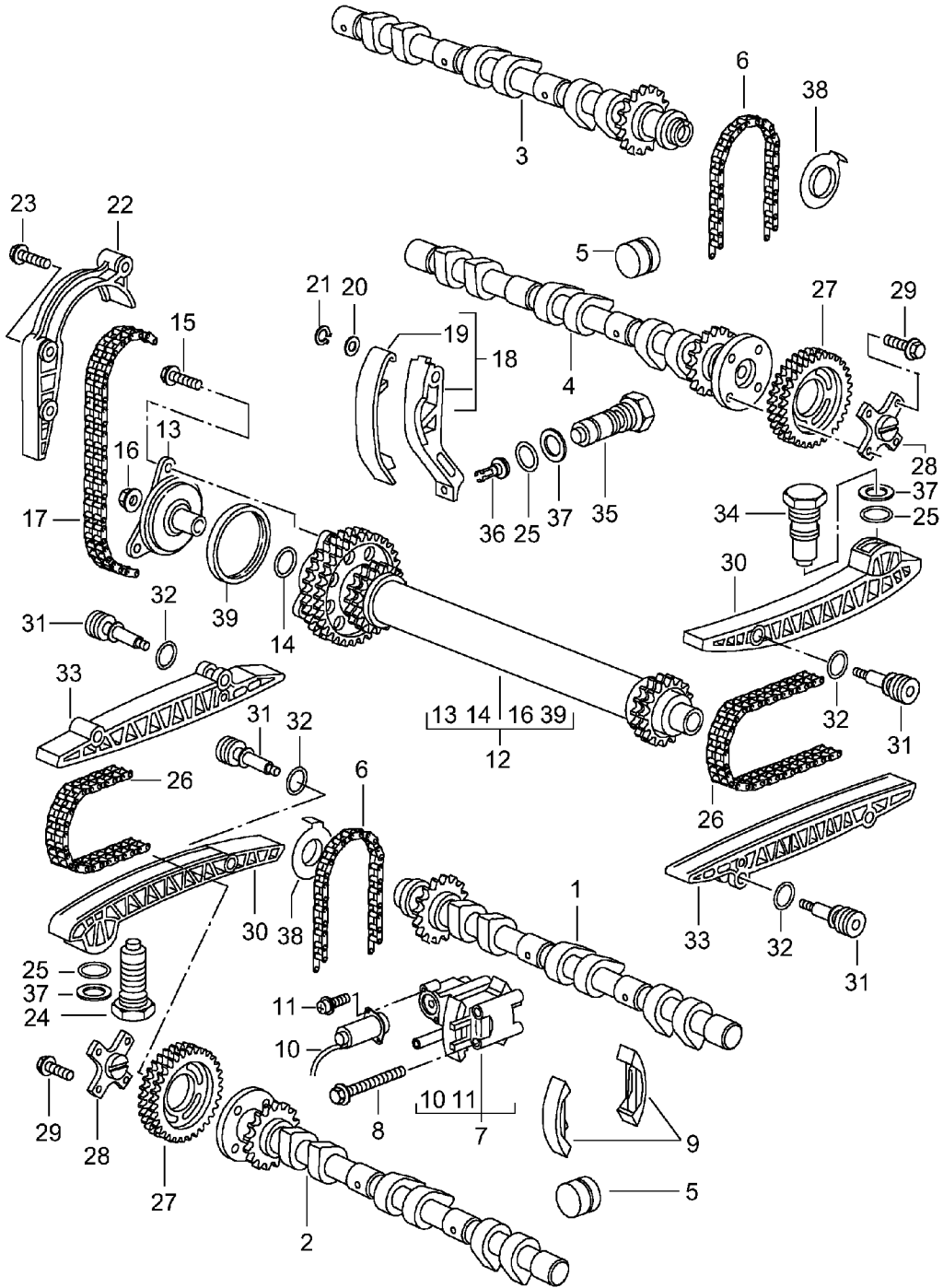
Model: 996 98

Model life 1998>>2005

| Pos | Part Number | Description | Remark | Qty | Model |
|-----|----------------|-------------------------------|--------|-----|-------|
| 40 | 900 378 017 09 | Hexagon-head bolt M 8 X 20 | | 2 | |
| 41 | 999 036 026 02 | Lid 10 MM | | X | |
| 41 | 999 036 026 01 | Lid 10 MM | | X | |
| 42 | 999 507 075 40 | Cable holder 3,0 - 12 | | 2 | |
| 47 | 900 067 377 09 | Pan-head screw M 6 X 30 | | 8 | |
| 47 | 900 987 004 01 | Combination screw M 6 x 30 | | 8 | |
| 47 | 900 387 004 01 | Combination screw M 6 x 30 | | 8 | |
| 48 | 900 036 023 02 | Lid D 18 | | 2 | |
| 48 | 900 036 023 01 | Lid D 18 | | 2 | |
| 49 | 997 105 701 00 | Oil strainer | | 2 | |
| 50 | 996 104 216 02 | Lid | | 2 | |

Model: 996 98

Model life 1998>>2005



Model: 996 98 Model life 1998>>2005

| Pos | Part Number | Description | Remark | Qty | Model |
|------|----------------|---|--------|-----|--------------|
| | | Camshaft Driving mechanism | -01 | | M96.01/02/04 |
| 1 | 996 105 221 55 | Camshaft Intake Cylinder 1 - 3 | | 1 | |
| 2 | 996 105 222 55 | Camshaft Exhaust Cylinder 1 - 3 | | 1 | |
| 3 | 996 105 216 55 | Camshaft Intake Cylinder 4 - 6 | | 1 | |
| 4 | 996 105 218 55 | Camshaft Exhaust Cylinder 4 - 6 | | 1 | |
| 5 | 996 105 041 50 | Hydraulic valve tappet | | 24 | |
| 5 | 996 105 041 72 | Hydraulic valve tappet | | 24 | |
| 6 | 996 105 170 53 | Timing chain | | 2 | |
| 7 | 996 105 051 57 | Tensioner Cylinder 1 - 3 | -98 | 1 | |
| 7 | 996 105 051 58 | Tensioner Cylinder 1 - 3 | 99- | 1 | |
| (7) | 996 105 053 57 | Tensioner Cylinder 4 - 6 | -98 | 1 | |
| (7) | 996 105 053 58 | Tensioner Cylinder 4 - 6 | 99- | 1 | |
| 8 | 900 067 372 09 | Combination screw M 6 X 95 | | 6 | |
| 9 | 996 105 253 00 | Parts kit Guide rail | | 1 | |
| 10 | 996 605 901 00 | Solenoid valve Cylinder 1 - 3 | | 1 | |
| 10 | 996 605 902 00 | Black Solenoid valve Cylinder 4 - 6 Grey See workshop manual GR.1 15/05/33 | | 1 | |
| 11 | 999 141 032 07 | Screw See technical information Group 1 NR. 10/00 | | 2 | |
| 12 | 996 105 015 58 | Intermediate shaft See technical information Group 1 NR. 10/00 | -98 | 1 | |
| 12 | 996 105 015 63 | Intermediate shaft See technical information Group 1 NR. 10/00 | -00 | 1 | |
| (12) | 996 105 901 00 | Intermediate shaft See technical information Group 1 | -00 | 1 | |

Model: 996 98 Model life 1998>>2005

| Pos | Part Number | Description | Remark | Qty | Model |
|------|----------------|---|--------|-----|-------|
| (12) | 996 105 901 01 | NR. 10/00 Intermediate shaft M >> 661 14164 See technical information Group 1 | 01 | 1 | |
| (12) | 996 105 901 02 | NR. 10/00 Intermediate shaft M 661 14165 >> See technical information Group 1 | | 1 | |
| 13 | 999 707 391 40 | NR. 10/00 O-ring 52 X 2,5 See technical information Group 1 | | 1 | |
| 13 | 996 105 017 02 | NR. 10/00 Housing M >> 661 14164 See technical information Group 1 | | 1 | |
| (13) | 996 105 024 01 | NR. 10/00 Housing M 661 14165 >> See technical information Group 1 | | 1 | |
| 14 | 999 707 392 40 | NR. 10/00 O-ring 7 X 2 See technical information Group 1 | | 1 | |
| 15 | 900 378 156 09 | NR. 10/00 Hexagon-head bolt M 6 X 20 See technical information Group 1 | | 3 | |
| (15) | 999 217 150 09 | NR. 10/00 Hexagon-head bolt M 6 X 20 See technical information Group 1 | | 3 | |
| (15) | 900 385 093 01 | NR. 10/00 Hexagon-head bolt M 6 X 20 | | 3 | |
| 16 | 900 380 019 02 | NR. 10/00 Hexagon nut M 8 X 1 See technical information Group 1 | | 1 | |
| 17 | 996 105 171 55 | NR. 10/00 Timing chain See technical information Group 1 | -00 | 1 | |
| (17) | 996 105 171 56 | NR. 10/00 Timing chain See technical information Group 1 | 01 | 1 | |
| 18 | 996 105 165 55 | NR. 10/00 Tensioner blade See technical information Group 1 | | 1 | |

Model: 996 98 Model life 1998>>2005

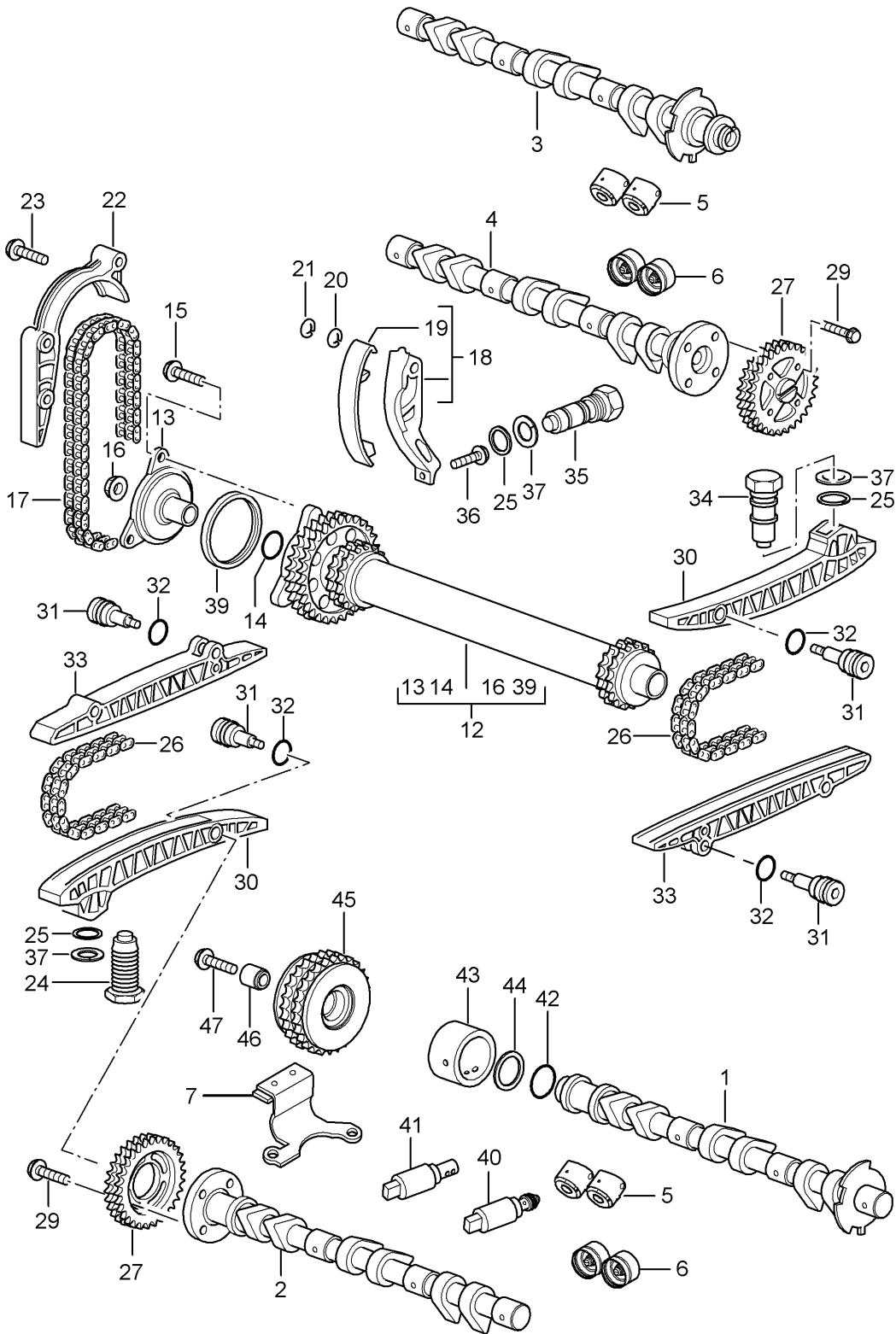
| Pos | Part Number | Description | Remark | Qty | Model |
|------|----------------|---|--------|-----|-------|
| 19 | 996 105 195 00 | Pad See technical information Group 1 NR. 10/00 | | 1 | |
| 20 | 900 234 040 01 | Shim 10 X 16 X 1,2 See technical information Group 1 NR. 10/00 | | 1 | |
| 21 | 900 041 004 01 | Circlip 10 X 1 See technical information Group 1 NR. 10/00 | | 1 | |
| 22 | 996 105 166 51 | Guide rail See technical information Group 1 NR. 10/00 | | 1 | |
| 23 | 900 075 486 01 | Combination screw AM 6 X 40 See technical information Group 1 NR. 10/00 | | 3 | |
| 24 | 996 105 179 58 | Chain adjuster See technical information Group 1 NR. 10/00 | | 1 | |
| 25 | 999 707 344 40 | O-ring 18,77 X 1,78 See technical information Group 1 NR. 10/00 | | 3 | |
| 26 | 996 105 177 52 | Timing chain See technical information Group 1 NR. 10/00 | | 2 | |
| 27 | 996 105 178 52 | Sprocket See technical information Group 1 NR. 10/00 | -98 | 2 | |
| 27 | 996 105 178 53 | Sprocket See technical information Group 1 NR. 10/00 | -98 | 2 | |
| (27) | 996 105 178 54 | Sprocket with Driver See technical information Group 1 NR. 10/00 | | 2 | |
| 28 | 996 105 185 54 | Driver See technical information Group 1 NR. 10/00 | -98 | 2 | |
| 29 | 900 378 162 09 | Hexagon-head bolt M 6 X 15 for 996 105 178 52 See technical information Group 1 NR. 10/00 | | 8 | |
| 29 | 900 378 162 01 | Hexagon-head bolt M 6 X 15 | | 8 | |

Model: 996 98 Model life 1998>>2005

| Pos | Part Number | Description | Remark | Qty | Model |
|------|----------------|--|--------|-----|-------|
| 29 | 900 378 242 09 | for 996 105 178 52 See technical information Group 1 NR. 10/00 Hexagon-head bolt M 6 X 12 | | 8 | |
| 30 | 996 105 175 52 | for 996 105 178 53 See technical information Group 1 NR. 10/00 Tensioner blade See technical information Group 1 NR. 10/00 | | 2 | |
| 31 | 996 105 162 52 | Screw M 6 See technical information Group 1 NR. 10/00 | | 6 | |
| 32 | 999 707 346 40 | O-ring 15 X 3 See technical information Group 1 NR. 10/00 | | 6 | |
| 33 | 996 105 173 53 | Guide rail See technical information Group 1 NR. 10/00 | | 2 | |
| 34 | 996 105 176 51 | Chain adjuster See technical information Group 1 NR. 10/00 | | 1 | |
| 35 | 996 105 180 54 | Chain adjuster See technical information Group 1 NR. 10/00 | -00 | 1 | |
| 35 | 996 105 180 55 | Chain adjuster See technical information Group 1 NR. 10/00 | -00 | 1 | |
| (35) | 996 105 180 56 | Chain adjuster See technical information Group 1 NR. 10/00 | 01 | 1 | |
| 36 | 996 105 197 00 | Pressure pin | | 1 | |
| 37 | 900 123 147 30 | Sealing ring A 27 X 32 | | 3 | |
| 38 | 996 105 129 52 | Rotor trim | | 1 | |
| 39 | 996 105 112 01 | Gasket See technical information Group 1 NR. 10/00 | | 1 | |
| - | 000 043 024 00 | Extreme-pressure grease 1 tube 80 Gr. for Camshaft | | 1 | |

Model: 996 98

Model life 1998>>2005



Model: 996 98 Model life 1998>>2005

| Pos | Part Number | Description | Remark | Qty | Model |
|-----|----------------|--|--------|-----|--------|
| | | Camshaft Driving mechanism Technical information NR. 2/04 Group 1 Attention | 02- | | M96.03 |
| 1 | 996 105 035 00 | Camshaft Intake Cylinder 1 - 3 | | 1 | |
| 1 | 996 105 035 40 | Camshaft Intake Cylinder 1 - 3 | | 1 | IX51 |
| 2 | 996 105 262 05 | Camshaft Exhaust Cylinder 1 - 3 | | 1 | |
| (2) | 996 105 059 00 | Camshaft Exhaust Cyl. 1 - 3 | | 1 | |
| 3 | 996 105 036 00 | Camshaft Intake Cylinder 4 - 6 | | 1 | |
| 3 | 996 105 036 40 | Camshaft Intake Cylinder 4 - 6 | | 1 | IX51 |
| 4 | 996 105 264 05 | Camshaft Exhaust Cylinder 4 - 6 | | 1 | |
| (4) | 996 105 060 00 | Camshaft Exhaust Cyl. 4 - 6 | | 1 | |
| 5 | 996 105 041 72 | Hydraulic valve tappet Exhaust | | 12 | |
| 6 | 996 105 255 20 | Hydraulic valve tappet Intake | | 12 | |
| 7 | 996 105 168 03 | Rail | | 2 | |
| 12 | 996 105 901 02 | Intermediate shaft | | 1 | |
| - | 000 043 209 24 | Repair kit Bearing Intermediate shaft | 02-05 | 1 | |
| 13 | 996 105 024 01 | Housing | | 1 | |
| 14 | 999 707 392 40 | O-ring 7 X 2 | | 1 | |
| 15 | 999 217 150 09 | Hexagon-head bolt M 6 X 20 | | 3 | |
| 15 | 900 385 093 01 | Hexagon-head bolt M 6 X 20 | | 3 | |
| 16 | 900 380 019 02 | Hexagon nut M 8 X 1 | | 1 | |
| 17 | 996 105 171 56 | Timing chain | | 1 | |
| 18 | 996 105 165 55 | Tensioner blade | | 1 | |
| 19 | 996 105 195 00 | Pad | | 1 | |
| 20 | 900 234 040 01 | Shim 10 X 16 X 1,2 | | 1 | |
| 21 | 900 041 004 01 | Circlip 10 X 1 | | 1 | |
| 22 | 996 105 166 51 | Guide rail | | 1 | |
| 23 | 900 075 486 01 | Combination screw | | 3 | |

Model: 996 98 Model life 1998>>2005

| Pos | Part Number | Description | Remark | Qty | Model |
|------|----------------|---|--------|-----|-------|
| 24 | 996 105 186 00 | AM 6 X 40 Chain adjuster | | 1 | |
| 25 | 999 707 344 40 | O-ring 18,77 X 1,78 | | 3 | |
| 26 | 996 105 152 00 | Timing chain | | 2 | |
| 27 | 996 105 178 54 | Sprocket with Driver | | 2 | |
| 29 | 900 378 242 09 | Hexagon-head bolt M 6 X 12 | | 8 | |
| 30 | 996 105 156 00 | Tensioner blade Cylinder 1 - 3 | | 1 | |
| (30) | 996 105 158 00 | Tensioner blade Cylinder 4 - 6 | | 1 | |
| 31 | 996 105 162 52 | Screw M 6 | | 6 | |
| 32 | 999 707 346 40 | O-ring 15 X 3 | | 6 | |
| 33 | 996 105 054 01 | Guide rail Cylinder 1 - 3 | | 1 | |
| (33) | 996 105 164 00 | Guide rail Cylinder 4 - 6 | | 1 | |
| 34 | 996 105 188 00 | Chain adjuster | | 1 | |
| 35 | 996 105 180 55 | Chain adjuster | | 1 | |
| 35 | 996 105 180 56 | Chain adjuster | | 1 | |
| 36 | 996 105 197 00 | Pressure pin | | 1 | |
| 37 | 900 123 147 30 | Sealing ring A 27 X 32 | | 3 | |
| 39 | 996 105 112 01 | Gasket See technical information Group 1 NR. 10/00 | | 1 | |
| 40 | 996 105 301 02 | Actuator | | 2 | |
| 40 | 996 105 301 03 | Actuator Valve | | 2 | |
| 40 | 996 105 301 04 | Actuator Valve | | 2 | |
| - | 996 105 901 03 | O-ring 21,00 X 3,00 | | X | |
| - | 996 105 310 03 | Support | | 2 | |
| - | 999 651 386 02 | Cable clamp | | 4 | |
| - | 999 651 386 01 | Cable clamp | | 4 | |
| 41 | 996 105 303 02 | Actuator | | 2 | |
| 41 | 996 105 303 05 | Actuator Camshaft | | 2 | |
| - | 996 104 376 00 | Straight pin Actuator Camshaft | | 2 | |
| - | 996 105 903 05 | O-ring | | X | |
| - | 996 105 256 01 | Support | | 2 | |
| (42) | 996 105 280 50 | Ring | | 4 | |
| 42 | 996 105 280 51 | Ring | | 4 | |
| 43 | 996 104 205 06 | Bearing sleeve | | 2 | |
| 43 | 996 104 205 07 | Bearing sleeve | | 2 | |
| 44 | 996 105 203 00 | Washer | | 2 | |
| 45 | 996 105 051 03 | Camshaft adjuster Camshaft Intake Cylinder | | 1 | |

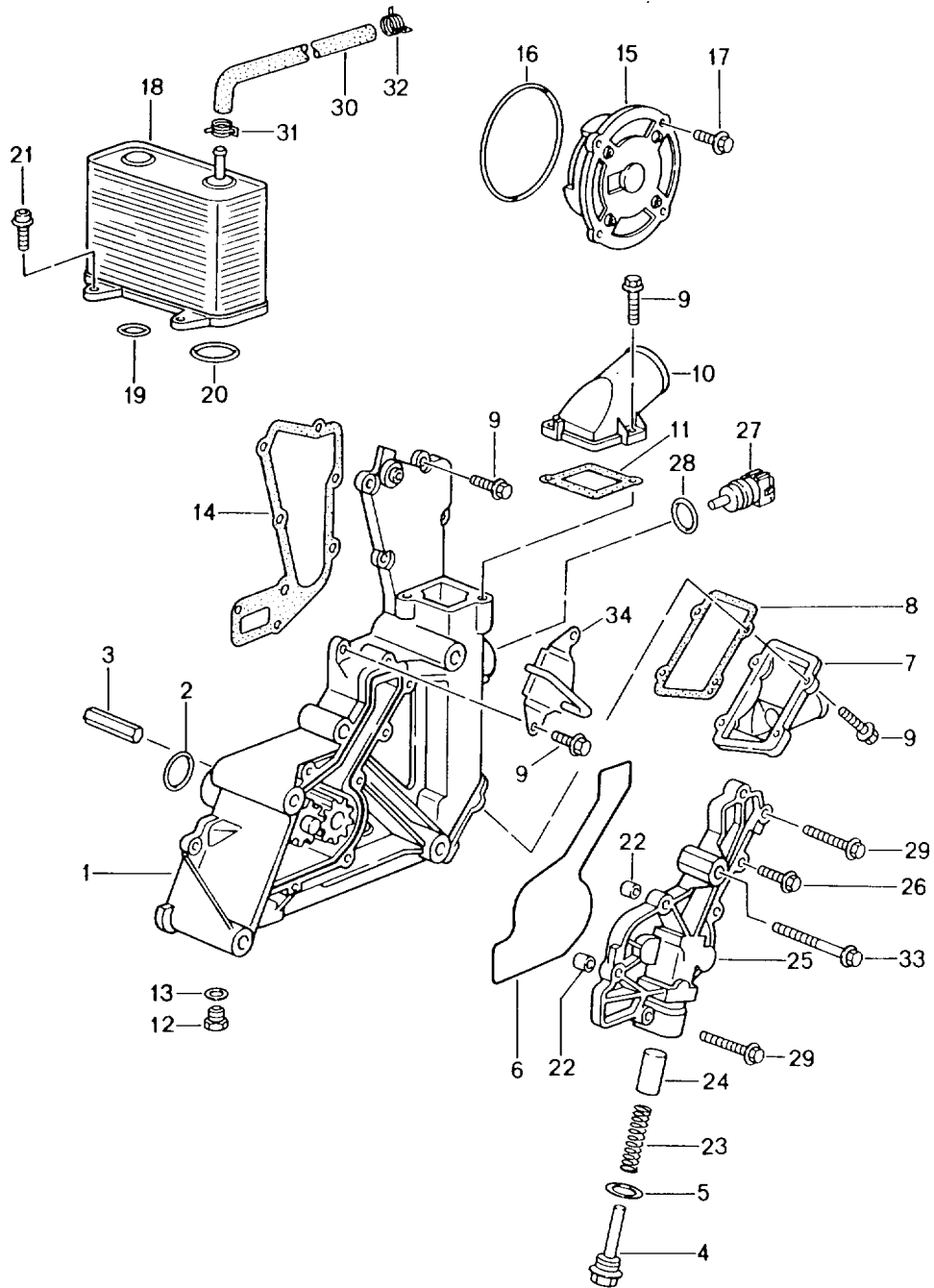
Model: 996 98

Model life 1998>>2005

| Pos | Part Number | Description | Remark | Qty | Model |
|------|----------------|--|--------|-----|-------|
| (45) | 996 105 052 01 | 1 - 3 Camshaft adjuster Camshaft Intake Cylinder | | 1 | |
| 46 | 996 105 260 01 | 4 - 6 Intermediate piece | | 2 | |
| 47 | 996 105 254 00 | Hexagon-head bolt | | 2 | |
| - | 000 043 024 00 | Extreme-pressure grease 1 tube 80 Gr. for Camshaft | | 1 | |

Model: 996 98

Model life 1998>>2005



Model: 996 98 Model life 1998>>2005

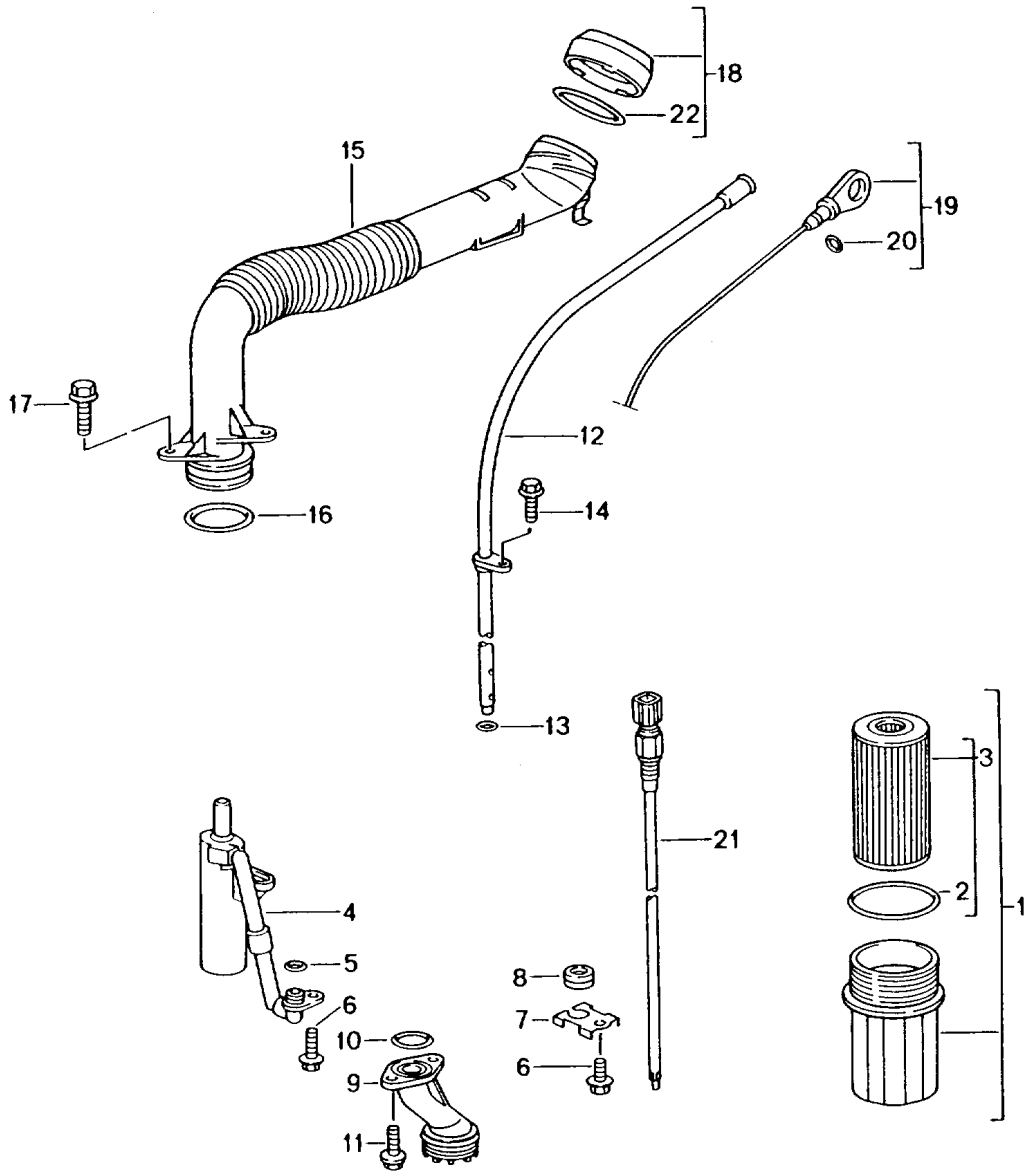
| Pos | Part Number | Description | Remark | Qty | Model |
|------|----------------|--|--------|-----|------------------------|
| | | Oil pump | | | M96.01/02/03 M96.04 |
| 1 | 996 107 012 58 | Oil pump | | 1 | |
| 1 | 996 107 012 60 | Oil pump | | 1 | |
| 1 | 996 107 012 61 | Oil pump | | 1 | |
| 2 | 996 107 103 51 | O-ring 29,1 X 2,55 Use also: 999 917 788 00 | | 2 | |
| 3 | 996 107 121 50 | Driver | | 1 | |
| 4 | 996 107 105 51 | Screw plug Information available | | 1 | |
| 5 | 996 107 123 50 | Gasket | | 1 | |
| 6 | 996 107 261 50 | Sealing ring | | 1 | |
| 7 | 996 106 220 51 | Connection piece Supply | | 1 | |
| 7 | 996 106 220 52 | Connection piece Supply | | 1 | |
| 8 | 996 106 316 51 | Gasket | | 1 | |
| 9 | 900 378 030 09 | Hexagon-head bolt M 6 X 20 | | 14 | |
| 10 | 996 106 216 53 | Connection piece | | 1 | |
| 11 | 996 106 321 50 | Gasket | | 1 | |
| 12 | 900 219 007 02 | Screw plug M 10 X 1 | | 1 | |
| 12 | 900 219 007 01 | Screw plug M 10 X 1 | | 1 | |
| 13 | 900 123 144 30 | Sealing ring A 10 X 13,5 | | 1 | |
| 14 | 996 107 337 50 | Gasket | | 1 | |
| 15 | 996 107 021 54 | Oil pump | 01 | 2 | |
| (15) | 996 107 021 55 | Oil pump M >> 664 03366 M >> 684 00607 | | 2 | |
| (15) | 997 107 021 03 | Oil pump M 664 03367 >> M 684 00608 >> | | 2 | |
| 16 | 996 107 221 51 | O-ring 95 X 2,5 Use also: 999 917 788 00 | | 2 | |
| 17 | 999 217 150 09 | Hexagon-head bolt M 6 X 20 | | 8 | |
| 17 | 999 073 316 02 | Round head screw M 6 X 20 | | 8 | |
| 18 | 996 107 025 57 | Heat exchanger | | 1 | |
| 19 | 999 707 409 40 | O-ring 26 X 3 | | 2 | |
| 20 | 999 707 389 40 | O-ring 35 X 4 | | 2 | |
| 21 | 900 067 380 09 | Pan-head screw M 6 X 18 | | 4 | |
| 21 | 900 387 264 01 | Pan-head screw M 6 X 18 | | 4 | |
| 21 | N 105 464 03 | Pan-head screw M 6 X 18 | | 4 | |
| 22 | 996 106 103 50 | Dowel sleeve 8,2 X 7 | | 2 | |
| 23 | 996 107 127 53 | Spring | | 1 | |
| 24 | 996 107 125 51 | Piston | | 1 | |
| 25 | 996 107 212 53 | Lid for 996 107 012 56 | | 1 | |

Model: 996 98 **Model life 1998>>2005**

| Pos | Part Number | Description | Remark | Qty | Model |
|-----|----------------|---------------------------------|--------|-----|--------------|
| 25 | 996 107 212 54 | Lid for 996 107 012 57 | | 1 | |
| 26 | 900 075 333 02 | Combination screw M 6 X 25 | | 7 | |
| 26 | 900 075 333 01 | Combination screw M 6 X 25 | | 7 | |
| 27 | 996 606 405 01 | Temperature sensor | | 1 | M96.01/02/04 |
| 27 | 996 606 410 00 | Temperature sensor | | 1 | M96.03 |
| 28 | | Sealing ring | | 1 | |
| 29 | 900 378 151 09 | Hexagon-head bolt M 6 X 70 | | 2 | |
| 29 | 900 385 027 01 | Torx screw M 6 X 70 | | 2 | |
| 30 | 996 106 230 53 | Breather hose | | 1 | |
| 31 | 999 512 554 00 | Hose clamp 12 - 22 MM | | 1 | |
| 32 | 999 512 652 09 | Hose clamp 19 X 12 | 99- | 1 | |
| 33 | 900 378 098 09 | Hexagon-head bolt AM 10 X 60 | | 1 | |
| 34 | 996 102 235 00 | Clip | | 1 | M573 |
| 34 | 996 102 235 01 | Clip | | 1 | M573 |

Model: 996 98

Model life 1998>>2005



Model: 996 98

Model life 1998>>2005

| Pos | Part Number | Description | Remark | Qty | Model |
|------|----------------|---------------------------|--------|-----|------------------------|
| | | Engine lubrication | | | M96.01/02/03 M96.04 |
| | | See technical information | | | |
| | | Group 1 | | | |
| | | NR.1/02 NR.2/02 | | | |
| 1 | 996 107 020 54 | Oil filter | | 1 | |
| 2 | 996 107 313 51 | Sealing ring | | 1 | |
| | | Use also: | | | |
| | | 999 917 788 00 | | 1 | |
| 3 | 996 107 225 52 | Filter element | -01 | 1 | M96.01/02/04 |
| 3 | 996 107 225 53 | Filter element | -01 | 1 | M96.01/02/04 |
| 3 | 996 107 225 60 | Filter element | 02- | 1 | M96.03 |
| 4 | 996 107 080 54 | Oil separator | | 2 | |
| 5 | 999 701 789 40 | O-ring | | 2 | |
| | | 12 X 2 | | | |
| 6 | 900 378 036 09 | Hexagon-head bolt | | 5 | |
| | | M 6 X 12 | | | |
| 7 | 996 107 333 50 | Support | | 1 | |
| 8 | 999 702 206 50 | Grommet | | 1 | |
| | | 9,5 X 18,0 X 1,2 | | | |
| 9 | 996 107 075 57 | Suction tube | | 1 | |
| 10 | 999 707 375 40 | O-ring | | 1 | |
| | | 30 X 3 | | | |
| 11 | 900 378 030 09 | Hexagon-head bolt | | 2 | |
| | | M 6 X 20 | | | |
| 12 | 996 107 113 56 | Guide tube | | 1 | |
| 13 | 999 707 369 40 | O-ring | | 1 | |
| | | 9,5 X 3,5 | | | |
| | | Use also: | | | |
| | | 999 917 788 00 | | 1 | |
| 14 | 900 378 035 01 | Hexagon-head bolt | | 1 | |
| | | M 6 X 16 | | | |
| 15 | 996 107 150 60 | Filler tube | | 1 | |
| 15 | 996 107 150 61 | Filler tube | | 1 | |
| 15 | 997 107 131 00 | Filler tube | | 1 | |
| 16 | 999 707 348 40 | O-ring | | 1 | |
| | | 42 X 4 | | | |
| | | Use also: | | | |
| | | 999 917 788 00 | | 1 | |
| 17 | 900 378 163 09 | Hexagon-head bolt | | 2 | |
| | | M 6 X 16 | | | |
| 18 | 996 107 035 50 | Lid | | 1 | |
| (18) | 996 107 035 51 | Lid | | 1 | |
| (18) | 996 107 035 52 | Lid | | 1 | |
| 19 | 996 107 014 54 | Oil level dipstick | | 1 | |
| | | M >> 662 11795 | | | M96.03 |
| (19) | 996 107 014 55 | Oil level dipstick | | 1 | |
| | | M 662 11796 >> | | | M96.03 |
| 20 | 999 707 402 40 | O-ring | | 1 | |
| | | 8 X 2,0 | | | |
| 21 | 996 606 150 00 | Oil-level sender | | 1 | |
| 21 | 996 606 150 01 | Oil-level sender | | 1 | |
| - | 999 650 168 40 | Plug socket | | 1 | |
| - | 999 650 214 12 | Connector | | 4 | |
| - | 999 650 215 40 | Gasket | | 4 | |
| 22 | 999 707 285 40 | O-ring | | 1 | |
| | | 51 X 4,5 | | | |
| (22) | 996 107 336 00 | Gasket | | 1 | |
| 23 | 000 043 301 19 | Engine oil | | X | |
| | | EXXON MOBIL 1 0W-40 | | | |
| | | 1 LITER | | | |
| | | Container | | | |
| | | Information available | | | |

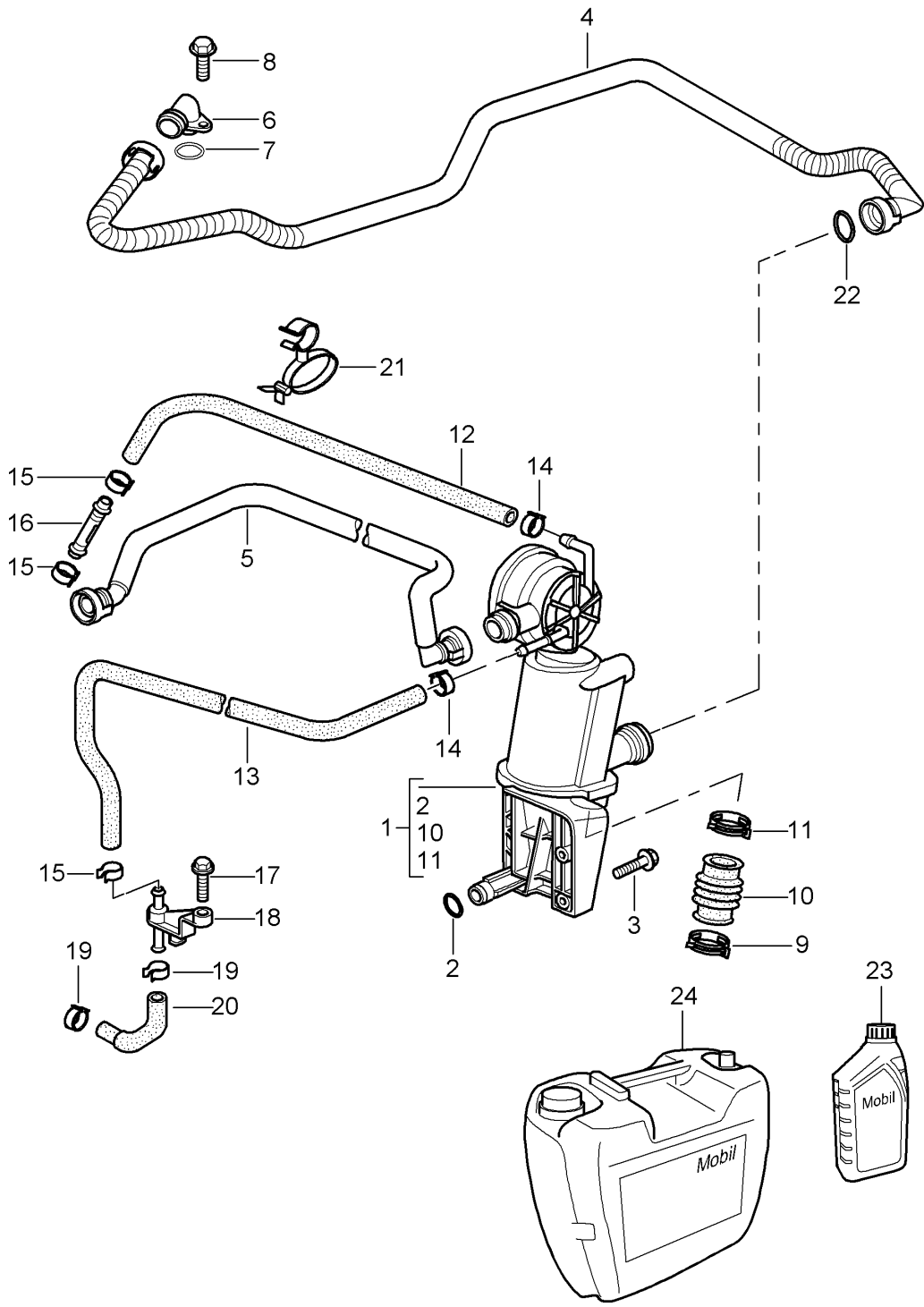
Model: 996 98

Model life 1998>>2005

| Pos | Part Number | Description | Remark | Qty | Model |
|-----|----------------|---|--------|-----|-------|
| 24 | 000 043 301 21 | Engine oil EXXON MOBIL 1 0W-40 20 LITER Container Information available | | X | |

Model: 996 98

Model life 1998>>2005



Model: 996 98

Model life 1998>>2005

| Pos | Part Number | Description | Remark | Qty | Model |
|------|----------------|---|------------|-----|------------------------|
| | | Crankcase | | | M96.01/02/03 M96.04 |
| | | Bleeding | | | |
| 1 | 996 107 023 54 | Oil separator | -01 | 1 | M96.01/02/04 |
| 1 | 996 107 023 55 | Oil separator | -01 | 1 | M96.01/02/04 |
| (1) | 996 107 026 50 | Oil separator | 02- | 1 | M96.03 |
| (1) | 996 107 026 51 | Oil separator | 02- | 1 | M96.03 |
| (2) | 999 707 507 40 | O-ring 29,74 X 2,95 | 02- | 1 | M96.03 |
| 2 | 996 107 122 00 | Sealing ring 14 X 1,78 | -01 | 1 | M96.01/02/04 |
| 3 | 900 378 177 09 | Hexagon-head bolt M 6 X 30 | | 2 | |
| 4 | 996 107 147 55 | Breather hose Cyl. 4 - 6 M >> 663 09950 | | 1 | |
| 4 | 996 107 147 59 | Vent line Cyl. 4 - 6 M 663 09951 >> | | 1 | |
| 5 | 996 107 145 55 | Vent line | -01 | 1 | M96.01/02/04 |
| (5) | 996 107 145 30 | Vent line | -01 02- | 1 | M339 M96.03 |
| 6 | 996 107 047 51 | Connection piece M >> 663 09950 | | 1 | |
| (6) | 996 107 047 00 | Connection piece M 663 09951 >> | | 1 | M96.03 |
| 7 | 999 707 154 40 | O-ring 18,77 X 1,78 M >> 663 09950 | | 1 | |
| (7) | 999 707 364 40 | Sealing ring 30 X2,5 M 663 09951 >> | | 1 | M96.03 |
| 8 | 900 378 163 09 | Hexagon-head bolt M 6 X 16 M >> 663 09950 | | 1 | |
| (8) | | Hexagon-head bolt M 6 x 16 M 663 09951 >> | | 2 | M96.03 |
| 9 | 999 512 630 00 | Hose clamp 32 X 12 | | 1 | |
| (9) | 999 512 683 09 | Hose clamp 23 X 12 | 02- | 2 | M96.03 |
| 10 | 996 107 237 51 | Bellows | | 1 | |
| (10) | 996 107 237 52 | Bellows | -01 | 1 | M96.01/02/04 |
| (10) | 996 107 175 50 | Oil hose | 02- | 1 | M96.03 |
| 11 | 999 512 551 00 | Hose clamp 30 X 12 | -01 | 1 | |
| 11 | 999 512 551 01 | Hose clamp 30 X 12 | | 1 | |
| 12 | 996 106 208 50 | Hose | | 1 | |
| 13 | 996 106 224 51 | Hose | | 1 | |
| 14 | 999 512 498 00 | Hose clamp 13,1 - 15,3 | | 2 | |
| 15 | 999 512 568 02 | Clamp 13,9 - 16,1 | | 3 | |
| 16 | 999 137 052 40 | Intermediate piece GS 8 | | 1 | |
| 17 | 900 378 035 01 | Hexagon-head bolt M 6 X 16 | | 1 | |
| 18 | 996 106 226 51 | Joining socket | | 1 | |
| 18 | 996 106 226 52 | Joining socket | | 1 | |
| 19 | 999 512 633 00 | Clamp 15,6 - 17,8 | | 2 | |

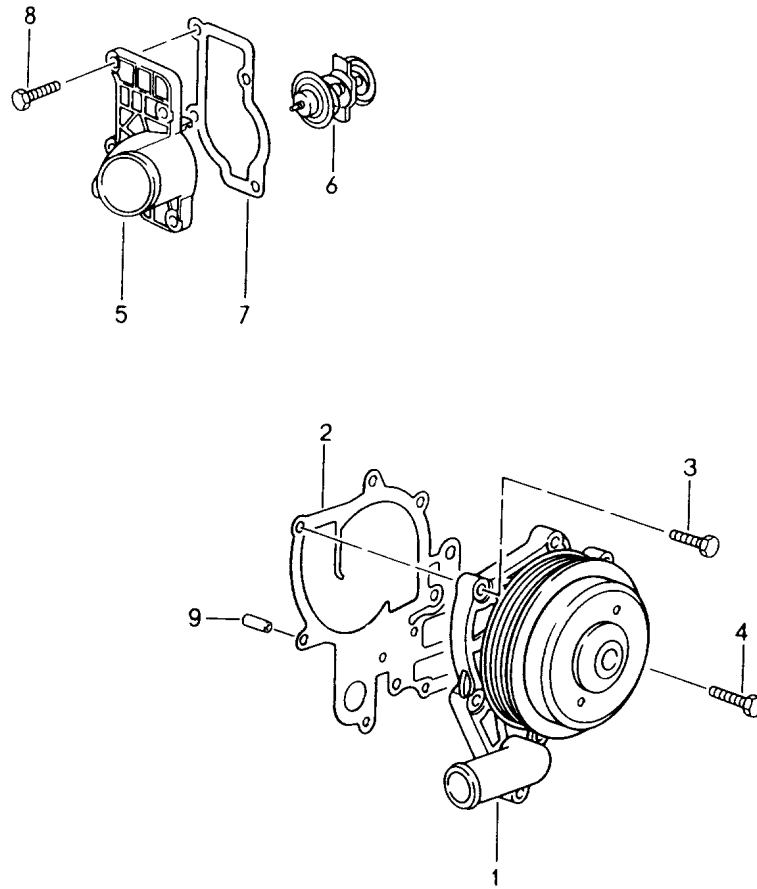
Model: 996 98

Model life 1998>>2005

| Pos | Part Number | Description | Remark | Qty | Model |
|-----|----------------|---|--------|-----|-------|
| 20 | 996 106 223 52 | Hose | | 1 | |
| 21 | 999 507 644 40 | Hose holder 8-33/-13 | | 1 | |
| 22 | 999 707 446 40 | O-ring 18,0 X 2,5 | | 4 | |
| 23 | 000 043 301 19 | Engine oil EXXON MOBIL 1 0W-40 1 LITER Container Information available | | X | |
| 24 | 000 043 301 21 | Engine oil EXXON MOBIL 1 0W-40 20 LITER Container Information available | | X | |

Model: 996 98

Model life 1998>>2005



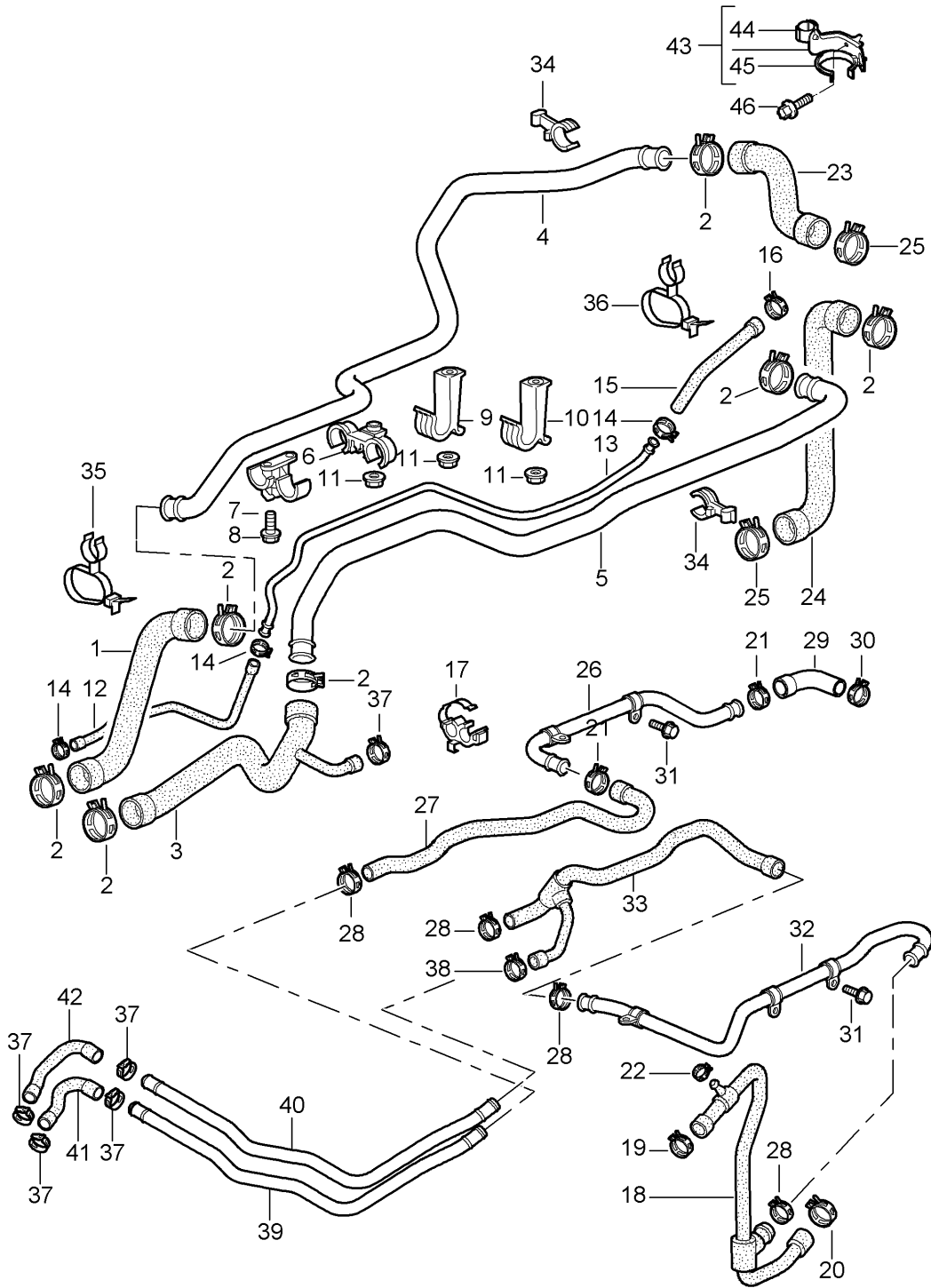
Model: 996 98

Model life 1998>>2005

| Pos | Part Number | Description | Remark | Qty | Model |
|-----|----------------|-------------------------------|--------|-----|------------------------|
| | | Water pump | | | M96.01/02/03 M96.04 |
| | | Thermostat housing | | | |
| 1 | 996 106 011 51 | Water pump | -98 | 1 | M96.01 |
| (1) | 996 106 011 54 | Water pump | -04 | 1 | M96.03 |
| (1) | 996 106 011 55 | Water pump | | 1 | M96.01/02/04 |
| (1) | 996 106 011 56 | Water pump | | 1 | M96.01/02/04 |
| (1) | 996 106 011 57 | Water pump | | 1 | M96.01/02/04 |
| (1) | 997 106 011 02 | Water pump | 05- | 1 | M96.03 |
| (1) | 997 106 011 05 | Water pump | 05- | 1 | M96.03 |
| 2 | 996 106 340 51 | Gasket | | 1 | |
| 3 | 900 378 013 09 | Hexagon-head bolt M 6 X 25 | | 5 | |
| 4 | 900 378 177 09 | Hexagon-head bolt M 6 X 30 | | 2 | |
| 5 | 996 106 121 53 | Lid | | 1 | |
| 5 | 996 106 121 55 | Lid | | 1 | |
| 5 | 996 106 013 59 | Thermostat | | 1 | |
| 6 | 996 106 125 52 | Thermostat insert | | 1 | |
| 7 | 996 106 326 50 | Gasket | | 1 | |
| 8 | 900 378 030 09 | Hexagon-head bolt M 6 X 20 | | 4 | |
| 9 | 996 106 103 50 | Dowel sleeve 8,2 X 7 | | 2 | |

Model: 996 98

Model life 1998>>2005



Model: 996 98 Model life 1998>>2005

| Pos | Part Number | Description | Remark | Qty | Model |
|------|----------------|-------------------------------|--------|-----|--------------|
| | | Water cooling 1 | | | M96.01/02/03 |
| | | | | | M96.04 |
| 1 | 996 106 640 54 | Water hose | | 1 | M338 |
| 1 | 996 106 840 05 | Water hose | 02- | 1 | M338 |
| 1 | 996 106 840 06 | Water hose | 02- | 1 | M338 |
| 1 | 996 106 740 04 | Water hose | 99-01 | 1 | M339 |
| 1 | 996 106 740 73 | Hose | 02- | 1 | M339 |
| 2 | 999 512 348 02 | Hose clamp 49 X 12 | | 8 | |
| 3 | 996 106 641 56 | Hose | -01 | 1 | M480 |
| 3 | 996 106 641 58 | Hose | -01 | 1 | M480 |
| 3 | 996 106 841 04 | Hose | 02- | 1 | M338/480 |
| 3 | 996 106 741 06 | Hose | 99-01 | 1 | M339/480 |
| 3 | 996 106 888 02 | Hose | 02- | 1 | M339/480 |
| 3 | | Hose | 02- | 1 | M339/480 |
| 3 | 996 106 888 08 | Hose | 02- | 1 | M339/480 |
| (3) | 996 106 641 59 | Hose | 99-01 | 1 | M249/338 |
| (3) | 996 106 741 07 | Hose | 99-01 | 1 | M249/339 |
| (3) | 996 106 888 03 | Water hose | 02- | 1 | M249/339 |
| (3) | 996 106 888 07 | Water hose | 02- | 1 | M249/339 |
| (3) | 996 106 888 09 | Water hose | 02- | 1 | M249/339 |
| (3) | 996 106 841 05 | Water hose | 02- | 1 | M249/338 |
| (3) | 996 106 841 09 | Water hose | 02- | 1 | M249/338 |
| (3) | 996 106 841 11 | Water hose | 02- | 1 | M249/338 |
| 4 | 996 106 610 56 | Cooling water tube | -01 | 1 | M338 |
| 4 | 996 106 610 74 | Water tube | 02- | 1 | |
| 4 | 996 106 710 03 | Water tube | -01 | 1 | M339 |
| 4 | 996 106 710 04 | Water tube | -01 | 1 | M339 |
| 4 | 996 106 710 05 | Water tube | -01 | 1 | M339 |
| - | 996 106 505 00 | Protection cap | | 1 | |
| 5 | 996 106 609 56 | Cooling water tube | -01 | 1 | |
| | | Return line | | | |
| (5) | 996 106 809 01 | Cooling water tube | 02- | 1 | |
| | | Return line | | | |
| 6 | 996 106 416 54 | Support | | 2 | |
| 6 | 996 106 416 55 | Support | | 2 | |
| 7 | 996 106 475 51 | Support | | 1 | |
| 8 | 900 378 158 09 | Hexagon-head bolt M 6 X 16 | | 2 | |
| 9 | 996 106 417 51 | Support | | 1 | |
| 10 | 996 106 428 50 | Support | | 1 | |
| 11 | 900 377 010 09 | Hexagon nut M 6 | | 2 | |
| 12 | 996 106 136 51 | Breather hose | -98 | 1 | |
| 12 | 996 106 136 52 | Breather hose | -01 | 1 | M338 |
| (12) | 996 106 826 00 | Breather hose | 02- | 1 | M338 |
| 12 | 996 106 336 01 | Breather hose | -98 | 1 | M339 |
| 12 | 996 106 336 02 | Breather hose | -01 | 1 | M339 |
| (12) | 996 106 836 02 | Breather hose | 02- | 1 | M339 |
| 13 | 996 106 681 56 | Vent line | -98 | 1 | |
| 13 | 996 106 681 57 | Vent line | 99- | 1 | |
| 13 | 996 106 681 59 | Vent line | -01 | 1 | |
| 13 | 996 106 821 01 | Vent line | 02- | 1 | |
| 14 | 999 512 554 00 | Hose clamp 20 X 12 | | 3 | |
| | | | | 1 | |
| 15 | 996 106 251 71 | Breather hose | | 1 | |
| 16 | 999 512 552 00 | Hose clamp 25 X 12 | | 3 | |
| | | | | 3 | |
| 16 | 999 512 552 01 | Hose clamp 25 X 12 | | 3 | |
| | | | | 3 | |
| 17 | 996 106 418 53 | Support | -01 | 2 | |
| | | 27,0/27,0 | | | |
| (17) | 996 106 438 00 | Hose holder | 02- | 1 | |

Model: 996 98 Model life 1998>>2005

| Pos | Part Number | Description | Remark | Qty | Model |
|------|----------------|------------------------------|--------|-----|-------|
| | | 27,0/27,0 | | | |
| 18 | 996 106 250 53 | Hose | -98 | 1 | |
| 18 | 996 106 250 54 | Hose | -98 | 1 | |
| | | for 996.106.243.51 | | | |
| 18 | 996 106 250 55 | Hose | 99- | 1 | |
| | | for 996.106.243.52 | | | |
| (18) | 996 106 850 00 | Hose | | 1 | |
| (18) | 996 106 850 05 | Hose | | 1 | |
| (18) | 996 106 850 01 | Hose | 02- | 1 | |
| | | mit Use 996.106.851.02 | | | |
| (18) | 996 106 850 02 | Hose | 02- | 1 | |
| | | mit Use 996.106.851.02 | | | |
| (18) | 996 106 850 04 | Hose | 02- | 1 | |
| | | MIT Use 996.106.851.02 | | | |
| (18) | 996 106 850 06 | Hose | 02- | 1 | |
| | | MIT Use 996.106.851.02 | | | |
| 19 | 999 512 552 00 | Hose clamp | | 1 | |
| | | 28 X 12 | | | |
| 19 | 999 512 552 01 | Hose clamp | | 1 | |
| | | 28 X 12 | | | |
| 20 | 999 512 551 00 | Hose clamp | | 1 | |
| | | 36 X 12 | | | |
| 20 | 999 512 551 01 | Hose clamp | | 1 | |
| | | 36 X 12 | | | |
| 21 | 999 512 551 00 | Hose clamp | | 2 | |
| | | 29 X 12 | | | |
| 21 | 999 512 551 01 | Hose clamp | | 2 | |
| | | 29 X 12 | | | |
| 22 | 999 512 554 00 | Hose clamp | | 1 | |
| | | 14 X 12 | | | |
| 23 | 996 106 501 53 | Water hose | -00 | 1 | |
| 23 | 996 106 501 54 | Water hose | -01 | 1 | |
| 23 | 996 106 501 56 | Water hose | -01 | 1 | |
| 23 | 996 106 831 01 | Water hose | 02- | 1 | |
| 23 | 997 106 831 02 | Water hose | 02- | 1 | |
| | | Use also: 997.106.216.00 | | | |
| 23 | 997 106 831 03 | Water hose | 02- | 1 | |
| | | Use also: 997.106.216.00 | | | |
| 24 | 996 106 502 53 | Water hose | -98 | 1 | |
| 24 | 996 106 502 54 | Water hose | -01 | 1 | |
| (24) | 996 106 832 01 | Water hose | 02- | 1 | |
| (24) | 996 106 832 03 | Water hose | 02- | 1 | |
| (24) | 996 106 832 04 | Water hose | 02- | 1 | |
| 25 | 999 512 669 09 | Hose clamp | | 2 | |
| | | 53 X 12 | | | |
| 26 | 996 106 242 52 | Water tube | -01 | 1 | |
| | | M >> 66X 01814 Supply | | | |
| 26 | 996 106 242 53 | Water tube | -01 | 1 | |
| | | M 66X 01815 >> Supply | | | |

Model: 996 98 Model life 1998>>2005

| Pos | Part Number | Description | Remark | Qty | Model |
|------|----------------|---|--------|-----|-------|
| (26) | 996 106 242 55 | Water tube Supply | 02- | 1 | M480 |
| (26) | 996 106 842 02 | Water tube Supply | 02- | 1 | M249 |
| 27 | 996 106 212 51 | Water hose Supply | | 1 | |
| (27) | 996 106 212 52 | Hose Supply | | 1 | |
| (27) | 996 106 212 53 | Hose Supply | -01 | 1 | |
| (27) | 996 106 212 59 | Water hose Supply | 02- | 1 | M480 |
| (27) | 996 106 212 61 | Water hose Supply | 02- | 1 | M480 |
| (27) | 996 106 812 03 | Water hose Supply | 02- | 1 | M249 |
| 28 | 999 512 552 00 | Hose clamp 27 X 12 | | 4 | |
| 28 | 999 512 552 01 | Hose clamp 27 X 12 | | 4 | |
| 29 | 996 106 233 51 | Water hose M >> 66X 01814 | | 1 | |
| 29 | 996 106 233 52 | Hose M 66X 01815 >> | | 1 | |
| 29 | 996 106 233 53 | Hose M 66X 01815 >> | | 1 | |
| 29 | 996 106 233 55 | Hose M 66X 01815 >> | | 1 | |
| 30 | 999 512 551 00 | Hose clamp 25 - 40 | | 1 | |
| 30 | 999 512 551 01 | Hose clamp 25 - 40 | | 1 | |
| 31 | 900 378 036 09 | Hexagon-head bolt M 6 X 12 | | 3 | |
| 32 | 996 106 243 51 | Water tube for 996.106.250.54 | -98 | 1 | |
| 32 | 996 106 243 52 | Return line Water tube Return line for 996.106.250.55 | 99- | 1 | |
| (32) | 996 106 243 54 | Water tube Return line | 02- | 1 | M480 |
| (32) | 996 106 843 01 | Cooling water tube Return line | 02- | 1 | M249 |
| (33) | 996 106 222 52 | Water hose Return line | | 1 | M480 |
| (33) | 996 106 222 54 | Hose Return line | | 1 | M480 |
| (33) | 996 106 222 56 | Hose Return line | -01 | 1 | M480 |
| (33) | 996 106 222 64 | Water hose Return line | 02- | 1 | M480 |
| (33) | 996 106 222 67 | Water hose Return line | 02- | 1 | M480 |
| 33 | 996 106 222 53 | Water hose Return line | | 1 | M249 |
| (33) | 996 106 222 57 | Water hose Return line | -01 | 1 | M249 |
| (33) | 996 106 822 03 | Water hose Return line | 02- | 1 | M249 |
| (33) | 996 106 822 04 | Water hose | 02- | 1 | M249 |

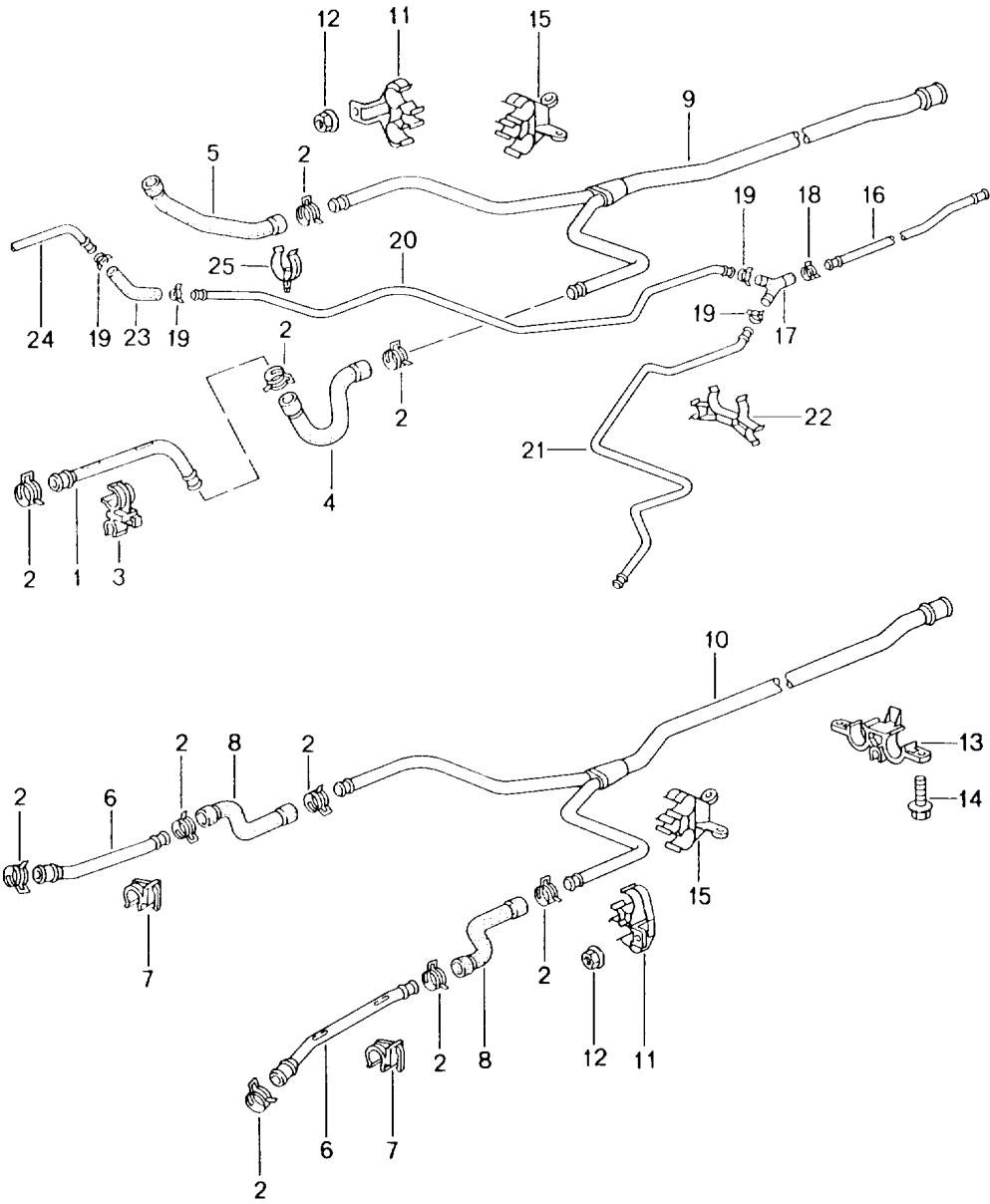
Model: 996 98

Model life 1998>>2005

| Pos | Part Number | Description | Remark | Qty | Model |
|-----|----------------|---------------------------------|--------|-----|-------|
| 34 | 996 106 421 51 | Return line Support | | 2 | |
| 35 | 999 511 237 40 | Hose holder 10-52/-18 | | 2 | |
| 36 | 999 511 238 40 | Hose holder 10-52/-13 | | 1 | |
| 37 | 999 512 657 09 | Hose clamp 26 X 12 | | 1 | |
| 38 | 999 512 655 09 | Hose clamp 22 X 12 | | 1 | |
| 39 | 996 106 312 00 | Water tube Supply Heating | 02- | 1 | M249 |
| 40 | 996 106 322 00 | Return pipe Heating | 02- | 1 | M249 |
| 41 | 996 106 212 74 | Hose Supply Heating | 02- | 1 | M249 |
| 41 | 996 106 212 75 | Hose Supply Heating | 02- | 1 | M249 |
| 42 | 996 106 222 74 | Hose Return line Heating | 02- | 1 | M249 |
| 42 | 996 106 222 75 | Hose Return line Heating | 02- | 1 | M249 |
| 43 | 996 106 050 00 | Support | 02- | 1 | |
| 44 | 999 507 793 40 | Hose holder 23 mm | 02- | 1 | |
| 45 | 999 507 777 40 | Hose holder 48 - 53 | 02- | 1 | |
| 46 | 900 385 041 01 | Torx screw M 6 X 12 | 02- | 1 | |
| 47 | 996 106 851 00 | Hose for 996.106.850.04 | | 1 | |
| 47 | 996 106 851 02 | Hose for 996.106.850.04 | | 1 | |
| 47 | 996 106 851 03 | Hose for 996.106.850.04 | | 1 | |

Model: 996 98

Model life 1998>>2005



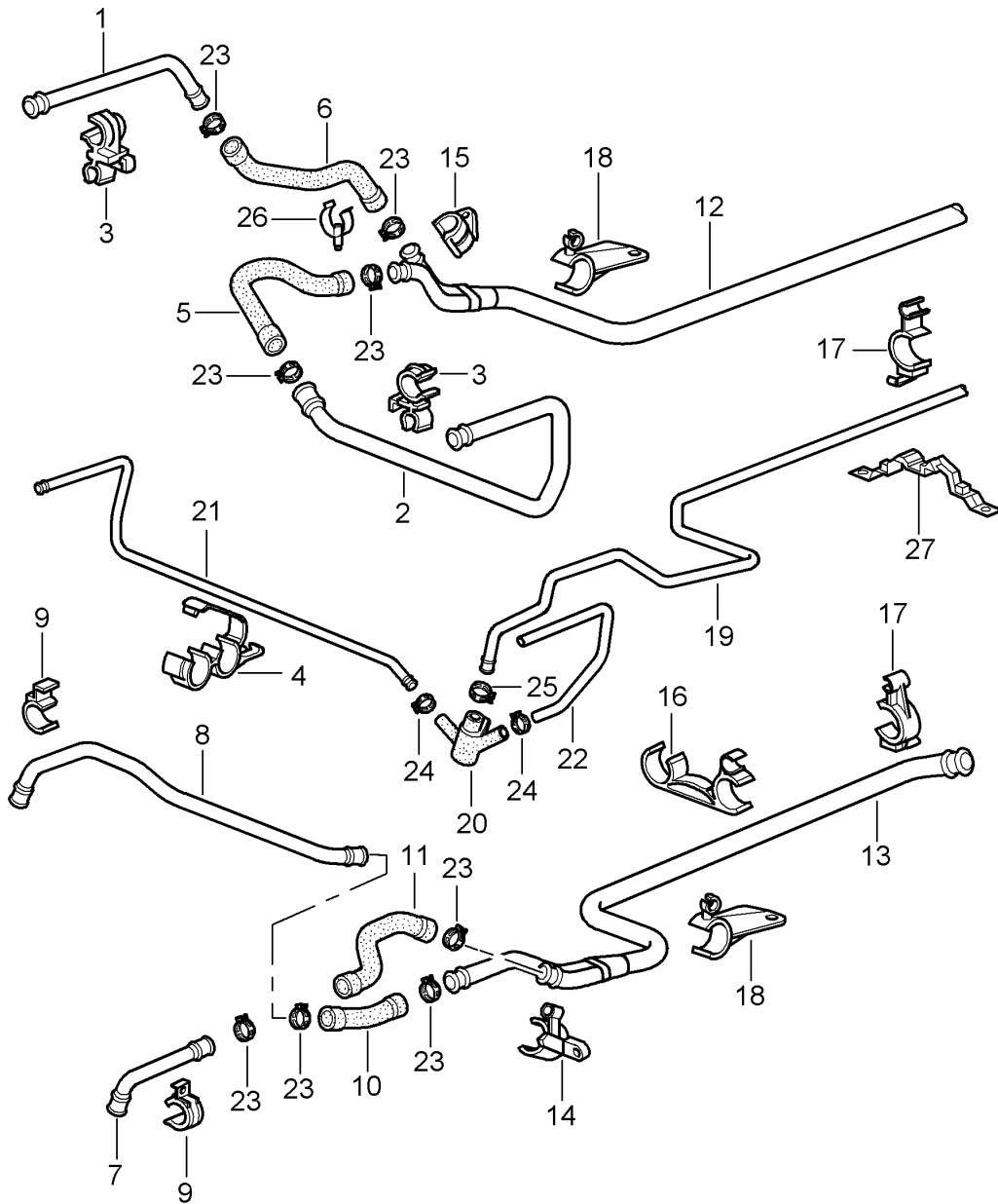
Model: 996 98

Model life 1998>>2005

| Pos | Part Number | Description | Remark | Qty | Model |
|-----|----------------|-----------------------------------|--------|-----|------------------------|
| | | Water cooling 2 | | | M96.01/02/03 M96.04 |
| 1 | 996 106 611 52 | Water tube Supply | -00 | 2 | |
| 1 | 996 106 611 53 | Water tube Supply | 01- | 2 | |
| 2 | 999 512 499 00 | Hose clamp 32 - 50 | | 12 | |
| 3 | 996 106 414 55 | Support | | 4 | |
| 4 | 996 106 623 53 | Water hose Supply | /L | 1 | |
| 5 | 996 106 624 53 | Water hose | /R | 1 | |
| 6 | 996 106 615 54 | Water tube Return line | | 2 | |
| 7 | 996 106 419 52 | Support | | 4 | |
| 8 | 996 106 627 52 | Water hose | | 2 | |
| 8 | 996 106 627 55 | Water hose | | 2 | |
| 9 | 996 106 651 54 | Distributing piece Supply | | 1 | |
| 10 | 996 106 652 54 | Distributing piece Return line | | 1 | |
| 11 | 996 106 413 52 | Support | | 2 | |
| 12 | 999 084 629 09 | Hexagon nut M 6 | | 2 | |
| 12 | 999 084 629 01 | Hexagon nut M 6 | | 2 | |
| 13 | 996 106 415 52 | Support | | 2 | |
| 14 | 900 378 035 01 | Hexagon-head bolt M 6 X 16 | | 6 | |
| 15 | 996 106 420 52 | Support | | 2 | |
| 16 | 996 106 127 53 | Vent line | | 1 | |
| 17 | 996 106 546 54 | Y-piece | | 1 | |
| 17 | 996 106 546 55 | Y-piece | | 1 | |
| 17 | 996 106 546 56 | Y-piece | | 1 | |
| 18 | 999 512 554 00 | Hose clamp 25 - 40 | | 1 | |
| 19 | | Hose clamp 25 - 40 | | 4 | |
| 20 | 996 106 126 54 | Vent line | /R | 1 | |
| 21 | 996 106 225 54 | Vent line | /L | 1 | |
| 22 | 996 106 412 51 | Support | | 1 | |
| 23 | 996 106 135 52 | Breather hose | -98 | 2 | |
| 23 | | Breather hose | 99- | 2 | |
| 24 | 996 106 685 53 | Vent line | | 2 | |
| 25 | 999 507 378 40 | Support | | 2 | |

Model: 996 98

Model life 1998>>2005

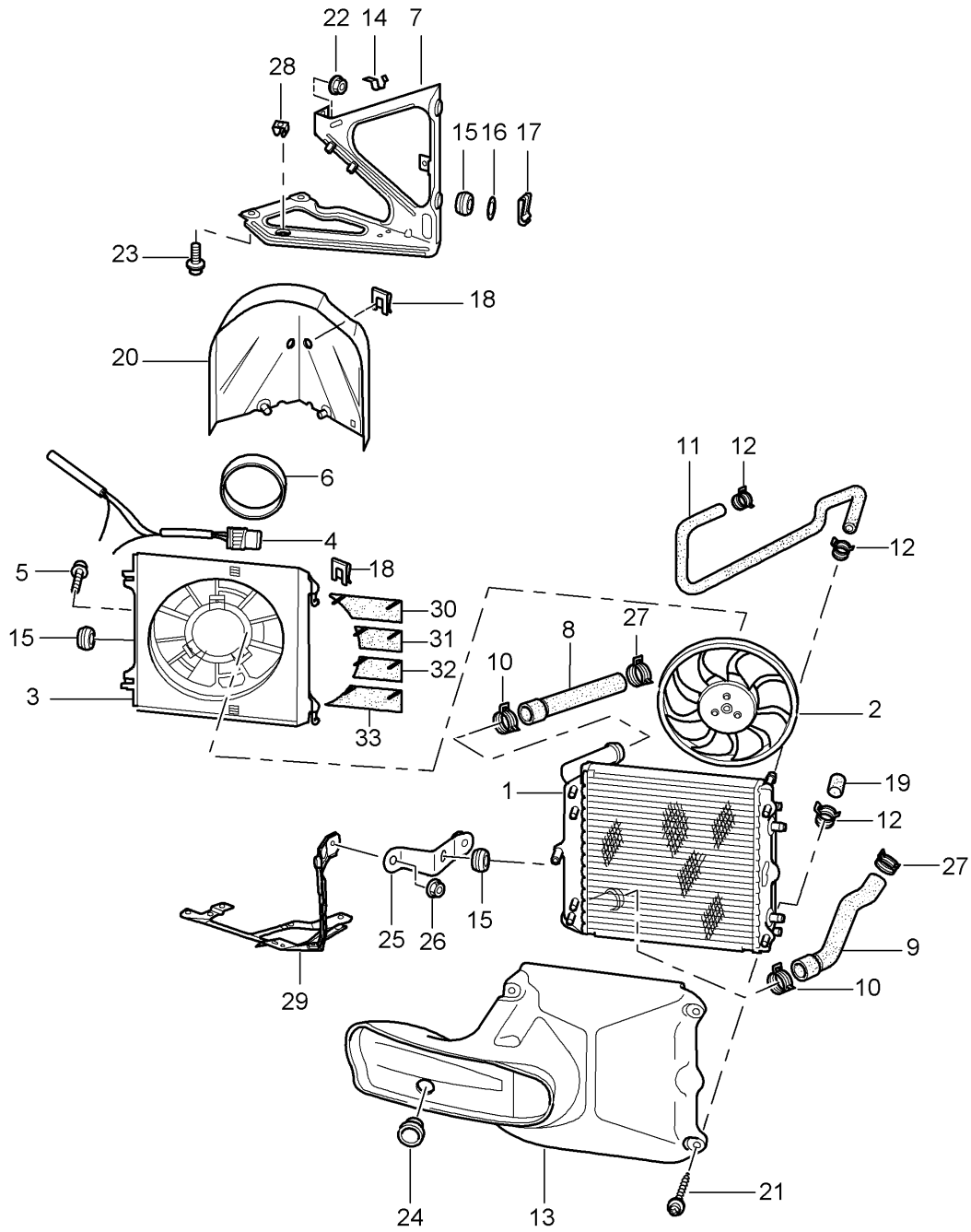


Model: 996 98 Model life 1998>>2005

| Pos | Part Number | Description | Remark | Qty | Model |
|-----|----------------|---|--------|-----|--------------------------------|
| | | Water cooling 2 | | | M96.01/02/03 M96.04 M339 |
| 1 | 996 106 611 52 | Water tube Supply | /R | 1 | |
| 1 | 996 106 611 53 | Water tube Supply | /R | 1 | |
| 2 | 996 106 711 03 | Water tube Supply | /L | 1 | |
| 3 | 996 106 414 55 | Support | | 4 | |
| 4 | 996 106 525 04 | Support | | 2 | |
| 5 | 996 106 723 02 | Hose Supply | /R | 1 | |
| 6 | 996 106 724 03 | Hose Supply | /R | 1 | |
| 7 | 996 106 715 01 | Water tube Return line | /L | 1 | |
| 8 | 996 106 720 02 | Water tube Return line | /R | 1 | |
| 9 | 996 106 419 52 | Support | | 3 | |
| 10 | 996 106 727 03 | Hose Return line | /L | 1 | |
| 10 | 996 106 727 05 | Hose Return line | /L | 1 | |
| 11 | 996 106 728 03 | Hose Return line | /L | 1 | |
| 12 | 996 106 752 03 | Water tube Supply | | 1 | |
| 13 | 996 106 751 04 | Water tube Return line | | 1 | |
| 14 | 996 106 513 01 | Support | /L | 1 | |
| 15 | 996 106 514 00 | Support | /R | 1 | |
| 16 | 996 106 540 00 | Support Use with Transmission carrier 99637534303 | | 1 | |
| 16 | 997 106 540 02 | Support Use with Transmission carrier 99737534300 | | 1 | |
| 17 | 996 106 515 01 | Support | | 2 | |
| 18 | 996 106 520 01 | Support | | 2 | |
| 19 | 996 106 227 72 | Vent line | | 1 | |
| 20 | 996 106 647 04 | Y-piece | | 1 | |
| 20 | 996 106 647 05 | Y-piece | | 1 | |
| 20 | 996 106 647 06 | Y-piece | | 1 | |
| 21 | 996 106 766 71 | Vent line | /R | 1 | |
| 22 | 996 106 765 71 | Vent line | /L | 1 | |
| 23 | 999 512 499 00 | Hose clamp 32 - 50 | | 8 | |
| 24 | 999 512 554 00 | Hose clamp 12 - 22 | | 2 | |
| 25 | | Hose clamp 12 - 22 | | 1 | |
| 26 | 999 507 378 40 | Support | | 2 | |
| 27 | 996 504 517 00 | Support Cooling water tube | | 2 | |

Model: 996 98

Model life 1998>>2005



Model: 996 98 Model life 1998>>2005

| Pos | Part Number | Description | Remark | Qty | Model |
|-----|----------------|--------------------|-----------|-----|------------------------|
| | | Water cooling 3 | | | M96.01/02/03 M96.04 |
| 1 | 996 106 131 50 | Radiator | | 2 | |
| 1 | 996 106 131 51 | Radiator | /L | 1 | |
| (1) | 996 106 131 72 | Radiator | /L 02- | 1 | C4S |
| (1) | 996 106 131 74 | Radiator | /L 02- | 1 | C4S |
| (1) | 996 106 131 72 | Radiator | /L 04 | 1 | M095 |
| (1) | 996 106 131 74 | Radiator | /L 04 | 1 | M095 |
| (1) | 996 106 132 51 | Radiator | /R | 1 | |
| (1) | 996 106 132 70 | Radiator | /R 02- | 1 | C4S |
| (1) | 996 106 132 72 | Radiator | /R 02- | 1 | C4S |
| (1) | 996 106 132 70 | Radiator | /R 04 | 1 | M095 |
| (1) | 996 106 132 72 | Radiator | /R 04 | 1 | M095 |
| 2 | 996 624 135 00 | Fan | | 2 | |
| (2) | 996 624 127 00 | Fan | 02- | 2 | C4S |
| (2) | | Fan | 04 | 2 | M095 |
| 3 | 996 624 131 00 | Air guide | | 2 | |
| (3) | 996 624 137 00 | Air guide | 02- | 2 | C4S |
| (3) | | Air guide | 04 | 2 | M095 |
| 4 | 996 616 101 00 | Series resistor | | 2 | |
| (4) | 996 624 141 00 | Series resistor | 02- | 2 | C4S |
| (4) | | Series resistor | 04 | 2 | M095 |
| 5 | 900 146 116 09 | Screw | | 6 | |
| | | M 5 X 16 | | | |
| 6 | 996 624 136 00 | Protection cap | | 2 | |
| 7 | 996 504 175 09 | Bracket | /L | 1 | |
| (7) | 996 504 155 00 | Bracket | /L 02- | 1 | C4S |
| (7) | | Bracket | /L 04 | 1 | M095 |
| (7) | 996 504 176 09 | Bracket | /R | 1 | |
| (7) | 996 504 156 00 | Bracket | /R 02- | 1 | C4S |
| (7) | | Bracket | /R 04 | 1 | M095 |
| 8 | 996 106 621 57 | Hose | | 1 | |
| | | Supply | | | |
| (8) | 996 106 621 78 | Water hose | /L /R 02- | 1 | C4S |
| | | Supply | | | |
| (8) | | Water hose | /L /R 04 | 1 | M095 |
| | | Supply | | | |
| (8) | 996 106 665 57 | Hose | /L | 1 | M249 |
| | | Supply | | | |
| | | with one conection | | | |
| | | Radiator | | | |
| | | Centre | | | |
| (8) | 996 106 665 58 | Hose | /L | 1 | M249 |
| | | Supply | | | |
| | | with one conection | | | |
| | | Radiator | | | |
| | | Centre | | | |
| (8) | 996 106 622 54 | Hose | /R | 1 | |
| | | Supply | | | |
| 9 | 996 106 625 54 | Hose | /L | 1 | |
| | | Return line | | | |
| (9) | 996 106 625 78 | Hose | /L 02- | 1 | C4S |
| | | Return line | | | |
| (9) | 996 106 625 79 | Hose | /L 02- | 1 | C4S |
| | | Return line | | | |
| (9) | 996 106 625 78 | Hose | /L 04 | 1 | M095 |
| | | Return line | | | |
| (9) | 996 106 625 79 | Hose | /L 04 | 1 | M095 |
| | | Return line | | | |
| (9) | 996 106 626 51 | Hose | /R | 1 | M480 |
| | | Return line | | | |
| (9) | 996 106 626 77 | Water hose | /R 02- | 1 | C4S |
| | | Return line | | | |

Model: 996 98

Model life 1998>>2005

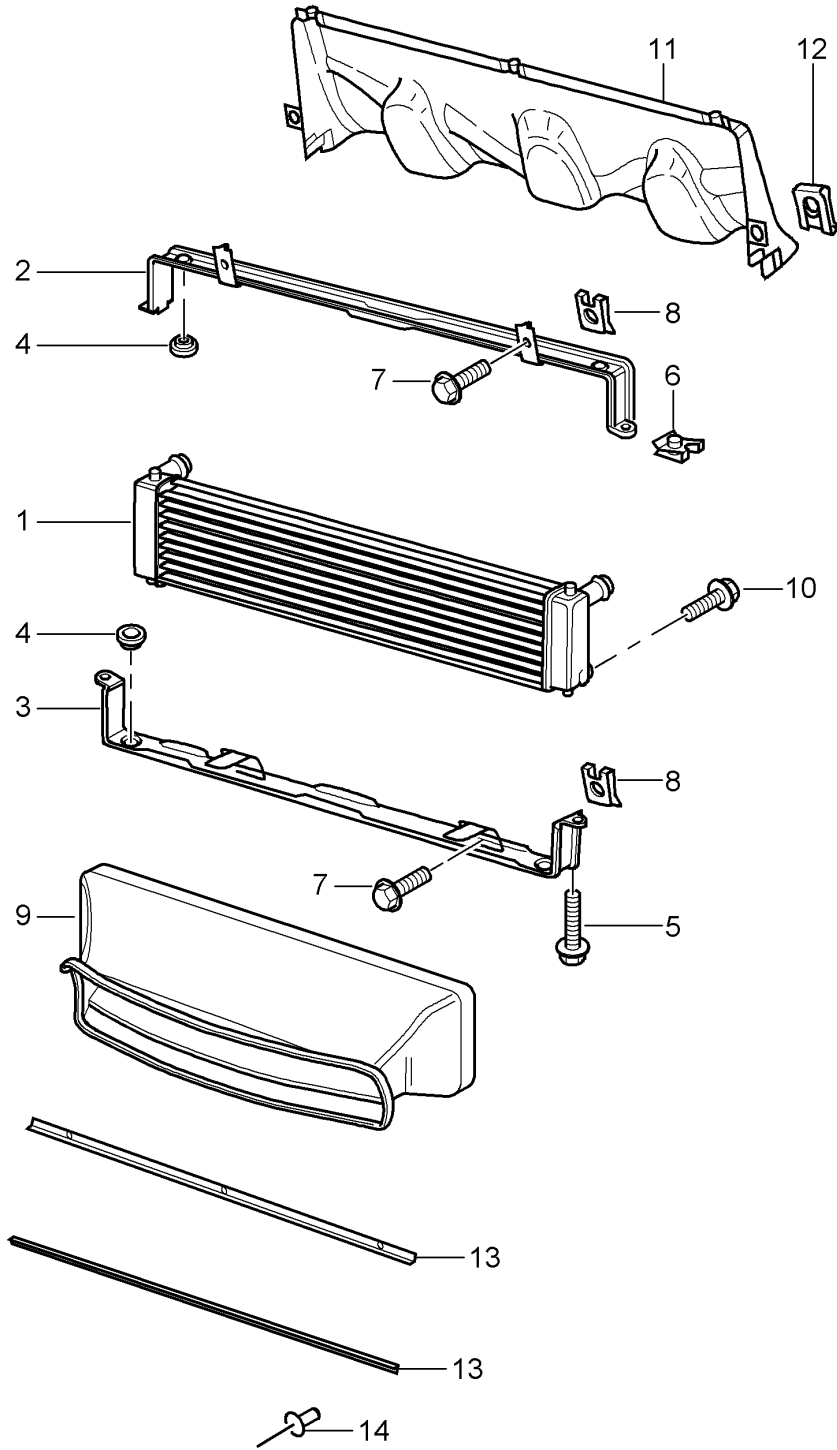
| Pos | Part Number | Description | Remark | Qty | Model |
|------|----------------|---|--------|-----|-------|
| (9) | | Water hose Return line | /R 04 | 1 | M095 |
| (9) | 996 106 666 55 | Hose Return line with one conection Radiator Centre | /R | 1 | M249 |
| (9) | 996 106 666 56 | Hose Return line with one conection Radiator Centre | /R | 1 | M249 |
| 10 | 999 512 499 00 | Hose clamp 32 - 50 | | 4 | |
| 11 | 996 106 137 53 | Breather hose | /L | 1 | |
| (11) | 996 106 137 77 | Breather hose | /L 02- | 1 | C4S |
| (11) | 996 106 137 78 | Breather hose | /L 02- | 1 | C4S |
| (11) | 996 106 137 77 | Breather hose | /L 04 | 1 | M095 |
| (11) | 996 106 137 78 | Breather hose | /L 04 | 1 | M095 |
| (11) | 996 106 138 53 | Breather hose | /R | 1 | |
| (11) | 996 106 138 74 | Breather hose | /R 02- | 1 | C4S |
| (11) | 996 106 138 83 | Breather hose | /R 02- | 1 | C4S |
| (11) | 996 106 138 74 | Breather hose | /R 04 | 1 | M095 |
| (11) | 996 106 138 83 | Breather hose | /R 04 | 1 | M095 |
| 12 | 999 512 585 09 | Hose clamp 15 X 12 | | 6 | |
| 13 | 996 575 321 00 | Air guide | /L -01 | 1 | |
| 13 | 996 575 321 03 | Air guide | /L 02- | 1 | |
| (13) | 996 575 321 02 | Air guide | /L 02- | 1 | C4S |
| (13) | | Air guide | /L 04 | 1 | M095 |
| (13) | 996 575 322 00 | Air guide | /R -01 | 1 | |
| (13) | 996 575 322 03 | Air guide | /R 02- | 1 | |
| (13) | 996 575 322 02 | Air guide | /R 02- | 1 | C4S |
| (13) | | Air guide | /R 04 | 1 | M095 |
| 14 | 999 651 305 02 | Cable holder | | 2 | |
| 15 | 999 702 214 40 | Grommet 14 X 20,5 X 7,5 | | 6 | |
| 16 | 999 025 255 02 | Washer | | 4 | |
| 17 | 999 166 083 09 | Tab washer B 25 | | 4 | |
| 18 | 999 166 077 02 | Safety clip B 22 | | 6 | |
| 19 | 999 703 418 40 | Cap | | 2 | |
| (19) | 996 106 334 00 | Rubber cap | | 2 | |
| 20 | 996 575 341 03 | Air guide | -98 | 2 | |
| 20 | 996 575 341 04 | Air guide | /L 99- | 1 | |
| (20) | 996 575 342 00 | Air guide | /R 99- | 1 | |
| (20) | 996 575 351 00 | Air guide | /L 02- | 1 | C4S |
| (20) | 996 575 352 00 | Air guide | /R 02- | 1 | C4S |
| (20) | 996 575 351 30 | Air guide | /L 04 | 1 | M095 |
| (20) | 996 575 352 30 | Air guide | /R 04 | 1 | M095 |
| 21 | 999 919 134 09 | Oval-head screw 6,0 X 16 | | 14 | |
| 22 | 999 084 630 09 | Hexagon nut M 8 | | 2 | |
| 23 | 900 378 074 09 | Hexagon-head bolt M 8 X 16 | | 4 | |
| 24 | 999 702 214 40 | Grommet 14 X 20,5 X 7,5 | | 2 | |
| 24 | 803 803 583 | Rubber sleeve 30,0 X 40,0 | /R | 1 | |
| 24 | 999 703 195 40 | Rubber sleeve 30,0 X 40,0 | /R | 1 | |

Model: 996 98 Model life 1998>>2005

| Pos | Part Number | Description | Remark | Qty | Model |
|------|--------------------|-----------------------|--------|-----|-------|
| 25 | 996 504 721 00 | Support | | 1 | |
| | 996 504 721 00 GRV | Prime coated | | | |
| 26 | 900 377 003 02 | Hexagon nut M 8 | | 4 | |
| 27 | 999 512 552 00 | Hose clamp 28 X 12 | | 2 | |
| 27 | 999 512 552 01 | Hose clamp 28 X 12 | | 2 | |
| 28 | 999 507 590 02 | Captive nut | | 1 | |
| 29 | 996 504 523 01 | Support | /L 02- | 1 | C4S |
| 29 | | Support | /L 04 | 1 | M095 |
| (29) | 996 504 524 01 | Support | /R 02- | 1 | C4S |
| (29) | | Support | /R 04 | 1 | M095 |
| - | 996 504 775 00 | Support | | 2 | |
| 30 | 996 624 157 00 | Air flap | /L 02- | 1 | C4S |
| (30) | | Air flap | /L 04 | 1 | M095 |
| (30) | 996 624 158 00 | Air flap | /R 02- | 1 | C4S |
| (30) | | Air flap | /R 04 | 1 | M095 |
| 31 | 996 624 159 00 | Air flap | /L 02- | 1 | C4S |
| (31) | | Air flap | /L 04 | 1 | M095 |
| (31) | 996 624 160 00 | Air flap | /R 02- | 1 | C4S |
| (31) | | Air flap | /R 04 | 1 | M095 |
| 32 | 996 624 161 00 | Air flap | /L 02- | 1 | C4S |
| (32) | | Air flap | /L 04 | 1 | M095 |
| (32) | 996 624 162 00 | Air flap | /R 02- | 1 | C4S |
| (32) | | Air flap | /R 04 | 1 | M095 |
| 33 | 996 624 163 00 | Air flap | /L 02- | 1 | C4S |
| (33) | | Air flap | /L 04 | 1 | M095 |
| (33) | 996 624 164 00 | Air flap | /R 02- | 1 | C4S |
| (33) | | Air flap | /R 04 | 1 | M095 |

Model: 996 98

Model life 1998>>2005

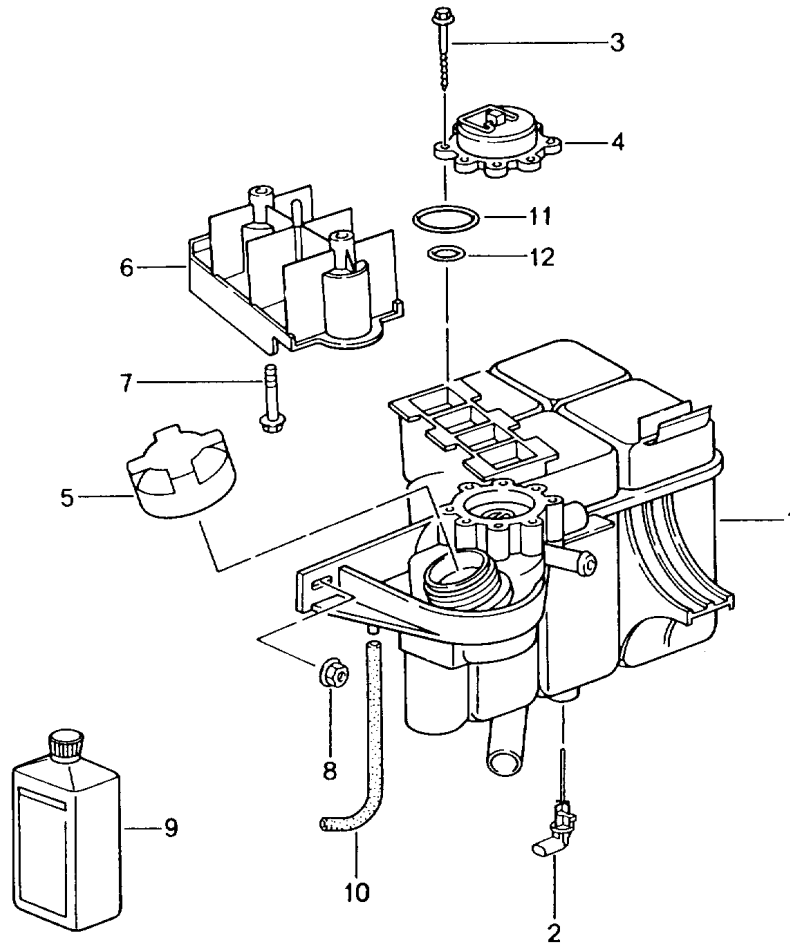


Model: 996 98 Model life 1998>>2005

| Pos | Part Number | Description | Remark | Qty | Model |
|-----|----------------|---------------------------------|--------|-----|---|
| | | Radiator | | | M96.01/02/03 M96.04 M249 M96.03 IX51/M480 |
| | | Centre | | | |
| 1 | 996 106 037 51 | Radiator | | 1 | |
| 2 | 996 504 487 02 | Retaining frame | | 1 | |
| 3 | 996 504 485 02 | Retaining frame | | 1 | |
| (3) | 996 504 493 00 | Retaining frame | | 1 | C4S |
| (3) | | Retaining frame | 04 | 1 | M095 |
| 4 | 930 113 430 00 | Rubber mounting | | 4 | |
| 5 | 900 378 036 09 | Hexagon-head bolt M 6 X 12 | | 2 | |
| 6 | 999 507 550 02 | Speed nut M 6 | | 2 | |
| 7 | 900 378 074 09 | Hexagon-head bolt M 8 X 16 | | 4 | |
| 8 | 999 591 869 02 | Speed nut M 8 | | 4 | |
| 9 | 996 575 141 01 | Air guide Radiator Centre | | 1 | |
| 9 | 996 575 141 02 | Air guide Radiator Centre | -01 | 1 | |
| 9 | 996 575 141 04 | Air guide Radiator Centre | 02- | 1 | |
| (9) | 996 575 141 03 | Air guide Radiator Centre | 04 | 1 | M095 |
| 10 | 996 106 901 00 | Screw plug | | 1 | |
| 11 | 996 575 151 01 | Air guide | 04 | 1 | M095 |
| 12 | 999 166 076 02 | Safety clip | 04 | 2 | M095 |
| 12 | 999 166 076 01 | Safety clip | 04- | 2 | M095 |
| 13 | 996 575 761 00 | Attachment strip | 04 | 2 | M095 |
| 14 | 999 190 419 30 | Blind rivet A 3,2 X 7,5 | 04 | 6 | M095 |

Model: 996 98

Model life 1998>>2005

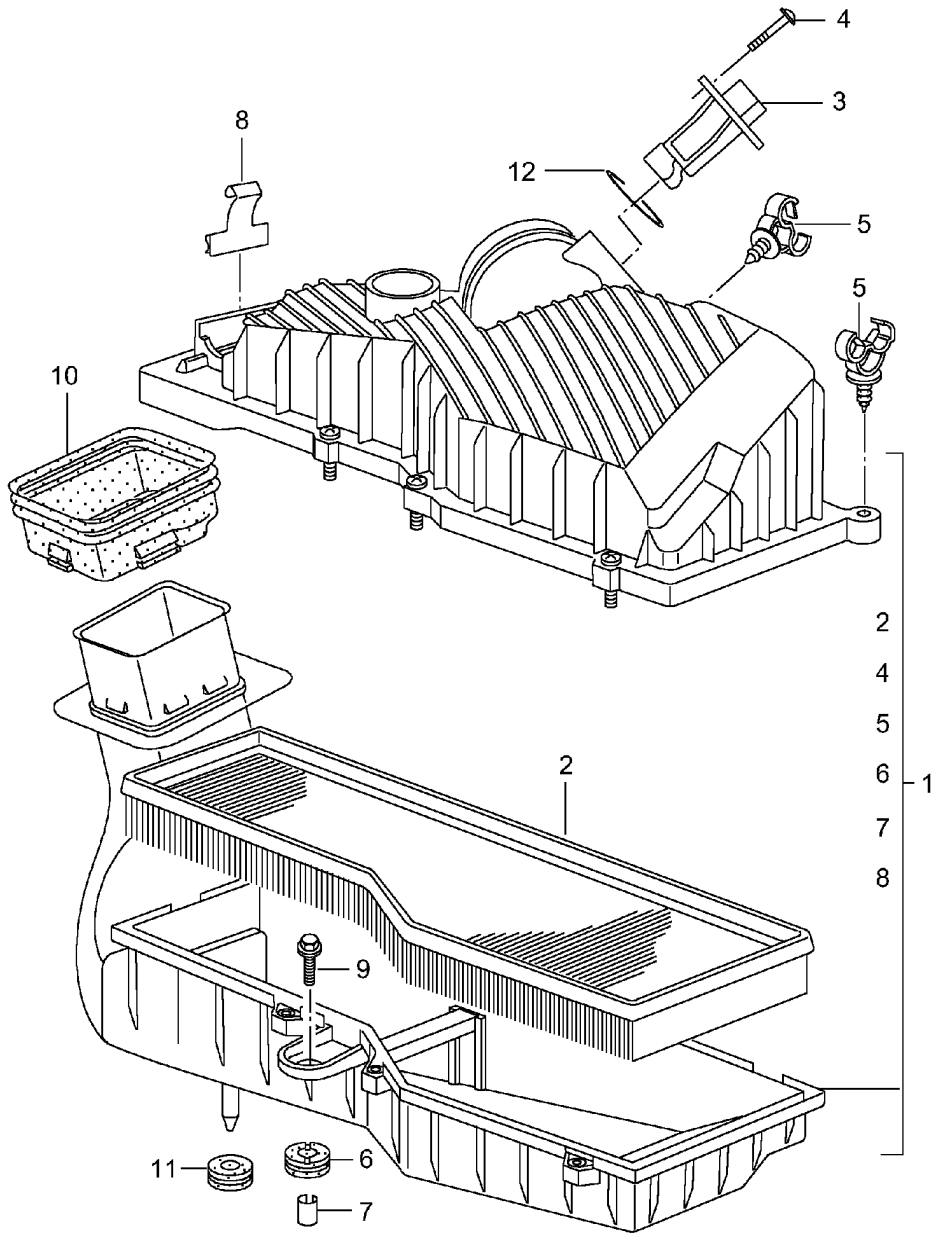


Model: 996 98 Model life 1998>>2005

| Pos | Part Number | Description | Remark | Qty | Model |
|-----|----------------|---|--------|-----|------------------------|
| | | Water cooling 4 | | | M96.01/02/03 M96.04 |
| 1 | 996 106 147 54 | Water reservoir | -98 | 1 | |
| 1 | 996 106 147 55 | Water reservoir | -00 | 1 | |
| 1 | 996 106 147 56 | Water reservoir | -00 | 1 | |
| (1) | 996 106 157 01 | Water reservoir | 01- | 1 | |
| (1) | 996 106 157 02 | Water reservoir | 01- | 1 | |
| (1) | 996 106 157 03 | Water reservoir | 03- | 1 | |
| 2 | 996 641 503 00 | Switch | | 1 | |
| 3 | 999 919 058 02 | Hexagon-head bolt 5,0 X 40 | | 8 | |
| 4 | 996 106 347 01 | Bleeder valve | | 1 | |
| 5 | 996 106 447 01 | Lid See technical manual Group 1 Nr.190101 | | 1 | |
| 6 | 996 106 405 51 | Support | -01 | 1 | |
| (6) | 996 106 405 52 | Support | 02- | 1 | |
| (6) | 996 106 405 71 | Support | | 1 | C4S |
| 7 | 900 378 033 09 | Hexagon-head bolt M 8 X 30 | | 2 | |
| 7 | 900 378 033 01 | Hexagon-head bolt M 8 X 30 | | 2 | |
| 8 | 999 076 071 02 | Hexagon nut M 6 | | 1 | |
| 9 | 000 043 203 78 | Antifreeze 1 LTR. Container | | X | |
| (9) | 000 043 203 79 | Antifreeze 25 LTR. Container | | X | |
| (9) | 000 043 300 31 | Antifreeze 20 LTR. Container | | X | |
| (9) | 000 043 301 03 | Antifreeze 1 LTR. Container | | X | |
| (9) | 000 043 301 04 | Antifreeze 20 LTR. Container | | X | |
| 10 | 996 106 297 00 | Overflow hose | | 1 | |
| 11 | 999 707 370 40 | O-ring 47 X 4 | | 1 | |
| 12 | 999 707 371 40 | O-ring 17 X 4 | | 1 | |

Model: 996 98

Model life 1998>>2005



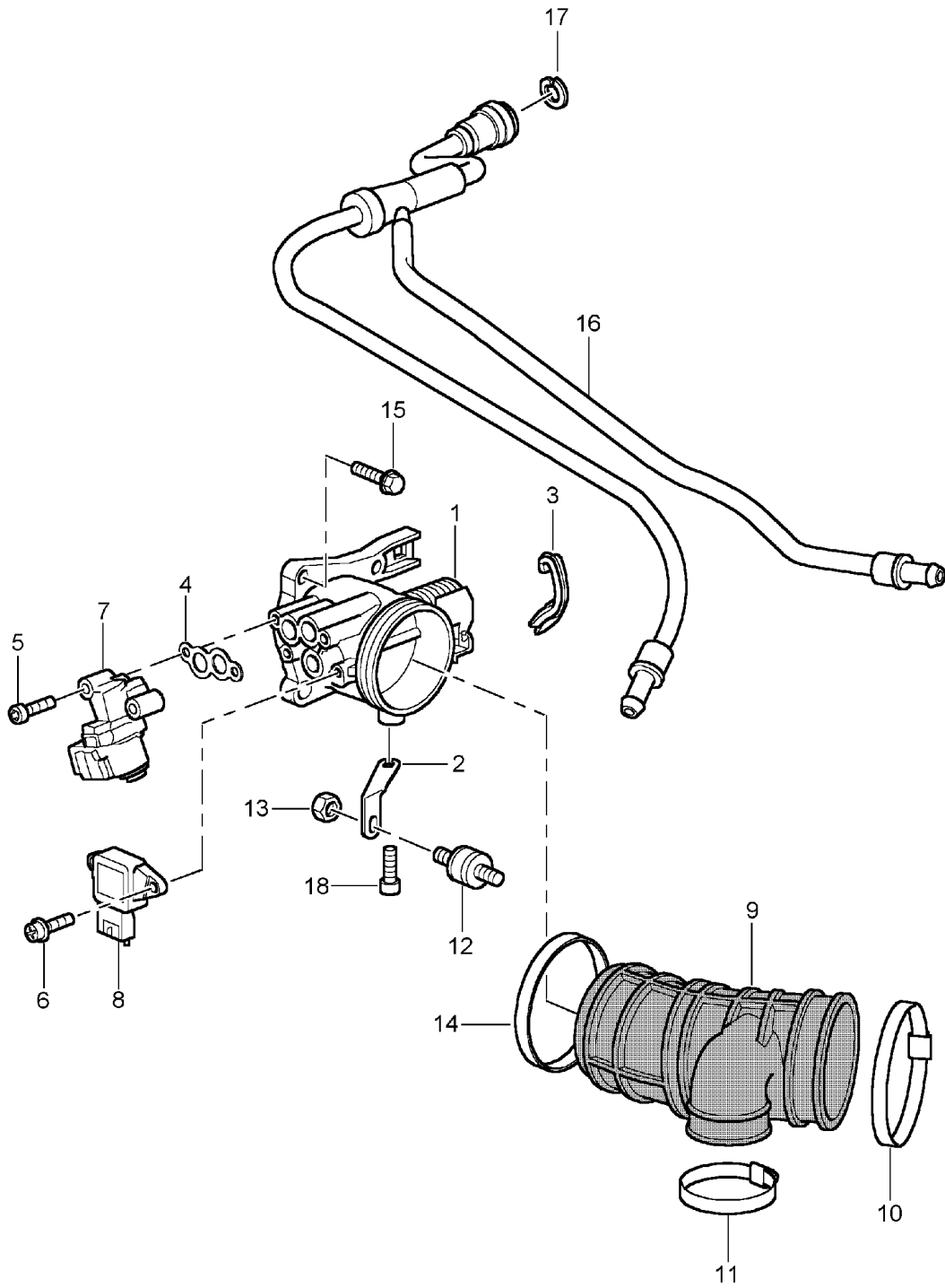
Model: 996 98

Model life 1998>>2005

| Pos | Part Number | Description | Remark | Qty | Model |
|-----|----------------|-----------------------|--------|-----|------------------------|
| | | Air cleaner | | | M96.01/02/03 M96.04 |
| 1 | 996 110 021 56 | Air cleaner | | 1 | |
| 1 | 996 110 021 58 | Air cleaner | | 1 | M339 |
| (1) | 996 110 921 50 | Air cleaner | 02- | 1 | M96.03 |
| 2 | 996 110 131 52 | Air cleaner cartridge | | 1 | |
| 3 | 996 606 123 00 | Mass air flow meter | -99 | 1 | -M620/M338 |
| | | Information available | -99 | | -M620/M338 |
| 3 | 996 606 124 00 | Mass air flow meter | 00-01 | 1 | M338/620 |
| | | Information available | 00-01 | | M338/620 |
| 3 | | Mass air flow meter | -01 | 1 | M339 |
| | | Information available | -01 | | M339 |
| 3 | 986 606 125 01 | Mass air flow meter | 02- | 1 | M96.03 |
| 4 | 999 919 160 07 | Oval-head screw | | 2 | |
| | | 5,0 X 20 | | | |
| 5 | 999 507 544 40 | Cable holder | | 2 | |
| | | 4,0 - 12,0 | | | |
| 6 | 999 702 221 40 | Grommet | | 3 | |
| | | 11,8 X 18,0 X 18 | | | |
| 7 | 900 095 099 02 | Roll pin | | 1 | |
| | | 12,0 X 14 | | | |
| 8 | 996 110 224 50 | Spring clamp | | 1 | |
| 9 | 999 075 063 02 | Hexagon-head bolt | | 1 | |
| | | M 6 X 34 | | | |
| 10 | 996 110 250 52 | Joint flange | | 1 | |
| 11 | 999 702 246 40 | Grommet | | 2 | |
| | | 12,0 X 17,0 X 3 | | | |
| 12 | 986 606 925 00 | O-ring | | 1 | |
| | | for | | | |
| | | Mass air flow meter | | | |
| - | 999 650 408 40 | Connector housing | | 1 | |
| | | HFM 996.606.124.00 | | | |
| - | 999 702 273 40 | Grommet | | 1 | |
| - | 999 704 161 40 | Gasket | | 5 | |
| - | 999 650 410 12 | Bush | | 5 | |

Model: 996 98

Model life 1998>>2005

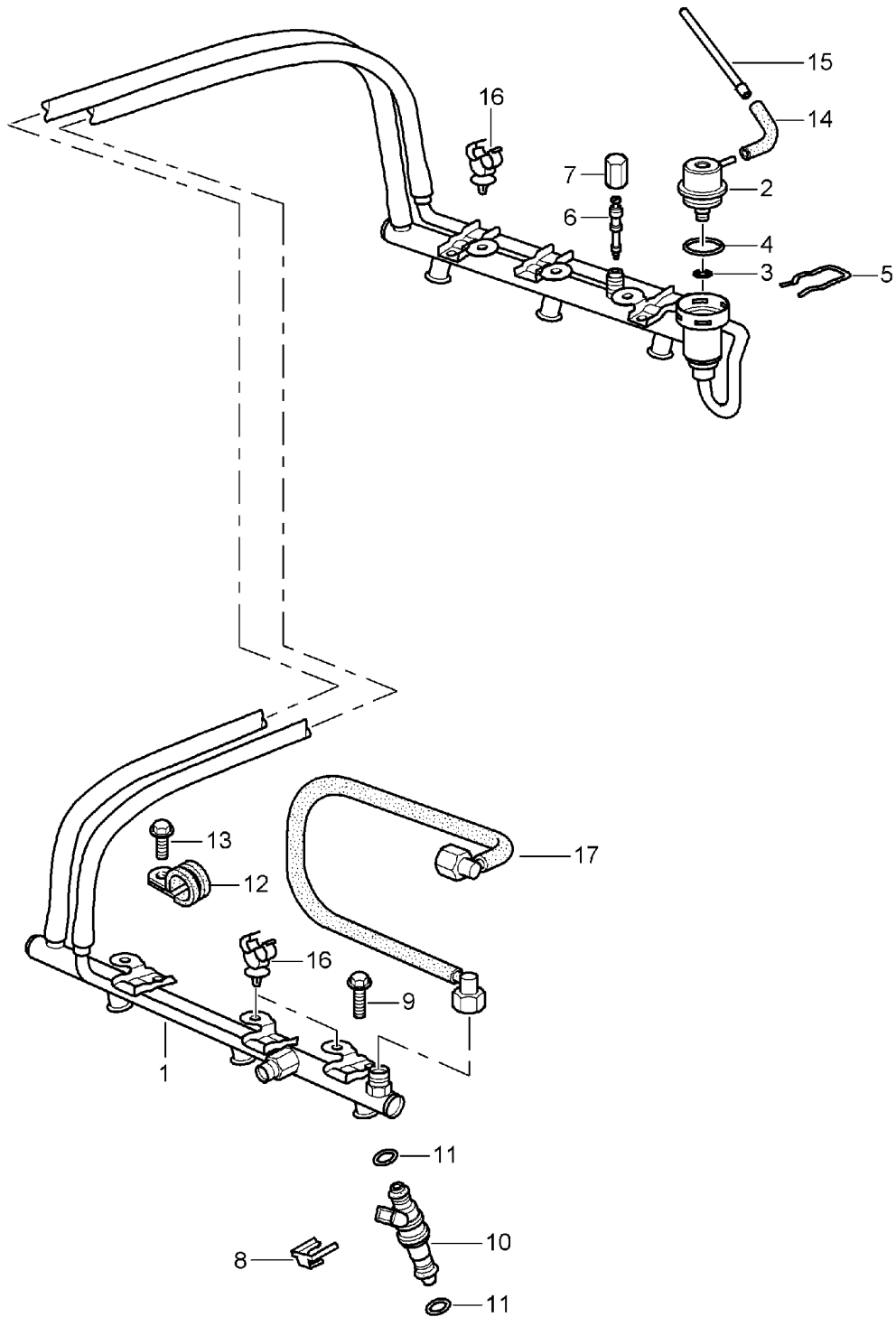


Model: 996 98 Model life 1998>>2005

| Pos | Part Number | Description | Remark | Qty | Model |
|------|----------------|-------------------------------------|--------|-----|------------------------|
| | | Throttle body | | | M96.01/02/03 M96.04 |
| 1 | 996 110 065 52 | Throttle body | | 1 | |
| 1 | 996 110 065 53 | Throttle body | | 1 | |
| (1) | 996 605 115 01 | Throttle body | | 1 | M620 |
| 2 | 996 110 223 52 | Bracket | | 1 | |
| (2) | 996 110 223 31 | Bracket | | 1 | M339 |
| 3 | 996 110 265 50 | Securing clip | | 1 | |
| 4 | 996 110 310 50 | Gasket | | 1 | |
| 5 | 996 110 965 00 | Pan-head screw M 6 X 32 | | 2 | |
| 6 | 900 146 150 02 | Oval-head screw M 4 X 16 | | 2 | |
| 7 | 996 606 160 01 | Idle-speed adjuster | -01 | 1 | |
| 8 | 996 606 116 00 | Throttle-valve switch | | 1 | |
| 9 | 996 110 221 57 | Air guide | -00 | 1 | |
| 9 | | Air guide | 01- | 1 | M480 |
| (9) | 996 110 221 58 | Air guide | 01- | 1 | M249 |
| 10 | 999 512 629 00 | Hose clamp 90 - 100/9 | | 1 | |
| 11 | 999 512 636 00 | Hose clamp 40 - 60/9 | | 1 | |
| 12 | 930 110 579 01 | Bonded rubber buffer | | 1 | |
| 12 | 999 703 265 00 | Bonded rubber buffer 20 X 15/M 6 | | 1 | |
| 13 | 900 377 010 09 | Hexagon nut M 6 | | 1 | |
| 14 | 999 512 542 00 | Hose clamp 80 - 100/9 | | 1 | |
| 15 | 900 378 013 09 | Hexagon-head bolt M 6 X 25 | | 4 | |
| (15) | 900 378 029 09 | Hexagon-head bolt M 6 X 40 | | 4 | M620 |
| (15) | 900 378 029 01 | Hexagon-head bolt M 6 X 40 | | 4 | M620 |
| 16 | 996 110 170 50 | Venturi tube | 01 | 1 | M96.04 M249 |
| 16 | 996 110 170 51 | Venturi tube | 02- | 1 | M96.03 M249 |
| 17 | 999 230 535 40 | Lock | | 3 | M249 |

Model: 996 98

Model life 1998>>2005



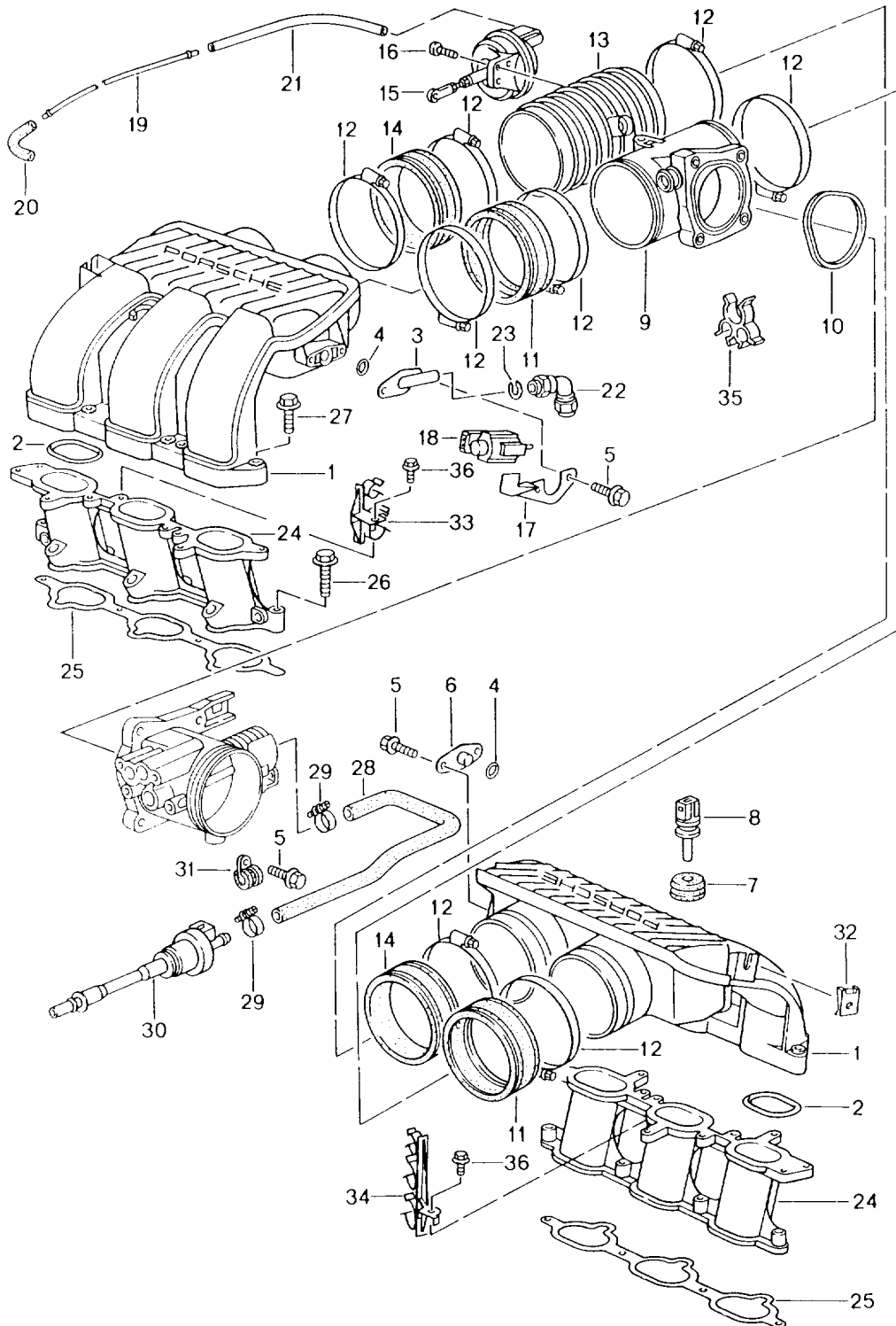
Model: 996 98

Model life 1998>>2005

| Pos | Part Number | Description | Remark | Qty | Model |
|------|----------------|-------------------------------|--------|-----|------------------------|
| | | Fuel collection pipe | | | M96.01/02/03 M96.04 |
| 1 | 996 110 031 56 | Fuel collection pipe | -00 | 1 | |
| 1 | 996 110 931 50 | Fuel collection pipe | -00 | 1 | |
| (1) | 996 110 031 57 | Fuel collection pipe | 01 | 1 | M96.04 |
| (1) | 996 110 931 51 | Fuel collection pipe | 01 | 1 | M96.04 |
| (1) | 996 110 036 55 | Fuel collection pipe | 02- | 1 | M96.03 |
| 2 | 993 110 199 01 | Pressure regulator | -01 | 1 | |
| 3 | 999 707 276 40 | O-ring 5 X 2,5 | | 1 | |
| 4 | 999 707 277 40 | O-ring 20 X 2,5 | | 1 | |
| 5 | 993 110 196 00 | Retaining clip | | 1 | |
| 6 | 993 110 217 00 | Valve | | 1 | |
| 7 | 993 110 218 01 | Cap | | 1 | |
| 8 | 996 110 113 52 | Retaining clip | | 6 | |
| 9 | 900 378 036 09 | Hexagon-head bolt M 6 X 12 | | 4 | |
| (10) | 996 606 120 01 | Injector valve | | 6 | |
| (10) | 996 606 122 00 | Injector valve | 01- | 6 | |
| 11 | 944 110 901 01 | O-ring 7,5 X 3,5 | | 12 | |
| 12 | 999 511 194 02 | Clamp 35 X 15 | | 1 | |
| 13 | 900 378 035 01 | Hexagon-head bolt M 6 X 16 | | 1 | |
| 14 | 928 574 717 03 | Moulded hose | | 1 | |
| - | 000 043 205 01 | Pipe 4 X 1 420 MM | | * | |
| 15 | | | | 1 | |
| 16 | 999 511 239 40 | Cable holder 6,0 X 12 | | 3 | |
| 17 | 996 110 315 55 | Fuel line | | 1 | M339 |

Model: 996 98

Model life 1998>>2005



Model: 996 98 Model life 1998>>2005

| Pos | Part Number | Description | Remark | Qty | Model |
|------|----------------|--|------------|-----|------------------------|
| | | Intake distributor | | | M96.01/02/03 M96.04 |
| 1 | 996 110 015 55 | Intake distributor | | 2 | |
| 1 | 996 110 980 40 | Intake distributor | | 2 | IX51 |
| 2 | 996 110 247 50 | Gasket | | 6 | |
| 3 | 996 110 151 51 | Adapter | -98 | 1 | |
| 3 | 996 110 151 52 | Adapter | -00 | 1 | |
| (3) | | Adapter | 01- | 1 | M480 |
| (3) | 996 110 151 01 | Adapter | 01- | 1 | M249 |
| 4 | 999 701 163 40 | O-ring 11 X 2,5 | | 2 | |
| 5 | 999 919 125 09 | Hexagon-head bolt 6,0 X 16 | | 5 | |
| 6 | 996 110 251 51 | Lid | | 1 | |
| 7 | 993 110 530 00 | Grommet | | 1 | |
| 8 | 996 606 113 00 | Temperature sensor | | 1 | |
| 9 | 996 110 215 53 | Intermediate piece | | 1 | |
| 9 | 996 110 116 00 | Intermediate piece | | 1 | M339 |
| 10 | 996 110 317 50 | Sealing ring | | 1 | |
| 10 | 996 110 317 52 | Sealing ring | | 1 | |
| 10 | 996 110 319 00 | Gasket | | 1 | M339 |
| 11 | 996 110 685 52 | Rubber sleeve Information available | | 2 | |
| 12 | 999 512 539 00 | Hose clamp 90 - 110/9 | | 8 | |
| 12 | 999 512 539 01 | Hose clamp 90 - 110/9 | | 8 | |
| 13 | 996 110 120 53 | Resonance tube | | 1 | |
| 14 | 996 110 686 50 | Rubber sleeve Information available | -00 | 2 | |
| (14) | 996 110 686 51 | Rubber sleeve Information available | 01- 01- | 2 | |
| 15 | 993 110 462 02 | Vacuum unit | | 1 | |
| 16 | 900 146 123 02 | Screw M 5 X 16 | | 2 | |
| 17 | 996 110 510 52 | Retaining bracket | | 1 | |
| - | 996 110 511 50 | Retaining bracket Venturi tube | 01- | 1 | M249 |
| 18 | 996 605 123 01 | Change-over valve | | 1 | |
| 18 | 7PP 906 270 | Change-over valve | | 1 | |
| - | 000 043 205 01 | Pipe 4 X 1 420 MM | | * | |
| 19 | | | | 1 | |
| 20 | 928 574 717 03 | Moulded hose | | 1 | |
| - | 000 043 204 99 | Hose 3,5 X 2 148 MM 176 MM | | * | |
| 21 | | | | 1 | M661 |
| (21) | | | | 1 | |
| 22 | 999 230 498 40 | Angled pipe | | 1 | |
| 23 | 999 230 535 40 | Lock | | 1 | |
| 24 | 996 110 101 52 | Intake manifold | | 2 | |
| (24) | 996 110 983 00 | Intake connection | | 2 | IX51 |
| 25 | 996 110 103 50 | Gasket | | 2 | |
| 26 | 900 378 174 09 | Hexagon-head bolt M 6 X 35 | | 8 | |
| 27 | 900 378 172 09 | Hexagon-head bolt M 6 X 35 | | 12 | |
| 27 | 900 385 017 01 | Torx screw M 6 X 35 | | 12 | |
| 28 | 996 110 127 50 | Vent line | | 1 | |
| (28) | 996 110 127 30 | Vent line | | 1 | M339 |
| 29 | 999 512 554 00 | Hose clamp 14 X 12 | | 2 | |

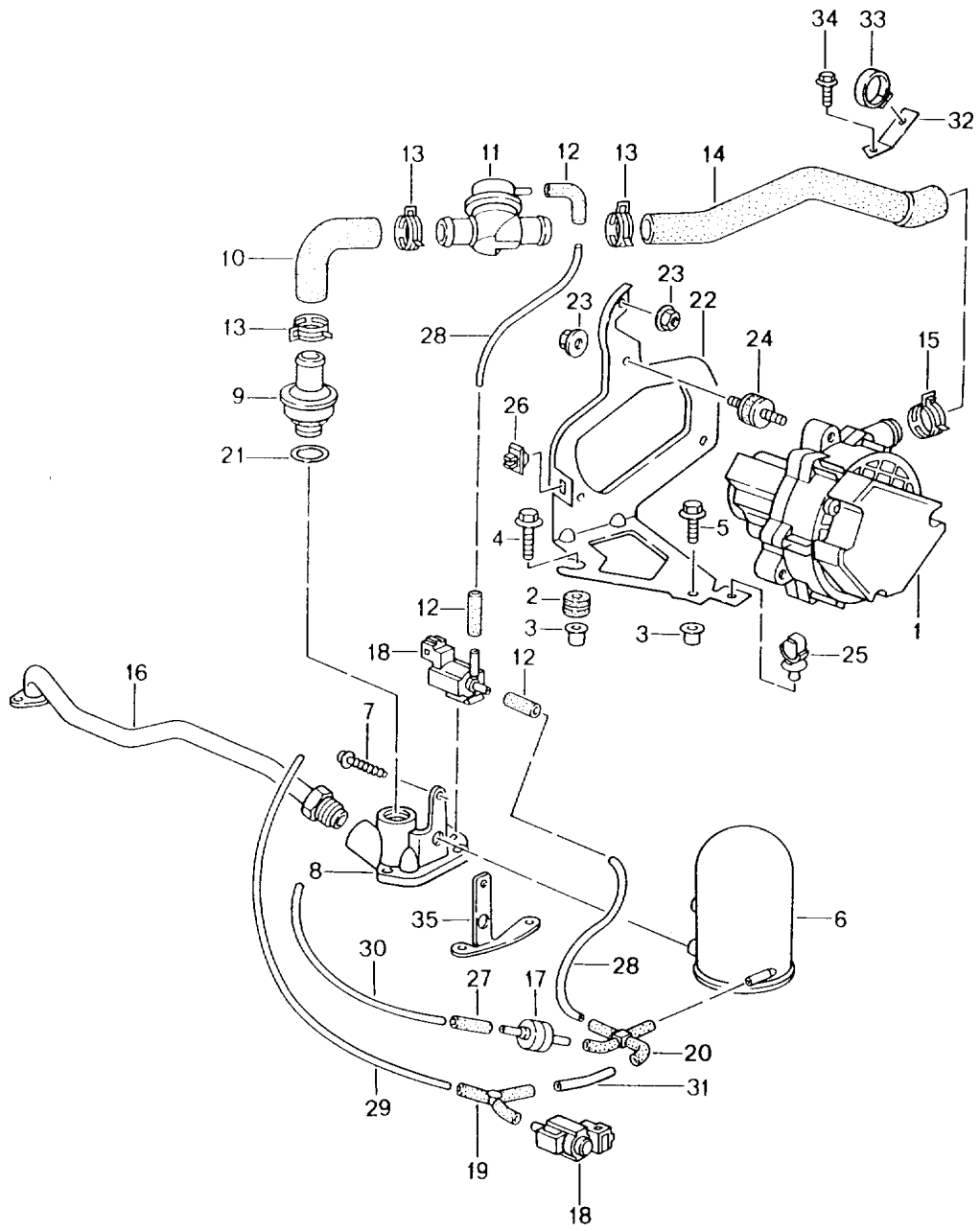
Model: 996 98

Model life 1998>>2005

| Pos | Part Number | Description | Remark | Qty | Model |
|-----|----------------|-------------------------------|--------|-----|-------|
| 30 | 996 110 129 52 | Vent line | | 1 | |
| 30 | 996 110 129 53 | Vent line | | 1 | |
| 31 | 999 511 155 02 | Pipe clamp 15 X 15 | | 1 | |
| 31 | 999 511 155 01 | Pipe clamp 15 X 15 | | 1 | |
| 31 | 999 511 155 03 | Pipe clamp 15 X 15 | | 1 | |
| 32 | 999 507 246 02 | Speed nut M 6 | | 1 | |
| 33 | 996 607 107 00 | Support | | 1 | |
| 34 | 996 607 108 00 | Support | | 1 | |
| 35 | 996 607 109 00 | Support | -01 | 1 | |
| 35 | 996 607 013 00 | Support | 02 | 1 | |
| 35 | 996 607 143 00 | Support | 03- | 1 | |
| 36 | 900 378 163 09 | Hexagon-head bolt M 6 X 16 | | 2 | |

Model: 996 98

Model life 1998>>2005



Model: 996 98 Model life 1998>>2005

| Pos | Part Number | Description | Remark | Qty | Model |
|------|----------------|-------------------------------------|--------|-----|------------------------|
| | | Air injection | | | M96.01/02/03 M96.04 |
| 1 | 996 605 103 01 | Air pump | -99 | 1 | |
| (1) | 996 605 104 00 | Air pump | 00- | 1 | |
| (1) | 996 605 104 01 | Air pump | 00- | 1 | |
| 2 | 999 703 442 40 | Rubber mounting 6,5 X 14 X 1,5 | | 1 | |
| 3 | 999 500 078 00 | Speed nut M 6 | | 2 | |
| 4 | 900 075 333 02 | Combination screw M 6 X 25 | | 1 | |
| 4 | 900 075 333 01 | Combination screw M 6 X 25 | | 1 | |
| 5 | 900 378 035 01 | Hexagon-head bolt M 6 X 16 | | 1 | |
| 6 | 993 110 140 03 | Vacuum tank | | 1 | |
| 7 | 999 919 115 02 | Oval-head screw 5,0 X 22 | | 1 | |
| 8 | 996 113 131 52 | Distributor housing | | 1 | |
| 9 | 993 113 250 03 | Check valve | | 1 | |
| 10 | 996 113 241 53 | Hose | | 1 | |
| 11 | 993 113 245 01 | Shut-off valve | -99 | 1 | |
| (11) | 996 113 249 01 | Shut-off valve | 00- | 1 | |
| 12 | 928 574 717 03 | Moulded hose | | 4 | |
| 13 | 999 512 657 09 | Hose clamp 26 X 12 | | 3 | |
| 14 | 996 113 239 55 | Hose | -99 | 1 | |
| (14) | 996 113 239 56 | Hose | 00- | 1 | |
| 15 | 999 512 552 00 | Hose clamp 28 X 12 | | 1 | |
| 15 | 999 512 552 01 | Hose clamp 28 X 12 | | 1 | |
| 16 | 996 113 117 55 | Air tube | | 1 | |
| 17 | 964 110 950 01 | Check valve | | 1 | |
| 17 | 964 110 950 02 | Check valve | | 1 | |
| 18 | 996 605 123 01 | Change-over valve | | 2 | |
| 18 | 7PP 906 270 | Change-over valve | | 2 | |
| 19 | 928 573 727 03 | Distributing piece | | 1 | |
| 19 | 928 573 727 05 | Distributing piece | | 1 | |
| 20 | 928 573 729 02 | Distributing piece | | 1 | |
| 21 | 900 123 011 30 | Sealing ring A 22 X 27 | | 1 | |
| 22 | 996 605 105 02 | Support | -99 | 1 | |
| (22) | 996 605 124 00 | Support | 00- | 1 | |
| 23 | 999 084 629 09 | Hexagon nut M 6 | | 5 | |
| 23 | 999 084 629 01 | Hexagon nut M 6 | | 5 | |
| 24 | 999 703 465 00 | Bonded rubber buffer 20 X 20 M 6 | -99 | 3 | |
| (24) | 999 703 477 40 | Bonded rubber buffer 20 X 20 M 6 | 00- | 3 | |
| (24) | 999 703 465 00 | Bonded rubber buffer 20 X 20 M 6 | 00- | 3 | |
| 25 | 999 511 239 40 | Cable holder 6,0 - 12,0 | | 1 | |
| 26 | 999 650 118 40 | Clip | | 1 | |
| 27 | 999 239 040 40 | Connecting piece | | 1 | |
| - | 000 043 205 01 | Pipe 4 X 1,0 | | * | |
| 28 | | 120 MM | | 2 | |
| 29 | | 420 MM | | 1 | |
| 30 | | 150 MM | | 1 | |

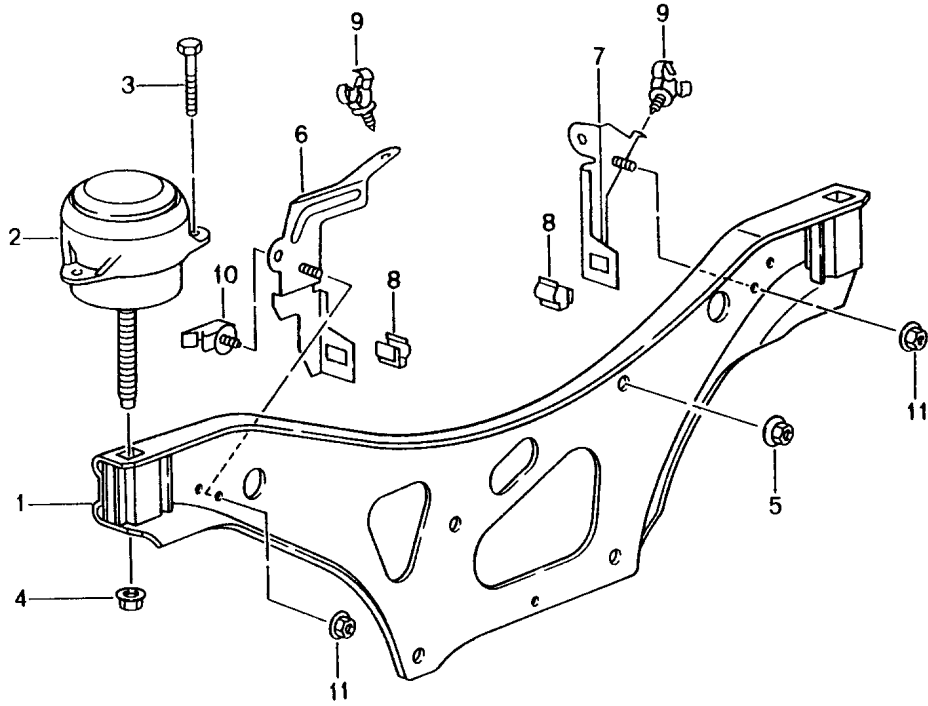
Model: 996 98

Model life 1998>>2005

| Pos | Part Number | Description | Remark | Qty | Model |
|-----|----------------|-------------------|--------|-----|-------|
| 31 | | 50 MM | | 1 | |
| 32 | 996 110 339 50 | Retaining bracket | | 1 | |
| 33 | 999 651 319 40 | Cable holder | | 1 | |
| | | B 27,00 | | | |
| 34 | 900 378 174 09 | Hexagon-head bolt | | 1 | |
| | | M 6 X 35 | | | |
| 35 | 996 113 145 50 | Support | | 1 | |
| - | 993 105 345 00 | Stopper | | 1 | M480 |

Model: 996 98

Model life 1998>>2005



Model: 996 98

Model life 1998>>2005

| Pos | Part Number | Description | Remark | Qty | Model |
|-----|----------------|----------------------------|--------|-----|------------------------|
| | | Engine suspension | | | M96.01/02/03 M96.04 |
| 1 | 996 375 011 06 | Engine carrier | | 1 | |
| 1 | 996 375 011 07 | Engine carrier | | 1 | |
| (1) | 996 375 011 08 | Engine carrier | 02- | 1 | M96.03 |
| 2 | 993 375 049 06 | Engine mounting | | 2 | |
| 3 | 900 378 055 09 | Hexagon-head bolt | | 4 | |
| 4 | 999 084 215 09 | Lock nut M 12 X 1,5 | | 2 | |
| 5 | 900 380 008 09 | Lock nut M 10 | | 4 | |
| 6 | 996 606 157 02 | Support | | 1 | |
| 7 | 996 606 158 00 | Support | | 1 | |
| 8 | 999 591 746 02 | Cable clamp 7,0 - 9,0 | | 2 | |
| 8 | 999 591 746 01 | Cable clamp 7,0 - 9,0 | | 2 | |
| 9 | 999 511 239 40 | Cable holder 6,0 - 12,0 | | 2 | |
| 10 | 999 507 511 40 | Cable holder 6,0 - 8,0 | | 1 | |
| 11 | 900 377 010 09 | Hexagon nut M 6 | | 2 | |

Model: 996 98

Model life 1998>>2005



Model: 996 98 Model life 1998>>2005

| Pos | Part Number | Description | Remark | Qty | Model |
|-----|----------------|-------------------------------------|--------|-----|--------------|
| | | Gasket set | | | M96.01/02/03 |
| | | Repair kits | | | M96.04 |
| >> | 986 100 905 00 | Gasket set Engine | | 1 | |
| | | Use also: | | | |
| | | 996 104 269 00 | | 1 | |
| | | 996 104 270 05 | | 1 | |
| | | 996 110 103 50 | | 2 | |
| | | 996 110 247 50 | | 6 | |
| - | 996 101 361 51 | Gasket | | 1 | |
| - | 996 101 363 50 | Gasket | | 1 | |
| - | 999 701 789 40 | O-ring 12 X 2 | | 4 | |
| - | 996 101 331 50 | Gasket | | 1 | |
| - | 996 101 336 50 | Gasket | | 1 | |
| - | 900 123 147 30 | Sealing ring A 27 X 32 | | 4 | |
| - | 900 123 106 30 | Sealing ring A 18 X 24 | | 1 | |
| - | 996 113 233 50 | Gasket | | 1 | |
| - | 996 113 213 51 | Gasket | | 1 | |
| - | 999 113 475 40 | Shaft sealing ring 40 X 62 X10 | | 1 | |
| - | 999 113 490 40 | Shaft sealing ring 85 X 105 X 11 | | 1 | |
| - | 999 218 005 02 | Pan-head screw M 6 X 16 | | 6 | |
| - | 999 218 005 01 | Pan-head screw M 6 X 16 | | 6 | |
| - | 900 123 007 30 | Sealing ring A 14 X 18 | | 1 | |
| - | 996 105 223 52 | Lid | | 2 | |
| - | 000 043 203 64 | Assembly kit | | 1 | |
| - | 999 707 343 40 | O-ring 25,07 X 2,62 | | 6 | |
| - | 999 707 215 40 | O-ring 27,94 X 5,33 | | 6 | |
| - | 996 104 215 54 | Lid | | 6 | |
| - | 999 707 391 40 | O-ring 52 X 2,5 | | 1 | |
| - | 999 707 346 40 | O-ring 15 X 3 | | 6 | |
| - | 999 707 344 40 | O-ring 18,77 X 1,78 | | 2 | |
| - | 996 107 103 51 | O-ring | | 2 | |
| - | 996 107 261 50 | Sealing ring | | 1 | |
| - | 996 106 316 51 | Gasket | | 1 | |
| - | 996 106 321 50 | Gasket | | 1 | |
| - | 900 123 144 30 | Sealing ring A 10 X 13,5 | | 1 | |
| - | 996 107 337 50 | Gasket | | 1 | |
| - | 996 107 221 51 | O-ring 95 X 2,5 | | 2 | |
| - | 900 378 156 09 | Hexagon-head bolt M 6 X 20 | | 18 | |
| - | 999 073 316 02 | Round head screw M 6 X 20 | | 8 | |
| - | 900 385 093 01 | Hexagon-head bolt | | 3 | |
| - | 999 707 409 40 | O-ring 26 X 3 | | 2 | |
| - | 999 707 389 40 | O-ring 35 X 4 | | 2 | |

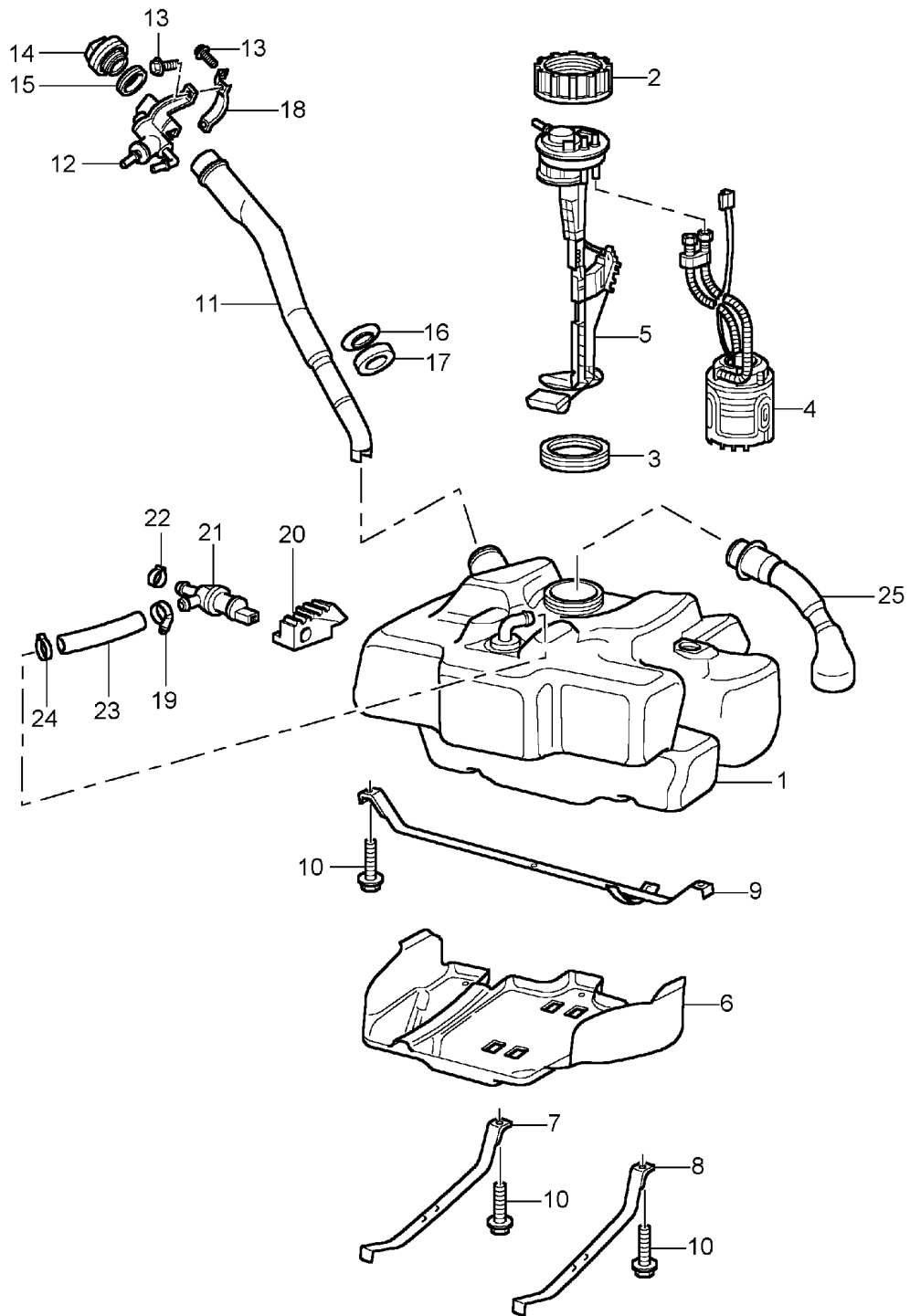
Model: 996 98

Model life 1998>>2005

| Pos | Part Number | Description | Remark | Qty | Model |
|-----|----------------|--------------------------------|--------|-----|-------|
| - | 996 107 313 51 | Sealing ring | | 1 | |
| - | 999 707 375 40 | O-ring 30 X 3 | | 1 | |
| - | 900 378 030 09 | Hexagon-head bolt M 6 X 20 | | 2 | |
| - | 999 707 369 40 | O-ring 9,5 X 3,5 | | 1 | |
| - | 999 707 348 40 | O-ring 42 X 4 | | 2 | |
| - | 996 107 122 00 | Sealing ring 14 X 1,78 | | 1 | |
| - | 999 707 154 40 | O-ring 18,77 X 1,78 | | 1 | |
| - | 996 106 340 51 | Gasket | | 1 | |
| - | 996 106 326 50 | Gasket | | 1 | |
| - | 996 110 247 01 | Gasket | | 6 | |
| - | 900 378 172 09 | Hexagon-head bolt AM 6 X 35 | | 12 | |
| - | 900 385 017 01 | Torx screw AM 6 X 35 | | 12 | |
| - | 900 123 011 30 | Sealing ring A 22 X 27 | | 1 | |
| - | 996 111 107 54 | Gasket | | 2 | |
| - | 900 378 131 00 | Hexagon-head bolt M 8 X 28 | | 12 | |
| - | 900 378 163 09 | Hexagon-head bolt M 6 X 16 | | 3 | |

Model: 996 98

Model life 1998>>2005



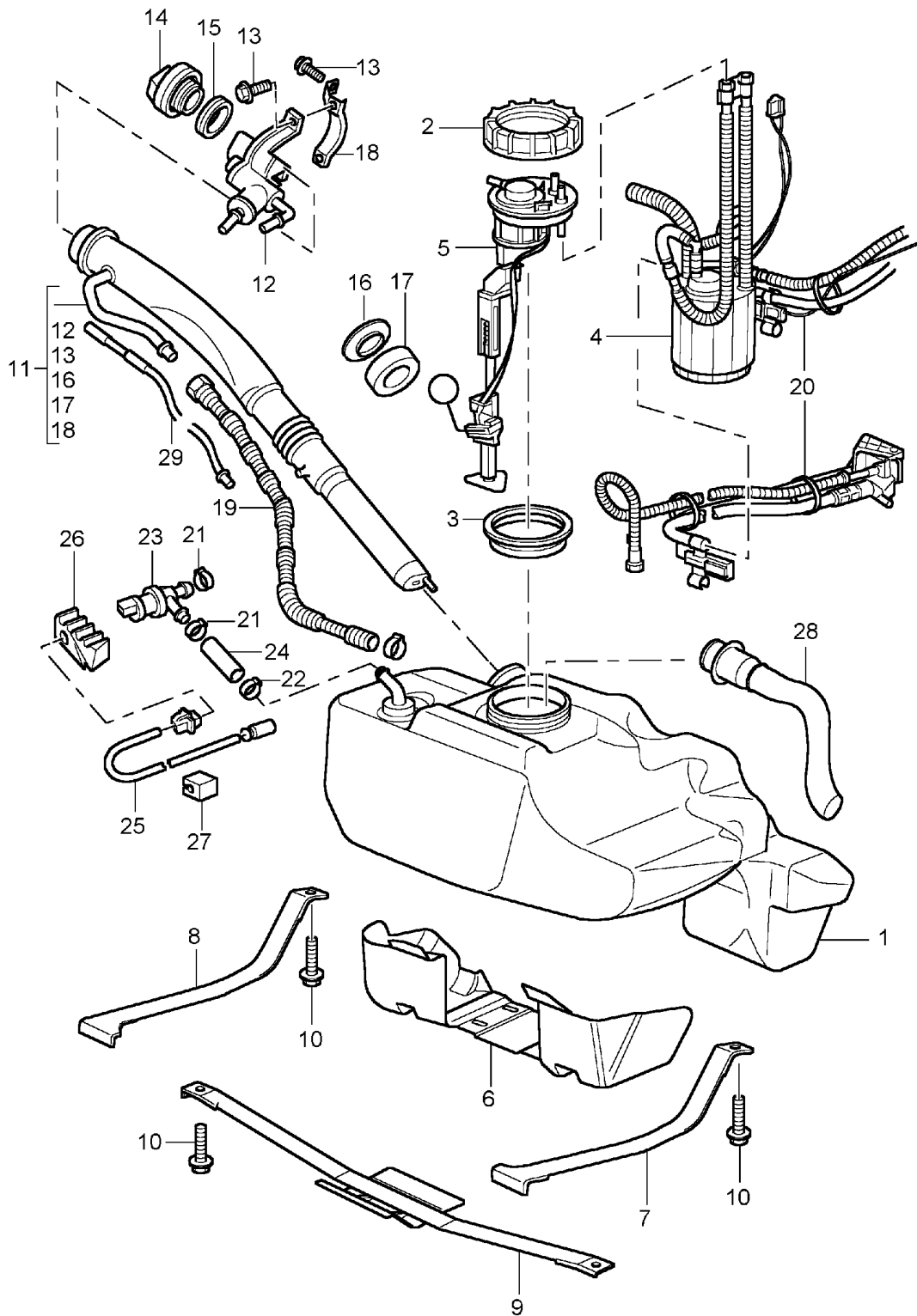
Model: 996 98

Model life 1998>>2005

| Pos | Part Number | Description | Remark | Qty | Model |
|------|----------------|---------------------------------------|---------|-----|----------|
| | | Fuel tank for Targa | 02- | | M338 |
| 1 | 996 201 021 02 | Fuel tank | /LL -01 | 1 | |
| 1 | 996 201 021 05 | Fuel tank | /LL 02- | 1 | |
| (1) | 996 201 022 02 | Fuel tank | /RL -01 | 1 | |
| (1) | 996 201 022 03 | Fuel tank | /RL 02- | 1 | |
| 2 | 996 201 623 00 | Union nut | | 1 | |
| 3 | 321 919 133 | Sealing ring | | 1 | |
| 4 | 996 620 102 00 | Fuel pump | -01 | 1 | |
| (4) | 996 620 132 00 | Fuel pump | 02- | 1 | |
| 5 | 996 641 801 00 | Tank gauge | -99 | 1 | |
| (5) | 996 620 808 00 | Tank gauge | -01 | 1 | |
| (5) | 996 620 832 01 | Tank gauge | 02- | 1 | |
| 6 | 996 201 331 00 | Protective plate | /LL | 1 | |
| (6) | 996 201 331 02 | Protective plate | /RL | 1 | |
| 7 | 996 201 105 02 | Restraining strap | | 1 | |
| 8 | 996 201 106 02 | Restraining strap | | 1 | |
| 9 | 996 201 107 02 | Restraining strap | /LL | 1 | |
| 9 | 996 201 108 00 | Restraining strap | /RL | 1 | |
| 10 | 900 075 479 09 | Combination screw M 8 X 40 | | 4 | |
| 11 | 996 201 043 00 | Filler neck | -00 | 1 | |
| 11 | 996 201 043 09 | Filler neck | 01- | 1 | |
| 11 | 996 201 043 01 | Filler neck | -00 | 1 | M150/193 |
| 11 | 996 201 043 10 | Filler neck | 01- | 1 | M150/193 |
| 12 | 996 201 143 01 | Bleeder valve | | 1 | |
| 13 | 900 378 036 09 | Hexagon-head bolt M 6 X 12 | | 3 | |
| 14 | 996 201 241 00 | Fuel tank cap | -98 | 1 | |
| 14 | 996 201 241 01 | Fuel tank cap | -00 | 1 | |
| (14) | 996 201 241 02 | Fuel tank cap with Clip | 01- | 1 | |
| - | 999 507 499 40 | Expansion rivet | | 1 | |
| 15 | 191 201 557 | Sealing ring Information available | | 1 | |
| 16 | 996 201 755 00 | Support washer | | 1 | |
| 17 | 996 201 753 00 | Gasket | | 1 | |
| 18 | 996 201 751 00 | Support | | 1 | |
| 26 | 000 043 206 89 | Additive Fuel 100 ml Behälter | CHINA | 1 | |
| 26 | 000 043 209 02 | Additive Fuel 100 ml Behälter | CHINA | 1 | |

Model: 996 98

Model life 1998>>2005



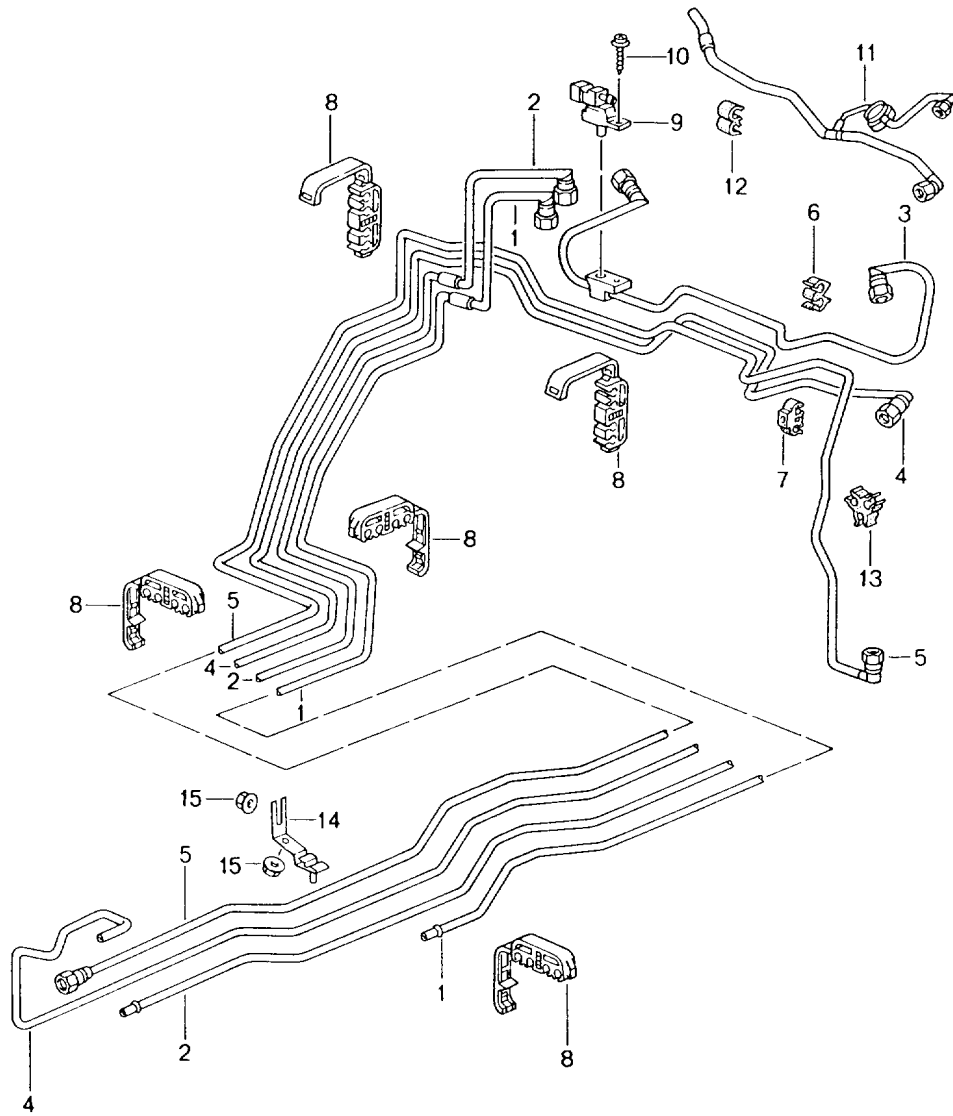
Model: 996 98

Model life 1998>>2005

| Pos | Part Number | Description | Remark | Qty | Model |
|-----|----------------|----------------------------|---------|-----|----------|
| | | Fuel tank for C4S | 02- | | M339 |
| 1 | 996 201 021 01 | Fuel tank | /LL | 1 | |
| 1 | 996 201 022 01 | Fuel tank | /RL | 1 | |
| 2 | 996 201 623 00 | Union nut | | 1 | |
| 3 | 321 919 133 | Sealing ring | | 1 | |
| 4 | 996 620 103 00 | Fuel pump | /LL -01 | 1 | |
| (4) | 996 620 133 00 | Fuel pump | /LL 02- | 1 | |
| 4 | 996 620 104 00 | Fuel pump | /RL -01 | 1 | |
| (4) | 996 620 134 00 | Fuel pump | /RL 02- | 1 | |
| 5 | 996 620 803 00 | Tank gauge | /LL -01 | 1 | |
| 5 | 996 620 804 00 | Tank gauge | /RL -01 | 1 | |
| (5) | 996 620 834 01 | Tank gauge | /RL 02- | 1 | |
| (5) | 996 620 833 02 | Tank gauge | /LL 02- | 1 | |
| 6 | 996 201 331 01 | Protective plate | /LL | 1 | |
| (6) | 996 201 331 03 | Protective plate | /RL | 1 | |
| 7 | 996 201 105 03 | Restraining strap | | 1 | |
| 8 | 996 201 106 03 | Restraining strap | | 1 | |
| 9 | 996 201 107 01 | Restraining strap | | 1 | |
| 10 | 900 075 479 09 | Combination screw M 8 X 40 | | 4 | |
| 11 | 996 201 043 03 | Filler neck | | 1 | |
| 11 | 996 201 043 04 | Filler neck | | 1 | M150/193 |
| 12 | 996 201 143 01 | Bleeder valve | | 1 | |
| 13 | 900 378 036 09 | Hexagon-head bolt M 6 X 12 | | 3 | |
| 14 | 996 201 241 03 | Fuel tank cap | | 1 | |
| | | Information available | | | |
| 15 | 191 201 557 | Sealing ring | | 1 | |
| | | Information available | | | |
| 16 | 996 201 755 00 | Support washer | | 1 | |
| 17 | 996 201 753 00 | Gasket | | 1 | |
| 18 | 996 201 751 00 | Support | | 1 | |
| 19 | 996 201 613 00 | Vent line | | 1 | |
| 20 | 996 620 113 00 | Venturi tube | | 1 | |
| | | Set | | | |
| 30 | 000 043 206 89 | Additive Fuel | CHINA | 1 | |
| | | 100 ml Behälter | | | |
| 30 | 000 043 209 02 | Additive Fuel | CHINA | 1 | |
| | | 100 ml Behälter | | | |

Model: 996 98

Model life 1998>>2005



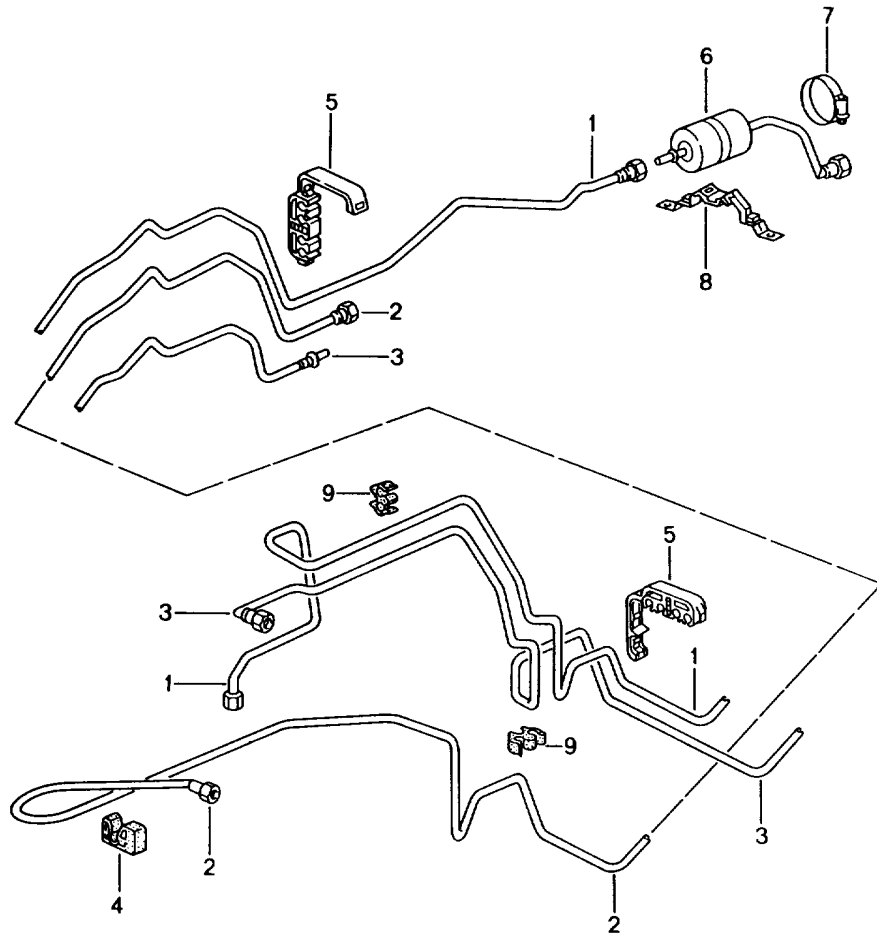
Model: 996 98

Model life 1998>>2005

| Pos | Part Number | Description | Remark | Qty | Model |
|-----|----------------|---------------|--------|-----|-------|
| | | Fuel system | | | |
| | | Front | | | |
| 1 | 986 201 261 01 | Pressure line | -01 | 1 | M338 |
| 1 | 996 201 261 02 | Pressure line | 02- | 1 | M338 |
| 1 | 996 201 261 01 | Pressure line | -01 | 1 | M339 |
| 1 | 996 201 261 03 | Pressure line | 02- | 1 | M339 |
| 2 | 996 201 271 00 | Return line | -01 | 1 | M338 |
| 2 | 996 201 271 01 | Return line | -01 | 1 | M339 |
| 2 | 996 201 271 03 | Return line | | 1 | M339 |
| 3 | 996 201 251 01 | Vent line | | 1 | M338 |
| 3 | 996 201 251 02 | Vent line | | 1 | M339 |
| 4 | 996 201 361 01 | Air tube | | 1 | |
| 5 | 996 201 351 00 | Air tube | | 1 | |
| 6 | 999 507 488 40 | Cable holder | | 1 | |
| 7 | 999 507 487 40 | Cable holder | | 1 | |
| 8 | 999 507 554 40 | Cable holder | | 8 | |
| 14 | 996 201 535 00 | Support | | 1 | |
| 15 | 999 049 022 40 | Plastic nut | | 2 | |
| | | T5/22 X 10 | | | |

Model: 996 98

Model life 1998>>2005

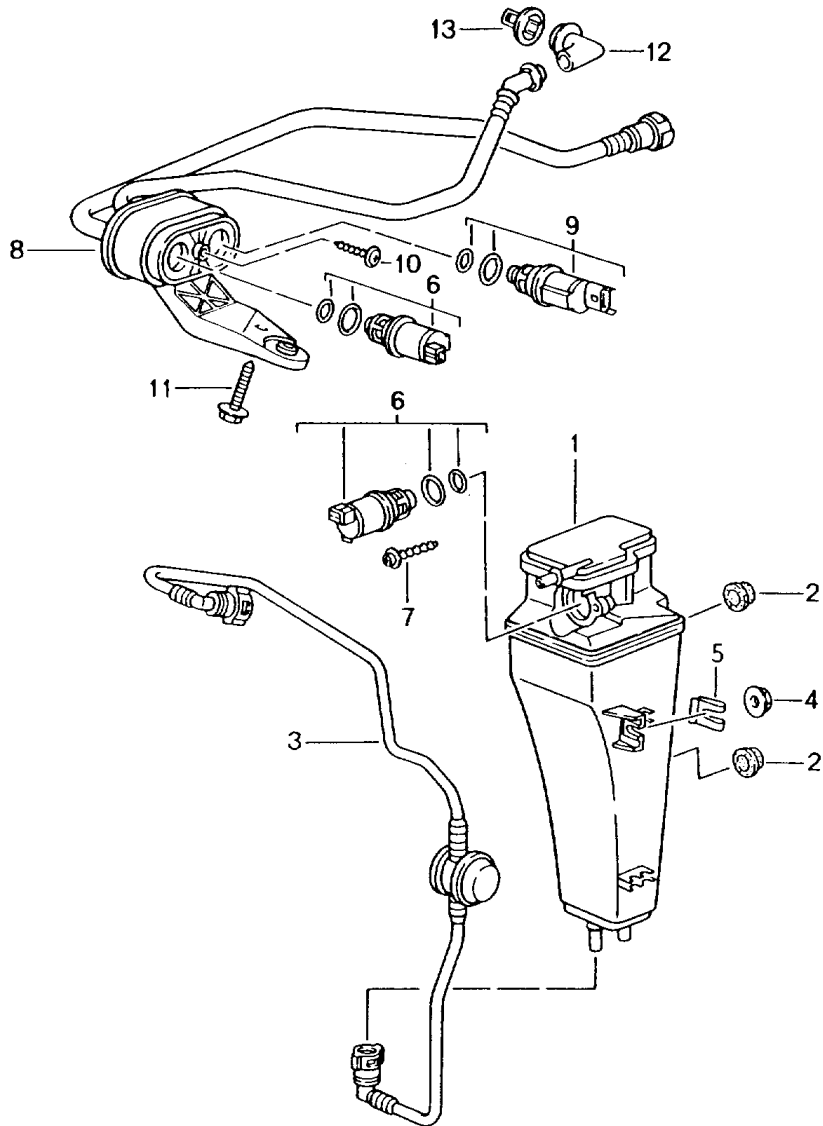


Model: 996 98 Model life 1998>>2005

| Pos | Part Number | Description | Remark | Qty | Model |
|-----|----------------|--------------------------|--------|-----|-------|
| | | Fuel system Rear | | | |
| 1 | 996 201 265 00 | Fuel line | -01 | 1 | |
| 1 | 996 201 265 05 | Pressure line | 02- | 1 | |
| 1 | 996 201 265 01 | Pressure line | -01 | 1 | M339 |
| 2 | 996 201 275 02 | Fuel line | -01 | 1 | |
| 2 | 996 201 275 04 | Fuel line | -01 | 1 | |
| 3 | 996 201 355 00 | Air tube | -01 | 1 | |
| 3 | 996 201 355 02 | Purge-air line | 02- | 1 | |
| 4 | 999 591 922 40 | Support | -01 | 2 | |
| 5 | 999 507 521 40 | Cable holder | | 3 | |
| 6 | 996 110 253 01 | Fuel filter | -01 | 1 | |
| (6) | 996 110 253 52 | Fuel filter | -01 | 1 | M339 |
| 7 | 999 512 635 00 | Hose clamp 76 X 12 | -01 | 1 | |
| 7 | 999 512 390 00 | Hose clamp 60 - 80/13 | -01 | 1 | M339 |
| 8 | 996 504 517 00 | Support | -01 | 1 | |
| (8) | 996 110 257 03 | Support | -01 | 1 | M339 |
| 9 | 999 507 488 40 | Cable holder | | 4 | |
| (9) | 999 507 727 40 | Cable holder | 02- | 2 | |

Model: 996 98

Model life 1998>>2005



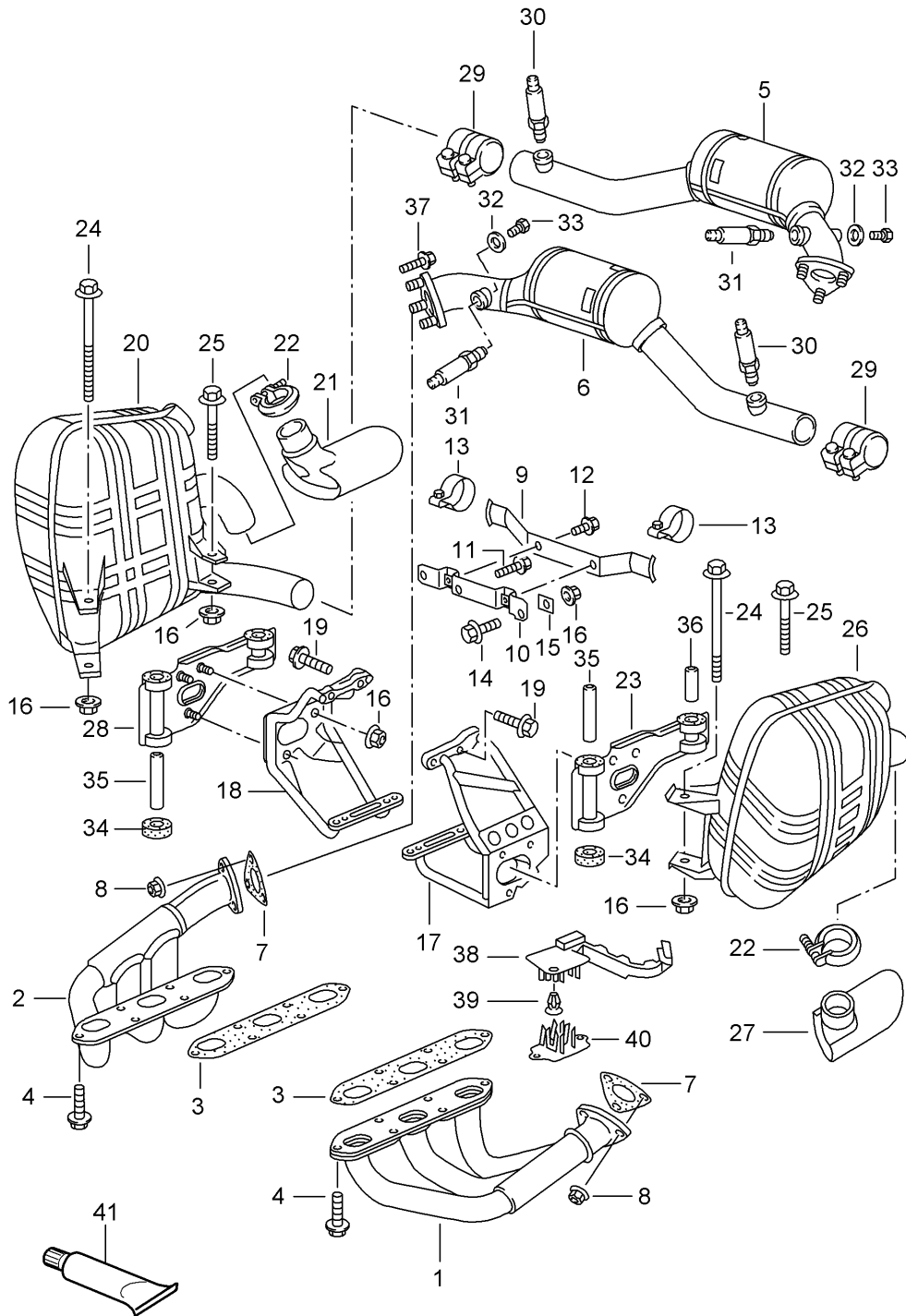
Model: 996 98

Model life 1998>>2005

| Pos | Part Number | Description | Remark | Qty | Model |
|-----|----------------|-----------------------------|--------|-----|-------|
| 1 | 996 201 221 09 | Carbon canister | | 1 | |
| 1 | 996 201 221 08 | Carbon canister | | 1 | |
| 2 | 999 702 221 40 | Grommet | | 2 | |
| 3 | 996 201 255 07 | Vent line | | 1 | |
| 3 | 996 201 255 09 | Vent line | | 1 | |
| 4 | 999 084 629 09 | Hexagon nut M 6 | | 1 | |
| 4 | 999 084 629 01 | Hexagon nut M 6 | | 1 | |
| 5 | 999 507 543 02 | Clamp 2,00 - 3,00 | | 1 | |
| 6 | 996 605 201 01 | Shut-off valve | | 1 | M660 |
| 7 | 999 919 171 07 | Oval-head screw 5,0 X 20 | | 1 | M660 |

Model: 996 98

Model life 1998>>2005



Model: 996 98 Model life 1998>>2005

| Pos | Part Number | Description | Remark | Qty | Model |
|------|----------------|--------------------------------|---------|-----|--------------|
| | | Exhaust system | | | M96.01/02/04 |
| 1 | 996 111 101 52 | Exhaust manifold | | 1 | |
| 2 | 996 111 102 52 | Exhaust manifold | | 1 | |
| 3 | 996 111 107 52 | Gasket | | 2 | |
| (3) | 996 111 107 54 | Gasket | | 2 | |
| (3) | 996 111 107 55 | Gasket | | 2 | |
| 4 | 900 378 131 00 | Hexagon-head bolt M 8 X 28 | | 12 | |
| 5 | 996 113 021 54 | Catalytic converter | -98 | 1 | M499 |
| 5 | 996 113 021 57 | Catalytic converter | 99- | 1 | M499 |
| 5 | 996 113 021 56 | Catalytic converter | 01 | 1 | M661 |
| 5 | 996 113 021 BX | Catalytic converter | 01 | 1 | M661 |
| 5 | 996 113 021 52 | Catalytic converter | -98 | 1 | |
| 5 | 996 113 021 55 | Catalytic converter | 99- | 1 | |
| 5 | 996 113 021 59 | Catalytic converter | 99- | 1 | |
| 5 | 996 113 021 CX | Catalytic converter | 99- | 1 | |
| 6 | 996 113 022 54 | Catalytic converter | -98 | 1 | M499 |
| 6 | 996 113 022 57 | Catalytic converter | 99- | 1 | M499 |
| 6 | 996 113 022 56 | Catalytic converter | 01- | 1 | M661 |
| 6 | 996 113 022 BX | Catalytic converter | 01- | 1 | M661 |
| 6 | 996 113 022 52 | Catalytic converter | -98 | 1 | |
| 6 | 996 113 022 55 | Catalytic converter | 99- | 1 | |
| 6 | 996 113 022 59 | Catalytic converter | 99- | 1 | |
| 6 | 996 113 022 CX | Catalytic converter | 99- | 1 | |
| 7 | 996 111 113 50 | Gasket | | 2 | |
| 8 | 999 084 052 02 | Lock nut M 8 | | 6 | |
| 9 | 996 113 123 52 | Support | | 1 | |
| 10 | 996 113 223 50 | Bracket | | 1 | |
| 11 | 900 378 188 09 | Hexagon-head bolt M 6 X 20 | | 1 | |
| 12 | 900 378 187 09 | Hexagon-head bolt M 8 X 12 | | 2 | |
| 13 | 900 165 004 00 | Pipe clamp | | 2 | |
| 13 | 999 511 087 00 | Pipe clamp | | 2 | |
| 14 | 900 378 022 09 | Hexagon-head bolt M 8 X 25 | | 2 | |
| 15 | 900 031 001 02 | Washer 8,4 X 15 X 1,6 | | 2 | |
| 15 | 900 031 105 01 | Washer 8,4 X 15 X 1,6 | | 2 | |
| 16 | 900 380 005 09 | Hexagon nut M 8 | | 12 | |
| 17 | 996 111 127 55 | Support | | 1 | |
| (17) | 996 111 927 55 | Support | | 1 | |
| 18 | 996 111 128 54 | Support | | 1 | |
| 19 | 900 378 033 09 | Hexagon-head bolt M 8 X 30 | | 4 | |
| 19 | 900 378 033 01 | Hexagon-head bolt M 8 X 30 | | 4 | |
| 20 | 996 111 121 55 | Muffler | -98 | 1 | M480 |
| 20 | 996 111 121 56 | Muffler | 99 | 1 | M480 |
| 20 | | Muffler | (J) 00- | 1 | M480 |
| 20 | 996 111 121 57 | Muffler | 00- | 1 | M480 |
| (20) | 996 111 131 54 | Muffler | | 1 | M249 |
| 21 | 996 111 251 54 | Tail pipe | -00 | 1 | |
| 21 | 996 111 251 55 | Tail pipe | 01 | 1 | |
| 22 | 996 111 108 00 | Clip | | 2 | |
| 23 | 996 111 227 02 | Support | | 1 | |
| 24 | 900 378 183 09 | Hexagon-head bolt M 8 X 140 | | 2 | |
| 25 | 900 378 105 09 | Hexagon-head bolt M 8 X 70 | | 2 | |

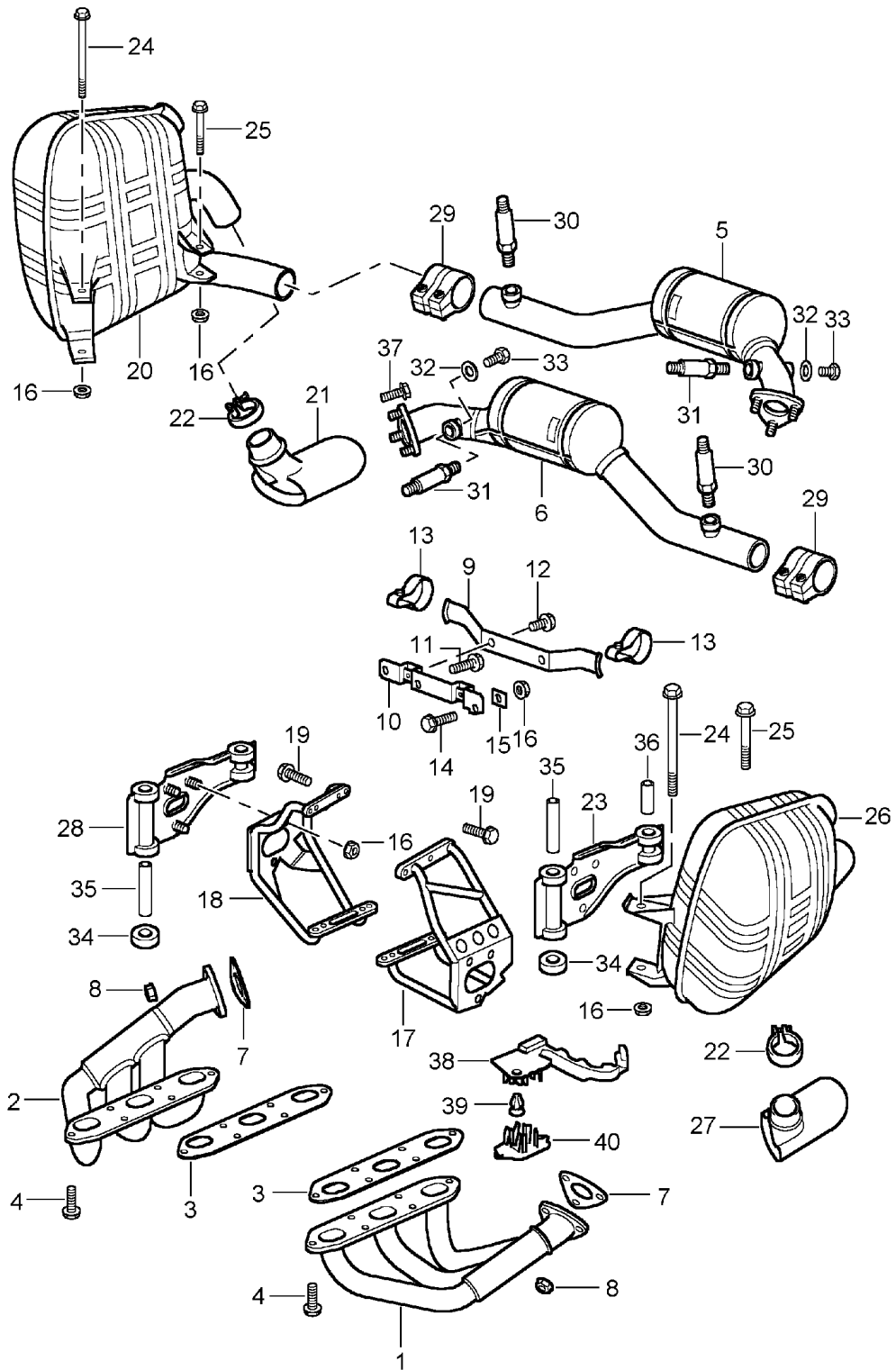
Model: 996 98

Model life 1998>>2005

| Pos | Part Number | Description | Remark | Qty | Model |
|------|----------------|-----------------------------------|---------|-----|-------|
| 26 | 996 111 122 56 | Muffler | | 1 | M480 |
| 26 | | Muffler | (J) 00- | 1 | M480 |
| 26 | 996 111 122 57 | Muffler | 00- | 1 | M480 |
| (26) | 996 111 132 54 | Muffler | | 1 | M249 |
| 27 | 996 111 252 54 | Tail pipe | -00 | 1 | |
| 27 | 996 111 252 55 | Tail pipe | 01 | 1 | |
| 28 | 996 111 228 02 | Support | | 1 | |
| 29 | 996 111 220 01 | Clamping sleeve | | 2 | |
| (30) | 993 606 118 01 | Oxygen sensor | 00- | 2 | M661 |
| (30) | 996 606 178 01 | Oxygen sensor | 02- | 2 | M661 |
| 31 | 993 606 128 01 | Oxygen sensor | | 2 | |
| 31 | 996 606 168 01 | Oxygen sensor | 02- | 2 | M661 |
| 32 | 900 123 050 20 | Sealing ring 8 X 11,5 | | 2 | |
| 33 | 900 083 080 00 | Hexagon-head bolt M 8 X 1 X 10 | | 2 | |
| 34 | 996 111 229 01 | Damping piece | | 8 | |
| (34) | 996 111 229 00 | Damping piece | | 8 | |
| 35 | 996 111 230 00 | Spacer sleeve Long | | 2 | |
| 36 | 996 111 231 00 | Spacer sleeve Short | | 2 | |
| 37 | 900 074 287 02 | Hexagon-head bolt M 8 X 35 | | 6 | |
| 38 | 996 606 156 00 | Cable guide | | 1 | |
| | | Oxygen sensor | | | |
| 39 | 999 591 941 40 | Expansion rivet ST 4,2 | | 3 | |
| 40 | 993 606 105 00 | Support | | 1 | |
| | | Oxygen sensor | | | |
| 41 | 000 043 207 07 | Grease for oxygen sensor | | 1 | |

Model: 996 98

Model life 1998>>2005



Model: 996 98 Model life 1998>>2005

| Pos | Part Number | Description | Remark | Qty | Model |
|------|----------------|-------------------------------|---------|-----|---------------------------|
| | | Exhaust system | 02- | | M96.03 |
| 1 | 996 111 101 53 | Exhaust manifold | | 1 | |
| 1 | 996 111 101 40 | Exhaust manifold | | 1 | X 51 |
| 2 | 996 111 102 53 | Exhaust manifold | | 1 | |
| 2 | 996 111 102 40 | Exhaust manifold | | 1 | X 51 |
| 3 | 996 111 107 55 | Gasket | | 2 | |
| 4 | 999 075 071 00 | Hexagon-head bolt M 8 X 28 | | 12 | |
| 5 | 996 113 021 58 | Catalytic converter | | 1 | M661 |
| 5 | 996 113 021 60 | Catalytic converter | | 1 | M661 |
| 5 | 996 113 021 DX | Catalytic converter | | 1 | M661 |
| 5 | 996 113 021 55 | Catalytic converter | | 1 | |
| 5 | 996 113 021 59 | Catalytic converter | | 1 | |
| 5 | 996 113 021 CX | Catalytic converter | | 1 | |
| 6 | 996 113 022 58 | Catalytic converter | | 1 | M661 |
| 6 | 996 113 022 60 | Catalytic converter | | 1 | M661 |
| 6 | 996 113 022 DX | Catalytic converter | | 1 | M661 |
| 6 | 996 113 022 55 | Catalytic converter | | 1 | |
| 6 | 996 113 022 59 | Catalytic converter | | 1 | |
| 6 | 996 113 022 CX | Catalytic converter | | 1 | |
| 7 | 996 111 113 50 | Gasket | | 2 | |
| 8 | 999 084 052 02 | Lock nut M 8 | | 6 | |
| 9 | 996 113 123 53 | Support | | 1 | |
| 10 | 996 113 223 50 | Bracket | | 1 | |
| 11 | 900 378 030 09 | Hexagon-head bolt M 6 X 20 | | 1 | |
| 12 | 900 378 123 09 | Hexagon-head bolt M 8 X 12 | | 2 | |
| 13 | 999 511 087 00 | Pipe clamp | | 2 | |
| 14 | 900 378 022 09 | Hexagon-head bolt M 8 X 25 | | 2 | |
| 15 | 900 031 001 02 | Washer 8,4 X 15 X 1,6 | | 2 | |
| 15 | 900 031 105 01 | Washer 8,4 X 15 X 1,6 | | 2 | |
| 16 | 900 380 005 09 | Hexagon nut M 8 | | 12 | |
| 17 | 996 111 127 58 | Support | 02 | 1 | |
| 17 | 996 111 127 59 | Support | 03- | 1 | |
| 18 | 996 111 128 56 | Support | 02 | 1 | |
| 18 | 996 111 128 57 | Support | 03- | 1 | |
| 19 | 900 378 033 09 | Hexagon-head bolt M 8 X 30 | | 4 | |
| 19 | 900 378 033 01 | Hexagon-head bolt M 8 X 30 | | 4 | |
| 20 | 996 111 131 57 | Muffler | | 1 | |
| 20 | 996 111 985 03 | Main exhaust muffler | -03 | 1 | IXLF |
| 20 | 996 111 985 04 | Main exhaust muffler | 04- | 1 | IXLF |
| 20 | 996 111 131 66 | Muffler | | 1 | M 074 M114 M193/479 |
| 20 | 996 111 131 67 | Muffler | C4S | 1 | M 074 M114 M193/479 |
| 20 | 996 111 131 63 | Muffler | C4S | 1 | |
| 20 | 996 111 985 02 | Main exhaust muffler | C4S -03 | 1 | IXLF |
| 20 | 996 111 985 05 | Main exhaust muffler | C4S 04- | 1 | IXLF |
| 21 | 996 111 054 02 | Tail pipe Right | 02 | 1 | |
| 21 | 996 111 054 04 | Tail pipe Right | 03- | 1 | |
| (21) | 996 111 054 03 | Tail pipe | 04- | 1 | M095 |

Model: 996 98 Model life 1998>>2005

| Pos | Part Number | Description | Remark | Qty | Model |
|------|----------------|--|---------|-----|---------------------------|
| (21) | 996 111 251 58 | Right Tail pipe | C4S | 1 | |
| (21) | 996 111 251 59 | Right Tail pipe | C4S | 1 | |
| (21) | 996 111 251 60 | Right Tail pipe | C4S | 1 | |
| 22 | 996 111 108 00 | Clip | | 2 | |
| 23 | 996 111 237 02 | Support | | 1 | |
| 24 | 900 378 183 09 | Left Hexagon-head bolt M 8 X 140 | | 2 | |
| 25 | 900 378 105 09 | Hexagon-head bolt M 8 X 70 | | 2 | |
| 26 | 996 111 132 57 | Muffler | | 1 | |
| 26 | 996 111 984 03 | Main exhaust muffler | -03 | 1 | IXLF |
| 26 | 996 111 984 04 | Main exhaust muffler | 04- | 1 | IXLF |
| 26 | 996 111 132 66 | Muffler | | 1 | M 074 M114 M193/479 |
| 26 | 996 111 132 67 | Muffler | C4S | 1 | M 074 M114 M193/479 |
| 26 | 996 111 132 63 | Muffler | C4S | 1 | |
| 26 | 996 111 984 02 | Main exhaust muffler | C4S -03 | 1 | IXLF |
| 26 | 996 111 984 05 | Main exhaust muffler | C4S 04- | 1 | IXLF |
| 27 | 996 111 053 02 | Tail pipe Left | 02 | 1 | |
| 27 | 996 111 053 04 | Tail pipe Left | 03- | 1 | |
| (27) | 996 111 053 03 | Tail pipe Left | 04- | 1 | M095 |
| (27) | 996 111 252 58 | Tail pipe Left | C4S | 1 | |
| (27) | 996 111 252 59 | Tail pipe Left | C4S | 1 | |
| 28 | 996 111 238 02 | Support Right | | 1 | |
| 29 | 996 111 220 01 | Clamping sleeve | | 2 | |
| 30 | 996 606 178 01 | Oxygen sensor | | 2 | M661 |
| 31 | 996 606 168 01 | Oxygen sensor | | 2 | |
| 32 | 900 123 050 20 | Sealing ring 8 X 11,5 | | 2 | |
| 33 | 900 083 080 00 | Hexagon-head bolt M 8 X 1 X 10 | | 2 | |
| 37 | 900 074 287 02 | Hexagon-head bolt M 8 X 35 | | 6 | |
| 38 | 996 606 156 00 | Cable guide Oxygen sensor | | 1 | |
| 39 | 999 591 941 40 | Expansion rivet ST 4,2 | | 3 | |
| 40 | 993 606 105 00 | Support Oxygen sensor | | 1 | |
| 41 | 000 043 207 07 | Grease for oxygen sensor | | 1 | |
| - | 996 606 157 07 | Cable holder Oxygen sensor Left | | 1 | |
| - | 996 606 158 04 | Cable holder Oxygen sensor Right | | 1 | |
| - | 999 651 386 02 | Cable clamp | | X | |
| - | 999 651 386 01 | Cable clamp | | X | |

Model: 996 98

Model life 1998>>2005

| Pos | Part Number | Description | Remark | Qty | Model |
|-----|----------------|---|--------|-----|-------|
| - | 996 111 351 02 | Exhaust pipe Right | C4S | 1 | |
| - | 996 111 352 02 | Exhaust pipe Left | C4S | 1 | |
| - | 900 050 023 01 | Round head screw M 10 x 20 for Tail pipe | | 2 | |
| - | 900 910 129 02 | Hexagon nut M 10 | | 2 | |
| - | 996 111 988 01 | Spacer sleeve | | 1 | |

Model: 996 98

Model life 1998>>2005



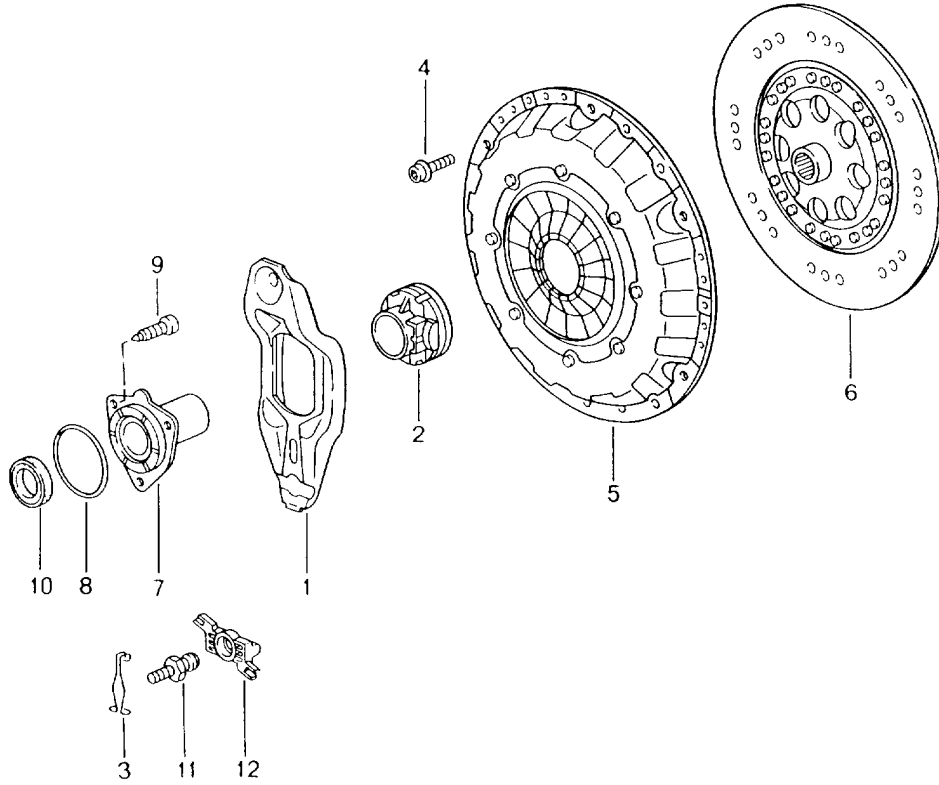
Model: 996 98

Model life 1998>>2005

| Pos | Part Number | Description | Remark | Qty | Model |
|-----|----------------|---|--------|-----|-------|
| 1 | PCG 996 111 00 | Assembly kit Maintenance set Repair Assembly kit Muffler Comprising: | 98-05 | 1 | |
| - | 996 111 108 00 | Clip | | 2 | |
| - | 996 111 220 02 | Clamping sleeve | | 2 | |
| - | 900 378 105 01 | Screw | | 2 | |
| - | 900 378 183 01 | Screw | | 2 | |
| - | 900 380 005 01 | Nut | | 4 | |

Model: 996 98

Model life 1998>>2005

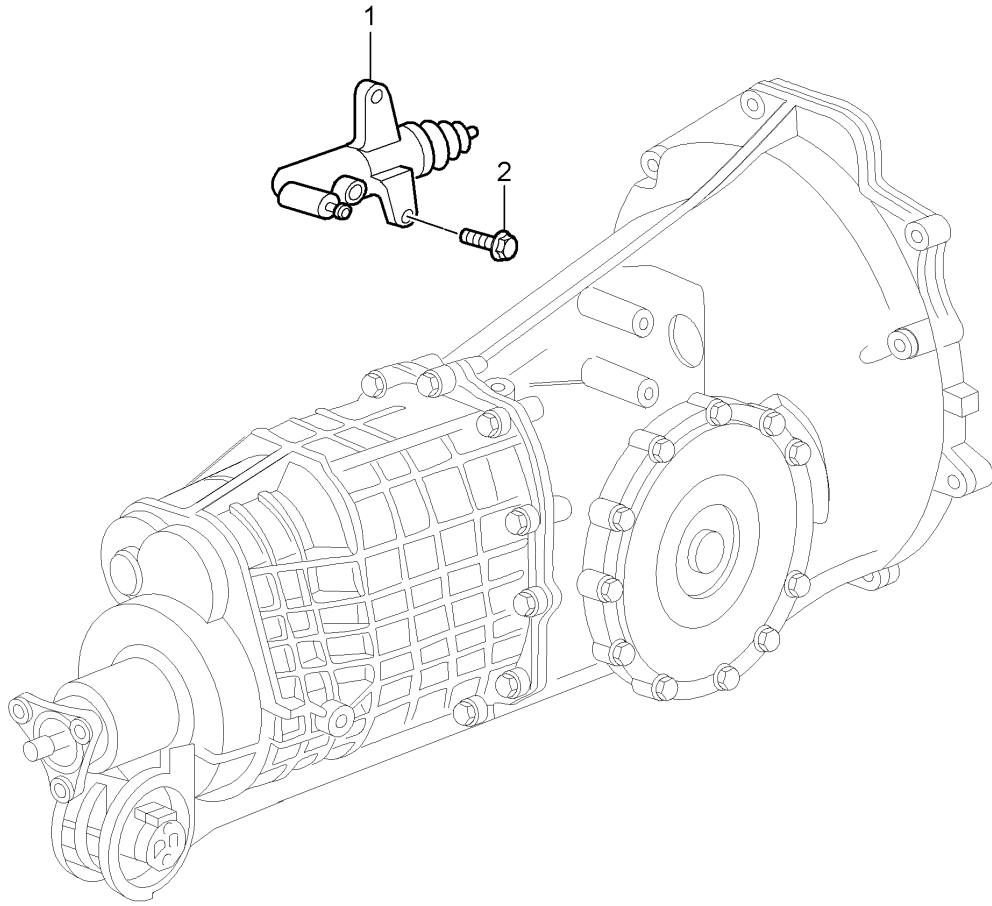


Model: 996 98 Model life 1998>>2005

| Pos | Part Number | Description | Remark | Qty | Model |
|------|----------------|---------------------------|--------|-----|-----------|
| | | Clutch | 99-01 | | M96.01 |
| | | | 02- | | M96.02/04 |
| | | See technical information | | | M96.03 |
| | | Group 3 | | | |
| | | NR. 7 / 00 | | | |
| 1 | 996 116 712 02 | Clutch release lever | | 1 | |
| 2 | 996 116 080 03 | Clutch release bearing | | 1 | |
| 2 | 996 116 080 04 | Clutch release bearing | | 1 | |
| 3 | 012 141 741 | Retainer spring | | 1 | |
| 4 | 900 067 131 02 | Pan-head screw | | 6 | |
| | | M 8 X 16 | | | |
| (4) | 999 073 458 01 | Screw | | 6 | |
| | | M 8 X 16 | | | |
| 5 | 996 116 027 02 | Pressure plate | -01 | 1 | |
| 5 | 996 116 027 05 | Pressure plate | 02- | 1 | M96.03 |
| 5 | 996 116 027 06 | Pressure plate | 02- | 1 | M96.03 |
| 6 | 996 116 013 06 | Clutch plate | | 1 | |
| (6) | 997 116 013 10 | Clutch plate | | 1 | |
| (6) | 997 116 013 12 | Clutch plate | | 1 | |
| (6) | 997 116 013 13 | Clutch plate | | 1 | |
| 7 | 996 116 087 01 | Guide sleeve | | 1 | |
| 9 | N 903 663 01 | Pan-head screw | | 2 | |
| | | M 8 X 22 | | | |
| 11 | 996 116 716 00 | Ball pin | -99 | 1 | |
| 11 | 996 116 716 02 | Ball pin | 00- | 1 | |
| 12 | 012 141 751 A | Intermediate piece | | 1 | |
| (12) | 012 141 751 B | Intermediate piece | | 1 | |
| (12) | 012 141 751 C | Intermediate piece | | 1 | |
| - | 996 116 911 00 | Repair kit | -01 | 1 | |
| | | Complete | | | |
| | | for | | | |
| | | Clutch | | | |
| | | Comprising: | | | |
| - | 996 116 027 02 | Pressure plate | | 1 | |
| - | 996 116 013 06 | Clutch plate | | 1 | |
| - | 997 116 013 12 | Clutch plate | | 1 | |
| - | 996 116 080 03 | Clutch release bearing | | 1 | |
| - | 996 116 080 04 | Clutch release bearing | | 1 | |
| - | 996 116 911 02 | Repair kit | 02- | 1 | |
| | | for | | | |
| | | Clutch | | | |
| | | Comprising: | | | |
| - | 996 116 027 06 | Pressure plate | | 1 | |
| - | 997 116 013 10 | Clutch plate | | 1 | |
| - | 997 116 013 12 | Clutch plate | | 1 | |
| - | 996 116 080 04 | Clutch release bearing | | 1 | |

Model: 996 98

Model life 1998>>2005



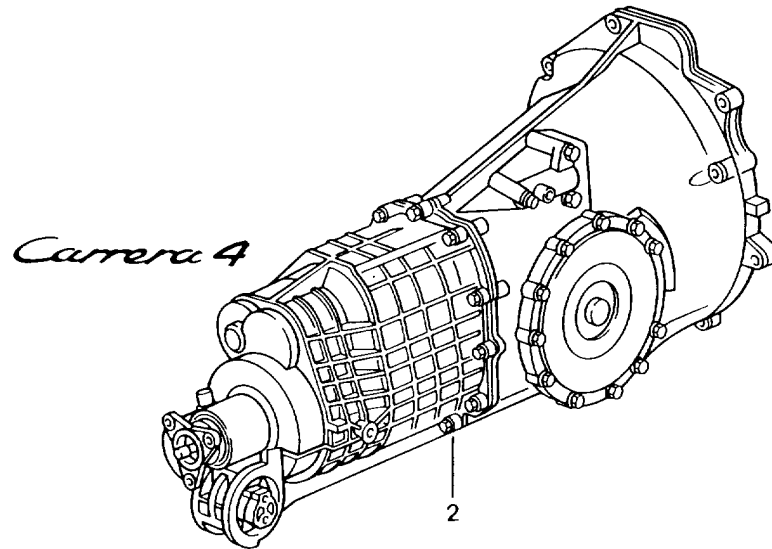
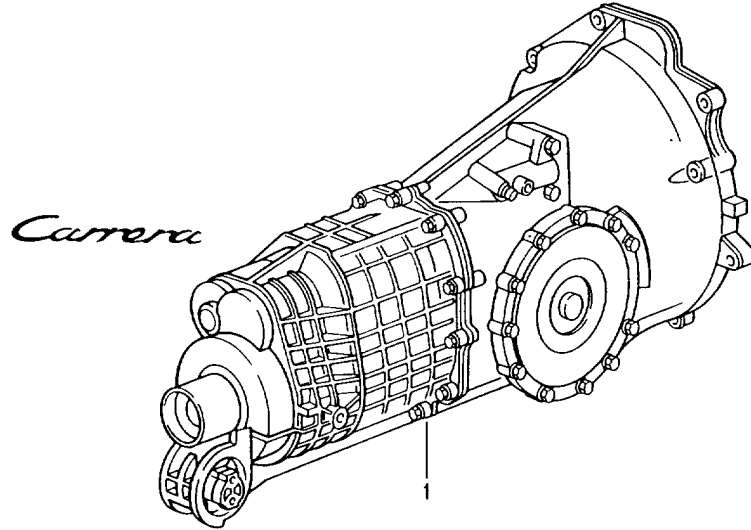
Model: 996 98

Model life 1998>>2005

| Pos | Part Number | Description | Remark | Qty | Model |
|-----|----------------|----------------------------------|--------|-----|----------------|
| | | Clutch release | -01 | | G96.00 M338 |
| | | Clutch operating cylinder | 99-01 | | G96.30 M339 |
| | | | 02- | | G96.01 M338 |
| | | | 02- | | G96.31 M339 |
| 1 | 996 116 237 05 | Clutch operating cylinder | -01 | 1 | G96.00/30 |
| (1) | 996 116 237 06 | Clutch operating cylinder | 02- | 1 | G96.01/31 |
| 2 | N 090 316 5 | Combination screw M 8 X 30 Z1 | | 2 | |
| 2 | 900 075 506 01 | Combination screw M 8 X 30 Z1 | | 2 | |

Model: 996 98

Model life 1998>>2005

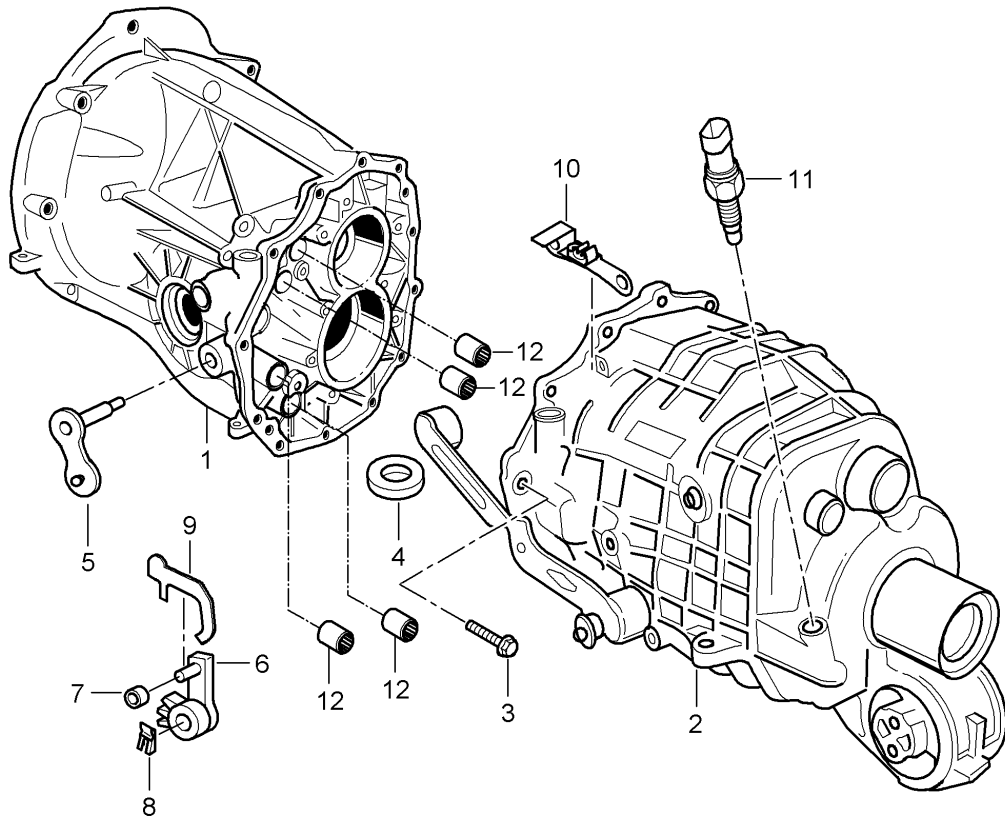


Model: 996 98 Model life 1998>>2005

| Pos | Part Number | Description | Remark | Qty | Model |
|-----|----------------|---------------------------|--------|-----|----------|
| | | Replacement transmission | -01 | | G96.00 |
| | | | 99-02 | | G96.30 |
| | | | 02- | | G96.01 |
| | | | 02- | | G96.31 |
| | | Ready for installation | | | |
| | | Use also: | | | |
| | | 996.424.165.02 | | 1 | |
| | | 999.073.209.09 | | 2 | |
| 1 | 996 300 010 01 | Transmission | | 1 | M219 |
| 1 | 996 300 020 00 | Transmission | | 1 | M220 |
| | | with | | | |
| | | Limited-slip differential | | | |
| | | 22/40 % | | | |
| 1 | 996 300 010 02 | Transmission | 98 | 1 | M219 |
| | | F >>99WS6 05722 | | | |
| | | F >>99WS6 05672 | | | |
| | | Use also: | | | |
| - | 996 424 041 12 | Cable | | 1 | |
| | | Transmission control | | | |
| 1 | 996 300 010 03 | Transmission | 99-01 | 1 | M219 |
| | | F >>99WS6 05722 | | | |
| | | F >>99WS6 05672 | | | |
| | | Use also: | | | |
| - | 996 424 041 12 | Cable | | 1 | |
| | | Transmission control | | | |
| 1 | 996 300 010 06 | Transmission | 02- | 1 | M219 |
| 1 | 996 300 020 01 | Transmission | 98 | 1 | M220 |
| | | with | | | |
| | | Limited-slip differential | | | |
| | | 22/40 % | | | |
| | | F >>99WS6 05722 | | | |
| | | F >>99WS6 05672 | | | |
| | | Use also: | | | |
| - | 996 424 041 12 | Cable | | 1 | |
| | | Transmission control | | | |
| 1 | 996 300 020 02 | Transmission | 99 | 1 | M220 |
| | | with | | | |
| | | Limited-slip differential | | | |
| | | 22/40 % | | | |
| | | F >>99WS6 05722 | | | |
| | | F >>99WS6 05672 | | | |
| | | Use also: | | | |
| - | 996 424 041 12 | Cable | | 1 | |
| | | Transmission control | | | |
| 2 | 996 300 010 33 | Transmission | 99-01 | 1 | M339 |
| 2 | 996 300 010 36 | Transmission | 02 | 1 | M339 |
| 2 | 996 300 010 37 | Transmission | 03- | 1 | M339 |
| 2 | 996 300 020 07 | Transmission | 04 | 1 | M095/220 |
| | | with | | | |
| | | Limited-slip differential | | | |
| 2 | 996 300 020 37 | Transmission | 04- | 1 | IX75 |
| | | with | | | |
| | | Limited-slip differential | | | |
| - | 000 043 204 19 | Transmission oil | | X | |
| | | Container | | | |
| | | 20 LTR. | | | |
| - | 000 043 305 48 | Transmission oil | | X | |
| | | Container | | | |
| | | 20 LTR. | | | |

Model: 996 98

Model life 1998>>2005

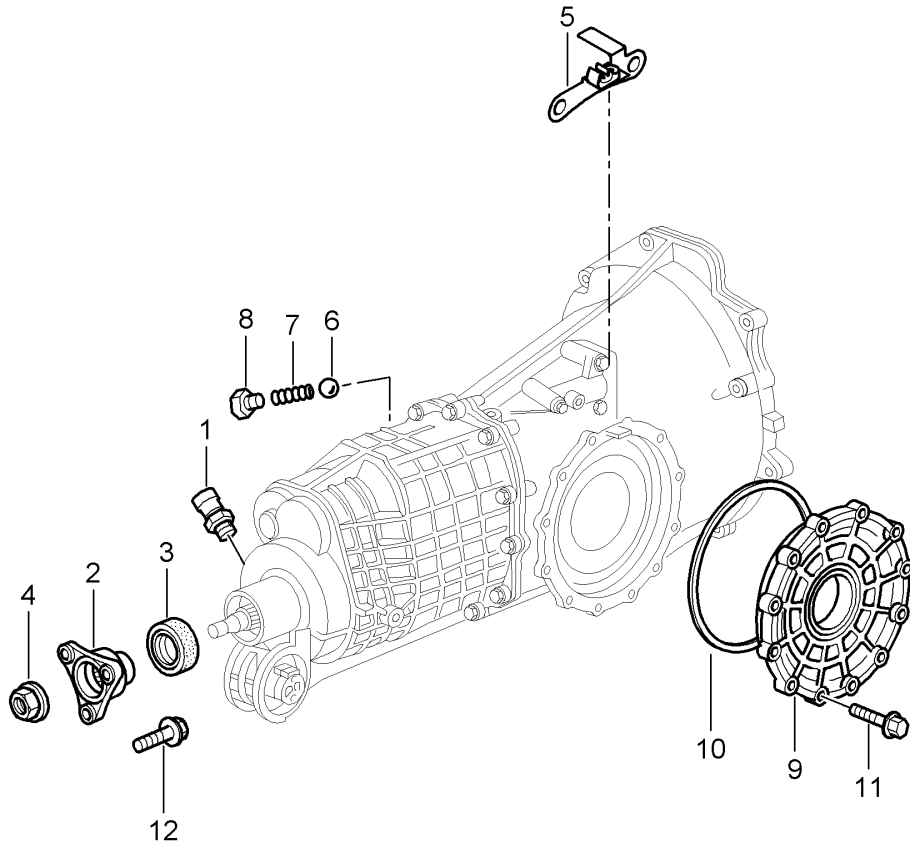


Model: 996 98 Model life 1998>>2005

| Pos | Part Number | Description | Remark | Qty | Model |
|-----|----------------|-------------------------------|--------|-----|---------------------------|
| 1 | 996 301 020 00 | Gear housing | -01 | | G96.00/30 |
| (1) | 996 301 020 01 | Transmission cover | 02- | | G96.01/31 |
| | | Transmission case | | 1 | G96.00/30 |
| | | Transmission case | | 1 | G96.01/31 |
| (1) | 996 301 020 02 | Transmission case | | 1 | M219 G96.01/31 M220 |
| 2 | | See illustrations 3/02/07 | | 1 | |
| 3 | 996 301 317 00 | Hexagon-head bolt M 8 X 35 | -01 | 13 | G96.00 |
| 4 | 996 301 804 00 | Magnet | | 1 | G96.01 |
| 5 | 996 303 055 01 | Selector lever | | 1 | |
| 6 | 996 303 057 00 | Pinion | | 1 | G96.30 |
| 7 | 996 303 303 00 | Roller 20 X 8 X 8 | | 1 | |
| 8 | 996 303 383 00 | Lock Rear | | 1 | G96.31 |
| 9 | 996 303 053 00 | Selector lever | | 1 | |
| 10 | | See illustrations 7/02/08 | | 1 | |
| 11 | | See illustrations 3/02/05 | | 1 | |
| 12 | 996 303 513 00 | Round socket 15 X 21 X 22 | | 4 | |

Model: 996 98

Model life 1998>>2005



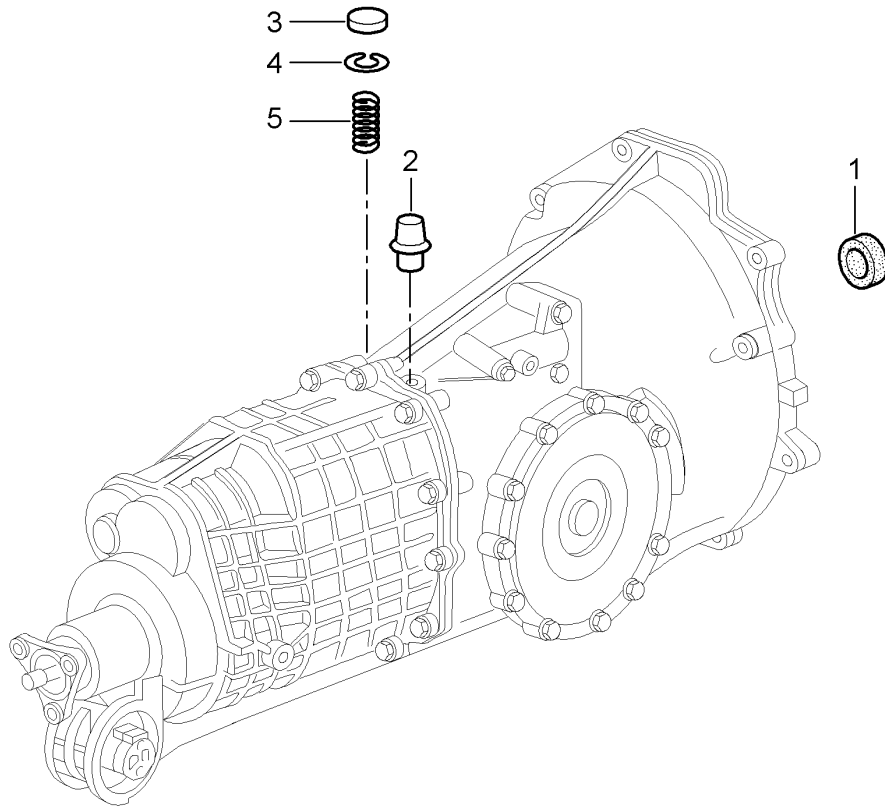
Model: 996 98

Model life 1998>>2005

| Pos | Part Number | Description | Remark | Qty | Model |
|-----|----------------|------------------------------------|--------|-----|----------------|
| | | Transmission | -01 | | G96.00 M338 |
| | | | 99-01 | | G96.30 M339 |
| | | | 02- | | G96.01 M338 |
| | | | 02- | | G96.31 M339 |
| | | Installed Single parts | | | |
| 1 | 996 606 103 01 | Switch | | 1 | |
| 2 | 996 302 033 00 | Back-up light Flange | 99-01 | 1 | G96.30 M339 |
| (2) | 996 302 033 50 | Flange | | 1 | G96.31 M339 |
| 3 | 999 113 475 40 | Shaft sealing ring 40 X 62 X 10 | 99- | 1 | M339 |
| 4 | 996 302 317 00 | Collar nut | 99- | 1 | M339 |
| 5 | 996 423 677 00 | Support | | 1 | |
| 6 | 900 108 064 00 | Ball 8 | | 4 | |
| 7 | 996 303 245 00 | Compression spring | | 4 | |
| 8 | 900 124 023 02 | Screw plug M 10 X 1 | | 4 | |
| 9 | 996 301 312 00 | Transmission cover Lateral | | 1 | |
| 10 | 996 301 315 00 | O-ring 190 X 3 | | 1 | |
| 11 | 996 301 317 00 | Hexagon-head bolt M 8 X 35 | | 11 | |
| 12 | 900 378 101 09 | Hexagon-head bolt M 10 X 35 | | 3 | |
| - | 000 043 010 00 | Loctite 574 | | 1 | |

Model: 996 98

Model life 1998>>2005



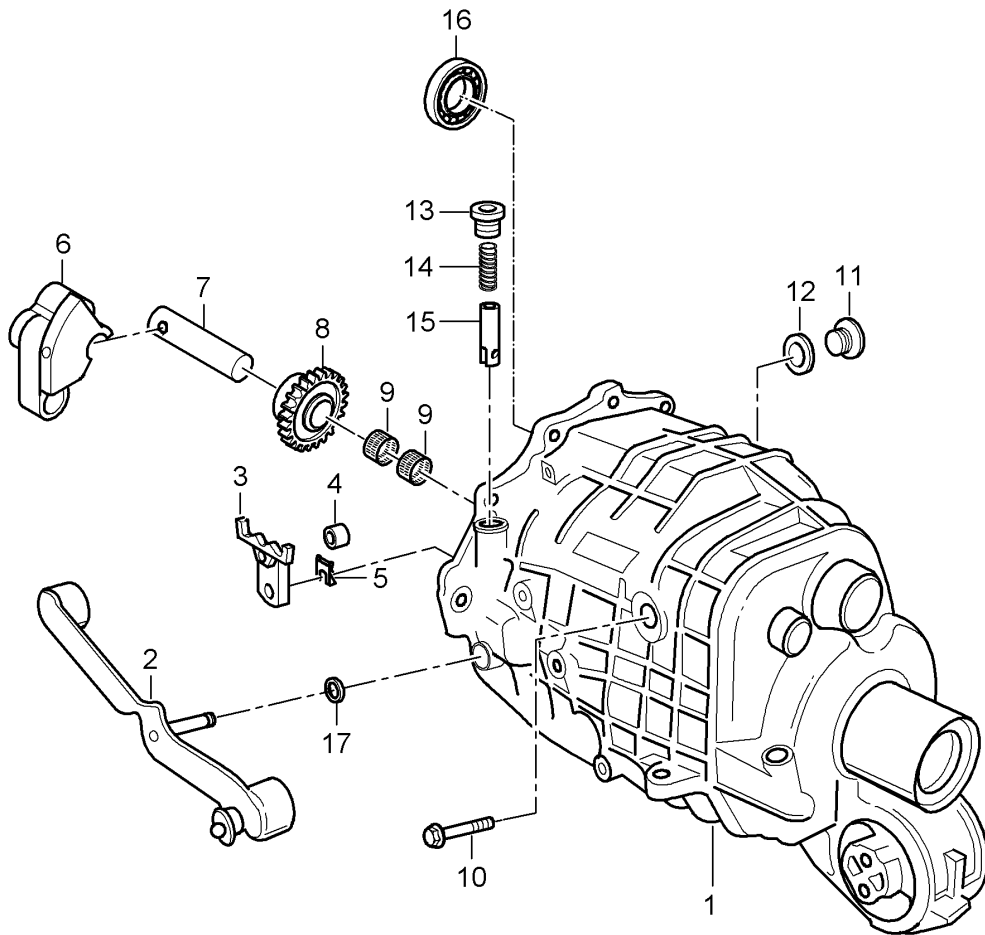
Model: 996 98

Model life 1998>>2005

| Pos | Part Number | Description | Remark | Qty | Model |
|-----|----------------|-----------------------------------|--------|-----|----------------|
| | | Transmission | -01 | | G96.00 M338 |
| | | | 99-01 | | G96.30 M339 |
| | | | 02- | | G96.01 M338 |
| | | | 02- | | G96.31 M339 |
| | | Removed | | | |
| | | Single parts | | | |
| 1 | 996 302 131 00 | Shaft sealing ring 28 X 40 X 8 | | 1 | |
| 2 | 996 301 071 00 | Bleeder 17 X 12 X 28,1 | | 1 | |
| 3 | 996 303 257 00 | Lid 20 X 4 | | 1 | |
| 4 | 900 042 003 01 | Circlip 20 X 1 | | 1 | |
| 5 | 996 303 255 00 | Compression spring | | 1 | |

Model: 996 98

Model life 1998>>2005



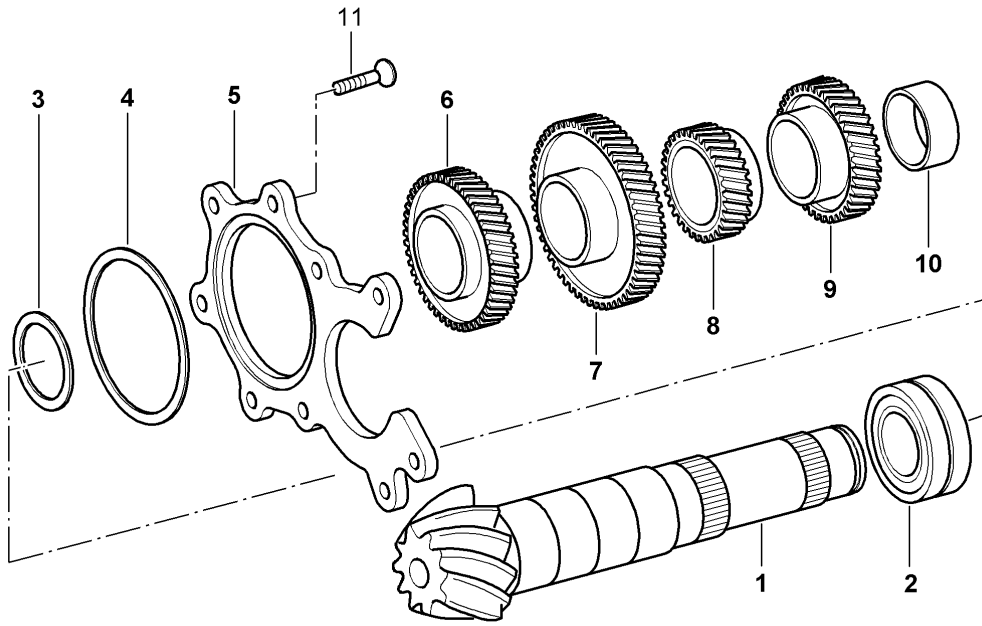
Model: 996 98

Model life 1998>>2005

| Pos | Part Number | Description | Remark | Qty | Model |
|-----|----------------|---|-------------------|-----|----------------------------------|
| 1 | 996 301 023 00 | Gear housing Transmission cover Transmission case Rear | -01 02- -01 | 1 | G96.00/30 G96.01/31 G96.00 |
| (1) | 996 301 023 01 | Transmission case Rear | | 1 | G96.01 |
| (1) | 996 301 023 30 | Transmission case Rear | -01 | 1 | G96.30 |
| (1) | 996 301 023 31 | Transmission case Rear | | 1 | G96.31 |
| 2 | 996 303 041 00 | Gearshift lever | | 1 | |
| 3 | 996 303 033 00 | Shift segment | | 1 | |
| 4 | 996 303 303 00 | Roller 20 X 8 X 8 | | 1 | |
| 5 | 996 303 383 00 | Lock 18 X 25 X 1,10 | | 1 | |
| 6 | 996 302 025 00 | Segment | -01 | 1 | G96.00/30 |
| (6) | 996 302 025 01 | Segment | | 1 | G96.01/31 |
| 7 | 996 302 228 00 | Bolt | | 1 | |
| 8 | 996 302 226 00 | Reverse idler gear | | 1 | |
| 9 | 996 302 224 00 | Needle cage 20 X 26 X 17 | | 2 | |
| 10 | 996 302 223 00 | Hexagon-head bolt M 8 X 55 | | 1 | |
| 11 | 900 219 001 02 | Screw plug M 22 X 1,5 | | 1 | |
| 12 | 900 123 118 30 | Sealing ring A 22 X 27 | | 1 | |
| 13 | 996 303 237 00 | Screw plug M 18 X 1,5 | | 1 | |
| 14 | 996 303 235 00 | Compression spring | | 1 | |
| 15 | 996 303 035 00 | Bolt | | 1 | |
| 16 | 996 301 808 00 | Cylindrical-roller bearing Drive shaft 25 x 44 x 19,75 | | 1 | |
| 17 | 996 303 517 01 | Shaft sealing ring 15 X 21 X 7 | | 1 | |
| 17 | 996 303 517 00 | Shaft sealing ring 15 X 21 X 7 | | 1 | |

Model: 996 98

Model life 1998>>2005



Model: 996 98

Model life 1998>>2005

| Pos | Part Number | Description | Remark | Qty | Model |
|-----|----------------|--------------------------------------|--------|-----|-----------|
| | | Gears and shafts | -01 | | G96.00/30 |
| 1 | | Pinion shaft See group 3/05/02 | 02- | 1 | G96.01/31 |
| 2 | 996 302 808 00 | Angular-contact bearing | | 1 | |
| 3 | 996 302 114 00 | Shim 48 X 60 X 0,50 | | 1 | |
| (3) | 996 302 114 01 | Shim 48 X 60 X 0,55 | | 1 | |
| (3) | 996 302 114 02 | Shim 48 X 60 X 0,60 | | 1 | |
| (3) | 996 302 114 03 | Shim 48 X 60 X 0,65 | | 1 | |
| (3) | 996 302 114 04 | Shim 48 X 60 X 0,70 | | 1 | |
| (3) | 996 302 114 05 | Shim 48 X 60 X 0,75 | | 1 | |
| (3) | 996 302 114 06 | Shim 48 X 60 X 0,80 | | 1 | |
| (3) | 996 302 114 07 | Shim 48 X 60 X 0,85 | | 1 | |
| (3) | 996 302 114 08 | Shim 48 X 60 X 0,90 | | 1 | |
| (3) | 996 302 114 09 | Shim 48 X 60 X 0,95 | | 1 | |
| 4 | 996 302 122 00 | Shim 85,5 X 93 X 0,50 | | 1 | |
| (4) | 996 302 122 01 | Shim 85,5 X 93 X 0,55 | | 1 | |
| (4) | 996 302 122 02 | Shim 85,5 X 93 X 0,60 | | 1 | |
| (4) | 996 302 122 03 | Shim 85,5 X 93 X 0,65 | | 1 | |
| (4) | 996 302 122 04 | Shim 85,5 X 93 X 0,70 | | 1 | |
| (4) | 996 302 122 05 | Shim 85,5 X 93 X 0,75 | | 1 | |
| (4) | 996 302 122 06 | Shim 85,5 X 93 X 0,80 | | 1 | |
| (4) | 996 302 122 07 | Shim 85,5 X 93 X 0,85 | | 1 | |
| (4) | 996 302 122 08 | Shim 85,5 X 93 X 0,90 | | 1 | |
| (4) | 996 302 122 09 | Shim 85,5 X 93 X 0,95 | | 1 | |
| (4) | 996 302 122 10 | Shim 85,5 X 93 X 1,00 | | 1 | |
| (4) | 996 302 122 11 | Shim 85,5 X 93 X 1,05 | | 1 | |
| (4) | 996 302 122 12 | Shim 85,5 X 93 X 1,10 | | X | |
| (4) | 996 302 122 13 | Shim 85,5 X 93 X 1,15 | | X | |
| (4) | 996 302 122 14 | Shim 85,5 X 93 X 1,20 | | X | |
| (4) | 996 302 122 15 | Shim 85,5 X 93 X 1,25 | | 1 | |
| (4) | 996 302 122 16 | Shim 85,5 X 93 X 1,30 | | 1 | |
| (4) | 996 302 122 17 | Shim 85,5 X 93 X 1,35 | | 1 | |
| (4) | 996 302 122 18 | Shim | | 1 | |

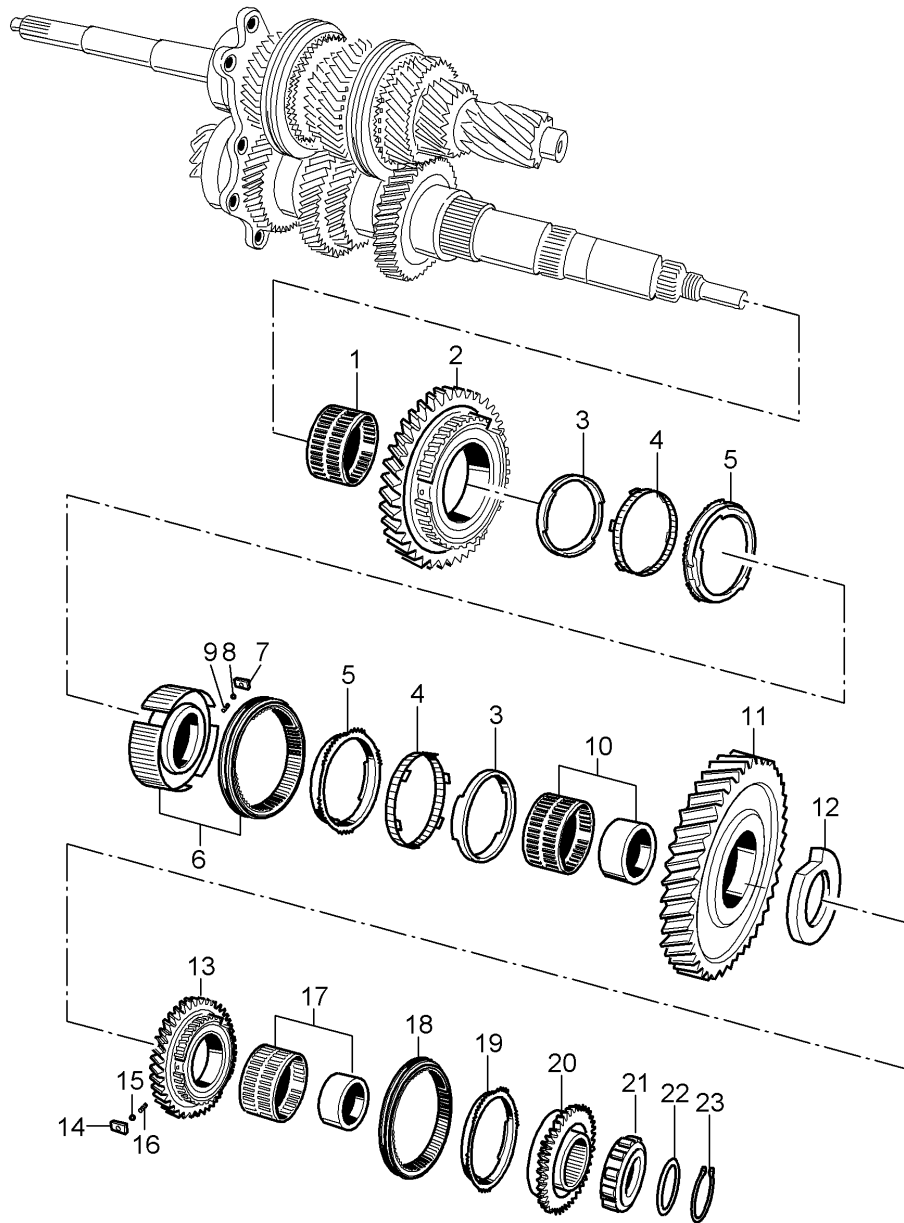
Model: 996 98

Model life 1998>>2005

| Pos | Part Number | Description | Remark | Qty | Model |
|-----|----------------|---|--------|-----|-----------|
| (4) | 996 302 122 19 | 85,5 X 93 X 1,40 Shim | | 1 | |
| (4) | 996 302 122 20 | 85,5 X 93 X 1,45 Shim | | 1 | |
| (4) | 996 302 122 21 | 85,5 X 93 X 1,50 Shim | | 1 | |
| (4) | 996 302 122 22 | 85,5 X 93 X 1,55 Shim | | 1 | |
| 5 | 996 302 121 00 | 85,5 X 93 X 1,60 Retainer plate | | 1 | |
| 6 | 996 302 214 00 | Fixed gear wheel 4th speed | -01 | 1 | G96.00/30 |
| (6) | 996 302 214 05 | Fixed gear wheel 4th speed | | 1 | G96.01/31 |
| 7 | 996 302 213 00 | Fixed gear wheel 3rd gear | -01 | 1 | G96.00/30 |
| (7) | 996 302 213 05 | Fixed gear wheel 3rd gear | | 1 | G96.01/31 |
| 8 | 996 302 216 15 | Fixed gear wheel 6th gear | -01 | 1 | G96.00/30 |
| (8) | 996 302 216 20 | Fixed gear wheel 6th gear | | 1 | G96.01/31 |
| 9 | 996 302 215 00 | Fixed gear wheel 5th gear | -01 | 1 | G96.00/30 |
| (9) | 996 302 215 05 | Fixed gear wheel 5th gear | | 1 | G96.01/31 |
| 10 | 996 302 272 00 | Inner ring | | 1 | |
| 11 | 996 302 817 00 | Countersunk-head screw Mount Retainer plate | | 9 | |

Model: 996 98

Model life 1998>>2005



Model: 996 98 Model life 1998>>2005

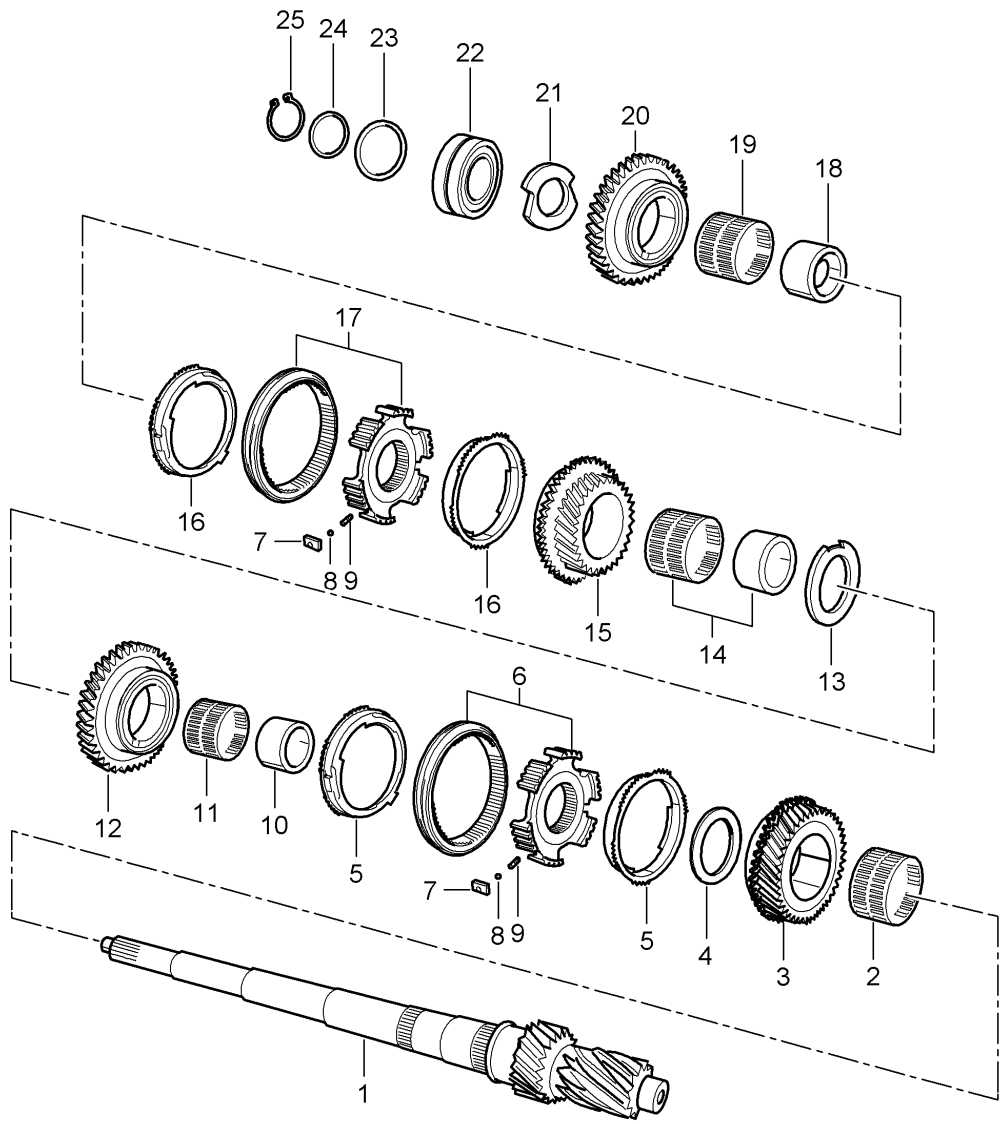
| Pos | Part Number | Description | Remark | Qty | Model |
|------|----------------|----------------------------|--------|-----|------------------------|
| | | Gears and shafts | | | G96.00/30 G96.01/31 |
| (1) | 996 302 815 01 | Needle-roller bearing | | 1 | |
| (1) | 996 302 815 03 | Needle-roller bearing | 02- | 1 | G96.01/31 |
| | | Brown | | | |
| 2 | 996 302 042 00 | Loose gear wheel | | 1 | |
| | | 2nd gear | | | |
| 2 | 996 302 942 00 | Loose gear wheel | | 1 | |
| | | 2nd gear | | | |
| 3 | 950 304 617 20 | Ring | | 2 | |
| 4 | 996 304 613 20 | Cone ring | -01 | 2 | G96.00/30 |
| (4) | 996 304 613 21 | Cone ring | | 2 | G96.01/31 |
| 5 | 950 304 611 20 | Synchroniser ring | 98 | 2 | |
| | | 6 | | | |
| | | Teeth | | | |
| (5) | 996 304 611 00 | Synchroniser ring | 99- | 2 | |
| | | 7 | | | |
| | | Teeth | | | |
| 6 | 996 304 061 02 | Guide sleeve | | 1 | |
| | | 1st / 2nd gear | | | |
| 6 | 996 304 061 03 | Guide sleeve | | 1 | |
| | | 1st / 2nd gear | | | |
| 7 | 996 304 651 00 | Stone | | 3 | |
| 8 | 900 108 058 00 | Ball | | 3 | |
| 9 | 996 304 661 00 | Compression spring | | 3 | |
| 10 | 996 302 816 00 | Needle cage | | 1 | |
| 11 | 996 302 041 00 | Loose gear wheel | -01 | 1 | G96.00/30 |
| | | 1st gear | | | |
| (11) | 996 302 041 05 | Loose gear wheel | | 1 | G96.01/31 |
| | | 1st gear | | | |
| 12 | 996 302 281 00 | Thrust washer | | 1 | |
| | | 1st gear | | | |
| 13 | 996 302 094 00 | Loose gear wheel | | 1 | |
| | | Reverse gear | | | |
| 14 | 996 304 451 01 | Stone | | 3 | |
| 15 | 900 108 058 00 | Ball | | 3 | |
| 16 | 996 304 461 00 | Compression spring | | 3 | |
| 17 | 996 302 816 00 | Needle cage | | 1 | |
| 18 | | Shift sleeve | | 1 | |
| | | To | | | |
| | | Use | | | |
| | | 996.302.094.00 | | | |
| 19 | 996 304 411 01 | Synchroniser ring | | 1 | |
| 20 | 996 304 401 00 | Clutch hub | | 1 | |
| | | Reverse gear wheel | | | |
| 21 | 996 301 806 00 | Cylindrical-roller bearing | | 1 | |
| | | 35 X 72 X 10 | | | |
| 22 | 996 302 118 00 | Shim | | 1 | |
| | | 35 X 45 X 1,2 | | | |
| (22) | 996 302 118 01 | Shim | | 1 | |
| | | 35 X 45 X 1,3 | | | |
| (22) | 996 302 118 02 | Shim | | 1 | |
| | | 35 X 45 X 1,4 | | | |
| (22) | 996 302 118 03 | Shim | | 1 | |
| | | 35 X 45 X 1,5 | | | |
| (22) | 996 302 118 04 | Shim | | 1 | |
| | | 35 X 45 X 1,6 | | | |
| (22) | 996 302 118 05 | Shim | | 1 | |
| | | 35 X 45 X 1,7 | | | |
| (22) | 996 302 118 06 | Shim | | 1 | |
| | | 35 X 45 X 1,8 | | | |
| (22) | 996 302 118 07 | Shim | | 1 | |
| | | 35 X 45 X 1,9 | | | |

Model: 996 98 Model life 1998>>2005

| Pos | Part Number | Description | Remark | Qty | Model |
|------|----------------|-----------------------|--------|-----|-------|
| (22) | 996 302 118 08 | Shim 35 X 45 X 2,0 | | 1 | |
| (22) | 996 302 118 09 | Shim 35 X 45 X 2,1 | | 1 | |
| (22) | 996 302 118 10 | Shim 35 X 45 X 2,2 | | 1 | |
| (22) | 996 302 118 11 | Shim 35 X 45 X 2,3 | | 1 | |
| (22) | 996 302 118 12 | Shim 35 X 45 X 2,4 | | 1 | |
| (22) | 996 302 118 13 | Shim 35 X 45 X 2,5 | | 1 | |
| 23 | 996 302 810 00 | Circlip 35 X 2,25 | | 1 | |
| (23) | 996 302 810 01 | Circlip 35 X 2,30 | | 1 | |
| (23) | 996 302 810 02 | Circlip 35 X 2,35 | | 1 | |
| (23) | 996 302 810 03 | Circlip 35 X 2,40 | | 1 | |
| (23) | 996 302 810 04 | Circlip 35 X 2,45 | | 1 | |

Model: 996 98

Model life 1998>>2005



Model: 996 98 Model life 1998>>2005

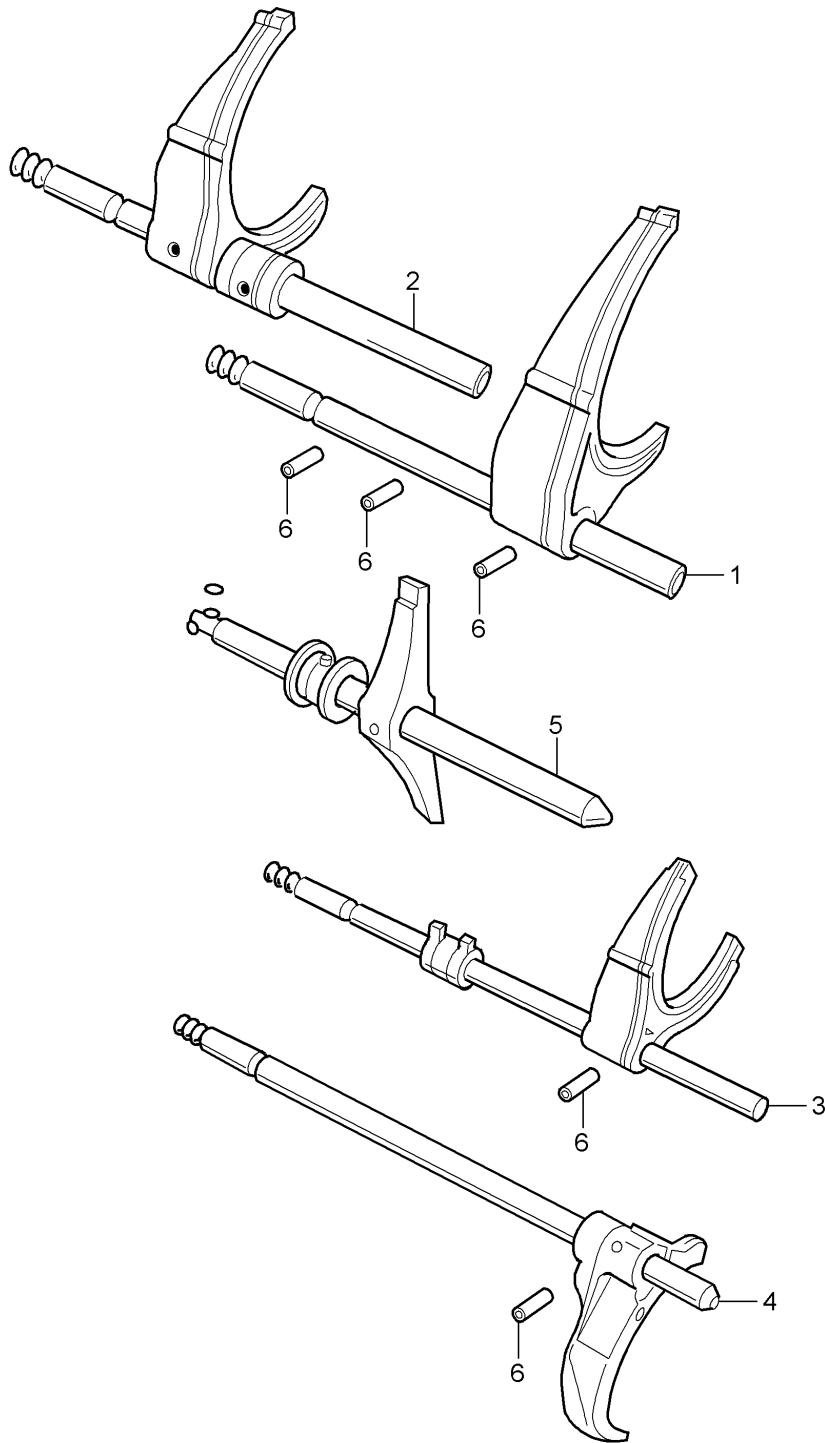
| Pos | Part Number | Description | Remark | Qty | Model |
|------|----------------|-------------------------|--------|-----|-----------|
| | | Gears and shafts | -01 | | G96.00/30 |
| 1 | 996 302 101 00 | Drive shaft | 02- | | G96.01/31 |
| (1) | 996 302 101 01 | Drive shaft | -01 | 1 | G96.00/30 |
| | | 1st / 2nd gear | | | |
| | | Drive shaft | | 1 | G96.01/31 |
| | | 1st / 2nd gear | | | |
| 2 | 996 302 811 00 | Needle-roller bearing | | 1 | |
| 3 | 996 302 075 00 | Loose gear wheel | | 1 | |
| | | 5th gear | | | |
| 4 | 996 302 295 00 | Thrust washer | | 1 | |
| | | 5th gear | | | |
| 5 | 996 304 411 00 | Synchroniser ring | | 2 | |
| 6 | 996 304 041 00 | Guide sleeve | | 1 | |
| | | 5th and 6th gear | | | |
| 7 | 996 304 451 00 | Stone | | 6 | |
| 8 | 900 108 058 00 | Ball | | 6 | |
| 9 | 996 304 461 00 | Compression spring | | 6 | |
| 10 | 996 302 266 00 | Inner ring | | 1 | |
| 11 | 996 302 812 00 | Needle-roller bearing | | 1 | |
| | | White | | | |
| (11) | 996 302 812 01 | Needle-roller bearing | | 1 | |
| | | Blue | | | |
| (11) | 996 302 812 02 | Needle-roller bearing | | 1 | |
| | | Green | | | |
| 12 | 996 302 076 15 | Loose gear wheel | -01 | 1 | G96.00/30 |
| | | 6th gear | | | |
| (12) | 996 302 076 20 | Loose gear wheel | | 1 | G96.01/31 |
| | | 6th gear | | | |
| 13 | 996 302 296 00 | Thrust washer | | 1 | |
| | | 3. + 6. Gang | | | |
| 14 | 996 302 813 00 | Needle-roller bearing | | 1 | |
| 15 | 996 302 073 00 | Loose gear wheel | -01 | 1 | G96.00/30 |
| | | 3rd gear | | | |
| (15) | 996 302 073 05 | Loose gear wheel | | 1 | G96.01/31 |
| | | 3rd gear | | | |
| 16 | 996 304 411 00 | Synchroniser ring | | 2 | |
| 17 | 996 304 041 01 | Guide sleeve | | 1 | |
| 18 | 996 302 264 00 | Inner ring | | 1 | |
| 19 | 996 302 814 00 | Needle-roller bearing | | 1 | |
| | | White | | | |
| (19) | 996 302 814 01 | Needle-roller bearing | | 1 | |
| | | Blue | | | |
| (19) | 996 302 814 02 | Needle-roller bearing | | 1 | |
| | | Green | | | |
| 20 | 996 302 074 00 | Loose gear wheel | | 1 | |
| | | 4th speed | | | |
| 21 | 996 302 267 00 | Spacer ring | | 1 | |
| 22 | 996 302 807 00 | Angular-contact bearing | | 1 | |
| 23 | 996 302 124 00 | Shim | | 1 | |
| | | 56 X 72 X 0,50 | | | |
| (23) | 996 302 124 01 | Shim | | 1 | |
| | | 56 X 72 X 0,55 | | | |
| (23) | 996 302 124 02 | Shim | | 1 | |
| | | 56 X 72 X 0,60 | | | |
| (23) | 996 302 124 03 | Shim | | 1 | |
| | | 56 X 72 X 0,65 | | | |
| 24 | 996 302 173 00 | Shim | | 1 | |
| | | 35 X 45 X 1,2 | | | |
| (24) | 996 302 173 01 | Shim | | 1 | |
| | | 35 X 45 X 1,3 | | | |
| (24) | 996 302 173 02 | Shim | | 1 | |
| | | 35 X 45 X 1,4 | | | |
| (24) | 996 302 173 03 | Shim | | 1 | |

Model: 996 98 Model life 1998>>2005

| Pos | Part Number | Description | Remark | Qty | Model |
|------|----------------|--------------------------|--------|-----|-------|
| (24) | 996 302 173 04 | 35 X 45 X 1,5 Shim | | 1 | |
| (24) | 996 302 173 05 | 35 X 45 X 1,6 Shim | | 1 | |
| (24) | 996 302 173 06 | 35 X 45 X 1,7 Shim | | 1 | |
| (24) | 996 302 173 07 | 35 X 45 X 1,8 Shim | | 1 | |
| (24) | 996 302 173 08 | 35 X 45 X 1,9 Shim | | 1 | |
| (24) | 996 302 173 09 | 35 X 45 X 2,0 Shim | | 1 | |
| (24) | 996 302 173 10 | 35 X 45 X 2,1 Shim | | 1 | |
| (24) | 996 302 173 11 | 35 X 45 X 2,2 Shim | | 1 | |
| (24) | 996 302 173 12 | 35 X 45 X 2,3 Shim | | 1 | |
| (24) | 996 302 173 13 | 35 X 45 X 2,4 Shim | | 1 | |
| 25 | 996 302 810 00 | 35 X 45 X 2,5 Circlip | | 1 | |
| (25) | 996 302 810 01 | 35 X 2,25 Circlip | | 1 | |
| (25) | 996 302 810 02 | 35 X 2,30 Circlip | | 1 | |
| (25) | 996 302 810 03 | 35 X 2,35 Circlip | | 1 | |
| (25) | 996 302 810 04 | 35 X 2,40 Circlip | | 1 | |
| | | 35 X 2,45 | | | |

Model: 996 98

Model life 1998>>2005



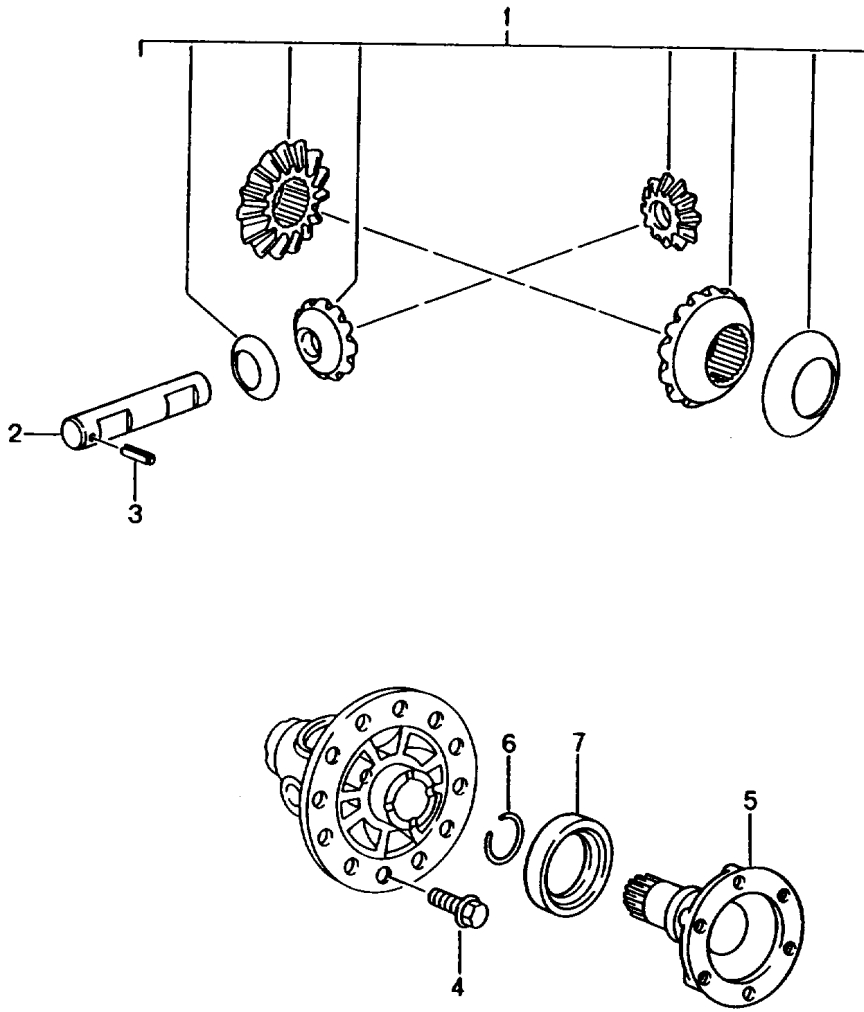
Model: 996 98

Model life 1998>>2005

| Pos | Part Number | Description | Remark | Qty | Model |
|-----|----------------|--|------------|-----|------------------------|
| 1 | 996 303 015 00 | Gear shift rod Shift fork | -01 02- | 1 | G96.00/30 G96.01/31 |
| 2 | 996 303 013 00 | Gear shift rod 5./6. Gang | | 1 | |
| 3 | 996 303 010 00 | Gear shift rod 3./4. Gang | | 1 | |
| 4 | 996 303 016 00 | Gear shift rod 1st / 2nd gear Reverse gear | | 1 | |
| 5 | 996 303 021 00 | Shift rod | | 1 | |
| - | 996 303 403 00 | Roller | | 4 | |
| 6 | 996 303 301 00 | Spiral clamping pin | | 5 | |

Model: 996 98

Model life 1998>>2005

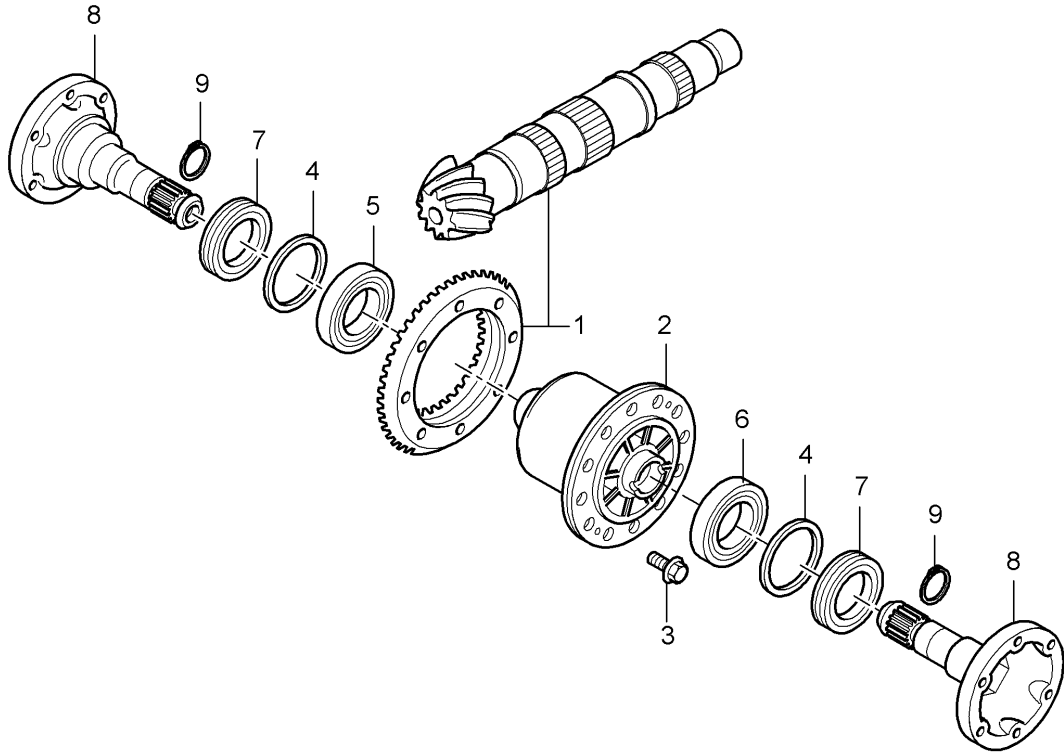


Model: 996 98 Model life 1998>>2005

| Pos | Part Number | Description | Remark | Qty | Model |
|-----|----------------|---|--------|-----|--------|
| | | Differential | -01 | | G96.00 |
| | | | 99-01 | | M338 |
| | | | 02- | | G96.30 |
| | | | 02- | | M339 |
| | | | 02- | | G96.01 |
| | | | | | M338 |
| | | | | | G96.31 |
| | | | | | M339 |
| 1 | 996 332 922 00 | Differential pinions 1 set | | 1 | |
| 2 | 996 332 205 00 | Differential bolt | | 1 | |
| 3 | 900 309 038 01 | Pin 5 X 16 | | 1 | |
| 4 | 996 332 276 00 | Hexagon-head bolt M 12 X 1,25 X 22,5 | | 12 | |
| 5 | 996 332 209 00 | Joint flange | -01 | 2 | |
| (5) | 996 332 209 50 | Joint flange | | 2 | |
| 6 | 996 332 249 00 | Circlip 35 X 2,5 | | 2 | |
| 7 | 999 113 347 40 | Shaft sealing ring 48 X 68 X 10 | | 2 | |

Model: 996 98

Model life 1998>>2005



Model: 996 98 Model life 1998>>2005

| Pos | Part Number | Description | Remark | Qty | Model |
|-----|----------------|---------------------------|--------|-----|--------------------------------|
| 1 | 996 302 911 00 | Differential | -01 | | G96.00/30 |
| (1) | 996 302 911 01 | Rear axle | 02- | | G96.01/31 |
| (1) | 996 302 911 30 | Gear set | -01 | 1 | G96.00 |
| (1) | 996 302 911 31 | Gear set | | 1 | G96.01 |
| 2 | 996 332 005 00 | Gear set | -01 | 1 | G96.30 |
| (2) | 996 332 005 55 | Gear set | | 1 | G96.31 |
| (2) | 996 332 083 01 | Differential | -01 | 1 | G96.00/30 M219 |
| (2) | 996 332 083 00 | Differential | 98 | 1 | G96.01/31 M219 |
| 3 | 999 217 152 01 | Limited-slip differential | | 1 | G96.00 M220 |
| 4 | 996 332 266 50 | Limited-slip differential | | 1 | G96.01/31 IX75/M095 M220 |
| (4) | 996 332 266 51 | Hexagon-head bolt | | 12 | |
| (4) | 996 332 266 52 | M 12 X 1,25 | | 2 | |
| (4) | 996 332 266 53 | Adjusting ring | | 2 | |
| (4) | 996 332 266 54 | 1,50 MM | | 2 | |
| (4) | 996 332 266 55 | Adjusting ring | | 2 | |
| (4) | 996 332 266 56 | 1,55 MM | | 2 | |
| (4) | 996 332 266 57 | Adjusting ring | | 2 | |
| (4) | 996 332 266 58 | 1,60 MM | | 2 | |
| (4) | 996 332 266 59 | Adjusting ring | | 2 | |
| (4) | 996 332 266 60 | 1,65 MM | | 2 | |
| (4) | 996 332 266 61 | Adjusting ring | | 2 | |
| (4) | 996 332 266 62 | 1,70 MM | | 2 | |
| (4) | 996 332 266 63 | Adjusting ring | | 2 | |
| (4) | 996 332 266 64 | 1,75 MM | | 2 | |
| (4) | 996 332 266 65 | Adjusting ring | | 2 | |
| (4) | 996 332 266 66 | 1,80 MM | | 2 | |
| (4) | 996 332 266 67 | Adjusting ring | | 2 | |
| (4) | 996 332 266 68 | 1,85 MM | | 2 | |
| (4) | 996 332 266 69 | Adjusting ring | | 2 | |
| (4) | 996 332 266 70 | 1,90 MM | | 2 | |
| (4) | 996 332 266 71 | Adjusting ring | | 2 | |
| (4) | 996 332 266 72 | 1,95 MM | | 2 | |
| (4) | 996 332 266 73 | Adjusting ring | | 2 | |
| (4) | 996 332 266 74 | 2,00 MM | | 2 | |
| (4) | 996 332 266 75 | Adjusting ring | | 2 | |
| (4) | 996 332 266 76 | 2,05 MM | | 2 | |
| (4) | 996 332 266 77 | Adjusting ring | | 2 | |
| (4) | 996 332 266 78 | 2,10 MM | | 2 | |
| (4) | 996 332 266 79 | Adjusting ring | | 2 | |
| (4) | 996 332 266 80 | 2,15 MM | | 2 | |
| (4) | 996 332 266 81 | Adjusting ring | | 2 | |
| (4) | 996 332 266 82 | 2,20 MM | | 2 | |
| (4) | 996 332 266 83 | Adjusting ring | | 2 | |
| (4) | 996 332 266 84 | 2,25 MM | | 2 | |
| (4) | 996 332 266 85 | Adjusting ring | | 2 | |
| (4) | 996 332 266 86 | 2,30 MM | | 2 | |
| (4) | 996 332 266 87 | Adjusting ring | | 2 | |
| (4) | 996 332 266 88 | 2,35 MM | | 2 | |
| (4) | 996 332 266 89 | Adjusting ring | | 2 | |
| (4) | 996 332 266 90 | 2,40 MM | | 2 | |
| (4) | 996 332 266 91 | Adjusting ring | | 2 | |
| (4) | 996 332 266 92 | 2,45 MM | | 2 | |
| (4) | 996 332 266 93 | Adjusting ring | | 2 | |
| (4) | 996 332 266 94 | 2,50 MM | | 2 | |
| (4) | 996 332 266 95 | Adjusting ring | | 2 | |
| (4) | 996 332 266 96 | 2,55 MM | | 2 | |
| (4) | 996 332 266 97 | Adjusting ring | | 2 | |
| (4) | 996 332 266 98 | 2,60 MM | | 2 | |

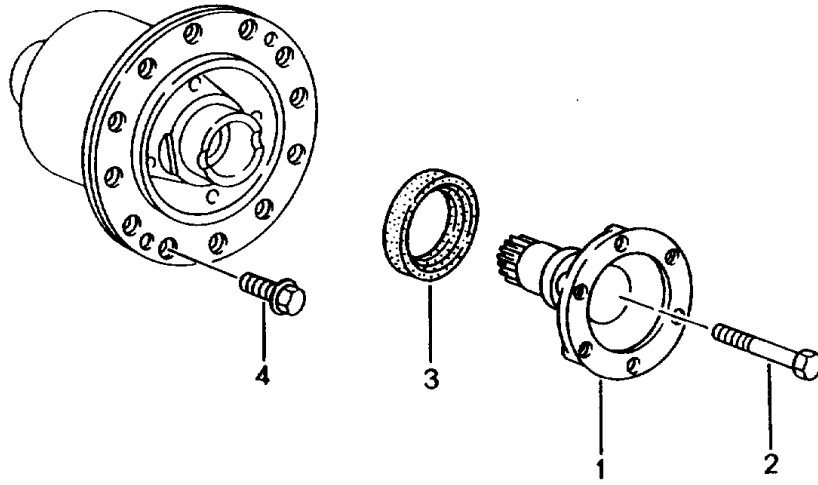
Model: 996 98

Model life 1998>>2005

| Pos | Part Number | Description | Remark | Qty | Model |
|-----|----------------|---------------------------------------|--------|-----|-------|
| (4) | 996 332 266 73 | Adjusting ring 2,65 MM | | 2 | |
| (4) | 996 332 266 74 | Adjusting ring 2,70 MM | | 2 | |
| (4) | 996 332 266 75 | Adjusting ring 2,75 MM | | 2 | |
| (4) | 996 332 266 76 | Adjusting ring 2,80 MM | | 2 | |
| 5 | 999 059 066 02 | Taper roller bearing | | 1 | |
| 6 | 999 059 064 00 | Taper roller bearing | | 1 | |
| 7 | 999 113 356 40 | Shaft sealing ring AS 48 X 68 X 10 | | 2 | |
| 8 | 996 332 209 00 | Joint flange | | 2 | |
| 9 | 996 332 249 00 | Circlip 35 X 2,5 | | 2 | |

Model: 996 98

Model life 1998>>2005



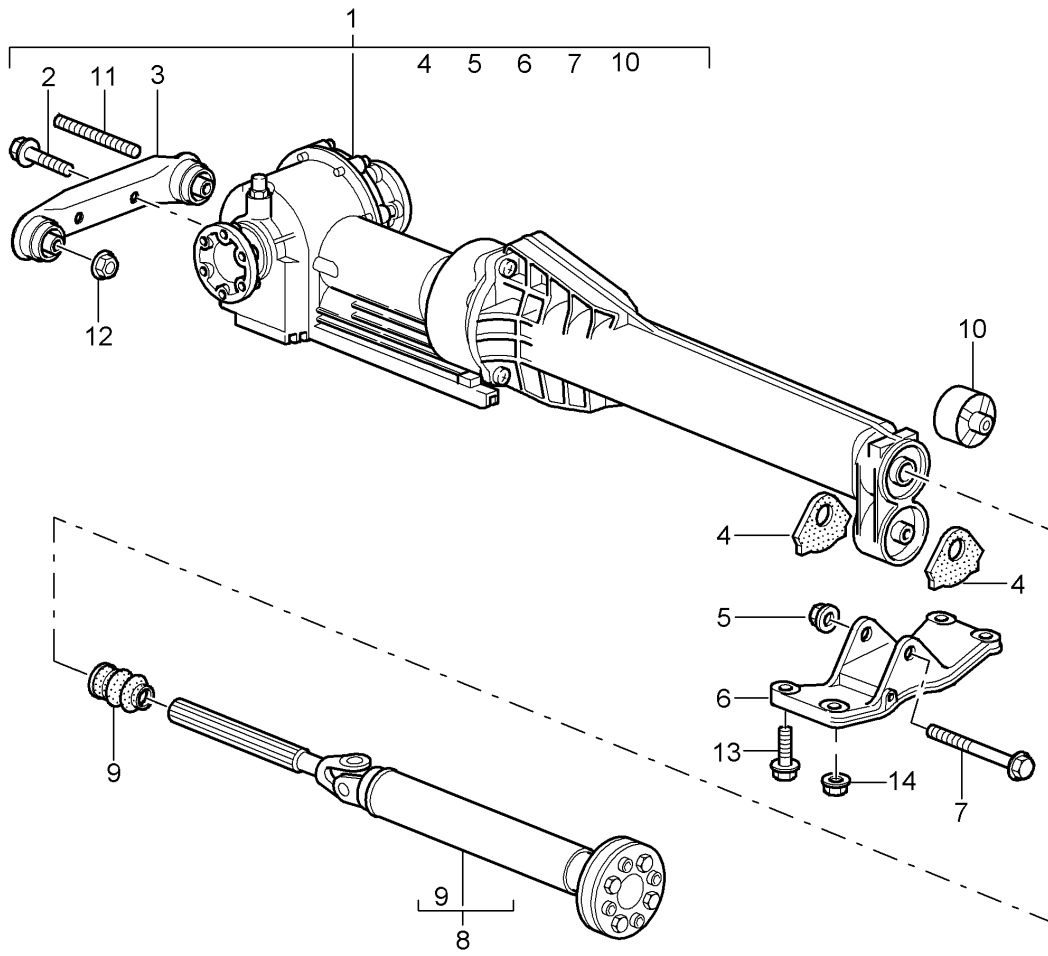
Model: 996 98

Model life 1998>>2005

| Pos | Part Number | Description | Remark | Qty | Model |
|-----|----------------|---|--------|-----|-----------|
| | | Limited-slip differential | -99 | | G96.00/01 |
| 1 | 950 332 209 01 | Joint flange | | 2 | |
| 2 | N 010 472 4 | Hexagon-head bolt M 10 X 85 | | 2 | |
| 2 | 900 074 375 01 | Hexagon-head bolt M 10 X 85 | | 2 | |
| 3 | 999 113 347 40 | Shaft sealing ring 48 X 68 X 10 | | 2 | |
| 4 | 996 332 276 00 | Hexagon-head bolt M 12 X 1,25 X 22,5 | | 12 | |

Model: 996 98

Model life 1998>>2005



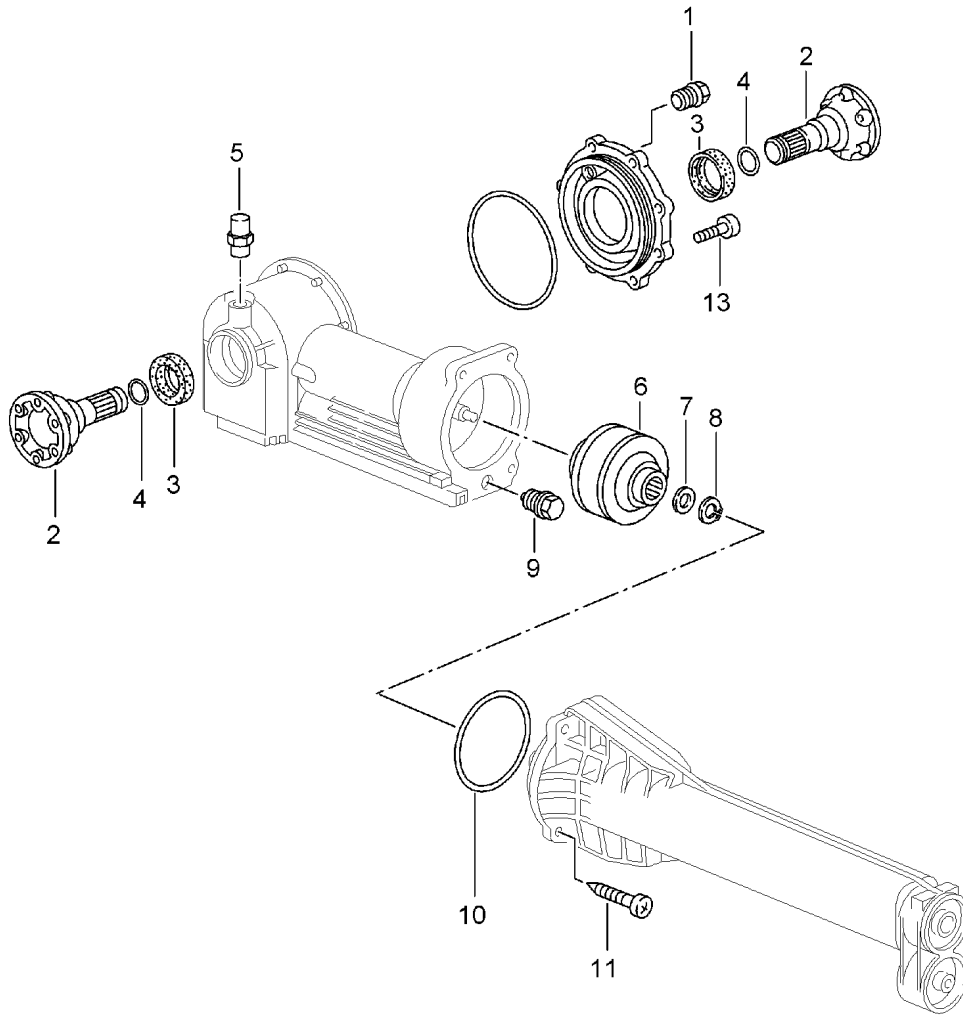
Model: 996 98

Model life 1998>>2005

| Pos | Part Number | Description | Remark | Qty | Model |
|-----|----------------|--|--------|-----|-----------------------------|
| | | Front-axle final drive | 99- | | A96.35 G96.30/31 M339 |
| 1 | 996 349 010 02 | Cardan shaft Front-axle final drive Ready for installation | | 1 | |
| (1) | 996 349 010 03 | Front-axle final drive Ready for installation | | 1 | |
| 2 | 999 072 034 09 | Conical screw M 10 X 28 | | 2 | |
| 3 | 996 375 034 00 | Transmission carrier Front | | 1 | |
| 4 | 996 375 257 01 | Stop | | 2 | |
| 5 | 900 380 008 09 | Lock nut M 10 | | 1 | |
| 6 | 996 375 343 03 | Transmission carrier Rear | | 1 | |
| 7 | 900 378 142 09 | Hexagon-head bolt M 10 X 90 | | 1 | |
| 8 | 996 421 020 01 | Cardan shaft | -01 | 1 | |
| (8) | 996 421 020 50 | Cardan shaft | | 1 | |
| (8) | 997 421 020 00 | Cardan shaft | | 1 | |
| (8) | 997 421 020 01 | Cardan shaft | 02- | 1 | |
| 9 | 996 421 145 01 | Boot | | 1 | |
| - | PCG 421 020 01 | Joint flange Bonded rubber mounting for Cardan shaft | | 1 | |
| 10 | 996 375 054 02 | Transmission mounting Rear | | 1 | |
| 11 | 999 061 105 09 | Stud M 10 X 90 | | 2 | |
| 12 | 900 380 008 09 | Lock nut M 10 Mount | | 2 | |
| 13 | 999 217 144 09 | Front-axle final drive Cross member Combination screw M 10 X 48 Transmission carrier Floorpan Use with 99637534303 | | 4 | |
| 13 | 999 217 144 01 | Combination screw M 10 X 48 Transmission carrier Floorpan Use with 99637534303 | | 4 | |
| 14 | 999 076 053 01 | Hexagon nut M 10 | | 2 | |

Model: 996 98

Model life 1998>>2005



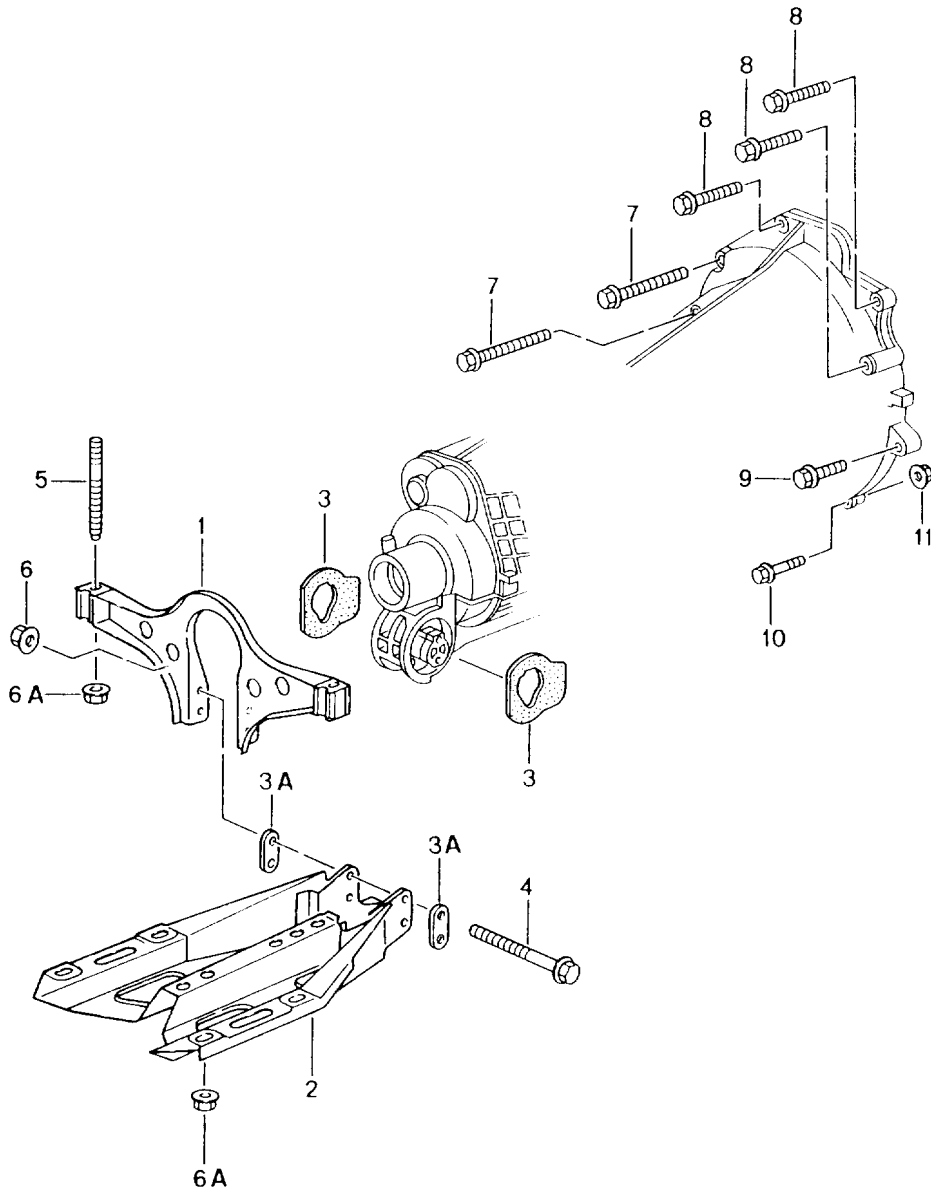
Model: 996 98

Model life 1998>>2005

| Pos | Part Number | Description | Remark | Qty | Model |
|------|----------------|--|--------|-----|-------------------|
| | | Front-axle final drive | 99- | | G96.30/31 M339 |
| 1 | N 016 161 1 | Viscous clutch Single parts | | 1 | |
| (1) | 900 124 013 02 | Screw plug M 18 X 1,5 | | 1 | |
| 2 | 996 332 309 00 | Screw plug M 18 X 1,5 | | 2 | |
| 3 | 999 113 454 40 | Joint flange | | 2 | |
| (3) | 999 113 454 41 | Shaft sealing ring 40 X 60 X 9 | | 2 | |
| 4 | 996 332 311 00 | Shaft sealing ring 40 X 60 X 10 | | 2 | |
| 5 | 996 301 071 00 | Circlip 2,5 X 20 | | 1 | |
| 6 | 996 339 021 02 | Bleeder 17 X 12 | | 1 | |
| 7 | 900 234 174 00 | Viscous clutch | | 1 | |
| 8 | 999 041 021 01 | Support washer 20 X 28 X 2,0 | | 1 | |
| 9 | 900 124 025 02 | Circlip 20 X 1,2 | | 1 | |
| (9) | 900 124 014 01 | Screw plug M 18 X 1,5 PM | | 1 | |
| 10 | 999 707 455 40 | Screw plug M 18 X 1,5 PM | | 1 | |
| 11 | N 903 660 01 | O-ring 123 X 3 | | 4 | |
| (11) | 900 385 141 01 | Torx screw M 8 x 36 for 996.349.010.02 GETRAG 630.0.0130.00 Old version | | 4 | |
| 13 | N 903 660 01 | Torx screw M 8 X 40 for 996.349.010.03 GETRAG 630.0.0173.00 New design | | 8 | |
| - | 999 701 743 40 | Torx screw M 8 X 36 | | 1 | |
| - | 000 043 209 23 | O-ring 144,5 X 3 for Lateral Transmission cover Grease LIQUI MOLY PU 53 / WDR 50 GR. | | X | |

Model: 996 98

Model life 1998>>2005

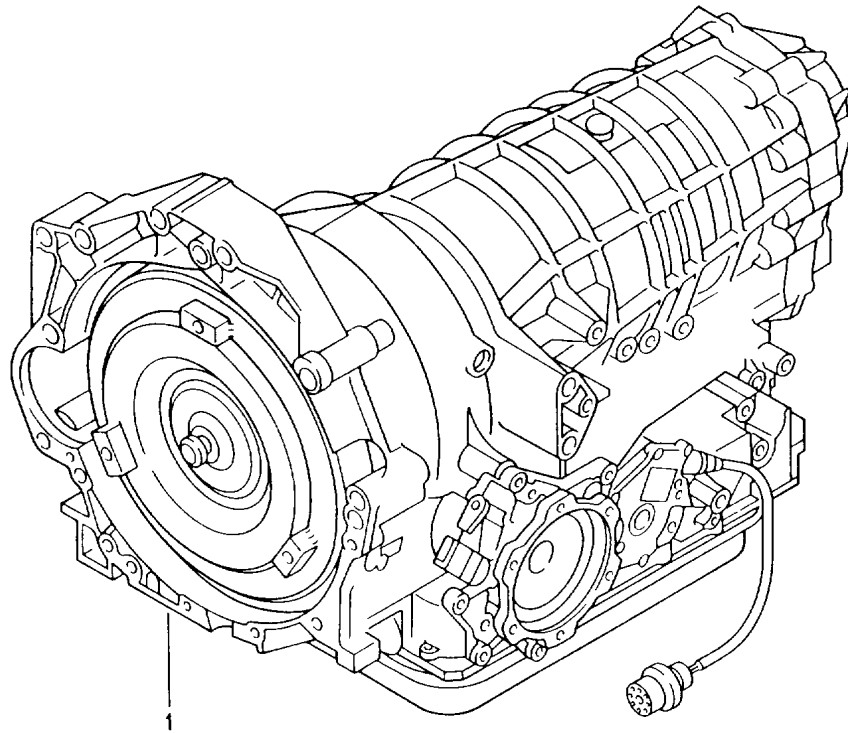


Model: 996 98 Model life 1998>>2005

| Pos | Part Number | Description | Remark | Qty | Model |
|------|----------------|---------------------------------------|--------|-----|--------|
| | | Manual transmission | -01 | | G96.00 |
| | | | 99-01 | | M338 |
| | | | 02- | | G96.30 |
| | | | 02- | | M339 |
| | | Transmission suspension | | | G96.01 |
| | | Threaded joint | | | M338 |
| | | Engine | | | G96.31 |
| 1 | 996 375 039 02 | Transmission carrier | -00 | 1 | M339 |
| (1) | 996 375 039 03 | Transmission carrier | 01- | 1 | |
| 2 | 996 375 031 07 | Transmission carrier | | 1 | -01 |
| 2 | 996 375 031 08 | Transmission carrier | | 1 | 02- |
| 3 | 996 375 255 04 | Stop | | 2 | -02 |
| 3 | 996 375 255 05 | Stop | | 2 | 02- |
| 3A | 996 375 333 00 | Packing plate | | 2 | |
| 4 | 900 378 167 09 | Hexagon-head bolt M 10 X 110 | | 2 | |
| 4 | 900 378 294 01 | Hexagon-head bolt M 10 X 110 | | 2 | |
| 5 | 999 061 106 09 | Stud M 10 X 83 | | 2 | |
| 6 | 900 380 008 09 | Lock nut M 10 | | 2 | |
| (6A) | 999 076 053 09 | Hexagon nut M 10 | | 6 | |
| 7 | 999 072 010 09 | Hexagon-head bolt M 12 X 1,5 X 100 | | 2 | |
| 7 | 999 072 010 01 | Hexagon-head bolt M 12 X 1,5 X 100 | | 2 | |
| - | 999 073 119 09 | Pan-head screw Inner M 10 X 50 | | 1 | |
| 8 | 999 072 008 09 | Hexagon-head bolt M 12 X 1,5 X 70 | | 3 | |
| 8 | 999 072 008 01 | Hexagon-head bolt M 12 X 1,5 X 70 | | 3 | |
| 9 | 900 378 061 09 | Hexagon-head bolt M 12 X 1,5 X 50 | | 1 | |
| 9 | 900 378 061 01 | Hexagon-head bolt M 12 X 1,5 X 50 | | 1 | |
| 10 | 900 378 076 09 | Hexagon-head bolt M 10 X 50 | | 1 | |
| 10 | 900 378 076 01 | Hexagon-head bolt M 10 X 50 | | 1 | |
| 11 | 900 377 011 09 | Hexagon nut M 10 | | 1 | |
| 11 | 900 377 011 01 | Hexagon nut M 10 | | 1 | |

Model: 996 98

Model life 1998>>2005

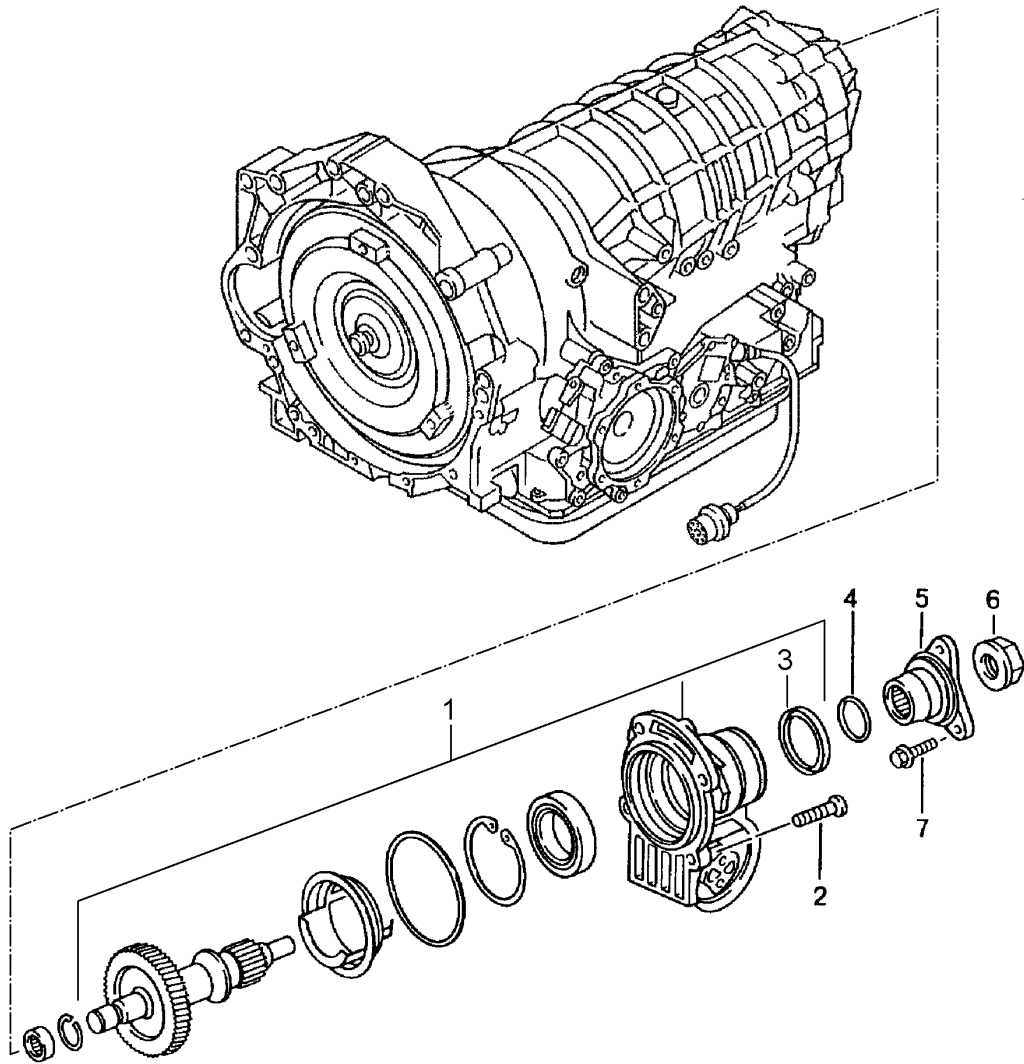


Model: 996 98 Model life 1998>>2005

| Pos | Part Number | Description | Remark | Qty | Model |
|-----|----------------|--------------------------|--------|-----|--------|
| | | Tiptronic | -01 | | A96.00 |
| | | | 99-01 | | M338 |
| | | Replacement transmission | | | A96.30 |
| | | Not | | | M339 |
| | | Ready for installation | | | |
| 1 | 996 300 911 00 | Transmission | 98 | 1 | M338 |
| (1) | 996 300 011 00 | Transmission | 98 | 1 | M338 |
| (1) | 996 300 011 02 | Transmission | 99-00 | 1 | M338 |
| | | F >>99XS6 00762 | | | |
| | | F >>99XS6 23794 | | | |
| | | F >>99XS6 40394 | | | |
| | | F >>99XS6 52188 | | | |
| | | Use also: | | | |
| | | 996.618.114.02 | | | |
| (1) | 996 300 011 03 | Transmission | 01 | 1 | M338 |
| (1) | 996 300 011 30 | Transmission | 99- | 1 | M339 |
| | | F >>991S6 00606 | | | |
| | | F >>991S6 40456 | | | |
| | | F >>991S6 00987 | | | |
| | | F >>991S6 40767 | | | |
| (1) | 996 300 011 33 | Transmission | | 1 | M339 |
| | | F 991S6 00607>> | | | |
| | | F 991S6 40457>> | | | |
| | | F 991S6 00988>> | | | |
| | | F 991S6 40768>> | | | |
| | | Use also: | | | |
| | | 996.426.380.50 | | 1 | |
| 2 | 000 043 205 09 | Transmission oil | | X | |
| | | ATF | | | |
| | | 20 LTR. | | | |
| | | Container | | | |
| 3 | 999 917 546 00 | Transmission oil | | X | |
| | | 75 W 90 | | | |
| | | 1 LTR. | | | |
| | | Container | | | |

Model: 996 98

Model life 1998>>2005



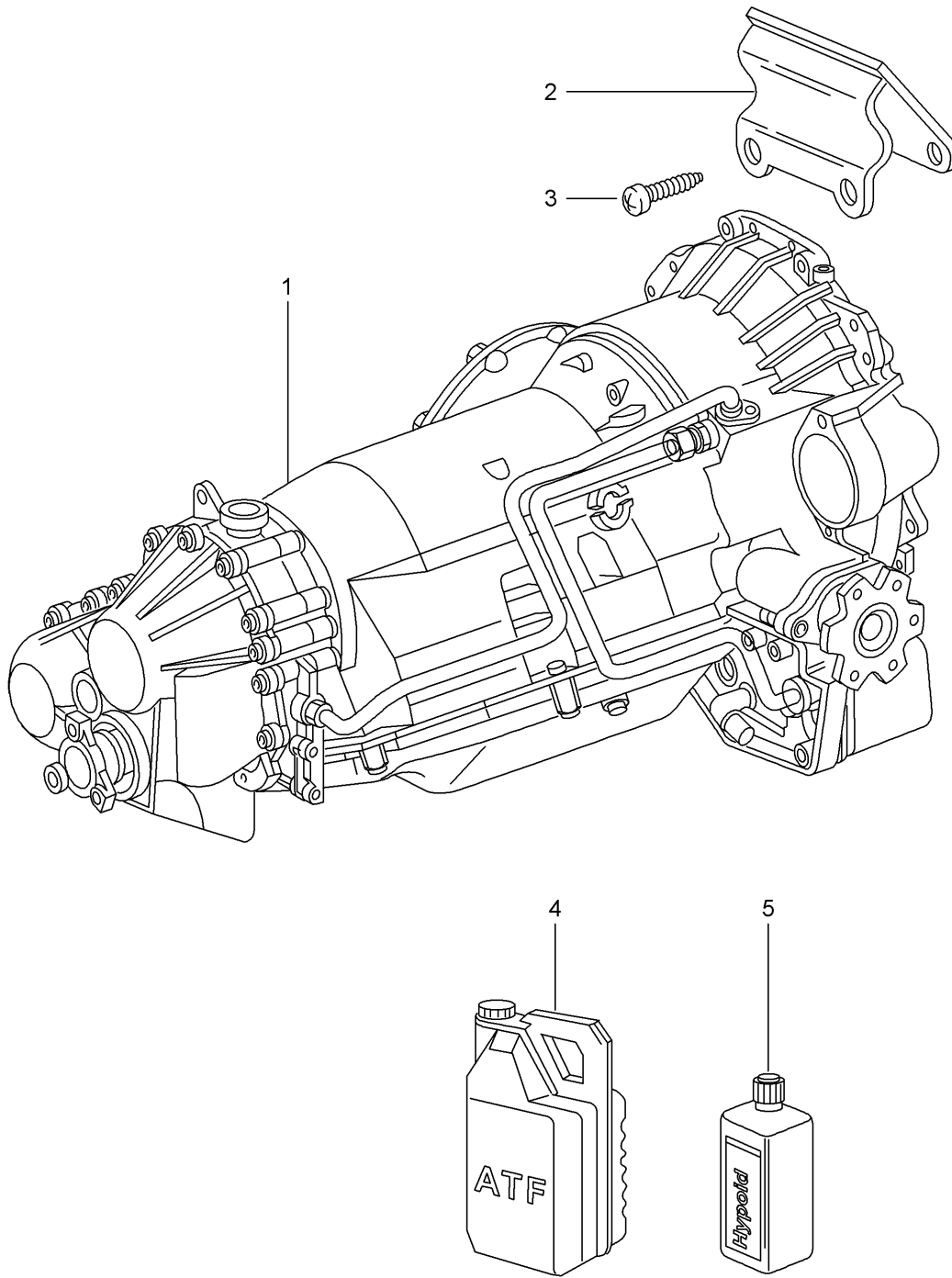
Model: 996 98

Model life 1998>>2005

| Pos | Part Number | Description | Remark | Qty | Model |
|-----|----------------|--------------------------------|--------|-----|----------------|
| | | Tiptronic | 99-01 | | A96.30 M339 |
| | | All-wheel Driving mechanism | | | |
| 1 | 996 321 056 00 | Transmission bracket | | 1 | |
| 1 | 996 321 056 X | Transmission bracket | | 1 | |
| 2 | 996 397 011 00 | Torx screw M 10 X 35 | | 4 | |
| 3 | 996 397 012 00 | Shaft sealing ring | | 1 | |
| 4 | 996 397 013 00 | Round seal | | 1 | |
| 5 | 996 302 301 30 | Flange | | 1 | |
| 6 | 944 332 293 00 | Collar nut M 20 X 1,5 | | 1 | |
| 7 | 900 378 101 09 | Hexagon-head bolt M 10 X 35 | | 3 | |

Model: 996 98

Model life 1998>>2005



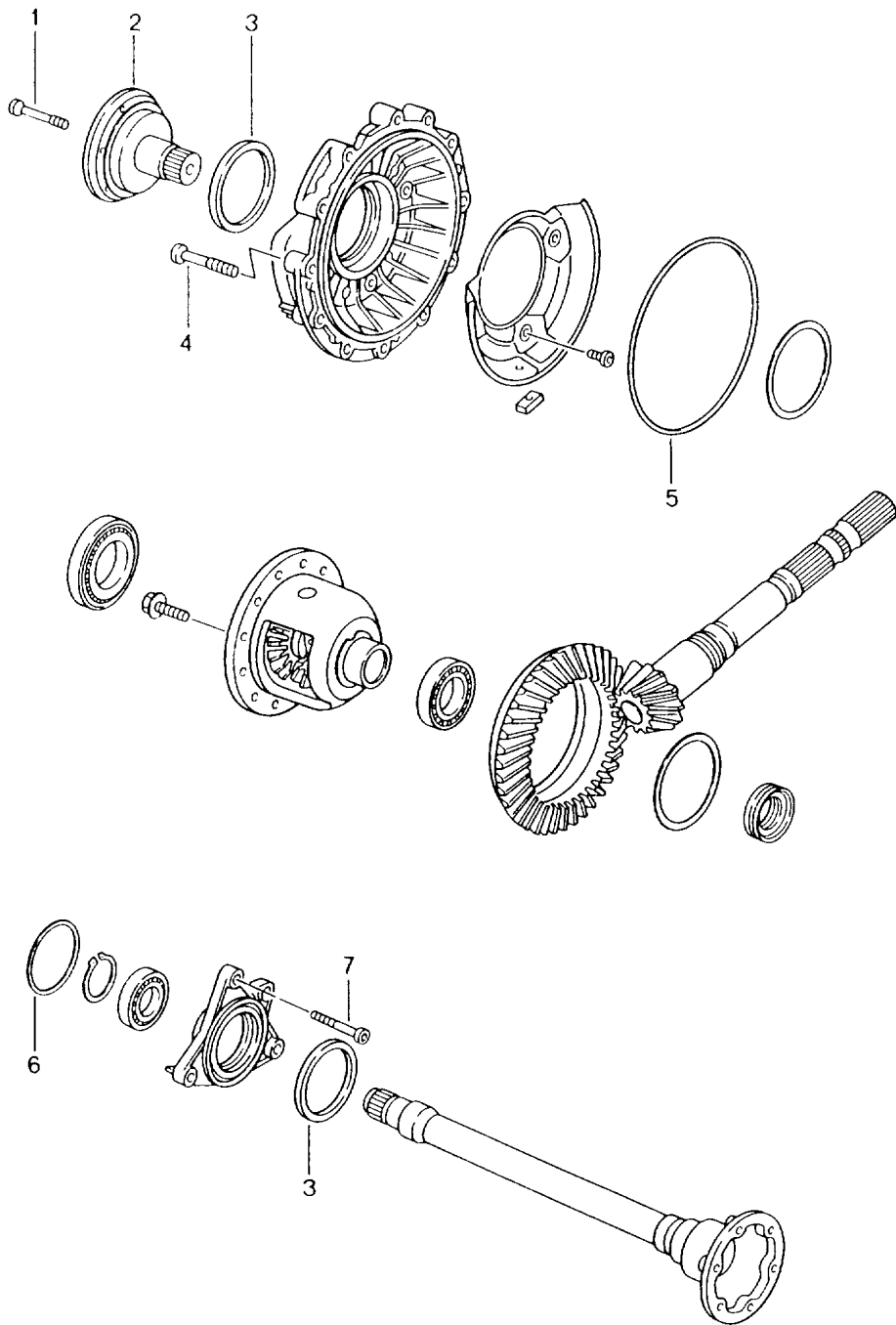
Model: 996 98

Model life 1998>>2005

| Pos | Part Number | Description | Remark | Qty | Model |
|-----|----------------|--|--------|-----|--------|
| | | Tiptronic | 02- | | A96.10 |
| | | | 02- | | M338 |
| | | Replacement transmission | | | A96.35 |
| | | Transmission | | | M339 |
| 1 | 722 270 050 0 | Transmission | | 1 | A96.10 |
| (1) | 722 270 060 0 | Transmission | | 1 | A96.35 |
| 2 | 996 449 101 50 | Hook | | 1 | |
| 2 | 997 449 101 50 | Hook | | 1 | |
| 3 | 999 073 190 09 | Oval-head screw M 8 X 60 | | 2 | |
| 4 | 000 043 204 41 | Transmission oil ATF 20 LTR. Container | | X | |
| 5 | 999 917 546 00 | Transmission oil 75 W 90 1 LTR. Container | | X | |
| - | 996 116 101 10 | Intermediate housing | | 1 | |

Model: 996 98

Model life 1998>>2005



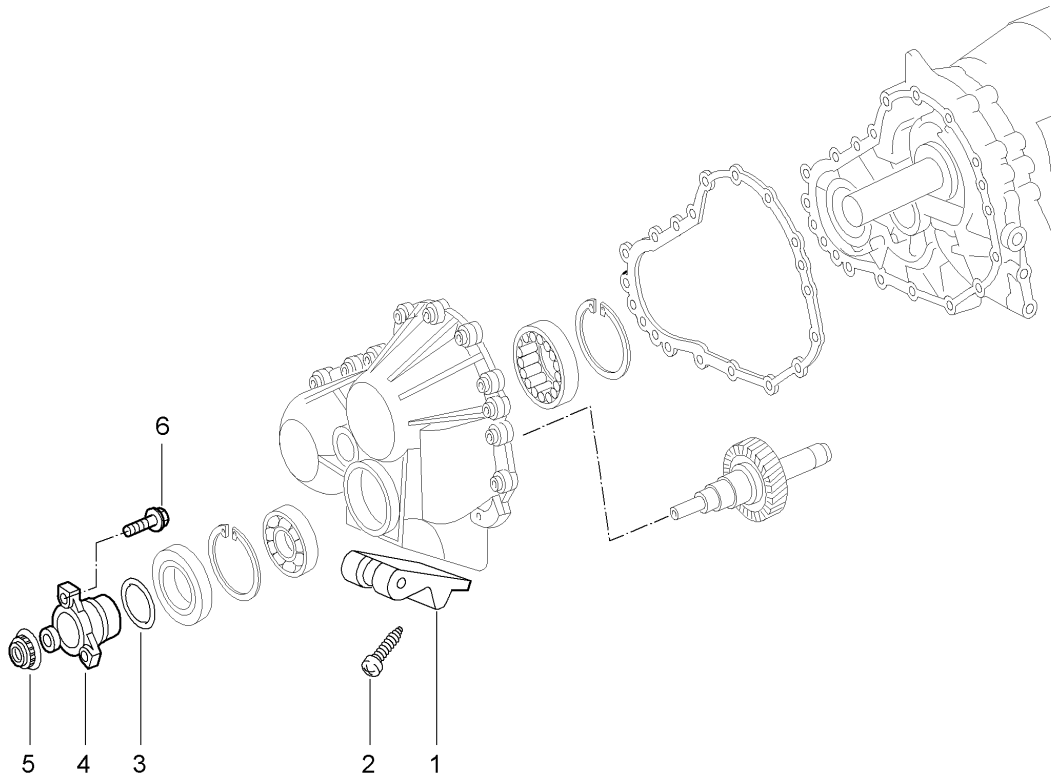
Model: 996 98

Model life 1998>>2005

| Pos | Part Number | Description | Remark | Qty | Model |
|-----|----------------|---|--------|-----|--|
| | | Tiptronic | | | A96.00/10 M338 A96.30/35 M339 |
| 1 | 944 332 587 00 | Differential Differential housing Elastic bolt M 8 | | 1 | |
| 2 | 996 332 202 00 | Drive flange | | 1 | |
| 3 | 996 397 004 00 | Shaft sealing ring for Lid | 99- | 1 | A96.00 A96.30 |
| 3 | 999 113 484 40 | Shaft sealing ring for Lid | | 1 | A96.10/35 |
| (3) | 996 397 015 00 | Shaft sealing ring for Flange | 99- | 1 | A96.00 A96.30 |
| (3) | 999 113 482 40 | Shaft sealing ring for Flange | | 1 | A96.10/35 |
| 4 | 986 397 029 00 | Pan-head screw M 8 X 45 | | 12 | |
| 5 | 996 397 005 00 | Round seal | | 1 | |
| 6 | 986 397 034 00 | Round seal | | 1 | |
| 7 | 996 397 007 00 | Pan-head screw M 8 X 30 | | 3 | |
| - | 986 397 026 00 | Screw plug | | 1 | |
| - | 986 397 026 01 | Screw plug | | 1 | |

Model: 996 98

Model life 1998>>2005



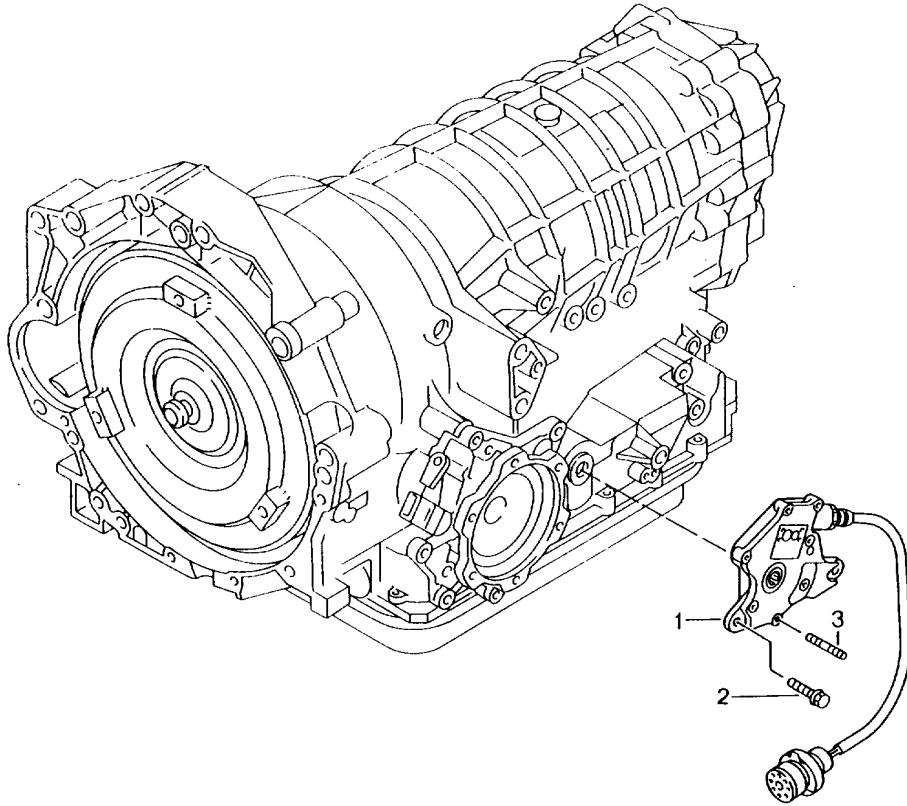
Model: 996 98

Model life 1998>>2005

| Pos | Part Number | Description | Remark | Qty | Model |
|-----|----------------|--------------------|--------|-----|--------|
| | | Tiptronic | | | A96.35 |
| | | All-wheel | 02- | | M339 |
| | | Driving mechanism | | | |
| 1 | 722 260 006 2 | Bearing | | 1 | |
| 2 | 999 073 178 09 | Oval-head screw | | 4 | |
| | | M 8 X 30 | | | |
| 3 | 168 997 004 5 | O-ring | | 1 | |
| | | 28 X 3 | | | |
| 4 | 722 270 022 0 | Flange | | 1 | |
| 5 | 140 990 115 0 | Collar nut | | 1 | |
| | | M 26 X 1,5 | | | |
| 6 | 900 378 101 09 | Hexagon-head bolt | | 3 | |
| | | AM 10 X 35 | | | |
| - | 022 997 944 7 | Shaft sealing ring | | 1 | |

Model: 996 98

Model life 1998>>2005



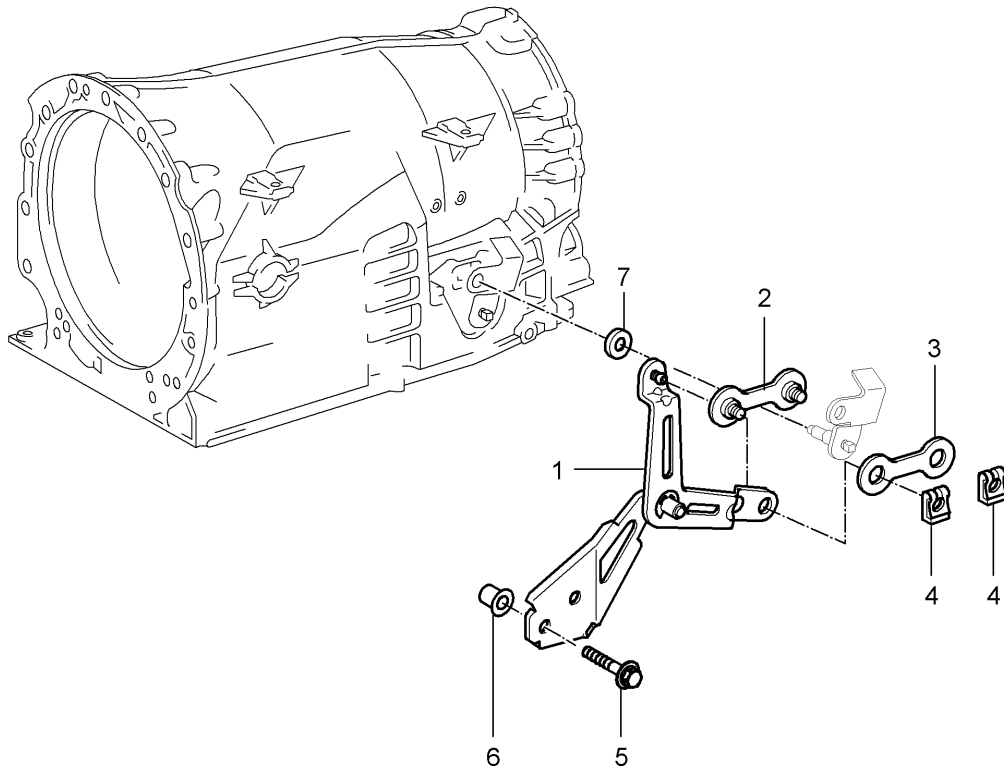
Model: 996 98

Model life 1998>>2005

| Pos | Part Number | Description | Remark | Qty | Model |
|-----|----------------|--------------------|--------|-----|--------|
| | | Tiptronic | -01 | | A96.00 |
| | | | 99-01 | | M338 |
| | | | | | A96.30 |
| | | | | | M339 |
| | | Selector switch | | | |
| | | Sealing rubber | | | |
| | | Of | | | |
| | | Housing | | | |
| 1 | 986 325 612 00 | Switch | | 1 | |
| 2 | 986 397 025 00 | Pan-head screw | | 2 | |
| | | M 6 X 15 | | | |
| 2 | 986 397 025 01 | Pan-head screw | | 2 | |
| | | M 6 X 15 | | | |
| 3 | 986 397 024 00 | Straight pin | | 1 | |
| | | M 6 X 14 | | | |
| - | 996 397 008 00 | Shaft sealing ring | | 1 | |
| - | 996 397 008 01 | Shaft sealing ring | | 1 | |
| - | 986 397 037 00 | Tensioning sleeve | | 1 | |
| - | 996 426 901 00 | Gearshift lever | | 1 | |
| - | 722 271 028 7 | Sealing rubber | | 2 | |
| | | Of | | | |
| | | Housing | | | |

Model: 996 98

Model life 1998>>2005



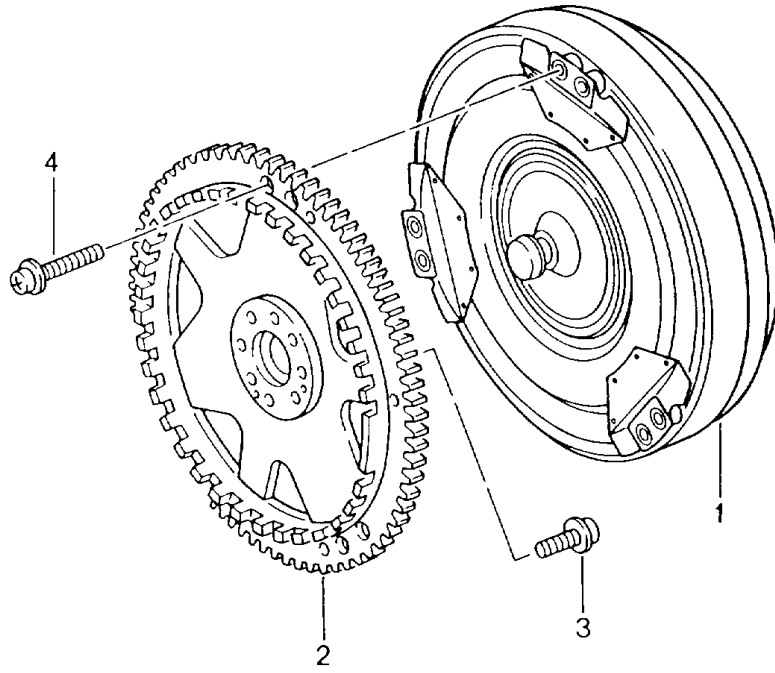
Model: 996 98

Model life 1998>>2005

| Pos | Part Number | Description | Remark | Qty | Model |
|-----|----------------|--------------------|--------|-----|--------|
| | | Tiptronic | 02- | | A96.10 |
| | | | 02- | | M338 |
| | | | | | A96.35 |
| | | | | | M339 |
| 1 | 722 270 011 0 | Selector lever | | 1 | |
| 2 | 722 270 025 9 | Selector lever | | 2 | |
| (2) | 722 270 055 9 | Lever | | 2 | |
| 3 | 722 278 032 0 | Lever | | 1 | |
| 4 | 999 166 079 02 | Lever | | 2 | |
| 5 | 999 073 095 01 | Lock washer | | 2 | |
| | | Oval-head screw | | | |
| | | M8 X 30 | | | |
| 6 | 722 992 002 0 | Sleeve | | 1 | |
| 7 | 009 997 484 7 | Shaft sealing ring | | 1 | |
| | | Selector lever | | | |

Model: 996 98

Model life 1998>>2005



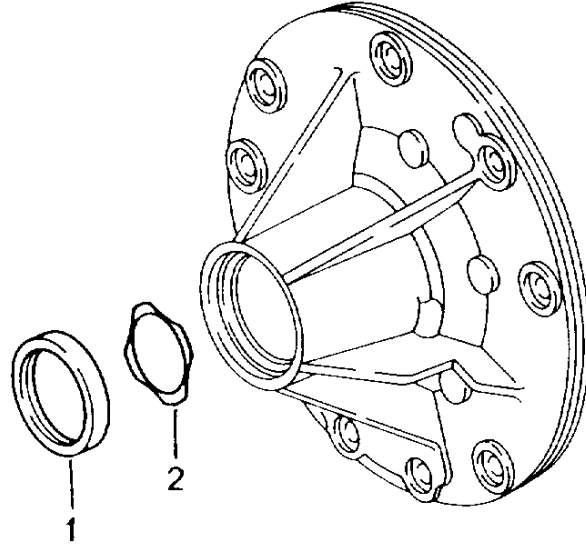
Model: 996 98

Model life 1998>>2005

| Pos | Part Number | Description | Remark | Qty | Model |
|-----|----------------|---------------------------------|--------|-----|--------|
| | | Tiptronic | -01 | | A96.00 |
| | | | 99-01 | | M338 |
| | | Torque converter | | | A96.30 |
| | | Drive plate | | | M339 |
| 1 | 996 316 001 00 | Torque converter | | 1 | |
| 1 | 996 316 001 01 | Torque converter | | 1 | |
| 2 | 996 116 075 07 | Drive plate | | 1 | |
| 3 | 999 073 091 09 | Pan-head screw M 10 X 1 X 25 | | 8 | |
| 4 | 900 067 369 09 | Pan-head screw M 8 X 20 | | 6 | |

Model: 996 98

Model life 1998>>2005



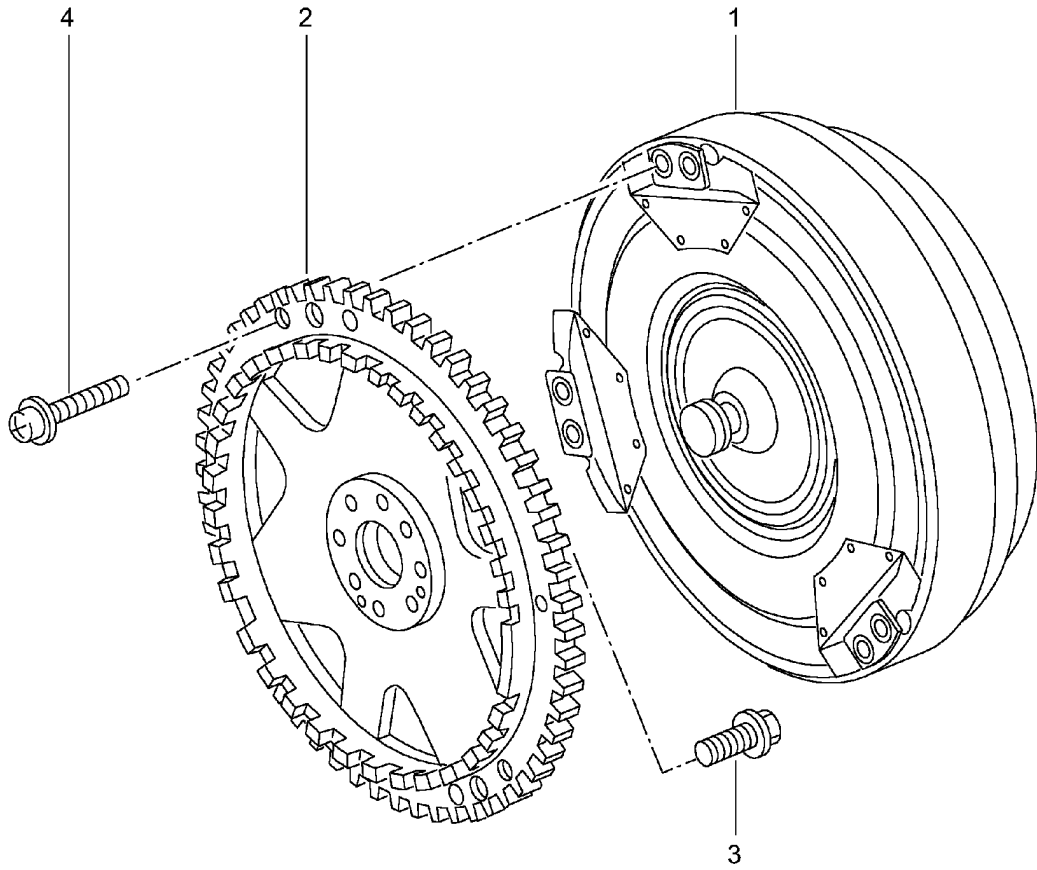
Model: 996 98

Model life 1998>>2005

| Pos | Part Number | Description | Remark | Qty | Model |
|-----|----------------|--------------------|--------|-----|--------|
| | | Tiptronic | -01 | | A96.00 |
| | | | 99-01 | | M338 |
| | | Oil pump | | | A96.30 |
| 1 | 996 397 010 00 | Shaft sealing ring | | 1 | M339 |
| 2 | 986 397 012 00 | Washer | | 1 | |

Model: 996 98

Model life 1998>>2005



Model: 996 98

Model life 1998>>2005

| Pos | Part Number | Description | Remark | Qty | Model |
|-----|----------------|--|--------|-----|-----------|
| | | Tiptronic Torque converter Drive plate | 02- | | A96.10/35 |
| 1 | 722 250 120 2 | Torque converter | | 1 | |
| 2 | 996 116 075 16 | Drive plate | | 1 | |
| 3 | 999 073 091 09 | Pan-head screw M 10 X 1 X 25 | | 8 | |
| 4 | 900 067 369 09 | Pan-head screw M 8 X 20 | | 6 | |
| - | 018 997 044 7 | Sealing ring for Oil pump | | 1 | |

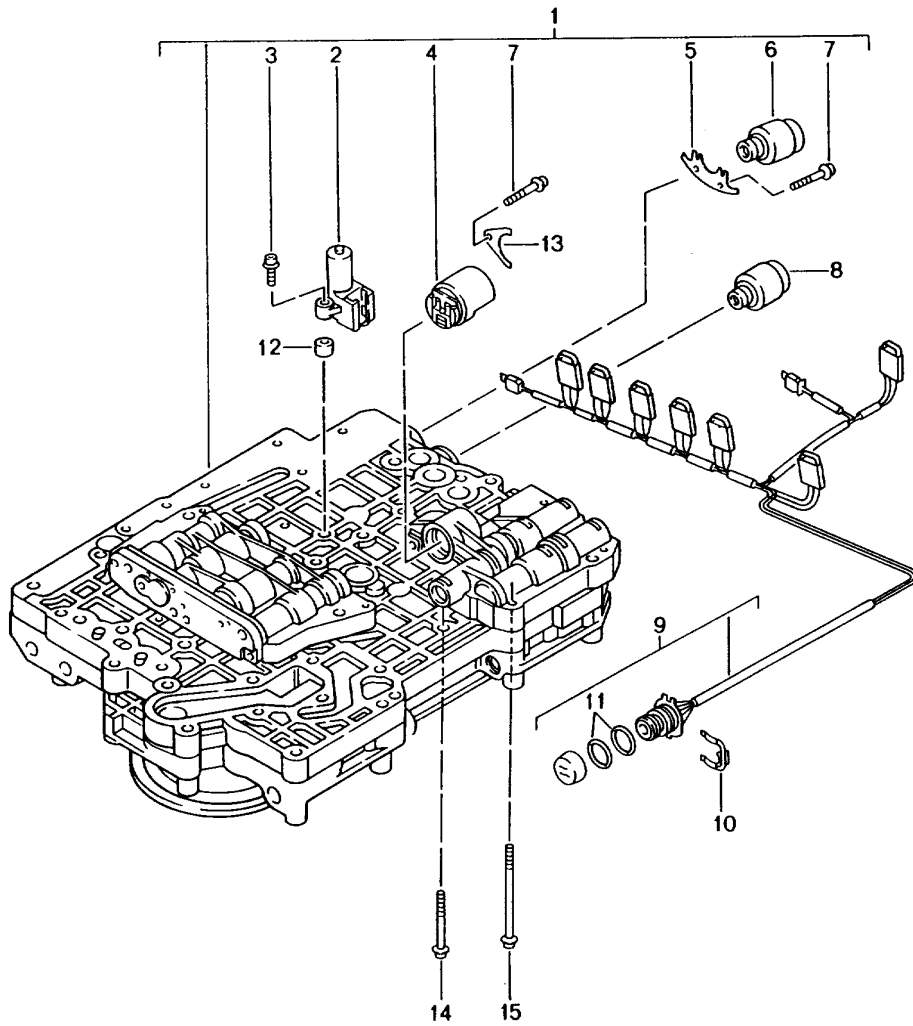
Model: 996 98

Model life 1998>>2005

| Pos | Part Number | Description | Remark | Qty | Model |
|-----|----------------|------------------|--------|-----|-----------|
| | | Tiptronic | -01 | | A96.00/30 |
| | | Oil filter | | | |
| | | Oil pan | | | |
| 1 | 986 321 025 02 | Oil pan | | 1 | |
| 2 | 986 397 016 00 | Gasket | | 1 | |
| 3 | 943 397 039 00 | Pan-head screw | | 27 | |
| | | M 6 X 20 | | | |
| 4 | 986 397 014 00 | Round seal | | 1 | |
| 5 | 986 397 015 00 | Screw plug | | 1 | |
| | | M 30 X 1,5 | | | |
| 5 | 986 397 015 01 | Screw plug | | 1 | |
| | | M 30 X 1,5 | | | |
| 6 | 986 397 013 00 | Screw plug | | 1 | |
| | | M 16 X 1,5 | | | |
| 7 | 943 397 045 00 | Pan-head screw | | 2 | |
| | | M 5 X 12 | | | |
| 8 | 996 307 403 00 | Filter | | 1 | |
| 9 | 996 307 055 11 | Connection piece | | 1 | |
| | | Oil inlet | | | |
| 10 | 900 123 007 30 | Sealing ring | | 2 | |
| | | 14 X 18 | | | |
| 11 | 900 070 011 01 | Cap nut | | 1 | |
| | | M14 X 1,5 | | | |

Model: 996 98

Model life 1998>>2005

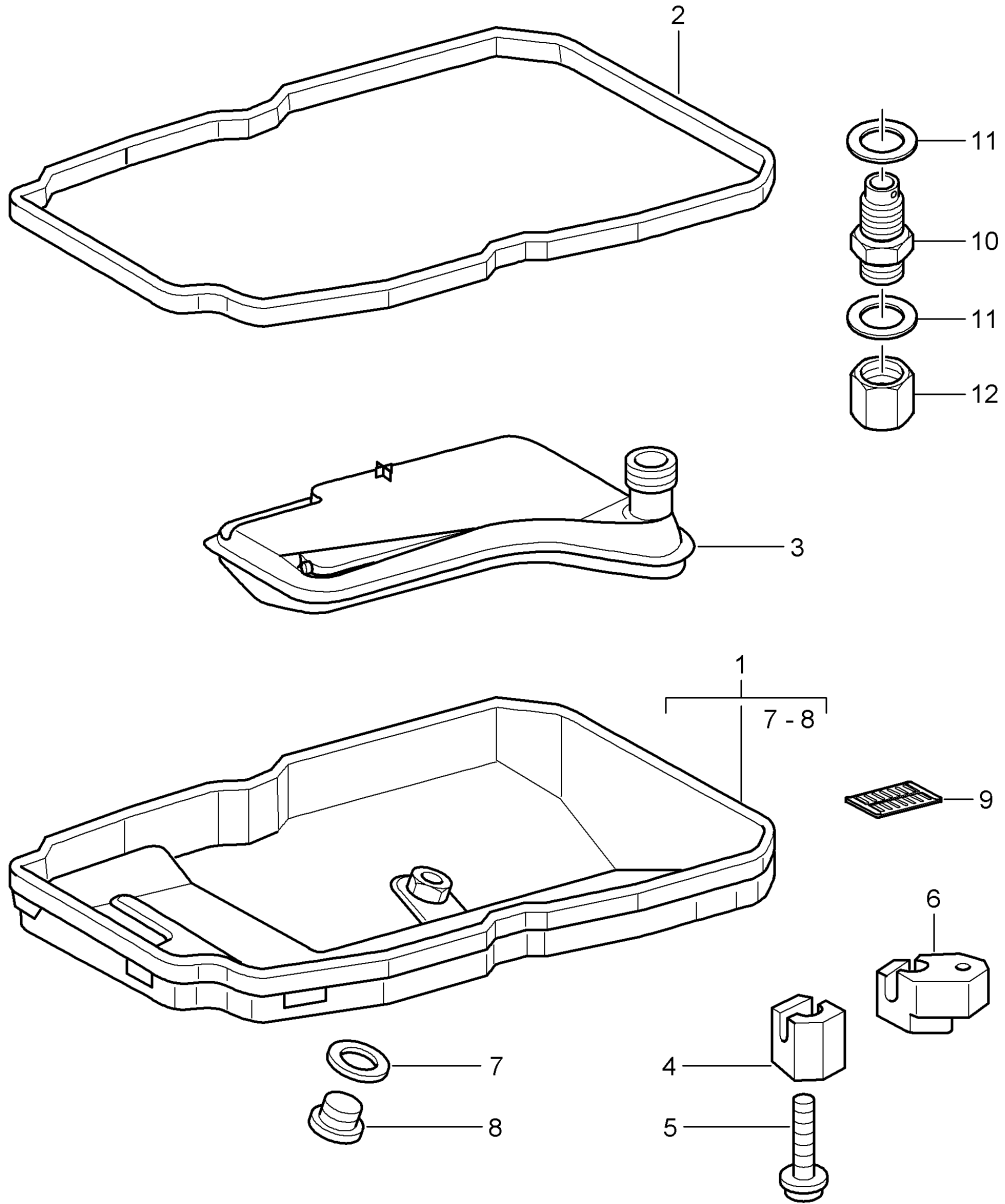


Model: 996 98 Model life 1998>>2005

| Pos | Part Number | Description | Remark | Qty | Model |
|-----|----------------|--|--------|-----|-----------|
| | | Tiptronic Switch unit Solenoid valve Pressure regulator | -01 | | A96.00/30 |
| 1 | 996 325 617 00 | Switch unit Type label Transmission case Attention To Use | | 1 | |
| (1) | 996 325 617 02 | bis 1060 050 002 4966 Switch unit Type label Transmission case Attention To Use | | 1 | |
| 2 | 986 325 608 00 | ab 1060 050 003 4967 Inductive transmitter | | 1 | |
| 3 | 986 397 019 00 | Pan-head screw M 5 X 40 | | 2 | |
| 4 | 986 325 604 00 | Pressure regulator Type label Transmission case Attention To Use | | 1 | |
| 4 | 986 325 604 01 | bis 1060 050 002 4966 Pressure regulator Type label Transmission case Attention To Use | | 1 | |
| 5 | 986 325 615 00 | ab 1060 050 003 4967 Retaining bracket | | 2 | |
| 6 | 996 325 601 00 | Solenoid valve | | 3 | |
| 7 | 943 397 045 00 | Pan-head screw M 5 X 12 | | 5 | |
| 8 | 986 325 603 00 | Pressure regulator | | 3 | |
| 9 | 996 325 611 00 | Wiring harness | | 1 | |
| 10 | 986 397 018 00 | Clamp | | 1 | |
| 10 | 986 397 018 01 | Clamp | | 1 | |
| 11 | 986 397 017 00 | Round seal | | 2 | |
| 12 | 986 397 020 00 | Spacer ring | | 2 | |
| 13 | 996 325 111 00 | Retaining bracket | | 1 | |
| 14 | 943 397 013 00 | Pan-head screw M 6 X 30 | | 1 | |
| 15 | 943 397 005 00 | Pan-head screw M 6 X 60 | | 16 | |
| 16 | 986 325 609 00 | Inductive transmitter | | 1 | |
| 17 | 996 397 001 00 | Spacer ring | | 1 | |
| 18 | 996 397 002 00 | Pan-head screw M 6 X 27 | | 1 | |

Model: 996 98

Model life 1998>>2005



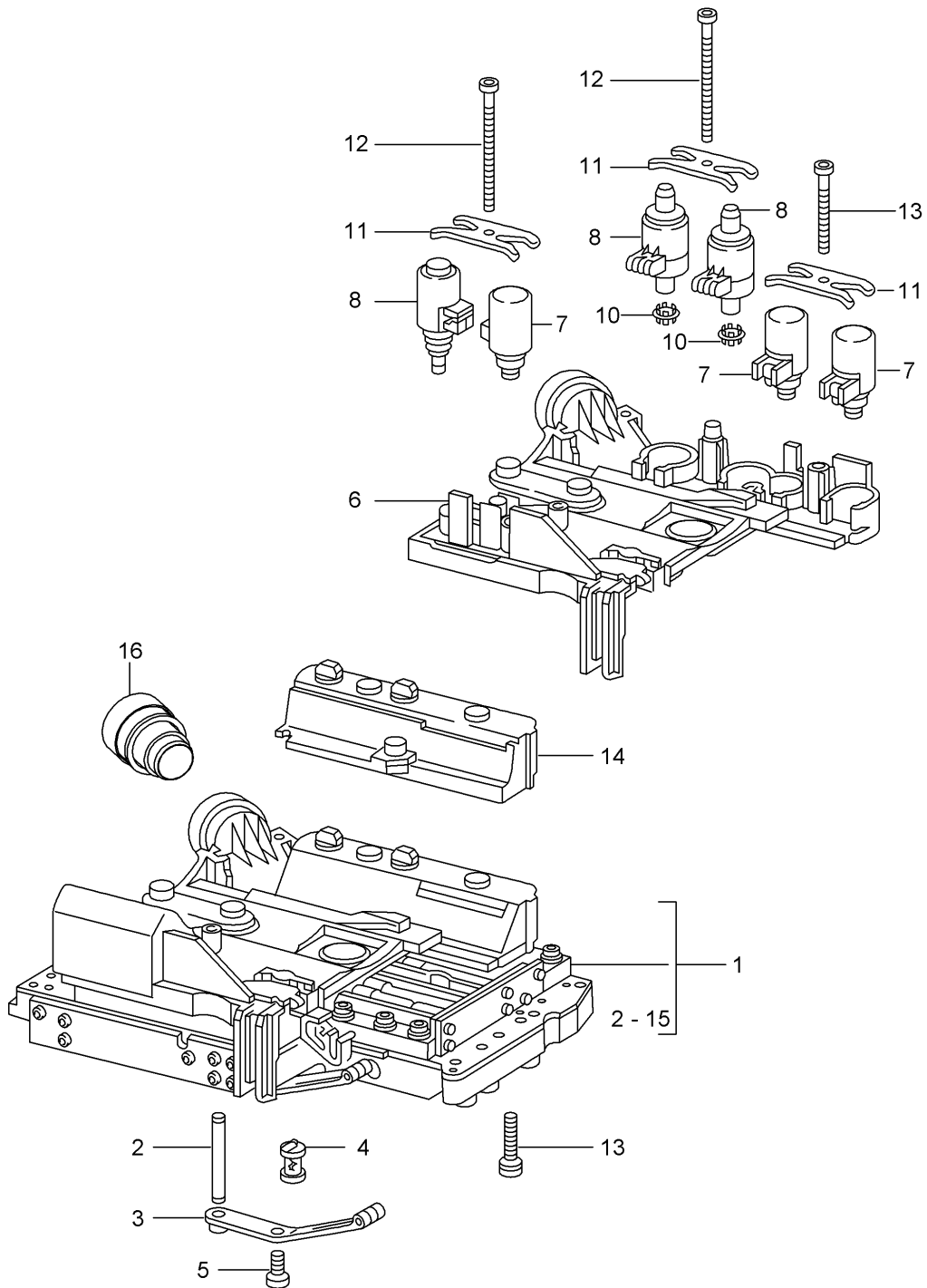
Model: 996 98

Model life 1998>>2005

| Pos | Part Number | Description | Remark | Qty | Model |
|-----|----------------|-------------------------------|--------|-----|-----------|
| | | Tiptronic | 02- | | A96.10/35 |
| | | Oil filter | | | |
| | | Oil pan | | | |
| 1 | 722 270 161 2 | Oil pan | | 1 | |
| 2 | 140 271 008 0 | Gasket | | 1 | |
| 3 | 722 277 009 5 | Oil filter | | 1 | |
| 4 | 140 271 006 8 | Clamping sleeve | | 6 | |
| 5 | 999 073 202 09 | Pan-head screw M 6 X 22 | | 6 | |
| 5 | 999 073 202 01 | Pan-head screw M 6 X 22 | | 6 | |
| 6 | 140 271 016 8 | Clamping sleeve | | X | |
| 7 | 900 123 062 20 | Sealing ring | | 2 | |
| 8 | 900 219 007 02 | Screw plug | | 2 | |
| 8 | 900 219 007 01 | Screw plug | | 2 | |
| 9 | 220 271 009 8 | Magnet | | 1 | |
| 10 | 996 307 055 11 | Connection piece Oil inlet | | 1 | |
| 11 | 900 123 007 30 | Sealing ring 14 X 18 | | 2 | |
| 12 | 900 070 011 01 | Cap nut M14 X 1,5 | | 1 | |

Model: 996 98

Model life 1998>>2005



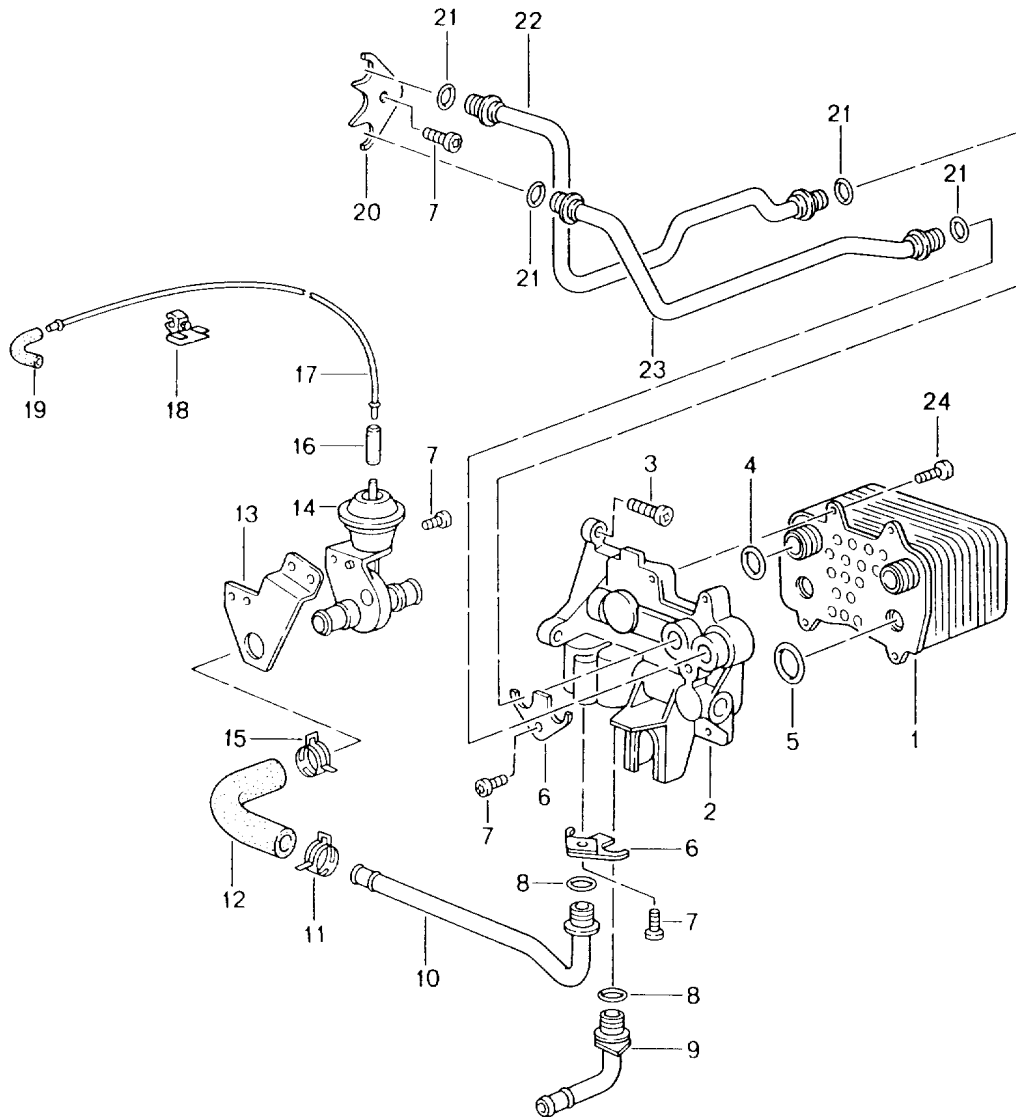
Model: 996 98

Model life 1998>>2005

| Pos | Part Number | Description | Remark | Qty | Model |
|-----|----------------|--------------------|--------|-----|--------|
| | | Tiptronic | 02- | | A96.10 |
| | | | 02- | | M338 |
| | | | | | A96.35 |
| | | | | | M339 |
| | | Switch unit | | | |
| | | Solenoid valve | | | |
| | | Pressure regulator | | | |
| 1 | 722 270 020 6 | Switch unit | | 1 | |
| 2 | 140 277 007 5 | Pin | | 1 | |
| 3 | 140 270 017 8 | Spring | | 1 | |
| 4 | 140 270 029 8 | Filter | | 1 | |
| 5 | 170 990 012 0 | Screw | | 1 | |
| 6 | 140 270 056 1 | Cover plate | | 1 | |
| | | Electronic unit | | | |
| 6 | 140 270 086 1 | Cover plate | | 1 | |
| | | Electronic unit | | | |
| 6 | 140 270 116 1 | Cover plate | | 1 | |
| | | Electronic unit | | | |
| 7 | 140 277 053 5 | Valve | | 3 | |
| 8 | 140 277 039 8 | Solenoid valve | | 2 | |
| 9 | 140 277 043 5 | Solenoid valve | | 1 | |
| 10 | 140 270 049 8 | Filter | | 2 | |
| 11 | 140 276 000 3 | Spring plate | | 3 | |
| 12 | 140 277 107 1 | Screw | | 2 | |
| 13 | 140 277 117 10 | Screw | | 1 | |
| 14 | 140 271 078 2 | Cover | | 1 | |
| 15 | 140 277 067 1 | Screw | | 10 | |
| 16 | 000 043 207 28 | Cable guide | | 1 | |

Model: 996 98

Model life 1998>>2005



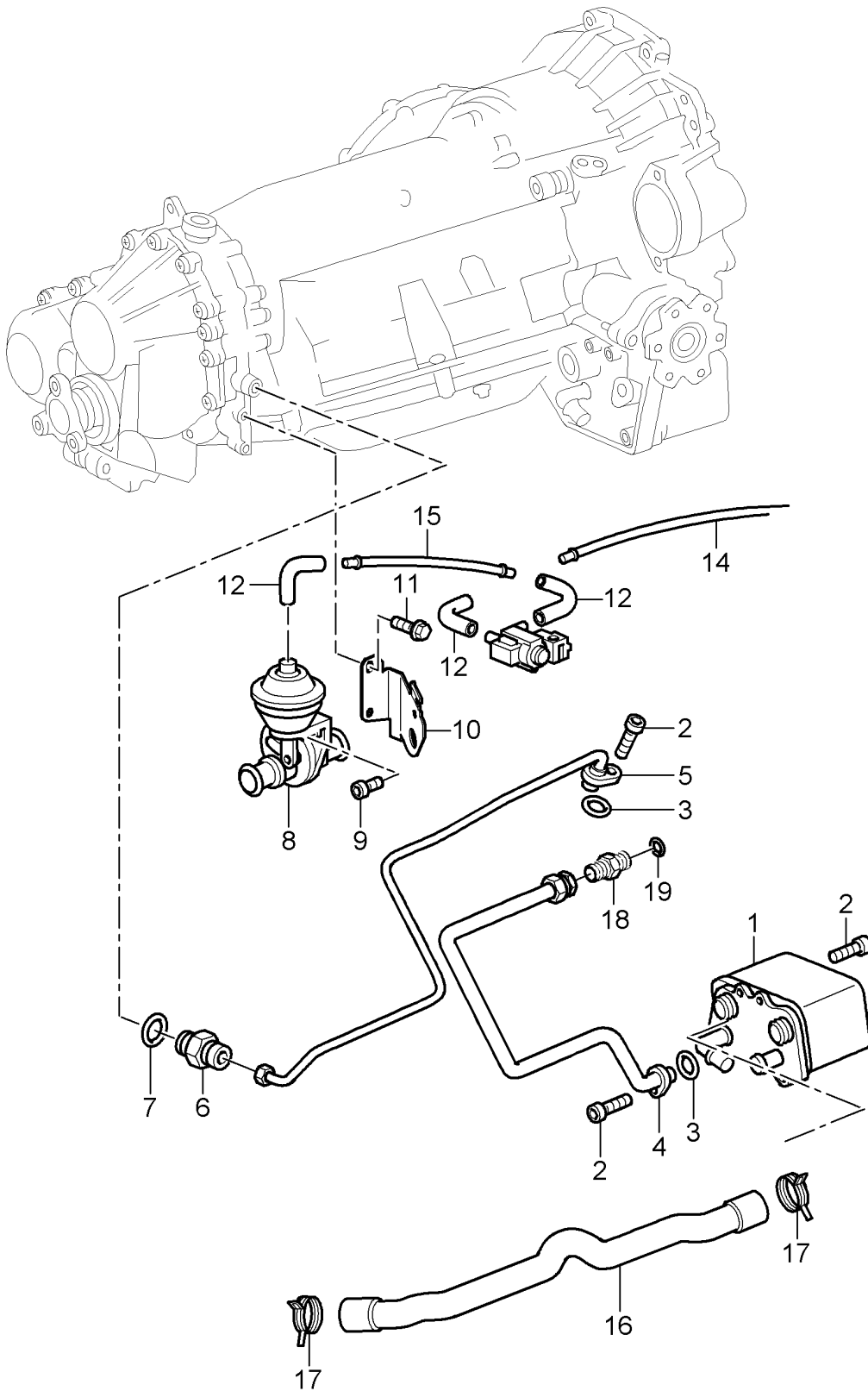
Model: 996 98

Model life 1998>>2005

| Pos | Part Number | Description | Remark | Qty | Model |
|-----|----------------|------------------|--------|-----|--------|
| | | Tiptronic | -01 | | A96.00 |
| | | | 99-01 | | M338 |
| | | | | | A96.30 |
| | | | | | M339 |
| | | Atf cooler | | | |
| | | Atf lines | | | |
| 1 | 996 307 017 01 | Atf cooler | | 1 | |
| 2 | 996 307 020 01 | Port plate | | 2 | |
| | | 18,64 X 3,53 | | | |
| 3 | 999 073 095 09 | Oval-head screw | | 3 | |
| | | M 8 X 30 | | | |
| 3 | 999 073 095 01 | Oval-head screw | | 3 | |
| | | M 8 X 30 | | | |
| 4 | 999 707 388 40 | O-ring | | 2 | |
| | | 18,6 X 3,5 | | | |
| 5 | 900 331 034 40 | O-ring | | 2 | |
| | | 25,8 X 3,5 | | | |
| 6 | 996 307 144 00 | Support | | 2 | |
| 7 | 999 073 094 09 | Oval-head screw | | 5 | |
| | | M 8 X 20 | | | |
| 8 | 999 707 387 40 | O-ring | | 2 | |
| | | 15 X 2,5 | | | |
| 9 | 996 307 077 03 | Water line | 99- | 1 | |
| | | Return line | | | |
| 10 | 996 307 075 01 | Water line | | 1 | |
| | | Supply | | | |
| 11 | 999 512 552 00 | Hose clamp | | 1 | |
| | | 25 X 12 | | | |
| 11 | 999 512 552 01 | Hose clamp | | 1 | |
| | | 25 X 12 | | | |
| 12 | 996 307 651 00 | Moulded hose | | 1 | |
| 13 | 996 307 401 00 | Plate | | 1 | |
| 14 | 928 574 573 03 | Disc valve | | 1 | |
| 14 | 928 574 573 04 | Disc valve | | 1 | |
| - | 986 307 507 00 | Cap | | 1 | |
| 15 | 999 512 655 09 | Hose clamp | | 1 | |
| | | 22 X 12 | | | |
| 16 | 999 239 040 40 | Connecting piece | | 1 | |
| | | 3,5 X 2 X 28 | | | |
| - | 000 043 205 01 | Pipe | | 1 | |
| | | 4 X 1 X 870 | | | |
| 18 | 996 307 061 00 | Clamp | | 1 | |
| - | 999 591 965 40 | Hose holder | | 1 | |
| 19 | 928 574 717 03 | Moulded hose | | 1 | |
| 20 | 996 307 147 01 | Support | | 4 | |
| 21 | 999 707 386 40 | O-ring | | 4 | |
| | | 12,3 X 2,6 | | | |
| 22 | 996 307 085 01 | Oil pipe | | 1 | |
| | | Return line | | | |
| 23 | 996 307 082 01 | Oil pipe | | 1 | |
| | | Supply | | | |
| 24 | 999 073 103 09 | Oval-head screw | | 4 | |
| | | M 6 X 16 | | | |

Model: 996 98

Model life 1998>>2005

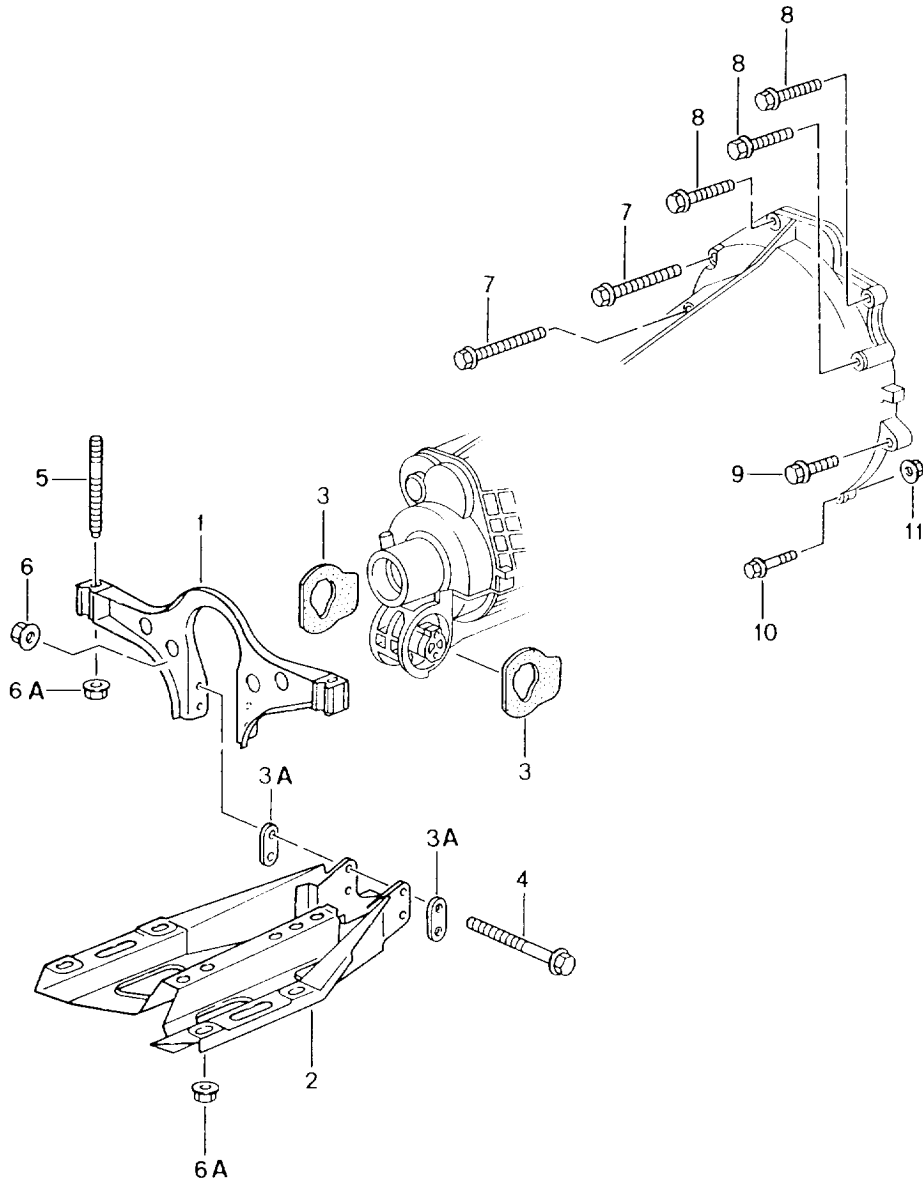


Model: 996 98 Model life 1998>>2005

| Pos | Part Number | Description | Remark | Qty | Model |
|-----|----------------|-------------------|--------|-----|--------|
| | | Tiptronic | 02- | | A96.10 |
| | | | 02- | | M338 |
| | | | | | A96.35 |
| | | | | | M339 |
| | | Atf cooler | | | |
| | | Atf lines | | | |
| 1 | 722 270 009 5 | Atf cooler | | 1 | |
| (1) | 722 270 049 5 | Atf cooler | | 1 | |
| 2 | 999 073 103 09 | Oval-head screw | | 6 | |
| | | M 6 X 16 | | | |
| 3 | 029 997 184 8 | Sealing ring | | 2 | |
| | | 12,37 X 2,62 | | | |
| 4 | 722 270 089 6 | Oil pipe | | 2 | |
| 5 | 722 270 079 6 | Oil pipe | | 1 | |
| 6 | 000 997 117 1 | Screw socket | | 1 | |
| 7 | 900 123 005 30 | Sealing ring | | 1 | |
| | | A 12 X 16 | | | |
| 8 | 928 574 573 03 | Disc valve | | 1 | |
| 8 | 928 574 573 04 | Disc valve | | 1 | |
| | | Use also: | | | |
| - | 986 307 507 00 | Cap | | 1 | |
| - | | Cap | | 1 | |
| 9 | 900 146 011 01 | Round head screw | | 1 | |
| | | M 4 X 10 | | | |
| 10 | 997 106 533 00 | Support | | 1 | |
| 11 | 900 378 036 01 | Hexagon-head bolt | | 2 | |
| | | M 6 X 12 | | | |
| 12 | 928 574 717 05 | Moulded hose | | 3 | |
| 12 | 928 574 717 06 | Moulded hose | | 3 | |
| 13 | 996 605 123 01 | Change-over valve | | 1 | |
| 13 | 7PP 906 270 | Change-over valve | | 1 | |
| - | 999 181 742 40 | Pipe | | X | |
| | | 4,0 X 1,0 | | | |
| 14 | | 950MM | | 1 | |
| 15 | | 75 MM | | 1 | |
| 16 | 996 307 711 12 | Water hose | | 1 | |
| 17 | 999 512 656 09 | Hose clamp | | 2 | |
| | | 25 X 12 | | | |
| 18 | 000 997 107 1 | Screw socket | | 1 | |
| | | M 18 X 1,5 | | | |
| 19 | 900 123 018 30 | Sealing ring | | 1 | |
| | | A 16 X 20 | | | |
| 20 | 999 707 388 40 | O-ring | | 1 | |

Model: 996 98

Model life 1998>>2005



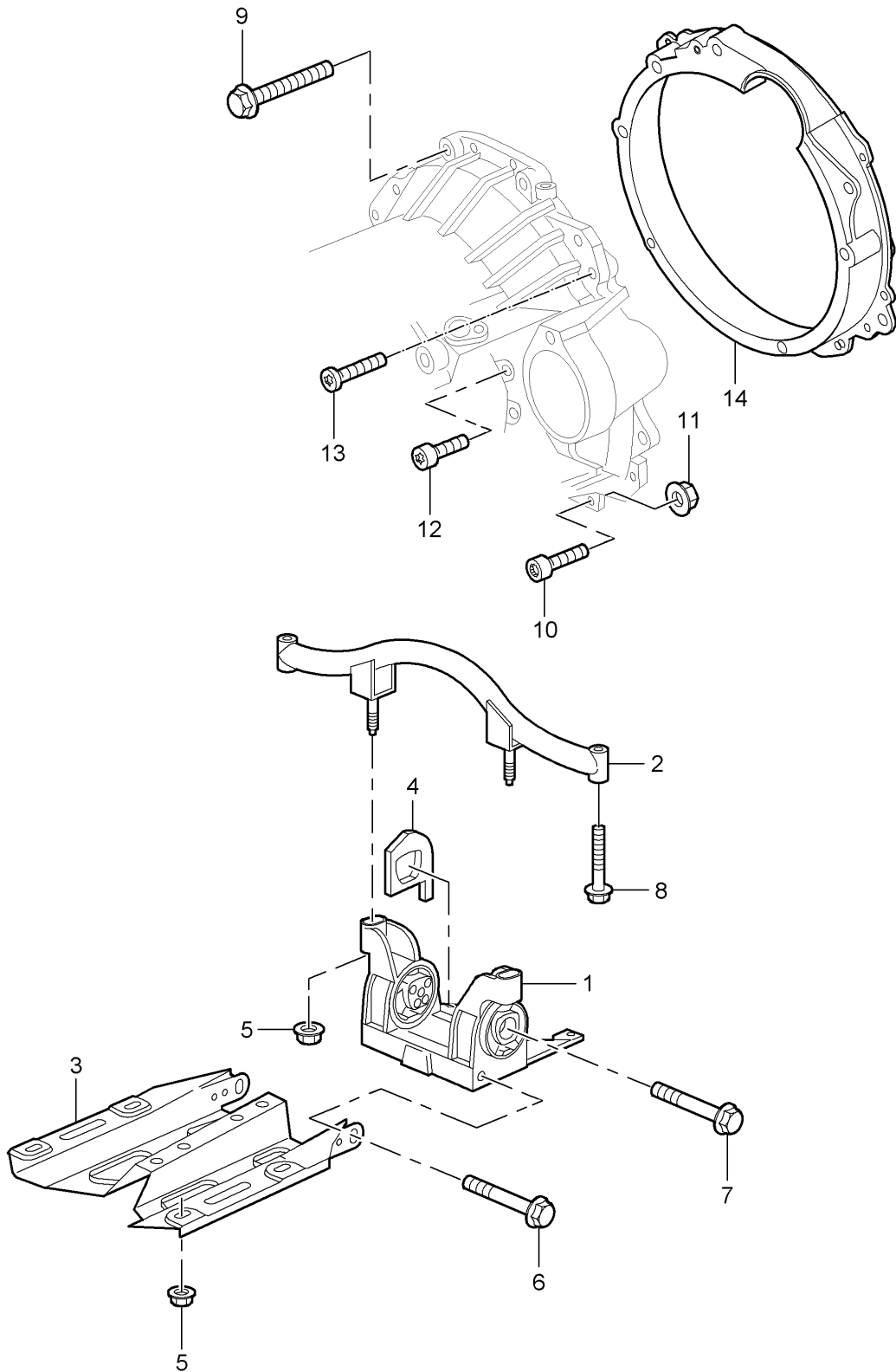
Model: 996 98

Model life 1998>>2005

| Pos | Part Number | Description | Remark | Qty | Model |
|------|----------------|-------------------------|--------|-----|--------|
| | | Tiptronic | -01 | | A96.00 |
| | | | 99-01 | | M338 |
| | | Transmission suspension | | | A96.30 |
| | | Threaded joint | | | M339 |
| | | Engine | | | |
| 1 | 996 375 039 02 | Transmission carrier | -00 | 1 | |
| (1) | 996 375 039 03 | Transmission carrier | 01- | 1 | |
| 2 | 996 375 031 08 | Transmission carrier | | 1 | |
| 3 | 996 375 255 05 | Stop | | 2 | |
| 3A | 996 375 333 00 | Packing plate | | 2 | |
| 4 | 900 378 167 09 | Hexagon-head bolt | | 2 | |
| | | M 10 X 110 | | | |
| 4 | 900 378 294 01 | Hexagon-head bolt | | 2 | |
| | | M 10 X 110 | | | |
| 5 | 999 061 106 09 | Stud | | 2 | |
| | | M 10 X 83 | | | |
| 6 | 900 380 008 09 | Lock nut | | 2 | |
| | | M 10 | | | |
| (6A) | 999 076 053 09 | Hexagon nut | | 6 | |
| | | M 10 | | | |
| 7 | 999 072 010 09 | Hexagon-head bolt | | 2 | |
| | | M 12 X 1,5 X 100 | | | |
| 7 | 999 072 010 01 | Hexagon-head bolt | | 2 | |
| | | M 12 X 1,5 X 100 | | | |
| - | 999 073 119 09 | Pan-head screw | | 1 | |
| | | Inner | | | |
| | | M 10 X 50 | | | |
| 8 | 999 072 008 09 | Hexagon-head bolt | | 3 | |
| | | M 12 X 1,5 X 70 | | | |
| 8 | 999 072 008 01 | Hexagon-head bolt | | 3 | |
| | | M 12 X 1,5 X 70 | | | |
| 9 | 900 378 061 09 | Hexagon-head bolt | | 1 | |
| | | M 12 X 1,5 X 50 | | | |
| 9 | 900 378 061 01 | Hexagon-head bolt | | 1 | |
| | | M 12 X 1,5 X 50 | | | |
| 10 | 900 378 076 09 | Hexagon-head bolt | | 1 | |
| | | M 10 X 50 | | | |
| 10 | 900 378 076 01 | Hexagon-head bolt | | 1 | |
| | | M 10 X 50 | | | |
| 11 | 900 377 011 09 | Hexagon nut | | 1 | |
| | | M 10 | | | |
| 11 | 900 377 011 01 | Hexagon nut | | 1 | |
| | | M 10 | | | |
| - | 996 321 055 00 | Transmission bracket | | 1 | A96.00 |

Model: 996 98

Model life 1998>>2005



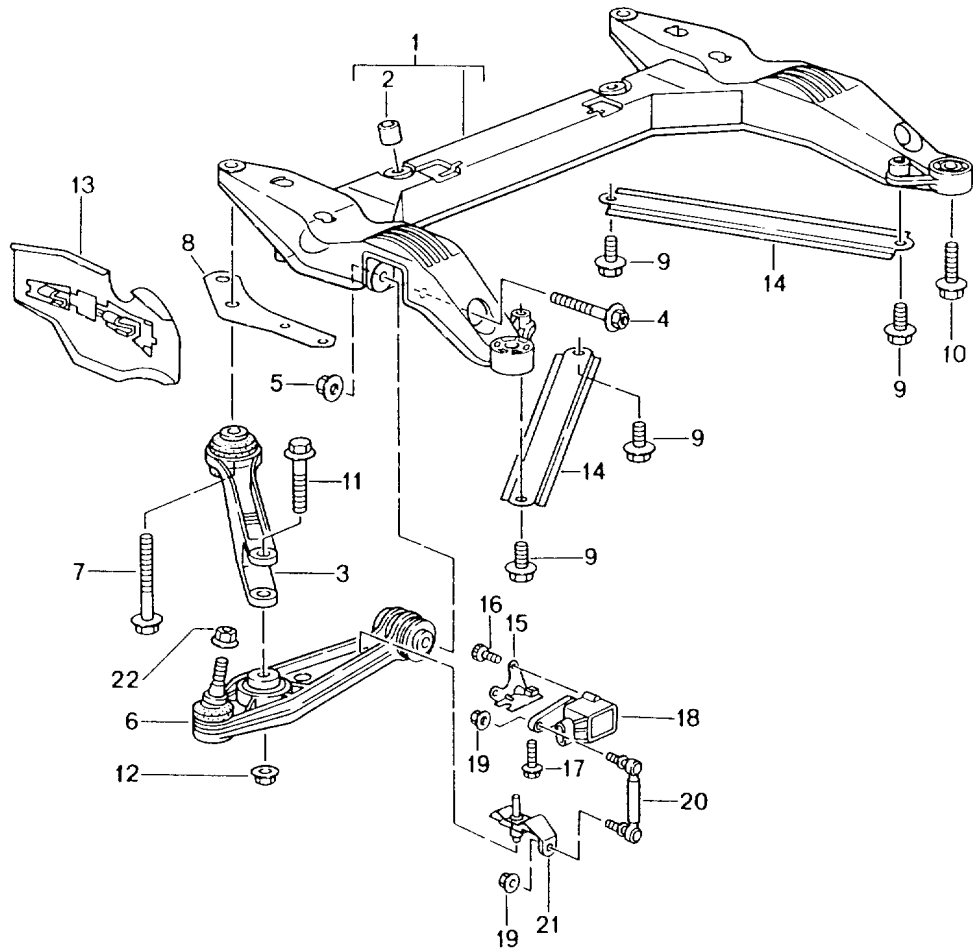
Model: 996 98

Model life 1998>>2005

| Pos | Part Number | Description | Remark | Qty | Model |
|------|----------------|-------------------------|--------|-----|--------|
| | | Tiptronic | 02- | | A96.10 |
| | | | 02- | | M338 |
| | | Transmission suspension | | | A96.35 |
| | | And | | | M339 |
| | | Mount | | | |
| 1 | 996 375 033 03 | Intermediate flange | | 1 | |
| 2 | 996 375 317 06 | Transmission carrier | | 1 | |
| | | Bracket | | | |
| | | Upper | | | |
| 3 | 996 375 015 00 | Side member | | 1 | |
| 4 | 996 375 259 07 | Stop | | 2 | |
| (4) | 996 375 259 08 | Stop | | 2 | |
| 5 | 999 076 053 09 | Hexagon nut | | 6 | |
| (5) | 999 076 053 01 | Hexagon nut | | 6 | |
| | | M 10 | | | |
| 6 | 900 378 167 09 | Hexagon-head bolt | | 2 | |
| | | M 10 X 110 | | | |
| 6 | 900 378 294 01 | Hexagon-head bolt | | 2 | |
| | | M 10 X 110 | | | |
| 7 | 999 072 010 09 | Hexagon-head bolt | | 2 | |
| | | M 12 X 1,5 X 100 | | | |
| 7 | 999 072 010 01 | Hexagon-head bolt | | 2 | |
| | | M 12 X 1,5 X 100 | | | |
| 8 | 900 378 098 09 | Hexagon-head bolt | | 2 | |
| | | M 10 x 60 | | | |
| 9 | 999 072 008 09 | Hexagon-head bolt | | 9 | |
| | | M 12 X 1,5 X 70 | | | |
| (9) | 999 072 008 01 | Hexagon-head bolt | | 9 | |
| | | M 12 X 1,5 X 70 | | | |
| 10 | 999 073 119 01 | Pan-head screw | | 2 | |
| | | M 10 X 50 | | | |
| 11 | 900 377 011 01 | Hexagon nut | | 2 | |
| | | M 10 | | | |
| 12 | 999 073 091 01 | Pan-head screw | | 8 | |
| | | M 10 X 1 X 25 | | | |
| 13 | 999 073 182 02 | Lens-head screw | | 8 | |
| | | M 8 X 35 | | | |
| (13) | 999 073 373 01 | Round head screw | | 8 | |
| | | M 8 X 35 | | | |
| 14 | 996 116 101 10 | Intermediate housing | | 1 | |
| | | Engine | | | |
| | | And | | | |
| | | Transmission | | | |

Model: 996 98

Model life 1998>>2005



Model: 996 98 Model life 1998>>2005

| Pos | Part Number | Description | Remark | Qty | Model |
|------|----------------|---|------------|--------|----------|
| 1 | 996 341 081 05 | Cross member Wishbone Cross member F >>99WS6 06191 F >>99WS6 40419 | | 1 | |
| (1) | 996 341 081 30 | Cross member F 99WS6 06192>> F 99WS6 40420>> | | 1 | |
| (1) | | Cross member | 99- | 1 | |
| (1) | 996 341 081 12 | Cross member | -01 | 1 | |
| (1) | 996 341 081 14 | Cross member | 02- | 1 | |
| 2 | 900 197 004 00 | Guide sleeve 13 X 14 | 02- | 1 | |
| 3 | 996 341 043 06 | Control arm | | 2 | |
| 4 | 900 378 165 09 | Hexagon-head bolt M 12 X 1,5 X 95 | | 2 | |
| 5 | 999 084 445 09 | Lock nut M 12 X 1,5 | | 2 | |
| 6 | 996 341 053 07 | Wishbone | -03 | 2 | |
| (6) | 996 341 053 16 | Wishbone | 04 | 2 | |
| (6) | 996 341 053 17 | Wishbone | 05- | 2 | |
| (6) | 996 341 941 01 | Wishbone Adjustable with Eccentric screw Eccentric washer And Hexagon nut | | X | |
| 7 | 900 378 146 09 | Hexagon-head bolt M 14 X 1,5 X 110 | | 2 | |
| 8 | 996 341 145 06 | Plate | | 2 | |
| 9 | 900 378 094 09 | Hexagon-head bolt M 12 X 1,5 X 25 | | 4 | |
| 10 | 900 378 145 09 | Hexagon-head bolt M 14 X 1,5 X 45 F >>99WS6 06191 F >>99WS6 40419 | | 2 | |
| (10) | 900 378 192 09 | Hexagon-head bolt M 14 X 1,5 X 50 F 99WS6 06192>> F 99WS6 40420>> | -01 02- | 2 4 | |
| (10) | 900 378 192 01 | Hexagon-head bolt M 14 X 1,5 X 50 F 99WS6 06192>> F 99WS6 40420>> | | 2 | |
| 11 | 900 378 135 09 | Hexagon-head bolt M 14 X 1,5 X 73 | | 2 | |
| 11 | 900 378 135 01 | Hexagon-head bolt M 14 X 1,5 X 73 | | 2 | |
| 12 | 900 380 012 09 | Hexagon nut M 14 X 1,5 | | 2 | |
| 12 | 900 380 012 01 | Hexagon nut M 14 X 1,5 | | 2 | |
| 13 | 996 341 483 01 | Spoiler | /L | 1 | |
| (13) | 996 341 483 02 | Spoiler | /L 99- | 1 | M339 |
| (13) | | Spoiler | /L 04 | 1 | M095/338 |
| (13) | 996 341 483 05 | Spoiler F 995S6 40616>> F 995S6 00441>> | /L 05- | 1 | M339 |
| (13) | 996 341 484 01 | Spoiler | /R | 1 | |
| (13) | 996 341 484 02 | Spoiler | /R 99- | 1 | M339 |

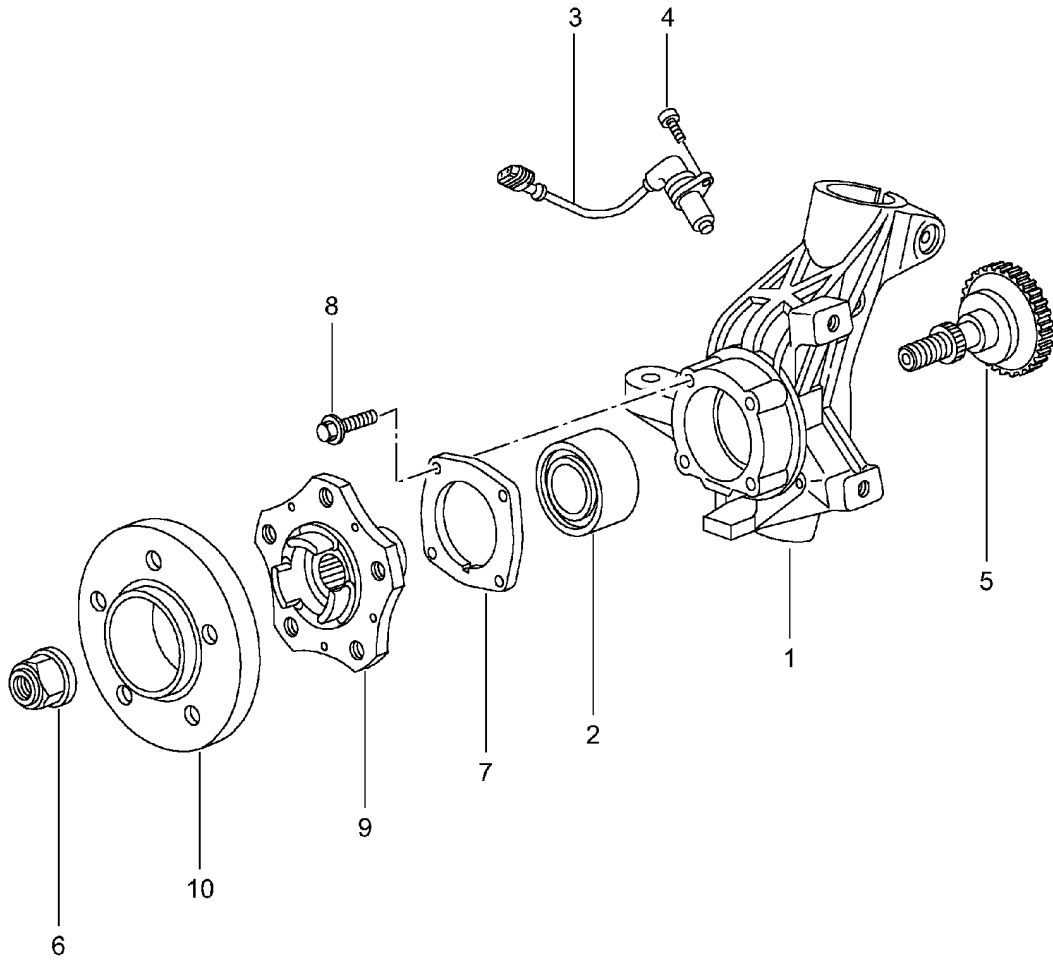
Model: 996 98

Model life 1998>>2005

| Pos | Part Number | Description | Remark | Qty | Model |
|------|----------------|---|--------|-----|--------------|
| (13) | | Spoiler | /R 04 | 1 | M095/338 |
| (13) | 996 341 484 05 | Spoiler F 995S6 40616>> F 995S6 00441>> | /R 05- | 1 | M339 M339 |
| 14 | 996 504 433 00 | Strut | | 2 | |
| 15 | 996 341 511 01 | Support | 99 | 1 | M601 |
| (15) | 996 341 511 02 | Support | 00- | 1 | M601 |
| 16 | N 014 129 12 | Oval-head screw M 5 X 10 | | 2 | M601 |
| 17 | 900 378 177 09 | Hexagon-head bolt M 6 X 30 | | 1 | M601 |
| 18 | 996 631 121 00 | Sensor | 99- | 1 | M601 |
| 19 | 900 380 015 09 | Hexagon nut VM 6 | | 2 | |
| 19 | 900 380 015 01 | Hexagon nut VM 6 | | 2 | |
| 20 | 996 341 375 01 | Strut | 99- | 1 | M601 |
| 21 | 996 341 371 03 | Support | 99- | 1 | M601 |
| 22 | 999 084 449 09 | Lock nut M 12 X 1,5 | | 2 | |

Model: 996 98

Model life 1998>>2005

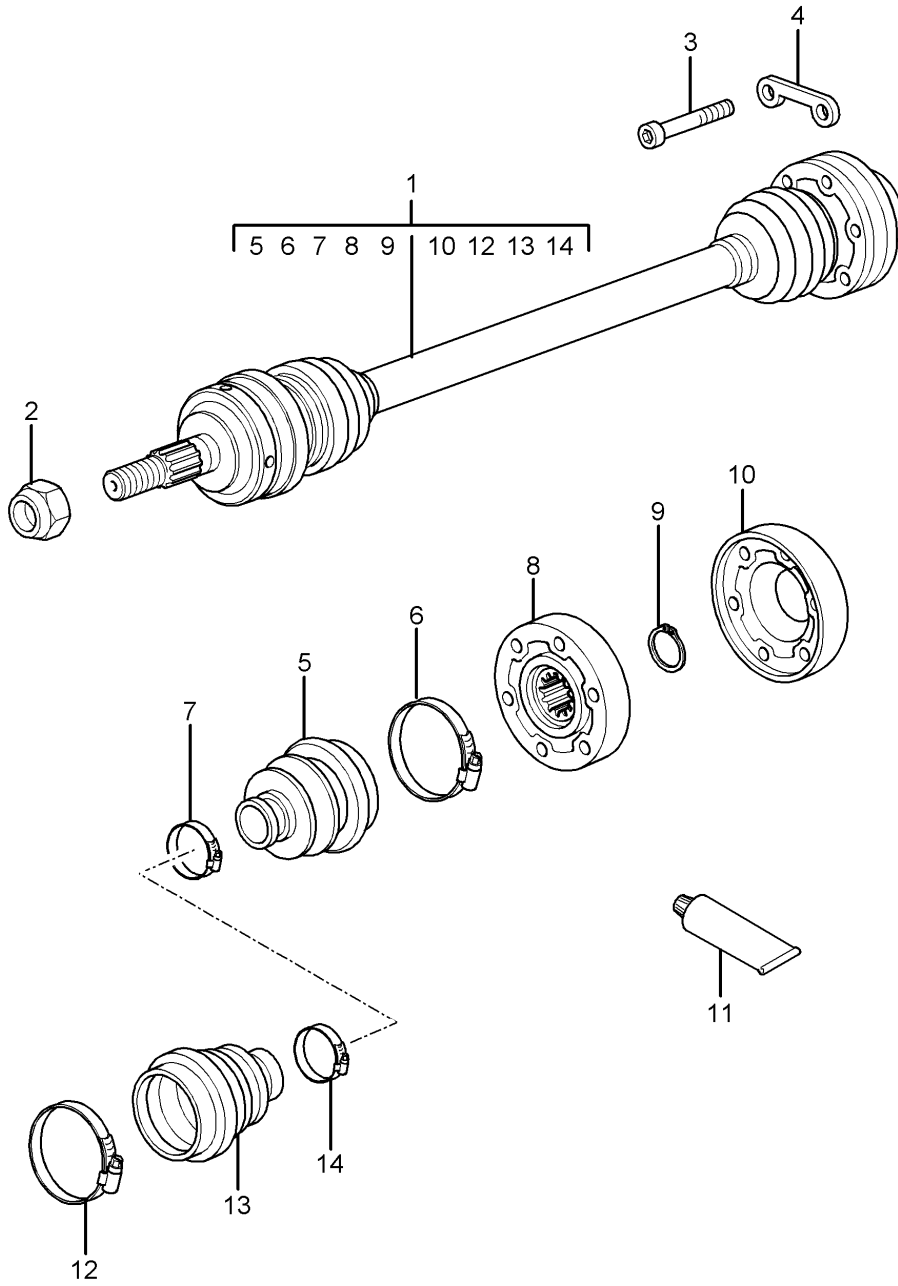


Model: 996 98 Model life 1998>>2005

| Pos | Part Number | Description | Remark | Qty | Model |
|-----|----------------|-------------------------|--------|-----|-------|
| | | Wheel carrier | | | |
| | | Wheel hub | | | |
| 1 | 996 341 157 09 | Wheel carrier | /L | 1 | M338 |
| (1) | 996 341 157 11 | Wheel carrier | /L | 1 | M338 |
| (1) | 996 341 957 11 | Wheel carrier | /L -01 | 1 | M338 |
| (1) | 996 341 957 12 | Wheel carrier | /L | 1 | M338 |
| (1) | 996 341 158 09 | Wheel carrier | /R | 1 | M338 |
| (1) | 996 341 158 11 | Wheel carrier | /R | 1 | M338 |
| (1) | 996 341 958 11 | Wheel carrier | /R -01 | 1 | M338 |
| (1) | 996 341 958 12 | Wheel carrier | /R | 1 | M338 |
| (1) | 996 341 155 04 | Wheel carrier | /L 99- | 1 | M339 |
| (1) | 996 341 156 04 | Wheel carrier | /R 99- | 1 | M339 |
| (1) | 996 341 165 06 | Wheel carrier | /L 02- | 1 | C4S |
| (1) | 996 341 166 06 | Wheel carrier | /R 02- | 1 | C4S |
| 2 | 999 053 041 02 | Angular-contact bearing | -00 | 2 | |
| (2) | 999 053 041 03 | Angular-contact bearing | 01- | 2 | |
| (2) | 999 053 042 07 | Angular-contact bearing | 02 | 2 | C4S |
| (2) | 999 053 054 05 | Angular-contact bearing | 03- | 2 | C4S |
| 3 | 996 606 406 00 | Speed sensor | -01 | 2 | |
| (3) | | Speed sensor | 01 | 2 | M476 |
| (3) | 996 606 407 02 | Speed sensor | 02- | 2 | |
| (3) | 996 606 406 00 | Speed sensor | 02- | 2 | M476 |
| 4 | 900 067 117 09 | Pan-head screw | | 2 | |
| | | M 6 X 16 | | | |
| 5 | 996 341 131 01 | Tension bolt | | 2 | M338 |
| 6 | 999 084 634 02 | Lock nut | | 2 | |
| | | M 22 X 1,5 | | | |
| 7 | 964 341 661 01 | Lid | | 2 | |
| 7 | 986 331 661 20 | Lid | 02- | 2 | C4S |
| 8 | 999 217 042 09 | Hexagon-head bolt | | 8 | |
| | | M 8 X 35 | | | |
| 9 | 996 341 605 54 | Wheel hub | | 2 | |
| (9) | 997 341 605 01 | Wheel hub | 02- | 2 | C4S |
| 10 | 997 361 605 90 | Spacer ring | 01- | 2 | IXRP |
| | | 5 MM | | | |
| | | without | | | |
| | | Wheel bolt | | | |

Model: 996 98

Model life 1998>>2005

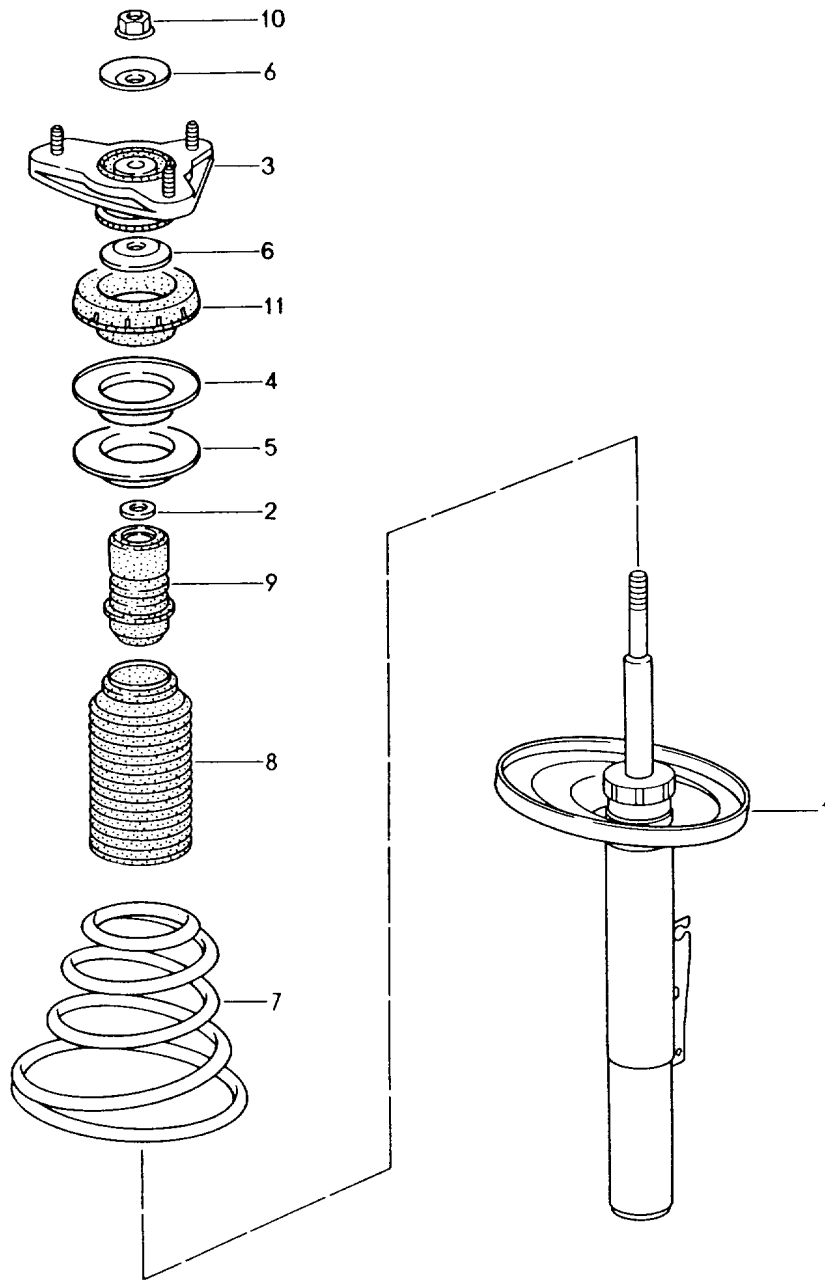


Model: 996 98 Model life 1998>>2005

| Pos | Part Number | Description | Remark | Qty | Model |
|------|----------------|-------------------|--------|-----|-------|
| | | Drive shaft | | | M339 |
| 1 | 996 349 038 01 | Drive shaft | -99 | 2 | |
| (1) | 996 349 038 10 | Drive shaft | 00- | 2 | |
| 2 | 999 084 641 02 | Lock nut | | 2 | |
| | | M 22 X 1,5 | | | |
| (2) | | Lock nut | | 2 | |
| | | M 22 X 1,5 | | | |
| 3 | 900 067 211 09 | Pan-head screw | | 12 | |
| | | M 8 X 50 | | | |
| 4 | 996 349 191 00 | Plate | | 6 | |
| (4) | 996 349 191 01 | Plate | | 6 | |
| 5 | 996 349 293 00 | Dust bellows | | 2 | |
| - | 996 349 959 00 | Bellow support | | 2 | |
| | | with | | | |
| | | Dust bellows | | | |
| 6 | 997 349 957 00 | Clip | | 2 | |
| 7 | 996 349 257 03 | Clip | | 2 | |
| 8 | 996 349 030 00 | Joint | | 2 | |
| 9 | 900 041 011 01 | Circlip | | 2 | |
| 10 | 996 349 267 00 | Lid | | 2 | |
| 10 | 996 349 267 01 | Lid | | 2 | |
| 11 | 000 043 110 01 | Grease | | X | |
| | | 1 100-gramme tube | | | |
| (11) | 000 043 205 36 | Sealing compound | | X | |
| | | Drive shaft | | | |
| | | 1 100-gramme tube | | | |
| 12 | 996 349 257 00 | Clip | | 2 | |
| 13 | 996 349 291 00 | Dust bellows | | 2 | |
| 14 | 996 349 257 01 | Clip | | 2 | |

Model: 996 98

Model life 1998>>2005



Model: 996 98 Model life 1998>>2005

| Pos | Part Number | Description | Remark | Qty | Model |
|-----|----------------|----------------------|--------|-----|-------|
| | | suspension | | | M338 |
| 1 | 996 343 041 04 | Shock absorber strut | | | |
| | | Shock absorber | -01 | 2 | |
| | | - bilstein - | | | |
| 1 | 996 343 041 30 | Shock absorber | -01 | 2 | |
| | | - bilstein - | | | |
| 1 | 996 343 041 39 | Shock absorber | -01 | 2 | |
| | | - bilstein - | | | |
| (1) | 996 343 041 20 | Shock absorber | 02 | 2 | |
| | | - bilstein - | | | |
| (1) | 996 343 041 23 | Shock absorber | 03- | 2 | |
| | | - bilstein - | | | |
| 1 | 996 343 041 27 | Shock absorber | 03- | 2 | |
| | | - bilstein - | | | |
| 1 | 996 343 041 36 | Shock absorber | 03- | 2 | |
| | | - bilstein - | | | |
| (1) | 996 343 041 16 | Shock absorber | -01 | 2 | M030 |
| | | - bilstein - | | | |
| 1 | 996 343 041 31 | Shock absorber | -01 | 2 | M030 |
| | | - bilstein - | | | |
| 1 | 996 343 041 40 | Shock absorber | -01 | 2 | M030 |
| | | - bilstein - | | | |
| (1) | 996 343 041 18 | Shock absorber | 02 | 2 | M030 |
| | | - bilstein - | | | |
| (1) | 996 343 041 21 | Shock absorber | 03- | 2 | M030 |
| | | - bilstein - | | | |
| 1 | 996 343 041 28 | Shock absorber | 03- | 2 | M030 |
| | | - bilstein - | | | |
| 1 | 996 343 041 37 | Shock absorber | 03- | 2 | M030 |
| | | - bilstein - | | | |
| 1 | 996 343 041 36 | Shock absorber | 03- | 2 | |
| | | - bilstein - | | | |
| (1) | 996 343 980 06 | Shock absorber | | 2 | IX74 |
| (1) | 996 343 980 20 | Shock absorber | | 2 | IX74 |
| (1) | 996 343 980 40 | Shock absorber | | 2 | IX74 |
| (1) | 996 343 980 41 | Shock absorber | | 2 | IX74 |
| | | Mount | | | |
| | | Shock absorber | | | |
| - | 999 084 445 09 | Lock nut | | 2 | |
| | | M 12 X 1,5 | | | |
| 2 | 996 343 513 00 | Washer | | 2 | |
| 3 | 996 343 018 04 | Supporting mount | -03 | 2 | |
| (3) | 997 343 018 00 | Supporting mount | 04- | 2 | |
| (3) | 997 343 018 01 | Supporting mount | 04- | 2 | |
| (3) | 996 343 980 08 | Supporting mount | -01 | 2 | IX74 |
| (3) | 996 343 980 37 | Supporting mount | -01 | 2 | IX74 |
| (3) | 996 343 980 08 | Supporting mount | 02- | 2 | IX74 |
| (3) | 996 343 980 37 | Supporting mount | 02- | 2 | IX74 |
| - | 999 084 447 09 | Hexagon nut | | 6 | |
| | | M 8 | | | |
| - | 999 084 447 01 | Hexagon nut | | 6 | |
| | | M 8 | | | |
| - | 999 703 429 40 | Lid | | 2 | |
| - | 999 703 457 40 | Lid | | 2 | |
| 4 | 996 343 517 01 | Support ring | | 2 | |
| 5 | 996 343 511 00 | Compensating plate | | X | |
| | | 3,0 MM | | | |
| (5) | 996 343 511 01 | Compensating plate | | X | |
| | | 6,5 MM | | | |
| 6 | 996 343 107 02 | Stop plate | -99 | 4 | |
| (6) | 996 343 107 03 | Stop plate | 00- | 4 | |
| 7 | 996 343 531 01 | Coil spring | -01 | 1 | COUPE |
| | | 1 set | | | |

Model: 996 98

Model life 1998>>2005

| Pos | Part Number | Description | Remark | Qty | Model |
|-----|--------------------|--|--------|-----|---------------------------------|
| | 996 343 531 01 504 | Identification Brown White | | | |
| (7) | 996 343 531 15 | Coil spring 1 set | 02- | 1 | COUPE |
| | 996 343 531 15 504 | Identification Brown White | | | |
| (7) | 996 343 531 02 | Coil spring 1 set | -01 | 1 | CABRIO |
| | 996 343 531 02 504 | Identification Brown Red | | | |
| (7) | 996 343 531 16 | Coil spring 1 set | 02- | 1 | CABRIO TARGA |
| | 996 343 531 16 504 | Identification Brown Red | | | |
| (7) | 996 343 531 11 | Coil spring 1 set | -01 | 1 | COUPE M030 |
| | 996 343 531 11 504 | Identification Green White | | | |
| (7) | 996 343 531 23 | Coil spring 1 set | -01 | 1 | COUPE M030 |
| | 996 343 531 23 504 | Identification Green White | | | |
| (7) | 996 343 531 19 | Coil spring 1 set | 02- | 1 | COUPE M030 |
| | 996 343 531 19 504 | Identification Green White | | | |
| (7) | 996 343 531 12 | Coil spring 1 set | -01 | 1 | CABRIO M030 |
| | 996 343 531 12 504 | Identification Green Red | | | |
| (7) | 996 343 531 20 | Coil spring 1 set | 02- | 1 | CABRIO M030 TARGA M030 |
| | 996 343 531 20 504 | Identification Green Red | | | |
| (7) | 996 343 980 07 | Coil spring 1 set | -01 | 1 | IX74 |
| | 996 343 980 07 504 | Identification Red lilac Creamy white | | | |
| (7) | 996 343 980 07 | Coil spring 1 set | 02- | 1 | IX74 |
| | 996 343 980 07 504 | Identification Red lilac Creamy white F >>992S6 03565 | | | |
| (7) | 996 343 980 25 | Coil spring | | 1 | IX74 |

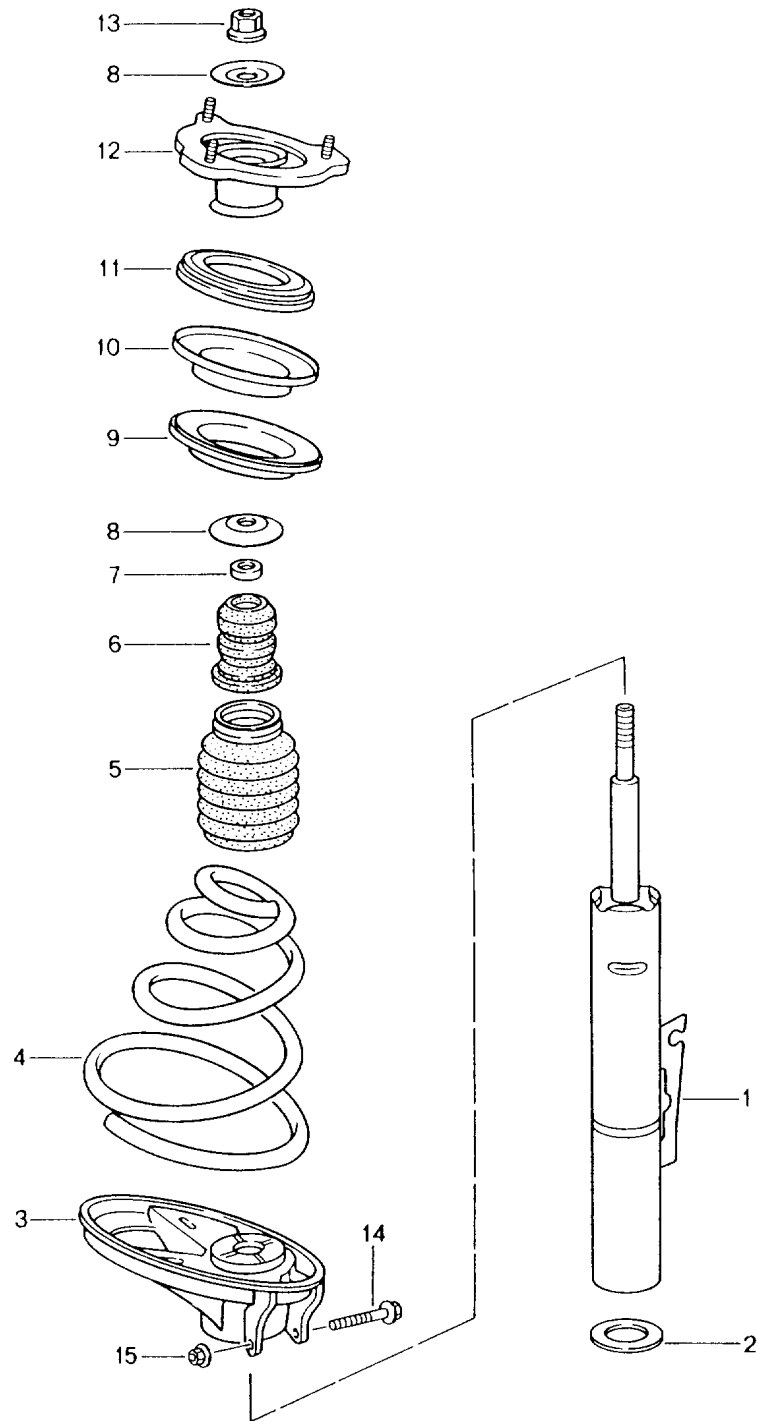
Model: 996 98

Model life 1998>>2005

| Pos | Part Number | Description | Remark | Qty | Model |
|------|--------------------|---|--------|-----|-------|
| | 996 343 980 25 504 | 1 set Identification Red lilac Creamy white F 992S6 03566>> | | | |
| 8 | 996 343 505 00 | Bellows | | 2 | |
| 9 | 996 343 301 02 | Additional spring | | 2 | |
| (9) | 996 343 980 09 | Additional spring | -01 | 2 | IX74 |
| 9 | | Additional spring | 02- | 2 | IX74 |
| 10 | 900 380 012 09 | Hexagon nut M 14 X 1,5 | | 2 | |
| 10 | 900 380 012 01 | Hexagon nut M 14 X 1,5 | | 2 | |
| 11 | 996 343 515 04 | Deep-groove ball bearing with housing | | 2 | |
| (11) | 996 343 515 05 | Deep-groove ball bearing with housing | | 2 | |

Model: 996 98

Model life 1998>>2005



Model: 996 98 Model life 1998>>2005

| Pos | Part Number | Description | Remark | Qty | Model |
|-----|--------------------|--------------------------------------|--------|-----|--------------------------------------|
| | | suspension | 99- | | M339 |
| | | Shock absorber strut | | | |
| 1 | 996 343 043 02 | Shock absorber | -01 | 2 | |
| 1 | 996 343 043 39 | Shock absorber | -01 | 2 | |
| (1) | 996 343 043 22 | Shock absorber | 02- | 2 | |
| (1) | 996 343 043 13 | Shock absorber | -01 | 2 | M030 |
| (1) | 996 343 043 40 | Shock absorber | -01 | 2 | M030 |
| (1) | 996 343 043 23 | Shock absorber | 02- | 2 | M030 |
| (1) | 996 343 043 45 | Shock absorber | 02- | 2 | M030 |
| (1) | 996 343 043 26 | Shock absorber | 02- | 2 | C4S |
| (1) | 996 343 043 47 | Shock absorber | 02- | 2 | COUPE C4S |
| (1) | 996 343 043 29 | Shock absorber | 04- | 2 | COUPE C4S |
| (1) | 996 343 043 50 | Shock absorber | 04- | 2 | CABRIO C4S |
| (1) | 996 343 980 12 | Shock absorber | -01 | 2 | CABRIO IX74 |
| (1) | 996 343 980 21 | Shock absorber | 02- | 2 | IX74 |
| (1) | 996 343 980 34 | Shock absorber | 03- | 2 | IX73 |
| (1) | 996 343 980 44 | Shock absorber | 03- | 2 | C4S COUPE IX73 C4S COUPE |
| - | 900 378 138 09 | Hexagon-head bolt M 12 X 1,5 X 70 | | 2 | |
| - | 900 378 138 01 | Hexagon-head bolt M 12 X 1,5 X 70 | | 2 | |
| - | 999 084 445 09 | Lock nut M 12 X 1,5 | | 2 | |
| 2 | 996 343 521 01 | Concave washer | | 2 | |
| 3 | 996 343 507 02 | Concave washer | /L | 1 | |
| (3) | 996 343 508 02 | Concave washer | /R | 1 | |
| 4 | 996 343 533 04 | Coil spring | -01 | 1 | COUPE |
| | | 1 set | | | |
| | 996 343 533 04 504 | Identification | | | |
| | | Violet | | | |
| | | Silver | | | |
| (4) | 996 343 533 20 | Coil spring | 02- | 1 | COUPE |
| | | 1 set | | | |
| | 996 343 533 20 504 | Identification | | | |
| | | Violet | | | |
| | | Silver | | | |
| (4) | 996 343 533 05 | Coil spring | -01 | 1 | CABRIO |
| | | 1 set | | | |
| | 996 343 533 05 504 | Identification | | | |
| | | Violet | | | |
| | | Orange | | | |
| (4) | 996 343 533 21 | Coil spring | 02- | 1 | CABRIO |
| | | 1 set | | | |
| | 996 343 533 21 504 | Identification | | | |
| | | Violet | | | |
| | | Orange | | | |
| (4) | 996 343 533 14 | Coil spring | -01 | 1 | COUPE M030 |
| | | 1 set | | | |
| | 996 343 533 14 504 | Identification | | | |
| | | Lilac | | | |
| | | Silver | | | |
| (4) | 996 343 533 24 | Coil spring | 02- | 1 | COUPE M030 |
| | | 1 set | | | |
| | 996 343 533 24 504 | Identification | | | |
| | | Lilac | | | |

Model: 996 98 Model life 1998>>2005

| Pos | Part Number | Description | Remark | Qty | Model |
|------|--------------------|--|--------|-----|----------------------|
| (4) | 996 343 533 15 | Silver Coil spring 1 set | -01 | 1 | CABRIO M030 |
| | 996 343 533 15 504 | Identification Lilac Orange | | | |
| (4) | 996 343 533 33 | Coil spring 1 set | -01 | 1 | CABRIO M030 |
| | 996 343 533 33 504 | Identification Lilac Orange | | | |
| (4) | 996 343 533 25 | Coil spring 1 set | 02- | 1 | CABRIO M030 |
| | 996 343 533 25 504 | Identification Lilac Orange | | | |
| (4) | 996 343 533 30 | Coil spring 1 set | 02- | 1 | C4S |
| | 996 343 533 30 504 | Identification Pink Blue | | | |
| (4) | 996 343 980 13 | Coil spring 1 set | -01 | 1 | IX74 |
| | 996 343 980 13 504 | Identification Pale orange Creamy white | | | |
| (4) | 996 343 980 13 | Coil spring 1 set | 02- | 1 | IX74 |
| | 996 343 980 13 504 | Identification Pale orange Creamy white F >>992S6 03565 | | | |
| (4) | 996 343 980 26 | Coil spring 1 set | | 1 | IX74 |
| | 996 343 980 26 504 | Identification Pale orange Creamy white F 992S6 03566>> | | | |
| (4) | 996 343 980 27 | Coil spring 1 set | 03- | 1 | IX73 C4S COUPE |
| | 996 343 980 27 504 | Identification Blue Silver | | | |
| 5 | 996 343 509 01 | Bellows | | 2 | |
| 6 | 996 343 301 02 | Additional spring | | 2 | |
| (6) | 996 343 980 09 | Additional spring | -01 | 2 | IX74 |
| (6) | | Additional spring | 02- | 2 | IX74 |
| (6) | | Additional spring | 03- | 2 | IX73 C4S COUPE |
| 7 | 996 343 513 00 | Washer | | 2 | |
| 8 | 996 343 107 02 | Stop plate | -99 | 2 | |
| (8) | 996 343 107 03 | Stop plate | 00- | 2 | |
| 9 | 996 343 525 00 | Compensating plate 3,0 MM | | X | |
| (9) | 996 343 525 01 | Compensating plate 6,5 MM | | X | |
| 10 | 996 343 523 00 | Support ring | | 1 | |
| 11 | 996 343 501 00 | Angular-contact bearing | | 1 | |
| 12 | 996 343 015 04 | Supporting mount | /L | 1 | |
| (12) | 996 343 980 15 | Supporting mount | /L -01 | 1 | IX74 |
| (12) | | Supporting mount | /L 02- | 1 | IX74 |
| (12) | | Supporting mount | /L 03- | 1 | IX73 |

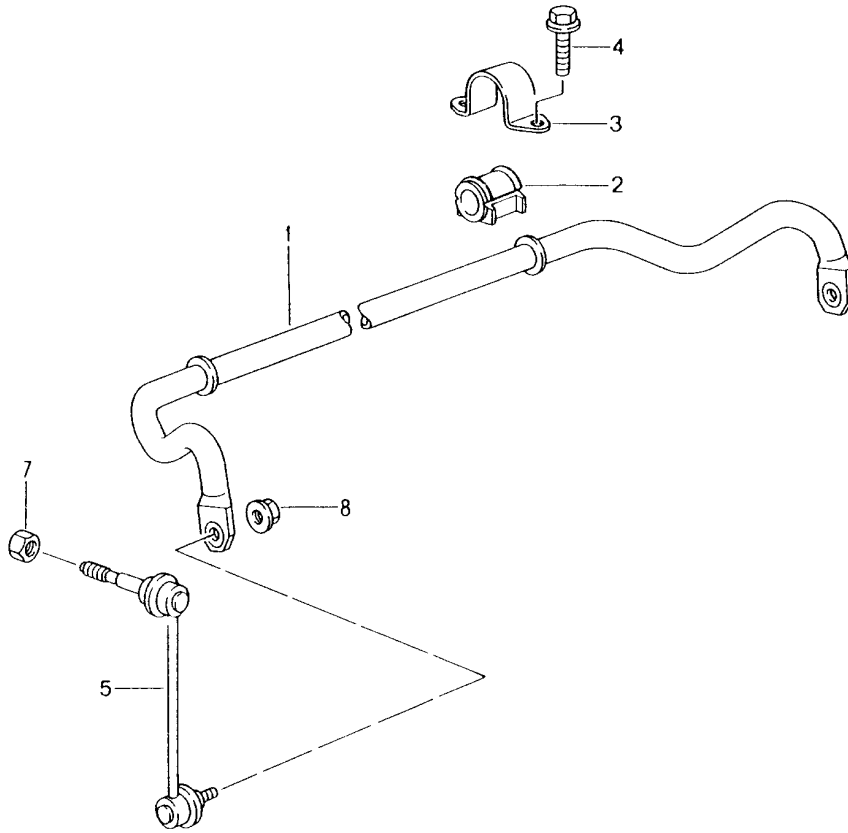
Model: 996 98

Model life 1998>>2005

| Pos | Part Number | Description | Remark | Qty | Model |
|------|----------------|-------------------------------|--------|-----|--------------|
| | | | | | C4S COUPE |
| (12) | 996 343 016 04 | Supporting mount | /R | 1 | |
| (12) | 996 343 980 16 | Supporting mount | /R -01 | 1 | IX74 |
| (12) | | Supporting mount | /R 02- | 1 | IX74 |
| (12) | | Supporting mount | /R 03- | 1 | IX73 |
| | | | | | C4S COUPE |
| - | 999 084 447 09 | Hexagon nut M 8 | | 6 | |
| - | 999 084 447 01 | Hexagon nut M 8 | | 6 | |
| 13 | 900 380 012 09 | Hexagon nut M 14 X 1,5 | | 2 | |
| 13 | 900 380 012 01 | Hexagon nut M 14 X 1,5 | | 2 | |
| 14 | 900 378 191 09 | Hexagon-head bolt M 6 X 55 | | 2 | |
| 15 | 900 377 010 09 | Hexagon nut M 6 | | 2 | |

Model: 996 98

Model life 1998>>2005



Model: 996 98 Model life 1998>>2005

| Pos | Part Number | Description | Remark | Qty | Model |
|-----|----------------|--------------------------------|--------|-----|----------|
| 1 | 996 343 701 09 | Stabiliser | | 1 | COUPE |
| (1) | 996 343 701 04 | Stabiliser | 99- | 1 | M480 |
| | | | | 1 | COUPE |
| | | | | 1 | M249 |
| | | | | 1 | COUPE |
| | | | | 1 | M030 |
| | | | | 1 | CABRIO |
| | | | | 1 | CABRIO |
| | | | | 1 | M030 |
| | | | 99- | 1 | /338 |
| | | | | 1 | IX74 |
| (1) | 996 343 701 21 | Stabiliser | 99- | 1 | COUPE |
| | | | | 1 | M249 |
| | | | | 1 | COUPE |
| | | | | 1 | M030 |
| | | | | 1 | CABRIO |
| | | | | 1 | CABRIO |
| | | | | 1 | M030 |
| | | | 99- | 1 | /338 |
| | | | | 1 | IX74 |
| (1) | 996 343 701 04 | Stabiliser | 02- | 1 | TARGA |
| (1) | 996 343 701 20 | Stabiliser | 02- | 1 | M480 |
| (1) | 996 343 701 10 | Stabiliser | 02- | 1 | TARGA |
| (1) | 996 343 701 23 | Stabiliser | 02- | 1 | M249 |
| | | | | 1 | TARGA |
| | | | | 1 | M030 |
| (1) | 996 343 703 00 | Stabiliser | 99- | 1 | M339 |
| (1) | 996 343 703 02 | Stabiliser | 99- | 1 | M030/339 |
| | | | 02- | 1 | /339 |
| | | | | 1 | IX74 |
| | | | 02- | 1 | C4S |
| 2 | 996 343 792 14 | Stabiliser mounting | | 2 | COUPE |
| (2) | 996 343 792 12 | Stabiliser mounting | | 2 | M480 |
| | | | | 2 | COUPE |
| | | | | 2 | M249 |
| | | | | 2 | COUPE |
| | | | | 2 | M030 |
| | | | | 2 | CABRIO |
| | | | | 2 | CABRIO |
| | | | | 2 | M030 |
| (2) | 996 343 792 11 | Stabiliser mounting | 99- | 2 | M339 |
| (2) | 996 343 792 12 | Stabiliser mounting | 99- | 2 | M030/339 |
| | | | 02- | 2 | C4S |
| | | | | 2 | TARGA |
| | | | | 2 | M480 |
| (2) | 996 343 792 17 | Stabiliser mounting | 02- | 2 | TARGA |
| | | | | 2 | M249 |
| | | | 02- | 2 | TARGA |
| | | | | 2 | M030 |
| 3 | 996 343 777 01 | Clip | | 2 | |
| 4 | 900 378 070 09 | Hexagon-head bolt M 10 X 30 | | 4 | |
| 5 | 996 343 069 02 | Stabiliser mounting | /L -99 | 1 | |
| (5) | 996 343 069 03 | Stabiliser mounting | /L 00- | 1 | |
| (5) | 996 343 069 04 | Stabiliser mounting | /L 00- | 1 | |
| (5) | 996 343 070 02 | Stabiliser mounting | /R -99 | 1 | |
| (5) | 996 343 070 03 | Stabiliser mounting | /R 00- | 1 | |
| (5) | 996 343 070 04 | Stabiliser mounting | /R 00- | 1 | |
| (5) | 996 343 073 03 | Stabiliser mounting | 99- | 2 | M339 |
| (5) | 996 343 073 04 | Stabiliser mounting | 00- | 2 | M339 |

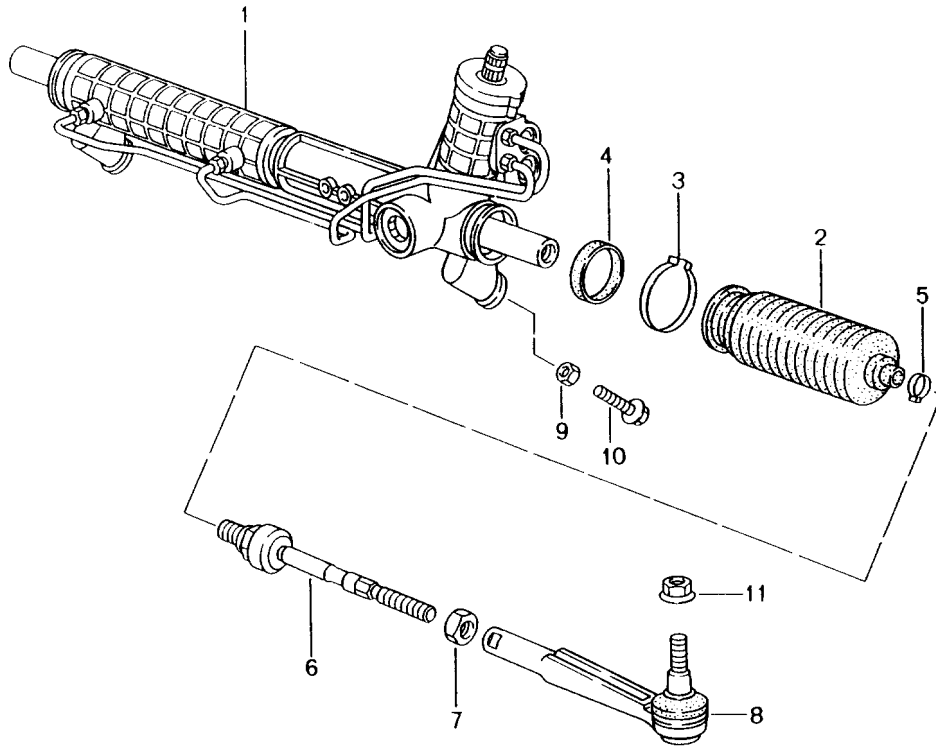
Model: 996 98

Model life 1998>>2005

| Pos | Part Number | Description | Remark | Qty | Model |
|-----|----------------|------------------------|--------|-----|-------|
| 7 | 999 084 445 09 | Lock nut M 12 X 1,5 | | 2 | |
| 8 | 999 084 643 09 | Hexagon nut M10 | | 2 | |

Model: 996 98

Model life 1998>>2005



Model: 996 98

Model life 1998>>2005

| Pos | Part Number | Description | Remark | Qty | Model |
|-----|----------------|---|--------|-----|-------|
| 1 | 996 347 011 05 | Power steering Steering gear | /LL | 1 | |
| (1) | 996 347 011 06 | Steering parts Steering gear | /LL | 1 | |
| (1) | 996 347 011 07 | Power steering Steering gear | /LL | 1 | |
| (1) | 996 347 011 10 | Power steering Steering gear | /LL | 1 | |
| (1) | 996 347 012 05 | Power steering Steering gear | /RL | 1 | |
| (1) | 996 347 012 07 | Power steering Steering gear | /RL | 1 | |
| (1) | 996 347 012 08 | Power steering Steering gear | /RL | 1 | |
| (1) | 996 347 012 10 | Power steering Steering gear | /RL | 1 | |
| - | 996 347 110 01 | Clip Pinion | -03 | 1 | |
| - | 996 347 110 02 | Steering gear Clip Pinion | 04- | 1 | |
| 2 | 996 347 191 02 | Steering gear Bellows for | | 2 | |
| (2) | 996 347 191 04 | Steering gear 996.347.011.05 996.347.012.05 Bellows for | | 2 | |
| 3 | 996 347 293 03 | Steering gear 996.347.011.06/07 996.347.012.07/08 Clamping ring for | | 2 | |
| (3) | 996 347 293 04 | Steering gear 996.347.011.05 996.347.012.05 Clamping ring for | | 2 | |
| 4 | 997 347 373 00 | Steering gear 996.347.011.06/07 996.347.012.07/08 Sealing ring for | | 2 | |
| (4) | | Steering gear 996.347.011.05 996.347.012.05 Sealing ring for | | 2 | |
| 5 | 999 512 645 09 | Steering gear 996.347.011.06/07 996.347.012.07/08 Hose clamp | | 2 | |
| 6 | 996 347 322 03 | Joint | | 2 | |
| 7 | 999 034 037 09 | Hexagon nut M 14 X 1,5 | | 2 | |
| 8 | 996 347 131 03 | Track rod | -99 | 2 | |
| (8) | 996 347 131 04 | Track rod | 00- | 2 | |
| 9 | | See illustrations 4/01/00 | | | |

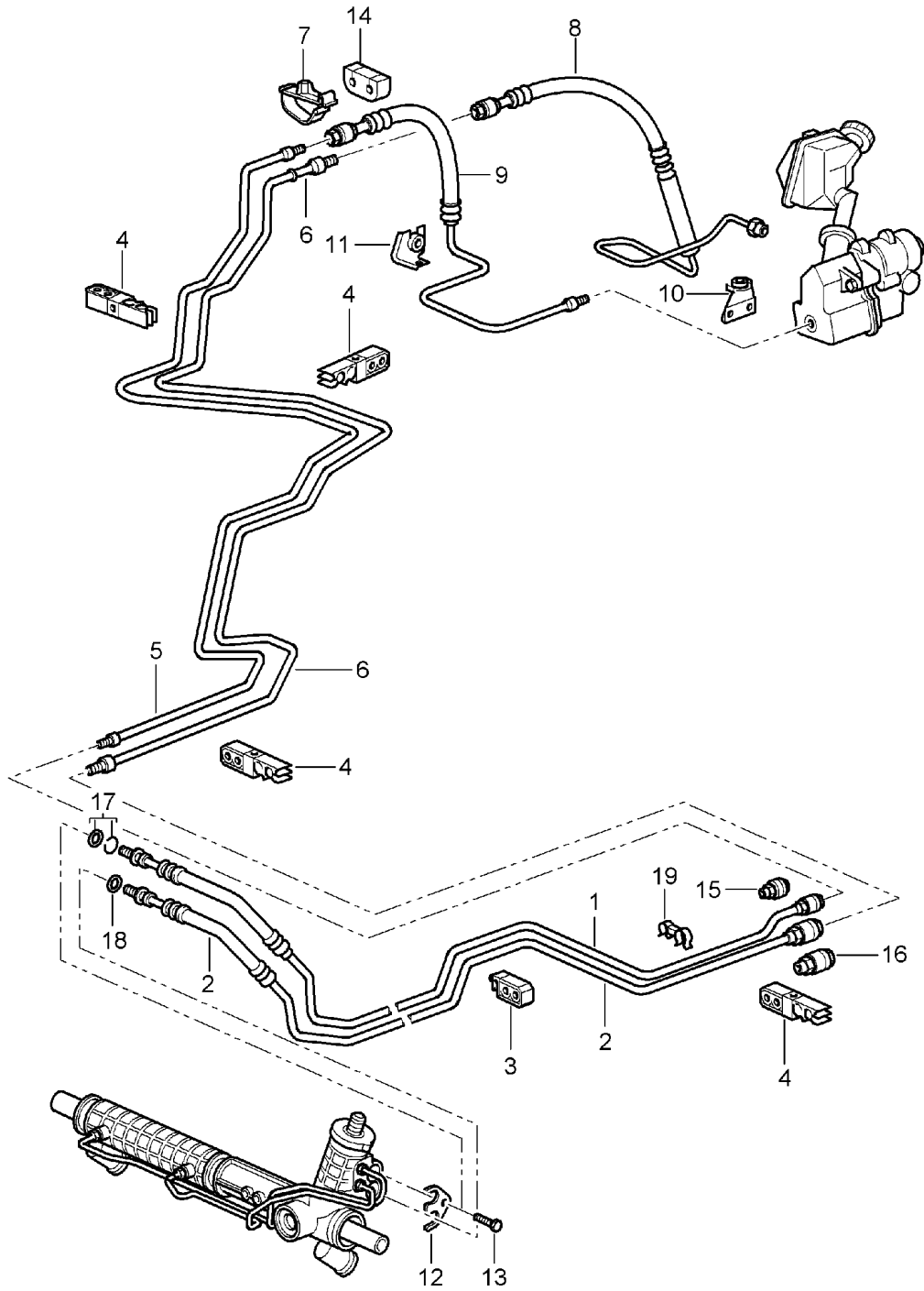
Model: 996 98

Model life 1998>>2005

| Pos | Part Number | Description | Remark | Qty | Model |
|-----|----------------|--|--------|-----|-------|
| 10 | 900 378 100 01 | POS.2 Hexagon-head bolt AM 10 X 45 | | 2 | |
| 11 | 999 084 449 09 | Lock nut M 12 X 1,5 | | 2 | |

Model: 996 98

Model life 1998>>2005



Model: 996 98 Model life 1998>>2005

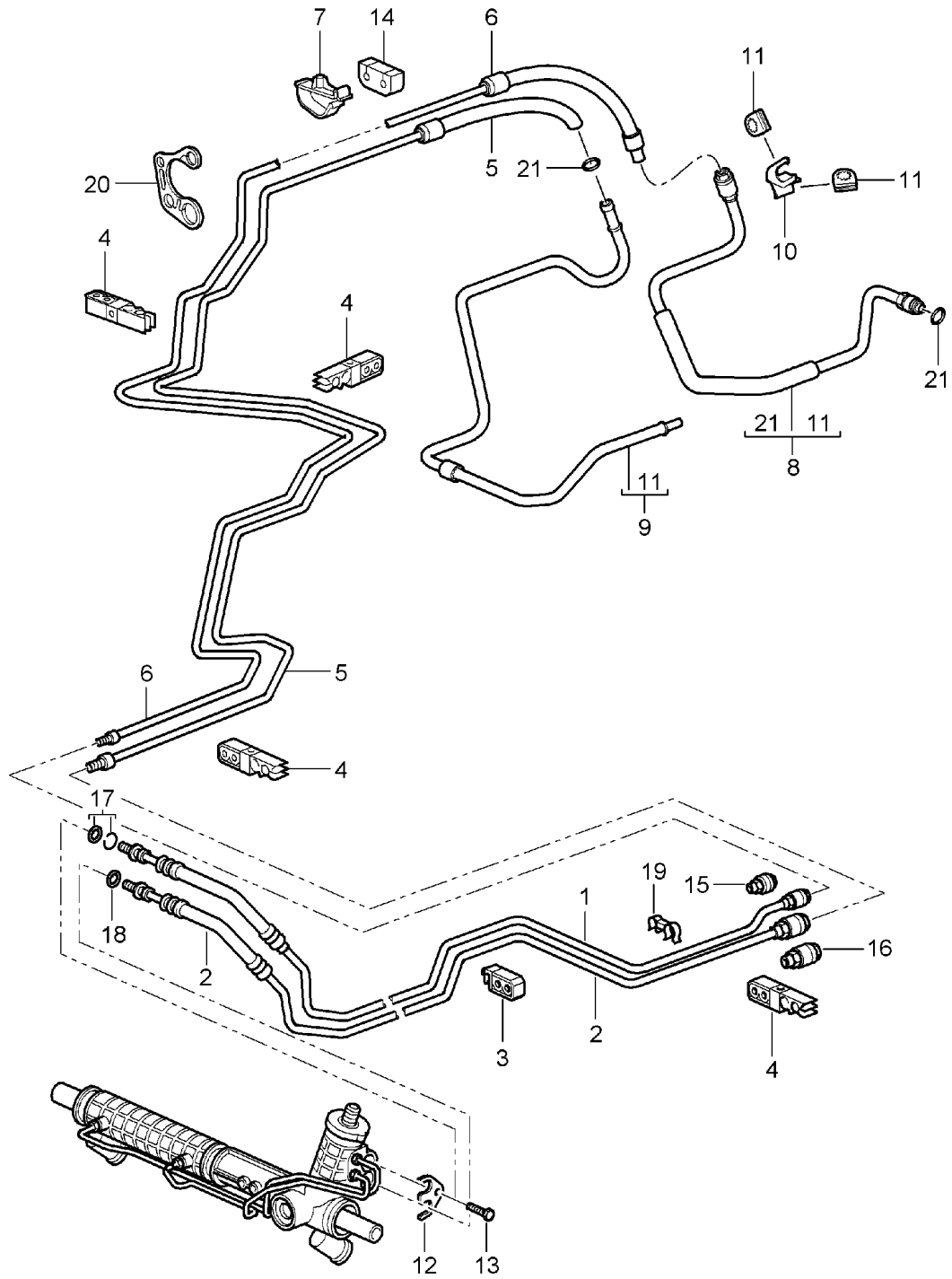
| Pos | Part Number | Description | Remark | Qty | Model |
|-----|----------------|--|---------|-----|-------|
| | | Power steering Lines F >>994S6 30356 F >>994S6 03928 F >>994S6 42725 | | | |
| 1 | 996 347 451 08 | Pressure line | /LL -01 | 1 | M338 |
| (1) | 996 347 451 11 | Pressure line | /LL -01 | 1 | M338 |
| (1) | 996 347 451 10 | Pressure line | /LL 02 | 1 | M338 |
| (1) | | Pressure line | /LL 03- | 1 | M338 |
| (1) | 996 347 451 27 | Pressure line | /LL -00 | 1 | M339 |
| (1) | 996 347 451 28 | Pressure line | /LL 01 | 1 | M339 |
| (1) | 996 347 451 29 | Pressure line | /LL 02 | 1 | M339 |
| (1) | 996 347 451 32 | Pressure line | /LL 03- | 1 | M339 |
| (1) | 996 347 452 04 | Pressure line | /RL -01 | 1 | M338 |
| (1) | 996 347 452 07 | Pressure line | /RL 02 | 1 | M338 |
| (1) | 996 347 452 08 | Pressure line | /RL 03- | 1 | M338 |
| (1) | 996 347 452 06 | Pressure line | /RL -01 | 1 | M339 |
| (1) | 996 347 452 09 | Pressure line | /RL -01 | 1 | M339 |
| (1) | 996 347 452 25 | Pressure line | /RL 02 | 1 | M339 |
| (1) | 996 347 452 27 | Pressure line | /RL 03- | 1 | M339 |
| 2 | 996 347 449 06 | Return line | /LL -01 | 1 | M338 |
| (2) | 996 347 449 09 | Return line | /LL 02- | 1 | M338 |
| (2) | 996 347 449 27 | Return line | /LL -01 | 1 | M339 |
| (2) | 996 347 449 30 | Return line | /LL 02 | 1 | M339 |
| (2) | 996 347 449 31 | Return line | /LL 03- | 1 | M339 |
| (2) | 996 347 450 03 | Return line | /RL -01 | 1 | M338 |
| (2) | 996 347 450 08 | Return line | /RL -01 | 1 | M338 |
| (2) | 996 347 450 12 | Return line | /RL -01 | 1 | M338 |
| (2) | 996 347 450 06 | Return line | /RL 02- | 1 | M338 |
| (2) | 996 347 450 05 | Return line | /RL -01 | 1 | M339 |
| (2) | 996 347 450 25 | Return line | /RL 02- | 1 | M339 |
| 3 | 996 347 543 00 | Cable holder | | X | |
| (3) | 996 347 553 00 | Support | /RL 02- | 1 | TARGA |
| 4 | 996 355 543 00 | Support | | 1 | |
| - | 996 347 674 00 | Support | /RL | 1 | |
| | | Pressure line Return line | | | |
| 5 | 996 347 539 04 | Return line Centre | | 1 | |
| (5) | 996 347 539 05 | F >>99XS6 06898 F >>99XS6 44623 Return line Centre | -01 | 1 | |
| (5) | 996 347 539 51 | F 99XS6 06899>> F 99XS6 44624>> Return line | 02- | 1 | |
| 6 | 996 347 545 04 | Pressure line Centre | | 1 | |
| 6 | 996 347 545 05 | F >>99XS6 06898 F >>99XS6 44623 Pressure line Centre | -01 | 1 | |
| (6) | 996 347 545 52 | F 99XS6 06899>> F 99XS6 44624>> Pressure line Centre | 02- | 1 | |
| 7 | 996 347 549 01 | Support | | 2 | |
| 8 | 996 347 443 02 | Pressure line Rear | -01 | 1 | |
| (8) | 996 347 443 05 | Pressure line Rear F >>992S6 08512 F >>992S6 31981 | | 1 | |

Model: 996 98 Model life 1998>>2005

| Pos | Part Number | Description | Remark | Qty | Model |
|------|----------------|---|---------|-----|-------|
| (8) | 996 347 443 06 | F >>992S6 45199 Pressure line Rear F 992S6 08513>> F 992S6 31982>> F 992S6 45200>> | | 1 | |
| (8) | 996 347 443 09 | Pressure line Rear F 992S6 08513>> F 992S6 31982>> F 992S6 45200>> | | 1 | |
| 9 | 996 347 441 02 | Return line Rear | -01 | 1 | |
| 9 | 996 347 441 04 | Return line Rear | -01 | 1 | |
| (9) | 996 347 441 03 | Return line Rear | 02- | 1 | |
| - | 999 230 551 10 | Threaded joint NW 10 | | 1 | |
| - | 999 230 552 10 | Threaded joint NW 6 | | 1 | |
| - | 999 230 685 40 | Circlip for Threaded joint | | 1 | |
| 10 | 996 347 747 02 | Support | -01 | 1 | |
| (10) | 996 347 747 04 | Support | 02- | 1 | |
| 11 | 996 347 749 03 | Support | -01 | 1 | |
| (11) | 996 347 749 04 | Support | 02- | 1 | |
| 12 | 996 347 769 01 | Tension shackle | | 1 | |
| 13 | 900 067 063 02 | Pan-head screw M 10 X 20 | | 1 | |
| 14 | 996 347 551 01 | Retainer plate Mount Pressure line Return line Power steering | | 1 | |
| - | 996 347 671 01 | Support Left | /RL | 1 | |
| - | 996 347 672 01 | Support Right | /RL | 1 | |
| - | 996 347 771 02 | Support Left | /RL 02- | 1 | C4S |
| - | 996 347 672 02 | Support Right | /RL 02- | 1 | C4S |
| - | 997 347 544 00 | Support Lines Mount Bracket | | 1 | |
| 15 | 999 230 539 10 | Threaded joint | | 1 | |
| 16 | 999 230 540 10 | Threaded joint | | 1 | |
| 17 | 999 230 543 40 | Repair kit Gaskets | | 1 | |
| 18 | 999 230 542 40 | O-ring | | 1 | |
| 19 | 999 507 575 40 | Support 9,0/13,0 | | 1 | |

Model: 996 98

Model life 1998>>2005



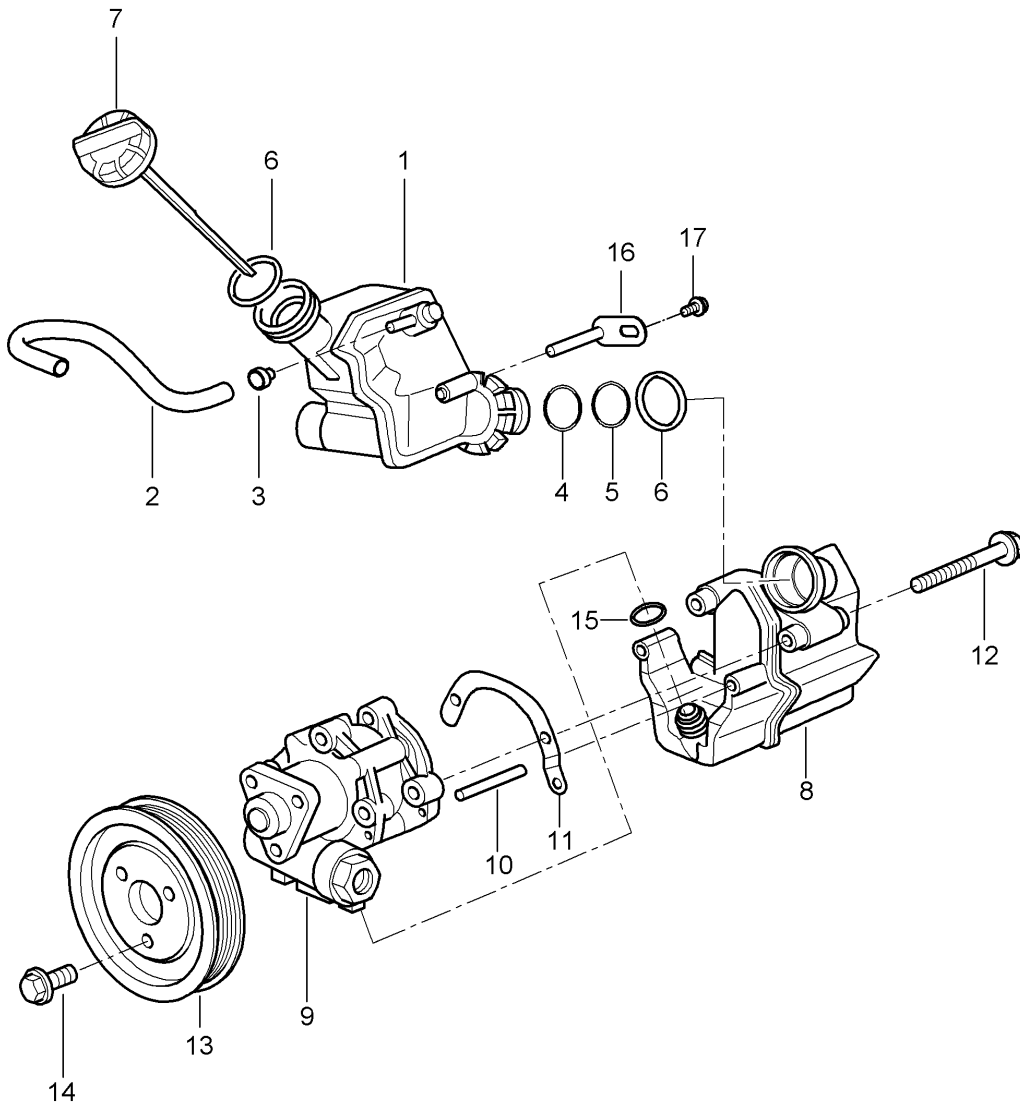
Model: 996 98

Model life 1998>>2005

| Pos | Part Number | Description | Remark | Qty | Model |
|-----|----------------|--|--------|-----|-------|
| | | Power steering Lines F 994S6 30357>> F 994S6 03929>> F 994S6 42726>> | | | |
| (1) | 996 347 451 10 | Pressure line | /LL | 1 | M338 |
| (1) | 996 347 451 32 | Pressure line | /LL | 1 | M339 |
| (1) | 996 347 452 08 | Pressure line | /RL | 1 | M338 |
| (1) | 996 347 452 27 | Pressure line | /RL | 1 | M339 |
| (2) | 996 347 449 09 | Return line | /LL | 1 | M338 |
| (2) | 996 347 449 31 | Return line | /LL | 1 | M339 |
| (2) | 996 347 450 06 | Return line | /RL | 1 | M338 |
| (2) | 996 347 450 25 | Return line | /RL | 1 | M339 |
| 3 | 996 347 543 00 | Cable holder | | X | |
| (3) | 996 347 553 00 | Support | /RL | 1 | TARGA |
| 4 | 996 355 543 00 | Support | | 1 | |
| - | 996 347 674 00 | Support | /RL | 1 | |
| | | Pressure line Return line | | | |
| (5) | 996 347 439 26 | Return line Centre Information available | | 1 | |
| (6) | 996 347 445 26 | Pressure line Centre | | 1 | |
| - | 999 230 578 40 | Circlip for Threaded joint | | X | |
| 7 | 996 347 549 01 | Return line Support | | 2 | |
| (8) | 996 347 443 25 | Pressure line Rear | | 1 | |
| (9) | 996 347 441 25 | Return line Rear | | 1 | |
| - | 999 230 683 40 | Safety clip for Threaded joint | | 1 | |
| 10 | 997 347 749 00 | Support | | 1 | |
| 11 | 999 702 210 40 | Rubber sleeve | | 1 | |
| 12 | 996 347 769 01 | Tension shackle | | 1 | |
| 13 | 900 067 063 02 | Pan-head screw M 10 X 20 | | 1 | |
| 14 | 996 347 551 01 | Retainer plate Mount Pressure line Return line | | 1 | |
| - | 996 347 671 01 | Power steering Support Left | /RL | 1 | |
| - | 996 347 672 01 | Support Right | /RL | 1 | |
| - | 996 347 771 02 | Support Left | /RL | 1 | C4S |
| - | 996 347 672 02 | Support Right | /RL | 1 | C4S |
| 15 | 999 230 539 10 | Threaded joint | | 1 | |
| 16 | 999 230 540 10 | Threaded joint | | 1 | |
| 17 | 999 230 543 40 | Repair kit Gaskets | | 1 | |
| 18 | 999 230 542 40 | O-ring | | 1 | |
| 19 | 999 507 091 40 | Cable holder | | 1 | |
| 20 | 997 347 544 00 | Support | | 1 | |
| 21 | 999 707 503 40 | Sealing ring | | 1 | |

Model: 996 98

Model life 1998>>2005

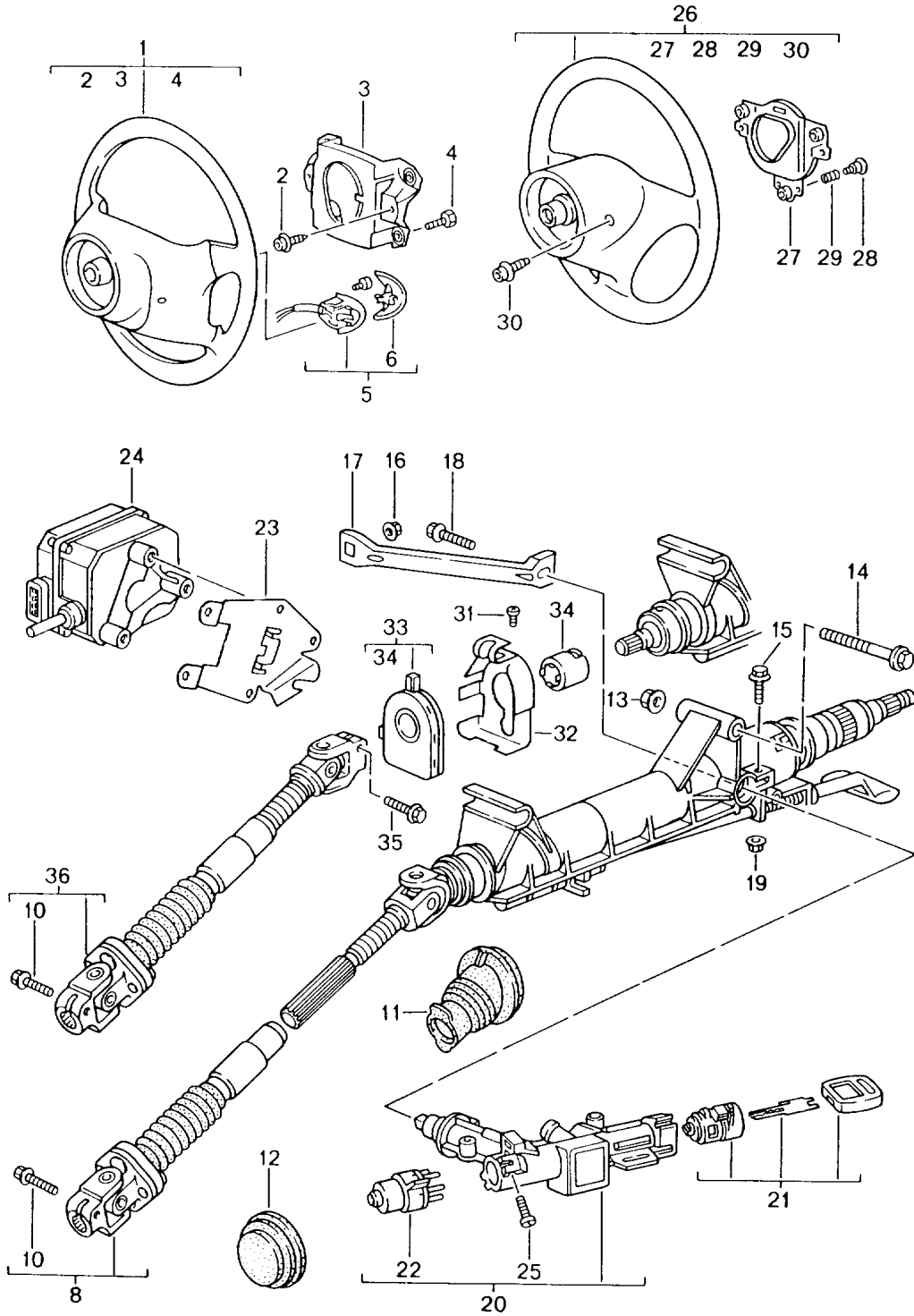


Model: 996 98 Model life 1998>>2005

| Pos | Part Number | Description | Remark | Qty | Model |
|------|----------------|--|--------|-----|----------|
| 1 | 996 314 225 02 | Power steering Power-steering pump Container Expansion tank M >> 664 01953 M >> 684 00519 | | 1 | |
| (1) | 997 314 225 00 | Expansion tank M 664 01954 >> M 684 00520 >> | | 1 | |
| 2 | 996 314 545 00 | Hose | 98 | 1 | |
| (2) | 996 314 545 01 | Hose M >> 664 01953 M >> 684 00519 | 99- | 1 | |
| - | 999 507 658 09 | Cable holder | 99- | 1 | |
| 3 | 999 512 527 00 | Clamp M >> 664 01953 M >> 684 00519 | | 1 | |
| 4 | 999 707 362 40 | Sealing ring | | 1 | |
| 5 | 999 707 363 40 | Sealing ring | | 1 | |
| 6 | 999 701 154 40 | Sealing ring | | 2 | |
| 7 | 996 314 223 01 | Lid M >> 664 01953 M >> 684 00519 | | 1 | |
| (1) | 997 314 223 00 | Lid M 664 01954 >> M 684 00520 >> | | 1 | |
| 8 | 996 314 220 02 | Oil tank | -02 | 1 | |
| (8) | 996 314 220 03 | Oil tank | 03 | 1 | |
| (8) | 997 314 220 00 | Oil tank | | 1 | |
| 9 | 996 314 050 02 | Power-steering pump | | 1 | |
| 10 | 996 314 320 03 | Straight pin | | 2 | |
| 11 | 996 314 431 05 | Bracket | | 1 | |
| 12 | 900 378 105 09 | Hexagon-head bolt AM 8 X 70 | | 2 | |
| 13 | 996 147 223 60 | Pulley | -99 | 1 | M249 |
| (13) | 996 147 223 53 | Pulley | -99 | 1 | M480/574 |
| (13) | 996 147 223 60 | Pulley | -99 | 1 | M480/573 |
| 14 | 900 378 123 09 | Hexagon-head bolt M 8 X 12 | 00- | 1 | |
| 15 | 999 707 204 40 | Sealing ring 12.5 X 2N | | 3 | |
| 16 | 996 314 551 00 | Bracket for Container | | 1 | |
| - | 000 043 203 33 | Pentosin 1000 ML | | X | |
| - | 000 043 206 56 | Pentosin 1000 ML | | X | |

Model: 996 98

Model life 1998>>2005



Model: 996 98 Model life 1998>>2005

| Pos | Part Number | Description | Remark | Qty | Model |
|-----|--------------------|--|--------|-----|-----------|
| 1 | 993 347 804 55 | Steering outer tube Steering shaft Steering wheels Steering wheel | | 1 | M480 |
| | 993 347 804 55 8YR | Black | | | |
| (1) | 993 347 804 56 | Steering wheel | | 1 | M480 |
| | 993 347 804 56 8YR | Black | -00 | | |
| 1 | 993 347 804 55 | Steering wheel | | 1 | M480 |
| | 993 347 804 55 A28 | Black | | | |
| | 993 347 804 55 B50 | Space grey | | | |
| | 993 347 804 55 C50 | Graphite grey | | | |
| | 993 347 804 55 C60 | Graphite grey | | | |
| | 993 347 804 55 G10 | Metropole blue | | | |
| | 993 347 804 55 G30 | Metropole blue | | | |
| | 993 347 804 55 S30 | Savanna | | | |
| | 993 347 804 55 S40 | Savanna | | | |
| | 993 347 804 55 J40 | Nephrite green | | | |
| (1) | 993 347 804 56 | Steering wheel | 99-01 | 1 | M480 |
| | 993 347 804 56 A28 | Black | 01 | | |
| | 993 347 804 56 B50 | Space grey | | | |
| | 993 347 804 56 C50 | Graphite grey | -00 | | |
| | 993 347 804 56 C60 | Graphite grey | 01 | | |
| | 993 347 804 56 G10 | Metropole blue | -00 | | |
| | 993 347 804 56 G30 | Metropole blue | 01 | | |
| | 993 347 804 56 S30 | Savanna | -00 | | |
| | 993 347 804 56 S40 | Savanna | 01 | | |
| | 993 347 804 56 J40 | Nephrite green | 01 | | |
| (1) | 993 347 981 01 | Four-spoke steering wheel | -01 | 1 | IX28/M480 |
| | 993 347 981 01 8YR | Black | -00 | | |
| | 993 347 981 01 A28 | Black | 01 | | |
| | 993 347 981 01 B50 | Space grey | -00 | | |
| | 993 347 981 01 C50 | Graphite grey | -00 | | |
| | 993 347 981 01 C60 | Graphite grey | 01 | | |
| | 993 347 981 01 G10 | Metropole blue | -00 | | |
| | 993 347 981 01 G30 | Metropole blue | 01 | | |
| | 993 347 981 01 S30 | Savanna | -00 | | |
| | 993 347 981 01 S40 | Savanna | 01 | | |
| | 993 347 981 01 J30 | Nephrite green | -00 | | |
| | 993 347 981 01 J40 | Nephrite green | 01 | | |
| | 993 347 981 01 M30 | Boxster red | -00 | | |
| | 993 347 981 01 M40 | Boxster red | 01 | | |
| | 993 347 981 01 P20 | Cinnamon brown | 01 | | |
| | 993 347 981 01 D11 | Dark grey/natural | 00-01 | | |
| | 993 347 981 01 T11 | Brown/natural | 00-01 | | |
| (1) | 996 347 981 01 | Four-spoke steering wheel | -01 | 1 | IX28/M480 |
| | 996 347 981 01 8YR | Black | -00 | | |
| | 996 347 981 01 A28 | Black | 01 | | |
| | 996 347 981 01 B50 | Space grey | -00 | | |
| | 996 347 981 01 C50 | Graphite grey | -00 | | |
| | 996 347 981 01 C60 | Graphite grey | 01 | | |
| | 996 347 981 01 G10 | Metropole blue | -00 | | |
| | 996 347 981 01 G30 | Metropole blue | 01 | | |
| | 996 347 981 01 S30 | Savanna | -00 | | |
| | 996 347 981 01 S40 | Savanna | 01 | | |
| | 996 347 981 01 J30 | Nephrite green | -00 | | |
| | 996 347 981 01 J40 | Nephrite green | 01 | | |
| | 996 347 981 01 M30 | Boxster red | -00 | | |

Model: 996 98 Model life 1998>>2005

| Pos | Part Number | Description | Remark | Qty | Model |
|--------------------|--------------------|---------------------------|--------|-----|-----------|
| (1) | 996 347 981 01 M40 | Boxster red | 01 | 1 | IX30/M480 |
| | 996 347 981 01 P20 | Cinnamon brown | 01 | | |
| | 996 347 981 01 D11 | Dark grey/natural | 00-01 | | |
| | 996 347 981 01 T11 | Brown/natural | 00-01 | | |
| | 996 347 981 03 | Four-spoke steering wheel | -01 | | |
| | 996 347 981 03 8YR | Black | -00 | | |
| | 996 347 981 03 A28 | Black | 01 | | |
| | 996 347 981 03 B50 | Space grey | -00 | | |
| | 996 347 981 03 C50 | Graphite grey | -00 | | |
| | 996 347 981 03 C60 | Graphite grey | 01 | | |
| | 996 347 981 03 G10 | Metropole blue | -00 | | |
| | 996 347 981 03 G30 | Metropole blue | 01 | | |
| | 996 347 981 03 S30 | Savanna | -00 | | |
| | 996 347 981 03 S40 | Savanna | 01 | | |
| | 996 347 981 03 J30 | Nephrite green | -00 | | |
| | 996 347 981 03 J40 | Nephrite green | 01 | | |
| (1) | 996 347 981 03 M30 | Boxster red | -00 | 1 | IX77/M480 |
| | 996 347 981 03 M40 | Boxster red | 01 | | |
| | 996 347 981 03 P20 | Cinnamon brown | 01 | | |
| | 996 347 981 03 D11 | Dark grey/natural | 00-01 | | |
| | 996 347 981 03 T11 | Brown/natural | 00-01 | | |
| | 993 347 981 07 | Four-spoke steering wheel | -01 | | |
| | 993 347 981 07 8YR | Black | -00 | | |
| | 993 347 981 07 A28 | Black | 01 | | |
| | 993 347 981 07 B50 | Space grey | -00 | | |
| | 993 347 981 07 C50 | Graphite grey | -00 | | |
| | 993 347 981 07 C60 | Graphite grey | 01 | | |
| | 993 347 981 07 G10 | Metropole blue | -00 | | |
| | 993 347 981 07 G30 | Metropole blue | 01 | | |
| | 993 347 981 07 S30 | Savanna | -00 | | |
| | 993 347 981 07 S40 | Savanna | 01 | | |
| | 993 347 981 07 J30 | Nephrite green | -00 | | |
| 993 347 981 07 J40 | Nephrite green | 01 | | | |
| (1) | 993 347 981 07 M30 | Boxster red | -00 | 1 | M249 |
| | 993 347 981 07 M40 | Boxster red | 01 | | |
| | 993 347 981 07 P20 | Cinnamon brown | 01 | | |
| | 993 347 981 07 D11 | Dark grey/natural | 00-01 | | |
| | 993 347 981 07 T11 | Brown/natural | 00-01 | | |
| | 993 347 804 63 | Steering wheel | | | |
| | 993 347 804 63 8YR | Black | | | |
| | 993 347 804 63 A28 | Black | | | |
| | 993 347 804 63 B50 | Space grey | | | |
| | 993 347 804 63 C50 | Graphite grey | | | |
| | 993 347 804 63 C60 | Graphite grey | | | |
| | 993 347 804 63 G10 | Metropole blue | | | |
| | 993 347 804 63 G30 | Metropole blue | | | |
| | 993 347 804 63 S30 | Savanna | | | |
| | 993 347 804 63 S40 | Savanna | | | |
| | 993 347 804 63 J40 | Nephrite green | | | |
| (1) | 993 347 804 64 | Steering wheel | 99-01 | 1 | M249 |
| | 993 347 804 64 8YR | Black | -00 | | |
| | 993 347 804 64 A28 | Black | 01 | | |
| | 993 347 804 64 B50 | Space grey | | | |
| | 993 347 804 64 C50 | Graphite grey | -00 | | |
| | 993 347 804 64 C60 | Graphite grey | 01 | | |
| | 993 347 804 64 G10 | Metropole blue | -00 | | |
| | 993 347 804 64 G30 | Metropole blue | 01 | | |
| | 993 347 804 64 S30 | Savanna | -00 | | |

Model: 996 98 Model life 1998>>2005

| Pos | Part Number | Description | Remark | Qty | Model |
|-----|--------------------|---------------------------|--------|-----|-----------|
| | 993 347 804 64 S40 | Savanna | 01 | | |
| | 993 347 804 64 J40 | Nephrite green | 01 | | |
| (1) | 993 347 981 02 | Four-spoke steering wheel | -01 | 1 | IX26/M432 |
| | 993 347 981 02 8YR | Black | -00 | | |
| | 993 347 981 02 A28 | Black | 01 | | |
| | 993 347 981 02 B50 | Space grey | -00 | | |
| | 993 347 981 02 C50 | Graphite grey | -00 | | |
| | 993 347 981 02 C60 | Graphite grey | -01 | | |
| | 993 347 981 02 G10 | Metropole blue | -00 | | |
| | 993 347 981 02 G30 | Metropole blue | 01 | | |
| | 993 347 981 02 S30 | Savanna | -00 | | |
| | 993 347 981 02 S40 | Savanna | 01 | | |
| | 993 347 981 02 J30 | Nephrite green | -00 | | |
| | 993 347 981 02 J40 | Nephrite green | 01 | | |
| | 993 347 981 02 M30 | Boxster red | -00 | | |
| | 993 347 981 02 M40 | Boxster red | 01 | | |
| | 993 347 981 02 P20 | Cinnamon brown | 01 | | |
| | 993 347 981 02 D11 | Dark grey/natural | 00-01 | | |
| | 993 347 981 02 T11 | Brown/natural | 00-01 | | |
| (1) | 996 347 981 02 | Four-spoke steering wheel | -01 | 1 | IX28/M432 |
| | 996 347 981 02 8YR | Black | -00 | | |
| | 996 347 981 02 A28 | Black | 01 | | |
| | 996 347 981 02 B50 | Space grey | -00 | | |
| | 996 347 981 02 C50 | Graphite grey | -00 | | |
| | 996 347 981 02 C60 | Graphite grey | -01 | | |
| | 996 347 981 02 G10 | Metropole blue | -00 | | |
| | 996 347 981 02 G30 | Metropole blue | 01 | | |
| | 996 347 981 02 S30 | Savanna | -00 | | |
| | 996 347 981 02 S40 | Savanna | 01 | | |
| | 996 347 981 02 J30 | Nephrite green | -00 | | |
| | 996 347 981 02 J40 | Nephrite green | 01 | | |
| | 996 347 981 02 M30 | Boxster red | -00 | | |
| | 996 347 981 02 M40 | Boxster red | 01 | | |
| | 996 347 981 02 P20 | Cinnamon brown | 01 | | |
| | 996 347 981 02 D11 | Dark grey/natural | 00-01 | | |
| | 996 347 981 02 T11 | Brown/natural | 00-01 | | |
| (1) | 996 347 981 04 | Four-spoke steering wheel | -01 | 1 | IX30/M432 |
| | 996 347 981 04 8YR | Black | -00 | | |
| | 996 347 981 04 A28 | Black | 01 | | |
| | 996 347 981 04 B50 | Space grey | -00 | | |
| | 996 347 981 04 C50 | Graphite grey | -00 | | |
| | 996 347 981 04 C60 | Graphite grey | -01 | | |
| | 996 347 981 04 G10 | Metropole blue | -00 | | |
| | 996 347 981 04 G30 | Metropole blue | 01 | | |
| | 996 347 981 04 S30 | Savanna | -00 | | |
| | 996 347 981 04 S40 | Savanna | 01 | | |
| | 996 347 981 04 J30 | Nephrite green | -00 | | |
| | 996 347 981 04 J40 | Nephrite green | 01 | | |
| | 996 347 981 04 M30 | Boxster red | -00 | | |
| | 996 347 981 04 M40 | Boxster red | 01 | | |
| | 996 347 981 04 P20 | Cinnamon brown | 01 | | |
| | 996 347 981 04 D11 | Dark grey/natural | 00-01 | | |
| | 996 347 981 04 T11 | Brown/natural | 00-01 | | |
| (1) | 993 347 981 08 | Four-spoke steering wheel | -01 | 1 | IX77/M432 |
| | 993 347 981 08 8YR | Black | -00 | | |
| | 993 347 981 08 A28 | Black | 01 | | |
| | 993 347 981 08 B50 | Space grey | -00 | | |
| | 993 347 981 08 C50 | Graphite grey | -00 | | |
| | 993 347 981 08 C60 | Graphite grey | -01 | | |
| | 993 347 981 08 G10 | Metropole blue | -00 | | |
| | 993 347 981 08 G30 | Metropole blue | 01 | | |
| | 993 347 981 08 S30 | Savanna | -00 | | |
| | 993 347 981 08 S40 | Savanna | 01 | | |

Model: 996 98 Model life 1998>>2005

| Pos | Part Number | Description | Remark | Qty | Model |
|-----|--------------------|----------------------|--------|-----|----------|
| | 993 347 981 08 J30 | Nephrite green | -00 | | |
| | 993 347 981 08 J40 | Nephrite green | 01 | | |
| | 993 347 981 08 M30 | Boxster red | -00 | | |
| | 993 347 981 08 M40 | Boxster red | 01 | | |
| | 993 347 981 08 P20 | Cinnamon brown | 01 | | |
| | 993 347 981 08 D11 | Dark grey/natural | 00-01 | | |
| | 993 347 981 08 T11 | Brown/natural | 00-01 | | |
| | | Mount | | | |
| | | Steering wheel | | | |
| | | Steering shaft | | | |
| - | N 012 238 1 | Spring washer | | 1 | |
| | | B 16 | | | |
| - | 900 078 006 01 | Hexagon nut | | 1 | |
| | | M 16 X 1,5 | | | |
| 2 | 999 073 134 02 | Pan-head screw | | 2 | |
| | | M 6 X 9,1 | | | |
| 3 | 993 347 088 01 | Retaining frame | | 1 | |
| 4 | 999 073 127 02 | Hexagon-head bolt | | 2 | |
| | | M 5 X 20 | | | |
| 5 | 993 347 831 00 | Switch | | 1 | M249/432 |
| | | without | | | |
| | | Lever | | | |
| 6 | 993 347 835 00 | Lever | /L | 1 | M249/432 |
| | 993 347 835 00 01C | Black | | | |
| (6) | 996 347 835 00 | Lever | /L | 1 | M432/436 |
| | 996 347 835 00 01C | Black | | | |
| (6) | 993 347 836 00 | Lever | /R | 1 | M249/432 |
| | 993 347 836 00 01C | Black | | | |
| (6) | 996 347 836 00 | Lever | /R | 1 | M432/436 |
| | 996 347 836 00 01C | Black | | | |
| 7 | 900 146 016 02 | Oval-head screw | | 4 | |
| | | M 3 X 6 | | | |
| 8 | 996 347 007 04 | Steering column | -99 | 1 | |
| | | Complete | | | |
| | | with | | | |
| | | Steering shaft | | | |
| (8) | 996 347 007 05 | Steering column | 00- | 1 | |
| | | Complete | | | |
| | | with | | | |
| | | Steering shaft | | | |
| (8) | 996 347 007 09 | Steering column | 00- | 1 | |
| | | Complete | | | |
| | | with | | | |
| | | Steering shaft | | | |
| (8) | 996 347 007 02 | Steering column | 99 | 1 | M476 |
| | | Complete | | | |
| | | with | | | |
| | | Steering shaft | | | |
| (8) | 996 347 007 06 | Steering column | -02 | 1 | M476 |
| | | Complete | | | |
| | | with | | | |
| | | Steering shaft | | | |
| | | See technical manual | | | |
| | | Group 4 | | | |
| | | NR.45.... | | | |
| (8) | 996 347 007 07 | Steering column | 03- | 1 | M476 |
| | | Complete | | | |
| | | with | | | |
| | | Steering shaft | | | |
| (8) | 996 347 007 08 | Steering column | 03- | 1 | M476 |
| | | Complete | | | |
| | | with | | | |
| | | Steering shaft | | | |

Model: 996 98 Model life 1998>>2005

| Pos | Part Number | Description | Remark | Qty | Model |
|------|--------------------|--|------------|-----|-------|
| 10 | 999 217 042 09 | Hexagon-head bolt M 8 X 35 | | 1 | |
| 11 | 986 347 037 00 | Bellows | -99 | 1 | |
| (11) | 986 347 037 01 | Bellows Information available | 00- 00- | 1 | |
| 12 | 996 347 339 02 | Rubber seal | | 1 | |
| 13 | 900 380 008 09 | Lock nut M 10 | | 1 | |
| 13 | 900 380 008 01 | Hexagon nut M 10 | | 1 | |
| 14 | 900 378 095 09 | Hexagon-head bolt M 10 X 100 | | 1 | |
| 15 | 900 378 157 09 | Hexagon-head bolt AM 6 X 25 | | 1 | |
| 16 | 999 076 055 09 | Hexagon nut M 8 | | 1 | |
| 17 | 996 347 243 01 | Strut | | 1 | |
| 18 | 900 378 055 09 | Hexagon-head bolt AM 8 X 40 | | 1 | |
| 19 | 900 377 002 02 | Hexagon nut M 6 | | 1 | |
| 20 | 996 347 017 05 | Steering lock housing | | 1 | |
| (20) | 996 347 017 06 | Steering lock | -03 | 1 | |
| (20) | 996 347 017 07 | Steering lock See technical information Group 2 NR.4/03 | 04- | 1 | |
| 21 | 996 347 917 00 | Lock cylinder with stipulated lock number | -01 | 1 | |
| (21) | 996 347 917 01 | Lock cylinder with stipulated lock number | 02- | 1 | |
| (21) | 996 347 915 00 | Lock cylinder W/o stipulated lock number | -01 | 1 | |
| (21) | 996 347 915 01 | Lock cylinder W/o stipulated lock number | 02- | 1 | |
| (21) | 996 347 915 02 | Lock cylinder W/o stipulated lock number | | 1 | |
| 22 | 4A0 905 849 B | Ignition starter switch | -03 | 1 | |
| (22) | 4B0 905 849 | Ignition starter switch See technical information Group 2 NR.4/03 | 04- | 1 | |
| 23 | 996 617 121 00 | Support | /RL -99 | 1 | |
| 24 | 996 617 021 04 | Control unit Cruise control | -99 | 1 | |
| 25 | 996 347 901 00 | Slotted screw | | 2 | |
| 26 | 996 347 804 52 | Steering wheel | | 1 | M436 |
| | 996 347 804 52 8YR | Black | | | |
| | 996 347 804 52 B50 | Space grey | | | |
| | 996 347 804 52 C50 | Graphite grey | | | |
| | 996 347 804 52 G10 | Metropole blue | | | |
| | 996 347 804 52 S30 | Savanna | | | |
| (26) | 996 347 804 53 | Steering wheel | 99 | 1 | M436 |
| | 996 347 804 53 8YR | Black | | | |
| | 996 347 804 53 B50 | Space grey | | | |
| | 996 347 804 53 C50 | Graphite grey | | | |
| | 996 347 804 53 G10 | Metropole blue | | | |
| | 996 347 804 53 S30 | Savanna | | | |
| | 996 347 804 53 M30 | Boxster red | | | |
| | 996 347 804 53 J30 | Nephrite green | | | |
| (26) | 996 347 804 54 | Steering wheel | 00- | 1 | M436 |
| | 996 347 804 54 8YR | Black | | | |
| | 996 347 804 54 A08 | Black | 00 | | |

Model: 996 98 Model life 1998>>2005

| Pos | Part Number | Description | Remark | Qty | Model |
|------|--------------------|------------------------|--------|-----|-----------|
| | 996 347 804 54 A28 | Black | 01- | | |
| | 996 347 804 54 B50 | Space grey | | | |
| | 996 347 804 54 C50 | Graphite grey | | | |
| | 996 347 804 54 C56 | Graphite grey | 00 | | |
| | 996 347 804 54 C60 | Graphite grey | 01- | | |
| | 996 347 804 54 G10 | Metropole blue | | | |
| | 996 347 804 54 G16 | Metropole blue | 00 | | |
| | 996 347 804 54 G30 | Metropole blue | 01- | | |
| | 996 347 804 54 S30 | Savanna | | | |
| | 996 347 804 54 S36 | Savanna | 00 | | |
| | 996 347 804 54 S40 | Savanna | 01- | | |
| | 996 347 804 54 M30 | Boxster red | | | |
| | 996 347 804 54 M36 | Boxster red | 00 | | |
| | 996 347 804 54 M40 | Boxster red | 01- | | |
| | 996 347 804 54 J30 | Nephrite green | | | |
| | 996 347 804 54 J36 | Nephrite green | 00 | | |
| | 996 347 804 54 J40 | Nephrite green | 01-03 | | |
| | 996 347 804 54 D11 | Dark grey/natural | 00- | | |
| | 996 347 804 54 T11 | Brown/natural | 00- | | |
| | 996 347 804 54 P20 | Cinnamon brown | 01- | | |
| (26) | 996 347 804 57 | Steering wheel | 04 | 1 | M095/436 |
| (26) | 996 347 804 57 VTB | Dark grey/natural | | | |
| (26) | 996 347 983 00 | 3-spoke steering wheel | | 1 | IXPA/M480 |
| | 996 347 983 00 8YR | Black | -00 | | |
| | 996 347 983 00 A28 | Black | 01- | | |
| | 996 347 983 00 B50 | Space grey | -00 | | |
| | 996 347 983 00 C50 | Graphite grey | -00 | | |
| | 996 347 983 00 C60 | Graphite grey | 01- | | |
| | 996 347 983 00 S30 | Savanna | -00 | | |
| | 996 347 983 00 S40 | Savanna | 01- | | |
| | 996 347 983 00 G10 | Metropole blue | -00 | | |
| | 996 347 983 00 G30 | Metropole blue | 01- | | |
| | 996 347 983 00 J30 | Nephrite green | -00 | | |
| | 996 347 983 00 J40 | Nephrite green | 01-03 | | |
| | 996 347 983 00 M30 | Boxster red | -00 | | |
| | 996 347 983 00 M40 | Boxster red | 01- | | |
| | 996 347 983 00 P20 | Cinnamon brown | 01- | | |
| | 996 347 983 00 D11 | Dark grey/natural | 00- | | |
| | 996 347 983 00 T11 | Brown/natural | 00- | | |
| (26) | 996 347 983 04 | 3-spoke steering wheel | | 1 | IXPB/M480 |
| | 996 347 983 04 8YR | Black | -00 | | |
| | 996 347 983 04 A28 | Black | 01- | | |
| | 996 347 983 04 B50 | Space grey | -00 | | |
| | 996 347 983 04 C50 | Graphite grey | -00 | | |
| | 996 347 983 04 C60 | Graphite grey | 01- | | |
| | 996 347 983 04 S30 | Savanna | -00 | | |
| | 996 347 983 04 S40 | Savanna | 01- | | |
| | 996 347 983 04 G10 | Metropole blue | -00 | | |
| | 996 347 983 04 G30 | Metropole blue | 01- | | |
| | 996 347 983 04 J30 | Nephrite green | -00 | | |
| | 996 347 983 04 J40 | Nephrite green | 01-03 | | |
| | 996 347 983 04 M30 | Boxster red | -00 | | |
| | 996 347 983 04 M40 | Boxster red | 01- | | |
| | 996 347 983 04 P20 | Cinnamon brown | 01- | | |
| | 996 347 983 04 D11 | Dark grey/natural | 00- | | |
| | 996 347 983 04 T11 | Brown/natural | 00- | | |
| (26) | 996 347 983 10 | 3-spoke steering wheel | | 1 | IXPC/M480 |
| | 996 347 983 10 8YR | Black | -00 | | |
| | 996 347 983 10 A28 | Black | 01- | | |
| | 996 347 983 10 B50 | Space grey | -00 | | |
| | 996 347 983 10 C50 | Graphite grey | -00 | | |
| | 996 347 983 10 C60 | Graphite grey | 01- | | |
| | 996 347 983 10 S30 | Savanna | -00 | | |

Model: 996 98 Model life 1998>>2005

| Pos | Part Number | Description | Remark | Qty | Model |
|------|--------------------|------------------------|--------|-----|--------------|
| | 996 347 983 10 S40 | Savanna | 01- | | |
| | 996 347 983 10 G10 | Metropole blue | -00 | | |
| | 996 347 983 10 G30 | Metropole blue | 01- | | |
| | 996 347 983 10 J30 | Nephrite green | -00 | | |
| | 996 347 983 10 J40 | Nephrite green | 01-03 | | |
| | 996 347 983 10 M30 | Boxster red | -00 | | |
| | 996 347 983 10 M40 | Boxster red | 01- | | |
| | 996 347 983 10 P20 | Cinnamon brown | 01- | | |
| | 996 347 983 10 D11 | Dark grey/natural | 00- | | |
| | 996 347 983 10 T11 | Brown/natural | 00- | | |
| (26) | 996 347 983 12 | 3-spoke steering wheel | | 1 | IXPD/M480 |
| | 996 347 983 12 8YR | Black | -00 | | |
| | 996 347 983 12 A28 | Black | 01- | | |
| | 996 347 983 12 B50 | Space grey | -00 | | |
| | 996 347 983 12 C50 | Graphite grey | -00 | | |
| | 996 347 983 12 C60 | Graphite grey | 01- | | |
| | 996 347 983 12 S30 | Savanna | -00 | | |
| | 996 347 983 12 S40 | Savanna | 01- | | |
| | 996 347 983 12 G10 | Metropole blue | -00 | | |
| | 996 347 983 12 G30 | Metropole blue | 01- | | |
| | 996 347 983 12 J30 | Nephrite green | -00 | | |
| | 996 347 983 12 J40 | Nephrite green | 01-03 | | |
| | 996 347 983 12 M30 | Boxster red | -00 | | |
| | 996 347 983 12 M40 | Boxster red | 01- | | |
| | 996 347 983 12 P20 | Cinnamon brown | 01- | | |
| | 996 347 983 12 D11 | Dark grey/natural | 00- | | |
| | 996 347 983 12 T11 | Brown/natural | 00- | | |
| (26) | 996 347 983 28 | 3-spoke steering wheel | 03- | 1 | IXPG/M480 |
| | 996 347 983 28 A28 | Black | | | |
| | 996 347 983 28 C60 | Graphite grey | | | |
| | 996 347 983 28 S40 | Savanna | | | |
| | 996 347 983 28 G30 | Metropole blue | | | |
| | 996 347 983 28 J40 | Nephrite green | 03 | | |
| | 996 347 983 28 M40 | Boxster red | | | |
| | 996 347 983 28 P20 | Cinnamon brown | | | |
| | 996 347 983 28 D11 | Dark grey/natural | | | |
| | 996 347 983 28 T11 | Brown/natural | | | |
| (26) | 996 347 804 62 | Steering wheel | | 1 | M436 M432 |
| | 996 347 804 62 8YR | Black | | | |
| | 996 347 804 62 B50 | Space grey | | | |
| | 996 347 804 62 C50 | Graphite grey | | | |
| | 996 347 804 62 G10 | Metropole blue | | | |
| | 996 347 804 62 S30 | Savanna | | | |
| (26) | 996 347 804 63 | Steering wheel | 99 | 1 | M436 M432 |
| | 996 347 804 63 8YR | Black | | | |
| | 996 347 804 63 B50 | Space grey | | | |
| | 996 347 804 63 C50 | Graphite grey | | | |
| | 996 347 804 63 G10 | Metropole blue | | | |
| | 996 347 804 63 S30 | Savanna | | | |
| | 996 347 804 63 M30 | Boxster red | | | |
| | 996 347 804 63 J30 | Nephrite green | | | |
| (26) | 996 347 804 64 | Steering wheel | 00- | 1 | M436 M432 |
| | 996 347 804 64 8YR | Black | | | |
| | 996 347 804 64 A08 | Black | 00 | | |
| | 996 347 804 64 A28 | Black | 01- | | |
| | 996 347 804 64 B50 | Space grey | | | |
| | 996 347 804 64 C50 | Graphite grey | | | |
| | 996 347 804 64 C56 | Graphite grey | 00 | | |
| | 996 347 804 64 C60 | Graphite grey | 01- | | |
| | 996 347 804 64 G10 | Metropole blue | | | |

Model: 996 98 Model life 1998>>2005

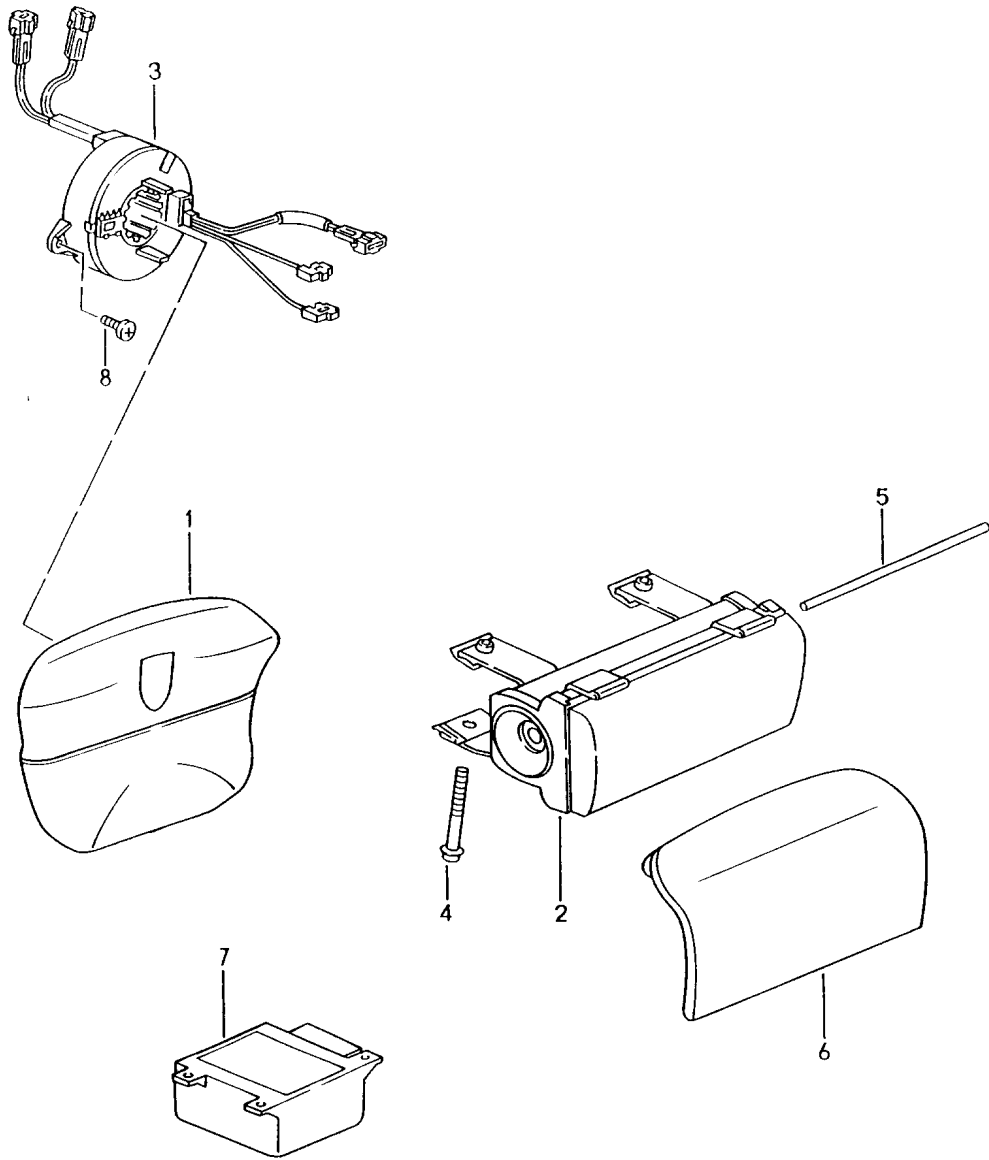
| Pos | Part Number | Description | Remark | Qty | Model |
|------|--------------------|------------------------|--------|-----|-----------|
| | 996 347 804 64 G16 | Metropole blue | 00 | | |
| | 996 347 804 64 G30 | Metropole blue | 01- | | |
| | 996 347 804 64 S30 | Savanna | | | |
| | 996 347 804 64 S36 | Savanna | 00 | | |
| | 996 347 804 64 S40 | Savanna | 01- | | |
| | 996 347 804 64 M30 | Boxster red | | | |
| | 996 347 804 64 M36 | Boxster red | 00 | | |
| | 996 347 804 64 M40 | Boxster red | 01- | | |
| | 996 347 804 64 J30 | Nephrite green | | | |
| | 996 347 804 64 J36 | Nephrite green | 00 | | |
| | 996 347 804 64 J40 | Nephrite green | 01-03 | | |
| | 996 347 804 64 D11 | Dark grey/natural | 00 | | |
| | 996 347 804 64 T11 | Brown/natural | 00 | | |
| | 996 347 804 64 P20 | Cinnamon brown | 01- | | |
| (26) | 996 347 983 01 | 3-spoke steering wheel | | 1 | IXPA/M432 |
| | 996 347 983 01 8YR | Black | 00 | | |
| | 996 347 983 01 A28 | Black | 01- | | |
| | 996 347 983 01 B50 | Space grey | 00 | | |
| | 996 347 983 01 C50 | Graphite grey | 00 | | |
| | 996 347 983 01 C60 | Graphite grey | 01- | | |
| | 996 347 983 01 S30 | Savanna | 00 | | |
| | 996 347 983 01 S40 | Savanna | 01- | | |
| | 996 347 983 01 G10 | Metropole blue | 00 | | |
| | 996 347 983 01 G30 | Metropole blue | 01- | | |
| | 996 347 983 01 J30 | Nephrite green | 00 | | |
| | 996 347 983 01 J40 | Nephrite green | 01-03 | | |
| | 996 347 983 01 M30 | Boxster red | 00 | | |
| | 996 347 983 01 M40 | Boxster red | 01- | | |
| | 996 347 983 01 P20 | Cinnamon brown | 01- | | |
| | 996 347 983 01 D11 | Dark grey/natural | 00 | | |
| | 996 347 983 01 T11 | Brown/natural | 00 | | |
| (26) | 996 347 983 05 | 3-spoke steering wheel | | 1 | IXPB/M432 |
| | 996 347 983 05 8YR | Black | 00 | | |
| | 996 347 983 05 A28 | Black | 01- | | |
| | 996 347 983 05 B50 | Space grey | 00 | | |
| | 996 347 983 05 C50 | Graphite grey | 00 | | |
| | 996 347 983 05 C60 | Graphite grey | 01- | | |
| | 996 347 983 05 S30 | Savanna | 00 | | |
| | 996 347 983 05 S40 | Savanna | 01- | | |
| | 996 347 983 05 G10 | Metropole blue | 00 | | |
| | 996 347 983 05 G30 | Metropole blue | 01- | | |
| | 996 347 983 05 J30 | Nephrite green | 00 | | |
| | 996 347 983 05 J40 | Nephrite green | 01-03 | | |
| | 996 347 983 05 M30 | Boxster red | 00 | | |
| | 996 347 983 05 M40 | Boxster red | 01- | | |
| | 996 347 983 05 P20 | Cinnamon brown | 01- | | |
| | 996 347 983 05 D11 | Dark grey/natural | 00 | | |
| | 996 347 983 05 T11 | Brown/natural | 00 | | |
| (26) | 996 347 983 11 | 3-spoke steering wheel | | 1 | IXPC/M432 |
| | 996 347 983 11 8YR | Black | 00 | | |
| | 996 347 983 11 A28 | Black | 01- | | |
| | 996 347 983 11 B50 | Space grey | 00 | | |
| | 996 347 983 11 C50 | Graphite grey | 00 | | |
| | 996 347 983 11 C60 | Graphite grey | 01- | | |
| | 996 347 983 11 S30 | Savanna | 00 | | |
| | 996 347 983 11 S40 | Savanna | 01- | | |
| | 996 347 983 11 G10 | Metropole blue | 00 | | |
| | 996 347 983 11 G30 | Metropole blue | 01- | | |
| | 996 347 983 11 J30 | Nephrite green | 00 | | |
| | 996 347 983 11 J40 | Nephrite green | 01-03 | | |
| | 996 347 983 11 M30 | Boxster red | 00 | | |
| | 996 347 983 11 M40 | Boxster red | 01- | | |
| | 996 347 983 11 P20 | Cinnamon brown | 01- | | |

Model: 996 98 Model life 1998>>2005

| Pos | Part Number | Description | Remark | Qty | Model |
|------|--------------------|------------------------|--------|-----|-----------|
| | 996 347 983 11 D11 | Dark grey/natural | 00 | | |
| | 996 347 983 11 T11 | Brown/natural | 00 | | |
| (26) | 996 347 983 13 | 3-spoke steering wheel | | 1 | IXPD/M432 |
| | 996 347 983 13 8YR | Black | 00 | | |
| | 996 347 983 13 A28 | Black | 01- | | |
| | 996 347 983 13 B50 | Space grey | 00 | | |
| | 996 347 983 13 C50 | Graphite grey | 00 | | |
| | 996 347 983 13 C60 | Graphite grey | 01- | | |
| | 996 347 983 13 S30 | Savanna | 00 | | |
| | 996 347 983 13 S40 | Savanna | 01- | | |
| | 996 347 983 13 G10 | Metropole blue | 00 | | |
| | 996 347 983 13 G30 | Metropole blue | 01- | | |
| | 996 347 983 13 J30 | Nephrite green | 00 | | |
| | 996 347 983 13 J40 | Nephrite green | 01-03 | | |
| | 996 347 983 13 M30 | Boxster red | 00 | | |
| | 996 347 983 13 M40 | Boxster red | 01- | | |
| | 996 347 983 13 P20 | Cinnamon brown | 01- | | |
| | 996 347 983 13 D11 | Dark grey/natural | 00 | | |
| | 996 347 983 13 T11 | Brown/natural | 00 | | |
| (26) | 996 347 983 29 | 3-spoke steering wheel | 03- | 1 | IXPG/M432 |
| | 996 347 983 29 A28 | Black | | | |
| | 996 347 983 29 C60 | Graphite grey | | | |
| | 996 347 983 29 S40 | Savanna | | | |
| | 996 347 983 29 G30 | Metropole blue | | | |
| | 996 347 983 29 J40 | Nephrite green | 03 | | |
| | 996 347 983 29 M40 | Boxster red | | | |
| | 996 347 983 29 P20 | Cinnamon brown | | | |
| | 996 347 983 29 D11 | Dark grey/natural | | | |
| | 996 347 983 29 T11 | Brown/natural | | | |
| | | Mount | | | |
| | | Steering wheel | | | |
| | | Steering shaft | | 1 | |
| - | N 012 238 1 | Spring washer | | 1 | |
| | | B 16 | | | |
| - | 900 078 006 01 | Hexagon nut | | 1 | |
| | | M 16 X 1,5 | | | |
| 27 | 996 347 880 00 | Retaining frame | | 1 | M436 |
| (27) | 996 347 880 01 | Retaining frame | -99 | 1 | M436 |
| 27 | 996 347 880 02 | Retaining frame | 00- | 1 | M436 |
| 28 | 999 073 184 02 | Round head screw | | 3 | M436 |
| | | M 5 X 18,7 | | | |
| 29 | 999 521 079 02 | Compression spring | | 3 | M436 |
| 30 | 999 073 183 02 | Pan-head screw | | 2 | M436 |
| | | M 6 X 10,5 | | | |
| 33 | 996 606 109 01 | Steering-angle sensor | -02 | 1 | M476 |
| (33) | 996 606 109 02 | Steering-angle sensor | -02 | 1 | M476 |
| | | See technical manual | | | |
| | | Group 4 | | | |
| | | NR.45.... | | | |
| (33) | 996 606 119 00 | Steering-angle sensor | 03- | 1 | M476 |
| - | 996 610 123 00 | Cable guide | -02 | 1 | M476 |
| | | for | | | |
| | | Steering-angle sensor | | | |
| - | 996 610 123 01 | Cable guide | 03- | 1 | M476 |
| | | for | | | |
| | | Steering-angle sensor | | | |
| 34 | 996 347 705 00 | Adapter | | 1 | M476 |
| 35 | 999 217 042 09 | Hexagon-head bolt | | 1 | M476 |
| | | M 8 X 35 | | | |
| 36 | 996 347 023 00 | Steering shaft | | 1 | M476 |
| 36 | 996 347 023 01 | Steering shaft | 01- | 1 | M476 |

Model: 996 98

Model life 1998>>2005



Model: 996 98 Model life 1998>>2005

| Pos | Part Number | Description | Remark | Qty | Model |
|-----|--------------------|--|--------|-----|-------|
| 1 | 996 803 089 03 | Airbag Airbag unit Four-spoke steering wheel Plastic material | | 1 | |
| | 996 803 089 03 8YR | Black | -00 | | |
| | 996 803 089 03 C50 | Graphite grey | -00 | | |
| | 996 803 089 03 S30 | Savanna | -00 | | |
| | 996 803 089 03 G10 | Metropole blue | -00 | | |
| | 996 803 089 03 B50 | Space grey | -00 | | |
| | 996 803 089 03 A28 | Black | 01 | | |
| | 996 803 089 03 C60 | Graphite grey | 01 | | |
| | 996 803 089 03 S40 | Savanna | 01 | | |
| | 996 803 089 03 G30 | Metropole blue | 01 | | |
| | 996 803 089 03 J40 | Nephrite green | 01 | | |
| | 996 803 089 03 M40 | Boxster red | 01 | | |
| 1 | 996 803 089 10 | Airbag unit Four-spoke steering wheel Plastic material | | 1 | |
| | 996 803 089 10 S30 | Savanna | -00 | | |
| | 996 803 089 10 B50 | Space grey | -00 | | |
| (1) | 996 803 089 02 | Airbag unit 3-spoke steering wheel Plastic material | -99 | 1 | M436 |
| | 996 803 089 02 8YR | Black | | | |
| | 996 803 089 02 C50 | Graphite grey | | | |
| | 996 803 089 02 S30 | Savanna | | | |
| | 996 803 089 02 G10 | Metropole blue | | | |
| | 996 803 089 02 B50 | Space grey | | | |
| | 996 803 089 02 M30 | Boxster red | | | |
| | 996 803 089 02 J30 | Nephrite green | | | |
| (1) | 996 803 089 07 | Airbag unit 3-spoke steering wheel Plastic material | -99 | 1 | M436 |
| | 996 803 089 07 B50 | Space grey | | | |
| (1) | 996 803 089 04 | Airbag unit 3-spoke steering wheel Plastic material | 00 | 1 | M436 |
| | 996 803 089 04 A08 | Black | | | |
| | 996 803 089 04 C50 | Graphite grey | | | |
| | 996 803 089 04 C56 | Graphite grey | | | |
| | 996 803 089 04 S30 | Savanna | | | |
| | 996 803 089 04 S36 | Savanna | | | |
| | 996 803 089 04 G10 | Metropole blue | | | |
| | 996 803 089 04 G16 | Metropole blue | | | |
| | 996 803 089 04 B50 | Space grey | | | |
| | 996 803 089 04 J30 | Nephrite green | | | |
| | 996 803 089 04 J36 | Nephrite green | | | |
| | 996 803 089 04 M30 | Boxster red | | | |
| | 996 803 089 04 M36 | Boxster red | | | |
| | 996 803 089 04 D11 | Dark grey/natural | | | |
| | 996 803 089 04 T11 | Brown/natural | | | |
| (1) | 996 803 089 08 | Airbag unit 3-spoke steering wheel Plastic material | 00 | 1 | M436 |
| | 996 803 089 08 A08 | Black | | | |
| | 996 803 089 08 C56 | Graphite grey | | | |
| | 996 803 089 08 S36 | Savanna | | | |
| | 996 803 089 08 G16 | Metropole blue | | | |
| | 996 803 089 08 B50 | Space grey | | | |
| | 996 803 089 08 J36 | Nephrite green | | | |
| | 996 803 089 08 M36 | Boxster red | | | |
| | 996 803 089 08 D11 | Dark grey/natural | | | |
| | 996 803 089 08 T11 | Brown/natural | | | |

Model: 996 98 Model life 1998>>2005

| Pos | Part Number | Description | Remark | Qty | Model |
|-----|--------------------|--|--------|-----|----------------------|
| (1) | 996 803 089 02 | Airbag unit 3-spoke steering wheel Plastic material | 01- | 1 | M436 |
| | 996 803 089 02 A28 | Black | | | |
| | 996 803 089 02 C60 | Graphite grey | | | |
| | 996 803 089 02 S40 | Savanna | | | |
| | 996 803 089 02 G30 | Metropole blue | | | |
| | 996 803 089 02 J40 | Nephrite green | 01-03 | | |
| | 996 803 089 02 M40 | Boxster red | | | |
| | 996 803 089 02 D11 | Dark grey/natural | | | |
| | 996 803 089 02 T11 | Brown/natural | | | |
| | 996 803 089 02 P20 | Cinnamon brown | | | |
| (1) | 996 803 089 07 | Airbag unit 3-spoke steering wheel Plastic material | 01-03 | 1 | M436 |
| | 996 803 089 07 J40 | Nephrite green | | | |
| | 996 803 089 07 G30 | Metropole blue | | | |
| (1) | 996 803 089 05 | Airbag unit 3-spoke steering wheel Leather | 04- | 1 | M095/436 |
| | 996 803 089 05 D11 | Dark grey/natural | | | |
| (1) | 996 803 089 09 | Airbag unit 3-spoke steering wheel Leather | 04- | 1 | M095/436 |
| | 996 803 089 09 D11 | Dark grey/natural | | | |
| (1) | 996 803 980 02 | Airbag unit Four-spoke steering wheel Leather Crest Embossed | 99-01 | 1 | X26/X28 X30/X77 |
| | 996 803 980 02 8YR | Black | 99-00 | | |
| | 996 803 980 02 A28 | Black | 01 | | |
| | 996 803 980 02 C50 | Graphite grey | 99-00 | | |
| | 996 803 980 02 C60 | Graphite grey | 01 | | |
| | 996 803 980 02 S30 | Savanna | 99-00 | | |
| | 996 803 980 02 S40 | Savanna | 01 | | |
| | 996 803 980 02 G10 | Metropole blue | 99-00 | | |
| | 996 803 980 02 G30 | Metropole blue | 01 | | |
| | 996 803 980 02 B50 | Space grey | 99-00 | | |
| | 996 803 980 02 M30 | Boxster red | 99-00 | | |
| | 996 803 980 02 M40 | Boxster red | 01 | | |
| | 996 803 980 02 J30 | Nephrite green | 99-00 | | |
| | 996 803 980 02 J40 | Nephrite green | 01 | | |
| | 996 803 980 02 D11 | Dark grey/natural | 00-01 | | |
| | 996 803 980 02 T11 | Brown/natural | 00-01 | | |
| | 996 803 980 02 P20 | Cinnamon brown | 01 | | |
| (1) | 996 803 980 01 | Airbag unit 3-spoke steering wheel Leather Crest Coloured | | 1 | IXPA/XPB IXPC/XPD |
| | 996 803 980 01 8YR | Black | -99 | | |
| | 996 803 980 01 C50 | Graphite grey | -99 | | |
| | 996 803 980 01 S30 | Savanna | -99 | | |
| | 996 803 980 01 G10 | Metropole blue | -99 | | |
| | 996 803 980 01 B50 | Space grey | -99 | | |
| | 996 803 980 01 M30 | Boxster red | -99 | | |
| | 996 803 980 01 J30 | Nephrite green | -99 | | |
| | 996 803 980 01 A28 | Black | 01- | | |
| | 996 803 980 01 C60 | Graphite grey | 01- | | |
| | 996 803 980 01 S40 | Savanna | 01- | | |
| | 996 803 980 01 G30 | Metropole blue | 01- | | |
| | 996 803 980 01 J40 | Nephrite green | 01-03 | | |

Model: 996 98 Model life 1998>>2005

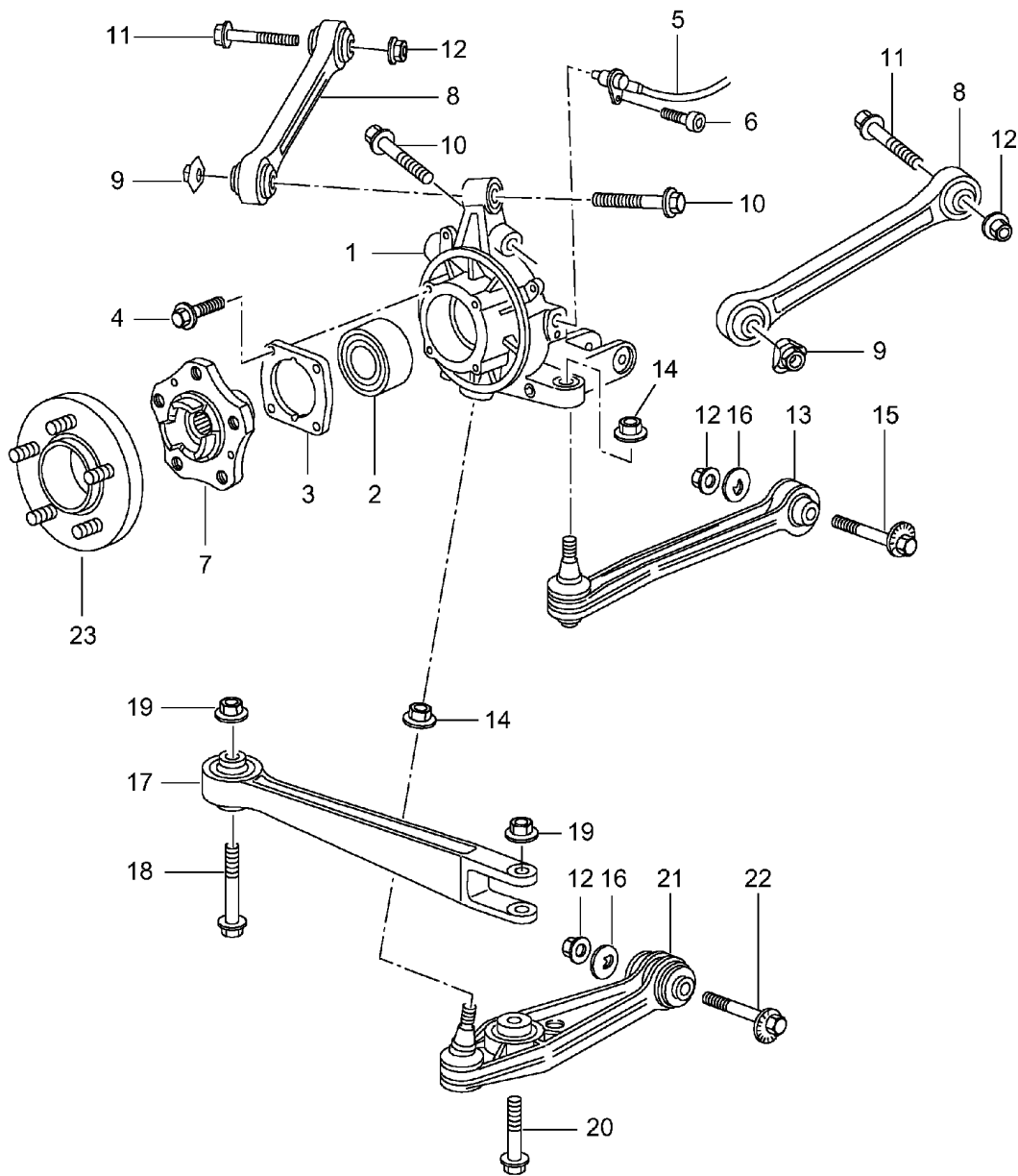
| Pos | Part Number | Description | Remark | Qty | Model |
|--------------------|--------------------|---------------------------|--------|-----|----------------------|
| (1) | 996 803 980 01 M40 | Boxster red | 01- | 1 | IXPG |
| | 996 803 980 01 P20 | Cinnamon brown | 01- | | |
| | 996 803 980 01 D11 | Dark grey/natural | 01- | | |
| | 996 803 980 01 T11 | Brown/natural | 01- | | |
| | 996 803 980 01 | Airbag unit | 03- | | |
| | | 3-spoke steering wheel | | | |
| | | Leather | | | |
| | | Crest | | | |
| | | Coloured | | | |
| | 996 803 980 01 A28 | Black | | | |
| | 996 803 980 01 C60 | Graphite grey | | | |
| | 996 803 980 01 S40 | Savanna | | | |
| | 996 803 980 01 G30 | Metropole blue | | | |
| 996 803 980 01 J40 | Nephrite green | 03 | | | |
| 996 803 980 01 M40 | Boxster red | | | | |
| 996 803 980 01 P20 | Cinnamon brown | | | | |
| 996 803 980 01 D11 | Dark grey/natural | | | | |
| 996 803 980 01 T11 | Brown/natural | | | | |
| (1) | 996 803 980 01 | Airbag unit | 00 | 1 | IXPC/M094 |
| | | 3-spoke steering wheel | | | |
| | | Leather | | | |
| | | Crest | | | |
| | | Coloured | | | |
| (1) | 996 803 980 01 T11 | Brown/natural | | 1 | IXPA/XPB IXPC/XPD |
| (1) | 996 803 980 03 | Airbag unit | 00 | | |
| | | 3-spoke steering wheel | | | |
| | | Leather | | | |
| | | Crest | | | |
| | | Silver | | | |
| | 996 803 980 03 8YR | Black | | | |
| | 996 803 980 03 C50 | Graphite grey | | | |
| | 996 803 980 03 S30 | Savanna | | | |
| | 996 803 980 03 G10 | Metropole blue | | | |
| | 996 803 980 03 B50 | Space grey | | | |
| | 996 803 980 03 M30 | Boxster red | | | |
| | 996 803 980 03 J30 | Nephrite green | | | |
| | 996 803 980 03 D11 | Dark grey/natural | | | |
| | 996 803 980 03 T11 | Brown/natural | | | |
| 2 | 996 803 071 06 | Airbag unit | -01 | 1 | |
| (2) | 996 803 071 07 | Airbag unit | -03 | 1 | |
| | | See technical information | | | |
| | | GR.6 NR.2/03 | | | |
| (2) | 996 803 071 08 | Airbag unit | 03- | 1 | |
| | | See technical information | | | |
| | | GR.6 NR.2/03 | | | |
| - | 996 803 091 00 | Airbag unit | /L | 1 | M563 |
| - | 996 803 092 00 | Airbag unit | /R | 1 | M563 |
| - | 900 378 222 09 | Hexagon-head bolt | | 8 | M563 |
| | | M 6 X 16 | | | |
| 3 | 996 652 211 00 | Support for contact | | 1 | M480 |
| (3) | 996 652 213 00 | Support for contact | | 1 | M249 |
| 4 | 900 378 137 09 | Hexagon-head bolt | | 2 | |
| | | AM 8 X 95 | | | |
| 5 | 996 803 611 00 | Hinge pin | | 1 | |
| 6 | 996 803 173 04 | Lid | | 1 | |
| | | Leatherette | | | |
| | 996 803 173 04 A18 | Black | -99 | | |
| | 996 803 173 04 B18 | Space grey | -99 | | |
| | 996 803 173 04 C18 | Graphite grey | -99 | | |
| | 996 803 173 04 S18 | Savanna | -99 | | |
| | 996 803 173 04 G18 | Metropole blue | -99 | | |
| | 996 803 173 04 A12 | Black | 00- | | |
| | 996 803 173 04 B52 | Space grey | 00 | | |

Model: 996 98 Model life 1998>>2005

| Pos | Part Number | Description | Remark | Qty | Model |
|--------------------|--------------------|-----------------------------|--------|-----|----------|
| (6) | 996 803 173 04 C52 | Graphite grey | 00- | 1 | |
| | 996 803 173 04 S32 | Savanna | 00- | | |
| | 996 803 173 04 G12 | Metropole blue | 00- | | |
| | 996 803 173 04 J32 | Nephrite green | -03 | | |
| | 996 803 173 05 | Lid | | | |
| | | Leather | | | |
| | 996 803 173 05 A11 | Black | | | |
| | 996 803 173 05 B51 | Space grey | | | |
| | 996 803 173 05 C51 | Graphite grey | | | |
| | 996 803 173 05 S31 | Savanna | | | |
| | 996 803 173 05 J31 | Nephrite green | -03 | | |
| | 996 803 173 05 M31 | Boxster red | | | |
| | 996 803 173 05 G11 | Metropole blue | | | |
| 996 803 173 05 D12 | Dark grey/natural | | | | |
| 996 803 173 05 T12 | Brown/natural | | | | |
| 996 803 173 05 P12 | Cinnamon brown | | | | |
| 7 | 996 618 217 01 | Switch unit | | 1 | M562 |
| - | 900 377 010 09 | Hexagon nut M 6 | | 1 | M562 |
| - | 999 084 635 02 | Shear-off nut M 6 | | 2 | M562 |
| (7) | 996 618 219 00 | Control unit | | 1 | M562/563 |
| (7) | 996 618 219 02 | Switch unit | | 1 | M562/563 |
| - | 900 377 010 09 | Hexagon nut M 6 | | 1 | M562/563 |
| - | 944 618 401 00 | Nut M 6 | | 2 | M562/563 |
| - | 996 618 221 00 | Sensor Airbag | -01 | 2 | M563 |
| - | 996 618 221 01 | Sensor Airbag | 02- | 2 | M563 |
| - | 999 073 152 09 | Oval-head screw M 6 X 18 | | 4 | M563 |
| 8 | 900 146 024 07 | Oval-head screw M 5 X 8 | | 2 | |

Model: 996 98

Model life 1998>>2005



Model: 996 98 Model life 1998>>2005

| Pos | Part Number | Description | Remark | Qty | Model |
|------|----------------|--|--------|-----|-------|
| 1 | 996 331 111 05 | Rear axle Wheel carrier Control arm Wheel hub See technical manual 42-27 42-28 42-29 Wheel carrier F >>99XS6 08187 F >>99XS6 46091 F >>99XS6 08184 F >>99XS6 46090 | /L | 1 | |
| (1) | 996 331 111 06 | Wheel carrier F 99XS6 08188>> F 99XS6 46092>> F 99XS6 08185>> F 99XS6 46091>> | /L | 1 | |
| (1) | 996 331 112 05 | Wheel carrier F >>99XS6 08187 F >>99XS6 46091 F >>99XS6 08184 F >>99XS6 46090 | /R | 1 | |
| (1) | 996 331 112 06 | Wheel carrier F 99XS6 08188>> F 99XS6 46092>> F 99XS6 08185>> F 99XS6 46091>> | /R | 1 | |
| 2 | 999 053 055 02 | Angular-contact bearing | | 2 | |
| 3 | 996 331 661 01 | Lid | | 2 | |
| 4 | 999 217 042 09 | Hexagon-head bolt M 8 X 35 | | 8 | |
| 5 | 996 606 406 00 | Speed sensor | | 2 | |
| 6 | 900 067 117 09 | Pan-head screw M 6 X 16 | | 2 | |
| 7 | 997 331 605 00 | Wheel hub | | 2 | |
| 8 | 996 331 047 02 | Wishbone | -01 | 2 | |
| (8) | 996 331 047 03 | Wishbone | -03 | 2 | |
| (8) | 996 331 047 05 | Wishbone | 04- | 2 | |
| 9 | 999 084 452 09 | Hexagon nut M 12 X 1,5 | | 4 | |
| 10 | 900 378 139 09 | Hexagon-head bolt M 12 X 80 | | 4 | |
| 10 | 900 378 139 01 | Hexagon-head bolt M 12 X 80 | | 4 | |
| 11 | 900 378 088 09 | Hexagon-head bolt M 12 X 100 | | 4 | |
| 11 | 900 378 088 01 | Hexagon-head bolt M 12 X 100 | | 4 | |
| 12 | 999 084 445 09 | Lock nut M 12 X 1,5 | | 10 | |
| 13 | 996 331 045 06 | Track rod F >>99WS6 00422 | | 2 | |
| (13) | 996 331 045 07 | Track rod | | 2 | |
| (13) | 996 331 045 08 | Track rod F 99WS6 00423>> | | 2 | |
| (13) | 996 331 045 12 | Track rod | | 2 | |
| 14 | 999 084 449 09 | Lock nut M 12 X 1,5 | | 4 | |
| 15 | 996 331 217 02 | Eccentric screw M 12 X 83 | | 2 | |
| 16 | 996 331 219 00 | Eccentric washer | | 2 | |
| 17 | 996 341 043 06 | Control arm | | 2 | |

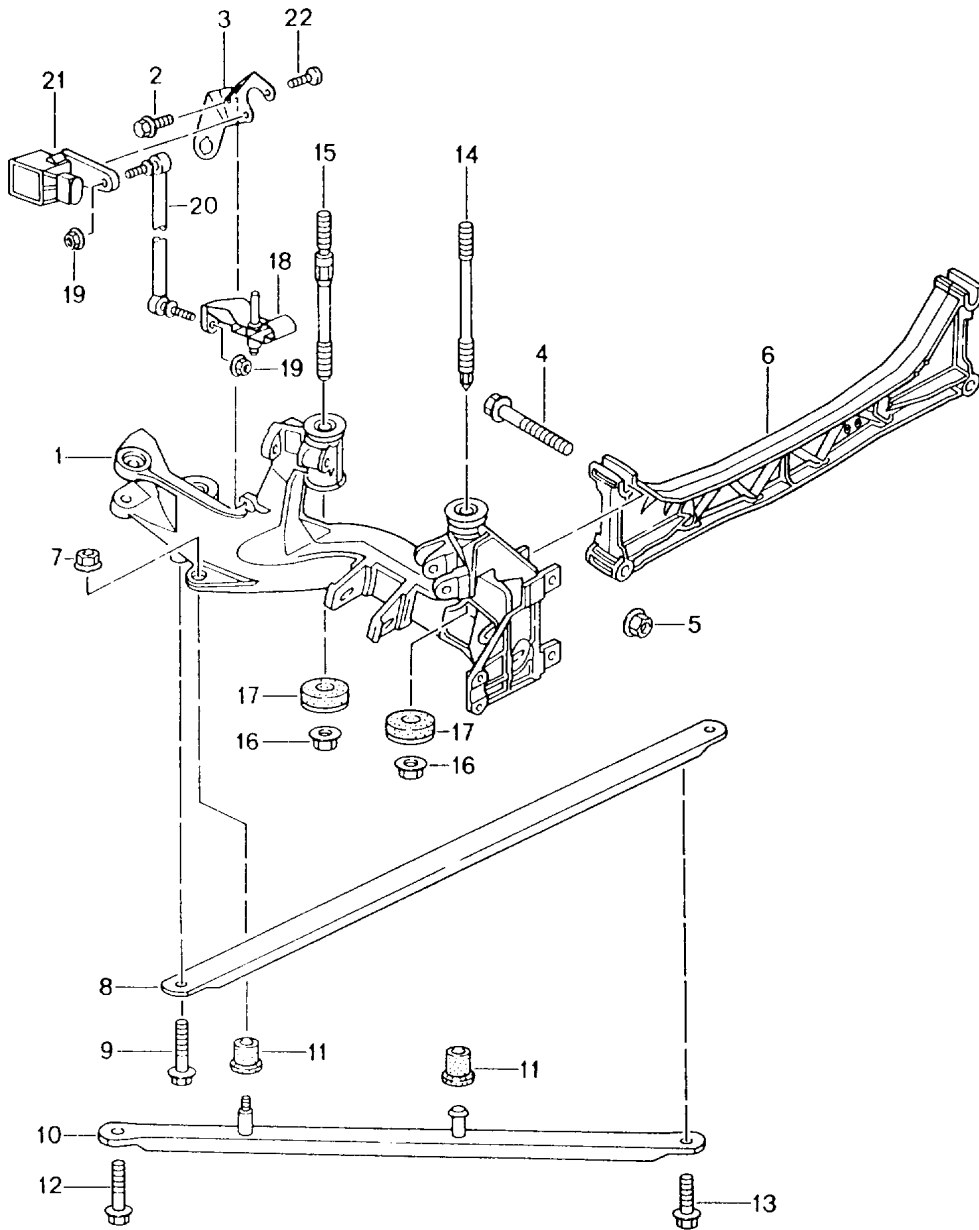
Model: 996 98

Model life 1998>>2005

| Pos | Part Number | Description | Remark | Qty | Model |
|------|----------------|--|--------|-----|--------------|
| 18 | 900 378 051 09 | Hexagon-head bolt M 14 X 100 | | 2 | |
| 19 | 900 380 012 09 | Hexagon nut M 14 X 1,5 | | 4 | |
| 19 | 900 380 012 01 | Hexagon nut M 14 X 1,5 | | 4 | |
| 20 | 900 378 135 09 | Hexagon-head bolt M 14 X 75 | | 2 | |
| 20 | 900 378 135 01 | Hexagon-head bolt M 14 X 75 | | 2 | |
| 21 | 996 341 053 07 | Wishbone | -03 | 2 | |
| (21) | 996 341 053 16 | Wishbone | 04 | 2 | |
| (21) | 996 341 053 17 | Wishbone | 05- | 2 | |
| 22 | 996 331 217 03 | Eccentric screw | | 2 | |
| 23 | 996 361 617 00 | Spacer ring 17 MM with Wheel bolt | 01 | 2 | IXRN |
| (23) | | Spacer ring 17 MM with Wheel bolt | 02- | 2 | /C4S IXRN |
| (23) | 996 361 605 90 | Spacer ring 5 MM without Wheel bolt | 01- | 2 | IXRP |

Model: 996 98

Model life 1998>>2005



Model: 996 98 Model life 1998>>2005

| Pos | Part Number | Description | Remark | Qty | Model |
|------|----------------|---|--------|-----|-------|
| | | Rear axle Side section Bracket | | | |
| 1 | 996 331 051 01 | Side section | /L | 1 | |
| (1) | 996 331 055 00 | Side section | /L | 1 | |
| (1) | 996 331 055 01 | Side section | /L | 1 | |
| (1) | 996 331 055 02 | Side section | /L | 1 | |
| (1) | 996 331 052 01 | Side section | /R | 1 | |
| (1) | 996 331 056 00 | Side section | /R | 1 | |
| (1) | 996 331 056 01 | Side section | /R | 1 | |
| (1) | 996 331 056 02 | Side section | /R | 1 | |
| 2 | 900 067 117 09 | Pan-head screw M 6 X 16 | | 2 | |
| 3 | 996 355 505 02 | Support for Brake hose | /L | 1 | |
| (3) | 996 355 505 04 | Support for Brake hose | /L | 1 | M601 |
| (3) | 996 355 506 02 | Support for Brake hose F >>994S6 30356 F >>994S6 03928 F >>994S6 42725 | /R | 1 | |
| (3) | 997 355 506 02 | Support for Brake hose F 994S6 30357>> F 994S6 03929>> F 994S6 42726>> | /R | 1 | |
| 4 | 900 378 139 09 | Hexagon-head bolt M 12 X 80 | | 4 | |
| 4 | 900 378 139 01 | Hexagon-head bolt M 12 X 80 | | 4 | |
| 5 | 999 084 445 09 | Lock nut M 12 X 1,5 | | 4 | |
| 6 | 996 331 261 05 | Cross member | 98 | 1 | |
| (6) | 996 331 261 06 | Cross member | -99 | 1 | |
| (6) | 996 331 261 07 | Cross member | -01 | 1 | |
| (6) | 996 331 261 10 | Cross member | 02- | 1 | |
| (6) | 997 331 261 02 | Cross member | | 1 | |
| 7 | 999 076 053 09 | Hexagon nut M 10 | | 2 | |
| 8 | 996 331 171 03 | Transverse strut Front | | 1 | M480 |
| (8) | 996 331 171 04 | Transverse strut Front | | 1 | M249 |
| (8) | 997 331 171 00 | Transverse strut Front | | 1 | M249 |
| 9 | 999 072 031 09 | Hexagon-head bolt M 10 X 45 | | 2 | |
| 9 | 999 072 031 01 | Hexagon-head bolt M 10 X 45 | | 2 | |
| 10 | 996 331 081 02 | Strut | -04 | 2 | |
| (10) | 997 331 081 02 | Strut | | 2 | |
| 11 | 996 331 385 00 | Rubber mounting | | 6 | |
| 12 | 999 072 031 09 | Hexagon-head bolt M 10 X 45 | | 2 | |
| 12 | 999 072 031 01 | Hexagon-head bolt M 10 X 45 | | 2 | |
| 13 | 900 378 072 09 | Hexagon-head bolt M 12 X 30 | | 2 | |

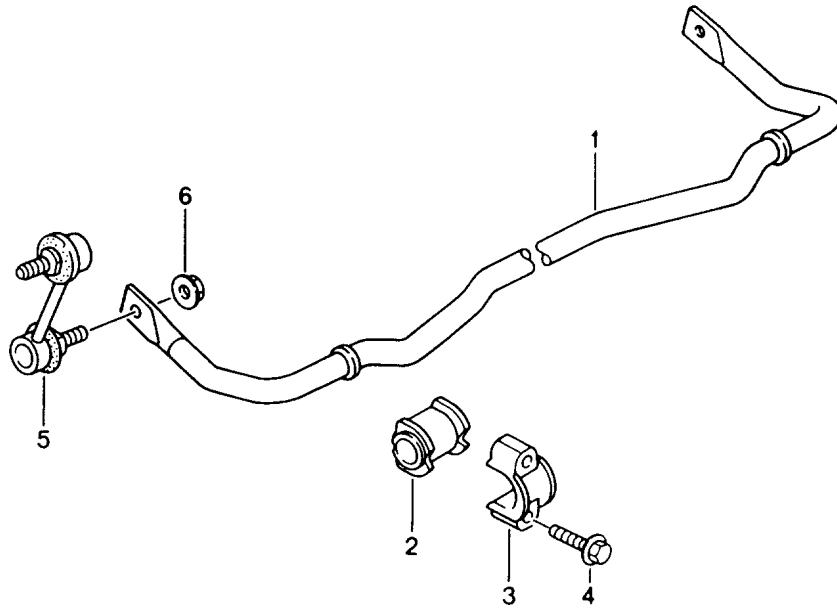
Model: 996 98

Model life 1998>>2005

| Pos | Part Number | Description | Remark | Qty | Model |
|-----|----------------|--------------------------------|--------|-----|-------|
| 13 | 900 378 072 01 | Hexagon-head bolt M 12 X 30 | | 2 | |
| 14 | 999 061 102 09 | Stud M 12 X 1,5 | | 4 | |
| 15 | 999 061 103 09 | Stud M 12 X 1,5 | | 2 | |
| 15 | 999 061 103 01 | Stud M 12 X 1,5 | | 2 | |
| 16 | 999 084 445 09 | Lock nut M 12 X 1,5 | | 6 | |
| 17 | 996 331 291 02 | Washer | | 6 | |
| 18 | 996 341 371 03 | Support | 99- | 1 | M601 |
| 19 | 900 380 015 09 | Hexagon nut VM 6 | 99- | 2 | M601 |
| 19 | 900 380 015 01 | Hexagon nut VM 6 | 99- | 2 | M601 |
| 20 | 996 331 375 01 | Strut | 99- | 1 | M601 |
| 21 | 996 631 121 00 | Sensor | 99- | 1 | M601 |
| 22 | N 014 129 12 | Oval-head screw M 5 X 10 | 99- | 2 | M601 |

Model: 996 98

Model life 1998>>2005



Model: 996 98 Model life 1998>>2005

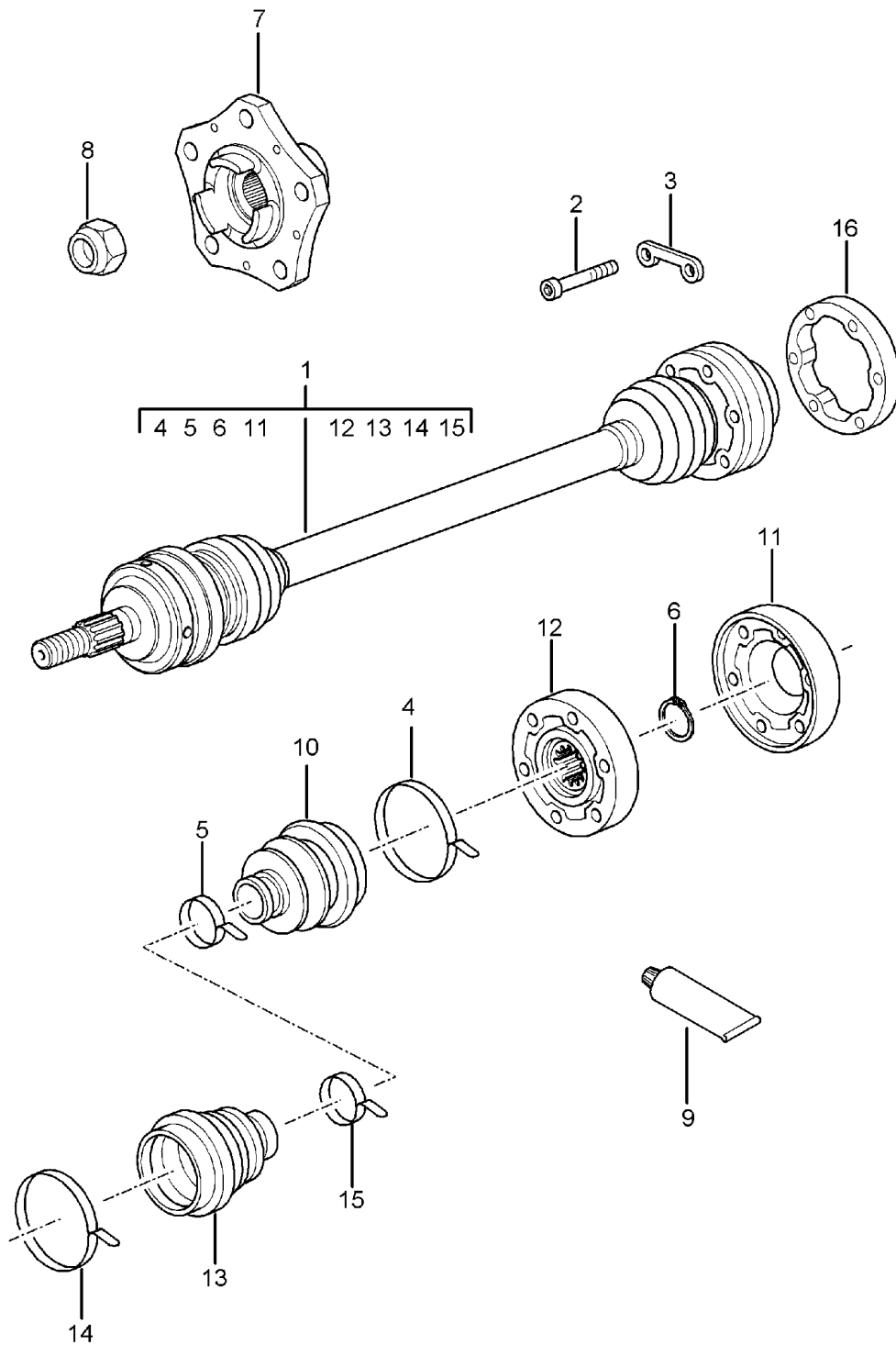
| Pos | Part Number | Description | Remark | Qty | Model |
|-----|----------------|---|--------|-----|---|
| 1 | 996 333 701 12 | Stabiliser See technical manual 42-27 42-28 42-29 F >>99XS6 08187 F >>99XS6 46091 F >>99XS6 08184 F >>99XS6 46090 Stabiliser | | 1 | COUPE |
| (1) | 996 333 701 13 | Stabiliser | 99 | 1 | COUPE M030/249 CABRIO CABRIO M339 |
| (1) | 996 333 701 15 | Stabiliser | 99 | 1 | COUPE M030/480 |
| 1 | 996 333 701 16 | Stabiliser F 99XS6 08188>> F 99XS6 46092>> F 99XS6 08185>> F 99XS6 46091>> Stabiliser 18,50 MM | 99 | 1 | COUPE M030/339 /338 IX74 |
| (1) | 996 333 701 17 | Stabiliser 19,60 MM | | 1 | COUPE M338 COUPE M030/249/338 |
| (1) | 996 333 701 19 | Stabiliser | 00- | 1 | CABRIO M338 CABRIO M339 CABRIO M030/249/338 COUPE |
| (1) | 996 333 701 19 | Stabiliser 19,60 MM | | 1 | M030/338/480 COUPE M339 |
| (1) | 996 333 701 20 | Stabiliser 21,70 MM 20,70 MM | | 1 | CABRIO M030/338/480 CABRIO M030/339 /338 IX74 |
| (1) | 996 333 701 19 | Stabiliser | 02- | 1 | COUPE M030/339 |
| (1) | 996 333 701 20 | Stabiliser | 02- | 1 | C4S |
| (1) | 996 333 701 20 | Stabiliser | 02- | 1 | TARGA TARGA M030/249 TARGA M030/480 |

Model: 996 98 Model life 1998>>2005

| Pos | Part Number | Description | Remark | Qty | Model |
|-----|----------------|---|------------|--------|-----------------------------|
| 2 | 996 333 792 24 | Stabiliser mounting 18,70 MM | 02- 98- | 1 2 | C4S |
| (2) | 996 333 792 25 | Stabiliser mounting 19,80 MM | 98- | 2 | |
| | | | 02- 02- | 2 2 | TARGA TARGA |
| (2) | 996 333 792 26 | Stabiliser mounting 20,90 MM | 98- | 2 | M030/249 |
| | | | 02- | 2 | TARGA |
| (2) | | Information available Stabiliser mounting Information available | 02- 02- | 2 | M030/480 M030/480 C4S |
| 3 | 996 333 777 01 | Bearing clamp | 98- | 2 | |
| 4 | 900 378 055 09 | Hexagon-head bolt AM 8 X 40 | 98- | 4 | |
| 5 | 996 333 069 02 | Stabiliser mounting | -99 | 2 | |
| (5) | 996 333 069 03 | Stabiliser mounting | 00- | 2 | |
| 6 | 999 084 643 09 | Hexagon nut M 10 | 98- | 2 | |

Model: 996 98

Model life 1998>>2005

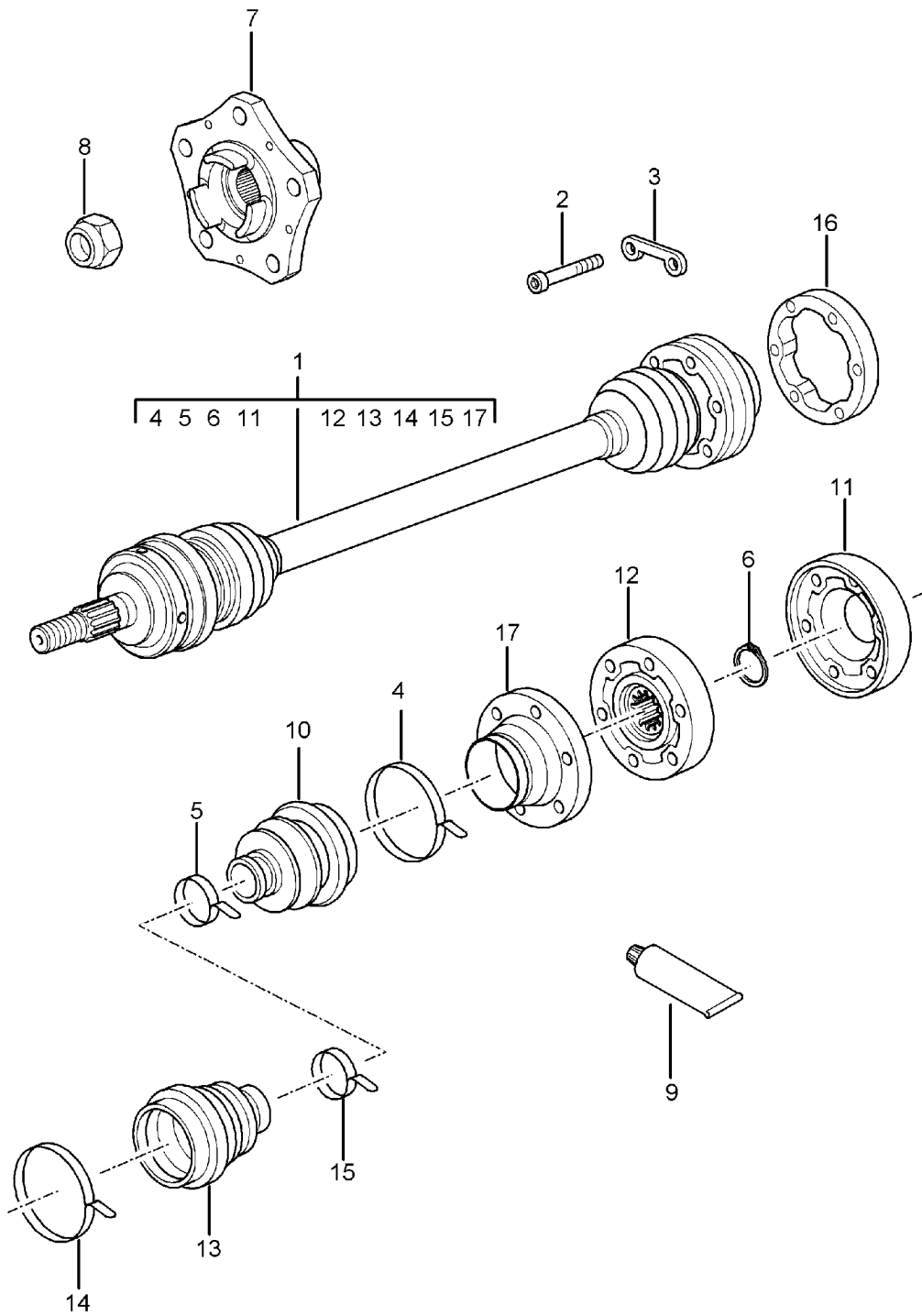


Model: 996 98 Model life 1998>>2005

| Pos | Part Number | Description | Remark | Qty | Model |
|-----|----------------|--|--------|-----|-------|
| | | Drive shaft | | | |
| | | Wheel hub | | | |
| | | F >>992S6 03555 | | | M480 |
| | | F >>992S6 42147 | | | M480 |
| | | F >>992S6 30713 | | | M480 |
| | | F >>992S6 03622 | | | M249 |
| | | F >>992S6 42181 | | | M249 |
| | | F >>992S6 30736 | | | M249 |
| 1 | 996 332 024 04 | Drive shaft | -01 | 2 | M249 |
| 1 | 996 332 024 14 | Drive shaft | -01 | 2 | M249 |
| (1) | 996 332 024 05 | Drive shaft | 02- | 2 | M249 |
| (1) | 996 332 024 15 | Drive shaft | 02- | 2 | M249 |
| (1) | 996 332 024 03 | Drive shaft | | 2 | M480 |
| (1) | 996 332 024 13 | Drive shaft | | 2 | M480 |
| 2 | 900 067 123 09 | Pan-head screw M 10 X 50 | | 12 | M480 |
| 2 | 900 067 123 02 | Pan-head screw M 10 X 50 | -01 | 12 | M249 |
| (2) | 999 510 041 09 | Pan-head screw M 10 X 65 | | 12 | M249 |
| (2) | 999 510 041 01 | Pan-head screw M 10 X 65 | | 12 | M249 |
| 3 | 993 332 191 00 | Plate | | 6 | |
| 4 | 911 332 257 00 | Clip \$ 73 MM | | 2 | |
| 5 | 928 332 257 01 | Clip \$ 34 MM | | 2 | |
| 6 | 900 041 014 00 | Circlip | | 2 | |
| 7 | 997 331 605 00 | Wheel hub | | 2 | |
| 8 | 999 084 641 02 | Lock nut M 22 X 1,5 | | 2 | |
| 9 | 000 043 110 00 | Grease for drive shaft 1 100-gramme tube | | X | |
| (9) | 000 043 205 36 | Sealing compound Drive shaft 1 100-gramme tube | | X | |
| 10 | 928 332 293 02 | Dust bellows | | 2 | |
| - | 911 332 259 01 | Bellow support for Dust bellows | | 2 | |
| - | 911 332 259 02 | Bellow support for Dust bellows | | 2 | |
| 11 | 928 332 267 01 | Lid | | 2 | |
| 11 | 997 332 267 00 | Lid | | 2 | |
| 12 | 911 332 030 01 | Joint | | 2 | |
| 13 | 928 332 293 02 | Dust bellows | | 2 | |
| 14 | 911 332 257 00 | Clip | | 2 | |
| 15 | 928 332 257 01 | Clip | | 2 | |
| 16 | 996 332 229 01 | Spacer ring | 02- | 2 | M249 |

Model: 996 98

Model life 1998>>2005

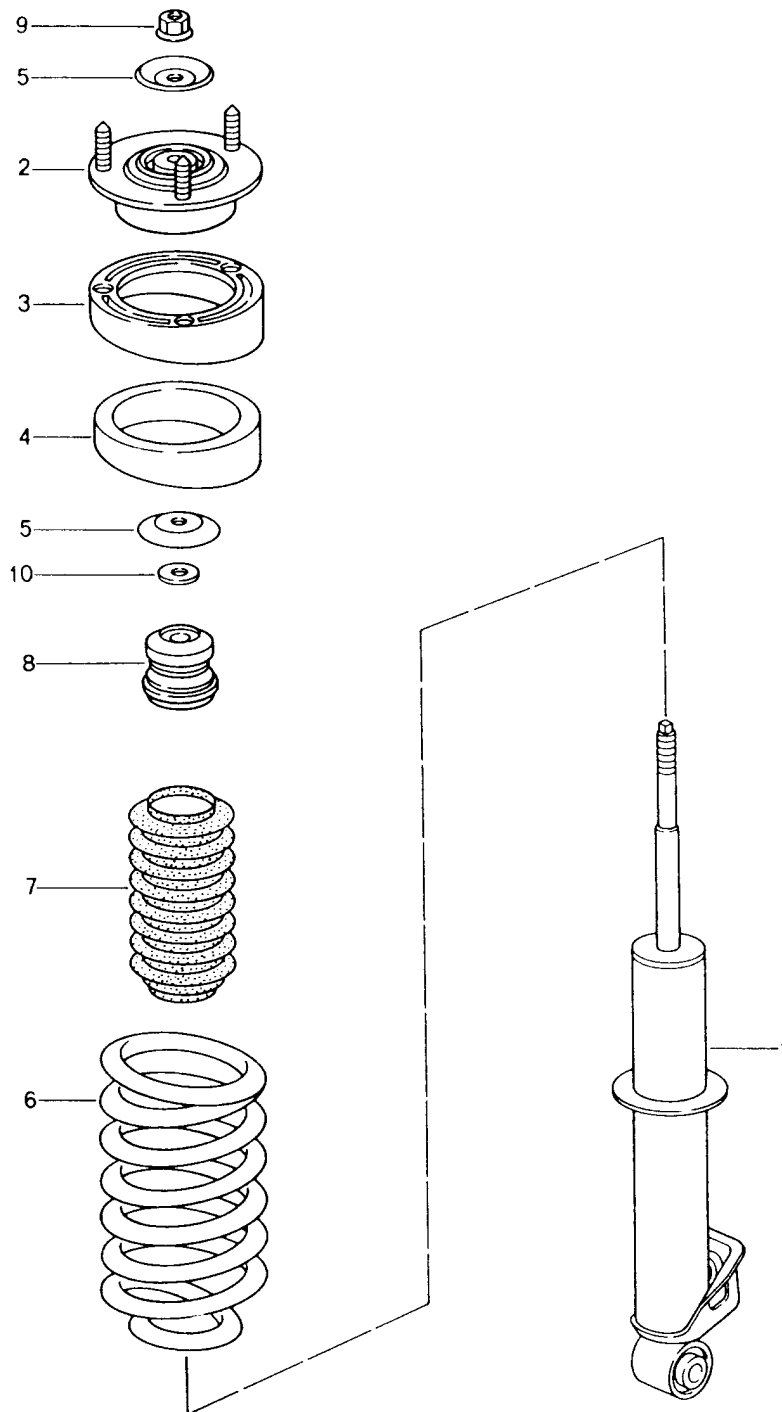


Model: 996 98 Model life 1998>>2005

| Pos | Part Number | Description | Remark | Qty | Model |
|------|----------------|---------------------------------------|--------|-----|-------|
| | | Drive shaft | | | |
| | | Wheel hub | | | |
| | | F 992S6 03556>> | | | M480 |
| | | F 992S6 42148>> | | | M480 |
| | | F 992S6 30714>> | | | M480 |
| | | F 992S6 03623>> | | | M249 |
| | | F 992S6 42182>> | | | M249 |
| | | F 992S6 30737>> | | | M249 |
| 1 | 996 332 024 06 | Drive shaft | | 2 | M480 |
| (1) | 996 332 024 17 | Drive shaft | | 2 | M480 |
| (1) | 996 332 024 07 | Drive shaft | | 2 | M249 |
| (1) | 996 332 024 18 | Drive shaft | | 2 | M249 |
| (1) | 996 332 024 25 | Drive shaft | | 2 | M249 |
| 2 | 900 067 229 09 | Pan-head screw M 10 X 48,4 | | 12 | M480 |
| 2 | 900 067 229 01 | Pan-head screw M 10 X 48,4 | | 12 | M480 |
| (2) | 999 510 043 09 | Pan-head screw M 10 X 61 | | 12 | M249 |
| 3 | 993 332 191 00 | Plate | | 6 | |
| (3) | 996 332 191 00 | Plate | | 6 | |
| 4 | 996 332 957 00 | Clip | | 2 | |
| 5 | 996 332 257 00 | Clip \$ 73 MM | | 2 | |
| 6 | 900 041 014 00 | Circlip \$ 34 MM | | 2 | |
| 7 | 997 331 605 00 | Wheel hub | | 2 | |
| 8 | 999 084 641 02 | Lock nut M 22 X 1,5 | -03 | 2 | |
| (8) | | Lock nut M 22 X 1,5 | 04- | 2 | |
| 9 | 000 043 110 01 | Grease 1 100-gramme tube | | X | |
| 10 | 996 332 293 00 | Dust bellows Information available | | 2 | |
| 11 | 928 332 267 01 | Lid | | 2 | |
| 11 | 997 332 267 00 | Lid | | 2 | |
| 12 | 996 332 030 00 | Joint | | 2 | |
| 13 | 996 332 293 00 | Dust bellows Information available | | 2 | |
| 14 | 996 332 957 00 | Clip | | 2 | |
| 15 | 996 332 257 00 | Clip | | 2 | |
| 16 | 996 332 229 00 | Spacer ring | 02 | 2 | M249 |
| (16) | 996 332 229 01 | Spacer ring | 03- | 2 | M249 |
| 17 | 996 332 259 00 | Bellow support | | 2 | |

Model: 996 98

Model life 1998>>2005



Model: 996 98 Model life 1998>>2005

| Pos | Part Number | Description | Remark | Qty | Model |
|-----|----------------|--|------------|-----|----------------------|
| 1 | 996 333 051 04 | Shock absorber Coil spring | -01 | 2 | |
| (1) | 996 333 051 21 | Shock absorber - bilstein - Vibration damper | 02 | 2 | |
| (1) | 996 333 051 25 | - bilstein - Shock absorber | 03 | 2 | |
| (1) | 996 333 051 33 | - bilstein - Shock absorber | 04- | 2 | |
| (1) | 996 333 051 13 | - bilstein - Shock absorber | -01 | 2 | M030 |
| (1) | 996 333 051 22 | - bilstein - Vibration damper | 02 | 2 | M030 |
| (1) | 996 333 051 26 | - bilstein - Shock absorber | 03 | 2 | M030 |
| (1) | 996 333 051 34 | - bilstein - Shock absorber | 04- | 2 | M030 |
| (1) | 996 333 051 24 | - bilstein - Vibration damper | 02 | 2 | C4S |
| (1) | 996 333 051 28 | - bilstein - Shock absorber | 03 | 2 | C4S COUPE |
| (1) | 996 333 051 40 | - bilstein - Shock absorber | 04- | 2 | C4S COUPE |
| (1) | 996 333 051 30 | - bilstein - Shock absorber | 04- | 2 | C4S CABRIO |
| (1) | 996 333 051 41 | - bilstein - Shock absorber | 04- | 2 | C4S CABRIO |
| (1) | 996 333 051 26 | - bilstein - Shock absorber | 04- | 2 | M095 |
| (1) | 996 333 980 06 | Shock absorber | -01 | 2 | IX74 |
| (1) | 996 333 980 26 | Shock absorber | -01 | 2 | IX74 |
| (1) | 996 333 980 10 | Shock absorber | 02-03 | 2 | IX74 |
| (1) | | Shock absorber | 03 | 2 | IX73 C4S COUPE |
| (1) | 996 333 980 24 | Vibration damper | 04- 04- | 2 | IX73 C4S COUPE |
| | | Mount | 04- | 2 | IX74 |
| - | 900 378 138 09 | Shock absorber Hexagon-head bolt | | 2 | |
| - | 900 378 138 01 | M 12 X 1,5 X 70 Hexagon-head bolt | | 2 | |
| - | 999 084 445 09 | M 12 X 1,5 X 70 Lock nut | | 2 | |
| 2 | 996 333 059 03 | M 12 X 1,5 Supporting mount | | 2 | |
| - | 900 380 008 09 | Lock nut | | 6 | |
| - | 900 380 008 01 | M 10 Hexagon nut | | 6 | |
| 3 | 996 333 511 02 | M 10 Compensating plate | | X | |
| (3) | 996 333 511 03 | 0,5 MM Compensating plate | | X | |
| 4 | 993 333 504 00 | 4,0 MM Base | | 2 | |
| 4 | 997 333 504 00 | Base | | 2 | |
| 5 | 996 333 107 00 | Stop plate | | 4 | |
| 6 | 996 333 531 03 | Coil spring | | 1 | COUPE M480 |
| | | 1 set | | | |

Model: 996 98 Model life 1998>>2005

| Pos | Part Number | Description | Remark | Qty | Model |
|-----|--------------------|--|--------|-----|----------------|
| | 996 333 531 03 504 | Identification Brown White F >>991S6 41090 F >>991S6 00547 F >>991S6 40407 F >>991S6 40432 | | | |
| (6) | 996 333 531 36 | Coil spring 1 set | -01 | 1 | COUPE M480 |
| | 996 333 531 36 504 | Identification Brown White F 991S6 41091>> F 991S6 00548>> F 991S6 40408>> F 991S6 40433>> | | | |
| (6) | 996 333 531 23 | Coil spring 1 set | 02- | 1 | COUPE M480 |
| | 996 333 531 23 504 | Identification Brown White | | | |
| (6) | 996 333 531 04 | Coil spring 1 set | | 1 | COUPE M249 |
| | 996 333 531 04 504 | Identification Brown Red F >>991S6 41090 F >>991S6 00547 F >>991S6 40407 F >>991S6 40432 | | | |
| (6) | 996 333 531 37 | Coil spring 1 set | -01 | 1 | COUPE M249 |
| | 996 333 531 37 504 | Identification Brown Red F 991S6 01091>> F 991S6 00548>> F 991S6 40408>> F 991S6 40433>> | | | |
| (6) | 996 333 531 24 | Coil spring 1 set | 02- | 1 | COUPE M249 |
| | 996 333 531 24 504 | Identification Brown Red | | | |
| (6) | 996 333 531 04 | Coil spring 1 set | | 1 | CABRIO M480 |
| | 996 333 531 04 504 | Identification Brown Red F >>991S6 41090 F >>991S6 00547 F >>991S6 40407 F >>991S6 40432 | | | |
| (6) | 996 333 531 37 | Coil spring 1 set | -01 | 1 | CABRIO M480 |
| | 996 333 531 37 504 | Identification | | | |

Model: 996 98 Model life 1998>>2005

| Pos | Part Number | Description | Remark | Qty | Model |
|-----|--------------------|--|--------|-----|-------------------|
| (6) | 996 333 531 24 | Brown Red F 991S6 41091>> F 991S6 00548>> F 991S6 40408>> F 991S6 40433>> Coil spring | 02- | 1 | CABRIO M480 |
| | 996 333 531 24 504 | 1 set Identification | | 1 | TARGA M480 |
| (6) | 996 333 531 05 | Brown Red Coil spring | | 1 | CABRIO M249 |
| | 996 333 531 05 504 | 1 set Identification | | | |
| (6) | 996 333 531 38 | Brown Yellow F >>991S6 41090 F >>991S6 00547 F >>991S6 40407 F >>991S6 40432 Coil spring | -01 | 1 | CABRIO M249 |
| | 996 333 531 38 504 | 1 set Identification | | | |
| (6) | 996 333 531 25 | Brown Yellow F 991S6 41091>> F 991S6 00548>> F 991S6 40408>> F 991S6 40433>> Coil spring | 02- | 1 | CABRIO M249 |
| | 996 333 531 25 504 | 1 set Identification | | 1 | TARGA M249 |
| (6) | 996 333 531 18 | Brown Yellow Coil spring | | 1 | CABRIO M249 |
| | 996 333 531 18 504 | 1 set Identification | | | |
| (6) | 996 333 531 11 | Blue Yellow F >>991S6 41090 F >>991S6 00547 F >>991S6 40407 F >>991S6 40432 Coil spring | | 1 | M030/480 COUPE |
| | 996 333 531 11 504 | 1 set Identification | | | |
| (6) | 996 333 531 62 | Green White F >>991S6 41090 F >>991S6 00547 F >>991S6 40407 F >>991S6 40432 Coil spring | | 1 | M030/480 COUPE |
| | | 1 set | | | |

Model: 996 98 Model life 1998>>2005

| Pos | Part Number | Description | Remark | Qty | Model |
|-----|--------------------|---|--------|-----|--------------------|
| | 996 333 531 62 504 | Identification Green White F >>991S6 41090 F >>991S6 00547 F >>991S6 40407 F >>991S6 40432 | | | |
| (6) | 996 333 531 39 | Coil spring 1 set | -01 | 1 | M030/480 COUPE |
| | 996 333 531 39 504 | Identification Green White F 991S6 41091>> F 991S6 00548>> F 991S6 40408>> F 991S6 40433>> | | | |
| (6) | 996 333 531 26 | Coil spring 1 set | 02- | 1 | M030/480 COUPE |
| | 996 333 531 26 504 | Identification Green White | | | |
| (6) | 996 333 531 12 | Coil spring | | 1 | M030/249 COUPE |
| | | 1 set | | 1 | M030/480 CABRIO |
| | 996 333 531 12 504 | Identification Green Red F >>991S6 41090 F >>991S6 00547 F >>991S6 40407 F >>991S6 40432 | | | |
| (6) | 996 333 531 40 | Coil spring | -01 | 1 | M030/249 COUPE |
| | | 1 set | -01 | 1 | M030/480 CABRIO |
| | 996 333 531 40 504 | Identification Green Red F 991S6 41091>> F 991S6 00548>> F 991S6 40408>> F 991S6 40433>> | | | |
| (6) | 996 333 531 27 | Coil spring | 02- | 1 | M030/249 COUPE |
| | | 1 set | 02- | 1 | M030/480 CABRIO |
| | | 1 set | 02- | 1 | M030/480 TARGA |
| | 996 333 531 27 504 | Identification Green Red | | | |
| (6) | 996 333 531 13 | Coil spring 1 set | | 1 | M030/249 CABRIO |
| | 996 333 531 13 504 | Identification Green Yellow F >>991S6 41090 F >>991S6 00547 F >>991S6 40407 F >>991S6 40432 | | | |

Model: 996 98 Model life 1998>>2005

| Pos | Part Number | Description | Remark | Qty | Model |
|-----|--------------------|---|--------|-----|----------------------|
| (6) | 996 333 531 41 | Coil spring 1 set | -01 | 1 | M030/249 CABRIO |
| | 996 333 531 41 504 | Identification Green Yellow F 991S6 41091>> F 991S6 00548>> F 991S6 40408>> F 991S6 40433>> | | | |
| (6) | 996 333 531 28 | Coil spring | 02- | 1 | M030/249 CABRIO |
| | | | 02- | 1 | M030/249 TARGA |
| | 996 333 531 28 504 | 1 set Identification Green Yellow | | | |
| (6) | 996 333 531 48 | Coil spring 1 set | 02- | 1 | C4S COUPE |
| | 996 333 531 48 504 | Identification Blue White | | | |
| (6) | 996 333 531 49 | Coil spring 1 set | 02- | 1 | C4S COUPE |
| | 996 333 531 49 504 | Identification Blue Red | | | |
| (6) | 996 333 531 53 | Coil spring 1 set | 04- | 1 | C4S CABRIO |
| | 996 333 531 53 504 | Identification Blue Violet | | | |
| (6) | 996 333 531 58 | Coil spring 1 set | 04- | 1 | C4S CABRIO |
| | 996 333 531 58 504 | Identification Blue Violet | | | |
| (6) | 996 333 531 56 | Coil spring 1 set | 04- | 1 | M095 |
| | 996 333 531 56 504 | Identification Green Green | | | |
| (6) | 996 333 980 07 | Coil spring 1 set | -01 | 1 | IX74 |
| | 996 333 980 07 504 | Identification Red lilac Creamy white | | | |
| (6) | 996 333 980 07 | Coil spring 1 set | 02- | 1 | IX74 |
| | 996 333 980 07 504 | Identification Red lilac Creamy white F >>992S6 03565 | | | |
| (6) | 996 333 980 11 | Coil spring 1 set | | 1 | IX74 |
| | 996 333 980 11 504 | Identification Red lilac Creamy white F 992S6 03566>> | | | |
| (6) | 996 333 980 13 | Coil spring 1 set | 03- | 1 | IX73 C4S COUPE |
| | 996 333 980 13 504 | Identification Creamy white | | | |

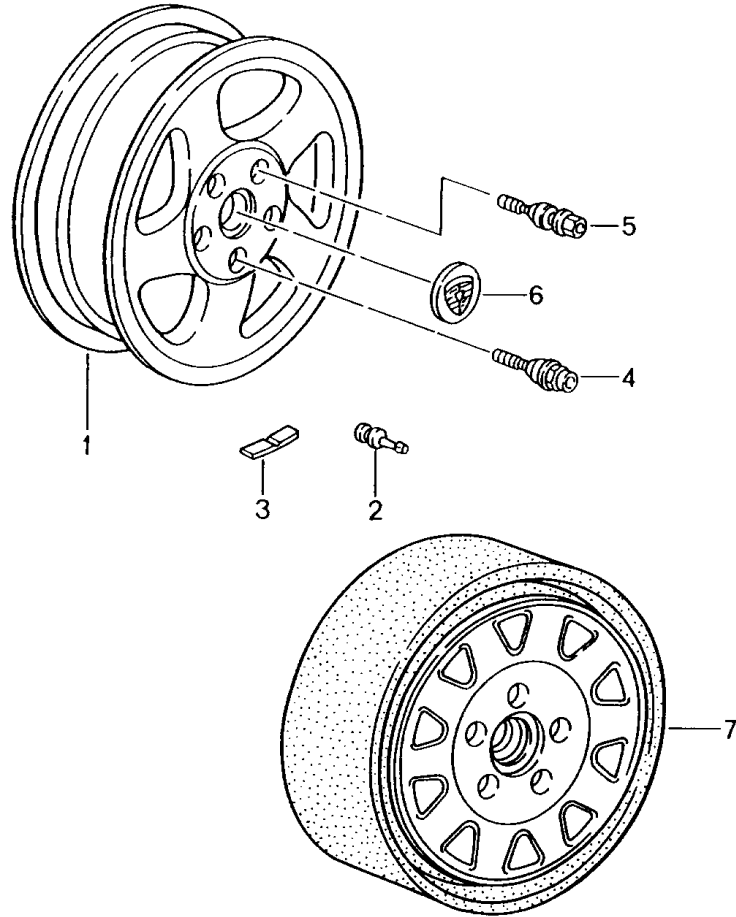
Model: 996 98

Model life 1998>>2005

| Pos | Part Number | Description | Remark | Qty | Model |
|-----|----------------|--------------------------------------|--------|-----|-------|
| | | Silver | | | |
| 7 | 993 333 107 01 | Bellows | | 2 | |
| 8 | 996 333 105 02 | Additional spring | | 2 | |
| (8) | 964 333 105 80 | Additional spring | -01 | 2 | IX74 |
| - | 911 333 511 00 | Washer | -01 | 2 | IX74 |
| (8) | 996 333 105 03 | Additional spring | | 2 | M030 |
| (8) | | Additional spring | | 2 | M030 |
| (8) | | Additional spring | 02- | 2 | C4S |
| (8) | | Additional spring | 02- | 2 | IX74 |
| (8) | | Additional spring | 03- | 2 | IX73 |
| | | | | | C4S |
| | | | | | COUPE |
| 9 | 999 084 445 09 | Lock nut M 10 | | 2 | |
| 10 | 999 025 240 02 | Washer Mount Shock absorber | | 2 | |
| - | 900 378 138 09 | Hexagon-head bolt M 12 X 1,5 X 70 | | 2 | |
| - | 900 378 138 01 | Hexagon-head bolt M 12 X 1,5 X 70 | | 2 | |
| - | 999 084 445 09 | Lock nut M 12 X 1,5 | | 2 | |
| - | 900 380 008 09 | Lock nut M 10 | | 6 | |
| - | 900 380 008 01 | Hexagon nut M 10 | | 6 | |

Model: 996 98

Model life 1998>>2005



Model: 996 98

Model life 1998>>2005

| Pos | Part Number | Description | Remark | Qty | Model |
|-----|----------------|--|----------|-----|-------|
| 1 | 993 362 134 05 | Wheels Disc wheel 7,5 J X 18 ET 50 | /V | 2 | M408 |
| (1) | 993 362 134 06 | Disc wheel 7,5 J X 18 ET 50 | /V -01 | 2 | M413 |
| (1) | 993 362 136 01 | Disc wheel 8 J X 18 ET52 | /V 02- | 2 | M413 |
| (1) | 993 362 136 50 | Disc wheel 8 J X 18 ET52 | /V 02- | 2 | IXRB |
| (1) | 996 362 136 50 | Disc wheel 8 J X 18 ET 52 | /V 02- | 2 | IXRL |
| (1) | 996 362 136 51 | Disc wheel 8 J X 18 ET 50 | /V 02- | 2 | IXRC |
| (1) | 996 362 136 07 | Disc wheel 8 J X 18 ET 50 | /V 04 | 2 | M417 |
| (1) | 996 362 124 00 | Disc wheel 7 J X 17 ET 55 for winter use | /V | 2 | M396 |
| (1) | 993 362 140 01 | Disc wheel 10 J X 18 ET 65 see Technical information Group 4 37/11 | /H | 2 | M408 |
| (1) | 993 362 140 04 | Disc wheel 10 J X 18 ET 65 | /H | 2 | M413 |
| (1) | 993 362 140 50 | Disc wheel 10 J X 18 ET 65 | /H 02- | 2 | IXRB |
| (1) | 996 362 128 00 | Disc wheel 9 J X 17 ET 55 | /H | 2 | M396 |
| (1) | 996 362 140 50 | Disc wheel 10 J X 18 ET 65 | /H 02- | 2 | IXRL |
| (1) | 996 362 142 51 | Disc wheel 11 J X 18 ET 63 | /H 02-03 | 2 | IXRC |
| (1) | 996 362 142 52 | Disc wheel 11 J X 18 ET 63 | /H 04- | 2 | IXRC |
| (1) | 996 362 124 01 | Disc wheel 7 J X 17 ET 55 | /V 99- | 2 | M399 |
| (1) | 993 362 134 07 | Disc wheel 7,5 J X 18 ET 50 | /V 00- | 2 | M414 |
| (1) | 993 362 134 08 | Disc wheel 7,5 J X 18 ET 50 | /V 00- | 2 | M414 |
| (1) | 996 362 124 02 | Disc wheel 7 J X 17 ET 50 | /V 02- | 2 | M392 |

Model: 996 98

Model life 1998>>2005

| Pos | Part Number | Description | Remark | Qty | Model |
|-----|----------------|---|--------|-----|--------------|
| (1) | 996 362 136 01 | Disc wheel 8 J X 18 ET 50 | /V 02- | 2 | C4S M415 |
| (1) | 996 362 136 02 | Disc wheel 8 J X 18 ET 50 | /V 04- | 2 | C4S M416 |
| (1) | 996 362 136 03 | Disc wheel 8 J X 18 ET 50 | /V 02- | 2 | M411 |
| (1) | 993 362 136 08 | Disc wheel 8 J X 18 ET 52 | /V 02- | 2 | M414 |
| (1) | 996 362 136 01 | Disc wheel 8 J X 18 ET 50 | /V 03- | 2 | M415 |
| (1) | 996 362 128 01 | Disc wheel 9 J X 17 ET 55 | /H 99- | 2 | M399 |
| (1) | 993 362 140 07 | Disc wheel 10 J X 18 ET 65 | /H 00- | 2 | M414 |
| (1) | 993 362 140 08 | Disc wheel 10 J X 18 ET 65 | /H 00- | 2 | M414 |
| (1) | 996 362 128 02 | Disc wheel 9 J X 17 ET 55 | /H 02- | 2 | M392 |
| (1) | 996 362 140 03 | Disc wheel 10 J X 18 ET 65 | /H 02- | 2 | M411 |
| (1) | 996 362 142 10 | Disc wheel 11 J X 18 ET 45 | /H 02 | 2 | C4S M415 |
| (1) | | Disc wheel 11 J X 18 ET 45 | /H 03- | 2 | C4S M415 |
| (1) | 996 362 142 02 | Disc wheel 11 J X 18 ET 45 | /H 04- | 2 | C4S M416 |
| (1) | 996 362 140 01 | Disc wheel 10 J X 18 ET 47 | /H 02 | 2 | M415 C4S |
| (1) | 996 362 140 02 | Disc wheel 10 J X 18 ET 47 for winter use | /H 03- | 2 | M415 C4S |
| (1) | 996 362 126 05 | Disc wheel 8,5 J X 17 ET 50 for winter use | /H | 2 | |
| (1) | 996 362 140 04 | Disc wheel 10 J X 18 ET65 | /H 03- | 2 | M415 |
| (1) | 996 362 140 07 | Disc wheel 10 J X 18 ET 65 | /H 04 | 2 | M417 |
| 2 | 900 265 001 50 | Rubber valve Rubber | | 4 | M396 M392 |
| 2 | 900 265 001 51 | Rubber valve Rubber | | 4 | M396 M392 |
| (2) | 993 361 073 00 | Valve Steel | | 4 | M408 |

Model: 996 98

Model life 1998>>2005

| Pos | Part Number | Description | Remark | Qty | Model |
|-----|----------------|----------------------------------|--------|-----|-------|
| (2) | | Valve Steel | 02- | 4 | IXRC |
| 3 | 901 361 410 50 | Balance stick-on weight 5 G. | -03 | X | |
| (3) | 1K0 601 178 C | Balance stick-on weight 5 G. | 04- | X | |
| (3) | 901 361 410 00 | Balance stick-on weight 10 G. | -03 | X | |
| (3) | 1K0 601 179 C | Balance stick-on weight 10 G. | 04- | X | |
| (3) | 901 361 411 50 | Balance stick-on weight 15 G. | -03 | X | |
| (3) | 1K0 601 181 C | Balance stick-on weight 15 G. | 04- | X | |
| (3) | 901 361 411 00 | Balance stick-on weight 20 G. | -03 | X | |
| (3) | 1K0 601 182 C | Balance stick-on weight 20 G. | 04- | X | |
| (3) | 901 361 412 50 | Balance stick-on weight 25 G. | -03 | X | |
| (3) | 1K0 601 183 C | Balance stick-on weight 25 G. | 04- | X | |
| (3) | 901 361 412 00 | Balance stick-on weight 30 G. | -03 | X | |
| (3) | 1K0 601 184 C | Balance stick-on weight 30 G. | 04- | X | |
| (3) | 901 361 413 50 | Balance stick-on weight 35 G. | -03 | X | |
| (3) | 1K0 601 185 C | Balance stick-on weight 35 G. | 04- | X | |
| (3) | 901 361 413 00 | Balance stick-on weight 40 G. | -03 | X | |
| (3) | 1K0 601 186 C | Balance stick-on weight 40 G. | 04- | X | |
| (3) | 901 361 414 50 | Balance stick-on weight 45 G. | -03 | X | |
| (3) | 1K0 601 187 C | Balance stick-on weight 45 G. | 04- | X | |
| (3) | 901 361 414 00 | Balance stick-on weight 50 G. | -03 | X | |
| (3) | 1K0 601 188 C | Balance stick-on weight 50 G. | 04- | X | |
| (3) | 901 361 415 50 | Balance stick-on weight 55 G. | -03 | X | |
| (3) | 1K0 601 189 C | Balance stick-on weight 55 G. | 04- | X | |
| (3) | 901 361 415 00 | Balance stick-on weight 60 G. | -03 | X | |
| (3) | 1K0 601 190 C | Balance stick-on weight 60 G. | 04- | X | |
| (3) | 997 361 465 00 | Balance stick-on weight 65 G. | | X | |
| (3) | 997 361 470 00 | Balance stick-on weight 70 G. | | X | |
| (3) | 997 361 475 00 | Balance stick-on weight 75 G. | | X | |
| (3) | 997 361 480 00 | Balance stick-on weight 80 G. | | X | |
| (3) | 997 361 485 00 | Balance stick-on weight 85 G. | | X | |
| (3) | 997 361 490 00 | Balance stick-on weight 90 G. | | X | |
| 4 | 996 361 057 00 | Wheel bolt | -00 | 1 | |

Model: 996 98 Model life 1998>>2005

| Pos | Part Number | Description | Remark | Qty | Model |
|-----|--------------------|--|--------|-----|--------------|
| (4) | 996 361 057 01 | Anti-theft protection 1 set Wheel bolt | -03 | 1 | |
| (4) | 996 361 057 02 | Anti-theft protection 1 set Set | 04- | 1 | |
| (4) | 997 361 057 02 | Anti-theft protection 1 set Set | 04- | 1 | |
| (4) | 996 361 057 90 | Anti-theft protection 1 set Wheel bolt | -03 | 1 | IXRP |
| (4) | 996 361 980 02 | Anti-theft protection 1 set Wheel bolt | 04- | 1 | IXRP |
| 5 | 996 361 203 00 | Wheel bolt | -00 | 16 | |
| (5) | 996 361 203 01 | Wheel bolt | -03 | 16 | |
| (5) | 996 361 203 02 | See technical information Group 4 NR.10/03 Wheel bolt | 04- | 16 | |
| (5) | 996 361 203 90 | See technical information Group 4 NR.10/03 Wheel bolt | -03 | 16 | IXRP |
| (5) | 996 361 980 00 | See technical information Group 4 NR.10/03 Wheel bolt | 04- | 16 | IXRP |
| - | 999 182 003 36 | Wheel nut | 01 | 10 | IXRN |
| - | | Wheel nut | 02- | 10 | /C4S IXRN |
| 6 | 993 361 303 05 | Hub cap | -99 | 4 | M338 |
| (6) | 993 361 303 05 61M | Silver | | | |
| (6) | 993 361 303 11 | Hub cap | 00 | 4 | M338 |
| (6) | 993 361 303 11 61M | Silver | | | |
| (6) | 993 361 303 11 | Hub cap | 02- | 4 | M338 |
| (6) | 993 361 303 11 9A1 | Silver | | | |
| (6) | 996 361 303 05 | Hub cap | 99 | 4 | M339 |
| (6) | 996 361 303 05 9A1 | Silver | | | |
| (6) | 996 361 303 10 | Hub cap | 00- | 4 | M339 |
| (6) | 996 361 303 10 9A1 | Silver | | | |
| (6) | 993 361 303 09 | Hub cap | -99 | 4 | M446 |
| (6) | 993 361 303 09 92T | Arctic silver metallic Crest Coloured | | | |
| (6) | 993 361 303 10 | Hub cap | 00- | 4 | M446 |
| (6) | 993 361 303 10 9A1 | Silver Crest Coloured | | | |
| (6) | 993 361 303 07 | Hub cap Polished | 00- | 4 | M094 |
| (6) | 996 361 303 09 | Hub cap Polished | 00- | 4 | M094 |
| (6) | 996 361 306 00 | Hub cap | 02- | 4 | C4S |
| (6) | 996 361 306 00 9A1 | Silver | | | |
| (6) | 996 361 303 12 | Hub cap | 04 | 4 | M417 |
| 7 | 996 362 030 00 | Emergency wheel | | 1 | M338 |

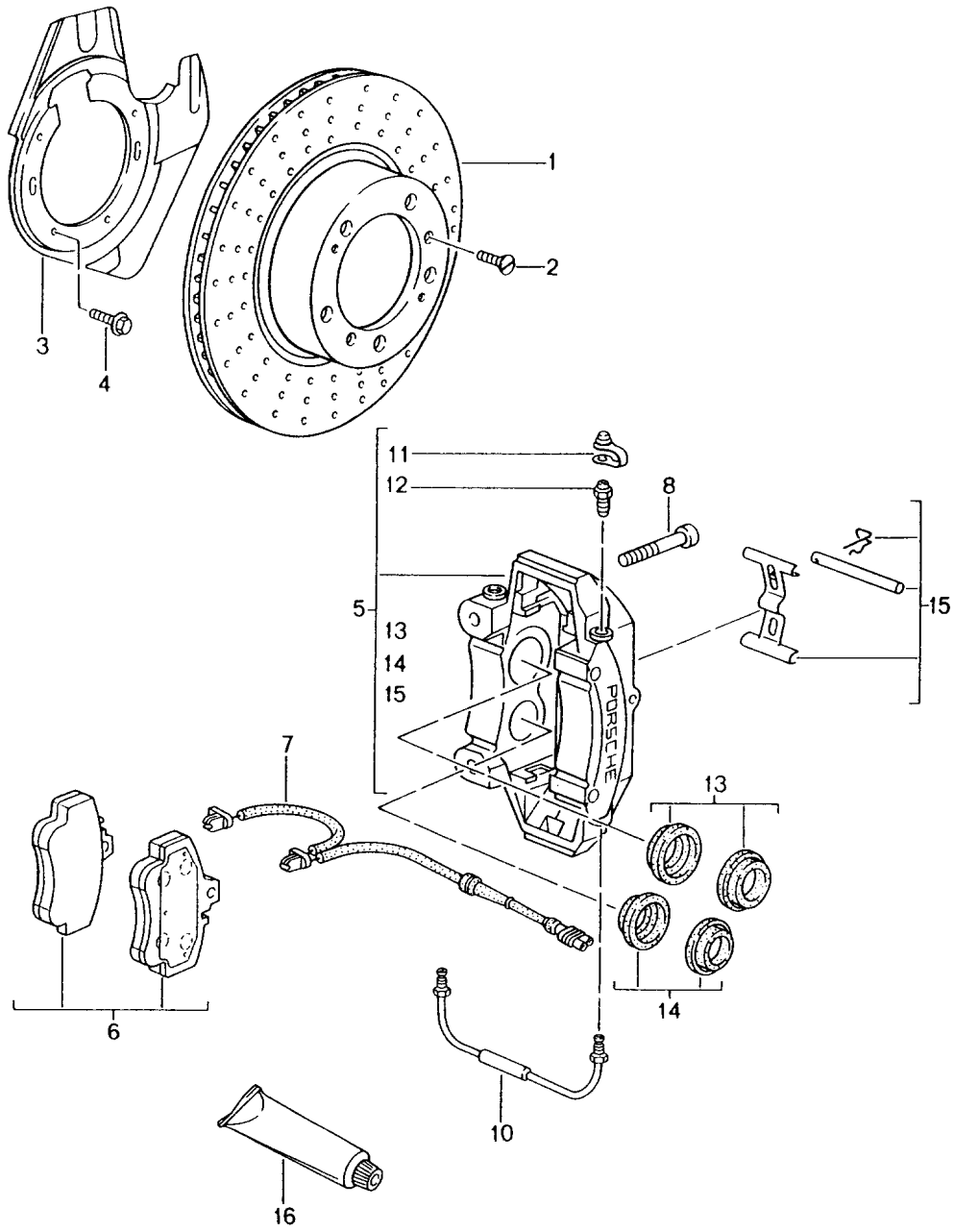
Model: 996 98

Model life 1998>>2005

| Pos | Part Number | Description | Remark | Qty | Model |
|-----|----------------|--------------------------------------|--------|-----|-------------|
| (7) | 996 362 050 00 | Emergency wheel | -03 | 1 | M339 |
| (7) | 996 362 050 01 | Emergency wheel | 04- | 1 | M339 |
| (7) | 996 362 020 01 | Emergency wheel | 03- | 1 | C4S M450 |
| (7) | 996 362 020 03 | Emergency wheel | 04- | 1 | C4S M450 |
| - | 997 652 051 00 | Compressor for Emergency wheel | | 1 | |
| - | 997 652 055 00 | Compressor for Emergency wheel | | 1 | |
| - | 996 361 411 00 | Belt for Emergency wheel | 03- | 1 | C4S M450 |

Model: 996 98

Model life 1998>>2005



Model: 996 98 Model life 1998>>2005

| Pos | Part Number | Description | Remark | Qty | Model |
|-----|----------------|--|--------|-----|---------------------|
| | | Disc brake Front axle Brake disc Only in pairs Replace Technical manual Attention | | | M450 |
| 1 | 996 351 405 00 | Brake disc | /L | 1 | |
| (1) | 996 351 405 01 | Brake disc | /L | 1 | |
| (1) | 996 351 409 02 | Brake disc | /L 02- | 1 | C4S |
| (1) | 996 351 031 02 | Brake disc | /L -04 | 1 | C4S |
| (1) | 996 351 031 03 | Brake disc | /L 05- | 1 | M450 C4S M450 |
| (1) | 996 351 406 00 | Brake disc | /R | 1 | |
| (1) | 996 351 406 01 | Brake disc | /R | 1 | |
| (1) | 996 351 410 02 | Brake disc | /R 02- | 1 | C4S |
| (1) | 996 351 032 02 | Brake disc | /R -04 | 1 | C4S |
| (1) | 996 351 032 03 | Brake disc | /R 05- | 1 | M450 C4S M450 |
| 2 | 900 269 047 09 | Countersunk-head screw M 6 X 12 | | 4 | |
| 2 | 900 269 047 01 | Countersunk-head screw M 6 X 12 | | 4 | |
| (2) | 900 269 106 09 | Countersunk-head screw M 6 X 16 | 01- | 4 | IXRP |
| (2) | 900 269 106 01 | Countersunk-head screw M 6 X 16 | 01- | 4 | IXRP |
| 3 | 996 351 081 03 | Cover plate F >>99XS6 01169 F >>99XS6 01376 F >>99XS6 40765 F >>99XS6 40773 | /L | 2 | |
| (3) | 996 351 082 03 | Cover plate F >>99XS6 01169 F >>99XS6 01376 F >>99XS6 40765 F >>99XS6 40773 | /R | 2 | |
| (3) | 996 351 801 04 | Cover plate F 99XS6 01170>> F 99XS6 01377>> F 99XS6 40766>> F 99XS6 40774>> | /L | 1 | |
| (3) | 996 351 802 04 | Cover plate F 99XS6 01170>> F 99XS6 01377>> F 99XS6 40766>> F 99XS6 40774>> | /R | 1 | |
| (3) | 996 351 805 00 | Protective plate | /L 02- | 1 | C4S |
| (3) | | Protective plate | /L 03- | 1 | C4S M450 |
| (3) | 996 351 806 00 | Protective plate | /R 02- | 1 | C4S |
| (3) | | Protective plate | /R 03- | 1 | C4S M450 |
| 4 | 999 217 116 09 | Hexagon-head bolt M 6 X 16 | | X | |
| 5 | 996 351 425 01 | Fixed calliper without pad | /L | 1 | |
| (5) | 996 351 426 01 | Fixed calliper without pad | /R | 1 | |
| (5) | 996 351 425 21 | Fixed calliper | /L 99- | 1 | M339 |

Model: 996 98

Model life 1998>>2005

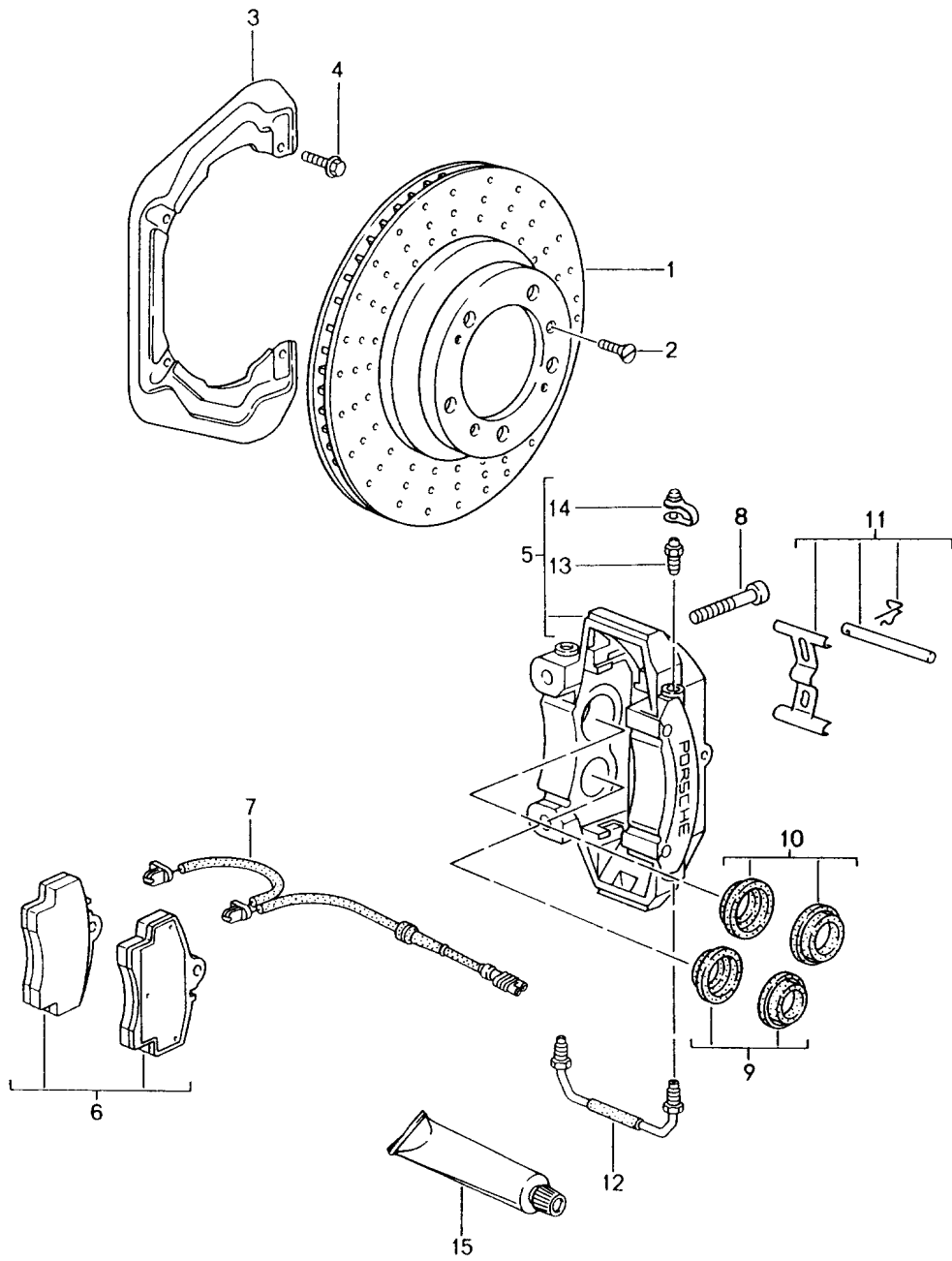
| Pos | Part Number | Description | Remark | Qty | Model |
|-----|----------------|--|--------|-----|--------------|
| (5) | 996 351 425 22 | without pad F >>99YS6 02736 F >>99YS6 21335 Fixed calliper without pad F 99YS6 02737>> F 99YS6 21336>> | /L 00- | 1 | M339 |
| (5) | 996 351 429 10 | Fixed calliper without pad F 99YS6 02737>> F 99YS6 21336>> | /L 02- | 1 | C4S |
| (5) | 996 351 431 30 | Fixed calliper without pad F 99YS6 02737>> F 99YS6 21336>> | /L 03- | 1 | C4S |
| (5) | 996 351 426 21 | Fixed calliper without pad F >>99YS6 02736 F >>99YS6 21335 | /R 99- | 1 | M450 M339 |
| (5) | 996 351 426 22 | Fixed calliper without pad F 99YS6 02737>> F 99YS6 21336>> | /R 00- | 1 | M339 |
| (5) | 996 351 430 10 | Fixed calliper without pad F 99YS6 02737>> F 99YS6 21336>> | /R 02- | 1 | C4S |
| (5) | 996 351 432 30 | Fixed calliper without pad F 99YS6 02737>> F 99YS6 21336>> | /R 03- | 1 | C4S M450 |
| 6 | 996 352 949 02 | Brake pad repair set | | 1 | |
| (6) | 996 352 949 03 | Brake pad repair set | | 1 | |
| (6) | 996 351 949 12 | Brake pad repair set | 02- | 1 | C4S |
| (6) | 996 351 947 01 | Brake pad repair set Use also: Mounting parts See technical manual Group 46 Nr.3619 | 03- | 1 | C4S M450 |
| (6) | 997 351 948 01 | Brake pad repair set Use also: Mounting parts See technical manual Group 46 Nr.3619 | 03- | 1 | C4S M450 |
| - | 996 351 088 01 | Damping plate | | 4 | |
| - | 996 351 089 00 | Damping plate | 02- | 4 | C4S |
| - | 996 352 086 01 | Damping plate See technical manual Group 46 Nr.3619 | 03- | 6 | C4S M450 |
| - | 996 352 086 02 | Damping plate See technical manual Group 46 NR.3619 | 03- | 6 | C4S M450 |
| 7 | 996 612 365 00 | Warning contact | | 2 | |
| (7) | 996 612 347 00 | Warning contact | 03- | 2 | C4S M450 |
| - | 999 507 464 40 | Support | | 2 | |
| - | 944 612 627 00 | Line bracket for Warning contact | | 2 | |
| 8 | 999 067 041 09 | Pan-head screw M 12 X 1,5 X 72 | | 4 | |
| 8 | 999 067 041 01 | Pan-head screw M 12 X 1,5 X 72 | | 4 | |

Model: 996 98 Model life 1998>>2005

| Pos | Part Number | Description | Remark | Qty | Model |
|------|----------------|---|--------|--------|-------------|
| 8 | 999 067 050 09 | Pan-head screw M 12 X 1.5 X 77 | 02- | 4 | C4S |
| (8) | 999 067 047 09 | Pan-head screw M 12 X 1,5 X 85 | 03- | 4 | C4S M450 |
| 10 | 996 351 961 00 | Connecting line | /L | 1 | |
| (10) | 996 351 961 11 | Connecting line | /L 02- | 1 | C4S |
| (10) | 996 351 961 30 | Connecting line | /L 03- | 1 | C4S M450 |
| (10) | 996 351 962 00 | Connecting line | /R | 1 | |
| (10) | 996 351 962 11 | Connecting line | /R 02- | 1 | C4S |
| (10) | 996 351 961 30 | Connecting line | /R 03- | 1 | C4S M450 |
| 12 | 930 351 919 00 | Ventilation valve | | 2 | |
| 11 | 930 351 927 00 | Dust boot | | 2 | |
| 11 | 930 351 927 01 | Dust boot | | 2 | |
| 13 | 951 351 917 01 | Repair kit Protection caps 40 MM \$ | | 2 | |
| (13) | 928 351 917 00 | Repair kit Protection caps 44 MM \$ | 02- | 2 | C4S |
| 14 | 951 351 917 00 | Repair kit Protection caps 36 MM \$ | | 2 | |
| - | 996 351 915 01 | Repair kit Protection caps 38 MM \$ | 03- | 2 | C4S M450 |
| - | 996 351 915 00 | Repair kit Protection caps 32 MM \$ | 03- | 2 | C4S M450 |
| - | 951 352 917 00 | Repair kit Protection caps 28 MM \$ | 03- | 2 | C4S M450 |
| 15 | 996 351 959 01 | Repair kit Mounting parts Bolt | | 1 2 | |
| | | Expanding spring | | 2 | |
| | | Securing clip | | 2 | |
| (15) | 996 351 959 11 | Repair kit Mounting parts Bolt | 02- | 1 | C4S |
| | | Expanding spring | | | |
| | | Securing clip | | | |
| (15) | 996 351 959 30 | Repair kit Mounting parts | 03- | 1 | C4S M450 |
| 16 | 000 043 117 00 | Brake cylinder paste 50 G | | X | |
| 16 | 000 043 305 11 | Brake cylinder paste 50 G | | X | |
| 16 | 000 043 020 00 | Optimoly 100 G | | X | |

Model: 996 98

Model life 1998>>2005



Model: 996 98 Model life 1998>>2005

| Pos | Part Number | Description | Remark | Qty | Model |
|-----|----------------|---|--------|-----|-------------|
| | | Disc brake Rear axle Brake disc Only in pairs Replace Technical manual Attention | | | M450 |
| 1 | 996 352 401 03 | Brake disc | | 2 | |
| (1) | 996 352 401 04 | Brake disc | | 2 | |
| (1) | 996 352 401 05 | Brake disc | | 2 | |
| (1) | 996 352 405 00 | Brake disc | /L 02- | 1 | C4S |
| (1) | 996 352 031 02 | Brake disc | /L -04 | 1 | C4S M450 |
| (1) | 996 352 031 03 | Brake disc | /L 05- | 1 | C4S M450 |
| (1) | 996 352 406 00 | Brake disc | /R 02- | 1 | C4S |
| (1) | 996 352 032 02 | Brake disc | /R -04 | 1 | C4S M450 |
| (1) | 996 352 032 03 | Brake disc | /R 05- | 1 | C4S M450 |
| 2 | 900 269 047 09 | Countersunk-head screw M 6 X 12 | | 4 | |
| 2 | 900 269 047 01 | Countersunk-head screw M 6 X 12 | | 4 | |
| (2) | 900 269 106 09 | Countersunk-head screw M 6 X 16 | 01- | 4 | IXRP |
| (2) | 900 269 106 01 | Countersunk-head screw M 6 X 16 | 01- | 4 | IXRP |
| 3 | 996 352 801 01 | Protective plate | | 2 | |
| (3) | 996 352 801 03 | Cover plate | 02- | 2 | C4S |
| (3) | | Cover plate | 03- | 2 | C4S M450 |
| 4 | 999 217 116 09 | Hexagon-head bolt M 6 X 16 | | X | |
| 5 | 996 352 421 03 | Fixed calliper without pad | /L | 1 | M338 |
| (5) | 996 352 421 23 | Fixed calliper without pad | /L 99- | 1 | M339 |
| (5) | 996 352 421 24 | Fixed calliper without pad F >>99YS6 02736 F >>99YS6 21335 | /L 00- | 1 | M339 |
| (5) | 996 352 425 60 | Fixed calliper without pad | /L 02- | 1 | C4S |
| (5) | 996 352 423 30 | Fixed calliper without pad | /L 03- | 1 | C4S M450 |
| (5) | 996 352 422 03 | Fixed calliper without pad | /R | 1 | M338 |
| (5) | 996 352 422 23 | Fixed calliper without pad F >>99YS6 02736 F >>99YS6 21335 | /R 99- | 1 | M339 |
| (5) | 996 352 422 24 | Fixed calliper without pad F 99YS6 02737>> F 99YS6 21336>> | /R 00- | 1 | M339 |
| (5) | 996 352 426 60 | Fixed calliper without pad | /R 02- | 1 | C4S |
| (5) | 996 352 424 30 | Fixed calliper without pad | /R 03- | 1 | C4S M450 |

Model: 996 98

Model life 1998>>2005

| Pos | Part Number | Description | Remark | Qty | Model |
|------|----------------|---|--------|-----|-------------|
| 6 | 996 352 939 03 | Brake pad repair set | | 1 | |
| 6 | 986 352 939 10 | Brake pad repair set | | 1 | |
| (6) | 996 352 949 02 | Brake pad repair set | -04 | 1 | C4S |
| (6) | 996 352 949 03 | Brake pad repair set | 05- | 1 | C4S |
| (6) | 996 352 947 01 | Brake pad repair set | 03- | 1 | C4S |
| | | See technical manual Group 46 Nr.3819 Use also: Mounting parts | | | M450 |
| (6) | 997 352 948 00 | Brake pad repair set | 03- | 1 | C4S |
| | | See technical manual Group 46 Nr.3819 Use also: Mounting parts | | | M450 |
| - | 964 352 096 01 | Damping plate 28 MM \$ | | 4 | |
| - | 964 352 096 00 | Damping plate 30 MM \$ | | 4 | |
| - | 996 352 086 00 | Damping plate 30 mm | | 4 | |
| - | 996 352 086 01 | Damping plate 28 MM \$ | 03- | 8 | C4S M450 |
| | | See technical manual Group 46 Nr.3819 | | | |
| - | 996 352 086 02 | Damping plate 28 mm \$ | 03- | 8 | C4S M450 |
| | | See technical manual Group 46 NR.3819 | | | |
| 7 | 996 612 365 00 | Warning contact | | 2 | |
| (7) | 996 612 348 00 | Warning contact | 03- | 2 | C4S M450 |
| 8 | 999 067 041 09 | Pan-head screw M 12 X 1,5 X 72 | | 4 | |
| 8 | 999 067 041 01 | Pan-head screw M 12 X 1,5 X 72 | | 4 | |
| (8) | 999 067 050 09 | Pan-head screw M 12 X 1,5 X 77 | 02- | 4 | C4S |
| (8) | 999 067 047 09 | Pan-head screw M 12 X 1,5 X 85 | 03- | 4 | C4S M450 |
| - | 944 612 627 00 | Line bracket for Warning contact | | 2 | |
| 9 | 951 352 917 01 | Repair kit Protection caps 30 MM \$ | | 2 | |
| 10 | 951 352 917 00 | Repair kit Protection caps 28 MM \$ | | 2 | |
| 11 | 996 352 959 01 | Repair kit Mounting parts Bolt | | 1 | |
| | | Expanding spring | | 2 | |
| | | Securing clip | | 2 | |
| (11) | 996 351 959 01 | Repair kit Mounting parts | 02- | 1 | C4S |

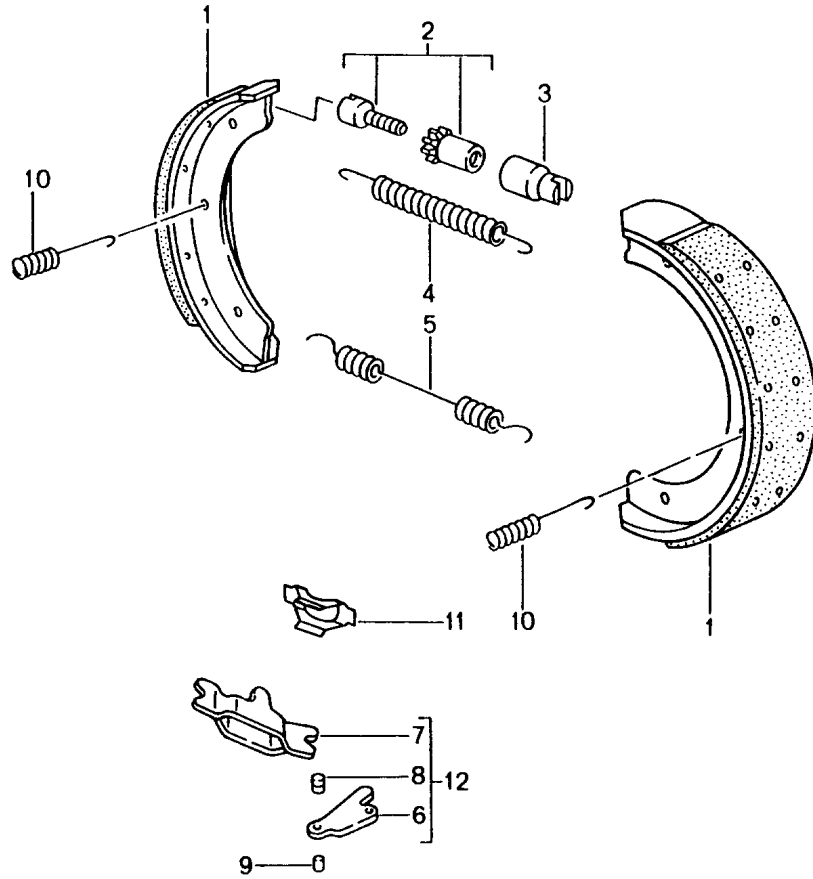
Model: 996 98

Model life 1998>>2005

| Pos | Part Number | Description | Remark | Qty | Model |
|------|----------------|------------------------------|--------|-----|-------|
| (11) | | Bolt | | 2 | |
| | | Expanding spring | | 2 | |
| | | Securing clip | | 2 | |
| | | Repair kit | 03- | 1 | C4S |
| | | Mounting parts | | | M450 |
| | | Bolt | | 2 | |
| | | Expanding spring | | 2 | |
| | | Securing clip | | 2 | |
| 12 | 996 352 961 00 | Connecting line | /L | 1 | |
| (12) | 996 351 962 00 | Connecting line | /L 02- | 1 | C4S |
| (12) | 996 352 961 30 | Connecting line | /L 03- | 1 | C4S |
| | | | | | M450 |
| (12) | 996 352 962 00 | Connecting line | /R | 1 | |
| (12) | 996 351 961 00 | Connecting line | /R 02- | 1 | C4S |
| (12) | 996 352 961 30 | Connecting line | /R 03- | 1 | C4S |
| | | | | | M450 |
| 13 | 930 351 919 01 | Ventilation valve | | 4 | |
| 14 | 930 351 927 00 | Dust boot | | 4 | |
| 14 | 930 351 927 01 | Dust boot | | 4 | |
| 15 | 000 043 117 00 | Brake cylinder paste 50 G | | X | |
| 15 | 000 043 305 11 | Brake cylinder paste 50 G | | X | |
| (15) | 000 043 020 00 | Optimoly 100 G | | X | |

Model: 996 98

Model life 1998>>2005



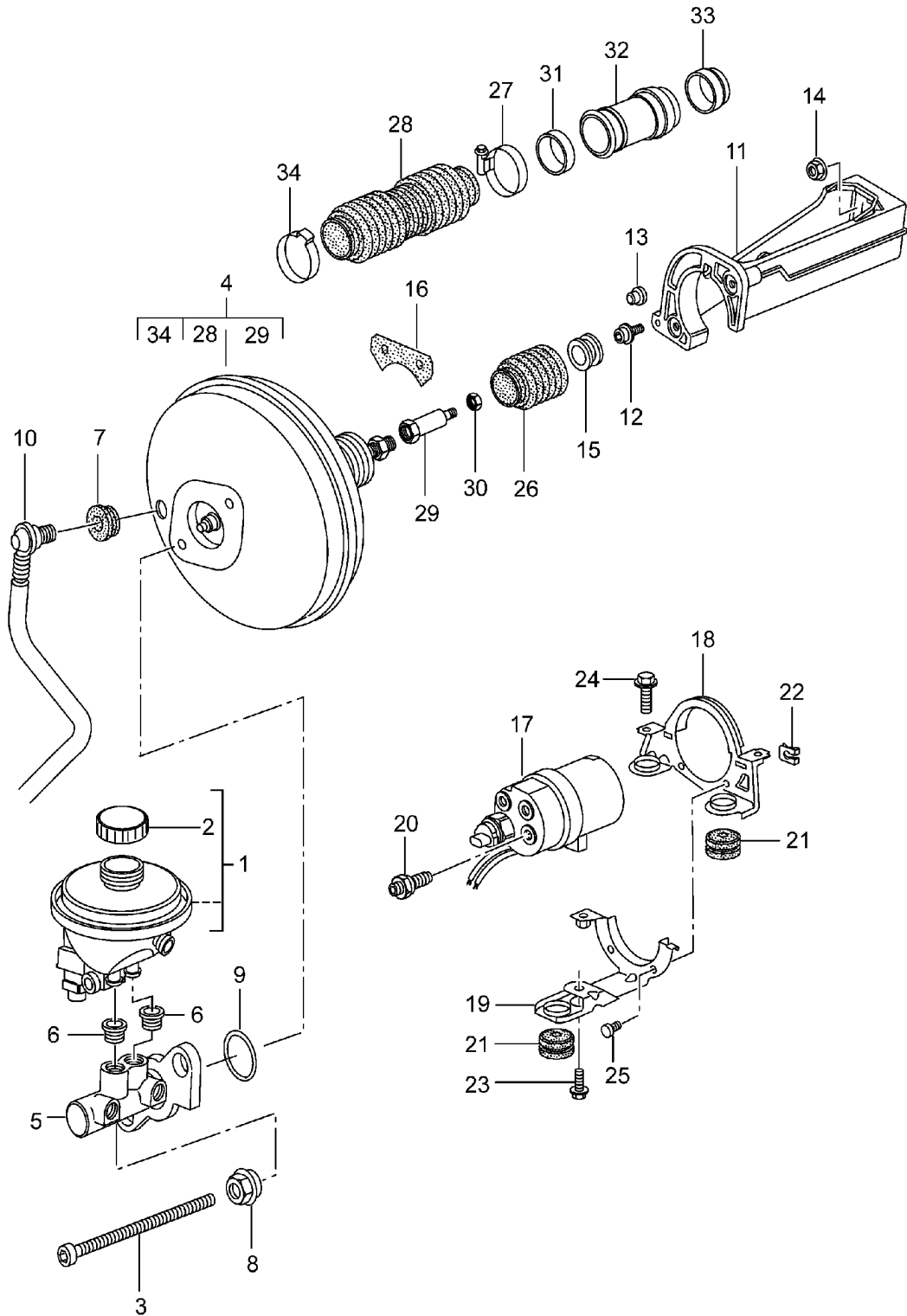
Model: 996 98

Model life 1998>>2005

| Pos | Part Number | Description | Remark | Qty | Model |
|-----|----------------|--------------------|--------|-----|-------|
| 1 | 928 352 097 10 | Handbrake | | | |
| | | Brake shoe | -02 | 4 | |
| (1) | 996 352 993 02 | Brake shoe | 03- | 1 | |
| | | Repair kit | | | |
| 2 | 993 352 071 00 | Adjusting screw | | 2 | |
| 2 | 298 609 723 | Adjusting screw | | 2 | |
| 4 | 997 352 721 00 | Tension spring | | 2 | |
| | | Short | | | |
| 5 | 996 352 723 00 | Tension spring | | 2 | |
| | | Long | | | |
| 6 | 928 352 441 01 | Actuating lever | | 2 | |
| 7 | 928 352 443 01 | Clip | | 2 | |
| 8 | 993 352 735 00 | Articulated bolt | | 2 | |
| 9 | 993 352 737 00 | Bolt | | 2 | |
| 10 | 996 352 741 00 | Compression spring | | 4 | |
| 11 | 996 352 807 00 | Supporting plate | | 2 | |
| 12 | 993 352 073 00 | Push-button lock | | 2 | |
| | | Complete | | | |

Model: 996 98

Model life 1998>>2005



Model: 996 98 Model life 1998>>2005

| Pos | Part Number | Description | Remark | Qty | Model |
|-----|----------------|---|------------|-----|-----------------|
| - | 000 043 204 66 | Brake master cylinder Brake booster Pre-charge pump Modification kit Seal Brake booster Comprising: 999.512.672.00 996.423.269.05 999.512.478.00 996.355.911.00 996.355.909.00 996.355.907.00 996.355.927.01 900.380.015.09 F >>99YS6 00595 F >>99YS6 40393 See technical information Group 4 NR.11/01 | | 1 | |
| 1 | 996 355 013 00 | Brake fluid reservoir | -03 | 1 | M338/480 |
| (1) | 996 355 013 01 | Brake fluid reservoir | 04- | 1 | M338/480 |
| (1) | 996 355 013 20 | Brake fluid reservoir | -03 | 1 | M249/338 |
| (1) | 996 355 013 21 | Brake fluid reservoir | 04- | 1 | M249/338 |
| (1) | 996 355 013 46 | Brake fluid reservoir | 99 | 1 | M339/480 |
| (1) | 996 355 013 47 | Brake fluid reservoir | 99 | 1 | M249/339 |
| (1) | 996 355 013 44 | Brake fluid reservoir | 00 | 1 | M476/480 |
| (1) | 996 355 013 46 | Brake fluid reservoir | -03 | 1 | M476/480 |
| (1) | 996 355 013 48 | Brake fluid reservoir | 04- | 1 | M476/480 |
| (1) | 996 355 013 45 | Brake fluid reservoir | 00 | 1 | M249/476 |
| (1) | 996 355 013 47 | Brake fluid reservoir | -03 | 1 | M249/476 |
| (1) | 996 355 013 49 | Brake fluid reservoir | 04- | 1 | M249/476 |
| 2 | 996 355 119 01 | Catch | | 1 | |
| - | 996 355 125 00 | Contacts for Brake fluid reservoir 996.355.013.00 996.355.013.20 | -03 -03 | 1 | |
| - | 996 355 125 02 | Contacts for Brake fluid reservoir 996.355.013.00/01 996.355.013.20/21 | 04- | 1 | |
| - | 996 355 125 01 | Contacts for Brake fluid reservoir 996.355.013.44 996.355.013.45 996.355.013.46 996.355.013.47 996.355.013.48 996.355.013.49 | | 1 | |
| 3 | 999 073 124 09 | Pan-head screw M 8 X 154 X 80 | | 2 | |
| 4 | 996 355 923 00 | Brake booster | | 1 | |
| - | 996 355 137 01 | Catch Threaded joint Brake booster | | 1 | |
| 5 | 996 355 910 00 | Brake master cylinder | | 1 | M338 |
| (5) | 996 355 910 40 | Brake master cylinder | 99- 00- | 1 | M339 |
| (5) | 996 355 910 50 | Brake master cylinder | 02- | 1 | M338/476 C4S |

Model: 996 98 Model life 1998>>2005

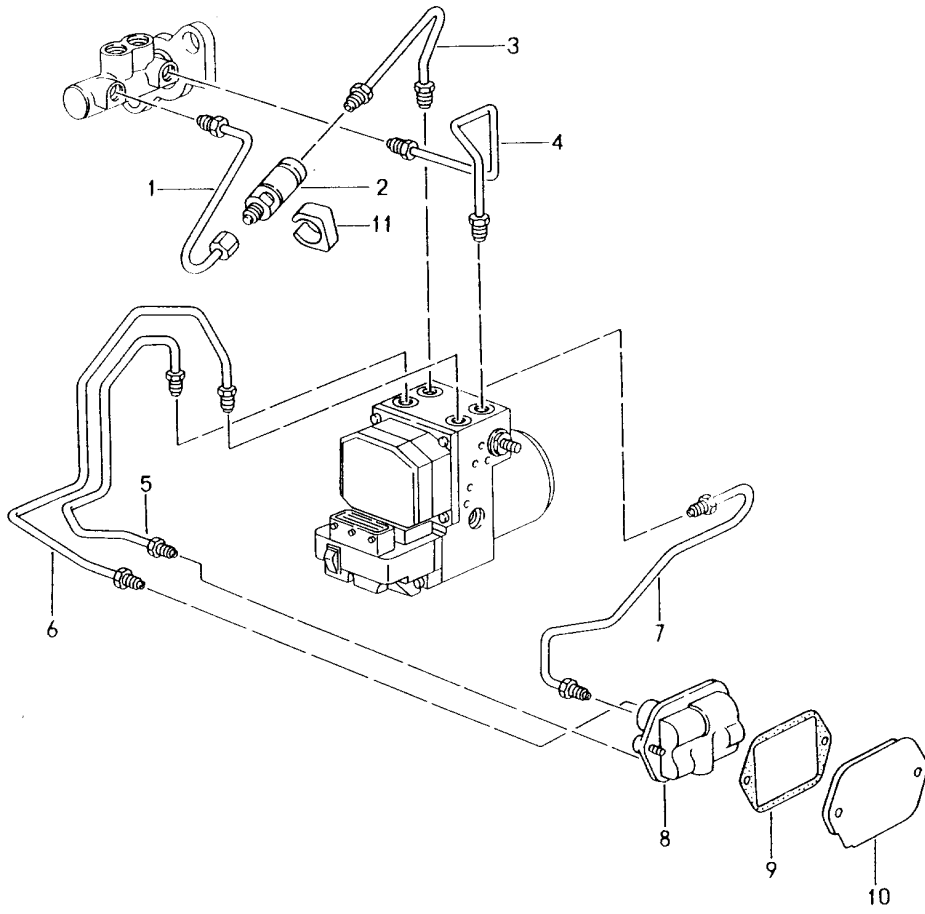
| Pos | Part Number | Description | Remark | Qty | Model |
|------|----------------|--|---------|-----|----------|
| 6 | 993 355 922 00 | Grommet | | 2 | |
| 7 | 999 702 182 40 | Rubber bush | | 1 | |
| 8 | 997 355 925 00 | Hexagon nut | | 2 | |
| 9 | 996 355 912 00 | Sealing ring | | 1 | |
| (10) | 996 355 577 02 | Vacuum line | /LL | 1 | M338 |
| (10) | 996 355 578 04 | Vacuum line | /RL | 1 | M338 |
| (10) | 996 355 577 40 | Vacuum line | /LL 99- | 1 | M339 |
| (10) | 996 355 578 42 | Vacuum line | /RL 99- | 1 | M339 |
| (10) | 996 355 577 42 | Vacuum line | /LL 00- | 1 | M338/476 |
| (10) | 996 355 577 43 | Vacuum line | /LL 04- | 1 | M338/476 |
| (10) | 996 355 578 05 | Vacuum line | /RL 00- | 1 | M338/476 |
| (10) | 996 355 578 06 | Vacuum line | /RL 04- | 1 | M338/476 |
| (10) | 996 355 577 42 | Vacuum line | /LL -03 | 1 | M339/476 |
| (10) | 996 355 577 43 | Vacuum line | /LL 04- | 1 | M339/476 |
| (10) | 996 355 578 42 | Vacuum line | /RL -03 | 1 | M339/476 |
| (10) | 996 355 578 43 | Vacuum line | /RL 04- | 1 | M339/476 |
| 11 | 996 423 251 01 | Intermediate piece | | 1 | |
| 12 | 900 067 240 02 | Combination screw M 6 X 12 Z1 | | 2 | |
| 13 | 999 703 448 50 | Stopper | /R | 1 | |
| 14 | 900 380 005 09 | Hexagon nut M 8 | | 2 | |
| 15 | 996 355 221 00 | Grommet F >>99YS6 00595 F >>99YS6 40393 See technical information Group 4 NR.11/01 | | 1 | |
| 16 | 996 423 301 00 | Gasket | | 1 | |
| - | 996 355 901 01 | Gasket | | 1 | |
| | | Brake booster Bulkhead | | | |
| 17 | 996 355 975 40 | Pre-charge pump | 99 | 1 | M339 |
| (17) | 996 355 975 41 | Pre-charge pump | 00- | 1 | M476 |
| - | 999 512 390 00 | Hose clamp 60-80/13 | 00 | 1 | M476 |
| - | 999 507 688 40 | Cable clamp Wiring harness Pre-charge pump | | 1 | |
| 18 | 996 355 273 40 | Support | 99- | 1 | M339 |
| (18) | 996 355 183 40 | Support | 00- | 1 | M338 |
| 19 | 996 355 170 40 | Support | 99- | 1 | M339 |
| 20 | 996 355 635 40 | Adapter | 99- | 1 | M339 |
| 21 | 964 356 635 00 | Rubber mounting | 99- | 3 | |
| - | 999 045 004 40 | Hexagon nut | | 3 | |
| 22 | 999 166 080 02 | Lock | 99- | 3 | M339 |
| 23 | 900 378 036 09 | Hexagon-head bolt M 6 X 12 | 99- | 1 | M339 |
| 24 | 900 378 035 01 | Hexagon-head bolt M 6 X 16 | 99- | 2 | M339 |
| 25 | 996 355 559 00 | Bolt | | 2 | |
| 26 | 996 355 930 00 | Bellows F >>99YS6 00595 F >>99YS6 40393 See technical information Group 4 NR.11/01 | | 1 | |
| 27 | 999 512 478 00 | Hose clamp F >>99YS6 00595 F >>99YS6 40393 See technical information Group 4 NR.11/01 | | 1 | |

Model: 996 98 Model life 1998>>2005

| Pos | Part Number | Description | Remark | Qty | Model |
|------|----------------|--|--------|-----|-------|
| (27) | | Hose clamp F 99YS6 00596>> F 99YS6 40394>> | | 1 | |
| 28 | 996 423 269 04 | Bellows F >>99YS6 00595 F >>99YS6 40393 See technical information Group 4 NR.11/01 | | 1 | |
| (28) | 996 423 269 05 | Bellows F 99YS6 00596>> F 99YS6 40394>> | | 1 | |
| 29 | 996 355 927 01 | Connecting piece | | 1 | |
| 30 | 900 380 015 09 | Hexagon nut M 6 | | 1 | |
| 30 | 900 380 015 01 | Hexagon nut M 6 | | 1 | |
| 31 | 996 355 911 00 | Sealing ring F >>99YS6 00595 F >>99YS6 40393 See technical information Group 4 NR.11/01 | | 1 | |
| 32 | 996 355 909 00 | Connecting piece F >>99YS6 00595 F >>99YS6 40393 See technical information Group 4 NR.11/01 | | 1 | |
| 33 | 996 355 907 00 | Sealing rubber Firewall F >>99YS6 00595 F >>99YS6 40393 See technical information Group 4 NR.11/01 | | 1 | |
| (33) | 999 512 672 00 | Clamp F >>99YS6 00595 F >>99YS6 40393 See technical information Group 4 NR.11/01 | | 1 | |
| 34 | | Clamp F 99YS6 00596>> F 99YS6 40394>> | | 1 | |

Model: 996 98

Model life 1998>>2005

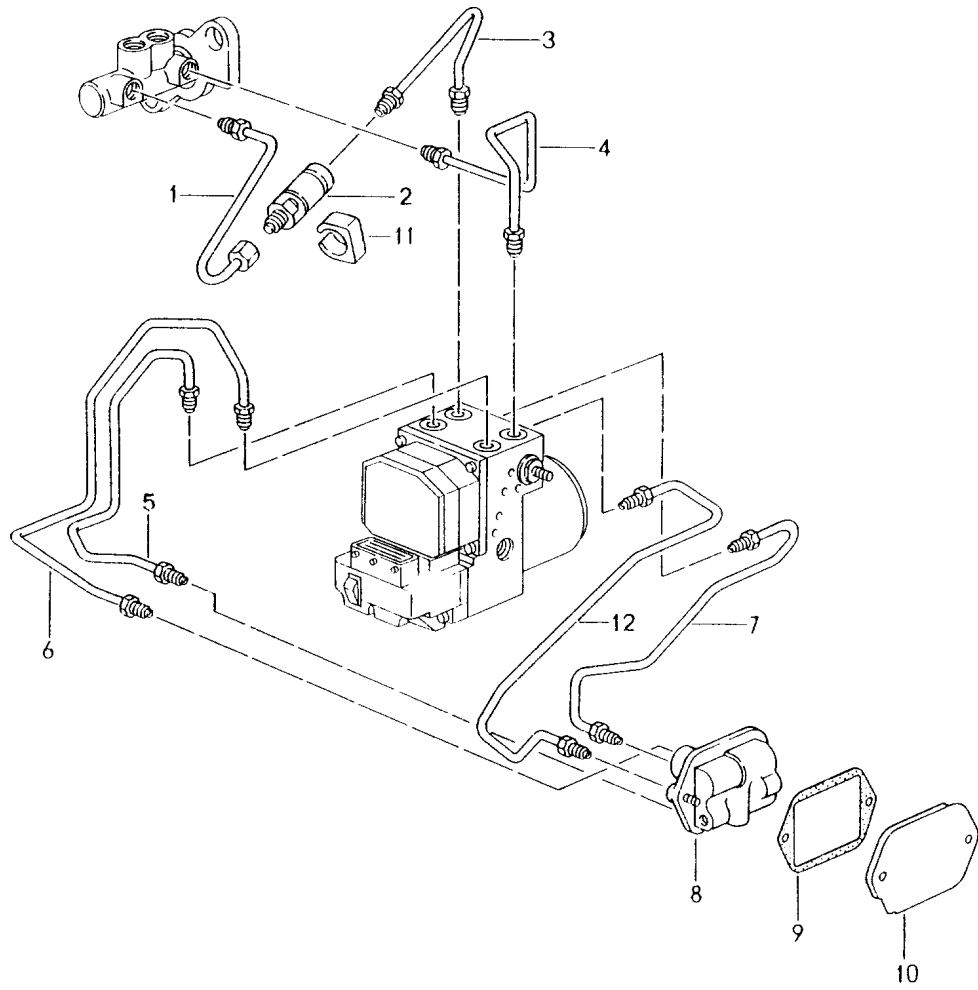


Model: 996 98 Model life 1998>>2005

| Pos | Part Number | Description | Remark | Qty | Model |
|-----|----------------|--------------------|---------|-----|-------|
| | | Brake lines | | | |
| | | Body front section | | | |
| 1 | 996 355 309 01 | Brake line | /LL -01 | 1 | |
| (1) | 996 355 308 04 | Brake line | /RL -01 | 1 | |
| 2 | 996 355 305 00 | Regulator | -01 | 1 | |
| 3 | 996 355 311 02 | Brake line | /LL -01 | 1 | |
| (3) | 996 355 311 03 | Brake line | /LL -01 | 1 | |
| (3) | 996 355 311 42 | Pressure line | /LL 02- | 1 | |
| (3) | 996 355 310 03 | Brake line | /RL -01 | 1 | |
| (3) | 996 355 320 42 | Pressure line | /RL 02- | 1 | |
| 4 | 996 355 313 02 | Brake line | /LL -01 | 1 | |
| (4) | 996 355 313 04 | Brake line | /LL | 1 | |
| (4) | 996 355 313 03 | Brake line | /LL 02- | 1 | |
| (4) | 996 355 313 05 | Brake line | /LL 02- | 1 | |
| (4) | 996 355 314 05 | Brake line | /RL -01 | 1 | |
| (4) | 996 355 314 04 | Brake line | /RL 02- | 1 | |
| 5 | 996 355 315 02 | Brake line | -01 | 1 | |
| (5) | 996 355 315 43 | Brake line | 02- | 1 | |
| 6 | 996 355 327 03 | Brake line | -01 | 1 | |
| (6) | 996 355 327 43 | Brake line | 02- | 1 | |
| 7 | 996 355 326 04 | Brake line | -01 | 1 | |
| (7) | 996 355 326 40 | Brake line | 02- | 1 | |
| 8 | 996 355 650 02 | Intermediate piece | | 1 | |
| 9 | 996 355 752 01 | Gasket | -01 | 1 | |
| 9 | | Gasket | 02- | 1 | |
| 10 | 996 355 753 00 | Reinforcement | | 1 | |
| 10 | 996 355 753 01 | Reinforcement | | 1 | |
| 11 | 999 651 292 40 | Support | | 1 | |

Model: 996 98

Model life 1998>>2005



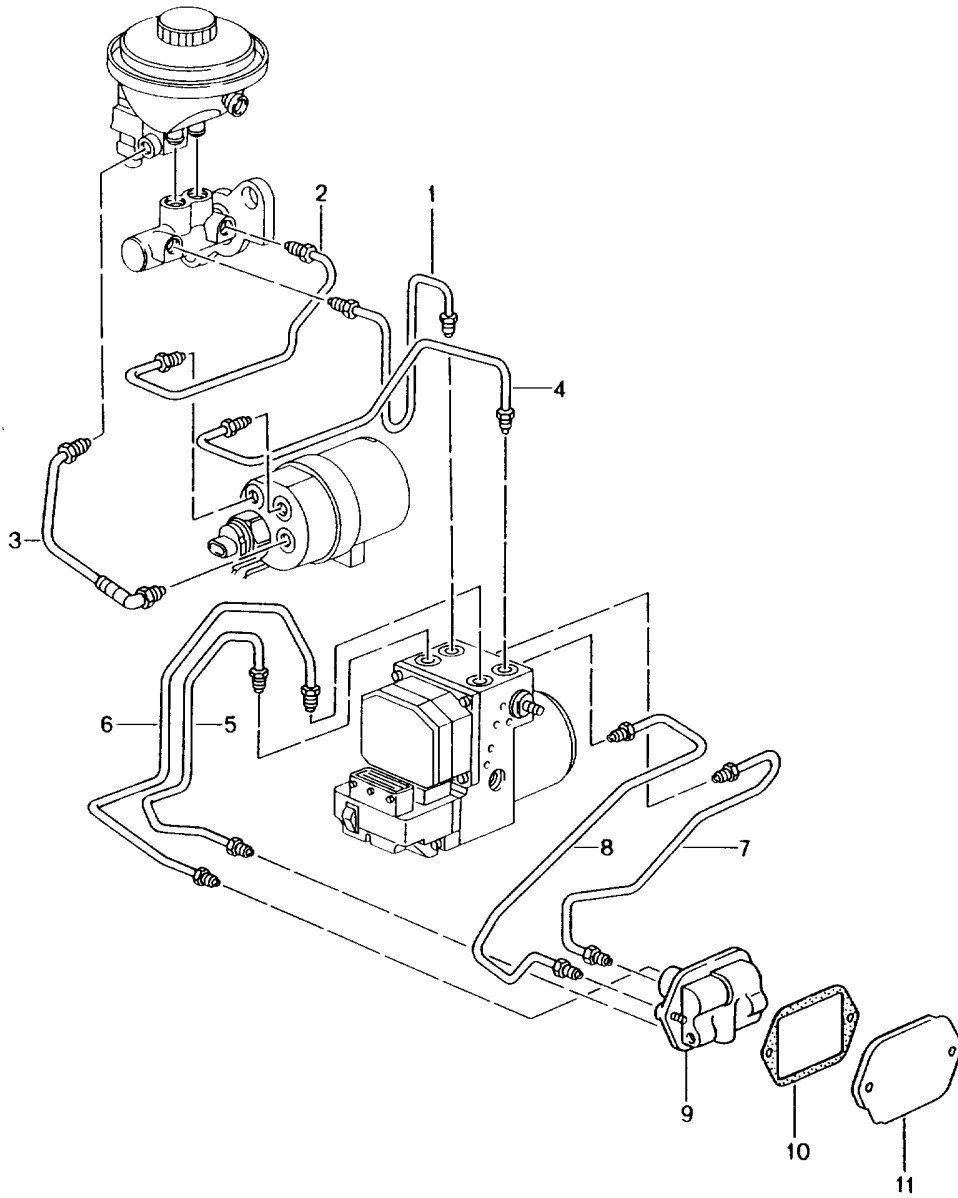
Model: 996 98

Model life 1998>>2005

| Pos | Part Number | Description | Remark | Qty | Model |
|-----|----------------|--------------------|--------|-----|----------|
| | | Brake lines | | | M222/224 |
| | | Body front section | -99 | | M338 |
| 1 | 996 355 309 01 | Brake line | /LL | 1 | |
| (1) | 996 355 308 04 | Brake line | /RL | 1 | |
| 2 | 996 355 305 00 | Regulator | | 1 | |
| 3 | 996 355 311 02 | Brake line | /LL | 1 | |
| (3) | 996 355 311 03 | Brake line | /LL | 1 | |
| (3) | 996 355 310 03 | Brake line | /RL | 1 | |
| 4 | 996 355 313 02 | Brake line | /LL | 1 | |
| (4) | 996 355 313 04 | Brake line | /LL | 1 | |
| (4) | 996 355 314 03 | Brake line | /RL | 1 | |
| 5 | 996 355 315 02 | Brake line | | 1 | |
| 6 | 996 355 327 03 | Brake line | | 1 | |
| 7 | 996 355 326 04 | Brake line | | 1 | |
| 8 | 996 355 650 27 | Intermediate piece | | 1 | |
| 9 | 996 355 752 00 | Gasket | -01 | 1 | |
| 10 | 996 355 753 00 | Reinforcement | | 1 | |
| 10 | 996 355 753 01 | Reinforcement | | 1 | |
| 11 | 999 651 292 40 | Support | | 1 | |
| 12 | 996 355 316 04 | Brake line | | 1 | |

Model: 996 98

Model life 1998>>2005

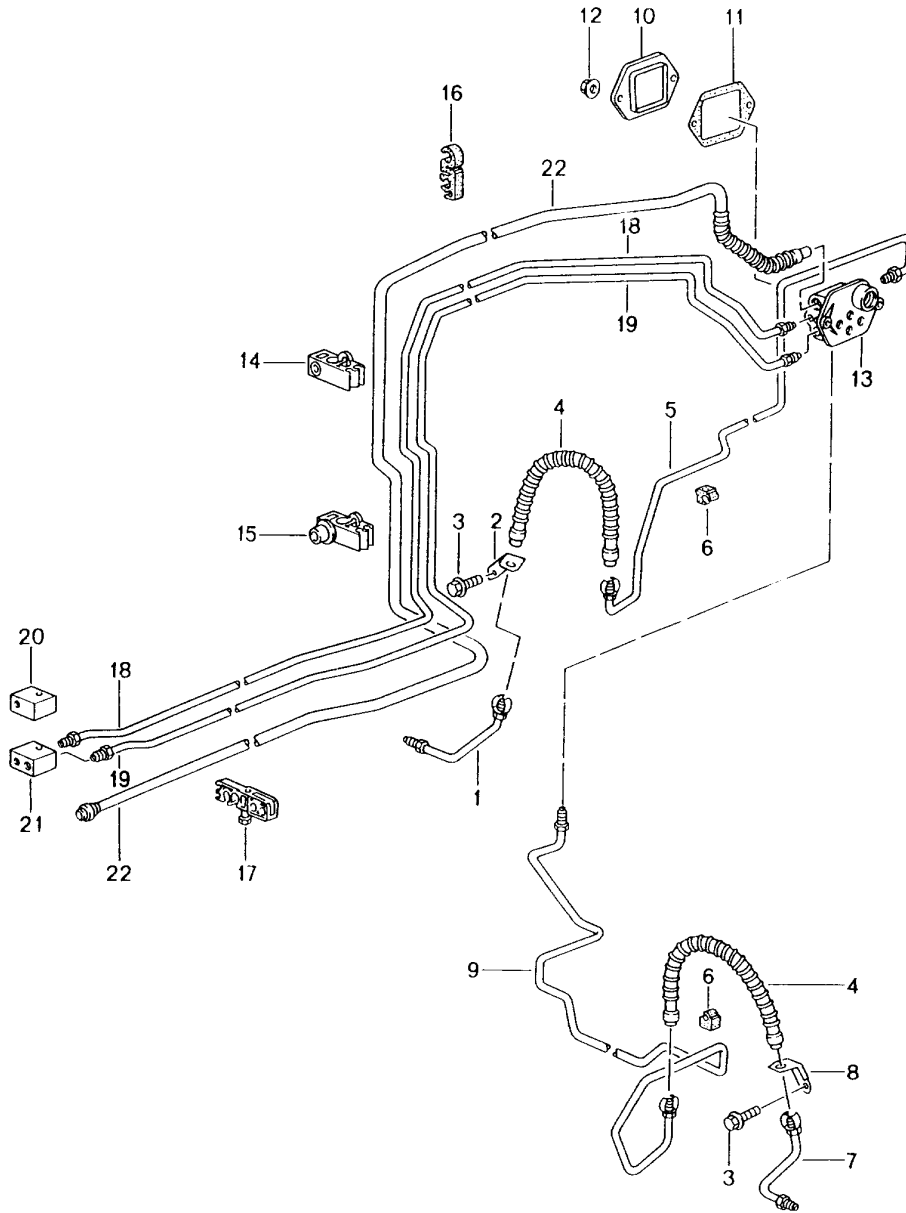


Model: 996 98 Model life 1998>>2005

| Pos | Part Number | Description | Remark | Qty | Model |
|-----|----------------|--------------------|---------|-----|----------|
| | | Brake lines | 99- | | M339/476 |
| | | Body front section | 00- | | M338/476 |
| 1 | 996 355 311 41 | Pressure line | /LL 99 | 1 | |
| (1) | 996 355 311 42 | Pressure line | /LL 00- | 1 | |
| (1) | 996 355 310 42 | Pressure line | /RL 99 | 1 | |
| (1) | 996 355 312 42 | Pressure line | /RL 00- | 1 | |
| 2 | 996 355 307 40 | Brake line | | 1 | |
| 3 | 996 355 323 41 | Feed line | | 1 | |
| 4 | 996 355 331 41 | Brake line | /LL 99 | 1 | |
| (4) | 996 355 333 41 | Pressure line | /LL 00- | 1 | |
| (4) | 996 355 333 42 | Pressure line | /LL 00- | 1 | |
| (4) | 996 355 328 41 | Pressure line | /RL 99 | 1 | |
| (4) | 996 355 330 42 | Pressure line | /RL 00- | 1 | |
| 5 | 996 355 315 40 | Brake line | 99 | 1 | |
| (5) | 996 355 315 42 | Brake line | 00 | 1 | |
| (5) | 996 355 315 43 | Brake line | 01- | 1 | |
| 6 | 996 355 327 40 | Brake line | 99 | 1 | |
| (6) | 996 355 327 42 | Brake line | 00 | 1 | |
| (6) | 996 355 327 43 | Brake line | 01- | 1 | |
| 7 | 996 355 316 04 | Brake line | -99 | 1 | |
| (7) | 996 355 316 41 | Brake line | 00- | 1 | |
| 8 | 996 355 326 04 | Brake line | 99 | 1 | |
| (8) | 996 355 326 40 | Brake line | 00- | 1 | |
| 9 | 996 355 650 27 | Intermediate piece | | 1 | |
| 10 | 996 355 752 00 | Gasket | -01 | 1 | |
| 10 | 996 355 752 01 | Gasket | 02- | 1 | |
| 11 | 996 355 753 00 | Reinforcement | | 1 | |
| 11 | 996 355 753 01 | Reinforcement | | 1 | |
| | | Brake lines | 00- | | M338/476 |
| (1) | 996 355 311 42 | Pressure line | /LL | 1 | |
| (1) | 996 355 320 44 | Pressure line | /RL | 1 | |
| (2) | 996 355 353 42 | Pressure line | /LL | 1 | |
| (2) | 996 355 354 41 | Pressure line | /RL | 1 | |
| (3) | 996 355 321 41 | Feed line | /LL | 1 | |
| (3) | 996 355 322 41 | Feed line | /RL | 1 | |
| (4) | 996 355 357 42 | Pressure line | -02 | 1 | |
| (4) | 996 355 357 43 | Pressure line | 03- | 1 | |
| (4) | 996 355 357 47 | Pressure line | 03- | 1 | |
| (5) | 996 355 315 42 | Brake line | 00 | 1 | |
| (5) | 996 355 315 43 | Brake line | 01- | 1 | |
| (6) | 996 355 327 42 | Brake line | 00 | 1 | |
| (6) | 996 355 327 43 | Brake line | 01- | 1 | |
| (7) | 996 355 316 41 | Brake line | | 1 | |
| (8) | 996 355 326 40 | Brake line | | 1 | |

Model: 996 98

Model life 1998>>2005



Model: 996 98 Model life 1998>>2005

| Pos | Part Number | Description | Remark | Qty | Model |
|------|----------------|--------------------|--------|-----|-------------|
| | | Brake lines | | | |
| | | Front axle | | | |
| | | Underbody | | | |
| | | Vacuum line | | | |
| 1 | 996 355 581 06 | Brake line | /L | 1 | |
| (1) | 996 355 587 02 | Brake line | /L 99- | 1 | M339 |
| (1) | 997 355 587 01 | Brake line | /L 03- | 1 | C4S M450 |
| 2 | 996 355 501 06 | Brake hose bracket | /L | 1 | |
| (2) | 996 355 507 04 | Brake hose bracket | /L 99- | 1 | M339 |
| (2) | 996 355 507 05 | Brake hose bracket | /L 02- | 1 | C4S |
| 3 | 900 067 117 09 | Pan-head screw | | 2 | |
| | | M 6 X 16 | | | |
| 4 | 996 355 139 01 | Brake hose | | 2 | |
| (5) | 996 355 175 07 | Brake line | /L | 1 | |
| | | F >>99WS6 06999 | | | |
| | | F >>99WS6 40804 | | | |
| (5) | 996 355 175 08 | Brake line | /L | 1 | |
| | | F 99WS6 07000>> | | | |
| | | F 99WS6 40805>> | | | |
| (5) | 996 355 175 27 | Brake line | /L 99- | 1 | M339 |
| (5) | 996 355 175 28 | Brake line | /L 02- | 1 | M339 |
| 6 | 999 591 930 40 | Support | | X | |
| 7 | 996 355 584 06 | Brake line | /R | 1 | |
| (7) | 996 355 588 02 | Brake line | /R 99- | 1 | M339 |
| (7) | 997 355 588 01 | Brake line | /R 03- | 1 | C4S M450 |
| 8 | 996 355 502 06 | Brake hose bracket | /R | 1 | |
| (8) | 996 355 508 04 | Brake hose bracket | /R 99- | 1 | M339 |
| (8) | 996 355 508 05 | Brake hose bracket | /R 02- | 1 | C4S |
| 9 | 996 355 176 06 | Brake line | | 1 | |
| | | F >>99WS6 06999 | | | |
| | | F >>99WS6 40804 | | | |
| (9) | 996 355 176 07 | Brake line | | 1 | |
| | | F 99WS6 07000>> | | | |
| | | F 99WS6 40805>> | | | |
| (9) | 996 355 176 10 | Brake line | | 1 | |
| | | F 99WS6 07000>> | | | |
| | | F 99WS6 40805>> | | | |
| (9) | 996 355 176 29 | Brake line | 99- | 1 | M339 |
| 9 | 996 355 176 32 | Brake line | 02- | 1 | M339 |
| 10 | 996 355 753 00 | Reinforcement | | 1 | |
| 10 | 996 355 753 01 | Reinforcement | | 1 | |
| 11 | 996 355 752 01 | Gasket | -01 | 1 | |
| (11) | | Gasket | 02- | 1 | |
| 12 | 900 380 015 09 | Hexagon nut | | 3 | |
| | | M 6 | | | |
| 12 | 900 380 015 01 | Hexagon nut | | 3 | |
| | | M 6 | | | |
| 13 | 996 355 650 27 | Intermediate piece | | 1 | M222/224 |
| | | | 99- | 1 | M339 |
| (13) | 996 355 650 02 | Intermediate piece | | 1 | |
| 14 | 996 355 545 00 | Support | | 3 | |
| 15 | 996 355 549 00 | Support | | 1 | |
| 16 | 996 355 547 01 | Support | | 2 | |
| 17 | 996 355 543 00 | Support | | 1 | |
| 18 | 996 355 177 06 | Brake line | -01 | 1 | |
| (18) | 996 355 177 07 | Brake line | 02 | 1 | |
| 18 | 996 355 177 08 | Brake line | 03- | 1 | |
| 19 | 996 355 179 06 | Brake line | -01 | 1 | |
| (19) | 996 355 179 07 | Brake line | 02 | 1 | |
| 19 | 996 355 179 08 | Brake line | 03- | 1 | |
| (19) | 996 355 179 11 | Brake line | 03- | 1 | |

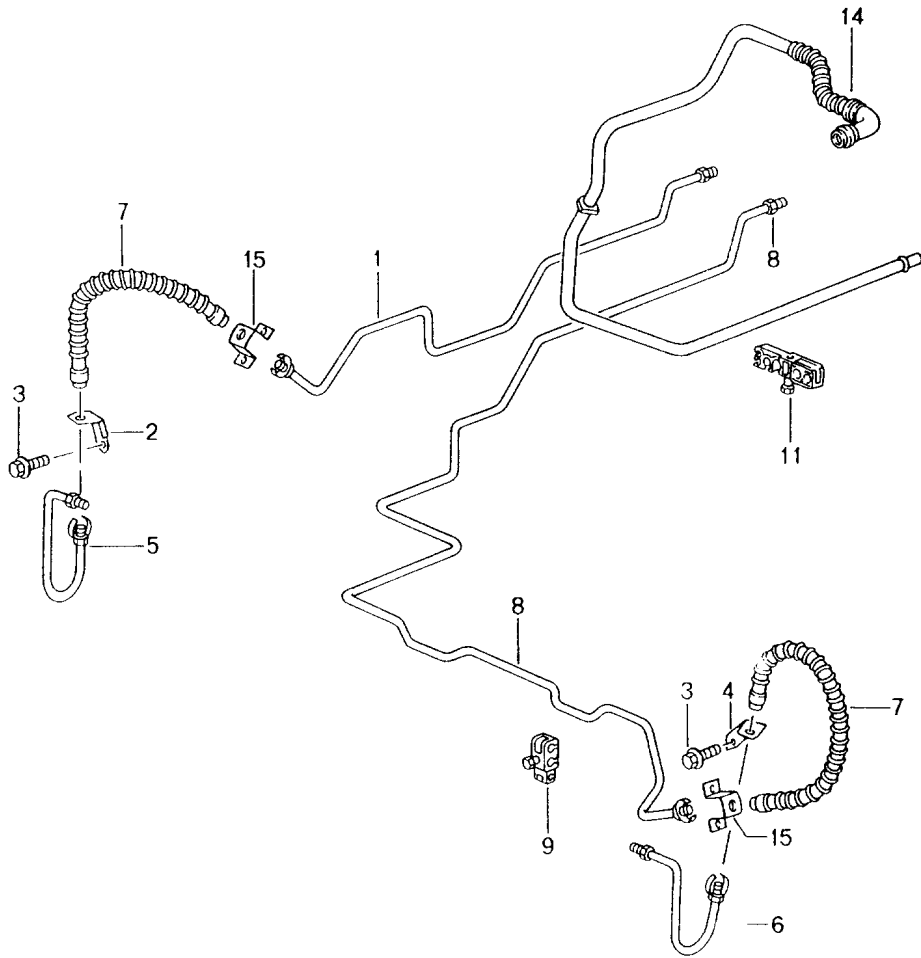
Model: 996 98

Model life 1998>>2005

| Pos | Part Number | Description | Remark | Qty | Model |
|------|----------------|------------------------------|--------|-----|-------|
| 20 | 996 355 660 04 | Connecting piece Triple | | 1 | |
| (20) | 996 355 660 06 | Connecting piece Triple | | 1 | |
| (21) | 996 355 760 31 | Connecting piece Fourfold | | 1 | |
| 22 | 996 355 571 05 | Vacuum line | -01 | 1 | |
| (22) | 996 355 571 07 | Vacuum line | 02- | 1 | |
| - | 999 230 535 40 | Lock | | 1 | |
| | | Connecting piece | | | |
| | | Vacuum line | | | |

Model: 996 98

Model life 1998>>2005



Model: 996 98 Model life 1998>>2005

| Pos | Part Number | Description | Remark | Qty | Model |
|------|----------------|--------------------|--------|-----|-------------|
| | | Brake line | | | |
| | | Underbody | | | |
| | | Rear axle | | | |
| | | Vacuum line | | | |
| 1 | 996 355 189 05 | Brake line | /L 98 | 1 | |
| (1) | 996 355 189 06 | Brake line | /L -02 | 1 | |
| (1) | 996 355 189 07 | Brake line | /L 03- | 1 | |
| | | F >>994S6 30356 | | | |
| | | F >>994S6 03928 | | | |
| | | F >>994S6 42725 | | | |
| (1) | 997 355 189 00 | Brake line | /L | 1 | |
| | | F 994S6 30357>> | | | |
| | | F 994S6 03929>> | | | |
| | | F 994S6 42726>> | | | |
| 2 | 996 355 503 00 | Brake hose bracket | /L | 1 | |
| (2) | 996 355 503 10 | Support | /L 03- | 1 | C4S M450 |
| 3 | 900 067 117 09 | Pan-head screw | | 2 | |
| | | M 6 X 16 | | | |
| 4 | 996 355 504 00 | Brake hose bracket | /R | 1 | |
| (4) | 996 355 504 10 | Support | /R 03- | 1 | C4S M450 |
| 5 | 996 355 585 00 | Brake line | /L | 1 | |
| (5) | 996 355 585 10 | Brake line | /L 03- | 1 | C4S M450 |
| 6 | 996 355 586 00 | Brake line | /R | 1 | |
| (6) | 996 355 586 10 | Brake line | /R 03- | 1 | C4S M450 |
| 7 | 996 355 139 01 | Brake hose | | 2 | |
| 8 | 996 355 190 06 | Brake line | /R | 1 | |
| | | F >>99XS6 06898 | | | |
| | | F >>99XS6 44623 | | | |
| (8) | 996 355 190 07 | Brake line | /R -01 | 1 | |
| | | F 99XS6 06899>> | | | |
| | | F 99XS6 44624>> | | | |
| (8) | 996 355 190 52 | Brake line | /R 02 | 1 | |
| (8) | 996 355 190 53 | Brake line | /R 03- | 1 | |
| | | F >>994S6 30356 | | | |
| | | F >>994S6 03928 | | | |
| | | F >>994S6 42725 | | | |
| (8) | 997 355 190 02 | Brake line | /R | 1 | |
| | | F 994S6 30357>> | | | |
| | | F 994S6 03929>> | | | |
| | | F 994S6 42726>> | | | |
| 9 | 996 347 543 00 | Cable holder | | 3 | |
| 11 | 996 355 543 00 | Support | | 1 | |
| 14 | 996 355 575 03 | Vacuum line | | 1 | |
| | | F >>99XS6 06898 | | | |
| | | F >>99XS6 44623 | | | |
| (14) | 996 355 575 04 | Vacuum line | -01 | 1 | |
| | | F 99XS6 06899>> | | | |
| | | F 99XS6 44624>> | | | |
| (14) | 996 355 575 05 | Vacuum line | 02- | 1 | |
| (14) | 996 355 575 06 | Vacuum line | 02- | 1 | |
| | | F >>994S6 30356 | | | |
| | | F >>994S6 03928 | | | |
| | | F >>994S6 42725 | | | |
| (14) | 996 355 575 07 | Vacuum line | | 1 | |
| | | F 994S6 30357>> | | | |
| | | F 994S6 03929>> | | | |
| | | F 994S6 42726>> | | | |
| - | 999 507 495 40 | Support | | 1 | |
| 15 | 996 501 815 00 | Support | | 2 | |

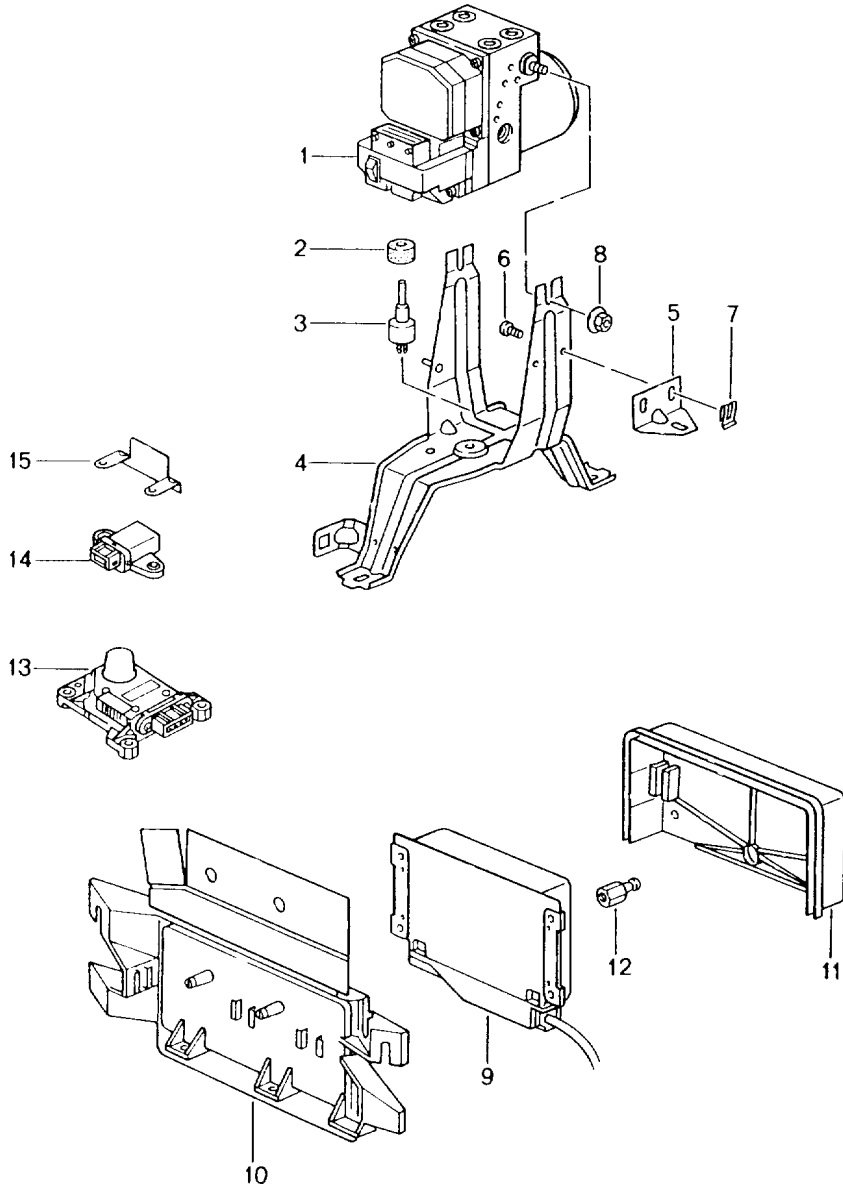
Model: 996 98

Model life 1998>>2005

| Pos | Part Number | Description | Remark | Qty | Model |
|------|--|---|--------|-----|-------|
| (15) | 996 501 815 00 GRV 996 501 815 02 996 501 815 02 GRV | Prime coated F >>99WS6 06999 F >>99WS6 40804 Support Prime coated F 99WS6 07000>> F 99WS6 40805>> | | 2 | |

Model: 996 98

Model life 1998>>2005



Model: 996 98 Model life 1998>>2005

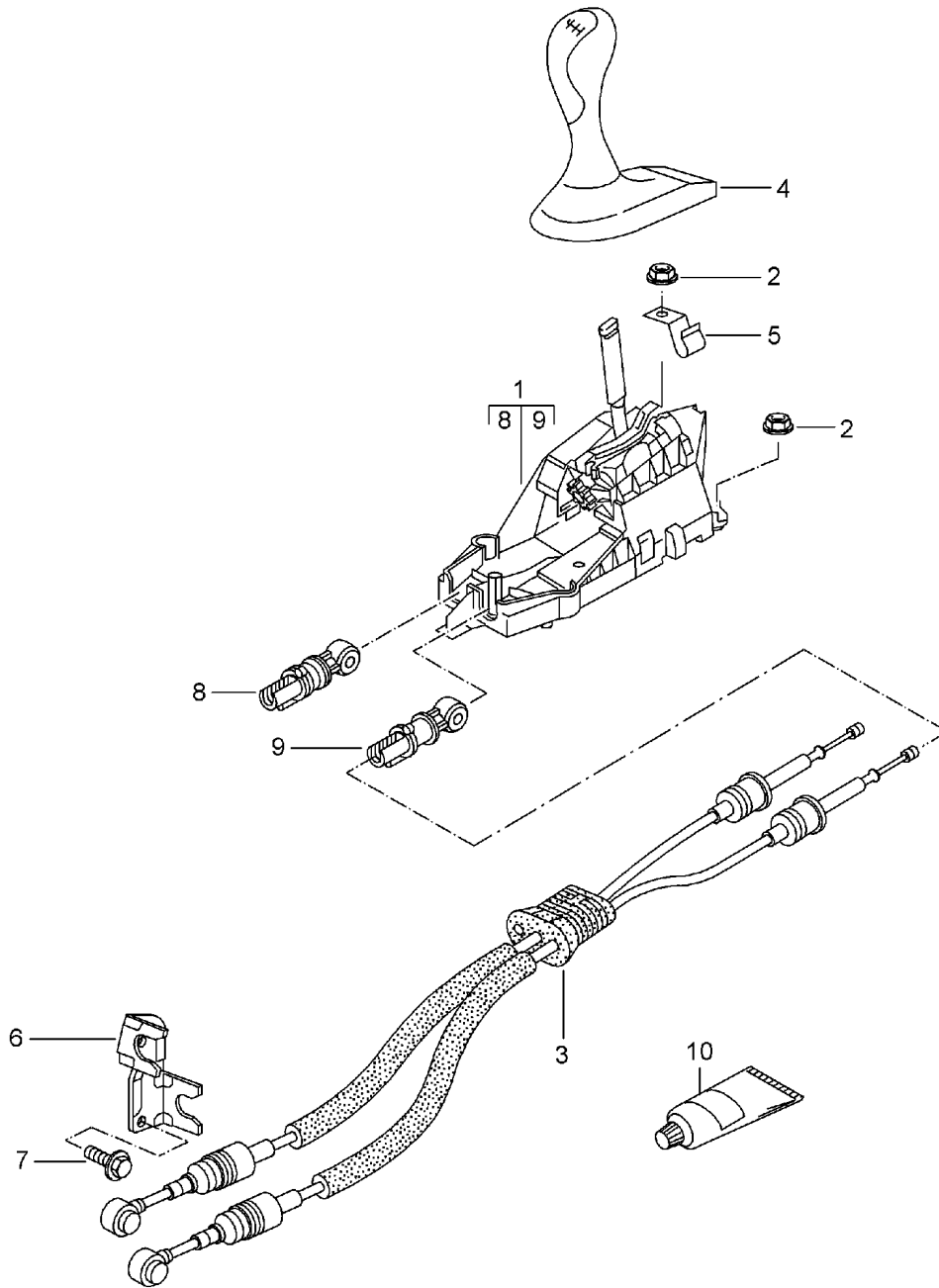
| Pos | Part Number | Description | Remark | Qty | Model |
|-----|----------------|---|-------------------|-------------|----------------------|
| | | Hydraulic unit Anti-lock brake system Control | | | |
| 1 | 996 355 955 03 | Hydraulic unit | | 1 | M338 |
| (1) | 996 355 955 04 | Hydraulic unit | -01 | 1 | M338 |
| (1) | 996 355 955 DX | Hydraulic unit | | 1 | M338 |
| (1) | 996 355 955 05 | Hydraulic unit | 02 | 1 | M338 |
| (1) | 996 355 955 06 | Hydraulic unit | 03- | 1 | M338 |
| (1) | 996 355 955 FX | Hydraulic unit | 03- | 1 | M338 |
| (1) | 996 355 955 28 | Hydraulic unit | | 1 | M222/224 |
| (1) | 996 355 955 29 | Hydraulic unit | -01 | 1 | M222/224 |
| (1) | 996 355 955 31 | Hydraulic unit | 02- | 1 | M222/224 |
| (1) | 996 355 955 GX | Hydraulic unit | 02- | 1 | M222/224 |
| (1) | 996 355 955 40 | Hydraulic unit | 99 | 1 | M339/476 |
| (1) | 996 355 955 60 | Hydraulic unit | 99 | 1 | M339/476 |
| (1) | 996 355 955 X | Hydraulic unit | 99- | 1 | M339/476 |
| (1) | 996 355 955 46 | Hydraulic unit | 00 | 1 | M338/476 |
| | | 5.7 See technical manual Group 0 Diagnostic NR.45-5 | | | |
| (1) | 996 355 955 52 | Hydraulic unit | 01- | 1 | M338/476 |
| (1) | 996 355 955 54 | Hydraulic unit | 02- | 1 | M338/476 |
| (1) | 996 355 955 62 | Hydraulic unit | 02- | 1 | M338/476 |
| (1) | 996 355 955 BX | Hydraulic unit | 02- | 1 | M338/476 |
| (1) | 996 355 955 47 | Hydraulic unit | 00 | 1 | M339/476 |
| | | 5.7 See technical manual Group 0 NR.45-5 | | | |
| (1) | 996 355 955 53 | Hydraulic unit | 01- | 1 | M339/476 |
| (1) | 996 355 955 55 | Hydraulic unit | 02- | 1 | M339/476 |
| (1) | 996 355 955 61 | Hydraulic unit | 02- | 1 | M339/476 |
| (1) | 996 355 955 AX | Hydraulic unit | 02- | 1 | M339/476 |
| (1) | 996 355 955 63 | Hydraulic unit | 02- | 1 | C4S |
| (1) | 996 355 955 CX | Hydraulic unit | 02- | 1 | C4S |
| 2 | 996 355 945 00 | Damping piece | | 3 | |
| 3 | 996 355 541 00 | Spacer | | 1 | |
| 4 | 996 355 133 03 | Support | -99 | 1 | |
| (4) | 996 355 133 04 | Support | | 1 | |
| | | Use also: 996.551.771.00 | | | |
| (4) | 996 355 033 41 | Support | 00- 02- | 1 1 | M476 |
| | | with Rubber mounting | | | |
| - | 964 356 635 00 | Rubber mounting | 00- 02- 02- | 2 3 3 | M338/476 M339/476 |
| - | 999 703 379 40 | Stopper | 00- | 2 | M476 |
| - | 999 084 629 09 | Hexagon nut | | 3 | |
| | | M 6 | | | |

Model: 996 98 Model life 1998>>2005

| Pos | Part Number | Description | Remark | Qty | Model |
|------|----------------|--|--------|-----|----------|
| - | 999 084 629 01 | Hexagon nut M 6 | | 3 | |
| - | 999 045 004 40 | Hexagon nut M 6 | | 3 | |
| 5 | 996 355 535 02 | Support | | 1 | |
| 6 | 996 355 559 00 | Bolt | | 2 | |
| 7 | 999 166 080 02 | Lock | | 2 | |
| 8 | 900 377 003 02 | Hexagon nut VM 8 | | 2 | |
| 9 | 996 618 140 00 | Control unit | 99 | 1 | M339/476 |
| 10 | 996 606 301 00 | Support | 99 | 1 | M339/476 |
| 11 | 996 618 038 00 | Cover | 99 | 1 | M339/476 |
| 12 | 999 167 047 02 | Ball pin | 99 | 4 | M339/476 |
| 13 | 996 606 110 01 | Sensor | 99 | 1 | M339/476 |
| 14 | 996 606 108 00 | Sensor | 99 | 1 | M339/476 |
| 15 | 996 606 208 00 | Heat shield | 99 | 1 | M339/476 |
| (14) | 996 606 117 00 | Sensor See technical manual Group 0 Diagnostic NR.45-5 | 00 | 1 | M476 |
| (14) | 996 606 145 00 | Sensor | 01- | 1 | M476 |

Model: 996 98

Model life 1998>>2005



Model: 996 98 Model life 1998>>2005

| Pos | Part Number | Description | Remark | Qty | Model |
|-----|--------------------|--|--------|-----|-------|
| | | Transmission control Manual transmission | | | |
| 1 | 996 424 010 04 | Gearshift bracket | -02 | 1 | |
| (1) | 996 424 010 05 | Gearshift bracket | 03- | 1 | |
| (1) | 996 424 983 00 | Gearshift bracket | 04 | 1 | IXCZ |
| (1) | 997 424 983 00 | Gearshift bracket | 05- | 1 | IXCZ |
| 2 | 999 084 629 09 | Hexagon nut M 6 | | 4 | |
| 2 | 999 084 629 01 | Hexagon nut M 6 | | 4 | |
| 3 | 996 424 041 08 | Cable | | 1 | |
| (3) | 996 424 041 09 | Cable F >>99WS6 05722 F >>99WS6 05672 | | 1 | |
| - | 996 424 241 00 | Clip Mount Cable | | 2 | |
| (3) | 996 424 041 10 | Transmission control F >>99WS6 05722 F >>99WS6 05672 Cable | -00 | 1 | |
| (3) | 996 424 041 11 | Transmission control F 99WS6 05723>> F 99WS6 05673>> F 99XS6 40074>> Cable | 01 | 1 | |
| (3) | 996 424 041 12 | Transmission control Cable | 02 | 1 | |
| (3) | 996 424 041 13 | Transmission control Cable | 03 | 1 | |
| (3) | 996 424 041 14 | Transmission control Cable | 04- | 1 | |
| - | 986 424 411 00 | Transmission control Retainer spring Mount Cable for Support | | 2 | |
| 4 | 996 424 075 01 | Gearshift knob | | 1 | |
| | 996 424 075 01 EKQ | Black | | | |
| | 996 424 075 01 EKU | Space grey | | | |
| | 996 424 075 01 EKR | Graphite grey | | | |
| | 996 424 075 01 EKT | Metropole blue | | | |
| | 996 424 075 01 EKV | Nephrite green | | | |
| | 996 424 075 01 EKW | Boxster red | | | |
| | 996 424 075 01 EKS | Savanna | | | |
| (4) | 996 424 075 02 | Gearshift knob | -99 | 1 | |
| | 996 424 075 02 ENH | Black/Silver | | | |
| | 996 424 075 02 ENJ | Graphite grey/silver | | | |
| | 996 424 075 02 ENL | Metropole blue/silver | | | |
| | 996 424 075 02 ENM | Space grey/silver | | | |
| | 996 424 075 02 ENK | Savanna/Silver | | | |
| | 996 424 075 02 ENN | Nephrite green/silver | | | |
| | 996 424 075 02 ENO | Boxster red/silver | | | |
| (4) | 996 424 075 05 | Gearshift knob | 00-02 | 1 | |
| | 996 424 075 05 ENJ | Graphite grey/silver | | | |
| | 996 424 075 05 ENK | Savanna/Silver | | | |
| | 996 424 075 05 ENL | Metropole blue/silver | | | |
| | 996 424 075 05 ENM | Space grey/silver | | | |
| | 996 424 075 05 EVZ | Black/Silver | | | |
| | 996 424 075 05 ENN | Nephrite green/silver | | | |
| | 996 424 075 05 ENO | Boxster red/silver | | | |
| | 996 424 075 05 VRE | Dark grey/natural | | | |

Model: 996 98 Model life 1998>>2005

| Pos | Part Number | Description | Remark | Qty | Model |
|-----|--------------------|-----------------------------------|--------|-----|-------|
| | 996 424 075 05 VRF | Silver Brown/natural | | | |
| | 996 424 075 05 FEN | Silver Cinnamon brown | 01-02 | | |
| (4) | 996 424 075 05 | Silver Gearshift knob | 03- | 1 | |
| | 996 424 075 05 FGT | Black Sport silver | | | |
| | 996 424 075 05 FGU | Graphite grey Sport silver | | | |
| | 996 424 075 05 FGV | Savanna Sport silver | | | |
| | 996 424 075 05 FGW | Metropole blue Sport silver | | | |
| | 996 424 075 05 FGX | Nephrite green Sport silver | 03 | | |
| | 996 424 075 05 FGY | Boxster red Sport silver | | | |
| | 996 424 075 05 FGZ | Cinnamon brown Sport silver | | | |
| | 996 424 075 05 VSW | Dark grey/natural Sport silver | | | |
| | 996 424 075 05 VSX | Brown/natural Sport silver | | | |
| (4) | 996 424 075 20 | Gearshift knob | 04 | 1 | M095 |
| | 996 424 075 20 VTA | Dark grey/natural | | | |
| (4) | 996 424 981 15 | Gearshift knob | | 1 | IX97 |
| | 996 424 981 15 VRJ | Black | | | |
| | 996 424 981 15 C50 | Graphite grey | | | |
| | 996 424 981 15 S30 | Savanna | | | |
| | 996 424 981 15 G10 | Metropole blue | | | |
| | 996 424 981 15 J30 | Nephrite green | | | |
| | 996 424 981 15 M30 | Boxster red | | | |
| | 996 424 981 15 P11 | Cinnamon brown | | | |
| | 996 424 981 15 D11 | Dark grey/natural | | | |
| | 996 424 981 15 T11 | Brown/natural | | | |
| (4) | 996 424 981 16 | Gearshift knob | | 1 | IX72 |
| | 996 424 981 16 VRJ | Black | | | |
| | 996 424 981 16 C50 | Graphite grey | | | |
| | 996 424 981 16 S30 | Savanna | | | |
| | 996 424 981 16 G10 | Metropole blue | | | |
| | 996 424 981 16 J30 | Nephrite green | | | |
| | 996 424 981 16 M30 | Boxster red | | | |
| | 996 424 981 16 P11 | Cinnamon brown | | | |
| | 996 424 981 16 D11 | Dark grey/natural | | | |
| | 996 424 981 16 T11 | Brown/natural | | | |
| (4) | 996 424 981 17 | Gearshift knob | | 1 | IXE8 |
| | 996 424 981 17 VRJ | Black | | | |
| | 996 424 981 17 C50 | Graphite grey | | | |
| | 996 424 981 17 S30 | Savanna | | | |
| | 996 424 981 17 G10 | Metropole blue | | | |
| | 996 424 981 17 J30 | Nephrite green | | | |
| | 996 424 981 17 M30 | Boxster red | | | |
| | 996 424 981 17 P11 | Cinnamon brown | | | |
| | 996 424 981 17 D11 | Dark grey/natural | | | |
| | 996 424 981 17 T11 | Brown/natural | | | |
| (4) | 996 424 981 18 | Gearshift knob | | 1 | IX47 |
| | 996 424 981 18 VRJ | Black | | | |
| | 996 424 981 18 C50 | Graphite grey | | | |

Model: 996 98 Model life 1998>>2005

| Pos | Part Number | Description | Remark | Qty | Model |
|-----|--------------------|--|--------|-----|-------|
| | 996 424 981 18 S30 | Savanna | | | |
| | 996 424 981 18 G10 | Metropole blue | | | |
| | 996 424 981 18 J30 | Nephrite green | | | |
| | 996 424 981 18 M30 | Boxster red | | | |
| | 996 424 981 18 P11 | Cinnamon brown | | | |
| | 996 424 981 18 D11 | Dark grey/natural | | | |
| | 996 424 981 18 T11 | Brown/natural | | | |
| (4) | 996 424 981 22 | Gearshift knob | 03- | 1 | IX97 |
| | 996 424 981 22 VRJ | Black | | | |
| | 996 424 981 22 C50 | Graphite grey | | | |
| | 996 424 981 22 S30 | Savanna | | | |
| | 996 424 981 22 G10 | Metropole blue | | | |
| | 996 424 981 22 J30 | Nephrite green | 03 | | |
| | 996 424 981 22 M30 | Boxster red | | | |
| | 996 424 981 22 P11 | Cinnamon brown | | | |
| | 996 424 981 22 D11 | Dark grey/natural | | | |
| | 996 424 981 22 T11 | Brown/natural | | | |
| (4) | 996 424 981 25 | Gearshift knob | 03- | 1 | IX72 |
| | 996 424 981 25 VRJ | Black | | | |
| | 996 424 981 25 C50 | Graphite grey | | | |
| | 996 424 981 25 S30 | Savanna | | | |
| | 996 424 981 25 G10 | Metropole blue | | | |
| | 996 424 981 25 J30 | Nephrite green | 03 | | |
| | 996 424 981 25 M30 | Boxster red | | | |
| | 996 424 981 25 P11 | Cinnamon brown | | | |
| | 996 424 981 25 D11 | Dark grey/natural | | | |
| | 996 424 981 25 T11 | Brown/natural | | | |
| (4) | 996 424 981 28 | Gearshift knob | 03- | 1 | IXE8 |
| | 996 424 981 28 VRJ | Black | | | |
| | 996 424 981 28 C50 | Graphite grey | | | |
| | 996 424 981 28 S30 | Savanna | | | |
| | 996 424 981 28 G10 | Metropole blue | | | |
| | 996 424 981 28 J30 | Nephrite green | 03 | | |
| | 996 424 981 28 M30 | Boxster red | | | |
| | 996 424 981 28 P11 | Cinnamon brown | | | |
| | 996 424 981 28 D11 | Dark grey/natural | | | |
| | 996 424 981 28 T11 | Brown/natural | | | |
| (4) | 996 424 981 31 | Gearshift knob | 03- | 1 | IX47 |
| | 996 424 981 31 VRJ | Black | | | |
| | 996 424 981 31 C50 | Graphite grey | | | |
| | 996 424 981 31 S30 | Savanna | | | |
| | 996 424 981 31 G10 | Metropole blue | | | |
| | 996 424 981 31 J30 | Nephrite green | 03 | | |
| | 996 424 981 31 M30 | Boxster red | | | |
| | 996 424 981 31 P11 | Cinnamon brown | | | |
| | 996 424 981 31 D11 | Dark grey/natural | | | |
| | 996 424 981 31 T11 | Brown/natural | | | |
| 6 | 996 424 165 02 | Bearing bracket | | 1 | |
| 7 | 999 073 209 09 | Pan-head screw M 10 X 20 | | 2 | |
| - | 996 424 445 00 | Clip for | | X | |
| 8 | 996 424 145 00 | Fastening part Fastening part for Cable Adjustable | -99 | 1 | |
| (8) | 996 424 145 01 | Fastening part for Cable Adjustable | 00- | 1 | |
| 9 | 996 424 147 00 | Fastening part for | | 1 | |

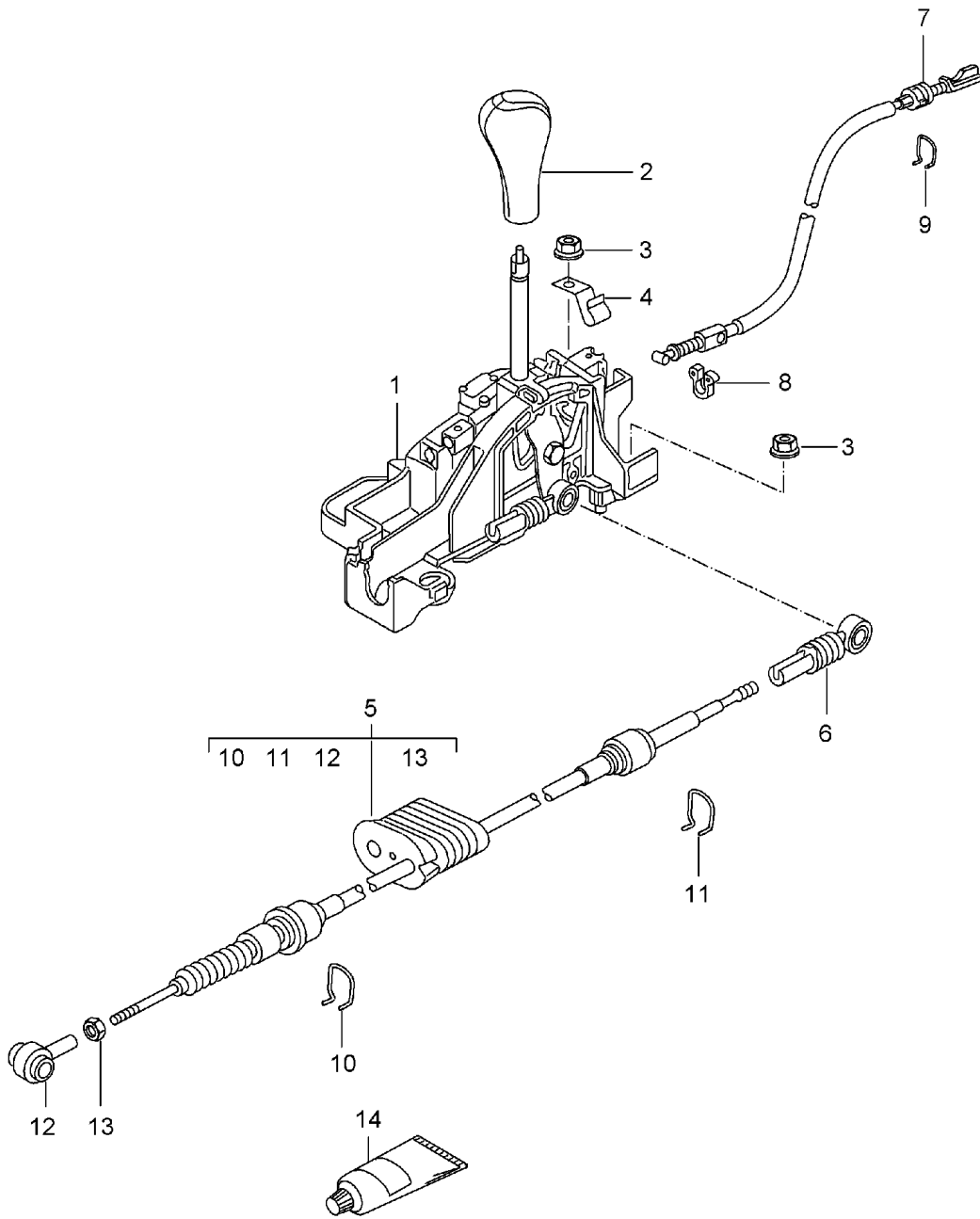
Model: 996 98

Model life 1998>>2005

| Pos | Part Number | Description | Remark | Qty | Model |
|-----|----------------|--|--------|-----|-------|
| 10 | 000 043 205 93 | Cable Adjustable Grease 1 100-gramme tube | | X | |

Model: 996 98

Model life 1998>>2005



Model: 996 98 Model life 1998>>2005

| Pos | Part Number | Description | Remark | Qty | Model |
|-----|--------------------|-----------------------------------|--------|-----|-------|
| 1 | 996 426 011 07 | Selector lever Tiptronic | -99 | 1 | |
| (1) | 996 426 011 08 | Selector lever with Housing | 00 | 1 | |
| (1) | 996 426 011 09 | Selector lever with Housing | 01 | 1 | |
| (1) | 996 426 011 51 | Selector lever with Housing | 02- | 1 | |
| (1) | 996 426 011 52 | Selector lever with Housing | 02- | 1 | |
| - | 996 613 212 10 | Switch | | 1 | |
| - | 996 624 223 00 | Solenoid | | 1 | |
| 2 | 996 426 069 07 | Gearshift knob | -99 | 1 | |
| | 996 426 069 07 ENU | Black/Silver | | | |
| | 996 426 069 07 ENY | Space grey/silver | | | |
| | 996 426 069 07 ENV | Graphite grey/silver | | | |
| | 996 426 069 07 ENX | Metropole blue/silver | | | |
| | 996 426 069 07 ENZ | Nephrite green/silver | | | |
| | 996 426 069 07 EOA | Boxster red/silver | | | |
| (2) | 996 426 069 07 ENW | Savanna/Silver | | | |
| | 996 426 069 09 | Gearshift knob | 00- | 1 | |
| | 996 426 069 09 EOO | Silver-black | 00 | | |
| | 996 426 069 09 ERB | Black/Silver | 01 | | |
| | 996 426 069 09 EOP | Graphite grey/silver | | | |
| | 996 426 069 09 EOQ | Savanna/Silver | | | |
| | 996 426 069 09 EOR | Metropole blue/silver | | | |
| | 996 426 069 09 EOS | Space grey/silver | | | |
| | 996 426 069 09 EOT | Nephrite green/silver | | | |
| | 996 426 069 09 EPC | Boxster red/silver | | | |
| | 996 426 069 09 VRG | Dark grey/natural | | | |
| | 996 426 069 09 VRH | Brown/natural | | | |
| | 996 426 069 09 FEO | Cinnamon brown | 01 | | |
| (2) | 996 426 069 10 | Gearshift knob | 02 | 1 | |
| | 996 426 069 10 EOO | Silver-black | | | |
| | 996 426 069 10 ERB | Black/Silver | | | |
| | 996 426 069 10 EOP | Graphite grey/silver | | | |
| | 996 426 069 10 EOQ | Savanna/Silver | | | |
| | 996 426 069 10 EOR | Metropole blue/silver | | | |
| | 996 426 069 10 EOS | Space grey/silver | | | |
| | 996 426 069 10 EOT | Nephrite green/silver | | | |
| | 996 426 069 10 EPC | Boxster red/silver | | | |
| | 996 426 069 10 VRG | Dark grey/natural | | | |
| | 996 426 069 10 VRH | Brown/natural | | | |
| | 996 426 069 10 FEO | Cinnamon brown | | | |
| (2) | 996 426 069 10 | Gearshift knob | 03- | 1 | |
| | 996 426 069 10 FGJ | Black | | | |
| | 996 426 069 10 FGK | Sport silver | | | |
| | 996 426 069 10 FGL | Graphite grey | | | |
| | 996 426 069 10 FGM | Sport silver | | | |
| | 996 426 069 10 FGN | Savanna | | | |
| | 996 426 069 10 FGM | Sport silver | | | |
| | 996 426 069 10 FGM | Metropole blue | | | |
| | 996 426 069 10 FGN | Sport silver | | | |
| | 996 426 069 10 FGN | Nephrite green | 03 | | |

Model: 996 98 Model life 1998>>2005

| Pos | Part Number | Description | Remark | Qty | Model |
|-----|--------------------|--------------------|--------|-----|----------|
| | 996 426 069 10 FGO | Sport silver | 03 | | |
| | 996 426 069 10 FGP | Boxster red | | | |
| | 996 426 069 10 VSU | Sport silver | | | |
| | 996 426 069 10 VSV | Cinnamon brown | | | |
| (2) | 996 426 981 06 | Sport silver | | 1 | IX46 |
| | 996 426 981 06 VRJ | Dark grey/natural | | | |
| | 996 426 981 06 C50 | Sport silver | | | |
| | 996 426 981 06 S30 | Brown/natural | | | |
| | 996 426 981 06 G10 | Sport silver | | | |
| | 996 426 981 06 J30 | Gearshift knob | | | |
| | 996 426 981 06 M30 | Black | | | |
| | 996 426 981 06 P11 | Graphite grey | | | |
| | 996 426 981 06 D11 | Savanna | | | |
| | 996 426 981 06 T11 | Metropole blue | | | |
| (2) | 996 426 981 11 | Nephrite green | 03- | 1 | IX46 |
| | 996 426 981 11 VRJ | Boxster red | | | |
| | 996 426 981 11 C50 | Cinnamon brown | | | |
| | 996 426 981 11 S30 | Dark grey/natural | | | |
| | 996 426 981 11 G10 | Brown/natural | | | |
| | 996 426 981 11 J30 | Gearshift knob | 03 | | |
| | 996 426 981 11 M30 | Black | | | |
| | 996 426 981 11 P11 | Graphite grey | | | |
| | 996 426 981 11 D11 | Savanna | | | |
| | 996 426 981 11 T11 | Metropole blue | | | |
| (2) | 996 426 981 07 | Nephrite green | 01-02 | 1 | IX65 |
| (2) | 996 426 981 08 | Boxster red | 01-02 | 1 | IX66 |
| (2) | 996 426 981 09 | Cinnamon brown | 01-02 | 1 | IX48 |
| (2) | 996 426 981 12 | Dark grey/natural | 03- | 1 | IX65 |
| (2) | 996 426 981 13 | Brown/natural | 03- | 1 | IX66 |
| (2) | 996 426 981 14 | Gearshift knob | 03- | 1 | IX48 |
| - | 996 426 275 02 | Key | -99 | 1 | |
| | 996 426 275 02 V01 | Silver | | | |
| - | 996 426 277 00 | Compression spring | -99 | 1 | |
| - | 996 426 277 01 | Compression spring | 00- | 1 | |
| - | 996 426 285 00 | Fixing clip | | 1 | |
| - | 321 713 137 | Roller | -99 | 1 | |
| - | 000 043 204 49 | Repair kit | -01 | 1 | |
| | | Comprising: | | | |
| | | Key | | | |
| | | 996.426.275.02 V01 | | | |
| | | Compression spring | | | |
| | | 996.426.277.02 | | | |
| | | Roller | | | |
| | | 321.713.137 | | | |
| - | 000 043 204 57 | Repair kit | -01 | 1 | |
| | | Comprising: | | | |
| | | Key | | | |
| | | 996.426.275.05 V01 | | | |
| | | Compression spring | | | |
| | | 996.426.277.02 | | | |
| | | Roller | | | |
| | | 321.713.137 | | | |
| - | 000 043 204 50 | Repair kit | 01 | 1 | IX46/X48 |
| | | Comprising: | | | |
| | | Key | | | |
| | | 996.426.275.05 V01 | | | |
| | | Compression spring | | | |
| | | 996.426.277.02 | | | |
| | | Roller | | | |
| | | 321.713.137 | | | |
| | | Repair kit | 01 | 1 | IX65/X66 |
| | | Comprising: | | | |
| | | Key | | | |
| | | 996.426.275.05 V01 | | | |
| | | Compression spring | | | |
| | | 996.426.277.02 | | | |
| | | Roller | | | |
| | | 321.713.137 | | | |
| | | Repair kit | 01 | 1 | IX46/X48 |
| | | Comprising: | | | |
| | | Key | | | |
| | | 996.426.275.05 V01 | | | |
| | | Compression spring | | | |
| | | 996.426.277.02 | | | |
| | | Roller | | | |
| | | 321.713.137 | | | |
| | | Repair kit | 01 | 1 | IX65/X66 |
| | | Comprising: | | | |
| | | Key | | | |
| | | 996.426.275.05 V01 | | | |
| | | Compression spring | | | |
| | | 996.426.277.02 | | | |
| | | Roller | | | |
| | | 321.713.137 | | | |

Model: 996 98 Model life 1998>>2005

| Pos | Part Number | Description | Remark | Qty | Model |
|------|----------------|---|--------|-----|-------|
| - | 000 043 204 57 | Key Compression spring 996.426.277.02 Roller 321.713.137 Repair kit Comprising: Key 996.426.275.05 V01 Compression spring 996.426.277.02 Roller 321.713.137 | 02 | 1 | |
| - | 000 043 204 69 | Repair kit Comprising: Key 996.426.275.05 V03 Compression spring 996.426.277.02 Roller 321.713.137 | 03- | 1 | |
| 3 | 999 084 629 09 | Hexagon nut M 6 | | 4 | |
| 3 | 999 084 629 01 | Hexagon nut M 6 | | 4 | |
| 4 | 999 507 465 02 | Cable holder | | 1 | |
| 5 | 996 426 033 03 | Cable F >>99WS6 06582 F >>99WS6 40624 | | 1 | |
| (5) | 996 426 033 07 | Cable F 99WS6 06583>> F 99WS6 40625>> F >>991S6 00606 F >>991S6 40456 F >>991S6 00987 F >>991S6 40767 | -01 | 1 | |
| (5) | 996 426 033 08 | Cable | 01 | 1 | |
| (5) | 996 426 033 09 | Cable F 991S6 00607>> F 991S6 40457>> F 991S6 00988>> F 991S6 40768>> | | 1 | |
| (5) | 996 426 033 50 | Cable | 02 | 1 | |
| (5) | 996 426 033 51 | Cable | 03 | 1 | |
| (5) | 996 426 033 52 | Cable | 04- | 1 | |
| 6 | 996 426 035 00 | Fastening part for Cable Adjustable | | 1 | |
| 7 | 996 426 073 03 | Cable | | 1 | |
| 8 | 996 426 181 00 | Clip | | 1 | |
| 9 | 996 426 711 00 | Securing clip | | 1 | |
| 10 | 996 426 335 00 | Securing clip | | 1 | |
| 11 | 996 426 335 01 | Securing clip | | 1 | |
| 12 | 996 426 380 00 | Connecting piece F >>991S6 00606 F >>991S6 40456 F >>991S6 00987 F >>991S6 40767 | | 1 | |
| (12) | 996 426 380 50 | Connecting piece F 991S6 00607>> F 991S6 40457>> F 991S6 00988>> | | 1 | |

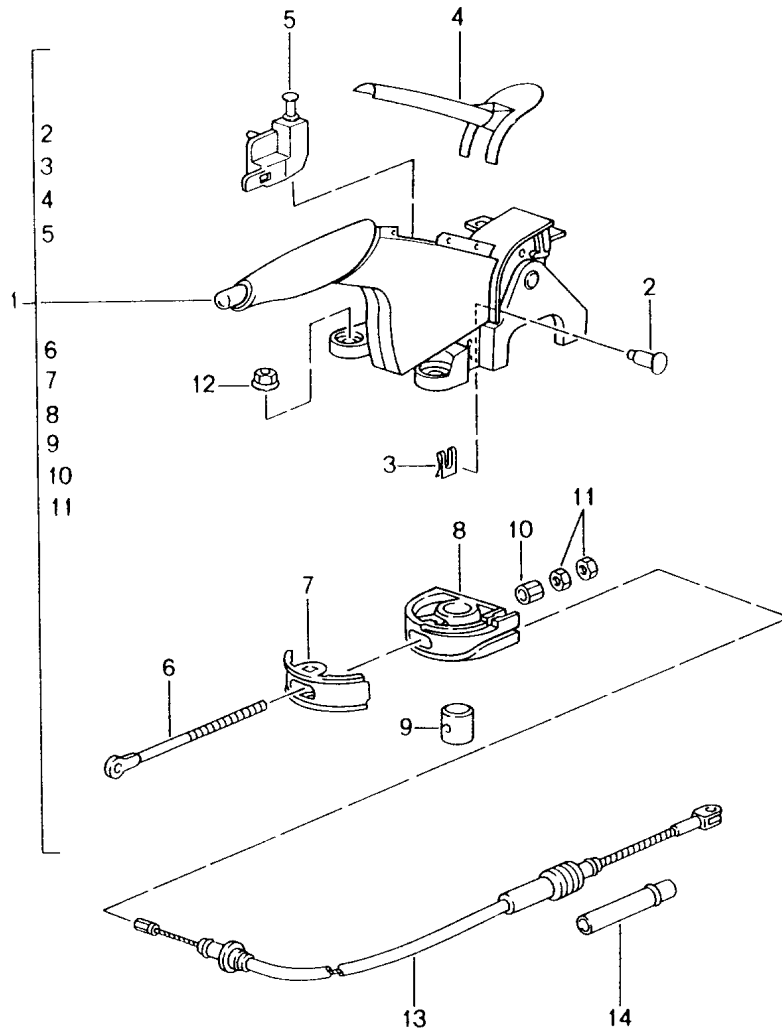
Model: 996 98

Model life 1998>>2005

| Pos | Part Number | Description | Remark | Qty | Model |
|-----|----------------|------------------------------------|--------|-----|-------|
| 13 | 900 076 010 02 | F 991S6 40768>> Nut | | 1 | |
| 14 | 000 043 205 93 | M 6 Grease 1 100-gramme tube | | X | |

Model: 996 98

Model life 1998>>2005



Model: 996 98

Model life 1998>>2005

| Pos | Part Number | Description | Remark | Qty | Model |
|-----|--------------------|--|--------|-----|-------|
| 1 | 996 424 031 03 | Handbrake Actuator Parking-brake lever Complete | 98 | 1 | |
| | 996 424 031 03 EKH | Black/granite | | | |
| | 996 424 031 03 EKM | Space grey/granite | | | |
| | 996 424 031 03 EKJ | Graphite grey/granite | | | |
| | 996 424 031 03 EKL | Metropole blue/granite | | | |
| | 996 424 031 03 EKN | Nephrite green/granite | | | |
| | 996 424 031 03 EKO | Boxster red/granite | | | |
| | 996 424 031 03 EKK | Savanna/granite | | | |
| (1) | 996 424 031 04 | Parking-brake lever Complete | 99 | 1 | |
| | 996 424 031 04 EKH | Black/granite | | | |
| | 996 424 031 04 EKM | Space grey/granite | | | |
| | 996 424 031 04 EKJ | Graphite grey/granite | | | |
| | 996 424 031 04 EKL | Metropole blue/granite | | | |
| | 996 424 031 04 EKN | Nephrite green/granite | | | |
| | 996 424 031 04 EKO | Boxster red/granite | | | |
| | 996 424 031 04 EKK | Savanna/granite | | | |
| (1) | 996 424 031 05 | Parking-brake lever Complete | 00 | 1 | |
| | 996 424 031 05 EUK | Black | | | |
| | 996 424 031 05 EUO | Space grey | | | |
| | 996 424 031 05 EUL | Graphite grey | | | |
| | 996 424 031 05 EUN | Metropole blue | | | |
| | 996 424 031 05 EUP | Nephrite green | | | |
| | 996 424 031 05 EUQ | Boxster red | | | |
| | 996 424 031 05 EUM | Savanna | | | |
| | 996 424 031 05 VRC | Dark grey/natural | | | |
| | 996 424 031 05 VRD | Brown/natural | | | |
| (1) | 996 424 031 06 | Parking-brake lever Complete | 01-02 | 1 | |
| | 996 424 031 06 EUK | Black | | | |
| | 996 424 031 06 EUO | Space grey | | | |
| | 996 424 031 06 EUL | Graphite grey | | | |
| | 996 424 031 06 EUN | Metropole blue | | | |
| | 996 424 031 06 EUP | Nephrite green | | | |
| | 996 424 031 06 EUQ | Boxster red | | | |
| | 996 424 031 06 EUM | Savanna | | | |
| | 996 424 031 06 VRC | Dark grey/natural | | | |
| | 996 424 031 06 VRD | Brown/natural | | | |
| | 996 424 031 06 FEM | Cinnamon brown | | | |
| (1) | 996 424 031 07 | Parking-brake lever Complete | 03- | 1 | |
| | 996 424 031 07 FFR | Black | | | |
| | 996 424 031 07 FFS | Sport silver | | | |
| | 996 424 031 07 FFS | Graphite grey | | | |
| | 996 424 031 07 FFS | Sport silver | | | |
| | 996 424 031 07 FFU | Metropole blue | | | |
| | 996 424 031 07 FFU | Sport silver | | | |
| | 996 424 031 07 FFT | Savanna | | | |
| | 996 424 031 07 FFT | Sport silver | | | |
| | 996 424 031 07 FFV | Nephrite green | 03 | | |
| | 996 424 031 07 FFV | Sport silver | | | |
| | 996 424 031 07 FFW | Boxster red | | | |
| | 996 424 031 07 FFW | Sport silver | | | |
| | 996 424 031 07 FFX | Cinnamon brown | | | |
| | 996 424 031 07 FFX | Sport silver | | | |
| | 996 424 031 07 VSR | Dark grey/natural | | | |
| | 996 424 031 07 VSR | Sport silver | | | |
| | 996 424 031 07 VST | Brown/natural | | | |
| | 996 424 031 07 VST | Sport silver | | | |

Model: 996 98 Model life 1998>>2005

| Pos | Part Number | Description | Remark | Qty | Model |
|-----|--------------------|---------------------------------|-----------|-----|-------|
| (1) | 996 424 031 08 | Parking-brake lever Complete | 04 | 1 | M095 |
| (1) | 996 424 031 08 VSZ | Dark grey/natural | | | |
| | 996 424 980 22 | Parking-brake lever | /LL 01-02 | 1 | IX98 |
| | 996 424 980 22 VRJ | Black | | | |
| | 996 424 980 22 C50 | Graphite grey | | | |
| | 996 424 980 22 S30 | Savanna | | | |
| | 996 424 980 22 G10 | Metropole blue | | | |
| | 996 424 980 22 J30 | Nephrite green | | | |
| | 996 424 980 22 M30 | Boxster red | | | |
| | 996 424 980 22 P11 | Cinnamon brown | | | |
| | 996 424 980 22 D11 | Dark grey/natural | | | |
| | 996 424 980 22 T11 | Brown/natural | | | |
| (1) | 996 424 980 23 | Parking-brake lever | /RL 01-02 | 1 | IX98 |
| | 996 424 980 23 VRJ | Black | | | |
| | 996 424 980 23 C50 | Graphite grey | | | |
| | 996 424 980 23 S30 | Savanna | | | |
| | 996 424 980 23 G10 | Metropole blue | | | |
| | 996 424 980 23 J30 | Nephrite green | | | |
| | 996 424 980 23 M30 | Boxster red | | | |
| | 996 424 980 23 P11 | Cinnamon brown | | | |
| | 996 424 980 23 D11 | Dark grey/natural | | | |
| | 996 424 980 23 T11 | Brown/natural | | | |
| (1) | 996 424 980 24 | Parking-brake lever | /LL 01-02 | 1 | IX58 |
| | 996 424 980 24 VRJ | Black | | | |
| | 996 424 980 24 C50 | Graphite grey | | | |
| | 996 424 980 24 S30 | Savanna | | | |
| | 996 424 980 24 G10 | Metropole blue | | | |
| | 996 424 980 24 J30 | Nephrite green | | | |
| | 996 424 980 24 M30 | Boxster red | | | |
| | 996 424 980 24 P11 | Cinnamon brown | | | |
| | 996 424 980 24 D11 | Dark grey/natural | | | |
| | 996 424 980 24 T11 | Brown/natural | | | |
| (1) | 996 424 980 25 | Parking-brake lever | /RL 01-02 | 1 | IX58 |
| | 996 424 980 25 VRJ | Black | | | |
| | 996 424 980 25 C50 | Graphite grey | | | |
| | 996 424 980 25 S30 | Savanna | | | |
| | 996 424 980 25 G10 | Metropole blue | | | |
| | 996 424 980 25 J30 | Nephrite green | | | |
| | 996 424 980 25 M30 | Boxster red | | | |
| | 996 424 980 25 P11 | Cinnamon brown | | | |
| | 996 424 980 25 D11 | Dark grey/natural | | | |
| | 996 424 980 25 T11 | Brown/natural | | | |
| (1) | 996 424 980 26 | Parking-brake lever | /LL 01-02 | 1 | IX91 |
| | 996 424 980 26 VRJ | Black | | | |
| | 996 424 980 26 C50 | Graphite grey | | | |
| | 996 424 980 26 S30 | Savanna | | | |
| | 996 424 980 26 G10 | Metropole blue | | | |
| | 996 424 980 26 J30 | Nephrite green | | | |
| | 996 424 980 26 M30 | Boxster red | | | |
| | 996 424 980 26 P11 | Cinnamon brown | | | |
| | 996 424 980 26 D11 | Dark grey/natural | | | |
| | 996 424 980 26 T11 | Brown/natural | | | |
| (1) | 996 424 980 27 | Parking-brake lever | /RL 01-02 | 1 | IX91 |
| | 996 424 980 27 VRJ | Black | | | |
| | 996 424 980 27 C50 | Graphite grey | | | |
| | 996 424 980 27 S30 | Savanna | | | |
| | 996 424 980 27 G10 | Metropole blue | | | |
| | 996 424 980 27 J30 | Nephrite green | | | |
| | 996 424 980 27 M30 | Boxster red | | | |
| | 996 424 980 27 P11 | Cinnamon brown | | | |
| | 996 424 980 27 D11 | Dark grey/natural | | | |
| | 996 424 980 27 T11 | Brown/natural | | | |

Model: 996 98 Model life 1998>>2005

| Pos | Part Number | Description | Remark | Qty | Model |
|-----|--------------------|---------------------|-----------|-----|-------|
| (1) | 996 424 980 28 | Parking-brake lever | /LL 01-02 | 1 | IXE9 |
| | 996 424 980 28 VRJ | Black | | | |
| | 996 424 980 28 C50 | Graphite grey | | | |
| | 996 424 980 28 S30 | Savanna | | | |
| | 996 424 980 28 G10 | Metropole blue | | | |
| | 996 424 980 28 J30 | Nephrite green | | | |
| | 996 424 980 28 M30 | Boxster red | | | |
| | 996 424 980 28 P11 | Cinnamon brown | | | |
| | 996 424 980 28 D11 | Dark grey/natural | | | |
| | 996 424 980 28 T11 | Brown/natural | | | |
| (1) | 996 424 980 29 | Parking-brake lever | /RL 01-02 | 1 | IXE9 |
| | | Complete | | | |
| | 996 424 980 29 VRJ | Black | | | |
| | 996 424 980 29 C50 | Graphite grey | | | |
| | 996 424 980 29 S30 | Savanna | | | |
| | 996 424 980 29 G10 | Metropole blue | | | |
| | 996 424 980 29 J30 | Nephrite green | | | |
| | 996 424 980 29 M30 | Boxster red | | | |
| | 996 424 980 29 P11 | Cinnamon brown | | | |
| | 996 424 980 29 D11 | Dark grey/natural | | | |
| | 996 424 980 29 T11 | Brown/natural | | | |
| (1) | 996 424 980 38 | Parking-brake lever | /LL 03- | 1 | IX98 |
| | | Complete | | | |
| | 996 424 980 38 VRJ | Black | | | |
| | 996 424 980 38 C50 | Graphite grey | | | |
| | 996 424 980 38 S30 | Savanna | | | |
| | 996 424 980 38 G10 | Metropole blue | | | |
| | 996 424 980 38 J30 | Nephrite green | 03 | | |
| | 996 424 980 38 M30 | Boxster red | | | |
| | 996 424 980 38 P11 | Cinnamon brown | | | |
| | 996 424 980 38 D11 | Dark grey/natural | | | |
| | 996 424 980 38 T11 | Brown/natural | | | |
| (1) | 996 424 980 39 | Parking-brake lever | /RL 03- | 1 | IX98 |
| | | Complete | | | |
| | 996 424 980 39 VRJ | Black | | | |
| | 996 424 980 39 C50 | Graphite grey | | | |
| | 996 424 980 39 S30 | Savanna | | | |
| | 996 424 980 39 G10 | Metropole blue | | | |
| | 996 424 980 39 J30 | Nephrite green | 03 | | |
| | 996 424 980 39 M30 | Boxster red | | | |
| | 996 424 980 39 P11 | Cinnamon brown | | | |
| | 996 424 980 39 D11 | Dark grey/natural | | | |
| | 996 424 980 39 T11 | Brown/natural | | | |
| (1) | 996 424 980 50 | Parking-brake lever | /LL 03- | 1 | IX58 |
| | | Complete | | | |
| | 996 424 980 50 VRJ | Black | | | |
| | 996 424 980 50 C50 | Graphite grey | | | |
| | 996 424 980 50 S30 | Savanna | | | |
| | 996 424 980 50 G10 | Metropole blue | | | |
| | 996 424 980 50 J30 | Nephrite green | 03 | | |
| | 996 424 980 50 M30 | Boxster red | | | |
| | 996 424 980 50 P11 | Cinnamon brown | | | |
| | 996 424 980 50 D11 | Dark grey/natural | | | |
| | 996 424 980 50 T11 | Brown/natural | | | |
| (1) | 996 424 980 51 | Parking-brake lever | /RL 03- | 1 | IX58 |
| | | Complete | | | |
| | 996 424 980 51 VRJ | Black | | | |
| | 996 424 980 51 C50 | Graphite grey | | | |
| | 996 424 980 51 S30 | Savanna | | | |
| | 996 424 980 51 G10 | Metropole blue | | | |
| | 996 424 980 51 J30 | Nephrite green | 03 | | |
| | 996 424 980 51 M30 | Boxster red | | | |
| | 996 424 980 51 P11 | Cinnamon brown | | | |

Model: 996 98 Model life 1998>>2005

| Pos | Part Number | Description | Remark | Qty | Model | | |
|--------------------|--------------------|---------------------------------|----------------------|-------|-------|---|--|
| (1) | 996 424 980 51 D11 | Dark grey/natural | | | | | |
| | 996 424 980 51 T11 | Brown/natural | | | | | |
| | 996 424 980 42 | Parking-brake lever Complete | /LL 03- | 1 | IX91 | | |
| | 996 424 980 42 VRJ | Black | | | | | |
| | 996 424 980 42 C50 | Graphite grey | | | | | |
| | 996 424 980 42 S30 | Savanna | | | | | |
| | 996 424 980 42 G10 | Metropole blue | | | | | |
| | 996 424 980 42 J30 | Nephrite green | 03 | | | | |
| | 996 424 980 42 M30 | Boxster red | | | | | |
| | 996 424 980 42 P11 | Cinnamon brown | | | | | |
| (1) | 996 424 980 42 D11 | Dark grey/natural | | | | | |
| | 996 424 980 42 T11 | Brown/natural | | | | | |
| | 996 424 980 43 | Parking-brake lever Complete | /RL 03- | 1 | IX91 | | |
| | 996 424 980 43 VRJ | Black | | | | | |
| | 996 424 980 43 C50 | Graphite grey | | | | | |
| | 996 424 980 43 S30 | Savanna | | | | | |
| | 996 424 980 43 G10 | Metropole blue | | | | | |
| | 996 424 980 43 J30 | Nephrite green | 03 | | | | |
| | 996 424 980 43 M30 | Boxster red | | | | | |
| | 996 424 980 43 P11 | Cinnamon brown | | | | | |
| (1) | 996 424 980 43 D11 | Dark grey/natural | | | | | |
| | 996 424 980 43 T11 | Brown/natural | | | | | |
| | 996 424 980 46 | Parking-brake lever Complete | /LL 03- | 1 | IXE9 | | |
| | 996 424 980 46 VRJ | Black | | | | | |
| | 996 424 980 46 C50 | Graphite grey | | | | | |
| | 996 424 980 46 S30 | Savanna | | | | | |
| | 996 424 980 46 G10 | Metropole blue | | | | | |
| | 996 424 980 46 J30 | Nephrite green | 03 | | | | |
| | 996 424 980 46 M30 | Boxster red | | | | | |
| | 996 424 980 46 P11 | Cinnamon brown | | | | | |
| (1) | 996 424 980 46 D11 | Dark grey/natural | | | | | |
| | 996 424 980 46 T11 | Brown/natural | | | | | |
| | 996 424 980 47 | Parking-brake lever Complete | /RL 03- | 1 | IXE9 | | |
| | 996 424 980 47 VRJ | Black | | | | | |
| | 996 424 980 47 C50 | Graphite grey | | | | | |
| | 996 424 980 47 S30 | Savanna | | | | | |
| | 996 424 980 47 G10 | Metropole blue | | | | | |
| | 996 424 980 47 J30 | Nephrite green | 03 | | | | |
| | 996 424 980 47 M30 | Boxster red | | | | | |
| | 996 424 980 47 P11 | Cinnamon brown | | | | | |
| (4) | 996 424 980 47 D11 | Dark grey/natural | | | | | |
| | 996 424 980 47 T11 | Brown/natural | | | | | |
| | 2 | 996 424 569 01 | Bolt | | 1 | | |
| | 3 | 999 166 079 02 | Lock washer SLB 6 | | 1 | | |
| | (4) | 4 | 996 424 155 01 | Cover | | 1 | |
| | | 996 424 155 01 D05 | Granite grey | -99 | | | |
| | | 996 424 155 01 A03 | Black | 00- | | | |
| | | 996 424 155 01 B13 | Space grey | 00 | | | |
| | | 996 424 155 01 C53 | Graphite grey | 00- | | | |
| | | 996 424 155 01 S33 | Savanna | 00- | | | |
| 996 424 155 01 G13 | | Metropole blue | 00- | | | | |
| 996 424 155 01 J33 | | Nephrite green | 00-03 | | | | |
| 996 424 155 01 M33 | | Boxster red | 00- | | | | |
| 996 424 155 01 P13 | | Cinnamon brown | 01- | | | | |
| (4) | 996 424 155 02 | Cover | 04 | 1 | M095 | | |
| | 996 424 155 02 M7Z | Silver metallic | | | | | |
| (4) | 996 424 155 01 | Cover | 01- | 1 | IX98 | | |
| | | | 01- | 1 | IX58 | | |

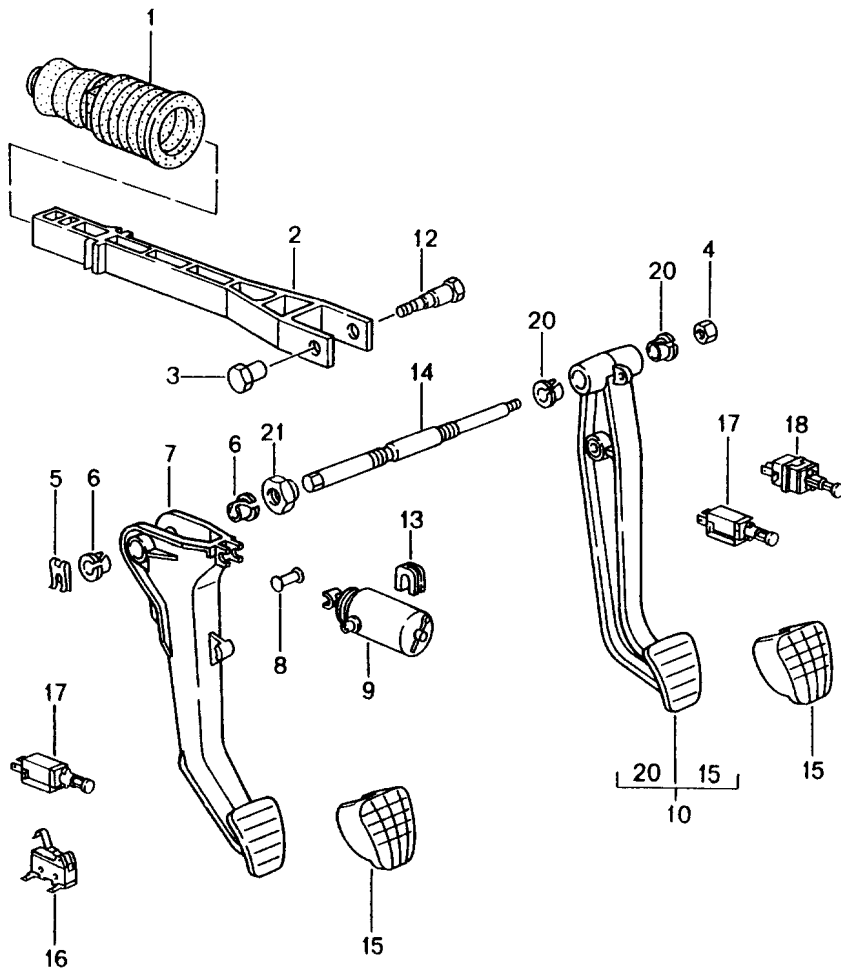
Model: 996 98

Model life 1998>>2005

| Pos | Part Number | Description | Remark | Qty | Model |
|------|--------------------|---------------------|--------|-----|-------|
| | | | 01- | 1 | IX91 |
| | | | 01- | 1 | IXE9 |
| | 996 424 155 01 A03 | Black | | | |
| | 996 424 155 01 C53 | Graphite grey | | | |
| | 996 424 155 01 S33 | Savanna | | | |
| | 996 424 155 01 G13 | Metropole blue | | | |
| | 996 424 155 01 J33 | Nephrite green | -03 | | |
| | 996 424 155 01 M33 | Boxster red | | | |
| | 996 424 155 01 P13 | Cinnamon brown | | | |
| 5 | 996 613 112 01 | Switch | | 1 | |
| 6 | 996 424 567 01 | Pull rod | | 1 | |
| 7 | 964 424 570 00 | Securing clip | | 1 | |
| 8 | 964 424 568 00 | Turnbuckle | | 1 | |
| 9 | 996 424 574 00 | Nipple | | 1 | |
| 10 | 996 424 572 00 | Bush | | 1 | |
| 11 | 900 076 025 02 | Hexagon nut M 8 | | 2 | |
| 11 | 900 076 064 02 | Hexagon nut M 8 | | 2 | |
| 12 | 900 380 005 09 | Hexagon nut M 8 | | 2 | |
| 13 | 996 424 141 00 | Parking-brake cable | -00 | 2 | |
| (13) | 996 424 141 10 | Parking-brake cable | 01- | 2 | |
| 14 | 996 424 721 01 | Guide tube | -00 | 2 | |
| (14) | 996 424 721 02 | Guide tube | 01- | 2 | |

Model: 996 98

Model life 1998>>2005



Model: 996 98 Model life 1998>>2005

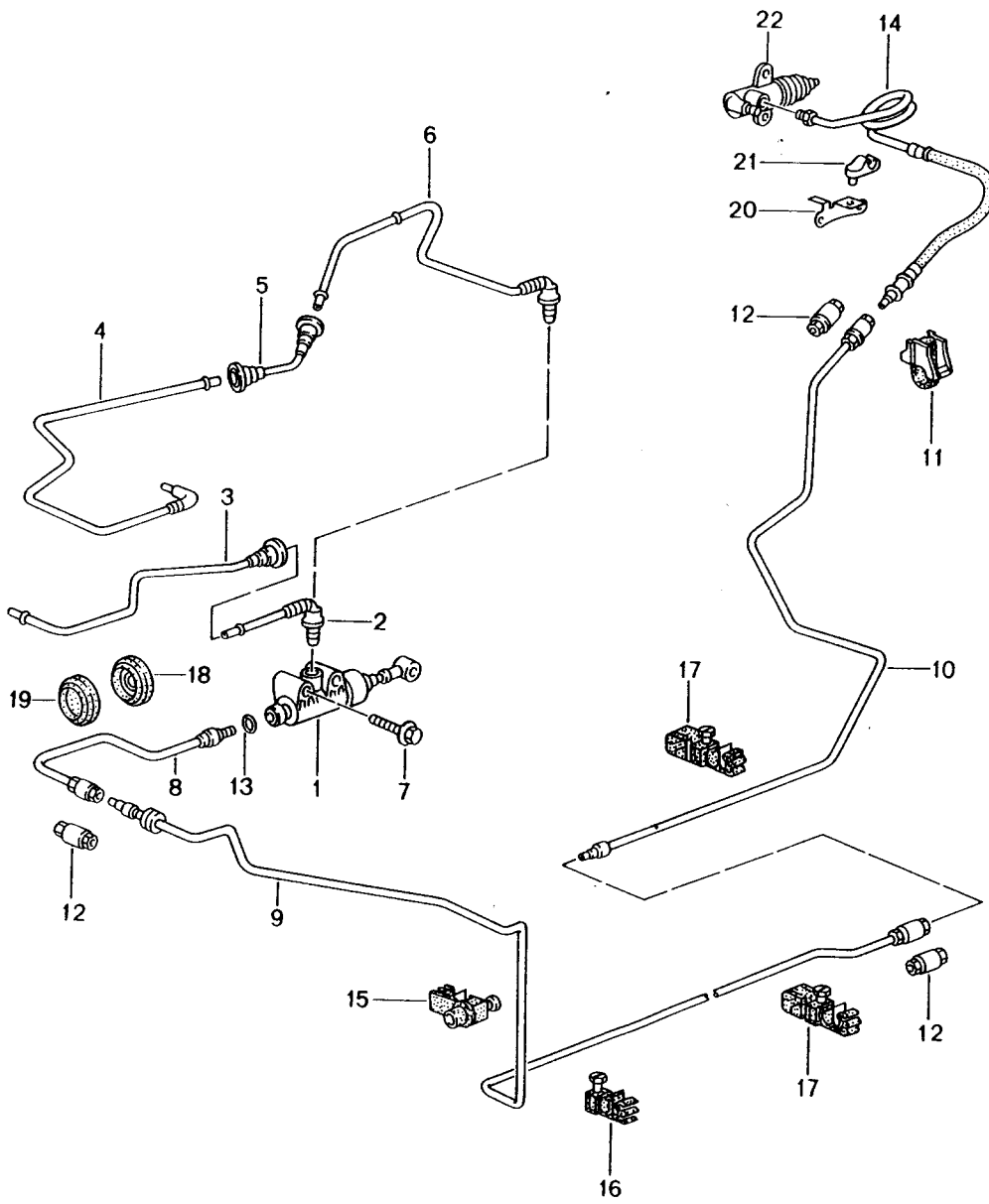
| Pos | Part Number | Description | Remark | Qty | Model |
|-----|----------------|--|--------|--------|-------|
| | | Pedals See technical manual 46 05 19 30 05 19 47 70 19 | | | |
| - | 000 043 203 37 | Grease OPTITEMP LG2 | | X | |
| - | 000 043 209 03 | Grease OPTITEMP LG2 | | X | |
| 1 | | Bellows See illustrations 6/04/00 | | 1 | |
| 2 | 996 423 165 04 | Push rod F >>99YS6 00595 F >>99YS6 40393 See technical information Group 4 NR.11/01 | | 1 | |
| (2) | 996 423 165 05 | Push rod F 99YS6 00596>> F 99YS6 40394>> | | 1 | |
| - | 999 166 075 02 | Safety clip Push rod | | 1 | |
| 3 | 996 423 307 00 | Brake booster Sleeve | | 1 | |
| 4 | 900 380 005 09 | Hexagon nut M 8 | | 3 2 | |
| 5 | 999 507 601 01 | Lock | | 1 | M480 |
| 6 | 996 423 399 01 | Bush | | 2 | M480 |
| 7 | 996 423 139 08 | Clutch pedal F >>99XS6 01584 F >>99XS6 40899 | | 1 | M480 |
| (7) | 996 423 139 09 | Clutch pedal | -99 | 1 | M480 |
| (7) | 996 423 139 10 | Clutch pedal F 99XS6 01585>> F 99XS6 40900>> Use also: 996.423.081.11 | | 1 | M480 |
| 8 | 996 423 313 01 | Bolt F >>99XS6 01584 F >>99XS6 40899 | | 1 | M480 |
| (8) | 996 423 315 06 | Bolt F 99XS6 01585>> F 99XS6 40900>> | | 1 | M480 |
| - | 999 166 022 02 | Kl-lock for Bolt F 99XS6 01585>> F 99XS6 40900>> | | 1 | M480 |
| 9 | 996 423 081 09 | Clutch power spring F >>99XS6 01584 F >>99XS6 40899 | | 1 | M480 |
| (9) | 996 423 081 11 | Clutch power spring F 99XS6 01585>> F 99XS6 40900>> Use also: 996.423.139.09 | | 1 | M480 |
| (9) | 996 423 081 12 | Clutch power spring F 99XS6 01585>> F 99XS6 40900>> Use also: 996.423.139.09 | | 1 | M480 |
| (9) | 996 423 081 16 | Clutch power spring | | 1 | M480 |

Model: 996 98 Model life 1998>>2005

| Pos | Part Number | Description | Remark | Qty | Model |
|------|----------------|--|---------|-----|-------|
| (9) | 996 423 081 19 | F 99XS6 01585>> F 99XS6 40900>> Use also: 996.423.139.09 Clutch power spring | | 1 | M480 |
| (9) | 996 423 081 14 | F 99XS6 01585>> F 99XS6 40900>> Use also: 996.423.139.09 Clutch power spring | -02 | 1 | M480 |
| (9) | 996 423 081 17 | Clutch power spring | 03 | 1 | M480 |
| (9) | 996 423 081 20 | Clutch power spring | 03- | 1 | M480 |
| (9) | 996 423 081 18 | Clutch power spring | 04 | 1 | M480 |
| - | 996 423 571 02 | Bracket for Clutch power spring | | 1 | M480 |
| 10 | 996 423 091 02 | Brake pedal | /LL -99 | 1 | M480 |
| (10) | 996 423 091 03 | Brake pedal | /LL 00- | 1 | M480 |
| (10) | 996 423 092 02 | Brake pedal | /RL -99 | 1 | M480 |
| (10) | 996 423 092 03 | Brake pedal | /RL 00- | 1 | M480 |
| (10) | 996 423 093 02 | Brake pedal | /LL -99 | 1 | M249 |
| (10) | 996 423 093 03 | Brake pedal | /LL 00- | 1 | M249 |
| (10) | 996 423 094 02 | Brake pedal | /RL -99 | 1 | M249 |
| (10) | 996 423 094 03 | Brake pedal | /RL 00- | 1 | M249 |
| - | 999 522 033 00 | Return spring Brake pedal | | 2 | |
| - | 996 423 101 00 | Protective tube Return spring Brake pedal | | 1 | |
| - | 996 423 243 00 | Bush Return spring | 00- | 1 | |
| 12 | 996 423 308 00 | Bolt | | 1 | |
| 13 | 996 423 581 00 | Bush | | 1 | |
| 14 | 996 423 281 05 | Axle | /LL | 1 | M480 |
| (14) | 996 423 284 05 | Axle | /RL | 1 | M480 |
| (14) | 996 423 283 05 | Axle | /LL | 1 | M249 |
| (14) | 996 423 286 05 | Axle | /RL | 1 | M249 |
| - | 996 423 277 00 | Bearing sleeve Brake pedal | /RL | 1 | |
| 15 | 996 423 210 03 | Pedal cap | | 2 | M480 |
| (15) | 996 423 212 03 | Pedal cap | | 1 | M249 |
| 17 | 996 613 113 00 | Switch Brake pedal | | 2 | M454 |
| (17) | 996 613 113 01 | Switch Brake pedal | | 2 | M454 |
| (17) | 996 613 114 00 | Switch Clutch pedal | -99 | 1 | M454 |
| (17) | 996 613 114 01 | Switch Clutch pedal | -99 | 1 | M454 |
| (17) | | Switch Clutch pedal | 00- | 1 | |
| 18 | 996 613 113 01 | Switch | | 1 | |
| 19 | 964 613 211 00 | Kickdown switch | | 1 | M249 |
| 20 | 996 423 399 01 | Bush | /LL | 2 | |
| (20) | 999 924 133 40 | Bush | /RL | 2 | |
| 21 | 996 423 275 04 | Cap nut | -03 | 1 | |
| (21) | 996 423 275 05 | Cap nut | 04- | 1 | |

Model: 996 98

Model life 1998>>2005



Model: 996 98 Model life 1998>>2005

| Pos | Part Number | Description | Remark | Qty | Model |
|------|----------------|------------------------|---------|-----|-------|
| | | clutch actuation | | | |
| | | Clutch master cylinder | | | |
| | | Clutch pipeline | | | |
| 1 | 996 423 171 05 | Clutch master cylinder | -02 | 1 | |
| (1) | 996 423 171 06 | Clutch master cylinder | 03- | 1 | |
| - | 996 423 614 00 | Circlip | | 1 | |
| | | Pressure line | | | |
| - | 996 423 315 06 | Bolt | | 1 | |
| - | 999 166 022 02 | Kl-lock | | 1 | |
| | | for | | | |
| | | Bolt | | | |
| 2 | 996 423 147 00 | Feed line | /LL -02 | 1 | |
| (2) | 996 423 147 01 | Feed line | /LL 03- | 1 | |
| 3 | 997 423 137 00 | Feed line | /LL | 1 | |
| 4 | 996 423 138 03 | Line | /RL -02 | 1 | |
| (4) | 996 423 138 04 | Feed line | /RL 03- | 1 | |
| 5 | 996 423 140 02 | Feed line | /RL | 1 | |
| 6 | 996 423 142 01 | Feed line | /RL -02 | 1 | |
| (6) | 996 423 142 02 | Feed line | /RL 03- | 1 | |
| 7 | 900 378 029 09 | Hexagon-head bolt | | 2 | |
| | | M 6 X 40 | | | |
| 7 | 900 378 029 01 | Hexagon-head bolt | | 2 | |
| | | M 6 X 40 | | | |
| 8 | 996 423 107 10 | Clutch pipeline | /LL | 1 | |
| (8) | 996 423 108 10 | Clutch pipeline | /RL | 1 | |
| 9 | 996 423 109 10 | Clutch pipeline | | 1 | |
| 10 | 996 423 113 04 | Clutch pipeline | | 1 | |
| | | F >>99XS6 06898 | | | |
| | | F >>99XS6 44623 | | | |
| (10) | 996 423 113 05 | Clutch pipeline | -01 | 1 | |
| | | F 99XS6 06899>> | | | |
| | | F 99XS6 44624>> | | | |
| (10) | 996 423 113 07 | Clutch pipeline | 02- | 1 | |
| | | F >>994S6 30356 | | | |
| | | F >>994S6 03928 | | | |
| | | F >>994S6 42725 | | | |
| (10) | 997 423 113 00 | Clutch pipeline | | 1 | |
| | | F 994S6 30357>> | | | |
| | | F 994S6 03929>> | | | |
| | | F 994S6 42726>> | | | |
| 11 | 999 507 495 40 | Support | | 1 | |
| 12 | 999 230 541 10 | Threaded joint | | 3 | |
| - | 999 230 685 40 | Circlip | | 3 | |
| | | for | | | |
| | | Threaded joint | | | |
| 13 | 999 707 333 40 | Sealing ring | | 1 | |
| 14 | 996 423 377 07 | Clutch hose | -01 | 1 | |
| (14) | 996 423 377 08 | Clutch hose | 02 | 1 | |
| (14) | 996 423 377 09 | Clutch hose | 03- | 1 | |
| | | F >>994S6 30356 | | | |
| | | F >>994S6 03928 | | | |
| | | F >>994S6 42725 | | | |
| (14) | 997 423 377 00 | Clutch hose | | 1 | |
| | | F 994S6 30357>> | | | |
| | | F 994S6 03929>> | | | |
| | | F 994S6 42726>> | | | |
| 15 | 996 355 549 00 | Support | | 1 | |
| 16 | 996 355 545 00 | Support | | 2 | |
| 17 | 996 355 543 00 | Support | | 4 | |
| 18 | 999 702 216 42 | Grommet | | 1 | |
| 19 | 999 702 217 41 | Grommet | | 1 | M249 |
| 20 | 996 423 677 00 | Support | | 1 | |
| (20) | | Support | | 1 | |

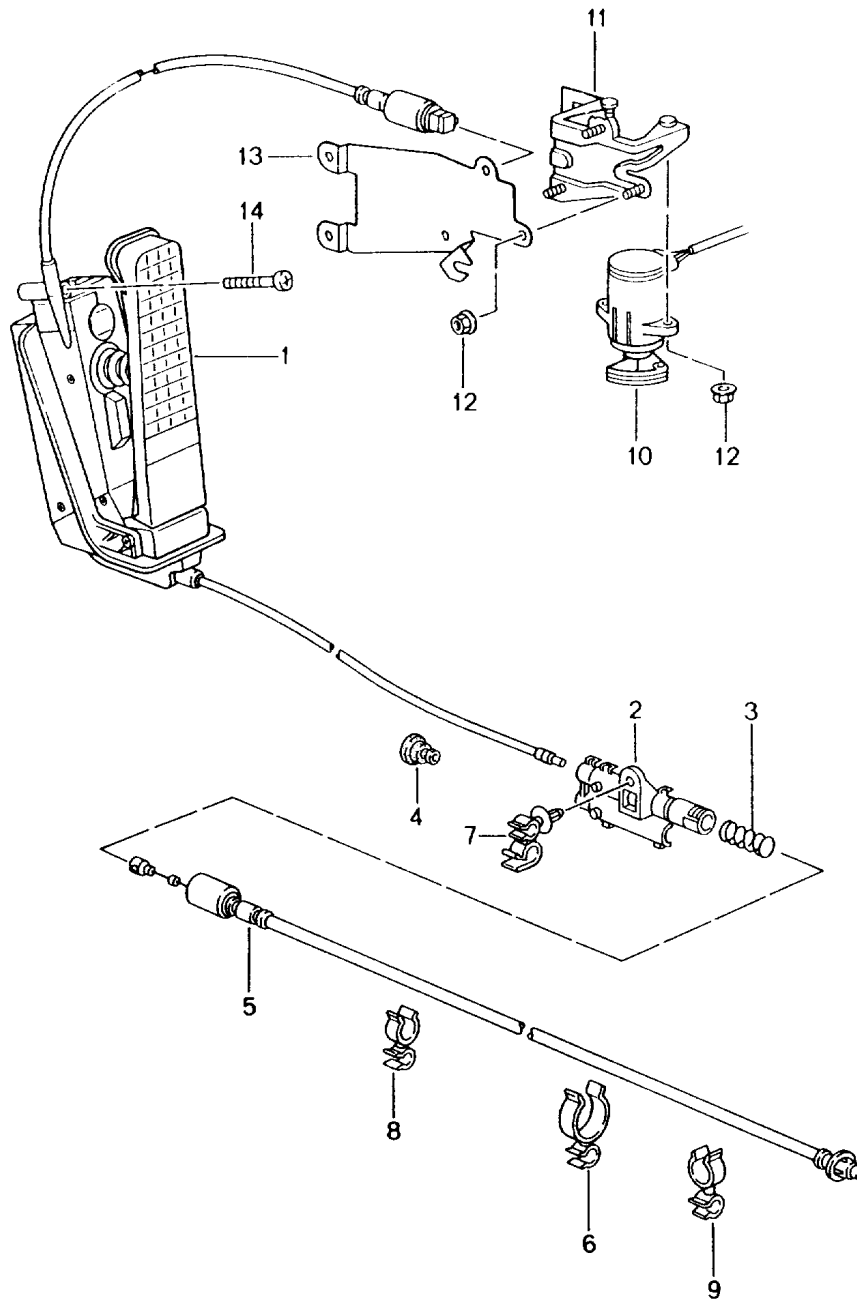
Model: 996 98

Model life 1998>>2005

| Pos | Part Number | Description | Remark | Qty | Model |
|------|----------------|-------------------------------|--------|-----|-------|
| - | 999 507 586 40 | Cable holder | | 1 | |
| 21 | | Cable holder | | 1 | |
| 22 | 996 116 237 04 | Clutch operating cylinder | | 1 | |
| (22) | 996 116 237 05 | Clutch operating cylinder | | 1 | |
| (22) | 996 116 237 06 | Clutch operating cylinder | | 1 | |
| - | 900 075 222 09 | Combination screw M 8 X 30 | | 2 | |

Model: 996 98

Model life 1998>>2005

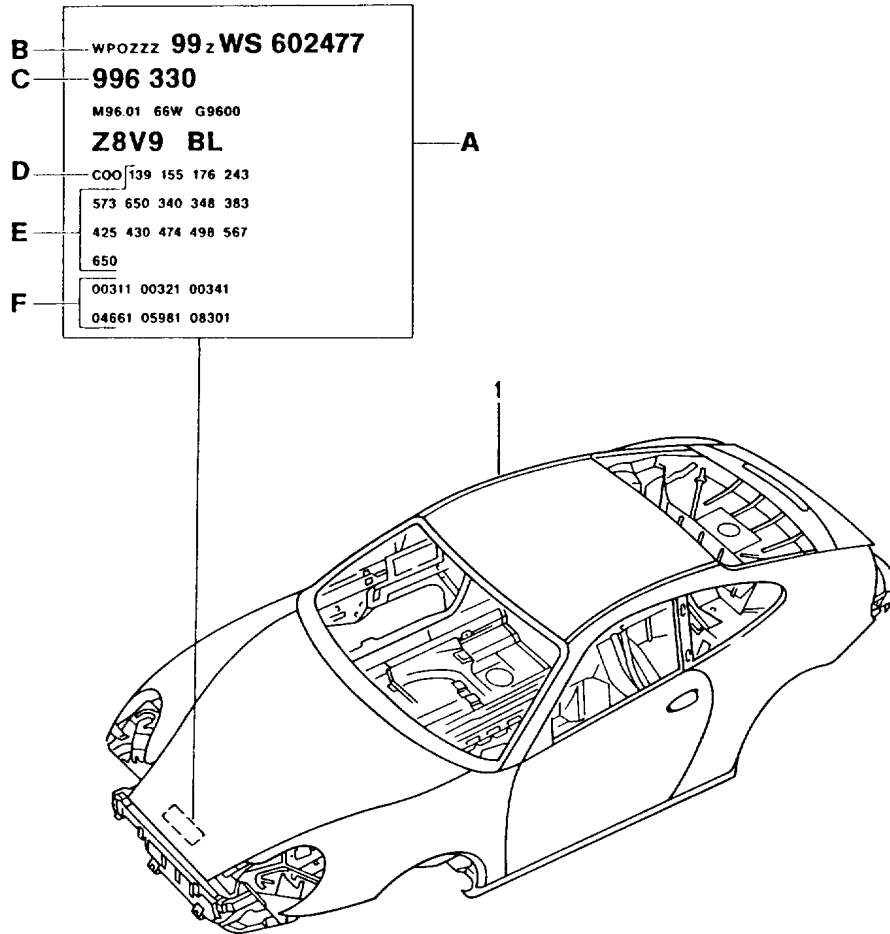


Model: 996 98 Model life 1998>>2005

| Pos | Part Number | Description | Remark | Qty | Model |
|-----|----------------|---------------------------------|----------------|-----|------------------|
| | | Pedals | | | |
| 1 | 996 423 021 09 | Accelerator control | /LL | 1 | M480 |
| (1) | 996 423 022 09 | Accelerator control | /RL | 1 | M480 |
| (1) | 996 423 023 09 | Accelerator control | /LL | 1 | M249 |
| (1) | 996 423 024 09 | Accelerator control | /RL | 1 | M249 |
| (1) | 996 423 025 09 | Accelerator control | /LL | 1 | M454/480 |
| (1) | 996 423 026 09 | Accelerator control | /RL | 1 | M454/480 |
| (1) | 996 423 027 09 | Accelerator control | /LL | 1 | M249/454 |
| (1) | 996 423 028 09 | Accelerator control | /RL | 1 | M249/454 |
| (1) | 996 423 019 03 | Accelerator control | /LL 99 -02 | 1 | M620 M339/480 |
| (1) | 996 423 019 04 | Accelerator control | /LL -02 | 1 | M480/620 |
| (1) | 996 423 029 03 | Accelerator control | /LL 99- -02 | 1 | M480/620 M620 |
| (1) | 996 423 029 04 | Accelerator control | /LL -02 | 1 | M249/339 |
| (1) | 996 423 029 04 | Accelerator control | /LL 99- | 1 | M249/620 |
| (1) | 996 423 020 01 | Accelerator control | /RL 99 -02 | 1 | M620 M339/480 |
| (1) | 996 423 020 02 | Accelerator control | /RL -02 | 1 | M480/620 |
| (1) | 996 423 030 01 | Accelerator control | /RL 99- -02 | 1 | M480/620 M620 |
| (1) | 996 423 030 02 | Accelerator control | /RL -02 | 1 | M249/339 |
| - | 996 423 396 00 | Circlip | /RL 99- | 1 | M249/620 |
| | | Connecting rod | 03- | | |
| | | Accelerator pedal | | | |
| 2 | 996 423 131 04 | Housing | | 1 | |
| 3 | 996 423 133 00 | Spring | | 1 | |
| 4 | 996 423 331 00 | Grommet | | 1 | |
| (4) | 803 803 583 A | Stopper | | 1 | |
| (4) | 999 703 196 40 | Lid | | 1 | |
| 5 | 996 423 229 04 | Accelerator cable | /LL | 1 | M480 |
| (5) | 996 423 228 04 | Accelerator cable | /RL | 1 | M480 |
| (5) | 996 423 279 04 | Accelerator cable | /LL | 1 | M249 |
| (5) | 996 423 280 04 | Accelerator cable | /RL | 1 | M249 |
| 6 | 999 507 617 40 | Hose holder | | 1 | |
| 7 | 999 507 605 40 | Hose holder | | 1 | |
| 8 | 999 507 604 40 | Hose holder | | 1 | |
| 9 | 999 591 928 40 | Hose holder | /LL | 1 | |
| (9) | 999 507 539 40 | Fuel line Hose holder | /LL | 1 | M480 |
| 10 | 996 606 115 00 | Clutch pipeline Pedal sensor | 99 | 1 | M339/620 |
| 10 | 996 606 115 01 | Pedal sensor | 00- | 1 | M339/620 |
| 10 | 996 606 115 02 | Pedal sensor | 99 | 1 | M339/620 |
| 11 | 996 423 389 01 | Support | 00- | 1 | M339/620 |
| 12 | 900 377 010 09 | Hexagon nut | 99 | 5 | M339/620 |
| | | M 6 | 00- | 5 | |
| 13 | 996 423 394 00 | Support | /RL 99 | 1 | M339/620 |
| 14 | 900 146 157 09 | Round head screw | /RL 00- | 1 | |
| | | M 5 X 55 | | 1 | |

Model: 996 98

Model life 1998>>2005



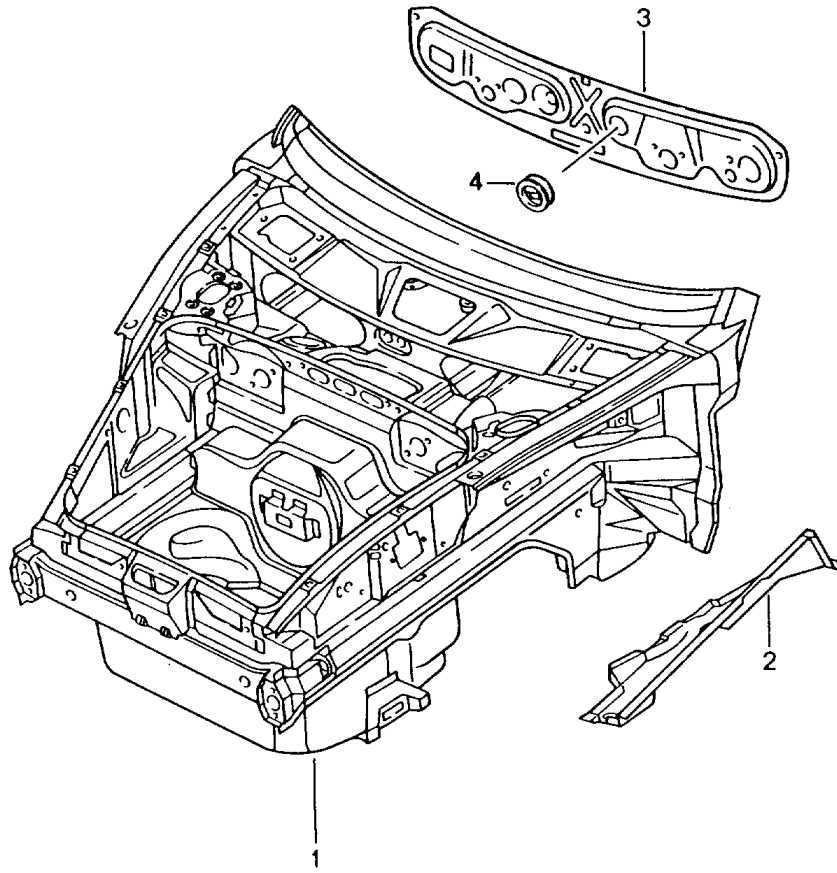
Model: 996 98

Model life 1998>>2005

| Pos | Part Number | Description | Remark | Qty | Model |
|-----|--------------------|--|--------|-----|-------|
| | | Body in white Prime coated Sealed with Underbody protection with Doors/lids/wings BodysHELLS can only only available from current Model year available The data required for your order Can be found on the Vehicle data carrier Please indicate this data in your order Vehicle data carrier Vehicle Ident. No. Order type Country equipment Optional extras Additional applications | | | |
| A | | Vehicle data carrier | | | |
| B | | Vehicle Ident. No. | | | |
| C | | Order type | | | |
| D | | Country equipment | | | |
| E | | Optional extras | | | |
| F | | Additional applications | | | |
| 1 | 996 500 900 00 | Body in white | | 1 | |
| | 996 500 900 00 GRV | Prime coated | | | |

Model: 996 98

Model life 1998>>2005



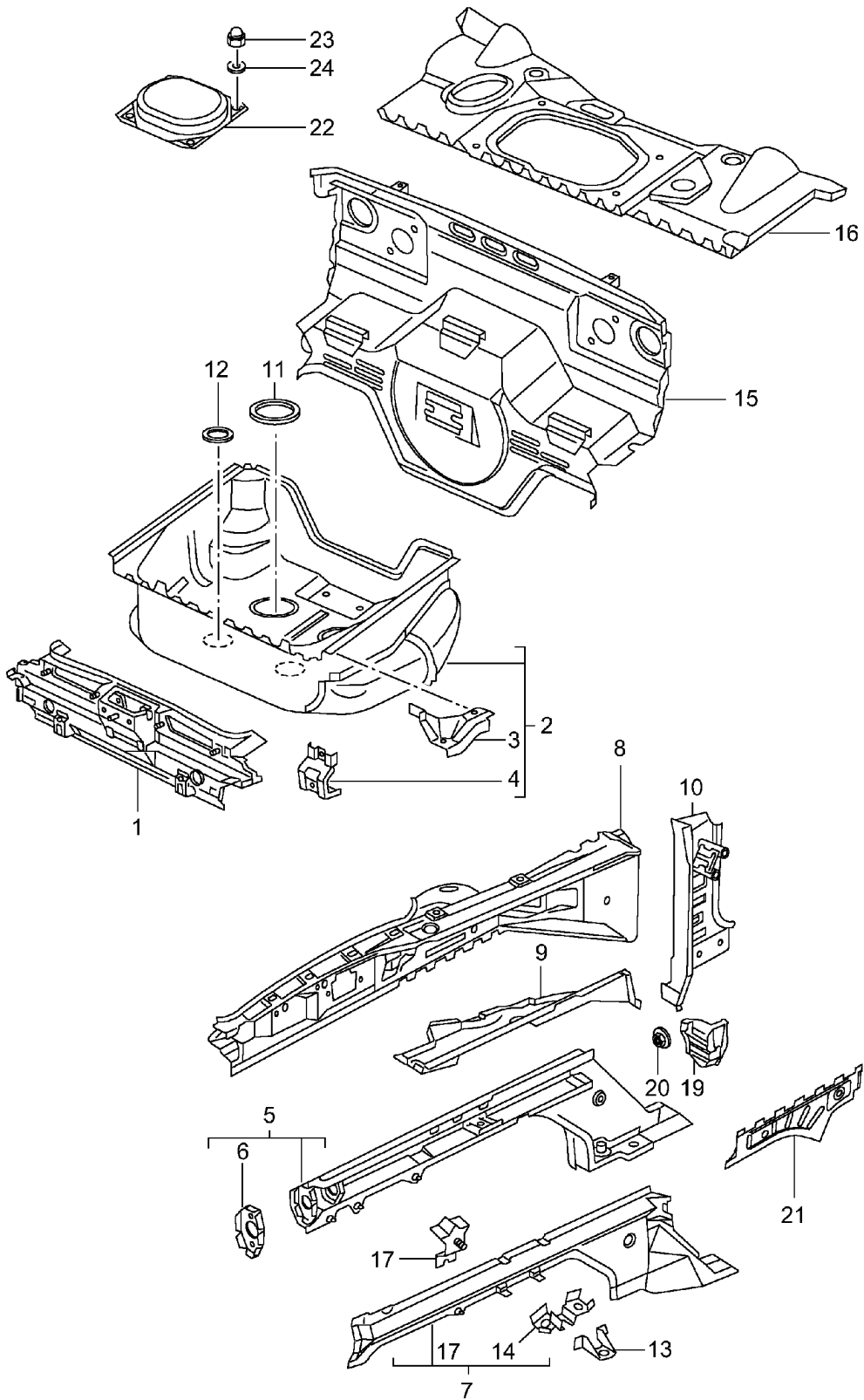
Model: 996 98

Model life 1998>>2005

| Pos | Part Number | Description | Remark | Qty | Model |
|-----|--------------------|---|--------|-----|-------|
| 1 | 996 501 911 00 | Body front section | | 1 | M338 |
| | 996 501 911 00 GRV | Body front section Prime coated | | | |
| (1) | 996 501 911 01 | Body front section | /LL | 1 | M339 |
| | 996 501 911 01 GRV | Body front section Prime coated | | | |
| (1) | 996 501 911 03 | Body front section | /RL | 1 | M339 |
| | 996 501 911 03 GRV | Body front section Prime coated Use also: | | | |
| 2 | 996 501 443 00 | Bottom half | /L -01 | 1 | |
| | 996 501 443 00 GRV | Bottom half Prime coated | | | |
| (2) | 996 501 444 01 | Side member | /R -01 | 1 | |
| | 996 501 444 01 GRV | Side member Prime coated | | | |
| (2) | 996 501 443 01 | Lower part | /L 02- | 1 | |
| | 996 501 443 01 GRV | Lower part Prime coated | | | |
| (2) | 996 501 444 02 | Lower part | /R 02- | 1 | |
| | 996 501 444 02 GRV | Lower part Prime coated | | | |
| 3 | 996 504 121 00 | Lid | /LL | 1 | |
| | | F >>99YS6 00595 F >>99YS6 40393 | | | |
| (3) | 996 504 121 02 | Lid | /LL | 1 | |
| | | Use also: | | | |
| - | 000 043 300 94 | Adhesive set | | 1 | |
| (3) | 996 504 121 01 | Lid | /RL | 1 | |
| | | F >>99YS6 00595 F >>99YS6 40393 | | | |
| (3) | 996 504 121 03 | Lid | /RL | 1 | |
| | | Use also: | | | |
| - | 000 043 300 94 | Adhesive set | | 1 | |
| 4 | 999 702 255 40 | Lid | | 1 | |
| | | 61,5 X 72,6 | | | |

Model: 996 98

Model life 1998>>2005



Model: 996 98 Model life 1998>>2005

| Pos | Part Number | Description | Remark | Qty | Model |
|-----|--------------------|---------------------------|--------|-----|-------|
| | | Body front section | | | |
| | | Single parts | | | |
| 1 | 996 501 231 01 | Terminal piece | -01 | 1 | |
| | 996 501 231 01 GRV | Prime coated | | | |
| 1 | 996 501 231 02 | Terminal piece | 02- | 1 | |
| | 996 501 231 02 GRV | Prime coated | | | |
| 1 | 996 501 231 03 | Terminal piece | 02- | 1 | |
| | 996 501 231 03 GRV | Prime coated | | | |
| 2 | 996 501 979 00 | Spare-wheel well | | 1 | M338 |
| | 996 501 979 00 GRV | Prime coated | | | |
| (2) | 996 501 979 01 | Spare-wheel well | 99- | 1 | M339 |
| | 996 501 979 01 GRV | Prime coated | | | |
| - | 996 501 473 00 | Support | 99 | 2 | |
| | 996 501 473 00 GRV | Prime coated | | | |
| | | for | | | |
| | | Control unit | | | |
| | | PSM | | | |
| 3 | 996 501 649 00 | Corner panel | /L | 1 | |
| | 996 501 649 00 GRV | Prime coated | | | |
| (3) | 996 501 650 00 | Corner panel | /R | 1 | |
| | 996 501 650 00 GRV | Prime coated | | | |
| 4 | 996 501 621 00 | Support | | 3 | |
| | 996 501 621 00 GRV | Prime coated | | | |
| 5 | 996 501 305 04 | Side member | /L -01 | 1 | |
| | 996 501 305 04 GRV | Prime coated | | | |
| (5) | 996 501 306 04 | Side member | /R -01 | 1 | |
| | 996 501 306 04 GRV | Prime coated | | | |
| (5) | 996 501 305 05 | Side member | /L 02 | 1 | |
| | 996 501 305 05 GRV | Prime coated | | | |
| (5) | 996 501 306 05 | Side member | /R 02 | 1 | |
| | 996 501 306 05 GRV | Prime coated | | | |
| (5) | 996 501 305 06 | Side member | /L 03- | 1 | |
| | 996 501 305 06 GRV | Prime coated | | | |
| (5) | 996 501 306 06 | Side member | /R | 1 | |
| | 996 501 306 06 GRV | Prime coated | | | |
| 6 | 996 501 377 01 | Mounting | | 2 | |
| | 996 501 377 01 GRV | Prime coated | | | |
| 7 | 996 501 915 00 | Side member | /L | 1 | |
| | 996 501 915 00 GRV | Prime coated | | | |
| | | F >>99WS6 06999 | | | |
| | | F >>99WS6 40804 | | | |
| | | It is necessary to rework | | | |
| | | Use also: | | | |
| | | POS.13 | | | |
| (7) | 996 501 916 00 | Side member | /R | 1 | |
| | 996 501 916 00 GRV | Prime coated | | | |
| | | F >>99WS6 06999 | | | |
| | | F >>99WS6 40804 | | | |
| | | It is necessary to rework | | | |
| | | Use also: | | | |
| | | POS.13 | | | |
| 8 | 996 501 935 00 | Wheel housing | /L -01 | 1 | |
| | 996 501 935 00 GRV | Prime coated | | | |
| (8) | 996 501 936 01 | Wheel housing | /R -01 | 1 | |
| | 996 501 936 01 GRV | Prime coated | | | |
| (8) | 996 501 935 01 | Wheel housing | /L 02- | 1 | |
| | 996 501 935 01 GRV | Prime coated | | | |
| (8) | 996 501 936 02 | Wheel housing | /R 02- | 1 | |
| | 996 501 936 02 GRV | Prime coated | | | |
| (8) | 996 501 936 04 | Wheel housing | /R 02- | 1 | |
| | 996 501 936 04 GRV | Prime coated | | | |
| 9 | 996 501 443 00 | Bottom half | /L -00 | 1 | |
| | 996 501 443 00 GRV | Prime coated | | | |

Model: 996 98 Model life 1998>>2005

| Pos | Part Number | Description | Remark | Qty | Model |
|------|--------------------|-----------------|---------|-----|-------|
| (9) | 996 501 444 01 | Side member | /R -00 | 1 | |
| | 996 501 444 01 GRV | Prime coated | | | |
| (9) | 996 501 443 01 | Lower part | /L 01- | 1 | |
| | 996 501 443 01 GRV | Prime coated | | | |
| (9) | 996 501 444 02 | Lower part | /R 01- | 1 | |
| | 996 501 444 02 GRV | Prime coated | | | |
| 10 | 996 501 937 01 | Hinge pillar | /L | 1 | |
| | 996 501 937 01 GRV | Prime coated | | | |
| (10) | 996 501 938 01 | Hinge pillar | /R | 1 | |
| | 996 501 938 01 GRV | Prime coated | | | |
| 11 | 996 504 201 01 | Lid | | 2 | |
| | | \$ 145 MM | | | |
| 12 | 996 504 213 01 | Lid | | 2 | |
| | | \$ 85 MM | | | |
| 13 | 996 501 815 00 | Support | | 2 | |
| | 996 501 815 00 GRV | Prime coated | | | |
| | | F >>99WS6 06999 | | | |
| | | F >>99WS6 40804 | | | |
| 14 | 996 501 815 02 | Support | | 2 | |
| | 996 501 815 02 GRV | Prime coated | | | |
| | | F 99WS6 07000>> | | | |
| | | F 99WS6 40805>> | | | |
| 15 | 996 502 021 03 | Bulkhead | | 1 | M338 |
| | 996 502 021 03 GRV | Prime coated | | | |
| (15) | 996 502 021 04 | Bulkhead | /LL | 1 | M339 |
| | 996 502 021 04 GRV | Prime coated | | | |
| (15) | 996 502 015 02 | Bulkhead | /LL | 1 | M339 |
| | 996 502 015 02 GRV | Prime coated | | | |
| (15) | 996 502 021 05 | Bulkhead | /RL -01 | 1 | M339 |
| | 996 502 021 05 GRV | Prime coated | | | |
| (15) | 996 502 015 03 | Bulkhead | /RL 02- | 1 | M339 |
| | 996 502 015 03 GRV | Prime coated | | | |
| 16 | 996 502 017 01 | Cross panel | -99 | 1 | M338 |
| | 996 502 017 01 GRV | Prime coated | | | |
| 16 | 996 502 017 04 | Cross panel | 00- | 1 | M338 |
| | 996 502 017 04 GRV | Prime coated | | | |
| (16) | 996 502 017 03 | Cross panel | -01 | 1 | M339 |
| | 996 502 017 03 GRV | Prime coated | | | |
| (16) | 996 502 017 05 | Cross panel | 02- | 1 | M339 |
| | 996 502 017 05 GRV | Prime coated | | | |
| - | 996 504 665 00 | Lid | /LL | 1 | M339 |
| - | 996 504 665 01 | Lid | /RL | 1 | M339 |
| | | Bulkhead | | | |
| 17 | 996 501 341 00 | Support | | 2 | |
| | 996 501 341 00 GRV | Prime coated | | | |
| 19 | 996 504 461 00 | Cover | /L | 1 | |
| (19) | 996 504 462 00 | Cover | /R | 1 | |
| 20 | 999 084 629 09 | Hexagon nut | | 6 | |
| | | M 6 | | | |
| 20 | 999 084 629 01 | Hexagon nut | | 6 | |
| | | M 6 | | | |
| - | 996 504 761 01 | Gasket | /L | 1 | |
| - | 996 504 762 01 | Gasket | /R | 1 | |
| - | 999 507 760 40 | Expansion rivet | | 4 | |
| | | 6,5 X 20 | | | |
| 21 | 996 501 665 00 | Separator | /L | 1 | |
| | 996 501 665 00 GRV | Prime coated | | | |
| (21) | 996 501 666 00 | Separator | /R | 1 | |
| | 996 501 666 00 GRV | Prime coated | | | |
| 22 | 996 504 471 00 | Lid | | 1 | M339 |
| | 996 504 471 00 01C | Satin black | | | |
| 23 | 900 096 006 01 | Cap nut | | 4 | M339 |
| | | M 6 | | | |

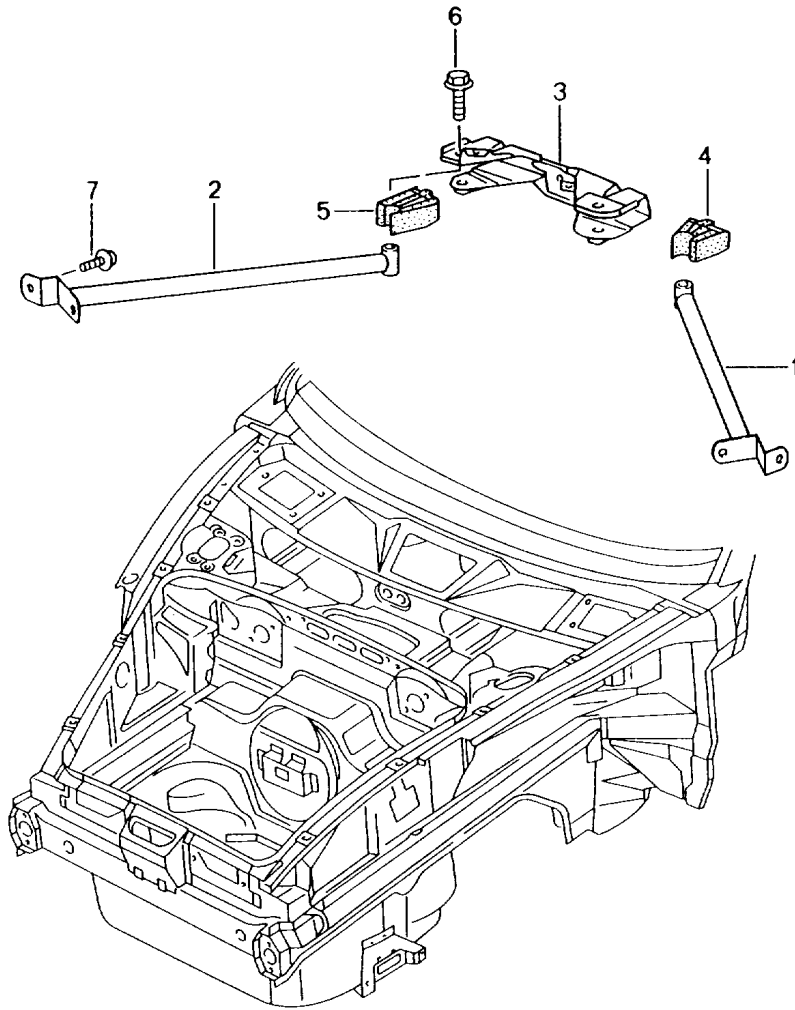
Model: 996 98

Model life 1998>>2005

| Pos | Part Number | Description | Remark | Qty | Model |
|-----|----------------|--------------------|--------|-----|-------|
| 24 | N 011 524 7 | Washer A 6,4 | | 4 | M339 |
| 24 | N 011 524 27 | Washer A 6,4 | | 4 | M339 |
| 25 | 999 703 484 40 | Water drain sleeve | | X | |

Model: 996 98

Model life 1998>>2005



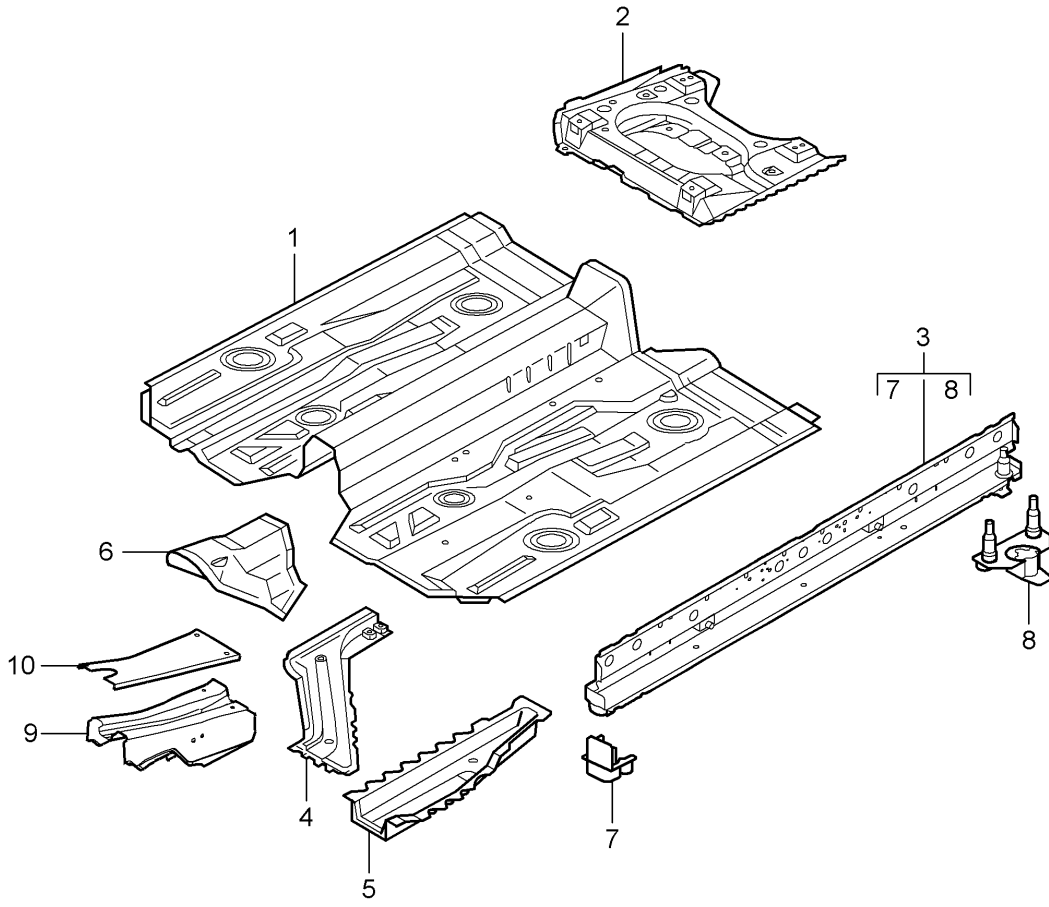
Model: 996 98

Model life 1998>>2005

| Pos | Part Number | Description | Remark | Qty | Model |
|-----|----------------|-------------------|--------|-----|-------|
| 1 | 996 504 233 00 | Dome strut | | 1 | |
| 1 | 996 504 233 01 | Dome strut | /L -02 | 1 | |
| 2 | 996 504 234 00 | Dome strut | /L | 1 | |
| 2 | 996 504 234 01 | Dome strut | /R -02 | 1 | |
| 3 | 996 504 359 00 | Dome strut | /R | 1 | |
| 4 | 996 504 633 00 | Bracket | | 1 | |
| 5 | 996 504 634 00 | Filler piece | /L | 1 | |
| 6 | 900 378 100 09 | Filler piece | /R | 1 | |
| 6 | 900 378 100 09 | Hexagon-head bolt | | 2 | |
| | | AM 10 X 45 | | | |
| 7 | 900 075 010 09 | Hexagon-head bolt | | 4 | |
| | | M 6 X 12 | | | |

Model: 996 98

Model life 1998>>2005

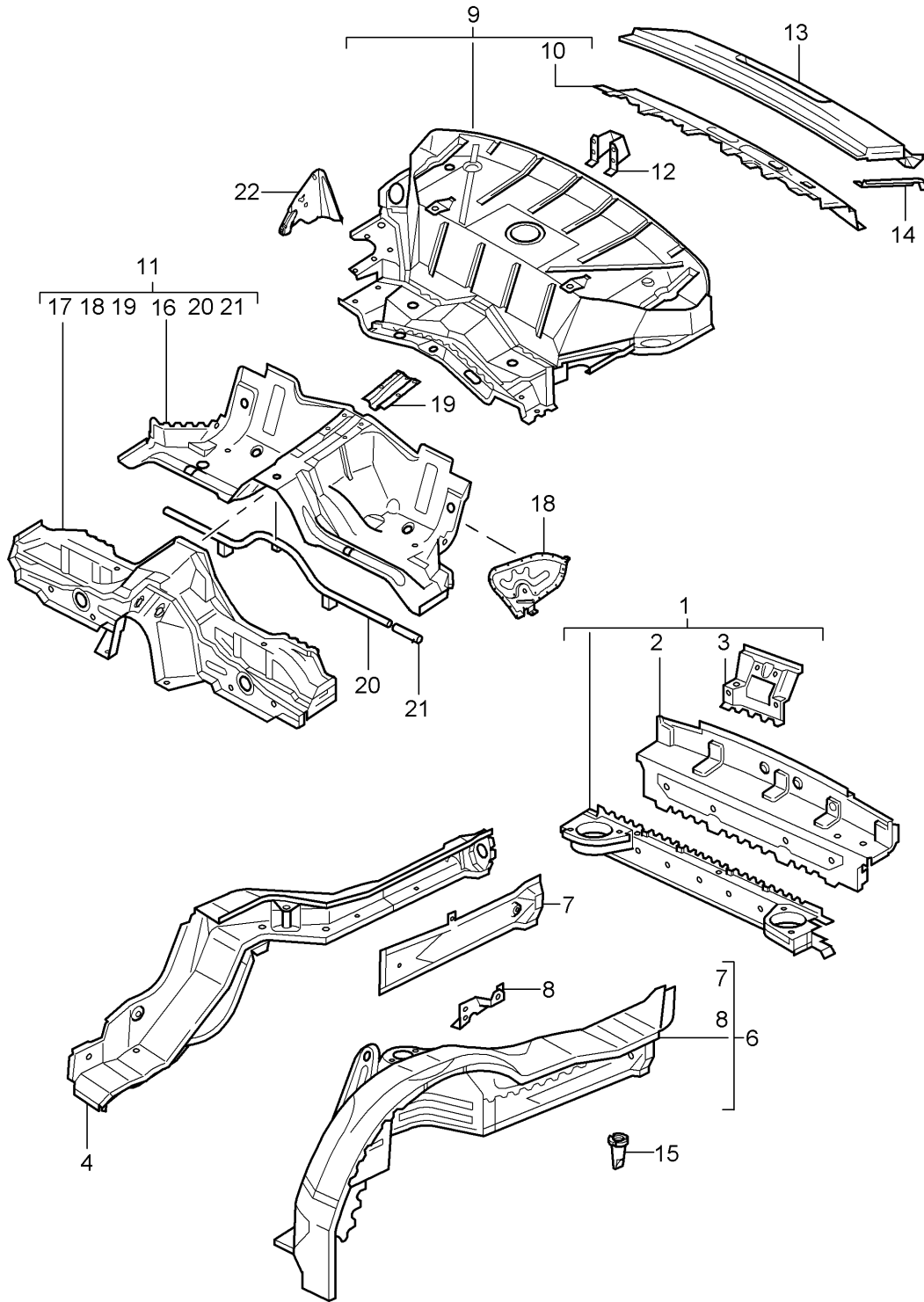


Model: 996 98 Model life 1998>>2005

| Pos | Part Number | Description | Remark | Qty | Model |
|-----|--------------------|------------------|--------|-----|-------|
| | | Floor Centre | | | |
| 1 | 996 501 551 00 | Floor | | 1 | |
| | 996 501 551 00 GRV | Prime coated | | | |
| 2 | 996 501 153 00 | Seat support | /L | 1 | |
| | 996 501 153 00 GRV | Prime coated | | | |
| (2) | 996 501 154 00 | Seat support | /R | 1 | |
| | 996 501 154 00 GRV | Prime coated | | | |
| 3 | 996 501 957 00 | Side member | /L -01 | 1 | |
| | 996 501 957 00 GRV | Prime coated | | | |
| (3) | 996 501 957 01 | Side member | /L -02 | 1 | |
| | 996 501 957 01 GRV | Prime coated | | | |
| (3) | 996 501 957 03 | Side member | /L 03- | 1 | |
| | 996 501 957 03 GRV | Prime coated | | | |
| (3) | 996 501 958 01 | Side member | /R -01 | 1 | |
| | 996 501 958 01 GRV | Prime coated | | | |
| (3) | 996 501 958 02 | Side member | /R -02 | 1 | |
| | 996 501 958 02 GRV | Prime coated | | | |
| (3) | 996 501 958 04 | Side member | /R 03- | 1 | |
| | 996 501 958 04 GRV | Prime coated | | | |
| 4 | 996 501 507 02 | Reinforcement | /L | 1 | |
| | 996 501 507 02 GRV | Prime coated | | | |
| (4) | 996 501 508 02 | Reinforcement | /R | 1 | |
| | 996 501 508 02 GRV | Prime coated | | | |
| 5 | 996 501 525 00 | Side member | /L | 1 | |
| | 996 501 525 00 GRV | Prime coated | | | |
| (5) | 996 501 526 00 | Side member | /R | 1 | |
| | 996 501 526 00 GRV | Prime coated | | | |
| 6 | 996 501 751 00 | Extension | | 1 | |
| | 996 501 751 00 GRV | Prime coated | | | |
| 7 | 996 501 785 00 | Jacking point | /L /V | 1 | |
| | 996 501 785 00 GRV | Prime coated | | | |
| (7) | 996 501 786 00 | Jacking point | /R /V | 1 | |
| | 996 501 786 00 GRV | Prime coated | | | |
| 8 | 996 501 481 01 | Jacking point | /L /H | 1 | |
| | 996 501 481 01 GRV | Prime coated | | | |
| (8) | 996 501 482 01 | Jacking point | /R /H | 1 | |
| | 996 501 482 01 GRV | Prime coated | | | |
| 9 | 996 501 409 01 | Reinforcement | | 1 | |
| | 996 501 409 01 GRV | Prime coated | | | |
| | | Tunnel | | | |
| 10 | 996 501 719 00 | Filler plate | | 1 | |
| | 996 501 719 00 GRV | Prime coated | | | |
| | | Reinforcement | | | |
| - | 996 504 201 01 | Lid \$ 145 MM | | X | |
| - | 996 504 205 01 | Lid \$ 130 MM | | X | |
| - | 996 504 207 01 | Lid \$ 100 MM | | X | |

Model: 996 98

Model life 1998>>2005



Model: 996 98 Model life 1998>>2005

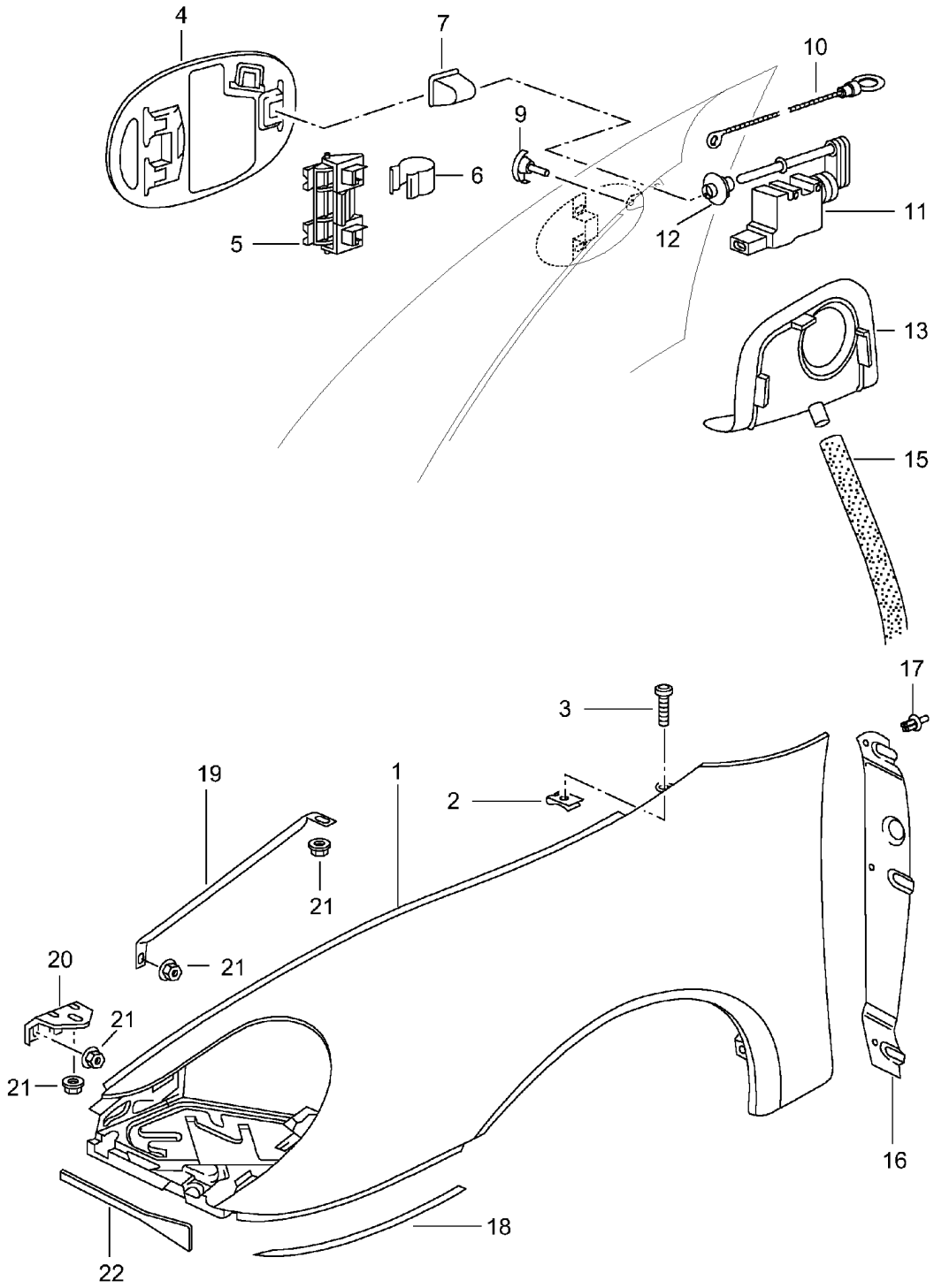
| Pos | Part Number | Description | Remark | Qty | Model |
|------|--------------------|--|--------|-----|------------|
| 1 | 996 501 973 00 | Rear end Terminal piece | | 1 | |
| | 996 501 973 00 GRV | Prime coated | | | |
| 2 | 996 501 273 01 | End plate | -01 | 1 | |
| | 996 501 273 01 GRV | Prime coated See TPI Group 8 Nr.51 | | | |
| 2 | 996 501 273 02 | End plate | | 1 | |
| | 996 501 273 02 GRV | Prime coated See TPI Group 8 Nr.51 | | | |
| 3 | 996 501 247 00 | Lock carrier | | 1 | |
| | 996 501 247 00 GRV | Prime coated F >>99WS6 00563 | | | |
| 3 | 996 501 247 01 | Lock carrier | | 1 | |
| | 996 501 247 01 GRV | Prime coated F 99WS6 00564>> | | | |
| 4 | 996 501 977 00 | Side member | /L | 1 | |
| | 996 501 977 00 GRV | Prime coated | | | |
| (4) | 996 501 978 00 | Side member | /R | 1 | |
| | 996 501 978 00 GRV | Prime coated | | | |
| - | 996 501 977 01 | Side member | /L | 1 | |
| | 996 501 977 01 GRV | Prime coated Position 4 + 5 Use also: | | | |
| - | 997 504 797 00 | Bracket | /L | 1 | |
| | 997 504 797 00 GRV | Prime coated | | | |
| 6 | 996 501 943 00 | Wheel housing | /L | 1 | |
| | 996 501 943 00 GRV | Prime coated It is necessary to rework See workshop manual | | | |
| (6) | 996 501 944 00 | Wheel housing | /R | 1 | |
| | 996 501 944 00 GRV | Prime coated It is necessary to rework See workshop manual | | | |
| 7 | 996 501 595 00 | Side member | /L -99 | 1 | |
| | 996 501 595 00 GRV | Prime coated | | | |
| 7 | 996 501 595 01 | Side member | /L | 1 | |
| | 996 501 595 01 GRV | Prime coated | | | |
| (7) | 996 501 596 00 | Side member | /R -99 | 1 | |
| | 996 501 596 00 GRV | Prime coated | | | |
| (7) | 996 501 596 01 | Side member | /R | 1 | |
| | 996 501 596 01 GRV | Prime coated | | | |
| 8 | 996 501 571 00 | Bracket | /L | 1 | CABRIO |
| | 996 501 571 00 GRV | Prime coated | | | |
| (8) | 996 501 572 00 | Bracket | /R | 1 | CABRIO |
| | 996 501 572 00 GRV | Prime coated | | | |
| 9 | 996 502 911 00 | Rear wall | | 1 | |
| | 996 502 911 00 GRV | Prime coated Order also: POS. 12 See workshop manual | | | CABRIO |
| 10 | 996 502 673 00 | Cross member | | 1 | COUPE |
| | 996 502 673 00 GRV | Prime coated | | | |
| 10 | 996 502 673 03 | Cross member | | 1 | C4S COUPE |
| | 996 502 673 03 GRV | Prime coated | | | |
| (10) | 996 502 673 01 | Cross member | | 1 | CABRIO |
| | 996 502 673 01 GRV | Prime coated | | | |
| (10) | 996 502 673 07 | Cross member | | 1 | C4S CABRIO |
| | 996 502 673 07 GRV | Prime coated | | | |

Model: 996 98 Model life 1998>>2005

| Pos | Part Number | Description | Remark | Qty | Model |
|------|--------------------|-------------------|--------|-----|---------------|
| (10) | 996 502 561 00 | Cross member | | 1 | CABRIO |
| | 996 502 561 00 GRV | Prime coated | | | |
| | | Upper part | | | |
| (10) | 996 502 561 01 | Cross member | | 1 | C4S CABRIO |
| | 996 502 561 01 GRV | Prime coated | | | |
| | | Upper part | | | |
| 11 | 996 501 949 00 | Seat well | -01 | 1 | |
| | 996 501 949 00 GRV | Prime coated | | | |
| (11) | 996 501 049 03 | Seat well | 02- | 1 | |
| | 996 501 049 03 GRV | Prime coated | | | |
| 12 | 996 502 525 00 | Bracket | | 1 | CABRIO |
| | 996 502 525 00 GRV | Prime coated | | | |
| 13 | 996 503 211 00 | Rear centre panel | | 1 | COUPE |
| | 996 503 211 00 GRV | Prime coated | | | |
| (13) | 996 503 211 01 | Rear centre panel | | 1 | COUPE M425 |
| | 996 503 211 01 GRV | Prime coated | | | |
| (13) | 996 503 211 04 | Rear centre panel | | 1 | C4S |
| | 996 503 211 04 GRV | Prime coated | | | |
| (13) | 996 503 211 03 | Rear centre panel | | 1 | C4S M425 |
| | 996 503 211 03 GRV | Prime coated | | | |
| 14 | 996 545 549 00 | Piping | /L | 1 | COUPE |
| 14 | 996 545 549 02 | Piping | /L | 1 | TARGA |
| 14 | 996 545 549 03 | Piping | /L 02- | 1 | C4S |
| (14) | 996 545 550 00 | Piping | /R | 1 | COUPE |
| (14) | 996 545 550 02 | Piping | /R | 1 | TARGA |
| (14) | 996 545 550 03 | Piping | /R 02- | 1 | C4S |
| 15 | 996 561 825 00 | Water drain valve | | 2 | |
| | | Wheel housing | | | |
| | | Rear | | | |
| 16 | 996 501 549 03 | Seat well | | 1 | |
| | 996 501 549 03 GRV | Prime coated | | | |
| 17 | 996 501 155 02 | Cross member | | 1 | |
| | 996 501 155 02 GRV | Prime coated | | | |
| 18 | 996 501 461 02 | Reinforcement | /L | 1 | |
| | 996 501 461 02 GRV | Prime coated | | | |
| (18) | 996 501 462 02 | Reinforcement | /R | 1 | |
| | 996 501 462 02 GRV | Prime coated | | | |
| 19 | 996 501 659 01 | Bracket | | 1 | |
| | 996 501 659 01 GRV | Prime coated | | | |
| 20 | 996 501 411 00 | Pipe | | 1 | |
| | 996 501 411 00 GRV | Prime coated | | | |
| 21 | 996 501 415 00 | Sleeve | | 2 | |
| | 996 501 415 00 GRV | Prime coated | | | |
| 22 | 996 504 797 00 | Bracket | /L | 1 | |
| | 996 504 797 00 GRV | Prime coated | | | |
| | | Belt | | | |
| (22) | 996 504 798 00 | Bracket | /R | 1 | |
| | 996 504 798 00 GRV | Prime coated | | | |
| | | Belt | | | |
| 23 | 996 502 653 01 | Connecting piece | /L | 1 | COUPE/TARGA |
| | 996 502 653 01 GRV | Prime coated | | | |
| (23) | 996 502 654 01 | Connecting piece | /R | 1 | COUPE/TARGA |
| | 996 502 654 01 GRV | Prime coated | | | |
| (23) | 997 502 553 00 | Connecting piece | /L | 1 | CABRIO |
| | 997 502 553 00 GRV | Prime coated | | | |
| (23) | 997 502 554 00 | Connecting piece | /R | 1 | CABRIO |
| | 997 502 554 00 GRV | Prime coated | | | |

Model: 996 98

Model life 1998>>2005

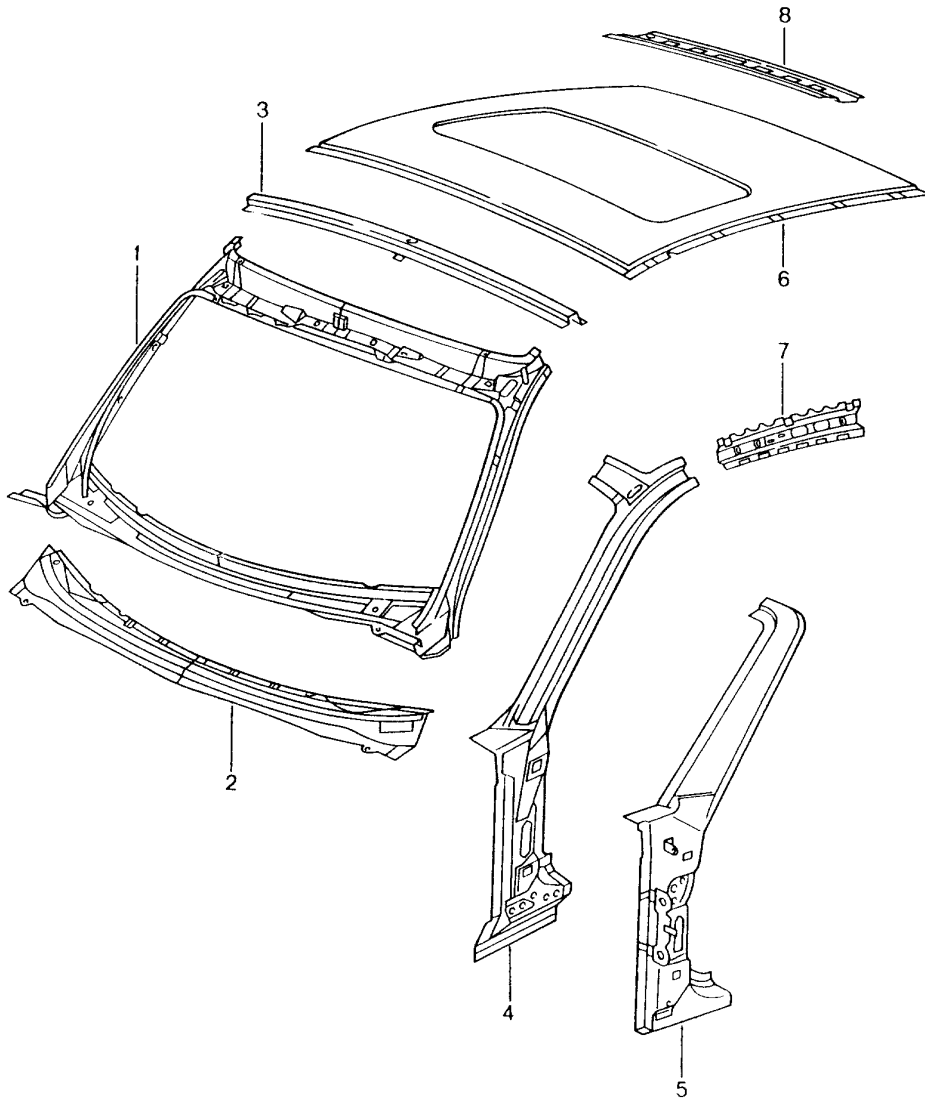


Model: 996 98 Model life 1998>>2005

| Pos | Part Number | Description | Remark | Qty | Model |
|------|--------------------|---------------------|--------|-----|-------|
| 1 | 996 503 031 01 | Wing | | | |
| | 996 503 031 01 GRV | Wing | /L -01 | 1 | |
| (1) | 996 503 032 04 | Prime coated | | | |
| | 996 503 032 04 GRV | Wing | /R -01 | 1 | |
| (1) | 996 503 032 04 GRV | Prime coated | | | |
| (1) | 996 503 031 03 | Wing | /L 02- | 1 | |
| | 996 503 031 03 GRV | Prime coated | | | |
| (1) | 996 503 032 05 | Wing | /R 02- | 1 | |
| | 996 503 032 05 GRV | Prime coated | | | |
| 2 | 999 507 003 02 | Speed nut | | 22 | |
| | | ST 6,3 | | | |
| 2 | 999 507 003 01 | Speed nut | | 22 | |
| | | ST 6,3 | | | |
| 3 | 999 073 128 02 | Tapping screw | | 22 | |
| | | ST 6,3 X 14 | | | |
| 4 | 996 504 133 02 | Fuel filler flap | -01 | 1 | |
| | 996 504 133 02 GRV | Prime coated | | | |
| 4 | 996 504 133 01 | Fuel filler flap | 02- | 1 | |
| | 996 504 133 01 GRV | Prime coated | | | |
| 5 | 996 201 063 00 | Hinge | | 1 | |
| 6 | 996 201 413 01 | Spring | | 1 | |
| 7 | 996 201 423 00 | Cap | | 1 | |
| 9 | 996 201 513 00 | Rubber stop | | 1 | |
| 10 | 996 201 493 00 | Emergency operation | | 1 | |
| 11 | 996 624 113 00 | Actuator | | 1 | |
| 12 | 996 624 505 02 | Guide rose | | 1 | |
| 13 | 996 201 667 01 | Sleeve | | 1 | |
| 15 | 996 201 153 00 | Hose | | 1 | |
| 16 | 996 504 641 01 | Cover | /L | 1 | |
| | 996 504 641 01 01C | Black | | | |
| (16) | 996 504 642 01 | Cover | /R | 1 | |
| | 996 504 642 01 01C | Black | | | |
| 17 | 999 591 712 40 | Expansion rivet | | 6 | |
| | | A 6,0 X 12,0 | | | |
| 18 | 996 504 531 00 | Protective film | /L | 1 | |
| (18) | 996 504 532 00 | Protective film | /R | 1 | |
| 19 | 996 504 441 00 | Strut | | 2 | |
| | 996 504 441 00 GRV | Prime coated | | | |
| 20 | 996 504 555 00 | Bracket | | 2 | |
| | 996 504 555 00 GRV | Prime coated | | | |
| 21 | 900 377 010 09 | Hexagon nut | | X | |
| | | M 6 | | | |
| 22 | 996 504 617 00 | Protective film | 02- | 2 | |

Model: 996 98

Model life 1998>>2005



Model: 996 98 Model life 1998>>2005

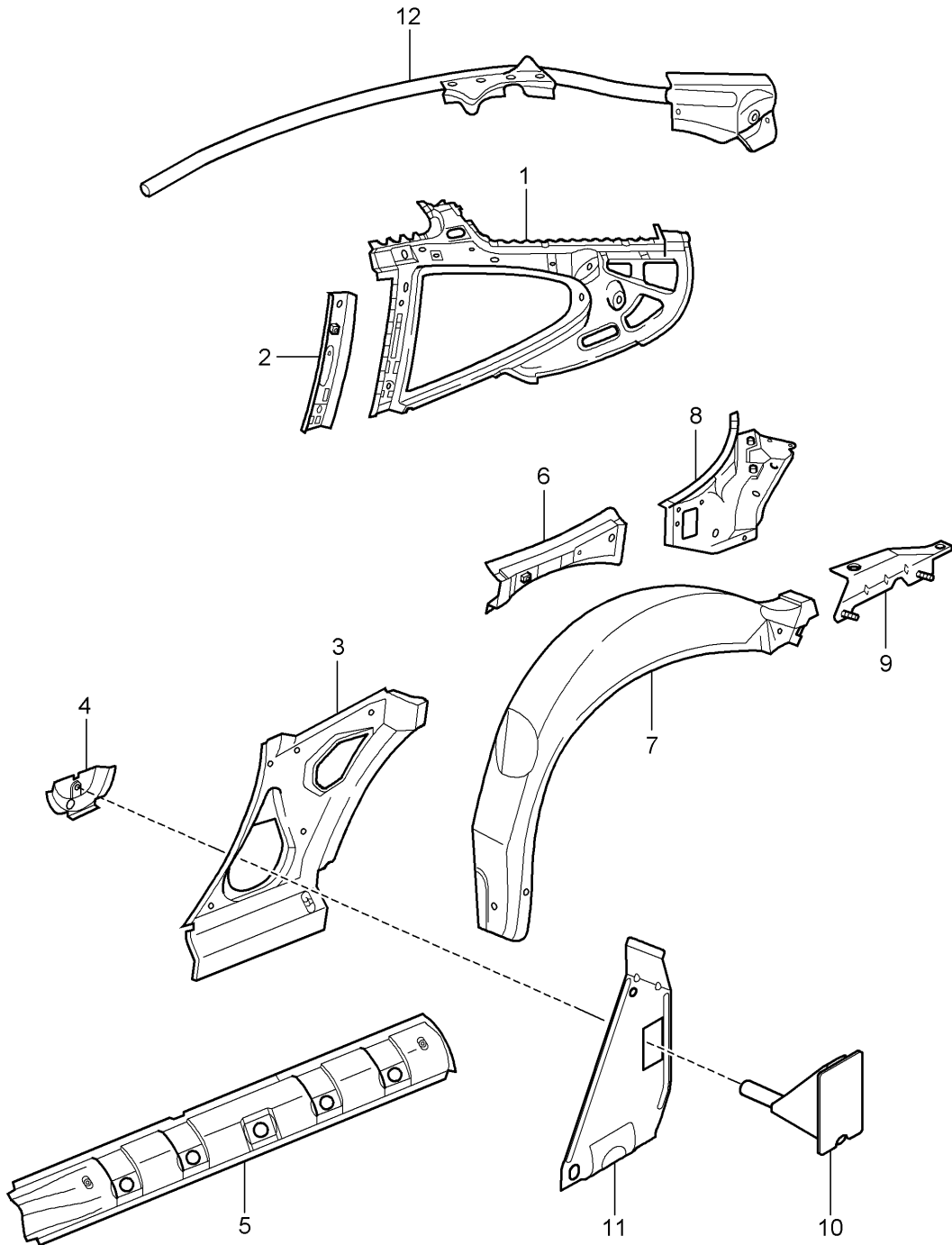
| Pos | Part Number | Description | Remark | Qty | Model |
|-----|--------------------------------------|---|--------|-----|--------|
| 1 | 996 502 137 05 996 502 137 05 GRV | Cowl Cowl Prime coated See group 8/07/09 Sun visor | | 1 | COUPE |
| 1 | 996 502 137 08 996 502 137 08 GRV | Cowl Cowl Prime coated See group 8/07/09 Sun visor | | 1 | COUPE |
| (1) | 996 502 137 04 996 502 137 04 GRV | Cowl Cowl Prime coated Inner | | 1 | CABRIO |
| (1) | 996 502 137 07 996 502 137 07 GRV | Cowl Cowl Prime coated Inner | | 1 | TARGA |
| 2 | 996 502 527 00 996 502 527 00 GRV | Cowl Cowl Prime coated Outer | | 1 | |
| 2 | 996 502 527 01 996 502 527 01 GRV | Cowl Cowl Prime coated Outer | | 1 | |
| 3 | 996 502 529 00 996 502 529 00 GRV | Cowl Cowl Prime coated Outer | | 1 | CABRIO |
| 3 | 996 502 529 01 996 502 529 01 GRV | Cowl Cowl Prime coated Outer | | 1 | TARGA |
| 4 | 996 502 135 02 996 502 135 02 GRV | Reinforcement Reinforcement Prime coated Inner | /L | 1 | COUPE |
| (4) | 996 502 136 02 996 502 136 02 GRV | Reinforcement Reinforcement Prime coated Inner | /R | 1 | COUPE |
| (4) | 996 502 135 00 996 502 135 00 GRV | Reinforcement Reinforcement Prime coated Inner | /L | 1 | CABRIO |
| (4) | 996 502 136 00 996 502 136 00 GRV | Reinforcement Reinforcement Prime coated Inner | /R | 1 | CABRIO |
| (4) | 996 502 135 03 996 502 135 03 GRV | Reinforcement Reinforcement Prime coated Inner | /L | 1 | TARGA |
| (4) | 996 502 136 03 996 502 136 03 GRV | Reinforcement Reinforcement Prime coated Inner | /R | 1 | TARGA |
| 5 | 996 502 335 00 996 502 335 00 GRV | Hinge pillar Hinge pillar Prime coated | /L | 1 | CABRIO |
| (5) | 996 502 336 00 996 502 336 00 GRV | Hinge pillar Hinge pillar Prime coated | /R | 1 | CABRIO |
| (6) | 996 503 501 00 996 503 501 00 GRV | Outer roof panel Outer roof panel Prime coated | | 1 | |
| 6 | 996 503 087 00 996 503 087 00 GRV | Outer roof panel Outer roof panel Prime coated | -01 | 1 | M650 |
| 6 | 996 503 087 03 996 503 087 03 GRV | Outer roof panel Outer roof panel Prime coated | 02- | 1 | M650 |
| - | 000 043 204 38 | Use also: Sealing compound 70 ML | | X | |
| - | 996 504 801 00 | See technical manual Filler piece Roof transport system | | 2 | |

Model: 996 98 Model life 1998>>2005

| Pos | Part Number | Description | Remark | Qty | Model |
|-----|--------------------|-------------------------------|--------|-----|--------|
| 7 | 996 502 305 00 | Roof frame | /L -00 | 1 | COUPE |
| | 996 502 305 00 GRV | Prime coated | | | |
| 7 | 996 502 305 03 | Roof frame | /L 01- | 1 | COUPE |
| | 996 502 305 03 GRV | Prime coated | | | |
| (7) | 996 502 306 00 | Roof frame | /R -00 | 1 | COUPE |
| | 996 502 306 00 GRV | Prime coated | | | |
| (7) | 996 502 306 03 | Roof frame | /R 01- | 1 | COUPE |
| | 996 502 306 03 GRV | Prime coated | | | |
| 8 | 996 502 505 00 | Roof frame | | 1 | |
| | 996 502 505 00 GRV | Prime coated | | | |
| 8 | 996 502 505 01 | Roof frame | | 1 | |
| | 996 502 505 01 GRV | Prime coated | | | |
| - | 996 504 911 00 | Plate with Threaded pin | | X | |
| - | 996 504 505 00 | Threaded bush | | X | |
| - | 900 025 008 09 | Washer A 10,5 | | X | |
| - | 900 025 008 04 | Washer A 10,5 | | X | |
| - | 996 502 737 00 | Speed nut M 6 Cowl | | 2 | CABRIO |
| - | 997 502 739 00 | Speed nut M 6 Cowl | | 1 | CABRIO |

Model: 996 98

Model life 1998>>2005



Model: 996 98

Model life 1998>>2005

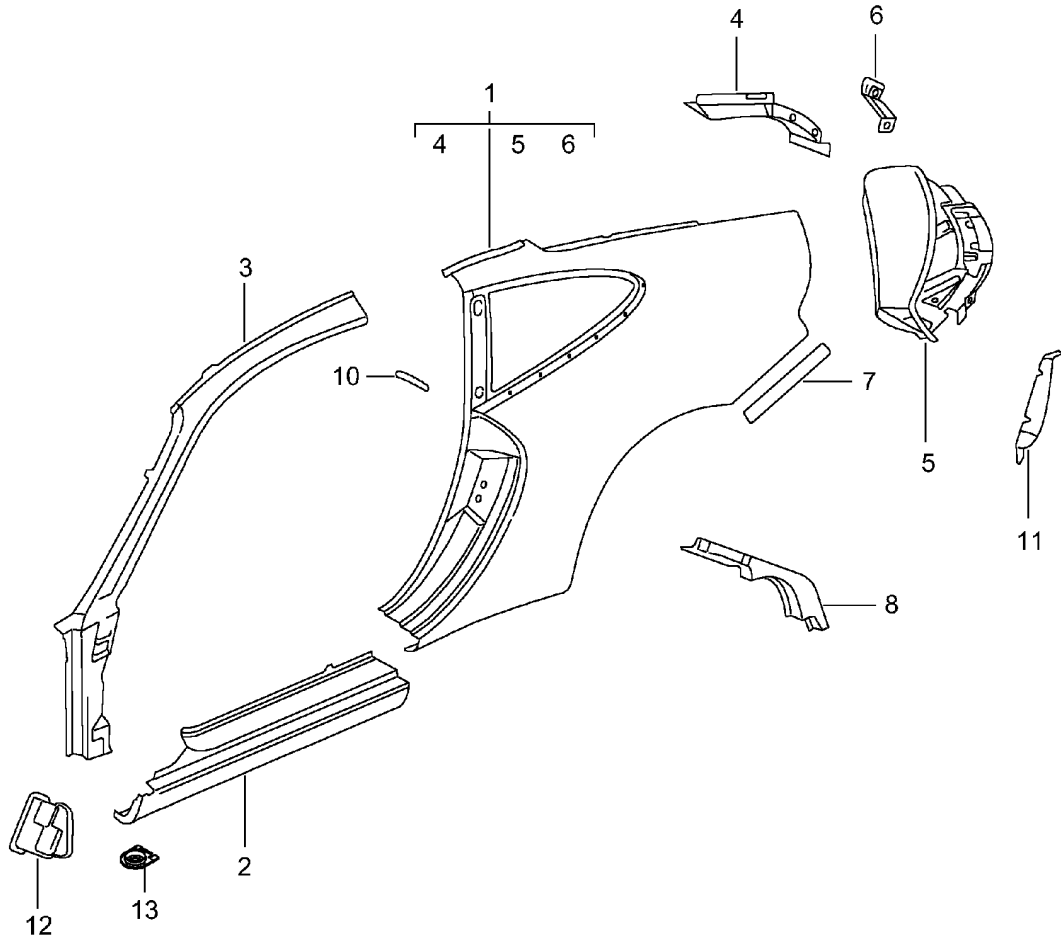
| Pos | Part Number | Description | Remark | Qty | Model |
|-----|--------------------|-------------------------------------|--------|-----|-------------|
| | | Side section Inner | | | COUPE/TARGA |
| (1) | 996 502 043 01 | Side section | /L | 1 | TARGA |
| | 996 502 043 01 GRV | Prime coated | | | |
| 1 | 996 502 043 02 | Side section | /L | 1 | COUPE |
| | 996 502 043 02 GRV | Prime coated | | | |
| (1) | 996 502 044 01 | Side section | /R | 1 | TARGA |
| | 996 502 044 01 GRV | Prime coated | | | |
| (1) | 996 502 044 02 | Side section | /R | 1 | COUPE |
| | 996 502 044 02 GRV | Prime coated | | | |
| 2 | 996 502 423 00 | Reinforcement | /L | 1 | |
| | 996 502 423 00 GRV | Prime coated | | | |
| 2 | 996 502 423 01 | Reinforcement | /L | 1 | |
| | 996 502 423 01 GRV | Prime coated | | | |
| (2) | 996 502 424 00 | Reinforcement | /R | 1 | |
| | 996 502 424 00 GRV | Prime coated | | | |
| (2) | 996 502 424 01 | Reinforcement | /R | 1 | |
| | 996 502 424 01 GRV | Prime coated | | | |
| (2) | 996 502 423 02 | Reinforcement | /L | 1 | COUPE/TARGA |
| | 996 502 423 02 GRV | Prime coated | | | |
| (2) | 996 502 424 02 | Reinforcement | /R | 1 | COUPE/TARGA |
| | 996 502 424 02 GRV | Prime coated | | | |
| 3 | 996 502 083 00 | Side section | /L -01 | 1 | |
| | 996 502 083 00 GRV | Prime coated | | | |
| 3 | 996 502 083 02 | Side section | /L 02- | 1 | COUPE/TARGA |
| | 996 502 083 02 GRV | Prime coated | | | |
| (3) | 996 502 084 00 | Side section | /R -01 | 1 | |
| | 996 502 084 00 GRV | Prime coated | | | |
| (3) | 996 502 084 02 | Side section | /R 02- | 1 | COUPE/TARGA |
| | 996 502 084 02 GRV | Prime coated | | | |
| 4 | 996 502 383 01 | Bracket | | 2 | COUPE/TARGA |
| | 996 502 383 01 GRV | Prime coated | | | |
| 5 | 996 502 733 00 | Reinforcement | /L | 1 | |
| | 996 502 733 00 GRV | Prime coated | | | |
| 5 | 996 502 733 01 | Reinforcement | /L | 1 | COUPE/TARGA |
| | 996 502 733 01 GRV | Prime coated | | | |
| (5) | 996 502 734 00 | Reinforcement | /R | 1 | |
| | 996 502 734 00 GRV | Prime coated | | | |
| (5) | 996 502 734 01 | Reinforcement | /R | 1 | COUPE/TARGA |
| | 996 502 734 01 GRV | Prime coated | | | |
| - | 999 703 433 40 | Stopper 30 X 42 for POS. 5 | | 10 | |
| 6 | 996 502 115 00 | Side section | /L | 1 | COUPE/TARGA |
| | 996 502 115 00 GRV | Prime coated | | | |
| (6) | 996 502 116 00 | Side section | /R | 1 | COUPE/TARGA |
| | 996 502 116 00 GRV | Prime coated | | | |
| 7 | 996 502 515 00 | Wheel housing | /L | 1 | COUPE/TARGA |
| | 996 502 515 00 GRV | Prime coated | | | |
| (7) | 996 502 516 00 | Wheel housing | /R | 1 | COUPE/TARGA |
| | 996 502 516 00 GRV | Prime coated | | | |

Model: 996 98 Model life 1998>>2005

| Pos | Part Number | Description | Remark | Qty | Model |
|------|--------------------|--------------------------------------|--------|-----|-------------|
| (7) | 996 502 215 01 | Wheel housing | /L | 1 | C4S |
| | 996 502 215 01 GRV | Prime coated POS. 7+9 | | | |
| (7) | 996 502 216 01 | Wheel housing | /R | 1 | C4S |
| | 996 502 216 01 GRV | Prime coated POS. 7+9 | | | |
| 8 | 996 502 161 01 | Side section | /L | 1 | COUPE/TARGA |
| | 996 502 161 01 GRV | Prime coated | | | |
| (8) | 996 502 162 01 | Side section | /R | 1 | COUPE/TARGA |
| | 996 502 162 01 GRV | Prime coated | | | |
| 9 | 996 502 219 01 | Closing element | /L | 1 | COUPE/TARGA |
| | 996 502 219 01 GRV | Prime coated | | | |
| (9) | 996 502 220 01 | Closing element | /R | 1 | COUPE/TARGA |
| | 996 502 220 01 GRV | Prime coated | | | |
| 10 | 996 502 617 00 | Pipe | 02- | 2 | |
| | 996 502 617 00 GRV | Prime coated See technical manual | | | |
| 11 | 997 502 745 00 | Reinforcement plate | /L | 1 | |
| | 997 502 745 00 GRV | Prime coated | | | |
| (11) | 997 502 746 00 | Reinforcement plate | /R | 1 | |
| | 997 502 746 00 GRV | Prime coated | | | |
| 12 | 996 502 619 00 | Pipe | /L 02- | 1 | |
| | 996 502 619 00 GRV | Prime coated | | | |
| 12 | 997 502 619 00 | Pipe | /L 02- | 1 | |
| | 997 502 619 00 GRV | Prime coated | | | |
| (12) | 996 502 620 00 | Pipe | /R 02- | 1 | |
| | 996 502 620 00 GRV | Prime coated | | | |
| (12) | 997 502 620 00 | Pipe | /R 02- | 1 | |
| | 997 502 620 00 GRV | Prime coated | | | |

Model: 996 98

Model life 1998>>2005



Model: 996 98 Model life 1998>>2005

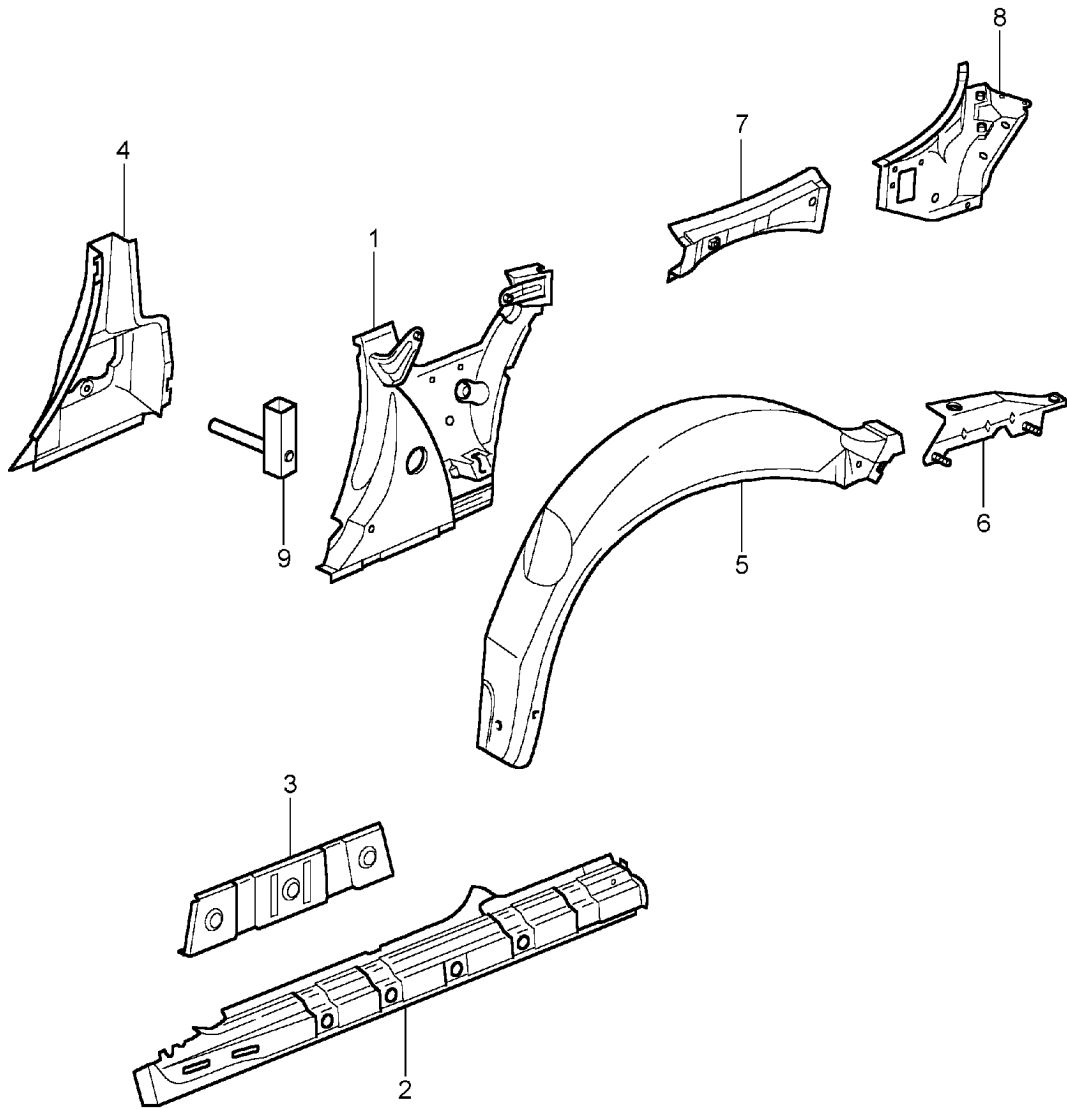
| Pos | Part Number | Description | Remark | Qty | Model |
|-----|--------------------|---|--------|-----|-------|
| | | Side section Outer | | | COUPE |
| 1 | 996 503 961 00 | Side section | /L -99 | 1 | |
| | 996 503 961 00 GRV | Prime coated | | | |
| 1 | 996 503 961 02 | Side section | /L -01 | 1 | |
| | 996 503 961 02 GRV | Prime coated | | | |
| 1 | 996 503 961 05 | Side section | /L 02- | 1 | |
| | 996 503 961 05 GRV | Prime coated | | | |
| (1) | 996 503 962 00 | Side section | /R -01 | 1 | |
| | 996 503 962 00 GRV | Prime coated | | | |
| (1) | 996 503 962 05 | Side section | /R 02- | 1 | |
| | 996 503 962 05 GRV | Prime coated | | | |
| (1) | 996 503 961 08 | Side section | /L | 1 | C4S |
| | 996 503 961 08 GRV | Prime coated | | | |
| (1) | 996 503 962 08 | Side section | /R | 1 | C4S |
| | 996 503 962 08 GRV | Prime coated | | | |
| | | Use also: | | | |
| - | 999 915 650 40 | Adhesive TEROMIX 6700 | | X | |
| - | 000 043 300 48 | Tool See technical manual Group 5 53 55 55 | | X | |
| 2 | 996 503 963 00 | Door sill | /L | 1 | |
| | 996 503 963 00 GRV | Prime coated | | | |
| (2) | 996 503 964 00 | Door sill | /R | 1 | |
| | 996 503 964 00 GRV | Prime coated | | | |
| (2) | 996 503 963 02 | Door sill | /L | 1 | C4S |
| | 996 503 963 02 GRV | Prime coated | | | |
| (2) | 996 503 964 02 | Door sill | /R | 1 | C4S |
| | 996 503 964 02 GRV | Prime coated | | | |
| 3 | 996 503 965 00 | Roof frame | /L -01 | 1 | |
| | 996 503 965 00 GRV | Prime coated | | | |
| 3 | 996 503 965 02 | Roof frame | /L 02- | 1 | |
| | 996 503 965 02 GRV | Prime coated | | | |
| (3) | 996 503 966 00 | Roof frame | /R -01 | 1 | |
| | 996 503 966 00 GRV | Prime coated | | | |
| (3) | 996 503 966 02 | Roof frame | /R 02- | 1 | |
| | 996 503 966 02 GRV | Prime coated | | | |
| 4 | 996 502 665 00 | Sealing channel | /L | 1 | |
| | 996 502 665 00 GRV | Prime coated | | | |
| (4) | 996 502 666 00 | Sealing channel | /R | 1 | |
| | 996 502 666 00 GRV | Prime coated | | | |
| 4 | 996 502 665 03 | Sealing channel | /L | 1 | C4S |
| | 996 502 665 03 GRV | Prime coated | | | |
| (4) | 996 502 666 03 | Sealing channel | /R | 1 | C4S |
| | 996 502 666 03 GRV | Prime coated | | | |
| 5 | 996 502 461 04 | Frame for light | /L | 1 | |
| | 996 502 461 04 GRV | Prime coated | | | |
| 5 | 996 502 461 01 | Frame for light | /L | 1 | C4S |
| | 996 502 461 01 GRV | Prime coated | | | |
| (5) | 996 502 462 03 | Frame for light | /R | 1 | |
| | 996 502 462 03 GRV | Prime coated | | | |
| (5) | 996 502 462 01 | Frame for light | /R | 1 | C4S |
| | 996 502 462 01 GRV | Prime coated | | | |
| 6 | 996 502 213 00 | Bracket | /L -01 | 1 | |
| | 996 502 213 00 GRV | Prime coated | | | |
| 6 | 996 502 213 03 | Bracket | /L 02- | 1 | |
| | 996 502 213 03 GRV | Prime coated | | | |
| (6) | 996 502 214 00 | Bracket | /R -01 | 1 | |
| | 996 502 214 00 GRV | Prime coated | | | |
| (6) | 996 502 214 03 | Bracket | /R 02- | 1 | |
| | 996 502 214 03 GRV | Prime coated | | | |

Model: 996 98 Model life 1998>>2005

| Pos | Part Number | Description | Remark | Qty | Model |
|------|--------------------|---------------------|--------|-----|-------|
| (6) | 996 502 213 01 | Bracket | /L | 1 | C4S |
| | 996 502 213 01 GRV | Prime coated | | | |
| (6) | 996 502 214 01 | Bracket | /R | 1 | C4S |
| | 996 502 214 01 GRV | Prime coated | | | |
| 7 | 996 504 631 00 | Protective film | /L | 1 | |
| (7) | 996 504 632 00 | Protective film | /R | 1 | |
| (8) | 996 504 907 00 | Gasket | /L | 1 | |
| (8) | 996 504 908 00 | Gasket | /R | 1 | |
| | | See workshop manual | | | |
| 10 | 996 537 237 00 | Protective film | | 2 | |
| 11 | 996 501 855 00 | Angular plate | /L -00 | 1 | |
| | 996 501 855 00 GRV | Prime coated | | | |
| 11 | 996 501 855 02 | Angular plate | /L | 1 | |
| | 996 501 855 02 GRV | Prime coated | | | |
| 11 | 996 501 855 03 | Angular plate | /L 01- | 1 | |
| | 996 501 855 03 GRV | Prime coated | | | |
| (11) | 996 501 487 00 | Angular plate | /L 02- | 1 | C4S |
| | 996 501 487 00 GRV | Prime coated | | | |
| (11) | 996 501 856 00 | Angular plate | /R -00 | 1 | |
| | 996 501 856 00 GRV | Prime coated | | | |
| (11) | 996 501 856 03 | Angular plate | /R 01- | 1 | |
| | 996 501 856 03 GRV | Prime coated | | | |
| (11) | 996 501 488 00 | Angular plate | /R 02- | 1 | C4S |
| | 996 501 488 00 GRV | Prime coated | | | |
| 12 | 996 572 311 00 | Water protection | /L | 1 | |
| (12) | 996 572 312 00 | Water protection | /R | 1 | |
| 13 | 999 703 475 40 | Water drain sleeve | | 2 | |
| | | Door sill | | | |

Model: 996 98

Model life 1998>>2005

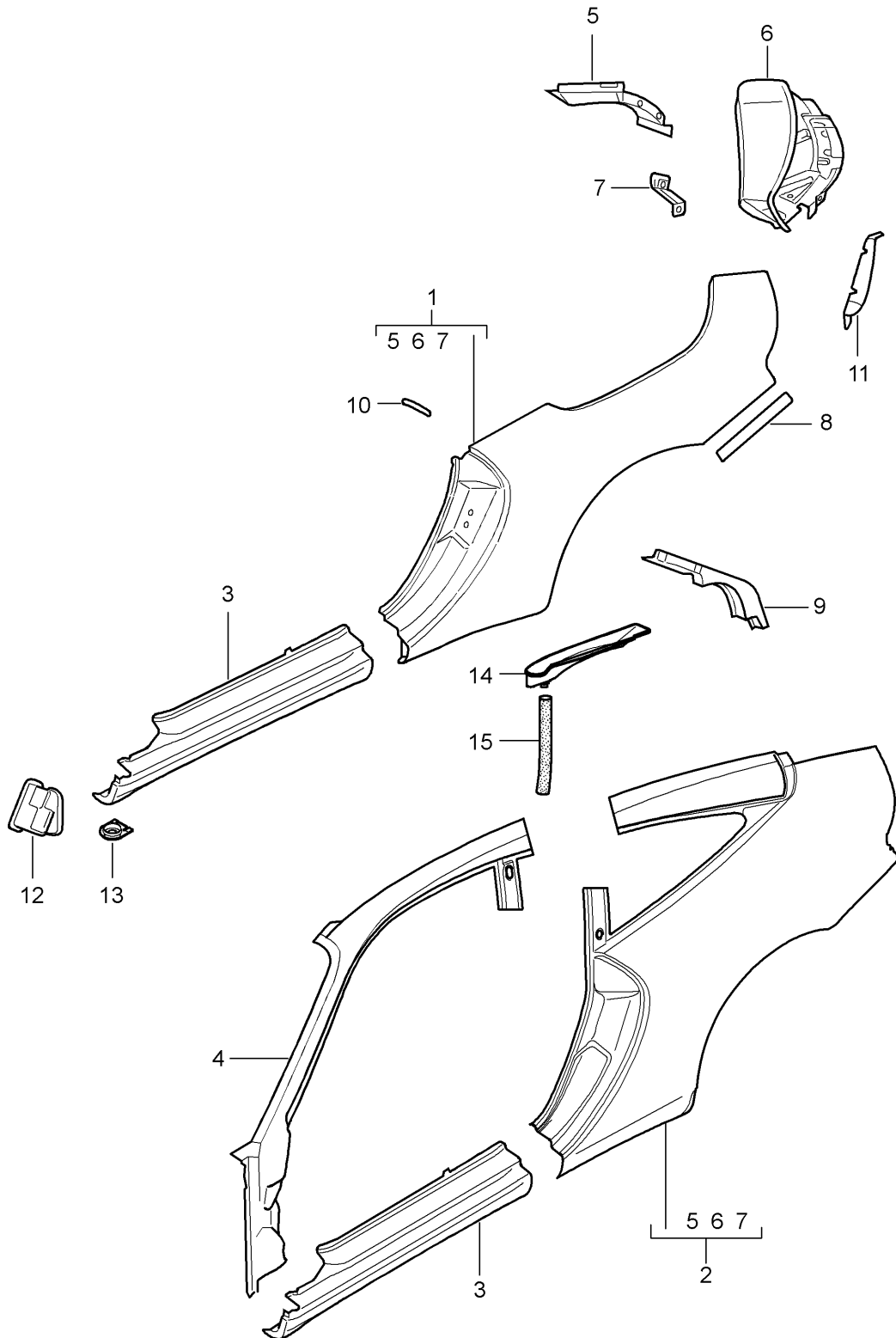


Model: 996 98 Model life 1998>>2005

| Pos | Part Number | Description | Remark | Qty | Model |
|-----|--------------------|-------------------------|--------|-----|--------|
| | | Side section Inner | | | CABRIO |
| 1 | 996 502 073 00 | Side section | /L -00 | 1 | |
| | 996 502 073 00 GRV | Prime coated | | | |
| 1 | 996 502 073 01 | Side section | /L | 1 | |
| | 996 502 073 01 GRV | Prime coated | | | |
| (1) | 996 502 074 00 | Side section | /R -00 | 1 | |
| | 996 502 074 00 GRV | Prime coated | | | |
| (1) | 996 502 074 01 | Side section | /R 01- | 1 | |
| | 996 502 074 01 GRV | Prime coated | | | |
| 2 | 996 502 663 01 | Reinforcement | /L | 1 | |
| | 996 502 663 01 GRV | Prime coated | | | |
| (2) | 996 502 664 01 | Reinforcement | /R | 1 | |
| | 996 502 664 01 GRV | Prime coated | | | |
| (2) | 996 502 664 02 | Reinforcement | /R | 1 | |
| | 996 502 664 02 GRV | Prime coated | | | |
| 3 | 996 502 683 00 | Separator | /L -01 | 1 | |
| | 996 502 683 00 GRV | Prime coated | | | |
| 3 | 996 502 683 01 | Separator | /L 02- | 1 | |
| | 996 502 683 01 GRV | Prime coated | | | |
| (3) | 996 502 684 00 | Separator | /R -01 | 1 | |
| | 996 502 684 00 GRV | Prime coated | | | |
| (3) | 996 502 684 01 | Separator | /R 02- | 1 | |
| | 996 502 684 01 GRV | Prime coated | | | |
| 4 | 996 502 415 00 | B-pillar | /L -01 | 1 | |
| | 996 502 415 00 GRV | Prime coated | | | |
| 4 | 996 502 415 01 | B-pillar | /L 02- | 1 | |
| | 996 502 415 01 GRV | Prime coated | | | |
| (4) | 996 502 416 00 | B-pillar | /R -01 | 1 | |
| | 996 502 416 00 GRV | Prime coated | | | |
| (4) | 996 502 416 01 | B-pillar | /R 02- | 1 | |
| | 996 502 416 01 GRV | Prime coated | | | |
| 5 | 996 502 515 00 | Wheel housing | /L | 1 | |
| | 996 502 515 00 GRV | Prime coated | | | |
| (5) | 996 502 516 00 | Wheel housing | /R | 1 | |
| | 996 502 516 00 GRV | Prime coated | | | |
| (5) | 996 502 215 03 | Wheel housing | /L | 1 | C4S |
| | 996 502 215 03 GRV | Prime coated POS.5+6 | | | |
| (5) | 996 502 216 03 | Wheel housing | /R | 1 | C4S |
| | 996 502 216 03 GRV | Prime coated POS.5+6 | | | |
| 6 | 996 502 219 01 | Closing element | /L | 1 | |
| | 996 502 219 01 GRV | Prime coated | | | |
| (6) | 996 502 220 01 | Closing element | /R | 1 | |
| | 996 502 220 01 GRV | Prime coated | | | |
| 7 | 996 502 087 00 | Side section | /L | 1 | |
| | 996 502 087 00 GRV | Prime coated | | | |
| (7) | 996 502 088 00 | Side section | /R | 1 | |
| | 996 502 088 00 GRV | Prime coated | | | |
| 8 | 996 502 161 00 | Side section | /L | 1 | |
| | 996 502 161 00 GRV | Prime coated | | | |
| (8) | 996 502 161 04 | Side section | /L | 1 | |
| | 996 502 161 04 GRV | Prime coated | | | |
| (8) | 996 502 162 00 | Side section | /R | 1 | |
| | 996 502 162 00 GRV | Prime coated | | | |
| (8) | 996 502 162 04 | Side section | /R | 1 | |
| | 996 502 162 04 GRV | Prime coated | | | |
| 9 | 996 502 669 00 | Pipe | 02- | 2 | |
| | 996 502 669 00 GRV | Prime coated | | | |

Model: 996 98

Model life 1998>>2005



Model: 996 98 Model life 1998>>2005

| Pos | Part Number | Description | Remark | Qty | Model |
|-----|--------------------|---|--------|-----|--------------|
| | | Side section Outer | | | CABRIO/TARGA |
| 1 | 996 503 961 03 | Side section | /L -01 | 1 | CABRIO |
| | 996 503 961 03 GRV | Prime coated | | | |
| 1 | 996 503 961 06 | Side section | /L 02- | 1 | CABRIO |
| | 996 503 961 06 GRV | Prime coated | | | |
| (1) | 996 503 962 01 | Side section | /R -01 | 1 | CABRIO |
| | 996 503 962 01 GRV | Prime coated | | | |
| (1) | 996 503 962 06 | Side section | /R 02- | 1 | CABRIO |
| | 996 503 962 06 GRV | Prime coated | | | |
| (1) | 996 503 961 09 | Side section | /L 04- | 1 | C4S CABRIO |
| | 996 503 961 09 GRV | Prime coated | | | |
| (1) | 996 503 962 09 | Side section | /R 04- | 1 | C4S CABRIO |
| | 996 503 962 09 GRV | Prime coated | | | |
| - | 996 503 061 03 | Side section | /L | 1 | TARGA |
| | 996 503 061 03 GRV | Prime coated | | | |
| | | Complete | | | |
| - | 996 503 062 03 | Side section | /R | 1 | TARGA |
| | 996 503 062 03 GRV | Prime coated | | | |
| | | Complete | | | |
| 2 | 996 503 961 11 | Side section | /L | 1 | TARGA |
| | 996 503 961 11 GRV | Prime coated | | | |
| (2) | 996 503 962 11 | Side section | /R | 1 | TARGA |
| | 996 503 962 11 GRV | Prime coated | | | |
| | | Use also: | | | |
| - | 999 915 650 40 | Adhesive TEROMIX 6700 | | X | |
| - | 000 043 300 48 | Tool See technical manual Group 5 53 55 55 | | X | |
| 3 | 996 503 963 01 | Door sill | /L | 1 | CABRIO |
| | 996 503 963 01 GRV | Prime coated | | | |
| 3 | 996 503 963 00 | Door sill | /L | 1 | TARGA |
| | 996 503 963 00 GRV | Prime coated | | | |
| (3) | 996 503 964 01 | Door sill | /R | 1 | CABRIO |
| | 996 503 964 01 GRV | Prime coated | | | |
| (3) | 996 503 964 00 | Door sill | /R | 1 | TARGA |
| | 996 503 964 00 GRV | Prime coated | | | |
| (3) | 996 503 963 03 | Door sill | /L 04- | 1 | C4S CABRIO |
| | 996 503 963 03 GRV | Prime coated | | | |
| (3) | 996 503 964 03 | Door sill | /R 04- | 1 | C4S CABRIO |
| | 996 503 964 03 GRV | Prime coated | | | |
| 4 | 996 503 965 04 | A-pillar | /L | 1 | TARGA |
| | 996 503 965 04 GRV | Prime coated | | | |
| (4) | 996 503 966 04 | A-pillar | /R | 1 | TARGA |
| | 996 503 966 04 GRV | Prime coated | | | |
| 5 | 996 502 665 01 | Sealing channel | /L | 1 | |
| | 996 502 665 01 GRV | Prime coated | | | |
| (5) | 996 502 666 01 | Sealing channel | /R | 1 | |
| | 996 502 666 01 GRV | Prime coated | | | |
| 6 | 996 502 461 04 | Frame for light | /L | 1 | |
| | 996 502 461 04 GRV | Prime coated | | | |
| 6 | 996 502 461 01 | Frame for light | /L | 1 | C4S |
| | 996 502 461 01 GRV | Prime coated | | | |
| (6) | 996 502 462 03 | Frame for light | /R | 1 | |
| | 996 502 462 03 GRV | Prime coated | | | |
| (6) | 996 502 462 01 | Frame for light | /R | 1 | C4S |
| | 996 502 462 01 GRV | Prime coated | | | |
| 7 | 996 502 213 00 | Bracket | /L -01 | 1 | |
| | 996 502 213 00 GRV | Prime coated | | | |
| 7 | 996 502 213 03 | Bracket | /L 02- | 1 | |
| | 996 502 213 03 GRV | Prime coated | | | |

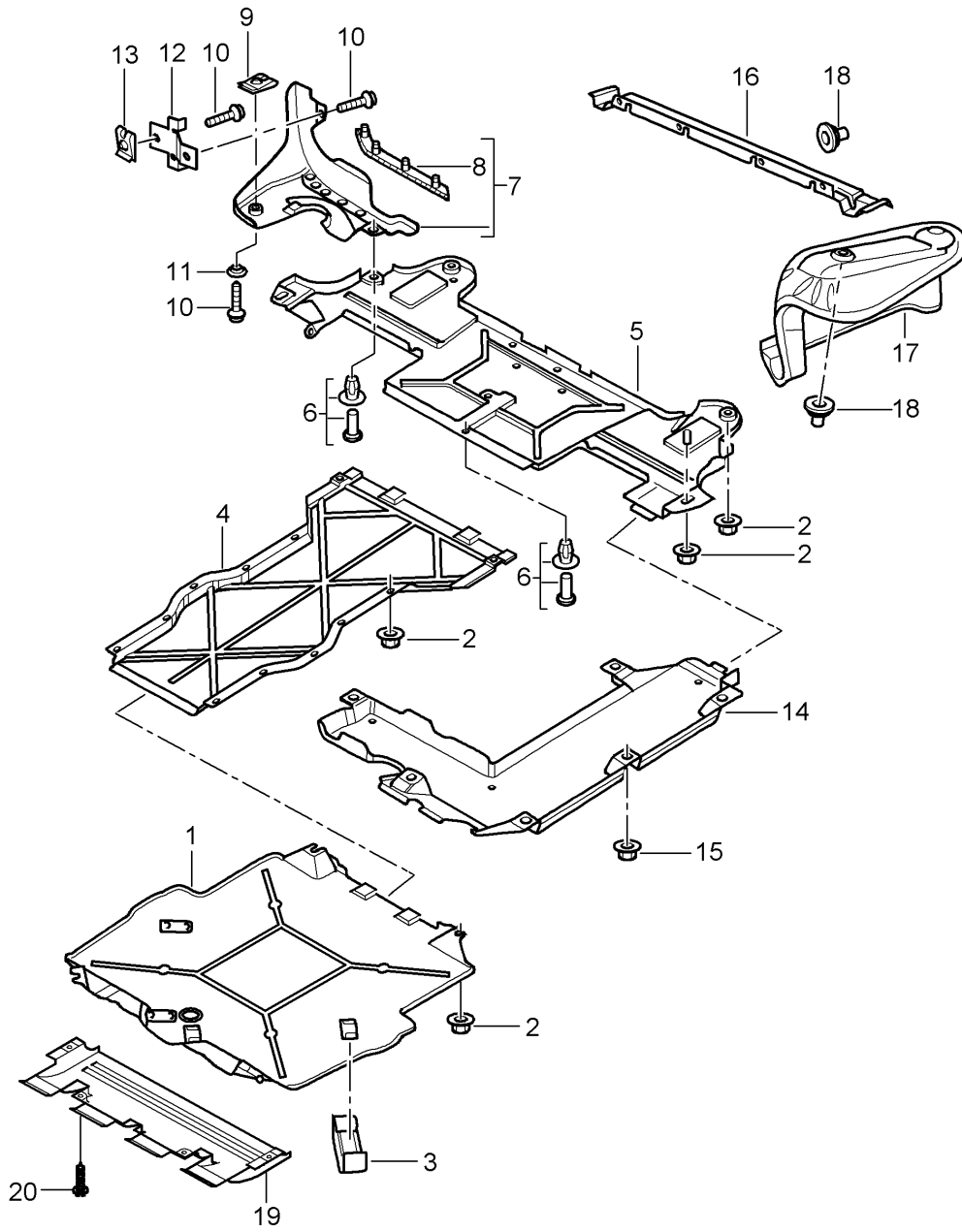
Model: 996 98

Model life 1998>>2005

| Pos | Part Number | Description | Remark | Qty | Model |
|------|--------------------|--|--------|-----|------------|
| (7) | 996 502 214 00 | Bracket | /R -01 | 1 | |
| | 996 502 214 00 GRV | Prime coated | | | |
| (7) | 996 502 214 03 | Bracket | /R 02- | 1 | |
| | 996 502 214 03 GRV | Prime coated | | | |
| (7) | 996 502 213 01 | Bracket | /L 04- | 1 | C4S CABRIO |
| | 996 502 213 01 GRV | Prime coated | | | |
| (7) | 996 502 214 01 | Bracket | /R 04- | 1 | C4S CABRIO |
| | 996 502 214 01 GRV | Prime coated | | | |
| 8 | 996 504 631 00 | Protective film | /L | 1 | |
| (8) | 996 504 632 00 | Protective film | /R | 1 | |
| (9) | 996 504 907 00 | Gasket | /L | 1 | |
| (9) | 996 504 908 00 | Gasket | /R | 1 | |
| | | It is necessary to rework See workshop manual | | | |
| 10 | 996 537 237 00 | Protective film | | 2 | |
| 11 | 996 501 855 02 | Angular plate | /L -00 | 1 | |
| | 996 501 855 02 GRV | Prime coated | | | |
| 11 | 996 501 855 03 | Angular plate | /L 01- | 1 | |
| | 996 501 855 03 GRV | Prime coated | | | |
| (11) | 996 501 856 02 | Angular plate | /R -00 | 1 | |
| | 996 501 856 02 GRV | Prime coated | | | |
| (11) | 996 501 856 03 | Angular plate | /R 01- | 1 | |
| | 996 501 856 03 GRV | Prime coated | | | |
| 12 | 996 572 311 00 | Water protection | /L | 1 | |
| (12) | 996 572 312 00 | Water protection | /R | 1 | |
| 13 | 999 703 475 40 | Water drain sleeve | | 2 | |
| | | Door sill | | | |
| 14 | 997 504 967 00 | Water drip pan | /L | 1 | CABRIO |
| (14) | 997 504 968 00 | Water drip pan | /R | 1 | CABRIO |
| | | Use also: | | | |
| 15 | 986 514 241 00 | Water drain hose | | 2 | CABRIO |
| | | See technical manual | | | |
| | | 53 55 | | | |
| 16 | 996 504 697 02 | Gasket | /L | 1 | |
| | | Side section | | | |
| | | Outer | | | |
| (16) | 996 504 698 02 | Gasket | /R | 1 | |
| | | Side section | | | |
| | | Outer | | | |

Model: 996 98

Model life 1998>>2005

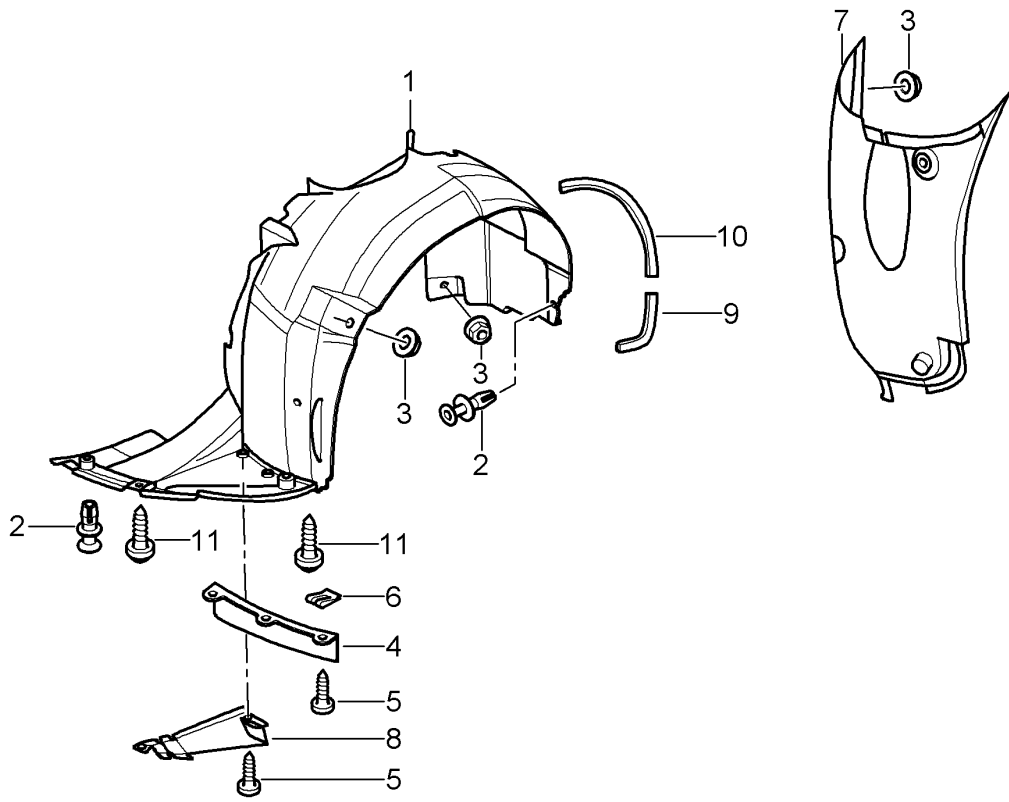


Model: 996 98 Model life 1998>>2005

| Pos | Part Number | Description | Remark | Qty | Model |
|------|--------------------|-------------------------------|--------|-----|-------|
| | | Linings for Underbody | | | |
| 1 | 996 504 527 02 | Cover | | 1 | M338 |
| (1) | 996 504 527 01 | Cover | 99- | 1 | M339 |
| 2 | 999 049 022 40 | Plastic nut T 5 | | 21 | |
| 3 | 999 507 657 09 | Clamp | | 6 | |
| 4 | 996 504 043 02 | Cover Centre | | 1 | |
| 5 | 996 504 129 01 | Cover Rear | | 1 | |
| 6 | 999 507 497 40 | Expansion rivet 8,0 X 14,0 | | 4 | |
| 7 | 996 504 393 01 | Cover | /L | 1 | |
| | 996 504 393 01 01C | Satin black | | | |
| (7) | 996 504 394 01 | Cover | /R | 1 | |
| | 996 504 394 01 01C | Satin black | | | |
| 8 | 996 504 893 00 | Rubber lip | /L | 1 | |
| (8) | 996 504 894 00 | Rubber lip | /R | 1 | |
| 9 | 999 507 348 01 | Speed nut ST 4,8 | | 4 | |
| 10 | 999 073 061 02 | Tapping screw ST 4,8 X 16 | | 8 | |
| 11 | 944 503 255 00 | Spacer | | 4 | |
| 12 | 996 504 593 00 | Support | | 2 | |
| 13 | 999 507 462 02 | Speed nut ST 4,8 | | 4 | |
| 13 | 999 507 462 09 | Speed nut ST 4,8 | | 4 | |
| 14 | 996 504 561 00 | Cover | | 1 | |
| 15 | 999 049 022 40 | Plastic nut T5 | | 6 | |
| 16 | 996 505 471 00 | Heat protection Centre | | 1 | |
| 17 | 996 505 477 00 | Heat protection | /L | 1 | |
| (17) | 996 505 478 00 | Heat protection | /R | 1 | |
| 18 | 999 049 025 09 | Collar nut T 5 | | 12 | |
| 19 | 996 575 161 01 | Air guide Front | | 1 | C4S |
| 20 | N 906 487 02 | Tapping screw ST 4,8 X 16 | | 9 | |

Model: 996 98

Model life 1998>>2005



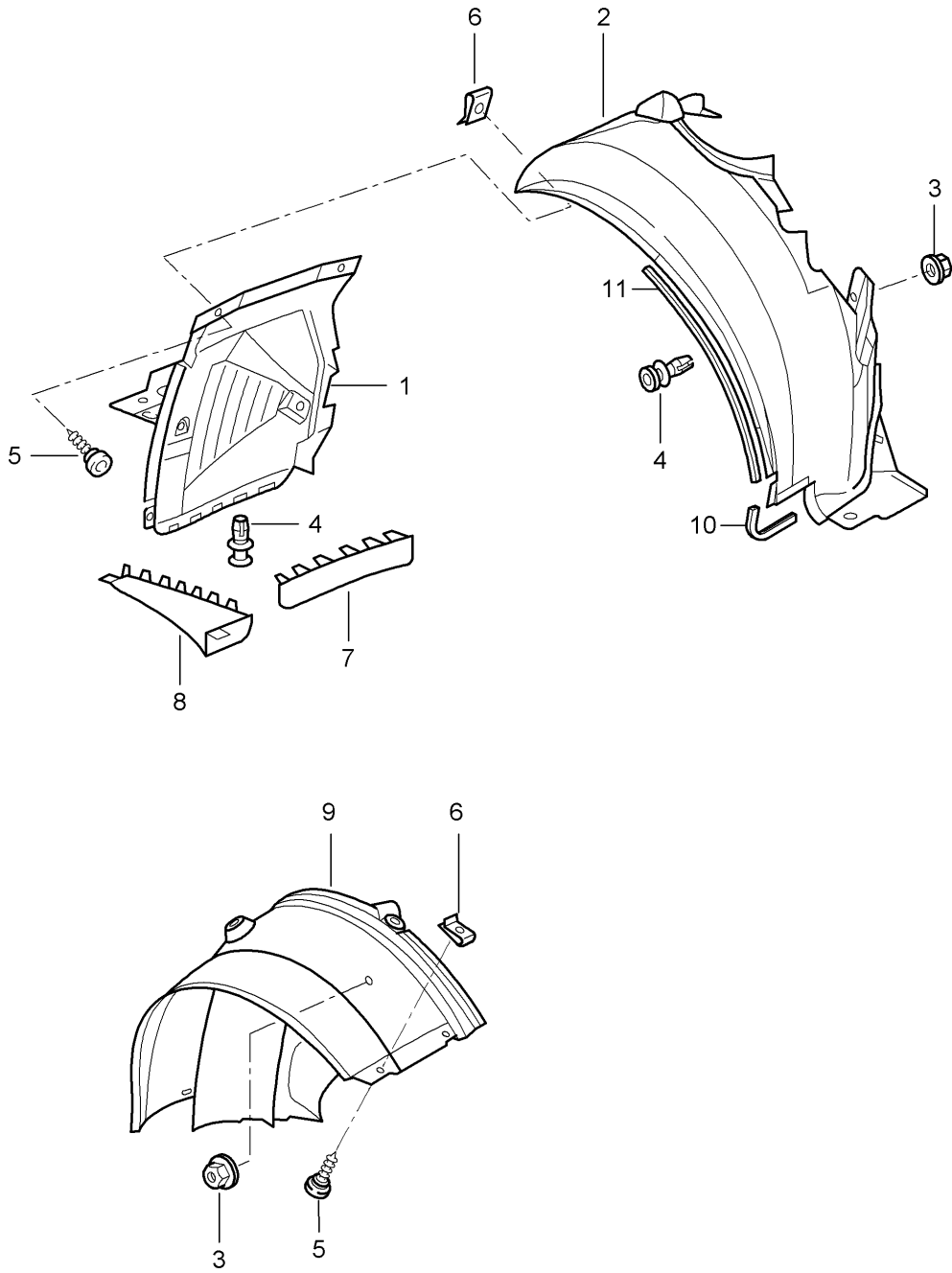
Model: 996 98

Model life 1998>>2005

| Pos | Part Number | Description | Remark | Qty | Model |
|-----|----------------|---------------------------------|--------|-----|-------|
| | | Linings for Wheel housing | -01 | | |
| 1 | 996 504 203 06 | Wheel-housing liner | /L | 1 | |
| (1) | 996 504 204 06 | Wheel-housing liner | /R | 1 | |
| 2 | 999 507 497 40 | Expansion rivet 8,0 X 14,0 | | 13 | |
| 3 | 999 049 022 40 | Plastic nut T5 | | 10 | |
| 4 | 996 504 503 00 | Rubber lip | /L | 1 | |
| (4) | 996 504 504 00 | Rubber lip | /R | 1 | |
| 5 | 999 073 061 02 | Tapping screw ST 4,8 X 16 | | 6 | |
| 6 | 999 591 699 02 | Speed nut ST 4,8 | | 12 | |
| 6 | 999 591 699 01 | Speed nut ST 4,8 | | 12 | |
| 7 | 996 504 573 02 | Wheel-housing liner | /L | 1 | |
| (7) | 996 504 574 02 | Wheel-housing liner | /R | 1 | |
| 8 | 996 504 603 00 | Air guide | /L | 1 | |
| (8) | 996 504 604 00 | Air guide | /R | 1 | |
| 9 | 999 911 663 40 | Sealing strap 10 X 10 X 180 | | 2 | |
| 10 | 999 911 695 40 | Sealing strap 10 X 30 X 680 | | 2 | |
| 11 | 999 073 227 09 | Tapping screw ST 4,8 X 19 | | 4 | |

Model: 996 98

Model life 1998>>2005

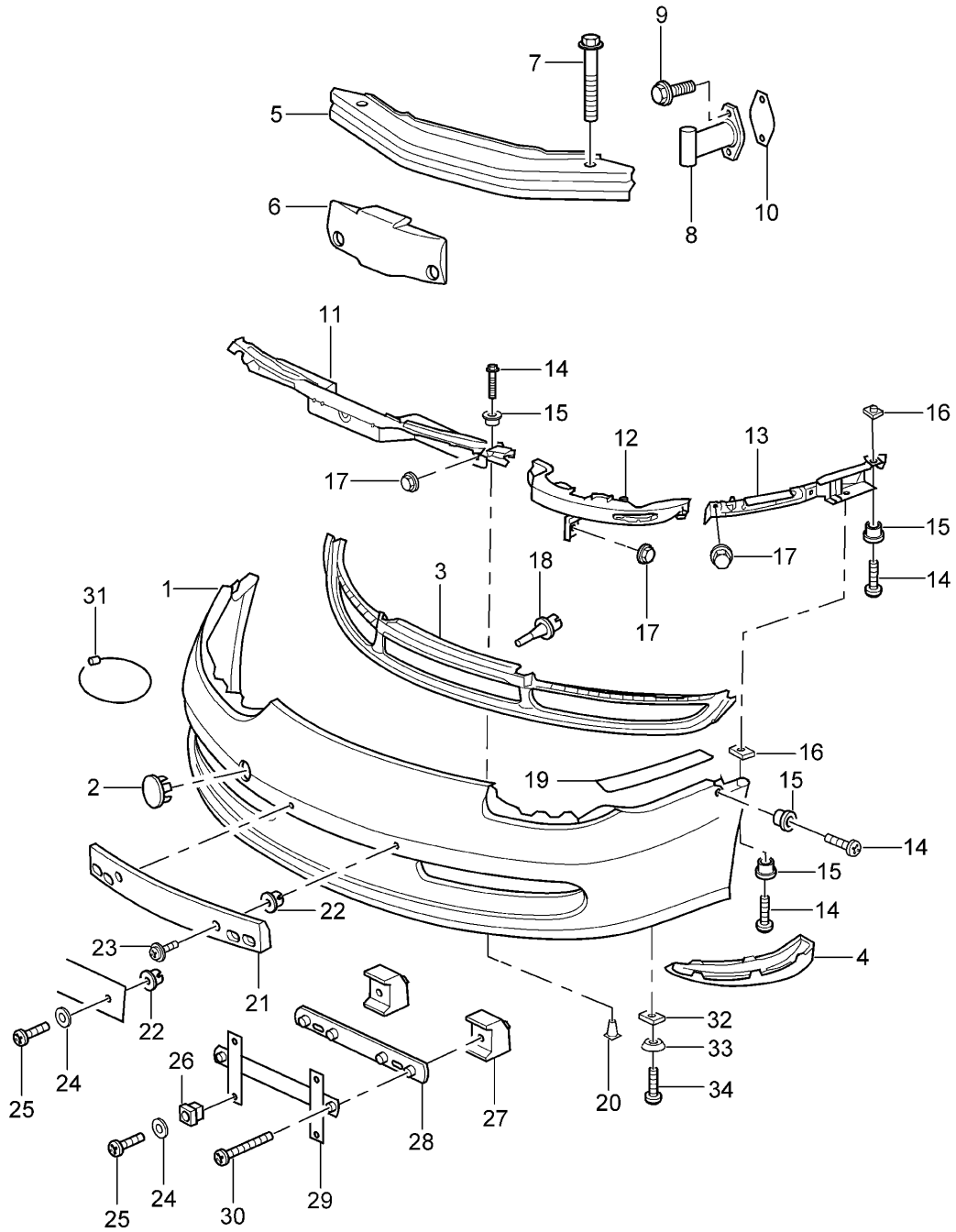


Model: 996 98 Model life 1998>>2005

| Pos | Part Number | Description | Remark | Qty | Model |
|-----|----------------|---|--------|-----|------------------------|
| 1 | | Linings for Wheel housing Wheel-housing liner POS1 Comprising: POS1 POS7 POS8 | 02- | 1 | |
| 1 | 996 504 123 00 | Wheel-housing liner | /L /V | 1 | M095 |
| 1 | | Wheel-housing liner | /L /V | 1 | |
| (1) | 996 504 123 01 | Wheel-housing liner | /L /V | 1 | -M095 |
| (1) | 996 504 123 03 | Wheel-housing liner | /L /V | 1 | |
| | | Front | | | |
| (1) | 996 504 124 00 | Wheel-housing liner | /R /V | 1 | M095 |
| (1) | | Wheel-housing liner | /R /V | 1 | |
| (1) | 996 504 124 01 | Wheel-housing liner | /R /V | 1 | -M095 |
| (1) | 996 504 124 03 | Wheel-housing liner | /R /V | 1 | |
| | | Front | | | |
| 2 | 996 504 103 00 | Wheel-housing liner | /L /H | 1 | |
| | | Of | | | |
| 2 | 996 504 203 08 | Wheel-housing liner | /L /H | 1 | |
| | | Front | | | |
| (2) | 996 504 104 00 | Wheel-housing liner | /R /H | 1 | |
| | | Front | | | |
| (2) | 996 504 204 08 | Wheel-housing liner | /R /H | 1 | |
| | | Front | | | |
| 3 | 999 049 022 40 | Plastic nut T5 | | X | |
| 4 | 999 507 497 40 | Expansion rivet 8,0 X 14,0 | | X | |
| 5 | N 906 487 02 | Tapping screw ST 4,8 X 16 | | X | |
| 6 | 999 507 668 01 | Speed nut ST 4,8 | | X | |
| 7 | 996 504 503 02 | Rubber lip | /L | 1 | |
| 7 | | Rubber lip | /L | 1 | M095 |
| (7) | 996 504 503 03 | Rubber moulding | /L | 1 | |
| (7) | 996 504 504 02 | Rubber lip | /R | 1 | |
| (7) | | Rubber lip | /R | 1 | M095 |
| (7) | 996 504 504 03 | Rubber moulding | /R | 1 | |
| 8 | 996 504 603 02 | Air guide | /L | 1 | |
| 8 | 996 504 603 03 | Air guide | /L 02- | 1 | CABRIO TARGA C4S |
| (8) | 996 504 604 01 | Air guide | /R | 1 | |
| (8) | 996 504 604 02 | Air guide | /R | 1 | |
| (8) | 996 504 604 03 | Air guide | /R | 1 | CABRIO TARGA |
| 9 | 996 504 573 01 | Wheel-housing liner Rear | /L | 1 | |
| 9 | 996 504 573 02 | Wheel-housing liner Rear | /L | 1 | |
| (9) | 996 504 574 01 | Wheel-housing liner Rear | /R | 1 | |
| (9) | 996 504 574 02 | Wheel-housing liner Rear | /R | 1 | |
| 10 | 999 911 663 40 | Sealing strap 10 X 10 X 180 | | 2 | |
| 11 | 999 911 695 40 | Sealing strap 10 X 30 X 680 | | 2 | |

Model: 996 98

Model life 1998>>2005



Model: 996 98 Model life 1998>>2005

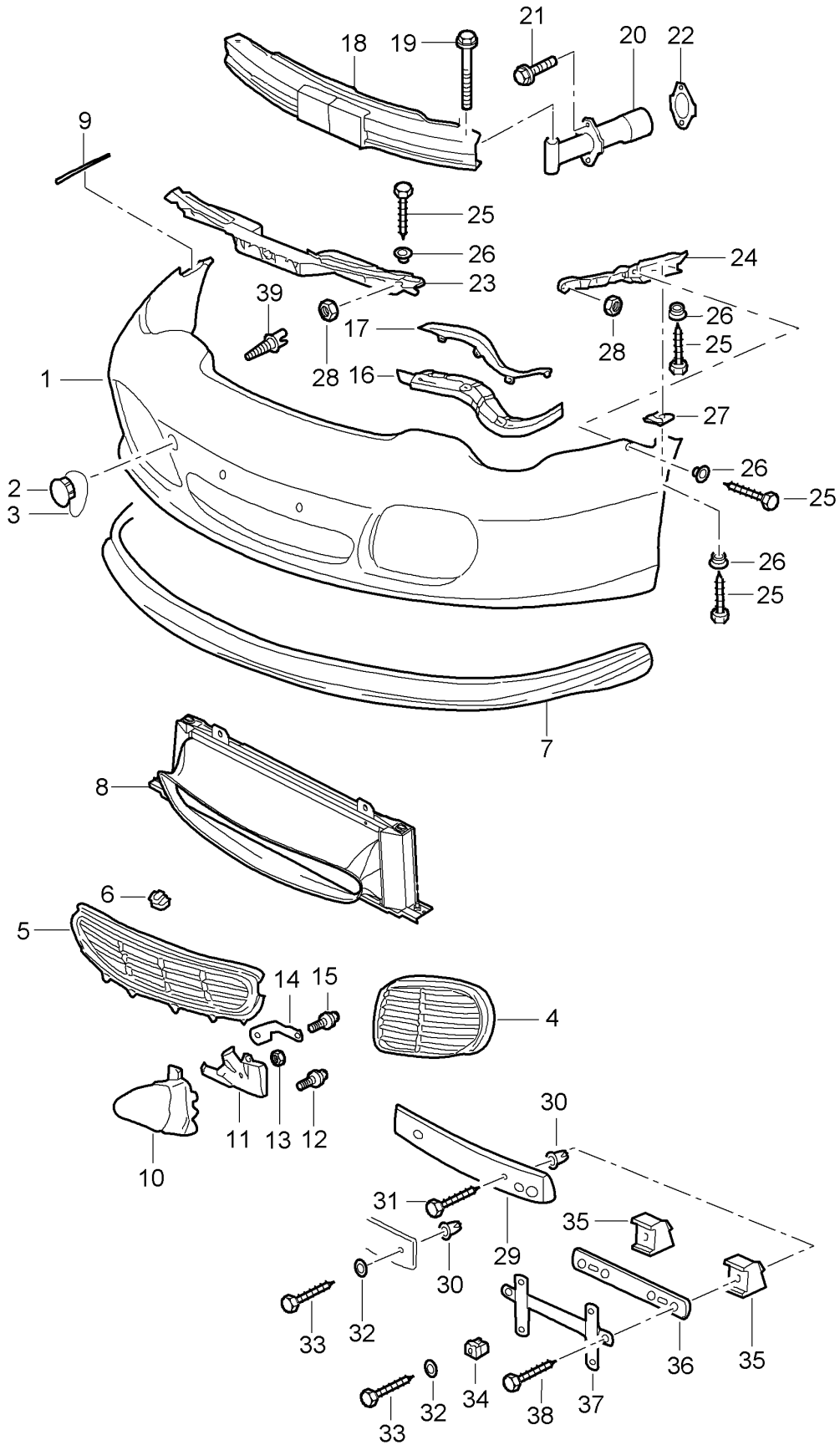
| Pos | Part Number | Description | Remark | Qty | Model |
|------|--------------------|----------------------|--------|-----|----------|
| | | Bumper | | | |
| | | Front | | | |
| 1 | 996 505 311 04 | Lining | -01 | 1 | |
| | 996 505 311 04 G2X | Prime coated | | | |
| (1) | 996 505 311 06 | Lining | 02- | 1 | |
| | 996 505 311 06 G2X | Prime coated | | | |
| (1) | 996 505 111 22 | Lining | | 1 | M095/480 |
| | 996 505 111 22 G2X | Prime coated | | | |
| 2 | 964 505 103 00 | Cap | | 1 | |
| | 964 505 103 00 G2X | Prime coated | | | |
| 3 | 996 505 553 04 | Air inlet | -01 | 1 | M480 |
| | 996 505 553 04 01C | Satin black | | | |
| (3) | 996 505 561 01 | Air inlet | 02- | 1 | M480 |
| | 996 505 561 01 01C | Satin black | | | |
| (3) | 996 505 553 05 | Air inlet | -01 | 1 | M249 |
| | 996 505 553 05 01C | Satin black | | | |
| (3) | 996 505 561 02 | Air inlet | 02- | 1 | M249 |
| | 996 505 561 02 01C | Satin black | | | |
| 4 | 996 505 525 00 | Cover | /L -01 | 1 | |
| | 996 505 525 00 01C | Satin black | | | |
| 4 | 996 505 525 01 | Cover | /L 02- | 1 | |
| | 996 505 525 01 01C | Satin black | | | |
| (4) | 996 505 526 00 | Cover | /R -01 | 1 | |
| | 996 505 526 00 01C | Satin black | | | |
| (4) | 996 505 526 01 | Cover | /R 02- | 1 | |
| | 996 505 526 01 01C | Satin black | | | |
| 5 | 996 505 011 00 | Bumper reinforcement | -01 | 1 | |
| 5 | 996 505 011 05 | Bumper reinforcement | 02- | 1 | |
| 6 | 986 505 777 01 | Foam part | | 1 | |
| 7 | 900 378 088 09 | Hexagon-head bolt | | 2 | |
| | | M 12 X 100 | | | |
| 7 | 900 378 088 01 | Hexagon-head bolt | | 2 | |
| | | M 12 x 100 | | | |
| 8 | 996 505 019 00 | Impact pipe | -01 | 2 | |
| 8 | 996 505 019 01 | Impact pipe | | 2 | |
| (8) | 996 505 015 00 | Impact absorber | | 2 | M058 |
| 9 | 900 075 457 02 | Combination screw | | 4 | |
| | | M 8 X 30 | | | |
| 10 | 996 505 775 00 | Desk pad | | 2 | |
| 11 | 996 505 531 00 | Retaining strip | -01 | 1 | |
| 11 | 996 505 531 01 | Retaining strip | | 1 | |
| | | Centre | | | |
| 12 | 996 505 539 00 | Bracket | /L -01 | 1 | |
| 12 | 996 505 539 02 | Bracket | /L 02- | 1 | |
| (12) | 996 505 540 00 | Bracket | /R -01 | 1 | |
| (12) | 996 505 540 02 | Bracket | /R 02- | 1 | |
| - | 996 505 741 01 | Cover | /L 02- | 1 | |
| | 996 505 741 01 01C | Satin black | | | |
| - | 996 505 742 01 | Cover | /R 02- | 1 | |
| | 996 505 742 01 01C | Satin black | | | |
| 13 | 996 505 535 00 | Retaining strip | /L -01 | 1 | |
| 13 | 996 505 535 03 | Retaining strip | /L 02- | 1 | |
| (13) | 996 505 536 00 | Retaining strip | /R -01 | 1 | |
| (13) | 996 505 536 03 | Retaining strip | /R 02- | 1 | |
| 14 | 900 144 101 02 | Tapping screw | | X | |
| | | B 4,8 X 19 | | | |
| 15 | 999 209 045 09 | Spacer | | X | |
| 16 | 999 507 072 02 | Speed nut | | X | |
| | | B 4,8 | | | |
| 17 | 999 084 633 09 | Hexagon nut | | X | |
| | | M 6 | | | |
| 18 | 996 641 142 00 | Temperature sensor | | 1 | |
| 18 | 958 505 535 00 | Sensor | | 1 | |

Model: 996 98 Model life 1998>>2005

| Pos | Part Number | Description | Remark | Qty | Model |
|------|----------------|--|---------------------|-----|-------|
| 19 | 999 911 606 40 | Adhesive tape | | X | |
| 19 | 000 043 204 83 | Adhesive tape Roller 16,5 METER | | X | |
| 20 | 999 507 497 40 | Expansion rivet 8 X 14 | | 2 | |
| 21 | 996 701 105 00 | Support | (E) (F) -01 (GB) | 1 | (BRD) |
| 21 | 996 701 105 01 | Support | (E) (F) 02- (GB) | 1 | (BRD) |
| 22 | 999 507 040 40 | Expander nut 4,2 | | X | |
| 23 | 900 143 151 02 | Combination tapping screw 4,2 X 16 | | 2 | |
| 24 | 900 025 024 40 | Washer | | X | |
| 25 | 900 143 134 00 | Tapping screw B 4,2 X 9,5 | | X | |
| 27 | 996 701 801 00 | Spacer | /L | 1 | |
| (27) | 996 701 802 00 | Spacer | /R | 1 | |
| 28 | 911 701 121 03 | Support | | 1 | M210 |
| 30 | 900 145 012 07 | Counters. head tapp. screw B 4,2 X 32 | | 2 | |
| 31 | 999 651 225 40 | Safety rope | | 1 | |
| 32 | 999 591 699 02 | Speed nut ST 4,8 | | 4 | |
| 32 | 999 591 699 01 | Speed nut ST 4,8 | | 4 | |
| 34 | 999 073 198 09 | Tapping screw | | 4 | |
| 34 | 999 073 227 09 | Tapping screw ST 4,8 X 19 | | 4 | |
| 37 | 996 505 531 00 | Retaining strip | | 1 | |
| 38 | 996 505 321 92 | Grille Centre | | 1 | |
| 39 | 996 505 323 91 | Grille Left | | 1 | |
| 40 | 996 505 324 91 | Grille Right | | 1 | |

Model: 996 98

Model life 1998>>2005



Model: 996 98 Model life 1998>>2005

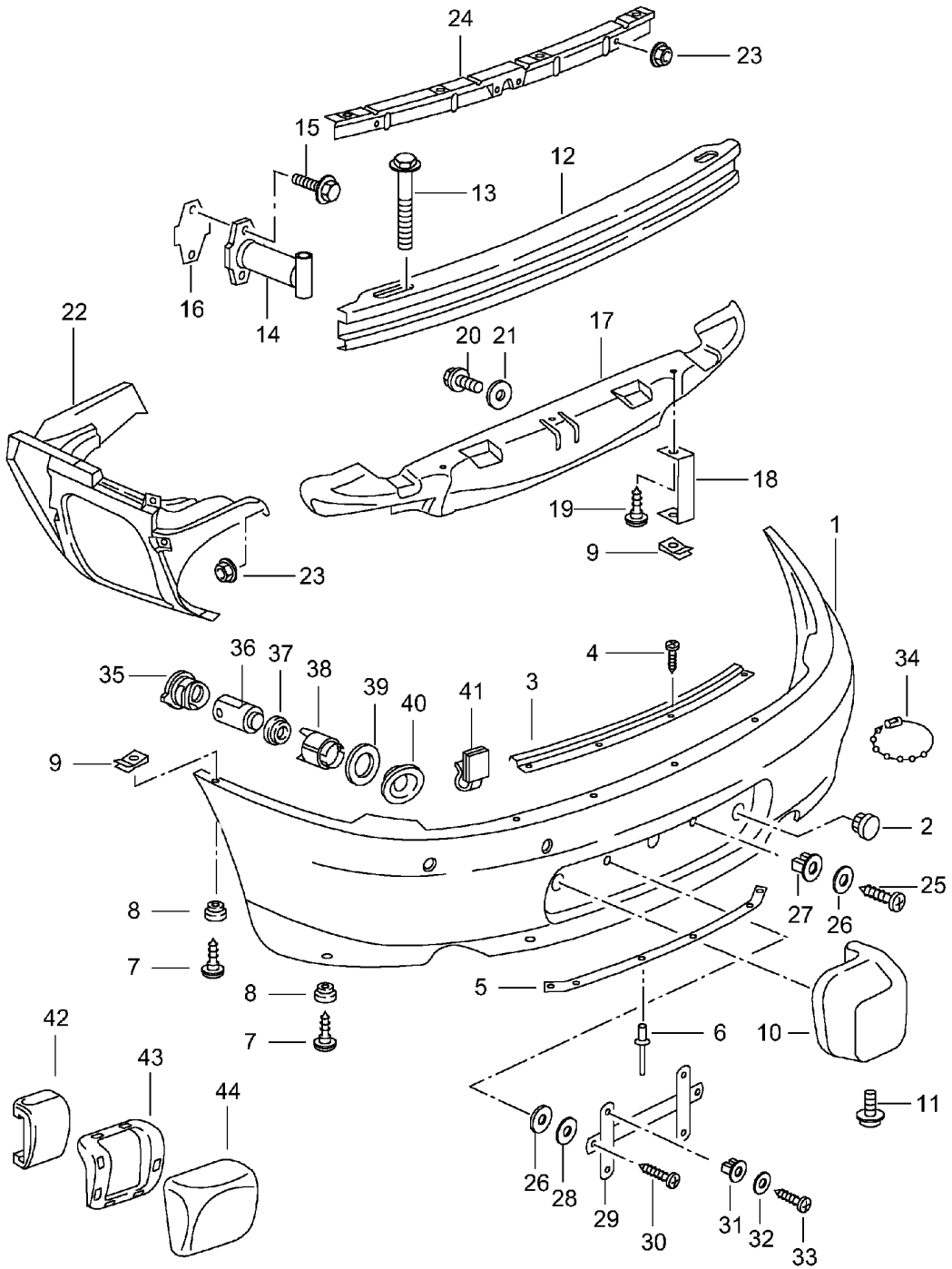
| Pos | Part Number | Description | Remark | Qty | Model |
|------|--------------------|----------------------|--------|-----|-------|
| | | Bumper | | | C4S |
| | | Front | | | |
| 1 | 996 505 311 05 | Lining | | 1 | |
| | 996 505 311 05 G2X | Prime coated | | | |
| 2 | 964 505 103 00 | Cap | | 1 | |
| | 964 505 103 00 G2X | Prime coated | | | |
| 3 | 999 651 225 40 | Safety rope | | 1 | |
| 4 | 996 505 563 00 | Air inlet | /L | 1 | |
| | 996 505 563 00 01C | Satin black | | | |
| (4) | 996 505 564 00 | Air inlet | /R | 1 | |
| | 996 505 564 00 01C | Satin black | | | |
| (4) | 996 505 563 01 | Air inlet | /L | 1 | M215 |
| | 996 505 563 01 01C | Satin black | | | |
| (4) | 996 505 564 01 | Air inlet | /R | 1 | M215 |
| | 996 505 564 01 01C | Satin black | | | |
| 4 | 996 505 563 03 | Air inlet | /L | 1 | M095 |
| | 996 505 563 03 M7Z | Silver metallic | | | |
| (4) | 996 505 564 03 | Air inlet | /R | 1 | M095 |
| | 996 505 564 03 M7Z | Silver metallic | | | |
| 5 | 996 505 561 03 | Air inlet | | 1 | |
| | 996 505 561 03 01C | Satin black | | | |
| 6 | 999 507 751 02 | U-clamp | | X | |
| 7 | 996 505 555 02 | Spoiler | | 1 | M095 |
| | 996 505 555 02 01C | Satin black | | | |
| 7 | 996 505 555 02 | Spoiler | | 1 | -IXAH |
| | 996 505 555 02 01C | Satin black | | | |
| 7 | 996 505 555 02 | Spoiler | | 1 | -IXAH |
| | 996 505 555 02 01C | Satin black | | | |
| 8 | 996 504 085 00 | Air inlet | | 1 | M095 |
| 9 | 996 504 627 00 | Protective film | | 1 | |
| | | Set | | | |
| 10 | 996 505 527 00 | Buffer | /L | 1 | M215 |
| | 996 505 527 00 70C | Rally black | | | |
| (10) | 996 505 528 00 | Buffer | /R | 1 | M215 |
| | 996 505 528 00 70C | Rally black | | | |
| 11 | 996 505 533 00 | Mounting | /L | 1 | M215 |
| (11) | 996 505 534 00 | Mounting | /R | 1 | M215 |
| 12 | 900 378 158 09 | Hexagon-head bolt | | 2 | M215 |
| | | M 6 X 16 | | | |
| 13 | 999 209 044 09 | Spacer | | 2 | M215 |
| 14 | 996 505 523 00 | Desk pad | /L | 1 | M215 |
| (14) | 996 505 524 00 | Desk pad | /R | 1 | M215 |
| 15 | 900 067 148 02 | Pan-head screw | | 2 | M215 |
| | | M 5 X 25 | | | |
| 16 | 996 505 539 03 | Bracket | /L | 1 | |
| (16) | 996 505 540 03 | Bracket | /R | 1 | |
| 17 | 996 505 741 02 | Cover | /L | 1 | |
| | 996 505 741 02 01C | Satin black | | | |
| (17) | 996 505 742 02 | Cover | /R | 1 | |
| | 996 505 742 02 01C | Satin black | | | |
| 18 | 996 505 011 02 | Bumper reinforcement | | 1 | |
| (18) | 996 505 011 03 | Bumper reinforcement | | 1 | M215 |
| 19 | 900 378 088 09 | Hexagon-head bolt | | 2 | |
| | | M 12 X 100 | | | |
| 19 | 900 378 088 01 | Hexagon-head bolt | | 2 | |
| | | M 12 X 100 | | | |
| (20) | 996 505 019 01 | Impact pipe | | 2 | |
| 20 | 996 505 015 00 | Impact absorber | | 2 | M058 |
| 21 | 900 075 457 02 | Combination screw | | 4 | |
| | | M 8 X 30 | | | |
| 22 | 996 505 775 00 | Desk pad | | 2 | |
| 23 | 996 505 531 01 | Retaining strip | | 1 | |
| 24 | 996 505 535 03 | Retaining strip | /L | 1 | |

Model: 996 98 Model life 1998>>2005

| Pos | Part Number | Description | Remark | Qty | Model |
|------|----------------|------------------------------|--------|-----|-------|
| (24) | 996 505 536 03 | Retaining strip | /R | 1 | |
| 25 | 900 144 101 02 | Tapping screw ST 4,8 X 19 | | 9 | |
| 26 | 999 209 045 09 | Spacer | | 9 | |
| 27 | 999 507 072 02 | Speed nut ST 4,8 | | X | |
| 28 | 999 076 048 02 | Hexagon nut M 6 | | 11 | |
| 29 | 996 701 105 00 | Support | | 1 | M211 |
| 30 | 999 507 040 40 | Expander nut 4,2 | | X | |
| 31 | 999 073 080 02 | Combination screw | | X | |
| 32 | 900 025 024 40 | Washer | | X | |
| 33 | 900 143 134 00 | Tapping screw B 4,2 X 9,5 | | X | |
| 35 | 996 701 801 00 | Spacer | /L | 1 | |
| (35) | 996 701 802 00 | Spacer | /R | 1 | |
| 36 | 911 701 121 03 | Support | | 1 | M210 |
| 38 | 900 144 182 09 | Tapping screw B 4,2 X 32 | | 2 | |
| 39 | 996 641 142 00 | Temperature sensor | | 1 | |
| 39 | 958 505 535 00 | Sensor | | 1 | |

Model: 996 98

Model life 1998>>2005



Model: 996 98 Model life 1998>>2005

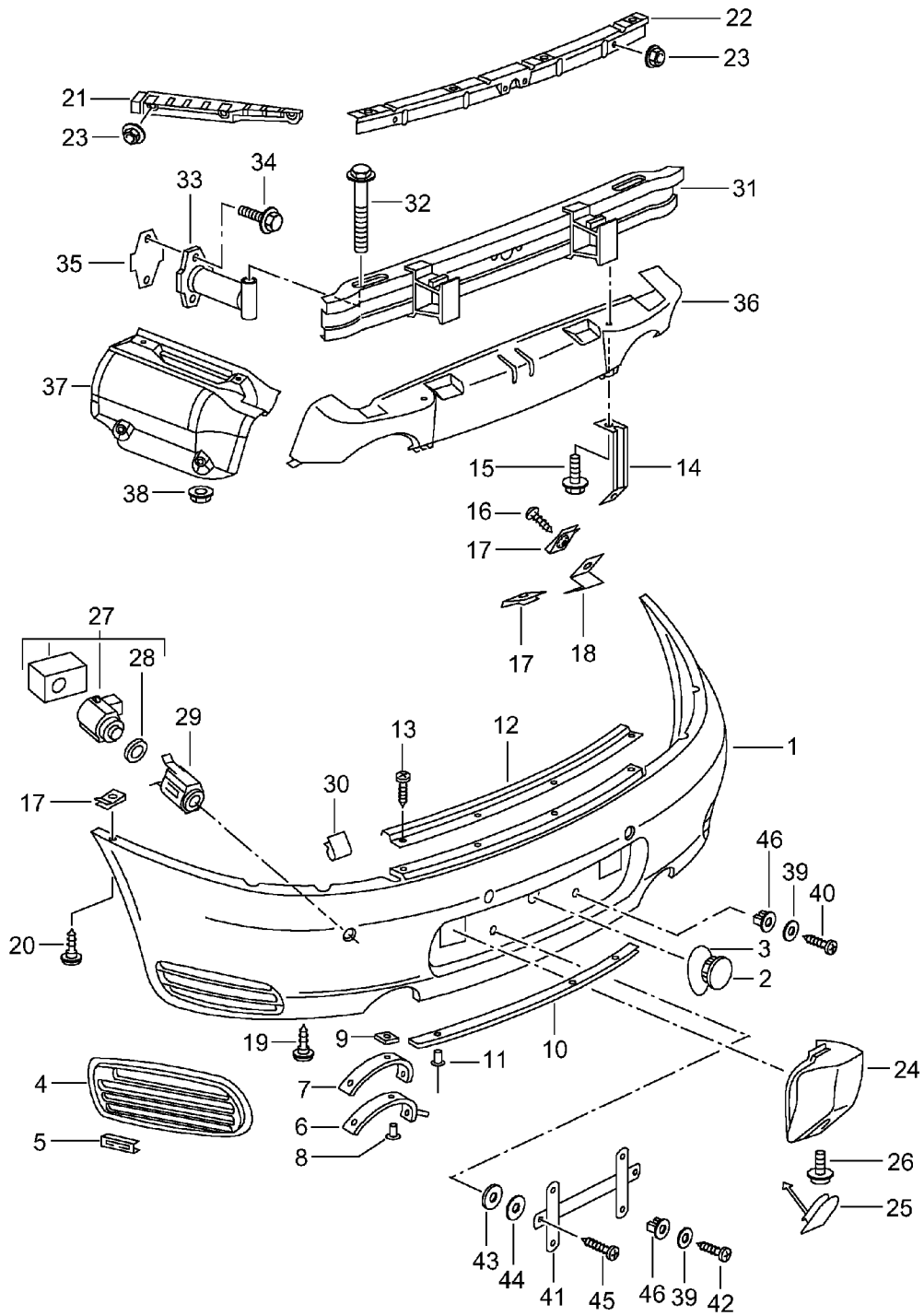
| Pos | Part Number | Description | Remark | Qty | Model |
|------|--------------------|---------------------------------|--------|-----|----------|
| | | Bumper Rear | | | |
| 1 | 996 505 411 08 | Lining | -01 | 1 | |
| | 996 505 411 08 G2X | Prime coated | | | |
| 1 | 996 505 411 08 | Lining | -01 | 1 | |
| | 996 505 411 08 G2X | Prime coated | | | |
| | | It is necessary to rework | | | M635 |
| (1) | 996 505 411 12 | Lining | 02- | 1 | |
| | 996 505 411 12 G2X | Prime coated | | | |
| (1) | 996 505 911 02 | Lining | 02- | 1 | M635 |
| | 996 505 911 02 G2X | Prime coated | | | |
| (1) | 996 505 411 13 | Lining | 02- | 1 | M215 |
| | 996 505 411 13 G2X | Prime coated | | | |
| (1) | 996 505 911 04 | Lining | 02- | 1 | M215/635 |
| | 996 505 911 04 G2X | Prime coated | | | |
| 2 | 964 505 103 00 | Cap | -01 | 1 | |
| | 964 505 103 00 G2X | Prime coated | | | |
| 2 | 996 505 803 00 | Cap | 02- | 1 | |
| | 996 505 803 00 G2X | Prime coated | | | |
| 3 | 996 505 833 00 | Retaining strip | | 1 | |
| 4 | 900 144 101 02 | Tapping screw B 4,8 X 19 | | 4 | |
| 5 | 996 505 837 00 | Retaining strip | -01 | 1 | |
| (5) | 996 505 837 02 | Retaining strip | 02- | 1 | |
| 6 | 999 190 104 30 | Blind rivet 3,2 X 7,9 | | 4 | |
| 7 | 999 073 198 09 | Tapping screw | | 8 | |
| 7 | 999 073 227 09 | Tapping screw ST 4,8 X 19 | | 8 | |
| 9 | 999 507 072 02 | Speed nut 4,8 | | 4 | |
| 10 | 996 505 425 00 | Buffer | /L -01 | 1 | M215 |
| | 996 505 425 00 70C | Rally black | | | |
| (10) | 996 505 426 00 | Buffer | /R -01 | 1 | M215 |
| | 996 505 426 00 70C | Rally black | | | |
| 12 | 996 505 021 00 | Bumper reinforcement | -01 | 1 | |
| (12) | 996 505 021 04 | Bumper reinforcement | 02- | 1 | |
| 13 | 900 378 088 09 | Hexagon-head bolt M 12 X 100 | | 2 | |
| 13 | 900 378 088 01 | Hexagon-head bolt M 12 X 100 | | 2 | |
| 14 | 996 505 019 01 | Impact pipe | | 2 | |
| (14) | 996 505 015 00 | Impact absorber | | 2 | M058 |
| 15 | 900 075 457 02 | Combination screw M 8 X 30 | | 4 | |
| 16 | 993 505 775 00 | Desk pad | | 2 | |
| 17 | 996 505 475 00 | Heat protection | -01 | 1 | |
| (17) | 996 505 475 02 | Heat protection | 02- | 1 | |
| 18 | 996 505 639 00 | Rear support | -01 | 2 | |
| 18 | 996 505 639 02 | Rear support | 02- | 2 | |
| 19 | 999 075 048 02 | Hexagon-head bolt M 6 X 22 | | 2 | |
| 20 | 900 278 025 02 | Hexagon-head bolt M 5 X 12 | | 1 | |
| 21 | 999 025 243 02 | Washer | | 1 | |
| (22) | 996 505 631 00 | Retaining frame | /L -01 | 1 | |
| (22) | 996 505 631 01 | Retaining frame | /L 02- | 1 | |
| (22) | 996 505 631 02 | Retaining frame | /L 02- | 1 | C4S |
| 22 | 996 505 632 00 | Retaining frame | /R -01 | 1 | |
| 22 | 996 505 632 01 | Retaining frame | /R 02- | 1 | |
| 22 | 996 505 632 02 | Retaining frame | /R 02- | 1 | C4S |
| 23 | 999 084 633 09 | Hexagon nut M 6 | | 13 | |

Model: 996 98 Model life 1998>>2005

| Pos | Part Number | Description | Remark | Qty | Model |
|------|--------------------|---|--------|-----|-------|
| 24 | 996 505 831 00 | Retaining strip Centre | | 1 | |
| 25 | 900 143 151 02 | Combination tapping screw B 4,2 X 16 | | 2 | |
| 26 | 999 025 235 40 | Rubber washer | | X | |
| 27 | 999 507 040 40 | Expander nut 4,2 | | 2 | |
| 34 | 999 651 225 40 | Safety rope | | 1 | |
| 35 | 996 505 669 00 | Retainer spring | -01 | 4 | M635 |
| 36 | 996 606 171 00 | Sensor | -01 | 4 | M635 |
| | 996 606 171 00 9A4 | Titanium metallic | | | |
| (36) | 000 043 204 56 | Sensor | 02- | 4 | M635 |
| 37 | 996 606 471 00 | Ring | -01 | 4 | M635 |
| (37) | 996 606 473 00 | Ring | 02- | 4 | M635 |
| 38 | 996 505 865 00 | Housing | -01 | 4 | M635 |
| 38 | 996 505 940 00 | Housing | | 4 | M635 |
| (38) | 996 505 885 01 | Housing | 02- | 2 | M635 |
| | 996 505 885 01 G2X | Prime coated Inner | | | |
| (38) | 996 505 887 01 | Housing | 02- | 2 | M635 |
| | 996 505 887 01 G2X | Prime coated Outer | | | |
| 39 | 999 025 262 02 | Washer 35 X 50 X 0,5 | -01 | 4 | M635 |
| 40 | 996 505 859 00 | Cover | /L -01 | 1 | M635 |
| | 996 505 859 00 G2X | Prime coated Inner | | | |
| (40) | 996 505 860 00 | Cover | /R -01 | 1 | M635 |
| | 996 505 860 00 G2X | Prime coated Inner | | | |
| (40) | 996 505 861 00 | Cover | /L -01 | 1 | M635 |
| | 996 505 861 00 G2X | Prime coated Outer | | | |
| (40) | 996 505 862 00 | Cover | /R -01 | 1 | M635 |
| | 996 505 862 00 G2X | Prime coated Outer | | | |
| 41 | 999 507 623 40 | Cable holder | | 4 | M635 |
| 42 | 996 505 845 00 | Buffer | /L 02- | 1 | M215 |
| 42 | 996 505 845 01 | Buffer | /L 02- | 1 | M215 |
| (42) | 996 505 846 00 | Buffer | /R 02- | 1 | M215 |
| (42) | 996 505 846 01 | Buffer | /R 02- | 1 | M215 |
| 43 | 996 505 645 00 | Support frame | /L 02- | 1 | M215 |
| (43) | 996 505 646 00 | Support frame | /R 02- | 1 | M215 |
| 44 | 996 505 625 00 | Lining | /L 02- | 1 | M215 |
| | 996 505 625 00 G2X | Prime coated | | | |
| (44) | 996 505 626 00 | Lining | /R 02- | 1 | M215 |
| | 996 505 626 00 G2X | Prime coated | | | |

Model: 996 98

Model life 1998>>2005



Model: 996 98 Model life 1998>>2005

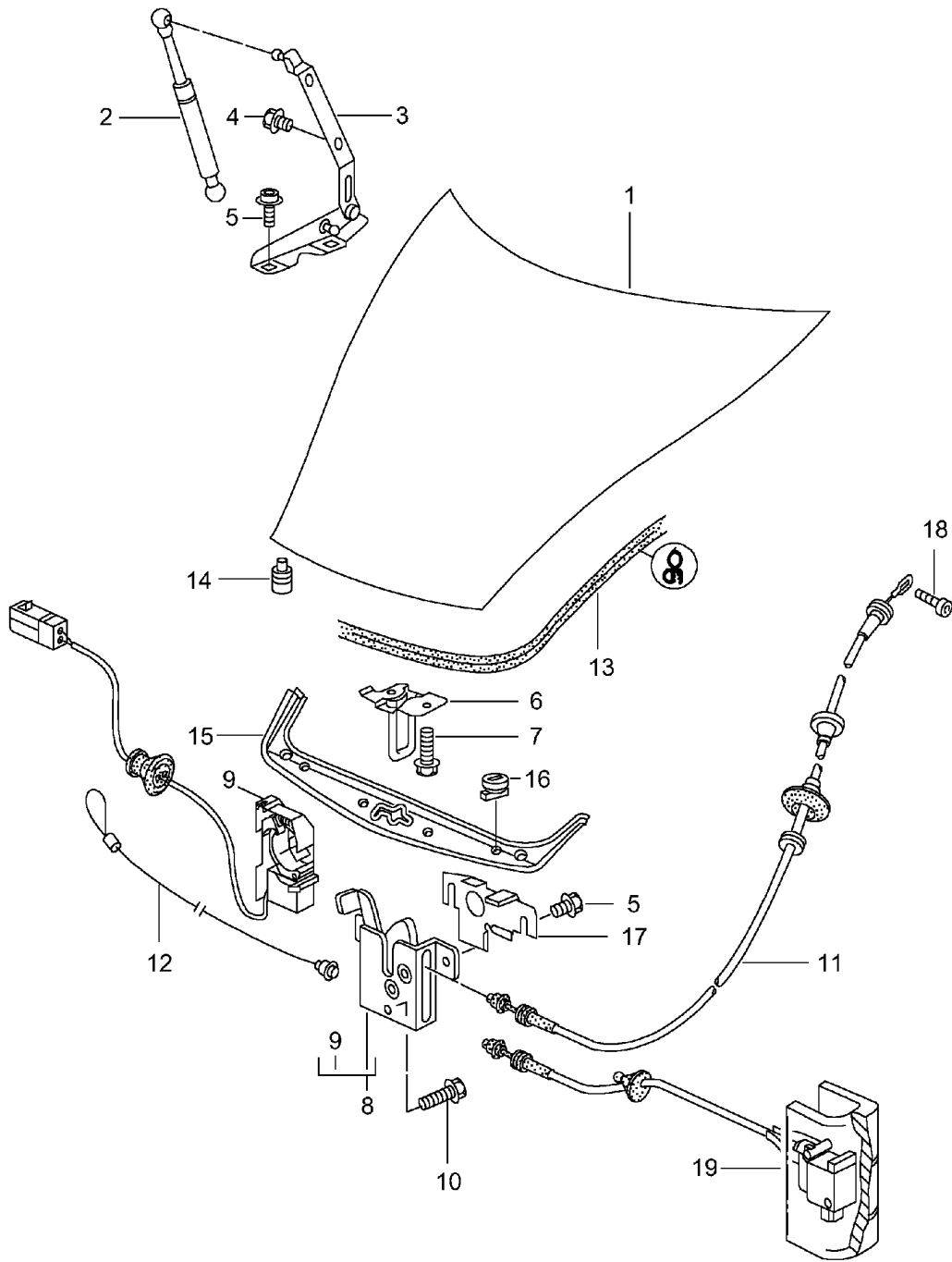
| Pos | Part Number | Description | Remark | Qty | Model |
|------|--------------------|---------------------------|--------|-----|-------|
| | | Bumper Rear | | | C4S |
| 1 | 996 505 411 16 | Lining | | 1 | |
| | 996 505 411 16 G2X | Prime coated | | | |
| | | It is necessary to rework | | | |
| (1) | 996 505 911 00 | Lining | | 1 | M635 |
| | 996 505 911 00 G2X | Prime coated | | | |
| | | It is necessary to rework | | | |
| 2 | 964 505 103 00 | Cap | | 1 | |
| | 964 505 103 00 G2X | Prime coated | | | |
| 3 | 999 651 225 40 | Safety rope | | 1 | |
| 4 | 996 505 663 01 | Ventilation grille | /L | 1 | |
| | 996 505 663 01 01C | Satin black | | | |
| (4) | 996 505 664 01 | Ventilation grille | /R | 1 | |
| | 996 505 664 01 01C | Satin black | | | |
| 5 | 999 507 696 00 | U-clamp | | 24 | |
| 6 | 996 505 611 02 | Cover | /L | 1 | |
| (6) | 996 505 612 02 | Cover | /R | 1 | |
| 7 | 996 505 621 00 | Heat shield | /L | 1 | |
| (7) | 996 505 622 00 | Heat shield | /R | 1 | |
| 8 | 900 056 001 30 | Rivet | | 4 | |
| | | 4 X 12 | | | |
| 9 | 999 166 051 08 | Clamping washer | | 6 | |
| | | 4,0 | | | |
| 10 | 996 505 837 03 | Retaining strip | | 1 | |
| 11 | 999 190 104 30 | Blind rivet | | 4 | |
| | | A 3,2 X 7,9 | | | |
| 12 | 996 505 833 02 | Rail | | 1 | |
| 13 | 900 144 101 02 | Tapping screw | | 4 | |
| | | ST 4,8 X 19 | | | |
| 14 | 996 505 639 03 | Rear support | | 2 | |
| 15 | 999 075 056 09 | Combination screw | | 2 | |
| | | M 6 X 22 | | | |
| 16 | N 906 487 02 | Tapping screw | | 2 | |
| | | ST 4,8 X 16 | | | |
| 17 | 999 507 072 02 | Speed nut | | X | |
| | | ST 4,8 | | | |
| 18 | 996 505 649 00 | Bracket | | 2 | |
| 19 | 999 073 062 02 | Tapping screw | | 2 | |
| | | ST 4,8 X 19 | | | |
| 20 | 999 073 227 09 | Tapping screw | | 6 | |
| | | ST 4,8 X 19 | | | |
| 21 | 996 505 635 00 | Retaining strip | /L | 1 | |
| (21) | 996 505 636 00 | Retaining strip | /R | 1 | |
| 22 | 996 505 831 00 | Retaining strip | | 1 | |
| | | Centre | | | |
| 23 | 999 076 048 02 | Hexagon nut | | 9 | |
| | | M 6 | | | |
| 24 | 996 505 425 01 | Buffer | /L | 1 | M215 |
| | 996 505 425 01 70C | Rally black | | | |
| (24) | 996 505 426 01 | Buffer | /R | 1 | M215 |
| | 996 505 426 01 70C | Rally black | | | |
| 25 | 996 505 403 00 | Lid | | 2 | M215 |
| | 996 505 403 00 70C | Rally black | | | |
| 26 | 900 067 271 09 | Combination screw | | 2 | M215 |
| 27 | 000 043 204 56 | Sensor | | 4 | M635 |
| 28 | 996 606 473 00 | Ring | | 4 | M635 |
| 29 | 996 505 885 00 | Housing | | 2 | M635 |
| | 996 505 885 00 G2X | Prime coated | | | |
| | | Inner | | | |
| (29) | 996 505 887 00 | Housing | | 2 | M635 |
| | 996 505 887 00 G2X | Prime coated | | | |
| | | Outer | | | |

Model: 996 98 Model life 1998>>2005

| Pos | Part Number | Description | Remark | Qty | Model |
|------|----------------|----------------------------------|--------|-----|-------|
| 30 | 999 507 623 40 | Cable holder | | 4 | |
| 31 | 996 505 021 02 | Bumper reinforcement | | 1 | |
| (31) | 996 505 021 03 | Bumper reinforcement | | 1 | M215 |
| 32 | 900 378 088 09 | Hexagon-head bolt M 12 X 100 | | 2 | |
| 32 | 900 378 088 01 | Hexagon-head bolt M 12 X 100 | | 2 | |
| 33 | 996 505 019 01 | Impact pipe | | 2 | |
| (33) | 996 505 015 00 | Impact absorber | | 2 | M058 |
| 34 | 900 075 457 02 | Combination screw M 8 X 30 | | 4 | |
| 35 | 993 505 775 00 | Desk pad | | 2 | |
| 36 | 996 505 475 04 | Heat protection | | 1 | |
| 37 | 996 505 477 00 | Heat protection | /L | 1 | |
| (37) | 996 505 478 00 | Heat protection | /R | 1 | |
| 38 | 999 049 025 09 | Collar nut | | 12 | |
| 39 | 900 025 024 40 | Washer | | X | |
| 40 | 999 073 080 02 | Combination screw ST 4,2 X 16 | | X | |
| 43 | 999 025 235 40 | Rubber washer | | X | |
| 46 | 999 507 040 40 | Expander nut ST 4,2 | | X | |

Model: 996 98

Model life 1998>>2005



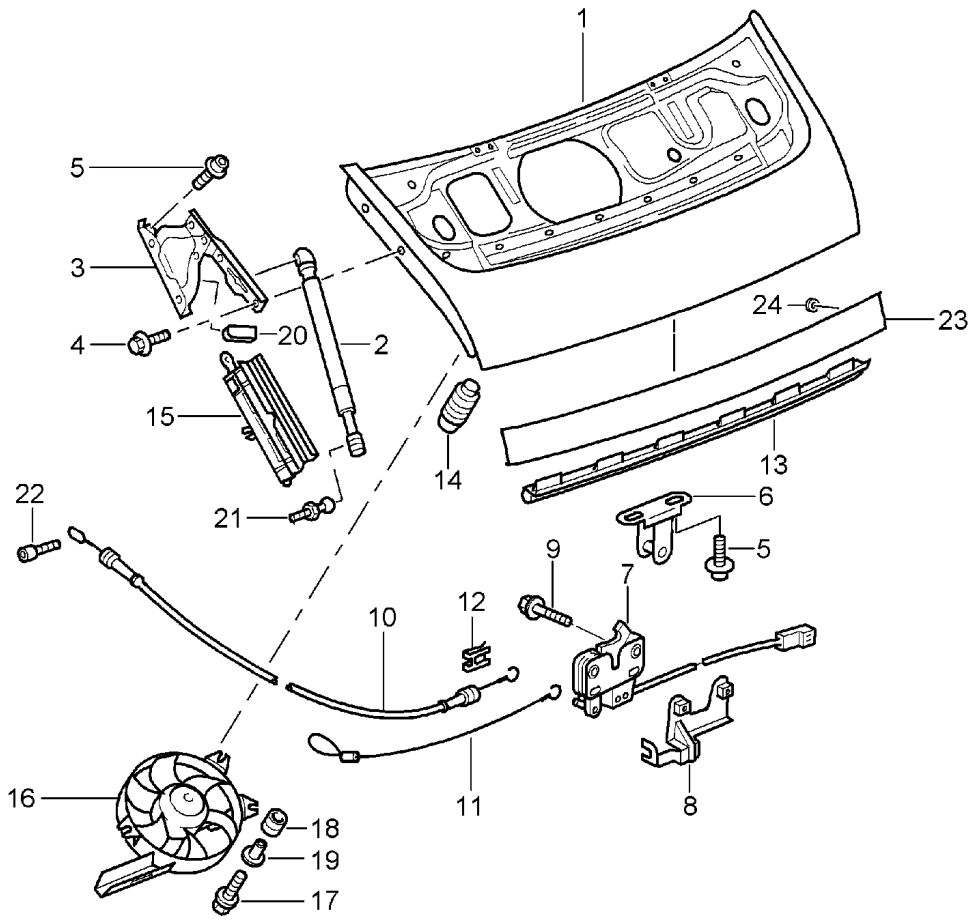
Model: 996 98

Model life 1998>>2005

| Pos | Part Number | Description | Remark | Qty | Model |
|------|--------------------|-------------------------------|---------|-----|-------|
| 1 | 996 511 011 02 | Lid Front | | 1 | |
| | 996 511 011 02 GRV | Lid Prime coated | | | |
| | | Use also: | | | |
| - | 000 043 204 38 | Sealing compound | | 1 | |
| 2 | 996 511 551 01 | Gas-pressure spring | | 2 | |
| 3 | 996 511 151 01 | Hinge | /L | 1 | |
| (3) | 996 511 152 01 | Hinge | /R | 1 | |
| 4 | 900 378 036 09 | Hexagon-head bolt M 6 X 12 | | 4 | |
| 5 | 900 075 466 09 | Combination screw M 6 X 16 | | 6 | |
| 6 | 996 511 051 02 | Lock upper part | | 1 | |
| 7 | 900 378 173 09 | Hexagon-head bolt M 6 X 20 | | 2 | |
| 8 | 996 511 053 02 | Lock lower part | | 1 | |
| 9 | 996 613 206 00 | Microswitch | | 1 | |
| 10 | 900 075 347 02 | Combination screw M 6 X 28 | | 1 | |
| 11 | 996 511 017 01 | Lid-release cable | /LL -00 | 1 | |
| (11) | 996 511 018 00 | Lid-release cable | /RL -00 | 1 | |
| 12 | 996 511 521 00 | Emergency operation | | 1 | |
| 13 | 996 511 611 00 | Gasket | | 1 | |
| 14 | 999 703 140 40 | Rubber buffer | | 2 | |
| 15 | 996 504 811 00 | Trim cover | -01 | 1 | |
| | 996 504 811 00 01C | Satin black | | | |
| 15 | 996 504 811 02 | Trim cover | 02- | 1 | |
| | 996 504 811 02 01C | Satin black | | | |
| 16 | 999 590 036 40 | Cap nut | | 4 | |
| | 999 590 036 40 01C | Satin black | | | |
| 17 | 996 511 653 00 | Cover | | 1 | |
| 18 | 900 119 121 09 | Pan-head screw M 4 X 14 | | 1 | |
| 19 | 996 511 127 00 | Actuator | 01- | 1 | |

Model: 996 98

Model life 1998>>2005



Model: 996 98 Model life 1998>>2005

| Pos | Part Number | Description | Remark | Qty | Model |
|------|--------------------|--|--------|-----|------------|
| 1 | 996 512 011 01 | Lid | | 1 | |
| | 996 512 011 01 GRV | Rear Lid Prime coated | | | |
| - | 000 043 204 38 | Use also: Sealing compound | | 1 | |
| (1) | 996 512 221 01 | Lid | | 1 | C4S COUPE |
| | 996 512 221 01 G2X | Prime coated | | | |
| (1) | 996 512 221 02 | Lid | | 1 | C4S CABRIO |
| | 996 512 221 02 G2X | Prime coated | | | |
| (1) | PCG 512 221 02 | Lid | | 1 | C4S CABRIO |
| | PCG 512 221 02 G2X | Prime coated Treated | | | |
| 2 | 996 512 551 03 | Gas-pressure spring | /R | 1 | |
| 2 | 996 512 551 04 | Gas-pressure spring | | 2 | C4S COUPE |
| 2 | 996 512 551 05 | Gas-pressure spring | | 2 | C4S CABRIO |
| | | See technical information Group 5 3/97 | | | |
| 3 | 996 512 151 01 | Hinge | /L | 1 | |
| 3 | | Hinge | /L | 1 | C4S CABRIO |
| 3 | 996 512 151 03 | Hinge | /L | 1 | C4S COUPE |
| (3) | 996 512 152 01 | Hinge | /R | 1 | |
| (3) | | Hinge | /R | 1 | C4S CABRIO |
| (3) | 996 512 152 03 | Hinge | /R | 1 | C4S COUPE |
| 4 | 900 378 155 09 | Hexagon-head bolt M 6 X 16 | | 4 | |
| 5 | 900 075 466 09 | Combination screw M 6 X 16 | | 6 | |
| 6 | 993 512 213 00 | Lock upper part | -00 | 1 | |
| 6 | 996 512 213 00 | Lock upper part | | 1 | |
| (7) | 996 512 053 01 | Lock lower part | | 1 | |
| 7 | 996 512 053 03 | Lock lower part | | 1 | |
| (8) | 996 512 753 02 | Mounting plate | | 1 | |
| 8 | 996 512 753 03 | Mounting plate | | 1 | |
| (8) | 996 512 055 00 | Actuator | | 1 | M534/535 |
| 9 | 900 378 168 09 | Hexagon-head bolt M 6 X 30 | | 2 | |
| 10 | 996 512 017 00 | Traction | /LL | 1 | |
| (10) | 996 512 018 00 | Traction | /RL | 1 | |
| 11 | 996 512 521 00 | Emergency operation | | 1 | |
| 12 | 999 166 054 02 | Sl-lock | -00 | 1 | |
| 12 | 999 166 054 01 | Sl-lock | | 1 | |
| (12) | 900 116 002 02 | Lock washer | 01- | 1 | |
| 13 | 996 512 611 00 | Gasket | | 1 | |
| 13 | 996 512 611 01 | Gasket | | 1 | C4S |
| - | 000 043 157 00 | Cleaning agent 30 ML | | X | |
| 14 | 999 703 140 40 | Rubber buffer | | 2 | |
| 15 | 996 610 230 00 | Cable holder | | 1 | |
| 16 | 996 624 036 04 | Blower | | 1 | |
| 17 | 900 378 030 09 | Hexagon-head bolt M 6 X 20 | | 3 | |
| 18 | 999 703 451 40 | Rubber sleeve | | 3 | |
| 19 | 999 209 049 02 | Spacer sleeve | | 3 | |
| 20 | 996 512 153 00 | Stop | | 2 | |
| 21 | 999 167 049 02 | Ball pin M 6 | | 1 | |
| (21) | 999 167 042 02 | Ball pin M 8 | | 1 | |
| (21) | 999 167 051 03 | Ball pin M 8 | | 1 | |
| 22 | 900 119 121 09 | Pan-head screw | | 1 | |

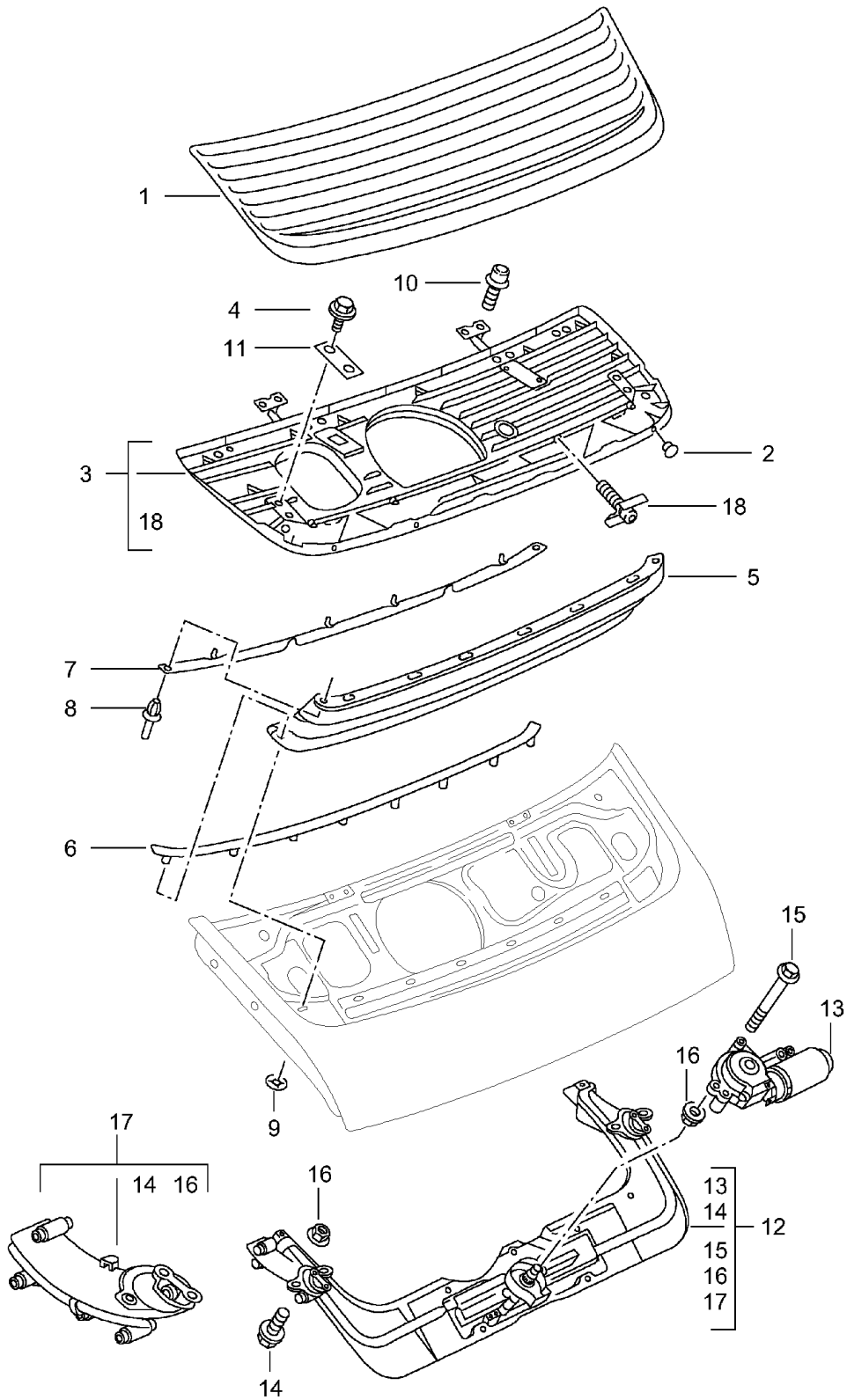
Model: 996 98

Model life 1998>>2005

| Pos | Part Number | Description | Remark | Qty | Model |
|-----|----------------|-----------------------------|--------|-----|-------|
| 23 | 996 512 259 00 | M 4 X 14 Reflector cover | | 1 | C4S |
| 24 | 996 512 671 00 | Clamping nut | | 13 | C4S |
| - | 999 919 713 09 | Oval-head screw M 5 X 10 | | 13 | C4S |

Model: 996 98

Model life 1998>>2005

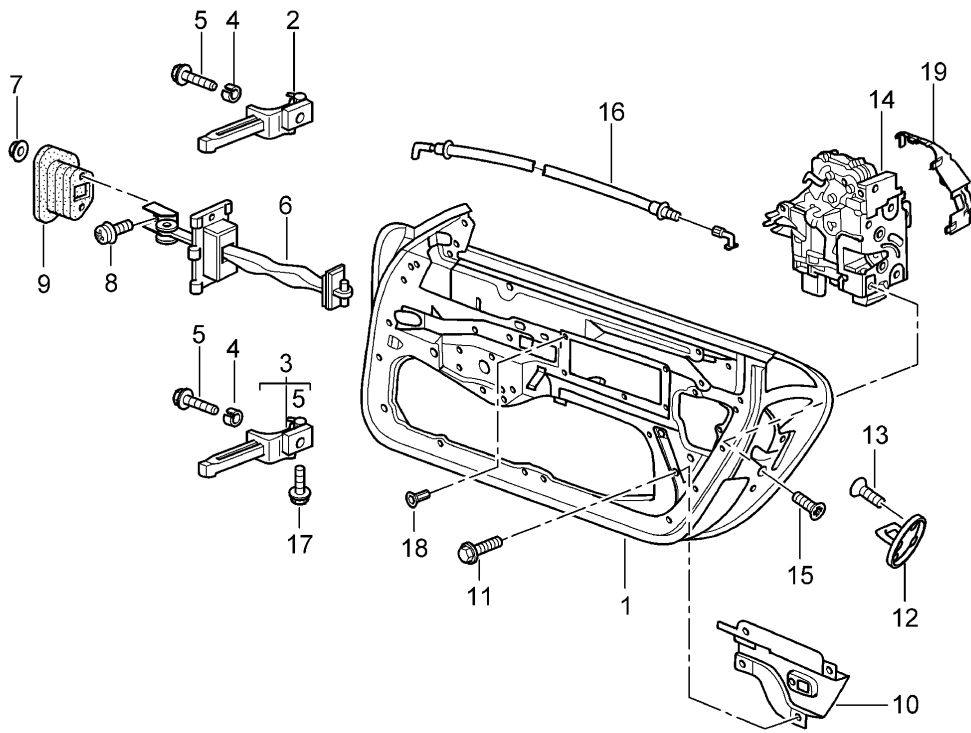


Model: 996 98 Model life 1998>>2005

| Pos | Part Number | Description | Remark | Qty | Model |
|------|--------------------|---------------------------------------|--------|-----|-------|
| 1 | 996 512 240 01 | Rear spoiler | | 1 | |
| | 996 512 240 01 G2X | Spoiler Prime coated Upper part | | | |
| 2 | 996 512 212 00 | Stopper | | 4 | |
| 3 | 996 512 205 01 | Spoiler | | 1 | |
| | | Lower part | | | |
| - | 999 703 488 40 | Buffer | | 2 | |
| | | 5,9 X 11,5 X 16 | | | |
| 4 | 900 075 008 09 | Hexagon-head bolt | | 4 | |
| | | M 6 X 8 | | | |
| 5 | 996 512 250 00 | Rear wall | | 1 | |
| 6 | 996 512 163 00 | Rail | | 1 | |
| | | Lower | | | |
| 7 | 996 512 164 00 | Rail | | 1 | |
| | | Upper | | | |
| 8 | 999 591 712 40 | Expansion rivet | | 2 | |
| | | 6,0 X 12,0 | | | |
| 9 | 999 591 974 07 | Clamping washer | | 8 | |
| | | 5,0 | | | |
| 10 | 900 067 380 09 | Pan-head screw | | 4 | |
| | | M 6 X 18 | | | |
| 10 | 900 387 264 01 | Pan-head screw | | 4 | |
| | | M 6 X 18 | | | |
| 10 | N 105 464 03 | Pan-head screw | | 4 | |
| | | M 6 X 18 | | | |
| 10 | 900 067 273 09 | Combination screw | | 4 | |
| | | M 6 X 18 | | | |
| 11 | 996 512 757 00 | Desk pad | | 2 | |
| 12 | 996 512 109 00 | Driving mechanism | | 1 | |
| 12 | 996 512 109 04 | Driving mechanism | | 1 | |
| (12) | 996 512 109 02 | Driving mechanism | | 1 | C4S |
| (12) | 996 512 109 06 | Driving mechanism | | 1 | C4S |
| 13 | 996 624 151 00 | Electric motor | | 1 | |
| 14 | 900 067 273 09 | Combination screw | | 10 | |
| | | M 6 X 16 | | | |
| 15 | 900 074 364 02 | Hexagon-head bolt | | 3 | |
| | | M 5 X 55 | | | |
| | | Micro-self-locking | | | |
| 16 | 900 377 009 01 | Hexagon nut | | 3 | |
| | | M 5 | | | |
| 17 | 996 512 911 00 | Hinge | | 2 | |
| 17 | 996 512 911 01 | Hinge | | 2 | C4S |
| 18 | 996 512 255 01 | Support | | 4 | |

Model: 996 98

Model life 1998>>2005



Model: 996 98 Model life 1998>>2005

| Pos | Part Number | Description | Remark | Qty | Model |
|------|--------------------------------------|--|------------|-----|----------|
| (1) | 996 531 011 04 996 531 011 04 GRV | Door in white Installation parts Door lock Door in white Prime coated Use also: POS.17 See technical information Group 5 5/00 | /L | 1 | |
| (1) | 996 531 011 05 996 531 011 05 GRV | Door in white Prime coated Use also: POS.17 See technical information Group 5 5/00 | /L | 1 | |
| 1 | 996 531 012 04 996 531 012 04 GRV | Door in white Prime coated Use also: POS.17 See technical information Group 5 5/00 | /R | 1 | |
| 1 | 996 531 012 05 996 531 012 05 GRV | Door in white Prime coated Use also: POS.17 See technical information Group 5 5/00 | /R | 1 | |
| - | 000 043 204 38 | Sealing compound | | 1 | |
| (2) | 996 531 321 04 | Hinge | /L | 1 | |
| 2 | 996 531 322 04 | Hinge | /R | 1 | |
| (3) | 996 531 319 03 | Hinge | /L | 1 | |
| 3 | 996 531 320 03 | Hinge | /R | 1 | |
| 4 | 996 531 831 00 | Sleeve | | 4 | |
| 5 | 999 073 192 02 | Pan-head screw M 8 X 33 | | 2 | |
| 6 | 996 537 151 02 | Door arrester | | 2 | |
| 7 | 999 084 212 02 | Hexagon nut M 6 | | 4 | |
| 8 | 999 073 138 09 | Screw M 8 X 25 | | 2 | |
| 9 | 996 537 751 00 | Seal | | 2 | |
| (10) | 996 537 523 00 996 537 523 00 GRV | Bracket Prime coated | /L | 1 | |
| 10 | 996 537 524 00 996 537 524 00 GRV | Bracket Prime coated | /R | 1 | |
| 11 | 900 075 487 09 | Combination screw M 6 X 16 | | 10 | |
| 12 | 3B0 837 033 P | Door lock striker | | 2 | |
| 13 | N 907 985 02 | Countersunk-head screw M 8 X 16,5 | | 4 | |
| (14) | 8N1 837 015 | Door lock | /LL /L -01 | 1 | |
| (14) | 8N1 837 015 B | Door lock | /LL /L | 1 | |
| 14 | 8N1 837 016 | Door lock | /LL /R -01 | 1 | |
| 14 | 8N1 837 016 B | Door lock | /LL /R | 1 | |
| (14) | 3B1 837 016 M | Door lock | /LL /R | 1 | M534/535 |
| (14) | 8N2 837 015 | Door lock | /RL /L -01 | 1 | |
| (14) | 8N2 837 015 B | Door lock | /RL /L | 1 | |
| (14) | 3B2 837 015 F | Door lock | /RL /L | 1 | M534/535 |
| (14) | 8N2 837 016 B | Door lock | /RL /R -01 | 1 | |

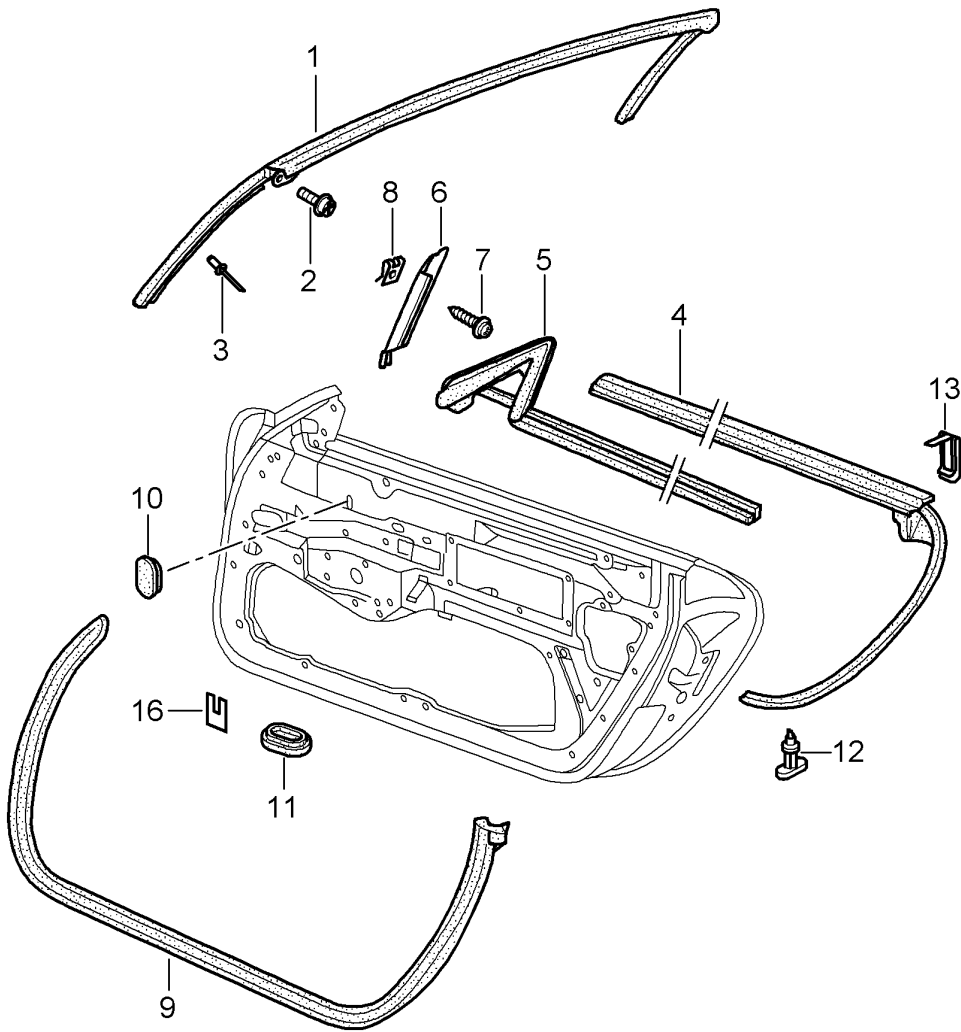
Model: 996 98

Model life 1998>>2005

| Pos | Part Number | Description | Remark | Qty | Model |
|------|----------------|--|--------|-----|-------|
| (14) | | Door lock | /RL /R | 1 | |
| 15 | N 908 005 01 | Oval-head screw M 8 X 14 | | 4 | |
| 16 | 996 537 320 03 | Bowden cable See workshop manual Group 70 59 19 | | 2 | |
| 17 | 999 072 043 09 | Hexagon-head bolt M 6 X 12 Micro-self-locking | | 4 | |
| 18 | 999 500 066 02 | Blind rivet nut M 6/0,5 - 3 | | 6 | M563 |
| (19) | 996 537 545 00 | Cover Lock | /L | 1 | |
| 19 | 996 537 546 00 | Cover Lock | /R | 1 | |

Model: 996 98

Model life 1998>>2005



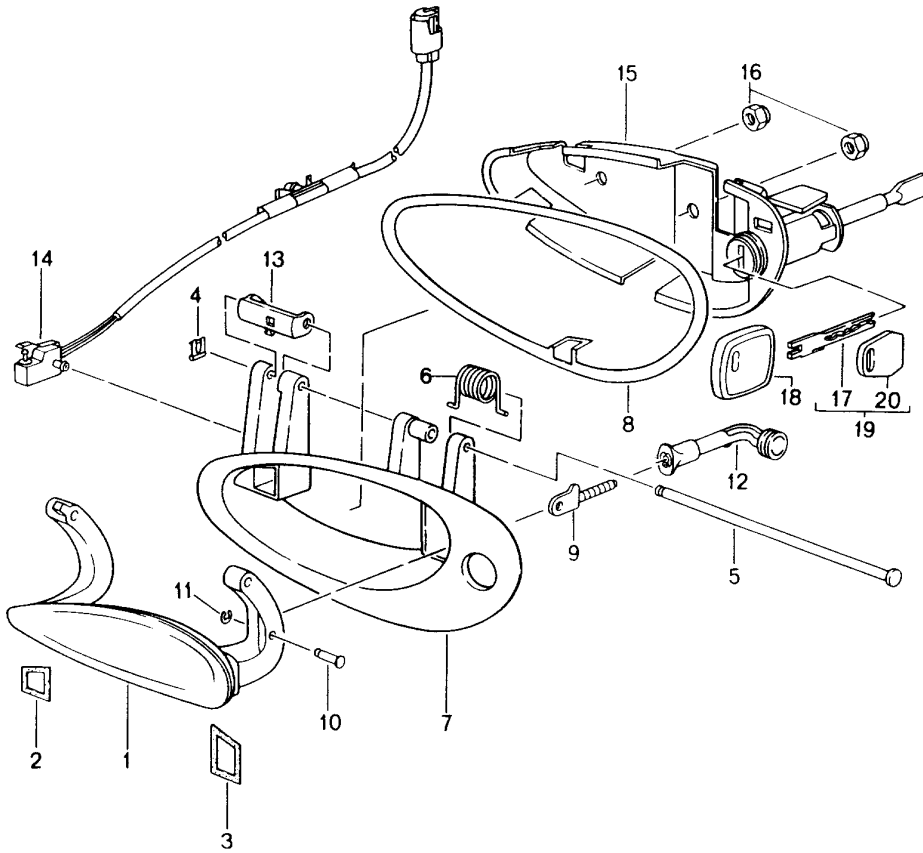
Model: 996 98

Model life 1998>>2005

| Pos | Part Number | Description | Remark | Qty | Model |
|------|----------------|--------------------------------|--------|-----|--------|
| | | Door seal | | | |
| | | Gasket | | | |
| | | Windscreen frame | | | |
| 1 | 996 537 077 02 | Gasket | | 1 | CABRIO |
| 2 | 999 507 678 01 | U-clamp 4,0-4,5 | | 2 | CABRIO |
| 3 | 999 190 445 37 | Blind rivet A 4,0 X 7,9 | | 36 | CABRIO |
| (4) | 996 537 085 07 | Sealing for door slot Outer | /L | 1 | |
| 4 | 996 537 086 07 | Sealing for door slot Outer | /R | 1 | |
| 5 | 996 537 531 06 | Sealing for door slot Inner | /L | 1 | |
| 5 | 996 537 532 06 | Sealing for door slot Inner | /R | 1 | |
| (6) | 996 537 725 02 | Window guide | /L | 1 | |
| 6 | 996 537 726 02 | Window guide | /R | 1 | |
| 7 | 999 073 047 02 | Tapping screw ST 3,5 X 9,5 | | 2 | |
| 8 | 999 591 725 02 | Speed nut ST 3,5 | | 2 | |
| (9) | 996 537 075 03 | Gasket | /L | 1 | COUPE |
| 9 | 996 537 076 03 | Gasket | /R | 1 | COUPE |
| 10 | 999 703 441 40 | Lid 20 X 28 X 1 | | 4 | |
| 11 | 999 703 417 40 | Lid 24 X 39 | | 8 | |
| 12 | 999 507 578 40 | Clip Gasket Outer | | 36 | |
| 13 | 999 507 571 02 | Clamp | | 2 | |
| 14 | 996 537 075 04 | Gasket | /L | 1 | CABRIO |
| (14) | 996 537 076 04 | Gasket | /R | 1 | CABRIO |
| 15 | 900 075 483 02 | Combination screw M 5 X 20 | | 2 | CABRIO |
| 16 | 996 537 337 00 | Protective film | | 4 | |

Model: 996 98

Model life 1998>>2005

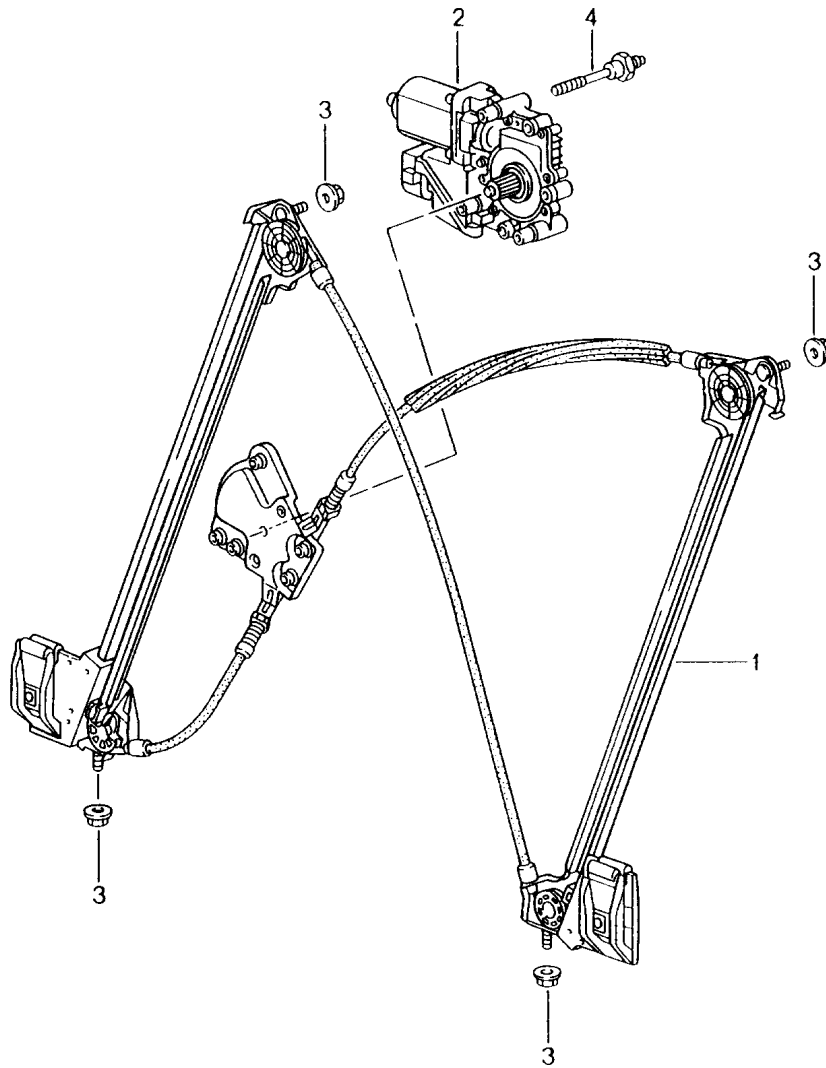


Model: 996 98 Model life 1998>>2005

| Pos | Part Number | Description | Remark | Qty | Model |
|------|--------------------|-----------------------------|--------|-----|----------|
| 1 | 996 537 613 01 | Door handle | | | |
| | | Handle | /L | 1 | |
| | 996 537 613 01 G2X | Prime coated | | | |
| (1) | 996 537 614 01 | Handle | /R | 1 | |
| | 996 537 614 01 G2X | Prime coated | | | |
| 2 | 996 537 623 01 | Buffer | | 2 | |
| 3 | 996 537 625 00 | Buffer | | 2 | |
| 4 | 996 537 631 00 | Sl-lock | | 2 | |
| 5 | 996 537 621 00 | Axle | | 2 | |
| 6 | 996 537 611 00 | Return spring | /L | 1 | |
| (6) | 996 537 612 00 | Return spring | /R | 1 | |
| 7 | 996 537 645 01 | Handle liner | /LL /L | 1 | |
| | 996 537 645 01 G2X | Prime coated | | | |
| (7) | 996 537 645 01 | Handle liner | /RL /L | 1 | M532 |
| | 996 537 645 01 G2X | Prime coated | | | |
| (7) | 996 537 647 01 | Handle liner | /RL /L | 1 | M534/535 |
| | 996 537 647 01 G2X | Prime coated | | | |
| (7) | 996 537 646 01 | Handle liner | /LL /R | 1 | M532 |
| | 996 537 646 01 G2X | Prime coated | | | |
| (7) | 996 537 646 01 | Handle liner | /RL /R | 1 | |
| | 996 537 646 01 G2X | Prime coated | | | |
| (7) | 996 537 648 01 | Handle liner | /LL /R | 1 | M534/535 |
| | 996 537 648 01 G2X | Prime coated | | | |
| 8 | 996 537 637 00 | Desk pad | /L | 1 | |
| (8) | 996 537 638 00 | Desk pad | /R | 1 | |
| 9 | 996 537 627 00 | Operating rod | | 2 | |
| 10 | 996 537 629 01 | Bolt | | 2 | |
| 11 | 996 537 641 00 | Lock washer | | 2 | |
| 12 | 996 537 445 02 | Connecting piece | | 2 | |
| 13 | 996 537 653 00 | Eccentric | /L | 1 | |
| (13) | 996 537 654 00 | Eccentric | /R | 1 | |
| 14 | 996 613 125 00 | Microswitch | /L | 1 | |
| | | Power windows | | | |
| (14) | 996 613 126 00 | Microswitch | /R | 1 | |
| | | Power windows | | | |
| 15 | 996 537 963 02 | Support | /L | 1 | |
| | | with lock cylinder | | | |
| | | W/o stipulated lock number | | | |
| (15) | 996 537 964 02 | Support | /R | 1 | |
| | | with lock cylinder | | | |
| | | W/o stipulated lock number | | | |
| 15 | 996 537 963 03 | Support | /L | 1 | |
| | | with lock cylinder | | | |
| | | with stipulated lock number | | | |
| | | State lock number | | | |
| (15) | 996 537 964 03 | Support | /R | 1 | |
| | | with lock cylinder | | | |
| | | with stipulated lock number | | | |
| | | State lock number | | | |
| (15) | 996 537 063 03 | Support | /RL /L | 1 | |
| | | without lock cylinder | | | |
| (15) | 996 537 064 03 | Support | /LL /R | 1 | |
| | | without lock cylinder | | | |
| 16 | 900 380 015 09 | Hexagon nut | | 4 | |
| | | M 6 | | | |
| 17 | 996 538 531 00 | Blank key | | X | |
| 18 | 996 538 423 01 | Key cap | | X | |
| 19 | 996 538 932 00 | Replacement key | | X | |
| | | with stipulated lock number | | | |
| | | State lock number | | | |
| | | Information available | | | |
| 20 | 944 538 431 00 | Key cap | | X | |

Model: 996 98

Model life 1998>>2005

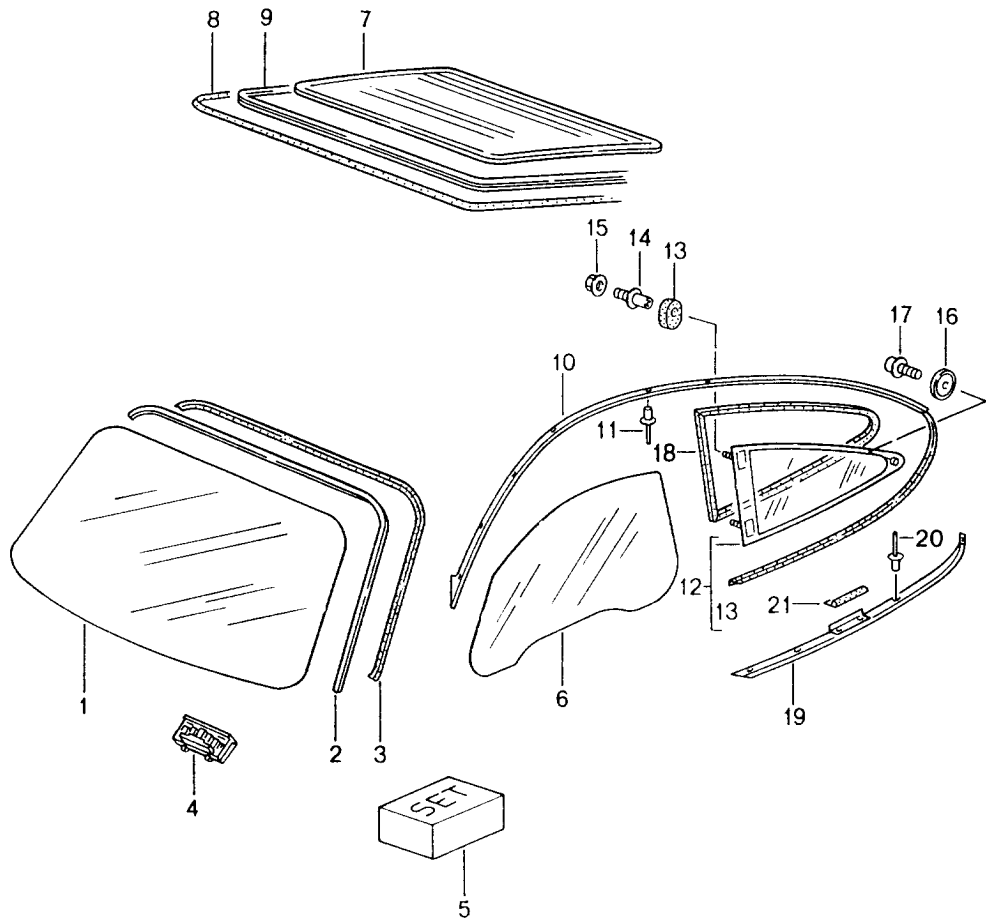


Model: 996 98 Model life 1998>>2005

| Pos | Part Number | Description | Remark | Qty | Model |
|-----|----------------|--------------------|--------|-----|-------------|
| (1) | 996 542 075 04 | Power windows | /L | 1 | |
| 1 | 996 542 076 04 | Power windows | /R | 1 | |
| (2) | 996 624 101 03 | Electric motor | /L -02 | 1 | COUPE/TARGA |
| (2) | 996 624 101 05 | Electric motor | /L | 1 | COUPE/TARGA |
| 2 | 996 624 102 03 | Electric motor | /R -02 | 1 | COUPE/TARGA |
| 2 | 996 624 102 05 | Electric motor | /R | 1 | COUPE/TARGA |
| (2) | 996 624 101 04 | Electric motor | /L -02 | 1 | CABRIO |
| (2) | 996 624 101 06 | Electric motor | /L | 1 | CABRIO |
| (2) | 996 624 102 04 | Electric motor | /R -02 | 1 | CABRIO |
| (2) | 996 624 102 06 | Electric motor | /R | 1 | CABRIO |
| 3 | 900 380 015 09 | Hexagon nut M 6 | | 14 | |
| 4 | 996 542 711 00 | Threaded bolt | | 6 | |

Model: 996 98

Model life 1998>>2005



Model: 996 98

Model life 1998>>2005

| Pos | Part Number | Description | Remark | Qty | Model |
|-----|----------------|---|--------|-----|-----------------|
| 1 | 996 541 901 00 | window glazing Windscreen | -01 | 1 | |
| 1 | 996 541 901 04 | Tinted Windscreen | 02- | 1 | |
| 1 | 996 541 901 02 | Tinted Windscreen | 01 | 1 | M265 |
| 1 | 996 541 901 06 | Tinted Windscreen | 02- | 1 | M265 |
| (1) | 996 541 901 01 | Tinted Windscreen | -01 | 1 | |
| (1) | 996 541 901 05 | Green top tint Windscreen | 02- | 1 | |
| (1) | 996 541 901 03 | Tinted Windscreen | 01 | 1 | M265 |
| (1) | 996 541 901 07 | Green top tint Windscreen | 02- | 1 | M265 |
| (1) | 996 541 901 08 | Tinted Windscreen | 03- | 1 | M440 |
| (1) | 996 541 901 09 | Tinted Windscreen | 03- | 1 | M440 |
| (1) | 996 541 901 10 | Green top tint Windscreen | 03- | 1 | M265/440 |
| (1) | 996 541 901 11 | Tinted Windscreen | 03- | 1 | M265/440 |
| - | 996 541 903 00 | Green top tint Round rubber cord See technical information Group 6 4/99 | | 1 | |
| 2 | 996 541 531 01 | Sealing frame | | 1 | |
| 3 | 996 541 541 01 | Trim frame | -01 | 1 | |
| 3 | 996 541 541 02 | Trim frame | 02- | 1 | |
| 4 | 999 507 576 41 | Support | | 2 | |
| 5 | 000 043 300 94 | Adhesive set TEROSTAT 8593 | | 1 | |
| - | 000 731 513 00 | Adhesive plate for Interior mirror | | 1 | |
| 6 | 996 542 511 02 | Door window glass | /L | 1 | COUPE |
| (6) | 996 542 512 02 | Door window glass | /R | 1 | TARGA COUPE |
| (6) | 996 542 511 03 | Door window glass | /L | 1 | TARGA CABRIO |
| (6) | 996 542 512 03 | Door window glass | /R | 1 | CABRIO |
| 7 | 996 545 901 02 | Rear window | -01 | 1 | |
| 7 | 996 545 901 03 | Rear window | 02- | 1 | |
| - | 996 541 903 00 | Round rubber cord See technical information Group 6 4/99 | | 1 | |
| 8 | 996 545 521 03 | Sealing frame | | 1 | |
| 8 | 996 545 521 04 | Sealing frame | | 1 | |
| 9 | 996 545 545 01 | Trim frame | -01 | 1 | |
| 9 | 996 545 545 02 | Trim frame | 02- | 1 | |
| 10 | 996 537 481 06 | Roof frame seal | /L -01 | 1 | |
| 10 | 996 537 481 08 | Roof frame seal | /L | 1 | |
| 10 | 996 537 481 04 | Roof frame seal | /L | 1 | TARGA |

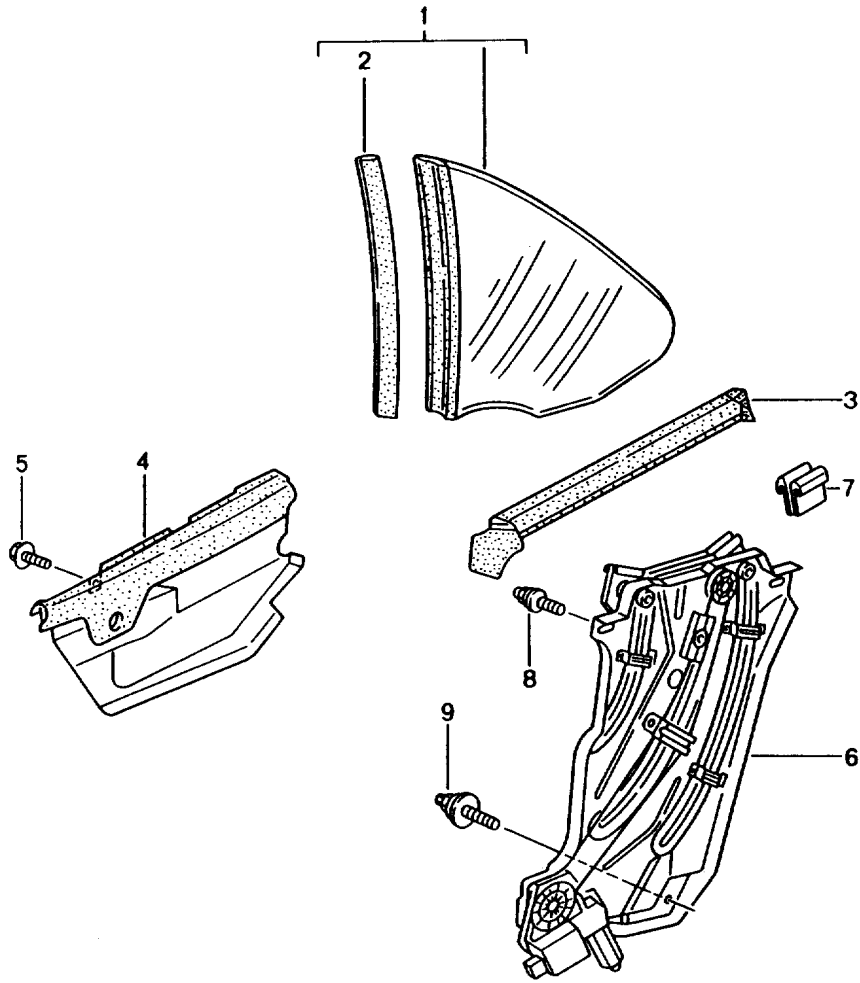
Model: 996 98

Model life 1998>>2005

| Pos | Part Number | Description | Remark | Qty | Model |
|------|----------------|--|--------|-----|-------|
| (10) | 996 537 482 06 | Roof frame seal | /R -01 | 1 | |
| (10) | 996 537 482 08 | Roof frame seal | /R | 1 | |
| (10) | 996 537 482 04 | Roof frame seal | /R | 1 | TARGA |
| 11 | 999 190 445 37 | Blind rivet A 4,0 X 7,9 | | 26 | |
| 12 | 996 543 111 03 | Rear window | /L | 1 | |
| 12 | 996 543 111 06 | Rear window | /L | 1 | TARGA |
| (12) | 996 543 112 03 | Rear window | /R | 1 | |
| (12) | 996 543 112 06 | Rear window | /R | 1 | TARGA |
| 13 | 996 543 611 02 | Gasket | | 4 | |
| 14 | 996 543 435 00 | Threaded bush | | 4 | |
| 15 | 999 076 055 09 | Hexagon nut M 8 | | 4 | |
| 16 | 996 543 625 00 | Sealing washer | | 2 | |
| 17 | 999 218 011 02 | Pan-head screw M 6 X 12 | | 2 | |
| 18 | 996 543 325 00 | Sealing frame | /L | 1 | |
| 18 | 996 543 325 01 | Sealing frame | /L | 1 | TARGA |
| (18) | 996 543 326 00 | Sealing frame | /R | 1 | |
| (18) | 996 543 326 01 | Sealing frame | /R | 1 | TARGA |
| 19 | 996 543 771 07 | Retaining strip | /L -01 | 1 | |
| 19 | 996 543 771 08 | Retaining strip | /L | 1 | |
| 19 | 996 543 771 05 | Retaining strip | /L | 1 | TARGA |
| 19 | 996 537 485 00 | Retaining strip | /L | 1 | TARGA |
| (19) | 996 543 772 07 | Retaining strip | /R -01 | 1 | |
| (19) | 996 543 772 08 | Retaining strip | /R | 1 | |
| (19) | 996 543 772 05 | Retaining strip | /R | 1 | TARGA |
| (19) | 996 537 486 00 | Retaining strip | /R | 1 | TARGA |
| 20 | 999 190 445 37 | Blind rivet A 4,0 X 7,9 | | 12 | |
| 21 | 996 543 543 01 | Spacer See technical information Group 6 3/99 | | 2 | |

Model: 996 98

Model life 1998>>2005



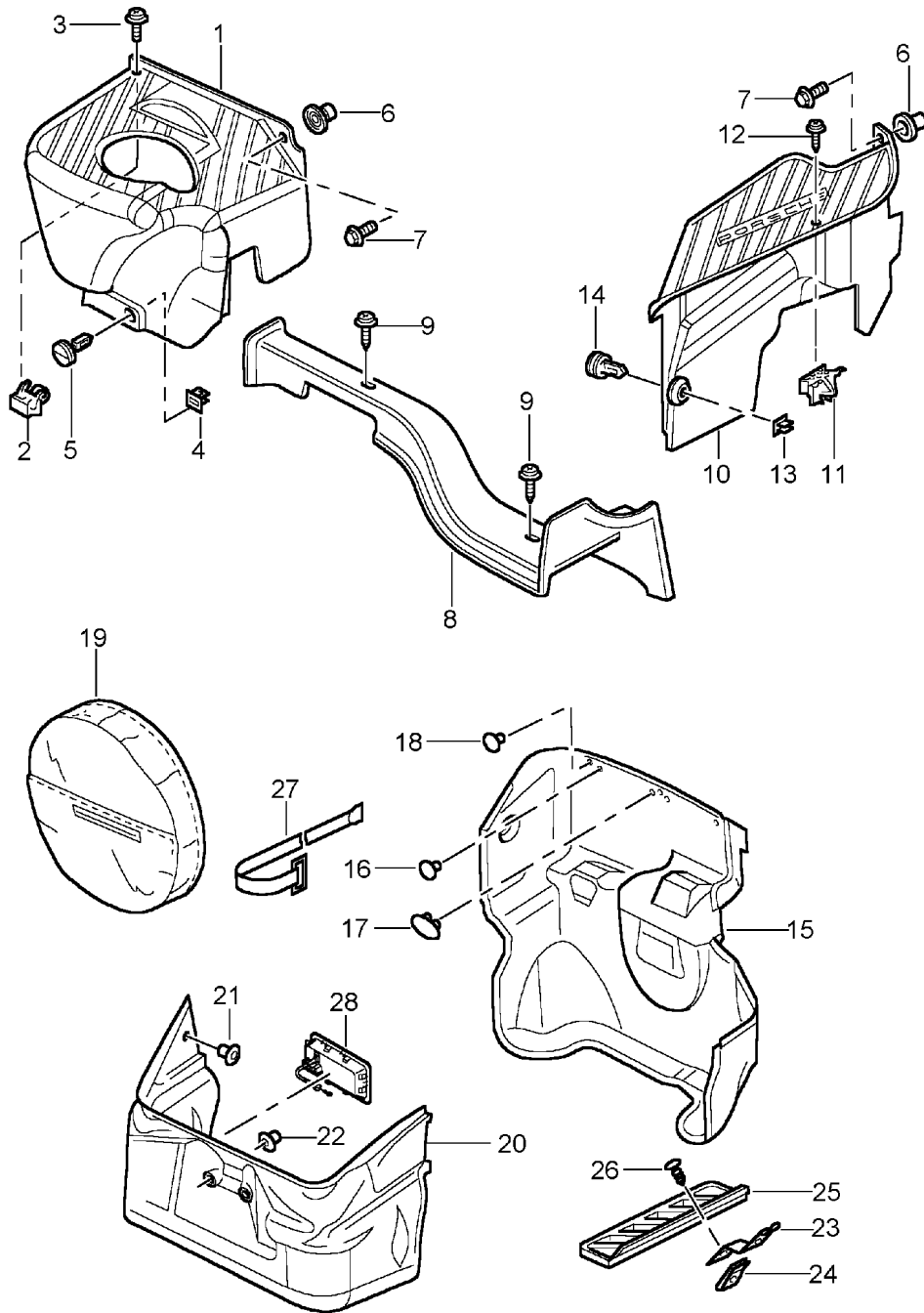
Model: 996 98

Model life 1998>>2005

| Pos | Part Number | Description | Remark | Qty | Model |
|-----|----------------|-------------------------------|--------|-----|--------|
| | | Rear window | | | CABRIO |
| 1 | 996 543 111 08 | Rear window | /L -02 | 1 | |
| 1 | 996 543 111 09 | Rear window | /L 03- | 1 | |
| 1 | 997 543 111 11 | Rear window | /L 03- | 1 | |
| (1) | 996 543 112 08 | Rear window | /R -02 | 1 | |
| (1) | 996 543 112 09 | Rear window | /R 03- | 1 | |
| (1) | 997 543 112 11 | Rear window | /R 03- | 1 | |
| 2 | 996 543 615 03 | Gasket | /L | 1 | |
| (2) | 996 543 616 03 | Gasket | /R | 1 | |
| 3 | 996 543 475 04 | Gasket | /L | 1 | |
| | | Outer | | | |
| (3) | 996 543 476 04 | Gasket | /R | 1 | |
| | | Outer | | | |
| 4 | 996 543 177 01 | Gasket | /L | 1 | |
| | | Inner | | | |
| (4) | 996 543 178 01 | Gasket | /R | 1 | |
| | | Inner | | | |
| 5 | 900 378 036 09 | Hexagon-head bolt M 6 X 12 | | 4 | |
| 6 | 996 543 015 04 | Power windows | /L | 1 | |
| 6 | 996 543 015 06 | Power windows | /L | 1 | |
| (6) | 996 543 016 04 | Power windows | /R | 1 | |
| 7 | 996 543 901 00 | Insert | | 4 | |
| 8 | 996 543 903 00 | Bolt | | 4 | |
| | | Upper | | | |
| 9 | 996 543 905 00 | Bolt | | 2 | |
| | | Lower | | | |

Model: 996 98

Model life 1998>>2005



Model: 996 98 Model life 1998>>2005

| Pos | Part Number | Description | Remark | Qty | Model |
|------|--------------------|------------------------------|------------|-----|----------|
| 1 | 996 551 133 04 | Luggage compartment Lining | /RL /R | 1 | M338 |
| (1) | 996 551 133 04 01C | Satin black | | | |
| (1) | 996 551 134 00 | Lining | /RL /R -00 | 1 | M339 |
| (1) | 996 551 134 00 01C | Satin black | | | |
| (1) | 996 551 134 01 | Lining | /RL /R 01- | 1 | M339/692 |
| (1) | 996 551 134 01 01C | Satin black | | | |
| (1) | 996 551 134 02 | Lining | /RL /R 03- | 1 | M339/692 |
| (1) | 996 551 134 02 01C | Satin black | | | |
| (1) | 996 551 131 03 | Lining | /LL /L | 1 | M338 |
| | | Brake booster Hydraulic unit | | | |
| (1) | 996 551 131 03 01C | Satin black | | | |
| (1) | 996 551 131 02 | Lining | /LL /L 99- | 1 | M339 |
| | | Brake booster Hydraulic unit | | | |
| (1) | 996 551 131 02 01C | Satin black | | | |
| (1) | 996 551 142 00 | Lining | /LL 00- | 1 | M338/476 |
| | | Pre-charge pump | | | |
| (1) | 996 551 142 00 01C | Satin black | | | |
| (1) | 996 551 142 01 | Lining | /RL 00- | 1 | M338/476 |
| | | Pre-charge pump | | | |
| (1) | 996 551 142 01 01C | Satin black | | | |
| 2 | 999 507 512 40 | Support | | 1 | |
| | | 3,5 | | | |
| 3 | 999 919 151 09 | Oval-head screw | | 1 | |
| | | 3,5 X 18 | | | |
| 4 | 999 590 046 40 | Disc cam | | 1 | |
| | | 10,0 X 11,5 | | | |
| 5 | 999 507 529 40 | Catch | | 1 | |
| | | 18,0 | | | |
| 6 | 999 500 078 00 | Speed nut | | 2 | |
| | | M 6 | | | |
| 7 | 900 378 188 09 | Hexagon-head bolt | | 1 | |
| | | M 6 X 20 | | | |
| 8 | 996 551 137 01 | Lining | /RL | 1 | |
| (8) | 996 551 137 01 01C | Satin black | | | |
| (8) | 996 551 137 02 | Lining | /LL 00- | 1 | M338/476 |
| | | Pipeline | | | |
| (8) | 996 551 137 02 01C | Satin black | | | |
| - | 999 507 674 40 | Cable holder | /LL 00- | 1 | M338/476 |
| 9 | 999 919 151 09 | Oval-head screw | | 2 | |
| | | 3,5 X 18 | | | |
| 10 | 996 551 135 01 | Lining | /RL /L 98 | 1 | |
| | | Satin black | | | |
| 10 | 996 551 135 01 | Lining | /RL /L 99 | 1 | M338 |
| | | Satin black | | | |
| 10 | 996 551 135 01 01C | Satin black | | | |
| 10 | 996 551 135 02 | Lining | /RL /L 00- | 1 | M338 |
| | | Satin black | | | |
| (10) | 996 551 135 02 01C | Satin black | | | |
| (10) | 996 551 135 03 | Lining | /RL /L 03- | 1 | M338/692 |
| | | Satin black | | | |
| (10) | 996 551 135 03 01C | Satin black | | | |
| (10) | 996 551 133 03 | Lining | /RL /L 99- | 1 | M339 |
| | | Hydraulic unit | | | |
| | | Satin black | | | |
| 11 | 999 507 512 40 | Support | /RL | 1 | |
| 11 | | Support | /LL | 2 | |
| | | 3,5 | | | |
| (11) | 996 551 771 00 | Support | | 1 | M338 |
| (11) | 996 551 773 00 | Support | 99- | 1 | M339 |
| 12 | 999 919 151 09 | Oval-head screw | /RL | 2 | |
| 12 | | Oval-head screw | /LL | 3 | |
| | | 3,5 X 18 | | | |
| 13 | 999 590 046 40 | Disc cam | /RL | 1 | |

Model: 996 98 Model life 1998>>2005

| Pos | Part Number | Description | Remark | Qty | Model |
|------|--------------------|-------------------------|------------|-----|----------------|
| 13 | | Disc cam 10,0 X 11,5 | /LL | 2 | |
| 14 | 999 507 529 40 | Catch 18,0 | | 2 | |
| 15 | 996 551 051 14 | Lining | /H -00 | 1 | M338 |
| | 996 551 051 14 C10 | Grey | | | |
| (15) | 996 551 051 12 | Lining | /H -00 | 1 | M338/476 |
| | 996 551 051 12 C10 | Grey | | | |
| (15) | 996 551 051 09 | Lining | /H -00 | 1 | M339 |
| | 996 551 051 09 C10 | Grey | | | |
| (15) | 996 551 051 15 | Lining | /RL /H -00 | 1 | M338 |
| | 996 551 051 15 C10 | Grey | | | |
| (15) | 996 551 051 13 | Lining | /RL /H -00 | 1 | M338/476 |
| | 996 551 051 13 C10 | Grey | | | |
| (15) | 996 551 051 11 | Lining | /RL /H 99 | 1 | M339 |
| | 996 551 051 11 C10 | Grey | | | |
| (15) | 996 551 051 10 | Lining | /RL /H 00 | 1 | M339 |
| | | Luggage compartment | | | |
| | 996 551 051 10 C10 | Grey | | | |
| 15 | 996 551 051 16 | Lining | /LL 01- | 1 | M338 |
| | | Luggage compartment | | | |
| | 996 551 051 16 A31 | Black | | | |
| (15) | 996 551 051 18 | Lining | /LL 01- | 1 | M338/476 |
| | | Luggage compartment | | | |
| | 996 551 051 18 A31 | Black | | | |
| (15) | 996 551 051 20 | Lining | /LL -02 | 1 | M339 |
| | | Luggage compartment | | | |
| | 996 551 051 20 A31 | Black | | | |
| (15) | 996 551 051 22 | Lining | /LL 03- | 1 | M339 |
| | | Luggage compartment | | | |
| | 996 551 051 22 A31 | Black | | | |
| (15) | 996 551 051 17 | Lining | /RL 01- | 1 | M338 |
| | | Luggage compartment | | | |
| | 996 551 051 17 A31 | Black | | | |
| (15) | 996 551 051 19 | Lining | /RL 01- | 1 | M338/476 |
| | | Luggage compartment | | | |
| | 996 551 051 19 A31 | Black | | | |
| (15) | 996 551 051 21 | Lining | /RL 01- | 1 | M339 |
| | | Luggage compartment | | | |
| | 996 551 051 21 A31 | Black | | | |
| 16 | 999 703 432 40 | Stopper 8,0 | | 8 | |
| | | 12,2 X 25 | | | |
| 17 | 999 703 456 40 | Cap 49 X 26 | | 1 | |
| | | 12,2 X 25 | | | |
| 18 | 999 703 455 40 | Cap 12,2 X 25 | | 2 | |
| 19 | 996 551 061 00 | Lining | | 1 | COUPE M338 |
| (19) | 996 551 061 01 | Lining | | 1 | CABRIO M338 |
| - | 996 551 351 02 | Lining Floor | 99-00 | 1 | M339 |
| | 996 551 351 02 C10 | Grey | | | |
| - | 996 551 351 03 | Lining Floor | 01 | 1 | M339 |
| | 996 551 351 03 A31 | Black | | | |
| - | 996 551 351 04 | Lining Floor | 02- | 1 | M339 |
| | 996 551 351 04 A31 | Black | | | |
| 20 | 996 551 045 01 | Lining | /V -00 | 1 | M338 |
| | 996 551 045 01 C10 | Grey | | | |

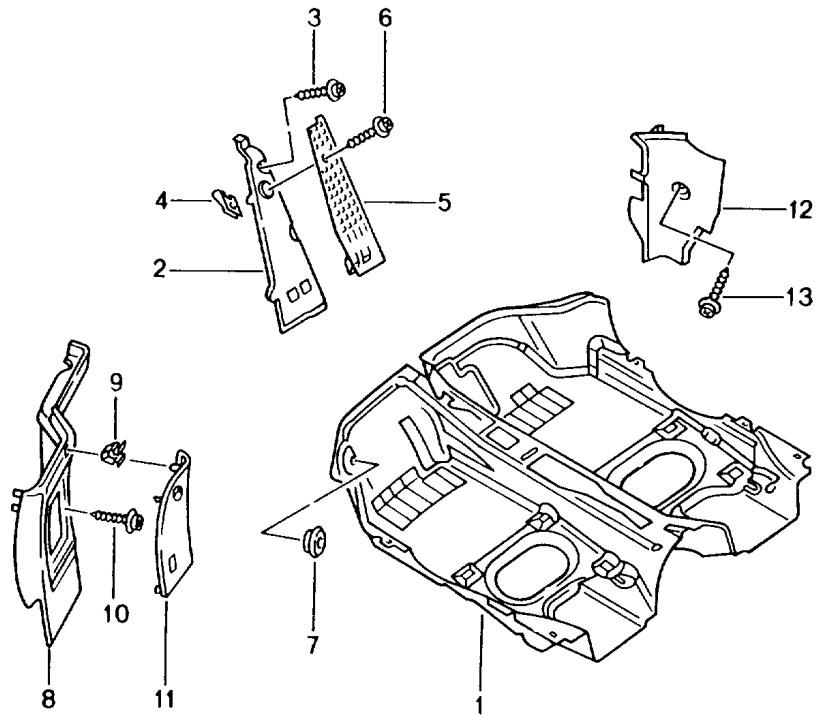
Model: 996 98

Model life 1998>>2005

| Pos | Part Number | Description | Remark | Qty | Model |
|------|--------------------|----------------------------------|----------|-----|----------|
| (20) | 996 551 045 03 | Lining | /V 99 | 1 | M339 |
| | 996 551 045 03 C10 | Grey | | | |
| (20) | 996 551 045 04 | Lining | /V -00 | 1 | M339 |
| | 996 551 045 04 C10 | Grey | | | |
| 20 | 996 551 045 06 | Lining | /V 01-02 | 1 | M338 |
| | 996 551 045 06 A31 | Black | | | |
| 20 | 996 551 045 08 | Lining | /V 02- | 1 | M338 |
| | 996 551 045 08 A31 | Black | | | |
| (20) | 996 551 045 07 | Lining | /V 01 | 1 | M339 |
| | 996 551 045 07 A31 | Black | | | |
| (20) | 996 551 045 05 | Lining | /V 02 | 1 | M339 |
| | 996 551 045 05 A31 | Black | | | |
| (20) | 996 551 045 10 | Lining | /V 02- | 1 | M339 |
| | 996 551 045 10 A31 | Black | | | |
| - | 996 551 845 00 | Adhesive carpet | | 1 | M339 |
| 21 | 999 703 432 40 | Stopper 8,0 | | 2 | |
| 22 | 999 507 565 40 | Plastic nut T5/ 24,15 | | 2 | |
| (22) | 999 507 566 40 | Plastic nut T5/ 39,70 | | 1 | |
| 23 | 996 551 761 00 | Support | /LL -02 | 1 | M339 |
| 23 | 996 551 761 01 | Support Cover Booster | /LL 03- | 1 | M339 |
| 24 | 999 591 725 02 | Speed nut 3,5 | | 1 | M339 |
| 25 | 996 551 451 00 | Cover Booster | | 1 | M339 |
| | 996 551 451 00 01C | Satin black | | | |
| 26 | 900 144 103 09 | Tapping screw 3,5 X 13 | | 1 | |
| 27 | 996 551 741 00 | Retaining strap First-aid kit | | 1 | M338/692 |

Model: 996 98

Model life 1998>>2005



Model: 996 98 Model life 1998>>2005

| Pos | Part Number | Description | Remark | Qty | Model |
|-----|--------------------|-----------------------------|--------|-----|----------------|
| 1 | 996 551 011 02 | Carpet Linings Carpet | /LL | 1 | COUPE TARGA |
| | 996 551 011 02 EEW | Black | | | |
| | 996 551 011 02 EEX | Graphite grey | | | |
| | 996 551 011 02 EEY | Savanna | | | |
| | 996 551 011 02 EFB | Nephrite green | -01 | | |
| | 996 551 011 02 FAR | Nephrite green | 02- | | |
| | 996 551 011 02 EFC | Boxster red | | | |
| | 996 551 011 02 EEZ | Metropole blue | | | |
| | 996 551 011 02 EFA | Space grey | -00 | | |
| | 996 551 011 02 VRL | Dark grey | 00- | | |
| | 996 551 011 02 VRM | Brown/natural | 00- | | |
| | 996 551 011 02 FAP | Cinnamon brown | 01- | | |
| (1) | 996 551 011 03 | Carpet | /RL | 1 | COUPE TARGA |
| | 996 551 011 03 EEW | Black | | | |
| | 996 551 011 03 EEX | Graphite grey | | | |
| | 996 551 011 03 EEY | Savanna | | | |
| | 996 551 011 03 EFB | Nephrite green | -01 | | |
| | 996 551 011 03 FAR | Nephrite green | 02- | | |
| | 996 551 011 03 EFC | Boxster red | | | |
| | 996 551 011 03 EEZ | Metropole blue | | | |
| | 996 551 011 03 EFA | Space grey | -00 | | |
| | 996 551 011 03 VRL | Dark grey | 00- | | |
| | 996 551 011 03 VRM | Brown/natural | 00- | | |
| | 996 551 011 03 FAP | Cinnamon brown | 01- | | |
| (1) | 996 551 011 04 | Carpet | /LL | 1 | CABRIO |
| | 996 551 011 04 EEW | Black | | | |
| | 996 551 011 04 EEX | Graphite grey | | | |
| | 996 551 011 04 EEY | Savanna | | | |
| | 996 551 011 04 EFB | Nephrite green | -01 | | |
| | 996 551 011 04 FAR | Nephrite green | 02- | | |
| | 996 551 011 04 EFC | Boxster red | | | |
| | 996 551 011 04 EEZ | Metropole blue | | | |
| | 996 551 011 04 EFA | Space grey | -00 | | |
| | 996 551 011 04 VRL | Dark grey | 00- | | |
| | 996 551 011 04 VRM | Brown/natural | 00- | | |
| | 996 551 011 04 FAP | Cinnamon brown | 01- | | |
| (1) | 996 551 011 06 | Carpet | /LL | 1 | CABRIO M680 |
| | 996 551 011 06 EEW | Black | | | |
| | 996 551 011 06 EEX | Graphite grey | | | |
| | 996 551 011 06 EEY | Savanna | | | |
| | 996 551 011 06 EFB | Nephrite green | -01 | | |
| | 996 551 011 06 FAR | Nephrite green | 02- | | |
| | 996 551 011 06 EFC | Boxster red | | | |
| | 996 551 011 06 EEZ | Metropole blue | | | |
| | 996 551 011 06 EFA | Space grey | -00 | | |
| | 996 551 011 06 VRL | Dark grey/natural | | | |
| | 996 551 011 06 VRM | Brown/natural | | | |
| | 996 551 011 06 FAP | Cinnamon brown | | | |
| (1) | 996 551 011 05 | Carpet | /RL | 1 | CABRIO |
| | 996 551 011 05 EEW | Black | | | |
| | 996 551 011 05 EEX | Graphite grey | | | |
| | 996 551 011 05 EEY | Savanna | | | |
| | 996 551 011 05 EFB | Nephrite green | -01 | | |
| | 996 551 011 05 FAR | Nephrite green | 02- | | |
| | 996 551 011 05 EFC | Boxster red | | | |
| | 996 551 011 05 EEZ | Metropole blue | | | |
| | 996 551 011 05 EFA | Space grey | -00 | | |
| | 996 551 011 05 VRL | Dark grey | 00- | | |

Model: 996 98

Model life 1998>>2005

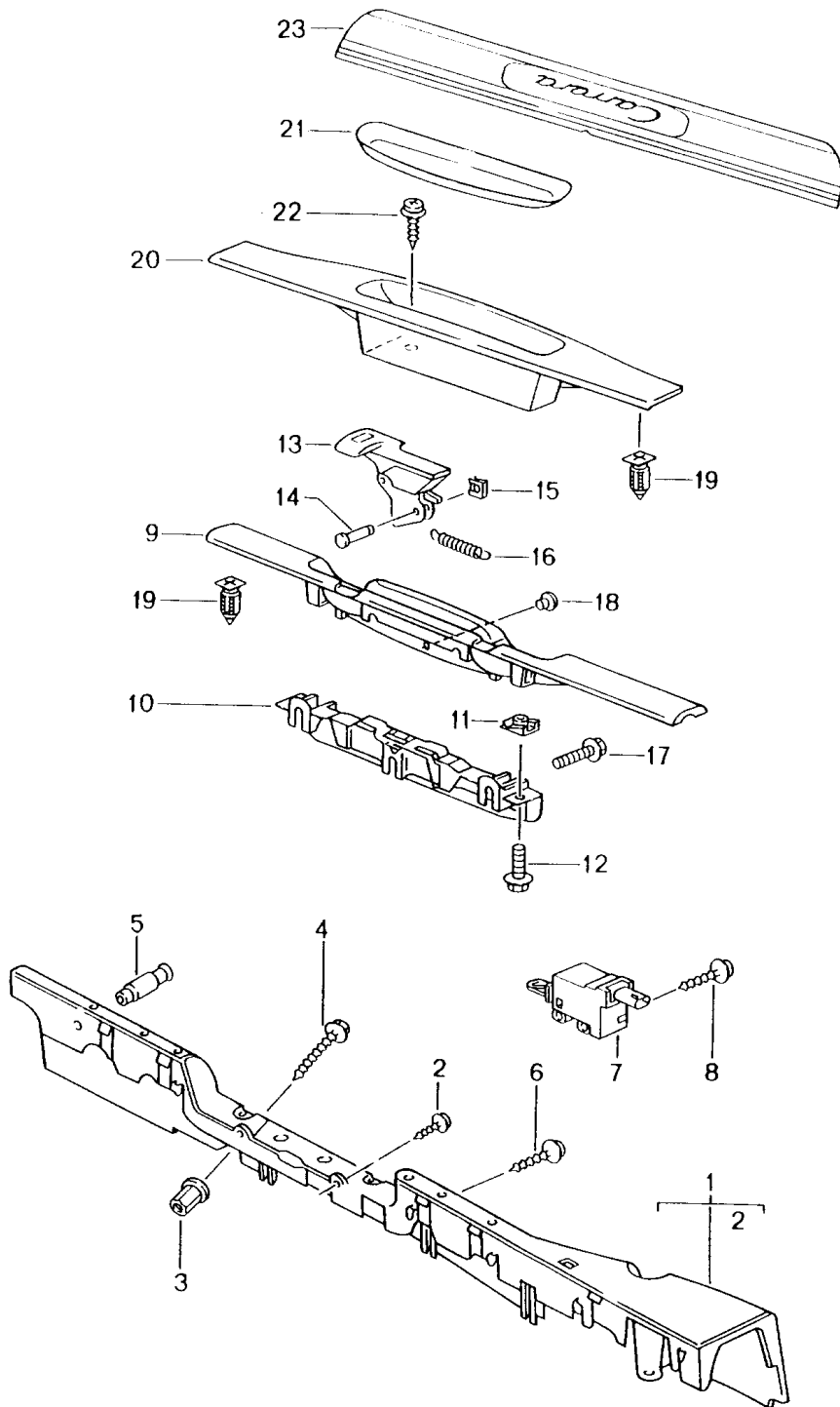
| Pos | Part Number | Description | Remark | Qty | Model | | |
|-----|--------------------|---|--------|-----|----------------|---|---------------|
| (1) | 996 551 011 05 VRM | Brown/natural | 00- | 1 | CABRIO M680 | | |
| | 996 551 011 05 FAP | Cinnamon brown | 01- | | | | |
| | 996 551 011 07 | Carpet | /RL | | | | |
| | 996 551 011 07 EEW | Black | | | | | |
| | 996 551 011 07 EEX | Graphite grey | | | | | |
| | 996 551 011 07 EEY | Savanna | | | | | |
| | 996 551 011 07 EFB | Nephrite green | -01 | | | | |
| | 996 551 011 07 FAR | Nephrite green | 02- | | | | |
| | 996 551 011 07 EFC | Boxster red | | | | | |
| | 996 551 011 07 EEZ | Metropole blue | | | | | |
| | 996 551 011 07 EFA | Space grey | -00 | | | | |
| | 996 551 011 07 VRL | Dark grey/natural | | | | | |
| | 996 551 011 07 VRM | Brown/natural | | | | | |
| | 996 551 011 07 FAP | Cinnamon brown | | | | | |
| (1) | 996 551 011 08 | Carpet | /LL | | | 1 | TARGA M680 |
| | 996 551 011 08 EEW | Black | | | | | |
| | 996 551 011 08 EEX | Graphite grey | | | | | |
| | 996 551 011 08 EEY | Savanna | | | | | |
| | 996 551 011 08 EFB | Nephrite green | -01 | | | | |
| | 996 551 011 08 FAR | Nephrite green | 02- | | | | |
| | 996 551 011 08 EFC | Boxster red | | | | | |
| | 996 551 011 08 EEZ | Metropole blue | | | | | |
| | 996 551 011 08 EFA | Space grey | -00 | | | | |
| | 996 551 011 08 VRL | Dark grey | | | | | |
| | 996 551 011 08 VRM | Brown/natural | | | | | |
| | 996 551 011 08 FAP | Cinnamon brown | | | | | |
| (1) | 996 551 011 09 | Carpet | /RL | 1 | TARGA M680 | | |
| | 996 551 011 09 EEW | Black | | | | | |
| | 996 551 011 09 EEX | Graphite grey | | | | | |
| | 996 551 011 09 EEY | Savanna | | | | | |
| | 996 551 011 09 EFB | Nephrite green | -01 | | | | |
| | 996 551 011 09 FAR | Nephrite green | 02- | | | | |
| | 996 551 011 09 EFC | Boxster red | | | | | |
| | 996 551 011 09 EEZ | Metropole blue | | | | | |
| | 996 551 011 09 EFA | Space grey | -00 | | | | |
| | 996 551 011 09 VRL | Dark grey | | | | | |
| | 996 551 011 09 VRM | Brown/natural | | | | | |
| | 996 551 011 09 FAP | Cinnamon brown | | | | | |
| - | 996 551 813 00 | Protective film | /LL | 1 | | | |
| - | 996 551 815 00 | Protective film | /RL | 1 | | | |
| 2 | 996 551 211 00 | Foot support | /LL | 1 | | | |
| (2) | 996 551 212 00 | Foot support | /RL | 1 | | | |
| 3 | 999 073 062 02 | Tapping screw 4,8 X 19 | /LL | 2 | | | |
| (3) | 900 143 155 09 | Combination screw 4,8 X 32 | /RL | 1 | | | |
| 4 | 999 591 485 02 | Speed nut 4,8 | /RL | 2 | | | |
| 5 | 996 551 611 00 | Cover | /LL | 1 | | | |
| (5) | 996 551 612 00 | Cover | /RL | 1 | | | |
| 6 | 999 919 161 09 | Foot support Oval-head screw 5,0 X 18 | | 1 | | | |
| (6) | 900 143 155 02 | Oval-head screw 4,8 X 32 | /RL | 1 | | | |
| 7 | 803 803 583 A | Stopper 20,0 X 30,0 | | 2 | | | |
| 7 | 999 703 196 40 | Lid 20,0 X 30,0 | | 2 | | | |
| 8 | 996 551 101 00 | Lining | /LL | 1 | | | |

Model: 996 98 Model life 1998>>2005

| Pos | Part Number | Description | Remark | Qty | Model |
|------|--------------------|---|--------|-----|-------|
| | | Carpet | | | |
| | 996 551 101 00 EAQ | Black | | | |
| | 996 551 101 00 EAR | Graphite grey | | | |
| | 996 551 101 00 EAS | Savanna | | | |
| | 996 551 101 00 EAT | Nephrite green | | | |
| | 996 551 101 00 EAU | Boxster red | | | |
| | 996 551 101 00 EAV | Space grey | | | |
| | 996 551 101 00 EBU | Metropole blue | | | |
| | 996 551 101 00 VRN | Dark grey | 00- | | |
| | 996 551 101 00 VRO | Brown/natural | 00- | | |
| | 996 551 101 00 FBZ | Cinnamon brown | 01- | | |
| (8) | 996 551 102 00 | Lining | /RL | 1 | |
| | | Carpet | | | |
| | 996 551 102 00 EAQ | Black | | | |
| | 996 551 102 00 EAR | Graphite grey | | | |
| | 996 551 102 00 EAS | Savanna | | | |
| | 996 551 102 00 EAT | Nephrite green | | | |
| | 996 551 102 00 EAU | Boxster red | | | |
| | 996 551 102 00 EAV | Space grey | | | |
| | 996 551 102 00 EBU | Metropole blue | | | |
| | 996 551 102 00 VRN | Dark grey | 00- | | |
| | 996 551 102 00 VRO | Brown/natural | 00- | | |
| | 996 551 102 00 FBZ | Cinnamon brown | 01- | | |
| 9 | 999 507 552 01 | Spring clamp 9,0 X 13 | | 2 | |
| 10 | 999 919 161 09 | Oval-head screw 5,0 X 18 | | 4 | |
| 11 | 996 551 621 00 | Lid | /LL | 1 | |
| | 996 551 621 00 01C | Satin black | | | |
| (11) | 996 551 622 00 | Lid | /RL | 1 | |
| | 996 551 622 00 01C | Satin black | | | |
| 12 | 996 551 712 01 | Support | /LL /R | 1 | |
| | | Carpet | | | |
| (12) | 996 551 711 00 | Support | /RL /L | 1 | |
| | | Carpet | | | |
| 13 | 999 073 226 09 | Tapping screw 4,2 X 16 | | 1 | |
| - | | Floor mats Set See group 8/07/05 Tequipment catalogue | | 1 | |

Model: 996 98

Model life 1998>>2005



Model: 996 98 Model life 1998>>2005

| Pos | Part Number | Description | Remark | Qty | Model |
|-----|--------------------|--|---------|-----|----------|
| | | Lining | | | |
| | | Door sill | | | |
| 1 | 996 551 619 01 | Support | /L | 1 | |
| (1) | 996 551 620 01 | Support | /R | 1 | |
| - | 999 551 140 40 | Felt strip | | 2 | |
| 2 | 900 143 082 02 | Tapping screw 6,3 X 13 | | 4 | |
| 3 | 999 500 078 00 | Speed nut M 6 | | 2 | |
| - | 999 049 022 40 | Plastic nut | | 2 | |
| 4 | 900 378 029 09 | Hexagon-head bolt M 6 X 40 | | 2 | |
| 4 | 900 378 029 01 | Hexagon-head bolt M 6 X 40 | | 2 | |
| 5 | 996 551 873 00 | Locating peg | | 2 | |
| 6 | 999 919 121 09 | Oval-head screw 5,0 X 16 | | 2 | |
| 7 | 996 624 115 01 | Actuator Lid | -00 | 1 | |
| 8 | 999 919 121 09 | Oval-head screw 5,0 X 16 | -00 | 2 | |
| (9) | 996 551 019 09 | Lining Lacquered | /LL -99 | 1 | M537 |
| | 996 551 019 09 EMW | Granite grey with Handle Silver | | | |
| (9) | 996 551 019 10 | Lining Lacquered | /LL -99 | 1 | M590 |
| | 996 551 019 10 EMW | Granite grey with Handle Silver | | | |
| (9) | 996 551 019 11 | Lining Lacquered | /LL -99 | 1 | M537/590 |
| | 996 551 019 11 EMW | Granite grey with Handle Silver | | | |
| (9) | 996 551 019 13 | Lining Lacquered | /RL -99 | 1 | M538 |
| | 996 551 019 13 EMW | Granite grey with Handle Silver | | | |
| (9) | 996 551 019 14 | Lining Lacquered | /RL -99 | 1 | M590 |
| | 996 551 019 14 EMW | Granite grey with Handle Silver | | | |
| (9) | 996 551 019 15 | Lining Lacquered | /RL -99 | 1 | M538/590 |
| | 996 551 019 15 EMW | Granite grey with Handle Silver | | | |
| (9) | 996 551 019 09 | Lining Lacquered | /LL 00 | 1 | M537 |
| | 996 551 019 09 ERF | Black with Handle Silver | | | |

Model: 996 98 Model life 1998>>2005

| Pos | Part Number | Description | Remark | Qty | Model |
|-----|--------------------|--|---------|-----|--------------------------|
| (9) | 996 551 019 16 | Lining Lacquered | /LL 00 | 1 | M590 |
| | 996 551 019 16 ERF | Black with Handle Silver | | | |
| (9) | 996 551 019 17 | Lining Lacquered | /LL 00 | 1 | M537/590 |
| | 996 551 019 17 ERF | Black with Handle Silver | | | |
| (9) | 996 551 019 13 | Lining Lacquered | /RL 00 | 1 | M538 |
| | 996 551 019 13 ERF | Black with Handle Silver | | | |
| (9) | 996 551 019 18 | Lining Lacquered | /RL 00 | 1 | M590 |
| | 996 551 019 18 ERF | Black with Handle Silver | | | |
| (9) | 996 551 019 19 | Lining Lacquered | /RL 00 | 1 | M538/590 |
| | 996 551 019 19 ERF | Black with Handle Silver | | | |
| 9 | 996 551 119 01 | Lining Lacquered without Handle | -00 | 1 | COUPE/CABRIO |
| | 996 551 119 01 D05 | Granite grey | -99 | | |
| | 996 551 119 01 A03 | Black | 00 | | |
| (9) | 996 551 119 04 | Lining without Handle | 01- | 1 | COUPE/CABRIO |
| | 996 551 119 04 A03 | Black | | | |
| (9) | 996 551 119 02 | Lining without Handle | 02- | 1 | TARGA |
| | 996 551 119 02 A03 | Black | | | |
| (9) | 996 551 119 05 | Lining without Handle | 01- | 1 | COUPE/CABRIO M537/538 |
| | 996 551 119 05 A03 | Black | | | |
| (9) | 996 551 119 03 | Lining without Handle | 02- | 1 | TARGA M537/538 |
| | 996 551 119 03 A03 | Black | | | |
| (9) | 996 551 019 20 | Lining Complete | /LL 01 | 1 | COUPE/CABRIO |
| | 996 551 019 20 A03 | Black | | | |
| (9) | 996 551 019 28 | Lining Complete | /LL 02- | 1 | COUPE/CABRIO |
| | 996 551 019 28 A03 | Black | | | |
| (9) | 996 551 019 24 | Lining Complete | /LL 02- | 1 | TARGA |
| | 996 551 019 24 A03 | Black | | | |

Model: 996 98 Model life 1998>>2005

| Pos | Part Number | Description | Remark | Qty | Model |
|-----|--------------------|-------------------|---------|-----|------------------------------|
| (9) | 996 551 019 22 | Lining | /LL 01 | 1 | COUPE/CABRIO M537 |
| | | Complete | | | |
| | 996 551 019 22 A03 | Black | | | |
| (9) | 996 551 019 30 | Lining | /LL 02- | 1 | COUPE/CABRIO M537 |
| | | Complete | | | |
| | 996 551 019 30 A03 | Black | | | |
| (9) | 996 551 019 26 | Lining | /LL 02- | 1 | TARGA M537 |
| | | Complete | | | |
| | 996 551 019 26 A03 | Black | | | |
| (9) | 996 551 019 21 | Lining | /RL 01 | 1 | COUPE/CABRIO |
| | | Complete | | | |
| | 996 551 019 21 A03 | Black | | | |
| (9) | 996 551 019 29 | Lining | /RL 02- | 1 | COUPE/CABRIO |
| | | Complete | | | |
| | 996 551 019 29 A03 | Black | | | |
| (9) | 996 551 019 25 | Lining | /RL 02- | 1 | TARGA |
| | | Complete | | | |
| | 996 551 019 25 A03 | Black | | | |
| (9) | 996 551 019 23 | Lining | /RL 01 | 1 | COUPE/CABRIO M538 |
| | | Complete | | | |
| | 996 551 019 23 A03 | Black | | | |
| (9) | 996 551 019 31 | Lining | /RL 02- | 1 | COUPE/CABRIO M538 |
| | | Complete | | | |
| | 996 551 019 31 A03 | Black | | | |
| (9) | 996 551 019 27 | Lining | /RL 02- | 1 | TARGA M538 |
| | | Complete | | | |
| | 996 551 019 27 A03 | Lacquered | | | |
| | | Black | | | |
| (9) | 996 551 980 20 | Lining | /LL 01 | 1 | COUPE/CABRIO IXTG |
| | | Complete | | | |
| | | Leather | | | |
| | 996 551 980 20 A11 | Black | | | |
| | 996 551 980 20 C51 | Graphite grey | | | |
| | 996 551 980 20 S31 | Savanna | | | |
| | 996 551 980 20 G11 | Metropole blue | | | |
| | 996 551 980 20 J31 | Nephrite green | | | |
| | 996 551 980 20 M31 | Boxster red | | | |
| | 996 551 980 20 P12 | Cinnamon brown | | | |
| | 996 551 980 20 D12 | Dark grey/natural | | | |
| | 996 551 980 20 T12 | Brown/natural | | | |
| (9) | 996 551 980 21 | Lining | /RL 01 | 1 | COUPE/CABRIO IXTG |
| | | Complete | | | |
| | | Leather | | | |
| | 996 551 980 21 A11 | Black | | | |
| | 996 551 980 21 C51 | Graphite grey | | | |
| | 996 551 980 21 S31 | Savanna | | | |
| | 996 551 980 21 G11 | Metropole blue | | | |
| | 996 551 980 21 J31 | Nephrite green | | | |
| | 996 551 980 21 M31 | Boxster red | | | |
| | 996 551 980 21 P12 | Cinnamon brown | | | |
| | 996 551 980 21 D12 | Dark grey/natural | | | |
| | 996 551 980 21 T12 | Brown/natural | | | |
| (9) | 996 551 980 22 | Lining | /LL 01 | 1 | COUPE/CABRIO /537 IXTG |

Model: 996 98 Model life 1998>>2005

| Pos | Part Number | Description | Remark | Qty | Model |
|-----|--------------------|---------------------|---------|-----|------------------------------|
| | | Complete Leather | | | |
| | 996 551 980 22 A11 | Black | | | |
| | 996 551 980 22 C51 | Graphite grey | | | |
| | 996 551 980 22 S31 | Savanna | | | |
| | 996 551 980 22 G11 | Metropole blue | | | |
| | 996 551 980 22 J31 | Nephrite green | | | |
| | 996 551 980 22 M31 | Boxster red | | | |
| | 996 551 980 22 P12 | Cinnamon brown | | | |
| | 996 551 980 22 D12 | Dark grey/natural | | | |
| | 996 551 980 22 T12 | Brown/natural | | | |
| (9) | 996 551 980 23 | Lining | /RL 01 | 1 | COUPE/CABRIO /538 IXTG |
| | | Complete Leather | | | |
| | 996 551 980 23 A11 | Black | | | |
| | 996 551 980 23 C51 | Graphite grey | | | |
| | 996 551 980 23 S31 | Savanna | | | |
| | 996 551 980 23 G11 | Metropole blue | | | |
| | 996 551 980 23 J31 | Nephrite green | | | |
| | 996 551 980 23 M31 | Boxster red | | | |
| | 996 551 980 23 P12 | Cinnamon brown | | | |
| | 996 551 980 23 D12 | Dark grey/natural | | | |
| | 996 551 980 23 T12 | Brown/natural | | | |
| (9) | 996 551 980 28 | Lining | /LL 02- | 1 | COUPE/CABRIO IXTG |
| | | Complete Leather | | | |
| | 996 551 980 28 VRK | Black | | | |
| | 996 551 980 28 C51 | Graphite grey | | | |
| | 996 551 980 28 S31 | Savanna | | | |
| | 996 551 980 28 G11 | Metropole blue | | | |
| | 996 551 980 28 J31 | Nephrite green | | | |
| | 996 551 980 28 M31 | Boxster red | | | |
| | 996 551 980 28 P12 | Cinnamon brown | | | |
| | 996 551 980 28 D12 | Dark grey/natural | | | |
| | 996 551 980 28 T12 | Brown/natural | | | |
| (9) | 996 551 980 29 | Lining | /RL 02- | 1 | COUPE/CABRIO IXTG |
| | | Complete Leather | | | |
| | 996 551 980 29 VRK | Black | | | |
| | 996 551 980 29 C51 | Graphite grey | | | |
| | 996 551 980 29 S31 | Savanna | | | |
| | 996 551 980 29 G11 | Metropole blue | | | |
| | 996 551 980 29 J31 | Nephrite green | | | |
| | 996 551 980 29 M31 | Boxster red | | | |
| | 996 551 980 29 P12 | Cinnamon brown | | | |
| | 996 551 980 29 D12 | Dark grey/natural | | | |
| | 996 551 980 29 T12 | Brown/natural | | | |
| (9) | 996 551 980 30 | Lining | /LL 02- | 1 | COUPE/CABRIO /537 IXTK |
| | | Complete Leather | | | |
| | 996 551 980 30 VRK | Black | | | |
| | 996 551 980 30 C51 | Graphite grey | | | |
| | 996 551 980 30 S31 | Savanna | | | |
| | 996 551 980 30 G11 | Metropole blue | | | |
| | 996 551 980 30 J31 | Nephrite green | | | |
| | 996 551 980 30 M31 | Boxster red | | | |
| | 996 551 980 30 P12 | Cinnamon brown | | | |

Model: 996 98 Model life 1998>>2005

| Pos | Part Number | Description | Remark | Qty | Model |
|--------------------|--------------------|-------------------|---------|-----|------------------------------|
| (9) | 996 551 980 30 D12 | Dark grey/natural | /RL 02- | 1 | COUPE/CABRIO /538 IXTG |
| | 996 551 980 30 T12 | Brown/natural | | | |
| | 996 551 980 31 | Lining | | | |
| | | Complete | | | |
| | | Leather | | | |
| | 996 551 980 31 VRK | Black | | | |
| | 996 551 980 31 C51 | Graphite grey | | | |
| | 996 551 980 31 S31 | Savanna | | | |
| | 996 551 980 31 G11 | Metropole blue | | | |
| | 996 551 980 31 J31 | Nephrite green | | | |
| | 996 551 980 31 M31 | Boxster red | | | |
| 996 551 980 31 P12 | Cinnamon brown | | | | |
| (9) | 996 551 980 31 D12 | Dark grey/natural | /LL 02- | 1 | TARGA IXTG |
| | 996 551 980 31 T12 | Brown/natural | | | |
| | 996 551 980 24 | Lining | | | |
| | | Complete | | | |
| | | Leather | | | |
| | 996 551 980 24 VRK | Black | | | |
| | 996 551 980 24 C51 | Graphite grey | | | |
| | 996 551 980 24 S31 | Savanna | | | |
| | 996 551 980 24 G11 | Metropole blue | | | |
| | 996 551 980 24 J31 | Nephrite green | | | |
| | 996 551 980 24 M31 | Boxster red | | | |
| 996 551 980 24 D12 | Dark grey | | | | |
| 996 551 980 24 T12 | Brown/natural | | | | |
| (9) | 996 551 980 24 P12 | Cinnamon brown | /RL 02- | 1 | TARGA IXTG |
| | 996 551 980 25 | Lining | | | |
| | | Complete | | | |
| | | Leather | | | |
| | 996 551 980 25 VRK | Black | | | |
| | 996 551 980 25 C51 | Graphite grey | | | |
| | 996 551 980 25 S31 | Savanna | | | |
| | 996 551 980 25 G11 | Metropole blue | | | |
| | 996 551 980 25 J31 | Nephrite green | | | |
| | 996 551 980 25 M31 | Boxster red | | | |
| | 996 551 980 25 D12 | Dark grey | | | |
| 996 551 980 25 T12 | Brown/natural | | | | |
| (9) | 996 551 980 25 P12 | Cinnamon brown | /LL 02- | 1 | TARGA IXTG M537 |
| | 996 551 980 26 | Lining | | | |
| | | Complete | | | |
| | | Leather | | | |
| | 996 551 980 26 VRK | Black | | | |
| | 996 551 980 26 C51 | Graphite grey | | | |
| | 996 551 980 26 S31 | Savanna | | | |
| | 996 551 980 26 G11 | Metropole blue | | | |
| | 996 551 980 26 J31 | Nephrite green | | | |
| | 996 551 980 26 M31 | Boxster red | | | |
| | 996 551 980 26 D12 | Dark grey | | | |
| 996 551 980 26 T12 | Brown/natural | | | | |
| (9) | 996 551 980 26 P12 | Cinnamon brown | /RL 02- | 1 | TARGA IXTG M538 |
| | 996 551 980 27 | Lining | | | |
| | | Complete | | | |
| | | Leather | | | |
| | 996 551 980 27 VRK | Black | | | |
| | 996 551 980 27 C51 | Graphite grey | | | |

Model: 996 98 Model life 1998>>2005

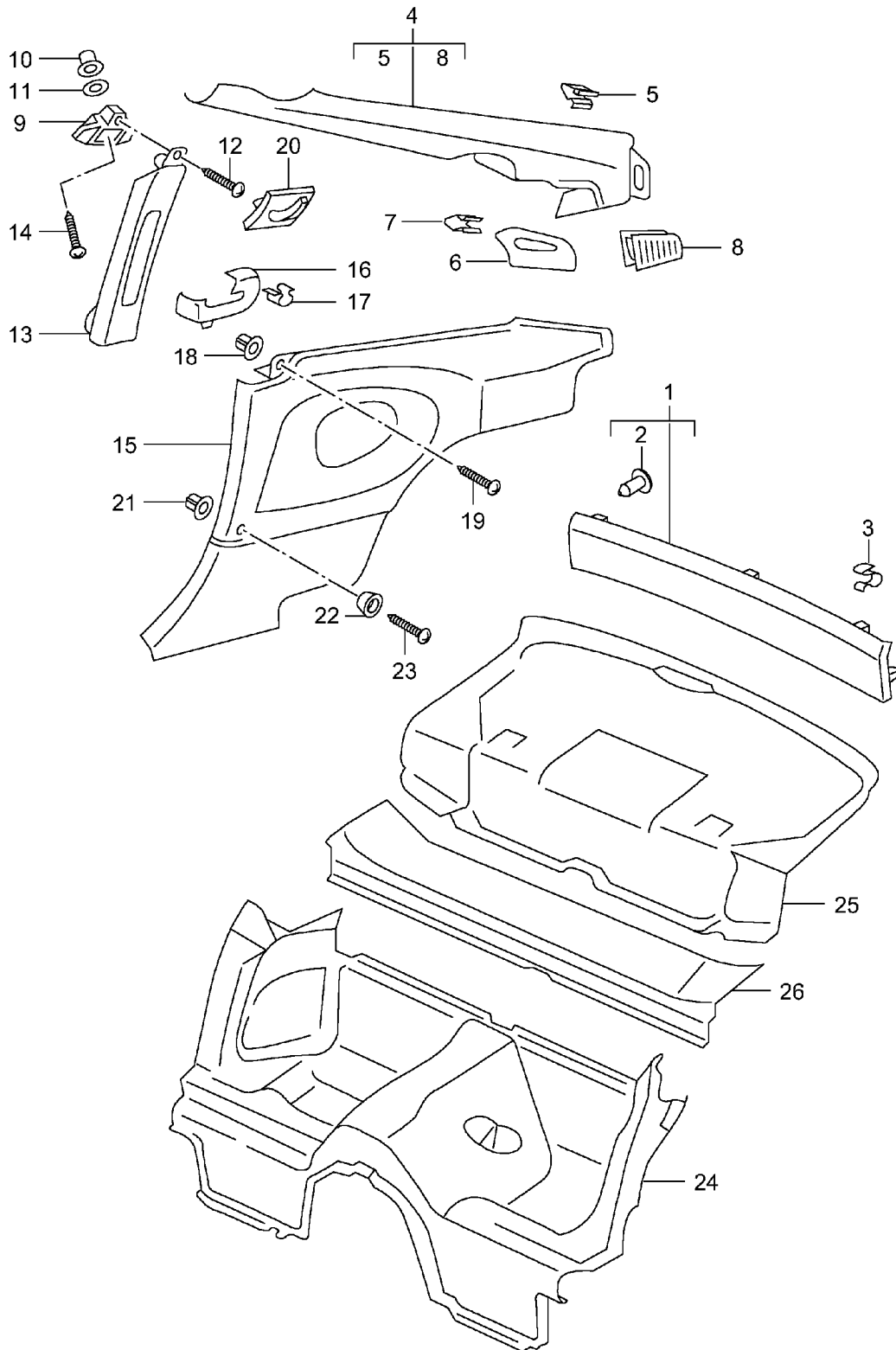
| Pos | Part Number | Description | Remark | Qty | Model |
|------|--------------------|--|------------|-----|------------------|
| | 996 551 980 27 S31 | Savanna | | | |
| | 996 551 980 27 G11 | Metropole blue | | | |
| | 996 551 980 27 J31 | Nephrite green | | | |
| | 996 551 980 27 M31 | Boxster red | | | |
| | 996 551 980 27 D12 | Dark grey | | | |
| | 996 551 980 27 T12 | Brown/natural | | | |
| | 996 551 980 27 P12 | Cinnamon brown | | | |
| 10 | 996 551 719 00 | Bracket Not for | -00 | 1 | M590 M537/538 |
| 11 | 999 507 556 02 | Speed nut Not for M 5 | -00 | 2 | M590 M537/538 |
| 12 | 900 075 145 02 | Hexagon-head bolt Not for M 5 X 16 | -00 | 2 | M590 M537/538 |
| 13 | 996 551 511 03 | Handle Lacquered | /LL /V -00 | 1 | |
| (13) | 996 551 511 03 V01 | Silver | | | |
| (13) | 996 551 512 05 | Handle Lacquered | /LL /H -00 | 1 | |
| (13) | 996 551 512 05 V01 | Silver | | | |
| (13) | 996 551 511 04 | Handle Lacquered | /RL /V -00 | 1 | |
| (13) | 996 551 511 04 V01 | Silver | | | |
| (13) | 996 551 512 06 | Handle Lacquered | /RL /H -00 | 1 | |
| (13) | 996 551 512 06 V01 | Silver | | | |
| 14 | 999 088 033 02 | Bolt Not for 6 X 22 X 19 | -00 | 2 | M537/538 |
| 15 | 999 166 079 02 | Lock washer Not for | -00 | 2 | M537/538 |
| 16 | 999 522 030 00 | Tension spring Not for | -00 | 2 | M537/538 |
| 17 | 999 218 106 02 | Combination screw M 6 X 25 | -00 | 3 | |
| (17) | 999 067 046 09 | Pan-head screw M 6 X 20 | 01- | 3 | |
| 18 | 999 703 443 40 | Stopper 8,0 X 11 X 7,2 | | 3 | |
| | 999 703 443 40 01C | Satin black | | | |
| 19 | 999 507 484 40 | Expander nut | | 18 | |
| 20 | 996 551 120 00 | Lining Tray | | 1 | |
| | 996 551 120 00 D05 | Granite grey | -99 | | |
| | 996 551 120 00 A03 | Black | 00- | | |
| 20 | 996 551 981 01 | Lining Tray Leather | 01- | 1 | IXTG |
| | 996 551 981 01 A11 | Black | 01 | | |
| | 996 551 981 01 VRK | Black | 02- | | |
| | 996 551 981 01 C51 | Graphite grey | | | |
| | 996 551 981 01 S31 | Savanna | | | |
| | 996 551 981 01 J31 | Nephrite green | | | |
| | 996 551 981 01 M31 | Boxster red | | | |
| | 996 551 981 01 G11 | Metropole blue | | | |
| | 996 551 981 01 D12 | Dark grey | | | |
| | 996 551 981 01 T12 | Brown/natural | | | |
| | 996 551 981 01 P12 | Cinnamon brown | | | |
| 21 | 996 551 513 00 | Mat | | 1 | |
| 22 | 999 919 164 09 | Oval-head screw 5,0 X 12 | | 2 | |

Model: 996 98 Model life 1998>>2005

| Pos | Part Number | Description | Remark | Qty | Model |
|------|--------------------|-----------------|--------|-----|-----------|
| 23 | 996 551 303 00 | Scuff plate | | 2 | CARRERA |
| | 996 551 303 00 D05 | Granite grey | -99 | | |
| | 996 551 303 00 A03 | Black | 00- | | |
| (23) | 996 551 303 01 | Scuff plate | 99- | 2 | CARRERA 4 |
| | 996 551 303 01 D05 | Granite grey | -99 | | |
| | 996 551 303 01 A03 | Black | 00- | | |
| (23) | 996 551 303 03 | Scuff plate | 00 | 2 | M094 |
| | 996 551 303 03 A03 | Black | 00- | | |
| (23) | 996 551 303 04 | Scuff plate | | 2 | C4S |
| | 996 551 303 04 D05 | Granite grey | -99 | | |
| | 996 551 303 04 A03 | Black | | | |
| (23) | 996 551 303 05 | Scuff plate | | 2 | TARGA |
| | | Lacquered | | | |
| | 996 551 303 05 D05 | Granite grey | -99 | | |
| | 996 551 303 05 A03 | Black | | | |
| (23) | 996 551 303 06 | Scuff plate | 04 | 2 | M095 |
| | | Lacquered | | | |
| | 996 551 303 06 VTF | Silver metallic | | | |
| | | Scuff plate | | 1 | |
| | | Exclusive | | | |
| | | See catalogue | | | |
| | | Tequipment | | | |
| | | 8/07/05 | | | |

Model: 996 98

Model life 1998>>2005



Model: 996 98 Model life 1998>>2005

| Pos | Part Number | Description | Remark | Qty | Model |
|-----|--------------------|----------------|--------|-----|-------|
| | | Linings | | | COUPE |
| | | Rear | | | |
| 1 | 996 555 081 02 | Lining | | 1 | |
| | | Leatherette | | | |
| | 996 555 081 02 A18 | Black | -99 | | |
| | 996 555 081 02 C18 | Graphite grey | -99 | | |
| | 996 555 081 02 S18 | Savanna | -99 | | |
| | 996 555 081 02 G18 | Metropole blue | -99 | | |
| | 996 555 081 02 B18 | Space grey | -99 | | |
| | 996 555 081 02 A12 | Black | 00- | | |
| | 996 555 081 02 C52 | Graphite grey | 00- | | |
| | 996 555 081 02 S32 | Savanna | 00- | | |
| | 996 555 081 02 G12 | Metropole blue | 00- | | |
| | 996 555 081 02 B52 | Space grey | 00 | | |
| | 996 555 081 02 J32 | Nephrite green | 01- | | |
| 1 | 996 555 081 03 | Lining | | 1 | |
| | | Leather | | | |
| | 996 555 081 03 A11 | Black | | | |
| | 996 555 081 03 C51 | Graphite grey | | | |
| | 996 555 081 03 S31 | Savanna | | | |
| | 996 555 081 03 G11 | Metropole blue | | | |
| | 996 555 081 03 J31 | Nephrite green | | | |
| | 996 555 081 03 M31 | Boxster red | | | |
| | 996 555 081 03 B51 | Space grey | -00 | | |
| | 996 555 081 03 P12 | Cinnamon brown | 01- | | |
| | 996 555 081 03 D12 | Dark grey | 00- | | |
| | 996 555 081 03 T12 | Brown/natural | 00- | | |
| 2 | 999 507 687 05 | Fixing clip | | 5 | |
| 3 | 999 651 307 02 | Cable clamp | | 3 | |
| | | 18,0 | | | |
| (4) | 996 555 187 02 | Lining | /L | 1 | |
| | | Upper | | | |
| | | Leatherette | | | |
| | 996 555 187 02 A18 | Black | -99 | | |
| | 996 555 187 02 C18 | Graphite grey | -99 | | |
| | 996 555 187 02 S18 | Savanna | -99 | | |
| | 996 555 187 02 G18 | Metropole blue | -99 | | |
| | 996 555 187 02 B18 | Space grey | -99 | | |
| | 996 555 187 02 A12 | Black | 00- | | |
| | 996 555 187 02 C52 | Graphite grey | 00- | | |
| | 996 555 187 02 S32 | Savanna | 00- | | |
| | 996 555 187 02 G12 | Metropole blue | 00- | | |
| | 996 555 187 02 B52 | Space grey | 00 | | |
| | 996 555 187 02 J32 | Nephrite green | 01- | | |
| 4 | 996 555 188 02 | Lining | /R | 1 | |
| | | Upper | | | |
| | | Leatherette | | | |
| | 996 555 188 02 A18 | Black | -99 | | |
| | 996 555 188 02 C18 | Graphite grey | -99 | | |
| | 996 555 188 02 S18 | Savanna | -99 | | |
| | 996 555 188 02 G18 | Metropole blue | -99 | | |
| | 996 555 188 02 B18 | Space grey | -99 | | |
| | 996 555 188 02 A12 | Black | 00- | | |
| | 996 555 188 02 C52 | Graphite grey | 00- | | |
| | 996 555 188 02 S32 | Savanna | 00- | | |
| | 996 555 188 02 G12 | Metropole blue | 00- | | |
| | 996 555 188 02 B52 | Space grey | 00 | | |
| | 996 555 188 02 J32 | Nephrite green | 01- | | |
| (4) | 996 555 187 03 | Lining | /L | 1 | |
| | | Upper | | | |
| | | Leather | | | |
| | 996 555 187 03 A11 | Black | | | |
| | 996 555 187 03 C51 | Graphite grey | | | |

Model: 996 98 Model life 1998>>2005

| Pos | Part Number | Description | Remark | Qty | Model |
|-----|--------------------|-----------------------------------|--------|-----|-------|
| | 996 555 187 03 S31 | Savanna | | | |
| | 996 555 187 03 G11 | Metropole blue | | | |
| | 996 555 187 03 J31 | Nephrite green | | | |
| | 996 555 187 03 M31 | Boxster red | | | |
| | 996 555 187 03 B51 | Space grey | -00 | | |
| | 996 555 187 03 P12 | Cinnamon brown | 01- | | |
| | 996 555 187 03 D12 | Dark grey | 00- | | |
| | 996 555 187 03 T12 | Brown/natural | 00- | | |
| 4 | 996 555 188 03 | Lining Upper Leather | /R | 1 | |
| | 996 555 188 03 A11 | Black | | | |
| | 996 555 188 03 C51 | Graphite grey | | | |
| | 996 555 188 03 S31 | Savanna | | | |
| | 996 555 188 03 G11 | Metropole blue | | | |
| | 996 555 188 03 J31 | Nephrite green | | | |
| | 996 555 188 03 M31 | Boxster red | | | |
| | 996 555 188 03 B51 | Space grey | -00 | | |
| | 996 555 188 03 P12 | Cinnamon brown | 01- | | |
| | 996 555 188 03 D12 | Dark grey | 00- | | |
| | 996 555 188 03 T12 | Brown/natural | 00- | | |
| - | 999 551 609 40 | Plastic washer 8, 0 X 23 X 3,0 | | 16 | |
| 5 | 999 507 676 09 | Clamp 2,7/2,20 | | 2 | |
| 5 | 999 507 479 09 | Clamp 2,5/0,9 | | 4 | |
| (6) | 996 555 545 01 | Rosette Lacquered | /L | 1 | |
| | 996 555 545 01 D05 | Granite grey | -99 | | |
| | 996 555 545 01 A03 | Black | 00- | | |
| | 996 555 545 01 C53 | Graphite grey | 00- | | |
| | 996 555 545 01 S33 | Savanna | 00- | | |
| | 996 555 545 01 G13 | Metropole blue | 00- | | |
| | 996 555 545 01 B13 | Space grey | 00 | | |
| | 996 555 545 01 J33 | Nephrite green | 00- | | |
| | 996 555 545 01 M33 | Boxster red | | | |
| 6 | 996 555 546 01 | Rosette Lacquered | /R | 1 | |
| | 996 555 546 01 D05 | Granite grey | -99 | | |
| | 996 555 546 01 A03 | Black | 00- | | |
| | 996 555 546 01 C53 | Graphite grey | 00- | | |
| | 996 555 546 01 S33 | Savanna | 00- | | |
| | 996 555 546 01 G13 | Metropole blue | 00- | | |
| | 996 555 546 01 B13 | Space grey | 00 | | |
| | 996 555 546 01 J33 | Nephrite green | 00- | | |
| | 996 555 546 01 M33 | Boxster red | | | |
| 7 | 999 507 533 02 | Clamp | | 2 | |
| (8) | 996 555 645 00 | Grille Lacquered | /L | 1 | |
| | 996 555 645 00 D05 | Granite grey | -99 | | |
| | 996 555 645 00 A03 | Black | 00- | | |
| | 996 555 645 00 C53 | Graphite grey | 00- | | |
| | 996 555 645 00 S33 | Savanna | 00- | | |
| | 996 555 645 00 G13 | Metropole blue | 00- | | |
| | 996 555 645 00 B13 | Space grey | 00- | | |
| | 996 555 645 00 J33 | Nephrite green | 00- | | |
| | 996 555 645 00 M33 | Boxster red | 00- | | |
| 8 | 996 555 646 00 | Grille Lacquered | /R | 1 | |
| | 996 555 646 00 D05 | Granite grey | -99 | | |
| | 996 555 646 00 A03 | Black | 00- | | |
| | 996 555 646 00 C53 | Graphite grey | 00- | | |

Model: 996 98 Model life 1998>>2005

| Pos | Part Number | Description | Remark | Qty | Model |
|------|--------------------|-----------------|--------|-----|-------|
| | 996 555 646 00 S33 | Savanna | 00- | | |
| | 996 555 646 00 G13 | Metropole blue | 00- | | |
| | 996 555 646 00 B13 | Space grey | 00- | | |
| | 996 555 646 00 J33 | Nephrite green | 00- | | |
| | 996 555 646 00 M33 | Boxster red | 00- | | |
| (9) | 996 555 821 01 | Bracket | /L -99 | 1 | |
| | | Coat hook | | | |
| 9 | 996 555 822 01 | Bracket | /R -99 | 1 | |
| | | Coat hook | | | |
| (9) | 996 555 821 02 | Bracket | /L 00- | 1 | |
| | | Coat hook | | | |
| (9) | 996 555 822 02 | Bracket | /R 00- | 1 | |
| | | Coat hook | | | |
| 10 | 999 500 069 02 | Blind rivet nut | -01 | 2 | |
| (10) | 999 507 695 02 | Speed nut | | 2 | |
| | | 4,2 | | | |
| 11 | 900 151 006 09 | Washer | | 2 | |
| (11) | 999 025 268 09 | Washer | 00- | 2 | |
| | | 6,4 | | | |
| 12 | 999 919 164 09 | Oval-head screw | -99 | 2 | |
| | | 5,0 X 12,0 | | | |
| (12) | 999 073 060 02 | Tapping screw | 00- | 2 | |
| | | 4,8 X 13 | | | |
| (13) | 996 555 183 02 | Lining | /L -99 | 1 | |
| | | B-pillar | | | |
| | | Leatherette | | | |
| | 996 555 183 02 A18 | Black | | | |
| | 996 555 183 02 C18 | Graphite grey | | | |
| | 996 555 183 02 S18 | Savanna | | | |
| | 996 555 183 02 G18 | Metropole blue | | | |
| | 996 555 183 02 B18 | Space grey | | | |
| 13 | 996 555 184 02 | Lining | /R -99 | 1 | |
| | | B-pillar | | | |
| | | Leatherette | | | |
| | 996 555 184 02 A18 | Black | | | |
| | 996 555 184 02 C18 | Graphite grey | | | |
| | 996 555 184 02 S18 | Savanna | | | |
| | 996 555 184 02 G18 | Metropole blue | | | |
| | 996 555 184 02 B18 | Space grey | | | |
| (13) | 996 555 183 04 | Lining | /L 00- | 1 | |
| | | B-pillar | | | |
| | | Leatherette | | | |
| | 996 555 183 04 A12 | Black | | | |
| | 996 555 183 04 C52 | Graphite grey | | | |
| | 996 555 183 04 S32 | Savanna | | | |
| | 996 555 183 04 G12 | Metropole blue | | | |
| | 996 555 183 04 B52 | Space grey | 00 | | |
| | 996 555 183 04 J32 | Nephrite green | 01- | | |
| (13) | 996 555 184 04 | Lining | /R 00- | 1 | |
| | | B-pillar | | | |
| | | Leatherette | | | |
| | 996 555 184 04 A12 | Black | | | |
| | 996 555 184 04 C52 | Graphite grey | | | |
| | 996 555 184 04 S32 | Savanna | | | |
| | 996 555 184 04 G12 | Metropole blue | | | |
| | 996 555 184 04 B52 | Space grey | 00 | | |
| | 996 555 184 04 J32 | Nephrite green | 01- | | |
| (13) | 996 555 183 03 | Lining | /L | 1 | |
| | | B-pillar | | | |
| | | Leather | | | |
| | 996 555 183 03 A11 | Black | | | |
| | 996 555 183 03 C51 | Graphite grey | | | |
| | 996 555 183 03 S31 | Savanna | | | |

Model: 996 98 Model life 1998>>2005

| Pos | Part Number | Description | Remark | Qty | Model |
|------|--------------------|--------------------------------|--------|-----|-------|
| | 996 555 183 03 G11 | Metropole blue | | | |
| | 996 555 183 03 B51 | Space grey | | | |
| | 996 555 183 03 J31 | Nephrite green | | | |
| | 996 555 183 03 M31 | Boxster red | | | |
| | 996 555 183 03 P12 | Cinnamon brown | 01- | | |
| | 996 555 183 03 D12 | Dark grey | 00- | | |
| | 996 555 183 03 T12 | Brown/natural | 00- | | |
| 13 | 996 555 184 03 | Lining B-pillar Leather | /R | 1 | |
| | 996 555 184 03 A11 | Black | | | |
| | 996 555 184 03 C51 | Graphite grey | | | |
| | 996 555 184 03 S31 | Savanna | | | |
| | 996 555 184 03 G11 | Metropole blue | | | |
| | 996 555 184 03 B51 | Space grey | | | |
| | 996 555 184 03 J31 | Nephrite green | | | |
| | 996 555 184 03 M31 | Boxster red | | | |
| | 996 555 184 03 P12 | Cinnamon brown | 01- | | |
| | 996 555 184 03 D12 | Dark grey | 00- | | |
| | 996 555 184 03 T12 | Brown/natural | 00- | | |
| (13) | 996 555 183 05 | Lining B-pillar Leather | /L 00- | 1 | |
| | 996 555 183 05 A11 | Black | | | |
| | 996 555 183 05 C51 | Graphite grey | | | |
| | 996 555 183 05 S31 | Savanna | | | |
| | 996 555 183 05 G11 | Metropole blue | | | |
| | 996 555 183 05 B51 | Space grey | -00 | | |
| | 996 555 183 05 J31 | Nephrite green | | | |
| | 996 555 183 05 M31 | Boxster red | | | |
| | 996 555 183 05 P12 | Cinnamon brown | 01- | | |
| | 996 555 183 05 D12 | Dark grey/natural | 00- | | |
| | 996 555 183 05 T12 | Brown/natural | 00- | | |
| (13) | 996 555 184 05 | Lining B-pillar Leather | /R 00- | 1 | |
| | 996 555 184 05 A11 | Black | | | |
| | 996 555 184 05 C51 | Graphite grey | | | |
| | 996 555 184 05 S31 | Savanna | | | |
| | 996 555 184 05 G11 | Metropole blue | | | |
| | 996 555 184 05 B51 | Space grey | -00 | | |
| | 996 555 184 05 J31 | Nephrite green | | | |
| | 996 555 184 05 M31 | Boxster red | | | |
| | 996 555 184 05 P12 | Cinnamon brown | 01- | | |
| | 996 555 184 05 D12 | Dark grey/natural | 00- | | |
| | 996 555 184 05 T12 | Brown/natural | 00- | | |
| - | 996 555 859 00 | Grommet B-pillar | 00- | 2 | |
| 14 | 999 073 130 02 | Oval-head screw M 6 X 16 | | 1 | |
| (15) | 996 555 071 08 | Side trim panel Leatherette | /L 98 | 1 | |
| | 996 555 071 08 DEO | Black | | | |
| | 996 555 071 08 DEQ | Graphite grey | | | |
| | 996 555 071 08 DET | Savanna | | | |
| | 996 555 071 08 DFE | Metropole blue | | | |
| | 996 555 071 08 DFK | Space grey | | | |
| | 996 555 071 08 EVN | Black | | | |
| | 996 555 071 08 EVO | Graphite grey | | | |
| | 996 555 071 08 EVP | Savanna | | | |
| | 996 555 071 08 EVQ | Metropole blue | | | |
| | 996 555 071 08 EVR | Space grey | | | |
| | 996 555 071 08 FDH | Nephrite green | | | |

Model: 996 98 Model life 1998>>2005

| Pos | Part Number | Description | Remark | Qty | Model |
|------|--------------------|-------------------|----------|-----|-------|
| (15) | 996 555 071 10 | Side trim panel | /L 98-99 | 1 | |
| | 996 555 071 10 DEO | Black | -99 | | |
| 15 | 996 555 072 08 | Side trim panel | /R 98 | 1 | |
| | | Leatherette | | | |
| | 996 555 072 08 DEO | Black | | | |
| | 996 555 072 08 DEQ | Graphite grey | | | |
| | 996 555 072 08 DET | Savanna | | | |
| | 996 555 072 08 DFE | Metropole blue | | | |
| | 996 555 072 08 DFK | Space grey | | | |
| | 996 555 072 08 EVN | Black | | | |
| | 996 555 072 08 EVO | Graphite grey | | | |
| | 996 555 072 08 EVP | Savanna | | | |
| | 996 555 072 08 EVQ | Metropole blue | | | |
| | 996 555 072 08 EVR | Space grey | | | |
| | 996 555 072 08 FDH | Nephrite green | | | |
| 15 | 996 555 072 10 | Side trim panel | /R 99- | 1 | |
| | | Leatherette | | | |
| | 996 555 072 10 DEO | Black | -99 | | |
| | 996 555 072 10 DEQ | Graphite grey | -99 | | |
| | 996 555 072 10 DET | Savanna | -99 | | |
| | 996 555 072 10 DFE | Metropole blue | -99 | | |
| | 996 555 072 10 DFK | Space grey | -99 | | |
| | 996 555 072 10 EVN | Black | 00- | | |
| | 996 555 072 10 EVO | Graphite grey | 00- | | |
| | 996 555 072 10 EVP | Savanna | 00- | | |
| | 996 555 072 10 EVQ | Metropole blue | 00- | | |
| | 996 555 072 10 EVR | Space grey | 00 | | |
| | 996 555 072 10 FDH | Nephrite green | 01- | | |
| (15) | 996 555 071 11 | Side trim panel | /L | 1 | |
| | | Leather | | | |
| | 996 555 071 11 DFO | Black | | | |
| | 996 555 071 11 DFY | Space grey | | | |
| 15 | 996 555 072 11 | Side trim panel | /R | 1 | |
| | | Leather | | | |
| | 996 555 072 11 DFO | Black | | | |
| | 996 555 072 11 DFY | Space grey | | | |
| (15) | 996 555 071 11 | Side trim panel | /L -02 | 1 | |
| | | Leather | | | |
| | 996 555 071 11 EVS | Black | | | |
| | 996 555 071 11 DFV | Graphite grey | | | |
| | 996 555 071 11 DFW | Savanna | | | |
| | 996 555 071 11 DFX | Metropole blue | | | |
| | 996 555 071 11 DFZ | Nephrite green | | | |
| | 996 555 071 11 DGA | Boxster red | | | |
| | 996 555 071 11 FEK | Cinnamon brown | | | |
| | 996 555 071 11 VRT | Dark grey/natural | | | |
| | 996 555 071 11 VRU | Brown/natural | | | |
| 15 | 996 555 072 11 | Side trim panel | /R -02 | 1 | |
| | | Leather | | | |
| | 996 555 072 11 EVS | Black | | | |
| | 996 555 072 11 DFV | Graphite grey | | | |
| | 996 555 072 11 DFW | Savanna | | | |
| | 996 555 072 11 DFX | Metropole blue | | | |
| | 996 555 072 11 DFZ | Nephrite green | | | |
| | 996 555 072 11 DGA | Boxster red | | | |
| | 996 555 072 11 FEK | Cinnamon brown | | | |
| | 996 555 072 11 VRT | Dark grey/natural | | | |
| | 996 555 072 11 VRU | Brown/natural | | | |
| (15) | 996 555 071 16 | Side trim panel | /L 03- | 1 | |
| | | Leather | | | |
| | 996 555 071 16 EVS | Black | | | |
| | 996 555 071 16 DFV | Graphite grey | | | |
| | 996 555 071 16 DFW | Savanna | | | |

Model: 996 98 Model life 1998>>2005

| Pos | Part Number | Description | Remark | Qty | Model |
|------|--------------------|-----------------------------------|--------|-----|-------|
| | 996 555 071 16 DFX | Metropole blue | | | |
| | 996 555 071 16 DFZ | Nephrite green | | | |
| | 996 555 071 16 DGA | Boxster red | | | |
| | 996 555 071 16 FEK | Cinnamon brown | | | |
| | 996 555 071 16 VRT | Dark grey/natural | | | |
| | 996 555 071 16 VRU | Brown/natural | | | |
| 15 | 996 555 072 16 | Side trim panel Leather | /R 03- | 1 | |
| | 996 555 072 16 EVS | Black | | | |
| | 996 555 072 16 DFV | Graphite grey | | | |
| | 996 555 072 16 DFW | Savanna | | | |
| | 996 555 072 16 DFX | Metropole blue | | | |
| | 996 555 072 16 DFZ | Nephrite green | | | |
| | 996 555 072 16 DGA | Boxster red | | | |
| | 996 555 072 16 FEK | Cinnamon brown | | | |
| | 996 555 072 16 VRT | Dark grey/natural | | | |
| | 996 555 072 16 VRU | Brown/natural | | | |
| - | 999 551 609 40 | Plastic washer 8,0 X 23 X 3,0 | | 6 | |
| (16) | 996 555 061 00 | Rosette Seat belt Lacquered | /L -99 | 1 | |
| | 996 555 061 00 D05 | Granite grey | | | |
| 16 | 996 555 062 00 | Rosette Seat belt Lacquered | /R -99 | 1 | |
| | 996 555 062 00 D05 | Granite grey | | | |
| (16) | 996 555 061 00 | Rosette Seat belt Lacquered | /L 00- | 1 | |
| | 996 555 061 00 A03 | Black | | | |
| | 996 555 061 00 C53 | Graphite grey | | | |
| | 996 555 061 00 S33 | Savanna | | | |
| | 996 555 061 00 G13 | Metropole blue | | | |
| | 996 555 061 00 B13 | Space grey | 00 | | |
| | 996 555 061 00 J33 | Nephrite green | | | |
| | 996 555 061 00 M33 | Boxster red | | | |
| | 996 555 061 00 P13 | Cinnamon brown | 01- | | |
| 16 | 996 555 062 00 | Rosette Seat belt Lacquered | /R 00- | 1 | |
| | 996 555 062 00 A03 | Black | | | |
| | 996 555 062 00 C53 | Graphite grey | | | |
| | 996 555 062 00 S33 | Savanna | | | |
| | 996 555 062 00 G13 | Metropole blue | | | |
| | 996 555 062 00 B13 | Space grey | 00 | | |
| | 996 555 062 00 J33 | Nephrite green | | | |
| | 996 555 062 00 M33 | Boxster red | | | |
| | 996 555 062 00 P13 | Cinnamon brown | 01- | | |
| 17 | 999 507 533 02 | Clamp 4,2 X 19 | | 2 | |
| 18 | 999 507 050 40 | Expander nut 4,2 4,2 X 19 | | 2 | |
| 19 | 999 073 079 02 | Tapping screw 4,2 X 19 | | 2 | |
| (20) | 996 555 571 01 | Coat hook Lacquered | /L -99 | 1 | |
| | 996 555 571 01 D05 | Granite grey | | | |
| 20 | 996 555 572 01 | Coat hook Lacquered | /R -99 | 1 | |
| | 996 555 572 01 D05 | Granite grey | | | |
| (20) | 996 555 571 02 | Coat hook | /L 00- | 1 | |

Model: 996 98 Model life 1998>>2005

| Pos | Part Number | Description | Remark | Qty | Model |
|------|--------------------|-------------------|--------|-----|-------|
| | | Lacquered | | | |
| | 996 555 571 02 A03 | Black | | | |
| | 996 555 571 02 C53 | Graphite grey | | | |
| | 996 555 571 02 S33 | Savanna | | | |
| | 996 555 571 02 G13 | Metropole blue | | | |
| | 996 555 571 02 B13 | Space grey | 00 | | |
| | 996 555 571 02 J33 | Nephrite green | | | |
| | 996 555 571 02 M33 | Boxster red | | | |
| | 996 555 571 02 P13 | Cinnamon brown | 01- | | |
| (20) | 996 555 572 02 | Coat hook | /R 00- | 1 | |
| | | Lacquered | | | |
| | 996 555 572 02 A03 | Black | | | |
| | 996 555 572 02 C53 | Graphite grey | | | |
| | 996 555 572 02 S33 | Savanna | | | |
| | 996 555 572 02 G13 | Metropole blue | | | |
| | 996 555 572 02 B13 | Space grey | 00 | | |
| | 996 555 572 02 J33 | Nephrite green | | | |
| | 996 555 572 02 M33 | Boxster red | | | |
| | 996 555 572 02 P13 | Cinnamon brown | 01- | | |
| 21 | 999 507 050 40 | Expander nut | | 2 | |
| | | 4,2 | | | |
| 22 | 999 591 116 07 | Cone washer | | 2 | |
| | | 4,5 | | | |
| 23 | 900 144 182 09 | Tapping screw | | 2 | |
| | | 4,2 X 32 | | | |
| 24 | 996 551 021 00 | Adhesive carpet | -00 | 1 | |
| | | Seat well | | | |
| | | Carpet | | | |
| | 996 551 021 00 A10 | Black | | | |
| | 996 551 021 00 C50 | Graphite grey | | | |
| | 996 551 021 00 S30 | Savanna | | | |
| | 996 551 021 00 G10 | Metropole blue | | | |
| | 996 551 021 00 B50 | Space grey | -00 | | |
| | 996 551 021 00 J30 | Nephrite green | | | |
| | 996 551 021 00 M30 | Boxster red | | | |
| | 996 551 021 00 D11 | Dark grey/natural | 00- | | |
| | 996 551 021 00 T11 | Brown/natural | 00- | | |
| 24 | 996 551 021 09 | Adhesive carpet | 01 | 1 | |
| | | Seat well | | | |
| | | Carpet | | | |
| | 996 551 021 09 A10 | Black | | | |
| | 996 551 021 09 C50 | Graphite grey | | | |
| | 996 551 021 09 S30 | Savanna | | | |
| | 996 551 021 09 G10 | Metropole blue | | | |
| | 996 551 021 09 B50 | Space grey | | | |
| | 996 551 021 09 J30 | Nephrite green | | | |
| | 996 551 021 09 M30 | Boxster red | | | |
| | 996 551 021 09 P11 | Cinnamon brown | | | |
| | 996 551 021 09 D11 | Dark grey/natural | | | |
| | 996 551 021 09 T11 | Brown/natural | | | |
| (24) | 996 551 021 05 | Adhesive carpet | 02- | 1 | |
| | | Seat well | | | |
| | | Carpet | | | |
| | 996 551 021 05 A10 | Black | | | |
| | 996 551 021 05 C50 | Graphite grey | | | |
| | 996 551 021 05 S30 | Savanna | | | |
| | 996 551 021 05 G10 | Metropole blue | | | |
| | 996 551 021 05 B50 | Space grey | | | |
| | 996 551 021 05 J30 | Nephrite green | | | |
| | 996 551 021 05 M30 | Boxster red | | | |
| | 996 551 021 05 P11 | Cinnamon brown | | | |
| | 996 551 021 05 D11 | Dark grey/natural | | | |
| | 996 551 021 05 T11 | Brown/natural | | | |

Model: 996 98 Model life 1998>>2005

| Pos | Part Number | Description | Remark | Qty | Model |
|------|--------------------|-----------------|--------|-----|----------|
| 25 | 996 551 031 00 | Adhesive carpet | -99 | 1 | |
| | 996 551 031 00 A10 | Black | | | |
| | 996 551 031 00 C50 | Graphite grey | | | |
| | 996 551 031 00 S30 | Savanna | | | |
| | 996 551 031 00 G10 | Metropole blue | | | |
| | 996 551 031 00 B50 | Space grey | | | |
| | 996 551 031 00 J30 | Nephrite green | | | |
| | 996 551 031 00 M30 | Boxster red | | | |
| | 996 551 031 00 P11 | Cinnamon brown | | | |
| | 996 551 031 00 D11 | Dark grey | | | |
| | 996 551 031 00 T11 | Brown/natural | | | |
| 25 | 996 551 031 00 | Adhesive carpet | 00-01 | 1 | |
| | 996 551 031 00 A10 | Black | | | |
| | 996 551 031 00 C50 | Graphite grey | | | |
| | 996 551 031 00 S30 | Savanna | | | |
| | 996 551 031 00 G10 | Metropole blue | | | |
| | 996 551 031 00 B50 | Space grey | | | |
| | 996 551 031 00 J30 | Nephrite green | | | |
| | 996 551 031 00 M30 | Boxster red | | | |
| | 996 551 031 00 P11 | Cinnamon brown | | | |
| | 996 551 031 00 D11 | Dark grey | | | |
| | 996 551 031 00 T11 | Brown/natural | | | |
| (25) | 996 551 031 01 | Adhesive carpet | -00 | 1 | M113/479 |
| | 996 551 031 01 A10 | Black | | | |
| | 996 551 031 01 C50 | Graphite grey | | | |
| | 996 551 031 01 S30 | Savanna | | | |
| | 996 551 031 01 G10 | Metropole blue | | | |
| | 996 551 031 01 B50 | Space grey | | | |
| | 996 551 031 01 J30 | Nephrite green | | | |
| | 996 551 031 01 M30 | Boxster red | | | |
| | 996 551 031 01 P11 | Cinnamon brown | | | |
| | 996 551 031 01 D11 | Dark grey | | | |
| | 996 551 031 01 T11 | Brown/natural | | | |
| (25) | 996 551 031 01 | Adhesive carpet | 01 | 1 | M479 |
| | 996 551 031 01 A10 | Black | | | |
| | 996 551 031 01 C50 | Graphite grey | | | |
| | 996 551 031 01 S30 | Savanna | | | |
| | 996 551 031 01 G10 | Metropole blue | | | |
| | 996 551 031 01 B50 | Space grey | | | |
| | 996 551 031 01 J30 | Nephrite green | | | |
| | 996 551 031 01 M30 | Boxster red | | | |
| | 996 551 031 01 P11 | Cinnamon brown | | | |
| | 996 551 031 01 D11 | Dark grey | | | |
| | 996 551 031 01 T11 | Brown/natural | | | |
| (25) | 996 551 031 14 | Adhesive carpet | 02- | 1 | |
| | 996 551 031 14 A10 | Black | | | |
| | 996 551 031 14 C50 | Graphite grey | | | |
| | 996 551 031 14 S30 | Savanna | | | |
| | 996 551 031 14 G10 | Metropole blue | | | |
| | 996 551 031 14 B50 | Space grey | | | |
| | 996 551 031 14 J30 | Nephrite green | | | |
| | 996 551 031 14 M30 | Boxster red | | | |
| | 996 551 031 14 P11 | Cinnamon brown | | | |
| | 996 551 031 14 D11 | Dark grey | | | |
| | 996 551 031 14 T11 | Brown/natural | | | |
| (25) | 996 551 031 06 | Adhesive carpet | 02- | 1 | M680 |
| | 996 551 031 06 A10 | Black | | | |
| | 996 551 031 06 C50 | Graphite grey | | | |
| | 996 551 031 06 S30 | Savanna | | | |
| | 996 551 031 06 G10 | Metropole blue | | | |
| | 996 551 031 06 B50 | Space grey | | | |
| | 996 551 031 06 J30 | Nephrite green | | | |
| | 996 551 031 06 M30 | Boxster red | | | |

Model: 996 98 Model life 1998>>2005

| Pos | Part Number | Description | Remark | Qty | Model |
|------|--------------------|-----------------------------------|-----------------|-----|----------|
| (25) | 996 551 031 06 P11 | Cinnamon brown | | | |
| | 996 551 031 06 D11 | Dark grey/natural | | | |
| | 996 551 031 06 T11 | Brown/natural | | | |
| | 996 551 031 15 | Adhesive carpet | 02- | 1 | M479/484 |
| | 996 551 031 15 A10 | Black | | | |
| | 996 551 031 15 C50 | Graphite grey | | | |
| | 996 551 031 15 S30 | Savanna | | | |
| | 996 551 031 15 G10 | Metropole blue | | | |
| | 996 551 031 15 B50 | Space grey | | | |
| | 996 551 031 15 J30 | Nephrite green | | | |
| | 996 551 031 15 M30 | Boxster red | | | |
| | 996 551 031 15 P11 | Cinnamon brown | | | |
| | 996 551 031 15 D11 | Dark grey | | | |
| | 996 551 031 15 T11 | Brown/natural | | | |
| | (25) | 996 551 031 07 | Adhesive carpet | 02- | 1 |
| | 996 551 031 07 A10 | Black | | | |
| | 996 551 031 07 C50 | Graphite grey | | | |
| | 996 551 031 07 S30 | Savanna | | | |
| | 996 551 031 07 G10 | Metropole blue | | | |
| | 996 551 031 07 B50 | Space grey | | | |
| | 996 551 031 07 J30 | Nephrite green | | | |
| | 996 551 031 07 M30 | Boxster red | | | |
| | 996 551 031 07 P11 | Cinnamon brown | | | |
| | 996 551 031 07 D11 | Dark grey/natural | | | |
| | 996 551 031 07 T11 | Brown/natural | | | |
| - | 996 551 551 00 | Cover Child car seat Mount | 01- | 2 | M113 |
| 26 | 996 551 033 00 | Lining Control units Carpet | -01 | 1 | |
| | 996 551 033 00 A10 | Black | | | |
| | 996 551 033 00 C50 | Graphite grey | | | |
| | 996 551 033 00 S30 | Savanna | | | |
| | 996 551 033 00 G10 | Metropole blue | | | |
| | 996 551 033 00 B50 | Space grey | -00 | | |
| | 996 551 033 00 J30 | Nephrite green | | | |
| | 996 551 033 00 M30 | Boxster red | | | |
| | 996 551 033 00 D11 | Dark grey/natural | 00- | | |
| | 996 551 033 00 T11 | Brown/natural | 00- | | |
| | 996 551 033 00 P11 | Cinnamon brown | 01 | | |
| (26) | 997 551 033 00 | Lining Control units Carpet | 02- | 1 | |
| | 997 551 033 00 A10 | Black | | | |
| | 997 551 033 00 C50 | Graphite grey | | | |
| | 997 551 033 00 S30 | Savanna | | | |
| | 997 551 033 00 J30 | Nephrite green | -03 | | |
| | 997 551 033 00 M30 | Boxster red | | | |
| | 997 551 033 00 G10 | Metropole blue | | | |
| | 997 551 033 00 P11 | Cinnamon brown | | | |
| | 997 551 033 00 D11 | Dark grey/natural | | | |
| | 997 551 033 00 T11 | Brown/natural | | | |
| (26) | 997 551 033 01 | Lining Control units Carpet | 02- | 1 | M680 |
| | 997 551 033 01 A10 | Black | | | |
| | 997 551 033 01 C50 | Graphite grey | | | |
| | 997 551 033 01 S30 | Savanna | | | |
| | 997 551 033 01 J30 | Nephrite green | -03 | | |
| | 997 551 033 01 M30 | Boxster red | | | |
| | 997 551 033 01 G10 | Metropole blue | | | |

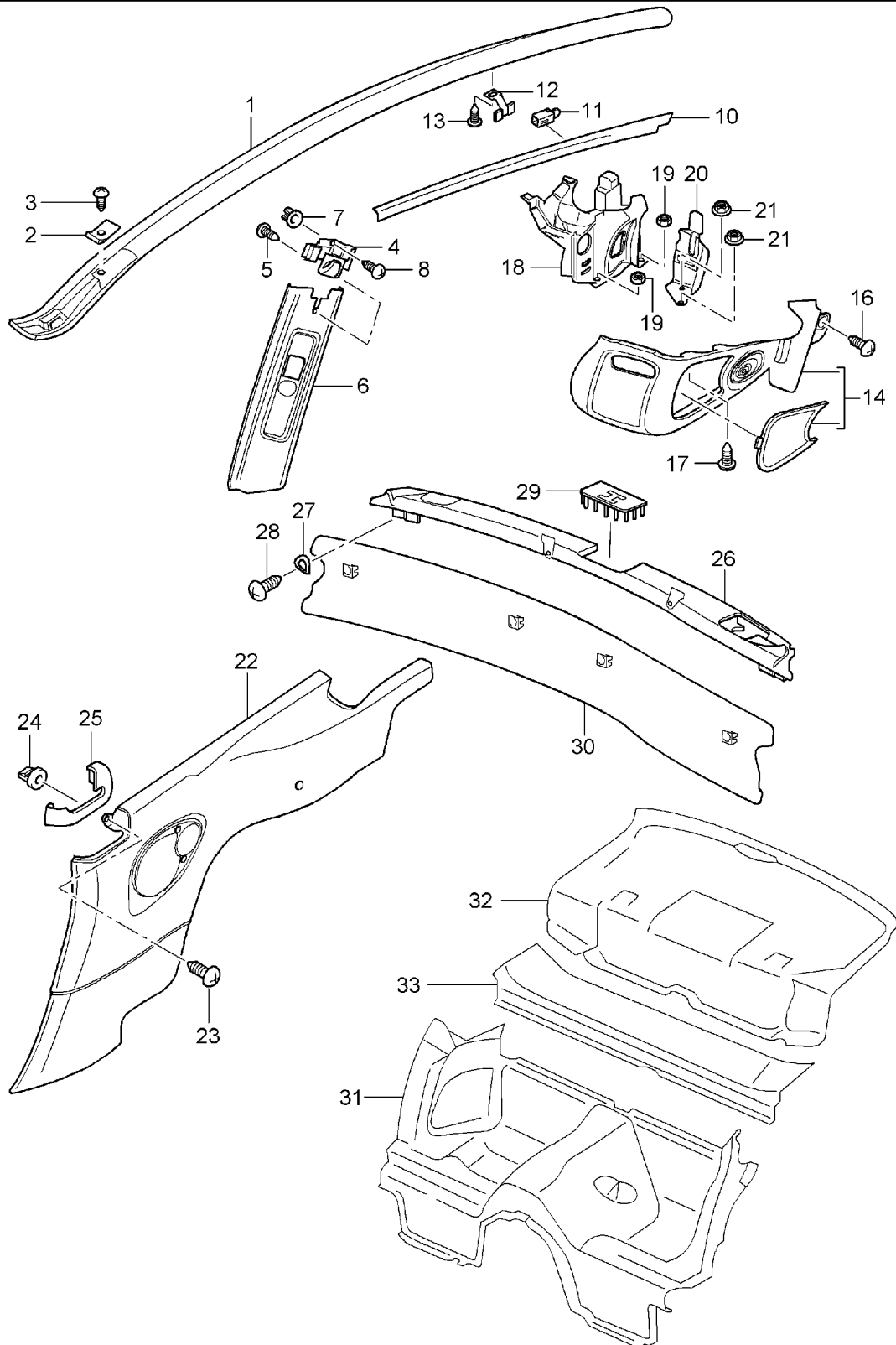
Model: 996 98

Model life 1998>>2005

| Pos | Part Number | Description | Remark | Qty | Model |
|-----|--------------------|-------------------|--------|-----|-------|
| | 997 551 033 01 P11 | Cinnamon brown | | | |
| | 997 551 033 01 D11 | Dark grey/natural | | | |
| | 997 551 033 01 T11 | Brown/natural | | | |

Model: 996 98

Model life 1998>>2005



Model: 996 98 Model life 1998>>2005

| Pos | Part Number | Description | Remark | Qty | Model |
|-----|--------------------|----------------|--------|-----|-------|
| | | Linings | 02- | | TARGA |
| | | Rear | | | |
| (1) | 996 555 195 00 | Lining | /L | 1 | |
| | | Roof pillar | | | |
| | | Leatherette | | | |
| | 996 555 195 00 A12 | Black | | | |
| | 996 555 195 00 C52 | Graphite grey | | | |
| | 996 555 195 00 S32 | Savanna | | | |
| | 996 555 195 00 G12 | Metropole blue | | | |
| | 996 555 195 00 J32 | Nephrite green | | | |
| 1 | 996 555 196 00 | Lining | /R | 1 | |
| | | Roof pillar | | | |
| | | Leatherette | | | |
| | 996 555 196 00 A12 | Black | | | |
| | 996 555 196 00 C52 | Graphite grey | | | |
| | 996 555 196 00 S32 | Savanna | | | |
| | 996 555 196 00 G12 | Metropole blue | | | |
| | 996 555 196 00 J32 | Nephrite green | | | |
| (1) | 996 555 195 01 | Lining | /L | 1 | |
| | | Roof pillar | | | |
| | | Leather | | | |
| | 996 555 195 01 A11 | Black | | | |
| | 996 555 195 01 C51 | Graphite grey | | | |
| | 996 555 195 01 S31 | Savanna | | | |
| | 996 555 195 01 G11 | Metropole blue | | | |
| | 996 555 195 01 J31 | Nephrite green | | | |
| | 996 555 195 01 M31 | Boxster red | | | |
| | 996 555 195 01 P12 | Cinnamon brown | | | |
| | 996 555 195 01 D12 | Dark grey | | | |
| | 996 555 195 01 T12 | Brown/natural | | | |
| 1 | 996 555 196 01 | Lining | /R | 1 | |
| | | Roof pillar | | | |
| | | Leather | | | |
| | 996 555 196 01 A11 | Black | | | |
| | 996 555 196 01 C51 | Graphite grey | | | |
| | 996 555 196 01 S31 | Savanna | | | |
| | 996 555 196 01 G11 | Metropole blue | | | |
| | 996 555 196 01 J31 | Nephrite green | | | |
| | 996 555 196 01 M31 | Boxster red | | | |
| | 996 555 196 01 P12 | Cinnamon brown | | | |
| | 996 555 196 01 D12 | Dark grey | | | |
| | 996 555 196 01 T12 | Brown/natural | | | |
| - | 996 555 887 00 | Piping | | 2 | |
| (2) | 996 555 879 00 | Cover | /L | 1 | |
| | 996 555 879 00 01C | Satin black | | | |
| 2 | 996 555 880 00 | Cover | /R | 1 | |
| | 996 555 880 00 01C | Satin black | | | |
| 3 | 999 073 218 09 | Tapping screw | | 2 | |
| | | 4,2 X 16 | | | |
| (4) | 996 555 571 03 | Coat hook | /L | 1 | |
| | | Lacquered | | | |
| | 996 555 571 03 A03 | Black | | | |
| | 996 555 571 03 C53 | Graphite grey | | | |
| | 996 555 571 03 S33 | Savanna | | | |
| | 996 555 571 03 G13 | Metropole blue | | | |
| | 996 555 571 03 J33 | Nephrite green | | | |
| 4 | 996 555 572 03 | Coat hook | /R | 1 | |
| | | Lacquered | | | |
| | 996 555 572 03 A03 | Black | | | |
| | 996 555 572 03 C53 | Graphite grey | | | |
| | 996 555 572 03 S33 | Savanna | | | |
| | 996 555 572 03 G13 | Metropole blue | | | |
| | 996 555 572 03 J33 | Nephrite green | | | |

Model: 996 98 Model life 1998>>2005

| Pos | Part Number | Description | Remark | Qty | Model |
|-----|--------------------|-----------------|--------|-----|-------|
| - | 996 555 771 00 | Cover | /L | 1 | |
| | | Coat hook | | | |
| | 996 555 771 00 A03 | Black | | | |
| | 996 555 771 00 C53 | Graphite grey | | | |
| | 996 555 771 00 S33 | Savanna | | | |
| | 996 555 771 00 G13 | Metropole blue | | | |
| | 996 555 771 00 J33 | Nephrite green | | | |
| | 996 555 771 00 M33 | Boxster red | | | |
| | 996 555 771 00 P13 | Cinnamon brown | | | |
| - | 996 555 772 00 | Cover | /R | 1 | |
| | | Coat hook | | | |
| | 996 555 772 00 A03 | Black | | | |
| | 996 555 772 00 C53 | Graphite grey | | | |
| | 996 555 772 00 S33 | Savanna | | | |
| | 996 555 772 00 G13 | Metropole blue | | | |
| | 996 555 772 00 J33 | Nephrite green | | | |
| | 996 555 772 00 M33 | Boxster red | | | |
| | 996 555 772 00 P13 | Cinnamon brown | | | |
| 5 | 999 919 164 09 | Oval-head screw | | 2 | |
| | | 5,0 X 12 | | | |
| (6) | 996 555 183 06 | Lining | /L | 1 | |
| | | B-pillar | | | |
| | | Leatherette | | | |
| | 996 555 183 06 A12 | Black | | | |
| | 996 555 183 06 C52 | Graphite grey | | | |
| | 996 555 183 06 S32 | Savanna | -04 | | |
| | 996 555 183 06 G12 | Metropole blue | -04 | | |
| | 996 555 183 06 J32 | Nephrite green | -03 | | |
| 6 | 996 555 184 06 | Lining | /R | 1 | |
| | | B-pillar | | | |
| | | Leatherette | | | |
| | 996 555 184 06 A12 | Black | | | |
| | 996 555 184 06 C52 | Graphite grey | | | |
| | 996 555 184 06 S32 | Savanna | -04 | | |
| | 996 555 184 06 G12 | Metropole blue | -04 | | |
| | 996 555 184 06 J32 | Nephrite green | -03 | | |
| (6) | 996 555 183 07 | Lining | /L | 1 | |
| | | B-pillar | | | |
| | | Leather | | | |
| | 996 555 183 07 A11 | Black | | | |
| | 996 555 183 07 C51 | Graphite grey | | | |
| | 996 555 183 07 S31 | Savanna | | | |
| | 996 555 183 07 G11 | Metropole blue | | | |
| | 996 555 183 07 J31 | Nephrite green | -03 | | |
| | 996 555 183 07 M31 | Boxster red | | | |
| | 996 555 183 07 P12 | Cinnamon brown | | | |
| | 996 555 183 07 D12 | Dark grey | | | |
| | 996 555 183 07 T12 | Brown/natural | | | |
| 6 | 996 555 184 07 | Lining | /R | 1 | |
| | | B-pillar | | | |
| | | Leather | | | |
| | 996 555 184 07 A11 | Black | | | |
| | 996 555 184 07 C51 | Graphite grey | | | |
| | 996 555 184 07 S31 | Savanna | | | |
| | 996 555 184 07 G11 | Metropole blue | | | |
| | 996 555 184 07 J31 | Nephrite green | -03 | | |
| | 996 555 184 07 M31 | Boxster red | | | |
| | 996 555 184 07 P12 | Cinnamon brown | | | |
| | 996 555 184 07 D12 | Dark grey | | | |
| | 996 555 184 07 T12 | Brown/natural | | | |
| 7 | 999 507 755 40 | Expander nut | | 2 | |
| 8 | 999 073 064 02 | Tapping screw | | 2 | |
| | | 4,8 X 25 | | | |

Model: 996 98 Model life 1998>>2005

| Pos | Part Number | Description | Remark | Qty | Model |
|------|--------------------|---------------------------------|--------|-----|-------|
| (10) | 996 555 187 04 | Lining Upper Leatherette | /L | 1 | |
| | 996 555 187 04 A12 | Black | | | |
| | 996 555 187 04 C52 | Graphite grey | | | |
| | 996 555 187 04 S32 | Savanna | | | |
| | 996 555 187 04 G12 | Metropole blue | | | |
| | 996 555 187 04 J32 | Nephrite green | | | |
| 10 | 996 555 188 04 | Lining Upper Leatherette | /R | 1 | |
| | 996 555 188 04 A12 | Black | | | |
| | 996 555 188 04 C52 | Graphite grey | | | |
| | 996 555 188 04 S32 | Savanna | | | |
| | 996 555 188 04 G12 | Metropole blue | | | |
| | 996 555 188 04 J32 | Nephrite green | | | |
| (10) | 996 555 187 05 | Lining Upper Leather | /L | 1 | |
| | 996 555 187 05 A11 | Black | | | |
| | 996 555 187 05 C51 | Graphite grey | | | |
| | 996 555 187 05 S31 | Savanna | | | |
| | 996 555 187 05 G11 | Metropole blue | | | |
| | 996 555 187 05 J31 | Nephrite green | | | |
| | 996 555 187 05 M31 | Boxster red | | | |
| | 996 555 187 05 P12 | Cinnamon brown | | | |
| | 996 555 187 05 D12 | Dark grey/natural | | | |
| | 996 555 187 05 T12 | Brown/natural | | | |
| 10 | 996 555 188 05 | Lining Upper Leather | /R | 1 | |
| | 996 555 188 05 A11 | Black | | | |
| | 996 555 188 05 C51 | Graphite grey | | | |
| | 996 555 188 05 S31 | Savanna | | | |
| | 996 555 188 05 G11 | Metropole blue | | | |
| | 996 555 188 05 J31 | Nephrite green | | | |
| | 996 555 188 05 M31 | Boxster red | | | |
| | 996 555 188 05 P12 | Cinnamon brown | | | |
| | 996 555 188 05 D12 | Dark grey/natural | | | |
| | 996 555 188 05 T12 | Brown/natural | | | |
| 11 | 996 555 581 00 | Mounting Clip | | 10 | |
| 12 | 996 555 875 00 | Clamp | | 4 | |
| 13 | 999 073 218 09 | Tapping screw 4,2 X 16 | | 4 | |
| (14) | 996 555 245 00 | Cover Seat belt Lacquered | /L -04 | 1 | |
| | 996 555 245 00 A03 | Black | | | |
| | 996 555 245 00 C53 | Graphite grey | | | |
| | 996 555 245 00 S33 | Savanna | | | |
| | 996 555 245 00 G13 | Metropole blue | | | |
| | 996 555 245 00 J33 | Nephrite green | -03 | | |
| | 996 555 245 00 M33 | Boxster red | | | |
| | 996 555 245 00 P13 | Cinnamon brown | | | |
| (14) | 996 555 245 01 | Cover Seat belt Lacquered | /L 05- | 1 | |
| | 996 555 245 01 A03 | Black | | | |
| | 996 555 245 01 C53 | Graphite grey | | | |
| | 996 555 245 01 S33 | Savanna | | | |
| | 996 555 245 01 G13 | Metropole blue | | | |
| | 996 555 245 01 M33 | Boxster red | | | |

Model: 996 98 Model life 1998>>2005

| Pos | Part Number | Description | Remark | Qty | Model |
|------|--------------------|-----------------|--------|-----|-------|
| (14) | 996 555 245 01 P13 | Cinnamon brown | | | |
| | 997 555 245 00 | Cover | /L | 1 | |
| | | Seat belt | | | |
| | | Lacquered | | | |
| | 997 555 245 00 A03 | Black | | | |
| | 997 555 245 00 C53 | Graphite grey | | | |
| | 997 555 245 00 S33 | Savanna | | | |
| | 997 555 245 00 G13 | Metropole blue | | | |
| | 997 555 245 00 J33 | Nephrite green | -03 | | |
| | 997 555 245 00 M33 | Boxster red | | | |
| | 997 555 245 00 P13 | Cinnamon brown | | | |
| 14 | 996 555 246 00 | Cover | /R -04 | 1 | |
| | | Seat belt | | | |
| | | Lacquered | | | |
| | 996 555 246 00 A03 | Black | | | |
| | 996 555 246 00 C53 | Graphite grey | | | |
| | 996 555 246 00 S33 | Savanna | | | |
| | 996 555 246 00 G13 | Metropole blue | | | |
| | 996 555 246 00 J33 | Nephrite green | -03 | | |
| | 996 555 246 00 M33 | Boxster red | | | |
| | 996 555 246 00 P13 | Cinnamon brown | | | |
| 14 | 996 555 246 01 | Cover | /R 05- | 1 | |
| | | Seat belt | | | |
| | | Lacquered | | | |
| | 996 555 246 01 A03 | Black | | | |
| | 996 555 246 01 C53 | Graphite grey | | | |
| | 996 555 246 01 S33 | Savanna | | | |
| | 996 555 246 01 G13 | Metropole blue | | | |
| | 996 555 246 01 M33 | Boxster red | | | |
| | 996 555 246 01 P13 | Cinnamon brown | | | |
| 14 | 997 555 246 00 | Cover | /R | 1 | |
| | | Seat belt | | | |
| | | Lacquered | | | |
| | 997 555 246 00 A03 | Black | | | |
| | 997 555 246 00 C53 | Graphite grey | | | |
| | 997 555 246 00 S33 | Savanna | | | |
| | 997 555 246 00 G13 | Metropole blue | | | |
| | 997 555 246 00 J33 | Nephrite green | -03 | | |
| | 997 555 246 00 M33 | Boxster red | | | |
| | 997 555 246 00 P13 | Cinnamon brown | | | |
| - | 996 555 877 00 | Clamp | | 2 | |
| 16 | 999 073 251 09 | Tapping screw | | 2 | |
| | | 4,2 X 25 | | | |
| 17 | 999 073 226 09 | Tapping screw | | 2 | |
| | | 4,2 X 16 | | | |
| (18) | 996 555 175 00 | Support | /L -02 | 1 | |
| (18) | 996 555 175 01 | Support | /L 03- | 1 | |
| 18 | 996 555 176 00 | Support | /R -02 | 1 | |
| 18 | 996 555 176 01 | Support | /R 03- | 1 | |
| 19 | 999 084 629 09 | Hexagon nut | | 4 | |
| | | M 6 | | | |
| 19 | 999 084 629 01 | Hexagon nut | | 4 | |
| | | M 6 | | | |
| (20) | 996 555 503 00 | Support | /L | 1 | |
| 20 | 996 555 504 00 | Support | /R | 1 | |
| 21 | 999 049 022 40 | Plastic nut | | 4 | |
| (22) | 996 555 071 14 | Side trim panel | /L | 1 | |
| | | Leatherette | | | |
| | 996 555 071 14 EVN | Black | | | |
| | 996 555 071 14 EVO | Graphite grey | | | |
| | 996 555 071 14 EVP | Savanna | | | |
| | 996 555 071 14 EVQ | Metropole blue | | | |
| | 996 555 071 14 FDH | Nephrite green | | | |

Model: 996 98 Model life 1998>>2005

| Pos | Part Number | Description | Remark | Qty | Model |
|------|--------------------|-----------------------------------|--------|-----|-------|
| 22 | 996 555 072 14 | Side trim panel Leatherette | /R | 1 | |
| | 996 555 072 14 EVN | Black | | | |
| | 996 555 072 14 EVO | Graphite grey | | | |
| | 996 555 072 14 EVP | Savanna | | | |
| | 996 555 072 14 EVQ | Metropole blue | | | |
| | 996 555 072 14 FDH | Nephrite green | | | |
| (22) | 996 555 071 15 | Side trim panel Leather | /L 02 | 1 | |
| | 996 555 071 15 EVS | Black | | | |
| | 996 555 071 15 DFV | Graphite grey | | | |
| | 996 555 071 15 DFW | Savanna | | | |
| | 996 555 071 15 DFX | Metropole blue | | | |
| | 996 555 071 15 DFZ | Nephrite green | | | |
| | 996 555 071 15 DGA | Boxster red | | | |
| | 996 555 071 15 FEK | Cinnamon brown | | | |
| | 996 555 071 15 VRT | Dark grey/natural | | | |
| | 996 555 071 15 VRU | Brown/natural | | | |
| 22 | 996 555 072 15 | Side trim panel Leather | /R 02 | 1 | |
| | 996 555 072 15 EVS | Black | | | |
| | 996 555 072 15 DFV | Graphite grey | | | |
| | 996 555 072 15 DFW | Savanna | | | |
| | 996 555 072 15 DFX | Metropole blue | | | |
| | 996 555 072 15 DFZ | Nephrite green | | | |
| | 996 555 072 15 DGA | Boxster red | | | |
| | 996 555 072 15 FEK | Cinnamon brown | | | |
| | 996 555 072 15 VRT | Dark grey/natural | | | |
| | 996 555 072 15 VRU | Brown/natural | | | |
| (22) | 996 555 071 18 | Side trim panel Leather | /L 03- | 1 | |
| | 996 555 071 18 EVS | Black | | | |
| | 996 555 071 18 DFV | Graphite grey | | | |
| | 996 555 071 18 DFW | Savanna | | | |
| | 996 555 071 18 DFX | Metropole blue | | | |
| | 996 555 071 18 DFZ | Nephrite green | | | |
| | 996 555 071 18 DGA | Boxster red | | | |
| | 996 555 071 18 FEK | Cinnamon brown | | | |
| | 996 555 071 18 VRT | Dark grey/natural | | | |
| | 996 555 071 18 VRU | Brown/natural | | | |
| 22 | 996 555 072 18 | Side trim panel Leather | /R 03- | 1 | |
| | 996 555 072 18 EVS | Black | | | |
| | 996 555 072 18 DFV | Graphite grey | | | |
| | 996 555 072 18 DFW | Savanna | | | |
| | 996 555 072 18 DFX | Metropole blue | | | |
| | 996 555 072 18 DFZ | Nephrite green | | | |
| | 996 555 072 18 DGA | Boxster red | | | |
| | 996 555 072 18 FEK | Cinnamon brown | | | |
| | 996 555 072 18 VRT | Dark grey/natural | | | |
| | 996 555 072 18 VRU | Brown/natural | | | |
| 23 | 999 073 079 02 | Tapping screw | | 2 | |
| 24 | 999 507 050 40 | Expander nut | | 2 | |
| (25) | 996 555 061 00 | Rosette Seat belt Lacquered | /L | 1 | |
| | 996 555 061 00 A03 | Black | | | |
| | 996 555 061 00 C53 | Graphite grey | | | |
| | 996 555 061 00 S33 | Savanna | | | |
| | 996 555 061 00 G13 | Metropole blue | | | |
| | 996 555 061 00 J33 | Nephrite green | | | |
| | 996 555 061 00 M33 | Boxster red | | | |
| | 996 555 061 00 P13 | Cinnamon brown | | | |

Model: 996 98 Model life 1998>>2005

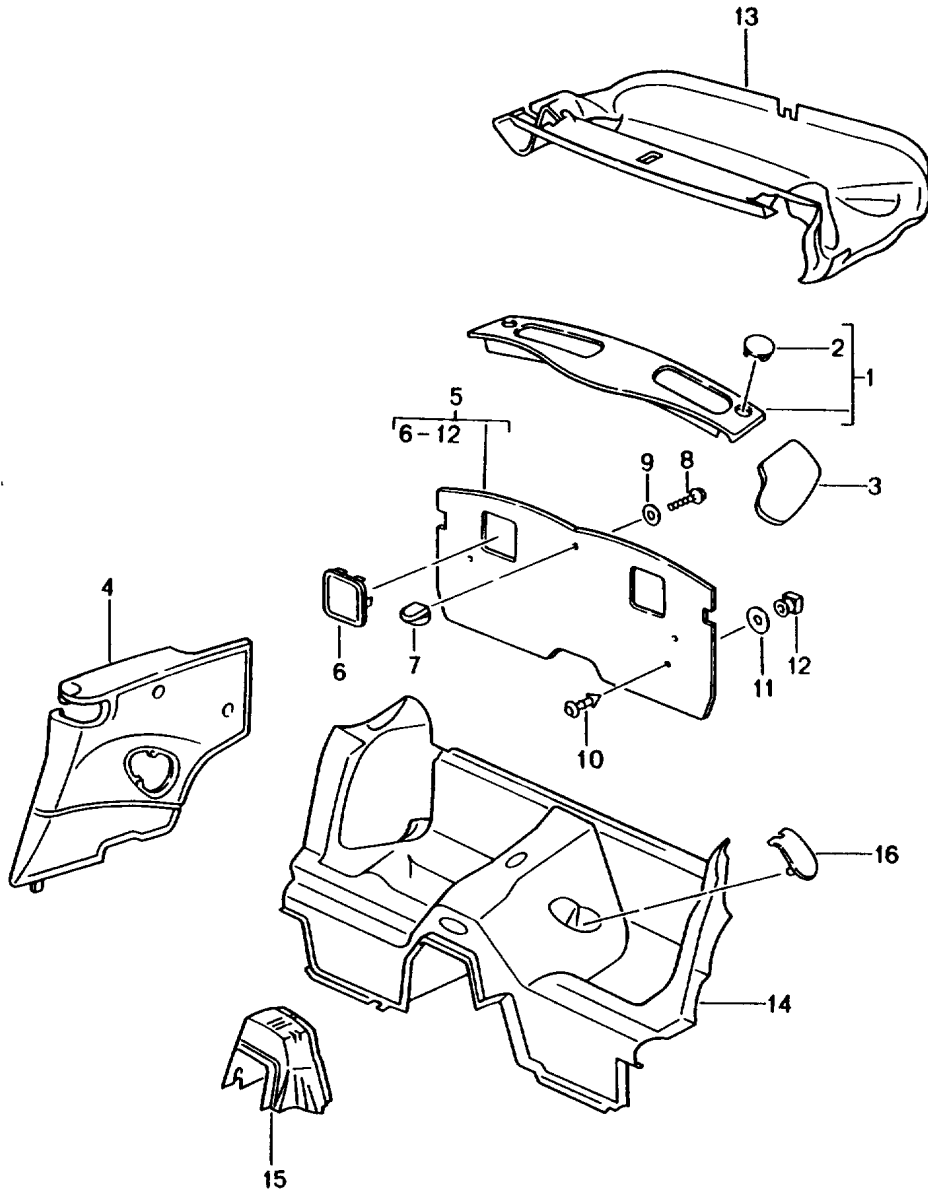
| Pos | Part Number | Description | Remark | Qty | Model |
|------|--------------------|--|--------|-----|-----------|
| 25 | 996 555 062 00 | Rosette Seat belt Lacquered | /R | 1 | |
| | 996 555 062 00 A03 | Black | | | |
| | 996 555 062 00 C53 | Graphite grey | | | |
| | 996 555 062 00 S33 | Savanna | | | |
| | 996 555 062 00 G13 | Metropole blue | | | |
| | 996 555 062 00 J33 | Nephrite green | | | |
| | 996 555 062 00 M33 | Boxster red | | | |
| | 996 555 062 00 P13 | Cinnamon brown | | | |
| 26 | 996 555 151 00 | Lining Rear wall | | 1 | |
| (26) | 996 555 151 01 | 996 555 151 00 A03 Black Lining Rear wall | | 1 | M425 |
| | 996 555 151 01 A03 | Black | | | |
| 27 | 999 507 782 01 | Spring washer 5,3 X 18 | | 2 | |
| 28 | 999 073 061 02 | Tapping screw | | 4 | |
| 29 | 996 555 885 00 | Rosette Rear wall Upper part | | 1 | |
| 30 | 996 555 081 08 | Lining Rear wall Carpet | | 1 | |
| | 996 555 081 08 A10 | Black | | | |
| | 996 555 081 08 C50 | Graphite grey | | | |
| | 996 555 081 08 S30 | Savanna | | | |
| | 996 555 081 08 G10 | Metropole blue | | | |
| | 996 555 081 08 J30 | Nephrite green | | | |
| | 996 555 081 08 M30 | Boxster red | | | |
| | 996 555 081 08 P11 | Cinnamon brown | | | |
| | 996 555 081 08 D11 | Dark grey/natural | | | |
| | 996 555 081 08 T11 | Brown/natural | | | |
| - | 999 571 080 02 | Tool Emergency operation | | 2 | |
| 31 | 996 551 021 05 | Adhesive carpet Seat well Carpet | | 1 | IXSN/M685 |
| | 996 551 021 05 A10 | Black | | | |
| | 996 551 021 05 C50 | Graphite grey | | | |
| | 996 551 021 05 S30 | Savanna | | | |
| | 996 551 021 05 G10 | Metropole blue | | | |
| | 996 551 021 05 J30 | Nephrite green | | | |
| | 996 551 021 05 M30 | Boxster red | | | |
| | 996 551 021 05 P11 | Cinnamon brown | | | |
| | 996 551 021 05 D11 | Dark grey/natural | | | |
| | 996 551 021 05 T11 | Brown/natural | | | |
| 32 | 996 551 031 02 | Adhesive carpet | | 1 | |
| | 996 551 031 02 A10 | Black | | | |
| | 996 551 031 02 C50 | Graphite grey | | | |
| | 996 551 031 02 S30 | Savanna | | | |
| | 996 551 031 02 G10 | Metropole blue | | | |
| | 996 551 031 02 J30 | Nephrite green | | | |
| | 996 551 031 02 M30 | Boxster red | | | |
| | 996 551 031 02 P11 | Cinnamon brown | | | |
| | 996 551 031 02 D11 | Dark grey | | | |
| | 996 551 031 02 T11 | Brown/natural | | | |
| (32) | 996 551 031 03 | Adhesive carpet | | 1 | M479/484 |
| | 996 551 031 03 A10 | Black | | | |
| | 996 551 031 03 C50 | Graphite grey | | | |
| | 996 551 031 03 S30 | Savanna | | | |
| | 996 551 031 03 G10 | Metropole blue | | | |

Model: 996 98 Model life 1998>>2005

| Pos | Part Number | Description | Remark | Qty | Model |
|-----|--------------------|-------------------|--------|-----|-------|
| | 996 551 031 03 J30 | Nephrite green | | | |
| | 996 551 031 03 M30 | Boxster red | | | |
| | 996 551 031 03 P11 | Cinnamon brown | | | |
| | 996 551 031 03 D11 | Dark grey | | | |
| | 996 551 031 03 T11 | Brown/natural | | | |
| - | 996 551 551 00 | Cover | | 2 | M113 |
| | | Child car seat | | | |
| | | Mount | | | |
| 33 | 997 551 033 00 | Lining | | 1 | |
| | | Control units | | | |
| | | Carpet | | | |
| | 997 551 033 00 A10 | Black | | | |
| | 997 551 033 00 C50 | Graphite grey | | | |
| | 997 551 033 00 S30 | Savanna | | | |
| | 997 551 033 00 G10 | Metropole blue | | | |
| | 997 551 033 00 J30 | Nephrite green | -03 | | |
| | 997 551 033 00 M30 | Boxster red | | | |
| | 997 551 033 00 P11 | Cinnamon brown | | | |
| | 997 551 033 00 D11 | Dark grey/natural | | | |
| | 997 551 033 00 T11 | Brown/natural | | | |

Model: 996 98

Model life 1998>>2005



Model: 996 98 Model life 1998>>2005

| Pos | Part Number | Description | Remark | Qty | Model |
|-----|--------------------|-----------------|--------|-----|--------|
| | | Linings | | | CABRIO |
| | | Rear | | | |
| 1 | 996 555 083 02 | Cover | -99 | 1 | |
| | | Convertible top | | | |
| | | Cloth | | | |
| | 996 555 083 02 EDK | Black | | | |
| | 996 555 083 02 EDM | Metropole blue | -98 | | |
| | 996 555 083 02 ERN | Metropole blue | 99 | | |
| | 996 555 083 02 EDL | Graphite grey | | | |
| | 996 555 083 02 EDN | Space grey | | | |
| 1 | 996 555 083 03 | Cover | 00 | 1 | |
| | | F >>99YS6 42288 | | | |
| | | F >>99YS6 52803 | | | |
| | | Convertible top | | | |
| | | Cloth | | | |
| | 996 555 083 03 EDK | Black | | | |
| | 996 555 083 03 EDL | Graphite grey | | | |
| | 996 555 083 03 ERN | Metropole blue | | | |
| | 996 555 083 03 EDN | Space grey | -00 | | |
| 1 | 996 555 083 04 | Cover | 00- | 1 | |
| | | F 99YS6 42289>> | | | |
| | | F 99YS6 52804>> | | | |
| | | Convertible top | | | |
| | | Cloth | | | |
| | 996 555 083 04 EDK | Black | | | |
| | 996 555 083 04 EDL | Graphite grey | | | |
| | 996 555 083 04 ERN | Metropole blue | | | |
| | 996 555 083 04 EDN | Space grey | 00 | | |
| - | 996 555 341 01 | Flap | /L | 1 | |
| | | Cover | | | |
| | 996 555 341 01 A07 | Black | | | |
| | 996 555 341 01 B07 | Space grey | -00 | | |
| | 996 555 341 01 C07 | Graphite grey | | | |
| | 996 555 341 01 G03 | Metropole blue | | | |
| - | 996 555 342 01 | Flap | /R | 1 | |
| | | Cover | | | |
| | 996 555 342 01 A07 | Black | | | |
| | 996 555 342 01 B07 | Space grey | -00 | | |
| | 996 555 342 01 C07 | Graphite grey | | | |
| | 996 555 342 01 G03 | Metropole blue | | | |
| - | 996 555 355 00 | Hinge | | 2 | |
| | | Outer | | | |
| - | 996 555 356 00 | Hinge | | 2 | |
| | | Inner | | | |
| - | 996 580 667 00 | Support | | 2 | |
| - | 999 591 489 02 | Speed nut | | 2 | |
| | | 4,8 | | | |
| - | 999 591 489 01 | Speed nut | | 2 | |
| | | 4,8 | | | |
| - | 999 073 060 02 | Tapping screw | | 3 | |
| | | 4,8 X 13 | | | |
| 2 | 996 555 457 00 | Lid | | 2 | |
| | | Lacquered | | | |
| | 996 555 457 00 A10 | Black | | | |
| | 996 555 457 00 C50 | Graphite grey | | | |
| | 996 555 457 00 G10 | Metropole blue | | | |
| | 996 555 457 00 B50 | Space grey | -00 | | |
| (3) | 996 555 263 02 | Flap | /L | 1 | |
| | | Convertible top | | | |
| | 996 555 263 02 A07 | Black | | | |
| | 996 555 263 02 C07 | Graphite grey | | | |
| | 996 555 263 02 G07 | Metropole blue | -99 | | |

Model: 996 98 Model life 1998>>2005

| Pos | Part Number | Description | Remark | Qty | Model |
|-----|--------------------|-----------------|--------|-----|-------|
| 3 | 996 555 263 02 G03 | Metropole blue | 00- | 1 | |
| | 996 555 263 02 B07 | Space grey | | | |
| | 996 555 264 02 | Flap | /R | | |
| | | Convertible top | | | |
| | 996 555 264 02 A07 | Black | | | |
| | 996 555 264 02 C07 | Graphite grey | | | |
| | 996 555 264 02 G07 | Metropole blue | -99 | | |
| (3) | 996 555 264 02 G03 | Metropole blue | 00- | 1 | |
| | 996 555 264 02 B07 | Space grey | | | |
| | 996 555 263 03 | Flap | /L 00- | | |
| | | Convertible top | | | |
| | 996 555 263 03 A07 | Black | | | |
| | 996 555 263 03 C07 | Graphite grey | | | |
| | 996 555 263 03 G03 | Metropole blue | 00- | | |
| 3 | 996 555 263 03 B07 | Space grey | -00 | 1 | |
| | 996 555 264 03 | Flap | /R 00- | | |
| | | Convertible top | | | |
| | | Cloth | | | |
| | 996 555 264 03 A07 | Black | | | |
| | 996 555 264 03 C07 | Graphite grey | | | |
| | 996 555 264 03 G03 | Metropole blue | 00- | | |
| (4) | 996 555 264 03 B07 | Space grey | -00 | 1 | |
| | 996 555 071 12 | Side trim panel | /L -99 | | |
| | | Leatherette | | | |
| | 996 555 071 12 DEO | Black | | | |
| | 996 555 071 12 DEQ | Graphite grey | | | |
| | 996 555 071 12 DET | Savanna | | | |
| | 996 555 071 12 DFE | Metropole blue | | | |
| 4 | 996 555 071 12 DFK | Space grey | | 1 | |
| | 996 555 072 12 | Side trim panel | /R -99 | | |
| | | Leatherette | | | |
| | 996 555 072 12 DEO | Black | | | |
| | 996 555 072 12 DEQ | Graphite grey | | | |
| | 996 555 072 12 DET | Savanna | | | |
| | 996 555 072 12 DFE | Metropole blue | | | |
| (4) | 996 555 072 12 DFK | Space grey | | 1 | |
| | 996 555 071 12 | Side trim panel | /L 00- | | |
| | | Leatherette | | | |
| | 996 555 071 12 EVN | Black | | | |
| | 996 555 071 12 EVO | Graphite grey | | | |
| | 996 555 071 12 EVP | Savanna | | | |
| | 996 555 071 12 EVQ | Metropole blue | | | |
| 4 | 996 555 071 12 EVR | Space grey | 00 | 1 | |
| | 996 555 071 12 FDH | Nephrite green | 01- | | |
| | 996 555 072 12 | Side trim panel | /R 00- | | |
| | | Leatherette | | | |
| | 996 555 072 12 EVN | Black | | | |
| | 996 555 072 12 EVO | Graphite grey | | | |
| | 996 555 072 12 EVP | Savanna | | | |
| (4) | 996 555 072 12 EVQ | Metropole blue | | 1 | |
| | 996 555 072 12 EVR | Space grey | 00 | | |
| | 996 555 072 12 FDH | Nephrite green | 01- | | |
| | 996 555 071 13 | Side trim panel | /L | | |
| | | Leather | | | |
| | 996 555 071 13 DFO | Black | -99 | | |
| | 996 555 071 13 DFY | Space grey | -00 | | |
| 4 | 996 555 072 13 | Side trim panel | /R | 1 | |
| | | Leather | | | |
| | 996 555 072 13 DFO | Black | -99 | | |
| (4) | 996 555 072 13 DFY | Space grey | -00 | 1 | |
| | 996 555 071 13 | Side trim panel | /L -02 | | |
| | 996 555 071 13 EVS | Black | | | |

Model: 996 98 Model life 1998>>2005

| Pos | Part Number | Description | Remark | Qty | Model |
|-----|--------------------|-----------------------------------|--------|-----|-------|
| | 996 555 071 13 DFV | Graphite grey | | | |
| | 996 555 071 13 DFW | Savanna | | | |
| | 996 555 071 13 DFX | Metropole blue | | | |
| | 996 555 071 13 DFZ | Nephrite green | | | |
| | 996 555 071 13 DGA | Boxster red | | | |
| | 996 555 071 13 FEK | Cinnamon brown | | | |
| | 996 555 071 13 VRT | Dark grey/natural | | | |
| | 996 555 071 13 VRU | Brown/natural | | | |
| 4 | 996 555 072 13 | Side trim panel | /R -02 | 1 | |
| | 996 555 072 13 EVS | Black | | | |
| | 996 555 072 13 DFV | Graphite grey | | | |
| | 996 555 072 13 DFW | Savanna | | | |
| | 996 555 072 13 DFX | Metropole blue | | | |
| | 996 555 072 13 DFZ | Nephrite green | | | |
| | 996 555 072 13 DGA | Boxster red | | | |
| | 996 555 072 13 FEK | Cinnamon brown | | | |
| | 996 555 072 13 VRT | Dark grey/natural | | | |
| | 996 555 072 13 VRU | Brown/natural | | | |
| (4) | 996 555 071 17 | Side trim panel | /L 03- | 1 | |
| | 996 555 071 17 EVS | Black | | | |
| | 996 555 071 17 DFV | Graphite grey | | | |
| | 996 555 071 17 DFW | Savanna | | | |
| | 996 555 071 17 DFX | Metropole blue | | | |
| | 996 555 071 17 DFZ | Nephrite green | | | |
| | 996 555 071 17 DGA | Boxster red | | | |
| | 996 555 071 17 FEK | Cinnamon brown | | | |
| | 996 555 071 17 VRT | Dark grey/natural | | | |
| | 996 555 071 17 VRU | Brown/natural | | | |
| 4 | 996 555 072 17 | Side trim panel | /R 03- | 1 | |
| | 996 555 072 17 EVS | Black | | | |
| | 996 555 072 17 DFV | Graphite grey | | | |
| | 996 555 072 17 DFW | Savanna | | | |
| | 996 555 072 17 DFX | Metropole blue | | | |
| | 996 555 072 17 DFZ | Nephrite green | | | |
| | 996 555 072 17 DGA | Boxster red | | | |
| | 996 555 072 17 FEK | Cinnamon brown | | | |
| | 996 555 072 17 VRT | Dark grey/natural | | | |
| | 996 555 072 17 VRU | Brown/natural | | | |
| - | 999 551 609 40 | Plastic washer 8,0 X 23 X 3,0 | | 2 | |
| - | 999 507 676 09 | Clamp 2,5/2,2 | | 2 | |
| - | 999 507 050 40 | Expander nut | | 2 | |
| - | 999 073 142 09 | Tapping screw 4,2 X 19 | | 2 | |
| - | 999 073 048 02 | Tapping screw 3,5 X 13 | | 2 | |
| - | 996 555 671 01 | Rosette Seat belt Lacquered | /L | 1 | |
| | 996 555 671 01 D05 | Granite grey | -99 | | |
| | 996 555 671 01 A03 | Black | 00- | | |
| | 996 555 671 01 C53 | Graphite grey | 00- | | |
| | 996 555 671 01 S33 | Savanna | 00- | | |
| | 996 555 671 01 G13 | Metropole blue | 00- | | |
| | 996 555 671 01 B13 | Space grey | 00 | | |
| | 996 555 671 01 J33 | Nephrite green | 00- | | |
| | 996 555 671 01 M33 | Boxster red | 00- | | |
| | 996 555 671 01 P13 | Cinnamon brown | 01- | | |
| - | 996 555 672 01 | Rosette Seat belt Lacquered | /R | 1 | |
| | 996 555 672 01 D05 | Granite grey | -99 | | |

Model: 996 98 Model life 1998>>2005

| Pos | Part Number | Description | Remark | Qty | Model |
|------|--------------------|---|--------|-----|-------|
| | 996 555 672 01 A03 | Black | 00- | | |
| | 996 555 672 01 C53 | Graphite grey | 00- | | |
| | 996 555 672 01 S33 | Savanna | 00- | | |
| | 996 555 672 01 G13 | Metropole blue | 00- | | |
| | 996 555 672 01 B13 | Space grey | 00 | | |
| | 996 555 672 01 J33 | Nephrite green | 00- | | |
| | 996 555 672 01 M33 | Boxster red | 00- | | |
| | 996 555 672 01 P13 | Cinnamon brown | 01- | | |
| - | 999 507 533 02 | Clamp | | 4 | |
| (5) | 996 555 281 06 | Back wall lining Carpet | | 1 | |
| | 996 555 281 06 A10 | Black | | | |
| | 996 555 281 06 C50 | Graphite grey | | | |
| | 996 555 281 06 S30 | Savanna | | | |
| | 996 555 281 06 G10 | Metropole blue | | | |
| | 996 555 281 06 B50 | Space grey | -00 | | |
| | 996 555 281 06 J30 | Nephrite green | | | |
| | 996 555 281 06 M30 | Boxster red | | | |
| | 996 555 281 06 P11 | Cinnamon brown | 01- | | |
| | 996 555 281 06 D11 | Dark grey/natural | 00- | | |
| | 996 555 281 06 T11 | Brown/natural | 00- | | |
| 5 | 996 555 281 07 | Back wall lining Carpet | | 1 | M479 |
| | 996 555 281 07 A10 | Black | | | |
| | 996 555 281 07 C50 | Graphite grey | | | |
| | 996 555 281 07 S30 | Savanna | | | |
| | 996 555 281 07 G10 | Metropole blue | | | |
| | 996 555 281 07 B50 | Space grey | -00 | | |
| | 996 555 281 07 J30 | Nephrite green | | | |
| | 996 555 281 07 M30 | Boxster red | | | |
| | 996 555 281 07 P11 | Cinnamon brown | 01- | | |
| | 996 555 281 07 D11 | Dark grey/natural | 00- | | |
| | 996 555 281 07 T11 | Brown/natural | 00- | | |
| 6 | 996 555 785 00 | Cover Release Carpet | | 1 | M479 |
| | 996 555 785 00 EDA | Black | | | |
| | 996 555 785 00 EDB | Graphite grey | | | |
| | 996 555 785 00 EDC | Savanna | | | |
| | 996 555 785 00 EDD | Metropole blue | | | |
| | 996 555 785 00 EDE | Space grey | -00 | | |
| | 996 555 785 00 EDF | Nephrite green | | | |
| | 996 555 785 00 EDG | Boxster red | | | |
| | 996 555 785 00 FDJ | Cinnamon brown | 01- | | |
| | 996 555 785 00 VSM | Dark grey/natural | 00- | | |
| | 996 555 785 00 VSN | Brown/natural | 00- | | |
| 7 | 996 555 789 00 | Base Wind deflector | | 1 | |
| | 996 555 789 00 01C | Satin black | | | |
| 10 | 999 507 381 40 | Catch | | 4 | |
| (10) | 999 073 062 02 | 13,5 Tapping screw | | 2 | |
| 11 | 999 591 483 40 | 4,8 X 19 Lock washer | | 4 | |
| 13 | 996 551 035 01 | 20,3 X 1,5 Lining Convertible top frame Carpet | | 1 | |
| | 996 551 035 01 B04 | 14.10.98 Dark grey | | | |
| (13) | 996 551 035 03 | Lining Convertible top frame Carpet | -01 | 1 | |

Model: 996 98 Model life 1998>>2005

| Pos | Part Number | Description | Remark | Qty | Model |
|------|--------------------------------------|--|--------|-----|-------|
| | 996 551 035 03 B04 | 15.10.98 Dark grey | | | |
| (13) | 996 551 035 04 | Dark grey Lining Convertible top frame Carpet | 02- | 1 | |
| - | 996 551 035 04 B04 999 703 432 40 | Dark grey Stopper 8,2 X 18 | | 6 | |
| 14 | 996 551 021 01 | Lining Seat well Carpet | | 1 | |
| | 996 551 021 01 A10 | Black | | | |
| | 996 551 021 01 C50 | Graphite grey | | | |
| | 996 551 021 01 S30 | Savanna | | | |
| | 996 551 021 01 G10 | Metropole blue | | | |
| | 996 551 021 01 B50 | Space grey | | | |
| | 996 551 021 01 J30 | Nephrite green | | | |
| | 996 551 021 01 M30 | Boxster red | | | |
| | 996 551 021 01 P11 | Cinnamon brown | 01- | | |
| | 996 551 021 01 D11 | Dark grey | 00- | | |
| | 996 551 021 01 T11 | Brown/natural | 00- | | |
| 14 | 996 551 021 03 | Lining Seat well Carpet | 00 | 1 | |
| | 996 551 021 03 A10 | Black | | | |
| | 996 551 021 03 C50 | Graphite grey | | | |
| | 996 551 021 03 S30 | Savanna | | | |
| | 996 551 021 03 G10 | Metropole blue | | | |
| | 996 551 021 03 B50 | Space grey | -00 | | |
| | 996 551 021 03 J30 | Nephrite green | | | |
| | 996 551 021 03 M30 | Boxster red | | | |
| | 996 551 021 03 D11 | Dark grey | 00- | | |
| | 996 551 021 03 T11 | Brown/natural | 00- | | |
| 14 | 996 551 021 10 | Lining Seat well Carpet | | 1 | |
| | 996 551 021 10 A10 | Black | | | |
| | 996 551 021 10 C50 | Graphite grey | | | |
| | 996 551 021 10 S30 | Savanna | | | |
| | 996 551 021 10 G10 | Metropole blue | | | |
| | 996 551 021 10 B50 | Space grey | -00 | | |
| | 996 551 021 10 J30 | Nephrite green | | | |
| | 996 551 021 10 M30 | Boxster red | | | |
| | 996 551 021 10 P11 | Cinnamon brown | 01- | | |
| | 996 551 021 10 D11 | Dark grey | | | |
| | 996 551 021 10 T11 | Brown/natural | | | |
| (14) | 996 551 021 07 | Lining Seat well Carpet | | 1 | |
| | 996 551 021 07 A10 | Black | | | |
| | 996 551 021 07 C50 | Graphite grey | | | |
| | 996 551 021 07 S30 | Savanna | | | |
| | 996 551 021 07 G10 | Metropole blue | | | |
| | 996 551 021 07 B50 | Space grey | -00 | | |
| | 996 551 021 07 J30 | Nephrite green | | | |
| | 996 551 021 07 M30 | Boxster red | | | |
| | 996 551 021 07 P11 | Cinnamon brown | | | |
| | 996 551 021 07 D11 | Dark grey/natural | | | |
| | 996 551 021 07 T11 | Brown/natural | | | |
| 15 | 996 551 221 01 | Cover Sensor | | 1 | |

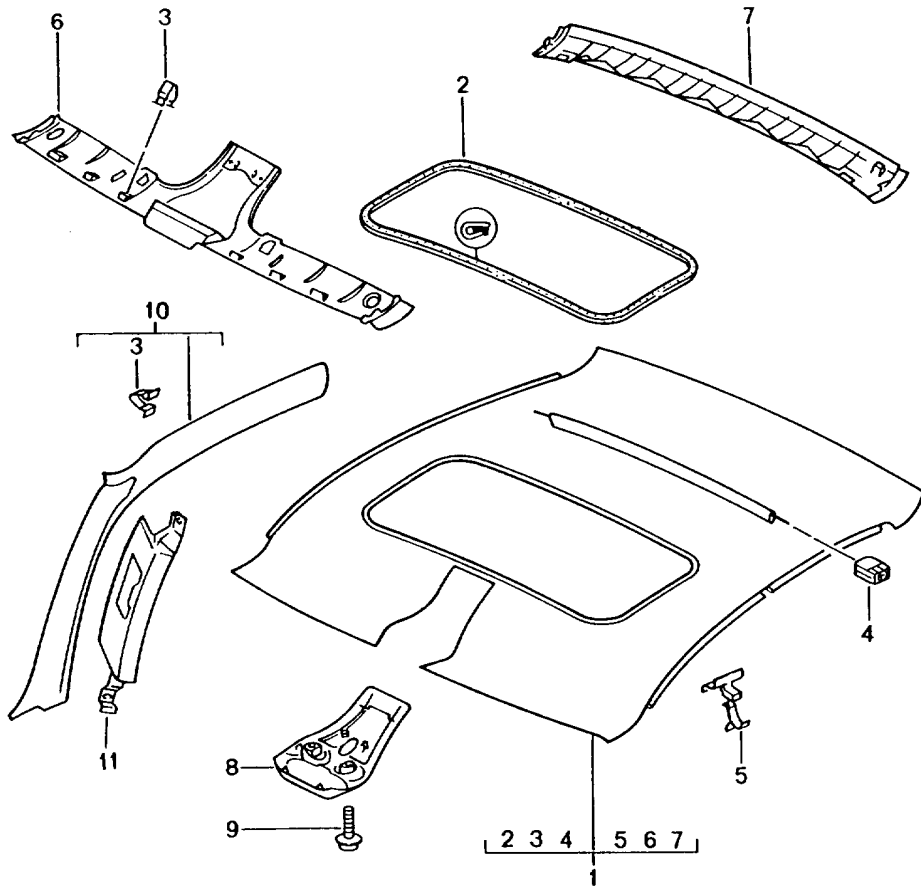
Model: 996 98

Model life 1998>>2005

| Pos | Part Number | Description | Remark | Qty | Model |
|------|--------------------|---------------------------|--------|-----|-------|
| 16 | 996 551 525 00 | Cover Seat-belt buckle | /L | 1 | |
| | 996 551 525 00 01C | Satin black | | | |
| (16) | 996 551 526 00 | Cover Seat-belt buckle | /R | 1 | |
| | 996 551 526 00 01C | Satin black | | | |

Model: 996 98

Model life 1998>>2005



Model: 996 98 Model life 1998>>2005

| Pos | Part Number | Description | Remark | Qty | Model |
|-----|--------------------|---------------------------|--------|-----|----------------------|
| | | Rooflining A-pillar | | | COUPE COUPE/TARGA |
| (1) | 996 555 091 00 | Rooflining Leatherette | -99 | 1 | COUPE |
| | 996 555 091 00 A10 | Black | | | |
| | 996 555 091 00 C50 | Graphite grey | | | |
| | 996 555 091 00 S30 | Savanna | | | |
| | 996 555 091 00 G10 | Metropole blue | | | |
| | 996 555 091 00 B50 | Space grey | | | |
| 1 | 996 555 091 01 | Rooflining Leatherette | -99 | 1 | COUPE M650 |
| | 996 555 091 01 A10 | Black | | | |
| | 996 555 091 01 C50 | Graphite grey | | | |
| | 996 555 091 01 S30 | Savanna | | | |
| | 996 555 091 01 G10 | Metropole blue | | | |
| | 996 555 091 01 B50 | Space grey | | | |
| (1) | 996 555 091 02 | Rooflining Alcantara | 00 | 1 | COUPE |
| | 996 555 091 02 A14 | Black | | | |
| | 996 555 091 02 C54 | Graphite grey | | | |
| | 996 555 091 02 S34 | Savanna | | | |
| | 996 555 091 02 G14 | Metropole blue | | | |
| 1 | 996 555 091 03 | Rooflining Alcantara | 00 | 1 | COUPE M650 |
| | 996 555 091 03 A14 | Black | | | |
| | 996 555 091 03 C54 | Graphite grey | | | |
| | 996 555 091 03 S34 | Savanna | | | |
| | 996 555 091 03 G14 | Metropole blue | | | |
| (1) | 996 555 091 04 | Rooflining Alcantara | 01 | 1 | COUPE |
| | 996 555 091 04 A14 | Black | | | |
| | 996 555 091 04 C54 | Graphite grey | | | |
| | 996 555 091 04 S34 | Savanna | | | |
| | 996 555 091 04 G14 | Metropole blue | | | |
| | 996 555 091 04 J34 | Nephrite green | 01- | | |
| 1 | 996 555 091 05 | Rooflining Alcantara | 01 | 1 | COUPE M650 |
| | 996 555 091 05 A14 | Black | | | |
| | 996 555 091 05 C54 | Graphite grey | | | |
| | 996 555 091 05 S34 | Savanna | | | |
| | 996 555 091 05 G14 | Metropole blue | | | |
| | 996 555 091 05 J34 | Nephrite green | 01- | | |
| (1) | 996 555 091 06 | Rooflining Alcantara | 01- | 1 | COUPE |
| | 996 555 091 06 A14 | Black | | | |
| | 996 555 091 06 C54 | Graphite grey | | | |
| | 996 555 091 06 S34 | Savanna | | | |
| | 996 555 091 06 G14 | Metropole blue | | | |
| | 996 555 091 06 J34 | Nephrite green | | | |
| 1 | 996 555 091 07 | Rooflining Alcantara | | 1 | COUPE M650 |
| | 996 555 091 07 A14 | Black | | | |
| | 996 555 091 07 C54 | Graphite grey | | | |
| | 996 555 091 07 S34 | Savanna | | | |
| | 996 555 091 07 G14 | Metropole blue | | | |
| | 996 555 091 07 J34 | Nephrite green | | | |
| 1 | 996 555 091 06 | Rooflining | 05 | 1 | C4S M652 |

Model: 996 98 Model life 1998>>2005

| Pos | Part Number | Description | Remark | Qty | Model |
|-----|--------------------|---|--------|-----|-----------------------|
| 1 | 996 555 091 06 A14 | Alcantara Valid up to: F >>995S6 00227 Black | 05 | 1 | C4S M650 |
| | 996 555 091 06 C54 | Graphite grey | | | |
| | 996 555 091 06 S34 | Savanna | | | |
| | 996 555 091 06 G14 | Metropole blue | | | |
| | 996 555 091 06 J34 | Nephrite green | | | |
| | 996 555 091 07 | Rooflining | | | |
| (1) | 996 555 091 07 A14 | Alcantara Valid up to: F >>995S6 00227 Black | 05 | 1 | C4S M652 |
| | 996 555 091 07 C54 | Graphite grey | | | |
| | 996 555 091 07 S34 | Savanna | | | |
| | 996 555 091 07 G14 | Metropole blue | | | |
| | 996 555 091 07 J34 | Nephrite green | | | |
| | 997 555 091 00 | Rooflining | | | |
| 1 | 997 555 091 00 A14 | Alcantara Valid from: F 995S6 00228>> Black | 05- | 1 | C4S M650 |
| | 997 555 091 00 C54 | Graphite grey | | | |
| | 997 555 091 00 S34 | Savanna | | | |
| | 997 555 091 00 G14 | Metropole blue | | | |
| | 997 555 091 01 | Rooflining | | | |
| (1) | 997 555 091 01 A14 | Alcantara Valid from: F 995S6 00228>> Black | 01-04 | 1 | COUPE IXMA |
| | 997 555 091 01 C54 | Graphite grey | | | |
| | 997 555 091 01 S34 | Savanna | | | |
| | 997 555 091 01 G14 | Metropole blue | | | |
| | 996 555 982 02 | Rooflining | | | |
| 1 | 996 555 982 02 A11 | Leather Black | -03 | | |
| | 996 555 982 02 C51 | Graphite grey | | | |
| | 996 555 982 02 S31 | Savanna | | | |
| | 996 555 982 02 G11 | Metropole blue | | | |
| | 996 555 982 02 J31 | Nephrite green | | | |
| | 996 555 982 02 M31 | Boxster red | | | |
| | 996 555 982 02 P12 | Cinnamon brown | | | |
| | 996 555 982 02 D12 | Dark grey/natural | | | |
| | 996 555 982 02 T12 | Brown/natural | | | |
| | 996 555 982 03 | Rooflining | 01-04 | 1 | COUPE IXMA M650 |
| (1) | 996 555 982 03 A11 | Leather Black | -03 | | |
| | 996 555 982 03 C51 | Graphite grey | | | |
| | 996 555 982 03 S31 | Savanna | | | |
| | 996 555 982 03 G11 | Metropole blue | | | |
| | 996 555 982 03 J31 | Nephrite green | | | |
| | 996 555 982 03 M31 | Boxster red | | | |
| | 996 555 982 03 P12 | Cinnamon brown | | | |
| | 996 555 982 03 D12 | Dark grey/natural | | | |
| | 996 555 982 03 T12 | Brown/natural | | | |
| | 996 555 982 02 | Rooflining | 05 | 1 | C4S IXMA/M652 |

Model: 996 98 Model life 1998>>2005

| Pos | Part Number | Description | Remark | Qty | Model |
|-----|--------------------|--|--------|-----|---------------------|
| | | Leather Valid up to: F >>995S6 00227 | | | |
| | 996 555 982 02 A11 | Black | | | |
| | 996 555 982 02 C51 | Graphite grey | | | |
| | 996 555 982 02 S31 | Savanna | | | |
| | 996 555 982 02 G11 | Metropole blue | | | |
| | 996 555 982 02 M31 | Boxster red | | | |
| | 996 555 982 02 P12 | Cinnamon brown | | | |
| | 996 555 982 02 D12 | Dark grey/natural | | | |
| | 996 555 982 02 T12 | Brown/natural | | | |
| (1) | 996 555 982 03 | Rooflining | 05 | 1 | C4S IXMA/M650 |
| | | Leather Valid up to: F >>995S6 00227 | | | |
| | 996 555 982 03 A11 | Black | | | |
| | 996 555 982 03 C51 | Graphite grey | | | |
| | 996 555 982 03 S31 | Savanna | | | |
| | 996 555 982 03 G11 | Metropole blue | | | |
| | 996 555 982 03 M31 | Boxster red | | | |
| | 996 555 982 03 P12 | Cinnamon brown | | | |
| | 996 555 982 03 D12 | Dark grey/natural | | | |
| | 996 555 982 03 T12 | Brown/natural | | | |
| (1) | 997 555 980 00 | Rooflining | 05 | 1 | C4S IXMA M652 |
| | | Leather Valid from: F 995S6 00228>> | | | |
| | 997 555 980 00 A11 | Black | | | |
| | 997 555 980 00 C51 | Graphite grey | | | |
| | 997 555 980 00 S31 | Savanna | | | |
| | 997 555 980 00 G11 | Metropole blue | | | |
| | 997 555 980 00 M31 | Boxster red | | | |
| | 997 555 980 00 P12 | Cinnamon brown | | | |
| | 997 555 980 00 D12 | Dark grey/natural | | | |
| | 997 555 980 00 T12 | Brown/natural | | | |
| (1) | 997 555 980 01 | Rooflining | 05 | 1 | C4S IXMA M650 |
| | | Leather Valid from: F 995S6 00228>> | | | |
| | 997 555 980 01 A11 | Black | | | |
| | 997 555 980 01 C51 | Graphite grey | | | |
| | 997 555 980 01 S31 | Savanna | | | |
| | 997 555 980 01 G11 | Metropole blue | | | |
| | 997 555 980 01 M31 | Boxster red | | | |
| | 997 555 980 01 P12 | Cinnamon brown | | | |
| | 997 555 980 01 D12 | Dark grey/natural | | | |
| | 997 555 980 01 T12 | Brown/natural | | | |
| - | 999 551 609 40 | Plastic washer 8,0 X 23 X 3,0 | | 6 | COUPE |
| 2 | 996 564 231 02 | Piping | | 1 | COUPE M650 |
| 3 | 999 507 479 09 | Clamp 2,5/0,9 | | 3 | |
| (3) | 999 507 681 09 | Clamp 2,5/3,0 | | 10 | COUPE |
| (3) | | Clamp 2,5/3,0 | | 12 | TARGA |
| - | 999 551 134 40 | Adhesive tape | | 12 | |

Model: 996 98 Model life 1998>>2005

| Pos | Part Number | Description | Remark | Qty | Model |
|-----|--------------------|---|--------|-----|---------------|
| 4 | 996 555 823 00 | 20 X 65 Support | | 2 | COUPE M650 |
| 5 | 996 555 691 02 | Transverse strut Clip | | 8 | COUPE |
| (6) | 996 555 553 08 | Cover Rooflining Front | -04 | 1 | COUPE |
| (6) | 996 555 553 09 | Cover Rooflining Front | -04 | 1 | COUPE M650 |
| (6) | 996 555 553 08 | Cover Rooflining Front | 05 | 1 | C4S M652 |
| (6) | 996 555 553 09 | Valid up to: F >>995S6 00227 Cover Rooflining Front | 05 | 1 | C4S M650 |
| (6) | 997 555 591 00 | Valid up to: F >>995S6 00227 Cover Rooflining Front | 05 | 1 | C4S M652 |
| 6 | 997 555 591 01 | Valid from: F 995S6 00228>> Cover Rooflining Front | 05 | 1 | C4S M650 |
| (7) | 996 555 155 06 | Valid from: F 995S6 00228>> Cover Rooflining | /H | 1 | COUPE |
| 7 | 996 555 155 07 | Cover Rooflining | /H | 1 | COUPE M650 |
| (8) | 996 555 557 05 | Cover Rooflining | -03 | 1 | COUPE M652 |
| | 996 555 557 05 D05 | Interior light Lacquered Granite grey | -99 | | |
| | 996 555 557 05 A03 | Black | 00- | | |
| | 996 555 557 05 C53 | Graphite grey | 00- | | |
| | 996 555 557 05 S33 | Savanna | 00- | | |
| | 996 555 557 05 G13 | Metropole blue | 00- | | |
| | 996 555 557 05 B13 | Space grey | 00 | | |
| | 996 555 557 05 J33 | Nephrite green | 00-03 | | |
| | 996 555 557 05 M33 | Boxster red | 00-01 | | |
| | 996 555 557 05 P13 | Cinnamon brown | 01 | | |
| (8) | 996 555 557 10 | Cover Interior light Lacquered | | 1 | COUPE M652 |
| | 996 555 557 10 D05 | Granite grey | -99 | | |
| | 996 555 557 10 A03 | Black | | | |
| | 996 555 557 10 C53 | Graphite grey | | | |
| | 996 555 557 10 S33 | Savanna | | | |

Model: 996 98 Model life 1998>>2005

| Pos | Part Number | Description | Remark | Qty | Model |
|--------------------|-----------------------------|--------------------------------|--------|-----|-------------------|
| 8 | 996 555 557 10 G13 | Metropole blue | | 1 | COUPE M650 |
| | 996 555 557 10 B13 | Space grey | | | |
| | 996 555 557 10 J33 | Nephrite green | | | |
| | 996 555 557 10 M33 | Boxster red | | | |
| | 996 555 557 10 P13 | Cinnamon brown | | | |
| | 996 555 557 06 | Cover | | | |
| | | Interior light Lacquered | | | |
| | 996 555 557 06 D05 | Granite grey | -99 | | |
| | 996 555 557 06 A03 | Black | 00- | | |
| | 996 555 557 06 C53 | Graphite grey | 00- | | |
| 996 555 557 06 S33 | Savanna | 00- | | | |
| 996 555 557 06 G13 | Metropole blue | 00- | | | |
| 996 555 557 06 B13 | Space grey | 00 | | | |
| 996 555 557 06 J33 | Nephrite green | 00-03 | | | |
| 996 555 557 06 M33 | Boxster red | 00-01 | | | |
| 996 555 557 06 P13 | Cinnamon brown | 01 | | | |
| (8) | 996 555 557 08 | Cover | -03 | 1 | COUPE M265/652 |
| | Interior light Lacquered | | | | |
| 996 555 557 08 A03 | Black | | | | |
| 996 555 557 08 C53 | Graphite grey | | | | |
| 996 555 557 08 S33 | Savanna | | | | |
| 996 555 557 08 G13 | Metropole blue | | | | |
| 996 555 557 08 J33 | Nephrite green | -03 | | | |
| 996 555 557 08 M33 | Boxster red | 01 | | | |
| 996 555 557 08 P13 | Cinnamon brown | 01 | | | |
| (8) | 996 555 557 11 | Cover | 04- | 1 | COUPE M265/652 |
| | Interior light Lacquered | | | | |
| 996 555 557 11 A03 | Black | | | | |
| 996 555 557 11 C53 | Graphite grey | | | | |
| 996 555 557 11 S33 | Savanna | | | | |
| 996 555 557 11 G13 | Metropole blue | | | | |
| 996 555 557 11 M33 | Boxster red | | | | |
| 996 555 557 11 P13 | Cinnamon brown | | | | |
| (8) | 996 555 557 09 | Cover | 01- | 1 | COUPE M265/650 |
| | Interior light Lacquered | | | | |
| 996 555 557 09 A03 | Black | | | | |
| 996 555 557 09 C53 | Graphite grey | | | | |
| 996 555 557 09 S33 | Savanna | | | | |
| 996 555 557 09 G13 | Metropole blue | | | | |
| 996 555 557 09 J33 | Nephrite green | -03 | | | |
| 996 555 557 09 M33 | Boxster red | 01 | | | |
| 996 555 557 09 P13 | Cinnamon brown | 01 | | | |
| 8 | 996 555 993 01 | Cover | 01- | 1 | IXZD |
| | Interior light Leather | | | | |
| 996 555 993 01 A11 | Black | | | | |
| (8) | 996 555 993 03 | Cover | 01- | 1 | IXZD/M265 |
| | Interior light Leather | | | | |
| 996 555 993 03 A11 | Black | | | | |
| (8) | 996 555 993 00 | Information available Cover | 01- | 1 | IXZD/M650 |
| | Interior light Leather | | | | |
| 996 555 993 00 A11 | Black | | | | |

Model: 996 98 Model life 1998>>2005

| Pos | Part Number | Description | Remark | Qty | Model |
|------|--------------------|---------------------------|--------|-----|-------------------|
| (8) | 996 555 993 02 | Cover | 01- | 1 | IXZD/M265 M650 |
| | | Interior light Leather | | | |
| 8 | 996 555 993 02 A11 | Black | | | |
| | 996 555 993 01 | Cover | 01- | 1 | IXZD |
| | 996 555 993 01 C51 | Graphite grey | | | |
| | 996 555 993 01 S31 | Savanna | | | |
| | 996 555 993 01 G11 | Metropole blue | | | |
| | 996 555 993 01 J31 | Nephrite green | | | |
| | 996 555 993 01 M31 | Boxster red | | | |
| | 996 555 993 01 D12 | Dark grey/natural | | | |
| | 996 555 993 01 T12 | Brown/natural | | | |
| | 996 555 993 01 P12 | Cinnamon brown | | | |
| (8) | 996 555 993 03 | Cover | 01- | 1 | IXZD/M265 |
| | 996 555 993 03 C51 | Graphite grey | | | |
| | 996 555 993 03 S31 | Savanna | | | |
| | 996 555 993 03 G11 | Metropole blue | | | |
| | 996 555 993 03 J31 | Nephrite green | | | |
| | 996 555 993 03 M31 | Boxster red | | | |
| | 996 555 993 03 D12 | Dark grey/natural | | | |
| | 996 555 993 03 T12 | Brown/natural | | | |
| | 996 555 993 03 P12 | Cinnamon brown | | | |
| | | Information available | | | |
| (8) | 996 555 993 00 | Cover | 01- | 1 | IXZD/M650 |
| | 996 555 993 00 C51 | Graphite grey | | | |
| | 996 555 993 00 S31 | Savanna | | | |
| | 996 555 993 00 G11 | Metropole blue | | | |
| | 996 555 993 00 J31 | Nephrite green | | | |
| | 996 555 993 00 M31 | Boxster red | | | |
| | 996 555 993 00 D12 | Dark grey | | | |
| | 996 555 993 00 T12 | Brown/natural | | | |
| | 996 555 993 00 P12 | Cinnamon brown | | | |
| (8) | 996 555 993 02 | Cover | 01- | 1 | IXZD/M265 M650 |
| | 996 555 993 02 C51 | Graphite grey | | | |
| | 996 555 993 02 S31 | Savanna | | | |
| | 996 555 993 02 G11 | Metropole blue | | | |
| | 996 555 993 02 J31 | Nephrite green | | | |
| | 996 555 993 02 M31 | Boxster red | | | |
| | 996 555 993 02 D12 | Dark grey/natural | | | |
| | 996 555 993 02 T12 | Brown/natural | | | |
| | 996 555 993 02 P12 | Cinnamon brown | | | |
| 9 | 999 073 166 09 | Countersunk-head screw | -99 | 2 | |
| | | M 6 X 25 | | | |
| (9) | 999 073 061 02 | Tapping screw | 00- | 2 | |
| | | 4,8 X 16 | | | |
| (10) | 996 555 181 04 | Lining | /L -99 | 1 | COUPE |
| | | A-pillar Leatherette | | | |
| | 996 555 181 04 A18 | Black | | | |
| | 996 555 181 04 C18 | Graphite grey | | | |
| | 996 555 181 04 S18 | Savanna | | | |
| | 996 555 181 04 G18 | Metropole blue | | | |
| | 996 555 181 04 B18 | Space grey | | | |
| 10 | 996 555 182 04 | Lining | /R -99 | 1 | COUPE |
| | | A-pillar Leatherette | | | |
| | 996 555 182 04 A18 | Black | | | |
| | 996 555 182 04 C18 | Graphite grey | | | |
| | 996 555 182 04 S18 | Savanna | | | |
| | 996 555 182 04 G18 | Metropole blue | | | |
| | 996 555 182 04 B18 | Space grey | | | |

Model: 996 98 Model life 1998>>2005

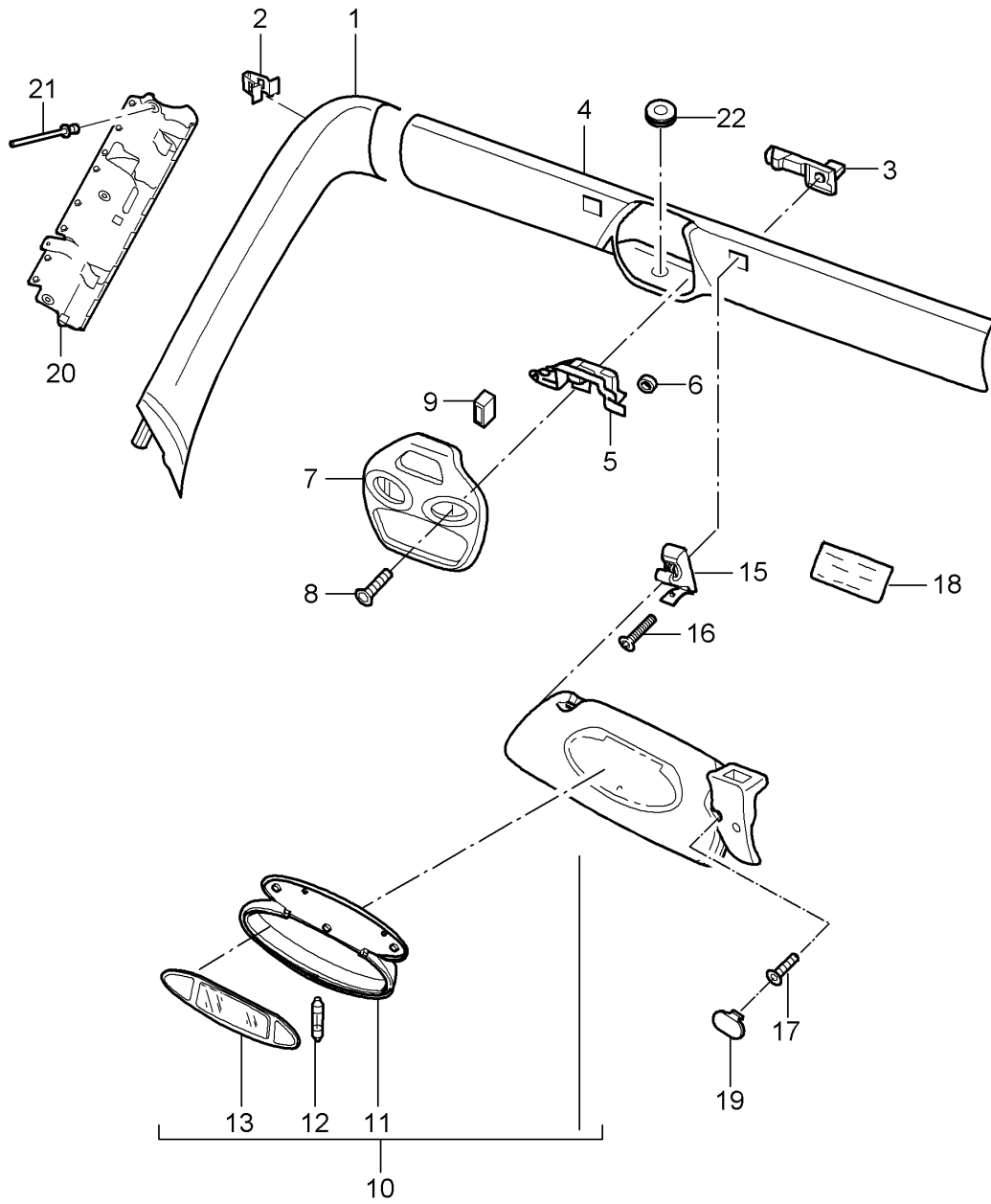
| Pos | Part Number | Description | Remark | Qty | Model |
|------|--------------------|-----------------------------------|--------|-----|-------|
| (10) | 996 555 181 08 | Lining A-pillar Leatherette | /L 00- | 1 | COUPE |
| | 996 555 181 08 A12 | Black | | | |
| | 996 555 181 08 C52 | Graphite grey | | | |
| | 996 555 181 08 S32 | Savanna | | | |
| | 996 555 181 08 G12 | Metropole blue | | | |
| | 996 555 181 08 B52 | Space grey | 00 | | |
| | 996 555 181 08 J32 | Nephrite green | 01- | | |
| (10) | 996 555 182 08 | Lining A-pillar Leatherette | /R 00- | 1 | COUPE |
| | 996 555 182 08 A12 | Black | | | |
| | 996 555 182 08 C52 | Graphite grey | | | |
| | 996 555 182 08 S32 | Savanna | | | |
| | 996 555 182 08 G12 | Metropole blue | | | |
| | 996 555 182 08 B52 | Space grey | 00 | | |
| | 996 555 182 08 J32 | Nephrite green | 01- | | |
| (10) | 996 555 181 14 | Lining A-pillar Leatherette | /L | 1 | TARGA |
| | 996 555 181 14 A12 | Black | | | |
| | 996 555 181 14 C52 | Graphite grey | | | |
| | 996 555 181 14 S32 | Savanna | | | |
| | 996 555 181 14 G12 | Metropole blue | | | |
| | 996 555 181 14 B52 | Space grey | | | |
| | 996 555 181 14 J32 | Nephrite green | | | |
| (10) | 996 555 182 14 | Lining A-pillar Leatherette | /R | 1 | TARGA |
| | 996 555 182 14 A12 | Black | | | |
| | 996 555 182 14 C52 | Graphite grey | | | |
| | 996 555 182 14 S32 | Savanna | | | |
| | 996 555 182 14 G12 | Metropole blue | | | |
| | 996 555 182 14 B52 | Space grey | | | |
| | 996 555 182 14 J32 | Nephrite green | | | |
| (10) | 996 555 181 05 | Lining A-pillar Leather | /L -99 | 1 | COUPE |
| | 996 555 181 05 A11 | Black | | | |
| | 996 555 181 05 C51 | Graphite grey | | | |
| | 996 555 181 05 S31 | Savanna | | | |
| | 996 555 181 05 G11 | Metropole blue | | | |
| | 996 555 181 05 B51 | Space grey | | | |
| | 996 555 181 05 J31 | Nephrite green | | | |
| | 996 555 181 05 M31 | Boxster red | | | |
| 10 | 996 555 182 05 | Lining A-pillar Leather | /R -99 | 1 | COUPE |
| | 996 555 182 05 A11 | Black | | | |
| | 996 555 182 05 C51 | Graphite grey | | | |
| | 996 555 182 05 S31 | Savanna | | | |
| | 996 555 182 05 G11 | Metropole blue | | | |
| | 996 555 182 05 B51 | Space grey | | | |
| | 996 555 182 05 J31 | Nephrite green | | | |
| | 996 555 182 05 M31 | Boxster red | | | |
| (10) | 996 555 181 09 | Lining A-pillar Leather | /L 00- | 1 | COUPE |
| | 996 555 181 09 A11 | Black | | | |
| | 996 555 181 09 C51 | Graphite grey | | | |
| | 996 555 181 09 S31 | Savanna | | | |
| | 996 555 181 09 G11 | Metropole blue | | | |

Model: 996 98 Model life 1998>>2005

| Pos | Part Number | Description | Remark | Qty | Model |
|------|--------------------|---------------------|--------|-----|-------|
| | 996 555 181 09 B51 | Space grey | 00 | | |
| | 996 555 181 09 J31 | Nephrite green | | | |
| | 996 555 181 09 M31 | Boxster red | | | |
| | 996 555 181 09 D12 | Dark grey/natural | | | |
| | 996 555 181 09 T12 | Brown/natural | | | |
| | 996 555 181 09 P12 | Cinnamon brown | 01- | | |
| (10) | 996 555 182 09 | Lining | /R 00- | 1 | COUPE |
| | | A-pillar | | | |
| | | Leather | | | |
| | 996 555 182 09 A11 | Black | | | |
| | 996 555 182 09 C51 | Graphite grey | | | |
| | 996 555 182 09 S31 | Savanna | | | |
| | 996 555 182 09 G11 | Metropole blue | | | |
| | 996 555 182 09 B51 | Space grey | 00 | | |
| | 996 555 182 09 J31 | Nephrite green | | | |
| | 996 555 182 09 M31 | Boxster red | | | |
| | 996 555 182 09 D12 | Dark grey/natural | | | |
| | 996 555 182 09 T12 | Brown/natural | | | |
| | 996 555 182 09 P12 | Cinnamon brown | 01- | | |
| (10) | 996 555 181 15 | Lining | /L | 1 | TARGA |
| | | A-pillar | | | |
| | | Leather | | | |
| | 996 555 181 15 A11 | Black | | | |
| | 996 555 181 15 C51 | Graphite grey | | | |
| | 996 555 181 15 S31 | Savanna | | | |
| | 996 555 181 15 G11 | Metropole blue | | | |
| | 996 555 181 15 B51 | Space grey | | | |
| | 996 555 181 15 J31 | Nephrite green | | | |
| | 996 555 181 15 M31 | Boxster red | | | |
| | 996 555 181 15 D12 | Dark grey/natural | | | |
| | 996 555 181 15 T12 | Brown/natural | | | |
| | 996 555 181 15 P12 | Cinnamon brown | | | |
| (10) | 996 555 182 15 | Lining | /R | 1 | TARGA |
| | | A-pillar | | | |
| | | Leather | | | |
| | 996 555 182 15 A11 | Black | | | |
| | 996 555 182 15 C51 | Graphite grey | | | |
| | 996 555 182 15 S31 | Savanna | | | |
| | 996 555 182 15 G11 | Metropole blue | | | |
| | 996 555 182 15 B51 | Space grey | | | |
| | 996 555 182 15 J31 | Nephrite green | | | |
| | 996 555 182 15 M31 | Boxster red | | | |
| | 996 555 182 15 D12 | Dark grey/natural | | | |
| | 996 555 182 15 T12 | Brown/natural | | | |
| | 996 555 182 15 P12 | Cinnamon brown | | | |
| (11) | 996 555 291 00 | Deformation element | /L 00- | 1 | |
| 11 | 996 555 292 00 | Deformation element | /R 00- | 1 | |
| 12 | 999 190 167 30 | Blind rivet | 00- | 10 | |
| | | 4,0 X 6,3 | | | |
| - | 999 551 138 40 | Felt strip | | 2 | |
| | | 25 X 25 X 1 | | | |
| - | 999 551 609 40 | Plastic washer | | 8 | TARGA |
| | | 8,0 X 23 X 3,0 | | | |
| 13 | 996 555 619 00 | Grommet | 01- | 1 | M265 |
| | | Wiring harness | | | |
| | | Rain sensor | | | |

Model: 996 98

Model life 1998>>2005



Model: 996 98 Model life 1998>>2005

| Pos | Part Number | Description | Remark | Qty | Model |
|-----|--------------------|---|--------|-----|--|
| 1 | 996 555 181 12 | Windscreen frame Windscreen frame Sun visors Sun visors Lining A-pillar Leatherette | /L -99 | 1 | CABRIO TARGA COUPE/CABRIO TARGA CABRIO |
| | 996 555 181 12 A18 | Black | | | |
| | 996 555 181 12 C18 | Graphite grey | | | |
| | 996 555 181 12 S18 | Savanna | | | |
| | 996 555 181 12 G18 | Metropole blue | | | |
| | 996 555 181 12 B18 | Space grey | | | |
| (1) | 996 555 182 12 | Lining A-pillar Leatherette | /R -99 | 1 | CABRIO |
| | 996 555 182 12 A18 | Black | | | |
| | 996 555 182 12 C18 | Graphite grey | | | |
| | 996 555 182 12 S18 | Savanna | | | |
| | 996 555 182 12 G18 | Metropole blue | | | |
| | 996 555 182 12 B18 | Space grey | | | |
| (1) | 996 555 181 10 | Lining A-pillar Leatherette | /L 00- | 1 | CABRIO |
| | 996 555 181 10 A12 | Black | | | |
| | 996 555 181 10 C52 | Graphite grey | | | |
| | 996 555 181 10 S32 | Savanna | | | |
| | 996 555 181 10 G12 | Metropole blue | | | |
| | 996 555 181 10 B52 | Space grey | 00 | | |
| | 996 555 181 10 J32 | Nephrite green | 01- | | |
| (1) | 996 555 182 10 | Lining A-pillar Leatherette | /R 00- | 1 | CABRIO |
| | 996 555 182 10 A12 | Black | | | |
| | 996 555 182 10 C52 | Graphite grey | | | |
| | 996 555 182 10 S32 | Savanna | | | |
| | 996 555 182 10 G12 | Metropole blue | | | |
| | 996 555 182 10 B52 | Space grey | 00 | | |
| | 996 555 182 10 J32 | Nephrite green | 01- | | |
| 1 | 996 555 181 13 | Lining Leather | /L -99 | 1 | CABRIO |
| | 996 555 181 13 A11 | Black | | | |
| | 996 555 181 13 C51 | Graphite grey | | | |
| | 996 555 181 13 S31 | Savanna | | | |
| | 996 555 181 13 G11 | Metropole blue | | | |
| | 996 555 181 13 B51 | Space grey | | | |
| | 996 555 181 13 J31 | Nephrite green | | | |
| | 996 555 181 13 M31 | Boxster red | | | |
| (1) | 996 555 182 13 | Lining Leather | /R -99 | 1 | CABRIO |
| | 996 555 182 13 A11 | Black | | | |
| | 996 555 182 13 C51 | Graphite grey | | | |
| | 996 555 182 13 S31 | Savanna | | | |
| | 996 555 182 13 G11 | Metropole blue | | | |
| | 996 555 182 13 B51 | Space grey | | | |
| | 996 555 182 13 J31 | Nephrite green | | | |
| | 996 555 182 13 M31 | Boxster red | | | |
| (1) | 996 555 181 11 | Lining Leather | /L 00- | 1 | CABRIO |
| | 996 555 181 11 A11 | Black | | | |
| | 996 555 181 11 C51 | Graphite grey | | | |
| | 996 555 181 11 S31 | Savanna | | | |
| | 996 555 181 11 G11 | Metropole blue | | | |
| | 996 555 181 11 B51 | Space grey | 00 | | |

Model: 996 98 Model life 1998>>2005

| Pos | Part Number | Description | Remark | Qty | Model |
|--------------------|--------------------|-----------------------|--------|-----|----------------|
| (1) | 996 555 181 11 J31 | Nephrite green | | | |
| | 996 555 181 11 M31 | Boxster red | | | |
| | 996 555 181 11 D12 | Dark grey/natural | | | |
| | 996 555 181 11 T12 | Brown/natural | | | |
| | 996 555 181 11 P12 | Cinnamon brown | 01- | | |
| | 996 555 182 11 | Lining | /R 00- | 1 | CABRIO |
| | | Leather | | | |
| | 996 555 182 11 A11 | Black | | | |
| | 996 555 182 11 C51 | Graphite grey | | | |
| | 996 555 182 11 S31 | Savanna | | | |
| | 996 555 182 11 G11 | Metropole blue | | | |
| | 996 555 182 11 B51 | Space grey | 00 | | |
| | 996 555 182 11 J31 | Nephrite green | | | |
| | 996 555 182 11 M31 | Boxster red | | | |
| 996 555 182 11 D12 | Dark grey/natural | | | | |
| 996 555 182 11 T12 | Brown/natural | | | | |
| 996 555 182 11 P12 | Cinnamon brown | 01- | | | |
| 2 | 999 507 574 02 | Clamp | | 4 | |
| | | 8 X 10/1,2 | | | |
| 2 | 999 507 681 09 | Clamp | 00- | 10 | |
| | | 2,5/3,00 | | | |
| 3 | 986 731 541 01 | Plate | | 2 | |
| 4 | 996 555 059 02 | Lining | | 1 | CABRIO |
| | | Windscreen frame part | | | |
| | | Leatherette | | | |
| | 996 555 059 02 A18 | Black | -99 | | |
| | 996 555 059 02 C18 | Graphite grey | -99 | | |
| | 996 555 059 02 S18 | Savanna | -99 | | |
| | 996 555 059 02 G18 | Metropole blue | -99 | | |
| | 996 555 059 02 B18 | Space grey | -99 | | |
| | 996 555 059 02 A12 | Black | 00- | | |
| | 996 555 059 02 C52 | Graphite grey | 00- | | |
| | 996 555 059 02 S32 | Savanna | 00- | | |
| | 996 555 059 02 G12 | Metropole blue | 00- | | |
| | 996 555 059 02 B52 | Space grey | 00 | | |
| | 996 555 059 02 J32 | Nephrite green | 01- | | |
| (4) | 996 555 059 06 | Lining | | 1 | CABRIO M265 |
| | | Windscreen frame part | | | |
| | | Leatherette | | | |
| | 996 555 059 06 A18 | Black | -99 | | |
| | 996 555 059 06 C18 | Graphite grey | -99 | | |
| | 996 555 059 06 S18 | Savanna | -99 | | |
| | 996 555 059 06 G18 | Metropole blue | -99 | | |
| | 996 555 059 06 B18 | Space grey | -99 | | |
| | 996 555 059 06 A12 | Black | | | |
| | 996 555 059 06 C52 | Graphite grey | | | |
| | 996 555 059 06 S32 | Savanna | | | |
| | 996 555 059 06 G12 | Metropole blue | | | |
| | 996 555 059 06 B52 | Space grey | | | |
| | 996 555 059 06 J32 | Nephrite green | 01- | | |
| 4 | 996 555 059 04 | Lining | | 1 | TARGA |
| | | Windscreen frame part | | | |
| | | Leatherette | | | |
| | 996 555 059 04 A18 | Black | -99 | | |
| | 996 555 059 04 C18 | Graphite grey | -99 | | |
| | 996 555 059 04 S18 | Savanna | -99 | | |
| | 996 555 059 04 G18 | Metropole blue | -99 | | |
| | 996 555 059 04 B18 | Space grey | -99 | | |
| | 996 555 059 04 A12 | Black | | | |
| | 996 555 059 04 C52 | Graphite grey | | | |
| | 996 555 059 04 S32 | Savanna | | | |
| | 996 555 059 04 G12 | Metropole blue | | | |

Model: 996 98 Model life 1998>>2005

| Pos | Part Number | Description | Remark | Qty | Model |
|--------------------|--------------------|-----------------------|--------|-----|----------------|
| (4) | 996 555 059 04 B52 | Space grey | | 1 | TARGA M265 |
| | 996 555 059 04 J32 | Nephrite green | | | |
| | 996 555 059 08 | Lining | | | |
| | | Windscreen frame part | | | |
| | | Leatherette | | | |
| | 996 555 059 08 A18 | Black | -99 | | |
| | 996 555 059 08 C18 | Graphite grey | -99 | | |
| | 996 555 059 08 S18 | Savanna | -99 | | |
| | 996 555 059 08 G18 | Metropole blue | -99 | | |
| | 996 555 059 08 B18 | Space grey | -99 | | |
| | 996 555 059 08 A12 | Black | | | |
| | 996 555 059 08 C52 | Graphite grey | | | |
| | 996 555 059 08 S32 | Savanna | | | |
| 996 555 059 08 G12 | Metropole blue | | | | |
| 996 555 059 08 B52 | Space grey | | | | |
| 996 555 059 08 J32 | Nephrite green | | | | |
| 4 | 996 555 059 03 | Lining | | 1 | CABRIO |
| | | Windscreen frame | | | |
| | | Leather | | | |
| | 996 555 059 03 A11 | Black | | | |
| | 996 555 059 03 C51 | Graphite grey | | | |
| | 996 555 059 03 S31 | Savanna | | | |
| | 996 555 059 03 G11 | Metropole blue | | | |
| | 996 555 059 03 B51 | Space grey | -00 | | |
| | 996 555 059 03 J31 | Nephrite green | | | |
| | 996 555 059 03 M31 | Boxster red | | | |
| | 996 555 059 03 D12 | Dark grey | 00- | | |
| | 996 555 059 03 T12 | Brown/natural | 00- | | |
| | 996 555 059 03 P12 | Cinnamon brown | 01- | | |
| (4) | 996 555 059 07 | Lining | 01- | 1 | CABRIO M265 |
| | | Windscreen frame | | | |
| | | Leather | | | |
| | 996 555 059 07 A11 | Black | | | |
| | 996 555 059 07 C51 | Graphite grey | | | |
| | 996 555 059 07 S31 | Savanna | | | |
| | 996 555 059 07 G11 | Metropole blue | | | |
| | 996 555 059 07 B51 | Space grey | | | |
| | 996 555 059 07 J31 | Nephrite green | | | |
| | 996 555 059 07 M31 | Boxster red | | | |
| | 996 555 059 07 D12 | Dark grey/natural | | | |
| | 996 555 059 07 T12 | Brown/natural | | | |
| | 996 555 059 07 P12 | Cinnamon brown | | | |
| 4 | 996 555 059 05 | Lining | 02- | 1 | TARGA |
| | | Windscreen frame | | | |
| | | Leather | | | |
| | 996 555 059 05 A11 | Black | | | |
| | 996 555 059 05 C51 | Graphite grey | | | |
| | 996 555 059 05 S31 | Savanna | | | |
| | 996 555 059 05 G11 | Metropole blue | | | |
| | 996 555 059 05 B51 | Space grey | | | |
| | 996 555 059 05 J31 | Nephrite green | | | |
| | 996 555 059 05 M31 | Boxster red | | | |
| | 996 555 059 05 D12 | Dark grey/natural | | | |
| | 996 555 059 05 T12 | Brown/natural | | | |
| | 996 555 059 05 P12 | Cinnamon brown | | | |
| (4) | 996 555 059 09 | Lining | 02- | 1 | TARGA M265 |
| | | Windscreen frame | | | |
| | | Leather | | | |
| | 996 555 059 09 A11 | Black | | | |
| | 996 555 059 09 C51 | Graphite grey | | | |

Model: 996 98 Model life 1998>>2005

| Pos | Part Number | Description | Remark | Qty | Model |
|------|--------------------|---|------------|-----|--------|
| | 996 555 059 09 S31 | Savanna | | | |
| | 996 555 059 09 G11 | Metropole blue | | | |
| | 996 555 059 09 B51 | Space grey | | | |
| | 996 555 059 09 J31 | Nephrite green | | | |
| | 996 555 059 09 M31 | Boxster red | | | |
| | 996 555 059 09 D12 | Dark grey/natural | | | |
| | 996 555 059 09 T12 | Brown/natural | | | |
| | 996 555 059 09 P12 | Cinnamon brown | | | |
| 5 | 996 613 795 01 | Microswitch | | 1 | CABRIO |
| 6 | 999 507 534 02 | Clamping washer 2,5 | | 2 | CABRIO |
| 7 | 996 561 635 00 | Cover Interior light Lacquered | | 1 | CABRIO |
| (7) | 996 561 635 00 A09 | Rally black | | | |
| | 996 555 557 07 | Cover Interior light | 02- | 1 | TARGA |
| | 996 555 557 07 A03 | Black | | | |
| | 996 555 557 07 C53 | Graphite grey | | | |
| | 996 555 557 07 S33 | Savanna | | | |
| | 996 555 557 07 G13 | Metropole blue | | | |
| | 996 555 557 07 J33 | Nephrite green | | | |
| | 996 555 557 07 M33 | Boxster red | | | |
| | 996 555 557 07 P13 | Cinnamon brown | | | |
| 8 | 999 073 166 09 | Countersunk-head screw M 6 X 25 | | 2 | CABRIO |
| (8) | 999 073 061 02 | Tapping screw 4,8 X 16 | | 2 | TARGA |
| 9 | 996 561 609 00 | Cap | | 1 | CABRIO |
| (10) | 996 731 031 06 | Sun visor Leatherette | /L -99 | 1 | COUPE |
| | 996 731 031 06 ELC | Black | | | |
| | 996 731 031 06 ELD | Graphite grey | | | |
| | 996 731 031 06 ELE | Savanna | | | |
| | 996 731 031 06 ELG | Metropole blue | | | |
| | 996 731 031 06 ELF | Space grey | | | |
| (10) | 996 731 032 06 | Sun visor Leatherette | /R -99 | 1 | COUPE |
| | 996 731 032 06 ELC | Black | | | |
| | 996 731 032 06 ELD | Graphite grey | | | |
| | 996 731 032 06 ELE | Savanna | | | |
| | 996 731 032 06 ELG | Metropole blue | | | |
| | 996 731 032 06 ELF | Space grey | | | |
| (10) | 996 731 031 15 | Sun visor Leatherette Valid up to: F >>995S6 00227 | /L 00- | 1 | COUPE |
| | 996 731 031 15 A12 | Black | | | |
| | 996 731 031 15 C52 | Graphite grey | | | |
| | 996 731 031 15 S32 | Savanna | | | |
| | 996 731 031 15 G12 | Metropole blue | | | |
| | 996 731 031 15 J32 | Nephrite green Information available | 01- 01- | | |
| (10) | 996 731 032 15 | Sun visor Leatherette Valid up to: F >>995S6 00227 | /R 00- | 1 | COUPE |
| | 996 731 032 15 A12 | Black | | | |
| | 996 731 032 15 C52 | Graphite grey | | | |
| | 996 731 032 15 S32 | Savanna | | | |
| | 996 731 032 15 G12 | Metropole blue | | | |
| | 996 731 032 15 J32 | Nephrite green Information available | 01- 01- | | |

Model: 996 98 Model life 1998>>2005

| Pos | Part Number | Description | Remark | Qty | Model |
|------|--------------------|--|--------|-----|-------------------|
| (10) | 997 731 031 00 | Sun visor Leatherette Valid from: F 995S6 00228>> | /L | 1 | C4S COUPE M274 |
| | 997 731 031 00 A12 | Black | | | |
| | 997 731 031 00 C52 | Graphite grey | | | |
| | 997 731 031 00 S32 | Savanna | | | |
| | 997 731 031 00 G12 | Metropole blue | | | |
| (10) | 997 731 032 00 | Sun visor Leatherette Valid from: F 995S6 00228>> | /R | 1 | C4S COUPE M274 |
| | 997 731 032 00 A12 | Black | | | |
| | 997 731 032 00 C52 | Graphite grey | | | |
| | 997 731 032 00 S32 | Savanna | | | |
| | 997 731 032 00 G12 | Metropole blue | | | |
| (10) | 996 731 980 09 | Sun visor Leather Valid up to: | /L 01- | 1 | COUPE IXMP |
| | 996 731 980 09 VRK | Black | | | |
| | 996 731 980 09 C51 | Graphite grey | | | |
| | 996 731 980 09 S31 | Savanna | | | |
| | 996 731 980 09 J31 | Nephrite green | | | |
| | 996 731 980 09 G11 | Metropole blue | | | |
| | 996 731 980 09 M31 | Boxster red | | | |
| | 996 731 980 09 D12 | Dark grey/natural | | | |
| | 996 731 980 09 T12 | Brown/natural | | | |
| | 996 731 980 09 P12 | Cinnamon brown | | | |
| 10 | 996 731 981 09 | Sun visor Leather Valid up to: | /R 01- | 1 | COUPE IXMP |
| | 996 731 981 09 VRK | Black | | | |
| | 996 731 981 09 C51 | Graphite grey | | | |
| | 996 731 981 09 S31 | Savanna | | | |
| | 996 731 981 09 J31 | Nephrite green | | | |
| | 996 731 981 09 G11 | Metropole blue | | | |
| | 996 731 981 09 M31 | Boxster red | | | |
| | 996 731 981 09 D12 | Dark grey/natural | | | |
| | 996 731 981 09 T12 | Brown/natural | | | |
| | 996 731 981 09 P12 | Cinnamon brown | | | |
| (10) | 996 731 980 19 | Sun visor Leather Valid from: F 995S6 00228>> | /L | 1 | C4S COUPE IXMP |
| | 996 731 980 19 VRK | Black | | | |
| | 996 731 980 19 C51 | Graphite grey | | | |
| | 996 731 980 19 S31 | Savanna | | | |
| | 996 731 980 19 G11 | Metropole blue | | | |
| | 996 731 980 19 M31 | Boxster red | | | |
| | 996 731 980 19 P12 | Cinnamon brown | | | |
| | 996 731 980 19 D12 | Dark grey/natural | | | |
| | 996 731 980 19 T12 | Brown/natural | | | |
| (10) | 996 731 981 19 | Sun visor Leather Valid from: F 995S6 00228>> | /R | 1 | C4S COUPE IXMP |
| | 996 731 981 19 VRK | Black | | | |

Model: 996 98 Model life 1998>>2005

| Pos | Part Number | Description | Remark | Qty | Model |
|------|--------------------|--------------------------|--------|-----|----------------|
| | 996 731 981 19 C51 | Graphite grey | | | |
| | 996 731 981 19 S31 | Savanna | | | |
| | 996 731 981 19 G11 | Metropole blue | | | |
| | 996 731 981 19 M31 | Boxster red | | | |
| | 996 731 981 19 P12 | Cinnamon brown | | | |
| | 996 731 981 19 D12 | Dark grey/natural | | | |
| | 996 731 981 19 T12 | Brown/natural | | | |
| (10) | 996 731 031 09 | Sun visor Leatherette | /L -99 | 1 | CABRIO |
| | 996 731 031 09 ELH | Black | | | |
| | 996 731 031 09 ELJ | Graphite grey | | | |
| | 996 731 031 09 ELK | Savanna | | | |
| | 996 731 031 09 ELL | Metropole blue | | | |
| | 996 731 031 09 ELM | Space grey | | | |
| 10 | 996 731 032 09 | Sun visor Leatherette | /R -99 | 1 | CABRIO |
| | 996 731 032 09 ELH | Black | | | |
| | 996 731 032 09 ELJ | Graphite grey | | | |
| | 996 731 032 09 ELK | Savanna | | | |
| | 996 731 032 09 ELL | Metropole blue | | | |
| | 996 731 032 09 ELM | Space grey | | | |
| (10) | 996 731 031 18 | Sun visor Leatherette | /L 00- | 1 | CABRIO |
| | 996 731 031 18 A12 | Black | | | |
| | 996 731 031 18 C52 | Graphite grey | | | |
| | 996 731 031 18 S32 | Savanna | | | |
| | 996 731 031 18 G12 | Metropole blue | | | |
| | 996 731 031 18 J32 | Nephrite green | 01- | | |
| (10) | 996 731 032 18 | Sun visor Leatherette | /R 00- | 1 | CABRIO |
| | 996 731 032 18 A12 | Black | | | |
| | 996 731 032 18 C52 | Graphite grey | | | |
| | 996 731 032 18 S32 | Savanna | | | |
| | 996 731 032 18 G12 | Metropole blue | | | |
| | 996 731 032 18 J32 | Nephrite green | 01- | | |
| (10) | 996 731 980 12 | Sun visor Leather | /L 01- | 1 | CABRIO IXMP |
| | 996 731 980 12 VRK | Black | | | |
| | 996 731 980 12 C51 | Graphite grey | | | |
| | 996 731 980 12 S31 | Savanna | | | |
| | 996 731 980 12 J31 | Nephrite green | | | |
| | 996 731 980 12 M31 | Boxster red | | | |
| | 996 731 980 12 G11 | Metropole blue | | | |
| | 996 731 980 12 D12 | Dark grey | | | |
| | 996 731 980 12 T12 | Brown/natural | | | |
| | 996 731 980 12 P12 | Cinnamon brown | | | |
| 10 | 996 731 981 12 | Sun visor Leather | /R 01- | 1 | CABRIO IXMP |
| | 996 731 981 12 VRK | Black | | | |
| | 996 731 981 12 C51 | Graphite grey | | | |
| | 996 731 981 12 S31 | Savanna | | | |
| | 996 731 981 12 J31 | Nephrite green | | | |
| | 996 731 981 12 M31 | Boxster red | | | |
| | 996 731 981 12 G11 | Metropole blue | | | |
| | 996 731 981 12 D12 | Dark grey | | | |
| | 996 731 981 12 T12 | Brown/natural | | | |
| | 996 731 981 12 P12 | Cinnamon brown | | | |
| (10) | 996 731 031 12 | Sun visor Leatherette | /L 02- | 1 | TARGA M274 |
| | 996 731 031 12 A12 | Black | | | |

Model: 996 98 Model life 1998>>2005

| Pos | Part Number | Description | Remark | Qty | Model | | | | |
|------|--------------------|---|--------|-----|---------------|-------------|--|---|------|
| (10) | 996 731 031 12 C52 | Graphite grey | /R 02- | 1 | TARGA M274 | | | | |
| | 996 731 031 12 S32 | Savanna | | | | | | | |
| | 996 731 031 12 G12 | Metropole blue | | | | | | | |
| | 996 731 031 12 J32 | Nephrite green | | | | | | | |
| | 996 731 032 12 | Sun visor | | | | | | | |
| (10) | | Leatherette | /L 03- | 1 | TARGA IXMP | | | | |
| | 996 731 032 12 A12 | Black | | | | | | | |
| | 996 731 032 12 C52 | Graphite grey | | | | | | | |
| | 996 731 032 12 S32 | Savanna | | | | | | | |
| | 996 731 032 12 G12 | Metropole blue | | | | | | | |
| | 996 731 032 12 J32 | Nephrite green | | | | | | | |
| | 996 731 980 06 | Sun visor | | | | | | | |
| | | Leather | | | | | | | |
| | 996 731 980 06 VRK | Black | | | | | | | |
| | 996 731 980 06 C51 | Graphite grey | | | | | | | |
| (10) | 996 731 980 06 S31 | Savanna | /R 03- | 1 | TARGA IXMP | | | | |
| | 996 731 980 06 G11 | Metropole blue | | | | | | | |
| | 996 731 980 06 M31 | Boxster red | | | | | | | |
| | 996 731 980 06 P12 | Cinnamon brown | | | | | | | |
| | 996 731 980 06 D12 | Dark grey/natural | | | | | | | |
| | 996 731 980 06 T12 | Brown/natural | | | | | | | |
| | 996 731 981 06 | Sun visor | | | | | | | |
| | | Leather | | | | | | | |
| | 996 731 981 06 VRK | Black | | | | | | | |
| | 996 731 981 06 C51 | Graphite grey | | | | | | | |
| 11 | 996 731 981 06 S31 | Savanna | | 1 | | | | | |
| | 996 731 981 06 G11 | Metropole blue | | | | | | | |
| | 996 731 981 06 M31 | Boxster red | | | | | | | |
| | 996 731 981 06 P12 | Cinnamon brown | | | | | | | |
| | 996 731 981 06 D12 | Dark grey/natural | | | | | | | |
| | 996 731 981 06 T12 | Brown/natural | | | | | | | |
| | 996 731 903 00 | Mirror housing with illumination | | | | | | | |
| | 996 731 903 00 01C | Satin black | | | | | | | |
| | 12 | 999 631 137 90 | | | | Bulb 3 W | | 4 | M274 |
| | 12 | 999 631 147 90 | | | | Bulb 3 W | | 4 | M274 |
| 13 | 996 731 531 01 | Mirror glass with Frame | | 2 | M274 | | | | |
| (14) | 996 731 531 01 01C | Satin black | /L | 1 | CABRIO | | | | |
| | 996 561 607 01 | Mounting | | | | | | | |
| 14 | 996 561 607 01 A09 | Rally black | /R | 1 | CABRIO | | | | |
| | 996 561 608 01 | Mounting | | | | | | | |
| 15 | 996 561 608 01 A09 | Rally black | /L | 1 | | | | | |
| | 996 731 341 00 | Support | | | | | | | |
| (15) | | Sun visor | | 1 | | | | | |
| | 996 731 341 00 01C | Satin black | | | | | | | |
| | 996 731 342 00 | Support | | | | | | | |
| 16 | | Sun visor | | 2 | COUPE | | | | |
| | 996 731 342 00 01C | Satin black | | | | | | | |
| 16 | 999 073 139 02 | Oval-head screw M 5 X 25 | | 2 | | | | | |
| | 999 073 326 09 | Oval-head screw M 5 X 10 Valid up to: F >>995S6 00227 Valid from: | | | | | | | |

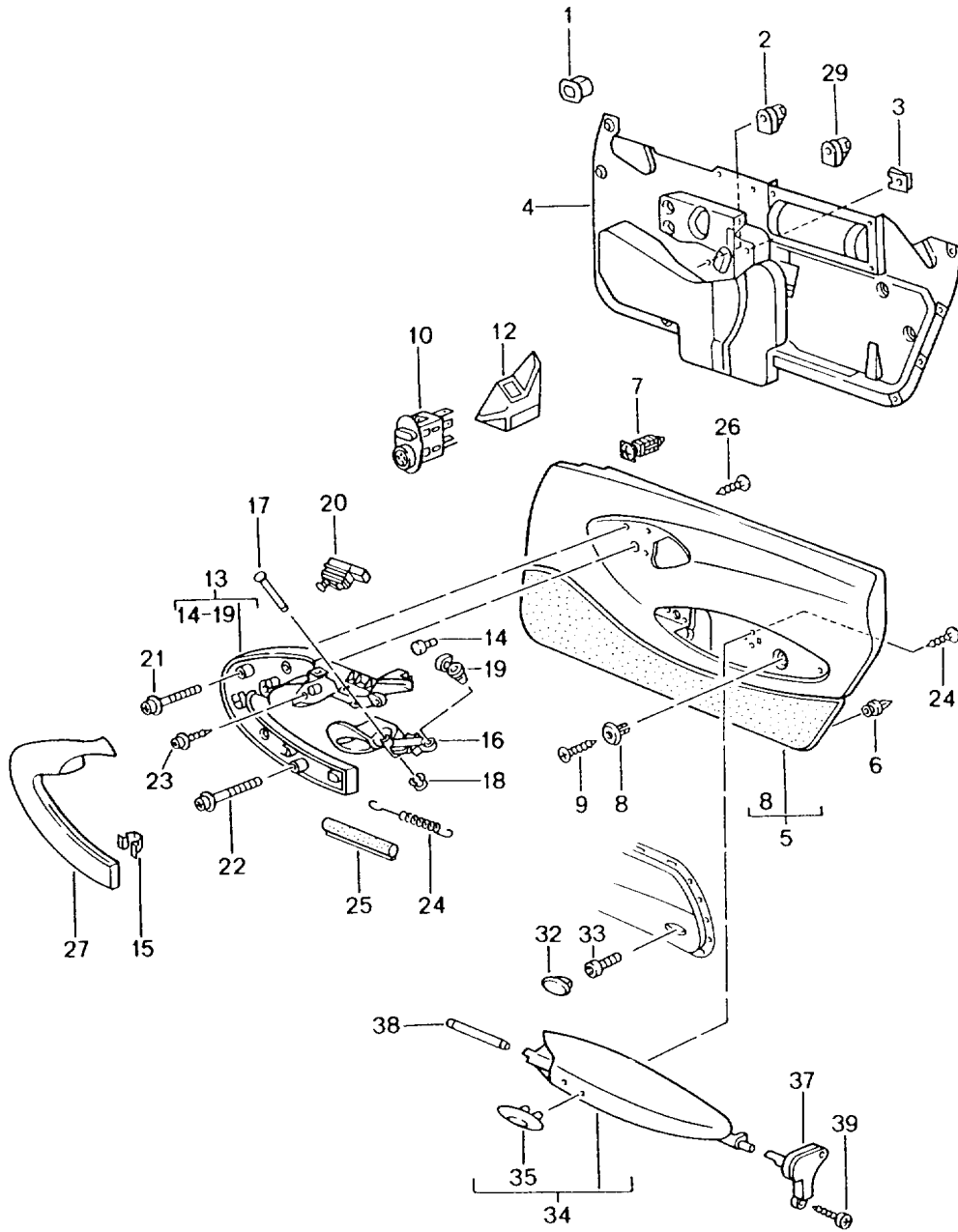
Model: 996 98

Model life 1998>>2005

| Pos | Part Number | Description | Remark | Qty | Model |
|------|--------------------|--|--------|-----|--------|
| (16) | 999 500 093 02 | F 995S6 00228>> Nut M 5 | | 2 | COUPE |
| 16 | 900 146 117 09 | Combination screw M 5 X 16 | | 4 | TARGA |
| 17 | 999 073 166 09 | Countersunk-head screw M 6 X 25 | | 4 | CABRIO |
| 18 | 996 701 401 06 | Sticker | -02 | 1 | CABRIO |
| 18 | 996 701 401 12 | Sticker Convertible top control German | 03- | 1 | CABRIO |
| 18 | 996 701 401 07 | Sticker | -02 | 1 | CABRIO |
| 18 | 996 701 401 13 | Indication sticker Convertible top control English | 03- | 1 | CABRIO |
| 19 | 996 561 613 00 | Cover Mounting | | 2 | CABRIO |
| | 996 561 613 00 01C | Satin black | | | |
| 20 | 996 555 291 00 | Deformation element A-pillar | /L 00- | 1 | |
| 20 | 996 555 292 00 | Deformation element A-pillar | /R 00- | 1 | |
| 21 | 999 190 167 30 | Blind rivet 4,0 X 6,3 | 00- | 10 | |
| 22 | 996 555 619 00 | Grommet Wiring harness Rain sensor | 01- | 1 | M265 |

Model: 996 98

Model life 1998>>2005



Model: 996 98 Model life 1998>>2005

| Pos | Part Number | Description | Remark | Qty | Model |
|-----|--------------------|-----------------|--------|-----|----------|
| | | Door trim panel | | | |
| | | Accessories | | | |
| 1 | 191 853 615 A | Grommet | | 3 | |
| 2 | 999 920 013 40 | Plug-in nut | | 4 | |
| | | 5,0 X 1,0 X 8 | | | |
| 3 | 999 591 882 02 | Speed nut | | 2 | |
| | | M 6 | | | |
| 3 | 999 591 882 01 | Speed nut | | 2 | |
| | | M 6 | | | |
| (4) | 996 555 831 04 | Seal | /L | 1 | |
| 4 | 996 555 832 04 | Seal | /R | 1 | |
| (4) | 996 555 831 05 | Seal | /L | 1 | M490/680 |
| (4) | 996 555 832 05 | Seal | /R | 1 | M490/680 |
| | | Repair material | | | |
| | | Use also: | | | |
| - | 000 043 101 00 | Sealing cord | | 1 | |
| (5) | 996 555 121 00 | Door trim panel | /L 98 | 1 | |
| | | Leatherette | | | |
| | 996 555 121 00 EHF | Black | | | |
| | 996 555 121 00 EHG | Graphite grey | | | |
| | 996 555 121 00 EHH | Savanna | | | |
| | 996 555 121 00 EHJ | Metropole blue | | | |
| | 996 555 121 00 EHK | Space grey | | | |
| 5 | 996 555 122 00 | Door trim panel | /R 98 | 1 | |
| | | Leatherette | | | |
| | 996 555 122 00 EHF | Black | | | |
| | 996 555 122 00 EHG | Graphite grey | | | |
| | 996 555 122 00 EHH | Savanna | | | |
| | 996 555 122 00 EHJ | Metropole blue | | | |
| | 996 555 122 00 EHK | Space grey | | | |
| (5) | 996 555 121 02 | Door trim panel | /L 98 | 1 | M490 |
| | | Leatherette | | | |
| | 996 555 121 02 EHF | Black | | | |
| | 996 555 121 02 EHG | Graphite grey | | | |
| | 996 555 121 02 EHH | Savanna | | | |
| | 996 555 121 02 EHJ | Metropole blue | | | |
| | 996 555 121 02 EHK | Space grey | | | |
| (5) | 996 555 122 02 | Door trim panel | /R 98 | 1 | M490 |
| | | Leatherette | | | |
| | 996 555 122 02 EHF | Black | | | |
| | 996 555 122 02 EHG | Graphite grey | | | |
| | 996 555 122 02 EHH | Savanna | | | |
| | 996 555 122 02 EHJ | Metropole blue | | | |
| | 996 555 122 02 EHK | Space grey | | | |
| (5) | 996 555 121 04 | Door trim panel | /L -99 | 1 | M563 |
| | | Leatherette | | | |
| | 996 555 121 04 EHF | Black | | | |
| | 996 555 121 04 EHG | Graphite grey | | | |
| | 996 555 121 04 EHH | Savanna | | | |
| | 996 555 121 04 EHJ | Metropole blue | | | |
| | 996 555 121 04 EHK | Space grey | | | |
| (5) | 996 555 122 04 | Door trim panel | /R -99 | 1 | M563 |
| | | Leatherette | | | |
| | 996 555 122 04 EHF | Black | | | |
| | 996 555 122 04 EHG | Graphite grey | | | |
| | 996 555 122 04 EHH | Savanna | | | |
| | 996 555 122 04 EHJ | Metropole blue | | | |
| | 996 555 122 04 EHK | Space grey | | | |
| (5) | 996 555 121 06 | Door trim panel | /L -99 | 1 | M490/563 |
| | | Leatherette | | | |
| | 996 555 121 06 EHF | Black | | | |
| | 996 555 121 06 EHG | Graphite grey | | | |
| | 996 555 121 06 EHH | Savanna | | | |

Model: 996 98 Model life 1998>>2005

| Pos | Part Number | Description | Remark | Qty | Model |
|-----|--------------------|-----------------|--------|-----|--------------|
| (5) | 996 555 121 06 EHU | Metropole blue | | 1 | M490/563 |
| | 996 555 121 06 EHK | Space grey | | | |
| | 996 555 122 06 | Door trim panel | /R -99 | | |
| | | Leatherette | | | |
| | 996 555 122 06 EHF | Black | | | |
| | 996 555 122 06 EHG | Graphite grey | | | |
| (5) | 996 555 122 06 EHH | Savanna | | 1 | M563 |
| | 996 555 122 06 EHJ | Metropole blue | | | |
| | 996 555 122 06 EHK | Space grey | | | |
| | 996 555 121 04 | Door trim panel | /L 00- | | |
| | | Leatherette | | | |
| | 996 555 121 04 ESY | Black | | | |
| (5) | 996 555 121 04 ESZ | Graphite grey | | 1 | M563 |
| | 996 555 121 04 ETA | Savanna | | | |
| | 996 555 121 04 ETB | Metropole blue | | | |
| | 996 555 121 04 EUY | Space grey | 00 | | |
| | 996 555 121 04 FEQ | Nephrite green | 01- | | |
| | 996 555 122 04 | Door trim panel | /R 00- | | |
| (5) | | Leatherette | | 1 | M490/563/680 |
| | 996 555 122 04 ESY | Black | | | |
| | 996 555 122 04 ESZ | Graphite grey | | | |
| | 996 555 122 04 ETA | Savanna | | | |
| | 996 555 122 04 ETB | Metropole blue | | | |
| | 996 555 122 04 EUY | Space grey | 00 | | |
| (5) | 996 555 122 04 FEQ | Nephrite green | 01- | 1 | M490/563/680 |
| | 996 555 121 06 | Door trim panel | /L 00- | | |
| | | Leatherette | | | |
| | 996 555 121 06 ESY | Black | | | |
| | 996 555 121 06 ESZ | Graphite grey | | | |
| | 996 555 121 06 ETA | Savanna | | | |
| (5) | 996 555 121 06 ETB | Metropole blue | | 1 | M490/563/680 |
| | 996 555 121 06 EUY | Space grey | 00 | | |
| | 996 555 121 06 FEQ | Nephrite green | 01- | | |
| | 996 555 122 06 | Door trim panel | /R 00- | | |
| | | Leatherette | | | |
| | 996 555 122 06 ESY | Black | | | |
| (5) | 996 555 122 06 ESZ | Graphite grey | | 1 | M490/563/680 |
| | 996 555 122 06 ETA | Savanna | | | |
| | 996 555 122 06 ETB | Metropole blue | | | |
| | 996 555 122 06 EUY | Space grey | 00 | | |
| | 996 555 122 06 FEQ | Nephrite green | 01- | | |
| | 996 555 121 01 | Door trim panel | /L 98 | | |
| (5) | | Leather | | 1 | M490 |
| | 996 555 121 01 EHL | Black | | | |
| | 996 555 121 01 EHM | Graphite grey | | | |
| | 996 555 121 01 EHN | Savanna | | | |
| | 996 555 121 01 EHQ | Nephrite green | | | |
| | 996 555 121 01 EHR | Boxster red | | | |
| 5 | 996 555 121 01 EHO | Metropole blue | | 1 | M490 |
| | 996 555 121 01 EHP | Space grey | | | |
| | 996 555 122 01 | Door trim panel | /R 98 | | |
| | | Leather | | | |
| | 996 555 122 01 EHL | Black | | | |
| | 996 555 122 01 EHM | Graphite grey | | | |
| (5) | 996 555 122 01 EHN | Savanna | | 1 | M490 |
| | 996 555 122 01 EHQ | Nephrite green | | | |
| | 996 555 122 01 EHR | Boxster red | | | |
| | 996 555 122 01 EHO | Metropole blue | | | |
| | 996 555 122 01 EHP | Space grey | | | |
| | 996 555 121 03 | Door trim panel | /L 98 | | |
| (5) | | Leather | | 1 | M490 |
| | 996 555 121 03 EHL | Black | | | |
| | 996 555 121 03 EHM | Graphite grey | | | |

Model: 996 98 Model life 1998>>2005

| Pos | Part Number | Description | Remark | Qty | Model |
|-----|--------------------|----------------------------|--------|-----|----------|
| | 996 555 121 03 EHN | Savanna | | | |
| | 996 555 121 03 EHQ | Nephrite green | | | |
| | 996 555 121 03 EHR | Boxster red | | | |
| | 996 555 121 03 EHO | Metropole blue | | | |
| | 996 555 121 03 EHP | Space grey | | | |
| (5) | 996 555 122 03 | Door trim panel Leather | /R 98 | 1 | M490 |
| | 996 555 122 03 EHL | Black | | | |
| | 996 555 122 03 EHM | Graphite grey | | | |
| | 996 555 122 03 EHN | Savanna | | | |
| | 996 555 122 03 EHQ | Nephrite green | | | |
| | 996 555 122 03 EHR | Boxster red | | | |
| | 996 555 122 03 EHO | Metropole blue | | | |
| | 996 555 122 03 EHP | Space grey | | | |
| (5) | 996 555 121 05 | Door trim panel Leather | /L -99 | 1 | M563 |
| | 996 555 121 05 EHL | Black | | | |
| | 996 555 121 05 EHM | Graphite grey | | | |
| | 996 555 121 05 EHN | Savanna | | | |
| | 996 555 121 05 EHQ | Nephrite green | | | |
| | 996 555 121 05 EHR | Boxster red | | | |
| | 996 555 121 05 EHO | Metropole blue | | | |
| | 996 555 121 05 EHP | Space grey | | | |
| (5) | 996 555 122 05 | Door trim panel Leather | /R -99 | 1 | M563 |
| | 996 555 122 05 EHL | Black | | | |
| | 996 555 122 05 EHM | Graphite grey | | | |
| | 996 555 122 05 EHN | Savanna | | | |
| | 996 555 122 05 EHQ | Nephrite green | | | |
| | 996 555 122 05 EHR | Boxster red | | | |
| | 996 555 122 05 EHO | Metropole blue | | | |
| | 996 555 122 05 EHP | Space grey | | | |
| (5) | 996 555 121 07 | Door trim panel Leather | /L -99 | 1 | M490/563 |
| | 996 555 121 07 EHL | Black | | | |
| | 996 555 121 07 EHM | Graphite grey | | | |
| | 996 555 121 07 EHN | Savanna | | | |
| | 996 555 121 07 EHQ | Nephrite green | | | |
| | 996 555 121 07 EHR | Boxster red | | | |
| | 996 555 121 07 EHO | Metropole blue | | | |
| | 996 555 121 07 EHP | Space grey | | | |
| (5) | 996 555 122 07 | Door trim panel Leather | /R -99 | 1 | M490/563 |
| | 996 555 122 07 EHL | Black | | | |
| | 996 555 122 07 EHM | Graphite grey | | | |
| | 996 555 122 07 EHN | Savanna | | | |
| | 996 555 122 07 EHQ | Nephrite green | | | |
| | 996 555 122 07 EHR | Boxster red | | | |
| | 996 555 122 07 EHO | Metropole blue | | | |
| | 996 555 122 07 EHP | Space grey | | | |
| (5) | 996 555 121 05 | Door trim panel Leather | /L -02 | 1 | M563 |
| | 996 555 121 05 ETC | Black | | | |
| | 996 555 121 05 ETD | Graphite grey | | | |
| | 996 555 121 05 ETE | Savanna | | | |
| | 996 555 121 05 ETF | Metropole blue | | | |
| | 996 555 121 05 EUX | Space grey | 00 | | |
| | 996 555 121 05 ETG | Nephrite green | | | |
| | 996 555 121 05 ETH | Boxster red | | | |
| | 996 555 121 05 VRV | Dark grey/natural | | | |
| | 996 555 121 05 VRW | Brown/natural | | | |
| | 996 555 121 05 FEL | Cinnamon brown | 01- | | |
| (5) | 996 555 122 05 | Door trim panel | /R -02 | 1 | M563 |

Model: 996 98 Model life 1998>>2005

| Pos | Part Number | Description | Remark | Qty | Model |
|-----|--------------------|-------------------|--------|-----|--------------|
| | | Leather | | | |
| | 996 555 122 05 ETC | Black | | | |
| | 996 555 122 05 ETD | Graphite grey | | | |
| | 996 555 122 05 ETE | Savanna | | | |
| | 996 555 122 05 ETF | Metropole blue | | | |
| | 996 555 122 05 EUX | Space grey | 00 | | |
| | 996 555 122 05 ETG | Nephrite green | | | |
| | 996 555 122 05 ETH | Boxster red | | | |
| | 996 555 122 05 VRV | Dark grey/natural | | | |
| | 996 555 122 05 VRW | Brown/natural | | | |
| | 996 555 122 05 FEL | Cinnamon brown | 01- | | |
| (5) | 996 555 121 07 | Door trim panel | /L -02 | 1 | M490/563/680 |
| | | Leather | | | |
| | 996 555 121 07 ETC | Black | | | |
| | 996 555 121 07 ETD | Graphite grey | | | |
| | 996 555 121 07 ETE | Savanna | | | |
| | 996 555 121 07 ETF | Metropole blue | | | |
| | 996 555 121 07 EUX | Space grey | 00 | | |
| | 996 555 121 07 ETG | Nephrite green | | | |
| | 996 555 121 07 ETH | Boxster red | | | |
| | 996 555 121 07 VRV | Dark grey/natural | | | |
| | 996 555 121 07 VRW | Brown/natural | | | |
| | 996 555 121 07 FEL | Cinnamon brown | 01- | | |
| (5) | 996 555 122 07 | Door trim panel | /R -02 | 1 | M490/563/680 |
| | | Leather | | | |
| | 996 555 122 07 ETC | Black | | | |
| | 996 555 122 07 ETD | Graphite grey | | | |
| | 996 555 122 07 ETE | Savanna | | | |
| | 996 555 122 07 ETF | Metropole blue | | | |
| | 996 555 122 07 EUX | Space grey | 00 | | |
| | 996 555 122 07 ETG | Nephrite green | | | |
| | 996 555 122 07 ETH | Boxster red | | | |
| | 996 555 122 07 VRV | Dark grey/natural | | | |
| | 996 555 122 07 VRW | Brown/natural | | | |
| | 996 555 122 07 FEL | Cinnamon brown | 01- | | |
| (5) | 996 555 121 08 | Door trim panel | /L 03- | 1 | M563 |
| | | Leather | | | |
| | 996 555 121 08 ETC | Black | | | |
| | 996 555 121 08 ETD | Graphite grey | | | |
| | 996 555 121 08 ETE | Savanna | | | |
| | 996 555 121 08 ETF | Metropole blue | | | |
| | 996 555 121 08 ETG | Nephrite green | | | |
| | 996 555 121 08 ETH | Boxster red | | | |
| | 996 555 121 08 FEL | Cinnamon brown | | | |
| | 996 555 121 08 VRV | Dark grey/natural | | | |
| | 996 555 121 08 VRW | Brown/natural | | | |
| (5) | 996 555 122 08 | Door trim panel | /R 03- | 1 | M563 |
| | | Leather | | | |
| | 996 555 122 08 ETC | Black | | | |
| | 996 555 122 08 ETD | Graphite grey | | | |
| | 996 555 122 08 ETE | Savanna | | | |
| | 996 555 122 08 ETF | Metropole blue | | | |
| | 996 555 122 08 ETG | Nephrite green | | | |
| | 996 555 122 08 ETH | Boxster red | | | |
| | 996 555 122 08 FEL | Cinnamon brown | | | |
| | 996 555 122 08 VRV | Dark grey/natural | | | |
| | 996 555 122 08 VRW | Brown/natural | | | |
| (5) | 996 555 121 09 | Door trim panel | /L 03- | 1 | M490/563 |
| | | Leather | | | |
| | 996 555 121 09 ETC | Black | | | |
| | 996 555 121 09 ETD | Graphite grey | | | |
| | 996 555 121 09 ETE | Savanna | | | |
| | 996 555 121 09 ETF | Metropole blue | | | |

Model: 996 98 Model life 1998>>2005

| Pos | Part Number | Description | Remark | Qty | Model |
|------|--------------------|---------------------------------|--------|-----|--------------|
| | 996 555 121 09 ETG | Nephrite green | | | |
| | 996 555 121 09 ETH | Boxster red | | | |
| | 996 555 121 09 FEL | Cinnamon brown | | | |
| | 996 555 121 09 VRV | Dark grey/natural | | | |
| | 996 555 121 09 VRW | Brown/natural | | | |
| (5) | 996 555 121 09 | Door trim panel Leather | /L 03- | 1 | M490/563/680 |
| | 996 555 121 09 ETC | Black | | | |
| | 996 555 121 09 ETD | Graphite grey | | | |
| | 996 555 121 09 ETE | Savanna | | | |
| | 996 555 121 09 ETF | Metropole blue | | | |
| | 996 555 121 09 ETG | Nephrite green | | | |
| | 996 555 121 09 ETH | Boxster red | | | |
| | 996 555 121 09 FEL | Cinnamon brown | | | |
| | 996 555 121 09 VRV | Dark grey/natural | | | |
| | 996 555 121 09 VRW | Brown/natural | | | |
| (5) | 996 555 122 09 | Door trim panel Leather | /R 03- | 1 | M490/563/680 |
| | 996 555 122 09 ETC | Black | | | |
| | 996 555 122 09 ETD | Graphite grey | | | |
| | 996 555 122 09 ETE | Savanna | | | |
| | 996 555 122 09 ETF | Metropole blue | | | |
| | 996 555 122 09 ETG | Nephrite green | | | |
| | 996 555 122 09 ETH | Boxster red | | | |
| | 996 555 122 09 FEL | Cinnamon brown | | | |
| | 996 555 122 09 VRV | Dark grey/natural | | | |
| | 996 555 122 09 VRW | Brown/natural | | | |
| - | 999 911 688 40 | Adhesive tape 10 X 0,1 X 370 | | 4 | |
| 6 | 999 507 505 40 | Clip Grey | | 8 | |
| 6 | 999 507 582 40 | Clip White | | 8 | |
| | | 8,0 X 0,9 | | | |
| 7 | 999 507 651 40 | Expander nut 9,0 X 0,9 | | 2 | |
| 8 | 999 507 427 40 | Expander nut 6,3 | -04 | 2 | |
| 10 | 996 613 241 00 | Switch Door mirror | | 1 | |
| (12) | 996 613 241 00 01C | Satin black | | | |
| | 996 555 651 03 | Lining Door mirror | /LL /L | 1 | |
| | 996 555 651 03 D05 | Granite grey | -99 | | |
| | 996 555 651 03 A03 | Black | 00- | | |
| | 996 555 651 03 C53 | Graphite grey | 00- | | |
| | 996 555 651 03 S33 | Savanna | 00- | | |
| | 996 555 651 03 G13 | Metropole blue | 00- | | |
| | 996 555 651 03 B13 | Space grey | 00 | | |
| | 996 555 651 03 J33 | Nephrite green | 00- | | |
| | 996 555 651 03 M33 | Boxster red | 00- | | |
| | 996 555 651 03 P13 | Cinnamon brown | 01- | | |
| (12) | 996 555 652 03 | Lining Door mirror | /RL /R | 1 | |
| | 996 555 652 03 D05 | Granite grey | -99 | | |
| | 996 555 652 03 A03 | Black | 00- | | |
| | 996 555 652 03 C53 | Graphite grey | 00- | | |
| | 996 555 652 03 S33 | Savanna | 00- | | |
| | 996 555 652 03 G13 | Metropole blue | 00- | | |
| | 996 555 652 03 B13 | Space grey | 00 | | |
| | 996 555 652 03 J33 | Nephrite green | 00- | | |
| | 996 555 652 03 M33 | Boxster red | 00- | | |
| | 996 555 652 03 P13 | Cinnamon brown | 01- | | |

Model: 996 98 Model life 1998>>2005

| Pos | Part Number | Description | Remark | Qty | Model |
|------|--------------------|------------------------------|-----------|-----|--------------------------|
| (12) | 996 555 651 03 | Lining | /LL /L 00 | 1 | IXTK/M094 M273 |
| | 996 555 651 03 T12 | Door mirror Brown/natural | | | |
| (12) | 996 555 652 03 | Lining | /RL /L 00 | 1 | IXTK/M094 M273 |
| | 996 555 652 03 T12 | Door mirror Brown/natural | | | |
| (12) | 996 555 652 02 | Lining | /LL /R | 1 | |
| | 996 555 652 02 D05 | Granite grey | -99 | | |
| | 996 555 652 02 A03 | Black | 00- | | |
| | 996 555 652 02 C53 | Graphite grey | 00- | | |
| | 996 555 652 02 S33 | Savanna | 00- | | |
| | 996 555 652 02 G13 | Metropole blue | 00- | | |
| | 996 555 652 02 B13 | Space grey | 00 | | |
| | 996 555 652 02 J33 | Nephrite green | 00- | | |
| | 996 555 652 02 M33 | Boxster red | 00- | | |
| | 996 555 652 02 P13 | Cinnamon brown | 01- | | |
| (12) | 996 555 651 02 | Lining | /RL /L | 1 | |
| | 996 555 651 02 D05 | Door mirror Granite grey | -99 | | |
| | 996 555 651 02 A03 | Black | 00- | | |
| | 996 555 651 02 C53 | Graphite grey | 00- | | |
| | 996 555 651 02 S33 | Savanna | 00- | | |
| | 996 555 651 02 G13 | Metropole blue | 00- | | |
| | 996 555 651 02 B13 | Space grey | 00 | | |
| | 996 555 651 02 J33 | Nephrite green | 00- | | |
| | 996 555 651 02 M33 | Boxster red | 00- | | |
| | 996 555 651 02 P13 | Cinnamon brown | 01- | | |
| (12) | 996 555 652 02 | Lining | /LL /R | 1 | IXTK/M094 M273 |
| | 996 555 652 02 T12 | Door mirror Brown/natural | | | |
| (12) | 996 555 651 02 | Lining | /RL /L | 1 | IXTK/M094 M273 |
| | 996 555 651 02 T12 | Door mirror Brown/natural | | | |
| (12) | 996 555 983 00 | Lining | /LL /L | 1 | IXTF/XTJ/XTK IXTL/XTR |
| | 996 555 983 00 A11 | Leather Black | | | |
| | 996 555 983 00 C51 | Graphite grey | | | |
| | 996 555 983 00 S31 | Savanna | | | |
| | 996 555 983 00 G11 | Metropole blue | | | |
| | 996 555 983 00 J31 | Nephrite green | | | |
| | 996 555 983 00 M31 | Boxster red | | | |
| | 996 555 983 00 D12 | Dark grey/natural | | | |
| | 996 555 983 00 T12 | Brown/natural | | | |
| | 996 555 983 00 P12 | Cinnamon brown | 01- | | |
| (12) | 996 555 984 01 | Lining | /LL /R | 1 | IXTF/XTJ/XTK IXTL/XTR |
| | 996 555 984 01 A11 | Leather Black | | | |
| | 996 555 984 01 C51 | Graphite grey | | | |
| | 996 555 984 01 S31 | Savanna | | | |
| | 996 555 984 01 G11 | Metropole blue | | | |
| | 996 555 984 01 J31 | Nephrite green | | | |
| | 996 555 984 01 M31 | Boxster red | | | |
| | 996 555 984 01 D12 | Dark grey/natural | | | |
| | 996 555 984 01 T12 | Brown/natural | | | |
| | 996 555 984 01 P12 | Cinnamon brown | 01- | | |
| (12) | 996 555 983 01 | Lining | /RL /L | 1 | IXTF/XTJ/XTK IXTL/XTR |

Model: 996 98 Model life 1998>>2005

| Pos | Part Number | Description | Remark | Qty | Model |
|------|--------------------|---|---------------|-----|--------------------------|
| | | Leather | | | |
| | 996 555 983 01 A11 | Black | | | |
| | 996 555 983 01 C51 | Graphite grey | | | |
| | 996 555 983 01 S31 | Savanna | | | |
| | 996 555 983 01 G11 | Metropole blue | | | |
| | 996 555 983 01 J31 | Nephrite green | | | |
| | 996 555 983 01 M31 | Boxster red | | | |
| | 996 555 983 01 D12 | Dark grey/natural | | | |
| | 996 555 983 01 T12 | Brown/natural | | | |
| | 996 555 983 01 P12 | Cinnamon brown | | | |
| (12) | 996 555 984 00 | Lining | 01- /RL /R | 1 | IXTF/XTJ/XTK IXTL/XTR |
| | | Leather | | | |
| | 996 555 984 00 A11 | Black | | | |
| | 996 555 984 00 C51 | Graphite grey | | | |
| | 996 555 984 00 S31 | Savanna | | | |
| | 996 555 984 00 G11 | Metropole blue | | | |
| | 996 555 984 00 J31 | Nephrite green | | | |
| | 996 555 984 00 M31 | Boxster red | | | |
| | 996 555 984 00 D12 | Dark grey/natural | | | |
| | 996 555 984 00 T12 | Brown/natural | | | |
| | 996 555 984 00 P12 | Cinnamon brown | | | |
| 13 | 996 555 371 00 | Inner door release Valid up to: Order also: 996.537.320.03 Complete | 01- /L 98 | 1 | |
| | | Leather | | | |
| | 996 555 371 00 ENH | Black | | | |
| | 996 555 371 00 ENJ | Graphite grey | | | |
| | 996 555 371 00 ENK | Savanna | | | |
| | 996 555 371 00 ENL | Metropole blue | | | |
| | 996 555 371 00 ENM | Space grey | | | |
| | 996 555 371 00 ENN | Nephrite green | | | |
| | 996 555 371 00 ENO | Boxster red | | | |
| (13) | 996 555 372 00 | Inner door release Valid up to: Order also: 996.537.320.03 Complete | /R 98 | 1 | |
| | | Leather | | | |
| | 996 555 372 00 ENH | Black | | | |
| | 996 555 372 00 ENJ | Graphite grey | | | |
| | 996 555 372 00 ENK | Savanna | | | |
| | 996 555 372 00 ENL | Metropole blue | | | |
| | 996 555 372 00 ENM | Space grey | | | |
| | 996 555 372 00 ENN | Nephrite green | | | |
| | 996 555 372 00 ENO | Boxster red | | | |
| 13 | 996 555 371 01 | Inner door release Valid up to: Order also: 996.537.320.03 Complete | /L 99 | 1 | |
| | | Leather | | | |
| | 996 555 371 01 ENH | Black | | | |
| | 996 555 371 01 ENJ | Graphite grey | | | |
| | 996 555 371 01 ENK | Savanna | | | |
| | 996 555 371 01 ENL | Metropole blue | | | |
| | 996 555 371 01 ENM | Space grey | | | |
| | 996 555 371 01 ENN | Nephrite green | | | |
| | 996 555 371 01 ENO | Boxster red | | | |
| (13) | 996 555 372 01 | Inner door release Valid up to: | /R 99 | 1 | |

Model: 996 98 Model life 1998>>2005

| Pos | Part Number | Description | Remark | Qty | Model |
|------|--------------------|--|--------|-----|-------|
| | | Order also: 996.537.320.03 Complete Leather | | | |
| | 996 555 372 01 ENH | Black | | | |
| | 996 555 372 01 ENJ | Graphite grey | | | |
| | 996 555 372 01 ENK | Savanna | | | |
| | 996 555 372 01 ENL | Metropole blue | | | |
| | 996 555 372 01 ENM | Space grey | | | |
| | 996 555 372 01 ENN | Nephrite green | | | |
| | 996 555 372 01 ENO | Boxster red | | | |
| 13 | 996 555 371 02 | Inner door release Valid up to: Order also: 996.537.320.03 Complete Leather | /L -99 | 1 | |
| | 996 555 371 02 ENH | Black | | | |
| | 996 555 371 02 ENJ | Graphite grey | | | |
| | 996 555 371 02 ENK | Savanna | | | |
| | 996 555 371 02 ENL | Metropole blue | | | |
| | 996 555 371 02 ENM | Space grey | | | |
| | 996 555 371 02 ENN | Nephrite green | | | |
| | 996 555 371 02 ENO | Boxster red | | | |
| (13) | 996 555 372 02 | Inner door release Valid up to: Order also: 996.537.320.03 Complete Leather | /R -99 | 1 | |
| | 996 555 372 02 ENH | Black | | | |
| | 996 555 372 02 ENJ | Graphite grey | | | |
| | 996 555 372 02 ENK | Savanna | | | |
| | 996 555 372 02 ENL | Metropole blue | | | |
| | 996 555 372 02 ENM | Space grey | | | |
| | 996 555 372 02 ENN | Nephrite green | | | |
| | 996 555 372 02 ENO | Boxster red | | | |
| (13) | 996 555 251 00 | Inner door release Complete Leather | /L 00 | 1 | |
| | 996 555 251 00 A11 | Black | | | |
| | 996 555 251 00 C51 | Graphite grey | | | |
| | 996 555 251 00 S31 | Savanna | | | |
| | 996 555 251 00 G11 | Metropole blue | | | |
| | 996 555 251 00 B51 | Space grey | 00 | | |
| | 996 555 251 00 J31 | Nephrite green | | | |
| | 996 555 251 00 M31 | Boxster red | | | |
| | 996 555 251 00 D12 | Dark grey | | | |
| | 996 555 251 00 T12 | Brown/natural | | | |
| (13) | 996 555 252 00 | Inner door release Complete Leather | /R 00 | 1 | |
| | 996 555 252 00 A11 | Black | | | |
| | 996 555 252 00 C51 | Graphite grey | | | |
| | 996 555 252 00 S31 | Savanna | | | |
| | 996 555 252 00 G11 | Metropole blue | | | |
| | 996 555 252 00 B51 | Space grey | 00 | | |
| | 996 555 252 00 J31 | Nephrite green | | | |
| | 996 555 252 00 M31 | Boxster red | | | |
| | 996 555 252 00 D12 | Dark grey | | | |
| | 996 555 252 00 T12 | Brown/natural | | | |
| (13) | 996 555 903 01 | Inner door release Complete | /L 00 | 1 | |

Model: 996 98 Model life 1998>>2005

| Pos | Part Number | Description | Remark | Qty | Model |
|------|--------------------|---|-----------|-----|-------|
| | | Leather | | | |
| | 996 555 903 01 A11 | Black | | | |
| | 996 555 903 01 C51 | Graphite grey | | | |
| | 996 555 903 01 S31 | Savanna | | | |
| | 996 555 903 01 G11 | Metropole blue | | | |
| | 996 555 903 01 B51 | Space grey | 00 | | |
| | 996 555 903 01 J31 | Nephrite green | | | |
| | 996 555 903 01 M31 | Boxster red | | | |
| | 996 555 903 01 D12 | Dark grey | | | |
| | 996 555 903 01 T12 | Brown/natural | | | |
| (13) | 996 555 904 01 | Inner door release Complete Leather | /R 00 | 1 | |
| | 996 555 904 01 A11 | Black | | | |
| | 996 555 904 01 C51 | Graphite grey | | | |
| | 996 555 904 01 S31 | Savanna | | | |
| | 996 555 904 01 G11 | Metropole blue | | | |
| | 996 555 904 01 B51 | Space grey | 00 | | |
| | 996 555 904 01 J31 | Nephrite green | | | |
| | 996 555 904 01 M31 | Boxster red | | | |
| | 996 555 904 01 D12 | Dark grey | | | |
| | 996 555 904 01 T12 | Brown/natural | | | |
| (13) | 996 555 251 01 | Inner door release Complete Leather | /LL /L 01 | 1 | |
| | 996 555 251 01 A11 | Black | | | |
| | 996 555 251 01 C51 | Graphite grey | | | |
| | 996 555 251 01 S31 | Savanna | | | |
| | 996 555 251 01 G11 | Metropole blue | | | |
| | 996 555 251 01 J31 | Nephrite green | | | |
| | 996 555 251 01 M31 | Boxster red | | | |
| | 996 555 251 01 D12 | Dark grey | | | |
| | 996 555 251 01 T12 | Brown/natural | | | |
| | 996 555 251 01 P12 | Cinnamon brown | | | |
| (13) | 996 555 252 01 | Inner door release Complete Leather | /LL /R 01 | 1 | |
| | 996 555 252 01 A11 | Black | | | |
| | 996 555 252 01 C51 | Graphite grey | | | |
| | 996 555 252 01 S31 | Savanna | | | |
| | 996 555 252 01 G11 | Metropole blue | | | |
| | 996 555 252 01 J31 | Nephrite green | | | |
| | 996 555 252 01 M31 | Boxster red | | | |
| | 996 555 252 01 D12 | Dark grey | | | |
| | 996 555 252 01 T12 | Brown/natural | | | |
| | 996 555 252 01 P12 | Cinnamon brown | | | |
| (13) | 996 555 251 02 | Inner door release Complete Leather | /RL /L 01 | 1 | |
| | 996 555 251 02 A11 | Black | | | |
| | 996 555 251 02 C51 | Graphite grey | | | |
| | 996 555 251 02 S31 | Savanna | | | |
| | 996 555 251 02 G11 | Metropole blue | | | |
| | 996 555 251 02 J31 | Nephrite green | | | |
| | 996 555 251 02 M31 | Boxster red | | | |
| | 996 555 251 02 D12 | Dark grey | | | |
| | 996 555 251 02 T12 | Brown/natural | | | |
| | 996 555 251 02 P12 | Cinnamon brown | | | |
| (13) | 996 555 252 02 | Inner door release Complete Leather | /RL /R 01 | 1 | |
| | 996 555 252 02 A11 | Black | | | |
| | 996 555 252 02 C51 | Graphite grey | | | |

Model: 996 98 Model life 1998>>2005

| Pos | Part Number | Description | Remark | Qty | Model |
|------|--------------------|---|-----------|-----|-------|
| | 996 555 252 02 S31 | Savanna | | | |
| | 996 555 252 02 G11 | Metropole blue | | | |
| | 996 555 252 02 J31 | Nephrite green | | | |
| | 996 555 252 02 M31 | Boxster red | | | |
| | 996 555 252 02 D12 | Dark grey | | | |
| | 996 555 252 02 T12 | Brown/natural | | | |
| | 996 555 252 02 P12 | Cinnamon brown | | | |
| (13) | 996 555 251 03 | Inner door release Complete Leather | /LL /L 02 | 1 | |
| | 996 555 251 03 A11 | Black | | | |
| | 996 555 251 03 C51 | Graphite grey | | | |
| | 996 555 251 03 S31 | Savanna | | | |
| | 996 555 251 03 G11 | Metropole blue | | | |
| | 996 555 251 03 J31 | Nephrite green | | | |
| | 996 555 251 03 M31 | Boxster red | | | |
| | 996 555 251 03 D12 | Dark grey | | | |
| | 996 555 251 03 T12 | Brown/natural | | | |
| | 996 555 251 03 P12 | Cinnamon brown | | | |
| (13) | 996 555 251 07 | Inner door release Complete Leather | /LL /L 02 | 1 | |
| | 996 555 251 07 A11 | Black | | | |
| | 996 555 251 07 C51 | Graphite grey | | | |
| | 996 555 251 07 S31 | Savanna | | | |
| | 996 555 251 07 G11 | Metropole blue | | | |
| | 996 555 251 07 J31 | Nephrite green | | | |
| | 996 555 251 07 M31 | Boxster red | | | |
| | 996 555 251 07 D12 | Dark grey | | | |
| | 996 555 251 07 T12 | Brown/natural | | | |
| | 996 555 251 07 P12 | Cinnamon brown | | | |
| (13) | 996 555 252 03 | Inner door release Complete Leather | /LL /R 02 | 1 | |
| | 996 555 252 03 A11 | Black | | | |
| | 996 555 252 03 C51 | Graphite grey | | | |
| | 996 555 252 03 S31 | Savanna | | | |
| | 996 555 252 03 G11 | Metropole blue | | | |
| | 996 555 252 03 J31 | Nephrite green | | | |
| | 996 555 252 03 M31 | Boxster red | | | |
| | 996 555 252 03 D12 | Dark grey | | | |
| | 996 555 252 03 T12 | Brown/natural | | | |
| | 996 555 252 03 P12 | Cinnamon brown | | | |
| (13) | 996 555 252 07 | Inner door release Complete Leather | /LL /R 02 | 1 | |
| | 996 555 252 07 A11 | Black | | | |
| | 996 555 252 07 C51 | Graphite grey | | | |
| | 996 555 252 07 S31 | Savanna | | | |
| | 996 555 252 07 G11 | Metropole blue | | | |
| | 996 555 252 07 J31 | Nephrite green | | | |
| | 996 555 252 07 M31 | Boxster red | | | |
| | 996 555 252 07 D12 | Dark grey | | | |
| | 996 555 252 07 T12 | Brown/natural | | | |
| | 996 555 252 07 P12 | Cinnamon brown | | | |
| (13) | 996 555 251 04 | Inner door release Complete Leather | /RL /L 02 | 1 | |
| | 996 555 251 04 A11 | Black | | | |
| | 996 555 251 04 C51 | Graphite grey | | | |
| | 996 555 251 04 S31 | Savanna | | | |
| | 996 555 251 04 G11 | Metropole blue | | | |
| | 996 555 251 04 J31 | Nephrite green | | | |

Model: 996 98 Model life 1998>>2005

| Pos | Part Number | Description | Remark | Qty | Model |
|--------------------|--------------------|---|------------|-----|-------|
| (13) | 996 555 251 04 M31 | Boxster red | | | |
| | 996 555 251 04 D12 | Dark grey | | | |
| | 996 555 251 04 T12 | Brown/natural | | | |
| | 996 555 251 04 P12 | Cinnamon brown | | | |
| | 996 555 251 08 | Inner door release Complete Leather | /RL /L 02 | 1 | |
| | 996 555 251 08 A11 | Black | | | |
| | 996 555 251 08 C51 | Graphite grey | | | |
| | 996 555 251 08 S31 | Savanna | | | |
| | 996 555 251 08 G11 | Metropole blue | | | |
| | 996 555 251 08 J31 | Nephrite green | | | |
| | 996 555 251 08 M31 | Boxster red | | | |
| | 996 555 251 08 D12 | Dark grey | | | |
| | 996 555 251 08 T12 | Brown/natural | | | |
| (13) | 996 555 251 08 P12 | Cinnamon brown | | | |
| | 996 555 252 04 | Inner door release Complete Leather | /RL /R 02 | 1 | |
| | 996 555 252 04 A11 | Black | | | |
| | 996 555 252 04 C51 | Graphite grey | | | |
| | 996 555 252 04 S31 | Savanna | | | |
| | 996 555 252 04 G11 | Metropole blue | | | |
| | 996 555 252 04 J31 | Nephrite green | | | |
| | 996 555 252 04 M31 | Boxster red | | | |
| | 996 555 252 04 D12 | Dark grey | | | |
| | 996 555 252 04 T12 | Brown/natural | | | |
| | 996 555 252 04 P12 | Cinnamon brown | | | |
| | 996 555 252 08 | Inner door release Complete Leather | /RL /R 02 | 1 | |
| | 996 555 252 08 A11 | Black | | | |
| 996 555 252 08 C51 | Graphite grey | | | | |
| 996 555 252 08 S31 | Savanna | | | | |
| 996 555 252 08 G11 | Metropole blue | | | | |
| 996 555 252 08 J31 | Nephrite green | | | | |
| 996 555 252 08 M31 | Boxster red | | | | |
| 996 555 252 08 D12 | Dark grey | | | | |
| 996 555 252 08 T12 | Brown/natural | | | | |
| 996 555 252 08 P12 | Cinnamon brown | | | | |
| (13) | 996 555 251 05 | Inner door release Complete Leather | /LL /L 03- | 1 | |
| | 996 555 251 05 A11 | Black | | | |
| | 996 555 251 05 C51 | Graphite grey | | | |
| | 996 555 251 05 S31 | Savanna | | | |
| | 996 555 251 05 G11 | Metropole blue | | | |
| | 996 555 251 05 J31 | Nephrite green | | | |
| | 996 555 251 05 M31 | Boxster red | | | |
| | 996 555 251 05 D12 | Dark grey/natural | | | |
| | 996 555 251 05 T12 | Brown/natural | | | |
| | 996 555 251 05 P12 | Cinnamon brown | | | |
| | 996 555 251 09 | Inner door release Complete Leather | /LL /L 03- | 1 | |
| | 996 555 251 09 A11 | Black | | | |
| | 996 555 251 09 C51 | Graphite grey | | | |
| 996 555 251 09 S31 | Savanna | | | | |
| 996 555 251 09 G11 | Metropole blue | | | | |
| 996 555 251 09 J31 | Nephrite green | | | | |
| 996 555 251 09 M31 | Boxster red | | | | |
| 996 555 251 09 D12 | Dark grey | | | | |
| 996 555 251 09 T12 | Brown/natural | | | | |

Model: 996 98 Model life 1998>>2005

| Pos | Part Number | Description | Remark | Qty | Model |
|------|--------------------|---|------------|-----|-------|
| (13) | 996 555 251 09 P12 | Cinnamon brown | | | |
| | 996 555 252 05 | Inner door release Complete Leather | /LL /R 03- | 1 | |
| | 996 555 252 05 A11 | Black | | | |
| | 996 555 252 05 C51 | Graphite grey | | | |
| | 996 555 252 05 S31 | Savanna | | | |
| | 996 555 252 05 G11 | Metropole blue | | | |
| | 996 555 252 05 J31 | Nephrite green | | | |
| | 996 555 252 05 M31 | Boxster red | | | |
| | 996 555 252 05 D12 | Dark grey | | | |
| | 996 555 252 05 T12 | Brown/natural | | | |
| (13) | 996 555 252 05 P12 | Cinnamon brown | | | |
| | 996 555 252 09 | Inner door release Complete Leather | /LL /R 03- | 1 | |
| | 996 555 252 09 A11 | Black | | | |
| | 996 555 252 09 C51 | Graphite grey | | | |
| | 996 555 252 09 S31 | Savanna | | | |
| | 996 555 252 09 G11 | Metropole blue | | | |
| | 996 555 252 09 J31 | Nephrite green | | | |
| | 996 555 252 09 M31 | Boxster red | | | |
| | 996 555 252 09 D12 | Dark grey/natural | | | |
| | 996 555 252 09 T12 | Brown/natural | | | |
| (13) | 996 555 252 09 P12 | Cinnamon brown | | | |
| | 996 555 251 06 | Inner door release Complete Leather | /RL /L 03- | 1 | |
| | 996 555 251 06 A11 | Black | | | |
| | 996 555 251 06 C51 | Graphite grey | | | |
| | 996 555 251 06 S31 | Savanna | | | |
| | 996 555 251 06 G11 | Metropole blue | | | |
| | 996 555 251 06 J31 | Nephrite green | | | |
| | 996 555 251 06 M31 | Boxster red | | | |
| | 996 555 251 06 D12 | Dark grey/natural | | | |
| | 996 555 251 06 T12 | Brown/natural | | | |
| (13) | 996 555 251 06 P12 | Cinnamon brown | | | |
| | 996 555 251 10 | Inner door release Complete Leather | /RL /L 03- | 1 | |
| | 996 555 251 10 A11 | Black | | | |
| | 996 555 251 10 C51 | Graphite grey | | | |
| | 996 555 251 10 S31 | Savanna | | | |
| | 996 555 251 10 G11 | Metropole blue | | | |
| | 996 555 251 10 J31 | Nephrite green | | | |
| | 996 555 251 10 M31 | Boxster red | | | |
| | 996 555 251 10 D12 | Dark grey/natural | | | |
| | 996 555 251 10 T12 | Brown/natural | | | |
| (13) | 996 555 251 10 P12 | Cinnamon brown | | | |
| | 996 555 252 06 | Inner door release Complete Leather | /RL /R 03- | 1 | |
| | 996 555 252 06 A11 | Black | | | |
| | 996 555 252 06 C51 | Graphite grey | | | |
| | 996 555 252 06 S31 | Savanna | | | |
| | 996 555 252 06 G11 | Metropole blue | | | |
| | 996 555 252 06 J31 | Nephrite green | | | |
| | 996 555 252 06 M31 | Boxster red | | | |
| | 996 555 252 06 D12 | Dark grey/natural | | | |
| | 996 555 252 06 T12 | Brown/natural | | | |
| (13) | 996 555 252 06 P12 | Cinnamon brown | | | |
| | 996 555 252 10 | Inner door release Complete | /RL /R 03- | 1 | |

Model: 996 98 Model life 1998>>2005

| Pos | Part Number | Description | Remark | Qty | Model |
|------|--------------------|-------------------|--------|-----|-------|
| | | Leather | | | |
| | 996 555 252 10 A11 | Black | | | |
| | 996 555 252 10 C51 | Graphite grey | | | |
| | 996 555 252 10 S31 | Savanna | | | |
| | 996 555 252 10 G11 | Metropole blue | | | |
| | 996 555 252 10 J31 | Nephrite green | | | |
| | 996 555 252 10 M31 | Boxster red | | | |
| | 996 555 252 10 D12 | Dark grey/natural | | | |
| | 996 555 252 10 T12 | Brown/natural | | | |
| | 996 555 252 10 P12 | Cinnamon brown | | | |
| 14 | 999 703 440 40 | Buffer | | 2 | |
| | | 7 X 10 X 16 | | | |
| 15 | 999 507 476 01 | Clamp | | 12 | |
| | | 8 X 10 X16 | | | |
| (16) | 996 555 425 01 | Handle | /L | 1 | |
| | 996 555 425 01 V01 | Silver | | | |
| 16 | 996 555 426 01 | Handle | /R | 1 | |
| | 996 555 426 01 V01 | Silver | | | |
| (16) | 996 555 425 03 | Handle | /L -02 | 1 | |
| | 996 555 425 03 V01 | Silver | | | |
| 16 | 996 555 426 03 | Handle | /R -02 | 1 | |
| | 996 555 426 03 V01 | Silver | | | |
| (16) | 996 555 425 04 | Handle | /L 03- | 1 | |
| | 996 555 425 04 V03 | Silver | | | |
| 16 | 996 555 426 04 | Handle | /R 03- | 1 | |
| | 996 555 426 04 V03 | Silver | | | |
| 17 | 999 166 084 02 | Bolt | | 2 | |
| | | 4 X 39 X 37 | | | |
| 18 | 999 166 026 02 | Lock | | 2 | |
| | | 4 | | | |
| 19 | 999 507 568 40 | Linkage clip | | 2 | |
| (19) | 999 702 281 40 | Grommet | | 2 | |
| 20 | 996 613 123 00 | Microswitch | | 2 | |
| 21 | 999 073 113 09 | Oval-head screw | | 2 | |
| | | M 6 X 50 | | | |
| 22 | 999 073 112 09 | Oval-head screw | | 2 | |
| | | M 6 X 80 | | | |
| 23 | 999 073 061 02 | Tapping screw | | 2 | |
| | | 4,8 X 16 | | | |
| 24 | 999 522 015 00 | Tension spring | | 2 | |
| 25 | 996 555 635 00 | Hose | | 2 | |
| 26 | 999 073 080 02 | Combination screw | | 8 | |
| | | 4,2 X 16 | | | |
| (27) | 996 555 591 00 | Cover | /L | 1 | |
| | | Handle | | | |
| | | Leather | | | |
| | 996 555 591 00 A11 | Black | | | |
| | 996 555 591 00 C51 | Graphite grey | | | |
| | 996 555 591 00 S31 | Savanna | | | |
| | 996 555 591 00 G11 | Metropole blue | | | |
| | 996 555 591 00 B51 | Space grey | -00 | | |
| | 996 555 591 00 J31 | Nephrite green | | | |
| | 996 555 591 00 M31 | Boxster red | | | |
| | 996 555 591 00 D12 | Dark grey/natural | 00- | | |
| | 996 555 591 00 T12 | Brown/natural | 00- | | |
| | 996 555 591 00 P12 | Cinnamon brown | 01- | | |
| 27 | 996 555 592 00 | Cover | /R | 1 | |
| | | Handle | | | |
| | | Leather | | | |
| | 996 555 592 00 A11 | Black | | | |
| | 996 555 592 00 C51 | Graphite grey | | | |
| | 996 555 592 00 S31 | Savanna | | | |
| | 996 555 592 00 G11 | Metropole blue | | | |

Model: 996 98 Model life 1998>>2005

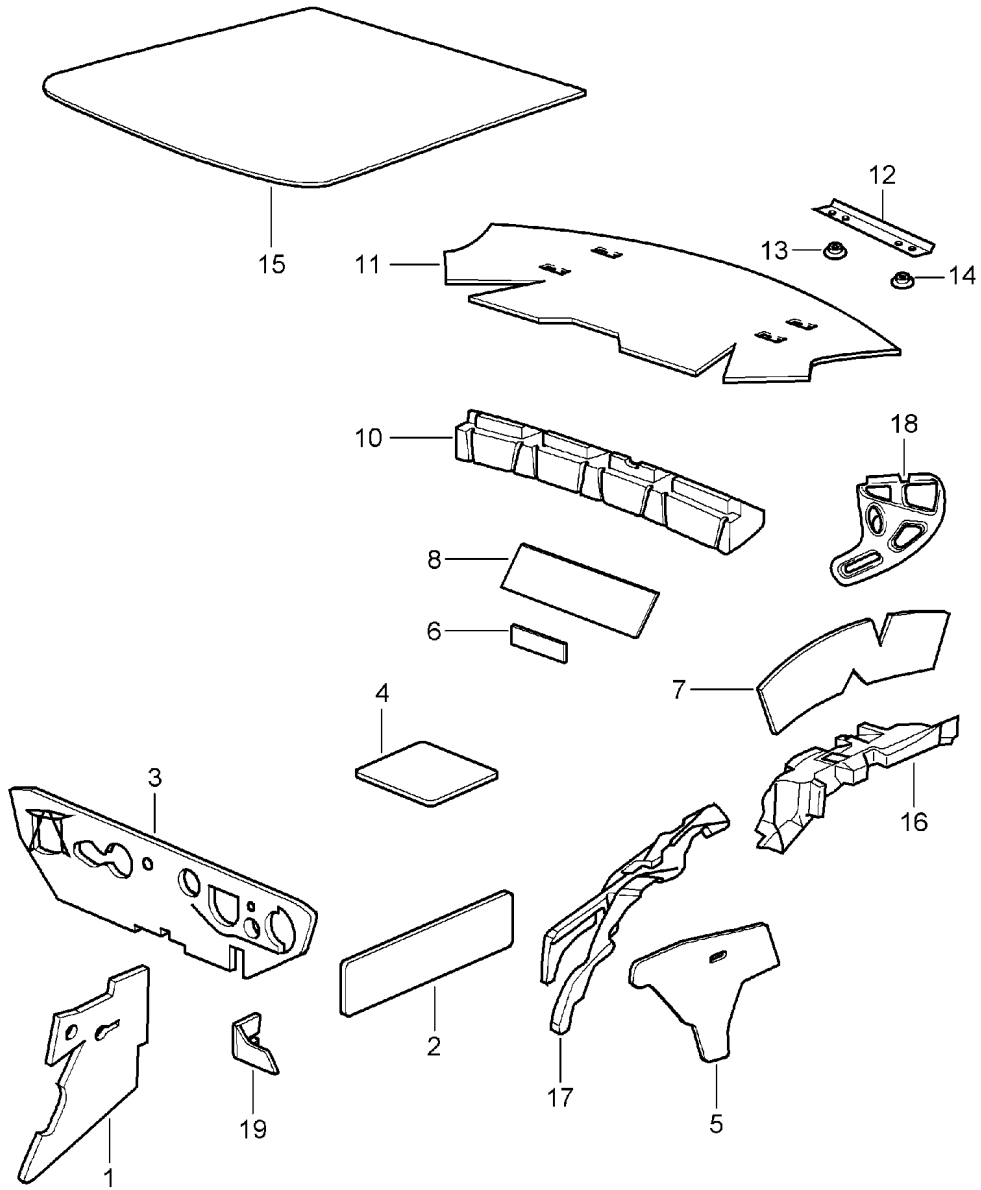
| Pos | Part Number | Description | Remark | Qty | Model |
|------|--------------------|------------------------------|--------|-----|-------|
| | 996 555 592 00 B51 | Space grey | -00 | | |
| | 996 555 592 00 J31 | Nephrite green | | | |
| | 996 555 592 00 M31 | Boxster red | | | |
| | 996 555 592 00 D12 | Dark grey/natural | 00- | | |
| | 996 555 592 00 T12 | Brown/natural | 00- | | |
| | 996 555 592 00 P12 | Cinnamon brown | 01- | | |
| (27) | 996 555 988 02 | Cover Carbon | /L 01- | 1 | IXTL |
| 27 | 996 555 989 02 | Cover Carbon | /R 01- | 1 | IXTL |
| 29 | 999 920 011 40 | Plug-in nut 5,0 X 2,0 X 8 | | 4 | |
| 32 | 996 555 623 00 | Cap | -99 | 2 | |
| | 996 555 623 00 01C | Satin black | | | |
| 32 | 996 555 623 01 | Cap | 00-02 | 2 | |
| | 996 555 623 01 V01 | Silver | | | |
| 32 | 996 555 623 02 | Cap | 03- | 2 | |
| | 996 555 623 02 V03 | Sport silver | | | |
| 33 | 999 067 043 02 | Pan-head screw M 5 X 10 | | 1 | |
| (34) | 996 555 221 00 | Lid Leather | /L -02 | 1 | |
| | 996 555 221 00 EHS | Black | -99 | | |
| | 996 555 221 00 EHT | Graphite grey | -99 | | |
| | 996 555 221 00 EHU | Savanna | -99 | | |
| | 996 555 221 00 EHV | Metropole blue | -99 | | |
| | 996 555 221 00 EHW | Space grey | -99 | | |
| | 996 555 221 00 EHX | Nephrite green | -99 | | |
| | 996 555 221 00 EHY | Boxster red | -99 | | |
| | 996 555 221 00 A11 | Black | | | |
| | 996 555 221 00 C51 | Graphite grey | | | |
| | 996 555 221 00 S31 | Savanna | | | |
| | 996 555 221 00 G11 | Metropole blue | | | |
| | 996 555 221 00 B51 | Space grey | -00 | | |
| | 996 555 221 00 J31 | Nephrite green | | | |
| | 996 555 221 00 M31 | Boxster red | | | |
| | 996 555 221 00 D12 | Dark grey | 00- | | |
| | 996 555 221 00 T12 | Brown/natural | 00- | | |
| | 996 555 221 00 P12 | Cinnamon brown | 01- | | |
| 34 | 996 555 222 00 | Lid Leather | /R -02 | 1 | |
| | 996 555 222 00 EHS | Black | -99 | | |
| | 996 555 222 00 EHT | Graphite grey | -99 | | |
| | 996 555 222 00 EHU | Savanna | -99 | | |
| | 996 555 222 00 EHV | Metropole blue | -99 | | |
| | 996 555 222 00 EHW | Space grey | -99 | | |
| | 996 555 222 00 EHX | Nephrite green | -99 | | |
| | 996 555 222 00 EHY | Boxster red | -99 | | |
| | 996 555 222 00 A11 | Black | | | |
| | 996 555 222 00 C51 | Graphite grey | | | |
| | 996 555 222 00 S31 | Savanna | | | |
| | 996 555 222 00 G11 | Metropole blue | | | |
| | 996 555 222 00 B51 | Space grey | -00 | | |
| | 996 555 222 00 J31 | Nephrite green | | | |
| | 996 555 222 00 M31 | Boxster red | | | |
| | 996 555 222 00 D12 | Dark grey | 00- | | |
| | 996 555 222 00 T12 | Brown/natural | 00- | | |
| | 996 555 222 00 P12 | Cinnamon brown | 01- | | |
| 34 | 996 555 221 01 | Lid Leather | /L 03- | 1 | |
| | 996 555 221 01 A11 | Black | | | |
| | 996 555 221 01 C51 | Graphite grey | | | |
| | 996 555 221 01 S31 | Savanna | | | |

Model: 996 98 Model life 1998>>2005

| Pos | Part Number | Description | Remark | Qty | Model |
|------|--------------------|---------------------------|----------|-----|-------|
| | 996 555 221 01 G11 | Metropole blue | | | |
| | 996 555 221 01 J31 | Nephrite green | | | |
| | 996 555 221 01 M31 | Boxster red | | | |
| | 996 555 221 01 P12 | Cinnamon brown | | | |
| | 996 555 221 01 D12 | Dark grey/natural | | | |
| | 996 555 221 01 T12 | Brown/natural | | | |
| (34) | 996 555 222 01 | Lid Leather | /R 03- | 1 | |
| | 996 555 222 01 A11 | Black | | | |
| | 996 555 222 01 C51 | Graphite grey | | | |
| | 996 555 222 01 S31 | Savanna | | | |
| | 996 555 222 01 G11 | Metropole blue | | | |
| | 996 555 222 01 J31 | Nephrite green | | | |
| | 996 555 222 01 M31 | Boxster red | | | |
| | 996 555 222 01 P12 | Cinnamon brown | | | |
| | 996 555 222 01 D12 | Dark grey/natural | | | |
| | 996 555 222 01 T12 | Brown/natural | | | |
| 34 | 996 555 980 00 | Lid Rootwood Light | /L -02 | 1 | IXTJ |
| 34 | 996 555 980 04 | Lid Rootwood Light | /L 03- | 1 | IXTJ |
| (34) | 996 555 981 00 | Lid Rootwood Light | /R -02 | 1 | IXTJ |
| (34) | 996 555 981 04 | Lid Rootwood Light | /R 03- | 1 | IXTJ |
| 34 | 996 555 980 01 | Lid Rootwood Dark | /L -02 | 1 | IXTK |
| 34 | 996 555 980 05 | Lid Rootwood Dark | /L 03- | 1 | IXTK |
| (34) | 996 555 981 01 | Lid Rootwood Dark | /R 01-02 | 1 | IXTK |
| (34) | 996 555 981 05 | Lid Rootwood Dark | /R 03- | 1 | IXTK |
| (34) | 996 555 980 02 | Lid Carbon | /L -02 | 1 | IXTL |
| (34) | 996 555 981 02 | Lid Carbon | /R -02 | 1 | IXTL |
| (34) | 996 555 980 06 | Lid Carbon | /L | 1 | IXTL |
| (34) | 996 555 981 06 | Lid Carbon | /R | 1 | IXTL |
| - | 996 555 483 00 | Buffer | | 4 | |
| 35 | 996 555 611 01 | Handle Lacquered | -02 | 2 | |
| 35 | 996 555 611 01 V01 | Silver | | | |
| 35 | 996 555 611 02 | Handle Lacquered | 03- | 2 | |
| (37) | 996 555 611 02 V03 | Sport silver | | | |
| 37 | 996 555 441 00 | Closing element | /L | 1 | |
| 37 | 996 555 442 00 | Closing element | /R | 1 | |
| 38 | 999 094 018 00 | Bolt | | 2 | |
| 39 | 999 073 081 02 | Tapping screw 4,2 X 13 | | 4 | |

Model: 996 98

Model life 1998>>2005



Model: 996 98 Model life 1998>>2005

| Pos | Part Number | Description | Remark | Qty | Model |
|------|----------------|---|-----------|-----|-------|
| 1 | 996 556 605 01 | Body Sound proofing 1 Sound absorber | /L | 1 | COUPE |
| (1) | 996 556 606 01 | Wheel housing Front Sound absorber | /R | 1 | |
| 2 | 996 556 531 01 | Wheel housing Front Insulation | | 2 | |
| 3 | 996 556 723 01 | Door in white Sound absorber | /LL | 1 | |
| (3) | 996 556 724 01 | Firewall Sound absorber | /RL | 1 | |
| 4 | 996 556 503 01 | Firewall Insulation | | 1 | |
| 5 | 996 556 655 02 | Floor 228 X 230 Sound absorber | /L | 1 | |
| (5) | 996 556 656 02 | Sound absorber | /R | 1 | |
| 6 | 996 556 503 01 | Side trim panel Insulation | /L /R | 1 | |
| 7 | 996 556 507 01 | Seat well It is necessary to rework 160 X 40 Insulation | /H /L | 1 | |
| (7) | 996 556 508 01 | Insulation | /H /R | 1 | |
| 8 | 996 556 511 01 | Wheel housing Insulation | | 1 | |
| 10 | 996 556 581 00 | Rear wall 430 X 120 Sound absorber | -01 | 1 | |
| 11 | 996 556 711 03 | Rear wall Sound absorber | | 1 | |
| (11) | 996 556 711 04 | F >>994S6 03928 F >>994S6 30356 Engine compartment Sound absorber | | 1 | |
| 12 | 996 556 761 00 | F 994S6 03929>> F 994S6 30357>> Engine compartment Retaining strip | -00 | 1 | |
| (12) | 996 556 762 00 | Engine compartment Retaining strip | -00 | 1 | |
| (12) | 996 556 761 01 | Engine compartment Retaining strip | 01- | 1 | |
| 13 | 999 049 020 40 | Engine compartment Plastic nut | | 5 | |
| 14 | 999 049 011 40 | T5/30 X 5,1 Roof Push button | -00 | 3 | |
| 15 | 997 556 647 00 | T5/30 X 6,0 Roof Sound absorber | | 1 | |
| 16 | 996 556 657 00 | Roof Sound absorber | /H /L -02 | 1 | |
| 16 | 996 556 657 03 | Wheel-housing liner Sound absorber | /H /L 03- | 1 | |
| (16) | 996 556 658 00 | Wheel-housing liner Sound absorber | /H /R -02 | 1 | |
| (16) | 996 556 658 03 | Wheel-housing liner Sound absorber | /H /R 03- | 1 | |
| 17 | 996 556 571 00 | Wheel-housing liner Sound absorber | /L | 1 | |

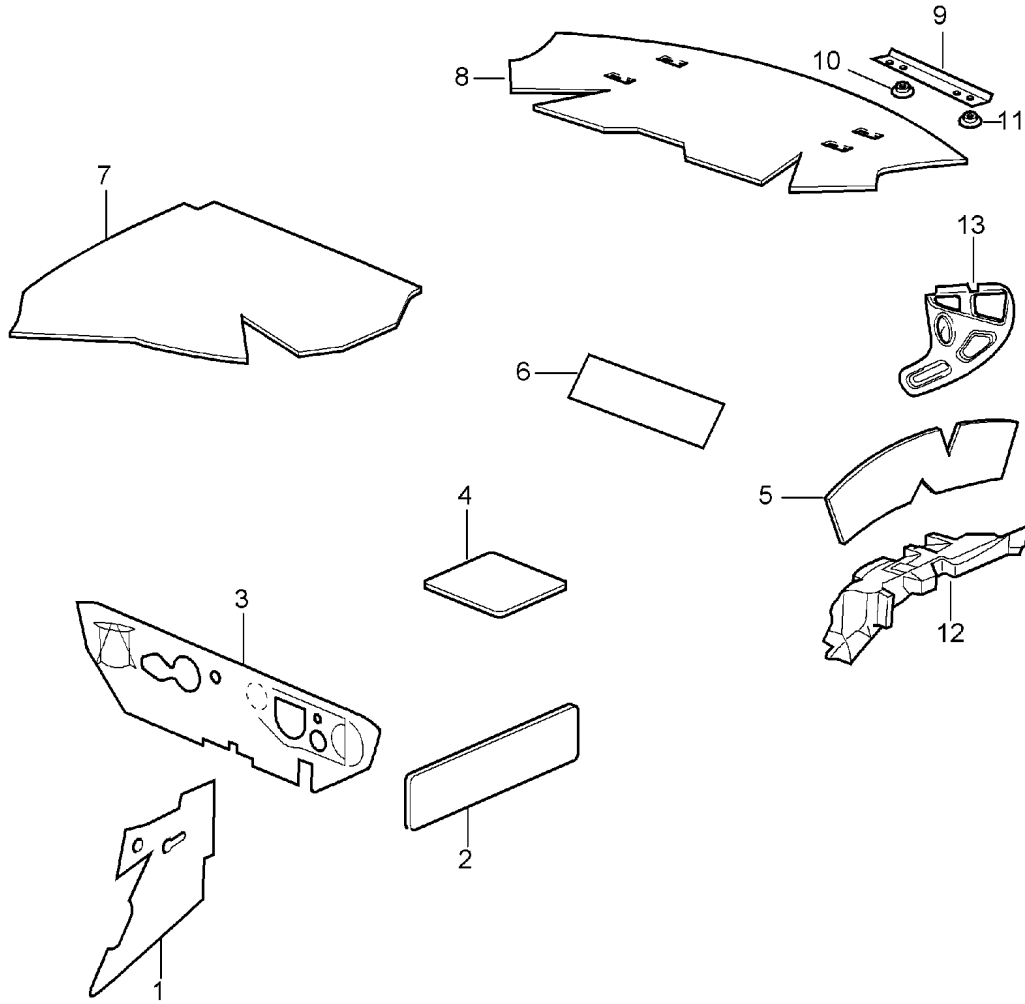
Model: 996 98

Model life 1998>>2005

| Pos | Part Number | Description | Remark | Qty | Model |
|------|----------------|-----------------------------------|---------|-----|-------|
| (17) | 996 556 572 00 | Sound absorber Side trim panel | /R | 1 | |
| (18) | 996 556 753 01 | Seal | /L /O | 1 | |
| (18) | 996 556 754 01 | Seal | /R /O | 1 | |
| | | Side section | | | |
| - | 996 556 811 01 | Filler piece | /L | 1 | |
| - | 996 556 812 01 | Filler piece | /R | 1 | |
| | | Tray | | | |
| - | 1H0 819 943 | Screw | | 2 | |
| - | 996 572 511 02 | Sound absorber Air conditioner | /LL -02 | 1 | |
| - | 996 572 511 04 | Sound absorber Air conditioner | /LL 03- | 1 | |
| - | 996 572 511 06 | Sound absorber Air conditioner | /LL 03- | 1 | |
| - | 996 572 511 03 | Sound absorber Air conditioner | /RL -02 | 1 | |
| - | 996 572 511 05 | Sound absorber Air conditioner | /RL 03- | 1 | |
| - | 996 572 511 07 | Sound absorber Air conditioner | /RL 03- | 1 | |

Model: 996 98

Model life 1998>>2005



Model: 996 98 Model life 1998>>2005

| Pos | Part Number | Description | Remark | Qty | Model |
|------|----------------|---|--------|-----|--------|
| 1 | 996 556 605 01 | Body Sound proofing 1 Sound absorber | /L | 1 | CABRIO |
| (1) | 996 556 606 01 | Wheel housing Front Sound absorber | /R | 1 | |
| 2 | 996 556 531 01 | Wheel housing Front Insulation | | 2 | |
| 3 | 996 556 723 01 | Door in white Sound absorber | /LL | 1 | |
| (3) | 996 556 724 01 | Firewall Sound absorber | /RL | 1 | |
| 4 | 996 556 503 01 | Firewall Insulation | | 1 | |
| - | | Floor 228 X 230 Insulation | /L /R | 1 | |
| 5 | 996 556 507 02 | Seat well 160 X 40 Insulation | /L | 1 | |
| (5) | 996 556 508 02 | Wheel housing Rear Insulation | /R | 1 | |
| 6 | 996 556 511 01 | Wheel housing Rear Insulation | | 1 | |
| (7) | 996 556 611 00 | Rear wall 430 X 120 Sound absorber | -99 | 1 | |
| (7) | 996 556 611 02 | Convertible top Tray Sound absorber | /L 00- | 1 | |
| (7) | 996 556 612 01 | Convertible top Tray Sound absorber | /R | 1 | |
| 8 | 996 556 711 03 | Convertible top Tray Sound absorber | | 1 | |
| (8) | 996 556 711 04 | F >>9946S 42725 F >>9946S 30356 Engine compartment Sound absorber | | 1 | |
| 9 | 996 556 761 00 | F 994S6 42726>> F 994S6 30357>> Engine compartment Retaining strip | -00 | 2 | |
| (9) | 996 556 762 00 | Engine compartment Retaining strip | -00 | 1 | M620 |
| 9 | 996 556 761 01 | Engine compartment Retaining strip | 01- | 1 | |
| 10 | 999 049 020 40 | Engine compartment Plastic nut | | 5 | |
| 11 | 999 049 011 40 | T5/30 X 5,1 Push button | -00 | 3 | |
| 12 | 996 556 657 02 | T5/30 X 6,0 Sound absorber | /L -02 | 1 | |
| 12 | 996 556 657 04 | Wheel-housing liner Rear Sound absorber | /L 03- | 1 | |
| (12) | 996 556 658 02 | Wheel-housing liner Rear Sound absorber | /R -02 | 1 | |

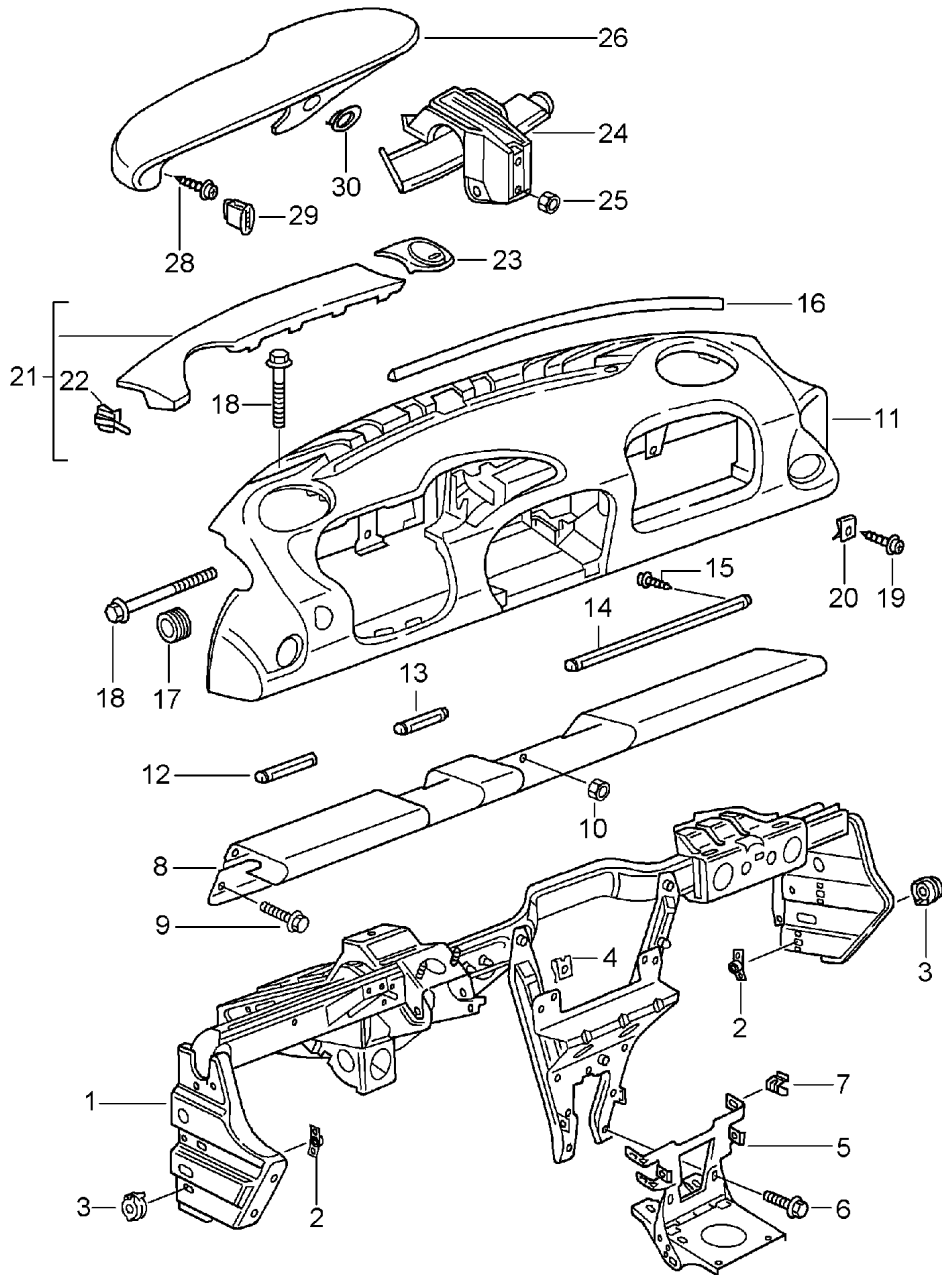
Model: 996 98

Model life 1998>>2005

| Pos | Part Number | Description | Remark | Qty | Model |
|------|----------------|--|--------|-----|-------|
| (12) | 996 556 658 04 | Wheel-housing liner Rear Sound absorber | /R 03- | 1 | |
| 13 | 996 556 653 00 | Wheel-housing liner Rear Sound absorber Control units | | 1 | |

Model: 996 98

Model life 1998>>2005



Model: 996 98 Model life 1998>>2005

| Pos | Part Number | Description | Remark | Qty | Model |
|------|--------------------|-------------------------------------|---------|-----|-------|
| | | Dashboard trim with Retaining frame | | | |
| 1 | 996 552 061 12 | Retaining frame | /LL | 1 | |
| (1) | 996 552 061 13 | Retaining frame | /RL | 1 | |
| 2 | 996 552 805 00 | Threaded plate | | 4 | |
| 3 | 996 552 545 00 | Shim | | 4 | |
| 4 | 999 507 462 02 | Speed nut | | 9 | |
| 4 | 999 507 462 09 | Speed nut | | 9 | |
| 4 | 999 591 855 02 | Speed nut 4,8 | | 1 | |
| 4 | 999 591 855 01 | Speed nut 4,8 | | 1 | |
| (5) | 996 552 309 07 | Support | 01- | 1 | |
| (5) | 996 552 309 08 | Support | 01- | 1 | M476 |
| 6 | 900 378 155 09 | Hexagon-head bolt M 6 X 16 | | 6 | |
| 7 | 999 507 574 02 | Clamp 8 X 10/1,2 | | 4 | |
| 11 | 996 552 109 00 | Dashboard trim Leatherette | /LL -99 | 1 | |
| | 996 552 109 00 A18 | Black | | | |
| | 996 552 109 00 C18 | Graphite grey | | | |
| | 996 552 109 00 S18 | Savanna | | | |
| | 996 552 109 00 G18 | Metropole blue | | | |
| | 996 552 109 00 B18 | Space grey | | | |
| (11) | 996 552 110 00 | Dashboard trim Leatherette | /RL -99 | 1 | |
| | 996 552 110 00 A18 | Black | | | |
| | 996 552 110 00 C18 | Graphite grey | | | |
| | 996 552 110 00 S18 | Savanna | | | |
| | 996 552 110 00 G18 | Metropole blue | | | |
| | 996 552 110 00 B18 | Space grey | | | |
| 11 | 996 552 109 00 | Dashboard trim Leatherette | /LL | 1 | |
| | 996 552 109 00 A12 | Black | | | |
| | 996 552 109 00 C52 | Graphite grey | | | |
| | 996 552 109 00 S32 | Savanna | | | |
| | 996 552 109 00 G12 | Metropole blue | | | |
| | 996 552 109 00 B52 | Space grey | 00 | | |
| | 996 552 109 00 J32 | Nephrite green | | | |
| (11) | 996 552 110 00 | Dashboard trim Leatherette | /RL | 1 | |
| | 996 552 110 00 A12 | Black | | | |
| | 996 552 110 00 C52 | Graphite grey | | | |
| | 996 552 110 00 S32 | Savanna | | | |
| | 996 552 110 00 G12 | Metropole blue | | | |
| | 996 552 110 00 B52 | Space grey | 00 | | |
| | 996 552 110 00 J32 | Nephrite green | | | |
| (11) | 996 552 109 02 | Dashboard trim Leatherette | /LL | 1 | |
| | 996 552 109 02 A12 | Black | | | |
| | 996 552 109 02 C52 | Graphite grey | | | |
| | 996 552 109 02 S32 | Savanna | | | |
| | 996 552 109 02 G12 | Metropole blue | | | |
| | 996 552 109 02 B52 | Space grey | | | |
| | 996 552 109 02 J32 | Nephrite green | 00 | | |
| (11) | 996 552 110 02 | Dashboard trim Leatherette | /RL | 1 | |
| | 996 552 110 02 A12 | Black | | | |
| | 996 552 110 02 C52 | Graphite grey | | | |
| | 996 552 110 02 S32 | Savanna | | | |
| | 996 552 110 02 G12 | Metropole blue | | | |

Model: 996 98 Model life 1998>>2005

| Pos | Part Number | Description | Remark | Qty | Model |
|--------------------|--------------------|---------------------|---------|-----|-------|
| 11 | 996 552 110 02 B52 | Space grey | | 1 | |
| | 996 552 110 02 J32 | Nephrite green | -03 | | |
| | 996 552 101 00 | Dashboard trim | /LL -01 | | |
| | | Leather | | | |
| | 996 552 101 00 A11 | Black | -99 | | |
| | 996 552 101 00 EVL | Black | 00- | | |
| | 996 552 101 00 C51 | Graphite grey | | | |
| | 996 552 101 00 S31 | Savanna | | | |
| | 996 552 101 00 G11 | Metropole blue | | | |
| | 996 552 101 00 B51 | Space grey | -00 | | |
| | 996 552 101 00 J31 | Nephrite green | | | |
| | 996 552 101 00 M31 | Boxster red | | | |
| 996 552 101 00 D12 | Dark grey/natural | 00- | | | |
| 996 552 101 00 T12 | Brown/natural | 00- | | | |
| 996 552 101 00 P12 | Cinnamon brown | 01 | | | |
| (11) | 996 552 102 00 | Dashboard trim | /RL -01 | 1 | |
| | | Leather | | | |
| | 996 552 102 00 A11 | Black | -99 | | |
| | 996 552 102 00 EVL | Black | 00- | | |
| | 996 552 102 00 C51 | Graphite grey | | | |
| | 996 552 102 00 S31 | Savanna | | | |
| | 996 552 102 00 G11 | Metropole blue | | | |
| | 996 552 102 00 B51 | Space grey | -00 | | |
| | 996 552 102 00 J31 | Nephrite green | | | |
| | 996 552 102 00 M31 | Boxster red | | | |
| | 996 552 102 00 D12 | Dark grey/natural | 00- | | |
| | 996 552 102 00 T12 | Brown/natural | 00- | | |
| | 996 552 102 00 P12 | Cinnamon brown | 01 | | |
| 11 | 996 552 101 01 | Dashboard trim | /LL 02- | 1 | |
| | | Leather | | | |
| | | with | | | |
| | | Cut-outs | | | |
| | | Glove compartment | | | |
| | 996 552 101 01 A11 | Black | | | |
| | 996 552 101 01 C51 | Graphite grey | | | |
| | 996 552 101 01 S31 | Savanna | | | |
| | 996 552 101 01 G11 | Metropole blue | | | |
| | 996 552 101 01 J31 | Nephrite green | | | |
| | 996 552 101 01 M31 | Boxster red | | | |
| | 996 552 101 01 D12 | Dark grey/natural | | | |
| | 996 552 101 01 T12 | Brown/natural | | | |
| | 996 552 101 01 P12 | Cinnamon brown | | | |
| (11) | 996 552 102 01 | Dashboard trim | /RL 02- | 1 | |
| | | Leather | | | |
| | | with | | | |
| | | Cut-outs | | | |
| | | Glove compartment | | | |
| | 996 552 102 01 A11 | Black | | | |
| | 996 552 102 01 C51 | Graphite grey | | | |
| | 996 552 102 01 S31 | Savanna | | | |
| | 996 552 102 01 G11 | Metropole blue | | | |
| | 996 552 102 01 J31 | Nephrite green | | | |
| | 996 552 102 01 M31 | Boxster red | | | |
| | 996 552 102 01 D12 | Dark grey/natural | | | |
| | 996 552 102 01 T12 | Brown/natural | | | |
| | 996 552 102 01 P12 | Cinnamon brown | | | |
| - | 999 551 145 40 | Lining strap | | 2 | |
| | | 15 X 1,3 X 50 | | | |
| - | 999 507 768 02 | Speed nut | | 18 | |
| | | 4,2 | | | |
| - | 999 507 533 02 | Clamp | | 23 | |
| | | 8 X 10/2,5 | | | |
| - | 996 552 749 00 | Reinforcement strip | /LL 02- | 1 | |

Model: 996 98 Model life 1998>>2005

| Pos | Part Number | Description | Remark | Qty | Model |
|------|--------------------|--|------------|-----|-------|
| - | 996 552 750 00 | Reinforcement strip Driver's side | /RL 02- | 1 | |
| - | 996 552 753 00 | Reinforcement strip | /LL 02- | 1 | M573 |
| - | 996 552 754 00 | Reinforcement strip | /RL 02- | 1 | M573 |
| - | 996 552 753 01 | Reinforcement strip | /LL 02- | 1 | M574 |
| - | 996 552 754 01 | Reinforcement strip Glove compartment | /RL 02- | 1 | M574 |
| - | 999 073 169 07 | Tapping screw 4,8 X 16 | 02- | 2 | |
| - | 999 507 462 02 | Speed nut 4,8 | 02- | 5 | |
| - | 999 507 462 09 | Speed nut 4,8 | 02- | 5 | |
| - | 999 507 796 02 | U-clamp 2,0 | 02- | 3 | |
| 12 | 996 552 381 02 | Moulding Driver's side Lacquered | /LL /L | 1 | |
| | 996 552 381 02 D05 | Granite grey | -99 | | |
| | 996 552 381 02 A03 | Black | 00- | | |
| | 996 552 381 02 C53 | Graphite grey | 00- | | |
| | 996 552 381 02 S33 | Savanna | 00- | | |
| | 996 552 381 02 G13 | Metropole blue | 00- | | |
| | 996 552 381 02 B13 | Space grey | 00 | | |
| | 996 552 381 02 J33 | Nephrite green | 00- | | |
| | 996 552 381 02 M33 | Boxster red | 00- | | |
| | 996 552 381 02 P13 | Cinnamon brown | 01- | | |
| (12) | 996 552 382 01 | Moulding Driver's side Lacquered | /RL /R | 1 | |
| | 996 552 382 01 D05 | Granite grey | -99 | | |
| | 996 552 382 01 A03 | Black | 00- | | |
| | 996 552 382 01 C53 | Graphite grey | 00- | | |
| | 996 552 382 01 S33 | Savanna | 00- | | |
| | 996 552 382 01 G13 | Metropole blue | 00- | | |
| | 996 552 382 01 B13 | Space grey | 00 | | |
| | 996 552 382 01 J33 | Nephrite green | 00- | | |
| | 996 552 382 01 M33 | Boxster red | 00- | | |
| | 996 552 382 01 P13 | Cinnamon brown | 01- | | |
| 12 | 996 552 381 04 | Moulding Driver's side Lacquered | /LL /L 04 | 1 | M095 |
| | 996 552 381 04 V03 | Sport silver | | | |
| (12) | 996 552 382 03 | Moulding Driver's side Lacquered | /RL /R 04 | 1 | M095 |
| | 996 552 382 03 V03 | Sport silver | | | |
| 12 | 996 552 996 00 | Moulding Driver's side Leather | /LL /L 01- | 1 | IXNU |
| | 996 552 996 00 A11 | Black | | | |
| | 996 552 996 00 C51 | Graphite grey | | | |
| | 996 552 996 00 S31 | Savanna | | | |
| | 996 552 996 00 G11 | Metropole blue | | | |
| | 996 552 996 00 J31 | Nephrite green | | | |
| | 996 552 996 00 M31 | Boxster red | | | |
| | 996 552 996 00 D12 | Dark grey/natural | | | |
| | 996 552 996 00 T12 | Brown/natural | | | |
| | 996 552 996 00 P12 | Cinnamon brown | | | |
| (12) | 996 552 997 00 | Moulding Driver's side Leather | /RL /R 01- | 1 | IXNU |
| | 996 552 997 00 A11 | Black | | | |

Model: 996 98 Model life 1998>>2005

| Pos | Part Number | Description | Remark | Qty | Model |
|------|--------------------|--|------------|-----|-------|
| | 996 552 997 00 C51 | Graphite grey | | | |
| | 996 552 997 00 S31 | Savanna | | | |
| | 996 552 997 00 G11 | Metropole blue | | | |
| | 996 552 997 00 J31 | Nephrite green | | | |
| | 996 552 997 00 M31 | Boxster red | | | |
| | 996 552 997 00 D12 | Dark grey | | | |
| | 996 552 997 00 T12 | Brown/natural | | | |
| | 996 552 997 00 P12 | Cinnamon brown | | | |
| 12 | 996 552 996 04 | Cover strip Driver's side Rootwood Light | /LL /L 01- | 1 | IXNV |
| (12) | 996 552 997 04 | Moulding Driver's side Rootwood Light | /RL /R 01- | 1 | IXNV |
| 12 | 996 552 996 05 | Cover strip Driver's side Rootwood Dark | /LL /L 01- | 1 | IXNW |
| (12) | 996 552 997 05 | Cover strip Driver's side Rootwood Dark | /RL /R 01- | 1 | IXNW |
| 12 | 996 552 996 01 | Cover strip Driver's side Carbon | /LL /L 01- | 1 | IXNX |
| (12) | 996 552 997 01 | Cover strip Driver's side Carbon | /RL /R 01- | 1 | IXNX |
| 12 | 996 552 996 03 | Cover strip Driver's side Aluminium Arctic silver | /LL /L 01- | 1 | IXNY |
| (12) | 996 552 997 03 | Cover strip Driver's side Aluminium Arctic silver | /RL /R 01- | 1 | IXNY |
| 12 | 996 552 996 12 | Moulding Aluminium Driver's side Silver | /LL /L 03- | 1 | IXCA |
| (12) | 996 552 997 12 | Moulding Aluminium Driver's side Silver | /RL /R 03- | 1 | IXCA |
| 13 | 996 552 383 02 | Moulding Centre Lacquered | /LL | 1 | |
| | 996 552 383 02 D05 | Granite grey | -99 | | |
| | 996 552 383 02 A03 | Black | 00- | | |
| | 996 552 383 02 C53 | Graphite grey | 00- | | |
| | 996 552 383 02 S33 | Savanna | 00- | | |
| | 996 552 383 02 G13 | Metropole blue | 00- | | |
| | 996 552 383 02 B13 | Space grey | 00 | | |
| | 996 552 383 02 J33 | Nephrite green | -03 | | |
| | 996 552 383 02 M33 | Boxster red | 00- | | |
| | 996 552 383 02 P13 | Cinnamon brown | 01- | | |
| (13) | 996 552 384 01 | Moulding Centre Lacquered | /RL | 1 | |
| | 996 552 384 01 D05 | Granite grey | -99 | | |
| | 996 552 384 01 A03 | Black | 00- | | |

Model: 996 98 Model life 1998>>2005

| Pos | Part Number | Description | Remark | Qty | Model |
|------|--------------------|---|-----------|-----|-------|
| | 996 552 384 01 C53 | Graphite grey | 00- | | |
| | 996 552 384 01 S33 | Savanna | 00- | | |
| | 996 552 384 01 G13 | Metropole blue | 00- | | |
| | 996 552 384 01 B13 | Space grey | 00 | | |
| | 996 552 384 01 J33 | Nephrite green | -03 | | |
| | 996 552 384 01 M33 | Boxster red | 00- | | |
| | 996 552 384 01 P13 | Cinnamon brown | 01- | | |
| 13 | 996 552 383 03 | Moulding Centre Lacquered | /LL 04 | 1 | M095 |
| (13) | 996 552 383 03 V03 | Sport silver | | | |
| | 996 552 384 02 | Moulding Centre Lacquered | /RL 04 | 1 | M095 |
| | 996 552 384 02 V03 | Sport silver | | | |
| 13 | 996 552 998 00 | Moulding Centre Leather | /LL 01- | 1 | IXNU |
| | 996 552 998 00 A11 | Black | | | |
| | 996 552 998 00 C51 | Graphite grey | | | |
| | 996 552 998 00 S31 | Savanna | | | |
| | 996 552 998 00 G11 | Metropole blue | | | |
| | 996 552 998 00 J31 | Nephrite green | | | |
| | 996 552 998 00 M31 | Boxster red | | | |
| | 996 552 998 00 D12 | Dark grey/natural | | | |
| | 996 552 998 00 T12 | Brown/natural | | | |
| | 996 552 998 00 P12 | Cinnamon brown | | | |
| (13) | 996 552 998 01 | Moulding Centre Leather | /RL 01- | 1 | IXNU |
| | 996 552 998 01 A11 | Black | | | |
| | 996 552 998 01 C51 | Graphite grey | | | |
| | 996 552 998 01 S31 | Savanna | | | |
| | 996 552 998 01 G11 | Metropole blue | | | |
| | 996 552 998 01 J31 | Nephrite green | | | |
| | 996 552 998 01 M31 | Boxster red | | | |
| | 996 552 998 01 D12 | Dark grey/natural | | | |
| | 996 552 998 01 T12 | Brown/natural | | | |
| | 996 552 998 01 P12 | Cinnamon brown | | | |
| 13 | 996 552 998 08 | Cover strip Centre Rootwood Light | /LL 01- | 1 | IXNV |
| (13) | 996 552 998 09 | Moulding Centre Rootwood Light | /RL 01- | 1 | IXNV |
| 13 | 996 552 998 06 | Cover strip Centre Aluminium Arctic silver | /LL 01-02 | 1 | IXNY |
| (13) | 996 552 998 07 | Cover strip Centre Aluminium Arctic silver | /RL 01-02 | 1 | IXNY |
| 13 | 996 552 998 14 | Moulding Aluminium Centre Silver | /LL 03- | 1 | IXCA |
| (13) | 996 552 998 15 | Moulding Aluminium Centre Silver | /RL 03- | 1 | IXCA |

Model: 996 98 Model life 1998>>2005

| Pos | Part Number | Description | Remark | Qty | Model |
|------|--------------------|---|------------|-----|-------|
| 13 | 996 552 998 10 | Cover strip Centre Rootwood Dark | /LL 01- | 1 | IXNW |
| (13) | 996 552 998 11 | Cover strip Centre Rootwood Dark | /RL 01- | 1 | IXNW |
| 13 | 996 552 998 02 | Cover strip Centre Carbon | /LL 01- | 1 | IXNX |
| (13) | 996 552 998 03 | Cover strip Centre Carbon | /RL 01- | 1 | IXNX |
| 14 | 996 552 385 02 | Moulding Passenger's side Lacquered | /LL /R -00 | 1 | |
| | 996 552 385 02 D05 | Granite grey | -99 | | |
| | 996 552 385 02 A03 | Black | 00 | | |
| | 996 552 385 02 C53 | Graphite grey | 00 | | |
| | 996 552 385 02 S33 | Savanna | 00 | | |
| | 996 552 385 02 G13 | Metropole blue | 00 | | |
| | 996 552 385 02 B13 | Space grey | 00 | | |
| | 996 552 385 02 J33 | Nephrite green | 00 | | |
| | 996 552 385 02 M33 | Boxster red | 00 | | |
| (14) | 996 552 386 02 | Moulding Passenger's side Lacquered | /RL /L -00 | 1 | |
| | 996 552 386 02 D05 | Granite grey | -99 | | |
| | 996 552 386 02 A03 | Black | 00 | | |
| | 996 552 386 02 C53 | Graphite grey | 00 | | |
| | 996 552 386 02 S33 | Savanna | 00 | | |
| | 996 552 386 02 G13 | Metropole blue | 00 | | |
| | 996 552 386 02 B13 | Space grey | 00 | | |
| | 996 552 386 02 J33 | Nephrite green | 00 | | |
| | 996 552 386 02 M33 | Boxster red | 00 | | |
| 14 | 996 552 385 03 | Moulding Passenger's side Lacquered | /LL /R 01- | 1 | |
| | 996 552 385 03 A03 | Black | | | |
| | 996 552 385 03 C53 | Graphite grey | | | |
| | 996 552 385 03 S33 | Savanna | | | |
| | 996 552 385 03 G13 | Metropole blue | | | |
| | 996 552 385 03 J33 | Nephrite green | -03 | | |
| | 996 552 385 03 M33 | Boxster red | | | |
| | 996 552 385 03 P13 | Cinnamon brown | | | |
| (14) | 996 552 386 03 | Moulding Passenger's side Lacquered | /RL /L 01- | 1 | |
| | 996 552 386 03 A03 | Black | | | |
| | 996 552 386 03 C53 | Graphite grey | | | |
| | 996 552 386 03 S33 | Savanna | | | |
| | 996 552 386 03 G13 | Metropole blue | | | |
| | 996 552 386 03 J33 | Nephrite green | -03 | | |
| | 996 552 386 03 M33 | Boxster red | | | |
| | 996 552 386 03 P13 | Cinnamon brown | | | |
| 14 | 996 552 385 04 | Moulding Passenger's side Lacquered | /LL /L 04 | 1 | M095 |
| | 996 552 385 04 V03 | Sport silver | | | |
| (14) | 996 552 386 04 | Moulding Passenger's side Lacquered | /RL /R 04 | 1 | M095 |

Model: 996 98 Model life 1998>>2005

| Pos | Part Number | Description | Remark | Qty | Model |
|------|--------------------|-------------------|------------|-----|-------|
| 14 | 996 552 386 04 V03 | Sport silver | | | |
| | 996 552 959 00 | Moulding | /LL /R 01- | 1 | IXNU |
| | | Passenger's side | | | |
| | | Leather | | | |
| | 996 552 959 00 A11 | Black | | | |
| | 996 552 959 00 C51 | Graphite grey | | | |
| | 996 552 959 00 S31 | Savanna | | | |
| | 996 552 959 00 G11 | Metropole blue | | | |
| | 996 552 959 00 J31 | Nephrite green | | | |
| | 996 552 959 00 M31 | Boxster red | | | |
| | 996 552 959 00 D12 | Dark grey/natural | | | |
| | 996 552 959 00 T12 | Brown/natural | | | |
| | 996 552 959 00 P12 | Cinnamon brown | 01- | | |
| (14) | 996 552 959 01 | Moulding | /RL /L 01- | 1 | IXNU |
| | | Passenger's side | | | |
| | | Leather | | | |
| | 996 552 959 01 A11 | Black | | | |
| | 996 552 959 01 C51 | Graphite grey | | | |
| | 996 552 959 01 S31 | Savanna | | | |
| | 996 552 959 01 G11 | Metropole blue | | | |
| | 996 552 959 01 J31 | Nephrite green | | | |
| | 996 552 959 01 M31 | Boxster red | | | |
| | 996 552 959 01 D12 | Dark grey/natural | | | |
| | 996 552 959 01 T12 | Brown/natural | | | |
| | 996 552 959 01 P12 | Cinnamon brown | 01- | | |
| 14 | 996 552 959 02 | Moulding | /LL /R 01- | 1 | IXNV |
| | | Passenger's side | | | |
| | | Rootwood | | | |
| | | Light | | | |
| (14) | 996 552 959 03 | Moulding | /RL /L 01- | 1 | IXNV |
| | | Passenger's side | | | |
| | | Rootwood | | | |
| | | Light | | | |
| 14 | 996 552 959 04 | Moulding | /LL /R 01- | 1 | IXNW |
| | | Passenger's side | | | |
| | | Rootwood | | | |
| | | Dark | | | |
| (14) | 996 552 959 05 | Moulding | /RL /L 01- | 1 | IXNW |
| | | Passenger's side | | | |
| | | Rootwood | | | |
| | | Dark | | | |
| 14 | 996 552 959 06 | Moulding | /LL /R 01- | 1 | IXNX |
| | | Passenger's side | | | |
| | | Carbon | | | |
| (14) | 996 552 959 07 | Moulding | /RL /L 01- | 1 | IXNX |
| | | Passenger's side | | | |
| | | Carbon | | | |
| 14 | 996 552 959 08 | Moulding | /LL /R -02 | 1 | IXNY |
| | | Passenger's side | | | |
| | | Aluminium | | | |
| | | Arctic silver | | | |
| (14) | 996 552 959 09 | Moulding | /RL /L -02 | 1 | IXNY |
| | | Passenger's side | | | |
| | | Aluminium | | | |
| | | Arctic silver | | | |
| 14 | 996 552 959 10 | Moulding | /LL 03- | 1 | IXCA |
| | | Aluminium | | | |
| | | Passenger's side | | | |
| | | Silver | | | |
| (14) | 996 552 959 11 | Moulding | /RL /L 03- | 1 | IXCA |
| | | Aluminium | | | |
| | | Passenger's side | | | |
| | | Silver | | | |

Model: 996 98 Model life 1998>>2005

| Pos | Part Number | Description | Remark | Qty | Model |
|------|--------------------|---|--------|-----|-------|
| 15 | 999 919 203 07 | Oval-head screw 3 X 10 | | 11 | |
| 16 | 996 552 645 00 | Gasket Cowl Information available | | 1 | |
| 17 | 999 703 466 40 | Stopper 15,0 X 25,5 | | 2 | |
| (17) | | Stopper 15,0 X 5,0 | | 2 | |
| 18 | 999 074 057 09 | Hexagon-head bolt M 8 X 125 | | 4 | |
| 19 | 999 073 169 07 | Tapping screw 4,8 X 16 | | 11 | |
| 20 | 999 507 462 02 | Speed nut 4,8 | | 10 | |
| 20 | 999 507 462 09 | Speed nut 4,8 | | 10 | |
| 21 | 996 552 185 04 | Defroster trim Lacquered | /L | 1 | |
| | 996 552 185 04 D05 | Granite grey | -99 | | |
| | 996 552 185 04 A03 | Black | 00- | | |
| | 996 552 185 04 C53 | Graphite grey | 00- | | |
| | 996 552 185 04 S33 | Savanna | 00- | | |
| | 996 552 185 04 G13 | Metropole blue | 00- | | |
| | 996 552 185 04 B13 | Space grey | 00 | | |
| | 996 552 185 04 J33 | Nephrite green | 00- | | |
| | 996 552 185 04 M33 | Boxster red | 00- | | |
| | 996 552 185 04 P13 | Cinnamon brown | 01- | | |
| (21) | 996 552 186 04 | Defroster trim Lacquered | /R | 1 | |
| | 996 552 186 04 D05 | Granite grey | -99 | | |
| | 996 552 186 04 A03 | Black | 00- | | |
| | 996 552 186 04 C53 | Graphite grey | 00- | | |
| | 996 552 186 04 S33 | Savanna | 00- | | |
| | 996 552 186 04 G13 | Metropole blue | 00- | | |
| | 996 552 186 04 B13 | Space grey | 00 | | |
| | 996 552 186 04 J33 | Nephrite green | 00- | | |
| | 996 552 186 04 M33 | Boxster red | 00- | | |
| | 996 552 186 04 P13 | Cinnamon brown | 01- | | |
| 21 | 996 552 988 05 | Defroster trim Leather | /L 01- | 1 | IXV1 |
| | 996 552 988 05 VRK | Black | | | |
| | 996 552 988 05 C51 | Graphite grey | | | |
| | 996 552 988 05 S31 | Savanna | | | |
| | 996 552 988 05 J31 | Nephrite green | | | |
| | 996 552 988 05 M31 | Boxster red | | | |
| | 996 552 988 05 G11 | Metropole blue | | | |
| | 996 552 988 05 D12 | Dark grey/natural | | | |
| | 996 552 988 05 T12 | Brown/natural | | | |
| | 996 552 988 05 P12 | Cinnamon brown | | | |
| (21) | 996 552 989 05 | Defroster trim Leather | /R 01- | 1 | IXV1 |
| | 996 552 989 05 VRK | Black | | | |
| | 996 552 989 05 C51 | Graphite grey | | | |
| | 996 552 989 05 S31 | Savanna | | | |
| | 996 552 989 05 J31 | Nephrite green | | | |
| | 996 552 989 05 M31 | Boxster red | | | |
| | 996 552 989 05 G11 | Metropole blue | | | |
| | 996 552 989 05 D12 | Dark grey/natural | | | |
| | 996 552 989 05 T12 | Brown/natural | | | |
| | 996 552 989 05 P12 | Cinnamon brown | | | |
| 21 | 996 552 988 04 | Defroster trim Carbon | /L 01- | 1 | IXKJ |

Model: 996 98 Model life 1998>>2005

| Pos | Part Number | Description | Remark | Qty | Model |
|------|--------------------|----------------------|--------|-----|-------|
| | | Leather | | | |
| | 996 552 988 04 VRK | Black | | | |
| | 996 552 988 04 C51 | Graphite grey | | | |
| | 996 552 988 04 S31 | Savanna | | | |
| | 996 552 988 04 J31 | Nephrite green | | | |
| | 996 552 988 04 M31 | Boxster red | | | |
| | 996 552 988 04 G11 | Metropole blue | | | |
| | 996 552 988 04 D12 | Dark grey/natural | | | |
| | 996 552 988 04 T12 | Brown/natural | | | |
| | 996 552 988 04 P12 | Cinnamon brown | | | |
| (21) | 996 552 989 04 | Defroster trim | /R 01- | 1 | IXKJ |
| | | Carbon | | | |
| | | Leather | | | |
| | 996 552 989 04 VRK | Black | | | |
| | 996 552 989 04 C51 | Graphite grey | | | |
| | 996 552 989 04 S31 | Savanna | | | |
| | 996 552 989 04 J31 | Nephrite green | | | |
| | 996 552 989 04 M31 | Boxster red | | | |
| | 996 552 989 04 G11 | Metropole blue | | | |
| | 996 552 989 04 D12 | Dark grey/natural | | | |
| | 996 552 989 04 T12 | Brown/natural | | | |
| | 996 552 989 04 P12 | Cinnamon brown | | | |
| 21 | 996 552 988 03 | Defroster trim | /L 01- | 1 | IXKH |
| | | Dark maple rootwood | | | |
| | | Leather | | | |
| | 996 552 988 03 VRK | Black | | | |
| | 996 552 988 03 C51 | Graphite grey | | | |
| | 996 552 988 03 S31 | Savanna | | | |
| | 996 552 988 03 J31 | Nephrite green | | | |
| | 996 552 988 03 M31 | Boxster red | | | |
| | 996 552 988 03 G11 | Metropole blue | | | |
| | 996 552 988 03 D12 | Dark grey | | | |
| | 996 552 988 03 T12 | Brown/natural | | | |
| | 996 552 988 03 P12 | Cinnamon brown | | | |
| (21) | 996 552 989 03 | Defroster trim | /R 01- | 1 | IXKH |
| | | Dark maple rootwood | | | |
| | | Leather | | | |
| | 996 552 989 03 VRK | Black | | | |
| | 996 552 989 03 C51 | Graphite grey | | | |
| | 996 552 989 03 S31 | Savanna | | | |
| | 996 552 989 03 J31 | Nephrite green | | | |
| | 996 552 989 03 M31 | Boxster red | | | |
| | 996 552 989 03 G11 | Metropole blue | | | |
| | 996 552 989 03 D12 | Dark grey | | | |
| | 996 552 989 03 T12 | Brown/natural | | | |
| | 996 552 989 03 P12 | Cinnamon brown | | | |
| 21 | 996 552 988 02 | Defroster trim | /L 01- | 1 | IXKG |
| | | Light maple rootwood | | | |
| | | Leather | | | |
| | 996 552 988 02 VRK | Black | | | |
| | 996 552 988 02 C51 | Graphite grey | | | |
| | 996 552 988 02 S31 | Savanna | | | |
| | 996 552 988 02 J31 | Nephrite green | | | |
| | 996 552 988 02 M31 | Boxster red | | | |
| | 996 552 988 02 G11 | Metropole blue | | | |
| | 996 552 988 02 D12 | Dark grey/natural | | | |
| | 996 552 988 02 T12 | Brown/natural | | | |
| | 996 552 988 02 P12 | Cinnamon brown | | | |
| (21) | 996 552 989 02 | Defroster trim | /R 01- | 1 | IXKG |
| | | Light maple rootwood | | | |
| | | Leather | | | |
| | 996 552 989 02 VRK | Black | | | |
| | 996 552 989 02 C51 | Graphite grey | | | |

Model: 996 98 Model life 1998>>2005

| Pos | Part Number | Description | Remark | Qty | Model |
|------|--------------------|---|---------|-----|-------|
| | 996 552 989 02 S31 | Savanna | | | |
| | 996 552 989 02 J31 | Nephrite green | | | |
| | 996 552 989 02 M31 | Boxster red | | | |
| | 996 552 989 02 G11 | Metropole blue | | | |
| | 996 552 989 02 D12 | Dark grey/natural | | | |
| | 996 552 989 02 T12 | Brown/natural | | | |
| | 996 552 989 02 P12 | Cinnamon brown | | | |
| 22 | 999 507 531 02 | Clamp 1,8-2,8 | 98 | 2 | |
| 22 | 999 507 685 02 | Clamp 1,5-2,0 | 99- | 2 | |
| 23 | 996 552 181 04 | Cover | | 1 | |
| | 996 552 181 04 D05 | Granite grey | -99 | | |
| | 996 552 181 04 A03 | Black | 00- | | |
| | 996 552 181 04 C53 | Graphite grey | 00- | | |
| | 996 552 181 04 S33 | Savanna | 00- | | |
| | 996 552 181 04 G13 | Metropole blue | 00- | | |
| | 996 552 181 04 B13 | Space grey | 00 | | |
| | 996 552 181 04 J33 | Nephrite green | 00- | | |
| | 996 552 181 04 M33 | Boxster red | 00- | | |
| | 996 552 181 04 P13 | Cinnamon brown | 01- | | |
| 23 | 996 552 990 02 | Cover Light Leather | 01- | 1 | IXV1 |
| | 996 552 990 02 VRK | Black | | | |
| | 996 552 990 02 C51 | Graphite grey | | | |
| | 996 552 990 02 S31 | Savanna | | | |
| | 996 552 990 02 J31 | Nephrite green | | | |
| | 996 552 990 02 M31 | Boxster red | | | |
| | 996 552 990 02 G11 | Metropole blue | | | |
| | 996 552 990 02 D12 | Dark grey/natural | | | |
| | 996 552 990 02 T12 | Brown/natural | | | |
| | 996 552 990 02 P12 | Cinnamon brown | | | |
| 24 | 996 552 617 03 | Support | /LL | 1 | |
| (24) | 996 552 618 02 | Support Instrument Wiring harness | /RL | 1 | |
| - | 999 591 883 02 | Speed nut 4,8 | | 2 | |
| - | 999 591 883 01 | Speed nut 4,8 | | 2 | |
| 25 | 900 380 015 09 | Hexagon nut M 6 | | 2 | |
| 26 | 996 552 059 02 | Cover Instruments | /LL -99 | 1 | |
| | 996 552 059 02 EFM | Black | | | |
| | 996 552 059 02 EFN | Graphite grey | | | |
| | 996 552 059 02 EFO | Savanna | | | |
| | 996 552 059 02 EFP | Metropole blue | | | |
| | 996 552 059 02 EFQ | Space grey | | | |
| (26) | 996 552 060 02 | Cover Instruments Leatherette | /RL -99 | 1 | |
| | 996 552 060 02 EFM | Black | | | |
| | 996 552 060 02 EFN | Graphite grey | | | |
| | 996 552 060 02 EFO | Savanna | | | |
| | 996 552 060 02 EFP | Metropole blue | | | |
| | 996 552 060 02 EFQ | Space grey | | | |
| 26 | 996 552 059 02 | Cover Leatherette | /LL 00- | 1 | |
| | 996 552 059 02 EUD | Black | | | |
| | 996 552 059 02 EUE | Graphite grey | | | |
| | 996 552 059 02 EUF | Savanna | | | |

Model: 996 98 Model life 1998>>2005

| Pos | Part Number | Description | Remark | Qty | Model |
|--------------------|--------------------|-------------------|---------|-----|-------|
| (26) | 996 552 059 02 EUG | Metropole blue | | 1 | |
| | 996 552 059 02 EUH | Space grey | 00 | | |
| | 996 552 059 02 EWB | Nephrite green | 01- | | |
| | 996 552 060 02 | Cover | /RL 00- | | |
| | | Leatherette | | | |
| | 996 552 060 02 EUD | Black | | | |
| | 996 552 060 02 EUE | Graphite grey | | | |
| | 996 552 060 02 EUF | Savanna | | | |
| | 996 552 060 02 EUG | Metropole blue | | | |
| | 996 552 060 02 EUH | Space grey | 00 | | |
| 26 | 996 552 060 02 EWB | Nephrite green | 01- | 1 | |
| | 996 552 025 01 | Cover | /LL -99 | | |
| | | Instruments | | | |
| | | Leather | | | |
| | 996 552 025 01 EDQ | Black | | | |
| | 996 552 025 01 EDR | Graphite grey | | | |
| | 996 552 025 01 EDS | Savanna | | | |
| | 996 552 025 01 EDT | Metropole blue | | | |
| | 996 552 025 01 EDU | Space grey | | | |
| | 996 552 025 01 EDV | Nephrite green | | | |
| (26) | 996 552 025 01 EDW | Boxster red | | 1 | |
| | 996 552 026 01 | Cover | /RL -99 | | |
| | | Instruments | | | |
| | | Leather | | | |
| | 996 552 026 01 EDQ | Black | | | |
| | 996 552 026 01 EDR | Graphite grey | | | |
| | 996 552 026 01 EDS | Savanna | | | |
| | 996 552 026 01 EDT | Metropole blue | | | |
| | 996 552 026 01 EDU | Space grey | | | |
| | 996 552 026 01 EDV | Nephrite green | | | |
| 26 | 996 552 026 01 EDW | Boxster red | | 1 | |
| | 996 552 025 01 | Cover | /LL -02 | | |
| | | Leather | | | |
| | 996 552 025 01 ETQ | Black | | | |
| | 996 552 025 01 EUR | Graphite grey | | | |
| | 996 552 025 01 EUS | Savanna | | | |
| | 996 552 025 01 EUT | Metropole blue | | | |
| | 996 552 025 01 EUU | Space grey | 00 | | |
| | 996 552 025 01 EUV | Nephrite green | | | |
| | 996 552 025 01 EUW | Boxster red | | | |
| (26) | 996 552 025 01 VRP | Dark grey/natural | | 1 | |
| | 996 552 025 01 VRQ | Brown/natural | | | |
| | 996 552 025 01 FEJ | Cinnamon brown | 01- | | |
| | 996 552 026 01 | Cover | /RL -02 | | |
| | | Leather | | | |
| | 996 552 026 01 ETQ | Black | | | |
| | 996 552 026 01 EUR | Graphite grey | | | |
| | 996 552 026 01 EUS | Savanna | | | |
| | 996 552 026 01 EUT | Metropole blue | | | |
| | 996 552 026 01 EUU | Space grey | 00 | | |
| 26 | 996 552 026 01 EUV | Nephrite green | | 1 | |
| | 996 552 026 01 EUW | Boxster red | | | |
| | 996 552 026 01 VRP | Dark grey/natural | | | |
| | 996 552 026 01 VRQ | Brown/natural | | | |
| | 996 552 026 01 FEJ | Cinnamon brown | 01- | | |
| | 996 552 025 02 | Cover | /LL 03- | | |
| | | Instruments | | | |
| | 996 552 025 02 ETQ | Black | | | |
| | 996 552 025 02 EUR | Graphite grey | | | |
| | 996 552 025 02 EUS | Savanna | | | |
| 996 552 025 02 EUT | Metropole blue | | | | |
| 996 552 025 02 EUV | Nephrite green | | | | |
| 996 552 025 02 EUW | Boxster red | | | | |

Model: 996 98 Model life 1998>>2005

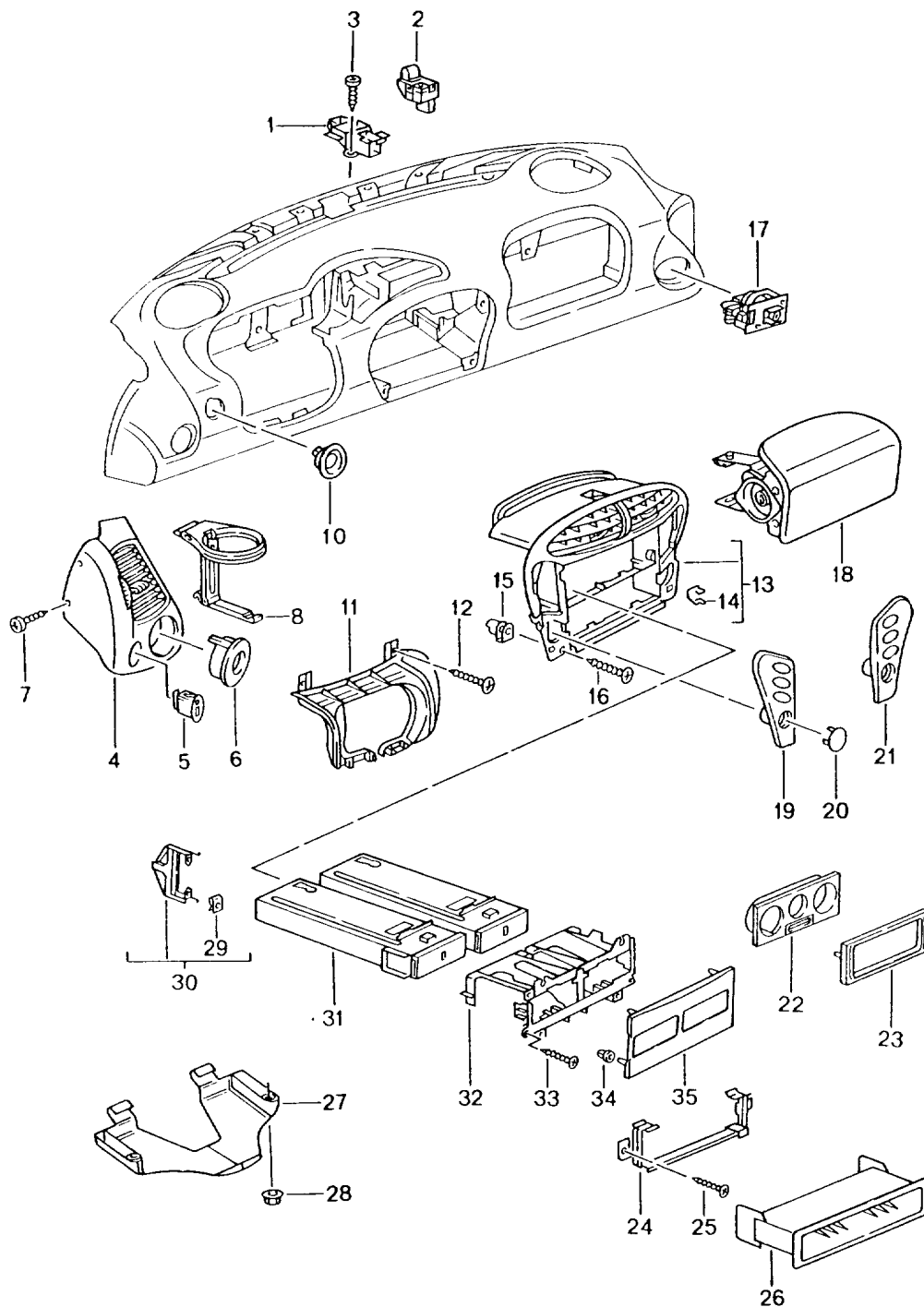
| Pos | Part Number | Description | Remark | Qty | Model |
|--------------------|--------------------|--------------------------|---------|-----|-------|
| (26) | 996 552 025 02 FEJ | Cinnamon brown | | 1 | |
| | 996 552 025 02 VRP | Dark grey/natural | | | |
| | 996 552 025 02 VRQ | Brown/natural | | | |
| | 996 552 026 02 | Cover | /RL 03- | | |
| | | Instruments | | | |
| | 996 552 026 02 ETQ | Black | | | |
| | 996 552 026 02 EUR | Graphite grey | | | |
| | 996 552 026 02 EUS | Savanna | | | |
| | 996 552 026 02 EUT | Metropole blue | | | |
| | 996 552 026 02 EUV | Nephrite green | | | |
| | 996 552 026 02 EUW | Boxster red | | | |
| - | 996 552 026 02 FEJ | Cinnamon brown | | 1 | |
| | 996 552 026 02 VRP | Dark grey/natural | | | |
| | 996 552 026 02 VRQ | Brown/natural | | | |
| | 996 552 251 01 | Cover | /LL | | |
| | | Instrument cluster | | | |
| | 996 552 251 01 A03 | Black | | | |
| | 996 552 251 01 C53 | Graphite grey | | | |
| | 996 552 251 01 S33 | Savanna | | | |
| | 996 552 251 01 G13 | Metropole blue | | | |
| | 996 552 252 01 | Cover | /RL | | |
| | | Instrument cluster | | | |
| 28 | 996 552 252 01 A03 | Black | | 2 | |
| | 996 552 252 01 C53 | Graphite grey | | | |
| | 996 552 252 01 S33 | Savanna | | | |
| | 996 552 252 01 G13 | Metropole blue | | | |
| (28) | 999 919 188 09 | Oval-head screw | -00 | 2 | |
| | | 5,0 X 30 | | | |
| 29 | 999 073 220 09 | Tapping screw | 01- | 2 | |
| | | 4,8 X 25 | | | |
| (29) | 996 552 625 02 | Cover | /LL | 1 | |
| | | Microphone | | | |
| | 996 552 625 02 D05 | Granite grey | -99 | | |
| | 996 552 625 02 A03 | Black | 00- | | |
| | 996 552 625 02 C53 | Graphite grey | 00- | | |
| | 996 552 625 02 S33 | Savanna | 00- | | |
| | 996 552 625 02 G13 | Metropole blue | 00- | | |
| | 996 552 625 02 B13 | Space grey | 00 | | |
| | 996 552 625 02 J33 | Nephrite green | 00- | | |
| | 996 552 625 02 M33 | Boxster red | 00- | | |
| | 996 552 625 02 P13 | Cinnamon brown | 01- | | |
| | 996 552 626 02 | Cover | /RL | | |
| | | Microphone | | | |
| | | Lacquered | | | |
| | 996 552 626 02 D05 | Granite grey | -99 | | |
| 996 552 626 02 A03 | Black | 00- | | | |
| 996 552 626 02 C53 | Graphite grey | 00- | | | |
| 996 552 626 02 S33 | Savanna | 00- | | | |
| 996 552 626 02 G13 | Metropole blue | 00- | | | |
| 996 552 626 02 B13 | Space grey | 00 | | | |
| 996 552 626 02 J33 | Nephrite green | 00- | | | |
| 996 552 626 02 M33 | Boxster red | 00- | | | |
| 996 552 626 02 P13 | Cinnamon brown | 01- | | | |
| 30 | 996 552 626 02 P13 | Cinnamon brown | 01- | 1 | |
| | 996 552 469 01 | Rosette | /LL | | |
| | | Hazard warning light sw. | | | |
| | | Lacquered | | | |
| | 996 552 469 01 A10 | Black | -99 | | |
| | 996 552 469 01 D05 | Granite grey | -99 | | |
| | 996 552 469 01 A03 | Black | | | |
| | 996 552 469 01 C53 | Graphite grey | 00- | | |
| | 996 552 469 01 S33 | Savanna | 00- | | |
| | 996 552 469 01 G13 | Metropole blue | 00- | | |
| | 996 552 469 01 B13 | Space grey | 00 | | |

Model: 996 98 Model life 1998>>2005

| Pos | Part Number | Description | Remark | Qty | Model |
|--------------------|--------------------|--------------------------|---------|-----|-----------|
| (30) | 996 552 469 01 J33 | Nephrite green | 00- | 1 | |
| | 996 552 469 01 M33 | Boxster red | 00- | | |
| | 996 552 469 01 P13 | Cinnamon brown | 01- | | |
| | 996 552 470 01 | Rosette | /RL | | |
| | | Hazard warning light sw. | | | |
| | | Lacquered | | | |
| | 996 552 470 01 A10 | Black | -99 | | |
| | 996 552 470 01 D05 | Granite grey | -99 | | |
| | 996 552 470 01 A03 | Black | | | |
| | 996 552 470 01 C53 | Graphite grey | 00- | | |
| 996 552 470 01 S33 | Savanna | 00- | | | |
| 996 552 470 01 G13 | Metropole blue | 00- | | | |
| 996 552 470 01 B13 | Space grey | 00 | | | |
| 996 552 470 01 J33 | Nephrite green | 00- | | | |
| 996 552 470 01 M33 | Boxster red | 00- | | | |
| 996 552 470 01 P13 | Cinnamon brown | 01- | | | |
| 30 | 996 552 469 01 | Rosette | /LL 00 | 1 | IXNG/M094 |
| | | Hazard warning light sw. | | | |
| | | Lacquered | | | |
| (30) | 996 552 469 01 A03 | Black | | 1 | IXNG/M094 |
| | 996 552 470 01 | Rosette | /RL 00 | | |
| | | Hazard warning light sw. | | | |
| | | Lacquered | | | |
| 30 | 996 552 470 01 A03 | Black | | 1 | |
| | 996 552 966 00 | Rosette | /LL 01- | | |
| | | Hazard warning light sw. | | | |
| | | Leather | | | |
| | 996 552 966 00 A11 | Black | | | |
| | 996 552 966 00 C51 | Graphite grey | | | |
| | 996 552 966 00 S31 | Savanna | | | |
| | 996 552 966 00 G11 | Metropole blue | | | |
| | 996 552 966 00 J31 | Nephrite green | -03 | | |
| | 996 552 966 00 M31 | Boxster red | | | |
| | 996 552 966 00 P12 | Cinnamon brown | | | |
| | 996 552 966 00 D12 | Dark grey/natural | | | |
| | 996 552 966 00 T12 | Brown/natural | | | |
| (30) | 996 552 966 01 | Rosette | /RL 01- | 1 | |
| | | Hazard warning light sw. | | | |
| | | Leather | | | |
| | 996 552 966 01 A11 | Black | | | |
| | 996 552 966 01 C51 | Graphite grey | | | |
| | 996 552 966 01 S31 | Savanna | | | |
| | 996 552 966 01 G11 | Metropole blue | | | |
| | 996 552 966 01 J31 | Nephrite green | -03 | | |
| | 996 552 966 01 M31 | Boxster red | | | |
| | 996 552 966 01 P12 | Cinnamon brown | | | |
| | 996 552 966 01 D12 | Dark grey/natural | | | |
| | 996 552 966 01 T12 | Brown/natural | | | |

Model: 996 98

Model life 1998>>2005



Model: 996 98 Model life 1998>>2005

| Pos | Part Number | Description | Remark | Qty | Model |
|-----|--------------------|--|--------|-----|----------|
| 1 | 996 552 541 02 | Accessories Dashboard trim Mounting Light | -01 | 1 | |
| 2 | 996 653 251 00 | Sensor | | 1 | M534/535 |
| 3 | 999 919 120 09 | Oval-head screw 4,0 X 18 | | 2 | |
| 4 | 996 552 225 05 | Side vent Lacquered | /L | 1 | |
| | 996 552 225 05 D05 | Granite grey | -99 | | |
| | 996 552 225 05 A03 | Black | 00- | | |
| | 996 552 225 05 C53 | Graphite grey | 00- | | |
| | 996 552 225 05 S33 | Savanna | 00- | | |
| | 996 552 225 05 G13 | Metropole blue | 00- | | |
| | 996 552 225 05 B13 | Space grey | 00 | | |
| | 996 552 225 05 J33 | Nephrite green | 00- | | |
| | 996 552 225 05 M33 | Boxster red | 00- | | |
| | 996 552 225 05 P13 | Cinnamon brown | 01- | | |
| (4) | 996 552 228 05 | Side vent Lacquered | /R | 1 | |
| | 996 552 228 05 D05 | Granite grey | -99 | | |
| | 996 552 228 05 A03 | Black | 00- | | |
| | 996 552 228 05 C53 | Graphite grey | 00- | | |
| | 996 552 228 05 S33 | Savanna | 00- | | |
| | 996 552 228 05 G13 | Metropole blue | 00- | | |
| | 996 552 228 05 B13 | Space grey | 00 | | |
| | 996 552 228 05 J33 | Nephrite green | 00- | | |
| | 996 552 228 05 M33 | Boxster red | 00- | | |
| | 996 552 228 05 P13 | Cinnamon brown | 01- | | |
| 4 | 996 552 984 00 | Side vent Leather | /L 01- | 1 | IXN3 |
| | 996 552 984 00 VRK | Black | | | |
| | 996 552 984 00 C51 | Graphite grey | | | |
| | 996 552 984 00 S31 | Savanna | | | |
| | 996 552 984 00 G11 | Metropole blue | | | |
| | 996 552 984 00 J31 | Nephrite green | | | |
| | 996 552 984 00 M31 | Boxster red | | | |
| | 996 552 984 00 D12 | Dark grey/natural | | | |
| | 996 552 984 00 T12 | Brown/natural | | | |
| | 996 552 984 00 P12 | Cinnamon brown | | | |
| (4) | 996 552 985 00 | Side vent Leather | /R 01- | 1 | IXN3 |
| | 996 552 985 00 VRK | Black | | | |
| | 996 552 985 00 C51 | Graphite grey | | | |
| | 996 552 985 00 S31 | Savanna | | | |
| | 996 552 985 00 G11 | Metropole blue | | | |
| | 996 552 985 00 J31 | Nephrite green | | | |
| | 996 552 985 00 M31 | Boxster red | | | |
| | 996 552 985 00 D12 | Dark grey/natural | | | |
| | 996 552 985 00 T12 | Brown/natural | | | |
| | 996 552 985 00 P12 | Cinnamon brown | | | |
| 4 | 996 552 984 03 | Side vent Carbon Leather | /L 01- | 1 | IXKD |
| | 996 552 984 03 VRK | Black | | | |
| | 996 552 984 03 C51 | Graphite grey | | | |
| | 996 552 984 03 S31 | Savanna | | | |
| | 996 552 984 03 J31 | Nephrite green | | | |
| | 996 552 984 03 M31 | Boxster red | | | |
| | 996 552 984 03 G11 | Metropole blue | | | |
| | 996 552 984 03 D12 | Dark grey/natural | | | |
| | 996 552 984 03 T12 | Brown/natural | | | |
| | 996 552 984 03 P12 | Cinnamon brown | | | |

Model: 996 98 Model life 1998>>2005

| Pos | Part Number | Description | Remark | Qty | Model |
|-----|--------------------|---|--------|-----|-------|
| (4) | 996 552 985 03 | Side vent Carbon Leather | /R 01- | 1 | IXKD |
| | 996 552 985 03 VRK | Black | | | |
| | 996 552 985 03 C51 | Graphite grey | | | |
| | 996 552 985 03 S31 | Savanna | | | |
| | 996 552 985 03 J31 | Nephrite green | | | |
| | 996 552 985 03 M31 | Boxster red | | | |
| | 996 552 985 03 G11 | Metropole blue | | | |
| | 996 552 985 03 D12 | Dark grey/natural | | | |
| | 996 552 985 03 T12 | Brown/natural | | | |
| | 996 552 985 03 P12 | Cinnamon brown | | | |
| 4 | 996 552 984 01 | Side vent Rootwood Light Leather | /L 01- | 1 | IXKB |
| | 996 552 984 01 VRK | Black | | | |
| | 996 552 984 01 C51 | Graphite grey | | | |
| | 996 552 984 01 S31 | Savanna | | | |
| | 996 552 984 01 J31 | Nephrite green | | | |
| | 996 552 984 01 M31 | Boxster red | | | |
| | 996 552 984 01 G11 | Metropole blue | | | |
| | 996 552 984 01 D12 | Dark grey | | | |
| | 996 552 984 01 T12 | Brown/natural | | | |
| | 996 552 984 01 P12 | Cinnamon brown | | | |
| (4) | 996 552 985 01 | Side vent Rootwood Light Leather | /R 01- | 1 | IXKB |
| | 996 552 985 01 VRK | Black | | | |
| | 996 552 985 01 C51 | Graphite grey | | | |
| | 996 552 985 01 S31 | Savanna | | | |
| | 996 552 985 01 J31 | Nephrite green | | | |
| | 996 552 985 01 M31 | Boxster red | | | |
| | 996 552 985 01 G11 | Metropole blue | | | |
| | 996 552 985 01 D12 | Dark grey | | | |
| | 996 552 985 01 T12 | Brown/natural | | | |
| | 996 552 985 01 P12 | Cinnamon brown | | | |
| 4 | 996 552 984 02 | Side vent Rootwood Dark Leather | /L 01- | 1 | IXKC |
| | 996 552 984 02 VRK | Black | | | |
| | 996 552 984 02 C51 | Graphite grey | | | |
| | 996 552 984 02 S31 | Savanna | | | |
| | 996 552 984 02 J31 | Nephrite green | | | |
| | 996 552 984 02 M31 | Boxster red | | | |
| | 996 552 984 02 G11 | Metropole blue | | | |
| | 996 552 984 02 D12 | Dark grey | | | |
| | 996 552 984 02 T12 | Brown/natural | | | |
| | 996 552 984 02 P12 | Cinnamon brown | | | |
| (4) | 996 552 985 02 | Side vent Rootwood Dark Leather | /R 01- | 1 | IXKC |
| | 996 552 985 02 VRK | Black | | | |
| | 996 552 985 02 C51 | Graphite grey | | | |
| | 996 552 985 02 S31 | Savanna | | | |
| | 996 552 985 02 J31 | Nephrite green | | | |
| | 996 552 985 02 M31 | Boxster red | | | |
| | 996 552 985 02 G11 | Metropole blue | | | |
| | 996 552 985 02 D12 | Dark grey | | | |
| | 996 552 985 02 T12 | Brown/natural | | | |

Model: 996 98 Model life 1998>>2005

| Pos | Part Number | Description | Remark | Qty | Model | |
|--------------------|--------------------|----------------------------|----------------|--------|----------|----------------|
| 4 | 996 552 985 02 P12 | Cinnamon brown | /L 01- | 1 | IXKD | |
| | 996 552 984 03 | Side vent | | | | |
| | | Carbon | | | | |
| | | Leather | | | | |
| | 996 552 984 03 VRK | Black | | | | |
| | 996 552 984 03 C51 | Graphite grey | | | | |
| | 996 552 984 03 S31 | Savanna | | | | |
| | 996 552 984 03 J31 | Nephrite green | | | | |
| | 996 552 984 03 M31 | Boxster red | | | | |
| | 996 552 984 03 G11 | Metropole blue | | | | |
| | 996 552 984 03 D12 | Dark grey/natural | | | | |
| | 996 552 984 03 T12 | Brown/natural | | | | |
| | (4) | 996 552 984 03 P12 | | | | Cinnamon brown |
| 996 552 985 03 | | Side vent | | | | |
| | | Carbon | | | | |
| | | Leather | | | | |
| 996 552 985 03 VRK | | Black | | | | |
| 996 552 985 03 C51 | | Graphite grey | | | | |
| 996 552 985 03 S31 | | Savanna | | | | |
| 996 552 985 03 J31 | | Nephrite green | | | | |
| 996 552 985 03 M31 | | Boxster red | | | | |
| 996 552 985 03 G11 | | Metropole blue | | | | |
| 996 552 985 03 D12 | | Dark grey/natural | | | | |
| 996 552 985 03 T12 | | Brown/natural | | | | |
| 4 | | 996 552 985 03 P12 | Cinnamon brown | /L 01- | 1 | IXKE |
| | 996 552 984 05 | Side vent | | | | |
| | | Arctic silver | | | | |
| | | Leather | | | | |
| | 996 552 984 05 VRK | Black | | | | |
| | 996 552 984 05 C51 | Graphite grey | | | | |
| | 996 552 984 05 S31 | Savanna | | | | |
| | 996 552 984 05 J31 | Nephrite green | | | | |
| | 996 552 984 05 M31 | Boxster red | | | | |
| | 996 552 984 05 G11 | Metropole blue | | | | |
| | 996 552 984 05 D12 | Dark grey | | | | |
| | 996 552 984 05 T12 | Brown/natural | | | | |
| | (4) | 996 552 984 05 P12 | Cinnamon brown | | | |
| 996 552 985 05 | | Side vent | | | | |
| | | Arctic silver | | | | |
| | | Leather | | | | |
| 996 552 985 05 VRK | | Black | | | | |
| 996 552 985 05 C51 | | Graphite grey | | | | |
| 996 552 985 05 S31 | | Savanna | | | | |
| 996 552 985 05 J31 | | Nephrite green | | | | |
| 996 552 985 05 M31 | | Boxster red | | | | |
| 996 552 985 05 G11 | | Metropole blue | | | | |
| 996 552 985 05 D12 | | Dark grey | | | | |
| 996 552 985 05 T12 | | Brown/natural | | | | |
| 5 | | 996 552 985 05 P12 | Cinnamon brown | | 1 | |
| | 996 552 621 01 | Cover | | | | |
| | | Headlight levelling system | | | | |
| | | Lacquered | | | | |
| | 996 552 621 01 D05 | Granite grey | -99 | | | |
| | 996 552 621 01 A03 | Black | 00- | | | |
| | 996 552 621 01 C53 | Graphite grey | 00- | | | |
| | 996 552 621 01 S33 | Savanna | 00- | | | |
| | 996 552 621 01 G13 | Metropole blue | 00- | | | |
| | 996 552 621 01 B13 | Space grey | 00 | | | |
| | 996 552 621 01 J33 | Nephrite green | 00- | | | |
| | 996 552 621 01 M33 | Boxster red | 00- | | | |
| | 996 552 621 01 P13 | Cinnamon brown | 01- | | | |
| 5 | 996 552 986 00 | Cover | 01- | 1 | IXNH/XN3 | |
| | | Headlight levelling system | | | | |

Model: 996 98 Model life 1998>>2005

| Pos | Part Number | Description | Remark | Qty | Model |
|-----|--------------------|----------------------------|--------|-----|-------|
| | | Leather | | | |
| | 996 552 986 00 A11 | Black | | | |
| | 996 552 986 00 C51 | Graphite grey | | | |
| | 996 552 986 00 S31 | Savanna | | | |
| | 996 552 986 00 J31 | Nephrite green | | | |
| | 996 552 986 00 M31 | Boxster red | | | |
| | 996 552 986 00 G11 | Metropole blue | | | |
| | 996 552 986 00 D12 | Dark grey/natural | | | |
| | 996 552 986 00 T12 | Brown/natural | | | |
| | 996 552 986 00 P12 | Cinnamon brown | | | |
| 5 | 996 552 986 01 | Cover | 01 | 2 | IXKB |
| | | Headlight levelling system | | | |
| | | Rootwood | | | |
| | | Light | | | |
| 5 | 996 552 986 02 | Cover | 01 | 2 | IXKC |
| | | Headlight levelling system | | | |
| | | Rootwood | | | |
| | | Dark | | | |
| 5 | 996 552 986 03 | Cover | 01 | 2 | IXKD |
| | | Headlight levelling system | | | |
| | | Carbon | | | |
| 6 | 996 552 417 02 | Rosette | | 1 | |
| | | Interior sensor | | | |
| | | Lacquered | | | |
| | 996 552 417 02 D05 | Granite grey | -99 | | |
| | 996 552 417 02 A03 | Black | 00- | | |
| | 996 552 417 02 C53 | Graphite grey | 00- | | |
| | 996 552 417 02 S33 | Savanna | 00- | | |
| | 996 552 417 02 G13 | Metropole blue | 00- | | |
| | 996 552 417 02 B13 | Space grey | 00 | | |
| | 996 552 417 02 J33 | Nephrite green | 00- | | |
| | 996 552 417 02 M33 | Boxster red | 00- | | |
| | 996 552 417 02 P13 | Cinnamon brown | 01- | | |
| 6 | 996 552 987 00 | Rosette | 01- | 1 | IXNH |
| | | Interior sensor | | | |
| | | Leather | | | |
| | 996 552 987 00 A11 | Black | | | |
| | 996 552 987 00 C51 | Graphite grey | | | |
| | 996 552 987 00 S31 | Savanna | | | |
| | 996 552 987 00 J31 | Nephrite green | | | |
| | 996 552 987 00 M31 | Boxster red | | | |
| | 996 552 987 00 G11 | Metropole blue | | | |
| | 996 552 987 00 D12 | Dark grey/natural | | | |
| | 996 552 987 00 T12 | Brown/natural | | | |
| | 996 552 987 00 P12 | Cinnamon brown | | | |
| 7 | 999 919 120 09 | Oval-head screw | -00 | 4 | |
| | | 4,0 X 18 | | | |
| 7 | 999 073 218 09 | Tapping screw | 01- | 4 | |
| | | 4,2 X 16 | | | |
| 8 | 986 552 183 00 | Support | /L -99 | 1 | |
| | 986 552 183 00 01C | Satin black | | | |
| (8) | 986 552 184 00 | Support | /R -99 | 1 | |
| | | Beverages | | | |
| | 986 552 184 00 01C | Satin black | | | |
| 10 | 996 552 235 03 | Rosette | /LL | 1 | |
| | | Ignition starter lock | | | |
| | 996 552 235 03 D05 | Granite grey | -99 | | |
| | 996 552 235 03 A03 | Black | 00- | | |
| | 996 552 235 03 C53 | Graphite grey | 00- | | |
| | 996 552 235 03 S33 | Savanna | 00- | | |
| | 996 552 235 03 G13 | Metropole blue | 00- | | |
| | 996 552 235 03 B13 | Space grey | 00 | | |
| | 996 552 235 03 J33 | Nephrite green | 00- | | |

Model: 996 98 Model life 1998>>2005

| Pos | Part Number | Description | Remark | Qty | Model |
|--------------------|--------------------|-----------------------|---------|-----|-------|
| (10) | 996 552 235 03 M33 | Boxster red | 00- | 1 | |
| | 996 552 235 03 P13 | Cinnamon brown | 01- | | |
| | 996 552 236 03 | Rosette | /RL | | |
| | | Ignition starter lock | | | |
| | 996 552 236 03 D05 | Granite grey | -99 | | |
| | 996 552 236 03 A03 | Black | 00- | | |
| | 996 552 236 03 C53 | Graphite grey | 00- | | |
| | 996 552 236 03 S33 | Savanna | 00- | | |
| | 996 552 236 03 G13 | Metropole blue | 00- | | |
| | 996 552 236 03 B13 | Space grey | 00 | | |
| 10 | 996 552 236 03 J33 | Nephrite green | 00- | 1 | IXJ4 |
| | 996 552 236 03 M33 | Boxster red | 00- | | |
| | 996 552 236 03 P13 | Cinnamon brown | 01- | | |
| | 996 552 980 00 | Rosette | /LL 01- | | |
| | | Ignition starter lock | | | |
| | | Leather | | | |
| | 996 552 980 00 A11 | Black | | | |
| | 996 552 980 00 C51 | Graphite grey | | | |
| | 996 552 980 00 S31 | Savanna | | | |
| | 996 552 980 00 G11 | Metropole blue | | | |
| (10) | 996 552 980 00 J31 | Nephrite green | | 1 | IXJ4 |
| | 996 552 980 00 M31 | Boxster red | | | |
| | 996 552 980 00 P12 | Cinnamon brown | | | |
| | 996 552 980 00 D12 | Dark grey/natural | | | |
| | 996 552 980 00 T12 | Brown/natural | | | |
| | 996 552 980 01 | Rosette | /RL 01- | | |
| | | Ignition starter lock | | | |
| | | Leather | | | |
| | 996 552 980 01 A11 | Black | | | |
| | 996 552 980 01 C51 | Graphite grey | | | |
| 11 | 996 552 980 01 S31 | Savanna | | 1 | |
| | 996 552 980 01 G11 | Metropole blue | | | |
| | 996 552 980 01 J31 | Nephrite green | | | |
| | 996 552 980 01 M31 | Boxster red | | | |
| | 996 552 980 01 P12 | Cinnamon brown | | | |
| | 996 552 980 01 D12 | Dark grey/natural | | | |
| | 996 552 980 01 T12 | Brown/natural | | | |
| | 996 552 271 03 | Cover | | | |
| | | Steering | | | |
| | 11 | 996 552 271 03 A03 | Black | | |
| 996 552 271 03 C53 | | Graphite grey | | | |
| 996 552 271 03 S33 | | Savanna | | | |
| 996 552 271 03 G13 | | Metropole blue | | | |
| 996 552 271 03 J33 | | Nephrite green | | | |
| 996 552 271 03 M33 | | Boxster red | | | |
| 996 552 271 03 P13 | | Cinnamon brown | | | |
| 986 552 988 03 | | Cover | 01- | | |
| | | Steering | | | |
| | | Leather | | | |
| 12 | 986 552 988 03 VRK | Black | | 8 | |
| | 986 552 988 03 S31 | Savanna | | | |
| | 986 552 988 03 G11 | Metropole blue | | | |
| | 986 552 988 03 J31 | Nephrite green | | | |
| | 986 552 988 03 M31 | Boxster red | | | |
| | 986 552 988 03 D12 | Dark grey/natural | | | |
| | 986 552 988 03 T12 | Brown/natural | | | |
| | 986 552 988 03 C51 | Graphite grey | | | |
| | 986 552 988 03 P12 | Cinnamon brown | | | |
| | 999 919 123 09 | Oval-head screw | | | |
| 13 | 996 552 131 02 | Support frame | 98 | 1 | |
| | 996 552 131 02 EJK | Granite grey | | | |
| (13) | 996 552 131 03 | Support frame | 98 | 1 | M662 |

Model: 996 98 Model life 1998>>2005

| Pos | Part Number | Description | Remark | Qty | Model | |
|--------------------|--------------------|--------------------|---------------|-------|-------|-----------|
| 13 | 996 552 131 03 EJK | Granite grey | | | | |
| | 996 552 131 04 | Support frame | 99-01 | 1 | | |
| | 996 552 131 04 EJK | Granite grey | 99 | | | |
| | 996 552 131 04 A03 | Black | 00- | | | |
| | 996 552 131 04 C53 | Graphite grey | 00- | | | |
| | 996 552 131 04 S33 | Savanna | 00- | | | |
| | 996 552 131 04 G13 | Metropole blue | 00- | | | |
| | 996 552 131 04 B13 | Space grey | 00 | | | |
| | 996 552 131 04 J33 | Nephrite green | 00- | | | |
| | 996 552 131 04 M33 | Boxster red | 00- | | | |
| | 996 552 131 04 P13 | Cinnamon brown | 01 | | | |
| | (13) | 996 552 131 05 | Support frame | 99-01 | 1 | M662 |
| | | 996 552 131 05 EJK | Granite grey | 99 | | |
| 996 552 131 05 A03 | | Black | 00- | | | |
| 996 552 131 05 C53 | | Graphite grey | 00- | | | |
| 996 552 131 05 S33 | | Savanna | 00- | | | |
| 996 552 131 05 G13 | | Metropole blue | 00- | | | |
| 996 552 131 05 B13 | | Space grey | 00 | | | |
| 996 552 131 05 J33 | | Nephrite green | 00- | | | |
| 996 552 131 05 M33 | | Boxster red | 00- | | | |
| 996 552 131 05 P13 | | Cinnamon brown | 01 | | | |
| (13) | | 996 552 969 08 | Support frame | 01 | 1 | IXNN |
| | | 996 552 969 08 A11 | Black | | | |
| | | 996 552 969 08 C51 | Graphite grey | | | |
| | 996 552 969 08 S31 | Savanna | | | | |
| | | Savanna | | | | |
| | 996 552 969 08 G11 | Metropole blue | | | | |
| | 996 552 969 08 J31 | Nephrite green | | | | |
| | 996 552 969 08 M31 | Boxster red | | | | |
| | 996 552 969 08 D12 | Dark grey/natural | | | | |
| | 996 552 969 08 T12 | Brown/natural | | | | |
| | 996 552 969 08 P12 | Cinnamon brown | | | | |
| | (13) | 996 552 969 09 | Support frame | 01 | 1 | IXNN/M662 |
| | | | Leather | | | |
| 996 552 969 09 A11 | | Black | | | | |
| 996 552 969 09 C51 | | Graphite grey | | | | |
| 996 552 969 09 S31 | | Savanna | | | | |
| | | Savanna | | | | |
| 996 552 969 09 G11 | | Metropole blue | | | | |
| 996 552 969 09 J31 | | Nephrite green | | | | |
| 996 552 969 09 M31 | | Boxster red | | | | |
| 996 552 969 09 D12 | | Dark grey/natural | | | | |
| 996 552 969 09 T12 | | Brown/natural | | | | |
| 996 552 969 09 P12 | | Cinnamon brown | | | | |
| (13) | | 996 552 969 10 | Support frame | | 1 | IXKR |
| | | Rootwood | | | | |
| | 996 552 969 10 01C | Satin black | | | | |
| | 996 552 969 10 C53 | Graphite grey | | | | |
| | 996 552 969 10 S33 | Savanna | | | | |
| | 996 552 969 10 G13 | Metropole blue | | | | |
| | 996 552 969 10 J33 | Nephrite green | | | | |
| | 996 552 969 10 M33 | Boxster red | | | | |
| | 996 552 969 10 D12 | Dark grey | | | | |
| | 996 552 969 10 T12 | Brown/natural | | | | |
| | 996 552 969 10 P13 | Cinnamon brown | 01 | | | |
| | (13) | 996 552 969 11 | Support frame | | 1 | IXKR/M662 |
| | | | Rootwood | | | |
| | | Light | | | | |
| 996 552 969 11 01C | | Satin black | | | | |
| 996 552 969 11 C53 | | Graphite grey | | | | |
| 996 552 969 11 S33 | | Savanna | | | | |
| 996 552 969 11 J33 | | Nephrite green | | | | |

Model: 996 98 Model life 1998>>2005

| Pos | Part Number | Description | Remark | Qty | Model |
|------|--------------------|-------------------|--------|-----|-----------|
| | 996 552 969 11 M33 | Boxster red | | | |
| | 996 552 969 11 D12 | Dark grey/natural | | | |
| | 996 552 969 11 T12 | Brown/natural | | | |
| | 996 552 969 11 P13 | Cinnamon brown | 01 | | |
| | 996 552 969 11 S30 | Savanna | | | |
| (13) | 996 552 969 12 | Support frame | 01 | 1 | IXKS |
| | | Rootwood | | | |
| | 996 552 969 12 01C | Satin black | | | |
| | 996 552 969 12 C53 | Graphite grey | | | |
| | 996 552 969 12 S33 | Savanna | | | |
| | 996 552 969 12 G13 | Metropole blue | | | |
| | 996 552 969 12 J33 | Nephrite green | | | |
| | 996 552 969 12 M33 | Boxster red | | | |
| | 996 552 969 12 D12 | Dark grey/natural | | | |
| | 996 552 969 12 T12 | Brown/natural | | | |
| | 996 552 969 12 P13 | Cinnamon brown | | | |
| | 996 552 969 12 S30 | Savanna | | | |
| (13) | 996 552 969 13 | Support frame | 01 | 1 | IXKS/M662 |
| | | Rootwood | | | |
| | | Dark | | | |
| | 996 552 969 13 01C | Satin black | | | |
| | 996 552 969 13 C53 | Graphite grey | | | |
| | 996 552 969 13 S33 | Savanna | | | |
| | 996 552 969 13 G13 | Metropole blue | | | |
| | 996 552 969 13 J33 | Nephrite green | | | |
| | 996 552 969 13 M33 | Boxster red | | | |
| | 996 552 969 13 D12 | Dark grey/natural | | | |
| | 996 552 969 13 T12 | Brown/natural | | | |
| | 996 552 969 13 P13 | Cinnamon brown | | | |
| (13) | 996 552 969 14 | Support frame | | 1 | IXNR |
| | | Carbon | | | |
| | 996 552 969 14 01C | Satin black | | | |
| | 996 552 969 14 C53 | Graphite grey | | | |
| | 996 552 969 14 S33 | Savanna | | | |
| | 996 552 969 14 G13 | Metropole blue | | | |
| | 996 552 969 14 J33 | Nephrite green | | | |
| | 996 552 969 14 M33 | Boxster red | | | |
| | 996 552 969 14 D12 | Dark grey/natural | | | |
| | 996 552 969 14 T12 | Brown/natural | | | |
| | 996 552 969 14 P13 | Cinnamon brown | 01 | | |
| (13) | 996 552 969 15 | Support frame | | 1 | IXNR/M662 |
| | | Carbon | | | |
| | 996 552 969 15 01C | Satin black | | | |
| | 996 552 969 15 C53 | Graphite grey | | | |
| | 996 552 969 15 S33 | Savanna | | | |
| | 996 552 969 15 G13 | Metropole blue | | | |
| | 996 552 969 15 J33 | Nephrite green | | | |
| | 996 552 969 15 M33 | Boxster red | | | |
| | 996 552 969 15 D12 | Dark grey | | | |
| | 996 552 969 15 T12 | Brown/natural | | | |
| | 996 552 969 15 P13 | Cinnamon brown | 01 | | |
| (13) | 996 552 969 16 | Support frame | 01 | 1 | IXKW |
| | | Arctic silver | | | |
| (13) | 996 552 969 16 92T | Arctic silver | | | |
| (13) | 996 552 969 17 | Support frame | 01 | 1 | IXKW/M662 |
| | | Arctic silver | | | |
| | 996 552 969 17 92T | Arctic silver | | | |
| 14 | 999 507 533 02 | Clamp | | 4 | |
| | | 8/2,5 | | | |
| (15) | 999 920 015 40 | Plug-in nut | -99 | 11 | |
| | | 4,0 X 4,0 X 9 | | | |
| 15 | 999 920 012 40 | Plug-in nut | | 4 | |
| | | 5,0 X 3,5 X 8 | | | |

Model: 996 98 Model life 1998>>2005

| Pos | Part Number | Description | Remark | Qty | Model |
|------|--------------------|--|----------|-----|-------|
| (15) | 999 507 744 01 | Speed nut 4,2 | -00 | 18 | |
| (15) | 999 507 768 02 | Speed nut 4,2 | 01 | 16 | |
| (15) | 999 507 767 02 | Speed nut 4,2 | 01 | 2 | |
| 16 | 999 919 123 09 | Oval-head screw 5,0 X 20 | -00 | 4 | |
| 16 | 999 073 218 09 | Tapping screw 4,2 X 16 | 01 | 4 | |
| 17 | 996 653 241 00 | Interior sensor Side vent | | 1 | M573 |
| 18 | | See group 4/03/06 | | 1 | |
| 19 | 996 552 233 03 | Trim for switch Upper part/lower part | /L 98 | 1 | |
| | 996 552 233 03 D05 | Granite grey/granite grey | | | |
| | 996 552 233 03 EFY | Granite grey/graphite grey | | | |
| | 996 552 233 03 EFZ | Granite grey/savanna | | | |
| | 996 552 233 03 EJG | Granite grey/metrop. blue | | | |
| | 996 552 233 03 EJH | Granite grey/space grey | | | |
| 19 | 996 552 233 04 | Trim for switch Upper part/lower part | /L 99-01 | 1 | |
| | 996 552 233 04 D05 | Granite grey/granite grey | 99 | | |
| | 996 552 233 04 EFY | Granite grey/graphite grey | 99 | | |
| | 996 552 233 04 EFZ | Granite grey/savanna | 99 | | |
| | 996 552 233 04 EJG | Granite grey/metrop. blue | 99 | | |
| | 996 552 233 04 EJH | Granite grey/space grey | 99 | | |
| | 996 552 233 04 A03 | Black | 00- | | |
| | 996 552 233 04 C53 | Graphite grey | 00- | | |
| | 996 552 233 04 S33 | Savanna | 00- | | |
| | 996 552 233 04 G13 | Metropole blue | 00- | | |
| | 996 552 233 04 B13 | Space grey | 00 | | |
| | 996 552 233 04 J33 | Nephrite green | 00- | | |
| | 996 552 233 04 M33 | Boxster red | 00- | | |
| | 996 552 233 04 P13 | Cinnamon brown | 01 | | |
| 19 | 996 552 967 04 | Trim for switch Leather | /L 01 | 1 | IXNN |
| | 996 552 967 04 A11 | Black | | | |
| | 996 552 967 04 C51 | Graphite grey | | | |
| | 996 552 967 04 S31 | Savanna | | | |
| | 996 552 967 04 G11 | Metropole blue | | | |
| | 996 552 967 04 J31 | Nephrite green | | | |
| | 996 552 967 04 M31 | Boxster red | | | |
| | 996 552 967 04 D12 | Dark grey | | | |
| | 996 552 967 04 T12 | Brown/natural | | | |
| | 996 552 967 04 P12 | Cinnamon brown | | | |
| 19 | 996 552 967 05 | Trim for switch Rootwood Light | /L 01 | 1 | IXKR |
| 19 | 996 552 967 06 | Trim for switch Rootwood Dark | /L 01 | 1 | IXKS |
| 19 | 996 552 967 07 | Trim for switch Carbon | /L 01 | 1 | IXNR |
| 21 | 996 552 234 03 | Trim for switch Upper part/lower part | /R 98 | 1 | |
| | 996 552 234 03 D05 | Granite grey/granite grey | | | |
| | 996 552 234 03 EFY | Granite grey/graphite grey | | | |
| | 996 552 234 03 EFZ | Granite grey/savanna | | | |
| | 996 552 234 03 EJG | Granite grey/metrop. blue | | | |
| | 996 552 234 03 EJH | Granite grey/space grey | | | |
| 21 | 996 552 234 04 | Trim for switch | /R 99-01 | 1 | |

Model: 996 98 Model life 1998>>2005

| Pos | Part Number | Description | Remark | Qty | Model |
|------|--------------------|--------------------------------------|--------|-----|------------------|
| | | Upper part/lower part | | | |
| | 996 552 234 04 D05 | Granite grey/granite grey | 99 | | |
| | 996 552 234 04 EFY | Granite grey/graphite grey | 99 | | |
| | 996 552 234 04 EFZ | Granite grey/savanna | 99 | | |
| | 996 552 234 04 EJG | Granite grey/metrop. blue | 99 | | |
| | 996 552 234 04 EJH | Granite grey/space grey | 99 | | |
| | 996 552 234 04 A03 | Black | | | |
| | 996 552 234 04 C53 | Graphite grey | 00- | | |
| | 996 552 234 04 S33 | Savanna | 00- | | |
| | 996 552 234 04 G13 | Metropole blue | 00- | | |
| | 996 552 234 04 B13 | Space grey | 00 | | |
| | 996 552 234 04 J33 | Nephrite green | 00- | | |
| | 996 552 234 04 M33 | Boxster red | 00- | | |
| | 996 552 234 04 P13 | Cinnamon brown | 01 | | |
| 21 | 996 552 968 04 | Trim for switch Leather | /R 01 | 1 | IXNN |
| | 996 552 968 04 A11 | Black | | | |
| | 996 552 968 04 C51 | Graphite grey | | | |
| | 996 552 968 04 S31 | Savanna | | | |
| | 996 552 968 04 G11 | Metropole blue | | | |
| | 996 552 968 04 J31 | Nephrite green | | | |
| | 996 552 968 04 M31 | Boxster red | | | |
| | 996 552 968 04 D12 | Dark grey | | | |
| | 996 552 968 04 T12 | Brown/natural | | | |
| | 996 552 968 04 P12 | Cinnamon brown | | | |
| 21 | 996 552 968 05 | Trim for switch Rootwood Light | /R 01 | 1 | IXKR |
| 21 | 996 552 968 06 | Trim for switch Rootwood Dark | /R 01 | 1 | IXKS |
| 21 | 996 552 968 07 | Trim for switch Carbon | /R 01 | 1 | IXNR |
| 22 | 996 552 153 01 | Support frame Heating | 01- | 1 | M574 |
| | 996 552 153 01 01C | Satin black | | | |
| 22 | 996 552 991 00 | Support frame Heating Leather | | 1 | IXKW/XNN M574 |
| | 996 552 991 00 A11 | Black | | | |
| | 996 552 991 00 C51 | Graphite grey | | | |
| | 996 552 991 00 S31 | Savanna | | | |
| | 996 552 991 00 J31 | Nephrite green | | | |
| | 996 552 991 00 M31 | Boxster red | | | |
| | 996 552 991 00 G11 | Metropole blue | | | |
| | 996 552 991 00 D12 | Dark grey | | | |
| | 996 552 991 00 T12 | Brown/natural | | | |
| | 996 552 991 00 P12 | Cinnamon brown | | | |
| 23 | 996 552 677 00 | Frame Air-conditioning switch | | 1 | |
| | 996 552 677 00 01C | Satin black | | | |
| 24 | 996 552 673 02 | Retaining bar | | 1 | |
| (24) | 996 552 653 01 | Retaining bar | | 1 | M662 |
| 25 | 999 919 123 09 | Oval-head screw 5,0 X 20 | -00 | 2 | |
| 25 | 999 073 218 09 | Tapping screw 4,2 X 16 | 01- | 2 | |
| 26 | 996 552 253 01 | Shelf Instead of Radio | | 1 | |
| | 996 552 253 01 01C | Satin black | | | |
| 26 | 996 552 994 01 | Shelf Leather | 01- | 1 | IXMF |

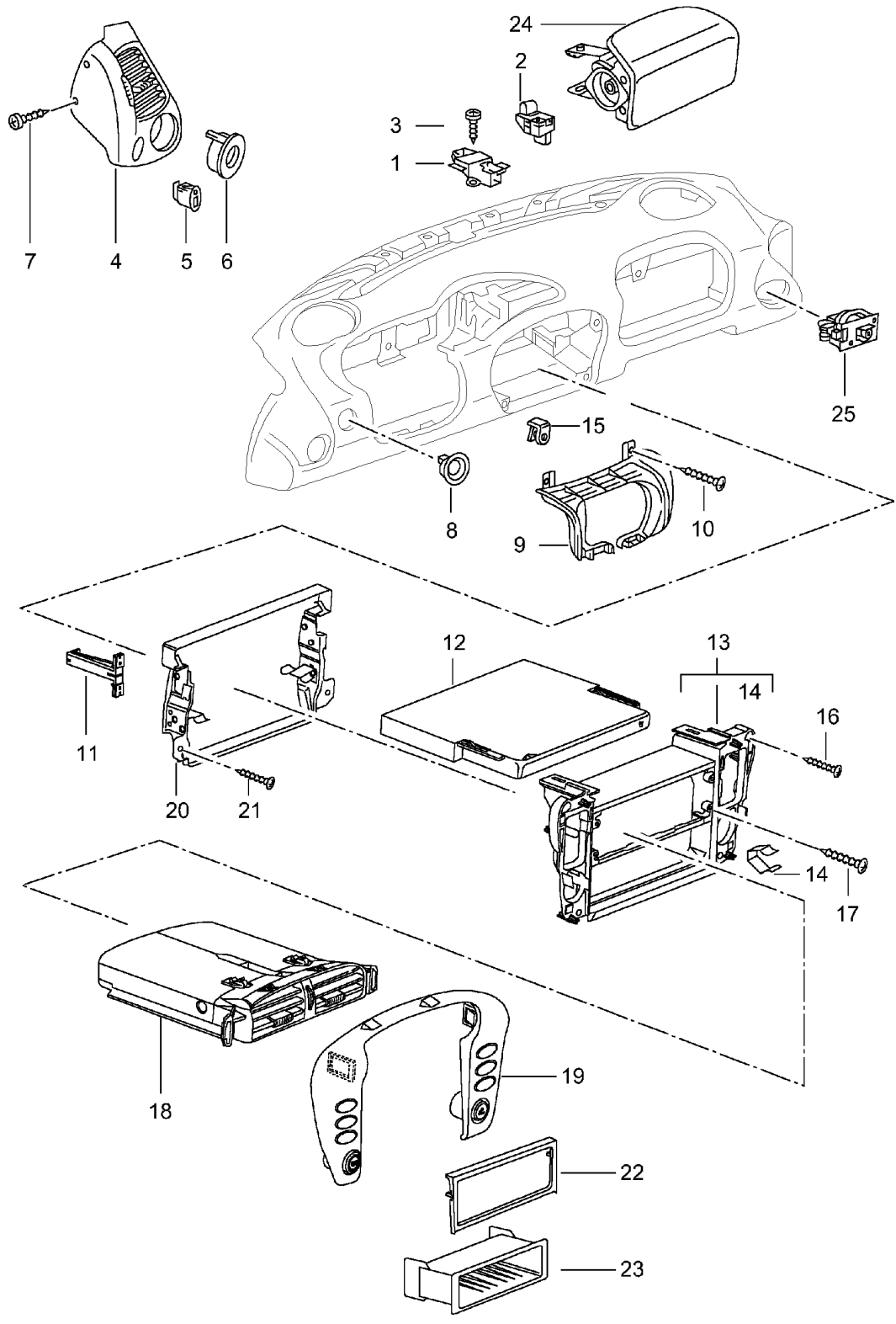
Model: 996 98

Model life 1998>>2005

| Pos | Part Number | Description | Remark | Qty | Model |
|------|--------------------|-------------------------------|--------|-----|-------|
| | 996 552 994 01 A11 | Black | | | |
| | 996 552 994 01 C51 | Graphite grey | | | |
| | 996 552 994 01 S31 | Savanna | | | |
| | 996 552 994 01 J31 | Nephrite green | | | |
| | 996 552 994 01 M31 | Boxster red | | | |
| | 996 552 994 01 G11 | Metropole blue | | | |
| | 996 552 994 01 D12 | Dark grey | | | |
| | 996 552 994 01 T12 | Brown/natural | | | |
| | 996 552 994 01 P12 | Cinnamon brown | | | |
| 27 | 996 552 173 00 | Shelf | -99 | 1 | |
| | 996 552 173 00 01C | Satin black | | | |
| 27 | 996 552 173 01 | Shelf | | 1 | |
| | | Driver's side | | | |
| | | Lacquered | | | |
| | 996 552 173 01 A03 | Black | 00- | | |
| | 996 552 173 01 S30 | Savanna | -99 | | |
| | 996 552 173 01 C50 | Graphite grey | -99 | | |
| | 996 552 173 01 G10 | Metropole blue | -99 | | |
| | 996 552 173 01 B50 | Space grey | -99 | | |
| | 996 552 173 01 C53 | Graphite grey | 00- | | |
| | 996 552 173 01 S33 | Savanna | 00- | | |
| | 996 552 173 01 G13 | Metropole blue | 00- | | |
| | 996 552 173 01 B13 | Space grey | 00 | | |
| | 996 552 173 01 J33 | Nephrite green | 00- | | |
| | 996 552 173 01 M33 | Boxster red | 00- | | |
| | 996 552 173 01 P13 | Cinnamon brown | 01- | | |
| (28) | 999 591 712 40 | Expansion rivet 6,0 X 12,0 | | 2 | |

Model: 996 98

Model life 1998>>2005



Model: 996 98 Model life 1998>>2005

| Pos | Part Number | Description | Remark | Qty | Model |
|-----|--------------------|--|--------|-----|----------|
| 1 | 996 552 541 02 | Accessories Dashboard trim Mounting Light | 02- | 1 | |
| 2 | 996 653 251 00 | Sensor | | 1 | M534/535 |
| 3 | 999 919 120 09 | Oval-head screw 4,0 X 18 | | 2 | |
| 4 | 996 552 225 06 | Side vent Lacquered | /L | 1 | |
| | 996 552 225 06 A03 | Black | | | |
| | 996 552 225 06 C53 | Graphite grey | | | |
| | 996 552 225 06 S33 | Savanna | | | |
| | 996 552 225 06 G13 | Metropole blue | | | |
| | 996 552 225 06 J33 | Nephrite green | | | |
| | 996 552 225 06 M33 | Boxster red | | | |
| | 996 552 225 06 P13 | Cinnamon brown | | | |
| (4) | 996 552 228 06 | Side vent Lacquered | /R | 1 | |
| | 996 552 228 06 A03 | Black | | | |
| | 996 552 228 06 C53 | Graphite grey | | | |
| | 996 552 228 06 S33 | Savanna | | | |
| | 996 552 228 06 G13 | Metropole blue | | | |
| | 996 552 228 06 J33 | Nephrite green | | | |
| | 996 552 228 06 M33 | Boxster red | | | |
| | 996 552 228 06 P13 | Cinnamon brown | | | |
| 4 | 996 552 984 00 | Side vent Leather | /L | 1 | IXN3 |
| | 996 552 984 00 VRK | Black | | | |
| | 996 552 984 00 C51 | Graphite grey | | | |
| | 996 552 984 00 S31 | Savanna | | | |
| | 996 552 984 00 G11 | Metropole blue | | | |
| | 996 552 984 00 J31 | Nephrite green | | | |
| | 996 552 984 00 M31 | Boxster red | | | |
| | 996 552 984 00 D12 | Dark grey/natural | | | |
| | 996 552 984 00 T12 | Brown/natural | | | |
| | 996 552 984 00 P12 | Cinnamon brown | | | |
| (4) | 996 552 985 00 | Side vent Leather | /R | 1 | IXN3 |
| | 996 552 985 00 VRK | Black | | | |
| | 996 552 985 00 C51 | Graphite grey | | | |
| | 996 552 985 00 S31 | Savanna | | | |
| | 996 552 985 00 G11 | Metropole blue | | | |
| | 996 552 985 00 J31 | Nephrite green | | | |
| | 996 552 985 00 M31 | Boxster red | | | |
| | 996 552 985 00 D12 | Dark grey/natural | | | |
| | 996 552 985 00 T12 | Brown/natural | | | |
| | 996 552 985 00 P12 | Cinnamon brown | | | |
| 4 | 996 552 984 01 | Side vent Rootwood Light Leather | /L | 1 | IXKB |
| | 996 552 984 01 VRK | Black | | | |
| | 996 552 984 01 C51 | Graphite grey | | | |
| | 996 552 984 01 S31 | Savanna | | | |
| | 996 552 984 01 J31 | Nephrite green | | | |
| | 996 552 984 01 M31 | Boxster red | | | |
| | 996 552 984 01 G11 | Metropole blue | | | |
| | 996 552 984 01 D12 | Dark grey | | | |
| | 996 552 984 01 T12 | Brown/natural | | | |
| | 996 552 984 01 P12 | Cinnamon brown | | | |
| (4) | 996 552 985 01 | Side vent Rootwood Light | /R | 1 | IXKB |

Model: 996 98 Model life 1998>>2005

| Pos | Part Number | Description | Remark | Qty | Model |
|-----|--------------------|-------------------|--------|-----|-------|
| | | Leather | | | |
| | 996 552 985 01 VRK | Black | | | |
| | 996 552 985 01 C51 | Graphite grey | | | |
| | 996 552 985 01 S31 | Savanna | | | |
| | 996 552 985 01 J31 | Nephrite green | | | |
| | 996 552 985 01 M31 | Boxster red | | | |
| | 996 552 985 01 G11 | Metropole blue | | | |
| | 996 552 985 01 D12 | Dark grey | | | |
| | 996 552 985 01 T12 | Brown/natural | | | |
| | 996 552 985 01 P12 | Cinnamon brown | | | |
| 4 | 996 552 984 02 | Side vent | /L | 1 | IXKC |
| | | Rootwood | | | |
| | | Dark | | | |
| | | Leather | | | |
| | 996 552 984 02 VRK | Black | | | |
| | 996 552 984 02 C51 | Graphite grey | | | |
| | 996 552 984 02 S31 | Savanna | | | |
| | 996 552 984 02 J31 | Nephrite green | | | |
| | 996 552 984 02 M31 | Boxster red | | | |
| | 996 552 984 02 G11 | Metropole blue | | | |
| | 996 552 984 02 D12 | Dark grey | | | |
| | 996 552 984 02 T12 | Brown/natural | | | |
| | 996 552 984 02 P12 | Cinnamon brown | | | |
| (4) | 996 552 985 02 | Side vent | /R | 1 | IXKC |
| | | Rootwood | | | |
| | | Dark | | | |
| | | Leather | | | |
| | 996 552 985 02 VRK | Black | | | |
| | 996 552 985 02 C51 | Graphite grey | | | |
| | 996 552 985 02 S31 | Savanna | | | |
| | 996 552 985 02 J31 | Nephrite green | | | |
| | 996 552 985 02 M31 | Boxster red | | | |
| | 996 552 985 02 G11 | Metropole blue | | | |
| | 996 552 985 02 D12 | Dark grey | | | |
| | 996 552 985 02 T12 | Brown/natural | | | |
| | 996 552 985 02 P12 | Cinnamon brown | | | |
| 4 | 996 552 984 03 | Side vent | /L | 1 | IXKD |
| | | Carbon | | | |
| | | Leather | | | |
| | 996 552 984 03 VRK | Black | | | |
| | 996 552 984 03 C51 | Graphite grey | | | |
| | 996 552 984 03 S31 | Savanna | | | |
| | 996 552 984 03 J31 | Nephrite green | | | |
| | 996 552 984 03 M31 | Boxster red | | | |
| | 996 552 984 03 G11 | Metropole blue | | | |
| | 996 552 984 03 D12 | Dark grey/natural | | | |
| | 996 552 984 03 T12 | Brown/natural | | | |
| | 996 552 984 03 P12 | Cinnamon brown | | | |
| (4) | 996 552 985 03 | Side vent | /R | 1 | IXKD |
| | | Carbon | | | |
| | | Leather | | | |
| | 996 552 985 03 VRK | Black | | | |
| | 996 552 985 03 C51 | Graphite grey | | | |
| | 996 552 985 03 S31 | Savanna | | | |
| | 996 552 985 03 J31 | Nephrite green | | | |
| | 996 552 985 03 M31 | Boxster red | | | |
| | 996 552 985 03 G11 | Metropole blue | | | |
| | 996 552 985 03 D12 | Dark grey/natural | | | |
| | 996 552 985 03 T12 | Brown/natural | | | |
| | 996 552 985 03 P12 | Cinnamon brown | | | |
| 4 | 996 552 984 05 | Side vent | /L | 1 | IXKE |
| | | Arctic silver | | | |
| | | Leather | | | |

Model: 996 98 Model life 1998>>2005

| Pos | Part Number | Description | Remark | Qty | Model | | | |
|--------------------|--------------------|--|--------|-----|-------|--------|---|------|
| (4) | 996 552 984 05 VRK | Black | | | | | | |
| | 996 552 984 05 C51 | Graphite grey | | | | | | |
| | 996 552 984 05 S31 | Savanna | | | | | | |
| | 996 552 984 05 J31 | Nephrite green | | | | | | |
| | 996 552 984 05 M31 | Boxster red | | | | | | |
| | 996 552 984 05 G11 | Metropole blue | | | | | | |
| | 996 552 984 05 D12 | Dark grey | | | | | | |
| | 996 552 984 05 T12 | Brown/natural | | | | | | |
| | 996 552 984 05 P12 | Cinnamon brown | | | | | | |
| | 996 552 985 05 | Side vent Arctic silver Leather | | | | /R | 1 | IXKE |
| 4 | 996 552 985 05 VRK | Black | | | | | | |
| | 996 552 985 05 C51 | Graphite grey | | | | | | |
| | 996 552 985 05 S31 | Savanna | | | | | | |
| | 996 552 985 05 J31 | Nephrite green | | | | | | |
| | 996 552 985 05 M31 | Boxster red | | | | | | |
| | 996 552 985 05 G11 | Metropole blue | | | | | | |
| | 996 552 985 05 D12 | Dark grey | | | | | | |
| | 996 552 985 05 T12 | Brown/natural | | | | | | |
| | 996 552 985 05 P12 | Cinnamon brown | | | | | | |
| | 996 552 984 07 | Side vent Aluminium look Leather | | | | /L 03- | 1 | IXCC |
| (4) | 996 552 984 07 VRK | Black | | | | | | |
| | 996 552 984 07 C51 | Graphite grey | | | | | | |
| | 996 552 984 07 S31 | Savanna | | | | | | |
| | 996 552 984 07 G11 | Metropole blue | | | | | | |
| | 996 552 984 07 J31 | Nephrite green | | | | | | |
| | 996 552 984 07 M31 | Boxster red | | | | | | |
| | 996 552 984 07 P12 | Cinnamon brown | | | | | | |
| | 996 552 984 07 D12 | Dark grey/natural | | | | | | |
| | 996 552 984 07 T12 | Brown/natural | | | | | | |
| | 996 552 985 07 | Side vent Aluminium look Leather | | | | /R 03- | 1 | IXCC |
| 5 | 996 552 985 07 VRK | Black | | | | | | |
| | 996 552 985 07 C51 | Graphite grey | | | | | | |
| | 996 552 985 07 S31 | Savanna | | | | | | |
| | 996 552 985 07 G11 | Metropole blue | | | | | | |
| | 996 552 985 07 J31 | Nephrite green | | | | | | |
| | 996 552 985 07 M31 | Boxster red | | | | | | |
| | 996 552 985 07 P12 | Cinnamon brown | | | | | | |
| | 996 552 985 07 D12 | Dark grey/natural | | | | | | |
| | 996 552 985 07 T12 | Brown/natural | | | | | | |
| | 996 552 621 01 | Cover Headlight levelling system Lacquered | | | | | 1 | |
| 5 | 996 552 621 01 A03 | Black | | | | | | |
| | 996 552 621 01 C53 | Graphite grey | | | | | | |
| | 996 552 621 01 S33 | Savanna | | | | | | |
| | 996 552 621 01 G13 | Metropole blue | | | | | | |
| | 996 552 621 01 J33 | Nephrite green | | | | | | |
| | 996 552 621 01 M33 | Boxster red | | | | | | |
| | 996 552 621 01 P13 | Cinnamon brown | | | | | | |
| | 996 552 986 00 | Cover Headlight levelling system Leather | | | | | 1 | IXNH |
| | 996 552 986 00 A11 | Black | | | | | | |
| | 996 552 986 00 C51 | Graphite grey | | | | | | |
| 996 552 986 00 S31 | Savanna | | | | | | | |
| 996 552 986 00 J31 | Nephrite green | | | | | | | |
| 996 552 986 00 M31 | Boxster red | | | | | | | |

Model: 996 98 Model life 1998>>2005

| Pos | Part Number | Description | Remark | Qty | Model | |
|--------------------|--------------------|----------------------------|----------------|-----|-------|-----|
| 5 | 996 552 986 00 G11 | Metropole blue | | 2 | IXKB | |
| | 996 552 986 00 D12 | Dark grey/natural | | | | |
| | 996 552 986 00 T12 | Brown/natural | | | | |
| | 996 552 986 00 P12 | Cinnamon brown | | | | |
| | 996 552 986 01 | Cover | | | | |
| 5 | 996 552 986 02 | Headlight levelling system | | 2 | IXKC | |
| | | Rootwood | | | | |
| | | Light | | | | |
| | | Cover | | | | |
| | | Headlight levelling system | | | | |
| 5 | 996 552 986 03 | Rootwood | | 2 | IXKD | |
| | | Dark | | | | |
| | | Cover | | | | |
| | | Headlight levelling system | | | | |
| | | Carbon | | | | |
| 6 | 996 552 417 02 | Rosette | | 1 | IXNH | |
| | | Interior sensor | | | | |
| | | Lacquered | | | | |
| | | 996 552 417 02 A03 | Black | | | |
| | | 996 552 417 02 C53 | Graphite grey | | | |
| | | 996 552 417 02 S33 | Savanna | | | |
| | | 996 552 417 02 G13 | Metropole blue | | | |
| | | 996 552 417 02 J33 | Nephrite green | | | |
| | | 996 552 417 02 M33 | Boxster red | | | |
| | | 996 552 417 02 P13 | Cinnamon brown | | | |
| | | 996 552 987 00 | Rosette | | | |
| | | Interior sensor | | | | |
| | | Leather | | | | |
| | | 996 552 987 00 A11 | Black | | | |
| | | 996 552 987 00 C51 | Graphite grey | | | |
| 996 552 987 00 S31 | Savanna | | | | | |
| 996 552 987 00 J31 | Nephrite green | | | | | |
| 996 552 987 00 M31 | Boxster red | | | | | |
| 996 552 987 00 G11 | Metropole blue | | | | | |
| 996 552 987 00 D12 | Dark grey/natural | | | | | |
| 996 552 987 00 T12 | Brown/natural | | | | | |
| 996 552 987 00 P12 | Cinnamon brown | | | | | |
| 7 | 999 073 218 09 | Tapping screw | | 4 | | |
| 8 | 996 552 235 03 | 4,2 X 16 | | 1 | | |
| | | Rosette | /LL | | | |
| | | Ignition starter lock | | | | |
| | | 996 552 235 03 A03 | Black | | | |
| | | 996 552 235 03 C53 | Graphite grey | | | |
| | | 996 552 235 03 S33 | Savanna | | | |
| | | 996 552 235 03 G13 | Metropole blue | | | |
| | | 996 552 235 03 J33 | Nephrite green | | | |
| | | 996 552 235 03 M33 | Boxster red | | | |
| | | 996 552 235 03 P13 | Cinnamon brown | | | |
| (8) | 996 552 236 03 | Rosette | /RL | 1 | | |
| 8 | 996 552 236 03 | Ignition starter lock | | 1 | IXJ4 | |
| | | Black | | | | |
| | | Graphite grey | | | | |
| | | Savanna | | | | |
| | | Metropole blue | | | | |
| | | Nephrite green | | | | |
| | | Boxster red | | | | |
| | | Cinnamon brown | | | | |
| | | 996 552 980 00 | Rosette | | | /LL |
| | | Ignition starter lock | | | | |
| | | Leather | | | | |
| | | 996 552 980 00 A11 | Black | | | |
| | | 996 552 980 00 C51 | Graphite grey | | | |
| | | 996 552 980 00 S31 | Savanna | | | |

Model: 996 98 Model life 1998>>2005

| Pos | Part Number | Description | Remark | Qty | Model |
|------|--------------------|-----------------------|--------|-----|--------------|
| | 996 552 980 00 G11 | Metropole blue | | | |
| | 996 552 980 00 J31 | Nephrite green | | | |
| | 996 552 980 00 M31 | Boxster red | | | |
| | 996 552 980 00 P12 | Cinnamon brown | | | |
| | 996 552 980 00 D12 | Dark grey/natural | | | |
| | 996 552 980 00 T12 | Brown/natural | | | |
| (8) | 996 552 980 01 | Rosette | /RL | 1 | IXJ4 |
| | | Ignition starter lock | | | |
| | | Leather | | | |
| | 996 552 980 01 A11 | Black | | | |
| | 996 552 980 01 C51 | Graphite grey | | | |
| | 996 552 980 01 S31 | Savanna | | | |
| | 996 552 980 01 G11 | Metropole blue | | | |
| | 996 552 980 01 J31 | Nephrite green | | | |
| | 996 552 980 01 M31 | Boxster red | | | |
| | 996 552 980 01 P12 | Cinnamon brown | | | |
| | 996 552 980 01 D12 | Dark grey/natural | | | |
| | 996 552 980 01 T12 | Brown/natural | | | |
| 9 | 996 552 271 03 | Cover | | 1 | |
| | | Steering | | | |
| | 996 552 271 03 A03 | Black | | | |
| | 996 552 271 03 C53 | Graphite grey | | | |
| | 996 552 271 03 S33 | Savanna | | | |
| | 996 552 271 03 G13 | Metropole blue | | | |
| | 996 552 271 03 J33 | Nephrite green | | | |
| | 996 552 271 03 M33 | Boxster red | | | |
| | 996 552 271 03 P13 | Cinnamon brown | | | |
| 9 | 986 552 988 03 | Cover | | 1 | IXNS |
| | | Steering | | | |
| | | Leather | | | |
| | 986 552 988 03 VRK | Black | | | |
| | 986 552 988 03 S31 | Savanna | | | |
| | 986 552 988 03 G11 | Metropole blue | | | |
| | 986 552 988 03 J31 | Nephrite green | | | |
| | 986 552 988 03 M31 | Boxster red | | | |
| | 986 552 988 03 D12 | Dark grey/natural | | | |
| | 986 552 988 03 T12 | Brown/natural | | | |
| | 986 552 988 03 C51 | Graphite grey | | | |
| | 986 552 988 03 P12 | Cinnamon brown | | | |
| 10 | 999 919 123 09 | Oval-head screw | | 8 | |
| | | 5,0 X 20 | | | |
| 11 | 996 573 501 00 | Adapter | | 2 | |
| 12 | 996 552 183 00 | Support | /LL | 1 | |
| | | Beverages | | | |
| | 996 552 183 00 01C | Satin black | | | |
| 12 | 996 552 183 02 | Support | /LL | 1 | |
| | | Beverages | | | |
| | 996 552 183 02 01C | Satin black | | | |
| (12) | 996 552 184 00 | Support | /RL | 1 | |
| | | Beverages | | | |
| | 996 552 184 00 01C | Satin black | | | |
| 12 | 996 552 958 00 | Support | /LL | 1 | IXKR/XKS/XNN |
| | | Beverages | | | |
| | | Leather | | | |
| | 996 552 958 00 A11 | Black | | | |
| | 996 552 958 00 C51 | Graphite grey | | | |
| | 996 552 958 00 S31 | Savanna | | | |
| | 996 552 958 00 G11 | Metropole blue | | | |
| | 996 552 958 00 J31 | Nephrite green | | | |
| | 996 552 958 00 M31 | Boxster red | | | |
| | 996 552 958 00 P12 | Cinnamon brown | | | |
| | 996 552 958 00 D12 | Dark grey/natural | | | |
| | 996 552 958 00 T12 | Brown/natural | | | |

Model: 996 98 Model life 1998>>2005

| Pos | Part Number | Description | Remark | Qty | Model |
|------|--------------------|------------------------------------|--------|-----|--------------|
| (12) | 996 552 958 01 | Support Beverages Leather | /RL | 1 | IXKR/XKS/XNN |
| | 996 552 958 01 A11 | Black | | | |
| | 996 552 958 01 C51 | Graphite grey | | | |
| | 996 552 958 01 S31 | Savanna | | | |
| | 996 552 958 01 G11 | Metropole blue | | | |
| | 996 552 958 01 J31 | Nephrite green | | | |
| | 996 552 958 01 M31 | Boxster red | | | |
| | 996 552 958 01 P12 | Cinnamon brown | | | |
| | 996 552 958 01 D12 | Dark grey/natural | | | |
| | 996 552 958 01 T12 | Brown/natural | | | |
| 13 | 996 552 231 11 | Support frame | | 1 | |
| | 996 552 231 11 01C | Satin black | | | |
| (13) | 996 552 231 13 | Support frame | 02 | 1 | M662 |
| | 996 552 231 13 01C | Satin black | | | |
| (13) | 996 552 231 12 | Support frame | 03- | 1 | M665 |
| | 996 552 231 12 01C | Satin black | | | |
| 13 | 996 552 969 25 | Support frame Leather | | 1 | IXNN |
| | 996 552 969 25 A11 | Black | | | |
| | 996 552 969 25 C51 | Graphite grey | | | |
| | 996 552 969 25 S31 | Savanna | | | |
| | 996 552 969 25 G11 | Metropole blue | | | |
| | 996 552 969 25 J31 | Nephrite green | -03 | | |
| | 996 552 969 25 M31 | Boxster red | | | |
| | 996 552 969 25 D12 | Dark grey/natural | | | |
| | 996 552 969 25 T12 | Brown/natural | | | |
| | 996 552 969 25 P12 | Cinnamon brown | | | |
| (13) | 996 552 969 27 | Support frame Leather | | 1 | IXNN/M662 |
| | 996 552 969 27 A11 | Black | | | |
| | 996 552 969 27 C51 | Graphite grey | | | |
| | 996 552 969 27 S31 | Savanna | | | |
| | 996 552 969 27 G11 | Metropole blue | | | |
| | 996 552 969 27 J31 | Nephrite green | | | |
| | 996 552 969 27 M31 | Boxster red | | | |
| | 996 552 969 27 D12 | Dark grey | | | |
| | 996 552 969 27 T12 | Brown/natural | | | |
| | 996 552 969 27 P12 | Cinnamon brown | | | |
| (13) | 996 552 969 26 | Support frame Leather | 03- | 1 | IXNN/M665 |
| | 996 552 969 26 A11 | Black | | | |
| | 996 552 969 26 C51 | Graphite grey | | | |
| | 996 552 969 26 S31 | Savanna | | | |
| | 996 552 969 26 G11 | Metropole blue | | | |
| | 996 552 969 26 J31 | Nephrite green | -03 | | |
| | 996 552 969 26 M31 | Boxster red | | | |
| | 996 552 969 26 D12 | Dark grey/natural | | | |
| | 996 552 969 26 T12 | Brown/natural | | | |
| | 996 552 969 26 P12 | Cinnamon brown | | | |
| 13 | 996 552 969 28 | Support frame Rootwood Light | 02- | 1 | IXKR |
| (13) | 996 552 969 30 | Support frame Rootwood Light | 02 | 1 | IXKR/M662 |
| (13) | 996 552 969 29 | Support frame Rootwood Light | 03- | 1 | IXKR/M665 |
| 13 | 996 552 969 31 | Support frame Rootwood Dark | 02- | 1 | IXKS |

Model: 996 98 Model life 1998>>2005

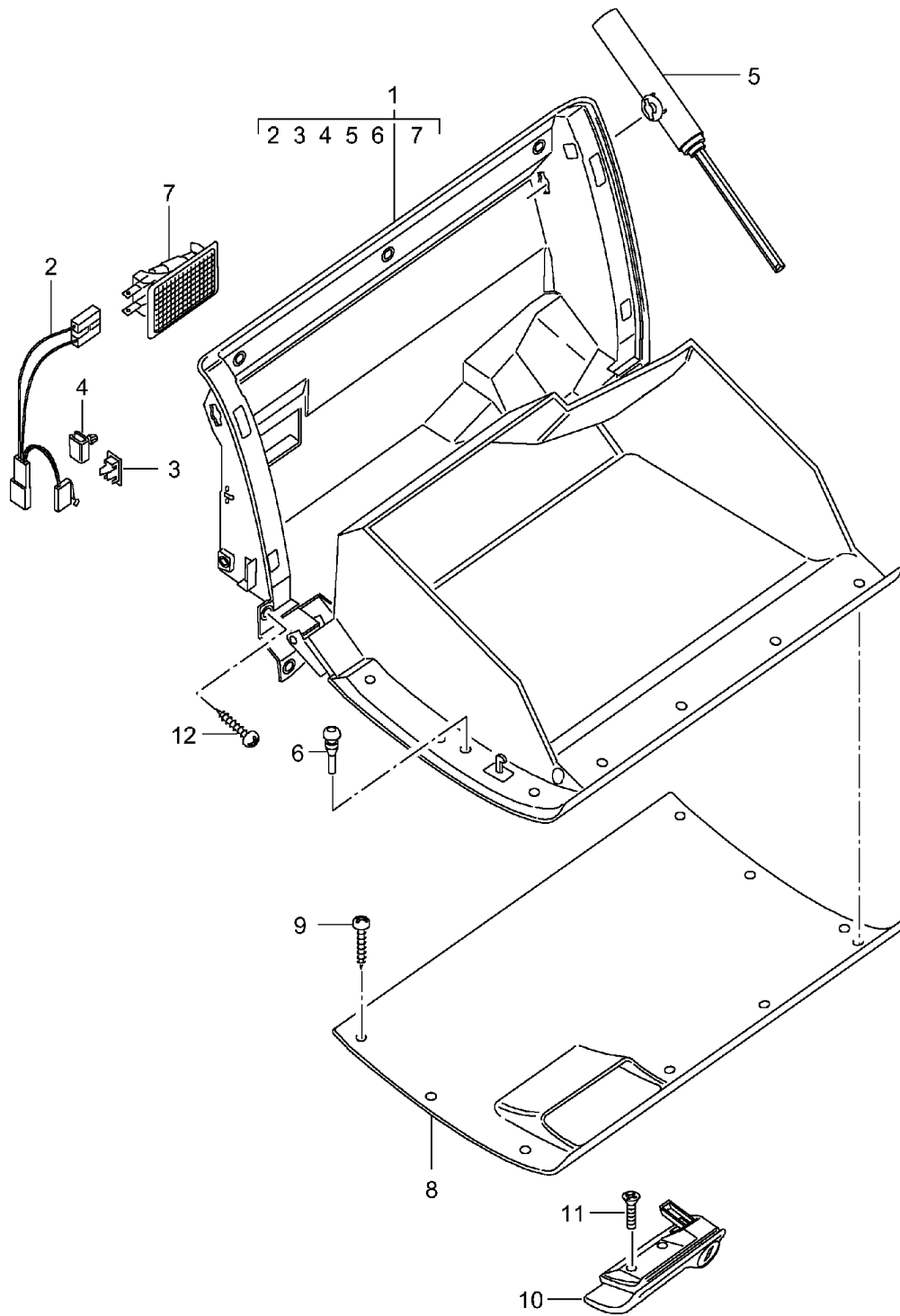
| Pos | Part Number | Description | Remark | Qty | Model |
|------|--------------------|-----------------------------------|--------|-----|----------------------|
| (13) | 996 552 969 33 | Support frame Rootwood Dark | 02 | 1 | IXKS/M662 |
| (13) | 996 552 969 32 | Support frame Rootwood Dark | 03- | 1 | IXKS/M665 |
| 13 | 996 552 969 34 | Support frame Carbon | 02- | 1 | IXNR |
| (13) | 996 552 969 36 | Support frame Carbon | 02 | 1 | IXNR/M662 |
| (13) | 996 552 969 35 | Support frame Carbon | 03- | 1 | IXNR/M665 |
| 15 | 999 507 768 02 | Speed nut 4,2 | | 16 | |
| (15) | 999 507 767 02 | Speed nut 4,2 | 01- | 2 | |
| 16 | 999 073 218 09 | Tapping screw 4,2 X 16 | | 4 | |
| 17 | 900 143 076 09 | Tapping screw 4,2 X 25 | | 2 | M573 |
| 18 | 996 552 263 01 | Centre nozzle | | 1 | |
| - | 996 552 263 01 01C | Satin black | | | |
| - | 999 507 770 09 | Clamp 2,5 | | 2 | |
| 18 | 996 552 950 00 | Centre nozzle | | 1 | IXKR/XKS/XNN IXNR |
| | | Leather | | | |
| | 996 552 950 00 A11 | Black | | | |
| | 996 552 950 00 C51 | Graphite grey | | | |
| | 996 552 950 00 S31 | Savanna | | | |
| | 996 552 950 00 G11 | Metropole blue | | | |
| | 996 552 950 00 J31 | Nephrite green | | | |
| | 996 552 950 00 M31 | Boxster red | | | |
| | 996 552 950 00 P12 | Cinnamon brown | | | |
| | 996 552 950 00 D12 | Dark grey/natural | | | |
| | 996 552 950 00 T12 | Brown/natural | | | |
| 18 | 996 552 951 00 | Centre nozzle | 03- | 1 | IXCD |
| | | Aluminium look | | | |
| | 996 552 951 00 A11 | Black | | | |
| | 996 552 951 00 C51 | Graphite grey | | | |
| | 996 552 951 00 S31 | Savanna | | | |
| | 996 552 951 00 G11 | Metropole blue | | | |
| | 996 552 951 00 J31 | Nephrite green | | | |
| | 996 552 951 00 M31 | Boxster red | | | |
| | 996 552 951 00 P12 | Cinnamon brown | | | |
| | 996 552 951 00 D12 | Dark grey/natural | | | |
| | 996 552 951 00 T12 | Brown/natural | | | |
| 19 | 996 552 233 06 | Trim for switch | | 1 | |
| | | Lacquered | | | |
| | 996 552 233 06 A03 | Black | | | |
| | 996 552 233 06 C53 | Graphite grey | | | |
| | 996 552 233 06 S33 | Savanna | | | |
| | 996 552 233 06 G13 | Metropole blue | | | |
| | 996 552 233 06 J33 | Nephrite green | -03 | | |
| | 996 552 233 06 M33 | Boxster red | | | |
| | 996 552 233 06 P13 | Cinnamon brown | | | |
| 19 | 996 552 967 08 | Trim for switch | | 1 | IXNN |
| | | Leather | | | |
| | 996 552 967 08 A11 | Black | | | |
| | 996 552 967 08 C51 | Graphite grey | | | |
| | 996 552 967 08 S31 | Savanna | | | |
| | 996 552 967 08 G11 | Metropole blue | | | |
| | 996 552 967 08 J31 | Nephrite green | | | |

Model: 996 98 Model life 1998>>2005

| Pos | Part Number | Description | Remark | Qty | Model |
|------|--------------------|--------------------------------------|--------|-----|------------------|
| | 996 552 967 08 M31 | Boxster red | | | |
| | 996 552 967 08 D12 | Dark grey/natural | | | |
| | 996 552 967 08 T12 | Brown/natural | | | |
| | 996 552 967 08 P12 | Cinnamon brown | | | |
| 19 | 996 552 967 09 | Trim for switch Rootwood Light | | 1 | IXKR |
| 19 | 996 552 967 10 | Trim for switch Rootwood Dark | | 1 | IXKS |
| 19 | 996 552 967 11 | Trim for switch Carbon | | 1 | IXNR |
| 19 | 996 552 967 13 | Trim for switch Arctic silver | | 1 | IXKW |
| 20 | 996 552 673 03 | Retaining bar | | 1 | |
| (20) | 996 552 653 03 | Retaining bar | 02 | 1 | M662 |
| (20) | 996 552 653 02 | Retaining bar | 03- | 1 | M665 |
| 21 | 999 073 218 09 | Tapping screw 4,2 X 16 | | 2 | |
| 22 | 986 552 153 00 | Frame | | 1 | M574 |
| | 986 552 153 00 01C | Satin black | | | |
| 22 | 996 552 677 01 | Cover | | 1 | M573 |
| | 996 552 677 01 01C | Satin black | | | |
| 22 | 996 552 992 00 | Frame | | 1 | IXKW/XNN M573 |
| | | Air-conditioning switch Leather | | | |
| | 996 552 992 00 A11 | Black | | | |
| | 996 552 992 00 C51 | Graphite grey | | | |
| | 996 552 992 00 S31 | Savanna | | | |
| | 996 552 992 00 G11 | Metropole blue | | | |
| | 996 552 992 00 J31 | Nephrite green | | | |
| | 996 552 992 00 M31 | Boxster red | | | |
| | 996 552 992 00 D12 | Dark grey/natural | | | |
| | 996 552 992 00 T12 | Brown/natural | | | |
| | 996 552 992 00 P12 | Cinnamon brown | | | |
| 23 | 996 552 253 01 | Shelf Instead of Radio | | 1 | |
| | 996 552 253 01 01C | Satin black | | | |
| 23 | 996 552 994 01 | Shelf Leather | 02 | 1 | IXMF |
| | 996 552 994 01 A11 | Black | | | |
| | 996 552 994 01 C51 | Graphite grey | | | |
| | 996 552 994 01 S31 | Savanna | | | |
| | 996 552 994 01 J31 | Nephrite green | | | |
| | 996 552 994 01 M31 | Boxster red | | | |
| | 996 552 994 01 G11 | Metropole blue | | | |
| | 996 552 994 01 D12 | Dark grey | | | |
| | 996 552 994 01 T12 | Brown/natural | | | |
| | 996 552 994 01 P12 | Cinnamon brown | | | |
| 24 | | See group 4/03/06 | | 1 | |
| 25 | 996 653 241 00 | Interior sensor | | 1 | |

Model: 996 98

Model life 1998>>2005



Model: 996 98 Model life 1998>>2005

| Pos | Part Number | Description | Remark | Qty | Model |
|------|--------------------|-------------------------|---------|-----|-------|
| 1 | 996 552 119 00 | Glove compartment | 02- | | |
| | 996 552 119 00 01C | Glove compartment | /LL | 1 | |
| (1) | 996 552 120 00 | Satin black | | | |
| | 996 552 120 00 01C | Glove compartment | /RL | 1 | |
| | 996 552 120 00 01C | Satin black | | | |
| 2 | 996 622 501 00 | Wiring harness | | 1 | |
| 3 | 999 650 564 40 | Clip | | 1 | |
| | | for | | | |
| | | Wiring harness | | | |
| | | Microswitch | | | |
| 4 | 999 650 565 40 | Clip | | 1 | |
| | | for | | | |
| | | Wiring harness | | | |
| 5 | 996 552 779 00 | Damper | | 2 | |
| 6 | 999 703 491 50 | Buffer | | 2 | |
| | | 7 X 9,5 X 19,5 | | | |
| 7 | 928 632 101 00 | Glove compartment light | | 1 | |
| 8 | 996 552 133 00 | Glove compartment cover | /LL | 1 | |
| | | Leatherette | | | |
| | 996 552 133 00 A12 | Black | | | |
| | 996 552 133 00 C52 | Graphite grey | | | |
| | 996 552 133 00 S32 | Savanna | | | |
| | 996 552 133 00 G12 | Metropole blue | | | |
| | 996 552 133 00 J32 | Nephrite green | | | |
| (8) | 996 552 134 00 | Glove compartment cover | /RL | 1 | |
| | | Leatherette | | | |
| | 996 552 134 00 A12 | Black | | | |
| | 996 552 134 00 C52 | Graphite grey | | | |
| | 996 552 134 00 S32 | Savanna | | | |
| | 996 552 134 00 G12 | Metropole blue | | | |
| | 996 552 134 00 J32 | Nephrite green | | | |
| 8 | 996 552 133 01 | Glove compartment cover | /LL | 1 | |
| | | Leather | | | |
| | 996 552 133 01 A11 | Black | | | |
| | 996 552 133 01 C51 | Graphite grey | | | |
| | 996 552 133 01 S31 | Savanna | | | |
| | 996 552 133 01 G11 | Metropole blue | | | |
| | 996 552 133 01 J31 | Nephrite green | | | |
| | 996 552 133 01 M31 | Boxster red | | | |
| | 996 552 133 01 P12 | Cinnamon brown | | | |
| | 996 552 133 01 D12 | Dark grey/natural | | | |
| | 996 552 133 01 T12 | Brown/natural | | | |
| (8) | 996 552 134 01 | Glove compartment cover | /RL | 1 | |
| | | Leather | | | |
| | 996 552 134 01 A11 | Black | | | |
| | 996 552 134 01 C51 | Graphite grey | | | |
| | 996 552 134 01 S31 | Savanna | | | |
| | 996 552 134 01 G11 | Metropole blue | | | |
| | 996 552 134 01 J31 | Nephrite green | | | |
| | 996 552 134 01 M31 | Boxster red | | | |
| | 996 552 134 01 P12 | Cinnamon brown | | | |
| | 996 552 134 01 D12 | Dark grey/natural | | | |
| | 996 552 134 01 T12 | Brown/natural | | | |
| 9 | 999 073 249 07 | Tapping screw | 02 | 11 | |
| | | 3,5 X 11 | | | |
| 9 | 999 073 308 07 | Tapping screw | 03- | 11 | |
| | | 3,5 X 12 | | | |
| 10 | 996 552 349 00 | Handle | /LL 02 | 1 | |
| | 996 552 349 00 V01 | Silver | | | |
| (10) | 996 552 350 00 | Handle | /RL 02 | 1 | |
| | 996 552 350 00 V01 | Silver | | | |
| 10 | 996 552 349 01 | Handle | /LL 03- | 1 | |
| | 996 552 349 01 V03 | Sport silver | | | |

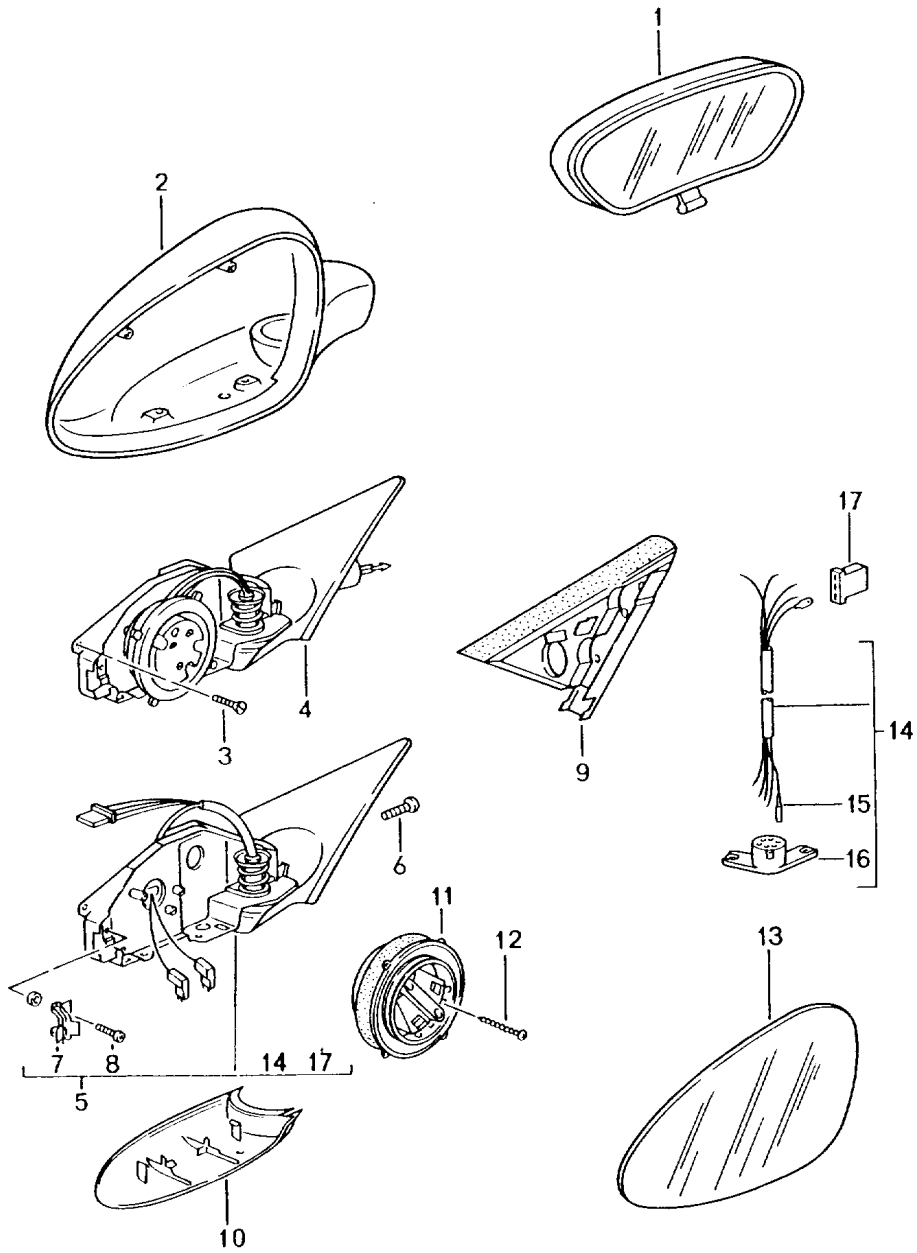
Model: 996 98

Model life 1998>>2005

| Pos | Part Number | Description | Remark | Qty | Model |
|------|--------------------|--------------------|---------|-----|-------|
| (10) | 996 552 350 01 | Handle | /RL 03- | 1 | |
| | 996 552 350 01 V03 | Sport silver | | | |
| - | 996 552 915 00 | Lock cylinder | | 1 | |
| | | Glove compartment | | | |
| | | Vehicle Ident. No. | | | |
| | | Indicate | | | |
| 11 | 999 073 240 02 | Screw | | 2 | |
| | | M 4 X 10 | | | |
| 12 | 999 073 169 07 | Tapping screw | | 7 | |
| | | 4,8 X 16 | | | |
| 13 | 996 552 879 00 | Adapter | 02- | 2 | |
| | | for | | | |
| | | Damper | | | |

Model: 996 98

Model life 1998>>2005



Model: 996 98 Model life 1998>>2005

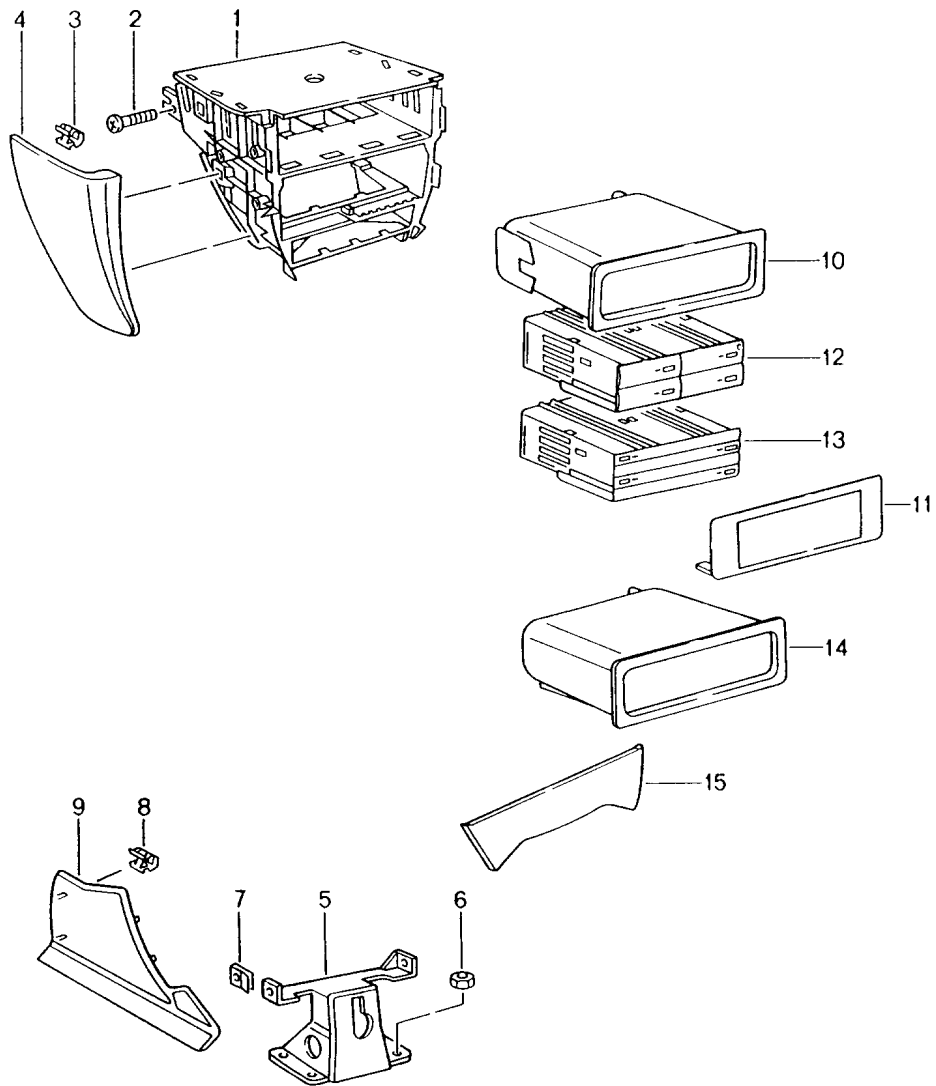
| Pos | Part Number | Description | Remark | Qty | Model |
|-----|--------------------|-------------------------|------------|-----|----------|
| | | Interior mirror | | | |
| | | Door mirror | | | |
| 1 | 996 731 511 01 | Interior mirror | | 1 | |
| | 996 731 511 01 01C | Satin black | | | |
| (1) | 996 731 982 00 | Interior mirror | -00 | 1 | XEH/XE3 |
| | 996 731 982 00 01C | Satin black | | | |
| (1) | 996 731 511 02 | Interior mirror | 01- | 1 | M265 |
| | 996 731 511 02 01C | Satin black | | | |
| - | 996 731 811 01 | Cover | /L 01- | 1 | M265 |
| | 996 731 811 01 01C | Satin black | | | |
| - | 996 731 812 01 | Cover | /R 01- | 1 | M265 |
| | 996 731 812 01 01C | Satin black | | | |
| 2 | 996 731 619 00 | Housing | /L | 1 | |
| | 996 731 619 00 G2L | Prime coated | | | |
| (2) | 996 731 620 00 | Housing | /R | 1 | |
| | 996 731 620 00 G2L | Prime coated | | | |
| 3 | 999 919 170 02 | Countersunk-head screw | | 6 | |
| | | 3,0 X 10 | | | |
| 5 | 996 731 219 00 | Mirror base | /LL /L | 1 | |
| | | Door mirror | | | |
| | | Electrically adjustable | | | |
| | 996 731 219 00 G2L | Prime coated | | | |
| 5 | 996 731 219 04 | Mirror base | /LL /L 01- | 1 | M266 |
| | | Door mirror | | | |
| | | Electrically adjustable | | | |
| | 996 731 219 04 G2L | Prime coated | | | |
| (5) | 996 731 220 00 | Mirror base | /LL /R | 1 | |
| | | Door mirror | | | |
| | | Electrically adjustable | | | |
| | 996 731 220 00 G2L | Prime coated | | | |
| (5) | 996 731 219 01 | Mirror base | /RL /L | 1 | |
| | | Door mirror | | | |
| | | Electrically adjustable | | | |
| | 996 731 219 01 G2L | Prime coated | | | |
| (5) | 996 731 220 01 | Mirror base | /RL /R | 1 | |
| | | Door mirror | | | |
| | | Electrically adjustable | | | |
| | 996 731 220 01 G2L | Prime coated | | | |
| (5) | 996 731 220 04 | Mirror base | /RL /R 01- | 1 | M266 |
| | | Door mirror | | | |
| | | Electrically adjustable | | | |
| | 996 731 220 04 G2L | Prime coated | | | |
| (5) | 996 731 219 02 | Mirror base | /LL /L | 1 | M537 |
| | | Door mirror | | | |
| | | Electrically adjustable | | | |
| | 996 731 219 02 G2L | Prime coated | | | |
| (5) | 996 731 219 05 | Mirror base | /LL /L 01- | 1 | M266/537 |
| | | Door mirror | | | |
| | | Electrically adjustable | | | |
| | 996 731 219 05 G2L | Prime coated | | | |
| (5) | 996 731 220 02 | Mirror base | /LL /R | 1 | M537 |
| | | Door mirror | | | |
| | | Electrically adjustable | | | |
| | 996 731 220 02 G2L | Prime coated | | | |
| (5) | 996 731 219 03 | Mirror base | /RL /L | 1 | M538 |
| | | Door mirror | | | |
| | | Electrically adjustable | | | |
| | 996 731 219 03 G2L | Prime coated | | | |
| (5) | 996 731 220 03 | Mirror base | /RL /R | 1 | M538 |
| | | Door mirror | | | |
| | | Electrically adjustable | | | |
| | 996 731 220 03 G2L | Prime coated | | | |
| (5) | 996 731 220 05 | Mirror base | /RL /R 01- | 1 | M266/538 |

Model: 996 98 Model life 1998>>2005

| Pos | Part Number | Description | Remark | Qty | Model |
|------|--------------------|-------------------------|-------------|-----|----------|
| | | Door mirror | | | |
| | | Electrically adjustable | | | |
| | 996 731 220 05 G2L | Prime coated | | | |
| 6 | 999 073 125 02 | Oval-head screw | | 6 | |
| | | M 5 X 14 | | | |
| 7 | 999 507 549 02 | Spring clamp | | 2 | |
| 8 | 900 278 010 02 | Oval-head screw | | 2 | |
| 9 | 996 537 731 00 | Filler piece | /L | 1 | |
| (9) | 996 537 732 00 | Filler piece | /R | 1 | |
| | | Outer | | | |
| (9) | 996 537 733 00 | Filler piece | /L | 1 | |
| (9) | 996 537 734 00 | Filler piece | /R | 1 | |
| | | Inner | | | |
| 10 | 996 731 719 00 | Cover | /L | 1 | |
| | | Lower | | | |
| | 996 731 719 00 G2L | Prime coated | | | |
| (10) | 996 731 720 00 | Cover | /R | 1 | |
| | | Lower | | | |
| | 996 731 720 00 G2L | Prime coated | | | |
| 11 | 996 624 047 00 | Adjusting motor | | 2 | |
| | | Aspherical | | | |
| 11 | 996 624 048 00 | Adjusting motor | | 2 | M537/538 |
| | | Aspherical | | | |
| 12 | 900 278 013 02 | Oval-head screw | | 6 | |
| | | M 3 X 30 | | | |
| | | Aspherical | | | |
| 13 | 996 731 035 01 | Mirror glass | /L | 1 | M270 |
| | | Aspherical | | | |
| 13 | 996 731 035 03 | Mirror glass | /L 01- | 1 | M266/270 |
| | | Plane | | | |
| | | Aspherical | | | |
| (13) | 996 731 035 02 | Mirror glass | /L | 1 | M271 |
| | | Aspherical | | | |
| (13) | 996 731 035 04 | Mirror glass | /L 01- | 1 | M266/271 |
| | | Aspherical | | | |
| (13) | 996 731 037 01 | Mirror glass | /RL /L | 1 | |
| | | Convex | | | |
| (13) | 996 731 036 01 | Mirror glass | /RL /R | 1 | M270 |
| (13) | 996 731 036 03 | Mirror glass | /RL /R 01- | 1 | M266/270 |
| | | Plane | | | |
| (13) | 996 731 036 02 | Mirror glass | /RL /R | 1 | M271 |
| (13) | 996 731 036 04 | Mirror glass | /RL /R 01- | 1 | M266/271 |
| | | Aspherical | | | |
| (13) | 996 731 038 02 | Mirror glass | /LL /R | 1 | |
| | | Convex | | | |
| (13) | 996 731 038 04 | Mirror glass | /LL /R (SA) | 1 | |
| | | Convex | | | |
| (14) | 996 612 674 00 | Wiring harness | | 1 | |
| 15 | 999 652 710 10 | Cylindrical socket | | 30 | |
| 16 | 999 650 173 40 | Pin connector socket | | 2 | |
| | | 15-pole | | | |
| 17 | 311 906 231 B | Connector housing | | 2 | |
| | | 3-pole | | | |
| (17) | 999 650 177 40 | Plug socket | | 2 | M537/538 |
| | | 8-pole | | | |
| (17) | 999 650 178 40 | Slide | | 2 | M537/538 |
| | | 8-pole | | | |

Model: 996 98

Model life 1998>>2005



Model: 996 98 Model life 1998>>2005

| Pos | Part Number | Description | Remark | Qty | Model |
|-----|--------------------|--------------------------------------|--------|-----|-------|
| 1 | 996 552 115 01 | Centre console Front Bracket | 98 | 1 | |
| | 996 552 115 01 01C | Satin black Information available | | | |
| 1 | 996 552 115 02 | Bracket | 99- | 1 | |
| | 996 552 115 02 01C | Satin black | | | |
| 1 | 996 552 973 01 | Bracket | | 1 | IXMF |
| | | Leather | | | |
| | 996 552 973 01 A11 | Black | | | |
| | 996 552 973 01 C51 | Graphite grey | | | |
| | 996 552 973 01 S31 | Savanna | | | |
| | 996 552 973 01 J31 | Nephrite green | | | |
| | 996 552 973 01 M31 | Boxster red | | | |
| | 996 552 973 01 G11 | Metropole blue | | | |
| | 996 552 973 01 D12 | Dark grey/natural | | | |
| | 996 552 973 01 T12 | Brown/natural | | | |
| | 996 552 973 01 P12 | Cinnamon brown | 01- | | |
| 2 | 999 919 121 09 | Oval-head screw 5,0 X 16 | | 4 | |
| 3 | 999 507 476 01 | Clamp 8,0 X 10,2 | | 3 | |
| 4 | 996 552 091 05 | Cover | /L 98 | 1 | |
| | | Leatherette | | | |
| | 996 552 091 05 A18 | Black | | | |
| | 996 552 091 05 C18 | Graphite grey | | | |
| | 996 552 091 05 S18 | Savanna | | | |
| | 996 552 091 05 G18 | Metropole blue | | | |
| | 996 552 091 05 B18 | Space grey | | | |
| (4) | 996 552 092 05 | Cover | /R 98 | 1 | |
| | | Leatherette | | | |
| | 996 552 092 05 A18 | Black | | | |
| | 996 552 092 05 C18 | Graphite grey | | | |
| | 996 552 092 05 S18 | Savanna | | | |
| | 996 552 092 05 G18 | Metropole blue | | | |
| | 996 552 092 05 B18 | Space grey | | | |
| (4) | 996 552 091 06 | Cover | /L 99 | 1 | |
| | | Leatherette | | | |
| | 996 552 091 06 A18 | Black | | | |
| | 996 552 091 06 C18 | Graphite grey | | | |
| | 996 552 091 06 S18 | Savanna | | | |
| | 996 552 091 06 G18 | Metropole blue | | | |
| | 996 552 091 06 B18 | Space grey | | | |
| (4) | 996 552 092 06 | Cover | /R 99 | 1 | |
| | | Leatherette | | | |
| | 996 552 092 06 A18 | Black | | | |
| | 996 552 092 06 C18 | Graphite grey | | | |
| | 996 552 092 06 S18 | Savanna | | | |
| | 996 552 092 06 G18 | Metropole blue | | | |
| | 996 552 092 06 B18 | Space grey | | | |
| 4 | 996 552 091 06 | Cover | /L 00- | 1 | |
| | | Leatherette | | | |
| | 996 552 091 06 A12 | Black | | | |
| | 996 552 091 06 C52 | Graphite grey | | | |
| | 996 552 091 06 S32 | Savanna | | | |
| | 996 552 091 06 G12 | Metropole blue | | | |
| | 996 552 091 06 B52 | Space grey | 00 | | |
| | 996 552 091 06 J32 | Nephrite green | 01- | | |
| (4) | 996 552 092 06 | Cover | /R 00- | 1 | |
| | | Leatherette | | | |
| | 996 552 092 06 A12 | Black | | | |
| | 996 552 092 06 C52 | Graphite grey | | | |
| | 996 552 092 06 S32 | Savanna | | | |

Model: 996 98 Model life 1998>>2005

| Pos | Part Number | Description | Remark | Qty | Model | | | |
|-----|--------------------|-------------------|-------------|-----|-------|--|---|--|
| 4 | 996 552 092 06 G12 | Metropole blue | | 1 | | | | |
| | 996 552 092 06 B52 | Space grey | 00 | | | | | |
| | 996 552 092 06 J32 | Nephrite green | 01- | | | | | |
| | 996 552 091 03 | Cover | /L 98 | | | | | |
| | | Leather | | | | | | |
| | 996 552 091 03 A11 | Black | | | | | | |
| | 996 552 091 03 C51 | Graphite grey | | | | | | |
| | 996 552 091 03 S31 | Savanna | | | | | | |
| | 996 552 091 03 J31 | Nephrite green | | | | | | |
| | 996 552 091 03 M31 | Boxster red | | | | | | |
| (4) | 996 552 091 03 G11 | Metropole blue | | 1 | | | | |
| | 996 552 091 03 B51 | Space grey | | | | | | |
| | 996 552 092 03 | Cover | /R 98 | | | | | |
| | | Leather | | | | | | |
| | 996 552 092 03 A11 | Black | | | | | | |
| | 996 552 092 03 C51 | Graphite grey | | | | | | |
| | 996 552 092 03 S31 | Savanna | | | | | | |
| | 996 552 092 03 J31 | Nephrite green | | | | | | |
| | 996 552 092 03 M31 | Boxster red | | | | | | |
| | 996 552 092 03 G11 | Metropole blue | | | | | | |
| 4 | 996 552 092 03 B51 | Space grey | | 1 | | | | |
| | 996 552 091 07 | Cover | /L 99- | | | | | |
| | | Leather | | | | | | |
| | 996 552 091 07 A11 | Black | | | | | | |
| | 996 552 091 07 C51 | Graphite grey | | | | | | |
| | 996 552 091 07 S31 | Savanna | | | | | | |
| | 996 552 091 07 J31 | Nephrite green | | | | | | |
| | 996 552 091 07 M31 | Boxster red | | | | | | |
| | 996 552 091 07 G11 | Metropole blue | | | | | | |
| | 996 552 091 07 B51 | Space grey | | | | | | |
| (4) | 996 552 091 07 D12 | Dark grey/natural | 00- | 1 | | | | |
| | 996 552 091 07 T12 | Brown/natural | 00- | | | | | |
| | 996 552 091 07 P12 | Cinnamon brown | 01- | | | | | |
| | 996 552 092 07 | Cover | /R 99- | | | | | |
| | | Leather | | | | | | |
| | 996 552 092 07 A11 | Black | | | | | | |
| | 996 552 092 07 C51 | Graphite grey | | | | | | |
| | 996 552 092 07 S31 | Savanna | | | | | | |
| | 996 552 092 07 J31 | Nephrite green | | | | | | |
| | 996 552 092 07 M31 | Boxster red | | | | | | |
| (5) | 996 552 092 07 G11 | Metropole blue | | 1 | M581 | | | |
| | 996 552 092 07 B51 | Space grey | | | | | | |
| | 996 552 092 07 D12 | Dark grey/natural | 00- | | | | | |
| | 996 552 092 07 T12 | Brown/natural | 00- | | | | | |
| | 996 552 092 07 P12 | Cinnamon brown | 01- | | | | | |
| | 996 552 267 05 | Support | | | | | | |
| | | Lower | | | | | | |
| | 6 | 999 084 629 09 | Hexagon nut | | | | 4 | |
| | | | M 6 | | | | | |
| | 6 | 999 084 629 01 | Hexagon nut | | | | 4 | |
| | | M 6 | | | | | | |
| 7 | 999 920 011 40 | Plug-in nut | | 4 | | | | |
| | | 5,0 X 1,0 X 8 | | | | | | |
| 8 | 999 507 476 01 | Clamp | | 2 | | | | |
| | | 8,0 X 10,2 | | | | | | |
| 9 | 996 552 113 02 | Cover | /L | 1 | | | | |
| | | Carpet | | | | | | |
| | 996 552 113 02 A10 | Black | | | | | | |
| | 996 552 113 02 C50 | Graphite grey | | | | | | |
| | 996 552 113 02 S30 | Savanna | | | | | | |
| | 996 552 113 02 J30 | Nephrite green | | | | | | |
| | 996 552 113 02 M30 | Boxster red | | | | | | |
| | 996 552 113 02 G10 | Metropole blue | | | | | | |

Model: 996 98 Model life 1998>>2005

| Pos | Part Number | Description | Remark | Qty | Model |
|------|--------------------|-------------------------|--------|-----|-----------|
| | 996 552 113 02 B50 | Space grey | -00 | | |
| | 996 552 113 02 D11 | Dark grey/natural | 00- | | |
| | 996 552 113 02 T11 | Brown/natural | 00- | | |
| | 996 552 113 02 P11 | Cinnamon brown | 01- | | |
| (9) | 996 552 114 02 | Cover | /R | 1 | |
| | | Carpet | | | |
| | 996 552 114 02 A10 | Black | | | |
| | 996 552 114 02 C50 | Graphite grey | | | |
| | 996 552 114 02 S30 | Savanna | | | |
| | 996 552 114 02 J30 | Nephrite green | | | |
| | 996 552 114 02 M30 | Boxster red | | | |
| | 996 552 114 02 G10 | Metropole blue | | | |
| | 996 552 114 02 B50 | Space grey | -00 | | |
| | 996 552 114 02 D11 | Dark grey/natural | 00- | | |
| | 996 552 114 02 T11 | Brown/natural | 00- | | |
| | 996 552 114 02 P11 | Cinnamon brown | 01- | | |
| 10 | 996 552 253 01 | Shelf | | 1 | |
| | 996 552 253 01 01C | Satin black | | | |
| 10 | 996 552 994 01 | Shelf | 01-02 | 1 | IXMF |
| | | Leather | | | |
| | 996 552 994 01 A11 | Black | | | |
| | 996 552 994 01 C51 | Graphite grey | | | |
| | 996 552 994 01 S31 | Savanna | | | |
| | 996 552 994 01 J31 | Nephrite green | | | |
| | 996 552 994 01 M31 | Boxster red | | | |
| | 996 552 994 01 G11 | Metropole blue | | | |
| | 996 552 994 01 D12 | Dark grey | | | |
| | 996 552 994 01 T12 | Brown/natural | | | |
| | 996 552 994 01 P12 | Cinnamon brown | | | |
| 11 | 996 552 443 00 | Frame | | 1 | |
| | 996 552 443 00 01C | Satin black | | | |
| (11) | 996 552 992 00 | Frame | 01- | 1 | IXKW/XNN |
| | | Air-conditioning switch | | | |
| | | Leather | | | |
| | 996 552 992 00 A11 | Black | | | |
| | 996 552 992 00 C51 | Graphite grey | | | |
| | 996 552 992 00 S31 | Savanna | | | |
| | 996 552 992 00 G11 | Metropole blue | | | |
| | 996 552 992 00 J31 | Nephrite green | | | |
| | 996 552 992 00 M31 | Boxster red | | | |
| | 996 552 992 00 D12 | Dark grey/natural | | | |
| | 996 552 992 00 T12 | Brown/natural | | | |
| | 996 552 992 00 P12 | Cinnamon brown | | | |
| 12 | 996 552 763 00 | Cassette box | -02 | 4 | M421 |
| (12) | 996 552 981 01 | Tray | 01-02 | 1 | IXMF/M421 |
| | | Cassette box | | | |
| | | Leather | | | |
| | 996 552 981 01 A11 | Black | | | |
| | 996 552 981 01 C51 | Graphite grey | | | |
| | 996 552 981 01 S31 | Savanna | | | |
| | 996 552 981 01 G11 | Metropole blue | | | |
| | 996 552 981 01 J31 | Nephrite green | | | |
| | 996 552 981 01 M31 | Boxster red | | | |
| | 996 552 981 01 D12 | Dark grey/natural | | | |
| | 996 552 981 01 T12 | Brown/natural | | | |
| | 996 552 981 01 P12 | Cinnamon brown | | | |
| 13 | 996 552 773 00 | Box for cds | | 1 | M424 |
| (13) | 996 552 981 00 | Tray | 01- | 1 | IXMF/M424 |
| | | Box for cds | | | |
| | | Leather | | | |
| | 996 552 981 00 A11 | Black | | | |
| | 996 552 981 00 C51 | Graphite grey | | | |
| | 996 552 981 00 S31 | Savanna | | | |

Model: 996 98 Model life 1998>>2005

| Pos | Part Number | Description | Remark | Qty | Model |
|------|--------------------|----------------------|--------|-----|--------------------------|
| | 996 552 981 00 G11 | Metropole blue | | | |
| | 996 552 981 00 J31 | Nephrite green | | | |
| | 996 552 981 00 M31 | Boxster red | | | |
| | 996 552 981 00 D12 | Dark grey/natural | | | |
| | 996 552 981 00 T12 | Brown/natural | | | |
| | 996 552 981 00 P12 | Cinnamon brown | | | |
| 14 | 996 552 243 01 | Shelf | | 1 | |
| | 996 552 243 01 01C | Satin black | | | |
| 14 | 996 552 982 01 | Shelf | 01- | 1 | IXMF |
| | | Leather | | | |
| | 996 552 982 01 A11 | Black | | | |
| | 996 552 982 01 C51 | Graphite grey | | | |
| | 996 552 982 01 S31 | Savanna | | | |
| | 996 552 982 01 J31 | Nephrite green | | | |
| | 996 552 982 01 M31 | Boxster red | | | |
| | 996 552 982 01 G11 | Metropole blue | | | |
| | 996 552 982 01 D12 | Dark grey/natural | | | |
| | 996 552 982 01 T12 | Brown/natural | | | |
| | 996 552 982 01 P12 | Cinnamon brown | | | |
| (14) | 996 552 963 00 | Cover | 01- | 1 | IXMF/XNN |
| | | Leather | | | |
| | 996 552 963 00 A11 | Black | | | |
| | 996 552 963 00 C51 | Graphite grey | | | |
| | 996 552 963 00 S31 | Savanna | | | |
| | 996 552 963 00 G11 | Metropole blue | | | |
| | 996 552 963 00 J31 | Nephrite green | | | |
| | 996 552 963 00 M31 | Boxster red | | | |
| | 996 552 963 00 D12 | Dark grey | | | |
| | 996 552 963 00 T12 | Brown/natural | | | |
| | 996 552 963 00 P12 | Cinnamon brown | | | |
| (14) | 996 552 963 01 | Cover | 01- | 1 | IXKR |
| | | Rootwood | | | |
| | | Light | | | |
| (14) | 996 552 963 02 | Frame | 01- | 1 | IXKS |
| | | Rootwood | | | |
| | | Dark | | | |
| (14) | 996 552 963 04 | Cover | 01- | 1 | IXNR |
| | | Carbon | | | |
| 15 | 996 552 335 00 | Trim for switch | | 1 | |
| | 996 552 335 00 01C | Satin black | | | |
| (15) | 996 552 335 01 | Trim for switch | | 1 | TARGA M139/340 |
| | | 4 | | | |
| | | Hole | | | |
| (15) | 996 552 335 01 01C | Satin black | | 1 | M139/340 |
| | 996 552 335 02 | Trim for switch | | | |
| | | 2 | | | |
| | | Hole | | | |
| (15) | 996 552 335 02 01C | Satin black | | 1 | IXKR/M581 |
| | 996 552 972 00 | Trim for switch | 01- | | |
| | | Light maple rootwood | | | |
| (15) | 996 552 972 01 | Trim for switch | 01- | 1 | 139/340 IXKR |
| | | 2 | | | |
| | | Hole | | | |
| | | Light maple rootwood | | | |
| (15) | 996 552 972 06 | Trim for switch | | 1 | TARGA 139/340 IXKR |
| | | 4 | | | |
| | | Hole | | | |
| | | Light maple rootwood | | | |
| (15) | 996 552 972 04 | Trim for switch | 01- | 1 | /581 |

Model: 996 98 Model life 1998>>2005

| Pos | Part Number | Description | Remark | Qty | Model |
|------|--------------------|---------------------------|--------|-----|-------------------------------|
| | | Carbon | | | IXNR |
| (15) | 996 552 972 05 | Trim for switch | 01- | 1 | /139/340 IXNR |
| | | 2 | | | |
| | | Hole | | | |
| (15) | 996 552 972 08 | Carbon Trim for switch | | 1 | TARGA /139/340 IXNR |
| | | 4 | | | |
| | | Hole | | | |
| | | Carbon | | | |
| (15) | 996 552 972 02 | Trim for switch | 01- | 1 | IXKS/M581 |
| (15) | 996 552 972 03 | Trim for switch | 01- | 1 | 139/340 IXKS |
| | | 2 | | | |
| | | Hole | | | |
| (15) | 996 552 972 07 | Trim for switch | | 1 | TARGA M139/340 |
| | | 4 | | | |
| | | Hole | | | |
| | | Dark maple rootwood | | | |
| 15 | 996 552 983 00 | Trim for switch | 01- | 1 | IXKW/XMF/XNN |
| | | Leather | | | |
| | 996 552 983 00 A11 | Black | | | |
| | 996 552 983 00 C51 | Graphite grey | | | |
| | 996 552 983 00 S31 | Savanna | | | |
| | 996 552 983 00 J31 | Nephrite green | | | |
| | 996 552 983 00 M31 | Boxster red | | | |
| | 996 552 983 00 G11 | Metropole blue | | | |
| | 996 552 983 00 D12 | Dark grey/natural | | | |
| | 996 552 983 00 T12 | Brown/natural | | | |
| | 996 552 983 00 P12 | Cinnamon brown | | | |
| (15) | 996 552 983 01 | Trim for switch | 01- | 1 | IXKW/XMF/XNN M139/340 |
| | | 2 | | | |
| | | Hole | | | |
| | | Leather | | | |
| | 996 552 983 01 A11 | Black | | | |
| | 996 552 983 01 C51 | Graphite grey | | | |
| | 996 552 983 01 S31 | Savanna | | | |
| | 996 552 983 01 J31 | Nephrite green | | | |
| | 996 552 983 01 M31 | Boxster red | | | |
| | 996 552 983 01 G11 | Metropole blue | | | |
| | 996 552 983 01 D12 | Dark grey | | | |
| | 996 552 983 01 T12 | Brown/natural | | | |
| | 996 552 983 01 P12 | Cinnamon brown | | | |
| (15) | 996 552 983 02 | Trim for switch | | 1 | TARGA IXMF/XNN M139/340 |
| | | 4 | | | |
| | | Hole | | | |
| | | Leather | | | |
| | 996 552 983 02 A11 | Black | | | |
| | 996 552 983 02 C51 | Graphite grey | | | |
| | 996 552 983 02 S31 | Savanna | | | |
| | 996 552 983 02 J31 | Nephrite green | | | |
| | 996 552 983 02 M31 | Boxster red | | | |
| | 996 552 983 02 G11 | Metropole blue | | | |
| | 996 552 983 02 D12 | Dark grey/natural | | | |
| | 996 552 983 02 T12 | Brown/natural | | | |
| | 996 552 983 02 P12 | Cinnamon brown | | | |

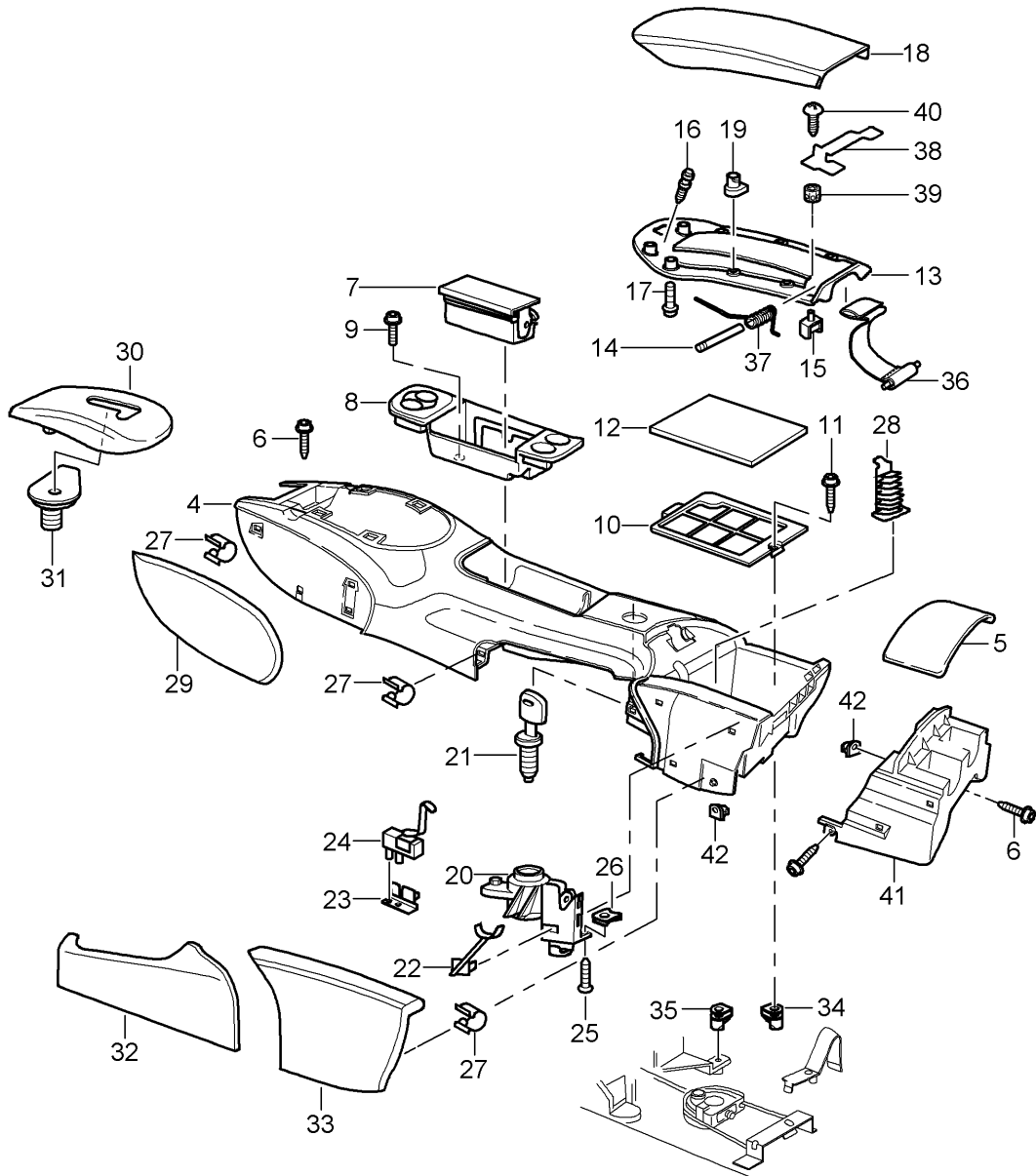
Model: 996 98

Model life 1998>>2005

| Pos | Part Number | Description | Remark | Qty | Model |
|------|-------------|---|--------|-----|-------|
| (15) | | Trim for switch Centre console Vehicle Ident. No. Indicate | 00 | 1 | M094 |
| (15) | | Trim for switch Centre console Vehicle Ident. No. Indicate | 04 | 1 | M095 |

Model: 996 98

Model life 1998>>2005



Model: 996 98 Model life 1998>>2005

| Pos | Part Number | Description | Remark | Qty | Model |
|-----|--------------------|-----------------------------|--------|-----|-------|
| 4 | 996 552 125 03 | Centre console Centre | | 1 | |
| | 996 552 125 03 D05 | Granite grey | -99 | | |
| | 996 552 125 03 A03 | Black | 00- | | |
| | 996 552 125 03 C53 | Graphite grey | 00- | | |
| | 996 552 125 03 S33 | Savanna | 00- | | |
| | 996 552 125 03 G13 | Metropole blue | 00- | | |
| | 996 552 125 03 B13 | Space grey | 00 | | |
| | 996 552 125 03 J33 | Nephrite green | -03 | | |
| | 996 552 125 03 M33 | Boxster red | 00- | | |
| | 996 552 125 03 P13 | Cinnamon brown | 01- | | |
| 4 | 996 552 125 04 | Centre console Lacquered | 04 | 1 | M095 |
| | 996 552 125 04 M7Z | GT Silver Metallic | | | |
| 4 | 986 552 995 09 | Centre console | -02 | 1 | IXJB |
| | 986 552 995 09 92U | Arctic silver metallic | | | |
| 4 | 986 552 995 09 | Centre console | 01- | 1 | IXME |
| | 986 552 995 09 39G | Violet metallic | -01 | | |
| | 986 552 995 09 746 | Black-metallic | -01 | | |
| | 986 552 995 09 3W7 | Dark blue | -01 | | |
| | 986 552 995 09 23I | Wimbledon green metallic | -01 | | |
| | 986 552 995 09 9A3 | Biarritz white | -01 | | |
| | 986 552 995 09 2A2 | Rainforest green metallic | -02 | | |
| | 986 552 995 09 92U | Arctic silver metallic | | | |
| | 986 552 995 09 041 | Black | | | |
| | 986 552 995 09 84A | Guards red | | | |
| | 986 552 995 09 12H | Speed yellow | | | |
| | 986 552 995 09 8A3 | Orient red metallic | | | |
| | 986 552 995 09 M5W | Lapis blue metallic | | | |
| | 986 552 995 09 6A6 | Meridian metallic | | | |
| | 986 552 995 09 39C | Midnight Blue Metallic | | | |
| | 986 552 995 09 6B4 | Seal grey metallic | | | |
| | 986 552 995 09 2B4 | Forest green metallic | | | |
| | 986 552 995 09 3C8 | Cobalt blue metallic | | | |
| | 986 552 995 09 92M | Polar silver metallic | | | |
| | 986 552 995 09 23F | Slate grey metallic | | | |
| | 986 552 995 09 1A8 | Zanzibar red | | | |
| | 986 552 995 09 B9A | Carrara white | 02- | | |
| | 986 552 995 09 C9Z | Basalt black metallic | 02- | | |
| | 986 552 995 09 M6W | Lagoon green metallic | 03- | | |
| 4 | 986 552 995 09 | Centre console | 03- | 1 | IXCE |
| | 986 552 995 09 V03 | Sport silver | | | |
| 4 | 986 552 995 01 | Centre console | | 1 | IXMZ |
| | 986 552 995 01 VRK | Black | | | |
| | 986 552 995 01 C51 | Graphite grey | | | |
| | 986 552 995 01 S31 | Savanna | | | |
| | 986 552 995 01 G11 | Metropole blue | | | |
| | 986 552 995 01 J31 | Nephrite green | | | |
| | 986 552 995 01 M31 | Boxster red | | | |
| | 986 552 995 01 D12 | Dark grey/natural | | | |
| | 986 552 995 01 T12 | Brown/natural | | | |
| | 986 552 995 01 P12 | Cinnamon brown | 01- | | |
| 4 | 986 552 995 05 | Centre console Leather | | 1 | IXMZ |
| | 986 552 995 05 VRK | Black | | | |
| | 986 552 995 05 C51 | Graphite grey | | | |
| | 986 552 995 05 S31 | Savanna | | | |
| | 986 552 995 05 G11 | Metropole blue | | | |
| | 986 552 995 05 J31 | Nephrite green | | | |
| | 986 552 995 05 M31 | Boxster red | | | |
| | 986 552 995 05 D12 | Dark grey/natural | | | |
| | 986 552 995 05 T12 | Brown/natural | | | |

Model: 996 98 Model life 1998>>2005

| Pos | Part Number | Description | Remark | Qty | Model |
|-----|--------------------|--------------------|--------|-----|-------------|
| 4 | 986 552 995 05 P12 | Cinnamon brown | | | |
| | 986 552 995 08 | Centre console | 01- | 1 | IXMJ |
| | | Carbon | | | |
| 4 | 986 552 995 03 | Centre console | 01 | 1 | IXML |
| 4 | 986 552 995 06 | Centre console | 02- | 1 | IXML |
| | | Rootwood | | | |
| | | Light | | | |
| 4 | 986 552 995 07 | Centre console | 01- | 1 | IXNB |
| | | Rootwood | | | |
| | | Dark | | | |
| - | 996 552 841 01 | Sound absorber | | 1 | |
| | | Front | | | |
| - | 996 552 841 02 | Sound absorber | | 1 | |
| | | Front | | | |
| - | 996 552 843 01 | Sound absorber | | 1 | |
| | | Centre | | | |
| - | 996 552 845 01 | Sound absorber | | 1 | |
| | | Rear | | | |
| (5) | 996 552 127 00 | Extension | /H | 1 | COUPE/TARGA |
| | | Upper part | | | |
| | | Leather | | | |
| | 996 552 127 00 A11 | Black | | | |
| | 996 552 127 00 C51 | Graphite grey | | | |
| | 996 552 127 00 S31 | Savanna | | | |
| | 996 552 127 00 G11 | Metropole blue | | | |
| | 996 552 127 00 B51 | Space grey | -00 | | |
| | 996 552 127 00 J31 | Nephrite green | -03 | | |
| | 996 552 127 00 M31 | Boxster red | | | |
| | 996 552 127 00 P12 | Cinnamon brown | 01- | | |
| | 996 552 127 00 D12 | Dark grey/natural | 00- | | |
| | 996 552 127 00 T12 | Brown/natural | 00- | | |
| (5) | 996 552 962 00 | Extension | /H 01- | 1 | COUPE/TARGA |
| | | Upper part | | | IXMZ |
| | | Leather | | | |
| | 996 552 962 00 VRK | Black | | | |
| | 996 552 962 00 C51 | Graphite grey | | | |
| | 996 552 962 00 S31 | Savanna | | | |
| | 996 552 962 00 G11 | Metropole blue | | | |
| | 996 552 962 00 J31 | Nephrite green | -03 | | |
| | 996 552 962 00 M31 | Boxster red | | | |
| | 996 552 962 00 D12 | Dark grey/natural | | | |
| | 996 552 962 00 T12 | Brown/natural | | | |
| | 996 552 962 00 P12 | Cinnamon brown | | | |
| 6 | 999 919 121 09 | Oval-head screw | | X | |
| | | 5,0 X 16 | | | |
| 7 | 996 552 595 01 | Insert | | 1 | |
| | | Ashtray | | | |
| | 996 552 595 01 D05 | Granite grey | -99 | | |
| | 996 552 595 01 A03 | Black | 00- | | |
| | 996 552 595 01 C53 | Graphite grey | 00- | | |
| | 996 552 595 01 S33 | Savanna | 00- | | |
| | 996 552 595 01 G13 | Metropole blue | 00- | | |
| | 996 552 595 01 B13 | Space grey | 00 | | |
| | 996 552 595 01 J33 | Nephrite green | -03 | | |
| | 996 552 595 01 M33 | Boxster red | 00- | | |
| | 996 552 595 01 P13 | Cinnamon brown | 01- | | |
| 7 | 996 552 595 02 | Insert | 04 | 1 | M095 |
| | | Ashtray | | | |
| | | Lacquered | | | |
| | 996 552 595 02 M7Z | GT Silver Metallic | | | |
| 7 | 986 552 997 01 | Insert | 01- | 1 | IXMZ |
| | | Ashtray | | | |

Model: 996 98 Model life 1998>>2005

| Pos | Part Number | Description | Remark | Qty | Model |
|-----|--------------------|--|--------|-----|-------|
| | 986 552 997 01 A11 | Leather Black | | | |
| | 986 552 997 01 C51 | Graphite grey | | | |
| | 986 552 997 01 S31 | Savanna | | | |
| | 986 552 997 01 G11 | Metropole blue | | | |
| | 986 552 997 01 J31 | Nephrite green | | | |
| | 986 552 997 01 M31 | Boxster red | | | |
| | 986 552 997 01 D12 | Dark grey/natural | | | |
| | 986 552 997 01 T12 | Brown/natural | | | |
| | 986 552 997 01 P12 | Cinnamon brown | | | |
| 7 | 986 552 997 02 | Insert Ashtray | 01- | 1 | IXMJ |
| 7 | 986 552 997 03 | Carbon Insert Ashtray | 01- | 1 | IXML |
| 7 | 986 552 997 04 | Rootwood Light Insert Ashtray | 01- | 1 | IXNB |
| 7 | 986 552 997 00 | Rootwood Dark Insert Ashtray | 01- | 1 | |
| | 986 552 997 00 92T | Lacquered Arctic silver | -02 | | |
| | 986 552 997 00 V03 | Silver | 03- | | IXCE |
| | 986 552 997 00 G2X | Prime coated | | | |
| 8 | 996 552 095 01 | Ashtray | | 1 | |
| | 996 552 095 01 D05 | Lacquered Granite grey | -99 | | |
| | 996 552 095 01 A03 | Black | 00- | | |
| | 996 552 095 01 C53 | Graphite grey | 00- | | |
| | 996 552 095 01 S33 | Savanna | 00- | | |
| | 996 552 095 01 G13 | Metropole blue | 00- | | |
| | 996 552 095 01 B13 | Space grey | 00 | | |
| | 996 552 095 01 J33 | Nephrite green | | | |
| | 996 552 095 01 M33 | Boxster red | 00- | | |
| | 996 552 095 01 P13 | Cinnamon brown | 01- | | |
| 8 | 996 552 095 02 | Ashtray Lacquered | | 1 | |
| | 996 552 095 02 D05 | Granite grey | -99 | | |
| | 996 552 095 02 A03 | Black | | | |
| | 996 552 095 02 C53 | Graphite grey | | | |
| | 996 552 095 02 S33 | Savanna | | | |
| | 996 552 095 02 G13 | Metropole blue | | | |
| | 996 552 095 02 B13 | Space grey | | | |
| | 996 552 095 02 J33 | Nephrite green | -03 | | |
| | 996 552 095 02 M33 | Boxster red | | | |
| | 996 552 095 02 P13 | Cinnamon brown | 01- | | |
| - | 996 632 113 00 | Ashtray light | | 1 | |
| 8 | 996 552 095 03 | Ashtray Lacquered | 04 | 1 | M095 |
| (8) | 996 552 095 03 M7Z | GT Silver Metallic | | | |
| | 986 552 996 05 | Ashtray Leather | | 1 | IXMZ |
| | 986 552 996 05 A11 | Black | | | |
| | 986 552 996 05 C51 | Graphite grey | | | |
| | 986 552 996 05 S31 | Savanna | | | |
| | 986 552 996 05 G11 | Metropole blue | | | |
| | 986 552 996 05 J31 | Nephrite green | | | |
| | 986 552 996 05 M31 | Boxster red | | | |
| | 986 552 996 05 D12 | Dark grey/natural | | | |

Model: 996 98 Model life 1998>>2005

| Pos | Part Number | Description | Remark | Qty | Model |
|--------------------|--------------------|--|--------|-----|-------|
| (8) | 986 552 996 05 T12 | Brown/natural | | | |
| | 986 552 996 05 P12 | Cinnamon brown | 01- | | |
| | 986 552 996 06 | Ashtray Rootwood Light | 01- | 1 | IXML |
| (8) | 986 552 996 07 | Ashtray Rootwood Dark | 01- | 1 | IXNB |
| (8) | 986 552 996 08 | Ashtray Carbon | 01- | 1 | IXMJ |
| (8) | 986 552 996 09 | Ashtray | 01- | 1 | IXJB |
| | 986 552 996 09 92T | Arctic silver | -02 | | |
| (8) | 986 552 996 09 V03 | Silver | 03- | | IXCE |
| | 996 552 096 01 | Shelf | | 1 | M580 |
| | 996 552 096 01 D05 | Granite grey | -99 | | |
| | 996 552 096 01 A03 | Black | 00- | | |
| - | 996 552 596 00 | Insert | | 1 | M580 |
| (9) | 999 591 941 40 | Expansion rivet with Expander nut | | 2 | |
| 10 | 996 552 365 00 | Floor Shelf | | 1 | |
| 11 | 999 919 121 09 | Oval-head screw M 5 X 16 | | 1 | |
| 12 | 996 552 665 00 | Insert Shelf | | 1 | |
| 13 | 996 552 205 00 | Lid | | 1 | |
| 13 | 996 552 205 00 01C | Satin black | | | |
| | 996 552 375 00 | Lid Centre console INTERNTEIL ZSB 99655220500 01C | | 1 | |
| 13 | 996 552 305 01 | Lid | | 1 | |
| | 996 552 305 01 01C | Satin black INTERNTEIL ZSB 99655220500 01C | | | |
| 14 | 996 552 605 00 | Hinge pin | | 1 | |
| 15 | 996 552 813 00 | Support | | 2 | |
| 16 | 996 552 833 00 | Rubber stop | | 2 | |
| 17 | 999 919 175 09 | Oval-head screw 3,5 X 12 | | 8 | |
| 18 | 996 552 155 03 | Lid Leather | | 1 | |
| | 996 552 155 03 A11 | Black | | | |
| | 996 552 155 03 C51 | Graphite grey | | | |
| | 996 552 155 03 S31 | Savanna | | | |
| | 996 552 155 03 J31 | Nephrite green | | | |
| | 996 552 155 03 M31 | Boxster red | | | |
| | 996 552 155 03 G11 | Metropole blue | | | |
| | 996 552 155 03 B51 | Space grey | -00 | | |
| | 996 552 155 03 D12 | Dark grey/natural | 00- | | |
| | 996 552 155 03 T12 | Brown/natural | 00- | | |
| | 996 552 155 03 P12 | Cinnamon brown | 01- | | |
| | 996 552 965 00 | Lid Leather | 01- | 1 | IXMZ |
| | 996 552 965 00 VRK | Black | | | |
| | 996 552 965 00 C51 | Graphite grey | | | |
| | 996 552 965 00 S31 | Savanna | | | |
| 996 552 965 00 G11 | Metropole blue | | | | |
| 996 552 965 00 J31 | Nephrite green | | | | |
| 996 552 965 00 M31 | Boxster red | | | | |
| 996 552 965 00 D12 | Dark grey | | | | |
| 996 552 965 00 T12 | Brown/natural | | | | |

Model: 996 98 Model life 1998>>2005

| Pos | Part Number | Description | Remark | Qty | Model |
|------|--------------------------------------|--|---------------|-----|-------|
| 19 | 996 552 965 00 P12 999 920 017 40 | Cinnamon brown Plug-in nut 3,5 X 2,5 X 5 | | 8 | |
| 20 | 996 552 097 01 | Lock | | 1 | |
| 21 | 996 552 097 01 01C | Satin black | | 1 | |
| | 996 552 907 00 | Lock cylinder W/o stipulated lock number | | | |
| 21 | 996 552 907 01 | Lock cylinder State lock number | | 1 | |
| 22 | 986 552 297 00 | Cover | | 1 | |
| 23 | 986 552 297 00 B12 | Black-grey | | 1 | |
| | 996 637 211 00 | Support | | | |
| 24 | 996 613 205 00 | Microswitch | | 1 | |
| 25 | 999 919 121 09 | Oval-head screw 5 X 16 | | 3 | |
| | 999 920 017 40 | Plug-in nut 3,5 X 2,5 X 5 | | | |
| 26 | 999 507 476 01 | Clamp 8,0 X 10,2 | | 25 | |
| | 996 552 695 00 | Coin box | | | |
| 28 | 996 552 695 00 01C | Satin black | | 1 | |
| | 996 552 087 05 | Cover | /L -99 | | |
| 29 | 996 552 087 05 A18 | Leatherette Black | | 1 | M581 |
| | 996 552 087 05 C18 | Graphite grey | | | |
| (29) | 996 552 087 05 S18 | Savanna | | 1 | M581 |
| | 996 552 087 05 G18 | Metropole blue | | | |
| 29 | 996 552 087 05 B18 | Space grey Cover | /R -99 | 1 | M581 |
| | 996 552 088 05 A18 | Leatherette Black | | | |
| 29 | 996 552 088 05 C18 | Graphite grey | | 1 | M581 |
| | 996 552 088 05 S18 | Savanna | | | |
| 29 | 996 552 088 05 G18 | Metropole blue | | 1 | M581 |
| | 996 552 088 05 B18 | Space grey Cover | /L 00- | | |
| (29) | 996 552 087 05 A12 | Leatherette Black | | 1 | M581 |
| | 996 552 087 05 C52 | Graphite grey | | | |
| 29 | 996 552 087 05 S32 | Savanna | | 1 | M581 |
| | 996 552 087 05 G12 | Metropole blue | | | |
| 29 | 996 552 087 05 B52 | Space grey | -00 | 1 | M581 |
| | 996 552 087 05 J32 | Nephrite green Cover | 01- /R 00- | | |
| 29 | 996 552 088 05 A12 | Leatherette Black | | 1 | M581 |
| | 996 552 088 05 C52 | Graphite grey | | | |
| 29 | 996 552 088 05 S32 | Savanna | | 1 | M581 |
| | 996 552 088 05 G12 | Metropole blue | | | |
| 29 | 996 552 088 05 B52 | Space grey | -00 | 1 | M581 |
| | 996 552 088 05 J32 | Nephrite green Cover | 01- /L | | |
| 29 | 996 552 087 03 A11 | Leather Black | | 1 | M581 |
| | 996 552 087 03 C51 | Graphite grey | | | |
| 29 | 996 552 087 03 S31 | Savanna | | 1 | M581 |
| | 996 552 087 03 J31 | Nephrite green | | | |
| 29 | 996 552 087 03 M31 | Boxster red | | 1 | M581 |
| | 996 552 087 03 G11 | Metropole blue | | | |
| 29 | 996 552 087 03 B51 | Space grey | | 1 | M581 |
| | 996 552 087 03 D12 | Dark grey/natural | 00- | | |
| 29 | 996 552 087 03 T12 | Brown/natural | 00- | 1 | M581 |
| | 996 552 087 03 P12 | Cinnamon brown | 01- | | |

Model: 996 98 Model life 1998>>2005

| Pos | Part Number | Description | Remark | Qty | Model |
|------|--------------------|--|-----------|-----|-------|
| - | 996 552 187 01 | Bracket Centre console Rear ZSB INTERNTEIL | | 1 | |
| (29) | 996 552 088 03 | Cover Leather | /R | 1 | M581 |
| | 996 552 088 03 A11 | Black | | | |
| | 996 552 088 03 C51 | Graphite grey | | | |
| | 996 552 088 03 S31 | Savanna | | | |
| | 996 552 088 03 J31 | Nephrite green | | | |
| | 996 552 088 03 M31 | Boxster red | | | |
| | 996 552 088 03 G11 | Metropole blue | | | |
| | 996 552 088 03 B51 | Space grey | | | |
| | 996 552 088 03 D12 | Dark grey/natural | 00- | | |
| | 996 552 088 03 T12 | Brown/natural | 00- | | |
| | 996 552 088 03 P12 | Cinnamon brown | 01- | | |
| (30) | 996 552 655 01 | Retaining frame | | 1 | M480 |
| 30 | 996 552 257 02 | Cover Lacquered | /LL 98 | 1 | M249 |
| | 996 552 257 02 EJM | Granite grey | | | |
| (30) | 996 552 257 04 | Cover Lacquered | /RL 98 | 1 | M249 |
| | 996 552 257 04 EJM | Granite grey | | | |
| (30) | 996 552 259 00 | Cover Lacquered | /LL 99-02 | 1 | M249 |
| | 996 552 259 00 EOW | Granite grey | 99 | | |
| | | Silver | 99 | | |
| | 996 552 259 00 EOY | Black | 00- | | |
| | 996 552 259 00 ETR | Graphite grey | 00- | | |
| | 996 552 259 00 ETS | Savanna | 00- | | |
| | 996 552 259 00 ETT | Metropole blue | 00- | | |
| | 996 552 259 00 ETU | Space grey | 00 | | |
| | 996 552 259 00 ETV | Nephrite green | 00- | | |
| | 996 552 259 00 ETW | Boxster red | 00- | | |
| | 996 552 259 00 FAO | Cinnamon brown | 01- | | |
| (30) | 996 552 259 01 | Cover Lacquered | /RL 99-02 | 1 | M249 |
| | 996 552 259 01 EOW | Granite grey | 99 | | |
| | | Silver | 99 | | |
| | 996 552 259 01 EOY | Black | 00- | | |
| | 996 552 259 01 ETR | Graphite grey | 00- | | |
| | 996 552 259 01 ETS | Savanna | 00- | | |
| | 996 552 259 01 ETT | Metropole blue | 00- | | |
| | 996 552 259 01 ETU | Space grey | 00 | | |
| | 996 552 259 01 ETV | Nephrite green | 00- | | |
| | 996 552 259 01 ETW | Boxster red | 00- | | |
| | 996 552 259 01 FAO | Cinnamon brown | 01- | | |
| 30 | 996 552 259 02 | Cover Lacquered | /LL 03- | 1 | M249 |
| | 996 552 259 02 EOU | Black/Silver | | | |
| | 996 552 259 02 EOZ | Graphite grey | | | |
| | 996 552 259 02 EPA | Savanna | | | |
| | 996 552 259 02 EPB | Metropole blue | | | |
| | 996 552 259 02 EPD | Nephrite green | -03 | | |
| | 996 552 259 02 EPE | Boxster red | | | |
| | 996 552 259 02 EPF | Cinnamon brown | | | |
| (30) | 996 552 259 03 | Cover Lacquered | /RL 03- | 1 | M249 |
| | 996 552 259 03 EOU | Black/Silver | | | |
| | 996 552 259 03 EOZ | Graphite grey | | | |
| | 996 552 259 03 EPA | Savanna | | | |
| | 996 552 259 03 EPB | Metropole blue | | | |

Model: 996 98 Model life 1998>>2005

| Pos | Part Number | Description | Remark | Qty | Model |
|------|--------------------|--------------------------------|-----------|-----|-----------|
| | 996 552 259 03 EPD | Nephrite green | -03 | | |
| | 996 552 259 03 EPE | Boxster red | | | |
| | 996 552 259 03 EPF | Cinnamon brown | | | |
| (30) | 996 552 977 20 | Shift gate Cover Leather | /LL 01-02 | 1 | IXY5/M249 |
| | 996 552 977 20 VRK | Black | | | |
| | 996 552 977 20 C51 | Graphite grey | | | |
| | 996 552 977 20 S31 | Savanna | | | |
| | 996 552 977 20 J31 | Nephrite green | | | |
| | 996 552 977 20 M31 | Boxster red | | | |
| | 996 552 977 20 G11 | Metropole blue | | | |
| | 996 552 977 20 T12 | Brown/natural | | | |
| | 996 552 977 20 D12 | Dark grey | | | |
| (30) | 996 552 977 20 P12 | Cinnamon brown | | | |
| | 996 552 977 21 | Shift gate Cover Leather | /RL 01-02 | 1 | IXY5/M249 |
| | 996 552 977 21 VRK | Black | | | |
| | 996 552 977 21 C51 | Graphite grey | | | |
| | 996 552 977 21 S31 | Savanna | | | |
| | 996 552 977 21 J31 | Nephrite green | | | |
| | 996 552 977 21 M31 | Boxster red | | | |
| | 996 552 977 21 G11 | Metropole blue | | | |
| | 996 552 977 21 T12 | Brown/natural | | | |
| | 996 552 977 21 D12 | Dark grey | | | |
| 30 | 996 552 977 21 P12 | Cinnamon brown | | | |
| | 996 552 977 26 | Cover Leather | /LL 03- | 1 | IXY5/M249 |
| | 996 552 977 26 VRK | Black | | | |
| | 996 552 977 26 C51 | Graphite grey | | | |
| | 996 552 977 26 S31 | Savanna | | | |
| | 996 552 977 26 G11 | Metropole blue | | | |
| | 996 552 977 26 J31 | Nephrite green | | | |
| | 996 552 977 26 M31 | Boxster red | | | |
| | 996 552 977 26 P12 | Cinnamon brown | | | |
| | 996 552 977 26 D12 | Dark grey/natural | | | |
| | 996 552 977 26 T12 | Brown/natural | | | |
| (30) | 996 552 977 27 | Cover Leather | /RL 03- | 1 | IXY5/M249 |
| | 996 552 977 27 VRK | Black | | | |
| | 996 552 977 27 C51 | Graphite grey | | | |
| | 996 552 977 27 S31 | Savanna | | | |
| | 996 552 977 27 G11 | Metropole blue | | | |
| | 996 552 977 27 J31 | Nephrite green | | | |
| | 996 552 977 27 M31 | Boxster red | | | |
| | 996 552 977 27 P12 | Cinnamon brown | | | |
| | 996 552 977 27 D12 | Dark grey/natural | | | |
| | 996 552 977 27 T12 | Brown/natural | | | |
| 31 | 996 552 687 00 | Slide | | 1 | M249 |
| | 996 552 687 00 01C | Satin black | | | |
| 32 | 996 552 283 02 | Cover Handbrake | | 1 | |
| | 996 552 283 02 D05 | Granite grey | -99 | | |
| | 996 552 283 02 A03 | Black | 00- | | |
| | 996 552 283 02 C53 | Graphite grey | 00- | | |
| | 996 552 283 02 S33 | Savanna | 00- | | |
| | 996 552 283 02 G13 | Metropole blue | 00- | | |
| | 996 552 283 02 B13 | Space grey | 00 | | |
| | 996 552 283 02 J33 | Nephrite green | -03 | | |
| | 996 552 283 02 M33 | Boxster red | 00- | | |
| | 996 552 283 02 P13 | Cinnamon brown | 01- | | |
| 32 | 996 552 283 03 | Cover | 04 | 1 | M095 |

Model: 996 98 Model life 1998>>2005

| Pos | Part Number | Description | Remark | Qty | Model | | | |
|--------------------|--------------------|--|------------------------------|-----|-------------|-----|---|-------------|
| 32 | 996 552 283 03 M7Z | Handbrake Lacquered GT Silver Metallic | | 1 | IXMZ | | | |
| | 996 552 993 00 | Cover Handbrake Leather | | | | | | |
| | 996 552 993 00 A11 | Black | | | | | | |
| | 996 552 993 00 C51 | Graphite grey | | | | | | |
| | 996 552 993 00 S31 | Savanna | | | | | | |
| | 996 552 993 00 G11 | Metropole blue | | | | | | |
| | 996 552 993 00 J31 | Nephrite green | | | | | | |
| | 996 552 993 00 M31 | Boxster red | | | | | | |
| | 996 552 993 00 T12 | Brown/natural | | | | | | |
| | 996 552 993 00 D12 | Dark grey | | | | | | |
| | 996 552 993 00 P12 | Cinnamon brown | 01- | | | | | |
| | 32 | 996 552 993 02 | Cover Handbrake Carbon | | | 01- | 1 | IXMJ |
| 996 552 993 03 | | Cover Handbrake Rootwood Light | 01- | | | | | |
| 32 | 996 552 993 04 | Cover Handbrake Rootwood Dark | 01- | 1 | IXNB | | | |
| | 996 552 993 01 | Cover Handbrake Lacquered | 03- | | | | | |
| 33 | 996 552 993 01 V03 | Sport silver | | 1 | COUPE/TARGA | | | |
| | 996 552 089 02 | Cover Leatherette | /L | | | | | |
| | 996 552 089 02 A18 | Black | -99 | | | | | |
| | 996 552 089 02 C18 | Graphite grey | -99 | | | | | |
| | 996 552 089 02 S18 | Savanna | -99 | | | | | |
| | 996 552 089 02 G18 | Metropole blue | -99 | | | | | |
| | 996 552 089 02 B18 | Space grey | -99 | | | | | |
| | 996 552 089 02 A12 | Black | 00- | | | | | |
| | 996 552 089 02 C52 | Graphite grey | 00- | | | | | |
| | 996 552 089 02 S32 | Savanna | 00- | | | | | |
| | 996 552 089 02 G12 | Metropole blue | 00- | | | | | |
| | 996 552 089 02 B52 | Space grey | 00 | | | | | |
| | 996 552 089 02 J32 | Nephrite green | 01- | | | | | |
| | (33) | 996 552 090 02 | Cover Leatherette | | | /R | 1 | COUPE/TARGA |
| | | 996 552 090 02 A18 | Black | | | -99 | | |
| | | 996 552 090 02 C18 | Graphite grey | | | -99 | | |
| | | 996 552 090 02 S18 | Savanna | | | -99 | | |
| | | 996 552 090 02 G18 | Metropole blue | | | -99 | | |
| 996 552 090 02 B18 | | Space grey | -99 | | | | | |
| 996 552 090 02 A12 | | Black | 00- | | | | | |
| 996 552 090 02 C52 | | Graphite grey | 00- | | | | | |
| 996 552 090 02 S32 | | Savanna | 00- | | | | | |
| 996 552 090 02 G12 | | Metropole blue | 00- | | | | | |
| 996 552 090 02 B52 | | Space grey | 00 | | | | | |
| 996 552 090 02 J32 | | Nephrite green | 01- | | | | | |
| (33) | 996 552 089 05 | Cover Lacquered | /L | 1 | CABRIO | | | |
| | 996 552 089 05 D05 | Granite grey | 99 | | | | | |
| | 996 552 089 05 A03 | Black | 00- | | | | | |
| | 996 552 089 05 C53 | Graphite grey | 00- | | | | | |
| | 996 552 089 05 S33 | Savanna | 00- | | | | | |
| | 996 552 089 05 G13 | Metropole blue | 00- | | | | | |

Model: 996 98 Model life 1998>>2005

| Pos | Part Number | Description | Remark | Qty | Model |
|--------------------|--------------------|--------------------|----------------|-----|-------------|
| (33) | 996 552 089 05 J33 | Nephrite green | 00- | 1 | CABRIO |
| | 996 552 089 05 M33 | Boxster red | 00- | | |
| | 996 552 089 05 B13 | Space grey | 00 | | |
| | 996 552 089 05 P13 | Cinnamon brown | 01- | | |
| | 996 552 090 05 | Cover | /R | | |
| | | Lacquered | | | |
| | 996 552 090 05 D05 | Granite grey | 99 | | |
| | 996 552 090 05 A03 | Black | 00- | | |
| | 996 552 090 05 C53 | Graphite grey | 00- | | |
| | 996 552 090 05 S33 | Savanna | 00- | | |
| | 996 552 090 05 G13 | Metropole blue | 00- | | |
| | 996 552 090 05 J33 | Nephrite green | 00- | | |
| | 996 552 090 05 M33 | Boxster red | 00- | | |
| 33 | 996 552 090 05 B13 | Space grey | 00 | 1 | COUPE/TARGA |
| | 996 552 090 05 P13 | Cinnamon brown | 01- | | |
| | 996 552 089 03 | Cover | /L | | |
| | | Leather | | | |
| | 996 552 089 03 A11 | Black | | | |
| | 996 552 089 03 C51 | Graphite grey | | | |
| | 996 552 089 03 S31 | Savanna | | | |
| | 996 552 089 03 J31 | Nephrite green | -03 | | |
| | 996 552 089 03 M31 | Boxster red | | | |
| | 996 552 089 03 G11 | Metropole blue | | | |
| | 996 552 089 03 B51 | Space grey | -00 | | |
| | 996 552 089 03 D12 | Dark grey/natural | 00- | | |
| | 996 552 089 03 T12 | Brown/natural | 00- | | |
| (33) | 996 552 089 03 P12 | Cinnamon brown | 01- | 1 | COUPE/TARGA |
| | 996 552 090 03 | Cover | /R | | |
| | | Leather | | | |
| | 996 552 090 03 A11 | Black | | | |
| | 996 552 090 03 C51 | Graphite grey | | | |
| | 996 552 090 03 S31 | Savanna | | | |
| | 996 552 090 03 J31 | Nephrite green | -03 | | |
| | 996 552 090 03 M31 | Boxster red | | | |
| | 996 552 090 03 G11 | Metropole blue | | | |
| | 996 552 090 03 B51 | Space grey | -00 | | |
| | 996 552 090 03 D12 | Dark grey/natural | 00- | | |
| | 996 552 090 03 T12 | Brown/natural | 00- | | |
| | 33 | 996 552 090 03 P12 | Cinnamon brown | | |
| 996 552 089 04 | | Cover | /L | | |
| | | Leather | | | |
| 996 552 089 04 A11 | | Black | | | |
| 996 552 089 04 C51 | | Graphite grey | | | |
| 996 552 089 04 S31 | | Savanna | | | |
| 996 552 089 04 J31 | | Nephrite green | -03 | | |
| 996 552 089 04 M31 | | Boxster red | | | |
| 996 552 089 04 G11 | | Metropole blue | | | |
| 996 552 089 04 B51 | | Space grey | -00 | | |
| 996 552 089 04 D12 | | Dark grey/natural | 00- | | |
| 996 552 089 04 T12 | | Brown/natural | 00- | | |
| (33) | | 996 552 089 04 P12 | Cinnamon brown | 01- | 1 |
| | 996 552 090 04 | Cover | /R | | |
| | | Leather | | | |
| | 996 552 090 04 A11 | Black | | | |
| | 996 552 090 04 C51 | Graphite grey | | | |
| | 996 552 090 04 S31 | Savanna | | | |
| | 996 552 090 04 J31 | Nephrite green | -03 | | |
| | 996 552 090 04 M31 | Boxster red | | | |
| | 996 552 090 04 G11 | Metropole blue | | | |
| | 996 552 090 04 B51 | Space grey | -00 | | |
| | 996 552 090 04 D12 | Dark grey/natural | 00- | | |
| | 996 552 090 04 T12 | Brown/natural | 00- | | |
| | 996 552 090 04 P12 | Cinnamon brown | 01- | | |

Model: 996 98

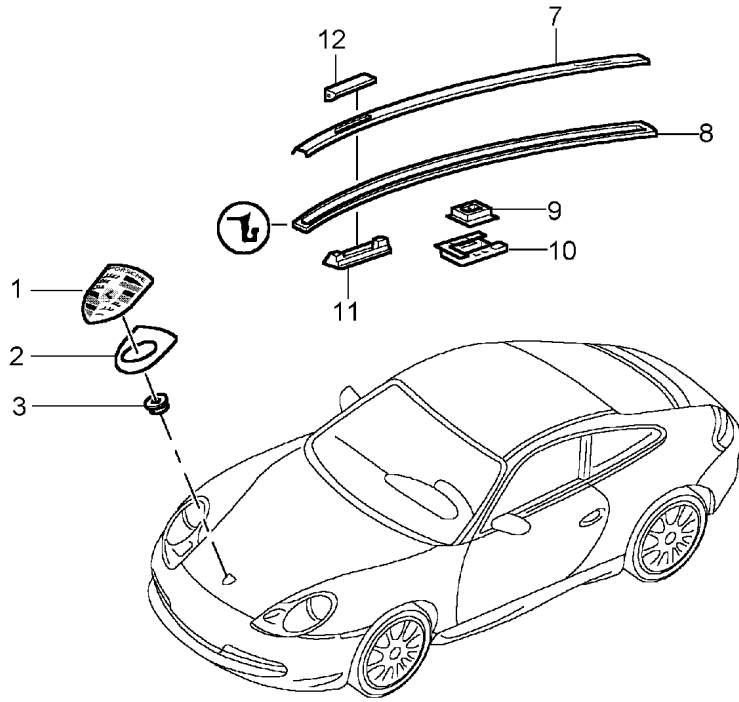
Model life 1998>>2005

| Pos | Part Number | Description | Remark | Qty | Model |
|------|----------------|---|--------|-----|-------------|
| - | 986 552 269 02 | Support | | 1 | |
| - | 900 333 002 30 | Blind rivet | | 1 | |
| 34 | 999 920 013 40 | Plug-in nut 5,0 X 1,0 X 8 | | 1 | |
| 35 | 999 920 012 40 | Plug-in nut 5,0 X 3,5 X 8 | | 2 | |
| 36 | 996 552 691 00 | Retaining belt with Retaining pin | | 1 | |
| (36) | 996 552 960 01 | Hinge Set Repair material | -01 | 1 | |
| (36) | 996 552 507 00 | Hinge | 02- | 1 | |
| - | 999 073 228 09 | Tapping screw 4,8 X 13 | 02- | 2 | |
| 37 | 996 552 795 01 | Spring | | 1 | |
| 38 | 996 552 793 01 | Retaining bracket Package box Lid | | 1 | |
| 39 | 999 507 645 02 | Threaded piece | | 2 | |
| 40 | 999 073 081 02 | Tapping screw 4,2 X 13 | | 2 | |
| 41 | 996 552 227 00 | Extension Lower part | | 1 | COUPE/TARGA |
| 42 | 999 920 011 40 | Plug-in nut 5,0 X 2 X 8 | | X | COUPE/TARGA |

Model: 996 98

Model life 1998>>2005

4— *Carrera 4* —5
6— *911*



Model: 996 98 Model life 1998>>2005

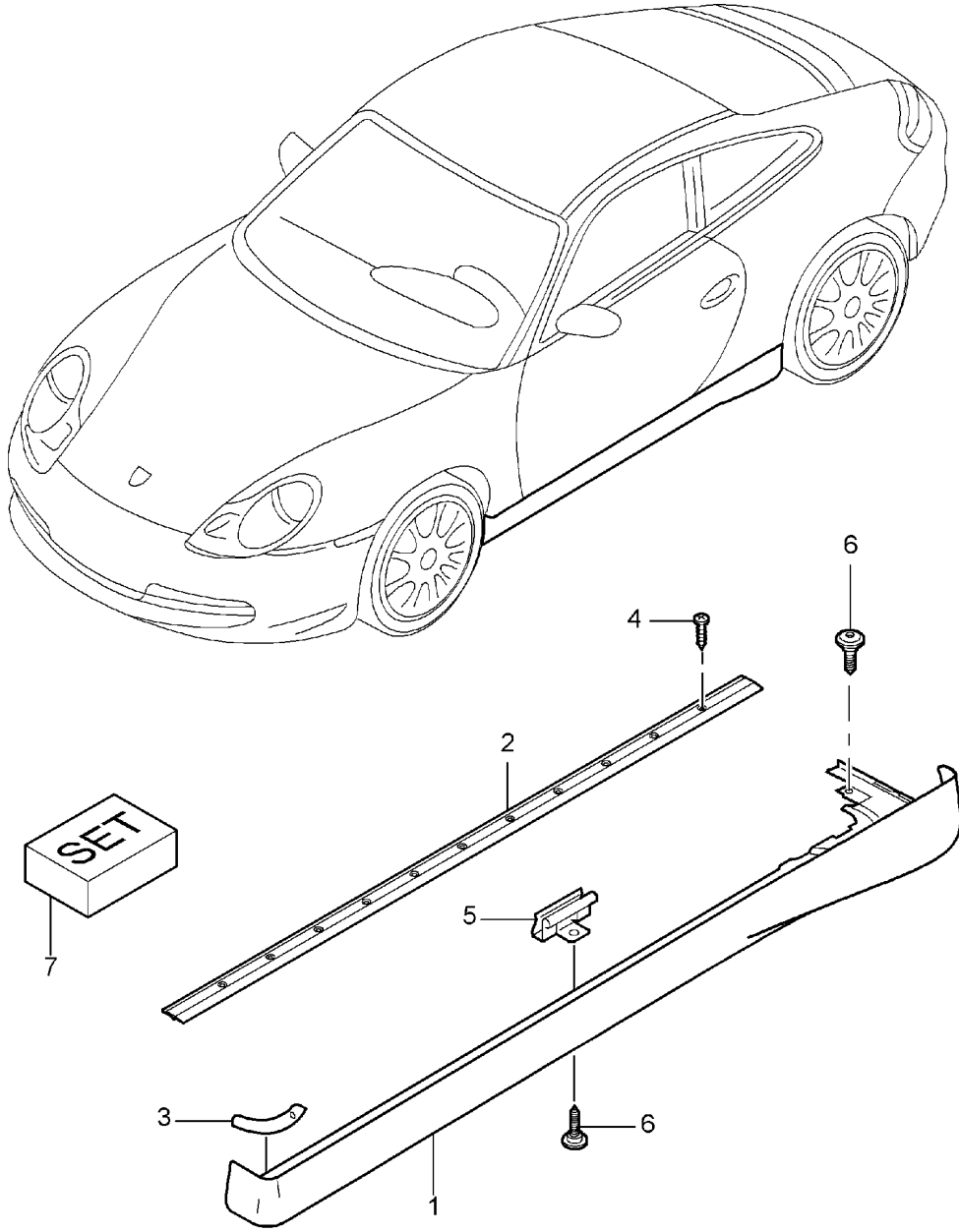
| Pos | Part Number | Description | Remark | Qty | Model |
|-----|--------------------|--|--------|-----|--------------|
| 1 | 997 559 211 00 | Insignias Decorative fittings Lid emblem | | 1 | |
| (1) | 996 559 211 01 | Information available Lid emblem | | 1 | |
| 2 | 901 559 215 20 | Information available Desk pad | | 1 | |
| (2) | 7L5 853 611 B | Desk pad | | 1 | |
| 3 | 999 591 423 03 | Tapping nut | | 2 | |
| 4 | 996 559 237 06 | Logo * CARRERA * | -01 | 1 | M338 |
| | | Rear lid Upper | | | |
| 4 | 996 559 237 06 70C | Rally black | | | |
| 4 | 996 559 237 06 | Logo * CARRERA * | 04- | 1 | MXAA M338 |
| | | Rear lid Upper | | | |
| 4 | 996 559 237 06 70C | Rally black | | | |
| 4 | 996 559 237 09 | Logo *CARRERA * | 02- | 1 | M338 |
| | | Rear lid Lower | | | |
| (4) | 996 559 237 09 70C | Rally black | | | |
| (4) | 996 559 237 07 | Logo * CARRERA * | -01 | 1 | M339 |
| | | Rear lid Upper | | | |
| (4) | 996 559 237 07 4PU | Silver | | | |
| (4) | 996 559 237 07 | Logo * CARRERA * | 02- | 1 | C4S M339 |
| | | Rear lid Upper | | | |
| (4) | 996 559 237 07 4PU | Silver | | | |
| (4) | 996 559 237 07 | Logo * CARRERA * | 04- | 1 | IXAA/M339 |
| | | Rear lid Upper | | | |
| (4) | 996 559 237 07 4PU | Silver | | | |
| (4) | 996 559 237 10 | Logo * CARRERA * | 02- | 1 | M339 |
| | | Rear lid Lower | | | |
| 5 | 996 559 237 10 4PU | Silver | | | |
| 5 | 996 559 241 01 | Logo * 4 * | -01 | 1 | M339 |
| | | Rear lid Upper | | | |
| 5 | 996 559 241 01 4PU | Silver | | | |
| 5 | 996 559 241 01 | Logo * 4 * | 02- | 1 | C4S M339 |
| | | Rear lid Upper | | | |
| 5 | 996 559 241 01 4PU | Silver | | | |
| 5 | 996 559 241 01 | Logo * 4 * | 04- | 1 | IXAA/M339 |
| | | Rear lid Upper | | | |
| (5) | 996 559 241 01 4PU | Silver | | | |
| (5) | 996 559 241 02 | Logo | 02- | 1 | M339 |

Model: 996 98 Model life 1998>>2005

| Pos | Part Number | Description | Remark | Qty | Model |
|------|--------------------|-----------------|--------|-----|-------|
| | | * 4 * | | | |
| | | Rear lid | | | |
| | | Lower | | | |
| | 996 559 241 02 4PU | Silver | | | |
| - | 996 559 243 00 | Logo | 02- | 1 | C4S |
| | | * S * | | | |
| | 996 559 243 00 D04 | Grey | | | |
| - | 996 559 237 08 | Logo | 02- | 1 | TARGA |
| | | * TARGA * | | | |
| | 996 559 237 08 70C | Rally black | | | |
| 6 | 996 559 237 05 | Logo | 00 | 1 | M094 |
| | | 911 | | | |
| | | Silver | | | |
| (6) | 996 559 237 11 | Logo | 04 | 1 | M095 |
| | | 911 | | | |
| (7) | 996 559 401 00 | Roof edge strip | /L | 1 | |
| | 996 559 401 00 G2X | Prime coated | | | |
| (7) | 996 559 402 00 | Roof edge strip | /R | 1 | |
| | 996 559 402 00 G2X | Prime coated | | | |
| (8) | 996 559 721 00 | Gasket | /L | 1 | |
| 8 | 996 559 722 00 | Gasket | /R | 1 | |
| 9 | 996 559 405 01 | Adapter | | 10 | |
| 10 | 996 559 403 01 | Clip | | 10 | |
| 11 | 996 559 729 00 | Bracket | | 4 | |
| | | for | | | |
| | | Flap | | | |
| 12 | 996 559 501 00 | Flap | /V | 2 | |
| | 996 559 501 00 G2X | Prime coated | | | |
| (12) | 996 559 503 00 | Flap | /H | 2 | |
| | 996 559 503 00 G2X | Prime coated | | | |

Model: 996 98

Model life 1998>>2005



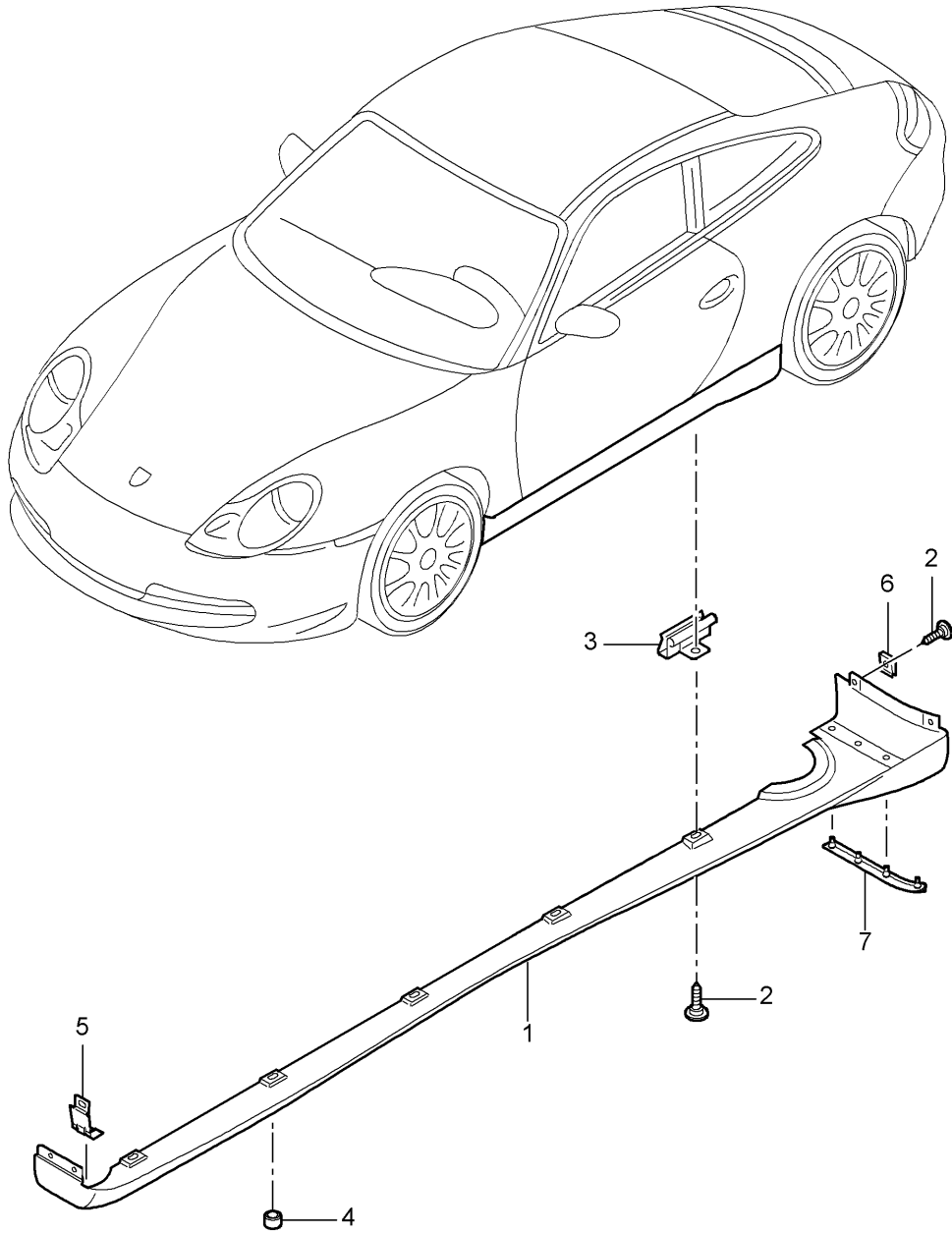
Model: 996 98

Model life 1998>>2005

| Pos | Part Number | Description | Remark | Qty | Model |
|-----|--------------------|-----------------|-----------|-----|----------|
| | | Sill cover | | | IX76 |
| 1 | 996 559 983 02 | Sill cover | /L -02 | 1 | |
| | 996 559 983 02 G2X | Prime coated | | | |
| (1) | 996 559 984 02 | Sill cover | /R -02 | 1 | |
| | 996 559 984 02 G2X | Prime coated | | | |
| - | 000 044 802 05 | Sill cover | /L /R -02 | 1 | |
| | | Sill cover | | | |
| | | Prime coated | | | |
| | | Comprising: | | | |
| | | 99655998402G2X | | | |
| | | 99655998302G2X | | | |
| | | POS 5 + 6 | | | |
| 1 | 996 559 983 03 | Sill cover | /L 03- | 1 | IXAA/X76 |
| | 996 559 983 03 G2X | Prime coated | | | |
| (1) | 996 559 984 03 | Sill cover | /R 03- | 1 | IXAA/X76 |
| | 996 559 984 03 G2X | Prime coated | | | |
| 2 | 996 559 982 00 | Retaining strip | | 2 | |
| 3 | 996 559 985 01 | Adhesive film | /L -02 | 1 | |
| (3) | 996 559 986 01 | Adhesive film | /R -02 | 1 | |
| (3) | 986 559 990 02 | Adhesive film | 03- | 2 | |
| (3) | 986 559 990 03 | Adhesive film | 03- | 2 | |
| 4 | 900 145 041 07 | Tapping screw | | 22 | |
| | | ST 3,5 X 16 | | | |
| 5 | 999 507 640 09 | U-clamp | | 18 | |
| 6 | 999 073 231 09 | Tapping screw | | 20 | |
| | | 4,8 X 16 | | | |
| 6 | 999 073 061 02 | Tapping screw | | 2 | |
| | | 4,8 X 16 | | | |
| | | Use also: | | | |
| 7 | 000 044 000 97 | Adhesive set | | 1 | |

Model: 996 98

Model life 1998>>2005



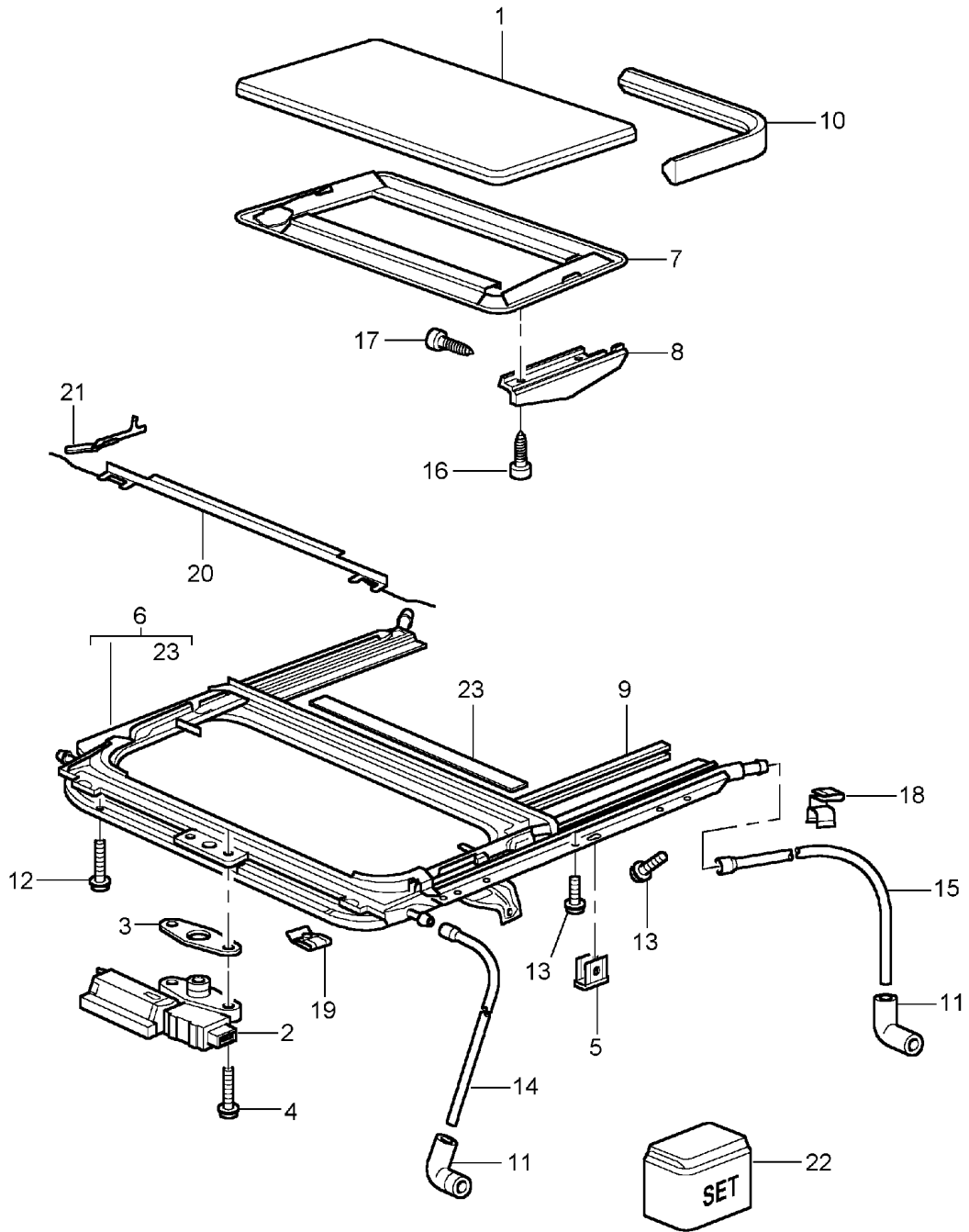
Model: 996 98

Model life 1998>>2005

| Pos | Part Number | Description | Remark | Qty | Model |
|-----|--------------------|---------------|--------|-----|-----------|
| 1 | 996 504 363 00 | Trim cover | | | |
| | | Sill cover | | | |
| | | Single parts | | | CARRERA 4 |
| | 996 504 363 00 | Sill cover | /L | 1 | |
| | 996 504 363 00 01C | Satin black | | | |
| (1) | 996 504 364 00 | Sill cover | /R | 1 | |
| | 996 504 364 00 01C | Satin black | | | |
| 1 | 996 504 363 01 | Sill cover | /L 02- | 1 | IXAH |
| | 996 504 363 01 G2X | Prime coated | | | |
| 1 | 996 504 364 01 | Sill cover | /R 02- | 1 | IXAH |
| | 996 504 364 01 G2X | Prime coated | | | |
| 2 | N 906 487 02 | Tapping screw | | 10 | |
| | | 4,8 X 16 | | | |
| 3 | 999 507 640 09 | U-clamp | | 10 | |
| | | 3,30 - 4,00 | | | |
| 4 | 996 504 715 00 | Grommet | | 20 | |
| 5 | 996 504 743 00 | Support | /L | 1 | |
| (5) | 996 504 744 00 | Support | /R | 1 | |
| 6 | 999 507 668 02 | Speed nut | | 4 | |
| | | 4,8 | | | |
| 6 | 999 507 668 01 | Speed nut | | 4 | |
| | | 4,8 | | | |
| 7 | 996 504 893 00 | Rubber lip | /L | 1 | |
| (7) | 996 504 894 00 | Rubber lip | /R | 1 | |

Model: 996 98

Model life 1998>>2005



Model: 996 98 Model life 1998>>2005

| Pos | Part Number | Description | Remark | Qty | Model |
|-----|--------------------|---|--------|-----|-------|
| 1 | 996 564 941 01 | Sunroof Lid | | 1 | M650 |
| | 996 564 941 01 GRV | Prime coated | | | |
| 2 | 996 624 211 02 | Driving mechanism | | 1 | |
| 2 | 997 624 211 00 | Driving mechanism | | 1 | |
| 3 | 996 564 213 00 | Spacer | | 1 | |
| 4 | 999 073 135 07 | Countersunk-head screw | | 2 | |
| 5 | 999 703 258 41 | Clip | | 2 | |
| 6 | 996 564 015 02 | Frame Complete for vehicles up to 01.01 Use also: | | 1 | |
| - | 996 564 915 00 | Assembly kit for Frame | | 1 | |
| 7 | 996 564 021 01 | Roofliner | -99 | 1 | |
| | 996 564 021 01 A10 | Black | | | |
| | 996 564 021 01 B50 | Space grey | | | |
| | 996 564 021 01 C50 | Graphite grey | | | |
| | 996 564 021 01 G10 | Metropole blue | | | |
| | 996 564 021 01 S30 | Savanna | | | |
| 7 | 996 564 021 02 | Roofliner | 00 | 1 | |
| | 996 564 021 02 A14 | Black | | | |
| | 996 564 021 02 C54 | Graphite grey | | | |
| | 996 564 021 02 G14 | Metropole blue | | | |
| | 996 564 021 02 S34 | Savanna | | | |
| 7 | 996 564 021 03 | Roofliner | 01-02 | 1 | |
| | 996 564 021 03 A14 | Black | | | |
| | 996 564 021 03 C54 | Graphite grey | | | |
| | 996 564 021 03 S34 | Savanna | | | |
| | 996 564 021 03 G14 | Metropole blue | | | |
| | 996 564 021 03 J34 | Nephrite green | | | |
| 7 | 996 564 021 04 | Roofliner Alcantara | 03-05 | 1 | |
| | 996 564 021 04 A14 | Black | | | |
| | 996 564 021 04 C54 | Graphite grey | | | |
| | 996 564 021 04 G14 | Metropole blue | | | |
| | 996 564 021 04 S34 | Savanna | | | |
| | 996 564 021 04 J34 | Nephrite green | | | |
| 7 | 996 564 983 00 | Roofliner Leather | 01- | 1 | IXMA |
| | 996 564 983 00 A11 | Black | | | |
| | 996 564 983 00 C51 | Graphite grey | | | |
| | 996 564 983 00 S31 | Savanna | | | |
| | 996 564 983 00 G11 | Metropole blue | | | |
| | 996 564 983 00 J31 | Nephrite green | | | |
| | 996 564 983 00 M31 | Boxster red | | | |
| | 996 564 983 00 D12 | Dark grey/natural | | | |
| | 996 564 983 00 T12 | Natural brown | | | |
| | 996 564 983 00 P12 | Cinnamon brown | | | |
| 8 | 996 564 181 00 | Cover Outer | /L | 1 | |
| | 996 564 181 00 01C | Black | | | |
| (8) | 996 564 182 00 | Cover Outer | /R | 1 | |
| | 996 564 182 00 01C | Black | | | |
| (9) | 996 564 241 00 | Interior lining Inner | /L | 1 | |
| (9) | 996 564 242 00 | Interior lining Inner | /R | 1 | |
| 10 | 996 564 211 01 | Gasket | -01 | 1 | |
| 10 | 997 564 211 00 | Gasket | 02- | 1 | |

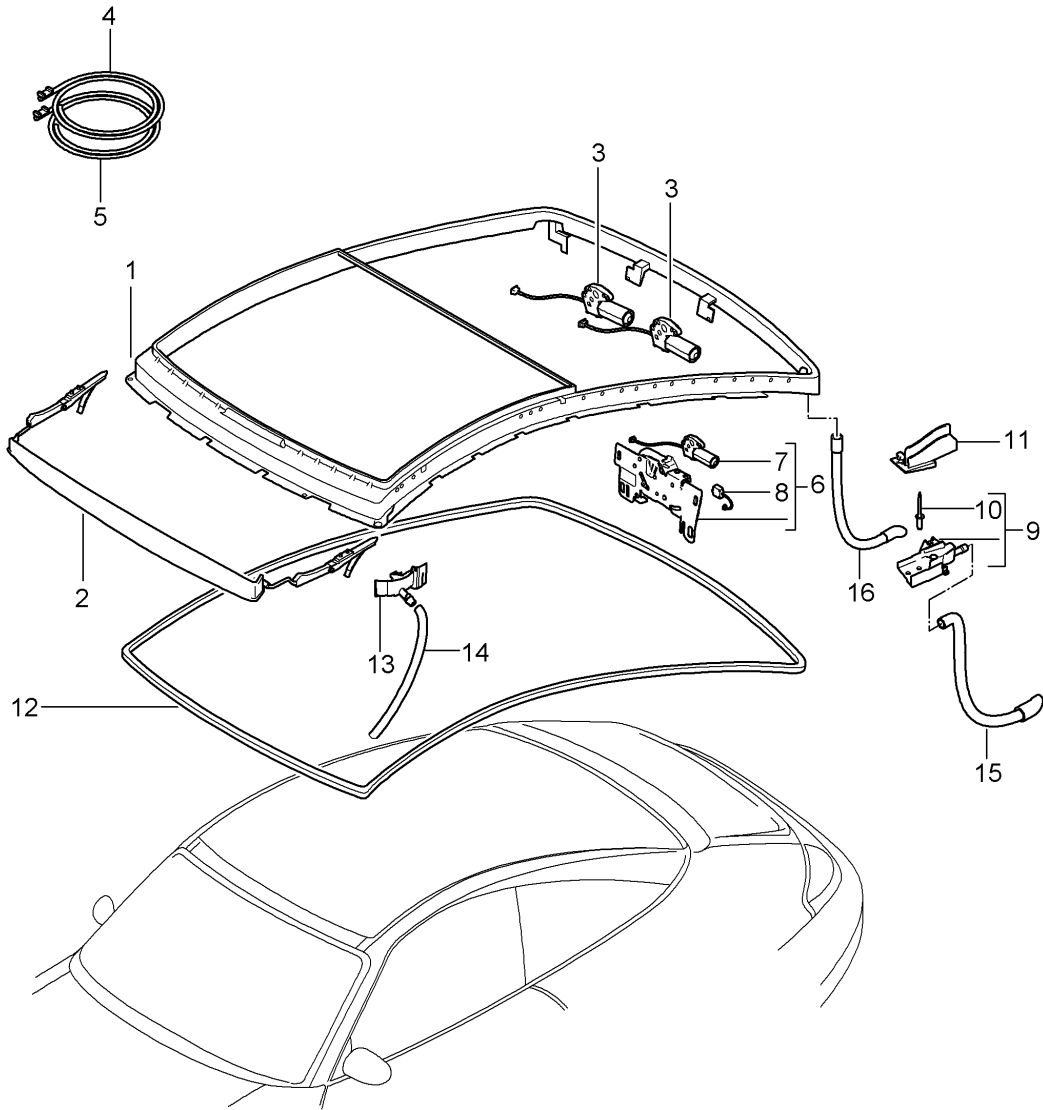
Model: 996 98

Model life 1998>>2005

| Pos | Part Number | Description | Remark | Qty | Model |
|------|----------------|------------------------------------|--------|-----|-------|
| 11 | 999 702 248 41 | Grommet | | 4 | |
| 12 | 999 073 131 02 | Oval-head screw M6X25 | | 4 | |
| 12 | 999 073 366 02 | Oval-head screw M6X30 | | 4 | |
| 13 | 999 073 130 02 | Oval-head screw M6X16 | | 6 | |
| 14 | 996 564 207 00 | Water drain hose Front | | 2 | |
| 15 | 996 564 237 01 | Water drain hose Rear | | 2 | |
| 16 | 900 143 133 07 | Tapping screw | | 4 | |
| 17 | 996 564 245 00 | Combination screw | | 4 | |
| 18 | 999 507 631 02 | Cable holder | | 6 | |
| 19 | 999 591 348 02 | Speed nut | | 2 | |
| 19 | 999 591 348 01 | Speed nut | | 2 | |
| 20 | 996 564 161 02 | Air deflector | | 1 | |
| 21 | 996 564 521 01 | Hinge | | 1 | |
| (21) | 996 564 522 01 | Hinge | | 1 | |
| - | 996 564 950 00 | Sound absorber for Roofliner | | 1 | |
| 22 | 996 564 915 00 | Assembly kit for Frame | | 1 | |
| 23 | 996 564 907 01 | Edge protection | | 1 | |

Model: 996 98

Model life 1998>>2005



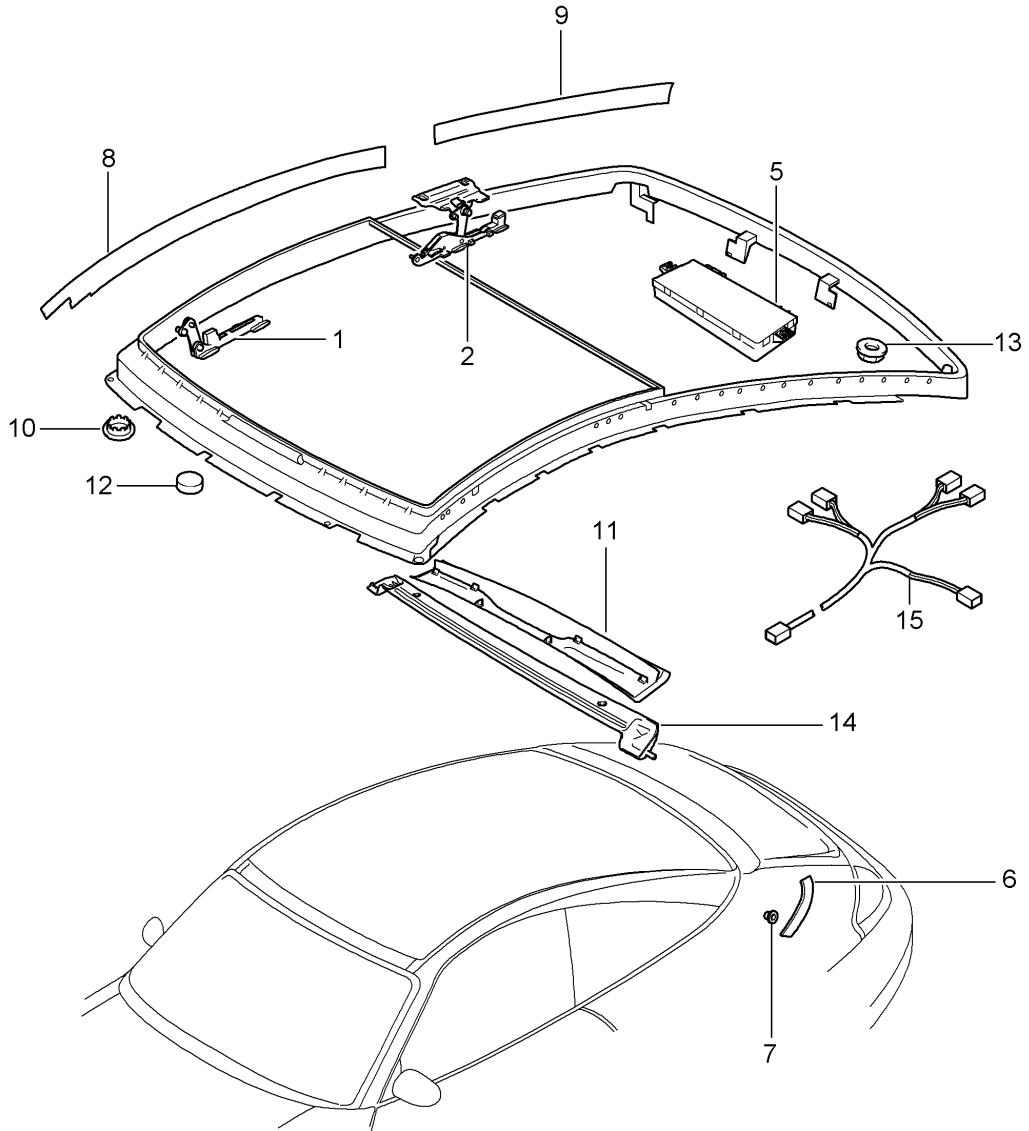
Model: 996 98

Model life 1998>>2005

| Pos | Part Number | Description | Remark | Qty | Model |
|------|----------------|--|--------|-----|-------|
| | | Glass roof | | | TARGA |
| 1 | 996 562 905 01 | Frame | | 1 | |
| 2 | 996 562 953 00 | Air deflector | | 1 | |
| 3 | 996 624 221 00 | Electric drive | | 2 | |
| 4 | 996 562 315 00 | Cable | /L | 1 | |
| 5 | 996 562 316 00 | Cable | /R | 1 | |
| 6 | 996 562 335 00 | Catch | | 1 | |
| 6 | 997 562 335 01 | Catch | | 1 | |
| 7 | 996 624 231 00 | Driving mechanism | | 1 | |
| 8 | 996 613 231 00 | Microswitch | | 1 | |
| 9 | 996 562 439 00 | End piece | /L | 1 | |
| | | Guide rail | | | |
| (9) | 996 562 440 00 | End piece | /R | 1 | |
| | | Guide rail | | | |
| 10 | 999 190 172 30 | Blind rivet | | 2 | |
| 11 | 996 562 437 00 | Lid | /L | 1 | |
| (11) | 996 562 438 00 | Lid | /R | 1 | |
| 12 | 996 562 425 00 | Sealing strap | | 1 | |
| 13 | 996 562 401 00 | Water drain tube | /L | 1 | |
| (13) | 996 562 402 00 | Water drain tube | /R | 1 | |
| 14 | 996 562 203 01 | Water drain hose | | 2 | |
| - | 996 562 910 00 | Guide with Wiring harness Shade | | 1 | |
| - | 996 612 344 00 | Wiring harness Shade | | 1 | |
| - | 000 043 157 00 | Cleaning agent 30 ML | | 1 | |
| - | 999 703 488 40 | Buffer | | 2 | |
| - | 996 562 913 00 | Guide tube with Drive shaft | | 1 | |
| 15 | 996 562 205 01 | Water drain hose Rear Outer | | 2 | |
| 16 | 996 562 207 01 | Water drain hose Rear Inner | | 2 | |

Model: 996 98

Model life 1998>>2005



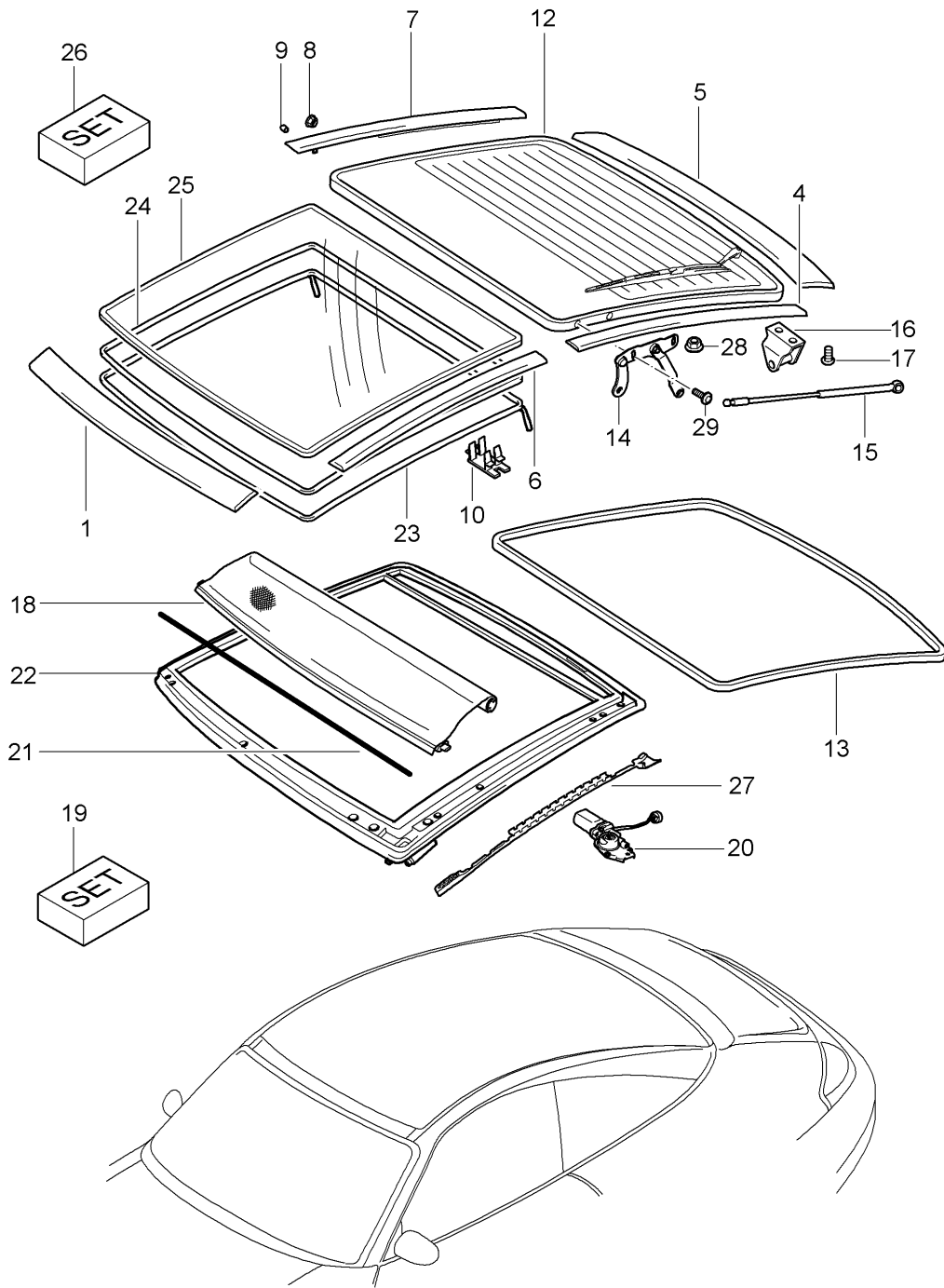
Model: 996 98

Model life 1998>>2005

| Pos | Part Number | Description | Remark | Qty | Model |
|-----|--------------------|---------------------------------|--------|-----|-------|
| | | Glass roof | | | TARGA |
| | | Driving mechanism | | | |
| - | 996 562 906 00 | Repair kit | | 1 | |
| | | Knock-out lever | | 1 | |
| | | Comprising: | | | |
| | | POS. 1 + 2 | | | |
| 5 | 996 618 241 00 | Control unit | | 1 | |
| 6 | 996 562 541 00 | Cover | /L | 1 | |
| | 996 562 541 00 GRV | Prime coated | | | |
| (6) | 996 562 542 00 | Cover | /R | 1 | |
| | 996 562 542 00 GRV | Prime coated | | | |
| 7 | 893 853 231 A | Clamping bush | | 4 | |
| 8 | 996 562 407 00 | Cover | /L | 1 | |
| (8) | 996 562 408 00 | Cover | /R | 1 | |
| 9 | 996 562 911 00 | Cover | /L | 1 | |
| 9 | 996 562 404 00 | Cover | /R | 1 | |
| 10 | 999 703 866 40 | Lid | | 3 | |
| 11 | 996 562 943 00 | Lining | | 1 | |
| 12 | 986 561 633 01 | Buffer | | 2 | |
| 13 | 999 084 456 09 | Hexagon nut | | X | |
| 14 | 996 562 459 00 | Profile strip | | 1 | |
| 15 | 996 612 343 00 | Wiring harness | | 1 | |
| - | 996 562 427 00 | Bracket for Profile strip | | 1 | |

Model: 996 98

Model life 1998>>2005



Model: 996 98 Model life 1998>>2005

| Pos | Part Number | Description | Remark | Qty | Model |
|------|----------------|---------------------|--------|-----|-------|
| | | Glass roof | | | TARGA |
| | | Linings | | | |
| 1 | 996 562 021 00 | Cover | | 1 | |
| | | Cowl | | | |
| 2 | 996 562 523 00 | Gasket | | 1 | |
| | | Cover | | | |
| | | Cowl | | | |
| 3 | 999 919 207 09 | Oval-head screw | | 3 | |
| 4 | 996 562 651 00 | Cover | /L | 1 | |
| (4) | 996 562 652 00 | Cover | /R | 1 | |
| 5 | 996 562 653 00 | Cover | /H | 1 | |
| (5) | 996 562 928 00 | Trim cover | /H | 1 | |
| | | Rear window | | | |
| 6 | 996 562 303 00 | Cover strip | /L | 1 | |
| (6) | 996 562 304 00 | Cover strip | /R | 1 | |
| 7 | 996 562 341 00 | Cover | | 1 | |
| (7) | 996 562 342 00 | Cover | /R | 1 | |
| 8 | 999 076 073 07 | Hexagon nut | | 2 | |
| 9 | 900 228 017 09 | Threaded pin | | 2 | |
| 10 | 996 562 409 00 | Clip | | X | |
| 12 | 996 562 323 00 | Rear lid | | 1 | |
| 12 | 996 562 323 02 | Rear lid | | 1 | |
| 12 | 996 562 323 01 | Rear lid | | 1 | M425 |
| 12 | 996 562 323 03 | Rear lid | | 1 | M425 |
| - | 000 043 207 64 | Assembly kit | | 1 | M425 |
| | | with | | | |
| | | Shaft | | | |
| | | Rear window wiper | | | |
| | | Use also: | | | |
| | | 996.562.453.00 | | | |
| - | 996 562 453 00 | Grommet | | 1 | M425 |
| | | Rear window wiper | | | |
| 13 | 996 562 337 00 | Gasket | | 1 | |
| 14 | 996 562 319 00 | Hinge | /L | 1 | |
| (14) | 996 562 320 00 | Hinge | /R | 1 | |
| 15 | 996 562 429 00 | Gas-pressure spring | /L | 1 | |
| (15) | 996 562 430 00 | Gas-pressure spring | /R | 1 | |
| 16 | 996 562 325 00 | Clip | | 1 | |
| - | 999 073 189 09 | Torx screw | | 2 | |
| | | Clip | | | |
| | | M6x12 | | | |
| - | 996 562 461 00 | Cap | | 1 | |
| 17 | 900 228 017 09 | Threaded pin | | 2 | |
| 18 | 996 562 405 00 | Shade | | 1 | |
| 18 | 997 562 405 00 | Shade | | 1 | |
| 19 | 997 562 913 00 | Repair kit | /L | 1 | |
| (19) | 997 562 914 00 | Repair kit | /R | 1 | |
| | | Shade | | | |
| | | mitverwenden | | | |
| - | 996 562 431 00 | Cable | | 1 | |
| 20 | 996 624 241 00 | Electric motor | | 1 | |
| 21 | 996 562 901 00 | Roof strut | | 1 | |
| - | 996 613 221 00 | Microswitch | | 1 | |
| 22 | 996 562 333 02 | Retaining frame | | 1 | |
| - | 996 562 933 01 | Repair kit | | 1 | |
| | | Retaining frame | | | |
| - | 999 073 262 09 | Torx screw | | 10 | |
| | | M 5X14 | | | |
| 23 | 996 562 455 00 | Gasket | | 1 | |
| 24 | 996 562 331 00 | Gasket | | 1 | |
| 25 | 996 562 329 00 | Glass roof | | 1 | |
| 25 | 996 562 329 01 | Glass roof | | 1 | |
| 26 | 996 562 903 00 | Spacer | | 1 | |

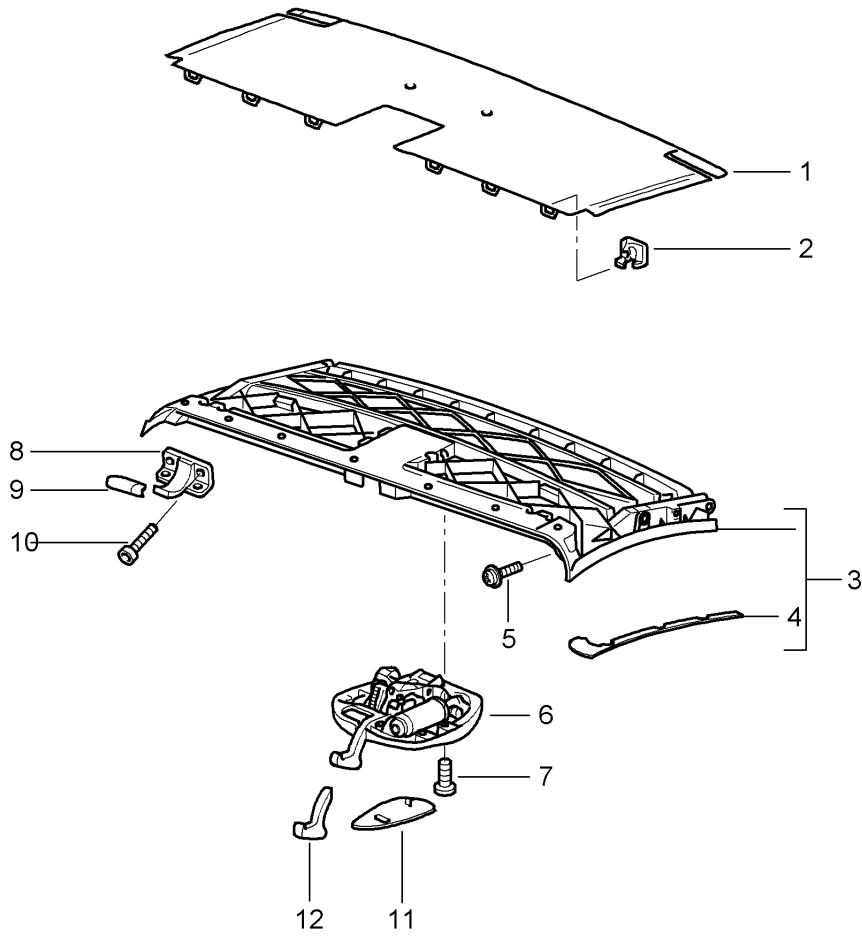
Model: 996 98

Model life 1998>>2005

| Pos | Part Number | Description | Remark | Qty | Model |
|------|----------------|-------------------|--------|-----|-------|
| | | Set | | | |
| 27 | 996 562 907 00 | Cover | /L | 1 | |
| (27) | 996 562 908 00 | Cover | /R | 1 | |
| - | 996 562 459 00 | Profile strip | | 1 | |
| | | Sunroof | | | |
| - | 996 562 441 00 | Gasket | | 1 | |
| | | Centre piece | | | |
| - | 999 703 100 40 | Buffer | | 2 | |
| | | Rear lid | | | |
| - | 000 043 157 00 | Cleaning agent | | 1 | |
| | | 30 ML | | | |
| - | 996 562 421 00 | Water drain valve | | 2 | |
| 28 | 999 084 456 09 | Hexagon nut | | 3 | |
| | | M6 | | | |
| 29 | 999 073 264 09 | Oval-head screw | | 2 | |
| | | M6x10 | | | |

Model: 996 98

Model life 1998>>2005

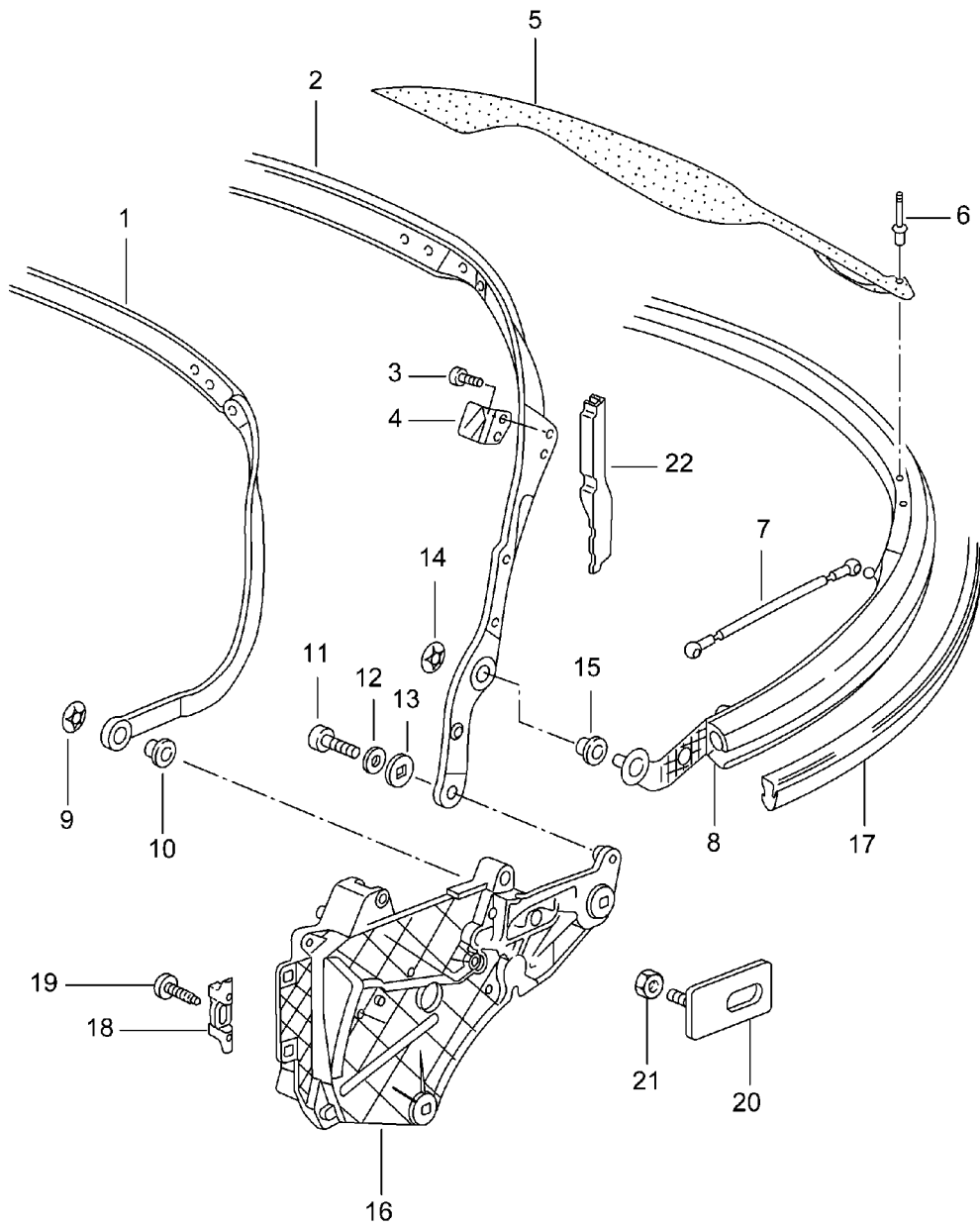


Model: 996 98 Model life 1998>>2005

| Pos | Part Number | Description | Remark | Qty | Model |
|------|--------------------|-----------------------|--------|-----|-------|
| | | Convertible top frame | | | |
| | | Front | | | |
| | | Roof frame | | | |
| | | Catch | | | |
| 1 | 996 561 963 00 | Base | | 1 | |
| 2 | 996 561 731 00 | Clip | | 6 | |
| 3 | 996 561 953 00 | Roof frame | | 1 | |
| | 996 561 953 00 A09 | Black | | | |
| 4 | 996 561 807 00 | Gasket | /L | 1 | |
| | | Roof frame | | | |
| | | Plastic foam strip | | | |
| (4) | 996 561 808 00 | Gasket | /R | 1 | |
| | | Roof frame | | | |
| | | Plastic foam strip | | | |
| 5 | 996 561 247 00 | Expansion rivet | | 6 | |
| 6 | 996 561 017 01 | Catch | -04 | 1 | |
| | 996 561 017 01 A09 | Black | | | |
| (6) | 997 561 117 00 | Catch | 05- | 1 | |
| - | 996 561 947 00 | Adapter | -04 | 1 | |
| - | 997 561 515 00 | Trim cover | 05- | 1 | |
| | 997 561 515 00 01C | Black | | | |
| 7 | 999 073 195 09 | Oval-head screw | | 4 | |
| 8 | 996 561 605 01 | Centring journal | /L -02 | 1 | |
| | 996 561 605 01 A09 | Black | | | |
| 8 | 996 561 605 02 | Centring journal | /L 03- | 1 | |
| (8) | 996 561 606 01 | Centring journal | /R -02 | 1 | |
| | 996 561 606 01 A09 | Black | | | |
| (8) | 996 561 606 02 | Centring journal | /R 03- | 1 | |
| 9 | 996 561 705 01 | Cap | /L | 1 | |
| | 996 561 705 01 01C | Black | | | |
| (9) | 996 561 706 01 | Cap | /R | 1 | |
| | 996 561 706 01 01C | Black | | | |
| 10 | 999 919 144 09 | Oval-head screw | | 4 | |
| 11 | 996 561 837 00 | Cap | /L -04 | 1 | |
| | 996 561 837 00 D05 | Granite grey | | | |
| | 996 561 837 00 A03 | Black | | | |
| (11) | 996 561 838 00 | Cap | /R -04 | 1 | |
| | 996 561 838 00 D05 | Granite grey | | | |
| | 996 561 838 00 A03 | Black | | | |
| 11 | 996 561 937 00 | Set | | 1 | |
| | | Cap | | | |
| 12 | 996 561 787 00 | Cap | | 1 | |
| | 996 561 787 00 01C | Black | | | |
| 12 | 996 561 787 01 | Cap | | 1 | |
| | 996 561 787 01 01C | Black | | | |

Model: 996 98

Model life 1998>>2005



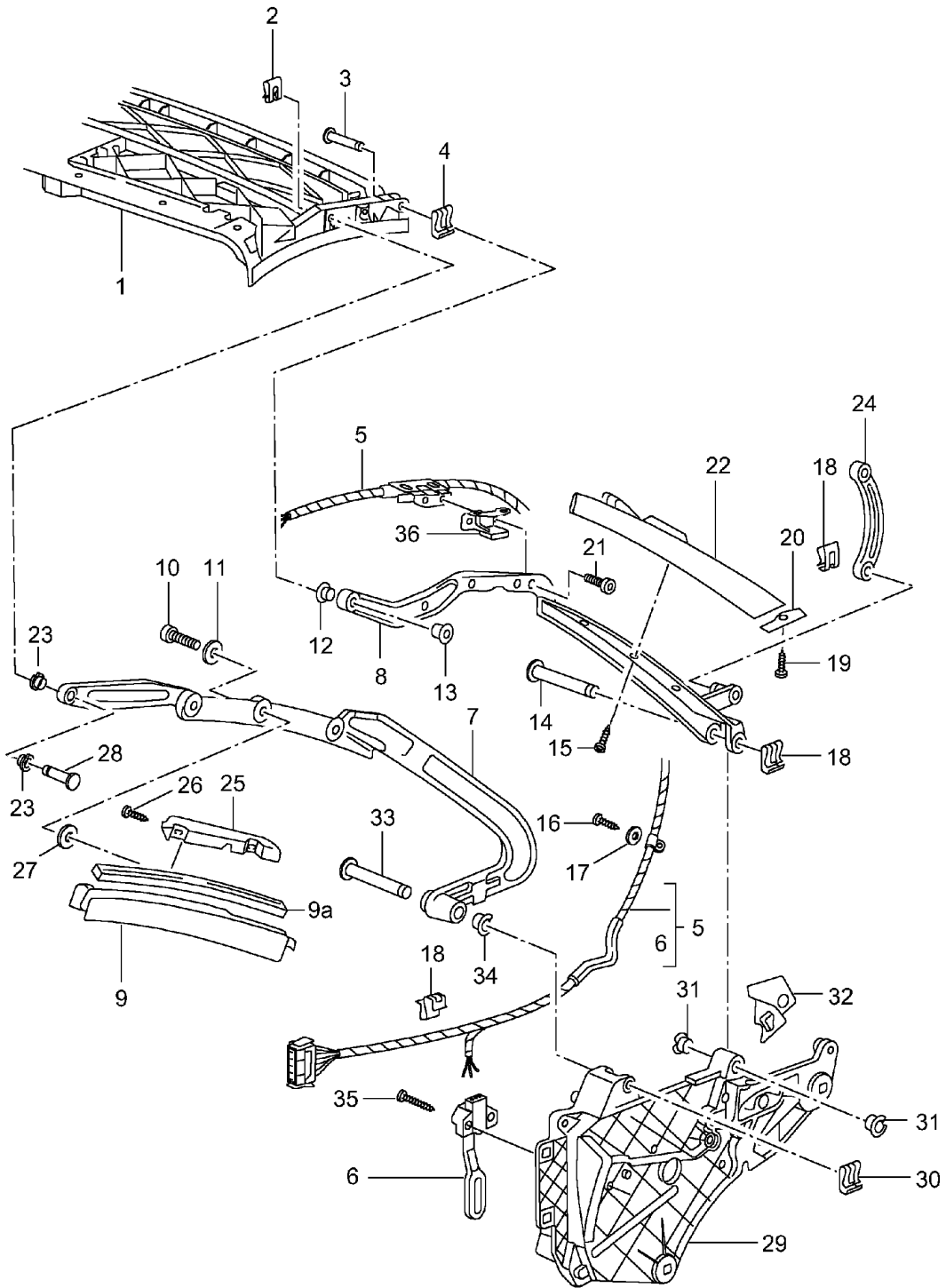
Model: 996 98

Model life 1998>>2005

| Pos | Part Number | Description | Remark | Qty | Model |
|------|----------------|---------------------------------------|--------|-----|-------|
| | | Convertible top frame | | | |
| | | Single parts | | | |
| 1 | 996 561 042 00 | Roof strut | | 1 | |
| 2 | 996 561 037 00 | Main folding top bow | | 1 | |
| 3 | 900 146 003 02 | Oval-head screw | | 4 | |
| 4 | 996 561 959 00 | Thrust wedge | | 2 | |
| 5 | 996 561 089 00 | Restraining strap | /L -01 | 1 | |
| 5 | 996 561 089 01 | Restraining strap | /L 02- | 1 | |
| (5) | 996 561 090 00 | Restraining strap | /R -01 | 1 | |
| (5) | 996 561 090 02 | Restraining strap | /R -01 | 1 | |
| (5) | 996 561 090 01 | Restraining strap | /R 02- | 1 | |
| 6 | 999 190 446 30 | Blind rivet | | X | |
| 7 | 996 561 191 00 | Tension rope | | 2 | |
| 8 | 996 561 041 00 | Roof strut | -01 | 1 | |
| 8 | 996 561 041 01 | Roof strut | 02- | 1 | |
| 9 | 996 561 645 00 | Lock | | 4 | |
| 10 | 999 924 122 40 | Bush | | 4 | |
| 11 | 999 073 195 09 | Oval-head screw | | 2 | |
| 12 | 900 151 006 09 | Washer | | 2 | |
| 13 | 999 924 131 30 | Washer | | 2 | |
| 14 | 996 561 645 00 | Lock | | 4 | |
| 15 | 999 924 122 40 | Bush | | X | |
| 16 | 996 561 443 00 | Convertible top support | /L | 1 | |
| (16) | 996 561 444 00 | Convertible top support | /R | 1 | |
| 17 | 996 561 693 00 | Gaskets for Roof strut POS.8 | | 1 | |
| 18 | 996 561 735 02 | Adjusting shim | | 2 | |
| 19 | 999 073 138 09 | Screw | | 2 | |
| 20 | 996 561 715 00 | Support | | 2 | |
| 21 | 999 084 630 09 | Hexagon nut | | 2 | |
| 22 | 996 561 259 00 | Gasket | /L | 1 | |
| (22) | 996 561 260 00 | Gasket | /R | 1 | |

Model: 996 98

Model life 1998>>2005

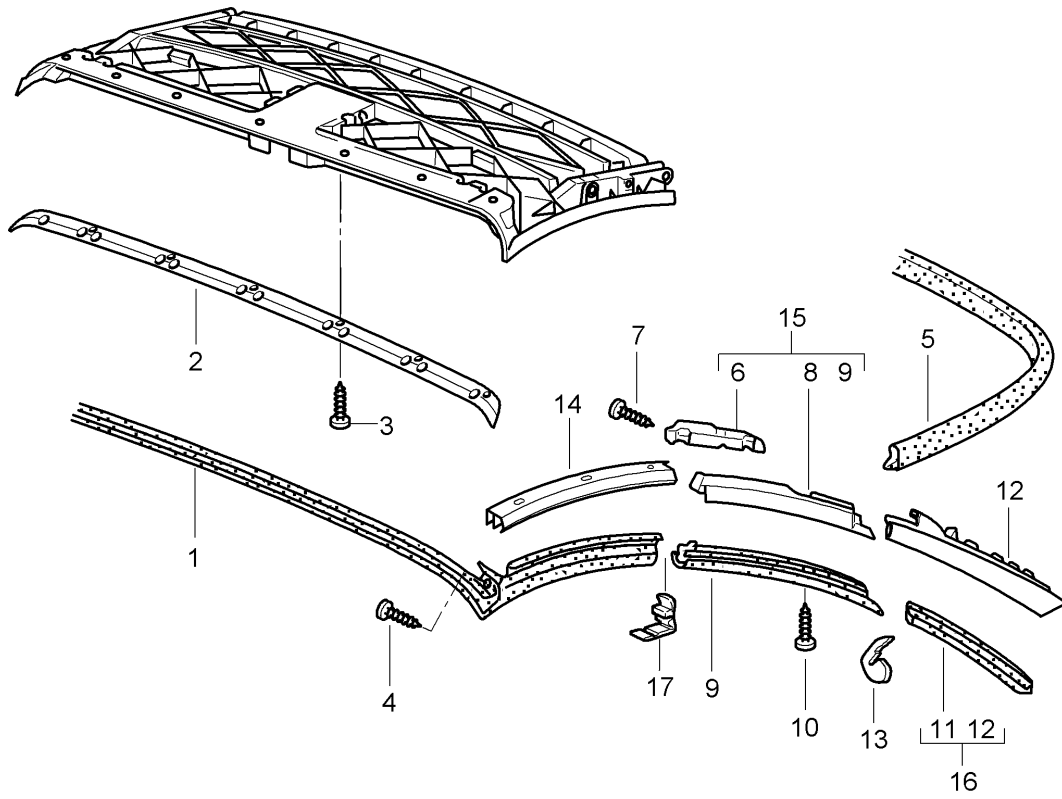


Model: 996 98 Model life 1998>>2005

| Pos | Part Number | Description | Remark | Qty | Model |
|------|--------------------|-------------------------|--------|-----|-------|
| | | Convertible top frame | | | |
| | | Single parts | | | |
| 1 | 996 561 953 00 | Roof frame | | 1 | |
| | 996 561 953 00 A09 | Black | | | |
| 2 | 999 166 075 02 | Safety clip | | X | |
| 3 | 999 088 041 30 | Bolt | | 2 | |
| | | 8X23,2 | | | |
| 4 | 999 166 075 02 | Safety clip | | X | |
| 5 | 996 612 005 15 | Wiring harness | -04 | 1 | |
| 5 | 997 612 698 00 | Wiring harness | 05- | 1 | |
| 6 | 996 613 313 02 | Potentiometer | | 1 | |
| 7 | 996 561 335 00 | Roof frame | /L | 1 | |
| (7) | 996 561 336 00 | Roof frame | | 1 | |
| 8 | 996 561 339 00 | Roof frame | /L | 1 | |
| (8) | 996 561 340 00 | Roof frame | /R | 1 | |
| 9 | 996 561 355 00 | Sealing frame | /L | 1 | |
| | 996 561 355 00 A09 | Black | | | |
| (9) | 996 561 356 00 | Sealing frame | /R | 1 | |
| | 996 561 356 00 A09 | Black | | | |
| 9A | 996 561 219 00 | Gasket | | 2 | |
| | | for | | | |
| | | Sealing frame | | | |
| 10 | 999 073 195 09 | Oval-head screw | | X | |
| | | M 6X20 | | | |
| 11 | 900 151 006 09 | Washer | | X | |
| 12 | 999 924 152 00 | Bush | | 2 | |
| 13 | | Bush | | 2 | |
| 14 | 999 088 037 30 | Bolt | | 1 | |
| 15 | 999 919 152 09 | Oval-head screw | | X | |
| 16 | 900 144 101 02 | Tapping screw | | X | |
| 17 | 900 151 027 02 | Washer | | 8 | |
| 18 | 999 166 076 02 | Safety clip | | X | |
| 18 | 999 166 076 01 | Safety clip | | X | |
| 19 | 999 919 152 09 | Oval-head screw | | 4 | |
| 20 | 996 561 239 00 | Gasket | /L | 1 | |
| (20) | 996 561 240 00 | Gasket | /R | 1 | |
| 21 | N 014 128 13 | Oval-head screw | | 4 | |
| 22 | 996 561 319 00 | Frame | /L | 1 | |
| (22) | 996 561 320 00 | Frame | | 1 | |
| 23 | 999 924 152 00 | Bush | | 4 | |
| 24 | 996 561 051 01 | Lever | /L | 1 | |
| (24) | 996 561 052 01 | Lever | /R | 1 | |
| 25 | 996 561 535 00 | Guide | /L | 1 | |
| (25) | 996 561 536 00 | Guide | /R | 1 | |
| 26 | 999 919 141 09 | Oval-head screw | | 4 | |
| 27 | 999 025 267 09 | Washer | | 8 | |
| 28 | 999 088 040 30 | Bolt | | 2 | |
| 29 | 996 561 443 00 | Convertible top support | /L | 1 | |
| (29) | 996 561 444 00 | Convertible top support | /R | 1 | |
| 30 | 999 166 076 02 | Safety clip | | 6 | |
| 30 | 999 166 076 01 | Safety clip | | 6 | |
| 31 | 999 924 125 40 | Bush | | 4 | |
| 32 | 996 561 249 01 | Sealing strip | /L -00 | 1 | |
| 32 | | Sealing strip | /L 01- | 1 | |
| (32) | 996 561 250 01 | Sealing strip | /R -00 | 1 | |
| (32) | | Sealing strip | /R 01- | 1 | |
| 33 | 999 088 031 30 | Bolt | | 4 | |
| 34 | 999 924 125 40 | Bush | | 4 | |
| 35 | 999 919 152 09 | Oval-head screw | | 2 | |
| 36 | 996 561 631 00 | Bracket | -01 | 2 | |
| 37 | 996 610 114 00 | Guide | -01 | 1 | |

Model: 996 98

Model life 1998>>2005

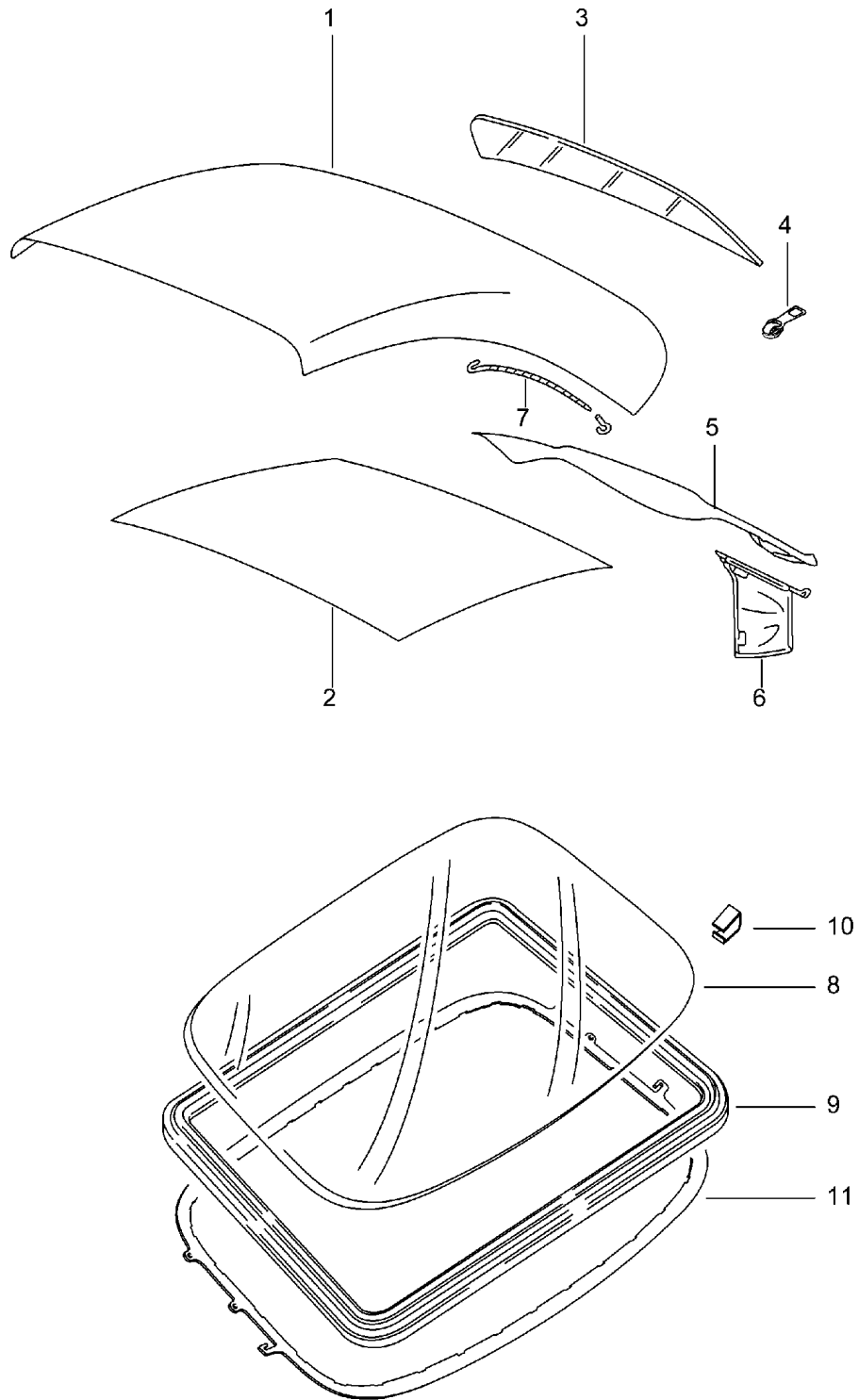


Model: 996 98 Model life 1998>>2005

| Pos | Part Number | Description | Remark | Qty | Model |
|------|----------------|----------------------|--------|-----|-------|
| | | Convertible top Seal | | | |
| 1 | 996 561 027 00 | Roof frame seal | | 1 | |
| 2 | 996 561 501 01 | Retaining strip | -04 | 1 | |
| 2 | 997 561 501 00 | Retaining strip | 05- | 1 | |
| 3 | 999 919 139 09 | Oval-head screw | | 7 | |
| 4 | | Oval-head screw | | 2 | |
| 5 | 996 561 449 00 | Gasket | | 1 | |
| 6 | 996 561 535 00 | Guide | /L -01 | 1 | |
| | | Order | | | |
| | | Pos. 15 + 16 | | | |
| (6) | 996 561 536 00 | Guide | /R -01 | 1 | |
| | | Order | | | |
| | | Pos. 15 + 16 | | | |
| 7 | 999 919 152 09 | Oval-head screw | | 4 | |
| 8 | 996 561 355 00 | Sealing frame | /L | 1 | |
| | | Order | | | |
| | | Pos. 15 + 16 | | | |
| (8) | 996 561 356 00 | Sealing frame | /R | 1 | |
| | | Order | | | |
| | | Pos. 15 + 16 | | | |
| 9 | 996 561 413 00 | Gasket | /L | 1 | |
| | | Order | | | |
| | | Pos. 15 + 16 | | | |
| 9 | 996 561 414 00 | Gasket | /R | 1 | |
| | | Order | | | |
| | | Pos. 15 + 16 | | | |
| 10 | 999 919 152 09 | Oval-head screw | | 8 | |
| 11 | 996 561 411 00 | Gasket | /L | 1 | |
| | | Order | | | |
| | | Pos. 15 + 16 | | | |
| (11) | 996 561 412 00 | Gasket | /R | 1 | |
| | | Order | | | |
| | | Pos. 15 + 16 | | | |
| 12 | 996 561 319 00 | Frame | /L | 1 | |
| | | Order | | | |
| | | Pos. 15 + 16 | | | |
| 12 | 996 561 320 00 | Frame | /R | 1 | |
| | | Order | | | |
| | | Pos. 15 + 16 | | | |
| 13 | 996 561 935 00 | Filler piece | | 2 | |
| | | Set | | | |
| 14 | 996 561 527 00 | Mounting | /L | 1 | |
| (14) | 996 561 528 00 | Mounting | /R | 1 | |
| 15 | 997 561 913 01 | Gaskets | /L | 1 | |
| (15) | 997 561 914 01 | Gaskets | /R | 1 | |
| | | Assembly kit | | | |
| | | Pos. 6,8,9 | | | |
| | | Roof frame | | | |
| | | Front | | | |
| 16 | 997 561 923 00 | Gaskets | /L | 1 | |
| (16) | 997 561 924 00 | Gaskets | /R | 1 | |
| | | Assembly kit | | | |
| | | Pos. 11,12 | | | |
| | | Roof frame | | | |
| | | Rear | | | |
| 17 | 997 561 813 00 | Filler piece | /L | 1 | |
| 17 | 997 561 814 00 | Filler piece | /R | 1 | |

Model: 996 98

Model life 1998>>2005

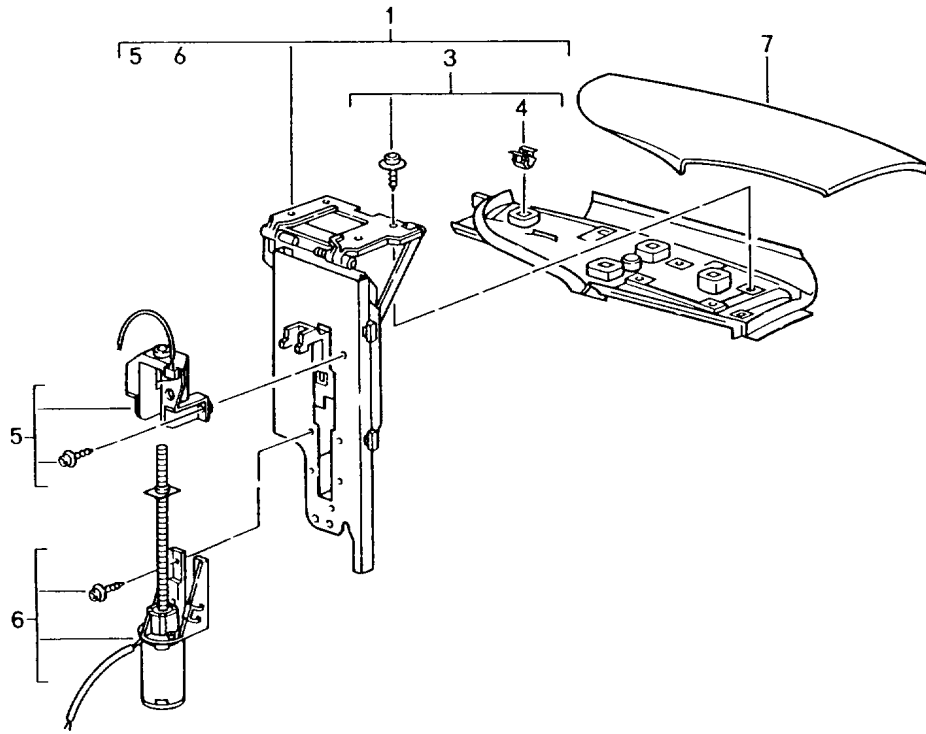


Model: 996 98 Model life 1998>>2005

| Pos | Part Number | Description | Remark | Qty | Model |
|-----|--------------------|--|--------|-----|-------|
| 1 | 996 561 915 01 | Convertible top covering Roofliner | -01 | 1 | |
| | 996 561 915 01 A10 | Black | | | |
| | 996 561 915 01 B50 | Space grey | | | |
| | 996 561 915 01 G10 | Metropole blue | | | |
| | 996 561 915 01 C50 | Graphite grey | | | |
| 1 | 996 561 915 02 | Convertible top covering without Rear window | 02-04 | 1 | |
| | 996 561 915 02 A10 | Black | | | |
| | 996 561 915 02 C50 | Graphite grey | | | |
| | 996 561 915 02 G02 | Metropole blue | | | |
| 1 | 997 561 901 00 | Convertible top covering without Rear window | 05- | 1 | |
| | 997 561 901 00 A10 | Black | | | |
| | 997 561 901 00 C50 | Graphite grey | | | |
| | 997 561 901 00 G02 | Metropole blue | | | |
| 1 | 997 561 901 01 | Convertible top covering without Rear window | 05- | 1 | |
| | 997 561 901 01 A10 | Black | | | |
| | 997 561 901 01 C50 | Graphite grey | | | |
| | 997 561 901 01 G02 | Metropole blue | | | |
| 2 | 996 561 085 00 | Roofliner | -01 | 1 | |
| | 996 561 085 00 A20 | Black | | | |
| 2 | 996 561 085 01 | Roofliner | 02- | 1 | |
| | 996 561 085 01 A21 | Black | | | |
| 3 | 996 561 111 00 | Rear window order at the same time POS.4 | -01 | 1 | |
| 4 | 993 561 959 00 | Slide | | 1 | |
| 5 | 996 561 089 00 | Restraining strap | /L -01 | 1 | |
| (5) | 996 561 089 01 | Restraining strap | /L 02- | 1 | |
| (5) | 996 561 090 00 | Restraining strap | /R -01 | 1 | |
| (5) | 996 561 090 02 | Restraining strap | /R -01 | 1 | |
| (5) | 996 561 090 01 | Restraining strap | /R 02- | 1 | |
| 6 | 996 561 095 00 | Cover strip | /L -01 | 1 | |
| | 996 561 095 00 A20 | Black | | | |
| (6) | 996 561 095 01 | Bag | /L 02- | 1 | |
| | 996 561 095 01 A20 | Black | | | |
| | 996 561 096 00 | Information available Cover strip | /R -01 | 1 | |
| | 996 561 096 00 A20 | Black | | | |
| (6) | 996 561 096 01 | Bag | /R 02- | 1 | |
| | 996 561 096 01 A20 | Black | | | |
| | 996 561 931 01 | Information available Tension rope | | 2 | |
| 8 | 996 561 101 00 | Rear window | 02- | 1 | |
| 9 | 996 561 331 00 | Gasket | 02- | 1 | |
| 10 | 996 561 205 00 | Clamp | | 32 | |
| 11 | 996 561 203 00 | Frame | | 1 | |

Model: 996 98

Model life 1998>>2005



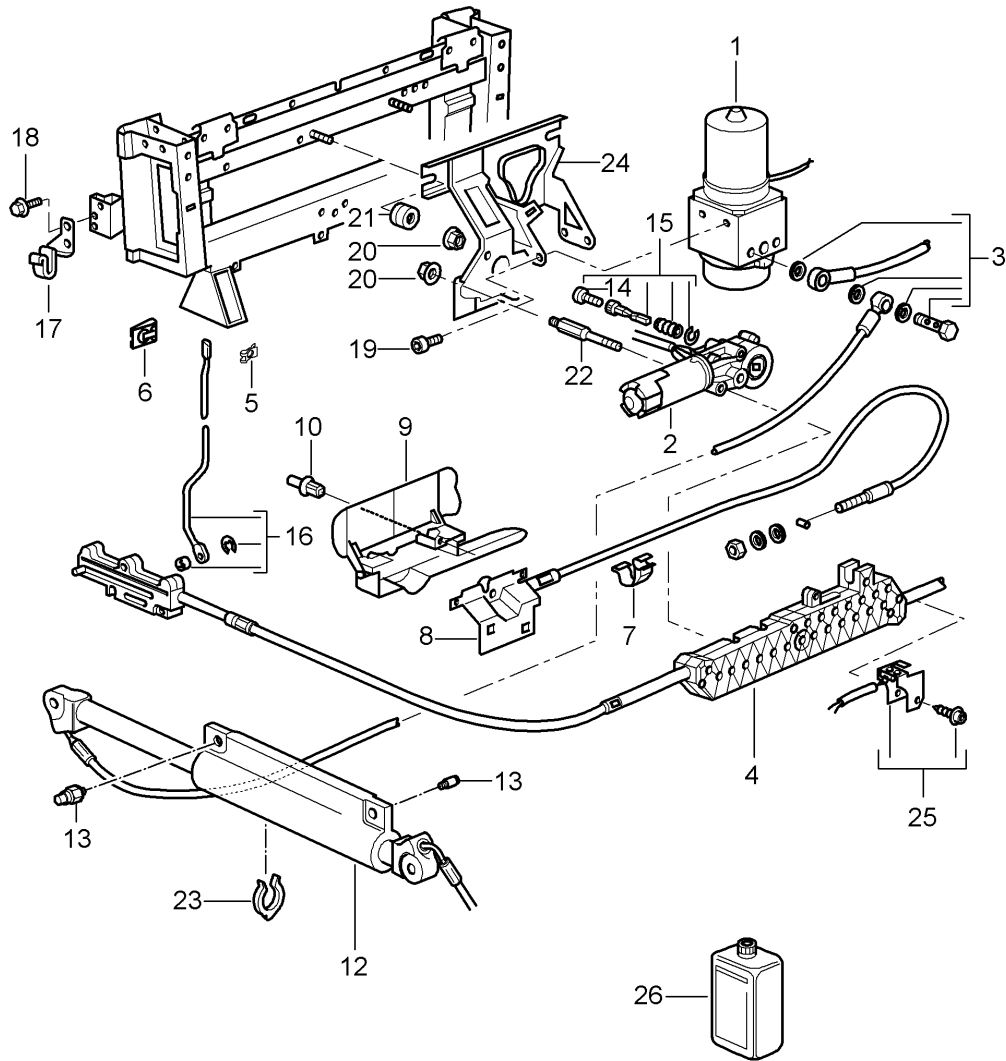
Model: 996 98

Model life 1998>>2005

| Pos | Part Number | Description | Remark | Qty | Model |
|-----|----------------|--------------------------------|--------|-----|-------|
| | | Flap Lateral Folding top | | | |
| 1 | 996 561 175 01 | Flap | /L | 1 | |
| (1) | 996 561 176 01 | Flap | /R | 1 | |
| 3 | 996 561 625 00 | Lower part | /L | 1 | |
| (3) | 996 561 626 00 | Lower part | /R | 1 | |
| 4 | 999 507 533 02 | Clamp | | X | |
| 5 | 996 561 685 00 | Microswitch | /L | 1 | |
| (5) | 996 561 686 00 | Microswitch | /R | 1 | |
| 6 | 996 561 675 00 | Driving mechanism | /L | 1 | |
| (6) | 996 561 676 00 | Driving mechanism | /R | 1 | |
| 7 | | See illustrations 8/07/07 | /R | 1 | |

Model: 996 98

Model life 1998>>2005



Model: 996 98

Model life 1998>>2005

| Pos | Part Number | Description | Remark | Qty | Model |
|------|----------------|--|--------|-----|-------|
| 1 | 996 561 307 01 | Convertible top Driving mechanism Hydraulic Pump See workshop manual Group 6 61-7031 | -03 | 1 | |
| 1 | 996 561 307 02 | Pump See workshop manual Group 6 61-7031 | 04- | 1 | |
| 1 | 997 561 307 00 | Hydraulic unit See workshop manual Group 6 61-7031 for subsequent installat. Use also: | 04- | 1 | |
| - | 996 561 217 01 | Support Hydraulic unit | -03 | 1 | |
| 2 | 996 561 933 00 | Engine | -03 | 1 | |
| 2 | 996 561 933 01 | Engine | 04- | 1 | |
| 3 | 996 561 573 00 | Banjo bolt | | 2 | |
| 4 | 996 561 021 03 | Driving mechanism | -03 | 1 | |
| 4 | 996 561 021 04 | Driving mechanism | 04- | 1 | |
| - | 999 919 184 09 | Oval-head screw | | 2 | |
| 5 | 999 166 054 02 | Sl-lock | | 2 | |
| 5 | 999 166 054 01 | Sl-lock | | 2 | |
| 6 | 999 703 425 40 | Spacer sleeve | | 2 | |
| 7 | 999 507 683 40 | Cable holder | | X | |
| 8 | 996 561 065 01 | Locking device | | 1 | |
| 9 | 996 561 265 01 | Lining | -01 | 1 | |
| 9 | 996 561 265 03 | Lining | 02- | 1 | |
| 10 | 999 591 941 40 | Expansion rivet | | X | |
| 12 | 996 561 945 02 | Cylinder | | 2 | |
| 13 | 996 561 245 00 | Bolt | | 1 | |
| 14 | 996 561 671 00 | Screw | | 1 | |
| 15 | 996 561 673 00 | Repair kit | -03 | 1 | |
| 15 | 996 561 673 01 | Repair kit | 04- | 1 | |
| 16 | 996 561 229 00 | Push rod | /L | 1 | |
| 16 | 996 561 230 00 | Push rod | /R | 1 | |
| 17 | 996 561 105 00 | Bracket | /L | 1 | |
| (17) | 996 561 106 00 | Bracket | /R | 1 | |
| 18 | 900 378 173 09 | Hexagon-head bolt | | X | |
| 19 | N 014 750 3 | Pan-head screw | | 4 | |
| 19 | N 014 750 13 | Pan-head screw | | 4 | |
| 21 | 999 703 424 40 | Rubber buffer | | 2 | |
| 22 | 996 561 863 00 | Bolt | -03 | 2 | |
| (22) | 996 561 863 01 | Stud | 04- | 3 | |
| 23 | 996 561 281 00 | Retainer | | 2 | |
| 24 | 996 561 117 01 | Bracket | -01 | 1 | |
| 24 | 996 561 117 02 | Bracket | | 1 | |
| 24 | 996 561 217 00 | Bracket | 02- | 1 | |
| (24) | 996 561 217 01 | Support | 04- | 1 | |
| (24) | 996 561 207 01 | Support | 04- | 1 | |
| 25 | 996 561 165 00 | Convertible top compartm. Driving mechanism Microswitch | -03 | 1 | |
| 25 | 996 561 165 01 | Microswitch | 04- | 1 | |
| 26 | 000 043 204 89 | Oil 250 ML | | X | |
| 27 | 996 561 221 00 | Knock-out lever | /L | 1 | |
| (27) | 996 561 222 00 | Knock-out lever Gate guide | /R | 1 | |

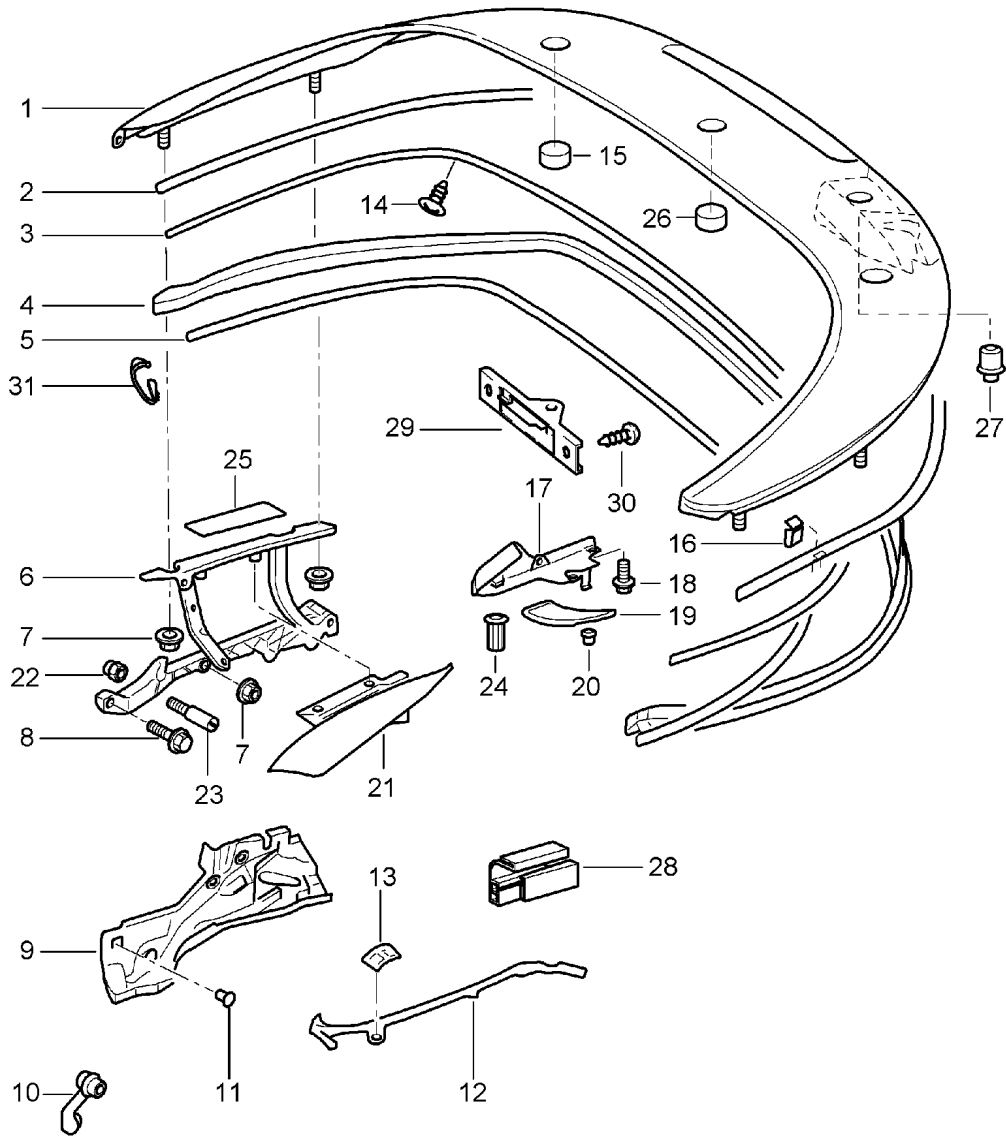
Model: 996 98

Model life 1998>>2005

| Pos | Part Number | Description | Remark | Qty | Model |
|-----|----------------|---------------------|--------|-----|-------|
| 28 | 999 919 205 09 | Torx screw M6x12 | | 2 | |

Model: 996 98

Model life 1998>>2005



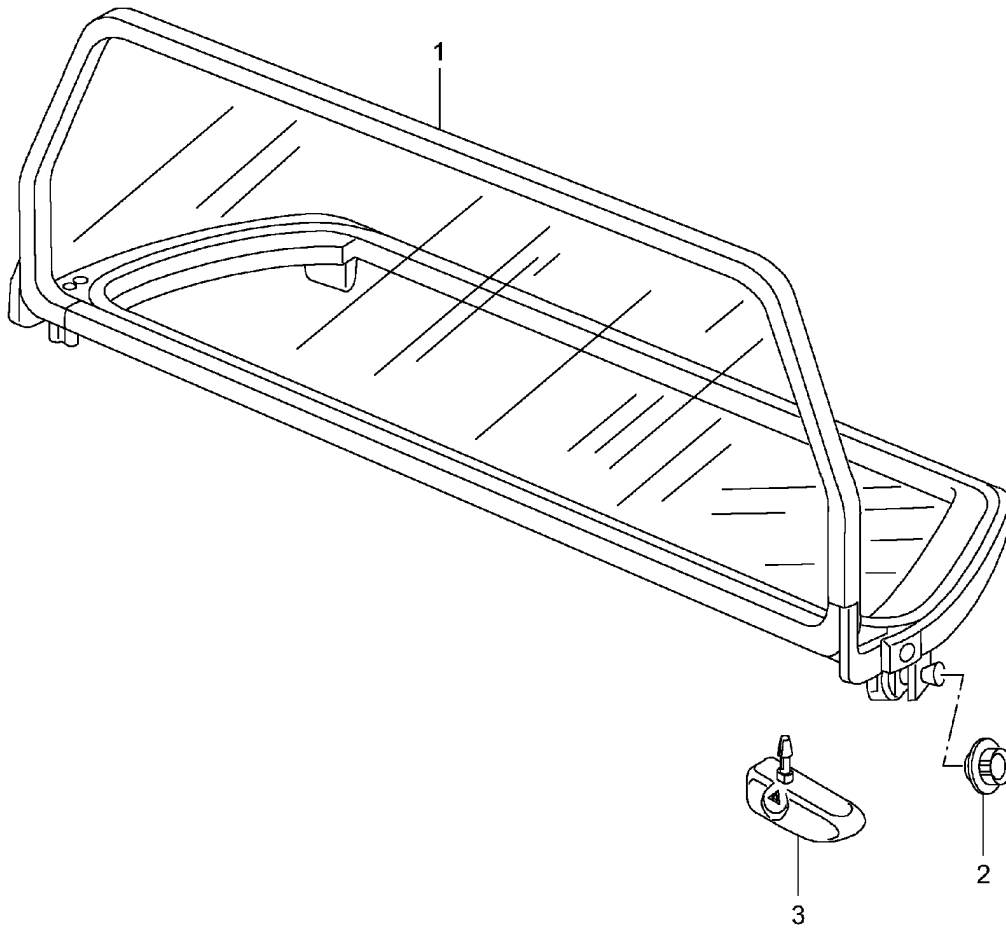
Model: 996 98

Model life 1998>>2005

| Pos | Part Number | Description | Remark | Qty | Model |
|------|--------------------|---------------------------|--------|-----|-------|
| | | Convertible top compartm. | | | |
| | | Lid | | | |
| 1 | 996 514 011 01 | Gaskets | | 1 | |
| | 996 514 011 01 GRV | Lid | | | |
| 1 | 996 514 011 03 | Prime coated | | 1 | C4S |
| | 996 514 011 03 GRV | Lid | | | |
| 2 | 997 514 633 01 | Prime coated | | 1 | |
| | | Sealing strip | | | |
| - | | Use also: | | | |
| | 000 043 207 26 | Adhesive tape | | 1 | |
| 3 | 996 514 731 00 | Gasket | | 1 | |
| 4 | 996 514 714 00 | Gasket | | 1 | |
| 5 | 996 514 211 04 | Edge protection | | 1 | |
| 5 | | Gasket | -02 | 1 | |
| 6 | 996 561 907 02 | Gasket | 03- | 1 | |
| 6 | 996 561 908 02 | Hinge | /L | 1 | |
| 7 | 900 377 003 02 | Hinge | /R | 1 | |
| 8 | 900 378 180 09 | Hexagon nut | | 4 | |
| 9 | 996 561 805 02 | Hexagon-head bolt | | 2 | |
| 9 | 996 561 806 02 | Water drip pan | /L | 1 | |
| - | 996 561 871 00 | Water drip pan | /R | 1 | |
| | | Clip | | X | |
| | | WASSERSCHALE | | | |
| | | Side trim panel | | | |
| 10 | 996 561 815 01 | Water drain hose | /L | 1 | |
| 10 | 996 561 816 01 | Water drain hose | /R | 1 | |
| - | 996 561 809 00 | Clamp | | 2 | |
| | | for | | | |
| | | Pos. 10 | | | |
| 11 | 999 703 432 40 | Stopper | | 2 | |
| 12 | 996 561 755 00 | Water drain strip | -03 | 1 | |
| 12 | 996 561 755 01 | Water drain strip | 04- | 1 | |
| (12) | 996 561 756 00 | Water drain strip | -03 | 1 | |
| (12) | 996 561 756 01 | Water drain strip | 04- | 1 | |
| 13 | 999 507 647 02 | Water drain strip | | 4 | |
| 14 | 999 073 047 02 | Tab washer | | 2 | |
| 15 | 996 561 633 01 | Tapping screw | | 2 | |
| 16 | 999 507 600 09 | Buffer | | 2 | |
| 17 | 996 514 651 01 | U-clamp | | 2 | |
| 17 | 996 514 651 02 | Mounting | /L | 1 | |
| 17 | 996 514 652 01 | Mounting | /L | 1 | C4S |
| 17 | 996 514 652 02 | Mounting | /R | 1 | |
| 18 | 999 073 189 09 | Mounting | /R | 1 | C4S |
| 19 | 999 073 189 09 | Torx screw | | 6 | |
| 19 | 996 504 861 00 | Cover | /L | 1 | |
| | 996 504 861 00 GRV | Cover | | | |
| (19) | 996 504 862 00 | Prime coated | /R | 1 | |
| | 996 504 862 00 GRV | Cover | | | |
| 20 | 999 702 264 40 | Prime coated | | 4 | |
| 21 | 996 561 061 02 | Grommet | | 1 | |
| (21) | 996 561 062 02 | Flap | /L | 1 | |
| 22 | 999 500 086 02 | Flap | /R | 1 | |
| 23 | 999 242 004 02 | Blind rivet nut | | 4 | |
| 24 | 900 360 001 02 | Threaded pin | | 2 | |
| (24) | 996 504 855 01 | Hexagon nut | | 2 | |
| - | 999 500 084 01 | Mounting | | 4 | |
| 25 | 996 561 904 00 | Special nut | | X | |
| 26 | 986 561 633 01 | Gasket | | X | |
| 27 | 999 703 140 40 | Buffer | | 1 | |
| 28 | 996 561 401 00 | Rubber buffer | | 1 | |
| (28) | 996 561 402 00 | Stop | /L | 1 | |
| 29 | 996 561 465 00 | Stop | /R | 1 | |
| 30 | 999 073 130 02 | Clip | | 1 | |
| 31 | 996 514 511 00 | Oval-head screw | | 2 | |
| | | Clip | | 2 | |

Model: 996 98

Model life 1998>>2005



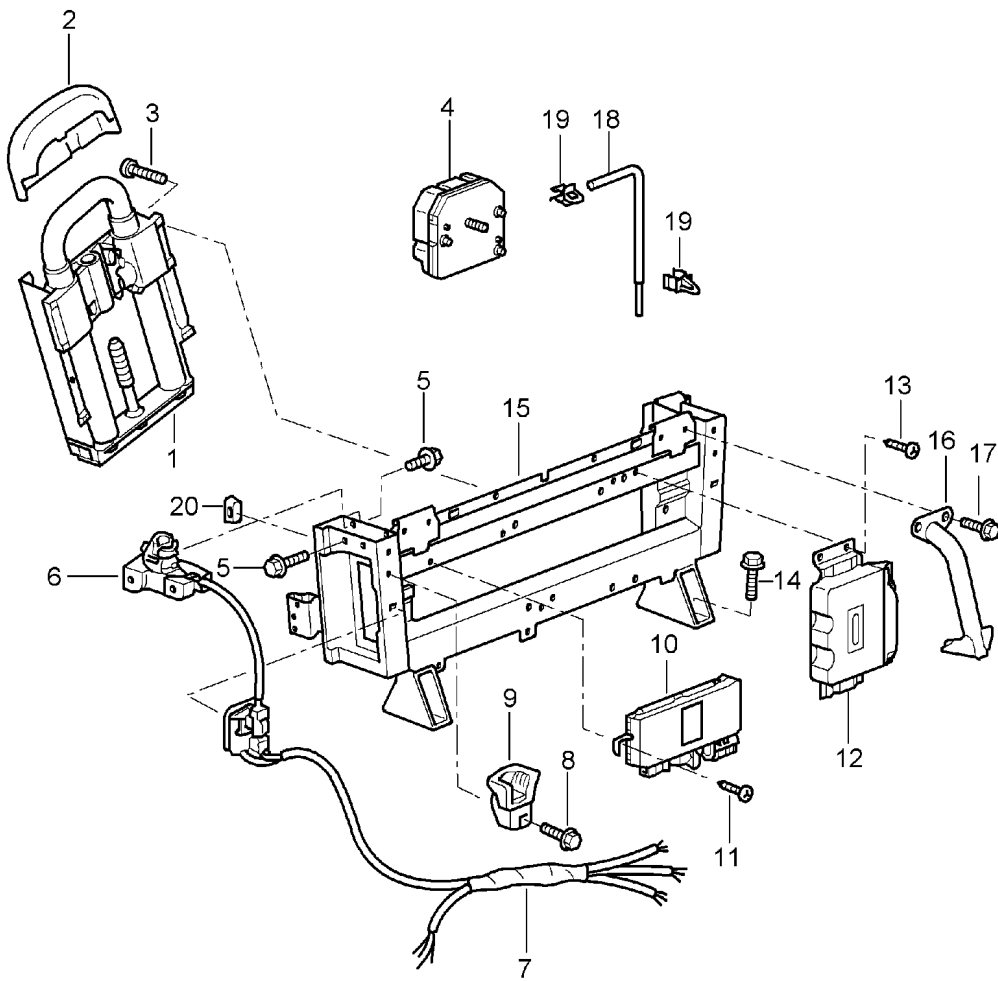
Model: 996 98

Model life 1998>>2005

| Pos | Part Number | Description | Remark | Qty | Model |
|-----|--------------------|----------------|--------|-----|-------|
| 1 | 996 561 125 02 | Wind deflector | | 1 | |
| | 996 561 125 02 01C | Black | | | |
| 2 | 996 561 127 00 | Rosette | /L | 1 | |
| | 996 561 127 00 01C | Black | | | |
| 2 | 996 561 128 00 | Rosette | /R | 1 | |
| | 996 561 128 00 01C | Black | | | |
| 3 | 996 561 955 00 | Repair kit | /L | 1 | |
| (3) | 996 561 956 00 | Repair kit | /R | 1 | |

Model: 996 98

Model life 1998>>2005



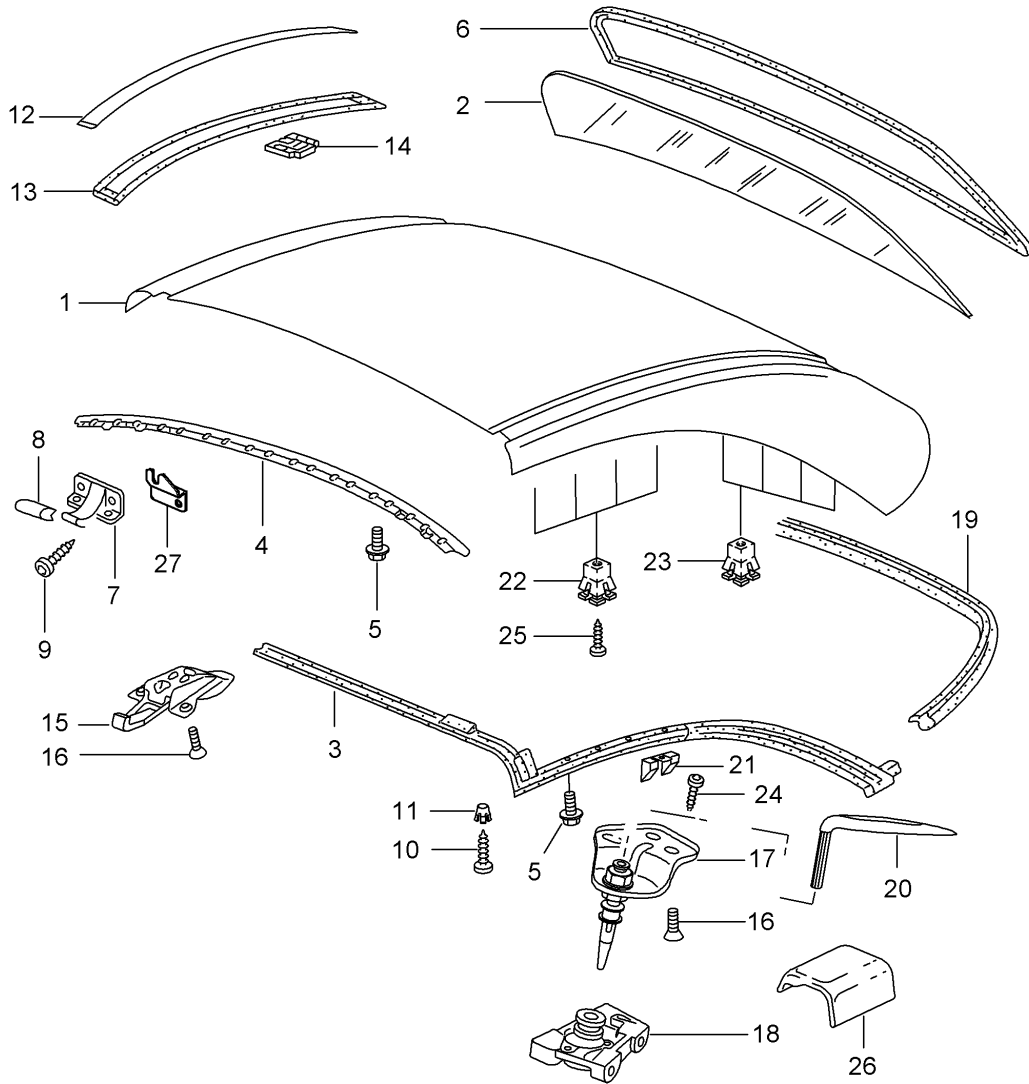
Model: 996 98

Model life 1998>>2005

| Pos | Part Number | Description | Remark | Qty | Model |
|------|----------------|-------------------|--------|-----|--------|
| | | Roll-over bar | | | CABRIO |
| 1 | 996 580 021 01 | Roll-over bar | | 2 | |
| 2 | 996 580 191 01 | Cover | | 2 | |
| 3 | 900 067 382 09 | Pan-head screw | | 12 | |
| 4 | 996 618 281 00 | Control unit | | 1 | |
| 5 | 900 378 173 09 | Hexagon-head bolt | | 4 | |
| - | 999 084 635 02 | Shear-off nut | | 3 | |
| 6 | | Mounting | | 2 | M550 |
| | | See illustrations | | | |
| | | 8/11/16 | | | |
| 7 | 996 612 065 01 | Wiring harness | -01 | 1 | |
| 7 | 996 612 065 15 | Wiring harness | 02- | 1 | |
| 8 | 900 378 173 09 | Hexagon-head bolt | | 2 | |
| 9 | 996 561 463 02 | Guide | /L | 1 | |
| (9) | 996 561 464 02 | Guide | /R | 1 | |
| 10 | 996 618 111 03 | Control unit | -02 | 1 | |
| 10 | 996 618 111 04 | Control unit | 03- | 1 | |
| 11 | 999 073 060 02 | Tapping screw | | X | |
| 12 | | Control unit | | X | |
| | | - dme - | | | |
| | | See group | | | |
| | | 9/01/03 | | | |
| 13 | 999 073 060 02 | Tapping screw | | X | |
| 14 | 900 378 173 09 | Hexagon-head bolt | | 4 | |
| 15 | 996 580 311 01 | Auxiliary support | -01 | 1 | |
| 15 | 996 580 311 03 | Auxiliary support | -01 | 1 | |
| 15 | 996 580 311 02 | Auxiliary support | 02- | 1 | |
| - | 999 590 050 40 | Catch | | 4 | |
| - | 999 650 176 40 | Clip | | 3 | |
| 16 | 996 580 331 01 | Bracket | /L -01 | 1 | |
| 16 | 996 580 331 02 | Bracket | /L 02- | 1 | |
| (16) | 996 580 332 01 | Bracket | /R -01 | 1 | |
| (16) | 996 580 332 02 | Bracket | /R 02- | 1 | |
| 17 | 900 378 173 09 | Hexagon-head bolt | | X | |
| 18 | 999 571 079 03 | Screwdriver | | 1 | |
| 19 | 999 507 633 40 | Clamp | | 2 | |
| 20 | 996 561 457 00 | Sleeve | | 2 | |
| 21 | 996 561 297 00 | Insert | /L | 1 | |
| (21) | 996 561 298 00 | Insert | /R | 1 | |

Model: 996 98

Model life 1998>>2005



Model: 996 98 Model life 1998>>2005

| Pos | Part Number | Description | Remark | Qty | Model |
|------|--------------------|---|--------|-----|-------|
| | | Hardtop Accessories Gaskets | | | M550 |
| 1 | 996 563 911 00 | Hardtop | | 1 | |
| | 996 563 911 00 GRV | Prime coated without Accessories | | | |
| 2 | 996 563 091 00 | Rear window Ready for installation | | 1 | |
| 3 | 996 563 025 02 | Roof frame seal | | 1 | |
| - | 996 563 309 00 | Retaining strip | /L | 1 | |
| - | 996 563 310 00 | Retaining strip | /R | 1 | |
| 4 | 996 563 319 00 | Retaining strip | | 1 | |
| 5 | 900 067 378 09 | Pan-head screw | | 10 | |
| 6 | 996 563 029 00 | Gasket | | 1 | |
| 7 | 996 563 405 00 | Centring journal | /L | 1 | |
| (7) | 996 563 406 00 | Centring journal | /R | 1 | |
| 8 | 996 563 705 01 | Cap | /L | 1 | |
| 8 | 996 563 706 01 | Cap | /R | 1 | |
| 9 | 999 919 144 09 | Oval-head screw | | 4 | |
| 10 | 999 073 049 02 | Tapping screw | | 14 | |
| 11 | 999 507 547 40 | Expander nut | | 8 | |
| 12 | 996 563 707 00 | Cover strip | /L | 1 | |
| | 996 563 707 00 GRV | Prime coated | | | |
| (12) | 996 563 708 00 | Cover strip | /R | 1 | |
| | 996 563 708 00 GRV | Prime coated | | | |
| 13 | 996 563 361 00 | Gasket | /L | 1 | |
| (13) | 996 563 362 00 | Gasket | /R | 1 | |
| 14 | 986 563 721 00 | Clip | | 8 | |
| 15 | 996 563 401 00 | Catch | | 1 | |
| 16 | 900 378 030 09 | Hexagon-head bolt M 6X20 | | 3 | |
| 17 | 996 563 403 03 | Catch See technical information NR.:1/02 | /L -04 | 1 | |
| 17 | 996 563 403 04 | Catch | /L 05- | 1 | |
| (17) | 996 563 404 03 | Catch | /R -04 | 1 | |
| (17) | | Catch | -04 | 1 | |
| (17) | 996 563 404 04 | Catch | 05- | 1 | |
| 18 | 996 561 653 03 | Mounting | /L -04 | 1 | |
| 18 | 996 561 653 04 | Mounting | /L | 1 | |
| - | 996 561 657 01 | Insert | -04 | 1 | |
| - | 996 561 657 02 | Insert | 05- | 1 | |
| - | 900 249 031 09 | Countersunk-head screw | | 6 | |
| (18) | 996 561 654 03 | Mounting | /R -04 | 1 | |
| (18) | 996 561 654 04 | Mounting | /R 05- | 1 | |
| - | 996 561 658 01 | Insert | | 1 | |
| - | 996 561 658 02 | Insert | | 1 | |
| 19 | 996 563 027 01 | Gasket | | 1 | |
| 20 | 996 563 413 00 | Tool | | 1 | |
| 21 | 996 563 125 00 | Thrust wedge | | 2 | |
| 22 | 999 507 923 40 | Expander nut | | 8 | |
| 23 | 999 507 924 40 | Expander nut | | 8 | |
| 24 | 999 450 008 09 | Tapping screw | | 2 | |
| 25 | 999 073 049 02 | Tapping screw | | 16 | |
| 26 | 996 563 421 01 | Protective tab | | 2 | |
| - | 999 507 659 40 | Expander nut | /L | 1 | |
| - | 999 507 662 40 | Expander nut | /R | 1 | |
| 27 | 996 563 509 00 | Support for Lining See group 8/11/17 POS. 5 | /L | 1 | |

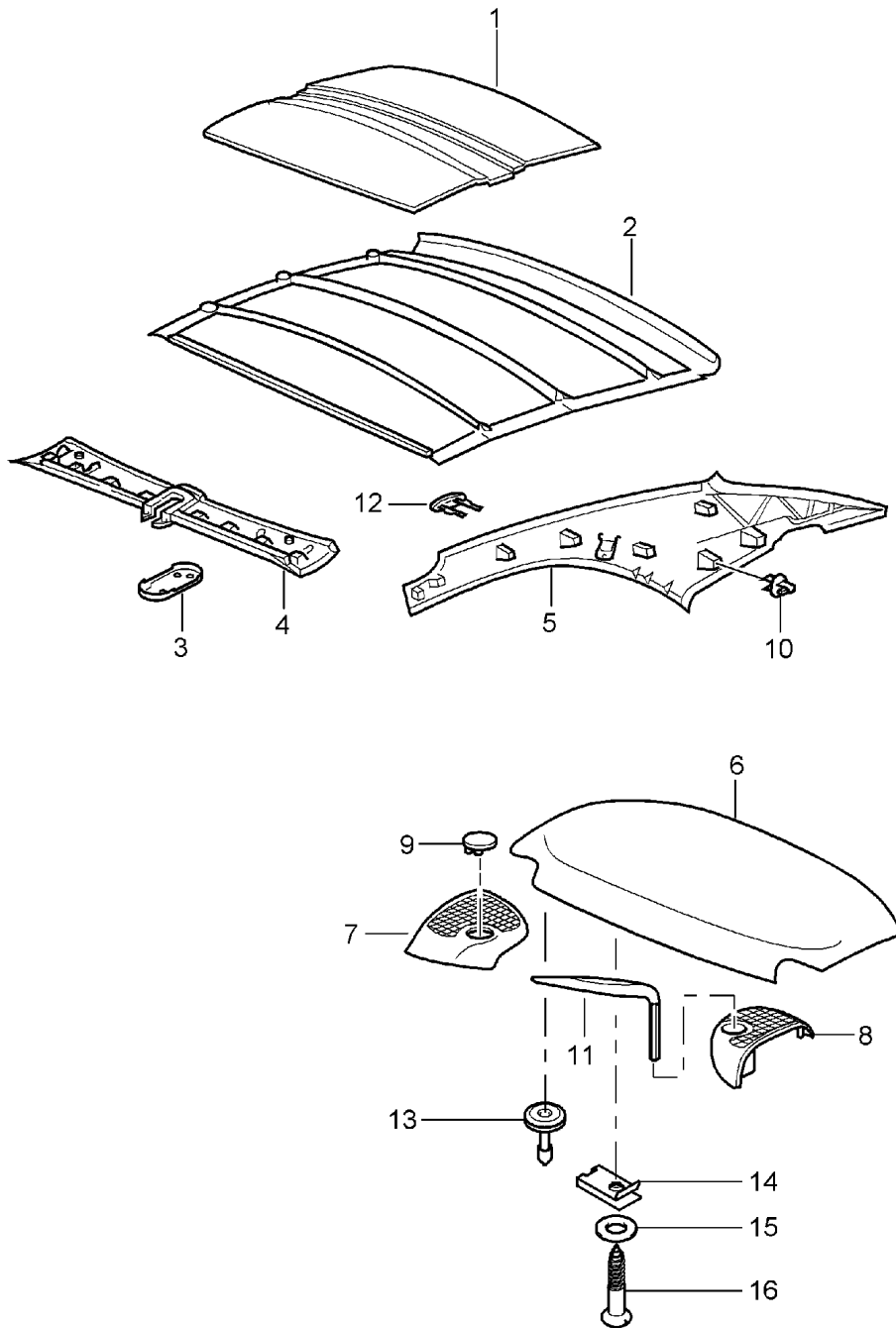
Model: 996 98

Model life 1998>>2005

| Pos | Part Number | Description | Remark | Qty | Model |
|------|----------------|---|--------|-----|-------|
| (27) | 996 563 510 00 | Support for Lining See group 8/11/17 POS. 5 | /R | 1 | |

Model: 996 98

Model life 1998>>2005



Model: 996 98 Model life 1998>>2005

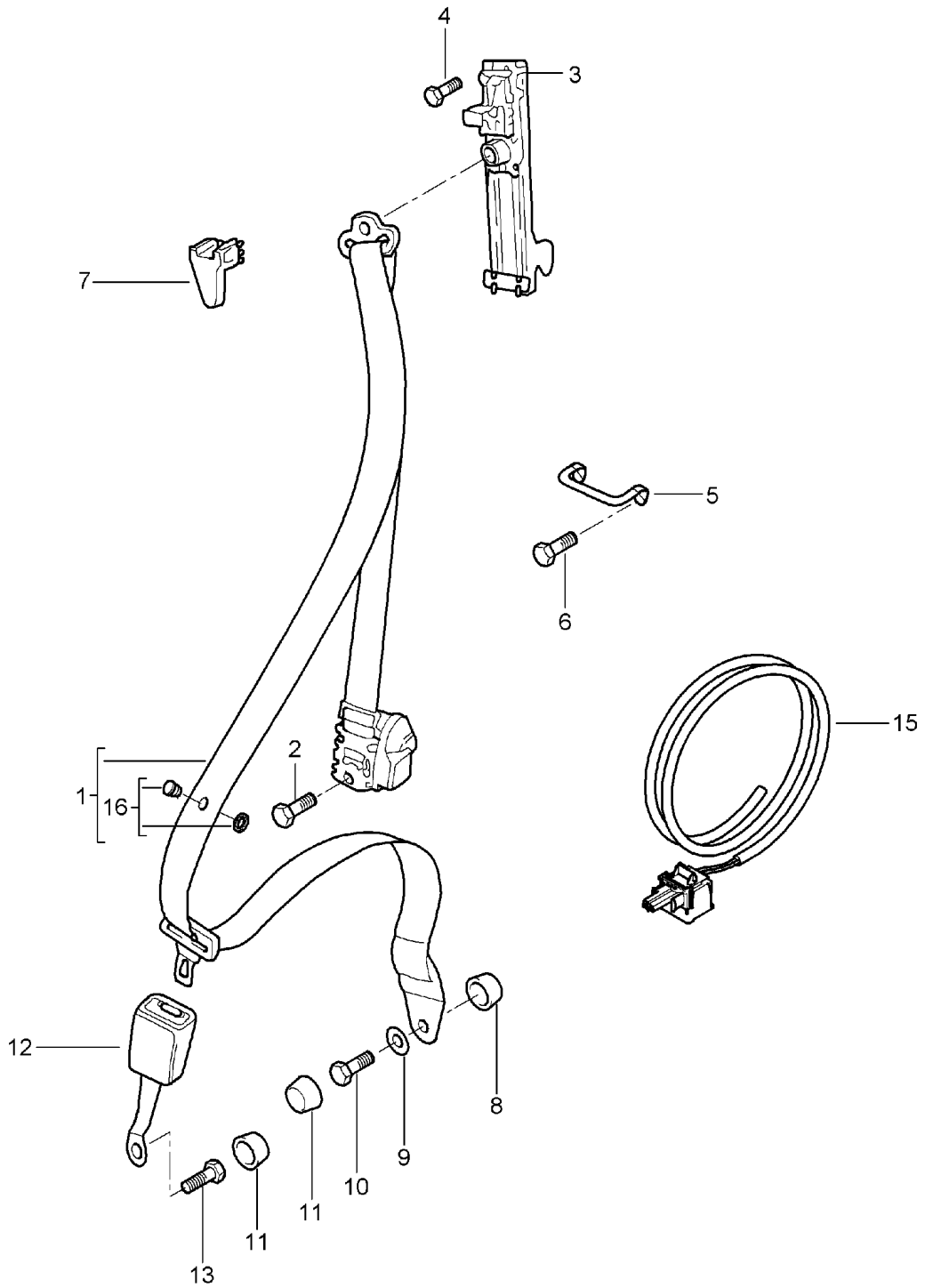
| Pos | Part Number | Description | Remark | Qty | Model |
|-----|--------------------|----------------|--------|-----|-------|
| | | Hardtop | | | M550 |
| | | Sound absorber | | | |
| 1 | 996 563 523 00 | Sound absorber | | 1 | |
| 2 | 996 563 111 00 | Roofliner | | 1 | |
| | 996 563 111 00 A20 | Black | | | |
| 3 | 996 563 551 00 | Trim cover | | 1 | |
| | 996 563 551 00 01C | Black | | | |
| 4 | 996 563 501 00 | Lining | | 1 | |
| | | Leatherette | | | |
| | 996 563 501 00 A18 | Black | -99 | | |
| | 996 563 501 00 A12 | Black | 00- | | |
| | 996 563 501 00 B18 | Space grey | -99 | | |
| | 996 563 501 00 B52 | Space grey | 00- | | |
| | 996 563 501 00 C18 | Graphite grey | -99 | | |
| | 996 563 501 00 C52 | Graphite grey | 00- | | |
| | 996 563 501 00 G18 | Metropole blue | -99 | | |
| | 996 563 501 00 G12 | Metropole blue | 00- | | |
| | 996 563 501 00 S18 | Savanna | -99 | | |
| | 996 563 501 00 S32 | Savanna | 00- | | |
| | 996 563 501 00 J32 | Nephrite green | | | |
| 4 | 996 563 501 01 | Lining | -99 | 1 | |
| | | Leather | | | |
| | 996 563 501 01 A11 | Black | | | |
| | 996 563 501 01 B51 | Space grey | | | |
| | 996 563 501 01 C51 | Graphite grey | | | |
| | 996 563 501 01 G11 | Metropole blue | | | |
| | 996 563 501 01 J31 | Nephrite green | | | |
| | 996 563 501 01 M31 | Boxster red | | | |
| | 996 563 501 01 S31 | Savanna | | | |
| | 996 563 501 01 D12 | Dark grey | | | |
| 5 | 996 563 503 00 | Lining | /L | 1 | |
| | | Leatherette | | | |
| | 996 563 503 00 A18 | Black | -99 | | |
| | 996 563 503 00 A12 | Black | 00- | | |
| | 996 563 503 00 B18 | Space grey | -99 | | |
| | 996 563 503 00 B52 | Space grey | 00- | | |
| | 996 563 503 00 C18 | Graphite grey | -99 | | |
| | 996 563 503 00 C52 | Graphite grey | 00- | | |
| | 996 563 503 00 G18 | Metropole blue | -99 | | |
| | 996 563 503 00 G12 | Metropole blue | 00- | | |
| | 996 563 503 00 S18 | Savanna | -99 | | |
| | 996 563 503 00 S32 | Savanna | 00- | | |
| | 996 563 503 00 J32 | Nephrite green | 00- | | |
| (5) | 996 563 504 00 | Lining | /R | 1 | |
| | | Leatherette | | | |
| | 996 563 504 00 A18 | Black | -99 | | |
| | 996 563 504 00 A12 | Black | 00- | | |
| | 996 563 504 00 B18 | Space grey | -99 | | |
| | 996 563 504 00 B52 | Space grey | 00- | | |
| | 996 563 504 00 C18 | Graphite grey | -99 | | |
| | 996 563 504 00 C52 | Graphite grey | 00- | | |
| | 996 563 504 00 G18 | Metropole blue | -99 | | |
| | 996 563 504 00 G12 | Metropole blue | 00- | | |
| | 996 563 504 00 S18 | Savanna | -99 | | |
| | 996 563 504 00 S32 | Savanna | 00- | | |
| | 996 563 504 00 J32 | Nephrite green | 00- | | |
| (5) | 996 563 503 01 | Lining | /L -99 | 1 | |
| | | Leather | | | |
| | 996 563 503 01 A11 | Black | | | |
| | 996 563 503 01 B51 | Space grey | | | |
| | 996 563 503 01 C51 | Graphite grey | | | |
| | 996 563 503 01 G11 | Metropole blue | | | |
| | 996 563 503 01 J31 | Nephrite green | | | |

Model: 996 98 Model life 1998>>2005

| Pos | Part Number | Description | Remark | Qty | Model |
|-----|--------------------|----------------------------|--------|-----|-------|
| (5) | 996 563 503 01 M31 | Boxster red | | | |
| | 996 563 503 01 S31 | Savanna | | | |
| | 996 563 503 01 D12 | Dark grey | | | |
| | 996 563 504 01 | Lining Leather | /R -99 | 1 | |
| | 996 563 504 01 A11 | Black | | | |
| | 996 563 504 01 B51 | Space grey | | | |
| | 996 563 504 01 C51 | Graphite grey | | | |
| | 996 563 504 01 G11 | Metropole blue | | | |
| | 996 563 504 01 J31 | Nephrite green | | | |
| | 996 563 504 01 M31 | Boxster red | | | |
| 6 | 996 563 504 01 S31 | Savanna | | | |
| | 996 563 504 01 D12 | Dark grey | | | |
| | 996 563 505 00 | Lining | | 1 | |
| | 996 563 505 00 A07 | Black | | | |
| | 996 563 505 00 B07 | Space grey | | | |
| | 996 563 505 00 C07 | Graphite grey | | | |
| | 996 563 505 00 G07 | Metropole blue | | | |
| 7 | 996 563 554 00 | Lining | /R | 1 | |
| | 996 563 554 00 A10 | Black | | | |
| | 996 563 554 00 B50 | Space grey | | | |
| | 996 563 554 00 C50 | Graphite grey | | | |
| 8 | 996 563 554 00 G10 | Metropole blue | | | |
| | 996 563 553 00 | Lining | /L | 1 | |
| | 996 563 553 00 A10 | Black | | | |
| | 996 563 553 00 B50 | Space grey | | | |
| | 996 563 553 00 C50 | Graphite grey | | | |
| 9 | 996 563 553 00 G10 | Metropole blue | | | |
| | 996 555 457 00 | Lid | | 2 | |
| | 996 555 457 00 A10 | Black | | | |
| | 996 555 457 00 C50 | Graphite grey | | | |
| 10 | 996 555 457 00 G10 | Metropole blue | | | |
| | 996 555 457 00 B50 | Space grey | | | |
| | 999 507 764 40 | Clip | | X | |
| | 996 563 413 00 | Tool | | 1 | |
| 12 | 996 563 561 00 | Rubber stop | | 2 | |
| | 996 563 561 00 01C | Black for Sun visors | | | |
| 13 | 999 507 764 40 | Clip | | X | |
| 14 | 999 507 030 02 | Speed nut | | 2 | |
| 15 | 900 151 027 02 | Washer | | 2 | |
| 16 | 900 143 046 02 | Oval-head sheetmetal screw | | 2 | |
| 16 | 900 143 046 01 | Oval-head sheetmetal screw | | 2 | |

Model: 996 98

Model life 1998>>2005

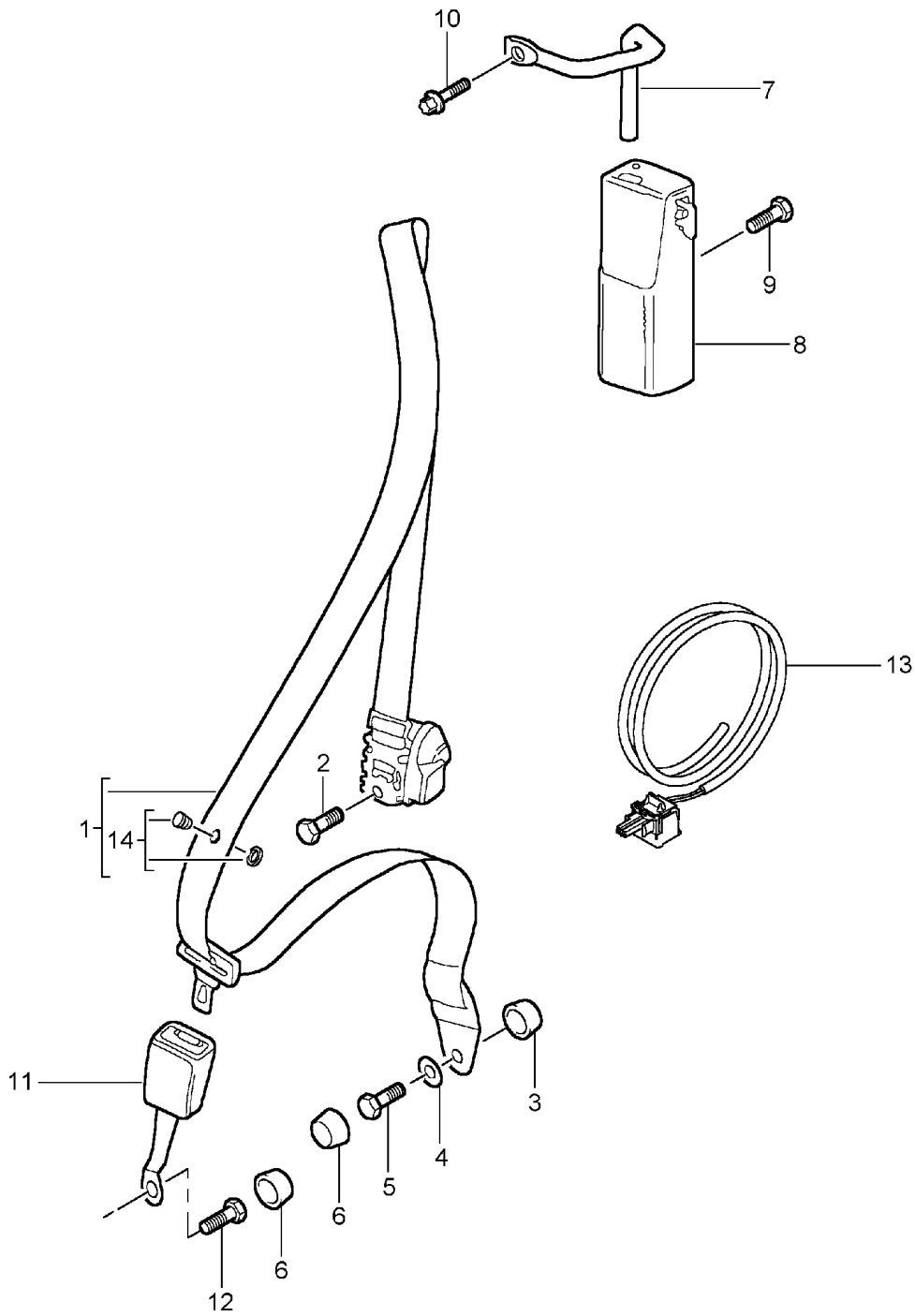


Model: 996 98 Model life 1998>>2005

| Pos | Part Number | Description | Remark | Qty | Model |
|-----|--------------------|--|--------|-----|----------------|
| | | Seat belt Front | | | COUPE TARGA |
| 1 | 996 803 033 04 | Seat belt | /L -01 | 1 | |
| 1 | 996 803 033 02 | Seat belt | /L 02- | 1 | |
| 1 | 996 803 981 04 | Seat belt | /L 02- | 1 | |
| | 996 803 981 04 V02 | Speed yellow | | | |
| | 996 803 981 04 H03 | Maritime blue | | | |
| | 996 803 981 04 N13 | Guards red | | | |
| (1) | 996 803 034 08 | Seat belt | /R -01 | 1 | |
| (1) | 996 803 034 04 | Seat belt | /R 02- | 1 | |
| | | Black | | | |
| (1) | 996 803 034 06 | Seat belt | /R 02- | 1 | |
| | | for Child car seat | | | |
| (1) | 996 803 982 06 | Seat belt | /R 02- | 1 | |
| | 996 803 982 06 V02 | Speed yellow | | | |
| | 996 803 982 06 H03 | Maritime blue | | | |
| | 996 803 982 06 N13 | Guards red | | | |
| (1) | 996 803 982 08 | Seat belt | /R 02- | 1 | |
| | | for Child car seat | | | |
| | 996 803 982 08 V02 | Speed yellow | | | |
| | 996 803 982 08 H03 | Maritime blue | | | |
| | 996 803 982 08 N13 | Guards red | | | |
| 2 | 911 803 150 00 | Screw | | 2 | |
| 3 | 996 803 231 02 | Support for seatbelt Height adjustment | | 2 | |
| 4 | 900 067 131 02 | Pan-head screw | | 2 | |
| 5 | 996 803 825 01 | Relay lever | | 2 | |
| 6 | 900 378 036 09 | Hexagon-head bolt | | 4 | |
| 7 | 996 803 541 00 | Cover | -99 | 2 | |
| | 996 803 541 00 01C | Black | | | |
| 7 | 996 803 521 00 | Cover | 00- | 2 | |
| | 996 803 521 00 A03 | Black | | | |
| 8 | 999 924 064 02 | Spacer sleeve | | 2 | |
| 8 | 999 924 064 01 | Spacer sleeve | | 2 | |
| 9 | 211 857 771 | Washer | | 2 | |
| 10 | 999 075 073 09 | Hexagon-head bolt | | 2 | |
| 11 | 811 857 845 | Cap | | 2 | |
| | 811 857 845 01C | Satin black | | | |
| 12 | 996 803 183 04 | Seat-belt buckle | -01 | 1 | |
| | | Driver's side Information available | | | |
| 12 | 996 803 183 07 | Seat-belt buckle | 02- | 1 | |
| | | Driver's side | | | |
| 12 | 996 803 183 01 | Seat-belt buckle | -01 | 1 | |
| | | Passenger's side | | | |
| 12 | 996 803 183 08 | Seat-belt buckle | 02- | 1 | |
| | | Passenger's side | | | |
| 13 | 999 218 101 02 | Hexagon-head bolt | | 2 | |
| 15 | 996 612 991 10 | Cable | | X | |
| | | Driver's side for Seat-belt tensioner | | | |
| 15 | 996 612 991 00 | Cable | | X | |
| | | Passenger's side for Seat-belt tensioner | | | |
| 16 | 955 803 056 00 | Knob | | 2 | |
| | 955 803 056 00 HCP | Black | | | |

Model: 996 98

Model life 1998>>2005

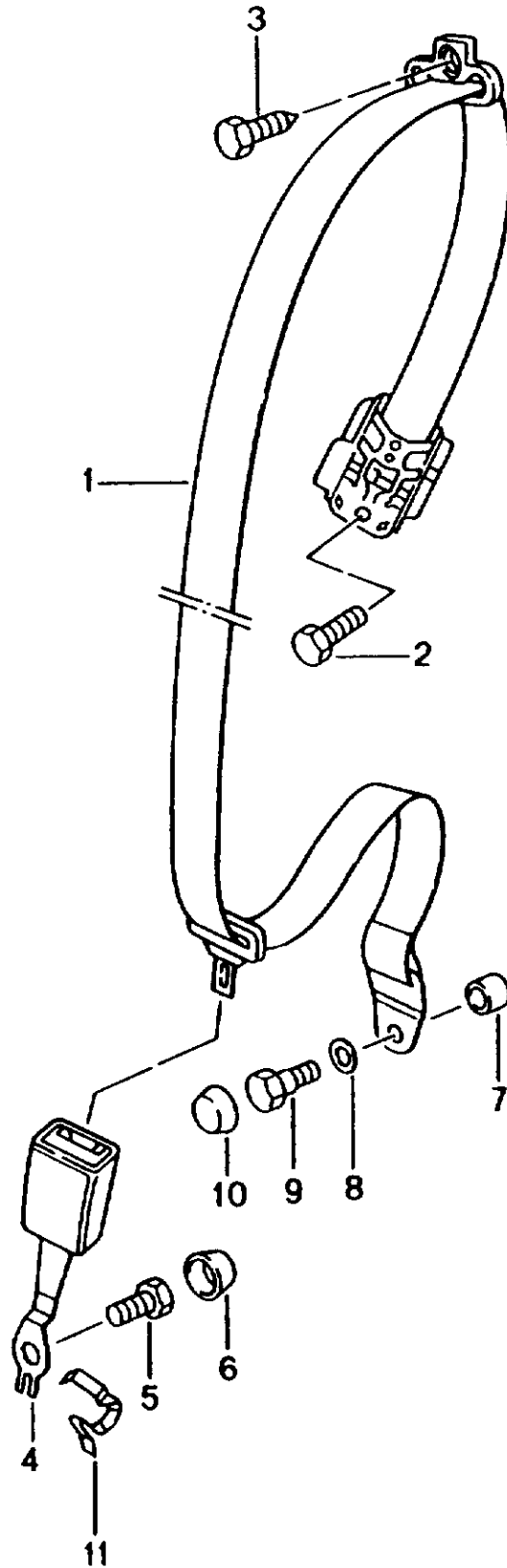


Model: 996 98 Model life 1998>>2005

| Pos | Part Number | Description | Remark | Qty | Model |
|------|--------------------|--|--------|-----|--------|
| | | Seat belt Front | | | CABRIO |
| 1 | 996 803 033 01 | Seat belt | /L -01 | 1 | |
| 1 | 996 803 033 03 | Seat belt | /L 02- | 1 | |
| 1 | 996 803 981 03 | Seat belt | /L 02- | 1 | |
| | 996 803 981 03 V02 | Speed yellow | | | |
| | 996 803 981 03 H03 | Maritime blue | | | |
| | 996 803 981 03 N13 | Guards red | | | |
| (1) | 996 803 034 01 | Seat belt | /R -01 | 1 | |
| (1) | 996 803 034 05 | Seat belt | /R 02- | 1 | |
| (1) | 996 803 982 07 | Seat belt | /R 02- | 1 | |
| | 996 803 982 07 V02 | Speed yellow | | | |
| | 996 803 982 07 H03 | Maritime blue | | | |
| | 996 803 982 07 N13 | Guards red | | | |
| (1) | 996 803 982 09 | Seat belt | /R 02- | 1 | |
| | | for Child car seat | | | |
| | 996 803 982 09 V02 | Speed yellow | | | |
| | 996 803 982 09 H03 | Maritime blue | | | |
| | 996 803 982 09 N13 | Guards red | | | |
| 2 | 911 803 150 00 | Screw | | 2 | |
| 3 | 999 924 064 02 | Spacer sleeve | | 2 | |
| 3 | 999 924 064 01 | Spacer sleeve | | 2 | |
| 4 | 211 857 771 | Washer | | 2 | |
| 5 | 803 019 811 B | Hexagon-head bolt | | 2 | |
| 6 | 811 857 845 | Cap | | 2 | |
| 7 | 996 803 815 00 | Reverse lever | /L | 1 | |
| 7 | 996 803 816 00 | Reverse lever | /R | 1 | |
| 8 | 996 803 581 00 | Mounting | /L | 1 | |
| 8 | 996 803 582 00 | Mounting | /R | 1 | |
| 9 | 900 378 074 09 | Hexagon-head bolt | | 4 | |
| 10 | 900 378 017 09 | Hexagon-head bolt | | 2 | |
| 11 | 996 803 183 04 | Seat-belt buckle | -01 | 1 | |
| | | Driver's side Information available | | | |
| 11 | 996 803 183 07 | Seat-belt buckle | 02- | 1 | |
| | | Driver's side | | | |
| (11) | 996 803 183 01 | Seat-belt buckle | -01 | 1 | |
| | | Passenger's side | | | |
| 11 | 996 803 183 08 | Seat-belt buckle | 02- | 1 | |
| | | Passenger's side | | | |
| 12 | 999 218 101 02 | Hexagon-head bolt | | 2 | |
| 13 | 996 612 991 10 | Cable | | X | |
| | | Driver's side for Seat-belt tensioner | | | |
| 13 | 996 612 991 00 | Cable | | X | |
| | | Passenger's side for Seat-belt tensioner | | | |
| 14 | 955 803 056 00 | Knob | | 2 | |
| | 955 803 056 00 HCP | Black | | | |

Model: 996 98

Model life 1998>>2005



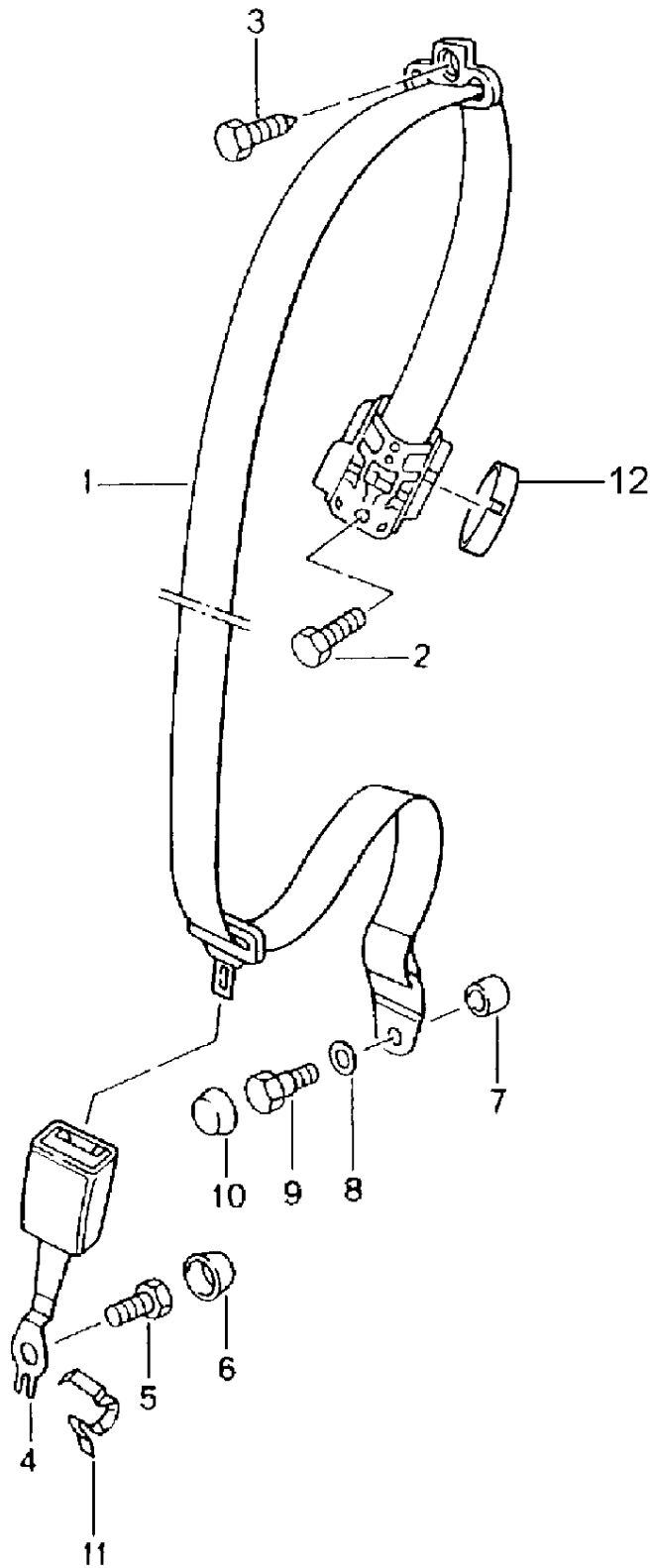
Model: 996 98

Model life 1998>>2005

| Pos | Part Number | Description | Remark | Qty | Model |
|-----|--------------------|-------------------|--------|-----|-------|
| | | Seat belt Rear | | | COUPE |
| 1 | 996 803 035 08 | Seat belt | /L | 1 | |
| 1 | 996 803 983 06 | Seat belt | /L 02- | 1 | |
| | 996 803 983 06 V02 | Speed yellow | | | |
| | 996 803 983 06 H03 | Maritime blue | | | |
| | 996 803 983 06 N13 | Guards red | | | |
| (1) | 996 803 036 08 | Seat belt | /R | 1 | |
| (1) | 996 803 984 06 | Seat belt | /R 02- | 1 | |
| | 996 803 984 06 V02 | Speed yellow | | | |
| | 996 803 984 06 H03 | Maritime blue | | | |
| | 996 803 984 06 N13 | Guards red | | | |
| 2 | 911 803 150 00 | Screw | | 2 | |
| 3 | 999 075 057 09 | Hexagon-head bolt | | 2 | |
| 4 | 996 803 165 01 | Seat-belt buckle | /L | 1 | |
| (4) | 996 803 166 01 | Seat-belt buckle | /R | 1 | |
| 5 | 911 803 150 00 | Screw | | 2 | |
| 6 | 811 857 845 | Cap | | 2 | |
| 7 | 999 924 064 02 | Spacer sleeve | | 2 | |
| 7 | 999 924 064 01 | Spacer sleeve | | 2 | |
| 8 | 211 857 771 | Washer | | 2 | |
| 9 | 803 019 811 B | Hexagon-head bolt | | 2 | |
| 10 | 811 857 845 | Cap | | 2 | M193 |
| 11 | 996 551 745 00 | Fastening clamp | /L | 2 | |
| 11 | 996 551 746 00 | Fastening clamp | /R | 2 | |

Model: 996 98

Model life 1998>>2005



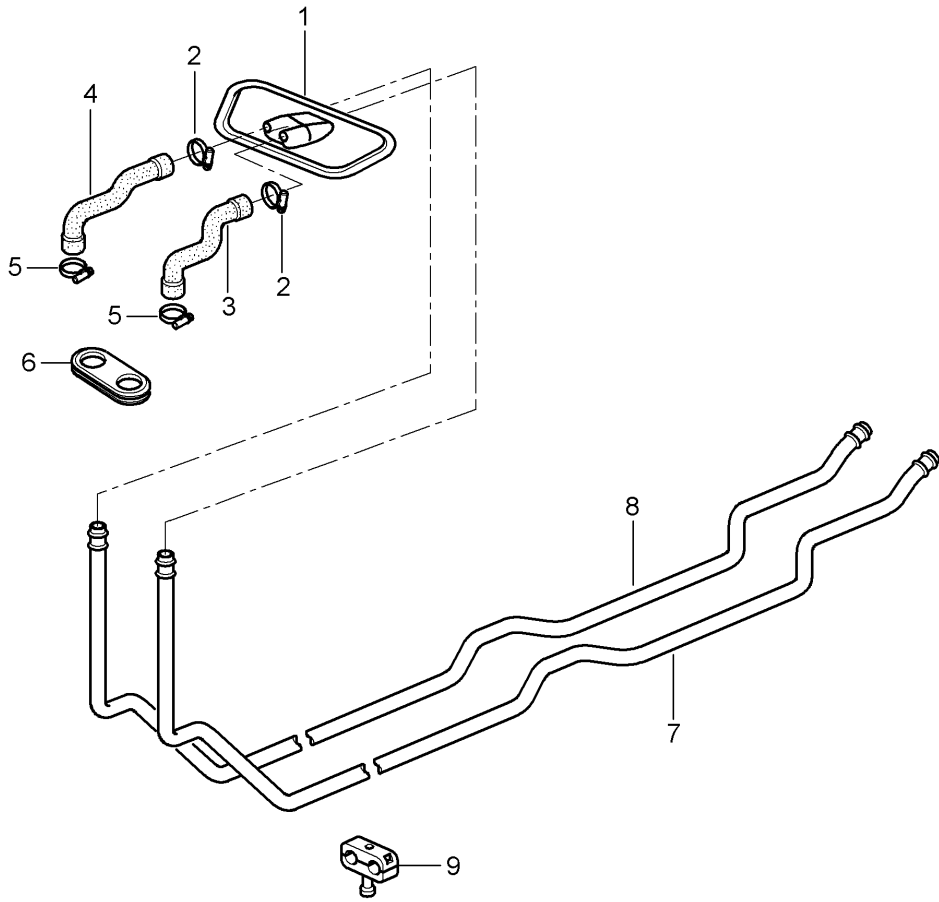
Model: 996 98

Model life 1998>>2005

| Pos | Part Number | Description | Remark | Qty | Model |
|-----|--------------------|-------------------|--------|-----|-----------------|
| | | Seat belt Rear | | | CABRIO TARGA |
| 1 | 996 803 035 06 | Seat belt | /L | 1 | CABRIO |
| 1 | 996 803 983 08 | Seat belt | /L | 1 | CABRIO |
| | 996 803 983 08 V02 | Speed yellow | | | |
| | 996 803 983 08 H03 | Maritime blue | | | |
| | 996 803 983 08 N13 | Guards red | | | |
| 1 | 996 803 035 04 | Seat belt | /L | 1 | TARGA |
| 1 | 996 803 983 04 | Seat belt | /L | 1 | TARGA |
| | 996 803 983 04 V02 | Speed yellow | | | |
| | 996 803 983 04 H03 | Maritime blue | | | |
| | 996 803 983 04 N13 | Guards red | | | |
| 1 | 996 803 036 06 | Seat belt | /R | 1 | CABRIO |
| 1 | 996 803 984 08 | Seat belt | /R | 1 | CABRIO |
| | 996 803 984 08 V02 | Speed yellow | | | |
| | 996 803 984 08 H03 | Maritime blue | | | |
| | 996 803 984 08 N13 | Guards red | | | |
| 1 | 996 803 036 04 | Seat belt | /R | 1 | TARGA |
| 1 | 996 803 984 04 | Seat belt | /R | 1 | TARGA |
| | 996 803 984 04 V02 | Speed yellow | | | |
| | 996 803 984 04 H03 | Maritime blue | | | |
| | 996 803 984 04 N13 | Guards red | | | |
| 2 | 911 803 150 00 | Screw | | 2 | CABRIO |
| 2 | 999 075 070 09 | Hexagon-head bolt | | 2 | TARGA |
| 3 | 999 075 057 09 | Hexagon-head bolt | | 2 | |
| 4 | 996 803 165 01 | Seat-belt buckle | /L | 1 | |
| 4 | 996 803 166 01 | Seat-belt buckle | /R | 1 | |
| 5 | 911 803 150 00 | Screw | | 2 | |
| 6 | 811 857 845 | Cap | | 2 | |
| 7 | 999 924 064 02 | Spacer sleeve | | 2 | |
| 7 | 999 924 064 01 | Spacer sleeve | | 2 | |
| 8 | 211 857 771 | Washer | | 2 | |
| 9 | 803 019 811 B | Hexagon-head bolt | | 2 | |
| 10 | 811 857 845 | Cap | | 2 | |
| | 811 857 845 01C | Satin black | | | |
| 11 | 996 551 745 00 | Fastening clamp | | 2 | |
| 12 | 996 803 545 00 | Cap | | 2 | TARGA |

Model: 996 98

Model life 1998>>2005



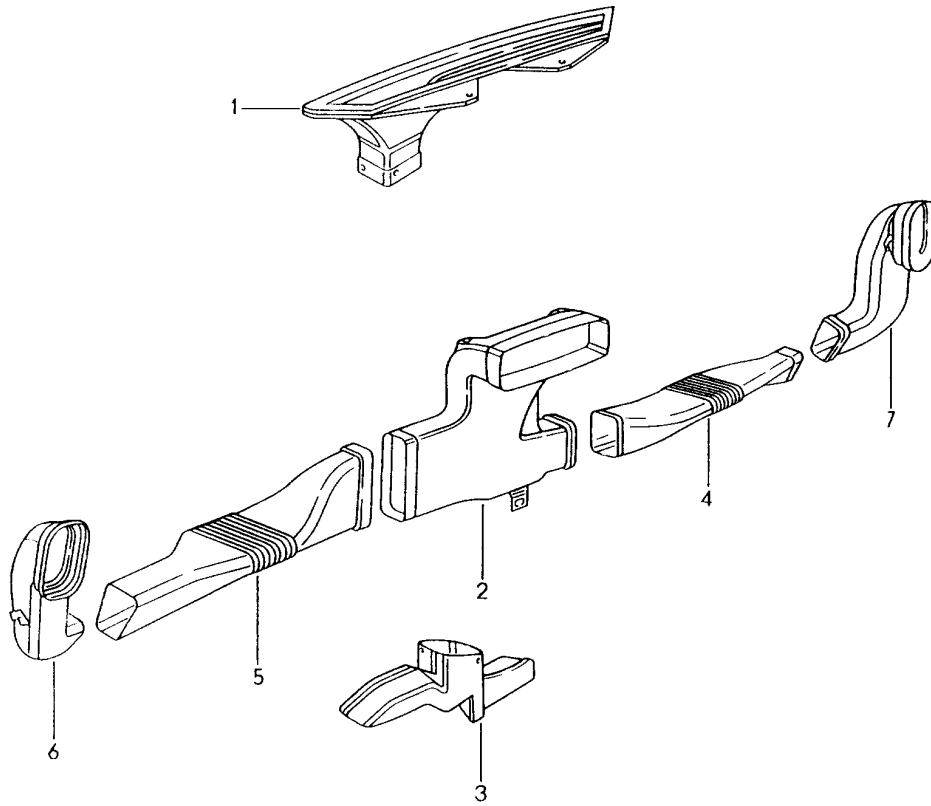
Model: 996 98

Model life 1998>>2005

| Pos | Part Number | Description | Remark | Qty | Model |
|-----|----------------|------------------|--------|-----|-------|
| | | Heating system 1 | | | |
| | | Feed line | | | |
| | | Return line | | | |
| 1 | 996 572 263 02 | Gasket | /LL | 1 | |
| 1 | 996 572 263 03 | Gasket | /RL | 1 | |
| 2 | 999 512 441 02 | Hose clamp | | 1 | |
| 3 | 996 572 585 00 | Heater hose | /LL | 1 | |
| 3 | 996 572 585 04 | Heater hose | /LL | 1 | |
| 3 | 997 572 555 00 | Heater hose | /LL | 1 | |
| (3) | 996 572 585 01 | Heater hose | /RL | 1 | |
| (3) | 996 572 585 05 | Heater hose | /RL | 1 | |
| (3) | 997 572 555 01 | Heater hose | /RL | 1 | |
| 4 | 996 572 583 00 | Heater hose | /LL | 1 | |
| 4 | 996 572 583 04 | Heater hose | /LL | 1 | |
| 4 | 997 572 553 00 | Heater hose | /LL | 1 | |
| (4) | 996 572 583 01 | Heater hose | /RL | 1 | |
| (4) | 996 572 583 05 | Heater hose | /RL | 1 | |
| (4) | 997 572 553 01 | Heater hose | /RL | 1 | |
| 5 | 999 512 441 02 | Hose clamp | | 1 | |
| 6 | 996 572 765 01 | Grommet | | 1 | |
| 7 | 996 572 683 03 | Return line | | 1 | -01 |
| 7 | 996 572 683 05 | Return line | | 1 | 02- |
| 8 | 996 572 681 03 | Hot air duct | | 1 | -01 |
| | | Supply | | | |
| (8) | 996 572 681 05 | Heater pipeline | | 1 | 02- |
| | | Supply | | | |
| 9 | 999 511 230 40 | Cable holder | | 4 | |
| - | 999 511 232 41 | Rubber mounting | | 4 | |

Model: 996 98

Model life 1998>>2005



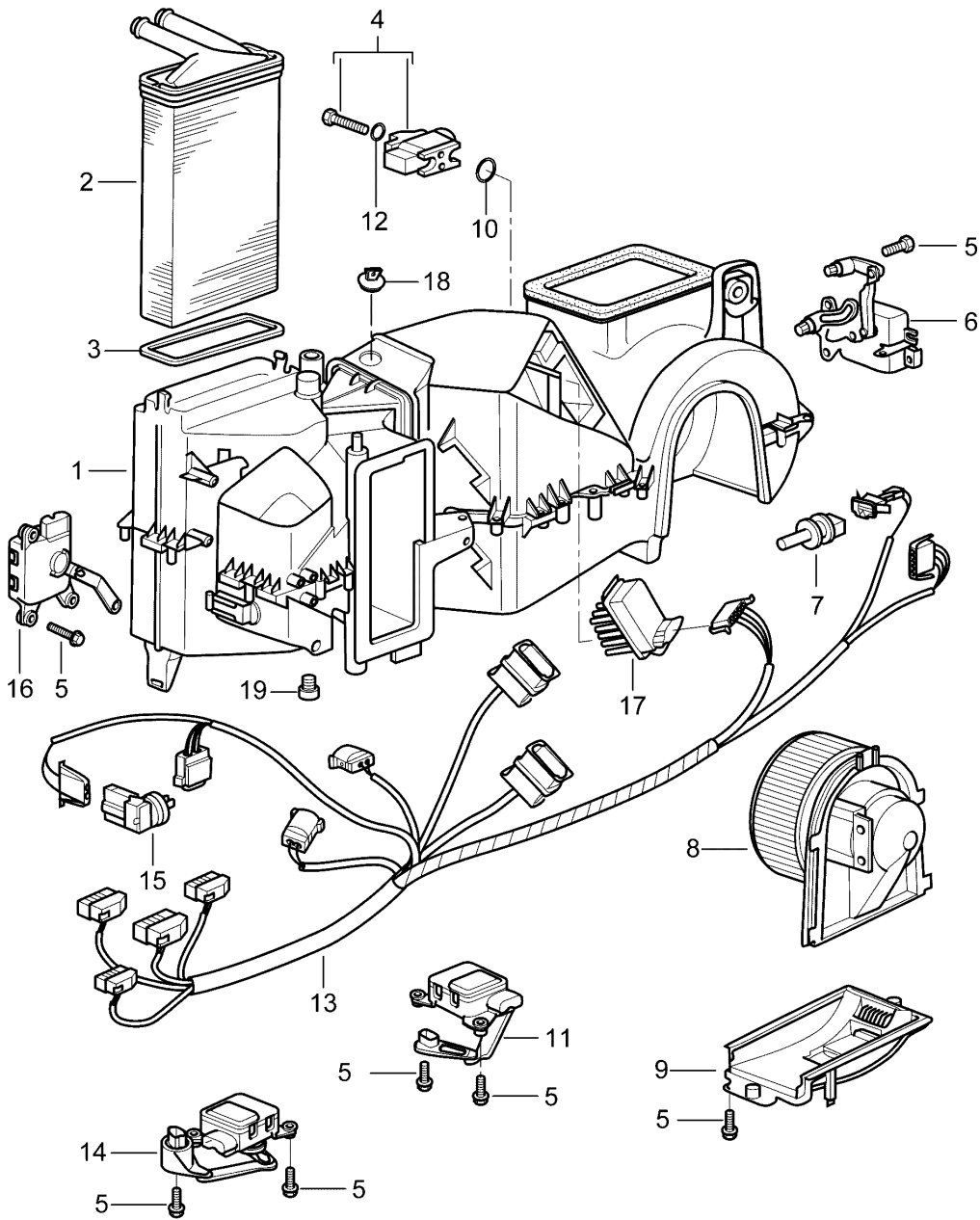
Model: 996 98

Model life 1998>>2005

| Pos | Part Number | Description | Remark | Qty | Model |
|-----|----------------|----------------------|---------|-----|-------|
| | | Heating | | | |
| | | Air distributor | | | |
| 1 | 996 572 631 00 | Defroster vent | /LL | 1 | |
| (1) | 996 572 631 01 | Defroster vent | /RL | 1 | |
| 2 | 996 572 171 00 | Air distributor | /LL -01 | 1 | |
| 2 | 996 572 171 04 | Air distributor | /LL 02- | 1 | |
| (2) | 996 572 171 01 | Air distributor | /RL -01 | 1 | |
| (2) | 996 572 171 05 | Air distributor | /RL 02- | 1 | |
| 3 | 996 572 793 02 | Footwell outlet vent | /LL | 1 | |
| 3 | 996 572 793 04 | Footwell outlet vent | /LL | 1 | M680 |
| (3) | 996 572 793 01 | Footwell outlet vent | /RL -02 | 1 | |
| (3) | 996 572 793 05 | Footwell outlet vent | /RL 03- | 1 | |
| (3) | 996 572 793 06 | Footwell outlet vent | /RL 03- | 1 | M680 |
| 4 | 996 572 464 01 | Air guide | /LL /R | 1 | -02 |
| 4 | 996 572 464 02 | Air guide | /LL /R | 1 | 03- |
| 4 | 996 572 464 00 | Air guide | /RL /R | 1 | |
| 5 | 996 572 463 00 | Air guide | /LL /L | 1 | |
| 5 | 996 572 463 01 | Air guide | /RL /L | 1 | -02 |
| 5 | 996 572 463 02 | Air guide | /RL /L | 1 | 03- |
| 6 | 996 572 767 00 | Air guide | /LL /L | 1 | |
| 6 | 996 572 767 01 | Air guide | /RL /L | 1 | |
| 7 | 996 572 768 00 | Air guide | /RL /R | 1 | |
| (7) | 996 572 768 01 | Air guide | /LL /R | 1 | |

Model: 996 98

Model life 1998>>2005

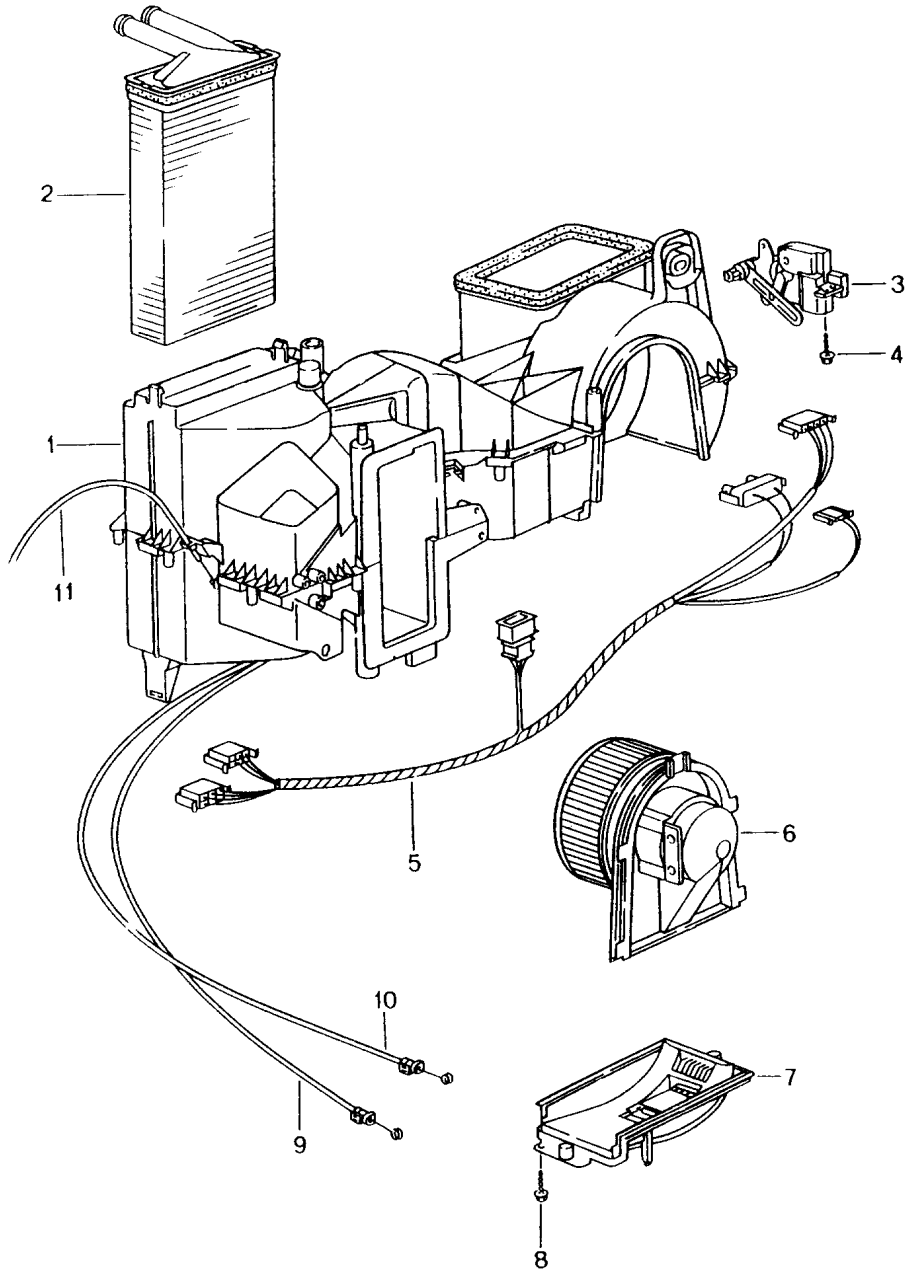


Model: 996 98 Model life 1998>>2005

| Pos | Part Number | Description | Remark | Qty | Model |
|------|----------------|--|----------------|-----|-------|
| | | Air conditioner Single parts | | | M573 |
| 1 | 996 573 901 02 | Air conditioner without Heat exchanger with Evaporator | /LL | 1 | |
| 1 | 996 573 901 01 | Air conditioner without Heat exchanger with Evaporator | /RL | 1 | |
| - | 996 552 601 01 | Support | | 1 | |
| 2 | 996 572 129 00 | Heat exchanger | | 1 | |
| 2 | 997 572 129 00 | Heat exchanger | | 1 | |
| 3 | 996 572 913 00 | Gasket | | 1 | |
| 4 | 996 573 929 01 | Expansion valve | | 1 | |
| 5 | 900 143 093 01 | Combination screw ST4,8X19-C | | X | |
| 6 | 996 573 915 00 | Electric motor Central valve | /LL | 1 | |
| 6 | 996 573 915 01 | Electric motor Central valve | /RL | 1 | |
| 7 | 1J0 907 543 B | Temperature sensor | | 1 | |
| 8 | 996 572 903 02 | Blower | /LL -99 | 1 | |
| 8 | 996 624 107 01 | Blower | /LL 00- -99 | 1 | |
| - | 000 043 300 99 | Parts kit | | 1 | |
| 8 | 996 572 903 03 | Blower | /RL -99 | 1 | |
| 8 | 996 624 108 01 | Blower | /RL 00- | 1 | |
| - | 000 043 300 99 | Parts kit | | 1 | |
| 9 | 996 573 905 00 | Lid | | 1 | |
| 10 | 999 707 596 40 | O-ring 14X1,82 | | 1 | |
| 11 | 996 573 919 00 | Electric motor Temperature valve | /LL | 1 | |
| (11) | 996 573 919 01 | Electric motor Temperature valve | /RL | 1 | |
| 12 | 999 707 534 41 | O-ring 17X2,00 | | 1 | |
| 13 | 996 612 047 00 | Wiring harness | /LL 98 | 1 | |
| (13) | 996 612 047 01 | Wiring harness | /LL 99- | 1 | |
| (13) | 996 622 047 00 | Wiring harness | /LL 01- | 1 | |
| (13) | 996 612 048 00 | Wiring harness | /RL 98 | 1 | |
| (13) | 996 612 048 01 | Wiring harness | /RL 99- | 1 | |
| (13) | 996 622 048 00 | Wiring harness | /RL 01- | 1 | |
| 14 | 996 573 917 00 | Electric motor Defroster flap | /LL | 1 | |
| (14) | 996 573 917 01 | Electric motor Defroster flap | /RL | 1 | |
| 15 | 1H0 907 543 A | Temperature sensor | | 1 | |
| 16 | 996 573 921 00 | Electric motor Air flow sensor plate | /LL | 1 | |
| (16) | 996 573 921 01 | Electric motor Air flow sensor plate | /RL | 1 | |
| 17 | 996 573 923 00 | Resistor | | 1 | |
| 18 | 997 573 935 00 | Stopper | | 1 | |
| 19 | 996 573 927 00 | Blower outlet sensor | | 1 | |
| - | 996 552 601 01 | Support for Heating and ventilation unit | | 1 | |

Model: 996 98

Model life 1998>>2005



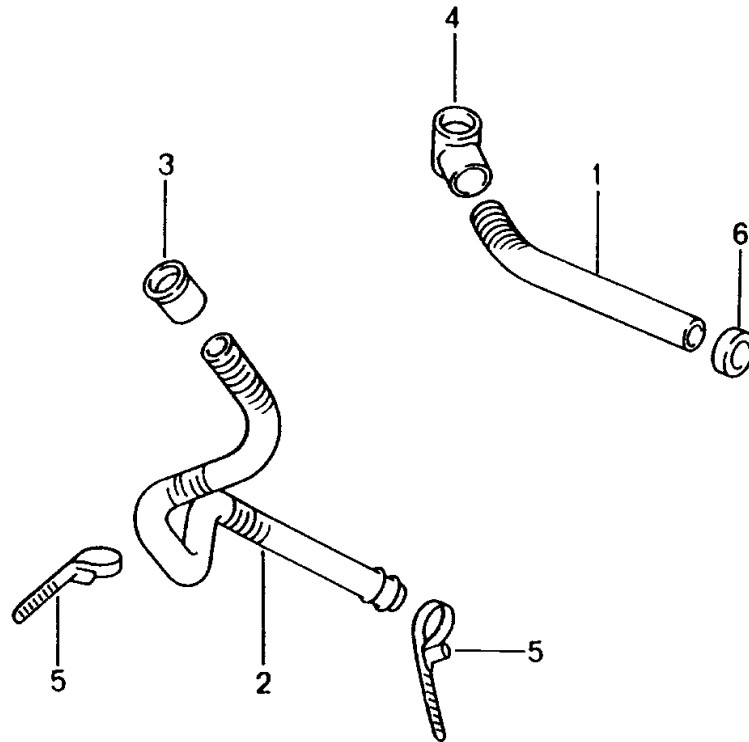
Model: 996 98

Model life 1998>>2005

| Pos | Part Number | Description | Remark | Qty | Model |
|-----|----------------|-------------------|---------|-----|-------|
| | | Heater | | | |
| | | Single parts | | | |
| 1 | 996 572 901 00 | Housing | /LL | 1 | |
| (1) | 996 572 901 01 | Housing | /RL | 1 | |
| 2 | 996 572 129 00 | Heat exchanger | | 1 | |
| 3 | 996 572 915 00 | Electric motor | | 1 | |
| 4 | 999 919 049 02 | Oval-head screw | | 1 | |
| 5 | 996 612 045 00 | Wiring harness | /LL 98 | 1 | |
| 5 | 996 612 045 01 | Wiring harness | /LL 99- | 1 | |
| (5) | 996 612 046 00 | Wiring harness | /RL 98 | 1 | |
| (5) | 996 612 046 01 | Wiring harness | /RL 99- | 1 | |
| 6 | 996 572 903 02 | Blower | /LL -99 | 1 | |
| 6 | 996 624 107 01 | Blower | /LL 00- | 1 | |
| | | Use also: | -99 | | |
| - | 000 043 300 99 | Parts kit | | 1 | |
| (6) | 996 572 903 03 | Blower | /RL -99 | 1 | |
| (6) | 996 624 108 01 | Blower | /RL 00- | 1 | |
| | | Use also: | -99 | | |
| - | 000 043 300 99 | Parts kit | | 1 | |
| 7 | 996 572 905 00 | Lid | | 1 | |
| | | with | | | |
| | | Resistor | | | |
| 8 | 999 919 049 02 | Oval-head screw | | 2 | |
| 9 | 996 572 605 00 | Bowden cable | /LL | 1 | |
| | | Defroster | | | |
| 9 | 996 572 605 01 | Bowden cable | /RL | 1 | |
| | | Defroster | | | |
| 10 | 996 572 607 00 | Bowden cable | /LL | 1 | |
| | | Temperature valve | | | |
| 10 | 996 572 607 01 | Bowden cable | /RL | 1 | |
| | | Temperature valve | | | |
| 11 | 996 572 601 00 | Bowden cable | /LL | 1 | |
| | | Central valve | | | |
| 11 | 996 572 601 01 | Bowden cable | /RL | 1 | |
| | | Central valve | | | |

Model: 996 98

Model life 1998>>2005



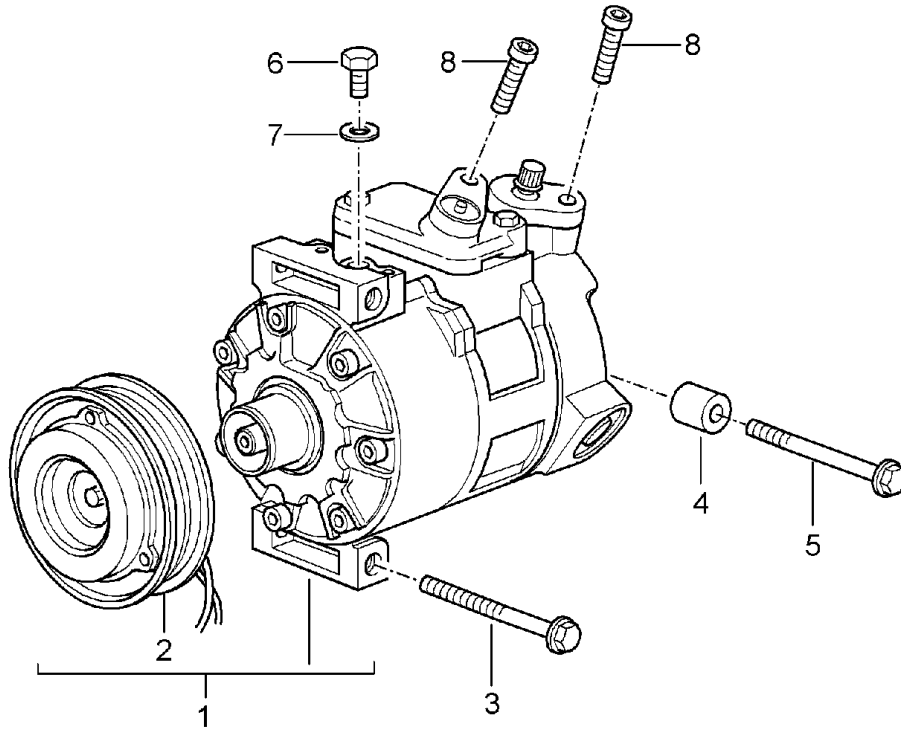
Model: 996 98

Model life 1998>>2005

| Pos | Part Number | Description | Remark | Qty | Model |
|-----|----------------|------------------|--------|-----|-------|
| | | Water drain tube | | | |
| | | Mount | | | |
| | | Sound absorber | | | |
| | | Heater | | | |
| | | Air conditioner | | | |
| 1 | 996 504 643 00 | Water drain tube | | 1 | |
| 2 | 996 504 644 00 | Water drain tube | | 1 | |
| 3 | 996 504 645 00 | Grommet | | 1 | |
| 4 | 996 504 646 00 | Grommet | | 1 | |
| 5 | 999 513 049 40 | Tie-wrap | | 1 | |
| 6 | 999 702 156 40 | Grommet | | 1 | |
| - | 996 573 797 02 | Connecting piece | | 1 | |
| - | 996 573 795 01 | Grommet | | 1 | |
| - | 996 573 793 01 | Water drain tube | | 1 | |
| - | 996 573 794 01 | Water drain tube | | 1 | |
| - | 996 504 649 00 | Grommet | | 2 | |

Model: 996 98

Model life 1998>>2005



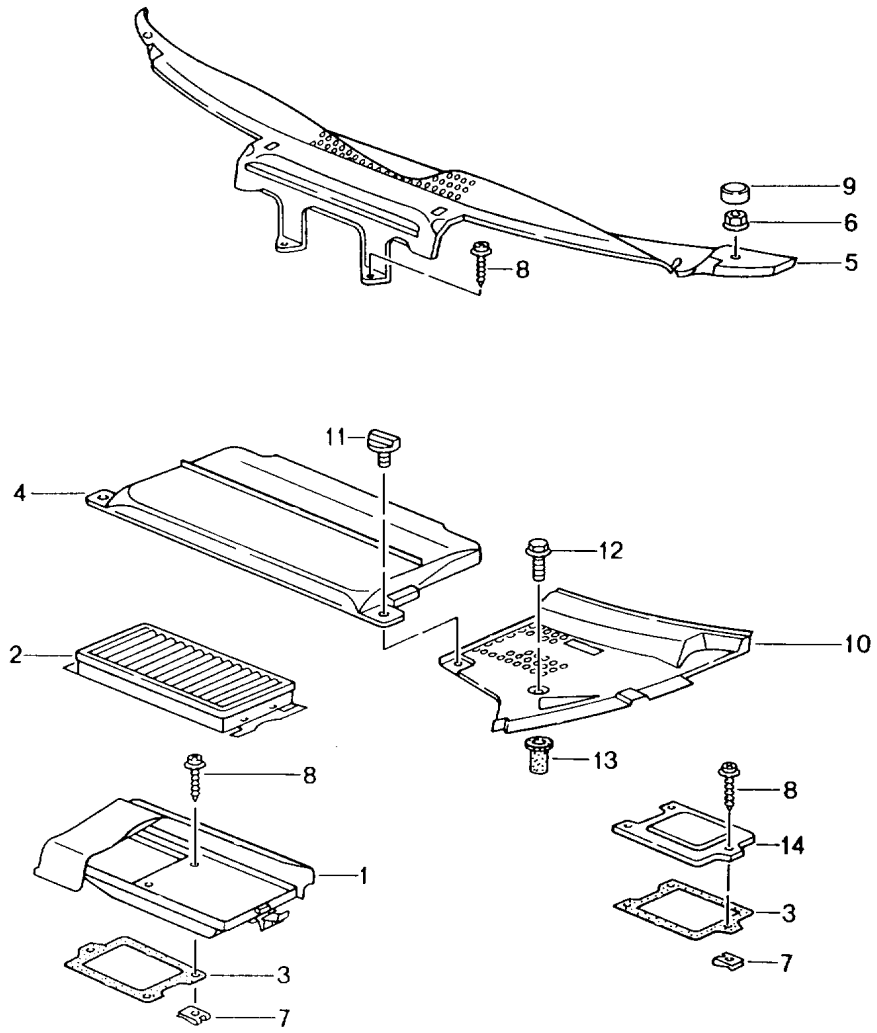
Model: 996 98

Model life 1998>>2005

| Pos | Part Number | Description | Remark | Qty | Model |
|-----|----------------|------------------------------|--------|-----|-------|
| 1 | 996 126 011 52 | Compressor | | 1 | |
| 2 | 996 573 926 00 | Magnetic clutch | | 1 | |
| 3 | 900 378 075 09 | Hexagon-head bolt M 8X90 | | 1 | |
| 4 | 996 126 102 52 | Spacer | -03 | 1 | |
| 4 | 996 126 102 53 | Spacer | 04- | 1 | |
| 5 | 900 378 136 09 | Hexagon-head bolt M 8X120 | | 1 | |
| 6 | 996 573 926 01 | Oil filler screw | | 1 | |
| 7 | 996 573 926 02 | Sealing ring | | 1 | |
| 8 | 900 067 252 02 | Pan-head screw | | 2 | |

Model: 996 98

Model life 1998>>2005

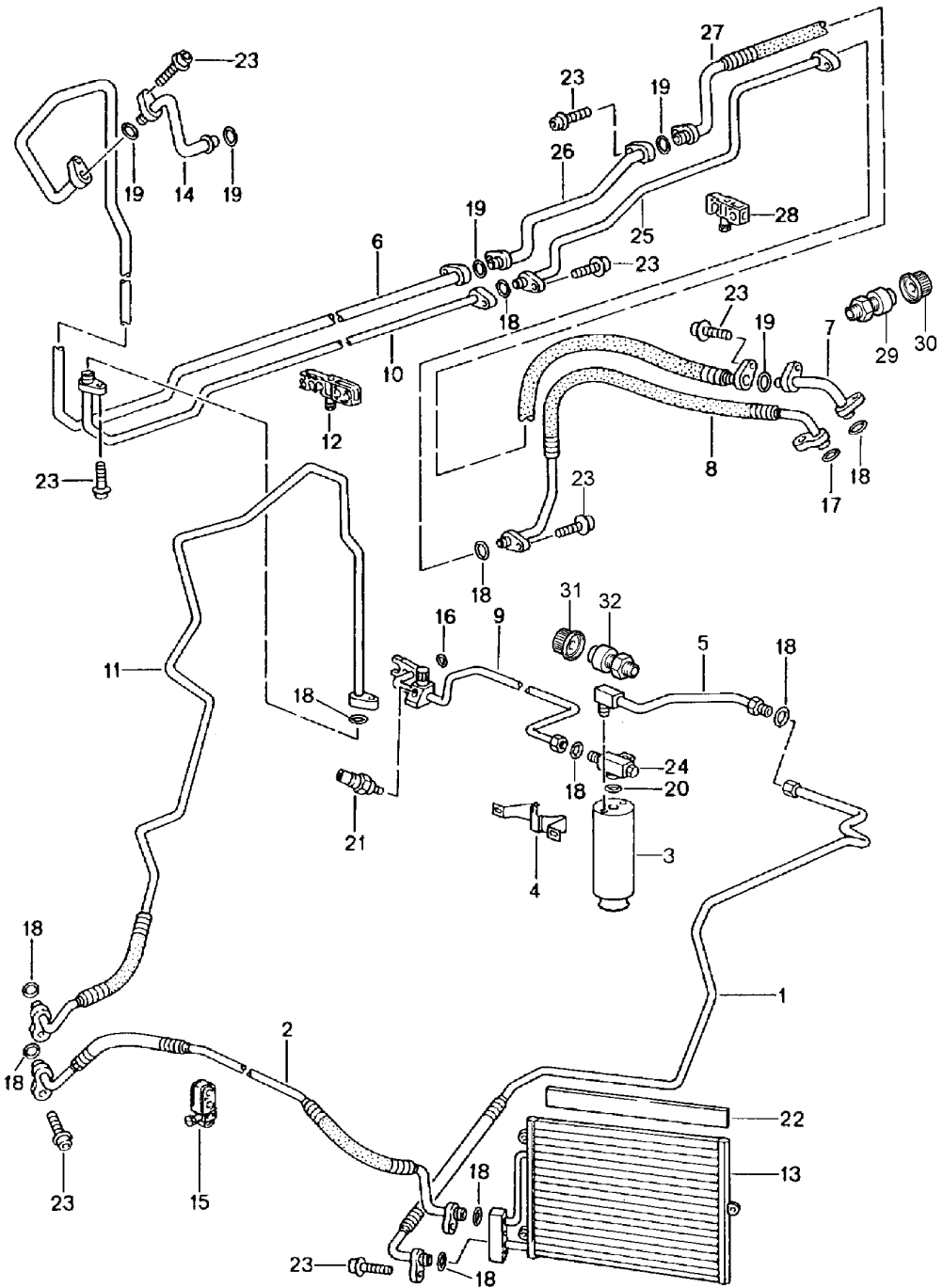


Model: 996 98 Model life 1998>>2005

| Pos | Part Number | Description | Remark | Qty | Model |
|------|--------------------|---------------------|---------|-----|-------|
| | | Particle filter | | | |
| | | Cowl panel covering | | | |
| 1 | 996 572 019 02 | Housing | /LL | 1 | |
| 1 | 996 572 019 03 | Housing | /RL | 1 | |
| 2 | 996 572 219 01 | Particle filter | | 1 | -M571 |
| 2 | 996 572 219 02 | Particle filter | | 1 | -M571 |
| 2 | 996 571 219 03 | Particle filter | | 1 | M571 |
| 3 | 996 572 221 01 | Gasket | | 1 | |
| 3 | 996 572 221 02 | Gasket | 02- | 1 | |
| 4 | 996 572 567 01 | Cover | | 1 | |
| | 996 572 567 01 01C | Black | | | |
| | | Battery | | | |
| (4) | 996 572 729 00 | Cover | /LL | 1 | |
| | | Particle filter | | | |
| (4) | 996 572 729 02 | Cover | /RL | 1 | |
| | | Particle filter | | | |
| 5 | 996 572 563 04 | Cowl panel covering | /LL -00 | 1 | |
| | 996 572 563 04 01C | Black | | | |
| 5 | 996 572 563 06 | Cowl panel covering | /LL 01- | 1 | |
| | 996 572 563 06 01C | Black | | | |
| | | Use also: | | | |
| - | 996 572 931 00 | Gasket | | 1 | |
| - | 996 572 661 00 | Cover | | 1 | |
| | | Vehicle Ident. No. | | | |
| 5 | 996 572 563 05 | Cowl panel covering | /RL -00 | 1 | |
| | 996 572 563 05 01C | Black | | | |
| 5 | 996 572 563 07 | Cowl panel covering | /RL 01- | 1 | |
| | 996 572 563 07 01C | Black | | | |
| | | Use also: | | | |
| - | 996 572 931 00 | Gasket | | 1 | |
| 6 | 999 049 008 40 | Plastic nut | | 2 | |
| 7 | 999 591 722 02 | Speed nut | | 3 | |
| 8 | 999 073 142 09 | Tapping screw | | 3 | |
| 9 | 996 572 569 00 | Cap | -00 | 2 | |
| | 996 572 569 00 01C | Black | | | |
| (9) | 996 572 569 01 | Cap | /L 01- | 1 | |
| | 996 572 569 01 01C | Black | | | |
| (9) | 996 572 570 01 | Cap | /R 01- | 1 | |
| | 996 572 570 01 01C | Black | | | |
| 10 | 996 572 561 01 | Cover | /L | 1 | |
| | 996 572 561 01 01C | Black | | | |
| (10) | 996 572 562 01 | Cover | /R | 1 | |
| | 996 572 562 01 01C | Black | | | |
| 11 | 999 590 045 40 | Screw plug | | X | |
| - | 999 590 046 40 | Disc cam | | X | |
| 12 | 999 073 143 09 | Oval-head screw | | 2 | |
| 12 | 999 073 143 01 | Oval-head screw | | 2 | |
| 13 | 999 500 092 00 | Nut | | 2 | |
| 14 | 996 572 719 01 | Lid | -03 | 2 | |
| 14 | 996 572 719 02 | Lid | 04- | 2 | |
| 15 | 999 591 742 02 | Speed nut | | 2 | |
| | | ST 4,2 | | | |
| 15 | 999 591 742 01 | Speed nut | | 2 | |
| | | ST 4,2 | | | |

Model: 996 98

Model life 1998>>2005

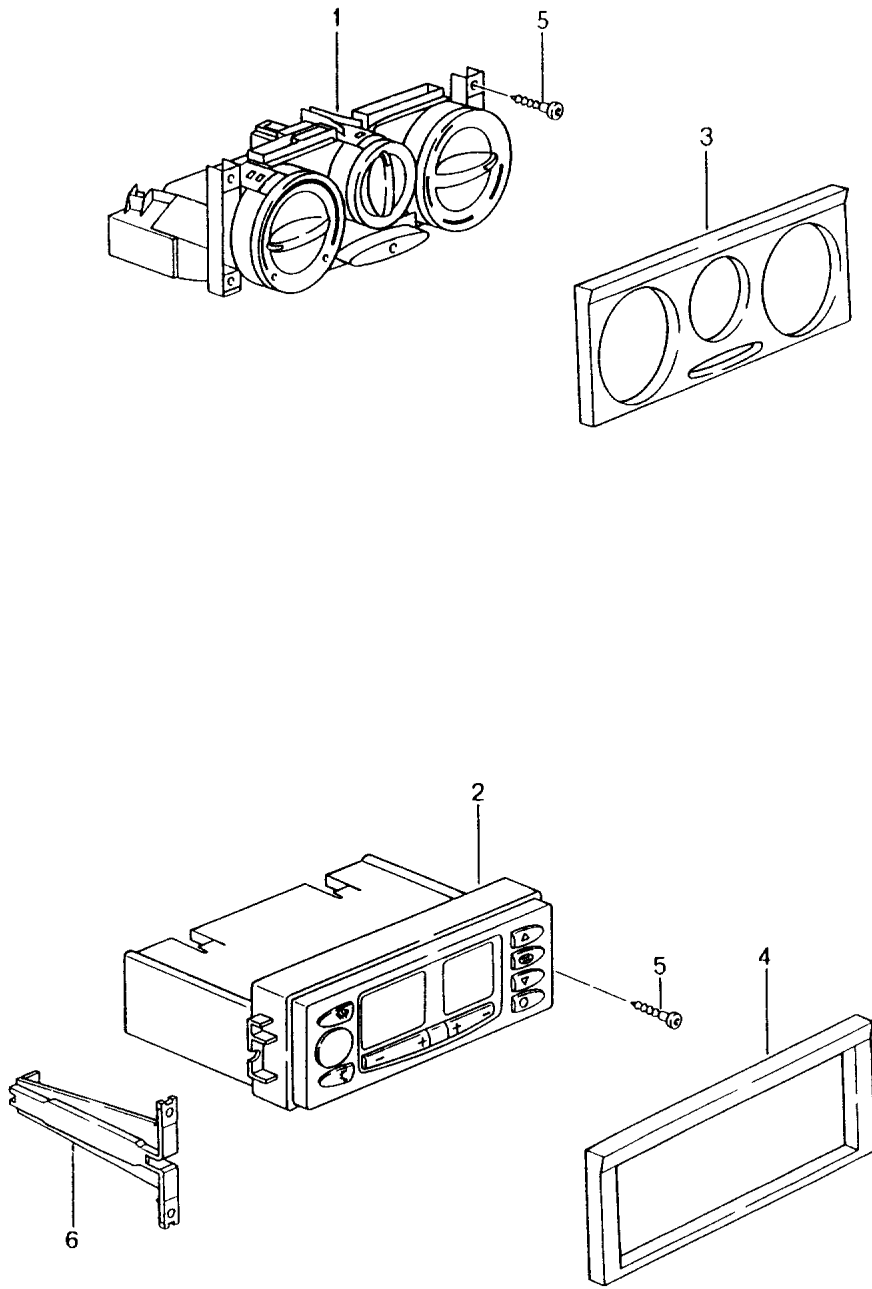


Model: 996 98 Model life 1998>>2005

| Pos | Part Number | Description | Remark | Qty | Model |
|------|----------------|---------------------|---------|-----|-------|
| | | Refrigerant circuit | | | |
| 1 | 996 573 105 03 | Refrigerant line | -01 | 1 | |
| 1 | 996 573 105 05 | Pressure line | 02- | 1 | |
| 1 | 996 573 105 04 | Refrigerant | 02- | 1 | C4S |
| 1 | 996 573 105 06 | Refrigerant line | 02- | 1 | C4S |
| 2 | 996 573 104 02 | Refrigerant line | | 1 | |
| 2 | 996 573 104 03 | Refrigerant line | | 1 | C4S |
| 3 | 944 573 143 01 | Desiccator | | 1 | |
| 4 | 996 573 451 00 | Support | | 1 | |
| 5 | 996 573 106 00 | Refrigerant line | | 1 | |
| 6 | 996 573 091 01 | Intake pipe | | 1 | |
| - | 996 573 769 01 | Grommet | | 1 | |
| 7 | 996 573 099 02 | Refrigerant line | | 1 | |
| 8 | 996 573 097 02 | Refrigerant line | | 1 | |
| 9 | 996 573 108 01 | Pressure line | /RL | 1 | |
| (9) | 996 573 108 02 | Pressure line | /LL -01 | 1 | |
| (9) | 996 573 108 03 | Pressure line | /LL 02- | 1 | |
| 10 | 996 573 092 01 | Pressure line | | 1 | |
| 11 | 996 573 094 02 | Refrigerant line | -01 | 1 | |
| 11 | 996 573 094 04 | Pressure line | 02- | 1 | |
| 11 | 996 573 094 03 | Refrigerant line | | 1 | C4S |
| 11 | 996 573 094 05 | Refrigerant line | | 1 | C4S |
| 12 | 996 347 543 00 | Cable holder | | 2 | |
| 13 | 996 573 111 00 | Condenser | | 2 | |
| (13) | 996 573 111 03 | Condenser | 02- | 2 | C4S |
| (13) | | Condenser | 04 | 2 | M095 |
| 14 | 996 573 093 02 | Intake pipe | /LL | 1 | |
| 14 | 996 573 093 03 | Intake pipe | /RL | 1 | |
| 15 | 996 347 543 00 | Cable holder | | 2 | |
| 16 | 999 707 247 40 | O-ring | | 2 | |
| | | 7,5X2 | | | |
| 17 | 999 707 382 40 | O-ring | | 8 | |
| | | 23,8X2,4 | | | |
| 18 | 999 707 250 40 | O-ring | | 8 | |
| | | 10,6X2 | | | |
| 18 | 999 707 434 41 | O-ring | | 8 | |
| | | 10,6X2 | | | |
| 19 | 999 707 252 40 | O-ring | | 3 | |
| | | 17X2 | | | |
| 20 | 999 707 262 40 | O-ring | | X | |
| | | 6,7X1,8 | | | |
| 21 | 964 613 137 01 | Pressure switch | | 1 | |
| 22 | 996 573 711 00 | Cover strip | | 2 | |
| 22 | 996 573 711 01 | Frame | 02- | 2 | C4S |
| 22 | | Frame | 04 | 2 | M095 |
| 23 | 900 067 247 02 | Combination screw | | X | |
| 23 | 900 067 247 01 | Combination screw | | X | |
| 24 | 993 573 243 00 | Distributing piece | | 1 | |
| 25 | 996 573 096 02 | Pressure line | -01 | 1 | |
| 25 | 996 573 096 05 | Refrigerant line | 02- | 1 | |
| 26 | 996 573 931 00 | Intake pipe | -01 | 1 | |
| 27 | 996 573 930 00 | Intake pipe | -01 | 1 | |
| (27) | 996 573 095 05 | Intake pipe | 02- | 1 | |
| (27) | 996 573 095 07 | Intake pipe | 02- | 1 | |
| (27) | 996 573 095 08 | Intake pipe | 02- | 1 | |
| 28 | 999 511 230 40 | Cable holder | | X | |
| | | Use also: | | | |
| - | 999 511 231 41 | Rubber mounting | | X | |
| 29 | 996 573 465 00 | Valve | | 1 | |
| 30 | 944 573 663 01 | Cap | | 1 | |
| 31 | 944 573 663 02 | Cap | | 1 | |
| 32 | 996 573 466 00 | Valve | | 1 | |

Model: 996 98

Model life 1998>>2005

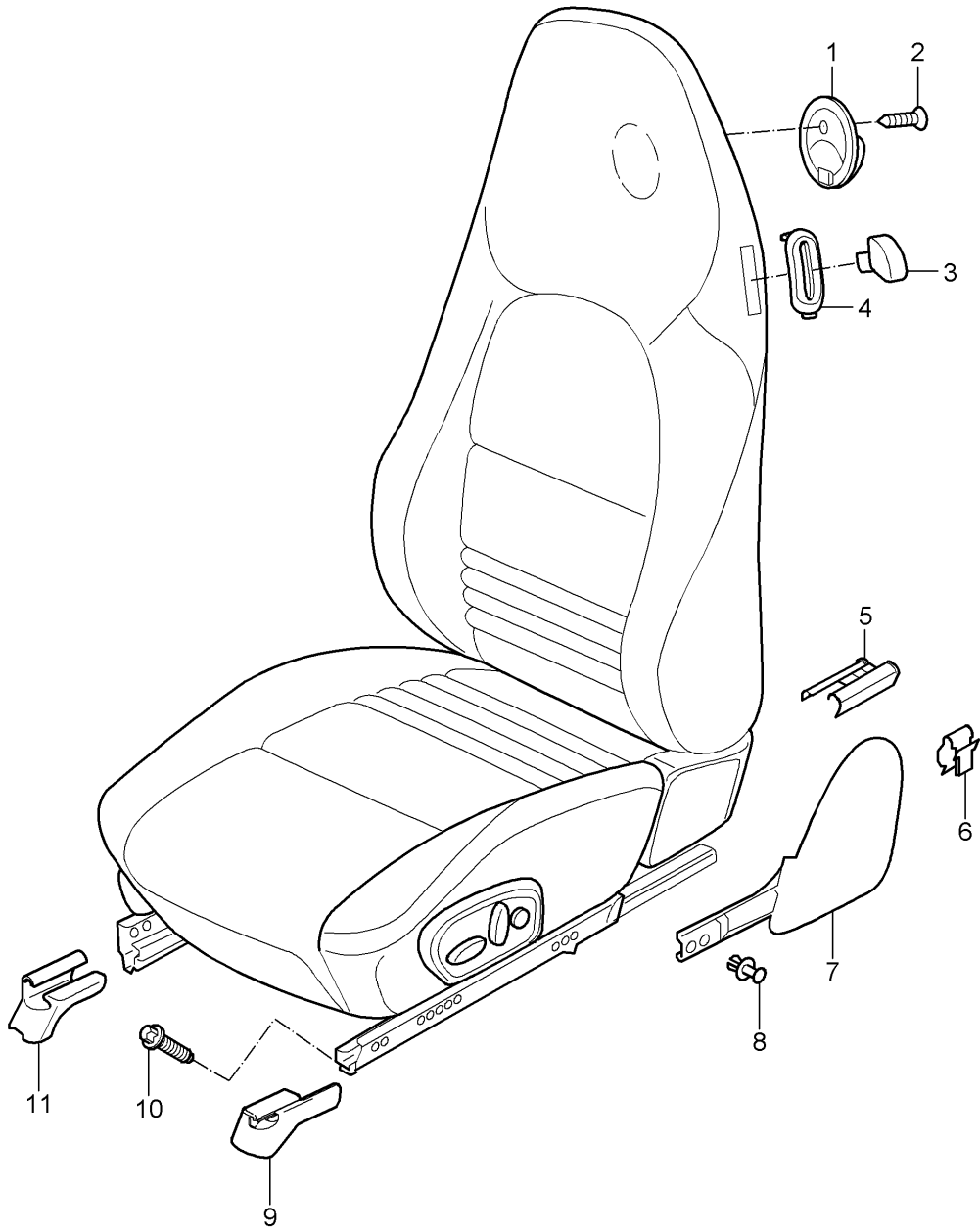


Model: 996 98 Model life 1998>>2005

| Pos | Part Number | Description | Remark | Qty | Model |
|-----|--------------------|---|--------|-----|----------|
| 1 | 996 572 101 00 | Control switch Control part Heating | -01 | 1 | |
| | 996 572 101 00 01C | Black | | | |
| 1 | 996 572 101 01 | Control part Heating | 02- | 1 | |
| | 996 572 101 01 01C | Black | | | |
| - | 900 631 132 90 | Bulb | | 1 | |
| 2 | 996 653 101 03 | Control part Air conditioner | -01 | 1 | M573 |
| | 996 653 101 03 EFR | Black | | | |
| 2 | 996 653 101 CX | Control part Air conditioner | -01 | 1 | M573 |
| | 996 653 101 CX EFR | Black | | | |
| 2 | 996 653 101 09 | Control part Air conditioner | 02- | 1 | M573 |
| | 996 653 101 09 EFR | Black mat | | | |
| 2 | 996 653 101 IX | Control part Air conditioner | 02- | 1 | M573 |
| | 996 653 101 IX EFR | Black mat | | | |
| 2 | 996 653 101 10 | Control part Air conditioner | 03- | 1 | M573 |
| | 996 653 101 10 FFA | Black mat | | | |
| 2 | 996 653 101 JX | Control part Air conditioner | 03- | 1 | M573 |
| | 996 653 101 JX FFA | Black mat | | | |
| 3 | 996 552 153 01 | Support frame Air conditioner | -02 | 1 | M574 |
| | 996 552 153 01 01C | Satin black | | | |
| 4 | 996 552 677 00 | Frame Air conditioner | -01 | 1 | M573 |
| | 996 552 677 00 01C | Black | | | |
| 4 | 996 552 677 01 | Cover Air conditioner | 02- | 1 | M573 |
| | 996 552 677 01 01C | Black | | | |
| (4) | 996 552 339 00 | Frame Air conditioner | | 1 | M581/665 |
| | 996 552 339 00 01C | Black | | | |
| - | 191 853 615 A | Grommet for POS.4 | | X | |
| 5 | 900 143 076 09 | Tapping screw | | X | |
| 6 | 996 573 501 00 | Adapter | | 2 | M573 |

Model: 996 98

Model life 1998>>2005



Model: 996 98 Model life 1998>>2005

| Pos | Part Number | Description | Remark | Qty | Model |
|-----|--------------------|---|--------|-----|----------|
| | | Front seat | | | CARRERA |
| | | Front seat Complete Not available | | | |
| 1 | 996 521 373 00 | Coat hook | | 2 | |
| | 996 521 373 00 A03 | Black | | | |
| 2 | 999 919 199 09 | Countersunk-head screw M 5 X 25 | | 2 | |
| 3 | 996 521 321 00 | Actuating lever | -99 | 4 | |
| (3) | 996 521 421 00 | Control button | /L 00- | 2 | |
| (3) | 996 521 422 00 | Control button | /R 00- | 2 | |
| 4 | 996 521 323 00 | Rosette | /L 99 | 2 | |
| | | Satin black | | | |
| (4) | 996 521 324 00 | Rosette | /R 99 | 2 | |
| | | Satin black | | | |
| (4) | 996 521 323 02 | Rosette | /L 00- | 2 | |
| | | Satin black | | | |
| (4) | 996 521 324 02 | Rosette | /R 00- | 2 | |
| | | Satin black | | | |
| 5 | 996 521 357 00 | Cover | /L -99 | 2 | IXSE/XSF |
| | | Rear | | | |
| | 996 521 357 00 01C | Satin black | | | |
| (5) | 996 521 358 00 | Cover | /R -99 | 2 | IXSE/XSF |
| | | Rear | | | |
| | 996 521 358 00 01C | Satin black | | | |
| 6 | 999 507 592 01 | Cable clamp | | 2 | |
| | | Cover | | | |
| | | 1,0 - 6,0 | | | |
| 7 | 996 521 315 01 | Cap | /L | 1 | |
| | 996 521 315 01 D05 | Granite grey | -99 | | |
| | 996 521 315 01 A03 | Black | 00- | | |
| | 996 521 315 01 C53 | Graphite grey | 00- | | |
| | 996 521 315 01 S33 | Savanna | 00- | | |
| | 996 521 315 01 G13 | Metropole blue | 00- | | |
| | 996 521 315 01 J33 | Nephrite green | 00- | | |
| | 996 521 315 01 M33 | Boxster red | 00- | | |
| (7) | 996 521 316 01 | Cap | /R -02 | 1 | |
| | 996 521 316 01 D05 | Granite grey | -99 | | |
| | 996 521 316 01 A03 | Black | 00- | | |
| | 996 521 316 01 C53 | Graphite grey | 00- | | |
| | 996 521 316 01 S33 | Savanna | 00- | | |
| | 996 521 316 01 G13 | Metropole blue | 00- | | |
| | 996 521 316 01 J33 | Nephrite green | 00- | | |
| | 996 521 316 01 M33 | Boxster red | 00- | | |
| 8 | 999 507 599 40 | Expansion rivet | | 2 | |
| | | 10 | | | |
| 9 | 996 521 359 01 | Cover | /L | 1 | IXSE |
| | | Seat rail | | | |
| | | Front | | | |
| | | Outer | | | |
| | 996 521 359 01 01C | Satin black | | | |
| (9) | 996 521 360 01 | Cover | /R | 1 | IXSF |
| | | Seat rail | | | |
| | | Front | | | |
| | | Outer | | | |
| | 996 521 360 01 01C | Satin black | | | |
| (9) | 996 521 363 01 | Cover | /L | 1 | M437/438 |
| | | Seat rail | | | |
| | | Front | | | |
| | | Outer | | | |
| | 996 521 363 01 01C | Satin black | | | |
| (9) | 996 521 364 01 | Cover | /R | 1 | M437/438 |

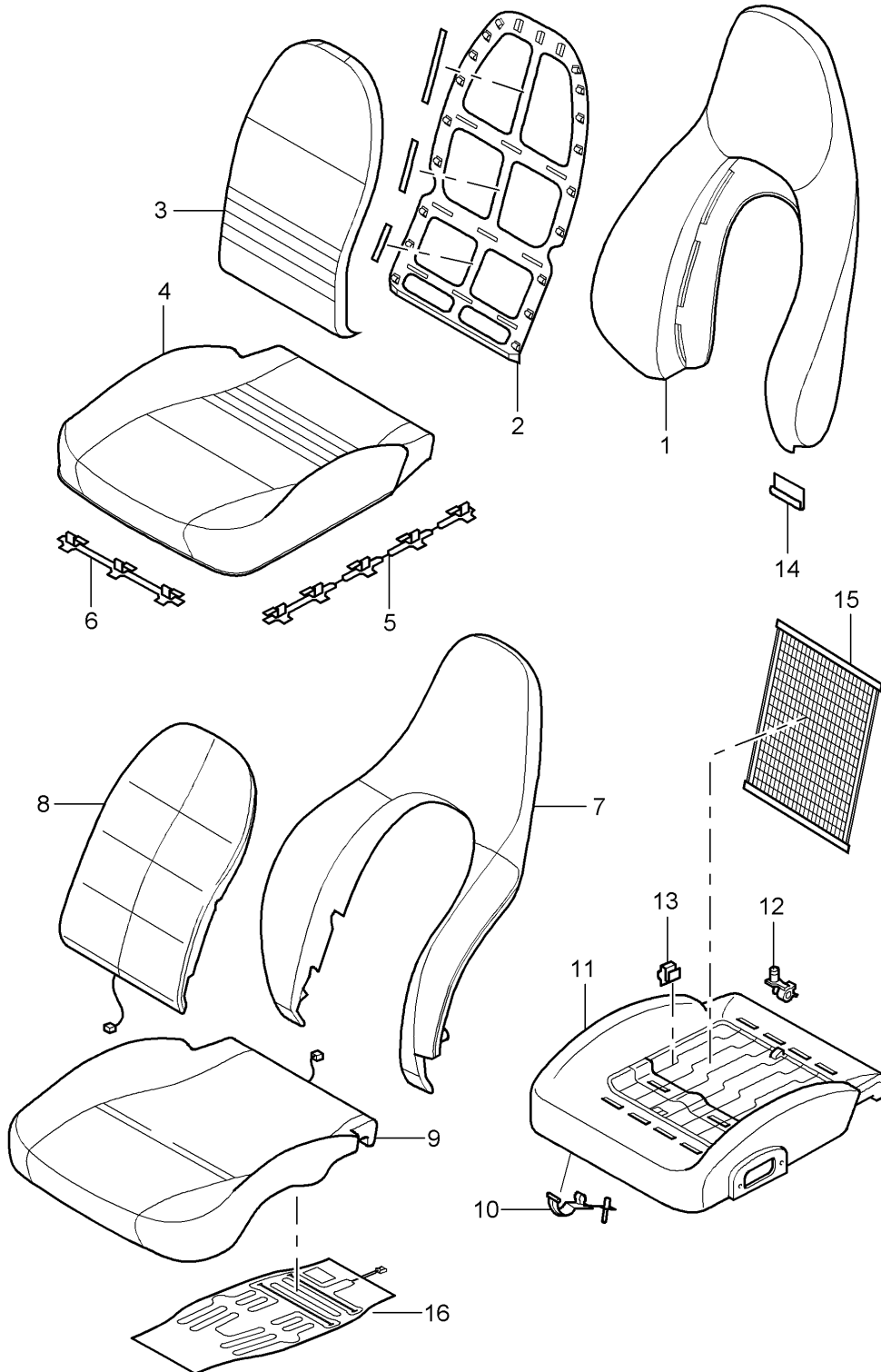
Model: 996 98

Model life 1998>>2005

| Pos | Part Number | Description | Remark | Qty | Model |
|------|--------------------------------------|--|--------|-----|----------|
| 10 | 996 521 364 01 01C 999 141 039 07 | Seat rail Front Outer Satin black Screw M 10 X 28 | | 8 | IXSE/XSF |
| 11 | 996 521 361 01 | Cover Seat rail Front Inner | /R | 1 | IXSF |
| (11) | 996 521 361 01 01C 996 521 362 01 | Satin black Cover Seat rail Front Inner | /L | 1 | IXSE |
| (11) | 996 521 362 01 01C 996 521 364 01 | Satin black Cover Seat rail Front Inner | /R | 1 | M437/438 |
| (11) | 996 521 364 01 01C 996 521 363 01 | Satin black Cover Seat rail Front Inner | /L | 1 | M437/438 |
| | 996 521 363 01 01C | Satin black | | | |

Model: 996 98

Model life 1998>>2005



Model: 996 98 Model life 1998>>2005

| Pos | Part Number | Description | Remark | Qty | Model |
|-----|--------------------|----------------------------|--------|-----|-----------|
| | | Cover | | | CARRERA |
| | | Foam part | | | |
| | | Standard seat | | | |
| | | Comfort seat | | | |
| 1 | 996 521 141 01 | Backrest cover | -99 | 2 | M946 |
| | | Outer part | | | |
| | | Leatherette/leather | | | |
| | 996 521 141 01 EAE | Black/black | | | |
| | 996 521 141 01 EEE | Graphite grey/graphite gr. | | | |
| | 996 521 141 01 EGH | Space grey/space grey | | | |
| | 996 521 141 01 EFE | Metropole bl./metrop. blue | | | |
| | 996 521 141 01 EGE | Savanna/savanna | | | |
| (1) | 996 521 141 01 | Backrest cover | -00 | 2 | M946 |
| | | Outer part | | | |
| | | Leatherette/leather | | | |
| | 996 521 141 01 ESJ | Space grey/space grey | | | |
| | 996 521 141 01 ESH | Metropole bl./metrop. blue | | | |
| | 996 521 141 01 ESG | Savanna/savanna | | | |
| | 996 521 141 01 ESF | Graphite grey/graphite gr. | | | |
| | 996 521 141 01 ESE | Black/black | | | |
| (1) | 996 521 141 05 | Cover | 01- | 2 | M946 |
| | | Backrest | | | |
| | | Outer part | | | |
| | 996 521 141 05 ESE | Black | | | |
| | 996 521 141 05 ESF | Graphite grey | | | |
| | 996 521 141 05 ESG | Savanna | | | |
| | 996 521 141 05 ESH | Metropole blue | | | |
| | 996 521 141 05 FEP | Nephrite green | | | |
| (1) | 996 521 993 00 | Backrest cover | 99- | 2 | IXSC/M946 |
| | | Outer part | | | |
| | | with | | | |
| | | Porsche | | | |
| | | Crest | | | |
| | | Leatherette/leather | | | |
| | 996 521 993 00 8YR | Black/black | 99 | | |
| | 996 521 993 00 B50 | Space grey/space grey | | | |
| | 996 521 993 00 C50 | Graphite grey/graphite gr. | | | |
| | 996 521 993 00 G10 | Metropole bl./metrop. blue | | | |
| | 996 521 993 00 S30 | Savanna/savanna | | | |
| | 996 521 993 00 ETO | Black | 00- | | |
| (1) | 996 521 141 02 | Backrest cover | -01 | 2 | M982/983 |
| | | Outer part | | | |
| | | Leather | | | |
| | 996 521 141 02 EAF | Black | -99 | | |
| | 996 521 141 02 ERZ | Black | -00 | | |
| | 996 521 141 02 EEF | Graphite grey | | | |
| | 996 521 141 02 EGJ | Space grey | -00 | | |
| | 996 521 141 02 EFF | Metropole blue | | | |
| | 996 521 141 02 EGF | Savanna | | | |
| | 996 521 141 02 ELA | Nephrite green | | | |
| | 996 521 141 02 ENA | Boxster red | | | |
| | 996 521 141 02 VRA | Dark grey | -00 | | |
| | 996 521 141 02 VRB | Brown/natural | -00 | | |
| | 996 521 141 02 FEH | Cinnamon brown | -00 | | |
| (1) | 996 521 141 03 | Cover | | 2 | IXSU/M946 |
| | | Outer part | | | |
| | 996 521 141 03 ESE | Black | | | |
| | 996 521 141 03 ESF | Graphite grey | | | |
| | 996 521 141 03 ESG | Savanna | | | |
| | 996 521 141 03 ESH | Metropole blue | | | |
| | 996 521 141 03 FEP | Nephrite green | | | |
| (1) | 996 521 141 04 | Cover | | 2 | IXSU |
| | | Outer part | | | M982/983 |

Model: 996 98 Model life 1998>>2005

| Pos | Part Number | Description | Remark | Qty | Model |
|-----|--------------------|------------------------|--------|-----|------------------|
| | 996 521 141 04 ERZ | Black | | | |
| | 996 521 141 04 EEF | Graphite grey | | | |
| | 996 521 141 04 EGF | Savanna | | | |
| | 996 521 141 04 EFF | Metropole blue | | | |
| | 996 521 141 04 ELA | Nephrite green | | | |
| | 996 521 141 04 ENA | Boxster red | | | |
| | 996 521 141 04 FEH | Cinnamon brown | | | |
| | 996 521 141 04 VRA | Dark grey/natural | | | |
| | 996 521 141 04 VRB | Brown/natural | | | |
| (1) | 996 521 141 06 | Cover | 01- | 2 | M982/983 |
| | | Backrest | | | |
| | | Outer part | | | |
| | 996 521 141 06 ERZ | Black | | | |
| | 996 521 141 06 EEF | Graphite grey | | | |
| | 996 521 141 06 EGF | Savanna | | | |
| | 996 521 141 06 EFF | Metropole blue | | | |
| | 996 521 141 06 ELA | Nephrite green | | | |
| | 996 521 141 06 ENA | Boxster red | | | |
| | 996 521 141 06 FEH | Cinnamon brown | | | |
| | 996 521 141 06 VRA | Dark grey/natural | | | |
| | 996 521 141 06 VRB | Brown/natural | | | |
| (1) | 996 521 993 01 | Backrest cover | | 2 | IXSC M982/983 |
| | | Outer part | | | |
| | | with | | | |
| | | Porsche | | | |
| | | Crest | | | |
| | | Leather | | | |
| | 996 521 993 01 8YR | Black | 99 | | |
| | 996 521 993 01 B50 | Space grey | -00 | | |
| | 996 521 993 01 C50 | Graphite grey | | | |
| | 996 521 993 01 G10 | Metropole blue | | | |
| | 996 521 993 01 S30 | Savanna | | | |
| | 996 521 993 01 J30 | Nephrite green | | | |
| | 996 521 993 01 M30 | Boxster red | | | |
| | 996 521 993 01 T11 | Brown/natural | | | |
| | 996 521 993 01 D11 | Dark grey/natural | | | |
| | 996 521 993 01 P11 | Cinnamon brown | | | |
| | 996 521 993 01 ETO | Black | 00- | | |
| 2 | 996 521 551 00 | Frame | -00 | 2 | |
| (2) | 996 521 551 01 | Frame | 01- | 2 | |
| | | Backrest cover | | | |
| 3 | 996 521 151 01 | Backrest cushion cover | -00 | 2 | M946/983 |
| | | Leather | | | |
| | 996 521 151 01 8YR | Black | -99 | | |
| | 996 521 151 01 ETO | Black | 00 | | |
| | 996 521 151 01 C50 | Graphite grey | | | |
| | 996 521 151 01 B50 | Space grey | -00 | | |
| | 996 521 151 01 G10 | Metropole blue | | | |
| | 996 521 151 01 S30 | Savanna | | | |
| | 996 521 151 01 J30 | Nephrite green | | | |
| | 996 521 151 01 M30 | Boxster red | | | |
| | 996 521 151 01 D11 | Dark grey | 00 | | |
| | 996 521 151 01 T11 | Brown/natural | 00 | | |
| (3) | 996 521 151 05 | Backrest cushion cover | 01- | 2 | M946/983 |
| | | Leather | | | |
| | | Not for | | | |
| | | Lowering | | | |
| | | Foam part | | | |
| | 996 521 151 05 ETO | Black | | | |
| | 996 521 151 05 C50 | Graphite grey | | | |
| | 996 521 151 05 S30 | Savanna | | | |
| | 996 521 151 05 J30 | Nephrite green | | | |
| | 996 521 151 05 M30 | Boxster red | | | |

Model: 996 98 Model life 1998>>2005

| Pos | Part Number | Description | Remark | Qty | Model |
|-----|--------------------|---|--------|-----|-----------|
| | 996 521 151 05 G10 | Metropole blue | | | |
| | 996 521 151 05 P11 | Cinnamon brown | | | |
| | 996 521 151 05 D11 | Dark grey | | | |
| | 996 521 151 05 T11 | Brown/natural | | | |
| (3) | 996 521 151 03 | Backrest cushion cover Draped leather | -00 | 2 | M982 |
| | 996 521 151 03 8YR | Black | -99 | | |
| | 996 521 151 03 ETO | Black | 00 | | |
| | 996 521 151 03 C50 | Graphite grey | | | |
| | 996 521 151 03 B50 | Space grey | -00 | | |
| | 996 521 151 03 G10 | Metropole blue | | | |
| | 996 521 151 03 S30 | Savanna | | | |
| | 996 521 151 03 J30 | Nephrite green | | | |
| | 996 521 151 03 M30 | Boxster red | | | |
| | 996 521 151 03 D11 | Dark grey | 00 | | |
| | 996 521 151 03 T11 | Brown/natural | 00 | | |
| (3) | 996 521 151 06 | Backrest cushion cover Centre part Draped leather Not for Lowering Foam part | 01- | 2 | M982 |
| | 996 521 151 06 ETO | Black | | | |
| (3) | 996 521 151 06 | Backrest cushion cover Centre part Draped leather Not for Lowering Foam part | 01- | 2 | M982 |
| | 996 521 151 06 C50 | Graphite grey | | | |
| | 996 521 151 06 S30 | Savanna | | | |
| | 996 521 151 06 G10 | Metropole blue | | | |
| | 996 521 151 06 J30 | Nephrite green | | | |
| | 996 521 151 06 M30 | Boxster red | | | |
| | 996 521 151 06 P11 | Cinnamon brown | | | |
| | 996 521 151 06 D11 | Dark grey/natural | | | |
| | 996 521 151 06 T11 | Brown/natural | | | |
| (3) | 996 521 151 07 | Backrest cushion cover | | 2 | IXSU |
| | 996 521 151 07 ETO | Black | | | |
| | 996 521 151 07 C50 | Graphite grey | | | |
| | 996 521 151 07 S30 | Savanna | | | |
| | 996 521 151 07 G10 | Metropole blue | | | |
| | 996 521 151 07 J30 | Nephrite green | | | |
| | 996 521 151 07 M30 | Boxster red | | | |
| | 996 521 151 07 P11 | Cinnamon brown | | | |
| | 996 521 151 07 D11 | Dark grey/natural | | | |
| | 996 521 151 07 T11 | Brown/natural | | | |
| (3) | 996 521 151 08 | Backrest cushion cover Backrest Draped leather Centre part with Lowering | | 2 | IXSU/M982 |
| | 996 521 151 08 ETO | Black | | | |
| | 996 521 151 08 C50 | Graphite grey | | | |
| | 996 521 151 08 S30 | Savanna | | | |
| | 996 521 151 08 G10 | Metropole blue | | | |
| | 996 521 151 08 J30 | Nephrite green | | | |
| | 996 521 151 08 M30 | Boxster red | | | |
| | 996 521 151 08 P11 | Cinnamon brown | | | |
| | 996 521 151 08 D11 | Dark grey/natural | | | |
| | 996 521 151 08 T11 | Brown/natural | | | |
| (3) | 996 521 151 09 | Cover | | 2 | M095/983 |

Model: 996 98 Model life 1998>>2005

| Pos | Part Number | Description | Remark | Qty | Model |
|-----|--------------------|---|--------|-----|-----------|
| | 996 521 151 09 D13 | Centre part Dark grey/natural Special model Forty fast years | | | |
| 4 | 996 521 161 01 | Seat cover Leatherette/ Seat surface Leather | -00 | 2 | M946 |
| | 996 521 161 01 EAE | Black/black | 99 | | |
| | 996 521 161 01 ESF | Graphite grey/graphite gr. | | | |
| | 996 521 161 01 ESJ | Space grey/space grey | | | |
| | 996 521 161 01 ESH | Metropole bl./metrop. blue | | | |
| | 996 521 161 01 ESG | Savanna/savanna | | | |
| | 996 521 161 01 ESE | Black/black | 00- | | |
| (4) | 996 521 161 05 | Seat cover Leatherette/ Seat surface Leather | 01- | 2 | M946 |
| | 996 521 161 05 ESE | Black/black | | | |
| | 996 521 161 05 ESF | Graphite grey/graphite gr. | | | |
| | 996 521 161 05 ESG | Savanna/savanna | | | |
| | 996 521 161 05 ESH | Metropole bl./metrop. blue | | | |
| | 996 521 161 05 FEP | Nephrite gr./nephr. green | | | |
| (4) | 996 521 161 02 | Seat cover Seat cushion Leather | -00 | 2 | M983 |
| | 996 521 161 02 EAF | Black | -99 | | |
| | 996 521 161 02 ERZ | Black | 00- | | |
| | 996 521 161 02 EEF | Graphite grey | | | |
| | 996 521 161 02 EGJ | Space grey/space grey | -00 | | |
| | 996 521 161 02 EFF | Metropole bl./metrop. blue | | | |
| | 996 521 161 02 EGF | Savanna | | | |
| | 996 521 161 02 ELA | Nephrite green | | | |
| | 996 521 161 02 ENA | Boxster red | | | |
| | 996 521 161 02 VRA | Dark grey | 00- | | |
| | 996 521 161 02 VRB | Brown/natural | 00- | | |
| (4) | 996 521 161 06 | Cover for cushion Seat cushion Leather | | 2 | M983 |
| | 996 521 161 06 EAF | Black | -99 | | |
| | 996 521 161 06 ERZ | Black | | | |
| | 996 521 161 06 EEF | Graphite grey | | | |
| | 996 521 161 06 EGJ | Space grey/space grey | -00 | | |
| | 996 521 161 06 EFF | Metropole bl./metrop. blue | | | |
| | 996 521 161 06 EGF | Savanna | | | |
| | 996 521 161 06 ELA | Nephrite green | | | |
| | 996 521 161 06 ENA | Boxster red | | | |
| | 996 521 161 06 VRA | Dark grey | | | |
| | 996 521 161 06 VRB | Brown/natural | | | |
| (4) | 996 521 161 06 FEH | Cinnamon brown | 01- | | |
| (4) | 996 521 161 09 | Cover | | 2 | IXSU/M983 |
| | 996 521 161 09 ERZ | Black | 03- | | |
| | 996 521 161 09 EEF | Graphite grey | | | |
| | 996 521 161 09 EGF | Savanna | | | |
| | 996 521 161 09 EFF | Metropole blue | | | |
| | 996 521 161 09 ELA | Nephrite green | | | |
| | 996 521 161 09 ENA | Boxster red | | | |
| | 996 521 161 09 FEH | Cinnamon brown | | | |
| | 996 521 161 09 VRA | Dark grey/natural | | | |
| | 996 521 161 09 VRB | Brown/natural | | | |
| (4) | 996 521 161 10 | Cover Seat cushion with | | 2 | IXSU/M982 |

Model: 996 98 Model life 1998>>2005

| Pos | Part Number | Description | Remark | Qty | Model |
|-----|--------------------|-------------------|--------|-----|-----------|
| | | Lowering | | | |
| | 996 521 161 10 ERZ | Black | 03- | | |
| | 996 521 161 10 EEF | Graphite grey | | | |
| | 996 521 161 10 EGF | Savanna | | | |
| | 996 521 161 10 EFF | Metropole blue | | | |
| | 996 521 161 10 ELA | Nephrite green | | | |
| | 996 521 161 10 ENA | Boxster red | | | |
| | 996 521 161 10 FEH | Cinnamon brown | | | |
| | 996 521 161 10 VRA | Dark grey/natural | | | |
| | 996 521 161 10 VRB | Brown/natural | | | |
| (4) | 996 521 161 11 | Seat cover | 04- | 2 | M095/983 |
| | | Seat cushion | | | |
| | | Special model | | | |
| | 996 521 161 11 VSY | Dark grey/natural | | | |
| | | 40 JAHRE PORSCHE | | | |
| (4) | 996 521 161 03 | Seat cover | | 2 | M982 |
| | 996 521 161 03 EAF | Black | -99 | | |
| | 996 521 161 03 ERZ | Black | 00- | | |
| | 996 521 161 03 EEF | Graphite grey | | | |
| | 996 521 161 03 FEH | Cinnamon brown | | | |
| | 996 521 161 03 EFF | Metropole blue | | | |
| | 996 521 161 03 EGF | Savanna | | | |
| | 996 521 161 03 ELA | Nephrite green | | | |
| | 996 521 161 03 ENA | Boxster red | | | |
| | 996 521 161 03 VRA | Dark grey | 00 | | |
| | 996 521 161 03 VRB | Brown/natural | 00 | | |
| (4) | 996 521 161 07 | Seat cover | | 2 | M982 |
| | | Draped leather | | | |
| | 996 521 161 07 EAF | Black | -99 | | |
| | 996 521 161 07 ERZ | Black | | | |
| | 996 521 161 07 EEF | Graphite grey | | | |
| | 996 521 161 07 FEH | Cinnamon brown | 01 | | |
| | 996 521 161 07 EFF | Metropole blue | | | |
| | 996 521 161 07 EGF | Savanna | | | |
| | 996 521 161 07 ELA | Nephrite green | | | |
| | 996 521 161 07 ENA | Boxster red | | | |
| | 996 521 161 07 VRA | Dark grey | | | |
| | 996 521 161 07 VRB | Brown/natural | | | |
| (4) | 996 521 161 08 | Cover | 02- | 2 | IXSU/M946 |
| | | Seat cushion | | | |
| | 996 521 161 08 ESE | Black | | | |
| | 996 521 161 08 ESF | Graphite grey | | | |
| | 996 521 161 08 ESG | Savanna | | | |
| | 996 521 161 08 ESH | Metropole blue | | | |
| | 996 521 161 08 FEP | Nephrite green | | | |
| 5 | 996 521 543 00 | Clamp | -00 | 4 | |
| | | Long | | | |
| 6 | 996 521 541 00 | Clamp | -00 | 6 | |
| | | Short | | | |
| 7 | 996 521 535 04 | Foam part | | 2 | |
| | | Backrest frame | | | |
| (7) | 996 521 535 06 | Foam part | 02- | 2 | IXSU |
| | | Backrest | | | |
| | | Outer part | | | |
| (8) | 996 521 531 00 | Foam part | | 2 | |
| | | Backrest cushion | | | |
| | | without heating | | | |
| 8 | 996 521 531 01 | Foam part | | 2 | M139/340 |
| | | Backrest cushion | | | M342 |
| | | with heating | | | |
| (8) | 996 521 539 00 | Foam part | | 2 | IXSU/M139 |
| | | Backrest | | | M340/342 |
| | | with heating | | | |

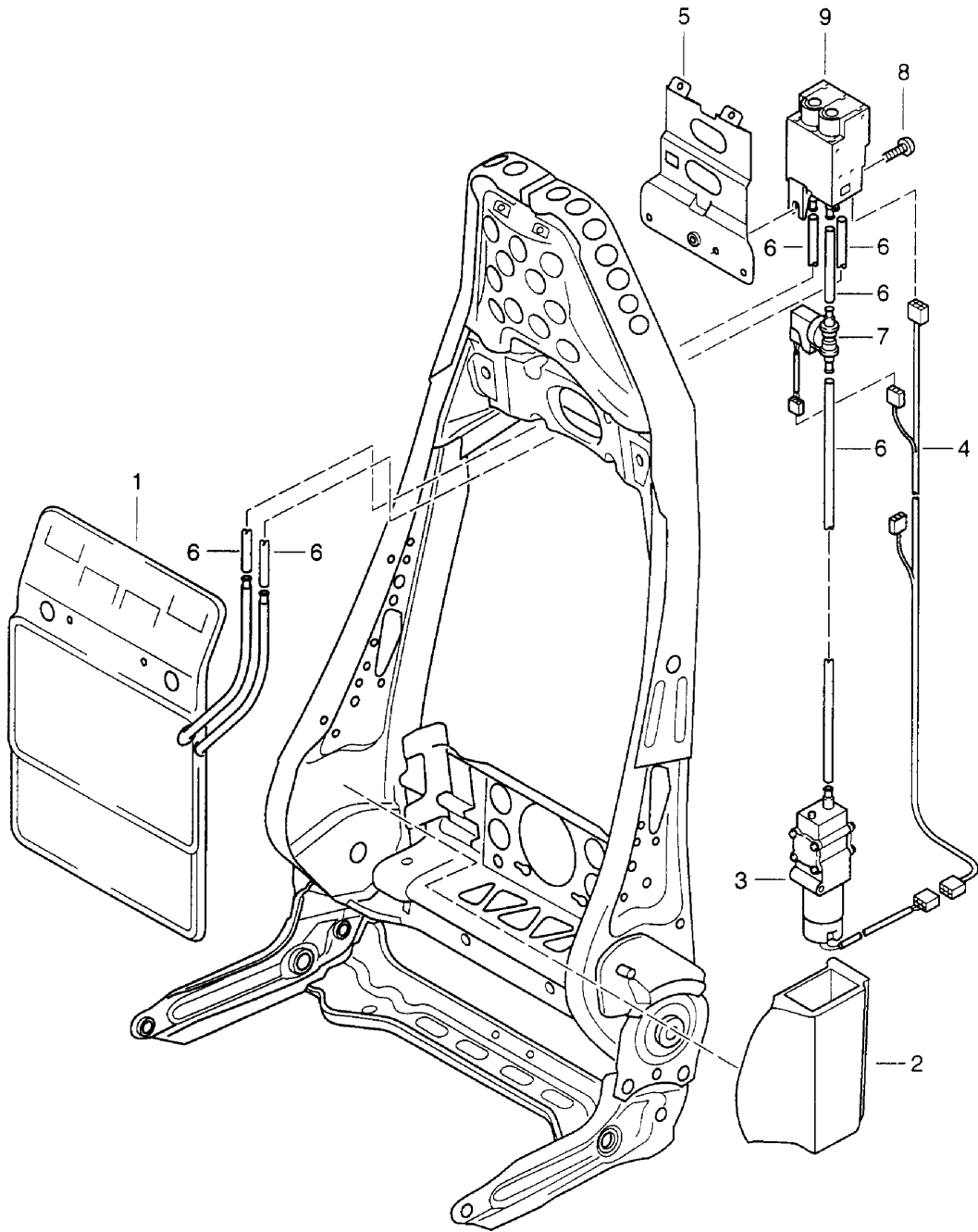
Model: 996 98

Model life 1998>>2005

| Pos | Part Number | Description | Remark | Qty | Model |
|------|----------------|--|--------|-----|-----------------------|
| (8) | 996 521 537 00 | Foam part Backrest cushion without heating | 02- | 2 | IXSU |
| (9) | 996 521 521 00 | Foam part Seat cushion without heating | -00 | 2 | |
| 9 | 996 521 521 01 | Foam part Seat cushion with heating | -00 | 2 | M139/340 |
| (9) | 996 521 571 00 | Foam part Seat cushion | 01- | 2 | |
| (9) | 996 521 523 00 | Foam part Seat cushion without heating | 02- | 2 | IXSU |
| (9) | 996 521 525 00 | Foam part Seat cushion with heating | 02- | 2 | IXSU/M139 M340/342 |
| 10 | 996 521 597 00 | Clip Seat cushion Front seat | | 8 | |
| (10) | 996 521 937 00 | Clip for Cushion carrier Seat cushion Front seat | 01- | 10 | |
| 11 | 996 521 509 00 | Cushion carrier Seat cushion Front seat | -00 | 2 | |
| (11) | 996 521 505 00 | Cushion carrier Seat cushion Front seat | 01- | 2 | |
| 12 | 999 507 506 40 | Cable holder 5,0 | | 1 | M539/540 |
| 13 | 999 651 314 01 | Cable clamp 3,0 - 4,0 | | 8 | M139/340 M553 |
| 14 | 996 521 515 00 | Catch for Backrest cover | | 4 | |
| 15 | 996 521 507 01 | Mat Seat cushion Cushion carrier | | 1 | |
| 16 | 996 653 105 01 | Heating element | 01- | 1 | M342 |
| (16) | 996 653 105 02 | Heating element Seat surface | 02- | 1 | IXSU/M342 |

Model: 996 98

Model life 1998>>2005



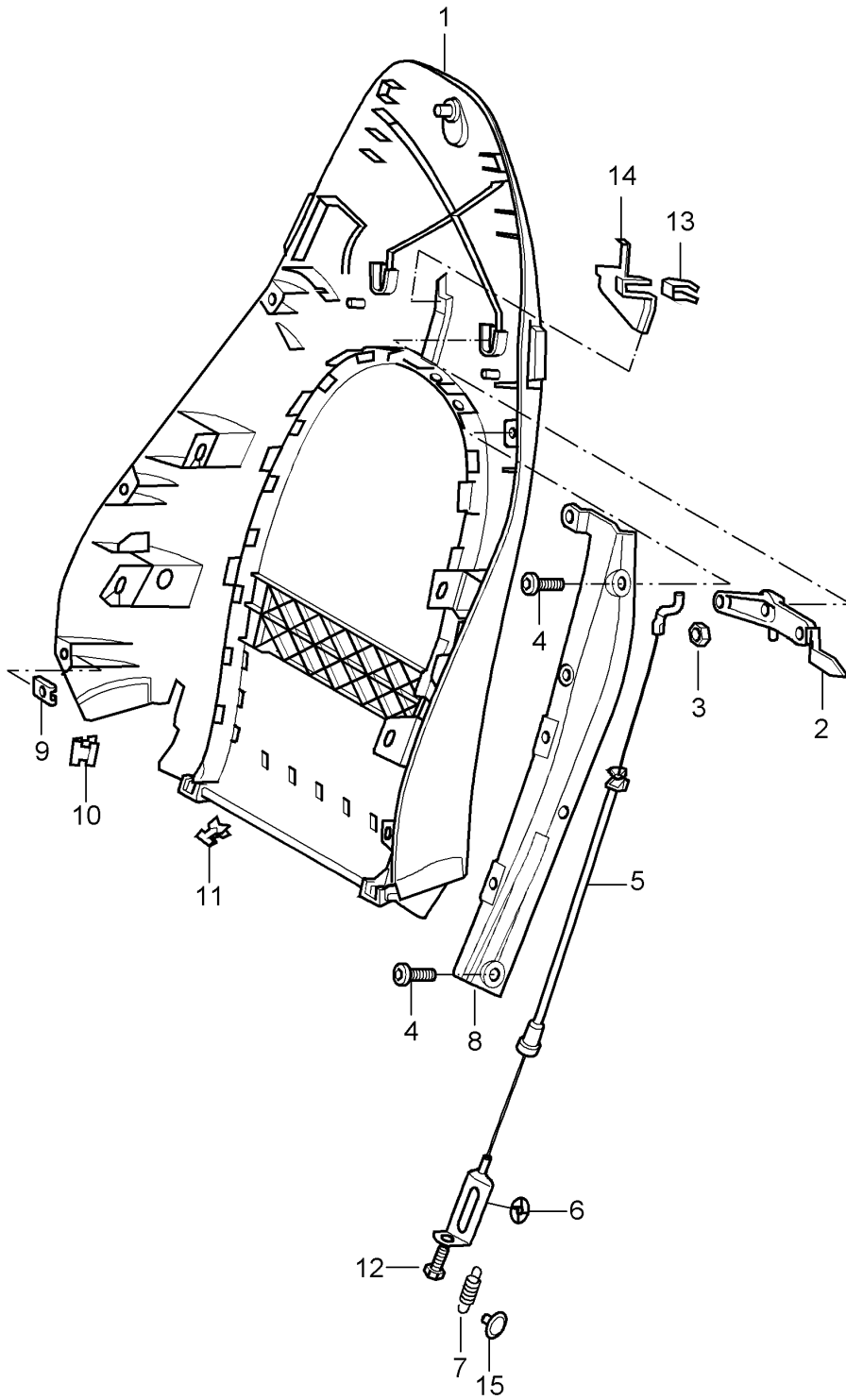
Model: 996 98

Model life 1998>>2005

| Pos | Part Number | Description | Remark | Qty | Model |
|-----|----------------|---|--------|-----|----------------------|
| | | Lumbar support | | | CARRERA |
| 1 | 996 521 709 00 | Lumbar support Complete | | 2 | M513/586 |
| 2 | 996 521 719 00 | Sound absorber Compressor | | 2 | M513/586 |
| 3 | 996 620 725 00 | Compressor | | 2 | M513/586 |
| 4 | 996 612 541 00 | Wiring harness Lumbar support adjustment | | 2 | M513/586 |
| (4) | 996 612 542 00 | Wiring harness Lumbar support adjustment | | 2 | M513/586 |
| 5 | 996 521 721 00 | Support Valve housing | | 2 | M513/586 |
| 6 | 999 181 749 40 | Air hose Seating position control | | 2 | M513/586 M537/538 |
| 7 | 996 613 725 00 | Pressure switch | | 2 | M513/586 |
| 8 | 900 067 051 02 | Pan-head screw M 5 X 10 | | 2 | M513/586 |
| 9 | 996 617 725 00 | Valve housing without Memory | | 2 | M513/586 |
| (9) | 996 617 726 00 | Valve housing Seating position control | | 2 | M513/586 M537/538 |

Model: 996 98

Model life 1998>>2005



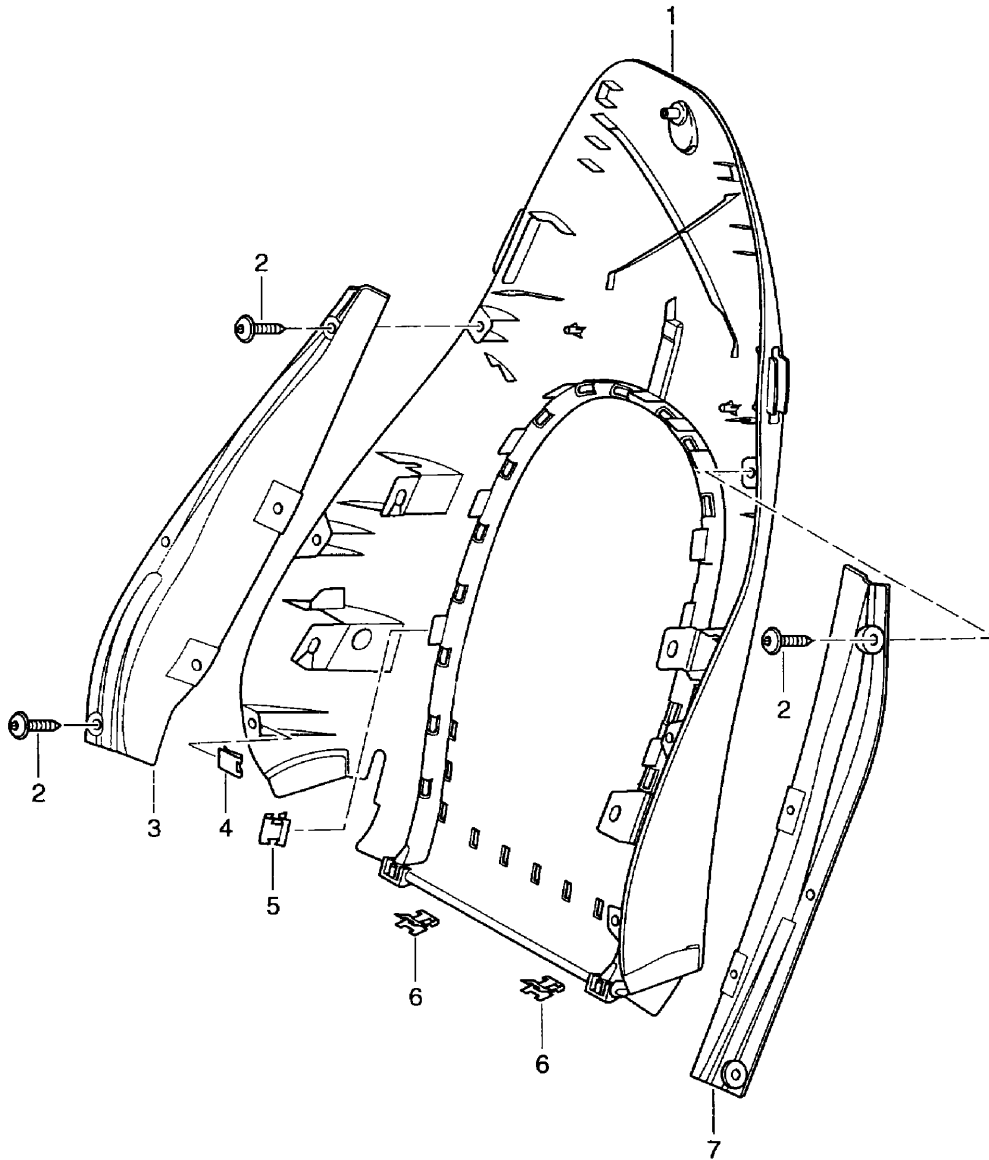
Model: 996 98

Model life 1998>>2005

| Pos | Part Number | Description | Remark | Qty | Model |
|-----|--------------------|--|--------|-----|---------|
| | | Backrest shell Standard seat Comfort seat | 98 | | CARRERA |
| 1 | 996 521 083 00 | Backrest shell Leatherette | | 2 | |
| | 996 521 083 00 A10 | Black | | | |
| | 996 521 083 00 B50 | Space grey | | | |
| | 996 521 083 00 C50 | Graphite grey | | | |
| | 996 521 083 00 G10 | Metropole blue | | | |
| | 996 521 083 00 S30 | Savanna | | | |
| 1 | 996 521 083 01 | Backrest shell Leather | 98 | 2 | |
| | 996 521 083 01 8YR | Black | | | |
| | 996 521 083 01 C50 | Graphite grey | | | |
| | 996 521 083 01 G10 | Metropole blue | | | |
| | 996 521 083 01 S30 | Savanna | | | |
| | 996 521 083 01 J30 | Nephrite green | | | |
| | 996 521 083 01 M30 | Boxster red | | | |
| 2 | 996 521 311 00 | Linkage lever | /L | 2 | |
| (2) | 996 521 312 00 | Linkage lever | /R | 2 | |
| 3 | 996 521 339 00 | Deflection roller | | 4 | |
| 4 | 999 143 009 01 | Backrest shell Screw | | X | |
| | | Backrest shell M 5 X 16 | | | |
| - | 900 151 027 02 | Backrest shell Washer 5,3 | | 4 | |
| 5 | 996 521 385 01 | Backrest shell Cable | | 4 | |
| 6 | N 900 114 02 | Clamping washer 4 | | 4 | |
| 7 | 999 522 032 00 | Tension spring 0,7 X 7,5 X 15 | | 4 | |
| 8 | 996 521 319 00 | Bracket | /R | 2 | |
| (8) | 996 521 319 01 | Cup | /R | 2 | |
| (8) | 996 521 320 00 | Bracket | /R | 2 | |
| (8) | 996 521 320 01 | Cup | /R | 2 | |
| 9 | 999 507 677 01 | Speed nut M 5 | | 8 | |
| 10 | 999 507 594 01 | U-clamp Backrest cover 1,0 - 2,0 | | 28 | |
| 11 | 311 881 247 | Clip Mount Cover | | 2 | |
| - | N 900 151 01 | Centre part Clamping washer 5 | | 2 | |
| 13 | 999 507 596 01 | U-clamp 1,00 - 1,50 | | 2 | |
| 14 | 996 521 341 00 | Relay lever | | 2 | |
| 15 | 999 703 474 40 | Stopper | | 2 | |
| - | 996 521 903 00 | Repair kit Backrest locking lever See technical information GR. 7 BOXSTER NR. 1A/98 | | 2 | |

Model: 996 98

Model life 1998>>2005



Model: 996 98 Model life 1998>>2005

| Pos | Part Number | Description | Remark | Qty | Model |
|-----|--------------------|---|--------|-----|------------------|
| | | Backrest shell Standard seat Comfort seat | | | CARRERA |
| 1 | 996 521 083 03 | Backrest shell Leatherette | 99 | 2 | M946 |
| | 996 521 083 03 A10 | Black | | | |
| | 996 521 083 03 B50 | Space grey | | | |
| | 996 521 083 03 C50 | Graphite grey | | | |
| | 996 521 083 03 G10 | Metropole blue | | | |
| | 996 521 083 03 S30 | Savanna | | | |
| (1) | 996 521 083 07 | Backrest shell Leatherette | 00-01 | 2 | M946 |
| | 996 521 083 07 A12 | Black | | | |
| | 996 521 083 07 C52 | Graphite grey | | | |
| | 996 521 083 07 S32 | Savanna | | | |
| | 996 521 083 07 G12 | Metropole blue | | | |
| | 996 521 083 07 B52 | Space grey | | | |
| (1) | 996 521 083 09 | Backrest shell Leatherette | 01-05 | 2 | M946 |
| | 996 521 083 09 A12 | Black | | | |
| | 996 521 083 09 C52 | Graphite grey | | | |
| | 996 521 083 09 S32 | Savanna | | | |
| | 996 521 083 09 G12 | Metropole blue | | | |
| | 996 521 083 09 J32 | Nephrite green | | | |
| (1) | 996 521 083 04 | Backrest shell Leather | 99-00 | 2 | M982/983 |
| | 996 521 083 04 8YR | Black | | | |
| | 996 521 083 04 C50 | Graphite grey | | | |
| | 996 521 083 04 G10 | Metropole blue | | | |
| | 996 521 083 04 S30 | Savanna | | | |
| | 996 521 083 04 J30 | Nephrite green | | | |
| | 996 521 083 04 M30 | Boxster red | | | |
| (1) | 996 521 083 08 | Backrest shell Leather | 00-01 | 2 | M982/983 |
| | 996 521 083 08 8YR | Black | | | |
| | 996 521 083 08 C50 | Graphite grey | | | |
| | 996 521 083 08 S30 | Savanna | | | |
| | 996 521 083 08 G10 | Metropole blue | | | |
| | 996 521 083 08 B50 | Space grey | -00 | | |
| | 996 521 083 08 J30 | Nephrite green | | | |
| | 996 521 083 08 M30 | Boxster red | | | |
| | 996 521 083 08 D11 | Dark grey | | | |
| | 996 521 083 08 T11 | Brown/natural | | | |
| (1) | 996 521 083 10 | Backrest shell Leather | 01-05 | 2 | M982/983 |
| | 996 521 083 10 8YR | Black | | | |
| | 996 521 083 10 C50 | Graphite grey | | | |
| | 996 521 083 10 S30 | Savanna | | | |
| | 996 521 083 10 G10 | Metropole blue | | | |
| | 996 521 083 10 J30 | Nephrite green | | | |
| | 996 521 083 10 M30 | Boxster red | | | |
| | 996 521 083 10 P11 | Cinnamon brown | | | |
| | 996 521 083 10 D11 | Dark grey/natural | | | |
| | 996 521 083 10 T11 | Brown/natural | | | |
| (1) | 996 521 083 11 | Backrest shell | 02-05 | 2 | M982/983 M985 |
| | 996 521 083 11 A80 | Black | | | |
| | 996 521 083 11 C01 | Graphite grey | | | |
| | 996 521 083 11 S02 | Savanna | | | |
| | 996 521 083 11 G01 | Metropole blue | | | |
| | 996 521 083 11 J01 | Nephrite green | | | |
| | 996 521 083 11 M01 | Boxster red | | | |
| | 996 521 083 11 P01 | Cinnamon brown | | | |
| 2 | 999 143 009 01 | Screw | | X | |

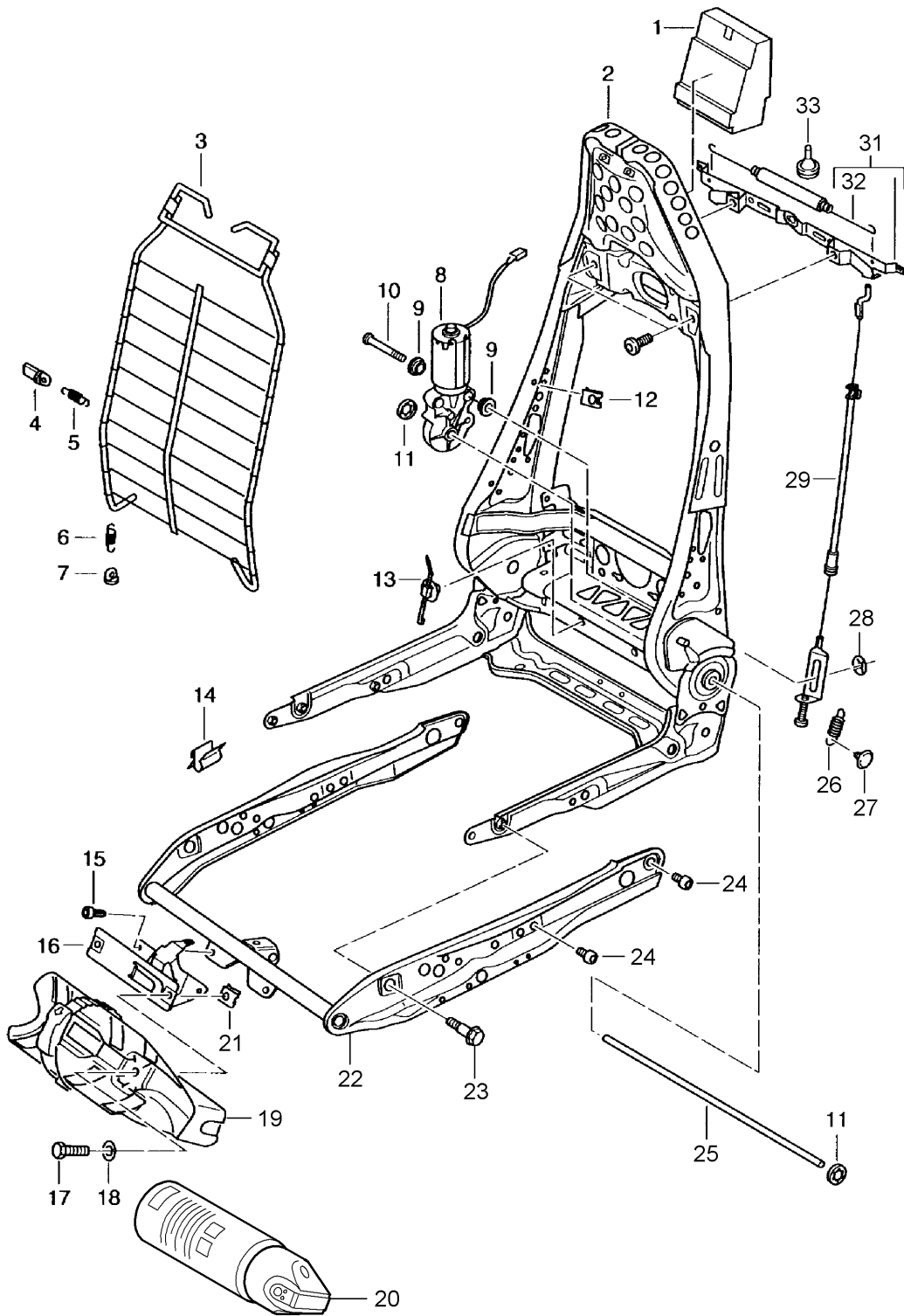
Model: 996 98

Model life 1998>>2005

| Pos | Part Number | Description | Remark | Qty | Model |
|-----|----------------|---|--------|-----|-------|
| - | 900 151 027 02 | Backrest shell M 5 X 16 Washer | | 4 | |
| 3 | 996 521 320 00 | Backrest shell 5,3 Bracket | /R -00 | 2 | |
| (3) | 996 521 320 01 | Cup | /R 01- | 2 | |
| 4 | 999 507 677 01 | Speed nut ST 4,8 | | 8 | |
| 5 | 999 507 594 01 | U-clamp Backrest cover 1,0 - 2,0 | | 28 | |
| 6 | 311 881 247 | Clip Backrest cover Centre part 1,5 X 1,75 | | 2 | |
| 7 | 996 521 319 00 | Bracket | /L -00 | 2 | |
| (7) | 996 521 319 01 | Cup | /L 01- | 2 | |

Model: 996 98

Model life 1998>>2005



Model: 996 98

Model life 1998>>2005

| Pos | Part Number | Description | Remark | Qty | Model |
|------|----------------|---|--------|-----|----------|
| | | Backrest frame | | | CARRERA |
| | | Seat frame | | | |
| | | Standard seat | | | |
| | | Comfort seat | | | |
| 1 | 996 521 883 00 | Foam part | -01 | 2 | |
| | | Backrest frame | | | |
| (2) | 996 521 329 00 | Backrest frame | -99 | 2 | |
| (2) | 996 521 329 01 | Backrest frame | 00- | 2 | |
| 3 | 996 521 355 01 | Mat | | 2 | |
| 4 | 996 521 367 00 | Support | | 8 | |
| | | Spring | | | |
| | | Centre | | | |
| 5 | 996 521 333 00 | Spring | | 8 | |
| | | Centre | | | |
| 6 | 996 521 331 01 | Spring | | 4 | |
| | | Lower | | | |
| 7 | 996 521 365 00 | Support | | 4 | |
| | | Spring | | | |
| | | Lower | | | |
| 8 | 996 624 321 00 | Engine | | 2 | |
| (8) | 996 624 331 00 | Engine | | 2 | M537/538 |
| | | Seating position control for backrest adjustment | | | |
| 9 | 999 924 129 40 | Bush | | 4 | |
| | | 6 X 12 X 4,5 | | | |
| 10 | 999 073 141 02 | Oval-head screw | | 2 | |
| | | M 6 X 42,5 | | | |
| 11 | 999 507 597 01 | Clamping washer | | 4 | |
| | | 10,0 | | | |
| 12 | 999 507 598 02 | Speed nut | | 8 | |
| | | M 5 | | | |
| 13 | 999 513 063 40 | Cable holder | | 4 | |
| | | 12,0 - 35 | | | |
| 15 | 999 141 028 02 | Pan-head screw | | 3 | |
| | | M 5 X 10 | | | |
| 16 | 996 521 674 00 | Support | /LL /R | 1 | M509 |
| | | Fire extinguisher | | | |
| (16) | 996 521 673 00 | Support | /RL /L | 1 | M509 |
| | | Fire extinguisher | | | |
| 17 | 900 067 137 02 | Pan-head screw | | 2 | M509 |
| | | M 5 X 16 | | | |
| 18 | 900 151 027 02 | Washer | | 2 | M509 |
| | | 5,3 | | | |
| 19 | 996 521 607 00 | Cup | | 1 | M509 |
| | | Fire extinguisher | | | |
| 20 | 996 722 115 00 | Fire extinguisher | | 1 | M509 |
| | | Information available | | | |
| | | Information available | | | |
| 21 | 999 507 067 02 | Speed nut | | 2 | M509 |
| | | M 5 | | | |
| 22 | 996 521 227 00 | Seat frame | | 1 | |
| 23 | 996 521 681 01 | Bearing pin | | 1 | |
| | | Complete | | | |
| 24 | 999 141 027 02 | Oval-head screw | | 8 | |
| | | M 8 X 10 | | | |
| 25 | 996 521 343 01 | Drive shaft | | 2 | |
| | | for backrest adjustment | | | |
| 26 | 999 522 032 00 | Tension spring | -99 | 4 | |
| | | 0,7 X 7,5 X 20 | | | |
| 27 | 999 703 474 40 | Stopper | -98 | 4 | |
| | | 5,4 X 15 X 7,5 | | | |
| (27) | 999 703 102 40 | Stopper | | 4 | |
| | | 4,5 X 6,9 X 11,2 | | | |

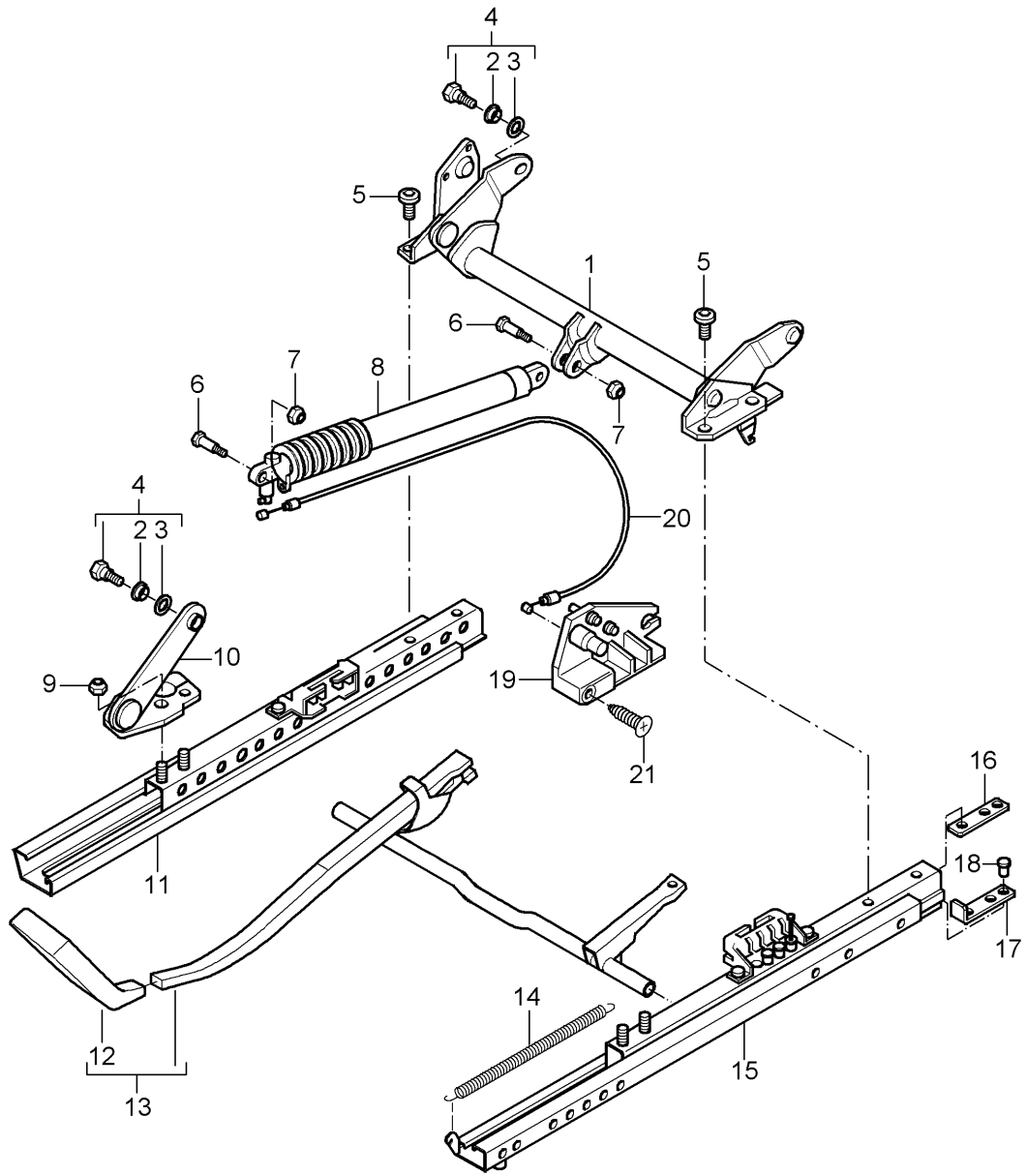
Model: 996 98

Model life 1998>>2005

| Pos | Part Number | Description | Remark | Qty | Model |
|-----|----------------|------------------------|--------|-----|-------|
| 28 | N 900 114 02 | Clamping washer 4 | -99 | 4 | |
| 29 | 996 521 185 00 | Cable | | 4 | |
| 31 | 996 521 175 00 | Backrest locking lever | | 2 | |
| 32 | 996 521 195 00 | Clutch power spring | | 2 | |
| 33 | 996 521 403 00 | Rubber buffer | | 2 | |

Model: 996 98

Model life 1998>>2005

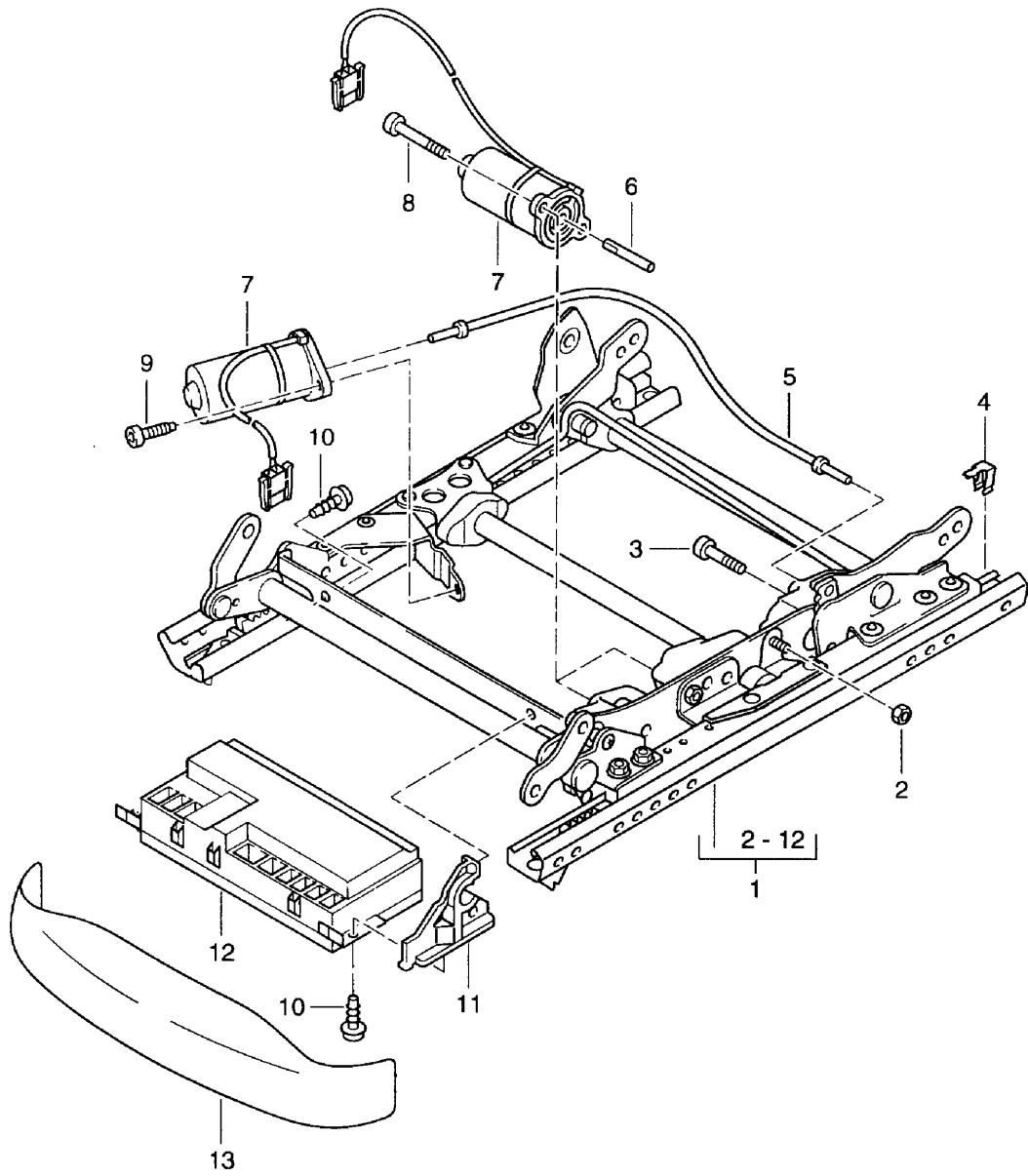


Model: 996 98 Model life 1998>>2005

| Pos | Part Number | Description | Remark | Qty | Model |
|------|----------------|--|--------|-----|----------|
| | | Seat adjuster Standard seat with Height adjustment | | | CARRERA |
| 1 | 996 521 641 00 | Pipe | /L | 1 | |
| (1) | 996 521 642 00 | Rear Pipe | /R | 1 | |
| - | 999 025 258 40 | Rear Washer 12 X 19,5 X 0,5 | | 8 | M539/540 |
| 2 | 999 924 132 40 | Bush | -01 | 4 | |
| (2) | 999 924 156 00 | 12 X 14 X 4,9 Bush | 01- | 4 | |
| 3 | 999 209 051 00 | Spacer sleeve | | 2 | |
| 4 | 996 521 259 02 | Screw | /H | 4 | M539/540 |
| (4) | 996 521 681 00 | Complete Bearing pin Seat frame | /V | 8 | |
| 5 | 986 521 659 00 | Screw | | 8 | |
| 5 | 986 521 659 02 | Adapter Screw | | 8 | |
| 6 | 999 311 008 01 | Adapter Square screw Gas-pressure spring M 5 X 23,6 | | 2 | |
| 7 | 986 521 687 00 | Nut Gas-pressure spring | | 2 | |
| 8 | 996 521 615 01 | Gas-pressure spring | | 1 | M539/540 |
| 9 | 900 910 003 07 | Hexagon nut Adapter M 8 | | 8 | |
| (10) | 986 521 679 00 | Adapter Seat frame Front | /L | 2 | |
| 10 | 986 521 680 00 | Adapter Seat frame Front | /R | 2 | |
| 11 | 996 521 692 01 | Seat rail Inner | /R | 1 | M369/375 |
| (11) | 996 521 691 01 | Seat rail Inner | /L | 1 | M370/376 |
| 12 | 996 521 617 01 | Handle | /L | 1 | M369/375 |
| (12) | 996 521 618 01 | Handle | /R | 1 | M370/376 |
| 13 | 996 521 621 01 | Lever Complete | /L | 1 | M369/375 |
| (13) | 996 521 622 01 | Lever Complete | /R | 1 | M370/376 |
| 14 | 996 521 645 00 | Clutch power spring | | 2 | |
| 15 | 996 521 689 01 | Seat rail Outer | /L | 1 | M369/375 |
| (15) | 996 521 690 01 | Seat rail Outer | /R | 1 | M370/376 |
| 16 | 986 521 643 00 | Threaded plate | | 4 | |
| (17) | 996 521 603 01 | Stop | | 4 | |
| 18 | 996 521 601 00 | Fixing clip Stop | | 4 | |
| 19 | 996 521 675 00 | Adjusting mechanism | /L | 1 | M539 |
| (19) | 996 521 676 00 | Adjusting mechanism | /R | 1 | M540 |
| 20 | 986 521 683 00 | Bowden cable | | 2 | M539/540 |
| 21 | 999 919 195 07 | Countersunk-head screw | -00 | 2 | |
| (21) | 999 919 199 09 | Countersunk-head screw M 5 X 18 | 01- | 2 | |

Model: 996 98

Model life 1998>>2005

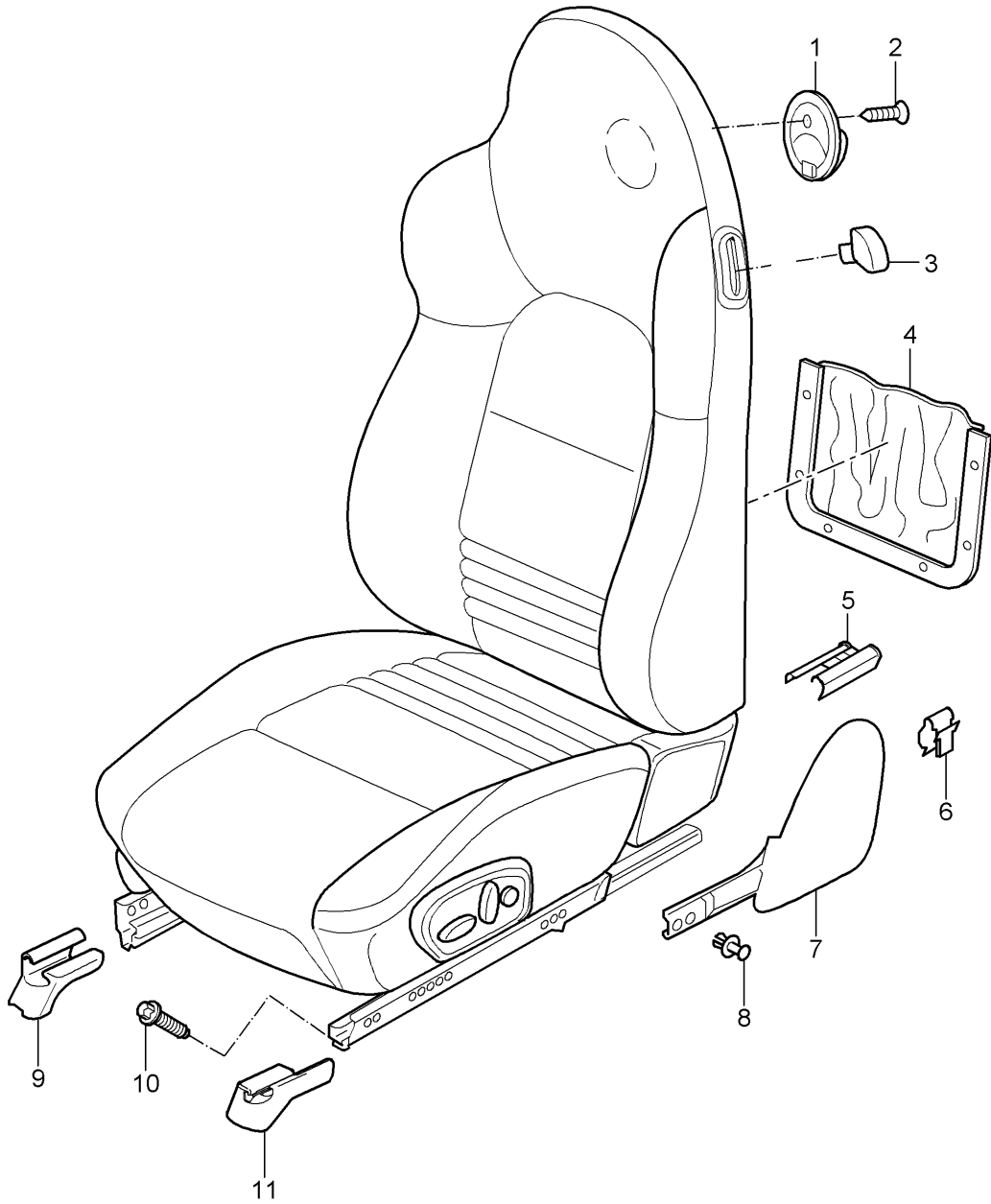


Model: 996 98 Model life 1998>>2005

| Pos | Part Number | Description | Remark | Qty | Model |
|------|--------------------|---|--------|-----|----------|
| | | Seat adjuster Comfort seat | | | CARRERA |
| 1 | 996 521 401 02 | Seat adjuster Complete | /L | 1 | M437 |
| (1) | 996 521 402 02 | Seat adjuster Complete | /R | 1 | M438 |
| (1) | 996 521 401 03 | Seat adjuster Complete | /L -00 | 1 | M437/537 |
| (1) | 996 521 402 03 | Seat adjuster Complete | /R -00 | 1 | M438/539 |
| (1) | 996 521 401 06 | Seat adjuster Complete | /L 01- | 1 | M437/537 |
| (1) | 996 521 402 06 | Seat adjuster Complete | /R 01- | 1 | M438/538 |
| (1) | 996 521 401 07 | Seat adjuster Complete | /L 02- | 1 | M437/537 |
| (1) | 996 521 402 07 | Seat adjuster Complete | /R 02- | 1 | M438/538 |
| 2 | 999 084 451 02 | Hexagon nut M 5 | | 4 | |
| 3 | 999 073 144 02 | Pan-head screw M 5 X 39,3 | | 4 | |
| 5 | 996 521 609 00 | Drive shaft Rear vertical adjustment | | 2 | M437/438 |
| 6 | 996 521 611 00 | Shaft | | 4 | M437/438 |
| 7 | 996 624 322 00 | Engine | | X | |
| (7) | 996 624 332 00 | Engine Seating position control | | X | M537/538 |
| 8 | 999 073 147 02 | Pan-head screw TORX M 5 X 58 | | 8 | |
| 9 | 999 073 148 02 | Oval-head screw M 5 X 14 | | 4 | |
| 10 | 999 073 145 02 | Oval-head screw M 5,0 X 12 | | X | |
| 11 | 996 618 547 00 | Support Control unit | | 4 | M537/538 |
| 12 | 996 618 537 00 | Control unit | -99 | 2 | M537/538 |
| (12) | 996 618 537 02 | Control unit | 00 | 2 | M537/538 |
| (12) | 996 618 537 01 | Control unit | 01 | 2 | M537/538 |
| (12) | 996 618 537 03 | Control unit Seating position control | 02- | 2 | M537/538 |
| 13 | 996 521 317 00 | Cover Control unit Seating position control | | 2 | M537/538 |
| | 996 521 317 00 01C | Black | | | |

Model: 996 98

Model life 1998>>2005



Model: 996 98 Model life 1998>>2005

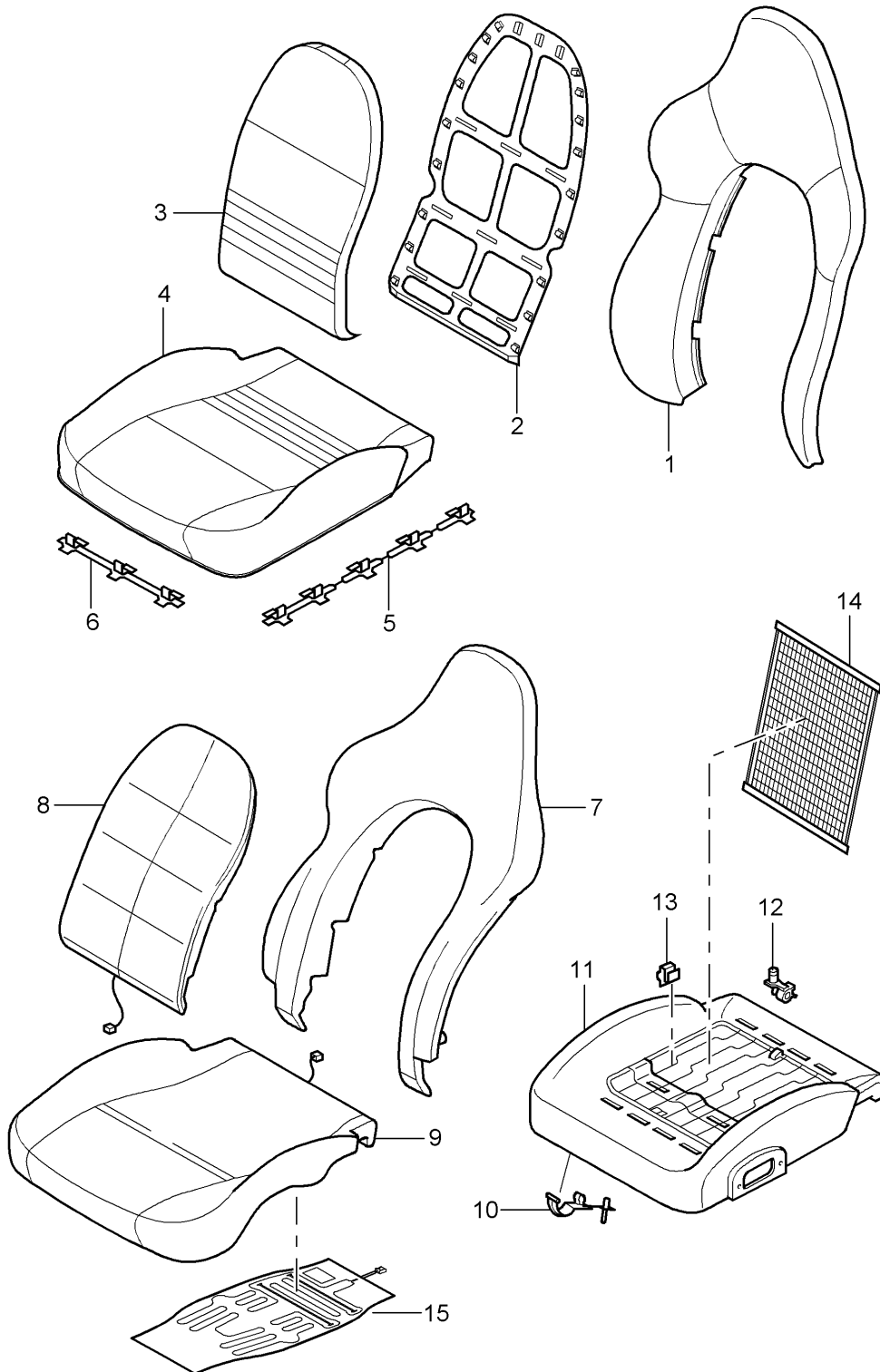
| Pos | Part Number | Description | Remark | Qty | Model |
|-----|--------------------|-------------------------|--------|-----|-----------|
| | | Sports seat | | | CARRERA |
| | | Sports seat Complete | | | |
| | | Not available | | | |
| (1) | 996 521 781 00 | Crest | -00 | 2 | |
| 1 | 996 521 373 00 | Coat hook | 01- | 2 | |
| | 996 521 373 00 A03 | Black | | | |
| 2 | 999 919 183 09 | Oval-head screw | | 2 | |
| | | M 3,5 X 25 | | | |
| (2) | 999 919 199 09 | Countersunk-head screw | 00- | 2 | |
| | | M 5,0 X 25 | | | |
| 3 | 996 521 321 01 | Control button | /L 98 | 2 | M375/376 |
| (3) | 996 521 421 00 | Control button | /L 99- | 2 | |
| (3) | 996 521 322 01 | Control button | /R 98 | 2 | M375/376 |
| (3) | 996 521 422 00 | Control button | /R 99- | 2 | |
| 4 | 996 521 313 01 | Bag | 98- | 2 | M983 |
| | | Leather | | | |
| | 996 521 313 01 8YR | Black | -99 | | |
| | 996 521 313 01 C50 | Graphite grey | | | |
| | 996 521 313 01 B50 | Space grey | | | |
| | 996 521 313 01 G10 | Metropole blue | | | |
| | 996 521 313 01 S30 | Savanna | | | |
| | 996 521 313 01 J30 | Nephrite green | | | |
| | 996 521 313 01 M30 | Boxster red | | | |
| | 996 521 313 01 D11 | Dark grey | 00- | | |
| | 996 521 313 01 T11 | Brown/natural | 00- | | |
| | 996 521 313 01 P11 | Cinnamon brown | | | |
| 5 | 996 521 357 00 | Cover | /L -99 | 2 | |
| | | Rear | | | |
| | 996 521 357 00 01C | Satin black | | | |
| (5) | 996 521 358 00 | Cover | /R -99 | 2 | |
| | | Rear | | | |
| | 996 521 358 00 01C | Satin black | | | |
| 6 | 999 507 592 01 | Cable clamp | | 2 | |
| | | Cover | | | |
| | | 1,0 - 6,0 | | | |
| 7 | 996 521 315 01 | Cap | /L | 1 | |
| | 996 521 315 01 D05 | Granite grey | -99 | | |
| | 996 521 315 01 A03 | Black | 00- | | |
| | 996 521 315 01 C53 | Graphite grey | 00- | | |
| | 996 521 315 01 S33 | Savanna | 00- | | |
| | 996 521 315 01 G13 | Metropole blue | 00- | | |
| | 996 521 315 01 J33 | Nephrite green | 00- | | |
| | 996 521 315 01 M33 | Boxster red | 00- | | |
| | 996 521 315 01 B13 | Space grey | 00- | | |
| | 996 521 315 01 P13 | Cinnamon brown | 01- | | |
| (7) | 996 521 316 01 | Cap | /R | 1 | |
| | 996 521 316 01 D05 | Granite grey | -99 | | |
| | 996 521 316 01 A03 | Black | 00- | | |
| | 996 521 316 01 C53 | Graphite grey | 00- | | |
| | 996 521 316 01 S33 | Savanna | 00- | | |
| | 996 521 316 01 G13 | Metropole blue | 00- | | |
| | 996 521 316 01 J33 | Nephrite green | 00- | | |
| | 996 521 316 01 M33 | Boxster red | 00- | | |
| | 996 521 316 01 B13 | Space grey | 00- | | |
| | 996 521 316 01 P13 | Cinnamon brown | 01- | | |
| 8 | 999 507 599 40 | Expansion rivet | | 2 | |
| | | 10 | | | |
| 9 | 996 521 362 00 | Cover | /L -00 | 1 | IXSE/M375 |
| | | Inner | | | |
| | 996 521 362 00 01C | Satin black | | | |
| 9 | 996 521 362 01 | Cover | /L 01- | 1 | IXSE/M375 |

Model: 996 98 Model life 1998>>2005

| Pos | Part Number | Description | Remark | Qty | Model |
|------|--------------------------------------|---|--------|-----|-----------|
| (9) | 996 521 362 01 01C 996 521 361 00 | Inner Satin black Cover | /R -00 | 1 | IXSF/M376 |
| (9) | 996 521 361 00 01C 996 521 361 01 | Inner Satin black Cover | /R 01- | 1 | IXSF/M376 |
| 10 | 996 521 361 01 01C 999 141 038 07 | Inner Satin black Torx screw M 10 X 26,5 | -02 | 8 | IXSE/XSF |
| (10) | 999 141 039 07 | Screw M 10 X 28 | 03- | 8 | IXSE/XSF |
| 11 | 996 521 360 00 | Cover Outer | /R | 1 | IXSF/M376 |
| 11 | 996 521 360 00 01C 996 521 360 01 | Satin black Cover Outer | /R | 1 | IXSF/M376 |
| (11) | 996 521 360 01 01C 996 521 359 00 | Satin black Cover Outer | /L | 1 | IXSE/M375 |
| (11) | 996 521 359 00 01C 996 521 359 01 | Satin black Cover Outer | /L | 1 | IXSE/M375 |
| | 996 521 359 01 01C | Satin black | | | |

Model: 996 98

Model life 1998>>2005



Model: 996 98 Model life 1998>>2005

| Pos | Part Number | Description | Remark | Qty | Model |
|-----|--------------------|--|--------|-----|-----------|
| | | Cover | | | CARRERA |
| | | Foam part | | | |
| | | Sports seat | | | |
| 1 | 996 521 993 02 | Backrest cover with Porsche Crest Outer part Leather | 99- | 2 | IXSC/M983 |
| | 996 521 993 02 8YR | Black | 99 | | |
| | 996 521 993 02 C50 | Graphite grey | | | |
| | 996 521 993 02 B50 | Space grey | | | |
| | 996 521 993 02 G10 | Metropole blue | | | |
| | 996 521 993 02 S30 | Savanna | | | |
| | 996 521 993 02 J30 | Nephrite green | | | |
| | 996 521 993 02 M30 | Boxster red | | | |
| | 996 521 993 02 T11 | Brown/natural | | | |
| | 996 521 993 02 D11 | Dark grey/natural | | | |
| | 996 521 993 02 P11 | Cinnamon brown | | | |
| | 996 521 993 02 ETO | Black | 00- | | |
| 1 | 996 521 155 02 | Backrest cover Outer part Leather | -00 | 2 | M983 |
| | 996 521 155 02 8YR | Black | | | |
| | 996 521 155 02 C50 | Graphite grey | | | |
| | 996 521 155 02 G10 | Metropole blue | | | |
| | 996 521 155 02 S30 | Savanna | | | |
| | 996 521 155 02 J30 | Nephrite green | | | |
| | 996 521 155 02 M30 | Boxster red | | | |
| | 996 521 155 02 B50 | Space grey | | | |
| 1 | 996 521 155 04 | Backrest cover Outer part Leather | -01 | 2 | M983 |
| | 996 521 155 04 EEF | Graphite grey | | | |
| | 996 521 155 04 EGF | Savanna | | | |
| | 996 521 155 04 EFF | Metropole blue | | | |
| | 996 521 155 04 EGJ | Space grey | | | |
| | 996 521 155 04 ELA | Nephrite green | | | |
| | 996 521 155 04 ENA | Boxster red | | | |
| | 996 521 155 04 ERZ | Black | | | |
| | 996 521 155 04 VRA | Dark grey | | | |
| | 996 521 155 04 VRB | Brown/natural | | | |
| (1) | 996 521 155 05 | Cover Backrest Outer part Leather | 02- | 2 | IXSU/M983 |
| | 996 521 155 05 ERZ | Black | | | |
| | 996 521 155 05 EEF | Graphite grey | | | |
| | 996 521 155 05 EGF | Savanna | | | |
| | 996 521 155 05 EFF | Metropole blue | | | |
| | 996 521 155 05 ELA | Nephrite green | | | |
| | 996 521 155 05 ENA | Boxster red | | | |
| | 996 521 155 05 FEH | Cinnamon brown | | | |
| | 996 521 155 05 VRA | Dark grey/natural | | | |
| | 996 521 155 05 VRB | Brown/natural | | | |
| (1) | 996 521 155 06 | Cover Backrest Outer part Leather | 01- | 2 | M983 |
| | 996 521 155 06 ERZ | Black | | | |
| | 996 521 155 06 EEF | Graphite grey | | | |
| | 996 521 155 06 EGF | Savanna | | | |
| | 996 521 155 06 EFF | Metropole blue | | | |
| | 996 521 155 06 ELA | Nephrite green | | | |

Model: 996 98 Model life 1998>>2005

| Pos | Part Number | Description | Remark | Qty | Model |
|-----|--------------------|------------------------|--------|-----|----------|
| (1) | 996 521 155 06 ENA | Boxster red | | | |
| | 996 521 155 06 FEH | Cinnamon brown | | | |
| | 996 521 155 06 VRA | Dark grey/natural | | | |
| | 996 521 155 06 VRB | Brown/natural | | | |
| | 996 521 155 07 | Cover | 04 | 1 | M095/983 |
| | | Outer part | | | |
| | | Special model | | | |
| | | Forty fast years | | | |
| | 996 521 155 07 VTE | Dark grey/natural | | | |
| 2 | 996 521 551 00 | Frame | -00 | 2 | |
| | | Backrest | | | |
| (2) | 996 521 551 01 | Frame | 01- | 2 | |
| | | Backrest | | | |
| 3 | 996 521 151 01 | Backrest cushion cover | -00 | 2 | M946/983 |
| | | Leather | | | |
| | 996 521 151 01 8YR | Black | -99 | | |
| | 996 521 151 01 C50 | Graphite grey | 98- | | |
| | 996 521 151 01 B50 | Space grey | -00 | | |
| | 996 521 151 01 G10 | Metropole blue | 98- | | |
| | 996 521 151 01 S30 | Savanna | 98- | | |
| | 996 521 151 01 J30 | Nephrite green | 98- | | |
| | 996 521 151 01 M30 | Boxster red | 98- | | |
| | 996 521 151 01 ETO | Black | 00- | | |
| | 996 521 151 01 D11 | Dark grey | 00- | | |
| | 996 521 151 01 T11 | Brown/natural | 00- | | |
| (3) | 996 521 151 05 | Backrest cushion cover | | 2 | M946/983 |
| | | Leather | | | |
| | 996 521 151 05 8YR | Black | -99 | | |
| | 996 521 151 05 C50 | Graphite grey | | | |
| | 996 521 151 05 B50 | Space grey | -00 | | |
| | 996 521 151 05 G10 | Metropole blue | | | |
| | 996 521 151 05 S30 | Savanna | | | |
| | 996 521 151 05 J30 | Nephrite green | | | |
| | 996 521 151 05 M30 | Boxster red | | | |
| | 996 521 151 05 ETO | Black | | | |
| | 996 521 151 05 D11 | Dark grey | | | |
| | 996 521 151 05 T11 | Brown/natural | | | |
| (3) | 996 521 151 09 | Cover | 04 | 2 | M095/983 |
| | | Centre part | | | |
| | | Special model | | | |
| | | Forty fast years | | | |
| | 996 521 151 09 D13 | Dark grey/natural | | | |
| 4 | 996 521 165 02 | Seat cover | -00 | 2 | M983 |
| | | Leather | | | |
| | 996 521 165 02 EAF | Black | -99 | | |
| | 996 521 165 02 EEF | Graphite grey | | | |
| | 996 521 165 02 EGJ | Space grey | -00 | | |
| | 996 521 165 02 EFF | Metropole blue | | | |
| | 996 521 165 02 EGF | Savanna | | | |
| | 996 521 165 02 ELA | Nephrite green | | | |
| | 996 521 165 02 ENA | Boxster red | | | |
| | 996 521 165 02 ERZ | Black | 00- | | |
| | 996 521 165 02 VRA | Dark grey | 00- | | |
| | 996 521 165 02 VRB | Brown/natural | 00- | | |
| (4) | 996 521 165 04 | Cover | 01- | 2 | M983 |
| | | Seat cushion | | | |
| | 996 521 165 04 ERZ | Black | | | |
| | 996 521 165 04 EEF | Graphite grey | | | |
| | 996 521 165 04 EGF | Savanna | | | |
| | 996 521 165 04 EFF | Metropole blue | | | |
| | 996 521 165 04 ELA | Nephrite green | | | |
| | 996 521 165 04 ENA | Boxster red | | | |
| | 996 521 165 04 FEH | Cinnamon brown | | | |

Model: 996 98

Model life 1998>>2005

| Pos | Part Number | Description | Remark | Qty | Model | | | | |
|------|--------------------|-------------------|--------|-----|-----------|-------|-----|---|--|
| (4) | 996 521 165 04 VRA | Dark grey/natural | 02- | 2 | IXSU/M983 | | | | |
| | 996 521 165 04 VRB | Brown/natural | | | | | | | |
| | 996 521 165 05 | Cover | | | | | | | |
| | | Seat cushion | | | | | | | |
| | 996 521 165 05 ERZ | Black | | | | | | | |
| | 996 521 165 05 EEF | Graphite grey | | | | | | | |
| | 996 521 165 05 EGF | Savanna | | | | | | | |
| | 996 521 165 05 EFF | Metropole blue | | | | | | | |
| | 996 521 165 05 ELA | Nephrite green | | | | | | | |
| | 996 521 165 05 ENA | Boxster red | | | | | | | |
| (4) | 996 521 165 05 FEH | Cinnamon brown | 04 | 2 | M095/983 | | | | |
| | 996 521 165 05 VRA | Dark grey/natural | | | | | | | |
| | 996 521 165 05 VRB | Brown/natural | | | | | | | |
| | 996 521 165 06 | Cover | | | | | | | |
| | | Seat cushion | | | | | | | |
| | | Special model | | | | | | | |
| | | Forty fast years | | | | | | | |
| | 996 521 165 06 VSY | Dark grey/natural | | | | | | | |
| | 5 | 996 521 543 00 | | | | Clamp | -00 | 4 | |
| | 6 | 996 521 541 00 | | | | Clamp | -00 | 6 | |
| 7 | 996 521 535 01 | Long | 98 | 2 | | | | | |
| | | Short | | | | | | | |
| (7) | 996 521 535 02 | Foam part | 99 | 2 | | | | | |
| | | Backrest frame | | | | | | | |
| (7) | 996 521 535 03 | Foam part | 00- | 2 | | | | | |
| | | Backrest frame | | | | | | | |
| (7) | 996 521 535 05 | Foam part | 02- | 2 | IXSU | | | | |
| | | Backrest | | | | | | | |
| (8) | 996 521 531 00 | Outer part | | 2 | | | | | |
| | | Foam part | | | | | | | |
| 8 | 996 521 531 01 | Foam part | | 2 | M139/340 | | | | |
| (8) | 996 521 537 00 | Foam part | 02- | 2 | IXSU | | | | |
| (8) | 996 521 539 00 | Foam part | 02- | 2 | IXSU/M342 | | | | |
| | | Backrest cushion | | | | | | | |
| (9) | 996 521 521 04 | Foam part | -00 | 2 | | | | | |
| (9) | 996 521 521 05 | Foam part | -00 | 2 | M139/340 | | | | |
| (9) | 996 521 571 01 | Foam part | 01- | 2 | | | | | |
| (9) | 996 521 523 01 | Foam part | 02- | 2 | TARGA | | | | |
| | | Seat cushion | | | | | | | |
| 9 | 996 521 525 01 | without heating | 02- | 2 | TARGA | | | | |
| | | Foam part | | | | | | | |
| (10) | 996 521 597 00 | Seat cushion | | 8 | 375/376 | | | | |
| | | with heating | | | | | | | |
| (10) | 996 521 937 00 | Clip | 01- | 10 | 139/342 | | | | |
| | | Cushion carrier | | | | | | | |
| 11 | 996 521 509 00 | Clip | -00 | 2 | | | | | |
| | | Cushion carrier | | | | | | | |
| (11) | 996 521 505 00 | Seat cushion | 01- | 2 | | | | | |
| | | Front seat | | | | | | | |
| 12 | 999 507 506 40 | Cushion carrier | | 1 | M539/540 | | | | |
| | | Front seat | | | | | | | |
| 13 | 999 651 314 01 | Cable holder | | 8 | | | | | |
| | | 5,0 | | | | | | | |
| 14 | 996 521 507 01 | Cable clamp | | 1 | | | | | |
| | | 3,0 - 4,0 | | | | | | | |
| 15 | 996 653 105 01 | Mat | 01- | 1 | | | | | |
| | | Seat cushion | | | | | | | |
| | | Cushion carrier | | | | | | | |
| | | Heating element | | | | | | | |

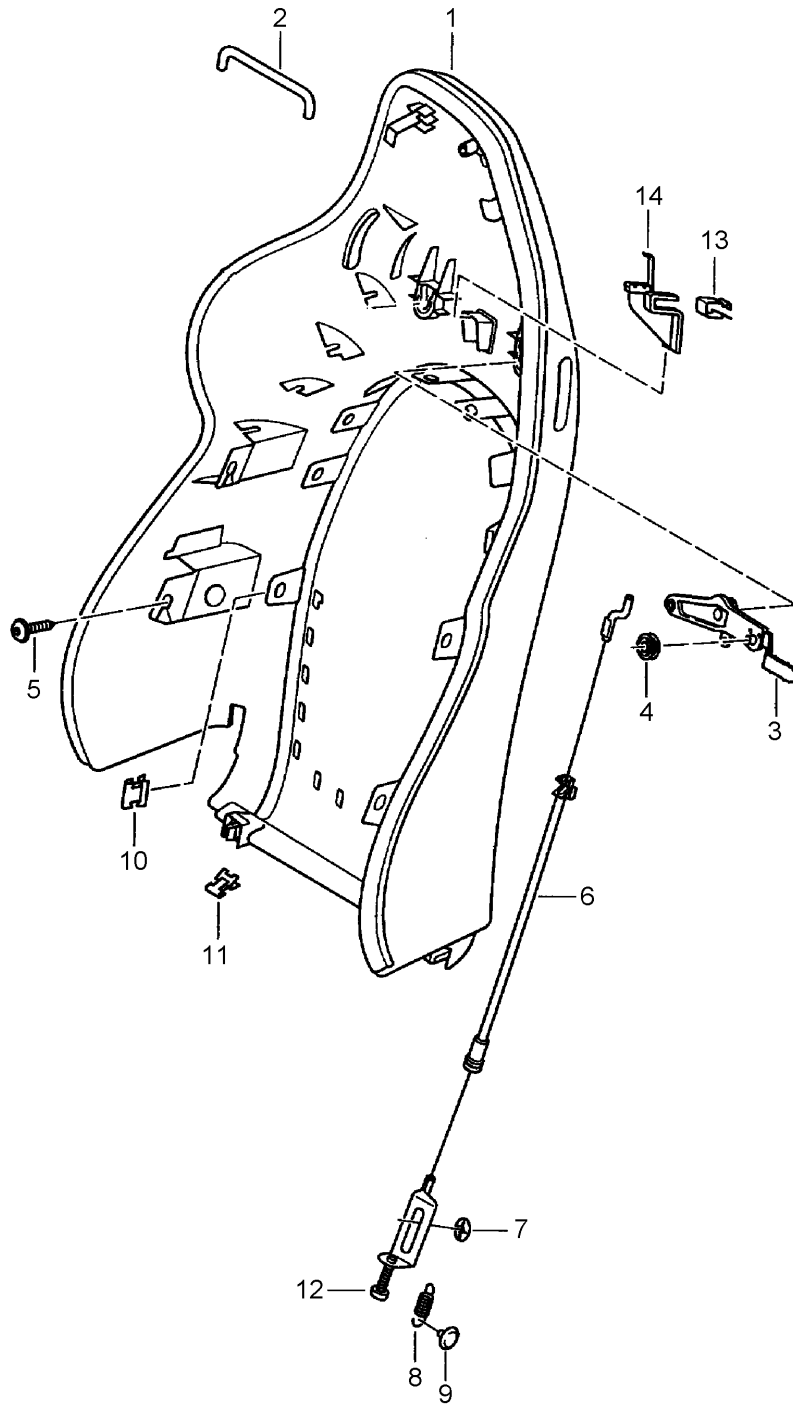
Model: 996 98

Model life 1998>>2005

| Pos | Part Number | Description | Remark | Qty | Model |
|-----|-------------|--------------|--------|-----|-------|
| | | Seat surface | | | |

Model: 996 98

Model life 1998>>2005

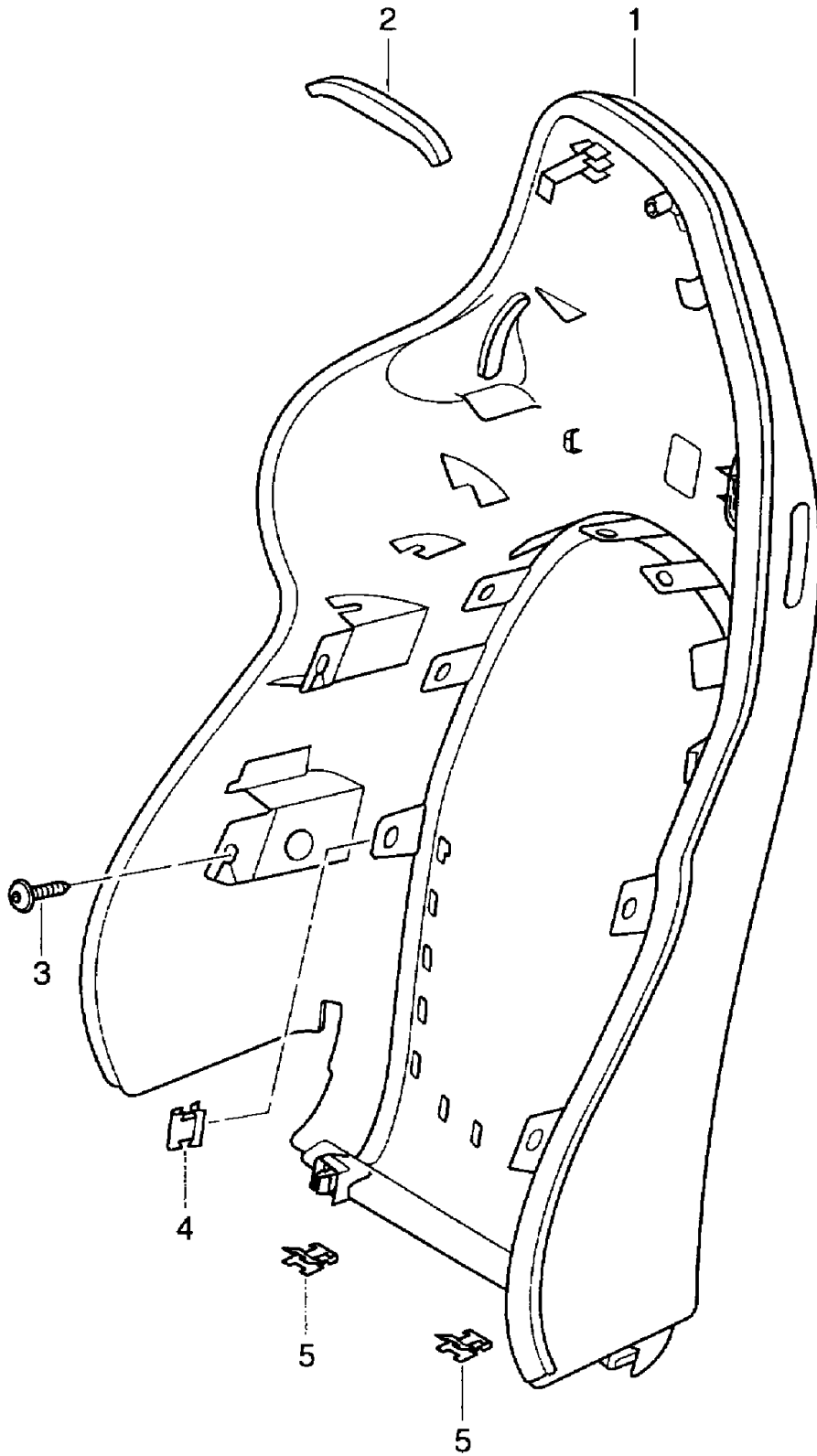


Model: 996 98 Model life 1998>>2005

| Pos | Part Number | Description | Remark | Qty | Model |
|-----|--------------------|--|--------|-----|---------|
| 1 | 996 521 083 02 | Backrest shell Sports seat | | 2 | CARRERA |
| (1) | 996 521 083 02 D05 | Lacquered Granite grey | | | |
| | 996 521 992 02 | Backrest shell Sports seat | 00- | 2 | IXSA |
| | | Lacquered Black | | | |
| | 996 521 992 02 80K | Guards red | | | |
| | 996 521 992 02 9A3 | Biarritz white | | | |
| | 996 521 992 02 12G | Speed yellow | | | |
| | 996 521 992 02 92T | Arctic silver metallic | | | |
| | 996 521 992 02 746 | Black-metallic | | | |
| | 996 521 992 02 2A2 | Rainforest green metallic | | | |
| | 996 521 992 02 1A9 | Zanzibar red | | | |
| | 996 521 992 02 8A4 | Orient red metallic | | | |
| | 996 521 992 02 6A7 | Meridian metallic | | | |
| | 996 521 992 02 6B5 | Seal grey metallic | | | |
| | 996 521 992 02 3A9 | Lapis blue metallic | | | |
| | 996 521 992 02 92E | Polar silver metallic | | | |
| | 996 521 992 02 37U | Cobalt blue metallic | | | |
| | 996 521 992 02 22E | Forest green metallic | | | |
| | 996 521 992 02 22D | Slate grey metallic | | | |
| | 996 521 992 02 37W | Midnight Blue Metallic | | | |
| | 996 521 992 02 347 | Dark blue | | | |
| | 996 521 992 02 23I | Wimbledon green metallic | | | |
| | 996 521 992 02 39G | Violet metallic | | | |
| 2 | 996 521 885 00 | Foam part | | 2 | |
| 3 | 996 521 311 00 | Linkage lever | /L | 2 | |
| (3) | 996 521 312 00 | Linkage lever | /R | 2 | |
| 4 | 996 521 339 00 | Deflection roller | | 4 | |
| 5 | 999 143 009 01 | Screw | | X | |
| | | Backrest shell M 5 X 16 | | | |
| - | 900 151 027 02 | Washer 5,3 | | 4 | |
| 6 | 996 521 385 01 | Cable | | 4 | |
| 7 | N 900 114 02 | Clamping washer 4 | | 4 | |
| 8 | 999 522 032 00 | Tension spring 0,7 X 7,5 X 15 | | 4 | |
| 9 | 999 703 474 40 | Stopper 5,4 X 15 X 7,5 | | 4 | |
| (9) | 999 703 102 40 | Stopper 4,5 X 6,9 X 11,2 | 03- | 4 | |
| 10 | 999 507 594 01 | U-clamp 1,50 - 1,75 Mount | | 28 | |
| 11 | 311 881 247 | Backrest cover Clip | | 4 | |
| - | N 900 151 01 | Centre part Clamping washer 5 | | 2 | |
| 13 | 999 507 596 01 | U-clamp 1,00 - 1,50 | | 2 | |
| 14 | 996 521 341 00 | Relay lever | | 2 | |
| - | 996 521 903 00 | Repair kit Backrest locking lever See technical information GR. 7 BOXSTER NR. 1A/98 | | 2 | |

Model: 996 98

Model life 1998>>2005



Model: 996 98 Model life 1998>>2005

| Pos | Part Number | Description | Remark | Qty | Model |
|-----|--------------------|--|--------|-----|------------------|
| 1 | 996 521 083 05 | Backrest shell Sports seat | -00 | 2 | CARRERA |
| (1) | 996 521 083 05 D05 | Granite grey | | | |
| | 996 521 083 06 | Backrest shell Lacquered | -01 | 2 | |
| | 996 521 083 06 A03 | Black | | | |
| | 996 521 083 06 C53 | Graphite grey | | | |
| | 996 521 083 06 S33 | Savanna | | | |
| | 996 521 083 06 G13 | Metropole blue | | | |
| | 996 521 083 06 B13 | Space grey | | | |
| | 996 521 083 06 M33 | Boxster red | | | |
| | 996 521 083 06 J33 | Nephrite green | | | |
| | 996 521 083 06 P13 | Cinnamon brown | | | |
| (1) | 986 521 303 11 | Backrest shell Sports seat | 01- | 1 | |
| | 986 521 303 11 A03 | Black | | | |
| | 986 521 303 11 C53 | Graphite grey | | | |
| | 986 521 303 11 S33 | Savanna | | | |
| | 986 521 303 11 G13 | Metropole blue | | | |
| | 986 521 303 11 J33 | Nephrite green | | | |
| | 986 521 303 11 M33 | Boxster red | | | |
| | 986 521 303 11 P13 | Cinnamon brown | | | |
| (1) | 996 521 992 02 | Backrest shell Sports seat Lacquered | 00- | 2 | M375/376 IXSA |
| | 996 521 992 02 80K | Guards red | | | |
| | 996 521 992 02 747 | Black | | | |
| | 996 521 992 02 9A3 | Biarritz white | | | |
| | 996 521 992 02 12G | Speed yellow | | | |
| | 996 521 992 02 92T | Arctic silver metallic | | | |
| | 996 521 992 02 746 | Black-metallic | | | |
| | 996 521 992 02 2A2 | Rainforest green metallic | | | |
| | 996 521 992 02 1A9 | Zanzibar red | | | |
| | 996 521 992 02 8A4 | Orient red metallic | | | |
| | 996 521 992 02 6A7 | Meridian metallic | | | |
| | 996 521 992 02 6B5 | Seal grey metallic | | | |
| | 996 521 992 02 3A9 | Lapis blue metallic | | | |
| | 996 521 992 02 92E | Polar silver metallic | | | |
| | 996 521 992 02 37U | Cobalt blue metallic | | | |
| | 996 521 992 02 22E | Forest green metallic | | | |
| | 996 521 992 02 22D | Slate grey metallic | | | |
| | 996 521 992 02 37W | Midnight Blue Metallic | | | |
| | 996 521 992 02 347 | Dark blue | | | |
| | 996 521 992 02 23I | Wimbledon green metallic | | | |
| | 996 521 992 02 39G | Violet metallic | | | |
| (1) | 986 521 987 03 | Backrest shell Sports seat | 01- | 2 | IXSB M375/376 |
| | 986 521 987 03 A11 | Black | | | |
| | 986 521 987 03 C51 | Graphite grey | | | |
| | 986 521 987 03 S31 | Savanna | | | |
| | 986 521 987 03 G11 | Metropole blue | | | |
| | 986 521 987 03 J31 | Nephrite green | | | |
| | 986 521 987 03 M31 | Boxster red | | | |
| | 986 521 987 03 P12 | Cinnamon brown | | | |
| | 986 521 987 03 D12 | Dark grey/natural | | | |
| | 986 521 987 03 T12 | Brown/natural | | | |
| (1) | 996 521 987 03 | Backrest shell Sports seat | 00- | 2 | IXSB M375/376 |
| | 996 521 987 03 A11 | Black | | | |
| | 996 521 987 03 C51 | Graphite grey | | | |
| | 996 521 987 03 S31 | Savanna | | | |

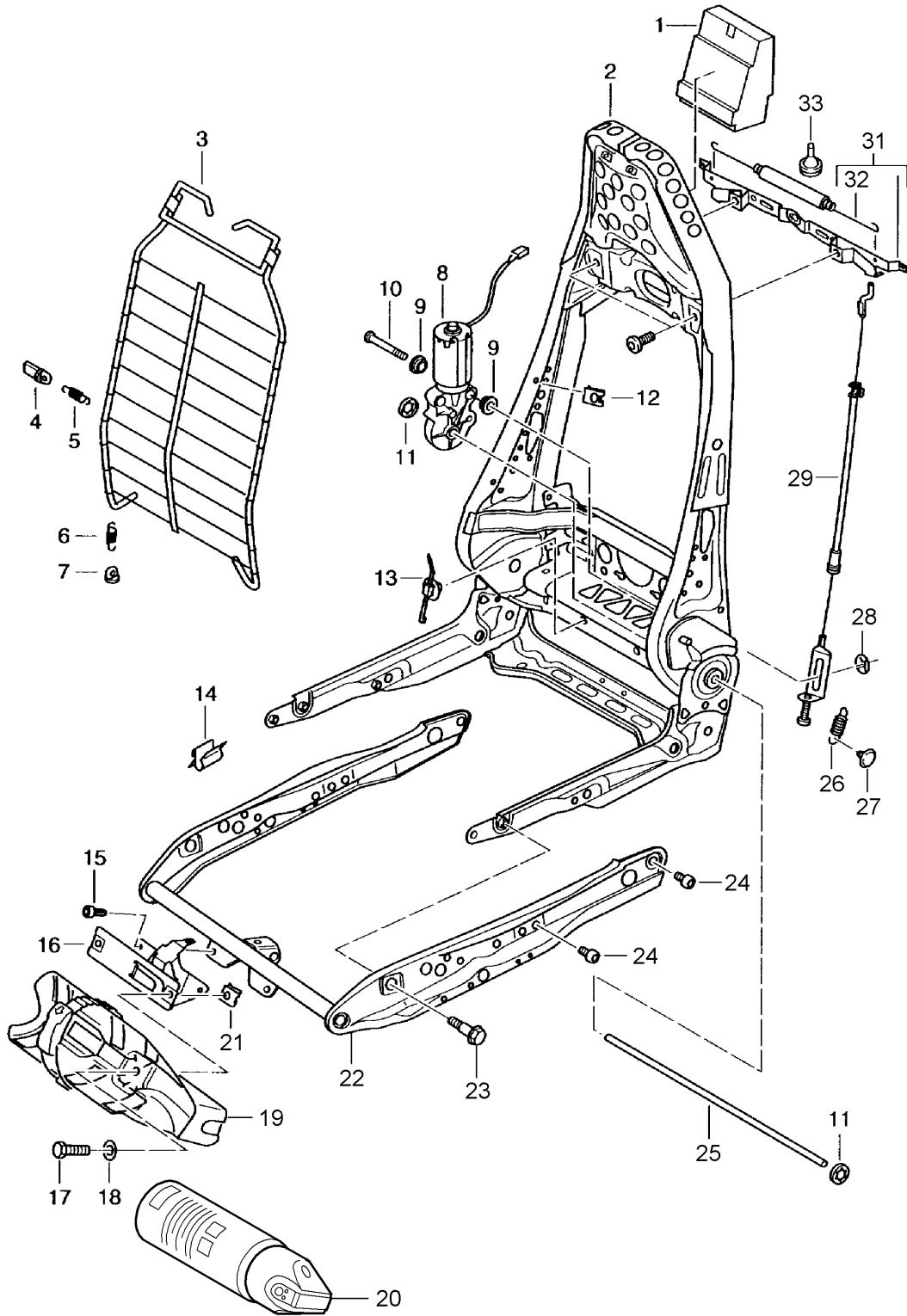
Model: 996 98

Model life 1998>>2005

| Pos | Part Number | Description | Remark | Qty | Model |
|-----|--------------------|---|--------|-----|------------------|
| | 996 521 987 03 G11 | Metropole blue | | | |
| | 996 521 987 03 B51 | Space grey | | | |
| | 996 521 987 03 T12 | Brown/natural | | | |
| | 996 521 987 03 D12 | Dark grey/natural | | | |
| | 996 521 987 03 M31 | Boxster red | | | |
| | 996 521 987 03 J31 | Nephrite green | | | |
| | 996 521 987 03 P12 | Cinnamon brown | | | |
| (1) | 996 521 992 06 | Backrest shell Sports seat Lacquered | 04 | 2 | M375/376 IXCG |
| | 996 521 992 06 V03 | Sport silver | | | |
| 2 | 996 521 885 00 | Foam part | | 2 | |
| 3 | 999 143 009 01 | Screw Backrest shell M 5 X 16 | | X | |
| 4 | 999 507 594 01 | U-clamp Mount Backrest cover 1,0 - 2,0 | | 14 | |
| 5 | 311 881 247 | Clip Mount Cover Centre part | | 2 | |

Model: 996 98

Model life 1998>>2005



Model: 996 98

Model life 1998>>2005

| Pos | Part Number | Description | Remark | Qty | Model |
|------|----------------|--|--------|-----|---------|
| | | Backrest frame Seat frame Sports seat | | | CARRERA |
| 1 | 996 521 883 00 | Foam part | | 2 | |
| 2 | 996 521 329 00 | Backrest frame | -99 | 2 | |
| (2) | 996 521 329 01 | Backrest frame | 00- | 2 | |
| 3 | 996 521 355 01 | Mat | | 2 | |
| 4 | 996 521 367 00 | Support Spring Centre | | 8 | |
| 5 | 996 521 333 00 | Spring Centre | | 8 | |
| 6 | 996 521 331 01 | Spring Lower | | 4 | |
| 7 | 996 521 365 00 | Support Spring Lower | | 4 | |
| 8 | 996 624 321 00 | Engine for backrest adjustment | | 2 | |
| 9 | 999 924 129 40 | Bush | | 4 | |
| 10 | 999 073 141 02 | 6 X 12 X 4,5 Oval-head screw | | 2 | |
| 11 | 999 507 597 01 | M 6 X 42,5 Clamping washer | | 4 | |
| 12 | 999 507 598 02 | 10,0 Speed nut | | 8 | |
| 13 | 999 513 063 40 | M 5 Cable holder | | 4 | |
| 15 | 999 141 028 02 | 12,0 - 35 Pan-head screw | | 3 | M509 |
| 16 | 996 521 674 00 | M 5 X 10 Support | /LL /R | 1 | M509 |
| (16) | 996 521 673 00 | Fire extinguisher Support | /RL /L | 1 | M509 |
| 17 | 900 067 137 02 | Fire extinguisher Pan-head screw | | 2 | M509 |
| 18 | 900 151 027 02 | M 5 X 16 Washer | | 2 | M509 |
| 18 | 900 151 027 03 | 5,3 Washer | | 2 | M509 |
| 19 | 996 521 607 00 | 5,3 Cup | | 1 | M509 |
| 20 | 996 722 115 00 | Fire extinguisher Fire extinguisher | | 1 | |
| 21 | 999 507 067 02 | * KEIN ERSATZTEIL * * GEFAHRGUT/HALTBARKEIT * Information available Speed nut | | 2 | M509 |
| (21) | 999 507 067 03 | M 5 Speed nut | | 2 | M509 |
| 22 | 996 521 227 00 | M 5 Seat frame | | 1 | |
| 23 | 996 521 681 01 | Bearing pin Complete | | 1 | |
| 24 | 999 141 027 02 | Oval-head screw M 8 X 10 | | 8 | |
| 25 | 996 521 343 01 | Drive shaft for backrest adjustment | | 2 | |
| 26 | 999 522 032 00 | Tension spring 0,7 X 7,5 X 15 | | 4 | |
| 27 | 999 703 474 40 | Stopper | | 4 | |
| 28 | N 900 114 02 | Clamping washer | | 4 | |

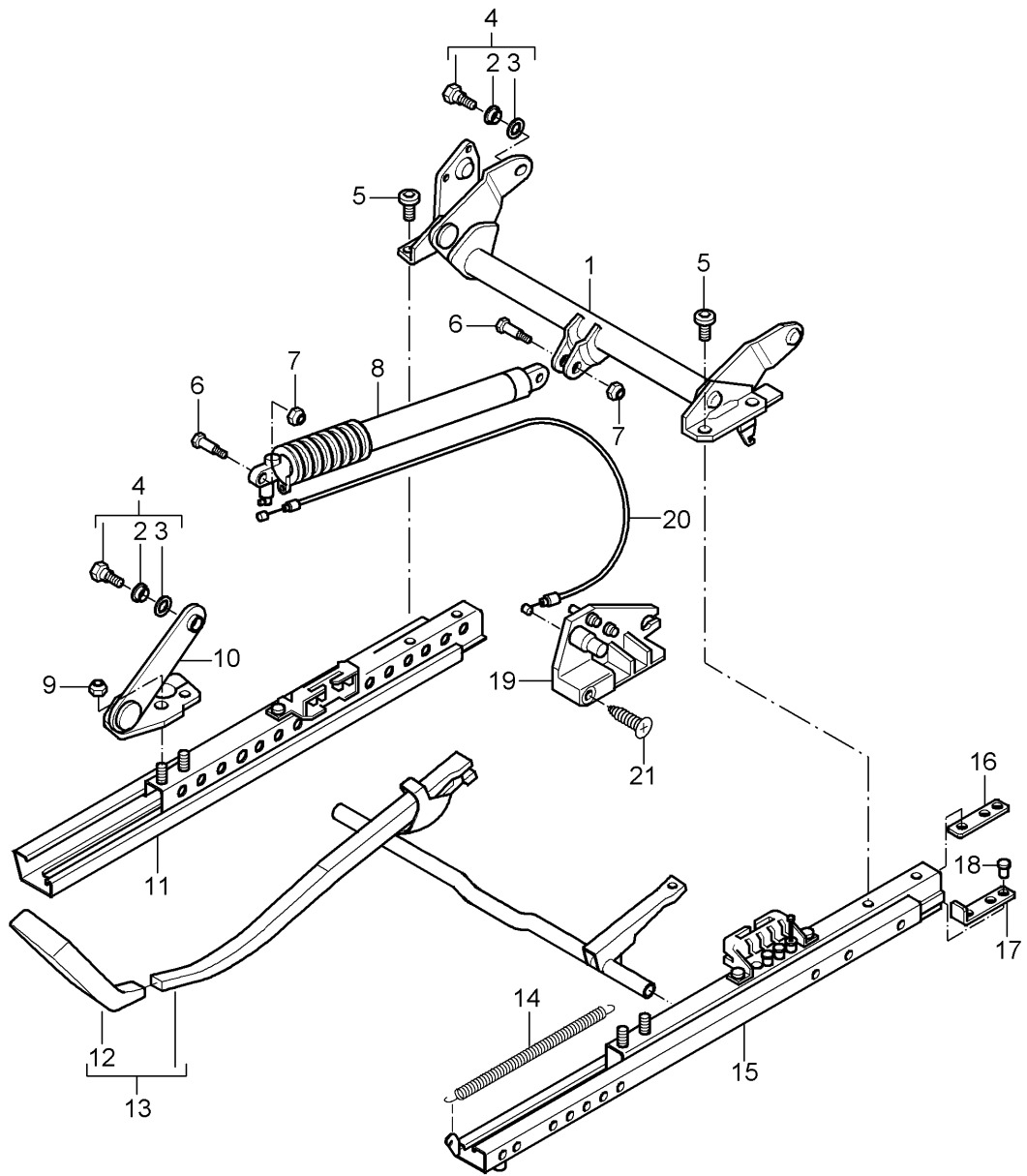
Model: 996 98

Model life 1998>>2005

| Pos | Part Number | Description | Remark | Qty | Model |
|-----|----------------|------------------------|--------|-----|-------|
| 29 | 996 521 185 00 | 4 Cable | | 4 | |
| 31 | 996 521 175 00 | Backrest locking lever | | 2 | |
| 32 | 996 521 195 00 | Clutch power spring | | 2 | |
| 33 | 996 521 403 00 | Rubber buffer | | 2 | |

Model: 996 98

Model life 1998>>2005



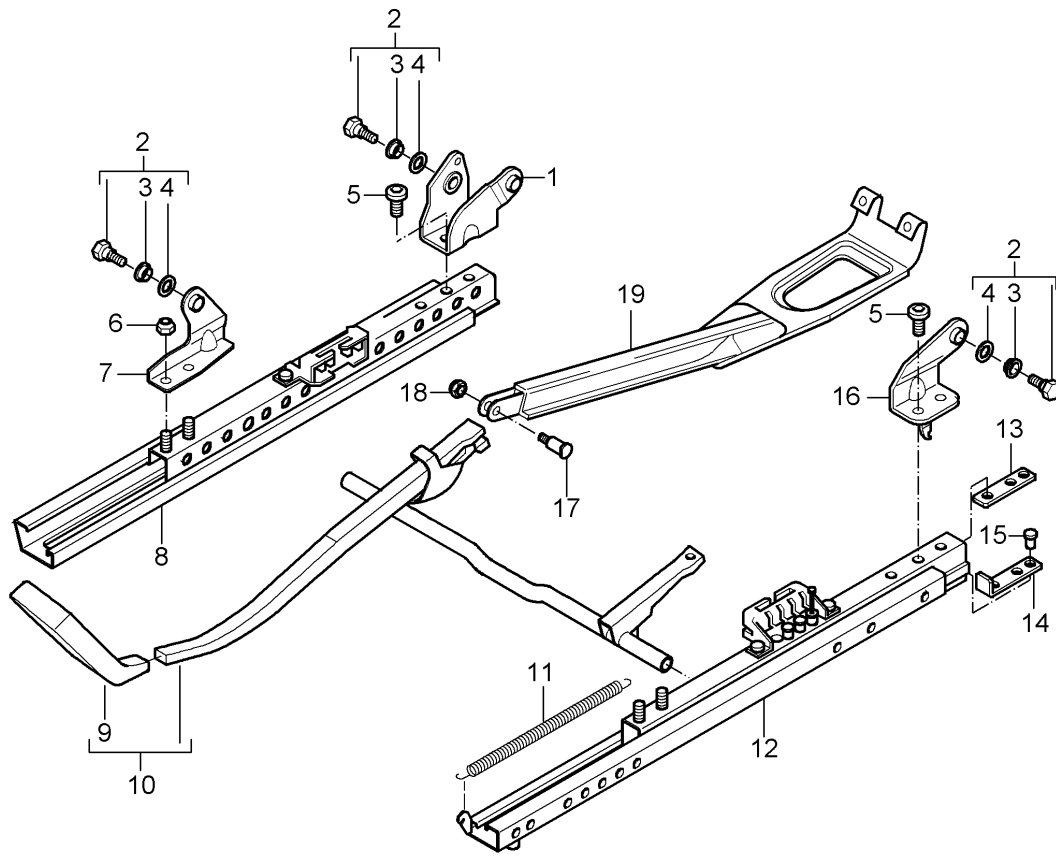
Model: 996 98

Model life 1998>>2005

| Pos | Part Number | Description | Remark | Qty | Model |
|------|----------------|---|--------|-----|----------|
| | | Seat adjuster Sports seat with Height adjustment | | | CARRERA |
| 1 | 996 521 641 00 | Pipe | /L | 1 | |
| (1) | 996 521 642 00 | Rear Pipe | /R | 1 | |
| 3 | 999 209 051 00 | Rear Spacer sleeve | | 2 | |
| 4 | 996 521 259 02 | Screw | /H | 4 | M539/540 |
| (4) | 996 521 681 00 | Complete Bearing pin | /V | 8 | |
| 5 | 986 521 659 00 | Seat frame Screw | | 8 | |
| 5 | 986 521 659 02 | Adapter Screw | | 8 | |
| 6 | 999 311 008 01 | Adapter Square screw | | 2 | |
| 7 | 986 521 687 00 | Gas-pressure spring M 5 X 23,6 Nut | | 2 | |
| 8 | 996 521 615 01 | Gas-pressure spring | | 1 | M539/540 |
| 9 | 900 910 003 07 | Hexagon nut Adapter M 8 | | 8 | |
| (10) | 986 521 679 00 | Adapter Seat frame Front | /L | 2 | |
| 10 | 986 521 680 00 | Adapter Seat frame Front | /R | 2 | |
| 11 | 996 521 692 01 | Seat rail Inner | /R | 1 | M369/375 |
| (11) | 996 521 691 01 | Seat rail Inner | /L | 1 | M370/376 |
| 12 | 996 521 617 01 | Handle | /L | 1 | M369/375 |
| (12) | 996 521 618 01 | Handle | /R | 1 | M370/376 |
| 13 | 996 521 621 01 | Lever | /L | 1 | M369/375 |
| (13) | 996 521 622 01 | Complete Lever | /R | 1 | M370/376 |
| 14 | 996 521 645 00 | Complete Clutch power spring | | 2 | |
| 15 | 996 521 689 01 | Seat rail Outer | /L | 1 | M369/375 |
| (15) | 996 521 690 01 | Seat rail Outer | /R | 1 | M370/376 |
| 16 | 986 521 643 00 | Threaded plate | | 4 | |
| (17) | 996 521 603 01 | Stop | | 4 | |
| 18 | 996 521 601 00 | Fixing clip Stop | | 4 | |
| 19 | 996 521 675 00 | Adjusting mechanism | /L | 1 | M539 |
| (19) | 996 521 676 00 | Adjusting mechanism | /R | 1 | M540 |
| 20 | 986 521 683 00 | Bowden cable | | 2 | M539/540 |
| 21 | 999 919 195 07 | Countersunk-head screw | -00 | 2 | |
| (21) | 999 919 199 09 | Countersunk-head screw M 5 X 18 | 01- | 2 | |

Model: 996 98

Model life 1998>>2005



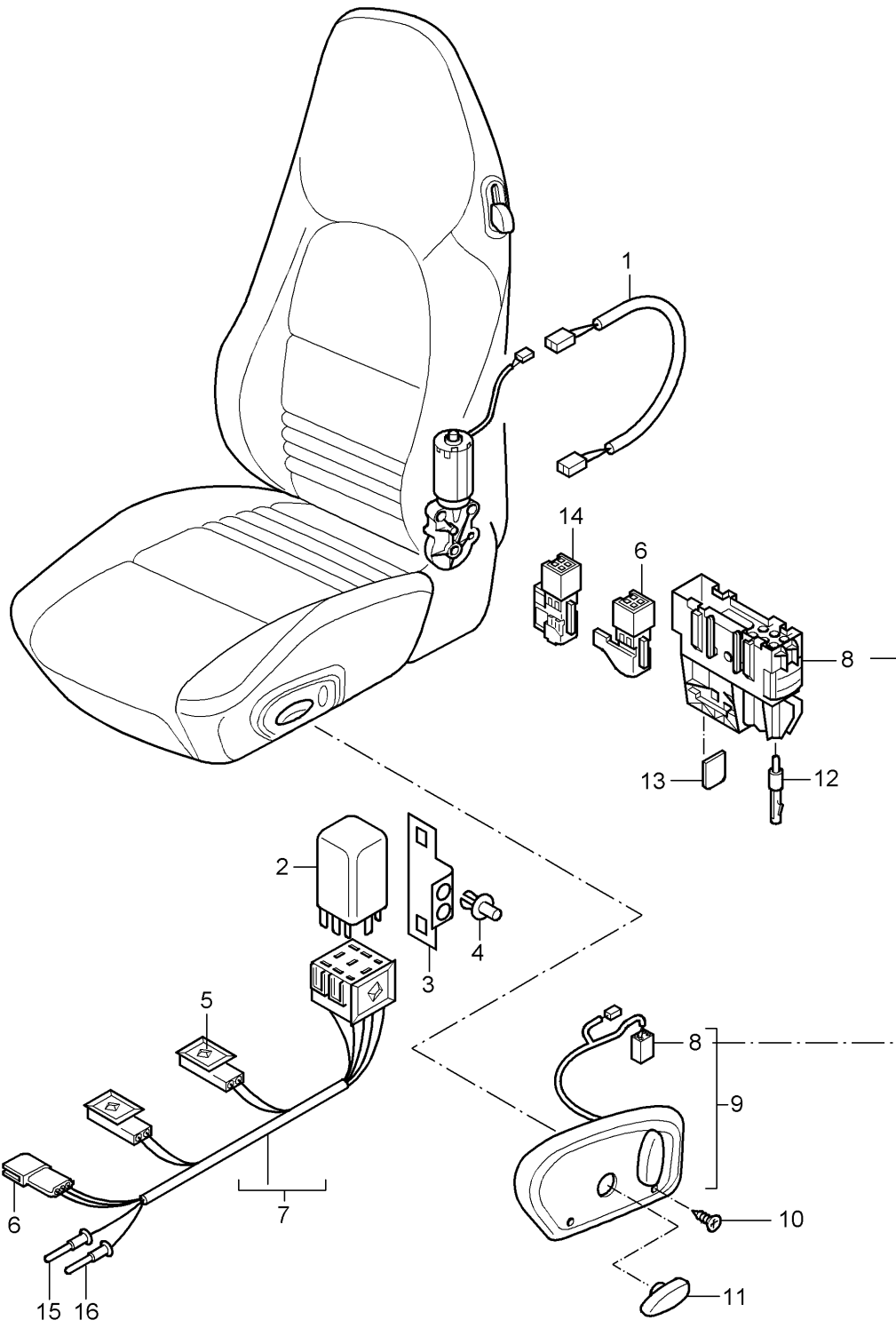
Model: 996 98

Model life 1998>>2005

| Pos | Part Number | Description | Remark | Qty | Model |
|------|----------------|---|--------|-----|----------------------|
| (1) | 986 521 639 00 | Seat adjuster Sports seat without Height adjustment Adapter | /L | 1 | CARRERA |
| 1 | 986 521 640 00 | Seat-belt buckle Seat frame Inner rear Adapter | /R | 1 | |
| 2 | 996 521 259 02 | Seat-belt buckle Seat frame Inner rear Screw | | 8 | |
| 3 | 999 924 156 00 | Complete Bush | | 4 | |
| 4 | 999 209 051 00 | 12 X 14 X 6,5 Spacer sleeve | | 2 | |
| 5 | 986 521 659 00 | Screw | | 8 | |
| 5 | 986 521 659 02 | Screw | | 8 | |
| 6 | 900 910 003 07 | Hexagon nut Adapter M 8 | | 8 | |
| (7) | 986 521 679 00 | Adapter | /L | 2 | |
| 7 | 986 521 680 00 | Adapter Seat frame Front | /R | 2 | |
| 8 | 996 521 692 01 | Seat rail Inner | /R | 1 | M369/375 |
| (8) | 996 521 691 01 | Seat rail Inner | /L | 1 | M370/376 |
| 9 | 996 521 617 01 | Handle | /L | 1 | M369/375 |
| (9) | 996 521 618 01 | Handle | /R | 1 | M370/376 |
| 10 | 996 521 621 01 | Lever Complete | /L | 1 | M369/375 |
| (10) | 996 521 622 01 | Lever Complete | /R | 1 | M370/376 |
| 11 | 996 521 645 00 | Clutch power spring | | 2 | |
| 12 | 996 521 689 01 | Seat rail Outer | /L | 1 | M369/375 |
| (12) | 996 521 690 01 | Seat rail Outer | /R | 1 | M370/376 |
| 13 | 986 521 643 00 | Threaded plate | | 4 | |
| 14 | 996 521 603 01 | Stop | | 4 | |
| 15 | 996 521 601 00 | Fixing clip Stop | | 4 | |
| 16 | 986 521 691 00 | Adapter Seat frame Rear Outer | /L | 1 | |
| (16) | 986 521 690 00 | Adapter Seat frame Rear Outer | /R | 1 | |
| 17 | 999 311 008 01 | Square screw M 5 X 23,6 | | 1 | |
| 18 | 986 521 687 00 | Nut | | 1 | |
| 19 | 986 521 667 00 | Seat adjuster guard | | 1 | |
| 21 | 996 521 665 00 | Stop Telephone Inner | | 1 | M614/618 M540/663 |

Model: 996 98

Model life 1998>>2005



Model: 996 98 Model life 1998>>2005

| Pos | Part Number | Description | Remark | Qty | Model |
|-----|--------------------|-------------------------|--------|-----|----------|
| | | Wiring harnesses | | | CARRERA |
| | | Switch | | | |
| | | Standard seat | | | |
| | | Sports seat | | | |
| 1 | 996 612 543 00 | Wiring harness | | 2 | |
| | | for backrest adjustment | | | |
| 2 | 996 618 521 00 | Control unit | | 2 | M342 |
| | | Seat heater | | | |
| 3 | 996 618 531 00 | Support | | 2 | M342 |
| | | Control unit | | | |
| 4 | 999 591 712 40 | Expansion rivet | -02 | 2 | |
| | | 6,0 X 12,0 | | | |
| (4) | 900 143 191 02 | Tapping screw | 02- | 4 | |
| | | Support | | | |
| 5 | 999 507 407 40 | Clip | | X | |
| 6 | 999 650 216 40 | Pin connector socket | | 1 | |
| | | 4-pole | | | |
| 7 | 996 612 540 01 | Wiring harness | | 2 | M342 |
| | | Seat heater | | | |
| 8 | 999 650 180 40 | Pin connector socket | | 2 | M537/538 |
| | | 6-pole | | | |
| 9 | 996 613 713 01 | Switch | /L | 1 | M369/375 |
| | | Complete | | | |
| | | with | | | |
| | | Handle | | | |
| | | for backrest adjustment | | | |
| | 996 613 713 01 EJM | Granite grey | -99 | | |
| | 996 613 713 01 A03 | Black | 00- | | |
| | 996 613 713 01 C53 | Graphite grey | 00- | | |
| | 996 613 713 01 S33 | Savanna | 00- | | |
| | 996 613 713 01 G13 | Metropole blue | 00- | | |
| | 996 613 713 01 J33 | Nephrite green | 00- | | |
| | 996 613 713 01 M33 | Boxster red | 00- | | |
| | 996 613 713 01 B13 | Space grey | 00 | | |
| | 996 613 713 01 P13 | Cinnamon brown | 01- | | |
| (9) | 996 613 714 01 | Switch | /R | 1 | M370/376 |
| | | Complete | | | |
| | | with | | | |
| | | Handle | | | |
| | | for backrest adjustment | | | |
| | 996 613 714 01 EJM | Granite grey | -99 | | |
| | 996 613 714 01 A03 | Black | 00- | | |
| | 996 613 714 01 C53 | Graphite grey | 00- | | |
| | 996 613 714 01 S33 | Savanna | 00- | | |
| | 996 613 714 01 G13 | Metropole blue | 00- | | |
| | 996 613 714 01 J33 | Nephrite green | 00- | | |
| | 996 613 714 01 M33 | Boxster red | 00- | | |
| | 996 613 714 01 B13 | Space grey | 00 | | |
| | 996 613 714 01 P13 | Cinnamon brown | 01- | | |
| (9) | 886 613 980 00 | Switch | /L | 1 | IXSD |
| | 886 613 980 00 S30 | Savanna | 98- | | |
| | 886 613 980 00 8YR | Black | -00 | | |
| | 886 613 980 00 C50 | Graphite grey | 98- | | |
| | 886 613 980 00 G10 | Metropole blue | 98- | | |
| | 886 613 980 00 B50 | Space grey | 98- | | |
| | 886 613 980 00 J30 | Nephrite green | 98- | | |
| | 886 613 980 00 M30 | Boxster red | 98- | | |
| | 886 613 980 00 VRJ | Black | 00- | | |
| | 886 613 980 00 D11 | Dark grey/natural | 00- | | |
| | 886 613 980 00 T11 | Brown/natural | 00- | | |
| | 886 613 980 00 P11 | Cinnamon brown | 01- | | |
| (9) | 886 613 981 00 | Switch | /R | 1 | IXSD |
| | | Standard seat | | | |

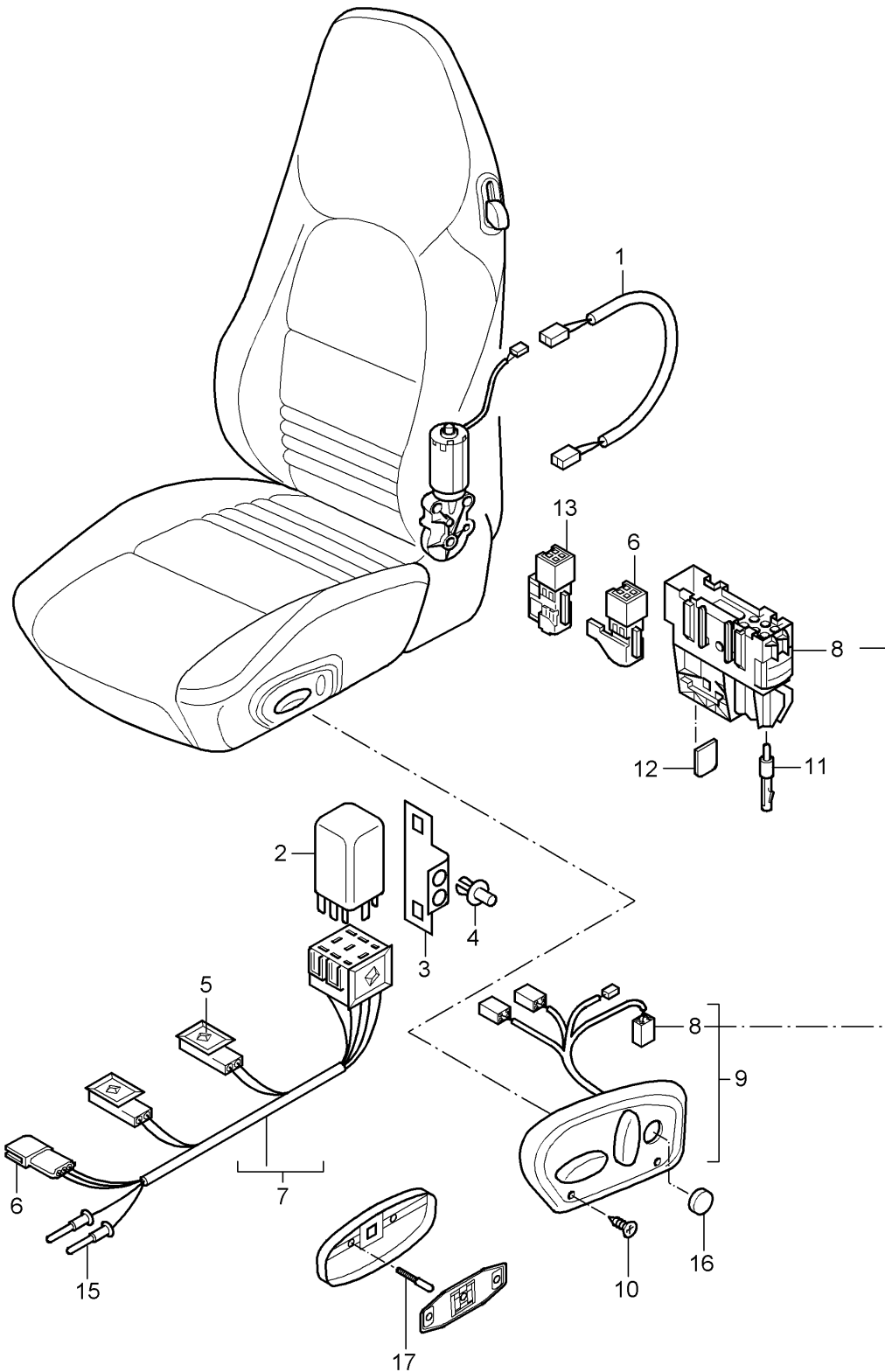
Model: 996 98

Model life 1998>>2005

| Pos | Part Number | Description | Remark | Qty | Model |
|------|--------------------|------------------------------------|--------|-----|-------|
| | | Sports seat | | | |
| | 986 613 981 00 S30 | Savanna | 98- | | |
| | 986 613 981 00 8YR | Black | -00 | | |
| | 986 613 981 00 C50 | Graphite grey | 98- | | |
| | 986 613 981 00 G10 | Metropole blue | 98- | | |
| | 986 613 981 00 B50 | Space grey | 98- | | |
| | 986 613 981 00 J30 | Nephrite green | 98- | | |
| | 986 613 981 00 M30 | Boxster red | 98- | | |
| | 986 613 981 00 VRJ | Black | 00- | | |
| | 986 613 981 00 D11 | Dark grey/natural | 00- | | |
| | 986 613 981 00 T11 | Brown/natural | 00- | | |
| | 986 613 981 00 P11 | Cinnamon brown | 01- | | |
| 10 | 999 919 173 02 | Countersunk-head screw 3,0 X 18 | | 4 | |
| 11 | 986 521 627 00 | Handle Height adjustment | /L | 1 | M539 |
| (11) | 986 521 628 00 | Handle Height adjustment | /R | 1 | M540 |
| 12 | 999 650 225 40 | Pin 2,5 | | 2 | |
| 13 | 999 652 960 40 | Lid | | 2 | |
| 14 | 999 650 218 40 | Pin connector socket 4-pole | | 2 | |
| 15 | 999 650 216 40 | Pin connector socket 4-pole | | 2 | |
| 16 | 999 652 571 22 | Connector 1.0 - 2.5 QMM | | X | |

Model: 996 98

Model life 1998>>2005



Model: 996 98 Model life 1998>>2005

| Pos | Part Number | Description | Remark | Qty | Model |
|-----|--------------------|-------------------------|--------|-----|----------|
| | | Wiring harnesses | | | CARRERA |
| | | Switch | | | |
| 1 | 996 612 543 00 | Comfort seat | | 2 | |
| (1) | 996 612 544 00 | Wiring harness | | 2 | M537/538 |
| | | Wiring harness | | | |
| | | for backrest adjustment | | | |
| 2 | 996 618 521 00 | Control unit | | 2 | M342 |
| | | Seat heater | | | |
| 3 | 996 618 531 00 | Support | | 2 | M342 |
| | | Control unit | | | |
| 4 | 999 591 712 40 | Expansion rivet | -02 | 2 | |
| | | 6,0 X 12,0 | | | |
| (4) | 900 143 191 02 | Tapping screw | 02- | 4 | |
| | | Support | | | |
| 5 | 999 507 407 40 | Clip | | X | |
| 6 | 999 650 216 40 | Pin connector socket | | 1 | |
| | | 4-pole | | | |
| | | Black | | | |
| 7 | 996 612 540 01 | Wiring harness | | 2 | |
| | | Seat heater | | | |
| 8 | 999 650 180 40 | Pin connector socket | | 2 | M537/538 |
| | | 6-pole | | | |
| | | Wiring harness | | | |
| | | Passenger compartment | | | |
| 9 | 996 613 715 01 | Switch | /L | 1 | M437 |
| | | Comfort seat | | | |
| | 996 613 715 01 P13 | Cinnamon brown | 00- | | |
| | 996 613 715 01 EJM | Granite grey | 98- | | |
| | 996 613 715 01 A03 | Black | 00- | | |
| | 996 613 715 01 C53 | Graphite grey | 00- | | |
| | 996 613 715 01 S33 | Savanna | 00- | | |
| | 996 613 715 01 G13 | Metropole blue | 00- | | |
| | 996 613 715 01 B13 | Space grey | 00- | | |
| | 996 613 715 01 J33 | Nephrite green | 00- | | |
| | 996 613 715 01 M33 | Boxster red | 00- | | |
| (9) | 996 613 716 01 | Switch | /R | 1 | M438 |
| | | Comfort seat | | | |
| | | Complete | | | |
| | 996 613 716 01 A03 | Black | 00- | | |
| | 996 613 716 01 C53 | Graphite grey | 00- | | |
| | 996 613 716 01 S33 | Savanna | 00- | | |
| | 996 613 716 01 G13 | Metropole blue | 00- | | |
| | 996 613 716 01 B13 | Space grey | 00- | | |
| | 996 613 716 01 J33 | Nephrite green | 00- | | |
| | 996 613 716 01 M33 | Boxster red | 00- | | |
| | 996 613 716 01 P13 | Cinnamon brown | 01- | | |
| | 996 613 716 01 EJM | Granite grey | 98- | | |
| (9) | 996 613 717 01 | Switch | /L | 1 | M437/586 |
| | | Comfort seat | | | |
| | | Lumbar support | | | |
| | | Complete | | | |
| | 996 613 717 01 EJM | Granite grey | 99 | | |
| | 996 613 717 01 A03 | Black | 00- | | |
| | 996 613 717 01 B13 | Space grey | | | |
| | 996 613 717 01 J33 | Nephrite green | | | |
| | 996 613 717 01 M33 | Boxster red | | | |
| | 996 613 717 01 P13 | Cinnamon brown | | | |
| (9) | 996 613 718 01 | Switch | /R | 1 | M438/513 |
| | | Comfort seat | | | |
| | | Lumbar support | | | |
| | | Complete | | | |
| | 996 613 718 01 EJM | Granite grey | 99 | | |
| | 996 613 718 01 A03 | Black | 00- | | |

Model: 996 98 Model life 1998>>2005

| Pos | Part Number | Description | Remark | Qty | Model |
|--------------------|--------------------|--------------------------|--------|-----|-------------------|
| (9) | 996 613 718 01 B13 | Space grey | | 1 | M437/537 |
| | 996 613 718 01 J33 | Nephrite green | | | |
| | 996 613 719 01 | Switch | /L 98- | | |
| | 996 613 719 01 A03 | Black | 00- | | |
| | 996 613 719 01 C53 | Graphite grey | 00- | | |
| | 996 613 719 01 S33 | Savanna | 00- | | |
| | 996 613 719 01 G13 | Metropole blue | 00- | | |
| | 996 613 719 01 B13 | Space grey | 00 | | |
| | 996 613 719 01 J33 | Nephrite green | 00- | | |
| | 996 613 719 01 M33 | Boxster red | 00- | | |
| (9) | 996 613 719 01 EJM | Granite grey | 00- | 1 | M438/538 |
| | 996 613 719 01 P13 | Cinnamon brown | | | |
| | 996 613 720 01 | Switch | /R | | |
| | | Comfort seat | | | |
| | | Seating position control | | | |
| | | Complete | | | |
| | 996 613 720 01 A03 | Black | | | |
| | 996 613 720 01 C53 | Graphite grey | | | |
| | 996 613 720 01 G13 | Metropole blue | | | |
| | 996 613 720 01 J33 | Nephrite green | | | |
| (9) | 996 613 720 01 M33 | Boxster red | | 1 | M437/537/586 |
| | 996 613 720 01 S33 | Savanna | | | |
| | 996 613 720 01 P13 | Cinnamon brown | | | |
| | 996 613 720 01 B13 | Space grey | | | |
| | 996 613 720 01 01C | Satin black | | | |
| | 996 613 721 01 | Switch | /L 99- | | |
| | 996 613 721 01 A03 | Black | | | |
| | 996 613 721 01 EJM | Granite grey | | | |
| | 996 613 721 01 C53 | Graphite grey | | | |
| | 996 613 721 01 G13 | Metropole blue | | | |
| (9) | 996 613 721 01 J33 | Nephrite green | | 1 | IXSD/M437 |
| | 996 613 721 01 M33 | Boxster red | | | |
| | 996 613 721 01 S33 | Savanna | | | |
| | 996 613 721 01 P13 | Cinnamon brown | | | |
| | 996 613 721 01 B13 | Space grey | | | |
| | 996 613 980 02 | Switch | /L 98- | | |
| | 996 613 980 02 VRJ | Black | | | |
| | 996 613 980 02 C50 | Graphite grey | | | |
| | 996 613 980 02 S30 | Savanna | | | |
| | 996 613 980 02 G10 | Metropole blue | | | |
| (9) | 996 613 980 02 M30 | Boxster red | | 1 | IXSD/M437 M586 |
| | 996 613 980 02 P11 | Cinnamon brown | | | |
| | 996 613 980 02 D11 | Dark grey/natural | | | |
| | 996 613 980 02 T11 | Brown/natural | | | |
| | 996 613 980 03 | Switch | /L 98- | | |
| | 996 613 980 03 VRJ | Black | | | |
| | 996 613 980 03 C50 | Graphite grey | | | |
| | 996 613 980 03 S30 | Savanna | | | |
| | 996 613 980 03 G10 | Metropole blue | | | |
| | 996 613 980 03 M30 | Boxster red | | | |
| (9) | 996 613 980 03 P11 | Cinnamon brown | | 1 | IXSD/M437 M537 |
| | 996 613 980 03 D11 | Dark grey/natural | | | |
| | 996 613 980 03 T11 | Brown/natural | | | |
| | 996 613 980 04 | Switch | /L 98- | | |
| | | without | | | |
| | | Lumbar support | | | |
| | 996 613 980 04 VRJ | Black | | | |
| | 996 613 980 04 C50 | Graphite grey | | | |
| | 996 613 980 04 S30 | Savanna | | | |
| | 996 613 980 04 G10 | Metropole blue | | | |
| 996 613 980 04 M30 | Boxster red | | | | |

Model: 996 98 Model life 1998>>2005

| Pos | Part Number | Description | Remark | Qty | Model |
|-----|--------------------|-------------------|--------|-----|-----------------------|
| (9) | 996 613 980 04 P11 | Cinnamon brown | /L 98- | 1 | IXSD/M437 M537/586 |
| | 996 613 980 04 D11 | Dark grey/natural | | | |
| | 996 613 980 04 T11 | Brown/natural | | | |
| | 996 613 980 05 | Switch | | | |
| | | Leather | | | |
| | 996 613 980 05 S30 | Savanna | | | |
| | 996 613 980 05 G10 | Metropole blue | | | |
| | 996 613 980 05 J30 | Nephrite green | | | |
| | 996 613 980 05 VRJ | Black | | | |
| | 996 613 980 05 C50 | Graphite grey | | | |
| (9) | 996 613 980 05 M30 | Boxster red | /R 98- | 1 | IXSD/M438 |
| | 996 613 980 05 P11 | Cinnamon brown | | | |
| | 996 613 980 05 D11 | Dark grey/natural | | | |
| | 996 613 980 05 T11 | Brown/natural | | | |
| | 996 613 981 02 | Switch | | | |
| | | Leather | | | |
| | 996 613 981 02 S30 | Savanna | | | |
| | 996 613 981 02 G10 | Metropole blue | | | |
| | 996 613 981 02 J30 | Nephrite green | | | |
| | 996 613 981 02 VRJ | Black | | | |
| (9) | 996 613 981 02 C50 | Graphite grey | /R 98- | 1 | IXSD/M438 M513 |
| | 996 613 981 02 M30 | Boxster red | | | |
| | 996 613 981 02 P11 | Cinnamon brown | | | |
| | 996 613 981 02 D11 | Dark grey/natural | | | |
| | 996 613 981 02 T11 | Brown/natural | | | |
| | 996 613 981 03 | Switch | | | |
| | | Leather | | | |
| | 996 613 981 03 S30 | Savanna | | | |
| | 996 613 981 03 G10 | Metropole blue | | | |
| | 996 613 981 03 J30 | Nephrite green | | | |
| (9) | 996 613 981 03 VRJ | Black | /R 98- | 1 | IXSD/M438 M538 |
| | 996 613 981 03 C50 | Graphite grey | | | |
| | 996 613 981 03 M30 | Boxster red | | | |
| | 996 613 981 03 P11 | Cinnamon brown | | | |
| | 996 613 981 03 D11 | Dark grey/natural | | | |
| | 996 613 981 03 T11 | Brown/natural | | | |
| | 996 613 981 04 | Switch | | | |
| | | Leather | | | |
| | 996 613 981 04 S30 | Savanna | | | |
| | 996 613 981 04 G10 | Metropole blue | | | |
| (9) | 996 613 981 04 J30 | Nephrite green | /R 98- | 1 | IXSD/M438 M513/538 |
| | 996 613 981 04 VRJ | Black | | | |
| | 996 613 981 04 C50 | Graphite grey | | | |
| | 996 613 981 04 M30 | Boxster red | | | |
| | 996 613 981 04 P11 | Cinnamon brown | | | |
| | 996 613 981 04 D11 | Dark grey/natural | | | |
| | 996 613 981 04 T11 | Brown/natural | | | |
| | 996 613 981 05 | Switch | | | |
| | | Leather | | | |
| | 996 613 981 05 S30 | Savanna | | | |
| (9) | 996 613 981 05 G10 | Metropole blue | /R | 1 | M438/513/538 |
| | 996 613 981 05 J30 | Nephrite green | | | |
| | 996 613 981 05 VRJ | Black | | | |
| | 996 613 981 05 C50 | Graphite grey | | | |
| | 996 613 981 05 M30 | Boxster red | | | |
| | 996 613 981 05 P11 | Cinnamon brown | | | |
| | 996 613 981 05 D11 | Dark grey/natural | | | |
| | 996 613 981 05 T11 | Brown/natural | | | |
| | 996 613 722 01 | Switch | | | |

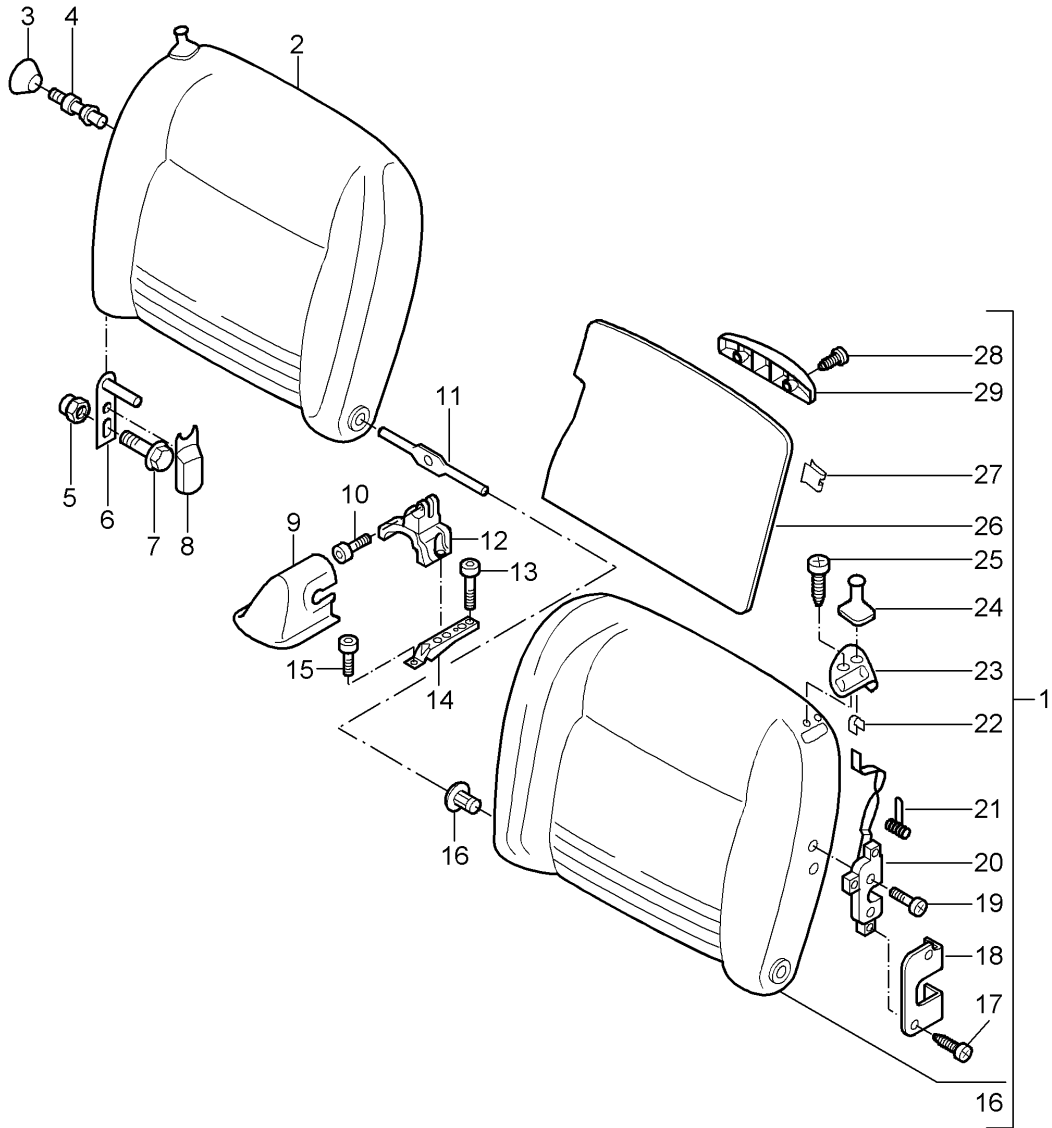
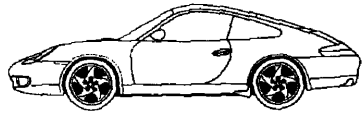
Model: 996 98

Model life 1998>>2005

| Pos | Part Number | Description | Remark | Qty | Model |
|-----|--------------------|--|--------|-----|------------------|
| | | Comfort seat Seating position control Lumbar support Complete | | | |
| | 996 613 722 01 EJM | Granite grey | -99 | | |
| | 996 613 722 01 A03 | Black | 00- | | |
| | 996 613 722 01 C53 | Graphite grey | 00- | | |
| | 996 613 722 01 S33 | Savanna | 00- | | |
| | 996 613 722 01 G13 | Metropole blue | 00- | | |
| | 996 613 722 01 J33 | Nephrite green | 00- | | |
| | 996 613 722 01 M33 | Boxster red | 00- | | |
| | 996 613 722 01 B13 | Space grey | 00 | | |
| | 996 613 722 01 P13 | Cinnamon brown | 01- | | |
| - | 986 521 627 00 | Handle for Height adjustment | /L | 1 | |
| - | 986 521 628 00 | Handle for Height adjustment | /R | 1 | |
| 10 | 999 919 173 02 | Countersunk-head screw 3,0 X 18 | | 4 | |
| 11 | 999 650 225 40 | Pin 2,5 | | 2 | |
| 12 | 999 652 960 40 | Lid | | 2 | |
| 13 | 999 650 218 40 | Pin connector socket 4-pole White | | 2 | M139/340 M342 |
| 15 | 999 652 571 22 | Connector 1.0 - 2.5 QMM | | X | M439 |
| 16 | 996 521 327 00 | Cover Lumbar support | | X | M437/438 |
| 17 | 996 613 955 00 | Control button Seat adjuster Repair kit | 02- | 1 | M437/438 |

Model: 996 98

Model life 1998>>2005



Model: 996 98 Model life 1998>>2005

| Pos | Part Number | Description | Remark | Qty | Model |
|-----|--------------------|--|--------|-----|------------------------|
| | | Back seat backrest | | | CARRERA COUPE/TARGA |
| 1 | 996 522 011 01 | Back seat backrest Leatherette/carpet | /L -01 | 1 | M685/937 |
| | 996 522 011 01 A10 | Black/black | -99 | | |
| | 996 522 011 01 B50 | Space grey/space grey | -99 | | |
| | 996 522 011 01 C50 | Graphite grey/graphite gr. | -99 | | |
| | 996 522 011 01 G10 | Metropole bl./metrop. blue | -99 | | |
| | 996 522 011 01 S30 | Savanna/savanna | -99 | | |
| | 996 522 011 01 C52 | Graphite grey/graphite gr. | 00- | | |
| | 996 522 011 01 S32 | Savanna/savanna | 00- | | |
| | 996 522 011 01 G12 | Metropole bl./metrop. blue | 00- | | |
| | 996 522 011 01 EVJ | Black/black | 00- | | |
| 1 | 996 522 012 01 | Back seat backrest Leatherette/carpet | /R -01 | 1 | M685/937 |
| | 996 522 012 01 A10 | Black/black | -99 | | |
| | 996 522 012 01 B50 | Space grey/space grey | -99 | | |
| | 996 522 012 01 C50 | Graphite grey/graphite gr. | -99 | | |
| | 996 522 012 01 G10 | Metropole bl./metrop. blue | -99 | | |
| | 996 522 012 01 S30 | Savanna/savanna | -99 | | |
| | 996 522 012 01 C52 | Graphite grey/graphite gr. | 00- | | |
| | 996 522 012 01 S32 | Savanna/savanna | 00- | | |
| | 996 522 012 01 G12 | Metropole bl./metrop. blue | 00- | | |
| | 996 522 012 01 EVJ | Black/black | 00- | | |
| (1) | 996 522 011 10 | Back seat backrest Leatherette | /L 02- | 1 | M685/937 |
| | 996 522 011 10 EVJ | Black | | | |
| | 996 522 011 10 C52 | Graphite grey | | | |
| | 996 522 011 10 S32 | Savanna | | | |
| | 996 522 011 10 G12 | Metropole blue | | | |
| | 996 522 011 10 J32 | Nephrite green | | | |
| (1) | 996 522 012 10 | Back seat backrest Leatherette | /R 02- | 1 | M685/937 |
| | 996 522 012 10 EVJ | Black | | | |
| | 996 522 012 10 C52 | Graphite grey | | | |
| | 996 522 012 10 S32 | Savanna | | | |
| | 996 522 012 10 G12 | Metropole blue | | | |
| | 996 522 012 10 J32 | Nephrite green | | | |
| (1) | 996 522 011 02 | Back seat backrest Leather | /L -01 | 1 | M685/936 |
| | 996 522 011 02 EVK | Black/black | | | |
| | 996 522 011 02 C50 | Graphite grey | | | |
| | 996 522 011 02 S30 | Savanna | | | |
| | 996 522 011 02 G10 | Metropole blue | | | |
| | 996 522 011 02 J30 | Nephrite green | | | |
| | 996 522 011 02 M30 | Boxster red | | | |
| | 996 522 011 02 P11 | Cinnamon brown | | | |
| | 996 522 011 02 D11 | Dark grey/natural | | | |
| | 996 522 011 02 T11 | Brown/natural | | | |
| (1) | 996 522 012 02 | Back seat backrest Leather | /R -01 | 1 | M685/936 |
| | 996 522 012 02 EVK | Black/black | | | |
| | 996 522 012 02 C50 | Graphite grey | | | |
| | 996 522 012 02 S30 | Savanna | | | |
| | 996 522 012 02 G10 | Metropole blue | | | |
| | 996 522 012 02 J30 | Nephrite green | | | |
| | 996 522 012 02 M30 | Boxster red | | | |
| | 996 522 012 02 P11 | Cinnamon brown | | | |
| | 996 522 012 02 D11 | Dark grey/natural | | | |
| | 996 522 012 02 T11 | Brown/natural | | | |
| (1) | 996 522 011 11 | Back seat backrest Leather | /L 02- | 1 | M685/936 |

Model: 996 98 Model life 1998>>2005

| Pos | Part Number | Description | Remark | Qty | Model |
|-----|--------------------|--|--------|-----|----------|
| | 996 522 011 11 EVK | Black | | | |
| | 996 522 011 11 C50 | Graphite grey | | | |
| | 996 522 011 11 S30 | Savanna | | | |
| | 996 522 011 11 G10 | Metropole blue | | | |
| | 996 522 011 11 J30 | Nephrite green | | | |
| | 996 522 011 11 M30 | Boxster red | | | |
| | 996 522 011 11 P11 | Cinnamon brown | | | |
| | 996 522 011 11 D11 | Dark grey/natural | | | |
| | 996 522 011 11 T11 | Brown/natural | | | |
| (1) | 996 522 012 11 | Back seat backrest Leather | /R 02- | 1 | M685/936 |
| | 996 522 012 11 EVK | Black | | | |
| | 996 522 012 11 C50 | Graphite grey | | | |
| | 996 522 012 11 S30 | Savanna | | | |
| | 996 522 012 11 G10 | Metropole blue | | | |
| | 996 522 012 11 J30 | Nephrite green | | | |
| | 996 522 012 11 M30 | Boxster red | | | |
| | 996 522 012 11 P11 | Cinnamon brown | | | |
| | 996 522 012 11 D11 | Dark grey/natural | | | |
| | 996 522 012 11 T11 | Brown/natural | | | |
| (1) | 996 522 011 03 | Back seat backrest Draped leather Carpet | /L -02 | 1 | M685/939 |
| | 996 522 011 03 8YR | Black/black | -99 | | |
| | 996 522 011 03 B50 | Space grey/space grey | 98- | | |
| | 996 522 011 03 C50 | Graphite grey/graphite gr. | 98- | | |
| | 996 522 011 03 G10 | Metropole bl./metrop. blue | 98- | | |
| | 996 522 011 03 S30 | Savanna/savanna | 98- | | |
| | 996 522 011 03 J30 | Nephrite gr./neph. green | 98- | | |
| | 996 522 011 03 M30 | Boxster red/boxster red | 98- | | |
| | 996 522 011 03 EVK | Black/black | 00- | | |
| | 996 522 011 03 D11 | Dark grey/natural | 00- | | |
| | 996 522 011 03 T11 | Brown/natural | | | |
| | 996 522 011 03 P11 | Cinnamon brown | | | |
| (1) | 996 522 012 03 | Back seat backrest Draped leather Carpet | /R -02 | 1 | M685/939 |
| | 996 522 012 03 8YR | Black/black | -99 | | |
| | 996 522 012 03 B50 | Space grey/space grey | 98- | | |
| | 996 522 012 03 C50 | Graphite grey/graphite gr. | 98- | | |
| | 996 522 012 03 G10 | Metropole bl./metrop. blue | 98- | | |
| | 996 522 012 03 S30 | Savanna/savanna | 98- | | |
| | 996 522 012 03 J30 | Nephrite gr./neph. green | 98- | | |
| | 996 522 012 03 M30 | Boxster red/boxster red | 98- | | |
| | 996 522 012 03 EVK | Black/black | 00- | | |
| | 996 522 012 03 D11 | Dark grey/natural | 00- | | |
| | 996 522 012 03 T11 | Brown/natural | | | |
| | 996 522 012 03 P11 | Cinnamon brown | | | |
| (1) | 996 522 011 12 | Back seat backrest Draped leather | /L 02- | 1 | M685/939 |
| | 996 522 011 12 EVK | Black | | | |
| | 996 522 011 12 C50 | Graphite grey | | | |
| | 996 522 011 12 S30 | Savanna | | | |
| | 996 522 011 12 G10 | Metropole blue | | | |
| | 996 522 011 12 J30 | Nephrite green | | | |
| | 996 522 011 12 M30 | Boxster red | | | |
| | 996 522 011 12 P11 | Cinnamon brown | | | |
| | 996 522 011 12 D11 | Dark grey/natural | | | |
| | 996 522 011 12 T11 | Brown/natural | | | |
| (1) | 996 522 012 12 | Back seat backrest Draped leather | /R 02- | 1 | M685/939 |
| | 996 522 012 12 EVK | Black | | | |
| | 996 522 012 12 C50 | Graphite grey | | | |

Model: 996 98 Model life 1998>>2005

| Pos | Part Number | Description | Remark | Qty | Model |
|-----|--------------------|--|--------|-----|----------|
| | 996 522 012 12 S30 | Savanna | | | |
| | 996 522 012 12 G10 | Metropole blue | | | |
| | 996 522 012 12 J30 | Nephrite green | | | |
| | 996 522 012 12 M30 | Boxster red | | | |
| | 996 522 012 12 P11 | Cinnamon brown | | | |
| | 996 522 012 12 D11 | Dark grey/natural | | | |
| | 996 522 012 12 T11 | Brown/natural | | | |
| (1) | 996 522 011 16 | Back seat backrest Leather | 04- | 1 | M095/936 |
| (1) | 996 522 011 16 VTG | Dark grey/natural | | | |
| (1) | 996 522 012 16 | Back seat backrest Leather Special model | 04- | 1 | M095/936 |
| 2 | 996 522 012 16 VTG | Dark grey/natural | | | |
| | 996 522 221 01 | Cover Back seat backrest | 98- | 1 | M685/937 |
| | 996 522 221 01 A10 | Black | | | |
| | 996 522 221 01 C50 | Graphite grey | | | |
| | 996 522 221 01 S30 | Savanna | | | |
| | 996 522 221 01 G10 | Metropole blue | | | |
| (2) | 996 522 221 01 B50 | Space grey | | | |
| (2) | 996 522 221 02 | Cover Back seat backrest | -01 | 1 | M685/936 |
| | 996 522 221 02 8YR | Black | | | |
| | 996 522 221 02 C50 | Graphite grey | | | |
| | 996 522 221 02 S30 | Savanna | | | |
| | 996 522 221 02 G10 | Metropole blue | | | |
| | 996 522 221 02 B50 | Space grey | | | |
| | 996 522 221 02 J30 | Nephrite green | | | |
| | 996 522 221 02 M30 | Boxster red | | | |
| (2) | 996 522 221 06 | Cover Back seat backrest | 02- | 1 | M685/936 |
| | 996 522 221 06 ETO | Black | | | |
| | 996 522 221 06 C50 | Graphite grey | | | |
| | 996 522 221 06 S30 | Savanna | | | |
| | 996 522 221 06 G10 | Metropole blue | | | |
| | 996 522 221 06 J30 | Nephrite green | | | |
| | 996 522 221 06 M30 | Boxster red | | | |
| | 996 522 221 06 P11 | Cinnamon brown | | | |
| | 996 522 221 06 D11 | Dark grey/natural | | | |
| | 996 522 221 06 T11 | Brown/natural | | | |
| (2) | 996 522 221 07 | Cover Back seat backrest | 02- | 1 | M685/939 |
| | 996 522 221 07 ETO | Black | | | |
| | 996 522 221 07 C50 | Graphite grey | | | |
| | 996 522 221 07 S30 | Savanna | | | |
| | 996 522 221 07 G10 | Metropole blue | | | |
| | 996 522 221 07 J30 | Nephrite green | | | |
| | 996 522 221 07 M30 | Boxster red | | | |
| | 996 522 221 07 P11 | Cinnamon brown | | | |
| | 996 522 221 07 D11 | Dark grey/natural | | | |
| | 996 522 221 07 T11 | Brown/natural | | | |
| (2) | 996 522 222 01 | Cover Back seat backrest | -01 | 2 | M685/937 |
| | 996 522 222 01 A10 | Black | | | |
| | 996 522 222 01 C50 | Graphite grey | | | |
| | 996 522 222 01 S30 | Savanna | | | |
| | 996 522 222 01 G10 | Metropole blue | | | |
| | 996 522 222 01 B50 | Space grey | | | |
| (2) | 996 522 222 02 | Cover Backrest Back seat backrest | -02 | 1 | M685/936 |
| | 996 522 222 02 8YR | Black | | | |

Model: 996 98 Model life 1998>>2005

| Pos | Part Number | Description | Remark | Qty | Model |
|------|--------------------|--------------------|--------|-----|----------|
| | 996 522 222 02 C50 | Graphite grey | | | |
| | 996 522 222 02 S30 | Savanna | | | |
| | 996 522 222 02 B50 | Space grey | | | |
| | 996 522 222 02 J30 | Nephrite green | | | |
| | 996 522 222 02 M30 | Boxster red | | | |
| | 996 522 222 02 G10 | Metropole blue | | | |
| (2) | 996 522 222 06 | Cover | 02- | 1 | M685/936 |
| | | Back seat backrest | | | |
| | 996 522 222 06 ETO | Black | | | |
| | 996 522 222 06 C50 | Graphite grey | | | |
| | 996 522 222 06 S30 | Savanna | | | |
| | 996 522 222 06 G10 | Metropole blue | | | |
| | 996 522 222 06 J30 | Nephrite green | | | |
| | 996 522 222 06 M30 | Boxster red | | | |
| | 996 522 222 06 P11 | Cinnamon brown | | | |
| | 996 522 222 06 D11 | Dark grey/natural | | | |
| | 996 522 222 06 T11 | Brown/natural | | | |
| (2) | 996 522 222 07 | Cover | 02- | 1 | M685/939 |
| | | Back seat backrest | | | |
| | 996 522 222 07 ETO | Black | | | |
| | 996 522 222 07 C50 | Graphite grey | | | |
| | 996 522 222 07 S30 | Savanna | | | |
| | 996 522 222 07 G10 | Metropole blue | | | |
| | 996 522 222 07 J30 | Nephrite green | | | |
| | 996 522 222 07 M30 | Boxster red | | | |
| | 996 522 222 07 P11 | Cinnamon brown | | | |
| | 996 522 222 07 D11 | Dark grey/natural | | | |
| | 996 522 222 07 T11 | Brown/natural | | | |
| 3 | 996 522 097 02 | Rosette | -99 | 2 | |
| | | Bolt | | | |
| (3) | 996 522 097 02 01C | Satin black | | | |
| (3) | 996 522 097 04 | Rosette | -02 | 2 | |
| | | Bolt | | | |
| (3) | 996 522 097 04 01C | Satin black | | | |
| (3) | 996 522 097 06 | Rosette | -03 | 2 | |
| | | Bolt | | | |
| (3) | 996 522 097 06 01C | Satin black | | | |
| (3) | 996 522 097 08 | Rosette | 03- | 2 | |
| | | Bolt | | | |
| (3) | 996 522 097 08 01C | Satin black | | | |
| (3) | 996 522 097 07 | Rosette | 04- | 2 | TARGA |
| | | Bolt | | | |
| (4) | 996 522 097 07 01C | Satin black | | | |
| (4) | 996 522 267 04 | Bolt | -01 | 2 | |
| (4) | 996 522 267 06 | Bolt | 02- | 2 | |
| 5 | 996 522 271 00 | Bush | | 2 | |
| 6 | 996 522 211 01 | Bearing | | 2 | |
| | | Outer | | | |
| 7 | 999 073 138 09 | Screw | | 2 | |
| | | M 8 X 25 | | | |
| 8 | 996 522 425 01 | Cover | | 1 | |
| | 996 522 425 01 01C | Satin black | | | |
| 9 | 996 522 431 02 | Cover | | 1 | |
| | 996 522 431 02 01C | Satin black | | | |
| (10) | N 044 734 1 | Pan-head screw | | 1 | |
| | | M 5 X 15 | | | |
| (10) | 900 067 137 01 | Pan-head screw | | 1 | |
| | | M 5 X 15 | | | |
| (11) | 996 522 615 00 | Bearing shaft | -02 | 1 | |
| 11 | 996 522 615 01 | Bearing shaft | 02- | 1 | |
| 11 | 997 522 615 01 | Bearing shaft | 02- | 1 | |
| 12 | 996 522 333 00 | Bracket | | 1 | |
| | | Bearing | | | |

Model: 996 98 Model life 1998>>2005

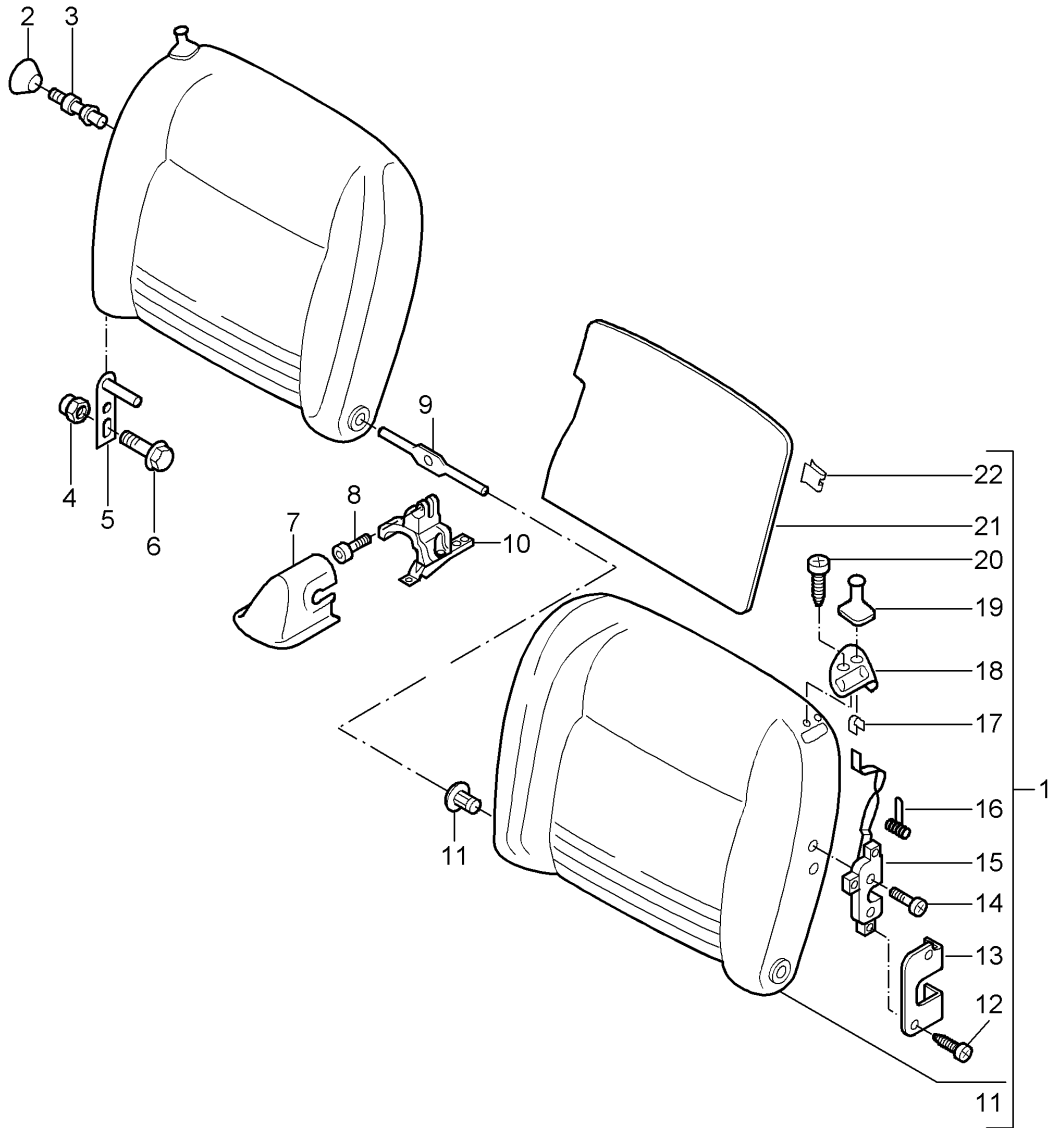
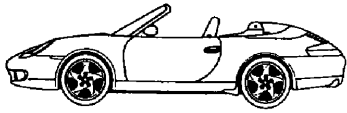
| Pos | Part Number | Description | Remark | Qty | Model |
|------|--------------------|---|--------|-----|-------|
| 13 | 999 073 188 09 | Centre Oval-head screw M 6 X 25 | /H | 2 | |
| 14 | 996 522 261 00 | Bearing bracket Centre | | 2 | |
| 15 | 999 073 151 09 | Oval-head screw M 6 X 12 | /V | 2 | |
| 16 | 996 522 571 00 | Protection washer | | 1 | |
| | 996 522 571 00 01C | Satin black | | | |
| 17 | 999 073 049 02 | Tapping screw ST 3,5 X 16 | | 4 | |
| 18 | 996 522 771 00 | Cover | /L | 1 | |
| | 996 522 771 00 01C | Satin black | | | |
| 18 | 997 522 771 00 | Cover | /L | 1 | |
| | 997 522 771 00 01C | Satin black | | | |
| (18) | 996 522 772 00 | Cover | /R | 1 | |
| | 996 522 772 00 01C | Satin black | | | |
| (18) | 997 522 772 00 | Trim cover | /R | 1 | |
| | 997 522 772 00 01C | Satin black | | | |
| 19 | 900 269 028 02 | Countersunk-head screw M 8 X 30 | | 4 | |
| 20 | 996 522 281 01 | Lock | /L | 1 | |
| (20) | 996 522 282 01 | Lock | /R | 1 | |
| (20) | 996 522 281 02 | Lock | /L | 1 | |
| (20) | 996 522 282 02 | Lock | /R | 1 | |
| 21 | 996 522 653 00 | Spring | | 2 | |
| 22 | 999 507 630 01 | Clamp 2,0 | | 2 | |
| 23 | 996 522 315 00 | Rosette | /L | 1 | |
| | 996 522 315 00 01C | Satin black | | | |
| (23) | 996 522 316 00 | Rosette | /R | 1 | |
| | 996 522 316 00 01C | Satin black | | | |
| 24 | 996 522 321 00 | Actuating lever | /L -98 | 1 | |
| | 996 522 321 00 01C | Satin black | | | |
| (24) | 996 522 321 01 | Actuating lever | /L 99- | 1 | |
| | 996 522 321 01 01C | Satin black | | | |
| (24) | 996 522 322 00 | Actuating lever | /R -98 | 1 | |
| | 996 522 322 00 01C | Satin black | | | |
| (24) | 996 522 322 01 | Actuating lever | /R 99- | 1 | |
| | 996 522 322 01 01C | Satin black | | | |
| 25 | 900 145 041 07 | Tapping screw B 3,5 X 16 | | 4 | |
| 26 | 996 522 173 00 | Carpet Fine tuft velour | /L | 1 | |
| | 996 522 173 00 B50 | Space grey | 98- | | |
| | 996 522 173 00 C50 | Graphite grey | 98- | | |
| | 996 522 173 00 G10 | Metropole blue | 98- | | |
| | 996 522 173 00 S30 | Savanna | 98- | | |
| | 996 522 173 00 J30 | Nephrite green | 98- | | |
| | 996 522 173 00 M30 | Boxster red | 98- | | |
| | 996 522 173 00 D11 | Dark grey/natural | 00- | | |
| | 996 522 173 00 T11 | Brown/natural | 00- | | |
| | 996 522 173 00 P11 | Cinnamon brown | 01- | | |
| 26 | 996 522 173 00 | Carpet Fine tuft velour Until Chassis number See technical information GR.7 NR. 17/11 KD-NR. 70 | /L | 1 | |
| | 996 522 173 00 A10 | Black | 98- | | |
| 26 | 997 522 173 00 | Carpet Fine tuft velour | /L | 1 | |

Model: 996 98 Model life 1998>>2005

| Pos | Part Number | Description | Remark | Qty | Model |
|------|--------------------|--|--------|-----|-------|
| | | From Chassis number See technical information GR.7 NR. 17/11 KD-NR. 70 | | | |
| (26) | 997 522 173 00 A10 | Black | 98- | | |
| | 996 522 174 00 | Carpet | /R | 1 | |
| | | Fine tuft velour | | | |
| | 996 522 174 00 B50 | Space grey | 98- | | |
| | 996 522 174 00 C50 | Graphite grey | 98- | | |
| | 996 522 174 00 G10 | Metropole blue | 98- | | |
| | 996 522 174 00 S30 | Savanna | 98- | | |
| | 996 522 174 00 J30 | Nephrite green | 98- | | |
| | 996 522 174 00 M30 | Boxster red | 98- | | |
| | 996 522 174 00 D11 | Dark grey/natural | 00- | | |
| | 996 522 174 00 T11 | Brown/natural | 00- | | |
| | 996 522 174 00 P11 | Cinnamon brown | 01- | | |
| (26) | 996 522 174 00 | Carpet | /R | 1 | |
| | | Fine tuft velour | | | |
| | | Until | | | |
| | | Chassis number See technical information GR.7 NR. 17/11 KD-NR. 70 | | | |
| (26) | 996 522 174 00 A10 | Black | 98- | | |
| | 996 522 174 00 | Carpet | /R | 1 | |
| | | Fine tuft velour | | | |
| | | Until | | | |
| | | Chassis number See technical information GR.7 NR. 17/11 KD-NR. 70 | | | |
| (26) | 996 522 174 00 A10 | Black | 98- | | |
| | 997 522 174 00 | Carpet | /R | 1 | |
| | | Fine tuft velour | | | |
| | | From | | | |
| | | Chassis number See technical information GR.7 NR. 17/11 KD-NR. 70 | | | |
| 27 | 997 522 174 00 A10 | Black | 98- | | |
| | 999 507 593 01 | U-clamp | | X | |
| | | 1,25 - 1,50 | | | |
| 28 | 999 073 050 02 | Tapping screw | | 4 | |
| | | 3,5 X 19 | | | |
| 29 | 993 522 421 00 | Stop | -01 | 2 | |
| | 993 522 421 00 01C | Satin black | | | |
| (29) | 996 522 421 00 | Stop | 01- | 2 | |
| | 996 522 421 00 01C | Satin black | | | |

Model: 996 98

Model life 1998>>2005



Model: 996 98 Model life 1998>>2005

| Pos | Part Number | Description | Remark | Qty | Model |
|-----|--------------------|--|--------|-----|---------------------------|
| | | Back seat backrest | | | CARRERA CABRIO M937 |
| 1 | 996 522 011 05 | Back seat backrest Leatherette/carpet | /L -01 | 1 | |
| | 996 522 011 05 A10 | Black/black | -99 | | |
| | 996 522 011 05 B50 | Space grey/space grey | -99 | | |
| | 996 522 011 05 C50 | Graphite grey/graphite gr. | -99 | | |
| | 996 522 011 05 G10 | Metropole bl./metrop. blue | -99 | | |
| | 996 522 011 05 S30 | Savanna/savanna | -99 | | |
| | 996 522 011 05 C52 | Graphite grey/graphite gr. | 00- | | |
| | 996 522 011 05 S32 | Savanna/savanna | 00- | | |
| | 996 522 011 05 G12 | Metropole bl./metrop. blue | 00- | | |
| (1) | 996 522 012 05 | Back seat backrest Leatherette/carpet | /R -01 | 1 | M937 |
| | 996 522 012 05 A10 | Black/black | -99 | | |
| | 996 522 012 05 B50 | Space grey/space grey | -99 | | |
| | 996 522 012 05 C50 | Graphite grey/graphite gr. | -99 | | |
| | 996 522 012 05 G10 | Metropole bl./metrop. blue | -99 | | |
| | 996 522 012 05 S30 | Savanna/savanna | -99 | | |
| | 996 522 012 05 C52 | Graphite grey/graphite gr. | 00- | | |
| | 996 522 012 05 S32 | Savanna/savanna | 00- | | |
| | 996 522 012 05 G12 | Metropole bl./metrop. blue | 00- | | |
| (1) | 996 522 011 13 | Back seat backrest Leatherette | /L 02- | 1 | M937 |
| | 996 522 011 13 EVJ | Black | | | |
| | 996 522 011 13 C52 | Graphite grey | | | |
| | 996 522 011 13 S32 | Savanna | | | |
| | 996 522 011 13 G12 | Metropole blue | | | |
| | 996 522 011 13 J32 | Nephrite green | | | |
| (1) | 996 522 012 13 | Back seat backrest Leatherette | /R 02- | 1 | M937 |
| | 996 522 012 13 EVJ | Black | | | |
| | 996 522 012 13 C52 | Graphite grey | | | |
| | 996 522 012 13 S32 | Savanna | | | |
| | 996 522 012 13 G12 | Metropole blue | | | |
| | 996 522 012 13 J32 | Nephrite green | | | |
| (1) | 996 522 011 06 | Back seat backrest Leather/carpet | /L -01 | 1 | M936 |
| | 996 522 011 06 B50 | Space grey | | | |
| | 996 522 011 06 C50 | Graphite grey | | | |
| | 996 522 011 06 D11 | Dark grey/natural | | | |
| | 996 522 011 06 EVK | Black/black | | | |
| | 996 522 011 06 G10 | Metropole blue | | | |
| | 996 522 011 06 J30 | Nephrite green | | | |
| | 996 522 011 06 M30 | Boxster red | | | |
| | 996 522 011 06 S30 | Savanna | | | |
| | 996 522 011 06 T11 | Brown/natural | | | |
| | 996 522 011 06 8YR | Black | | | |
| | 996 522 011 06 P11 | Cinnamon brown | | | |
| | 996 522 011 06 D11 | Dark grey/natural | | | |
| (1) | 996 522 012 06 | Back seat backrest Leather/carpet | /R -01 | 1 | M936 |
| | 996 522 012 06 B50 | Space grey | | | |
| | 996 522 012 06 C50 | Graphite grey | | | |
| | 996 522 012 06 D11 | Dark grey/natural | | | |
| | 996 522 012 06 EVK | Black/black | | | |
| | 996 522 012 06 G10 | Metropole blue | | | |
| | 996 522 012 06 J30 | Nephrite green | | | |
| | 996 522 012 06 M30 | Boxster red | | | |
| | 996 522 012 06 S30 | Savanna | | | |
| | 996 522 012 06 T11 | Brown/natural | | | |
| | 996 522 012 06 8YR | Black | | | |
| | 996 522 012 06 P11 | Cinnamon brown | | | |

Model: 996 98 Model life 1998>>2005

| Pos | Part Number | Description | Remark | Qty | Model |
|-----|--------------------|----------------------------|--------|-----|-------|
| (1) | 996 522 012 06 D11 | Dark grey/natural | | | |
| | 996 522 011 14 | Back seat backrest | /L 02- | 1 | M936 |
| | 996 522 011 14 EVK | Black | | | |
| | 996 522 011 14 C50 | Graphite grey | | | |
| | 996 522 011 14 S30 | Savanna | | | |
| | 996 522 011 14 G10 | Metropole blue | | | |
| | 996 522 011 14 J30 | Nephrite green | | | |
| | 996 522 011 14 M30 | Boxster red | | | |
| | 996 522 011 14 P11 | Cinnamon brown | | | |
| | 996 522 011 14 D11 | Dark grey/natural | | | |
| | 996 522 011 14 T11 | Brown/natural | | | |
| (1) | 996 522 012 14 | Back seat backrest | /R 02- | 1 | M936 |
| | | Leather | | | |
| | 996 522 012 14 EVK | Black | | | |
| | 996 522 012 14 C50 | Graphite grey | | | |
| | 996 522 012 14 S30 | Savanna | | | |
| | 996 522 012 14 G10 | Metropole blue | | | |
| | 996 522 012 14 J30 | Nephrite green | | | |
| | 996 522 012 14 M30 | Boxster red | | | |
| | 996 522 012 14 P11 | Cinnamon brown | | | |
| | 996 522 012 14 D11 | Dark grey/natural | | | |
| | 996 522 012 14 T11 | Brown/natural | | | |
| (1) | 996 522 011 07 | Back seat backrest | /L -01 | 1 | M939 |
| | | Draped leather | | | |
| | 996 522 011 07 8YR | Black/black | -99 | | |
| | 996 522 011 07 B50 | Space grey/space grey | 98- | | |
| | 996 522 011 07 C50 | Graphite grey/graphite gr. | 98- | | |
| | 996 522 011 07 G10 | Metropole bl./metrop. blue | 98- | | |
| | 996 522 011 07 S30 | Savanna/savanna | 98- | | |
| | 996 522 011 07 J30 | Nephrite gr./nephr. green | 98- | | |
| | 996 522 011 07 M30 | Boxster red/boxster red | 98- | | |
| | 996 522 011 07 EVK | Black/black | 00- | | |
| (1) | 996 522 012 07 | Back seat backrest | /R -01 | 1 | M939 |
| | | Draped leather | | | |
| | | Carpet | | | |
| | 996 522 012 07 8YR | Black/black | -99 | | |
| | 996 522 012 07 B50 | Space grey/space grey | 98- | | |
| | 996 522 012 07 C50 | Graphite grey/graphite gr. | 98- | | |
| | 996 522 012 07 G10 | Metropole bl./metrop. blue | 98- | | |
| | 996 522 012 07 S30 | Savanna/savanna | 98- | | |
| | 996 522 012 07 J30 | Nephrite gr./nephr. green | 98- | | |
| | 996 522 012 07 M30 | Boxster red/boxster red | 98- | | |
| | 996 522 012 07 EVK | Black/black | 00- | | |
| (1) | 996 522 011 15 | Back seat backrest | /L 02- | 1 | M939 |
| | | Draped leather | | | |
| | 996 522 011 15 EVK | Black | | | |
| | 996 522 011 15 C50 | Graphite grey | | | |
| | 996 522 011 15 S30 | Savanna | | | |
| | 996 522 011 15 G10 | Metropole blue | | | |
| | 996 522 011 15 J30 | Nephrite green | | | |
| | 996 522 011 15 M30 | Boxster red | | | |
| | 996 522 011 15 P11 | Cinnamon brown | | | |
| | 996 522 011 15 D11 | Dark grey/natural | | | |
| | 996 522 011 15 T11 | Brown/natural | | | |
| (1) | 996 522 012 15 | Back seat backrest | /R 02- | 1 | M939 |
| | | Draped leather | | | |
| | 996 522 012 15 EVK | Black | | | |
| | 996 522 012 15 C50 | Graphite grey | | | |
| | 996 522 012 15 S30 | Savanna | | | |
| | 996 522 012 15 G10 | Metropole blue | | | |
| | 996 522 012 15 J30 | Nephrite green | | | |
| | 996 522 012 15 M30 | Boxster red | | | |
| | 996 522 012 15 P11 | Cinnamon brown | | | |

Model: 996 98

Model life 1998>>2005

| Pos | Part Number | Description | Remark | Qty | Model |
|------|--|--|--------|-----|--------------|
| (1) | 996 522 012 15 D11 996 522 012 15 T11 996 522 011 17 | Dark grey/natural Brown/natural Back seat backrest | 05- | 1 | /971 M936 |
| | | Leather | | | |
| (1) | 996 522 011 17 VTG 996 522 011 17 VTK 996 522 012 17 | Darkgrey natural/grey Brown nat./brown nat. Back seat backrest | 05- | 1 | /971 M936 |
| | | Leather | | | |
| 2 | 996 522 012 17 VTG 996 522 012 17 VTK 996 522 097 03 | Darkgrey natural/grey Brown nat./brown nat. Rosette | -99 | 2 | |
| (2) | 996 522 097 03 01C 996 522 097 05 | Satin black Rosette | 00- | 2 | |
| (2) | 996 522 097 05 01C 996 522 097 08 | Satin black Rosette | 00- | 2 | |
| 3 | 996 522 097 08 01C 996 522 267 05 | Satin black Bolt | -01 | 2 | |
| (3) | 996 522 267 07 | Bolt | 02- | 2 | |
| 4 | 996 522 271 00 | Bush | | 2 | |
| 5 | 996 522 211 01 | Bearing | | 2 | |
| 6 | 999 073 138 09 | Outer Screw | | 2 | |
| 7 | 996 522 431 02 996 522 431 02 01C | M 8 X 25 Cover Satin black | | 1 | |
| 8 | N 044 734 1 | Pan-head screw | | 1 | |
| 8 | 900 067 137 01 | M 5 X 15 Pan-head screw | | 1 | |
| 9 | 996 522 615 00 | M 5 X 15 Bearing shaft | -02 | 1 | |
| (9) | 996 522 615 01 | Bearing shaft | 02- | 1 | |
| (9) | 997 522 615 01 | Bearing shaft | 02- | 1 | |
| 10 | 996 522 041 00 | Bearing | | 1 | |
| - | 999 073 151 09 | Centre Oval-head screw | /V | 2 | |
| - | 999 073 188 09 | M 6 X 12 Oval-head screw | /H | 2 | |
| 11 | 996 522 571 00 996 522 571 00 01C | M 6 X 25 Protection washer Satin black | | 1 | |
| 12 | 999 073 049 02 | Tapping screw | | 4 | |
| 13 | 996 522 771 00 996 522 771 00 01C | ST 3,5 X 16 Cover Satin black | /L | 1 | |
| 13 | 997 522 771 00 997 522 771 00 01C | Cover Satin black | /L | 1 | |
| (13) | 996 522 772 00 996 522 772 00 01C | Cover Satin black | /R | 1 | |
| (13) | 997 522 772 00 997 522 772 00 01C | Trim cover Satin black | /R | 1 | |
| 14 | 900 269 028 02 | Countersunk-head screw | | 4 | |
| 15 | 996 522 281 01 | M 8 X 30 Lock | -99 | 1 | |
| (15) | 996 522 282 02 | Lock | /R -99 | 1 | |
| (15) | 996 522 281 02 | Lock | /L 00- | 1 | |
| (15) | 996 522 282 02 | Lock | /R 00- | 1 | |
| 16 | 996 522 653 00 | Spring | | 2 | |
| 17 | 999 507 630 01 | Clamp | | 2 | |
| 18 | 996 522 315 00 996 522 315 00 01C | 2,0 Rosette Satin black | /L | 1 | |

Model: 996 98 Model life 1998>>2005

| Pos | Part Number | Description | Remark | Qty | Model |
|------|--------------------|---|--------|-----|-------|
| (18) | 996 522 316 00 | Rosette | /R | 1 | |
| | 996 522 316 00 01C | Satin black | | | |
| 19 | 996 522 321 00 | Actuating lever | /L -98 | 1 | |
| | 996 522 321 00 01C | Satin black | | | |
| (19) | 996 522 321 01 | Actuating lever | /L 99- | 1 | |
| | 996 522 321 01 01C | Satin black | | | |
| (19) | 996 522 322 00 | Actuating lever | /R -98 | 1 | |
| | 996 522 322 00 01C | Satin black | | | |
| (19) | 996 522 322 01 | Actuating lever | /R 99- | 1 | |
| | 996 522 322 01 01C | Satin black | | | |
| 20 | 900 145 041 07 | Tapping screw B 3,5 X 16 | | 4 | |
| 21 | 996 522 173 00 | Carpet Fine tuft velour | /L | 1 | |
| | 996 522 173 00 A10 | Black | 98- | | |
| | 996 522 173 00 B50 | Space grey | 98- | | |
| | 996 522 173 00 C50 | Graphite grey | 98- | | |
| | 996 522 173 00 G10 | Metropole blue | 98- | | |
| | 996 522 173 00 S30 | Savanna | 98- | | |
| | 996 522 173 00 J30 | Nephrite green | 98- | | |
| | 996 522 173 00 M30 | Boxster red | 98- | | |
| | 996 522 173 00 D11 | Dark grey/natural | 00- | | |
| | 996 522 173 00 T11 | Brown/natural | 00- | | |
| | 996 522 173 00 P11 | Cinnamon brown | 01- | | |
| 21 | 996 522 173 00 | Carpet Fine tuft velour Until Chassis number See technical information GR.7 NR. 17/11 KD-NR. 70 | /L | 1 | |
| | 996 522 173 00 A10 | Black | 98- | | |
| 21 | 997 522 173 00 | Carpet Fine tuft velour From Chassis number See technical information GR.7 NR. 17/11 KD-NR. 70 | /L | 1 | |
| | 997 522 173 00 A10 | Black | 98- | | |
| (21) | 996 522 174 00 | Carpet Fine tuft velour | /R | 1 | |
| | 996 522 174 00 B50 | Space grey | 98- | | |
| | 996 522 174 00 C50 | Graphite grey | 98- | | |
| | 996 522 174 00 G10 | Metropole blue | 98- | | |
| | 996 522 174 00 S30 | Savanna | 98- | | |
| | 996 522 174 00 J30 | Nephrite green | 98- | | |
| | 996 522 174 00 M30 | Boxster red | 98- | | |
| | 996 522 174 00 D11 | Dark grey/natural | 00- | | |
| | 996 522 174 00 T11 | Brown/natural | 00- | | |
| | 996 522 174 00 P11 | Cinnamon brown | 01- | | |
| (21) | 996 522 174 00 | Carpet Fine tuft velour Until Chassis number See technical information GR.7 NR. 17/11 KD-NR. 70 | /R | 1 | |
| | 996 522 174 00 A10 | Black | 98- | | |
| (26) | 997 522 174 00 | Carpet Fine tuft velour From Chassis number | /R | 1 | |

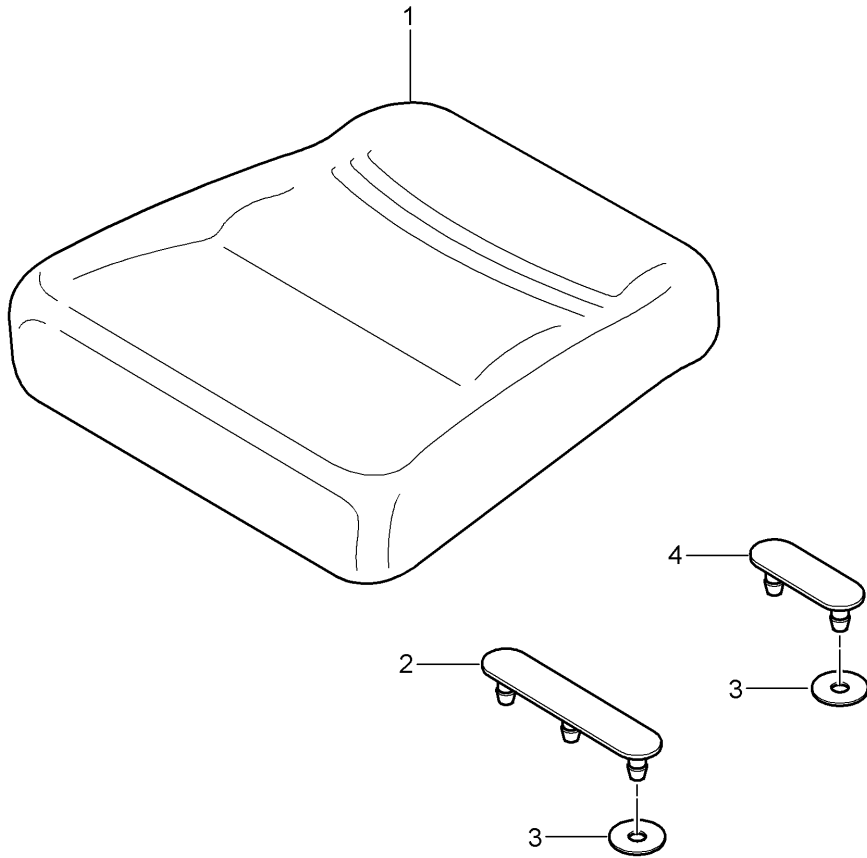
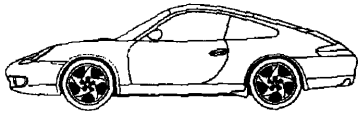
Model: 996 98

Model life 1998>>2005

| Pos | Part Number | Description | Remark | Qty | Model |
|-----|--------------------------------------|---|--------|-----|-------|
| 22 | 997 522 174 00 A10 999 507 593 01 | See technical information GR.7 NR. 17/11 KD-NR. 70 Black U-clamp 1,25 - 1,50 | 98- | X | |

Model: 996 98

Model life 1998>>2005



Model: 996 98 Model life 1998>>2005

| Pos | Part Number | Description | Remark | Qty | Model |
|-----|--------------------|-------------------------------------|--------|-----|------------------------|
| | | Back seat cushion | | | CARRERA COUPE/TARGA |
| 1 | 996 522 051 01 | Back seat cushion Leatherette | /L -01 | 1 | M937 |
| | 996 522 051 01 A10 | Black | -99 | | |
| | 996 522 051 01 B50 | Space grey | -99 | | |
| | 996 522 051 01 C50 | Graphite grey | -99 | | |
| | 996 522 051 01 G10 | Metropole blue | -99 | | |
| | 996 522 051 01 S30 | Savanna | -99 | | |
| | 996 522 051 01 C52 | Graphite grey | 00- | | |
| | 996 522 051 01 S32 | Savanna | 00- | | |
| | 996 522 051 01 G12 | Metropole blue | 00- | | |
| | 996 522 051 01 B52 | Space grey | 00- | | |
| | 996 522 051 01 ETN | Black | 00- | | |
| | 996 522 051 01 J32 | Nephrite green | 00- | | |
| (1) | 996 522 052 01 | Back seat cushion Leatherette | /R -01 | 1 | M937 |
| | 996 522 052 01 A10 | Black | -99 | | |
| | 996 522 052 01 B50 | Space grey | -99 | | |
| | 996 522 052 01 C50 | Graphite grey | -99 | | |
| | 996 522 052 01 G10 | Metropole blue | -99 | | |
| | 996 522 052 01 S30 | Savanna | -99 | | |
| | 996 522 052 01 C52 | Graphite grey | 00- | | |
| | 996 522 052 01 S32 | Savanna | 00- | | |
| | 996 522 052 01 G12 | Metropole blue | 00- | | |
| | 996 522 052 01 B52 | Space grey | 00- | | |
| | 996 522 052 01 ETN | Black | 00- | | |
| | 996 522 052 01 J32 | Nephrite green | 00- | | |
| (1) | 996 522 051 02 | Back seat cushion | /L -01 | 1 | M936 |
| | 996 522 051 02 8YR | Black | -99 | | |
| | 996 522 051 02 ETO | Black | 00- | | |
| | 996 522 051 02 C50 | Graphite grey | | | |
| | 996 522 051 02 S30 | Savanna | | | |
| | 996 522 051 02 G10 | Metropole blue | | | |
| | 996 522 051 02 J30 | Nephrite green | | | |
| | 996 522 051 02 M30 | Boxster red | | | |
| | 996 522 051 02 B50 | Space grey | | | |
| | 996 522 051 02 D11 | Dark grey/natural | | | |
| | 996 522 051 02 T11 | Brown/natural | | | |
| | 996 522 051 02 P11 | Cinnamon brown | | | |
| (1) | 996 522 052 02 | Back seat cushion Leather | /R -01 | 1 | M936 |
| | 996 522 052 02 8YR | Black | -99 | | |
| | 996 522 052 02 ETO | Black | 00- | | |
| | 996 522 052 02 C50 | Graphite grey | | | |
| | 996 522 052 02 S30 | Savanna | | | |
| | 996 522 052 02 G10 | Metropole blue | | | |
| | 996 522 052 02 J30 | Nephrite green | | | |
| | 996 522 052 02 M30 | Boxster red | | | |
| | 996 522 052 02 B50 | Space grey | | | |
| | 996 522 052 02 D11 | Dark grey/natural | | | |
| | 996 522 052 02 T11 | Brown/natural | | | |
| | 996 522 052 02 P11 | Cinnamon brown | | | |
| (1) | 996 522 051 03 | Back seat cushion Draped leather | /L -01 | 1 | M939 |
| | 996 522 051 03 8YR | Black | -99 | | |
| | 996 522 051 03 ETO | Black | 00- | | |
| | 996 522 051 03 B50 | Space grey | | | |
| | 996 522 051 03 C50 | Graphite grey | | | |
| | 996 522 051 03 G10 | Metropole blue | | | |
| | 996 522 051 03 S30 | Savanna | | | |
| | 996 522 051 03 J30 | Nephrite green | | | |

Model: 996 98 Model life 1998>>2005

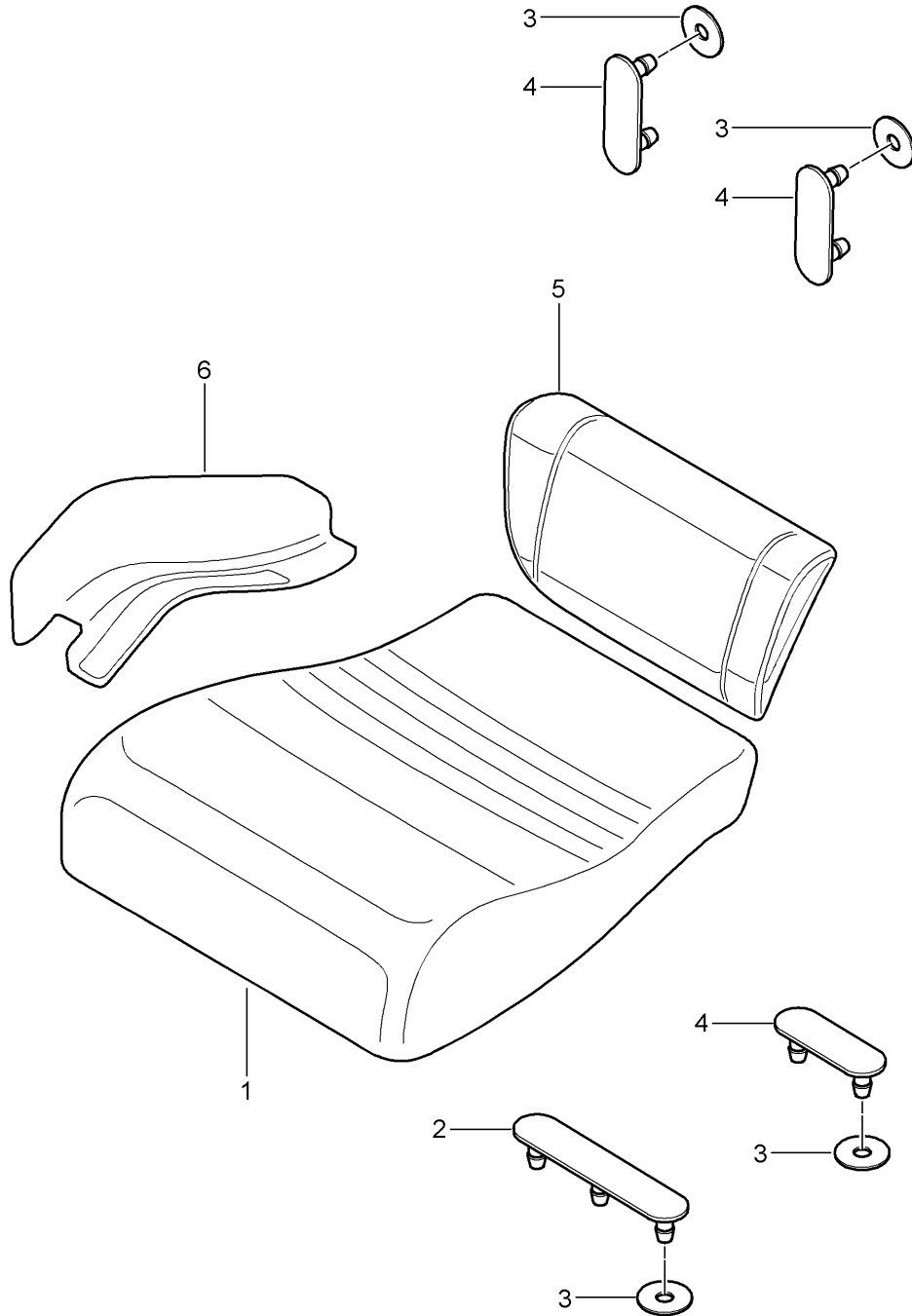
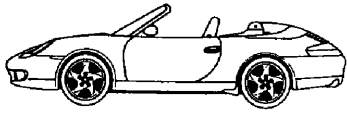
| Pos | Part Number | Description | Remark | Qty | Model | |
|--------------------|--------------------|-------------------------------------|-------------------------------------|-----|-------|------|
| (1) | 996 522 051 03 M30 | Boxster red | | | | |
| | 996 522 051 03 D11 | Dark grey | | | | |
| | 996 522 051 03 T11 | Brown/natural | | | | |
| | 996 522 051 03 P11 | Cinnamon brown | | | | |
| | 996 522 052 03 | Back seat cushion Draped leather | /R -01 | 1 | M939 | |
| | 996 522 052 03 8YR | Black | -99 | | | |
| | 996 522 052 03 ETO | Black | 00- | | | |
| | 996 522 052 03 B50 | Space grey | | | | |
| | 996 522 052 03 C50 | Graphite grey | | | | |
| | 996 522 052 03 G10 | Metropole blue | | | | |
| | 996 522 052 03 S30 | Savanna | | | | |
| (1) | 996 522 052 03 J30 | Nephrite green | | | | |
| | 996 522 052 03 M30 | Boxster red | | | | |
| | 996 522 052 03 D11 | Dark grey | | | | |
| | 996 522 052 03 T11 | Brown/natural | | | | |
| | 996 522 052 03 P11 | Cinnamon brown | | | | |
| | 996 522 051 14 | Back seat cushion Leatherette | 01- | 1 | M937 | |
| | 996 522 051 14 ETN | Black | | | | |
| | 996 522 051 14 C52 | Graphite grey | | | | |
| | 996 522 051 14 S32 | Savanna | | | | |
| | 996 522 051 14 G12 | Metropole blue | | | | |
| | 996 522 051 14 J32 | Nephrite green | | | | |
| (1) | 996 522 052 14 | Back seat cushion Leatherette | 01- | 1 | M937 | |
| | 996 522 052 14 ETN | Black | | | | |
| | 996 522 052 14 C52 | Graphite grey | | | | |
| | 996 522 052 14 S32 | Savanna | | | | |
| | 996 522 052 14 G12 | Metropole blue | | | | |
| | 996 522 052 14 J32 | Nephrite green | | | | |
| | (1) | 996 522 051 15 | Back seat cushion Leather | 01- | 1 | M936 |
| | | 996 522 051 15 ETO | Black | | | |
| | | 996 522 051 15 C50 | Graphite grey | | | |
| | | 996 522 051 15 S30 | Savanna | | | |
| | | 996 522 051 15 G10 | Metropole blue | | | |
| 996 522 051 15 J30 | | Nephrite green | | | | |
| 996 522 051 15 M30 | | Boxster red | | | | |
| 996 522 051 15 P11 | | Cinnamon brown | | | | |
| 996 522 051 15 D11 | | Dark grey/natural | | | | |
| 996 522 051 15 T11 | | Brown/natural | | | | |
| (1) | | 996 522 052 15 | Back seat cushion Leather | 01- | 1 | M936 |
| | 996 522 052 15 ETO | Black | | | | |
| | 996 522 052 15 C50 | Graphite grey | | | | |
| | 996 522 052 15 S30 | Savanna | | | | |
| | 996 522 052 15 G10 | Metropole blue | | | | |
| | 996 522 052 15 J30 | Nephrite green | | | | |
| | 996 522 052 15 M30 | Boxster red | | | | |
| | 996 522 052 15 P11 | Cinnamon brown | | | | |
| | 996 522 052 15 D11 | Dark grey/natural | | | | |
| | 996 522 052 15 T11 | Brown/natural | | | | |
| | (1) | 996 522 051 16 | Back seat cushion Draped leather | 01- | 1 | M939 |
| 996 522 051 16 ETO | | Black | | | | |
| 996 522 051 16 C50 | | Graphite grey | | | | |
| 996 522 051 16 S30 | | Savanna | | | | |
| 996 522 051 16 G10 | | Metropole blue | | | | |
| 996 522 051 16 J30 | | Nephrite green | | | | |
| 996 522 051 16 M30 | | Boxster red | | | | |
| 996 522 051 16 P11 | | Cinnamon brown | | | | |
| 996 522 051 16 D11 | | Dark grey/natural | | | | |

Model: 996 98 Model life 1998>>2005

| Pos | Part Number | Description | Remark | Qty | Model |
|-----|--------------------|---|--------|-----|----------|
| (1) | 996 522 051 16 T11 | Brown/natural | | | |
| | 996 522 052 16 | Back seat cushion Draped leather | 01- | 1 | M939 |
| | 996 522 052 16 ETO | Black | | | |
| | 996 522 052 16 C50 | Graphite grey | | | |
| | 996 522 052 16 S30 | Savanna | | | |
| | 996 522 052 16 G10 | Metropole blue | | | |
| | 996 522 052 16 J30 | Nephrite green | | | |
| | 996 522 052 16 M30 | Boxster red | | | |
| | 996 522 052 16 P11 | Cinnamon brown | | | |
| | 996 522 052 16 D11 | Dark grey/natural | | | |
| | 996 522 052 16 T11 | Brown/natural | | | |
| (1) | 996 522 051 23 | Back seat cushion Special model Leather | 04 | 1 | M095/936 |
| | 996 522 051 23 VTB | Dark grey/natural | | | |
| | 996 522 051 23 VTL | Brown/natural | | | |
| (1) | 996 522 052 23 | Back seat cushion Special model Leather | 04 | 1 | M095/936 |
| | 996 522 052 23 VTB | Dark grey/natural | | | |
| | 996 522 052 23 VTL | Brown/natural | | | |
| 2 | 996 522 893 00 | Clip Triple | | X | |
| 3 | 996 522 897 00 | Clips nut | | X | |
| 4 | 996 522 895 00 | Clip Double | | X | |

Model: 996 98

Model life 1998>>2005



Model: 996 98 Model life 1998>>2005

| Pos | Part Number | Description | Remark | Qty | Model |
|-----|--------------------|-------------------|--------|-----|----------|
| | | Back seat cushion | | | CARRERA |
| | | Back seat | | | CABRIO |
| | | Centre part | | | |
| 1 | 996 522 051 05 | Back seat cushion | /L | 1 | M937 |
| | | Leatherette | | | |
| | 996 522 051 05 A10 | Black | -99 | | |
| | 996 522 051 05 B50 | Space grey | -99 | | |
| | 996 522 051 05 C50 | Graphite grey | -99 | | |
| | 996 522 051 05 G10 | Metropole blue | -99 | | |
| | 996 522 051 05 S30 | Savanna | -99 | | |
| | 996 522 051 05 ETN | Black | 00- | | |
| | 996 522 051 05 C52 | Graphite grey | 00- | | |
| | 996 522 051 05 S32 | Savanna | 00- | | |
| | 996 522 051 05 G12 | Metropole blue | 00- | | |
| | 996 522 051 05 B52 | Space grey | 00 | | |
| | 996 522 051 05 J32 | Nephrite green | 01- | | |
| (1) | 996 522 052 05 | Back seat cushion | /R | 1 | M937 |
| | | Leatherette | | | |
| | 996 522 052 05 A10 | Black | -99 | | |
| | 996 522 052 05 B50 | Space grey | -99 | | |
| | 996 522 052 05 C50 | Graphite grey | -99 | | |
| | 996 522 052 05 G10 | Metropole blue | -99 | | |
| | 996 522 052 05 S30 | Savanna | -99 | | |
| | 996 522 052 05 ETN | Black | 00- | | |
| | 996 522 052 05 C52 | Graphite grey | 00- | | |
| | 996 522 052 05 S32 | Savanna | 00- | | |
| | 996 522 052 05 G12 | Metropole blue | 00- | | |
| | 996 522 052 05 B52 | Space grey | 00 | | |
| | 996 522 052 05 J32 | Nephrite green | 01- | | |
| (1) | 996 522 051 08 | Back seat cushion | /L | 1 | M193/937 |
| | | Leatherette | | | |
| | 996 522 051 08 A10 | Black | -99 | | |
| | 996 522 051 08 B50 | Space grey | -99 | | |
| | 996 522 051 08 C50 | Graphite grey | -99 | | |
| | 996 522 051 08 G10 | Metropole blue | -99 | | |
| | 996 522 051 08 S30 | Savanna | -99 | | |
| | 996 522 051 08 ETN | Black | 00- | | |
| | 996 522 051 08 C52 | Graphite grey | 00- | | |
| | 996 522 051 08 S32 | Savanna | 00- | | |
| | 996 522 051 08 G12 | Metropole blue | 00- | | |
| | 996 522 051 08 B52 | Space grey | 00 | | |
| | 996 522 051 08 J32 | Nephrite green | 01- | | |
| (1) | 996 522 052 08 | Back seat cushion | /R | 1 | M193/937 |
| | | Leatherette | | | |
| | 996 522 052 08 A10 | Black | -99 | | |
| | 996 522 052 08 B50 | Space grey | -99 | | |
| | 996 522 052 08 C50 | Graphite grey | -99 | | |
| | 996 522 052 08 G10 | Metropole blue | -99 | | |
| | 996 522 052 08 S30 | Savanna | -99 | | |
| | 996 522 052 08 ETN | Black | 00- | | |
| | 996 522 052 08 C52 | Graphite grey | 00- | | |
| | 996 522 052 08 S32 | Savanna | 00- | | |
| | 996 522 052 08 G12 | Metropole blue | 00- | | |
| | 996 522 052 08 B52 | Space grey | 00 | | |
| | 996 522 052 08 J32 | Nephrite green | 01- | | |
| (1) | 996 522 051 17 | Back seat cushion | 01- | 1 | M937 |
| | | Leatherette | | | |
| | 996 522 051 17 ETN | Black | | | |
| | 996 522 051 17 C52 | Graphite grey | | | |
| | 996 522 051 17 S32 | Savanna | | | |
| | 996 522 051 17 G12 | Metropole blue | | | |
| | 996 522 051 17 J32 | Nephrite green | | | |
| (1) | 996 522 052 17 | Back seat cushion | 01- | 1 | M937 |

Model: 996 98 Model life 1998>>2005

| Pos | Part Number | Description | Remark | Qty | Model |
|-----|--------------------|-------------------|--------|-----|----------|
| | | Leatherette | | | |
| | | Not for | | | |
| | | Japan | | | |
| | 996 522 052 17 ETN | Black | | | |
| | 996 522 052 17 C52 | Graphite grey | | | |
| | 996 522 052 17 S32 | Savanna | | | |
| | 996 522 052 17 G12 | Metropole blue | | | |
| | 996 522 052 17 J32 | Nephrite green | | | |
| (1) | 996 522 051 20 | Back seat cushion | 01- | 1 | M193/937 |
| | 996 522 051 20 ETN | Black | | | |
| | 996 522 051 20 C52 | Graphite grey | | | |
| | 996 522 051 20 S32 | Savanna | | | |
| | 996 522 051 20 G12 | Metropole blue | | | |
| | 996 522 051 20 J32 | Nephrite green | | | |
| (1) | 996 522 052 20 | Back seat cushion | 01- | 1 | M193/937 |
| | | Leatherette | | | |
| | 996 522 052 20 ETN | Black | | | |
| | 996 522 052 20 C52 | Graphite grey | | | |
| | 996 522 052 20 S32 | Savanna | | | |
| | 996 522 052 20 G12 | Metropole blue | | | |
| | 996 522 052 20 J32 | Nephrite green | | | |
| (1) | 996 522 051 06 | Back seat cushion | /L | 1 | M936 |
| | | Leather | | | |
| | 996 522 051 06 8YR | Black | -99 | | |
| | 996 522 051 06 ETO | Black | 00- | | |
| | 996 522 051 06 C50 | Graphite grey | | | |
| | 996 522 051 06 S30 | Savanna | | | |
| | 996 522 051 06 J30 | Nephrite green | | | |
| | 996 522 051 06 M30 | Boxster red | | | |
| | 996 522 051 06 B50 | Space grey | -00 | | |
| | 996 522 051 06 G10 | Metropole blue | | | |
| | 996 522 051 06 D11 | Dark grey | 00- | | |
| | 996 522 051 06 T11 | Brown/natural | 00- | | |
| | 996 522 051 06 P11 | Cinnamon brown | 01- | | |
| (1) | 996 522 052 06 | Back seat cushion | /R | 1 | M936 |
| | | Leather | | | |
| | 996 522 052 06 8YR | Black | -99 | | |
| | 996 522 052 06 ETO | Black | 00- | | |
| | 996 522 052 06 C50 | Graphite grey | | | |
| | 996 522 052 06 S30 | Savanna | | | |
| | 996 522 052 06 J30 | Nephrite green | | | |
| | 996 522 052 06 M30 | Boxster red | | | |
| | 996 522 052 06 B50 | Space grey | -00 | | |
| | 996 522 052 06 G10 | Metropole blue | | | |
| | 996 522 052 06 D11 | Dark grey | 00- | | |
| | 996 522 052 06 T11 | Brown/natural | 00- | | |
| | 996 522 052 06 P11 | Cinnamon brown | 01- | | |
| (1) | 996 522 051 09 | Back seat cushion | /L | 1 | M193/936 |
| | | Leather | | | |
| | 996 522 051 09 8YR | Black | -99 | | |
| | 996 522 051 09 ETO | Black | 00- | | |
| | 996 522 051 09 C50 | Graphite grey | | | |
| | 996 522 051 09 S30 | Savanna | | | |
| | 996 522 051 09 J30 | Nephrite green | | | |
| | 996 522 051 09 M30 | Boxster red | | | |
| | 996 522 051 09 B50 | Space grey | -00 | | |
| | 996 522 051 09 G10 | Metropole blue | | | |
| | 996 522 051 09 D11 | Dark grey | 00- | | |
| | 996 522 051 09 T11 | Brown/natural | 00- | | |
| | 996 522 051 09 P11 | Cinnamon brown | 01- | | |
| (1) | 996 522 052 09 | Back seat cushion | /R | 1 | M193/936 |
| | | Leather | | | |
| | 996 522 052 09 8YR | Black | -99 | | |

Model: 996 98 Model life 1998>>2005

| Pos | Part Number | Description | Remark | Qty | Model |
|-----|--------------------|--|--------|-----|----------|
| | 996 522 052 09 ETO | Black | 00- | | |
| | 996 522 052 09 C50 | Graphite grey | | | |
| | 996 522 052 09 S30 | Savanna | | | |
| | 996 522 052 09 J30 | Nephrite green | | | |
| | 996 522 052 09 M30 | Boxster red | | | |
| | 996 522 052 09 B50 | Space grey | -00 | | |
| | 996 522 052 09 G10 | Metropole blue | | | |
| | 996 522 052 09 D11 | Dark grey | 00- | | |
| | 996 522 052 09 T11 | Brown/natural | 00- | | |
| | 996 522 052 09 P11 | Cinnamon brown | 01- | | |
| (1) | 996 522 051 18 | Back seat cushion Leather | 01- | 1 | M936 |
| | 996 522 051 18 ETO | Black | | | |
| | 996 522 051 18 C50 | Graphite grey | | | |
| | 996 522 051 18 S30 | Savanna | | | |
| | 996 522 051 18 G10 | Metropole blue | | | |
| | 996 522 051 18 J30 | Nephrite green | | | |
| | 996 522 051 18 M30 | Boxster red | | | |
| | 996 522 051 18 P11 | Cinnamon brown | | | |
| | 996 522 051 18 D11 | Dark grey/natural | | | |
| | 996 522 051 18 T11 | Brown/natural | | | |
| (1) | 996 522 052 18 | Back seat cushion Leather Not for Japan | 01- | 1 | M936 |
| | 996 522 052 18 ETO | Black | | | |
| | 996 522 052 18 C50 | Graphite grey | | | |
| | 996 522 052 18 S30 | Savanna | | | |
| | 996 522 052 18 G10 | Metropole blue | | | |
| | 996 522 052 18 J30 | Nephrite green | | | |
| | 996 522 052 18 M30 | Boxster red | | | |
| | 996 522 052 18 P11 | Cinnamon brown | | | |
| | 996 522 052 18 D11 | Dark grey/natural | | | |
| | 996 522 052 18 T11 | Brown/natural | | | |
| (1) | 996 522 051 21 | Back seat cushion Leather | 01- | 1 | M193/936 |
| | 996 522 051 21 ETO | Black | | | |
| | 996 522 051 21 S30 | Savanna | | | |
| | 996 522 051 21 J30 | Nephrite green | | | |
| | 996 522 051 21 P11 | Cinnamon brown | | | |
| | 996 522 051 21 T11 | Brown/natural | | | |
| | 996 522 051 21 C50 | Graphite grey | | | |
| | 996 522 051 21 G10 | Metropole blue | | | |
| | 996 522 051 21 M30 | Boxster red | | | |
| | 996 522 051 21 D11 | Dark grey/natural | | | |
| (1) | 996 522 052 21 | Back seat cushion Leather | 01- | 1 | M193/936 |
| | 996 522 052 21 ETO | Black | | | |
| | 996 522 052 21 S30 | Savanna | | | |
| | 996 522 052 21 J30 | Nephrite green | | | |
| | 996 522 052 21 P11 | Cinnamon brown | | | |
| | 996 522 052 21 T11 | Brown/natural | | | |
| | 996 522 052 21 C50 | Graphite grey | | | |
| | 996 522 052 21 G10 | Metropole blue | | | |
| | 996 522 052 21 M30 | Boxster red | | | |
| | 996 522 052 21 D11 | Dark grey/natural | | | |
| (1) | 996 522 051 07 | Back seat cushion Draped leather | /L -01 | 1 | M939 |
| | 996 522 051 07 8YR | Black | -99 | | |
| | 996 522 051 07 ETO | Black | 00- | | |
| | 996 522 051 07 B50 | Space grey | | | |
| | 996 522 051 07 C50 | Graphite grey | | | |
| | 996 522 051 07 G10 | Metropole blue | | | |

Model: 996 98 Model life 1998>>2005

| Pos | Part Number | Description | Remark | Qty | Model |
|-----|--------------------|-------------------------------------|--------|-----|----------|
| | 996 522 051 07 S30 | Savanna | | | |
| | 996 522 051 07 J30 | Nephrite green | | | |
| | 996 522 051 07 M30 | Boxster red | | | |
| | 996 522 051 07 D11 | Dark grey | 00- | | |
| | 996 522 051 07 T11 | Brown/natural | | | |
| | 996 522 051 07 P11 | Cinnamon brown | | | |
| (1) | 996 522 052 07 | Back seat cushion Draped leather | /R -01 | 1 | M939 |
| | 996 522 052 07 8YR | Black | -99 | | |
| | 996 522 052 07 ETO | Black | 00- | | |
| | 996 522 052 07 B50 | Space grey | | | |
| | 996 522 052 07 C50 | Graphite grey | | | |
| | 996 522 052 07 G10 | Metropole blue | | | |
| | 996 522 052 07 S30 | Savanna | | | |
| | 996 522 052 07 J30 | Nephrite green | | | |
| | 996 522 052 07 M30 | Boxster red | | | |
| | 996 522 052 07 D11 | Dark grey | 00- | | |
| | 996 522 052 07 T11 | Brown/natural | | | |
| | 996 522 052 07 P11 | Cinnamon brown | | | |
| (1) | 996 522 051 10 | Back seat cushion Draped leather | /L -01 | 1 | M193/939 |
| | 996 522 051 10 8YR | Black | -99 | | |
| | 996 522 051 10 ETO | Black | 00- | | |
| | 996 522 051 10 B50 | Space grey | | | |
| | 996 522 051 10 C50 | Graphite grey | | | |
| | 996 522 051 10 G10 | Metropole blue | | | |
| | 996 522 051 10 S30 | Savanna | | | |
| | 996 522 051 10 J30 | Nephrite green | | | |
| | 996 522 051 10 M30 | Boxster red | | | |
| | 996 522 051 10 D11 | Dark grey | 00- | | |
| | 996 522 051 10 T11 | Brown/natural | | | |
| | 996 522 051 10 P11 | Cinnamon brown | | | |
| (1) | 996 522 052 10 | Back seat cushion Draped leather | /R -01 | 1 | M139/939 |
| | 996 522 052 10 8YR | Black | -99 | | |
| | 996 522 052 10 ETO | Black | 00- | | |
| | 996 522 052 10 B50 | Space grey | | | |
| | 996 522 052 10 C50 | Graphite grey | | | |
| | 996 522 052 10 G10 | Metropole blue | | | |
| | 996 522 052 10 S30 | Savanna | | | |
| | 996 522 052 10 J30 | Nephrite green | | | |
| | 996 522 052 10 M30 | Boxster red | | | |
| | 996 522 052 10 D11 | Dark grey | 00- | | |
| | 996 522 052 10 T11 | Brown/natural | | | |
| | 996 522 052 10 P11 | Cinnamon brown | | | |
| (1) | 996 522 051 19 | Back seat cushion | /L 01- | 1 | M939 |
| | 996 522 051 19 ETO | Black | | | |
| | 996 522 051 19 C50 | Graphite grey | | | |
| | 996 522 051 19 S30 | Savanna | | | |
| | 996 522 051 19 G10 | Metropole blue | | | |
| | 996 522 051 19 J30 | Nephrite green | | | |
| | 996 522 051 19 M30 | Boxster red | | | |
| | 996 522 051 19 P11 | Cinnamon brown | | | |
| | 996 522 051 19 D11 | Dark grey/natural | | | |
| | 996 522 051 19 T11 | Brown/natural | | | |
| (1) | 996 522 052 19 | Back seat cushion Draped leather | /R 01- | 1 | M939 |
| | | Not for Japan | | | |
| | 996 522 052 19 ETO | Black | | | |
| | 996 522 052 19 C50 | Graphite grey | | | |
| | 996 522 052 19 S30 | Savanna | | | |
| | 996 522 052 19 G10 | Metropole blue | | | |

Model: 996 98 Model life 1998>>2005

| Pos | Part Number | Description | Remark | Qty | Model |
|-----|--------------------|-------------------|--------|-----|--------------------------|
| | 996 522 052 19 J30 | Nephrite green | | | |
| | 996 522 052 19 M30 | Boxster red | | | |
| | 996 522 052 19 P11 | Cinnamon brown | | | |
| | 996 522 052 19 D11 | Dark grey/natural | | | |
| | 996 522 052 19 T11 | Brown/natural | | | |
| (1) | 996 522 051 22 | Back seat cushion | 01- | 1 | M193/939 |
| | 996 522 051 22 ETO | Black | | | |
| | 996 522 051 22 C50 | Graphite grey | | | |
| | 996 522 051 22 S30 | Savanna | | | |
| | 996 522 051 22 G10 | Metropole blue | | | |
| | 996 522 051 22 J30 | Nephrite green | | | |
| | 996 522 051 22 M30 | Boxster red | | | |
| | 996 522 051 22 P11 | Cinnamon brown | | | |
| | 996 522 051 22 D11 | Dark grey/natural | | | |
| | 996 522 051 22 T11 | Brown/natural | | | |
| (1) | 996 522 052 22 | Back seat cushion | 01- | 1 | M193/939 |
| | | Draped leather | | | |
| | 996 522 052 22 ETO | Black | | | |
| | 996 522 052 22 C50 | Graphite grey | | | |
| | 996 522 052 22 S30 | Savanna | | | |
| | 996 522 052 22 G10 | Metropole blue | | | |
| | 996 522 052 22 J30 | Nephrite green | | | |
| | 996 522 052 22 M30 | Boxster red | | | |
| | 996 522 052 22 P11 | Cinnamon brown | | | |
| | 996 522 052 22 D11 | Dark grey/natural | | | |
| | 996 522 052 22 T11 | Brown/natural | | | |
| (1) | 996 522 051 24 | Back seat cushion | /L 05- | 1 | /971 M936 |
| | | Leather | | | |
| | | Not for | | | |
| | | Japan | | | |
| | 996 522 051 24 VTB | Dark grey/natural | | | |
| | 996 522 051 24 VTL | Brown/natural | | | |
| (1) | 996 522 052 24 | Back seat cushion | /R 05- | 1 | /971 M936 |
| | | Leather | | | |
| | | Not for | | | |
| | | Japan | | | |
| | 996 522 052 24 VTB | Dark grey/natural | | | |
| | 996 522 052 24 VTL | Brown/natural | | | |
| (1) | 996 522 051 25 | Back seat cushion | /L 05- | 1 | M193/936 M971 M971 |
| | | Leather | | | |
| | 996 522 051 25 VTB | Dark grey/natural | | | |
| | 996 522 051 25 VTL | Brown/natural | | | |
| (1) | 996 522 052 25 | Back seat cushion | /R 05- | 1 | M193/936 M971 |
| | | Leather | | | |
| | 996 522 052 25 VTB | Dark grey/natural | | | |
| | 996 522 052 25 VTL | Brown/natural | | | |
| 2 | 996 522 893 00 | Clip | | X | |
| | | Triple | | | |
| 3 | 996 522 897 00 | Clips nut | | X | |
| 4 | 996 522 895 00 | Clip | | X | |
| | | Double | | | |
| 5 | 996 522 235 01 | Centre part | /L -99 | 1 | M937 |
| | | Leatherette | | | |
| | 996 522 235 01 A10 | Black | | | |
| | 996 522 235 01 C50 | Graphite grey | | | |
| | 996 522 235 01 B50 | Space grey | | | |
| | 996 522 235 01 G10 | Metropole blue | | | |
| | 996 522 235 01 S30 | Savanna | | | |
| (5) | 996 522 236 01 | Centre part | /R -99 | 1 | M937 |
| | | Leatherette | | | |

Model: 996 98 Model life 1998>>2005

| Pos | Part Number | Description | Remark | Qty | Model |
|-----|--------------------|-------------------------------|--------|-----|-------|
| | 996 522 236 01 A10 | Black | | | |
| | 996 522 236 01 C50 | Graphite grey | | | |
| | 996 522 236 01 B50 | Space grey | | | |
| | 996 522 236 01 G10 | Metropole blue | | | |
| | 996 522 236 01 S30 | Savanna | | | |
| (5) | 996 522 235 07 | Centre part Leatherette | /L 00- | 1 | M937 |
| | 996 522 235 07 A12 | Black | | | |
| | 996 522 235 07 C52 | Graphite grey | | | |
| | 996 522 235 07 S32 | Savanna | | | |
| | 996 522 235 07 G12 | Metropole blue | | | |
| | 996 522 235 07 B52 | Space grey | 00 | | |
| | 996 522 235 07 J32 | Nephrite green | 01- | | |
| (5) | 996 522 236 07 | Centre part Leatherette | /R 00- | 1 | M937 |
| | 996 522 236 07 A12 | Black | | | |
| | 996 522 236 07 C52 | Graphite grey | | | |
| | 996 522 236 07 S32 | Savanna | | | |
| | 996 522 236 07 G12 | Metropole blue | | | |
| | 996 522 236 07 B52 | Space grey | 00 | | |
| | 996 522 236 07 J32 | Nephrite green | 01- | | |
| (5) | 996 522 235 02 | Centre part Draped leather | /L -99 | 1 | M939 |
| | 996 522 235 02 8YR | Black | | | |
| | 996 522 235 02 C50 | Graphite grey | | | |
| | 996 522 235 02 B50 | Space grey | | | |
| | 996 522 235 02 G10 | Metropole blue | | | |
| | 996 522 235 02 S30 | Savanna | | | |
| | 996 522 235 02 J30 | Nephrite green | | | |
| | 996 522 235 02 M30 | Boxster red | | | |
| (5) | 996 522 236 02 | Centre part Draped leather | /R -99 | 1 | M939 |
| | 996 522 236 02 8YR | Black | | | |
| | 996 522 236 02 C50 | Graphite grey | | | |
| | 996 522 236 02 B50 | Space grey | | | |
| | 996 522 236 02 G10 | Metropole blue | | | |
| | 996 522 236 02 S30 | Savanna | | | |
| | 996 522 236 02 J30 | Nephrite green | | | |
| | 996 522 236 02 M30 | Boxster red | | | |
| (5) | 996 522 235 03 | Centre part Draped leather | /L -99 | 1 | M939 |
| | 996 522 235 03 8YR | Black | -99 | | |
| | 996 522 235 03 C50 | Graphite grey | | | |
| | 996 522 235 03 B50 | Space grey | | | |
| | 996 522 235 03 G10 | Metropole blue | | | |
| | 996 522 235 03 S30 | Savanna | | | |
| | 996 522 235 03 J30 | Nephrite green | | | |
| | 996 522 235 03 M30 | Boxster red | | | |
| (5) | 996 522 236 03 | Centre part Draped leather | /R -99 | 1 | M939 |
| | 996 522 236 03 8YR | Black | -99 | | |
| | 996 522 236 03 C50 | Graphite grey | | | |
| | 996 522 236 03 B50 | Space grey | | | |
| | 996 522 236 03 G10 | Metropole blue | | | |
| | 996 522 236 03 S30 | Savanna | | | |
| | 996 522 236 03 J30 | Nephrite green | | | |
| | 996 522 236 03 M30 | Boxster red | | | |
| (5) | 996 522 235 08 | Centre part | /L 00- | 1 | M936 |
| | 996 522 235 08 8YR | Black | | | |
| | 996 522 235 08 C50 | Graphite grey | | | |
| | 996 522 235 08 S30 | Savanna | | | |
| | 996 522 235 08 G10 | Metropole blue | | | |
| | 996 522 235 08 B50 | Space grey | 00 | | |

Model: 996 98 Model life 1998>>2005

| Pos | Part Number | Description | Remark | Qty | Model |
|--------------------|--------------------|------------------------------------|--------|-----|--------------|
| (5) | 996 522 235 08 J30 | Nephrite green | | | |
| | 996 522 235 08 M30 | Boxster red | | | |
| | 996 522 235 08 D11 | Dark grey/natural | | | |
| | 996 522 235 08 T11 | Brown/natural | | | |
| | 996 522 235 08 P11 | Cinnamon brown | | | |
| | 996 522 236 08 | Centre part Leather | /R 00- | 1 | M936 |
| | 996 522 236 08 8YR | Black | | | |
| | 996 522 236 08 C50 | Graphite grey | | | |
| | 996 522 236 08 S30 | Savanna | | | |
| | 996 522 236 08 G10 | Metropole blue | | | |
| (5) | 996 522 236 08 B50 | Space grey | 00 | | |
| | 996 522 236 08 J30 | Nephrite green | | | |
| | 996 522 236 08 M30 | Boxster red | | | |
| | 996 522 236 08 D11 | Dark grey/natural | | | |
| | 996 522 236 08 T11 | Brown/natural | | | |
| | 996 522 236 08 P11 | Cinnamon brown | | | |
| | 996 522 235 09 | Centre part | /L 00- | 1 | M939 |
| | 996 522 235 09 8YR | Black | | | |
| | 996 522 235 09 C50 | Graphite grey | | | |
| | 996 522 235 09 S30 | Savanna | | | |
| (5) | 996 522 235 09 G10 | Metropole blue | | | |
| | 996 522 235 09 B50 | Space grey | 00 | | |
| | 996 522 235 09 J30 | Nephrite green | | | |
| | 996 522 235 09 M30 | Boxster red | | | |
| | 996 522 235 09 D11 | Dark grey/natural | | | |
| | 996 522 235 09 T11 | Brown/natural | | | |
| | 996 522 235 09 P11 | Cinnamon brown | | | |
| | 996 522 236 09 | Centre part Draped leather | /R 00- | 1 | M939 |
| | 996 522 236 09 8YR | Black | | | |
| | 996 522 236 09 C50 | Graphite grey | | | |
| (5) | 996 522 236 09 S30 | Savanna | | | |
| | 996 522 236 09 G10 | Metropole blue | | | |
| | 996 522 236 09 B50 | Space grey | 00 | | |
| | 996 522 236 09 J30 | Nephrite green | | | |
| | 996 522 236 09 M30 | Boxster red | | | |
| | 996 522 236 09 D11 | Dark grey/natural | | | |
| | 996 522 236 09 T11 | Brown/natural | | | |
| | 996 522 236 09 P11 | Cinnamon brown | | | |
| | 996 522 235 13 | Centre part Leather | /L 05- | 1 | /971 M936 |
| | 996 522 235 13 D13 | Dark grey/natural | | | |
| (5) | 996 522 235 13 T14 | Brown/natural | | | |
| | 996 522 236 13 | Centre part Leather | /R 05- | 1 | /971 M936 |
| 6 | 996 522 236 13 D13 | Dark grey/natural | | | |
| | 996 522 236 13 T14 | Brown/natural | | | |
| | 996 522 065 00 | Back seat extension Leatherette | /L -01 | 1 | M193/937 |
| | 996 522 065 00 A10 | Black | -99 | | |
| | 996 522 065 00 B50 | Space grey | -99 | | |
| | 996 522 065 00 C50 | Graphite grey | -99 | | |
| | 996 522 065 00 G10 | Metropole blue | -99 | | |
| | 996 522 065 00 S30 | Savanna | -99 | | |
| | 996 522 065 00 A12 | Black | 00- | | |
| | 996 522 065 00 C52 | Graphite grey | 00- | | |
| 996 522 065 00 S32 | Savanna | 00- | | | |
| 996 522 065 00 B52 | Space grey | 00 | | | |
| 996 522 065 00 G12 | Metropole blue | 00- | | | |
| 996 522 065 00 J32 | Nephrite green | 01- | | | |

Model: 996 98 Model life 1998>>2005

| Pos | Part Number | Description | Remark | Qty | Model |
|-----|--------------------|---|--------|-----|--------------------------|
| (6) | 996 522 066 00 | Back seat extension Leatherette | /R -01 | 1 | M193/937 |
| | 996 522 066 00 A10 | Black | -99 | | |
| | 996 522 066 00 B50 | Space grey | -99 | | |
| | 996 522 066 00 C50 | Graphite grey | -99 | | |
| | 996 522 066 00 G10 | Metropole blue | -99 | | |
| | 996 522 066 00 S30 | Savanna | -99 | | |
| | 996 522 066 00 A12 | Black | 00- | | |
| | 996 522 066 00 C52 | Graphite grey | 00- | | |
| | 996 522 066 00 S32 | Savanna | 00- | | |
| | 996 522 066 00 B52 | Space grey | 00 | | |
| | 996 522 066 00 G12 | Metropole blue | 00- | | |
| | 996 522 066 00 J32 | Nephrite green | 01- | | |
| (6) | 996 522 065 02 | Back seat extension | /L 01- | 1 | M193/937 |
| | 996 522 065 02 A12 | Black | | | |
| | 996 522 065 02 C52 | Graphite grey | | | |
| | 996 522 065 02 S32 | Savanna | | | |
| | 996 522 065 02 G12 | Metropole blue | | | |
| | 996 522 065 02 J32 | Nephrite green | | | |
| (6) | 996 522 066 02 | Back seat extension Leatherette | /R 01- | 1 | M193/937 |
| | 996 522 066 02 A12 | Black | | | |
| | 996 522 066 02 C52 | Graphite grey | | | |
| | 996 522 066 02 S32 | Savanna | | | |
| | 996 522 066 02 G12 | Metropole blue | | | |
| | 996 522 066 02 J32 | Nephrite green | | | |
| (6) | 996 522 065 01 | Back seat extension | /L -00 | 1 | M193/936 M939 M939 |
| | | Leather | | | |
| | 996 522 065 01 8YR | Black | | | |
| | 996 522 065 01 B50 | Space grey | -00 | | |
| | 996 522 065 01 C50 | Graphite grey | | | |
| | 996 522 065 01 G10 | Metropole blue | | | |
| | 996 522 065 01 S30 | Savanna | | | |
| | 996 522 065 01 J30 | Nephrite green | | | |
| | 996 522 065 01 M30 | Boxster red | | | |
| | 996 522 065 01 D11 | Dark grey | 00- | | |
| | 996 522 065 01 T11 | Brown/natural | 00- | | |
| (6) | 996 522 066 01 | Back seat extension | /R -00 | 1 | M193/936 M939 |
| | | Leather | | | |
| | 996 522 066 01 8YR | Black | | | |
| | 996 522 066 01 B50 | Space grey | -00 | | |
| | 996 522 066 01 C50 | Graphite grey | | | |
| | 996 522 066 01 G10 | Metropole blue | | | |
| | 996 522 066 01 S30 | Savanna | | | |
| | 996 522 066 01 J30 | Nephrite green | | | |
| | 996 522 066 01 M30 | Boxster red | | | |
| | 996 522 066 01 D11 | Dark grey | 00- | | |
| | 996 522 066 01 T11 | Brown/natural | 00- | | |
| (6) | 996 522 065 03 | Back seat extension | 01- | 1 | M193/936 M939 |
| | | Leather | | | |
| | 996 522 065 03 8YR | Black | | | |
| | 996 522 065 03 C50 | Graphite grey | | | |
| | 996 522 065 03 S30 | Savanna | | | |
| | 996 522 065 03 G10 | Metropole blue | | | |
| | 996 522 065 03 J30 | Nephrite green | | | |
| | 996 522 065 03 M30 | Boxster red | | | |
| | 996 522 065 03 P11 | Cinnamon brown | | | |
| | 996 522 065 03 D11 | Dark grey/natural | | | |
| | 996 522 065 03 T11 | Brown/natural | | | |
| (6) | 996 522 066 03 | Back seat extension Back seat cushion Leather | 01- | 1 | M193/936 M939 |

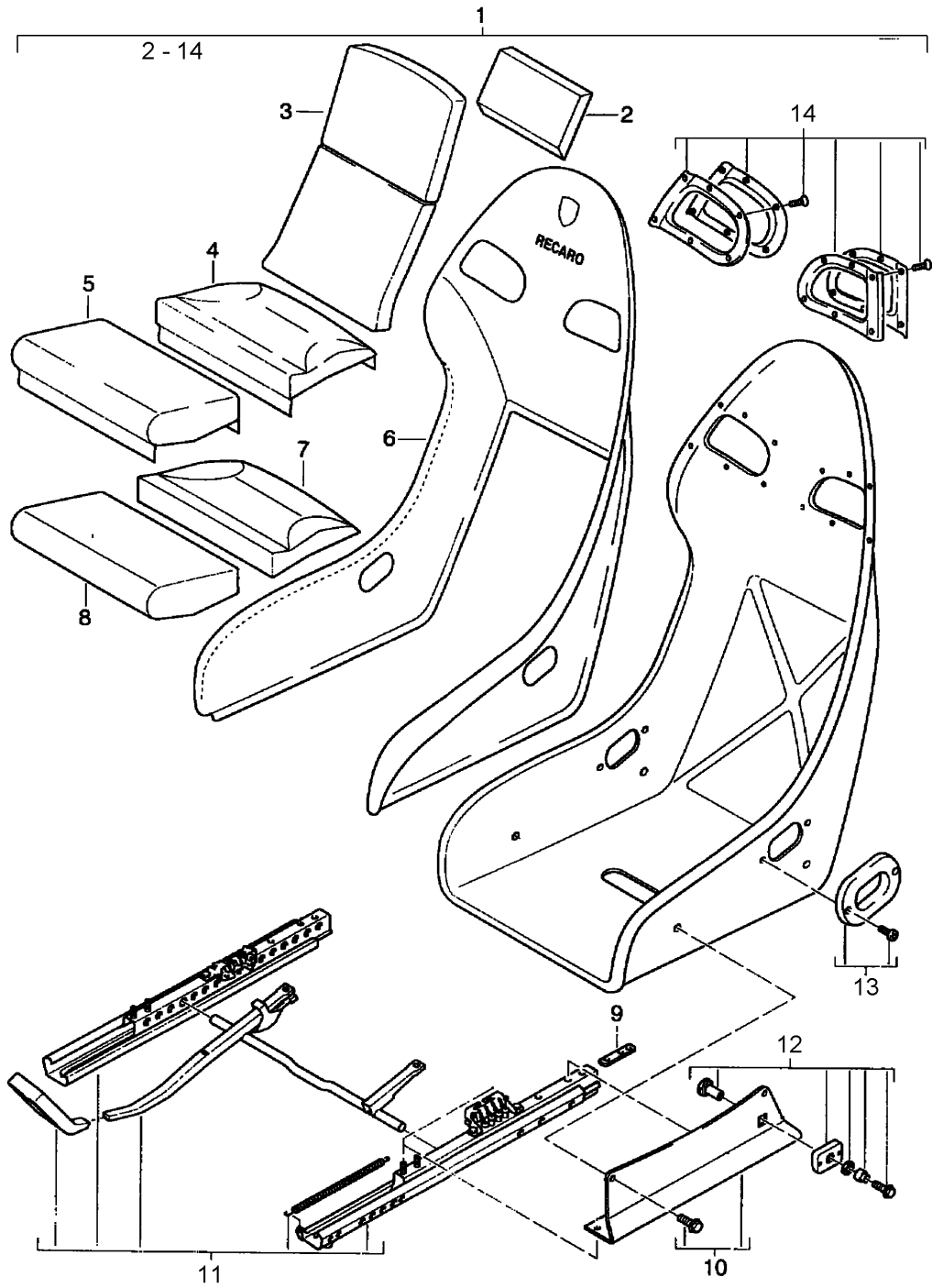
Model: 996 98

Model life 1998>>2005

| Pos | Part Number | Description | Remark | Qty | Model |
|-----|--------------------|-------------------|--------|-----|-------|
| | 996 522 066 03 8YR | Black | | | |
| | 996 522 066 03 C50 | Graphite grey | | | |
| | 996 522 066 03 S30 | Savanna | | | |
| | 996 522 066 03 G10 | Metropole blue | | | |
| | 996 522 066 03 J30 | Nephrite green | | | |
| | 996 522 066 03 M30 | Boxster red | | | |
| | 996 522 066 03 P11 | Cinnamon brown | | | |
| | 996 522 066 03 D11 | Dark grey/natural | | | |
| | 996 522 066 03 T11 | Brown/natural | | | |

Model: 996 98

Model life 1998>>2005



Model: 996 98 Model life 1998>>2005

| Pos | Part Number | Description | Remark | Qty | Model |
|------|--------------------|--|--------|-----|----------------------|
| | | Bucket seat with Perlon velour Cover | | | CARRERA |
| 1 | 996 521 985 00 | Bucket seat Perlon velour Black | /LL /L | 1 | IXSE/M990 |
| (1) | 996 521 986 00 | Bucket seat Perlon velour Black | /LL /R | 1 | IXSF/M990 |
| (1) | 996 521 985 02 | Bucket seat Perlon velour Black | /RL /L | 1 | IXSE/M990 |
| (1) | 996 521 986 02 | Bucket seat Perlon velour Black | /RL /R | 1 | IXSF/M990 |
| (1) | 996 521 985 07 | Bucket seat Black | /LL | 1 | IXSS/M983 |
| (1) | 996 521 985 07 ERZ | Black | | | |
| (1) | 996 521 985 09 | Bucket seat Black | /RL | 1 | IXSS/M983 |
| (1) | 996 521 985 09 ERZ | Black | | | |
| (1) | 996 521 986 07 | Bucket seat Black | /LL | 1 | IXSR/M983 |
| (1) | 996 521 986 07 ERZ | Black | | | |
| (1) | 996 521 986 09 | Bucket seat Black | /RL | 1 | IXSR/M983 |
| (1) | 996 521 986 09 ERZ | Black | | | |
| 2 | 996 521 911 90 | Lumbar support | | 2 | IXSE/XSF IXSR/XSS |
| 3 | 996 521 913 90 | Backrest cushion Perlon velour Black | | 2 | IXSE/XSF M990 |
| 4 | 996 521 915 90 | Cover for cushion Seat cushion Rear | | 2 | IXSE/XSF M990 |
| 5 | 996 521 919 90 | Cover for cushion Seat cushion Front Perlon velour Black | | 2 | IXSE/XSF M990 |
| 6 | 996 521 988 00 | Outer lining Perlon velour Black | | 2 | IXSE/XSF M990 |
| 7 | 996 521 917 90 | Foam part Seat cushion Rear | | 2 | IXSE/XSF IXSR/XSS |
| 8 | 996 521 921 90 | Foam part Seat cushion Front | | 2 | IXSE/XSF IXSR/XSS |
| 9 | 996 521 931 90 | Stop | | 2 | IXSE/XSF IXSR/XSS |
| (9) | 996 521 603 01 | Stop Short | 02- | 2 | |
| 10 | 996 521 923 90 | Parts kit Adapter | /L | 2 | IXSE/XSS |
| (10) | 996 521 924 90 | Parts kit Adapter | /R | 2 | IXSF/XSR |
| 11 | 996 521 929 90 | Parts kit Seat rail Use also: | /L | 1 | IXSE/XSS |
| - | 996 521 645 00 | Clutch power spring | /L | 2 | IXSE/XSS |
| (11) | 996 521 930 90 | Parts kit Seat rail Use also: | /R | 1 | IXSF/XSR |
| - | 996 521 645 00 | Clutch power spring | /L | 2 | IXSE/XSS |
| (12) | 996 521 925 90 | Set of fastening parts | | 2 | |

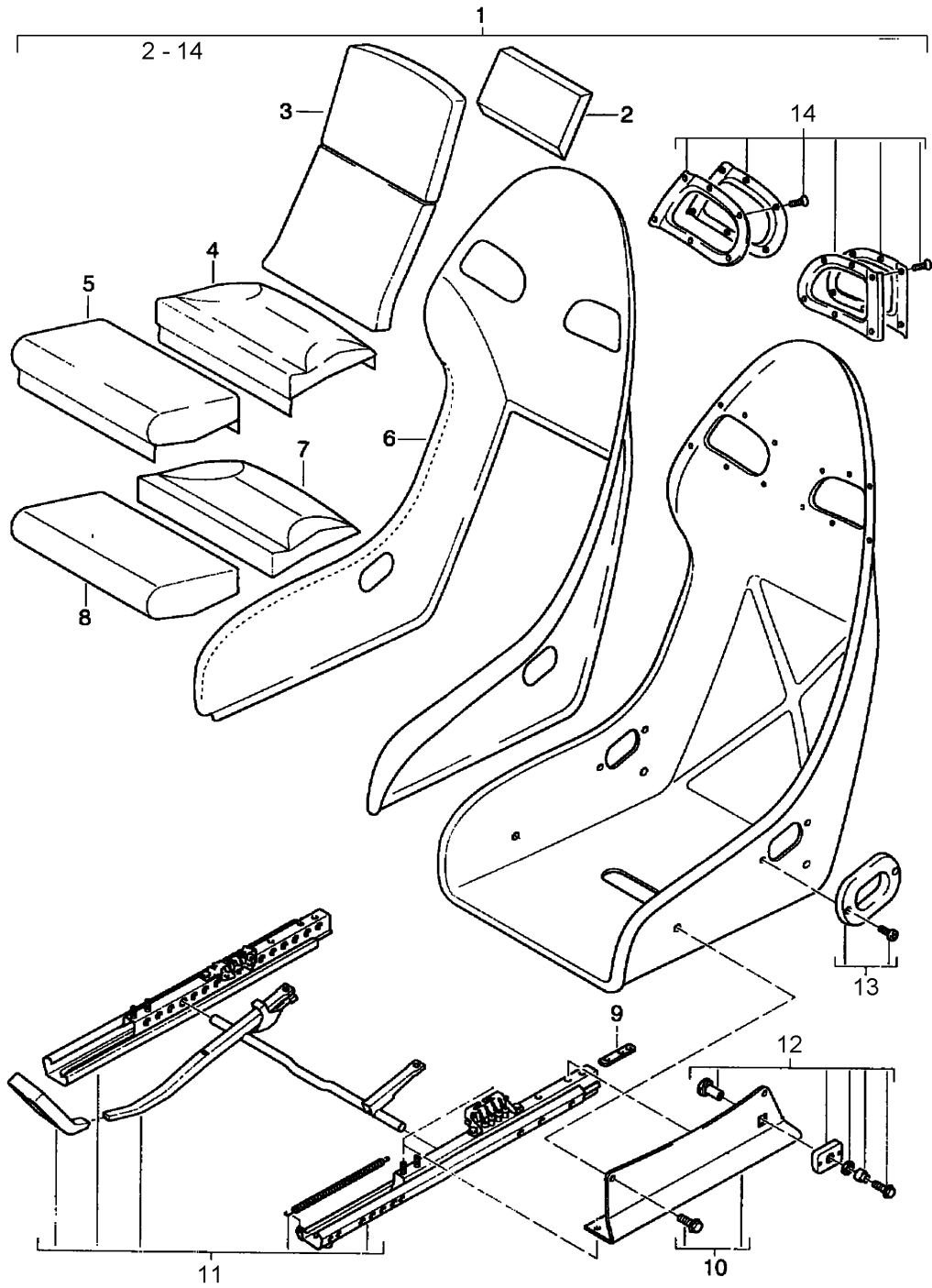
Model: 996 98

Model life 1998>>2005

| Pos | Part Number | Description | Remark | Qty | Model |
|-----|----------------|--|--------|-----|-------|
| 12 | 996 521 927 90 | Seat-belt buckle Inner Set of fastening parts Seat-belt buckle Outer | | 2 | |
| 13 | 996 521 907 90 | Parts kit Rosette Belt Lower | | 2 | |
| 14 | 996 521 905 90 | Parts kit Rosette Belt Upper | | 2 | |

Model: 996 98

Model life 1998>>2005



Model: 996 98 Model life 1998>>2005

| Pos | Part Number | Description | Remark | Qty | Model |
|-----|--------------------|---|--------|-----|---------------------------|
| | | Bucket seat with Whole-leather Cover | | | CARRERA |
| 1 | 996 521 985 01 | Bucket seat Leather | /LL /L | 1 | IXSE/M983 |
| | 996 521 985 01 8YR | Black | -00 | | |
| | 996 521 985 01 ERZ | Black | 01- | | |
| | 996 521 985 01 B50 | Space grey | | | |
| | 996 521 985 01 C50 | Graphite grey | | | |
| | 996 521 985 01 G10 | Metropole blue | | | |
| | 996 521 985 01 S30 | Savanna | | | |
| | 996 521 985 01 J30 | Nephrite green | | | |
| | 996 521 985 01 M30 | Boxster red | | | |
| | 996 521 985 01 T11 | Brown/natural | | | |
| | 996 521 985 01 D11 | Dark grey/natural | | | |
| | 996 521 985 01 P11 | Cinnamon brown | | | |
| (1) | 996 521 986 01 | Bucket seat Leather | /LL /R | 1 | IXSF/M983 |
| | 996 521 986 01 8YR | Black | -00 | | |
| | 996 521 986 01 ERZ | Black | 01- | | |
| | 996 521 986 01 B50 | Space grey | | | |
| | 996 521 986 01 C50 | Graphite grey | | | |
| | 996 521 986 01 G10 | Metropole blue | | | |
| | 996 521 986 01 S30 | Savanna | | | |
| | 996 521 986 01 J30 | Nephrite green | | | |
| | 996 521 986 01 M30 | Boxster red | | | |
| | 996 521 986 01 T11 | Brown/natural | | | |
| | 996 521 986 01 D11 | Dark grey/natural | | | |
| | 996 521 986 01 P11 | Cinnamon brown | | | |
| (1) | 996 521 985 03 | Bucket seat Leather | /RL /L | 1 | IXSE/M983 |
| | 996 521 985 03 8YR | Black | -00 | | |
| | 996 521 985 03 ERZ | Black | 01- | | |
| | 996 521 985 03 B50 | Space grey | | | |
| | 996 521 985 03 C50 | Graphite grey | | | |
| | 996 521 985 03 G10 | Metropole blue | | | |
| | 996 521 985 03 S30 | Savanna | | | |
| | 996 521 985 03 J30 | Nephrite green | | | |
| | 996 521 985 03 M30 | Boxster red | | | |
| | 996 521 985 03 T11 | Brown/natural | | | |
| | 996 521 985 03 D11 | Dark grey/natural | | | |
| | 996 521 985 03 P11 | Cinnamon brown | | | |
| (1) | 996 521 986 03 | Bucket seat Leather | /RL /R | 1 | IXSF/M983 |
| | 996 521 986 03 8YR | Black | -00 | | |
| | 996 521 986 03 ERZ | Black | 01- | | |
| | 996 521 986 03 B50 | Space grey | | | |
| | 996 521 986 03 C50 | Graphite grey | | | |
| | 996 521 986 03 G10 | Metropole blue | | | |
| | 996 521 986 03 S30 | Savanna | | | |
| | 996 521 986 03 J30 | Nephrite green | | | |
| | 996 521 986 03 M30 | Boxster red | | | |
| | 996 521 986 03 T11 | Brown/natural | | | |
| | 996 521 986 03 D11 | Dark grey/natural | | | |
| | 996 521 986 03 P11 | Cinnamon brown | | | |
| 2 | 996 521 911 90 | Lumbar support | | 2 | IXSE/XSF IXSR/XSS |
| 3 | 996 521 989 00 | Backrest cushion Leather | | 2 | IXSE/XSF/XSR IXSS/M983 |
| | 996 521 989 00 8YR | Black | | | |
| | 996 521 989 00 B50 | Space grey | | | |
| | 996 521 989 00 C50 | Graphite grey | | | |

Model: 996 98 Model life 1998>>2005

| Pos | Part Number | Description | Remark | Qty | Model |
|------|--------------------|---------------------------------------|--------|-----|---------------------------|
| | 996 521 989 00 G10 | Metropole blue | | | |
| | 996 521 989 00 S30 | Savanna | | | |
| | 996 521 989 00 J30 | Nephrite green | | | |
| | 996 521 989 00 M30 | Boxster red | | | |
| | 996 521 989 00 T11 | Brown/natural | | | |
| | 996 521 989 00 D11 | Dark grey/natural | | | |
| | 996 521 989 00 P11 | Cinnamon brown | | | |
| | 996 521 989 00 ERZ | Black | | | |
| 4 | 996 521 990 00 | Cover for cushion Rear Leather | | 2 | IXSE/XSF/XSR IXSS/M983 |
| | 996 521 990 00 8YR | Black | -00 | | |
| | 996 521 990 00 B50 | Space grey | | | |
| | 996 521 990 00 C50 | Graphite grey | | | |
| | 996 521 990 00 G10 | Metropole blue | | | |
| | 996 521 990 00 S30 | Savanna | | | |
| | 996 521 990 00 J30 | Nephrite green | | | |
| | 996 521 990 00 M30 | Boxster red | | | |
| | 996 521 990 00 T11 | Brown/natural | | | |
| | 996 521 990 00 D11 | Dark grey/natural | | | |
| | 996 521 990 00 P11 | Cinnamon brown | | | |
| | 996 521 990 00 ERZ | Black | 01- | | |
| 5 | 996 521 991 00 | Cover for cushion Leather Front | | 2 | IXSE/XSF/XSR IXSS/M983 |
| | 996 521 991 00 8YR | Black | -00 | | |
| | 996 521 991 00 B50 | Space grey | | | |
| | 996 521 991 00 C50 | Graphite grey | | | |
| | 996 521 991 00 G10 | Metropole blue | | | |
| | 996 521 991 00 S30 | Savanna | | | |
| | 996 521 991 00 J30 | Nephrite green | | | |
| | 996 521 991 00 M30 | Boxster red | | | |
| | 996 521 991 00 T11 | Brown/natural | | | |
| | 996 521 991 00 D11 | Dark grey/natural | | | |
| | 996 521 991 00 P11 | Cinnamon brown | | | |
| | 996 521 991 00 ERZ | Black | 01- | | |
| 6 | 996 521 988 01 | Outer lining Leather | | 2 | IXSE/XSF/XSR IXSS/M983 |
| | 996 521 988 01 8YR | Black | | | |
| | 996 521 988 01 B50 | Space grey | | | |
| | 996 521 988 01 C50 | Graphite grey | | | |
| | 996 521 988 01 G10 | Metropole blue | | | |
| | 996 521 988 01 S30 | Savanna | | | |
| | 996 521 988 01 J30 | Nephrite green | | | |
| | 996 521 988 01 M30 | Boxster red | | | |
| | 996 521 988 01 T11 | Brown/natural | | | |
| | 996 521 988 01 D11 | Dark grey/natural | | | |
| | 996 521 988 01 P11 | Cinnamon brown | | | |
| | 996 521 988 01 ERZ | Black | | | |
| 7 | 996 521 917 90 | Foam part Seat cushion Rear | | 2 | IXSE/XSF IXSR/XSS |
| 8 | 996 521 921 90 | Foam part Seat cushion Front | | 2 | IXSE/XSF IXSR/XSS |
| 9 | 996 521 931 90 | Stop | | 2 | |
| (9) | 996 521 603 01 | Stop Short | | 2 | |
| 10 | 996 521 923 90 | Parts kit Adapter | /L | 2 | IXSE/XSS |
| (10) | 996 521 924 90 | Parts kit Adapter | /R | 2 | IXSF/XSR |
| 11 | 996 521 929 90 | Parts kit | /L | 1 | IXSE/XSS |

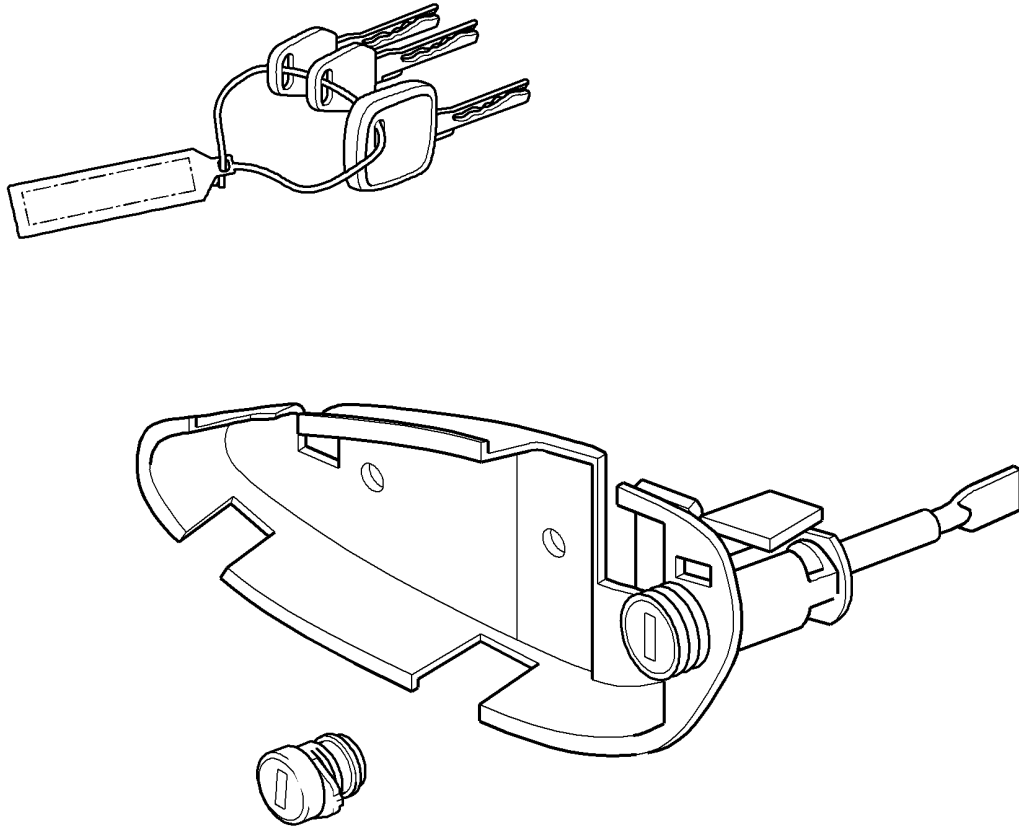
Model: 996 98

Model life 1998>>2005

| Pos | Part Number | Description | Remark | Qty | Model |
|------|----------------|------------------------|--------|-----|----------|
| - | 996 521 645 00 | Seat rail | | | |
| | | Use also: | | | |
| (11) | 996 521 930 90 | Clutch power spring | /L | 2 | IXSE/XSS |
| | | Parts kit | /R | 1 | IXSF/XSR |
| | | Seat rail | | | |
| | | Use also: | | | |
| - | 996 521 645 00 | Clutch power spring | /L | 2 | IXSE/XSS |
| (12) | 996 521 925 90 | Set of fastening parts | | 2 | |
| | | Seat-belt buckle | | | |
| | | Inner | | | |
| 12 | 996 521 927 90 | Set of fastening parts | | 2 | |
| | | Seat-belt buckle | | | |
| | | Outer | | | |
| 13 | 996 521 907 90 | Parts kit | | 2 | |
| | | Rosette | | | |
| | | Belt | | | |
| | | Lower | | | |
| 14 | 996 521 905 90 | Parts kit | | 2 | |
| | | Rosette | | | |
| | | Belt | | | |
| | | Upper | | | |

Model: 996 98

Model life 1998>>2005

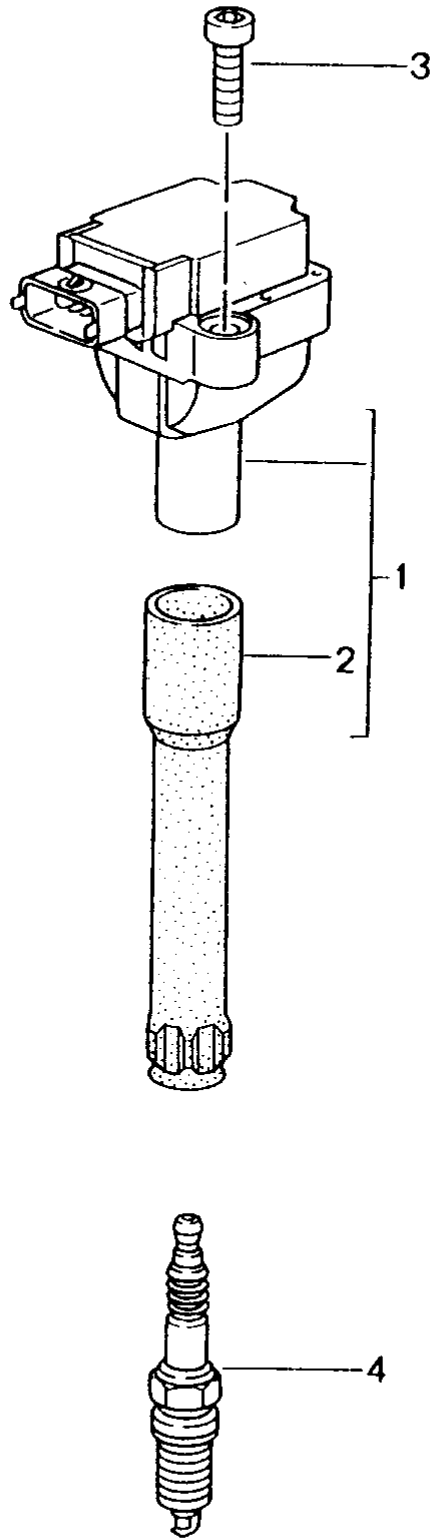


Model: 996 98 Model life 1998>>2005

| Pos | Part Number | Description | Remark | Qty | Model |
|-----|----------------|--|---------|-----|----------|
| | | Repair kits Set of locks Comprising: Support Outer door handle Glove compartment lock Key Key tag | | | |
| >> | 996 538 001 03 | Set of locks | -01 | 1 | M531/532 |
| >> | 996 538 001 04 | Set of locks | /LL -02 | 1 | M534/535 |
| >> | 996 538 001 06 | Set of locks with Glove compartment lock | /LL 02- | 1 | M531/532 |
| >> | 996 538 001 07 | Set of locks with Glove compartment lock | /LL 03- | 1 | M534/535 |
| >> | 996 538 001 05 | Set of locks | /RL -02 | 1 | M534/535 |
| >> | 996 538 001 08 | Set of locks with Glove compartment lock | /RL 03- | 1 | M534/535 |

Model: 996 98

Model life 1998>>2005

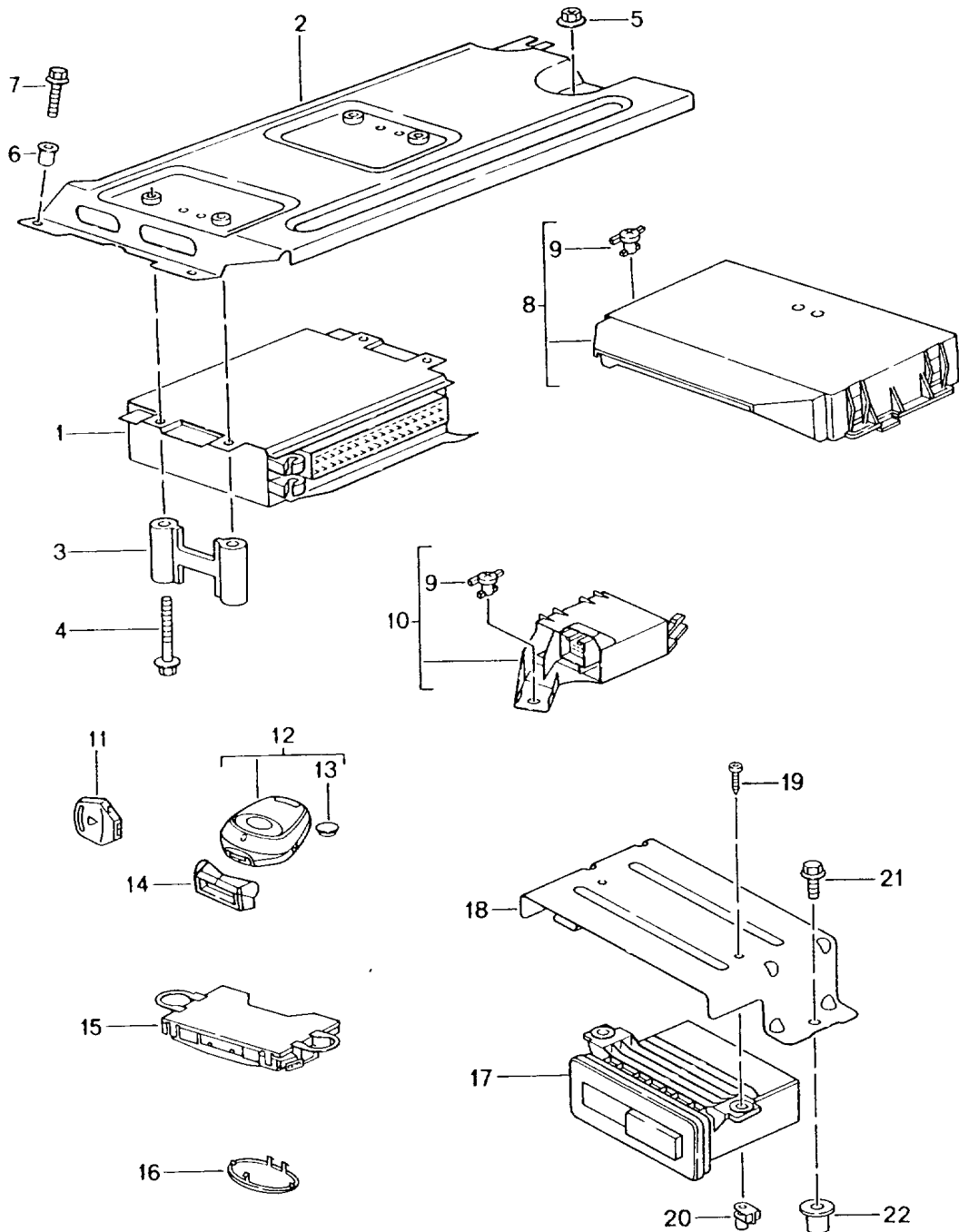


Model: 996 98 Model life 1998>>2005

| Pos | Part Number | Description | Remark | Qty | Model |
|-----|----------------|--|--------|------------------------|--------------------------|
| 1 | 997 602 107 00 | Ignition system Ignition coil | -01 | 6 | M96.01/02 04 |
| 1 | 997 602 107 02 | Ignition coil Use also: 900.385.025.01 900.075.333.01 999.025.193.30 999.025.220.30 | -01 | 6 12 4 4 4 | M96.01/02 04 |
| - | 900 385 025 01 | Torx screw BM 6 X 40 | | 12 | |
| - | 900 075 333 01 | Combination screw M 6 X 25 | | 4 | |
| - | 999 025 193 30 | Spacer 3MM | | 4 | |
| - | 999 025 220 30 | Spacer 5MM | | 4 | |
| - | 999 025 220 3A | Spacer 5MM | | 4 | |
| - | 999 652 916 40 | Plug socket | | 6 | |
| - | 999 650 052 12 | Connector | | 18 | |
| - | 999 704 161 40 | Gasket | | 18 | |
| - | 996 607 401 00 | Rubber sleeve | | 4 | |
| - | 996 607 402 00 | Rubber sleeve | | 2 | |
| 1 | 997 602 104 02 | Ignition coil Use also: 900.385.025.01 | 02- | 6 12 | M96.03 |
| 2 | 996 602 103 01 | Spark plug connector | -01 | 6 | M96.01/02 04 |
| 2 | 996 602 105 00 | Spark plug connector | 02- | 6 | M96.03 |
| 3 | 900 067 089 09 | Pan-head screw M 6 X 25 M >> 664 08139 M >> 684 01577 | | 12 | IX51 |
| 3 | 900 067 089 01 | Pan-head screw M 6 X 25 M >> 664 08139 M >> 684 01577 | | 12 | IX51 |
| 3 | 900 387 008 01 | Pan-head screw M 6 X 25 M 664 08140 >> M 684 01578 >> | | 12 | M96.03 M96.03 IX51 |
| 4 | 999 170 207 91 | Spark plug 14FGR 6KQU | -01 | 6 | M96.01/02 04 |
| 4 | 999 170 223 90 | Spark plug FGR 5KQE0 | 02- | 6 | M96.03 |

Model: 996 98

Model life 1998>>2005



Model: 996 98 Model life 1998>>2005

| Pos | Part Number | Description | Remark | Qty | Model |
|-----|----------------|-------------------------------|--------|-----|----------------|
| 1 | 996 618 601 04 | Control units Control unit | -99 | 1 | |
| | | - dme - | | | |
| 1 | 996 618 601 DX | Control unit | -99 | 1 | |
| | | - dme - | | | |
| (1) | 996 618 605 00 | Control unit | -01 | 1 | M620 |
| | | - dme - | | | |
| (1) | 996 618 605 X | Control unit | -01 | 1 | M620 |
| | | - dme - | | | |
| (1) | 996 618 604 00 | Control unit | 02- | 1 | M620 |
| | | - dme - | | | |
| | | See technical information | | | |
| | | GR.2 NR.8/02 | | | |
| (1) | 996 618 604 X | Control unit | 02- | 1 | M620 |
| | | - dme - | | | |
| (1) | 996 618 150 00 | Control unit | 02- | 1 | M339/664 |
| | | Fuel pump | | | |
| (1) | 996 618 150 01 | Control unit | 02- | 1 | M339/664 |
| | | Fuel pump | | | |
| - | 999 919 125 09 | Hexagon-head bolt | 02- | 2 | M339/664 |
| | | 6,0 X16 | | | |
| | | for | | | |
| | | Control unit | | | |
| | | Fuel pump | | | |
| (1) | 996 618 114 01 | Control unit | | 1 | M249/338 |
| | | Tiptronic | | | |
| | | F >>99XS6 00762 | | | COUPE |
| | | F >>99XS6 40394 | | | CABRIO |
| (1) | 996 618 114 02 | Control unit | -99 | 1 | M249/338 |
| | | Tiptronic | | | |
| | | F 99XS6 00763>> | | | COUPE |
| | | F 99XS6 40395>> | | | CABRIO |
| (1) | 996 618 132 02 | Control unit | 99 | 1 | M249/339 |
| | | Tiptronic | | | |
| (1) | 996 618 120 02 | Control unit | -01 | 1 | M249 |
| | | Tiptronic | | | |
| (1) | 996 618 180 07 | Control unit | 02- | 1 | M249 |
| | | Tiptronic | | | |
| | | See technical information | | | |
| | | GR. 3 , NR. 6/02 | | | |
| 2 | 996 618 129 00 | Support | -00 | 1 | COUPE |
| | | Control unit | | | |
| | | - dme - | | | |
| | | Tiptronic | | | |
| (2) | 996 618 129 01 | Support | 01- | 1 | COUPE |
| | | Control unit | | | |
| | | - dme - | | | |
| | | Tiptronic | | | |
| (2) | 996 618 131 00 | Support | | 1 | CABRIO |
| | | Control unit | | | |
| | | - dme - | | | |
| (2) | 996 618 133 00 | Support | -01 | 2 | CABRIO M249 |
| | | Control unit | | | |
| | | Tiptronic | | | |
| (2) | 996 618 257 00 | Support | 02-04 | 1 | M249 |
| | | Control unit | | | |
| | | Tiptronic | | | |
| | | F >>994S6 52490 | | | |
| (2) | 996 618 257 01 | Support | 04- | 1 | M249 |
| | | Control unit | | | |
| | | Tiptronic | | | |
| | | F 994S6 52491>> | | | |

Model: 996 98

Model life 1998>>2005

| Pos | Part Number | Description | Remark | Qty | Model |
|-----|----------------|---|--------|-----|---------------|
| 3 | 996 618 214 00 | Spacer | -01 | 2 | COUPE M249 |
| 4 | 900 378 036 01 | Hexagon-head bolt M 6 X 12 | | 4 | COUPE |
| (4) | 900 378 032 09 | Hexagon-head bolt M 6 X 50 | -01 | 4 | COUPE M249 |
| (4) | 900 378 032 01 | Hexagon-head bolt M 6 X 50 | -01 | 4 | COUPE M249 |
| (4) | 900 146 040 02 | Screw M 6 X 25 | 02- | 1 | M249 |
| 5 | 999 084 629 09 | Hexagon nut M 6 | | 1 | COUPE |
| 5 | 999 084 629 01 | Hexagon nut M 6 | | 1 | COUPE |
| 6 | 999 500 078 00 | Speed nut M 6 | -00 | 2 | COUPE |
| 6 | | Speed nut M 6 | 02- | 1 | M249 |
| 7 | 900 075 413 09 | Combination screw M 6 X 16 Z2 | -00 | 2 | COUPE |
| (7) | 999 084 629 09 | Hexagon nut M 6 | 01- | 2 | COUPE |
| (7) | 999 084 629 01 | Hexagon nut M 6 | 01- | 2 | COUPE |
| (7) | 999 073 060 02 | Tapping screw 4,8 X 13 | | X | CABRIO |
| - | | Control unit Convertible top control See group 8/11/15 | | 1 | CABRIO |
| - | | Control unit Roll-over bar See group 8/11/15 | | 1 | CABRIO |
| 8 | 996 618 260 06 | Control unit Immobiliser Central locking system Alarm system | -00 | 1 | M534 |
| 8 | 996 618 262 02 | Control unit Immobiliser Central locking system Alarm system | 01- | 1 | M534 |
| - | 996 612 034 00 | Cable Antenna for POS. 8 | 01- | 1 | M534 |
| 8 | 996 618 260 07 | Control unit Immobiliser Central locking system Alarm system | -00 | 1 | M535 |
| 8 | 996 618 262 03 | Control unit Immobiliser Central locking system Alarm system | 01- | 1 | M535 |
| - | 996 612 035 00 | Cable Antenna for POS. 8 | 01- | 1 | M535 |
| - | 996 612 054 00 | Connecting line Antenna booster Control unit | 03- | 1 | M665 |

Model: 996 98 Model life 1998>>2005

| Pos | Part Number | Description | Remark | Qty | Model |
|------|----------------|--|--------|-----|--|
| - | 999 607 064 00 | POS. 8 Lock 15 A for | | X | |
| - | 999 507 925 40 | POS. 8 Fixing clip for Wiring harness Seat Plug socket for | | 1 | |
| - | 999 650 161 40 | POS. 8 Plug socket | | 1 | |
| - | 999 650 099 12 | Connector | | X | |
| - | 999 650 097 40 | Cap White | | 1 | |
| - | 999 650 101 40 | Cap White | | 1 | M534 |
| - | 999 650 102 40 | Cap Blue | | 1 | M535 |
| - | 999 650 113 40 | Plug socket 12-pole Black | | 1 | |
| - | N 903 353 04 | Flat plug 2,5 | | X | |
| - | N 903 352 04 | Connector 1,0 | | X | |
| 9 | 996 618 261 00 | Locking device | | 1 | |
| 10 | 996 618 159 01 | Signal transducer | | 1 | |
| 11 | 996 637 041 00 | Key lamp | | 1 | M532 |
| - | 928 537 630 02 | Bulb for Key lamp | | X | |
| 12 | 996 637 243 00 | Handheld transmitter | -00 | 1 | COUPE M534 -00 CABRIO M533 M534 |
| - | 996 637 247 00 | Handheld transmitter Upper part for 996.637.243.00 | -00 | 1 | |
| 12 | 996 637 244 30 | Handheld transmitter | 01-03 | 1 | COUPE M534 CABRIO M533 M534 |
| 12 | 996 637 244 40 | Handheld transmitter 2 | 01- | 1 | COUPE M534 CABRIO M533 M534 |
| - | 996 637 353 00 | Knob Handheld transmitter Upper part for 996.637.244.30/40 | 01- | 1 | |
| (12) | 996 637 243 20 | Handheld transmitter | -00 | 1 | CABRIO M534 |
| - | 996 637 347 00 | Handheld transmitter Upper part for 996.637.243.20 | -00 | 1 | |
| (12) | 996 637 244 33 | Handheld transmitter | 01-03 | 1 | CABRIO |

Model: 996 98 Model life 1998>>2005

| Pos | Part Number | Description | Remark | Qty | Model |
|------|----------------|---|-------------------|-----|---|
| (12) | 996 637 244 41 | Handheld transmitter 3 Knob | 01- | 1 | M534 CABRIO M534 |
| - | 996 637 355 00 | Handheld transmitter Upper part for 996.637.244.33/41 | 01- | 1 | |
| 12 | 996 637 243 01 | Handheld transmitter | -00 | 1 | M535 |
| - | 996 637 247 00 | Handheld transmitter Upper part for 996.637.243.01 | -00 | 1 | M535 |
| 12 | 996 637 244 36 | Handheld transmitter | 01-03 | 1 | COUPE M535 CABRIO M533 M535 |
| 12 | 996 637 244 42 | Handheld transmitter | 01- | 1 | COUPE M535 CABRIO M533 M535 |
| - | 996 637 353 00 | Handheld transmitter Upper part for 996.637.244.31/36/42 | 01- | 1 | |
| (12) | 996 637 244 34 | Handheld transmitter | 01-02 | 1 | CABRIO M535 |
| (12) | 996 637 244 37 | Handheld transmitter | 03 | 1 | CABRIO M535 |
| (12) | 996 637 244 43 | Handheld transmitter | 01- | 1 | CABRIO M535 |
| - | 996 637 355 00 | Handheld transmitter Upper part for 996.637.244.34/37/43 | 01- | 1 | |
| 12 | 996 637 243 02 | Handheld transmitter | (J) -00 (J) 98 | 1 | COUPE CABRIO M535 |
| - | 996 637 247 00 | Handheld transmitter Upper part for 996.637.243.02 | | 1 | |
| 12 | 996 637 244 32 | Handheld transmitter | (J) 01-03 | 1 | COUPE M535 |
| 12 | 996 637 244 44 | Handheld transmitter | (J) 01- | 1 | COUPE M535 |
| - | 996 637 353 00 | Handheld transmitter Upper part for 996.637.244.32/44 | 01- | 1 | |
| (12) | 996 637 243 22 | Handheld transmitter | (J) -00 | 1 | CABRIO M535 |
| - | 996 637 347 00 | Handheld transmitter Upper part for 996.637.243.22 | -00 | 1 | |
| (12) | 996 637 244 35 | Handheld transmitter | (J) 01-03 | 1 | CABRIO M535 |
| (12) | 996 637 244 45 | Handheld transmitter | (J) 01- | 1 | CABRIO M535 |

Model: 996 98

Model life 1998>>2005

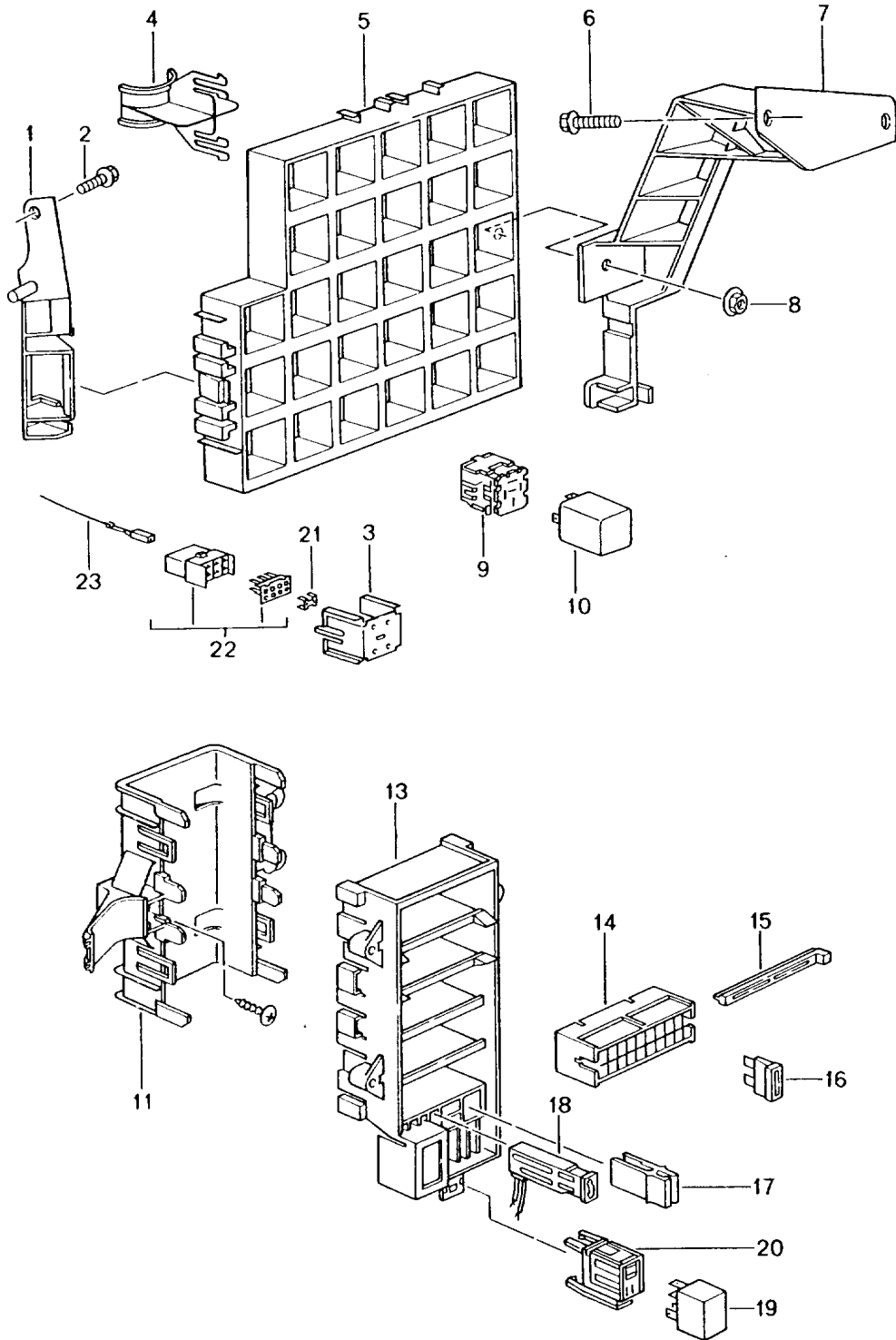
| Pos | Part Number | Description | Remark | Qty | Model |
|------|----------------|---|---------|-----|------------------|
| - | 996 637 355 00 | Handheld transmitter Upper part for 996.637.244.35/45 | 01- | 1 | |
| (12) | 986 637 244 13 | Handheld transmitter | -03 | 1 | TARGA M534 |
| (12) | 986 637 244 17 | Handheld transmitter | 02- | 1 | TARGA M534 |
| - | 996 637 351 00 | Handheld transmitter Upper part for 986.637.244.13/17 | 02- | 1 | |
| (12) | 986 637 244 16 | Handheld transmitter | -03 | 1 | TARGA M535 |
| (12) | 986 637 244 18 | Handheld transmitter | 02- | 1 | TARGA M535 |
| - | 996 637 351 00 | Handheld transmitter Upper part for 986.637.244.14/16/18 | 02- | 1 | |
| (12) | 986 637 244 15 | Handheld transmitter | (J) -03 | 1 | TARGA M535 |
| (12) | 986 637 244 19 | Handheld transmitter | (J) 02- | 1 | TARGA M535 |
| - | 996 637 351 00 | Handheld transmitter Upper part for 986.637.244.15/19 | 02- | 1 | |
| - | 996 637 443 00 | Crest Coloured for Key lamp And Handheld transmitter | 02- | 1 | |
| 13 | 999 611 108 00 | Battery See technical information GR. 9 , NR. 20/03 | | 1 | M534/535 |
| 14 | 996 637 344 00 | Identification ring Key 1 set Red Yellow | 01- | 1 | |
| 14 | 996 637 344 01 | Identification ring Key 1 set Blue Green | 01- | 1 | |
| 15 | 996 618 210 02 | Sensor Interior monitoring | | 1 | M534/535 |
| 15 | 996 618 210 03 | Sensor Interior monitoring for Leather paint Can-can-red Flamenco red Plum red Pearl white White Ferrari yellow Speed yellow Orchid metallic Magnolia | | 1 | M534/535 M999 |
| - | 999 650 236 40 | Plug socket | | 1 | |

Model: 996 98 Model life 1998>>2005

| Pos | Part Number | Description | Remark | Qty | Model |
|------|----------------|------------------------|--------|-----|-------|
| - | 999 650 256 22 | Connector | | 4 | |
| (16) | 996 618 212 02 | Trim cover | | 2 | |
| | | Alarm siren | | | M536 |
| | | Tilt sensor | | | M536 |
| | | See group | | | |
| | | 9/03/00 | | | |
| 17 | 996 618 171 01 | Control unit | -99 | 1 | M635 |
| | | ParkAssist | | | |
| | | Tech. information memo | | | |
| | | GR. 9 , NR. 7/98 | | | |
| | | F >>99XS6 00294 | | | |
| | | F >>99XS6 40108 | | | |
| 17 | 996 618 171 03 | Control unit | 99- | 1 | M635 |
| | | ParkAssist | | | |
| | | F 99XS6 00295>> | | | |
| | | F 99XS6 40109>> | | | |
| 18 | 996 618 371 00 | Support | -01 | 1 | M635 |
| (18) | 996 618 371 01 | Support | 02- | 1 | M635 |
| 19 | 999 919 120 09 | Oval-head screw | | 2 | M635 |
| | | 4,0 X 18 | | | |
| 20 | 999 920 015 40 | Plug-in nut | | 2 | M635 |
| | | 4,0 | | | |
| 21 | 900 378 179 09 | Hexagon-head bolt | | 2 | M635 |
| | | M 6 X 16 | | | |
| 22 | 999 500 078 00 | Speed nut | | 2 | M635 |
| | | M 6 | | | |
| | | Sensor | | | M635 |
| | | See group | | | |
| | | 8/02/05 | | | |

Model: 996 98

Model life 1998>>2005



Model: 996 98 Model life 1998>>2005

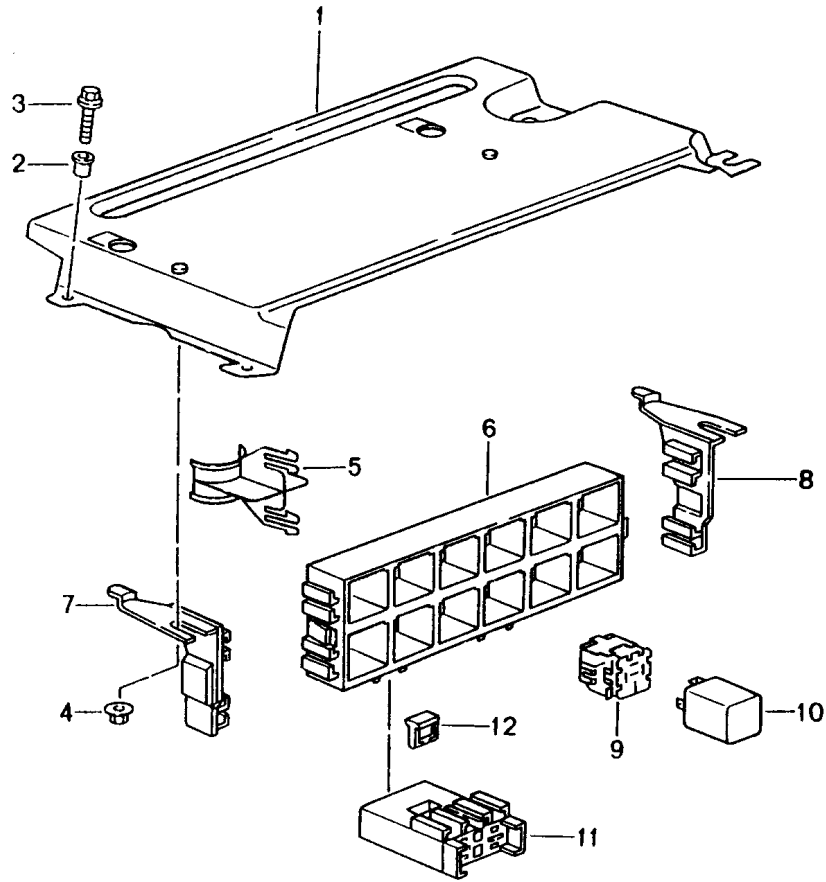
| Pos | Part Number | Description | Remark | Qty | Model |
|------|----------------|---------------------------|---------|-----|----------|
| | | Central electrical system | | | |
| | | Dashboard | | | |
| 1 | 996 610 117 00 | Support | /LL /L | 1 | |
| (1) | 996 610 119 00 | Support | /RL /L | 1 | |
| 2 | 900 378 155 09 | Hexagon-head bolt | | 1 | |
| | | M 6 X 16 ASP | | | |
| 3 | 996 610 104 00 | Retaining frame | | X | |
| 4 | 996 610 112 00 | Cable holder | | X | |
| 5 | 996 610 109 00 | Relay carrier | | 1 | |
| | | Support frame | | | |
| 6 | 900 378 155 09 | Hexagon-head bolt | | 2 | |
| | | M 6 X 16 ASP | | | |
| 7 | 996 610 116 00 | Support | /LL /R | 1 | |
| (7) | 996 610 118 00 | Support | /RL /R | 1 | |
| 8 | 900 377 010 01 | Hexagon nut | | 1 | |
| | | M 6 | | | |
| 9 | 928 610 511 00 | Relay carrier | | X | |
| 10 | | Relay | | | |
| (10) | 1H0 953 227 | Flasher relay | | 1 | |
| | | Relay socket/code: | S3 | | |
| (10) | 996 615 117 00 | Relay | | 1 | |
| | | Rear window heating | | | |
| | | Relay socket/code: | S4 | | |
| (10) | 999 657 005 90 | Relay | -00 | 1 | M614/618 |
| | | Relay socket/code: | S5 | | |
| (10) | 996 615 111 00 | Relay | | 1 | M606 |
| | | Relay socket/code: | S6/7 | | |
| (10) | 996 618 113 00 | Relay | | 1 | M288 |
| | | Headlight washer system | | | |
| | | Relay socket/code: | S8 | | |
| (10) | 141 951 253 B | Relay | | 1 | |
| | | KL. XE | | | |
| | | Relay socket/code: | S9 | | |
| (10) | | Relay | | 1 | |
| | | Fanfare | | | |
| | | Relay socket/code: | S10 | | |
| (10) | 431 951 253 G | Relay | (J) -98 | 1 | |
| | | Relay socket/code: | S12 | | |
| (10) | 141 951 253 B | Relay | (J) 99- | 1 | |
| | | Relay socket/code: | S12 | | |
| (10) | 996 615 101 00 | Relay | | 1 | |
| | | Fuel pump | | | |
| | | Relay socket/code: | S13 | | |
| (10) | 996 615 103 00 | Interval relay | | 1 | |
| | | Relay socket/code: | S16 | | |
| (10) | 141 951 253 B | Relay | | 1 | |
| | | Heating | | | |
| | | Relay socket/code: | S18 | | |
| (10) | | Relay | | 1 | |
| | | Radiator fan 1 | | | |
| | | Setting 1 | | | |
| | | Relay socket/code: | S19 | | |
| (10) | | Relay | | 1 | |
| | | Radiator fan 1 | | | |
| | | Setting2 | | | |
| | | Relay socket/code: | S20 | | |
| (10) | | Relay | | 1 | |
| | | Radiator fan 2 | | | |
| | | Setting 1 | | | |
| | | Relay socket/code: | S21 | | |
| (10) | | Relay | | 1 | |
| | | Radiator fan 2 | | | |
| | | Setting2 | | | |

Model: 996 98 Model life 1998>>2005

| Pos | Part Number | Description | Remark | Qty | Model |
|------|----------------|---------------------|--------|-----|-------|
| | | Relay socket/code: | S22 | | |
| 11 | 996 610 210 00 | Lid | | 1 | |
| 13 | 996 610 211 01 | Bracket | | 1 | |
| 14 | 999 650 209 40 | Fuse holder | | X | |
| 15 | 999 650 210 40 | Slide | | X | |
| 16 | 999 607 082 00 | Lock | | X | |
| | | 5 A | | | |
| 16 | 999 607 083 00 | Lock | | X | |
| | | 7 , 5 A | | | |
| (16) | 999 607 085 00 | Lock | | X | |
| | | 15 A | | | |
| (16) | 999 607 087 00 | Lock | | X | |
| | | 25 A | | | |
| (16) | 999 607 010 00 | Lock | | X | |
| | | 30 A | | | |
| (16) | 999 607 089 00 | Lock | | X | |
| | | 40 A | | | |
| 17 | 996 610 214 00 | Tool | | X | |
| - | 996 610 217 01 | Assignment sticker | -99 | X | |
| | | Lock | | | |
| - | 996 610 217 02 | Assignment sticker | 00 | X | |
| | | Lock | | | |
| - | 996 610 217 04 | Assignment sticker | -02 | X | |
| | | Lock | | | |
| - | 996 610 217 05 | Assignment sticker | 03- | X | |
| | | Lock | | | |
| | | Emergency operation | 01- | | |
| | | Lid | | | |
| 18 | 996 610 240 00 | Terminal clamp | 01- | 1 | |
| 19 | 999 657 006 90 | Relay | 01- | 1 | |
| 20 | 999 650 538 40 | Relay carrier | 01- | 1 | |
| | | 5-pole | | | |
| | | Tip switch | | | |
| | | Rear spoiler | | | |
| | | See group | | | |
| | | 9/03/05 | | | |
| - | | Cover | | X | |
| | | for | | | |
| | | Housing | | | |
| | | Lock | | | |
| | | See group | | | |
| | | 8/07/02 | | | |
| 21 | 999 650 319 22 | Contact bridge | | X | |
| | | 4-pole | | | |
| (21) | 999 650 318 22 | Contact bridge | | X | |
| | | 8-pole | | | |
| 22 | 999 650 317 40 | Plug socket | | X | |
| | | 8-pole | | | |
| 23 | 999 650 320 22 | Contact bush | | X | |
| | | 2,8 / 0,75 | | | |
| (23) | 999 650 321 22 | Contact bush | | X | |
| | | 2,8 / 2,5 | | | |

Model: 996 98

Model life 1998>>2005



Model: 996 98 Model life 1998>>2005

| Pos | Part Number | Description | Remark | Qty | Model |
|------|----------------|---|-----------|-----|-------------|
| | | Central electrical system | | | |
| | | Rear end | | | |
| 1 | 996 610 129 00 | Mounting plate | -00 | 1 | COUPE |
| (1) | 996 610 129 02 | Mounting plate | 01-05 | 1 | COUPE/TARGA |
| (1) | 996 610 229 03 | F >>995S6 00785 Mounting plate | 05- | 1 | COUPE/TARGA |
| 2 | 999 500 078 00 | Speed nut | -00 | 2 | COUPE |
| 3 | 900 075 413 09 | Combination screw | -00 | 2 | COUPE |
| (3) | 999 084 629 09 | M 6 X 16 Z2 Hexagon nut | 01- | 2 | |
| (3) | 999 084 629 01 | M 6 Hexagon nut | 01- | 2 | |
| 4 | 900 380 015 01 | M 6 Hexagon nut | | 2 | |
| 5 | 996 610 112 00 | F >>995S6 00785 Cable holder | | X | |
| (5) | 996 610 115 00 | Cable holder | | X | CABRIO |
| 6 | 996 610 111 00 | Relay carrier | | 1 | |
| 7 | 996 610 126 00 | Support frame | | | |
| (7) | 987 610 118 00 | Support | /R | 1 | |
| 8 | 996 610 127 00 | F >>995S6 00785 Support | /R | 1 | |
| (8) | 987 610 117 00 | F 995S6 00786>> Support | /L | 1 | |
| - | 996 610 128 00 | F >>995S6 00785 Support | /L | 1 | |
| 9 | 928 610 511 00 | F 995S6 00786>> Fixing clip | | 2 | CABRIO |
| 10 | | Relay carrier | | X | |
| (10) | 141 951 253 B | Relay | | 1 | |
| (10) | | - dme - Relay socket/code: | S1 | 1 | |
| (10) | | Relay | | 1 | |
| (10) | 996 615 102 00 | Ignition Relay socket/code: | S2 | 1 | |
| (10) | 964 615 215 00 | Relay Spoiler Relay socket/code: | S3 | 1 | M573 |
| (10) | 999 657 018 90 | Relay Air conditioner Relay socket/code: | S4 | 1 | M573 |
| (10) | 996 615 112 00 | Relay | S4 02- | 1 | CABRIO |
| (10) | 996 615 110 00 | Rear window heating Relay socket/code: | S5 | 1 | |
| (10) | 141 951 253 B | Relay Starter Relay socket/code: | S7 | 1 | |
| (10) | 996 615 102 00 | Relay Blower Engine compartment Relay socket/code: | S8 | 1 | |
| (10) | 993 615 115 00 | Relay Spoiler Relay socket/code: | S9 | 1 | M661 |
| | | Relay | | 1 | |
| | | Secondary pump | | | |
| | | Relay socket/code: | S10 | | |

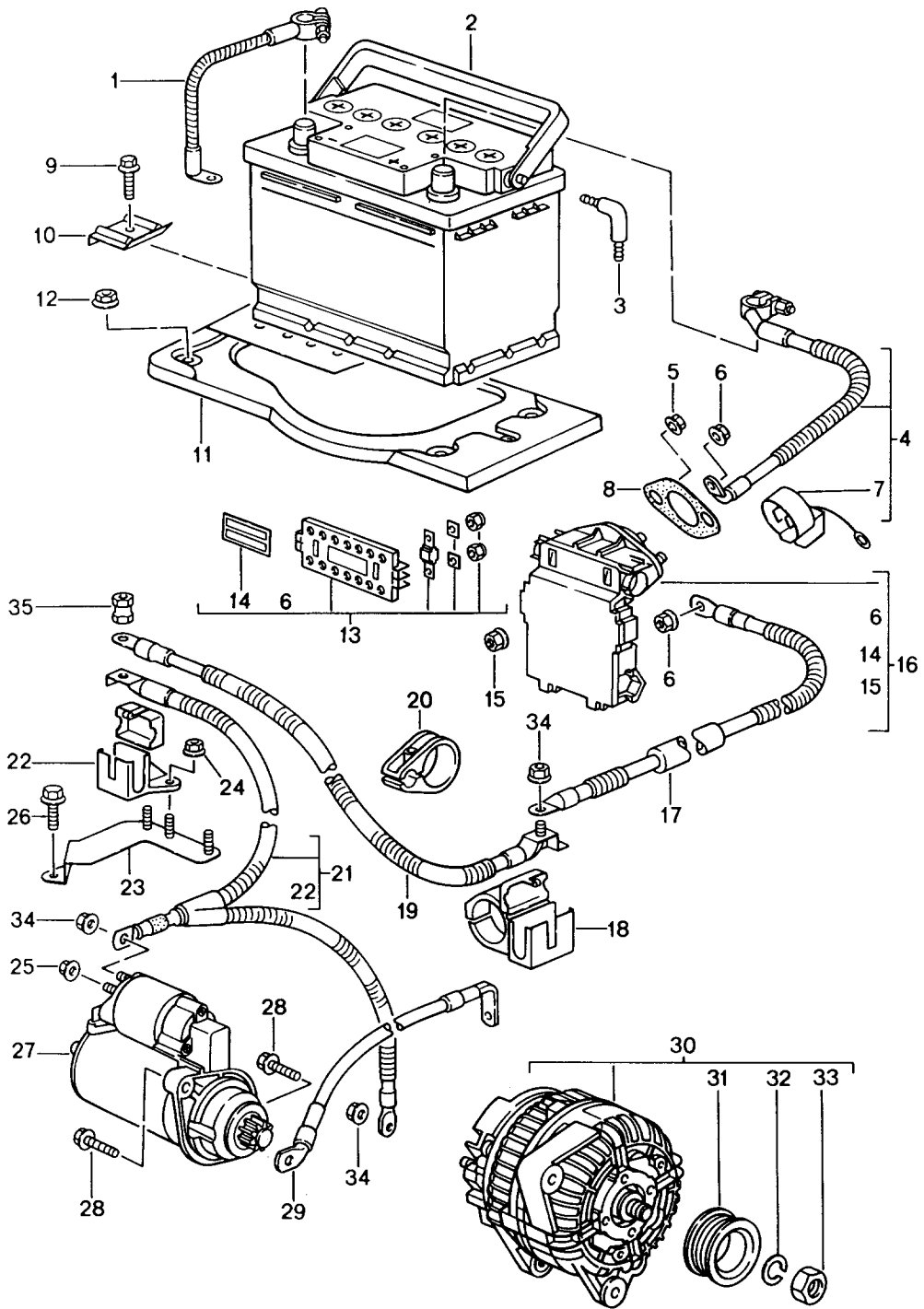
Model: 996 98

Model life 1998>>2005

| Pos | Part Number | Description | Remark | Qty | Model |
|------|----------------|---|--------|-----|-------|
| (10) | 993 615 115 01 | Relay Secondary pump Relay socket/code: | S10 | 1 | M661 |
| 11 | 999 650 193 40 | Fuse holder | | 1 | M661 |
| 12 | 999 650 371 40 | Locking device | | 1 | M661 |
| - | 999 650 194 22 | Contact bush | | X | M661 |
| - | 999 607 073 00 | Lock 40 A | | 1 | M661 |

Model: 996 98

Model life 1998>>2005



Model: 996 98 Model life 1998>>2005

| Pos | Part Number | Description | Remark | Qty | Model |
|------|----------------|---------------------------|--------|-----|-------|
| | | Battery | | | |
| | | Power distributor | | | |
| | | Starter | | | |
| | | Generator | | | |
| 1 | 997 611 090 00 | Ground strap | /LL | 1 | |
| (1) | 997 611 091 00 | Ground strap | /RL | 1 | |
| (2) | 999 611 070 20 | Battery | | 1 | |
| | | 12 V 70 AH | | | |
| (2) | 999 611 070 21 | Battery | | 1 | |
| | | 12 V 70 AH | | | |
| 2 | 999 611 080 20 | Battery | | 1 | |
| | | 12 V 80 AH | | | |
| (2) | 999 611 080 21 | Battery | | 1 | |
| | | 12 V 80 AH | | | |
| 3 | 893 915 507 | Angled pipe | | 1 | |
| 4 | 996 612 090 09 | Cable | /LL | 1 | |
| | | Battery | | | |
| | | Power distributor | | | |
| (4) | 996 612 090 10 | Cable | /RL | 1 | |
| | | Battery | | | |
| | | Power distributor | | | |
| 5 | 900 380 005 09 | Hexagon nut | | 2 | |
| | | VM 8 | | | |
| 6 | 900 084 030 02 | Hexagon nut | | 2 | |
| | | M 8 | | | |
| | | for | | | |
| | | Power distributor | | | |
| 7 | 996 610 309 00 | Protection cap | | 1 | |
| | | Terminal clamp | | | |
| | | Power distributor | | | |
| 8 | 996 610 302 00 | Flange gasket | | 1 | |
| | | for | | | |
| | | Power distributor | | | |
| 9 | 900 378 017 01 | Hexagon-head bolt | | 1 | |
| | | M 8 X 20 | | | |
| 10 | 996 611 209 00 | Rail | | 1 | |
| 11 | 996 504 151 00 | Carrier plate for battery | | 1 | M338 |
| (11) | 997 504 151 01 | Carrier plate for battery | 99- | 1 | M339 |
| - | 996 504 622 00 | Gasket | | 1 | M338 |
| | | Carrier plate for battery | | | |
| | | Information available | | | |
| - | 996 504 622 01 | Gasket | 99- | 1 | M339 |
| | | Carrier plate for battery | | | |
| 12 | 999 084 630 01 | Hexagon nut | | 4 | |
| | | VM 8 SB | | | |
| 13 | 996 610 306 00 | Repair kit | | 1 | |
| | | Replacement | | | |
| | | Fuse element | | | |
| | | Comprising: | | | |
| - | | Fuse element | | 1 | |
| | | 50 AMPERE | | | |
| - | | Fuse element | | 1 | |
| | | 80 AMPERE | | | |
| - | | Hexagon nut | | 4 | |
| | | M 5 | | | |
| 6 | 900 084 030 02 | Hexagon nut | | 1 | |
| | | M 8 | | | |
| - | | Intermediate layer | | 4 | |
| - | | Cover | | 1 | |
| | | Blue | | | |
| 14 | 996 610 311 00 | Seal label | | 2 | |
| | | Red | | | |
| 14 | | Seal label | | 2 | |

Model: 996 98 Model life 1998>>2005

| Pos | Part Number | Description | Remark | Qty | Model |
|------|----------------|--|-------------------------------------|-----|------------------------------------|
| 15 | 900 084 031 02 | Red Hexagon nut M 6 for Power distributor | | 7 | |
| 16 | 996 610 308 00 | Repair kit Replacement Power distributor Comprising: | | 1 | |
| - | | Power distributor Complete | | 1 | |
| 15 | 900 084 031 02 | Hexagon nut M 6 | | 7 | |
| 6 | 900 084 030 02 | Hexagon nut M 8 | | 2 | |
| 14 | 996 610 311 00 | Seal label Red Use also: POS. 8 | | 2 | |
| 17 | 996 612 091 11 | Cable Power distributor Connection point F >>991S6 03740 F >>991S6 02976 F >>991S6 42694 F >>991S6 42142 | -01 /LL /RL /LL /RL | 1 | COUPE COUPE CABRIO CABRIO |
| (17) | 996 612 091 14 | Cable Power distributor Connection point F 991S6 03741>> F 991S6 42695>> | /LL -01 /LL /LL | 1 | COUPE CABRIO |
| (17) | 996 612 091 15 | Cable Power distributor Connection point F 991S6 02977>> F 991S6 42143>> | /RL -01 /RL /RL | 1 | COUPE CABRIO |
| - | 996 610 187 00 | When required order also: Cable holder F 991S6 03741>> F 991S6 02977>> F 991S6 42695>> F 991S6 42143>> | /LL /RL /LL /RL | 1 | COUPE COUPE CABRIO CABRIO |
| - | 999 919 172 09 | Hexagon-head bolt 7,0 X14 F 991S6 03741>> F 991S6 02977>> F 991S6 42695>> F 991S6 42143>> | /LL /RL /LL /RL | 1 | COUPE COUPE CABRIO CABRIO |
| (17) | 996 612 091 12 | Cable Power distributor Connection point | /LL 02- | 1 | |
| (17) | 996 612 091 13 | Cable Power distributor Connection point | /RL 02- | 1 | |
| - | 900 075 497 01 | Combination screw M 5 X 10 Z2 | 02- | 1 | |
| - | 999 507 702 01 | Speed nut M 5 | 02- | 1 | |
| - | 999 084 629 01 | Hexagon nut M 6 | 02- | 1 | |
| 18 | 996 611 310 00 | Connection point Complete | -01 | 1 | |
| 18 | 996 611 316 00 | Connection point | 02- | 1 | |

Model: 996 98 Model life 1998>>2005

| Pos | Part Number | Description | Remark | Qty | Model |
|------|----------------|--|--------|-----|----------------------|
| | | Complete | | | |
| 19 | 996 612 092 00 | Cable | -01 | 1 | |
| 19 | 996 612 092 01 | Cable | 02- | 1 | |
| 20 | 996 612 094 00 | Cable holder | | 4 | |
| - | 999 513 051 40 | Hose clamp | 02- | 1 | |
| 21 | 996 607 019 01 | Wiring harness with Connection point Generator Starter M >> 663 09950 M >> 683 00734 | | 1 | IX51 |
| 21 | 996 607 019 03 | Wiring harness with Connection point Generator Starter M 663 09951 >> M 683 00735 >> | | 1 | IX51 |
| - | 999 650 312 40 | Protection cap Wiring harness | | 1 | |
| 22 | 996 611 201 01 | Connection point Complete | | 1 | |
| (23) | 996 607 012 01 | Support Connection point | | 1 | |
| 24 | 900 380 015 01 | Hexagon nut VM 6 | | 3 | |
| 25 | 900 377 010 01 | Hexagon nut M 6 | | 1 | |
| 26 | 900 378 035 01 | Hexagon-head bolt M 6 X 16 | | 1 | |
| 27 | 996 604 103 00 | Starter | | 1 | |
| 28 | 900 378 101 09 | Hexagon-head bolt AM 10 X 35 M >> 664 08139 M >> 684 01577 | | 2 | |
| 28 | 900 385 097 09 | Torx screw BM 10 X 35 M 664 08140 >> M 684 01578 >> | | 2 | IX51 |
| 29 | 996 607 030 00 | Ground strap | | 1 | |
| 30 | 996 603 012 01 | Generator | -99 | 1 | |
| (30) | 996 603 012 03 | Generator with Pulley without Free wheel lock M >> 664 12967 M >> 684 02282 | 00- | 1 | M249 |
| (30) | 996 603 012 05 | Generator with Pulley without Free wheel lock M >> 664 12967 M >> 684 02282 | 00- | 1 | IX51 M249 |
| (30) | 997 603 012 06 | Generator with Pulley without Free wheel lock M 664 12968 >> M 684 02283 >> | | 1 | IX51 M249 IX51 |

Model: 996 98 Model life 1998>>2005

| Pos | Part Number | Description | Remark | Qty | Model |
|------|----------------|--|--------|-----|--------------|
| (30) | 996 603 012 02 | Generator with Pulley Free wheel lock M >> 664 12967 M >> 684 02282 | 00- | 1 | M480 |
| (30) | 997 603 012 07 | Generator with Pulley Free wheel lock M 664 12968 >> M 684 02283 >> | | 1 | IX51 M480 |
| (30) | 997 603 012 09 | Generator with Pulley Free wheel lock M 664 12968 >> M 684 02283 >> | | 1 | IX51 M480 |
| (30) | 997 603 012 JX | Generator with Pulley Free wheel lock M 664 12968 >> M 684 02283 >> | | 1 | IX51 M480 |
| - | 999 650 166 40 | Plug socket | | 1 | |
| - | 999 652 694 12 | Contact bush | | 1 | |
| - | 999 704 161 40 | Gasket | | 1 | |
| - | 999 652 965 40 | Gasket | | 1 | |
| 31 | 996 603 151 55 | Pulley without Free wheel lock | | 1 | |
| 31 | 996 603 152 50 | Pulley with Free wheel lock Use also: 996.603.153.50 | 00- | 1 | |
| - | 996 603 153 50 | Protection cap for Pulley with Free wheel lock | | 1 | |
| 32 | N 012 016 1 | Lock ring B 16 | | 1 | |
| 33 | 900 034 013 01 | Hexagon nut M 16 X 1,5 | | 1 | |
| - | 996 603 113 00 | Protection cap for POS. 33 with Pulley without Free wheel lock Mounting parts Regulator Generator | 00- | 1 | M249 |
| - | 000 043 204 22 | Oval-head screw M 4 X 19 Micro-self-locking | | 2 | |
| - | 000 043 204 23 | Spring washer B4 Mounting parts Generator | | 2 | |
| - | 900 378 070 09 | Hexagon-head bolt | -01 | 1 | |

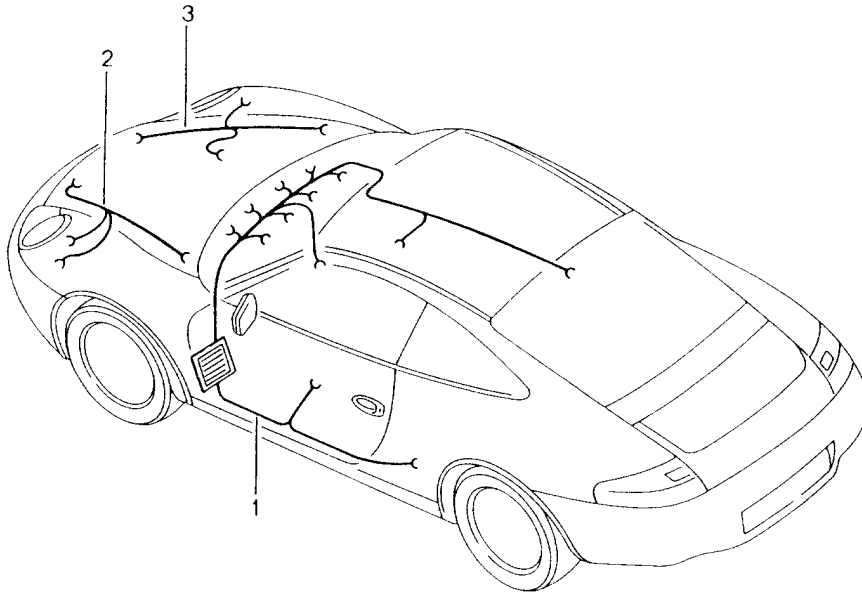
Model: 996 98

Model life 1998>>2005

| Pos | Part Number | Description | Remark | Qty | Model |
|-----|----------------|--|--------|-----|-------|
| - | 900 378 101 09 | M 10 X 30 Hexagon-head bolt AM 10 X 35 M >> 664 08139 M >> 684 01577 | 02- | 1 | |
| - | 900 385 097 09 | Torx screw BM 10 X 35 M 664 08140 >> M 684 01578 >> | | 1 | IX51 |
| - | 900 378 181 09 | Hexagon-head bolt M 10 X 145 M >> 664 08139 M >> 684 01577 | | 1 | IX51 |
| - | 900 385 092 04 | Torx screw BM 10 X 145 M 664 08140 >> M 684 01578 >> | | 1 | IX51 |
| 34 | 900 377 003 03 | Hexagon nut M 8 | | 3 | IX51 |
| 35 | 999 076 069 02 | Hexagon nut M 8 | | 1 | |

Model: 996 98

Model life 1998>>2005



Model: 996 98

Model life 1998>>2005

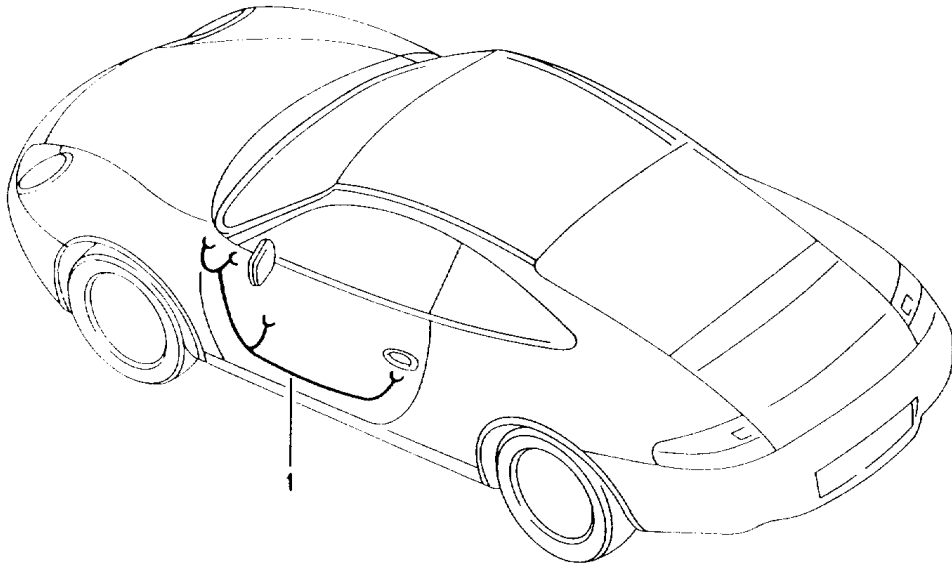
| Pos | Part Number | Description | Remark | Qty | Model |
|-----|----------------|---|--------|-----|------------------|
| 1 | 996 612 903 00 | Wiring harnesses Passenger compartment Glove compartment FRONT luggage compartment Repair kit Anti-lock brake system Brake pad wear indicator Front axle Wiring harness | | 1 | |
| - | 996 610 120 00 | Passenger compartment Vehicle Ident. No. Indicate Support | | 1 | |
| - | 999 651 302 40 | Plug socket Diagnostic connector Fixing clip Wiring harness | | X | |
| - | 999 651 284 40 | Passenger compartment Door sill Fixing clip Wiring harness | | X | |
| - | 999 652 931 40 | Passenger compartment Door sill Connection point X 11 / 12 Pin connector socket | | 2 | |
| - | 999 652 570 22 | Connector Contact pin 2,5 - 1 | | X | |
| - | 999 652 571 22 | Connector 2,5 - 2,5 | | X | |
| - | 999 652 932 40 | Pin connector socket 10-pole Black | | 2 | |
| - | 999 652 923 40 | Cap Black | | 2 | |
| - | 999 652 933 40 | Pin connector socket 10-pole White | | 2 | |
| - | 999 652 922 40 | Cap White | | 2 | |
| - | 999 652 921 40 | Locking device Blue | | 4 | |
| - | 999 652 983 22 | Contact pin 0,63 - 0,5 | | X | |
| - | 996 622 501 00 | Wiring harness Glove compartment | 02- | 1 | |
| - | 999 650 564 40 | Clip Microswitch | 02- | 1 | |
| - | 999 650 565 40 | Clip Connector housing | 02- | 1 | |
| 2 | 996 612 303 01 | Wiring harness FRONT luggage compartment | /L -99 | 1 | M573/659 |
| 2 | 996 612 303 05 | Wiring harness FRONT luggage compartment | /L 00 | 1 | M573/659 |
| 2 | 996 612 303 10 | Wiring harness FRONT luggage compartment | /L 01 | 1 | M573/659 |
| 2 | 996 612 303 15 | Wiring harness FRONT luggage compartment | /L 02- | 1 | |
| 2 | 996 612 313 00 | Wiring harness FRONT luggage compartment | /L 99 | 1 | M573/601 M659 |
| 2 | 996 612 313 05 | Wiring harness FRONT luggage compartment | /L 00 | 1 | M573/601 M659 |

Model: 996 98 Model life 1998>>2005

| Pos | Part Number | Description | Remark | Qty | Model |
|-----|----------------|---|-----------|-----|------------------|
| 2 | 996 612 313 10 | Wiring harness FRONT luggage compartment | /L 01 | 1 | M573/601 M659 |
| 2 | 996 612 313 15 | Wiring harness FRONT luggage compartment | /L 02- | 1 | M601 |
| 3 | 996 612 302 01 | Wiring harness FRONT luggage compartment | /R -01 | 1 | |
| 3 | 996 612 312 00 | Wiring harness FRONT luggage compartment | /R -01 | 1 | M601 |
| 3 | | Wiring harness FRONT luggage compartment Is a component of Wiring harness Passenger compartment | /R 02- | 1 | |
| (3) | 996 612 340 00 | Wiring harness | /LL 99 | 1 | M339/476 |
| (3) | 996 612 341 00 | Wiring harness | /RL 99 | 1 | M339/476 |
| - | 993 615 136 00 | Relay Repair kit Wiring harness Anti-lock brake system Brake pad wear indicator Front axle | 99 | 2 | M339/476 |
| - | 996 612 951 00 | Repair kit Wiring harness | /V /L -01 | 1 | M338 |
| - | | Repair kit Wiring harness | /V /L 02- | 1 | M338/476 |
| - | 996 612 960 00 | Repair kit Wiring harness | /V /L 02- | 1 | M338 |
| - | 996 612 957 00 | Repair kit Wiring harness | /V /L | 1 | M339 |
| - | 996 612 952 00 | Repair kit Wiring harness | /V /R -01 | 1 | M338 |
| - | | Repair kit Wiring harness | /V /R 02- | 1 | M338/476 |
| - | 996 612 961 00 | Repair kit Wiring harness | /V /R 02- | 1 | M338 |
| - | 996 612 958 00 | Repair kit Wiring harness Repair kit Wiring harness Rear axle See group 9/02/20 | /V /R | 1 | M339 |

Model: 996 98

Model life 1998>>2005



Model: 996 98 Model life 1998>>2005

| Pos | Part Number | Description | Remark | Qty | Model |
|-----|----------------|---|--------|-----|-------|
| | | Wiring harnesses Driver's door Passenger's door Convertible top control Auxiliary support | | | |
| 1 | 996 612 630 04 | Wiring harness Driver's door | 98 | 1 | |
| 1 | 996 612 630 05 | Wiring harness Driver's door | 99 | 1 | |
| 1 | 996 612 634 02 | Wiring harness Driver's door | 98 | 1 | M563 |
| 1 | 996 612 634 03 | Wiring harness Driver's door | -00 | 1 | M563 |
| (1) | 996 612 634 11 | Wiring harness Driver's door | 01- | 1 | |
| (1) | 996 612 632 04 | Wiring harness Passenger's door | 98 | 1 | |
| (1) | 996 612 632 05 | Wiring harness Passenger's door | 99 | 1 | |
| (1) | 996 612 635 02 | Wiring harness Passenger's door | 98 | 1 | M563 |
| (1) | 996 612 635 03 | Wiring harness Passenger's door | -00 | 1 | M563 |
| (1) | 996 612 635 11 | Wiring harness Passenger's door Connection point X 11 / 12 | 01- | 1 | |
| - | 999 652 930 40 | Plug socket | | 2 | |
| - | 999 652 567 22 | Cylindrical socket 2,5 - 1 | | X | |
| - | 999 652 568 22 | Cylindrical socket 2,5 - 2,5 | | X | |
| - | 999 652 927 40 | Plug socket 10-pole White | | 2 | |
| - | 999 652 924 40 | Cap White | | 2 | |
| - | 999 652 928 40 | Plug socket 10-pole Black | | 2 | |
| - | 999 652 925 40 | Cap Black | | 2 | |
| - | 999 652 921 40 | Locking device Blue | | 4 | |
| - | 999 652 901 22 | Connector 0,63 - 0,5 Mount Wiring harness Doors | | X | |
| - | 996 610 320 01 | Cable guide | | 2 | M273 |
| - | 999 703 470 40 | Cable clamp | | 2 | M273 |
| - | 999 507 627 02 | Cable clamp | | 2 | |
| - | 996 610 141 01 | Rubber boot A-pillar | | 2 | |
| - | 996 610 144 00 | Frame Reinforcement Rubber boot A-pillar Mount Connection point | | 2 | |
| - | 999 919 237 00 | A-pillar Oval-head screw 5 X 20 | | 2 | |

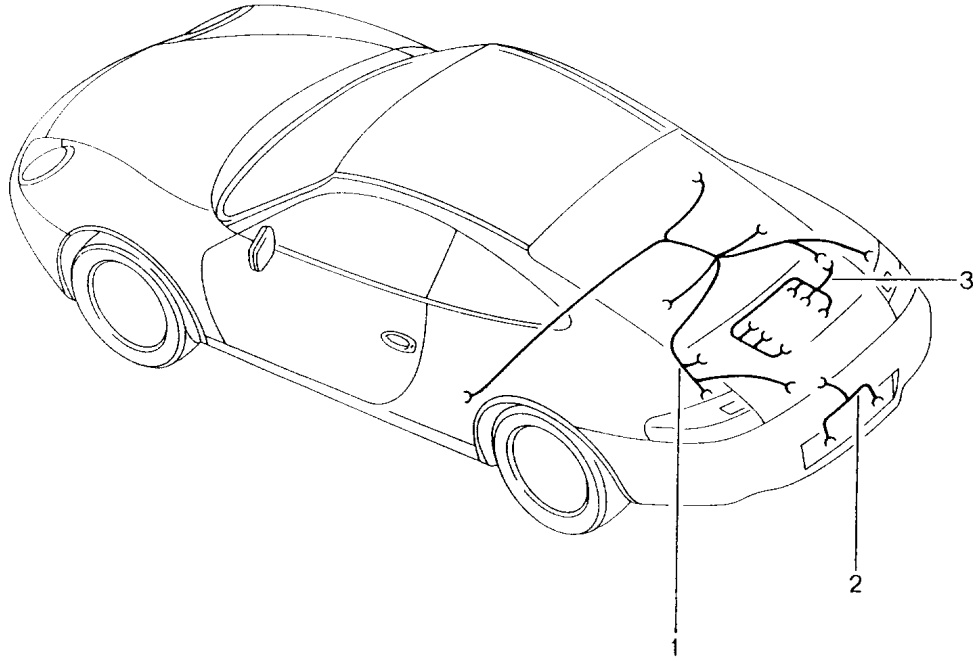
Model: 996 98

Model life 1998>>2005

| Pos | Part Number | Description | Remark | Qty | Model |
|-----|----------------|-------------------------|--------|-----|--------|
| - | 999 507 649 40 | Expansion rivet 4,8 | | 2 | |
| - | 996 610 321 00 | Cable holder | | 2 | |
| - | | Door arrester | | 1 | CABRIO |
| - | | Wiring harness | | 1 | CABRIO |
| - | | Convertible top control | | | |
| - | | See group 8/11/07 | | | |
| - | | Wiring harness | | 1 | CABRIO |
| - | | Auxiliary support | | | |
| - | | See group 8/11/15 | | | |

Model: 996 98

Model life 1998>>2005



Model: 996 98 Model life 1998>>2005

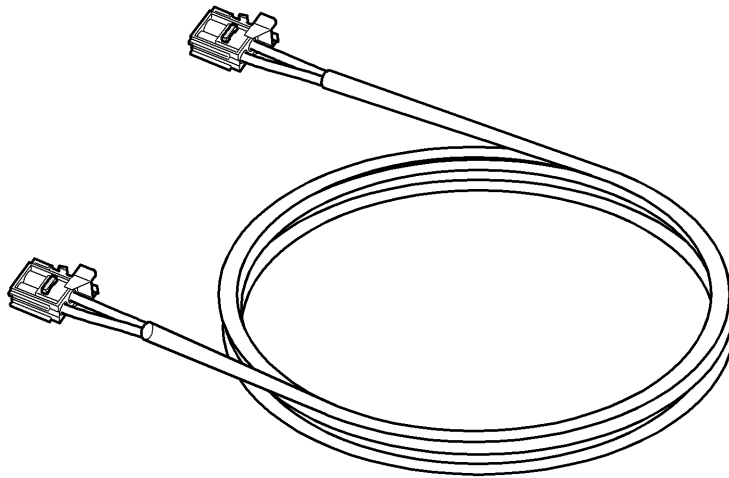
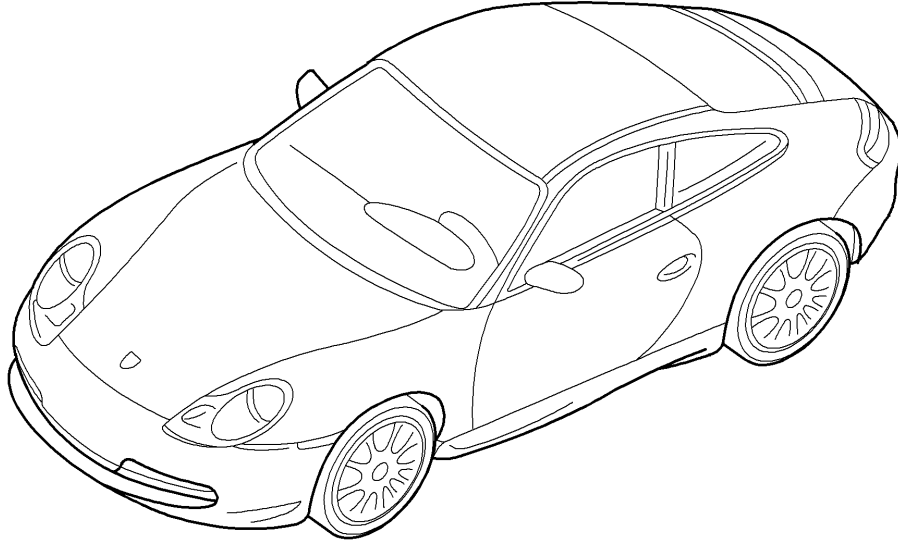
| Pos | Part Number | Description | Remark | Qty | Model |
|-----|----------------|--|--------|-----|--------------------|
| | | Wiring harnesses Rear end Additional brake light License plate light Engine Transmission Repair kit Anti-lock brake system Brake pad wear indicator Rear axle | | | CABRIO M249 |
| 1 | 996 612 905 00 | Wiring harness Rear end Vehicle Ident. No. Indicate | | 1 | |
| - | 996 612 507 02 | Wiring harness | | 1 | CABRIO M602 |
| - | 996 423 101 00 | Additional brake light Protective tube | | 1 | CABRIO M602 |
| 2 | 996 612 060 00 | for Wiring harness | -01 | 1 | CARRERA |
| 2 | 996 612 062 00 | Wiring harness License plate light | 02- | 1 | CARRERA |
| (2) | 996 612 061 00 | Wiring harness License plate light | -01 | 1 | CARRERA M635 |
| (2) | 996 612 064 00 | Wiring harness License plate light | 02- | 1 | CARRERA M635 |
| 2 | 996 612 060 00 | Wiring harness License plate light | 02- | 1 | C4S |
| (2) | 996 612 063 00 | Wiring harness License plate light | 02- | 1 | C4S M635 |
| - | 999 650 013 40 | Fixing clip Connection point Wiring harness License plate light | | 1 | |
| 3 | 996 607 002 04 | Wiring harness Engine | -99 | 1 | M480 |
| 3 | 996 607 010 04 | Wiring harness Engine | 99 | 1 | M480/620 |
| 3 | 996 607 010 05 | Wiring harness Engine | -01 | 1 | M480/660 |
| 3 | 996 607 010 08 | Wiring harness Engine | -01 | 1 | M480 |
| (3) | 996 607 002 06 | Wiring harness Engine | -99 | 1 | M249 |
| (3) | 996 607 010 06 | Wiring harness Engine | 99 | 1 | M249/620 |
| (3) | 996 607 010 07 | Wiring harness Engine | -01 | 1 | M249/660 |
| (3) | 996 607 010 09 | Wiring harness Engine | -01 | 1 | M249 |
| (3) | 996 607 010 10 | Wiring harness Engine | 02 | 1 | M96.03 |
| (3) | 996 607 010 16 | Wiring harness Engine | 03- | 1 | M96.03 |
| (3) | 996 612 401 00 | Wiring harness Transmission | 02- | 1 | M249 |
| - | 999 507 752 40 | Cable holder for Wiring harness Transmission | 02- | 1 | M249 |

Model: 996 98 Model life 1998>>2005

| Pos | Part Number | Description | Remark | Qty | Model |
|-----|----------------|--|-----------|-----|-------|
| - | 999 591 746 02 | Cable clamp for Wiring harness Transmission | 02- | 3 | M249 |
| - | 999 591 746 01 | Cable clamp for Wiring harness Transmission | 02- | 3 | M249 |
| - | 999 507 729 40 | Cable strap 8 - 50 Water tube Supply Right | | 1 | |
| - | 999 507 730 40 | Cable strap 8 - 33 Wiring harness Engine | | 1 | |
| - | 996 607 101 02 | Support Connection point Wiring harness Engine | | 1 | |
| - | 997 610 131 00 | Support Connection point Wiring harness Engine | | 1 | |
| - | 996 607 102 00 | Support Wiring harness Engine Repair kit Wiring harness Anti-lock brake system Brake pad wear indicator Rear axle | | 1 | |
| - | 996 612 953 01 | Repair kit Wiring harness | /H /L -01 | 1 | |
| - | | Repair kit Wiring harness | /H /L 02- | 1 | M476 |
| - | 996 612 964 00 | Repair kit Wiring harness | /H /L 02- | 1 | |
| - | 996 612 954 01 | Repair kit Wiring harness | /H /R -01 | 1 | |
| - | | Repair kit Wiring harness | /H /R 02- | 1 | M476 |
| - | 996 612 965 00 | Repair kit Wiring harness Repair kit Wiring harness Front axle See group 9/02/10 | /H /R 02- | 1 | |

Model: 996 98

Model life 1998>>2005



Model: 996 98 Model life 1998>>2005

| Pos | Part Number | Description | Remark | Qty | Model |
|-----|----------------|--|------------|-----|------------------------------|
| - | 996 622 702 00 | Optical waveguide Optical waveguide Module | 03- /LL | 1 | M666 |
| - | 996 622 722 00 | Optical waveguide Optical waveguide Module | /RL | 1 | M666 |
| - | 996 622 704 00 | Optical waveguide Optical waveguide Module | /LL | 1 | M338/490 M680 |
| - | 996 622 724 00 | Optical waveguide Optical waveguide Module | /RL | 1 | M338/490 M680 |
| - | 996 622 701 00 | Optical waveguide Optical waveguide Module | /LL | 1 | M339/490 M680 |
| - | 996 622 721 00 | Optical waveguide Optical waveguide Module | /RL | 1 | M339/490 M680 |
| - | 996 622 706 00 | Optical waveguide Optical waveguide Module | /LL | 1 | M338/692 |
| - | 996 622 726 00 | Optical waveguide Optical waveguide Module | /RL | 1 | M338/692 |
| - | 996 622 729 00 | Optical waveguide Optical waveguide Module | /LL | 1 | M339/692 |
| - | 996 622 709 00 | Optical waveguide Optical waveguide Module | /RL | 1 | M339/692 |
| - | 996 622 716 00 | Optical waveguide Optical waveguide Module | /LL | 1 | M338/666 M692 |
| - | 996 622 736 00 | Optical waveguide Optical waveguide Module | /RL | 1 | M338/666 M692 |
| - | 996 622 739 00 | Optical waveguide Optical waveguide Module | /LL | 1 | M339/666 M692 |
| - | 996 622 719 00 | Optical waveguide Optical waveguide Module | /RL | 1 | M339/666 M692 |
| - | 996 622 703 00 | Optical waveguide Optical waveguide Module | /LL | 1 | M338/490 M666/680 |
| - | 996 622 723 00 | Optical waveguide Optical waveguide Module | /RL | 1 | M338/490 M666/680 |
| - | 996 622 707 00 | Optical waveguide Optical waveguide Module | /LL | 1 | M339/490 M666/680 |
| - | 996 622 727 00 | Optical waveguide Optical waveguide Module | /RL | 1 | M339/490 M666/680 |
| - | 996 622 705 00 | Optical waveguide Optical waveguide Module | /LL | 1 | M338/490 M680/692 |
| - | 996 622 725 00 | Optical waveguide Optical waveguide Module | /RL | 1 | M338/490 M680/692 |
| - | 996 622 708 00 | Optical waveguide Optical waveguide Module | /LL | 1 | M339/490 M680/692 |
| - | 996 622 728 00 | Optical waveguide Optical waveguide Module | /RL | 1 | M339/490 M680/692 |
| - | 996 622 715 00 | Optical waveguide Optical waveguide Module | /LL | 1 | M338/490 M666/680 M692 |
| - | 996 622 745 00 | Optical waveguide Optical waveguide Module | /RL | 1 | M338/490 M666/680 M692 |
| - | 996 622 718 00 | Optical waveguide Optical waveguide Module | /LL | 1 | M339/490 M666/680 M692 |
| - | 996 622 738 00 | Optical waveguide Optical waveguide Module | /RL | 1 | M339/490 M666/680 M692 |
| - | 996 610 122 00 | Support Connection point Luggage compartment | | 1 | |
| - | 999 507 804 40 | Expander nut for Support | | 1 | |

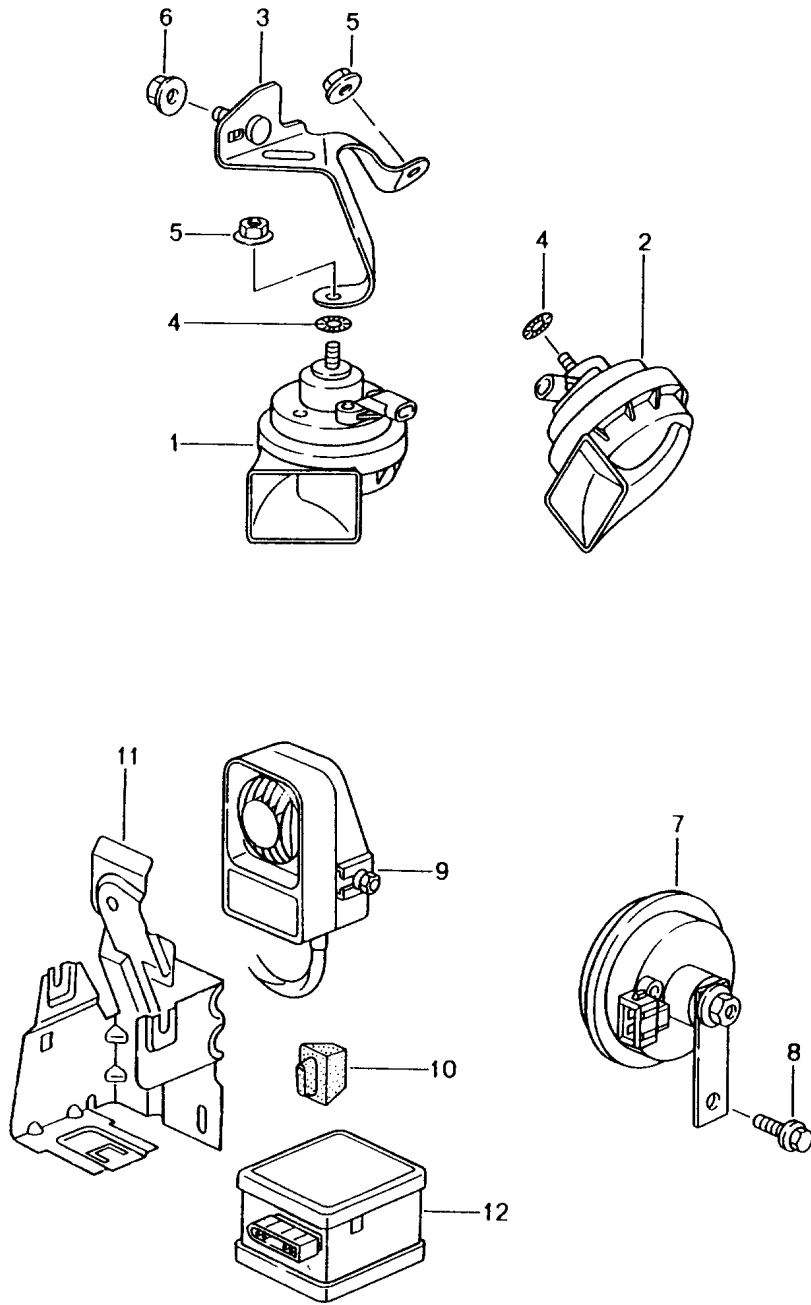
Model: 996 98

Model life 1998>>2005

| Pos | Part Number | Description | Remark | Qty | Model |
|-----|----------------|---|--------|-----|-------|
| - | 996 610 132 00 | Cable guide T-piece Luggage compartment | | 1 | |

Model: 996 98

Model life 1998>>2005



Model: 996 98 Model life 1998>>2005

| Pos | Part Number | Description | Remark | Qty | Model |
|------|----------------|---|--------|-----|-------|
| 1 | 996 635 206 04 | Fanfare Horn Alarm system | | 1 | M536 |
| 1 | 996 635 206 07 | Fanfare High-pitched | | 1 | |
| 2 | 996 635 205 04 | Fanfare Low-pitched | | 1 | |
| 2 | 996 635 205 07 | Fanfare Low-pitched | | 1 | |
| - | 999 650 490 40 | Plug socket | | 2 | |
| - | 999 650 135 22 | Connector | | 4 | |
| - | 999 650 126 40 | Gasket | | 4 | |
| 3 | 996 635 150 00 | Support | | 1 | |
| 4 | N 042 121 3 | Shake-proof washer A 6,4 | | 2 | |
| 5 | 900 380 015 01 | Hexagon nut M 6 | | 2 | |
| 6 | 900 377 003 03 | Hexagon nut M 8 | | 1 | |
| 7 | 996 637 117 02 | Horn for Alarm system | | 1 | |
| 7 | 996 637 117 03 | Horn for Alarm system | | 1 | |
| 7 | 996 637 117 04 | Horn for Alarm system | | 1 | |
| 8 | 900 075 459 09 | Combination screw | | 1 | |
| 8 | 900 075 459 01 | Combination screw M 6 X 12 Z2 | | 1 | |
| 9 | 996 618 237 04 | Alarm siren | | 1 | M536 |
| 9 | 996 618 237 05 | Alarm siren | | 1 | M536 |
| - | 999 652 946 40 | Plug socket 3-pole | | 1 | |
| - | 999 650 126 40 | Gasket | | X | |
| - | 999 650 127 40 | Gasket | | X | |
| - | 999 652 934 22 | Contact bush 0,63 - 0,5 | | X | |
| 10 | 999 703 459 40 | Rubber mounting | | 1 | M536 |
| 11 | 996 637 420 01 | Support | /LL | 1 | M536 |
| (11) | 996 637 419 01 | Support for Alarm siren 99661823704 | /RL | 1 | M536 |
| (11) | 996 637 419 03 | Support for Alarm siren 99661823705 | /RL | 1 | M536 |
| 12 | 996 618 265 00 | Tilt sensor See technical manual GR.9 / 96 64 32 Use also: | -01 | 1 | M536 |
| - | 996 622 904 00 | Wiring harness | | 1 | |
| - | 999 650 335 40 | Plug socket 6-pole | -01 | 1 | M536 |
| - | 999 652 775 22 | Contact bush 2,5 - 1 | -01 | X | M536 |
| (12) | 996 618 265 01 | Tilt sensor | 02- | 1 | M536 |
| - | 996 637 421 00 | Support Tilt sensor | 02- | 1 | M536 |

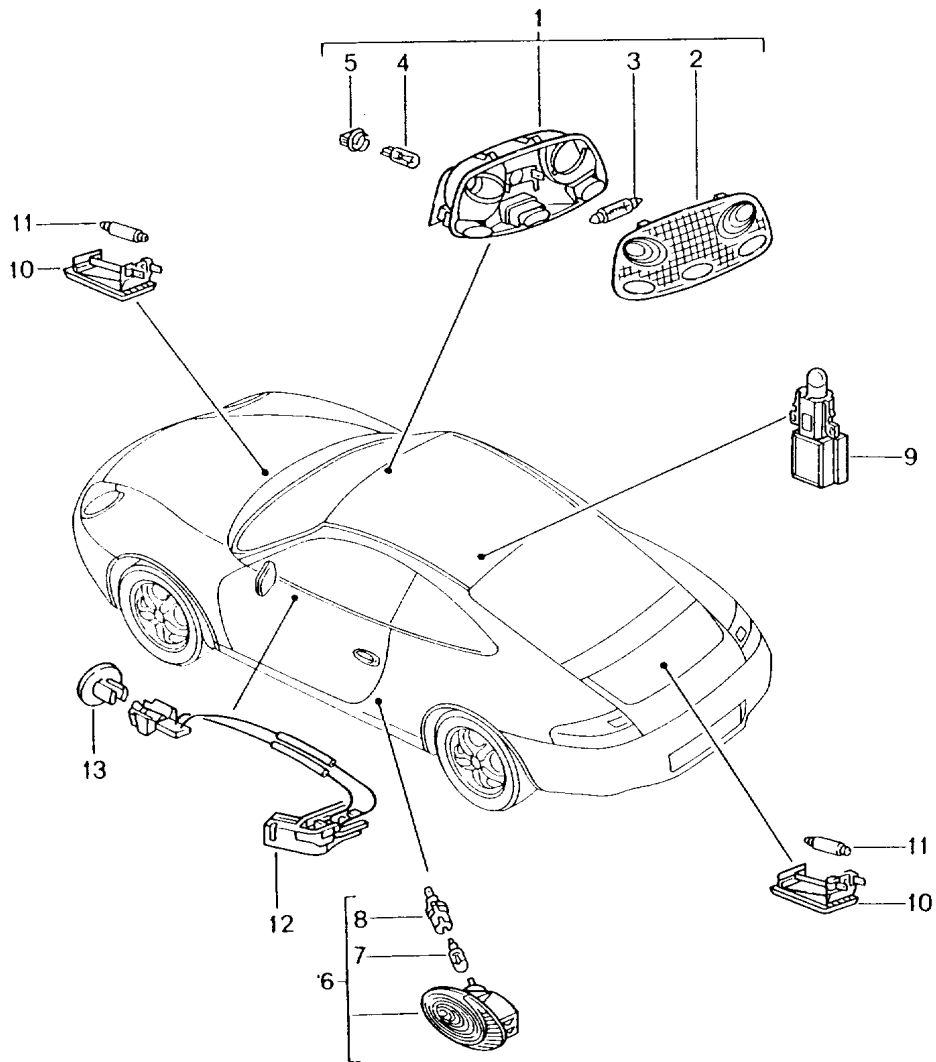
Model: 996 98

Model life 1998>>2005

| Pos | Part Number | Description | Remark | Qty | Model |
|-----|----------------|-------------------------------|--------|-----|-------|
| - | 900 378 179 09 | Hexagon-head bolt M 6 X 16 | 02- | 1 | M536 |
| - | 999 500 078 00 | Speed nut M 6 | 02- | 1 | M536 |

Model: 996 98

Model life 1998>>2005



Model: 996 98 Model life 1998>>2005

| Pos | Part Number | Description | Remark | Qty | Model |
|------|----------------|--------------------------|---------|-----|-------|
| | | Interior lights | | | |
| | | Luggage compartment lamp | | | |
| | | Engine compartment lamp | | | |
| | | Glove compartment light | | | |
| | | Footwell light | | | IXX2 |
| | | Combined lights | | | |
| | | Door opener | | | |
| 1 | 996 632 051 01 | Interior light | -00 | 1 | |
| 1 | 996 632 053 01 | Interior light | 01 | 1 | |
| 1 | 996 632 053 10 | Interior light | 02- | 1 | |
| 1 | 996 632 051 01 | Interior light | 01 | 1 | M265 |
| 1 | 996 632 051 10 | Interior light | 02- | 1 | M265 |
| 2 | 996 632 151 00 | Lens | -00 | 1 | |
| 2 | 996 632 153 00 | Lens | 01 | 1 | |
| 2 | 996 632 153 10 | Lens | 02- | 1 | |
| 2 | 996 632 151 00 | Lens | 01- | 1 | M265 |
| 3 | 900 631 106 90 | Linolite lamp | | 1 | |
| | | 10 W | | | |
| 4 | 999 631 134 90 | Bulb | | 2 | |
| | | 6 W | | | |
| 5 | 999 632 018 00 | Bulb socket | | 2 | |
| 6 | 996 632 132 01 | Door guard light | | 2 | |
| 6 | 996 632 135 00 | Light | 02- | 2 | TARGA |
| | | Tray | | | |
| | | Luggage | | | |
| 7 | 999 631 032 90 | Bulb | | 2 | |
| | | 5 W | | | |
| 8 | 161 949 111 | Bulb socket | | 2 | |
| 9 | 996 632 113 00 | Ashtray light | | 1 | |
| | | Luggage compartment lamp | | | |
| | | Engine compartment lamp | | | |
| | | Footwell light | | | IXX2 |
| 10 | 997 632 201 00 | Light | | 2 | |
| - | 815 971 989 B | Flat receptacle | | 2 | |
| - | N 017 490 6 | Flat connector | | 4 | |
| - | 996 632 980 00 | Support | | 2 | IXX2 |
| | | Footwell light | | | |
| (10) | 928 632 101 00 | Glove compartment light | 02- | 1 | |
| 11 | 900 631 106 90 | Linolite lamp | | 2 | |
| | | 10 W | | | |
| (11) | 999 631 018 90 | Bulb | 02- | 1 | |
| | | 3 W | | | |
| | | Glove compartment light | | | |
| - | 999 631 137 90 | Bulb | -01 | 4 | M274 |
| | | 3 W | | | |
| | | Vanity mirror | | | |
| - | 999 631 147 90 | Bulb | 02- | 4 | |
| | | 3 W | | | |
| | | Vanity mirror | | | |
| 12 | 996 632 121 02 | Combined lights | /LL 01- | 1 | |
| | | Driver's door | | | |
| | | Door opener | | | |
| | | Ignition starter lock | | | |
| (12) | 996 632 124 02 | Combined lights | /RL 01- | 1 | |
| | | Driver's door | | | |
| | | Door opener | | | |
| | | Ignition starter lock | | | |
| (12) | 996 632 122 02 | Combined lights | /LL 01- | 1 | |
| | | Passenger's door | | | |
| | | Door opener | | | |
| (12) | 996 632 123 02 | Combined lights | /RL 01- | 1 | |
| | | Passenger's door | | | |
| | | Door opener | | | |

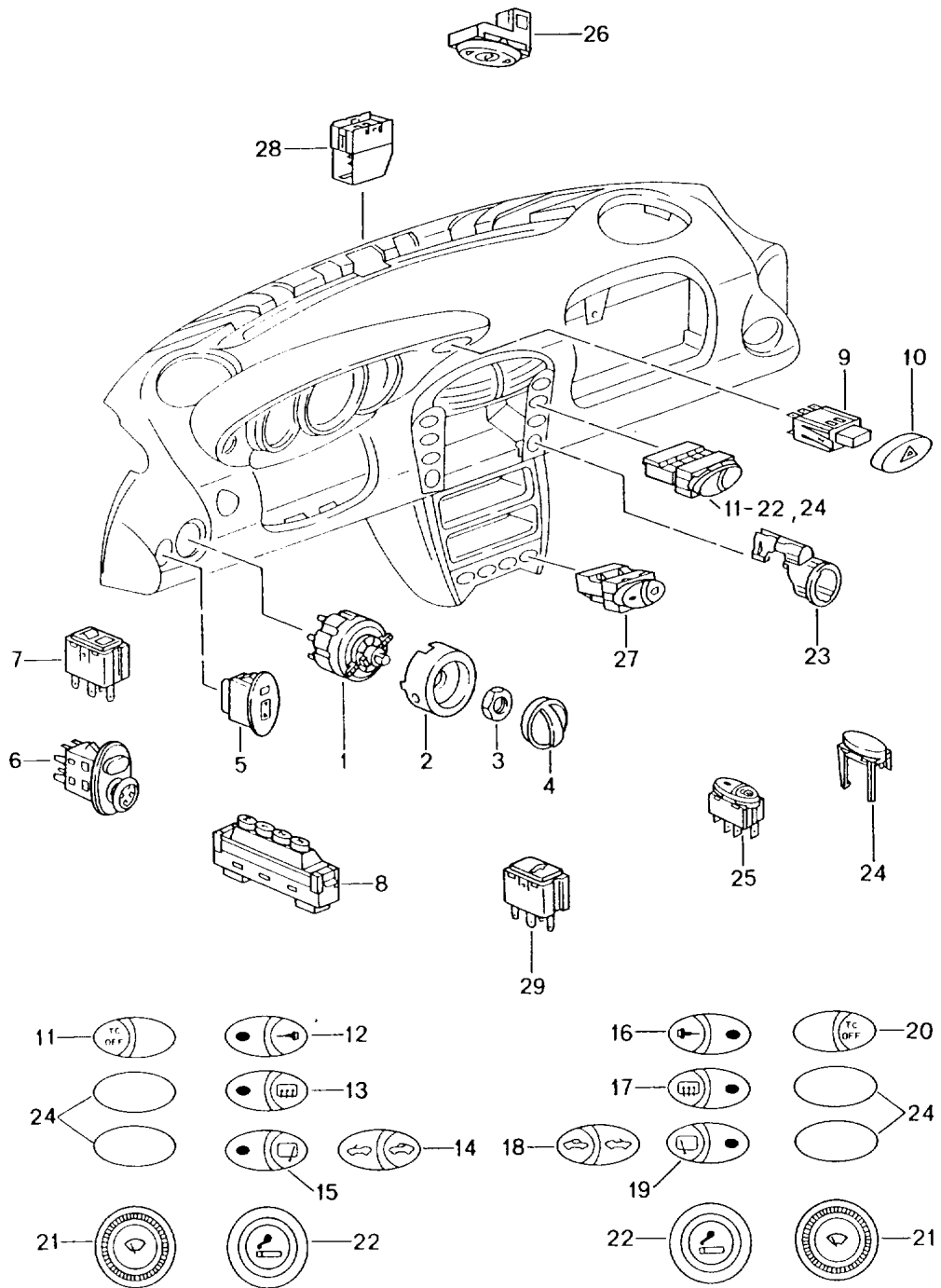
Model: 996 98

Model life 1998>>2005

| Pos | Part Number | Description | Remark | Qty | Model |
|------|----------------|--|---------|-----|-------|
| 13 | 996 632 125 00 | Rosette Driver's door Combined lights Ignition starter lock | /LL 01- | 1 | |
| (13) | 996 632 126 00 | Rosette Driver's door Combined lights Ignition starter lock | /RL 01- | 1 | |

Model: 996 98

Model life 1998>>2005



Model: 996 98 Model life 1998>>2005

| Pos | Part Number | Description | Remark | Qty | Model |
|-----|--------------------|----------------------------|---------|-----|----------------------|
| 1 | 996 613 535 00 | Switch | | 1 | |
| - | 999 650 346 40 | Light switch | | 1 | |
| - | 999 650 343 40 | Terminal sleeve housing | | 1 | |
| - | 999 652 437 12 | Lid | | 1 | |
| - | 999 652 437 12 | Connector | | X | |
| - | 999 652 351 22 | \$ 4,0 | | | |
| - | 999 652 351 22 | Contact bush | | X | |
| - | 999 652 351 22 | \$ 2,5 | | | |
| 2 | 996 613 631 01 | Headlight unit | /LL | 1 | |
| 2 | 996 613 631 02 | Headlight unit | /LL | 1 | |
| (2) | 996 613 632 01 | Headlight unit | /RL | 1 | |
| - | 999 652 972 40 | Plug socket | | 1 | |
| - | 999 650 512 40 | Plug socket | | 1 | |
| - | 999 652 973 40 | Cap | | 1 | |
| - | 999 650 512 40 | Plug socket | | 1 | |
| - | 999 652 901 22 | Connector | | 5 | |
| 3 | 999 034 030 09 | Hexagon nut | | 1 | |
| | | M 16 X 1 | | | |
| 4 | 996 613 533 01 | Rotary knob | -01 | 1 | |
| | 996 613 533 01 A01 | Gloss black | | | |
| 4 | 996 613 533 10 | Rotary knob | 02- | 1 | |
| | 996 613 533 10 A05 | Black mat | | | |
| 5 | 996 613 230 01 | Potentiometer | -00 | 1 | M605 |
| | 996 613 230 01 A01 | Gloss black | | | |
| | | Headlight levelling system | | | |
| 6 | 996 613 241 00 | Switch | | 1 | M273 |
| | 996 613 241 00 01C | Satin black | | | |
| | | Door mirror | | | |
| (6) | 996 613 980 01 | Mirror changeover switch | 01- | 1 | IXTJ/XTK/XTL IXTR |
| | | Door mirror | | | |
| | | Leather | | | |
| | 996 613 980 01 A11 | Black | | | |
| | 996 613 980 01 C51 | Graphite grey | | | |
| | 996 613 980 01 S31 | Savanna | | | |
| | 996 613 980 01 G11 | Metropole blue | | | |
| | 996 613 980 01 J31 | Nephrite green | | | |
| | 996 613 980 01 M31 | Boxster red | | | |
| | 996 613 980 01 P12 | Cinnamon brown | | | |
| | 996 613 980 01 D12 | Dark grey/natural | | | |
| | 996 613 980 01 T12 | Brown/natural | | | |
| - | 993 612 501 00 | Plug socket | | 1 | |
| - | N 903 352 04 | Connector | | 5 | |
| - | 999 652 790 12 | Cylindrical socket | | 2 | |
| 7 | 996 613 102 00 | Tip switch | | 1 | |
| | | Rear spoiler | | | |
| - | 999 650 035 40 | Plug socket | | 1 | |
| - | 999 650 330 00 | Connector | | 5 | |
| 8 | 996 613 103 01 | Memory switch | -01 | 1 | M537/538 |
| (8) | 996 613 103 02 | Memory switch | 02- | 1 | M537/538 |
| 9 | 996 613 120 01 | Hazard warning light sw. | | 1 | |
| 10 | 996 613 121 00 | Key | -01 | 1 | |
| | 996 613 121 00 A02 | Gloss black | | | |
| 10 | 996 613 121 10 | Key | 02- | 1 | |
| | 996 613 121 10 A05 | Black mat | | | |
| - | 999 650 191 40 | Plug socket | | 1 | |
| - | 999 650 192 40 | Locking device | | 1 | |
| - | 999 652 475 22 | Flat plug | | 9 | |
| - | | Rosette | | X | |
| | | Hazard warning light sw. | | | |
| | | See group | | | |
| | | 8/09/00 | | | |
| 11 | 996 613 141 00 | Tip switch | /LL -99 | 1 | M222 |
| | 996 613 141 00 A02 | Gloss black | | | |

Model: 996 98 Model life 1998>>2005

| Pos | Part Number | Description | Remark | Qty | Model |
|------|--------------------|-------------------------|---------|-----|--------|
| (11) | 996 613 145 00 | Tip switch | /LL -01 | 1 | M476 |
| | 996 613 145 00 A02 | Gloss black | | | |
| (11) | 996 613 145 10 | Tip switch | /LL 02- | 1 | M476 |
| | 996 613 145 10 A05 | Black mat | | | |
| - | 999 650 107 40 | Plug socket | | 1 | |
| | | Yellow | | | |
| - | 999 650 103 12 | Connector | | 5 | |
| 12 | 996 613 144 00 | Tip switch | /LL -01 | 1 | |
| | 996 613 144 00 A02 | Gloss black | | | |
| | | Central locking system | | | |
| 12 | 996 613 144 10 | Tip switch | /LL 02- | 1 | |
| | 996 613 144 10 A05 | Black mat | | | |
| | | Central locking system | | | |
| - | 999 650 107 40 | Plug socket | | 1 | |
| | | Yellow | | | |
| - | 999 650 330 00 | Connector | | 5 | |
| 13 | 996 613 134 00 | Tip switch | /LL -01 | 1 | |
| | 996 613 134 00 A02 | Gloss black | | | |
| | | Heating | | | |
| | | Rear window | | | |
| | | Door mirror | | | |
| 13 | 996 613 134 10 | Tip switch | /LL 02- | 1 | |
| | 996 613 134 10 A05 | Black mat | | | |
| | | Heating | | | |
| | | Rear window | | | |
| | | Door mirror | | | |
| - | 999 650 110 40 | Plug socket | | 1 | |
| - | 999 650 103 12 | Connector | | 5 | |
| 14 | 996 613 138 00 | Tip switch | /LL -01 | 1 | CABRIO |
| | 996 613 138 00 A02 | Gloss black | | | |
| | | Convertible top control | | | |
| 14 | 996 613 138 10 | Tip switch | /LL 02- | 1 | CABRIO |
| | 996 613 138 10 A05 | Black mat | | | |
| | | Convertible top control | | | |
| - | 999 650 111 40 | Plug socket | | 1 | |
| - | 999 650 330 00 | Connector | | 5 | |
| 15 | 996 613 136 00 | Tip switch | /LL -01 | 1 | M425 |
| | 996 613 136 00 A02 | Gloss black | | | |
| | | Rear window wiper | | | |
| 15 | 996 613 136 10 | Tip switch | /LL 02- | 1 | M425 |
| | 996 613 136 10 A05 | Black mat | | | |
| | | Rear window wiper | | | |
| - | 999 650 111 40 | Plug socket | | 1 | |
| - | 999 650 330 00 | Connector | | 5 | |
| 16 | 996 613 143 00 | Tip switch | /RL -01 | 1 | |
| | 996 613 143 00 A02 | Gloss black | | | |
| | | Central locking system | | | |
| 16 | 996 613 143 10 | Tip switch | /RL 02- | 1 | |
| | 996 613 143 10 A05 | Black mat | | | |
| | | Central locking system | | | |
| - | 999 650 107 40 | Plug socket | | 1 | |
| | | Yellow | | | |
| - | 999 650 330 00 | Connector | | 5 | |
| 17 | 996 613 133 00 | Tip switch | /RL -01 | 1 | |
| | 996 613 133 00 A02 | Gloss black | | | |
| | | Heating | | | |
| | | Rear window | | | |
| | | Door mirror | | | |
| 17 | 996 613 133 10 | Tip switch | /RL 02- | 1 | |
| | 996 613 133 10 A05 | Black mat | | | |
| | | Heating | | | |
| | | Rear window | | | |
| | | Door mirror | | | |

Model: 996 98 Model life 1998>>2005

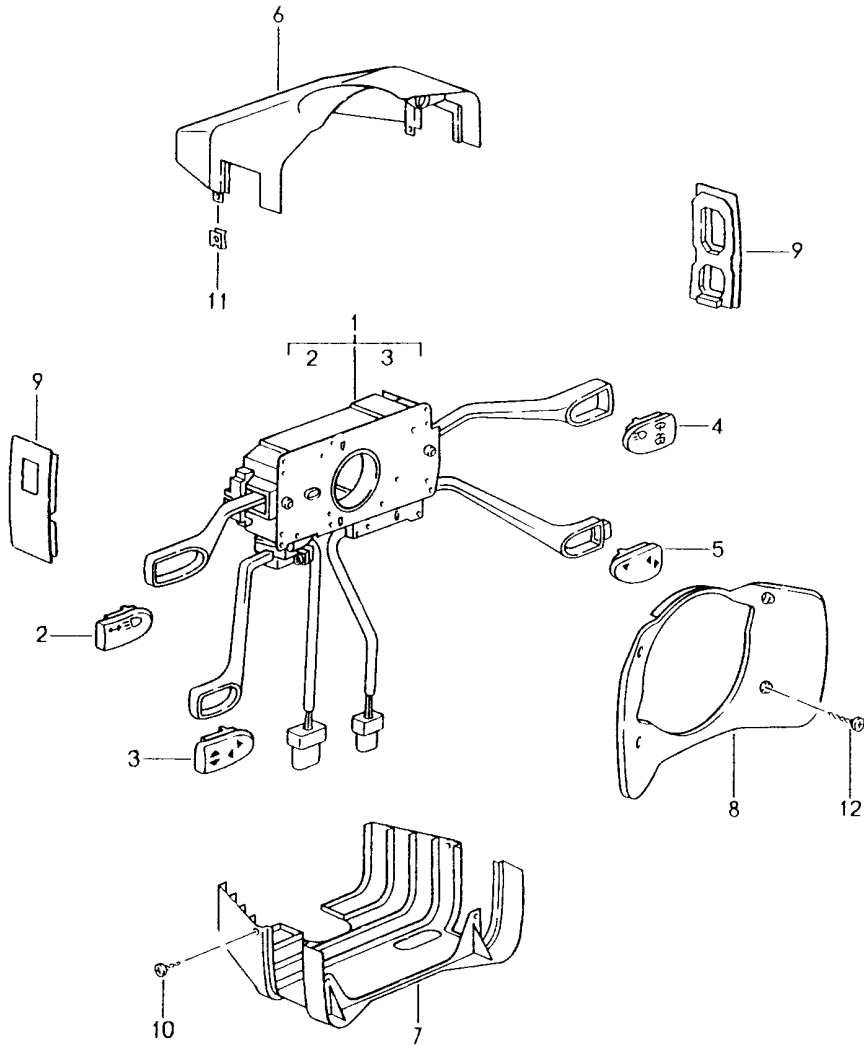
| Pos | Part Number | Description | Remark | Qty | Model |
|------|--------------------|---|---------|-----|--------|
| - | 999 650 110 40 | Plug socket | | 1 | |
| - | 999 650 103 12 | Connector | | 5 | |
| 18 | 996 613 137 00 | Tip switch | /RL -01 | 1 | CABRIO |
| | 996 613 137 00 A02 | Gloss black Convertible top control | | | |
| 18 | 996 613 137 10 | Tip switch | /RL 02- | 1 | CABRIO |
| | 996 613 137 10 A05 | Black mat Convertible top control | | | |
| - | 999 650 111 40 | Plug socket | | 1 | |
| - | 999 650 330 00 | Connector | | 5 | |
| 19 | 996 613 135 00 | Tip switch | /RL -01 | 1 | M425 |
| | 996 613 135 00 A02 | Gloss black Rear window wiper | | | |
| 19 | 996 613 135 10 | Tip switch | /RL 02- | 1 | M425 |
| | 996 613 135 10 A05 | Black mat Rear window wiper | | | |
| - | 999 650 111 40 | Plug socket | | 1 | |
| - | 999 650 330 00 | Connector | | 5 | |
| 20 | 996 613 142 00 | Tip switch | /RL -99 | 1 | M222 |
| | 996 613 142 00 A02 | Gloss black | | | |
| (20) | 996 613 146 00 | Tip switch | /RL -01 | 1 | M476 |
| | 996 613 146 00 A02 | Gloss black | | | |
| (20) | 996 613 146 10 | Tip switch | /RL 02- | 1 | M476 |
| | 996 613 146 10 A05 | Black mat | | | |
| - | 999 650 107 40 | Plug socket Yellow | | 1 | |
| - | 999 650 103 12 | Connector | | 5 | |
| 21 | 996 613 115 00 | Potentiometer | -01 | 1 | |
| | 996 613 115 00 A02 | Gloss black Wipe interval | | | |
| 21 | 996 613 115 10 | Potentiometer | 02- | 1 | |
| | 996 613 115 10 A05 | Black mat Wipe interval | | | |
| 21 | 996 613 127 00 | Potentiometer | 01 | 1 | M265 |
| | 996 613 127 00 A02 | Gloss black Wipe interval | | | |
| 21 | 996 613 127 10 | Potentiometer | 02- | 1 | M265 |
| | 996 613 127 10 A05 | Black mat Wipe interval | | | |
| 22 | 996 652 101 00 | Cigarette lighter | -01 | 1 | |
| 22 | 997 652 101 00 | Cigarette lighter | 02- | 1 | |
| | 997 652 101 00 A05 | Black mat | | | |
| - | 999 650 284 40 | Plug socket | | 1 | |
| - | 999 652 735 12 | Connector | | 3 | |
| (22) | 996 652 103 00 | Plug socket | | 1 | M580 |
| | 996 652 103 00 A01 | Gloss black | | | |
| 23 | 996 652 102 01 | Headlight unit | -01 | 1 | |
| 23 | 996 652 102 10 | Headlight unit | 02- | 1 | |
| (23) | 996 652 104 00 | Tensioning sleeve | | 1 | M580 |
| 24 | 996 552 425 00 | Cover | -99 | X | |
| | 996 552 425 00 A01 | Gloss black | | | |
| (24) | 986 613 425 00 | Cover | -01 | X | |
| | 986 613 425 00 A01 | Gloss black Switch Display specimen | | | |
| (24) | 996 613 425 10 | Cover | 02- | X | |
| | 996 613 425 10 A05 | Black mat Switch Display specimen | | | |
| (24) | 996 613 980 06 | Tip switch | 02- | 1 | IXX2 |
| | 996 613 980 06 A05 | Black mat Footwell light | | | |
| (24) | 996 613 987 10 | Tip switch | | 1 | IXLF |

Model: 996 98 Model life 1998>>2005

| Pos | Part Number | Description | Remark | Qty | Model |
|------|--------------------|---|------------------|-----|-----------------------|
| | 996 613 987 10 A05 | Black mat | /LL /RL | | COUPE/TARGA CABRIO |
| (24) | 996 613 988 10 | Tip switch | | 1 | IXLF |
| | 996 613 988 10 A05 | Black mat | /LL /RL | | CABRIO COUPE/TARGA |
| 25 | 996 613 151 00 | Tip switch | -01 | 2 | COUPE |
| | 996 613 151 00 A02 | Gloss black Power windows | -01 -01 | | CABRIO |
| 25 | 996 613 151 10 | Tip switch | 02- | 2 | COUPE |
| | 996 613 151 10 A05 | Black mat Power windows | 02- 02- | | CABRIO |
| - | 999 650 109 40 | Plug socket | /L | 1 | |
| - | 999 650 330 00 | Connector | /L | 5 | |
| - | 999 650 035 40 | Plug socket | /R | 1 | |
| - | 999 650 330 00 | Connector | /R | 5 | |
| 26 | 996 613 147 00 | Tip switch | -01 | 1 | M650 |
| | 996 613 147 00 A02 | Gloss black Sunroof | | | |
| 26 | 996 613 147 10 | Tip switch | 02- | 1 | M650 |
| | 996 613 147 10 A05 | Black mat Sunroof | | | |
| 27 | 996 613 153 00 | Tip switch | /L -01 | 1 | M139 |
| | 996 613 153 00 A02 | Gloss black Seat heater | | | |
| (27) | 996 613 154 00 | Tip switch | /R -01 | 1 | M340 |
| | 996 613 154 00 A02 | Gloss black Seat heater | | | |
| 27 | 996 613 153 10 | Tip switch | /L -02 /L 03- | 1 | M139 M342 |
| | 996 613 153 10 A05 | Black mat Seat heater | | | |
| (27) | 996 613 154 10 | Tip switch | /R -02 /R 03- | 1 | M340 M342 |
| | 996 613 154 10 A05 | Black mat Seat heater | | | |
| - | 999 650 109 40 | Plug socket | /L | 1 | |
| - | 999 650 330 00 | Connector | /L | 5 | |
| - | 999 650 035 40 | Plug socket | /R | 1 | |
| - | 999 650 330 00 | Connector | /R | 5 | |
| (27) | 996 613 157 10 | Tip switch | 02- | 1 | TARGA |
| | 996 613 157 10 A05 | Black mat Glass roof | | | |
| (27) | 996 613 119 10 | Tip switch | 02- | 1 | TARGA |
| | 996 613 119 10 A05 | Black mat Shade | | | |
| 28 | 996 653 251 00 | Sensor Alarm system with Light | | 1 | M534/535 M573 |
| - | 999 650 221 40 | Plug socket | | 1 | |
| 29 | 996 613 105 10 | Tip switch | 01- | 1 | |
| | 996 613 105 10 A05 | Black mat Lid Front | | | |
| (29) | 996 613 106 10 | Tip switch | 01- | 1 | |
| | 996 613 106 10 A05 | Black mat Lid Rear | | | |
| (29) | 996 613 107 10 | Tip switch | 02- | 1 | TARGA |
| | 996 613 107 10 A05 | Black mat Rear lid release | | | |

Model: 996 98

Model life 1998>>2005



Model: 996 98 Model life 1998>>2005

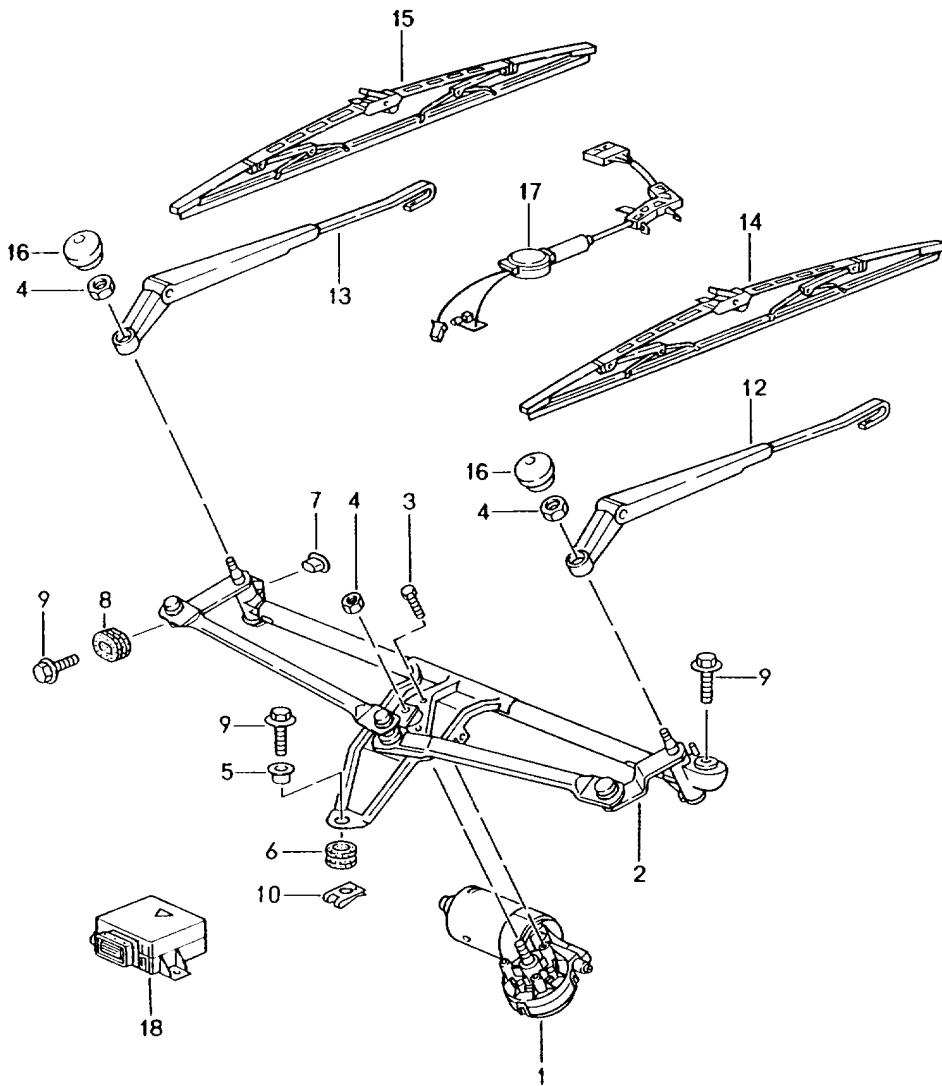
| Pos | Part Number | Description | Remark | Qty | Model |
|-----|--------------------|---|--------|-----|----------|
| 1 | 996 613 219 10 | Steering column switch | | 1 | M454/659 |
| 1 | 996 613 219 10 EWC | Black mat/satin black | | 1 | M454 |
| 1 | 996 613 217 10 | Steering column switch | | 1 | M659 |
| 1 | 996 613 217 10 EWC | Black mat/satin black | | 1 | |
| 1 | 996 613 215 10 | Steering column switch | | 1 | |
| 1 | 996 613 215 10 EWC | Black mat/satin black | | 1 | |
| 1 | 996 613 213 10 | Steering column switch | | 1 | |
| 1 | 996 613 213 10 EWC | Black mat/satin black | | 1 | |
| - | 999 652 640 40 | Plug socket | /L | 1 | |
| - | 999 652 639 22 | Contact bush | /L | X | |
| - | 999 652 641 40 | Plug socket | /R | 1 | |
| - | 999 652 639 22 | Contact bush | /R | X | |
| - | 999 650 056 40 | Plug socket | | 1 | M659 |
| - | 999 650 057 40 | Cap | | 1 | M659 |
| - | 999 652 901 22 | Connector | | X | M659 |
| - | 999 652 972 40 | Plug socket | | 1 | M454 |
| - | 999 650 512 40 | Plug socket | | 1 | M454 |
| - | 999 652 973 40 | Cap | | 1 | M454 |
| - | 999 650 512 40 | Plug socket | | 1 | M454 |
| - | 999 652 901 22 | Connector | | X | M454 |
| 2 | 996 613 509 00 | When required order also: Cap with symbol | -01 | 1 | |
| 2 | 996 613 509 00 A01 | Gloss black Direction indicator light High beam | | 1 | |
| 2 | 996 613 509 10 | Cap with symbol | 02- | 1 | |
| 2 | 996 613 509 10 A05 | Black mat Direction indicator light High beam | | 1 | |
| 3 | 996 613 503 01 | Cap with symbol | -01 | 1 | M659 |
| 3 | 996 613 503 01 A01 | Gloss black | | 1 | |
| 3 | 996 613 503 10 | Cap with symbol | 02- | 1 | M659 |
| 3 | 996 613 503 10 A05 | Black mat | | 1 | |
| 4 | 996 613 507 00 | Cap with symbol | -01 | 1 | M288 |
| 4 | 996 613 507 00 A01 | Gloss black | | 1 | |
| 4 | 996 613 507 10 | Cap with symbol | 02- | 1 | M288 |
| 4 | 996 613 507 10 A05 | Black mat | | 1 | |
| (4) | 996 613 508 00 | Cap with symbol | -01 | 1 | |
| (4) | 996 613 508 00 A01 | Gloss black | | 1 | |
| (4) | 996 613 508 10 | Cap with symbol | 02- | 1 | |
| (4) | 996 613 508 10 A05 | Black mat | | 1 | |
| 5 | 996 613 504 00 | Cap with symbol | -01 | 1 | M454 |
| 5 | 996 613 504 00 A01 | Gloss black German | | 1 | |
| 5 | 996 613 504 10 | Cap with symbol | 02- | 1 | M454 |
| 5 | 996 613 504 10 A05 | Black mat German | | 1 | |
| (5) | 996 613 505 00 | Cap with symbol | -01 | 1 | M454 |
| (5) | 996 613 505 00 A01 | Gloss black English | | 1 | |
| (5) | 996 613 505 10 | Cap with symbol | 02- | 1 | M454 |
| (5) | 996 613 505 10 A05 | Black mat English | | 1 | |
| (5) | 996 613 506 00 | Cap with symbol | -01 | 1 | M454 |
| (5) | 996 613 506 00 A01 | Gloss black French | | 1 | |
| (5) | 996 613 506 10 | Cap with symbol | 02- | 1 | M454 |
| (5) | 996 613 506 10 A05 | Black mat French | | 1 | |
| 6 | 996 552 273 00 | Switch housing | -99 | 1 | |
| 6 | 996 552 273 00 01C | Satin black | | 1 | |
| 6 | 996 552 273 01 | Switch housing | | 1 | |

Model: 996 98 Model life 1998>>2005

| Pos | Part Number | Description | Remark | Qty | Model |
|-----|--------------------|--|--------|-----|--------------------------|
| | | Lacquered | | | |
| | 996 552 273 01 B50 | Space grey | -99 | | |
| | 996 552 273 01 C50 | Graphite grey | -99 | | |
| | 996 552 273 01 G10 | Metropole blue | -99 | | |
| | 996 552 273 01 S30 | Savanna | -99 | | |
| | 996 552 273 01 A03 | Black | 00- | | |
| | 996 552 273 01 B13 | Space grey | 00- | | |
| | 996 552 273 01 C53 | Graphite grey | 00- | | |
| | 996 552 273 01 G13 | Metropole blue | 00- | | |
| | 996 552 273 01 J33 | Nephrite green | 00- | | |
| | 996 552 273 01 M33 | Boxster red | 00- | | |
| | 996 552 273 01 S33 | Savanna | 00- | | |
| | 996 552 273 01 P13 | Cinnamon brown | 01- | | |
| 7 | 996 552 275 02 | Switch housing | -99 | 1 | |
| | 996 552 275 02 01C | Satin black | | | |
| 7 | 996 552 275 03 | Switch housing | | 1 | |
| | | Lacquered | | | |
| | 996 552 275 03 B50 | Space grey | -99 | | |
| | 996 552 275 03 C50 | Graphite grey | -99 | | |
| | 996 552 275 03 G10 | Metropole blue | -99 | | |
| | 996 552 275 03 S30 | Savanna | -99 | | |
| | 996 552 275 03 A03 | Black | 00- | | |
| | 996 552 275 03 B13 | Space grey | 00- | | |
| | 996 552 275 03 C53 | Graphite grey | 00- | | |
| | 996 552 275 03 G13 | Metropole blue | 00- | | |
| | 996 552 275 03 J33 | Nephrite green | 00- | | |
| | 996 552 275 03 M33 | Boxster red | 00- | | |
| | 996 552 275 03 S33 | Savanna | 00- | | |
| | 996 552 275 03 P13 | Cinnamon brown | 01- | | |
| - | 996 610 206 00 | Support for Connector housing | | 1 | |
| 8 | 993 552 277 00 | Cover | -99 | 1 | |
| | 993 552 277 00 01C | Satin black | | | |
| 8 | 996 552 277 00 | Cover | | 1 | |
| | | Lacquered | | | |
| | 996 552 277 00 B50 | Space grey | -99 | | |
| | 996 552 277 00 C50 | Graphite grey | -99 | | |
| | 996 552 277 00 G10 | Metropole blue | -99 | | |
| | 996 552 277 00 S30 | Savanna | -99 | | |
| | 996 552 277 00 A03 | Black | 00- | | |
| | 996 552 277 00 B13 | Space grey | 00- | | |
| | 996 552 277 00 C53 | Graphite grey | 00- | | |
| | 996 552 277 00 G13 | Metropole blue | 00- | | |
| | 996 552 277 00 J33 | Nephrite green | 00- | | |
| | 996 552 277 00 M33 | Boxster red | 00- | | |
| | 996 552 277 00 S33 | Savanna | 00- | | |
| | 996 552 277 00 P13 | Cinnamon brown | 01- | | |
| 9 | 993 552 573 00 | Cover | | X | |
| | 993 552 573 00 01C | Satin black | | | |
| (9) | 993 552 573 01 | Cover | | X | M454 M659 |
| | 993 552 573 01 01C | Satin black | | | |
| | | | | | M454/659 M454 M659 |
| 10 | 900 143 002 07 | Tapping screw B 2,9 X 9,5 | | 2 | |
| 11 | 999 591 888 02 | Speed nut B 2,9 | | 2 | |
| 12 | 900 143 072 02 | Oval-head sheetmetal screw B 3,5 X 19 | | 4 | |

Model: 996 98

Model life 1998>>2005

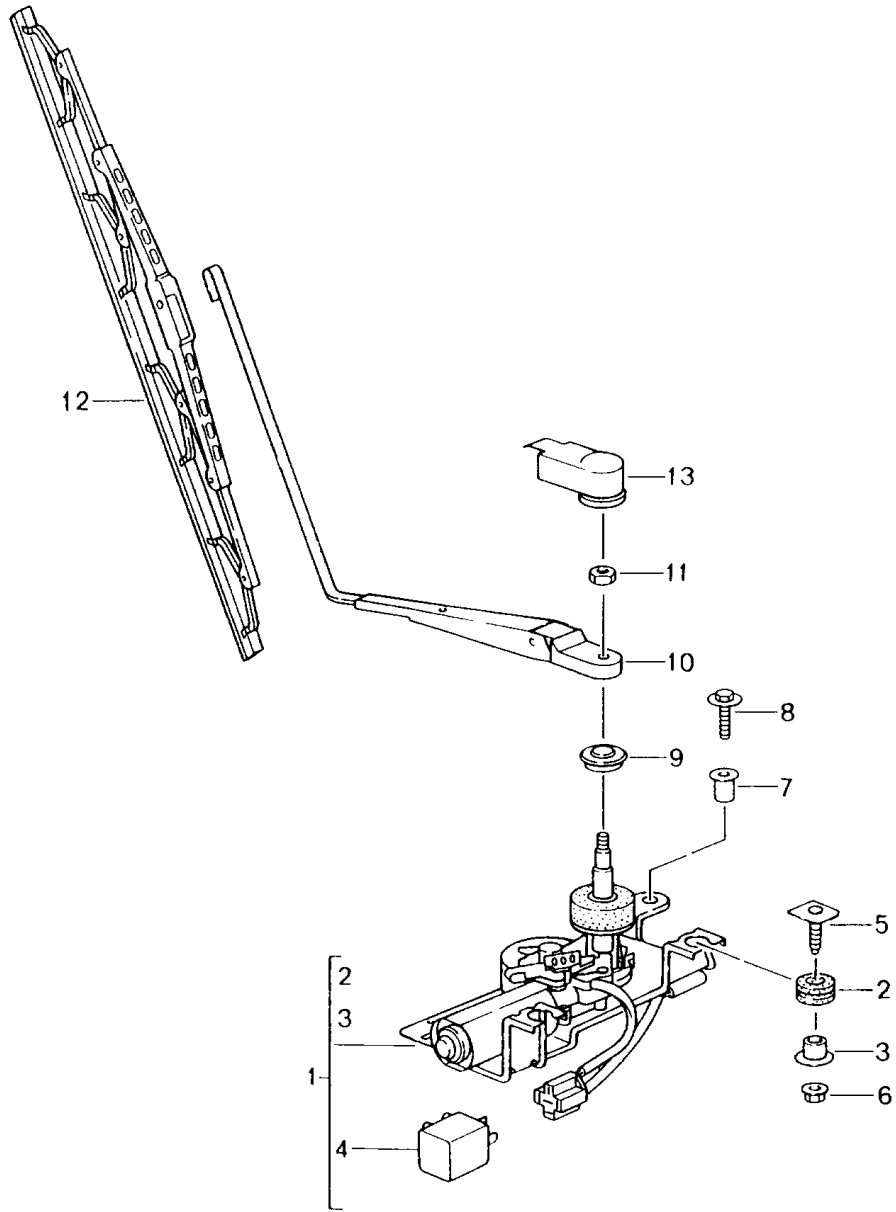


Model: 996 98 Model life 1998>>2005

| Pos | Part Number | Description | Remark | Qty | Model |
|------|----------------|---|--------|-----|----------------|
| | | Windscreen wiper system | | | |
| | | Rain sensor | | | M265 |
| 1 | 997 624 105 01 | Wiper motor | /LL | 1 | |
| (1) | 997 624 106 01 | Wiper motor | /RL | 1 | |
| 2 | 997 628 235 01 | Crank drive | /LL | 1 | |
| (2) | 997 628 236 00 | Crank drive | /RL | 1 | |
| (2) | 997 628 236 01 | Crank drive | /RL | 1 | |
| 3 | 900 075 014 02 | Hexagon-head bolt M 6 X 18 | -04 | 3 | |
| 3 | 900 075 014 03 | Hexagon-head bolt M 6 X 18 | | 3 | |
| (3) | 999 073 152 02 | Torx screw M 6 X 18 | 05 | 3 | |
| 4 | 900 076 064 02 | Hexagon nut M 8 | | 3 | |
| 5 | 999 924 102 02 | Bearing sleeve | | 1 | |
| 6 | 999 702 204 50 | Rubber bush | | 1 | |
| 7 | 996 628 713 00 | Bearing sleeve | | 1 | |
| 8 | 996 628 703 00 | Rubber bush | | 1 | |
| 9 | 999 075 075 01 | Combination screw M 6 X 22 SC | | 3 | |
| 10 | 999 507 246 01 | Speed nut M 6 | | 1 | |
| 12 | 997 628 027 00 | Wiper arm Driver's side | /LL | 1 | |
| (12) | 997 628 030 00 | Wiper arm Passenger's side | /RL | 1 | |
| 13 | 997 628 029 00 | Wiper arm Passenger's side | /LL | 1 | |
| (13) | 997 628 028 00 | Wiper arm Driver's side | /RL | 1 | |
| (14) | 996 628 901 08 | Wiper blade Set Driver's side Passenger's side See technical information GR. 9 , NR. 1/03 | /LL | 1 | |
| (15) | | Wiper blade Set Driver's side Passenger's side See technical information GR. 9 , NR. 1/03 | /RL | 1 | |
| 16 | 944 628 305 01 | Cap | | 2 | |
| 17 | 996 612 506 00 | Rain sensor | | 1 | COUPE M265 |
| (17) | 996 612 516 00 | with Wiring harness Rain sensor | | 1 | CABRIO M265 |
| (17) | 996 612 526 00 | with Wiring harness Rain sensor | 02- | 1 | TARGA M265 |
| - | 000 043 204 65 | with Wiring harness Adhesive film for Rain sensor See technical manual GR. 9 / 92 12 19 | | 1 | M265 |
| 18 | 996 615 113 00 | Control unit Rain sensor | | 1 | M265 |

Model: 996 98

Model life 1998>>2005



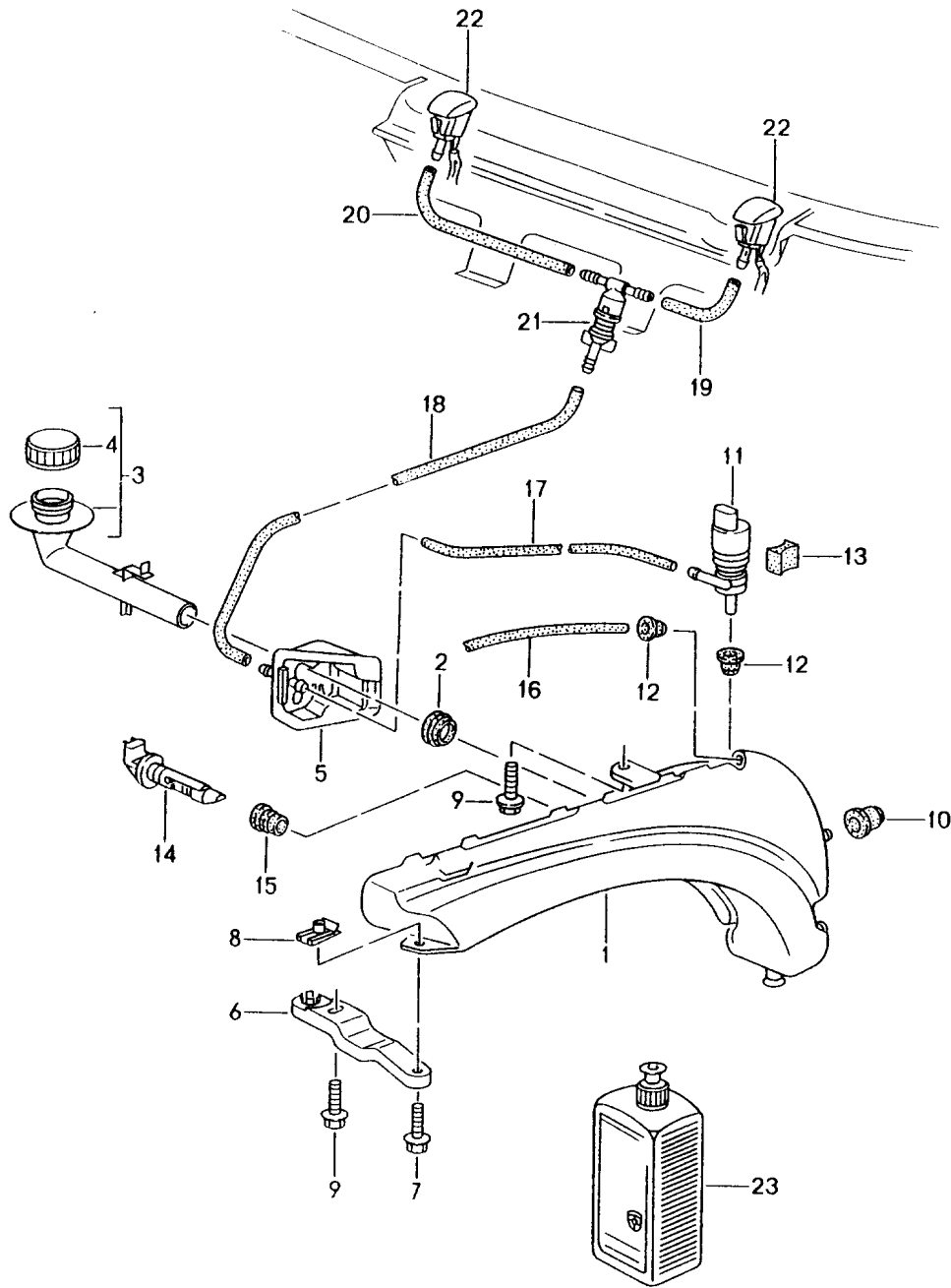
Model: 996 98

Model life 1998>>2005

| Pos | Part Number | Description | Remark | Qty | Model |
|------|----------------|----------------------------------|--------|-----|-------------|
| | | Rear window wiper | | | COUPE/TARGA |
| 1 | 996 628 080 00 | Wiper motor | | 1 | CARRERA |
| 1 | 996 628 080 01 | Wiper motor | 02- | 1 | C4S |
| (1) | 996 628 090 00 | Wiper motor | 02- | 1 | TARGA |
| 2 | 999 702 204 50 | Rubber bush | | 2 | |
| 3 | 999 924 102 02 | Bearing sleeve | | 2 | |
| 4 | 928 618 104 00 | Relay | | 1 | |
| 5 | 999 081 004 02 | Screw | | 2 | |
| 6 | 999 084 212 02 | Hexagon nut M 6 | | 2 | |
| 7 | 999 500 078 00 | Speed nut | | 1 | |
| 8 | 999 075 056 09 | Combination screw M 6 X 22 Z2 | | 1 | |
| 9 | 996 628 273 01 | Grommet | | 1 | |
| 10 | 996 628 040 00 | Wiper arm | | 1 | COUPE |
| (10) | 996 628 050 00 | Wiper arm | 02- | 1 | TARGA |
| 11 | 900 076 064 02 | Hexagon nut M 8 | | 1 | |
| 12 | 996 628 045 00 | Wiper blade | | 1 | |
| 13 | 944 628 122 00 | Cap | | 1 | |

Model: 996 98

Model life 1998>>2005

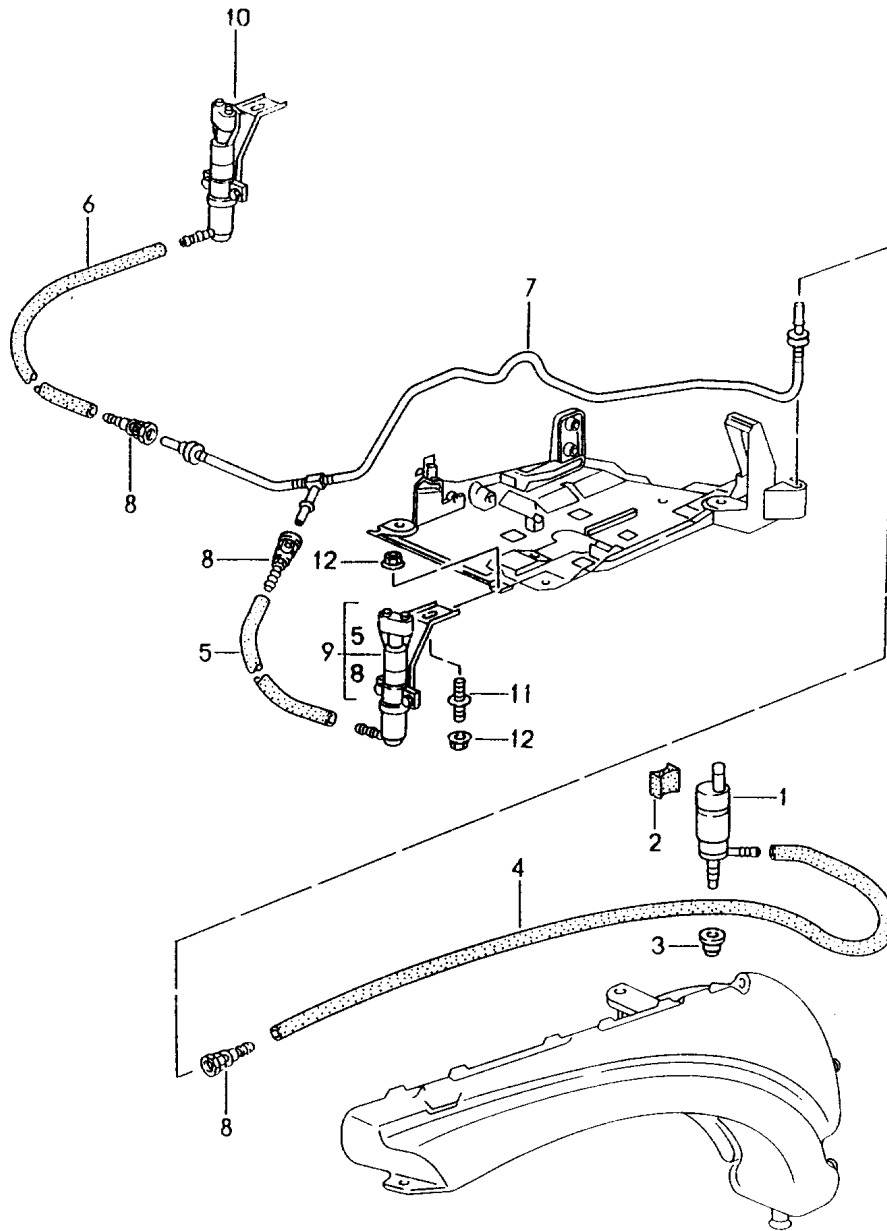


Model: 996 98 Model life 1998>>2005

| Pos | Part Number | Description | Remark | Qty | Model |
|------|----------------|--|--------|--------|-------|
| | | Windscreen washer system | | | |
| 1 | 996 528 701 00 | Water reservoir | | 1 | M288 |
| (1) | 996 528 701 01 | Water reservoir | | 1 | |
| 2 | 996 528 711 00 | Gasket | | 1 | |
| 3 | 996 528 605 00 | Filler neck | | 1 | |
| 4 | 996 528 607 00 | Lid | | 1 | |
| 5 | 996 528 615 01 | Bracket | | 1 | |
| - | 999 137 091 40 | Joining socket Repair material for Bracket 996.528.615.00/01 | | X | |
| (6) | 996 528 611 02 | Support | | 1 | M288 |
| 7 | 900 378 030 09 | Hexagon-head bolt M 6 X 20 | | 1 | M288 |
| 8 | 999 591 882 02 | Speed nut M 6 | | 1 | M288 |
| 8 | 999 591 882 01 | Speed nut M 6 | | 1 | M288 |
| 9 | 900 378 154 01 | Hexagon-head bolt AM 8 X 35 SB | | 1 2 | M288 |
| 10 | 999 702 221 40 | Grommet | | 2 | |
| 11 | 996 628 172 00 | Pump | | 1 | |
| 12 | 431 955 465 B | Sealing ring | | 2 | |
| 13 | 993 628 213 00 | Spacer | | 1 | M288 |
| 14 | 996 628 105 00 | Tank gauge switch | | 1 | |
| 15 | 996 528 721 00 | Grommet | | 1 | |
| 16 | 999 181 347 40 | Breather pipe 245 MM 640 MM | | * | M288 |
| - | 999 181 815 40 | Hose 5,0 X 2,5 | | * | |
| 17 | | 400 MM | | 1 | |
| 18 | | 560 MM | | 1 | |
| 19 | | 80 MM | | 1 | |
| 20 | | 380 MM | | 1 | |
| 21 | 996 628 102 00 | T-piece | | 1 | |
| 22 | 996 628 077 00 | Nozzle Adjustable | 98 | 2 | |
| (22) | 996 628 077 03 | Nozzle Not Adjustable | 99- | 2 | |
| - | 997 612 976 00 | When required order also: Repair kit | | 2 | |
| 23 | 999 901 017 41 | Wiring harness Window cleaner 250 ML Summer | | X | |
| 23 | 999 901 017 42 | Window cleaner 250 ML Summer | | X | |
| 23 | 000 044 000 87 | Window cleaner 250 ML Summer | | X | |
| 23 | 999 901 033 40 | Window cleaner 1000 ML Winter | | X | |

Model: 996 98

Model life 1998>>2005



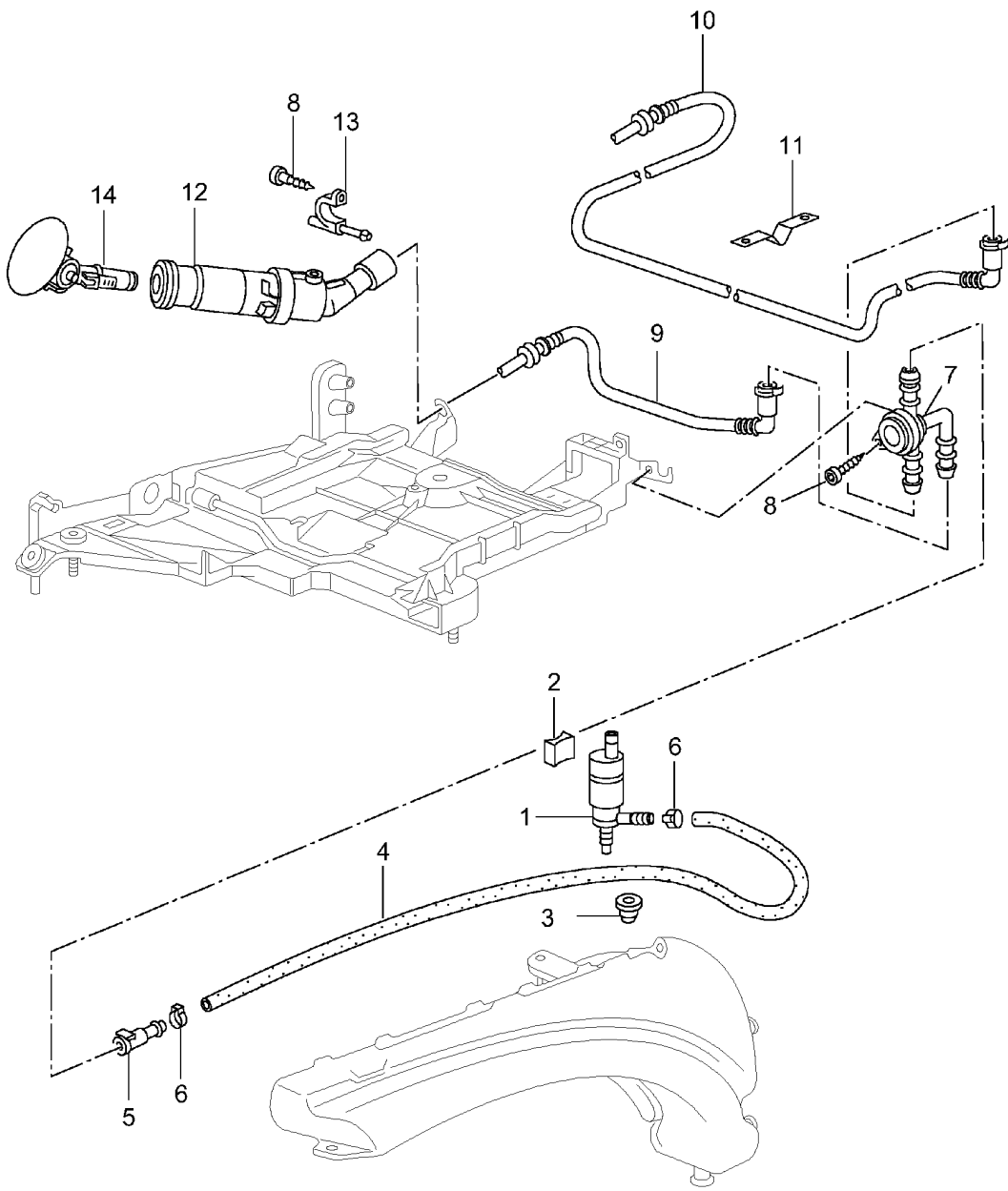
Model: 996 98

Model life 1998>>2005

| Pos | Part Number | Description | Remark | Qty | Model |
|-----|----------------|---------------------------------|--------|-----|-------|
| | | Headlight washer system | -01 | | M288 |
| 1 | 996 624 502 00 | Pump | | 1 | |
| 2 | 993 628 213 00 | Spacer | | 1 | |
| 3 | 928 628 193 00 | Gasket without Strainer | | 1 | |
| (3) | 996 628 393 00 | Gasket with Strainer | | 1 | |
| - | 000 043 204 79 | Hose 8 X 3 1020 MM | | * | |
| 4 | | 170 MM | | 1 | |
| 5 | | 930 MM | | 1 | |
| 6 | 999 512 673 00 | Hose clamp for POS. 1 + 8 | | X | |
| - | 999 512 568 02 | Clamp for POS. 5 + 6 | | X | |
| 7 | 996 628 673 00 | Line | | 1 | |
| 8 | 996 628 675 00 | Clutch Quick-connecting lock | | 3 | |
| 9 | 996 628 333 00 | Nozzle | /L | 1 | |
| 10 | 996 628 334 00 | Nozzle | /R | 1 | |
| 11 | 996 628 335 00 | Threaded bolt | | 2 | |
| 12 | 999 076 064 02 | Hexagon nut M 6-S | | 4 | |

Model: 996 98

Model life 1998>>2005



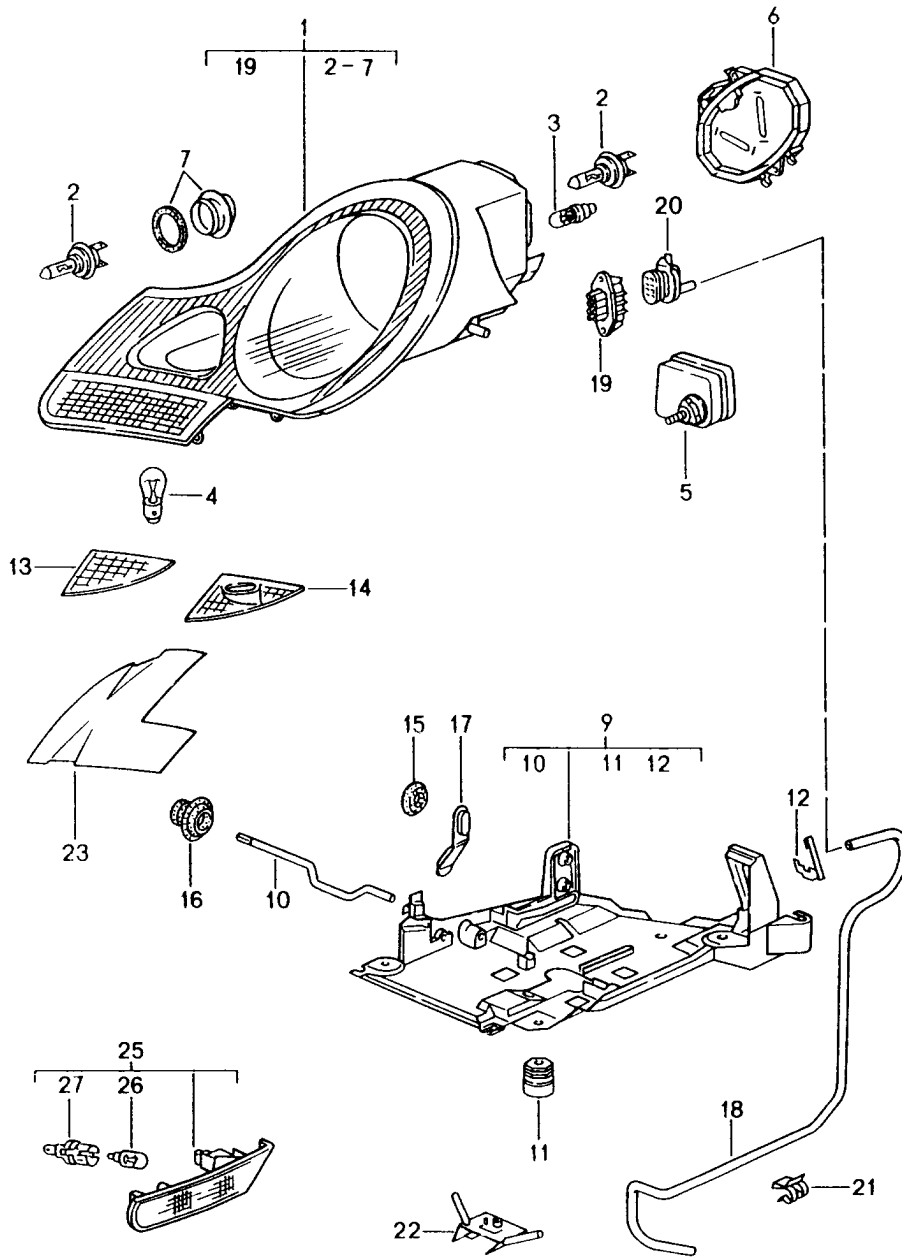
Model: 996 98

Model life 1998>>2005

| Pos | Part Number | Description | Remark | Qty | Model |
|------|----------------|-------------------------------|--------|-----|-------|
| | | Headlight washer system | 02- | | M288 |
| 1 | 996 624 502 00 | Pump | | 1 | |
| 2 | 993 628 213 00 | Spacer | | 1 | |
| 3 | 928 628 193 00 | Gasket without Strainer | | 1 | |
| (3) | 996 628 393 00 | Gasket with Strainer | | 1 | |
| - | 999 181 750 40 | Hose 10 X 3 1020 MM | | * | |
| 4 | | | | 1 | |
| 5 | 996 628 204 00 | Clutch | | 1 | |
| 6 | 999 512 673 00 | Hose clamp | | 2 | |
| 7 | 996 628 160 00 | Distributing piece | | 1 | |
| 8 | 999 919 017 02 | Oval-head screw 4,0 X 16 | | 3 | |
| 9 | 996 628 135 00 | Pipeline | /L | 1 | |
| 10 | 996 628 136 01 | Pipeline | /R | 1 | |
| 11 | 996 628 110 00 | Support | | 2 | |
| 12 | 996 628 161 00 | Jet carrier | /L | 1 | |
| (12) | 996 628 162 00 | Jet carrier | /R | 1 | |
| 13 | 996 631 116 00 | Guide pin | | 2 | |
| 14 | 996 628 143 00 | Trim cover with Nozzle | /L | 1 | |
| (14) | 996 628 144 00 | Trim cover with Nozzle | /R | 1 | |

Model: 996 98

Model life 1998>>2005



Model: 996 98 Model life 1998>>2005

| Pos | Part Number | Description | Remark | Qty | Model |
|------|----------------|---|-----------|-----|-------|
| | | Headlamp Direction indicator light Headlamp with Headlight levelling system | -01 | | |
| 1 | 996 631 153 04 | Headlamp | /L 98 | 1 | |
| 1 | 996 631 154 04 | Headlamp | /R 98 | 1 | |
| 1 | 996 631 153 08 | Headlamp | /L 98 | 1 | M492 |
| 1 | 996 631 154 08 | Headlamp | /R 98 | 1 | M492 |
| 1 | 996 631 153 12 | Headlamp | /L (J) 98 | 1 | M492 |
| 1 | 996 631 154 12 | Headlamp | /R (J) 98 | 1 | M492 |
| | | Headlamp without Headlight levelling system | 01 | | |
| (1) | 996 631 163 01 | Headlamp | /L 99- | 1 | |
| (1) | 996 631 164 01 | Headlamp | /R 99- | 1 | |
| (1) | 996 631 163 11 | Headlamp | /L 99- | 1 | M492 |
| (1) | 996 631 164 11 | Headlamp | /R 99- | 1 | M492 |
| | | for vehicles up to Model year 00 with Headlight levelling system When required order also: 993.624.209.00 | | | |
| 2 | 999 631 133 90 | Halogen bulb H 7 White | | 6 | |
| 3 | 999 631 032 90 | Bulb 5 W | | 2 | |
| 4 | 900 631 127 90 | Bulb 21 W | | 2 | |
| 5 | 993 624 209 00 | Electric motor Headlight levelling system | -00 | 2 | |
| 6 | 996 631 231 00 | Protective cap Headlamp | | 2 | |
| 7 | 996 631 233 00 | Protective cap Fog headlamp | | 2 | |
| 9 | 996 631 041 00 | Mounting | /L | 1 | |
| (9) | 996 631 042 00 | Mounting | /R | 1 | |
| 10 | 996 631 243 00 | Clamping bow | | 2 | |
| 11 | 996 631 077 00 | Fastening part | | 6 | |
| 12 | 996 631 245 00 | Locking device Connector housing | /L | 1 | |
| (12) | 996 631 246 00 | Locking device Connector housing | /R | 1 | |
| 13 | 996 631 035 00 | Trim cover Orange | /L 98 | 1 | |
| 13 | 996 631 045 00 | Trim cover White | /L 99- | 1 | |
| (13) | 996 631 036 00 | Trim cover Orange | /R 98 | 1 | |
| (13) | 996 631 046 00 | Trim cover White | /R 99- | 1 | |
| 14 | 996 631 035 01 | Trim cover Orange | /L 98 | 1 | M288 |
| 14 | 996 631 045 01 | Trim cover White | /L 99- | 1 | M288 |
| (14) | 996 631 036 01 | Trim cover Orange | /R 98 | 1 | M288 |
| (14) | 996 631 046 01 | Trim cover White | /R 99- | 1 | M288 |
| 15 | 803 803 583 A | Stopper | | 2 | |

Model: 996 98 Model life 1998>>2005

| Pos | Part Number | Description | Remark | Qty | Model |
|------|----------------|--|--------|-----|-------|
| 15 | 999 703 196 40 | Lid | | 2 | |
| 16 | 999 703 413 40 | Stopper | | 2 | |
| 17 | 993 631 170 03 | Stopper | | 6 | |
| 18 | 996 631 641 03 | Breather pipe | /L | 1 | |
| (18) | 996 631 642 03 | Breather pipe | /R | 1 | |
| 19 | 999 652 832 40 | Connector housing Headlamp | | 2 | |
| 20 | 999 650 150 40 | Connector housing Wiring harness | | 2 | |
| - | 999 652 744 20 | Connector | | 16 | |
| - | 999 704 161 40 | Gasket | | 16 | |
| 21 | 999 651 317 09 | Fastening clamp | | X | |
| (21) | 999 651 276 40 | Breather pipe Cable holder Breather pipe Wing strut | | X | |
| (21) | 999 651 282 40 | Cable holder Breather pipe Front apron | | X | |
| 22 | 996 631 693 00 | Support Mount | | 1 | |
| 23 | 996 631 137 00 | Front apron Set | | 1 | |
| (23) | 996 631 138 00 | Cover foil Headlamp for Right-hand drive vehicles in rh traffic countries See TPI GR.9 / NR. 15 Set Cover foil Headlamp for Left-hand drive vehicles in lh traffic countries See TPI GR. 9 / NR. 15 Side marker light | | 1 | |
| 25 | 996 631 033 01 | Direction indicator light | /L 98 | 1 | |
| 25 | 996 631 033 02 | Direction indicator light | /L 98 | 1 | |
| (25) | 996 631 033 03 | Direction indicator light | /L 98 | 1 | |
| 25 | 996 631 043 01 | Direction indicator light | /L 99- | 1 | |
| 25 | 996 631 043 02 | Direction indicator light | /L 99- | 1 | |
| (25) | 996 631 043 03 | Direction indicator light | /L 99- | 1 | |
| (25) | 996 631 034 01 | Direction indicator light | /R 98 | 1 | |
| (25) | 996 631 034 02 | Direction indicator light | /R 98 | 1 | |
| (25) | 996 631 034 03 | Direction indicator light | /R 98 | 1 | |
| (25) | 996 631 044 01 | Direction indicator light | /R 99- | 1 | |
| (25) | 996 631 044 02 | Direction indicator light | /R 99- | 1 | |
| (25) | 996 631 044 03 | Direction indicator light | /R 99- | 1 | |
| - | 999 652 838 40 | Plug socket | | 2 | |
| - | 999 652 771 12 | Connector | | 4 | |
| - | 999 704 161 40 | Gasket | | 4 | |
| 26 | 999 631 032 90 | Bulb 5 W White | | 2 | |
| 26 | 999 631 138 90 | Bulb 5 W Yellow | 99- | 2 | |
| 27 | 996 631 133 00 | Bulb socket for | | 2 | |

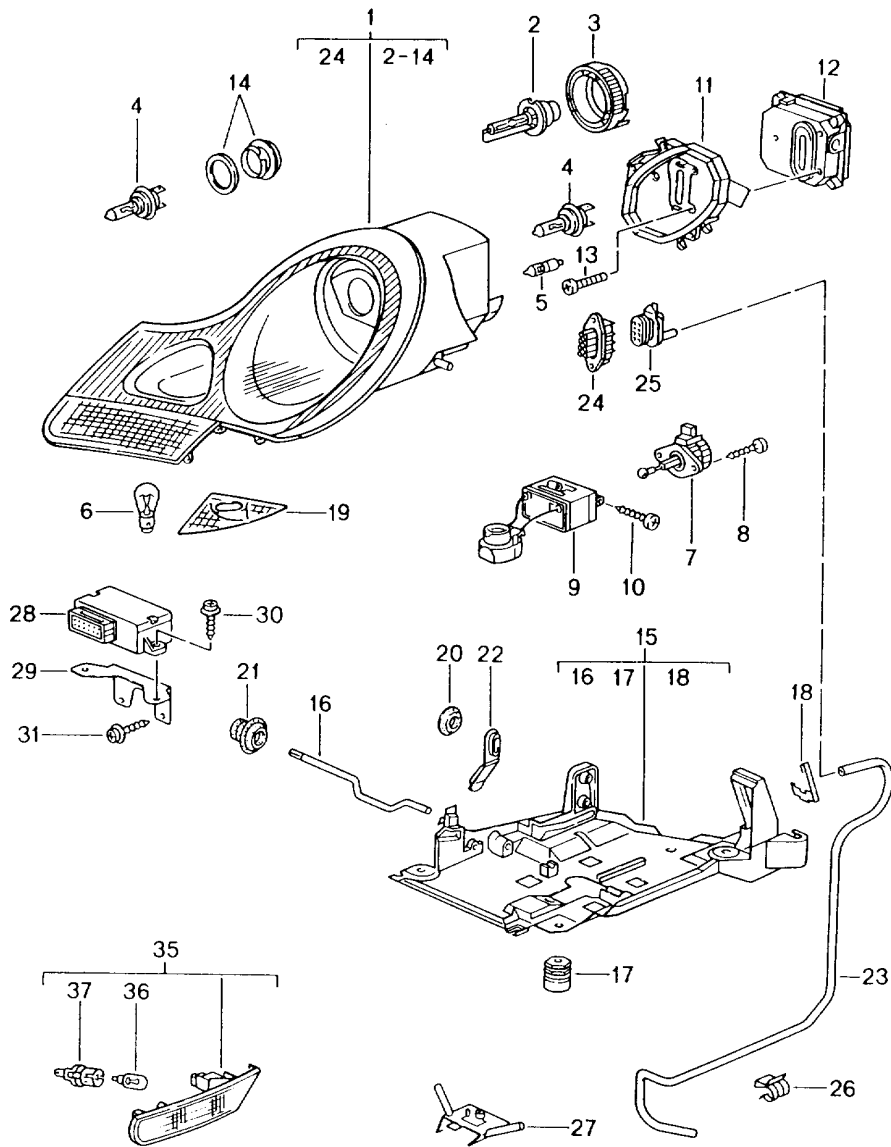
Model: 996 98

Model life 1998>>2005

| Pos | Part Number | Description | Remark | Qty | Model |
|------|----------------|---|--------|-----|-------|
| (27) | 996 631 133 01 | Bulb White Bulb socket for Bulb Yellow | | 2 | |

Model: 996 98

Model life 1998>>2005



Model: 996 98

Model life 1998>>2005

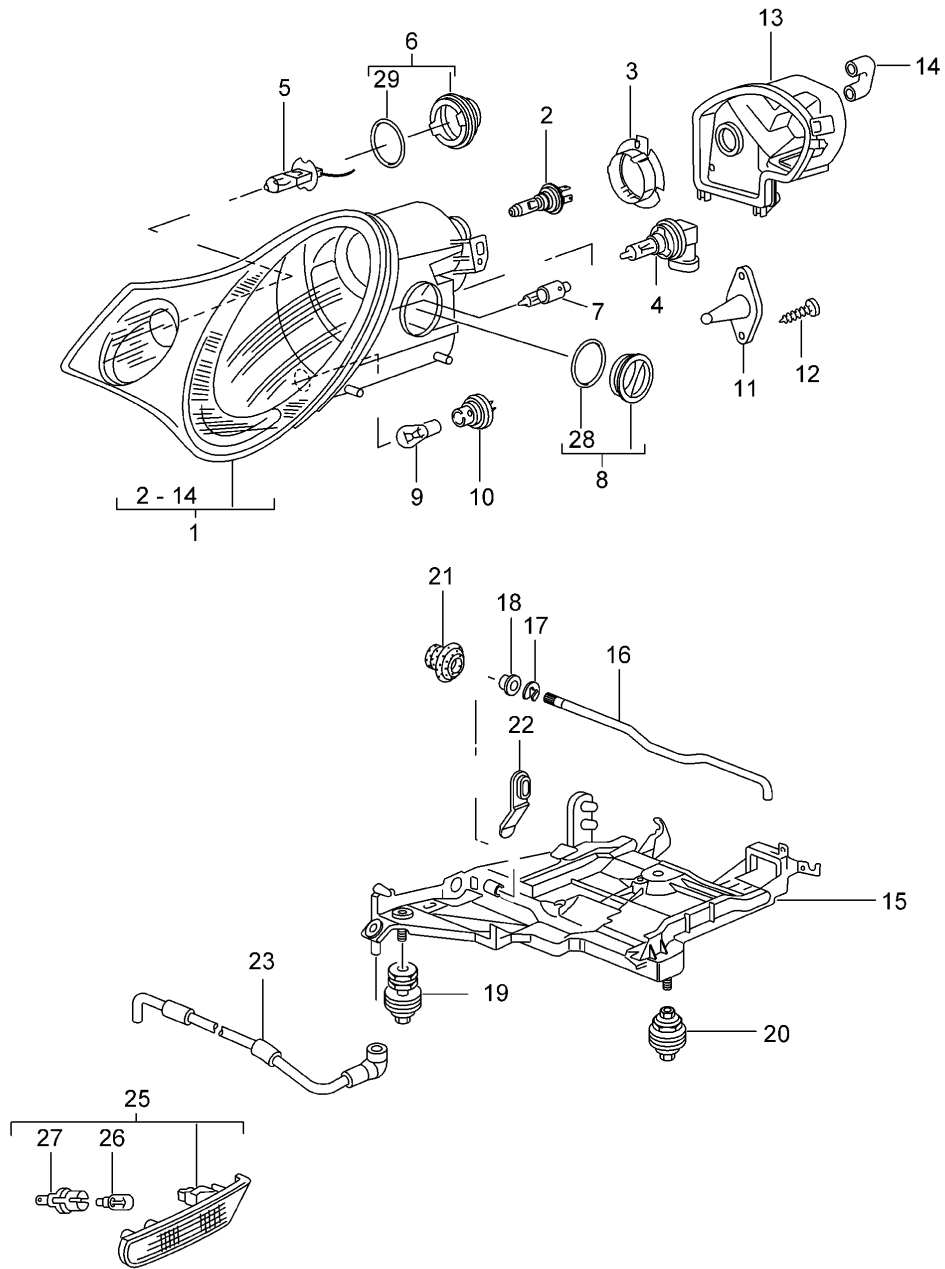
| Pos | Part Number | Description | Remark | Qty | Model |
|------|----------------|----------------------------|--------|-----|-------|
| | | Headlamp | -01 | | M601 |
| | | Direction indicator light | | | |
| 1 | 996 631 157 01 | Headlamp | /L | 1 | |
| 1 | 996 631 158 01 | Headlamp | /R | 1 | |
| 1 | 996 631 157 04 | Headlamp | /L | 1 | M492 |
| 1 | 996 631 158 04 | Headlamp | /R | 1 | M492 |
| 2 | 999 631 036 90 | Bulb | | 2 | |
| | | - PHILIPS - | | | |
| 3 | 996 631 189 00 | Retainer | | 2 | |
| 4 | 999 631 133 90 | Halogen bulb | | 4 | |
| | | H 7 | | | |
| 5 | 999 631 140 90 | Bulb | | 2 | |
| | | H 6 W | | | |
| | | Position light | | | |
| 6 | 900 631 127 90 | Bulb | | 2 | |
| | | 21 W | | | |
| | | Direction indicator light | | | |
| 7 | 996 631 125 00 | Electric motor | | 2 | |
| | | Headlight levelling system | | | |
| 8 | 996 631 199 00 | Screw | | 4 | |
| | | 3,9 X 16 | | | |
| 9 | 996 631 195 01 | Ignition control unit | | 2 | |
| 10 | 996 631 199 00 | Screw | | 4 | |
| | | 3,9 X 16 | | | |
| 11 | 996 631 241 01 | Protective cap | /L | 1 | |
| | | Headlamp | | | |
| (11) | 996 631 242 01 | Protective cap | /R | 1 | |
| | | Headlamp | | | |
| 12 | 993 631 193 02 | Control unit | | 2 | |
| 13 | 900 146 123 02 | Screw | | 6 | |
| | | M 5 X 16 | | | |
| 14 | 996 631 233 00 | Protective cap | | 2 | |
| | | Fog headlamp | | | |
| 15 | 996 631 041 00 | Mounting | /L | 1 | |
| (15) | 996 631 042 00 | Mounting | /R | 1 | |
| 16 | 996 631 243 00 | Clamping bow | | 2 | |
| 17 | 996 631 077 00 | Fastening part | | 6 | |
| 18 | 996 631 245 00 | Locking device | /L | 1 | |
| | | Connector housing | | | |
| (18) | 996 631 246 00 | Locking device | /R | 1 | |
| | | Connector housing | | | |
| 19 | 996 631 045 01 | Trim cover | /L | 1 | |
| (19) | 996 631 046 01 | Trim cover | /R | 1 | |
| 20 | 803 803 583 A | Stopper | | 2 | |
| 20 | 999 703 196 40 | Lid | | 2 | |
| 21 | 999 703 413 40 | Stopper | | 2 | |
| 22 | 993 631 170 03 | Stopper | | 6 | |
| 23 | 996 631 641 03 | Breather pipe | /L | 1 | |
| (23) | 996 631 642 03 | Breather pipe | /R | 1 | |
| 24 | 999 652 832 40 | Connector housing | | 2 | |
| | | Headlamp | | | |
| 25 | 999 650 150 40 | Connector housing | | 2 | |
| | | Wiring harness | | | |
| - | 999 652 744 20 | Connector | | 16 | |
| - | 999 704 161 40 | Gasket | | 16 | |
| 26 | 999 651 317 09 | Fastening clamp | | X | |
| | | Breather pipe | | | |
| (26) | 999 651 276 40 | Cable holder | | X | |
| | | Breather pipe | | | |
| | | Wing strut | | | |
| (26) | 999 651 282 40 | Cable holder | | X | |
| | | Breather pipe | | | |
| | | Front apron | | | |

Model: 996 98 Model life 1998>>2005

| Pos | Part Number | Description | Remark | Qty | Model |
|------|----------------|---------------------------------------|--------|-----|-------|
| 27 | 996 631 693 00 | Support Mount | | 1 | |
| 28 | 996 618 151 15 | Front apron Control unit | | 1 | |
| 29 | 996 618 155 00 | Headlight levelling system Support | | 1 | |
| | | F >>991S6 05390 | | | |
| | | F >>991S6 43853 | | | |
| 29 | 996 618 155 13 | Support | | 1 | |
| | | F 991S6 05391>> | | | |
| | | F 991S6 43854>> | | | |
| 30 | 900 143 157 07 | Combination screw | | 2 | |
| | | BZ 4,2 X 13 Z2 | | | |
| 31 | 999 073 169 07 | Tapping screw | | 2 | |
| | | ST 4,8 X 16 | | | |
| | | Sensor | | | |
| | | Headlight levelling system | | | |
| | | See group | | | |
| | | 4/01/00 | /V | | |
| | | 5/01/01 | /H | | |
| | | Side marker light | | | |
| | | Direction indicator light | | | |
| 35 | 996 631 043 01 | Direction indicator light | /L | 1 | |
| 35 | 996 631 043 02 | Direction indicator light | /L | 1 | |
| (35) | 996 631 043 03 | Direction indicator light | /L | 1 | |
| (35) | 996 631 044 01 | Direction indicator light | /R | 1 | |
| (35) | 996 631 044 02 | Direction indicator light | /R | 1 | |
| (35) | 996 631 044 03 | Direction indicator light | /R | 1 | |
| - | 999 652 838 40 | Plug socket | | 2 | |
| - | 999 652 771 12 | Connector | | 4 | |
| - | 999 704 161 40 | Gasket | | 4 | |
| 36 | 999 631 138 90 | Bulb | | 2 | |
| | | 5 W | | | |
| | | Yellow | | | |
| (37) | 996 631 133 01 | Bulb socket | | 2 | |
| | | for | | | |
| | | Bulb | | | |
| | | Yellow | | | |

Model: 996 98

Model life 1998>>2005



Model: 996 98 Model life 1998>>2005

| Pos | Part Number | Description | Remark | Qty | Model |
|------|----------------|---------------------------|--------|-----|-------|
| | | Headlamp | 02- | | |
| | | Direction indicator light | | | |
| 1 | 996 631 055 50 | Headlamp | /L | 1 | |
| 1 | 996 631 056 50 | Headlamp | /R | 1 | |
| 1 | 996 631 065 50 | Headlamp | /L | 1 | M492 |
| 1 | 996 631 066 50 | Headlamp | /R | 1 | M492 |
| 2 | 999 631 133 90 | Halogen bulb | | 2 | |
| | | H 7 | | | |
| 3 | 996 631 128 00 | Bulb socket | | 2 | |
| 4 | 999 631 143 90 | Halogen bulb | | 2 | |
| | | H 9 | | | |
| 5 | 900 631 126 90 | Halogen bulb | | 2 | |
| | | H 3 | | | |
| 6 | 996 631 123 00 | Lid | | 2 | |
| | | Fog headlamp | | | |
| 7 | 999 631 140 90 | Bulb | | 2 | |
| | | H 6 W | | | |
| | | Position light | | | |
| 8 | 996 631 134 00 | Lid | | 2 | |
| | | Position light | | | |
| 9 | 900 631 131 90 | Bulb | | 2 | |
| | | 21 W | | | |
| | | Yellow | | | |
| | | Direction indicator light | | | |
| 10 | 996 631 118 00 | Bulb socket | | 2 | |
| | | Direction indicator light | | | |
| 11 | 996 631 114 00 | Bearing bracket | | 2 | |
| 12 | 999 919 093 02 | Oval-head screw | | 4 | |
| | | 4,0 X 10 | | | |
| 13 | 996 631 101 50 | Protective cap | /L | 1 | |
| | | Headlamp | | | |
| (13) | 996 631 102 50 | Protective cap | /R | 1 | |
| | | Headlamp | | | |
| 14 | 996 631 120 00 | Breather adapter | | 2 | |
| 15 | 996 631 173 00 | Mounting | /L | 1 | |
| (15) | 996 631 174 00 | Mounting | /R | 1 | |
| 16 | 996 631 273 00 | Clamping bow | | 2 | |
| 17 | 900 116 004 09 | Lock washer | | 2 | |
| 18 | 996 631 272 00 | Bearing sleeve | | 2 | |
| 19 | 996 631 079 00 | Fastening part | | 4 | |
| 20 | 996 631 078 00 | Fastening part | | 2 | |
| 21 | 999 703 413 40 | Stopper | | 2 | |
| 22 | 993 631 170 03 | Stopper | | 6 | |
| - | 996 631 140 00 | Sealing washer | | 2 | |
| | | Ventilation pipe | | | |
| (23) | 996 631 149 00 | Ventilation component | | 2 | |
| | | See technical information | | | |
| | | GR.9 , NR. 7/02 | | | |
| | | Side marker light | | | |
| | | Direction indicator light | | | |
| 25 | 996 631 043 01 | Direction indicator light | /L | 1 | |
| 25 | 996 631 043 02 | Direction indicator light | /L | 1 | |
| (25) | 996 631 043 03 | Direction indicator light | /L | 1 | |
| (25) | 996 631 044 01 | Direction indicator light | /R | 1 | |
| (25) | 996 631 044 02 | Direction indicator light | /R | 1 | |
| (25) | 996 631 044 03 | Direction indicator light | /R | 1 | |
| 26 | 999 631 138 90 | Bulb | | 2 | |
| | | 5 W | | | |
| | | Yellow | | | |
| (27) | 996 631 133 01 | Bulb socket | | 2 | |
| 28 | PCG 631 134 00 | Gasket | | 2 | |
| | | for | | | |
| | | Lid | | | |

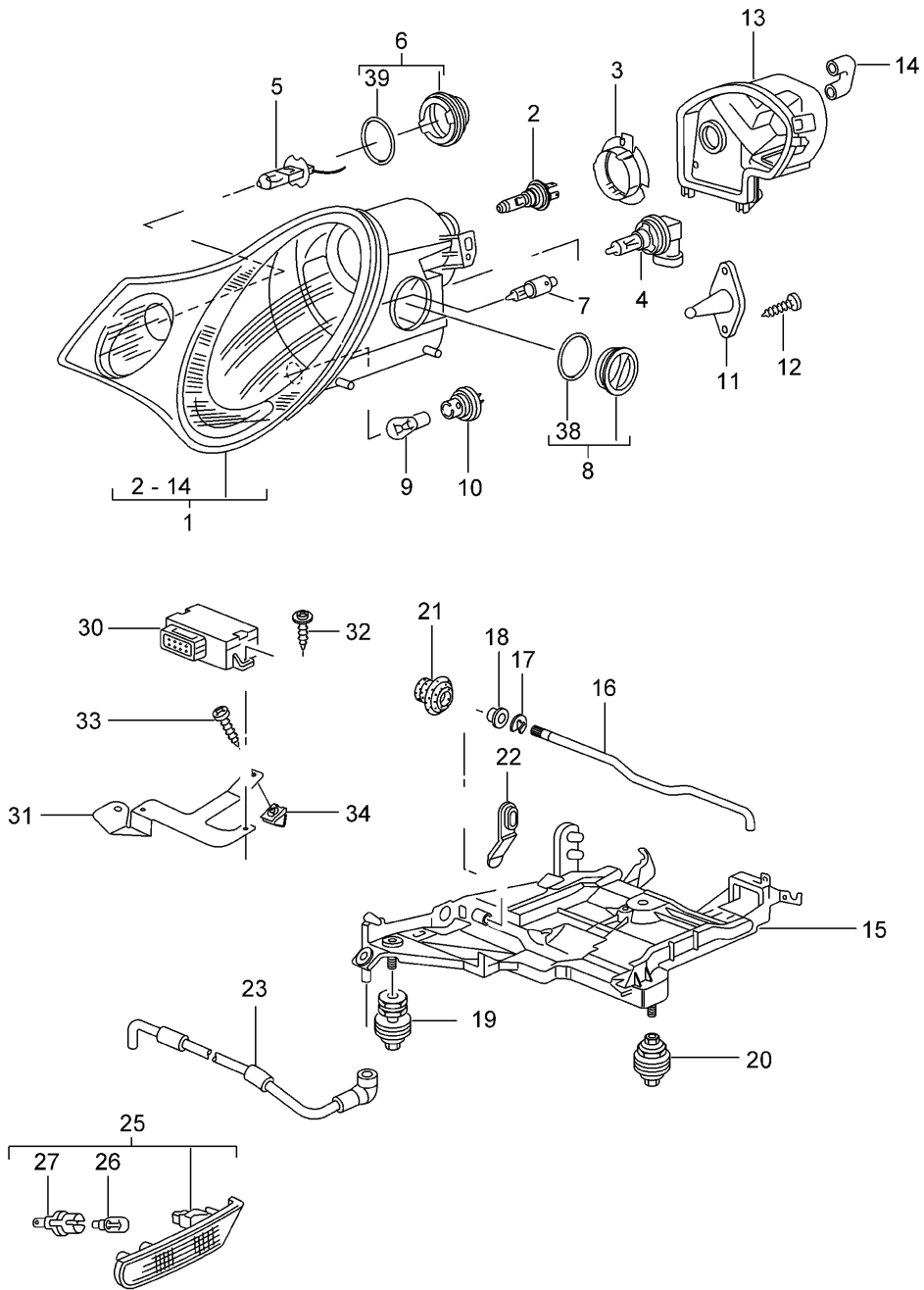
Model: 996 98

Model life 1998>>2005

| Pos | Part Number | Description | Remark | Qty | Model |
|-----|----------------|--|--------|-----|-------|
| 29 | PCG 631 123 00 | Position light Gasket for Lid Fog headlamp | | 2 | |

Model: 996 98

Model life 1998>>2005



Model: 996 98 Model life 1998>>2005

| Pos | Part Number | Description | Remark | Qty | Model |
|------|----------------|----------------------------|--------|-----|-------|
| | | Headlamp | 02- | | M601 |
| | | Direction indicator light | | | |
| 1 | 996 631 055 20 | Headlamp | /L | 1 | |
| 1 | 996 631 055 21 | Headlamp | /L | 1 | |
| 1 | 996 631 056 20 | Headlamp | /R | 1 | |
| 1 | 996 631 056 21 | Headlamp | /R | 1 | |
| 1 | 996 631 065 20 | Headlamp | /L | 1 | M492 |
| 1 | 996 631 066 20 | Headlamp | /R | 1 | M492 |
| 2 | 999 631 036 90 | Bulb | | 2 | |
| | | - PHILIPS - | | | |
| 3 | 996 631 179 00 | Retainer | | 2 | |
| 4 | 999 631 144 91 | Halogen bulb | | 2 | |
| | | H 11 | | | |
| 5 | 900 631 126 90 | Halogen bulb | | 2 | |
| | | H 3 | | | |
| 6 | 996 631 123 00 | Lid | | 2 | |
| | | Fog headlamp | | | |
| 7 | 999 631 140 90 | Bulb | | 2 | |
| | | H 6 W | | | |
| | | Position light | | | |
| 8 | 996 631 134 00 | Lid | | 2 | |
| | | Position light | | | |
| 9 | 900 631 131 90 | Bulb | | 2 | |
| | | 21 W | | | |
| | | Yellow | | | |
| | | Direction indicator light | | | |
| 10 | 996 631 118 00 | Bulb socket | | 2 | |
| | | Direction indicator light | | | |
| 11 | 996 631 135 00 | Bearing bracket | | 2 | |
| (11) | | Bearing bracket | | 2 | |
| | | Headlight levelling system | | | |
| 12 | 999 919 093 02 | Oval-head screw | | 4 | |
| | | 4,0 X 10 | | | |
| 13 | 996 631 101 10 | Protective cap | /L | 1 | |
| | | Headlamp | | | |
| (13) | 996 631 102 10 | Protective cap | /R | 1 | |
| | | Headlamp | | | |
| 14 | 996 631 120 00 | Breather adapter | | 2 | |
| 15 | 996 631 173 00 | Mounting | /L | 1 | |
| (15) | 996 631 174 00 | Mounting | /R | 1 | |
| 16 | 996 631 273 00 | Clamping bow | | 2 | |
| 17 | 900 116 004 09 | Lock washer | | 2 | |
| - | 996 631 183 00 | Control unit | | 2 | |
| - | 999 919 017 02 | Oval-head screw | | 2 | |
| | | 4,0 X 16 | | | |
| | | for | | | |
| | | Control unit | | | |
| - | 996 631 161 00 | Support | /L | 1 | |
| | | for | | | |
| | | Control unit | | | |
| - | 996 631 162 00 | Support | /R | 1 | |
| | | for | | | |
| | | Control unit | | | |
| 18 | 996 631 272 00 | Bearing sleeve | | 2 | |
| 19 | 996 631 079 00 | Fastening part | | 4 | |
| 20 | 996 631 078 00 | Fastening part | | 2 | |
| 21 | 999 703 413 40 | Stopper | | 2 | |
| 22 | 993 631 170 03 | Stopper | | 6 | |
| (23) | 996 631 149 00 | Ventilation component | | 2 | |
| | | See technical information | | | |
| | | GR.9 , NR. 7/02 | | | |
| - | 996 631 140 00 | Sealing washer | | 2 | |
| | | Ventilation pipe | | | |

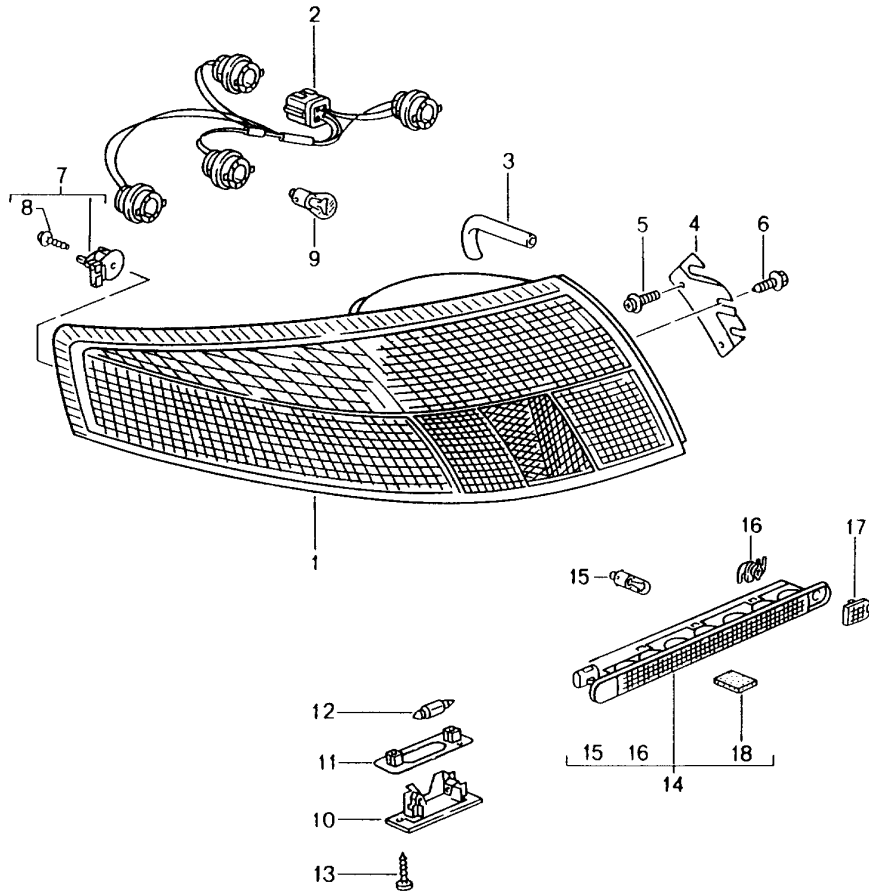
Model: 996 98

Model life 1998>>2005

| Pos | Part Number | Description | Remark | Qty | Model |
|------|----------------|----------------------------|--------|-----|-------|
| | | Side marker light | | | |
| | | Direction indicator light | | | |
| 25 | 996 631 043 01 | Direction indicator light | /L | 1 | |
| 25 | 996 631 043 02 | Direction indicator light | /L | 1 | |
| (25) | 996 631 043 03 | Direction indicator light | /L | 1 | |
| (25) | 996 631 044 01 | Direction indicator light | /R | 1 | |
| (25) | 996 631 044 02 | Direction indicator light | /R | 1 | |
| (25) | 996 631 044 03 | Direction indicator light | /R | 1 | |
| 26 | 999 631 138 90 | Bulb | | 2 | |
| | | 5 W | | | |
| | | Yellow | | | |
| (27) | 996 631 133 01 | Bulb socket | | 2 | |
| 30 | 996 618 151 15 | Control unit | | 1 | |
| | | Headlight levelling system | | | |
| 31 | 996 618 155 10 | Support | | 1 | |
| 32 | 900 143 157 07 | Combination screw | | 2 | |
| | | BZ 4,2 X 13 Z2 | | | |
| 33 | 999 073 196 09 | Tapping screw | | 1 | |
| | | ST 4,8 X 9,5 | | | |
| 34 | 999 591 855 02 | Speed nut | | 1 | |
| | | 4,8 | | | |
| 34 | 999 591 855 01 | Speed nut | | 1 | |
| | | 4,8 | | | |
| | | Sensor | | | |
| | | Headlight levelling system | | | |
| | | See group | | | |
| | | 4/01/00 | /V | | |
| | | 5/01/01 | /H | | |
| 38 | PCG 631 134 00 | Gasket | | 2 | |
| | | for | | | |
| | | Lid | | | |
| | | Position light | | | |
| 39 | PCG 631 123 00 | Gasket | | 2 | |
| | | for | | | |
| | | Lid | | | |
| | | Fog headlamp | | | |

Model: 996 98

Model life 1998>>2005



Model: 996 98 Model life 1998>>2005

| Pos | Part Number | Description | Remark | Qty | Model |
|------|--------------------|---|------------|-----|-----------------|
| 1 | 996 631 433 01 | Rear light License plate light Additional brake light Tail light housing | /L 98 | 1 | M602 CARRERA |
| 1 | 996 631 485 00 | Tail light housing | /L 99- | 1 | CARRERA |
| (1) | 996 631 487 00 | Tail light housing | /L 02- | 1 | C4S |
| (1) | 996 631 434 01 | Tail light housing | /R 98 | 1 | CARRERA |
| (1) | 996 631 486 00 | Tail light housing | /R 99- | 1 | CARRERA |
| (1) | 996 631 488 00 | Tail light housing | /R 02- | 1 | C4S |
| 2 | 996 631 435 00 | Wiring harness | 98 | 2 | CARRERA |
| 2 | 996 631 436 01 | Wiring harness | 99- | 2 | CARRERA |
| (2) | 996 631 437 01 | Wiring harness | 02- | 2 | C4S |
| (3) | 996 631 451 01 | Connection piece | | 4 | |
| 4 | 996 631 463 02 | Support | /L | 1 | CARRERA |
| (4) | 996 631 465 01 | Support | /L 02- | 1 | C4S |
| (4) | 996 631 464 02 | Support | /R | 1 | CARRERA |
| (4) | 996 631 466 01 | Support | /R 02- | 1 | C4S |
| 5 | 999 074 113 02 | Combination screw M 5 X 18 | | 4 | |
| 6 | 999 074 115 09 | Hexagon-head bolt M 6 X 16 | | 2 | CARRERA |
| 6 | 999 073 250 09 | Oval-head screw M 5 X 15 | 02- | 4 | C4S |
| 7 | 996 631 471 00 | Mounting | | 2 | |
| 8 | 999 919 121 09 | Oval-head screw | | 2 | |
| 9 | 900 631 127 90 | Bulb 21 W White | | X | |
| 9 | 900 631 131 90 | Bulb 21 W Yellow | 99- | X | |
| (9) | 900 631 128 90 | Bulb 21/5 W | | X | |
| (9) | 900 631 104 90 | Bulb 5 W | 02- | X | C4S |
| 10 | 964 631 620 00 | License plate light | -01 | 2 | CARRERA |
| (10) | 964 631 620 00 01C | Black | | | |
| (10) | 997 631 620 01 | License plate light | 02- | 2 | CARRERA |
| (10) | 997 631 620 02 | License plate light | 02- | 2 | CARRERA |
| 10 | 964 631 620 00 | License plate light | 02- | 2 | C4S |
| (10) | 964 631 620 00 01C | Black | | | |
| 11 | 993 631 166 00 | Desk pad | -01 02- | 2 | CARRERA C4S |
| 12 | 900 631 105 90 | Bulb 12V 5W | | 2 | |
| 13 | 900 143 085 07 | Tapping screw 4,2 X 16 | -01 02- | 4 | CARRERA C4S |
| 14 | 996 631 050 00 | Additional brake light | | 2 | M602 |
| 14 | 996 631 050 02 | Additional brake light | | 2 | M602 |
| 14 | 996 631 050 04 | Additional brake light | | 2 | M602 |
| 14 | 996 631 050 06 | Additional brake light | | 2 | M602 |
| 15 | 900 631 019 90 | Glass-base bulb | | X | M602 |

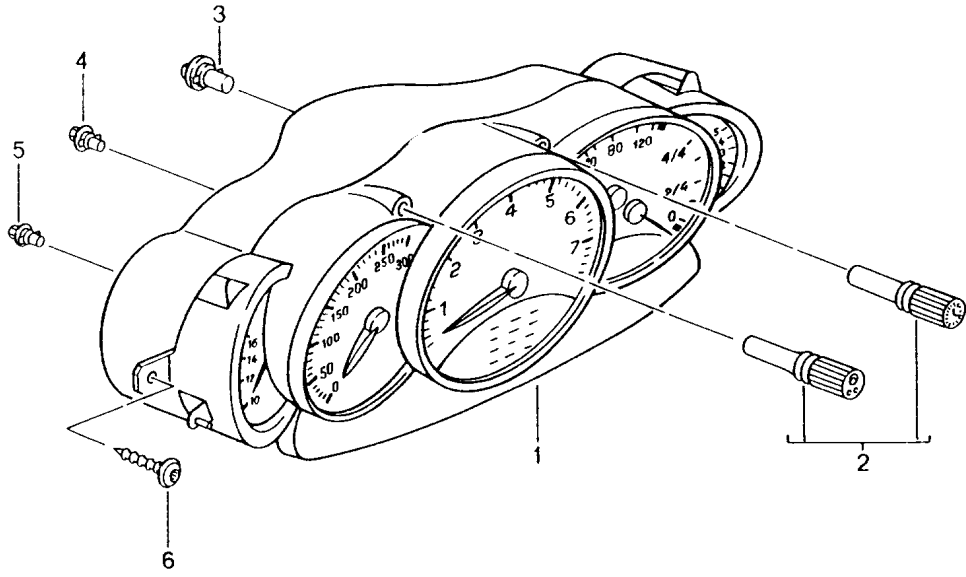
Model: 996 98

Model life 1998>>2005

| Pos | Part Number | Description | Remark | Qty | Model |
|-----|----------------|-----------------------|--------|-----|-------|
| 16 | 996 631 168 00 | 3 W Fastening part | | 2 | M602 |
| 17 | 996 631 165 00 | Cap | | 2 | M602 |
| 18 | 996 631 105 00 | Desk pad | | 2 | M602 |

Model: 996 98

Model life 1998>>2005



Model: 996 98 Model life 1998>>2005

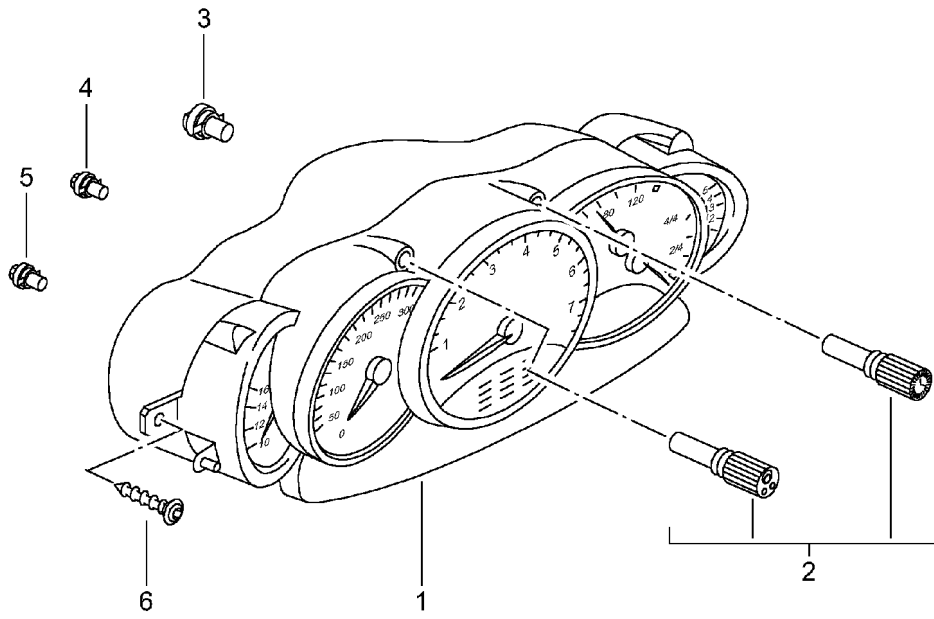
| Pos | Part Number | Description | Remark | Qty | Model |
|-----|--------------------|--|-------------------|-----|--------------|
| | | Instruments Complete Tech. information memo GR.9 , NR. 17/98 Instruments X45/X71 See group 9/06/02 Instrument cluster C A R R E R A 2 | 01- -01 | | M338 |
| (1) | 996 641 105 01 | Instrument cluster Complete | -99 | 1 | M338/480 |
| | 996 641 105 01 70C | Rally black | | | |
| (1) | 996 641 106 01 | Instrument cluster Complete | -99 | 1 | M249/338 |
| | 996 641 106 01 70C | Rally black | | | |
| 1 | 996 641 105 02 | Instrument cluster Complete | 00-01 | 1 | M338/480 |
| | 996 641 105 02 70C | Rally black | | | |
| | | Tech. information memo GR.9 , NR. 3/00 + 3A/00 See TPI GR.9 , NR. 20 | 01- 00-01 | | |
| (1) | 996 641 106 02 | Instrument cluster Complete | 00-01 | 1 | M249/338 |
| | 996 641 106 02 70C | Rally black | | | |
| | | Tech. information memo GR.9 , NR. 3/00 + 3A/00 See TPI GR.9 , NR. 20 | 01- (GB) -99 | | |
| (1) | 996 641 107 01 | Instrument cluster | (GB) -99 | 1 | M338 M480 |
| | | Complete | | | |
| | 996 641 107 01 70C | Rally black | | | |
| (1) | 996 641 108 01 | Instrument cluster | (GB) -99 | 1 | M338 M249 |
| | | Complete | | | |
| | 996 641 108 01 70C | Rally black | | | |
| (1) | 996 641 107 02 | Instrument cluster | (GB) 00-01 | 1 | M338 M480 |
| | | Complete | | | |
| | 996 641 107 02 70C | Rally black | | | |
| | | Tech. information memo GR.9 , NR. 3/00 + 3A/00 See TPI GR.9 , NR. 20 | 01- (GB) 00-01 | | |
| (1) | 996 641 108 02 | Instrument cluster | (GB) 00-01 | 1 | M338 M249 |
| | | Complete | | | |
| | 996 641 108 02 70C | Rally black | | | |
| | | Tech. information memo GR.9 , NR. 3/00 + 3A/00 See TPI GR.9 , NR. 20 | 01- -01 | | |
| | | Instrument cluster C A R R E R A 4 | -01 | | M339 |
| | | Tech. information memo GR.9 , NR. 10/00 | -99 | | M339 |
| (1) | 996 641 115 03 | Instrument cluster | -01 | 1 | M339/480 |
| | | Complete | | | |
| | 996 641 115 03 70C | Rally black | | | |
| | | See TPI GR.9 , NR. 20 | 01- | | |

Model: 996 98 Model life 1998>>2005

| Pos | Part Number | Description | Remark | Qty | Model |
|-----|--------------------|--|------------|-----|--------------|
| (1) | 996 641 116 03 | Instrument cluster Complete | -01 | 1 | M249/339 |
| | 996 641 116 03 70C | Rally black See TPI GR.9 , NR. 20 | 01- | | |
| (1) | 996 641 117 03 | Instrument cluster Complete | (GB) -01 | 1 | M339 M480 |
| | 996 641 117 03 70C | Rally black See TPI GR.9 , NR. 20 | 01- | | |
| (1) | 996 641 118 03 | Instrument cluster Complete | (GB) -01 | 1 | M339 M249 |
| | 996 641 118 03 70C | Rally black See TPI GR.9 , NR. 20 | 01- | | |
| (1) | 996 641 225 03 | Instrument cluster Complete | 02- 02- | 1 | M480 |
| | 996 641 225 03 70C | Rally black | | | |
| (1) | 996 641 226 03 | Instrument cluster Complete | 02- | 1 | M249 |
| | 996 641 226 03 70C | Rally black | | | |
| (1) | 996 641 225 02 | Instrument cluster Complete | 04 | 1 | M095/480 |
| | 996 641 225 02 FHB | Black/Silver | | | |
| (1) | 996 641 227 03 | Instrument cluster Complete | (GB) 02- | 1 | M480 |
| | 996 641 227 03 70C | Rally black | | | |
| (1) | 996 641 228 03 | Instrument cluster Complete | (GB) 02- | 1 | M249 |
| | 996 641 228 03 70C | Rally black | | | |
| (1) | 996 641 227 02 | Instrument cluster Complete | (GB) 04 | 1 | M095 M480 |
| | 996 641 227 02 FHB | Black/Silver | | | |
| (2) | 996 641 911 00 | Knob Actuator Trip meter And Clock | | 1 | |
| (3) | 999 631 304 90 | Glass-base bulb 12 V 3 W | -01 | X | |
| (4) | 999 631 303 90 | Glass-base bulb 12 V 1,5 W | -01 | X | |
| (5) | 999 631 302 90 | Glass-base bulb 12 V 1,2 W | -01 | X | |
| (6) | 999 919 188 09 | Oval-head screw 5,0 X 30 | | 2 | |

Model: 996 98

Model life 1998>>2005



Model: 996 98 Model life 1998>>2005

| Pos | Part Number | Description | Remark | Qty | Model |
|-----|--------------------|---|----------------|-----|--------------------------|
| | | Instruments Complete | 01- | | IX45/X71 |
| | | Instrument cluster Dial Lacquered Interior colour for | | | IX45 |
| 1 | 996 641 980 22 | C A R R E R A 2 Instrument cluster Complete | 01 01 01 | 1 | M338 M338 M338/480 |
| | 996 641 980 22 J33 | Nephrite green | | | |
| | 996 641 980 22 C53 | Graphite grey | | | |
| | 996 641 980 22 S33 | Savanna | | | |
| | 996 641 980 22 G13 | Metropole blue | | | |
| | 996 641 980 22 M33 | Boxster red | | | |
| | 996 641 980 22 P13 | Cinnamon brown | | | |
| | 996 641 980 22 D12 | Dark grey/natural | | | |
| | 996 641 980 22 T12 | Brown/natural | | | |
| 1 | 996 641 980 24 | Instrument cluster Complete | (GB) 01 | 1 | M338 M480 |
| | 996 641 980 24 J33 | Nephrite green | | | |
| | 996 641 980 24 C53 | Graphite grey | | | |
| | 996 641 980 24 S33 | Savanna | | | |
| | 996 641 980 24 G13 | Metropole blue | | | |
| | 996 641 980 24 M33 | Boxster red | | | |
| | 996 641 980 24 P13 | Cinnamon brown | | | |
| | 996 641 980 24 D12 | Dark grey/natural | | | |
| | 996 641 980 24 T12 | Brown/natural | | | |
| 1 | 996 641 980 23 | Instrument cluster Complete | 01 | 1 | M249/338 |
| | 996 641 980 23 J33 | Nephrite green | | | |
| | 996 641 980 23 C53 | Graphite grey | | | |
| | 996 641 980 23 S33 | Savanna | | | |
| | 996 641 980 23 G13 | Metropole blue | | | |
| | 996 641 980 23 M33 | Boxster red | | | |
| | 996 641 980 23 P13 | Cinnamon brown | | | |
| | 996 641 980 23 D12 | Dark grey/natural | | | |
| | 996 641 980 23 T12 | Brown/natural | | | |
| 1 | 996 641 980 25 | Instrument cluster Complete | (GB) 01 | 1 | M338 M249 |
| | 996 641 980 25 J33 | Nephrite green | | | |
| | 996 641 980 25 C53 | Graphite grey | | | |
| | 996 641 980 25 S33 | Savanna | | | |
| | 996 641 980 25 G13 | Metropole blue | | | |
| | 996 641 980 25 M33 | Boxster red | | | |
| | 996 641 980 25 P13 | Cinnamon brown | | | |
| | 996 641 980 25 D12 | Dark grey/natural | | | |
| | 996 641 980 25 T12 | Brown/natural | | | |
| | | for | 01 | | M339 |
| | | C A R R E R A 4 | 01 | | M339 |
| 1 | 996 641 982 42 | Instrument cluster Complete | 01 | 1 | M339/480 |
| | 996 641 982 42 J33 | Nephrite green | | | |
| | 996 641 982 42 C53 | Graphite grey | | | |
| | 996 641 982 42 S33 | Savanna | | | |
| | 996 641 982 42 G13 | Metropole blue | | | |
| | 996 641 982 42 M33 | Boxster red | | | |
| | 996 641 982 42 P13 | Cinnamon brown | | | |
| | 996 641 982 42 D12 | Dark grey/natural | | | |
| | 996 641 982 42 T12 | Brown/natural | | | |
| 1 | 996 641 982 44 | Instrument cluster | (GB) 01 | 1 | M339 |

Model: 996 98 Model life 1998>>2005

| Pos | Part Number | Description | Remark | Qty | Model |
|-----|--------------------|--|----------|-----|--------------|
| | | Complete | | | M480 |
| | 996 641 982 44 J33 | Nephrite green | | | |
| | 996 641 982 44 C53 | Graphite grey | | | |
| | 996 641 982 44 S33 | Savanna | | | |
| | 996 641 982 44 G13 | Metropole blue | | | |
| | 996 641 982 44 M33 | Boxster red | | | |
| | 996 641 982 44 P13 | Cinnamon brown | | | |
| | 996 641 982 44 D12 | Dark grey/natural | | | |
| | 996 641 982 44 T12 | Brown/natural | | | |
| 1 | 996 641 982 43 | Instrument cluster | 01 | 1 | M249/339 |
| | | Complete | | | |
| | 996 641 982 43 J33 | Nephrite green | | | |
| | 996 641 982 43 C53 | Graphite grey | | | |
| | 996 641 982 43 S33 | Savanna | | | |
| | 996 641 982 43 G13 | Metropole blue | | | |
| | 996 641 982 43 M33 | Boxster red | | | |
| | 996 641 982 43 P13 | Cinnamon brown | | | |
| | 996 641 982 43 D12 | Dark grey/natural | | | |
| | 996 641 982 43 T12 | Brown/natural | | | |
| 1 | 996 641 982 45 | Instrument cluster | (GB) 01 | 1 | M339 M249 |
| | | Complete | | | |
| | 996 641 982 45 J33 | Nephrite green | | | |
| | 996 641 982 45 C53 | Graphite grey | | | |
| | 996 641 982 45 S33 | Savanna | | | |
| | 996 641 982 45 G13 | Metropole blue | | | |
| | 996 641 982 45 M33 | Boxster red | | | |
| | 996 641 982 45 P13 | Cinnamon brown | | | |
| | 996 641 982 45 D12 | Dark grey/natural | | | |
| | 996 641 982 45 T12 | Brown/natural | | | |
| | | for | 02- | | IX45 |
| (1) | 996 641 981 25 | C A R R E R A 2 / 4 / 4S Instrument cluster | 02- | 1 | IX45 M480 |
| | | Complete | 02- | | |
| | 996 641 981 25 J33 | Nephrite green | | | |
| | 996 641 981 25 C53 | Graphite grey | | | |
| | 996 641 981 25 S33 | Savanna | | | |
| | 996 641 981 25 G13 | Metropole blue | | | |
| | 996 641 981 25 M33 | Boxster red | | | |
| | 996 641 981 25 P13 | Cinnamon brown | | | |
| | 996 641 981 25 D12 | Dark grey/natural | | | |
| | 996 641 981 25 T12 | Brown/natural | | | |
| (1) | 996 641 981 27 | Instrument cluster | (GB) 02- | 1 | M480 |
| | | Complete | | | |
| | 996 641 981 27 J33 | Nephrite green | | | |
| | 996 641 981 27 C53 | Graphite grey | | | |
| | 996 641 981 27 S33 | Savanna | | | |
| | 996 641 981 27 G13 | Metropole blue | | | |
| | 996 641 981 27 M33 | Boxster red | | | |
| | 996 641 981 27 P13 | Cinnamon brown | | | |
| | 996 641 981 27 D12 | Dark grey/natural | | | |
| | 996 641 981 27 T12 | Brown/natural | | | |
| (1) | 996 641 981 26 | Instrument cluster | 02- | 1 | M249 |
| | | Complete | | | |
| | 996 641 981 26 J33 | Nephrite green | | | |
| | 996 641 981 26 C53 | Graphite grey | | | |
| | 996 641 981 26 S33 | Savanna | | | |
| | 996 641 981 26 G13 | Metropole blue | | | |
| | 996 641 981 26 M33 | Boxster red | | | |
| | 996 641 981 26 P13 | Cinnamon brown | | | |
| | 996 641 981 26 D12 | Dark grey/natural | | | |
| | 996 641 981 26 T12 | Brown/natural | | | |

Model: 996 98 Model life 1998>>2005

| Pos | Part Number | Description | Remark | Qty | Model |
|-----|--------------------|---|-------------------|-----|----------------------|
| (1) | 996 641 981 28 | Instrument cluster Complete | (GB) 02- | 1 | M249 |
| | 996 641 981 28 J33 | Nephrite green | | | |
| | 996 641 981 28 C53 | Graphite grey | | | |
| | 996 641 981 28 S33 | Savanna | | | |
| | 996 641 981 28 G13 | Metropole blue | | | |
| | 996 641 981 28 M33 | Boxster red | | | |
| | 996 641 981 28 P13 | Cinnamon brown | | | |
| | 996 641 981 28 D12 | Dark grey/natural | | | |
| | 996 641 981 28 T12 | Brown/natural | | | |
| | | Instrument cluster Dial Aluminium for C A R R E R A 2 | 01 01 | | IX71 M338 M338 |
| 1 | 996 641 980 28 | Instrument cluster Complete | 01 | 1 | M338/480 |
| | 996 641 980 28 70C | Rally black | | | |
| 1 | 996 641 980 30 | Instrument cluster Complete | (GB) 01 | 1 | M338 M480 |
| | 996 641 980 30 70C | Rally black | | | |
| 1 | 996 641 980 29 | Instrument cluster Complete | 01 | 1 | M249/338 |
| | 996 641 980 29 70C | Rally black | | | |
| 1 | 996 641 980 31 | Instrument cluster Complete | (GB) 01 | 1 | M338 M249 |
| | 996 641 980 31 70C | Rally black for C A R R E R A 4 | 01 01 | | M339 M339 |
| 1 | 996 641 982 48 | Instrument cluster Complete | 01 | 1 | M339/480 |
| | 996 641 982 48 70C | Rally black | | | |
| 1 | 996 641 982 50 | Instrument cluster Complete | (GB) 01 | 1 | M339 M480 |
| | 996 641 982 50 70C | Rally black | | | |
| 1 | 996 641 982 49 | Instrument cluster Complete | 01 | 1 | M249/339 |
| | 996 641 982 49 70C | Rally black | | | |
| 1 | 996 641 982 51 | Instrument cluster Complete | (GB) 01 | 1 | M339 M249 |
| | 996 641 982 51 70C | Rally black for C A R R E R A 2 / 4 / 4S | 02- 02- 02- | | IX71 IX71 M480 |
| (1) | 996 641 981 75 | Instrument cluster Complete | | 1 | M480 |
| | 996 641 981 75 70C | Rally black | | | |
| (1) | 996 641 981 77 | Instrument cluster Complete | (GB) 02- | 1 | M480 |
| | 996 641 981 77 70C | Rally black | | | |
| (1) | 996 641 981 76 | Instrument cluster Complete | 02- | 1 | M249 |
| | 996 641 981 76 70C | Rally black | | | |
| (1) | 996 641 981 78 | Instrument cluster Complete | (GB) 02- | 1 | M249 |
| | 996 641 981 78 70C | Rally black | | | |
| 2 | 996 641 911 00 | Knob Actuator Trip meter And | | 1 | |

Model: 996 98

Model life 1998>>2005

| Pos | Part Number | Description | Remark | Qty | Model |
|-----|----------------|--------------------------------------|--------|-----|-------|
| 3 | 999 631 304 90 | Clock Glass-base bulb 12 V 3 W | 01 | X | |
| 4 | 999 631 303 90 | Glass-base bulb 12 V 1,5 W | 01 | X | |
| 5 | 999 631 302 90 | Glass-base bulb 12 V 1,2 W | 01 | X | |
| 6 | 999 919 188 09 | Oval-head screw 5,0 X 30 | | 2 | |

Model: 996 98

Model life 1998>>2005



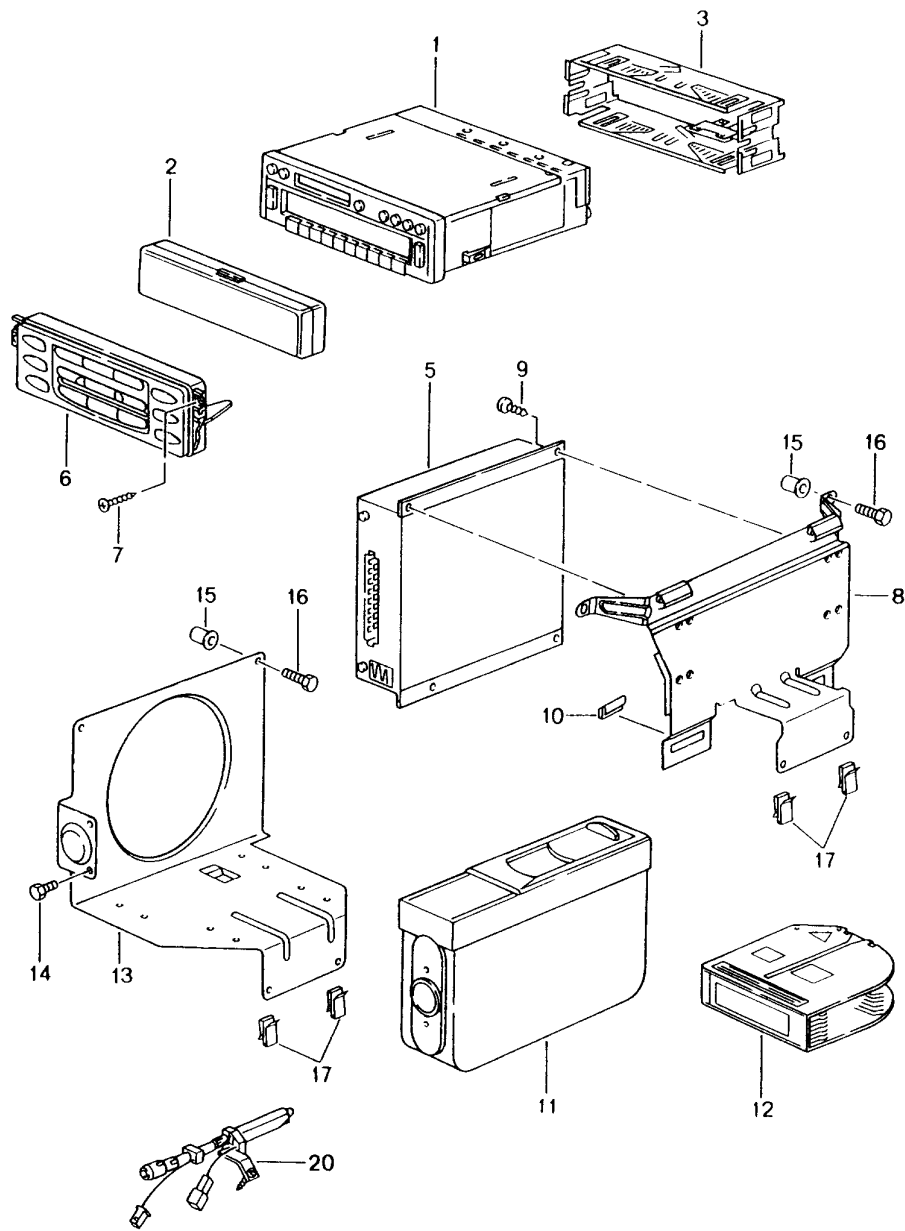
Model: 996 98

Model life 1998>>2005

| Pos | Part Number | Description | Remark | Qty | Model |
|-----|-------------|--|--------|-----|-------|
| | | Cruise control See group 4/03/05 | | | |

Model: 996 98

Model life 1998>>2005



Model: 996 98 Model life 1998>>2005

| Pos | Part Number | Description | Remark | Qty | Model |
|-----|----------------|---|------------|-----|--------------------------------|
| 1 | 993 645 118 01 | Radio Booster | -02 -02 | 1 | M330 |
| 1 | 993 645 116 01 | Radio CR - 31 | -98 | 1 | M326 |
| 1 | 993 645 115 01 | Radio CR - 21 | -98 | 1 | M320 |
| 1 | 993 645 119 01 | Radio CR - 11 | -98 | 1 | M686 |
| 2 | 993 645 190 00 | Case for Control part Radio | -98 | 1 | |
| (2) | 996 645 190 00 | New design Radio See catalogue - EQUIPMENT - Case for Control part Radio | 99- 99- | 1 | |
| 3 | 993 645 173 00 | Retaining frame | -98 | 1 | |
| - | 996 645 106 00 | Contact plate Alarm contact for Radio | -01 | 1 | |
| - | 996 645 107 00 | Contact plate Alarm contact for Radio | 02 | 1 | |
| 5 | 996 645 301 01 | Booster | -00 | 1 | COUPE M490 |
| 5 | 996 645 321 00 | Booster | 01- 02 | 1 | COUPE M490 TARGA M490 |
| 5 | 996 645 303 01 | Booster | -00 | 1 | CABRIO M490 |
| 5 | 996 645 323 00 | Booster | 01- | 1 | CABRIO M490 |
| - | 996 610 149 00 | Cap Connector housing Booster | | 1 | M490 |
| (5) | 996 645 302 05 | Booster | 98 | 1 | COUPE M680 |
| (5) | 996 645 312 00 | Digital sound processing Booster | -00 | 1 | COUPE M680 |
| (5) | 996 645 322 01 | Digital sound processing Booster | 01 | 1 | COUPE M680 |
| (5) | 996 645 338 00 | Digital sound processing Booster | 02 | 1 | COUPE M680 |
| (5) | 996 645 304 04 | Bose Booster | 98 | 1 | CABRIO M680 |
| (5) | 996 645 314 00 | Digital sound processing Booster | -00 | 1 | CABRIO M680 |
| (5) | 996 645 324 01 | Digital sound processing Booster | 01 | 1 | CABRIO |

Model: 996 98

Model life 1998>>2005

| Pos | Part Number | Description | Remark | Qty | Model |
|------|--------------------|--|---------|-----|----------------------|
| | | | | | M490/680 |
| (5) | 996 645 339 00 | Digital sound processing Booster | 02 | 1 | CABRIO/TARGA M680 |
| (5) | 996 645 341 00 | Additional amplifier Bose | 02 | 1 | M680 |
| - | 996 610 151 00 | Cover Connector housing Booster | /LL 02 | 1 | M338/490 M680 |
| - | 996 610 150 01 | Cover Connector housing Booster | /RL 02 | 1 | M338/490 M680 |
| - | 996 610 152 00 | Cover Connector housing Additional amplifier | 02 | 1 | M338/680 |
| 6 | 996 645 201 02 | Control part | -01 | 1 | M680 |
| | 996 645 201 02 EFR | Gloss black | | | |
| 7 | 999 919 182 09 | Oval-head screw 4,0 X 20 | -01 | 2 | M680 |
| 8 | 996 646 025 01 | Support | -01 | 1 | M338/490 M680 |
| 8 | | Support | 02 | 1 | M338/490 |
| (8) | 996 645 255 11 | Support | 02 | 1 | M338/680 |
| (8) | 996 645 235 01 | Support Upper part | /LL -01 | 1 | M339/490 M680 |
| (8) | 996 645 235 02 | Support Upper part | /LL 02 | 1 | M339/490 M680 |
| (8) | 996 645 335 00 | Support Lower part | /LL 99- | 1 | M339/490 M680 |
| (8) | 996 645 236 00 | Support | /RL 99- | 1 | M339/490 M680 |
| (8) | 996 645 265 00 | Support | 02 | 1 | M339/680 |
| (8) | 996 645 239 01 | Support Additional amplifier | 02 | 1 | M339/680 |
| 9 | 900 143 031 02 | Oval-head sheetmetal screw 4,2 X 9,5 | | 2 | M490/680 |
| 10 | 999 507 510 02 | U-clamp | | 2 | M490/680 |
| (10) | 999 591 954 09 | U-clamp | /RL 99- | 2 | M339/490 M680 |
| (10) | 999 507 532 02 | U-clamp | /RL 99- | 2 | M339/490 M680 |
| (10) | 999 507 532 01 | U-clamp | /RL 99- | 2 | M339/490 M680 |
| - | 999 591 725 02 | Speed nut ST 3,5 | /LL 99- | 1 | M339/490 M680 |
| - | 999 507 771 40 | Stopper 5,5 X 4,8 | 02 | 1 | M680 |
| - | 999 073 048 02 | Tapping screw 3,5 X 13 | 02 | 1 | M680 |
| 11 | 993 645 130 00 | CD changer CDC - 3 | | 1 | M692 |
| 12 | 993 645 113 00 | Magazine for CD changer | | 1 | M692 |
| 13 | 996 645 221 00 | Support | /LL | 1 | M338/692 |
| (13) | 996 645 222 00 | Support | /RL | 1 | M338/692 |
| (13) | 996 645 231 00 | Support | /LL 99- | 1 | M339/692 |
| (13) | 996 645 232 01 | Support | /RL | 1 | M339/692 |
| - | 996 610 207 00 | Cable cover CD changer | /LL 99- | 1 | M339/692 |
| 14 | 999 075 067 09 | Combination screw M 4 X 8 | | 6 | M692 |
| 15 | 999 500 078 00 | Speed nut | | 4 | |

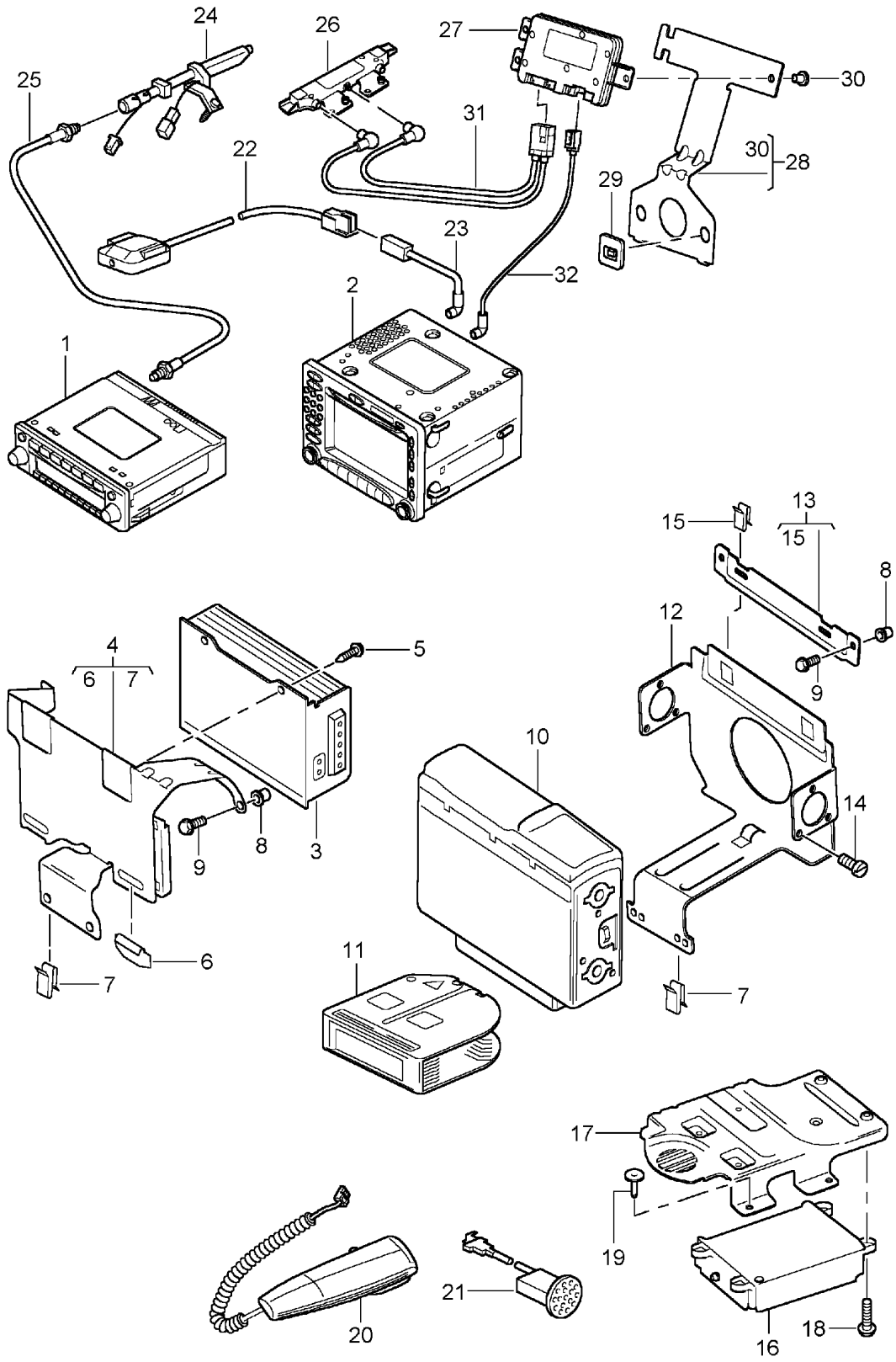
Model: 996 98

Model life 1998>>2005

| Pos | Part Number | Description | Remark | Qty | Model |
|-----|----------------|--|--------|-----|-------|
| 16 | 900 378 188 09 | M 6 Hexagon-head bolt M 6 X 20 | | 4 | |
| 17 | 999 507 532 02 | U-clamp | | 4 | |
| 17 | 999 507 532 01 | U-clamp | | 4 | |
| 20 | 996 647 105 00 | Antenna booster | | 1 | |
| - | 996 612 072 00 | Connecting cable Antenna booster Radio | | 1 | |

Model: 996 98

Model life 1998>>2005



Model: 996 98 Model life 1998>>2005

| Pos | Part Number | Description | Remark | Qty | Model |
|-----|--------------------------------------|---|--------------------------|-----|--------------|
| 1 | | Radio Booster Navigation system Telephone Radio See catalogue Tequipment | 03- 03- 03- 03- | | |
| 2 | 996 642 204 02 996 642 204 02 A05 | Control part Black mat See technical information GR.9 , NR. 2/03 GR.9 , NR. 3/03 | 03 | 1 | M665 |
| 2 | 996 642 204 03 996 642 204 03 A05 | Control part Black mat See technical information GR.9 , NR. 2/03 GR.9 , NR. 3/03 GR.9 , NR.11/03 | 03 | 1 | M665 |
| 2 | 996 642 204 04 996 642 204 04 A05 | Control part Black mat See technical information GR.9 , NR. 2/03 GR.9 , NR. 3/03 GR.9 , NR.11/03 | 03 | 1 | M665 |
| 2 | 996 642 204 05 996 642 204 05 A05 | Control part Black mat See technical information GR.9 , NR. 11/03 | 03- | 1 | M665 |
| 2 | 996 642 204 06 996 642 204 06 A05 | Control part Black mat See technical information GR.9 , NR. 11/03 | -04 | 1 | M665 |
| 2 | 996 642 204 07 996 642 204 07 A05 | Control part Black mat See technical information GR.9 , NR. 11/03 | 03- | 1 | M665 |
| (2) | 996 642 214 02 996 642 214 02 A05 | Control part Black mat See technical information GR.9 , NR. 2/03 GR.9 , NR. 3/03 | 03 | 1 | M490/665/680 |
| (2) | 996 642 214 03 996 642 214 03 A05 | Control part Black mat See technical information GR.9 , NR. 2/03 GR.9 , NR. 3/03 GR.9 , NR.11/03 | 03 | 1 | M490/665/680 |
| (2) | 996 642 214 04 996 642 214 04 A05 | Control part Black mat See technical information GR.9 , NR. 2/03 GR.9 , NR. 3/03 GR.9 , NR.11/03 | 03 | 1 | M490/665/680 |
| (2) | 996 642 214 05 996 642 214 05 A05 | Control part Black mat See technical information GR,9 , NR. 11/03 | 03- | 1 | M490/665/680 |
| (2) | 996 642 214 06 996 642 214 06 A05 | Control part Black mat See technical information GR,9 , NR. 11/03 | -04 | 1 | M490/665/680 |
| (2) | 996 642 214 07 996 642 214 07 A05 | Control part Black mat | 03- | 1 | M490/665/680 |

Model: 996 98

Model life 1998>>2005

| Pos | Part Number | Description | Remark | Qty | Model |
|-----|----------------|---|----------|-----|------------------------|
| - | 996 642 951 00 | See technical information GR,9 , NR. 11/03 Rotary knob for POS. 2 | /L 03- | 1 | |
| - | 996 642 952 00 | Rotary knob for POS. 2 | /R 03- | 1 | |
| - | 996 642 941 00 | Cover Drawer SIM card for POS. 2 | 03- | 1 | |
| - | 996 642 205 01 | Module Navigation system | 03 | 1 | M670 |
| - | 996 642 205 02 | Module Navigation system | 03- | 1 | M670 |
| - | 996 642 030 00 | CD-ROM Navigation system | 03 | 1 | M670 |
| - | 996 642 030 01 | See technical information GR.9 , NR. 11/03 CD-ROM Navigation system | -04 | 1 | M670 |
| - | 996 642 030 02 | CD-ROM Navigation system | 05 | 1 | M670 |
| - | 996 642 034 01 | See technical information GR.9 , NR. 11/03 CD-ROM Navigation system | (ZA) 04 | 1 | M670 |
| - | 996 642 034 02 | CD-ROM Navigation system | (ZA) 05 | 1 | M670 |
| - | 996 642 035 01 | See technical information GR.9 , NR. 11/03 CD-ROM Navigation system | 04 | 1 | (SA), (AG) M670 |
| - | 996 642 036 01 | See technical information GR.9 , NR. 11/03 CD-ROM Navigation system | (AUS) 04 | 1 | M670 |
| - | 996 642 036 02 | CD-ROM Navigation system | (AUS) 05 | 1 | M670 |
| - | 996 642 037 01 | See technical information GR.9 , NR. 11/03 CD-ROM | 04 | 1 | /M 074 M068 M670 |
| - | 996 642 037 02 | Navigation system CD-ROM | 05 | 1 | /M 074 M068 M670 |
| 3 | 996 645 331 01 | See technical information GR.9 , NR. 11/03 Booster | | 1 | M490 |
| 3 | 996 645 331 02 | See technical information GR.9 , NR. 2/03 GR.9 , NR. 3/03 Booster | 03 | 1 | M490 |
| 3 | 996 645 331 CX | See technical information GR.9 , NR. 2/03 GR.9 , NR. 3/03 Booster | 03- | 1 | M490 |

Model: 996 98 Model life 1998>>2005

| Pos | Part Number | Description | Remark | Qty | Model |
|-----|----------------|---|---------|-----|----------|
| 3 | 996 645 331 03 | GR.9 , NR. 2/03 GR.9 , NR. 3/03 Booster See technical information | 03- | 1 | M490 |
| (3) | 996 645 333 02 | GR.9 , NR. 2/03 GR.9 , NR. 3/03 Booster See technical information | /LL 03 | 1 | M680 |
| (3) | 996 645 333 03 | GR.9 , NR. 2/03 GR.9 , NR. 3/03 Booster See technical information | /LL 03 | 1 | M680 |
| (3) | 996 645 333 04 | GR.9 , NR. 2/03 GR.9 , NR. 3/03 GR.9 , NR.11/03 Booster See technical information | /LL 03 | 1 | M680 |
| (3) | 996 645 333 05 | GR.9 , NR. 2/03 GR.9 , NR. 3/03 GR.9 , NR.11/03 Booster | /LL 03- | 1 | M680 |
| (3) | 996 645 333 07 | GR.9 , NR. 15/03 GR.9 , NR. 11/03 Booster See technical information | /LL 03- | 1 | M680 |
| (3) | 996 645 333 02 | GR.9 , NR. 15/03 GR.9 , NR. 11/03 Booster See technical information | /RL 03 | 1 | M339/680 |
| (3) | 996 645 333 03 | GR.9 , NR. 2/03 GR.9 , NR. 3/03 Booster | /RL 03 | 1 | M339/680 |
| (3) | 996 645 333 04 | GR.9 , NR. 2/03 GR.9 , NR. 3/03 GR.9 , NR.11/03 Booster See technical information | /RL 03 | 1 | M339/680 |
| (3) | 996 645 333 05 | GR.9 , NR. 2/03 GR.9 , NR. 3/03 GR.9 , NR.11/03 Booster See technical information | /RL 03- | 1 | M339/680 |
| (3) | 996 645 333 07 | GR.9 , NR. 15/03 GR.9 , NR. 11/03 Booster See technical information | /RL 03- | 1 | M339/680 |
| (3) | 996 645 332 01 | GR.9 , NR. 15/03 GR.9 , NR. 11/03 Booster See technical information | /RL 03 | 1 | M338/680 |
| (3) | 996 645 332 03 | GR.9 , NR. 2/03 GR.9 , NR. 3/03 GR.9 , NR.11/03 Booster See technical information | /RL 03 | 1 | M338/680 |
| (3) | 996 645 332 04 | GR.9 , NR. 2/03 GR.9 , NR. 3/03 GR.9 , NR.11/03 Booster See technical information | /RL 03 | 1 | M338/680 |
| (3) | 996 645 332 05 | GR.9 , NR. 2/03 GR.9 , NR. 3/03 GR.9 , NR.11/03 Booster See technical information | /RL 03- | 1 | M338/680 |
| (3) | 996 645 332 07 | GR.9 , NR. 15/03 GR.9 , NR. 11/03 Booster See technical information | /RL 03- | 1 | M338/680 |

Model: 996 98 Model life 1998>>2005

| Pos | Part Number | Description | Remark | Qty | Model |
|------|----------------|---|------------|-----|------------------|
| - | 996 610 151 00 | GR.9 , NR. 15/03 GR.9 , NR. 11/03 Cover Connector housing Booster | /LL | 1 | M338/490 M680 |
| - | 996 610 150 01 | Cover Connector housing Booster | /RL | 1 | M338/490 M680 |
| 4 | 996 645 255 01 | Support | | 1 | M338/490 M680 |
| (4) | 996 645 265 00 | Support | | 1 | M339/490 M680 |
| 5 | 900 143 031 02 | Oval-head sheetmetal screw 4,2 X 9,5 | | 2 | M490/680 |
| 6 | 999 507 510 02 | U-clamp | | 2 | M490/680 |
| 7 | 999 507 532 02 | U-clamp | | X | |
| 7 | 999 507 532 01 | U-clamp | | X | |
| 8 | 999 500 078 00 | Speed nut M 6 | | X | |
| 9 | 900 378 188 09 | Hexagon-head bolt M 6 X 20 | | X | |
| (9) | 900 380 015 01 | Hexagon nut M 6 | | 2 | M339/490 M680 |
| 10 | 996 645 140 02 | CD changer CDC 4 Adjustment Installation Attention See technical information GR.9 , NR. 2/03 GR.9 , NR. 3/03 | /RL | 1 | M339/692 |
| 10 | 997 645 140 02 | CD changer CDC 4 Adjustment Installation Attention See technical information GR.9 , NR. 2/03 GR.9 , NR. 3/03 | /LL | 1 | M692 |
| 10 | 997 645 140 03 | CD changer CDC 4 Adjustment Installation Attention See technical information GR.9 , NR. 2/03 GR.9 , NR. 3/03 | /LL /RL | 1 | M692 M338/692 |
| 11 | 996 645 113 00 | Magazine CD changer | | 1 | M692 |
| 12 | 996 645 225 00 | Support | | 1 | M338/692 |
| (12) | 996 645 229 00 | Support | /LL | 1 | M339/692 |
| (12) | 996 645 230 00 | Support | /RL | 1 | M339/692 |
| 13 | 996 645 227 00 | Support | | 1 | M338/692 |
| 14 | N 014 128 13 | Oval-head screw M 5 X 8 | | 6 | M692 |
| 15 | 999 591 954 09 | U-clamp | | 2 | M338/692 |
| 16 | 996 642 207 01 | Control unit Telephone See technical information GR.9 , NR. 2/03 GR.9 , NR. 3/03 | 03 | 1 | M666 |
| 16 | 996 642 207 02 | Control unit | 03 | 1 | M666 |

Model: 996 98 Model life 1998>>2005

| Pos | Part Number | Description | Remark | Qty | Model |
|------|--------------------|---|--------|-----|----------------------------------|
| 16 | 996 642 207 04 | Telephone See technical information GR.9 , NR. 2/03 GR.9 , NR. 3/03 Control unit | 03 | 1 | M666 |
| 16 | 996 642 207 05 | Telephone See technical information GR.9 , NR. 2/03 GR.9 , NR. 3/03 Control unit | | 1 | M666 |
| 16 | 997 646 207 01 | Telephone See technical information GR.9 , NR. 9/04 Control unit | | 1 | M666 |
| 16 | 997 646 207 02 | Telephone MOTOROLA Control unit | | 1 | M666 |
| 16 | 997 646 208 04 | Telephone MOTOROLA F >>995S6 00354 F >>995S6 30090 F >>995S6 40515 Control unit | | 1 | COUPE TARGA CABRIO M666 |
| - | 997 612 989 00 | Telephone HARMAN - BECKER F 995S6 00355>> F 995S6 30091>> F 995S6 40516>> When required order also: Connecting line Adapter for Control unit 997.646.208.04 | | 1 | COUPE TARGA CABRIO M666 |
| 17 | 996 642 216 00 | Support | | 1 | M666 |
| 18 | 900 378 035 01 | Hexagon-head bolt M 6 X 16 | | 2 | M666 |
| 19 | 999 073 060 02 | Tapping screw 4,8 X 13 Antenna | | 4 | M666 |
| 20 | 996 642 212 01 | Telephone See group 9/11/10 Receiver | | 1 | M668 |
| 20 | 996 642 212 02 | Telephone Receiver | | 1 | M668 |
| (20) | 996 642 980 14 | Telephone Receiver Leather | | 1 | IXEA |
| | 996 642 980 14 A11 | Black | | | |
| | 996 642 980 14 C51 | Graphite grey | | | |
| | 996 642 980 14 S31 | Savanna | | | |
| | 996 642 980 14 G11 | Metropole blue | | | |
| | 996 642 980 14 J31 | Nephrite green | | | |
| | 996 642 980 14 M31 | Boxster red | | | |
| | 996 642 980 14 P12 | Cinnamon brown | | | |
| | 996 642 980 14 D12 | Dark grey/natural | | | |
| | 996 642 980 14 T12 | Brown/natural | | | |
| (20) | 996 642 980 15 | Receiver Telephone Leather | | 1 | IXEA |
| | 996 642 980 15 A11 | Black | | | |

Model: 996 98 Model life 1998>>2005

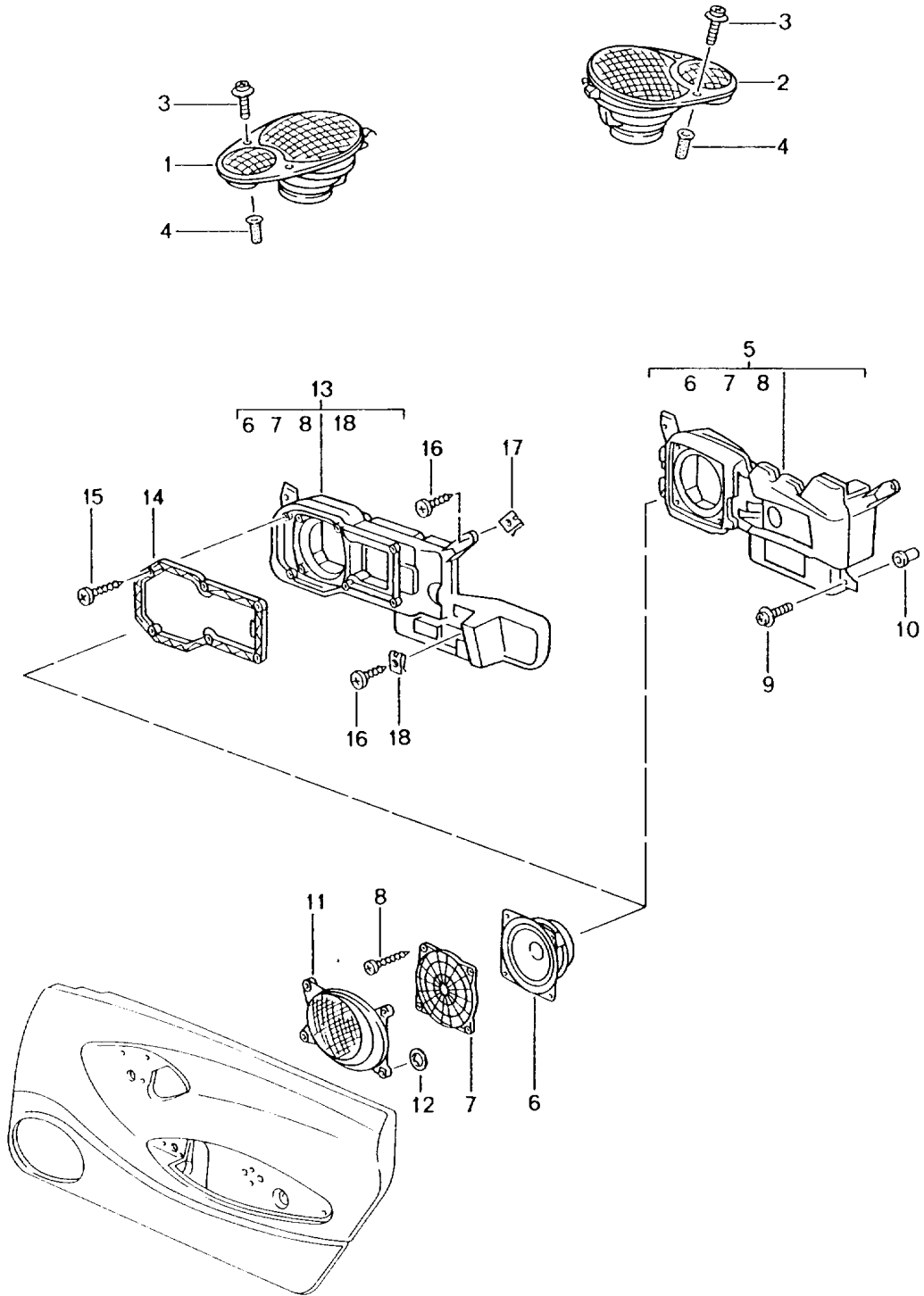
| Pos | Part Number | Description | Remark | Qty | Model |
|------|--------------------|-------------------|--------|-----|------------------|
| | 996 642 980 15 C51 | Graphite grey | | | |
| | 996 642 980 15 S31 | Savanna | | | |
| | 996 642 980 15 G11 | Metropole blue | | | |
| | 996 642 980 15 J31 | Nephrite green | | | |
| | 996 642 980 15 M31 | Boxster red | | | |
| | 996 642 980 15 P12 | Cinnamon brown | | | |
| | 996 642 980 15 D12 | Dark grey/natural | | | |
| | 996 642 980 15 T12 | Brown/natural | | | |
| | | Bracket | | | |
| | | Telephone | | | |
| | | See group | | | |
| | | 9/11/10 | | | |
| 21 | 996 646 307 02 | Microphone | /LL | 1 | M618/666 |
| | 996 646 307 02 A03 | Black | | | |
| | 996 646 307 02 C53 | Graphite grey | | | |
| | 996 646 307 02 S33 | Savanna | | | |
| | 996 646 307 02 G13 | Metropole blue | | | |
| | 996 646 307 02 J33 | Nephrite green | | | |
| | 996 646 307 02 M33 | Boxster red | | | |
| | 996 646 307 02 P13 | Cinnamon brown | | | |
| (21) | 996 646 308 02 | Microphone | /RL | 1 | M618/666 |
| | 996 646 308 02 A03 | Black | | | |
| | 996 646 308 02 C53 | Graphite grey | | | |
| | 996 646 308 02 S33 | Savanna | | | |
| | 996 646 308 02 G13 | Metropole blue | | | |
| | 996 646 308 02 J33 | Nephrite green | | | |
| | 996 646 308 02 M33 | Boxster red | | | |
| | 996 646 308 02 P13 | Cinnamon brown | | | |
| (21) | 996 646 307 03 | Microphone | /LL | 1 | M618/666 M680 |
| | 996 646 307 03 A03 | Black | | | |
| | 996 646 307 03 C53 | Graphite grey | | | |
| | 996 646 307 03 S33 | Savanna | | | |
| | 996 646 307 03 G13 | Metropole blue | | | |
| | 996 646 307 03 J33 | Nephrite green | | | |
| | 996 646 307 03 M33 | Boxster red | | | |
| | 996 646 307 03 P13 | Cinnamon brown | | | |
| (21) | 996 646 308 03 | Microphone | /RL | 1 | M618/666 M680 |
| | 996 646 308 03 A03 | Black | | | |
| | 996 646 308 03 C53 | Graphite grey | | | |
| | 996 646 308 03 S33 | Savanna | | | |
| | 996 646 308 03 G13 | Metropole blue | | | |
| | 996 646 308 03 J33 | Nephrite green | | | |
| | 996 646 308 03 M33 | Boxster red | | | |
| | 996 646 308 03 P13 | Cinnamon brown | | | |
| (21) | 996 646 307 04 | Microphone | /LL | 1 | M680 |
| | 996 646 307 04 A03 | Black | | | |
| | 996 646 307 04 C53 | Graphite grey | | | |
| | 996 646 307 04 S33 | Savanna | | | |
| | 996 646 307 04 G13 | Metropole blue | | | |
| | 996 646 307 04 J33 | Nephrite green | | | |
| | 996 646 307 04 M33 | Boxster red | | | |
| | 996 646 307 04 P13 | Cinnamon brown | | | |
| (21) | 996 646 308 04 | Microphone | /RL | 1 | M680 |
| | 996 646 308 04 A03 | Black | | | |
| | 996 646 308 04 C53 | Graphite grey | | | |
| | 996 646 308 04 S33 | Savanna | | | |
| | 996 646 308 04 G13 | Metropole blue | | | |
| | 996 646 308 04 J33 | Nephrite green | | | |
| | 996 646 308 04 M33 | Boxster red | | | |
| | 996 646 308 04 P13 | Cinnamon brown | | | |
| 22 | 996 642 206 00 | Antenna | | 1 | M670 |

Model: 996 98 Model life 1998>>2005

| Pos | Part Number | Description | Remark | Qty | Model |
|------|----------------|---|--------|-----|-------|
| 23 | 996 612 009 00 | GPS Connecting line Antenna Module Navigation system | | 1 | M670 |
| 24 | 996 647 105 00 | Antenna booster Radio | | 1 | M441 |
| 25 | 996 612 072 01 | Connecting line Antenna booster Radio | | 1 | M441 |
| 26 | 996 647 117 00 | Antenna booster | /L | 1 | M440 |
| (26) | 996 647 118 00 | Antenna booster | /R | 1 | M440 |
| 27 | 996 647 124 00 | Control unit | | 1 | M440 |
| 28 | 996 647 202 00 | Support | | 1 | M440 |
| 29 | 999 507 772 40 | Clip | | 1 | M440 |
| 30 | 999 507 771 40 | Stopper | | 1 | M440 |
| 31 | 996 612 057 00 | Connecting line Antenna booster Left Control unit | /LL | 1 | M665 |
| (31) | 996 612 067 00 | Connecting line Antenna booster Left Control unit | /RL | 1 | M665 |
| (31) | 996 612 056 00 | Connecting line Antenna booster Right Control unit | /LL | 1 | M665 |
| (31) | 996 612 066 00 | Connecting line Antenna booster Right Control unit | /RL | 1 | M665 |
| 32 | 996 612 058 00 | Connecting line Control unit Control part Connector CURRY | /LL | 1 | M665 |
| (32) | 996 612 068 00 | Connecting line Control unit Control part Connector CURRY | /RL | 1 | M665 |
| (32) | 996 612 059 00 | Connecting line Control unit Control part Connector Natural colours | /LL | 1 | M665 |
| (32) | 996 612 069 00 | Connecting line Control unit Control part Connector Natural colours | /RL | 1 | M665 |

Model: 996 98

Model life 1998>>2005



Model: 996 98 Model life 1998>>2005

| Pos | Part Number | Description | Remark | Qty | Model |
|-----|--------------------|----------------|-----------|-----|--------|
| | | Loudspeaker | | | |
| | | Loudspeaker | | | |
| | | M 680/MJ.02- | | | |
| | | See group | | | |
| | | 9/11/06 | | | |
| 1 | 996 645 037 01 | Loudspeaker | /V /L | 1 | M490 |
| | 996 645 037 01 A10 | Black | 98 | | |
| | 996 645 037 01 B50 | Space grey | | | |
| | 996 645 037 01 C50 | Graphite grey | | | |
| | 996 645 037 01 G10 | Metropole blue | | | |
| | 996 645 037 01 J30 | Nephrite green | | | |
| | 996 645 037 01 M30 | Boxster red | | | |
| | 996 645 037 01 S30 | Savanna | | | |
| | 996 645 037 01 P10 | Cinnamon brown | | | |
| (1) | 996 645 035 01 | Loudspeaker | /V /L | 1 | M441 |
| | 996 645 035 01 A10 | Black | 98 | | |
| | 996 645 035 01 B50 | Space grey | | | |
| | 996 645 035 01 C50 | Graphite grey | | | |
| | 996 645 035 01 G10 | Metropole blue | | | |
| | 996 645 035 01 J30 | Nephrite green | | | |
| | 996 645 035 01 M30 | Boxster red | | | |
| | 996 645 035 01 S30 | Savanna | | | |
| | 996 645 035 01 P10 | Cinnamon brown | | | |
| (1) | 996 645 048 01 | Loudspeaker | /H /L | 1 | COUPE |
| | | | /H /L 02- | | M490 |
| | | | /H /R | | TARGA |
| | | | | | M490 |
| | | | | | CABRIO |
| | | | | | M490 |
| | 996 645 048 01 A10 | Black | 98 | | |
| | 996 645 048 01 B50 | Space grey | | | |
| | 996 645 048 01 C50 | Graphite grey | | | |
| | 996 645 048 01 G10 | Metropole blue | | | |
| | 996 645 048 01 J30 | Nephrite green | | | |
| | 996 645 048 01 M30 | Boxster red | | | |
| | 996 645 048 01 S30 | Savanna | | | |
| | 996 645 048 01 P10 | Cinnamon brown | | | |
| (1) | 996 645 046 01 | Loudspeaker | /H /L | 1 | COUPE |
| | | | /H /L 02- | | M441 |
| | | | /H /R | | TARGA |
| | | | | | M441 |
| | | | | | CABRIO |
| | | | | | M441 |
| | 996 645 046 01 A10 | Black | 98 | | |
| | 996 645 046 01 B50 | Space grey | | | |
| | 996 645 046 01 C50 | Graphite grey | | | |
| | 996 645 046 01 G10 | Metropole blue | | | |
| | 996 645 046 01 J30 | Nephrite green | | | |
| | 996 645 046 01 M30 | Boxster red | | | |
| | 996 645 046 01 S30 | Savanna | | | |
| | 996 645 046 01 P10 | Cinnamon brown | | | |
| 2 | 996 645 038 01 | Loudspeaker | /V /R | 1 | M490 |
| | 996 645 038 01 A10 | Black | 98 | | |
| | 996 645 038 01 B50 | Space grey | | | |
| | 996 645 038 01 C50 | Graphite grey | | | |
| | 996 645 038 01 G10 | Metropole blue | | | |
| | 996 645 038 01 J30 | Nephrite green | | | |
| | 996 645 038 01 M30 | Boxster red | | | |
| | 996 645 038 01 S30 | Savanna | | | |
| | 996 645 038 01 P10 | Cinnamon brown | | | |
| (2) | 996 645 036 01 | Loudspeaker | /V /R | 1 | M441 |
| | 996 645 036 01 A10 | Black | 98 | | |
| | 996 645 036 01 B50 | Space grey | | | |

Model: 996 98 Model life 1998>>2005

| Pos | Part Number | Description | Remark | Qty | Model |
|--------------------|--------------------|--------------------|-----------|-----|--|
| (2) | 996 645 036 01 C50 | Graphite grey | | 1 | COUPE M490 TARGA M490 CABRIO M490 |
| | 996 645 036 01 G10 | Metropole blue | | | |
| | 996 645 036 01 J30 | Nephrite green | | | |
| | 996 645 036 01 M30 | Boxster red | | | |
| | 996 645 036 01 S30 | Savanna | | | |
| | 996 645 036 01 P10 | Cinnamon brown | | | |
| | 996 645 047 01 | Loudspeaker | /H /R | | |
| | | | /H /R 02- | | |
| | | | /H /L | | |
| | | | 98 | | |
| (2) | 996 645 047 01 A10 | Black | | 1 | COUPE M441 TARGA M441 CABRIO M441 |
| | 996 645 047 01 B50 | Space grey | | | |
| | 996 645 047 01 C50 | Graphite grey | | | |
| | 996 645 047 01 G10 | Metropole blue | | | |
| | 996 645 047 01 J30 | Nephrite green | | | |
| | 996 645 047 01 M30 | Boxster red | | | |
| | 996 645 047 01 S30 | Savanna | | | |
| | 996 645 047 01 P10 | Cinnamon brown | | | |
| | 996 645 045 01 | Loudspeaker | /H /R | | |
| | | | /H /R 02- | | |
| (2) | 996 645 045 01 A10 | Black | | 4 | |
| | 996 645 045 01 B50 | Space grey | | | |
| | 996 645 045 01 C50 | Graphite grey | | | |
| | 996 645 045 01 G10 | Metropole blue | | | |
| | 996 645 045 01 J30 | Nephrite green | | | |
| | 996 645 045 01 M30 | Boxster red | | | |
| | 996 645 045 01 S30 | Savanna | | | |
| | 996 645 045 01 P10 | Cinnamon brown | | | |
| | 996 645 049 01 | Loudspeaker grille | | | |
| | | | 98 | | |
| 1 | 996 645 037 02 | Loudspeaker | /V /L 99- | 1 | M490 |
| | 996 645 037 02 01C | Satin black | | | |
| (1) | 996 645 035 02 | Loudspeaker | /V /L 99- | 1 | M441 |
| | 996 645 035 02 01C | Satin black | | | |
| (1) | 996 645 048 02 | Loudspeaker | /H /L 99- | 1 | COUPE M490 TARGA M490 CABRIO M490 |
| | | | /H /L 02- | | |
| | | | /H /R 99- | | |
| (1) | 996 645 048 02 01C | Satin black | | 1 | COUPE M441 TARGA M441 CABRIO M441 |
| | 996 645 046 02 | Loudspeaker | /H /L 99- | | |
| 2 | | | /H /L 02- | | |
| | 996 645 046 02 01C | Satin black | | 1 | M490 |
| | 996 645 038 02 | Loudspeaker | /V /R 99- | | |
| 996 645 038 02 01C | Satin black | | | | |

Model: 996 98 Model life 1998>>2005

| Pos | Part Number | Description | Remark | Qty | Model |
|-----|--------------------|--------------------|-----------|-----|--------------|
| (2) | 996 645 036 02 | Loudspeaker | /V /R 99- | 1 | M441 |
| | 996 645 036 02 01C | Satin black | | | |
| (2) | 996 645 047 02 | Loudspeaker | /H /R 99- | 1 | COUPE |
| | | | /H /R 02- | | M490 |
| | | | /H /L 99- | | TARGA |
| | | | | | M490 |
| | | | | | CABRIO |
| | | | | | M490 |
| (2) | 996 645 047 02 01C | Satin black | | | |
| | 996 645 045 02 | Loudspeaker | /H /R 99- | 1 | COUPE |
| | | | /H /R 02- | | M441 |
| | | | /H /L 99- | | TARGA |
| | | | | | M441 |
| | | | | | CABRIO |
| | | | | | M441 |
| (2) | 996 645 045 02 01C | Satin black | | | |
| | 996 645 049 02 | Loudspeaker grille | 99- | 4 | |
| | 996 645 049 02 01C | Satin black | | | |
| | | Loudspeaker | | | IXKL/XKM/XKN |
| | | Front | | | IXKP |
| | | Leather | | | |
| 1 | 996 645 983 01 | Loudspeaker | /V /L 01- | 1 | M490 |
| | 996 645 983 01 VRK | Black | | | |
| | 996 645 983 01 S31 | Savanna | | | |
| | 996 645 983 01 C51 | Graphite grey | | | |
| | 996 645 983 01 G11 | Metropole blue | | | |
| | 996 645 983 01 J31 | Nephrite green | | | |
| | 996 645 983 01 M31 | Boxster red | | | |
| | 996 645 983 01 P12 | Cinnamon brown | | | |
| | 996 645 983 01 D12 | Dark grey/natural | | | |
| | 996 645 983 01 T12 | Brown/natural | | | |
| (1) | 996 645 981 01 | Loudspeaker | /V /L 01- | 1 | M441 |
| | 996 645 981 01 VRK | Black | | | |
| | 996 645 981 01 S31 | Savanna | | | |
| | 996 645 981 01 C51 | Graphite grey | | | |
| | 996 645 981 01 G11 | Metropole blue | | | |
| | 996 645 981 01 J31 | Nephrite green | | | |
| | 996 645 981 01 M31 | Boxster red | | | |
| | 996 645 981 01 P12 | Cinnamon brown | | | |
| | 996 645 981 01 D12 | Dark grey/natural | | | |
| | 996 645 981 01 T12 | Brown/natural | | | |
| 2 | 996 645 984 01 | Loudspeaker | /V /R 01- | 1 | M490 |
| | 996 645 984 01 VRK | Black | | | |
| | 996 645 984 01 S31 | Savanna | | | |
| | 996 645 984 01 C51 | Graphite grey | | | |
| | 996 645 984 01 G11 | Metropole blue | | | |
| | 996 645 984 01 J31 | Nephrite green | | | |
| | 996 645 984 01 M31 | Boxster red | | | |
| | 996 645 984 01 P12 | Cinnamon brown | | | |
| | 996 645 984 01 D12 | Dark grey/natural | | | |
| | 996 645 984 01 T12 | Brown/natural | | | |
| (2) | 996 645 982 01 | Loudspeaker | /V /R 01- | 1 | M441 |
| | 996 645 982 01 VRK | Black | | | |
| | 996 645 982 01 S31 | Savanna | | | |
| | 996 645 982 01 C51 | Graphite grey | | | |
| | 996 645 982 01 G11 | Metropole blue | | | |
| | 996 645 982 01 J31 | Nephrite green | | | |
| | 996 645 982 01 M31 | Boxster red | | | |
| | 996 645 982 01 P12 | Cinnamon brown | | | |
| | 996 645 982 01 D12 | Dark grey/natural | | | |
| | 996 645 982 01 T12 | Brown/natural | | | |
| | | Loudspeaker | | | IXKL |
| | | Rear | | | |

Model: 996 98 Model life 1998>>2005

| Pos | Part Number | Description | Remark | Qty | Model |
|-----|--------------------|------------------------|---|-----|--|
| (1) | 996 645 989 05 | Leather Loudspeaker | /H /L 01- /H /L 01- /H /R 01- | 1 | COUPE M490 TARGA M490 CABRIO M490 |
| | 996 645 989 05 VRK | Black | | | |
| | 996 645 989 05 S31 | Savanna | | | |
| | 996 645 989 05 C51 | Graphite grey | | | |
| | 996 645 989 05 G11 | Metropole blue | | | |
| | 996 645 989 05 J31 | Nephrite green | | | |
| | 996 645 989 05 M31 | Boxster red | | | |
| | 996 645 989 05 P12 | Cinnamon brown | | | |
| | 996 645 989 05 D12 | Dark grey/natural | | | |
| | 996 645 989 05 T12 | Brown/natural | | | |
| (1) | 996 645 987 05 | Loudspeaker | /H /L 01- /H /L 01- /H /R 01- | 1 | COUPE M441 TARGA M441 CABRIO M441 |
| | 996 645 987 05 VRK | Black | | | |
| | 996 645 987 05 S31 | Savanna | | | |
| | 996 645 987 05 C51 | Graphite grey | | | |
| | 996 645 987 05 G11 | Metropole blue | | | |
| | 996 645 987 05 J31 | Nephrite green | | | |
| | 996 645 987 05 M31 | Boxster red | | | |
| | 996 645 987 05 P12 | Cinnamon brown | | | |
| | 996 645 987 05 D12 | Dark grey/natural | | | |
| | 996 645 987 05 T12 | Brown/natural | | | |
| (2) | 996 645 988 05 | Loudspeaker | /H /R 01- /H /R 02- /H /L 01- | 1 | COUPE M490 TARGA M490 CABRIO M490 |
| | 996 645 988 05 VRK | Black | | | |
| | 996 645 988 05 S31 | Savanna | | | |
| | 996 645 988 05 C51 | Graphite grey | | | |
| | 996 645 988 05 G11 | Metropole blue | | | |
| | 996 645 988 05 J31 | Nephrite green | | | |
| | 996 645 988 05 M31 | Boxster red | | | |
| | 996 645 988 05 P12 | Cinnamon brown | | | |
| | 996 645 988 05 D12 | Dark grey/natural | | | |
| | 996 645 988 05 T12 | Brown/natural | | | |
| (2) | 996 645 986 05 | Loudspeaker | /H /R 01- /H /R 02- /H /L 01- | 1 | COUPE M441 TARGA M441 CABRIO M441 |
| | 996 645 986 05 VRK | Black | | | |
| | 996 645 986 05 S31 | Savanna | | | |
| | 996 645 986 05 C51 | Graphite grey | | | |
| | 996 645 986 05 G11 | Metropole blue | | | |
| | 996 645 986 05 J31 | Nephrite green | | | |
| | 996 645 986 05 M31 | Boxster red | | | |
| | 996 645 986 05 P12 | Cinnamon brown | | | |
| | 996 645 986 05 D12 | Dark grey/natural | | | |
| | 996 645 986 05 T12 | Brown/natural | | | |
| | | Loudspeaker | | | IXKM |
| | | Rear | | | |

Model: 996 98 Model life 1998>>2005

| Pos | Part Number | Description | Remark | Qty | Model |
|-----|--------------------|-------------------------------------|---|-----|--|
| (1) | 996 645 989 01 | Light maple rootwood Loudspeaker | /H /L 01- /H /L 01- /H /R 01- | 1 | COUPE M490 TARGA M490 CABRIO M490 |
| | 996 645 989 01 A03 | Black | | | |
| | 996 645 989 01 C53 | Graphite grey | | | |
| | 996 645 989 01 S33 | Savanna | | | |
| | 996 645 989 01 G13 | Metropole blue | | | |
| | 996 645 989 01 J33 | Nephrite green | | | |
| | 996 645 989 01 M33 | Boxster red | | | |
| | 996 645 989 01 P13 | Cinnamon brown | | | |
| | 996 645 989 01 D12 | Dark grey/natural | | | |
| | 996 645 989 01 T12 | Brown/natural | | | |
| (1) | 996 645 987 01 | Loudspeaker | /H /L 01- /H /L 01- /H /R 01- | 1 | COUPE M441 TARGA M441 CABRIO M441 |
| | 996 645 987 01 A03 | Black | | | |
| | 996 645 987 01 C53 | Graphite grey | | | |
| | 996 645 987 01 S33 | Savanna | | | |
| | 996 645 987 01 G13 | Metropole blue | | | |
| | 996 645 987 01 J33 | Nephrite green | | | |
| | 996 645 987 01 M33 | Boxster red | | | |
| | 996 645 987 01 P13 | Cinnamon brown | | | |
| | 996 645 987 01 D12 | Dark grey/natural | | | |
| | 996 645 987 01 T12 | Brown/natural | | | |
| (2) | 996 645 988 01 | Loudspeaker | /H /R 01- /H /R 02- /H /L 01- | 1 | COUPE M490 TARGA M490 CABRIO M490 |
| | 996 645 988 01 A03 | Black | | | |
| | 996 645 988 01 C53 | Graphite grey | | | |
| | 996 645 988 01 S33 | Savanna | | | |
| | 996 645 988 01 G13 | Metropole blue | | | |
| | 996 645 988 01 J33 | Nephrite green | | | |
| | 996 645 988 01 M33 | Boxster red | | | |
| | 996 645 988 01 P13 | Cinnamon brown | | | |
| | 996 645 988 01 D12 | Dark grey/natural | | | |
| | 996 645 988 01 T12 | Brown/natural | | | |
| (2) | 996 645 986 01 | Loudspeaker | /H /R 01- /H /R 02- /H /L 01- | 1 | COUPE M441 TARGA M441 CABRIO M441 |
| | 996 645 986 01 A03 | Black | | | |
| | 996 645 986 01 C53 | Graphite grey | | | |
| | 996 645 986 01 S33 | Savanna | | | |
| | 996 645 986 01 G13 | Metropole blue | | | |
| | 996 645 986 01 J33 | Nephrite green | | | |
| | 996 645 986 01 M33 | Boxster red | | | |
| | 996 645 986 01 P13 | Cinnamon brown | | | |
| | 996 645 986 01 D12 | Dark grey/natural | | | |
| | 996 645 986 01 T12 | Brown/natural | | | |
| | | Loudspeaker | | | IXKN |
| | | Rear | | | |

Model: 996 98 Model life 1998>>2005

| Pos | Part Number | Description | Remark | Qty | Model |
|-----|--------------------|------------------------------------|---|-----|--|
| (2) | 996 645 989 02 | Dark maple rootwood Loudspeaker | /H /L 01- /H /L 01- /H /R 01- | 1 | COUPE M490 TARGA M490 CABRIO M490 |
| | 996 645 989 02 A03 | Black | | | |
| | 996 645 989 02 C53 | Graphite grey | | | |
| | 996 645 989 02 S33 | Savanna | | | |
| | 996 645 989 02 G13 | Metropole blue | | | |
| | 996 645 989 02 J33 | Nephrite green | | | |
| | 996 645 989 02 M33 | Boxster red | | | |
| | 996 645 989 02 P13 | Cinnamon brown | | | |
| | 996 645 989 02 D12 | Dark grey/natural | | | |
| | 996 645 989 02 T12 | Brown/natural | | | |
| (2) | 996 645 987 02 | Loudspeaker | /H /L 01- /H /L 01- /H /R 01- | 1 | COUPE M441 TARGA M441 CABRIO M441 |
| | 996 645 987 02 A03 | Black | | | |
| | 996 645 987 02 C53 | Graphite grey | | | |
| | 996 645 987 02 S33 | Savanna | | | |
| | 996 645 987 02 G13 | Metropole blue | | | |
| | 996 645 987 02 J33 | Nephrite green | | | |
| | 996 645 987 02 M33 | Boxster red | | | |
| | 996 645 987 02 P13 | Cinnamon brown | | | |
| | 996 645 987 02 D12 | Dark grey/natural | | | |
| | 996 645 987 02 T12 | Brown/natural | | | |
| (2) | 996 645 988 02 | Loudspeaker | /H /R 01- /H /R 02- /H /L 01- | 1 | COUPE M490 TARGA M490 CABRIO M490 |
| | 996 645 988 02 A03 | Black | | | |
| | 996 645 988 02 C53 | Graphite grey | | | |
| | 996 645 988 02 S33 | Savanna | | | |
| | 996 645 988 02 G13 | Metropole blue | | | |
| | 996 645 988 02 J33 | Nephrite green | | | |
| | 996 645 988 02 M33 | Boxster red | | | |
| | 996 645 988 02 P13 | Cinnamon brown | | | |
| | 996 645 988 02 D12 | Dark grey/natural | | | |
| | 996 645 988 02 T12 | Brown/natural | | | |
| (2) | 996 645 986 02 | Loudspeaker | /H /R 01- /H /R 02- /H /L 01- | 1 | COUPE M441 TARGA M441 CABRIO M441 |
| | 996 645 986 02 A03 | Black | | | |
| | 996 645 986 02 C53 | Graphite grey | | | |
| | 996 645 986 02 S33 | Savanna | | | |
| | 996 645 986 02 G13 | Metropole blue | | | |
| | 996 645 986 02 J33 | Nephrite green | | | |
| | 996 645 986 02 M33 | Boxster red | | | |
| | 996 645 986 02 P13 | Cinnamon brown | | | |
| | 996 645 986 02 D12 | Dark grey/natural | | | |
| | 996 645 986 02 T12 | Brown/natural | | | |
| | | Loudspeaker | | | IXKP |
| | | Rear | | | |

Model: 996 98 Model life 1998>>2005

| Pos | Part Number | Description | Remark | Qty | Model |
|-----|--------------------|-----------------------------|---|-----|--|
| (1) | 996 645 989 03 | Carbon Loudspeaker | /H /L 01- /H /L 01- /H /R 01- | 1 | COUPE M490 TARGA M490 CABRIO M490 |
| | 996 645 989 03 A03 | Black | | | |
| | 996 645 989 03 C53 | Graphite grey | | | |
| | 996 645 989 03 S33 | Savanna | | | |
| | 996 645 989 03 G13 | Metropole blue | | | |
| | 996 645 989 03 J33 | Nephrite green | | | |
| | 996 645 989 03 M33 | Boxster red | | | |
| | 996 645 989 03 P13 | Cinnamon brown | | | |
| | 996 645 989 03 D12 | Dark grey/natural | | | |
| | 996 645 989 03 T12 | Brown/natural | | | |
| (1) | 996 645 987 03 | Loudspeaker | /H /L 01- /H /L 01- /H /R 01- | 1 | COUPE M441 TARGA M441 CABRIO M441 |
| | 996 645 987 03 A03 | Black | | | |
| | 996 645 987 03 C53 | Graphite grey | | | |
| | 996 645 987 03 S33 | Savanna | | | |
| | 996 645 987 03 G13 | Metropole blue | | | |
| | 996 645 987 03 J33 | Nephrite green | | | |
| | 996 645 987 03 M33 | Boxster red | | | |
| | 996 645 987 03 P13 | Cinnamon brown | | | |
| | 996 645 987 03 D12 | Dark grey/natural | | | |
| | 996 645 987 03 T12 | Brown/natural | | | |
| (2) | 996 645 988 03 | Loudspeaker | /H /R 01- /H /R 02- /H /L 01- | 1 | COUPE M490 TARGA M490 CABRIO M490 |
| | 996 645 988 03 A03 | Black | | | |
| | 996 645 988 03 C53 | Graphite grey | | | |
| | 996 645 988 03 S33 | Savanna | | | |
| | 996 645 988 03 G13 | Metropole blue | | | |
| | 996 645 988 03 J33 | Nephrite green | | | |
| | 996 645 988 03 M33 | Boxster red | | | |
| | 996 645 988 03 P13 | Cinnamon brown | | | |
| | 996 645 988 03 D12 | Dark grey/natural | | | |
| | 996 645 988 03 T12 | Brown/natural | | | |
| (2) | 996 645 986 03 | Loudspeaker | /H /R 01- /H /R 02- /H /L 01- | 1 | COUPE M441 TARGA M441 CABRIO M441 |
| | 996 645 986 03 A03 | Black | | | |
| | 996 645 986 03 C53 | Graphite grey | | | |
| | 996 645 986 03 S33 | Savanna | | | |
| | 996 645 986 03 G13 | Metropole blue | | | |
| | 996 645 986 03 J33 | Nephrite green | | | |
| | 996 645 986 03 M33 | Boxster red | | | |
| | 996 645 986 03 P13 | Cinnamon brown | | | |
| | 996 645 986 03 D12 | Dark grey/natural | | | |
| | 996 645 986 03 T12 | Brown/natural | | | |
| 3 | 999 919 166 07 | Oval-head screw 4,0 X 30 | -01 | 8 | |

Model: 996 98 Model life 1998>>2005

| Pos | Part Number | Description | Remark | Qty | Model |
|------|--------------------|--|--------|-----|-----------|
| 3 | | Oval-head screw 4,0 X 30 | /H 02- | 4 | |
| (3) | 999 073 224 09 | Tapping screw 4,2 X 25 | /V 02- | 4 | |
| 4 | 999 920 015 40 | Plug-in nut 4,0 | -01 | 8 | |
| 4 | | Plug-in nut 4,0 | /H 02- | 4 | |
| (4) | 999 507 767 02 | Speed nut 4,2 | /V 02- | 2 | |
| (4) | 999 507 768 02 | Speed nut 4,2 | /V 02- | 2 | |
| (5) | 996 645 011 01 | Loudspeaker | /L -00 | 1 | M490 |
| 5 | 996 645 012 01 | Loudspeaker | /R -00 | 1 | M490 |
| 6 | 996 645 501 00 | Woofer | -02 | 2 | M490 |
| 6 | 996 645 502 00 | Woofer | 03- | 2 | M490 |
| 7 | 996 645 550 00 | Protective grille | | 2 | M490 |
| (8) | 999 919 176 07 | Oval-head screw 4,0 X 16 | | 8 | M490 |
| 9 | 999 919 237 00 | Oval-head screw 5,0 X 20 | 98 | 8 | M490 |
| (9) | 999 073 061 02 | Tapping screw ST 4,8 X 16 Only together with 999.591.499.02 | -00 | 8 | M490 |
| 10 | 999 920 013 40 | Plug-in nut 5,0 | 98 | 8 | M490 |
| (10) | 999 591 499 02 | Speed nut 4,8 Only together with 999.073.061.02 | -00 | 8 | M490 |
| 11 | 996 555 801 01 | Loudspeaker grille | | 2 | M490 |
| | 996 555 801 01 D05 | Granite grey | -99 | | |
| | 996 555 801 01 A03 | Black | 00- | | |
| (11) | 000 043 206 22 | Loudspeaker grille Leather | 01- | 2 | IXKL/M490 |
| | 000 043 206 22 VRK | Black | | | |
| | 000 043 206 22 S31 | Savanna | | | |
| | 000 043 206 22 C51 | Graphite grey | | | |
| | 000 043 206 22 G11 | Metropole blue | | | |
| | 000 043 206 22 J31 | Nephrite green | | | |
| | 000 043 206 22 M31 | Boxster red | | | |
| | 000 043 206 22 P12 | Cinnamon brown | | | |
| | 000 043 206 22 D12 | Dark grey/natural | | | |
| | 000 043 206 22 T12 | Brown/natural | | | |
| (11) | 000 043 206 23 | Loudspeaker grille Light maple rootwood | /L 01- | 1 | IXKM/M490 |
| | 000 043 206 23 A03 | Black | | | |
| | 000 043 206 23 C53 | Graphite grey | | | |
| | 000 043 206 23 S33 | Savanna | | | |
| | 000 043 206 23 G13 | Metropole blue | | | |
| | 000 043 206 23 J33 | Nephrite green | | | |
| | 000 043 206 23 M33 | Boxster red | | | |
| | 000 043 206 23 P13 | Cinnamon brown | | | |
| | 000 043 206 23 D12 | Dark grey/natural | | | |
| | 000 043 206 23 T12 | Brown/natural | | | |
| (11) | 000 043 206 49 | Loudspeaker grille Light maple rootwood | /R 01- | 1 | IXKM/M490 |
| | 000 043 206 49 A03 | Black | | | |
| | 000 043 206 49 C53 | Graphite grey | | | |
| | 000 043 206 49 S33 | Savanna | | | |
| | 000 043 206 49 G13 | Metropole blue | | | |
| | 000 043 206 49 J33 | Nephrite green | | | |

Model: 996 98 Model life 1998>>2005

| Pos | Part Number | Description | Remark | Qty | Model |
|------|--------------------|--|--------|-----|-----------|
| (11) | 000 043 206 49 M33 | Boxster red | /L 01- | 1 | IXKN/M490 |
| | 000 043 206 49 P13 | Cinnamon brown | | | |
| | 000 043 206 49 D12 | Dark grey/natural | | | |
| | 000 043 206 49 T12 | Brown/natural | | | |
| | 000 043 206 24 | Loudspeaker grille Dark maple rootwood | | | |
| | 000 043 206 24 A03 | Black | | | |
| | 000 043 206 24 C53 | Graphite grey | | | |
| | 000 043 206 24 S33 | Savanna | | | |
| | 000 043 206 24 G13 | Metropole blue | | | |
| | 000 043 206 24 J33 | Nephrite green | | | |
| | 000 043 206 24 M33 | Boxster red | | | |
| (11) | 000 043 206 24 P13 | Cinnamon brown | /R 01- | 1 | IXKN/M490 |
| | 000 043 206 24 D12 | Dark grey/natural | | | |
| | 000 043 206 24 T12 | Brown/natural | | | |
| | 000 043 206 50 | Loudspeaker grille Dark maple rootwood | | | |
| | 000 043 206 50 A03 | Black | | | |
| | 000 043 206 50 C53 | Graphite grey | | | |
| | 000 043 206 50 S33 | Savanna | | | |
| | 000 043 206 50 G13 | Metropole blue | | | |
| | 000 043 206 50 J33 | Nephrite green | | | |
| | 000 043 206 50 M33 | Boxster red | | | |
| | 000 043 206 50 P13 | Cinnamon brown | | | |
| (11) | 000 043 206 50 D12 | Dark grey/natural | /L 01- | 1 | IXKP/M490 |
| | 000 043 206 50 T12 | Brown/natural | | | |
| | 000 043 206 25 | Loudspeaker grille Carbon | | | |
| | 000 043 206 25 A03 | Black | | | |
| | 000 043 206 25 C53 | Graphite grey | | | |
| | 000 043 206 25 S33 | Savanna | | | |
| | 000 043 206 25 G13 | Metropole blue | | | |
| | 000 043 206 25 J33 | Nephrite green | | | |
| | 000 043 206 25 M33 | Boxster red | | | |
| | 000 043 206 25 P13 | Cinnamon brown | | | |
| | 000 043 206 25 D12 | Dark grey/natural | | | |
| (11) | 000 043 206 25 T12 | Brown/natural | /R 01- | 1 | IXKP/M490 |
| | 000 043 206 51 | Loudspeaker grille Carbon | | | |
| | 000 043 206 51 A03 | Black | | | |
| | 000 043 206 51 C53 | Graphite grey | | | |
| | 000 043 206 51 S33 | Savanna | | | |
| | 000 043 206 51 G13 | Metropole blue | | | |
| | 000 043 206 51 J33 | Nephrite green | | | |
| | 000 043 206 51 M33 | Boxster red | | | |
| | 000 043 206 51 P13 | Cinnamon brown | | | |
| | 000 043 206 51 D12 | Dark grey/natural | | | |
| | 000 043 206 51 T12 | Brown/natural | | | |
| (11) | 000 043 206 88 | Loudspeaker grille Frame Leather Grille Aluminium look | /R 01- | 2 | IXTR/M490 |
| | 000 043 206 88 A10 | Black | | | |
| | 000 043 206 88 C50 | Graphite grey | | | |
| | 000 043 206 88 S30 | Savanna | | | |
| | 000 043 206 88 G10 | Metropole blue | | | |
| | 000 043 206 88 J30 | Nephrite green | | | |
| | 000 043 206 88 M30 | Boxster red | | | |
| | 000 043 206 88 P11 | Cinnamon brown | | | |
| | 000 043 206 88 D11 | Dark grey/natural | | | |
| | 000 043 206 88 T11 | Brown/natural | | | |
| | 12 | 999 591 946 02 | | | |

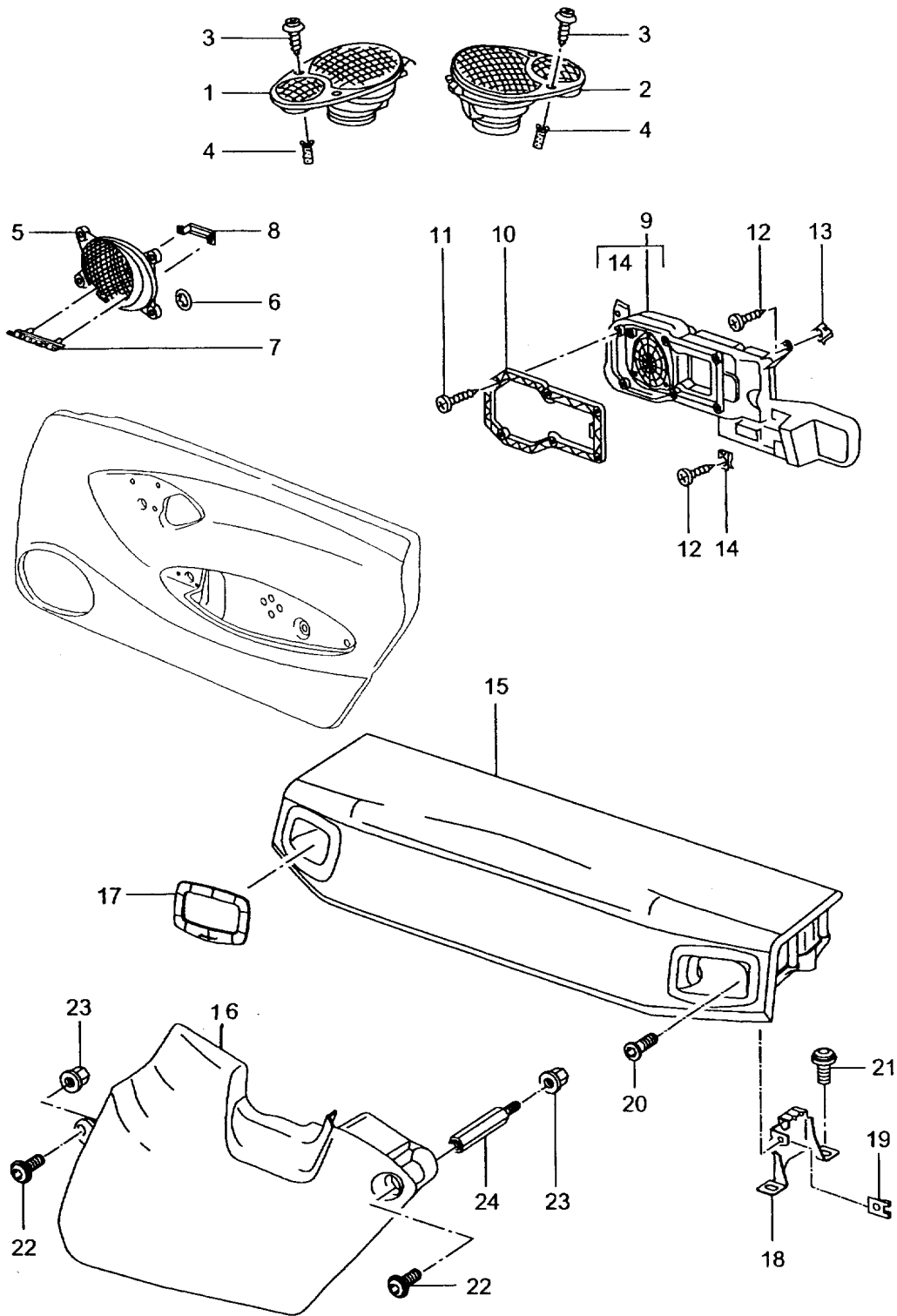
Model: 996 98

Model life 1998>>2005

| Pos | Part Number | Description | Remark | Qty | Model |
|------|----------------|-----------------------------|--------|-----|-------|
| 12 | 999 591 946 03 | 5,0 Clamping washer | | 8 | M490 |
| 13 | 996 645 551 00 | 5,0 Loudspeaker | /L -02 | 1 | M490 |
| 13 | 996 645 551 01 | Loudspeaker | /L 03- | 1 | M490 |
| (13) | 996 645 552 00 | Loudspeaker | /R -02 | 1 | M490 |
| (13) | 996 645 552 01 | Loudspeaker | /R 03- | 1 | M490 |
| 14 | 996 645 553 00 | Frame | 01- | 2 | M490 |
| 15 | 999 919 086 02 | Oval-head screw 4,0 X 14 | 01- | 12 | M490 |
| 16 | 999 073 061 02 | Tapping screw 4,8 X 16 | 01- | 8 | M490 |
| 17 | 999 591 499 02 | Speed nut 4,8 | 01- | 6 | M490 |
| 18 | 999 507 759 09 | Speed nut 4,8 | 01- | 2 | M490 |

Model: 996 98

Model life 1998>>2005



Model: 996 98 Model life 1998>>2005

| Pos | Part Number | Description | Remark | Qty | Model |
|-----|--------------------|---------------------------|--------|-----|----------------|
| 1 | 996 645 033 00 | Loudspeaker | 02- | 1 | M680 |
| | 996 645 033 00 C50 | Loudspeaker Graphite grey | /V /L | | M680 |
| | 996 645 033 00 G10 | Metropole blue | | | |
| | 996 645 033 00 J30 | Nephrite green | | | |
| | 996 645 033 00 M30 | Boxster red | | | |
| | 996 645 033 00 S30 | Savanna | | | |
| | 996 645 033 00 P10 | Cinnamon brown | | | |
| (1) | 996 645 044 00 | Loudspeaker | /H /L | 1 | COUPE M680 |
| | | | /H /L | | TARGA M680 |
| | | | /H /R | | CABRIO M680 |
| | 996 645 044 00 C50 | Graphite grey | | | |
| | 996 645 044 00 G10 | Metropole blue | | | |
| | 996 645 044 00 J30 | Nephrite green | | | |
| | 996 645 044 00 M30 | Boxster red | | | |
| | 996 645 044 00 S30 | Savanna | | | |
| | 996 645 044 00 P10 | Cinnamon brown | | | |
| 2 | 996 645 034 00 | Loudspeaker | /V /R | 1 | M680 |
| | 996 645 034 00 C50 | Graphite grey | | | |
| | 996 645 034 00 G10 | Metropole blue | | | |
| | 996 645 034 00 J30 | Nephrite green | | | |
| | 996 645 034 00 M30 | Boxster red | | | |
| | 996 645 034 00 S30 | Savanna | | | |
| | 996 645 034 00 P10 | Cinnamon brown | | | |
| (2) | 996 645 043 00 | Loudspeaker | /H /R | 1 | COUPE M680 |
| | | | /H /R | | TARGA M680 |
| | | | /H /L | | CABRIO M680 |
| | 996 645 043 00 C50 | Graphite grey | | | |
| | 996 645 043 00 G10 | Metropole blue | | | |
| | 996 645 043 00 J30 | Nephrite green | | | |
| | 996 645 043 00 M30 | Boxster red | | | |
| | 996 645 043 00 S30 | Savanna | | | |
| | 996 645 043 00 P10 | Cinnamon brown | | | |
| 1 | 996 645 033 01 | Loudspeaker | /V /L | 1 | M680 |
| | 996 645 033 01 01C | Satin black | | | |
| (1) | 996 645 044 01 | Loudspeaker | /H /L | 1 | COUPE M680 |
| | | | /H /L | | TARGA M680 |
| | | | /H /R | | CABRIO M680 |
| | 996 645 044 01 01C | Satin black | | | |
| 2 | 996 645 034 01 | Loudspeaker | /V /R | 1 | M680 |
| | 996 645 034 01 01C | Satin black | | | |
| (2) | 996 645 043 01 | Loudspeaker | /H /R | 1 | COUPE M680 |
| | | | /H /R | | TARGA M680 |
| | | | /H /L | | CABRIO M680 |
| | 996 645 043 01 01C | Satin black | | | |
| | | Loudspeaker | | | |
| | | Front | | | IXKL/XKM/XKN |
| | | Leather | | | IXKP |
| 1 | 996 645 983 02 | Loudspeaker | /V /L | 1 | M680 |
| | 996 645 983 02 VRK | Black | | | |
| | 996 645 983 02 S31 | Savanna | | | |

Model: 996 98 Model life 1998>>2005

| Pos | Part Number | Description | Remark | Qty | Model |
|-----|--------------------|----------------------|--------|-----|----------------|
| | 996 645 983 02 C51 | Graphite grey | | | |
| | 996 645 983 02 G11 | Metropole blue | | | |
| | 996 645 983 02 J31 | Nephrite green | | | |
| | 996 645 983 02 M31 | Boxster red | | | |
| | 996 645 983 02 P12 | Cinnamon brown | | | |
| | 996 645 983 02 D12 | Dark grey/natural | | | |
| | 996 645 983 02 T12 | Brown/natural | | | |
| 2 | 996 645 984 02 | Loudspeaker | /V /R | 1 | M680 |
| | 996 645 984 02 VRK | Black | | | |
| | 996 645 984 02 S31 | Savanna | | | |
| | 996 645 984 02 C51 | Graphite grey | | | |
| | 996 645 984 02 G11 | Metropole blue | | | |
| | 996 645 984 02 J31 | Nephrite green | | | |
| | 996 645 984 02 M31 | Boxster red | | | |
| | 996 645 984 02 P12 | Cinnamon brown | | | |
| | 996 645 984 02 D12 | Dark grey/natural | | | |
| | 996 645 984 02 T12 | Brown/natural | | | |
| | | Loudspeaker | | | IXKL |
| | | Rear | | | |
| | | Leather | | | |
| (1) | 996 645 989 06 | Loudspeaker | /H /L | 1 | COUPE M680 |
| | | | /H /L | | TARGA M680 |
| | | | /H /R | | CABRIO M680 |
| | 996 645 989 06 VRK | Black | | | |
| | 996 645 989 06 S31 | Savanna | | | |
| | 996 645 989 06 C51 | Graphite grey | | | |
| | 996 645 989 06 G11 | Metropole blue | | | |
| | 996 645 989 06 J31 | Nephrite green | | | |
| | 996 645 989 06 M31 | Boxster red | | | |
| | 996 645 989 06 P12 | Cinnamon brown | | | |
| | 996 645 989 06 D12 | Dark grey/natural | | | |
| | 996 645 989 06 T12 | Brown/natural | | | |
| (2) | 996 645 988 06 | Loudspeaker | /H /R | 1 | COUPE M680 |
| | | | /H /R | | TARGA M680 |
| | | | /H /L | | CABRIO M680 |
| | 996 645 988 06 VRK | Black | | | |
| | 996 645 988 06 S31 | Savanna | | | |
| | 996 645 988 06 C51 | Graphite grey | | | |
| | 996 645 988 06 G11 | Metropole blue | | | |
| | 996 645 988 06 J31 | Nephrite green | | | |
| | 996 645 988 06 M31 | Boxster red | | | |
| | 996 645 988 06 P12 | Cinnamon brown | | | |
| | 996 645 988 06 D12 | Dark grey/natural | | | |
| | 996 645 988 06 T12 | Brown/natural | | | |
| | | Loudspeaker | | | IXKM |
| | | Rear | | | |
| | | Light maple rootwood | | | |
| (1) | 996 645 989 07 | Loudspeaker | /H /L | 1 | COUPE M680 |
| | | | /H /L | | TARGA M680 |
| | | | /H /R | | CABRIO M680 |
| | 996 645 989 07 A03 | Black | | | |
| | 996 645 989 07 C53 | Graphite grey | | | |
| | 996 645 989 07 S33 | Savanna | | | |
| | 996 645 989 07 G13 | Metropole blue | | | |

Model: 996 98 Model life 1998>>2005

| Pos | Part Number | Description | Remark | Qty | Model |
|--------------------|--------------------|---------------------|--------|-----|--|
| (2) | 996 645 989 07 J33 | Nephrite green | | 1 | COUPE M680 TARGA M680 CABRIO M680 |
| | 996 645 989 07 M33 | Boxster red | | | |
| | 996 645 989 07 P13 | Cinnamon brown | | | |
| | 996 645 989 07 D12 | Dark grey/natural | | | |
| | 996 645 989 07 T12 | Brown/natural | | | |
| | 996 645 988 07 | Loudspeaker | /H /R | | |
| | | | /H /R | | |
| | | | /H /L | | |
| | 996 645 988 07 A03 | Black | | | |
| | 996 645 988 07 C53 | Graphite grey | | | |
| 996 645 988 07 S33 | Savanna | | | | |
| 996 645 988 07 G13 | Metropole blue | | | | |
| 996 645 988 07 J33 | Nephrite green | | | | |
| 996 645 988 07 M33 | Boxster red | | | | |
| 996 645 988 07 P13 | Cinnamon brown | | | | |
| 996 645 988 07 D12 | Dark grey/natural | | | | |
| 996 645 988 07 T12 | Brown/natural | | | | |
| (1) | | Loudspeaker | | 1 | IXKN COUPE M680 TARGA M680 CABRIO M680 |
| | | Rear | | | |
| | | Dark maple rootwood | | | |
| | 996 645 989 08 | Loudspeaker | /H /L | | |
| | | | /H /L | | |
| | | | /H /R | | |
| | 996 645 989 08 A03 | Black | | | |
| | 996 645 989 08 C53 | Graphite grey | | | |
| | 996 645 989 08 S33 | Savanna | | | |
| | 996 645 989 08 G13 | Metropole blue | | | |
| 996 645 989 08 J33 | Nephrite green | | | | |
| 996 645 989 08 M33 | Boxster red | | | | |
| 996 645 989 08 P13 | Cinnamon brown | | | | |
| 996 645 989 08 D12 | Dark grey/natural | | | | |
| 996 645 989 08 T12 | Brown/natural | | | | |
| (2) | 996 645 988 08 | Loudspeaker | /H /R | 1 | COUPE M680 TARGA M680 CABRIO M680 |
| | | | /H /R | | |
| | | | /H /L | | |
| | 996 645 988 08 A03 | Black | | | |
| | 996 645 988 08 C53 | Graphite grey | | | |
| | 996 645 988 08 S33 | Savanna | | | |
| | 996 645 988 08 G13 | Metropole blue | | | |
| | 996 645 988 08 J33 | Nephrite green | | | |
| | 996 645 988 08 M33 | Boxster red | | | |
| | 996 645 988 08 P13 | Cinnamon brown | | | |
| 996 645 988 08 D12 | Dark grey/natural | | | | |
| 996 645 988 08 T12 | Brown/natural | | | | |
| (1) | | Loudspeaker | | 1 | IXKP COUPE M680 TARGA M680 CABRIO M680 |
| | | Rear | | | |
| | | Carbon | | | |
| | 996 645 989 09 | Loudspeaker | /H /L | | |
| | | | /H /L | | |
| | | | /H /R | | |
| | 996 645 988 08 A03 | Black | | | |
| | 996 645 988 08 C53 | Graphite grey | | | |
| | 996 645 988 08 S33 | Savanna | | | |
| | 996 645 988 08 G13 | Metropole blue | | | |
| 996 645 988 08 J33 | Nephrite green | | | | |
| 996 645 988 08 M33 | Boxster red | | | | |
| 996 645 988 08 P13 | Cinnamon brown | | | | |
| 996 645 988 08 D12 | Dark grey/natural | | | | |
| 996 645 988 08 T12 | Brown/natural | | | | |
| | Loudspeaker | | | | |
| | Rear | | | | |
| | Carbon | | | | |
| 996 645 989 09 | Loudspeaker | /H /L | | | |
| | | /H /L | | | |
| | | /H /R | | | |
| 996 645 989 09 A03 | Black | | | | |

Model: 996 98 Model life 1998>>2005

| Pos | Part Number | Description | Remark | Qty | Model |
|-----|--------------------|--|--------|-----|--|
| | 996 645 989 09 C53 | Graphite grey | | | |
| | 996 645 989 09 S33 | Savanna | | | |
| | 996 645 989 09 G13 | Metropole blue | | | |
| | 996 645 989 09 J33 | Nephrite green | | | |
| | 996 645 989 09 M33 | Boxster red | | | |
| | 996 645 989 09 P13 | Cinnamon brown | | | |
| | 996 645 989 09 D12 | Dark grey/natural | | | |
| | 996 645 989 09 T12 | Brown/natural | | | |
| (2) | 996 645 988 09 | Loudspeaker | /H /R | 1 | COUPE M680 TARGA M680 CABRIO M680 |
| | | | /H /R | | |
| | | | /H /L | | |
| | 996 645 988 09 A03 | Black | | | |
| | 996 645 988 09 C53 | Graphite grey | | | |
| | 996 645 988 09 S33 | Savanna | | | |
| | 996 645 988 09 G13 | Metropole blue | | | |
| | 996 645 988 09 J33 | Nephrite green | | | |
| | 996 645 988 09 M33 | Boxster red | | | |
| | 996 645 988 09 P13 | Cinnamon brown | | | |
| | 996 645 988 09 D12 | Dark grey/natural | | | |
| | 996 645 988 09 T12 | Brown/natural | | | |
| 3 | 999 919 166 07 | Oval-head screw 4,0 X 30 | /H | 4 | |
| (3) | 999 073 224 09 | Tapping screw 4,2 X 25 | /V | 4 | |
| 4 | 999 920 015 40 | Plug-in nut 4,0 | /H | 4 | |
| (4) | 999 507 767 02 | Speed nut 4,2 | /V | 2 | |
| (4) | 999 507 768 02 | Speed nut 4,2 | /V | 2 | |
| 5 | 996 555 801 01 | Loudspeaker grille | | 2 | M680 |
| | 996 555 801 01 A03 | Black | | | |
| (5) | 000 043 206 22 | Loudspeaker grille Leather | | 2 | IXKL/M680 |
| | 000 043 206 22 VRK | Black | | | |
| | 000 043 206 22 S31 | Savanna | | | |
| | 000 043 206 22 C51 | Graphite grey | | | |
| | 000 043 206 22 G11 | Metropole blue | | | |
| | 000 043 206 22 J31 | Nephrite green | | | |
| | 000 043 206 22 M31 | Boxster red | | | |
| | 000 043 206 22 P12 | Cinnamon brown | | | |
| | 000 043 206 22 D12 | Dark grey/natural | | | |
| | 000 043 206 22 T12 | Brown/natural | | | |
| (5) | 000 043 206 23 | Loudspeaker grille Light maple rootwood | /L | 1 | IXKM/M680 |
| | 000 043 206 23 A03 | Black | | | |
| | 000 043 206 23 C53 | Graphite grey | | | |
| | 000 043 206 23 S33 | Savanna | | | |
| | 000 043 206 23 G13 | Metropole blue | | | |
| | 000 043 206 23 J33 | Nephrite green | | | |
| | 000 043 206 23 M33 | Boxster red | | | |
| | 000 043 206 23 P13 | Cinnamon brown | | | |
| | 000 043 206 23 D12 | Dark grey/natural | | | |
| | 000 043 206 23 T12 | Brown/natural | | | |
| (5) | 000 043 206 49 | Loudspeaker grille Light maple rootwood | /R | 1 | IXKM/M680 |
| | 000 043 206 49 A03 | Black | | | |
| | 000 043 206 49 C53 | Graphite grey | | | |
| | 000 043 206 49 S33 | Savanna | | | |
| | 000 043 206 49 G13 | Metropole blue | | | |

Model: 996 98

Model life 1998>>2005

| Pos | Part Number | Description | Remark | Qty | Model |
|--------------------|--------------------|--|--------|-----|---------------|
| (5) | 000 043 206 49 J33 | Nephrite green | | | |
| | 000 043 206 49 M33 | Boxster red | | | |
| | 000 043 206 49 P13 | Cinnamon brown | | | |
| | 000 043 206 49 D12 | Dark grey/natural | | | |
| | 000 043 206 49 T12 | Brown/natural | | | |
| | 000 043 206 24 | Loudspeaker grille Dark maple rootwood | /L | 1 | IXKN/M680 |
| | 000 043 206 24 A03 | Black | | | |
| | 000 043 206 24 C53 | Graphite grey | | | |
| | 000 043 206 24 S33 | Savanna | | | |
| | 000 043 206 24 G13 | Metropole blue | | | |
| | 000 043 206 24 J33 | Nephrite green | | | |
| | 000 043 206 24 M33 | Boxster red | | | |
| | 000 043 206 24 P13 | Cinnamon brown | | | |
| | 000 043 206 24 D12 | Dark grey/natural | | | |
| | 000 043 206 24 T12 | Brown/natural | | | |
| (5) | 000 043 206 50 | Loudspeaker grille Dark maple rootwood | /R | 1 | IXKN/M680 |
| | 000 043 206 50 A03 | Black | | | |
| | 000 043 206 50 C53 | Graphite grey | | | |
| | 000 043 206 50 S33 | Savanna | | | |
| | 000 043 206 50 G13 | Metropole blue | | | |
| | 000 043 206 50 J33 | Nephrite green | | | |
| | 000 043 206 50 M33 | Boxster red | | | |
| | 000 043 206 50 P13 | Cinnamon brown | | | |
| | 000 043 206 50 D12 | Dark grey/natural | | | |
| | 000 043 206 50 T12 | Brown/natural | | | |
| | 000 043 206 25 | Loudspeaker grille Carbon | /L | 1 | IXKP/M680 |
| | 000 043 206 25 A03 | Black | | | |
| | 000 043 206 25 C53 | Graphite grey | | | |
| | 000 043 206 25 S33 | Savanna | | | |
| | 000 043 206 25 G13 | Metropole blue | | | |
| 000 043 206 25 J33 | Nephrite green | | | | |
| 000 043 206 25 M33 | Boxster red | | | | |
| 000 043 206 25 P13 | Cinnamon brown | | | | |
| 000 043 206 25 D12 | Dark grey/natural | | | | |
| 000 043 206 25 T12 | Brown/natural | | | | |
| (5) | 000 043 206 51 | Loudspeaker grille Carbon | /R | 1 | M 608 IXKP |
| | 000 043 206 51 A03 | Black | | | |
| | 000 043 206 51 C53 | Graphite grey | | | |
| | 000 043 206 51 S33 | Savanna | | | |
| | 000 043 206 51 G13 | Metropole blue | | | |
| | 000 043 206 51 J33 | Nephrite green | | | |
| | 000 043 206 51 M33 | Boxster red | | | |
| | 000 043 206 51 P13 | Cinnamon brown | | | |
| | 000 043 206 51 D12 | Dark grey/natural | | | |
| | 000 043 206 51 T12 | Brown/natural | | | |
| | 000 043 206 88 | Loudspeaker grille Frame Leather Grille Aluminium look | | 2 | IXTR/M680 |
| | 000 043 206 88 A10 | Black | | | |
| | 000 043 206 88 C50 | Graphite grey | | | |
| | 000 043 206 88 S30 | Savanna | | | |
| | 000 043 206 88 G10 | Metropole blue | | | |
| 000 043 206 88 J30 | Nephrite green | | | | |
| 000 043 206 88 M30 | Boxster red | | | | |
| 000 043 206 88 P11 | Cinnamon brown | | | | |
| 000 043 206 88 D11 | Dark grey/natural | | | | |

Model: 996 98 Model life 1998>>2005

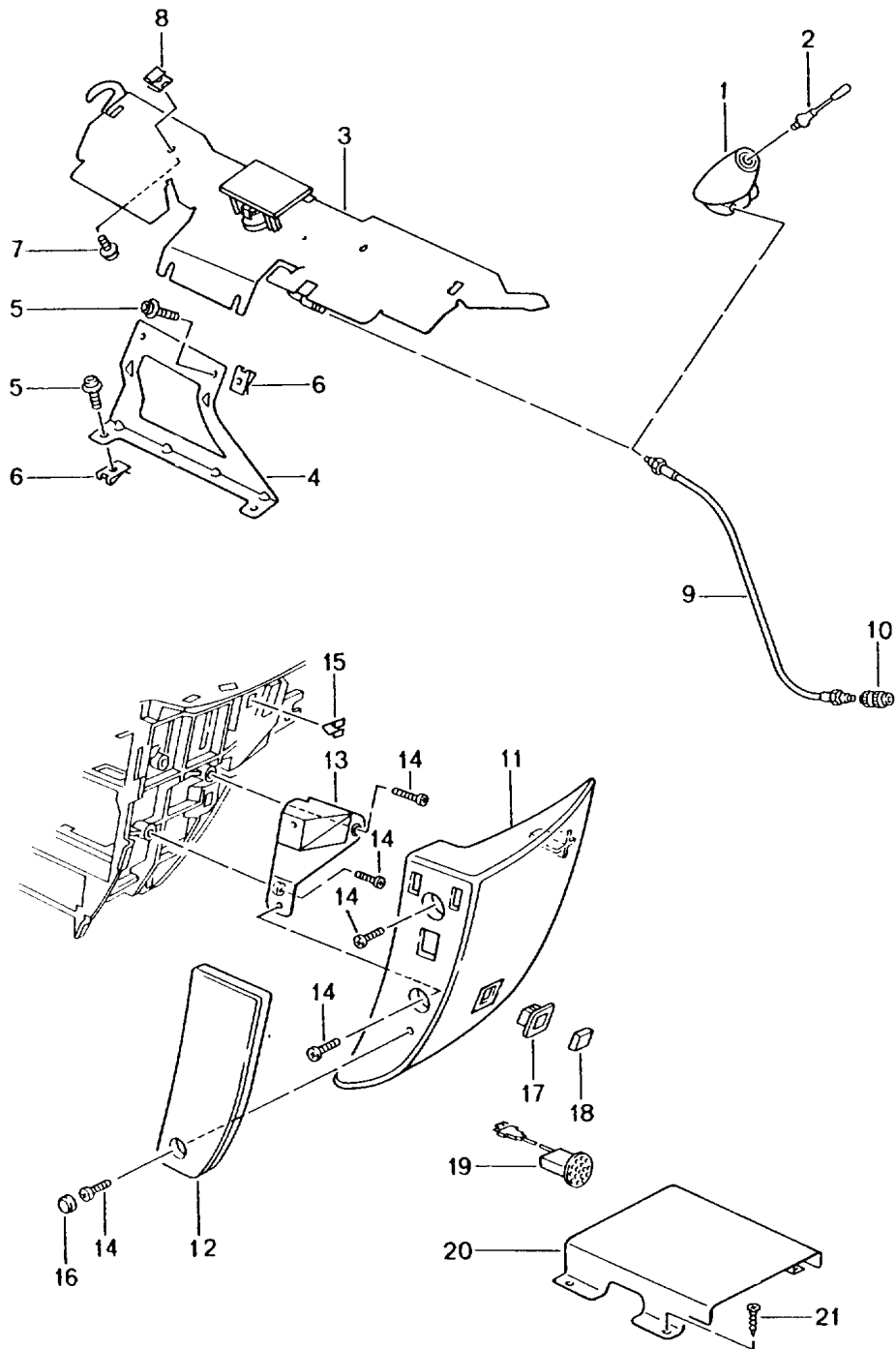
| Pos | Part Number | Description | Remark | Qty | Model |
|------|--------------------------------------|---|--------|-----|-----------------------|
| 6 | 000 043 206 88 T11 999 591 946 02 | Brown/natural Clamping washer 5,0 | | 8 | M680 |
| 6 | 999 591 946 03 | Clamping washer 5,0 | | 8 | M680 |
| 7 | 996 645 511 00 | Logo | | 2 | M680 |
| 8 | 996 645 512 00 | Clip | | 2 | M680 |
| 9 | 996 645 561 00 | Loudspeaker | /L | 1 | M680 |
| (9) | 996 645 562 00 | Loudspeaker | /R | 1 | M680 |
| 10 | 996 645 553 00 | Frame | | 2 | M680 |
| 11 | 999 919 086 02 | Oval-head screw 4,0 X 14 | | 12 | M680 |
| 12 | 999 073 061 02 | Tapping screw 4,8 X 16 | | 8 | M680 |
| 13 | 999 591 499 02 | Speed nut 4,8 | | 6 | M680 |
| 14 | 999 507 759 09 | Speed nut 4,8 | | 2 | M680 |
| 15 | 996 645 564 00 | Subwoofer Subwoofer | /H | 1 | M680 COUPE M680 |
| | 996 645 564 00 FFB | Black | | | |
| | 996 645 564 00 FFC | Graphite grey | | | |
| | 996 645 564 00 FFD | Savanna | | | |
| | 996 645 564 00 FFE | Metropole blue | | | |
| | 996 645 564 00 FFG | Nephrite green | | | |
| | 996 645 564 00 FFH | Boxster red | | | |
| | 996 645 564 00 FFJ | Cinnamon brown | | | |
| | 996 645 564 00 VSP | Dark grey/natural | | | |
| | 996 645 564 00 VSQ | Brown/natural | | | |
| 16 | 996 645 567 00 | Subwoofer | /LL | 1 | CABRIO M680 |
| | | | /LL | | TARGA M680 |
| | 996 645 567 00 A10 | Black | | | |
| | 996 645 567 00 C50 | Graphite grey | | | |
| | 996 645 567 00 S30 | Savanna | | | |
| | 996 645 567 00 G10 | Metropole blue | | | |
| | 996 645 567 00 J30 | Nephrite green | | | |
| | 996 645 567 00 M30 | Boxster red | | | |
| | 996 645 567 00 P11 | Cinnamon brown | | | |
| | 996 645 567 00 D11 | Dark grey/natural | | | |
| | 996 645 567 00 T11 | Brown/natural | | | |
| (16) | 996 645 566 00 | Subwoofer | /RL | 1 | CABRIO M680 |
| | | | /RL | | TARGA M680 |
| | 996 645 566 00 A10 | Black | | | |
| | 996 645 566 00 C50 | Graphite grey | | | |
| | 996 645 566 00 S30 | Savanna | | | |
| | 996 645 566 00 G10 | Metropole blue | | | |
| | 996 645 566 00 J30 | Nephrite green | | | |
| | 996 645 566 00 M30 | Boxster red | | | |
| | 996 645 566 00 P11 | Cinnamon brown | | | |
| | 996 645 566 00 D11 | Dark grey/natural | | | |
| | 996 645 566 00 T11 | Brown/natural | | | |
| 17 | 996 645 568 00 | Rosette | /H | 2 | COUPE M680 |
| | 996 645 568 00 A10 | Black | | | |
| | 996 645 568 00 C50 | Graphite grey | | | |
| | 996 645 568 00 S30 | Savanna | | | |
| | 996 645 568 00 G10 | Metropole blue | | | |
| | 996 645 568 00 J30 | Nephrite green | | | |

Model: 996 98 Model life 1998>>2005

| Pos | Part Number | Description | Remark | Qty | Model |
|------|--------------------|-------------------|--------|-----|--------------------------------|
| (18) | 996 645 568 00 M30 | Boxster red | | | |
| | 996 645 568 00 P10 | Cinnamon brown | | | |
| | 996 645 245 00 | Support | /L | 1 | COUPE M680 TARGA M680 |
| | | M 6,0 X 25 | | | |
| 18 | 996 645 246 00 | Support | /R | 1 | COUPE M680 TARGA M680 |
| | | M 6,0 X 25 | | | |
| 19 | 999 507 766 02 | Speed nut | | 2 | COUPE M680 |
| | | M 6 | | | |
| | | M 6,0 X 25 | | | TARGA M680 |
| 20 | 999 073 113 09 | Oval-head screw | | 2 | COUPE M680 |
| | | M 6,0 X 50 ASP | | | |
| | | M 6,0 X 25 | | | TARGA M680 |
| 21 | 900 380 015 01 | Hexagon nut | | 4 | COUPE M680 |
| | | VM 6 | | | |
| | | M 6,0 X 25 | | | TARGA M680 |
| 22 | 999 073 223 07 | Oval-head screw | | 2 | CABRIO M680 |
| | | M 6,0 X 25 | | | TARGA M680 |
| 22 | 999 073 223 01 | Combination screw | | 2 | CABRIO M680 |
| | | M 6,0 X 25 | | | TARGA M680 |
| 23 | 999 500 069 01 | Blind rivet nut | | 2 | CABRIO M680 |
| | | M 6/0,5 - 3 | | | TARGA M680 |
| 24 | 999 061 272 36 | Spacer bolt | | 1 | CABRIO M680 |
| | | M 6 X 82,5 | | | TARGA M680 |

Model: 996 98

Model life 1998>>2005



Model: 996 98 Model life 1998>>2005

| Pos | Part Number | Description | Remark | Qty | Model |
|------|--------------------|--|---------|-----|----------|
| 1 | 996 647 103 00 | Preparation for telephone Antenna base | -00 | 1 | M614/618 |
| - | 996 647 106 00 | Use also: Cap for Antenna base | -00 | 1 | COUPE |
| - | 996 647 201 00 | See technical information GR.9 , NR. 2/00 Reinforcement for Antenna base | -00 | 1 | COUPE |
| | | See technical information GR.9 , NR. 10/99 | | | |
| 2 | 996 647 104 00 | Antenna rod | -00 | 1 | |
| 3 | 996 647 125 00 | Antenna | /LL 01- | 1 | |
| (3) | 996 647 126 00 | Antenna | /RL 01- | 1 | |
| 4 | 996 647 127 00 | Support POS. 5 + 6 Attention | /LL -04 | 1 | |
| (4) | 997 647 127 00 | Support POS. 5 + 6 Attention | /LL 04- | 1 | |
| (4) | 996 647 128 00 | Support POS. 5 + 6 Attention | /RL -04 | 1 | |
| (4) | 997 647 128 00 | Support POS. 5 + 6 Attention | /RL 04- | 1 | |
| 5 | 999 073 203 00 | Round head screw M 5 X 12 - Z2 for Support | -04 | 4 | |
| | | 996.647.127/128.00 | | | |
| 5 | 999 073 236 0A | Oval-head screw M 6 X 10 for Support | 04- | 4 | |
| | | 997.647.127/128.00 | | | |
| 6 | 999 507 067 09 | Speed nut M 5 for Support | -04 | 4 | |
| | | 996.647.127/128.00 | | | |
| 6 | 999 507 550 01 | Speed nut M 6 for Support | 04- | 4 | |
| | | 997.647.127/128.00 | | | |
| 7 | 999 073 210 00 | Tapping screw 4,8 X 13 | 01- | 2 | |
| 8 | 999 507 441 01 | Speed nut 4,8 | 01- | 2 | |
| 9 | 996 612 086 00 | Extension cable | -00 | 1 | COUPE |
| 9 | 986 612 096 00 | Extension cable | -00 | 1 | CABRIO |
| 9 | 996 612 037 00 | Extension cable | 01- | 1 | M618 |
| (9) | 996 612 007 00 | Extension cable | 03- | 1 | M666 |
| 10 | 964 646 318 00 | Adapter plug | /LL | 1 | M618 |
| (10) | 996 646 318 00 | Adapter plug | /RL | 1 | M618 |
| 11 | 996 552 094 02 | Bracket Leatherette | /LL 98 | 1 | |
| | 996 552 094 02 A18 | Black | | | |
| | 996 552 094 02 C18 | Graphite grey | | | |
| | 996 552 094 02 S18 | Savanna | | | |

Model: 996 98 Model life 1998>>2005

| Pos | Part Number | Description | Remark | Qty | Model |
|--------------------|--------------------|-------------------|---------|-----|-------|
| (11) | 996 552 094 02 G18 | Metropole blue | | 1 | |
| | 996 552 094 02 B18 | Space grey | | | |
| | 996 552 093 02 | Bracket | /RL 98 | | |
| | | Leatherette | | | |
| | 996 552 093 02 A18 | Black | | | |
| | 996 552 093 02 C18 | Graphite grey | | | |
| | 996 552 093 02 S18 | Savanna | | | |
| 11 | 996 552 093 02 G18 | Metropole blue | | 1 | |
| | 996 552 093 02 B18 | Space grey | | | |
| | 996 552 094 04 | Bracket | /LL 99- | | |
| | | Leatherette | | | |
| | 996 552 094 04 A18 | Black | 99 | | |
| | 996 552 094 04 C18 | Graphite grey | 99 | | |
| | 996 552 094 04 S18 | Savanna | 99 | | |
| | 996 552 094 04 G18 | Metropole blue | 99 | | |
| | 996 552 094 04 B18 | Space grey | 99 | | |
| | 996 552 094 04 A12 | Black | 00- | | |
| | 996 552 094 04 C52 | Graphite grey | 00- | | |
| | 996 552 094 04 S32 | Savanna | 00- | | |
| | 996 552 094 04 G12 | Metropole blue | 00- | | |
| | 996 552 094 04 B52 | Space grey | 00- | | |
| (11) | 996 552 094 04 J32 | Nephrite green | 01- | 1 | |
| | 996 552 093 04 | Bracket | /RL 99- | | |
| | | Leatherette | | | |
| | 996 552 093 04 A18 | Black | 99 | | |
| | 996 552 093 04 C18 | Graphite grey | 99 | | |
| | 996 552 093 04 S18 | Savanna | 99 | | |
| | 996 552 093 04 G18 | Metropole blue | 99 | | |
| | 996 552 093 04 B18 | Space grey | 99 | | |
| | 996 552 093 04 A12 | Black | 00- | | |
| | 996 552 093 04 C52 | Graphite grey | 00- | | |
| | 996 552 093 04 S32 | Savanna | 00- | | |
| 11 | 996 552 093 04 G12 | Metropole blue | 00- | 1 | |
| | 996 552 093 04 B52 | Space grey | 00- | | |
| | 996 552 093 04 J32 | Nephrite green | 01- | | |
| | 996 552 094 01 | Bracket | /LL 98 | | |
| | | Leather | | | |
| | 996 552 094 01 A11 | Black | | | |
| | 996 552 094 01 C51 | Graphite grey | | | |
| | 996 552 094 01 S31 | Savanna | | | |
| | 996 552 094 01 J31 | Nephrite green | | | |
| | 996 552 094 01 M31 | Boxster red | | | |
| | 996 552 094 01 G11 | Metropole blue | | | |
| (11) | 996 552 094 01 B51 | Space grey | | 1 | |
| | 996 552 093 01 | Bracket | /RL 98 | | |
| | | Leather | | | |
| | 996 552 093 01 A11 | Black | | | |
| | 996 552 093 01 C51 | Graphite grey | | | |
| | 996 552 093 01 S31 | Savanna | | | |
| | 996 552 093 01 J31 | Nephrite green | | | |
| | 996 552 093 01 M31 | Boxster red | | | |
| | 996 552 093 01 G11 | Metropole blue | | | |
| | 996 552 093 01 B51 | Space grey | | | |
| | 11 | 996 552 094 03 | Bracket | | |
| | | Leather | | | |
| 996 552 094 03 A11 | | Black | | | |
| 996 552 094 03 C51 | | Graphite grey | | | |
| 996 552 094 03 S31 | | Savanna | | | |
| 996 552 094 03 J31 | | Nephrite green | | | |
| 996 552 094 03 M31 | | Boxster red | | | |
| 996 552 094 03 G11 | | Metropole blue | | | |
| 996 552 094 03 B51 | | Space grey | | | |
| 996 552 094 03 D12 | | Dark grey/natural | 00- | | |

Model: 996 98 Model life 1998>>2005

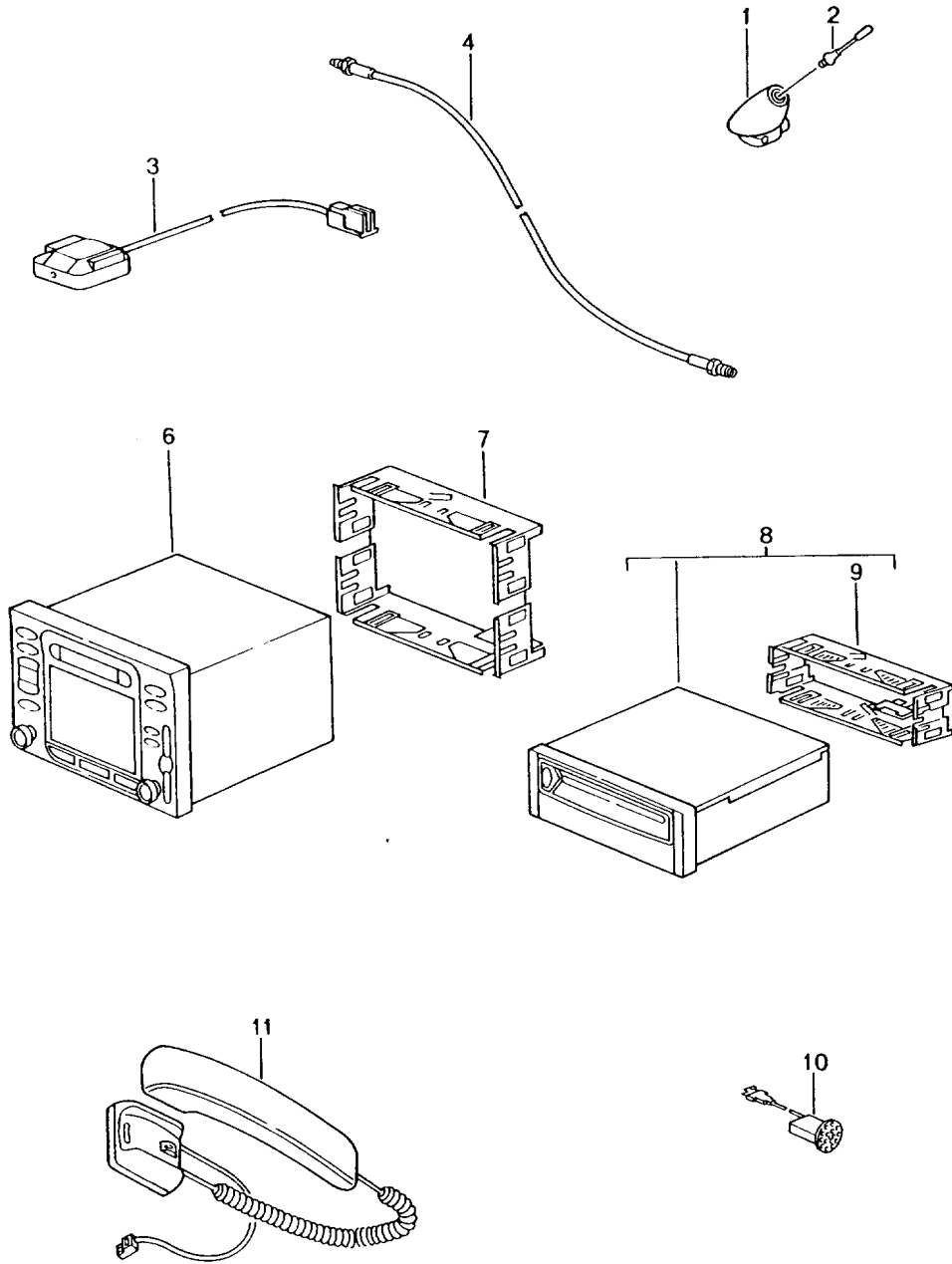
| Pos | Part Number | Description | Remark | Qty | Model |
|--------------------|--------------------|-----------------------|---------|-----|-------|
| (11) | 996 552 094 03 T12 | Brown/natural | 00- | 1 | |
| | 996 552 094 03 P12 | Cinnamon brown | 01- | | |
| | 996 552 093 03 | Bracket | /RL 99- | | |
| | | Leather | | | |
| | 996 552 093 03 A11 | Black | | | |
| | 996 552 093 03 C51 | Graphite grey | | | |
| | 996 552 093 03 S31 | Savanna | | | |
| | 996 552 093 03 J31 | Nephrite green | | | |
| | 996 552 093 03 M31 | Boxster red | | | |
| | 996 552 093 03 G11 | Metropole blue | | | |
| 996 552 093 03 B51 | Space grey | | | | |
| 996 552 093 03 D12 | Dark grey/natural | 00- | | | |
| 996 552 093 03 T12 | Brown/natural | 00- | | | |
| 996 552 093 03 P12 | Cinnamon brown | 01- | | | |
| 12 | 996 552 298 00 | Attachment | /LL | 1 | |
| (12) | 996 552 298 00 01C | Satin black | | 1 | |
| | 996 552 297 00 | Attachment | /RL | | |
| 12 | 996 552 297 00 01C | Satin black | | 1 | IXEA |
| | 996 552 979 00 | Attachment | /LL | | |
| | | Leather | | 1 | |
| | 996 552 979 00 A11 | Black | | | |
| | 996 552 979 00 C51 | Graphite grey | | | |
| | 996 552 979 00 S31 | Savanna | | | |
| | 996 552 979 00 G11 | Metropole blue | | | |
| | 996 552 979 00 J31 | Nephrite green | | | |
| | 996 552 979 00 M31 | Boxster red | | | |
| | 996 552 979 00 P12 | Cinnamon brown | | | |
| | 996 552 979 00 D12 | Dark grey/natural | | | |
| | 996 552 979 00 T12 | Brown/natural | | | |
| (12) | 996 552 979 01 | Attachment | /RL | 1 | IXEA |
| | | Leather | | 1 | |
| | 996 552 979 01 A11 | Black | | | |
| | 996 552 979 01 C51 | Graphite grey | | | |
| | 996 552 979 01 S31 | Savanna | | | |
| | 996 552 979 01 G11 | Metropole blue | | | |
| | 996 552 979 01 J31 | Nephrite green | | | |
| | 996 552 979 01 M31 | Boxster red | | | |
| | 996 552 979 01 P12 | Cinnamon brown | | | |
| | 996 552 979 01 D12 | Dark grey/natural | | | |
| | 996 552 979 01 T12 | Brown/natural | | | |
| 13 | 996 552 624 01 | Adapter | 98 | 1 | |
| | | See TPI | | | |
| | | GR.9 , NR.17 , JAN/99 | | | |
| (13) | 996 552 624 02 | Adapter | 99- | 1 | |
| - | 996 552 581 00 | Filler piece | /RL 99- | 1 | |
| | | Bracket | | 1 | |
| | | Telephone | | | |
| - | 996 552 581 00 01C | Satin black | | 1 | |
| | 996 552 582 00 | Filler piece | /LL 99- | | |
| | | Bracket | | 1 | |
| | | Telephone | | | |
| | 996 552 582 00 01C | Satin black | | 6 | |
| 14 | 999 919 121 09 | Oval-head screw | | | |
| 15 | | 5,0 X 16 | | 3 | |
| | | Clamp | | | |
| 16 | | 8,0 X 10,2 | | 1 | |
| | | Cap | | | |
| | 996 552 824 00 | Cap | | 1 | |
| | 996 552 824 00 01C | Satin black | | | |
| 16 | 996 552 978 00 | Cap | | 1 | IXEA |
| | | Leather | | 1 | |
| | | Black | | | |
| | 996 552 978 00 A11 | Black | | | |
| | 996 552 978 00 C51 | Graphite grey | | | |
| | 996 552 978 00 S31 | Savanna | | | |

Model: 996 98 Model life 1998>>2005

| Pos | Part Number | Description | Remark | Qty | Model |
|------|--------------------|-------------------|---------|-----|----------|
| | 996 552 978 00 G11 | Metropole blue | | | |
| | 996 552 978 00 J31 | Nephrite green | | | |
| | 996 552 978 00 M31 | Boxster red | | | |
| | 996 552 978 00 P12 | Cinnamon brown | | | |
| | 996 552 978 00 D12 | Dark grey/natural | | | |
| | 996 552 978 00 T12 | Brown/natural | | | |
| 17 | 996 646 125 01 | Frame | | 1 | |
| 18 | 996 646 126 00 | Cover | | 1 | |
| 19 | 996 646 307 01 | Microphone | /LL -01 | 1 | |
| | 996 646 307 01 D05 | Granite grey | | | |
| | 996 646 307 01 A03 | Black | | | |
| | 996 646 307 01 C53 | Graphite grey | | | |
| | 996 646 307 01 S33 | Savanna | | | |
| | 996 646 307 01 G13 | Metropole blue | | | |
| | 996 646 307 01 B13 | Space grey | | | |
| | 996 646 307 01 J33 | Nephrite green | | | |
| | 996 646 307 01 M33 | Boxster red | | | |
| | 996 646 307 01 P13 | Cinnamon brown | 01 | | |
| (19) | 996 646 308 01 | Microphone | /RL -01 | 1 | |
| | 996 646 308 01 D05 | Granite grey | | | |
| | 996 646 308 01 A03 | Black | | | |
| | 996 646 308 01 C53 | Graphite grey | | | |
| | 996 646 308 01 S33 | Savanna | | | |
| | 996 646 308 01 G13 | Metropole blue | | | |
| | 996 646 308 01 B13 | Space grey | | | |
| | 996 646 308 01 J33 | Nephrite green | | | |
| | 996 646 308 01 M33 | Boxster red | | | |
| | 996 646 308 01 P13 | Cinnamon brown | 01 | | |
| (19) | 996 646 307 02 | Microphone | /LL 02 | 1 | |
| | 996 646 307 02 A03 | Black | | | |
| | 996 646 307 02 C53 | Graphite grey | | | |
| | 996 646 307 02 S33 | Savanna | | | |
| | 996 646 307 02 G13 | Metropole blue | | | |
| | 996 646 307 02 J33 | Nephrite green | | | |
| | 996 646 307 02 M33 | Boxster red | | | |
| | 996 646 307 02 P13 | Cinnamon brown | | | |
| (19) | 996 646 308 02 | Microphone | /RL 02 | 1 | |
| | 996 646 308 02 A03 | Black | | | |
| | 996 646 308 02 C53 | Graphite grey | | | |
| | 996 646 308 02 S33 | Savanna | | | |
| | 996 646 308 02 G13 | Metropole blue | | | |
| | 996 646 308 02 J33 | Nephrite green | | | |
| | 996 646 308 02 M33 | Boxster red | | | |
| | 996 646 308 02 P13 | Cinnamon brown | | | |
| 20 | 996 646 235 01 | Support | | 1 | M618 |
| (20) | 996 646 233 00 | Support | 99- | 1 | M339/614 |
| - | 999 084 629 01 | Hexagon nut | 99- | 4 | M339/614 |
| | | VM 6 | | | |
| 21 | 999 073 060 02 | Tapping screw | | 4 | M618 |
| | | 4,8 X 13 | | | |
| - | 996 521 663 01 | Stop | | 1 | M437/438 |
| | | Seat rail | | | |
| | | Inner | | | |
| - | 996 521 665 00 | Stop | | 1 | M369/370 |
| | | Seat rail | | | M375/376 |
| | | Inner | | | M540 |

Model: 996 98

Model life 1998>>2005



Model: 996 98 Model life 1998>>2005

| Pos | Part Number | Description | Remark | Qty | Model |
|-----|--------------------|---------------------------|--------|-----|----------|
| | | Navigation system | -02 | | M662 |
| | | Receiver | -02 | | M663 |
| | | See technical information | | | |
| | | GR.0 , NR. 4/97 | | | |
| | | Tech. information memo | | | |
| | | GR.9 , NR. 2A/97 | | | |
| | | See technical information | | | |
| | | GR.9 , NR.3/02 | | | |
| 1 | 996 647 103 00 | Antenna base | -00 | 1 | |
| | | Use also: | | | |
| - | 996 647 106 00 | Cap | -00 | 1 | COUPE |
| | | for | | | |
| | | Antenna base | | | |
| | | See technical information | | | |
| | | GR.9 , NR. 2/00 | | | |
| - | 996 647 201 00 | Reinforcement | -00 | 1 | COUPE |
| | | for | | | |
| | | Antenna base | | | |
| | | See technical information | | | |
| | | GR.9 , NR. 10/99 | | | |
| 2 | 996 647 104 00 | Antenna rod | -00 | 1 | |
| | | Antenna | 01- | | |
| | | Telephone | | | |
| | | See group | | | |
| | | 9/11/10 | | | |
| 3 | 996 642 206 00 | Antenna | | 1 | |
| | | - GPS - | | | |
| 4 | 996 612 083 00 | Extension cable | -00 | 1 | |
| | | Telephone | | | |
| 4 | 996 612 038 00 | Extension cable | 01- | 1 | |
| | | Telephone | | | |
| (4) | 996 612 970 01 | Extension cable | | 1 | |
| | | - GPS - | | | |
| (6) | 996 642 904 04 | Control part | -01 | 1 | |
| | 996 642 904 04 EFR | Gloss black | | | |
| | | Tech. information memo | | | |
| | | GR.9 , 4A/00 | | | |
| - | 996 642 953 00 | Rotary knob | /L -01 | 1 | |
| - | 996 642 954 00 | Rotary knob | /R -01 | 1 | |
| (6) | 996 642 944 00 | Control part | 02 | 1 | |
| | 996 642 944 00 EWD | Black mat | | | |
| - | 996 642 955 00 | Rotary knob | /L 02 | 1 | |
| - | 996 642 956 00 | Rotary knob | /R 02 | 1 | |
| 7 | 996 642 103 01 | Retaining frame | | 1 | |
| (8) | 996 642 122 01 | Computer | | 1 | |
| | 996 642 122 01 EFR | Gloss black | | | |
| | | F >>991S6 03524 | | | |
| | | F >>991S6 42489 | | | |
| | | CD-ROM | | | |
| | | for | | | |
| | | Computer | | | |
| | | 996.642.122.00.EFR | | | |
| | | 996.642.122.01.EFR | | | |
| - | 996 642 131 06 | CD-ROM | | 1 | M499 |
| - | 996 642 132 06 | CD-ROM | | 1 | M124 |
| - | 996 642 133 06 | CD-ROM | | 1 | M061 |
| - | 996 642 134 06 | CD-ROM | | 1 | M111/277 |
| - | 996 642 135 06 | CD-ROM | | 1 | M063/064 |
| | | | | | M225 |
| - | 996 642 136 06 | CD-ROM | | 1 | M119 |
| - | 996 642 137 06 | CD-ROM | | 1 | M062 |
| - | 996 642 138 06 | CD-ROM | | 1 | M034 |
| (8) | 996 642 122 03 | Computer | -01 | 1 | |

Model: 996 98 Model life 1998>>2005

| Pos | Part Number | Description | Remark | Qty | Model |
|------|--------------------|--|---------|-----|------------------|
| | 996 642 122 03 EFR | Gloss black F 991S6 03525>> F 991S6 42490>> | | | |
| (8) | 996 642 122 12 | Computer | 02 | 1 | |
| | 996 642 122 12 EWD | Black mat CD-ROM for Computer 996.642.122.03.EFR 996.642.122.12.EWD | | | |
| - | 996 642 131 07 | CD-ROM | | 1 | M499 |
| - | 996 642 132 07 | CD-ROM Replacement See catalogue Tequipment | | 1 | M124 |
| - | 996 642 133 07 | CD-ROM | | 1 | M061 |
| - | 996 642 134 07 | CD-ROM | | 1 | M111/277 |
| - | 996 642 135 07 | CD-ROM | | 1 | M063/064 M225 |
| - | 996 642 136 07 | CD-ROM | | 1 | M119 |
| - | 996 642 137 07 | CD-ROM | | 1 | M062 |
| - | 996 642 138 07 | CD-ROM | | 1 | M034 |
| 9 | 993 645 173 00 | Retaining frame | | 1 | |
| 10 | 996 646 307 01 | Microphone | /LL -01 | 1 | |
| | 996 646 307 01 D05 | Granite grey | | | |
| | 996 646 307 01 A03 | Black | | | |
| | 996 646 307 01 C53 | Graphite grey | | | |
| | 996 646 307 01 S33 | Savanna | | | |
| | 996 646 307 01 G13 | Metropole blue | | | |
| | 996 646 307 01 B13 | Space grey | | | |
| | 996 646 307 01 J33 | Nephrite green | | | |
| | 996 646 307 01 M33 | Boxster red | | | |
| | 996 646 307 01 P13 | Cinnamon brown | 01 | | |
| (10) | 996 646 308 01 | Microphone | /RL -01 | 1 | |
| | 996 646 308 01 D05 | Granite grey | | | |
| | 996 646 308 01 A03 | Black | | | |
| | 996 646 308 01 C53 | Graphite grey | | | |
| | 996 646 308 01 S33 | Savanna | | | |
| | 996 646 308 01 G13 | Metropole blue | | | |
| | 996 646 308 01 B13 | Space grey | | | |
| | 996 646 308 01 J33 | Nephrite green | | | |
| | 996 646 308 01 M33 | Boxster red | | | |
| | 996 646 308 01 P13 | Cinnamon brown | 01 | | |
| (10) | 996 646 307 02 | Microphone | /LL 02 | 1 | |
| | 996 646 307 02 A03 | Black | | | |
| | 996 646 307 02 C53 | Graphite grey | | | |
| | 996 646 307 02 S33 | Savanna | | | |
| | 996 646 307 02 G13 | Metropole blue | | | |
| | 996 646 307 02 J33 | Nephrite green | | | |
| | 996 646 307 02 M33 | Boxster red | | | |
| | 996 646 307 02 P13 | Cinnamon brown | | | |
| (10) | 996 646 308 02 | Microphone | /RL 02 | 1 | |
| | 996 646 308 02 A03 | Black | | | |
| | 996 646 308 02 C53 | Graphite grey | | | |
| | 996 646 308 02 S33 | Savanna | | | |
| | 996 646 308 02 G13 | Metropole blue | | | |
| | 996 646 308 02 J33 | Nephrite green | | | |
| | 996 646 308 02 M33 | Boxster red | | | |
| | 996 646 308 02 P13 | Cinnamon brown | | | |
| 11 | 996 642 111 01 | Receiver | | 1 | M663 |
| 11 | 996 642 980 00 | Receiver Leather | | 1 | IXEA |
| | 996 642 980 00 A11 | Black | | | |

Model: 996 98

Model life 1998>>2005

| Pos | Part Number | Description | Remark | Qty | Model |
|-----|--------------------|-------------------|--------|-----|-------|
| | 996 642 980 00 C51 | Graphite grey | | | |
| | 996 642 980 00 S31 | Savanna | | | |
| | 996 642 980 00 G11 | Metropole blue | | | |
| | 996 642 980 00 J31 | Nephrite green | | | |
| | 996 642 980 00 M31 | Boxster red | | | |
| | 996 642 980 00 P12 | Cinnamon brown | | | |
| | 996 642 980 00 D12 | Dark grey/natural | | | |
| | 996 642 980 00 T12 | Brown/natural | | | |
| | | Bracket | | | |
| | | See group | | | |
| | | 9/11/10 | | | |
| | | Stop | | | |
| | | Seat rail | | | |
| | | See group | | | |
| | | 9/11/10 | | | |