

Model: 997T07

Model life 2007>>2009

Model Overview Sales Type

| Sales term | Description | Mounting time | Remark |
|------------|--------------|---------------|--------|
| 997420 | Turbo | 08/06-07/09 | |
| 997421 | Turbo | 08/06-07/09 | |
| 997630 | Turbo Cabrio | 08/07-07/09 | |
| 997631 | Turbo Cabrio | 08/07-07/09 | |
| 997840 | Turbo GT2 | 08/07-07/09 | |
| 997841 | Turbo GT2 | 08/07-07/09 | |

Model: 997T07

Model life 2007>>2009

Model Overview EC

| EC | Sales term | LTR | KW | Hp | Cyl | Mounting time | Remark |
|-------|------------|------|-----|-----|-----|---------------|--------|
| 9770 | | 3,60 | 353 | 480 | 6 | 08/06-07/09 | |
| 9770S | | 3,60 | 390 | 530 | 6 | 08/07-07/09 | |

Model: 997T07

Model life 2007>>2009

Model Overview TC

| TC | Sales term | Type | Mounting time | Remark |
|-------|------------|------|---------------|--------|
| A9750 | | 5A | 08/06-07/09 | |
| G9750 | | 6S | 08/06-07/09 | |
| G9788 | | 6S | 08/07-07/09 | |

Model: 997T07

Model life 2007>>2009

VIN-Numbers Overview

| Model year | Date | VIN | | Remark |
|------------|------------|-------------|--------------|---|
| 2007 | 01.08.2006 | 99-7S780061 | >99-7S783000 | 997 Turbo |
| 2007 | 01.08.2006 | 99-7S787061 | >99-7S790000 | 997 Turbo |
| 2007 | 01.08.2006 | 99-7S783061 | >99-7S787000 | 997 Turbo (USA, CN, CDN, MEX, BR) |
| 2008 | 01.08.2007 | 99-8S708061 | >99-8S709000 | 997 Turbo Cabrio |
| 2008 | 01.08.2007 | 99-8S788061 | >99-8S790000 | 997 Turbo Cabrio |
| 2008 | 01.08.2007 | 99-8S794061 | >99-8S796000 | 997 Turbo GT2 |
| 2008 | 01.08.2007 | 99-8S796061 | >99-8S798000 | 997 Turbo GT2 |
| 2008 | 01.08.2007 | 99-8S783061 | >99-8S786000 | 997 Turbo (USA, CN, CDN, MEX, BR) |
| 2008 | 01.08.2007 | 99-8S709061 | >99-8S710000 | 997 Turbo (rest of the world) |
| 2008 | 01.08.2007 | 99-8S780061 | >99-8S783000 | 997 Turbo (rest of the world) |
| 2008 | 01.08.2007 | 99-8S706061 | >99-8S707000 | 997 Turbo Cabrio (rest of the world) |
| 2008 | 01.08.2007 | 99-8S786061 | >99-8S788000 | 997 Turbo Cabrio (rest of the world) |
| 2009 | 01.08.2008 | 99-9S770061 | >99-9S773000 | 997 Turbo Cabrio |
| 2009 | 01.08.2008 | 99-9S773061 | >99-9S775000 | 997 Turbo Cabrio |
| 2009 | 01.08.2008 | 99-9S776061 | >99-9S777000 | 997 Turbo GT2 |
| 2009 | 01.08.2008 | 99-9S778061 | >99-9S779000 | 997 Turbo GT2 |
| 2009 | 01.08.2008 | 99-9S766061 | >99-9S770000 | 997 Turbo (USA, CN, CDN, MEX, BR) |
| 2009 | 01.08.2008 | 99-9S760061 | >99-9S766000 | 997 Turbo (rest of the world) |

Model: 997T07**Model life 2007>>2009**

Engine Numbers

| Engine number | Model year | Vehicle type | Engine type |
|-----------------|------------|---------------------|-------------|
| 627 00501>18000 | 2007 | 997 TURBO | 9770 |
| 628 00501>18000 | 2008 | 997 TURBO | 9770 |
| 628 20501>28000 | 2008 | 997 TURBO GT2 | 9770S |
| 629 00501>18000 | 2009 | 997 TURBO | 9770 |
| 629 18501>20000 | 2009 | 997 TURBO +I114 | 9770 |
| 629 20501>28000 | 2009 | 997 TURBO GT2 | 9770S |
| 629 28501>30000 | 2009 | 997 TURBO GT2 +I114 | 9770S |

Model: 997T07**Model life 2007>>2009**

Transmission Numbers

| Transmission Number | Model year | Vehicle type | Gearbox type |
|-----------------------|------------|---------------|--------------|
| A9750 1 002001>999999 | 2007 | 997 TURBO | A9750 |
| G9750 1 002001>999999 | 2007 | 997 TURBO | G9750 |
| A9750 1 002001>999999 | 2008 | 997 TURBO | A9750 |
| G9750 1 002001>999999 | 2008 | 997 TURBO | G9750 |
| G9788 2 002001>999999 | 2008 | 997 TURBO GT2 | G9788 |
| A9750 1 002001>999999 | 2009 | 997 TURBO | A9750 |
| G9750 1 002001>999999 | 2009 | 997 TURBO | G9750 |
| G9788 2 002001>999999 | 2009 | 997 TURBO GT2 | G9788 |

Model: 997T07

Model life 2007>>2009

| NR | Description |
|-----|---|
| 003 | Racing safety devices |
| 004 | RS version |
| 022 | Black-coloured instrument dials, instrument cluster |
| 023 | Silver -coloured instrument dials, instrument cluster |
| 024 | Version for Greece |
| 025 | Black-coloured instrument dials, stopwatch |
| 026 | Silver-coloured instrument dials, stopwatch |
| 029 | Standard chassis |
| 030 | Sports suspension |
| 032 | Touring suspension |
| 034 | Version for Italy |
| 058 | Impact absorbers, front and rear |
| 061 | Version for Great Britain |
| 062 | sweden version |
| 063 | Version Luxemburg |
| 064 | Version for Netherlands |
| 065 | Version for Denmark |
| 066 | Version for Norway |
| 067 | Version for Finland |
| 068 | PAP right-hand drive version |
| 069 | Other country version |
| 071 | EU country version |
| 072 | Version for Mexico |
| 073 | Version for Russia |
| 074 | PAP left-hand drive version |
| 075 | Chinese version |
| 082 | Fuel tank, 90-litre |
| 098 | Left-hand drive version |
| 099 | Right-hand drive version |
| 101 | Special GT2 engine parts |
| 111 | Version for Austria |
| 113 | Version for Canada |
| 114 | Version for Taiwan |
| 119 | Version for Spain |
| 124 | Version for France |
| 126 | Control and indications in French lettering |
| 127 | Control and indications in Swedish lettering |
| 130 | Control and indications in English lettering |
| 150 | Operation with leaded gas |
| 159 | Curbed engine, 155 kW/211 bhp |
| 193 | japan version |
| 194 | Battery, 60 Ah |
| 195 | Battery, 70 Ah |
| 196 | Battery, 80 Ah |
| 197 | Stronger battery |
| 198 | Enhanced starter motor (1.7 kW) |

Model: 997T07

Model life 2007>>2009

| NR | Description |
|-----|---|
| 199 | Battery disconnection switch |
| 200 | 95 Ah battery |
| 210 | Licence plate holder version 2 |
| 211 | Licence plate holder version 3 |
| 215 | Version for Saudi Arabia |
| 218 | Licence plate holder version 4 |
| 219 | Differential |
| 220 | Locking differential 40 % |
| 225 | Version for Belgium |
| 249 | Tiptronic transmission |
| 250 | PDK transmission (dual clutch) |
| 265 | Automatic anti-dazzle interior mirror with rain sensor |
| 266 | Automatic anti-dazzle door mirror |
| 267 | Automatically dimmable interior and door mirrors |
| 268 | Rain sensor |
| 270 | Door mirrors -flat - driver's side, electrically adjustable and heatable |
| 271 | Door mirrors -aspherical- driver's side, electrically adjustable and heatable |
| 273 | Door mirrors, electrically adjustable and heatable |
| 274 | Vanity mirror, illuminated |
| 277 | Swiss version |
| 288 | Headlamp washer |
| 301 | Transmission ratio long |
| 305 | Gear lever in Alcantara, Black |
| 308 | Selector lever in Alcantara, Black |
| 325 | Version for South Africa/New Zealand |
| 335 | Automatic seat belt, 3-point, rear |
| 338 | Rear-wheel drive |
| 339 | All-wheel drive |
| 342 | Seat heating, left/right seat |
| 369 | Standard seat, left |
| 370 | Standard seat, right |
| 375 | Sports seat, backrest shell, left |
| 376 | Sports seat, backrest shell, right |
| 377 | Sports seat, backrest shell, left, electrically adjustable |
| 378 | Sports seat, backrest shell, right, electrically adjustable |
| 388 | Sports bucket seat, left |
| 389 | Sports bucket seat, right |
| 392 | 17-inch Carrera wheel |
| 393 | 17-inch Boxster II wheel (987) |

Model: 997T07

Model life 2007>>2009

| NR | Description |
|-----|--|
| 397 | 18-inch Boxster II wheel (987) |
| 398 | 19" Cayman S wheel |
| 401 | 18-in. Cayman S wheel |
| 402 | Carrera 3 wheel 18-inch |
| 403 | Carrera S wheel 19-inch |
| 404 | 19" Turbo-1 wheel |
| 405 | Carrera Classic wheel 19-inch |
| 406 | Carrera GT wheel 19-inch/20-inch |
| 407 | SportDesign wheel 19-inch |
| 410 | 18" Turbo-2/Panamera wheel |
| 411 | 18-inch Carrera wheel -->2005 19-inch Carrera wheel 2012--> |
| 415 | 18-inch Turbo-Look II wheel |
| 416 | 18-inch GT3 wheel |
| 418 | 18-inch Turbo II wheel in GT Silver |
| 420 | GT3 wheel 19" |
| 422 | Turbo wheel, 19", central lock |
| 424 | CD storage unit |
| 425 | Rear window wiper |
| 426 | Without rear window wiper |
| 431 | Multi-function steering wheel, touch + feel |
| 432 | Steering wheel with Tiptronic operation |
| 435 | Sports steering wheel |
| 436 | 3-spoke airbag steering wheel |
| 437 | Comfort seat, left, electrically adjustable |
| 438 | Comfort seat, right, electrically adjustable |
| 439 | 20" 911 Turbo 4 wheel |
| 440 | Antenna diversity |
| 441 | prepared for radio |
| 444 | Anti-theft lock, wheel bolts "THATCHAM" |
| 446 | Concave wheel centers with full-colour Porsche Crest |
| 447 | Emergency wheel |
| 448 | Brake pad; sport version |
| 450 | Ceramic brake (PCCB) |
| 451 | Multi-function steering wheel, Makassar Ebony, touch + feel |
| 452 | Multi-function steering wheel, Sycamore, touch + feel |
| 453 | Multi-function steering wheel, Carbon, touch + feel |
| 454 | Automatic speed control |
| 459 | 3-spoke airbag steering wheel, touch + feel |
| 460 | 20" RS Spyder Design wheel |
| 461 | External antenna |
| 465 | Rear fog light, left |

Model: 997T07

Model life 2007>>2009

| NR | Description |
|-----|---|
| 466 | Rear fog light, right |
| 475 | "PASM" electronic damper control |
| 476 | Porsche Stability Management (PSM) |
| 479 | Version for Australia |
| 480 | 6-speed manual transmission |
| 482 | Tire Pressure Monitoring TPM, 433 MHz |
| 483 | 315-MHz TPM, Tire Pressure Monitoring |
| 484 | Version for USA |
| 488 | Inscriptions in German language |
| 490 | Sound system "ASK" |
| 492 | Headlights for left-hand traffic |
| 498 | Deletion of model designation on rear end |
| 499 | Version for Germany |
| 501 | Car cover |
| 509 | Fire extinguishers |
| 513 | Lumbar support, right seat |
| 521 | Tilt sensor |
| 524 | Immobilizer, central locking, 433 MHz |
| 525 | Immobilizer, central locking, 315 MHz |
| 532 | Alarm system remote control omitted |
| 533 | Radio convertible-top operation omitted |
| 534 | Theft security system, 433 MHz |
| 535 | Theft security system, 315 MHz |
| 536 | -07 Alarm siren and tilt sensor |
| | 08- Alarm siren |
| 537 | Seat position control for comfort seat, left |
| 538 | Seat position control for comfort seat, right |
| 539 | Mechanical seat height adjustment, left |
| 540 | Mechanical seat height adjustment, right |
| 541 | Active seat ventilation (incl. heated seats) |
| 544 | Anti-theft protection without infrared monitoring, 433 MHz |
| 545 | Anti-theft protection without infrared monitoring, 315 MHz |
| 549 | Roof Transport System |
| 550 | Hardtop |
| 551 | Wind deflector |
| 553 | Version for USA, Canada |
| 554 | Front spoiler lip included |
| 555 | Black seat belts |
| 560 | Advanced airbag |
| 562 | Airbag, driver's side and front passenger's side |
| 563 | Side airbag |
| 566 | Front fog lights, white |
| 567 | Windscreen tinted, upper part |

Model: 997T07

Model life 2007>>2009

| NR | Description |
|-----|--|
| | darker coloured |
| 568 | Windscreen without shade band |
| 571 | Activated charcoal filter |
| 572 | Manual air-conditioning system |
| 573 | Air conditioner |
| 574 | No air conditioning |
| 575 | Luggage compartment cooling system |
| 581 | Centre console, front |
| 584 | Storage box on engine cover |
| 586 | Lumbar support, left seat |
| 594 | Alcantara rooflining |
| 601 | Xenon lighting system |
| 602 | Center high-mounted stop light |
| 606 | Daytime driving lights |
| 607 | Garage door opener "Homelink", 315 MHz |
| 608 | Garage door opener "Homelink" 433 MHz |
| 610 | DVD navigation, "Europe package" |
| 611 | DVD navigation South Africa |
| 612 | DVD navigation middle east |
| 613 | DVD navigation australia |
| 614 | DVD navigation asia-pacific |
| 615 | DVD navigation system, North America |
| 616 | DVD, Navigation Russia |
| 617 | DVD Navigation China |
| 618 | Phone preparation |
| 619 | Mobile phone preparation (BLUETOOTH) without console |
| 621 | 12-V socket, passenger's side, footwell |
| 625 | "KESSY" Porsche Entry and Drive |
| 635 | Park distance control |
| 639 | Sport Chrono package |
| 640 | Sport Chrono Plus package |
| 641 | electronic log book |
| 650 | Electrical sliding roof |
| 651 | Electric window opener |
| 652 | Without sliding/tilting roof |
| 657 | Power steering |
| 659 | on-board computer |
| 660 | Obd 2 |
| 661 | Stricter emission-control concept |
| 664 | Orvr |
| 665 | -2008 PCM 2, 2009- PCM 3 basic module incl. radio |
| 666 | -2008 PCM 2, 2009- PCM 3 telephone (GSM) |
| 668 | PCM2 telephone handset |
| 669 | PCM 3 - Telephone handset (BLUETOOTH) |
| 670 | PCM2 navigation |
| 671 | Voice control system |
| 672 | -2008 PCM 2, 2009- PCM 3 Offroad navigation |

Model: 997T07

Model life 2007>>2009

| NR | Description |
|-----|---|
| 673 | Navigation system preparation, China |
| 674 | "Vehicle Tracking System" preparation |
| 675 | Without radio preparation (Japan navigation system) |
| 676 | TV tuner |
| 677 | "Driver card" antenna |
| 678 | Alarm system connection |
| 679 | Restart inhibitor |
| 680 | BOSE sound package |
| 685 | Rear seats, split |
| 686 | SAT radio reception XM (SDARS) |
| 689 | Preperation for CD autochanger |
| 690 | CD radio "Porsche Online Pro" |
| 692 | CD autochanger "Porsche" |
| 693 | Integrated CD/DVD autochanger |
| 694 | CD radio "PORSCHE CDR 24" |
| 697 | CD radio "Porsche CDR-23" |
| 711 | Omission underbody protection |
| 789 | Colour to sample |
| 796 | Full leather trim natural leather |
| 798 | Full leather trim special leather |
| 799 | Full leather trim by choice |
| 801 | Makassar Ebony wood package, dark (matt satin finish) |
| 802 | Sycamore package, light (matt satin finish) |
| 803 | Carbon package |
| 804 | GT2 Carbon exterior package |
| 805 | Lifestyle package |
| 810 | foot mats |
| 870 | Universal multimedia interface |
| 912 | without identification plate |
| 936 | Seat covers, rear, leather |
| 937 | Seat covers, rear, leatherette |
| 939 | Seat covers, rear, draped leather |
| 946 | Seat covers, front, leather/leather/leatherette |
| 950 | Alcantara seat covers, front |
| 951 | Seat covers front, Alcantara/leather/leather |
| 970 | Two-tone interior |
| 971 | "TORO" embossed leather |
| 981 | Leather equipment, without seat covers |
| 982 | Seat covers, front, draped leather/leather/leather |
| 983 | Seat covers, front, leather |
| 985 | Seat covers, leather/leather/leatherette, 2 |
| 990 | Seat covers, front, cloth/cloth/leatherette |
| 991 | Steering wheel airbag module in leather |

Model: 997T07

Model life 2007>>2009

| NR | Description |
|-----|--|
| 998 | Leather, natural |
| 999 | Passenger compartment monitoring sensor for leather colour of choice |
| IY2 | Model year period from week 45 to week 22 |
| XAA | Aerokit Cup |
| XAF | Turbo aerokit |
| XAG | Carrera - rear spoiler |
| XAH | Carrera 4S aerokit |
| XAJ | Painted sill covers |
| XCA | Dashboard trim strip (3-part) sports seats |
| XCB | Instrument surround sports seats |
| XCC | Side air vents sports seats |
| XCD | Center air vent bracket sports seats |
| XCE | Rear center console sports seats |
| XCG | Sports seat backrest in Aluminium Look finish |
| XCH | Side/centre air vent slats, sports seats |
| XCK | Rear center console in Galvano Silver |
| XCL | Instrument surround in Galvano Silver |
| XCM | Roll-over bar in Galvano Silver |
| XCN | Side air vents in Aluminium Look finish (997) |
| XCY | Center air vent in Aluminium Look finish |
| XCZ | Short shifter |
| XDS | Ignition lock surround in leather |
| XDV | Dashboard end-trim in leather |
| XDZ | Selector lever cover in leather |
| XD9 | Wheel painted in body colour |
| XEA | Passive handset in leather |
| XE8 | Gear lever knob aluminium/dark burr maple/leather |
| XE9 | Handbrake lever aluminium/dark burr maple/leather |
| XFD | Instrument dials in Sand Beige |
| XFE | Instrument dials in Terracotta |
| XFF | Instrument dials in Brown/Natural |
| XFG | Instrument dials in Guards Red |
| XFH | Instrument dials in Speed Yellow |
| XFJ | Instrument dials in Carrara White |
| XGB | Decorative dashboard trim, carbon |
| XGC | Dashboard carbon/Alcantara |
| XGD | Parking brake handle carbon/Alcantara |
| XGE | Handle recess insert, carbon |
| XJL | Makassar Ebony side air vent |
| XJM | Sycamore side air vent |
| XJN | Makassar Ebony center air vent |
| XJP | Sycamore center air vent |
| XJR | Makassar Ebony windscreen defroster panel |
| XJS | Sycamore windscreen defroster panel |
| XJT | Makassar Ebony rear center console |
| XJU | Sycamore rear center console |

Model: 997T07

Model life 2007>>2009

| NR | Description |
|-----|---|
| XJ4 | Leather cover for ignition lock surround |
| XKB | Side air vent in light burr maple |
| XKC | Side air vent in dark burr maple |
| XKD | Side air vent in Carbon |
| XKG | "Defroster trim in light burr maple; leather" |
| XKH | "Defroster trim in dark burr maple; leather" |
| XKJ | Defroster trim in Carbon/leather |
| XKL | Leather speaker covers |
| XKM | Speaker covers in light burr maple |
| XKN | Speaker covers in dark burr maple |
| XKP | Carbon speaker covers |
| XKR | Center air vent bracket in light burr maple |
| XKS | Center air vent bracket in dark burr maple |
| XLA | Boxster tailpipe |
| XLF | Sports exhaust system |
| XLG | Centre console storage bin cover in Alcantara, with logo |
| XMA | Rooflining in leather |
| XME | Rear section of centre console painted |
| XMF | Front center console including 2 storage bins, leather |
| XMJ | Rear section of centre console in Carbon |
| XMK | Roll-over bar in exterior color |
| XML | Rear center console in light burr maple |
| XMP | Leather sun visor, 2 illuminated vanity mirrors * |
| XMR | Sun visor in leather, 2 illuminated vanity mirrors, |
| XMZ | Rear section of centre console in leather |
| XNB | Rear center console in dark burr maple |
| XNG | Instrument surround in leather |
| XNN | Center air vent bracket in leather |
| XNR | Carbon center air vent bracket |
| XNS | Leather steering column trim, 4-part |
| XNU | Leather trim strip (dashboard) |
| XNV | Trim strip (dashboard) in light burr maple |
| XNW | Trim strip (dashboard) in dark burr maple |
| XNX | Carbon trim strip (dashboard) |
| XN3 | Dashboard side air vent in leather |
| XPA | 3-spoke sports steering wheel in leather interior co |
| XPB | 3-spoke sports steering wheel, light burr maple, leather |
| XPC | 3-spoke sports steering wheel, dark burr maple, leather |
| XPD | 3-spoke sports steering wheel, Carbon/leather |
| XPG | 3-spoke sports steering wheel, sports seats |
| XPT | Centre console storage bin lid with crest |
| XPV | Multi-function steering wheel, Galvano Silver |

Model: 997T07

Model life 2007>>2009

| NR | Description |
|-----|---|
| XPW | Instrument surround in light burr maple |
| XPX | Instrument surround in dark burr maple |
| | * |
| XPY | Carbon instrument surround |
| XRB | 18-inch Sport Classic II wheel |
| XRC | 18-inch SportTechno wheel |
| XRL | 18-inch SportDesign wheel |
| XRN | 17-mm spacers, rear |
| XRP | 5-mm spacers, front/rear |
| XRR | 19-in. Carrera Sport wheel |
| XSA | Painted sports seat backrest |
| XSB | Leather sports seat backrest |
| XSC | Porsche Crest embossed in headrest |
| XSD | Front seat controls in leather |
| XSE | Bucket seat, left |
| XSF | Bucket seat, right |
| XSG | Racing bucket seat, left |
| XSH | Silver seat belts |
| XSJ | 6-point harness |
| XSL | 6-point safety catch |
| XSM | Racing safety cage |
| XSN | Omission of rear seats |
| XSR | Carbon back for bucket seat, right |
| XSS | Carbon back for bucket seat, left |
| XST | Seat belts in Sand Beige |
| XSU | Upholstered seat |
| XSW | Seat belts in Maritime Blue |
| XSX | Seat belts in Guards Red |
| XSY | Seat belts in Speed Yellow |
| XTG | Inner door sills in leather |
| XTJ | Door panel parts in light burr maple |
| XTK | Door panel parts in dark burr maple |
| XTL | Door panel parts in Carbon |
| XTR | Door panel parts in Aluminium Look finish |
| XTT | Makassar Ebony door panel parts |
| XTU | Sycamore door panel parts |
| XTV | Leather door panel parts |
| XTW | Door panel parts in Galvano Silver |
| XUA | Spoiler lip painted |
| XUV | Centre console storage bin lid with logo |
| XVM | Leather center air vent |
| XVP | Trim strip including cupholder cover in leather |
| XVR | Side/centre air vent in leather |
| XV1 | Defroster trim in leather |
| XWR | PDK gate frame in Aluminium Look |
| XWS | PDK gate frame painted |
| XWT | PDK gate frame painted Black |

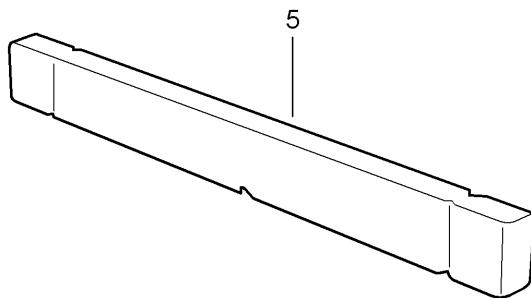
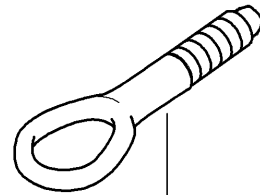
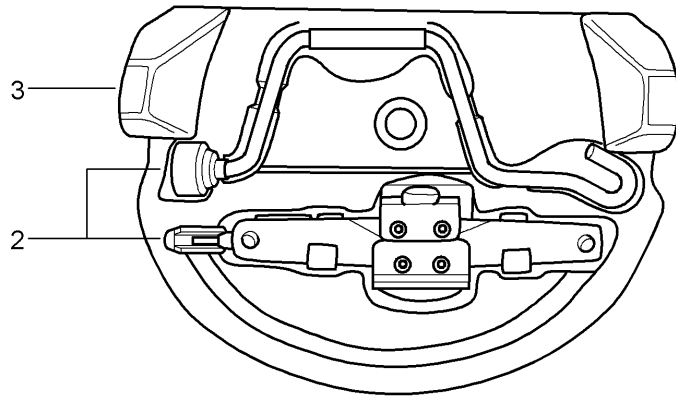
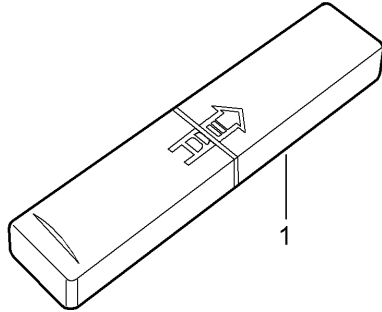
Model: 997T07

Model life 2007>>2009

| NR | Description |
|-----|--|
| XWU | PDK gate frame in leather |
| XXF | Red tail lights |
| XXZ | Footrest |
| XX1 | Floor mats, logo, leather border |
| XX2 | footwell light |
| XY5 | Tiptronic gear selector gate in leather |
| XZB | Carbon centre air vent |
| XZD | Interior light surround in leather |
| X45 | Instrument dial in interior color |
| X46 | Tiptronic selector lever in aluminium/leather |
| X47 | Gear lever knob in Carbon/leather |
| X48 | Tiptronic selector lever in Carbon/aluminium |
| X50 | Powerkit 331/340 kW |
| X51 | Powerkit 250 kW |
| X54 | Stainless steel tailpipes |
| X58 | Handbrake lever in Carbon/leather |
| X65 | Tiptronic selector lever in light burr maple/aluminium |
| X66 | Tiptronic selector lever in dark burr maple/aluminium |
| X69 | Door entry guards in Carbon with logo |
| X70 | Door entry guards in stainless steel with logo |
| X71 | Instrument dial painted/Aluminium Look finish |
| X72 | Gear lever knob aluminium/light burr maple/leather |
| X73 | Turbo sports suspension |
| X74 | Sports suspension (exclusive) |
| X75 | Differential lock (exclusive) |
| X76 | Inner door sill guard, left/right |
| X91 | Handbrake lever aluminium/light burr maple/leather |
| X97 | Gear lever knob in aluminium/leather |
| X98 | Handbrake lever in aluminium/leather |
| X99 | Natural leather |

Model: 997T07

Model life 2007>>2009



Model: 997T07

Model life 2007>>2009

| Pos | Part Number | Description | Remark | Qty | Model |
|-----|----------------|---|--------|-----|-----------------------------|
| 1 | 997 721 115 00 | Tool jack Fire extinguishers Toolbox with contents comprising: | | 1 | GT2 |
| - | 477 012 229 | Double open-ended spanner 10 X 13 | | 1 | |
| - | 477 012 231 | screwdriver | | 1 | |
| - | 111 012 287 | handle for screwdriver | | 1 | |
| - | 999 571 077 02 | Socket wrench - 5 - for Headlights | | 1 | |
| 2 | 996 721 211 00 | Scissors type jack | | 1 | PR:447 |
| 3 | 996 722 101 00 | Foam part | | 1 | PR:447 |
| (3) | 997 722 101 00 | Foam part | | 1 | TURBO PR:422,447, 450 |
| - | 999 571 074 30 | Threaded stud for Assembly Wheels | | 1 | PR:447 |
| - | 477 012 221 A | wheel bolt wrench | | 1 | PR:447 |
| - | 999 571 070 30 | operating rod for Tool | | 1 | PR:447 |
| - | 997 361 181 52 | Wheel bolt | | 1 | TURBO PR:422,447 |
| - | 997 361 069 02 | Tool for Wheel bolt | | 1 | TURBO PR:422 |
| - | 997 361 161 00 | Extension for Tool | | 1 | TURBO PR:422,447 |
| - | 997 362 193 00 | Wheel bolt Shim | front | 1 | TURBO PR:422,447 |
| - | 997 362 195 00 | Shim | rear | 1 | TURBO PR:422,447 |
| - | 997 722 801 00 | Mounting for vehicle tools | | 1 | PR:447 |
| - | 996 361 521 00 | Protective sleeve | | 1 | PR:447 |
| - | 997 722 061 00 | Cover Spare wheel Discontinued part | | 1 | TURBO PR:447 |
| - | 997 722 061 01 | Cover Spare wheel | | 1 | TURBO PR:447 |
| - | 997 722 061 02 | Cover Spare wheel | | 1 | TURBO PR:422,447, 450 |
| - | 997 722 073 00 | tensioning strap Spare wheel | | 1 | TURBO PR:422,447, 450 |
| - | 997 722 103 00 | Support Spare wheel | | 1 | TURBO/COUPE PR:447 |
| - | 997 722 103 01 | Support Spare wheel | | 1 | TURBO/CABRIO PR:447 |
| 4 | 997 721 551 00 | Tow hitch | | 1 | |
| 5 | 000 722 722 06 | warning triangle | | 1 | |
| - | 997 722 709 00 | retaining strap for warning triangle | | 2 | |

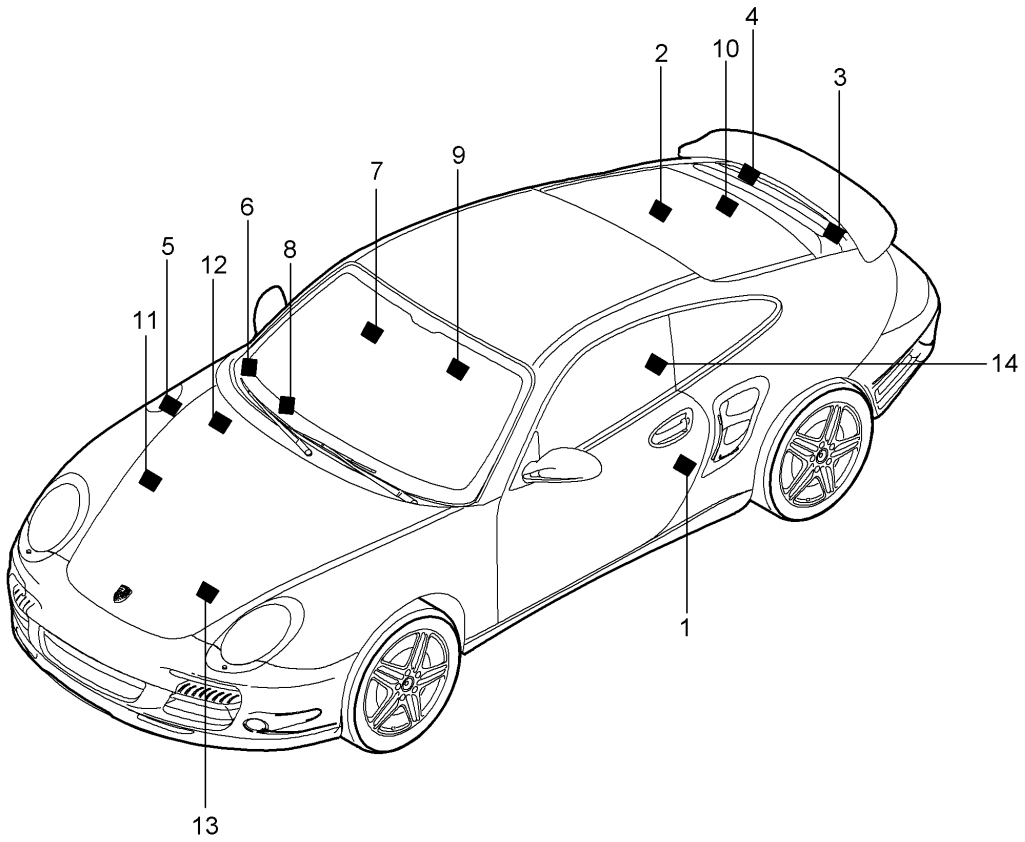
Model: 997T07

Model life 2007>>2009

| Pos | Part Number | Description | Remark | Qty | Model |
|-----|----------------|--------------------|--------|-----|---------------|
| - | 993 722 041 00 | first aid kit | | 1 | |
| - | 993 722 115 70 | Fire extinguishers | | 1 | GT2 PR:003 |
| - | 996 722 211 90 | spacer sleeve | | 2 | GT2 PR:003 |
| - | 996 722 213 90 | Bungs | | 2 | GT2 PR:003 |
| - | 996 722 233 90 | Distance piece | | 2 | GT2 PR:003 |

Model: 997T07

Model life 2007>>2009



Model: 997T07

Model life 2007>>2009

| Pos | Part Number | Description | Remark | Qty | Model |
|-----|----------------|---|--------|-----|--------------------|
| - | | Signs/notices | | 1 | PR:447 |
| 2 | 997 361 701 00 | Signs/notices Spare wheel Sticker | | 1 | PR:215 |
| 2 | 928 701 150 00 | Arabic Sticker | | 1 | |
| 2 | 7PP 010 707 K | "MAX 80 KM/H" Sticker | | 1 | PR:422,450, 447 |
| - | | D - MJ 2009>> - MJ 2009 Signs/notices | | | |
| 3 | 997 006 108 00 | Engine specifications Sticker | | 1 | PR:068 |
| 3 | 955 701 675 00 | Sticker | | 1 | PR:193 |
| 4 | 997 006 544 00 | Reservoir Sticker | | 1 | |
| 4 | 997 701 535 00 | engine oil - MOBIL 1 - Sticker | | 1 | PR:193 |
| - | | Engine-oil level Signs/notices | | | |
| 5 | 996 006 117 00 | Type of fuel Sticker | | 1 | |
| 5 | 996 006 117 01 | 98 ROZ Sticker | | 1 | PR:150 |
| 5 | 996 006 117 02 | 98 ROZ Sticker | | 1 | "AUS" |
| 5 | 996 006 117 03 | 96 ROZ Sticker | | 1 | PR:193 |
| 5 | 955 701 676 15 | 93 RON/MON/2 sticker for | | 1 | PR:193 |
| 5 | 955 701 676 10 | fuel filler neck Sticker | | 1 | PR:193 |
| - | | Fuel filler flap Signs/notices | | | |
| 6 | 3B0 010 219 B | Airbag sticker with pictogram for - airbag / child's seat | | 1 | |
| 6 | 8D0 010 141 Q | child seat sticker with pictogram for - airbag / child's seat | | 1 | "AUS" |
| 6 | 997 701 430 00 | child seat Sticker | | 1 | |
| 6 | 997 701 430 01 | child seat German Sticker | | 1 | |
| 6 | 997 701 430 02 | child seat English Sticker | | 1 | |
| 6 | 997 701 430 03 | child seat French Sticker | | 1 | |
| 6 | 997 701 430 04 | child seat Italian Sticker | | 1 | |
| 6 | 997 701 430 05 | child seat Swedish Sticker | | 1 | |
| 6 | 997 701 430 06 | child seat Spanish Sticker | | 1 | |
| 6 | 997 701 430 07 | child seat Arabic Sticker | | 1 | |

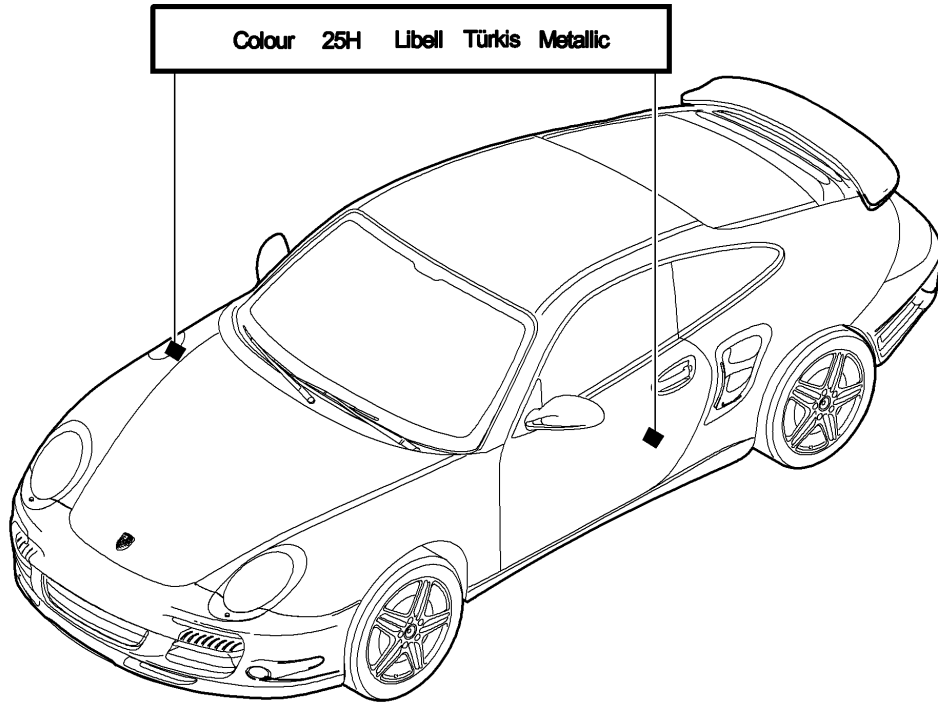
Model: 997T07

Model life 2007>>2009

| Pos | Part Number | Description | Remark | Qty | Model |
|-----|----------------|---|--------|-----|--------|
| 6 | 955 701 675 10 | child seat Chinese Sticker Recycling | | 1 | PR:193 |
| 9 | 997 701 531 00 | Sticker Airbag | | 1 | PR:193 |
| 9 | 955 701 676 00 | Sticker Warning light Engine | | 1 | PR:193 |
| 10 | 955 701 675 15 | Sticker Import Japan | | 1 | PR:193 |
| 11 | 996 701 141 01 | Sticker Air conditioning | | 1 | |
| 11 | 997 701 521 00 | Sticker Air conditioning | | 1 | PR:193 |
| 12 | 955 701 673 00 | Sticker Battery | | 1 | PR:193 |
| 12 | 997 701 170 00 | Sticker first aid kit | | 1 | |
| 13 | 997 701 527 00 | Sticker Headlights | | 1 | PR:193 |
| 13 | 955 701 675 05 | Sticker brake fluid | | 1 | PR:193 |

Model: 997T07

Model life 2007>>2009

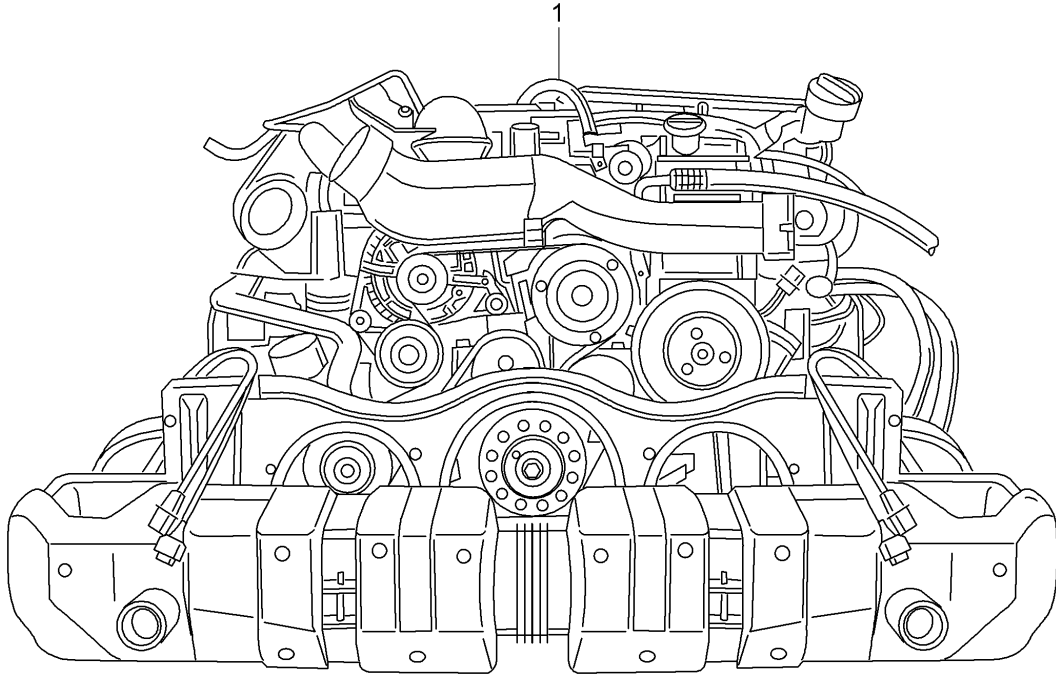


Model: 997T07 Model life 2007>>2009

| Pos | Part Number | Description | Remark | Qty | Model |
|-----|--------------------|--|--------|-----|-------|
| - | 911 095 932 20 | paint touch-up applicator Paints | | X | |
| | 911 095 932 20 041 | Black | | | A 1 |
| | 911 095 932 20 80K | guards red (Porsche) | | | G 1 |
| | 911 095 932 20 B9A | Carrara white | | | B 4 |
| | 911 095 932 20 12G | Speed yellow | | | X 4 |
| | 911 095 932 20 51A | cream white | | | T 2 |
| | | D - MJ 2009>> - MJ 2009 | | | |
| - | 911 095 933 20 | Paint pen set Set comprising: base paint clear paint | | X | |
| | 911 095 933 20 92T | Arctic silver metallic | | | X 1 |
| | 911 095 933 20 M3W | Carmon red metallic | | | E 4 |
| | 911 095 933 20 M5W | Lapis blue metallic | | | J 2 |
| | 911 095 933 20 M6W | Lagoon green metallic | | | G 4 |
| | 911 095 933 20 C9Z | Basalt black metallic | | | Z 4 |
| | 911 095 933 20 M7X | Atlas grey metallic | | | E 7 |
| | 911 095 933 20 37W | Midnight Blue Metallic | | | E 9 |
| | 911 095 933 20 22E | Forest green metallic | | | 53 |
| | 911 095 933 20 37U | Cobalt blue metallic | | | 56 |
| | 911 095 933 20 22D | Slate grey metallic | | | 59 |
| | 911 095 933 20 M7Z | GT Silver Metallic | | | U 2 |
| | 911 095 933 20 M6X | Dark olive-metallic | | | 7 G |
| | 911 095 933 20 M7W | Meteor Grey Metallic | | | 9 Q |
| | 911 095 933 20 8A7 | Ruby red metallic | | | L 2 |
| | | D - MJ 2008>> | | | |
| | 911 095 933 20 M8W | Macadamia Metallic | | | 9 S |
| | | D - MJ 2008>> | | | |
| | 911 095 933 20 2B5 | Malachite Green Metallic | | | H 1 |
| | | D - MJ 2008>> | | | |
| | 911 095 933 20 M2Z | Nordic Gold Metallic | | | 8 W |
| | | D - MJ 2008>> | | | |
| | 911 095 933 20 32B | Sailing Blue Metallic | | | E 5 |
| | | D - MJ 2009>> - MJ 2009 | | | |
| | 911 095 933 20 M5R | Aqua blue metallic | | | D 2 |
| | | D - MJ 2009>> - MJ 2009 | | | |
| | 911 095 933 20 22G | Racing Green Metallic | | | J 1 |
| | | D - MJ 2009>> - MJ 2009 | | | |

Model: 997T07

Model life 2007>>2009



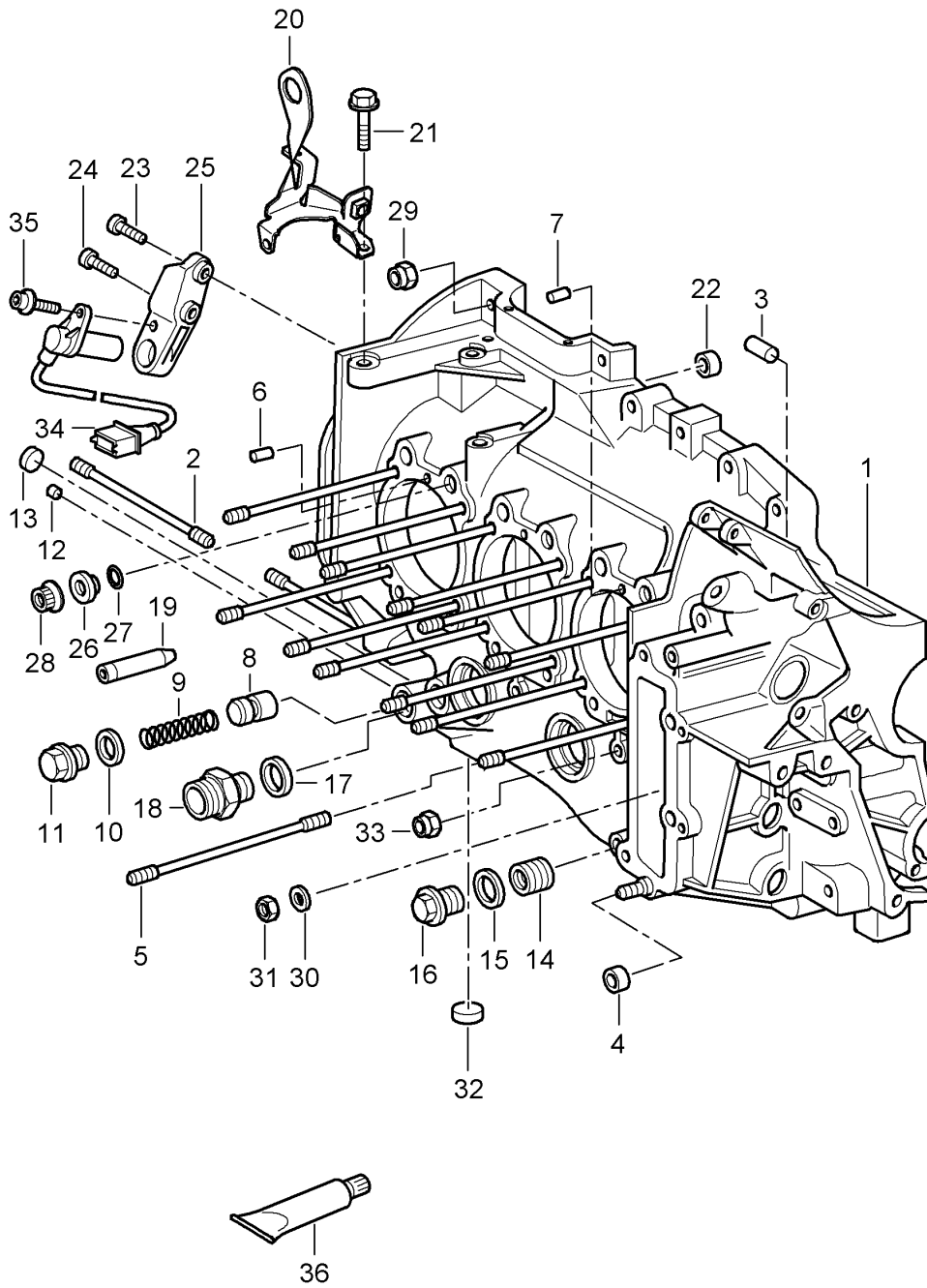
Model: 997T07

Model life 2007>>2009

| Pos | Part Number | Description | Remark | Qty | Model |
|-----|----------------|--|--------|-----|-----------------|
| - | | Replacement engine Ready for installation Technical information Group 1 NR.2/06 Attention | | | 9770 |
| 1 | 997 100 970 X | Replacement engine | | 1 | 9770+ PR:480 |
| 1 | 997 100 970 08 | D - MJ 2007>> - MJ 2007 Replacement engine | | 1 | 9770+ PR:480 |
| 1 | 997 100 970 11 | D - MJ 2008>> - MJ 2008 Replacement engine | | 1 | 9770+ PR:480 |
| 1 | 997 100 970 AX | D - MJ 2009>> - MJ 2009 Replacement engine | | 1 | 9770+ PR:249 |
| 1 | 997 100 970 09 | D - MJ 2007>> - MJ 2007 Replacement engine | | 1 | 9770+ PR:249 |
| 1 | 997 100 970 12 | D - MJ 2008>> - MJ 2008 Replacement engine | | 1 | 9770+ PR:249 |
| (1) | 997 100 970 10 | D - MJ 2009>> - MJ 2009 Replacement engine | | 1 | 9770+ PR:101 |
| (1) | 997 100 970 13 | D - MJ 2008>> - MJ 2008 Replacement engine D - MJ 2009>> - MJ 2009 | | 1 | 9770+ PR:101 |

Model: 997T07

Model life 2007>>2009



Model: 997T07

Model life 2007>>2009

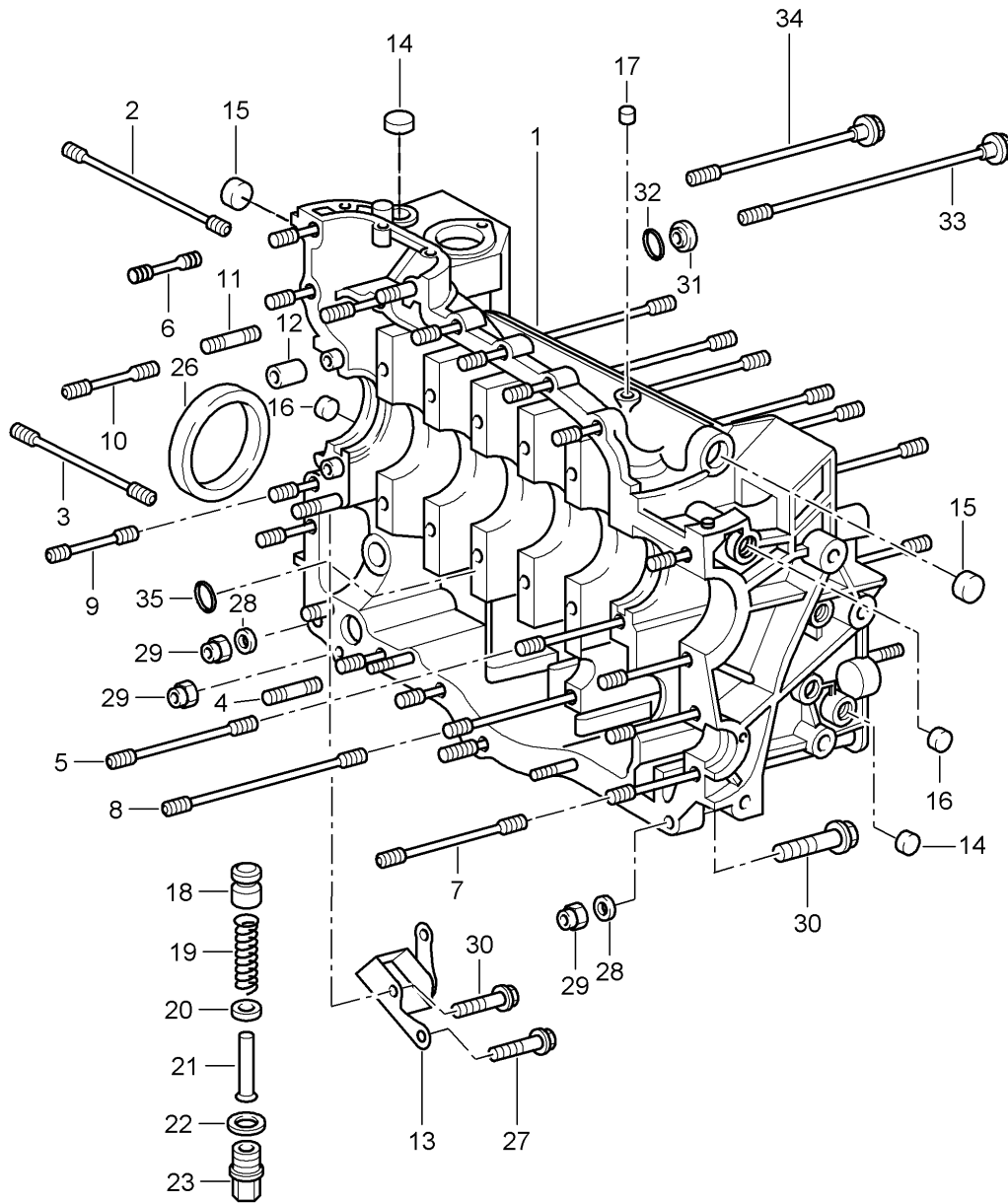
| Pos | Part Number | Description | Remark | Qty | Model |
|------|----------------|--|--------|-----|--------|
| 1 | 996 101 901 71 | Crankcase housing | left | 1 | 9770 |
| 2 | 999 062 099 02 | Crankcase housing with studs | | 2 | |
| 2 | 900 060 096 01 | Threaded pin BM 10 X 105 Discontinued part | | 2 | |
| 3 | 999 501 065 30 | Threaded pin BM 10FO X 105 | | 1 | |
| 4 | 901 101 145 00 | Sealing cap 9,2 MM | | 4 | |
| 5 | 996 101 172 70 | dowel sleeve | | 24 | |
| 6 | 900 012 046 00 | Threaded pin | | 2 | |
| 7 | 900 012 057 00 | Cylinder pin A 8,0 X 14 | | 2 | |
| 8 | 911 107 512 00 | Cylinder pin A 6,0 X 14 | | 1 | |
| 9 | 901 107 531 01 | piston | | 1 | |
| 10 | 900 123 106 30 | Pressure spring | | 1 | |
| 11 | 999 064 026 02 | seal ring A18 X 24 | | 1 | |
| 12 | 999 064 026 01 | sealing plug M 18 X 24 Discontinued part | | 1 | |
| 12 | 911 101 186 00 | sealing plug AM 18 X 1,5 | | 1 | |
| (12) | 911 101 186 01 | Bungs 7,5 X 8,0 | | 1 | |
| 13 | 900 036 047 02 | Sealing cap oversize 8,5 X 8,0 | | 1 | |
| (13) | 911 101 182 01 | End cap A 13 | | 1 | |
| 14 | 999 504 127 00 | Sealing cap oversize 14,00 X 8,5 | | 1 | |
| 15 | 900 123 118 30 | threaded insert 20 X 1,5 | | 1 | |
| 16 | 944 107 197 02 | seal ring A 22 X 27 | | 1 | |
| 17 | 900 123 011 30 | sealing plug | | 1 | |
| 18 | 999 136 044 09 | seal ring A 22 X 27 | | 1 | |
| 19 | 993 101 018 51 | threaded union 18 | | 6 | |
| 20 | 997 101 251 73 | Spray jet M 20 X 1,5 | | 1 | |
| 21 | 900 074 040 03 | Retaining bar | | 1 | |
| 22 | 901 101 195 00 | Hexagon bolt M 8 X 50 | | 2 | |
| 23 | 900 385 009 01 | dowel sleeve | | 1 | PR:480 |
| 24 | 900 385 270 01 | Torx screw M 6 X 16 | | 1 | PR:480 |
| 25 | 964 101 187 01 | Hexagon head bolt M 6 X 35 | | 1 | PR:480 |
| 26 | 964 101 313 71 | Bracket | | 12 | |
| 26 | 964 101 313 05 | Washer Discontinued part | | 12 | |
| 27 | 999 701 006 41 | Washer | | 12 | |
| 28 | 959 101 172 70 | O-ring 8 X 2 | | 12 | |
| 28 | 959 101 172 00 | Nut Discontinued part | | 12 | |
| 28 | 959 101 172 00 | Nut | | 12 | |

Model: 997T07 Model life 2007>>2009

| Pos | Part Number | Description | Remark | Qty | Model |
|------|----------------|--|--------|-----|--------|
| 29 | 999 084 202 01 | Locknut M 8 | | 21 | |
| 30 | 900 025 008 02 | Washer A 10,5 | | 1 | |
| 31 | 999 084 096 02 | Locknut M 10 X 1,25 Discontinued part | | 1 | |
| 31 | 900 910 130 01 | Locknut M 10 X 1,25 | | 1 | |
| 32 | 900 036 045 01 | End cap A 19 | | 1 | |
| (32) | 911 101 184 01 | Sealing cap oversize 20,00 X 13 | | 1 | |
| 33 | 999 084 096 02 | Locknut M 10 Discontinued part | | 1 | |
| 33 | 900 910 130 01 | Locknut M 10 | | 1 | |
| 34 | 996 606 105 01 | impulse sender Discontinued part | | 1 | PR:480 |
| 34 | 996 606 105 02 | impulse sender | | 1 | PR:480 |
| (34) | 986 606 112 03 | impulse sender Discontinued part | | 1 | PR:249 |
| 31 | 986 606 112 04 | impulse sender | | 1 | |
| 35 | 900 387 264 01 | Socket head bolt M 6 X 16 Discontinued part | | 1 | |
| 35 | N 105 464 03 | Hexagon socket head bolt M 6 X 16 | | 1 | |
| 36 | 000 043 204 58 | sealant 30 GR. DREI BOND 2210 Discontinued part | | X | |
| 36 | 000 043 305 33 | sealant 75 ML DOBOSEAL 224N | | X | |

Model: 997T07

Model life 2007>>2009



Model: 997T07 Model life 2007>>2009

| Pos | Part Number | Description | Remark | Qty | Model |
|------|----------------|--|--------|-----|-------|
| 1 | 996 101 901 71 | Crankcase housing Crankcase housing with studs | right | 1 | 9770 |
| 2 | 999 062 225 02 | Threaded pin BM 10 X 140 Discontinued part | | 1 | |
| 2 | 900 060 095 01 | Threaded pin BM 10 X 140 | | 1 | |
| 3 | 999 062 099 02 | Threaded pin BM 10 X 105 Discontinued part | | 1 | |
| 3 | 900 060 096 01 | Threaded pin BM 10 X 105 | | 1 | |
| 4 | 999 062 007 02 | Threaded pin BM 8 X 22 Discontinued part | | 3 | |
| 4 | 900 060 106 01 | Threaded pin BM8FO x 22 | | 3 | |
| 5 | 996 101 175 70 | Threaded pin | | 1 | |
| 6 | 999 062 115 02 | Threaded pin BM 8 X 32 | | 13 | |
| 7 | 999 062 156 02 | Threaded pin BM 8 X 78 Discontinued part | | 3 | |
| 7 | 900 060 101 01 | Threaded pin BM 8 X 78 | | 3 | |
| 8 | 999 062 276 02 | Threaded pin BM 10 X 110 | | 1 | |
| 9 | 999 062 075 02 | Threaded pin BM 8 X 48 | | 2 | |
| 10 | 999 062 138 02 | Threaded pin BM 8 X 52 Discontinued part | | 1 | |
| 10 | 900 060 102 01 | Threaded pin BM8FO x 52 | | 1 | |
| 11 | 999 062 009 02 | Threaded pin BM 8 X 28 Discontinued part | | 1 | |
| 11 | 900 060 105 01 | Threaded pin BM 8FO X 28 | | 1 | |
| 12 | 901 101 195 00 | dowel sleeve | | 2 | |
| 13 | 996 101 206 71 | Catch hook | | 1 | |
| 14 | 900 036 045 01 | End cap A 19 | | 2 | |
| (14) | 911 101 184 01 | Sealing cap oversize 20,00 X 13 | | 2 | |
| 15 | 900 036 046 02 | End cap A 22 | | 2 | |
| (15) | 911 101 185 01 | Sealing cap oversize 23,00 X 9 | | 2 | |
| 16 | 900 036 047 02 | End cap A 13 | | 2 | |
| (16) | 911 101 182 01 | Sealing cap oversize 14,00 X 8,5 | | 2 | |
| 17 | 911 101 186 00 | Bungs 7,50 X 8 | | 2 | |
| (17) | 911 101 186 01 | Sealing cap oversize 8,50 X 8 | | 2 | |
| 18 | 911 107 512 00 | piston | | 1 | |

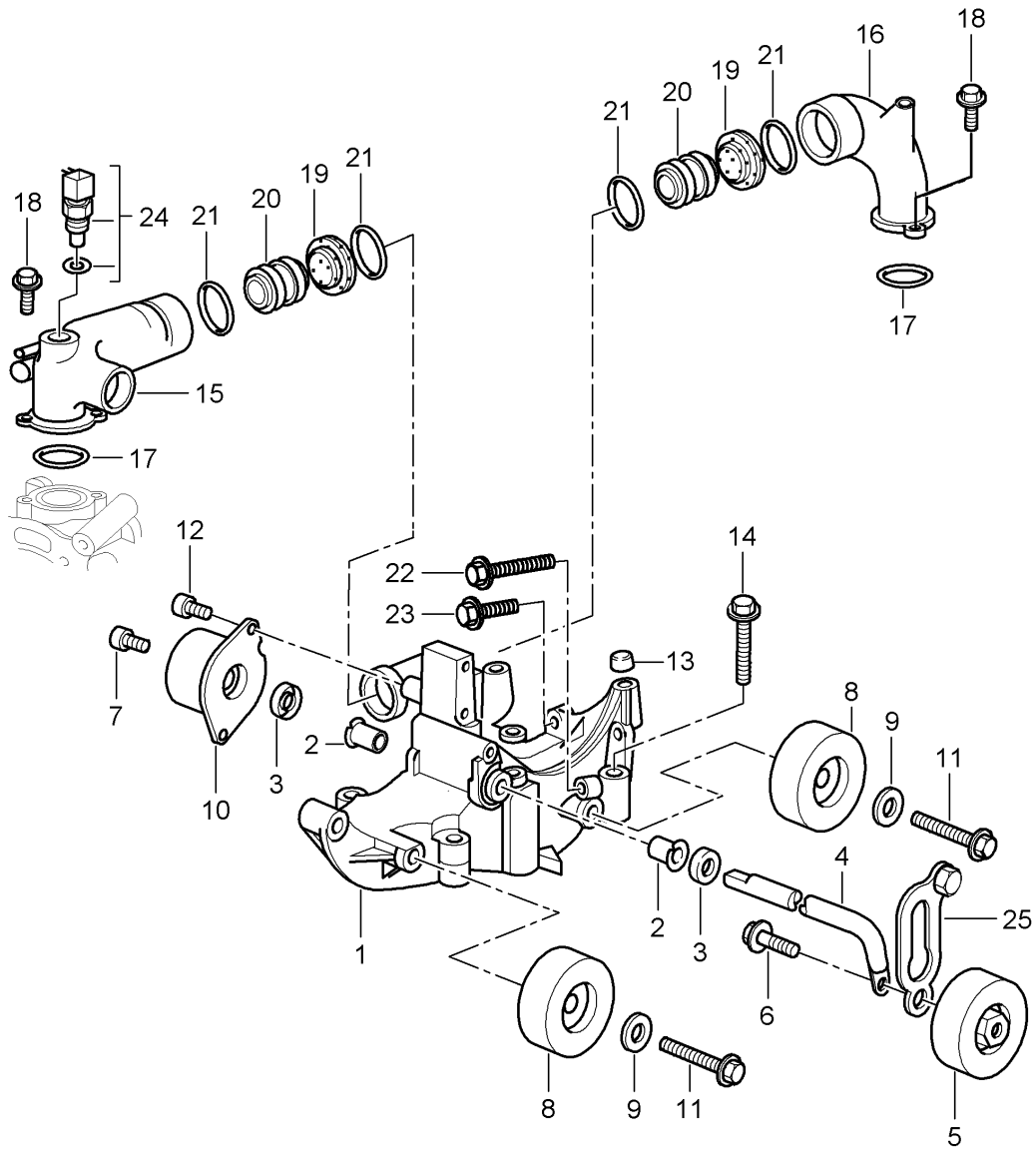
Model: 997T07

Model life 2007>>2009

| Pos | Part Number | Description | Remark | Qty | Model |
|-----|----------------|---|--------|-----|-------|
| 19 | 930 107 531 01 | Pressure spring | | 1 | |
| 20 | 964 107 532 00 | Spacer ring | | 1 | |
| 21 | 930 107 533 00 | guide sleeve Discontinued part | | 1 | |
| 21 | 930 107 533 01 | guide sleeve | | 1 | |
| 22 | 900 123 106 30 | seal ring A 18 X 24 | | 1 | |
| 23 | 999 064 026 02 | sealing plug Discontinued part | | 1 | |
| 23 | 999 064 026 01 | sealing plug AM 18 X 1,5 | | 1 | |
| 24 | 900 036 008 02 | End cap B 15 | | 1 | |
| 25 | 900 036 029 02 | End cap B 16 | | 1 | |
| 26 | 999 113 264 40 | Radial shaft seal 90 X 110 X 12 | | 1 | |
| 27 | 900 074 139 02 | Hexagon bolt M 8 X 55 Discontinued part | | 1 | |
| 27 | 900 074 139 03 | Hexagon bolt M 8 X 55 | | 1 | |
| 28 | 900 031 001 02 | Washer 8,4 Discontinued part | | 4 | |
| 31 | 900 031 105 01 | Washer 8,4 X 15 X 1,6 | | 2 | |
| 29 | 999 084 095 02 | Locknut M 8 Discontinued part | | 1 | |
| 29 | 900 910 003 01 | Hexagon nut M 8 | | 1 | |
| 30 | 900 378 150 01 | Hexagon bolt M 8 X 55 | | 1 | |
| 31 | 964 101 313 71 | Washer Discontinued part | | 12 | |
| 31 | 964 101 313 05 | Washer | | 12 | |
| 32 | 999 701 006 41 | O-ring 8 X 2 | | 12 | |
| 33 | 959 101 173 70 | Screw Discontinued part | | 11 | |
| 33 | 959 101 173 01 | Screw | | 11 | |
| 34 | 964 101 174 70 | Screw Discontinued part | | 2 | |
| 34 | 964 101 174 00 | Screw | | 2 | |
| 35 | 999 701 596 40 | O-ring 8,3 X 2,4 | | 4 | |

Model: 997T07

Model life 2007>>2009



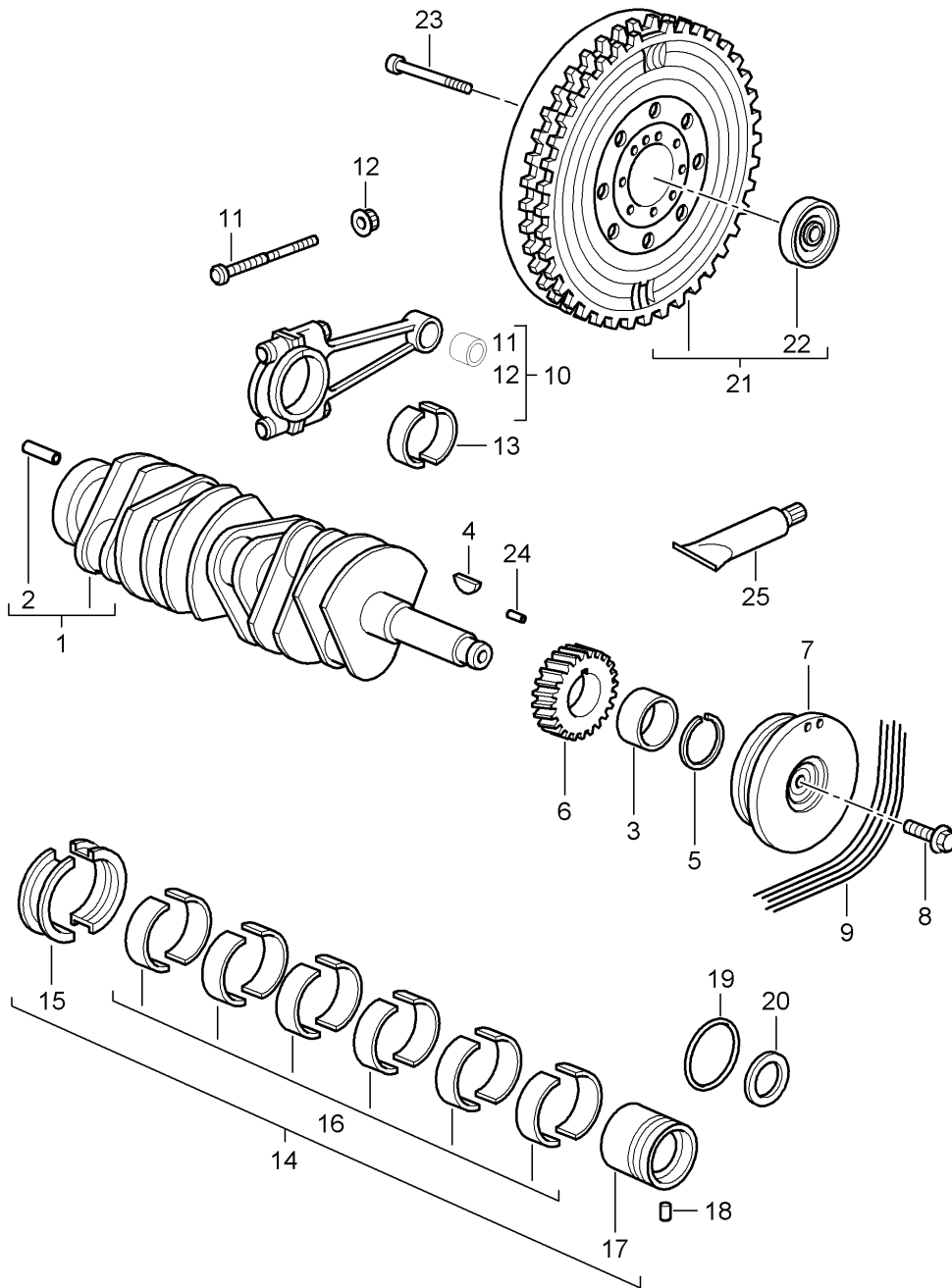
Model: 997T07

Model life 2007>>2009

| Pos | Part Number | Description | Remark | Qty | Model |
|------|----------------|--------------------------|--------|-----|-------|
| | | Belt tensioner | | | 9770 |
| | | Belt drive | | | |
| 1 | 996 115 112 70 | Console | | 1 | |
| 2 | 997 102 167 00 | Bush | | 2 | |
| 3 | 996 102 365 50 | dust cap | | 2 | |
| 4 | 996 115 913 70 | lever | | 1 | |
| | | Discontinued part | | | |
| (4) | 996 115 913 71 | lever | | 1 | |
| 5 | 996 115 016 72 | Tensioning roller | | 1 | |
| 6 | 999 072 039 01 | Hexagon bolt | | 1 | |
| | | M 10 X 30 | | | |
| 7 | 900 067 117 05 | Socket head bolt | | 1 | |
| | | M 6 X 16 | | | |
| 8 | 996 115 015 75 | idler pulley | | 2 | |
| 9 | 996 102 125 53 | Cover disc | | 2 | |
| 10 | 996 115 221 72 | tensioner | | 1 | |
| 11 | 900 385 120 01 | Hexagon socket head bolt | | 2 | |
| | | M 10 X 55 | | | |
| 12 | 900 067 131 03 | Socket head bolt | | 2 | |
| | | M 8 X 16 | | | |
| 13 | 999 095 063 02 | dowel sleeve | | 4 | |
| | | 11 M 6 X 10 | | | |
| | | D - MJ 2007>> - MJ 2007 | | | |
| (13) | 999 095 063 01 | dowel sleeve | | 4 | |
| | | 11 M 6 X 10 | | | |
| | | D - MJ 2008>> | | | |
| 14 | 900 385 004 01 | Torx screw | | 4 | |
| | | AM 10 X 60 | | | |
| 15 | 997 106 039 72 | connection piece | | 1 | |
| 16 | 997 106 440 70 | connection piece | | 1 | |
| 17 | 999 707 410 40 | O-ring | | 2 | |
| | | 39,20 X 3,00 | | | |
| 18 | 900 385 019 01 | Torx screw | | 4 | |
| | | M 6 X 20 | | | |
| 19 | 996 106 214 70 | protective ring | | 2 | |
| 20 | 996 106 238 71 | Connector union | | 2 | |
| 21 | 999 707 411 40 | O-ring | | 4 | |
| | | 28,00 X 4,50 | | | |
| 22 | 900 385 036 01 | Hexagon socket head bolt | | 1 | |
| | | M 8 X 55 | | | |
| 23 | 900 385 098 01 | Torx screw | | 2 | |
| | | M 8 X 25 | | | |
| 24 | 997 606 420 00 | Temperature sensor | | 1 | |
| 25 | 996 115 213 71 | Follower | | 1 | |

Model: 997T07

Model life 2007>>2009



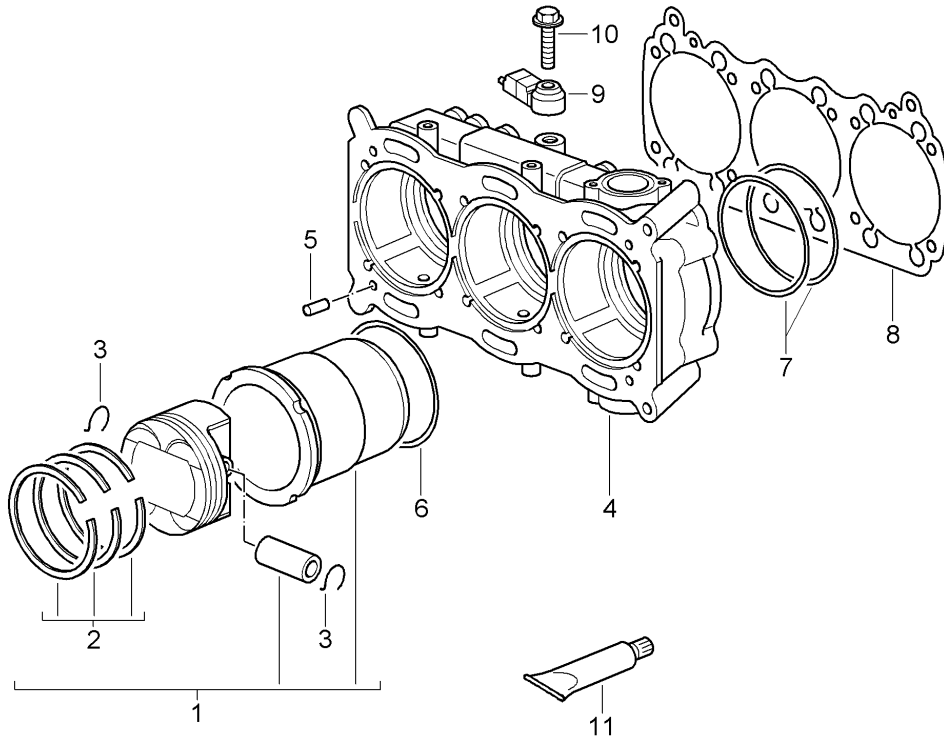
Model: 997T07

Model life 2007>>2009

| Pos | Part Number | Description | Remark | Qty | Model |
|------|----------------|---|---------|-----|--------|
| 1 | 997 102 021 75 | Crankshaft Crankshaft Discontinued part | | 1 | 9770 |
| (1) | 997 102 021 77 | Crankshaft | | 1 | |
| 2 | 900 095 031 00 | Spring pin 6 X 16 | | 1 | |
| 3 | 959 102 321 00 | Intermediate ring | | 1 | |
| 4 | 901 102 147 00 | woodruff key | | 1 | |
| 5 | 901 102 148 00 | Securing ring Number 0 | | 1 | |
| 5 | 901 102 148 01 | Securing ring Number 1 | | 1 | |
| 5 | 901 102 148 02 | Securing ring Number 2 | | 1 | |
| 5 | 901 102 148 03 | Securing ring Number 3 | | 1 | |
| 6 | | see illustration: | 103-015 | 1 | |
| 7 | 996 102 017 72 | pulley | | 1 | |
| 8 | 999 217 128 02 | Hexagon bolt M 14 X 1,5 X 33 | | 1 | |
| 9 | 999 192 379 50 | Poly-rib belt | | 1 | PR:573 |
| 10 | 997 103 920 70 | Connecting rod Connecting rods comprising: Connecting rods | | 1 | |
| 11 | 996 103 176 70 | bolt - connecting rod | | 12 | |
| 12 | 993 103 174 02 | Connecting rod nut | | 12 | |
| 13 | 997 103 901 00 | 1 set: conrod bearings | | 6 | |
| 14 | 997 101 901 00 | 1 set: crankshaft bearings | | 1 | |
| 15 | 996 101 231 92 | Thrust bearing I | | 2 | |
| 16 | 996 101 232 92 | Main bearing II-VII Discontinued part | | 12 | |
| 16 | 996 101 232 95 | Main bearing II-VII | | 12 | |
| 17 | 964 101 138 01 | Bearing bush VIII | | 1 | |
| 18 | 900 012 061 00 | Cylinder pin 5 H 8 X 10 | | 1 | |
| 19 | 999 707 285 41 | O-ring 51 X 4,5 | | 1 | |
| 20 | 999 113 290 41 | Radial shaft seal 30 X 50 X 10 | | 1 | |
| 21 | 997 114 012 51 | Dual-mass flywheel | | 1 | |
| 22 | 999 052 169 00 | grooved ball bearing 30 X 37 X 4 | | 1 | |
| 23 | 999 119 017 01 | Socket head bolt M 10 X 1,25 X 62 | | 9 | |
| 24 | 900 302 046 01 | Cylinder pin M 5 X 18 | | 1 | |
| 25 | 000 043 300 21 | Grease 100 Gr. for Titanium | | 1 | |
| (25) | 000 043 024 00 | bolt - connecting rod Extreme-pressure grease 1 tube 80 Gr. for connecting rod bearing shell | | 1 | |

Model: 997T07

Model life 2007>>2009



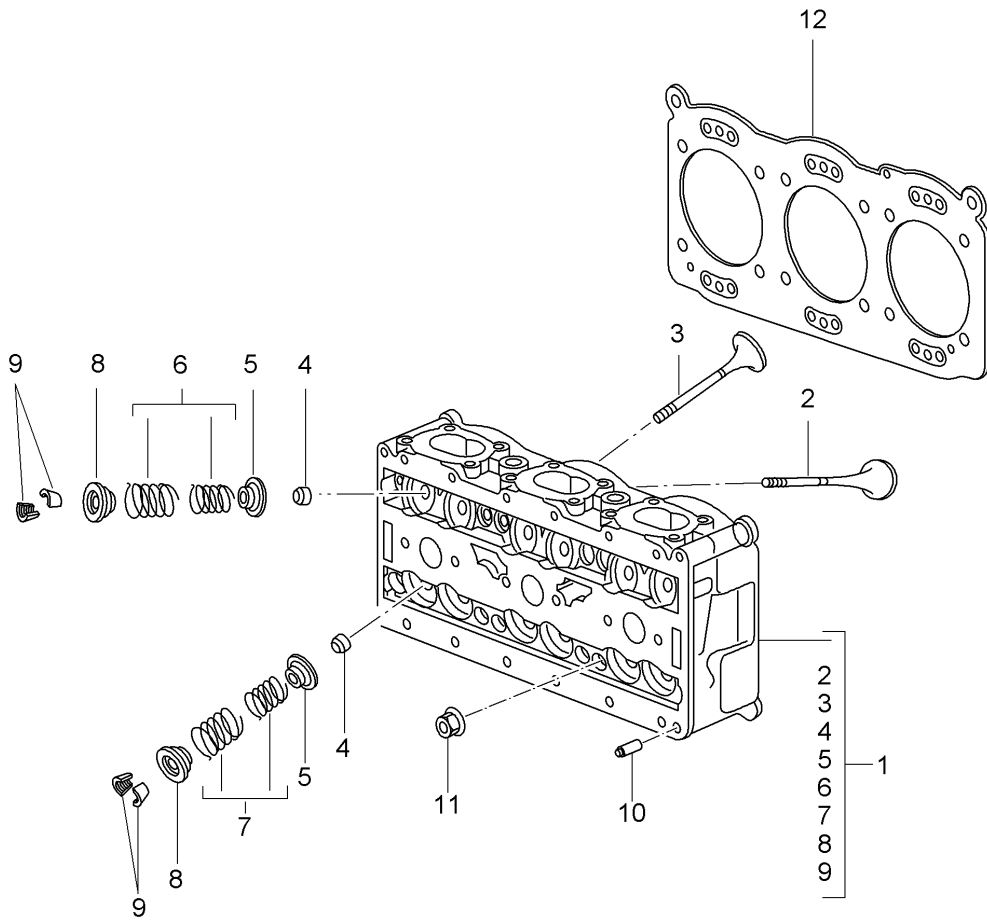
Model: 997T07

Model life 2007>>2009

| Pos | Part Number | Description | Remark | Qty | Model |
|-----|----------------|---|--------|-----|-------|
| 1 | 997 103 915 71 | Cylinder with pistons Cylinder with pistons Number plate /- 564 - 570 G | | 6 | 9770 |
| 1 | 997 103 916 71 | Cylinder with pistons Number plate /+ 570 - 576 G | | 6 | |
| 2 | 997 103 925 70 | 1 set: piston rings No longer use the part here | | 6 | |
| 2 | 997 103 071 70 | 1 set: piston rings | | 6 | |
| 3 | 999 178 016 00 | snap ring | | 12 | |
| 4 | 997 101 311 70 | housing | | 2 | |
| 5 | 900 012 046 00 | Cylinder pin A 8,0 X 14 | | 8 | |
| 6 | 999 707 393 40 | O-ring 104,00 X 2,00 | | 6 | |
| 7 | 999 707 394 40 | O-ring 110,00 X 2,50 | | 12 | |
| 8 | 997 101 193 71 | Cylinder base gasket | | 2 | |
| 9 | 997 606 121 00 | Knock sensor | | 2 | |
| 10 | 900 385 042 01 | Torx screw M 8 X 35 | | 2 | |
| 11 | 000 043 205 10 | Grease 80 GR. | | 1 | |

Model: 997T07

Model life 2007>>2009



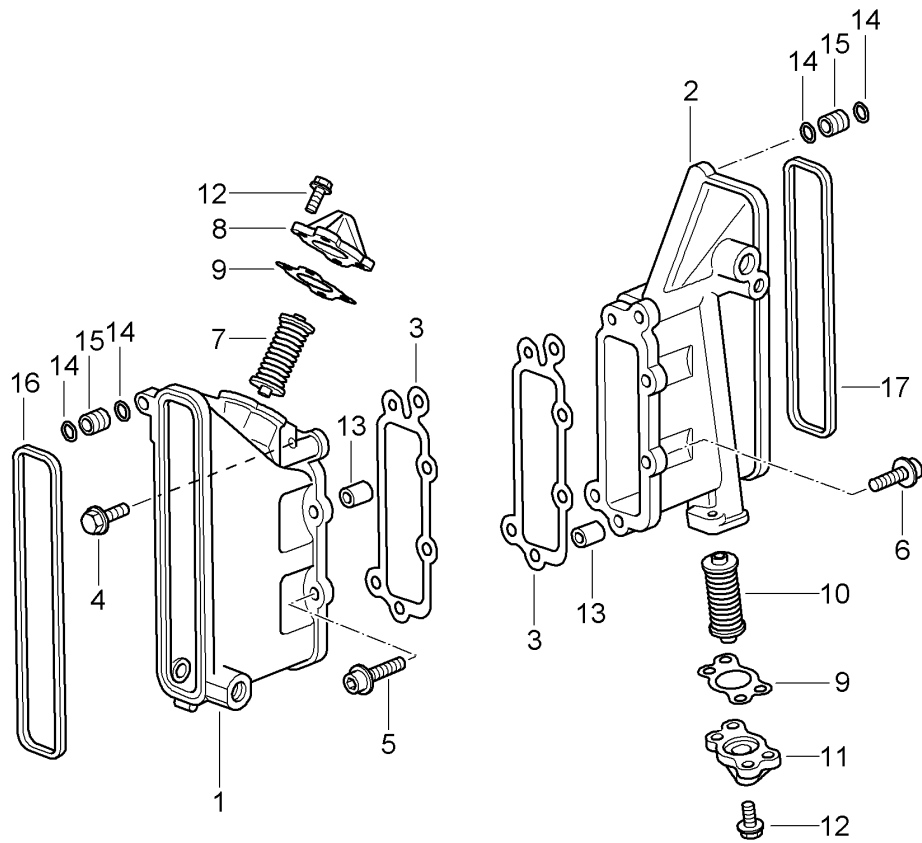
Model: 997T07

Model life 2007>>2009

| Pos | Part Number | Description | Remark | Qty | Model |
|-----|----------------|--|--------|-----|-------|
| 1 | 997 104 001 72 | Cylinder head Cylinder head Ready for installation | | 2 | 9770 |
| 2 | 996 105 111 72 | Inlet valve | | 12 | |
| 3 | 996 105 113 72 | exhaust valve | | 12 | |
| 4 | 996 105 115 52 | Valve stem seal | | 24 | |
| 5 | 996 105 117 74 | spring disc | | 24 | |
| 6 | 996 105 093 70 | 1 set of valve springs | | 12 | |
| 7 | 997 105 025 71 | 1 set of valve springs | | 12 | |
| 8 | 996 105 121 73 | spring disc | | 24 | |
| 9 | 996 105 123 52 | cotter, split | | 48 | |
| 10 | 900 012 046 00 | Cylinder pin | | 4 | |
| 11 | 996 104 382 70 | Cylinder head nut Discontinued part | | 24 | |
| 11 | 996 104 382 71 | Cylinder head nut | | 24 | |
| 12 | 997 104 170 71 | Cylinder head gasket | | 2 | |

Model: 997T07

Model life 2007>>2009



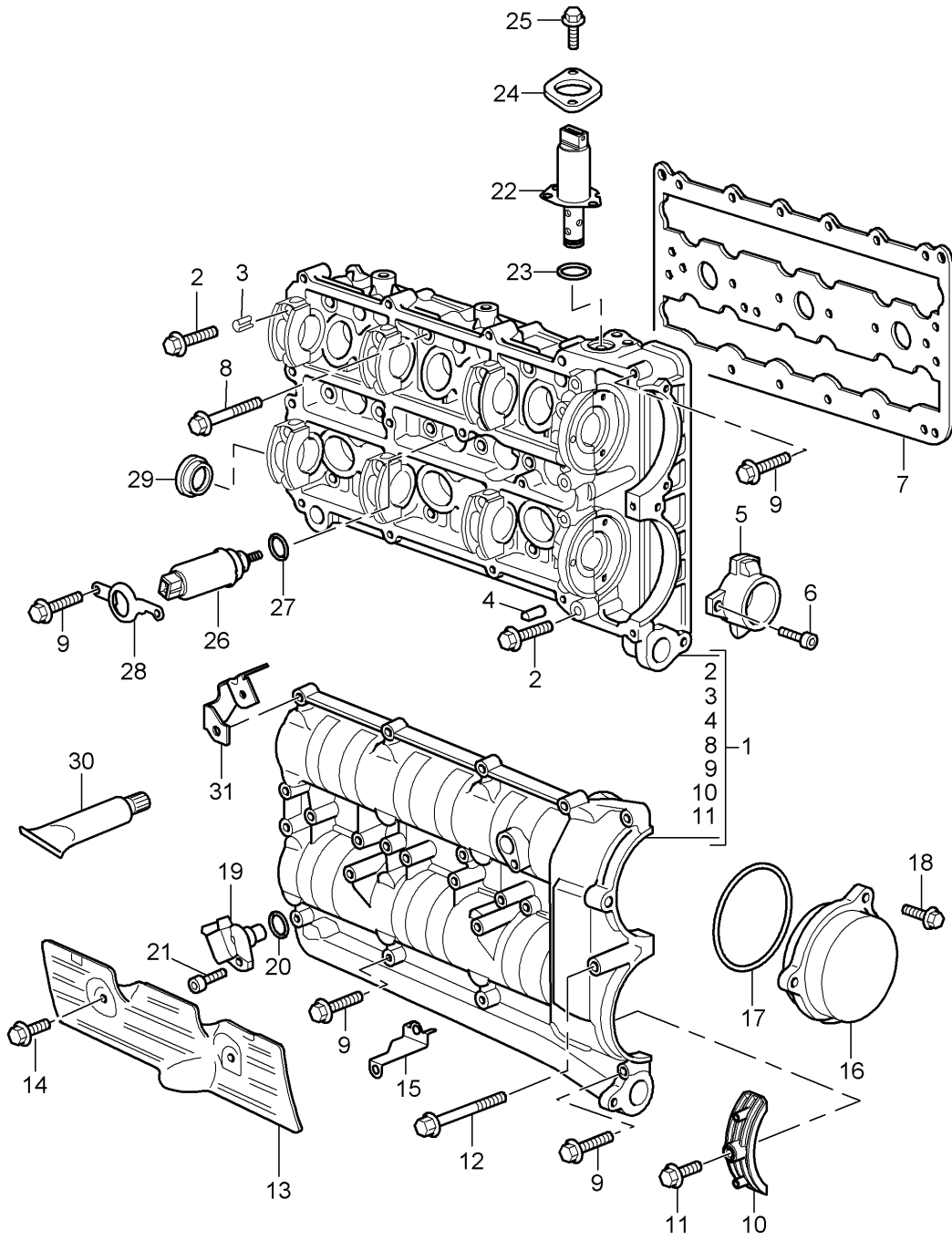
Model: 997T07

Model life 2007>>2009

| Pos | Part Number | Description | Remark | Qty | Model |
|-----|----------------|---------------------------------|--------|-----|-------|
| | | Chain case chain tensioner | | | 9770 |
| 1 | 996 105 143 79 | Chain case Discontinued part | left | 1 | |
| 1 | 997 105 143 70 | Chain case | left | 1 | |
| 2 | 997 105 144 71 | Chain case Discontinued part | right | 1 | |
| 2 | 997 105 144 72 | Chain case | right | 1 | |
| 3 | 996 105 192 71 | Seal | | 2 | |
| 4 | 900 385 098 01 | Torx screw AM 8 X 25 | | 1 | |
| 5 | 900 067 276 01 | Bolt with washer M 8 X 35 | | 4 | |
| 6 | 900 067 247 01 | Bolt with washer M 8 X 30 | | 5 | |
| 7 | 959 105 051 03 | chain tensioner | | 1 | |
| 8 | 997 105 023 71 | Cover | left | 1 | |
| 9 | 996 105 172 70 | Seal | | 2 | |
| 10 | 959 105 052 03 | chain tensioner | | 1 | |
| 11 | 993 105 022 01 | Cover | right | 1 | |
| 12 | 900 385 019 01 | Torx screw | | 4 | |
| 13 | 901 101 145 00 | dowel sleeve | | 4 | |
| 14 | 999 707 229 40 | O-ring 9,25 x 1,78 | | 4 | |
| 15 | 996 105 229 90 | Intermediate piece | | 2 | |
| 16 | 996 105 513 72 | Seal | left | 1 | |
| 17 | 996 105 514 72 | Seal | right | 1 | |

Model: 997T07

Model life 2007>>2009



Model: 997T07

Model life 2007>>2009

| Pos | Part Number | Description | Remark | Qty | Model |
|------|----------------|--|--------|-----|------------|
| 1 | 997 105 929 70 | Camshaft housing | left | 1 | 9770 |
| (1) | 997 105 930 70 | Camshaft housing Cyl. 1 - 3 | right | 1 | |
| 2 | 900 385 048 01 | Torx screw M 6 X 30 | | 40 | |
| 3 | 944 104 361 00 | dowel sleeve | | 24 | |
| 4 | 900 012 071 00 | Cylinder pin A 4,0 X 8 | | 4 | |
| 5 | 996 105 233 72 | Oil-conducting housing | left | 1 | |
| (5) | 996 105 234 72 | Oil-conducting housing | right | 1 | |
| 6 | 900 067 051 03 | Socket head bolt M 5 X 10 | | 6 | |
| 7 | 996 105 613 75 | Seal | left | 1 | |
| (7) | 996 105 614 75 | Seal | right | 1 | |
| 8 | 900 385 071 01 | Torx screw M 8 X 50 | | 36 | |
| 9 | 900 385 270 01 | Hexagon head bolt M 6 X 35 | | 14 | |
| 10 | 997 105 311 70 | Glide piece | | 2 | |
| 11 | 999 385 005 02 | Torx screw M 6 X 16 | | 2 | |
| 12 | 900 385 118 01 | Outer hexagon round screw M 6 X 75 | | 2 | |
| 13 | 997 104 426 70 | Guard plate | right | 1 | |
| 13 | 997 104 426 71 | Guard plate | right | 1 | PR:004,101 |
| (13) | 997 104 427 70 | Guard plate | left | 1 | |
| (13) | 997 104 427 71 | Guard plate | left | 1 | PR:004,101 |
| 14 | 900 385 041 01 | Torx screw M 6 X 12 | | 4 | |
| 15 | 997 104 425 70 | Bracket | right | 1 | |
| 16 | 997 105 315 71 | Cover | | 2 | |
| 17 | 999 707 482 41 | O-ring 90,00 X 2,50 | | 2 | |
| 18 | 900 385 019 01 | Torx screw M 6 X 20 | | 6 | |
| 19 | 997 606 106 01 | Hall sensor Discontinued part | | 2 | |
| 19 | 997 606 106 03 | Hall sensor | | 2 | |
| 20 | 999 707 404 40 | O-ring 17,05 X 1,78 | | 2 | |
| | | To Use 997.606.106.03 No longer use the part here | | | |
| 21 | 900 387 264 01 | Socket head bolt M 6 X 16 | | 2 | |
| 21 | N 105 464 03 | Discontinued part Hexagon socket head bolt M 6 X 16 | | 2 | |
| 22 | 997 105 303 72 | throttle control element Camshaft | | 2 | |
| (22) | 997 105 303 73 | Discontinued part throttle control element Camshaft | | 2 | |
| 23 | 996 105 903 05 | O-ring 18,72 X 2,62 | | 2 | |
| 24 | 997 105 305 75 | bracket f.throttle contr.elem. Camshaft | | 2 | |
| 25 | 900 385 275 01 | Torx screw M 6 X 20 | | 4 | |

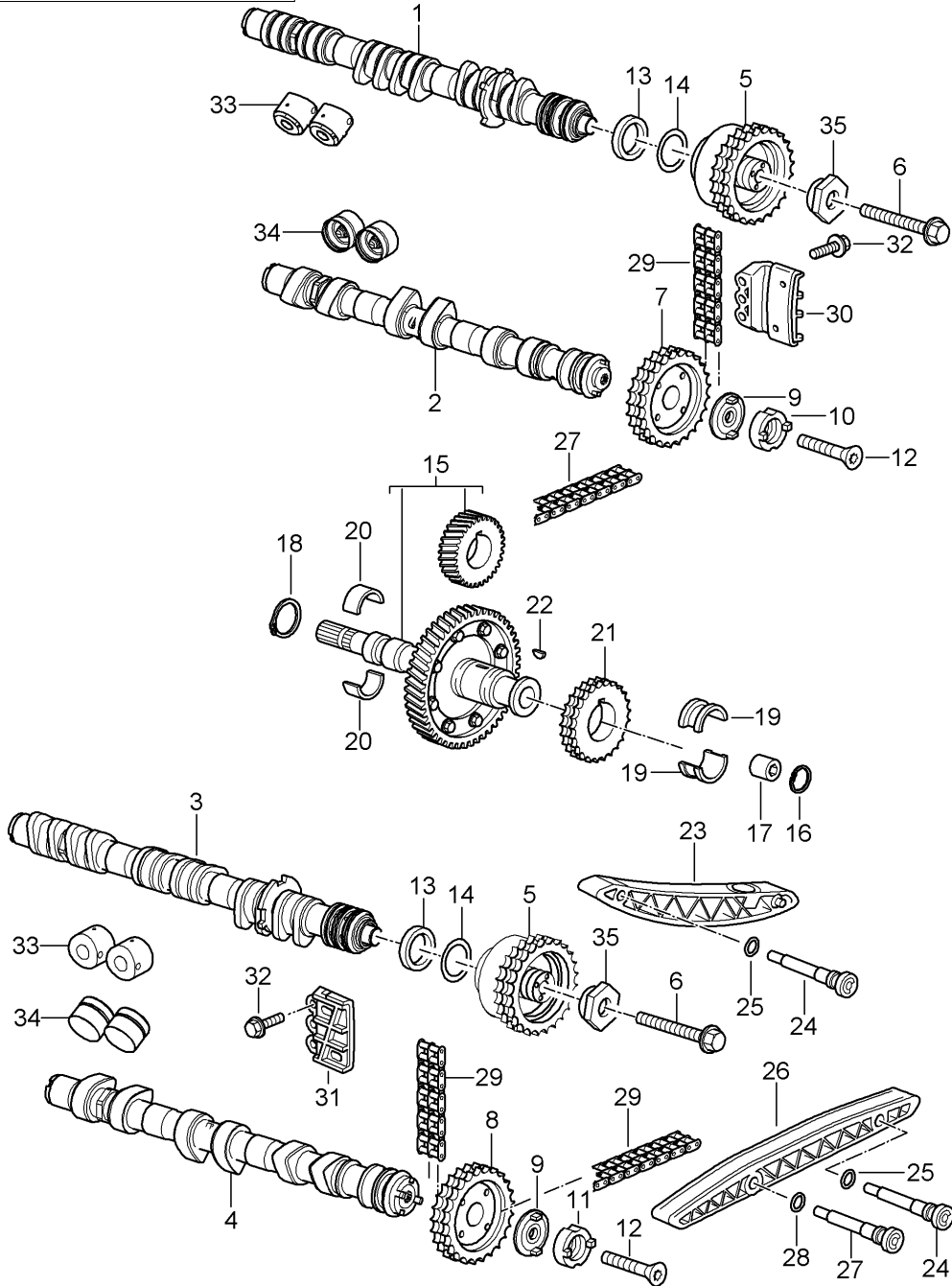
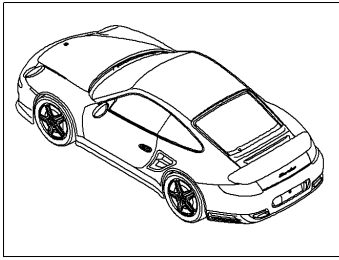
Model: 997T07

Model life 2007>>2009

| Pos | Part Number | Description | Remark | Qty | Model |
|------|----------------|--|--------|-----|-------|
| 26 | 996 105 301 03 | throttle control element Valve | | 2 | |
| 26 | 996 105 301 04 | Discontinued part throttle control element Valve | | 2 | |
| 27 | 996 105 901 03 | O-ring 21,00 X 3,00 | | 2 | |
| 28 | 997 105 310 71 | bracket f.throttle contr.elem. Valve | | 2 | |
| 29 | 996 105 329 70 | End cap | | 4 | |
| 30 | 000 043 204 58 | sealant DREI BOND 2210 30 GR. Discontinued part | | 1 | |
| 30 | 000 043 305 33 | sealant 75 ML DOBOSEAL 224N | | X | |
| (30) | 000 043 024 00 | Extreme-pressure grease 1 tube 80 Gr. for Camshaft | | 1 | |
| 31 | 997 606 114 04 | bracket for speed sensor Cable | | 1 | |

Model: 997T07

Model life 2007>>2009



Model: 997T07 Model life 2007>>2009

| Pos | Part Number | Description | Remark | Qty | Model |
|------|----------------|--|--------|-----|-------|
| 1 | 997 105 019 73 | Valve control Camshaft Intake Cyl. 1 - 3 Discontinued part | | 1 | 9770 |
| 1 | 997 105 019 74 | Camshaft Intake Cyl. 1 - 3 | | 1 | |
| 2 | 997 105 217 74 | Camshaft Exhaust Cyl. 1 - 3 | | 1 | |
| 3 | 997 105 020 73 | Camshaft Intake Cyl. 4 - 6 Discontinued part | | 1 | |
| 3 | 997 105 020 74 | Camshaft Intake Cyl. 4 - 6 | | 1 | |
| 4 | 997 105 218 73 | Camshaft Exhaust Cyl. 4 - 6 | | 1 | |
| 5 | 997 105 051 71 | camshaft adjuster unit Discontinued part | | 2 | |
| 5 | 997 105 051 72 | camshaft adjuster unit | | 2 | |
| 6 | 987 105 254 00 | Hexagon bolt M 12 X 1,5 X 130 | | 2 | |
| 7 | 996 105 177 72 | Chain sprocket Cyl. 1 - 3 | | 1 | |
| 8 | 996 105 178 72 | Chain sprocket Cyl. 4 - 6 | | 1 | |
| 9 | 996 105 647 81 | Washer | | 2 | |
| 10 | 959 105 161 03 | Clutch plate Cyl. 1 - 3 | | 1 | |
| 11 | 959 105 161 04 | Clutch plate Cyl. 4 - 6 | | 1 | |
| 12 | 997 105 317 71 | Socket head bolt | | 2 | |
| 13 | 996 105 280 90 | ring | | 6 | |
| 14 | 997 105 203 70 | Washer for camshaft | | 2 | |
| 15 | 996 105 911 70 | Intermediate shaft | with: | 1 | |
| | | Timing gear Size 0 | | | |
| 15 | 996 105 911 71 | Intermediate shaft | with: | 1 | |
| | | Timing gear Size 1 | | | |
| 16 | 900 041 026 01 | Securing ring 13 X 1 | | 1 | |
| 17 | 993 105 275 52 | Intermediate piece | | 1 | |
| 18 | 900 041 025 01 | Securing ring 36 X 1,75 | | 2 | |
| 19 | 996 101 137 80 | Mounting | | 2 | |
| 20 | 996 101 435 70 | bearing shell | | 2 | |
| 21 | 901 105 125 04 | Chain sprocket | | 2 | |
| 22 | 900 118 010 00 | woodruff key | | 2 | |
| 23 | 997 105 165 70 | Tensioner blade | | 2 | |
| 24 | 964 105 171 03 | Pin | | 4 | |
| 25 | 900 123 131 30 | seal ring A16 X 20 | | 4 | |
| 26 | 996 105 167 70 | slide rail | left | 1 | |
| (26) | 996 105 166 70 | slide rail | right | 1 | |
| 27 | 996 105 175 70 | bearing pin | | 2 | |
| 28 | 900 123 152 30 | seal ring | | 2 | |

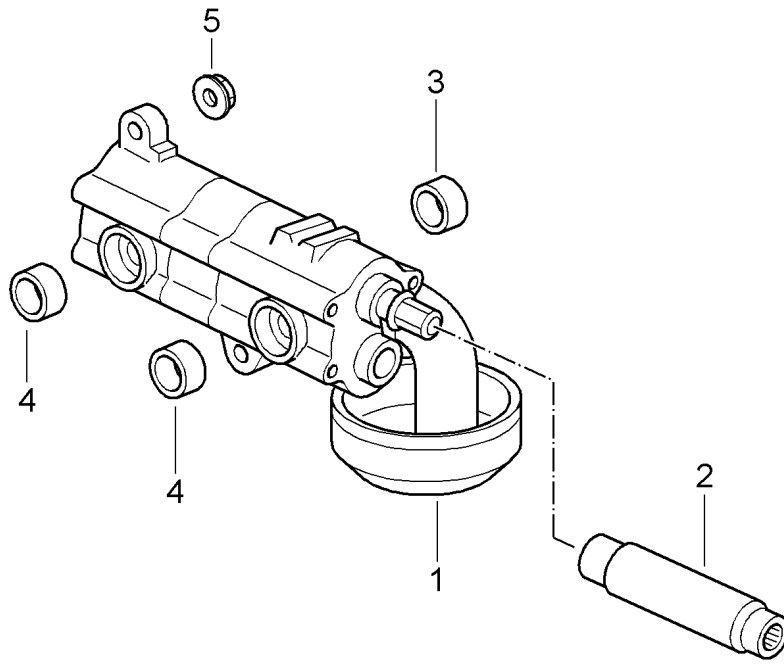
Model: 997T07

Model life 2007>>2009

| Pos | Part Number | Description | Remark | Qty | Model |
|-----|----------------|--|--------|-----|-------|
| 29 | 997 105 551 71 | A16 X 22 timing chain | | 2 | |
| 30 | 996 105 037 75 | slide rail | left | 1 | |
| 31 | 996 105 038 75 | slide rail | right | 1 | |
| 32 | 900 385 072 01 | Torx screw M 6 X 20 | | 6 | |
| 33 | 996 105 255 25 | Hydraulic tappet Intake | | 12 | |
| 34 | 996 105 041 73 | Hydraulic tappet Exhaust | | 12 | |
| 35 | 997 105 260 70 | Intermediate piece camshaft adjuster unit | | 2 | |
| - | 000 043 024 00 | Extreme-pressure grease 1 tube 80 Gr. for Camshaft | | 1 | |

Model: 997T07

Model life 2007>>2009



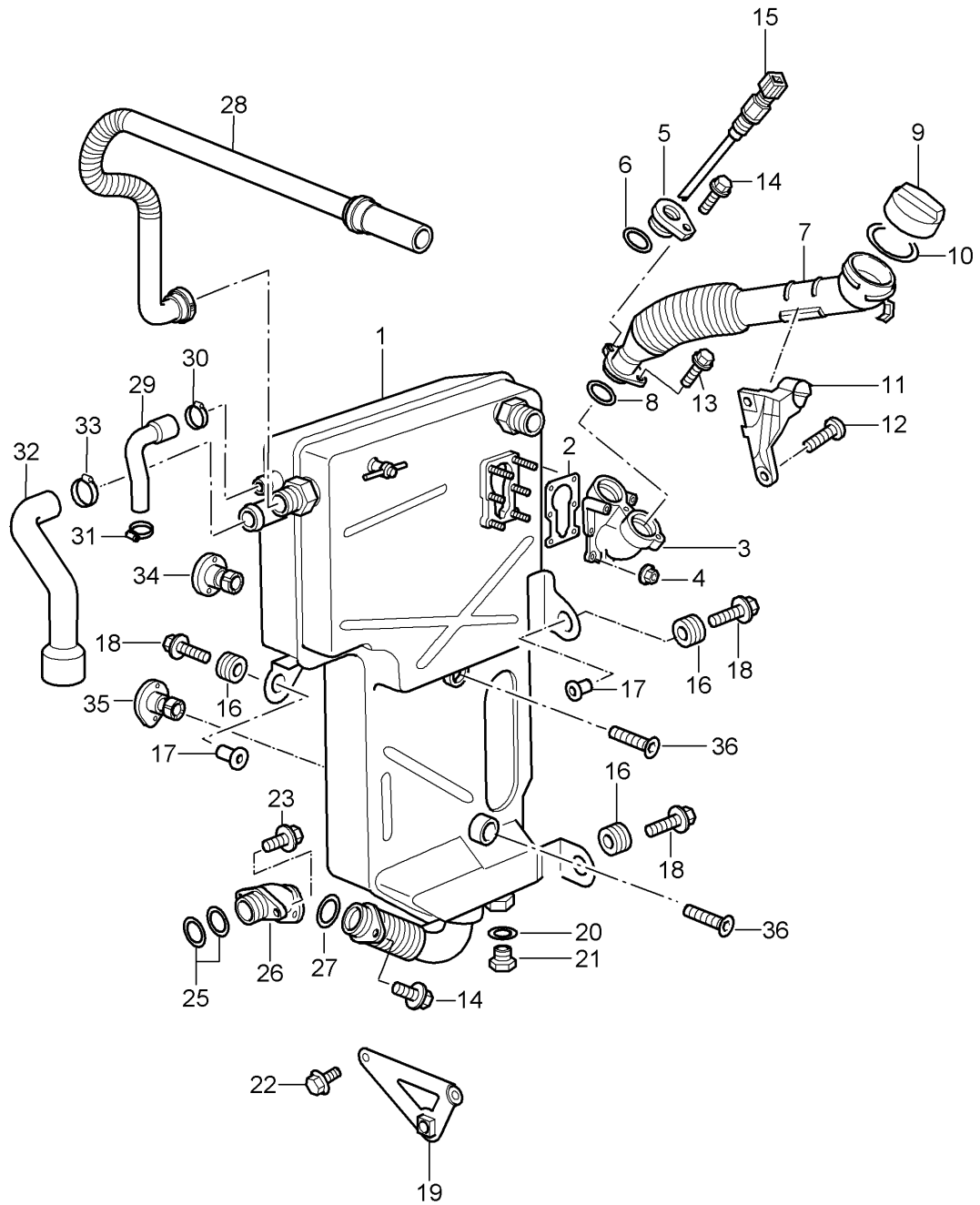
Model: 997T07

Model life 2007>>2009

| Pos | Part Number | Description | Remark | Qty | Model |
|-----|----------------|------------------|--------|-----|-------|
| 1 | 996 107 007 94 | oil pump | | 1 | 9770 |
| 2 | 930 107 143 03 | oil pump | | 1 | |
| 3 | 999 704 173 50 | Connecting shaft | | 1 | |
| | | seal ring | | 1 | |
| | | 19,5 X 26 | | | |
| 4 | 999 704 172 50 | seal ring | | 2 | |
| | | 16,3 X 22 | | | |
| 5 | 900 380 005 09 | Hexagon nut | | 3 | |
| | | M 8 | | | |

Model: 997T07

Model life 2007>>2009



Model: 997T07 Model life 2007>>2009

| Pos | Part Number | Description | Remark | Qty | Model |
|------|----------------|--|--------|-----|-------|
| | | Engine lubrication | | | 9770 |
| | | Oil tank | | | |
| 1 | 997 207 070 72 | Oil tank | | 1 | |
| 2 | 993 207 226 00 | Seal | | 1 | |
| 3 | 996 207 150 73 | Intermediate piece | | 1 | |
| 4 | 900 377 019 02 | Hexagon nut M 5 | | 1 | |
| | | Discontinued part | | | |
| 4 | 900 377 009 01 | Hexagon nut M 5 | | 6 | |
| 5 | 996 207 212 70 | flange | | 1 | |
| 6 | 999 707 343 41 | O-ring | | 1 | |
| | | 25,07 X 2,62 | | | |
| 7 | 997 207 016 70 | Filler tube | | 1 | |
| 8 | 999 707 481 40 | O-ring | | 1 | |
| | | 24 X 3,0 | | | |
| 9 | 996 107 035 52 | End cap | | 1 | |
| 10 | 996 107 336 00 | Seal | | 1 | |
| 11 | 997 207 216 73 | Bracket | | 1 | |
| | | for | | | |
| | | Filler tube | | | |
| 12 | 999 073 189 01 | flat round head bolt M 6 X 12 | | 2 | |
| 13 | 900 385 009 01 | Torx screw M 6 x 16 | | 3 | |
| 14 | 900 385 019 01 | Torx screw M 6 X 20 | | 1 | |
| 15 | 996 606 140 00 | oil level sender | | 1 | |
| 16 | 999 702 193 40 | Rubber grommet | | 3 | |
| | | 17,0 X 24,0 X 1,8 | | | |
| 17 | 999 209 037 02 | spacer sleeve 8,4 X 1,8 | | 3 | |
| | | D >> - MJ 2008 | | | |
| (17) | 999 209 037 01 | spacer sleeve 8,4 X 1,8 D - MJ 2009>> | | 3 | |
| 18 | 900 385 116 01 | Torx screw M 8 X 30 | | 3 | |
| 19 | 997 207 417 71 | Bracket | | 1 | |
| 20 | 900 123 010 20 | seal ring | | 1 | |
| 21 | 900 065 018 00 | sealing plug | | 1 | |
| 22 | 900 385 042 01 | Torx screw M 8 X 35 | | 2 | |
| 23 | 900 385 001 01 | Torx screw M 8 X 20 | | 1 | |
| 25 | 999 707 316 41 | O-ring 21,89 X 2,62 | | 2 | |
| 26 | 996 207 012 74 | Intake connection | | 1 | |
| 27 | 999 707 364 41 | seal ring 30 X 2,5 | | 1 | |
| 28 | 997 207 137 72 | Breather line No longer use the part here | | 1 | |
| 28 | 997 207 037 71 | Breather line | | 1 | |
| 29 | 997 207 139 71 | Hose Tank ventilation | | 1 | |
| 30 | 999 512 652 09 | Hose clamp 19 X 12 | | 1 | |
| 31 | 999 512 651 09 | Hose clamp 15 X 12 | | 1 | |
| 32 | 997 207 143 71 | Vent hose | | 1 | |
| 33 | 999 512 252 02 | Hose clamp 23 - 35/9 | | 1 | |
| 34 | 996 207 207 73 | Distance piece | | 1 | |

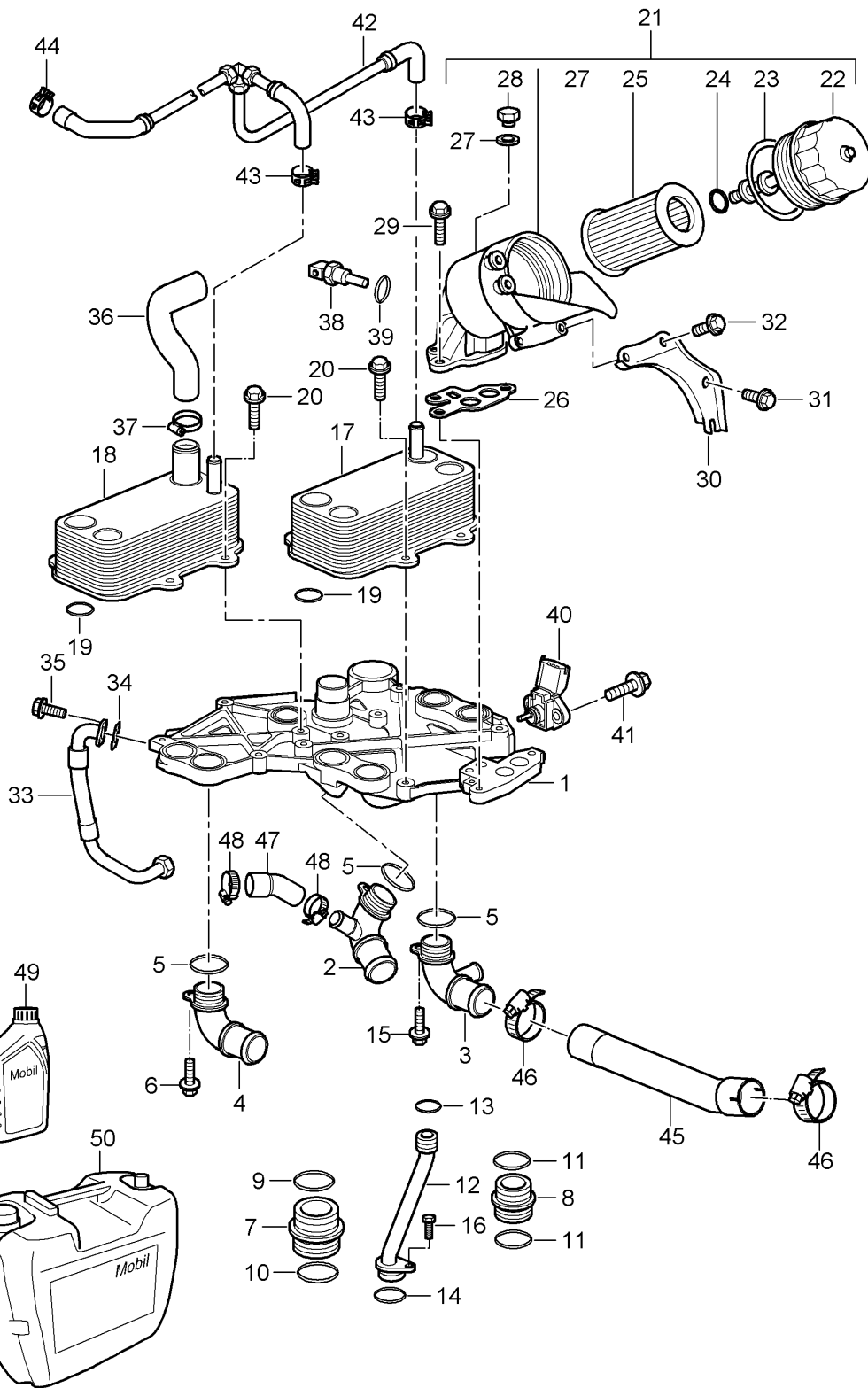
Model: 997T07

Model life 2007>>2009

| Pos | Part Number | Description | Remark | Qty | Model |
|-----|----------------|--|--------|-----|-------|
| 35 | 996 207 206 73 | Distance piece | | 1 | |
| 36 | 900 249 061 01 | countersunk bolt M 12 X 40 | | 2 | |
| 37 | 997 207 237 72 | Molded hose No longer use the part here | | 1 | |
| 38 | 999 512 661 09 | Hose clamp No longer use the part here | | 1 | |

Model: 997T07

Model life 2007>>2009



Model: 997T07 Model life 2007>>2009

| Pos | Part Number | Description | Remark | Qty | Model |
|------|----------------|--|--------|-----|--------|
| | | oil filter | | | 9770 |
| 1 | 997 107 033 71 | Console No longer use the part here | | 1 | |
| (1) | 997 844 233 70 | Console | | 1 | |
| 2 | 997 106 315 70 | Pipe union | | 1 | |
| 3 | 997 106 314 71 | Pipe union | | 1 | |
| 4 | 997 106 313 72 | Pipe union | | 1 | |
| 5 | 999 707 478 40 | O-ring 24,00 X 3,00 | | 6 | |
| 6 | 900 385 009 01 | Torx screw M 6 X 16 | | 3 | |
| 7 | 996 107 441 71 | Connector union | | 1 | |
| 8 | 997 107 451 70 | Connector union Discontinued part | | 1 | |
| (8) | 997 107 451 71 | Connector union | | 1 | |
| 9 | 999 707 422 41 | O-ring 32,92 X 3,53 | | 1 | |
| 10 | 999 707 426 41 | O-ring 37,69 X 3,53 | | 1 | |
| 11 | 999 707 113 41 | O-ring 20,22 X 3,53 | | 2 | |
| 12 | 997 107 311 72 | oil pipe | | 1 | |
| 13 | 999 701 789 40 | O-ring 12,00 X 2,00 | | 1 | |
| 14 | 999 707 446 40 | O-ring 18,00 X 2,50 | | 2 | |
| 15 | 999 073 316 01 | flat round head bolt M 6 X 20 | | 4 | |
| 16 | 900 385 041 01 | Torx screw M 6 X 12 | | 1 | |
| 17 | 997 107 025 71 | heat exchanger 1 | | 1 | |
| 18 | 997 107 026 71 | heat exchanger 2 | | 1 | |
| 19 | 999 707 409 41 | O-ring 26,00 X 3,00 | | 7 | |
| 20 | 900 385 009 01 | Torx screw M 6 X 16 | | 8 | |
| 21 | 997 107 201 70 | housing Discontinued part | | 1 | |
| (21) | 997 107 020 70 | housing | | 1 | |
| 22 | 996 107 285 70 | Cover | | 1 | |
| 23 | 996 107 313 51 | seal ring | | 1 | |
| 24 | 999 707 465 40 | O-ring 10,00 X 2,00 | | 1 | |
| 25 | 996 107 225 53 | filter element | | 1 | |
| 26 | 996 107 217 71 | Seal | | 1 | |
| 27 | 900 123 104 30 | seal ring 14 X 18 | | 1 | |
| 28 | 900 219 002 03 | sealing plug M 14 X1,5 | | 1 | |
| 29 | 900 385 098 01 | Torx screw M 8 X 25 | | 3 | |
| 30 | 997 107 301 71 | Bracket | | 1 | |
| 31 | 900 067 291 01 | Bolt with washer M 8 X 16 | | 2 | |
| 32 | 900 385 041 01 | Torx screw M 6 X 12 | | 2 | |
| 33 | 997 107 028 70 | return line | | 1 | PR:480 |
| (33) | 997 107 029 71 | return line | | 1 | PR:249 |
| 34 | 993 113 258 51 | Seal | | 1 | |
| 35 | 900 385 019 01 | Torx screw | | 2 | |

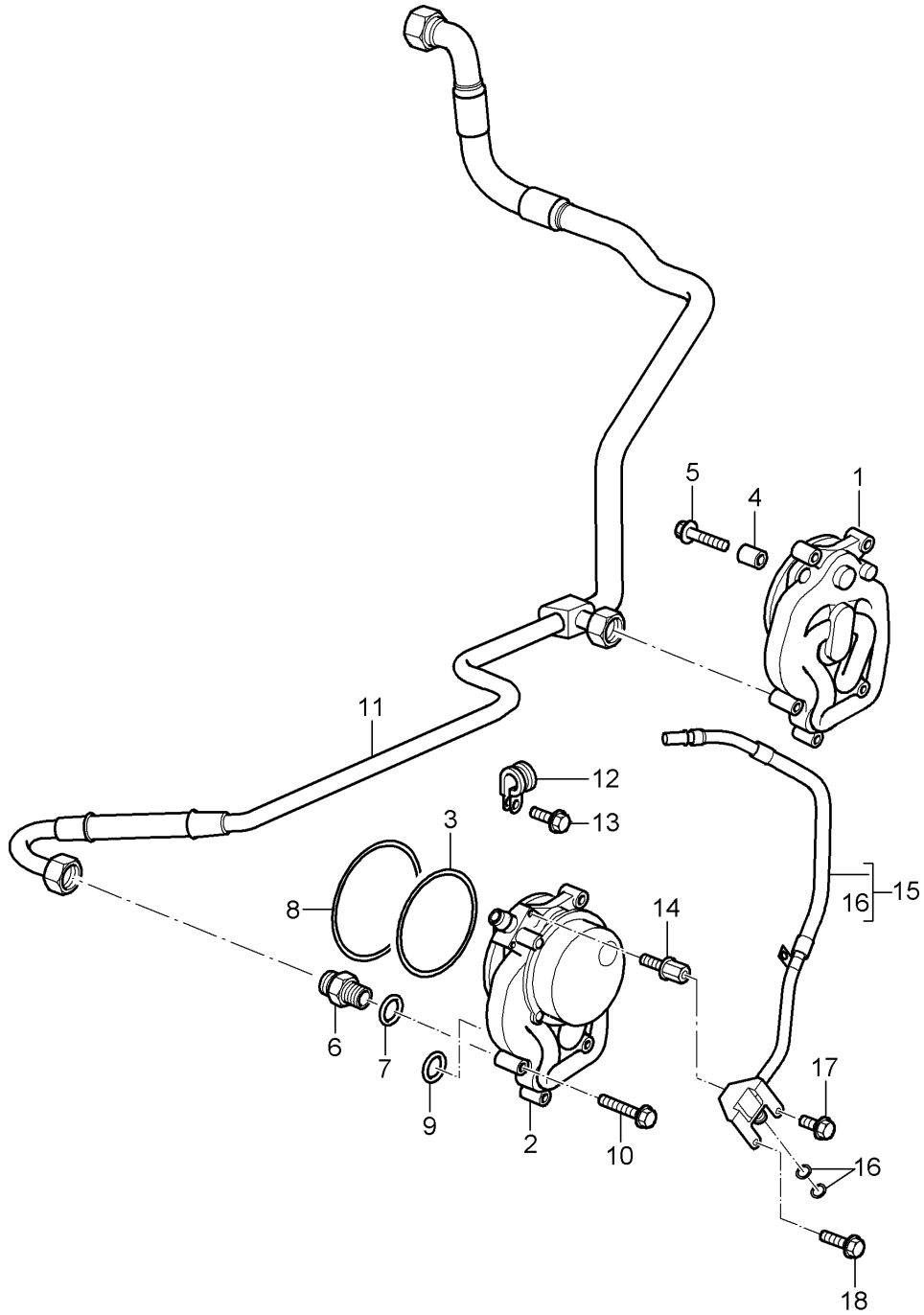
Model: 997T07

Model life 2007>>2009

| Pos | Part Number | Description | Remark | Qty | Model |
|-----|----------------|--|--------|-----|-------|
| 36 | 997 107 121 72 | M 6 X 20 Molded hose Discontinued part | | 1 | |
| 36 | 997 107 121 73 | Molded hose | | 1 | |
| 37 | 999 512 657 09 | Hose clamp | | 1 | |
| 38 | 997 606 420 00 | Temperature sensor | | 1 | |
| 39 | 993 110 530 01 | Grommet | | 1 | |
| 40 | 997 606 203 01 | Oil pressure sender Discontinued part | | 1 | |
| 40 | 997 606 203 02 | Oil pressure sender | | 1 | |
| 41 | 900 385 019 01 | Torx screw M 6 X 20 | | 2 | |
| 42 | 997 106 049 72 | Breather line | | 1 | |
| 43 | 999 512 651 09 | Hose clamp B 15 X 12 | | 2 | |
| 44 | 999 512 653 09 | Hose clamp B 20 X 12 | | 1 | |
| 45 | 997 106 328 72 | Water hose Return line | | 1 | |
| 46 | 999 512 552 00 | Hose clamp 20- 32/9 Discontinued part | | 2 | |
| 46 | 999 512 552 01 | Hose clamp 20- 32/9 | | 2 | |
| 47 | 997 106 374 73 | Water hose Supply Coolant pump Exhaust gas turbocharger | | 1 | |
| 48 | 999 512 346 00 | Hose clamp 16- 27/9 | | 2 | |
| 49 | 000 043 301 19 | engine oil EXXON MOBIL 1 0W-40 1 LITER Container | | X | |
| 50 | 000 043 301 21 | engine oil EXXON MOBIL 1 0W-40 20 LITER Container | | X | |

Model: 997T07

Model life 2007>>2009



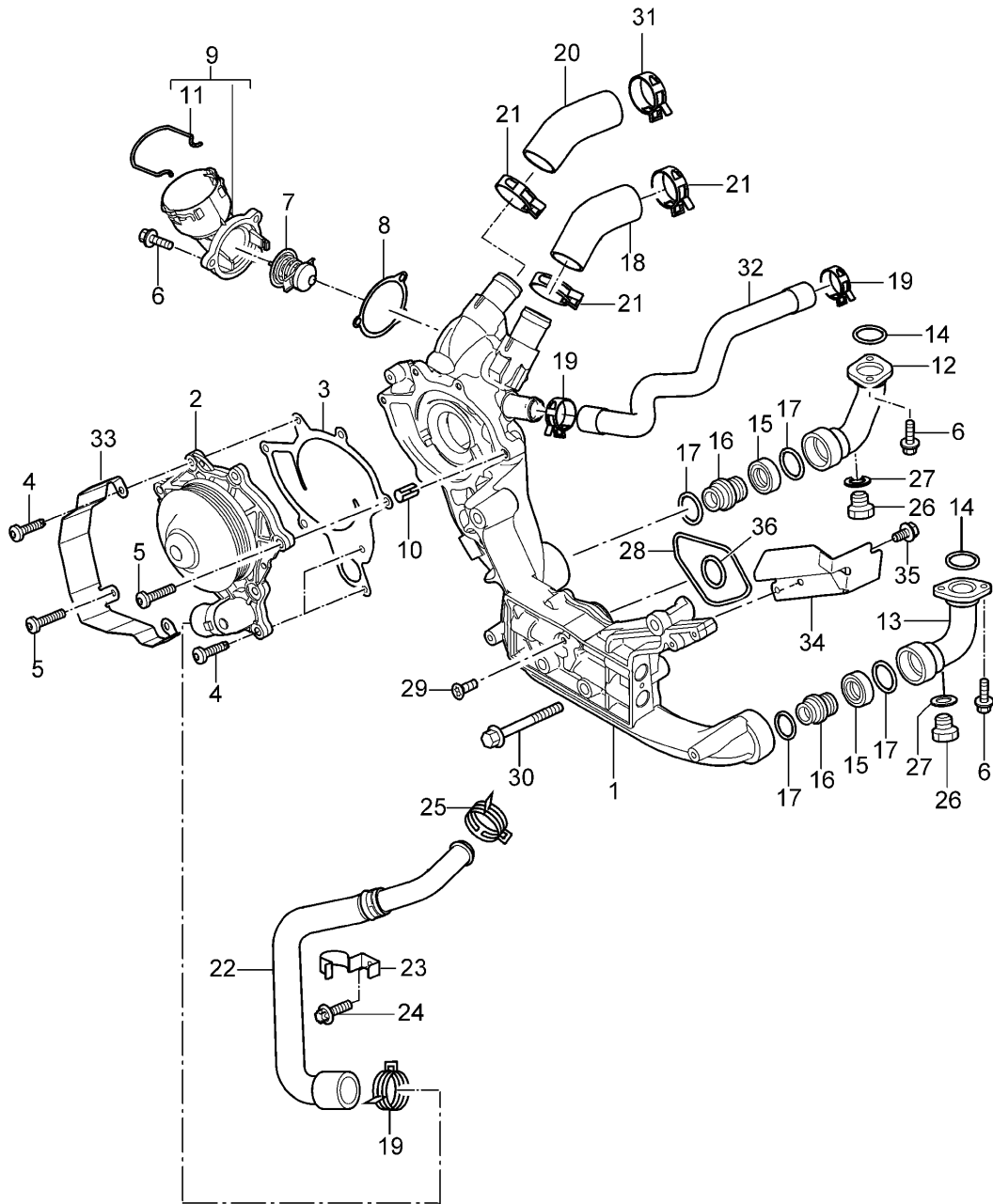
Model: 997T07

Model life 2007>>2009

| Pos | Part Number | Description | Remark | Qty | Model |
|-----|----------------|---------------------------------------|--------|-----|-------|
| | | Oil supply | | | 9770 |
| 1 | 996 107 021 73 | Return line oil pump Cyl. 4 - 6 | | 1 | |
| 2 | 997 107 022 72 | Tandem pump Cyl. 1 - 3 | | 1 | |
| 3 | 999 707 425 40 | O-ring 85,32 X 3,53 | | 2 | |
| 4 | 999 095 067 00 | dowel sleeve | | 4 | |
| 5 | 900 378 225 01 | Hexagon bolt M 6 X 30 | | 8 | |
| 6 | 900 915 006 01 | threaded union A 15 | | 2 | |
| 7 | 900 123 106 30 | seal ring A 18 X 24 | | 2 | |
| 8 | 999 707 482 41 | O-ring 90,00 X 2,5 | | 2 | |
| 9 | 999 707 499 40 | O-ring 21,00 X 3,00 | | 4 | |
| 10 | 900 385 128 01 | Hexagon bolt M 6 X 25 | | 1 | |
| 11 | 997 107 019 71 | return line | | 1 | |
| 12 | 999 511 250 02 | Clamp | | 1 | |
| 13 | 900 385 041 01 | Torx screw M 6 X 12 | | 1 | |
| 14 | 997 107 357 70 | Bolt with washer | | 1 | |
| 15 | 997 105 116 73 | Vacuum line Tandem pump | | 1 | |
| - | 999 651 394 40 | Cable holder | | 1 | |
| 16 | 999 701 789 40 | O-ring 12 X 2 | | 2 | |
| 17 | 900 385 130 01 | Hexagon socket head bolt M 6 X 10 | | 1 | |
| 18 | 900 385 050 01 | Hexagon head bolt M 6 X 16 | | 1 | |

Model: 997T07

Model life 2007>>2009



Model: 997T07

Model life 2007>>2009

| Pos | Part Number | Description | Remark | Qty | Model |
|-----|----------------|----------------------------------|--------|-----|-------|
| | | Coolant pump | | | 9770 |
| | | Water pump housing | | | |
| 1 | 997 106 002 70 | Water pump housing | | 1 | |
| 2 | 997 106 011 70 | Coolant pump | | 1 | |
| | | Discontinued part | | | |
| (2) | 997 106 011 71 | Coolant pump | | 1 | |
| (2) | 997 106 011 72 | Coolant pump | | 1 | |
| 3 | 997 106 340 00 | Seal | | 1 | |
| 4 | 999 073 102 01 | flat round head bolt M 6 X 25 | | 5 | |
| 5 | 999 073 110 01 | flat round head bolt M 6 X 30 | | 2 | |
| 6 | 900 385 019 01 | Torx screw BM 6 X 20 | | 11 | |
| 7 | 996 106 125 71 | Thermostat insert | | 1 | |
| 8 | 996 106 326 71 | Seal | | 1 | |
| 9 | 996 106 121 72 | Cover | | 1 | |
| 10 | 996 106 103 50 | dowel sleeve 8,2 X 7 | | 2 | |
| 11 | 997 106 802 03 | Spring | | 1 | |
| 12 | 996 106 139 71 | connection piece | | 1 | |
| 13 | 996 106 140 71 | connection piece | | 1 | |
| 14 | 999 707 410 40 | O-ring 39,20 X 3,00 | | 2 | |
| 15 | 996 106 214 70 | protective ring | | 2 | |
| 16 | 996 106 238 71 | Connector union | | 2 | |
| 17 | 999 707 411 40 | O-ring 28,00 X 4,50 | | 4 | |
| 18 | 996 106 529 73 | Hose | | 1 | |
| 19 | 999 512 552 00 | Hose clamp 20 -32/9 | | 2 | |
| | | Discontinued part | | | |
| 19 | 999 512 552 01 | Hose clamp 20 -32/9 | | 2 | |
| 20 | 996 106 512 74 | Return hose | | 1 | |
| 21 | 999 512 551 00 | Hose clamp 25 - 40/9 | | 3 | |
| | | Discontinued part | | | |
| 21 | 999 512 551 01 | Hose clamp 25 - 40/9 | | 3 | |
| 22 | 997 106 250 72 | Hose | | 1 | |
| 23 | 996 106 550 72 | Hose bracket | | 1 | |
| 24 | 900 385 041 01 | Torx screw M 6 X 12 | | 1 | |
| 25 | 999 512 660 09 | Hose clamp 29 X 12 | | 1 | |
| 26 | 900 219 007 01 | sealing plug M 10 X 1 | | 2 | |
| 27 | 900 123 144 30 | seal ring A 10 X 13,5 | | 2 | |
| 28 | 999 707 468 40 | O-ring 68 X 2 | | 1 | |
| 29 | 999 073 013 01 | countersunk bolt M 6 X 10 | | 1 | |
| 30 | 900 385 119 01 | Hexagon head bolt M 10 X 70 | | 4 | |
| 31 | 999 512 252 02 | Hose clamp 23- 35/9 | | 1 | |
| 32 | 997 106 477 72 | Hose Supply | | 1 | |
| 33 | 996 115 521 73 | Bracket | left | 1 | |
| 34 | 997 115 661 70 | Protective plate | right | 1 | |
| 35 | 900 385 041 01 | Torx screw | | 2 | |

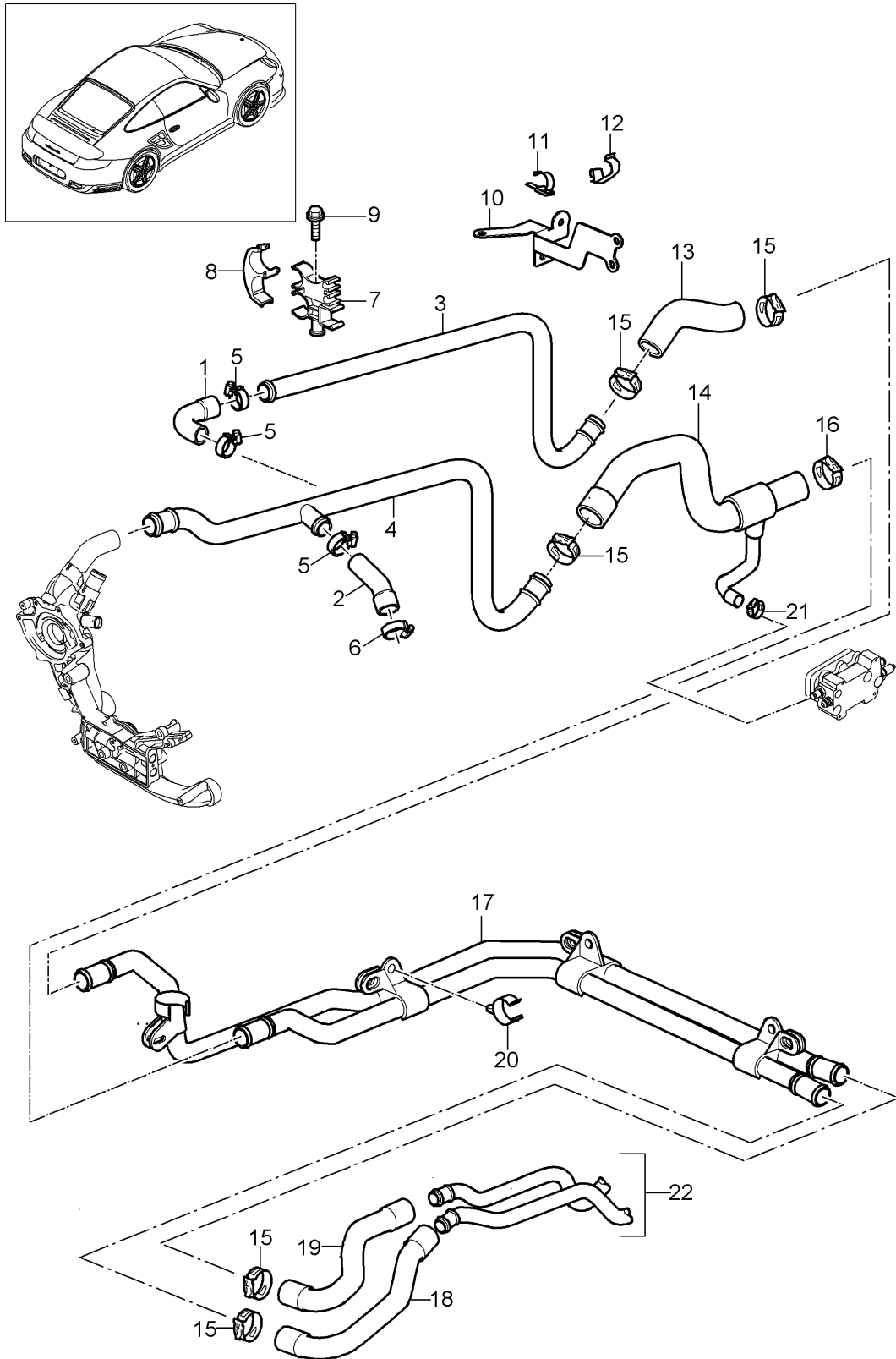
Model: 997T07

Model life 2007>>2009

| Pos | Part Number | Description | Remark | Qty | Model |
|-----|----------------|-----------------------------------|--------|-----|-------|
| 36 | 999 707 315 41 | M 6 X 12 O-ring 33,30 X 2,4 | | 1 | |

Model: 997T07

Model life 2007>>2009



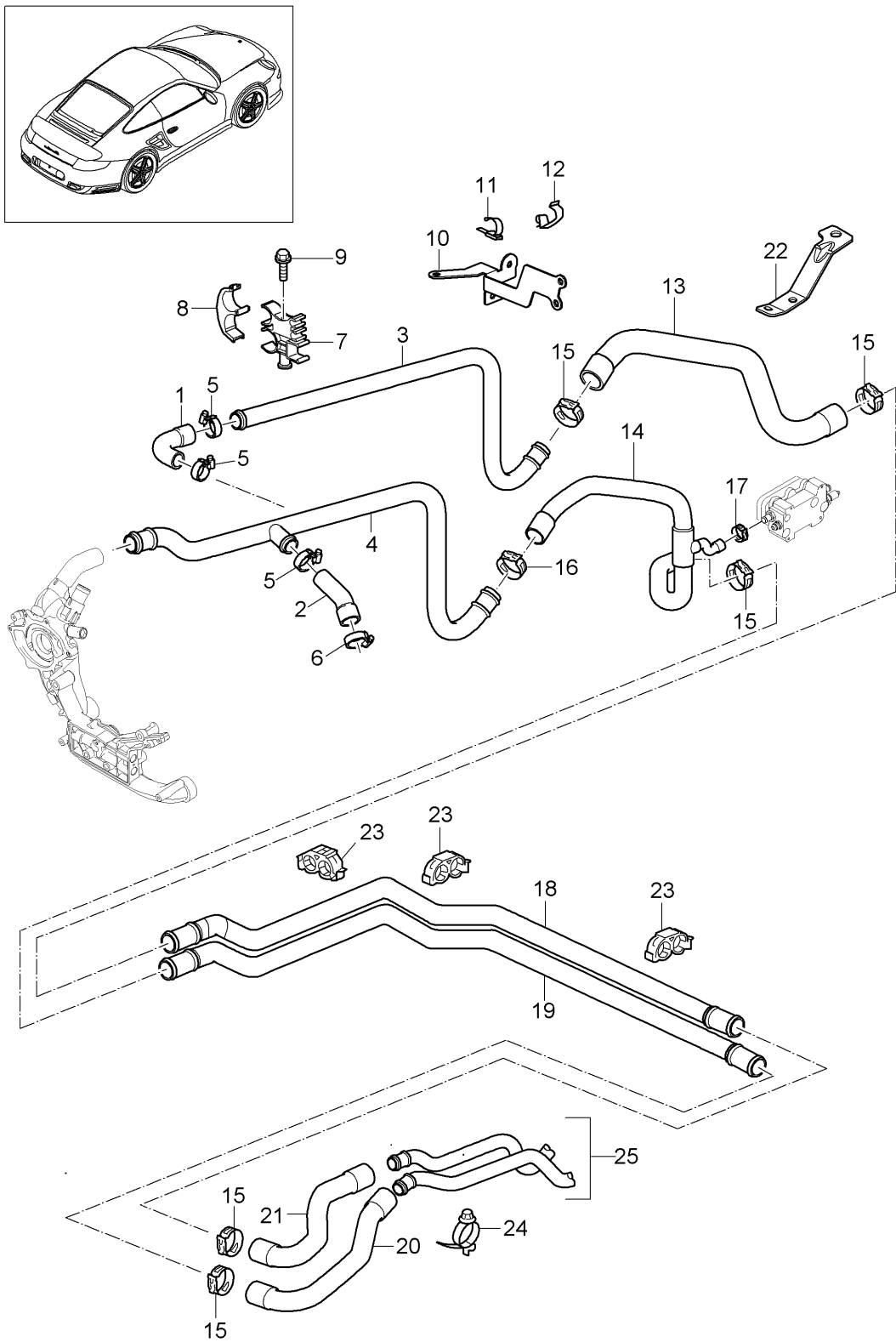
Model: 997T07

Model life 2007>>2009

| Pos | Part Number | Description | Remark | Qty | Model |
|------|----------------|--|---------|-----|--------|
| | | Lines heater | | | 9770 |
| 1 | 997 106 233 72 | Turbo Hose | | 1 | |
| 2 | 997 106 329 71 | Supply Water hose | | 1 | |
| 3 | 997 106 252 71 | Return line Water pipe | | 1 | |
| 4 | 997 106 254 71 | Supply Water pipe | | 1 | |
| 5 | 999 512 552 01 | Return line Hose clamp | | 3 | |
| 6 | 999 512 346 01 | 20- 32/9 Hose clamp | | 1 | |
| 7 | 997 106 455 71 | 16- 27/9 Retainer for coolant hose | | 2 | |
| 8 | 997 106 456 71 | Retaining bar | | 2 | |
| 9 | 900 385 111 01 | Torx screw | | 2 | |
| 10 | 997 106 450 71 | M 6 X 55 Bracket | | 1 | |
| 11 | 999 651 300 40 | Hose bracket | | 1 | |
| 12 | 999 507 728 40 | 25,0 - 30,0 Bracket | | 1 | |
| 13 | 997 106 612 01 | 18,0 - 19,0 Hose | | 1 | PR:480 |
| (13) | 997 106 612 03 | Discontinued part Hose | | 1 | PR:480 |
| 13 | 997 106 432 00 | Hose | feed | 1 | PR:249 |
| (14) | 997 106 474 01 | Return hose | | 1 | PR:480 |
| 14 | 996 106 422 73 | Return hose | | 1 | PR:249 |
| 14 | 996 106 422 79 | Discontinued part Return hose | | 1 | PR:249 |
| 15 | 999 512 658 09 | Hose clamp | | X | |
| 16 | 999 512 662 09 | B27 X 12 Hose clamp | | X | |
| (17) | 997 106 181 02 | B32 X 12 Water pipe | | 1 | PR:480 |
| 17 | 997 106 182 01 | Water pipe | | 1 | PR:249 |
| 18 | 996 106 212 74 | Hose | | 1 | |
| 18 | 996 106 212 75 | Supply Discontinued part Hose | | 1 | |
| 19 | 996 106 222 74 | Supply Return hose | | 1 | |
| 19 | 996 106 222 75 | Discontinued part Return hose | | 1 | |
| 20 | 999 507 817 40 | Cable holder | | 4 | PR:249 |
| 21 | 999 512 655 09 | 24,0 Hose clamp | | 1 | PR:249 |
| 22 | | B22 X 12 Water pipe heater | | 1 | |
| | | see illustration: | 813-000 | | |

Model: 997T07

Model life 2007>>2009



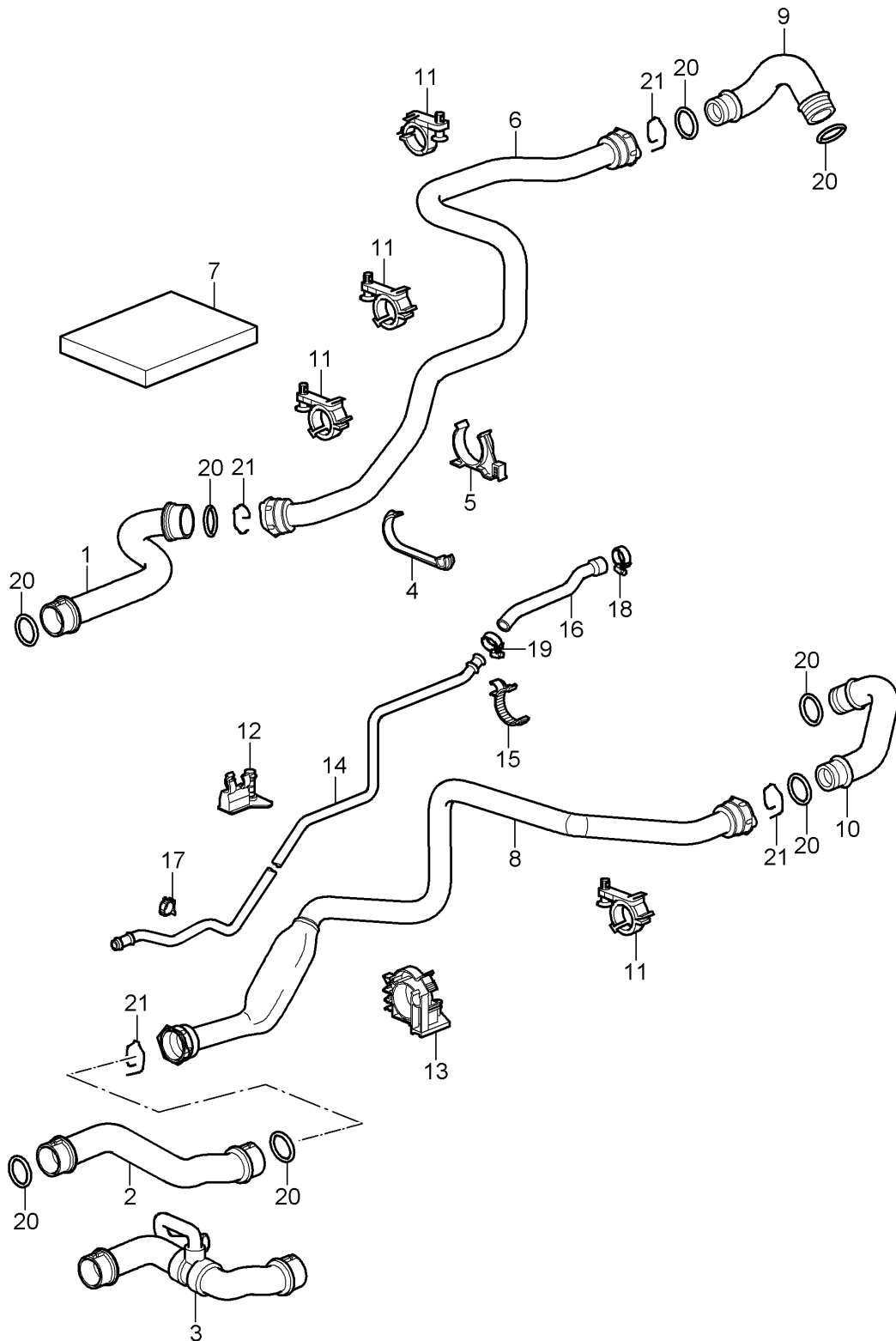
Model: 997T07

Model life 2007>>2009

| Pos | Part Number | Description | Remark | Qty | Model |
|------|----------------|--|---------|-----|-----------------|
| | | Lines heater GT2 | | | 9770+ PR:101 |
| 1 | 997 106 233 72 | Hose Supply | | 1 | |
| 2 | 997 106 328 72 | Water hose Return line | | 1 | |
| 3 | 997 106 252 71 | Water pipe Supply | | 1 | |
| 4 | 997 106 254 71 | Water pipe Return line | | 1 | |
| 5 | 999 512 552 01 | Hose clamp | | 3 | |
| 6 | 999 512 346 01 | 20- 32/9 Hose clamp 16- 27/9 | | 1 | |
| 7 | 997 106 455 71 | Retainer for coolant hose | | 2 | |
| 8 | 997 106 456 71 | Retaining bar | | 2 | |
| 9 | 900 385 111 01 | Torx screw M 6 X 55 | | 2 | |
| 10 | 997 106 450 71 | Bracket | | 1 | |
| 11 | 999 651 300 40 | Hose bracket 25,0 - 30,0 | | 1 | |
| 12 | 999 507 728 40 | Bracket 18,0 - 19,0 | | 1 | |
| 13 | 997 106 434 90 | Water hose Supply | | 1 | |
| 14 | 996 106 422 75 | Return hose Discontinued part | | 1 | |
| (14) | 996 106 422 78 | Return hose | | 1 | |
| 15 | 999 512 658 09 | Hose clamp B27 X 12 | | 7 | |
| 16 | 999 512 662 09 | Hose clamp B32 X 12 | | 1 | |
| 17 | 999 512 656 09 | Hose clamp B25 X 12 | | 1 | |
| 18 | 996 106 312 72 | Water pipe Supply | | 1 | |
| 19 | 996 106 322 72 | Water pipe Return line | | 1 | |
| 20 | 996 106 212 74 | Hose Supply Discontinued part | | 1 | |
| 20 | 996 106 212 75 | Hose Supply | | 1 | |
| 21 | 996 106 222 74 | Return hose Discontinued part | | 1 | |
| 21 | 996 106 222 75 | Return hose | | 1 | |
| 22 | 996 106 526 90 | Bracket | | 1 | |
| 23 | 999 507 700 41 | Hose bracket | | 3 | |
| 24 | 999 513 023 40 | Cable ties 15 - 40 | | 2 | |
| 25 | | Water pipe heater see illustration: | 813-000 | | |

Model: 997T07

Model life 2007>>2009



Model: 997T07 Model life 2007>>2009

| Pos | Part Number | Description | Remark | Qty | Model |
|------|----------------|---|--------|-----|--------|
| 1 | 997 106 740 05 | Water cooling 1 Water hose Supply | | 1 | |
| 2 | 997 106 741 05 | Water hose Return line Discontinued part | | 1 | PR:480 |
| 3 | 997 106 742 03 | Water hose Return line D - MJ 2007>> - MJ 2007 | | 1 | PR:249 |
| (3) | 997 106 742 04 | Water hose Return line D - MJ 2008>> Discontinued part | | 1 | PR:249 |
| (3) | 997 106 742 05 | Water hose Return line D - MJ 2008>> | | 1 | PR:249 |
| (3) | 997 106 889 95 | Water hose Return line D - MJ 2008>> Discontinued part | | 1 | PR:101 |
| (3) | 997 106 889 96 | Water hose Return line D - MJ 2008>> | | 1 | PR:101 |
| 4 | 997 106 426 00 | Bracket | | 1 | |
| 5 | 997 106 427 01 | Bracket | | 1 | |
| 6 | 997 106 610 02 | Coolant pipe Supply Discontinued part | | 1 | |
| 6 | 997 106 610 03 | Coolant pipe Supply Discontinued part | | 1 | |
| 6 | 997 106 610 31 | Coolant pipe Supply | | 1 | |
| 7 | 999 551 166 40 | felt strip | | 1 | |
| 8 | 997 106 069 00 | Coolant pipe Return line | | 1 | |
| 9 | 997 106 501 01 | Water hose Supply | | 1 | |
| 10 | 997 106 502 00 | Water hose Return line | | 1 | |
| 11 | 996 106 417 73 | Bracket To Use | | 4 | |
| (11) | 996 106 417 73 | with: Coolant pipe 997.106.610.02 997.106.610.03 Bracket To Use | | 3 | |
| (11) | 997 106 457 32 | with: Coolant pipe 997.106.610.31 Bracket To Use | | 1 | |
| 12 | 997 106 428 01 | with: Coolant pipe 997.106.610.31 Bracket | | 1 | |
| 13 | 997 106 429 01 | Bracket | | 1 | |
| 14 | 997 106 682 03 | Breather line D >> - MJ 2007 | | 1 | |

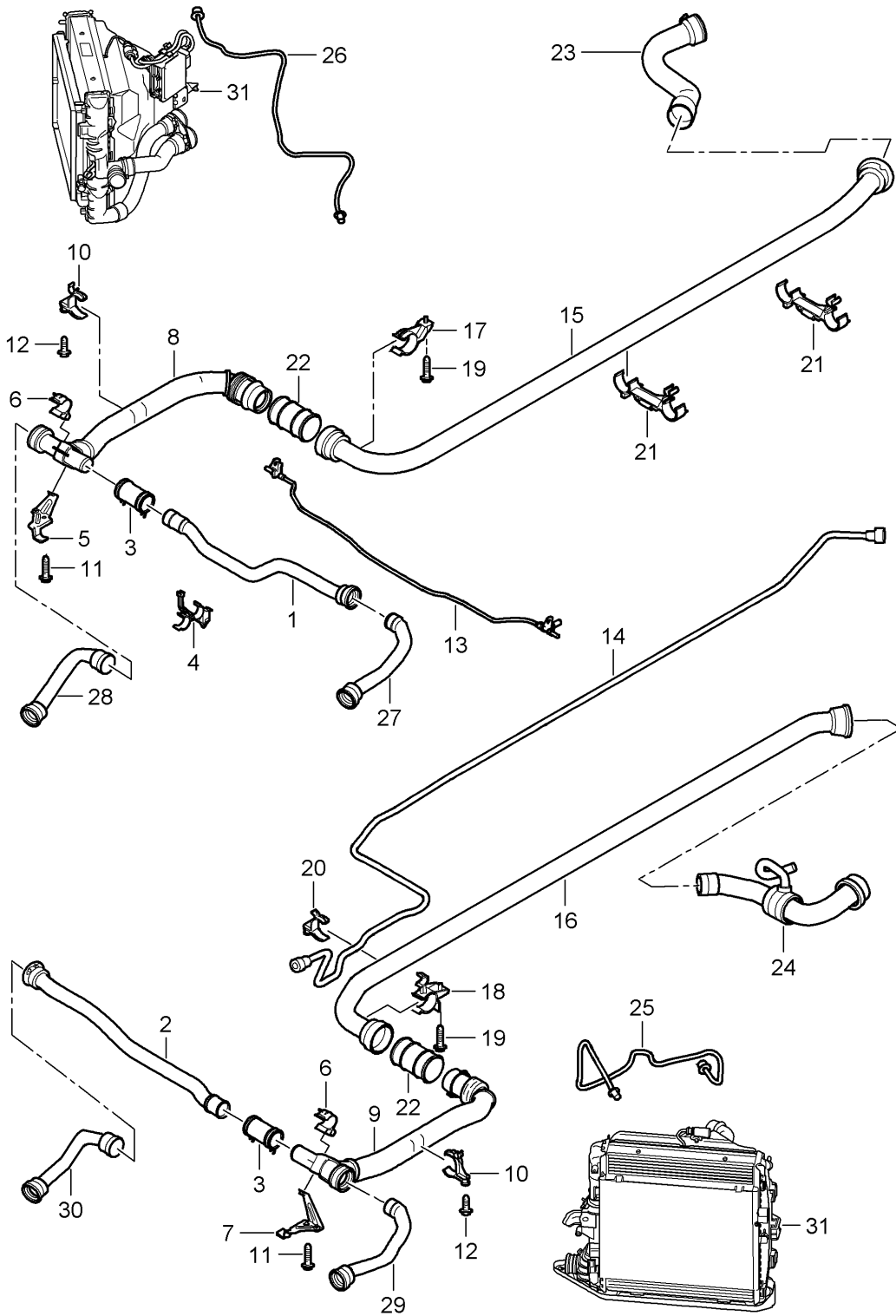
Model: 997T07

Model life 2007>>2009

| Pos | Part Number | Description | Remark | Qty | Model |
|-----|----------------|--------------------------------|--------|-----|-------|
| 14 | 997 106 682 03 | Breather line D - MJ 2008>> | | 1 | |
| 15 | 997 106 512 03 | Distance piece | | 1 | |
| 16 | 997 106 251 00 | Vent hose | | 1 | |
| 16 | 997 106 251 01 | Vent hose | | 1 | |
| 17 | 999 507 743 40 | Cable holder 12,0 | | 1 | |
| 18 | 999 512 656 09 | Hose clamp 25 X 12 | | 1 | |
| 19 | 999 512 653 09 | Hose clamp 20 X 12 | | 1 | |
| 20 | 996 106 801 03 | O-ring | | 8 | |
| 21 | 997 106 802 03 | Spring | | 4 | |

Model: 997T07

Model life 2007>>2009



Model: 997T07 Model life 2007>>2009

| Pos | Part Number | Description | Remark | Qty | Model |
|------|----------------|--|--------|-----|--------|
| 1 | 997 106 711 02 | Water cooling 2 Water pipe Cross tube Supply Discontinued part | | 1 | 9770 |
| 1 | 997 106 711 03 | Water pipe Cross tube Supply | | 1 | |
| 2 | 997 106 720 02 | Water pipe Cross tube Return line Discontinued part | | 1 | |
| 2 | 997 106 720 03 | Water pipe Cross tube Return line | | 1 | |
| 3 | 997 106 723 05 | Water hose Discontinued part | | 2 | |
| 3 | 997 106 723 06 | Water hose Discontinued part | | 2 | |
| 3 | 997 106 723 07 | Water hose | | 2 | |
| 4 | 997 106 525 01 | Bracket Water pipe Cross tube | center | 1 | |
| 5 | 997 106 574 02 | pipe holder Distributor tube | right | 1 | |
| 6 | 997 106 526 01 | Bracket Cross tube | upper | 2 | |
| 7 | 997 106 573 02 | pipe holder Distributor tube | left | 1 | |
| 8 | 997 106 752 04 | Distributor tube Supply | | 1 | |
| 9 | 997 106 751 04 | Distributor tube Return line | | 1 | |
| 10 | 997 106 413 01 | pipe holder Distributor tube | | 2 | |
| (10) | 997 106 413 01 | pipe holder Distributor tube | right | 1 | PR:601 |
| (10) | 997 106 414 00 | Bracket Distributor tube | left | 1 | PR:601 |
| 11 | 900 378 013 09 | Hexagon bolt M6 X 25 | | 2 | |
| 12 | 900 378 036 09 | Hexagon bolt M6 X 12 | | 2 | |
| 13 | 997 106 767 02 | Breather line Transverse | | 1 | |
| 14 | 997 106 227 02 | Breather line tunnel | | 1 | |
| (14) | 997 106 227 03 | D - MJ 2007>> Breather line tunnel | | 1 | |
| 15 | 997 106 651 03 | D - MJ 2008>> Water pipe Supply tunnel Discontinued part | | 1 | |
| 15 | 997 106 651 04 | Water pipe Supply tunnel | | 1 | |
| (15) | 997 106 651 90 | Water pipe Supply tunnel | | 1 | |
| 16 | 997 106 652 03 | Return pipe tunnel | | 1 | |

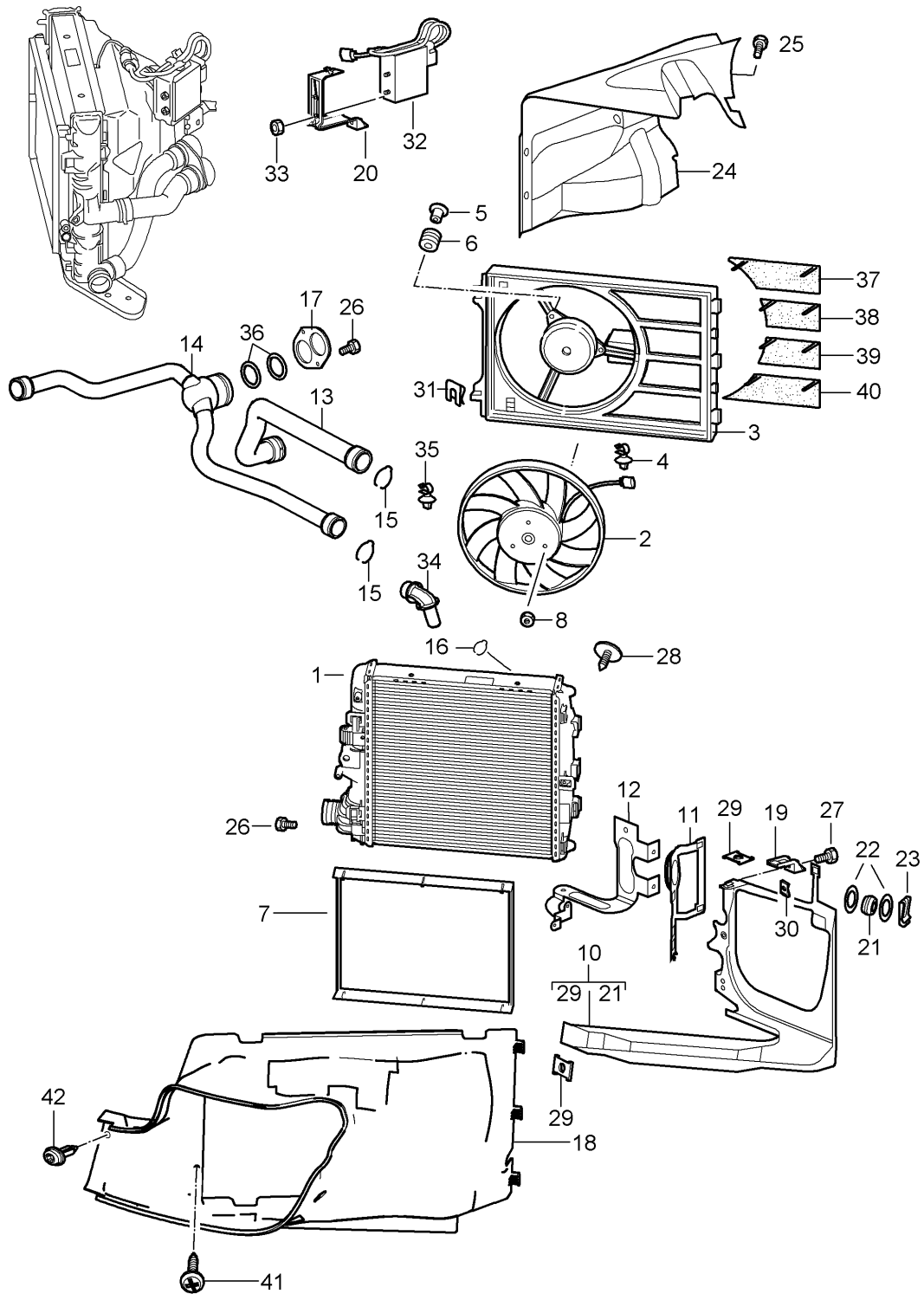
Model: 997T07

Model life 2007>>2009

| Pos | Part Number | Description | Remark | Qty | Model |
|------|----------------|--|---------|-----|-------|
| 16 | 997 106 652 04 | Discontinued part Return pipe tunnel | | 1 | |
| (16) | 997 106 652 90 | Return pipe tunnel | | 1 | |
| 17 | 997 106 520 02 | Bracket filler plate | right | 1 | |
| 18 | 997 106 521 01 | Bracket filler plate | left | 1 | |
| 19 | 900 378 035 01 | Hexagon bolt M6 X 16 | | 2 | |
| 20 | 997 106 512 03 | Distance piece Breather line | | 1 | |
| 21 | 997 106 540 02 | Bracket tunnel | | 2 | |
| 22 | 997 106 551 03 | Sleeve | | 2 | |
| 23 | | see illustration: | 105-005 | X | |
| 24 | | see illustration: | 105-005 | X | |
| 25 | 997 106 865 02 | Line | left | 1 | |
| 26 | 997 106 866 02 | Line | right | 1 | |
| 27 | 997 106 623 03 | Water hose Supply | left | 1 | |
| 28 | 997 106 627 03 | Water hose Supply | right | 1 | |
| 29 | 997 106 728 03 | Water hose Return line | left | 1 | |
| 30 | 997 106 624 03 | Water hose Return line | right | 1 | |
| 31 | | see illustration: | 105-015 | 1 | |

Model: 997T07

Model life 2007>>2009



Model: 997T07 Model life 2007>>2009

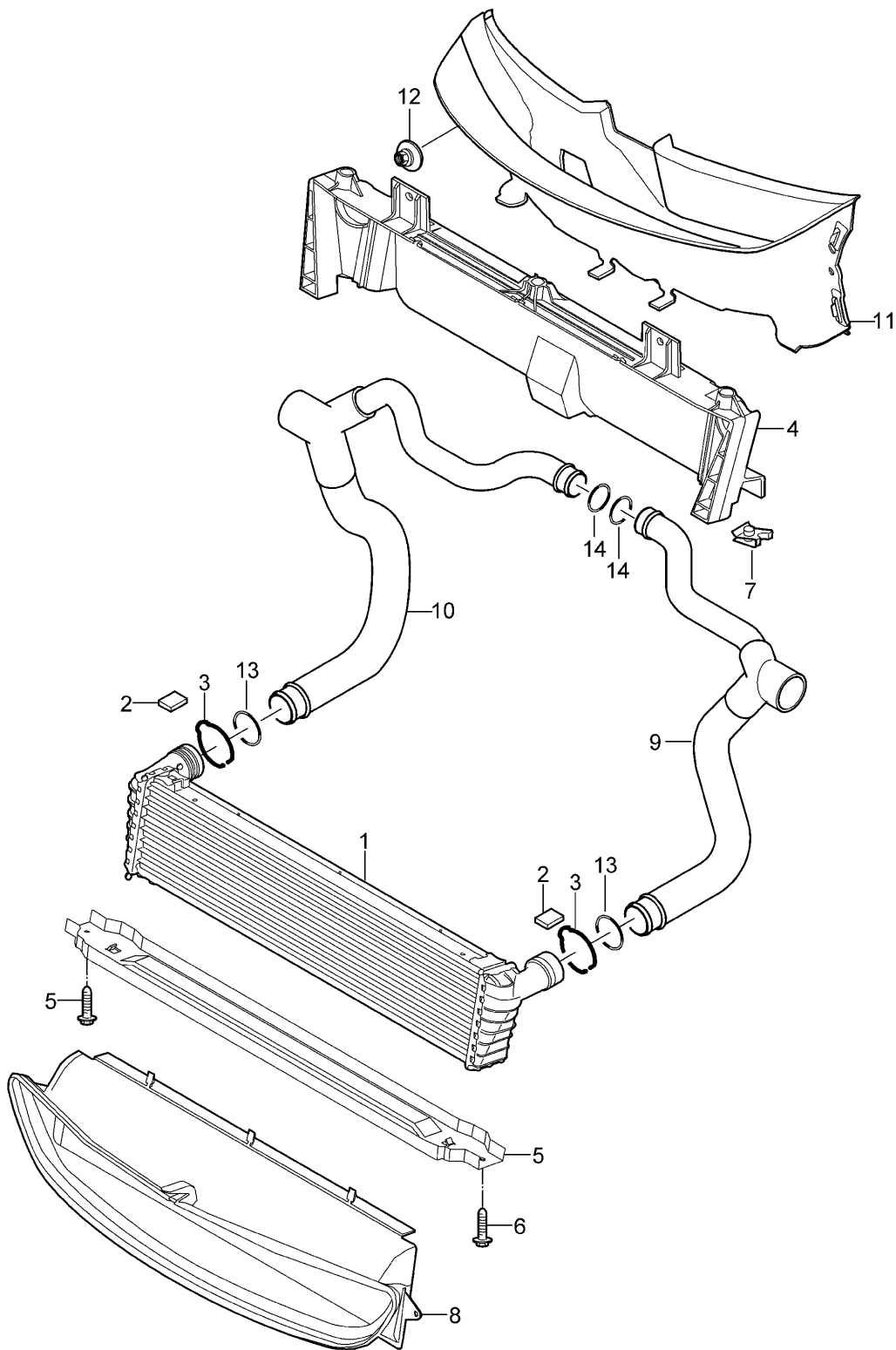
| Pos | Part Number | Description | Remark | Qty | Model |
|------|----------------|--------------------------------|--------|-----|--------|
| 1 | 996 106 131 72 | Water cooling 3 Radiator | left | 1 | |
| | | Discontinued part | | | |
| 1 | 996 106 131 74 | Radiator | left | 1 | |
| (1) | 996 106 132 70 | Radiator | right | 1 | |
| | | Discontinued part | | | |
| (1) | 996 106 132 72 | Radiator | right | 1 | |
| 2 | 997 624 127 01 | Fan | left | 1 | |
| (2) | 997 624 128 01 | Fan | right | 1 | |
| 3 | 997 624 141 00 | Air guide | | 2 | |
| 4 | 999 507 085 40 | Clip | | 2 | |
| 5 | 996 624 175 00 | bush | | 6 | |
| 6 | 996 624 173 00 | Rubber bush | | 6 | |
| 7 | 996 573 711 01 | Frame | | 2 | |
| 8 | 900 377 010 09 | Hexagon nut | | 6 | |
| 9 | 999 209 049 02 | spacer sleeve | | 6 | |
| 10 | 997 106 165 02 | Console | left | 1 | |
| (10) | 997 106 166 02 | Console | right | 1 | |
| 11 | 997 106 265 01 | Support for coolant radiator | left | 1 | |
| (11) | 997 106 266 01 | Support for coolant radiator | right | 1 | |
| 12 | 997 106 365 02 | Bracket | left | 1 | |
| (12) | 997 106 366 02 | Bracket | right | 1 | |
| 13 | 997 106 631 01 | Water hose | left | 1 | |
| | | | feed | | |
| (13) | 997 106 636 01 | Water hose | right | 1 | |
| | | | return | | |
| 14 | 997 106 635 02 | Water hose | left | 1 | |
| | | | return | | |
| (14) | 997 106 635 80 | Water hose | left | 1 | PR:101 |
| | | | return | | |
| | | D - MJ 2008>> | | | |
| (14) | 997 106 632 01 | Water hose | right | 1 | |
| | | | feed | | |
| (14) | 997 106 632 80 | Water hose | right | 1 | PR:101 |
| | | | feed | | |
| | | D - MJ 2008>> | | | |
| 15 | 996 106 802 16 | retaining spring SC 32 | | 4 | |
| 16 | 996 106 802 15 | retaining spring SC 08 | | 2 | |
| 17 | 997 106 255 02 | Connecting piece | | 2 | |
| 18 | 997 575 321 01 | Air guide | left | 1 | |
| (18) | 997 575 321 80 | Air guide | left | 1 | PR:101 |
| | | D - MJ 2008>> | | | |
| (18) | 997 575 322 01 | Air guide | right | 1 | |
| (18) | 997 575 322 80 | Air guide | right | 1 | PR:101 |
| | | D - MJ 2008>> | | | |
| 19 | 997 106 455 00 | Bracket | left | 1 | |
| 20 | 997 106 456 00 | Bracket | right | 1 | |
| 21 | 999 702 214 40 | Grommet 14 X 20,5 X 7,5 | | 4 | |
| 22 | 999 025 255 02 | Washer | | 12 | |
| 23 | 999 166 017 02 | Kl-lock Discontinued part | | 6 | |
| 23 | 999 166 017 01 | Kl-lock | | 6 | |
| 24 | 997 575 341 01 | Air guide | left | 1 | |
| (24) | 997 575 342 01 | Air guide | right | 1 | |
| 25 | 999 919 134 09 | fillister hd. bolt 6,0 X 16 | | 12 | |
| 26 | 900 378 123 01 | Hexagon bolt M 8 X 12 | | 2 | |
| 27 | 900 378 035 01 | Hexagon bolt M 6 X 16 | | 6 | |

Model: 997T07 Model life 2007>>2009

| Pos | Part Number | Description | Remark | Qty | Model |
|------|----------------|--|---------|-----|--------|
| 28 | 999 073 231 09 | panel screw 4,8 X 16 | | 12 | |
| 29 | 999 591 329 01 | panel nut ST 4,8 | | 10 | |
| 30 | 999 591 350 02 | panel nut ST 4,8 Discontinued part | | 2 | |
| 30 | 999 591 350 01 | panel nut ST 4,8 | | 2 | |
| 31 | 999 591 699 01 | panel nut ST 4,8 | | 8 | |
| 32 | | Control unit see illustration: | 901-003 | 1 | |
| 33 | 900 377 010 01 | Hexagon nut M 6 | | 2 | |
| 34 | 997 106 565 00 | Adapter | | 2 | |
| 35 | 999 507 126 40 | Hose bracket | | 1 | |
| 36 | 996 106 801 02 | O-ring | | 4 | |
| 37 | 996 624 157 00 | Air flap | left | 1 | |
| (37) | 996 624 158 00 | Air flap | right | 1 | |
| 38 | 996 624 159 00 | Air flap | left | 1 | |
| (38) | 996 624 160 00 | Air flap | right | 1 | |
| 39 | 996 624 161 00 | Air flap | left | 1 | |
| (39) | 996 624 162 00 | Air flap | right | 1 | |
| 40 | 996 624 163 00 | Air flap | left | 1 | |
| (40) | 996 624 164 00 | Air flap | right | 1 | |
| 41 | N 906 487 02 | Oval hexagon socket head bolt ST 4,8 X 16 | | 4 | |
| 42 | 999 591 941 40 | Spreader rivet ST 4,2 D - MJ 2008>> | | 2 | PR:101 |
| - | 997 106 113 70 | Protection cover Radiator | left | 1 | Turbo |
| - | 997 106 114 70 | Protection cover Radiator | right | 1 | Turbo |

Model: 997T07

Model life 2007>>2009

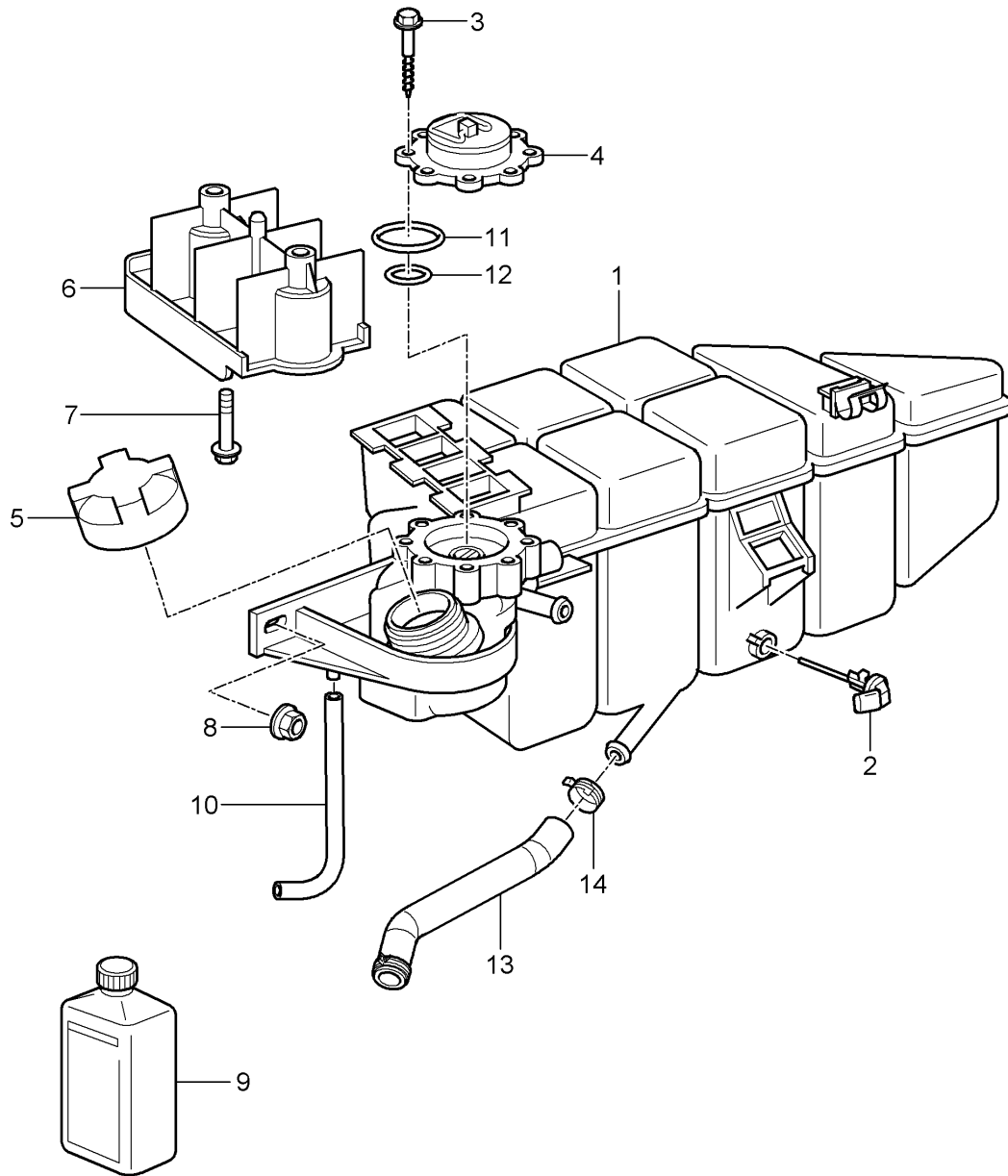


Model: 997T07 Model life 2007>>2009

| Pos | Part Number | Description | Remark | Qty | Model |
|------|----------------|--|--------|-----|--------|
| 1 | 997 106 038 02 | Radiator Radiator Discontinued part | center | 1 | |
| 1 | 997 106 038 04 | Radiator | | 1 | |
| (1) | 996 106 037 73 | Radiator D - MJ 2008>> Discontinued part | | 1 | PR:101 |
| (1) | 996 106 037 75 | Radiator D - MJ 2008>> | | 1 | PR:101 |
| - | 996 106 545 71 | Bungs Water drain valve D - MJ 2008>> | | 1 | PR:101 |
| 2 | 997 106 437 02 | Rubber bush | | 4 | |
| (2) | 930 113 430 00 | Rubber bush D - MJ 2008>> | | 4 | PR:101 |
| 3 | 997 106 802 00 | Spring SCB-26 | | 2 | |
| (3) | 996 106 802 17 | retaining spring SC-25 D - MJ 2008>> | | 2 | PR:101 |
| - | 996 106 802 15 | retaining spring SC-08 D - MJ 2008>> | | 1 | PR:101 |
| 4 | 997 504 487 01 | Frame for coolant radiator | | 1 | |
| (4) | 997 504 487 80 | Frame for coolant radiator D - MJ 2008>> | | 1 | PR:101 |
| 5 | 997 504 485 01 | form rail | lower | 1 | |
| (5) | 997 504 485 80 | Radiator Retaining frame Radiator D - MJ 2008>> | lower | 1 | PR:101 |
| 6 | 900 378 035 01 | Hexagon bolt M 6 X 16 | | 2 | |
| 7 | 999 591 882 01 | panel nut M 6 | | 2 | |
| 8 | 997 575 141 01 | Air guide | | 1 | |
| (8) | 997 575 141 80 | Air guide D - MJ 2008>> | | 1 | PR:101 |
| 9 | 997 106 635 02 | Water hose Return line | | 1 | |
| (9) | 997 106 635 80 | Water hose Return line D - MJ 2008>> | | 1 | PR:101 |
| 10 | 997 106 632 01 | Water hose Supply | | 1 | |
| (10) | 997 106 632 80 | Water hose Supply D - MJ 2008>> | | 1 | PR:101 |
| 11 | 997 504 489 80 | Air guide channel D - MJ 2008>> | | 1 | PR:101 |
| 12 | 999 049 029 01 | Hexagon nut T5 D - MJ 2008>> | | 2 | PR:101 |
| 13 | 996 106 801 02 | O-ring | | 2 | |
| 14 | 996 106 801 05 | O-ring | | 2 | |

Model: 997T07

Model life 2007>>2009



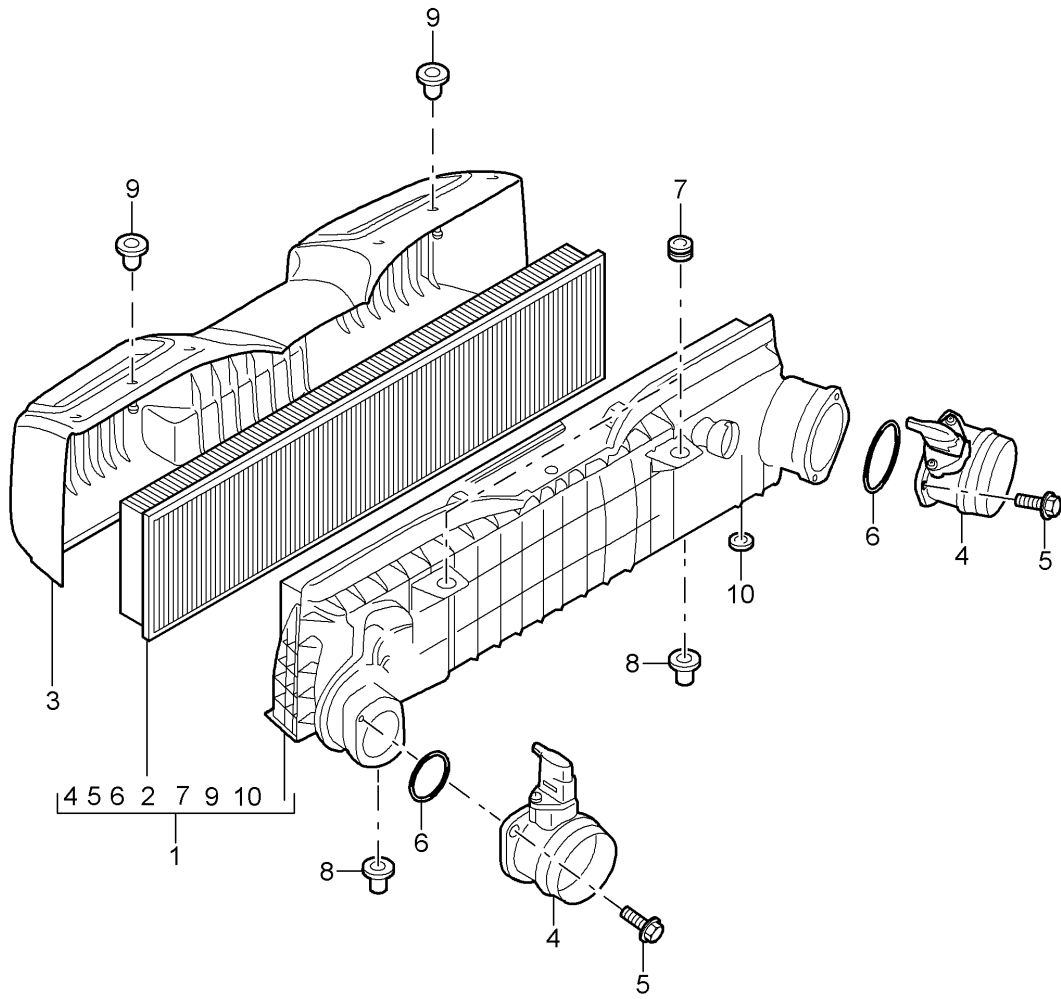
Model: 997T07

Model life 2007>>2009

| Pos | Part Number | Description | Remark | Qty | Model |
|-----|----------------|---------------------------|----------|-----|-------|
| 1 | 996 106 157 03 | Water cooling 4 | | 1 | |
| 2 | 997 641 503 00 | Water reservoir | | 1 | |
| 3 | 999 919 058 02 | Switch | | 1 | |
| | | Hexagon bolt | | 8 | |
| | | 5,0 X 40 | | | |
| 4 | 996 106 347 02 | Bleed valve | | 1 | |
| 5 | 996 106 447 01 | cap for | | 1 | |
| | | expansion tank | | | |
| | | See technical manual | | | |
| | | see main group 1 (engine) | | | |
| 6 | 996 106 405 52 | Retainer for reservoir | | 1 | |
| 7 | 900 378 141 09 | Hexagon bolt | | 2 | |
| | | M 6 X 35 | | | |
| 8 | 999 076 071 02 | Hexagon nut | | 1 | |
| | | M 6 | | | |
| 9 | 000 043 301 03 | Coolant additive | 1.0 Ltr. | X | |
| | | discontinued part | | | |
| (9) | 000 043 301 04 | Coolant additive | 20ltr. | X | |
| | | discontinued part | | | |
| (9) | 000 043 301 47 | Coolant additive | 1.0 Ltr. | X | |
| | | discontinued part | | | |
| (9) | 000 043 305 15 | Coolant additive | 1.0 Ltr. | X | |
| (9) | 000 043 301 48 | Coolant additive | 20ltr. | X | |
| | | Discontinued part | | | |
| (9) | 000 043 305 16 | Coolant additive | 20ltr. | X | |
| (9) | 000 043 305 64 | Cleaning solution | 20ltr. | 1 | |
| 10 | 996 106 297 04 | Overflow hose | | 1 | |
| | | Discontinued part | | | |
| 10 | 996 106 297 05 | Overflow hose | | 1 | |
| 11 | 999 707 370 40 | O-ring | | 1 | |
| | | 47 X 4 | | | |
| 12 | 999 707 371 40 | O-ring | | 1 | |
| | | 17 X 4 | | | |
| 13 | 997 106 350 00 | Water hose | | 1 | |
| 14 | 999 512 660 09 | Hose clamp | | 1 | |
| | | 29 X 12 | | | |

Model: 997T07

Model life 2007>>2009



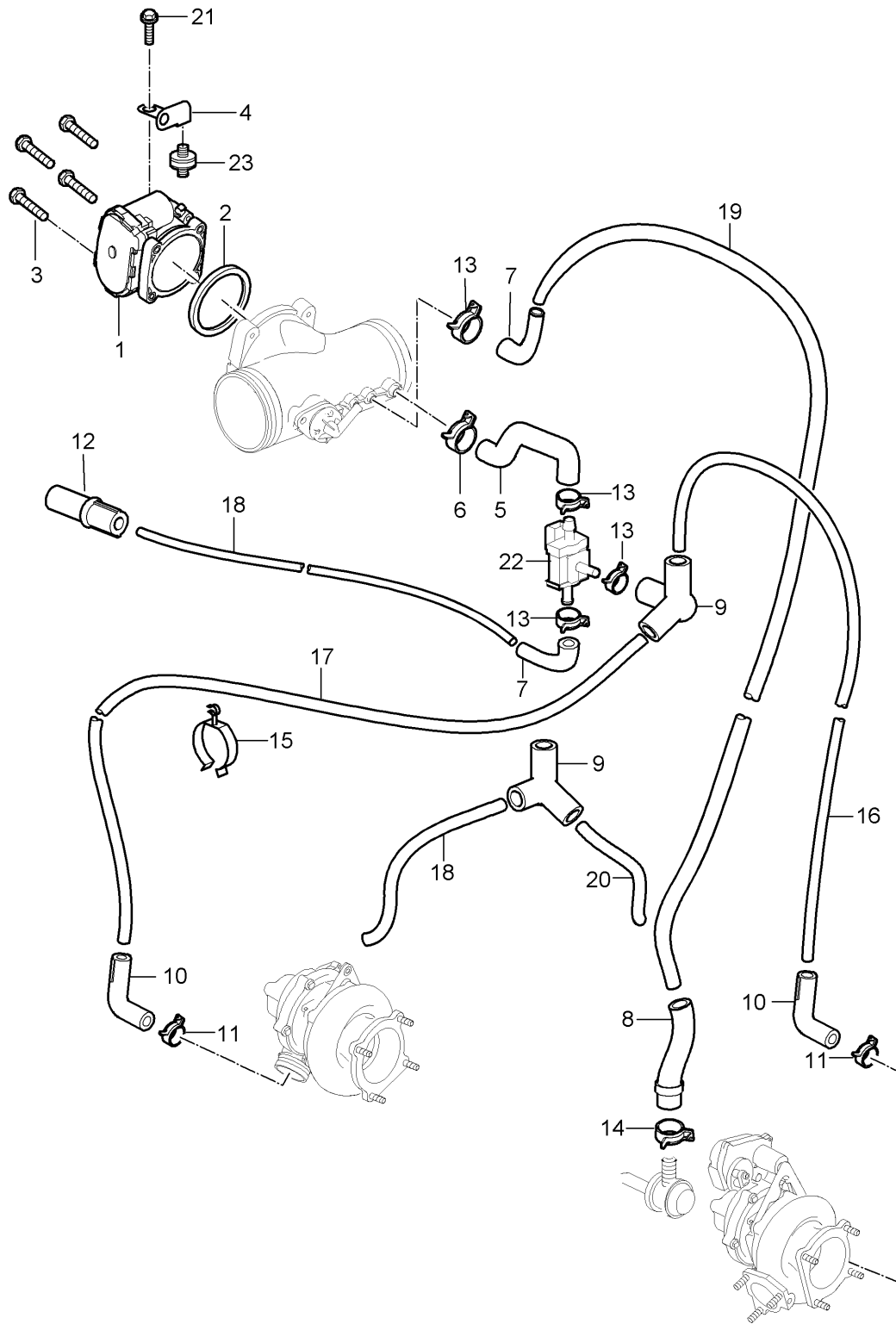
Model: 997T07

Model life 2007>>2009

| Pos | Part Number | Description | Remark | Qty | Model |
|-----|----------------|---------------------------------------|--------|-----|--------|
| 1 | 997 110 021 73 | Air filter | | 1 | 9770 |
| (1) | 997 110 021 74 | Air filter D - MJ 2007>> - MJ 2007 | | 1 | |
| 2 | 997 110 131 73 | Air filter element | | 1 | |
| (2) | 997 110 131 74 | Air filter element D - MJ 2008>> | | 1 | |
| 3 | 997 110 122 74 | Air filter | | 1 | |
| (3) | 997 110 122 76 | Air filter D - MJ 2007>> - MJ 2007 | | 1 | |
| (3) | 997 110 122 91 | Air filter D - MJ 2008>> | | 1 | PR:101 |
| 4 | 997 606 125 00 | Air mass meter | | 2 | |
| 5 | 999 919 160 07 | fillister hd. bolt 5 X 20 | | 8 | |
| 6 | 999 701 089 40 | O-ring | | 1 | |
| 7 | 999 702 246 40 | Grommet 12,0 X 17,0 X 3 | | 2 | |
| 8 | 999 703 478 40 | bush | | 1 | |
| 9 | 997 110 239 00 | Support | | 4 | |
| 10 | 997 110 238 00 | Stop buffer | | 3 | |

Model: 997T07

Model life 2007>>2009



Model: 997T07

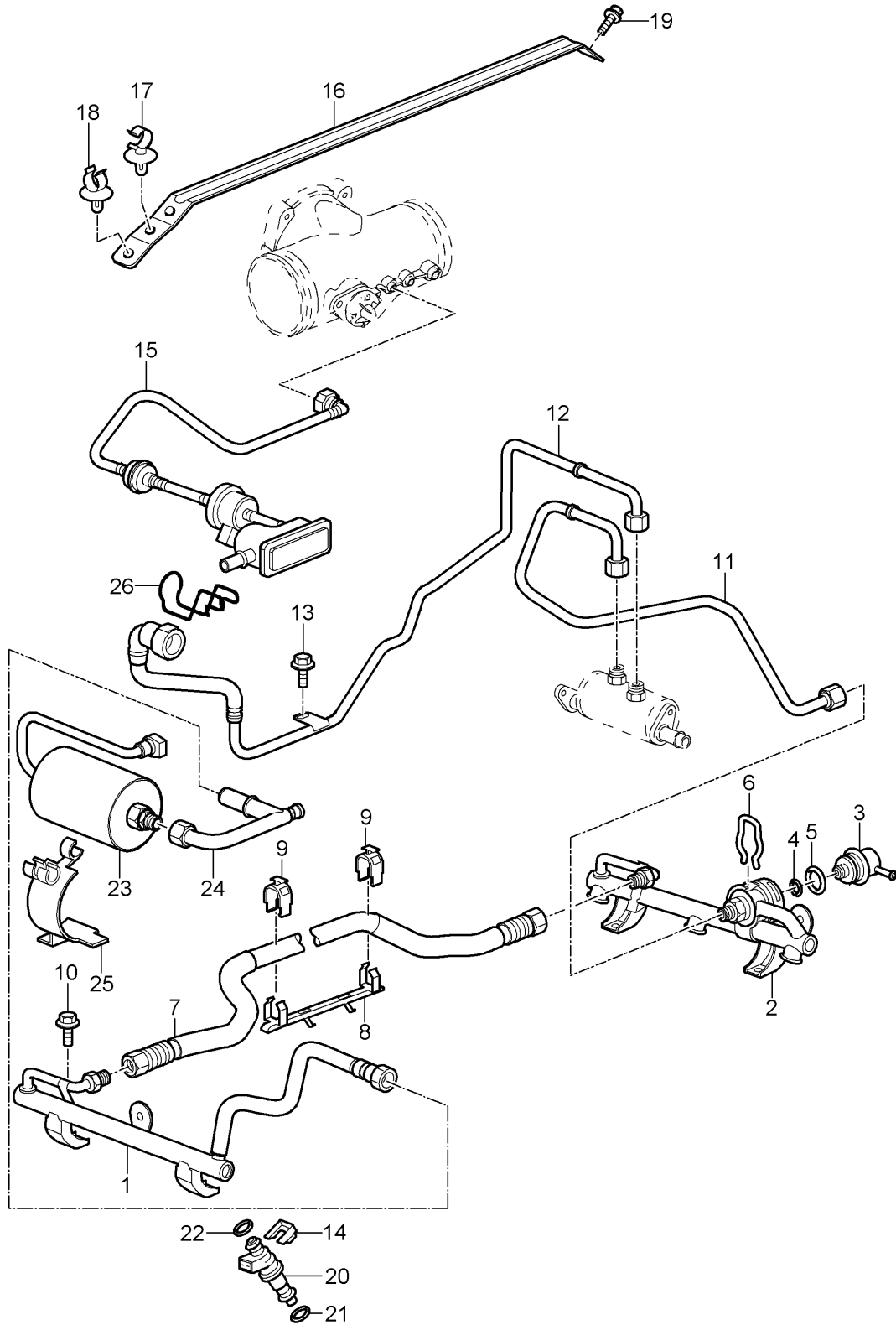
Model life 2007>>2009

| Pos | Part Number | Description | Remark | Qty | Model |
|-----|----------------|---|-----------|-----|-------|
| 1 | 997 605 115 00 | throttle valve adapter | | 1 | 9770 |
| (1) | 997 605 115 01 | throttle valve adapter D - MJ 2007>> - MJ 2007 | | 1 | |
| 2 | 997 110 319 00 | Seal | | 1 | |
| 3 | 900 385 045 01 | Torx screw BM 6 X 40 | | 4 | |
| 4 | 997 110 423 70 | angle | | 1 | |
| 5 | 997 110 693 70 | Hose | | 1 | |
| 6 | 999 512 498 00 | Recirculating air valve | | 1 | |
| 7 | 996 110 695 71 | Hose clamp | | 2 | |
| 8 | 928 574 717 05 | Molded hose | | 1 | |
| 8 | 928 574 717 07 | Molded hose | | 1 | |
| | | No longer use the part here | | | |
| 8 | 9P1 129 487 | Molded hose | | 1 | |
| 9 | 997 110 683 70 | Y-piece | | 2 | |
| | | Change-over valve | | | |
| | | Electric | | | |
| 10 | 997 110 666 71 | Elbow fitting | | 2 | |
| | | Vacuum unit | | | |
| | | Exhaust gas turbocharger | | | |
| 11 | 999 512 445 00 | Clamp | | 2 | |
| 12 | 997 110 697 71 | Connector union | | 1 | |
| 13 | 999 512 498 00 | Hose clamp | | 4 | |
| 14 | 999 512 527 00 | Clamp | | 1 | |
| 15 | 999 507 859 40 | Hose bracket | | 1 | |
| - | 900 918 005 40 | Pipe | | * | |
| | | 5 X 1,0 | | | |
| 16 | | shorten to: | 980 MM | 1 | |
| 17 | | shorten to: | 600 MM | 1 | |
| 18 | | shorten to: | 420 MM | 1 | |
| - | 000 043 205 01 | Pipe | | * | |
| | | 4 X 1,0 | | | |
| 19 | | shorten to: | 480 MM | 1 | |
| 20 | | shorten to: | 940 MM | 1 | |
| 21 | 900 377 010 04 | Hexagon nut | | 1 | |
| | | M 6 | | | |
| | | Discontinued part | | | |
| 21 | 900 377 010 01 | Hexagon nut | | 1 | |
| | | M 6 | | | |
| 22 | | Change-over valve | | 1 | |
| | | see illustration, item: | 108-005,4 | | |
| 23 | 999 703 349 00 | Rubber bush | | 1 | |

PR:249

Model: 997T07

Model life 2007>>2009



Model: 997T07 Model life 2007>>2009

| Pos | Part Number | Description | Remark | Qty | Model |
|------|----------------|---|--------|-----|-------|
| 1 | 997 110 307 73 | Fuel collection pipe Fuel collection pipe Cyl. 1 - 3 Discontinued part | | 1 | 9770 |
| 1 | 997 110 307 74 | Fuel collection pipe Cyl. 1 - 3 | | 1 | |
| 2 | 997 110 308 72 | Fuel collection pipe Cyl. 4 - 6 Discontinued part | | 1 | |
| 2 | 997 110 308 73 | Fuel collection pipe Cyl. 4 - 6 | | 1 | |
| 3 | 997 110 199 70 | pressure regulator | | 1 | |
| 4 | 999 707 276 40 | O-ring 5 X 2,5 | | 1 | |
| 5 | 999 707 277 40 | O-ring 20 X 2,5 | | 1 | |
| 6 | 993 110 196 00 | Retaining clip | | 1 | |
| 7 | 997 110 309 72 | Fuel hose | | 1 | |
| 8 | 997 110 311 70 | Guide rail Fuel line | | 1 | |
| 9 | 997 110 312 70 | Clamp Fuel line | | 2 | |
| 10 | 900 385 041 01 | Torx screw M 6 X 12 | | 4 | |
| 11 | 997 110 314 71 | Fuel line fuel cooler | | 1 | |
| 12 | 997 110 315 70 | Fuel line Return line | | 1 | |
| 13 | 900 385 009 01 | Torx screw M 6 X 16 | | 1 | |
| 14 | 996 110 113 52 | Retaining clip | | 6 | |
| 15 | 997 110 029 73 | Breather line | | 1 | |
| 16 | 997 110 249 71 | Bracket Tank ventilation | | 1 | |
| 17 | 999 507 123 40 | Bracket M >> 628 01460 | | 1 | |
| (17) | 999 507 128 41 | Line holder M 628 01461 >> | | 1 | |
| 18 | 999 507 785 41 | Bracket M >> 628 01460 | | 1 | |
| (18) | 999 507 128 41 | Line holder M 628 01461 >> | | 1 | |
| 19 | 900 385 041 01 | Torx screw M 6 X 12 | | 2 | |
| 20 | 997 605 132 01 | Injection valve mit O-ring Discontinued part | | 6 | |
| 20 | 997 605 132 02 | Injection valve mit O-ring | | 6 | |
| 21 | 999 707 573 40 | O-ring 8,30 x 3,05 | | 6 | |
| 22 | 999 707 574 40 | O-ring 7,52 x 3,51 | | 6 | |
| 23 | 996 110 253 52 | Fuel filter | | 1 | |
| 24 | 997 110 065 00 | Bleed valve D >> - MJ 2008 | | 1 | |
| (24) | 997 110 065 01 | Bleed valve D - MJ 2009>> | | 1 | |
| 25 | 997 110 257 01 | Bracket D >> - MJ 2007 | | 1 | |
| (25) | 997 110 257 03 | Bracket | | 1 | |

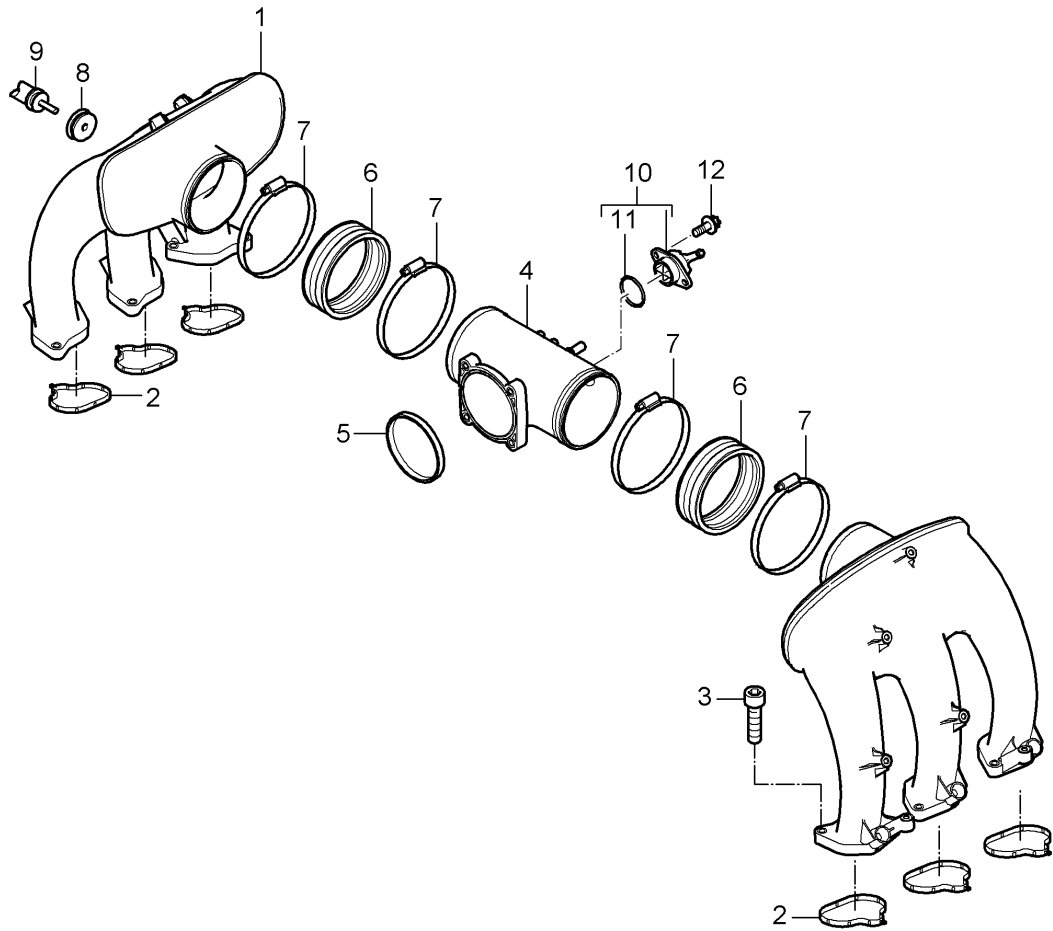
Model: 997T07

Model life 2007>>2009

| Pos | Part Number | Description | Remark | Qty | Model |
|-----|----------------|--------------------------------|--------|-----|-------|
| 26 | 997 110 267 70 | D - MJ 2008>> securing clip | | 1 | |

Model: 997T07

Model life 2007>>2009



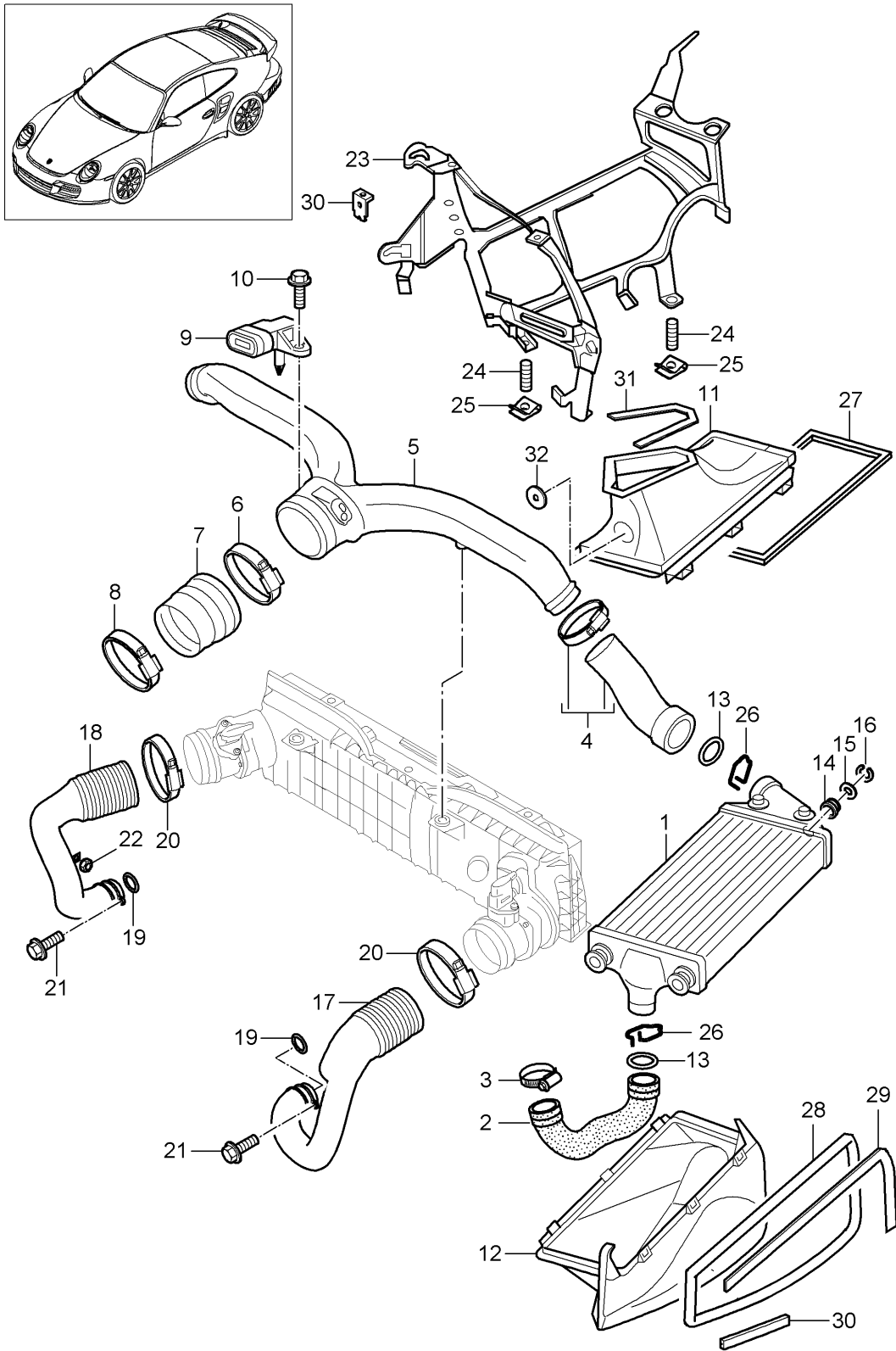
Model: 997T07

Model life 2007>>2009

| Pos | Part Number | Description | Remark | Qty | Model |
|-----|----------------|---|--------|-----|-----------------|
| 1 | 997 110 627 72 | intake air distributor intake air distributor Discontinued part | | 2 | 9770 PR:-101 |
| 1 | 997 110 627 73 | intake air distributor | | 2 | PR:-101 |
| (1) | 997 110 677 71 | intake air distributor Discontinued part | | 2 | PR:101 |
| (1) | 997 110 477 72 | intake air distributor | | 2 | PR:101 |
| 2 | 997 110 747 70 | Seal | | 6 | |
| 3 | 900 067 354 01 | Bolt with washer M 6 X 25 | | 12 | |
| 4 | 997 110 215 70 | Distributor tube | | 1 | PR:-101 |
| (4) | 997 110 177 71 | Distributor tube with: Seal Discontinued part | | 1 | PR:101 |
| (4) | 997 110 159 70 | Distributor tube Discontinued part | | 1 | PR:101 |
| (4) | 997 110 059 70 | Distributor tube (complete) | | 1 | PR:101 |
| 5 | 997 110 319 00 | Seal | | 1 | |
| 6 | 997 110 685 70 | Rubber sleeve | | 2 | PR:-101 |
| (6) | 997 110 687 71 | Rubber sleeve | | 2 | PR:101 |
| 7 | 999 512 539 00 | Hose clamp 90 - 110/9 Discontinued part | | 4 | |
| (7) | 999 512 539 01 | Hose clamp 90 - 110/9 | | 4 | PR:-101 |
| (7) | 999 512 698 01 | Hose clamp 70 - 90/9 | | 4 | PR:101 |
| 8 | 993 110 530 01 | Grommet | | 1 | |
| 9 | 997 606 213 00 | Temperature sensor Engine bay | | 1 | |
| 10 | 997 110 178 70 | Non-return valve | | 1 | PR:101 |
| 11 | 999 707 409 41 | O-ring 26 X 3 | | 1 | PR:101 |
| 12 | 900 385 050 01 | Hexagon head bolt BM 6 X 16 | | 2 | PR:101 |

Model: 997T07

Model life 2007>>2009



Model: 997T07 Model life 2007>>2009

| Pos | Part Number | Description | Remark | Qty | Model |
|------|--------------------|---|--------|-----|--------|
| | | Turbocharging | | | 9770 |
| 1 | 997 110 639 00 | Charge air cooler | left | 1 | |
| (1) | 997 110 640 00 | Charge air cooler | right | 1 | |
| 2 | 997 110 631 01 | Pressure hose | left | 1 | |
| | | Exhaust gas turbocharger Cyl. 1 - 3 Discontinued part | | | |
| (2) | 997 110 631 02 | Pressure hose | left | 1 | |
| | | Exhaust gas turbocharger Cyl. 1 - 3 | | | |
| (2) | 997 110 630 01 | Pressure hose | right | 1 | |
| | | Exhaust gas turbocharger Cyl. 4 - 6 Discontinued part | | | |
| (2) | 997 110 630 02 | Pressure hose | right | 1 | |
| | | Exhaust gas turbocharger Cyl. 4 - 6 | | | |
| 3 | 999 512 348 01 | Hose clamp 40 - 60 | | 2 | |
| 4 | 997 110 644 03 | Pressure hose | left | 1 | |
| | | for pressure pipe | | | |
| (4) | 997 110 645 03 | Pressure hose | right | 1 | |
| | | for pressure pipe | | | |
| 5 | 997 110 646 72 | pressure pipe | | 1 | |
| 6 | 999 512 629 00 | Hose clamp 90 - 110 | | 1 | |
| 7 | 997 110 647 71 | Rubber sleeve | | 1 | |
| | | D - MJ 2007>> - MJ 2007 | | | |
| (7) | 997 110 647 72 | Rubber sleeve | | 1 | |
| | | D - MJ 2008>> Discontinued part | | | |
| (7) | 997 110 647 73 | Rubber sleeve | | 1 | |
| 8 | 999 512 542 00 | Hose clamp 80 - 100 | | 1 | |
| 9 | 996 606 180 00 | Sensor | | 1 | |
| 10 | 999 919 241 01 | Oval-head screw M 6 X 15 | | 2 | |
| 11 | 997 575 657 00 | Air guide | left | 1 | |
| (11) | 997 575 658 00 | Air guide | right | 1 | |
| 12 | 997 575 471 00 | Air guide | left | 1 | |
| | 997 575 471 00 01C | Black | | | |
| (12) | 997 575 471 80 | Air guide | left | 1 | PR:101 |
| | | D - MJ 2008>> | | | |
| | 997 575 471 80 01C | Satin black | | | |
| (12) | 997 575 472 00 | Air guide | right | 1 | |
| | 997 575 472 00 01C | Black | | | |
| (12) | 997 575 472 80 | Air guide | right | 1 | PR:101 |
| | | D - MJ 2008>> | | | |
| | 997 575 472 80 01C | Satin black | | | |
| 13 | 996 106 801 06 | seal ring | | 4 | |
| 14 | 996 110 638 70 | Rubber bush | | 8 | |
| 15 | 999 025 255 02 | Washer 16,1 X 32 X 0,5 | | 8 | |
| | | D - MJ 2007>> - MJ 2007 | | | |
| (15) | 999 025 255 01 | Washer 16 X 32 X 0,5 | | 8 | |
| | | D - MJ 2008>> | | | |
| 16 | 900 116 015 09 | Retaining washer | | 8 | |
| 17 | 997 110 623 73 | suction line | left | 1 | |
| | | Discontinued part | | | |
| (17) | 997 110 023 73 | suction line | left | 1 | |

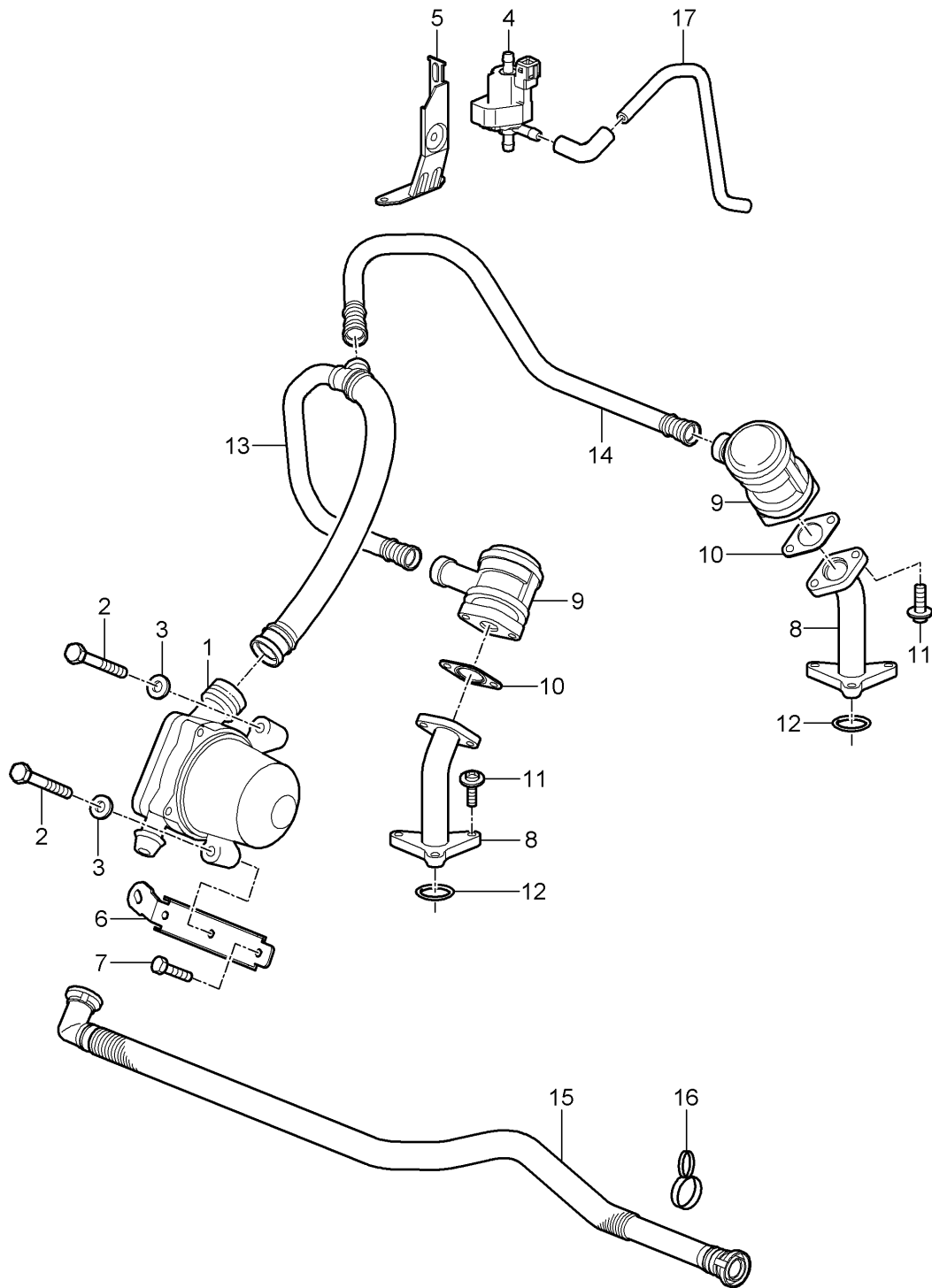
Model: 997T07

Model life 2007>>2009

| Pos | Part Number | Description | Remark | Qty | Model |
|------|----------------|--|---------------|-----|--------|
| 18 | 997 110 624 73 | suction line Discontinued part | right | 1 | |
| 18 | 997 110 024 73 | suction line | right | 1 | |
| 19 | 999 707 564 40 | O-ring 50.00 X 2,50 | | 2 | |
| 20 | 999 512 698 01 | Hose clamp 70 - 90/9 | | 2 | |
| 21 | 900 385 019 01 | Torx screw M 6 X 20 | | 4 | |
| 22 | 900 377 010 02 | Hexagon nut M 6 | | 1 | |
| 23 | 997 504 253 00 | Console | left | 1 | |
| (23) | 997 504 253 80 | Console D - MJ 2008>> | left | 1 | PR:101 |
| (23) | 997 504 254 00 | Console | right | 1 | |
| (23) | 997 504 254 80 | Console D - MJ 2008>> | right | 1 | PR:101 |
| 24 | 999 516 023 05 | Threaded stud | | 8 | |
| 25 | 999 507 668 02 | panel nut ST 4,8 | | 12 | |
| 25 | 999 507 668 01 | Discontinued part panel nut ST 4,8 | | 12 | |
| 26 | 997 106 802 05 | retaining spring D 41 | | 4 | |
| 27 | 997 575 869 00 | Seal Charge air cooler | left a. right | 1 | |
| 28 | 997 575 890 00 | Seal Air-guide cowl 1110 mm | left a. right | 1 | |
| 29 | 997 575 889 80 | Seal Air-guide cowl 600 mm | left a. right | 1 | PR:101 |
| 30 | 997 575 890 80 | Seal Air-guide cowl 160 mm | left a. right | 1 | PR:101 |
| 31 | 997 575 789 00 | Plastic foam strip Air-guide cowl | left a. right | 1 | |
| 32 | 997 575 777 00 | Cover Air-guide cowl | left a. right | 1 | |
| 33 | 997 504 305 00 | Bracket for charge air cooler Console | left a. right | 1 | |

Model: 997T07

Model life 2007>>2009



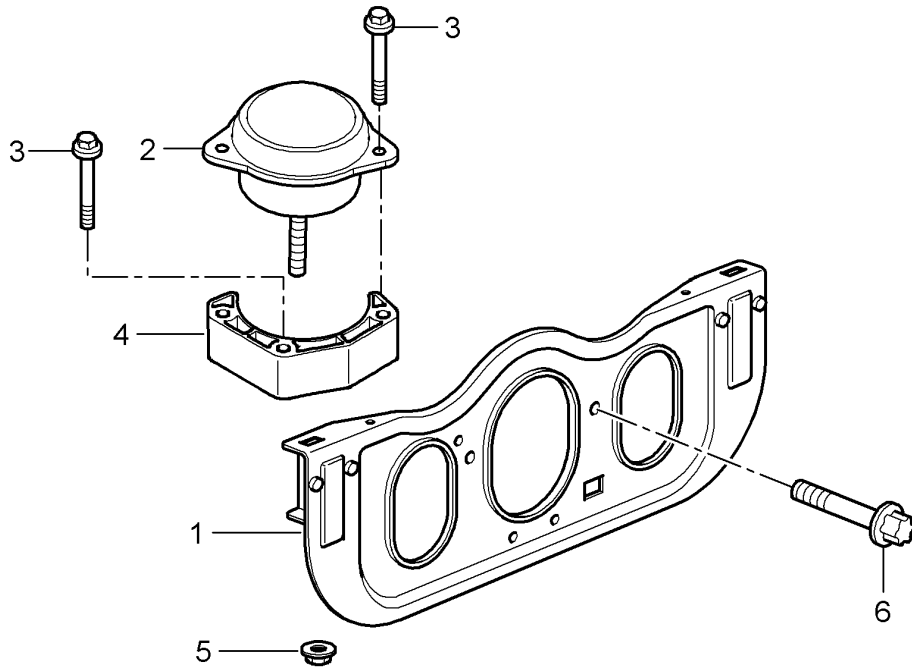
Model: 997T07

Model life 2007>>2009

| Pos | Part Number | Description | Remark | Qty | Model |
|-----|----------------|--------------------------|---------|-----|--------|
| | | Air injection | | | 9770 |
| 1 | 997 605 204 00 | Secondary pump | | 1 | |
| 2 | 900 385 070 01 | Torx screw | | 2 | |
| | | M 6 X 50 | | | |
| 2 | PAF 008 685 00 | Torx screw | | 2 | |
| | | M 6 X 50 | | | |
| 3 | 999 025 268 01 | Washer | | 2 | |
| | | 6,4 X 18 X 1,2 | | | |
| 4 | 996 605 165 00 | Change-over valve | | 1 | |
| - | 948 605 167 01 | Bracket | | 1 | |
| | | for | | | |
| | | Change-over valve | | | |
| (4) | 996 605 123 01 | Change-over valve | | 1 | PR:249 |
| 5 | 997 605 101 01 | Bracket | | 1 | |
| | | Change-over valve | | | |
| 6 | 997 113 105 71 | Bracket | | 1 | |
| | | Secondary pump | | | |
| 7 | 900 385 041 01 | Torx screw | | 2 | |
| | | M 6 X 12 | | | |
| 8 | 997 113 101 74 | Console | | 2 | |
| 9 | 997 113 203 71 | Valve | | 2 | |
| 10 | 993 113 258 51 | Seal | | 2 | |
| 11 | 900 067 207 01 | Bolt with washer | | 10 | |
| | | M 6 X 20 | | | |
| 12 | 999 707 472 40 | O-ring | | 2 | |
| | | 20,00 X 2,50 | | | |
| 13 | 997 113 111 70 | Pressure line | | 1 | |
| | | Cyl. 1 - 3 | | | |
| 14 | 997 113 112 70 | Pressure line | | 1 | |
| | | Cyl. 4 - 6 | | | |
| 15 | 997 113 211 72 | Intake hose | | 1 | |
| 16 | 999 507 857 40 | bracket for suction hose | | 1 | |
| | | 16,0 / 8,0 | | | |
| 17 | | Pipe | | | |
| | | see illustration: | 107-000 | | |

Model: 997T07

Model life 2007>>2009



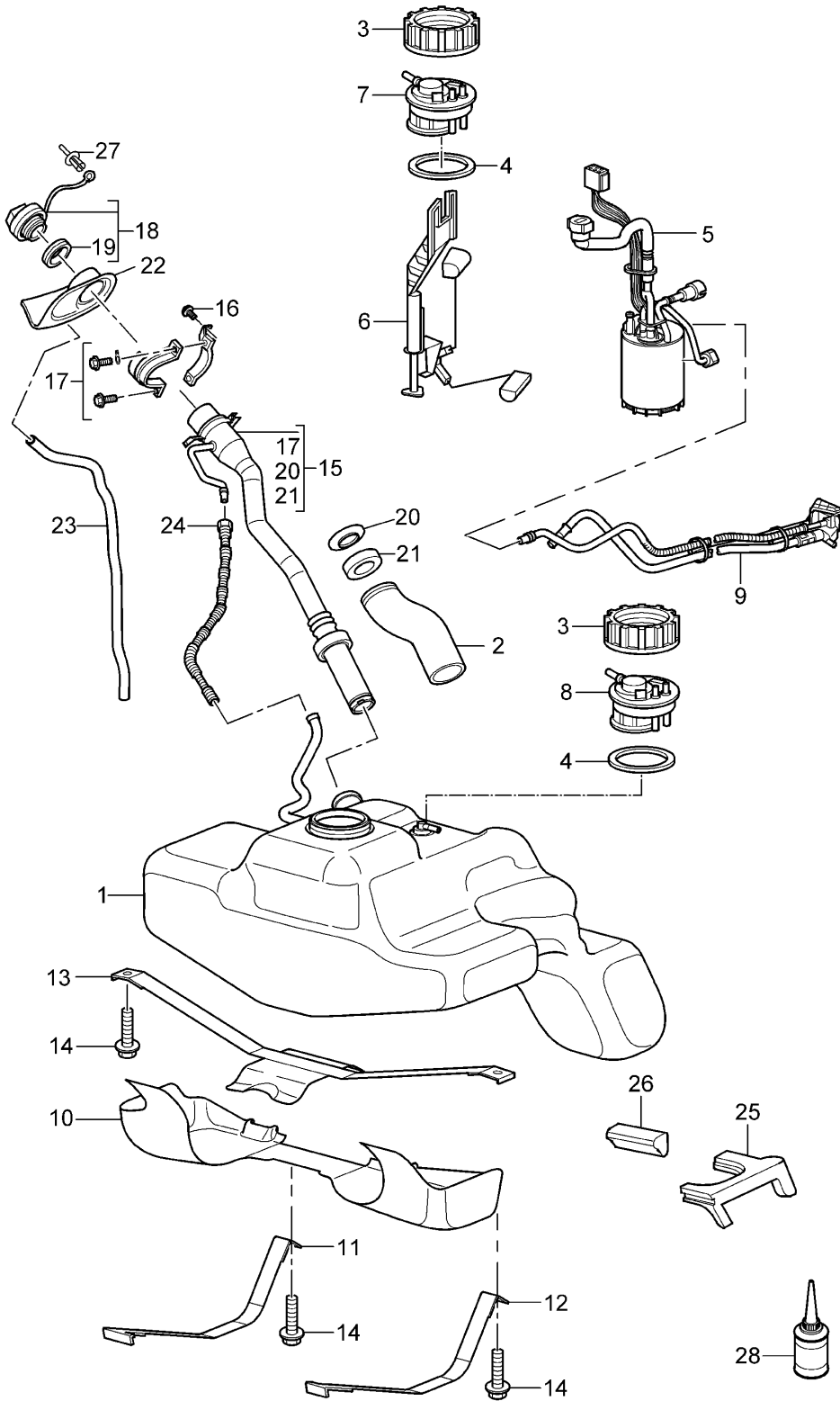
Model: 997T07

Model life 2007>>2009

| Pos | Part Number | Description | Remark | Qty | Model |
|-----|----------------|-------------------------------|--------|-----|--------|
| 1 | 996 375 013 01 | Engine suspension | | 1 | 9770 |
| 2 | 997 375 049 05 | Engine brackets | | 2 | CABRIO |
| (2) | 997 375 049 06 | hydro-mounting | | 2 | COUPE |
| (2) | 997 375 049 91 | hydro-mounting | | 2 | PR:101 |
| 3 | 900 378 159 01 | Hexagon bolt AM 8 X 60 | | 6 | |
| 4 | 996 375 221 02 | Adapter | | 2 | |
| 5 | 999 084 215 09 | Locknut M 12 X 1,5 | | 2 | |
| 6 | 900 385 119 01 | Hexagon head bolt M 10X 70 | | 4 | |

Model: 997T07

Model life 2007>>2009



Model: 997T07

Model life 2007>>2009

| Pos | Part Number | Description | Remark | Qty | Model |
|------|----------------|---------------------------------------|--------|-----|--------------|
| | | Fuel tank | | | TURBO GT2 |
| 1 | 997 201 021 03 | Fuel tank | lhd | 1 | PR:-101,098 |
| (1) | 997 201 021 90 | Fuel tank | lhd | 1 | PR:101,098 |
| (1) | 997 201 022 02 | Fuel tank | rhd | 1 | PR:099 |
| | | with: | | | |
| (1) | 997 201 022 00 | ventilation union Fuel tank | rhd | 1 | PR:101,099 |
| | | without: | | | |
| 2 | 997 201 543 90 | ventilation union Pipe | lhd | 1 | PR:101,098 |
| (3) | 997 201 623 00 | Union nut | inner | 1 | |
| 3 | 997 201 623 00 | Union nut | lhd | 2 | PR:101,098 |
| (4) | 997 201 733 00 | seal ring | | 1 | |
| 4 | 997 201 733 00 | seal ring | lhd | 2 | PR:101,098 |
| 5 | 997 620 127 00 | Fuel pump | | 1 | |
| (5) | 997 620 129 00 | Fuel pump | lhd | 1 | PR:101,098 |
| 6 | 997 620 833 00 | Tank gauge | | 1 | |
| | | without: | | | |
| (6) | 997 620 831 02 | flange Tank gauge | | 1 | PR:101 |
| | | without: | | | |
| 7 | 997 201 421 01 | flange flange for Tank gauge | | 1 | |
| 8 | 997 201 421 03 | flange for Tank gauge | | 1 | PR:101 |
| 9 | 997 620 114 00 | suction jet pump | | 1 | |
| (9) | 997 620 116 00 | suction jet pump | | 1 | PR:101 |
| 10 | 997 201 331 00 | Bottom protection for fuel tank | | 1 | |
| (10) | 997 201 331 00 | Bottom protection for fuel tank | rhd | 1 | PR:101,099 |
| (10) | 997 201 331 90 | Bottom protection for fuel tank | lhd | 1 | PR:101,098 |
| 11 | 997 201 106 00 | tensioning strap | right | 1 | |
| 12 | 997 201 105 00 | tensioning strap | left | 1 | |
| 13 | 997 201 107 00 | tensioning strap | | 1 | |
| 14 | 900 075 479 01 | Bolt with washer M 8 X 40 | | 4 | |
| 15 | 997 201 043 12 | fuel filler neck | | 1 | |
| (15) | 997 201 043 10 | fuel filler neck | | 1 | PR:150,193 |
| 16 | 999 073 348 09 | fillister hd. bolt M 6 X 20 | | 1 | |
| 17 | 997 201 951 02 | Bracket for filler neck | | 1 | |
| 18 | 996 201 241 03 | Fuel tank cap | | 1 | |
| | | with: | | | |
| 19 | 191 201 557 | Clip | | 1 | |
| 20 | 996 201 755 00 | seal ring | | 1 | |
| 21 | 996 201 753 00 | support washer | | 1 | |
| 22 | 996 201 753 00 | Seal | | 1 | |
| 23 | 997 201 667 00 | Sleeve | | 1 | |
| 24 | 996 201 153 00 | Hose | | 1 | |
| 24 | 996 201 613 00 | Breather line | rhd | 1 | PR:099 |
| | | Fuel tank To | | | |
| (24) | 997 201 711 00 | fuel filler neck Breather line | lhd | 1 | PR:098 |
| | | Fuel tank To | | | |

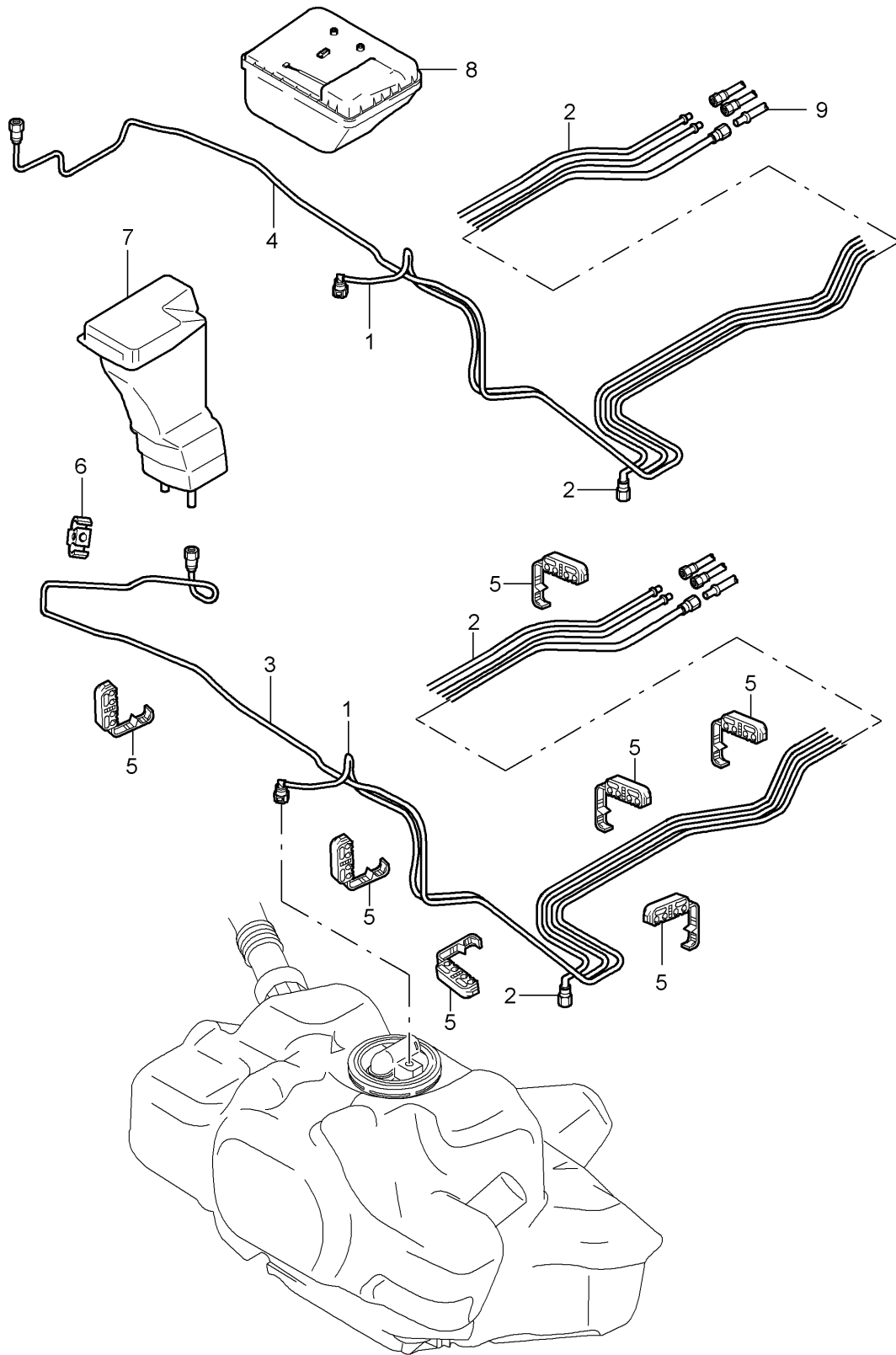
Model: 997T07

Model life 2007>>2009

| Pos | Part Number | Description | Remark | Qty | Model |
|------|----------------|--|--------|-----|------------|
| (24) | 997 201 711 90 | fuel filler neck Breather line Fuel tank To | lhd | 1 | PR:101,098 |
| (24) | 997 201 721 00 | fuel filler neck Breather line In-tank fuel pump To | inner | 1 | TURBO |
| (25) | 997 201 811 00 | Foam part | | 1 | PR:101 |
| 26 | 997 201 813 00 | Foam part | | 1 | |
| 27 | 999 507 499 40 | Spreader rivet 5,0 X 11,5 | | 1 | |
| 28 | 000 043 206 89 | Multi-purpose additive for Otto engine fuels 100 ML Discontinued part | | 1 | |
| 28 | 000 043 209 02 | Multi-purpose additive for Otto engine fuels 100 ML | | 1 | |

Model: 997T07

Model life 2007>>2009



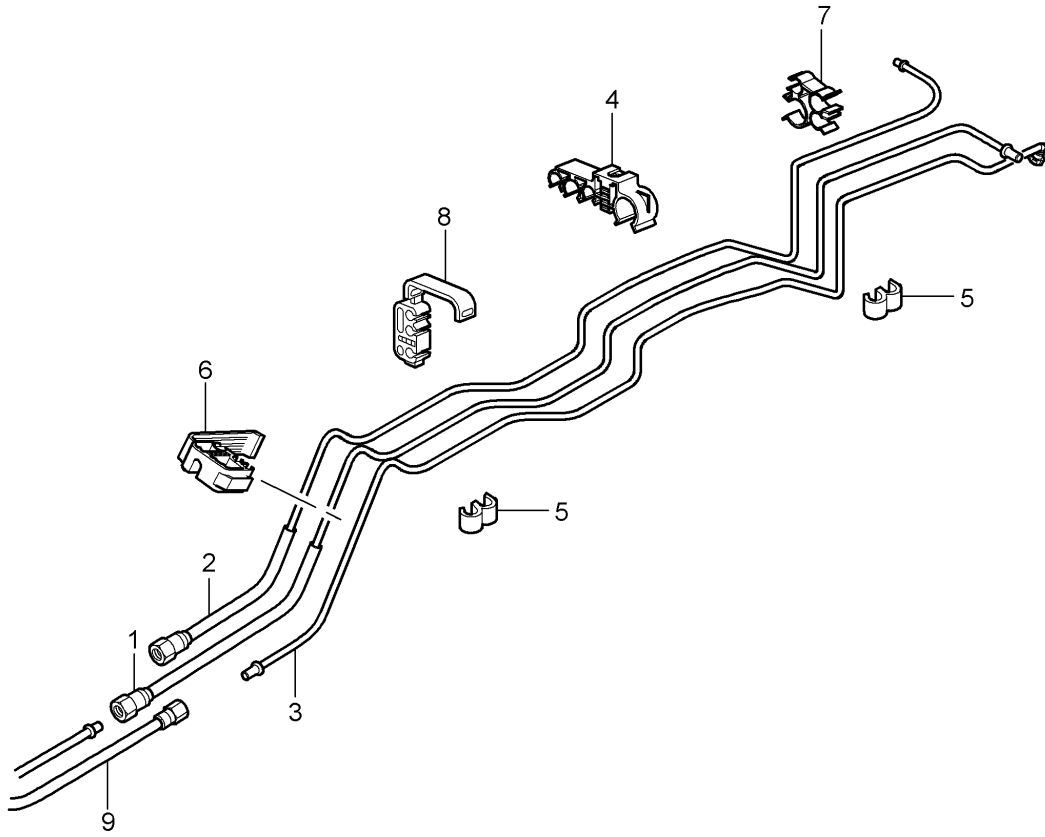
Model: 997T07

Model life 2007>>2009

| Pos | Part Number | Description | Remark | Qty | Model |
|-----|----------------|---|----------------------------|-----|--------|
| 1 | 997 201 261 03 | Fuel system Fuel line Fuel pump for Engine | front front | 1 | |
| 2 | 997 201 271 00 | Fuel line Return line Discontinued part | | 1 | TURBO |
| 2 | 997 201 271 01 | Fuel line Return line | | 1 | TURBO |
| (2) | 997 201 271 90 | Fuel line Return line Discontinued part | | 1 | |
| (2) | 997 201 271 92 | Fuel line Return line | | 1 | |
| (2) | 997 201 271 00 | Fuel line Return line Discontinued part | | 1 | PR:664 |
| (2) | 997 201 271 01 | Fuel line Return line | | 1 | PR:664 |
| 3 | 997 201 351 02 | Purge-air line Activated charcoal container for Engine | front | 1 | |
| 5 | 999 507 521 40 | Cable holder 8,0/8/10 | | 8 | |
| 6 | 999 507 727 40 | Cable holder 8,0/10,0 | | 1 | |
| 7 | | Activated charcoal container see illustration: | | 1 | |
| 9 | | Lines see illustration: | 201-020 rear 201-010 | 1 | |

Model: 997T07

Model life 2007>>2009



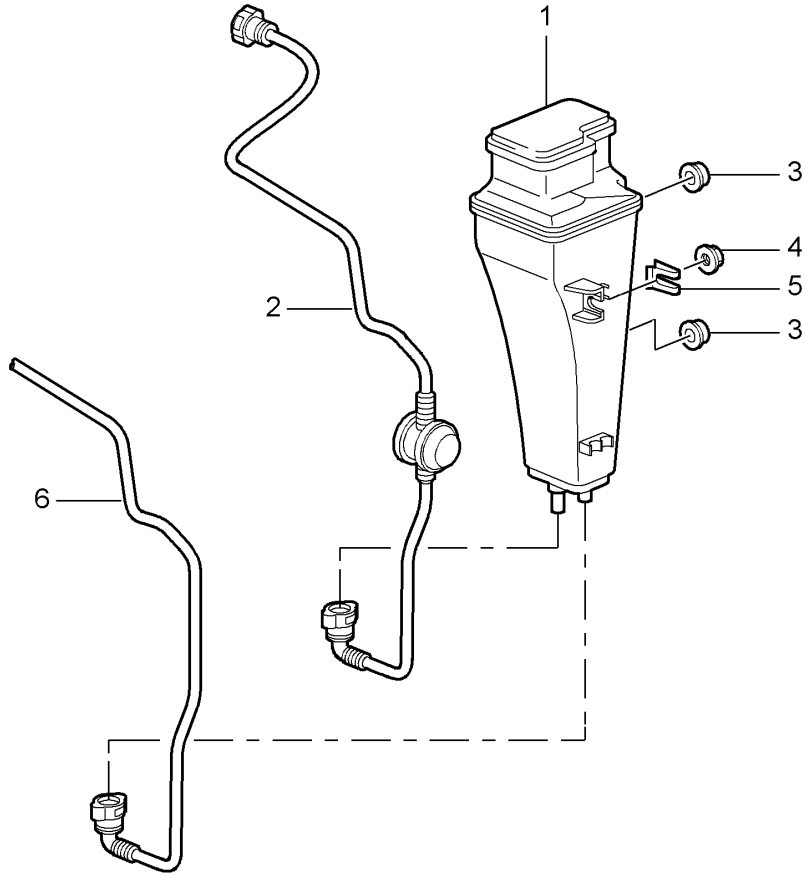
Model: 997T07

Model life 2007>>2009

| Pos | Part Number | Description | Remark | Qty | Model |
|-----|----------------|---|------------------|-----|-------|
| 1 | 997 201 265 01 | Fuel system Fuel line Fuel pump for Engine | rear rear | 1 | |
| 2 | 997 201 275 00 | Fuel line Return line | rear | 1 | |
| 3 | 997 201 355 01 | Air line Activated charcoal container for Engine | rear | 1 | |
| 4 | 999 507 833 40 | Cable holder 15/8/10/8 | | 1 | |
| 5 | 999 507 488 40 | Cable holder 5,0/10,0 | | 4 | |
| 6 | 999 507 521 40 | Cable holder 8/8/10 | | 1 | |
| 7 | 999 507 850 40 | Cable holder 8,0/15,0 | | 1 | |
| 8 | 999 507 727 40 | Cable holder 8/10 | | 1 | |
| 9 | | Lines see illustration: | front 201-005 | | |

Model: 997T07

Model life 2007>>2009



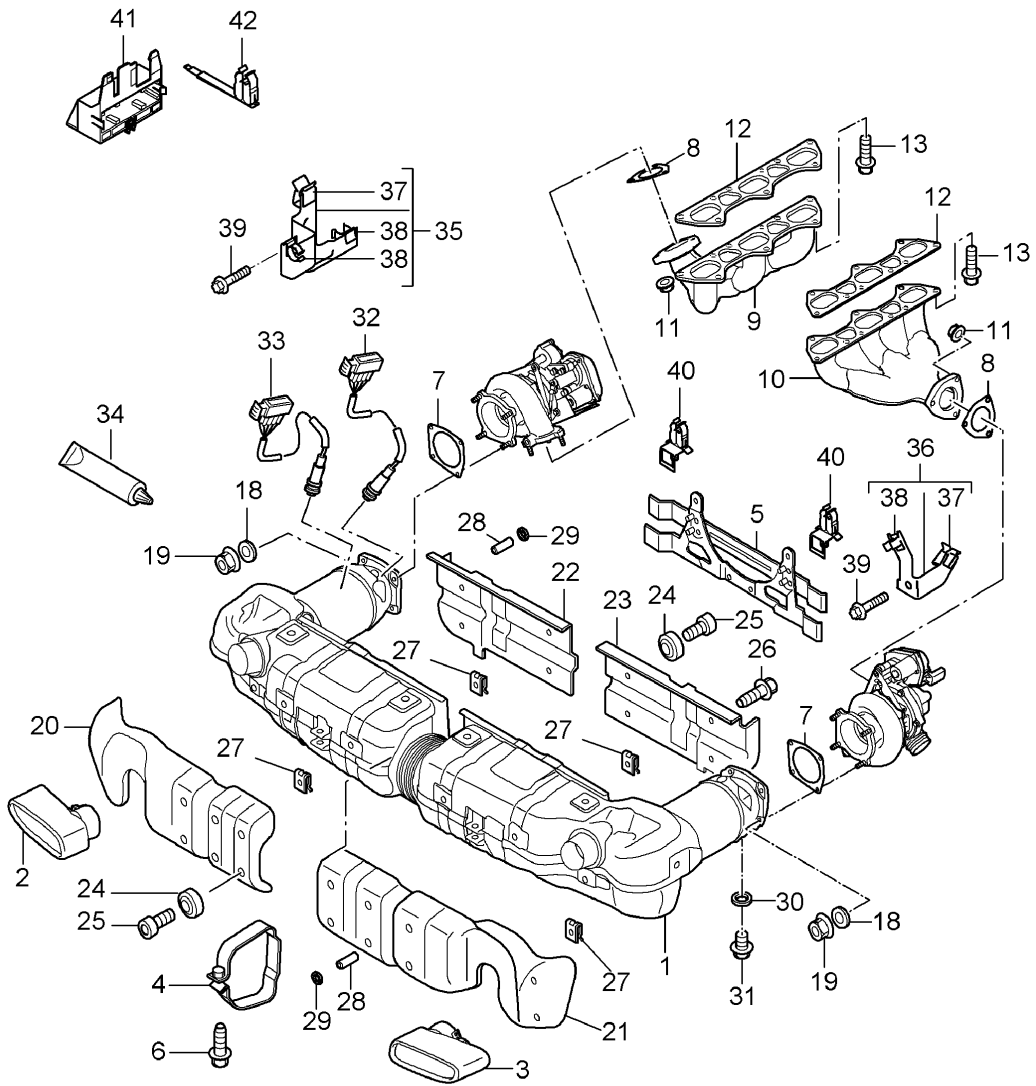
Model: 997T07

Model life 2007>>2009

| Pos | Part Number | Description | Remark | Qty | Model |
|-----|----------------|--|------------------|-----|-------|
| 1 | 997 201 221 01 | Activated charcoal container Activated charcoal container (complete) | | 1 | |
| 2 | 997 201 251 01 | Breather line Fuel tank for Activated charcoal container | | 1 | |
| 3 | 999 702 221 40 | Grommet | | 2 | |
| 4 | 999 084 629 09 | Hexagon nut M 6 | | 1 | |
| 4 | 999 084 629 01 | Discontinued part Hexagon nut M 6 | | 1 | |
| 5 | 999 507 543 02 | Clip 2,00 - 3,00 | | 1 | |
| 6 | | Purge-air line see illustration: | front 201-005 | | |

Model: 997T07

Model life 2007>>2009



Model: 997T07

Model life 2007>>2009

| Pos | Part Number | Description | Remark | Qty | Model |
|-----|----------------|------------------------------|--------|-----|-------|
| | | exhaust system | | | 9770 |
| | | with: | | | |
| 1 | 997 111 027 72 | Heat protection | | 1 | |
| 2 | 997 111 251 01 | Silencer | left | 1 | |
| | | Tailpipe | | | |
| | | chromed | | | |
| | | Discontinued part | | | |
| (2) | 997 111 251 02 | Tailpipe | left | 1 | |
| | | chromed | | | |
| 3 | 997 111 252 01 | Tailpipe | right | 1 | |
| | | chromed | | | |
| | | Discontinued part | | | |
| (3) | 997 111 252 02 | Tailpipe | right | 1 | |
| | | chromed | | | |
| 4 | 997 111 119 70 | tensioning strap | | 2 | |
| 5 | 996 111 024 71 | bracket for exhaust silencer | | 1 | |
| 6 | 900 067 362 01 | Socket head bolt | | 2 | |
| | | AM8 x 50 | | | |
| 7 | 997 111 217 70 | Seal | | 2 | |
| | | Exhaust gas turbocharger | | | |
| | | Silencer | | | |
| 8 | 997 111 215 70 | Seal | | 2 | |
| | | Exhaust manifolds | | | |
| | | Exhaust gas turbocharger | | | |
| 9 | 996 111 101 76 | Exhaust manifolds | left | 1 | |
| | | Cyl. 1 - 3 | | | |
| 10 | 996 111 102 76 | Exhaust manifolds | right | 1 | |
| | | Cyl. 4 - 6 | | | |
| 11 | 999 084 203 01 | Locknut | | 6 | |
| | | M 8 | | | |
| 12 | 996 111 107 71 | Seal | | 2 | |
| | | Exhaust manifolds | | | |
| 13 | 900 378 227 01 | Hexagon bolt | | 18 | |
| | | AM8 x 28 | | | |
| | | Exhaust manifolds | | | |
| | | Cylinder head | | | |
| 18 | 900 031 032 02 | Washer | | 8 | |
| | | 8,4 | | | |
| | | No longer use the part here | | | |
| 19 | 999 084 203 01 | Locknut | | 8 | |
| | | M 8 | | | |
| 20 | 997 111 204 71 | Guard plate | left | 1 | |
| | | Cyl. 1 - 3 | | | |
| 21 | 997 111 205 71 | Guard plate | right | 1 | |
| | | Cyl. 4 - 6 | | | |
| 22 | 996 111 207 72 | Guard plate | left | 1 | |
| | | Engine brackets | | | |
| | | Cyl. 1 - 3 | | | |
| 23 | 996 111 208 72 | Guard plate | right | 1 | |
| | | Engine brackets | | | |
| | | Cyl. 4 - 6 | | | |
| 24 | 996 111 283 70 | fitted washer | | 20 | |
| 25 | 900 119 001 00 | Socket head bolt | | 18 | |
| | | M 5 x 12 | | | |
| 26 | 996 111 212 70 | Hexagon bolt | | 2 | |
| 27 | 999 591 905 00 | panel nut | | 20 | |
| 28 | 996 111 281 70 | Sleeve | | 20 | |
| 29 | 900 234 029 00 | fitted washer | | 20 | |
| | | 9 x 15 x 1,0 | | | |
| 30 | 900 123 050 20 | seal ring | | 2 | |
| | | 8 x 11,5 | | | |
| 31 | 900 124 021 01 | sealing plug | | 2 | |
| | | CM8 x 1 | | | |

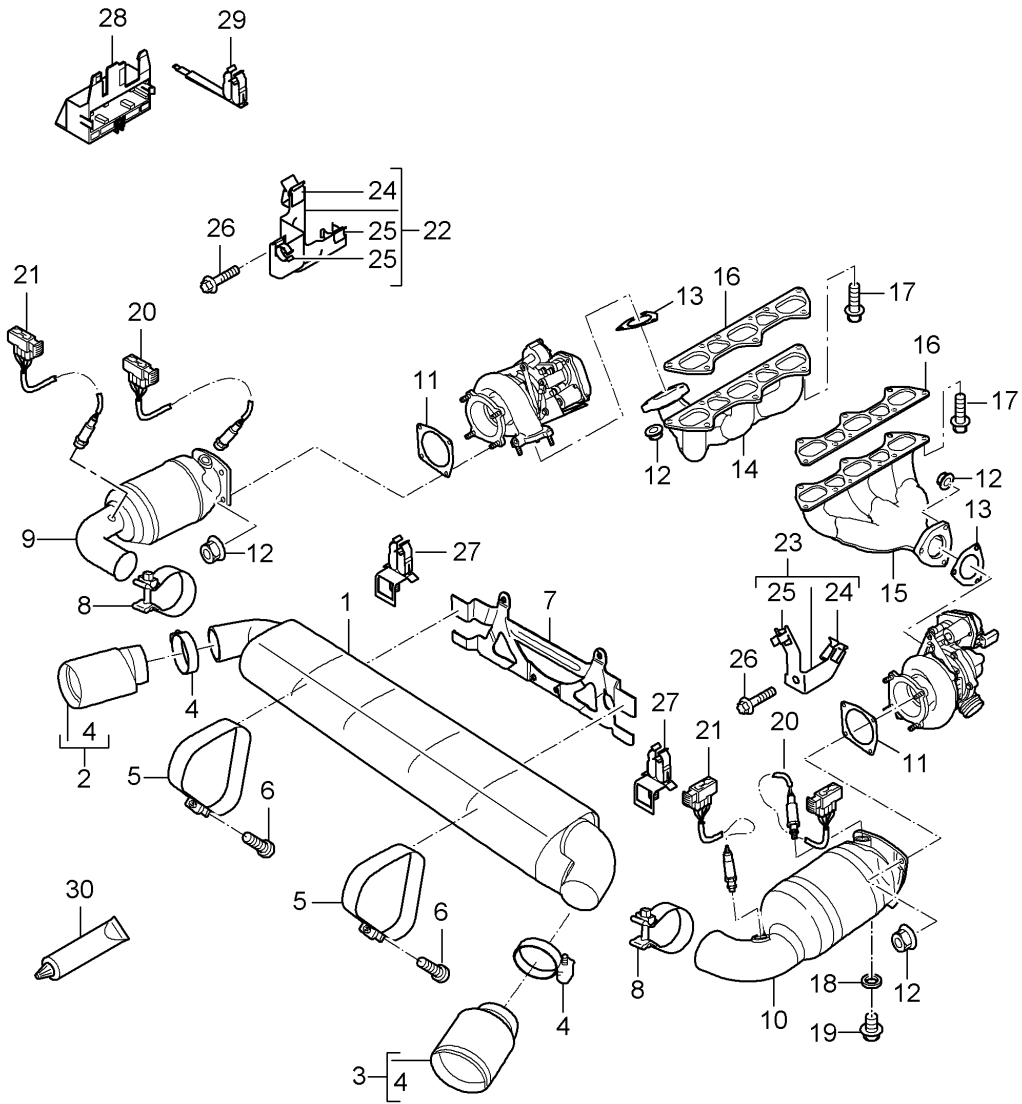
Model: 997T07

Model life 2007>>2009

| Pos | Part Number | Description | Remark | Qty | Model |
|-----|----------------|--|------------|-----|-------|
| 32 | 997 606 128 02 | Lambda probe in front of Catalytic converter | | 2 | |
| 33 | 997 606 138 02 | Lambda probe After Catalytic converter | | 2 | |
| 34 | 000 043 207 07 | grease for oxygen sensor | | 1 | |
| 35 | 997 606 169 02 | Holder for lambda probe Line | left | 1 | |
| 36 | 997 606 167 00 | Holder for lambda probe Line | right | 1 | |
| 37 | 999 651 394 40 | Cable holder 6,0 Line | | 2 | |
| 38 | 999 651 392 07 | Cable holder 9,5 - 10,5 Line | | 3 | |
| 39 | | Lambda probe Torx screw M 6 X 20 | | 2 | |
| 40 | 997 606 151 01 | see illustration, item: Holder for lambda probe Line | 103-010,18 | 2 | |
| 41 | 997 606 107 02 | Holder for lambda probe Connector | | 2 | |
| 42 | 997 606 108 00 | Clip Line Lambda probe | | 2 | |

Model: 997T07

Model life 2007>>2009



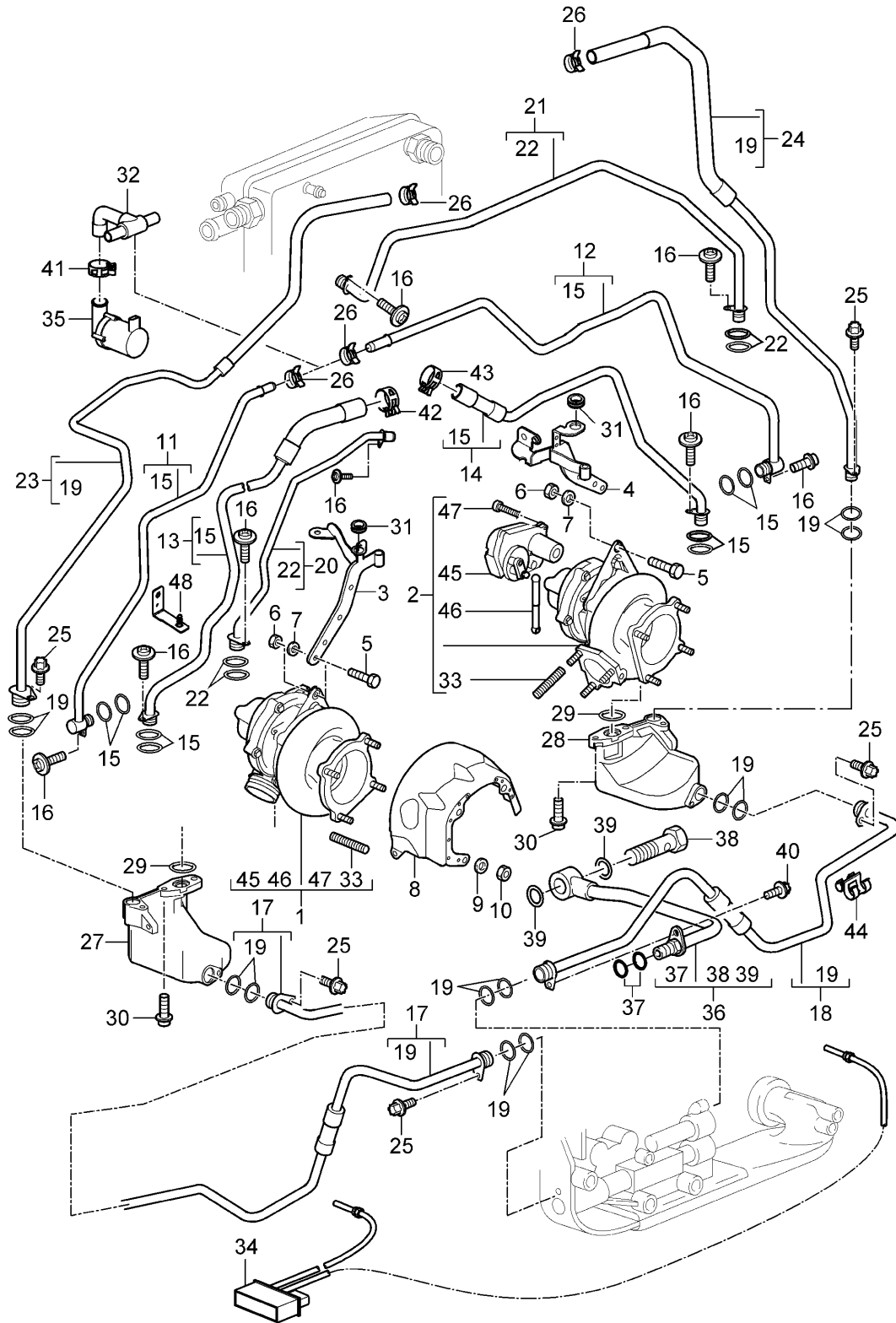
Model: 997T07

Model life 2007>>2009

| Pos | Part Number | Description | Remark | Qty | Model |
|-----|----------------|--|------------|-----|-----------------|
| | | exhaust system D - MJ 2008>> | | | 9770+ PR:101 |
| 1 | 997 111 026 80 | Silencer | | 1 | |
| 2 | 997 111 252 81 | Tailpipe | left | 1 | |
| 3 | 997 111 251 81 | Tailpipe | right | 1 | |
| 4 | 997 111 240 80 | Clamp | | 2 | |
| 5 | 997 113 119 30 | tensioning strap Discontinued part | | 2 | |
| 5 | 997 113 119 31 | tensioning strap | | 2 | |
| 6 | 900 067 362 01 | Socket head bolt AM 8 X 50 | | 2 | |
| 7 | 997 111 124 81 | Bracket Silencer | | 1 | |
| 8 | 997 111 230 80 | clamp | | 2 | |
| 9 | 997 113 009 80 | Catalytic converter | left | 1 | |
| 9 | 997 113 009 BX | Catalytic converter | left | 1 | |
| 10 | 997 113 010 80 | Catalytic converter | right | 1 | |
| 10 | 997 113 010 BX | Catalytic converter | right | 1 | |
| 11 | 997 111 217 70 | Seal | | 2 | |
| 12 | 999 084 203 01 | Locknut M 8 | | 14 | |
| 13 | 997 111 215 70 | Seal | | 2 | |
| 14 | 996 111 101 76 | Exhaust manifolds Cyl. 1 - 3 | left | 1 | |
| 15 | 996 111 102 76 | Exhaust manifolds Cyl. 4 - 6 | right | 1 | |
| 16 | 996 111 107 71 | Seal Exhaust manifolds | | 2 | |
| 17 | 900 378 227 01 | Hexagon bolt AM 8 X 28 | | 18 | |
| 18 | 900 123 050 20 | seal ring 8 X 11,5 | | 2 | |
| 19 | 900 124 021 01 | sealing plug CM 8 X 1 | | 2 | |
| 20 | 997 606 128 02 | Lambda probe in front of Catalytic converter | | 2 | |
| 21 | 997 606 185 00 | Lambda probe After Catalytic converter | | 2 | |
| 22 | 997 606 169 02 | Holder for lambda probe Line | left | 1 | |
| 23 | 997 606 167 00 | Holder for lambda probe Line | right | 1 | |
| 24 | 999 651 394 40 | Cable holder 6,0 Line | | 2 | |
| 25 | 999 651 392 07 | Cable holder 9,5 - 10,5 Line | | 3 | |
| 26 | | Lambda probe Torx screw M 6 X 20 | | 2 | |
| 27 | 997 606 151 01 | see illustration, item: Holder for lambda probe Line | 103-010,18 | 2 | |
| 28 | 997 606 107 02 | Holder for lambda probe Connector | | 2 | |
| 29 | 997 606 108 00 | Clip Line | | 2 | |
| 30 | 000 043 207 07 | Lambda probe grease for oxygen sensor | | 1 | |

Model: 997T07

Model life 2007>>2009



Model: 997T07 Model life 2007>>2009

| Pos | Part Number | Description | Remark | Qty | Model |
|-----|----------------|--|--------|-----|--------|
| | | Exhaust gas turbocharger with: Heat protection and Oil pipe Water line | | | 9770 |
| 1 | 997 123 013 72 | Exhaust gas turbocharger Cyl. 1 - 3 No longer use the part here | | 1 | |
| (1) | 997 123 013 73 | Exhaust gas turbocharger Cyl. 1 - 3 Discontinued part | | 1 | |
| (1) | 997 123 013 74 | Exhaust gas turbocharger Cyl. 1 - 3 Discontinued part | | 1 | |
| (1) | 997 123 013 75 | Exhaust gas turbocharger Cyl. 1 - 3 D >> - MJ 2008 Discontinued part | | 1 | |
| (1) | 997 123 013 X | Exhaust gas turbocharger Cyl. 1 - 3 D >> - MJ 2008 Discontinued part | | 1 | |
| (1) | 997 123 013 76 | Exhaust gas turbocharger Cyl. 1 - 3 D >> - MJ 2009 | | 1 | |
| (1) | 997 123 013 AX | Exhaust gas turbocharger Cyl. 1 - 3 D >> - MJ 2009 | | 1 | |
| (1) | 997 123 077 71 | Exhaust gas turbocharger Cyl. 1 - 3 D - MJ 2008>> - MJ 2008 Discontinued part | | 1 | PR:101 |
| (1) | 997 123 077 72 | Exhaust gas turbocharger Cyl. 1 - 3 D >> - MJ 2009 Discontinued part | | 1 | PR:101 |
| (1) | 997 123 077 X | Exhaust gas turbocharger Cyl. 1 - 3 D >> - MJ 2009 Discontinued part | | 1 | PR:101 |
| (1) | 997 123 077 73 | Exhaust gas turbocharger Cyl. 1 - 3 D >> - MJ 2009 | | 1 | PR:101 |
| (1) | 997 123 077 AX | Exhaust gas turbocharger Cyl. 1 - 3 D >> - MJ 2009 | | 1 | PR:101 |
| 2 | 997 123 014 72 | Exhaust gas turbocharger Cyl. 4 - 6 No longer use the part here | | 1 | |
| (2) | 997 123 014 73 | Exhaust gas turbocharger Cyl. 4 - 6 Discontinued part | | 1 | |
| (2) | 997 123 014 74 | Exhaust gas turbocharger Cyl. 4 - 6 Discontinued part | | 1 | |
| (2) | 997 123 014 75 | Exhaust gas turbocharger Cyl. 4 - 6 D >> - MJ 2008 Discontinued part | | 1 | |
| (2) | 997 123 014 X | Exhaust gas turbocharger Cyl. 4 - 6 D >> - MJ 2008 | | 1 | |

Model: 997T07 Model life 2007>>2009

| Pos | Part Number | Description | Remark | Qty | Model |
|-----|----------------|--|--------|-----|--------|
| (2) | 997 123 014 76 | Discontinued part Exhaust gas turbocharger Cyl. 4 - 6 D >> - MJ 2009 | | 1 | |
| (2) | 997 123 014 AX | Exhaust gas turbocharger Cyl. 4 - 6 D >> - MJ 2009 | | 1 | |
| (2) | 997 123 078 71 | Exhaust gas turbocharger Cyl. 4 - 6 D - MJ 2008>> - MJ 2008 | | 1 | PR:101 |
| (2) | 997 123 078 72 | Discontinued part Exhaust gas turbocharger Cyl. 4 - 6 D >> - MJ 2009 | | 1 | PR:101 |
| (2) | 997 123 078 X | Discontinued part Exhaust gas turbocharger Cyl. 4 - 6 We take back: D >> - MJ 2009 | | 1 | PR:101 |
| (2) | 997 123 078 73 | Discontinued part Exhaust gas turbocharger Cyl. 4 - 6 D >> - MJ 2009 | | 1 | PR:101 |
| (2) | 997 123 078 AX | Exhaust gas turbocharger Cyl. 4 - 6 D >> - MJ 2009 | | 1 | PR:101 |
| 3 | 997 111 213 76 | Carrier Cyl. 1 - 3 | | 1 | |
| 4 | 997 111 214 77 | Carrier Cyl. 4 - 6 | | 1 | |
| 5 | 900 378 074 09 | Hexagon bolt M 8 x 18 | | 2 | |
| 6 | 999 084 052 02 | Locknut M 8 | | 2 | |
| 7 | 900 336 005 00 | Washer 8.4 | | 2 | |
| 8 | 997 123 215 71 | Guard plate Cyl. 1 - 3 D - MJ 2007>> - MJ 2007 | | 1 | |
| 8 | 997 123 215 72 | Guard plate Cyl. 1 - 3 D - MJ 2008>> | | 1 | |
| (8) | 997 123 216 71 | Guard plate Cyl. 4 - 6 D - MJ 2007>> - MJ 2007 | | 1 | |
| (8) | 997 123 216 72 | Guard plate Cyl. 4 - 6 D - MJ 2008>> | | 1 | |
| 9 | 900 031 032 02 | Washer | | 8 | |
| 10 | 999 084 052 02 | Locknut | | 8 | |
| 11 | 997 106 073 75 | Water line Supply Cyl. 1 - 3 | | 1 | |
| 12 | 997 106 074 74 | Water line Supply Cyl. 4 - 6 | | 1 | |
| 13 | 997 106 075 74 | Water line Return line Cyl. 1 - 3 | | 1 | |
| 14 | 997 106 076 73 | Water line Return line Cyl. 4 - 6 Discontinued part | | 1 | |

Model: 997T07

Model life 2007>>2009

| Pos | Part Number | Description | Remark | Qty | Model |
|------|----------------|---|--------|-----|-------|
| 14 | 997 106 076 74 | Water line Return line Cyl. 4 - 6 | | 1 | |
| 15 | 999 707 583 40 | O-ring 12,0 X 2,0 | | 8 | |
| 16 | 999 073 236 0A | fillister hd. bolt M 6 X 10 | | 8 | |
| 17 | 997 107 329 70 | suction line Cyl. 1 - 3 | | 1 | |
| 18 | 997 107 328 70 | suction line Cyl. 4 - 6 | | 1 | |
| 19 | 999 701 789 40 | O-ring 12,0 X 2,0 | | 8 | |
| 20 | 997 107 219 76 | Pressure line Cyl. 1 - 3 | | 1 | |
| 21 | 997 107 220 75 | Pressure line Cyl. 4 - 6 | | 1 | |
| 22 | 999 707 614 40 | O-ring 9,25 X 1,78 | | 6 | |
| 23 | 997 107 239 76 | Breather line Cyl. 1 - 3 | | 1 | |
| 24 | 997 107 240 74 | Breather line Cyl. 4 - 6 | | 1 | |
| 25 | 900 385 041 01 | Torx screw BM 6 X 12 | | 5 | |
| 26 | 999 512 686 09 | Hose clamp | | 4 | |
| 27 | 997 107 327 72 | collector container Cyl. 1 - 3 | | 1 | |
| 28 | 997 107 326 72 | collector container Cyl. 4 - 6 | | 1 | |
| 29 | 999 707 387 40 | O-ring 15,00 X 2,5 | | 2 | |
| 30 | 900 385 019 01 | Torx screw M 6 X 20 | | 4 | |
| 31 | 999 702 246 40 | Grommet | | 2 | |
| 32 | 997 106 649 74 | t-piece Water line Supply | | 1 | |
| 33 | 900 081 059 00 | Exhaust gas turbocharger Threaded pin M 8 X 22 Discontinued part | | 14 | |
| 33 | 900 081 059 01 | Threaded pin M 8 X 22 | | 14 | |
| 34 | 997 606 250 01 | Temperature sensor Exhaust gas Discontinued part | | 1 | |
| (34) | 997 606 250 03 | Temperature sensor Exhaust gas Discontinued part | | 1 | |
| (34) | 997 606 250 05 | Temperature sensor Exhaust gas | | 1 | |
| - | 997 606 950 00 | Protective hose Sensor Exhaust gas | | 1 | |
| 35 | 997 620 251 01 | Coolant pump Exhaust gas turbocharger | | 1 | |
| - | 997 106 201 71 | Thrust ring Coolant pump Exhaust gas turbocharger | | 1 | |
| - | 997 106 211 72 | Bracket Coolant pump Exhaust gas turbocharger | | 1 | |

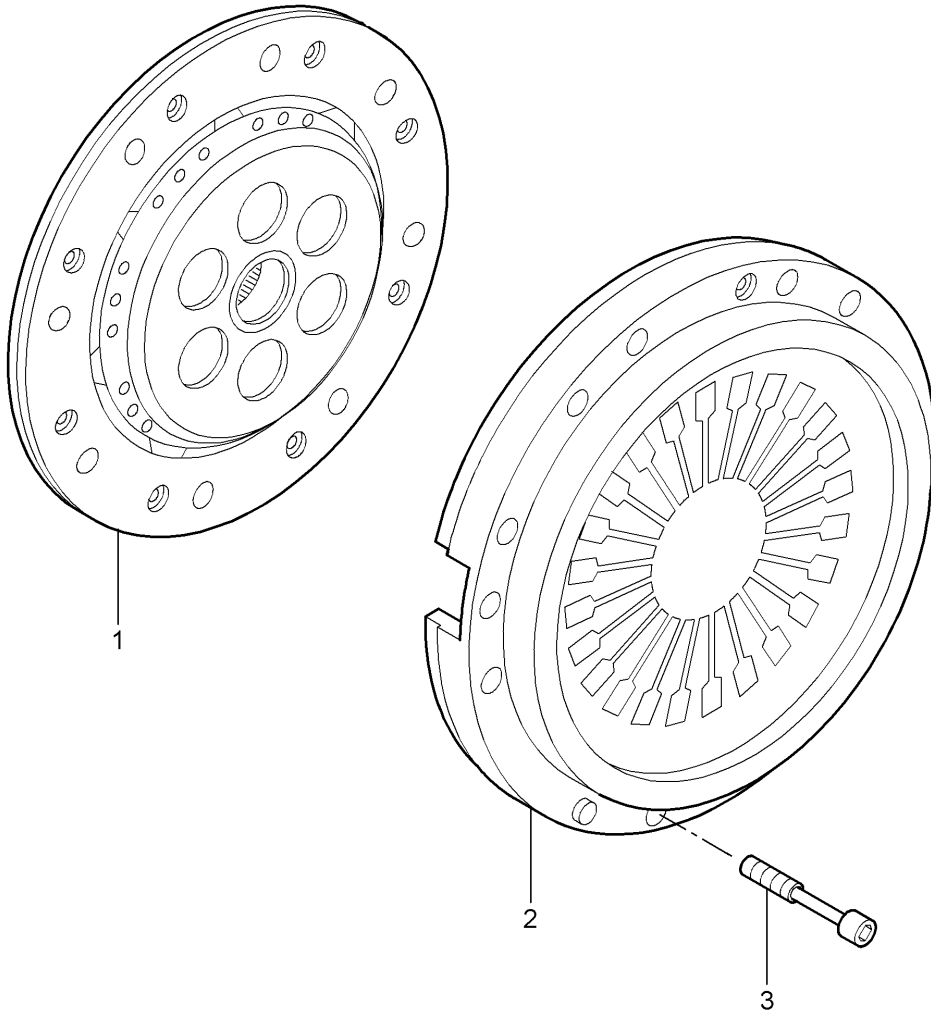
Model: 997T07

Model life 2007>>2009

| Pos | Part Number | Description | Remark | Qty | Model |
|------|----------------|--|--------|-----|-------|
| - | 900 385 009 01 | Torx screw BM 6 X 16 | | 1 | |
| 36 | 997 107 216 70 | return line | | 1 | |
| 37 | 999 701 789 40 | O-ring 12 X 2 | | 2 | |
| 38 | 900 175 022 09 | Banjo bolt M 16 X 1,5 X 36 | | 1 | |
| 39 | 900 123 152 30 | seal ring A16 X 22 | | 2 | |
| 40 | 900 385 009 01 | Torx screw BM 6 X 16 | | 1 | |
| 41 | 999 512 658 09 | Hose clamp B 27 X 12 | | 1 | |
| 42 | 999 512 652 09 | Hose clamp B 19 X 12 | | 1 | |
| 43 | 999 512 655 09 | Hose clamp B 22 X 12 | | 1 | |
| 44 | 999 651 122 01 | Cable fastener 7 - 1 | | 2 | |
| (45) | 997 605 315 02 | Adjusting motor Cyl. 1 - 3 Discontinued part | | 1 | |
| (45) | 997 605 315 03 | Adjusting motor Cyl. 1 - 3 Discontinued part | | 1 | |
| (45) | 997 605 315 04 | Adjusting motor Cyl. 1 - 3 | | 1 | |
| 45 | 997 605 316 02 | Adjusting motor Cyl. 4 - 6 Discontinued part | | 1 | |
| (45) | 997 605 316 03 | Adjusting motor Cyl. 4 - 6 Discontinued part | | 1 | |
| 45 | 997 605 316 04 | Adjusting motor Cyl. 4 - 6 | | 1 | |
| (46) | 997 123 123 70 | operating rod Cyl. 1 - 3 | | 1 | |
| 46 | 997 123 124 70 | operating rod Cyl. 4 - 6 | | 1 | |
| 47 | 000 043 207 53 | Socket head bolt M6 X 25,6 -8.8 | | 3 | |
| 48 | 997 106 045 71 | Bracket Water line Return line Cyl. 1 - 3 | | 1 | |

Model: 997T07

Model life 2007>>2009



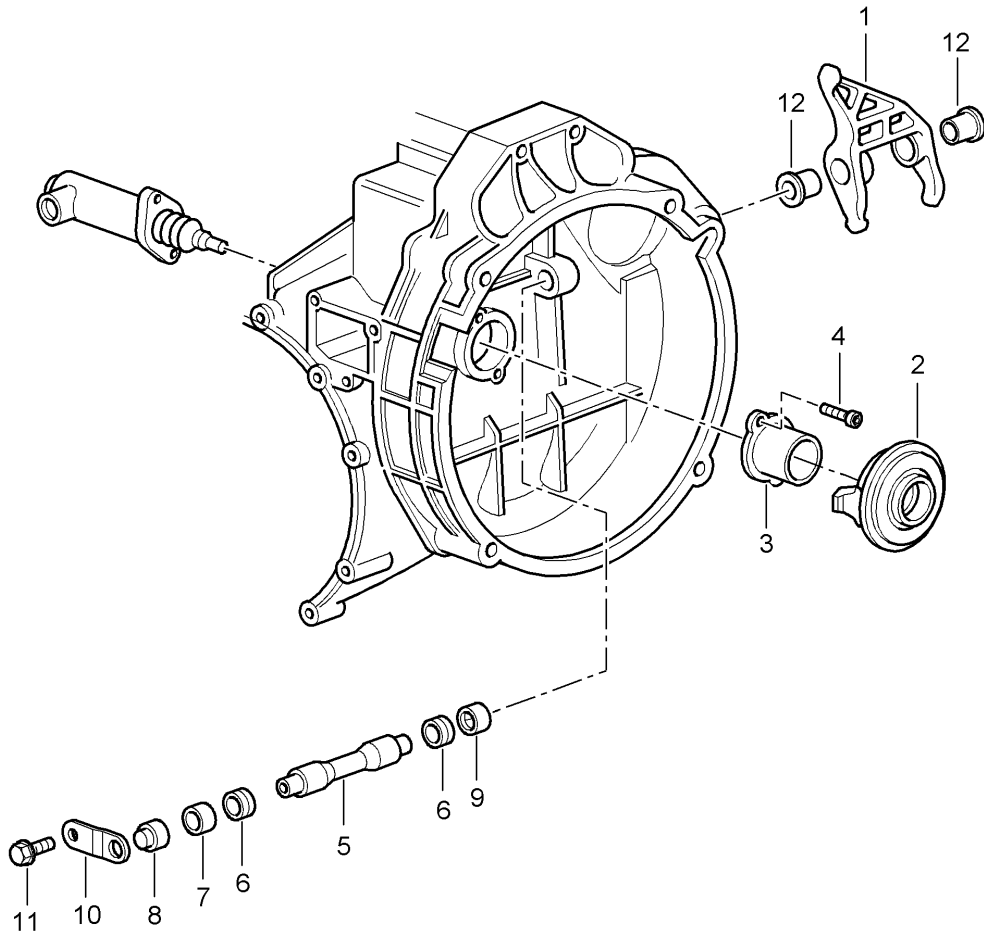
Model: 997T07

Model life 2007>>2009

| Pos | Part Number | Description | Remark | Qty | Model |
|-----|----------------|--|--------|-----|--------|
| 1 | 997 116 013 50 | Coupling | | 1 | 9770 |
| (1) | 996 116 015 01 | Clutch plate | | 1 | PR:101 |
| (1) | 996 116 015 02 | Discontinued part Clutch plate | | 1 | PR:101 |
| 2 | 996 116 027 51 | Pressure plate | | 1 | |
| (2) | 996 116 027 52 | Pressure plate | | 1 | |
| 3 | 999 510 015 02 | Socket head bolt M 8 X 40 | | 9 | |
| (3) | 999 510 015 01 | D - MJ 2007>> - MJ 2007 Socket head bolt M 8 X 40 D - MJ 2008>> | | 9 | |

Model: 997T07

Model life 2007>>2009



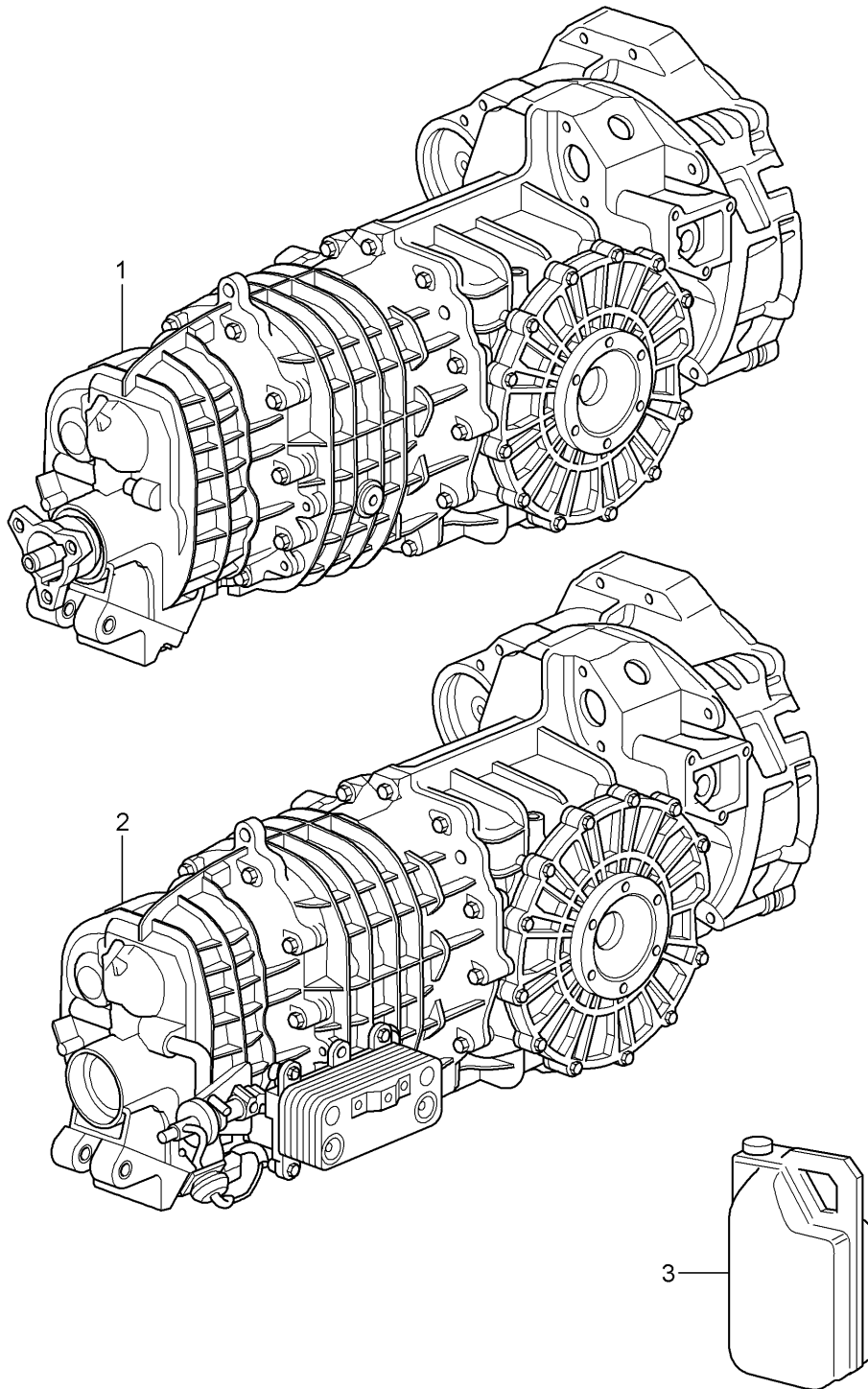
Model: 997T07

Model life 2007>>2009

| Pos | Part Number | Description | Remark | Qty | Model |
|-----|----------------|--|---------|-----|--------------|
| | | Clutch release Clutch slave cylinder | | | G9750, G9788 |
| 1 | 997 116 712 50 | see illustration: clutch operating lever | 702-008 | 1 | G9750 |
| (1) | 950 116 086 06 | Release fork | | 1 | G9788 |
| | | with: bush | | | |
| (1) | 997 116 086 90 | D - MJ 2008>> Discontinued part Release fork | | 1 | G9788 |
| | | with: bush | | | |
| 2 | 950 116 080 08 | D - MJ 2008>> release bearing | | 1 | |
| 3 | 950 116 813 06 | guide tube | | 1 | |
| 4 | 999 270 070 01 | fillister hd. bolt M 6 X 14 | | 2 | |
| 5 | 950 116 710 04 | release shaft | | 1 | |
| 6 | 999 113 418 40 | Seal 12,3 X 16,4 | | 2 | |
| 7 | 999 201 339 00 | bush | | 1 | |
| 8 | 950 116 725 00 | Cover | | 1 | |
| 9 | 999 201 365 00 | Bearing bush Discontinued part | | 1 | |
| 9 | 999 201 365 01 | Bearing bush | | 1 | |
| 10 | 950 116 713 02 | Retaining plate | | 1 | |
| 11 | 900 075 057 03 | Hexagon bolt M 6 X 16 | | 1 | |
| 12 | 950 116 715 01 | bush | | 2 | |

Model: 997T07

Model life 2007>>2009



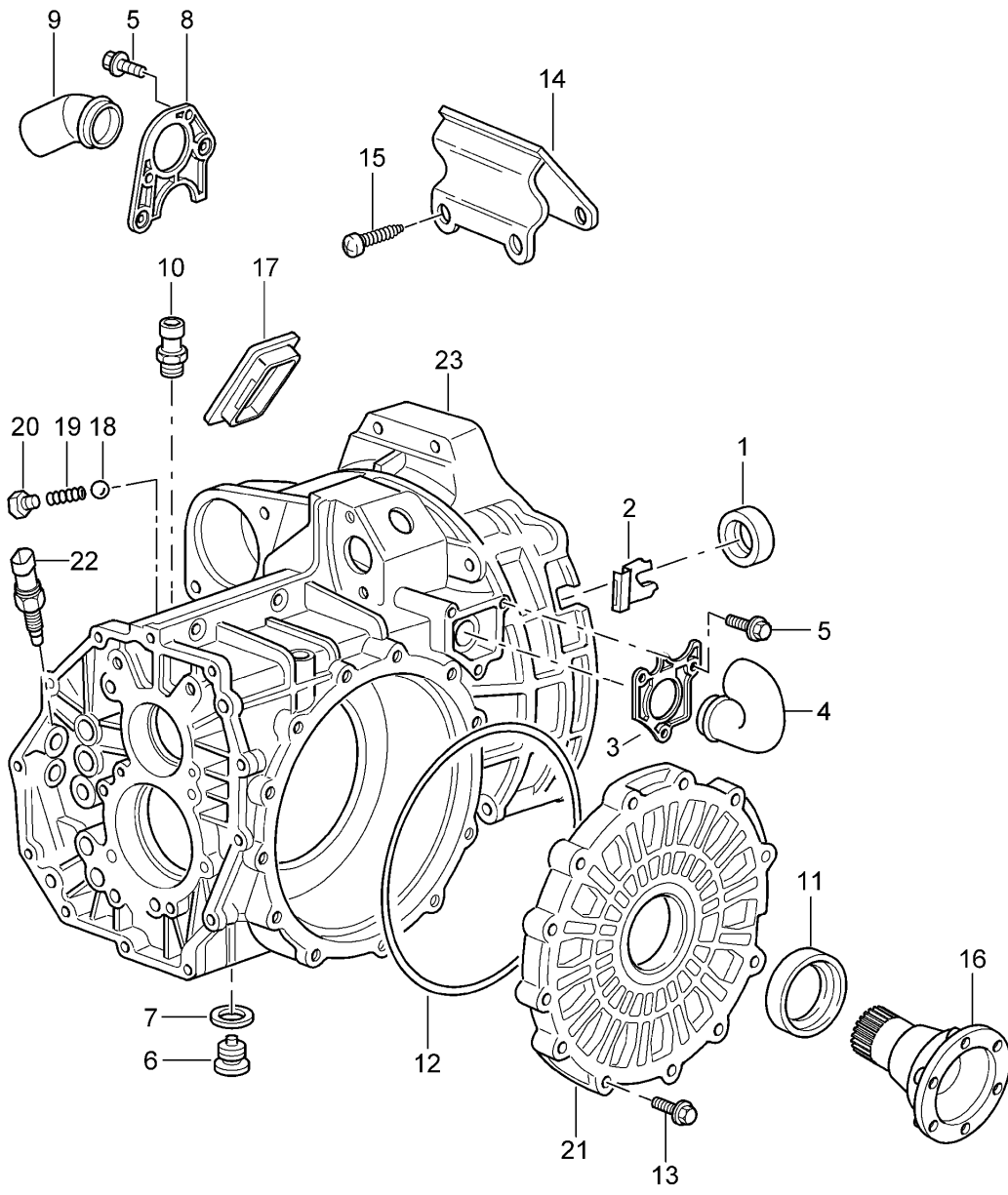
Model: 997T07

Model life 2007>>2009

| Pos | Part Number | Description | Remark | Qty | Model |
|-----|----------------|--|--------|-----|----------------------------------|
| 1 | 997 300 010 50 | Replacement transmission Ready for installation 6-speed manual transmission | | 1 | G9750, G9788 G9750+ PR:219 |
| 1 | 997 300 010 1X | without: limited slip differential 6-speed manual transmission | | 1 | G9750+ PR:219 |
| 1 | 997 300 020 50 | without: limited slip differential 6-speed manual transmission | | 1 | G9750+ PR:220 |
| 1 | 997 300 020 1X | with: limited slip differential 6-speed manual transmission | | 1 | G9750+ PR:220 |
| 2 | 997 300 020 80 | with: limited slip differential Manual gearbox | | 1 | G9788+ PR:220 |
| 2 | 997 300 020 BX | with: limited slip differential D - MJ 2008>> Manual gearbox | | 1 | G9788+ PR:220 |
| 3 | 000 043 204 20 | with: limited slip differential D - MJ 2008>> Transmission fluid MOBILUBE PTX 75 W 90 Container 20 LTR. | | X | |

Model: 997T07

Model life 2007>>2009



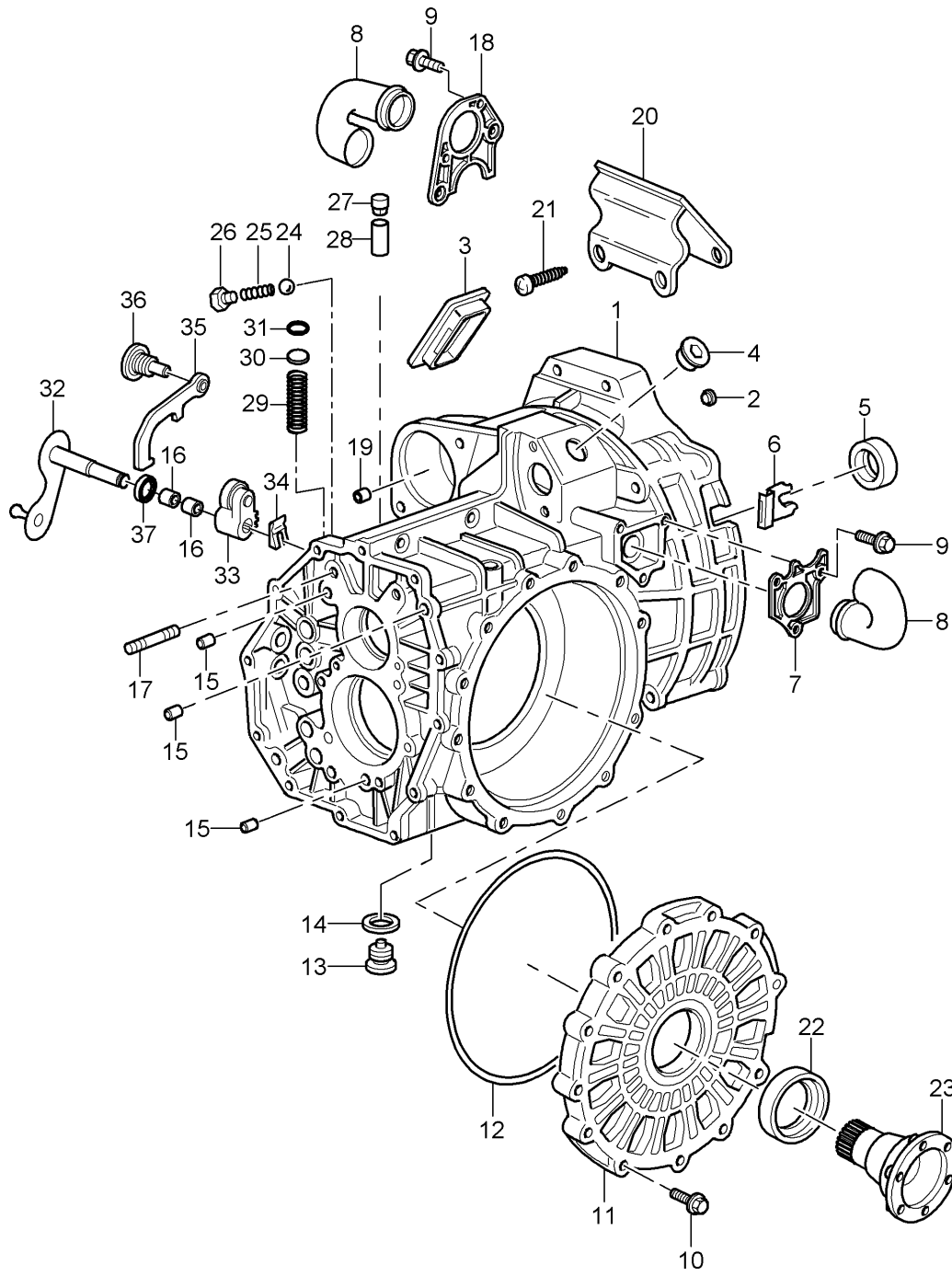
Model: 997T07

Model life 2007>>2009

| Pos | Part Number | Description | Remark | Qty | Model |
|-----|----------------|---|--------|-----|-------|
| 1 | 999 113 326 41 | Gear housing Shaft oil seal 26,5 X 40 | | 1 | G9750 |
| 2 | 993 116 630 00 | Cap closure | | 1 | |
| 3 | 996 116 612 00 | flange | | 1 | |
| 4 | 993 116 610 00 | intake manifold | | 1 | |
| 5 | 900 378 035 09 | Hexagon bolt M 6 X 16 | | 5 | |
| 6 | 999 063 008 02 | sealing plug with magnet M 22 X 1,5 | | 1 | |
| 7 | 900 123 118 30 | seal ring | | 1 | |
| 8 | 996 116 710 00 | Flange socket | | 1 | |
| 9 | 993 116 610 00 | intake manifold | | 1 | |
| 10 | 996 301 071 00 | breather assy. 17 X 12 X 28,1 | | 1 | |
| 11 | 999 113 356 40 | Shaft oil seal 48 X 68 X 10 | | 2 | |
| 12 | 999 701 008 40 | O-ring 215 X 3,5 | | 1 | |
| 13 | 999 141 048 01 | Hexagon socket head bolt M 8 X 40 | | 12 | |
| 14 | 997 449 101 50 | Catch hook | | 1 | |
| 15 | 999 073 190 09 | fillister hd. bolt M 8 X 60 | | 2 | |
| 16 | 997 332 209 51 | Drive flange Discontinued part | | 2 | |
| 16 | 997 332 209 52 | Drive flange | | 2 | |
| 17 | 950 301 151 01 | Cap closure | | 1 | |
| 18 | 900 108 064 00 | ball 8 | | 4 | |
| 19 | 996 303 245 00 | Pressure spring | | 4 | |
| 20 | 900 124 027 01 | sealing plug CM 10 X 1 | | 4 | |
| 21 | 997 301 312 50 | Gearbox cover | | 1 | |
| 22 | 996 606 133 00 | Switch Back-up light | | 1 | |
| 23 | 997 301 101 50 | Gear housing | | 1 | |

Model: 997T07

Model life 2007>>2009



Model: 997T07

Model life 2007>>2009

| Pos | Part Number | Description | Remark | Qty | Model |
|------|----------------|---|--------|-----|-------|
| | | Gear housing | | | G9788 |
| 1 | 996 301 101 88 | Gear housing | | 1 | |
| 2 | 999 036 002 40 | End cap A 14 X 4,0 | | 1 | |
| 3 | 950 301 151 01 | Cap closure | | 1 | |
| 4 | 999 703 490 40 | End cap 30 X 42 | | 1 | |
| 5 | 999 113 326 41 | Shaft oil seal 26,5 X 40 | | 1 | |
| 6 | 993 116 630 00 | Cap closure | | 1 | |
| 7 | 996 116 612 00 | flange | | 1 | |
| 8 | 993 116 610 00 | intake manifold | | 2 | |
| 9 | 900 378 035 01 | Hexagon bolt M 6 X 16 | | 5 | |
| 10 | 900 378 281 01 | Hexagon bolt M 8 X 35 | | 12 | |
| 11 | 996 301 312 51 | Gearbox cover | | 1 | |
| 12 | 999 707 480 40 | O-ring 205 X 3,5 | | 1 | |
| 13 | 997 301 307 00 | sealing plug with magnet M 22 X 1,5 | | 1 | |
| 14 | 900 123 118 30 | seal ring A 22 X 27 | | 1 | |
| 15 | 900 012 144 00 | Cylinder pin 12 M 6 X 14 | | 4 | |
| 16 | 996 303 513 00 | Round socket 15 X 21 X 22 | | 2 | |
| 17 | 900 081 042 01 | Threaded pin BM 8 X 42 | | 7 | |
| 18 | 996 116 710 00 | Flange socket | | 1 | |
| 19 | 999 531 017 10 | bush 12,1 X 14 | | 1 | |
| 20 | 997 449 101 50 | Catch hook | | 1 | |
| 21 | 999 073 374 01 | fillister hd. bolt M 8 X 60 | | 2 | |
| 22 | 999 113 356 40 | Shaft oil seal 48 X 60 X 10 | | 2 | |
| 23 | 997 332 209 51 | Drive flange Discontinued part | | 2 | |
| (23) | 997 332 209 52 | Drive flange | | 2 | |
| 24 | 900 108 064 00 | ball 8 | | 4 | |
| 25 | 996 303 245 00 | Pressure spring | | 4 | |
| 26 | 900 219 007 01 | sealing plug M 10 X 1 | | 4 | |
| 27 | 014 301 485 | Cap for venting the gearbox breather assy. | | 1 | |
| 28 | 014 301 473 | Sleeve 12 X 30 Discontinued part | | 1 | |
| 28 | 0A2 301 473 | Sleeve | | 1 | |
| 29 | 996 303 255 00 | Pressure spring | | 1 | |
| 30 | 996 303 257 00 | Cover 20 X 4 | | 1 | |
| 31 | 900 042 003 01 | Securing ring 20 X 1 | | 1 | |
| 32 | 996 303 055 01 | selector lever | | 1 | |
| 33 | 996 303 057 00 | pinion | | 1 | |
| 34 | 996 303 383 00 | fuse | | 1 | |
| 35 | 996 303 053 00 | selector lever | | 1 | |
| 36 | 996 303 519 00 | Bearing screw | | 1 | |
| 37 | 996 303 517 00 | Shaft oil seal | | 1 | |

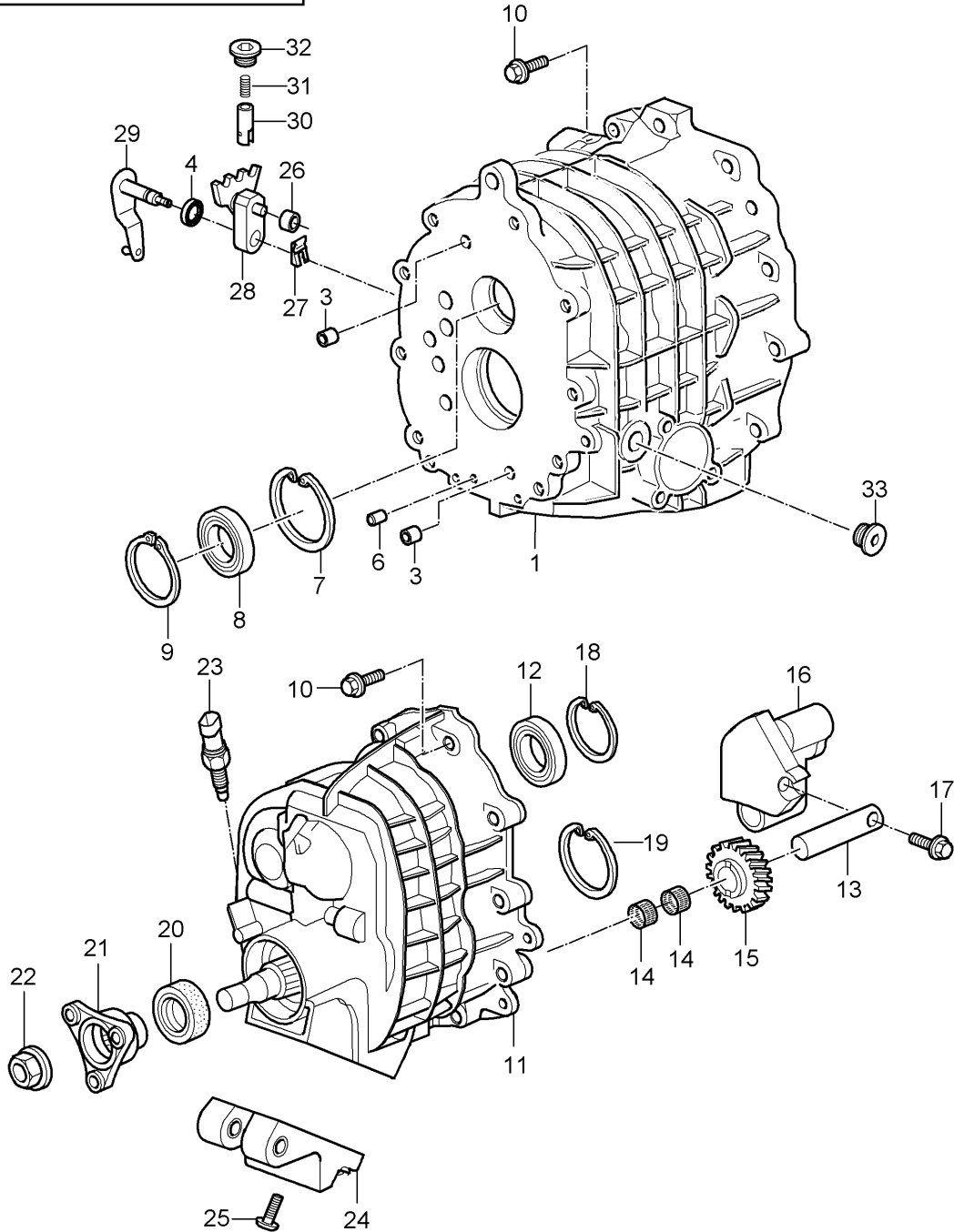
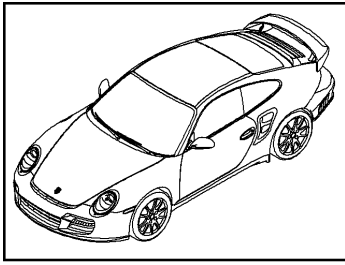
Model: 997T07

Model life 2007>>2009

| Pos | Part Number | Description | Remark | Qty | Model |
|-----|-------------|-------------|--------|-----|-------|
| | | 15 X 21 X 5 | | | |

Model: 997T07

Model life 2007>>2009



Model: 997T07

Model life 2007>>2009

| Pos | Part Number | Description | Remark | Qty | Model |
|-----|----------------|---------------------------|---------|-----|-------|
| | | Gear housing | | | G9750 |
| | | Gearbox cover | | | |
| 1 | 997 301 102 50 | Gear housing | | 1 | |
| 2 | 996 303 513 00 | Round socket | | 4 | |
| | | 15 X 21 X 22 | | | |
| 3 | 996 303 515 00 | Bearing bush | | 2 | |
| | | 15 x 17 x12 | | | |
| 4 | 996 303 517 00 | Shaft oil seal | | 2 | |
| | | 15 x 21 x 5/6,5 | | | |
| 5 | 996 303 523 01 | Bearing bush | | 2 | |
| | | 13X15X10 | | | |
| 6 | 900 012 144 00 | Cylinder pin | | 4 | |
| | | A 12,0 X 14 | | | |
| 7 | 999 152 031 01 | snap ring | | 1 | |
| | | 68 X 1,50 | | | |
| 8 | 999 110 181 00 | cylinder roller bearing | | 1 | |
| | | 30 X 62 X 16 | | | |
| 9 | 900 111 001 00 | snap ring | | 1 | |
| | | SP 62 | | | |
| 10 | 900 378 281 01 | Hexagon bolt | | 22 | |
| | | M 8 X 35 | | | |
| 11 | 997 301 301 51 | Gearbox cover | | 1 | |
| 12 | 999 110 194 00 | cylinder roller bearing | | 1 | |
| | | 25 x 52 x 15 | | | |
| 13 | 997 302 228 50 | Pin | | 1 | |
| | | for | | | |
| | | reverse gear | | | |
| 14 | 996 302 224 00 | Needle cage | | 2 | |
| | | 20 X 26 X 17 | | | |
| 15 | | reverse gear | | | |
| | | Only by sets | | | |
| | | see illustration: | 303-000 | | |
| 16 | 996 302 225 51 | Segment | | 1 | |
| 17 | 996 302 223 00 | Hexagon bolt | | 1 | |
| | | M 8 X 55 | | | |
| 18 | 999 152 062 01 | snap ring | | 1 | |
| | | 52 X 1,50 | | | |
| 19 | 999 152 024 01 | snap ring | | 1 | |
| | | 62 X 1,50 | | | |
| 20 | 999 113 475 40 | Shaft oil seal | | 1 | |
| | | 40 X 62 X 10 | | | |
| 21 | 997 302 033 50 | Output flange | | 1 | |
| 22 | 997 302 317 50 | Collar nut | | 1 | |
| | | M 20 X 1,5 | | | |
| 23 | 996 606 133 00 | Switch | | 1 | |
| | | Back-up light | | | |
| 24 | 722 260 006 2 | gearbox mounting | | 1 | |
| | | Gearbox cover | | | |
| 25 | 999 073 095 01 | fillister hd. bolt | | 4 | |
| | | M 8 X 30 | | | |
| 26 | 996 303 303 00 | roller | | 1 | |
| | | 20 X 8 X 8 | | | |
| 27 | 996 303 383 00 | fuse | | 1 | |
| 28 | 996 303 033 00 | Shift segment | | 1 | |
| 29 | 997 303 031 50 | gearshift lever | | 1 | |
| 30 | 996 303 035 00 | Pin | | 1 | |
| 31 | 996 303 235 00 | Pressure spring | | 1 | |
| 32 | 900 908 021 01 | sealing plug | | 1 | |
| | | M 18 x 1,5 | | | |
| 33 | N 910 597 01 | sealing plug | | 1 | |
| | | M 22 x 1,5 | | | |
| 34 | 997 303 315 50 | vibration damper | | 2 | |
| 35 | 0A2 326 117 | hexagon socket head bolt, | | 2 | |

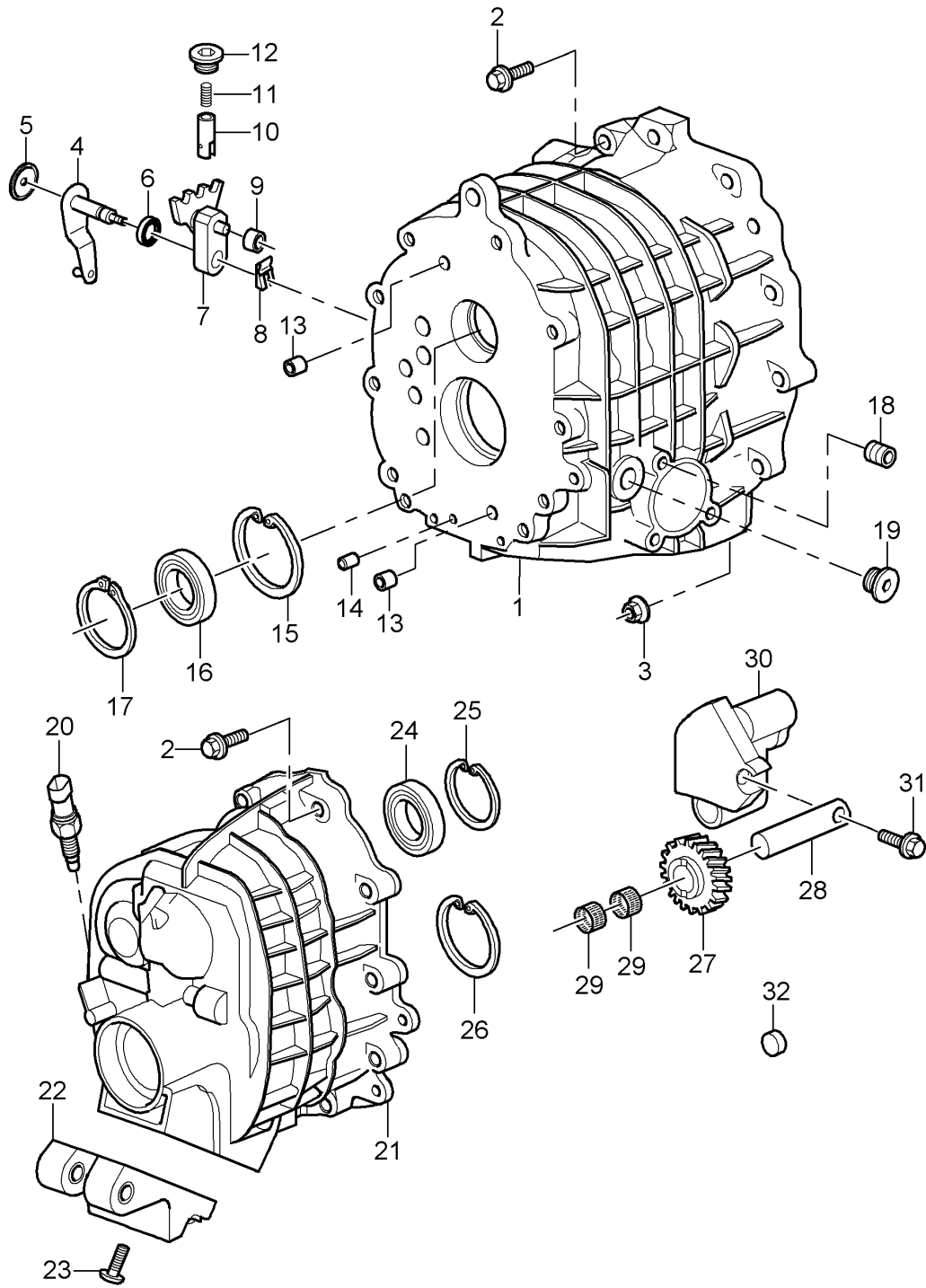
Model: 997T07

Model life 2007>>2009

| Pos | Part Number | Description | Remark | Qty | Model |
|-----|-------------|-------------|--------|-----|-------|
| | | countersunk | | | |

Model: 997T07

Model life 2007>>2009

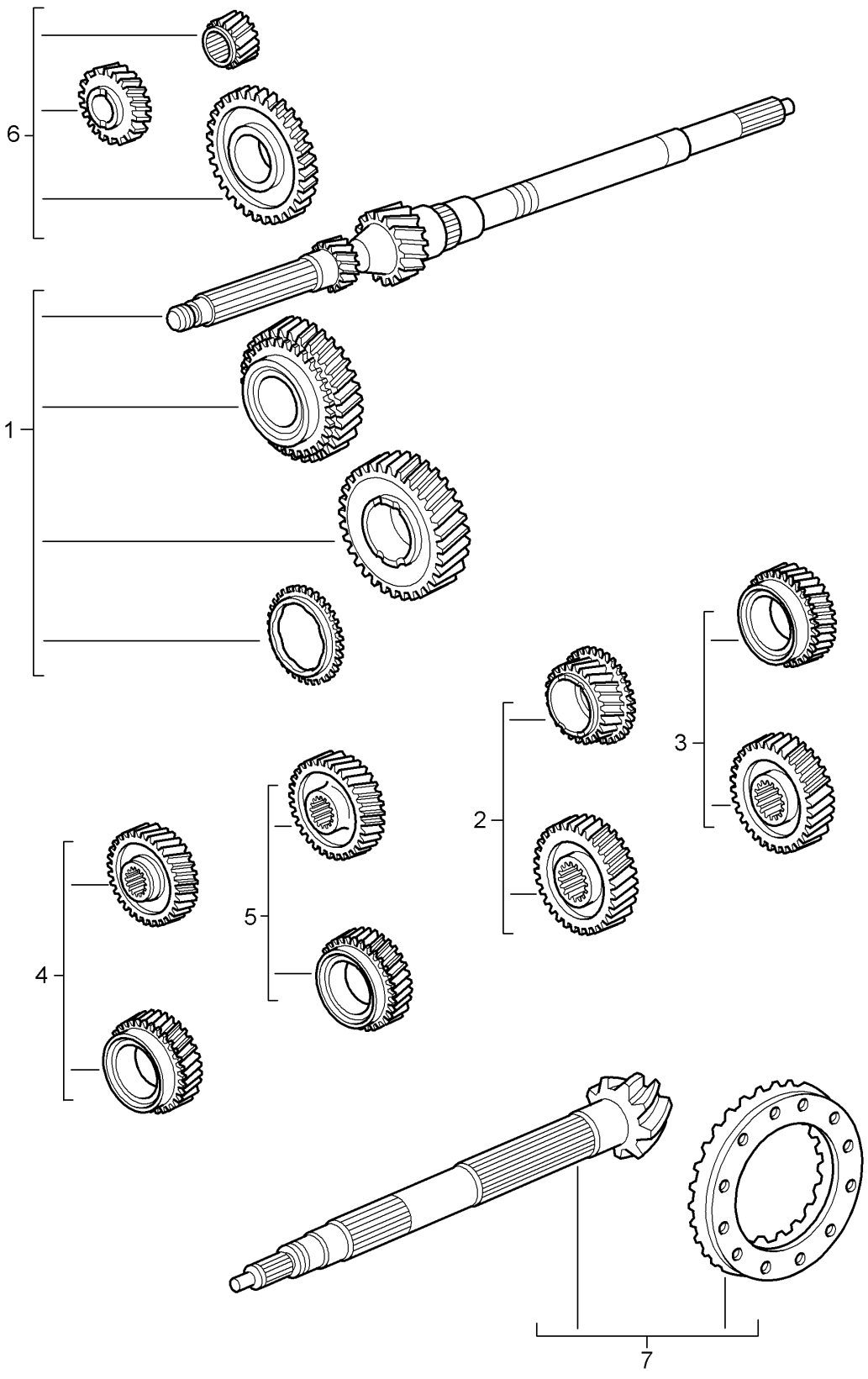


Model: 997T07 Model life 2007>>2009

| Pos | Part Number | Description | Remark | Qty | Model |
|------|----------------|--|------------------------------|-----|-------|
| | | Gear housing Gearbox cover | | | G9788 |
| 1 | 996 301 102 9A | Gear housing | | 1 | |
| 2 | 900 378 281 01 | Hexagon bolt M 8 X 35 | | 20 | |
| 3 | 900 076 064 02 | Hexagon nut M 8 | | 2 | |
| 4 | 996 303 031 9A | gearshift lever | | 1 | |
| 5 | 986 424 133 00 | Washer | | 1 | |
| 6 | 996 303 517 01 | Shaft oil seal 15 X 21 X 7 | | 1 | |
| (6) | 996 303 517 00 | Discontinued part Shaft oil seal 15 X 21 X 7 | | 1 | |
| 7 | 996 303 033 00 | Shift segment | | 1 | |
| 8 | 996 303 383 00 | fuse | | 1 | |
| 9 | 996 303 303 00 | roller 20 X 8 X 8 | | 1 | |
| 10 | 996 303 035 00 | Pin | | 1 | |
| 11 | 996 303 235 00 | Pressure spring | | 1 | |
| 12 | 900 908 021 01 | sealing plug M 18 X 1,5 | | 1 | |
| 13 | 996 303 515 00 | Bearing bush 15 X 17 X 12 | | 2 | |
| 14 | 900 012 144 00 | Cylinder pin A 12,0 X 14 | | 2 | |
| 15 | 999 152 031 01 | snap ring SB 68 X 1,50 | | 1 | |
| 16 | 999 110 181 00 | cylinder roller bearing 30 X 62 X 16 | | 1 | |
| 17 | 900 111 001 00 | snap ring SP 62 | | 1 | |
| 18 | 999 504 004 00 | threaded insert M 8 X 16 | | 3 | |
| 19 | N 910 597 01 | sealing plug M 22 x 1,5 | | 1 | |
| 20 | 996 606 133 00 | Switch | | 1 | |
| 21 | 996 301 301 9A | Back-up light | rear | 1 | |
| 22 | 722 260 006 2 | Gearbox cover gearbox mounting | | 1 | |
| 23 | 999 073 095 01 | Gearbox cover fillister hd. bolt M 8 X 30 | | 4 | |
| 24 | 999 110 194 01 | cylinder roller bearing 25 X 52 X 15 | | 1 | |
| 25 | 999 152 062 01 | snap ring SB 52 X 1,5 | | 1 | |
| 26 | 999 152 024 01 | snap ring SB 62 X 1,5 | | 1 | |
| 27 | | reverse gear | | 1 | |
| 28 | 996 302 228 50 | Pin reverse gear | see illustration: 303-001 | 1 | |
| 29 | 996 302 224 00 | Needle cage 20 X 26 X 17 | | 2 | |
| (30) | 996 302 225 51 | Segment | | 1 | |
| 31 | 900 378 150 01 | Hexagon bolt M 8 X 55 | | 1 | |
| 32 | 999 501 023 30 | Sealing cap 6,7 | | 1 | |
| 33 | 996 303 523 01 | Bearing bush 13X15X10 | | 2 | |

Model: 997T07

Model life 2007>>2009



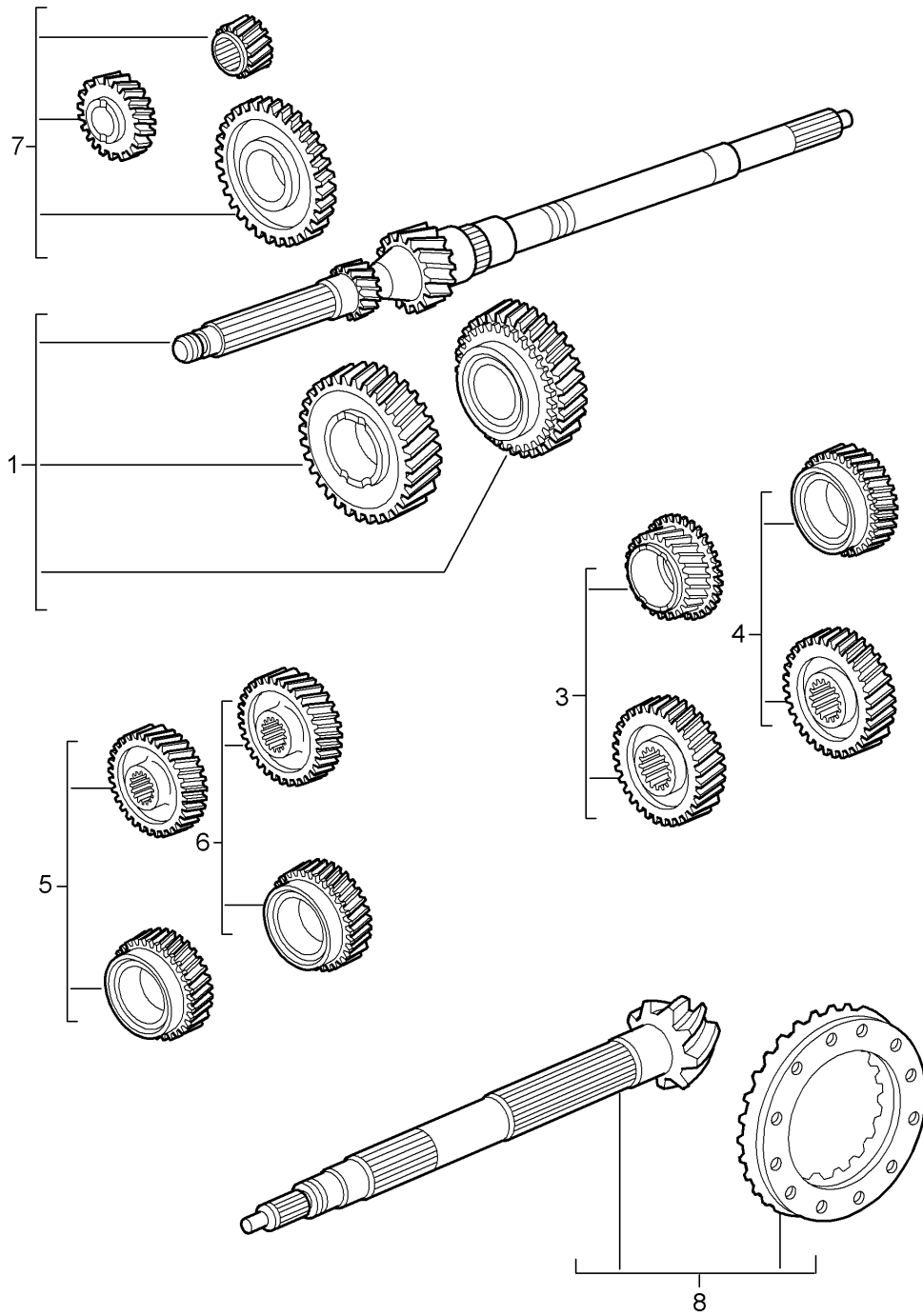
Model: 997T07

Model life 2007>>2009

| Pos | Part Number | Description | Remark | Qty | Model |
|-----|----------------|---|--------|-----|-------|
| 1 | 997 302 901 50 | Gear wheel sets gear set 1st / 2nd gear 1st gear Z = 42 : 11 2nd gear Z = 47 : 22 | | 1 | G9750 |
| 2 | 997 302 953 50 | gear set 3rd gear Z = 40 : 27 | | 1 | |
| 3 | 997 302 954 50 | gear set 4th speed Z = 39 : 33 | | 1 | |
| 4 | 997 302 955 50 | gear set 5th gear Z = 37 : 38 | | 1 | |
| 5 | 997 302 956 50 | gear set 6th gear Z = 34 : 43 | | 1 | |
| 6 | 997 302 907 50 | gear set Reverse gear | | 1 | |
| 7 | 997 302 911 50 | pinion gear set | | 1 | |

Model: 997T07

Model life 2007>>2009



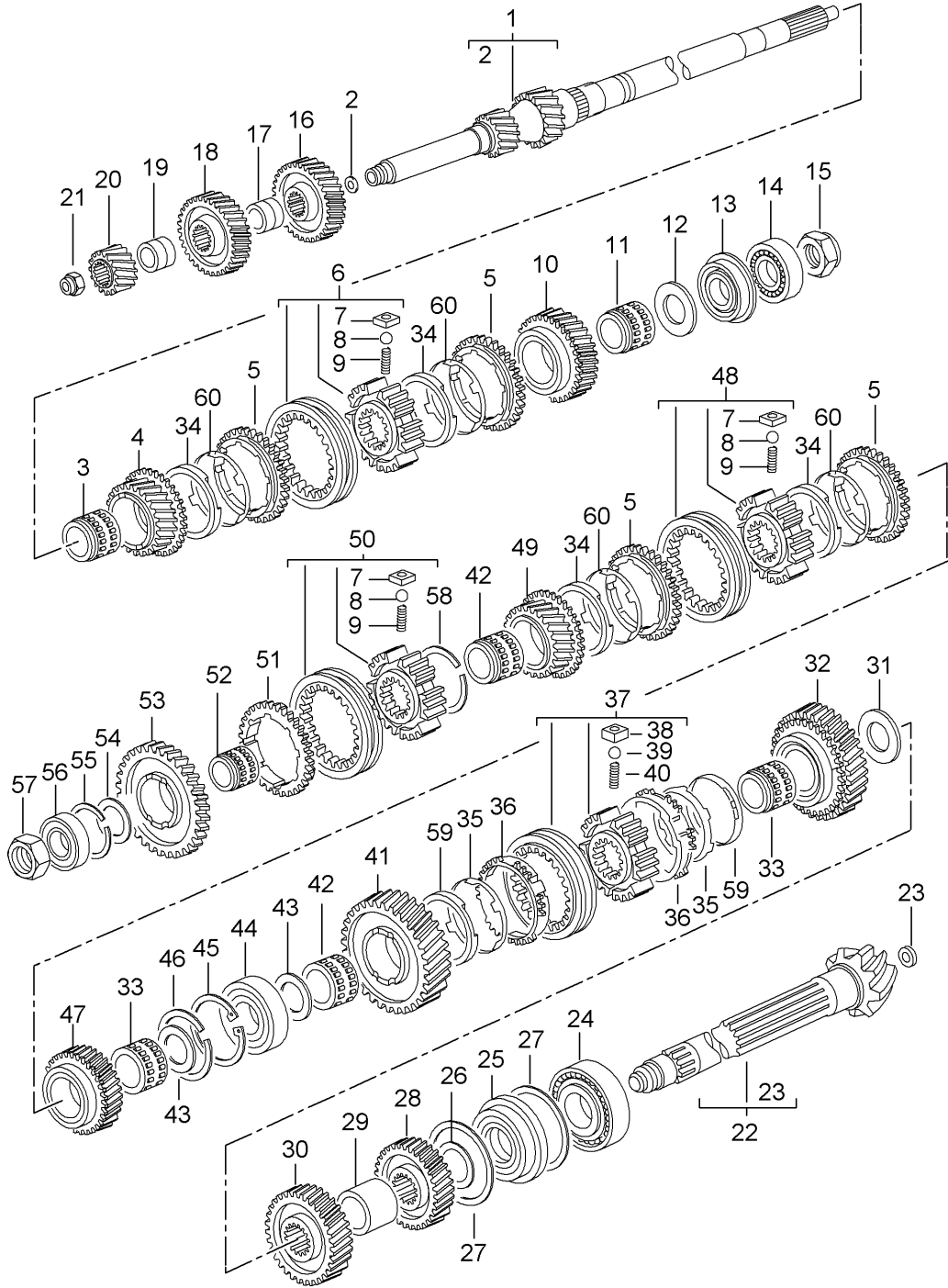
Model: 997T07

Model life 2007>>2009

| Pos | Part Number | Description | Remark | Qty | Model |
|-----|----------------|---|--------|-----|-------|
| 1 | 997 302 901 88 | Gear wheel sets gear set 1st / 2nd gear 1st gear Z = 41 : 13 2nd gear Z = 34 : 18 | | 1 | G9788 |
| 3 | 997 302 953 88 | gear set 3rd gear Z = 35 : 25 | | 1 | |
| 4 | 997 302 954 88 | gear set 4th speed Z = 35 : 32 | | 1 | |
| 5 | 997 302 955 88 | gear set 5th gear Z = 33 : 37 | | 1 | |
| 6 | 997 302 956 88 | gear set 6th gear Z = 33 : 45 | | 1 | |
| 7 | 997 302 907 88 | gear set Reverse gear | | 1 | |
| 8 | 950 302 911 71 | pinion gear set 31 : 9 | | 1 | |

Model: 997T07

Model life 2007>>2009



Model: 997T07

Model life 2007>>2009

| Pos | Part Number | Description | Remark | Qty | Model |
|-----|----------------|--|---------|-----|-------|
| - | | gears and shafts Gear wheel sets see illustration: | 303-000 | | G9750 |
| 1 | | Input shaft | | 1 | |
| 2 | 964 302 335 02 | Washer 7 MM | | 1 | |
| 3 | 999 201 718 02 | needle bearing - 42 X 47 X 32 | | 1 | |
| 4 | | Loose gear wheel 3rd gear | | 1 | |
| 5 | 997 304 611 50 | synchronizer ring | | 4 | |
| 6 | 997 304 061 50 | Guide sleeve 3rd/4th gear | | 1 | |
| 7 | 928 304 251 00 | Stone | | 9 | |
| 8 | N 025 653 2 | ball 6,5 MM | | 9 | |
| 9 | 928 304 261 01 | Pressure spring | | 9 | |
| 10 | | Loose gear wheel 4th speed | | 1 | |
| 11 | 999 201 219 00 | needle bearing - 35 X 47 X 32,7 | | 1 | |
| 12 | 996 302 294 50 | thrust washer 4th speed | | 1 | |
| 13 | 999 052 098 00 | Four-point contact bearing 30 X 62 X 16 | | 1 | |
| 14 | 999 110 124 02 | cylinder roller bearing 30 X 62 X 20 | | 1 | |
| 15 | 999 034 033 00 | Hexagon nut M 30 X 1,5 | | 1 | |
| 16 | | Fixed gear wheel 6th gear | | 1 | |
| 18 | | Fixed gear wheel 5th gear | | | |
| 19 | 997 302 270 00 | spacer bush No longer use the part here | | 1 | |
| 20 | | Fixed gear wheel Reverse gear | | 1 | |
| 21 | 999 034 035 00 | Locknut M 22 X 1,5 | | 1 | |
| 22 | | Pinion shaft | | 1 | |
| 23 | 964 302 335 01 | Washer 14,5 | | 1 | |
| 24 | 999 110 132 01 | cylinder roller bearing 40 X 90 X 23 | | 1 | |
| 25 | 999 052 227 00 | angular ball bearing 40 X 82 X 18 | | 1 | |
| 26 | 996 302 163 50 | fitted washer 90 X 97 X 0,50 | | X | |
| 26 | 996 302 163 51 | fitted washer 90 X 97 X 0,55 | | X | |
| 26 | 996 302 163 52 | fitted washer 90 X 97 X 0,60 | | X | |
| 26 | 996 302 163 53 | fitted washer 90 X 97 X 0,65 | | X | |
| 26 | 996 302 163 54 | fitted washer 90 X 97 X 0,70 | | X | |
| 26 | 996 302 163 55 | fitted washer 90 X 97 X 0,75 | | X | |
| 26 | 996 302 163 56 | fitted washer 90 X 97 X 0,80 | | X | |
| 26 | 996 302 163 57 | fitted washer 90 X 97 X 0,85 | | X | |
| 26 | 996 302 163 58 | fitted washer | | X | |

Model: 997T07

Model life 2007>>2009

| Pos | Part Number | Description | Remark | Qty | Model |
|-----|----------------|---------------------------------|--------|-----|-------|
| 26 | 996 302 163 59 | 90 X 97 X 0,90 fitted washer | | X | |
| 26 | 996 302 163 60 | 90 X 97 X 0,95 fitted washer | | X | |
| 26 | 996 302 163 61 | 90 X 97 X 1,00 fitted washer | | X | |
| 26 | 996 302 163 62 | 90 X 97 X 1,05 fitted washer | | X | |
| 26 | 996 302 163 63 | 90 X 97 X 1,10 fitted washer | | X | |
| 26 | 996 302 163 64 | 90 X 97 X 1,15 fitted washer | | X | |
| 26 | 996 302 163 65 | 90 X 97 X 1,20 fitted washer | | X | |
| 26 | 996 302 163 66 | 90 X 97 X 1,25 fitted washer | | X | |
| 26 | 996 302 163 67 | 90 X 97 X 1,30 fitted washer | | X | |
| 26 | 996 302 163 68 | 90 X 97 X 1,35 fitted washer | | X | |
| 26 | 996 302 163 69 | 90 X 97 X 1,40 fitted washer | | X | |
| 26 | 996 302 163 70 | 90 X 97 X 1,45 fitted washer | | X | |
| 26 | 996 302 163 71 | 90 X 97 X 1,50 fitted washer | | X | |
| 26 | 996 302 163 72 | 90 X 97 X 1,55 fitted washer | | X | |
| 27 | 997 302 151 50 | 90 X 97 X 1,60 fitted washer | | X | |
| 27 | 997 302 151 51 | 40 X 50 X 1,40 fitted washer | | X | |
| 27 | 997 302 151 52 | 40 X 50 X 1,45 fitted washer | | X | |
| 27 | 997 302 151 53 | 40 X 50 X 1,50 fitted washer | | X | |
| 27 | 997 302 151 54 | 40 X 50 X 1,55 fitted washer | | X | |
| 27 | 997 302 151 55 | 40 X 50 X 1,60 fitted washer | | X | |
| 27 | 997 302 151 56 | 40 X 50 X 1,65 fitted washer | | X | |
| 27 | 997 302 151 57 | 40 X 50 X 1,70 fitted washer | | X | |
| 27 | 997 302 151 58 | 40 X 50 X 1,75 fitted washer | | X | |
| 27 | 997 302 151 59 | 40 X 50 X 1,80 fitted washer | | X | |
| 27 | 997 302 151 60 | 40 X 50 X 1,85 fitted washer | | X | |
| 27 | 997 302 151 61 | 40 X 50 X 1,90 fitted washer | | X | |
| 27 | 997 302 151 62 | 40 X 50 X 1,95 fitted washer | | X | |
| 27 | 997 302 151 63 | 40 X 50 X 2,00 fitted washer | | X | |
| 27 | 997 302 151 64 | 40 X 50 X 2,05 fitted washer | | X | |
| 27 | 997 302 151 65 | 40 X 50 X 2,10 fitted washer | | X | |
| 27 | 997 302 151 66 | 40 X 50 X 2,15 fitted washer | | X | |
| 27 | 997 302 151 66 | 40 X 50 X 2,20 fitted washer | | X | |

Model: 997T07

Model life 2007>>2009

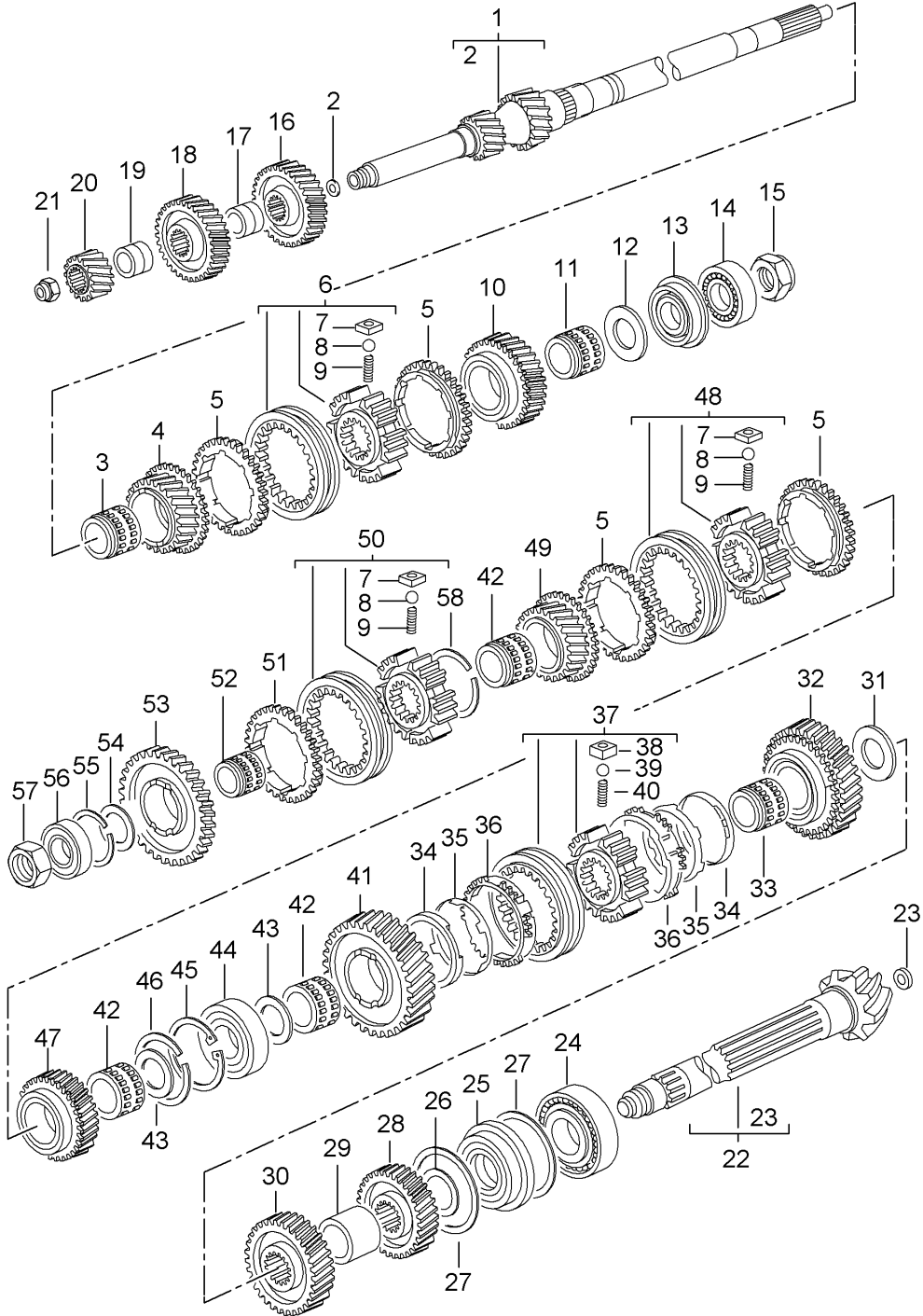
| Pos | Part Number | Description | Remark | Qty | Model |
|-----|----------------|--|--------|-----|-------|
| 27 | 997 302 151 67 | fitted washer 40 X 50 X 2,25 | | X | |
| 27 | 997 302 151 68 | fitted washer 40 X 50 X 2,30 | | X | |
| 27 | 997 302 151 69 | fitted washer 40 X 50 X 2,35 | | X | |
| 27 | 997 302 151 70 | fitted washer 40 X 50 X 2,40 | | X | |
| 27 | 997 302 151 71 | fitted washer 40 X 50 X 2,45 | | X | |
| 27 | 997 302 151 72 | fitted washer 40 X 50 X 2,50 | | X | |
| 27 | 997 302 151 73 | fitted washer 40 X 50 X 2,55 | | X | |
| 27 | 997 302 151 74 | fitted washer 40 X 50 X 2,60 | | X | |
| 28 | | Fixed gear wheel 4th speed | | 1 | |
| 30 | | Fixed gear wheel 3rd gear | | 1 | |
| 32 | | Loose gear wheel 2nd gear | | 1 | |
| 33 | 999 201 471 02 | needle bearing - 45 X 50 X 32 Small Grey No longer use the part here | | 1 | |
| 33 | 999 201 720 02 | needle bearing - 50 X 55 X 33,6 Small orange | | 1 | |
| 33 | 999 201 471 01 | needle bearing - 45 X 50 X 32 Medium No longer use the part here | | 1 | |
| 33 | 999 201 720 01 | needle bearing - 50 X 55 X 33,6 Medium Grey | | 1 | |
| 33 | 999 201 471 00 | needle bearing - 45 X 50 X 32 Large red No longer use the part here | | 1 | |
| 33 | 999 201 720 00 | needle bearing - 50 X 55 X 33,6 Large green | | 1 | |
| - | 999 201 477 00 | inner ring needle bearing - 36,51 X 45,0 | | 1 | |
| 34 | 997 304 617 50 | ring | | 2 | |
| 35 | 0A2 311 899 | Conical ring 70 X 75,6 X 10,8 | inner | 2 | |
| 36 | 0A2 311 297 | synchronizer ring 2nd gear 70,4 X 96,1 X 9,7 | | 2 | |
| 37 | 997 304 081 50 | Guide sleeve 1st / 2nd gear | | 1 | |
| 41 | | Loose gear wheel 1st gear | | 1 | |
| 42 | 999 201 218 00 | needle bearing - 36,51 X 50,0 | | 2 | |

Model: 997T07 Model life 2007>>2009

| Pos | Part Number | Description | Remark | Qty | Model |
|-----|----------------|--|--------|-----|-------|
| 43 | 997 302 295 00 | thrust washer 1st gear and 6th gear | | 2 | |
| 44 | 999 110 092 00 | cylinder roller bearing 36,5 X 85 | | 1 | |
| 46 | 900 111 007 01 | snap ring SP 85 | | 1 | |
| 47 | | Loose gear wheel 6th gear | | 1 | |
| 48 | 997 304 061 51 | Guide sleeve 5th gear and 6th gear | | 1 | |
| 49 | | Loose gear wheel 5th gear | | 1 | |
| 50 | 997 304 041 50 | Guide sleeve Reverse gear | | 1 | |
| 51 | 997 304 211 50 | synchronizer ring Reverse gear | | 1 | |
| 52 | 999 201 716 02 | 1st / 2nd gear needle bearing - 32 X 45 X 27,* | | 1 | |
| 53 | | Loose gear wheel Reverse gear | | 1 | |
| 54 | 950 302 296 07 | thrust washer Reverse gear | | 1 | |
| 55 | 999 152 024 01 | snap ring 62 X 1,50 | | 1 | |
| 56 | 999 110 192 00 | cylinder roller bearing 30 X 62 X 16 | | 1 | |
| 57 | 999 034 034 00 | Hexagon nut M 30 X 1,25 | | 1 | |
| 59 | 0A2 311 678 A | Conical ring 75,8 X 81 X 11,4 | | 1 | |
| 60 | 997 304 613 50 | Conical ring | | 1 | |
| 61 | 0A2 311 297 A | synchronizer ring 1st gear 81 X 96,1 X 9,7 | | 1 | |

Model: 997T07

Model life 2007>>2009



Model: 997T07

Model life 2007>>2009

| Pos | Part Number | Description | Remark | Qty | Model |
|-----|----------------|--|---------|-----|-------|
| - | | gears and shafts Gear wheel sets see illustration: | 303-001 | | G9788 |
| 1 | | Input shaft | | 1 | |
| 2 | 964 302 335 02 | Washer 7 MM | | 1 | |
| 3 | 999 201 718 02 | needle bearing - 42 X 47 X 32 | | 1 | |
| 4 | | Loose gear wheel 3rd gear | | 1 | |
| 5 | 928 304 211 30 | synchronizer ring | | 4 | |
| 6 | 996 304 021 51 | Guide sleeve 3rd/4th gear | | 1 | |
| 7 | 928 304 251 00 | Stone | | 9 | |
| 8 | N 025 653 2 | ball 6,5 MM | | 9 | |
| 9 | 928 304 261 01 | Pressure spring | | 9 | |
| 10 | | Loose gear wheel 4th speed | | 1 | |
| 11 | 999 201 719 02 | needle bearing - 35 X 47 X 32,2 | | 1 | |
| 12 | 996 302 294 50 | thrust washer 4th speed | | 1 | |
| 13 | 999 052 094 00 | Four-point contact bearing 30 X 62 X 16 | | 1 | |
| 13 | 999 052 098 00 | Four-point contact bearing 30 X 62 X 16 | | 1 | |
| 14 | 999 110 117 01 | cylinder roller bearing 30 X 62 X 20 | | 1 | |
| 15 | 999 034 033 00 | Hexagon nut M 30 X 1,5 | | 1 | |
| 16 | | Fixed gear wheel 6th gear | | 1 | |
| 17 | 950 302 268 12 | spacer bush 5th gear and 6th gear | | 1 | |
| 18 | | Fixed gear wheel 5th gear | | | |
| 19 | 950 302 270 02 | spacer bush | | 1 | |
| 20 | | Fixed gear wheel Reverse gear | | 1 | |
| 21 | 999 034 035 00 | Locknut M 22 X 1,5 | | 1 | |
| 22 | | Pinion shaft | | 1 | |
| 23 | 964 302 335 01 | Washer 14,5 | | 1 | |
| 24 | 999 110 119 01 | cylinder roller bearing 40 X 90 X 23 | | 1 | |
| 25 | 999 052 227 00 | angular ball bearing 40 X 82 X 18 | | 1 | |
| 26 | 996 302 163 50 | fitted washer 90 X 97 X 0,50 | | X | |
| 26 | 996 302 163 51 | fitted washer Discontinued part | | X | |
| 26 | 996 302 163 52 | fitted washer 90 X 97 X 0,60 | | X | |
| 26 | 996 302 163 53 | fitted washer 90 X 97 X 0,65 | | X | |
| 26 | 996 302 163 54 | fitted washer 90 X 97 X 0,70 | | X | |
| 26 | 996 302 163 55 | fitted washer 90 X 97 X 0,75 | | X | |

Model: 997T07

Model life 2007>>2009

| Pos | Part Number | Description | Remark | Qty | Model |
|-----|----------------|---------------------------------|--------|-----|-------|
| 26 | 996 302 163 56 | fitted washer 90 X 97 X 0,80 | | X | |
| 26 | 996 302 163 57 | fitted washer 90 X 97 X 0,85 | | X | |
| 26 | 996 302 163 58 | fitted washer 90 X 97 X 0,90 | | X | |
| 26 | 996 302 163 59 | fitted washer 90 X 97 X 0,95 | | X | |
| 26 | 996 302 163 60 | fitted washer 90 X 97 X 1,00 | | X | |
| 26 | 996 302 163 61 | fitted washer 90 X 97 X 1,05 | | X | |
| 26 | 996 302 163 62 | fitted washer 90 X 97 X 1,10 | | X | |
| 26 | 996 302 163 63 | fitted washer 90 X 97 X 1,15 | | X | |
| 26 | 996 302 163 64 | fitted washer 90 X 97 X 1,20 | | X | |
| 26 | 996 302 163 65 | fitted washer 90 X 97 X 1,25 | | X | |
| 26 | 996 302 163 66 | fitted washer 90 X 97 X 1,30 | | X | |
| 26 | 996 302 163 67 | fitted washer 90 X 97 X 1,35 | | X | |
| 26 | 996 302 163 68 | fitted washer 90 X 97 X 1,40 | | X | |
| 26 | 996 302 163 69 | fitted washer 90 X 97 X 1,45 | | X | |
| 26 | 996 302 163 70 | fitted washer 90 X 97 X 1,50 | | X | |
| 26 | 996 302 163 71 | fitted washer 90 X 97 X 1,55 | | X | |
| 26 | 996 302 163 72 | fitted washer 90 X 97 X 1,60 | | X | |
| 27 | 996 302 151 50 | fitted washer 40 X 50 X 0,40 | | X | |
| 27 | 996 302 151 51 | fitted washer 40 X 50 X 0,45 | | X | |
| 27 | 996 302 151 52 | fitted washer 40 X 50 X 0,50 | | X | |
| 27 | 996 302 151 53 | fitted washer 40 X 50 X 0,55 | | X | |
| 27 | 996 302 151 54 | fitted washer 40 X 50 X 0,60 | | X | |
| 27 | 996 302 151 55 | fitted washer 40 X 50 X 0,65 | | X | |
| 27 | 996 302 151 56 | fitted washer 40 X 50 X 0,70 | | X | |
| 27 | 996 302 151 57 | fitted washer 40 X 50 X 0,80 | | X | |
| 27 | 996 302 151 58 | fitted washer 40 X 50 X 0,90 | | X | |
| 27 | 996 302 151 59 | fitted washer 40 X 50 X 1,00 | | X | |
| 27 | 996 302 151 60 | fitted washer 40 X 50 X 1,10 | | X | |
| 27 | 996 302 151 61 | fitted washer 40 X 50 X 1,20 | | X | |
| 27 | 996 302 151 62 | fitted washer 40 X 50 X 1,30 | | X | |
| 27 | 996 302 151 63 | fitted washer 40 X 50 X 0,75 | | X | |
| 28 | | Fixed gear wheel | | 1 | |

Model: 997T07

Model life 2007>>2009

| Pos | Part Number | Description | Remark | Qty | Model |
|------|----------------|---|--------|-----|-------|
| (29) | 964 307 331 01 | 4th speed Drive wheel | | 1 | |
| 30 | | oil pump Fixed gear wheel | | 1 | |
| 31 | 996 302 295 50 | 3rd gear thrust washer | | 1 | |
| 32 | | 2nd gear Loose gear wheel | | 1 | |
| 33 | 999 201 471 02 | 2nd gear needle bearing - | | 1 | |
| (33) | 999 201 471 01 | 45 X 50 X 32 Small Grey needle bearing - | | 1 | |
| (33) | 999 201 471 00 | 45 X 50 X 32 Medium Black needle bearing - | | 1 | |
| 34 | 950 304 617 20 | 45 X 50 X 32 Large red ring | | 2 | |
| 35 | 996 304 613 20 | Conical ring | | 2 | |
| 36 | 950 304 611 20 | synchronizer ring | | 2 | |
| 37 | 996 304 061 50 | Guide sleeve 1st / 2nd gear | | 1 | |
| 38 | 996 304 651 00 | Stone | | 3 | |
| 39 | 900 108 058 00 | ball 5 MM | | 3 | |
| 40 | 950 304 661 03 | Pressure spring | | 3 | |
| 41 | | Loose gear wheel 1st gear | | 1 | |
| 42 | 999 201 715 02 | needle bearing - 35 X 50 X 32,2 | | 3 | |
| 43 | 950 302 295 07 | thrust washer 1st gear and 6th gear | | 2 | |
| 44 | 999 110 109 01 | cylinder roller bearing 35 X 80 X 18 | | 1 | |
| 45 | 999 152 106 00 | snap ring | | 1 | |
| 46 | N 100 709 01 | snap ring SP 80 | | 1 | |
| 47 | | Loose gear wheel 6th gear | | 1 | |
| - | 996 304 211 00 | synchronizer ring Loose gear wheel 6th gear | | 1 | |
| 48 | 950 304 021 23 | Guide sleeve 5th gear and 6th gear | | 1 | |
| 49 | | Loose gear wheel 5th gear | | 1 | |
| 50 | 996 304 021 50 | Guide sleeve | | 1 | |
| 51 | 928 304 211 24 | Reverse gear synchronizer ring | | 1 | |
| 52 | 999 201 716 02 | Reverse gear needle bearing - | | 1 | |
| 53 | | 32 X 45 X 27,2 Loose gear wheel | | 1 | |
| 54 | 950 302 296 07 | Reverse gear thrust washer | | 1 | |

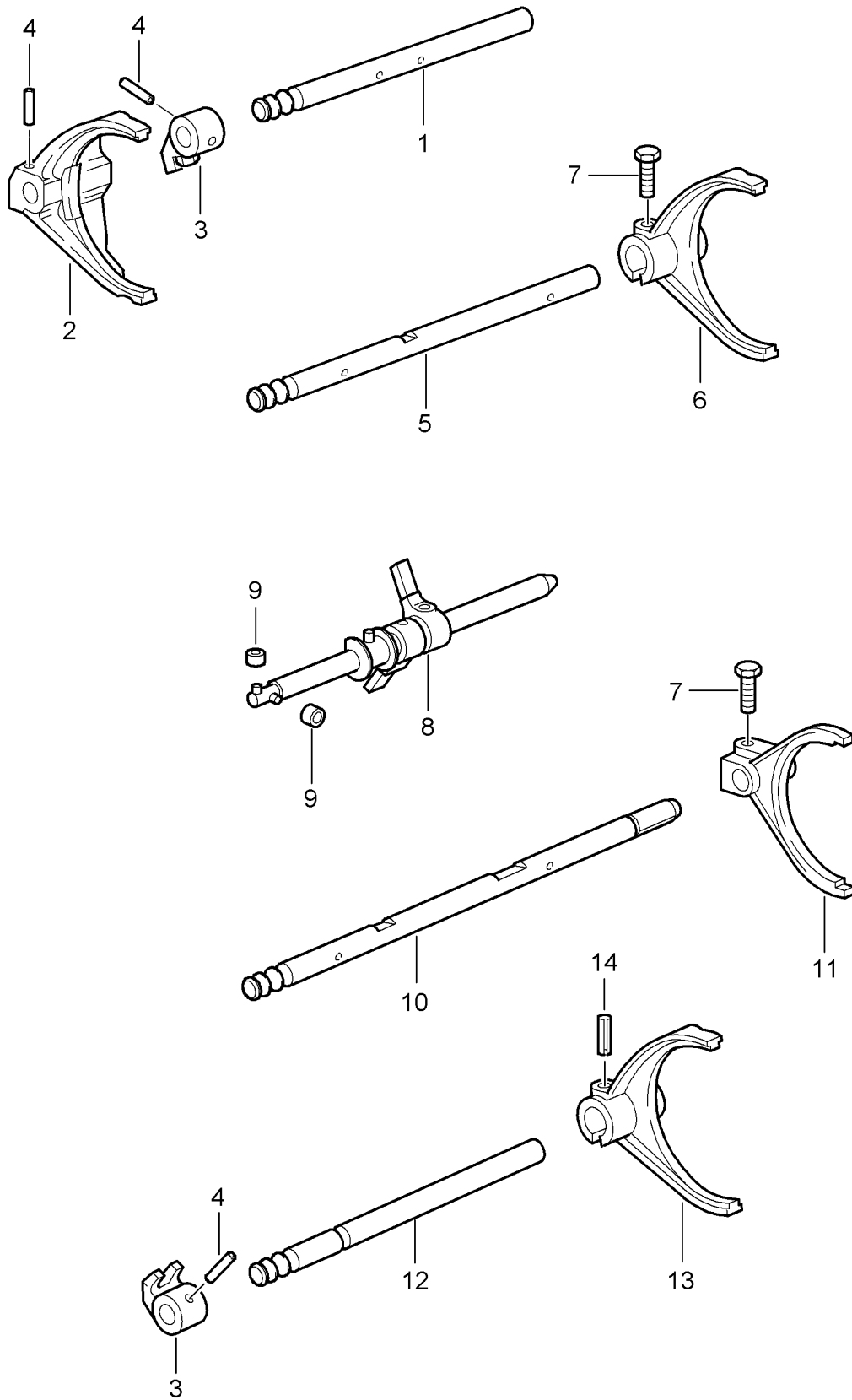
Model: 997T07

Model life 2007>>2009

| Pos | Part Number | Description | Remark | Qty | Model |
|-----|----------------|---|--------|-----|-------|
| 55 | 999 152 024 01 | Reverse gear snap ring 62 X 1,50 | | 1 | |
| 56 | 999 110 192 00 | cylinder roller bearing 30 X 62 X 16 | | 1 | |
| 57 | 999 034 034 00 | Hexagon nut M 30 X 1,25 | | 1 | |
| 58 | 999 152 111 00 | snap ring 78 X 1,50 | | 1 | |

Model: 997T07

Model life 2007>>2009



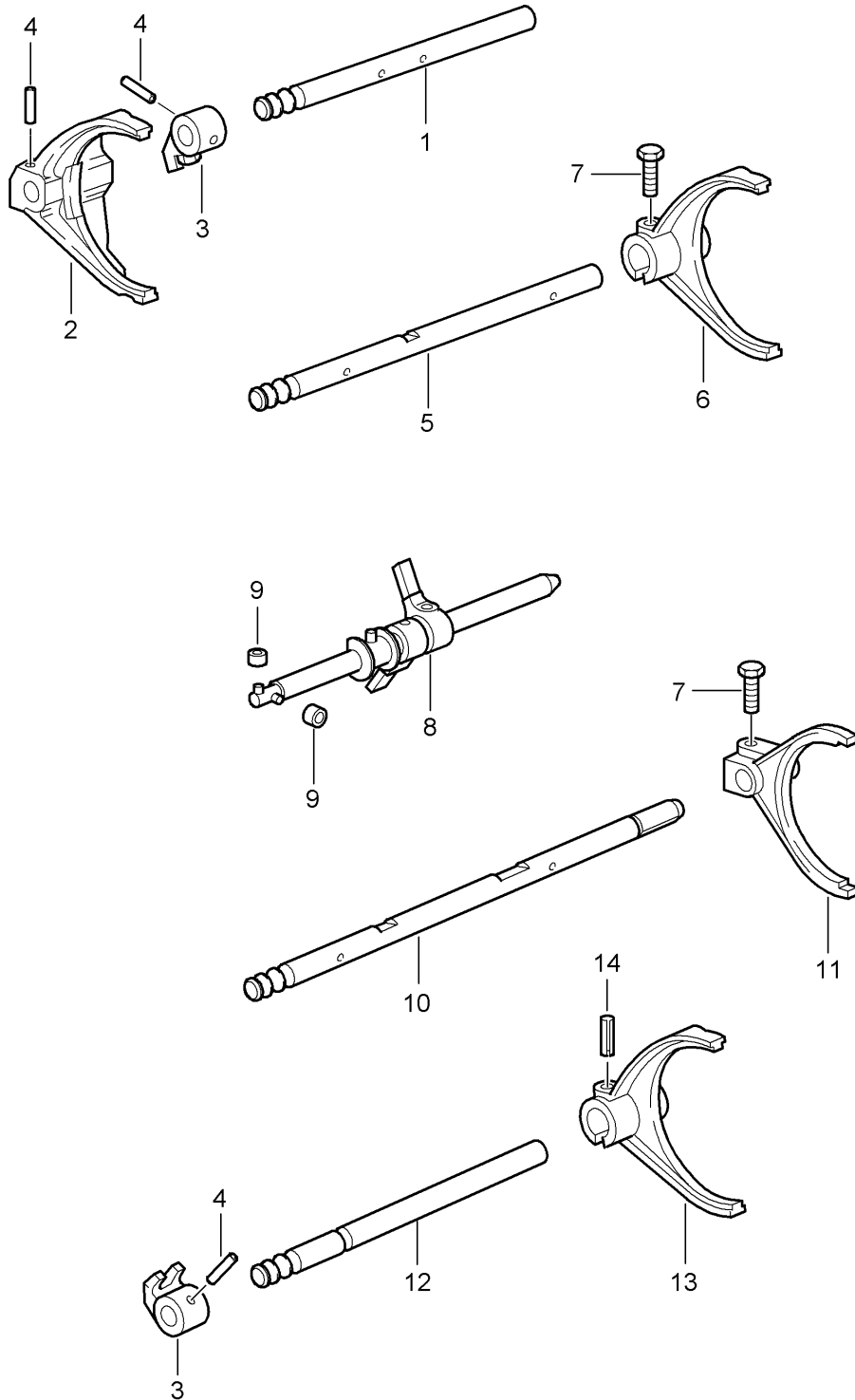
Model: 997T07

Model life 2007>>2009

| Pos | Part Number | Description | Remark | Qty | Model |
|-----|----------------|---|--------|-----|-------|
| | | selector shaft Selector fork shift rod | | | G9750 |
| 1 | 997 303 103 50 | selector shaft 3rd/4th gear | | 1 | |
| 2 | 997 303 113 50 | Selector fork 3rd/4th gear | | 1 | |
| 3 | 996 303 121 50 | Follower | | 2 | |
| 4 | 900 309 008 00 | spring pin 6 X 24 | | 3 | |
| 5 | 997 303 106 50 | selector shaft 5th gear and 6th gear | | 1 | |
| 6 | 997 303 116 50 | Selector fork 5th gear and 6th gear | | 1 | |
| 7 | 999 217 036 01 | Hexagon bolt M 8 X 30 | | 2 | |
| 8 | 997 303 021 50 | shift rod | | 1 | |
| 9 | 996 303 403 00 | roller 10 X 5 X 3 | | 4 | |
| 10 | 997 303 105 50 | selector shaft Reverse gear | | 1 | |
| 11 | 997 303 115 50 | Selector fork Reverse gear | | 1 | |
| 12 | 997 303 101 50 | selector shaft 1st / 2nd gear | | 1 | |
| 13 | 997 303 111 50 | Selector fork 1st / 2nd gear | | 1 | |
| 14 | 900 095 017 01 | spring pin 5,0 X 24 | | 2 | |
| - | 996 303 142 50 | locking piece Short | | 2 | |

Model: 997T07

Model life 2007>>2009



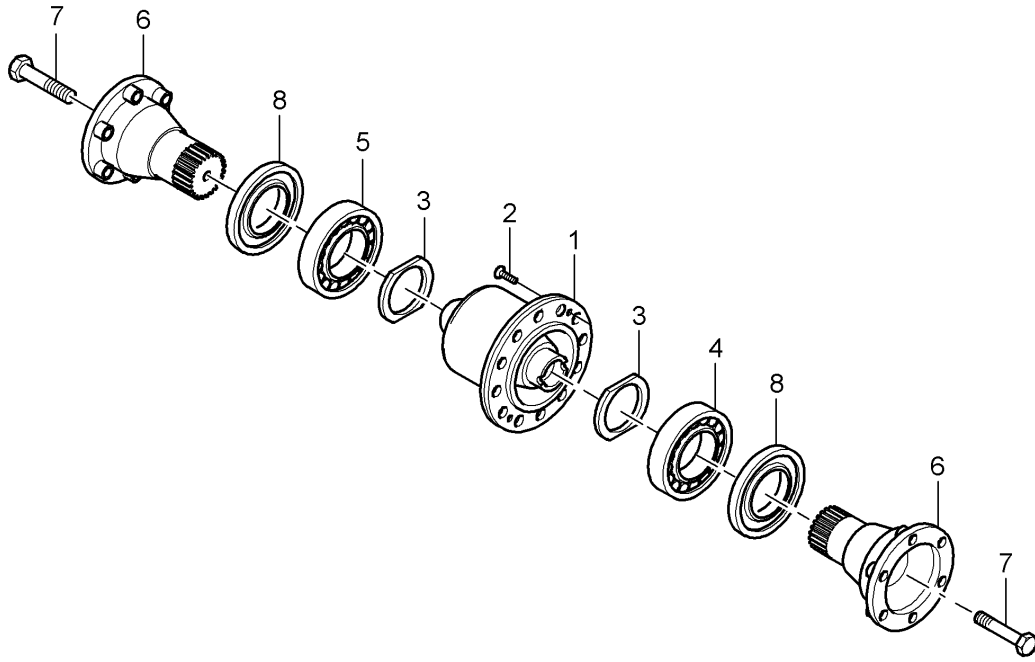
Model: 997T07

Model life 2007>>2009

| Pos | Part Number | Description | Remark | Qty | Model |
|-----|----------------|---|--------|-----|-------|
| - | | selector shaft Selector fork shift rod | | | G9788 |
| 1 | 996 303 103 52 | selector shaft 3rd/4th gear | | 1 | |
| 2 | 996 303 113 88 | Selector fork 3rd/4th gear | | 1 | |
| 3 | 996 303 121 50 | Follower | | 2 | |
| 4 | 900 309 008 00 | spring pin 6 X 24 | | 3 | |
| 5 | 996 303 106 51 | selector shaft 5th gear and 6th gear | | 1 | |
| 6 | 996 303 116 50 | Selector fork 5th gear and 6th gear | | 1 | |
| 7 | 999 217 036 01 | Hexagon bolt M 8 X 30 | | 2 | |
| 8 | 996 303 021 52 | shift rod | | 1 | |
| 9 | 996 303 403 00 | roller 10 X 5 X 3 | | 4 | |
| 10 | 996 303 105 52 | selector shaft Reverse gear | | 1 | |
| 11 | 996 303 115 50 | Selector fork Reverse gear | | 1 | |
| 12 | 996 303 101 51 | selector shaft 1st / 2nd gear | | 1 | |
| 13 | 996 303 111 51 | Selector fork 1st / 2nd gear | | 1 | |
| 14 | 900 095 017 01 | spring pin 5,0 X 24 | | 2 | |
| - | 996 303 142 50 | locking piece Short | | 2 | |
| - | 996 303 143 50 | locking piece Intermediate piece | | 2 | |

Model: 997T07

Model life 2007>>2009



Model: 997T07

Model life 2007>>2009

| Pos | Part Number | Description | Remark | Qty | Model |
|-----|----------------|---|--------|-----|------------------|
| - | | limited slip differential (complete) | | | G9788, G9750 |
| 1 | 997 332 083 91 | limited slip differential 28 / 40 % | | 1 | G9788 |
| (1) | 997 332 083 50 | limited slip differential 22 / 27 % | | 1 | G9750+ PR:220 |
| 2 | 999 217 152 01 | Hexagon bolt M 12 X 1,25 | | 12 | |
| 3 | 996 332 266 50 | Adjusting ring 50,4 X 65 X 1,50 | | X | |
| 3 | 996 332 266 51 | Adjusting ring 50,4 X 65 X 1,55 | | X | |
| 3 | 996 332 266 52 | Adjusting ring 50,4 X 65 X 1,60 | | X | |
| 3 | 996 332 266 53 | Adjusting ring 50,4 X 65 X 1,65 | | X | |
| 3 | 996 332 266 54 | Adjusting ring 50,4 X 65 X 1,70 | | X | |
| 3 | 996 332 266 55 | Adjusting ring 50,4 X 65 X 1,75 | | X | |
| 3 | 996 332 266 56 | Adjusting ring 50,4 X 65 X 1,80 | | X | |
| 3 | 996 332 266 57 | Adjusting ring 50,4 X 65 X 1,85 | | X | |
| 3 | 996 332 266 58 | Adjusting ring 50,4 X 65 X 1,90 | | X | |
| 3 | 996 332 266 59 | Adjusting ring 50,4 X 65 X 1,95 | | X | |
| 3 | 996 332 266 60 | Adjusting ring 50,4 X 65 X 2,00 | | X | |
| 3 | 996 332 266 61 | Adjusting ring 50,4 X 65 X 2,05 | | X | |
| 3 | 996 332 266 62 | Adjusting ring 50,4 X 65 X 2,10 | | X | |
| 3 | 996 332 266 63 | Adjusting ring 50,4 X 65 X 2,15 | | X | |
| 3 | 996 332 266 64 | Adjusting ring 50,4 X 65 X 2,20 | | X | |
| 3 | 996 332 266 65 | Adjusting ring 50,4 X 65 X 2,25 | | X | |
| 3 | 996 332 266 66 | Adjusting ring 50,4 X 65 X 2,30 | | X | |
| 3 | 996 332 266 67 | Adjusting ring 50,4 X 65 X 2,35 | | X | |
| 3 | 996 332 266 68 | Adjusting ring 50,4 X 65 X 2,40 | | X | |
| 3 | 996 332 266 69 | Adjusting ring 50,4 X 65 X 2,45 | | X | |
| 3 | 996 332 266 70 | Adjusting ring 50,4 X 65 X 2,50 | | X | |
| 3 | 996 332 266 71 | Adjusting ring 50,4 X 65 X 2,55 | | X | |
| 3 | 996 332 266 72 | Adjusting ring 50,4 X 65 X 2,60 | | X | |
| 3 | 996 332 266 73 | Adjusting ring 50,4 X 65 X 2,65 | | X | |
| 3 | 996 332 266 74 | Adjusting ring 50,4 X 65 X 2,70 | | X | |
| 3 | 996 332 266 75 | Adjusting ring 50,4 X 65 X 2,75 | | X | |
| 3 | 996 332 266 76 | Adjusting ring 50,4 X 65 X 2,80 | | X | |
| 4 | 999 059 064 00 | Taper roller bearing | | 1 | |

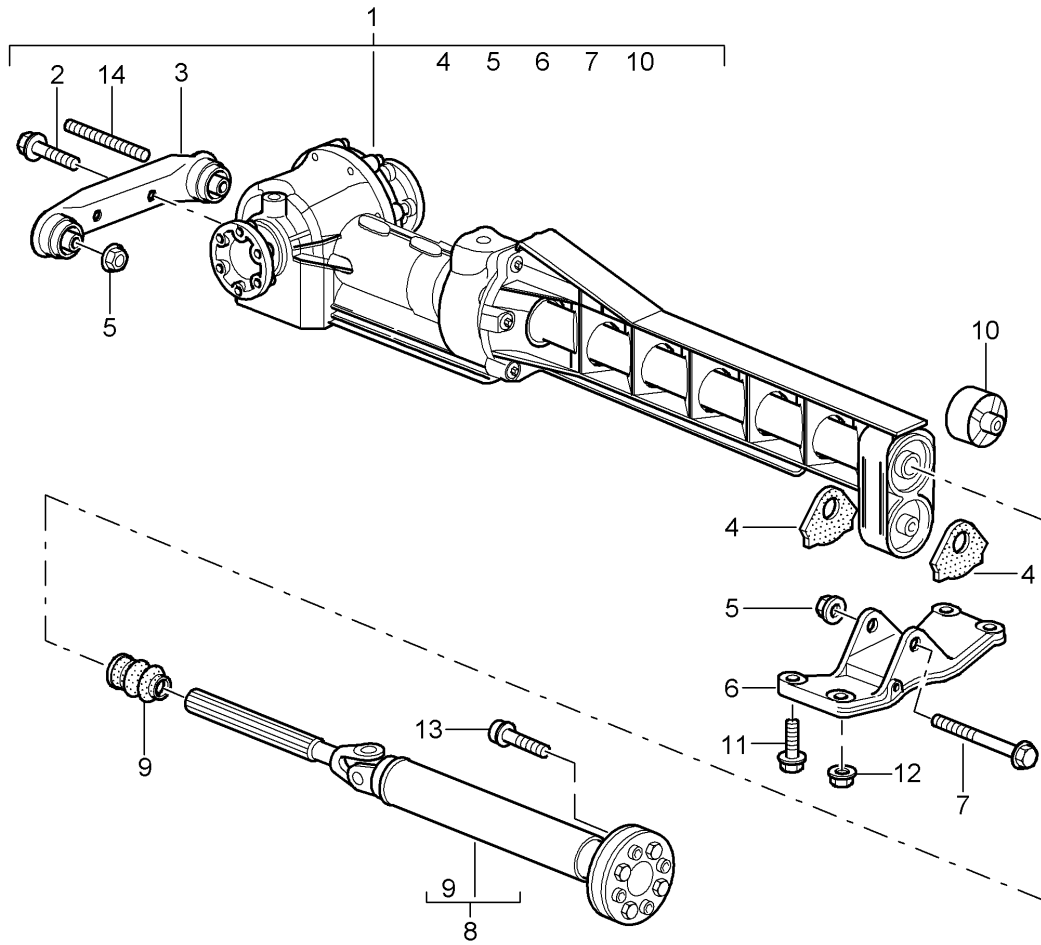
Model: 997T07

Model life 2007>>2009

| Pos | Part Number | Description | Remark | Qty | Model |
|-----|----------------|---|--------|-----|-------|
| 5 | 999 059 066 02 | 50 X 90 X 20 Taper roller bearing | | 1 | |
| 6 | 997 332 209 51 | 50 X 80 X 20 Drive flange Discontinued part | | 2 | |
| (6) | 997 332 209 52 | Drive flange | | 2 | |
| 7 | 999 217 027 01 | Hexagon bolt M 10 X 85 | | 2 | |
| 8 | 999 113 356 40 | Shaft oil seal 48 X 68 X 10 | | 2 | |

Model: 997T07

Model life 2007>>2009



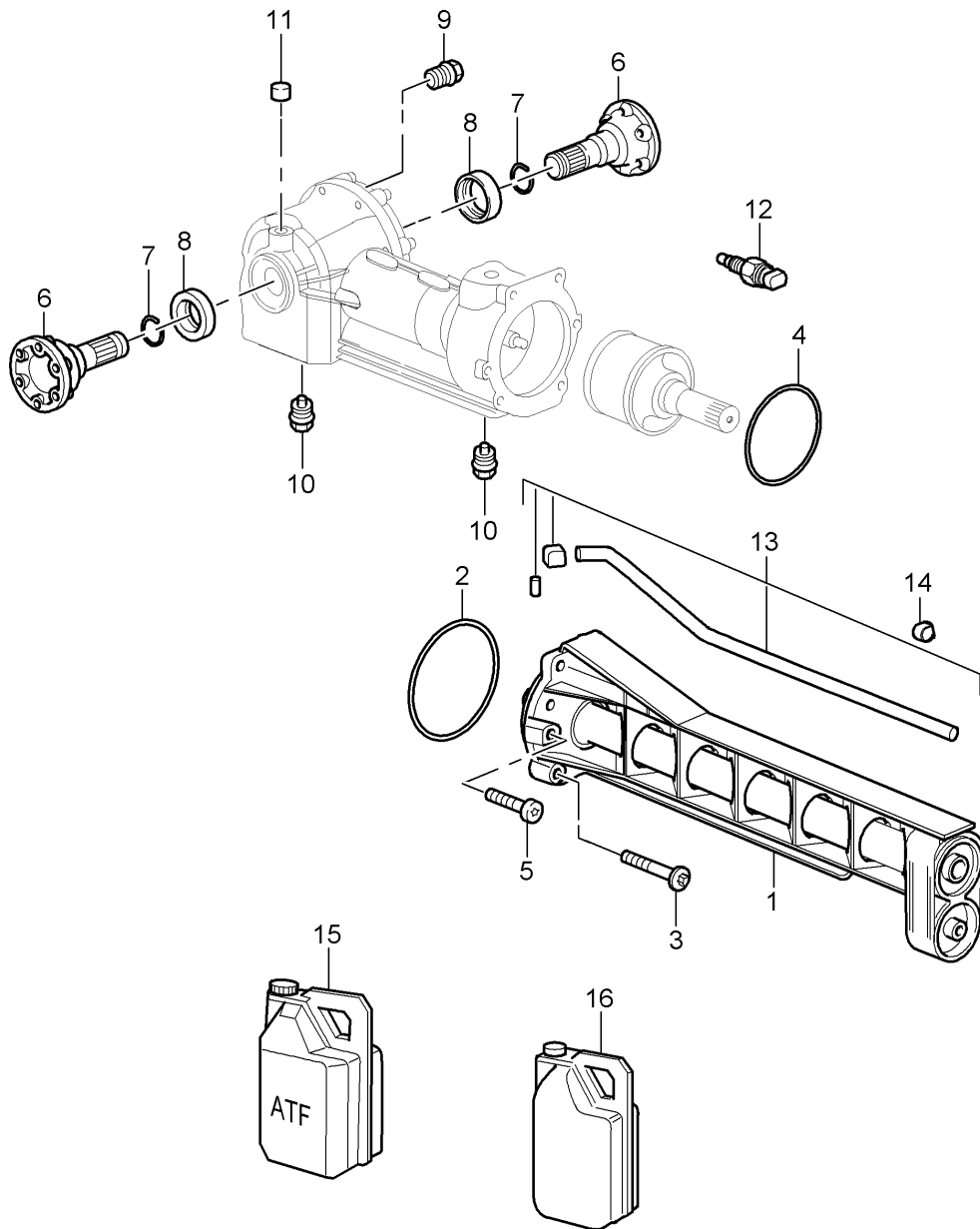
Model: 997T07

Model life 2007>>2009

| Pos | Part Number | Description | Remark | Qty | Model |
|-----|----------------|--|--------|-----|-------|
| 1 | 997 349 020 50 | Front axle differential Cardan shaft Front axle differential Ready for installation | | 1 | |
| 2 | 999 072 034 09 | Conical screw M 10 X 28 | | 2 | |
| 3 | 997 375 934 00 | transmission carrier | front | 1 | |
| 4 | 997 375 257 00 | Stop | | 2 | |
| 5 | 900 380 008 09 | Locknut M 10 | | 1 | |
| 6 | 997 375 343 00 | transmission carrier | rear | 1 | |
| 7 | 900 378 142 09 | Hexagon bolt M 10 X 90 | | 1 | |
| 8 | 997 421 020 00 | Cardan shaft | | 1 | |
| 9 | 996 421 145 01 | Gaiter | | 1 | |
| 10 | 996 375 054 02 | gearbox mounting | | 1 | |
| 11 | 900 385 123 01 | Bolt with washer M 10 X 25 | | 4 | |
| 12 | 999 076 053 09 | Hexagon nut M 10 | | 2 | |
| 13 | 900 385 097 01 | Torx screw M 10 X 35 | | 3 | |
| 14 | 999 061 111 99 | Threaded pin M 10 X 121 | | 2 | |

Model: 997T07

Model life 2007>>2009



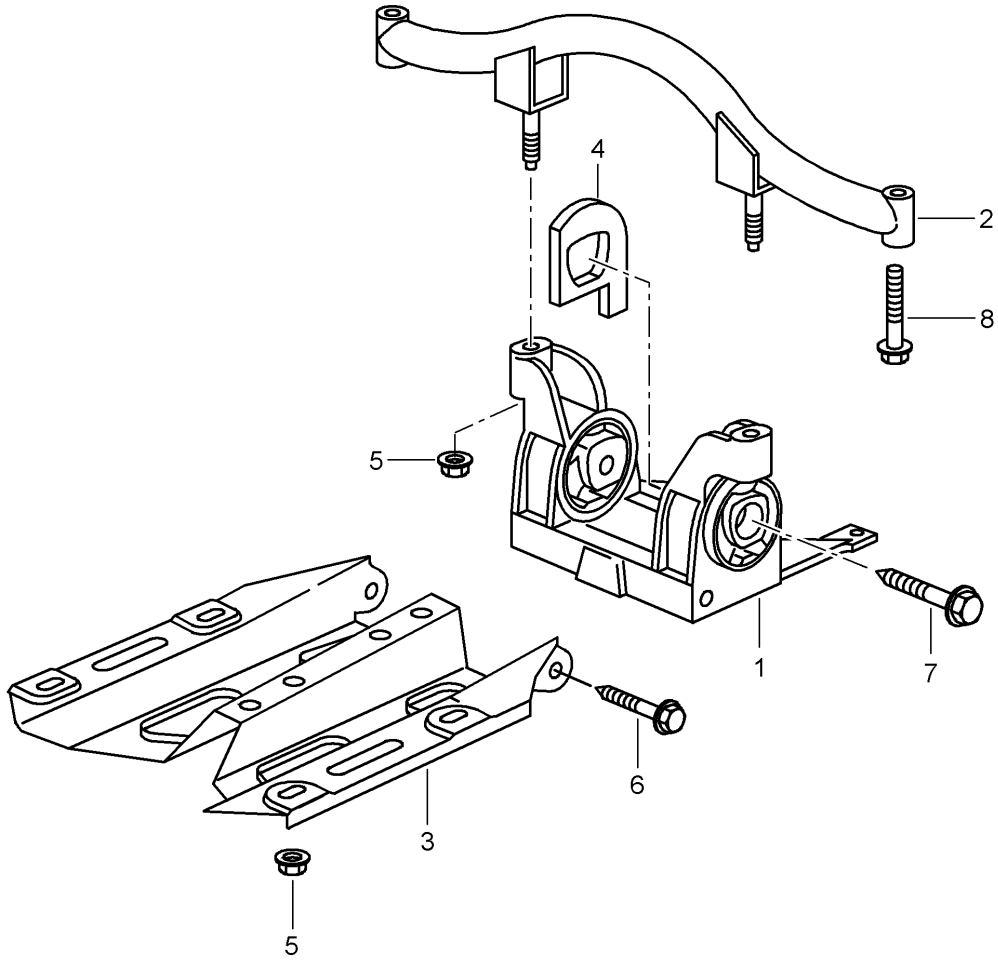
Model: 997T07

Model life 2007>>2009

| Pos | Part Number | Description | Remark | Qty | Model |
|-----|----------------|--|---------|-----|-------|
| - | | Front axle differential Coupling Individual parts | | | |
| 1 | 997 337 041 50 | Support | | 1 | |
| 2 | 999 707 455 40 | O-ring 123 X 3 | | 1 | |
| 3 | 900 385 141 01 | Torx screw M 8 X 40 | | 5 | |
| 5 | 997 337 825 00 | Socket head bolt M 8 X 25 | | 2 | |
| 6 | 997 332 309 00 | Drive flange | | 2 | |
| 7 | 996 332 311 00 | snap ring 20 X 2,5 | | 2 | |
| 8 | 999 113 454 40 | Shaft oil seal 40 X 60 X 9 | | 2 | |
| 9 | 900 124 013 01 | sealing plug M 18 X 1,5 | | 2 | |
| 10 | 900 124 014 01 | Oil filler screw sealing plug M 18 X 1,5 | | 2 | |
| 11 | 014 301 485 | drain plug Cap for venting the gearbox breather assy. 17 X 13,5 | | 1 | |
| 12 | 997 606 303 00 | Temperature sensor | | 1 | |
| 13 | 997 337 071 00 | Vent hose | | 1 | |
| 14 | 999 507 339 01 | cable terminal | | 4 | |
| 15 | 000 043 303 00 | Transmission fluid for Coupling 1 LTR. Container | | 1 | |
| 16 | | Transmission fluid Front axle differential see illustration: | 302-000 | | |

Model: 997T07

Model life 2007>>2009



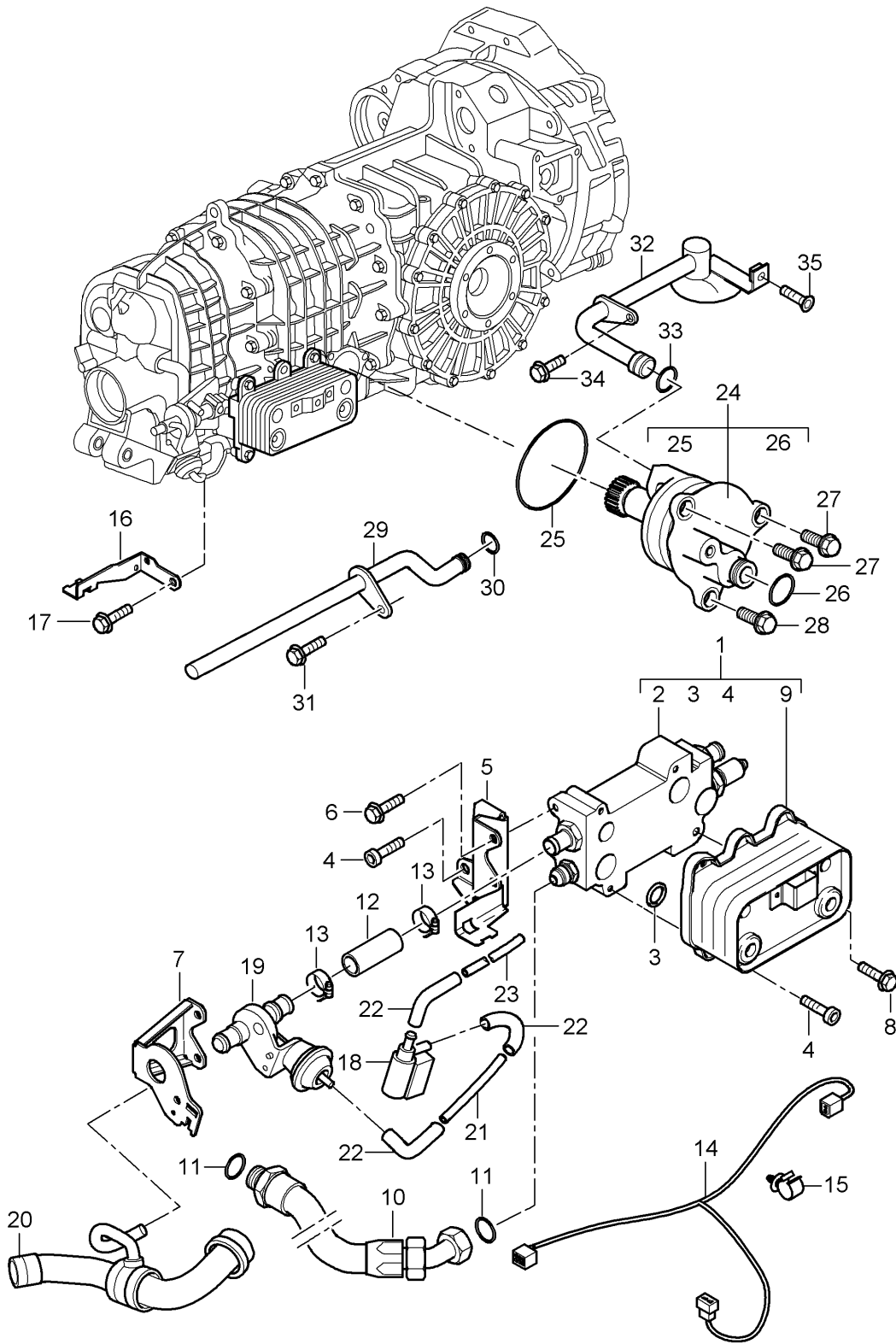
Model: 997T07

Model life 2007>>2009

| Pos | Part Number | Description | Remark | Qty | Model |
|-----|----------------|--|--------|-----|-------|
| | | Transmission suspension | | | G9750 |
| 1 | 996 375 033 03 | transmission carrier | | 1 | |
| 2 | 996 375 317 06 | Carrier | upper | 1 | |
| 3 | 996 375 015 00 | Side member | | 1 | |
| 4 | 996 375 259 08 | Stop | | 2 | |
| 5 | 900 378 167 09 | Hexagon bolt M 10 X 110 | | 2 | |
| 5 | 999 061 106 09 | Threaded pin M 10 X 83 Discontinued part | | 2 | |
| 5 | 999 061 106 01 | Threaded pin M 10 X 83 | | 2 | |
| 6 | 900 380 008 09 | Locknut M 10 | | 2 | |
| (6) | 999 076 053 09 | Hexagon nut M 10 | | 6 | |
| 7 | 999 072 010 09 | Hexagon bolt M 12 X 1,5 X 100 | | 2 | |
| 8 | 999 072 008 09 | Hexagon bolt M 12 X 1,5 X 70 Discontinued part | | 3 | |
| 8 | 999 072 008 01 | Hexagon bolt M 12 X 1,5 X 70 | | 3 | |
| 9 | 900 378 061 09 | Hexagon bolt M 12 X 1,5 X 50 | | 1 | |
| 10 | 900 378 076 09 | Hexagon bolt M 10 X 50 | | 1 | |
| 11 | 900 377 011 09 | Hexagon nut M 10 | | 1 | |

Model: 997T07

Model life 2007>>2009



Model: 997T07

Model life 2007>>2009

| Pos | Part Number | Description | Remark | Qty | Model |
|-----|----------------|---|---------|-----|-------|
| | | Gear oil cooler Lines oil pump D - MJ 2008>> | | | G9788 |
| 1 | 996 307 015 8A | Gear oil cooler (complete) | | 1 | |
| 2 | 996 307 020 8A | Port plate | | 1 | |
| 3 | 900 331 021 40 | O-ring 20 X 3,55 | | 4 | |
| 4 | 999 073 103 01 | flat round head bolt M 6 X 16 | | 5 | |
| 5 | 996 307 141 89 | Bracket | | 1 | |
| 6 | 900 378 017 01 | Hexagon bolt M 8 X 20 | | 2 | |
| 7 | 996 307 145 89 | Retainer for valve | | 1 | |
| 8 | 900 378 191 01 | Hexagon bolt M 6 X 55 | | 1 | |
| 9 | 996 307 209 88 | Gear oil cooler Discontinued part | | 1 | |
| 9 | 991 307 209 8A | Gear oil cooler | | 1 | |
| 10 | 996 307 333 88 | Oil hose | | 1 | |
| 11 | 900 123 152 30 | seal ring A 16 X 22 | | 2 | |
| 12 | 900 181 067 50 | Water hose B18 X 3,5 X47 | | 1 | |
| 13 | 999 512 552 00 | Hose clamp A 20-32 / 9 Discontinued part | | 2 | |
| 13 | 999 512 552 01 | Hose clamp A 20-32 / 9 | | 2 | |
| 14 | 996 612 401 70 | Wire set | | 1 | |
| 15 | 811 971 848 B | Retaining clip | | 3 | |
| 16 | 996 106 536 73 | Bracket | | 1 | |
| 17 | 900 378 074 01 | Hexagon bolt M 8 X 16 | | 2 | |
| 18 | 996 605 123 01 | Change-over valve | | 1 | |
| 19 | 928 574 573 03 | Disc valve | | 1 | |
| 20 | | see illustration: | 105-010 | 1 | |
| - | 000 043 205 01 | Pipe 4,0 X 1,0 | | * | |
| 21 | | shorten to: | 75 MM | 1 | |
| 22 | 928 574 717 05 | Molded hose | | 3 | |
| 22 | 928 574 717 07 | Molded hose | | 3 | |
| 22 | 9P1 129 487 | No longer use the part here Molded hose | | 3 | |
| - | 000 043 205 01 | Pipe 4,0 X 1,0 | | * | |
| 23 | | shorten to: | 1100 MM | 1 | |
| 24 | 997 307 023 90 | oil pump | | 1 | |
| 25 | 999 701 799 40 | O-ring 65,0 X 3,0 | | 1 | |
| 26 | 999 701 123 50 | O-ring 15,0 X 3,0 | | 1 | |
| 27 | 900 378 022 01 | Hexagon bolt M8 X 25 | | 2 | |
| 28 | 900 378 033 01 | Hexagon bolt M8 X 30 | | 1 | |
| 29 | 996 307 043 88 | Oil splash tube | | 1 | |
| 30 | 999 701 439 40 | O-ring 11,5 X 1,5 | | 1 | |
| 31 | 900 075 001 03 | Hexagon bolt M 5X 8 | | 1 | |
| 32 | 996 307 049 9B | Intake manifold | | 1 | |

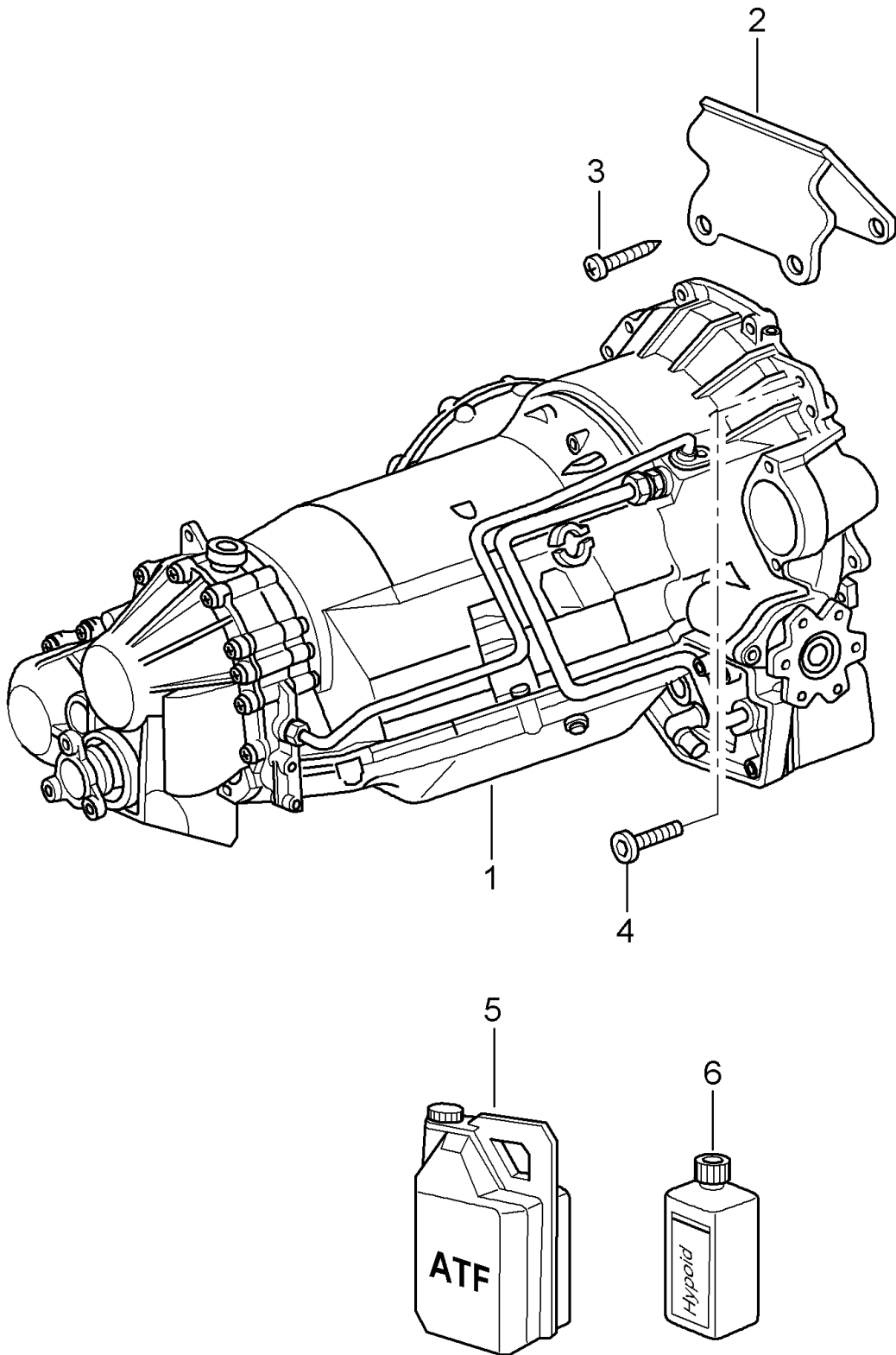
Model: 997T07

Model life 2007>>2009

| Pos | Part Number | Description | Remark | Qty | Model |
|-----|----------------|------------------------------|--------|-----|-------|
| 33 | 999 707 171 40 | O-ring 13,0 X 1,5 | | 1 | |
| 34 | 900 378 036 01 | Hexagon bolt M 6 X 12 | | 1 | |
| 35 | 900 269 107 01 | countersunk bolt M 6 X 10 | | 1 | |

Model: 997T07

Model life 2007>>2009



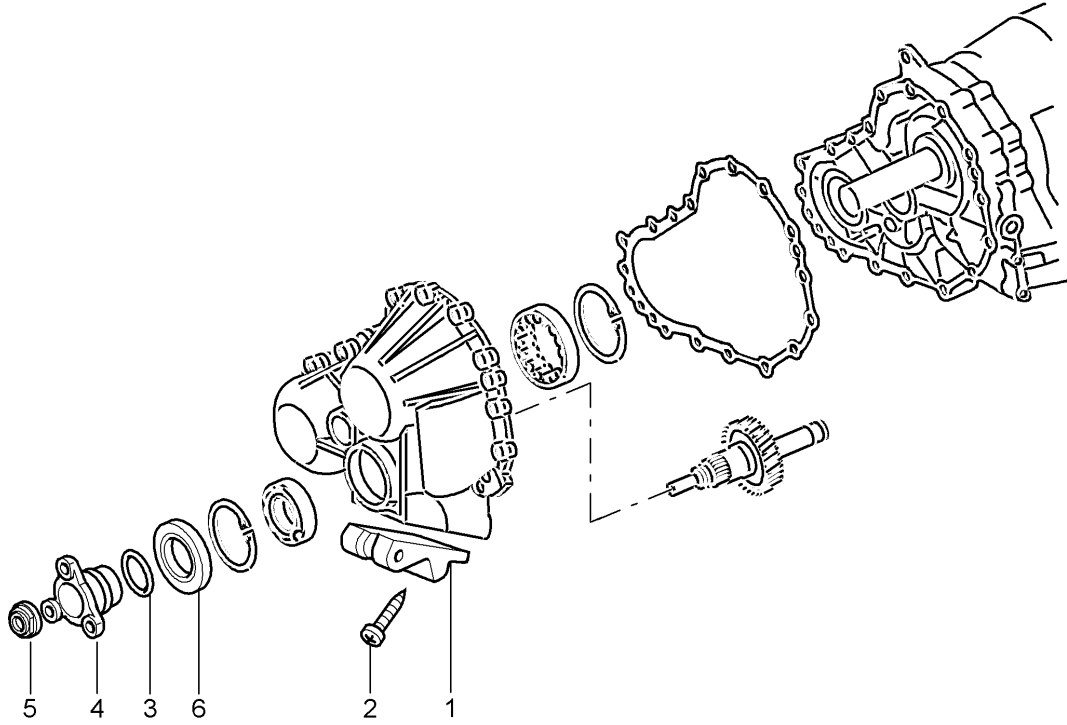
Model: 997T07

Model life 2007>>2009

| Pos | Part Number | Description | Remark | Qty | Model |
|-----|----------------|---|--------|-----|-------|
| - | | Tiptronic Replacement transmission | | | A9750 |
| 1 | 722 270 200 0 | Gearbox | | 1 | |
| 2 | 996 449 101 50 | Catch hook | | 1 | |
| | | No longer use the part here | | | |
| 2 | 997 449 101 50 | Catch hook | | 1 | |
| 3 | 999 073 190 09 | fillister hd. bolt M 8 X 60 | | 2 | |
| 4 | 999 073 373 01 | flat round head bolt M 8 X 35 | | 4 | |
| 5 | 000 043 204 90 | Transmission fluid ATF 20 LTR. Container | | X | |
| (5) | 000 043 304 01 | Transmission fluid ATF 1 LTR. Container | | X | |
| (5) | 000 043 305 43 | Discontinued part Transmission fluid ATF 1 LTR. Container | | X | |
| 6 | 999 917 546 00 | Transmission fluid 75 W 90 1 LTR. Container | | X | |
| 6 | 000 043 305 49 | Discontinued part Transmission fluid 75 W 90 1 LTR. Container | | X | |
| - | 210 997 003 2 | sealing plug | | 1 | |
| - | 900 123 060 30 | seal ring 24 x 29 | | 1 | |

Model: 997T07

Model life 2007>>2009



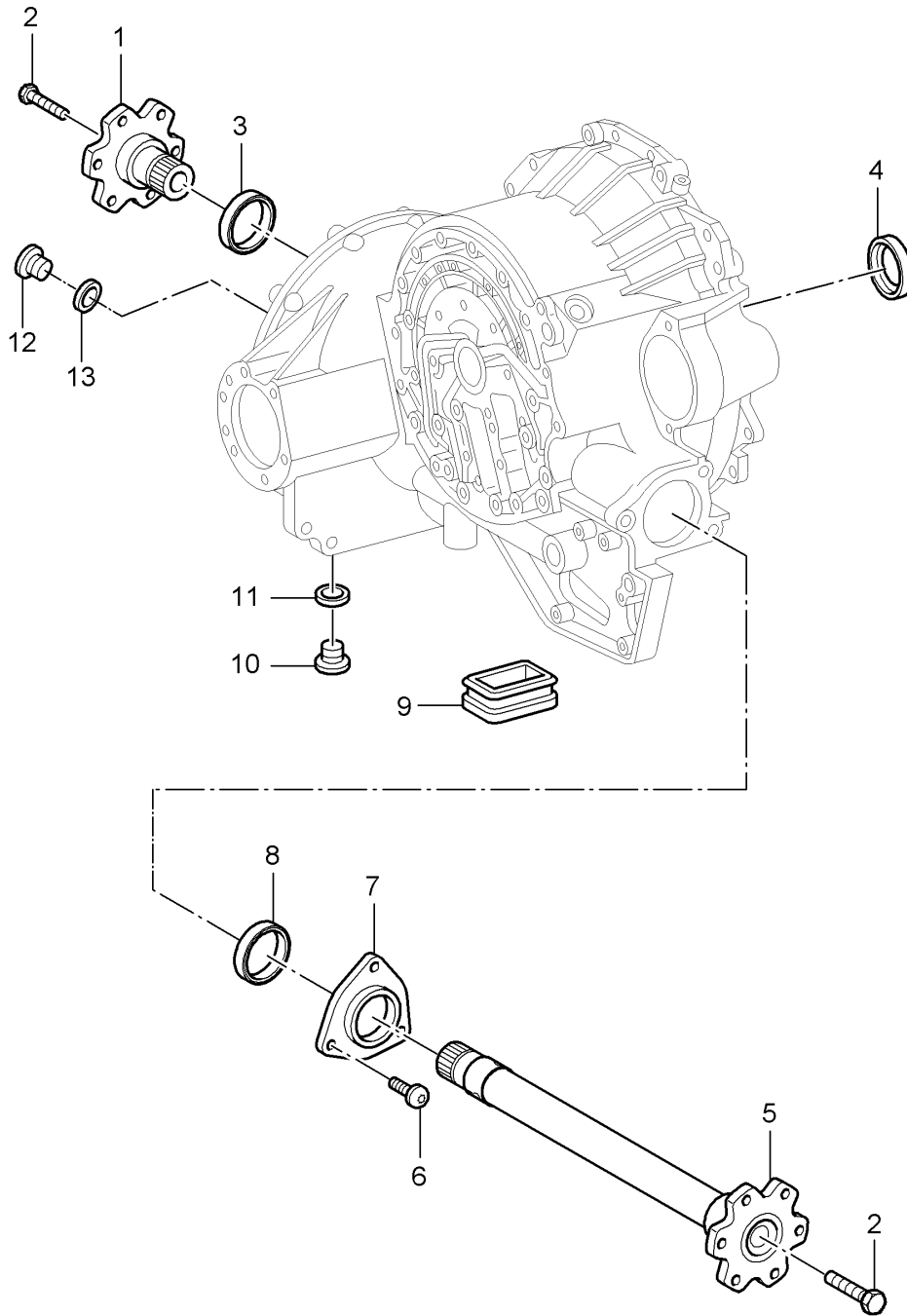
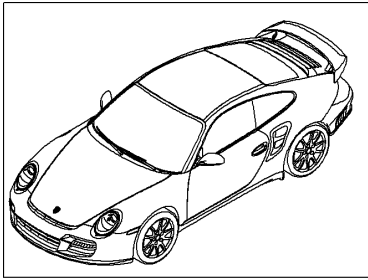
Model: 997T07

Model life 2007>>2009

| Pos | Part Number | Description | Remark | Qty | Model |
|-----|----------------|---|--------|-----|-------|
| | | Tiptronic All-wheel Driving mechanism gearbox mounting | | 1 | A9750 |
| 1 | 722 260 006 2 | | | 1 | |
| 2 | 999 073 095 09 | fillister hd. bolt M 8 X 30 Discontinued part | | 4 | |
| 2 | 999 073 095 01 | fillister hd. bolt M 8 X 30 | | 4 | |
| 3 | 168 997 004 5 | O-ring 28 X 3 | | 1 | |
| 4 | 722 270 022 0 | flange | | 1 | |
| 5 | 140 990 115 0 | Collar nut M 26 X 1,5 | | 1 | |
| 6 | 022 997 944 7 | Shaft oil seal | | 1 | |

Model: 997T07

Model life 2007>>2009



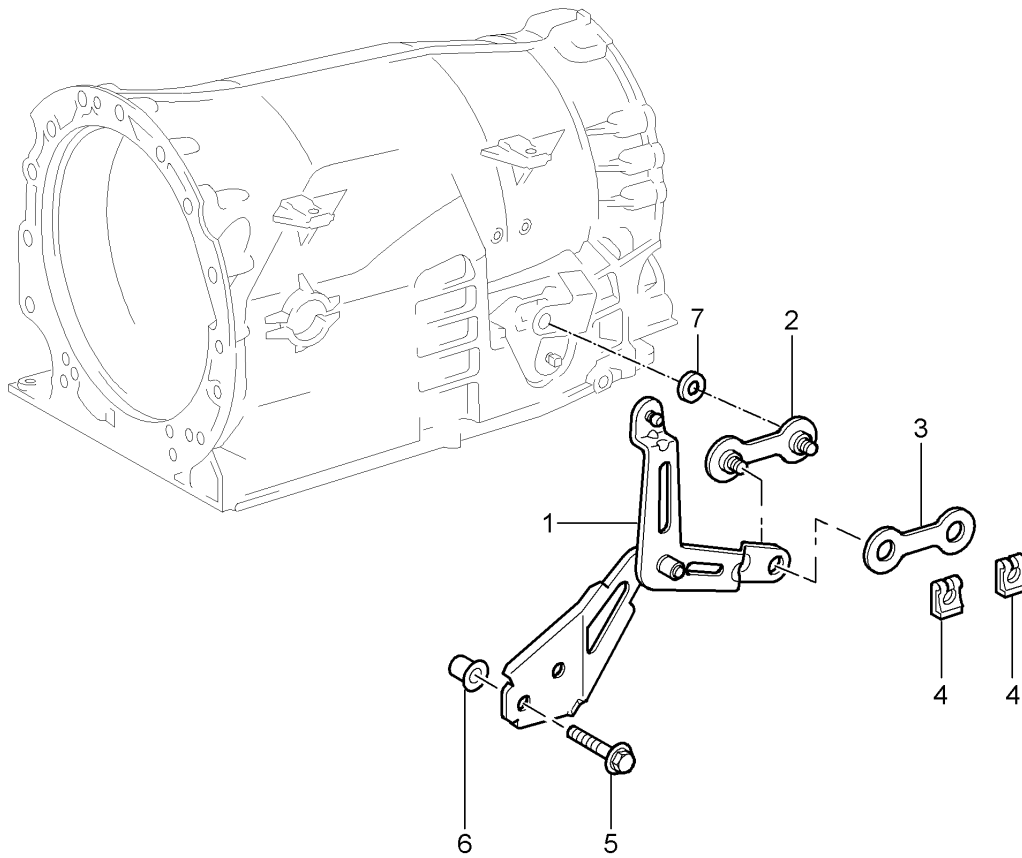
Model: 997T07

Model life 2007>>2009

| Pos | Part Number | Description | Remark | Qty | Model |
|-----|----------------|--|--------|-----|-------|
| - | | Tiptronic Differential | | | A9750 |
| 1 | 722 274 024 5 | Drive flange Short | | 1 | |
| 2 | 900 074 192 09 | Hexagon bolt M 10 X 55 Discontinued part | | 1 | |
| 2 | 900 074 192 03 | Hexagon bolt M 10 X 55 | | 1 | |
| 3 | 022 997 924 7 | Shaft oil seal | | 1 | |
| 4 | 018 997 044 7 | seal ring oil pump | | 1 | |
| 5 | 722 270 062 0 | flange Long | | 1 | |
| 6 | | Hexagon bolt M 5 X 12 | | 1 | |
| 7 | 722 353 070 6 | Cover | | 1 | |
| 8 | 999 113 484 40 | Shaft oil seal for Cover | | 1 | |
| 9 | 722 271 028 7 | Sealing rubber | | 1 | |
| 10 | 210 997 003 2 | sealing plug | | 1 | |
| 11 | 900 123 060 30 | seal ring 24 x 29 | | 1 | |
| 12 | 900 219 009 01 | sealing plug M18 x 1,5 | | 1 | |
| 13 | 900 123 044 30 | seal ring 18 x 22 | | 1 | |

Model: 997T07

Model life 2007>>2009



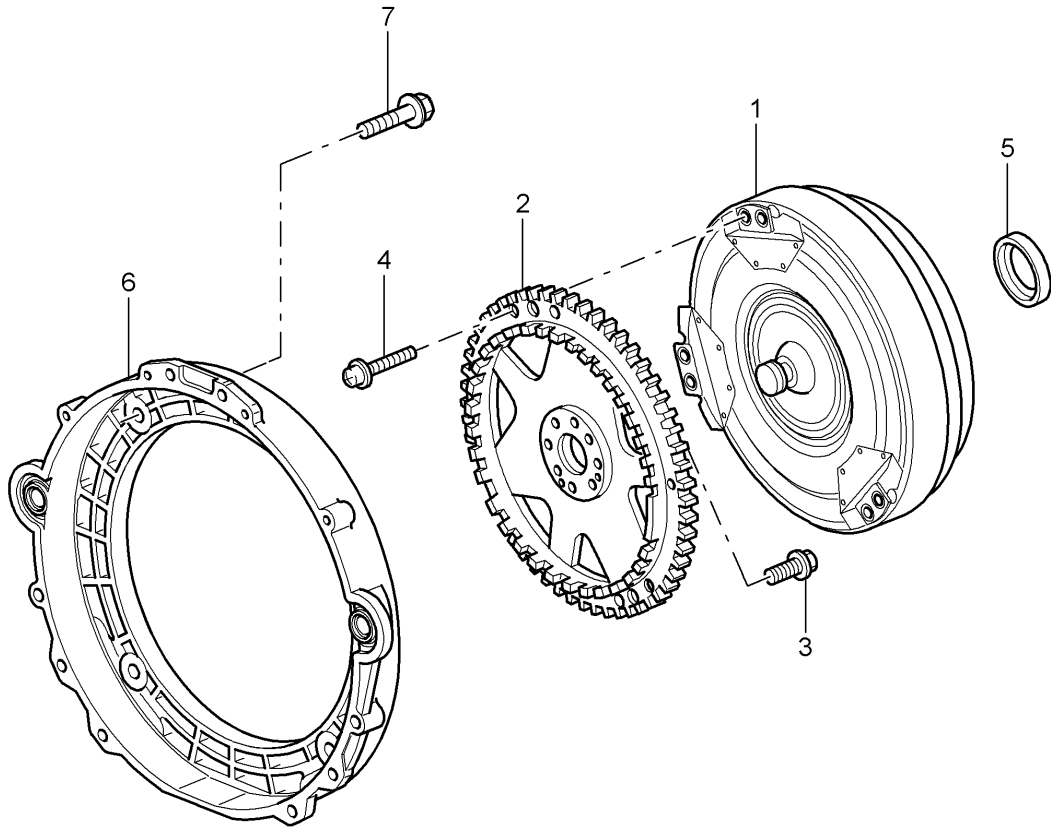
Model: 997T07

Model life 2007>>2009

| Pos | Part Number | Description | Remark | Qty | Model |
|-----|----------------|--------------------|--------|-----|-------|
| | | Tiptronic | | | A9750 |
| | | selector lever | | | |
| 1 | 722 270 011 0 | selector lever | | 1 | |
| 2 | 722 270 025 9 | lever | | 1 | |
| 3 | 722 278 032 0 | lever | | 1 | |
| 4 | 999 166 079 02 | Retaining washer | | 1 | |
| 5 | 999 073 095 01 | fillister hd. bolt | | 1 | |
| | | M 8 X 30 | | | |
| 6 | 722 992 002 0 | Sleeve | | 1 | |
| 7 | 009 997 484 7 | Shaft oil seal | | 1 | |
| | | selector lever | | | |

Model: 997T07

Model life 2007>>2009



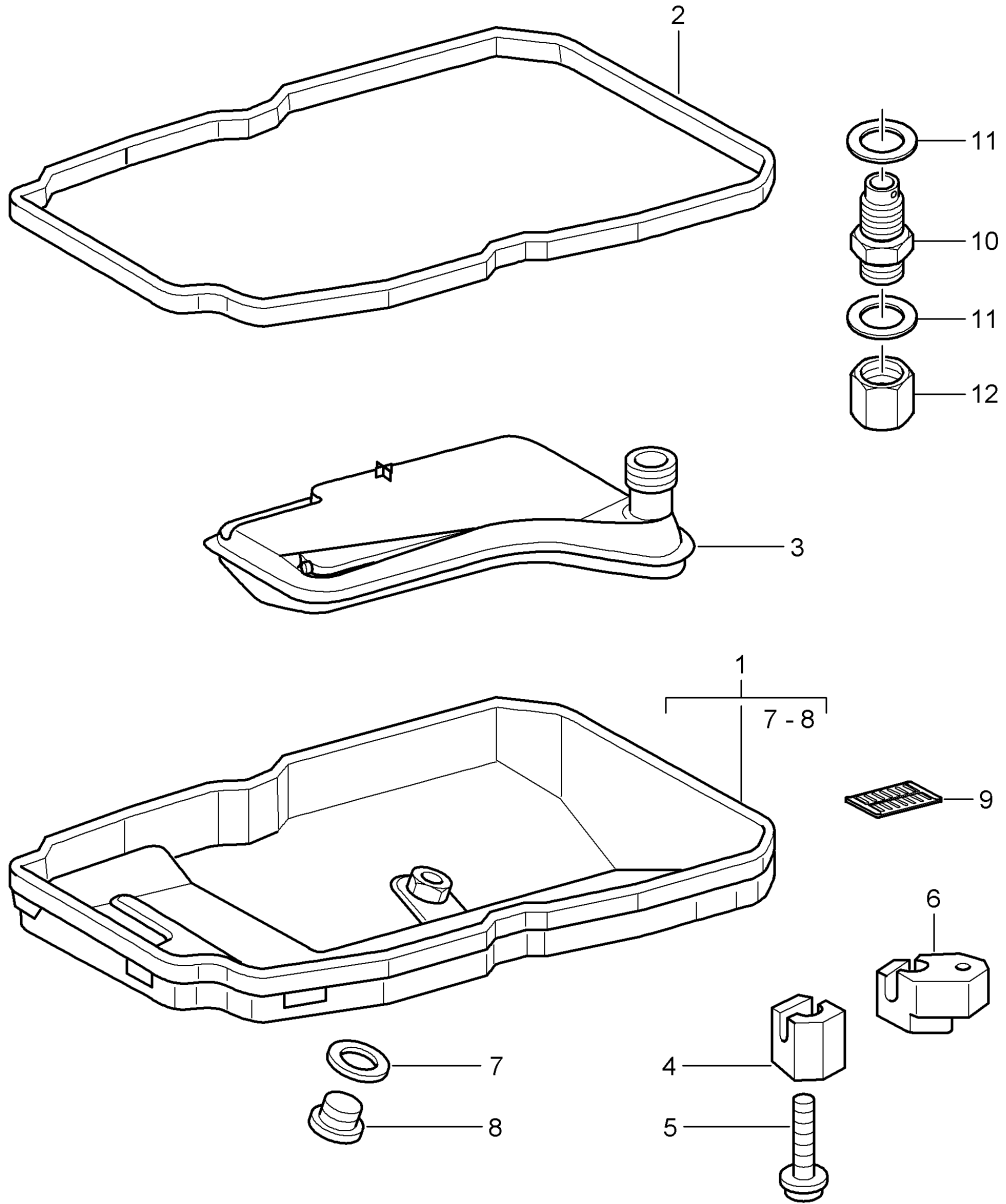
Model: 997T07

Model life 2007>>2009

| Pos | Part Number | Description | Remark | Qty | Model |
|-----|----------------|--|--------|-----|-------|
| | | Tiptronic Torque converter Clutch plate | | | A9750 |
| 1 | 722 250 130 2 | Torque converter | | 1 | |
| 2 | 996 116 075 50 | Clutch plate | | 1 | |
| 3 | 999 119 019 01 | Socket head bolt M 10 X 1 X 25 X 45 | | 9 | |
| 4 | 900 067 369 09 | Socket head bolt M 8 X 20 | | 6 | |
| 5 | 018 997 044 7 | seal ring for oil pump | | 1 | |
| 6 | 996 116 011 50 | Intermediate housing Engine and Gearbox | | 1 | |
| 7 | 900 378 251 01 | Hexagon bolt M 10 X 40 | | 4 | |

Model: 997T07

Model life 2007>>2009



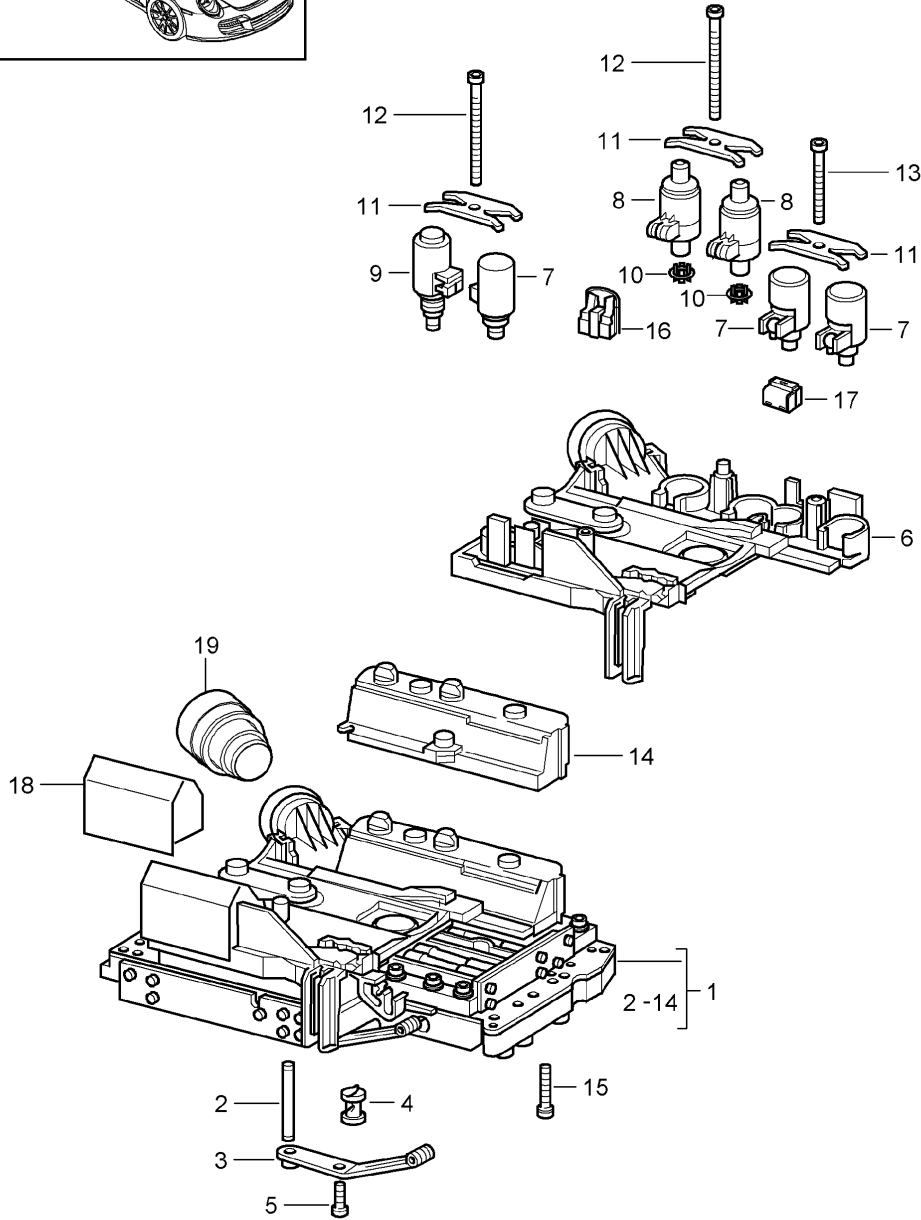
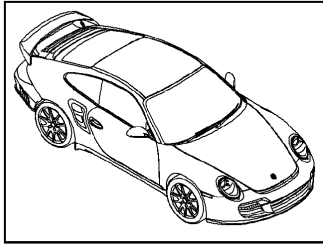
Model: 997T07

Model life 2007>>2009

| Pos | Part Number | Description | Remark | Qty | Model |
|-----|----------------|-------------------------------------|--------|-----|-------|
| | | Tiptronic oil filter oil sump | | | A9750 |
| 1 | 722 270 161 2 | oil sump | | 1 | |
| 2 | 140 271 008 0 | gasket for oil sump | | 1 | |
| 3 | 722 277 009 5 | oil filter | | 1 | |
| 4 | 140 271 006 8 | Clamping sleeve | | 6 | |
| | | Discontinued part | | | |
| 4 | 220 271 006 8 | Clamping sleeve | | 6 | |
| 5 | 999 073 202 01 | Socket head bolt M 6 X 32 | | 6 | |
| 6 | 140 271 016 8 | Clamping sleeve | | X | |
| 7 | 900 123 062 20 | seal ring | | 2 | |
| 8 | 900 219 007 01 | sealing plug | | 2 | |
| 9 | 220 271 009 8 | Magnet | | 1 | |
| 10 | 996 307 055 11 | connection piece Oil inlet | | 1 | |
| 11 | 900 123 007 30 | seal ring 14 X 18 | | 2 | |
| 12 | 900 070 011 01 | domed cap nut M14 X 1,5 | | 1 | |

Model: 997T07

Model life 2007>>2009



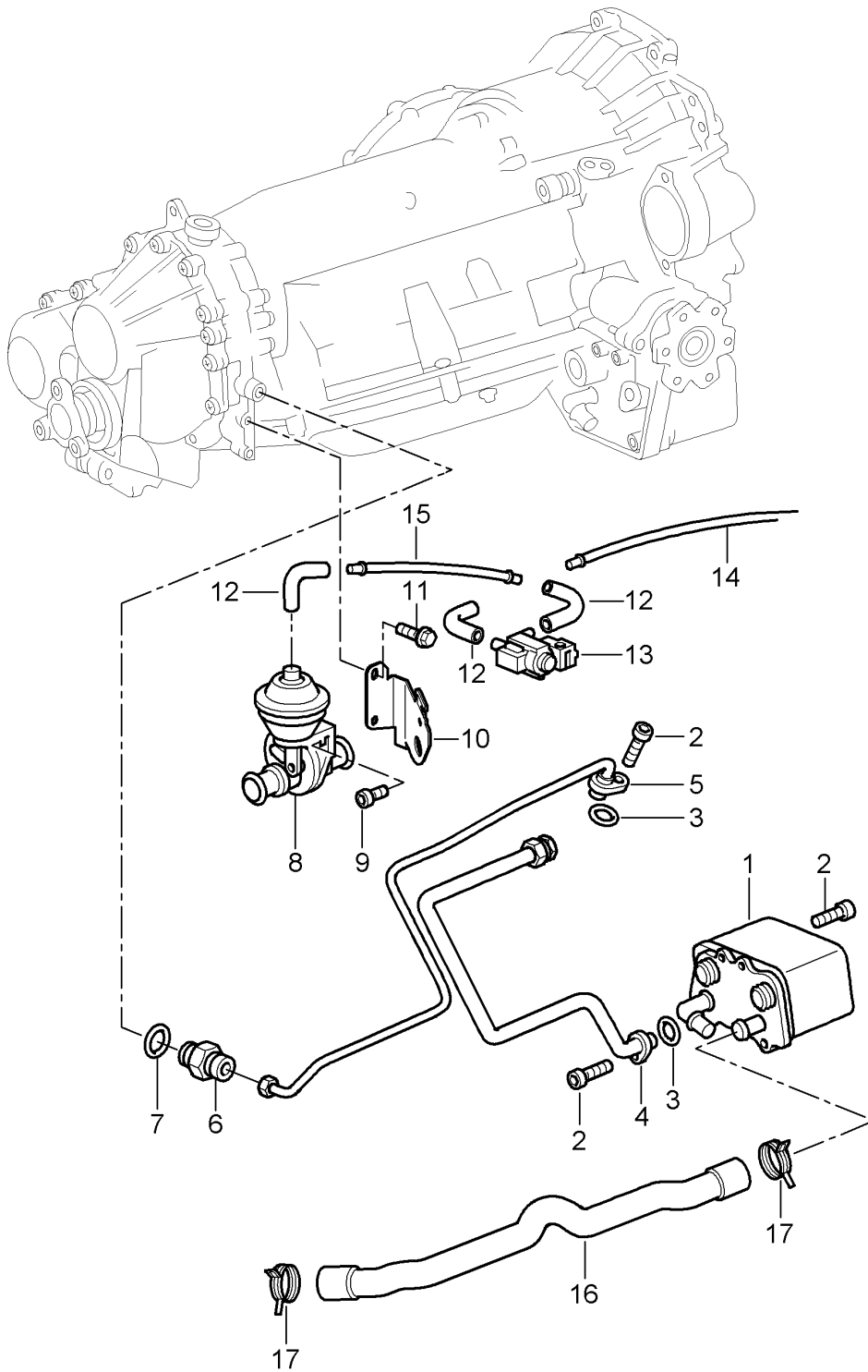
Model: 997T07

Model life 2007>>2009

| Pos | Part Number | Description | Remark | Qty | Model |
|------|------------------|---|--------|-----|-------|
| | | Tiptronic Control unit Solenoid valve pressure regulator | | | A9750 |
| 1 | 722 270 020 6 | Switch unit | | 1 | |
| 2 | 140 277 007 5 | Pin | | 1 | |
| 3 | 140 270 017 8 | Spring | | 1 | |
| 4 | 140 270 029 8 | Filter | | 1 | |
| 5 | 170 990 012 0 | Screw | | 1 | |
| 6 | 140 270 056 1 | Cover plate Discontinued part | | 1 | |
| 6 | 140 270 086 1 | Cover plate Discontinued part | | 1 | |
| 6 | 140 270 116 1 | Cover plate | | 1 | |
| 7 | 240 270 028 9 | Valve | | 3 | |
| 7 | 240 270 160 0 | Valve | | 3 | |
| 8 | 203 270 008 9 | Solenoid valve | | 2 | |
| 9 | 140 277 043 5 | Solenoid valve | | 1 | |
| 10 | 140 270 049 8 | Filter | | 2 | |
| 11 | 140 276 000 3 | spring plate Discontinued part | | 3 | |
| (11) | 140 276 020 3 | spring plate | | 3 | |
| 12 | 140 277 107 1 | Screw | | 2 | |
| 13 | 140 277 117 10 | Screw | | 1 | |
| 14 | 140 271 078 2 | Cover | | 1 | |
| 15 | 140 277 067 1 | Screw | | 10 | |
| 16 | 240 271 008 2 | Cover cap Discontinued part | | 2 | |
| 16 | 240 271 008 2 | Cover cap | | 2 | |
| | 240 271 008 2 28 | Cover cap | | | |
| 17 | 240 271 018 2 | Cover cap | | 3 | |
| 18 | 140 271 088 2 | Cover | | 1 | |
| 19 | 000 043 207 28 | Cable guide | | 1 | |

Model: 997T07

Model life 2007>>2009



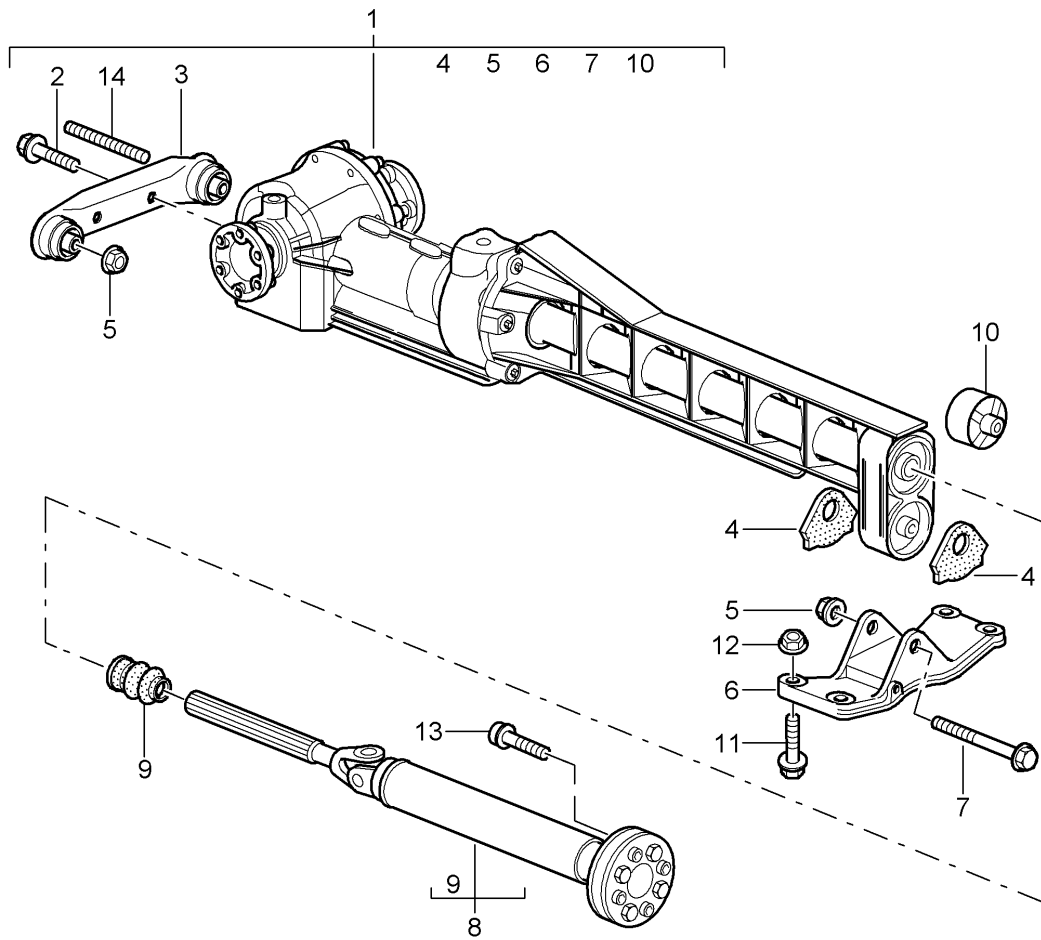
Model: 997T07

Model life 2007>>2009

| Pos | Part Number | Description | Remark | Qty | Model |
|-----|----------------|-----------------------------|--------------------|-----|-------|
| | | Tiptronic | | | A9750 |
| | | Atf cooler | | | |
| | | Atf lines | | | |
| 1 | 722 270 049 5 | Atf cooler | | 1 | |
| 2 | 999 073 103 09 | fillister hd. bolt | | 6 | |
| | | M 6 X 16 | | | |
| 3 | 029 997 184 8 | seal ring | | 2 | |
| | | 12,37 X 2,62 | | | |
| 4 | 722 270 089 6 | Oil pipe | | 2 | |
| 5 | 722 270 079 6 | Oil pipe | | 1 | |
| 6 | 000 997 117 1 | Screwed socket | | 1 | |
| 7 | 900 123 005 30 | seal ring | | 1 | |
| | | A 12 X 16 | | | |
| 8 | 928 574 573 03 | Disc valve | | 1 | |
| 9 | 900 146 011 01 | flat round head bolt | | 1 | |
| | | M 4 X 10 | | | |
| 10 | 997 106 533 00 | Bracket | | 1 | |
| 11 | 900 378 036 01 | Hexagon bolt | | 2 | |
| | | M 6 X 12 | | | |
| 12 | 928 574 717 05 | Molded hose | | 3 | |
| 12 | 928 574 717 07 | Molded hose | | 3 | |
| | | No longer use the part here | | | |
| 12 | 9P1 129 487 | Molded hose | | 3 | |
| 13 | 996 605 123 01 | Change-over valve | | 1 | |
| - | 999 181 742 40 | Pipe | | X | |
| | | 4,0 X 1,0 | | | |
| 14 | | | shorten to: 940 MM | 1 | |
| 15 | | | shorten to: 75 MM | 1 | |
| 16 | 996 307 711 12 | Water hose | | 1 | |
| | | Discontinued part | | | |
| 16 | 996 307 711 13 | Water hose | | 1 | |
| 17 | 999 512 656 09 | Hose clamp | | 2 | |
| | | 25 X 12 | | | |

Model: 997T07

Model life 2007>>2009



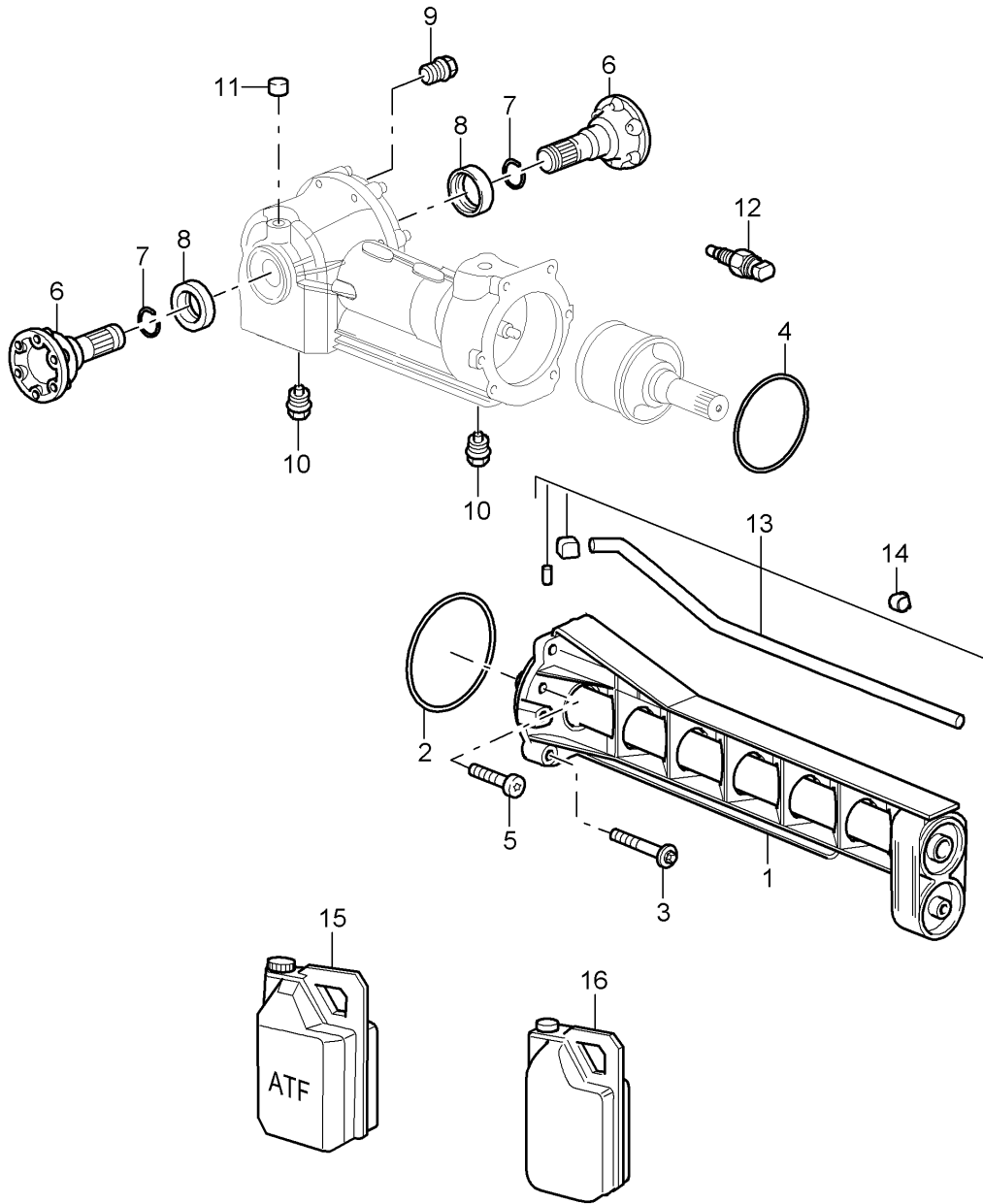
Model: 997T07

Model life 2007>>2009

| Pos | Part Number | Description | Remark | Qty | Model |
|------|----------------|--|--------|-----|-------|
| 1 | 997 349 020 50 | Front axle differential Cardan shaft Front axle differential Ready for installation | | 1 | |
| (1) | 997 349 020 51 | D >> - MJ 2008 Front axle differential Ready for installation | | 1 | |
| 2 | 999 072 034 09 | D - MJ 2009>> Conical screw M 10 X 28 | | 2 | |
| (2) | 999 072 034 01 | D >> - MJ 2008 Conical screw M 10 X 28 | | 2 | |
| 3 | 997 375 934 00 | D - MJ 2009>> transmission carrier | front | 1 | |
| 4 | 997 375 257 00 | Stop | | 2 | |
| 5 | 900 380 008 09 | Locknut M 10 | | 1 | |
| (5) | 900 380 008 01 | Discontinued part Hexagon nut M 10 | | 1 | |
| 6 | 997 375 343 00 | transmission carrier | rear | 1 | |
| 7 | 900 378 142 09 | Hexagon bolt M 10 X 90 | | 1 | |
| (7) | 900 378 142 01 | D >> - MJ 2008 Hexagon bolt M 10 X 90 | | 1 | |
| 8 | 996 421 020 50 | D - MJ 2009>> Cardan shaft Discontinued part | | 1 | |
| (8) | 997 421 020 00 | Cardan shaft Discontinued part | | 1 | |
| (8) | 997 421 020 01 | Cardan shaft | | 1 | |
| 9 | 996 421 145 01 | Gaiter | | 1 | |
| 10 | 996 375 054 02 | gearbox mounting Discontinued part | rear | 1 | |
| (10) | 996 375 054 03 | gearbox mounting | rear | 1 | |
| 11 | 900 385 123 01 | Bolt with washer M 10 X 25 | | 4 | |
| 12 | 999 076 053 09 | Hexagon nut M 10 | | 4 | |
| 13 | 900 385 097 01 | Torx screw M 10 X 35 | | 3 | |
| 14 | 999 061 111 99 | Threaded pin M 10 X 121 | | 2 | |

Model: 997T07

Model life 2007>>2009



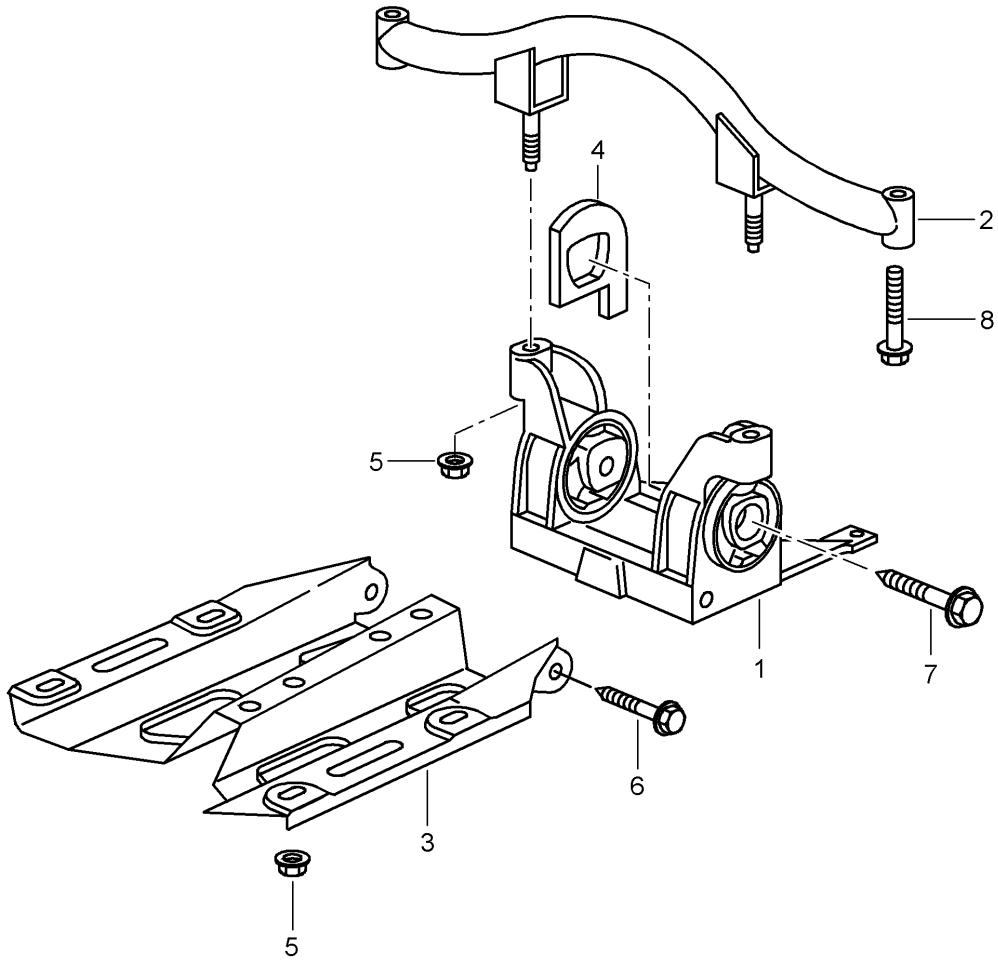
Model: 997T07

Model life 2007>>2009

| Pos | Part Number | Description | Remark | Qty | Model |
|-----|----------------|--|---------|-----|--------|
| - | | Front axle differential Coupling Individual parts | | | Z97.00 |
| 1 | 997 337 041 50 | Support | | 1 | |
| 2 | 999 707 455 40 | O-ring 123 X 3 | | 1 | |
| 3 | 900 385 141 01 | Torx screw M 8 X 40 | | 5 | |
| 5 | 997 337 825 00 | Socket head bolt M 8 X 25 | | 2 | |
| 6 | 997 332 309 00 | Drive flange | | 2 | |
| 7 | 996 332 311 00 | snap ring 20 X 2,5 | | 2 | |
| 8 | 999 113 454 40 | Shaft oil seal 40 X 60 X 9 | | 2 | |
| 9 | 900 124 013 01 | sealing plug M 18 X 1,5 | | 2 | |
| 10 | 900 124 014 01 | Oil filler screw sealing plug M 18 X 1,5 | | 2 | |
| 11 | 014 301 485 | drain plug Cap for venting the gearbox breather assy. 17 X 13,5 | | 1 | |
| 12 | 997 606 303 40 | Temperature sensor | | 1 | |
| | | No longer use the part here | | | |
| 12 | 997 606 303 00 | Temperature sensor | | 1 | |
| 13 | 997 337 071 00 | Vent hose | | 1 | |
| 14 | 999 507 339 01 | cable terminal | | 4 | |
| 15 | 000 043 303 00 | Transmission fluid for Coupling 1 LTR. Container | | 1 | |
| 16 | | Transmission fluid Front axle differential see illustration: | 302-000 | | |

Model: 997T07

Model life 2007>>2009



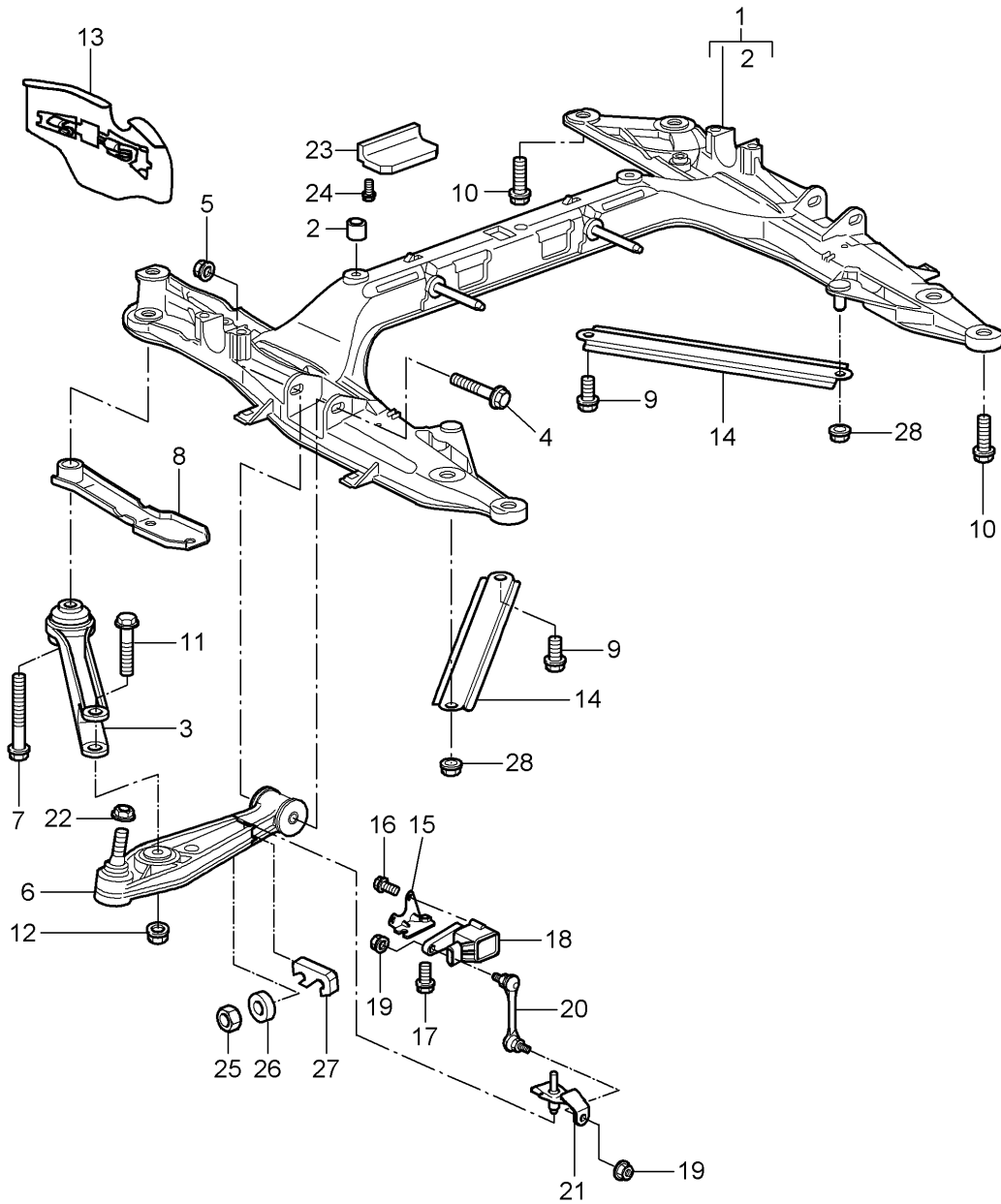
Model: 997T07

Model life 2007>>2009

| Pos | Part Number | Description | Remark | Qty | Model |
|-----|----------------|---|--------|-----|-------|
| | | Tiptronic Transmission suspension and Mount Intermediate flange | | | A9750 |
| 1 | 996 375 033 03 | transmission carrier | | 1 | |
| 2 | 996 375 317 06 | Carrier | upper | 1 | |
| 3 | 996 375 015 00 | Side member | | 1 | |
| 4 | 996 375 259 08 | Stop | | 2 | |
| 5 | 900 378 167 09 | Hexagon bolt M 10 X 110 | | 2 | |
| 5 | 999 061 106 09 | No longer use the part here Threaded pin M 10 X 83 | | 2 | |
| 5 | 999 076 053 09 | No longer use the part here Hexagon nut M 10 | | 6 | |
| 6 | 999 084 648 01 | Hexagon nut M 10 | | 2 | |
| 7 | 900 378 208 09 | Hexagon bolt | | 2 | |
| 8 | 999 072 008 09 | Hexagon bolt M 12 X 1,5 X 70 | | 3 | |
| 8 | 999 072 008 01 | Discontinued part Hexagon bolt M 12 X 1,5 X 70 | | 3 | |
| - | 999 073 182 02 | Oval-head screw M 8 X 35 | | 4 | |
| - | 999 073 373 01 | Discontinued part flat round head bolt M 8 X 35 | | 4 | |
| - | 900 378 108 09 | Hexagon bolt M 8 X 35 | | 4 | |
| 10 | 900 378 076 09 | Hexagon bolt M 10 X 50 | | 1 | |
| 11 | 900 377 011 09 | Hexagon nut M 10 | | 1 | |

Model: 997T07

Model life 2007>>2009



Model: 997T07 Model life 2007>>2009

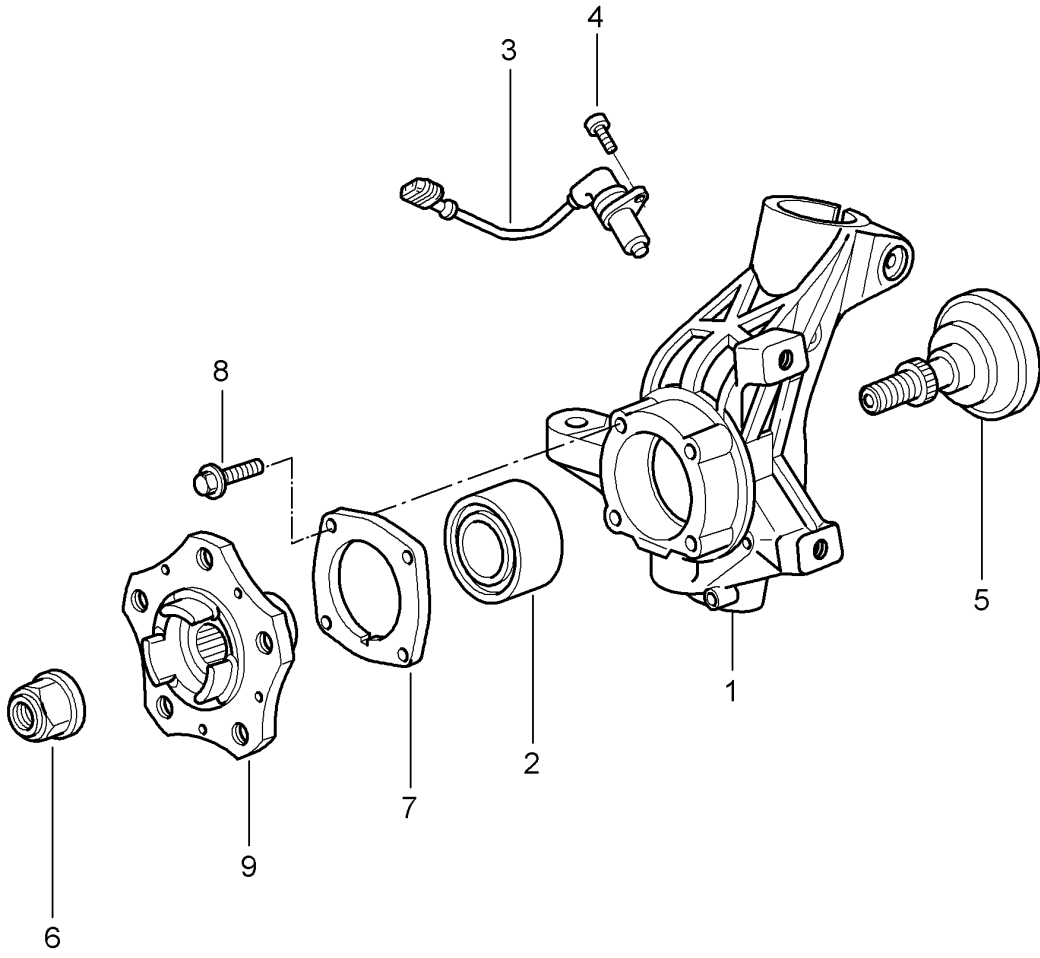
| Pos | Part Number | Description | Remark | Qty | Model |
|------|--------------------|-------------------------|---------|-----|--------|
| 1 | 997 341 081 11 | Cross member | | 1 | TURBO |
| (1) | 997 341 081 06 | Wishbone | | 1 | GT2 |
| 2 | 900 197 070 00 | Cross member | | 1 | |
| 3 | 997 341 043 00 | spring pin | | 2 | TURBO |
| (3) | 996 341 043 06 | 13 X 14 | | 2 | GT2 |
| 4 | 900 378 165 09 | Guide | | 2 | |
| 5 | 999 084 445 09 | Hexagon bolt | | 2 | |
| (5) | 999 084 445 01 | M 12 X 1,5 X 95 | | 2 | |
| 6 | 997 341 053 03 | Locknut | | 2 | TURBO |
| (6) | 997 341 041 94 | M 12 X 1,5 | | 1 | GT2 |
| (6) | 997 341 042 94 | D - MJ 2007>> - MJ 2007 | | 1 | GT2 |
| 7 | 999 072 050 09 | Locknut | | 2 | |
| (7) | 999 072 050 01 | M 12 x 1,5 | | 2 | |
| 8 | 997 341 145 05 | D - MJ 2008>> | | 2 | TURBO |
| 9 | 999 072 047 09 | Wishbone | left | 1 | GT2 |
| (9) | 999 072 047 01 | Wishbone | right | 1 | GT2 |
| 10 | 900 378 072 01 | Hexagon bolt | | 2 | |
| 10 | 900 378 192 09 | M 14 X 1,5 X 120 | | 2 | |
| 10 | 900 378 192 01 | D - MJ 2007>> - MJ 2007 | | 2 | |
| 11 | 900 378 279 01 | Hexagon bolt | front | 2 | TURBO |
| (11) | 900 378 135 01 | M 12 X 1,5 X 30 | rear | 2 | GT-2 |
| 12 | 900 380 012 09 | D - MJ 2008>> | | 2 | |
| 12 | 900 380 012 01 | Hexagon bolt | rear | 2 | |
| 13 | 997 341 483 01 | M 14 X 1,5 X 50 | | 2 | TURBO |
| (13) | 997 341 483 92 | D - MJ 2008>> | | 2 | GT-2 |
| (13) | 997 341 484 01 | Hexagon bolt | | 2 | |
| (13) | 997 341 484 92 | M 14 X 1,5 X 95 | | 2 | |
| 14 | 997 504 433 01 | Hexagon bolt | | 2 | TURBO |
| (14) | 997 504 433 00 | M 14 X 1,5 X 73 | | 2 | GT2 |
| 15 | 997 504 433 00 GRV | Hexagon nut | | 2 | |
| 16 | 900 146 003 02 | M 14 X 1,5 | | 1 | PR:601 |
| (16) | 900 146 003 03 | Discontinued part | | 1 | |
| | | Hexagon nut | | 1 | |
| | | M 14 X 1,5 | | 1 | |
| | | Spoiler | left | 1 | TURBO |
| | | Spoiler | left | 1 | GT2 |
| | | Spoiler | right | 1 | TURBO |
| | | Spoiler | right | 1 | GT2 |
| | | Brace | | 2 | TURBO |
| | | Brace | | 2 | GT2 |
| | | primed | | 1 | |
| | | Bracket | | 1 | PR:601 |
| | | see illustration: | 105-010 | 2 | |
| | | fillister hd. bolt | | 2 | TURBO |
| | | M 5 X 10 | | 2 | PR:601 |
| | | D - MJ 2007>> - MJ 2007 | | 2 | |
| | | fillister hd. bolt | | 2 | TURBO |
| | | M 5 x 10 | | 2 | PR:601 |

Model: 997T07 Model life 2007>>2009

| Pos | Part Number | Description | Remark | Qty | Model |
|------|----------------|--|--------|-----|-----------------|
| 17 | 900 378 036 09 | D - MJ 2008>> Hexagon bolt M 6 X 12 | | 1 | TURBO PR:601 |
| (17) | 900 378 036 01 | D - MJ 2007>> - MJ 2007 Hexagon bolt M 6 x 12 | | 1 | TURBO PR:601 |
| 18 | 997 631 121 00 | D - MJ 2008>> Level sensor | | 1 | TURBO PR:601 |
| 19 | 900 380 015 09 | Hexagon nut VM 6 | | 2 | TURBO PR:601 |
| (19) | 900 380 015 01 | D - MJ 2007>> - MJ 2007 Hexagon nut VM 6 | | 2 | TURBO PR:601 |
| 20 | 997 341 375 01 | D - MJ 2008>> Brace | | 1 | PR:601 |
| 21 | 996 341 371 03 | Bracket for cross member | | 1 | PR:601 |
| 22 | 999 084 449 09 | Locknut M 12 X 1,5 | | 2 | PR:601 |
| 23 | 997 341 431 02 | Stop | | 1 | TURBO |
| 24 | 999 072 047 09 | Hexagon bolt M 12 x 1,5 x 30 | | 4 | TURBO |
| (24) | 999 072 047 01 | D - MJ 2007>> - MJ 2007 Hexagon bolt M 12 x 1,5 x 30 | | 4 | TURBO |
| 25 | 900 076 064 02 | D - MJ 2008>> Hexagon nut M 8 | | 4 | GT2 |
| 26 | 999 025 269 02 | Washer Discontinued part | | 4 | GT2 |
| 26 | 999 025 269 01 | Washer | | 4 | GT2 |
| 27 | 996 341 543 90 | adjusting washer 1 MM | | X | GT2 |
| 27 | 996 341 543 93 | adjusting washer 7 MM | | X | GT2 |
| 28 | 999 084 445 01 | Locknut M 12 X 1,5 | | 2 | |

Model: 997T07

Model life 2007>>2009



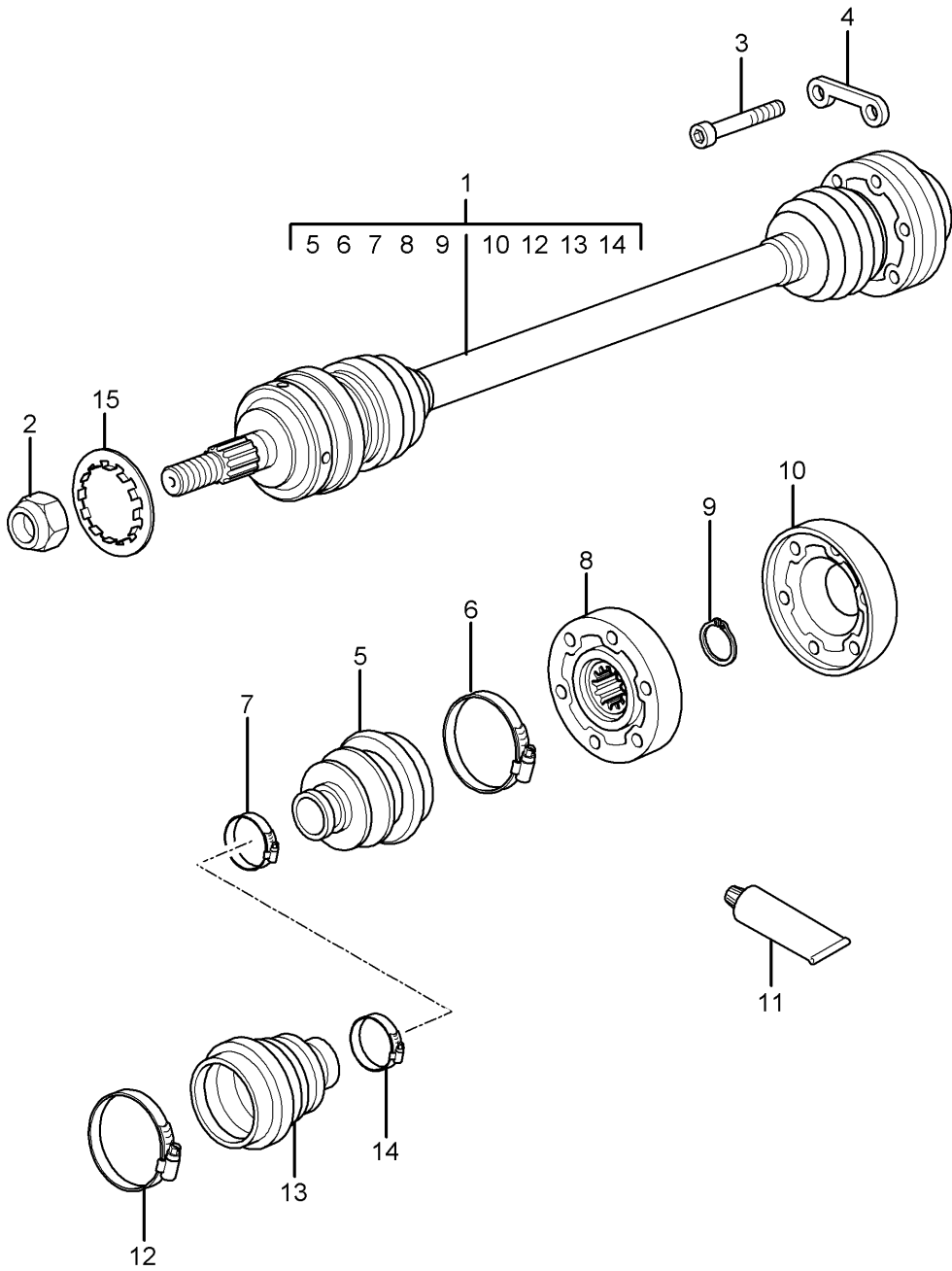
Model: 997T07

Model life 2007>>2009

| Pos | Part Number | Description | Remark | Qty | Model |
|-----|----------------|----------------------|--------|-----|--------|
| | | Wheel carrier | | | |
| | | Wheel hub | | | |
| 1 | 997 341 165 24 | Wheel carrier | left | 1 | TURBO |
| (1) | 997 341 157 95 | Wheel carrier | left | 1 | GT2 |
| (1) | 997 341 166 24 | Wheel carrier | right | 1 | TURBO |
| (1) | 997 341 158 95 | Wheel carrier | right | 1 | GT2 |
| 2 | 999 053 054 06 | angular ball bearing | | 2 | |
| 3 | 997 606 407 01 | speed sensor | | 2 | |
| - | 997 341 321 90 | Bracket | | 2 | |
| | | Cable | | | |
| | | speed sensor | | | |
| 4 | 900 067 117 09 | Socket head bolt | | 2 | TURBO |
| | | M 6 X 16 | | | |
| (4) | 900 067 117 04 | Socket head bolt | | 2 | GT2 |
| | | M 6 x 16 | | | |
| 5 | 997 341 131 00 | retaining bolt | | 2 | GT2 |
| 6 | 999 084 641 02 | Locknut | | 2 | TURBO |
| | | M 22 x 1,5 | | | |
| (6) | 999 084 634 02 | Locknut | | 2 | GT2 |
| | | M 22 x 1,5 | | | |
| 7 | 986 331 661 20 | Cover | | 2 | TURBO |
| (7) | 996 341 661 90 | Cover | | 2 | GT2 |
| | | Discontinued part | | | |
| (7) | 997 341 661 90 | Cover | | 2 | GT2 |
| 8 | 999 217 042 09 | Hexagon bolt | | 8 | TURBO |
| | | M 8 X 35 | | | |
| (8) | 999 217 042 03 | Hexagon bolt | | 8 | GT2 |
| | | M 8 X 35 | | | |
| | | Discontinued part | | | |
| (8) | 999 217 042 04 | Hexagon bolt | | 8 | GT2 |
| | | M 8 X 35 | | | |
| 9 | 997 341 605 01 | Wheel hub | | 2 | |
| | | Discontinued part | | | |
| 9 | 991 341 605 02 | Wheel hub | | 2 | |
| | | Discontinued part | | | |
| 9 | 991 341 605 03 | Wheel hub | | 2 | |
| (9) | 997 341 607 02 | Wheel hub | | 2 | TURBO |
| | | D - MJ 2009>> | | | PR:422 |

Model: 997T07

Model life 2007>>2009

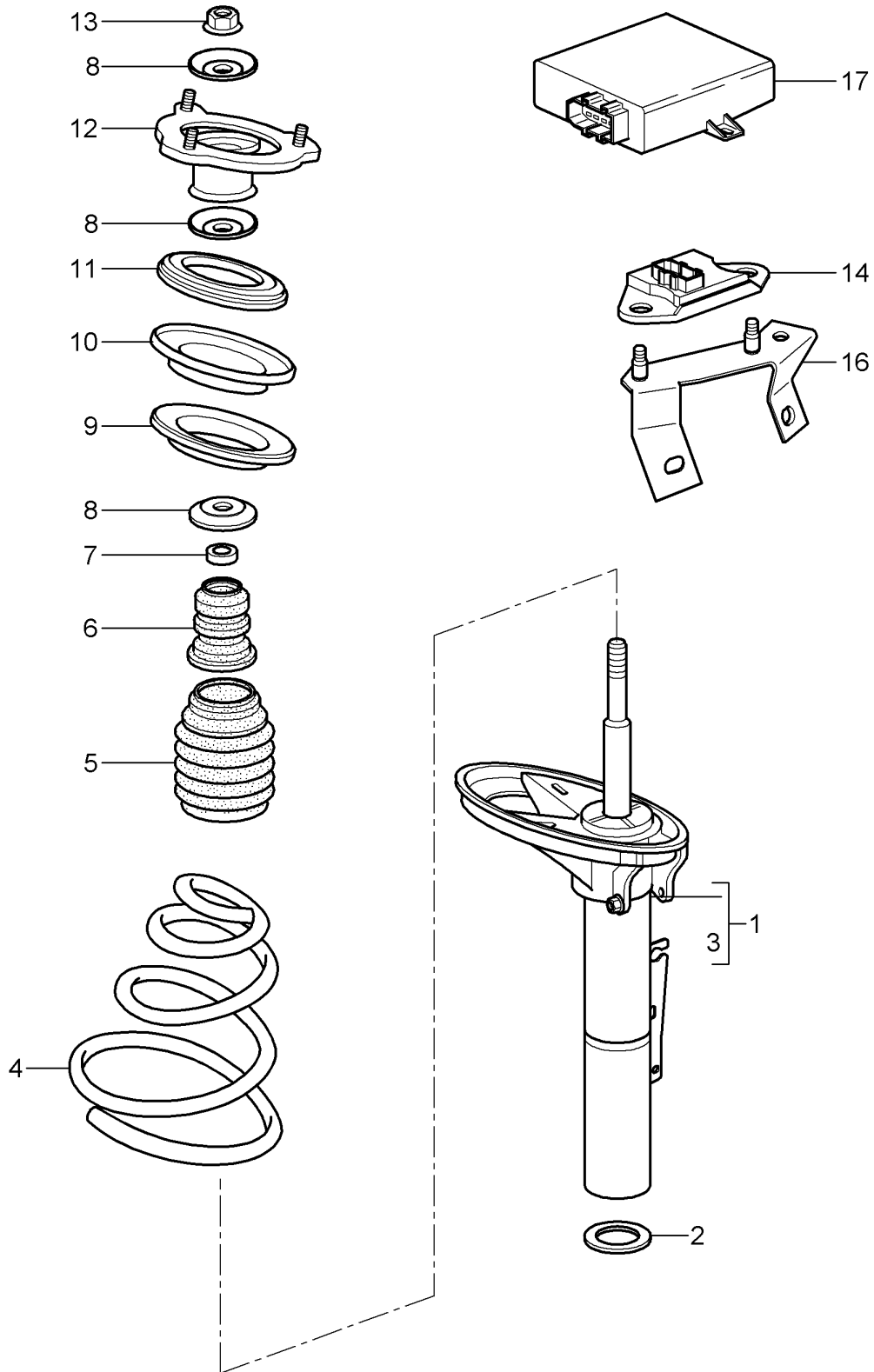


Model: 997T07 Model life 2007>>2009

| Pos | Part Number | Description | Remark | Qty | Model |
|------|----------------|---|--------|-----|-------|
| | | Drive shaft | | | TURBO |
| 1 | 997 349 038 01 | Drive shaft | | 2 | |
| (2) | 999 084 641 02 | Locknut M 22 X 1,5 | | 2 | |
| 3 | 900 067 073 09 | Socket head bolt M 8 X 45 | | 12 | |
| (3) | 900 067 073 02 | Discontinued part Socket head bolt M 8 x 45 | | 12 | |
| (4) | 996 349 191 01 | Spacer Discontinued part | | 6 | |
| (4) | 9P1 407 306 | Spacer | | 6 | |
| 5 | 996 349 293 00 | Dust bellows | | 2 | |
| - | 996 349 959 00 | Bellow support for Dust bellows | | 2 | |
| 6 | 997 349 957 00 | Clip | | 2 | |
| 7 | 996 349 257 03 | Clip | | 2 | |
| 8 | 996 349 030 00 | Joint | | 2 | |
| 9 | 900 041 011 01 | Securing ring | | 2 | |
| 10 | 996 349 267 00 | End cap Discontinued part | | 2 | |
| 10 | 996 349 267 01 | End cap | | 2 | |
| 11 | 000 043 110 01 | Grease 1 100-gramme tube | | X | |
| (11) | 000 043 205 36 | sealant Drive shaft 1 100-gramme tube | | X | |
| 12 | 996 349 257 00 | Clip | | 2 | |
| 13 | 996 349 291 00 | Dust bellows | | 2 | |
| 14 | 996 349 257 01 | Clip | | 2 | |
| 15 | 997 349 269 00 | protective ring | | 2 | |

Model: 997T07

Model life 2007>>2009



Model: 997T07

Model life 2007>>2009

| Pos | Part Number | Description | Remark | Qty | Model |
|------|--------------------|-------------------------|--------|-----|-------|
| | | suspension | | | TURBO |
| 1 | 997 343 047 11 | Shock absorber strut | | | |
| | | Shock absorbers | left | 1 | |
| (1) | 997 343 047 13 | Discontinued part | | | |
| | | Shock absorbers | left | 1 | |
| | | Discontinued part | | | |
| (1) | 997 343 047 16 | Shock absorbers | left | 1 | |
| (1) | 997 343 048 11 | Shock absorbers | right | 1 | |
| | | Discontinued part | | | |
| (1) | 997 343 048 13 | Shock absorbers | right | 1 | |
| | | Discontinued part | | | |
| (1) | 997 343 048 16 | Shock absorbers | right | 1 | |
| - | | Mount | | | |
| | | Shock absorbers | | | |
| - | 900 378 138 09 | Hexagon bolt | | 2 | |
| | | M 12 X 1,5 X 70 | | | |
| | | Discontinued part | | | |
| - | 900 378 138 01 | Hexagon bolt | | 2 | |
| | | M 12 X 1,5 X 70 | | | |
| - | 999 084 445 09 | Locknut | | 2 | |
| | | M 12 X 1,5 | | | |
| 4 | 997 343 533 29 | Coil spring | | 1 | |
| | | 1 set | | | |
| | 997 343 533 29 504 | 1 pair of springs | | | |
| | | white | | | |
| | | green | | | |
| 5 | 996 343 509 01 | Bellows | | 2 | |
| 6 | 996 343 301 02 | helper spring | | 2 | |
| 7 | 996 343 513 00 | Washer | | 2 | |
| 8 | 997 343 107 00 | Stop plate | upper | 2 | |
| (8) | 997 343 107 01 | Stop plate | lower | 4 | |
| 9 | 996 343 525 00 | Balancing plate | | X | |
| | | 3,0 MM | | | |
| (9) | 996 343 525 01 | Balancing plate | | X | |
| | | 6,5 MM | | | |
| 10 | 996 343 523 00 | Thrust ring | | 2 | |
| 11 | 996 343 501 00 | angular ball bearing | | 2 | |
| 12 | 997 343 015 01 | Shock absorber bearing | left | 1 | |
| | | D - MJ 2007>> - MJ 2007 | | | |
| | | Discontinued part | | | |
| (12) | 997 343 015 02 | Shock absorber bearing | left | 1 | |
| | | D - MJ 2008>> | | | |
| (12) | 997 343 016 01 | Shock absorber bearing | right | 1 | |
| | | D - MJ 2007>> - MJ 2007 | | | |
| | | Discontinued part | | | |
| (12) | 997 343 016 02 | Shock absorber bearing | right | 1 | |
| | | D - MJ 2008>> | | | |
| - | 999 084 447 09 | Hexagon nut | | 12 | |
| | | M 8 | | | |
| | | Discontinued part | | | |
| - | 999 084 447 01 | Hexagon nut | | 12 | |
| | | M 8 | | | |
| - | PAF 003 923 | Hexagon nut | | 12 | |
| | | M 8 | | | |
| 13 | 900 380 012 09 | Hexagon nut | | 2 | |
| | | M 14 X 1,5 | | | |
| | | Discontinued part | | | |
| 13 | 900 380 012 01 | Hexagon nut | | 2 | |
| | | M 14 X 1,5 | | | |
| 14 | 997 606 111 01 | Acceleration sensor for | | 1 | |
| | | bodywork | | | |
| (14) | 997 606 212 00 | Bracket | | 1 | |
| | | Accelerator sensor | | | |

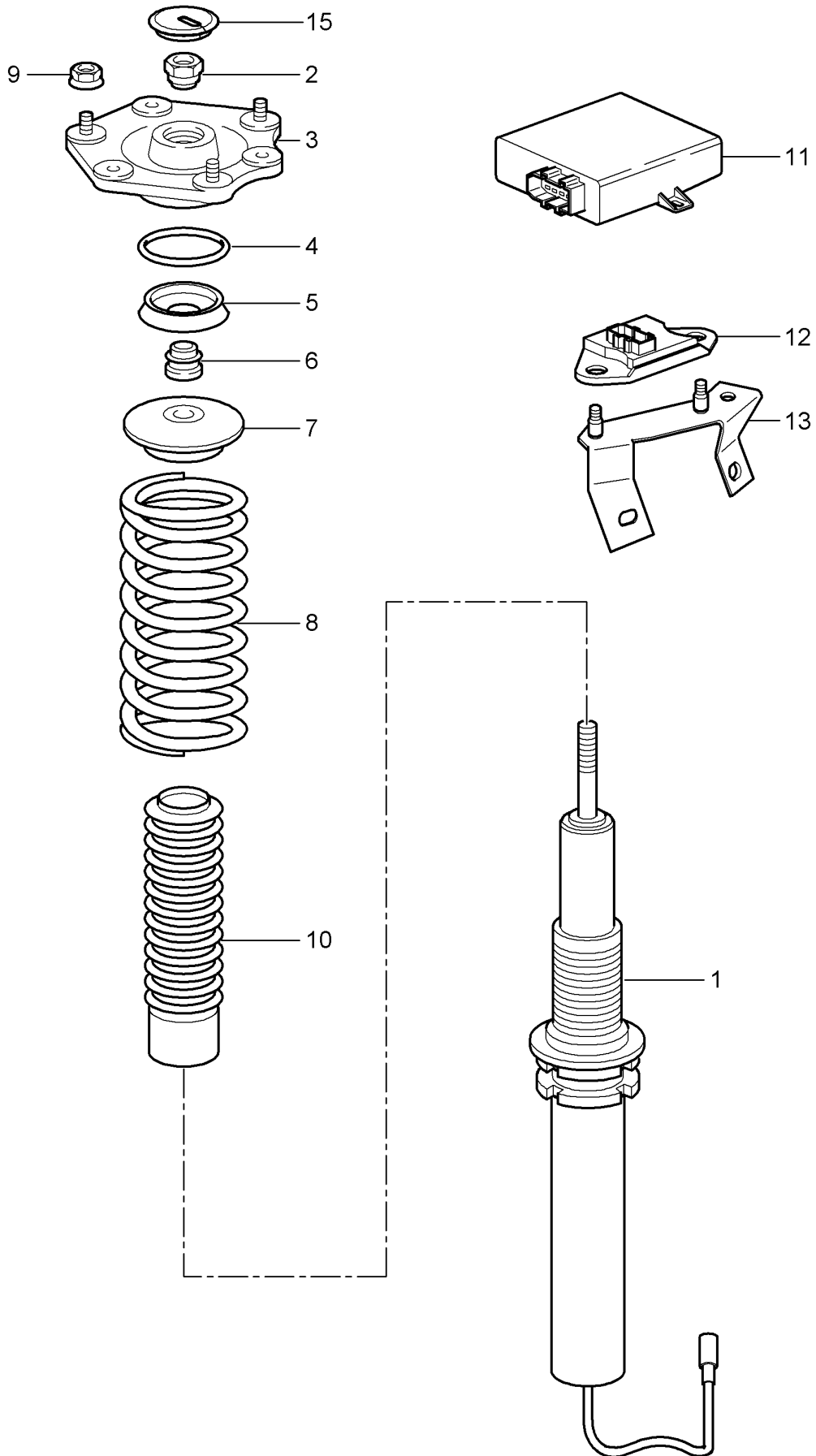
Model: 997T07

Model life 2007>>2009

| Pos | Part Number | Description | Remark | Qty | Model |
|------|----------------|---|--------|-----|-------|
| (14) | 997 606 212 01 | D - MJ 2007>> - MJ 2007 Discontinued part Bracket Accelerator sensor | | 1 | |
| 15 | 999 703 457 40 | D - MJ 2008>> End cap | | 2 | |
| 16 | 997 606 212 00 | Bracket Accelerator sensor | | 1 | |
| (16) | 997 606 212 01 | D - MJ 2007>> - MJ 2007 Discontinued part Bracket Accelerator sensor | | 1 | |
| 17 | 997 618 125 03 | D - MJ 2008>> Control unit | | 1 | |
| (17) | 997 618 125 04 | D >> - MJ 2007 Discontinued part Control unit D - MJ 2008>> | | 1 | |

Model: 997T07

Model life 2007>>2009

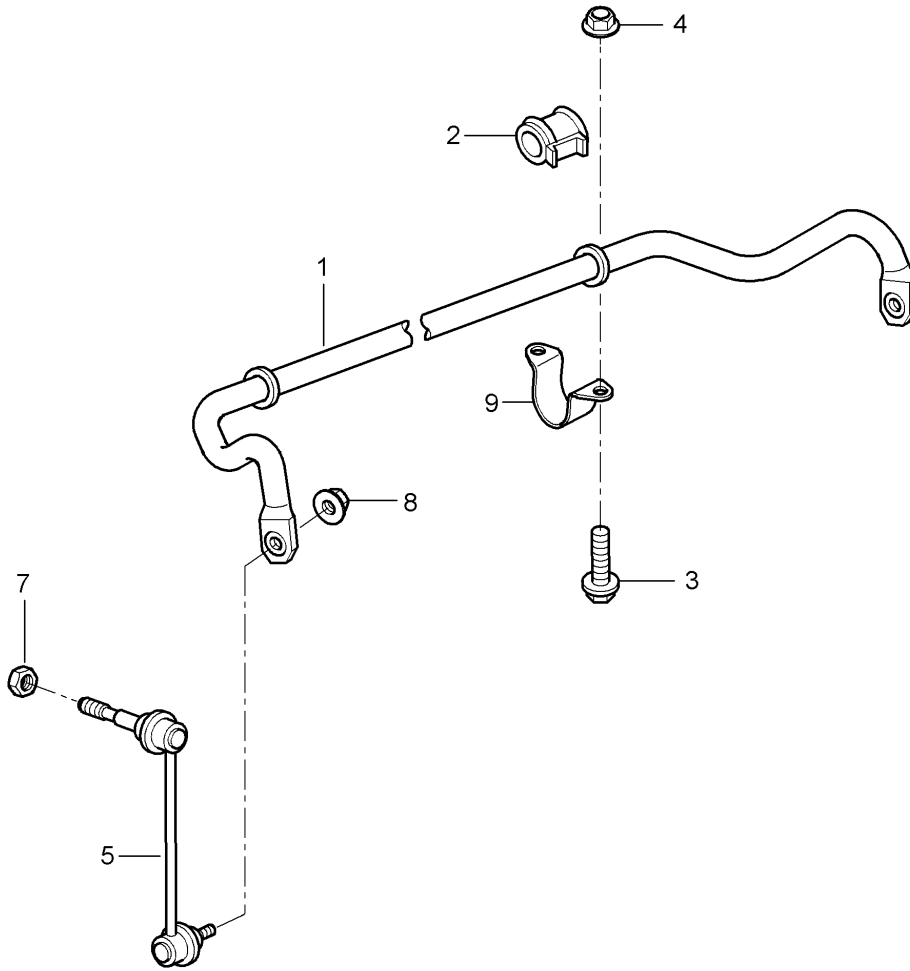


Model: 997T07 Model life 2007>>2009

| Pos | Part Number | Description | Remark | Qty | Model |
|------|--------------------|--|--------|-----|-------|
| | | suspension | | | GT2 |
| 1 | 997 343 041 94 | Shock absorber strut vibration damper | | 2 | |
| - | | Mount | | | |
| - | 900 378 138 09 | Shock absorbers | | 2 | |
| | | Hexagon bolt m 12 x 1,5 x 70 | | | |
| - | 900 378 138 01 | Discontinued part | | 2 | |
| | | Hexagon bolt m 12 x 1,5 x 70 | | | |
| 2 | 997 343 561 90 | Nut | | 2 | |
| 3 | 997 343 011 94 | Shock absorber bearing | | 2 | |
| - | 999 084 447 09 | Hexagon nut | | 6 | |
| | | M 8 | | | |
| - | 999 084 447 01 | Hexagon nut | | 6 | |
| | | M 8 | | | |
| - | PAF 003 923 | Hexagon nut | | 6 | |
| | | M 8 | | | |
| 4 | 964 343 188 80 | retaining spring | | 2 | |
| 5 | 964 343 186 80 | sealing cap | | 2 | |
| 6 | 997 343 563 90 | Washer | | 2 | |
| 7 | 997 343 511 90 | spring bush | | 1 | |
| 8 | 997 343 531 93 | Coil spring | | 1 | |
| | 997 343 531 93 504 | 1 pair of springs | | | |
| 9 | 999 084 447 09 | Hexagon nut | | 6 | |
| | | M 8 | | | |
| (9) | 999 084 447 01 | Hexagon nut | | 6 | |
| | | M 8 | | | |
| (9) | PAF 003 923 | Hexagon nut | | 6 | |
| | | M 8 | | | |
| 10 | 996 343 567 90 | Bellows | | 2 | |
| | | for | | | |
| | | spring bush | | | |
| 11 | 997 618 105 92 | Control unit | | 1 | |
| | | Shock absorbers | | | |
| | | D >> - MJ 2007 | | | |
| | | Discontinued part | | | |
| (11) | 997 618 105 94 | Control unit | | 1 | |
| | | Shock absorbers | | | |
| | | D >> - MJ 2007 | | | |
| | | Discontinued part | | | |
| (11) | 997 618 105 B0 | Control unit | | 1 | |
| | | Shock absorbers | | | |
| | | D >> - MJ 2007 | | | |
| (11) | 997 618 105 94 | Control unit | | 1 | |
| | | Shock absorbers | | | |
| | | D - MJ 2008>> | | | |
| | | Discontinued part | | | |
| (11) | 997 618 105 B0 | Control unit | | 1 | |
| | | Shock absorbers | | | |
| | | D - MJ 2008>> | | | |
| 12 | 997 606 111 01 | Acceleration sensor for | | 1 | |
| | | bodywork | | | |
| 13 | 997 606 212 01 | Bracket | | 1 | |
| | | Accelerator sensor | | | |
| 15 | 999 703 457 40 | End cap | | 2 | |

Model: 997T07

Model life 2007>>2009



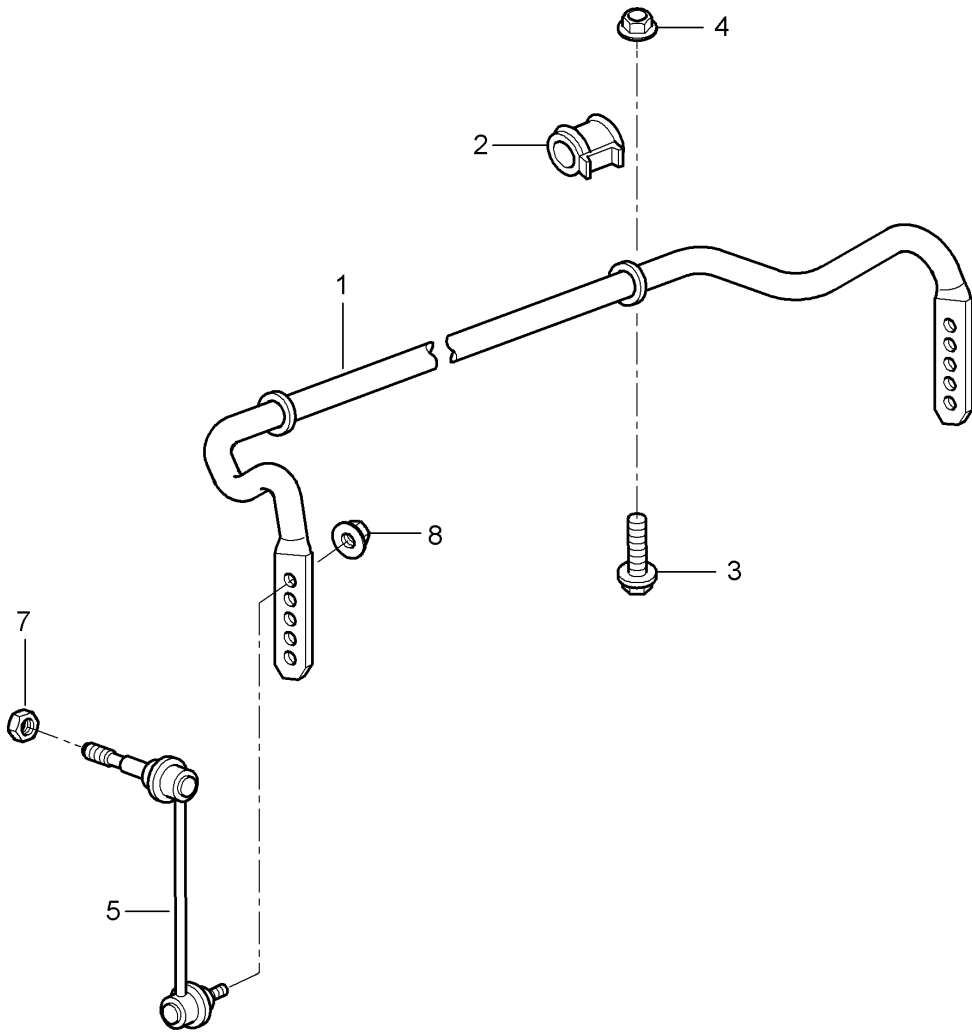
Model: 997T07

Model life 2007>>2009

| Pos | Part Number | Description | Remark | Qty | Model |
|-----|----------------|--|--------|-----|-----------------|
| 1 | 997 343 703 08 | Anti-roll bar | | 1 | TURBO COUPE |
| (1) | 997 343 703 09 | Anti-roll bar D - MJ 2007>> - MJ 2007 | | 1 | COUPE CABRIO |
| 2 | 996 343 792 11 | anti-roll bar bearing bracket D - MJ 2008>> | | 2 | COUPE |
| (2) | 996 343 792 12 | anti-roll bar bearing bracket D - MJ 2007>> - MJ 2007 | | 2 | COUPE CABRIO |
| 3 | 900 378 098 09 | Hexagon bolt D - MJ 2008>> | | 2 | |
| 4 | 900 380 008 09 | Locknut m 10 x 60 | | 4 | |
| 4 | 900 380 008 01 | Discontinued part Hexagon nut M 10 | | 4 | |
| 5 | 997 343 073 02 | Coupling rod | left | 1 | |
| (5) | 997 343 074 02 | Coupling rod | right | 1 | |
| 7 | 999 084 643 09 | Hexagon nut M 10 | | 4 | |
| 8 | 999 084 643 09 | Hexagon nut M 10 | | 4 | |
| 9 | 997 343 777 01 | Clamp | | 2 | |

Model: 997T07

Model life 2007>>2009



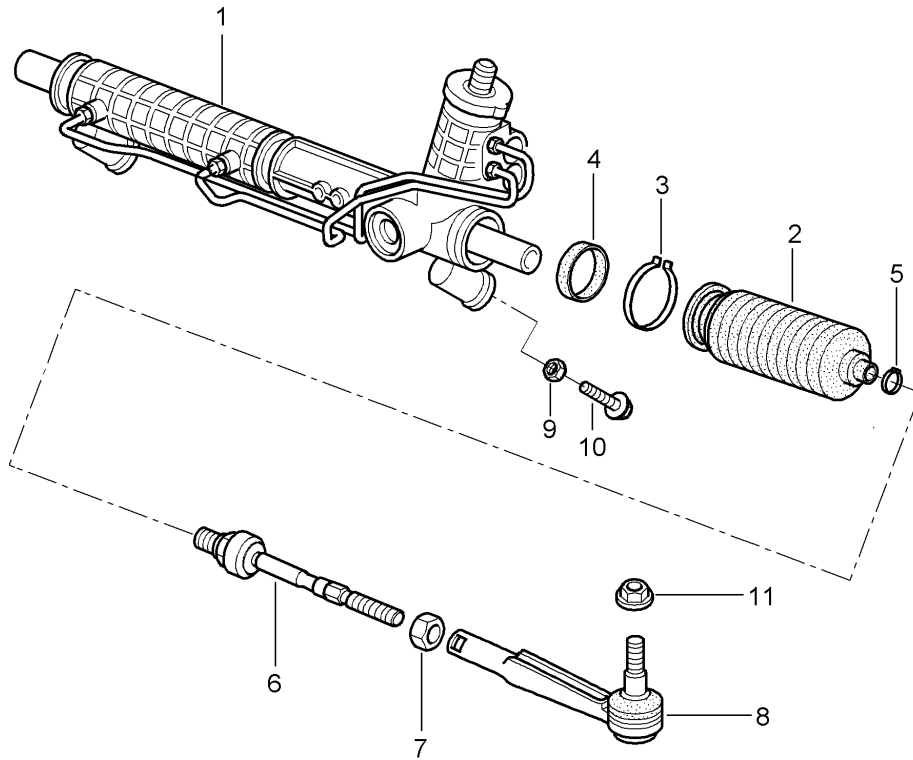
Model: 997T07

Model life 2007>>2009

| Pos | Part Number | Description | Remark | Qty | Model |
|-----|----------------|--------------------------------------|--------|-----|-------|
| | | Anti-roll bar | | | GT2 |
| 1 | 997 343 701 92 | Anti-roll bar | | 1 | |
| 2 | 997 343 792 00 | anti-roll bar bearing bracket | | 2 | |
| 3 | 900 378 098 09 | Hexagon bolt m 10 x 60 | | 4 | |
| 4 | 900 380 008 09 | Locknut M 10 Discontinued part | | 4 | |
| 4 | 900 380 008 01 | Hexagon nut M 10 | | 4 | |
| 5 | 997 343 069 01 | Coupling rod | left | 1 | |
| (5) | 997 343 070 01 | Coupling rod | right | 1 | |
| 7 | 999 084 445 01 | Locknut M 12 X 1,5 | | 2 | |
| 8 | 999 084 123 09 | Hexagon nut M 10 | | 2 | |

Model: 997T07

Model life 2007>>2009



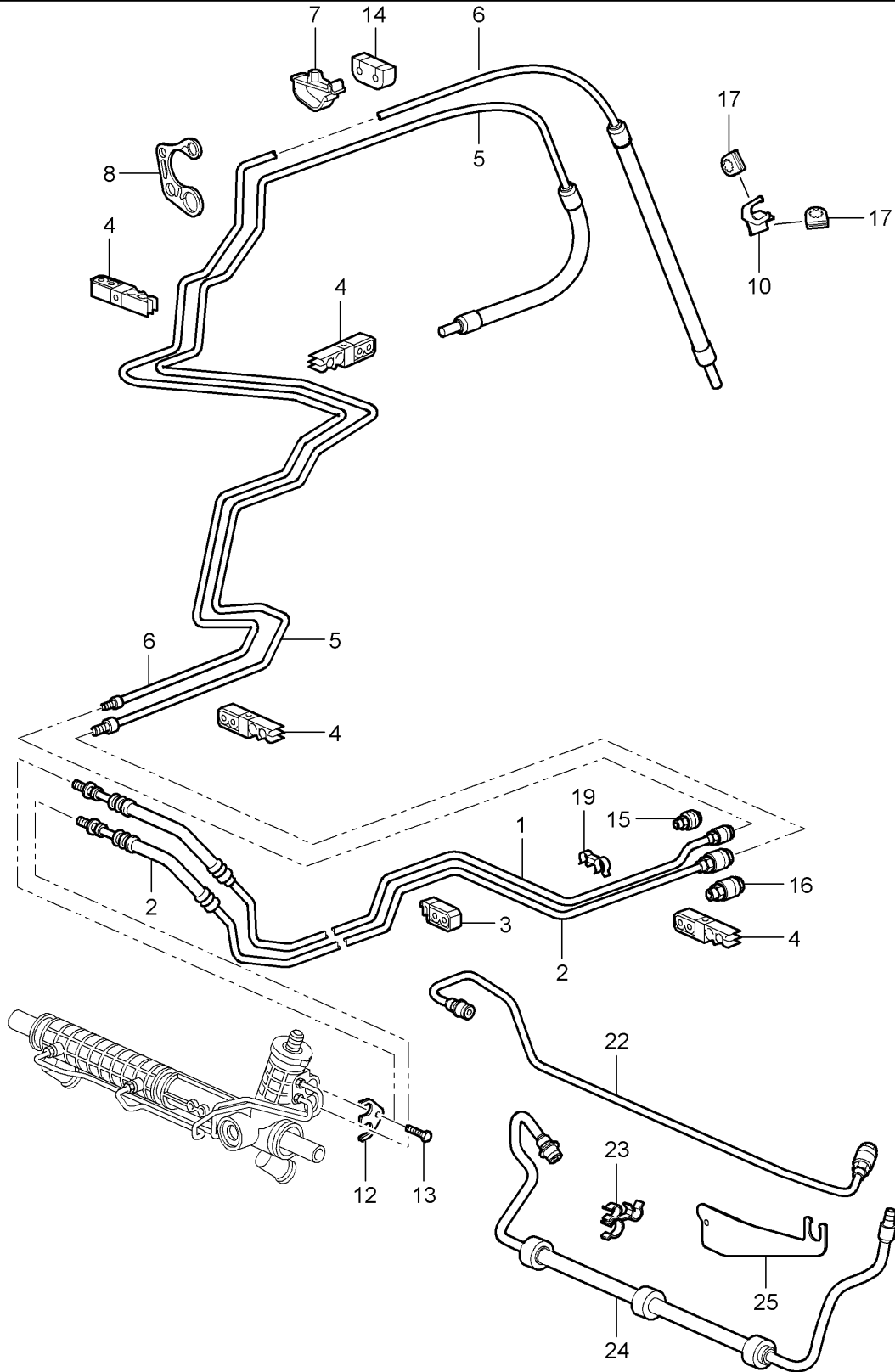
Model: 997T07

Model life 2007>>2009

| Pos | Part Number | Description | Remark | Qty | Model |
|-----|----------------|--|-----------|-----|--------|
| (1) | 997 347 011 05 | Power steering Steering gear Steering parts Steering gear Power steering D >> - MJ 2007 | lhd | 1 | PR:098 |
| (1) | 997 347 011 06 | Steering gear Power steering D - MJ 2008>> | lhd | 1 | PR:098 |
| (1) | 997 347 012 04 | Steering gear Power steering D >> - MJ 2007 | rhd | 1 | PR:099 |
| (1) | 997 347 012 05 | Steering gear Power steering D - MJ 2008>> | rhd | 1 | PR:099 |
| 2 | 997 347 191 00 | Bellows | lhd | 2 | PR:098 |
| 3 | 996 347 293 05 | clamping ring | lhd | 2 | PR:098 |
| 4 | 997 347 373 00 | seal ring | lhd | 2 | PR:098 |
| 5 | 999 512 645 09 | Hose clamp | | 2 | |
| 6 | 997 347 322 00 | Joint D >> - MJ 2007 | | 2 | |
| (6) | 997 347 322 01 | Joint D - MJ 2008>> | | 2 | |
| 7 | 999 034 037 09 | Hexagon nut M 14 X 1,5 | | 2 | |
| 8 | 996 347 131 04 | Track rod | | 2 | |
| 9 | | see illustration, item: | 401-000,2 | | |
| 10 | 900 378 100 01 | Hexagon bolt AM 10 X 45 | | 2 | |
| 11 | 999 084 449 09 | Locknut M 12 X 1,5 | | 2 | |

Model: 997T07

Model life 2007>>2009



Model: 997T07

Model life 2007>>2009

| Pos | Part Number | Description | Remark | Qty | Model |
|------|----------------|--|--------|-----|--------|
| 1 | 997 347 451 03 | Power steering Lines Pressure line | | 1 | PR:098 |
| (1) | 997 347 451 04 | D - MJ 2007>> - MJ 2007 Pressure line | | 1 | PR:098 |
| (1) | 997 347 451 05 | D - MJ 2008>> Discontinued part Pressure line | | 1 | PR:098 |
| (1) | 997 347 452 02 | D - MJ 2008>> Pressure line | | 1 | PR:099 |
| - | 999 230 543 40 | repair set O-ring | | 1 | |
| 2 | 987 347 449 05 | return line Discontinued part | | 1 | PR:098 |
| (2) | 987 347 449 07 | return line | | 1 | PR:098 |
| (2) | 987 347 650 03 | return line | | 1 | PR:099 |
| - | 999 230 542 40 | O-ring | | 1 | |
| 3 | 996 347 543 00 | Cable holder | | 4 | |
| 4 | 996 355 543 00 | Bracket | | 3 | |
| (4) | 999 507 091 40 | Cable holder Simple | | 3 | |
| 5 | 997 347 439 51 | return line | center | 1 | |
| 6 | 997 347 445 51 | Pressure line See technical manual Group 4 NR.4898 | | 1 | |
| (6) | 997 347 445 52 | Discontinued part Pressure line See technical manual Group 4 NR.4898 | | 1 | |
| 7 | 996 347 549 01 | bracket for pressure line | | 2 | |
| 8 | 997 347 544 00 | Line holder | | 1 | |
| - | 999 230 683 40 | securing clip for Threaded joint | | 1 | |
| - | 999 230 584 40 | Pressure line Securing ring for Threaded joint return line See technical manual Group 4 Nr.4898 | lhd | 1 | PR:098 |
| - | 999 230 584 40 | Securing ring for Threaded joint return line See technical manual Group 4 Nr.4898 | rhd | 2 | PR:099 |
| 10 | 997 347 749 00 | Line holder | | 1 | |
| 12 | 996 347 769 01 | Tension shackle | | 1 | |
| 13 | 900 067 063 02 | Socket head bolt M 10 X 20 | | 1 | |
| 14 | 996 347 551 01 | Retaining plate | | 1 | |
| 15 | 999 230 539 10 | Threaded joint | | X | |
| 16 | 999 230 540 10 | Threaded joint | | X | |
| 17 | 999 702 210 40 | Rubber grommet | | 2 | |
| 19 | 999 507 575 40 | Bracket | | 1 | |
| 22 | 997 347 564 03 | Pressure line Discontinued part | | 1 | PR:099 |
| (22) | 997 347 564 04 | Pressure line | | 1 | PR:099 |

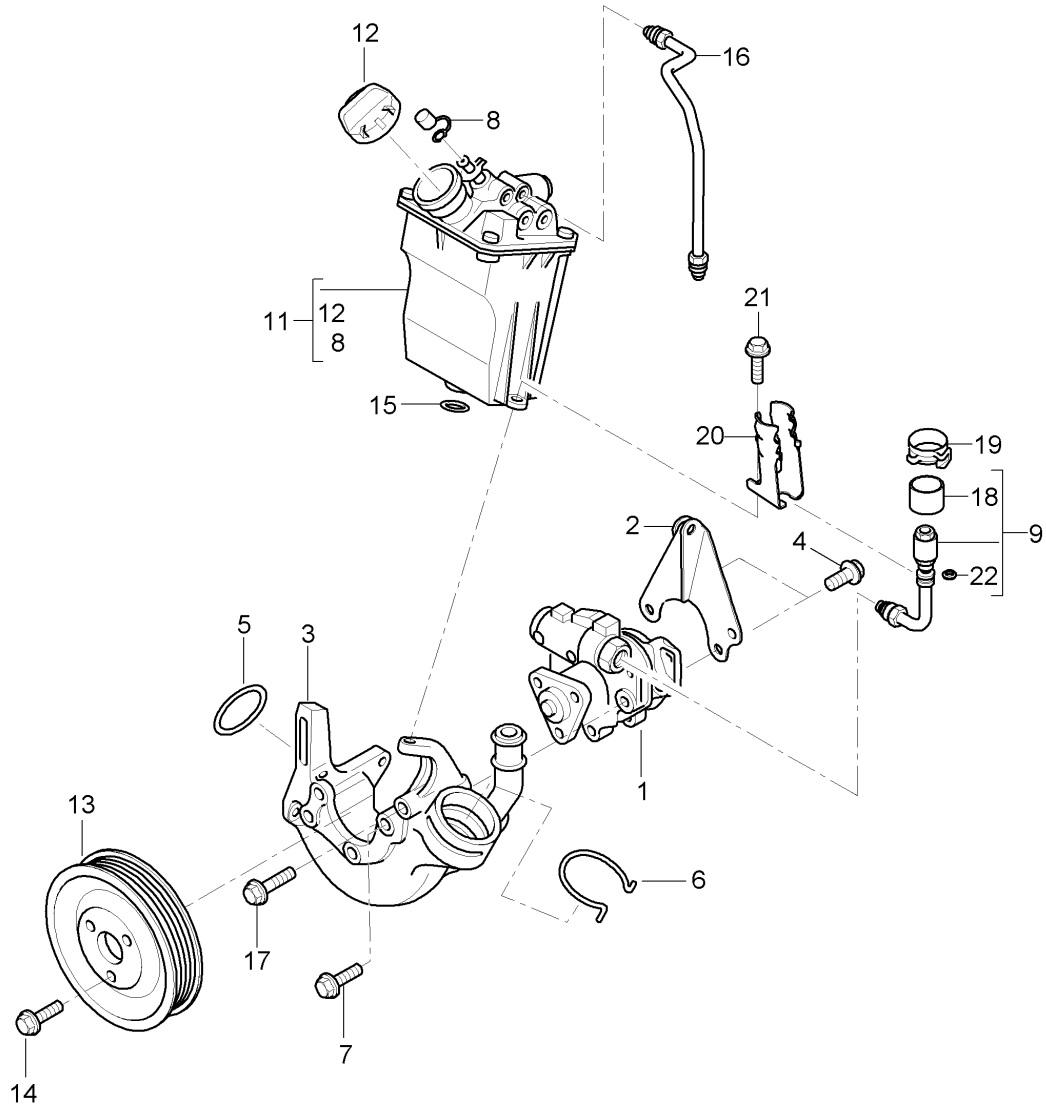
Model: 997T07

Model life 2007>>2009

| Pos | Part Number | Description | Remark | Qty | Model |
|------|----------------|---|--------|-----|--------|
| 23 | 999 507 963 40 | Line holder | | 1 | PR:099 |
| 24 | 997 347 462 02 | return line | | 1 | PR:099 |
| (24) | 997 347 462 03 | D - MJ 2007>> - MJ 2007 return line | | 1 | PR:099 |
| (24) | 997 347 462 04 | D - MJ 2008>> Discontinued part return line | | 1 | PR:099 |
| 25 | 997 347 560 00 | D - MJ 2008>> Line holder | | 1 | PR:099 |

Model: 997T07

Model life 2007>>2009



Model: 997T07 Model life 2007>>2009

| Pos | Part Number | Description | Remark | Qty | Model |
|------|----------------|---|--------|-----|-----------------|
| 1 | 996 314 050 51 | Power steering Power-steering pump container Power-steering pump | | 1 | TURBO PR:249 |
| (1) | 997 314 040 00 | Power-steering pump | | 1 | TURBO PR:480 |
| (1) | 996 314 050 51 | Power-steering pump | | 1 | GT2 |
| 2 | 996 314 431 53 | Support | | 1 | TURBO PR:249 |
| (2) | 996 314 431 32 | Support | | 1 | TURBO PR:480 |
| (2) | 996 314 431 53 | Support | | 1 | GT2 |
| 3 | 997 115 091 71 | Carrier | | 1 | TURBO |
| (3) | 997 115 091 72 | Discontinued part Carrier | | 1 | GT2 |
| 4 | 900 385 044 01 | Torx screw M 8 X 16 | | 2 | TURBO |
| (4) | 999 073 104 01 | Torx screw m 8 X 16 | | 2 | GT2 |
| 5 | 999 707 298 40 | O-ring | | 1 | |
| 6 | 996 106 802 10 | retaining spring | | 1 | |
| 7 | 900 385 098 01 | Torx screw M 8 X 25 | | 3 | |
| 8 | 997 314 332 00 | Rubber flap | | 1 | |
| 9 | 997 347 643 52 | Pressure line See technical manual Group 4 NR.4898 | | 1 | |
| - | 999 707 355 40 | seal ring 7,65 x 1,65 | | 1 | |
| 11 | 997 314 920 50 | container | | 1 | TURBO PR:249 |
| (11) | 997 314 920 30 | container | | 1 | TURBO PR:480 |
| (11) | 997 314 920 31 | Discontinued part container | | 1 | TURBO PR:480 |
| (11) | 997 314 920 50 | container | | 1 | GT2 |
| - | 996 314 331 00 | Drip pan for Pentosin | | 1 | |
| - | 993 314 803 00 | Notice green for container | | 1 | |
| 12 | 997 314 223 50 | Cover | | 1 | |
| - | 999 707 364 41 | seal ring 30 X 2,5 | | 1 | |
| 13 | 996 147 223 71 | pulley | | 1 | |
| 14 | 900 385 099 04 | Torx screw BM 8 x 12 | | 3 | |
| 14 | 900 385 099 01 | Discontinued part Torx screw BM 8 x 12 | | 3 | |
| 15 | 999 707 204 40 | seal ring 12.5 X 2N | | 1 | |
| 16 | 997 314 269 00 | Pressure line | | 1 | TURBO PR:480 |
| (16) | 997 314 269 01 | D >> - MJ 2007 Pressure line D - MJ 2008>> | | 1 | TURBO PR:480 |

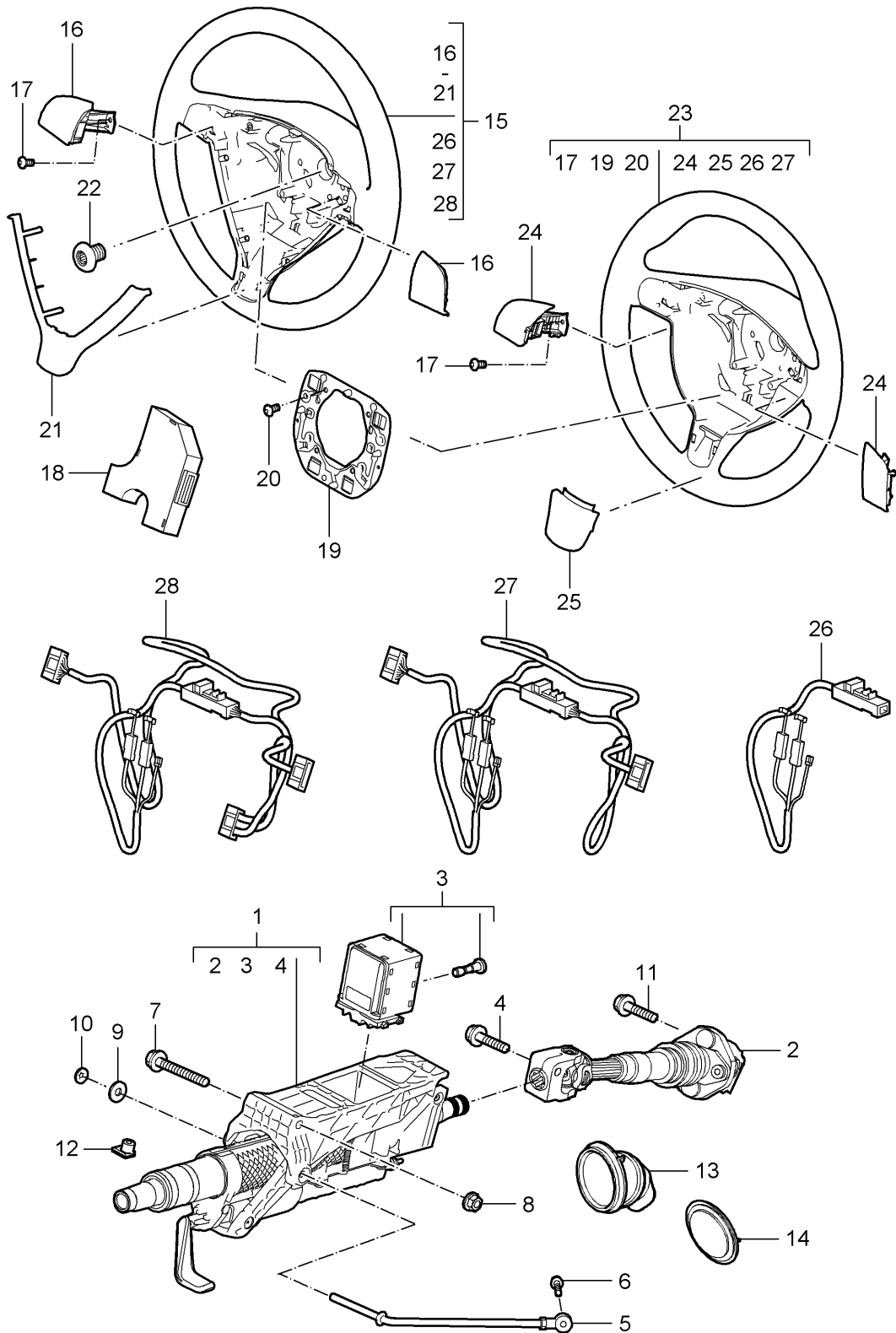
Model: 997T07

Model life 2007>>2009

| Pos | Part Number | Description | Remark | Qty | Model |
|------|----------------|---|--------|-----|-----------------|
| (16) | 997 314 269 02 | Discontinued part Pressure line | | 1 | TURBO PR:480 |
| 17 | 900 385 108 01 | D - MJ 2008>> Torx screw Bm 6 x 80 | | 1 | PR:249 |
| 18 | 997 347 748 52 | rubber ring See technical manual Group 4 Nr.4898 | | 1 | |
| 19 | 999 512 740 01 | Clamp See technical manual Group 4 Nr.4898 | | 1 | |
| 20 | 997 347 747 51 | bracket for pressure line See technical manual Group 4 Nr.4898 | | 1 | |
| 21 | 999 073 104 01 | Torx screw M 8 X 16 See technical manual Group 4 Nr.4898 | | 1 | |
| - | 000 043 203 33 | Pentosin 1000 ML | | X | |
| 22 | 999 702 020 50 | Rubber grommet 8,0X12,0X2,5 | | 1 | |

Model: 997T07

Model life 2007>>2009



Model: 997T07

Model life 2007>>2009

| Pos | Part Number | Description | Remark | Qty | Model |
|------|--------------------|---|--------|-----|-------------|
| 1 | 997 347 007 09 | Steering protective pipe Intermediate steering shaft Steering wheels Complete steering column with: | | 1 | |
| (2) | 997 347 023 04 | Intermediate steering shaft | | 1 | |
| 3 | 997 618 158 03 | Control unit Steering column with: | | 1 | |
| (3) | 997 618 158 04 | Screw Discontinued part Control unit Steering column with: | | 1 | |
| 4 | 999 217 042 09 | Screw Hexagon bolt M 8 X 35 | | 1 | |
| 5 | 997 347 243 00 | Support | | 1 | |
| 6 | 900 378 173 09 | Hexagon bolt AM 6 X 20 Discontinued part | | 1 | |
| (6) | 900 378 173 01 | Hexagon bolt M 6 x 20 | | 1 | |
| 7 | 900 378 095 09 | Hexagon bolt M 10 X 100 Discontinued part | | 1 | |
| (7) | 900 378 095 01 | Hexagon bolt M 10 x 100 | | 1 | |
| 8 | 900 380 008 09 | Locknut M 10 Discontinued part | | 1 | |
| 8 | 900 380 008 01 | Hexagon nut M 10 | | 1 | |
| 9 | 900 151 006 03 | Washer | | 1 | |
| 10 | 999 507 217 07 | Clamping washer | | 1 | |
| 11 | 999 217 042 09 | Hexagon bolt M 8 X 35 | | 1 | |
| 12 | 999 920 019 40 | Plug-in nut | | 1 | |
| 13 | 986 347 037 01 | Bellows | | 1 | |
| 14 | 996 347 339 02 | Rubber seal | | 1 | |
| 15 | 997 347 804 01 | steering wheel Plain leather D >> - MJ 2008 | | 1 | PR: 459,480 |
| | 997 347 804 01 FOK | black/grey | | | |
| | 997 347 804 01 FOL | Stone grey/stone grey | | | |
| | 997 347 804 01 FOM | Sand beige/sand beige | | | |
| | 997 347 804 01 FON | Palmgreen/palmgreen | | | |
| | 997 347 804 01 FOO | Sea blue/grey | | | |
| | 997 347 804 01 FOP | Terracotta/terracotta | | | |
| | 997 347 804 01 FOQ | Cocoa/Cocoa | | | |
| | 997 347 804 01 FOR | Darkgrey natural/grey | | | |
| | 997 347 804 01 FOS | Brown nat./brown nat. | | | |
| | 997 347 804 01 FSQ | Carrera Red | | | |
| (15) | 997 347 804 14 | steering wheel Plain leather D - MJ 2009>> | | 1 | PR: 459,480 |
| | 997 347 804 14 A34 | Black | | | |
| | 997 347 804 14 B24 | Stone grey | | | |
| | 997 347 804 14 T24 | Sand beige | | | |
| | 997 347 804 14 E24 | sea blue | | | |
| | 997 347 804 14 M24 | Terracotta | | | |
| | 997 347 804 14 R24 | Cocoa | | | |

Model: 997T07 Model life 2007>>2009

| Pos | Part Number | Description | Remark | Qty | Model |
|------|--------------------|--|--------|-----|------------|
| (15) | 997 347 804 14 T34 | Brown/natural | | 1 | PR:459,249 |
| | 997 347 804 14 D14 | Dark grey/natural | | | |
| | 997 347 804 14 N14 | Carrera Red | | | |
| | 997 347 804 11 | steering wheel Plain leather D >> - MJ 2008 | | | |
| | 997 347 804 11 FOK | black/grey | | | |
| | 997 347 804 11 FOL | Stone grey/stone grey | | | |
| | 997 347 804 11 FOM | Sand beige/sand beige | | | |
| | 997 347 804 11 FON | Palmgreen/palmgreen | | | |
| | 997 347 804 11 FOO | Sea blue/grey | | | |
| | 997 347 804 11 FOP | Terracotta/terracotta | | | |
| (15) | 997 347 804 11 FOQ | Cocoa/Cocoa | | 1 | PR:459,249 |
| | 997 347 804 11 FOR | Darkgrey natural/grey | | | |
| | 997 347 804 11 FOS | Brown nat./brown nat. | | | |
| | 997 347 804 11 FSQ | Carrera Red | | | |
| | 997 347 804 17 | steering wheel Plain leather D - MJ 2009>> Discontinued part | | | |
| | 997 347 804 17 A34 | Black | | | |
| | 997 347 804 17 B24 | Stone grey | | | |
| | 997 347 804 17 T24 | Sand beige | | | |
| | 997 347 804 17 E24 | sea blue | | | |
| | 997 347 804 17 M24 | Terracotta | | | |
| (15) | 997 347 804 17 R24 | Cocoa | | 1 | PR:459,249 |
| | 997 347 804 17 T34 | Brown/natural | | | |
| | 997 347 804 17 D14 | Dark grey/natural | | | |
| | 997 347 804 17 N14 | Carrera Red | | | |
| | 997 347 804 64 | steering wheel Plain leather D - MJ 2009>> | | | |
| | 997 347 804 64 A34 | black/grey | | | |
| | 997 347 804 64 B24 | Stone grey/stone grey | | | |
| | 997 347 804 64 T24 | Sand beige/sand beige | | | |
| | 997 347 804 64 E24 | Sea blue/grey | | | |
| | 997 347 804 64 M24 | Terracotta/terracotta | | | |
| (15) | 997 347 804 64 R24 | Cocoa/Cocoa | | 1 | PR:431,480 |
| | 997 347 804 64 T34 | Brown nat./brown nat. | | | |
| | 997 347 804 64 D14 | Darkgrey natural/grey | | | |
| | 997 347 804 64 N14 | Carrera Red | | | |
| | 997 347 804 05 | steering wheel (leather) Plain leather Multi-function D >> - MJ 2008 Discontinued part | | | |
| | 997 347 804 05 FOK | black/grey Discontinued part | | | |
| | 997 347 804 05 FOL | Stone grey/stone grey Discontinued part | | | |
| | 997 347 804 05 FOM | Sand beige/sand beige | | | |
| | 997 347 804 05 FON | Palmgreen/palmgreen | | | |
| | 997 347 804 05 FOO | Sea blue/grey Discontinued part | | | |
| (15) | 997 347 804 05 FOP | Terracotta/terracotta | | 1 | PR:431,480 |
| | 997 347 804 05 FOQ | Cocoa/Cocoa Discontinued part | | | |
| | 997 347 804 05 FOR | Darkgrey natural/grey | | | |
| | 997 347 804 05 FOS | Brown nat./brown nat. | | | |
| | 997 347 804 05 FSQ | Carrera Red Discontinued part | | | |
| | 997 347 804 63 | multifunction steering wheel Plain leather | | | |

Model: 997T07 Model life 2007>>2009

| Pos | Part Number | Description | Remark | Qty | Model |
|------|--------------------|--|--------|-----|------------|
| | | D >> - MJ 2008 | | | |
| | 997 347 804 63 A34 | black/grey | | | |
| | 997 347 804 63 B24 | Stone grey/stone grey | | | |
| | 997 347 804 63 T24 | Sand beige/sand beige | | | |
| | 997 347 804 63 E24 | Sea blue/grey | | | |
| | 997 347 804 63 M24 | Terracotta/terracotta | | | |
| | 997 347 804 63 R24 | Cocoa/Cocoa | | | |
| | 997 347 804 63 D14 | Darkgrey natural/grey | | | |
| | 997 347 804 63 T34 | Brown nat./brown nat. | | | |
| | 997 347 804 63 N14 | Carrera Red/Carrera Red | | | |
| (15) | 997 347 804 15 | multifunction steering wheel Plain leather D - MJ 2009>> | | 1 | PR:431,480 |
| | 997 347 804 15 A34 | Black | | | |
| | 997 347 804 15 B24 | Stone grey | | | |
| | 997 347 804 15 T24 | Sand beige | | | |
| | 997 347 804 15 E24 | sea blue | | | |
| | 997 347 804 15 M24 | Terracotta | | | |
| | 997 347 804 15 R24 | Cocoa | | | |
| | 997 347 804 15 T34 | Brown/natural | | | |
| | 997 347 804 15 D14 | Dark grey/natural | | | |
| | 997 347 804 15 N14 | Carrera Red | | | |
| (15) | 997 347 804 06 | steering wheel (leather) Plain leather Multi-function D >> - MJ 2008 Discontinued part | | 1 | PR:431,249 |
| | 997 347 804 06 FOK | black/grey | | | |
| | 997 347 804 06 FOL | Stone grey/stone grey | | | |
| | 997 347 804 06 FOM | Sand beige/sand beige | | | |
| | 997 347 804 06 FON | Palmgreen/palmgreen | | | |
| | 997 347 804 06 FOO | Sea blue/grey | | | |
| | 997 347 804 06 FOP | Terracotta/terracotta | | | |
| | 997 347 804 06 FOQ | Cocoa/Cocoa | | | |
| | 997 347 804 06 FOR | Darkgrey natural/grey | | | |
| | 997 347 804 06 FOS | Brown nat./brown nat. | | | |
| | 997 347 804 06 FSQ | Carrera Red | | | |
| (15) | 997 347 804 65 | steering wheel (leather) Plain leather Multi-function D >> - MJ 2008 Discontinued part | | 1 | PR:431,249 |
| | 997 347 804 65 A34 | black/grey | | | |
| | 997 347 804 65 B24 | Stone grey/stone grey | | | |
| | 997 347 804 65 T24 | Sand beige/sand beige | | | |
| | 997 347 804 65 J24 | Palmgreen/palmgreen | | | |
| | 997 347 804 65 E24 | Sea blue/grey | | | |
| | 997 347 804 65 M24 | Terracotta/terracotta | | | |
| | 997 347 804 65 R24 | Cocoa/Cocoa | | | |
| | 997 347 804 65 D14 | Darkgrey natural/grey | | | |
| | 997 347 804 65 T34 | Brown nat./brown nat. | | | |
| | 997 347 804 65 N14 | Carrera Red | | | |
| (15) | 997 347 804 77 | steering wheel (leather) Plain leather Multi-function D >> - MJ 2008 | | 1 | PR:431,249 |
| | 997 347 804 77 A34 | Black | | | |
| | 997 347 804 77 B24 | Stone grey | | | |
| | 997 347 804 77 T24 | Sand beige | | | |
| | 997 347 804 77 E24 | sea blue | | | |
| | 997 347 804 77 M24 | Terracotta | | | |
| | 997 347 804 77 R24 | Cocoa | | | |
| | 997 347 804 77 D14 | Dark grey/natural | | | |

Model: 997T07

Model life 2007>>2009

| Pos | Part Number | Description | Remark | Qty | Model |
|------|--|---|--------|-----|------------|
| (15) | 997 347 804 77 T34 997 347 804 77 N14 997 347 804 19 | Brown/natural Carrera Red steering wheel (leather) Plain leather D - MJ 2009>> Discontinued part | | 1 | PR:431,249 |
| | 997 347 804 19 A34 997 347 804 19 B24 997 347 804 19 T24 997 347 804 19 E24 997 347 804 19 M24 997 347 804 19 R24 997 347 804 19 T34 997 347 804 19 D14 997 347 804 19 N14 | Black Stone grey Sand beige sea blue Terracotta Cocoa Brown/natural Dark grey/natural Carrera Red | | | |
| (15) | 997 347 804 65 | steering wheel (leather) Plain leather D - MJ 2009>> Discontinued part | | 1 | PR:431,249 |
| | 997 347 804 65 A34 997 347 804 65 B24 997 347 804 65 T24 997 347 804 65 E24 997 347 804 65 M24 997 347 804 65 R24 997 347 804 65 T34 997 347 804 65 D14 997 347 804 65 N14 | black/grey Stone grey/stone grey Sand beige/sand beige Sea blue/grey Terracotta/terracotta Cocoa/Cocoa Brown nat./brown nat. Darkgrey natural/grey Carrera Red | | | |
| (15) | 997 347 804 77 | steering wheel (leather) Plain leather D - MJ 2009>> | | 1 | PR:431,249 |
| | 997 347 804 77 A34 997 347 804 77 B24 997 347 804 77 T24 997 347 804 77 E24 997 347 804 77 M24 997 347 804 77 R24 997 347 804 77 T34 997 347 804 77 D14 997 347 804 77 N14 | Black Stone grey Sand beige sea blue Terracotta Cocoa Brown/natural Dark grey/natural Carrera Red | | | |
| (15) | 997 347 804 22 | steering wheel Multi-function Wood macassar | | 1 | PR:451,480 |
| | 997 347 804 22 FOK 997 347 804 22 FOL 997 347 804 22 FOM 997 347 804 22 FON 997 347 804 22 FOO 997 347 804 22 FOP 997 347 804 22 FOQ 997 347 804 22 FOR 997 347 804 22 FOS 997 347 804 22 FSQ | black/grey Stone grey/stone grey Sand beige/sand beige Palmgreen/palmgreen Sea blue/grey Terracotta/terracotta Cocoa/Cocoa Darkgrey natural/grey Brown nat./brown nat. Carrera Red | | | |
| (15) | 997 347 804 16 | multifunction steering wheel Wood macassar No longer use the part here | | 1 | PR:451,480 |
| | 997 347 804 16 A34 997 347 804 16 B24 997 347 804 16 T24 997 347 804 16 E24 997 347 804 16 M24 | Black Stone grey Sand beige sea blue Terracotta | | | |

Model: 997T07 Model life 2007>>2009

| Pos | Part Number | Description | Remark | Qty | Model |
|--------------------|-----------------------|------------------------------|--------|-----|------------|
| (15) | 997 347 804 16 R24 | Cocoa | | 1 | PR:451,249 |
| | 997 347 804 16 T34 | Brown/natural | | | |
| | 997 347 804 16 D14 | Dark grey/natural | | | |
| | 997 347 804 16 N14 | Carrera Red | | | |
| | 997 347 804 32 | steering wheel | | | |
| | | Multi-function | | | |
| | | Wood | | | |
| | | macassar | | | |
| | 997 347 804 32 FOK | black/grey | | | |
| | 997 347 804 32 FOL | Stone grey/stone grey | | | |
| | 997 347 804 32 FOM | Sand beige/sand beige | | | |
| | 997 347 804 32 FON | Palmgreen/palmgreen | | | |
| | 997 347 804 32 FOO | Sea blue/grey | | | |
| | 997 347 804 32 FOP | Terracotta/terracotta | | | |
| | 997 347 804 32 FOQ | Cocoa/Cocoa | | | |
| 997 347 804 32 FOR | Darkgrey natural/grey | | | | |
| 997 347 804 32 FOS | Brown nat./brown nat. | | | | |
| 997 347 804 32 FSQ | Carrera Red | | | | |
| (15) | 997 347 804 44 | multifunction steering wheel | | 1 | PR:451,249 |
| | | Wood | | | |
| | | macassar | | | |
| | | No longer use the part here | | | |
| | 997 347 804 44 A34 | Black | | | |
| | 997 347 804 44 B24 | Stone grey | | | |
| | 997 347 804 44 T24 | Sand beige | | | |
| | 997 347 804 44 E24 | sea blue | | | |
| | 997 347 804 44 M24 | Terracotta | | | |
| | 997 347 804 44 R24 | Cocoa | | | |
| | 997 347 804 44 T34 | Brown/natural | | | |
| | 997 347 804 44 D14 | Dark grey/natural | | | |
| | 997 347 804 44 N14 | Carrera Red | | | |
| | 997 347 804 23 | steering wheel | | | |
| | | Multi-function | | | |
| | Wood | | | | |
| | Sycamore wood | | | | |
| | D >> - MJ 2008 | | | | |
| 997 347 804 23 FOK | black/grey | | | | |
| 997 347 804 23 FOL | Stone grey/stone grey | | | | |
| 997 347 804 23 FOM | Sand beige/sand beige | | | | |
| 997 347 804 23 FON | Palmgreen/palmgreen | | | | |
| 997 347 804 23 FOO | Sea blue/grey | | | | |
| 997 347 804 23 FOP | Terracotta/terracotta | | | | |
| 997 347 804 23 FOQ | Cocoa/Cocoa | | | | |
| 997 347 804 23 FOR | Darkgrey natural/grey | | | | |
| 997 347 804 23 FOS | Brown nat./brown nat. | | | | |
| 997 347 804 23 FSQ | Carrera Red | | | | |
| (15) | 997 347 804 33 | steering wheel | | 1 | PR:452,480 |
| | | Multi-function | | | |
| | | Wood | | | |
| | | Sycamore wood | | | |
| | | D >> - MJ 2008 | | | |
| | 997 347 804 33 FOK | black/grey | | | |
| | 997 347 804 33 FOL | Stone grey/stone grey | | | |
| | 997 347 804 33 FOM | Sand beige/sand beige | | | |
| | 997 347 804 33 FON | Palmgreen/palmgreen | | | |
| | 997 347 804 33 FOO | Sea blue/grey | | | |
| | 997 347 804 33 FOP | Terracotta/terracotta | | | |
| | 997 347 804 33 FOQ | Cocoa/Cocoa | | | |
| | 997 347 804 33 FOR | Darkgrey natural/grey | | | |
| | 997 347 804 33 FOS | Brown nat./brown nat. | | | |
| | 997 347 804 33 FSQ | Carrera Red | | | |
| 997 347 804 24 | steering wheel | | | | |
| | Multi-function | | | | |

Model: 997T07 Model life 2007>>2009

| Pos | Part Number | Description | Remark | Qty | Model |
|------|--------------------|---|--------|-----|------------|
| | 997 347 804 24 FOK | Carbon black/grey | | | |
| | 997 347 804 24 FOL | Stone grey/stone grey | | | |
| | 997 347 804 24 FOM | Sand beige/sand beige | | | |
| | 997 347 804 24 FON | Palmgreen/palmgreen | | | |
| | 997 347 804 24 FOO | Sea blue/grey | | | |
| | 997 347 804 24 FOP | Terracotta/terracotta | | | |
| | 997 347 804 24 FOQ | Cocoa/Cocoa | | | |
| | 997 347 804 24 FOR | Darkgrey natural/grey | | | |
| | 997 347 804 24 FOS | Brown nat./brown nat. | | | |
| | 997 347 804 24 FSQ | Carrera Red | | | |
| (15) | 997 347 804 18 | multifunction steering wheel Carbon No longer use the part here | | 1 | PR:453,480 |
| | 997 347 804 18 A34 | Black | | | |
| | 997 347 804 18 B24 | Stone grey | | | |
| | 997 347 804 18 T24 | Sand beige | | | |
| | 997 347 804 18 E24 | sea blue | | | |
| | 997 347 804 18 M24 | Terracotta | | | |
| | 997 347 804 18 R24 | Cocoa | | | |
| | 997 347 804 18 T34 | Brown/natural | | | |
| | 997 347 804 18 D14 | Dark grey/natural | | | |
| | 997 347 804 18 N14 | Carrera Red | | | |
| (15) | 997 347 804 34 | steering wheel Multi-function Carbon | | 1 | PR:453,249 |
| | 997 347 804 34 FOK | black/grey | | | |
| | 997 347 804 34 FOL | Stone grey/stone grey | | | |
| | 997 347 804 34 FOM | Sand beige/sand beige | | | |
| | 997 347 804 34 FON | Palmgreen/palmgreen | | | |
| | 997 347 804 34 FOO | Sea blue/grey | | | |
| | 997 347 804 34 FOP | Terracotta/terracotta | | | |
| | 997 347 804 34 FOQ | Cocoa/Cocoa | | | |
| | 997 347 804 34 FOR | Darkgrey natural/grey | | | |
| | 997 347 804 34 FOS | Brown nat./brown nat. | | | |
| | 997 347 804 34 FSQ | Carrera Red | | | |
| (15) | 997 347 804 45 | multifunction steering wheel Carbon No longer use the part here | | 1 | PR:453,249 |
| | 997 347 804 45 A34 | Black | | | |
| | 997 347 804 45 B24 | Stone grey | | | |
| | 997 347 804 45 T24 | Sand beige | | | |
| | 997 347 804 45 E24 | sea blue | | | |
| | 997 347 804 45 M24 | Terracotta | | | |
| | 997 347 804 45 R24 | Cocoa | | | |
| | 997 347 804 45 T34 | Brown/natural | | | |
| | 997 347 804 45 D14 | Dark grey/natural | | | |
| | 997 347 804 45 N14 | Carrera Red | | | |
| (15) | 997 347 981 00 | multifunction steering wheel Aluminium look | | 1 | PR:480,XPV |
| | 997 347 981 00 A34 | Black | | | |
| | 997 347 981 00 B24 | Stone grey | | | |
| | 997 347 981 00 D14 | Dark grey/natural | | | |
| | 997 347 981 00 E24 | sea blue | | | |
| | 997 347 981 00 J24 | Palm green | | | |
| | 997 347 981 00 M24 | Terracotta | | | |
| | 997 347 981 00 R24 | Cocoa | | | |
| | 997 347 981 00 T24 | Sand beige | | | |
| | 997 347 981 00 T34 | Brown/natural | | | |
| | 997 347 981 00 N14 | Carrera Red | | | |
| (15) | 997 347 981 01 | multifunction steering wheel Aluminium look | | 1 | PR:432,XPV |
| | 997 347 981 01 A34 | Black | | | |

Model: 997T07 Model life 2007>>2009

| Pos | Part Number | Description | Remark | Qty | Model |
|------|--------------------|----------------------------------|---|-----|--------|
| | 997 347 981 01 B24 | Stone grey | | | |
| | 997 347 981 01 D14 | Dark grey/natural | | | |
| | 997 347 981 01 E24 | sea blue | | | |
| | 997 347 981 01 J24 | Palm green | | | |
| | 997 347 981 01 M24 | Terracotta | | | |
| | 997 347 981 01 R24 | Cocoa | | | |
| | 997 347 981 01 T24 | Sand beige | | | |
| | 997 347 981 01 T34 | Brown/natural | | | |
| | 997 347 981 01 N14 | Carrera Red/Carrera Red | | | |
| 16 | 997 347 837 00 | Dummy cover | left | 1 | PR:480 |
| | 997 347 837 00 V04 | Galvano silver | | | |
| (16) | 997 347 838 00 | Dummy cover | right | 1 | PR:480 |
| | 997 347 838 00 V04 | Galvano silver | | | |
| (16) | 997 613 431 02 | Switching module | left | 1 | PR:249 |
| | | with: | | | |
| | | Tiptronic Lever | | | |
| | 997 613 431 02 V04 | Galvano silver | | | |
| (16) | 997 613 432 02 | Switching module | right | 1 | PR:249 |
| | | with: | | | |
| | | Tiptronic Lever | | | |
| | 997 613 432 02 V04 | Galvano silver | | | |
| (16) | 997 613 433 02 | Switching module | left | 1 | PR:480 |
| | | Multi-function Manual gearbox | | | |
| | 997 613 433 02 V04 | Galvano silver | | | |
| | | F >> 99-7S782 466 | | | |
| (16) | 997 613 433 03 | Switching module | left | 1 | PR:480 |
| | | Multi-function Manual gearbox | | | |
| | 997 613 433 03 V04 | Galvano silver | | | |
| | | F 99-7S782 467>> | | | |
| | | also use: | 997 613 434 03 (V04) 997 613 445 03 | | |
| | | See technical manual | | | |
| | | Group: | | | |
| | | 91 6119 91 7719 | | | |
| (16) | 997 613 434 02 | Switching module | right | 1 | PR:480 |
| | | Multi-function Manual gearbox | | | |
| | 997 613 434 02 V04 | Galvano silver | | | |
| | | F >> 99-7S782 466 | | | |
| (16) | 997 613 434 03 | Switching module | right | 1 | PR:480 |
| | | Multi-function Manual gearbox | | | |
| | 997 613 434 03 V04 | Galvano silver | | | |
| | | F 99-7S782 467>> | | | |
| | | also use: | 997 613 433 03 (V04) 997 613 445 03 | | |
| | | See technical manual | | | |
| | | Group: | | | |
| | | 91 6119 91 7719 | | | |
| (16) | 997 613 435 02 | Switching module | left | 1 | PR:249 |
| | | Multi-function | | | |
| | | with: | | | |
| | | Tiptronic Lever | | | |
| | | Discontinued part | | | |

Model: 997T07 Model life 2007>>2009

| Pos | Part Number | Description | Remark | Qty | Model |
|------|--|--|--------|-----------------------|------------------------------------|
| (16) | 997 613 435 02 V04 997 613 435 03 997 613 435 03 V04 | Galvano silver F >> 99-7S782 466 Switching module Multi-function with: Tiptronic Galvano silver F 99-7S782 467>> | left | 1 | PR:249 |
| (16) | 997 613 436 02 997 613 436 02 V04 | Galvano silver F >> 99-7S782 466 Switching module Multi-function with: Tiptronic Lever Discontinued part Galvano silver F >> 99-7S782 466 | right | 1 | PR:249 |
| (16) | 997 613 436 03 997 613 436 03 V04 | Galvano silver F >> 99-7S782 466 Switching module Multi-function with: Tiptronic Lever Galvano silver F 99-7S782 467>> | right | 1 | PR:249 |
| 17 | 999 073 318 09 | Round-head screw M 4 X 10 | | 2 | |
| 18 | 997 613 445 02 997 613 445 03 | Electronic unit Multi-function F >> 99-7S782 466 Electronic unit Multi-function F 99-7S782 467>> | | 1 | PR:431,451, 452,453 |
| (18) | 997 613 445 03 | Electronic unit Multi-function F 99-7S782 467>> | | 1 | |
| | | also use: 997 613 433 03 (V04) 997 613 434 03 (V04) 997 613 435 03 (V04) 997 613 436 03 (V04) 997 613 445 03 | | 1 1 1 1 1 | |
| | | See technical manual Group: 91 6119 91 7719 | | 1 | PR:431,451, 452,453,480, 249 |

Model: 997T07 Model life 2007>>2009

| Pos | Part Number | Description | Remark | Qty | Model |
|------|--------------------|---|--------|-----|------------|
| 19 | 997 347 880 00 | retaining frame | | 1 | |
| 20 | 999 141 022 09 | flat round head bolt M 5 X 12,5 | | 4 | |
| 21 | 997 347 821 00 | Trim | | 1 | |
| | 997 347 821 00 D07 | Volcano grey | | | |
| 22 | N 910 207 01 | Screw with int. serrations M 18 X 1,5 X 26 | | 1 | |
| (23) | 997 347 804 41 | sports steering wheel Plain leather D >> - MJ 2008 | | 1 | PR:460,480 |
| | 997 347 804 41 FOK | black/grey | | | |
| | 997 347 804 41 FOL | Stone grey/stone grey | | | |
| | 997 347 804 41 FOM | Sand beige/sand beige | | | |
| | 997 347 804 41 FON | Palmgreen/palmgreen | | | |
| | 997 347 804 41 FOO | Sea blue/grey | | | |
| | 997 347 804 41 FOP | Terracotta/terracotta | | | |
| | 997 347 804 41 FOQ | Cocoa/Cocoa | | | |
| | 997 347 804 41 FOR | Darkgrey natural/grey | | | |
| | 997 347 804 41 FOS | Brown nat./brown nat. | | | |
| | 997 347 804 41 FSQ | Carrera Red | | | |
| (23) | 997 347 804 51 | sports steering wheel Plain leather D >> - MJ 2008 | | 1 | PR:460,249 |
| | 997 347 804 51 FOK | black/grey | | | |
| | 997 347 804 51 FOL | Stone grey/stone grey | | | |
| | 997 347 804 51 FOM | Sand beige/sand beige | | | |
| | 997 347 804 51 FON | Palmgreen/palmgreen | | | |
| | 997 347 804 51 FOO | Sea blue/grey | | | |
| | 997 347 804 51 FOP | Terracotta/terracotta | | | |
| | 997 347 804 51 FOQ | Cocoa/Cocoa | | | |
| | 997 347 804 51 FOR | Darkgrey natural/grey | | | |
| | 997 347 804 51 FOS | Brown nat./brown nat. | | | |
| | 997 347 804 51 FSQ | Carrera Red | | | |
| (23) | 997 347 804 42 | sports steering wheel D - MJ 2009>> Discontinued part | | 1 | PR:460,480 |
| | 997 347 804 42 A34 | Black | | | |
| | 997 347 804 42 B24 | Stone grey | | | |
| | 997 347 804 42 T24 | Sand beige | | | |
| | 997 347 804 42 E24 | sea blue | | | |
| | 997 347 804 42 M24 | Terracotta | | | |
| | 997 347 804 42 R24 | Cocoa | | | |
| | 997 347 804 42 D14 | Dark grey/natural | | | |
| | 997 347 804 42 T34 | Brown/natural | | | |
| | 997 347 804 42 N14 | Carrera Red | | | |
| (23) | 997 347 804 55 | sports steering wheel D - MJ 2009>> Discontinued part | | 1 | PR:460,480 |
| | 997 347 804 55 A34 | black/grey | | | |
| | 997 347 804 55 B24 | Stone grey/stone grey | | | |
| | 997 347 804 55 T24 | Sand beige/sand beige | | | |
| | 997 347 804 55 E24 | Sea blue/grey | | | |
| | 997 347 804 55 M24 | Terracotta/terracotta | | | |
| | 997 347 804 55 R24 | Cocoa/Cocoa | | | |
| | 997 347 804 55 D14 | Darkgrey natural/grey | | | |
| | 997 347 804 55 T34 | Brown nat./brown nat. | | | |
| | 997 347 804 55 N14 | Carrera Red | | | |
| (23) | 997 347 804 67 | sports steering wheel D - MJ 2009>> | | 1 | PR:460,480 |
| | 997 347 804 67 A34 | Black | | | |
| | 997 347 804 67 B24 | Stone grey | | | |
| | 997 347 804 67 T24 | Sand beige | | | |
| | 997 347 804 67 E24 | sea blue | | | |

Model: 997T07 Model life 2007>>2009

| Pos | Part Number | Description | Remark | Qty | Model |
|------|--------------------|---|--------|-----|------------|
| | 997 347 804 67 M24 | Terracotta | | | |
| | 997 347 804 67 R24 | Cocoa | | | |
| | 997 347 804 67 D14 | Dark grey/natural | | | |
| | 997 347 804 67 T34 | Brown/natural | | | |
| | 997 347 804 67 N14 | Carrera Red | | | |
| (23) | 997 347 804 52 | sports steering wheel D - MJ 2009>> Discontinued part | | 1 | PR:460,249 |
| | 997 347 804 52 A34 | Black | | | |
| | 997 347 804 52 B24 | Stone grey | | | |
| | 997 347 804 52 T24 | Sand beige | | | |
| | 997 347 804 52 E24 | sea blue | | | |
| | 997 347 804 52 M24 | Terracotta | | | |
| | 997 347 804 52 R24 | Cocoa | | | |
| | 997 347 804 52 D14 | Dark grey/natural | | | |
| | 997 347 804 52 T34 | Brown/natural | | | |
| | 997 347 804 52 N14 | Carrera Red | | | |
| (23) | 997 347 804 58 | sports steering wheel D - MJ 2009>> Discontinued part | | 1 | PR:460,249 |
| | 997 347 804 58 A34 | black/grey | | | |
| | 997 347 804 58 B24 | Stone grey/stone grey | | | |
| | 997 347 804 58 T24 | Sand beige/sand beige | | | |
| | 997 347 804 58 E24 | Sea blue/grey | | | |
| | 997 347 804 58 M24 | Terracotta/terracotta | | | |
| | 997 347 804 58 R24 | Cocoa/Cocoa | | | |
| | 997 347 804 58 D14 | Darkgrey natural/grey | | | |
| | 997 347 804 58 T34 | Brown nat./brown nat. | | | |
| | 997 347 804 58 N14 | Carrera Red | | | |
| (23) | 997 347 804 70 | sports steering wheel D - MJ 2009>> | | 1 | PR:460,249 |
| | 997 347 804 70 A34 | Black | | | |
| | 997 347 804 70 B24 | Stone grey | | | |
| | 997 347 804 70 T24 | Sand beige | | | |
| | 997 347 804 70 E24 | sea blue | | | |
| | 997 347 804 70 M24 | Terracotta | | | |
| | 997 347 804 70 R24 | Cocoa | | | |
| | 997 347 804 70 D14 | Dark grey/natural | | | |
| | 997 347 804 70 T34 | Brown/natural | | | |
| | 997 347 804 70 N14 | Carrera Red | | | |
| (23) | 997 347 980 00 | sports steering wheel(leather) | | 1 | PR:480,XPA |
| | 997 347 980 00 A34 | Black | | | |
| | 997 347 980 00 B24 | Stone grey | | | |
| | 997 347 980 00 D14 | Dark grey/natural | | | |
| | 997 347 980 00 E24 | sea blue | | | |
| | 997 347 980 00 J24 | Palm green | | | |
| | 997 347 980 00 M24 | Terracotta | | | |
| | 997 347 980 00 R24 | Cocoa | | | |
| | 997 347 980 00 T24 | Sand beige | | | |
| | 997 347 980 00 T34 | Brown/natural | | | |
| | 997 347 980 00 N14 | Carrera Red | | | |
| (23) | 997 347 980 01 | sports steering wheel(leather) | | 1 | PR:432,XPA |
| | 997 347 980 01 A34 | Black | | | |
| | 997 347 980 01 B24 | Stone grey | | | |
| | 997 347 980 01 D14 | Dark grey/natural | | | |
| | 997 347 980 01 E24 | sea blue | | | |
| | 997 347 980 01 J24 | Palm green | | | |
| | 997 347 980 01 M24 | Terracotta | | | |
| | 997 347 980 01 R24 | Cocoa | | | |
| | 997 347 980 01 T24 | Sand beige | | | |
| | 997 347 980 01 T34 | Brown/natural | | | |
| | 997 347 980 01 N14 | Carrera Red | | | |
| (23) | 997 347 804 91 | sports steering wheel | | 1 | GT-2 |

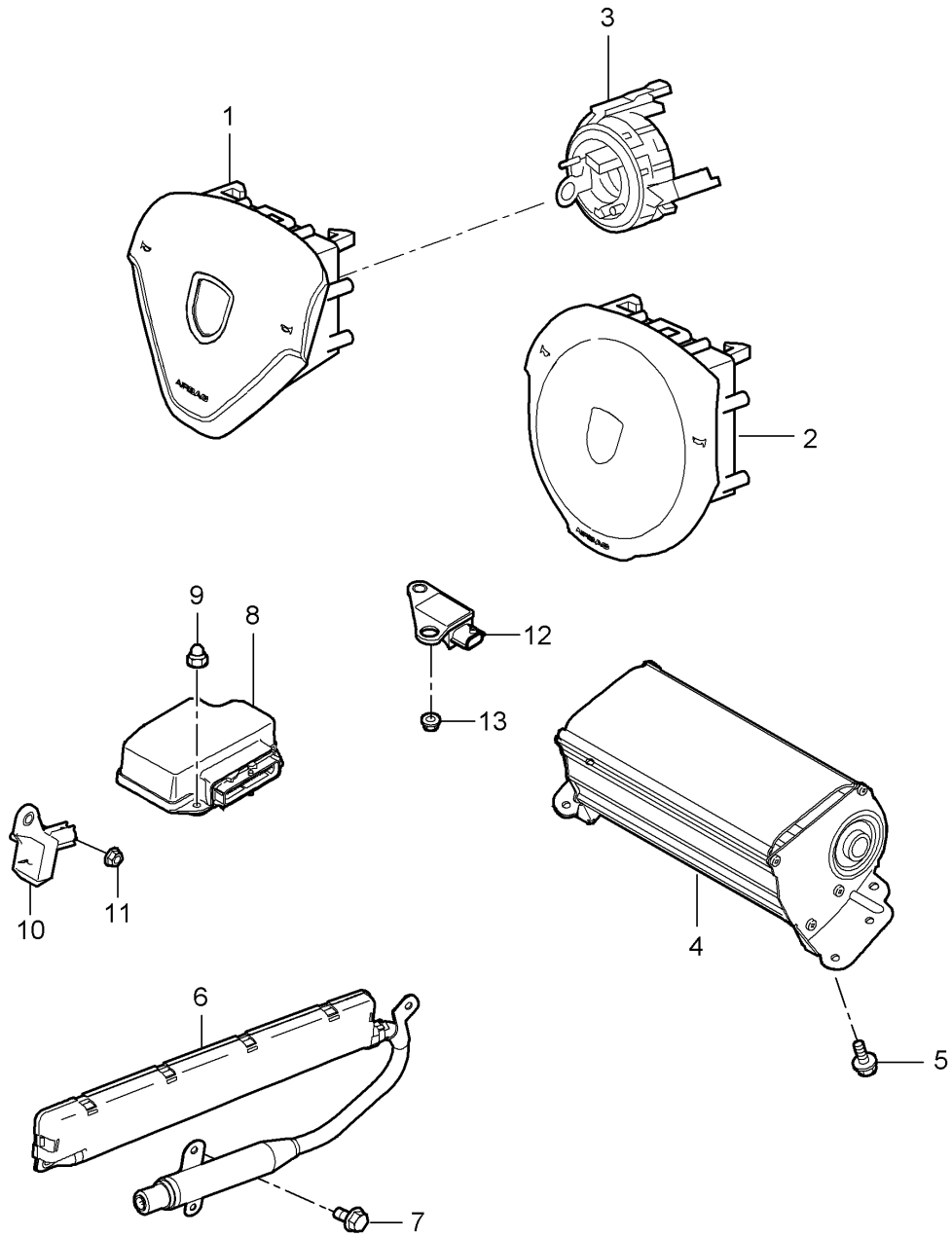
Model: 997T07

Model life 2007>>2009

| Pos | Part Number | Description | Remark | Qty | Model |
|------|--------------------|---|--------|-----|------------------------|
| | 997 347 804 91 A15 | Leather Black Alcantara | | | |
| 24 | 997 347 837 40 | Dummy cover | left | 1 | PR:480 |
| | 997 347 837 40 V04 | Galvano silver | | | |
| (24) | 997 347 838 40 | Dummy cover | right | 1 | PR:480 |
| | 997 347 838 40 V04 | Galvano silver | | | |
| (24) | 997 613 437 03 | Switching module | left | 1 | PR:249 |
| | | with: | | | |
| | | Tiptronic Lever | | | |
| | 997 613 437 03 V04 | Galvano silver | | | |
| (24) | 997 613 438 03 | Switching module | right | 1 | PR:249 |
| | | with: | | | |
| | | Tiptronic Lever | | | |
| | 997 613 438 03 V04 | Galvano silver | | 1 | |
| 25 | 997 347 821 40 | Dummy cover | | 1 | |
| | 997 347 821 40 V04 | Galvano silver | | | |
| 26 | 997 612 672 00 | Wire set | | 1 | PR:480 |
| | | 3-spoke steering wheel sports steering wheel | | | |
| | | without: | | | |
| | | Multi-function Manual gearbox Discontinued part | | | |
| 26 | 997 612 672 02 | Wire set | | 1 | PR:480 |
| | | 3-spoke steering wheel sports steering wheel | | | |
| | | without: | | | |
| | | Multi-function Manual gearbox | | | |
| 27 | 997 612 674 00 | Wire set | | 1 | PR:249 |
| | | 3-spoke steering wheel sports steering wheel | | | |
| | | without: | | | |
| | | Multi-function Tiptronic | | | |
| 28 | 997 612 673 00 | Wire set | | 1 | PR:431,451, 452,453 |
| | | 3-spoke steering wheel | | | |
| | | with: | | | |
| | | Multi-function Manual gearbox Tiptronic | | | |

Model: 997T07

Model life 2007>>2009



Model: 997T07 Model life 2007>>2009

| Pos | Part Number | Description | Remark | Qty | Model |
|-----|--------------------|--|--------|-----|------------------------------------|
| (1) | 997 803 089 14 | Airbag Airbag unit 3-spoke steering wheel Leather Porsche crest Coloured Discontinued part | | 1 | PR:431,451, 452,453,459, 991 |
| | 997 803 089 14 A34 | Black Discontinued part | | | |
| | 997 803 089 14 B24 | Stone grey Discontinued part | | | |
| | 997 803 089 14 T24 | Sand beige Discontinued part | | | |
| | 997 803 089 14 E24 | sea blue Discontinued part | | | |
| | 997 803 089 14 J24 | Palm green | | | |
| | 997 803 089 14 M24 | Terracotta Discontinued part | | | |
| | 997 803 089 14 R24 | Cocoa Discontinued part | | | |
| | 997 803 089 14 D14 | Dark grey/natural | | | |
| | 997 803 089 14 T34 | Brown/natural | | | |
| | 997 803 089 14 N14 | Carrera Red Discontinued part | | | |
| (1) | 997 803 089 20 | Airbag unit 3-spoke steering wheel Leather Porsche crest Coloured Discontinued part | | 1 | PR:431,451, 452,453,459, 991 |
| | 997 803 089 20 A34 | Black | | | |
| | 997 803 089 20 B24 | Stone grey | | | |
| | 997 803 089 20 T24 | Sand beige | | | |
| | 997 803 089 20 E24 | sea blue | | | |
| | 997 803 089 20 J24 | Palm green | | | |
| | 997 803 089 20 M24 | Terracotta | | | |
| | 997 803 089 20 R24 | Cocoa | | | |
| | 997 803 089 20 D14 | Dark grey/natural | | | |
| | 997 803 089 20 T34 | Brown/natural | | | |
| | 997 803 089 20 N14 | Carrera Red | | | |
| (1) | 997 803 089 26 | Airbag unit 3-spoke steering wheel Leather Porsche crest Coloured | | 1 | PR:431,451, 452,453,459, 991 |
| | 997 803 089 26 A34 | Black | | | |
| | 997 803 089 26 B24 | Stone grey | | | |
| | 997 803 089 26 T24 | Sand beige | | | |
| | 997 803 089 26 E24 | sea blue | | | |
| | 997 803 089 26 J24 | Palm green | | | |
| | 997 803 089 26 M24 | Terracotta | | | |
| | 997 803 089 26 R24 | Cocoa | | | |
| | 997 803 089 26 D14 | Dark grey/natural | | | |
| | 997 803 089 26 T34 | Brown/natural | | | |
| | 997 803 089 26 N14 | Carrera Red | | | |
| (1) | 997 803 089 14 | Airbag unit 3-spoke steering wheel Leather Porsche crest Coloured Discontinued part | | 1 | PR:XPV,991 |
| | 997 803 089 14 A34 | Black Discontinued part | | | |

Model: 997T07 Model life 2007>>2009

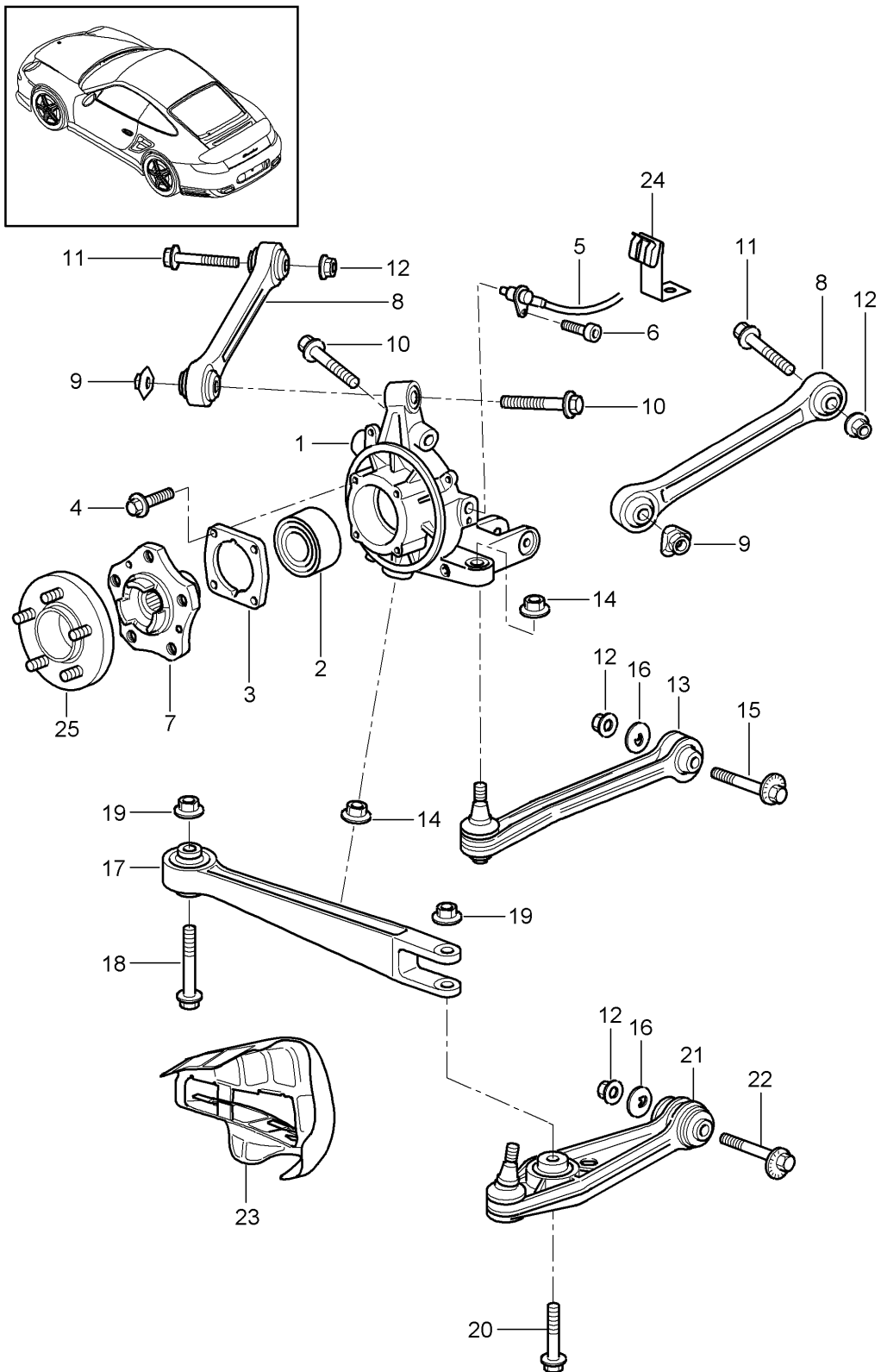
| Pos | Part Number | Description | Remark | Qty | Model |
|-----|--------------------|--|--------|-----|--------------------|
| | 997 803 089 14 B24 | Stone grey Discontinued part | | | |
| | 997 803 089 14 T24 | Sand beige Discontinued part | | | |
| | 997 803 089 14 E24 | sea blue Discontinued part | | | |
| | 997 803 089 14 J24 | Palm green | | | |
| | 997 803 089 14 M24 | Terracotta Discontinued part | | | |
| | 997 803 089 14 R24 | Cocoa Discontinued part | | | |
| | 997 803 089 14 D14 | Dark grey/natural | | | |
| | 997 803 089 14 T34 | Brown/natural | | | |
| | 997 803 089 14 N14 | Carrera Red Discontinued part | | | |
| (1) | 997 803 089 20 | Airbag unit 3-spoke steering wheel Leather Porsche crest Coloured Discontinued part | | 1 | PR:XPV,991 |
| | 997 803 089 20 A34 | Black | | | |
| | 997 803 089 20 B24 | Stone grey | | | |
| | 997 803 089 20 T24 | Sand beige | | | |
| | 997 803 089 20 E24 | sea blue | | | |
| | 997 803 089 20 J24 | Palm green | | | |
| | 997 803 089 20 M24 | Terracotta | | | |
| | 997 803 089 20 R24 | Cocoa | | | |
| | 997 803 089 20 D14 | Dark grey/natural | | | |
| | 997 803 089 20 T34 | Brown/natural | | | |
| | 997 803 089 20 N14 | Carrera Red | | | |
| (1) | 997 803 089 26 | Airbag unit 3-spoke steering wheel Leather Porsche crest Coloured | | 1 | PR:XPV,991 |
| | 997 803 089 26 A34 | Black | | | |
| | 997 803 089 26 B24 | Stone grey | | | |
| | 997 803 089 26 T24 | Sand beige | | | |
| | 997 803 089 26 E24 | sea blue | | | |
| | 997 803 089 26 J24 | Palm green | | | |
| | 997 803 089 26 M24 | Terracotta | | | |
| | 997 803 089 26 R24 | Cocoa | | | |
| | 997 803 089 26 D14 | Dark grey/natural | | | |
| | 997 803 089 26 T34 | Brown/natural | | | |
| | 997 803 089 26 N14 | Carrera Red | | | |
| (2) | 997 803 089 17 | Airbag unit sports steering wheel Leather Porsche crest Coloured Discontinued part | | 1 | PR:460,991, XPA |
| | 997 803 089 17 A34 | Black | | | |
| | 997 803 089 17 B24 | Stone grey | | | |
| | 997 803 089 17 T24 | Sand beige | | | |
| | 997 803 089 17 E24 | sea blue | | | |
| | 997 803 089 17 J24 | Palm green | | | |
| | 997 803 089 17 M24 | Terracotta | | | |
| | 997 803 089 17 R24 | Cocoa | | | |
| | 997 803 089 17 D14 | Dark grey/natural | | | |
| | 997 803 089 17 T34 | Brown/natural | | | |
| | 997 803 089 17 N14 | Carrera Red | | | |
| (2) | 997 803 089 22 | Airbag unit | | 1 | PR:460,991, |

Model: 997T07 Model life 2007>>2009

| Pos | Part Number | Description | Remark | Qty | Model |
|-----|--------------------|--|--------|-----|--------------------|
| | | sports steering wheel Leather Porsche crest Coloured Discontinued part | | | XPA |
| | 997 803 089 22 A34 | Black | | | |
| | 997 803 089 22 B24 | Stone grey | | | |
| | 997 803 089 22 T24 | Sand beige | | | |
| | 997 803 089 22 E24 | sea blue | | | |
| | 997 803 089 22 J24 | Palm green | | | |
| | 997 803 089 22 M24 | Terracotta | | | |
| | 997 803 089 22 R24 | Cocoa | | | |
| | 997 803 089 22 D14 | Dark grey/natural | | | |
| | 997 803 089 22 T34 | Brown/natural | | | |
| | 997 803 089 22 N14 | Carrera Red | | | |
| (2) | 997 803 089 27 | Airbag unit | | 1 | PR:460,991, XPA |
| | | sports steering wheel Leather Porsche crest Coloured | | | |
| | 997 803 089 27 A34 | Black | | | |
| | 997 803 089 27 B24 | Stone grey | | | |
| | 997 803 089 27 T24 | Sand beige | | | |
| | 997 803 089 27 E24 | sea blue | | | |
| | 997 803 089 27 J24 | Palm green | | | |
| | 997 803 089 27 M24 | Terracotta | | | |
| | 997 803 089 27 R24 | Cocoa | | | |
| | 997 803 089 27 D14 | Dark grey/natural | | | |
| | 997 803 089 27 T34 | Brown/natural | | | |
| | 997 803 089 27 N14 | Carrera Red | | | |
| 3 | 955 652 211 11 | Spring | | 1 | |
| | | with: | | | |
| 4 | 997 803 071 07 | steering sensor Airbag unit (passenger side) | | 1 | |
| 5 | 900 378 222 09 | Hexagon bolt M 6 X 16 | | 4 | |
| 6 | 997 803 091 03 | Side airbag unit for | left | 1 | |
| (6) | 997 803 092 03 | Head airbag unit Side airbag unit for | right | 1 | |
| 7 | 900 378 035 01 | Head airbag unit Hexagon bolt M 6 X 16 | | 6 | |
| (8) | 997 618 217 08 | Control unit for airbag | | 1 | COUPE |
| (8) | 997 618 219 09 | Control unit for airbag | | 1 | CABRIO |
| 9 | 999 070 015 02 | domed cap nut M 6 | | 3 | |
| 10 | 997 618 221 01 | Crash sensor for airbag Side airbag unit | | 2 | |
| 11 | 999 084 629 09 | Hexagon nut M 6 | | 8 | |
| 12 | 997 618 223 02 | Accelerator sensor Airbag Front | | 2 | |
| 13 | 999 084 638 01 | Hexagon nut M 6 SB | | 2 | |

Model: 997T07

Model life 2007>>2009



Model: 997T07 Model life 2007>>2009

| Pos | Part Number | Description | Remark | Qty | Model |
|------|----------------|---|-----------|-----|-----------------|
| 1 | 997 331 111 07 | Rear axle Wheel carrier Guide Wheel hub Wheel carrier | left | 1 | |
| | | | also use: | | |
| (1) | 997 331 112 07 | Wheel carrier | right | 1 | |
| 2 | 999 053 055 02 | angular ball bearing | | 2 | |
| 3 | 996 331 661 01 | Cover | | 2 | |
| 4 | 999 217 042 09 | Hexagon bolt M 8 X 35 | | 8 | |
| (4) | 999 217 042 04 | D - MJ 2007>> - MJ 2007 Hexagon bolt M 8 X 35 | | 8 | |
| 5 | 997 606 407 01 | D - MJ 2008>> speed sensor | | 2 | |
| 6 | 900 067 117 09 | Socket head bolt M 6 X 16 | | 2 | |
| (6) | 900 067 117 04 | D - MJ 2007>> - MJ 2007 Socket head bolt M 6 x 16 | | 2 | |
| 7 | 997 331 605 00 | D - MJ 2008>> Wheel hub | | 2 | |
| 7 | 997 331 605 01 | Discontinued part Wheel hub | | 2 | |
| (7) | 997 331 607 02 | Wheel hub D - MJ 2009>> | | 2 | TURBO PR:422 |
| 8 | 997 331 047 00 | Wishbone | | 2 | |
| 9 | 999 084 445 09 | Locknut M 12 X 1,5 | | 4 | |
| (9) | 999 084 445 01 | D - MJ 2007>> - MJ 2007 Locknut M 12 x 1,5 | | 4 | |
| 10 | 900 378 138 09 | D - MJ 2008>> Hexagon bolt M 12 X 70 | | 4 | |
| 10 | 900 378 138 01 | Discontinued part Hexagon bolt M 12 X 70 | | 4 | |
| 11 | 900 378 165 09 | Hexagon bolt M 12 X 95 | | 4 | |
| 12 | 999 084 445 09 | Locknut M 12 X 1,5 | | 10 | |
| (12) | 999 084 445 01 | D - MJ 2007>> - MJ 2007 Locknut M 12 x 1,5 | | 10 | |
| 13 | 997 331 045 04 | D - MJ 2008>> Track rod | | 2 | |
| 14 | 999 084 449 09 | Locknut M 12 X 1,5 | | 4 | |
| 15 | 996 331 217 02 | Eccentric bolt M 12 X 83 | | 2 | |
| 16 | 996 331 219 00 | eccentric washer | | 2 | |
| 17 | 997 331 043 01 | Guide | | 2 | |
| 18 | 900 378 051 09 | Hexagon bolt M 14 X 100 | | 2 | |
| (18) | 900 378 051 01 | D - MJ 2007>> - MJ 2007 Hexagon bolt M 14 x 100 | | 2 | |
| 19 | 900 380 012 09 | D - MJ 2008>> Hexagon nut M 14 X 1,5 Discontinued part | | 4 | |

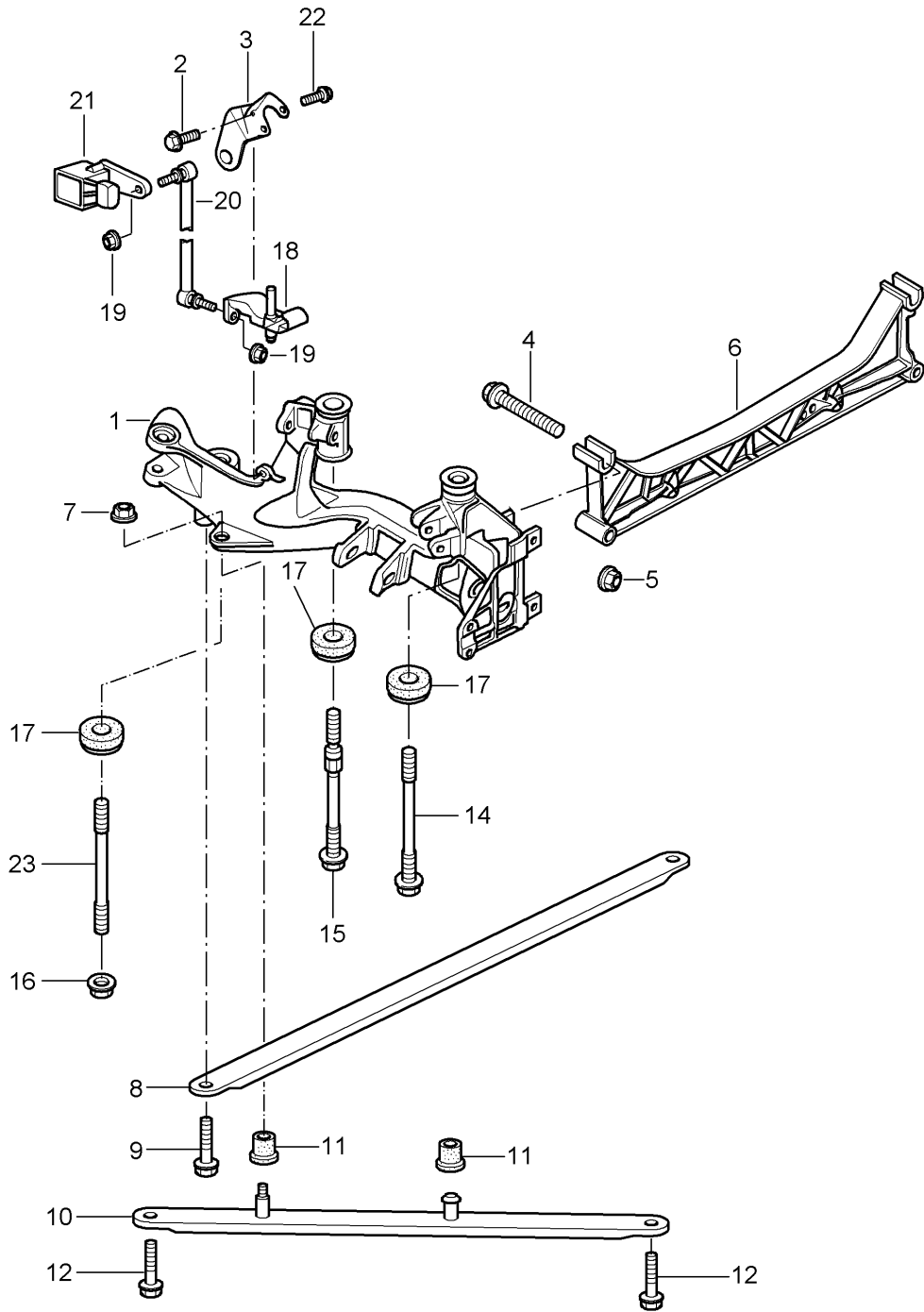
Model: 997T07

Model life 2007>>2009

| Pos | Part Number | Description | Remark | Qty | Model |
|------|----------------|--|--------|-----|-----------------------|
| 19 | 900 380 012 01 | Hexagon nut M 14 X 1,5 | | 4 | |
| 20 | 900 378 135 09 | Hexagon bolt M 14 X 1,5 x 75 | | 2 | |
| (20) | 900 378 135 01 | D - MJ 2007>> - MJ 2007 Hexagon bolt M 14 x 1,5 x 75 | | 2 | |
| 21 | 997 331 053 01 | D - MJ 2008>> Wishbone | | 2 | |
| 22 | 996 331 217 03 | Eccentric bolt | | 2 | |
| 23 | 997 331 487 02 | Spoiler | left | 1 | |
| (23) | 997 331 488 02 | Spoiler | right | 1 | |
| - | 997 361 605 90 | Spacer ring 5 mm | | 2 | GT2 |
| 24 | 999 507 530 00 | Cable holder speed sensor | | 2 | |
| 25 | 996 361 617 00 | Spacer ring 17 mm | | 2 | TURBO/COUPE PR:XRN |
| 26 | 900 060 070 01 | Pin Threaded pin M6X30 Mount speed sensor D - MJ 2007>> | with: | 1 | |

Model: 997T07

Model life 2007>>2009



Model: 997T07 Model life 2007>>2009

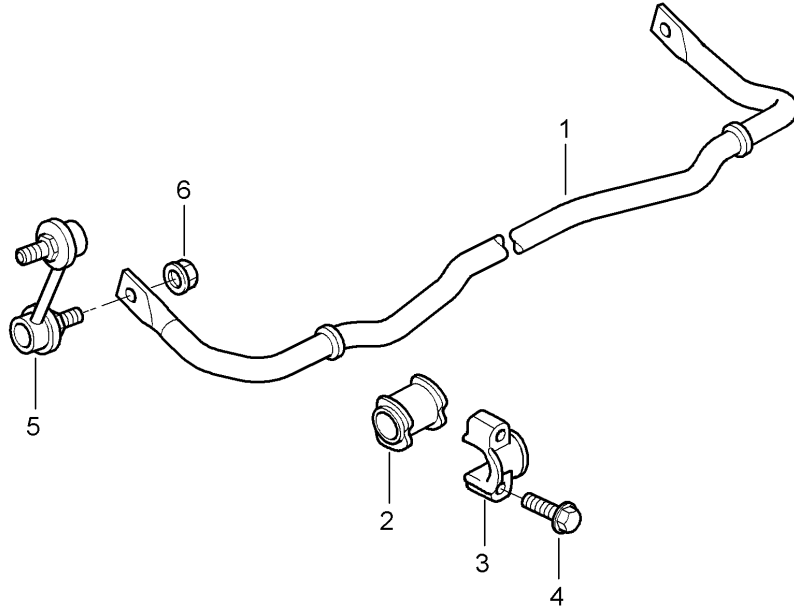
| Pos | Part Number | Description | Remark | Qty | Model |
|------|----------------|--------------------------------------|--------|-----|------------------------|
| | | Rear axle Side part Carrier | | | |
| 1 | 997 331 051 05 | Side part | left | 1 | TURBO |
| (1) | 997 331 051 94 | Side part | left | 1 | GT2 |
| (1) | 997 331 052 05 | Side part | right | 1 | TURBO |
| (1) | 997 331 052 94 | Side part | right | 1 | GT2 |
| 2 | 900 067 117 09 | Socket head bolt M 6 X 16 | | 2 | |
| | | D - MJ 2007>> - MJ 2007 | | | |
| (2) | 900 067 117 04 | Socket head bolt m 6 x 16 | | 2 | |
| | | D - MJ 2008>> | | | |
| 3 | 997 355 505 02 | Retainer for brake hose for | left | 1 | |
| (3) | 997 355 506 02 | Retainer for brake hose for | right | 1 | |
| 4 | 900 378 139 09 | Hexagon bolt M 12 X 1,5 x 80 | | 4 | |
| | | D - MJ 2007>> - MJ 2007 | | | |
| (4) | 900 378 139 01 | Hexagon bolt M 12 x 1,5 x 80 | | 4 | |
| | | D - MJ 2008>> | | | |
| 5 | 999 084 445 09 | Locknut M 12 X 1,5 | | 4 | |
| | | D - MJ 2007>> - MJ 2007 | | | |
| (5) | 999 084 445 01 | Locknut M 12 x 1,5 | | 4 | |
| | | D - MJ 2008>> | | | |
| (6) | 996 331 061 01 | Cross member | | 1 | TURBO |
| | | D - MJ 2007>> - MJ 2007 | | | |
| (6) | 997 331 061 00 | Cross member | | 1 | TURBO |
| | | D - MJ 2008>> | | | |
| (6) | 997 331 261 02 | Cross member | | 1 | GT2 |
| 7 | 999 076 053 09 | Hexagon nut M 10 | | 2 | TURBO GT2 |
| (7) | 999 076 053 01 | Hexagon nut M 10 | | 2 | |
| (7) | PAF 008 868 | Hexagon nut M 10 | | 2 | |
| 8 | 997 331 171 00 | Transverse strut | front | 1 | TURBO PR:249 |
| - | 999 591 629 01 | Cage nut Underbody protection | | X | |
| (8) | 996 331 171 03 | Transverse strut | front | 1 | TURBO GT2 PR:480 |
| | | | | 1 | |
| - | 999 591 629 01 | Cage nut Underbody protection | | X | |
| 9 | 999 072 031 01 | Hexagon bolt M 10 x 45 | | 2 | TURBO |
| | | F >> 99-8S780 582 | | | |
| | | F >> 99-8S786 609 | | | |
| (9) | 999 073 443 01 | Bolt with washer M 10 X 1,5 X 40 | | 2 | TURBO |
| | | F 99-8S780 583>> | | | |
| | | F 99-8S786 610>> | | | |
| (9) | 999 072 031 01 | Hexagon bolt F>>998S4794076 | | 2 | GT2 |
| (9) | 999 073 443 01 | Bolt with washer F 99-8S794 078>> | | 2 | GT2 |
| (10) | 997 331 081 02 | Brace | | 2 | |
| - | 999 591 629 01 | Cage nut | | X | |

Model: 997T07 Model life 2007>>2009

| Pos | Part Number | Description | Remark | Qty | Model |
|------|----------------|--|--------|-----|-----------------|
| 11 | 996 331 385 00 | Underbody protection Rubber bush | | 6 | |
| 12 | 900 378 072 09 | Hexagon bolt M 12 X 1,5 X 30 Discontinued part | | 2 | |
| 12 | 900 378 072 01 | Hexagon bolt M 12 X 1,5 X 30 | | 2 | |
| 14 | 900 178 010 09 | Hexagon bolt M 12 X 130 D - MJ 2007>> - MJ 2007 Discontinued part | | 2 | TURBO |
| (14) | 900 178 010 01 | Hexagon bolt M 12 x 130 D - MJ 2008>> | | 2 | |
| 15 | 900 178 010 09 | Hexagon bolt M 12 X 130 D - MJ 2007>> - MJ 2007 | | 2 | TURBO |
| (15) | 900 178 010 01 | Hexagon bolt M 12 x 130 D - MJ 2008>> | | 2 | |
| 16 | 999 084 445 09 | Locknut M 12 X 1,5 D - MJ 2007>> - MJ 2007 | | 2 | |
| (16) | 999 084 445 01 | Locknut M 12 x 1,5 D - MJ 2008>> | | 2 | |
| 17 | 997 331 291 00 | Washer | | 6 | TURBO |
| 18 | 996 341 371 03 | Bracket for cross member | | 1 | TURBO PR:601 |
| 19 | 900 380 015 09 | Hexagon nut VM 6 D - MJ 2007>> - MJ 2007 | | 2 | TURBO PR:601 |
| (19) | 900 380 015 01 | Hexagon nut VM 6 D - MJ 2008>> | | 2 | TURBO PR:601 |
| 20 | 997 331 375 03 | Brace | | 1 | TURBO PR:601 |
| 21 | 997 631 121 00 | Level sensor | | 1 | TURBO PR:601 |
| 22 | 900 146 003 02 | fillister hd. bolt M 5 x 10 D - MJ 2007>> - MJ 2007 Discontinued part | | 2 | TURBO PR:601 |
| (22) | 900 146 003 03 | fillister hd. bolt M 5 x 10 D - MJ 2008>> | | 2 | TURBO PR:601 |
| 23 | 999 061 103 09 | Threaded pin M 12 X 1,5 D - MJ 2007>> - MJ 2007 | | 2 | |
| (23) | 999 061 103 01 | Threaded pin M 12 X 1,5 D - MJ 2008>> | | 2 | |

Model: 997T07

Model life 2007>>2009



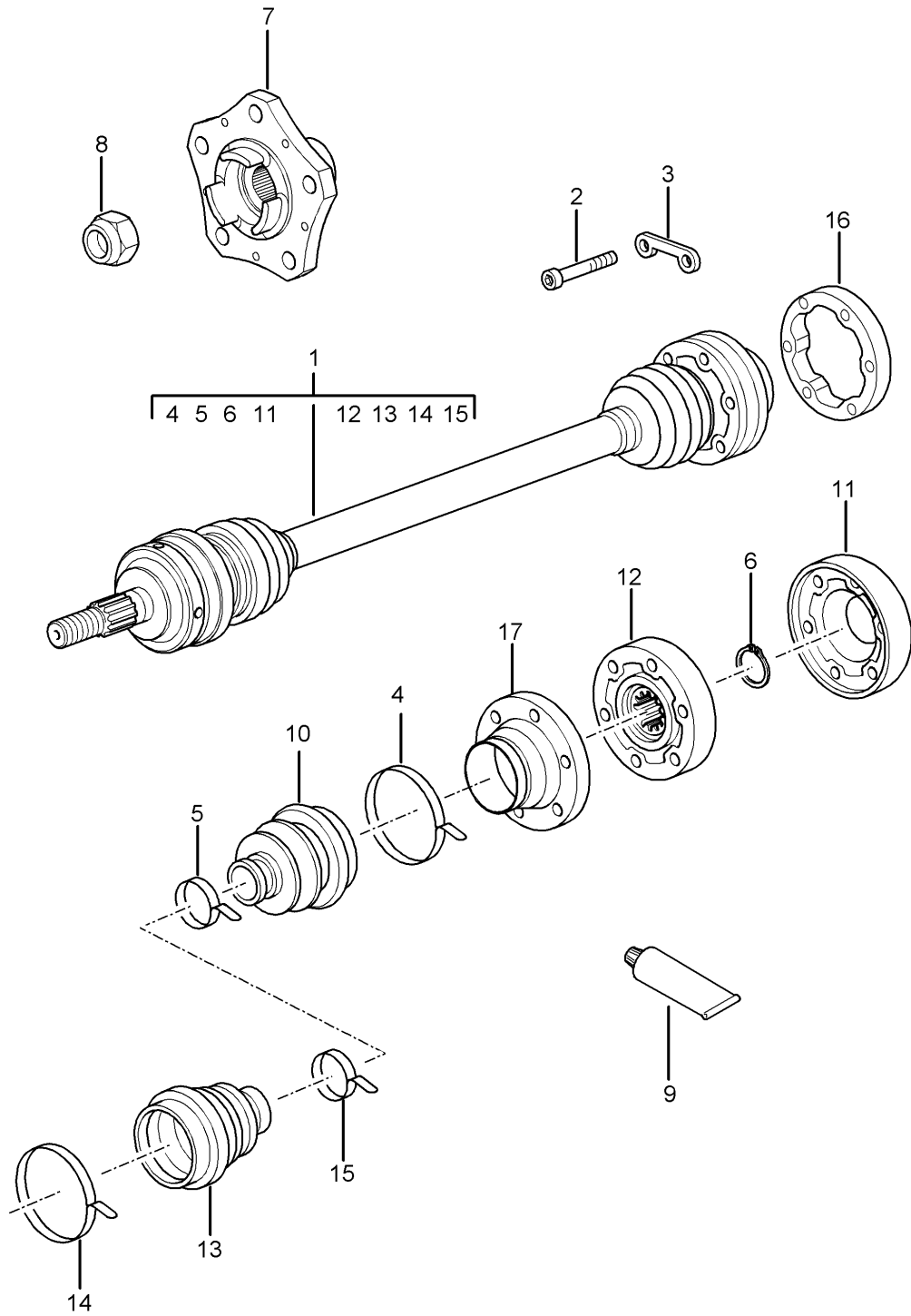
Model: 997T07

Model life 2007>>2009

| Pos | Part Number | Description | Remark | Qty | Model |
|-----|----------------|--|--------|-----|------------------|
| 1 | 997 333 705 04 | Anti-roll bar | | 1 | TURBO |
| (1) | 997 333 705 03 | Anti-roll bar | | 1 | /TURBO |
| (1) | 997 333 701 94 | Anti-roll bar | | 1 | PR:220 GT2 |
| 2 | 996 333 792 27 | anti-roll bar bearing bracket | | 2 | TURBO |
| (2) | 996 333 792 29 | anti-roll bar bearing bracket | | 2 | /TURBO PR:220 |
| (2) | 997 333 792 94 | anti-roll bar bearing bracket D - MJ 2008>> - MJ 2008 | | 1 | GT2 |
| (2) | 997 333 792 95 | anti-roll bar bearing bracket D - MJ 2009>> | | 1 | GT2 |
| 3 | 996 333 777 01 | Bearing clamp | | 2 | |
| 4 | 900 378 055 01 | Hexagon bolt AM 8 X 40 | | 4 | |
| 5 | 997 333 069 05 | Coupling rod | left | 1 | |
| (5) | 997 333 070 05 | Coupling rod | right | 1 | |
| 6 | 999 084 123 09 | Hexagon nut M 10 | | 2 | |
| (6) | 999 084 643 01 | Coupling rod Anti-roll bar Hexagon nut M 10 Anti-roll bar Wheel carrier | | 2 | |

Model: 997T07

Model life 2007>>2009

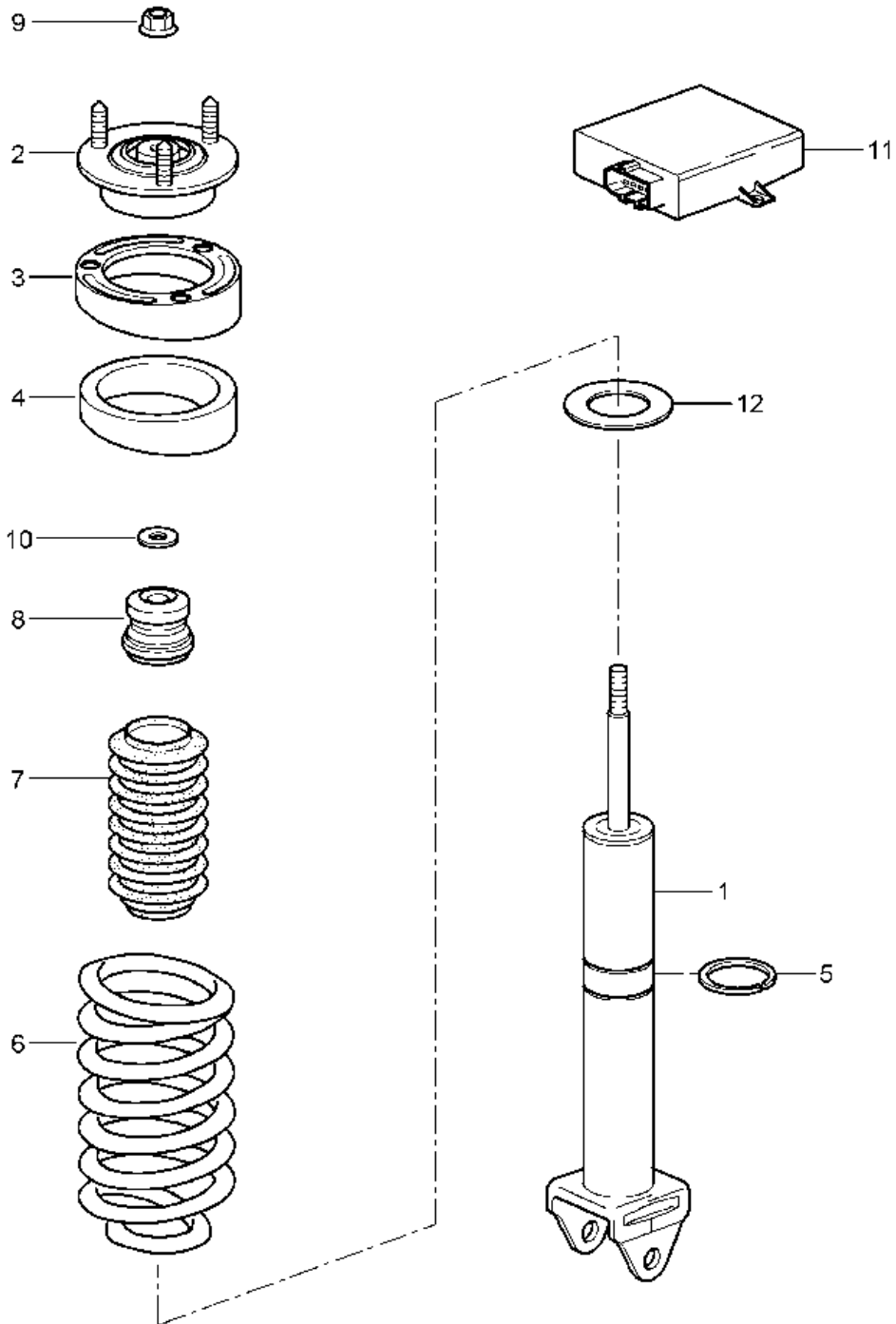


Model: 997T07 Model life 2007>>2009

| Pos | Part Number | Description | Remark | Qty | Model |
|-----|----------------|---|--------|-----|-----------------|
| | | Drive shaft | | | |
| | | Wheel hub | | | |
| 1 | 997 332 024 40 | Drive shaft | | 2 | PR:480 |
| (1) | 997 332 024 41 | Drive shaft | | 2 | PR:249 |
| (2) | 999 073 092 09 | Socket head bolt M 10 x 1 x 50 | | 12 | PR:480 |
| | | D - MJ 2007>> - MJ 2007 | | | |
| (2) | 999 073 449 01 | Socket head bolt M 10 X 1 X 49 | | 12 | PR:480 |
| | | D - MJ 2008>> | | | |
| (2) | 999 510 041 09 | Socket head bolt M 10 X 65 | | 12 | PR:249 |
| | | D >> - MJ 2007 | | | |
| | | Discontinued part | | | |
| (2) | 999 510 041 01 | Socket head bolt M 10 X 65 | | 12 | PR:249 |
| | | D >> - MJ 2007 | | | |
| (2) | 999 510 041 01 | Socket head bolt M 10 X 65 | | 12 | PR:249 |
| | | D - MJ 2008>> | | | |
| (3) | 996 332 191 00 | Spacer | | 6 | |
| 4 | 911 332 257 00 | terminal \$ 73 MM | | 2 | |
| 5 | 928 332 257 01 | terminal \$ 34 MM | | 2 | |
| 6 | 900 041 014 00 | Securing ring | | 2 | |
| 7 | 997 331 605 00 | Wheel hub Discontinued part | | 2 | |
| 7 | 997 331 605 01 | Wheel hub | | 2 | |
| (7) | 997 331 607 02 | Wheel hub D - MJ 2009>> | | 2 | Turbo PR:422 |
| 8 | 999 084 641 02 | Locknut M 22 X 1,5 | | 2 | |
| 9 | 000 043 110 01 | Grease 1 100-gramme tube | | X | |
| (9) | 000 043 205 36 | sealant Drive shaft 1 100-gramme tube | | X | |
| 10 | 928 332 293 02 | Bellows | | 2 | |
| 11 | 928 332 267 01 | End cap Discontinued part | | 2 | |
| 11 | 997 332 267 00 | End cap | | 2 | |
| 12 | 928 332 030 08 | Joint | | 2 | |
| 13 | 928 332 293 02 | Bellows | | 2 | |
| 14 | 911 332 257 00 | terminal | | 2 | |
| 15 | 928 332 257 01 | terminal | | 2 | |
| 16 | 996 332 229 01 | Spacer ring | | 2 | PR:249 |
| 17 | 911 332 259 01 | Bellow support Discontinued part | | 2 | |
| 17 | 911 332 259 02 | frame for boot | | 2 | |

Model: 997T07

Model life 2007>>2009



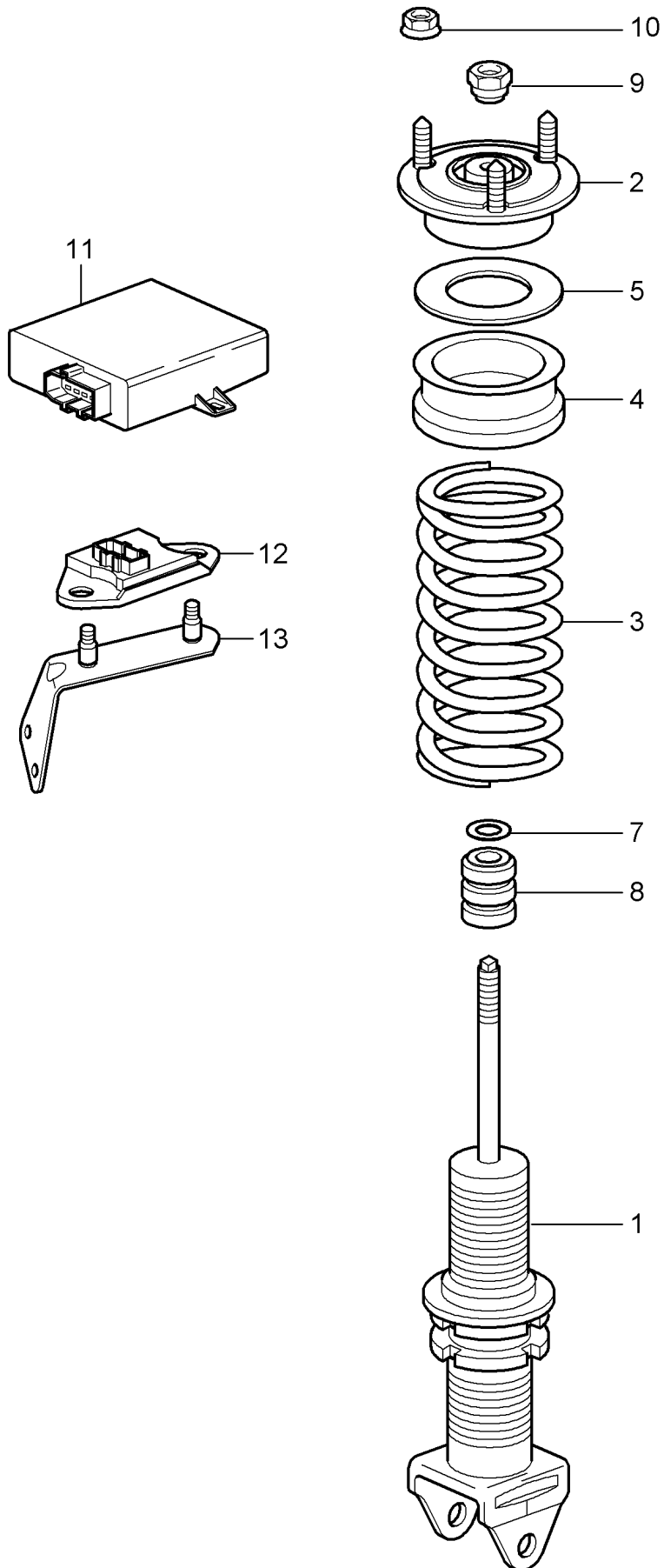
Model: 997T07

Model life 2007>>2009

| Pos | Part Number | Description | Remark | Qty | Model |
|------|--------------------|----------------------------|--------|-----|--------|
| | | Shock absorbers | | | TURBO |
| 1 | 997 333 053 22 | Coil spring | | | |
| | | Shock absorbers | | 2 | COUPE |
| | | D - MJ 2007>> - MJ 2007 | | | |
| (1) | 997 333 053 24 | Discontinued part | | 2 | COUPE |
| | | Shock absorbers | | 2 | CABRIO |
| | | D - MJ 2008>> | | | |
| - | | Mount | | | |
| | | Shock absorbers | | | |
| - | 900 378 138 09 | Hexagon bolt | | 2 | |
| | | M 12 X 1,5 X 70 | | | |
| | | Discontinued part | | | |
| - | 900 378 138 01 | Hexagon bolt | | 2 | |
| | | M 12 X 1,5 X 70 | | | |
| - | 999 084 445 09 | Locknut | | 2 | COUPE |
| | | M 12 X 1,5 | | | |
| | | D - MJ 2007>> - MJ 2007 | | | |
| - | 999 084 445 01 | Locknut | | 2 | COUPE |
| | | M 12 x 1,5 | | 2 | CABRIO |
| | | D - MJ 2008>> | | | |
| 2 | 997 333 061 01 | Shock absorber bearing | | 2 | |
| - | 900 380 008 09 | Locknut | | 12 | |
| | | M 10 | | | |
| | | Discontinued part | | | |
| - | 900 380 008 01 | Hexagon nut | | 12 | |
| | | M 10 | | | |
| 3 | 996 333 511 02 | Balancing plate | | X | |
| | | 0,5 MM | | | |
| (3) | 996 333 511 03 | Balancing plate | | X | |
| | | 4,0 MM | | | |
| 4 | 997 333 504 00 | shelf | | 2 | |
| 5 | 999 152 163 00 | snap ring | | 2 | |
| | | SW 52 | | | |
| 6 | 997 333 531 61 | Coil spring | | 1 | |
| | | 1 set | | | |
| | 997 333 531 61 504 | 1 pair of springs | | | |
| | | white | | | |
| | | green | | | |
| 7 | 993 333 107 01 | Bellows | | 2 | |
| (8) | 997 333 105 01 | helper spring | | 2 | |
| 9 | 999 084 050 02 | Hexagon nut | | 2 | |
| | | M 12 X 1 | | | |
| 10 | 999 025 271 02 | Washer | | 2 | |
| 11 | 997 618 125 03 | Control unit | | 1 | |
| | | Shock absorbers | | | |
| | | D >> - MJ 2007 | | | |
| | | Discontinued part | | | |
| (11) | 997 618 125 04 | Control unit | | 1 | |
| | | Shock absorbers | | | |
| | | D - MJ 2008>> | | | |
| - | 997 618 205 00 | Retainer for control units | | 1 | |
| | | for | | | |
| 12 | 997 333 513 00 | spring disc | | 2 | |
| 18 | 997 606 111 01 | Acceleration sensor for | | 1 | |
| | | bodywork | | | |
| 19 | 997 606 214 00 | Bracket | | 1 | COUPE |
| | | Accelerator sensor | | | |
| | | D - MJ 2007>> - MJ 2007 | | | |
| (19) | 997 606 214 01 | Bracket | | 1 | COUPE |
| | | Accelerator sensor | | 1 | CABRIO |
| | | D - MJ 2008>> | | | |

Model: 997T07

Model life 2007>>2009

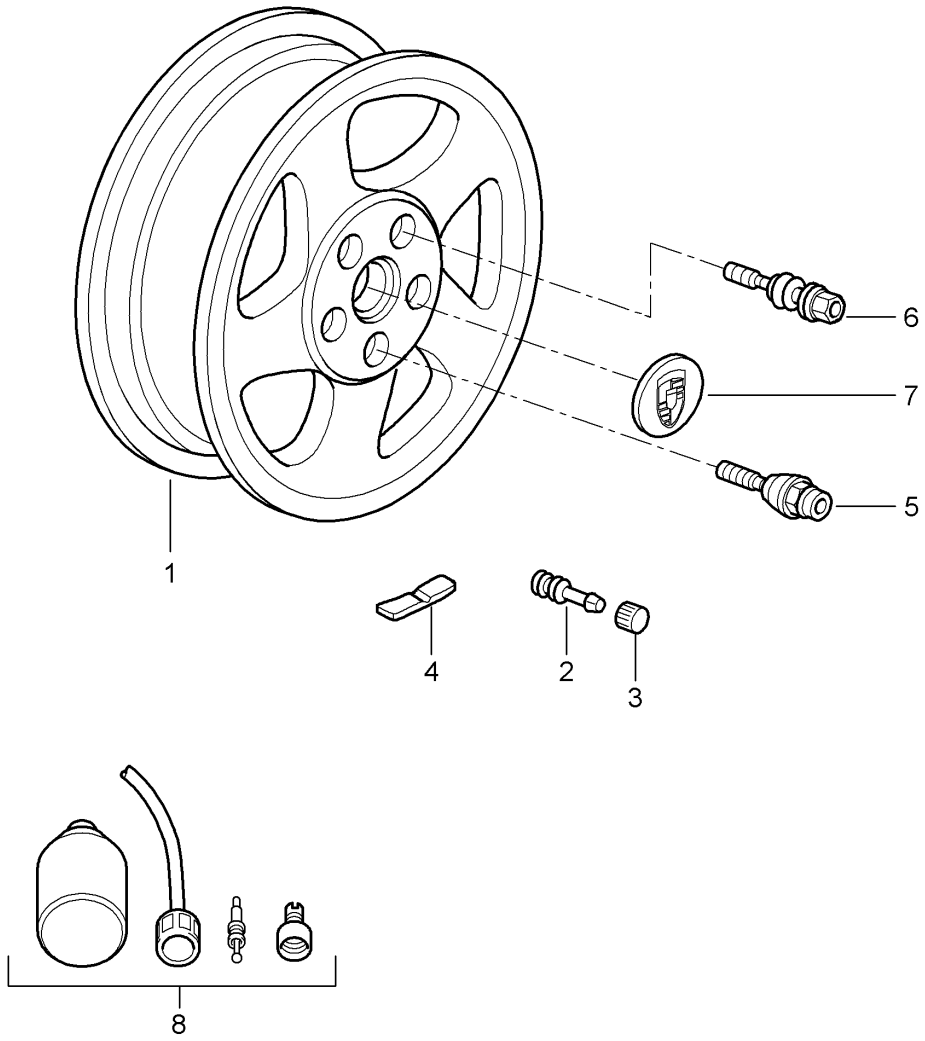


Model: 997T07 Model life 2007>>2009

| Pos | Part Number | Description | Remark | Qty | Model |
|------|--------------------|--|--------|-----|-------|
| | | Shock absorbers Coil spring | | | GT2 |
| 1 | 997 333 051 93 | Shock absorbers | | 2 | |
| - | | Mount | | | |
| - | 900 378 138 09 | Shock absorbers Hexagon bolt M 12 X 1,5 X 70 | | 2 | |
| - | 900 378 138 01 | Discontinued part Hexagon bolt M 12 X 1,5 X 70 | | 2 | |
| - | 999 084 445 01 | Locknut M 12 X 1,5 | | 2 | |
| 2 | 997 333 061 80 | Shock absorber bearing | | 2 | |
| 3 | 997 333 531 94 | Coil spring | | 1 | |
| | 997 333 531 94 504 | 1 pair of springs | | | |
| 4 | 996 333 529 92 | spring bush | | 2 | |
| 5 | 996 333 551 90 | Rubber support | | 2 | |
| 7 | 999 025 271 02 | Washer | | 2 | |
| 8 | 997 333 105 01 | helper spring | | 2 | |
| 9 | 999 084 050 02 | Hexagon nut M 12 X 1 | | 2 | |
| 10 | 900 380 008 01 | Hexagon nut m 10 | | 6 | |
| 11 | 997 618 105 92 | Control unit Shock absorbers | | 1 | |
| | | D >> - MJ 2007 | | | |
| | | Discontinued part | | | |
| (11) | 997 618 105 94 | Control unit Shock absorbers | | 1 | |
| | | D >> - MJ 2007 | | | |
| | | Discontinued part | | | |
| (11) | 997 618 105 B0 | Control unit Shock absorbers | | 1 | |
| | | D >> - MJ 2007 | | | |
| (11) | 997 618 105 94 | Control unit Shock absorbers | | 1 | |
| | | D - MJ 2008>> | | | |
| | | Discontinued part | | | |
| (11) | 997 618 105 B0 | Control unit Shock absorbers | | 1 | |
| | | D - MJ 2008>> | | | |
| - | 997 618 205 00 | Retainer for control units for | | 1 | |
| 12 | 997 606 111 01 | Acceleration sensor for bodywork | | 1 | |
| 13 | 997 606 214 01 | Bracket Accelerator sensor | | 1 | |

Model: 997T07

Model life 2007>>2009



Model: 997T07 Model life 2007>>2009

| Pos | Part Number | Description | Remark | Qty | Model |
|-----|--------------------------------------|---|--------|-----|-----------------|
| - | | Wheels Wheel bolts see Technical information 84/11 Group 4 4407 | | | |
| 1 | 997 362 156 05 | Alloy wheel 8,5 J X 19 ET 56 | front | 2 | PR:404 |
| (1) | 997 362 156 55 | Alloy wheel 8,5 J X 19 ET 55 | front | 2 | PR:XRR |
| (1) | 997 363 156 05 997 363 156 05 B9A | Alloy wheel Carrara white 8,5 J X 19 ET 56 | front | 2 | PR:XD9,404 |
| (1) | 997 363 156 05 997 363 156 05 C9Z | Alloy wheel Basalt black metallic 8,5 J X 19 ET 56 | front | 2 | PR:XD9,404 |
| (1) | 997 363 156 05 997 363 156 05 041 | Alloy wheel Black 8,5 J X 19 ET 56 | front | 2 | PR:XD9,404 |
| (1) | 997 363 156 05 997 363 156 05 12H | Alloy wheel Speed yellow 8,5 J X 19 ET 56 | front | 2 | PR:XD9,404 |
| (1) | 997 363 156 05 997 363 156 05 84A | Alloy wheel guards red (Porsche) 8,5 J X 19 ET 56 | front | 2 | PR:XD9,404 |
| (1) | 997 362 156 95 | Alloy wheel 8,5 J x 19 ET 53 modify in workshop | front | 2 | GT-2 PR:420 |
| (1) | 997 362 156 03 | Alloy wheel 8 J X 19 ET 57 modify in workshop | front | 2 | GT2 |
| (1) | 997 362 162 02 | Alloy wheel 11 J x 19 ET 51 | rear | 2 | PR:404 |
| (1) | 997 362 162 56 | Alloy wheel 11,5 J X 19 ET 50 | rear | 2 | COUPE PR:XRR |
| (1) | 997 363 162 02 997 363 162 02 B9A | D - MJ 2008>> Alloy wheel Carrara white 11 J X 19 ET 51 | rear | 2 | PR:XD9,404 |
| (1) | 997 363 162 02 997 363 162 02 C9Z | Alloy wheel Basalt black metallic 11 J X 19 ET 51 | rear | 2 | PR:XD9,404 |
| (1) | 997 363 162 02 997 363 162 02 041 | Alloy wheel Black 11 J X 19 ET 51 | rear | 2 | PR:XD9,404 |
| (1) | 997 363 162 02 997 363 162 02 12H | Alloy wheel Speed yellow 11 J X 19 | rear | 2 | PR:XD9,404 |

Model: 997T07 Model life 2007>>2009

| Pos | Part Number | Description | Remark | Qty | Model |
|-----|--------------------------------------|--|---------|-----|----------------|
| (1) | 997 363 162 02 997 363 162 02 84A | ET 51 Alloy wheel guards red (Porsche) 11 J X 19 | rear | 2 | PR:XD9,404 |
| (1) | 997 362 164 91 | ET 51 Alloy wheel 12 J X 19 | rear | 2 | GT-2 PR:420 |
| (1) | 997 362 162 03 | ET 51 modify in workshop Alloy wheel 11 J X 19 | rear | 2 | GT2 |
| 2 | 900 265 001 50 | ET 51 -BBS- modify in workshop Rubber valve Rubber | | 4 | COUPE |
| (2) | 900 265 001 51 | Rubber valve Rubber | | 4 | |
| (2) | 311 601 361 | Discontinued part Rubber valve Rubber | | 4 | |
| - | | Valve tyre pressure control system see illustration: | 601-005 | 4 | PR:482,483 |
| 3 | 955 361 163 00 | Cap for Rubber valve | | 4 | |
| (4) | 997 361 405 00 | Balancer weight (self-adhesive) 5.G. | | X | |
| (4) | 997 361 410 00 | Balancer weight (self-adhesive) 10 G. | | X | |
| (4) | 997 361 415 00 | Balancer weight (self-adhesive) 15 G. | | X | |
| (4) | 997 361 420 00 | Balancer weight (self-adhesive) 20 G. | | X | |
| (4) | 997 361 425 00 | Balancer weight (self-adhesive) 25 G. | | X | |
| (4) | 997 361 430 00 | Balancer weight (self-adhesive) 30 G. | | X | |
| (4) | 997 361 435 00 | Balancer weight (self-adhesive) 35 G. | | X | |
| (4) | 997 361 440 00 | Balancer weight (self-adhesive) 40 G. | | X | |
| (4) | 997 361 445 00 | Balancer weight (self-adhesive) 45 G. | | X | |
| (4) | 997 361 450 00 | Balancer weight (self-adhesive) 50 G. | | X | |
| (4) | 997 361 455 00 | Balancer weight (self-adhesive) 55 G. | | X | |
| (4) | 997 361 460 00 | Balancer weight (self-adhesive) 60 G. | | X | |

Model: 997T07 Model life 2007>>2009

| Pos | Part Number | Description | Remark | Qty | Model |
|-----|----------------|--|--------|-----|--------------------------|
| (4) | 997 361 465 00 | Balancer weight (self-adhesive) 65 G. | | X | |
| (4) | 997 361 470 00 | Balancer weight (self-adhesive) 70 G. | | X | |
| (4) | 997 361 475 00 | Balancer weight (self-adhesive) 75 G. | | X | |
| (4) | 997 361 480 00 | Balancer weight (self-adhesive) 80 G. | | X | |
| (4) | 997 361 485 00 | Balancer weight (self-adhesive) 85 G. | | X | |
| (4) | 997 361 490 00 | Balancer weight (self-adhesive) 90 G. | | X | |
| - | | Wheel bolts see Technical information 84/11 Group 4 4407 | | | |
| 5 | 996 361 057 02 | Set Anti-theft protection 1 set silver D - MJ 2007>> - MJ 2007 | | 1 | COUPE |
| (5) | 997 361 057 02 | Set Anti-theft protection 1 set silver D - MJ 2008>> | | 1 | COUPE CABRIO |
| (5) | 997 361 980 10 | Set Wheel bolt Anti-theft protection silver | | 1 | GT2 |
| (5) | 997 361 057 00 | Set Anti-theft protection 1 set silver D - MJ 2007>> - MJ 2007 | | 1 | COUPE PR:444 "GB." |
| (5) | 997 361 057 01 | Set Anti-theft protection 1 set silver D - MJ 2008>> | | 1 | PR:444 "GB." |
| (5) | 997 361 980 09 | Set Anti-theft protection 1 set silver | | 1 | GT2 PR:444 "GB." |
| 6 | 996 361 203 02 | Wheel bolt silver D - MJ 2007>> - MJ 2007 | | 16 | COUPE |
| (6) | 997 361 203 01 | Wheel bolt silver D - MJ 2008>> Discontinued part | | 16 | COUPE CABRIO |
| (6) | 997 361 203 02 | Wheel bolt silver D - MJ 2008>> | | 16 | COUPE CABRIO |
| (6) | 997 361 980 07 | Wheel bolt | | 16 | GT2 |

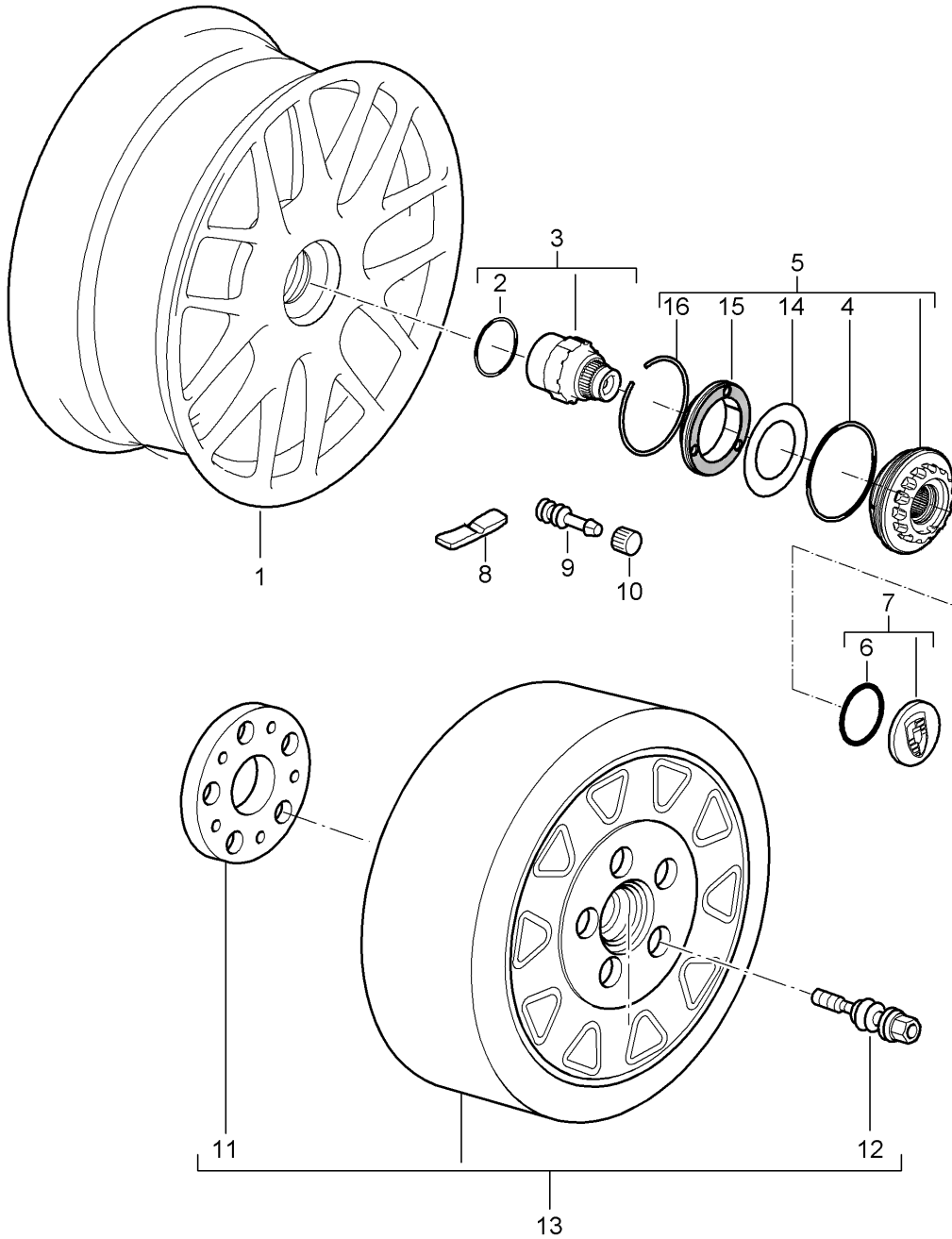
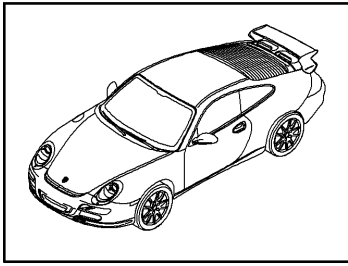
Model: 997T07

Model life 2007>>2009

| Pos | Part Number | Description | Remark | Qty | Model |
|-----|--------------------|---|--------|-----|------------------|
| (6) | 999 182 006 31 | silver Wheel nut | | 20 | COUPE PR: XRN |
| 7 | 997 361 305 00 | Hub cap Discontinued part | | 4 | TURBO |
| 7 | 7PP 601 149 F | Hub cap | | 4 | TURBO |
| (7) | 996 361 303 93 | Hub cap | | 4 | GT2 |
| | 996 361 303 93 9A1 | silver | | | |
| (7) | 955 361 303 05 | Hub cap | | 4 | PR: 446 |
| | 955 361 303 05 9A1 | silver modify in workshop Paint | | | GT2 |
| - | 999 914 001 40 | Plastic gloves No longer use the part here | | X | PR: 447 |
| 8 | 955 722 631 00 | Compressed air bottle Discontinued part | | 1 | |
| 8 | 4L0 012 619 A | Tyre sealant | | 1 | |
| (8) | 997 652 057 00 | Compressor for Spare wheel | | 1 | PR: 447 |
| - | 911 722 201 02 | Tyre pressure gauge | | 1 | GT2 |
| - | 996 362 020 04 | Spare wheel Grey cast iron | | 1 | PR: 447 |
| - | 997 362 050 00 | Brake Spare wheel PCCB Brake | | 1 | PR: 447, 450 |

Model: 997T07

Model life 2007>>2009



Model: 997T07 Model life 2007>>2009

| Pos | Part Number | Description | Remark | Qty | Model |
|-----|----------------|--|--------|-----|-----------------|
| | | Central locking | | | Turbo PR:422 |
| 1 | 997 362 157 06 | Alloy wheel with central locking 8,5 J X 19 ET 56 | front | 2 | |
| (1) | 997 362 163 04 | Alloy wheel 11 J X 19 ET 51 | rear | 2 | |
| 2 | 999 707 012 40 | O-ring 37 X 2,5 N | | 4 | |
| 3 | 997 341 251 02 | Locking mechanism Discontinued part | | 2 | |
| 3 | 997 341 251 04 | Locking mechanism | | 2 | |
| 4 | 999 707 648 40 | O-ring 92,00 X 3,5 | | 4 | |
| 5 | 997 361 081 04 | Wheel bolt Discontinued part | | 4 | |
| 5 | 997 361 081 05 | Wheel bolt No longer use the part here | | 4 | |
| 5 | 997 361 081 06 | Wheel bolt | | 4 | |
| 6 | 999 701 045 40 | O-ring 32 X 2,0 N | | 4 | |
| 7 | 997 361 207 03 | Hub cap | | 4 | |
| 8 | 997 361 405 00 | Balancer weight (self-adhesive) 5.G. | | X | |
| (8) | 997 361 410 00 | Balancer weight (self-adhesive) 10 G. | | X | |
| (8) | 997 361 415 00 | Balancer weight (self-adhesive) 15 G. | | X | |
| (8) | 997 361 420 00 | Balancer weight (self-adhesive) 20 G. | | X | |
| (8) | 997 361 425 00 | Balancer weight (self-adhesive) 25 G. | | X | |
| (8) | 997 361 430 00 | Balancer weight (self-adhesive) 30 G. | | X | |
| (8) | 997 361 435 00 | Balancer weight (self-adhesive) 35 G. | | X | |
| (8) | 997 361 440 00 | Balancer weight (self-adhesive) 40 G. | | X | |
| (8) | 997 361 445 00 | Balancer weight (self-adhesive) 45 G. | | X | |
| (8) | 997 361 450 00 | Balancer weight (self-adhesive) 50 G. | | X | |
| (8) | 997 361 455 00 | Balancer weight (self-adhesive) 55 G. | | X | |
| (8) | 997 361 460 00 | Balancer weight (self-adhesive) 60 G. | | X | |
| (8) | 997 361 465 00 | Balancer weight (self-adhesive) 65 G. | | X | |

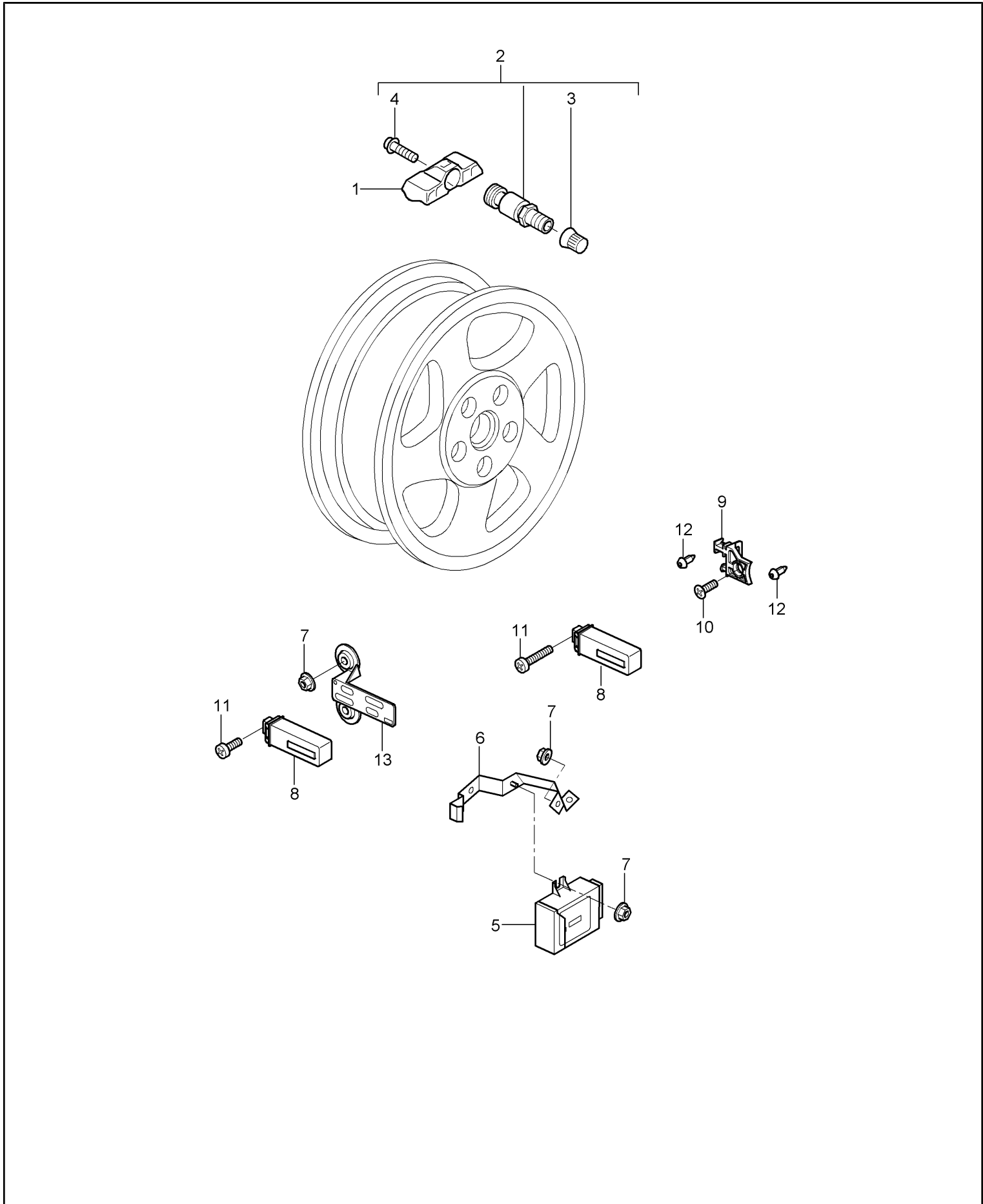
Model: 997T07

Model life 2007>>2009

| Pos | Part Number | Description | Remark | Qty | Model |
|-----|----------------|---|--------|-----|--------|
| (8) | 997 361 470 00 | Balancer weight (self-adhesive) 70 G. | | X | |
| (8) | 997 361 475 00 | Balancer weight (self-adhesive) 75 G. | | X | |
| (8) | 997 361 480 00 | Balancer weight (self-adhesive) 80 G. | | X | |
| (8) | 997 361 485 00 | Balancer weight (self-adhesive) 85 G. | | X | |
| (8) | 997 361 490 00 | Balancer weight (self-adhesive) 90 G. | | X | |
| 9 | 900 265 001 50 | Rubber valve Rubber | | 4 | |
| 9 | 900 265 001 51 | Rubber valve Rubber | | 4 | |
| 9 | 311 601 361 | Discontinued part Rubber valve Rubber | | 4 | |
| 10 | 955 361 163 00 | Cap for Rubber valve | | 4 | |
| 11 | 997 362 191 00 | Adapter Spare wheel | | 1 | PR:447 |
| 12 | 997 361 203 01 | Wheel bolt Adapter Discontinued part | | 5 | PR:447 |
| 12 | 997 361 203 02 | Wheel bolt Adapter | | 5 | PR:447 |
| 13 | 997 362 021 00 | Spare wheel | | 1 | PR:447 |
| 14 | 997 361 189 00 | Washer | | 4 | |
| 15 | | Conical ring | | 4 | |
| 16 | 997 361 187 00 | Securing ring 2,0 | | 4 | |

Model: 997T07

Model life 2007>>2009



Model: 997T07

Model life 2007>>2009

| Pos | Part Number | Description | Remark | Qty | Model |
|-----|----------------|---|--------------------------|--------|---|
| | | tyre pressure control system | | | COUPE CABRIO PR:482,483 PR:482 |
| 1 | 997 606 021 00 | D - MJ 2007>> Tyre pressure sensor | also use: 955 361 053 00 | 4 | |
| (1) | 997 606 021 01 | D >> - MJ 2007 Tyre pressure sensor | also use: 955 361 053 00 | 4 | PR:482 |
| (1) | 997 606 021 02 | D - MJ 2008>> Discontinued part Tyre pressure sensor | also use: 955 361 053 00 | 4 | PR:482 |
| (1) | 997 606 023 00 | D - MJ 2008>> Tyre pressure sensor | also use: 955 361 053 00 | 4 | PR:483 |
| (1) | 997 606 023 01 | D >> - MJ 2007 Discontinued part Tyre pressure sensor | also use: 955 361 053 00 | 4 | PR:483 |
| (1) | 997 606 023 02 | D - MJ 2008>> Discontinued part Tyre pressure sensor | also use: 955 361 053 00 | 4 | PR:483 -"ROK" |
| (1) | 997 606 023 03 | Discontinued part Tyre pressure sensor | also use: 955 361 053 00 | 4 | PR:483 -"ROK" |
| (1) | 997 606 025 00 | Tyre pressure sensor | also use: 955 361 053 00 | 4 | PR:483 "ROK" |
| (1) | 997 606 021 02 | Discontinued part Tyre pressure sensor | also use: 955 361 053 00 | 4 | "ROK" |
| 2 | 955 361 053 00 | Valve aluminium Discontinued part | | 4 | |
| (2) | 9P1 601 361 A | Valve aluminium | | 4 | |
| 3 | N 908 729 01 | Valve cap for valve unit | | 4 | |
| 4 | 4D0 601 365 | Hexagon socket head bolt, self-locking | | 4 | |
| 5 | 997 618 103 06 | Control unit for tyre pressure control | | 1 | Turbo |
| 5 | 997 618 103 06 | Control unit for tyre pressure control | | 1 | GT-2 |
| (6) | 997 618 203 02 | Bracket Control unit | | 1 | |
| 7 | 999 076 081 40 | Hexagon plastic collar nut T5 16 X 11, 2 | | 7 | |
| 8 | 997 606 101 00 | Aerial 433 MHZ | | 4 | PR:482 |
| (8) | 997 606 103 00 | Aerial 315 MHZ | also use: 997 606 225 00 | 4 | PR:483 |
| (8) | 997 606 102 00 | Aerial 433MHZ | also use: 997 606 225 00 | 4 | "ROK" |
| 9 | 997 606 225 00 | only in conj. with: 997.606.021.02 Clip for | | 4 2 | |

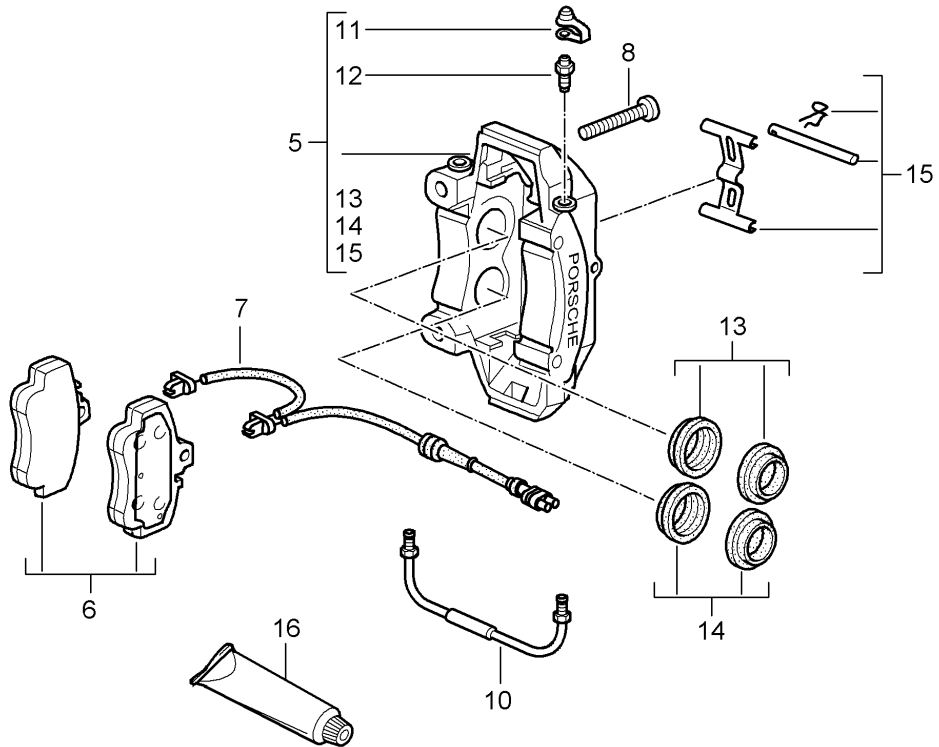
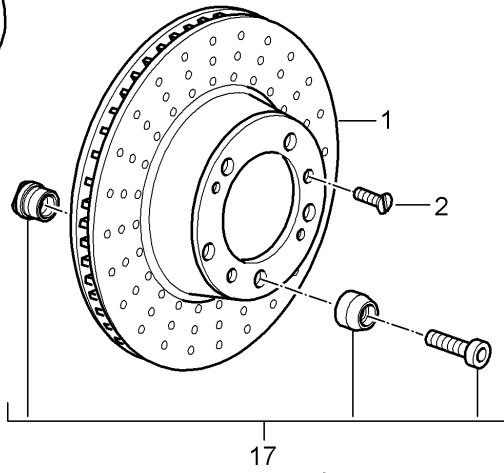
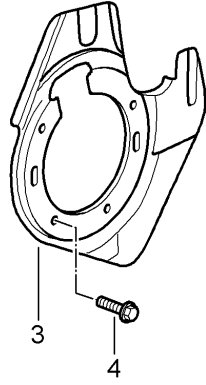
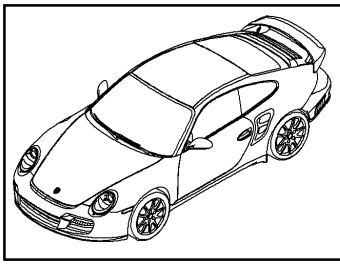
Model: 997T07

Model life 2007>>2009

| Pos | Part Number | Description | Remark | Qty | Model |
|-----|----------------|---|--------|-----|-------|
| 10 | 999 919 121 09 | Aerial Rear axle fillister hd. bolt M 5 X 16 | | 2 | |
| 11 | 999 919 023 09 | fillister hd. bolt M 5 X 35 | | 4 | |
| 12 | N 105 168 01 | expanding nut ST 4,8 | | 4 | |
| 13 | 997 606 141 00 | Retainer for aerial | front | 2 | |
| - | 997 652 053 01 | Compressor Guide Spare wheel | | 1 | |

Model: 997T07

Model life 2007>>2009



Model: 997T07

Model life 2007>>2009

| Pos | Part Number | Description | Remark | Qty | Model |
|-----|----------------|--|-------------------------------|--------|------------|
| - | | Disc brake Front axle Brake disc Only in pairs Replace Technical manual Attention | | | TURBO |
| 1 | 997 351 405 00 | Brake disc D - >> - MJ 2008 | left front | 1 | PR:450 |
| (1) | 997 351 405 01 | Brake disc D - MJ 2009>> | left front | 1 | |
| (1) | 997 351 405 02 | Brake disc also use: See technical manual Group: 46 50 19 D - MJ 2009>> | left front | 1 | PR:422 |
| (1) | 997 351 031 31 | Brake disc D - MJ 2007>> - MJ 2007 | 997 341 901 00 left front | X 1 | PR:450 |
| (1) | 997 351 031 32 | Brake disc D - MJ 2008>> - MJ 2008 | left front | 1 | PR:450 |
| (1) | 997 351 031 33 | Brake disc D - MJ 2009>> | left front | 1 | PR:450 |
| (1) | 997 351 031 33 | Brake disc also use: See technical manual Group: 46 51 19 D - MJ 2009>> | left front 997 341 901 00 | 1 X | PR:450,422 |
| (1) | 997 351 406 00 | Brake disc D - >> - MJ 2008 | right front | 1 | |
| (1) | 997 351 406 01 | Brake disc D - MJ 2009>> | right front | 1 | |
| (1) | 997 351 406 02 | Brake disc also use: See technical manual Group: 46 50 19 D - MJ 2009>> | right front | 1 | PR:422 |
| (1) | 997 351 032 31 | Brake disc D - MJ 2007>> - MJ 2007 | 997 341 901 00 right front | X 1 | PR:450 |
| (1) | 997 351 032 32 | Brake disc D - MJ 2008>> - MJ 2008 | right front | 1 | PR:450 |
| (1) | 997 351 032 33 | Brake disc D - MJ 2009>> | right front | 1 | PR:450 |
| (1) | 997 351 032 33 | Brake disc also use: See technical manual grupp 46 51 19 D - MJ 2009>> | right front 997 341 901 00 | 1 X | PR:450,422 |
| 2 | 900 269 047 09 | countersunk bolt M 6 X 12 D - MJ 2007>> - MJ 2007 | | 4 | |
| (2) | 900 269 047 01 | countersunk bolt M 6 X 12 D - MJ 2008>> | | 4 | |
| 3 | 997 351 805 05 | Cover plate | left | 1 | |
| (3) | 997 351 806 05 | Cover plate | right | 1 | |
| 4 | 999 217 116 09 | Hexagon bolt M 6 X 16 D - MJ 2007>> - MJ 2007 | | X | COUPE |

Model: 997T07 Model life 2007>>2009

| Pos | Part Number | Description | Remark | Qty | Model |
|-----|----------------|---|----------------|-----|-----------------|
| (4) | 999 217 116 01 | Hexagon bolt M 6 x 16 | | X | COUPE CABRIO |
| 5 | 997 351 431 10 | D - MJ 2008>> caliper without brake pads | left | 1 | |
| | | also use: | 999 067 047 09 | 2 | |
| (5) | 997 351 427 30 | caliper without brake pads | left | 1 | PR:450 |
| | | also use: | 999 067 054 09 | 2 | |
| (5) | 997 351 427 31 | D - MJ 2007>> - MJ 2007 caliper without brake pads | left | 1 | PR:450 |
| | | also use: | 999 067 054 09 | 2 | |
| (5) | 997 351 432 10 | D - MJ 2008>> caliper without brake pads | right | 1 | |
| | | Fasteners Fastening screw 999.067.047.09 | | 2 | |
| (5) | 997 351 428 30 | caliper without brake pads | right | 1 | PR:450 |
| | | also use: | 999 067 054 09 | 2 | |
| (5) | 997 351 428 31 | D - MJ 2007>> - MJ 2007 caliper without brake pads | right | 1 | PR:450 |
| | | also use: | 999 067 054 09 | 2 | |
| - | 997 351 505 02 | D - MJ 2008>> Adapter | | 2 | PR:450 |
| - | 999 073 313 09 | flat round head bolt m 12 x 1,5 | | 4 | PR:450 |
| 6 | 997 351 947 00 | 1 set of brake pads for disk brake | front | 1 | |
| | | also use: | | | |
| (6) | 997 351 947 01 | Fasteners 1 set of brake pads for disk brake | front | 1 | |
| | | also use: | | | |
| | | Fasteners Assembled | | | |
| | | without: | | | |
| - | | Damping plate See technical manual Group 4 Nr.46 36 20 | | | |
| (6) | 997 351 948 02 | 1 set of brake pads for disk brake | front | 1 | PR:450 |
| | | also use: | | | |
| | | Fasteners See technical manual | 4 | | |
| | | Group: | NR. 46 34 20 | | |
| (6) | 996 352 086 01 | Damping plate only in conj. with: 1 set of brake pads for disk brake 991.351.947.00 | | 12 | |
| | | Discontinued part | | | |
| (6) | 996 352 086 02 | Damping plate only in conj. with: 1 set of brake pads for disk brake 991.351.947.00 | | 12 | |
| - | 996 352 086 01 | Damping plate 28 mm | | 12 | PR:450 |
| - | 996 352 086 02 | Discontinued part Damping plate 28 mm | | 12 | PR:450 |
| 7 | 997 612 677 00 | sender wire (pad wear indicator) | | 2 | |
| - | 999 507 464 40 | bracket for speed sensor | | 2 | |

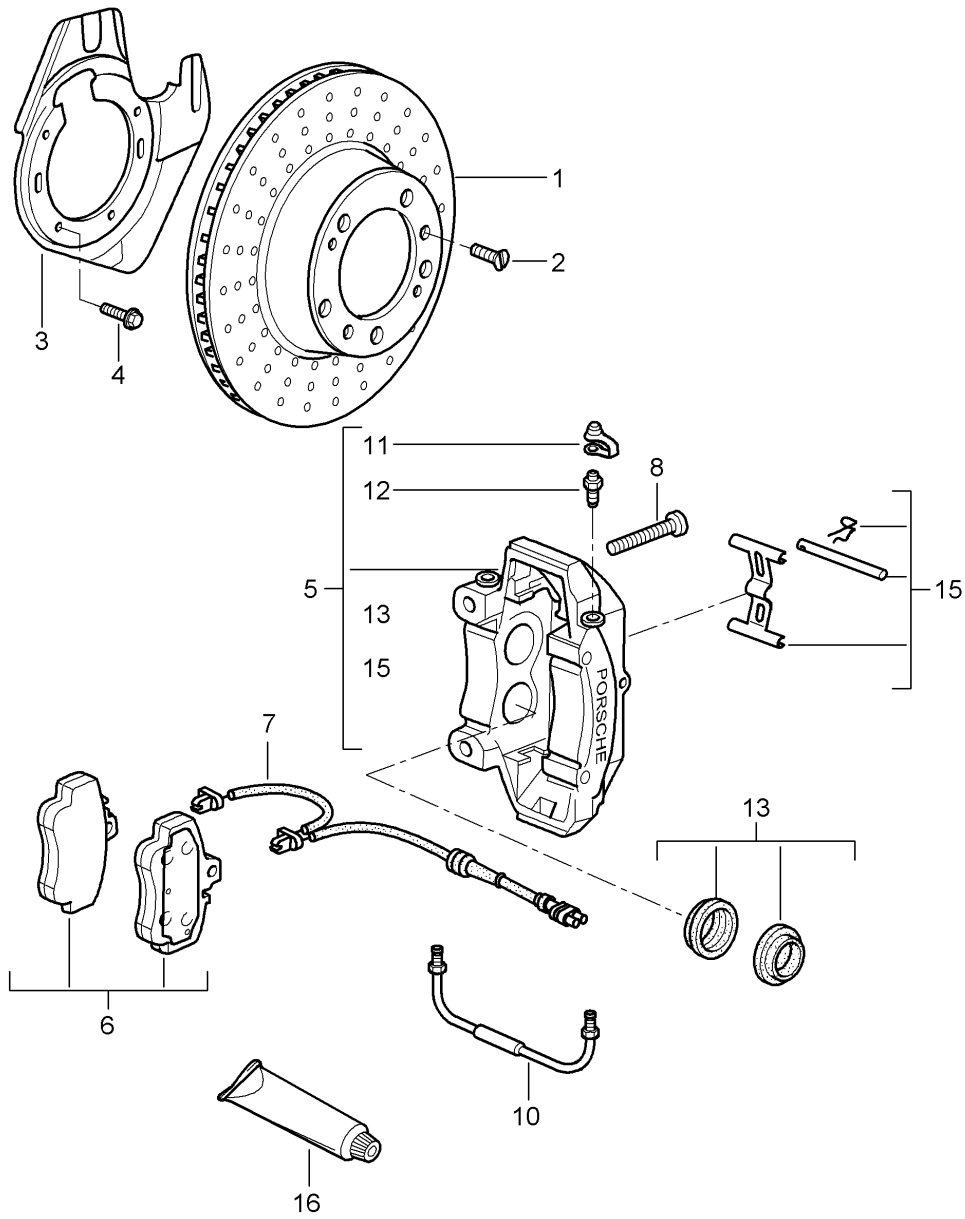
Model: 997T07

Model life 2007>>2009

| Pos | Part Number | Description | Remark | Qty | Model |
|------|----------------|--|--------|------------------|--------|
| - | 944 612 627 00 | Line holder for Warning contact | | 3 | |
| 8 | 999 067 047 09 | Socket head bolt m 12 x 1,5 x 85 | | 4 | |
| (8) | 999 067 054 09 | Socket head bolt M 12 X 1,5 X 62 | | 4 | PR:450 |
| (10) | 996 351 961 30 | Connecting line | | 2 | |
| (10) | 980 351 961 00 | Connecting line | | 2 | |
| 11 | 930 351 927 00 | dust cap Discontinued part | | 2 | |
| 11 | 930 351 927 01 | dust cap | | 2 | |
| 12 | 997 352 919 00 | Breather valve | | 2 | |
| 13 | 951 352 917 00 | repair set Protection caps 28 mm | | X | |
| 14 | 996 351 915 00 | repair set Protection caps 32 mm | | X | |
| (13) | 996 351 915 01 | repair set Protection caps 38 mm | | X | |
| (13) | 951 352 917 00 | repair set Protection caps 28 mm | | X | PR:450 |
| (13) | 996 351 915 00 | repair set Protection caps 32 mm | | X | PR:450 |
| (13) | 951 351 917 00 | repair set Protection caps 36 mm | | X | PR:450 |
| (15) | 996 351 959 30 | repair set Fasteners Pin Cup expander spring Screw | | 1 | |
| 16 | 000 043 117 00 | brake cylinder paste 50 G | | X | |
| 16 | 000 043 020 00 | Assembly paste 100 G | | X | |
| 17 | 997 341 901 00 | Assembly kit comprising: Driving pin Sleeve Fastening screw See technical manual 46 50 19 46 51 19 D - MJ 2009>> | | 2 5 5 5 | PR:422 |

Model: 997T07

Model life 2007>>2009



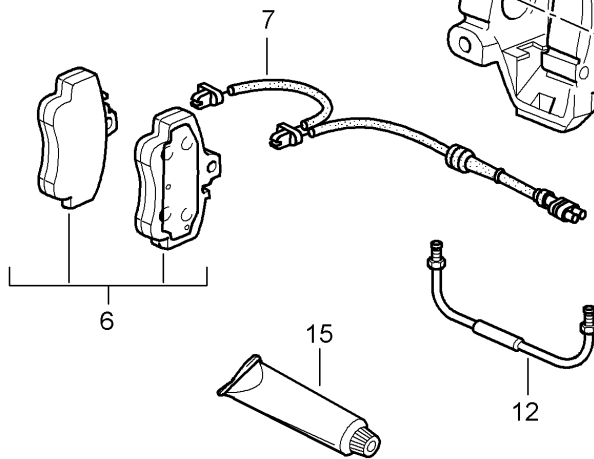
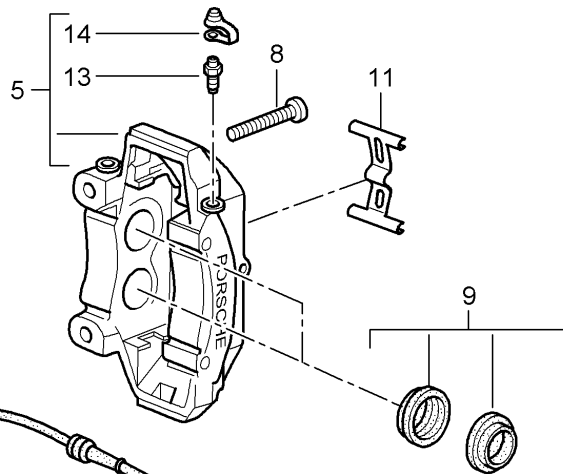
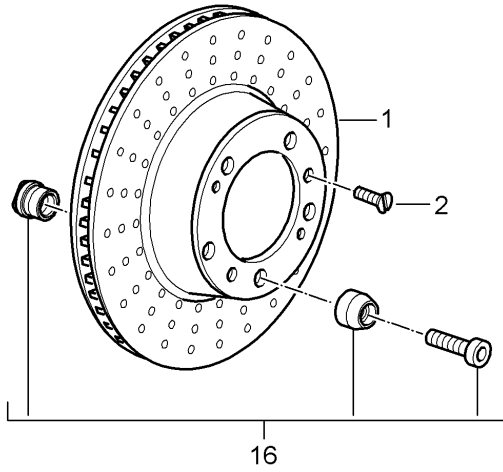
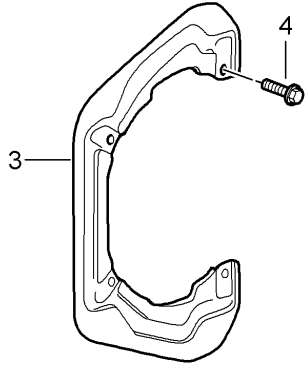
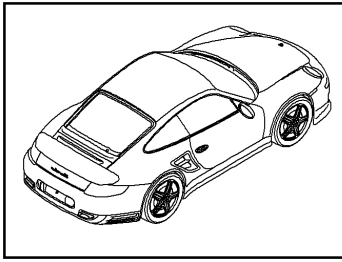
Model: 997T07

Model life 2007>>2009

| Pos | Part Number | Description | Remark | Qty | Model |
|------|----------------|--|----------------|-----|-------|
| - | | Disc brake Front axle Brake disc Only in pairs Replace Technical manual Attention | | | GT2 |
| (1) | 997 351 031 93 | Brake disc | left front | 1 | |
| (1) | 997 351 032 93 | Brake disc | right front | 1 | |
| 2 | 900 269 047 01 | countersunk bolt M 6 X 12 | | 4 | |
| (3) | 997 351 813 90 | Cover plate | left lower | 1 | |
| (3) | 996 351 815 90 | Air guide plate | left | 1 | |
| (3) | 997 351 814 90 | Cover plate | right lower | 1 | |
| (3) | 996 351 816 90 | Air guide plate | right | 1 | |
| - | 900 378 036 01 | Hexagon bolt M 6 x 16 | | 4 | |
| - | 900 380 015 01 | Hexagon nut M 6 | | 4 | |
| (4) | 999 217 116 01 | Hexagon bolt M 6 x 16 | | X | |
| (5) | 997 351 431 92 | caliper without brake pads | left | 1 | |
| | | also use: | 999 067 054 09 | 4 | |
| (5) | 997 351 432 92 | caliper without brake pads | right | 1 | |
| | | also use: | 999 067 054 09 | 4 | |
| (6) | 997 351 948 90 | 1 set of brake pads for disk brake | front | 1 | |
| | | also use: | 999 067 054 09 | 4 | |
| (7) | 997 612 677 00 | sender wire (pad wear indicator) | | 2 | |
| - | 999 507 464 40 | bracket for speed sensor | | 2 | |
| - | 944 612 627 00 | Line holder for Warning contact | | 3 | |
| (8) | 999 067 054 09 | Socket head bolt M 12 X 1,5 X 62 | | 4 | |
| 10 | 997 351 961 91 | Connecting line | | 2 | |
| 11 | 930 351 927 00 | dust cap Discontinued part | | 2 | |
| 11 | 930 351 927 01 | dust cap | | 2 | |
| 12 | 997 352 919 00 | Breather valve | | 2 | |
| (13) | 951 352 917 00 | repair set Protection caps 28 MM | | X | |
| (13) | 996 351 915 00 | repair set Protection caps 32 MM | | X | |
| (13) | 951 352 917 01 | repair set Protection caps 30 mm | | X | |
| (15) | 996 351 959 30 | repair set Fasteners Pin Cup expander spring Screw | | 1 | |
| 16 | 000 043 117 00 | brake cylinder paste 50 G | | X | |
| 16 | 000 043 020 00 | Assembly paste 100 G | | X | |

Model: 997T07

Model life 2007>>2009



Model: 997T07 Model life 2007>>2009

| Pos | Part Number | Description | Remark | Qty | Model |
|-----|----------------|---|------------------------------|--------|------------|
| - | | Disc brake Rear axle Brake disc Only in pairs Replace Technical manual Attention | | | TURBO |
| (1) | 997 352 405 01 | Brake disc D >> - MJ 2008 | left rear | 1 | PR:450 |
| (1) | 997 352 405 02 | Brake disc D - MJ 2009>> | left rear | 1 | |
| (1) | 997 352 405 03 | Brake disc also use: See technical manual 46 53 19 D - MJ 2009>> | left rear | 1 | PR:422 |
| (1) | 996 352 031 04 | Brake disc D - MJ 2007>> - MJ 2007 | 997 341 901 00 left rear | X 1 | PR:450 |
| (1) | 997 352 031 00 | Brake disc D - MJ 2008>> - MJ 2008 | left rear | 1 | PR:450 |
| (1) | 997 352 031 01 | Brake disc D - MJ 2009>> Discontinued part | left rear | 1 | PR:450 |
| (1) | 298 615 601 | Brake disc D - MJ 2009>> Discontinued part | left rear | 1 | PR:450 |
| (1) | 298 615 601 C | Brake disc D - MJ 2009>> | left rear | 1 | PR:450 |
| (1) | 997 352 031 01 | Brake disc also use: See technical manual 46 54 19 D - MJ 2009>> Discontinued part | left rear 997 341 901 00 | 1 X | PR:450,422 |
| (1) | 298 615 601 | Brake disc also use: See technical manual 46 54 19 D - MJ 2009>> Discontinued part | left rear 997 341 901 00 | 1 X | PR:450,422 |
| (1) | 298 615 601 C | Brake disc also use: See technical manual 46 54 19 D - MJ 2009>> | left rear 997 341 901 00 | 1 X | PR:450,422 |
| (1) | 997 352 406 01 | Brake disc D >> - MJ 2008 | right rear | 1 | |
| (1) | 997 352 406 02 | Brake disc D - MJ 2009>> | right rear | 1 | |
| (1) | 997 352 406 03 | Brake disc also use: See technical manual 46 53 19 D - MJ 2009>> | right rear | 1 | PR:422 |
| (1) | 996 352 032 04 | Brake disc D - MJ 2007>> - MJ 2007 | 997 341 901 00 right rear | X 1 | PR:450 |
| (1) | 997 352 032 00 | Brake disc D - MJ 2008>> - MJ 2008 | right rear | 1 | PR:450 |
| (1) | 997 352 032 01 | Brake disc D - MJ 2009>> Discontinued part | right rear | 1 | PR:450 |

Model: 997T07 Model life 2007>>2009

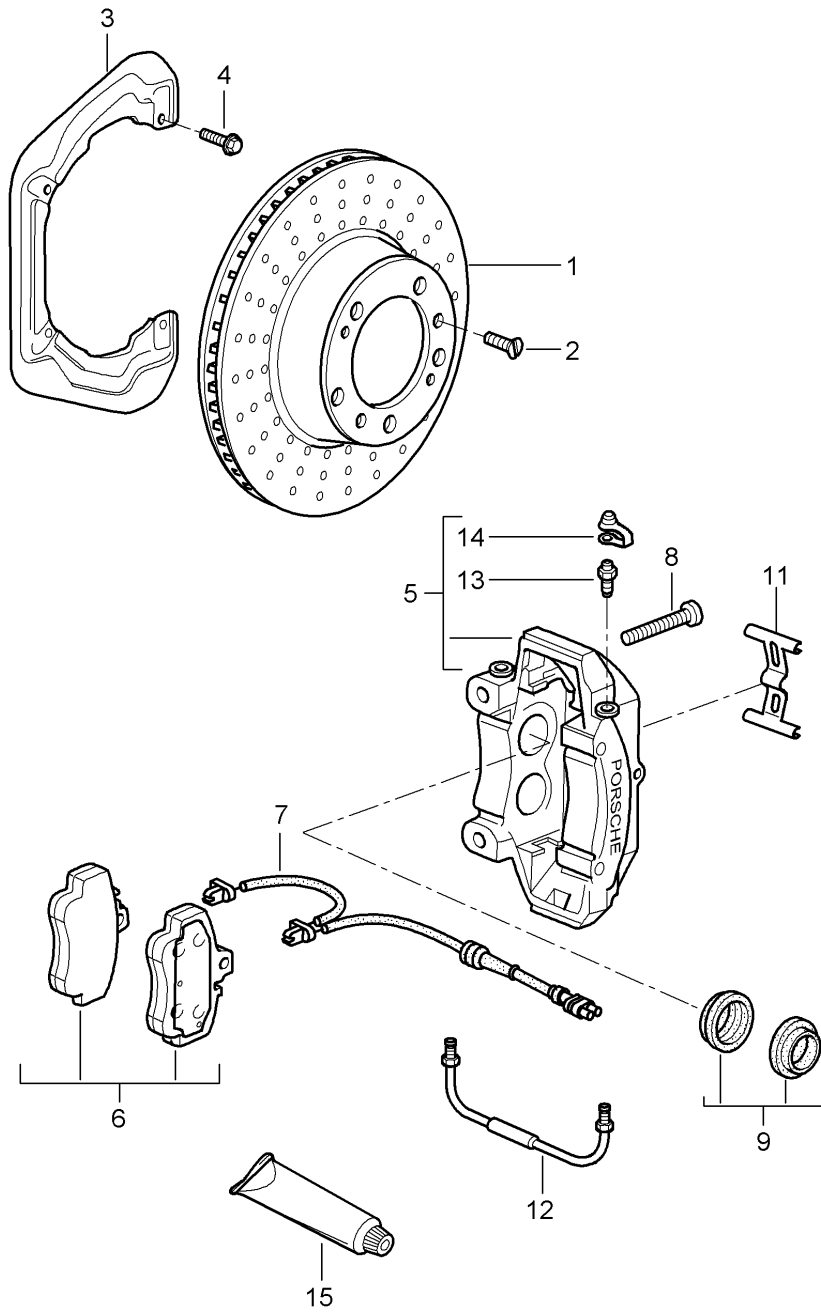
| Pos | Part Number | Description | Remark | Qty | Model |
|-----|----------------|---|------------------------------|--------|------------|
| (1) | 298 615 602 | Brake disc D - MJ 2009>> Discontinued part | right rear | 1 | PR:450 |
| (1) | 298 615 602 C | Brake disc D - MJ 2009>> Discontinued part | right rear | 1 | PR:450 |
| (1) | 997 352 032 01 | Brake disc also use: See technical manual 46 54 19 | right rear 997 341 901 00 | 1 X | PR:450,422 |
| (1) | 298 615 602 | Brake disc D - MJ 2009>> Discontinued part also use: See technical manual 46 54 19 | right rear 997 341 901 00 | 1 X | PR:450,422 |
| (1) | 298 615 602 C | Brake disc D - MJ 2009>> Discontinued part also use: See technical manual 46 54 19 | right rear 997 341 901 00 | 1 X | PR:450,422 |
| (2) | 900 269 047 09 | countersunk bolt M 6 X 12 Discontinued part | | 4 | |
| (2) | 900 269 047 01 | countersunk bolt M 6 X 12 | | 4 | |
| 3 | 996 352 801 03 | Cover plate | | 2 | |
| (3) | 997 352 801 02 | Cover plate | left | 1 | PR:450 |
| (3) | 997 352 802 02 | Cover plate | right | 1 | PR:450 |
| 4 | 999 217 116 09 | Hexagon bolt M 6 X 16 D - MJ 2007>> - MJ 2007 | | X | |
| (4) | 999 217 116 01 | Hexagon bolt M 6 x 16 D - MJ 2008>> | | X | |
| 5 | 997 352 425 11 | caliper without brake pads also use: D >> - MJ 2008 | left 999 067 040 01 | 1 2 | |
| (5) | 997 352 425 12 | caliper without brake pads also use: D - MJ 2009>> | left 999 067 040 01 | 1 2 | |
| (5) | 997 352 425 31 | caliper without brake pads also use: D >> - MJ 2008 | left 999 067 040 01 | 1 2 | PR:450 |
| (5) | 997 352 425 32 | caliper without brake pads also use: D - MJ 2009>> | left 999 067 040 01 | 1 2 | PR:450 |
| (5) | 997 352 426 11 | caliper without brake pads also use: D >> - MJ 2008 | right 999 067 040 01 | 1 2 | |
| (5) | 997 352 426 12 | caliper without brake pads also use: D - MJ 2009>> | right 999 067 040 01 | 1 2 | |
| (5) | 997 352 426 31 | caliper without brake pads also use: D >> - MJ 2008 | right 999 067 040 01 | 1 2 | PR:450 |
| (5) | 997 352 426 32 | caliper without brake pads also use: D - MJ 2009>> | right 999 067 040 01 | 1 2 | PR:450 |
| (6) | 997 352 949 01 | 1 set of brake pads for disk brake | rear 999 067 040 01 | 1 4 | |

Model: 997T07 Model life 2007>>2009

| Pos | Part Number | Description | Remark | Qty | Model |
|------|----------------|--|----------------------|------------------|---------|
| (6) | 997 352 947 02 | also use: 1 set of brake pads for disk brake | rear | 1 | PR:450 |
| | | | 999 067 040 01 | 4 | |
| | | also use: See technical manual | 4 | | |
| - | 997 352 086 01 | Damping plate 34 MM | Group: NR. 463520 | 4 | PR:-450 |
| - | 996 352 086 01 | Damping plate 28 MM | | 4 | PR:450 |
| - | 996 352 086 02 | Discontinued part Damping plate 28 MM | | 4 | PR:450 |
| 7 | 997 612 754 00 | sender wire (pad wear indicator) | | 2 | |
| - | 999 507 464 40 | bracket for speed sensor Warning contact | | 2 | |
| 8 | 999 067 040 01 | Socket head bolt M 12 X 1,5 X 95 | | 4 | |
| 9 | 965 352 917 00 | Repair set for rear axle | | X | |
| | | Protection caps | | 2 | |
| 11 | 997 352 959 10 | Spring | | 2 | |
| 12 | 997 352 961 00 | Connecting line D >> - MJ 2008 | left | 2 | |
| (12) | 997 352 962 00 | Connecting line D >> - MJ 2008 | right | 2 | |
| 13 | 930 351 919 01 | Breather valve | | 4 | |
| 14 | 930 351 927 00 | dust cap | | 4 | |
| 14 | 930 351 927 01 | Discontinued part dust cap | | 4 | |
| 15 | 000 043 117 00 | brake cylinder paste 50 G | | X | |
| (15) | 000 043 020 00 | Assembly paste 100 G | | X | |
| 16 | 997 341 901 00 | Assembly kit comprising: Driving pin Sleeve Fastening screw See technical manual 46 53 19 46 54 19 D - MJ 2009>> | | 2 5 5 5 | PR:422 |

Model: 997T07

Model life 2007>>2009

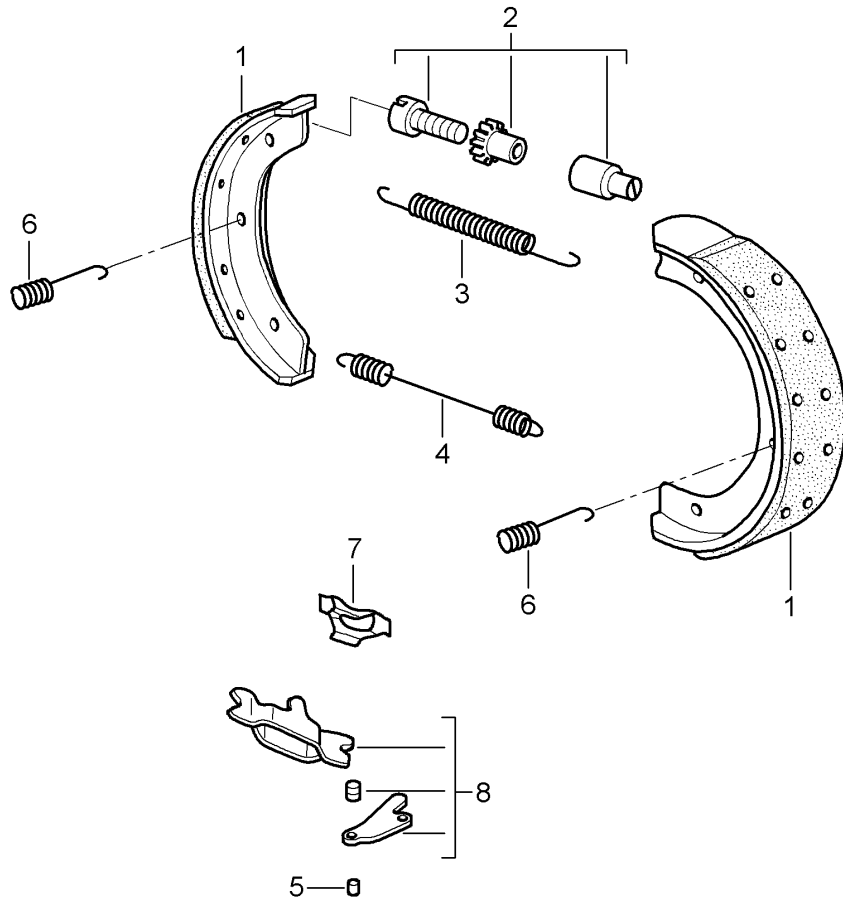


Model: 997T07 Model life 2007>>2009

| Pos | Part Number | Description | Remark | Qty | Model |
|------|----------------|---|----------------|-----|-------|
| - | | Disc brake Rear axle Brake disc Only in pairs Replace Technical manual Attention | | | GT2 |
| (1) | 997 352 031 00 | Brake disc Discontinued part | left rear | 1 | |
| (1) | 997 352 031 01 | Brake disc Discontinued part | left rear | 1 | |
| (1) | 298 615 601 | Brake disc Discontinued part | left rear | 1 | |
| (1) | 298 615 601 C | Brake disc | left rear | 1 | |
| (1) | 997 352 032 00 | Brake disc Discontinued part | right rear | 1 | |
| (1) | 997 352 032 01 | Brake disc Discontinued part | right rear | 1 | |
| (1) | 298 615 602 | Brake disc Discontinued part | right rear | 1 | |
| (1) | 298 615 602 C | Brake disc | right rear | 1 | |
| (2) | 900 269 047 01 | countersunk bolt M 6 X 12 | | 4 | |
| (3) | 996 352 801 03 | Cover plate | | 2 | |
| (4) | 999 217 116 01 | Hexagon bolt M 6 x 16 | | X | |
| (5) | 997 352 425 96 | caliper without brake pads | left | 1 | |
| | | also use: D >> - MJ 2008 | 999 067 040 01 | 2 | |
| (5) | 997 352 425 98 | caliper without brake pads | left | 2 | |
| | | also use: D - MJ 2009>> | 999 067 040 01 | 2 | |
| (5) | 997 352 426 96 | caliper without brake pads | right | 1 | |
| | | also use: D >> - MJ 2008 | 999 067 040 01 | 2 | |
| (5) | 997 352 426 98 | caliper without brake pads | right | 1 | |
| | | also use: D - MJ 2009>> | 999 067 040 01 | 2 | |
| 6 | 997 352 947 90 | 1 set of brake pads for disk brake | rear | 1 | |
| | | also use: | 999 067 040 01 | 4 | |
| 7 | 997 612 754 00 | sender wire (pad wear indicator) | | 2 | |
| 8 | 999 067 040 01 | Socket head bolt M 12 X 1,5 X 95 | | 4 | |
| 9 | 965 352 917 00 | Repair set for rear axle | | 2 | |
| | | Protection caps | | 2 | |
| 11 | 997 352 959 10 | Spring | | 2 | |
| 12 | 997 351 961 00 | Connecting line | | 2 | |
| 13 | 997 352 919 00 | Breather valve | | 4 | |
| 14 | 930 351 927 00 | dust cap Discontinued part | | 4 | |
| 14 | 930 351 927 01 | dust cap | | 4 | |
| 15 | 000 043 117 00 | brake cylinder paste 50 G | | X | |
| (15) | 000 043 020 00 | Assembly paste 100 G | | X | |

Model: 997T07

Model life 2007>>2009



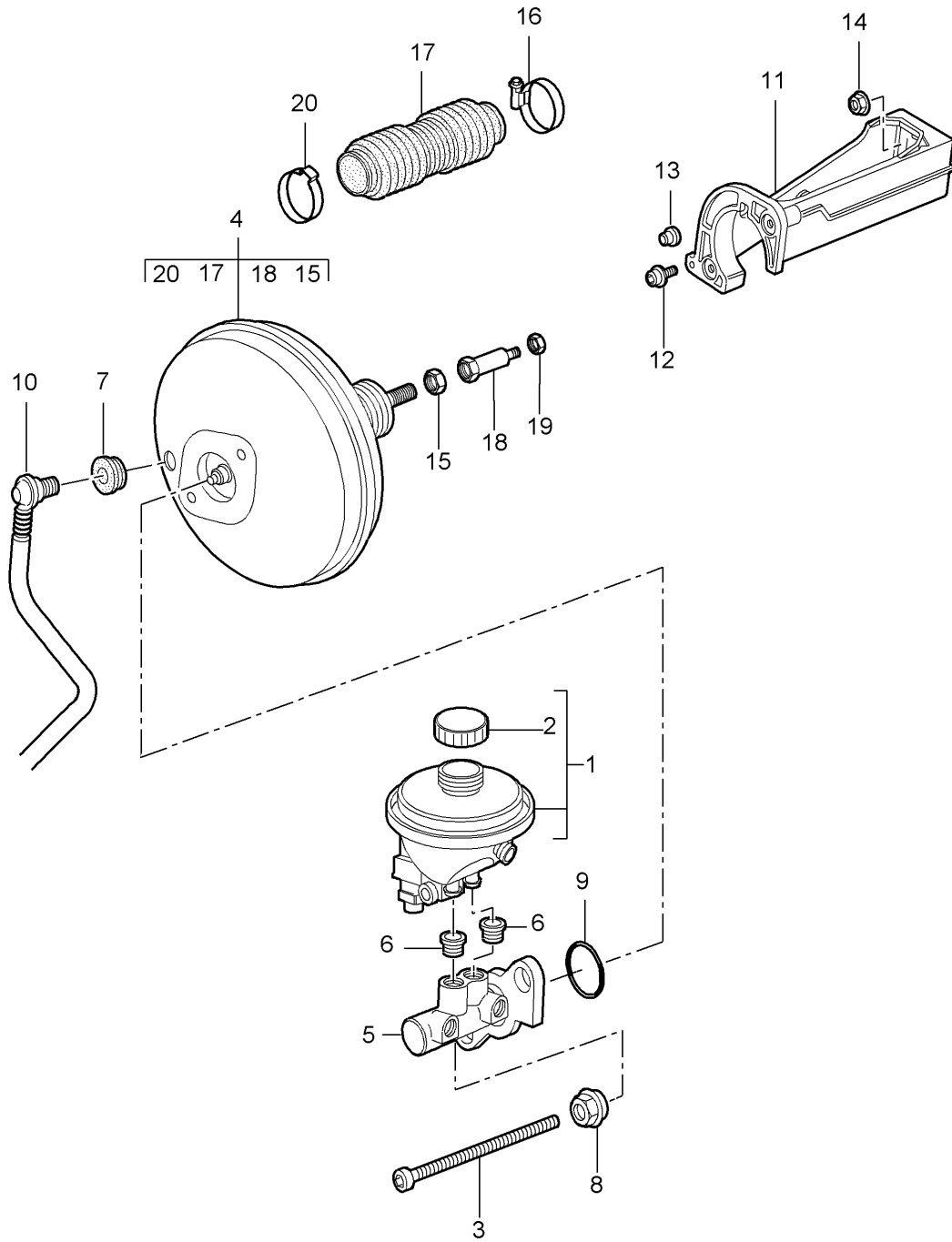
Model: 997T07

Model life 2007>>2009

| Pos | Part Number | Description | Remark | Qty | Model |
|-----|----------------|--|--------|-----|-------|
| - | | handbrake See technical manual | | | TURBO |
| | | Group: | | | |
| | | 46 83 20 | | | |
| 1 | 997 352 993 01 | Brake shoe 1 set | | 1 | TURBO |
| | | only in conj. with: | | | |
| | | Pressure spring 997.352.741.00 | | | |
| (1) | 997 352 993 02 | Brake shoe 1 set | | 1 | GT2 |
| 2 | 993 352 071 00 | adjustment screw Discontinued part | | 2 | |
| (2) | 298 609 723 | adjustment screw | | 2 | |
| 3 | 997 352 721 01 | tension spring Short Discontinued part | | 2 | |
| (3) | 298 609 717 | tension spring Short | | 2 | |
| 4 | 997 352 723 02 | tension spring Long | | 2 | |
| 5 | 993 352 737 00 | Pin | | 2 | |
| 6 | 997 352 741 00 | Pressure spring only in conj. with: | | 4 | TURBO |
| | | Brake shoe 997.352.993.01 | | | |
| (6) | 997 352 741 02 | Pressure spring Discontinued part | | 4 | GT2 |
| (6) | 298 609 583 | Pressure spring | | 4 | GT2 |
| 7 | 997 352 807 00 | Support panel | | 2 | |
| 8 | 928 352 090 01 | Push-button lock (complete) | | 2 | |

Model: 997T07

Model life 2007>>2009



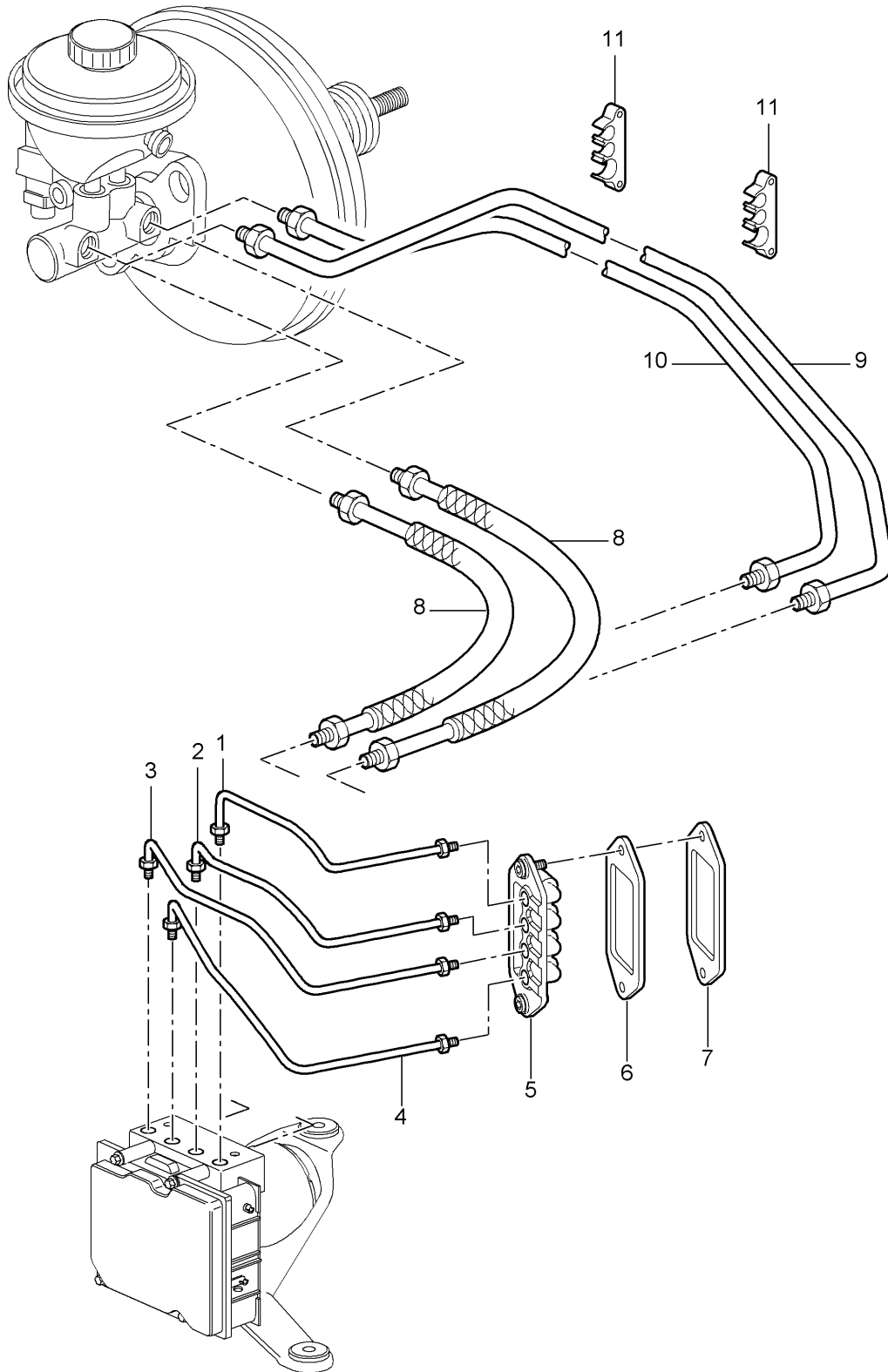
Model: 997T07

Model life 2007>>2009

| Pos | Part Number | Description | Remark | Qty | Model |
|------|----------------|-------------------------------------|----------|-----|--------|
| - | 000 043 210 82 | Brake master cylinder | | | |
| - | 000 043 210 86 | Brake servo | | | |
| - | 000 043 210 86 | brake fluid | 1.0 Ltr. | X | |
| - | 000 043 210 86 | brake fluid | 30ltr. | X | |
| 1 | 997 355 013 21 | Reservoir for brake fluid | | 1 | TURBO |
| (1) | 997 355 013 01 | Reservoir for brake fluid | | 1 | GT2 |
| 2 | 996 355 119 01 | catch | | 1 | |
| - | 997 355 125 00 | contact carrier for container | | 1 | |
| 3 | 999 073 327 09 | Socket head bolt M 8 X 197 X 29 | | 2 | |
| (4) | 997 355 925 37 | Brake servo | | 1 | TURBO |
| (4) | 997 355 923 90 | Brake servo | | 1 | GT2 |
| 5 | 997 355 910 30 | Brake master cylinder | | 1 | |
| 6 | 993 355 922 00 | Grommet | | 2 | |
| 7 | 999 702 182 40 | Rubber bush | | 1 | |
| 8 | 997 355 925 00 | Hexagon nut | | 2 | |
| 9 | 993 355 212 00 | Seal | | 1 | |
| 10 | 997 355 577 26 | Vacuum line | lhd | 1 | PR:098 |
| (10) | 997 355 578 25 | Vacuum line | rhd | 1 | PR:099 |
| 11 | 997 423 251 00 | Intermediate piece | | 1 | |
| 12 | 999 073 189 01 | flat round head bolt M 6 X 12 | | 2 | |
| 13 | 999 703 448 50 | Bungs | right | 1 | |
| 14 | 900 380 005 09 | Hexagon nut M 8 | | 2 | |
| 15 | 900 183 015 02 | Hexagon nut M 12 X 1,5 | | 1 | |
| - | 996 355 901 01 | Seal | | 1 | |
| 16 | 999 512 478 00 | Brake servo filler plate | | 1 | |
| (17) | 997 355 969 00 | Hose clamp | | 1 | TURBO |
| (17) | 996 423 269 05 | Bellows | | 1 | GT2 |
| 18 | 996 355 927 01 | Bellows | | 1 | |
| 19 | 900 380 015 09 | Connecting piece | | 1 | TURBO |
| (19) | 900 380 015 01 | Hexagon nut M 6 | | 1 | GT2 |
| 20 | 999 512 672 00 | Hexagon nut M 6 clamp | | 1 | |

Model: 997T07

Model life 2007>>2009

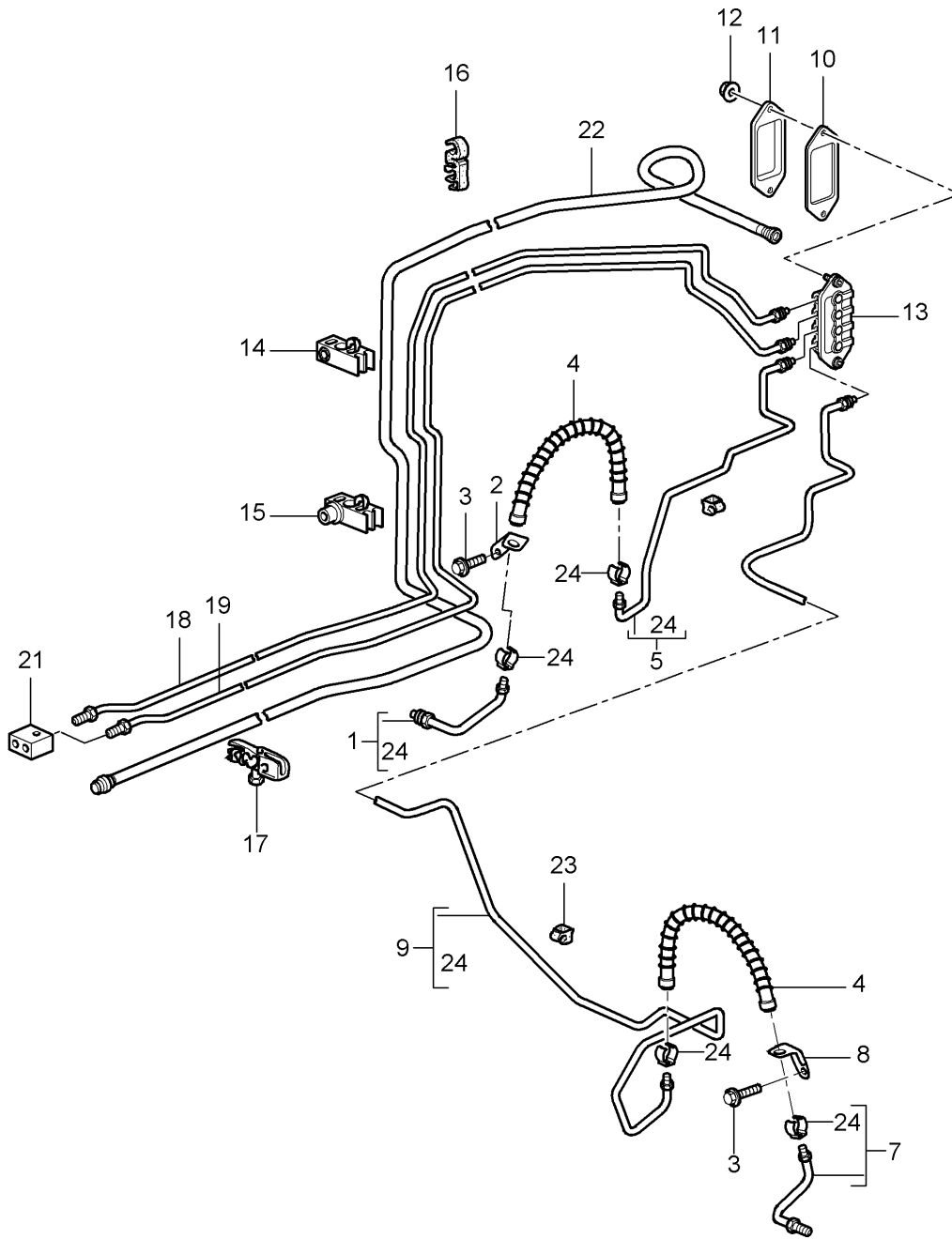


Model: 997T07 Model life 2007>>2009

| Pos | Part Number | Description | Remark | Qty | Model |
|------|----------------|--|--------|-----|-----------------|
| (1) | 997 355 315 26 | Brake lines Front end Brake line | lhd | 1 | TURBO PR:098 |
| (1) | 997 355 315 30 | Brake line | lhd | 1 | GT2 PR:098 |
| (1) | 997 355 315 31 | Discontinued part Brake line | lhd | 1 | GT2 PR:098 |
| (1) | 997 355 315 00 | Brake line | rhd | 1 | TURBO PR:099 |
| (1) | 997 355 315 10 | Brake line | rhd | 1 | GT2 PR:099 |
| (2) | 997 355 316 26 | Brake line | lhd | 1 | TURBO PR:098 |
| (2) | 997 355 316 30 | Brake line | lhd | 1 | GT2 PR:098 |
| (2) | 997 355 316 31 | Discontinued part Brake line | lhd | 1 | GT2 PR:098 |
| 2 | 997 355 316 00 | Brake line | rhd | 1 | TURBO PR:099 |
| (2) | 997 355 316 10 | Brake line | rhd | 1 | GT2 PR:099 |
| (3) | 997 355 327 27 | Brake line | lhd | 1 | TURBO PR:098 |
| (3) | 997 355 327 30 | Brake line | lhd | 1 | GT2 PR:098 |
| (3) | 997 355 327 31 | Discontinued part Brake line | lhd | 1 | GT2 PR:098 |
| 3 | 997 355 327 00 | Brake line | rhd | 1 | TURBO PR:099 |
| (3) | 997 355 327 10 | Brake line | rhd | 1 | GT2 PR:099 |
| (4) | 997 355 326 27 | Brake line | lhd | 1 | TURBO PR:098 |
| (4) | 997 355 326 30 | Brake line | lhd | 1 | GT2 PR:098 |
| (4) | 997 355 326 31 | Discontinued part Brake line | lhd | 1 | GT2 PR:098 |
| 4 | 997 355 326 00 | Brake line | rhd | 1 | TURBO PR:099 |
| (4) | 997 355 326 10 | Brake line | rhd | 1 | GT2 PR:099 |
| 5 | 997 355 650 00 | Intermediate piece | | 1 | |
| 6 | 997 355 752 00 | Seal | | 1 | |
| 7 | 997 355 753 00 | Reinforcement | | 1 | |
| 8 | 997 355 311 00 | Pressure line | lhd | 2 | TURBO PR:098 |
| (8) | 997 355 311 10 | Pressure line | lhd | 1 | GT2 PR:098 |
| 9 | 997 355 312 25 | Pressure line | rhd | 1 | TURBO PR:099 |
| (9) | 997 355 312 30 | Pressure line | rhd | 1 | GT2 PR:099 |
| 10 | 997 355 314 25 | Pressure line | rhd | 1 | TURBO PR:099 |
| (10) | 997 355 314 30 | Pressure line | rhd | 1 | GT2 PR:099 |
| 11 | 999 507 632 40 | Cable holder | rhd | 2 | PR:099 |

Model: 997T07

Model life 2007>>2009



Model: 997T07 Model life 2007>>2009

| Pos | Part Number | Description | Remark | Qty | Model |
|------|----------------|--|--------|-----|-----------------|
| 1 | 997 355 587 01 | Brake lines Brake lines Underbody Vacuum line Brake line | left | 1 | TURBO |
| (1) | 997 355 587 03 | D - MJ 2007>> - MJ 2007 Brake line | left | 1 | TURBO |
| (1) | 997 355 587 10 | D - MJ 2008>> Brake line | left | 1 | TURBO PR:450 |
| (1) | 997 355 587 11 | D - MJ 2007>> - MJ 2007 Brake line | left | 1 | TURBO PR:450 |
| (1) | 997 355 581 92 | D - MJ 2008>> Brake line | left | 1 | GT2 |
| 2 | 996 355 507 05 | Brake hose bracket | left | 1 | TURBO |
| (2) | 996 355 501 06 | Brake hose bracket | left | 1 | GT2 |
| 3 | 900 067 117 09 | Socket head bolt M 6 X 16 | | 2 | |
| (3) | 900 067 117 04 | D - MJ 2007>> - MJ 2007 Socket head bolt M 6 x 16 | | 4 | |
| 4 | 996 355 139 01 | D - MJ 2008>> Brake hose Discontinued part | | 2 | TURBO |
| (4) | 996 355 139 03 | Brake hose | | 2 | TURBO |
| (4) | 996 355 139 00 | Brake hose | | 2 | GT2 |
| 5 | 997 355 175 26 | Brake line | left | 1 | TURBO |
| (5) | 997 355 175 30 | D - MJ 2007>> - MJ 2007 Brake line | left | 1 | TURBO |
| (5) | 997 355 175 31 | D - MJ 2008>> Discontinued part Brake line | left | 1 | TURBO |
| (5) | 997 355 175 10 | D - MJ 2008>> Brake line Discontinued part | left | 1 | GT2 |
| (5) | 997 355 175 11 | Brake line | left | 1 | GT2 |
| 7 | 997 355 588 01 | Brake line | right | 1 | TURBO |
| (7) | 997 355 588 03 | D - MJ 2007>> - MJ 2007 Brake line | right | 1 | TURBO |
| (7) | 997 355 588 10 | D - MJ 2008>> Brake line | right | 1 | TURBO PR:450 |
| (7) | 997 355 588 11 | D - MJ 2007>> - MJ 2007 Brake line | right | 1 | TURBO PR:450 |
| (7) | 997 355 582 92 | D - MJ 2008>> Brake line | right | 1 | GT2 |
| (8) | 996 355 508 05 | Brake hose bracket | right | 1 | TURBO |
| (8) | 996 355 502 06 | Brake hose bracket | right | 1 | GT2 |
| (9) | 997 355 176 27 | Brake line | | 1 | TURBO |
| (9) | 997 355 176 30 | D - MJ 2007>> - MJ 2007 Brake line | | 1 | TURBO |
| (9) | 997 355 176 90 | D - MJ 2008>> Brake line Discontinued part | | 1 | GT2 |
| (9) | 997 355 176 91 | Brake line | | 1 | GT2 |
| 10 | 997 355 753 00 | Reinforcement | | 1 | |
| 11 | 997 355 752 00 | Seal | | 1 | |
| 12 | 900 380 015 09 | Hexagon nut M 6 | | 3 | |
| (12) | 900 380 015 01 | D - MJ 2007>> - MJ 2007 Hexagon nut | | 3 | |

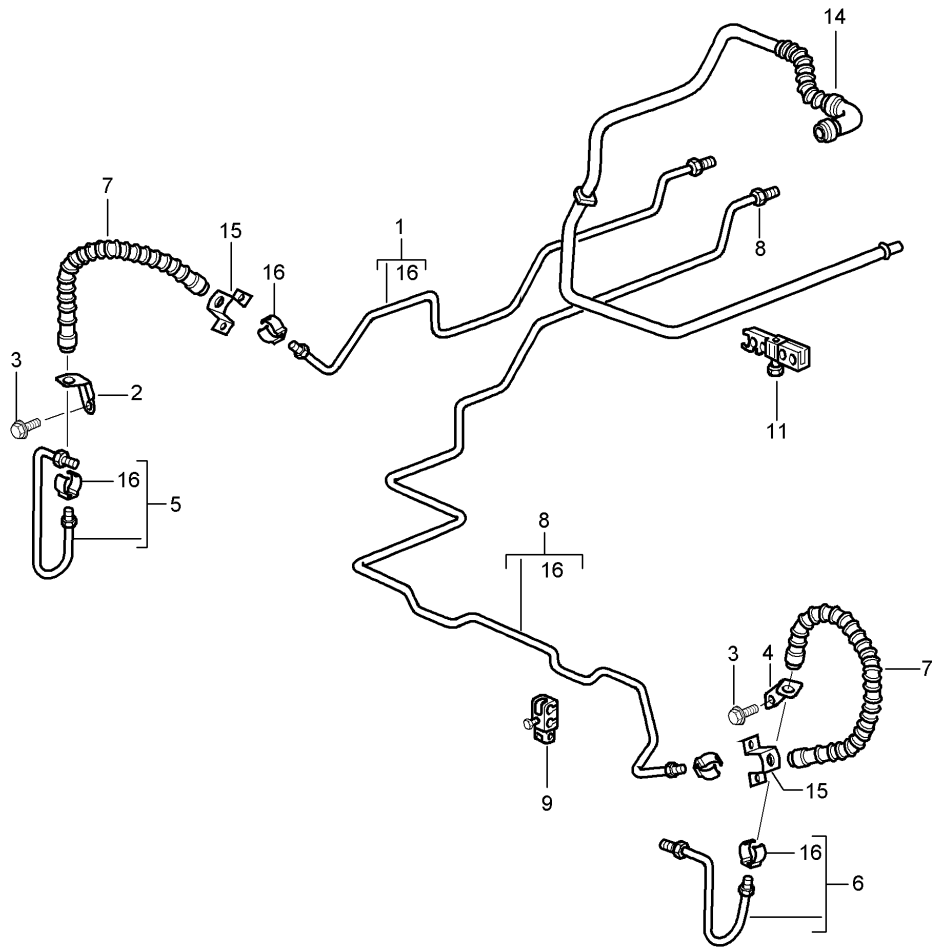
Model: 997T07

Model life 2007>>2009

| Pos | Part Number | Description | Remark | Qty | Model |
|------|----------------|-------------------------|--------|-----|-------|
| | | M 6 | | | |
| | | D - MJ 2008>> | | | |
| 13 | 997 355 650 00 | Intermediate piece | | 1 | |
| 14 | 996 355 545 00 | Bracket | | 3 | |
| 15 | 996 355 549 00 | Bracket | | 1 | |
| 16 | 996 355 547 01 | Bracket | | 2 | |
| 17 | 996 355 543 00 | Bracket | | 1 | |
| 18 | 997 355 177 01 | Brake line | | 1 | |
| | | D - MJ 2007>> - MJ 2007 | | | |
| (18) | 997 355 177 10 | Brake line | | 1 | |
| | | D - MJ 2008>> | | | |
| 19 | 997 355 179 01 | Brake line | | 1 | |
| | | D - MJ 2007>> - MJ 2007 | | | |
| (19) | 997 355 179 10 | Brake line | | 1 | |
| | | D - MJ 2008>> | | | |
| | | Discontinued part | | | |
| (19) | 997 355 179 11 | Brake line | | 1 | |
| | | D - MJ 2008>> | | | |
| 21 | 996 355 760 31 | Connecting piece | | 1 | |
| 22 | 997 355 571 01 | Vacuum line | | 1 | |
| - | 999 702 289 41 | Grommet | | 1 | |
| | | Wheel housing | | | |
| 23 | 999 651 331 40 | Cable holder | | 5 | |
| 24 | 997 355 331 00 | retaining spring | | X | |
| | | for | | | |
| | | Brake line | | | |

Model: 997T07

Model life 2007>>2009

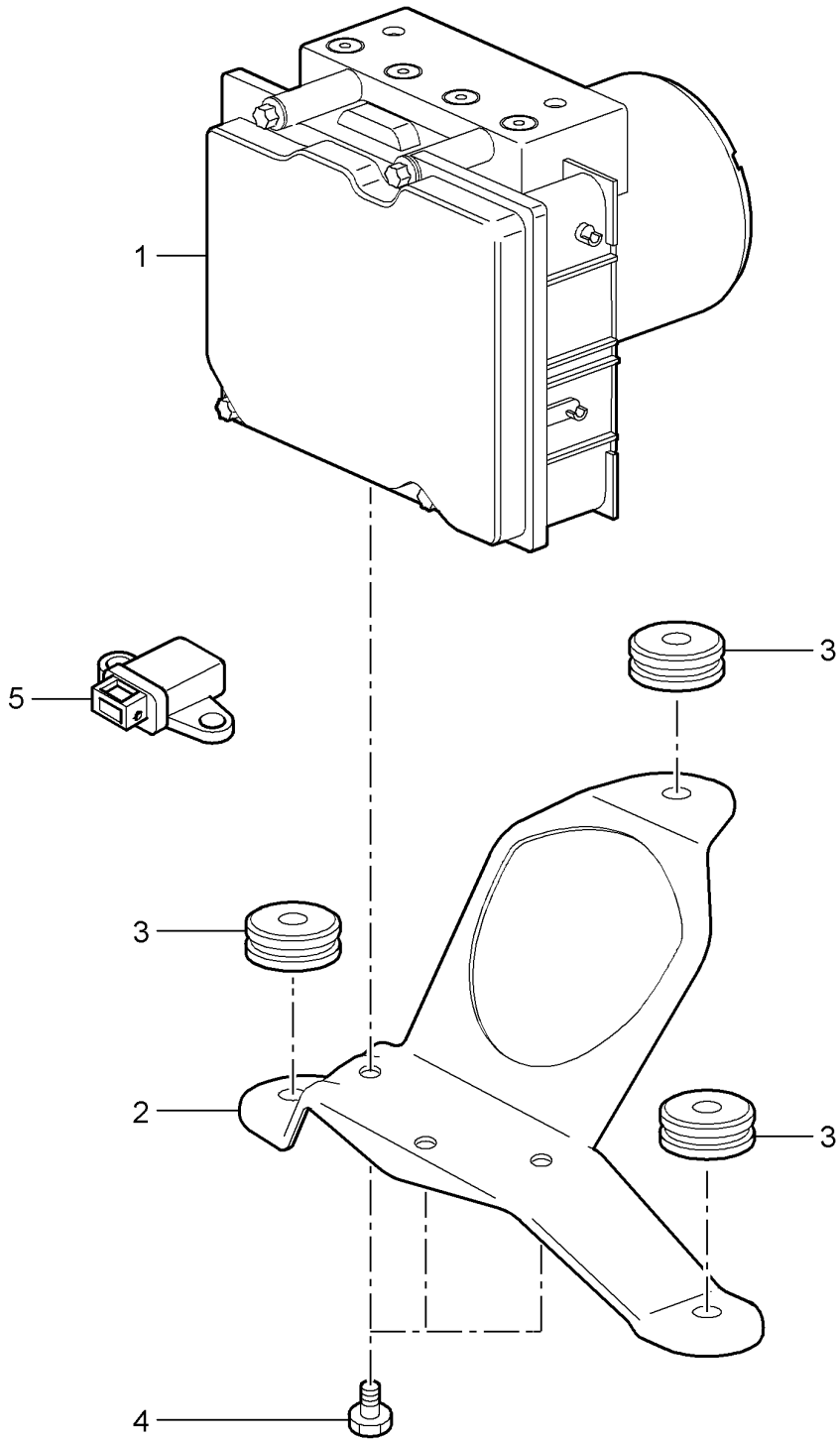


Model: 997T07 Model life 2007>>2009

| Pos | Part Number | Description | Remark | Qty | Model |
|-----|--------------------|---|--------|-----|-------|
| 1 | 997 355 189 00 | Brake line Underbody Rear axle Vacuum line | | | |
| (1) | 997 355 189 10 | Brake line D - MJ 2007>> - MJ 2007 | left | 1 | |
| (1) | 997 355 189 11 | Brake line D - MJ 2008>> Discontinued part | left | 1 | |
| 2 | 997 355 503 10 | Retainer for brake hose | left | 1 | |
| 3 | 900 067 117 09 | Socket head bolt M 6 X 16 | | 2 | |
| (3) | 900 067 117 04 | Socket head bolt M 6 x 16 D - MJ 2007>> - MJ 2007 | | 2 | |
| 4 | 997 355 504 10 | Retainer for brake hose | right | 1 | |
| 5 | 996 355 585 10 | Brake line D - MJ 2007>> - MJ 2007 | left | 1 | |
| (5) | 996 355 585 11 | Brake line D - MJ 2008>> | left | 1 | |
| 6 | 996 355 586 10 | Brake line D - MJ 2007>> - MJ 2007 | right | 1 | |
| (6) | 996 355 586 11 | Brake line D - MJ 2008>> | right | 1 | |
| 7 | 996 355 139 00 | Brake hose | | 2 | |
| 8 | 997 355 190 02 | Brake line D - MJ 2007>> - MJ 2007 | | 1 | |
| (8) | 997 355 190 10 | Brake line D - MJ 2008>> | | 1 | |
| (8) | 997 355 190 13 | Discontinued part Brake line D - MJ 2008>> | | 1 | |
| 9 | 996 347 543 00 | Cable holder | | 3 | |
| 11 | 996 355 543 00 | Bracket | | 1 | |
| 14 | 997 355 575 51 | Vacuum line | | 1 | |
| - | 999 507 495 40 | Bracket | | 1 | |
| 15 | 996 501 815 02 | Brake line bracket | | 2 | |
| 16 | 996 501 815 02 GRV | primed | | | |
| 16 | 997 355 331 00 | retaining spring for Brake line | | X | |

Model: 997T07

Model life 2007>>2009



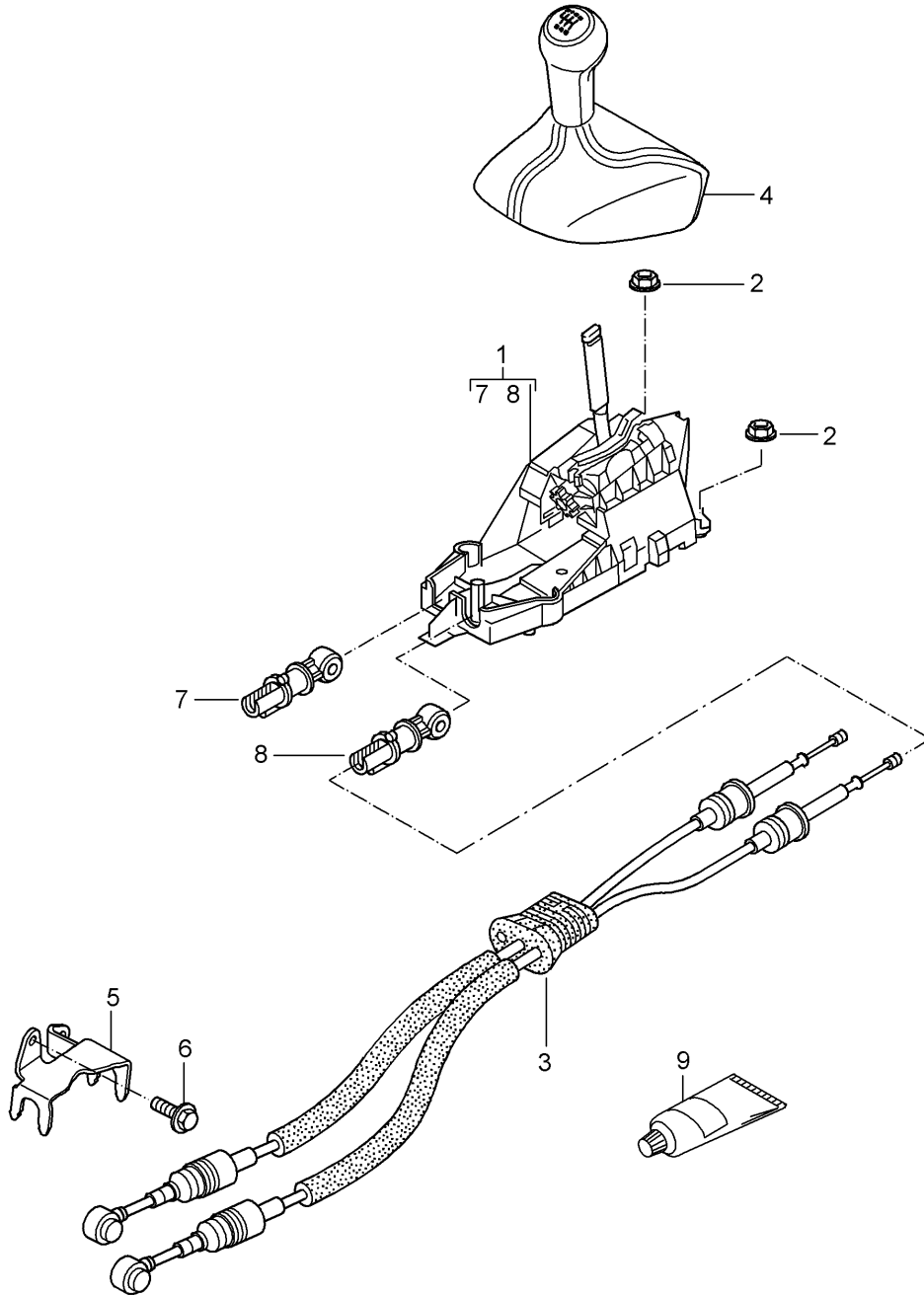
Model: 997T07

Model life 2007>>2009

| Pos | Part Number | Description | Remark | Qty | Model |
|-----|----------------|---|--------|-----|--------|
| | | Hydraulic unit anti-locking brake syst. -abs- Control | | | |
| 1 | 997 355 955 55 | Hydraulic unit | | 1 | TURBO |
| (1) | 997 355 955 94 | Hydraulic unit | | 1 | GT2 |
| 2 | 997 355 033 25 | Bracket | lhd | 1 | PR:098 |
| | | with: | | | |
| (2) | 997 355 033 00 | Rubber bush Bracket | rhd | 1 | PR:099 |
| | | with: | | | |
| 3 | 964 356 635 00 | Rubber bush | | 3 | |
| - | 999 045 004 40 | Hexagon nut | | 3 | |
| 4 | 900 385 060 09 | plastic Screw BM 6 X 10 | | 3 | |
| | | D - MJ 2007>> - MJ 2007 | | | |
| (4) | 900 385 060 01 | Discontinued part Screw BM 6 x 10 | | 3 | |
| | | D - MJ 2008>> | | | |
| 5 | 997 606 145 02 | Sensor | | 1 | |
| - | 900 378 035 01 | Hexagon bolt M 6 X 16 | | 2 | |

Model: 997T07

Model life 2007>>2009



Model: 997T07 Model life 2007>>2009

| Pos | Part Number | Description | Remark | Qty | Model |
|-----|--------------------|--------------------------------|--------|-----|-----------------|
| | | Transmission control | | | PR:480 |
| | | Manual gearbox | | | |
| 1 | 997 424 010 00 | ball housing - gearshift lever | | 1 | |
| (1) | 997 424 983 00 | ball housing - gearshift lever | | 1 | TURBO PR:XCZ |
| 2 | 999 084 629 01 | Hexagon nut | | 4 | |
| | | M 6 SB | | | |
| 3 | 997 424 041 50 | cable for shift mechanism | | 1 | TURBO |
| | | Transmission control | | | |
| (3) | 997 424 041 88 | cable for shift mechanism | | 1 | GT2 |
| | | Transmission control | | | |
| 4 | 997 424 075 50 | gearstick knob (leather) | | 1 | TURBO |
| | 997 424 075 50 FOT | black/black | | | |
| | 997 424 075 50 FOU | Stone grey/stone grey | | | |
| | 997 424 075 50 FOV | Sand beige/sand beige | | | |
| | 997 424 075 50 FOW | Sea blue/sea blue | | | |
| | 997 424 075 50 FOX | Palmgreen/palmgreen | | | |
| | 997 424 075 50 FPW | Terracotta/terracotta | | | |
| | 997 424 075 50 FPX | Cocoa/Cocoa | | | |
| | 997 424 075 50 FOY | Dark grey/dark grey | | | |
| | 997 424 075 50 FOZ | Brown nat./brown nat. | | | |
| | 997 424 075 50 FSR | Carrera Red/Carrera Red | | | |
| (4) | 997 424 075 54 | gearstick knob | | 1 | TURBO PR:801 |
| | | macassar | | | |
| | 997 424 075 54 FPA | Black | | | |
| | 997 424 075 54 FPB | Stone grey | | | |
| | 997 424 075 54 FPC | Sand beige | | | |
| | 997 424 075 54 FPD | sea blue | | | |
| | 997 424 075 54 FPE | Palm green | | | |
| | 997 424 075 54 FPY | Terracotta | | | |
| | 997 424 075 54 FPZ | Cocoa | | | |
| | 997 424 075 54 FPF | Dark grey/natural | | | |
| | 997 424 075 54 FPG | Brown/natural | | | |
| | 997 424 075 54 FST | Carrera Red | | | |
| (4) | 997 424 075 54 | gearstick knob | | 1 | TURBO PR:802 |
| | | Sycamore wood | | | |
| | 997 424 075 54 FPH | Black | | | |
| | 997 424 075 54 FPJ | Stone grey | | | |
| | 997 424 075 54 FPK | Sand beige | | | |
| | 997 424 075 54 FPL | sea blue | | | |
| | 997 424 075 54 FPM | Palm green | | | |
| | 997 424 075 54 FQA | Terracotta | | | |
| | 997 424 075 54 FQB | Cocoa | | | |
| | 997 424 075 54 FPN | Dark grey/natural | | | |
| | 997 424 075 54 FPO | Brown/natural | | | |
| | 997 424 075 54 FSU | Carrera Red | | | |
| (4) | 997 424 075 53 | gearstick knob | | 1 | TURBO PR:803 |
| | | Carbon | | | |
| | 997 424 075 53 FPP | Black | | | |
| | 997 424 075 53 FPQ | Stone grey | | | |
| | 997 424 075 53 FPR | Sand beige | | | |
| | 997 424 075 53 FPS | sea blue | | | |
| | 997 424 075 53 FPT | Palm green | | | |
| | 997 424 075 53 FQC | Terracotta | | | |
| | 997 424 075 53 FQD | Cocoa | | | |
| | 997 424 075 53 FPU | Dark grey/natural | | | |
| | 997 424 075 53 FPV | Brown/natural | | | |
| | 997 424 075 53 FSS | Carrera Red | | | |
| (4) | 997 424 981 00 | gearstick knob | | 1 | TURBO PR:X97 |
| | | Aluminium look | | | |
| | | Leather | | | |
| | 997 424 981 00 8YR | Black | | | |
| | 997 424 981 00 5X5 | Stone grey | | | |

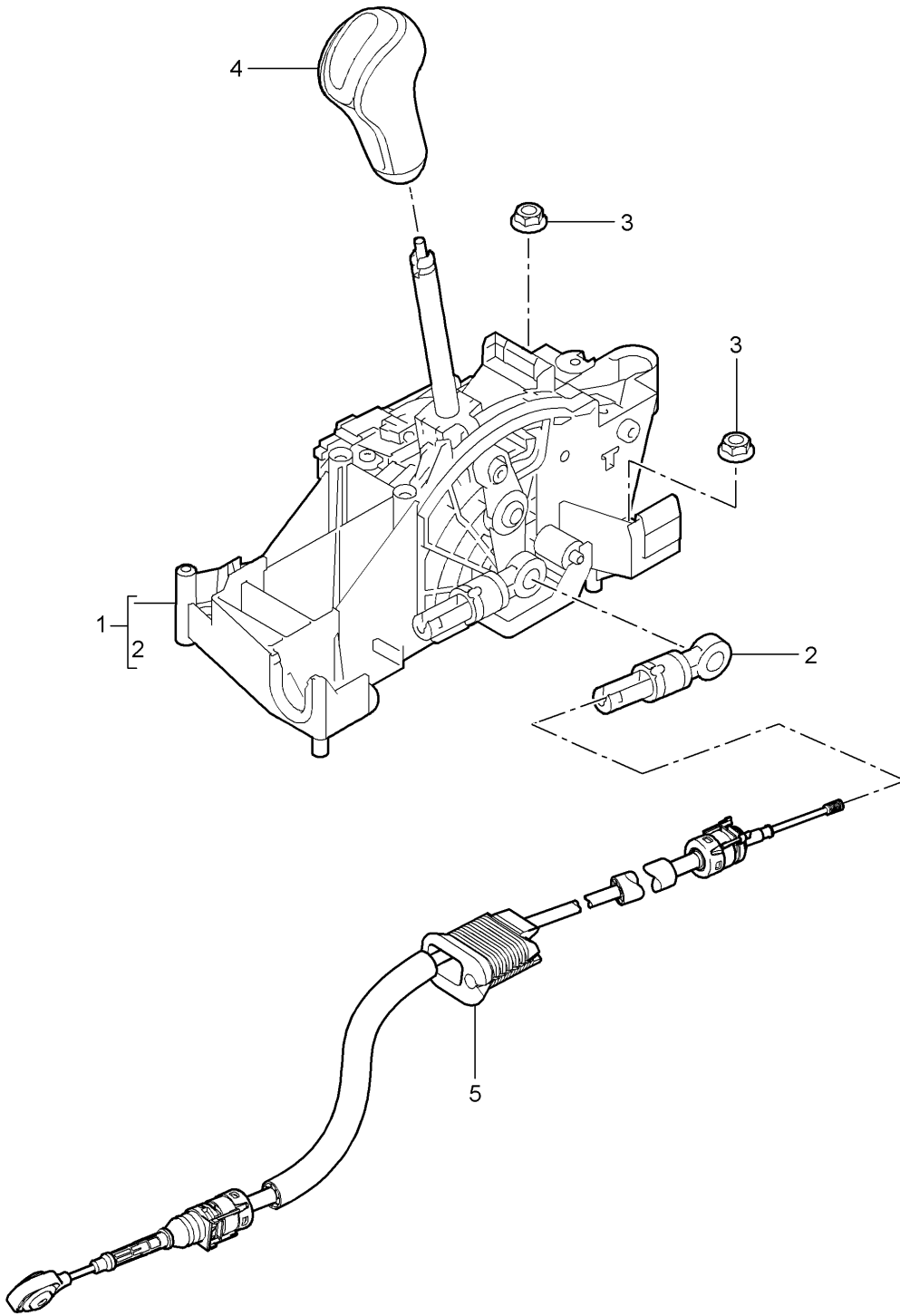
Model: 997T07

Model life 2007>>2009

| Pos | Part Number | Description | Remark | Qty | Model |
|-----|--------------------|----------------------------------|--------|-----|---------------|
| | 997 424 981 00 8G1 | Sand beige | | | |
| | 997 424 981 00 3S8 | sea blue | | | |
| | 997 424 981 00 4P1 | Palm green | | | |
| | 997 424 981 00 9N2 | Terracotta | | | |
| | 997 424 981 00 9Q3 | Cocoa | | | |
| | 997 424 981 00 D11 | Dark grey/natural | | | |
| | 997 424 981 00 T11 | Brown/natural | | | |
| | 997 424 981 00 N11 | Carrera Red | | | |
| (4) | 997 424 075 90 | gearstick knob (leather) | | 1 | GT2 |
| | 997 424 075 90 A15 | Black | | | |
| (4) | 997 424 981 90 | gearstick knob | | 1 | GT2 PR:XGC |
| | 997 424 981 90 A15 | Black | | | |
| - | 996 424 445 00 | Clip for Securing element | | X | |
| 5 | 996 424 165 02 | Bracket | | 1 | |
| | | D - MJ 2007>> - MJ 2007 | | | |
| (5) | 996 424 165 03 | Bracket | | 1 | |
| | | D - MJ 2008>> | | | |
| 6 | 999 073 209 09 | Socket head bolt M 10 x 20 | | 2 | |
| 7 | 996 424 145 01 | Securing element for Cable | | 1 | |
| | | Adjustable | | | |
| 8 | 996 424 147 00 | Securing element for Cable | | 1 | |
| | | Adjustable | | | |
| 9 | 000 043 205 93 | grease 1 100-gramme tube | | X | |

Model: 997T07

Model life 2007>>2009

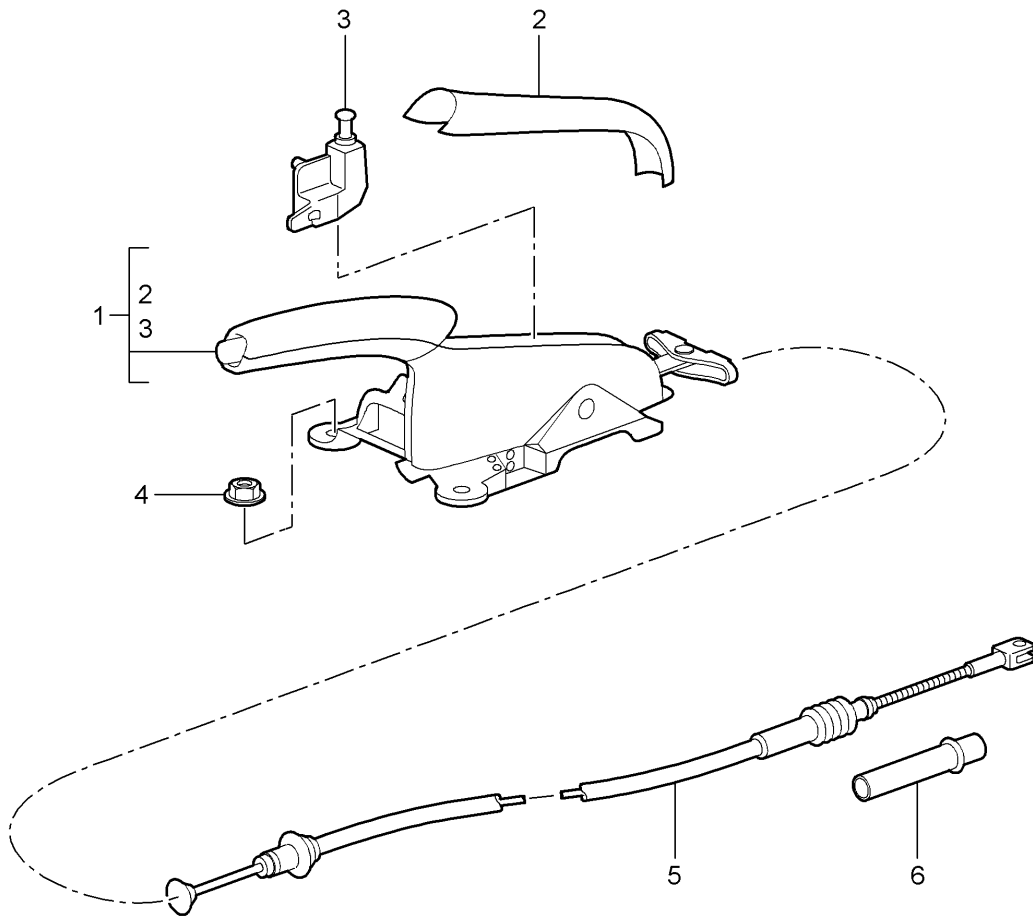


Model: 997T07 Model life 2007>>2009

| Pos | Part Number | Description | Remark | Qty | Model |
|-----|--------------------|--|--------|-----|-----------------|
| 1 | 997 426 011 02 | selector lever Tiptronic Support | | 1 | TURBO PR:249 |
| | | with: | | | |
| - | 997 613 243 02 | housing Switch | | 1 | |
| - | 996 613 212 10 | selector lever No longer use the part here Switch | | 1 | |
| 2 | 996 426 035 00 | selector lever Securing element for Cable Adjustable | | 1 | |
| 3 | 999 084 629 01 | Hexagon nut M 6 | | 4 | |
| 4 | 997 426 069 10 | Selector knob Leather | | 1 | |
| | 997 426 069 10 8YR | Black | | | |
| | 997 426 069 10 5X5 | Stone grey | | | |
| | 997 426 069 10 8G1 | Sand beige | | | |
| | 997 426 069 10 3S8 | sea blue | | | |
| | 997 426 069 10 4P1 | Palm green | | | |
| | 997 426 069 10 9N2 | Terracotta | | | |
| | 997 426 069 10 9Q3 | Cocoa | | | |
| | 997 426 069 10 D11 | Dark grey/natural | | | |
| | 997 426 069 10 T11 | Brown/natural | | | |
| | 997 426 069 10 N11 | Carrera Red | | | |
| (4) | 997 426 069 13 | Selector knob | | 1 | PR:803 |
| | 997 426 069 13 A35 | Carbon | | | |
| (4) | 997 426 069 14 | Selector knob | | 1 | PR:801 |
| | 997 426 069 14 S61 | macassar | | | |
| (4) | 997 426 069 04 | Selector knob | | 1 | PR:802 |
| | 997 426 069 04 S62 | Sycamore wood | | | |
| - | 997 426 275 00 | Button for selector lever release | | 1 | |
| | 997 426 275 00 V05 | Galvano silver | | | |
| (5) | 997 426 033 01 | Cable | | 1 | |

Model: 997T07

Model life 2007>>2009



Model: 997T07 Model life 2007>>2009

| Pos | Part Number | Description | Remark | Qty | Model |
|-----|--------------------|---|--------|-----|---------------------|
| (1) | 997 424 031 67 | handbrake Actuator handbrake lever grip (leather) (complete) | | 1 | TURBO |
| | 997 424 031 67 8YR | Black | | | |
| | 997 424 031 67 5X5 | Stone grey | | | |
| | 997 424 031 67 8G1 | Sand beige | | | |
| | 997 424 031 67 3S8 | sea blue | | | |
| | 997 424 031 67 4P1 | Palm green | | | |
| | 997 424 031 67 9N2 | Terracotta | | | |
| | 997 424 031 67 9Q3 | Cocoa | | | |
| | 997 424 031 67 D11 | Dark grey/natural | | | |
| | 997 424 031 67 T11 | Brown/natural | | | |
| | 997 424 031 67 N11 | Carrera Red D - MJ 2008>> | | | |
| (1) | 997 424 031 68 | Brake lever (complete) macassar | | 1 | TURBO PR:801 |
| | 997 424 031 68 8YR | Black | | | |
| | 997 424 031 68 5X5 | Stone grey | | | |
| | 997 424 031 68 8G1 | Sand beige | | | |
| | 997 424 031 68 3S8 | sea blue | | | |
| | 997 424 031 68 4P1 | Palm green | | | |
| | 997 424 031 68 9N2 | Terracotta | | | |
| | 997 424 031 68 9Q3 | Cocoa | | | |
| | 997 424 031 68 D11 | Dark grey/natural | | | |
| | 997 424 031 68 T11 | Brown/natural | | | |
| | 997 424 031 68 N11 | Carrera Red | | | |
| (1) | 997 424 031 69 | Brake lever (complete) Sycamore wood | | 1 | TURBO PR:802 |
| | 997 424 031 69 8YR | Black | | | |
| | 997 424 031 69 5X5 | Stone grey | | | |
| | 997 424 031 69 8G1 | Sand beige | | | |
| | 997 424 031 69 3S8 | sea blue | | | |
| | 997 424 031 69 4P1 | Palm green | | | |
| | 997 424 031 69 9N2 | Terracotta | | | |
| | 997 424 031 69 9Q3 | Cocoa | | | |
| | 997 424 031 69 D11 | Dark grey/natural | | | |
| | 997 424 031 69 T11 | Brown/natural | | | |
| | 997 424 031 69 N11 | Carrera Red D - MJ 2008>> | | | |
| (1) | 997 424 031 70 | Brake lever (complete) Carbon | | 1 | TURBO PR:803 |
| | 997 424 031 70 8YR | Black | | | |
| | 997 424 031 70 5X5 | Stone grey | | | |
| | 997 424 031 70 8G1 | Sand beige | | | |
| | 997 424 031 70 3S8 | sea blue | | | |
| | 997 424 031 70 4P1 | Palm green | | | |
| | 997 424 031 70 9N2 | Terracotta | | | |
| | 997 424 031 70 9Q3 | Cocoa | | | |
| | 997 424 031 70 D11 | Dark grey/natural | | | |
| | 997 424 031 70 T11 | Brown/natural | | | |
| | 997 424 031 70 N11 | Carrera Red D - MJ 2008>> | | | |
| (1) | 997 424 980 00 | handbrake lever grip (leather) (complete) Discontinued part | lhd | 1 | TURBO PR:098,X98 |
| | 997 424 980 00 8YR | Black | | | |
| | 997 424 980 00 5X5 | Stone grey | | | |
| | 997 424 980 00 8G1 | Sand beige | | | |
| | 997 424 980 00 3S8 | sea blue | | | |

Model: 997T07

Model life 2007>>2009

| Pos | Part Number | Description | Remark | Qty | Model |
|-----|--------------------|---|--------|-----|---------------------|
| | 997 424 980 00 4P1 | Palm green | | | |
| | 997 424 980 00 9N2 | Terracotta | | | |
| | 997 424 980 00 9Q3 | Cocoa | | | |
| | 997 424 980 00 D11 | Dark grey/natural | | | |
| | 997 424 980 00 T11 | Brown/natural | | | |
| | 997 424 980 00 N11 | Carrera Red | | | |
| (1) | 997 424 980 06 | handbrake lever grip (leather) (complete) | lhd | 1 | TURBO PR:098,X98 |
| | 997 424 980 06 8YR | Black | | | |
| | 997 424 980 06 5X5 | Stone grey | | | |
| | 997 424 980 06 8G1 | Sand beige | | | |
| | 997 424 980 06 3S8 | sea blue | | | |
| | 997 424 980 06 4P1 | Palm green | | | |
| | 997 424 980 06 9N2 | Terracotta | | | |
| | 997 424 980 06 9Q3 | Cocoa | | | |
| | 997 424 980 06 D11 | Dark grey/natural | | | |
| | 997 424 980 06 T11 | Brown/natural | | | |
| | 997 424 980 06 N11 | Carrera Red | | | |
| (1) | 997 424 980 07 | handbrake lever grip (leather) (complete) | rhd | 1 | TURBO PR:099,X98 |
| | 997 424 980 07 8YR | Black | | | |
| | 997 424 980 07 5X5 | Stone grey | | | |
| | 997 424 980 07 8G1 | Sand beige | | | |
| | 997 424 980 07 3S8 | sea blue | | | |
| | 997 424 980 07 4P1 | Palm green | | | |
| | 997 424 980 07 9N2 | Terracotta | | | |
| | 997 424 980 07 9Q3 | Cocoa | | | |
| | 997 424 980 07 D11 | Dark grey/natural | | | |
| | 997 424 980 07 T11 | Brown/natural | | | |
| | 997 424 980 07 N11 | Carrera Red | | | |
| (1) | 997 424 031 92 | Brake lever (complete) Leather Discontinued part | | 1 | GT2 |
| | 997 424 031 92 A15 | Black | | | |
| (1) | 997 424 031 93 | Brake lever (complete) Leather | | 1 | GT2 |
| | 997 424 031 93 A15 | Black | | | |
| (1) | 997 424 980 92 | Brake lever (complete) Leather Discontinued part | lhd | 1 | GT2 PR:098,XGD |
| | 997 424 980 92 A15 | Black | | | |
| (1) | 997 424 980 96 | Brake lever (complete) Leather | lhd | 1 | GT2 PR:098,XGD |
| | 997 424 980 96 A15 | Black | | | |
| (1) | 997 424 980 93 | Brake lever (complete) Leather Discontinued part | rhd | 1 | GT2 PR:099,XGD |
| | 997 424 980 93 A15 | Black | | | |
| (1) | 997 424 980 97 | Brake lever (complete) Leather | rhd | 1 | GT2 PR:099,XGD |
| | 997 424 980 97 A15 | Black | | | |
| 2 | 997 424 155 00 | trim for handbrake lever Leather | | 1 | TURBO |
| | 997 424 155 00 8YR | Black | | | |
| | 997 424 155 00 5X5 | Stone grey | | | |
| | 997 424 155 00 8G1 | Sand beige | | | |
| | 997 424 155 00 3S8 | sea blue | | | |

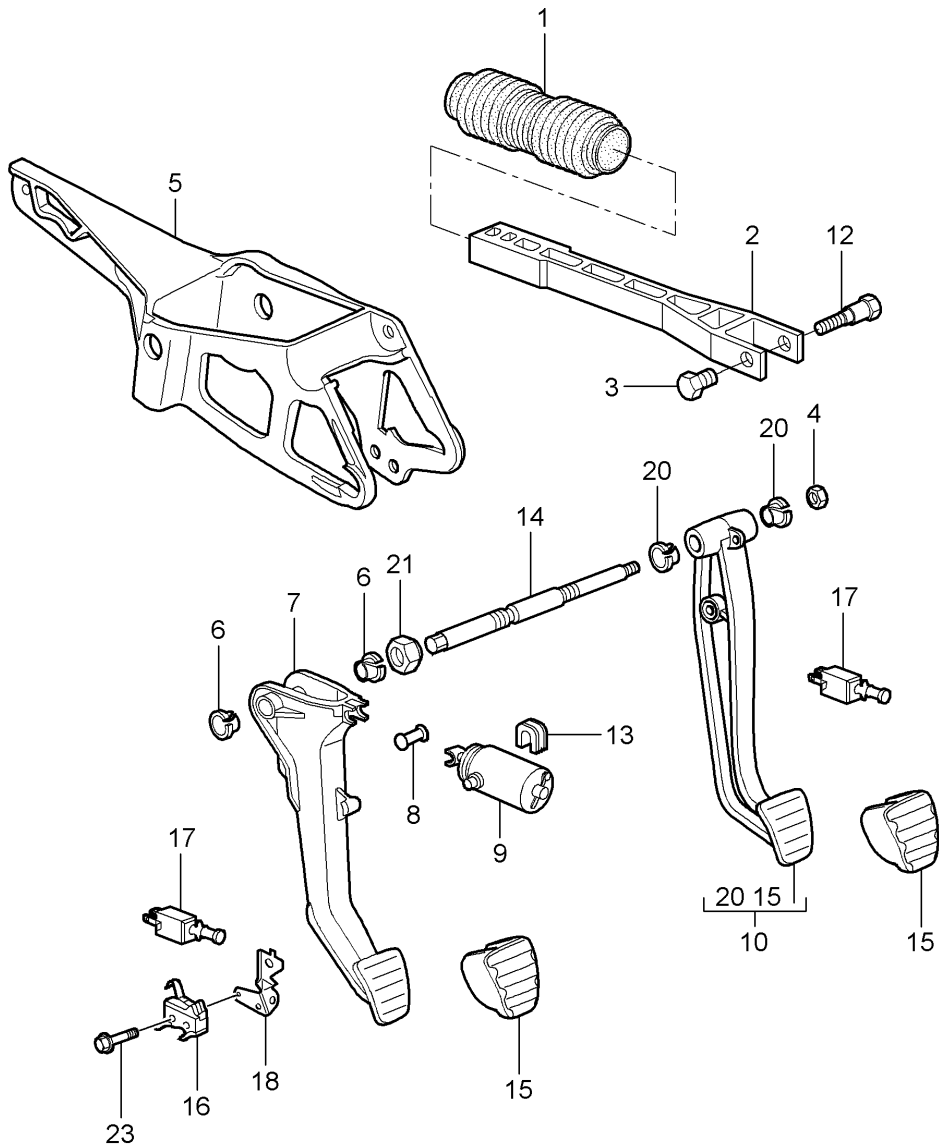
Model: 997T07

Model life 2007>>2009

| Pos | Part Number | Description | Remark | Qty | Model |
|-----|--------------------|---------------------|--------|-----|-------|
| | 997 424 155 00 4P1 | Palm green | | | |
| | 997 424 155 00 9N2 | Terracotta | | | |
| | 997 424 155 00 9Q3 | Cocoa | | | |
| | 997 424 155 00 D11 | Dark grey/natural | | | |
| | 997 424 155 00 T11 | Brown/natural | | | |
| | 997 424 155 00 N11 | Carrera Red | | | |
| 3 | 996 613 112 01 | Switch | | 1 | |
| 4 | 999 084 630 09 | Hexagon nut M 8 | | 4 | |
| 5 | 997 424 141 06 | Parking-brake cable | | 2 | |
| 6 | 996 424 721 02 | guide tube | | 2 | |

Model: 997T07

Model life 2007>>2009



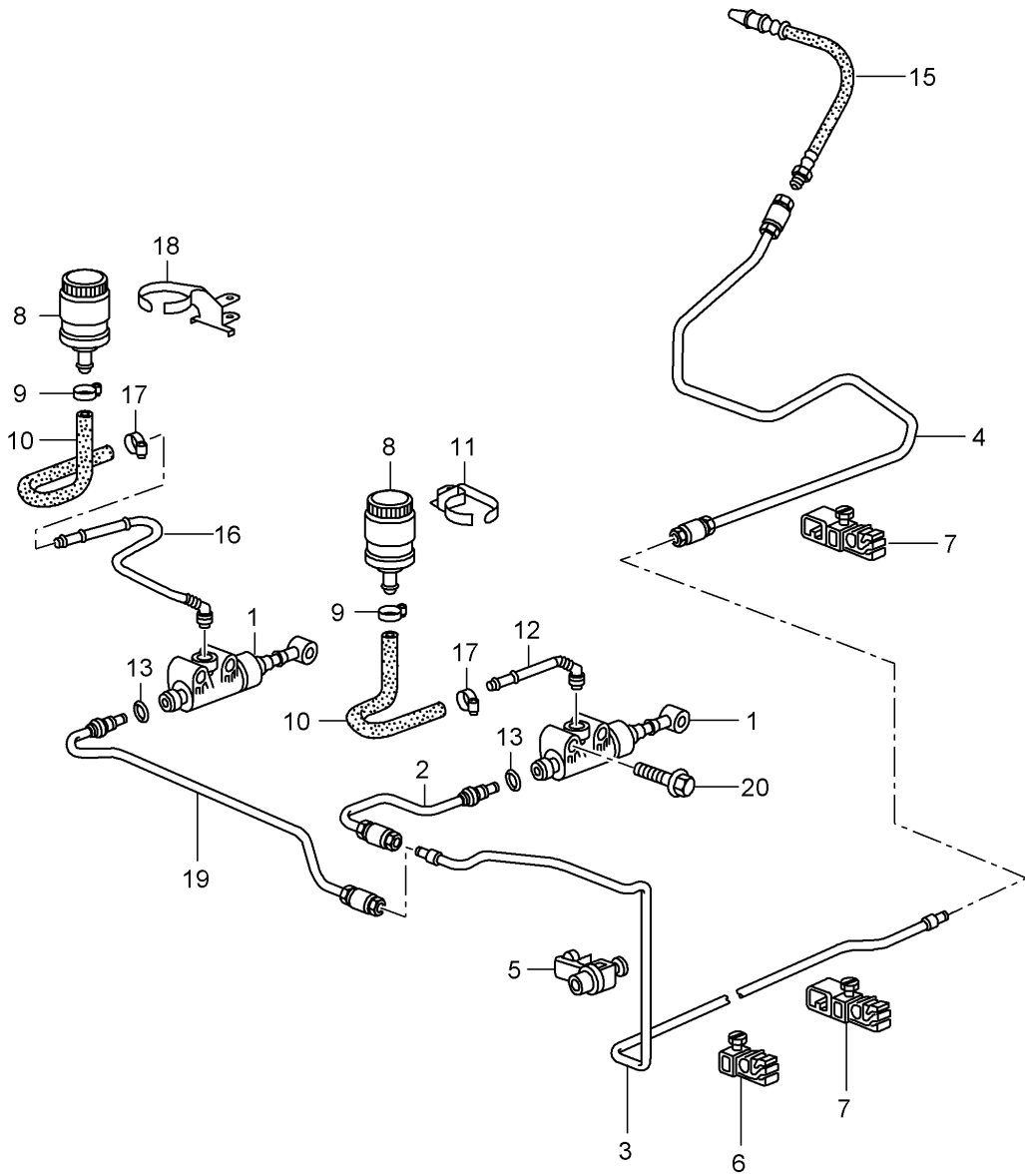
Model: 997T07

Model life 2007>>2009

| Pos | Part Number | Description | Remark | Qty | Model |
|------|----------------|---|---------|-----|---------------------|
| - | 000 043 206 17 | Pedals universal low temperat. grease 1 tube | | X | |
| 1 | | Bellows see illustration: | 604-000 | 1 | |
| 2 | 996 423 165 05 | push rod | | 1 | |
| 3 | 996 423 307 00 | Sleeve | | 1 | |
| 4 | 999 084 457 01 | Hexagon nut M 8 | | 3 | |
| 5 | 997 423 571 02 | Console for Servo spring bush | | 1 | PR:480 |
| 6 | 997 423 399 01 | Clutch pedal switch | | 2 | PR:480 |
| 7 | 997 423 139 01 | Pin | | 1 | PR:480 |
| (8) | 996 423 315 06 | Pin | | 1 | PR:480 |
| - | 999 166 022 02 | Kl-lock for Pin | | 1 | PR:480 |
| 9 | 997 423 081 52 | Servo spring | | 1 | TURBO |
| (9) | 997 423 081 06 | Servo spring | | 1 | GT2 |
| 10 | 997 423 091 04 | brake pedal | lhd | 1 | PR:480,098 |
| (10) | 997 423 092 04 | brake pedal | rhd | 1 | PR:480,099 |
| (10) | 997 423 093 04 | brake pedal | lhd | 1 | TURBO PR:098,249 |
| 10 | 997 423 094 04 | brake pedal | rhd | 1 | TURBO PR:099,249 |
| 12 | 996 423 308 00 | Pin | | 1 | |
| 13 | 997 423 581 00 | bearing shell | | 1 | |
| 14 | 997 423 281 00 | axle | lhd | 1 | PR:480,098 |
| (14) | 997 423 284 00 | axle | rhd | 1 | PR:480,099 |
| (14) | 996 423 283 05 | axle | lhd | 1 | TURBO PR:098,249 |
| (14) | 996 423 286 05 | axle | rhd | 1 | TURBO PR:099,249 |
| - | 996 423 277 00 | Bearing sleeve brake pedal | rhd | 1 | PR:099 |
| 15 | 997 423 910 00 | pad for brake and clutch pedals | | 2 | PR:480 |
| (15) | 997 423 912 00 | Cap for foot brake pedal | | 1 | TURBO PR:249 |
| 16 | 997 613 109 00 | Switch | | 1 | PR:480 |
| (17) | 996 613 113 01 | Switch brake pedal | | 2 | |
| (17) | 996 613 114 01 | Switch for clutch pedal Clutch pedal switch | | 1 | |
| 18 | 997 423 541 00 | Bracket | | 1 | |
| 20 | 997 423 401 00 | bush | lhd | 2 | PR:098 |
| (20) | 997 423 402 00 | bush | rhd | 2 | PR:099 |
| 21 | 997 423 275 01 | sealing plug | | 1 | |
| 22 | 900 378 273 09 | Hexagon bolt M 6 X 18 Discontinued part | | 1 | |
| (22) | 900 378 273 01 | Hexagon bolt M 6 x 18 | | 1 | |
| 23 | 900 146 159 02 | flat round head bolt M 3 X 20 Discontinued part | | 1 | |
| 23 | 999 073 480 01 | Bolt with washer M 3 X 20 | | 1 | |
| 24 | 997 423 695 00 | Rubber stop | | 1 | |
| 25 | 997 423 697 00 | Rubber stop | | 1 | |

Model: 997T07

Model life 2007>>2009

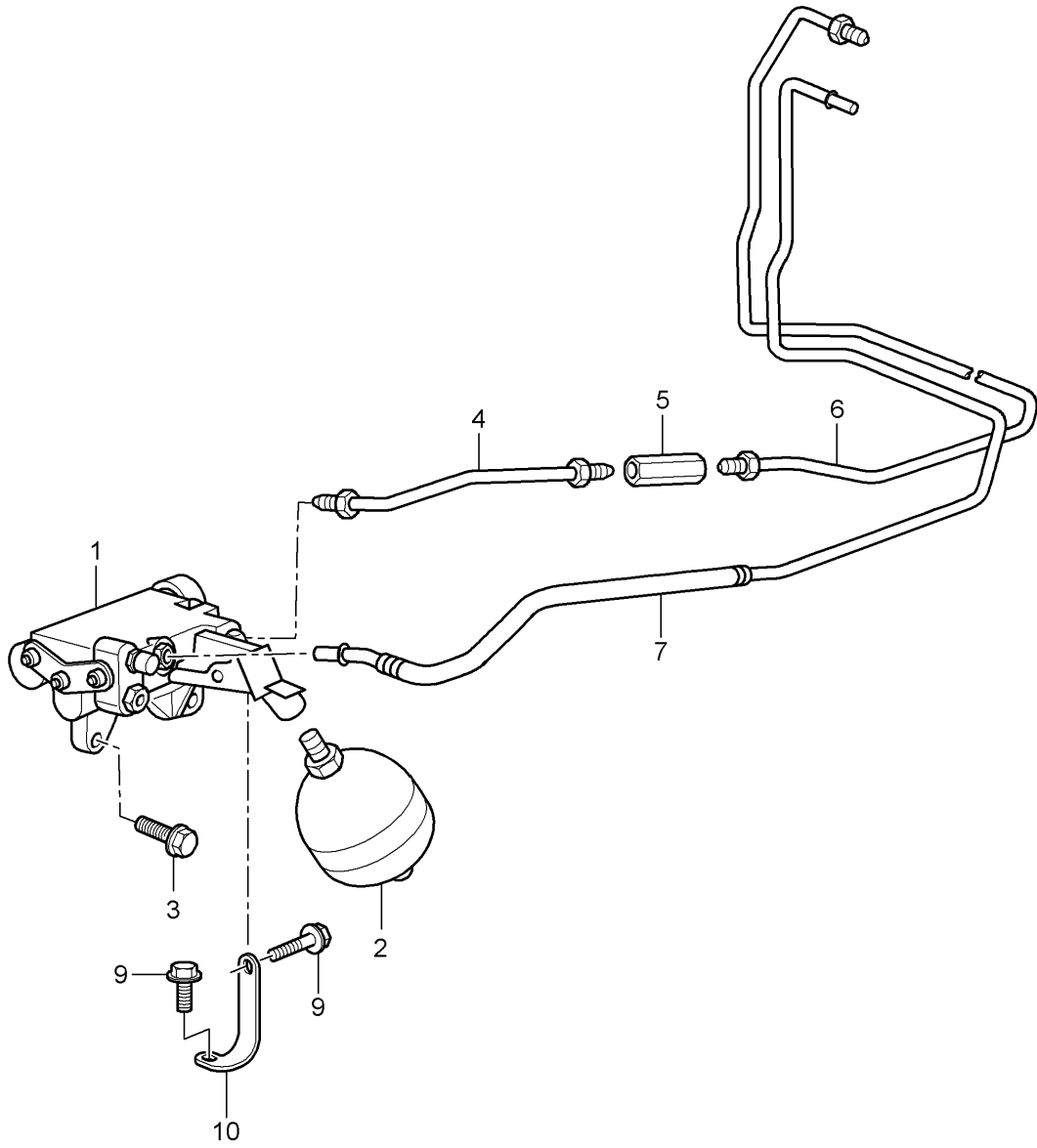


Model: 997T07 Model life 2007>>2009

| Pos | Part Number | Description | Remark | Qty | Model |
|------|----------------|-------------------------|--------|-----|--------|
| | | clutch actuation | | | TURBO |
| | | Clutch master cylinder | | | |
| | | Clutch tube | | | |
| 1 | 997 423 171 50 | Clutch master cylinder | | 1 | |
| - | 996 423 614 00 | Securing ring | | 1 | |
| | | Pressure line | | | |
| - | 996 423 315 06 | Pin | | 1 | |
| - | 999 166 022 02 | Kl-lock for Pin | | 1 | |
| 2 | 996 423 107 50 | Clutch tube | lhd | 1 | PR:098 |
| | | Discontinued part | | | |
| (2) | 996 423 107 51 | Clutch tube | lhd | 1 | PR:098 |
| 3 | 997 423 109 50 | Clutch tube | | 1 | |
| (4) | 997 423 113 50 | Clutch tube | | 1 | |
| | | Discontinued part | | | |
| (4) | 997 423 113 51 | Clutch tube | | 1 | |
| 5 | 996 355 549 00 | Bracket | | 1 | |
| 6 | 996 355 545 00 | Bracket | | 2 | |
| 7 | 996 355 543 00 | Bracket | | 4 | |
| 8 | 993 423 417 00 | container | | 1 | |
| 9 | 999 512 650 09 | Hose clamp | | 1 | |
| 10 | 997 423 343 51 | Molded hose | lhd | 1 | PR:098 |
| (10) | 997 423 344 50 | Molded hose | rhd | 1 | PR:099 |
| 11 | 997 423 245 50 | Retainer for reservoir | lhd | 1 | PR:098 |
| 12 | 997 423 147 50 | Feed line | lhd | 1 | PR:098 |
| 13 | 999 707 403 40 | seal ring | lhd | X | PR:098 |
| - | 999 591 964 40 | Bracket | | X | |
| | | Clutch hose | | | |
| 15 | 996 423 377 52 | Clutch hose | | 1 | |
| | | Discontinued part | | | |
| (15) | 996 423 377 53 | Clutch hose | | 1 | |
| | | Discontinued part | | | |
| (15) | 996 423 377 54 | Clutch hose | | 1 | |
| 16 | 996 423 142 51 | Clutch tube | rhd | 1 | PR:099 |
| 17 | 999 512 650 09 | Hose clamp | | 1 | |
| 18 | 997 423 246 50 | Retainer for reservoir | rhd | 1 | PR:099 |
| 19 | 997 423 108 50 | Clutch tube | rhd | 1 | PR:099 |
| 20 | 900 378 029 01 | Hexagon bolt M 6X 40 | | 2 | |
| - | 000 043 203 33 | Pentosin 1000 ML | | X | |

Model: 997T07

Model life 2007>>2009

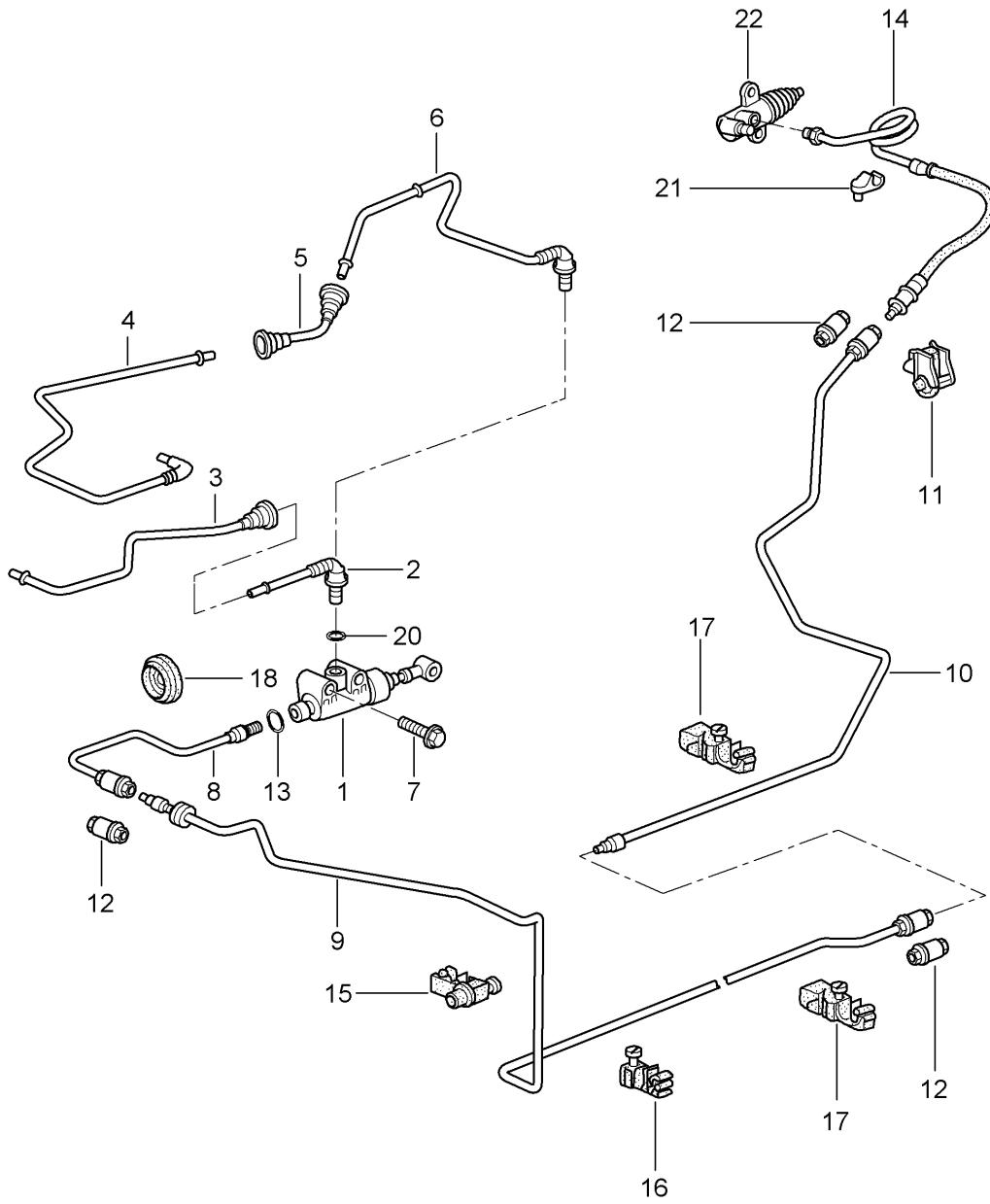


Model: 997T07 Model life 2007>>2009

| Pos | Part Number | Description | Remark | Qty | Model |
|-----|----------------|-----------------------------|--------|-----|-------|
| | | clutch actuation | | | TURBO |
| | | Clutch tube | | | |
| | | Pressure accumulator | | | |
| 1 | 996 116 237 52 | Clutch slave cylinder | | 1 | |
| - | 999 507 745 09 | Clutch slave cylinder | | 1 | |
| | | Cable fastener | | | |
| | | 13,5 | | | |
| 2 | 996 314 166 00 | Pressure accumulator | | 1 | |
| | | No longer use the part here | | | |
| (2) | 997 314 166 00 | Pressure accumulator | | 1 | |
| - | 999 707 529 40 | seal ring | | 1 | |
| | | for | | | |
| | | Pressure accumulator | | | |
| 3 | 900 075 222 09 | Bolt with washer | | 2 | |
| | | M 8 X 30 | | | |
| 4 | 997 314 288 00 | Pressure line | | 1 | |
| | | D >> - MJ 2007 | | | |
| (4) | 997 314 288 01 | Pressure line | | 1 | |
| | | D - MJ 2008>> | | | |
| | | Discontinued part | | | |
| (4) | 997 314 288 02 | Pressure line | | 1 | |
| | | D - MJ 2008>> | | | |
| - | 996 314 211 00 | Bracket | | 1 | |
| | | Pressure line | | | |
| 5 | 999 136 041 30 | Threaded joint | | 1 | |
| 6 | 997 314 282 00 | Pressure line | | 1 | |
| | | D >> - MJ 2007 | | | |
| (6) | 997 314 282 01 | Pressure line | | 1 | |
| | | D - MJ 2008>> | | | |
| 7 | 997 314 280 00 | return line | | 1 | |
| 9 | 900 378 017 01 | Hexagon bolt | | 2 | |
| | | M 8 x 20 | | | |
| 10 | 996 116 201 51 | Bracket | | 1 | |
| - | 000 043 203 33 | Pentosin | | X | |
| | | 1000 ML | | | |

Model: 997T07

Model life 2007>>2009



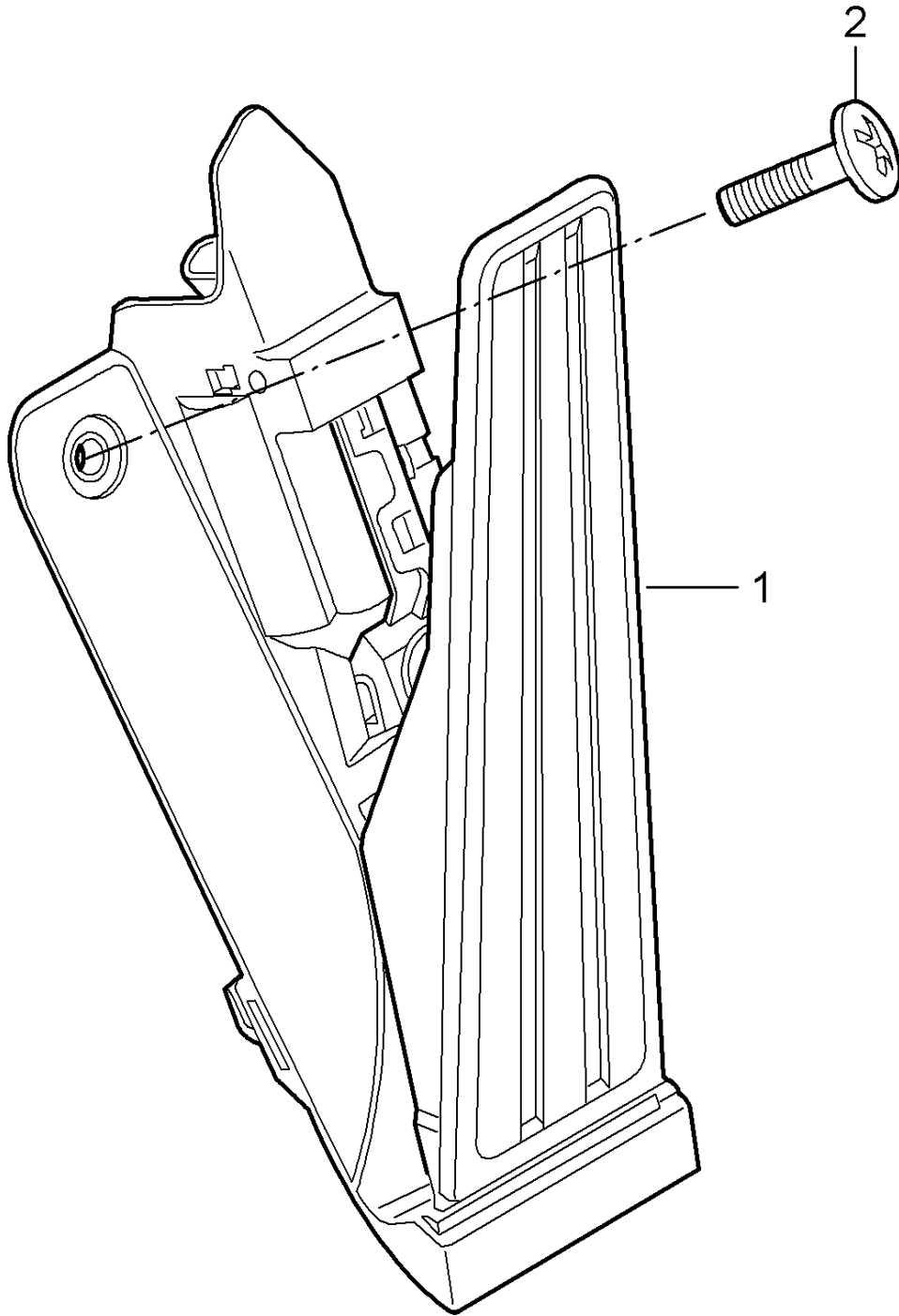
Model: 997T07

Model life 2007>>2009

| Pos | Part Number | Description | Remark | Qty | Model |
|-----|----------------|------------------------|--------|-----|--------|
| | | clutch actuation | | | GT2 |
| | | Clutch master cylinder | | | |
| | | Clutch tube | | | |
| 1 | 997 423 171 01 | Clutch master cylinder | | 1 | |
| - | 996 423 614 00 | Securing ring | | 1 | |
| | | Pressure line | | | |
| - | 996 423 315 06 | Pin | | 1 | |
| - | 999 166 022 02 | Kl-lock | | 1 | |
| | | for | | | |
| | | Pin | | | |
| 2 | 997 423 147 00 | Feed line | lhd | 1 | PR:098 |
| 3 | 997 423 137 25 | Feed line | lhd | 1 | PR:098 |
| 4 | 997 423 138 25 | Line | rhd | 1 | PR:099 |
| 5 | 996 423 140 02 | Feed line | rhd | 1 | PR:099 |
| 6 | 996 423 142 02 | Feed line | rhd | 1 | PR:099 |
| 7 | 900 378 217 09 | Hexagon bolt | | 2 | |
| | | M 6 X 40 | | | |
| 8 | 996 423 107 10 | Clutch tube | lhd | 1 | PR:098 |
| | | Discontinued part | | | |
| (8) | 996 423 107 11 | Clutch tube | lhd | 1 | PR:098 |
| (8) | 997 423 108 00 | Clutch tube | rhd | 1 | PR:099 |
| | | Discontinued part | | | |
| (8) | 997 423 108 01 | Clutch tube | rhd | 1 | PR:099 |
| - | 999 702 174 50 | Grommet | lhd | 1 | PR:098 |
| 9 | 997 423 109 00 | Clutch tube | | 1 | |
| | | Discontinued part | | | |
| (9) | 997 423 109 01 | Clutch tube | | 1 | |
| 10 | 997 423 113 00 | Clutch tube | | 1 | |
| 11 | 999 507 495 40 | Bracket | | 1 | |
| 12 | 999 230 541 10 | Threaded joint | | 3 | |
| 13 | 999 707 333 40 | seal ring | | 1 | |
| 14 | 996 423 377 90 | Clutch hose | | 1 | |
| | | Discontinued part | | | |
| 14 | 996 423 377 92 | Clutch hose | | 1 | |
| 15 | 996 355 549 00 | Bracket | | 1 | |
| 16 | 996 355 545 00 | Bracket | | 2 | |
| 17 | 996 355 543 00 | Bracket | | 4 | |
| 18 | 999 702 216 42 | Grommet | | 1 | |
| - | 999 507 586 40 | Cable holder | | 1 | |
| 20 | 999 707 333 40 | seal ring | | 1 | |
| | | 6,07 X 1,78N | | | |
| 21 | 999 507 586 40 | Cable holder | | 1 | |
| 22 | 996 116 237 90 | Clutch slave cylinder | | 1 | |
| - | 900 075 222 09 | Bolt with washer | | 2 | |
| | | M 8 X 30 | | | |

Model: 997T07

Model life 2007>>2009



Model: 997T07

Model life 2007>>2009

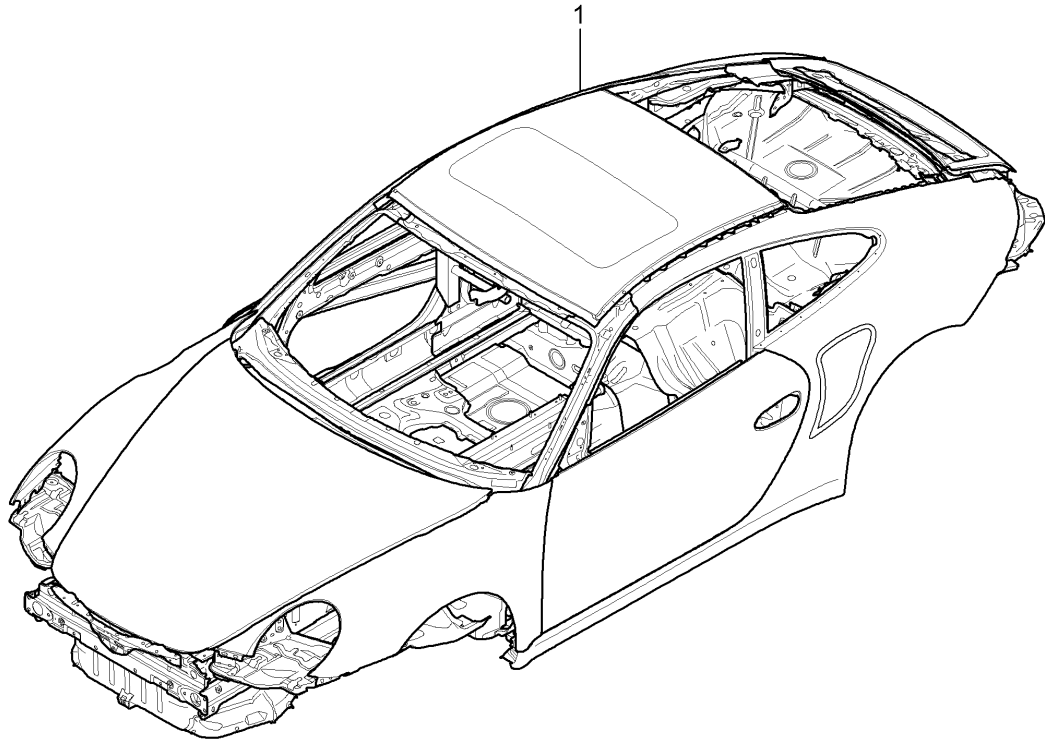
| Pos | Part Number | Description | Remark | Qty | Model |
|-----|----------------|----------------------------------|--------|-----|--------|
| 1 | 997 423 019 02 | Pedals throttle control | | 1 | PR:480 |
| (1) | 997 423 021 02 | throttle control | | 1 | TURBO |
| | | throttle control | | | PR:249 |
| 2 | 900 146 161 09 | flat round head bolt M 6 X 20 | | 1 | |

Model: 997T07

Model life 2007>>2009

- B — WPOZZZ **99 z 7S780070**
- C — **997 420**
M9701-685 G9701
- G — **L6B4 AT**
- D — C00 267 268 425 437
- E — 438 446 454 537 610
635 640 650 666 670
- F — 00641 20772

A



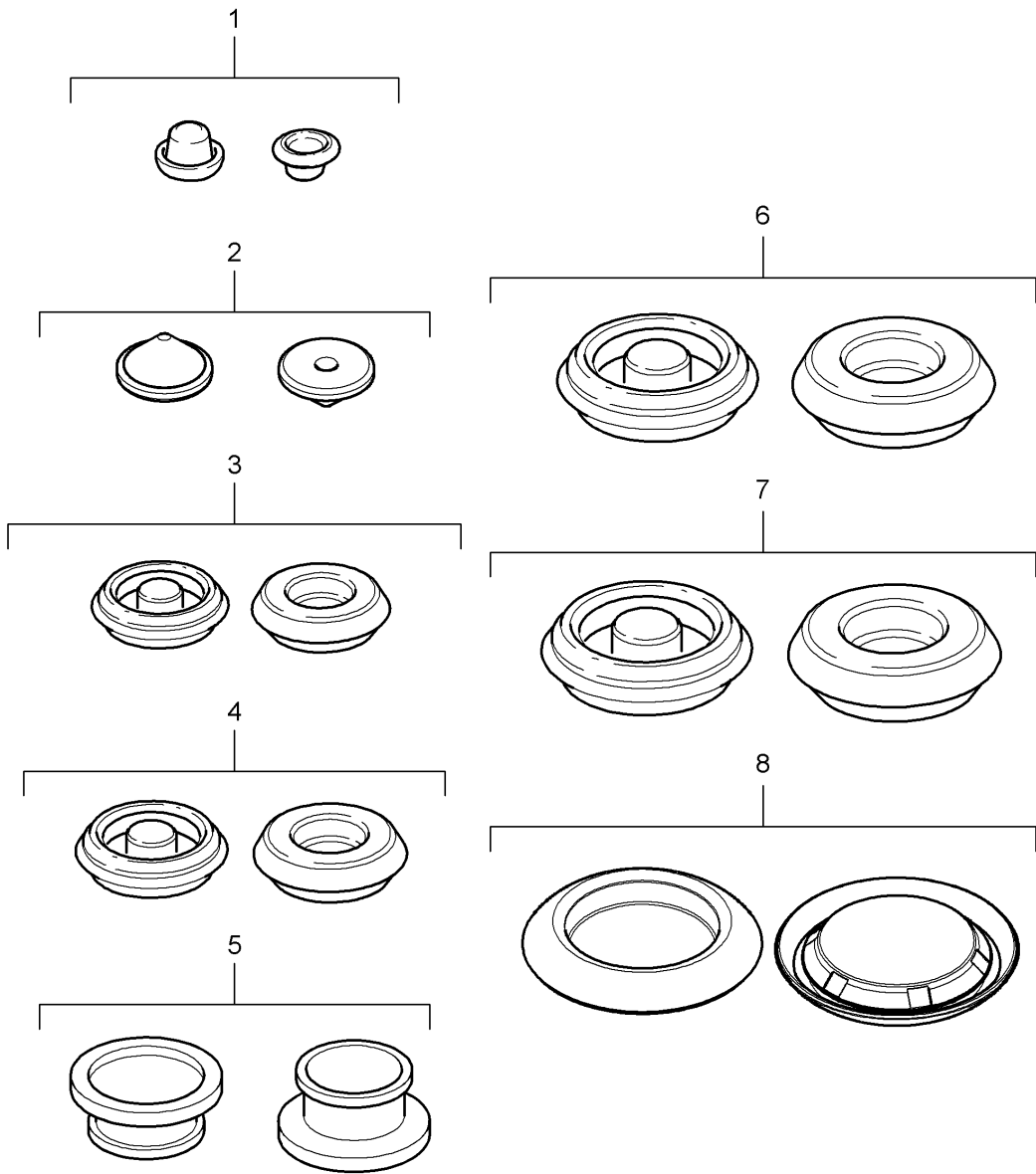
Model: 997T07

Model life 2007>>2009

| Pos | Part Number | Description | Remark | Qty | Model |
|-----|--------------------|--|--------|-----|-------|
| - | | Car body primed Sealed | | | |
| | | with: Underbody protection | | | |
| | | with: Doors/lids/wings | | | |
| - | | BodysHELLS can only only available from current Model year available | | | |
| - | | The data required for your order Can be found on the Vehicle data carrier in Vehicle wallet Please indicate this data in your order | | | |
| - | | for GT2 | | | |
| | | without: Rear lid | | | |
| A | | Vehicle data carrier | | | |
| B | | Vehicle Ident. No. | | | |
| C | | Order type | | | |
| D | | Country equipment | | | |
| E | | Optional extras | | | |
| F | | Additional applications | | | |
| G | | Please state the colour | | | |
| 1 | 997 500 900 00 | Car body | | 1 | |
| | 997 500 900 00 GRV | primed | | | |

Model: 997T07

Model life 2007>>2009



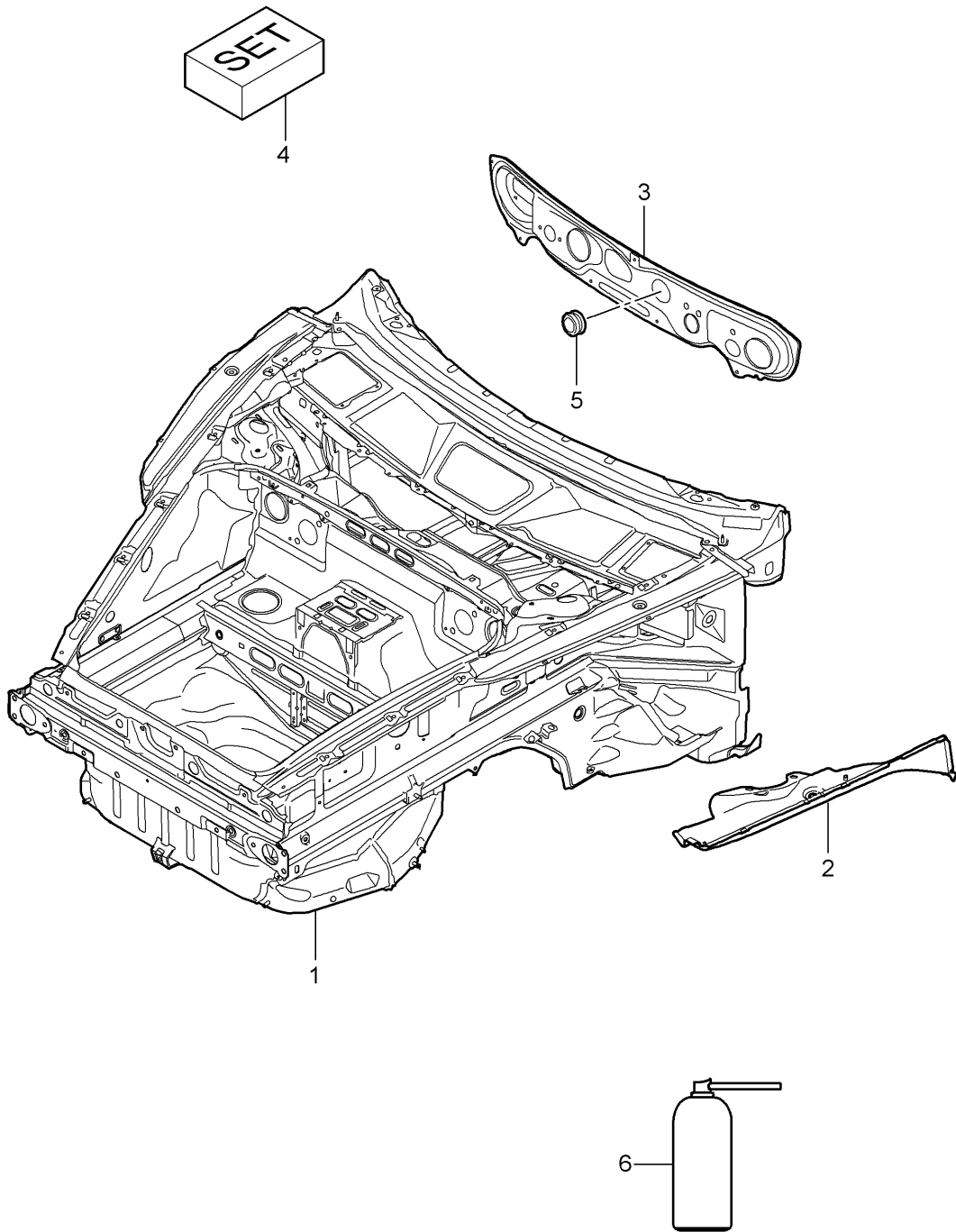
Model: 997T07

Model life 2007>>2009

| Pos | Part Number | Description | Remark | Qty | Model |
|-----|----------------|--|--------|-----|-------|
| 1 | 999 703 462 40 | Bungs Plane See workshop manual End cap 10 x 6,5 | | X | |
| 2 | 999 703 421 40 | Grommet 15 mm | | X | |
| 4 | 803 803 583 A | Bungs 20 x 30 Discontinued part | | X | |
| 4 | 999 703 196 40 | End cap 20 x 30 | | X | |
| 5 | 999 703 420 40 | Bungs 20,3 x 30 x 11 | | X | |
| 6 | 803 803 583 | Rubber grommet 30 x 40 Discontinued part | | X | |
| 6 | 999 703 195 40 | Rubber grommet 30 x 40 | | X | |
| 7 | 999 703 433 40 | Bungs 30 x 42 | | X | |
| 8 | 999 703 454 40 | Cover 55 x 70 | | X | |

Model: 997T07

Model life 2007>>2009

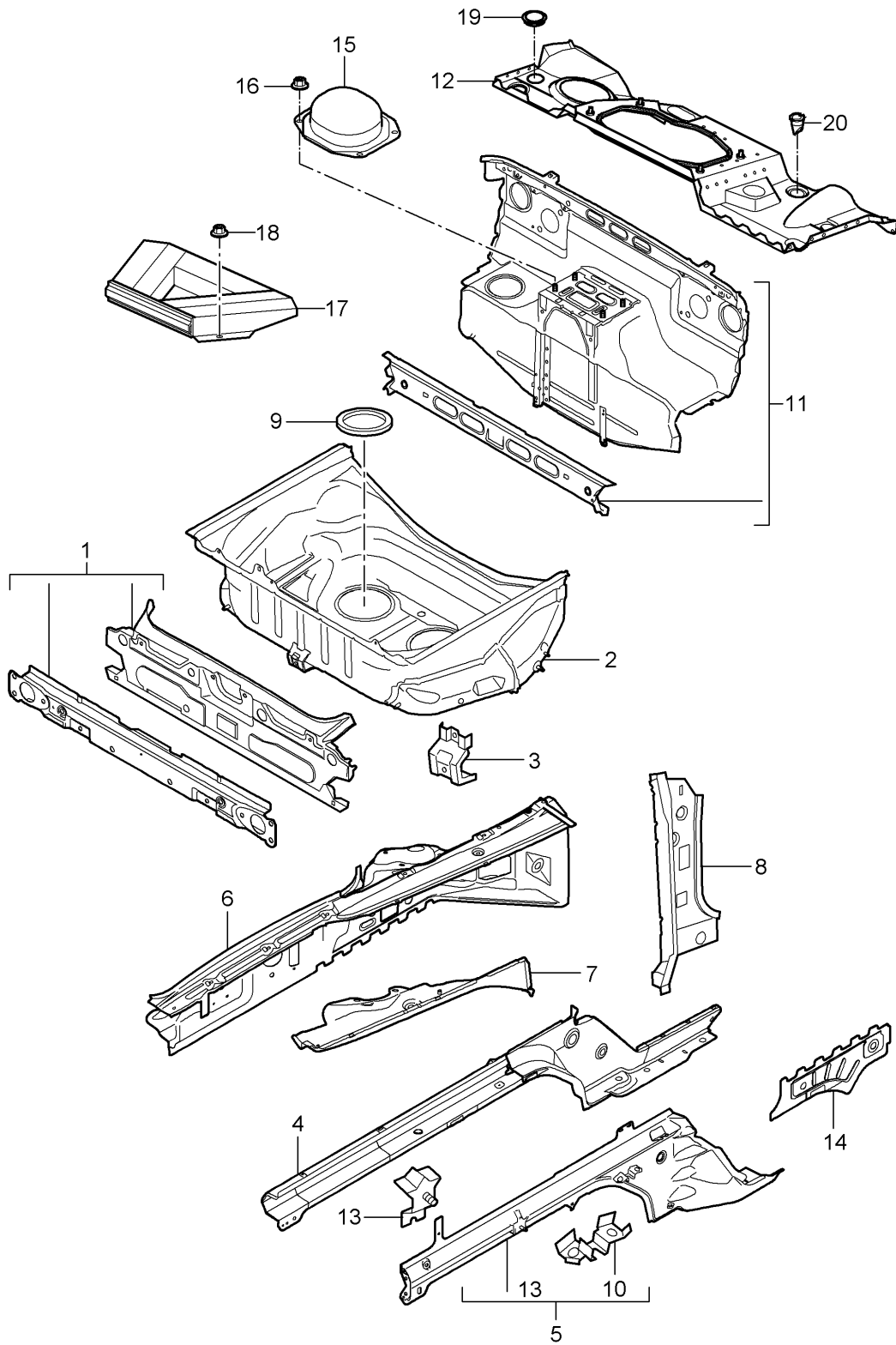


Model: 997T07 Model life 2007>>2009

| Pos | Part Number | Description | Remark | Qty | Model |
|-----|--------------------------------------|---|--------|-----|---------------|
| 1 | 997 501 911 01 997 501 911 01 GRV | Front end Front end primed also use: sealant Pos. 5 Processing instructions See technical manual | lhd | 1 | PR:098 |
| (1) | 997 501 911 02 997 501 911 02 GRV | Front end primed also use: sealant Pos. 5 Processing instructions See technical manual | rhd | 1 | PR:099 |
| 1 | 997 501 911 91 997 501 911 91 GRV | Front end primed also use: sealant Pos. 5 Processing instructions See technical manual | lhd | 1 | GT2 PR:098 |
| (1) | 997 501 911 92 997 501 911 92 GRV | Front end primed also use: sealant Pos. 5 Processing instructions See technical manual | rhd | 1 | GT2 PR:099 |
| - | | also use: | | | |
| 2 | 997 501 945 00 997 501 945 00 GRV | Lower part primed | left | 1 | |
| 3 | 997 504 121 00 | Cover | lhd | 1 | PR:098 |
| (3) | 997 504 121 01 | Cover also use: | rhd | 1 | PR:099 |
| 4 | 000 043 300 94 | Adhesive set | | 1 | |
| 5 | 999 702 255 41 | End cap 61,5 X 72,6 | | 1 | |
| 6 | 999 915 337 40 | sealant | | 1 | |

Model: 997T07

Model life 2007>>2009



Model: 997T07 Model life 2007>>2009

| Pos | Part Number | Description | Remark | Qty | Model |
|------|--------------------|--------------------|--------|-----|--------|
| | | Front end | | | |
| | | Individual parts | | | |
| 1 | 997 501 931 00 | Cross panel | | 1 | |
| | 997 501 931 00 GRV | primed | | | |
| 2 | 997 501 979 01 | Spare wheel well | lhd | 1 | PR:098 |
| | 997 501 979 01 GRV | primed | | | |
| 2 | 997 501 979 02 | Spare wheel well | rhd | 1 | PR:099 |
| | 997 501 979 02 GRV | primed | | | |
| (2) | 997 501 979 00 | Spare wheel well | | 1 | GT2 |
| | 997 501 979 00 GRV | primed | | | |
| - | 997 501 403 00 | Insert | | 1 | |
| | | Spare wheel well | | | |
| | 997 501 403 00 GRV | primed | | | |
| 3 | 996 501 621 00 | Bracket | | 3 | |
| | 996 501 621 00 GRV | primed | | | |
| 4 | 997 501 305 01 | Side member | left | 1 | |
| | | Discontinued part | | | |
| | 997 501 305 01 GRV | primed | | | |
| 4 | 997 501 905 00 | Side member | left | 1 | |
| | 997 501 905 00 GRV | primed | | | |
| (4) | 997 501 306 01 | Side member | right | 1 | |
| | | Discontinued part | | | |
| | 997 501 306 01 GRV | primed | | | |
| (4) | 997 501 906 00 | Side member | right | 1 | |
| | 997 501 906 00 GRV | primed | | | |
| 5 | 997 501 915 01 | Side member | left | 1 | |
| | 997 501 915 01 GRV | primed | | | |
| (5) | 997 501 916 01 | Side member | right | 1 | |
| | 997 501 916 01 GRV | primed | | | |
| 6 | 997 501 935 01 | Wheel housing | left | 1 | |
| | | D - MJ 2008>> | | | |
| | 997 501 935 01 GRV | primed | | | |
| (6) | 997 501 936 01 | Wheel housing | right | 1 | |
| | 997 501 936 01 GRV | primed | | | |
| 7 | 997 501 945 00 | Lower part | left | 1 | |
| | 997 501 945 00 GRV | primed | | | |
| (7) | 997 501 946 01 | Lower part | right | 1 | |
| | 997 501 946 01 GRV | primed | | | |
| 8 | 997 501 937 00 | Hinge pillar | left | 1 | |
| | 997 501 937 00 GRV | primed | | | |
| (8) | 997 501 938 00 | Hinge pillar | right | 1 | |
| | 997 501 938 00 GRV | primed | | | |
| 9 | 996 504 201 01 | Cover | | 2 | |
| | | \$ 145 MM | | | |
| 10 | 996 501 815 02 | Brake line bracket | | 2 | |
| | 996 501 815 02 GRV | primed | | | |
| 11 | 997 502 915 00 | filler plate | lhd | 1 | PR:098 |
| | 997 502 915 00 GRV | primed | | | |
| (11) | 997 502 915 01 | filler plate | rhd | 1 | PR:099 |
| | 997 502 915 01 GRV | primed | | | |
| 12 | 997 502 017 00 | Cross panel | | 1 | |
| | 997 502 017 00 GRV | primed | | | |
| 13 | 996 501 341 00 | Bracket | | 2 | |
| | 996 501 341 00 GRV | primed | | | |
| 14 | 997 501 665 01 | Web plate | left | 1 | |
| | 997 501 665 01 GRV | primed | | | |
| (14) | 997 501 666 01 | Web plate | right | 1 | |
| | 997 501 666 01 GRV | primed | | | |
| 15 | 997 504 471 00 | Cover | | 1 | |
| | | filler plate | | | |
| 16 | 900 380 015 09 | Hexagon nut | | 7 | |
| | | M6 | | | |
| 17 | 997 504 403 00 | Insert | | 1 | |

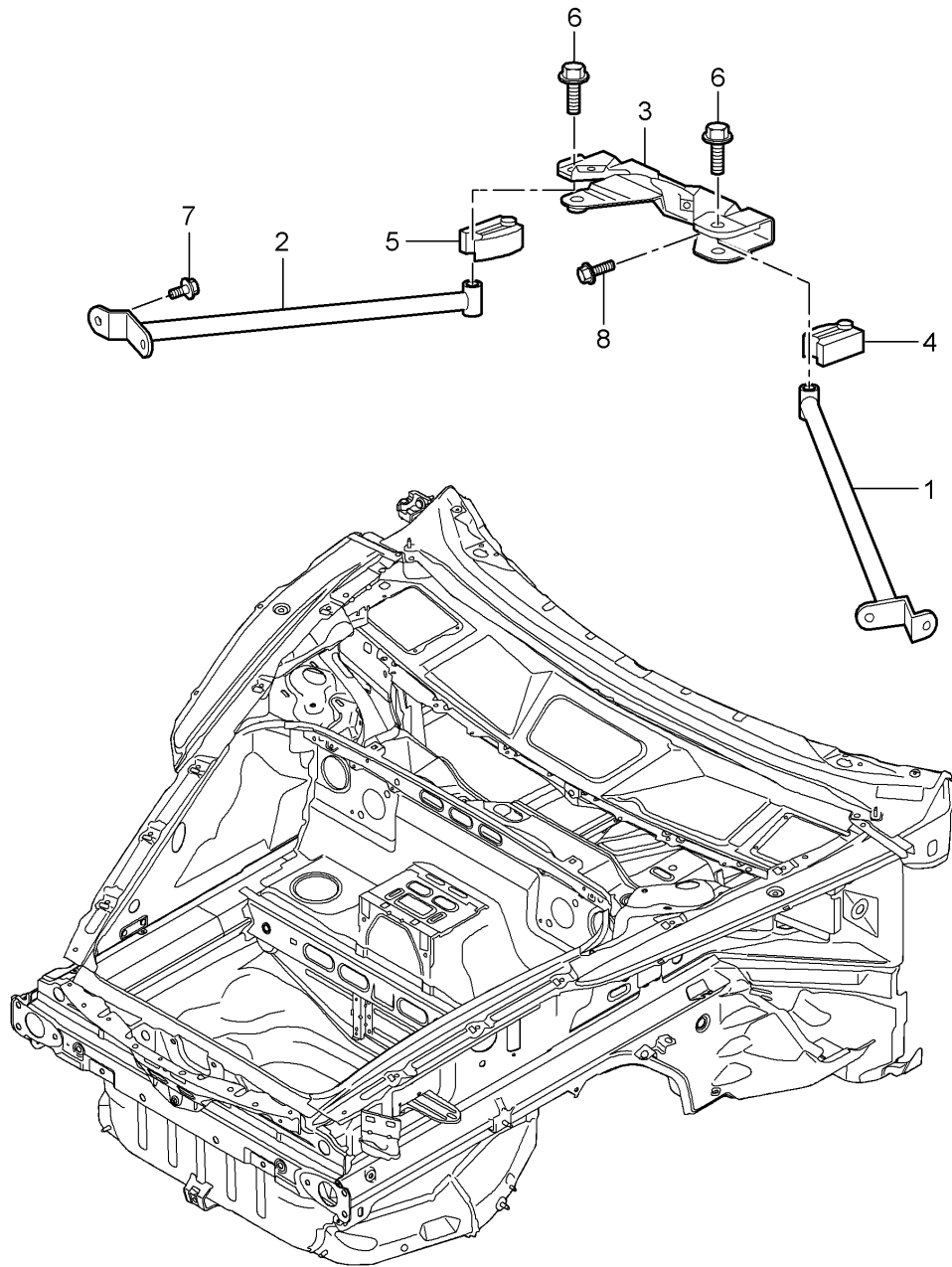
Model: 997T07

Model life 2007>>2009

| Pos | Part Number | Description | Remark | Qty | Model |
|-----|----------------|--|--------|-----|-------|
| 18 | 999 084 638 09 | Spare wheel well Hexagon nut M 6 | | 3 | |
| 19 | 803 803 583 | Rubber grommet 30,0 X 40,0 Discontinued part | | 1 | |
| 19 | 999 703 195 40 | Rubber grommet 30,0 X 40,0 | | 1 | |
| 20 | 999 703 476 40 | Grommet 29,8 X 1,0 | | 4 | |
| 20 | 999 703 476 41 | Grommet 29,8 X 1,0 | | 4 | |

Model: 997T07

Model life 2007>>2009



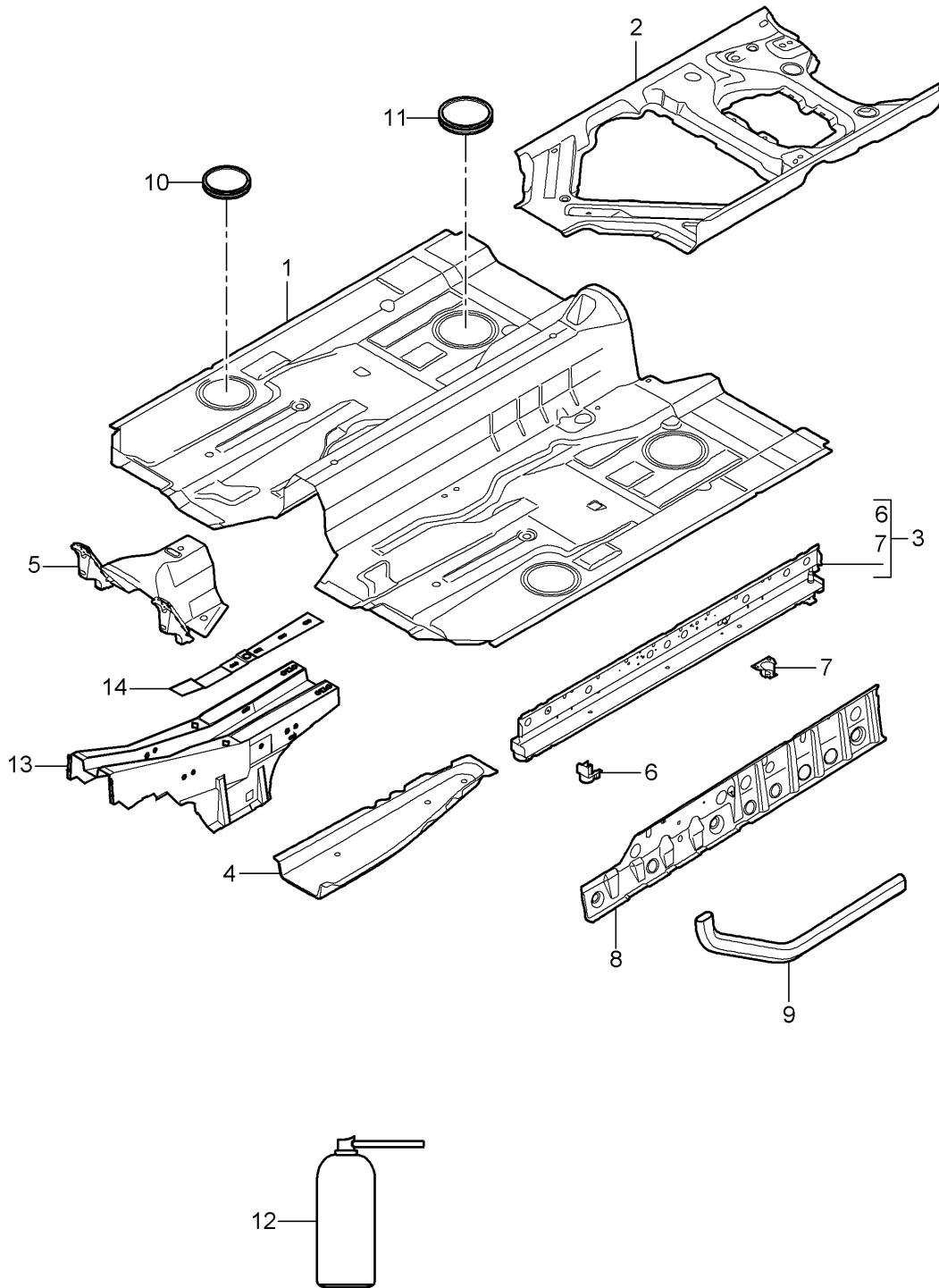
Model: 997T07

Model life 2007>>2009

| Pos | Part Number | Description | Remark | Qty | Model |
|-----|----------------|----------------------------|--------|-----|-------|
| 1 | 996 504 233 01 | Dome strut | left | 1 | |
| 2 | 996 504 234 01 | Dome strut | right | 1 | |
| 3 | 997 504 359 00 | Console | | 1 | |
| 4 | 996 504 633 00 | Filler piece | left | 1 | |
| 5 | 996 504 634 00 | Filler piece | right | 1 | |
| 6 | 900 378 100 09 | Hexagon bolt AM 10 X 45 | | 2 | |
| 7 | 900 075 010 09 | Hexagon bolt M 6 X 12 | | 4 | |
| 8 | 900 378 173 01 | Hexagon bolt M 6 X 20 | | 4 | |

Model: 997T07

Model life 2007>>2009



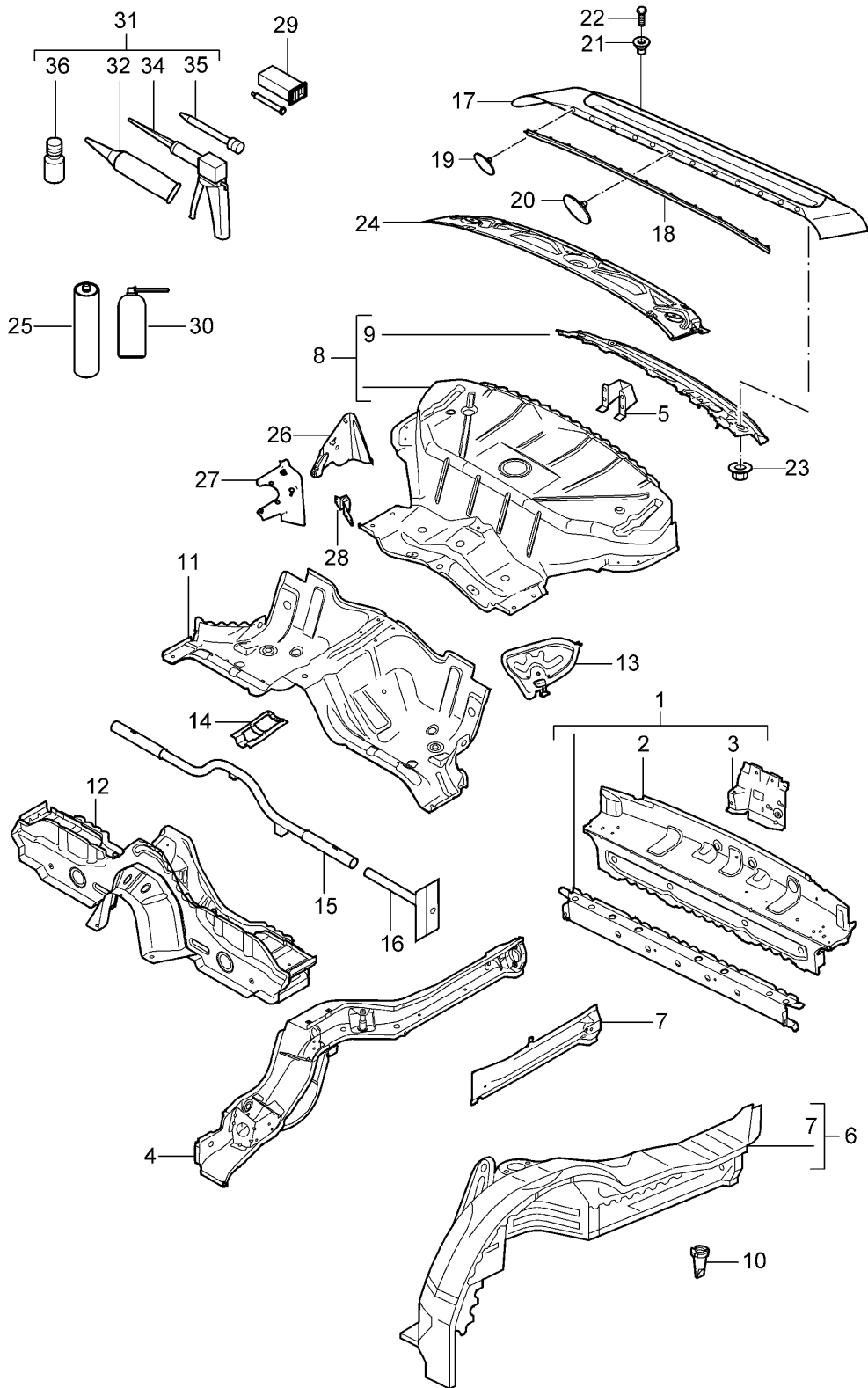
Model: 997T07

Model life 2007>>2009

| Pos | Part Number | Description | Remark | Qty | Model |
|-----|--------------------|-------------------------------|-------------|-----|-------|
| - | 000 043 206 29 | Floor Adhesive set Body | center | X | |
| - | 000 043 206 30 | comprising: adhesive | | 1 | |
| - | 000 043 206 31 | Double cartridge gun | | 1 | |
| - | 000 043 206 32 | emulsion tube | | 1 | |
| - | 000 043 206 33 | activator | | 1 | |
| 1 | 997 501 551 01 | Floor | | 1 | |
| | 997 501 551 01 GRV | primed | | | |
| 2 | 997 501 953 01 | Seat support | left | 1 | |
| | 997 501 953 01 GRV | primed | | | |
| (2) | 997 501 954 01 | Seat support | right | 1 | |
| | 997 501 954 01 GRV | primed | | | |
| 3 | 997 501 157 00 | Side member | left | 1 | |
| | 997 501 157 00 GRV | primed | | | |
| (3) | 997 501 158 00 | Side member | right | 1 | |
| | 997 501 158 00 GRV | primed | | | |
| 4 | 997 501 525 00 | Side member | left | 1 | |
| | 997 501 525 00 GRV | primed | | | |
| (4) | 997 501 526 00 | Side member | right | 1 | |
| | 997 501 526 00 GRV | primed | | | |
| 5 | 996 501 751 00 | Extension | | 1 | |
| | 996 501 751 00 GRV | primed | | | |
| 6 | 996 501 785 00 | socket - jack | left front | 1 | |
| | 996 501 785 00 GRV | primed | | | |
| (6) | 996 501 786 00 | socket - jack | right front | 1 | |
| | 996 501 786 00 GRV | primed | | | |
| 7 | 996 501 481 01 | socket - jack | left rear | 1 | |
| | 996 501 481 01 GRV | primed | | | |
| (7) | 996 501 482 01 | socket - jack | right rear | 1 | |
| | 996 501 482 01 GRV | primed | | | |
| 8 | 997 501 329 00 | Retaining plate | left | 1 | |
| | 997 501 329 00 GRV | primed | | | |
| (8) | 997 501 330 00 | Retaining plate | right | 1 | |
| | 997 501 330 00 GRV | primed | | | |
| 9 | 997 501 439 00 | Support tube | | 2 | |
| | 997 501 439 00 GRV | primed | | | |
| | | also use: | | | |
| | | sealant | | | |
| | | Pos. 12 | | | |
| | | Processing instructions | | | |
| | | See technical manual | | | |
| | | 51 49 55 | | | |
| 10 | 996 504 205 01 | Cover | | 2 | |
| | | \$ 125 MM | | | |
| 11 | 996 504 201 01 | Cover | | 2 | |
| | | \$ 145 MM | | | |
| 12 | 999 915 337 40 | sealant | | 1 | |
| 13 | 997 501 409 00 | Support | front | 1 | |
| 14 | 997 501 619 00 | Closing element | | 1 | |

Model: 997T07

Model life 2007>>2009



Model: 997T07 Model life 2007>>2009

| Pos | Part Number | Description | Remark | Qty | Model |
|-----|--|--|----------------|-----|--------|
| 1 | 997 501 973 01 | Rear end Cross panel D >> - MJ 2008 | | 1 | |
| 1 | 997 501 973 01 GRV 997 501 973 04 | primed Cross panel D - MJ 2009>> | | 1 | |
| 4 | 997 501 973 04 GRV 997 501 977 00 997 501 977 00 GRV | primed Side member primed | left | 1 | |
| | | also use: Processing instructions See technical manual 53 48 55 | 999 915 337 40 | | |
| (4) | 997 501 978 00 997 501 978 00 GRV | Side member primed | right | 1 | |
| | | also use: Processing instructions See technical manual 53 48 55 | 999 915 337 40 | | |
| 5 | 997 502 525 00 997 502 525 00 GRV | Console primed | | 1 | |
| 6 | 997 501 943 02 997 501 943 02 GRV | Wheel housing primed | left | 1 | COUPE |
| | | modify in workshop See workshop manual | | | |
| 6 | 997 501 943 03 997 501 943 03 GRV | Wheel housing primed | left | 1 | CABRIO |
| | | modify in workshop See workshop manual | | | |
| (6) | 997 501 944 02 997 501 944 02 GRV | Wheel housing primed | right | 1 | COUPE |
| | | modify in workshop See workshop manual | | | |
| (6) | 997 501 944 03 997 501 944 03 GRV | Wheel housing primed | right | 1 | CABRIO |
| | | modify in workshop See workshop manual | | | |
| 7 | 996 501 595 01 996 501 595 01 GRV | Side member primed | left | 1 | |
| (7) | 996 501 596 01 996 501 596 01 GRV | Side member primed | right | 1 | |
| 8 | 997 502 911 02 | rear panel Hat tray | | 1 | Coupe |
| | 997 502 911 02 GRV | primed | | | |
| 8 | 997 502 911 04 | rear panel Convertible top tray | | 1 | CABRIO |
| | 997 502 911 04 GRV | primed | | | |
| 9 | 997 502 673 00 997 502 673 00 GRV | Cross member primed | | 1 | |
| 9 | 997 502 673 01 997 502 673 01 GRV | Cross member primed | | 1 | CABRIO |
| (9) | 997 502 561 00 997 502 561 00 GRV | Cross member primed | | 1 | CABRIO |
| | | Upper part | | | |
| 10 | 996 561 825 00 | Water drain valve Wheel housing | rear | 2 | PR:650 |
| 11 | 997 501 549 00 997 501 549 00 GRV | Seat well primed | | 1 | |
| 12 | 997 501 955 00 997 501 955 00 GRV | Cross member Seat well primed | | 1 | |

Model: 997T07 Model life 2007>>2009

| Pos | Part Number | Description | Remark | Qty | Model |
|------|--------------------|-------------------------------------|--------|-----|----------------|
| 13 | 996 501 461 02 | Reinforcement Seat well | left | 1 | |
| | 996 501 461 02 GRV | primed | | | |
| (13) | 996 501 462 02 | Reinforcement Seat well | right | 1 | |
| | 996 501 462 02 GRV | primed | | | |
| 14 | 996 501 659 01 | Console Bracket | | 1 | |
| | 996 501 659 01 GRV | primed | | | |
| 15 | 996 501 411 00 | Pipe | | 1 | |
| | 996 501 411 00 GRV | primed | | | |
| 16 | 996 501 415 00 | Sleeve | | 2 | |
| | 996 501 415 00 GRV | primed | | | |
| 17 | 997 504 345 01 | Rear centre panel | outer | 1 | |
| | 997 504 345 01 GRV | primed | | | |
| | | also use: | | | |
| - | 999 911 709 40 | sealing tape 10X19 | | * | Coupe Coupe |
| 18 | 997 504 612 00 | Seal Rear centre panel primed | | 1 | |
| 19 | 999 507 973 40 | Mount 2,8 X 6 X 30 | | 2 | |
| 20 | 999 507 974 40 | Mount 2,8 X 6 X 50 | | 10 | |
| 21 | 999 500 109 02 | riveted cap nut M 6/0,8 - 3 | | 3 | |
| 22 | 999 073 263 09 | Bolt with washer M 6 X 12 | | 3 | |
| 23 | 999 076 029 02 | Hexagon nut M 6 | | 2 | |
| 24 | 997 502 409 01 | Closing plate | | 1 | |
| | 997 502 409 01 GRV | primed Rear centre panel | | | |
| | | also use: | | | |
| 25 | 000 043 305 51 | cavity preservative agent | | X | |
| 26 | 997 504 797 00 | Console | left | 1 | |
| | 997 504 797 00 GRV | primed Belt | | | |
| (26) | 997 504 798 00 | Console | right | 1 | |
| | 997 504 798 00 GRV | primed Belt | | | |
| 27 | 996 502 653 01 | Connection piece | left | 1 | COUPE |
| | 996 502 653 01 GRV | primed | | | |
| (27) | 996 502 654 01 | Connection piece | right | 1 | COUPE |
| | 996 502 654 01 GRV | primed | | | |
| (27) | 997 502 553 00 | Connection piece | left | 1 | CABRIO |
| | 997 502 553 00 GRV | primed | | | |
| (27) | 997 502 554 00 | Connection piece | right | 1 | CABRIO |
| | 997 502 554 00 GRV | primed | | | |
| 28 | 997 501 611 00 | Support | left | 1 | |
| | 997 501 611 00 GRV | primed | | | |
| (28) | 997 501 612 00 | Support | right | 1 | |
| | 997 501 612 00 GRV | primed | | | |
| 29 | 999 915 650 40 | adhesive | | X | |
| 30 | 999 915 337 40 | sealant Acoustics | | 1 | |
| 31 | 000 043 206 29 | Adhesive set Body comprising: | | X | |
| 32 | 000 043 206 30 | adhesive | | 1 | |
| 34 | 000 043 206 31 | Double cartridge gun | | 1 | |
| 35 | 000 043 206 32 | emulsion tube | | 1 | |

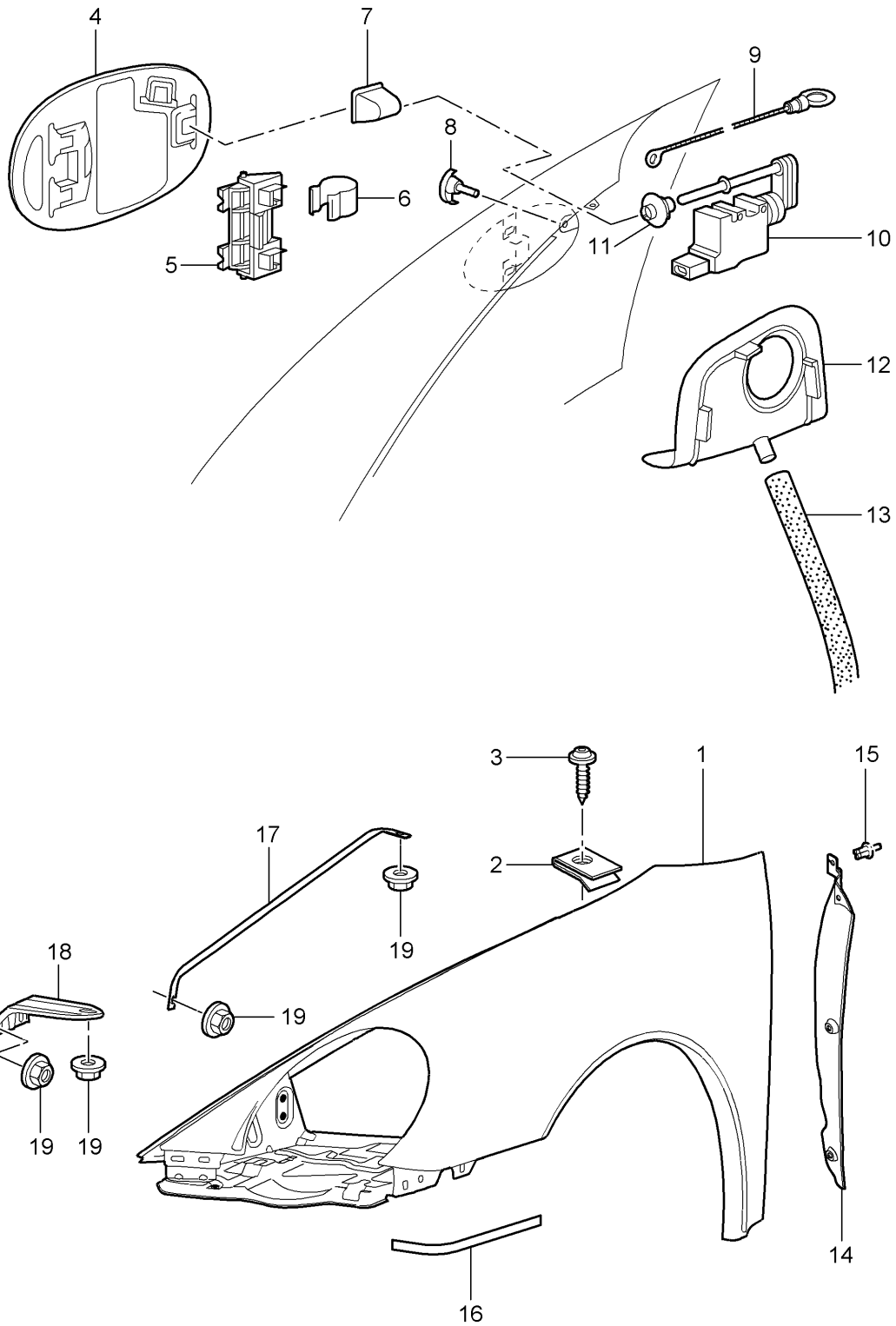
Model: 997T07

Model life 2007>>2009

| Pos | Part Number | Description | Remark | Qty | Model |
|-----|----------------|-------------|--------|-----|-------|
| 36 | 000 043 207 70 | activator | | 1 | |

Model: 997T07

Model life 2007>>2009



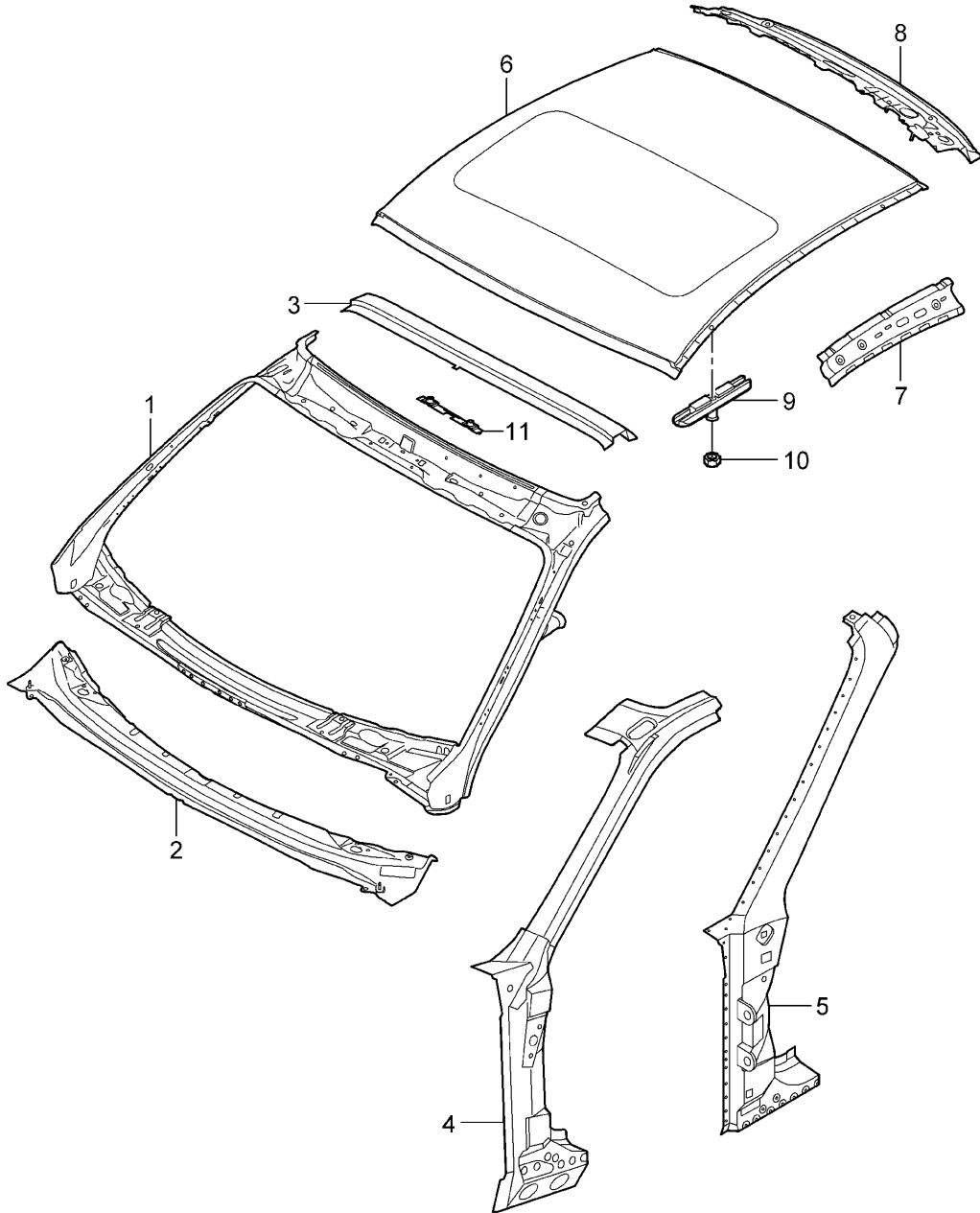
Model: 997T07

Model life 2007>>2009

| Pos | Part Number | Description | Remark | Qty | Model |
|------|--------------------|--------------------------------|--------|-----|-------|
| 1 | 997 503 031 00 | Wing | | | |
| | 997 503 031 00 GRV | Wing primed | left | 1 | |
| (1) | 997 503 032 02 | Wing | | | |
| | 997 503 032 02 GRV | Wing primed | right | 1 | |
| 2 | 999 507 003 01 | panel nut ST 6,3 | | 22 | |
| 3 | 999 073 128 02 | panel screw ST 6,3 X 14 | | 22 | |
| 4 | 997 504 134 00 | Fuel filler flap | | | |
| | 997 504 134 00 GRV | primed | | 1 | |
| 5 | 996 201 063 00 | Hinge | | 1 | |
| 6 | 997 504 711 00 | Spring | | 1 | |
| 7 | 996 201 423 00 | Cap | | 1 | |
| 8 | 997 504 888 01 | Rubber stop | | 1 | |
| 9 | 996 201 493 00 | Emergency operation | | 1 | |
| 10 | 997 624 113 00 | throttle control element | | 1 | |
| 11 | 997 624 505 00 | Guide rose | | 1 | |
| 12 | 997 201 667 00 | Sleeve | | 1 | |
| 13 | 996 201 153 00 | Hose | | 1 | |
| 14 | 997 504 641 02 | lining for fender | left | 1 | |
| | 997 504 641 02 01C | Black | | | |
| (14) | 997 504 642 02 | lining for fender | right | 1 | |
| | 997 504 642 02 01C | Black | | | |
| 15 | 999 591 712 40 | Spreader rivet A 6,0 X 12,0 | | 6 | |
| 16 | 997 504 531 00 | Protective film | left | 1 | |
| (16) | 997 504 532 00 | Protective film | right | 1 | |
| 17 | 997 504 441 00 | Brace | | 2 | |
| | 997 504 441 00 GRV | primed | | | |
| 18 | 997 504 555 00 | Console | | 2 | |
| | 997 504 555 00 GRV | primed | | | |
| 19 | 999 076 066 09 | Hexagon nut M 6 | | 10 | |

Model: 997T07

Model life 2007>>2009



Model: 997T07 Model life 2007>>2009

| Pos | Part Number | Description | Remark | Qty | Model |
|-----|--------------------|-----------------------------------|--------------------------|-----|------------|
| 1 | 997 502 137 00 | Scuttle | | 1 | |
| | 997 502 137 00 GRV | Scuttle primed | inner | | |
| | | | also use: 000 043 206 30 | | |
| (1) | 997 502 137 01 | Scuttle | | 1 | CABRIO |
| | 997 502 137 01 GRV | Scuttle primed | inner | | |
| | | | also use: 000 043 206 30 | | |
| 2 | 997 502 437 00 | Scuttle | | 1 | |
| | 997 502 437 00 GRV | Scuttle primed | outer | | |
| 3 | 997 502 529 00 | Scuttle | | 1 | CABRIO |
| | 997 502 529 00 GRV | Scuttle primed | outer | | |
| 4 | 997 502 135 00 | Reinforcement for A-pillar | left | 1 | COUPE |
| | | D >> - MJ 2007 | | | |
| | 997 502 135 00 GRV | Reinforcement for A-pillar primed | inner | | |
| | | | also use: 000 043 206 30 | | |
| 4 | 997 502 135 03 | Reinforcement for A-pillar | left | 1 | COUPE |
| | | D - MJ 2008>> | | | |
| | 997 502 135 03 GRV | Reinforcement for A-pillar primed | inner | | |
| | | | also use: 000 043 206 30 | | |
| (4) | 997 502 135 04 | Reinforcement for A-pillar | left | 1 | CABRIO |
| | 997 502 135 04 GRV | Reinforcement for A-pillar primed | inner | | |
| | | | also use: 000 043 206 30 | | |
| (4) | 997 502 136 00 | Reinforcement for A-pillar | right | 1 | COUPE |
| | | D >> - MJ 2007 | | | |
| | 997 502 136 00 GRV | Reinforcement for A-pillar primed | inner | | |
| | | | also use: 000 043 206 30 | | |
| (4) | 997 502 136 03 | Reinforcement for A-pillar | right | 1 | COUPE |
| | | D - MJ 2008>> | | | |
| | 997 502 136 03 GRV | Reinforcement for A-pillar primed | inner | | |
| | | | also use: 000 043 206 30 | | |
| (4) | 997 502 136 04 | Reinforcement for A-pillar | right | 1 | CABRIO |
| | 997 502 136 04 GRV | Reinforcement for A-pillar primed | inner | | |
| | | | also use: 000 043 206 30 | | |
| - | 000 043 206 29 | Adhesive set | | X | |
| | | Body comprising: | | | |
| - | 000 043 206 30 | adhesive | | 1 | |
| - | 000 043 206 31 | Double cartridge gun | | 1 | |
| - | 000 043 206 32 | emulsion tube | | 1 | |
| - | 000 043 206 33 | activator | | 1 | |
| 5 | 997 502 335 00 | Hinge pillar | left | 1 | CABRIO |
| | 997 502 335 00 GRV | Hinge pillar primed | | | |
| | | | also use: 000 043 206 30 | | |
| (5) | 997 502 336 00 | Hinge pillar | right | 1 | CABRIO |
| | 997 502 336 00 GRV | Hinge pillar primed | | | |
| | | | also use: 000 043 206 30 | | |
| - | 000 043 206 29 | Adhesive set | | X | |
| | | Body comprising: | | | |
| - | 000 043 206 30 | adhesive | | 1 | |
| - | 000 043 206 31 | Double cartridge gun | | 1 | |
| - | 000 043 206 32 | emulsion tube | | 1 | |
| - | 000 043 206 33 | activator | | 1 | |
| (6) | 996 503 501 00 | Outer roof panel | | 1 | |
| | 996 503 501 00 GRV | Outer roof panel primed | | | |
| (6) | 997 503 501 00 | Outer roof panel | | 1 | PR:461 |
| | 997 503 501 00 GRV | Outer roof panel primed | | | |
| 6 | 996 503 087 03 | Outer roof panel | | 1 | PR:650 |
| | 996 503 087 03 GRV | Outer roof panel primed | | | |
| (6) | 997 503 087 00 | Outer roof panel | | 1 | PR:650,461 |
| | 997 503 087 00 GRV | Outer roof panel primed | | | |
| | | | also use: | | |
| - | 000 043 204 38 | sealant | | X | |

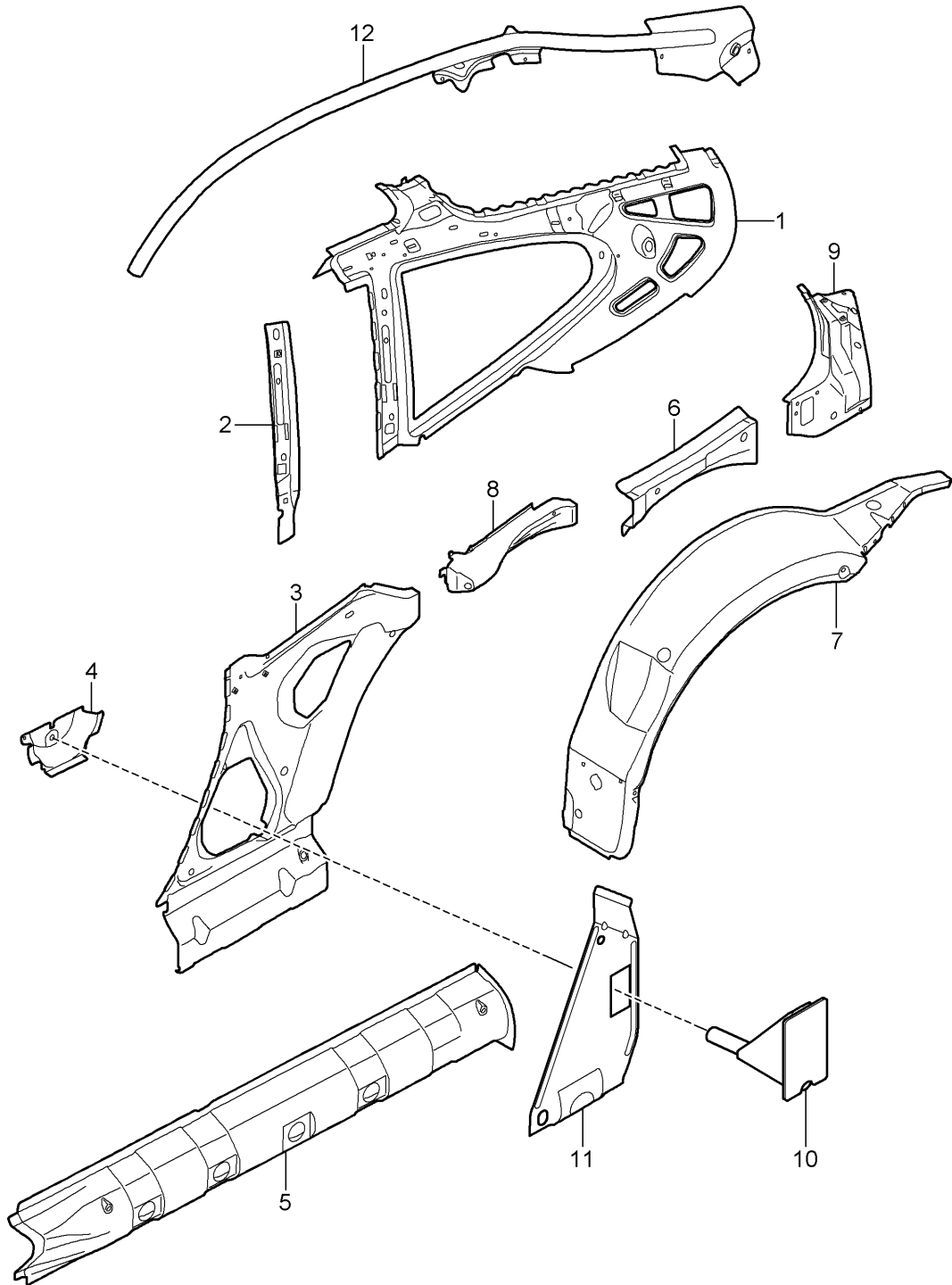
Model: 997T07

Model life 2007>>2009

| Pos | Part Number | Description | Remark | Qty | Model |
|-----|--------------------|--|--------|-----|-------|
| | | 70 ML Processing instructions See technical manual | | | |
| 7 | 996 502 305 03 | roof frame | left | 1 | |
| | 996 502 305 03 GRV | primed | | | |
| (7) | 996 502 306 03 | roof frame | right | 1 | |
| | 996 502 306 03 GRV | primed | | | |
| 8 | 997 502 505 00 | roof frame | | 1 | |
| | 997 502 505 00 GRV | primed | | | |
| 9 | 996 504 911 00 | basic plate | | X | |
| | | with: | | | |
| | | threaded pin | | | |
| 10 | 900 377 021 02 | Hexagon nut | | X | |
| | | M10 X 1 | | | |
| 11 | 997 502 739 01 | panel nut | | 1 | |
| | | M6 | | | |
| | | Scuttle | | | |

Model: 997T07

Model life 2007>>2009



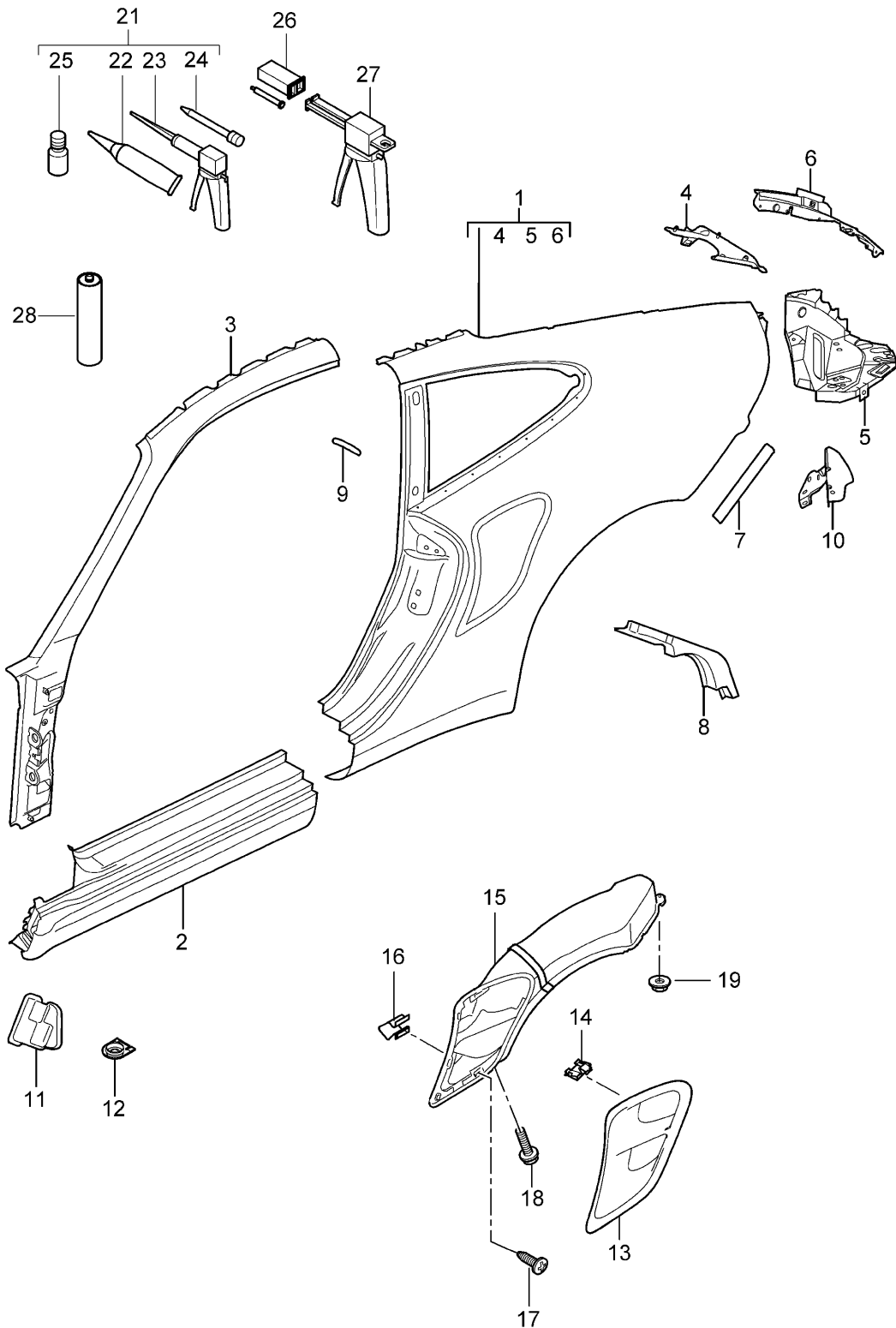
Model: 997T07

Model life 2007>>2009

| Pos | Part Number | Description | Remark | Qty | Model |
|------|--------------------|----------------------------|--------|-----|-------|
| 1 | 997 502 153 00 | Side part | inner | | |
| | 997 502 153 00 GRV | Side part primed | left | 1 | |
| (1) | 997 502 154 00 | Side part | right | 1 | |
| | 997 502 154 00 GRV | Side part primed | | | |
| 2 | 997 502 423 00 | Reinforcement | left | 1 | |
| | 997 502 423 00 GRV | Reinforcement primed | | | |
| (2) | 997 502 424 00 | Reinforcement | right | 1 | |
| | 997 502 424 00 GRV | Reinforcement primed | | | |
| 3 | 996 502 083 02 | Side part | left | 1 | |
| | 996 502 083 02 GRV | Side part primed | | | |
| (3) | 996 502 084 02 | Side part | right | 1 | |
| | 996 502 084 02 GRV | Side part primed | | | |
| 4 | 996 502 383 01 | Console | | 2 | |
| | 996 502 383 01 GRV | Console primed | | | |
| 5 | 996 502 733 01 | Reinforcement | left | 1 | |
| | 996 502 733 01 GRV | Reinforcement primed | | | |
| (5) | 996 502 734 01 | Reinforcement | right | 1 | |
| | 996 502 734 01 GRV | Reinforcement primed | | | |
| - | | also use: | | | |
| - | 000 043 206 29 | Adhesive set | | X | |
| | | Body comprising: | | | |
| - | 000 043 206 30 | adhesive | | 1 | |
| - | 000 043 206 31 | Double cartridge gun | | 1 | |
| - | 000 043 206 32 | emulsion tube | | 1 | |
| - | 000 043 206 33 | activator | | 1 | |
| - | 999 703 433 40 | Bungs 30 X 42 for POS. 5 | | 10 | |
| 6 | 997 502 115 00 | Side part | left | 1 | |
| | 997 502 115 00 GRV | Side part primed | | | |
| (6) | 997 502 116 00 | Side part | right | 1 | |
| | 997 502 116 00 GRV | Side part primed | | | |
| 7 | 997 502 215 02 | Wheel housing | left | 1 | |
| | 997 502 215 02 GRV | Wheel housing primed | | | |
| (7) | 997 502 216 02 | Wheel housing | right | 1 | |
| | 997 502 216 02 GRV | Wheel housing primed | | | |
| 8 | 997 502 707 00 | Reinforcement | left | 1 | |
| | 997 502 707 00 GRV | Reinforcement primed | | | |
| (8) | 997 502 708 00 | Reinforcement | right | 1 | |
| | 997 502 708 00 GRV | Reinforcement primed | | | |
| 9 | 997 502 161 00 | Side part | left | 1 | |
| | 997 502 161 00 GRV | Side part primed | | | |
| (9) | 997 502 162 00 | Side part | right | 1 | |
| | 997 502 162 00 GRV | Side part primed | | | |
| 10 | 997 502 711 00 | Pipe | | 2 | |
| | 997 502 711 00 GRV | Pipe primed | | | |
| 11 | 997 502 745 00 | Reinforcement plate | left | 1 | |
| | 997 502 745 00 GRV | Reinforcement plate primed | | | |
| (11) | 997 502 746 00 | Reinforcement plate | right | 1 | |
| | 997 502 746 00 GRV | Reinforcement plate primed | | | |
| 12 | 997 502 619 00 | Pipe | left | 1 | |
| | 997 502 619 00 GRV | Pipe primed | | | |
| (12) | 997 502 620 00 | Pipe | right | 1 | |
| | 997 502 620 00 GRV | Pipe primed | | | |

Model: 997T07

Model life 2007>>2009



Model: 997T07

Model life 2007>>2009

| Pos | Part Number | Description | Remark | Qty | Model |
|------|--------------------|------------------------|--------|-----|-------|
| 1 | 997 503 961 12 | Side part | outer | | COUPE |
| | 997 503 961 12 GRV | Side part primed | left | 1 | |
| (1) | 997 503 962 12 | Side part | right | 1 | |
| | 997 503 962 12 GRV | Side part primed | | | |
| 2 | 997 503 963 02 | Sill | left | 1 | |
| | 997 503 963 02 GRV | Sill primed | | | |
| (2) | 997 503 964 02 | Sill | right | 1 | |
| | 997 503 964 02 GRV | Sill primed | | | |
| 3 | 997 503 965 00 | roof frame | left | 1 | |
| | 997 503 965 00 GRV | roof frame primed | | | |
| (3) | 997 503 966 00 | roof frame | right | 1 | |
| | 997 503 966 00 GRV | roof frame primed | | | |
| 4 | 997 502 365 00 | Sealing channel | left | 1 | |
| | 997 502 365 00 GRV | Sealing channel primed | | | |
| (4) | 997 502 366 00 | Sealing channel | right | 1 | |
| | 997 502 366 00 GRV | Sealing channel primed | | | |
| 5 | 997 502 461 01 | Frame for light | left | 1 | |
| | | Discontinued part | | | |
| | 997 502 461 01 GRV | Frame for light primed | | | |
| 5 | 997 502 461 02 | Frame for light | left | 1 | |
| | 997 502 461 02 GRV | Frame for light primed | | | |
| (5) | 997 502 462 01 | Frame for light | right | 1 | |
| | | Discontinued part | | | |
| | 997 502 462 01 GRV | Frame for light primed | | | |
| (5) | 997 502 462 02 | Frame for light | right | 1 | |
| | 997 502 462 02 GRV | Frame for light primed | | | |
| 6 | 997 502 213 01 | Console | left | 1 | |
| | | Gas filled strut | | | |
| | 997 502 213 01 GRV | Console primed | | | |
| (6) | 997 502 214 00 | Console | right | 1 | |
| | | Gas filled strut | | | |
| | 997 502 214 00 GRV | Console primed | | | |
| 7 | 997 504 631 00 | Protective film | | 2 | |
| 8 | 997 504 907 00 | Seal | | 2 | |
| | | See workshop manual | | | |
| 9 | 996 537 237 00 | Protective film | | 2 | |
| 10 | 997 501 487 00 | Reinforcement | left | 1 | |
| | 997 501 487 00 GRV | Reinforcement primed | | | |
| (10) | 997 501 488 00 | Reinforcement | right | 1 | |
| | 997 501 488 00 GRV | Reinforcement primed | | | |
| | | also use: | | | |
| 11 | 997 572 311 01 | Water protection | left | 1 | |
| (11) | 997 572 312 01 | Water protection | right | 1 | |
| 12 | 999 703 475 40 | drain tube | | 2 | |
| | | Sill | | | |
| 13 | 997 504 361 01 | Air inlet | left | 1 | |
| | 997 504 361 01 G2X | Air inlet primed | | | |
| (13) | 997 504 362 01 | Air inlet | right | 1 | |
| | 997 504 362 01 G2X | Air inlet primed | | | |
| 14 | 999 507 835 09 | Clip | | 4 | |
| | | 1,50 | | | |
| 15 | 997 504 459 00 | Air guide channel | left | 1 | |
| | | front, inner | | | |
| | 997 504 459 00 01C | Black | | | |
| (15) | 997 504 460 00 | Air guide channel | right | 1 | |
| | | front, inner | | | |
| | 997 504 460 00 01C | Black | | | |
| 16 | 999 507 836 09 | Clamp | | 10 | |
| | | 9,0 X 13,0/4,0 | | | |
| 17 | 999 073 155 09 | panel screw | | 14 | |
| | | ST 4,2 X 13 | | | |

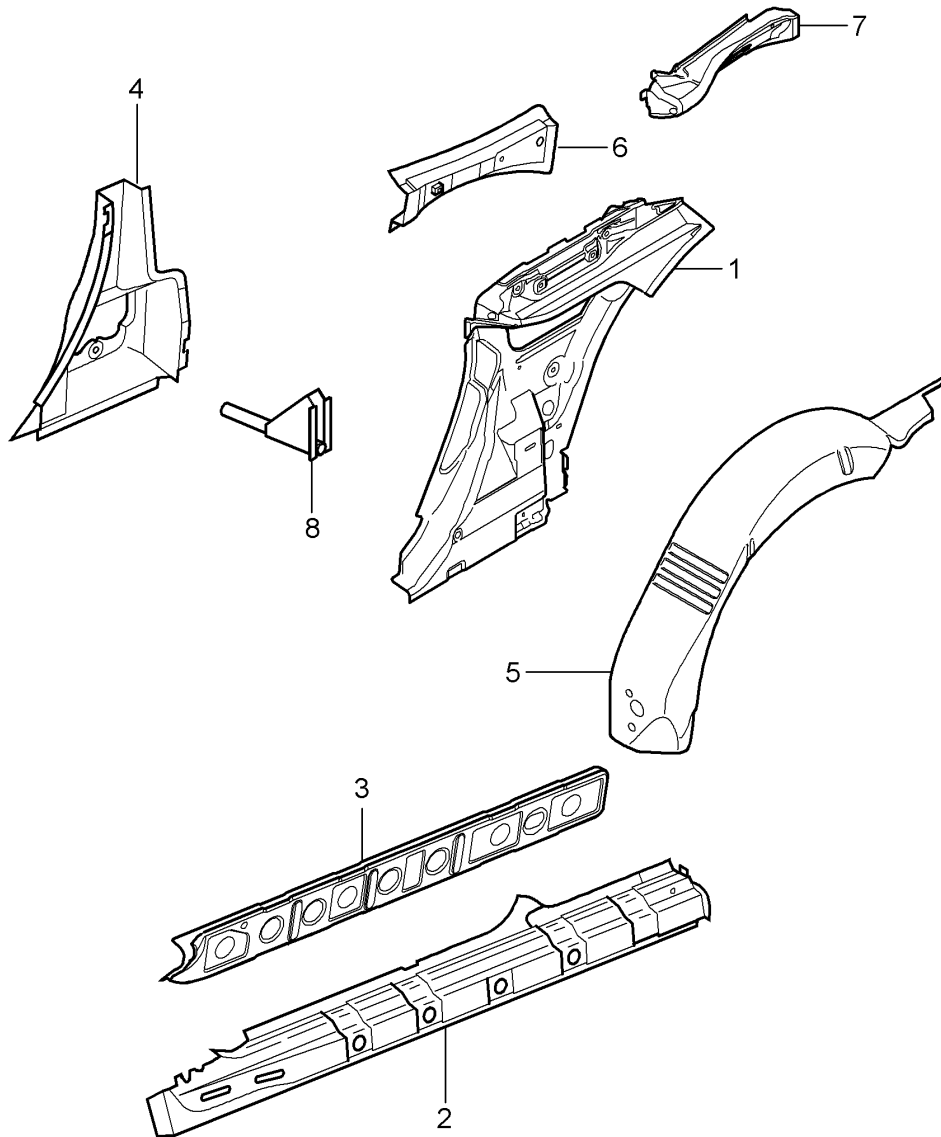
Model: 997T07

Model life 2007>>2009

| Pos | Part Number | Description | Remark | Qty | Model |
|-----|----------------|---|--------|-----|-------|
| 18 | 999 074 060 09 | Hexagon bolt M6 X 18 | | 20 | |
| 19 | 999 076 078 01 | Hexagon nut M 6 | | 4 | |
| 20 | 9A7 809 237 00 | Threaded plate for B-pillar | | 1 | |
| 21 | 000 043 206 29 | Adhesive set Body comprising: | | X | |
| 22 | 000 043 206 30 | adhesive | | 1 | |
| 23 | 000 043 206 31 | Double cartridge gun | | 1 | |
| 24 | 000 043 206 32 | emulsion tube | | 1 | |
| 25 | 000 043 206 33 | activator | | 1 | |
| 26 | 999 915 650 40 | adhesive TEROMIX | | X | |
| 27 | 000 043 300 48 | Tool set See technical manual Group 5 53 55 55 | | X | |
| 28 | 000 043 305 51 | cavity preservative agent | | X | |

Model: 997T07

Model life 2007>>2009

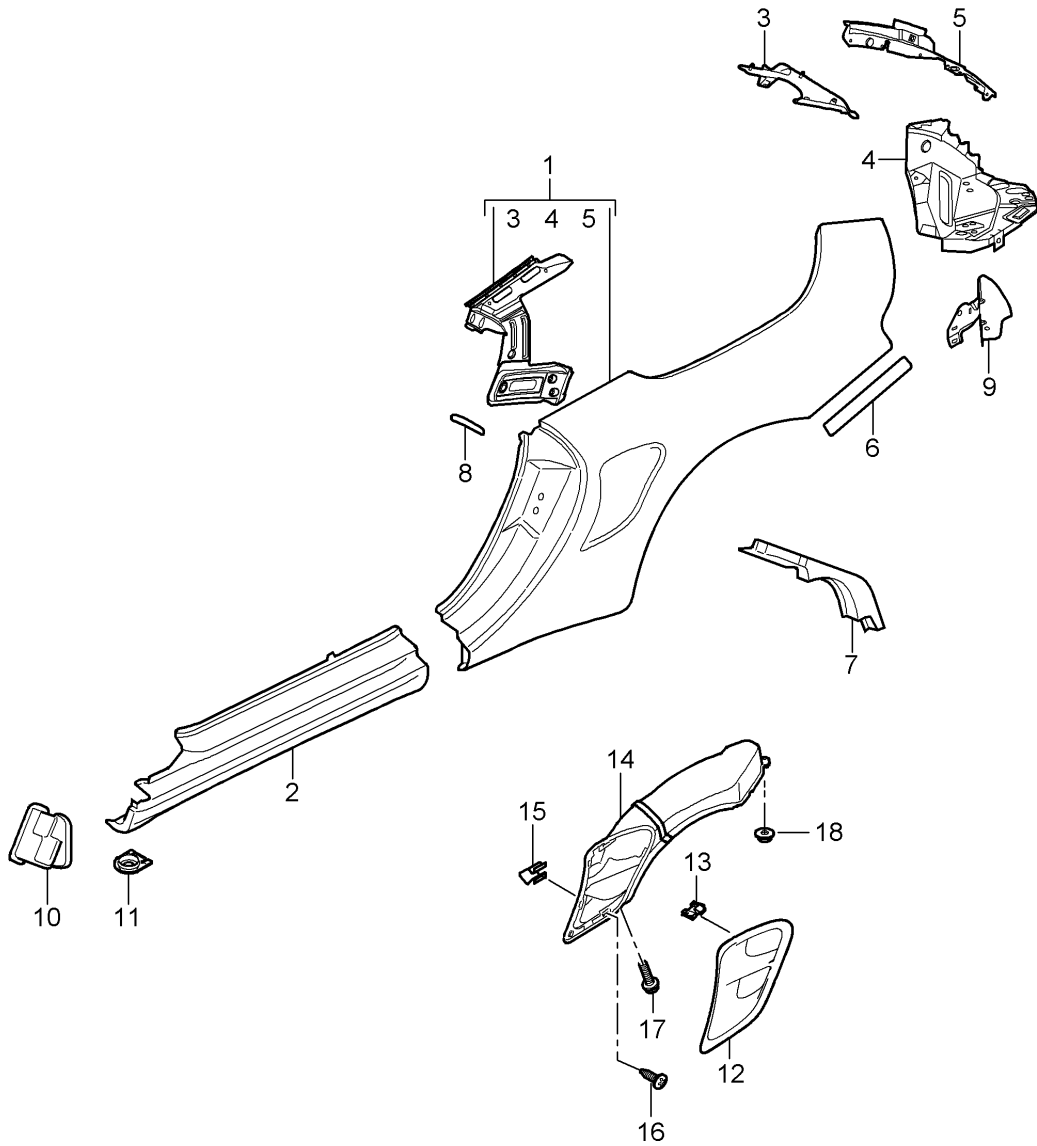


Model: 997T07 Model life 2007>>2009

| Pos | Part Number | Description | Remark | Qty | Model |
|-----|--------------------|----------------------|--------|-----|--------|
| 1 | 997 502 073 02 | Side part | inner | | CABRIO |
| | 997 502 073 02 GRV | Side part primed | left | 1 | |
| (1) | 997 502 074 02 | Side part | right | 1 | |
| | 997 502 074 02 GRV | Side part primed | | | |
| 2 | 997 502 663 00 | Reinforcement | left | 1 | |
| | 997 502 663 00 GRV | Reinforcement primed | | | |
| | | also use: | | | |
| (2) | 997 502 664 00 | Reinforcement | right | 1 | |
| | 997 502 664 00 GRV | Reinforcement primed | | | |
| | | also use: | | | |
| - | 000 043 206 29 | Adhesive set | | X | |
| | | Body comprising: | | | |
| - | 000 043 206 30 | adhesive | | 1 | |
| - | 000 043 206 31 | Double cartridge gun | | 1 | |
| - | 000 043 206 32 | emulsion tube | | 1 | |
| - | 000 043 206 33 | activator | | 1 | |
| 3 | 996 502 683 01 | Web plate | left | 1 | |
| | 996 502 683 01 GRV | Web plate primed | | | |
| (3) | 996 502 684 01 | Web plate | right | 1 | |
| | 996 502 684 01 GRV | Web plate primed | | | |
| 4 | 996 502 415 01 | B-pillar | left | 1 | |
| | 996 502 415 01 GRV | B-pillar primed | | | |
| (4) | 996 502 416 01 | B-pillar | right | 1 | |
| | 996 502 416 01 GRV | B-pillar primed | | | |
| 5 | 997 502 215 02 | Wheel housing | left | 1 | |
| | 997 502 215 02 GRV | Wheel housing primed | | | |
| (5) | 997 502 216 02 | Wheel housing | right | 1 | |
| | 997 502 216 02 GRV | Wheel housing primed | | | |
| 6 | 997 502 115 02 | Side part | left | 1 | |
| | 997 502 115 02 GRV | Side part primed | | | |
| (6) | 997 502 116 02 | Side part | right | 1 | |
| | 997 502 116 02 GRV | Side part primed | | | |
| 7 | 997 502 161 01 | Side part | left | 1 | |
| | 997 502 161 01 GRV | Side part primed | | | |
| (7) | 997 502 162 01 | Side part | right | 1 | |
| | 997 502 162 01 GRV | Side part primed | | | |
| 8 | 997 502 711 01 | Pipe | | 2 | |
| | 997 502 711 01 GRV | Pipe primed | | | |

Model: 997T07

Model life 2007>>2009



Model: 997T07 Model life 2007>>2009

| Pos | Part Number | Description | Remark | Qty | Model |
|------|--------------------|--|--------|-----|--------|
| 1 | 997 503 961 13 | Side part | outer | 1 | CABRIO |
| | 997 503 961 13 GRV | Side part primed | left | 1 | |
| (1) | 997 503 962 06 | Side part | right | 1 | |
| | 997 503 962 06 GRV | Side part primed | | | |
| (1) | 997 503 962 13 | Side part | right | 1 | |
| | 997 503 962 13 GRV | Side part primed | | | |
| - | | also use: | | | |
| - | 999 915 650 40 | adhesive TEROMIX 6700 | | X | |
| - | 000 043 300 48 | Tool set Processing instructions See technical manual Group 5 53 55 55 | | X | |
| 2 | 997 503 963 03 | Sill | left | 1 | |
| | 997 503 963 03 GRV | Sill primed | | | |
| (2) | 997 503 964 03 | Sill | right | 1 | |
| | 997 503 964 03 GRV | Sill primed | | | |
| 3 | 997 502 365 01 | Sealing channel | left | 1 | |
| | 997 502 365 01 GRV | Sealing channel primed | | | |
| (3) | 997 502 366 01 | Sealing channel | right | 1 | |
| | 997 502 366 01 GRV | Sealing channel primed | | | |
| 4 | 997 502 461 01 | Frame for light | left | 1 | |
| | 997 502 461 01 GRV | Frame for light primed | | | |
| (4) | 997 502 462 01 | Frame for light | right | 1 | |
| | 997 502 462 01 GRV | Frame for light primed | | | |
| 5 | 997 502 213 01 | Console | left | 1 | |
| | 997 502 213 01 GRV | Console primed >> - MJ 2007 | | | |
| 5 | 997 502 213 02 | Console | left | 1 | |
| | 997 502 213 02 GRV | Console primed D - MJ 2008>> | | | |
| (5) | 997 502 214 00 | Console | right | 1 | |
| | 997 502 214 00 GRV | Console primed >> - MJ 2007 | | | |
| (5) | 997 502 214 01 | Console | right | 1 | |
| | 997 502 214 01 GRV | Console primed D - MJ 2008>> | | | |
| 6 | 997 504 631 00 | Protective film | | 2 | |
| 7 | 997 504 907 00 | Seal | | 2 | |
| | | modify in workshop See workshop manual | | | |
| 8 | 996 537 237 00 | Protective film | | 2 | |
| 9 | 997 501 487 02 | Reinforcement | left | 1 | |
| | 997 501 487 02 GRV | Reinforcement primed | | | |
| (9) | 997 501 488 02 | Reinforcement | right | 1 | |
| | 997 501 488 02 GRV | Reinforcement primed | | | |
| 10 | 997 572 311 01 | Water protection | left | 1 | |
| (10) | 997 572 312 01 | Water protection | right | 1 | |
| 11 | 999 703 475 40 | drain tube | | 2 | |
| 12 | 997 504 361 01 | Sill | left | 1 | |
| | 997 504 361 01 G2X | Sill primed | | | |
| (12) | 997 504 362 01 | Air inlet | right | 1 | |
| | 997 504 362 01 G2X | Air inlet primed | | | |
| 13 | 999 507 835 09 | Clip | | 4 | |
| | | 1,50 | | | |
| 14 | 997 504 459 00 | Air guide channel | | 1 | |
| | 997 504 459 00 01C | Air guide channel Black | | | |
| (14) | 997 504 460 00 | Air guide channel | | 1 | |
| | 997 504 460 00 01C | Air guide channel Black | | | |
| 15 | 999 507 836 09 | Clamp | | 10 | |

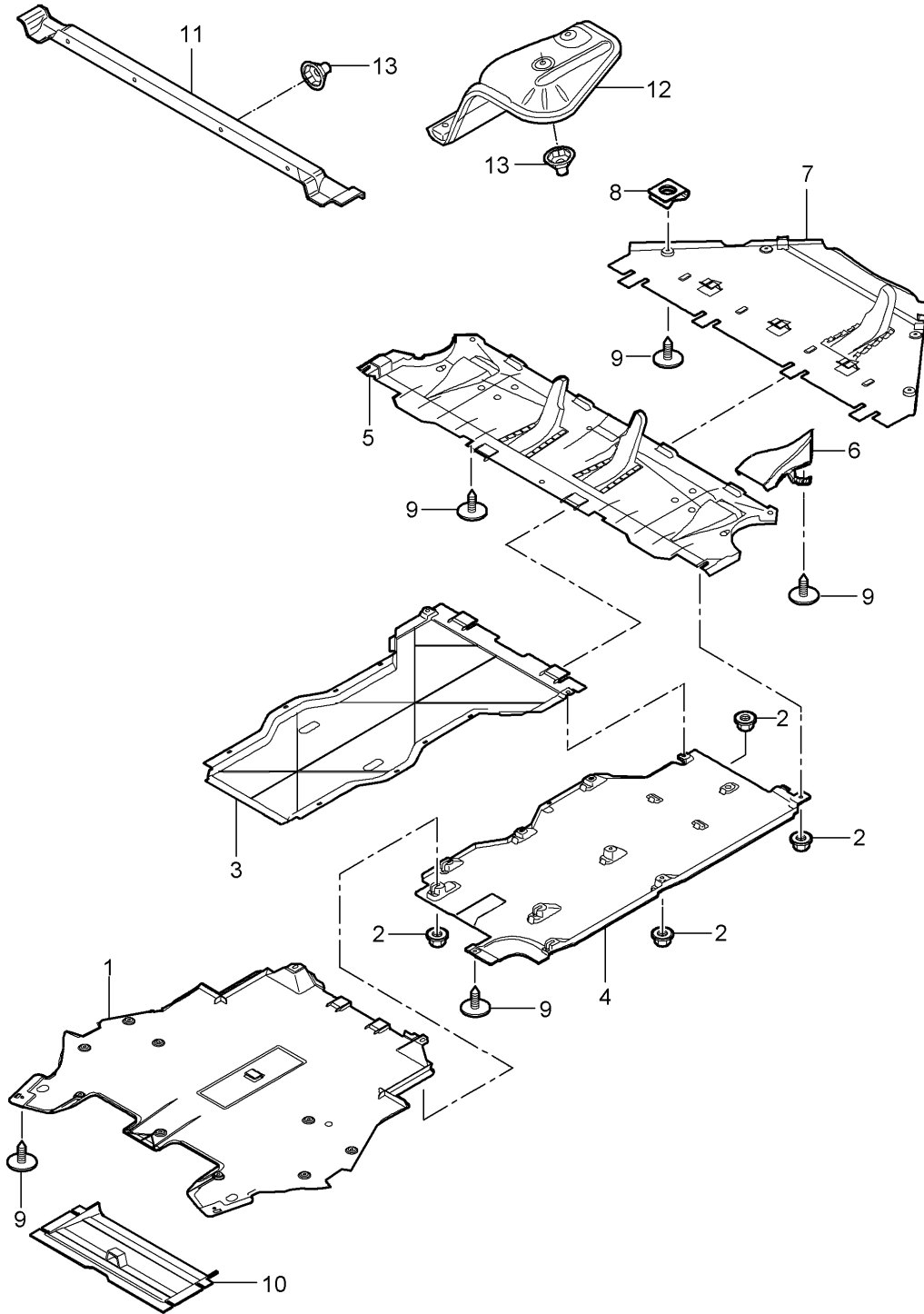
Model: 997T07

Model life 2007>>2009

| Pos | Part Number | Description | Remark | Qty | Model |
|-----|----------------|-------------------------------|--------|-----|-------|
| 16 | 999 073 155 09 | 9,0 x 13,0/4,0 panel screw | | 14 | |
| 17 | 999 074 060 09 | st 4,2 x 13 Hexagon bolt | | 20 | |
| 18 | 999 076 078 01 | m 6 x 18 Hexagon nut | | 4 | |
| | | m 6 | | | |

Model: 997T07

Model life 2007>>2009

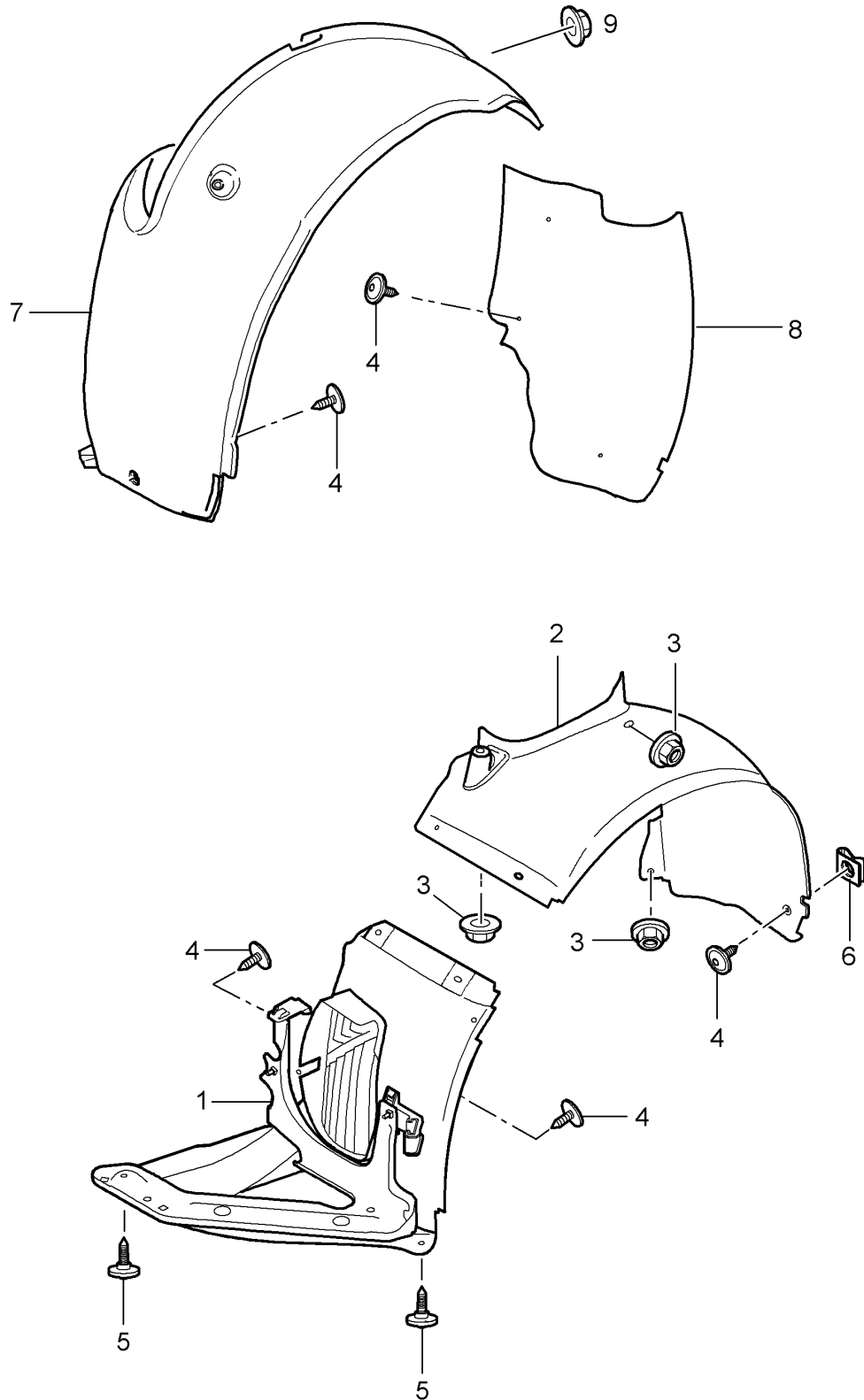


Model: 997T07 Model life 2007>>2009

| Pos | Part Number | Description | Remark | Qty | Model |
|------|----------------|---------------------------------|-----------|-----|-----------------|
| | | Linings | | | |
| | | Underbody | | | |
| 1 | 997 504 527 01 | Cover | front | 1 | |
| 1 | 997 504 527 01 | Cover | front rhd | 1 | GT2 |
| (1) | 997 504 527 02 | Cover | front lhd | 1 | PR:099 GT2 |
| 2 | 999 049 028 40 | Plastic nut T 5 | front | 26 | PR:098 |
| 3 | 997 504 043 00 | Cover | center | 1 | |
| 4 | 997 504 343 03 | Cover | left | 1 | |
| (4) | 997 504 344 03 | Cover | right | 1 | |
| 5 | 997 504 029 00 | Cover | center | 1 | TURBO |
| (5) | 997 504 629 03 | Cover | | 1 | PR:480 TURBO |
| (5) | 997 504 629 92 | Cover | rear | 1 | PR:249 GT2 |
| 6 | 997 575 183 00 | Air guide channel | left | 1 | PR:480 |
| (6) | 997 575 184 00 | Air guide channel | right | 1 | |
| 7 | 997 504 429 01 | Brake Cover | | 1 | PR:480 |
| 8 | 999 507 795 09 | Gearbox panel nut | | 9 | |
| 9 | 999 073 231 09 | ST 4,8 panel screw | | 15 | |
| 10 | 997 575 161 01 | ST 4,8 X 16 Cooling air duct | | 1 | TURBO |
| 11 | 996 505 471 00 | Heat insulation | | 1 | |
| 12 | 997 505 477 01 | Heat insulation | left | 1 | |
| (12) | 997 505 478 01 | Heat insulation | right | 1 | |
| 13 | 999 049 025 09 | Collar nut T5 | | 12 | |

Model: 997T07

Model life 2007>>2009



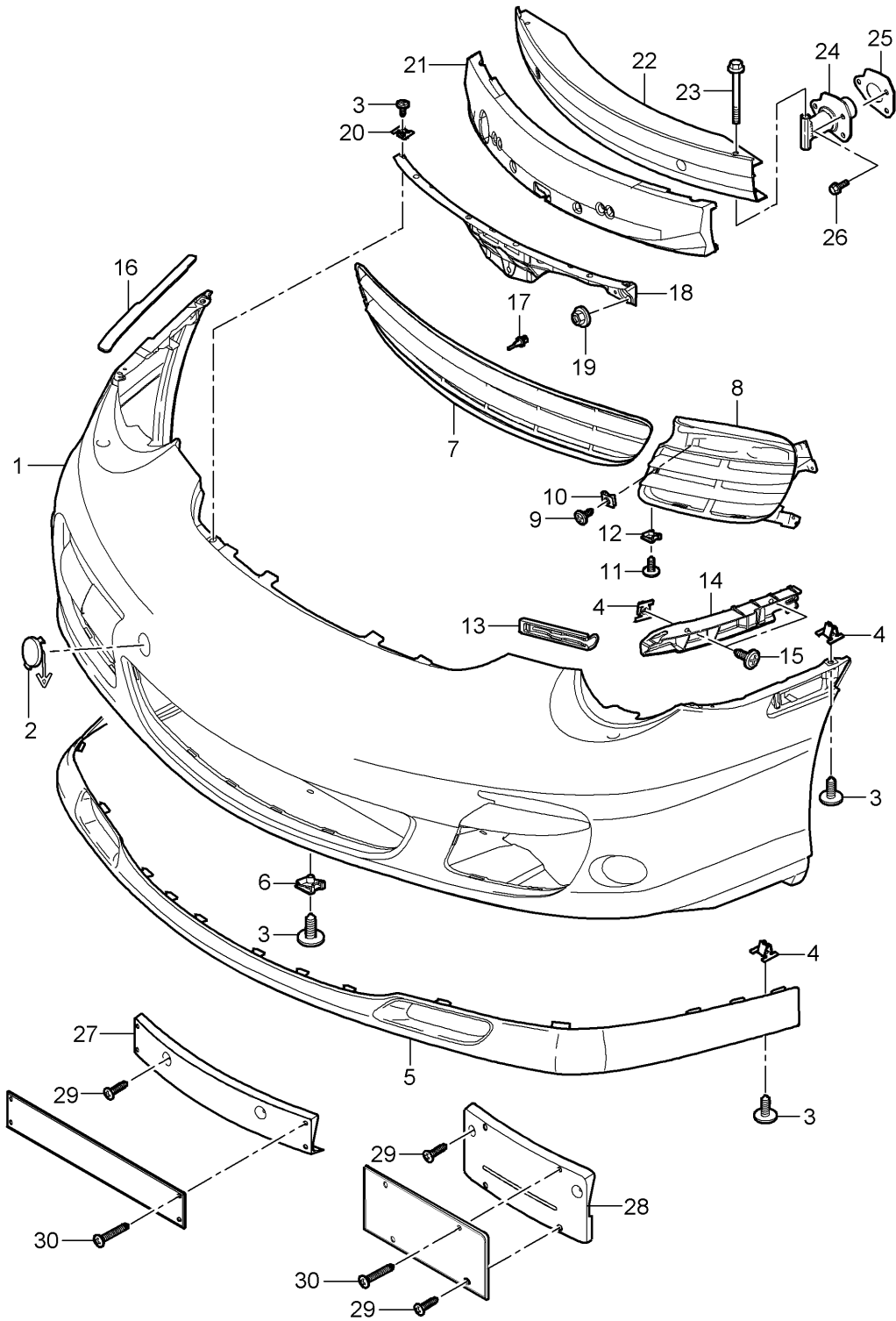
Model: 997T07

Model life 2007>>2009

| Pos | Part Number | Description | Remark | Qty | Model |
|------|----------------|---|----------------------|-----|-------|
| 1 | 997 504 123 01 | Linings Wheel housing Wheel housing liner | left front front | 1 | |
| (1) | 997 504 124 01 | Wheel housing liner | right front front | 1 | |
| (1) | 997 504 123 80 | Wheel housing liner | left front front | 1 | GT2 |
| (1) | 997 504 124 80 | Wheel housing liner | right front front | 1 | GT2 |
| - | 997 504 303 80 | Spoiler | left | 1 | GT2 |
| - | 997 504 304 80 | Spoiler | right | 1 | GT2 |
| 2 | 997 504 203 01 | Wheel housing liner | left rear | 1 | |
| (2) | 997 504 204 01 | Wheel housing liner | right rear front | 1 | |
| 3 | 999 049 028 40 | Plastic nut T5 | | 12 | |
| 4 | 999 073 231 09 | panel screw ST 4,8 X 16 | | 18 | |
| 5 | 999 073 227 09 | panel screw ST 4,8 X 19 | | 6 | |
| 6 | 999 507 795 09 | panel nut ST 4,8 | | 5 | |
| 7 | 997 504 573 02 | Wheel housing liner | left front | 1 | |
| (7) | 997 504 574 02 | Wheel housing liner | right front rear | 1 | |
| 8 | 997 504 623 00 | Wheel housing liner | left rear | 1 | |
| (8) | 997 504 624 00 | Wheel housing liner | right rear | 1 | |
| (8) | 997 504 623 80 | Wheel housing liner | left rear | 1 | GT2 |
| (8) | 997 504 624 80 | Wheel housing liner | right rear rear | 1 | GT2 |
| 9 | 999 049 007 40 | Plastic nut T5/2 X 10,5 | | 12 | |
| 10 | 997 575 231 91 | Air distributor | left | 1 | GT2 |
| (10) | 997 575 232 91 | Air distributor | right | 1 | GT2 |

Model: 997T07

Model life 2007>>2009



Model: 997T07

Model life 2007>>2009

| Pos | Part Number | Description | Remark | Qty | Model |
|------|--------------------|---|---------------|-----|--------|
| 1 | 997 505 191 04 | bumper Trim primed Discontinued part | front | 1 | PR:288 |
| (1) | 997 505 191 17 | Trim primed | | 1 | PR:288 |
| 2 | 997 505 703 01 | cover for towing eye | | 1 | |
| | 997 505 703 01 G2X | primed | | | |
| 3 | 999 073 227 09 | panel screw ST 4,8 X 19 | | 10 | |
| 4 | 999 507 849 01 | Cage nut ST 4,8 | | 10 | |
| 5 | 997 505 557 01 | Spoiler | | 1 | |
| | 997 505 557 01 01C | Satin black | | | |
| (5) | 997 505 557 05 | Spoiler | | 1 | PR:XAF |
| (5) | 997 505 557 07 | Spoiler primed | | 1 | PR:XUA |
| | | panel nut ST 4,8 | | 1 | |
| 6 | 999 591 699 02 | panel nut ST 4,8 | | 1 | |
| 7 | 997 505 541 02 | Retaining frame | center | 1 | |
| | 997 505 541 02 01C | Satin black | | | |
| 8 | 997 505 563 01 | Retaining frame | left side | 1 | |
| | 997 505 563 01 01C | Satin black | | | |
| (8) | 997 505 564 01 | Retaining frame | right side | 1 | |
| | 997 505 564 01 01C | Satin black | | | |
| - | 999 902 057 40 | Velcro fastener for Turn signal indicator | | 2 | |
| 9 | 999 073 080 02 | Bolt with washer ST 4,2 X 16 | | 4 | |
| 10 | 999 507 768 02 | panel nut ST 4,2 | | 4 | |
| 11 | 999 073 231 09 | panel screw ST 4,8 X 16 | | 2 | |
| 12 | 999 507 795 09 | panel nut ST 4,8 | | 2 | |
| 13 | 997 505 719 00 | Fixing | | 2 | |
| 14 | 997 505 535 01 | retaining strip | left side | 1 | |
| (14) | 997 505 536 01 | retaining strip | right side | 1 | |
| 15 | 999 073 418 01 | panel screw ST 4,8 X 19 | | 4 | |
| (16) | 997 504 531 00 | Protective film | left | 1 | |
| 16 | 997 504 532 00 | Protective film | right | 1 | |
| 17 | 996 641 142 00 | Temperature sensor | | 1 | |
| 18 | 997 505 531 00 | retaining strip | center | 1 | |
| 19 | 999 076 048 02 | Hexagon nut M 6 | | 3 | |
| 20 | 999 507 849 01 | Cage nut ST 4,8 | | 3 | |
| 21 | 997 505 777 00 | Insert | | 1 | |
| 22 | 997 505 141 02 | Bumper carrier | | 1 | |
| 23 | 900 378 088 01 | Hexagon bolt M 12 X 100 | | 2 | |
| 24 | 997 505 319 00 | Impact pipe | | 2 | |
| 25 | 997 505 751 02 | Seal | | 2 | |
| 26 | 900 378 267 09 | Shock absorber Bolt with washer M 8 X 30 | | 6 | |
| 27 | 997 701 105 01 | Licence plate holder | | 1 | PR:211 |

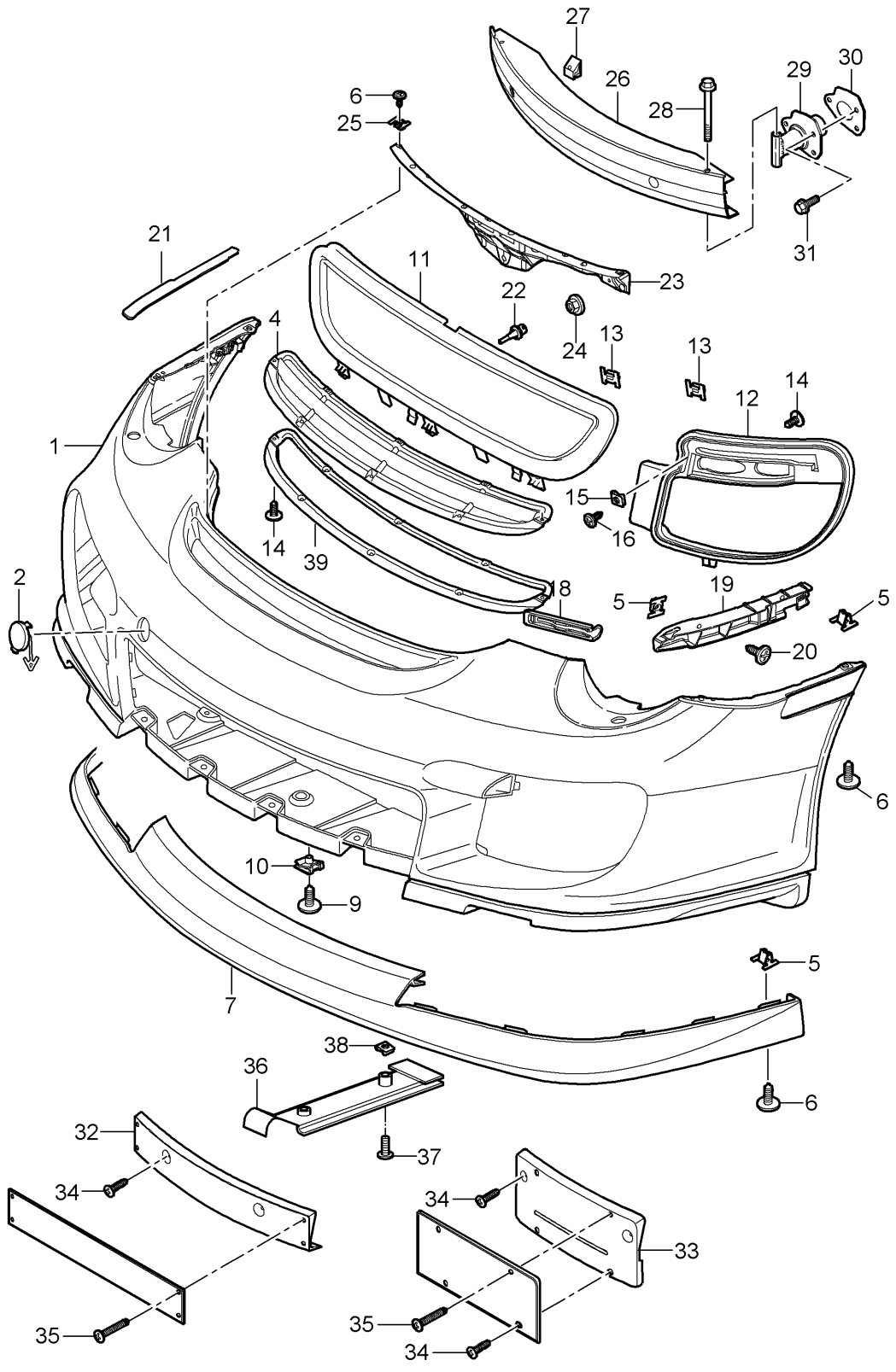
Model: 997T07

Model life 2007>>2009

| Pos | Part Number | Description | Remark | Qty | Model |
|------|--------------------|-------------------------|--------|-----|--------------------|
| (27) | 997 701 105 01 01C | Black | | | |
| | 997 701 109 01 | Licence plate holder | | 1 | PR:210 |
| | 997 701 109 01 01C | Black | | | |
| 29 | 999 919 227 A2 | panel screw | | 2 | PR:210,211, 218 |
| | | 5,0 X 13 | | | |
| 30 | 999 919 228 A2 | Screw | | 2 | PR:210,211, 218 |
| | | 5,0 x 28 | | | |
| - | 999 591 709 40 | Bracket | | 2 | |
| | | Hose | | | |
| | | Headlight washer system | | | |

Model: 997T07

Model life 2007>>2009



Model: 997T07 Model life 2007>>2009

| Pos | Part Number | Description | Remark | Qty | Model |
|------|--------------------------------------|---|---------------|-----|---------------|
| 1 | 997 505 311 80 | bumper Trim Discontinued part | front | 1 | GT2 PR:288 |
| 1 | 997 505 311 80 G2X 997 505 901 80 | primed Trim primed | | 1 | 1288 |
| 2 | 997 505 703 80 997 505 703 80 G2X | cover for towing eye primed | | 1 | |
| 4 | 997 575 327 80 997 575 327 80 01C | Trim for bumper Black | | 1 | |
| 5 | 999 507 849 01 | Cage nut ST 4,8 | | 10 | |
| 6 | 999 073 227 09 | panel screw ST 4,8 X 19 | | 15 | |
| 7 | 997 505 557 80 997 505 557 80 01C | Spoiler Satin black | | 1 | |
| 8 | 999 507 795 09 | panel nut ST 4,8 | | 7 | |
| 9 | 999 073 227 09 | panel screw ST 4,8 X 19 | | 1 | |
| 10 | 999 591 699 02 | panel nut ST 4,8 | | 1 | |
| 10 | 999 591 699 01 | panel nut ST 4,8 | | 1 | |
| 11 | 997 505 541 81 997 505 541 81 01C | Retaining frame Satin black | center | 1 | |
| 12 | 997 505 563 81 | Retaining frame | left side | 1 | |
| (12) | 997 505 563 81 01C 997 505 564 81 | Satin black Retaining frame | right side | 1 | |
| - | 997 505 564 81 01C | Satin black | | | |
| - | 997 505 559 81 | Bracket | left | 1 | |
| - | 997 505 560 81 | Bracket | right | 1 | |
| 13 | 999 507 696 00 | Headlight washer system U-clip 1,2 - 1,7 | | 21 | |
| 14 | 999 919 118 09 | fillister hd. bolt 4,0 X 14 | | 14 | |
| 15 | 999 507 768 02 | panel nut ST 4,2 for | | 4 | |
| 16 | 999 073 080 02 | Turn signal indicator Bolt with washer ST 4,8 X 16 for | | 4 | |
| - | 999 902 057 40 | Turn signal indicator Velcro fastener for | | 2 | |
| 18 | 997 505 719 00 | Turn signal indicator Fixing | | 2 | |
| 19 | 997 505 535 01 | retaining strip | left side | 1 | |
| (19) | 997 505 536 01 | retaining strip | right side | 1 | |
| 20 | 999 073 418 01 | panel screw ST 4,8 X 19 | | 4 | |
| (21) | 997 504 531 00 | Protective film | left | 1 | |
| 21 | 997 504 532 00 | Protective film | right | 1 | |
| 22 | 996 641 142 00 | Temperature sensor | | 1 | |
| 23 | 997 505 531 00 | retaining strip | center | 1 | |
| 24 | 999 076 048 01 | Hexagon nut M6 | | 3 | |

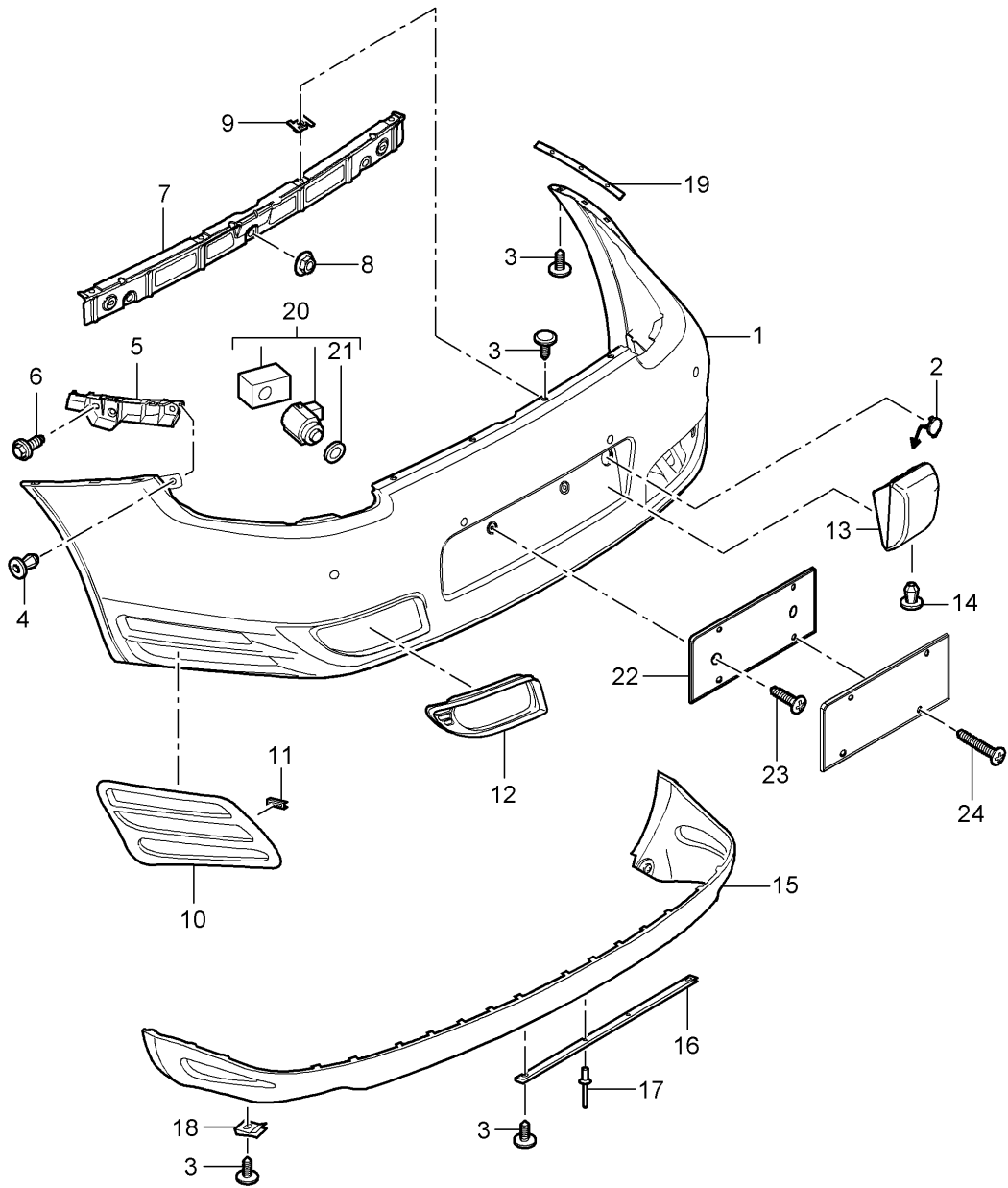
Model: 997T07

Model life 2007>>2009

| Pos | Part Number | Description | Remark | Qty | Model |
|------|--------------------|--|--------|-----|--------|
| 25 | 999 507 849 01 | Cage nut ST 4,8 | | 3 | |
| 26 | 997 505 141 02 | Bumper carrier | | 1 | |
| 28 | 900 378 088 01 | Hexagon bolt M 12 X 100 | | 2 | |
| 29 | 997 505 319 00 | Impact pipe | | 2 | |
| 30 | 997 505 751 02 | Shock absorber | | 2 | |
| 31 | 900 378 267 01 | Hexagon bolt M 8 X 30 | | 6 | |
| 32 | 997 701 105 80 | Licence plate holder | | 1 | PR:211 |
| | 997 701 105 80 01C | Black | | | |
| (32) | 997 701 109 80 | Licence plate holder | | 1 | PR:210 |
| | 997 701 109 80 01C | Black | | | |
| 34 | 999 919 243 01 | Screw 5.0 x 13 | | 2 | |
| 35 | 999 919 242 01 | Screw 5,0 x 28 | | 2 | |
| 36 | 997 505 585 80 | Support panel Front apron | | 1 | |
| | | with: | | | |
| 37 | 999 073 252 09 | Securing element fillister hd. bolt | | 2 | |
| | | also use: | | | |
| 38 | 999 591 882 01 | panel nut | | 2 | |
| 39 | 997 575 325 80 | Frame Air exhaust | center | 1 | |

Model: 997T07

Model life 2007>>2009

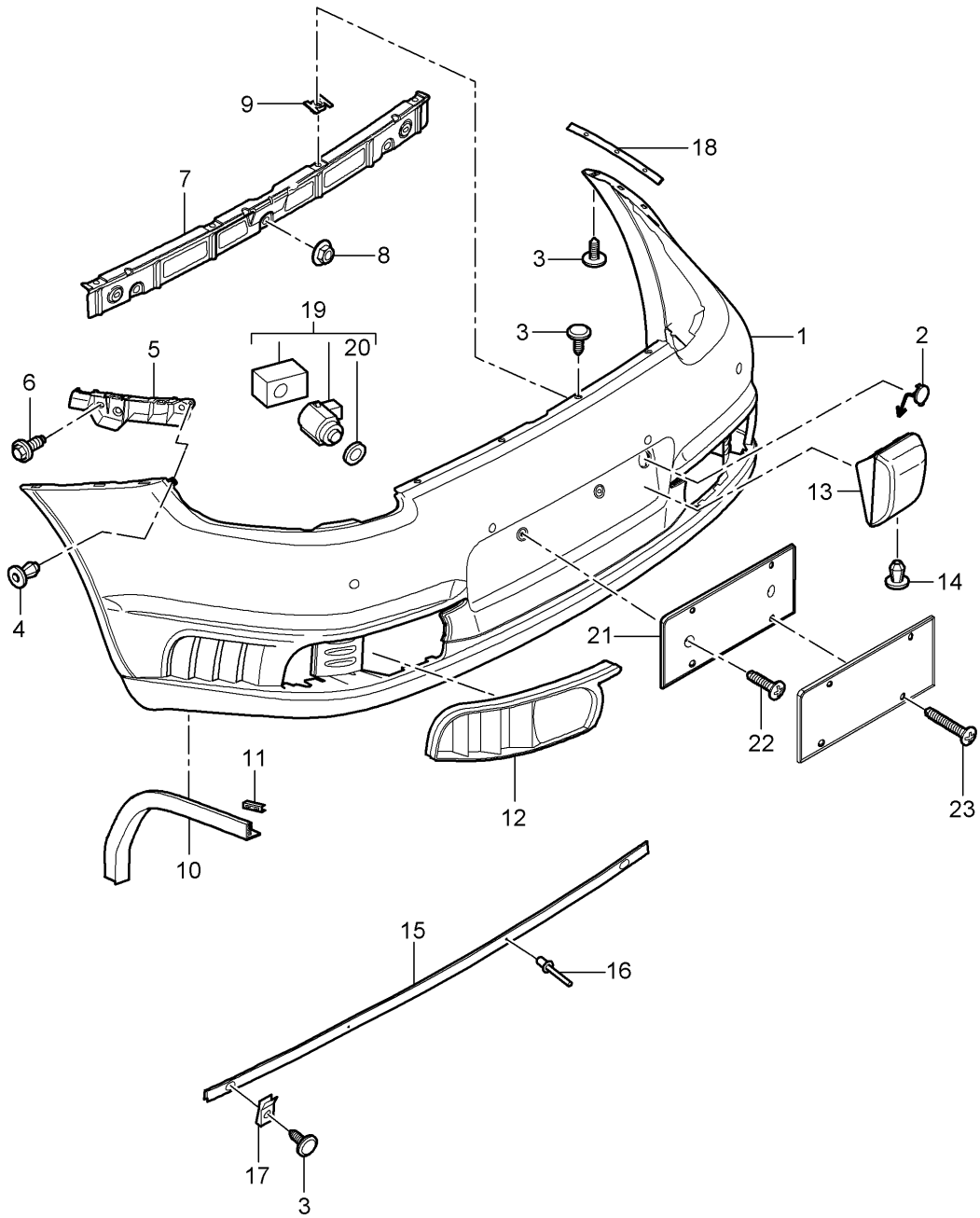


Model: 997T07 Model life 2007>>2009

| Pos | Part Number | Description | Remark | Qty | Model |
|------|--------------------|---|------------|-----|---------|
| 1 | 997 505 411 16 | Trim bumper Trim primed Discontinued part | rear | 1 | |
| 1 | 997 505 411 54 | Trim primed | | 1 | |
| 1 | 997 505 411 17 | Trim primed Discontinued part | | 1 | PR:635 |
| 1 | 997 505 411 55 | Trim primed | | 1 | PR:635 |
| 2 | 997 505 803 00 | cover for towing eye | | 1 | |
| | 997 505 803 00 G2X | primed | | | |
| 3 | 999 073 227 09 | panel screw 4,8 X 16 | | 10 | |
| 4 | 999 591 941 40 | Spreader rivet ST 4,8 | | 2 | |
| 5 | 997 505 635 00 | retaining strip | left | 1 | |
| (5) | 997 505 636 00 | retaining strip | right side | 1 | |
| 6 | 900 075 459 09 | Bolt with washer M6 X 12 | | 4 | |
| 7 | 997 505 641 02 | Securing strip | center | 1 | |
| 8 | 999 076 078 09 | Hexagon nut M6 | | 3 | |
| 9 | 999 507 590 02 | Cage nut ST 4,8 | | 6 | |
| 10 | 997 505 663 00 | Frame | left | 1 | |
| | 997 505 663 00 01C | Air exhaust Satin black | | | |
| (10) | 997 505 664 00 | Frame | right | 1 | |
| | 997 505 664 00 01C | Air exhaust Satin black | | | |
| 11 | 999 507 696 00 | U-clip 1,20 - 1,70 | | 10 | |
| 12 | 997 505 651 00 | Trim for exhaust tail pipe Exhaust pipe | left | 1 | |
| | 997 505 651 00 01C | Satin black | | | |
| (12) | 997 505 652 00 | Trim for exhaust tail pipe Exhaust pipe | right | 1 | |
| | 997 505 652 00 01C | Satin black | | | |
| 15 | 997 505 511 00 | Trim | lower | 1 | |
| | 997 505 511 00 01C | Satin black | | | |
| (15) | 997 505 511 01 | Trim Discontinued part | lower | 1 | AEROKIT |
| 16 | 997 505 837 01 | retaining rail | lower | 1 | |
| 17 | 999 190 104 30 | Pop rivet A 3,2 X 7,9 | | 2 | |
| 18 | 999 507 795 09 | panel nut ST 4,8 | | 6 | |
| 19 | 997 504 631 00 | Protective film | | 2 | |
| 20 | 955 606 275 04 | Sensor | | 4 | PR:635 |
| 21 | 7L6 919 659 | Parking aid O-ring | | 4 | PR:635 |

Model: 997T07

Model life 2007>>2009

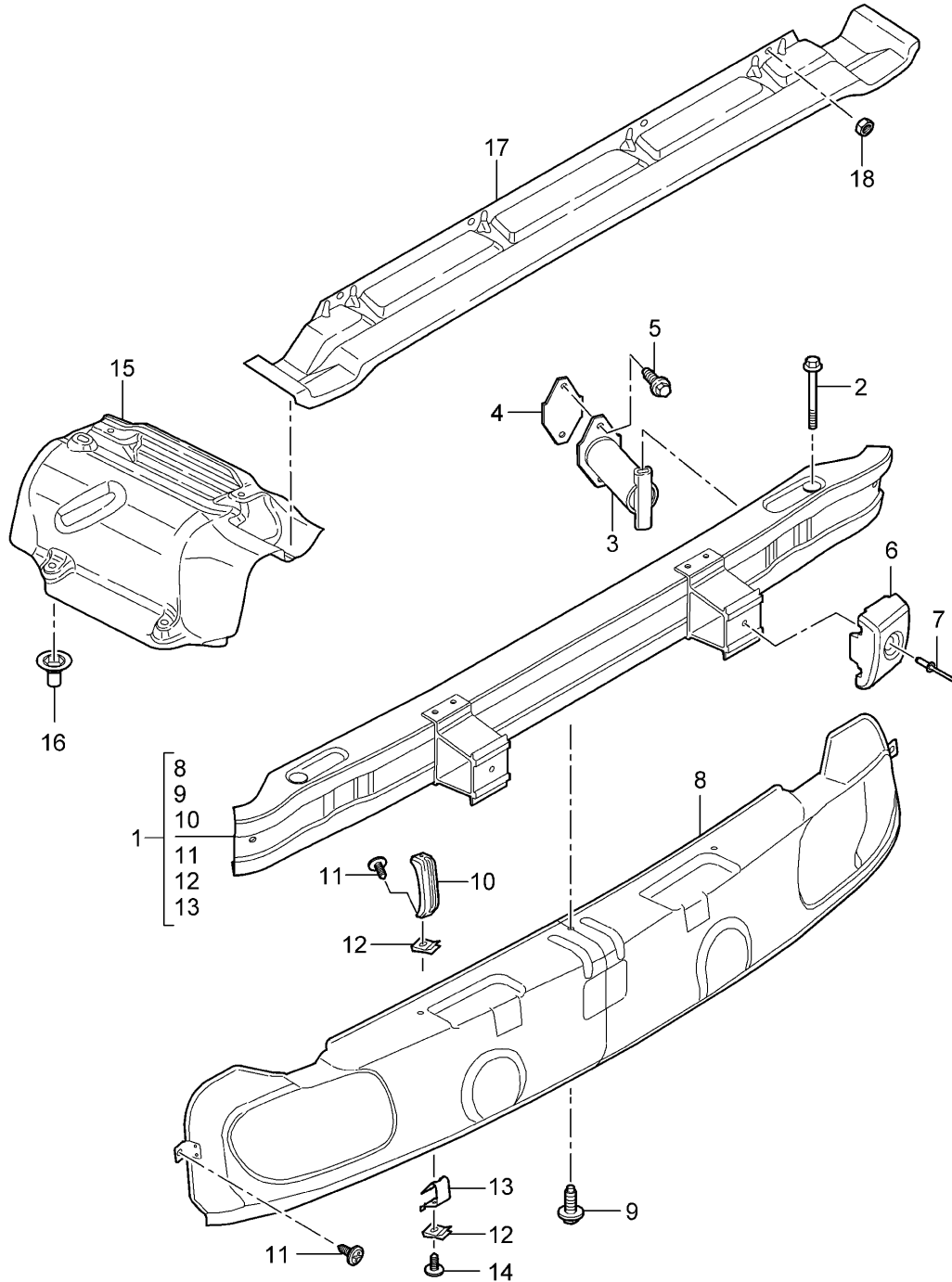


Model: 997T07 Model life 2007>>2009

| Pos | Part Number | Description | Remark | Qty | Model |
|------|--------------------|----------------------------|------------|-----|--------|
| 1 | 997 505 411 84 | Trim bumper | rear | 1 | GT2 |
| (1) | 997 505 411 86 | Trim primed | | 1 | PR:635 |
| 2 | 997 505 803 00 | Trim primed | | 1 | |
| | 997 505 803 00 G2X | cover for towing eye | | 1 | |
| 3 | 999 073 227 09 | panel screw | | 12 | |
| | | 4,8 X 19 | | | |
| 4 | 999 591 941 40 | Spreader rivet | | 2 | |
| | | ST 4,8 | | | |
| 5 | 997 505 635 00 | retaining strip | left side | 1 | |
| (5) | 997 505 636 00 | retaining strip | right side | 1 | |
| 6 | 999 073 442 01 | Screw | | 4 | |
| | | M6 X 25 | | | |
| 7 | 997 505 641 02 | Securing strip | center | 1 | |
| 8 | 999 076 048 01 | Hexagon nut | | 3 | |
| | | M6 | | | |
| 9 | 999 507 849 01 | Cage nut | | 6 | |
| | | ST 4,8 | | | |
| 10 | 997 505 663 80 | Frame | left | 1 | |
| | | Air exhaust | | | |
| | 997 505 663 80 G2X | primed | | | |
| (10) | 997 505 664 80 | Frame | right | 1 | |
| | | Air exhaust | | | |
| | 997 505 664 80 G2X | primed | | | |
| 11 | 999 507 696 00 | U-clip | | 6 | |
| | | 1,20 - 1,70 | | | |
| 12 | 997 505 651 80 | Trim for exhaust tail pipe | left | 1 | |
| | | Exhaust pipe | | | |
| | 997 505 651 80 01C | Satin black | | | |
| (12) | 997 505 652 80 | Trim for exhaust tail pipe | right | 1 | |
| | | Exhaust pipe | | | |
| | 997 505 652 80 01C | Satin black | | | |
| 15 | 997 505 837 80 | retaining rail | lower | 1 | |
| 16 | 999 190 104 30 | Pop rivet | | 4 | |
| | | A 3,2 X 7,9 | | | |
| 17 | 999 507 795 09 | panel nut | | 4 | |
| | | ST 4,8 | | | |
| 18 | 997 504 631 00 | Protective film | | 2 | |
| 19 | 955 606 275 04 | Sensor | | 4 | PR:635 |
| | | Parking aid | | | |
| 20 | 7L6 919 659 | O-ring | | 4 | PR:635 |

Model: 997T07

Model life 2007>>2009



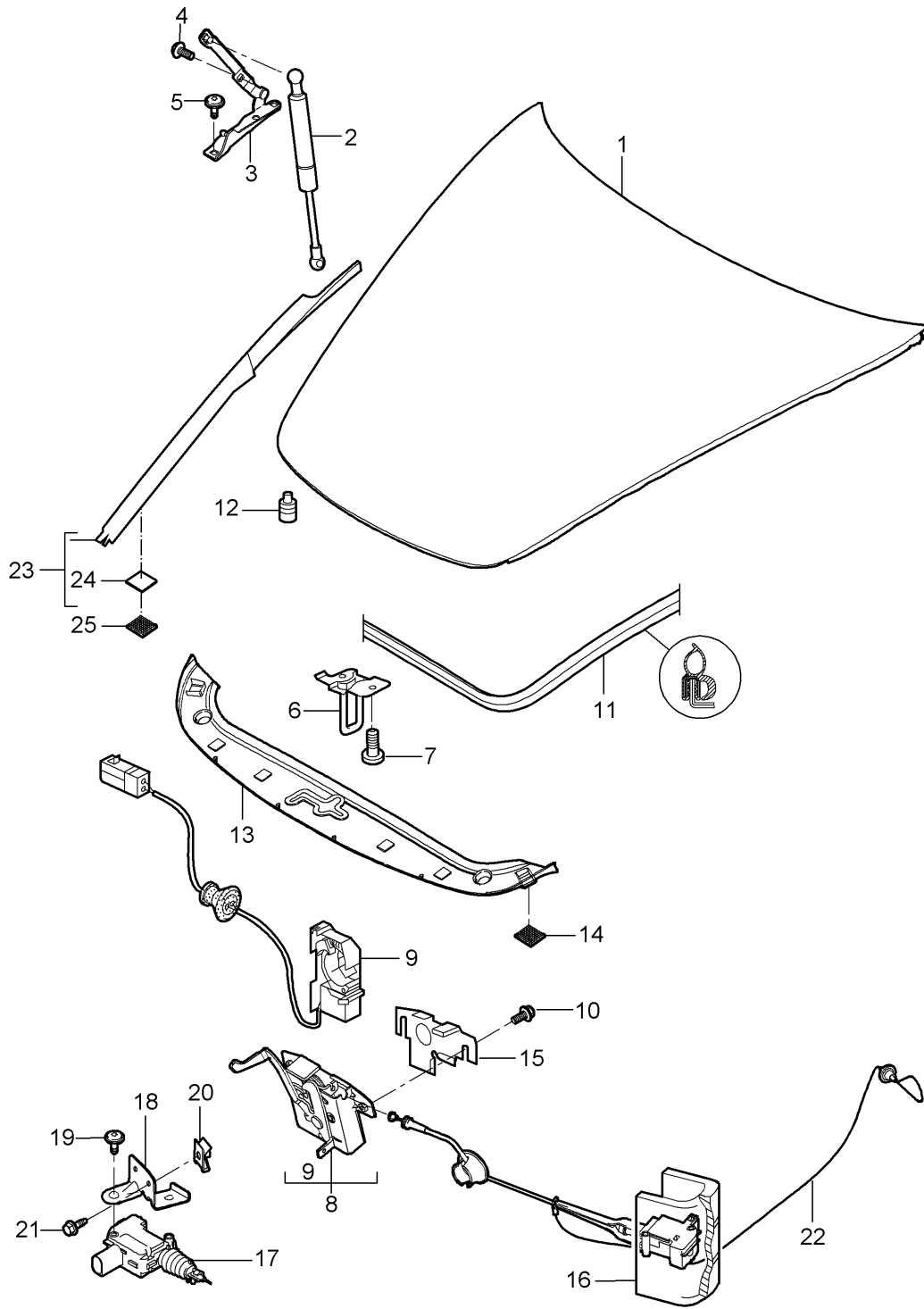
Model: 997T07

Model life 2007>>2009

| Pos | Part Number | Description | Remark | Qty | Model |
|------|----------------|-------------------------|---------------|-----|------------------|
| | | bumper | rear | | |
| | | Heat protection | | | |
| (1) | 997 505 121 02 | Bumper carrier | | 1 | |
| (1) | 997 505 121 80 | Bumper carrier | | 1 | GT2 |
| 2 | 900 378 088 09 | Hexagon bolt | | 2 | |
| | | M 12 X 100 | | | |
| 3 | 996 505 019 01 | Impact pipe | | 2 | |
| 4 | 996 505 775 00 | Underlay | | 2 | |
| 5 | 900 378 267 09 | Bolt with washer | | 4 | |
| | | M 8 X 30 | | | |
| 8 | 997 505 475 01 | Heat insulation | center | 1 | |
| (8) | 997 505 475 80 | Heat insulation | center | 1 | GT2 |
| | | D - MJ 2008>> - MJ 2009 | | | |
| (8) | 997 505 475 80 | Heat insulation | center | 1 | GT2 RS PR:004 |
| | | D - MJ 2011>> | | | |
| 9 | 999 075 056 09 | Bolt with washer | | 3 | |
| | | M 6 X 22 | | | |
| 10 | 997 505 639 01 | Rear support | | 2 | |
| 11 | 999 073 314 09 | panel screw | | 2 | |
| | | ST 4,8 X 16 | | | |
| 12 | 999 507 795 09 | panel nut | | 4 | |
| | | ST 4,8 | | | |
| 13 | 997 505 649 00 | Connecting plate | | 2 | |
| (13) | 997 505 649 80 | Connecting plate | | 2 | GT2 |
| 14 | 999 073 227 09 | panel screw | | 2 | |
| | | ST 4,8 X 19 | | | |
| 15 | 997 505 477 01 | Heat insulation | left | 1 | |
| (15) | 997 505 478 01 | Heat insulation | right side | 1 | |
| 16 | 999 049 025 09 | Collar nut | | 8 | |
| | | T5 | | | |
| 17 | 996 505 471 00 | Heat insulation | upper | 1 | |
| 18 | 999 049 029 01 | Hexagon nut | | 4 | |
| | | T5 | | | |

Model: 997T07

Model life 2007>>2009



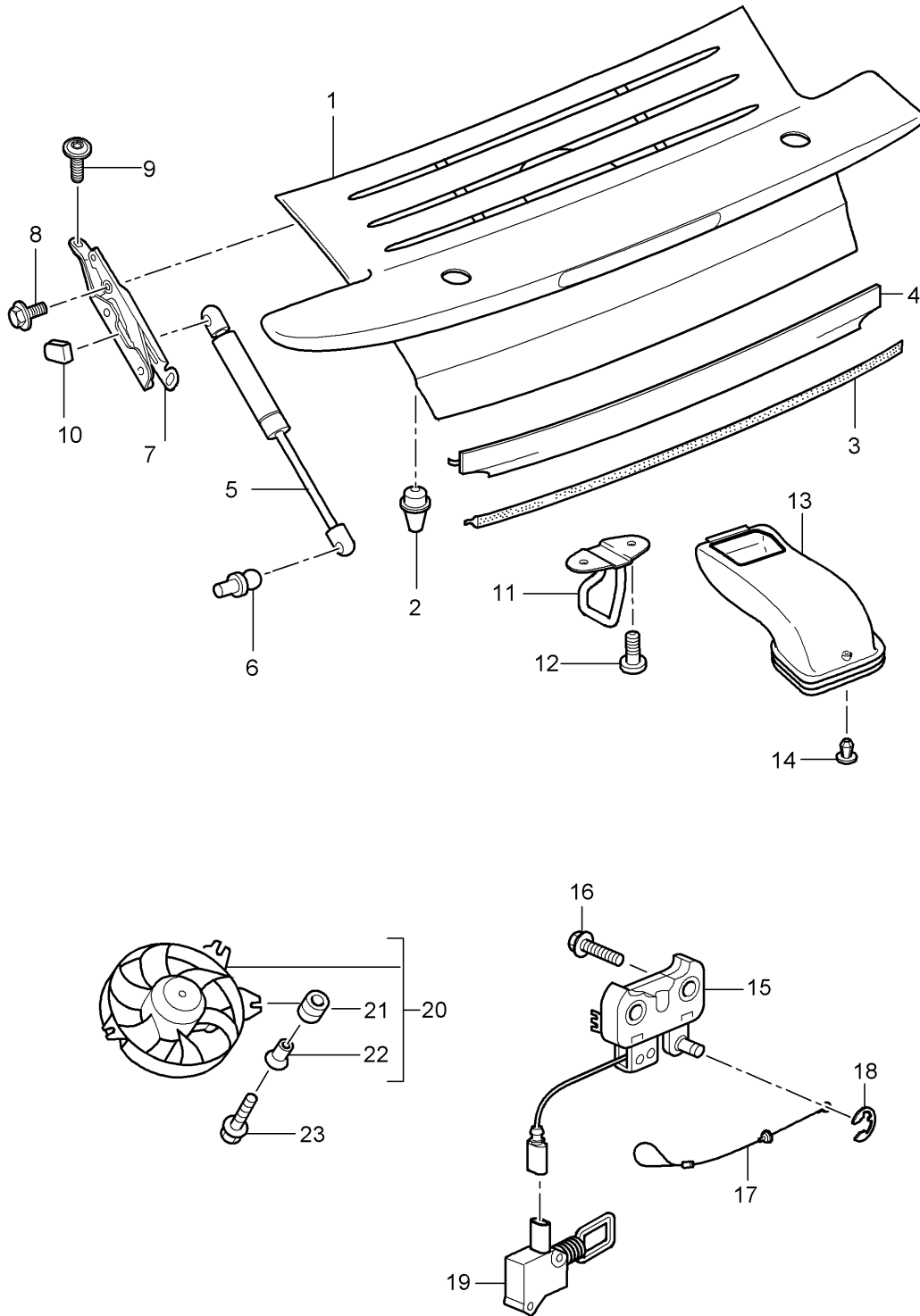
Model: 997T07

Model life 2007>>2009

| Pos | Part Number | Description | Remark | Qty | Model |
|------|--------------------|----------------------------------|--------|-----|-------|
| 1 | 997 511 011 00 | Cover | front | 1 | |
| | 997 511 011 00 GRV | Cover primed | | | |
| 2 | 997 511 551 01 | Gas filled strut | | 2 | |
| 3 | 997 511 151 01 | Hinge | left | 1 | |
| (3) | 997 511 152 01 | Hinge | right | 1 | |
| 4 | 999 073 357 09 | fillister hd. bolt M 6 X 12 | | 4 | |
| 5 | 999 073 348 09 | fillister hd. bolt M 6 X 20 | | 4 | |
| 6 | 997 511 051 00 | Lock upper part | | 1 | |
| 7 | 999 073 378 02 | flat round head bolt M 6 X 20 | | 2 | |
| 8 | 997 511 053 00 | Lock lower part | | 1 | |
| 9 | 997 613 206 00 | Micro switch | | 1 | |
| 10 | 900 075 466 09 | Bolt with washer M 6 X 16 | | 2 | |
| 11 | 997 511 611 00 | Seal | | 1 | |
| 12 | 999 703 140 41 | Rubber buffer | | 2 | |
| 13 | 997 504 811 03 | Cover panel | | 1 | |
| | 997 504 811 03 FMT | Satin black | | | |
| 14 | 999 902 049 40 | Velcro fastener | | 4 | |
| 15 | 996 511 653 00 | Cover | | 1 | |
| 16 | 997 511 117 00 | throttle control element | | 1 | |
| (23) | 997 572 465 02 | Cover panel | left | 1 | |
| | | Wing | | | |
| | 997 572 465 02 02A | Black | | | |
| 23 | 997 572 466 02 | Cover panel | right | 1 | |
| | | Wing | | | |
| | 997 572 466 02 02A | Black | | | |
| 24 | 999 902 052 40 | Velcro fastener | | 4 | |
| | | Cover | | | |
| | | 20 X 20 | | | |
| 25 | 999 902 051 40 | Velcro fastener | | 4 | |
| | | Wing | | | |
| | | 20 X 20 | | | |

Model: 997T07

Model life 2007>>2009



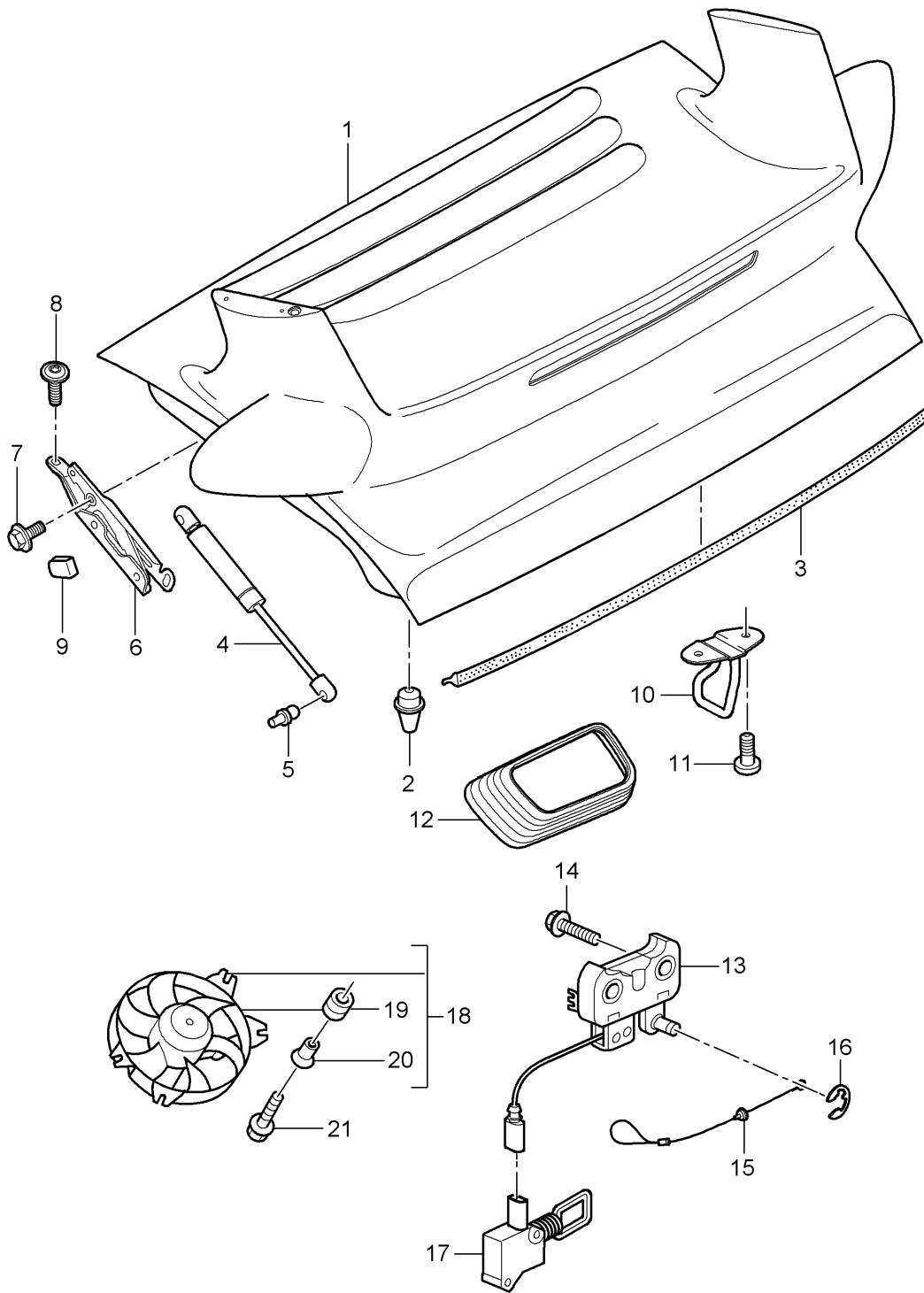
Model: 997T07

Model life 2007>>2009

| Pos | Part Number | Description | Remark | Qty | Model |
|------|----------------|--|-----------|-----|-------|
| 1 | 997 512 921 00 | Cover Cover primed | rear | 1 | |
| - | 000 043 204 38 | sealant | also use: | 1 | |
| 2 | 996 512 987 00 | adjusting screw Cover | | 2 | |
| 3 | 997 512 611 01 | Seal | | 1 | |
| 4 | 997 512 711 00 | Additional gasket Cover | rear | 1 | |
| 5 | 996 512 551 03 | Gas filled strut | | 2 | |
| 6 | 999 167 051 03 | Ball stud | | 2 | |
| 7 | 997 512 151 03 | Hinge | left | 1 | |
| (7) | 997 512 152 01 | Hinge | right | 1 | |
| 8 | 900 378 214 01 | Hexagon bolt M 6 X 18 | | 4 | |
| 9 | 900 075 466 09 | Bolt with washer M 6 X 16 | | 6 | |
| 10 | 997 512 153 00 | Stop Hinge | | 2 | |
| 11 | 997 512 213 01 | Lock upper part | | 1 | |
| 12 | 900 378 214 01 | Hexagon bolt M 6 X 18 | | 2 | |
| (13) | 997 110 171 00 | intake manifold Air filter | left | 1 | |
| 13 | 997 110 172 00 | intake manifold Air filter | right | 1 | |
| 14 | 999 591 712 40 | Spreader rivet intake manifold 6,0 X 12,0 | | 2 | |
| 15 | 997 512 053 00 | Lock lower part | | 1 | |
| 16 | N 910 664 01 | Hexagon socket head bolt (combi) M 6 X 40 | | 2 | |
| 17 | 997 512 521 00 | Cable Emergency operation | | 1 | |
| 18 | 900 116 002 02 | Retaining washer | | 1 | |
| 19 | 997 624 118 00 | throttle control element D >> - MJ 2008 | | 1 | |
| (19) | 997 624 118 01 | throttle control element D - MJ 2009>> | | 1 | |
| - | 997 612 916 00 | repair set Wire set throttle control element D >> - MJ 2008 | | 1 | |
| 20 | 997 624 056 01 | Fan Engine bay | | 1 | |
| 21 | 999 703 451 40 | Rubber grommet 9,0 X 14,0 X 1,5 | | 3 | |
| 22 | 999 209 093 01 | spacer sleeve 7,0 X 1,0 X 12 | | 3 | |
| 23 | 999 073 417 01 | fillister hd. bolt M6 X 30 | | 4 | |

Model: 997T07

Model life 2007>>2009



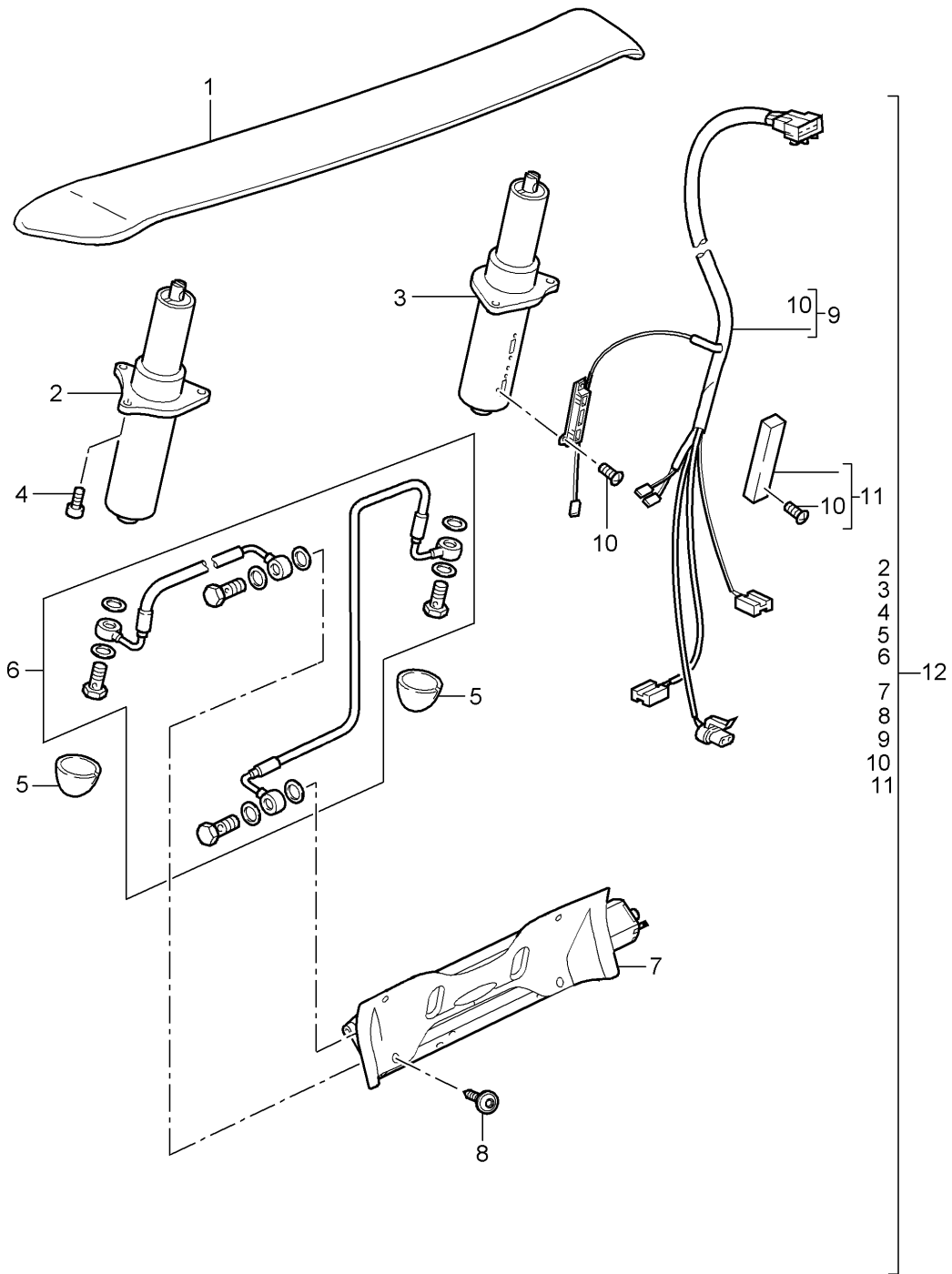
Model: 997T07

Model life 2007>>2009

| Pos | Part Number | Description | Remark | Qty | Model |
|------|----------------|--|--------|-----|-------|
| 1 | 997 512 233 81 | Cover Cover primed | rear | 1 | GT2 |
| - | 000 043 204 38 | sealant | | 1 | |
| 2 | 996 512 987 00 | adjusting screw Cover | | 2 | |
| 3 | 997 512 611 01 | Seal | | 1 | |
| 4 | 997 512 551 00 | Gas filled strut | | 1 | |
| 5 | 999 167 051 03 | Ball stud | | 2 | |
| 6 | 997 512 151 02 | Hinge | left | 1 | |
| (6) | 997 512 152 01 | Hinge | right | 1 | |
| 7 | 900 378 214 01 | Hexagon bolt M 6 X 18 | | 4 | |
| 8 | 900 075 466 01 | Bolt with washer M 6 X 16 | | 6 | |
| 9 | 997 512 153 00 | Stop Hinge | | 2 | |
| 10 | 997 512 213 01 | Lock upper part | | 1 | |
| 11 | 999 073 378 02 | flat round head bolt M 6 X 20 | | 2 | |
| 12 | 997 512 771 00 | Air guide channel Air filter | left | 1 | |
| (12) | 997 512 772 00 | Air guide channel Air filter | right | 1 | |
| 13 | 997 512 053 00 | Lock lower part | | 1 | |
| 14 | N 910 664 01 | Hexagon socket head bolt (combi) M 6 X 40 | | 2 | |
| 15 | 997 512 521 00 | Cable Emergency operation | | 1 | |
| 16 | 900 116 002 03 | Retaining washer | | 1 | |
| 17 | 997 624 118 00 | throttle control element D >> - MJ 2008 | | 1 | |
| (17) | 997 624 118 01 | throttle control element D - MJ 2009>> | | 1 | |
| - | 997 612 916 00 | repair set Wire set throttle control element D >> - MJ 2008 | | 1 | |
| 18 | 997 624 056 02 | Fan | | 1 | |
| 19 | 999 703 451 40 | Rubber grommet 9,0 X 14,0 X 1,5 | | 4 | |
| 20 | 999 209 093 01 | spacer sleeve 7,0 X 1,0 X 12 | | 4 | |
| 21 | 999 073 417 01 | fillister hd. bolt M6 X 30 | | 4 | |

Model: 997T07

Model life 2007>>2009

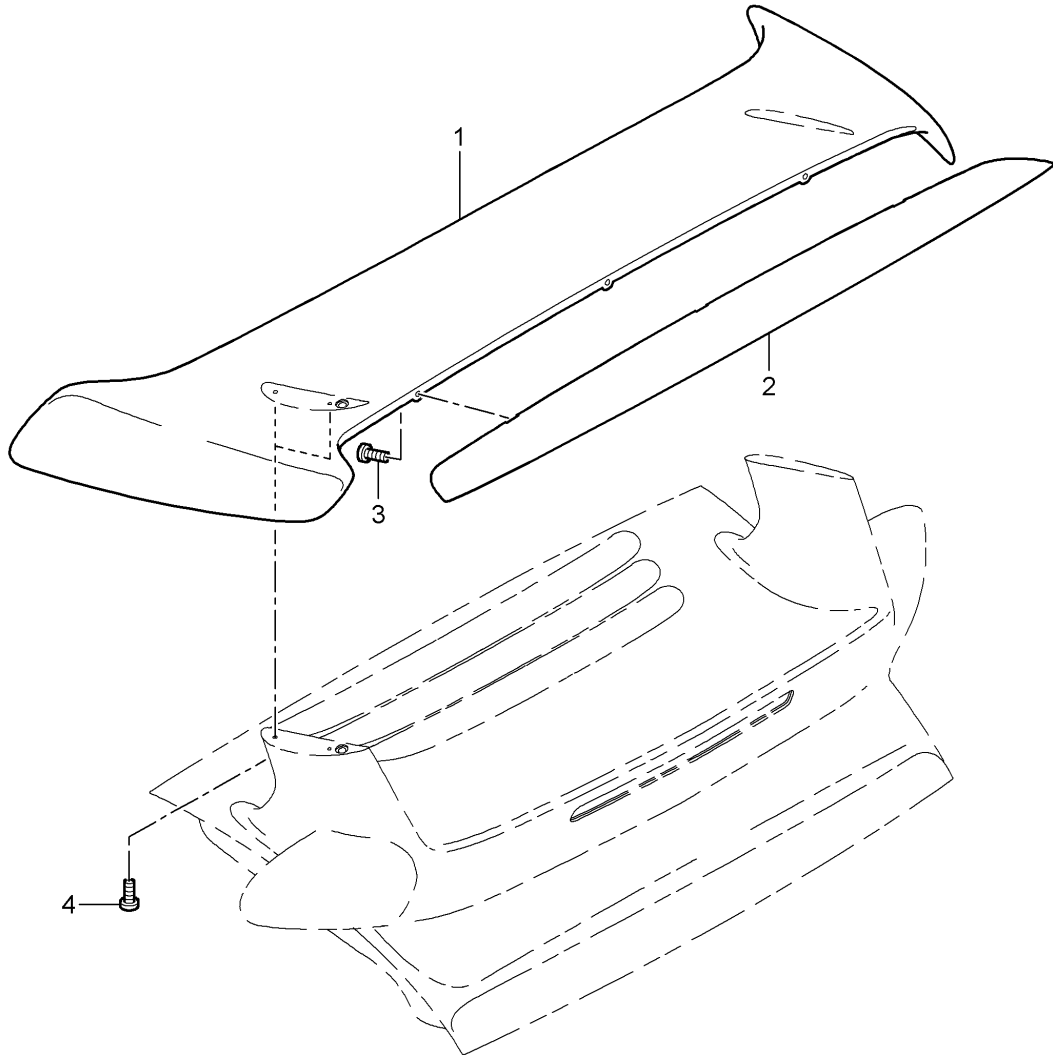


Model: 997T07 Model life 2007>>2009

| Pos | Part Number | Description | Remark | Qty | Model |
|------|----------------|---|----------------|-----|--------|
| 1 | 997 512 901 00 | Rear spoiler Rear spoiler primed | | 1 | |
| 2 | 997 512 951 00 | Toggle catch | left | 1 | COUPE |
| (2) | 997 512 951 01 | Toggle catch | left | 1 | CABRIO |
| 3 | 997 512 952 00 | Toggle catch | right | 1 | COUPE |
| (3) | 997 512 952 01 | Toggle catch | right | 1 | CABRIO |
| 4 | 900 387 003 09 | Bolt with washer M6 X 25 | | 6 | |
| 5 | 996 512 617 00 | Cover cap Toggle catch | | 1 | |
| 6 | 997 512 915 00 | Hydraulic line Set | | 1 | |
| 7 | 997 512 943 00 | Pump | | 1 | |
| | | with: | | | |
| 8 | 999 073 152 09 | Bracket fillister hd. bolt M6 X 18 | | 4 | |
| 9 | 997 622 670 01 | Wire set | | 1 | COUPE |
| | | with: | | | |
| | | Micro switch | | | |
| | | also use: | 997 622 970 00 | | |
| (9) | 997 622 671 00 | Wire set | | 1 | CABRIO |
| | | with: | | | |
| | | Micro switch | | | |
| | | also use: | 997 622 971 00 | | |
| 10 | 999 919 002 02 | fillister hd. bolt 3,0 X 6,0 | | 4 | |
| (11) | 997 613 248 00 | Cover cap Micro switch repair set Wire set Use Discontinued part | | 1 | |
| 11 | 997 622 970 00 | repair set Wire set | | 1 | COUPE |
| | | with: | | | |
| | | Cover Cable clip Cable ties fillister hd. bolt | | | |
| 11 | 997 622 971 00 | repair set Wire set | | 1 | CABRIO |
| | | with: | | | |
| | | Cover Cable clip Cable ties fillister hd. bolt | | | |
| 12 | 997 512 111 00 | Driving mechanism (complete) | | 1 | COUPE |
| 12 | 997 512 111 01 | Driving mechanism (complete) | | 1 | CABRIO |

Model: 997T07

Model life 2007>>2009



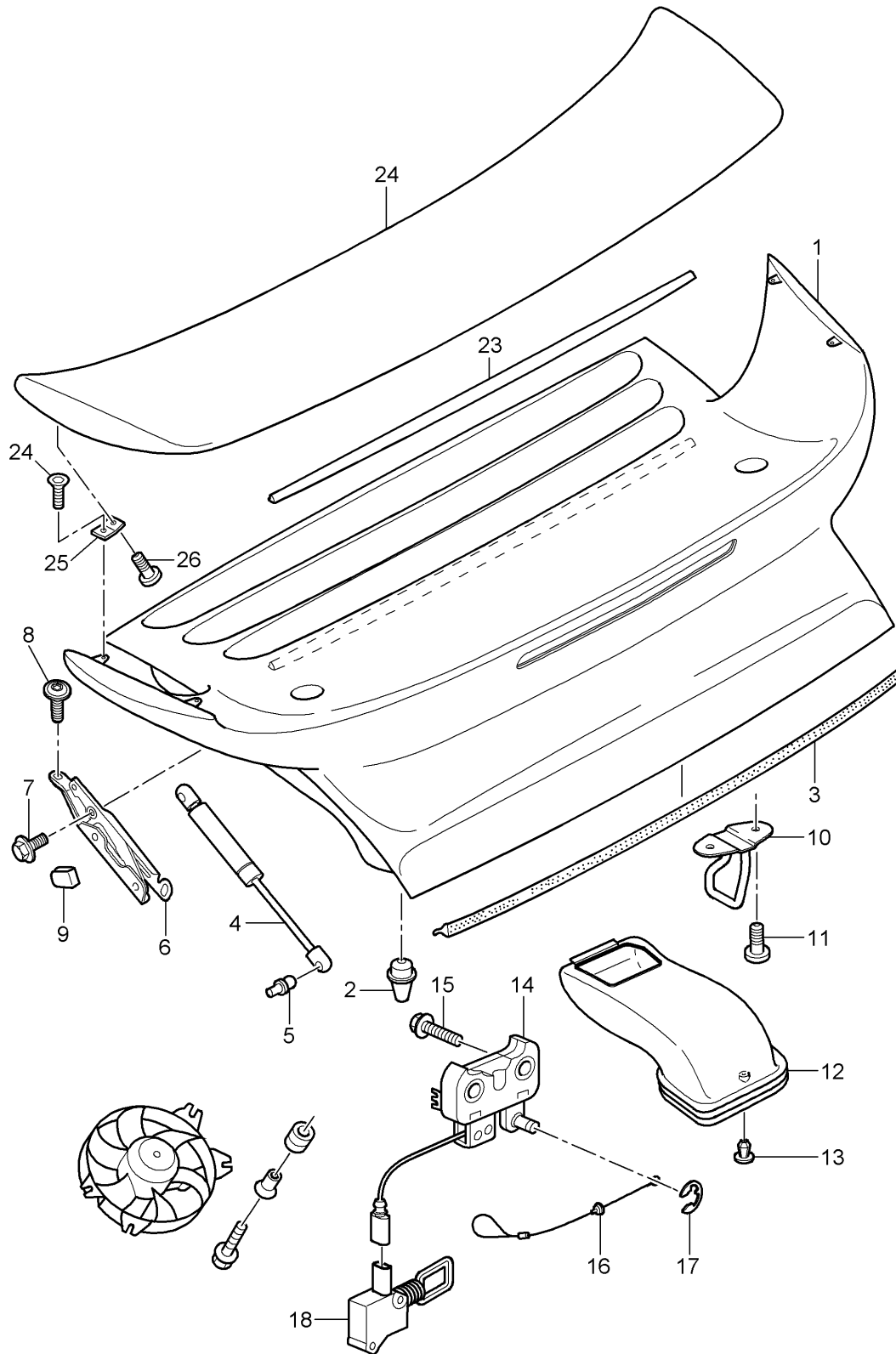
Model: 997T07

Model life 2007>>2009

| Pos | Part Number | Description | Remark | Qty | Model |
|-----|----------------|--------------------|---------|-----|-------|
| 1 | 997 512 261 81 | Rear spoiler | | 1 | GT2 |
| 2 | 997 512 365 81 | Rear spoiler | | 1 | |
| 3 | 999 073 252 09 | Spoiler | | 1 | |
| | | fillister hd. bolt | | 3 | |
| | | M 6 X 20 | | | |
| 4 | 999 015 042 01 | fillister hd. bolt | | 4 | |
| | | m 6 x 14 | | | |
| 5 | | Micro-self-locking | | | |
| | | see illustration: | 803-006 | 1 | |

Model: 997T07

Model life 2007>>2009



Model: 997T07 Model life 2007>>2009

| Pos | Part Number | Description | Remark | Qty | Model |
|------|----------------|--|-----------|-----|--------|
| 1 | 997 512 221 03 | Cover and Rear spoiler Cover primed | rear | 1 | PR:XAF |
| 2 | 996 512 987 00 | adjusting screw Cover | also use: | 2 | |
| 3 | 997 512 611 01 | Seal | | 1 | |
| 4 | 997 512 551 00 | Gas filled strut | | 1 | |
| 5 | 999 167 051 03 | Ball stud | | 2 | |
| 6 | 997 512 151 02 | Hinge | left | 1 | |
| (6) | 997 512 152 01 | Hinge | right | 1 | |
| 7 | 900 378 214 01 | Hexagon bolt M 6 X 18 | | 4 | |
| 8 | 900 075 466 09 | Bolt with washer M 6 X 16 | | 6 | |
| 8 | 900 075 466 01 | Bolt with washer M 6 X 16 | | 6 | |
| 9 | 997 512 153 00 | Stop Hinge | | 2 | |
| 10 | 997 512 213 01 | Lock upper part | | 1 | |
| 11 | 999 073 378 02 | flat round head bolt M 6 X 20 | | 2 | |
| 12 | 997 110 171 00 | intake manifold Air filter | left | 1 | COUPE |
| (12) | 997 110 172 00 | intake manifold Air filter | right | 1 | COUPE |
| (12) | 997 110 171 03 | intake manifold Air filter | left | 1 | CABRIO |
| (12) | 997 110 172 03 | intake manifold Air filter | right | 1 | CABRIO |
| 13 | 999 507 499 40 | Spreader rivet 5,0 X 11,5 | | 2 | |
| 14 | 997 512 053 00 | Lock lower part | | 1 | |
| 15 | N 910 664 01 | Hexagon socket head bolt (combi) M 6 X 40 | | 2 | |
| 16 | 997 512 521 00 | Cable Emergency operation | | 1 | |
| 17 | 900 116 002 03 | Retaining washer | | 1 | |
| 18 | 997 624 118 00 | throttle control element | | 1 | |
| (18) | 997 624 118 01 | throttle control element D - MJ 2009>> | | 1 | |
| - | 997 612 916 00 | repair set Wire set throttle control element D >> - MJ 2008 | | 1 | |
| 19 | 997 624 056 02 | Fan | | 1 | |
| 20 | 999 703 451 40 | Rubber grommet 9,0 X 14,0 X 1,5 | | 4 | |
| 21 | 999 209 093 01 | spacer sleeve 7,0 X 1,0 X 12 | | 4 | |
| 22 | 999 073 417 01 | fillister hd. bolt M6 X 30 | | 4 | |
| 23 | 997 512 471 01 | Spoiler | | 1 | |
| 24 | 997 512 261 03 | Rear spoiler | | 1 | |
| 25 | 997 512 977 01 | Connecting piece | left | 1 | |
| 25 | 997 512 977 02 | Connecting piece | left | 1 | |
| (25) | 997 512 978 01 | Connecting piece | right | 1 | |
| 26 | 900 119 126 02 | Socket head bolt M 6 X 18 | | 4 | |
| 27 | 900 249 055 09 | countersunk bolt | | 4 | |

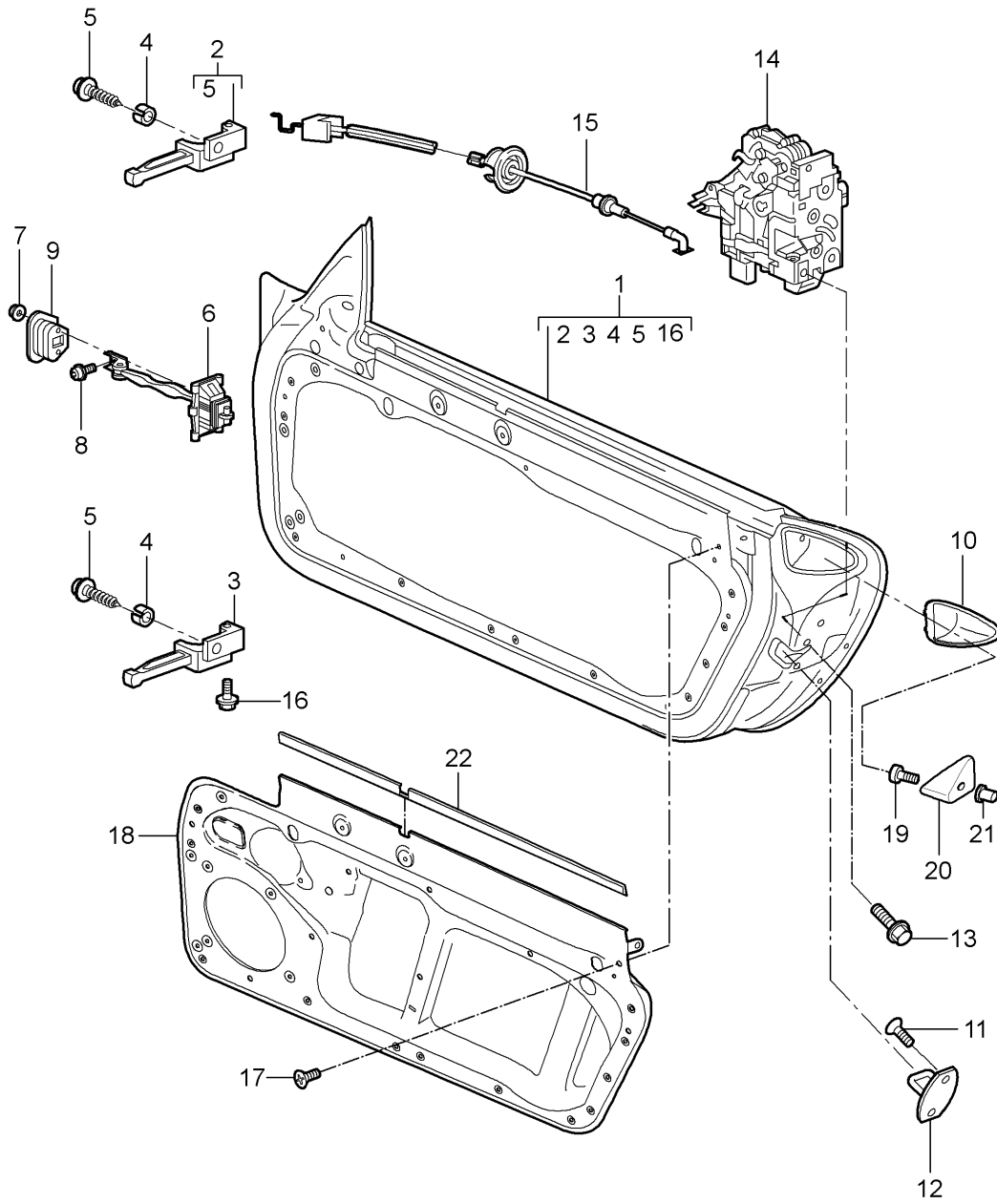
Model: 997T07

Model life 2007>>2009

| Pos | Part Number | Description | Remark | Qty | Model |
|-----|-------------|-------------|--------|-----|-------|
| | | M 6 X 20 | | | |

Model: 997T07

Model life 2007>>2009



Model: 997T07 Model life 2007>>2009

| Pos | Part Number | Description | Remark | Qty | Model |
|------|--------------------|--|-----------|-----|--------|
| | | Door shell Installation parts Door lock | | | |
| (1) | 997 531 011 03 | Door shell | left | 1 | |
| | 997 531 011 03 GRV | primed | | | |
| 1 | 997 531 012 03 | Door shell | right | 1 | |
| | 997 531 012 03 GRV | primed | | | |
| - | | also use: | | | |
| - | 000 043 204 38 | sealant | | 1 | |
| (2) | 997 531 321 01 | Hinge | left | 1 | |
| 2 | 997 531 322 01 | Hinge | right | 1 | |
| | | | upper | | |
| (3) | 997 531 319 01 | Hinge | left | 1 | |
| 3 | 997 531 320 01 | Hinge | right | 1 | |
| | | | lower | | |
| 4 | 996 531 831 00 | Sleeve | | 4 | |
| 5 | 999 073 192 01 | Socket head bolt M 8 X 20 | | 2 | |
| 6 | 997 537 151 01 | Door catch Discontinued part | | 2 | |
| 6 | 997 537 151 02 | Door catch | | 2 | |
| 7 | 999 084 212 03 | Hexagon nut M 6 | | 4 | |
| 8 | 999 073 138 01 | flat round head bolt M 8 X 25 | | 2 | |
| 9 | 996 537 751 00 | Seal | | 2 | |
| (10) | 997 537 331 00 | Support | left | 1 | |
| | 997 537 331 00 01C | Satin black | | | |
| 10 | 997 537 332 00 | Support | right | 1 | |
| | 997 537 332 00 01C | Satin black | | | |
| 11 | N 910 174 01 | countersunk multi-point socket head bolt M 8 X 22 | | 4 | |
| 12 | 3C0 837 767 A | Striker | | 2 | |
| 13 | WHT 000 439 | flat round head bolt M 8 X 20 | | 2 | |
| (14) | 3D1 837 015 | Door lock | left lhd | 1 | PR:098 |
| 14 | 3D1 837 016 | Door lock | right lhd | 1 | PR:098 |
| (14) | 3D1 837 015 C | Door lock | left | 1 | PR:072 |
| (14) | 3D1 837 016 C | Door lock | right | 1 | PR:072 |
| (14) | 3D2 837 015 | Door lock | left rhd | 1 | PR:099 |
| (14) | 3D2 837 016 | Door lock | right rhd | 1 | PR:099 |
| 15 | 997 537 319 01 | Bowden cable | | 2 | |
| 16 | 999 072 043 09 | Hexagon bolt M 6 X 12 Micro-self-locking fillister hd. bolt M 6 X 16 | | 2 | |
| 17 | 999 073 333 09 | | | 8 | |
| (18) | 987 537 201 00 | Inner panel No longer use the part here | left | 1 | |
| 18 | 987 537 202 00 | Inner panel No longer use the part here | right | 1 | |
| (18) | 987 537 201 01 | Inner panel | left | 1 | |
| 18 | 987 537 202 01 | Inner panel | right | 1 | |
| 19 | 900 119 072 00 | Socket head bolt M8 X 16 | | 2 | |
| (20) | 997 537 333 00 | Support | left | 1 | |
| | 997 537 333 00 G2X | primed | | | |
| 20 | 997 537 334 00 | Support | right | 1 | |
| | | Side part | | | |
| | 997 537 334 00 G2X | primed | | | |
| 21 | 999 500 121 02 | rivetted cap nut M8 / 0,8 - 3 | | 2 | |

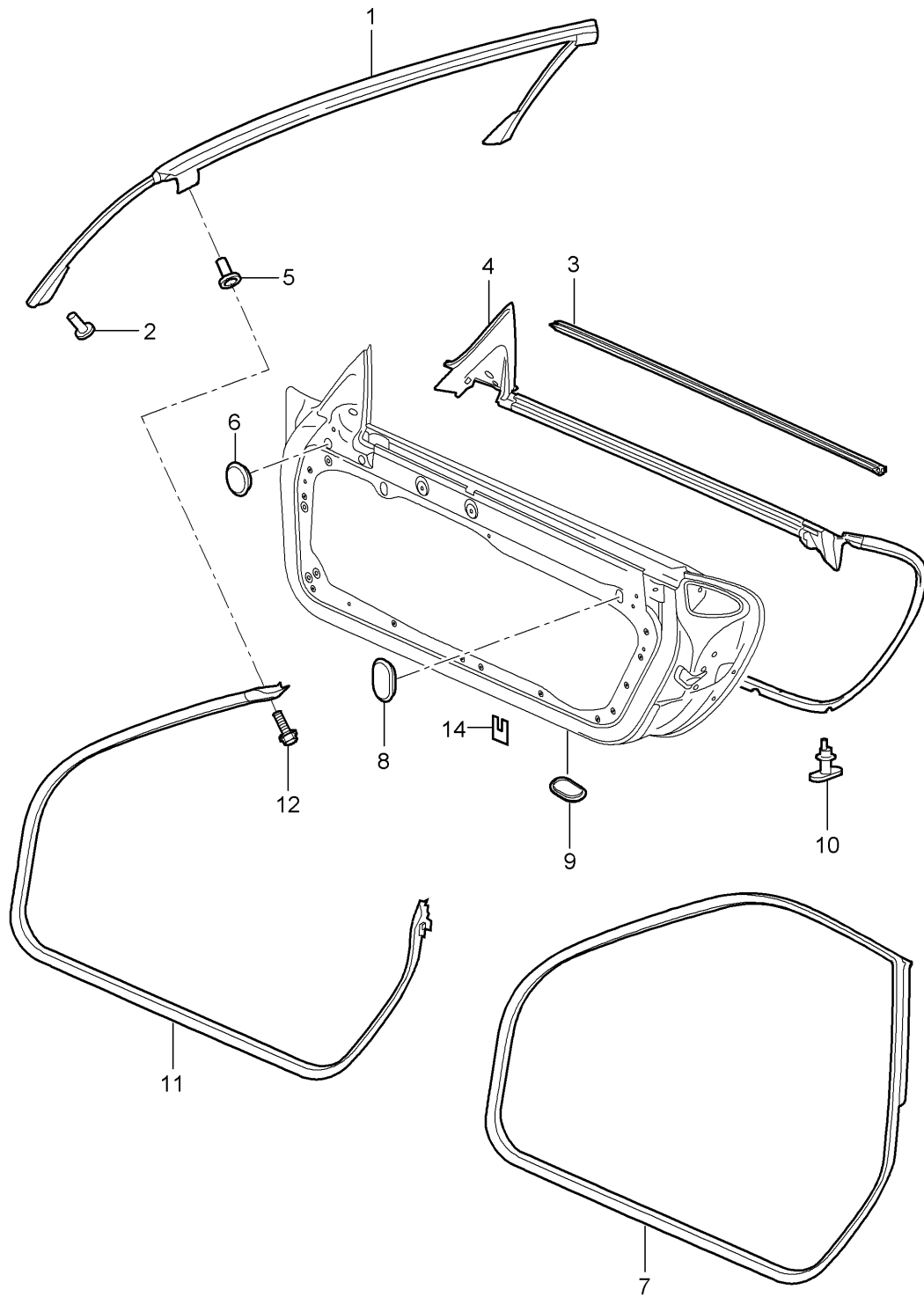
Model: 997T07

Model life 2007>>2009

| Pos | Part Number | Description | Remark | Qty | Model |
|-----|----------------|--|--------|-----|-------|
| - | 999 551 172 40 | Lining strap 25 x 1,3 x 730 for Inner panel | | 2 | |

Model: 997T07

Model life 2007>>2009



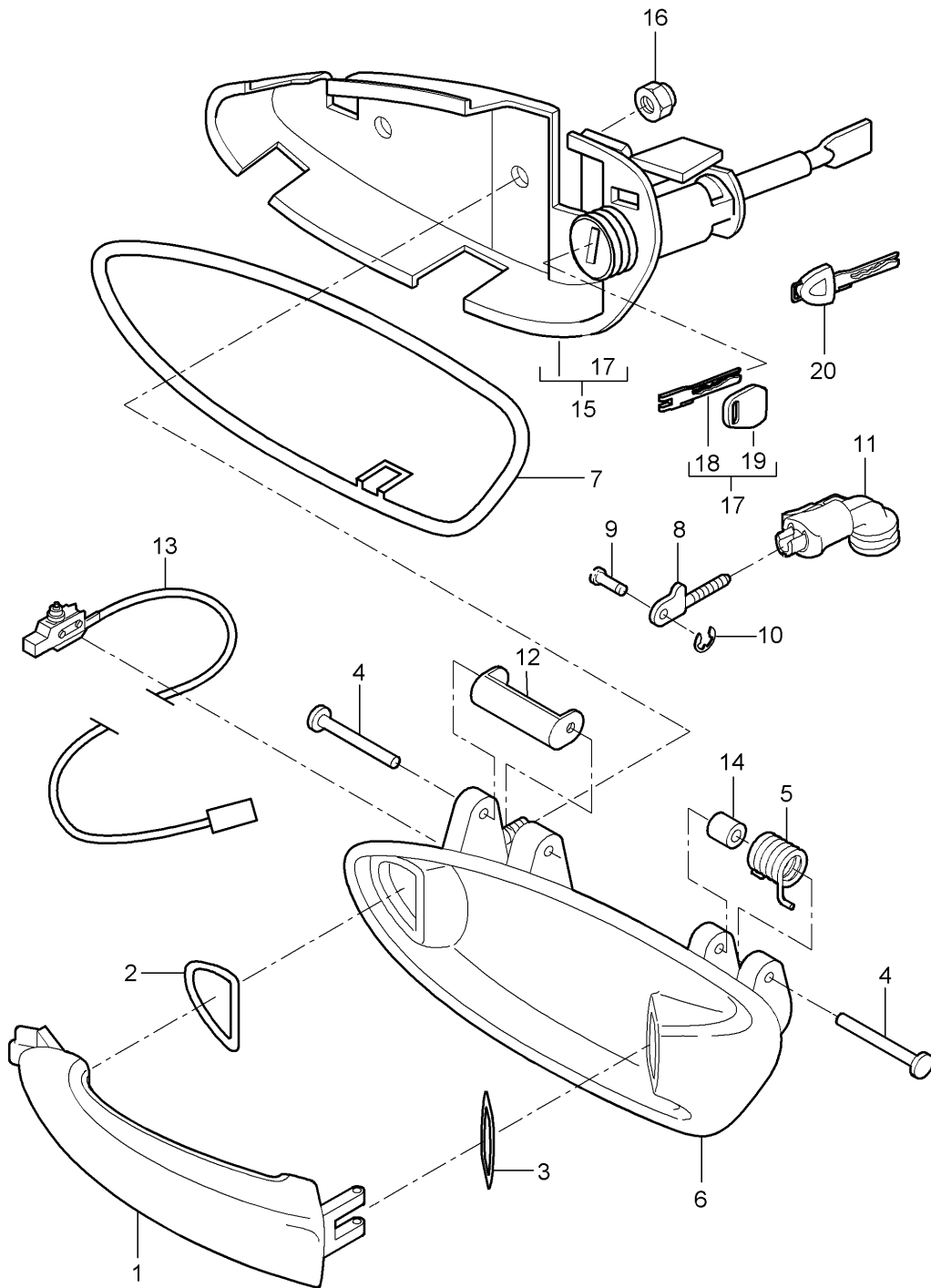
Model: 997T07

Model life 2007>>2009

| Pos | Part Number | Description | Remark | Qty | Model |
|------|----------------|--|------------------------|-----|--------|
| 1 | 997 537 077 02 | Door seal Seal Windscreen | | 1 | CABRIO |
| 2 | 999 190 445 37 | Seal Windscreen Pop rivet A 4,0 X 7,9 | | 36 | CABRIO |
| 3 | 997 537 085 03 | Seal | left | 1 | |
| (3) | 997 537 086 03 | Seal | outer right | 1 | |
| 4 | 997 537 531 05 | Seal | outer left | 1 | |
| 4 | 997 537 531 08 | Discontinued part Seal | inner | 1 | |
| (4) | 997 537 532 05 | Seal | left inner right | 1 | |
| (4) | 997 537 532 08 | Discontinued part Seal | inner right | 1 | |
| 5 | 999 500 098 02 | rivetted cap nut M5/0 - 3 | | 1 | |
| 6 | 803 803 583 A | Bungs 20,0 X 30,0 Discontinued part | | 2 | |
| 6 | 999 703 196 40 | End cap 20,0 X 30,0 | | 2 | |
| (7) | 997 537 075 05 | Door seal | left | 1 | COUPE |
| 7 | 997 537 076 05 | Door seal | right | 1 | COUPE |
| 8 | 999 703 541 40 | End cap 20 X 28 X 1 | | 4 | |
| 9 | 999 703 542 40 | End cap 23,8 X 38,7 | | 8 | |
| 10 | 999 507 304 40 | Clip Seal 5,0 X 4,9 | outer | 36 | |
| 11 | 997 537 075 07 | Door seal | left | 1 | CABRIO |
| (11) | 997 537 076 07 | Door seal | right | 1 | CABRIO |
| 12 | 900 075 362 01 | Bolt with washer M 5 X 16 | | 2 | CABRIO |
| 13 | 999 500 098 02 | rivetted cap nut M 5/0 - 3 | | 2 | CABRIO |
| 14 | 996 537 337 00 | protective foil for door | | 4 | |

Model: 997T07

Model life 2007>>2009



Model: 997T07 Model life 2007>>2009

| Pos | Part Number | Description | Remark | Qty | Model |
|------|--------------------|---|-----------|-----|------------|
| 1 | 997 537 613 01 | Door handle | left | 1 | |
| (1) | 997 537 614 01 | Door handle, exterior primed | right | 1 | |
| 2 | 997 537 623 00 | Stop buffer | | 2 | |
| 3 | 997 537 625 00 | Stop buffer | | 2 | |
| 4 | 997 537 621 00 | axle | | 2 | |
| 5 | 997 537 611 00 | Return spring | left | 1 | |
| (5) | 997 537 612 00 | Return spring | right | 1 | |
| 6 | 997 537 645 01 | Handle liner | left rhd | 1 | PR:099 |
| | 997 537 645 01 G2X | primed | | | |
| (6) | 997 537 646 01 | Handle liner | right lhd | 1 | PR:098 |
| | 997 537 646 01 G2X | primed | | | |
| (6) | 997 537 645 02 | Handle liner | left lhd | 1 | PR:098,789 |
| (6) | 997 537 646 02 | Handle liner | right rhd | 1 | PR:099,789 |
| (6) | 997 537 645 03 | Handle liner | left rhd | 1 | PR:099,789 |
| (6) | 997 537 646 03 | Handle liner primed | right lhd | 1 | PR:098,789 |
| 7 | 997 537 637 00 | Underlay | left | 1 | |
| (7) | 997 537 638 00 | Underlay | right | 1 | |
| 8 | 997 537 627 00 | operating rod | | 2 | |
| 9 | 997 537 629 00 | Pin | | 2 | |
| 10 | 996 537 641 00 | Retaining washer | | 2 | |
| 11 | 997 537 445 03 | Connecting piece | | 2 | |
| 12 | 997 537 653 00 | Actuating lever | left | 1 | |
| (12) | 997 537 654 00 | Actuating lever | right | 1 | |
| 13 | 997 613 125 00 | Micro switch | | 2 | |
| 13 | 997 613 125 02 | Micro switch | | 2 | |
| 14 | 997 537 633 00 | Window regulator bush | | 2 | |
| 15 | 997 538 963 00 | Bracket | left lhd | 1 | PR:098 |
| | | with lock cylinder | | | |
| (15) | 997 538 964 00 | Bracket | right rhd | 1 | PR:099 |
| | | with lock cylinder | | | |
| | | with stipulated lock number | | | |
| (15) | 997 538 963 01 | Bracket | left lhd | 1 | PR:098 |
| | | with lock cylinder | | | |
| (15) | 997 538 964 01 | Bracket | right rhd | 1 | PR:099 |
| | | with lock cylinder | | | |
| | | W/o stipulated lock number | | | |
| (15) | 997 538 963 02 | Bracket | left lhd | 1 | PR:625,098 |
| | | with lock cylinder | | | |
| (15) | 997 538 964 02 | Bracket | right rhd | 1 | PR:625,099 |
| | | with lock cylinder | | | |
| | | W/o stipulated lock number | | | |
| (15) | 997 538 963 03 | Bracket | left lhd | 1 | PR:625,098 |
| | | with lock cylinder | | | |
| (15) | 997 538 964 03 | Bracket | right rhd | 1 | PR:625,099 |
| | | with lock cylinder | | | |
| | | with stipulated lock number | | | |
| (15) | 997 537 463 01 | Bracket | left rhd | 1 | PR:099 |
| | | Without lock cylinder | | | |
| (15) | 997 537 464 01 | Bracket | right lhd | 1 | PR:098 |
| | | Without lock cylinder | | | |
| 16 | 900 380 015 09 | Hexagon nut M 6 | | 2 | |
| 17 | 997 538 931 00 | Replacement key with stipulated lock number | | X | |
| | | State lock number | | | |
| 18 | 997 538 531 00 | Blank key | | X | |
| 19 | 944 538 431 00 | Key cover | | X | |
| 20 | 955 538 916 00 | emergency key with stipulated lock number | | X | |

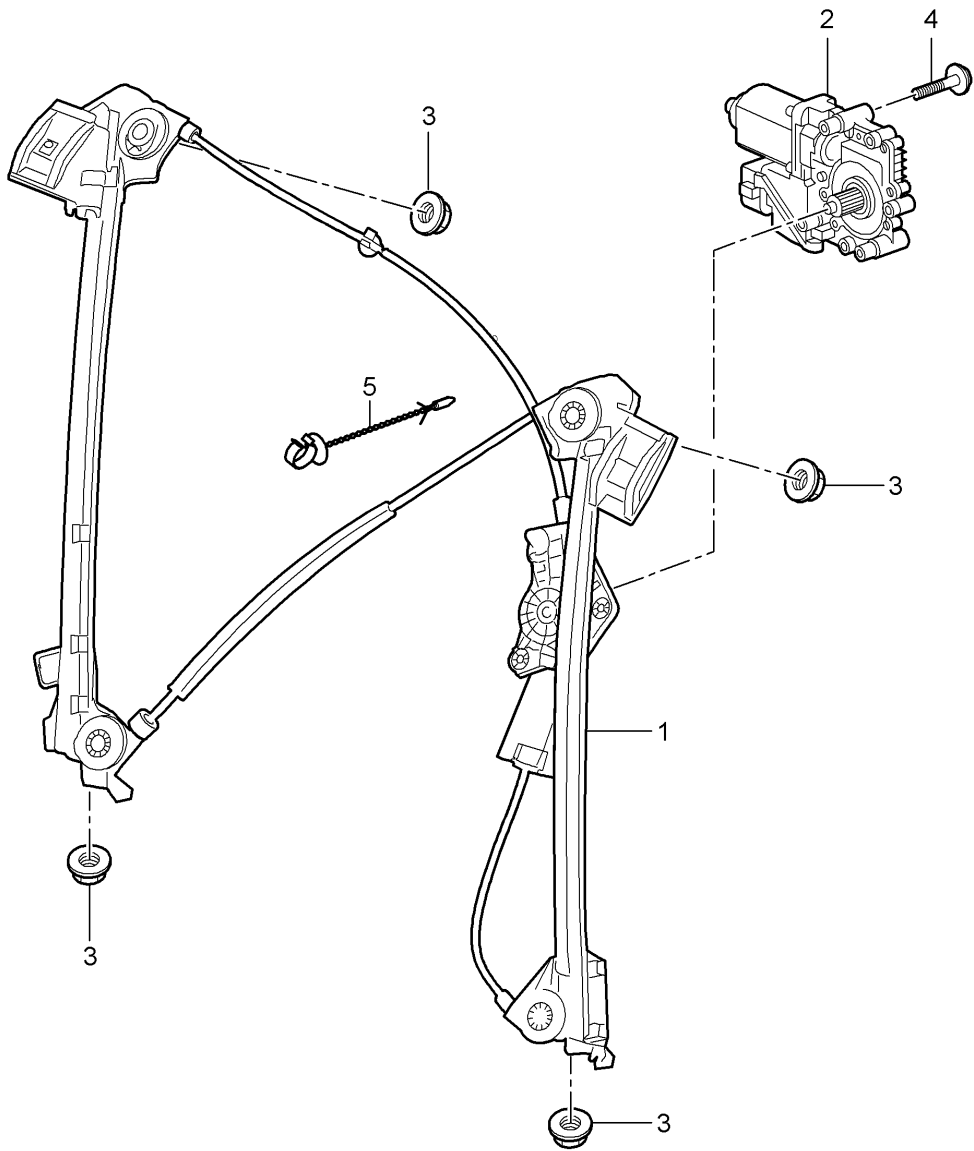
Model: 997T07

Model life 2007>>2009

| Pos | Part Number | Description | Remark | Qty | Model |
|------|----------------|--|--------|-----|-------|
| (20) | 955 538 216 00 | State lock number emergency key W/o stipulated lock number | | X | |

Model: 997T07

Model life 2007>>2009



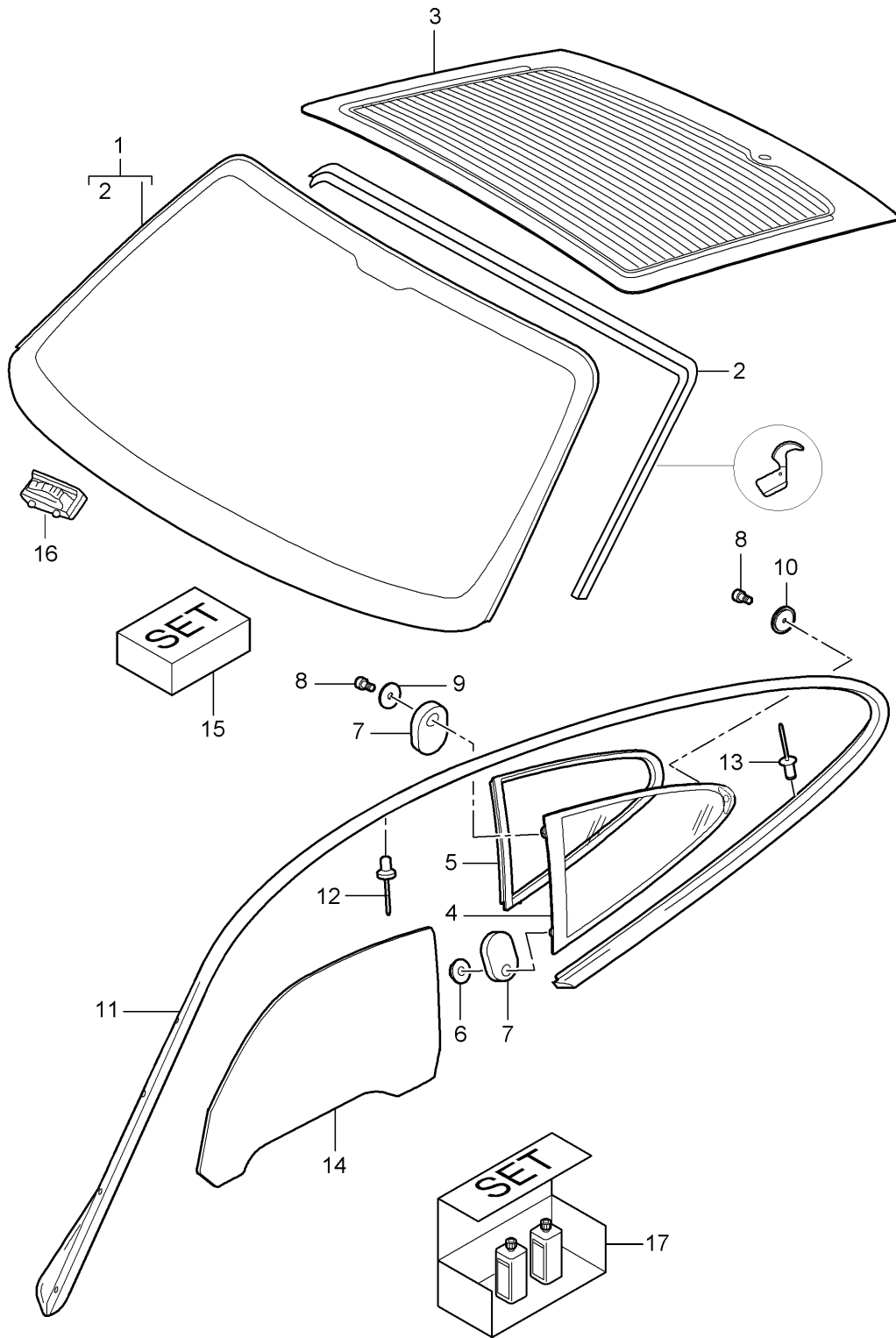
Model: 997T07

Model life 2007>>2009

| Pos | Part Number | Description | Remark | Qty | Model |
|-----|----------------|--------------------|-----------|-----|--------|
| 1 | 997 542 075 02 | Window regulator | | | |
| (1) | 997 542 076 02 | Window regulator | left | 1 | |
| 2 | 997 624 191 00 | Window regulator | right | 1 | |
| | | Electric motor | left lhd | 1 | PR:098 |
| | | D >> - MJ 2007 | | | |
| 2 | 997 624 181 05 | Electric motor | left lhd | 1 | PR:098 |
| | | D - MJ 2008>> | | | |
| (2) | 997 624 192 00 | Electric motor | right lhd | 1 | PR:098 |
| | | D >> - MJ 2007 | | | |
| (2) | 997 624 182 05 | Electric motor | right lhd | 1 | PR:098 |
| | | D - MJ 2008>> | | | |
| | | Discontinued part | | | |
| (2) | 997 624 182 06 | Electric motor | right lhd | 1 | PR:098 |
| | | D - MJ 2008>> | | | |
| (2) | 997 624 191 00 | Electric motor | right rhd | 1 | PR:099 |
| | | D >> - MJ 2007 | | | |
| (2) | 997 624 181 05 | Electric motor | right rhd | 1 | PR:099 |
| | | D - MJ 2008>> | | | |
| (2) | 997 624 192 00 | Electric motor | left rhd | 1 | PR:099 |
| | | D >> - MJ 2007 | | | |
| (2) | 997 624 182 05 | Electric motor | left rhd | 1 | PR:099 |
| | | D - MJ 2008>> | | | |
| | | Discontinued part | | | |
| (2) | 997 624 182 06 | Electric motor | left rhd | 1 | PR:099 |
| | | D - MJ 2008>> | | | |
| 3 | 900 380 015 09 | Hexagon nut | | 4 | |
| | | M6 | | | |
| 4 | 999 919 209 09 | fillister hd. bolt | | 3 | |
| | | M 5 X 22 | | | |
| 5 | 987 542 941 00 | Clip | | 1 | |
| | | Bowden cable | | | |
| | | Window regulator | | | |

Model: 997T07

Model life 2007>>2009



Model: 997T07 Model life 2007>>2009

| Pos | Part Number | Description | Remark | Qty | Model |
|------|----------------|--|--------------------------|-----|----------------------|
| 1 | 997 541 911 00 | window glazing Windscreen | | 1 | Cabrio PR:440,568 |
| | | | also use: 000 043 305 35 | | |
| 1 | 997 541 911 06 | D >> - MJ 2007 Windscreen Tinted | | 1 | Cabrio PR:440,568 |
| | | | also use: 000 043 305 35 | | |
| (1) | 997 541 911 01 | D - MJ 2008>> Windscreen Tinted | | 1 | Coupe PR:440,567 |
| | | | also use: 000 043 305 35 | | |
| (1) | 997 541 911 07 | Windscreen Tinted | | 1 | Cabrio PR:440,567 |
| | | | also use: 000 043 305 35 | | |
| (1) | 997 541 911 08 | Windscreen Tinted | | 1 | Coupe PR:440,568 |
| | | | also use: 000 043 305 35 | | |
| 2 | 997 541 901 09 | Seal for front window | | 1 | CABRIO |
| (2) | 997 541 901 10 | Seal for front window | | 1 | COUPE |
| 3 | 997 545 911 00 | Rear window | | 1 | PR:426 |
| | | | also use: 000 043 305 35 | | |
| 3 | 997 545 911 03 | Rear window | | 1 | PR:425 |
| | | | also use: 000 043 305 35 | | |
| 4 | 997 543 111 04 | Side window Discontinued part | left | 1 | |
| 4 | 997 543 111 05 | Side window | left | 1 | |
| (4) | 997 543 112 04 | Side window | right | 1 | |
| (4) | 997 543 112 05 | Side window | right | 1 | |
| 5 | 996 543 325 00 | Sealing frame Side window | left | 1 | |
| (5) | 996 543 326 00 | Sealing frame Side window | right | 1 | |
| 6 | 999 084 210 02 | Hexagon nut M 8 | | 1 | |
| 7 | 996 543 611 02 | Seal | | 2 | |
| 8 | 999 218 011 02 | Socket head bolt M 6 X 12 | | 2 | |
| 9 | 999 025 270 02 | Washer 6,4 X 30 X 1,5 | | 1 | |
| 10 | 996 543 625 00 | Sealing plate | | 1 | |
| 11 | 997 537 481 00 | roof frame seal | left | 1 | |
| (11) | 997 537 482 00 | roof frame seal | right | 1 | |
| 12 | 999 190 445 37 | Pop rivet 4,0 X 7,9 | | 13 | |
| 13 | 999 190 450 37 | Pop rivet 4,0 X 6,3 | | 7 | |
| 14 | 997 542 511 02 | Door window | left | 1 | COUPE |
| (14) | 997 542 512 02 | Door window | right | 1 | COUPE |
| (14) | 997 542 511 03 | Door window | left | 1 | CABRIO |
| (14) | 997 542 512 03 | Door window | right | 1 | CABRIO |
| 15 | 997 545 901 00 | Seal for rear window | | 1 | |
| 16 | 000 043 305 35 | 2K pane adhesive set TEROSTAT | | 1 | |
| 17 | 000 043 205 37 | emulsion tube Supplement set | | X | |
| 18 | 999 507 576 41 | Bracket | | 2 | |
| 19 | 000 043 303 32 | cutting wire for removing windows | | 1 | |
| 20 | 000 043 206 47 | Car care set Side window | | X | |

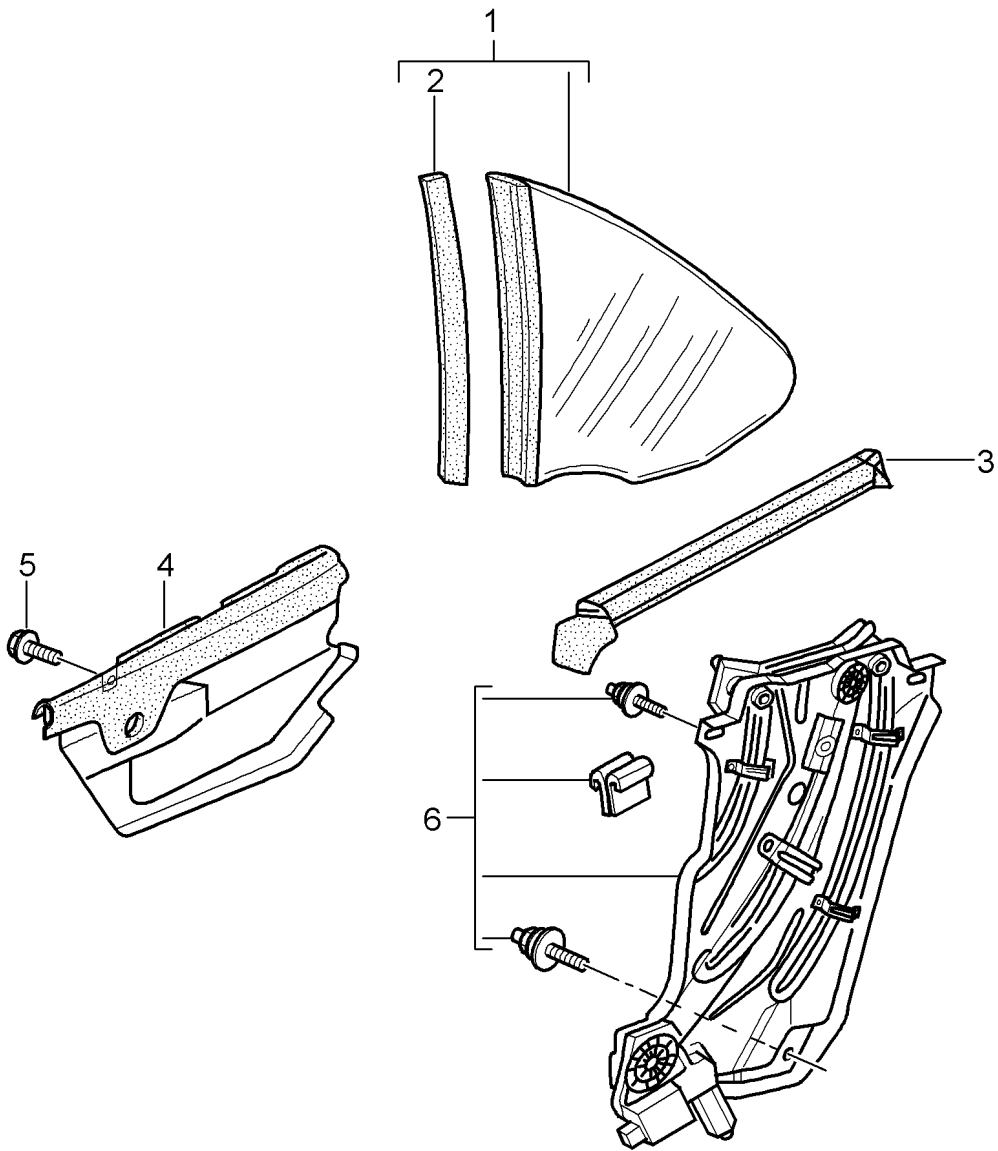
Model: 997T07

Model life 2007>>2009

| Pos | Part Number | Description | Remark | Qty | Model |
|-----|-------------|----------------------|--------|-----|-------|
| | | See technical manual | | | |

Model: 997T07

Model life 2007>>2009



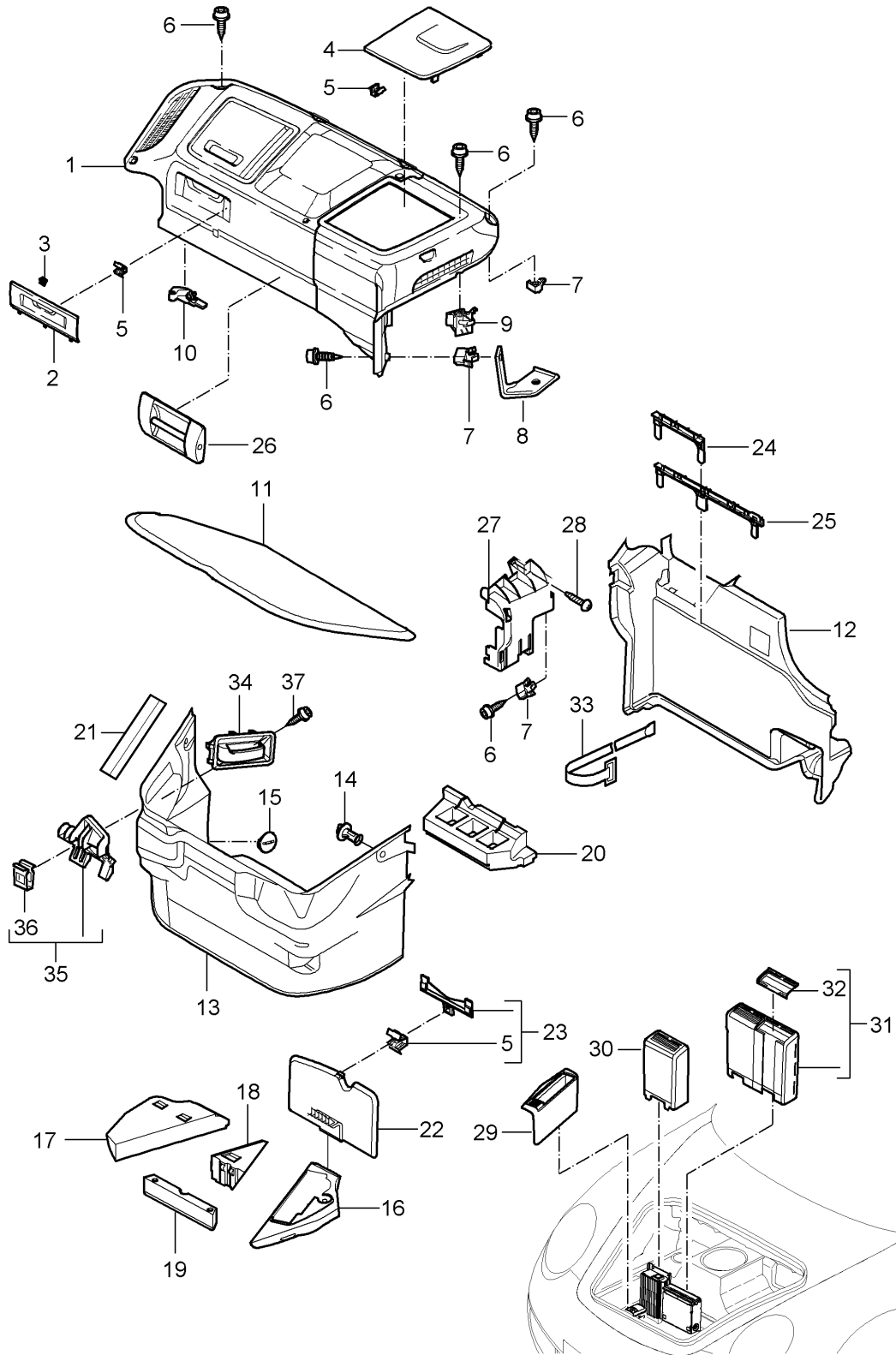
Model: 997T07

Model life 2007>>2009

| Pos | Part Number | Description | Remark | Qty | Model |
|-----|----------------|--------------------------------|--------|-----|--------|
| | | Side window | | | CABRIO |
| 1 | 997 543 111 11 | Side window | left | 1 | |
| (1) | 997 543 112 11 | Side window | right | 1 | |
| 2 | 996 543 615 03 | Seal | left | 1 | |
| (2) | 996 543 616 03 | Seal | right | 1 | |
| 3 | 997 543 475 00 | Seal | left | 1 | |
| | | | outer | | |
| (3) | 997 543 476 00 | Seal | right | 1 | |
| | | | outer | | |
| 4 | 996 543 177 01 | Seal | left | 1 | |
| | | | inner | | |
| (4) | 996 543 178 01 | Seal | right | 1 | |
| | | | inner | | |
| 5 | 900 378 036 09 | Hexagon bolt M 6 X 12 | | 4 | |
| 6 | 997 543 015 02 | Window regulator FA.KUESTER | left | 1 | |
| (6) | 997 543 016 02 | Window regulator FA.KUESTER | right | 1 | |

Model: 997T07

Model life 2007>>2009



Model: 997T07 Model life 2007>>2009

| Pos | Part Number | Description | Remark | Qty | Model |
|------|--------------------|--|--------|-----|---------------------------------|
| | | Luggage compartment D >> - MJ 2008 | | | |
| 1 | 997 551 630 00 | Luggage compartment trim | lhd | 1 | PR:098 |
| | 997 551 630 00 FMU | black/black | | | |
| 1 | 997 551 630 01 | Luggage compartment trim | rhd | 1 | PR:099 |
| | 997 551 630 01 FMU | black/black | | | |
| 2 | 997 551 304 00 | Cover trim | lhd | 1 | PR:098 |
| | | | lower | | |
| | 997 551 304 00 02A | Black | | | |
| 3 | 997 551 817 00 | Bracket Hinge | lhd | 2 | PR:098 |
| 4 | 997 551 309 00 | Cover Brake servo | lhd | 1 | PR:098 |
| | 997 551 309 00 02A | Black | | | |
| (4) | 997 551 310 00 | Cover Brake servo | rhd | 1 | PR:099 |
| | 997 551 310 00 02A | Black | | | |
| 5 | 999 507 552 01 | Spring clip 9 X 13/3,0 | | X | |
| 6 | 999 073 048 02 | panel screw ST 3,5 X 13 | | X | |
| 7 | 999 507 734 40 | Bracket ST 3,5 | | X | |
| 8 | 997 551 771 02 | Bracket Trim | | 1 | |
| | | Luggage compartment | | | |
| 9 | 999 507 512 40 | Bracket ST 3,5 | | X | |
| 10 | 997 551 772 02 | Bracket for trim | | 1 | |
| 11 | 997 551 351 00 | Cover Tool Carpet | | 1 | |
| (11) | 997 551 351 00 A31 | Black | | | |
| | 997 551 351 04 | Cover Tool Carpet | lhd | 1 | TURBO PR:098,692 |
| (11) | 997 551 351 04 A31 | Black | | | |
| | 997 551 351 06 | Cover Tool Carpet | rhd | 1 | TURBO PR:099,670, 672 |
| (11) | 997 551 351 06 A31 | Black | | | |
| | 997 551 351 06 | Cover Tool Carpet | rhd | 1 | GT2 PR:099,672 |
| (11) | 997 551 351 06 A31 | Black | | | |
| | 997 551 351 06 A31 | D - MJ 2008>> | | | |
| | 997 551 351 07 | Cover Tool Carpet | rhd | 1 | TURBO PR:099,692 |
| (11) | 997 551 351 07 A31 | Black | | | |
| | 997 551 351 08 | Cover Tool Carpet | rhd | 1 | TURBO PR:099,670, 672,692 |
| (11) | 997 551 351 08 A31 | Black | | | |
| 12 | 997 551 051 19 | Luggage compartment trim filler plate Carpet | lhd | 1 | TURBO PR:098,476 |
| | 997 551 051 19 A31 | Black | | | |
| 12 | 997 551 051 19 | Luggage compartment trim filler plate Carpet | lhd | 1 | GT2 PR:098,441 |
| | 997 551 051 19 A31 | D - MJ 2008>> | | | |
| | 997 551 051 19 A31 | Black | | | |

Model: 997T07 Model life 2007>>2009

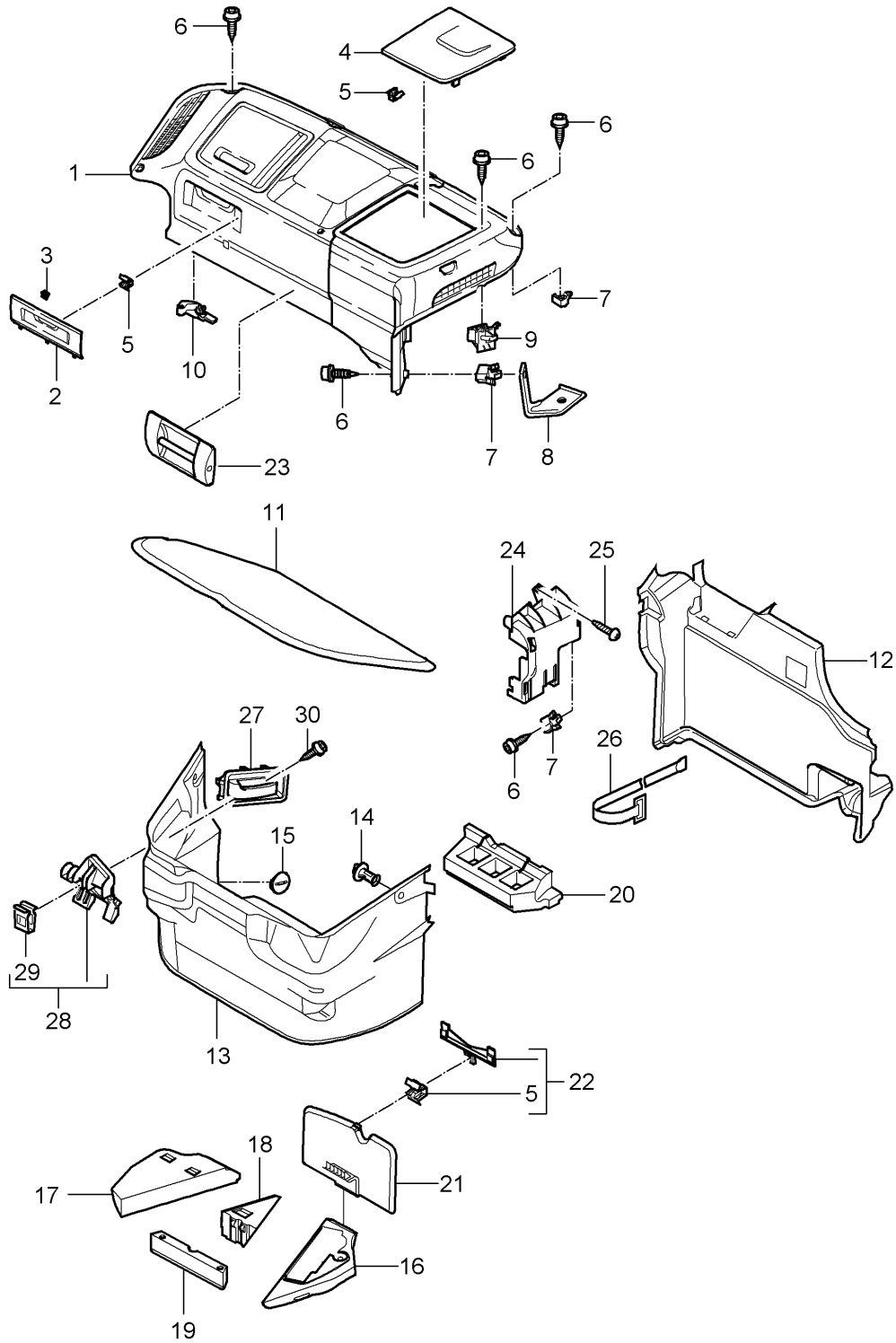
| Pos | Part Number | Description | Remark | Qty | Model |
|------|--------------------|---|-----------|-----|---------------------------------|
| (12) | 997 551 051 20 | Luggage compartment trim filler plate Carpet D - MJ 2008>> | lhd | 1 | GT2 PR:098,490 |
| (12) | 997 551 051 20 A31 | Black | | | |
| (12) | 997 551 051 20 | Luggage compartment trim filler plate Carpet D - MJ 2008>> | | 1 | GT2 PR:664,490, 680 |
| (12) | 997 551 051 20 A31 | Black | | | |
| (12) | 997 551 051 21 | Luggage compartment trim filler plate Carpet D - MJ 2008>> | lhd | 1 | GT2 PR:098,490, 672 |
| (12) | 997 551 051 21 A31 | Black | | | |
| (12) | 997 551 051 22 | Luggage compartment trim filler plate Carpet | rhd | 1 | TURBO PR:099,476 |
| (12) | 997 551 051 22 A31 | Black | | | |
| (12) | 997 551 051 22 | Luggage compartment trim filler plate Carpet D - MJ 2008>> | rhd | 1 | GT2 PR:099 |
| (12) | 997 551 051 22 A31 | Black | | | |
| (12) | 997 551 051 23 | Luggage compartment trim filler plate Carpet | rhd | 1 | TURBO PR:099,476, 670,672 |
| (12) | 997 551 051 23 A31 | Black | | | |
| (12) | 997 551 051 23 | Luggage compartment trim filler plate Carpet D - MJ 2008>> | rhd | 1 | GT2 PR:099,672 |
| (12) | 997 551 051 23 A31 | Black | | | |
| 13 | 997 551 045 14 | Trim Luggage compartment liner Carpet | lhd | 1 | TURBO PR:098 |
| (13) | 997 551 045 14 A31 | Black | | | |
| (13) | 997 551 045 16 | Trim Luggage compartment liner Carpet | rhd | 1 | TURBO PR:099 |
| (13) | 997 551 045 16 A31 | Black | | | |
| (13) | 997 551 045 90 | Trim Luggage compartment liner Carpet D - MJ 2008>> | | 1 | GT2 |
| (13) | 997 551 045 90 A31 | Black | | | |
| 14 | 999 049 006 40 | Plastic nut T5 / 30 X 7,5 | | 2 | |
| 15 | 997 551 807 00 | cap nut | | 1 | |
| (15) | 999 703 455 41 | End cap | | 1 | PR:490,680 |
| 16 | 997 551 401 00 | Foam part Tool | left lhd | 1 | TURBO PR:098 |
| (16) | 997 551 402 00 | Foam part Tool | right rhd | 1 | TURBO PR:099 |
| (16) | 997 551 121 90 | Foam part Tool | | 1 | GT2 |
| 17 | 997 551 408 00 | Foam part Luggage compartment liner | right lhd | 1 | TURBO PR:098 |
| (17) | 997 551 407 00 | Foam part Luggage compartment liner | left rhd | 1 | TURBO PR:099 |
| 18 | 997 551 405 00 | Foam part Compressor | rear | 1 | TURBO |
| 19 | 997 551 403 00 | Foam part | front | 1 | TURBO |

Model: 997T07 Model life 2007>>2009

| Pos | Part Number | Description | Remark | Qty | Model |
|------|--------------------------------------|--|--------|-----|---------------------|
| 20 | 997 551 412 01 | Compressor Foam part filler plate | | 1 | |
| 21 | 997 551 414 00 | Foam part | lhd | 1 | TURBO PR:098,692 |
| (21) | 997 551 413 00 | CD changers Foam part | rhd | 1 | TURBO PR:099,692 |
| 22 | 997 551 501 00 | CD changers Cover | lhd | 1 | PR:098 |
| (22) | 997 551 501 00 A31 997 551 502 00 | Compressed air bottle Black Cover | rhd | 1 | PR:099 |
| 23 | 997 551 502 00 A31 997 551 415 00 | Compressed air bottle Black Adapter | | 1 | |
| 26 | 997 551 805 01 | Compressed air bottle Eye Luggage compartment | front | 1 | |
| 27 | 997 551 736 01 | Black Cover for control unit | | 1 | |
| 28 | 999 073 061 02 | panel screw ST 4,8 X 16 | | X | |
| 29 | 997 551 104 00 | Trim | lhd | 1 | TURBO PR:098,692 |
| (29) | 997 551 104 00 02A 997 551 103 00 | CD changers Black Trim | rhd | 1 | TURBO PR:099,692 |
| 30 | 997 551 103 00 02A 997 551 108 00 | CD changers Black Trim | | 1 | PR:664 |
| (31) | 997 551 108 00 02A 997 551 105 00 | Amplifiers Black Trim | rhd | 1 | PR:099,670, 672 |
| (32) | 997 551 105 00 02A 997 551 811 00 | DVD Black Cover trim | rhd | 1 | PR:099,670, 672 |
| 33 | 997 551 811 00 02A 997 551 741 00 | DVD Black retaining strap for first aid kit | | 1 | PR:024 |
| (33) | 997 551 741 00 | retaining strap for first aid kit | | 1 | PR:499 |
| 38 | 997 556 623 00 | Plastic foam strip | | 2 | PR:670,672 |

Model: 997T07

Model life 2007>>2009



Model: 997T07 Model life 2007>>2009

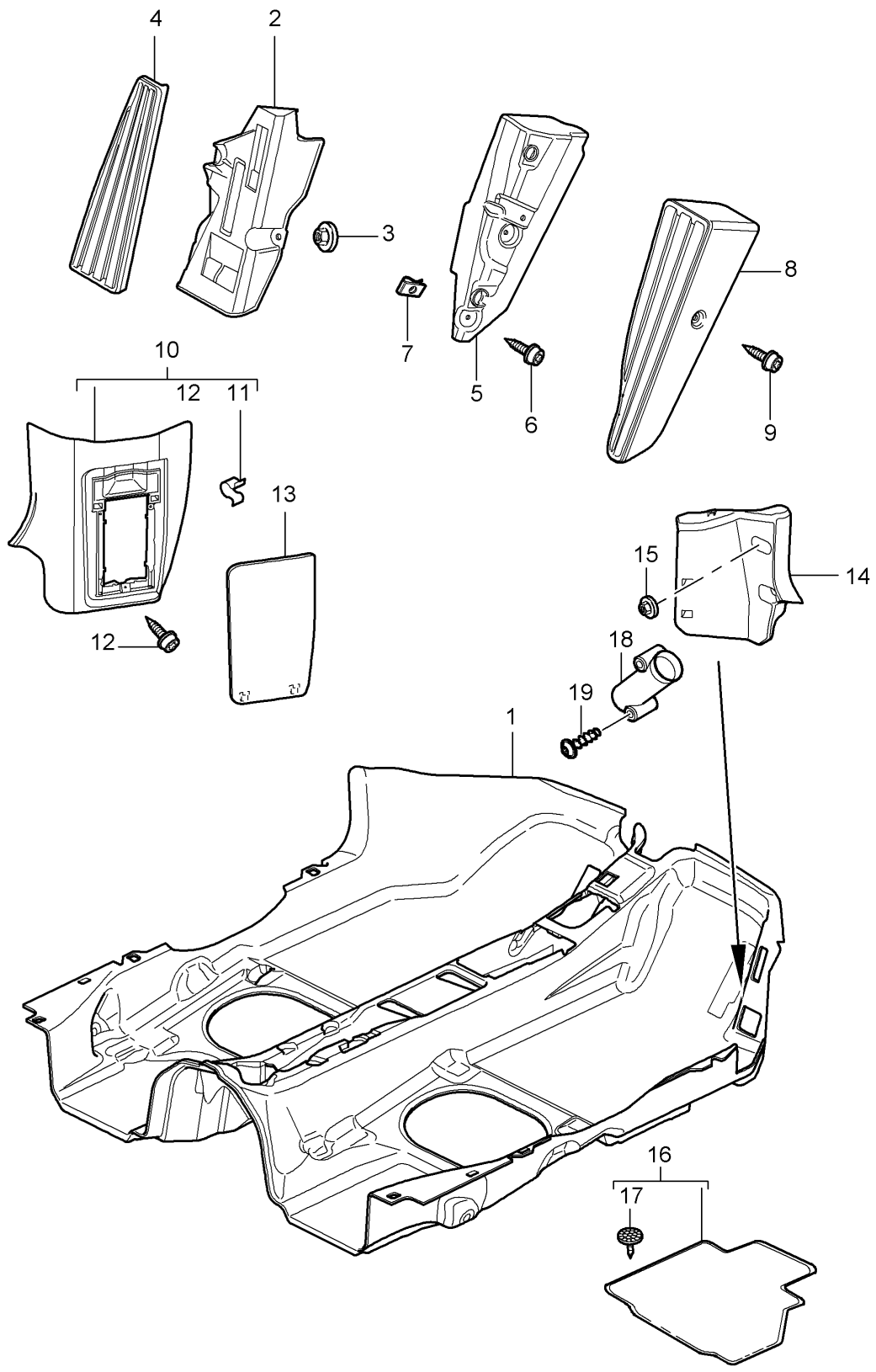
| Pos | Part Number | Description | Remark | Qty | Model |
|------|--------------------|--|--------|-----|----------------------|
| | | Luggage compartment D - MJ 2009>> | | | |
| 1 | 997 551 630 00 | Luggage compartment trim | lhd | 1 | PR:098 |
| | 997 551 630 00 FMU | black/black | | | |
| 1 | 997 551 630 01 | Luggage compartment trim | rhd | 1 | PR:099 |
| | 997 551 630 01 FMU | black/black | | | |
| 2 | 997 551 304 00 | Cover trim | lhd | 1 | PR:098 |
| | | | lower | | |
| | 997 551 304 00 02A | Black | | | |
| 3 | 997 551 817 00 | Bracket Hinge | lhd | 2 | PR:098 |
| 4 | 997 551 309 00 | Cover Brake servo | lhd | 1 | PR:098 |
| | 997 551 309 00 02A | Black | | | |
| (4) | 997 551 310 00 | Cover Brake servo | rhd | 1 | PR:099 |
| | 997 551 310 00 02A | Black | | | |
| 5 | 999 507 552 01 | Spring clip 9 X 13/3,0 | | X | |
| 6 | 999 073 048 02 | panel screw ST 3,5 X 13 | | X | |
| 7 | 999 507 734 40 | Bracket ST 3,5 | | X | |
| 8 | 997 551 771 02 | Bracket Trim | | 1 | |
| | | Luggage compartment | | | |
| 9 | 999 507 512 40 | Bracket ST 3,5 | | X | |
| 10 | 997 551 772 02 | Bracket for trim | | 1 | |
| (11) | 997 551 351 00 | Cover Tool Carpet | | 1 | |
| | 997 551 351 00 A31 | Black | | | |
| 12 | 997 551 051 29 | Luggage compartment trim filler plate Carpet | lhd | 1 | Turbo PR:098,-422 |
| | 997 551 051 29 A31 | Black | | | |
| 12 | 997 551 051 29 | Luggage compartment trim filler plate Carpet | lhd | 1 | GT2 PR:098 |
| | 997 551 051 29 A31 | Black | | | |
| (12) | 997 551 051 30 | Luggage compartment trim filler plate Carpet | rhd | 1 | Turbo PR:099,-422 |
| | 997 551 051 30 A31 | Black | | | |
| (12) | 997 551 051 30 | Luggage compartment trim filler plate Carpet | rhd | 1 | GT2 PR:099 |
| | 997 551 051 30 A31 | Black | | | |
| (12) | 997 551 051 31 | Luggage compartment trim filler plate Carpet | lhd | 1 | Turbo PR:098,422 |
| | 997 551 051 31 A31 | Black | | | |
| (12) | 997 551 051 32 | Luggage compartment trim filler plate Carpet | rhd | 1 | Turbo PR:099,422 |
| | 997 551 051 32 A31 | Black | | | |
| 13 | 997 551 045 17 | Trim Luggage compartment liner Carpet | lhd | 1 | Turbo PR:098 |
| | 997 551 045 17 A31 | Black | | | |
| (13) | 997 551 045 19 | Trim Luggage compartment liner | rhd | 1 | Turbo PR:099 |

Model: 997T07 Model life 2007>>2009

| Pos | Part Number | Description | Remark | Qty | Model |
|------|--------------------------------------|--|-----------|-----|---------------------|
| (13) | 997 551 045 19 A31 997 551 045 90 | Carpet Black Trim Luggage compartment liner Carpet | | 1 | GT2 |
| 14 | 997 551 045 90 A31 999 049 006 40 | Black Plastic nut T5 / 30 X 7,5 | | 2 | |
| 15 | 997 551 807 00 | cap nut | | 1 | |
| (15) | 999 703 455 41 | End cap | | 1 | |
| 16 | 997 551 401 00 | Foam part Tool | left lhd | 1 | TURBO PR:098 |
| (16) | 997 551 402 00 | Foam part Tool | right rhd | 1 | TURBO PR:099 |
| (16) | 997 551 121 90 | Foam part Tool | | 1 | GT2 |
| 17 | 997 551 408 00 | Foam part Luggage compartment liner | right lhd | 1 | TURBO PR:098 |
| (17) | 997 551 407 00 | Foam part Luggage compartment liner | left rhd | 1 | TURBO PR:099 |
| 18 | 997 551 405 00 | Foam part Compressor | rear | 1 | TURBO |
| 19 | 997 551 403 00 | Foam part Compressor | front | 1 | TURBO |
| 20 | 997 551 432 00 | Foam part filler plate | lhd | 1 | PR:098 |
| 20 | 997 551 431 00 | Foam part filler plate | rhd | 1 | PR:099 |
| 21 | 997 551 501 00 | Cover Compressed air bottle | lhd | 1 | PR:098 |
| 21 | 997 551 501 00 A31 997 551 501 00 | Black Cover Compressed air bottle D - MJ 2009>> | rhd | 1 | Turbo PR:099,422 |
| (21) | 997 551 501 00 A31 997 551 502 00 | Black Cover Compressed air bottle | rhd | 1 | PR:099 |
| (21) | 997 551 502 00 A31 997 551 502 00 | Black Cover Compressed air bottle D - MJ 2009>> | lhd | 1 | Turbo PR:098,422 |
| 22 | 997 551 502 00 A31 997 551 415 00 | Black Adapter Compressed air bottle | | 1 | |
| 22 | 997 551 415 00 | Adapter Compressed air bottle D - MJ 2009>> | | 1 | Turbo PR:422 |
| 23 | 997 551 805 01 | Eye Luggage compartment | front | 1 | |
| 24 | 997 551 805 01 02A 997 551 736 01 | Black Cover for control unit | | 1 | |
| 25 | 999 073 061 02 | panel screw ST 4,8 X 16 | | X | |
| 26 | 997 551 741 00 | retaining strap for first aid kit | | 1 | PR:024 |
| (26) | 997 551 741 00 | retaining strap for first aid kit | | 1 | PR:499 |

Model: 997T07

Model life 2007>>2009



Model: 997T07 Model life 2007>>2009

| Pos | Part Number | Description | Remark | Qty | Model |
|-----|--------------------|--|--------|-----|-----------------------|
| 1 | 997 551 011 08 | Flooring Linings Flooring (carpet) | lhd | 1 | TURBO/COUPE PR:098 |
| | 997 551 011 08 FMA | Palm green D >> - MJ 2007 | | | |
| | 997 551 011 08 FMB | Terracotta | | | |
| | 997 551 011 08 FMC | Cocoa | | | |
| | 997 551 011 08 FMD | Dark grey/natural | | | |
| | 997 551 011 08 FME | Brown/natural | | | |
| 1 | 997 551 011 08 | Flooring (carpet) | lhd | 1 | TURBO/COUPE PR:098 |
| | | Until Chassis number See technical information GR.7 NR. 17/11 KD-NR. 70 | | | |
| | 997 551 011 08 FLW | Black | | | |
| | 997 551 011 08 FLX | Stone grey | | | |
| | 997 551 011 08 FLY | Sand beige | | | |
| | 997 551 011 08 FLZ | sea blue | | | |
| | 997 551 011 08 FSV | Carrera Red D - MJ 2008>> | | | |
| 1 | 997 551 011 18 | Flooring (carpet) | lhd | 1 | TURBO/COUPE PR:098 |
| | | From Chassis number See technical information GR.7 NR. 17/11 KD-NR. 70 | | | |
| | 997 551 011 18 FLW | Black | | | |
| | 997 551 011 18 FLX | Stone grey | | | |
| | 997 551 011 18 FLY | Sand beige | | | |
| | 997 551 011 18 FLZ | sea blue | | | |
| | 997 551 011 18 FSV | Carrera Red D - MJ 2008>> | | | |
| 1 | 997 551 011 08 | Flooring (carpet) | lhd | 1 | GT2 PR:098 |
| | | D - MJ 2008>> | | | |
| 1 | 997 551 011 08 FMD | Dark grey/natural | | | |
| 1 | 997 551 011 08 | Flooring (carpet) | lhd | 1 | GT2 PR:098 |
| | | Until Chassis number See technical information GR.7 NR. 17/11 KD-NR. 70 D - MJ 2008>> | | | |
| | 997 551 011 08 FLW | Black | | | |
| 1 | 997 551 011 18 | Flooring (carpet) | lhd | 1 | GT2 PR:098 |
| | | From Chassis number See technical information GR.7 NR. 17/11 KD-NR. 70 D - MJ 2008>> | | | |
| | 997 551 011 18 FLW | Black | | | |
| (1) | 997 551 011 09 | Flooring (carpet) | rhd | 1 | TURBO/COUPE PR:099 |
| | 997 551 011 09 FMA | Palm green D >> - MJ 2007 | | | |
| | 997 551 011 09 FMB | Terracotta | | | |

Model: 997T07 Model life 2007>>2009

| Pos | Part Number | Description | Remark | Qty | Model |
|-----|---------------------------|---------------------------|--------|-----|-----------------------|
| (1) | 997 551 011 09 FMC | Cocoa | | | |
| | 997 551 011 09 FMD | Dark grey/natural | | | |
| | 997 551 011 09 FME | Brown/natural | | | |
| | 997 551 011 09 | Flooring (carpet) | rhd | 1 | TURBO/COUPE PR:099 |
| | | Until | | | |
| | | Chassis number | | | |
| | | See technical information | | | |
| | | GR.7 NR. 17/11 | | | |
| | | KD-NR. 70 | | | |
| | | 997 551 011 09 FLW | Black | | |
| (1) | 997 551 011 09 FLX | Stone grey | | | |
| | 997 551 011 09 FLY | Sand beige | | | |
| | 997 551 011 09 FLZ | sea blue | | | |
| | 997 551 011 09 FSV | Carrera Red | | | |
| | | D - MJ 2008>> | | | |
| | 997 551 011 19 | Flooring (carpet) | rhd | 1 | TURBO/COUPE PR:099 |
| | | From | | | |
| | | Chassis number | | | |
| | | See technical information | | | |
| | | GR.7 NR. 17/11 | | | |
| | KD-NR. 70 | | | | |
| (1) | 997 551 011 19 FLW | Black | | | |
| | 997 551 011 19 FLX | Stone grey | | | |
| | 997 551 011 19 FLY | Sand beige | | | |
| | 997 551 011 19 FLZ | sea blue | | | |
| | 997 551 011 19 FSV | Carrera Red | | | |
| | | D - MJ 2008>> | | | |
| | 997 551 011 09 | Flooring (carpet) | rhd | 1 | GT2 PR:099 |
| | | D - MJ 2008>> | | | |
| | 997 551 011 09 FMD | Dark grey/natural | | | |
| | 997 551 011 09 | Flooring (carpet) | rhd | 1 | GT2 PR:099 |
| | Until | | | | |
| | Chassis number | | | | |
| | See technical information | | | | |
| | GR.7 NR. 17/11 | | | | |
| | KD-NR. 70 | | | | |
| | D - MJ 2008>> | | | | |
| (1) | 997 551 011 09 FLW | Black | | | |
| | 997 551 011 19 | Flooring (carpet) | rhd | 1 | GT2 PR:099 |
| | | From | | | |
| | | Chassis number | | | |
| | | See technical information | | | |
| | | GR.7 NR. 17/11 | | | |
| | | KD-NR. 70 | | | |
| | | D - MJ 2008>> | | | |
| | 997 551 011 19 FLW | Black | | | |
| | 997 551 011 90 | Flooring (carpet) | lhd | 1 | GT2 PR:003,098 |
| | Until | | | | |
| | Chassis number | | | | |
| | See technical information | | | | |
| | GR.7 NR. 17/11 | | | | |
| | KD-NR. 70 | | | | |
| | D - MJ 2008>> | | | | |
| (1) | 997 551 011 90 FLW | Black | | | |
| | 997 551 011 92 | Flooring (carpet) | lhd | 1 | GT2 PR:003,098 |
| | | From | | | |

Model: 997T07 Model life 2007>>2009

| Pos | Part Number | Description | Remark | Qty | Model |
|-----|--|--|--------|-----|----------------------|
| | | Chassis number See technical information GR.7 NR. 17/11 KD-NR. 70 D - MJ 2008>> | | | |
| (1) | 997 551 011 92 FLW 997 551 011 91 | Black Flooring (carpet) | rhd | 1 | GT2 PR:003,099 |
| | | Until Chassis number See technical information GR.7 NR. 17/11 KD-NR. 70 D - MJ 2008>> | | | |
| (1) | 997 551 011 91 FLW 997 551 011 93 | Black Flooring (carpet) | rhd | 1 | GT2 PR:003,099 |
| | | From Chassis number See technical information GR.7 NR. 17/11 KD-NR. 70 D - MJ 2008>> | | | |
| (1) | 997 551 011 93 FLW 997 551 011 10 | Black Flooring (carpet) | lhd | 1 | CABRIO PR:098,490 |
| | | D - MJ 2008>> | | | |
| | 997 551 011 10 FMB 997 551 011 10 FMC 997 551 011 10 FMD 997 551 011 10 FME | Terracotta Cocoa Dark grey/natural Brown/natural | | | |
| (1) | 997 551 011 10 | Flooring (carpet) | lhd | 1 | CABRIO PR:098,490 |
| | | Until Chassis number See technical information GR.7 NR. 17/11 KD-NR. 70 D - MJ 2008>> | | | |
| | 997 551 011 10 FLW 997 551 011 10 FLX 997 551 011 10 FLY 997 551 011 10 FLZ 997 551 011 10 FSV | Black Stone grey Sand beige sea blue Carrera Red | | | |
| (1) | 997 551 011 20 | Flooring (carpet) | lhd | 1 | CABRIO PR:098,490 |
| | | From Chassis number See technical information GR.7 NR. 17/11 KD-NR. 70 D - MJ 2008>> | | | |
| | 997 551 011 20 FLW 997 551 011 20 FLX 997 551 011 20 FLY 997 551 011 20 FLZ 997 551 011 20 FSV | Black Stone grey Sand beige sea blue Carrera Red | | | |
| (1) | 997 551 011 11 | Flooring (carpet) | rhd | 1 | CABRIO PR:099,490 |
| | | D - MJ 2008>> | | | |
| | 997 551 011 11 FMB 997 551 011 11 FMC 997 551 011 11 FMD | Terracotta Cocoa Dark grey/natural | | | |

Model: 997T07 Model life 2007>>2009

| Pos | Part Number | Description | Remark | Qty | Model |
|-----|--|--|--------|-----|----------------------|
| (1) | 997 551 011 11 FME 997 551 011 11 | Brown/natural Flooring (carpet) Until Chassis number See technical information GR.7 NR. 17/11 KD-NR. 70 D - MJ 2008>> | rhd | 1 | CABRIO PR:099,490 |
| (1) | 997 551 011 11 FLW 997 551 011 11 FLX 997 551 011 11 FLY 997 551 011 11 FLZ 997 551 011 11 FSV 997 551 011 21 | Black Stone grey Sand beige sea blue Carrera Red Flooring (carpet) From Chassis number See technical information GR.7 NR. 17/11 KD-NR. 70 D - MJ 2008>> | rhd | 1 | CABRIO PR:099,490 |
| (1) | 997 551 011 21 FLW 997 551 011 21 FLX 997 551 011 21 FLY 997 551 011 21 FLZ 997 551 011 21 FSV 997 551 011 12 | Black Stone grey Sand beige sea blue Carrera Red Flooring (carpet) D - MJ 2008>> | lhd | 1 | CABRIO PR:098,680 |
| (1) | 997 551 011 12 FMB 997 551 011 12 FMC 997 551 011 12 FMD 997 551 011 12 FME 997 551 011 12 | Terracotta Cocoa Dark grey/natural Brown/natural Flooring (carpet) Until Chassis number See technical information GR.7 NR. 17/11 KD-NR. 70 D - MJ 2008>> | lhd | 1 | CABRIO PR:098,680 |
| (1) | 997 551 011 12 FLW 997 551 011 12 FLX 997 551 011 12 FLY 997 551 011 12 FLZ 997 551 011 12 FSV 997 551 011 22 | Black Stone grey Sand beige sea blue Carrera Red Flooring (carpet) From Chassis number See technical information GR.7 NR. 17/11 KD-NR. 70 D - MJ 2008>> | lhd | 1 | CABRIO PR:098,680 |
| (1) | 997 551 011 22 FLW 997 551 011 22 FLX 997 551 011 22 FLY 997 551 011 22 FLZ 997 551 011 22 FSV 997 551 011 13 | Black Stone grey Sand beige sea blue Carrera Red Flooring (carpet) D - MJ 2008>> | rhd | 1 | CABRIO PR:099,680 |

Model: 997T07 Model life 2007>>2009

| Pos | Part Number | Description | Remark | Qty | Model |
|-----|--------------------|--|--------|-----|----------------------|
| (1) | 997 551 011 13 FMB | Terracotta | | | |
| | 997 551 011 13 FMC | Cocoa | | | |
| | 997 551 011 13 FMD | Dark grey/natural | | | |
| | 997 551 011 13 FME | Brown/natural | | | |
| | 997 551 011 13 | Flooring (carpet) | rhd | 1 | CABRIO PR:099,680 |
| | | Until Chassis number See technical information GR.7 NR. 17/11 KD-NR. 70 D - MJ 2008>> | | | |
| | 997 551 011 13 FLW | Black | | | |
| | 997 551 011 13 FLX | Stone grey | | | |
| | 997 551 011 13 FLY | Sand beige | | | |
| | 997 551 011 13 FLZ | sea blue | | | |
| | 997 551 011 13 FSV | Carrera Red | | | |
| (1) | 997 551 011 23 | Flooring (carpet) | rhd | 1 | CABRIO PR:099,680 |
| | | From Chassis number See technical information GR.7 NR. 17/11 KD-NR. 70 D - MJ 2008>> | | | |
| | 997 551 011 23 FLW | Black | | | |
| | 997 551 011 23 FLX | Stone grey | | | |
| | 997 551 011 23 FLY | Sand beige | | | |
| | 997 551 011 23 FLZ | sea blue | | | |
| | 997 551 011 23 FSV | Carrera Red | | | |
| - | 997 551 813 00 | Protective film Carpet | lhd | 1 | PR:098 |
| | | D >> - MJ 2007 | | | |
| - | 997 551 813 01 | Protective film Carpet | lhd | 1 | PR:098 |
| | | D - MJ 2008>> | | | |
| - | 997 551 815 00 | Protective film Carpet | rhd | 1 | PR:099 |
| 2 | 997 551 211 01 | Foot rest | lhd | 1 | PR:098 |
| 3 | 999 076 081 40 | Hexagon plastic collar nut T5/16 X 11,2 for Mount | lhd | 2 | PR:098 |
| 4 | 997 551 611 00 | Cover for footrest | lhd | 1 | PR:098 |
| | 997 551 611 00 01C | Satin black | | | |
| (4) | 997 551 986 00 | Cover for footrest | lhd | 1 | PR:XXZ,098 |
| 5 | 997 551 212 00 | Foot rest | rhd | 1 | PR:099 |
| 6 | 999 073 060 02 | panel screw ST 4,8 X 13 for Mount | rhd | 2 | PR:099 |
| 7 | 999 591 485 01 | Foot rest panel nut ST 4,8 for Mount | rhd | 2 | PR:099 |
| 8 | 997 551 612 00 | Foot rest Cover for footrest | rhd | 1 | PR:099 |
| | 997 551 612 00 01C | Satin black | | | |
| 9 | 999 919 188 09 | fillister hd. bolt 5,0 X 30 for | rhd | 1 | PR:099 |

Model: 997T07 Model life 2007>>2009

| Pos | Part Number | Description | Remark | Qty | Model |
|------|--------------------|--|--------|-----|-----------------|
| 10 | 997 551 101 00 | Mount Cover Foot rest Trim Fuse box Carpet | lhd | 1 | Turbo PR:098 |
| | 997 551 101 00 A10 | Black | | | |
| | 997 551 101 00 B10 | Stone grey | | | |
| | 997 551 101 00 T10 | Sand beige | | | |
| | 997 551 101 00 E10 | sea blue | | | |
| | 997 551 101 00 J10 | Palm green | | | |
| | | D >> - MJ 2007 | | | |
| | 997 551 101 00 M10 | Terracotta | | | |
| | 997 551 101 00 R10 | Cocoa | | | |
| | 997 551 101 00 D11 | Dark grey/natural | | | |
| | 997 551 101 00 T11 | Brown/natural | | | |
| | 997 551 101 00 N10 | Carrera Red | | | |
| 10 | 997 551 101 00 | Trim Fuse box Carpet | lhd | 1 | GT2 PR:098 |
| | | D - MJ 2008>> | | | |
| | 997 551 101 00 A10 | Black | | | |
| | 997 551 101 00 D11 | Dark grey/natural | | | |
| (10) | 997 551 102 00 | Trim Fuse box Carpet | rhd | 1 | Turbo PR:099 |
| | 997 551 102 00 A10 | Black | | | |
| | 997 551 102 00 B10 | Stone grey | | | |
| | 997 551 102 00 T10 | Sand beige | | | |
| | 997 551 102 00 E10 | sea blue | | | |
| | 997 551 102 00 J10 | Palm green | | | |
| | | D >> - MJ 2007 | | | |
| | 997 551 102 00 M10 | Terracotta | | | |
| | 997 551 102 00 R10 | Cocoa | | | |
| | 997 551 102 00 D11 | Dark grey/natural | | | |
| | 997 551 102 00 T11 | Brown/natural | | | |
| | 997 551 102 00 N10 | Carrera Red | | | |
| (10) | 997 551 102 00 | Trim Fuse box Carpet | rhd | 1 | GT2 PR:099 |
| | | D - MJ 2008>> | | | |
| | 997 551 102 00 A10 | Black | | | |
| | 997 551 102 00 D11 | Dark grey/natural | | | |
| 11 | 999 507 552 01 | Spring clip 9,0 X 13/4,0 | | 2 | |
| 12 | 999 919 161 09 | fillister hd. bolt 5,0 X 18 for Mount Trim Fuse box | | 3 | |
| 13 | 997 551 621 00 | Cover trim Fuse box | lhd | 1 | PR:098 |
| | 997 551 621 00 01C | Satin black | | | |
| (13) | 997 551 622 00 | Cover trim Fuse box | rhd | 1 | PR:099 |
| | 997 551 622 00 01C | Satin black | | | |
| (14) | 997 551 712 02 | Bracket Flooring | lhd | 1 | PR:098 |
| (14) | 997 551 711 02 | Bracket Flooring | rhd | 1 | PR:099 |
| 15 | 999 076 081 40 | Hexagon plastic collar nut T5/16 X 11,2 | | 2 | |

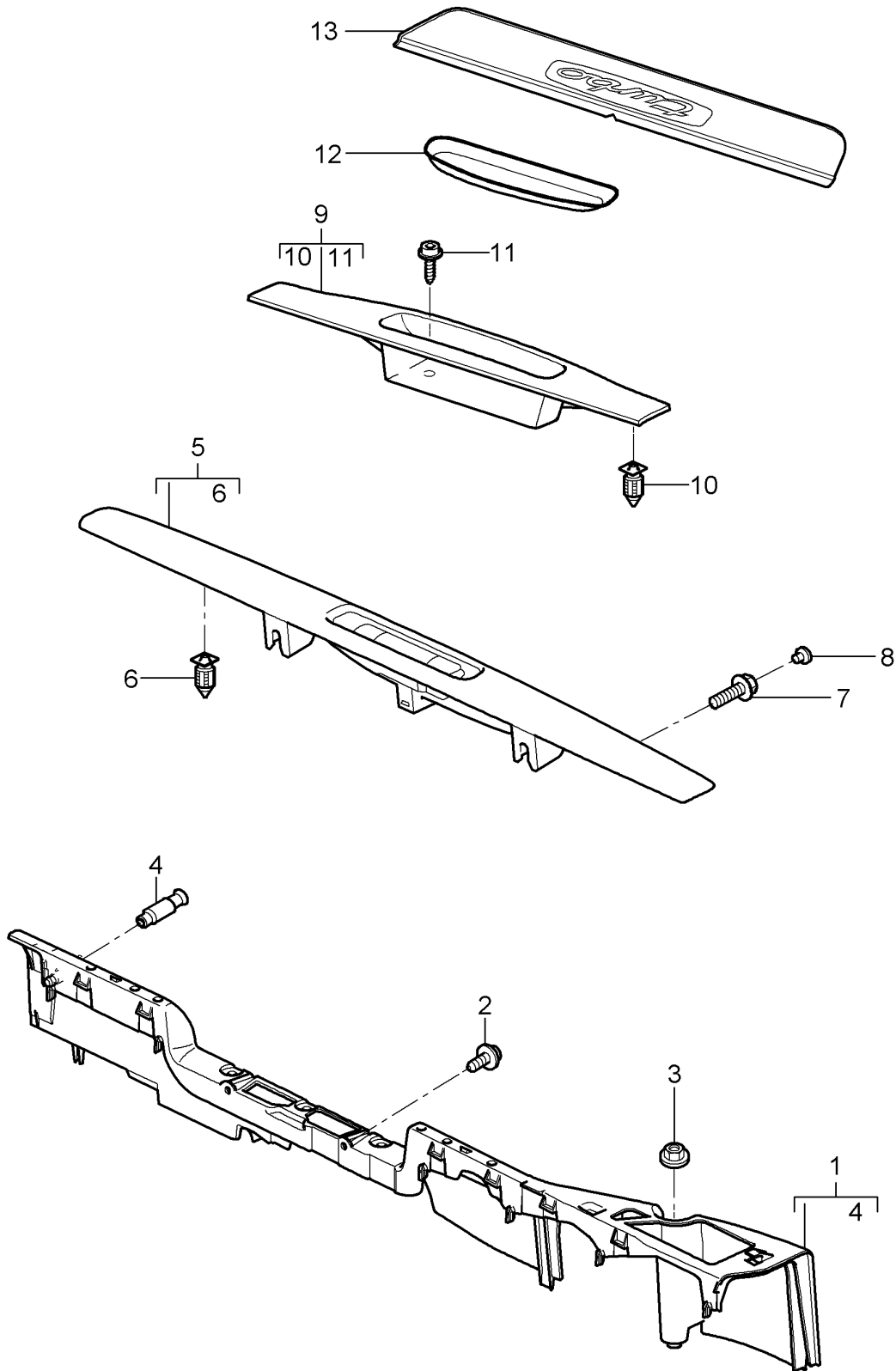
Model: 997T07

Model life 2007>>2009

| Pos | Part Number | Description | Remark | Qty | Model |
|------|----------------|---|--------|-----|------------|
| 16 | | Mount Bracket Flooring Floor mats Set See group 8/07/06 | | 1 | |
| 17 | 999 902 054 40 | Tequipment catalogue Fixing plate for | | 4 | |
| 18 | 964 551 751 00 | Floor mats Bracket | rhd | 1 | PR:099,193 |
| (18) | 997 551 852 00 | Warning light Bracket | lhd | 1 | PR:098,193 |
| 19 | 999 919 254 01 | Warning light fillister hd. bolt 40 x 36,5 | | 2 | PR:193 |

Model: 997T07

Model life 2007>>2009



Model: 997T07 Model life 2007>>2009

| Pos | Part Number | Description | Remark | Qty | Model |
|-----|--------------------|---|--------|-----|---------------------|
| 1 | 997 551 619 02 | Trim Sill Support | left | 1 | |
| (1) | 997 551 620 01 | Sill Support | right | 1 | |
| 2 | 900 143 082 01 | Sill panel screw ST 6,3 X 13 for Mount Support | | 4 | |
| 3 | 999 076 081 40 | Sill Hexagon plastic collar nut T5 16 X 11,2 for Mount Support | | 2 | |
| 4 | 996 551 873 00 | Sill Locating peg for Mount Support | | 2 | |
| 5 | 997 551 019 04 | Sill Trim (drivers side) | lhd | 1 | PR:098 |
| (5) | 997 551 019 04 A03 | Black | | | |
| | 997 551 019 05 | Trim Sill (drivers side) | rhd | 1 | PR:099 |
| | 997 551 019 05 A03 | Black | | | |
| 5 | 997 551 982 00 | Trim Sill (drivers side) Leather | lhd | 1 | Turbo PR:098,XTG |
| | 997 551 982 00 A11 | Black | | | |
| | 997 551 982 00 5X6 | Stone grey | | | |
| | 997 551 982 00 8G2 | Sand beige | | | |
| | 997 551 982 00 3S9 | sea blue | | | |
| | 997 551 982 00 4P2 | Palm green | | | |
| | | D >> - MJ 2007 | | | |
| | 997 551 982 00 9S5 | Terracotta | | | |
| | 997 551 982 00 9V6 | Cocoa | | | |
| | 997 551 982 00 D12 | Dark grey/natural | | | |
| | 997 551 982 00 T12 | Brown/natural | | | |
| | 997 551 982 00 N12 | Carrera Red | | | |
| 5 | 997 551 982 00 | D - MJ 2008>> Trim Sill (drivers side) Leather | lhd | 1 | GT2 PR:098,XTG |
| | | D - MJ 2008>> | | | |
| | 997 551 982 00 A11 | Black | | | |
| | 997 551 982 00 D12 | Dark grey/natural | | | |
| (5) | 997 551 982 01 | Trim Sill (drivers side) Leather | rhd | 1 | Turbo PR:099,XTG |
| | 997 551 982 01 A11 | Black | | | |
| | 997 551 982 01 5X6 | Stone grey | | | |
| | 997 551 982 01 8G2 | Sand beige | | | |
| | 997 551 982 01 3S9 | sea blue | | | |
| | 997 551 982 01 4P2 | Palm green | | | |

Model: 997T07 Model life 2007>>2009

| Pos | Part Number | Description | Remark | Qty | Model |
|-----|--------------------|---|--------|-----|-------------------|
| | | D >> - MJ 2007 | | | |
| | 997 551 982 01 9S5 | Terracotta | | | |
| | 997 551 982 01 9V6 | Cocoa | | | |
| | 997 551 982 01 D12 | Dark grey/natural | | | |
| | 997 551 982 01 T12 | Brown/natural | | | |
| | 997 551 982 01 N12 | Carrera Red | | | |
| | | D - MJ 2008>> | | | |
| (5) | 997 551 982 01 | Trim Sill (drivers side) Leather | rhd | 1 | GT2 PR:099,XTG |
| | 997 551 982 01 A11 | Black | | | |
| | 997 551 982 01 D12 | Dark grey/natural | | | |
| 6 | 999 507 484 40 | expanding nut 9 X 22 | | 6 | |
| 7 | 999 067 046 01 | Bolt with washer M 6 X 20 | | 2 | |
| 8 | 999 703 443 40 | Bungs 8,0 X 11 | | 2 | |
| | 999 703 443 40 01C | Satin black | | | |
| 9 | 997 551 120 01 | Trim Sill (passenger side) | | 1 | |
| | 997 551 120 01 A03 | Black | | | |
| (9) | 997 551 983 00 | Trim Sill (passenger side) Leather | | 1 | Turbo PR:XTG |
| | 997 551 983 00 A11 | Black | | | |
| | 997 551 983 00 5X6 | Stone grey | | | |
| | 997 551 983 00 8G2 | Sand beige | | | |
| | 997 551 983 00 3S9 | sea blue | | | |
| | 997 551 983 00 4P2 | Palm green | | | |
| | | D >> - MJ 2007 | | | |
| | 997 551 983 00 9S5 | Terracotta | | | |
| | 997 551 983 00 9V6 | Cocoa | | | |
| | 997 551 983 00 D12 | Dark grey/natural | | | |
| | 997 551 983 00 T12 | Brown/natural | | | |
| | 997 551 983 00 N12 | Carrera Red | | | |
| | | D - MJ 2008>> | | | |
| (9) | 997 551 983 00 | Trim Sill (passenger side) Leather | | 1 | GT2 PR:XTG |
| | | D - MJ 2008>> | | | |
| | 997 551 983 00 A11 | Black | | | |
| | 997 551 983 00 D12 | Dark grey/natural | | | |
| 10 | 999 507 484 40 | expanding nut 9 X 22 | | 6 | |
| 11 | 999 919 164 09 | fillister hd. bolt 5,0 X 12 | | 1 | |
| 12 | 996 551 513 00 | Mat | | 1 | |
| 13 | 997 551 303 11 | Sill trim strip Lacquered | | 2 | TURBO |
| | 997 551 303 11 A03 | Black Sill trim strip Exclusive See catalogue Tequipment 8/07/06 | | | |
| 13 | 997 551 303 92 | Sill trim strip Lacquered | | 2 | GT2 |
| | | D - MJ 2008>> | | | |

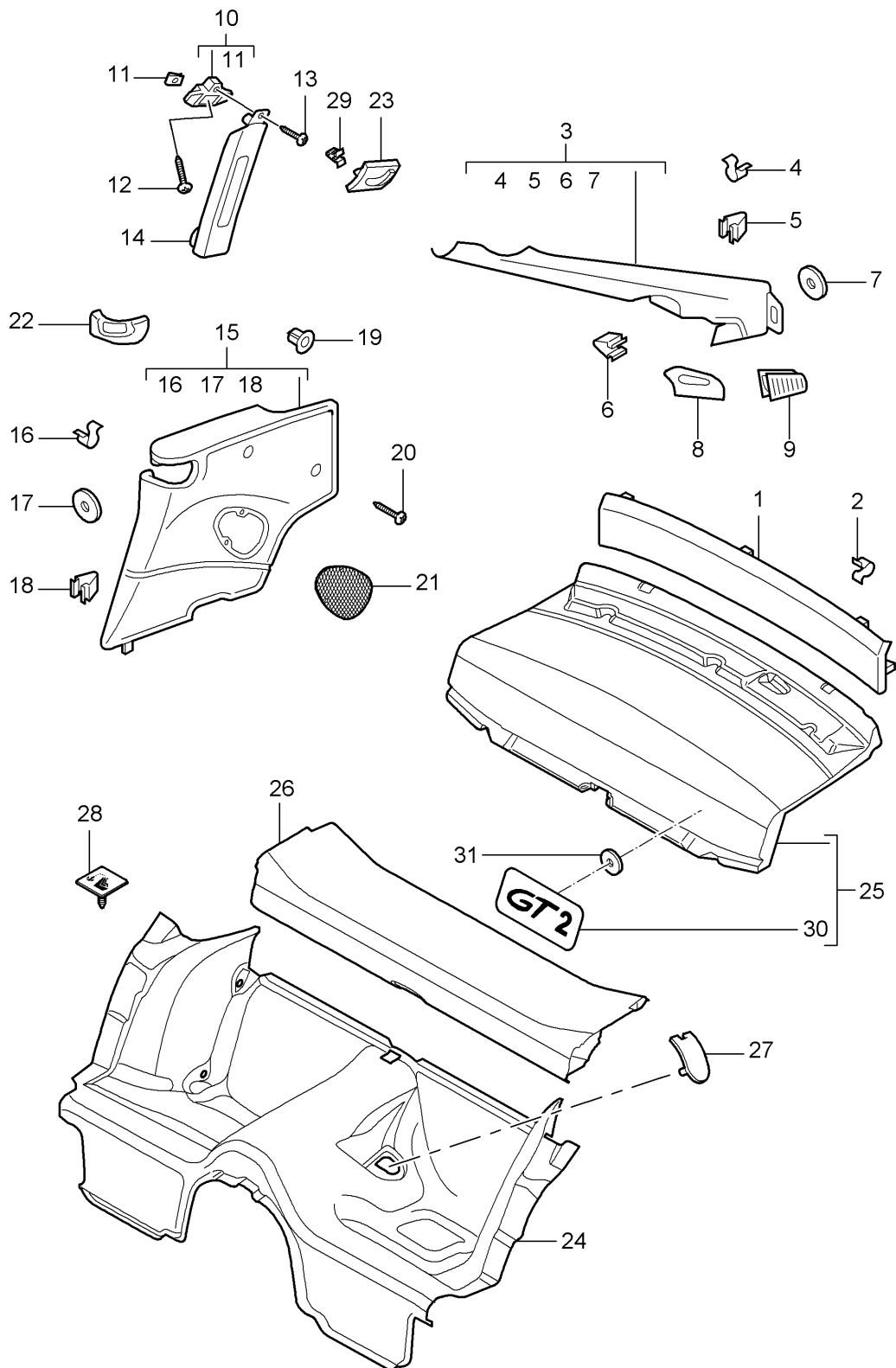
Model: 997T07

Model life 2007>>2009

| Pos | Part Number | Description | Remark | Qty | Model |
|-----|--------------------|---|--------|-----|-------|
| | 997 551 303 92 A03 | Black Sill trim strip Exclusive See catalogue Tequipment 8/07/06 | | | |

Model: 997T07

Model life 2007>>2009



Model: 997T07 Model life 2007>>2009

| Pos | Part Number | Description | Remark | Qty | Model |
|-----|--------------------|----------------------------|--------|-----|--------------------------|
| 1 | 997 555 081 00 | Linings Rear panel trim | rear | 1 | COUPE Turbo PR:426 |
| | | Carpet | | | |
| | 997 555 081 00 A10 | Black | | | |
| | 997 555 081 00 B10 | Stone grey | | | |
| | 997 555 081 00 T10 | Sand beige | | | |
| | 997 555 081 00 E10 | sea blue | | | |
| | 997 555 081 00 J10 | Palm green | | | |
| | | D >> - MJ 2007 | | | |
| | 997 555 081 00 M10 | Terracotta | | | |
| | 997 555 081 00 R10 | Cocoa | | | |
| | 997 555 081 00 D11 | Dark grey/natural | | | |
| | 997 555 081 00 T11 | Brown/natural | | | |
| | 997 555 081 00 N10 | Carrera Red | | | |
| | | D - MJ 2008>> | | | |
| 1 | 997 555 081 00 | Rear panel trim | | 1 | GT2 PR:426 |
| | | Carpet | | | |
| | | D - MJ 2008>> | | | |
| | 997 555 081 00 A10 | Black | | | |
| (1) | 997 555 081 01 | Rear panel trim | | 1 | TURBO PR:425 |
| | | Carpet | | | |
| | 997 555 081 01 A10 | Black | | | |
| | 997 555 081 01 B10 | Stone grey | | | |
| | 997 555 081 01 T10 | Sand beige | | | |
| | 997 555 081 01 E10 | sea blue | | | |
| | 997 555 081 01 J10 | Palm green | | | |
| | | D >> - MJ 2007 | | | |
| | 997 555 081 01 M10 | Terracotta | | | |
| | 997 555 081 01 R10 | Cocoa | | | |
| | 997 555 081 01 D11 | Dark grey/natural | | | |
| | 997 555 081 01 T11 | Brown/natural | | | |
| | 997 555 081 01 N10 | Carrera Red | | | |
| | | D - MJ 2008>> | | | |
| 2 | 999 507 687 05 | Retaining clip 11,3 | | 5 | |
| 3 | 997 555 187 01 | C-pillar trim | left | 1 | Turbo PR:981 |
| | | Leather | | | |
| | 997 555 187 01 A11 | Black | | | |
| | 997 555 187 01 5X6 | Stone grey | | | |
| | 997 555 187 01 8G2 | Sand beige | | | |
| | 997 555 187 01 3S9 | sea blue | | | |
| | 997 555 187 01 4P2 | Palm green | | | |
| | | D >> - MJ 2007 | | | |
| | 997 555 187 01 9S5 | Terracotta | | | |
| | 997 555 187 01 9V6 | Cocoa | | | |
| | 997 555 187 01 D12 | Dark grey/natural | | | |
| | 997 555 187 01 T12 | Brown/natural | | | |
| | 997 555 187 01 N12 | Carrera Red | | | |
| | | D - MJ 2008>> | | | |
| 3 | 997 555 187 01 | C-pillar trim | left | 1 | GT2 PR:981 |
| | | Leather | | | |
| | | D - MJ 2008>> | | | |
| | 997 555 187 01 A11 | Black | | | |
| | 997 555 187 01 D12 | Dark grey/natural | | | |
| (3) | 997 555 188 01 | C-pillar trim | right | 1 | Turbo PR:981 |
| | | Leather | | | |

Model: 997T07 Model life 2007>>2009

| Pos | Part Number | Description | Remark | Qty | Model |
|-----|--------------------|-------------------|--------|-----|---------------|
| | 997 555 188 01 A11 | Black | | | |
| | 997 555 188 01 5X6 | Stone grey | | | |
| | 997 555 188 01 8G2 | Sand beige | | | |
| | 997 555 188 01 3S9 | sea blue | | | |
| | 997 555 188 01 4P2 | Palm green | | | |
| | | D >> - MJ 2007 | | | |
| | 997 555 188 01 9S5 | Terracotta | | | |
| | 997 555 188 01 9V6 | Cocoa | | | |
| | 997 555 188 01 D12 | Dark grey/natural | | | |
| | 997 555 188 01 T12 | Brown/natural | | | |
| | 997 555 188 01 N12 | Carrera Red | | | |
| | | D - MJ 2008>> | | | |
| (3) | 997 555 188 01 | C-pillar trim | right | 1 | GT2 PR:981 |
| | | Leather | | | |
| | | D - MJ 2008>> | | | |
| | 997 555 188 01 A11 | Black | | | |
| | 997 555 188 01 D12 | Dark grey/natural | | | |
| 4 | 999 507 533 02 | Clamp | | 4 | |
| | | 8,0 X10,0/2,5 | | | |
| 5 | 999 507 479 01 | Clip | | 6 | |
| | | 2,5/09 | | | |
| (5) | 999 507 676 09 | Clip | | 2 | |
| | | 2,5/2,2 | | | |
| | | 18,0 | | | |
| 6 | 999 651 307 01 | Cable fastener | | 2 | |
| | | 18,0 | | | |
| 7 | 999 551 609 40 | Plastic washer | | 7 | |
| | | 8,0 X 23 X 3,0 | | | |
| 8 | 996 555 545 01 | Rosette | left | 1 | TURBO |
| | | Seat belt | rear | | |
| | | Lacquered | | | |
| | 996 555 545 01 A03 | Black | | | |
| | 996 555 545 01 5V7 | Stone grey | | | |
| | 996 555 545 01 5Z1 | Sand beige | | | |
| | 996 555 545 01 8W7 | sea blue | | | |
| | 996 555 545 01 5Y2 | Palm green | | | |
| | | D >> - MJ 2007 | | | |
| | 996 555 545 01 8X8 | Terracotta | | | |
| | 996 555 545 01 8P9 | Cocoa | | | |
| | 996 555 545 01 T13 | Brown/natural | | | |
| | 996 555 545 01 N23 | Carrera Red | | | |
| | | D - MJ 2008>> | | | |
| (8) | 996 555 546 01 | Rosette | right | 1 | TURBO |
| | | Seat belt | rear | | |
| | | Lacquered | | | |
| | 996 555 546 01 A03 | Black | | | |
| | 996 555 546 01 5V7 | Stone grey | | | |
| | 996 555 546 01 5Z1 | Sand beige | | | |
| | 996 555 546 01 8W7 | sea blue | | | |
| | 996 555 546 01 5Y2 | Palm green | | | |
| | | D >> - MJ 2007 | | | |
| | 996 555 546 01 8X8 | Terracotta | | | |
| | 996 555 546 01 8P9 | Cocoa | | | |
| | 996 555 546 01 T13 | Brown/natural | | | |
| | 996 555 546 01 N23 | Carrera Red | | | |
| | | D - MJ 2008>> | | | |
| (8) | 997 555 545 90 | Rosette | left | 1 | GT2 |
| | | Seat belt | rear | | |
| | | D - MJ 2008>> | | | |
| | 997 555 545 90 01C | Satin black | | | |
| (8) | 997 555 546 90 | Rosette | left | 1 | GT2 |
| | | Seat belt | rear | | |

Model: 997T07 Model life 2007>>2009

| Pos | Part Number | Description | Remark | Qty | Model | | |
|--------------------|--------------------|--|---------------------------------|--|-------------------------|-------|-----------------|
| 9 | 997 555 546 90 01C | D - MJ 2008>> Satin black | | | | | |
| | 996 555 645 00 | Grille Bleeding Lacquered | left | 1 | Turbo | | |
| | 996 555 645 00 A03 | Black | | | | | |
| | 996 555 645 00 5V7 | Stone grey | | | | | |
| | 996 555 645 00 5Z1 | Sand beige | | | | | |
| | 996 555 645 00 8W7 | sea blue | | | | | |
| | 996 555 645 00 5Y2 | Palm green | | | | | |
| | | D >> - MJ 2007 | | | | | |
| | 996 555 645 00 8X8 | Terracotta | | | | | |
| | 996 555 645 00 8P9 | Cocoa | | | | | |
| | 996 555 645 00 T13 | Brown/natural | | | | | |
| 996 555 645 00 N23 | Carrera Red | | | | | | |
| 9 | 996 555 645 00 | D - MJ 2008>> Grille Bleeding Lacquered | left | 1 | GT2 | | |
| | | D - MJ 2008>> | | | | | |
| | 996 555 645 00 A03 | Black | | | | | |
| | (9) | 996 555 646 00 | Grille Bleeding Lacquered | right | 1 | Turbo | |
| | | 996 555 646 00 A03 | Black | | | | |
| | | 996 555 646 00 5V7 | Stone grey | | | | |
| | | 996 555 646 00 5Z1 | Sand beige | | | | |
| | | 996 555 646 00 8W7 | sea blue | | | | |
| | | 996 555 646 00 5Y2 | Palm green | | | | |
| | | | D >> - MJ 2007 | | | | |
| | | 996 555 646 00 8X8 | Terracotta | | | | |
| 996 555 646 00 8P9 | | Cocoa | | | | | |
| 996 555 646 00 T13 | | Brown/natural | | | | | |
| 996 555 646 00 N23 | Carrera Red | | | | | | |
| (9) | 996 555 646 00 | D - MJ 2008>> Grille Bleeding Lacquered | right | 1 | GT2 | | |
| | | D - MJ 2008>> | | | | | |
| | 996 555 646 00 A03 | Black | | | | | |
| | 10 | 996 555 821 02 | Console Coat hook | left | 1 | | |
| | | (10) | 996 555 822 02 | Console Coat hook | right | 1 | |
| | | | | | | | |
| | | 11 | 999 507 695 01 | panel nut ST 4,8 | | 2 | |
| | | 12 | 999 073 128 01 | panel screw 6,3 X 14 Mount Console Coat hook | | 2 | |
| | | (12) | 999 025 268 01 | Washer 6,4 X 18 Mount Console Coat hook | | 2 | |
| | | | | D - MJ 2007>> | | | |
| | | | 13 | 999 073 060 02 | panel screw 4,8 X 13 | | 2 |
| 14 | | | 997 555 183 01 | B-pillar trim Leather | left | 1 | Turbo PR:981 |
| | | 997 555 183 01 A11 | Black | | | | |

Model: 997T07 Model life 2007>>2009

| Pos | Part Number | Description | Remark | Qty | Model |
|------|--------------------|---------------------------|--------|-----|-----------------|
| | 997 555 183 01 5X6 | Stone grey | | | |
| | 997 555 183 01 8G2 | Sand beige | | | |
| | 997 555 183 01 3S9 | sea blue | | | |
| | 997 555 183 01 4P2 | Palm green | | | |
| | | D >> - MJ 2007 | | | |
| | 997 555 183 01 9S5 | Terracotta | | | |
| | 997 555 183 01 9V6 | Cocoa | | | |
| | 997 555 183 01 D12 | Dark grey/natural | | | |
| | 997 555 183 01 T12 | Brown/natural | | | |
| | 997 555 183 01 N12 | Carrera Red | | | |
| | | D - MJ 2008>> | | | |
| 14 | 997 555 183 01 | B-pillar trim | left | 1 | GT2 PR:981 |
| | | Leather | | | |
| | | D - MJ 2008>> | | | |
| | 997 555 183 01 A11 | Black | | | |
| (14) | 997 555 183 01 D12 | Dark grey/natural | right | 1 | Turbo PR:981 |
| | 997 555 184 01 | B-pillar trim | | | |
| | | Leather | | | |
| | 997 555 184 01 A11 | Black | | | |
| | 997 555 184 01 5X6 | Stone grey | | | |
| | 997 555 184 01 8G2 | Sand beige | | | |
| | 997 555 184 01 3S9 | sea blue | | | |
| | 997 555 184 01 4P2 | Palm green | | | |
| | | D >> - MJ 2007 | | | |
| | 997 555 184 01 9S5 | Terracotta | | | |
| | 997 555 184 01 9V6 | Cocoa | | | |
| | 997 555 184 01 D12 | Dark grey/natural | | | |
| | 997 555 184 01 T12 | Brown/natural | | | |
| | 997 555 184 01 N12 | Carrera Red | | | |
| | | D - MJ 2008>> | | | |
| (14) | 997 555 184 01 | B-pillar trim | right | 1 | GT2 PR:981 |
| | | Leather | | | |
| | | D - MJ 2008>> | | | |
| | 997 555 184 01 A11 | Black | | | |
| | 997 555 184 01 D12 | Dark grey/natural | | | |
| - | 996 555 859 00 | Grommet | | 2 | |
| | | B-pillar | | | |
| 15 | 997 555 071 01 | Side panel trim (leather) | left | 1 | TURBO PR:981 |
| | 997 555 071 01 FSA | black/grey | | | |
| | 997 555 071 01 FSD | Sea blue/grey | | | |
| | 997 555 071 01 FSE | Palmgreen/palmgreen | | | |
| | | D >> - MJ 2007 | | | |
| | 997 555 071 01 FSF | Terracotta/terracotta | | | |
| | 997 555 071 01 FSG | Cocoa/Cocoa | | | |
| | 997 555 071 01 FSH | Darkgrey natural/grey | | | |
| | 997 555 071 01 FSJ | Brown nat./brown nat. | | | |
| 15 | 997 555 071 01 | Side panel trim (leather) | left | 1 | TURBO PR:981 |
| | | Until | | | |
| | | Chassis number | | | |
| | | See technical information | | | |
| | | GR.7 NR. 17/11 | | | |
| | | KD-NR. 70 | | | |
| | 997 555 071 01 FSB | Stone grey/stone grey | | | |
| | 997 555 071 01 FSC | Sand beige/sand beige | | | |
| | 997 555 071 01 FSP | Carrera Red | | | |
| | | D - MJ 2008>> | | | |
| 15 | 997 555 911 00 | Side panel trim (leather) | left | 1 | TURBO PR:981 |

Model: 997T07 Model life 2007>>2009

| Pos | Part Number | Description | Remark | Qty | Model |
|------|--------------------|---|--------|-----|-----------------|
| | | From Chassis number See technical information GR.7 NR. 17/11 KD-NR. 70 | | | |
| | 997 555 911 00 FSB | Stone grey/stone grey | | | |
| | 997 555 911 00 FSC | Sand beige/sand beige | | | |
| | 997 555 911 00 FSP | Carrera Red | | | |
| (15) | 997 555 072 01 | D - MJ 2008>> Side panel trim (leather) | right | 1 | TURBO PR:981 |
| | 997 555 072 01 FSA | black/grey | | | |
| | 997 555 072 01 FSD | Sea blue/grey | | | |
| | 997 555 072 01 FSE | Palmgreen/palmgreen | | | |
| | | D >> - MJ 2007 | | | |
| | 997 555 072 01 FSF | Terracotta/terracotta | | | |
| | 997 555 072 01 FSG | Cocoa/Cocoa | | | |
| | 997 555 072 01 FSH | Darkgrey natural/grey | | | |
| (15) | 997 555 072 01 FSJ | Brown nat./brown nat. Side panel trim (leather) | right | 1 | TURBO PR:981 |
| | | Until Chassis number See technical information GR.7 NR. 17/11 KD-NR. 70 | | | |
| | 997 555 072 01 FSB | Stone grey/stone grey | | | |
| | 997 555 072 01 FSC | Sand beige/sand beige | | | |
| | 997 555 072 01 FSP | Carrera Red | | | |
| (15) | 997 555 912 00 | D - MJ 2008>> Side panel trim (leather) | right | 1 | TURBO PR:981 |
| | | From Chassis number See technical information GR.7 NR. 17/11 KD-NR. 70 | | | |
| | 997 555 912 00 FSB | Stone grey/stone grey | | | |
| | 997 555 912 00 FSC | Sand beige/sand beige | | | |
| | 997 555 912 00 FSP | Carrera Red | | | |
| 15 | 997 555 071 06 | D - MJ 2008>> Side panel trim two-colour | left | 1 | TURBO PR:970 |
| | 997 555 071 06 BCG | Black/stone grey | | | |
| | 997 555 071 06 BCH | Black/sand beige | | | |
| | 997 555 071 06 BCJ | Black/terracotta | | | |
| (15) | 997 555 072 06 | Side panel trim two-colour | right | 1 | TURBO PR:970 |
| | 997 555 072 06 BCG | Black/stone grey | | | |
| | 997 555 072 06 BCH | Black/sand beige | | | |
| | 997 555 072 06 BCJ | Black/terracotta | | | |
| (15) | 997 555 071 10 | Side panel trim (leather) | left | 1 | GT2 PR:981 |
| | | D - MJ 2008>> | | | |
| | 997 555 071 10 FSA | black/grey | | | |
| | 997 555 071 10 FSH | Darkgrey natural/grey | | | |
| (15) | 997 555 072 10 | Side panel trim (leather) | right | 1 | GT2 PR:981 |
| | | D - MJ 2008>> | | | |
| | 997 555 072 10 FSA | black/grey | | | |
| | 997 555 072 10 FSH | Darkgrey natural/grey | | | |
| 16 | 999 507 479 01 | Clip 2,5/0,88 | | 2 | |

Model: 997T07 Model life 2007>>2009

| Pos | Part Number | Description | Remark | Qty | Model |
|------|--------------------|--|--------|-----|-------|
| 17 | 999 551 609 40 | Plastic washer 8,0 X 23 X 3,0 | | 2 | |
| 18 | 999 507 533 02 | Clamp 8.0 X 10 /2,5 | | 1 | |
| 19 | 999 507 050 40 | expanding nut ST 4,2 | | 2 | |
| 20 | 999 073 142 09 | panel screw ST 4,2 X 19 | | 2 | |
| 21 | 997 555 049 00 | Loudspeaker trim Side panel trim Lacquered | left | 1 | Turbo |
| | 997 555 049 00 A03 | Black | | | |
| | 997 555 049 00 5V7 | Stone grey | | | |
| | 997 555 049 00 5Z1 | Sand beige | | | |
| | 997 555 049 00 8W7 | sea blue | | | |
| | 997 555 049 00 5Y2 | Palm green | | | |
| | | D >> - MJ 2007 | | | |
| | 997 555 049 00 8X8 | Terracotta | | | |
| | 997 555 049 00 8P9 | Cocoa | | | |
| | 997 555 049 00 T13 | Brown/natural | | | |
| | 997 555 049 00 N23 | Carrera Red | | | |
| | | D - MJ 2008>> | | | |
| 21 | 997 555 049 00 | Loudspeaker trim Side panel trim Lacquered | left | 1 | GT2 |
| | | D - MJ 2008>> | | | |
| | 997 555 049 00 A03 | Black | | | |
| (21) | 997 555 050 00 | Loudspeaker trim Side panel trim Lacquered | right | 1 | Turbo |
| | | D - MJ 2008>> | | | |
| | 997 555 050 00 A03 | Black | | | |
| | 997 555 050 00 5V7 | Stone grey | | | |
| | 997 555 050 00 5Z1 | Sand beige | | | |
| | 997 555 050 00 8W7 | sea blue | | | |
| | 997 555 050 00 5Y2 | Palm green | | | |
| | | D >> - MJ 2007 | | | |
| | 997 555 050 00 8X8 | Terracotta | | | |
| | 997 555 050 00 8P9 | Cocoa | | | |
| | 997 555 050 00 T13 | Brown/natural | | | |
| | 997 555 050 00 N23 | Carrera Red | | | |
| | | D - MJ 2008>> | | | |
| (21) | 997 555 050 00 | Loudspeaker trim Side panel trim Lacquered | right | 1 | GT2 |
| | | D - MJ 2008>> | | | |
| | 997 555 050 00 A03 | Black | | | |
| 22 | 997 555 061 00 | Rosette Seat belt Lacquered | left | 1 | Turbo |
| | | D - MJ 2007>> | | | |
| | 997 555 061 00 A03 | Black | | | |
| | 997 555 061 00 5V7 | Stone grey | | | |
| | 997 555 061 00 5Z1 | Sand beige | | | |
| | 997 555 061 00 8W7 | sea blue | | | |
| | 997 555 061 00 5Y2 | Palm green | | | |
| | | D - MJ 2007>> | | | |
| | 997 555 061 00 8X8 | Terracotta | | | |
| | 997 555 061 00 8P9 | Cocoa | | | |
| | 997 555 061 00 T13 | Brown/natural | | | |
| | 997 555 061 00 N23 | Carrera Red | | | |
| | | D - MJ 2008>> | | | |
| 22 | 997 555 061 00 | Rosette Seat belt Lacquered | left | 1 | GT2 |

Model: 997T07 Model life 2007>>2009

| Pos | Part Number | Description | Remark | Qty | Model |
|--------------------|--------------------|--|--------|-----|-----------------|
| (22) | 997 555 061 00 A03 | D - MJ 2008>> Black | right | 1 | Turbo |
| | 997 555 062 00 | Rosette Seat belt Lacquered | | | |
| | 997 555 062 00 A03 | Black | | | |
| | 997 555 062 00 5V7 | Stone grey | | | |
| | 997 555 062 00 5Z1 | Sand beige | | | |
| | 997 555 062 00 8W7 | sea blue | | | |
| | 997 555 062 00 5Y2 | Palm green | | | |
| | 997 555 062 00 8X8 | D - MJ 2007>> Terracotta | | | |
| | 997 555 062 00 8P9 | Cocoa | | | |
| | 997 555 062 00 T13 | Brown/natural | | | |
| 997 555 062 00 N23 | Carrera Red | | | | |
| (22) | 997 555 062 00 | D - MJ 2008>> Rosette Seat belt Lacquered | right | 1 | GT2 |
| | 997 555 062 00 A03 | D - MJ 2008>> Black | | | |
| 23 | 997 555 573 00 | Coat hook Lacquered | left | 1 | Turbo |
| | 997 555 573 00 A03 | Black | | | |
| | 997 555 573 00 5V7 | Stone grey | | | |
| | 997 555 573 00 5Z1 | Sand beige | | | |
| | 997 555 573 00 8W7 | sea blue | | | |
| | 997 555 573 00 5Y2 | Palm green | | | |
| | 997 555 573 00 8X8 | D >> - MJ 2007 Terracotta | | | |
| | 997 555 573 00 8P9 | Cocoa | | | |
| | 997 555 573 00 T13 | Brown/natural | | | |
| | 997 555 573 00 N23 | Carrera Red | | | |
| 23 | 997 555 573 00 | D - MJ 2008>> Coat hook Lacquered | left | 1 | GT2 |
| | 997 555 573 00 A03 | D - MJ 2008>> Black | | | |
| (23) | 997 555 574 00 | Coat hook Lacquered | right | 1 | Turbo |
| | 997 555 574 00 A03 | Black | | | |
| | 997 555 574 00 5V7 | Stone grey | | | |
| | 997 555 574 00 5Z1 | Sand beige | | | |
| | 997 555 574 00 8W7 | sea blue | | | |
| | 997 555 574 00 5Y2 | Palm green | | | |
| | 997 555 574 00 8X8 | D >> - MJ 2007 Terracotta | | | |
| | 997 555 574 00 8P9 | Cocoa | | | |
| | 997 555 574 00 T13 | Brown/natural | | | |
| | 997 555 574 00 N23 | Carrera Red | | | |
| (23) | 997 555 574 00 | D - MJ 2008>> Coat hook Lacquered | right | 1 | GT2 |
| | 997 555 574 00 A03 | D - MJ 2008>> Black | | | |
| 24 | 997 551 017 02 | Adhesive carpet Seat well | | 1 | TURBO PR:685 |
| | 997 551 017 02 J10 | Palm green | | | |
| | 997 551 017 02 M10 | D >> - MJ 2007 Terracotta | | | |
| | 997 551 017 02 R10 | Cocoa | | | |
| | 997 551 017 02 D11 | Dark grey/natural | | | |
| | 997 551 017 02 T11 | Brown/natural | | | |

Model: 997T07 Model life 2007>>2009

| Pos | Part Number | Description | Remark | Qty | Model |
|------|--------------------|--|--------|-----|-----------------|
| 24 | 997 551 017 02 | Adhesive carpet Seat well Until Chassis number See technical information GR.7 NR. 17/11 KD-NR. 70 | | 1 | TURBO PR:685 |
| | 997 551 017 02 A10 | Black | | | |
| | 997 551 017 02 B10 | Stone grey | | | |
| | 997 551 017 02 T10 | Sand beige | | | |
| | 997 551 017 02 E10 | sea blue | | | |
| | 997 551 017 02 N10 | Carrera Red | | | |
| 24 | 997 551 017 06 | D - MJ 2008>> Adhesive carpet Seat well From Chassis number See technical information GR.7 NR. 17/11 KD-NR. 70 | | 1 | TURBO PR:685 |
| | 997 551 017 06 A10 | Black | | | |
| | 997 551 017 06 B10 | Stone grey | | | |
| | 997 551 017 06 T10 | Sand beige | | | |
| | 997 551 017 06 E10 | sea blue | | | |
| | 997 551 017 06 N10 | Carrera Red | | | |
| (24) | 997 551 021 90 | D - MJ 2008>> Adhesive carpet Seat well Carpet | | 1 | GT2 |
| | 997 551 021 90 A10 | Black | | | |
| (25) | 997 551 031 21 | D - MJ 2008>> Dark grey/natural Adhesive carpet rear panel Carpet | | 1 | TURBO PR:490 |
| | 997 551 031 21 J10 | Palm green | | | |
| | 997 551 031 21 M10 | Terracotta | | | |
| | 997 551 031 21 R10 | Cocoa | | | |
| | 997 551 031 21 D11 | Dark grey/natural | | | |
| | 997 551 031 21 T11 | Brown/natural | | | |
| (25) | 997 551 031 21 | D >> - MJ 2007 Adhesive carpet rear panel Carpet Until Chassis number See technical information GR.7 NR. 17/11 KD-NR. 70 | | 1 | TURBO PR:490 |
| | 997 551 031 21 A10 | Black | | | |
| | 997 551 031 21 B10 | Stone grey | | | |
| | 997 551 031 21 T10 | Sand beige | | | |
| | 997 551 031 21 E10 | sea blue | | | |
| | 997 551 031 21 N10 | Carrera Red | | | |
| (25) | 997 551 031 32 | D - MJ 2008>> Adhesive carpet rear panel Carpet From Chassis number See technical information GR.7 NR. 17/11 KD-NR. 70 | | 1 | TURBO PR:490 |

Model: 997T07

Model life 2007>>2009

| Pos | Part Number | Description | Remark | Qty | Model |
|------|--------------------|--|--------|-----|---------------------|
| | 997 551 031 32 A10 | Black | | | |
| | 997 551 031 32 B10 | Stone grey | | | |
| | 997 551 031 32 T10 | Sand beige | | | |
| | 997 551 031 32 E10 | sea blue | | | |
| | 997 551 031 32 N10 | Carrera Red | | | |
| (25) | 997 551 031 21 | D - MJ 2008>> Adhesive carpet rear panel Carpet | | 1 | TURBO PR:680 |
| | 997 551 031 21 J10 | Palm green D >> - MJ 2007 | | | |
| | 997 551 031 21 M10 | Terracotta | | | |
| | 997 551 031 21 R10 | Cocoa | | | |
| | 997 551 031 21 D11 | Dark grey/natural | | | |
| | 997 551 031 21 T11 | Brown/natural | | | |
| (25) | 997 551 031 21 | Adhesive carpet rear panel Carpet Until Chassis number See technical information GR.7 NR. 17/11 KD-NR. 70 | | 1 | TURBO PR:680 |
| | 997 551 031 21 A10 | Black | | | |
| | 997 551 031 21 B10 | Stone grey | | | |
| | 997 551 031 21 T10 | Sand beige | | | |
| | 997 551 031 21 E10 | sea blue | | | |
| | 997 551 031 21 N10 | Carrera Red | | | |
| (25) | 997 551 031 32 | D - MJ 2008>> Adhesive carpet rear panel Carpet From Chassis number See technical information GR.7 NR. 17/11 KD-NR. 70 | | 1 | TURBO PR:680 |
| | 997 551 031 32 A10 | Black | | | |
| | 997 551 031 32 B10 | Stone grey | | | |
| | 997 551 031 32 T10 | Sand beige | | | |
| | 997 551 031 32 E10 | sea blue | | | |
| | 997 551 031 32 N10 | Carrera Red | | | |
| (25) | 997 551 031 21 | D - MJ 2008>> Adhesive carpet rear panel Carpet | | 1 | GT2 PR:680 |
| | 997 551 031 21 A10 | Black | | | |
| | 997 551 031 21 D11 | Dark grey/natural | | | |
| (25) | 997 551 031 22 | Adhesive carpet rear panel Carpet | | 1 | TURBO PR:479,680 |
| | 997 551 031 22 J10 | Palm green D >> - MJ 2007 | | | |
| | 997 551 031 22 M10 | Terracotta | | | |
| | 997 551 031 22 R10 | Cocoa | | | |
| | 997 551 031 22 D11 | Dark grey/natural | | | |
| | 997 551 031 22 T11 | Brown/natural | | | |
| (25) | 997 551 031 22 | Adhesive carpet rear panel Carpet Until Chassis number | | 1 | TURBO PR:479,680 |

Model: 997T07 Model life 2007>>2009

| Pos | Part Number | Description | Remark | Qty | Model |
|------|--------------------|--|--------|-----|---------------------|
| | | See technical information GR.7 NR. 17/11 KD-NR. 70 | | | |
| | 997 551 031 22 A10 | Black | | | |
| | 997 551 031 22 B10 | Stone grey | | | |
| | 997 551 031 22 T10 | Sand beige | | | |
| | 997 551 031 22 E10 | sea blue | | | |
| | 997 551 031 22 N10 | Carrera Red | | | |
| (25) | 997 551 031 33 | D - MJ 2008>> Adhesive carpet rear panel Carpet From Chassis number See technical information GR.7 NR. 17/11 KD-NR. 70 | | 1 | TURBO PR:479,680 |
| | 997 551 031 33 A10 | Black | | | |
| | 997 551 031 33 B10 | Stone grey | | | |
| | 997 551 031 33 T10 | Sand beige | | | |
| | 997 551 031 33 E10 | sea blue | | | |
| | 997 551 031 33 N10 | Carrera Red | | | |
| (25) | 997 551 031 22 | D - MJ 2008>> Adhesive carpet rear panel Carpet D - MJ 2008>> | | 1 | GT2 PR:479,680 |
| | 997 551 031 22 A10 | Black | | | |
| | 997 551 031 22 D11 | Dark grey/natural | | | |
| (25) | 997 551 031 83 | Adhesive carpet rear panel Carpet D - MJ 2008>> - MJ 2008 | | 1 | GT2 PR:441 |
| | 997 551 031 83 A10 | Black | | | |
| | 997 551 031 83 D11 | Dark grey/natural | | | |
| (25) | 997 551 031 83 | Adhesive carpet rear panel Carpet D - MJ 2008>> | | 1 | GT2 PR:490 |
| | 997 551 031 83 A10 | Black | | | |
| | 997 551 031 83 D11 | Dark grey/natural | | | |
| (25) | 997 551 031 84 | Adhesive carpet rear panel Carpet D - MJ 2008>> | | 1 | GT2 PR:441,479 |
| | 997 551 031 84 A10 | Black | | | |
| | 997 551 031 84 D11 | Dark grey/natural | | | |
| (25) | 997 551 031 84 | Adhesive carpet rear panel Carpet D - MJ 2008>> | | 1 | GT2 PR:479,490 |
| | 997 551 031 84 A10 | Black | | | |
| | 997 551 031 84 D11 | Dark grey/natural | | | |
| - | 996 551 561 00 | Underlay | | 1 | |
| 26 | 997 551 033 00 | Trim Control units Carpet | | 1 | Turbo PR:490 |
| | 997 551 033 00 J10 | Palm green D >> - MJ 2007 | | | |
| | 997 551 033 00 M10 | Terracotta | | | |
| | 997 551 033 00 R10 | Cocoa | | | |
| | 997 551 033 00 D11 | Dark grey/natural | | | |
| | 997 551 033 00 T11 | Brown/natural | | | |

Model: 997T07 Model life 2007>>2009

| Pos | Part Number | Description | Remark | Qty | Model |
|-----|--------------------|---|--------|-----|-----------------|
| 26 | 997 551 033 00 | Trim Control units Carpet Until Chassis number See technical information GR.7 NR. 17/11 KD-NR. 70 | | 1 | Turbo PR:490 |
| | 997 551 033 00 A10 | Black | | | |
| | 997 551 033 00 B10 | Stone grey | | | |
| | 997 551 033 00 T10 | Sand beige | | | |
| | 997 551 033 00 E10 | sea blue | | | |
| | 997 551 033 00 N10 | Carrera Red | | | |
| | | D - MJ 2008>> | | | |
| 26 | 997 551 033 03 | Trim Control units Carpet From Chassis number See technical information GR.7 NR. 17/11 KD-NR. 70 | | 1 | Turbo PR:490 |
| | 997 551 033 03 A10 | Black | | | |
| | 997 551 033 03 B10 | Stone grey | | | |
| | 997 551 033 03 T10 | Sand beige | | | |
| | 997 551 033 03 E10 | sea blue | | | |
| | 997 551 033 03 N10 | Carrera Red | | | |
| | | D - MJ 2008>> | | | |
| 26 | 997 551 033 00 | Trim Control units Carpet D - MJ 2008>> | | 1 | GT2 PR:490 |
| | 997 551 033 00 D11 | Dark grey/natural | | | |
| 26 | 997 551 033 00 | Trim Control units Carpet Until Chassis number See technical information GR.7 NR. 17/11 KD-NR. 70 D - MJ 2008>> | | 1 | GT2 PR:490 |
| | 997 551 033 00 A10 | Black | | | |
| 26 | 997 551 033 03 | Trim Control units Carpet From Chassis number See technical information GR.7 NR. 17/11 KD-NR. 70 D - MJ 2008>> | | 1 | GT2 PR:490 |
| | 997 551 033 03 A10 | Black | | | |
| 26 | 997 551 033 00 | Trim Control units Carpet D - MJ 2008>> | | 1 | GT2 PR:441 |
| | 997 551 033 00 D11 | Dark grey/natural | | | |
| 26 | 997 551 033 00 | Trim Control units Carpet Until Chassis number | | 1 | GT2 PR:441 |

Model: 997T07 Model life 2007>>2009

| Pos | Part Number | Description | Remark | Qty | Model |
|------|--|--|--------|-----|-----------------|
| | | See technical information GR.7 NR. 17/11 KD-NR. 70 D - MJ 2008>> | | | |
| 26 | 997 551 033 00 A10 997 551 033 03 | Black Trim Control units Carpet From Chassis number See technical information GR.7 NR. 17/11 KD-NR. 70 D - MJ 2008>> | | 1 | GT2 PR:441 |
| (26) | 997 551 033 03 A10 997 551 033 01 | Black Trim Control units Carpet 997 551 033 01 J10 Palm green D >> - MJ 2007 | | 1 | Turbo PR:680 |
| (26) | 997 551 033 01 M10 997 551 033 01 R10 997 551 033 01 D11 997 551 033 01 T11 997 551 033 01 | Terracotta Cocoa Dark grey/natural Brown/natural Trim Control units Carpet Until Chassis number See technical information GR.7 NR. 17/11 KD-NR. 70 | | 1 | Turbo PR:680 |
| (26) | 997 551 033 01 A10 997 551 033 01 B10 997 551 033 01 T10 997 551 033 01 E10 997 551 033 01 N10 997 551 033 04 | Black Stone grey Sand beige sea blue Carrera Red D - MJ 2008>> Trim Control units Carpet From Chassis number See technical information GR.7 NR. 17/11 KD-NR. 70 | | 1 | Turbo PR:680 |
| (26) | 997 551 033 04 A10 997 551 033 04 B10 997 551 033 04 T10 997 551 033 04 E10 997 551 033 04 N10 997 551 033 01 | Black Stone grey Sand beige sea blue Carrera Red Trim Control units Carpet D - MJ 2008>> | | 1 | GT2 PR:680 |
| (26) | 997 551 033 01 D11 997 551 033 01 | Dark grey/natural Trim Control units Carpet Until Chassis number See technical information GR.7 NR. 17/11 | | 1 | GT2 PR:680 |

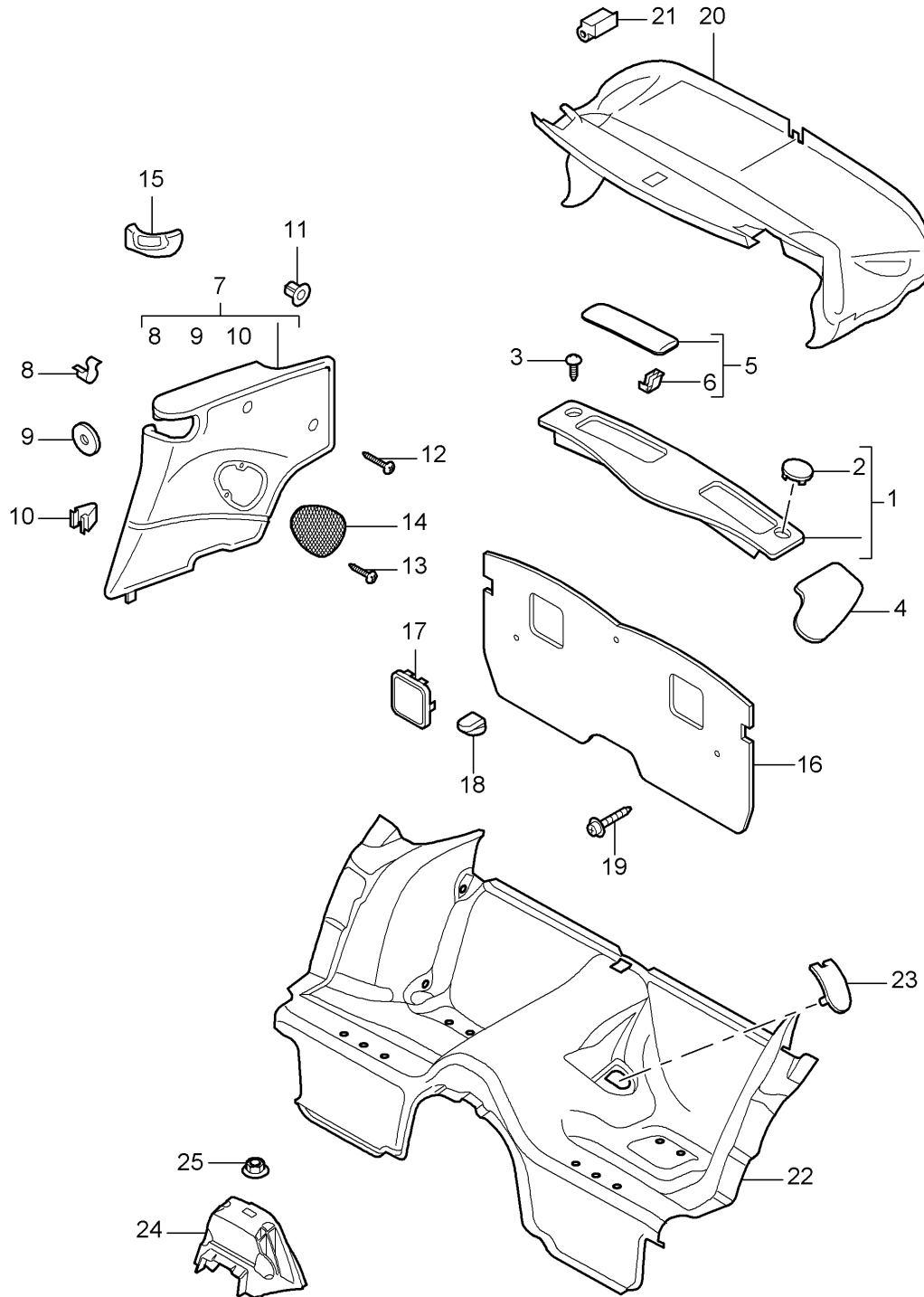
Model: 997T07

Model life 2007>>2009

| Pos | Part Number | Description | Remark | Qty | Model |
|------|--------------------------------------|---|--------|-----|---------------|
| (26) | 997 551 033 01 A10 997 551 033 04 | KD-NR. 70 D - MJ 2008>> Black Trim Control units Carpet From Chassis number See technical information GR.7 NR. 17/11 KD-NR. 70 D - MJ 2008>> | | 1 | GT2 PR:680 |
| (26) | 997 551 033 04 A10 997 551 033 90 | Black Trim Control units Carpet Until Chassis number See technical information GR.7 NR. 17/11 KD-NR. 70 D - MJ 2008>> | | 1 | GT2 PR:003 |
| (26) | 997 551 033 90 A10 997 551 033 91 | Black Trim Control units Carpet From Chassis number See technical information GR.7 NR. 17/11 KD-NR. 70 D - MJ 2008>> | | 1 | GT2 PR:003 |
| 27 | 997 551 033 91 A10 997 551 525 00 | Black Cover Belt latch | left | 1 | |
| (27) | 997 551 525 00 01C 997 551 526 00 | Satin black Cover Belt latch | right | 1 | |
| 29 | 997 551 526 00 01C 999 507 476 01 | Satin black Clamp 8,0 x 10 / 2,5 Mount | | 2 | |
| 30 | 996 551 305 91 | Coat hook inscription GT2 D - MJ 2008>> | | 1 | GT2 |
| 31 | 996 551 305 91 A03 997 551 897 01 | Black Retaining washer for Mount inscription D - MJ 2008>> | | 3 | GT2 |

Model: 997T07

Model life 2007>>2009



Model: 997T07

Model life 2007>>2009

| Pos | Part Number | Description | Remark | Qty | Model |
|-----|--------------------|---|------------------------|-----|--------|
| 1 | 996 555 083 04 | Linings Cover Convertible top Cloth | rear | 1 | CABRIO |
| | 996 555 083 04 EDK | Black | | | |
| | 996 555 083 04 FNX | Stone grey | | | |
| | 996 555 083 04 ERN | Metropole blue | | | |
| | 996 555 083 04 FNZ | brown | | | |
| 2 | 996 555 457 00 | End cap hardtop Support Lacquered | | 2 | |
| | 996 555 457 00 A10 | Black | | | |
| | 996 555 457 00 5V7 | Stone grey | | | |
| | 996 555 457 00 G10 | Metropole blue | | | |
| | 996 555 457 00 8P9 | Cocoa | | | |
| 3 | 999 073 060 02 | panel screw 4,8 X 13 for Mount Cover | | 3 | |
| 4 | 996 555 263 03 | Convertible top Flap | left | 1 | |
| | 996 555 263 03 A07 | Black | | | |
| | 996 555 263 03 C19 | Stone grey | | | |
| | 996 555 263 03 G03 | Metropole blue | | | |
| | 996 555 263 03 R18 | brown | | | |
| (4) | 996 555 264 03 | Flap Convertible top Cloth | right | 1 | |
| | 996 555 264 03 A07 | Black | | | |
| | 996 555 264 03 C19 | Stone grey | | | |
| | 996 555 264 03 G03 | Metropole blue | | | |
| | 996 555 264 03 R18 | brown | | | |
| 5 | 996 555 341 01 | Flap Cover | left | 1 | |
| | 996 555 341 01 A07 | Black | | | |
| | 996 555 341 01 C19 | Stone grey | | | |
| | 996 555 341 01 G03 | Metropole blue | | | |
| | 996 555 341 01 R18 | brown | | | |
| (5) | 996 555 342 01 | Flap Cover | right | 1 | |
| | 996 555 342 01 A07 | Black | | | |
| | 996 555 342 01 C19 | Stone grey | | | |
| | 996 555 342 01 G03 | Metropole blue | | | |
| | 996 555 342 01 R18 | brown | | | |
| 6 | 996 555 355 00 | Hinge | outer | 2 | |
| (6) | 996 555 356 00 | Hinge | inner | 2 | |
| - | 996 580 667 00 | Bracket | | 2 | |
| - | 999 591 489 02 | panel nut 4,8 Discontinued part | | 2 | |
| - | 999 591 489 01 | panel nut 4,8 | | 2 | |
| - | 999 073 060 02 | panel screw 4,8 X 13 | | 3 | |
| 7 | 997 555 071 12 | Side panel trim (leather) use if required: See TPI Group 8 NR. 52 | left 999 551 173 40 | 1 | PR:981 |

Model: 997T07 Model life 2007>>2009

| Pos | Part Number | Description | Remark | Qty | Model |
|-----|--------------------|---|--------|-----|--------|
| 7 | 997 555 071 12 FSA | black/grey | -AT | 1 | PR:981 |
| | 997 555 071 12 FSD | Sea blue/grey | -FE | | |
| | 997 555 071 12 FSF | Terracotta/terracotta | -MB | | |
| | 997 555 071 12 FSG | Cocoa/Cocoa | -RA | | |
| | 997 555 071 12 FSH | Darkgrey natural/grey | -05 | | |
| | 997 555 071 12 FSJ | Brown nat./brown nat. | -06 | | |
| | 997 555 071 12 FSP | Carrera Red/Carrera Red | -07 | | |
| | 997 555 071 12 | Side panel trim (leather) use if required: 999 551 173 40 | left | | |
| | | See TPI Group 8 NR. 52 Until Chassis number See technical information GR.7 NR. 17/11 KD-NR. 70 | | | |
| 7 | 997 555 071 12 FSB | Stone grey/stone grey | -DF | 1 | PR:981 |
| | 997 555 071 12 FSC | Sand beige/sand beige | -TG | | |
| | 997 555 911 03 | Side panel trim (leather) use if required: 999 551 173 40 | left | | |
| | | See TPI Group 8 Nr. 52 From Chassis number See technical information GR.7 NR. 17/11 KD-NR. 70 | | | |
| (7) | 997 555 911 03 FSB | Stone grey/stone grey | | 1 | PR:981 |
| | 997 555 911 03 FSC | Sand beige/sand beige | | | |
| | 997 555 072 12 | Side panel trim (leather) use if required: 999 551 173 40 | right | | |
| | | See TPI Group 8 NR. 52 | | | |
| (7) | 997 555 072 12 FSA | black/grey | -AT | 1 | PR:981 |
| | 997 555 072 12 FSD | Sea blue/grey | -FE | | |
| | 997 555 072 12 FSF | Terracotta/terracotta | -MB | | |
| | 997 555 072 12 FSG | Cocoa/Cocoa | -RA | | |
| | 997 555 072 12 FSH | Darkgrey natural/grey | -05 | | |
| | 997 555 072 12 FSJ | Brown nat./brown nat. | -06 | | |
| | 997 555 072 12 FSP | Carrera Red | -07 | | |
| | 997 555 072 12 | Side panel trim (leather) use if required: 999 551 173 40 | right | | |
| | | See TPI Group 8 NR. 52 Until Chassis number See technical information GR.7 NR. 17/11 KD-NR. 70 | | | |
| (7) | 997 555 072 12 FSB | Stone grey/stone grey | -DF | 1 | PR:981 |
| | 997 555 072 12 FSC | Sand beige/sand beige | -TG | | |
| | 997 555 912 03 | Side panel trim (leather) use if required: 999 551 173 40 | right | | |
| | | See TPI Group 8 Nr. 52 From Chassis number See technical information | | | |

Model: 997T07 Model life 2007>>2009

| Pos | Part Number | Description | Remark | Qty | Model | | | | |
|--------------------|--------------------|--|----------------------|------|--------|--|-------|---|--|
| 7 | 997 555 912 03 FSB | GR.7 NR. 17/11 KD-NR. 70 Stone grey/stone grey | left | 1 | PR:970 | | | | |
| | 997 555 912 03 FSC | Sand beige/sand beige | | | | | | | |
| | 997 555 071 13 | Side panel trim two-colour | | | | | | | |
| | | use if required: | 999 551 173 40 | | | | | | |
| | | See TPI Group 8 Nr. 52 | | | | | | | |
| (7) | 997 555 071 13 BCK | Black/stone grey | right | 1 | PR:970 | | | | |
| | 997 555 071 13 BCL | Black/sand beige | | | | | | | |
| | 997 555 071 13 BCM | Black/terracotta | | | | | | | |
| | 997 555 072 13 | Side panel trim two-colour | | | | | | | |
| | | use if required: | 999 551 173 40 | | | | | | |
| | | See TPI Group 8 Nr. 52 | | | | | | | |
| - | 997 555 072 13 BCK | Black/stone grey | | 2 | | | | | |
| | 997 555 072 13 BCL | Black/sand beige | | | | | | | |
| | 997 555 072 13 BCM | Black/terracotta | | | | | | | |
| | 999 551 173 40 | felt strip 35 x 22 x 5 | | | | | | | |
| 8 | 999 507 676 09 | Clip 2,5/2,2 | | 1 | | | | | |
| 9 | 999 551 609 40 | Plastic washer 8,0 X 23 X3,0 | | 1 | | | | | |
| 10 | 999 507 533 02 | Clamp 8,0 X 10 /2,5 | | 2 | | | | | |
| 11 | 999 507 050 40 | expanding nut ST 4,2 | | 2 | | | | | |
| 12 | 999 073 142 09 | panel screw ST 4,2 X 19 | | 2 | | | | | |
| 13 | 999 073 048 02 | panel screw ST 3,5 X 13 | | 2 | | | | | |
| 14 | 997 555 049 00 | Loudspeaker trim Side panel trim Lacquered | left | 1 | | | | | |
| | 997 555 049 00 A03 | Black | | | | | | | |
| | 997 555 049 00 5V7 | Stone grey | | | | | | | |
| | 997 555 049 00 5Z1 | Sand beige | | | | | | | |
| | 997 555 049 00 8W7 | sea blue | | | | | | | |
| | 997 555 049 00 8X8 | Terracotta | | | | | | | |
| | 997 555 049 00 8P9 | Cocoa | | | | | | | |
| | 997 555 049 00 T13 | Brown/natural | | | | | | | |
| | 997 555 049 00 N23 | Carrera Red | | | | | | | |
| | | D - MJ 2008>> | | | | | | | |
| | (14) | 997 555 050 00 | | | | Loudspeaker trim Side panel trim Lacquered | right | 1 | |
| | | 997 555 050 00 A03 | | | | Black | | | |
| | | 997 555 050 00 5V7 | | | | Stone grey | | | |
| | | 997 555 050 00 5Z1 | | | | Sand beige | | | |
| 997 555 050 00 8W7 | | sea blue | | | | | | | |
| 997 555 050 00 8X8 | | Terracotta | | | | | | | |
| 997 555 050 00 8P9 | | Cocoa | | | | | | | |
| 997 555 050 00 T13 | | Brown/natural | | | | | | | |
| 997 555 050 00 N23 | | Carrera Red | | | | | | | |
| | | D - MJ 2008>> | | | | | | | |
| (15) | | 997 555 671 01 | Rosette Seat belt | left | 1 | | | | |
| | | 997 555 671 01 A03 | Black | | | | | | |

Model: 997T07 Model life 2007>>2009

| Pos | Part Number | Description | Remark | Qty | Model |
|------|--------------------|-------------------|--------|-----|--------|
| | 997 555 671 01 5V7 | Stone grey | | | |
| | 997 555 671 01 5Z1 | Sand beige | | | |
| | 997 555 671 01 8W7 | sea blue | | | |
| | 997 555 671 01 N23 | Carrera Red | | | |
| | 997 555 671 01 8X8 | Terracotta | | | |
| | 997 555 671 01 8P9 | Cocoa | | | |
| | 997 555 671 01 T13 | Brown/natural | | | |
| (15) | 997 555 672 01 | Rosette | right | 1 | |
| | | Seat belt | | | |
| | 997 555 672 01 A03 | Black | | | |
| | 997 555 672 01 5V7 | Stone grey | | | |
| | 997 555 672 01 5Z1 | Sand beige | | | |
| | 997 555 672 01 8W7 | sea blue | | | |
| | 997 555 672 01 N23 | Carrera Red | | | |
| | 997 555 672 01 8X8 | Terracotta | | | |
| | 997 555 672 01 8P9 | Cocoa | | | |
| | 997 555 672 01 T13 | Brown/natural | | | |
| (16) | 996 555 281 06 | Rear panel trim | | 1 | |
| | | Carpet | | | |
| | 996 555 281 06 A10 | Black | | | |
| | 996 555 281 06 B10 | Stone grey | | | |
| | 996 555 281 06 E10 | sea blue | | | |
| | 996 555 281 06 N10 | Carrera Red | | | |
| | 996 555 281 06 M10 | Terracotta | | | |
| | 996 555 281 06 R10 | Cocoa | | | |
| | 996 555 281 06 D11 | Dark grey/natural | | | |
| | 996 555 281 06 T11 | Brown/natural | | | |
| 16 | 996 555 281 07 | Rear panel trim | | 1 | PR:479 |
| | | Carpet | | | |
| | 996 555 281 07 A10 | Black | | | |
| | 996 555 281 07 B10 | Stone grey | | | |
| | 996 555 281 07 E10 | sea blue | | | |
| | 996 555 281 07 N10 | Carrera Red | | | |
| | 996 555 281 07 M10 | Terracotta | | | |
| | 996 555 281 07 R10 | Cocoa | | | |
| | 996 555 281 07 D11 | Dark grey/natural | | | |
| | 996 555 281 07 T11 | Brown/natural | | | |
| 17 | 996 555 785 00 | Cover | | 2 | PR:479 |
| | | Release | | | |
| | | Carpet | | | |
| | 996 555 785 00 EDA | Black | | | |
| | 996 555 785 00 FNQ | Stone grey | | | |
| | 996 555 785 00 FNR | Sand beige | | | |
| | 996 555 785 00 FNS | sea blue | | | |
| | 996 555 785 00 FSW | Carrera Red | | | |
| | 996 555 785 00 FNU | Terracotta | | | |
| | 996 555 785 00 FNV | Cocoa | | | |
| | 996 555 785 00 VSM | Dark grey/natural | | | |
| | 996 555 785 00 VSN | Brown/natural | | | |
| 18 | 996 555 789 00 | shelf | | 1 | |
| | | Windbreak | | | |
| | 996 555 789 00 01C | Satin black | | | |
| 19 | 999 073 062 02 | panel screw | | 2 | |
| | | 4,8 X 12 | | | |
| 20 | 997 551 035 01 | Trim | | 1 | |
| | | top frame | | | |
| | | Carpet | | | |
| | 997 551 035 01 B04 | dark grey | | | |
| 21 | 999 703 432 40 | Bungs | | X | |
| | | for | | | |
| | | Mount | | | |
| | | Trim | | | |
| | | top frame | | | |

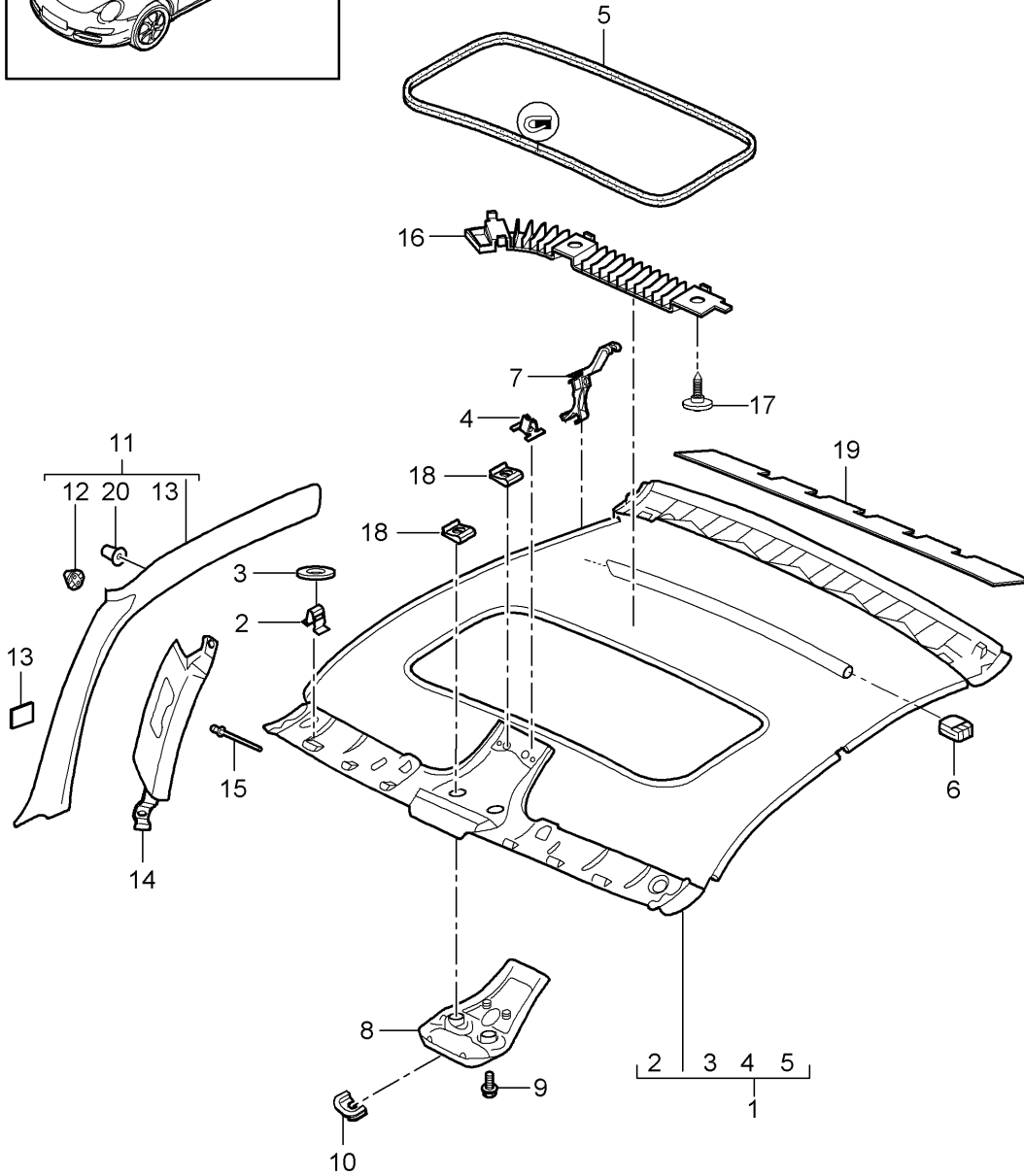
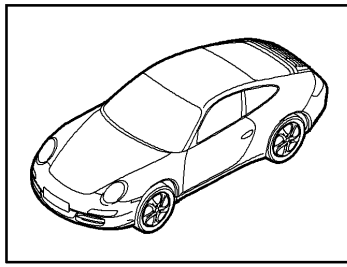
Model: 997T07

Model life 2007>>2009

| Pos | Part Number | Description | Remark | Qty | Model |
|------|--------------------|---|--------|-----|-------|
| 22 | 997 551 017 03 | Adhesive carpet Seat well Carpet | | 1 | |
| | 997 551 017 03 M10 | Terracotta | | | |
| | 997 551 017 03 R10 | Cocoa | | | |
| | 997 551 017 03 D11 | Dark grey/natural | | | |
| | 997 551 017 03 T11 | Brown/natural | | | |
| 22 | 997 551 017 03 | Adhesive carpet Seat well Carpet Until Chassis number See technical information GR.7 NR. 17/11 KD-NR. 70 | | 1 | |
| | 997 551 017 03 A10 | Black | | | |
| | 997 551 017 03 B10 | Stone grey | | | |
| | 997 551 017 03 T10 | Sand beige | | | |
| | 997 551 017 03 E10 | sea blue | | | |
| | 997 551 017 03 N10 | Carrera Red | | | |
| 22 | 997 551 017 07 | Adhesive carpet Seat well Carpet From Chassis number See technical information GR.7 NR. 17/11 KD-NR. 70 | | 1 | |
| | 997 551 017 07 A10 | Black | | | |
| | 997 551 017 07 B10 | Stone grey | | | |
| | 997 551 017 07 T10 | Sand beige | | | |
| | 997 551 017 07 E10 | sea blue | | | |
| | 997 551 017 07 N10 | Carrera Red | | | |
| (23) | 997 551 525 00 | Cover Belt latch | left | 1 | |
| | 997 551 525 00 01C | Satin black | | | |
| 23 | 997 551 526 00 | Cover Belt latch | right | 1 | |
| | 997 551 526 00 01C | Satin black | | | |
| 24 | 997 551 221 00 | Support Seat well | | 1 | |
| 25 | 999 076 081 40 | Hexagon plastic collar nut T5 16 X 11,2 | | 2 | |

Model: 997T07

Model life 2007>>2009



Model: 997T07 Model life 2007>>2009

| Pos | Part Number | Description | Remark | Qty | Model |
|-----|--------------------|---|--------|-----|--------------------------|
| 1 | 997 555 091 02 | roof trim A-pillar roof trim Alcantara | | 1 | COUPE Turbo PR:652 |
| | 997 555 091 02 A14 | Black | | | |
| | 997 555 091 02 B14 | Stone grey | | | |
| | 997 555 091 02 T44 | Sand beige | | | |
| | 997 555 091 02 G14 | Metropole blue | | | |
| | 997 555 091 02 J44 | Palm green | | | |
| | | D >> - MJ 2007 | | | |
| 1 | 997 555 091 02 | roof trim Alcantara | | 1 | GT2 PR:652 |
| | | D - MJ 2008>> | | | |
| (1) | 997 555 091 02 A14 | Black | | | |
| | 997 555 091 03 | roof trim Alcantara | | 1 | TURBO PR:650 |
| | 997 555 091 03 A14 | Black | | | |
| | 997 555 091 03 B14 | Stone grey | | | |
| | 997 555 091 03 T44 | Sand beige | | | |
| | 997 555 091 03 G14 | Metropole blue | | | |
| | 997 555 091 03 J44 | Palm green | | | |
| | | D >> - MJ 2007 | | | |
| (1) | 997 555 980 02 | roof trim | | 1 | Turbo PR:652,XMA |
| | 997 555 980 02 A11 | Black | | | |
| | 997 555 980 02 5X6 | Stone grey | | | |
| | 997 555 980 02 8G2 | Sand beige | | | |
| | 997 555 980 02 3S9 | sea blue | | | |
| | 997 555 980 02 4P2 | Palm green | | | |
| | | D >> - MJ 2007 | | | |
| | 997 555 980 02 9S5 | Terracotta | | | |
| | 997 555 980 02 9V6 | Cocoa | | | |
| | 997 555 980 02 D12 | Dark grey/natural | | | |
| | 997 555 980 02 T12 | Brown/natural | | | |
| | 997 555 980 02 N12 | Carrera Red | | | |
| | | D - MJ 2008>> | | | |
| (1) | 997 555 980 02 | roof trim | | 1 | GT2 PR:652,XMA |
| | | D - MJ 2008>> | | | |
| | 997 555 980 02 A11 | Black | | | |
| | 997 555 980 02 D12 | Dark grey/natural | | | |
| (1) | 997 555 980 03 | roof trim | | 1 | TURBO PR:650,XMA |
| | 997 555 980 03 A11 | Black | | | |
| | 997 555 980 03 5X6 | Stone grey | | | |
| | 997 555 980 03 8G2 | Sand beige | | | |
| | 997 555 980 03 3S9 | sea blue | | | |
| | 997 555 980 03 4P2 | Palm green | | | |
| | | D >> - MJ 2007 | | | |
| | 997 555 980 03 9S5 | Terracotta | | | |
| | 997 555 980 03 9V6 | Cocoa | | | |
| | 997 555 980 03 D12 | Dark grey/natural | | | |
| | 997 555 980 03 T12 | Brown/natural | | | |
| | 997 555 980 03 N12 | Carrera Red | | | |
| | | D - MJ 2008>> | | | |
| 2 | 999 507 479 01 | Clip | | 6 | |
| | | 2,5/0,9 | | | |
| 3 | 999 551 609 40 | Plastic washer | | 6 | |
| | | 8,0 X 23 X 3,0 | | | |
| 4 | 999 507 533 02 | Clamp | | 2 | TURBO PR:650 |
| | | 8 X 10/2,5 | | | |
| 5 | 996 564 231 02 | beading | | 1 | TURBO PR:650 |
| 6 | 997 555 823 00 | Bracket | | 2 | TURBO |

Model: 997T07 Model life 2007>>2009

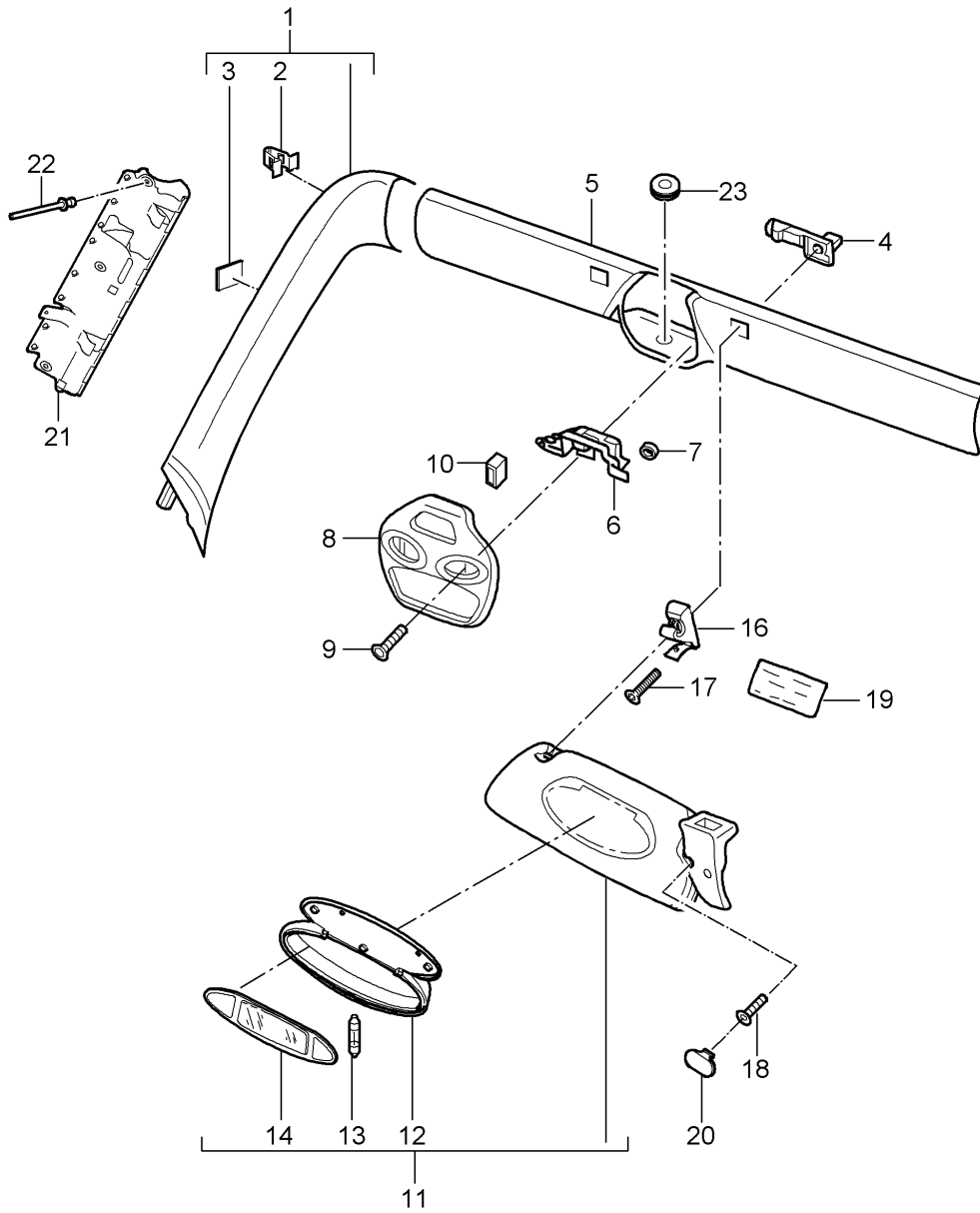
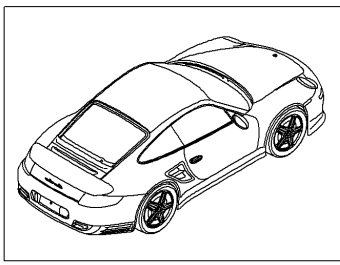
| Pos | Part Number | Description | Remark | Qty | Model |
|------|--------------------|--|--------|-----|---------------------|
| 7 | 996 555 691 02 | Transverse strut Clip Mount | | 8 | PR:650 |
| (8) | 996 555 557 09 | roof trim Cover interior light | | 1 | TURBO PR:650 |
| | 996 555 557 09 A03 | Black | | | |
| | 996 555 557 09 5V7 | Stone grey | | | |
| | 996 555 557 09 5Z1 | Sand beige | | | |
| | 996 555 557 09 8W7 | sea blue | | | |
| | 996 555 557 09 5Y2 | Palm green | | | |
| 8 | 996 555 557 11 | D >> - MJ 2007 Cover interior light | | 1 | Turbo PR:652 |
| | 996 555 557 11 A03 | Black | | | |
| | 996 555 557 11 5V7 | Stone grey | | | |
| | 996 555 557 11 5Z1 | Sand beige | | | |
| | 996 555 557 11 8W7 | sea blue | | | |
| | 996 555 557 11 5Y2 | Sea blue/palm green | | | |
| 8 | 996 555 557 11 | D >> - MJ 2007 Cover interior light | | 1 | GT2 PR:652 |
| | 996 555 557 11 A03 | Black | | | |
| (8) | 996 555 993 02 | D - MJ 2008>> Cover (leather) interior light | | 1 | TURBO PR:XZD,650 |
| | 996 555 993 02 A11 | Black | | | |
| | 996 555 993 02 5X6 | Stone grey | | | |
| | 996 555 993 02 8G2 | Sand beige | | | |
| | 996 555 993 02 3S9 | sea blue | | | |
| | 996 555 993 02 4P2 | Palm green | | | |
| | 996 555 993 02 9S5 | Terracotta | | | |
| | 996 555 993 02 9V6 | Cocoa | | | |
| | 996 555 993 02 D12 | Dark grey/natural | | | |
| | 996 555 993 02 T12 | Brown/natural | | | |
| | 996 555 993 02 N12 | Carrera Red | | | |
| (8) | 996 555 993 03 | D - MJ 2008>> Cover (leather) interior light | | 1 | Turbo PR:XZD,652 |
| | 996 555 993 03 A11 | Black | | | |
| | 996 555 993 03 5X6 | Stone grey | | | |
| | 996 555 993 03 8G2 | Sand beige | | | |
| | 996 555 993 03 3S9 | sea blue | | | |
| | 996 555 993 03 4P2 | Palm green | | | |
| | 996 555 993 03 9S5 | Terracotta | | | |
| | 996 555 993 03 9V6 | Cocoa | | | |
| | 996 555 993 03 D12 | Dark grey/natural | | | |
| | 996 555 993 03 T12 | Brown/natural | | | |
| | 996 555 993 03 N12 | Carrera Red | | | |
| (8) | 996 555 993 03 | D - MJ 2008>> Cover (leather) interior light | | 1 | GT2 PR:XZD,652 |
| | 996 555 993 03 A11 | Black | | | |
| | 996 555 993 03 D12 | Dark grey/natural | | | |
| 9 | 999 073 061 02 | panel screw 4,8 X 16 | | X | |
| 10 | 996 555 619 00 | Grommet Wire set | | 1 | |
| (11) | 997 555 181 05 | Rain sensor A-pillar trim | left | 1 | Turbo |

Model: 997T07 Model life 2007>>2009

| Pos | Part Number | Description | Remark | Qty | Model |
|------|--------------------|--|--------|-----|-----------------|
| | | (leather) | | | PR:981 |
| | 997 555 181 05 A11 | Black | | | |
| | 997 555 181 05 5X6 | Stone grey | | | |
| | 997 555 181 05 8G2 | Sand beige | | | |
| | 997 555 181 05 3S9 | sea blue | | | |
| | 997 555 181 05 4P2 | Palm green | | | |
| | | D >> - MJ 2007 | | | |
| | 997 555 181 05 9S5 | Terracotta | | | |
| | 997 555 181 05 9V6 | Cocoa | | | |
| | 997 555 181 05 D12 | Dark grey/natural | | | |
| | 997 555 181 05 T12 | Brown/natural | | | |
| | 997 555 181 05 N12 | Carrera Red | | | |
| (11) | 997 555 181 05 | D - MJ 2008>> A-pillar trim (leather) D - MJ 2008>> | left | 1 | GT2 PR:981 |
| | 997 555 181 05 A11 | Black | | | |
| | 997 555 181 05 D12 | Dark grey/natural | | | |
| (11) | 997 555 182 05 | A-pillar trim (leather) | right | 1 | Turbo PR:981 |
| | 997 555 182 05 A11 | Black | | | |
| | 997 555 182 05 5X6 | Stone grey | | | |
| | 997 555 182 05 8G2 | Sand beige | | | |
| | 997 555 182 05 3S9 | sea blue | | | |
| | 997 555 182 05 4P2 | Palm green | | | |
| | | D >> - MJ 2007 | | | |
| | 997 555 182 05 9S5 | Terracotta | | | |
| | 997 555 182 05 9V6 | Cocoa | | | |
| | 997 555 182 05 D12 | Dark grey/natural | | | |
| | 997 555 182 05 T12 | Brown/natural | | | |
| | 997 555 182 05 N12 | Leather | | | |
| (11) | 997 555 182 05 | D - MJ 2008>> A-pillar trim (leather) D - MJ 2008>> | right | 1 | GT2 PR:981 |
| | 997 555 182 05 A11 | Black | | | |
| | 997 555 182 05 D12 | Dark grey/natural | | | |
| 12 | 999 507 681 01 | Clip 2,5/3,0 | | 5 | |
| (12) | 999 507 839 01 | Clip 3,5 | | 2 | |
| (12) | 999 507 047 09 | Clip 3,6 | | 3 | |
| 13 | 999 551 134 40 | Adhesive tape 20 X 65 | | 5 | |
| 15 | 999 190 184 01 | Pop rivet 4,0 X 8,5 | | 8 | |
| 18 | 999 591 348 01 | panel nut St 4,8 | | x | |
| 19 | 997 556 603 00 | Sound absorber tensioner | rear | 1 | |
| 20 | 997 555 857 00 | Grommet A-pillar | | x | |

Model: 997T07

Model life 2007>>2009



Model: 997T07 Model life 2007>>2009

| Pos | Part Number | Description | Remark | Qty | Model | | | | | |
|--------------------------------------|--------------------|---|--------|-----|----------------------------------|---|---|---|------------------|--------|
| 1 | 997 555 181 07 | A-pillar windshield frame sun vizors D - MJ 2008>> | left | 1 | CABRIO CABRIO COUPE/CABRIO | | | | | |
| | | A-pillar trim (leather) D - MJ 2008>> | | | | | | | | |
| | | 997 555 181 07 A11 Black | | | | | | | | |
| | | 997 555 181 07 5X6 Stone grey | | | | | | | | |
| | | 997 555 181 07 8G2 Sand beige | | | | | | | | |
| | | 997 555 181 07 3S9 sea blue | | | | | | | | |
| | | 997 555 181 07 9S5 Terracotta | | | | | | | | |
| | | 997 555 181 07 9V6 Cocoa | | | | | | | | |
| | | 997 555 181 07 D12 Dark grey/natural | | | | | | | | |
| | | 997 555 181 07 T12 Brown/natural | | | | | | | | |
| | | 997 555 181 07 N12 Carrera Red | | | | | | | | |
| | | (1) 997 555 182 07 | | | | A-pillar trim (leather) D - MJ 2008>> | right | 1 | CABRIO PR:981 | |
| | | 997 555 182 07 A11 Black | | | | | | | | |
| | | 997 555 182 07 5X6 Stone grey | | | | | | | | |
| 997 555 182 07 8G2 Sand beige | | | | | | | | | | |
| 997 555 182 07 3S9 sea blue | | | | | | | | | | |
| 997 555 182 07 9S5 Terracotta | | | | | | | | | | |
| 997 555 182 07 9V6 Cocoa | | | | | | | | | | |
| 997 555 182 07 D12 Dark grey/natural | | | | | | | | | | |
| 997 555 182 07 T12 Brown/natural | | | | | | | | | | |
| 997 555 182 07 N12 Carrera Red | | | | | | | | | | |
| 2 | 999 507 047 09 | Clip 3,6 | | 2 | | | | | | |
| 3 | 999 551 134 40 | Adhesive tape 20 X 65 | | 2 | | | | | | |
| 4 | 986 731 541 01 | basic plate for sun vizors | | 2 | | | | | | |
| 5 | 997 555 059 01 | Trim Windscreen frame part Leather D - MJ 2008>> | | 1 | CABRIO PR:981 | | | | | |
| | | 997 555 059 01 A11 Black | | | | | | | | |
| | | 997 555 059 01 5X6 Stone grey | | | | | | | | |
| | | 997 555 059 01 8G2 Sand beige | | | | | | | | |
| | | 997 555 059 01 3S9 sea blue | | | | | | | | |
| | | 997 555 059 01 9S5 Terracotta | | | | | | | | |
| | | 997 555 059 01 9V6 Cocoa | | | | | | | | |
| | | 997 555 059 01 D12 Dark grey/natural | | | | | | | | |
| | | 997 555 059 01 T12 Brown/natural | | | | | | | | |
| | | 997 555 059 01 N12 Carrera Red | | | | | | | | |
| | | 6 | | | | 996 613 795 01 | Micro switch D - MJ 2008>> | | 1 | CABRIO |
| | | 7 | | | | 999 507 534 02 | Clamping washer 2,5 D - MJ 2008>> | | 2 | CABRIO |
| | | 8 | | | | 996 561 635 00 | Cover interior light Lacquered D - MJ 2008>> | | 1 | CABRIO |
| | | - | | | | 996 561 635 00 A09 | Rally black | | 1 | CABRIO |
| | 996 561 613 00 | Cover D - MJ 2008>> | | | | | | | | |
| 9 | 996 561 613 00 01C | Satin black | | 2 | CABRIO | | | | | |
| | 999 073 166 09 | countersunk bolt M6 X 25 | | | | | | | | |

Model: 997T07

Model life 2007>>2009

| Pos | Part Number | Description | Remark | Qty | Model |
|------|--------------------|--------------------------------------|--------|-----|-------------------------|
| 10 | 996 561 609 00 | D - MJ 2008>> Cap | | 1 | CABRIO |
| 11 | 997 731 031 15 | Sun visor with mirror Leatherette | left | 1 | TURBO/COUPE |
| | 997 731 031 15 A12 | Black | | | |
| | 997 731 031 15 8W4 | Stone grey | | | |
| | 997 731 031 15 7E3 | Sand beige | | | |
| | 997 731 031 15 8Z5 | sea blue | | | |
| | 997 731 031 15 7W3 | Palm green | | | |
| 11 | 997 731 031 15 | Sun visor with mirror Leatherette | left | 1 | GT2 |
| | D - MJ 2008>> | | | | |
| | 997 731 031 15 A12 | Black | | | |
| (11) | 997 731 032 15 | Sun visor with mirror Leatherette | right | 1 | TURBO/COUPE |
| | 997 731 032 15 A12 | Black | | | |
| | 997 731 032 15 8W4 | Stone grey | | | |
| | 997 731 032 15 7E3 | Sand beige | | | |
| | 997 731 032 15 8Z5 | sea blue | | | |
| | 997 731 032 15 7W3 | Palm green | | | |
| (11) | 997 731 032 15 | Sun visor with mirror Leatherette | right | 1 | GT2 |
| | D - MJ 2008>> | | | | |
| | 997 731 032 15 A12 | Black | | | |
| (11) | 997 731 981 00 | Sun visor Leather | left | 1 | TURBO/COUPE PR : XMP |
| | 997 731 981 00 A11 | Black | | | |
| | 997 731 981 00 5X6 | Stone grey | | | |
| | 997 731 981 00 8G2 | Sand beige | | | |
| | 997 731 981 00 3S9 | sea blue | | | |
| | 997 731 981 00 4P2 | Palm green | | | |
| | 997 731 981 00 9S5 | Terracotta | | | |
| | 997 731 981 00 9V6 | Cocoa | | | |
| | 997 731 981 00 T12 | Brown/natural | | | |
| | 997 731 981 00 D12 | Dark grey/natural | | | |
| | 997 731 981 00 N12 | Carrera Red | | | |
| (11) | 997 731 981 00 | Sun visor Leather | left | 1 | GT2 PR : XMP |
| | D - MJ 2008>> | | | | |
| | 997 731 981 00 A11 | Black | | | |
| | 997 731 981 00 D12 | Dark grey/natural | | | |
| (11) | 997 731 982 00 | Sun visor Leather | right | 1 | TURBO/COUPE PR : XMP |
| | 997 731 982 00 A11 | Black | | | |
| | 997 731 982 00 5X6 | Stone grey | | | |
| | 997 731 982 00 8G2 | Sand beige | | | |
| | 997 731 982 00 3S9 | sea blue | | | |
| | 997 731 982 00 4P2 | Palm green | | | |
| | 997 731 982 00 9S5 | Terracotta | | | |
| | 997 731 982 00 9V6 | Cocoa | | | |
| | 997 731 982 00 T12 | Brown/natural | | | |
| | 997 731 982 00 D12 | Dark grey/natural | | | |
| | 997 731 982 00 N12 | Carrera Red | | | |
| (11) | 997 731 982 00 | Sun visor Leather | right | 1 | GT2 PR : XMP |
| | D - MJ 2008>> | | | | |
| | 997 731 982 00 A11 | Black | | | |
| | 997 731 982 00 D12 | Dark grey/natural | | | |
| (11) | 997 731 031 18 | Sun visor Leatherette | left | 1 | CABRIO |
| | D - MJ 2008>> | | | | |
| | 997 731 031 18 A12 | Black | | | |
| | 997 731 031 18 8W4 | Stone grey | | | |

Model: 997T07 Model life 2007>>2009

| Pos | Part Number | Description | Remark | Qty | Model |
|----------------|--------------------|-------------------------|--------|-----|------------------|
| (11) | 997 731 031 18 7E3 | Sand beige | right | 1 | CABRIO |
| | 997 731 031 18 8Z5 | sea blue | | | |
| | 997 731 032 18 | Sun visor | | | |
| | | Leatherette | | | |
| | | D - MJ 2008>> | | | |
| (11) | 997 731 032 18 A12 | Black | left | 1 | CABRIO PR:XMP |
| | 997 731 032 18 8W4 | Stone grey | | | |
| | 997 731 032 18 7E3 | Sand beige | | | |
| | 997 731 032 18 8Z5 | sea blue | | | |
| | 997 731 981 06 | Sun visor | | | |
| | | Leather | | | |
| | | D - MJ 2008>> | | | |
| | 997 731 981 06 A11 | Black | | | |
| | 997 731 981 06 5X6 | Stone grey | | | |
| | 997 731 981 06 8G2 | Sand beige | | | |
| | 997 731 981 06 3S9 | sea blue | | | |
| (11) | 997 731 981 06 9S5 | Terracotta | right | 1 | CABRIO PR:XMP |
| | 997 731 981 06 9V6 | Cocoa | | | |
| | 997 731 981 06 D12 | Dark grey/natural | | | |
| | 997 731 981 06 T12 | Brown/natural | | | |
| | 997 731 981 06 N12 | Carrera Red | | | |
| | 997 731 982 06 | Sun visor | | | |
| | | Leather | | | |
| | | D - MJ 2008>> | | | |
| | 997 731 982 06 A11 | Black | | | |
| | 997 731 982 06 5X6 | Stone grey | | | |
| | 997 731 982 06 8G2 | Sand beige | | | |
| 12 | 997 731 982 06 3S9 | sea blue | with: | 1 | |
| | 997 731 982 06 9S5 | Terracotta | | | |
| | 997 731 982 06 9V6 | Cocoa | | | |
| | 997 731 982 06 D12 | Dark grey/natural | | | |
| | 997 731 982 06 T12 | Brown/natural | | | |
| | 997 731 982 06 N12 | Carrera Red | | | |
| | 996 731 903 00 | Mirror housing | | | |
| | | Lighting | | | |
| | 996 731 903 00 01C | Satin black | | | |
| | 999 631 147 90 | bulb | | | |
| | 13 | | | | |
| 996 731 531 01 | | Mirror glass | | | |
| 14 | | Frame | with: | 2 | |
| | 996 731 531 01 01C | Satin black | | | |
| 16 | 996 731 341 00 | Support | left | 1 | |
| | | Sun visor | | | |
| (16) | 996 731 341 00 01C | Satin black | right | 1 | |
| | 996 731 342 00 | Support | | | |
| 17 | | Sun visor | | 1 | |
| | 996 731 342 00 01C | Satin black | | | |
| 17 | 999 919 120 09 | fillister hd. bolt | | 1 | |
| | | M 4 x 18 | | | |
| 18 | 999 073 166 09 | countersunk bolt | | 42 | CABRIO |
| | | M 6 X 25 | | | |
| (18) | | D - MJ 2008>> | | 2 | COUPE |
| | 999 073 326 09 | fillister hd. bolt | | | |
| (18) | | M 5 X 10 | | 2 | COUPE |
| | 999 500 093 02 | Nut | | | |
| (19) | | M5 | | 1 | CABRIO PR:488 |
| | 997 701 401 06 | Notice | | | |
| (19) | | Convertible top control | | 1 | CABRIO |
| | 997 701 401 07 | German | | | |
| | | D - MJ 2008>> | | | |
| | | Notice | | 1 | CABRIO |

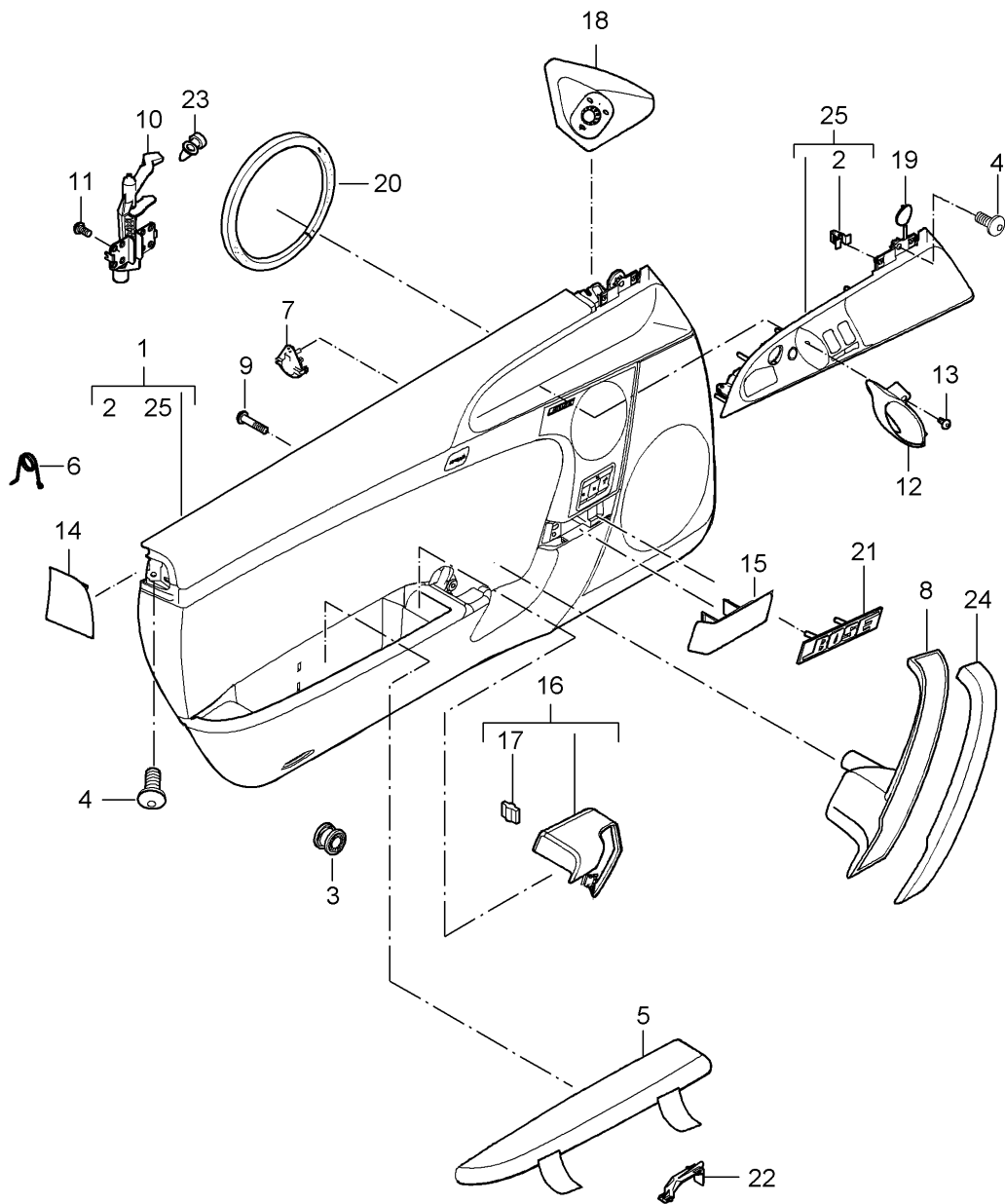
Model: 997T07

Model life 2007>>2009

| Pos | Part Number | Description | Remark | Qty | Model |
|------|--------------------------------------|--|--------|-----|--------------------------------|
| (19) | 997 701 401 08 | Convertible top control English D - MJ 2008>> Notice | | 1 | PR:130 CABRIO PR:113,126 |
| (19) | 997 701 401 09 | Convertible top control French D - MJ 2008>> Notice | | 1 | CABRIO PR:034 |
| (19) | 997 701 401 10 | Convertible top control Italian D - MJ 2008>> Notice | | 1 | CABRIO PR:119 |
| (19) | 997 701 401 11 | Convertible top control Spanish D - MJ 2008>> Notice | | 1 | CABRIO PR:193 |
| 20 | 996 561 613 00 | Convertible top control Japanese D - MJ 2008>> Cover Support | | 1 | CABRIO |
| 23 | 996 561 613 00 01C 996 555 619 00 | Satin black Grommet Wire set Rain sensor | | 1 | |

Model: 997T07

Model life 2007>>2009



Model: 997T07

Model life 2007>>2009

| Pos | Part Number | Description | Remark | Qty | Model |
|-----|--------------------|---|----------|-----|---------------------------------------|
| 1 | 997 555 201 05 | door panel Accessories Door panel trim (leather) | left lhd | 1 | TURBO/COUPE PR:098,490, 981 |
| | 997 555 201 05 FSA | black/grey | | | |
| | 997 555 201 05 FSB | Stone grey/stone grey | | | |
| | 997 555 201 05 FSD | Sea blue/grey | | | |
| | 997 555 201 05 FSE | Palmgreen/palmgreen | | | |
| | | D >> - MJ 2007 | | | |
| | 997 555 201 05 FSF | Terracotta/terracotta | | | |
| | 997 555 201 05 FSG | Cocoa/Cocoa | | | |
| | 997 555 201 05 FSH | Darkgrey natural/grey | | | |
| | 997 555 201 05 FSJ | Brown nat./brown nat. | | | |
| | 997 555 201 05 BCD | Black/stone grey | | | |
| | 997 555 201 05 BCE | Black/sand beige | | | |
| | 997 555 201 05 BCF | Black/terracotta | | | |
| 1 | 997 555 201 05 | Door panel trim (leather) | left lhd | 1 | TURBO/COUPE PR:098,490, 981 |
| | | Until Chassis number See technical information GR.7 NR. 17/11 KD-NR. 70 | | | |
| | 997 555 201 05 FSC | Sand beige/sand beige | | | |
| | 997 555 201 05 FSP | Carrera Red | | | |
| | | D - MJ 2008>> | | | |
| 1 | 997 555 902 02 | Door panel trim (leather) | left lhd | 1 | TURBO/COUPE PR:098,490, 981 |
| | | From Chassis number See technical information GR.7 NR. 17/11 KD-NR. 70 | | | |
| | 997 555 902 02 FSC | Sand beige/sand beige | | | |
| | 997 555 902 02 FSP | Carrera Red | | | |
| | | D - MJ 2008>> | | | |
| 1 | 997 555 201 07 | Door panel trim (leather) | left lhd | 1 | TURBO/COUPE PR:490,537, 981,098 |
| | 997 555 201 07 FSA | black/grey | | | |
| | 997 555 201 07 FSD | Sea blue/grey | | | |
| | 997 555 201 07 FSE | Palmgreen/palmgreen | | | |
| | | D >> - MJ 2007 | | | |
| | 997 555 201 07 FSF | Terracotta/terracotta | | | |
| | 997 555 201 07 FSG | Cocoa/Cocoa | | | |
| | 997 555 201 07 FSH | Darkgrey natural/grey | | | |
| | 997 555 201 07 FSJ | Brown nat./brown nat. | | | |
| | 997 555 201 07 BCD | Black/stone grey | | | |
| | 997 555 201 07 BCE | Black/sand beige | | | |
| | 997 555 201 07 BCF | Black/terracotta | | | |
| 1 | 997 555 201 07 | Door panel trim (leather) | left lhd | 1 | TURBO/COUPE PR:490,537, 981,098 |
| | | Until Chassis number See technical information GR.7 NR. 17/11 KD-NR. 70 | | | |
| | 997 555 201 07 FSB | Stone grey/stone grey | | | |
| | 997 555 201 07 FSC | Sand beige/sand beige | | | |
| | 997 555 201 07 FSP | Carrera Red | | | |
| | | D - MJ 2008>> | | | |
| 1 | 997 555 901 04 | Door panel trim (leather) | left lhd | 1 | TURBO/COUPE |

Model: 997T07 Model life 2007>>2009

| Pos | Part Number | Description | Remark | Qty | Model |
|-----|--------------------|---|----------|-----|---------------------------------------|
| | | From Chassis number See technical information GR.7 NR. 17/11 KD-NR. 70 | | | PR:490,537, 981,098 |
| | 997 555 901 04 FSB | Stone grey/stone grey | | | |
| | 997 555 901 04 FSC | Sand beige/sand beige | | | |
| | 997 555 901 04 FSP | Carrera Red | | | |
| 1 | 997 555 201 09 | D - MJ 2008>> Door panel trim (leather) | left lhd | 1 | TURBO/COUPE PR:098,680, 981 |
| | 997 555 201 09 FSA | black/grey | | | |
| | 997 555 201 09 FSB | Stone grey/stone grey | | | |
| | 997 555 201 09 FSD | Sea blue/grey | | | |
| | 997 555 201 09 FSE | Palmgreen/palmgreen | | | |
| | | D >> - MJ 2007 | | | |
| | 997 555 201 09 FSF | Terracotta/terracotta | | | |
| | 997 555 201 09 FSG | Cocoa/Cocoa | | | |
| | 997 555 201 09 FSH | Darkgrey natural/grey | | | |
| | 997 555 201 09 FSJ | Brown nat./brown nat. | | | |
| | 997 555 201 09 BCD | Black/stone grey | | | |
| | 997 555 201 09 BCE | Black/sand beige | | | |
| | 997 555 201 09 BCF | Black/terracotta | | | |
| 1 | 997 555 201 09 | Door panel trim (leather) | left lhd | 1 | TURBO/COUPE PR:098,680, 981 |
| | | Until Chassis number See technical information GR.7 NR. 17/11 KD-NR. 70 | | | |
| | 997 555 201 09 FSC | Sand beige/sand beige | | | |
| | 997 555 201 09 FSP | Carrera Red | | | |
| 1 | 997 555 901 06 | D - MJ 2008>> Door panel trim (leather) | left lhd | 1 | TURBO/COUPE PR:098,680, 981 |
| | | From Chassis number See technical information GR.7 NR. 17/11 KD-NR. 70 | | | |
| | 997 555 901 06 FSC | Sand beige/sand beige | | | |
| | 997 555 901 06 FSP | Carrera Red | | | |
| 1 | 997 555 201 11 | D - MJ 2008>> Door panel trim (leather) | left lhd | 1 | TURBO/COUPE PR:537,680, 981,098 |
| | 997 555 201 11 FSA | black/grey | | | |
| | 997 555 201 11 FSB | Stone grey/stone grey | | | |
| | 997 555 201 11 FSC | Sand beige/sand beige | | | |
| | 997 555 201 11 FSD | Sea blue/grey | | | |
| | 997 555 201 11 FSE | Palmgreen/palmgreen | | | |
| | | D >> - MJ 2007 | | | |
| | 997 555 201 11 FSF | Terracotta/terracotta | | | |
| | 997 555 201 11 FSG | Cocoa/Cocoa | | | |
| | 997 555 201 11 FSH | Darkgrey natural/grey | | | |
| | 997 555 201 11 FSJ | Brown nat./brown nat. | | | |
| | 997 555 201 11 BCD | Black/stone grey | | | |
| | 997 555 201 11 BCE | Black/sand beige | | | |
| | 997 555 201 11 BCF | Black/terracotta | | | |
| | 997 555 201 11 FSP | Carrera Red | | | |
| | | D - MJ 2008>> | | | |

Model: 997T07 Model life 2007>>2009

| Pos | Part Number | Description | Remark | Qty | Model |
|-----|--------------------|---------------------------|----------|-----|----------------------------------|
| (1) | 997 555 201 17 | Door panel trim (leather) | left lhd | 1 | CABRIO PR:098,490, 981 |
| | 997 555 201 17 FSA | black/grey | | | |
| | 997 555 201 17 FSB | Stone grey/stone grey | | | |
| | 997 555 201 17 FSC | Sand beige/sand beige | | | |
| | 997 555 201 17 FSD | Sea blue/grey | | | |
| | 997 555 201 17 FSE | Palmgreen/palmgreen | | | |
| | D | >> - MJ 2007 | | | |
| | 997 555 201 17 FSF | Terracotta/terracotta | | | |
| | 997 555 201 17 FSG | Cocoa/Cocoa | | | |
| | 997 555 201 17 FSH | Darkgrey natural/grey | | | |
| | 997 555 201 17 FSJ | Brown nat./brown nat. | | | |
| | 997 555 201 17 BCD | Black/stone grey | | | |
| | 997 555 201 17 BCE | Black/sand beige | | | |
| | 997 555 201 17 BCF | Black/terracotta | | | |
| | 997 555 201 17 FSP | Carrera Red | | | |
| | D | - MJ 2008>> | | | |
| (1) | 997 555 201 19 | Door panel trim (leather) | left lhd | 1 | CABRIO PR:490,537, 981,098 |
| | 997 555 201 19 FSA | black/grey | | | |
| | 997 555 201 19 FSB | Stone grey/stone grey | | | |
| | 997 555 201 19 FSC | Sand beige/sand beige | | | |
| | 997 555 201 19 FSD | Sea blue/grey | | | |
| | 997 555 201 19 FSE | Palmgreen/palmgreen | | | |
| | D | >> - MJ 2007 | | | |
| | 997 555 201 19 FSF | Terracotta/terracotta | | | |
| | 997 555 201 19 FSG | Cocoa/Cocoa | | | |
| | 997 555 201 19 FSH | Darkgrey natural/grey | | | |
| | 997 555 201 19 FSJ | Brown nat./brown nat. | | | |
| | 997 555 201 19 BCD | black/grey | | | |
| | 997 555 201 19 BCE | Black/sand beige | | | |
| | 997 555 201 19 BCF | Black/terracotta | | | |
| | 997 555 201 19 FSP | Carrera Red | | | |
| | D | - MJ 2008>> | | | |
| (1) | 997 555 201 21 | Door panel trim (leather) | left lhd | 1 | CABRIO PR:098,680, 981 |
| | 997 555 201 21 FSA | black/grey | | | |
| | 997 555 201 21 FSB | Stone grey/stone grey | | | |
| | 997 555 201 21 FSC | Sand beige/sand beige | | | |
| | 997 555 201 21 FSD | Sea blue/grey | | | |
| | 997 555 201 21 FSE | Palmgreen/palmgreen | | | |
| | D | >> - MJ 2007 | | | |
| | 997 555 201 21 FSF | Terracotta/terracotta | | | |
| | 997 555 201 21 FSG | Cocoa/Cocoa | | | |
| | 997 555 201 21 FSH | Darkgrey natural/grey | | | |
| | 997 555 201 21 FSJ | Brown nat./brown nat. | | | |
| | 997 555 201 21 BCD | Black/stone grey | | | |
| | 997 555 201 21 BCE | Black/sand beige | | | |
| | 997 555 201 21 BCF | Black/terracotta | | | |
| | 997 555 201 21 FSP | Carrera Red | | | |
| | D | - MJ 2008>> | | | |
| (1) | 997 555 201 23 | Door panel trim (leather) | left lhd | 1 | CABRIO PR:537,680, 981,098 |
| | 997 555 201 23 FSA | black/grey | | | |
| | 997 555 201 23 FSB | Stone grey/stone grey | | | |
| | 997 555 201 23 FSC | Sand beige/sand beige | | | |
| | 997 555 201 23 FSD | Sea blue/grey | | | |
| | 997 555 201 23 FSE | Palmgreen/palmgreen | | | |
| | D | >> - MJ 2007 | | | |

Model: 997T07 Model life 2007>>2009

| Pos | Part Number | Description | Remark | Qty | Model |
|-----|--------------------|---------------------------|-----------|-----|-----------------------------------|
| | 997 555 201 23 FSF | Terracotta/terracotta | | | |
| | 997 555 201 23 FSG | Cocoa/Cocoa | | | |
| | 997 555 201 23 FSH | Darkgrey natural/grey | | | |
| | 997 555 201 23 FSJ | Brown nat./brown nat. | | | |
| | 997 555 201 23 BCD | Black/stone grey | | | |
| | 997 555 201 23 BCE | Black/sand beige | | | |
| | 997 555 201 23 BCF | Black/terracotta | | | |
| | 997 555 201 23 FSP | Carrera Red | | | |
| | | D - MJ 2008>> | | | |
| (1) | 997 555 202 27 | Door panel trim (leather) | right lhd | 1 | TURBO/COUPE PR:098,490, 981 |
| | 997 555 202 27 FSA | black/grey | | | |
| | 997 555 202 27 FSB | Stone grey/stone grey | | | |
| | 997 555 202 27 FSC | Sand beige/sand beige | | | |
| | 997 555 202 27 FSD | Sea blue/grey | | | |
| | 997 555 202 27 FSE | Palmgreen/palmgreen | | | |
| | | D >> - MJ 2007 | | | |
| | 997 555 202 27 FSF | Terracotta/terracotta | | | |
| | 997 555 202 27 FSG | Cocoa/Cocoa | | | |
| | 997 555 202 27 FSH | Darkgrey natural/grey | | | |
| | 997 555 202 27 FSJ | Brown nat./brown nat. | | | |
| | 997 555 202 27 BCD | Black/stone grey | | | |
| | 997 555 202 27 BCE | Black/sand beige | | | |
| | 997 555 202 27 BCF | Black/terracotta | | | |
| | 997 555 202 27 FSP | Carrera Red | | | |
| | | D - MJ 2008>> | | | |
| (1) | 997 555 202 27 | Door panel trim (leather) | right lhd | 1 | CABRIO PR:098,490, 981 |
| | 997 555 202 27 FSA | black/grey | | | |
| | 997 555 202 27 FSB | Stone grey/stone grey | | | |
| | 997 555 202 27 FSC | Sand beige/sand beige | | | |
| | 997 555 202 27 FSD | Sea blue/grey | | | |
| | 997 555 202 27 FSE | Palmgreen/palmgreen | | | |
| | | D >> - MJ 2007 | | | |
| | 997 555 202 27 FSF | Terracotta/terracotta | | | |
| | 997 555 202 27 FSG | Cocoa/Cocoa | | | |
| | 997 555 202 27 FSH | Darkgrey natural/grey | | | |
| | 997 555 202 27 FSJ | Brown nat./brown nat. | | | |
| | 997 555 202 27 BCD | Black/stone grey | | | |
| | 997 555 202 27 BCE | Black/sand beige | | | |
| | 997 555 202 27 BCF | Black/terracotta | | | |
| | 997 555 202 27 FSP | Carrera Red | | | |
| | | D - MJ 2008>> | | | |
| (1) | 997 555 202 29 | Door panel trim (leather) | right lhd | 1 | TURBO/COUPE PR:098,680, 981 |
| | 997 555 202 29 FSA | black/grey | | | |
| | 997 555 202 29 FSB | Stone grey/stone grey | | | |
| | 997 555 202 29 FSC | Sand beige/sand beige | | | |
| | 997 555 202 29 FSD | Sea blue/grey | | | |
| | 997 555 202 29 FSE | Palmgreen/palmgreen | | | |
| | | D >> - MJ 2007 | | | |
| | 997 555 202 29 FSF | Terracotta/terracotta | | | |
| | 997 555 202 29 FSG | Cocoa/Cocoa | | | |
| | 997 555 202 29 FSH | Darkgrey natural/grey | | | |
| | 997 555 202 29 FSJ | Brown nat./brown nat. | | | |
| | 997 555 202 29 BCD | Black/stone grey | | | |
| | 997 555 202 29 BCE | Black/sand beige | | | |
| | 997 555 202 29 BCF | Black/terracotta | | | |
| | 997 555 202 29 FSP | Carrera Red | | | |
| | | D - MJ 2008>> | | | |

Model: 997T07 Model life 2007>>2009

| Pos | Part Number | Description | Remark | Qty | Model |
|-----|--------------------|---------------------------|-----------|-----|---------------------------------------|
| (1) | 997 555 202 29 | Door panel trim (leather) | right lhd | 1 | CABRIO PR:098,680, 981 |
| | 997 555 202 29 FSA | black/grey | | | |
| | 997 555 202 29 FSB | Stone grey/stone grey | | | |
| | 997 555 202 29 FSC | Sand beige/sand beige | | | |
| | 997 555 202 29 FSD | Sea blue/grey | | | |
| | 997 555 202 29 FSE | Palmgreen/palmgreen | | | |
| | D | >> - MJ 2007 | | | |
| | 997 555 202 29 FSF | Terracotta/terracotta | | | |
| | 997 555 202 29 FSG | Cocoa/Cocoa | | | |
| | 997 555 202 29 FSH | Darkgrey natural/grey | | | |
| | 997 555 202 29 FSJ | Brown nat./brown nat. | | | |
| | 997 555 202 29 BCD | Black/stone grey | | | |
| | 997 555 202 29 BCE | Black/sand beige | | | |
| | 997 555 202 29 BCF | Black/terracotta | | | |
| | 997 555 202 29 FSP | Carrera Red | | | |
| | D | MJ 2008>> | | | |
| (1) | 997 555 202 05 | Door panel trim (leather) | right rhd | 1 | TURBO/COUPE PR:099,490, 981 |
| | 997 555 202 05 FSA | black/grey | | | |
| | 997 555 202 05 FSB | Stone grey/stone grey | | | |
| | 997 555 202 05 FSC | Sand beige/sand beige | | | |
| | 997 555 202 05 FSD | Sea blue/grey | | | |
| | 997 555 202 05 FSE | Palmgreen/palmgreen | | | |
| | D | >> - MJ 2007 | | | |
| | 997 555 202 05 FSF | Terracotta/terracotta | | | |
| | 997 555 202 05 FSG | Cocoa/Cocoa | | | |
| | 997 555 202 05 FSH | Darkgrey natural/grey | | | |
| | 997 555 202 05 FSJ | Brown nat./brown nat. | | | |
| | 997 555 202 05 BCD | Black/stone grey | | | |
| | 997 555 202 05 BCE | Black/sand beige | | | |
| | 997 555 202 05 BCF | Black/terracotta | | | |
| | 997 555 202 05 FSP | Carrera Red | | | |
| | D | MJ 2008>> | | | |
| (1) | 997 555 202 07 | Door panel trim (leather) | right rhd | 1 | TURBO/COUPE PR:490,538, 981,099 |
| | 997 555 202 07 FSA | black/grey | | | |
| | 997 555 202 07 FSB | Stone grey/stone grey | | | |
| | 997 555 202 07 FSC | Sand beige/sand beige | | | |
| | 997 555 202 07 FSD | Sea blue/grey | | | |
| | 997 555 202 07 FSE | Palmgreen/palmgreen | | | |
| | D | >> - MJ 2007 | | | |
| | 997 555 202 07 FSF | Terracotta/terracotta | | | |
| | 997 555 202 07 FSG | Cocoa/Cocoa | | | |
| | 997 555 202 07 FSH | Darkgrey natural/grey | | | |
| | 997 555 202 07 FSJ | Brown nat./brown nat. | | | |
| | 997 555 202 07 BCD | Black/stone grey | | | |
| | 997 555 202 07 BCE | Black/sand beige | | | |
| | 997 555 202 07 BCF | Black/terracotta | | | |
| | 997 555 202 07 FSP | Carrera Red | | | |
| | D | MJ 2008>> | | | |
| (1) | 997 555 202 09 | Door panel trim (leather) | right rhd | 1 | TURBO/COUPE PR:099,680, 981 |
| | 997 555 202 09 FSA | black/grey | | | |
| | 997 555 202 09 FSB | Stone grey/stone grey | | | |
| | 997 555 202 09 FSC | Sand beige/sand beige | | | |
| | 997 555 202 09 FSD | Sea blue/grey | | | |
| | 997 555 202 09 FSE | Palmgreen/palmgreen | | | |
| | D | >> - MJ 2007 | | | |

Model: 997T07 Model life 2007>>2009

| Pos | Part Number | Description | Remark | Qty | Model |
|-----|--------------------|---------------------------|-----------|-----|---------------------------------------|
| | 997 555 202 09 FSF | Terracotta/terracotta | | | |
| | 997 555 202 09 FSG | Cocoa/Cocoa | | | |
| | 997 555 202 09 FSH | Darkgrey natural/grey | | | |
| | 997 555 202 09 FSJ | Brown nat./brown nat. | | | |
| | 997 555 202 09 BCD | Black/stone grey | | | |
| | 997 555 202 09 BCE | Black/sand beige | | | |
| | 997 555 202 09 BCF | Black/terracotta | | | |
| | 997 555 202 09 FSP | Carrera Red | | | |
| | | D - MJ 2008>> | | | |
| (1) | 997 555 202 11 | Door panel trim (leather) | right rhd | 1 | TURBO/COUPE PR:538,680, 981,099 |
| | 997 555 202 11 FSA | black/grey | | | |
| | 997 555 202 11 FSB | Stone grey/stone grey | | | |
| | 997 555 202 11 FSC | Sand beige/sand beige | | | |
| | 997 555 202 11 FSD | Sea blue/grey | | | |
| | 997 555 202 11 FSE | Palmgreen/palmgreen | | | |
| | | D >> - MJ 2007 | | | |
| | 997 555 202 11 FSF | Terracotta/terracotta | | | |
| | 997 555 202 11 FSG | Cocoa/Cocoa | | | |
| | 997 555 202 11 FSH | Darkgrey natural/grey | | | |
| | 997 555 202 11 FSJ | Brown nat./brown nat. | | | |
| | 997 555 202 11 BCD | Black/stone grey | | | |
| | 997 555 202 11 BCE | Black/sand beige | | | |
| | 997 555 202 11 BCF | Black/terracotta | | | |
| | 997 555 202 11 FSP | Carrera Red | | | |
| | | D - MJ 2008>> | | | |
| (1) | 997 555 202 17 | Door panel trim (leather) | right rhd | 1 | CABRIO PR:099,490, 981 |
| | 997 555 202 17 FSA | black/grey | | | |
| | 997 555 202 17 FSB | Stone grey/stone grey | | | |
| | 997 555 202 17 FSC | Sand beige/sand beige | | | |
| | 997 555 202 17 FSD | Sea blue/grey | | | |
| | 997 555 202 17 FSE | Palmgreen/palmgreen | | | |
| | | D >> - MJ 2007 | | | |
| | 997 555 202 17 FSF | Terracotta/terracotta | | | |
| | 997 555 202 17 FSG | Cocoa/Cocoa | | | |
| | 997 555 202 17 FSH | Darkgrey natural/grey | | | |
| | 997 555 202 17 FSJ | Brown nat./brown nat. | | | |
| | 997 555 202 17 BCD | Black/stone grey | | | |
| | 997 555 202 17 BCE | Black/sand beige | | | |
| | 997 555 202 17 BCF | Black/terracotta | | | |
| | 997 555 202 17 FSP | Carrera Red | | | |
| | | D - MJ 2008>> | | | |
| (1) | 997 555 202 19 | Door panel trim (leather) | right rhd | 1 | CABRIO PR:490,538, 981,099 |
| | 997 555 202 19 FSA | black/grey | | | |
| | 997 555 202 19 FSB | Stone grey/stone grey | | | |
| | 997 555 202 19 FSC | Sand beige/sand beige | | | |
| | 997 555 202 19 FSD | Sea blue/grey | | | |
| | 997 555 202 19 FSE | Palmgreen/palmgreen | | | |
| | | D >> - MJ 2007 | | | |
| | 997 555 202 19 FSF | Terracotta/terracotta | | | |
| | 997 555 202 19 FSG | Cocoa/Cocoa | | | |
| | 997 555 202 19 FSH | Darkgrey natural/grey | | | |
| | 997 555 202 19 FSJ | Brown nat./brown nat. | | | |
| | 997 555 202 19 BCD | Black/stone grey | | | |
| | 997 555 202 19 BCE | Black/sand beige | | | |
| | 997 555 202 19 BCF | Black/terracotta | | | |
| | 997 555 202 19 FSP | Carrera Red | | | |
| | | D - MJ 2008>> | | | |

Model: 997T07 Model life 2007>>2009

| Pos | Part Number | Description | Remark | Qty | Model |
|-----|--------------------|---------------------------|-----------|-----|-----------------------------------|
| (1) | 997 555 202 21 | Door panel trim (leather) | right rhd | 1 | CABRIO PR:099,680, 981 |
| | 997 555 202 21 FSA | black/grey | | | |
| | 997 555 202 21 FSB | Stone grey/stone grey | | | |
| | 997 555 202 21 FSC | Sand beige/sand beige | | | |
| | 997 555 202 21 FSD | Sea blue/grey | | | |
| | 997 555 202 21 FSE | Palmgreen/palmgreen | | | |
| | D | >> - MJ 2007 | | | |
| | 997 555 202 21 FSF | Terracotta/terracotta | | | |
| | 997 555 202 21 FSG | Cocoa/Cocoa | | | |
| | 997 555 202 21 FSH | Darkgrey natural/grey | | | |
| | 997 555 202 21 FSJ | Brown nat./brown nat. | | | |
| | 997 555 202 21 BCD | Black/stone grey | | | |
| | 997 555 202 21 BCE | Black/sand beige | | | |
| | 997 555 202 21 BCF | Black/terracotta | | | |
| | 997 555 202 21 FSP | Carrera Red | | | |
| | D | - MJ 2008>> | | | |
| (1) | 997 555 202 23 | Door panel trim (leather) | right rhd | 1 | CABRIO PR:538,680, 981,099 |
| | 997 555 202 23 FSA | black/grey | | | |
| | 997 555 202 23 FSB | Stone grey/stone grey | | | |
| | 997 555 202 23 FSC | Sand beige/sand beige | | | |
| | 997 555 202 23 FSD | Sea blue/grey | | | |
| | 997 555 202 23 FSE | Palmgreen/palmgreen | | | |
| | D | >> - MJ 2007 | | | |
| | 997 555 202 23 FSF | Terracotta/terracotta | | | |
| | 997 555 202 23 FSG | Cocoa/Cocoa | | | |
| | 997 555 202 23 FSH | Darkgrey natural/grey | | | |
| | 997 555 202 23 FSJ | Brown nat./brown nat. | | | |
| | 997 555 202 23 BCD | Black/stone grey | | | |
| | 997 555 202 23 BCE | Black/sand beige | | | |
| | 997 555 202 23 BCF | Black/terracotta | | | |
| | 997 555 202 23 FSP | Carrera Red | | | |
| | D | - MJ 2008>> | | | |
| (1) | 997 555 201 27 | Door panel trim (leather) | left rhd | 1 | TURBO/COUPE PR:099,490, 981 |
| | 997 555 201 27 FSA | black/grey | | | |
| | 997 555 201 27 FSB | Stone grey/stone grey | | | |
| | 997 555 201 27 FSC | Sand beige/sand beige | | | |
| | 997 555 201 27 FSD | Sea blue/grey | | | |
| | 997 555 201 27 FSE | Palmgreen/palmgreen | | | |
| | D | >> - MJ 2007 | | | |
| | 997 555 201 27 FSF | Terracotta/terracotta | | | |
| | 997 555 201 27 FSG | Cocoa/Cocoa | | | |
| | 997 555 201 27 FSH | Darkgrey natural/grey | | | |
| | 997 555 201 27 FSJ | Brown nat./brown nat. | | | |
| | 997 555 201 27 BCD | Black/stone grey | | | |
| | 997 555 201 27 BCE | Black/sand beige | | | |
| | 997 555 201 27 BCF | Black/terracotta | | | |
| | 997 555 201 27 FSP | Carrera Red | | | |
| | D | - MJ 2008>> | | | |
| (1) | 997 555 201 27 | Door panel trim (leather) | left rhd | 1 | CABRIO PR:099,490, 981 |
| | 997 555 201 27 FSA | black/grey | | | |
| | 997 555 201 27 FSB | Stone grey/stone grey | | | |
| | 997 555 201 27 FSC | Sand beige/sand beige | | | |
| | 997 555 201 27 FSD | Sea blue/grey | | | |
| | 997 555 201 27 FSE | Palmgreen/palmgreen | | | |
| | D | >> - MJ 2007 | | | |

Model: 997T07 Model life 2007>>2009

| Pos | Part Number | Description | Remark | Qty | Model |
|-----|--------------------|----------------------------------|-----------|-----|-----------------------------------|
| | 997 555 201 27 FSF | Terracotta/terracotta | | | |
| | 997 555 201 27 FSG | Cocoa/Cocoa | | | |
| | 997 555 201 27 FSH | Darkgrey natural/grey | | | |
| | 997 555 201 27 FSJ | Brown nat./brown nat. | | | |
| | 997 555 201 27 BCD | Black/stone grey | | | |
| | 997 555 201 27 BCE | Black/sand beige | | | |
| | 997 555 201 27 BCF | Black/terracotta | | | |
| | 997 555 201 27 FSP | Carrera Red | | | |
| | | D - MJ 2008>> | | | |
| (1) | 997 555 201 29 | Door panel trim (leather) | left rhd | 1 | TURBO/COUPE PR:099,680, 981 |
| | 997 555 201 29 FSA | black/grey | | | |
| | 997 555 201 29 FSB | Stone grey/stone grey | | | |
| | 997 555 201 29 FSC | Sand beige/sand beige | | | |
| | 997 555 201 29 FSD | Sea blue/grey | | | |
| | 997 555 201 29 FSE | Palmgreen/palmgreen | | | |
| | | D >> - MJ 2007 | | | |
| | 997 555 201 29 FSF | Terracotta/terracotta | | | |
| | 997 555 201 29 FSG | Cocoa/Cocoa | | | |
| | 997 555 201 29 FSH | Darkgrey natural/grey | | | |
| | 997 555 201 29 FSJ | Brown nat./brown nat. | | | |
| | 997 555 201 29 BCD | Black/stone grey | | | |
| | 997 555 201 29 BCE | Black/sand beige | | | |
| | 997 555 201 29 BCF | Black/terracotta | | | |
| | 997 555 201 29 FSP | Carrera Red | | | |
| | | D - MJ 2008>> | | | |
| (1) | 997 555 201 29 | Door panel trim (leather) | left rhd | 1 | CABRIO PR:099,680, 981 |
| | 997 555 201 29 FSA | black/grey | | | |
| | 997 555 201 29 FSB | Stone grey/stone grey | | | |
| | 997 555 201 29 FSC | Sand beige/sand beige | | | |
| | 997 555 201 29 FSD | Sea blue/grey | | | |
| | 997 555 201 29 FSE | Palmgreen/palmgreen | | | |
| | | D >> - MJ 2007 | | | |
| | 997 555 201 29 FSF | Terracotta/terracotta | | | |
| | 997 555 201 29 FSG | Cocoa/Cocoa | | | |
| | 997 555 201 29 FSH | Darkgrey natural/grey | | | |
| | 997 555 201 29 FSJ | Brown nat./brown nat. | | | |
| | 997 555 201 29 BCD | Black/stone grey | | | |
| | 997 555 201 29 BCE | Black/sand beige | | | |
| | 997 555 201 29 BCF | Black/terracotta | | | |
| | 997 555 201 29 FSP | Carrera Red | | | |
| | | D - MJ 2008>> | | | |
| (1) | 997 555 201 50 | Door trim (Alcantara) Leather | left lhd | 1 | GT2 PR:098,981 |
| | | D - MJ 2008>> | | | |
| | 997 555 201 50 FSM | black/black | | | |
| | 997 555 201 50 FSN | Dark grey natural/black | | | |
| (1) | 997 555 201 74 | Door trim (Alcantara) Leather | left lhd | 1 | GT2 PR:537,981, 098 |
| | | D - MJ 2008>> | | | |
| | 997 555 201 74 FSM | black/black | | | |
| | 997 555 201 74 FSN | Dark grey natural/black | | | |
| (1) | 997 555 202 52 | Door trim (Alcantara) Leather | right lhd | 1 | GT2 PR:098,981 |
| | | D - MJ 2008>> | | | |
| | 997 555 202 52 FSM | black/black | | | |
| | 997 555 202 52 FSN | Dark grey natural/black | | | |
| (1) | 997 555 202 50 | Door trim (Alcantara) Leather | right rhd | 1 | GT2 PR:099,981 |

Model: 997T07

Model life 2007>>2009

| Pos | Part Number | Description | Remark | Qty | Model |
|--------------------|--------------------|--|-------------------------------------|------|---------------------------|
| (1) | 997 555 202 50 FSM | D - MJ 2008>> black/black | | | |
| | 997 555 202 50 FSN | Dark grey natural/black | | | |
| | 997 555 202 74 | Door trim (Alcantara) Leather | right rhd | 1 | GT2 PR:538,981, 099 |
| (1) | 997 555 202 74 FSM | D - MJ 2008>> black/black | | | |
| | 997 555 202 74 FSN | Dark grey natural/black | | | |
| | 997 555 201 52 | Door trim (Alcantara) Leather | left rhd | 1 | GT2 PR:099,981 |
| 2 | 997 555 201 52 FSM | D - MJ 2008>> black/black | | | |
| | 997 555 201 52 FSN | Dark grey natural/black | | | |
| 2 | 999 507 533 02 | Clamp 8,0X 10/2,5 | | 2 | |
| | 3 | 955 555 243 00 | Retaining clip for door panel | 9 | |
| 4 | 999 073 322 02 | fillister hd. bolt M 6 X 20 for Mount door panel | | 5 | |
| | 5 | 997 555 221 01 | Cover Stowage compartment | left | 1 |
| 997 555 221 01 FSA | | black/grey | | | |
| 997 555 221 01 FSB | | Stone grey/stone grey | | | |
| 997 555 221 01 FSC | | Sand beige/sand beige | | | |
| 997 555 221 01 FSD | | Sea blue/grey | | | |
| 997 555 221 01 FSE | | Palmgreen/palmgreen | | | |
| 997 555 221 01 FSF | | D >> - MJ 2007 Terracotta/terracotta | | | |
| 997 555 221 01 FSG | | Cocoa/Cocoa | | | |
| 997 555 221 01 FSH | | Darkgrey natural/grey | | | |
| 997 555 221 01 FSJ | | Brown nat./brown nat. | | | |
| 997 555 221 01 FSP | | Carrera Red | | | |
| (5) | 997 555 222 01 | D - MJ 2008>> Cover Stowage compartment | right | 1 | TURBO |
| | 997 555 222 01 FSA | black/grey | | | |
| | 997 555 222 01 FSB | Stone grey/stone grey | | | |
| | 997 555 222 01 FSC | Sand beige/sand beige | | | |
| | 997 555 222 01 FSD | Sea blue/grey | | | |
| | 997 555 222 01 FSE | Palmgreen/palmgreen | | | |
| | 997 555 222 01 FSF | D >> - MJ 2007 Terracotta/terracotta | | | |
| | 997 555 222 01 FSG | Cocoa/Cocoa | | | |
| | 997 555 222 01 FSH | Darkgrey natural/grey | | | |
| | 997 555 222 01 FSJ | Brown nat./brown nat. | | | |
| | 997 555 222 01 FSP | Carrera Red | | | |
| (5) | 997 555 221 02 | D - MJ 2008>> Cover Stowage compartment | left | 1 | GT2 PR:981 |
| | 997 555 221 02 FSO | D - MJ 2008>> Black | | | |
| | 997 555 222 02 | Cover Stowage compartment | right | 1 | GT2 PR:981 |
| (5) | 997 555 222 02 FSO | D - MJ 2008>> Black | | | |
| | 997 555 989 00 | Cover for stowage compartment Carbon | left | 1 | TURBO PR:XTL |

Model: 997T07 Model life 2007>>2009

| Pos | Part Number | Description | Remark | Qty | Model |
|-----|--------------------------------------|---|--------|-----|-----------------|
| (5) | 997 555 989 00 A35 997 555 990 00 | Black Cover for stowage compartment | right | 1 | TURBO PR:XTL |
| (5) | 997 555 990 00 A35 997 555 989 01 | Carbon Black Cover for stowage compartment | left | 1 | TURBO PR:XTU |
| (5) | 997 555 989 01 S62 997 555 990 01 | D >> - MJ 2008 Sycamore wood Cover for stowage compartment | right | 1 | TURBO PR:XTU |
| (5) | 997 555 990 01 S62 997 555 989 02 | D >> - MJ 2008 Sycamore wood Cover for stowage compartment | left | 1 | TURBO PR:XTT |
| (5) | 997 555 989 02 S61 997 555 990 02 | macassar Cover for stowage compartment | right | 1 | TURBO PR:XTT |
| (5) | 997 555 990 02 S61 997 555 989 03 | macassar Cover for stowage compartment | left | 1 | TURBO PR:XTW |
| (5) | 997 555 989 03 V04 997 555 990 03 | Galvano silver Cover for stowage compartment | right | 1 | TURBO PR:XTW |
| 6 | 997 555 990 03 V04 997 555 833 00 | Galvano silver Leg spring for Cover Stowage compartment | left | 1 | |
| (6) | 997 555 834 00 | Leg spring for Cover Stowage compartment | right | 1 | |
| 7 | 997 555 841 00 | Damper Stowage compartment | | 1 | |
| (8) | 997 555 261 01 | Pull handle (leather) Lower part | left | 1 | TURBO |
| | 997 555 261 01 A11 | Black | | | |
| | 997 555 261 01 5X6 | Stone grey | | | |
| | 997 555 261 01 8G2 | Sand beige | | | |
| | 997 555 261 01 3S9 | sea blue | | | |
| | 997 555 261 01 4P2 | Palm green | | | |
| | D >> - MJ 2007 | | | | |
| | 997 555 261 01 9S5 | Terracotta | | | |
| | 997 555 261 01 9V6 | Cocoa | | | |
| | 997 555 261 01 D12 | Dark grey/natural | | | |
| | 997 555 261 01 T12 | Brown/natural | | | |
| | 997 555 261 01 N12 | Carrera Red | | | |
| (8) | 997 555 262 01 | D - MJ 2008>> Pull handle (leather) Lower part | right | 1 | TURBO |
| | 997 555 262 01 A11 | Black | | | |
| | 997 555 262 01 5X6 | Stone grey | | | |
| | 997 555 262 01 8G2 | Sand beige | | | |
| | 997 555 262 01 3S9 | sea blue | | | |
| | 997 555 262 01 4P2 | Palm green | | | |
| | D >> - MJ 2007 | | | | |
| | 997 555 262 01 9S5 | Terracotta | | | |
| | 997 555 262 01 9V6 | Cocoa | | | |
| | 997 555 262 01 D12 | Dark grey/natural | | | |
| | 997 555 262 01 T12 | Brown/natural | | | |
| | 997 555 262 01 N12 | Carrera Red | | | |
| | D - MJ 2008>> | | | | |

Model: 997T07 Model life 2007>>2009

| Pos | Part Number | Description | Remark | Qty | Model |
|------|--------------------------------------|---|--------|-----|-----------------------------|
| (8) | 997 555 261 02 | Pull handle Lower part D - MJ 2008>> | left | 1 | GT2 PR:981 |
| (8) | 997 555 261 02 A14 997 555 262 02 | Black Pull handle Lower part D - MJ 2008>> | right | 1 | GT2 PR:981 |
| 9 | 997 555 262 02 A14 999 919 229 02 | Black fillister hd. bolt 6,0 X 40,0 for Mount | | 2 | |
| 10 | 997 555 381 02 | Pull handle Axle bearing Valid up to: F >> 99-9S760 796 F >> 99-9S770 543 | left | 1 | Turbo/Coupe Turbo/Cabrio |
| (10) | 997 555 382 02 | Axle bearing Valid up to: F >> 99-9S760 796 F >> 99-9S770 543 | right | 1 | Turbo/Coupe Turbo/Cabrio |
| (10) | 997 555 381 03 | Axle bearing Valid from: F 99-9S760 797>> F 99-9S770 544>> | left | 1 | Turbo/Coupe Turbo/Cabrio |
| (10) | 997 555 382 03 | Axle bearing Valid from: F 99-9S760 797>> F 99-9S770 544>> | right | 1 | Turbo/Coupe Turbo/Cabrio |
| 11 | 999 919 164 09 | fillister hd. bolt 5 X 12 for Mount | | 3 | |
| 12 | 997 555 461 01 | Axle bearing lever Inner actuator | left | 1 | |
| (12) | 997 555 461 01 V05 997 555 462 01 | Galvano silver lever Inner actuator | right | 1 | |
| 13 | 997 555 462 01 V05 999 919 164 09 | Galvano silver fillister hd. bolt 5 X 12 for Mount | | 1 | |
| 14 | 997 555 683 00 | lever Inner actuator Cover cap Airbag | left | 1 | |
| | 997 555 683 00 A03 | Black | | | |
| | 997 555 683 00 5V7 | Stone grey | | | |
| | 997 555 683 00 5Z1 | Sand beige | | | |
| | 997 555 683 00 8W7 | sea blue | | | |
| | 997 555 683 00 5Y2 | Palm green D >> - MJ 2007 | | | |
| | 997 555 683 00 8X8 | Terracotta | | | |
| | 997 555 683 00 8P9 | Cocoa | | | |
| | 997 555 683 00 T13 | Brown/natural | | | |
| | 997 555 683 00 N23 | Carrera Red D - MJ 2008>> | | | |
| (14) | 997 555 684 00 | Cover cap Airbag | right | 1 | |
| | 997 555 684 00 A03 | Black | | | |
| | 997 555 684 00 5V7 | Stone grey | | | |

Model: 997T07 Model life 2007>>2009

| Pos | Part Number | Description | Remark | Qty | Model |
|------|--------------------|------------------------------|-------------|-----|-------|
| | 997 555 684 00 5Z1 | Sand beige | | | |
| | 997 555 684 00 8W7 | sea blue | | | |
| | 997 555 684 00 5Y2 | Palm green | | | |
| | | D >> - MJ 2007 | | | |
| | 997 555 684 00 8X8 | Terracotta | | | |
| | 997 555 684 00 8P9 | Cocoa | | | |
| | 997 555 684 00 T13 | Brown/natural | | | |
| | 997 555 684 00 N23 | Carrera Red | | | |
| | | D - MJ 2008>> | | | |
| 15 | 997 555 643 01 | Trim | left front | 1 | |
| | | Lacquered | | | |
| | 997 555 643 01 A03 | Black | | | |
| | 997 555 643 01 5V7 | Stone grey | | | |
| | 997 555 643 01 5Z1 | Sand beige | | | |
| | 997 555 643 01 8W7 | sea blue | | | |
| | 997 555 643 01 5Y2 | Palm green | | | |
| | | D >> - MJ 2007 | | | |
| | 997 555 643 01 8X8 | Terracotta | | | |
| | 997 555 643 01 8P9 | Cocoa | | | |
| | 997 555 643 01 T13 | Brown/natural | | | |
| | 997 555 643 01 N23 | Carrera Red | | | |
| | | D - MJ 2008>> | | | |
| (15) | 997 555 644 01 | Trim | right front | 1 | |
| | | Lacquered | | | |
| | 997 555 644 01 A03 | Black | | | |
| | 997 555 644 01 5V7 | Stone grey | | | |
| | 997 555 644 01 5Z1 | Sand beige | | | |
| | 997 555 644 01 8W7 | sea blue | | | |
| | 997 555 644 01 5Y2 | Palm green | | | |
| | | D >> - MJ 2007 | | | |
| | 997 555 644 01 8X8 | Terracotta | | | |
| | 997 555 644 01 8P9 | Cocoa | | | |
| | 997 555 644 01 T13 | Brown/natural | | | |
| | 997 555 644 01 N23 | Carrera Red | | | |
| | | D - MJ 2008>> | | | |
| 16 | 997 555 431 01 | Leather panel Door handle | left | 1 | TURBO |
| | 997 555 431 01 FSA | black/grey | | | |
| | 997 555 431 01 FSB | Stone grey/stone grey | | | |
| | 997 555 431 01 FSC | Sand beige/sand beige | | | |
| | 997 555 431 01 FSD | Sea blue/grey | | | |
| | 997 555 431 01 FSE | Palmgreen/palmgreen | | | |
| | | D >> - MJ 2007 | | | |
| | 997 555 431 01 FSF | Terracotta/terracotta | | | |
| | 997 555 431 01 FSG | Cocoa/Cocoa | | | |
| | 997 555 431 01 FSH | Darkgrey natural/grey | | | |
| | 997 555 431 01 FSJ | Brown nat./brown nat. | | | |
| | 997 555 431 01 FSP | Carrera Red | | | |
| | | D - MJ 2008>> | | | |
| (16) | 997 555 432 01 | Leather panel Door handle | right | 1 | TURBO |
| | 997 555 432 01 FSA | black/grey | | | |
| | 997 555 432 01 FSB | Stone grey/stone grey | | | |
| | 997 555 432 01 FSC | Sand beige/sand beige | | | |
| | 997 555 432 01 FSD | Sea blue/grey | | | |
| | 997 555 432 01 FSE | Palmgreen/palmgreen | | | |
| | | D >> - MJ 2007 | | | |
| | 997 555 432 01 FSF | Terracotta/terracotta | | | |
| | 997 555 432 01 FSG | Cocoa/Cocoa | | | |
| | 997 555 432 01 FSH | Darkgrey natural/grey | | | |
| | 997 555 432 01 FSJ | Brown nat./brown nat. | | | |

Model: 997T07 Model life 2007>>2009

| Pos | Part Number | Description | Remark | Qty | Model |
|------|--------------------|--|--------|-----|-----------------|
| (16) | 997 555 432 01 FSP | Carrera Red D - MJ 2008>> | | | |
| (16) | 997 555 431 03 | Trim Door handle D - MJ 2008>> | left | 1 | GT2 PR:981 |
| (16) | 997 555 431 03 FSO | Black | | | |
| (16) | 997 555 432 03 | Trim Door handle D - MJ 2008>> | right | 1 | GT2 PR:981 |
| (16) | 997 555 432 03 FSO | Black | | | |
| (16) | 997 555 991 00 | Trim Door handle Carbon | left | 1 | TURBO PR:XTL |
| | 997 555 991 00 A11 | Black | | | |
| | 997 555 991 00 5X6 | Stone grey | | | |
| | 997 555 991 00 8G2 | Sand beige | | | |
| | 997 555 991 00 3S9 | sea blue | | | |
| | 997 555 991 00 4P2 | Palm green D >> - MJ 2007 | | | |
| | 997 555 991 00 9S5 | Terracotta | | | |
| | 997 555 991 00 9V6 | Cocoa | | | |
| | 997 555 991 00 D12 | Dark grey/natural | | | |
| | 997 555 991 00 T12 | Brown/natural | | | |
| | 997 555 991 00 N12 | Carrera Red D - MJ 2008>> | | | |
| (16) | 997 555 992 00 | Trim Door handle Carbon | right | 1 | TURBO PR:XTL |
| | 997 555 992 00 A11 | Black | | | |
| | 997 555 992 00 5X6 | Stone grey | | | |
| | 997 555 992 00 8G2 | Sand beige | | | |
| | 997 555 992 00 3S9 | sea blue | | | |
| | 997 555 992 00 4P2 | Palm green D >> - MJ 2007 | | | |
| | 997 555 992 00 9S5 | Terracotta | | | |
| | 997 555 992 00 9V6 | Cocoa | | | |
| | 997 555 992 00 D12 | Dark grey/natural | | | |
| | 997 555 992 00 T12 | Brown/natural | | | |
| | 997 555 992 00 N12 | Carrera Red D - MJ 2008>> | | | |
| (16) | 997 555 991 01 | Trim Door handle Sycamore wood D >> - MJ 2008 | left | 1 | TURBO PR:XTU |
| | 997 555 991 01 A11 | Black | | | |
| | 997 555 991 01 5X6 | Stone grey | | | |
| | 997 555 991 01 8G2 | Sand beige | | | |
| | 997 555 991 01 3S9 | sea blue | | | |
| | 997 555 991 01 4P2 | Palm green D >> - MJ 2007 | | | |
| | 997 555 991 01 9S5 | Terracotta | | | |
| | 997 555 991 01 9V6 | Cocoa | | | |
| | 997 555 991 01 D12 | Dark grey/natural | | | |
| | 997 555 991 01 T12 | Brown/natural | | | |
| | 997 555 991 01 N12 | Carrera Red D - MJ 2008>> | | | |
| (16) | 997 555 992 01 | Trim Door handle Sycamore wood D >> - MJ 2008 | right | 1 | TURBO PR:XTU |
| | 997 555 992 01 A11 | Black | | | |
| | 997 555 992 01 5X6 | Stone grey | | | |
| | 997 555 992 01 8G2 | Sand beige | | | |

Model: 997T07 Model life 2007>>2009

| Pos | Part Number | Description | Remark | Qty | Model |
|------|--------------------|-------------------|--------|-----|-----------------|
| | 997 555 992 01 3S9 | sea blue | | | |
| | 997 555 992 01 4P2 | Palm green | | | |
| | | D >> - MJ 2007 | | | |
| | 997 555 992 01 9S5 | Terracotta | | | |
| | 997 555 992 01 9V6 | Cocoa | | | |
| | 997 555 992 01 D12 | Dark grey/natural | | | |
| | 997 555 992 01 T12 | Brown/natural | | | |
| | 997 555 992 01 N12 | Carrera Red | | | |
| | | D - MJ 2008>> | | | |
| (16) | 997 555 991 02 | Trim | left | 1 | TURBO PR:XTT |
| | | Door handle | | | |
| | | macassar | | | |
| | 997 555 991 02 A11 | Black | | | |
| | 997 555 991 02 5X6 | Stone grey | | | |
| | 997 555 991 02 8G2 | Sand beige | | | |
| | 997 555 991 02 3S9 | sea blue | | | |
| | 997 555 991 02 4P2 | Palm green | | | |
| | | D >> - MJ 2007 | | | |
| | 997 555 991 02 9S5 | Terracotta | | | |
| | 997 555 991 02 9V6 | Cocoa | | | |
| | 997 555 991 02 D12 | Dark grey/natural | | | |
| | 997 555 991 02 T12 | Brown/natural | | | |
| | 997 555 991 02 N12 | Carrera Red | | | |
| | | D - MJ 2008>> | | | |
| (16) | 997 555 992 02 | Trim | right | 1 | TURBO PR:XTT |
| | | Door handle | | | |
| | | macassar | | | |
| | 997 555 992 02 A11 | Black | | | |
| | 997 555 992 02 5X6 | Stone grey | | | |
| | 997 555 992 02 8G2 | Sand beige | | | |
| | 997 555 992 02 3S9 | sea blue | | | |
| | 997 555 992 02 4P2 | Palm green | | | |
| | | D >> - MJ 2007 | | | |
| | 997 555 992 02 9S5 | Terracotta | | | |
| | 997 555 992 02 9V6 | Cocoa | | | |
| | 997 555 992 02 D12 | Dark grey/natural | | | |
| | 997 555 992 02 T12 | Brown/natural | | | |
| | 997 555 992 02 N12 | Carrera Red | | | |
| | | D - MJ 2008>> | | | |
| (16) | 997 555 991 03 | Trim | left | 1 | TURBO PR:XTW |
| | | Door handle | | | |
| | | Aluminium look | | | |
| | 997 555 991 03 A11 | Black | | | |
| | 997 555 991 03 5X6 | Stone grey | | | |
| | 997 555 991 03 8G2 | Sand beige | | | |
| | 997 555 991 03 3S9 | sea blue | | | |
| | 997 555 991 03 4P2 | Palm green | | | |
| | | D >> - MJ 2007 | | | |
| | 997 555 991 03 9S5 | Terracotta | | | |
| | 997 555 991 03 9V6 | Cocoa | | | |
| | 997 555 991 03 D12 | Dark grey/natural | | | |
| | 997 555 991 03 T12 | Brown/natural | | | |
| | 997 555 991 03 N12 | Carrera Red | | | |
| | | D - MJ 2008>> | | | |
| (16) | 997 555 992 03 | Trim | right | 1 | TURBO PR:XTW |
| | | Door handle | | | |
| | | Aluminium look | | | |
| | 997 555 992 03 A11 | Black | | | |
| | 997 555 992 03 5X6 | Stone grey | | | |
| | 997 555 992 03 8G2 | Sand beige | | | |
| | 997 555 992 03 3S9 | sea blue | | | |
| | 997 555 992 03 4P2 | Palm green | | | |
| | | D >> - MJ 2007 | | | |

Model: 997T07 Model life 2007>>2009

| Pos | Part Number | Description | Remark | Qty | Model |
|------|--------------------|-------------------------------------|-----------|-----|--------|
| | 997 555 992 03 9S5 | Terracotta | | | |
| | 997 555 992 03 9V6 | Cocoa | | | |
| | 997 555 992 03 D12 | Dark grey/natural | | | |
| | 997 555 992 03 T12 | Brown/natural | | | |
| | 997 555 992 03 N12 | Carrera Red | | | |
| | | D - MJ 2008>> | | | |
| 17 | 999 591 380 01 | Cable fastener | | 4 | |
| 18 | 997 555 685 02 | Cover | left lhd | 1 | PR:098 |
| | | Exterior mirror (drivers side) | | | |
| | | Lacquered | | | |
| | 997 555 685 02 A03 | Black | | | |
| | 997 555 685 02 5V7 | Stone grey | | | |
| | 997 555 685 02 5Z1 | Sand beige | | | |
| | 997 555 685 02 8W7 | sea blue | | | |
| | 997 555 685 02 5Y2 | Palm green | | | |
| | | D >> - MJ 2007 | | | |
| | 997 555 685 02 8X8 | Terracotta | | | |
| | 997 555 685 02 8P9 | Cocoa | | | |
| | 997 555 685 02 T13 | Brown/natural | | | |
| | 997 555 685 02 N23 | Carrera Red | | | |
| | | D - MJ 2008>> | | | |
| (18) | 997 555 686 03 | Cover | right rhd | 1 | PR:099 |
| | | Exterior mirror (drivers side) | | | |
| | | Lacquered | | | |
| | 997 555 686 03 A03 | Black | | | |
| | 997 555 686 03 5V7 | Stone grey | | | |
| | 997 555 686 03 5Z1 | Sand beige | | | |
| | 997 555 686 03 8W7 | sea blue | | | |
| | 997 555 686 03 5Y2 | Palm green | | | |
| | | D >> - MJ 2007 | | | |
| | 997 555 686 03 8X8 | Terracotta | | | |
| | 997 555 686 03 8P9 | Cocoa | | | |
| | 997 555 686 03 T13 | Brown/natural | | | |
| | 997 555 686 03 N23 | Carrera Red | | | |
| | | D - MJ 2008>> | | | |
| (18) | 997 555 686 02 | Cover | right lhd | 1 | PR:098 |
| | | Exterior mirror (passenger side) | | | |
| | | Lacquered | | | |
| | 997 555 686 02 A03 | Black | | | |
| | 997 555 686 02 5V7 | Stone grey | | | |
| | 997 555 686 02 5Z1 | Sand beige | | | |
| | 997 555 686 02 8W7 | sea blue | | | |
| | 997 555 686 02 5Y2 | Palm green | | | |
| | 997 555 686 02 8X8 | Terracotta | | | |
| | 997 555 686 02 8P9 | Cocoa | | | |
| | 997 555 686 02 T13 | Brown/natural | | | |
| | 997 555 686 02 N23 | Carrera Red | | | |
| (18) | 997 555 685 03 | Cover | left rhd | 1 | PR:099 |
| | | Exterior mirror (passenger side) | | | |
| | | Lacquered | | | |
| | 997 555 685 03 A03 | Black | | | |
| | 997 555 685 03 5V7 | Stone grey | | | |
| | 997 555 685 03 5Z1 | Sand beige | | | |
| | 997 555 685 03 8W7 | sea blue | | | |
| | 997 555 685 03 5Y2 | Palm green | | | |
| | 997 555 685 03 8X8 | Terracotta | | | |
| | 997 555 685 03 8P9 | Cocoa | | | |
| | 997 555 685 03 T13 | Brown/natural | | | |
| | 997 555 685 03 N23 | Carrera Red | | | |

Model: 997T07 Model life 2007>>2009

| Pos | Part Number | Description | Remark | Qty | Model |
|------|--------------------|---|--------|-----|-----------------|
| 19 | 997 555 577 00 | Cover cap Handle liner | | 1 | |
| | 997 555 577 00 A03 | Black | | | |
| | 997 555 577 00 5V7 | Stone grey | | | |
| | 997 555 577 00 8W7 | sea blue | | | |
| | 997 555 577 00 5Y2 | Palm green | | | |
| | | D >> - MJ 2007 | | | |
| | 997 555 577 00 8X8 | Terracotta | | | |
| | 997 555 577 00 8P9 | Cocoa | | | |
| | 997 555 577 00 T13 | Brown/natural | | | |
| | 997 555 577 00 N23 | Carrera Red | | | |
| | | D - MJ 2008>> | | | |
| 20 | 997 555 895 00 | Plastic foam strip for Bass loudspeaker | | 1 | |
| 21 | 997 645 511 00 | inscription | | 2 | PR:680 |
| 22 | 997 555 597 00 | Distance piece Bonnet hinge | | 2 | |
| 23 | 999 702 281 41 | Grommet Axle bearing | | 1 | |
| 24 | 997 555 271 01 | Pull handle (leather) Upper part | left | 1 | TURBO |
| | 997 555 271 01 FSA | black/grey | | | |
| | 997 555 271 01 FSB | Stone grey/stone grey | | | |
| | 997 555 271 01 FSC | Sand beige/sand beige | | | |
| | 997 555 271 01 FSD | Sea blue/grey | | | |
| | 997 555 271 01 FSE | Palmgreen/palmgreen | | | |
| | | D >> - MJ 2007 | | | |
| | 997 555 271 01 FSF | Terracotta/terracotta | | | |
| | 997 555 271 01 FSG | Cocoa/Cocoa | | | |
| | 997 555 271 01 FSH | Darkgrey natural/grey | | | |
| | 997 555 271 01 FSJ | Brown nat./brown nat. | | | |
| | 997 555 271 01 FSP | Carrera Red | | | |
| | | D - MJ 2008>> | | | |
| (24) | 997 555 272 01 | Pull handle (leather) Upper part | right | 1 | TURBO |
| | 997 555 272 01 FSA | black/grey | | | |
| | 997 555 272 01 FSB | Stone grey/stone grey | | | |
| | 997 555 272 01 FSC | Sand beige/sand beige | | | |
| | 997 555 272 01 FSD | Sea blue/grey | | | |
| | 997 555 272 01 FSE | Palmgreen/palmgreen | | | |
| | | D >> - MJ 2007 | | | |
| | 997 555 272 01 FSF | Terracotta/terracotta | | | |
| | 997 555 272 01 FSG | Cocoa/Cocoa | | | |
| | 997 555 272 01 FSH | Darkgrey natural/grey | | | |
| | 997 555 272 01 FSJ | Brown nat./brown nat. | | | |
| | 997 555 272 01 FSP | Carrera Red | | | |
| | | D - MJ 2008>> | | | |
| (24) | 997 555 271 02 | Pull handle Upper part | left | 1 | GT2 PR:981 |
| | | D - MJ 2008>> | | | |
| | 997 555 271 02 FSO | black/grey | | | |
| (24) | 997 555 272 02 | Pull handle Upper part | right | 1 | GT2 PR:981 |
| | | D - MJ 2008>> | | | |
| | 997 555 272 02 FSO | Black | | | |
| (24) | 997 555 987 00 | Pull handle Upper part | left | 1 | TURBO PR:XTL |
| | 997 555 987 00 A35 | Black | | | |
| (24) | 997 555 988 00 | Pull handle Upper part | right | 1 | TURBO PR:XTL |
| | | Carbon | | | |
| | 997 555 988 00 A35 | Black | | | |

Model: 997T07 Model life 2007>>2009

| Pos | Part Number | Description | Remark | Qty | Model |
|------|--------------------|--|-----------|-----|------------------|
| (24) | 997 555 987 01 | Pull handle Upper part D >> - MJ 2008 | left | 1 | TURBO PR:XTU |
| (24) | 997 555 987 01 S62 | Sycamore wood | | | |
| (24) | 997 555 988 01 | Pull handle Upper part D >> - MJ 2008 | right | 1 | TURBO PR:XTU |
| (24) | 997 555 988 01 S62 | Sycamore wood | | | |
| (24) | 997 555 987 02 | Pull handle Upper part | left | 1 | TURBO PR:XTT |
| (24) | 997 555 987 02 S61 | macassar | | | |
| (24) | 997 555 988 02 | Pull handle Upper part | right | 1 | TURBO PR:XTT |
| (24) | 997 555 988 02 S61 | macassar | | | |
| (24) | 997 555 987 03 | Pull handle Upper part | left | 1 | TURBO PR:XTW |
| (24) | 997 555 987 03 V04 | Galvano silver | | | |
| (24) | 997 555 988 03 | Pull handle Upper part | right | 1 | TURBO PR:XTW |
| (24) | 997 555 988 03 V04 | aluminium | | | |
| 25 | 997 555 351 03 | Insert Handle liner Lacquered | left lhd | 1 | COUPE PR:098 |
| | 997 555 351 03 A03 | Black | | | |
| | 997 555 351 03 5V7 | Stone grey | | | |
| | 997 555 351 03 5Z1 | Sand beige | | | |
| | 997 555 351 03 8W7 | sea blue | | | |
| | 997 555 351 03 5Y2 | Palm green | | | |
| | 997 555 351 03 8X8 | Terracotta >> - MJ 2007 | | | |
| | 997 555 351 03 8P9 | Cocoa | | | |
| | 997 555 351 03 T13 | Brown/natural | | | |
| | 997 555 351 03 N23 | Carrera Red | | | |
| 25 | 997 555 352 03 | D - MJ 2008>> Insert Handle liner Lacquered | right rhd | 1 | COUPE PR:099 |
| | 997 555 352 03 A03 | Black | | | |
| | 997 555 352 03 5V7 | Stone grey | | | |
| | 997 555 352 03 5Z1 | Sand beige | | | |
| | 997 555 352 03 8W7 | sea blue | | | |
| | 997 555 352 03 5Y2 | Palm green | | | |
| | 997 555 352 03 8X8 | Terracotta >> - MJ 2007 | | | |
| | 997 555 352 03 8P9 | Cocoa | | | |
| | 997 555 352 03 T13 | Brown/natural | | | |
| | 997 555 352 03 N23 | Carrera Red | | | |
| (25) | 997 555 351 05 | D - MJ 2008>> Insert Handle liner Lacquered | left lhd | 1 | CABRIO PR:098 |
| | 997 555 351 05 A03 | Black | | | |
| | 997 555 351 05 5V7 | Stone grey | | | |
| | 997 555 351 05 5Z1 | Sand beige | | | |
| | 997 555 351 05 8W7 | sea blue | | | |
| | 997 555 351 05 5Y2 | Palm green | | | |
| | 997 555 351 05 8X8 | Terracotta >> - MJ 2007 | | | |
| | 997 555 351 05 8P9 | Cocoa | | | |
| | 997 555 351 05 T13 | Brown/natural | | | |
| | 997 555 351 05 N23 | Carrera Red | | | |
| (25) | 997 555 352 05 | D - MJ 2008>> Insert | right rhd | 1 | CABRIO |

Model: 997T07 Model life 2007>>2009

| Pos | Part Number | Description | Remark | Qty | Model |
|------|--------------------|-------------------------------------|-----------|-----|---------------------|
| | | Handle liner Lacquered | | | PR:099 |
| | 997 555 352 05 A03 | Black | | | |
| | 997 555 352 05 5V7 | Stone grey | | | |
| | 997 555 352 05 5Z1 | Sand beige | | | |
| | 997 555 352 05 8W7 | sea blue | | | |
| | 997 555 352 05 5Y2 | Palm green | | | |
| | | D >> - MJ 2007 | | | |
| | 997 555 352 05 8X8 | Terracotta | | | |
| | 997 555 352 05 8P9 | Cocoa | | | |
| | 997 555 352 05 T13 | Brown/natural | | | |
| | 997 555 352 05 N23 | Carrera Red | | | |
| | | D - MJ 2008>> | | | |
| 25 | 997 555 352 04 | Insert Handle liner Lacquered | right lhd | 1 | PR:098 |
| | 997 555 352 04 A03 | Black | | | |
| | 997 555 352 04 5V7 | Stone grey | | | |
| | 997 555 352 04 5Z1 | Sand beige | | | |
| | 997 555 352 04 8W7 | sea blue | | | |
| | 997 555 352 04 5Y2 | Palm green | | | |
| | | D >> - MJ 2007 | | | |
| | 997 555 352 04 8X8 | Terracotta | | | |
| | 997 555 352 04 8P9 | Cocoa | | | |
| | 997 555 352 04 T13 | Brown/natural | | | |
| | 997 555 352 04 N23 | Carrera Red | | | |
| | | D - MJ 2008>> | | | |
| (25) | 997 555 351 04 | Insert Handle liner Lacquered | left rhd | 1 | PR:099 |
| | 997 555 351 04 A03 | Black | | | |
| | 997 555 351 04 5V7 | Stone grey | | | |
| | 997 555 351 04 5Z1 | Sand beige | | | |
| | 997 555 351 04 8W7 | sea blue | | | |
| | 997 555 351 04 5Y2 | Palm green | | | |
| | | D >> - MJ 2007 | | | |
| | 997 555 351 04 8X8 | Terracotta | | | |
| | 997 555 351 04 8P9 | Cocoa | | | |
| | 997 555 351 04 T13 | Brown/natural | | | |
| | 997 555 351 04 N23 | Carrera Red | | | |
| | | D - MJ 2008>> | | | |
| 25 | 997 555 985 00 | Insert Handle liner Leather | left lhd | 1 | COUPE PR:XTV,098 |
| | 997 555 985 00 A11 | Black | | | |
| | 997 555 985 00 5X6 | Stone grey | | | |
| | 997 555 985 00 8G2 | Sand beige | | | |
| | 997 555 985 00 3S9 | sea blue | | | |
| | 997 555 985 00 4P2 | Palm green | | | |
| | | D >> - MJ 2007 | | | |
| | 997 555 985 00 9S5 | Terracotta | | | |
| | 997 555 985 00 9V6 | Cocoa | | | |
| | 997 555 985 00 D12 | Dark grey/natural | | | |
| | 997 555 985 00 T12 | Brown/natural | | | |
| | 997 555 985 00 N12 | Carrera Red | | | |
| | | D - MJ 2008>> | | | |
| (25) | 997 555 986 01 | Insert Handle liner Leather | right rhd | 1 | COUPE PR:XTV,099 |
| | 997 555 986 01 A11 | Black | | | |
| | 997 555 986 01 5X6 | Stone grey | | | |
| | 997 555 986 01 8G2 | Sand beige | | | |
| | 997 555 986 01 3S9 | sea blue | | | |

Model: 997T07 Model life 2007>>2009

| Pos | Part Number | Description | Remark | Qty | Model |
|------|--------------------|-----------------------------------|-----------|-----|----------------------|
| | 997 555 986 01 4P2 | Palm green D >> - MJ 2007 | | | |
| | 997 555 986 01 9S5 | Terracotta | | | |
| | 997 555 986 01 9V6 | Cocoa | | | |
| | 997 555 986 01 D12 | Dark grey/natural | | | |
| | 997 555 986 01 T12 | Brown/natural | | | |
| | 997 555 986 01 N12 | Carrera Red D - MJ 2008>> | | | |
| (25) | 997 555 985 01 | Insert Handle liner Leather | left lhd | 1 | CABRIO PR:XTV,098 |
| | 997 555 985 01 A11 | Black | | | |
| | 997 555 985 01 5X6 | Stone grey | | | |
| | 997 555 985 01 8G2 | Sand beige | | | |
| | 997 555 985 01 3S9 | sea blue | | | |
| | 997 555 985 01 4P2 | Palm green D >> - MJ 2007 | | | |
| | 997 555 985 01 9S5 | Terracotta | | | |
| | 997 555 985 01 9V6 | Cocoa | | | |
| | 997 555 985 01 D12 | Dark grey/natural | | | |
| | 997 555 985 01 T12 | Brown/natural | | | |
| | 997 555 985 01 N12 | Carrera Red D - MJ 2008>> | | | |
| (25) | 997 555 986 02 | Insert Handle liner Leather | right rhd | 1 | CABRIO PR:XTV,099 |
| | 997 555 986 02 A11 | Black | | | |
| | 997 555 986 02 5X6 | Stone grey | | | |
| | 997 555 986 02 8G2 | Sand beige | | | |
| | 997 555 986 02 3S9 | sea blue | | | |
| | 997 555 986 02 4P2 | Palm green D >> - MJ 2007 | | | |
| | 997 555 986 02 9S5 | Terracotta | | | |
| | 997 555 986 02 9V6 | Cocoa | | | |
| | 997 555 986 02 D12 | Dark grey/natural | | | |
| | 997 555 986 02 T12 | Brown/natural | | | |
| | 997 555 986 02 N12 | Carrera Red D - MJ 2008>> | | | |
| (25) | 997 555 986 00 | Insert Handle liner Leather | right lhd | 1 | PR:XTV,098 |
| | 997 555 986 00 A11 | Black | | | |
| | 997 555 986 00 5X6 | Stone grey | | | |
| | 997 555 986 00 8G2 | Sand beige | | | |
| | 997 555 986 00 3S9 | sea blue | | | |
| | 997 555 986 00 4P2 | Palm green D >> - MJ 2007 | | | |
| | 997 555 986 00 9S5 | Terracotta | | | |
| | 997 555 986 00 9V6 | Cocoa | | | |
| | 997 555 986 00 D12 | Dark grey/natural | | | |
| | 997 555 986 00 T12 | Brown/natural | | | |
| | 997 555 986 00 N12 | Carrera Red D - MJ 2008>> | | | |
| (25) | 997 555 985 02 | Insert Handle liner Leather | left rhd | 1 | PR:XTV,099 |
| | 997 555 985 02 A11 | Black | | | |
| | 997 555 985 02 5X6 | Stone grey | | | |
| | 997 555 985 02 8G2 | Sand beige | | | |
| | 997 555 985 02 3S9 | sea blue | | | |
| | 997 555 985 02 4P2 | Palm green D >> - MJ 2007 | | | |
| | 997 555 985 02 9S5 | Terracotta | | | |

Model: 997T07 Model life 2007>>2009

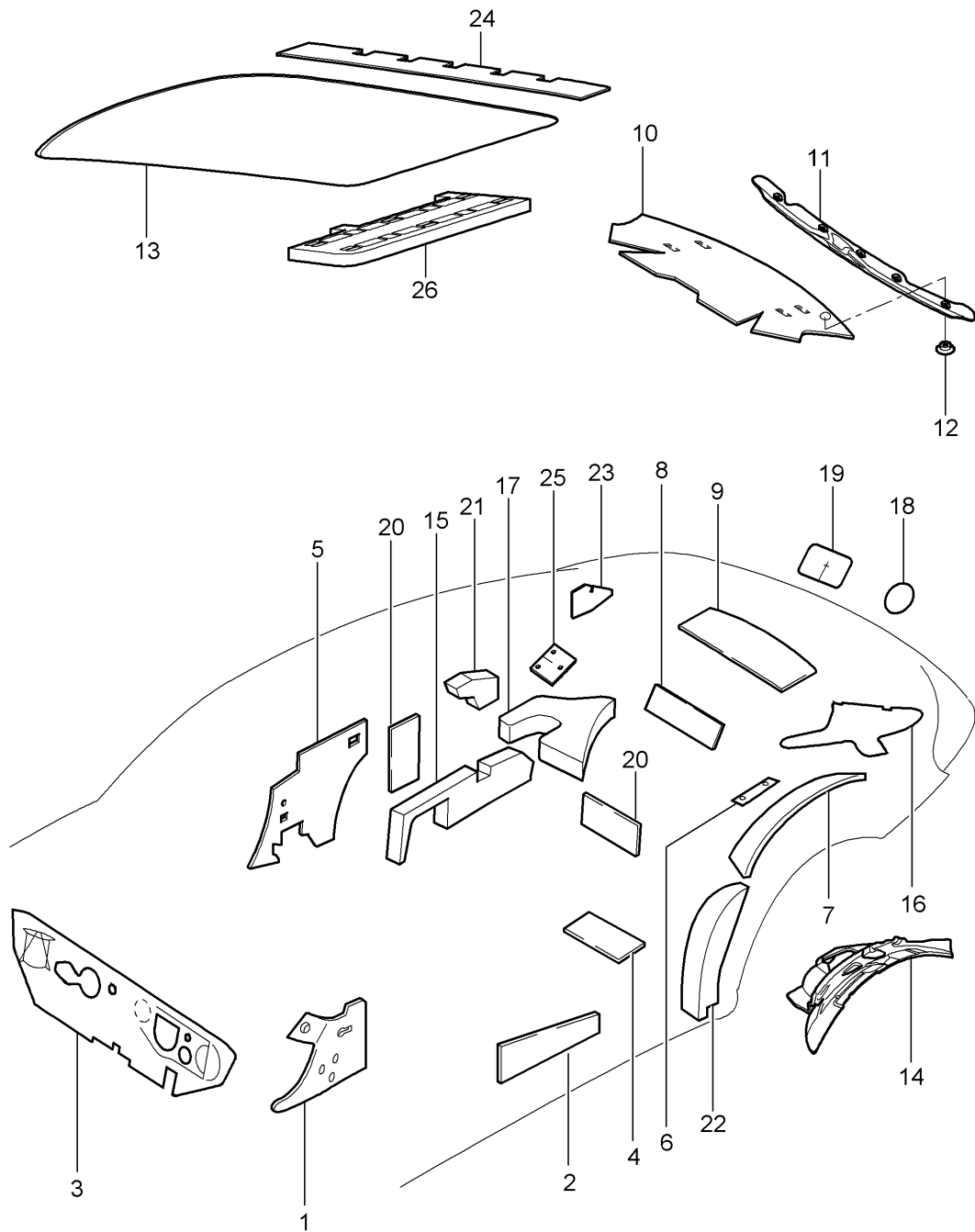
| Pos | Part Number | Description | Remark | Qty | Model |
|------|--------------------|-------------------|-----------|-----|---------------------------|
| | 997 555 985 02 9V6 | Cocoa | | | |
| | 997 555 985 02 D12 | Dark grey/natural | | | |
| | 997 555 985 02 T12 | Brown/natural | | | |
| | 997 555 985 02 N12 | Carrera Red | | | |
| | | D - MJ 2008>> | | | |
| 25 | 997 555 985 03 | Insert | left lhd | 1 | TURBO/COUPE PR:XTL,098 |
| | | Handle liner | | | |
| | | Carbon | | | |
| 25 | 997 555 985 03 A35 | Black | left lhd | 1 | GT2 PR:XGE,098 |
| | 997 555 985 03 | Insert | | | |
| | | Handle liner | | | |
| | | Carbon | | | |
| | | D - MJ 2008>> | | | |
| (25) | 997 555 985 03 A35 | Black | right rhd | 1 | TURBO/COUPE PR:XTL,099 |
| | 997 555 986 04 | Insert | | | |
| | | Handle liner | | | |
| | | Carbon | | | |
| (25) | 997 555 986 04 A35 | Black | right rhd | 1 | GT2 PR:XGE,099 |
| | 997 555 986 04 | Insert | | | |
| | | Handle liner | | | |
| | | Carbon | | | |
| | | D - MJ 2008>> | | | |
| (25) | 997 555 986 04 A35 | Black | left lhd | 1 | CABRIO PR:XTL,098 |
| | 997 555 985 04 | Insert | | | |
| | | Handle liner | | | |
| | | Carbon | | | |
| (25) | 997 555 985 04 A35 | Black | right rhd | 1 | CABRIO PR:XTL,099 |
| | 997 555 986 05 | Insert | | | |
| | | Handle liner | | | |
| | | Carbon | | | |
| (25) | 997 555 986 05 A35 | Black | right lhd | 1 | TURBO PR:XTL,098 |
| | 997 555 986 03 | Insert | | | |
| | | Handle liner | | | |
| | | Carbon | | | |
| (25) | 997 555 986 03 A35 | Black | right lhd | 1 | GT2 PR:XGE,098 |
| | 997 555 986 03 | Insert | | | |
| | | Handle liner | | | |
| | | Carbon | | | |
| | | D - MJ 2008>> | | | |
| (25) | 997 555 986 03 A35 | Black | left rhd | 1 | TURBO PR:XTL,099 |
| | 997 555 985 05 | Insert | | | |
| | | Handle liner | | | |
| | | Carbon | | | |
| (25) | 997 555 985 05 A35 | Black | left rhd | 1 | GT2 PR:XGE,099 |
| | 997 555 985 05 | Insert | | | |
| | | Handle liner | | | |
| | | Carbon | | | |
| | | D - MJ 2008>> | | | |
| (25) | 997 555 985 05 A35 | Black | left lhd | 1 | TURBO/COUPE PR:XTU,098 |
| | 997 555 985 06 | Insert | | | |
| | | Handle liner | | | |
| | | D >> - MJ 2008 | | | |
| (25) | 997 555 985 06 S62 | Sycamore wood | right rhd | 1 | TURBO/COUPE PR:XTU,099 |
| | 997 555 986 07 | Insert | | | |
| | | Handle liner | | | |
| | | D >> - MJ 2008 | | | |
| (25) | 997 555 986 07 S62 | Sycamore wood | left lhd | 1 | CABRIO PR:XTU,098 |
| | 997 555 985 07 | Insert | | | |
| | | Handle liner | | | |
| | | D >> - MJ 2008 | | | |
| (25) | 997 555 985 07 S62 | Sycamore wood | right rhd | 1 | CABRIO PR:XTU,099 |
| | 997 555 986 08 | Insert | | | |
| | | Handle liner | | | |

Model: 997T07 Model life 2007>>2009

| Pos | Part Number | Description | Remark | Qty | Model |
|------|--------------------|----------------|-----------|-----|---------------------------|
| | | D >> - MJ 2008 | | | |
| (25) | 997 555 986 08 S62 | Sycamore wood | | | |
| | 997 555 986 06 | Insert | right lhd | 1 | TURBO PR:XTU,098 |
| | | Handle liner | | | |
| | | D >> - MJ 2008 | | | |
| (25) | 997 555 986 06 S62 | Sycamore wood | | | |
| | 997 555 985 08 | Insert | left rhd | 1 | TURBO PR:XTU,099 |
| | | Handle liner | | | |
| | | D >> - MJ 2008 | | | |
| 25 | 997 555 985 08 S62 | Sycamore wood | | | |
| | 997 555 985 09 | Insert | left lhd | 1 | TURBO/COUPE PR:XTT,098 |
| | | Handle liner | | | |
| | | macassar | | | |
| (25) | 997 555 985 09 S61 | macassar | | | |
| | 997 555 986 10 | Insert | right rhd | 1 | TURBO/COUPE PR:XTT,099 |
| | | Handle liner | | | |
| | | macassar | | | |
| (25) | 997 555 986 10 S61 | macassar | | | |
| | 997 555 985 10 | Insert | left lhd | 1 | CABRIO PR:XTT,098 |
| | | Handle liner | | | |
| | | macassar | | | |
| (25) | 997 555 985 10 S61 | macassar | | | |
| | 997 555 986 11 | Insert | right rhd | 1 | CABRIO PR:XTT,099 |
| | | Handle liner | | | |
| | | macassar | | | |
| 25 | 997 555 986 11 S61 | macassar | | | |
| | 997 555 986 09 | Insert | right lhd | 1 | TURBO PR:XTT,098 |
| | | Handle liner | | | |
| | | macassar | | | |
| (25) | 997 555 986 09 S61 | macassar | | | |
| | 997 555 985 11 | Insert | left rhd | 1 | TURBO PR:XTT,099 |
| | | Handle liner | | | |
| | | macassar | | | |
| 25 | 997 555 985 11 S61 | macassar | | | |
| | 997 555 985 12 | Insert | left lhd | 1 | TURBO/COUPE PR:XTW,098 |
| | | Handle liner | | | |
| | | Galvano silver | | | |
| (25) | 997 555 985 12 V04 | Galvano silver | | | |
| | 997 555 986 13 | Insert | right rhd | 1 | TURBO/COUPE PR:XTW,099 |
| | | Handle liner | | | |
| | | Galvano silver | | | |
| (25) | 997 555 986 13 V04 | Galvano silver | | | |
| | 997 555 985 13 | Insert | left lhd | 1 | CABRIO PR:XTW,098 |
| | | Handle liner | | | |
| | | Galvano silver | | | |
| (25) | 997 555 985 13 V04 | Galvano silver | | | |
| | 997 555 986 14 | Insert | right rhd | 1 | CABRIO PR:XTW,099 |
| | | Handle liner | | | |
| | | Galvano silver | | | |
| 25 | 997 555 986 14 V04 | Galvano silver | | | |
| | 997 555 986 12 | Insert | right lhd | 1 | TURBO PR:XTW,098 |
| | | Handle liner | | | |
| | | Galvano silver | | | |
| (25) | 997 555 986 12 V04 | Galvano silver | | | |
| | 997 555 985 14 | Insert | left rhd | 1 | TURBO PR:XTW,099 |
| | | Handle liner | | | |
| | | Galvano silver | | | |
| | 997 555 985 14 V04 | Galvano silver | | | |

Model: 997T07

Model life 2007>>2009



Model: 997T07

Model life 2007>>2009

| Pos | Part Number | Description | Remark | Qty | Model |
|------|----------------|---|----------------|-----|--------|
| 1 | 997 556 605 00 | Body Sound proofing 1 Sound absorber | left | 1 | COUPE |
| (1) | 997 556 606 00 | Wheel housing Sound absorber | front right | 1 | |
| 2 | 997 556 531 01 | Wheel housing sound absorber for door | front | 1 | |
| 3 | 997 556 723 00 | Sound absorber Firewall | lhd | 1 | PR:098 |
| (3) | 997 556 724 00 | Sound absorber Firewall | rhd | 1 | PR:099 |
| 4 | 997 556 503 00 | Insulation for floor | | 2 | TURBO |
| 5 | 997 556 655 00 | Sound absorber | left | 1 | |
| (5) | 997 556 656 00 | Side panel trim Sound absorber | right | 1 | |
| 6 | 997 556 523 00 | Side panel trim Damping | | 2 | |
| 7 | 997 556 507 00 | tray sound absorb.for wheel housing | left | 1 | TURBO |
| (7) | 997 556 508 00 | sound absorb.for wheel housing | rear right | 1 | TURBO |
| 8 | 997 556 511 00 | sound absorber for rear panel | rear | 1 | TURBO |
| 9 | 997 556 521 00 | sound absorber for rear panel | lower | 1 | TURBO |
| 10 | 997 556 711 02 | Sound absorber | upper | 1 | |
| 10 | 997 556 711 03 | D - MJ 2007>> - MJ 2007 Sound absorber | | 1 | |
| 11 | 996 556 761 01 | Engine bay D - MJ 2008>> retaining strip | | 1 | |
| 12 | 999 049 020 40 | Engine bay Plastic nut | | 5 | |
| 13 | 997 556 647 00 | T5/30 X 5,1 Sound absorber | | 1 | TURBO |
| 14 | 997 556 657 00 | Roof Sound absorber | left | 1 | PR:652 |
| (14) | 997 556 658 00 | Wheel housing liner Sound absorber | rear right | 1 | |
| 15 | 997 556 571 02 | Wheel housing liner Sound absorber | rear | 2 | TURBO |
| 16 | 996 556 753 01 | Side panel trim Seal | left | 1 | |
| (16) | 996 556 754 01 | Side part Seal | upper right | 1 | |
| 17 | 997 556 811 01 | Side part Filler piece | upper left | 1 | |
| (17) | 997 556 812 01 | Wheel housing Filler piece | left right | 1 | |
| 18 | 997 556 807 00 | Wheel housing Sound absorber | | 2 | TURBO |
| 19 | 997 556 805 00 | 40,0 Cross panel Rear end Sound absorber | | 1 | TURBO |
| 20 | 997 556 801 00 | 120 X 90 Cross panel Rear end Sound absorber | | 4 | TURBO |
| 21 | 997 556 803 00 | Seat well Filler piece | | 2 | |
| 22 | 997 556 513 01 | Seat well Sound absorber | | 2 | |
| | | B-pillar | | | |

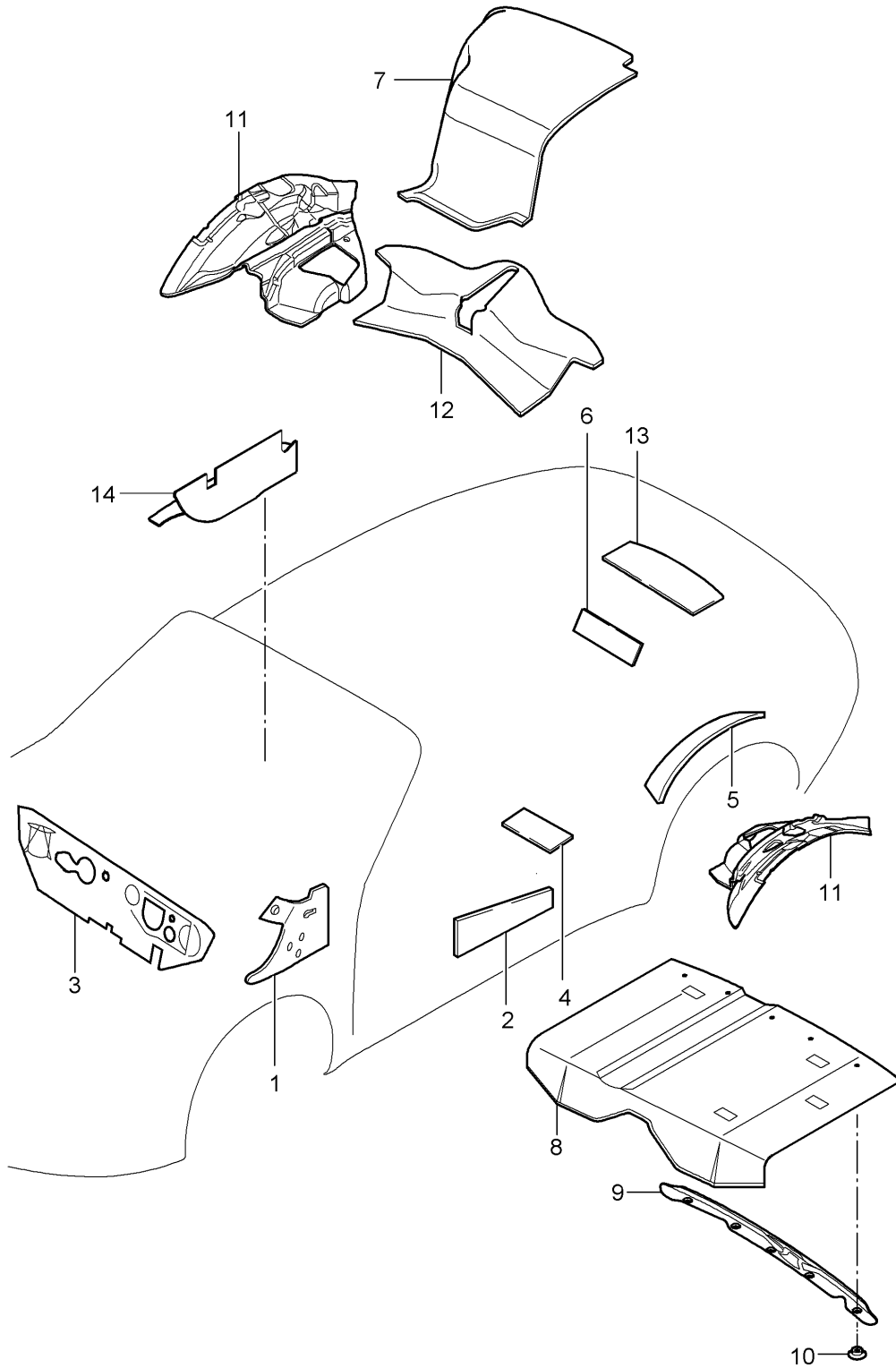
Model: 997T07

Model life 2007>>2009

| Pos | Part Number | Description | Remark | Qty | Model |
|------|----------------|---|--------|-----|-------|
| 23 | 997 556 619 00 | Sound absorber Air guide | left | 1 | |
| (23) | 997 556 620 00 | Sound absorber Air guide | right | 1 | |
| 24 | 997 556 603 00 | Sound absorber tensioner | rear | 1 | |
| 25 | 997 556 613 00 | Sound absorber Support Spring strut | left | 1 | |
| (25) | 997 556 614 00 | Sound absorber Support Spring strut | right | 1 | |
| 27 | 999 049 027 40 | Plastic nut 30 X 1,8 | | 2 | |

Model: 997T07

Model life 2007>>2009

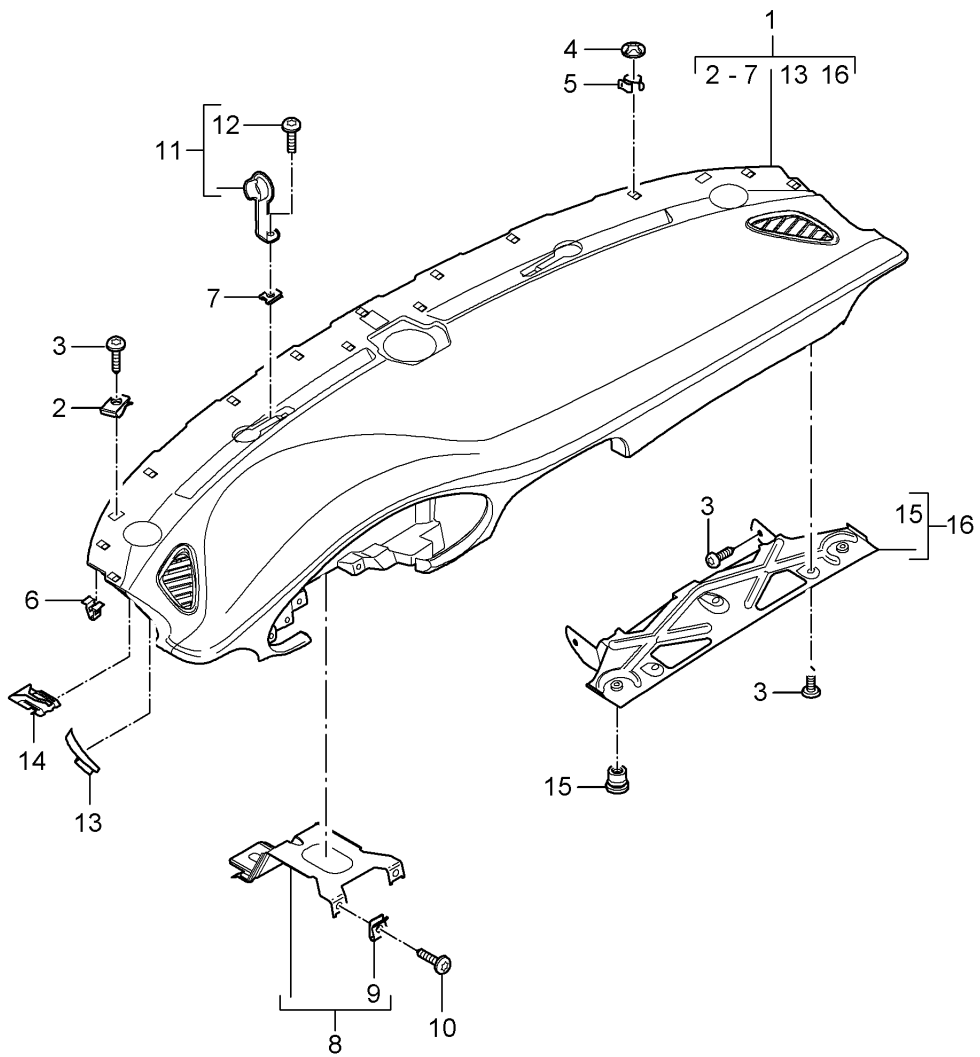


Model: 997T07 Model life 2007>>2009

| Pos | Part Number | Description | Remark | Qty | Model |
|------|----------------|---|-------------------------|-----|--------|
| 1 | 997 556 605 00 | Body Sound proofing 1 Sound absorber | left | 1 | CABRIO |
| (1) | 997 556 606 00 | Wheel housing Sound absorber Wheel housing | front right front | 1 | |
| 2 | 997 556 531 01 | sound absorber for door | | 2 | |
| 3 | 997 556 723 00 | Sound absorber Firewall | lhd | 1 | PR:098 |
| (3) | 997 556 724 00 | Sound absorber Firewall | rhd | 1 | PR:099 |
| 4 | 997 556 503 00 | Insulation for floor | | 2 | |
| 5 | 997 556 507 01 | sound absorb.for wheel housing | left | 1 | |
| (5) | 997 556 508 01 | sound absorb.for wheel housing | rear right rear | 1 | |
| 6 | 997 556 511 00 | sound absorber for rear panel | lower | 1 | |
| (7) | 997 556 611 00 | Sound absorber Convertible top tray | left | 1 | |
| 7 | 997 556 612 00 | Sound absorber Convertible top tray | right | 1 | |
| 8 | 997 556 711 02 | Sound absorber | | 1 | |
| 8 | 997 556 711 03 | D - MJ 2007>> - MJ 2007 Sound absorber Engine bay | | 1 | |
| 9 | 996 556 761 01 | D - MJ 2008>> retaining strip Engine bay | | 1 | |
| 10 | 999 049 020 40 | Plastic nut T5/30 X 5,1 | | 5 | |
| (11) | 997 556 657 01 | Sound absorber Wheel housing liner | left rear | 1 | |
| 11 | 997 556 658 01 | Sound absorber Wheel housing liner | right rear | 1 | |
| 12 | 997 556 653 00 | Sound absorber Control units | | 1 | |
| 13 | 997 556 521 00 | sound absorber for rear panel | upper | 1 | |
| 14 | 997 556 634 00 | Sound absorber Subwoofer | | 1 | PR:680 |

Model: 997T07

Model life 2007>>2009



Model: 997T07 Model life 2007>>2009

| Pos | Part Number | Description | Remark | Qty | Model |
|-----|--------------------|--|--------------------|-----|--|
| - | | Instrument panel trim Upper part with: Fasteners Accessories | | | |
| 1 | 997 552 101 07 | see illustration: dashboard Upper part Leather Valid up to: F >> 99-8S780 473 F >> 99-8S786 563 F >> 99-8S794 072 | 809-001 lhd | 1 | PR:098,981 TURBO/COUPE TURBO/CABRIO GT2 |
| | 997 552 101 07 FSA | Black | | | |
| | 997 552 101 07 FSB | Stone grey | | | |
| | 997 552 101 07 FSC | Sand beige | | | |
| | 997 552 101 07 FSD | sea blue | | | |
| | 997 552 101 07 FSE | Palm green | | | |
| | | D >> - MJ 2007 | | | |
| | 997 552 101 07 FSF | Terracotta | | | |
| | 997 552 101 07 FSG | Cocoa | | | |
| | 997 552 101 07 FSH | Dark grey/natural | | | |
| | 997 552 101 07 FSJ | Brown/natural | | | |
| | 997 552 101 07 FSP | Carrera Red | | | |
| (1) | 997 552 102 07 | D - MJ 2008>> dashboard Upper part Leather Valid up to: F >> 99-8S780 473 F >> 99-8S786 563 F >> 99-8S794 072 | rhd | 1 | PR:099,981 TURBO/COUPE TURBO/CABRIO GT2 |
| | 997 552 102 07 FSA | Black | | | |
| | 997 552 102 07 FSB | Stone grey | | | |
| | 997 552 102 07 FSC | Sand beige | | | |
| | 997 552 102 07 FSD | sea blue | | | |
| | 997 552 102 07 FSE | Palm green | | | |
| | | D >> - MJ 2007 | | | |
| | 997 552 102 07 FSF | Terracotta | | | |
| | 997 552 102 07 FSG | Cocoa | | | |
| | 997 552 102 07 FSH | Dark grey/natural | | | |
| | 997 552 102 07 FSJ | Brown/natural | | | |
| | 997 552 102 07 FSP | Carrera Red | | | |
| | | D - MJ 2008>> | | | |
| 1 | 997 552 101 11 | dashboard Upper part Leather Valid from: F 99-8S780 474>> F 99-8S786 564>> F 99-8S794 073>> | lhd | 1 | PR:098,981 TURBO/COUPE TURBO/CABRIO GT2 |
| | 997 552 101 11 FSA | Black | | | |
| | 997 552 101 11 FSB | Stone grey | | | |
| | 997 552 101 11 FSC | Sand beige | | | |
| | 997 552 101 11 FSD | sea blue | | | |
| | 997 552 101 11 FSF | Terracotta | | | |
| | 997 552 101 11 FSG | Cocoa | | | |
| | 997 552 101 11 FSH | Dark grey/natural | | | |
| | 997 552 101 11 FSJ | Brown/natural | | | |
| | 997 552 101 11 DTC | Black/Carrara White | | | |
| | 997 552 101 11 FSP | Carrera Red | | | |
| | | D - MJ 2008>> | | | |
| 1 | 997 552 102 11 | dashboard | rhd | 1 | PR:099,981 |

Model: 997T07 Model life 2007>>2009

| Pos | Part Number | Description | Remark | Qty | Model |
|-----|--------------------|---|--------|-----|--|
| | | Upper part Leather Valid from: F 99-8S780 474>> F 99-8S786 564>> F 99-8S794 073>> | | | TURBO/COUPE TURBO/CABRIO GT2 |
| | 997 552 102 11 FSA | Black | | | |
| | 997 552 102 11 FSB | Stone grey | | | |
| | 997 552 102 11 FSC | Sand beige | | | |
| | 997 552 102 11 FSD | sea blue | | | |
| | 997 552 102 11 FSF | Terracotta | | | |
| | 997 552 102 11 FSG | Cocoa | | | |
| | 997 552 102 11 FSH | Dark grey/natural | | | |
| | 997 552 102 11 FSJ | Brown/natural | | | |
| | 997 552 102 11 DTC | Black/Carrara White | | | |
| | 997 552 102 11 FSP | Carrera Red | | | |
| | | D - MJ 2008>> | | | |
| 1 | 997 552 101 09 | dashboard Upper part Leather Valid up to: F >> 99-8S780 473 F >> 99-8S786 563 F >> 99-8S794 072 | lhd | 1 | TURBO/COUPE TURBO/CABRIO GT2 PR:098,639, 640,981 |
| | 997 552 101 09 FSA | Black | | | |
| | 997 552 101 09 FSB | Stone grey | | | |
| | 997 552 101 09 FSC | Sand beige | | | |
| | 997 552 101 09 FSD | sea blue | | | |
| | 997 552 101 09 FSE | Palm green | | | |
| | | D >> - MJ 2007 | | | |
| | 997 552 101 09 FSF | Terracotta | | | |
| | 997 552 101 09 FSG | Cocoa/Cocoa | | | |
| | 997 552 101 09 FSH | Dark grey/natural | | | |
| | 997 552 101 09 FSJ | Brown/natural | | | |
| | 997 552 101 09 FSP | Carrera Red | | | |
| | | D - MJ 2008>> | | | |
| (1) | 997 552 102 09 | dashboard Upper part Leather Valid up to: F >> 99-8S780 473 F >> 99-8S786 563 F >> 99-8S794 072 | rhd | 1 | TURBO/COUPE TURBO/CABRIO GT2 PR:099,639, 640,981 |
| | 997 552 102 09 FSA | Black | | | |
| | 997 552 102 09 FSB | Stone grey | | | |
| | 997 552 102 09 FSC | Sand beige | | | |
| | 997 552 102 09 FSD | sea blue | | | |
| | 997 552 102 09 FSE | Palm green | | | |
| | | D >> - MJ 2007 | | | |
| | 997 552 102 09 FSF | Terracotta | | | |
| | 997 552 102 09 FSG | Cocoa/Cocoa | | | |
| | 997 552 102 09 FSH | Dark grey/natural | | | |
| | 997 552 102 09 FSJ | Brown/natural | | | |
| | 997 552 102 09 FSP | Carrera Red | | | |
| | | D - MJ 2008>> | | | |
| 1 | 997 552 101 13 | dashboard Upper part Leather Valid from: | lhd | 1 | |

Model: 997T07 Model life 2007>>2009

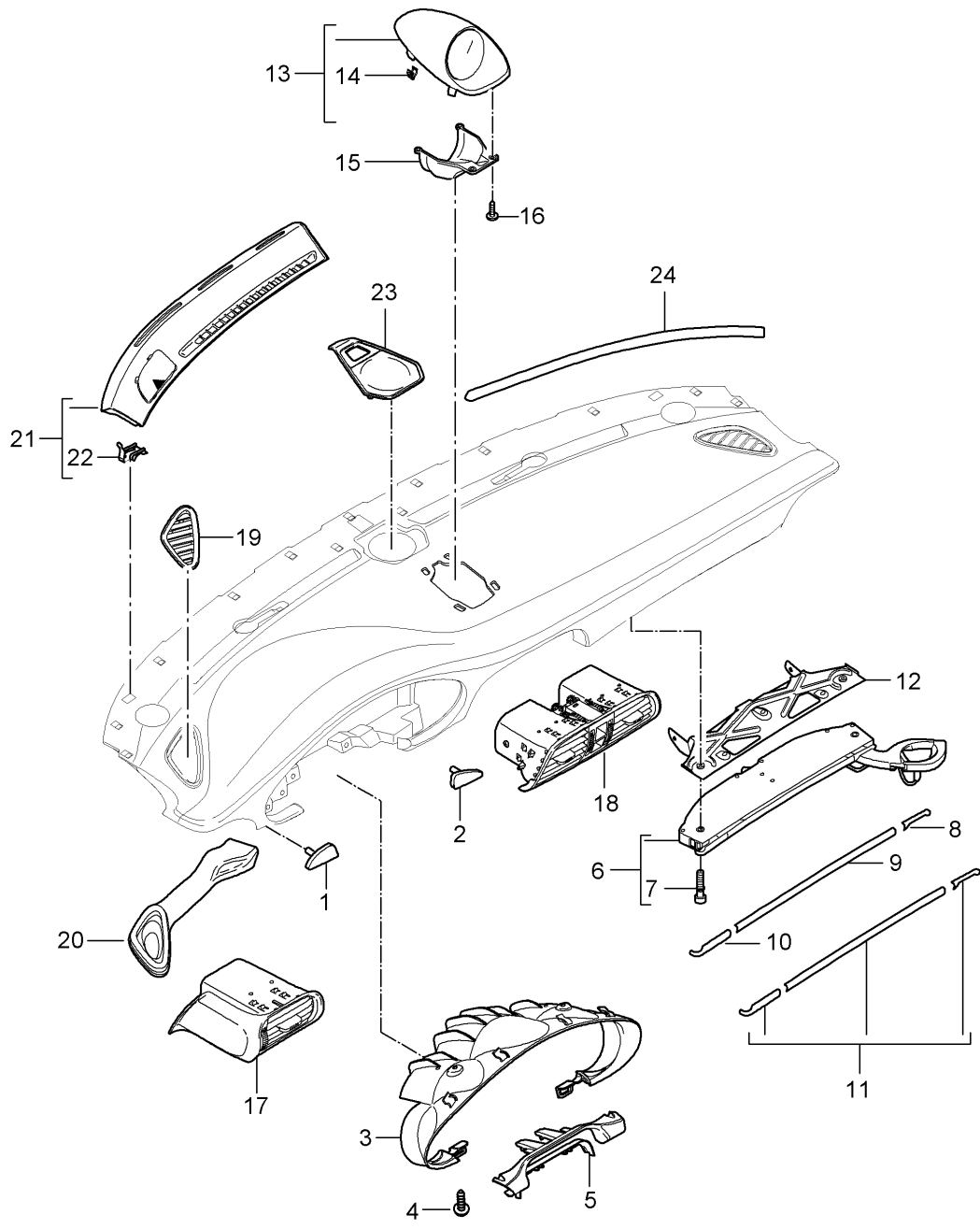
| Pos | Part Number | Description | Remark | Qty | Model |
|------|--------------------|--|--------|-----|--|
| | | F 99-8S780 474>> F 99-8S786 564>> F 99-8S794 073>> | | | TURBO/COUPE TURBO/CABRIO GT2 PR:098,639, 640,981 |
| | 997 552 101 13 FSA | Black | | | |
| | 997 552 101 13 FSB | Stone grey | | | |
| | 997 552 101 13 FSC | Sand beige | | | |
| | 997 552 101 13 FSD | sea blue | | | |
| | 997 552 101 13 FSF | Terracotta | | | |
| | 997 552 101 13 FSG | Cocoa | | | |
| | 997 552 101 13 FSH | Dark grey/natural | | | |
| | 997 552 101 13 FSJ | Brown/natural | | | |
| | 997 552 101 13 FSP | Carrera Red | | | |
| (1) | 997 552 102 13 | D - MJ 2008>> dashboard Upper part Leather Valid from: F 99-8S780 474>> F 99-8S786 564>> F 99-8S794 073>> | rhd | 1 | TURBO/COUPE TURBO/CABRIO GT2 PR:099,639, 640,981 |
| | 997 552 102 13 FSA | Black | | | |
| | 997 552 102 13 FSB | Stone grey | | | |
| | 997 552 102 13 FSC | Sand beige | | | |
| | 997 552 102 13 FSD | sea blue | | | |
| | 997 552 102 13 FSF | Terracotta | | | |
| | 997 552 102 13 FSG | Cocoa | | | |
| | 997 552 102 13 FSH | Dark grey/natural | | | |
| | 997 552 102 13 FSJ | Brown/natural | | | |
| | 997 552 102 13 FSP | Carrera Red | | | |
| 2 | 999 507 971 01 | D - MJ 2008>> panel nut ST 4,2 | | X | |
| 3 | 999 073 155 09 | panel screw ST 4,2 X 13 | | X | |
| 4 | 999 507 106 02 | Clamping washer 8,0 | | X | |
| 5 | 999 507 573 02 | Clip 6,7 - 8,1 | | X | |
| 6 | 999 507 732 01 | Clamp 8,0 X 12,0 /4,0 | | X | |
| 7 | 999 507 020 01 | panel nut ST 4,2 for Mount dashboard | | X | |
| 8 | 997 552 617 01 | bracket for dash panel (drivers side) | | 1 | |
| 9 | 999 507 020 01 | panel nut ST 4,2 | | 2 | |
| 10 | 999 073 155 09 | panel screw ST 4,2 X 13 | | 2 | |
| 11 | 997 552 673 00 | Cover Defroster trim | | 2 | |
| 12 | 999 073 226 09 | panel screw ST 4,2 X 16 | | 2 | |
| 13 | 997 552 481 00 | Insert A-pillar | left | 1 | |
| (13) | 997 552 482 00 | Insert A-pillar | right | 1 | |

Model: 997T07 Model life 2007>>2009

| Pos | Part Number | Description | Remark | Qty | Model |
|------|----------------|---|--------|-----|--|
| 14 | 8E0 857 117 | Clip Mount dashboard Cowl panel | | 2 | |
| 15 | 999 500 132 00 | castellated nut M 5 Valid up to: F >> 99-8S780 473 F >> 99-8S786 563 F >> 99-8S794 072 | | 2 | TURBO/COUPE TURBO/CABRIO GT2 |
| (15) | 999 507 319 01 | Cage nut M 5 Valid from: F 99-8S780 474>> F 99-8S786 564>> F 99-8S794 073>> | | 2 | TURBO/COUPE TURBO/CABRIO GT2 |
| 16 | 997 552 360 02 | Retaining plate for Beverages Bracket Valid up to: F >> 99-8S780 473 F >> 99-8S786 563 F >> 99-8S794 072 | lhd | 1 | PR:098 |
| 16 | 997 552 359 02 | Retaining plate for Beverages Bracket Valid up to: F >> 99-8S780 473 F >> 99-8S786 563 F >> 99-8S794 072 | rhd | 1 | COUPE/TURBO CABRIO/TURBO GT2 PR:099 |
| 16 | 997 552 360 03 | Retaining plate for Beverages Bracket Valid from: F 99-8S780 474>> F 99-8S786 564>> F 99-8S794 073>> | lhd | 1 | TURBO/COUPE TURBO/CABRIO GT2 PR:098 |
| (16) | 997 552 359 03 | Retaining plate for Beverages Bracket Valid from: F 99-8S780 474>> F 99-8S786 564>> F 99-8S794 073>> | rhd | 1 | COUPE/TURBO CABRIO/TURBO GT2 PR:099 |
| | | | | | TURBO/COUPE TURBO/CABRIO GT2 |

Model: 997T07

Model life 2007>>2009



Model: 997T07 Model life 2007>>2009

| Pos | Part Number | Description | Remark | Qty | Model |
|-----|--|---|-----------|-----|---------------------|
| 1 | 997 552 381 01 | Accessories Instrument panel trim Upper part Trim (drivers side) D - MJ 2008>> | outer lhd | 1 | GT2 PR:098 |
| 1 | 997 552 381 01 D07 997 552 382 01 | Volcano grey Trim (drivers side) D - MJ 2008>> | outer rhd | 1 | GT2 PR:099 |
| 1 | 997 552 382 01 D07 997 552 381 02 | Volcano grey Trim (drivers side) | outer lhd | 1 | TURBO PR:098 |
| 1 | 997 552 381 02 V04 997 552 382 02 | Galvano silver Trim (drivers side) | outer rhd | 1 | TURBO PR:099 |
| 1 | 997 552 382 02 V04 997 552 381 03 | Galvano silver Trim (drivers side) | outer lhd | 1 | TURBO PR:098,801 |
| 1 | 997 552 381 03 S61 997 552 382 03 | macassar Trim (drivers side) | outer rhd | 1 | TURBO PR:099,801 |
| 1 | 997 552 382 03 S61 997 552 381 04 | macassar Trim (drivers side) D >> - MJ 2008 | outer lhd | 1 | TURBO PR:098,802 |
| (1) | 997 552 381 04 S62 997 552 382 04 | Sycamore wood Trim (drivers side) D >> - MJ 2008 | outer rhd | 1 | TURBO PR:099,802 |
| 1 | 997 552 382 04 S62 997 552 381 05 | Sycamore wood Trim (drivers side) | outer lhd | 1 | TURBO PR:098,803 |
| 1 | 997 552 381 05 A35 997 552 381 05 | Black Trim (drivers side) D - MJ 2008>> | outer lhd | 1 | GT2 PR:XGB,098 |
| (1) | 997 552 381 05 A35 997 552 382 05 | Black Trim (drivers side) | outer rhd | 1 | TURBO PR:099,803 |
| (1) | 997 552 382 05 A35 997 552 382 05 | Black Trim (drivers side) D - MJ 2008>> | outer rhd | 1 | GT2 PR:XGB,099 |
| 1 | 997 552 382 05 A35 997 552 986 00 | Black Trim (drivers side) | outer lhd | 1 | PR:098,XVP |
| | 997 552 986 00 A11 997 552 986 00 5X6 997 552 986 00 8G2 997 552 986 00 3S9 997 552 986 00 4P2 | Black Stone grey Sand beige sea blue Palm green D >> - MJ 2007 | | | |
| | 997 552 986 00 9S5 997 552 986 00 9V6 997 552 986 00 D12 997 552 986 00 T12 997 552 986 00 N12 | Terracotta Cocoa Dark grey/natural Brown/natural Carrera Red D - MJ 2008>> | | | |
| (1) | 997 552 986 01 997 552 986 01 A11 997 552 986 01 5X6 | Trim (drivers side) Black Stone grey | outer rhd | 1 | PR:099,XVP |

Model: 997T07 Model life 2007>>2009

| Pos | Part Number | Description | Remark | Qty | Model | |
|-----|--------------------|------------------------|--------|-----|-------|---------------------|
| | 997 552 986 01 8G2 | Sand beige | | | | |
| | 997 552 986 01 3S9 | sea blue | | | | |
| | 997 552 986 01 4P2 | Palm green | | | | |
| | | D >> - MJ 2007 | | | | |
| | 997 552 986 01 9S5 | Terracotta | | | | |
| | 997 552 986 01 9V6 | Cocoa | | | | |
| | 997 552 986 01 D12 | Dark grey/natural | | | | |
| | 997 552 986 01 T12 | Brown/natural | | | | |
| | 997 552 986 01 N12 | Carrera Red | | | | |
| | | D - MJ 2008>> | | | | |
| 2 | 997 552 383 01 | Trim (drivers side) | center | lhd | 1 | GT2 PR:098 |
| | | D - MJ 2008>> | | | | |
| | 997 552 383 01 D07 | Volcano grey | | | | |
| 2 | 997 552 384 01 | Trim (drivers side) | center | rhd | 1 | GT2 PR:099 |
| | | D - MJ 2008>> | | | | |
| | 997 552 384 01 D07 | Volcano grey | | | | |
| 2 | 997 552 383 02 | Trim (drivers side) | center | lhd | 1 | TURBO PR:098 |
| | 997 552 383 02 V04 | Galvano silver | | | | |
| (2) | 997 552 384 02 | Trim (drivers side) | center | rhd | 1 | TURBO PR:099 |
| | 997 552 384 02 V04 | Galvano silver | | | | |
| 2 | 997 552 383 03 | Trim (drivers side) | center | lhd | 1 | TURBO PR:098,801 |
| | 997 552 383 03 S61 | macassar | | | | |
| (2) | 997 552 384 03 | Trim (drivers side) | center | rhd | 1 | TURBO PR:099,801 |
| | 997 552 384 03 S61 | macassar | | | | |
| 2 | 997 552 383 04 | Trim (drivers side) | center | lhd | 1 | TURBO PR:098,802 |
| | | D >> - MJ 2008 | | | | |
| | 997 552 383 04 S62 | Sycamore wood | | | | |
| (2) | 997 552 384 04 | Trim (drivers side) | center | rhd | 1 | TURBO PR:099,802 |
| | | D >> - MJ 2008 | | | | |
| | 997 552 384 04 S62 | Sycamore wood | | | | |
| 2 | 997 552 383 05 | Trim (drivers side) | center | lhd | 1 | TURBO PR:098,803 |
| | 997 552 383 05 A35 | Black | | | | |
| 2 | 997 552 383 05 | Trim (drivers side) | center | lhd | 1 | GT2 PR:XGB,098 |
| | | D - MJ 2008>> | | | | |
| | 997 552 383 05 A35 | Black | | | | |
| (2) | 997 552 384 05 | Trim (drivers side) | center | rhd | 1 | TURBO PR:099,803 |
| | 997 552 384 05 A35 | Black | | | | |
| (2) | 997 552 384 05 | Trim (drivers side) | center | rhd | 1 | GT2 PR:XGB,099 |
| | | D - MJ 2008>> | | | | |
| | 997 552 384 05 A35 | Black | | | | |
| 2 | 997 552 987 00 | Trim (drivers side) | center | lhd | 1 | PR:098,XVP |
| | 997 552 987 00 A11 | Black | | | | |
| | 997 552 987 00 5X6 | Stone grey | | | | |
| | 997 552 987 00 8G2 | Sand beige | | | | |
| | 997 552 987 00 3S9 | sea blue | | | | |
| | 997 552 987 00 4P2 | Palm green | | | | |
| | | D >> - MJ 2007 | | | | |
| | 997 552 987 00 9S5 | Terracotta | | | | |
| | 997 552 987 00 9V6 | Cocoa | | | | |
| | 997 552 987 00 D12 | Dark grey/natural | | | | |

Model: 997T07 Model life 2007>>2009

| Pos | Part Number | Description | Remark | Qty | Model |
|--------------------|--------------------|-----------------------|--------|-----|------------|
| (2) | 997 552 987 00 T12 | Brown/natural | | | |
| | 997 552 987 00 N12 | Carrera Red | | | |
| | | D - MJ 2008>> | | | |
| | 997 552 987 01 | Trim | center | 1 | PR:099,XVP |
| | | (drivers side) | | | |
| | 997 552 987 01 A11 | Black | | | |
| | 997 552 987 01 5X6 | Stone grey | | | |
| | 997 552 987 01 8G2 | Sand beige | | | |
| | 997 552 987 01 3S9 | sea blue | | | |
| | 997 552 987 01 4P2 | Palm green | | | |
| | | D >> - MJ 2007 | | | |
| | 997 552 987 01 9S5 | Terracotta | | | |
| | 997 552 987 01 9V6 | Cocoa | | | |
| | 997 552 987 01 D12 | Dark grey/natural | | | |
| 997 552 987 01 T12 | Brown/natural | | | | |
| 997 552 987 01 N12 | Carrera Red | | | | |
| | D - MJ 2008>> | | | | |
| 3 | 997 552 325 01 | Trim | lhd | 1 | PR:098 |
| | | Combi-instrument | | | |
| | | see | | | |
| | | Technical information | | | |
| | | Group 9 | | | |
| | | Nummer 53/10 | | | |
| | 997 552 325 01 A03 | Black | | | |
| | 997 552 325 01 5V7 | Stone grey | | | |
| | 997 552 325 01 5Z1 | Sand beige | | | |
| | 997 552 325 01 8W7 | sea blue | | | |
| | 997 552 325 01 5Y2 | Palm green | | | |
| | | D >> - MJ 2007 | | | |
| | 997 552 325 01 8X8 | Terracotta | | | |
| | 997 552 325 01 8P9 | Cocoa | | | |
| 997 552 325 01 T13 | Brown/natural | | | | |
| 997 552 325 01 N23 | Carrera Red | | | | |
| | D - MJ 2008>> | | | | |
| (3) | 997 552 326 01 | Trim | center | 1 | PR:099 |
| | | Combi-instrument | | | |
| | | see | | | |
| | | Technical information | | | |
| | | Group 9 | | | |
| | | Nummer 53/10 | | | |
| | 997 552 326 01 A03 | Black | | | |
| | 997 552 326 01 5V7 | Stone grey | | | |
| | 997 552 326 01 5Z1 | Sand beige | | | |
| | 997 552 326 01 8W7 | sea blue | | | |
| | 997 552 326 01 5Y2 | Palm green | | | |
| | | D >> - MJ 2007 | | | |
| | 997 552 326 01 8X8 | Terracotta | | | |
| | 997 552 326 01 8P9 | Cocoa | | | |
| 997 552 326 01 T13 | Brown/natural | | | | |
| 997 552 326 01 N23 | Carrera Red | | | | |
| | D - MJ 2008>> | | | | |
| 3 | 997 552 989 00 | Leather panel | lhd | 1 | PR:XNG,098 |
| | | Combi-instrument | | | |
| | | see | | | |
| | | Technical information | | | |
| | | Group 9 | | | |
| | | Nummer 53/10 | | | |
| | 997 552 989 00 A11 | Black | | | |
| | 997 552 989 00 5X6 | Stone grey | | | |
| | 997 552 989 00 8G2 | Sand beige | | | |
| | 997 552 989 00 3S9 | sea blue | | | |
| | 997 552 989 00 4P2 | Palm green | | | |
| | D >> - MJ 2007 | | | | |

Model: 997T07 Model life 2007>>2009

| Pos | Part Number | Description | Remark | Qty | Model |
|-----|--------------------|--|--------|-----|---------------------|
| | 997 552 989 00 9S5 | Terracotta | | | |
| | 997 552 989 00 9V6 | Cocoa | | | |
| | 997 552 989 00 D12 | Dark grey/natural | | | |
| | 997 552 989 00 T12 | Brown/natural | | | |
| | 997 552 989 00 N12 | Carrera Red | | | |
| | | D - MJ 2008>> | | | |
| (3) | 997 552 989 01 | Leather panel Combi-instrument see Technical information Group 9 Nummer 53/10 | rhd | 1 | PR:XNG,099 |
| | 997 552 989 01 A11 | Black | | | |
| | 997 552 989 01 5X6 | Stone grey | | | |
| | 997 552 989 01 8G2 | Sand beige | | | |
| | 997 552 989 01 3S9 | sea blue | | | |
| | 997 552 989 01 4P2 | Palm green | | | |
| | | D >> - MJ 2007 | | | |
| | 997 552 989 01 9S5 | Terracotta | | | |
| | 997 552 989 01 9V6 | Cocoa | | | |
| | 997 552 989 01 D12 | Dark grey/natural | | | |
| | 997 552 989 01 T12 | Brown/natural | | | |
| | 997 552 989 01 N12 | Carrera Red | | | |
| | | D - MJ 2008>> | | | |
| 3 | 997 552 989 02 | Trim Combi-instrument see Technical information Group 9 Nummer 53/10 | lhd | 1 | TURBO PR:XCL,098 |
| | 997 552 989 02 V04 | Galvano silver | | | |
| (3) | 997 552 989 03 | Trim Combi-instrument see Technical information Group 9 Nummer 53/10 | rhd | 1 | TURBO PR:XCL,099 |
| | 997 552 989 03 V04 | Galvano silver | | | |
| 4 | 999 073 155 09 | panel screw ST 4,2 X 13 | | 2 | |
| 5 | 997 552 271 01 | Bridge | | 1 | |
| | 997 552 271 01 A03 | Black | | | |
| | 997 552 271 01 5V7 | Stone grey | | | |
| | 997 552 271 01 5Z1 | Sand beige | | | |
| | 997 552 271 01 8W7 | sea blue | | | |
| | 997 552 271 01 5Y2 | Palm green | | | |
| | | D >> - MJ 2007 | | | |
| | 997 552 271 01 8X8 | Terracotta | | | |
| | 997 552 271 01 8P9 | Cocoa | | | |
| | 997 552 271 01 T13 | Brown/natural | | | |
| | 997 552 271 01 N23 | Carrera Red | | | |
| | | D - MJ 2008>> | | | |
| 5 | 997 552 978 00 | Bridge Leather | | 1 | PR:XNS |
| | 997 552 978 00 A11 | Black | | | |
| | 997 552 978 00 5X6 | Stone grey | | | |
| | 997 552 978 00 8G2 | Sand beige | | | |
| | 997 552 978 00 3S9 | sea blue | | | |
| | 997 552 978 00 4P2 | Palm green | | | |
| | | D >> - MJ 2007 | | | |
| | 997 552 978 00 9S5 | Terracotta | | | |
| | 997 552 978 00 9V6 | Cocoa | | | |
| | 997 552 978 00 D12 | Dark grey/natural | | | |

Model: 997T07 Model life 2007>>2009

| Pos | Part Number | Description | Remark | Qty | Model |
|-----|--------------------|-------------------|-----------|-----|------------|
| | 997 552 978 00 T12 | Brown/natural | | | |
| | 997 552 978 00 N12 | Carrera Red | | | |
| | | D - MJ 2008>> | | | |
| 6 | 997 552 294 03 | Drinks holder | lhd | 1 | PR:098 |
| (6) | 997 552 293 04 | Drinks holder | rhd | 1 | PR:099 |
| - | 997 552 905 00 | repair set | | 1 | |
| | | Flap | | | |
| | | torsion spring | | | |
| | | for | | | |
| | | Beverages | | | |
| | | Bracket | | | |
| 7 | 900 067 416 01 | Socket head bolt | | 2 | |
| | | M5 X 27 | | | |
| 8 | 997 552 394 01 | Retainer for trim | right lhd | 1 | GT2 |
| | | D - MJ 2008>> | | | PR:098 |
| | 997 552 394 01 D07 | Volcano grey | | | |
| (8) | 997 552 393 01 | Retainer for trim | right rhd | 1 | GT2 |
| | | D - MJ 2008>> | | | PR:099 |
| | 997 552 393 01 D07 | Volcano grey | | | |
| 8 | 997 552 394 02 | Retainer for trim | right lhd | 1 | TURBO |
| | | | | | PR:098 |
| | 997 552 394 02 V04 | Galvano silver | | | |
| (8) | 997 552 393 02 | Retainer for trim | right rhd | 1 | TURBO |
| | | | | | PR:099 |
| | 997 552 393 02 V04 | Galvano silver | | | |
| 8 | 997 552 396 05 | Retainer for trim | right lhd | 1 | TURBO |
| | | | | | PR:098,803 |
| | 997 552 396 05 A35 | Black | | | |
| (8) | 997 552 396 05 | Retainer for trim | right lhd | 1 | GT2 |
| | | D - MJ 2008>> | | | PR:XGB,098 |
| | 997 552 396 05 A35 | Black | | | |
| (8) | 997 552 395 05 | Retainer for trim | right rhd | 1 | TURBO |
| | | | | | PR:099,803 |
| | 997 552 395 05 A35 | Black | | | |
| (8) | 997 552 395 05 | Retainer for trim | right rhd | 1 | GT2 |
| | | D - MJ 2008>> | | | PR:XGB,099 |
| | 997 552 395 05 A35 | Black | | | |
| 8 | 997 552 993 00 | Leather panel | right lhd | 1 | PR:XVP,098 |
| | 997 552 993 00 A11 | Black | | | |
| | 997 552 993 00 5X6 | Stone grey | | | |
| | 997 552 993 00 8G2 | Sand beige | | | |
| | 997 552 993 00 3S9 | sea blue | | | |
| | 997 552 993 00 4P2 | Palm green | | | |
| | | D >> - MJ 2007 | | | |
| | 997 552 993 00 9S5 | Terracotta | | | |
| | 997 552 993 00 9V6 | Cocoa | | | |
| | 997 552 993 00 D12 | Dark grey/natural | | | |
| | 997 552 993 00 T12 | Brown/natural | | | |
| | 997 552 993 00 N12 | Carrera Red | | | |
| | | D - MJ 2008>> | | | |
| (8) | 997 552 993 01 | Leather panel | right rhd | 1 | PR:XVP,099 |
| | 997 552 993 01 A11 | Black | | | |
| | 997 552 993 01 5X6 | Stone grey | | | |
| | 997 552 993 01 8G2 | Sand beige | | | |
| | 997 552 993 01 3S9 | sea blue | | | |
| | 997 552 993 01 4P2 | Palm green | | | |
| | | D >> - MJ 2007 | | | |
| | 997 552 993 01 9S5 | Terracotta | | | |
| | 997 552 993 01 9V6 | Cocoa | | | |
| | 997 552 993 01 D12 | Dark grey/natural | | | |
| | 997 552 993 01 T12 | Brown/natural | | | |
| | 997 552 993 01 N12 | Carrera Red | | | |
| | | D - MJ 2008>> | | | |

Model: 997T07 Model life 2007>>2009

| Pos | Part Number | Description | Remark | Qty | Model |
|------|--------------------|-------------------|------------|-----|---------------------|
| 9 | 997 552 398 00 | Retainer for trim | center lhd | 1 | GT2 PR:098 |
| | | D - MJ 2008>> | | | |
| | 997 552 398 00 D07 | Volcano grey | | | |
| (9) | 997 552 397 00 | Retainer for trim | center rhd | 1 | GT2 PR:099 |
| | | D - MJ 2008>> | | | |
| | 997 552 397 00 D07 | Volcano grey | | | |
| 9 | 997 552 398 01 | Retainer for trim | center lhd | 1 | TURBO PR:098 |
| | | D - MJ 2008>> | | | |
| | 997 552 398 01 V04 | Galvano silver | | | |
| (9) | 997 552 397 01 | Retainer for trim | center rhd | 1 | TURBO PR:099 |
| | | D - MJ 2008>> | | | |
| | 997 552 397 01 V04 | Galvano silver | | | |
| 9 | 997 552 398 04 | Retainer for trim | center lhd | 1 | TURBO PR:098,803 |
| | | D - MJ 2008>> | | | |
| | 997 552 398 04 A35 | Black | | | |
| 9 | 997 552 398 04 | Retainer for trim | center lhd | 1 | GT2 PR:XGB,098 |
| | | D - MJ 2008>> | | | |
| | 997 552 398 04 A35 | Black | | | |
| (9) | 997 552 397 04 | Retainer for trim | center rhd | 1 | TURBO PR:099,803 |
| | | D - MJ 2008>> | | | |
| | 997 552 397 04 A35 | Black | | | |
| (9) | 997 552 397 04 | Retainer for trim | center rhd | 1 | GT2 PR:XGB,099 |
| | | D - MJ 2008>> | | | |
| | 997 552 397 04 A35 | Black | | | |
| 9 | 997 552 994 00 | Leather panel | center lhd | 1 | PR:XVP,098 |
| | | D | | | |
| | 997 552 994 00 A11 | Black | | | |
| | 997 552 994 00 5X6 | Stone grey | | | |
| | 997 552 994 00 8G2 | Sand beige | | | |
| | 997 552 994 00 3S9 | sea blue | | | |
| | 997 552 994 00 4P2 | Palm green | | | |
| | | D >> - MJ 2007 | | | |
| | 997 552 994 00 9S5 | Terracotta | | | |
| | 997 552 994 00 9V6 | Cocoa | | | |
| | 997 552 994 00 D12 | Dark grey/natural | | | |
| | 997 552 994 00 T12 | Brown/natural | | | |
| | 997 552 994 00 N12 | Carrera Red | | | |
| | | D - MJ 2008>> | | | |
| 9 | 997 552 994 01 | Leather panel | center rhd | 1 | PR:XVP,099 |
| | | D | | | |
| | 997 552 994 01 A11 | Black | | | |
| | 997 552 994 01 5X6 | Stone grey | | | |
| | 997 552 994 01 8G2 | Sand beige | | | |
| | 997 552 994 01 3S9 | sea blue | | | |
| | 997 552 994 01 4P2 | Palm green | | | |
| | | D >> - MJ 2007 | | | |
| | 997 552 994 01 9S5 | Terracotta | | | |
| | 997 552 994 01 9V6 | Cocoa | | | |
| | 997 552 994 01 D12 | Dark grey/natural | | | |
| | 997 552 994 01 T12 | Brown/natural | | | |
| | 997 552 994 01 N12 | Carrera Red | | | |
| | | D - MJ 2008>> | | | |
| 10 | 997 552 396 01 | Retainer for trim | left lhd | 1 | GT2 PR:098 |
| | | D - MJ 2008>> | | | |
| | 997 552 396 01 D07 | Volcano grey | | | |
| (10) | 997 552 395 01 | Retainer for trim | left rhd | 1 | GT2 PR:099 |
| | | D - MJ 2008>> | | | |
| | 997 552 395 01 D07 | Volcano grey | | | |
| 10 | 997 552 396 02 | Retainer for trim | left lhd | 1 | TURBO |

Model: 997T07 Model life 2007>>2009

| Pos | Part Number | Description | Remark | Qty | Model |
|------|--|---|----------|-----|---------------------|
| | | | | | PR:098 |
| (10) | 997 552 396 02 V04 997 552 395 02 | Galvano silver Retainer for trim | left rhd | 1 | TURBO PR:099 |
| 10 | 997 552 395 02 V04 997 552 394 05 | Galvano silver Retainer for trim | left lhd | 1 | TURBO PR:098,803 |
| 10 | 997 552 394 05 A35 997 552 394 05 | Black Retainer for trim | left lhd | 1 | GT2 PR:XGB,098 |
| (10) | 997 552 394 05 A35 997 552 393 05 | Black Retainer for trim | left rhd | 1 | TURBO PR:099,803 |
| (10) | 997 552 393 05 A35 997 552 393 05 | Black Retainer for trim | left rhd | 1 | GT2 PR:XGB,099 |
| 10 | 997 552 393 05 A35 997 552 992 00 997 552 992 00 A11 997 552 992 00 5X6 997 552 992 00 8G2 997 552 992 00 3S9 997 552 992 00 4P2 | Black Leather panel Black Stone grey Sand beige sea blue Palm green | left lhd | 1 | PR:XVP,098 |
| | | D >> - MJ 2007 | | | |
| | 997 552 992 00 9S5 997 552 992 00 9V6 997 552 992 00 D12 997 552 992 00 T12 997 552 992 00 N12 | Terracotta Cocoa Dark grey/natural Brown/natural Carrera Red | | | |
| (10) | 997 552 992 01 997 552 992 01 A11 997 552 992 01 5X6 997 552 992 01 8G2 997 552 992 01 3S9 997 552 992 01 4P2 | Leather panel Black Stone grey Sand beige sea blue Palm green | left rhd | 1 | PR:XVP,099 |
| | | D >> - MJ 2007 | | | |
| | 997 552 992 01 9S5 997 552 992 01 9V6 997 552 992 01 D12 997 552 992 01 T12 997 552 992 01 N12 | Terracotta Cocoa Dark grey/natural Brown/natural Carrera Red | | | |
| 11 | 997 552 904 00 997 552 904 00 S61 | Set Trim Wood macassar | lhd | 1 | TURBO PR:098,801 |
| (11) | 997 552 903 00 997 552 903 00 S61 | Set Trim Wood macassar | rhd | 1 | TURBO PR:099,801 |
| 11 | 997 552 904 01 997 552 904 01 S62 | Set Trim Wood | lhd | 1 | TURBO PR:098,802 |
| | | D >> - MJ 2008 | | | |
| 11 | 997 552 904 01 S62 997 552 903 01 | Sycamore wood Set Trim Wood | rhd | 1 | TURBO PR:099,802 |
| | | D >> - MJ 2008 | | | |
| 12 | 997 552 903 01 S62 | Sycamore wood Retaining plate for | | 1 | |

Model: 997T07 Model life 2007>>2009

| Pos | Part Number | Description | Remark | Qty | Model |
|------|--------------------|--|---------|-----|--------------------|
| (13) | 997 552 371 01 | Drinks holder see illustration: | 809-000 | 1 | PR:639,640, 981 |
| | 997 552 371 01 A11 | Air guide Upper part Black | | | |
| | 997 552 371 01 5X6 | Stone grey | | | |
| | 997 552 371 01 8G2 | Sand beige | | | |
| | 997 552 371 01 3S9 | sea blue | | | |
| | 997 552 371 01 4P2 | Palm green | | | |
| | 997 552 371 01 9S5 | D >> - MJ 2007 Terracotta | | | |
| | 997 552 371 01 9V6 | Cocoa | | | |
| | 997 552 371 01 D12 | Dark grey/natural | | | |
| | 997 552 371 01 T12 | Brown/natural | | | |
| | 997 552 371 01 N12 | Carrera Red | | | |
| 14 | 999 507 920 01 | U-clip 1,7-2,1 | | 4 | PR:639,640 |
| 15 | 997 552 373 01 | Retainer, upper part for Air guide | | 1 | PR:639,640 |
| 16 | 999 919 167 09 | fillister hd. bolt 3,0 X 10 for Mount Bracket Air guide | | 4 | |
| 17 | 997 552 131 05 | Vent D - MJ 2008>> | left | 1 | GT2 |
| (17) | 997 552 131 05 D07 | Volcano grey | | | |
| | 997 552 132 05 | Vent D - MJ 2008>> | right | 1 | GT2 |
| 17 | 997 552 132 05 D07 | Volcano grey | | | |
| | 997 552 131 06 | Vent | left | 1 | TURBO |
| (17) | 997 552 131 06 V04 | Galvano silver | | | |
| | 997 552 132 06 | Vent | right | 1 | TURBO |
| | 997 552 132 06 V04 | Galvano silver | | | |
| 17 | 997 552 981 00 | Vent | left | 1 | PR: XN3 |
| | 997 552 981 00 A11 | Black | | | |
| | 997 552 981 00 5X6 | Stone grey | | | |
| | 997 552 981 00 8G2 | Sand beige | | | |
| | 997 552 981 00 3S9 | sea blue | | | |
| | 997 552 981 00 4P2 | Palm green | | | |
| | 997 552 981 00 9S5 | D >> - MJ 2007 Terracotta | | | |
| | 997 552 981 00 9V6 | Cocoa | | | |
| | 997 552 981 00 D12 | Dark grey/natural | | | |
| | 997 552 981 00 T12 | Brown/natural | | | |
| | 997 552 981 00 N12 | Carrera Red | | | |
| (17) | 997 552 982 00 | D - MJ 2008>> Vent | right | 1 | PR: XN3 |
| | 997 552 982 00 A11 | Black | | | |
| | 997 552 982 00 5X6 | Stone grey | | | |
| | 997 552 982 00 8G2 | Sand beige | | | |
| | 997 552 982 00 3S9 | sea blue | | | |
| | 997 552 982 00 4P2 | Palm green | | | |
| | 997 552 982 00 9S5 | D >> - MJ 2007 Terracotta | | | |
| | 997 552 982 00 9V6 | Cocoa | | | |
| | 997 552 982 00 D12 | Dark grey/natural | | | |
| | 997 552 982 00 T12 | Brown/natural | | | |
| | 997 552 982 00 N12 | Carrera Red | | | |
| 17 | 997 552 981 01 | D - MJ 2008>> Vent | left | 1 | PR: XKD |

Model: 997T07 Model life 2007>>2009

| Pos | Part Number | Description | Remark | Qty | Model |
|------|--------------------|-------------------|--------|-----|-----------------|
| | 997 552 981 01 A11 | Black | | | |
| | 997 552 981 01 5X6 | Stone grey | | | |
| | 997 552 981 01 8G2 | Sand beige | | | |
| | 997 552 981 01 3S9 | sea blue | | | |
| | 997 552 981 01 4P2 | Palm green | | | |
| | | D >> - MJ 2007 | | | |
| | 997 552 981 01 9S5 | Terracotta | | | |
| | 997 552 981 01 9V6 | Cocoa | | | |
| | 997 552 981 01 D12 | Dark grey/natural | | | |
| | 997 552 981 01 T12 | Brown/natural | | | |
| | 997 552 981 01 N12 | Carrera Red | | | |
| | | D - MJ 2008>> | | | |
| (17) | 997 552 982 01 | Vent | right | 1 | PR:XKD |
| | 997 552 982 01 A11 | Black | | | |
| | 997 552 982 01 5X6 | Stone grey | | | |
| | 997 552 982 01 8G2 | Sand beige | | | |
| | 997 552 982 01 3S9 | sea blue | | | |
| | 997 552 982 01 4P2 | Palm green | | | |
| | | D >> - MJ 2007 | | | |
| | 997 552 982 01 9S5 | Terracotta | | | |
| | 997 552 982 01 9V6 | Cocoa | | | |
| | 997 552 982 01 D12 | Dark grey/natural | | | |
| | 997 552 982 01 T12 | Brown/natural | | | |
| | 997 552 982 01 N12 | Carrera Red | | | |
| | | D - MJ 2008>> | | | |
| 17 | 997 552 981 02 | Vent | left | 1 | TURBO PR:XJM |
| | | D >> - MJ 2008 | | | |
| | 997 552 981 02 A11 | Black | | | |
| | 997 552 981 02 5X6 | Stone grey | | | |
| | 997 552 981 02 8G2 | Sand beige | | | |
| | 997 552 981 02 3S9 | sea blue | | | |
| | 997 552 981 02 4P2 | Palm green | | | |
| | 997 552 981 02 9S5 | Terracotta | | | |
| | 997 552 981 02 9V6 | Cocoa | | | |
| | 997 552 981 02 D12 | Dark grey/natural | | | |
| | 997 552 981 02 T12 | Brown/natural | | | |
| | 997 552 981 02 N12 | Carrera Red | | | |
| (17) | 997 552 982 02 | Vent | right | 1 | TURBO PR:XJM |
| | | D >> - MJ 2008 | | | |
| | 997 552 982 02 A11 | Black | | | |
| | 997 552 982 02 5X6 | Stone grey | | | |
| | 997 552 982 02 8G2 | Sand beige | | | |
| | 997 552 982 02 3S9 | sea blue | | | |
| | 997 552 982 02 4P2 | Palm green | | | |
| | 997 552 982 02 9S5 | Terracotta | | | |
| | 997 552 982 02 9V6 | Cocoa | | | |
| | 997 552 982 02 D12 | Dark grey/natural | | | |
| | 997 552 982 02 T12 | Brown/natural | | | |
| | 997 552 982 02 N12 | Carrera Red | | | |
| 17 | 997 552 981 03 | Vent | left | 1 | TURBO PR:XJL |
| | 997 552 981 03 A11 | Black | | | |
| | 997 552 981 03 5X6 | Stone grey | | | |
| | 997 552 981 03 8G2 | Sand beige | | | |
| | 997 552 981 03 3S9 | sea blue | | | |
| | 997 552 981 03 4P2 | Palm green | | | |
| | | D >> - MJ 2007 | | | |
| | 997 552 981 03 9S5 | Terracotta | | | |
| | 997 552 981 03 9V6 | Cocoa | | | |
| | 997 552 981 03 D12 | Dark grey/natural | | | |
| | 997 552 981 03 T12 | Brown/natural | | | |
| | 997 552 981 03 N12 | Carrera Red | | | |
| | | D - MJ 2008>> | | | |

Model: 997T07 Model life 2007>>2009

| Pos | Part Number | Description | Remark | Qty | Model |
|------|--------------------|-------------------------|--------|-----|------------------|
| (17) | 997 552 982 03 | Vent | right | 1 | TURBO PR: XJL |
| | 997 552 982 03 A11 | Black | | | |
| | 997 552 982 03 5X6 | Stone grey | | | |
| | 997 552 982 03 8G2 | Sand beige | | | |
| | 997 552 982 03 3S9 | sea blue | | | |
| | 997 552 982 03 4P2 | Palm green | | | |
| | | D >> - MJ 2007 | | | |
| | 997 552 982 03 9S5 | Terracotta | | | |
| | 997 552 982 03 9V6 | Cocoa | | | |
| | 997 552 982 03 D12 | Dark grey/natural | | | |
| | 997 552 982 03 T12 | Brown/natural | | | |
| | 997 552 982 03 N12 | Carrera Red | | | |
| | | D - MJ 2008>> | | | |
| 17 | 997 552 981 04 | Vent | left | 1 | TURBO PR: XCN |
| | 997 552 981 04 A11 | Black | | | |
| | 997 552 981 04 5X6 | Stone grey | | | |
| | 997 552 981 04 8G2 | Sand beige | | | |
| | 997 552 981 04 3S9 | sea blue | | | |
| | 997 552 981 04 4P2 | Palm green | | | |
| | | D >> - MJ 2007 | | | |
| | 997 552 981 04 9S5 | Terracotta | | | |
| | 997 552 981 04 9V6 | Cocoa | | | |
| | 997 552 981 04 D12 | Dark grey/natural | | | |
| | 997 552 981 04 T12 | Brown/natural | | | |
| | 997 552 981 04 N12 | Carrera Red | | | |
| | | D - MJ 2008>> | | | |
| (17) | 997 552 982 04 | Vent | right | 1 | TURBO PR: XCN |
| | 997 552 982 04 A11 | Black | | | |
| | 997 552 982 04 5X6 | Stone grey | | | |
| | 997 552 982 04 8G2 | Sand beige | | | |
| | 997 552 982 04 3S9 | sea blue | | | |
| | 997 552 982 04 4P2 | Palm green | | | |
| | | D >> - MJ 2007 | | | |
| | 997 552 982 04 9S5 | Terracotta | | | |
| | 997 552 982 04 9V6 | Cocoa | | | |
| | 997 552 982 04 D12 | Dark grey/natural | | | |
| | 997 552 982 04 T12 | Brown/natural | | | |
| | 997 552 982 04 N12 | Carrera Red | | | |
| | | D - MJ 2008>> | | | |
| 18 | 997 552 141 07 | Centre nozzle | | 1 | GT2 |
| | | D - MJ 2008>> | | | |
| (18) | 997 552 141 07 D07 | Volcano grey | | 1 | TURBO |
| (18) | 997 552 141 06 | Centre nozzle | | 1 | TURBO |
| | | D - MJ 2007>> - MJ 2007 | | | |
| (18) | 997 552 141 06 V04 | Galvano silver | | 1 | TURBO |
| (18) | 997 552 141 08 | Centre nozzle | | 1 | TURBO |
| | | D - MJ 2008>> | | | |
| (18) | 997 552 141 08 V04 | Galvano silver | | 1 | TURBO |
| (18) | 997 552 980 00 | Centre nozzle | | 1 | TURBO PR: XVM |
| | | D - MJ 2007>> - MJ 2007 | | | |
| | 997 552 980 00 A11 | Black | | | |
| | 997 552 980 00 5X6 | Stone grey | | | |
| | 997 552 980 00 8G2 | Sand beige | | | |
| | 997 552 980 00 3S9 | sea blue | | | |
| | 997 552 980 00 4P2 | Palm green | | | |
| | 997 552 980 00 9S5 | Terracotta | | | |
| | 997 552 980 00 9V6 | Cocoa | | | |
| | 997 552 980 00 D12 | Dark grey/natural | | | |
| | 997 552 980 00 T12 | Brown/natural | | | |
| | 997 552 980 00 N12 | Carrera Red | | | |

Model: 997T07 Model life 2007>>2009

| Pos | Part Number | Description | Remark | Qty | Model |
|------|--------------------|--|--------|-----|-----------------|
| (18) | 997 552 980 05 | Centre nozzle D - MJ 2008>> | | 1 | PR:XVM |
| | 997 552 980 05 A11 | Black | | | |
| | 997 552 980 05 5X6 | Stone grey | | | |
| | 997 552 980 05 8G2 | Sand beige | | | |
| | 997 552 980 05 3S9 | sea blue | | | |
| | 997 552 980 05 4P2 | Palm green | | | |
| | 997 552 980 05 9S5 | Terracotta | | | |
| | 997 552 980 05 9V6 | Cocoa | | | |
| | 997 552 980 05 D12 | Dark grey/natural | | | |
| | 997 552 980 05 T12 | Brown/natural | | | |
| | 997 552 980 05 N12 | Carrera Red | | | |
| (18) | 997 552 980 01 | Centre nozzle D - MJ 2007>> - MJ 2007 | | 1 | TURBO PR:XZB |
| | 997 552 980 01 A11 | Black | | | |
| | 997 552 980 01 5X6 | Stone grey | | | |
| | 997 552 980 01 8G2 | Sand beige | | | |
| | 997 552 980 01 3S9 | sea blue | | | |
| | 997 552 980 01 4P2 | Palm green | | | |
| | 997 552 980 01 9S5 | Terracotta | | | |
| | 997 552 980 01 9V6 | Cocoa | | | |
| | 997 552 980 01 D12 | Dark grey/natural | | | |
| | 997 552 980 01 T12 | Brown/natural | | | |
| | 997 552 980 01 N12 | Carrera Red | | | |
| (18) | 997 552 980 06 | Centre nozzle D - MJ 2008>> | | 1 | PR:XZB |
| | 997 552 980 06 A11 | Black | | | |
| | 997 552 980 06 5X6 | Stone grey | | | |
| | 997 552 980 06 8G2 | Sand beige | | | |
| | 997 552 980 06 3S9 | sea blue | | | |
| | 997 552 980 06 4P2 | Palm green | | | |
| | 997 552 980 06 9S5 | Terracotta | | | |
| | 997 552 980 06 9V6 | Cocoa | | | |
| | 997 552 980 06 D12 | Dark grey/natural | | | |
| | 997 552 980 06 T12 | Brown/natural | | | |
| | 997 552 980 06 N12 | Carrera Red | | | |
| (18) | 997 552 980 02 | Centre nozzle D - MJ 2007>> - MJ 2007 | | 1 | TURBO PR:XJP |
| | 997 552 980 02 A11 | Black | | | |
| | 997 552 980 02 5X6 | Stone grey | | | |
| | 997 552 980 02 8G2 | Sand beige | | | |
| | 997 552 980 02 3S9 | sea blue | | | |
| | 997 552 980 02 4P2 | Palm green | | | |
| | 997 552 980 02 9S5 | Terracotta | | | |
| | 997 552 980 02 9V6 | Cocoa | | | |
| | 997 552 980 02 D12 | Dark grey/natural | | | |
| | 997 552 980 02 T12 | Brown/natural | | | |
| | 997 552 980 02 N12 | Carrera Red | | | |
| (18) | 997 552 980 07 | Centre nozzle D - MJ 2008>> | | 1 | TURBO PR:XJP |
| | 997 552 980 07 A11 | Black | | | |
| | 997 552 980 07 5X6 | Stone grey | | | |
| | 997 552 980 07 8G2 | Sand beige | | | |
| | 997 552 980 07 3S9 | sea blue | | | |
| | 997 552 980 07 4P2 | Palm green | | | |
| | 997 552 980 07 9S5 | Terracotta | | | |
| | 997 552 980 07 9V6 | Cocoa | | | |
| | 997 552 980 07 D12 | Dark grey/natural | | | |
| | 997 552 980 07 T12 | Brown/natural | | | |
| | 997 552 980 07 N12 | Carrera Red | | | |
| (18) | 997 552 980 03 | Centre nozzle D - MJ 2007>> - MJ 2007 | | 1 | TURBO PR:XJN |
| | 997 552 980 03 A11 | Black | | | |

Model: 997T07 Model life 2007>>2009

| Pos | Part Number | Description | Remark | Qty | Model |
|------|--------------------|-------------------------|--------|-----|-----------------|
| | 997 552 980 03 5X6 | Stone grey | | | |
| | 997 552 980 03 8G2 | Sand beige | | | |
| | 997 552 980 03 3S9 | sea blue | | | |
| | 997 552 980 03 4P2 | Palm green | | | |
| | 997 552 980 03 9S5 | Terracotta | | | |
| | 997 552 980 03 9V6 | Cocoa | | | |
| | 997 552 980 03 D12 | Dark grey/natural | | | |
| | 997 552 980 03 T12 | Brown/natural | | | |
| | 997 552 980 03 N12 | Carrera Red | | | |
| (18) | 997 552 980 08 | Centre nozzle | | 1 | TURBO PR:XJN |
| | | D - MJ 2008>> | | | |
| | 997 552 980 08 A11 | Black | | | |
| | 997 552 980 08 5X6 | Stone grey | | | |
| | 997 552 980 08 8G2 | Sand beige | | | |
| | 997 552 980 08 3S9 | sea blue | | | |
| | 997 552 980 08 4P2 | Palm green | | | |
| | 997 552 980 08 9S5 | Terracotta | | | |
| | 997 552 980 08 9V6 | Cocoa | | | |
| | 997 552 980 08 D12 | Dark grey/natural | | | |
| | 997 552 980 08 T12 | Brown/natural | | | |
| | 997 552 980 08 N12 | Carrera Red | | | |
| (18) | 997 552 980 04 | Centre nozzle | | 1 | TURBO PR:XCJ |
| | | D - MJ 2007>> - MJ 2007 | | | |
| | 997 552 980 04 A11 | Black | | | |
| | 997 552 980 04 5X6 | Stone grey | | | |
| | 997 552 980 04 8G2 | Sand beige | | | |
| | 997 552 980 04 3S9 | sea blue | | | |
| | 997 552 980 04 4P2 | Palm green | | | |
| | 997 552 980 04 9S5 | Terracotta | | | |
| | 997 552 980 04 9V6 | Cocoa | | | |
| | 997 552 980 04 D12 | Dark grey/natural | | | |
| | 997 552 980 04 T12 | Brown/natural | | | |
| | 997 552 980 04 N12 | Carrera Red | | | |
| (18) | 997 552 980 09 | Centre nozzle | | 1 | TURBO PR:XCJ |
| | | D - MJ 2008>> | | | |
| | 997 552 980 09 A11 | Black | | | |
| | 997 552 980 09 5X6 | Stone grey | | | |
| | 997 552 980 09 8G2 | Sand beige | | | |
| | 997 552 980 09 3S9 | sea blue | | | |
| | 997 552 980 09 4P2 | Palm green | | | |
| | 997 552 980 09 9S5 | Terracotta | | | |
| | 997 552 980 09 9V6 | Cocoa | | | |
| | 997 552 980 09 D12 | Dark grey/natural | | | |
| | 997 552 980 09 T12 | Brown/natural | | | |
| | 997 552 980 09 N12 | Carrera Red | | | |
| 19 | 997 552 455 01 | Cover | left | 1 | |
| | | Defroster vent | | | |
| | 997 552 455 01 A03 | Black | | | |
| | 997 552 455 01 5V7 | Stone grey | | | |
| | 997 552 455 01 5Z1 | Sand beige | | | |
| | 997 552 455 01 8W7 | sea blue | | | |
| | 997 552 455 01 5Y2 | Palm green | | | |
| | 997 552 455 01 8X8 | Terracotta | | | |
| | 997 552 455 01 8P9 | Cocoa | | | |
| | 997 552 455 01 T13 | Brown/natural | | | |
| | 997 552 455 01 N23 | Carrera Red | | | |
| (19) | 997 552 456 01 | Cover | right | 1 | |
| | | Defroster vent | | | |
| | 997 552 456 01 A03 | Black | | | |
| | 997 552 456 01 5V7 | Stone grey | | | |
| | 997 552 456 01 5Z1 | Sand beige | | | |
| | 997 552 456 01 8W7 | sea blue | | | |
| | 997 552 456 01 5Y2 | Palm green | | | |

Model: 997T07 Model life 2007>>2009

| Pos | Part Number | Description | Remark | Qty | Model |
|------|--------------------|-------------------|----------------|------|---------|
| 20 | 997 552 456 01 8X8 | Terracotta | | | |
| | 997 552 456 01 8P9 | Cocoa | | | |
| | 997 552 456 01 T13 | Brown/natural | | | |
| | 997 552 456 01 N23 | Carrera Red | | | |
| | 997 552 315 02 | Air guide | left | 1 | |
| (20) | 997 552 316 02 | Air guide | side right | 1 | |
| 21 | 997 552 175 01 | Defroster trim | side | 1 | |
| | 997 552 175 01 A03 | Black | left | 1 | |
| | 997 552 175 01 5V7 | Stone grey | | | |
| | 997 552 175 01 5Z1 | Sand beige | | | |
| | 997 552 175 01 8W7 | sea blue | | | |
| | 997 552 175 01 5Y2 | Palm green | | | |
| | 997 552 175 01 8X8 | Terracotta | | | |
| | 997 552 175 01 8P9 | Cocoa | | | |
| | 997 552 175 01 T13 | Brown/natural | | | |
| | 997 552 175 01 N23 | Carrera Red | | | |
| (21) | 997 552 176 01 | Defroster trim | right | 1 | |
| 21 | 997 552 176 01 A03 | Black | | | |
| | 997 552 176 01 5V7 | Stone grey | | | |
| | 997 552 176 01 5Z1 | Sand beige | | | |
| | 997 552 176 01 8W7 | sea blue | | | |
| | 997 552 176 01 5Y2 | Palm green | | | |
| | 997 552 176 01 8X8 | Terracotta | | | |
| | 997 552 176 01 8P9 | Cocoa | | | |
| | 997 552 176 01 T13 | Brown/natural | | | |
| | 997 552 176 01 N23 | Carrera Red | | | |
| | (21) | 997 552 983 00 | Defroster trim | left | 1 |
| 21 | 997 552 983 00 A11 | Black | | | |
| | 997 552 983 00 5X6 | Stone grey | | | |
| | 997 552 983 00 8G2 | Sand beige | | | |
| | 997 552 983 00 3S9 | sea blue | | | |
| | 997 552 983 00 4P2 | Palm green | | | |
| | 997 552 983 00 9S5 | Terracotta | | | |
| | 997 552 983 00 9V6 | Cocoa | | | |
| | 997 552 983 00 D12 | Dark grey/natural | | | |
| | 997 552 983 00 T12 | Brown/natural | | | |
| | 997 552 983 00 N12 | Carrera Red | | | |
| (21) | 997 552 984 00 | Defroster trim | right | 1 | PR: XV1 |
| 21 | 997 552 984 00 A11 | Black | | | |
| | 997 552 984 00 5X6 | Stone grey | | | |
| | 997 552 984 00 8G2 | Sand beige | | | |
| | 997 552 984 00 3S9 | sea blue | | | |
| | 997 552 984 00 4P2 | Palm green | | | |
| | 997 552 984 00 9S5 | Terracotta | | | |
| | 997 552 984 00 9V6 | Cocoa | | | |
| | 997 552 984 00 D12 | Dark grey/natural | | | |
| | 997 552 984 00 T12 | Brown/natural | | | |
| | 997 552 984 00 N12 | Carrera Red | | | |
| (21) | 997 552 983 01 | Defroster trim | left | 1 | PR: XKJ |
| | | D >> - MJ 2008 | | | |
| (21) | 997 552 983 01 A11 | Black | | | |
| | 997 552 983 01 5X6 | Stone grey | | | |
| | 997 552 983 01 8G2 | Sand beige | | | |
| | 997 552 983 01 3S9 | sea blue | | | |
| | 997 552 983 01 4P2 | Palm green | | | |
| | 997 552 983 01 9S5 | Terracotta | | | |
| | 997 552 983 01 9V6 | Cocoa | | | |
| | 997 552 983 01 D12 | Dark grey/natural | | | |
| | 997 552 983 01 T12 | Brown/natural | | | |
| | 997 552 983 01 N12 | Carrera Red | | | |
| (21) | 997 552 984 01 | Defroster trim | right | 1 | PR: XKJ |

Model: 997T07 Model life 2007>>2009

| Pos | Part Number | Description | Remark | Qty | Model |
|------|--------------------|------------------------|--------|-----|-----------------|
| | | D >> - MJ 2008 | | | |
| | 997 552 984 01 A11 | Black | | | |
| | 997 552 984 01 5X6 | Stone grey | | | |
| | 997 552 984 01 8G2 | Sand beige | | | |
| | 997 552 984 01 3S9 | sea blue | | | |
| | 997 552 984 01 4P2 | Palm green | | | |
| | 997 552 984 01 9S5 | Terracotta | | | |
| | 997 552 984 01 9V6 | Cocoa | | | |
| | 997 552 984 01 D12 | Dark grey/natural | | | |
| | 997 552 984 01 T12 | Brown/natural | | | |
| | 997 552 984 01 N12 | Carrera Red | | | |
| 21 | 997 552 983 02 | Defroster trim | left | 1 | TURBO PR:XJS |
| | | D >> - MJ 2008 | | | |
| | 997 552 983 02 A11 | Black | | | |
| | 997 552 983 02 5X6 | Stone grey | | | |
| | 997 552 983 02 8G2 | Sand beige | | | |
| | 997 552 983 02 3S9 | sea blue | | | |
| | 997 552 983 02 4P2 | Palm green | | | |
| | 997 552 983 02 9S5 | Terracotta | | | |
| | 997 552 983 02 9V6 | Cocoa | | | |
| | 997 552 983 02 D12 | Dark grey/natural | | | |
| | 997 552 983 02 T12 | Brown/natural | | | |
| | 997 552 983 02 N12 | Carrera Red | | | |
| (21) | 997 552 984 02 | Defroster trim | right | 1 | TURBO PR:XJS |
| | | D >> - MJ 2008 | | | |
| | 997 552 984 02 A11 | Black | | | |
| | 997 552 984 02 5X6 | Stone grey | | | |
| | 997 552 984 02 8G2 | Sand beige | | | |
| | 997 552 984 02 3S9 | sea blue | | | |
| | 997 552 984 02 4P2 | Palm green | | | |
| | 997 552 984 02 9S5 | Terracotta | | | |
| | 997 552 984 02 9V6 | Cocoa | | | |
| | 997 552 984 02 D12 | Dark grey/natural | | | |
| | 997 552 984 02 T12 | Brown/natural | | | |
| | 997 552 984 02 N12 | Carrera Red | | | |
| 21 | 997 552 983 03 | Defroster trim | left | 1 | TURBO PR:XJR |
| | | D >> - MJ 2008 | | | |
| | 997 552 983 03 A11 | Black | | | |
| | 997 552 983 03 5X6 | Stone grey | | | |
| | 997 552 983 03 8G2 | Sand beige | | | |
| | 997 552 983 03 3S9 | sea blue | | | |
| | 997 552 983 03 4P2 | Palm green | | | |
| | 997 552 983 03 9S5 | Terracotta | | | |
| | 997 552 983 03 9V6 | Cocoa | | | |
| | 997 552 983 03 D12 | Dark grey/natural | | | |
| | 997 552 983 03 T12 | Brown/natural | | | |
| | 997 552 983 03 N12 | Carrera Red | | | |
| (21) | 997 552 984 03 | Defroster trim | right | 1 | TURBO PR:XJR |
| | | D >> - MJ 2008 | | | |
| | 997 552 984 03 A11 | Black | | | |
| | 997 552 984 03 5X6 | Stone grey | | | |
| | 997 552 984 03 8G2 | Sand beige | | | |
| | 997 552 984 03 3S9 | sea blue | | | |
| | 997 552 984 03 4P2 | Palm green | | | |
| | 997 552 984 03 9S5 | Terracotta | | | |
| | 997 552 984 03 9V6 | Cocoa | | | |
| | 997 552 984 03 D12 | Dark grey/natural | | | |
| | 997 552 984 03 T12 | Brown/natural | | | |
| | 997 552 984 03 N12 | Carrera Red | | | |
| 22 | 999 591 307 01 | U-clip Mount | | 2 | |
| 23 | 997 552 351 01 | Defroster trim Trim | center | 1 | |

Model: 997T07 Model life 2007>>2009

| Pos | Part Number | Description | Remark | Qty | Model |
|------|--------------------|-------------------|--------|-----|------------------|
| | 997 552 351 01 A03 | Black | | | |
| | 997 552 351 01 5V7 | Stone grey | | | |
| | 997 552 351 01 5Z1 | Sand beige | | | |
| | 997 552 351 01 8W7 | sea blue | | | |
| | 997 552 351 01 5Y2 | Palm green | | | |
| | | D >> - MJ 2007 | | | |
| | 997 552 351 01 8X8 | Terracotta | | | |
| | 997 552 351 01 8P9 | Cocoa | | | |
| | 997 552 351 01 T13 | Brown/natural | | | |
| | 997 552 351 01 N23 | Carrera Red | | | |
| | | D - MJ 2008>> | | | |
| (23) | 997 552 985 00 | Leather panel | center | 1 | PR: XV1 |
| | 997 552 985 00 A11 | Black | | | |
| | 997 552 985 00 5X6 | Stone grey | | | |
| | 997 552 985 00 8G2 | Sand beige | | | |
| | 997 552 985 00 3S9 | sea blue | | | |
| | 997 552 985 00 4P2 | Palm green | | | |
| | | D >> - MJ 2007 | | | |
| | 997 552 985 00 9S5 | Terracotta | | | |
| | 997 552 985 00 9V6 | Cocoa | | | |
| | 997 552 985 00 D12 | Dark grey/natural | | | |
| | 997 552 985 00 T12 | Brown/natural | | | |
| | 997 552 985 00 N12 | Carrera Red | | | |
| | | D - MJ 2008>> | | | |
| (23) | 997 552 985 00 | Leather panel | center | 1 | PR: XKJ |
| | | D >> - MJ 2008 | | | |
| | 997 552 985 00 A11 | Black | | | |
| | 997 552 985 00 5X6 | Stone grey | | | |
| | 997 552 985 00 8G2 | Sand beige | | | |
| | 997 552 985 00 3S9 | sea blue | | | |
| | 997 552 985 00 4P2 | Palm green | | | |
| | 997 552 985 00 9S5 | Terracotta | | | |
| | 997 552 985 00 9V6 | Cocoa | | | |
| | 997 552 985 00 D12 | Dark grey/natural | | | |
| | 997 552 985 00 T12 | Brown/natural | | | |
| | 997 552 985 00 N12 | Carrera Red | | | |
| (23) | 997 552 985 00 | Leather panel | center | 1 | TURBO PR: XJS |
| | | D >> - MJ 2008 | | | |
| | 997 552 985 00 A11 | Black | | | |
| | 997 552 985 00 5X6 | Stone grey | | | |
| | 997 552 985 00 8G2 | Sand beige | | | |
| | 997 552 985 00 3S9 | sea blue | | | |
| | 997 552 985 00 4P2 | Palm green | | | |
| | 997 552 985 00 9S5 | Terracotta | | | |
| | 997 552 985 00 9V6 | Cocoa | | | |
| | 997 552 985 00 D12 | Dark grey/natural | | | |
| | 997 552 985 00 T12 | Brown/natural | | | |
| | 997 552 985 00 N12 | Carrera Red | | | |
| (23) | 997 552 985 00 | Leather panel | center | 1 | TURBO PR: XJR |
| | | D >> - MJ 2008 | | | |
| | 997 552 985 00 A11 | Black | | | |
| | 997 552 985 00 5X6 | Stone grey | | | |
| | 997 552 985 00 8G2 | Sand beige | | | |
| | 997 552 985 00 3S9 | sea blue | | | |
| | 997 552 985 00 4P2 | Palm green | | | |
| | 997 552 985 00 9S5 | Terracotta | | | |
| | 997 552 985 00 9V6 | Cocoa | | | |
| | 997 552 985 00 D12 | Dark grey/natural | | | |
| | 997 552 985 00 T12 | Brown/natural | | | |
| | 997 552 985 00 N12 | Carrera Red | | | |
| 24 | 997 552 645 00 | Seal | | 1 | |

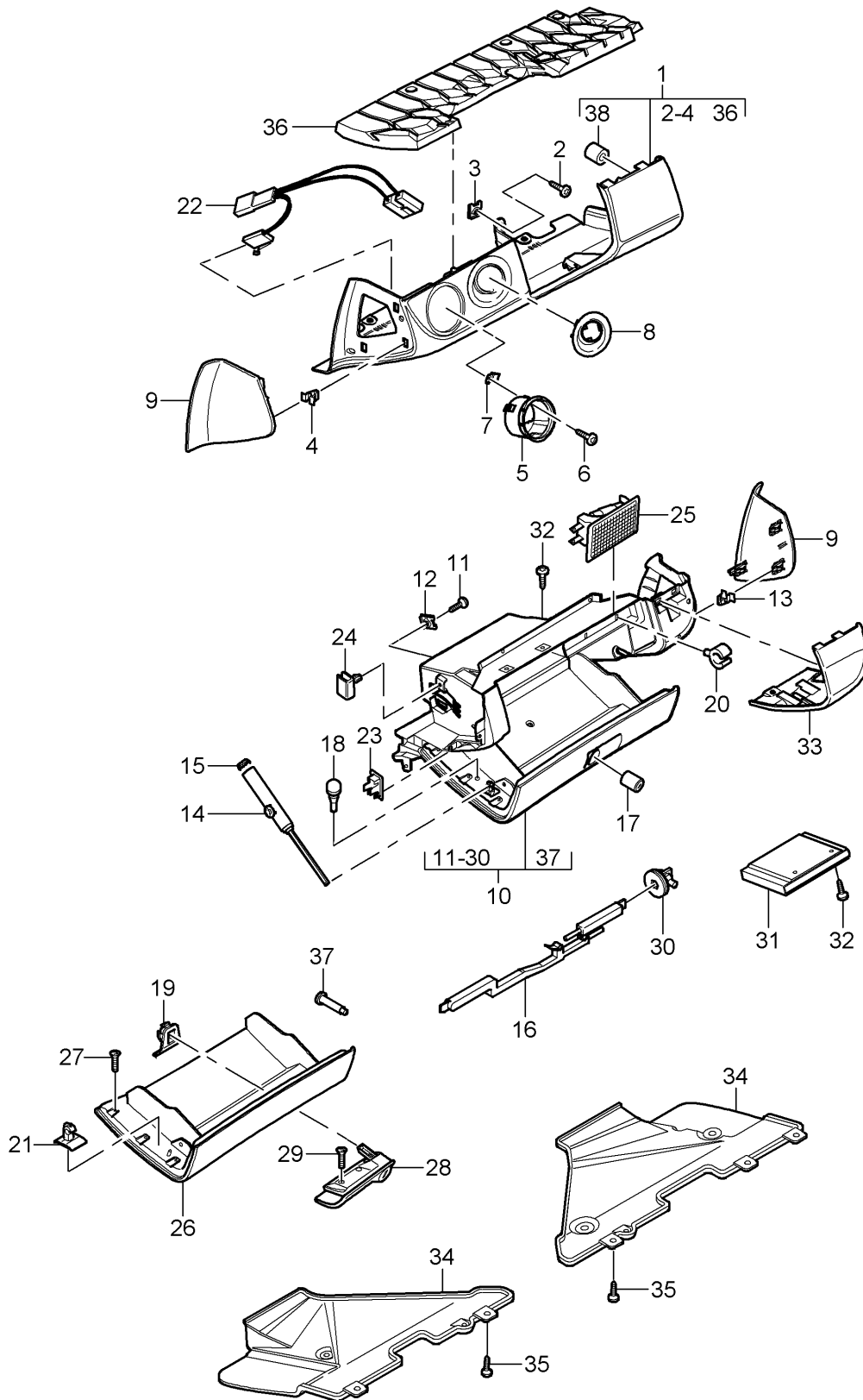
Model: 997T07

Model life 2007>>2009

| Pos | Part Number | Description | Remark | Qty | Model |
|-----|-------------|-------------|--------|-----|-------|
| | | Scuttle | | | |

Model: 997T07

Model life 2007>>2009



Model: 997T07 Model life 2007>>2009

| Pos | Part Number | Description | Remark | Qty | Model |
|-----|--------------------|--|--------|-----|------------|
| 1 | 997 552 201 03 | Glove box Cover and Trim (drivers side) Trim lower section Leather | lhd | 1 | PR:098,981 |
| | 997 552 201 03 A11 | Black | | | |
| | 997 552 201 03 5X6 | Stone grey | | | |
| | 997 552 201 03 8G2 | Sand beige | | | |
| | 997 552 201 03 3S9 | sea blue | | | |
| | 997 552 201 03 4P2 | Palm green | | | |
| | | D >> - MJ 2007 | | | |
| | 997 552 201 03 9S5 | Terracotta | | | |
| | 997 552 201 03 9V6 | Cocoa | | | |
| | 997 552 201 03 D12 | Dark grey/natural | | | |
| | 997 552 201 03 T12 | Brown/natural | | | |
| | 997 552 201 03 N12 | Carrera Red | | | |
| | | D - MJ 2008>> | | | |
| (1) | 997 552 202 03 | Trim lower section Leather | rhd | 1 | PR:099,981 |
| | 997 552 202 03 A11 | Black | | | |
| | 997 552 202 03 5X6 | Stone grey | | | |
| | 997 552 202 03 8G2 | Sand beige | | | |
| | 997 552 202 03 3S9 | sea blue | | | |
| | 997 552 202 03 4P2 | Palm green | | | |
| | | D >> - MJ 2007 | | | |
| | 997 552 202 03 9S5 | Terracotta | | | |
| | 997 552 202 03 9V6 | Cocoa | | | |
| | 997 552 202 03 D12 | Dark grey/natural | | | |
| | 997 552 202 03 T12 | Brown/natural | | | |
| | 997 552 202 03 N12 | Carrera Red | | | |
| | | D - MJ 2008>> | | | |
| 2 | 999 073 155 09 | panel screw 4,2 X 13 for Mount | | 8 | |
| 3 | 999 507 971 01 | Trim panel nut 4,2 for Mount | | 8 | |
| 4 | 999 507 732 01 | Trim Clamp 8 X 12/ 4 for Mount | | 7 | |
| 5 | 997 552 427 01 | Trim Trim Light switch | | 1 | |
| | 997 552 427 01 A03 | Black | | | |
| | 997 552 427 01 5V7 | Stone grey | | | |
| | 997 552 427 01 5Z1 | Sand beige | | | |
| | 997 552 427 01 8W7 | sea blue | | | |
| | 997 552 427 01 5Y2 | Palm green | | | |
| | | D >> - MJ 2007 | | | |
| | 997 552 427 01 8X8 | Terracotta | | | |
| | 997 552 427 01 8P9 | Cocoa | | | |
| | 997 552 427 01 T13 | Brown/natural | | | |
| | 997 552 427 01 N23 | Carrera Red | | | |
| | | D - MJ 2008>> | | | |
| 6 | 999 073 155 09 | panel screw 4,2 X 13 | | 3 | |

Model: 997T07 Model life 2007>>2009

| Pos | Part Number | Description | Remark | Qty | Model |
|-----|--------------------|---|--------|-----|------------|
| 7 | 999 507 971 01 | for Mount Trim Light switch panel nut 4,2 | | 3 | |
| 8 | 997 552 425 01 | for Mount Trim Light switch Trim Ignition starter lock | lhd | 1 | PR:098 |
| | 997 552 425 01 A03 | Black | | | |
| | 997 552 425 01 5V7 | Stone grey | | | |
| | 997 552 425 01 5Z1 | Sand beige | | | |
| | 997 552 425 01 8W7 | sea blue | | | |
| | 997 552 425 01 5Y2 | Palm green | | | |
| | | D >> - MJ 2007 | | | |
| | 997 552 425 01 8X8 | Terracotta | | | |
| | 997 552 425 01 8P9 | Cocoa | | | |
| | 997 552 425 01 T13 | Brown/natural | | | |
| | 997 552 425 01 N23 | Carrera Red | | | |
| | | D - MJ 2008>> | | | |
| (8) | 997 552 426 01 | Trim Ignition starter lock | rhd | 1 | PR:099 |
| | 997 552 426 01 A03 | Black | | | |
| | 997 552 426 01 5V7 | Stone grey | | | |
| | 997 552 426 01 5Z1 | Sand beige | | | |
| | 997 552 426 01 8W7 | sea blue | | | |
| | 997 552 426 01 5Y2 | Palm green | | | |
| | | D >> - MJ 2007 | | | |
| | 997 552 426 01 8X8 | Terracotta | | | |
| | 997 552 426 01 8P9 | Cocoa | | | |
| | 997 552 426 01 T13 | Brown/natural | | | |
| | 997 552 426 01 N23 | Carrera Red | | | |
| | | D - MJ 2008>> | | | |
| (8) | 997 552 998 00 | Leather panel Ignition starter lock | lhd | 1 | PR:XDS,098 |
| | 997 552 998 00 A11 | Black | | | |
| | 997 552 998 00 5X6 | Stone grey | | | |
| | 997 552 998 00 8G2 | Sand beige | | | |
| | 997 552 998 00 3S9 | sea blue | | | |
| | 997 552 998 00 9S5 | Terracotta | | | |
| | 997 552 998 00 9V6 | Cocoa | | | |
| | 997 552 998 00 D12 | Dark grey/natural | | | |
| | 997 552 998 00 T12 | Brown/natural | | | |
| | 997 552 998 00 N12 | Carrera Red | | | |
| (8) | 997 552 999 00 | Leather panel Ignition starter lock | rhd | 1 | PR:XDS,099 |
| | 997 552 999 00 A11 | Black | | | |
| | 997 552 999 00 5X6 | Stone grey | | | |
| | 997 552 999 00 8G2 | Sand beige | | | |
| | 997 552 999 00 3S9 | sea blue | | | |
| | 997 552 999 00 9S5 | Terracotta | | | |
| | 997 552 999 00 9V6 | Cocoa | | | |
| | 997 552 999 00 D12 | Dark grey/natural | | | |
| | 997 552 999 00 T12 | Brown/natural | | | |
| | 997 552 999 00 N12 | Carrera Red | | | |
| 9 | 997 552 405 02 | Trim | left | 1 | |
| | 997 552 405 02 A03 | Black | | | |
| | 997 552 405 02 5V7 | Stone grey | | | |
| | 997 552 405 02 5Z1 | Sand beige | | | |
| | 997 552 405 02 8W7 | sea blue | | | |

Model: 997T07 Model life 2007>>2009

| Pos | Part Number | Description | Remark | Qty | Model |
|------|--------------------|---|--------|-----|--|
| | 997 552 405 02 5Y2 | Palm green D >> - MJ 2007 | | | |
| | 997 552 405 02 8X8 | Terracotta | | | |
| | 997 552 405 02 8P9 | Cocoa | | | |
| | 997 552 405 02 T13 | Brown/natural | | | |
| | 997 552 405 02 N23 | Carrera Red D - MJ 2008>> | | | |
| (9) | 997 552 406 02 | Trim | right | 1 | |
| | 997 552 406 02 A03 | Black | | | |
| | 997 552 406 02 5V7 | Stone grey | | | |
| | 997 552 406 02 5Z1 | Sand beige | | | |
| | 997 552 406 02 8W7 | sea blue | | | |
| | 997 552 406 02 5Y2 | Palm green D >> - MJ 2007 | | | |
| | 997 552 406 02 8X8 | Terracotta | | | |
| | 997 552 406 02 8P9 | Cocoa | | | |
| | 997 552 406 02 T13 | Brown/natural | | | |
| | 997 552 406 02 N23 | Carrera Red D - MJ 2008>> | | | |
| (9) | 997 552 996 01 | Leather panel D - MJ 2009>> | left | 1 | TURBO PR:XDV |
| | 997 552 996 01 A11 | Black | | | |
| | 997 552 996 01 5X6 | Stone grey | | | |
| | 997 552 996 01 8G2 | Sand beige | | | |
| | 997 552 996 01 3S9 | sea blue | | | |
| | 997 552 996 01 9S5 | Terracotta | | | |
| | 997 552 996 01 9V6 | Cocoa | | | |
| | 997 552 996 01 D12 | Dark grey/natural | | | |
| | 997 552 996 01 T12 | Brown/natural | | | |
| | 997 552 996 01 N12 | Carrera Red | | | |
| (9) | 997 552 996 02 | Leather panel D - MJ 2009>> | right | 1 | TURBO PR:XDV |
| | 997 552 996 02 A11 | Black | | | |
| | 997 552 996 02 5X6 | Stone grey | | | |
| | 997 552 996 02 8G2 | Sand beige | | | |
| | 997 552 996 02 3S9 | sea blue | | | |
| | 997 552 996 02 9S5 | Terracotta | | | |
| | 997 552 996 02 9V6 | Cocoa | | | |
| | 997 552 996 02 D12 | Dark grey/natural | | | |
| | 997 552 996 02 T12 | Brown/natural | | | |
| | 997 552 996 02 N12 | Carrera Red | | | |
| 10 | 997 552 204 05 | Glove box Leather (complete) Valid up to: F >> 99-8S780 473 F >> 99-8S786 563 F >> 99-8S794 072 | lhd | 1 | PR:098,981 TURBO/COUPE TURBO/CABRIO GT2 |
| | 997 552 204 05 A11 | Black | | | |
| | 997 552 204 05 5X6 | Stone grey | | | |
| | 997 552 204 05 8G2 | Sand beige | | | |
| | 997 552 204 05 3S9 | sea blue | | | |
| | 997 552 204 05 4P2 | Palm green D >> - MJ 2007 | | | |
| | 997 552 204 05 9S5 | Terracotta | | | |
| | 997 552 204 05 9V6 | Cocoa | | | |
| | 997 552 204 05 D12 | Dark grey/natural | | | |
| | 997 552 204 05 T12 | Brown/natural | | | |
| | 997 552 204 05 N12 | Carrera Red D - MJ 2008>> | | | |
| (10) | 997 552 203 05 | Glove box | rhd | 1 | PR:099,981 |

Model: 997T07 Model life 2007>>2009

| Pos | Part Number | Description | Remark | Qty | Model |
|------|--------------------|---|--------|-----|--|
| | | Leather (complete) Valid up to: F >> 99-8S780 473 F >> 99-8S786 563 F >> 99-8S794 072 | | | TURBO/COUPE TURBO/CABRIO GT2 |
| | 997 552 203 05 A11 | Black | | | |
| | 997 552 203 05 5X6 | Stone grey | | | |
| | 997 552 203 05 8G2 | Sand beige | | | |
| | 997 552 203 05 3S9 | sea blue | | | |
| | 997 552 203 05 4P2 | Palm green | | | |
| | | D >> - MJ 2007 | | | |
| | 997 552 203 05 9S5 | Terracotta | | | |
| | 997 552 203 05 9V6 | Cocoa | | | |
| | 997 552 203 05 D12 | Dark grey/natural | | | |
| | 997 552 203 05 T12 | Brown/natural | | | |
| | 997 552 203 05 N12 | Carrera Red | | | |
| | | D - MJ 2008>> | | | |
| 10 | 997 552 204 07 | Glove box Leather (complete) Valid from: F 99-8S780 474>> F 99-8S786 564>> F 99-8S794 073>> | lhd | 1 | PR:098,981 TURBO/COUPE TURBO/CABRIO GT2 |
| | 997 552 204 07 A11 | Black | | | |
| | 997 552 204 07 5X6 | Stone grey | | | |
| | 997 552 204 07 8G2 | Sand beige | | | |
| | 997 552 204 07 3S9 | sea blue | | | |
| | 997 552 204 07 9S5 | Terracotta | | | |
| | 997 552 204 07 9V6 | Cocoa | | | |
| | 997 552 204 07 D12 | Dark grey/natural | | | |
| | 997 552 204 07 T12 | Brown/natural | | | |
| | 997 552 204 07 N12 | Carrera Red | | | |
| (10) | 997 552 203 07 | Glove box Leather (complete) Valid from: F 99-8S780 474>> F 99-8S786 564>> F 99-8S794 073>> | rhd | 1 | PR:099,981 TURBO/COUPE TURBO/CABRIO GT2 |
| | 997 552 203 07 A11 | Black | | | |
| | 997 552 203 07 5X6 | Stone grey | | | |
| | 997 552 203 07 8G2 | Sand beige | | | |
| | 997 552 203 07 3S9 | sea blue | | | |
| | 997 552 203 07 9S5 | Terracotta | | | |
| | 997 552 203 07 9V6 | Cocoa | | | |
| | 997 552 203 07 D12 | Dark grey/natural | | | |
| | 997 552 203 07 T12 | Brown/natural | | | |
| | 997 552 203 07 N12 | Carrera Red | | | |
| 11 | 999 073 155 09 | panel screw 4,2 X 13 for Mount | | X | |
| 12 | 999 507 971 01 | Glove box panel nut 4,2 for Mount | | X | |
| 13 | 999 507 732 01 | Glove box Clamp 8 X 12 /4 for | | X | |

Model: 997T07 Model life 2007>>2009

| Pos | Part Number | Description | Remark | Qty | Model |
|------|--------------------|---|-----------|-----|------------|
| 14 | 997 552 484 01 | Mount Glove box Damper | | 1 | |
| 15 | 997 552 612 00 | Glove box Cover Damper | | 1 | |
| 16 | 997 552 410 01 | Release Glove box | lhd | 1 | PR:098 |
| (16) | 997 552 409 01 | Release Glove box | rhd | 1 | PR:099 |
| 17 | 996 552 915 01 | Lock cylinders Glove box Vehicle Ident. No. Indicate | | 1 | |
| 18 | 999 703 068 40 | Stop buffer 3,7 x 10,3 Glove box | | 2 | |
| 19 | 997 552 509 02 | Support Closing element | left lhd | 1 | PR:098 |
| (19) | 997 552 510 02 | Support Closing element | right lhd | 1 | PR:098 |
| (19) | 997 552 509 03 | Support Closing element | left rhd | 1 | PR:099 |
| (19) | 997 552 510 03 | Support Closing element | right rhd | 1 | PR:099 |
| 20 | 996 552 813 00 | Pen holder | | 2 | |
| 21 | 996 552 879 00 | Adapter for Damper | | 2 | |
| 22 | 997 612 651 00 | Wire set Glove box light | | 1 | |
| 23 | 999 650 564 40 | Clip for Wire set Micro switch | | 1 | |
| 24 | 999 650 565 40 | Clip for Wire set | | 1 | |
| 25 | 997 632 071 00 | Glove box light | | 1 | |
| 26 | 997 552 252 03 | Glove compartment cover Leather | lhd | 1 | PR:098,981 |
| | 997 552 252 03 A11 | Black | | | |
| | 997 552 252 03 5X6 | Stone grey | | | |
| | 997 552 252 03 8G2 | Sand beige | | | |
| | 997 552 252 03 3S9 | sea blue | | | |
| | 997 552 252 03 4P2 | Palm green | | | |
| | | D >> - MJ 2007 | | | |
| | 997 552 252 03 9S5 | Terracotta | | | |
| | 997 552 252 03 9V6 | Cocoa | | | |
| | 997 552 252 03 D12 | Dark grey/natural | | | |
| | 997 552 252 03 T12 | Brown/natural | | | |
| | 997 552 252 03 N12 | Carrera Red | | | |
| | | D - MJ 2008>> | | | |
| (26) | 997 552 251 03 | Glove compartment cover Leather | rhd | 1 | PR:099,981 |
| | 997 552 251 03 A11 | Black | | | |
| | 997 552 251 03 5X6 | Stone grey | | | |
| | 997 552 251 03 8G2 | Sand beige | | | |
| | 997 552 251 03 3S9 | sea blue | | | |
| | 997 552 251 03 4P2 | Palm green | | | |
| | | D >> - MJ 2007 | | | |
| | 997 552 251 03 9S5 | Terracotta | | | |
| | 997 552 251 03 9V6 | Cocoa | | | |

Model: 997T07 Model life 2007>>2009

| Pos | Part Number | Description | Remark | Qty | Model |
|------|--------------------|---|--------|-----|------------|
| | 997 552 251 03 D12 | Dark grey/natural | | | |
| | 997 552 251 03 T12 | Brown/natural | | | |
| | 997 552 251 03 N12 | Carrera Red | | | |
| 27 | 999 073 249 07 | D - MJ 2008>> panel screw 3.5 X 12 for Mount Glove compartment cover | | 11 | |
| 28 | 997 552 362 01 | handle (complete) | lhd | 1 | PR:098 |
| | 997 552 362 01 A03 | Black | | | |
| | 997 552 362 01 5V7 | Stone grey | | | |
| | 997 552 362 01 5Z1 | Sand beige | | | |
| | 997 552 362 01 8W7 | sea blue | | | |
| | 997 552 362 01 5Y2 | Palm green | | | |
| | | D >> - MJ 2007 | | | |
| | 997 552 362 01 8X8 | Terracotta | | | |
| | 997 552 362 01 8P9 | Cocoa | | | |
| | 997 552 362 01 T13 | Brown/natural | | | |
| | 997 552 362 01 N23 | Carrera Red | | | |
| (28) | 997 552 361 01 | D - MJ 2008>> handle (complete) | rhd | 1 | PR:099 |
| | 997 552 361 01 A03 | Black | | | |
| | 997 552 361 01 5V7 | Stone grey | | | |
| | 997 552 361 01 5Z1 | Sand beige | | | |
| | 997 552 361 01 8W7 | sea blue | | | |
| | 997 552 361 01 5Y2 | Palm green | | | |
| | | D >> - MJ 2007 | | | |
| | 997 552 361 01 8X8 | Terracotta | | | |
| | 997 552 361 01 8P9 | Cocoa | | | |
| | 997 552 361 01 T13 | Brown/natural | | | |
| | 997 552 361 01 N23 | Carrera Red | | | |
| 29 | 999 073 240 01 | D - MJ 2008>> Screw M 4 X 10 for Mount handle | | 2 | |
| 30 | 997 552 448 00 | Stop | | 1 | |
| 31 | 997 552 663 00 | Box for cds | | 1 | PR:424 |
| 32 | 999 073 240 01 | Screw M 4 X 10 for Mount Box for cds | | 2 | |
| 33 | 997 552 256 03 | Leather panel (passenger side) | lhd | 1 | PR:098,981 |
| | 997 552 256 03 A11 | Black | | | |
| | 997 552 256 03 5X6 | Stone grey | | | |
| | 997 552 256 03 8G2 | Sand beige | | | |
| | 997 552 256 03 3S9 | sea blue | | | |
| | 997 552 256 03 4P2 | Palm green | | | |
| | | D >> - MJ 2007 | | | |
| | 997 552 256 03 9S5 | Terracotta | | | |
| | 997 552 256 03 9V6 | Cocoa | | | |
| | 997 552 256 03 D12 | Dark grey/natural | | | |
| | 997 552 256 03 T12 | Brown/natural | | | |
| | 997 552 256 03 N12 | Carrera Red | | | |
| (33) | 997 552 255 03 | D - MJ 2008>> Leather panel (passenger side) | rhd | 1 | PR:099,981 |

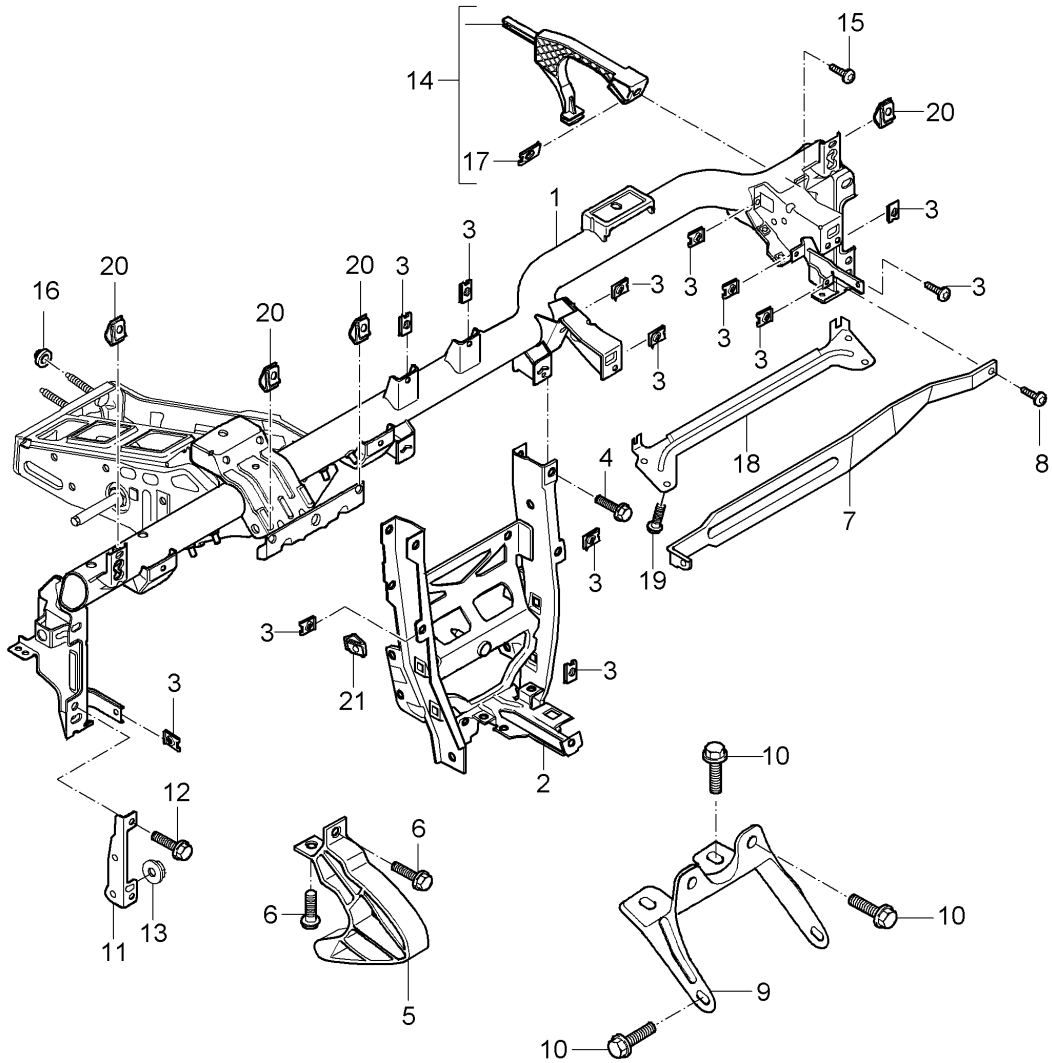
Model: 997T07

Model life 2007>>2009

| Pos | Part Number | Description | Remark | Qty | Model |
|------|--------------------|---|--------|-----|--------|
| | 997 552 255 03 A11 | Black | | | |
| | 997 552 255 03 5X6 | Stone grey | | | |
| | 997 552 255 03 8G2 | Sand beige | | | |
| | 997 552 255 03 3S9 | sea blue | | | |
| | 997 552 255 03 4P2 | Palm green | | | |
| | | D >> - MJ 2007 | | | |
| | 997 552 255 03 9S5 | Terracotta | | | |
| | 997 552 255 03 9V6 | Cocoa | | | |
| | 997 552 255 03 D12 | Dark grey/natural | | | |
| | 997 552 255 03 T12 | Brown/natural | | | |
| | 997 552 255 03 N12 | Carrera Red | | | |
| | | D - MJ 2008>> | | | |
| 34 | 997 552 414 01 | Trim | lhd | 1 | PR:098 |
| | | Footwell (passenger side) | | | |
| (34) | 997 552 413 01 | Trim | rhd | 1 | PR:099 |
| | | Footwell (passenger side) | | | |
| 35 | 1H0 819 943 | round hd. screw for Mount Trim Footwell | | X | |
| 36 | 997 552 451 01 | Insert | lhd | 1 | PR:098 |
| 36 | 997 552 452 01 | Insert | rhd | 1 | PR:099 |
| 37 | 997 552 649 01 | Hinge bolt | | 2 | |
| | | Glove box | | | |
| 38 | 997 552 821 00 | Grommet | | 3 | |

Model: 997T07

Model life 2007>>2009



Model: 997T07

Model life 2007>>2009

| Pos | Part Number | Description | Remark | Qty | Model |
|------|----------------|------------------------------|--------|-----|--------|
| 1 | 997 552 063 08 | retaining frame dashboard | | | |
| (1) | 997 552 063 06 | retaining frame | lhd | 1 | PR:098 |
| | | retaining frame | rhd | 1 | PR:099 |
| | | D >> - MJ 2008 | | | |
| (1) | 997 552 063 10 | retaining frame | rhd | 1 | PR:099 |
| | | D - MJ 2009>> | | | |
| 2 | 997 552 163 05 | Support | lhd | 1 | PR:098 |
| | | tunnel | | | |
| (2) | 997 552 163 06 | Support | rhd | 1 | PR:099 |
| | | tunnel | | | |
| 3 | 999 507 020 01 | panel nut | | X | |
| | | ST 4,2 | | | |
| 4 | 900 378 305 01 | Hexagon bolt | | 2 | |
| | | M 8 X 65 | | | |
| | | for | | | |
| | | Mount | | | |
| | | Support | | | |
| 9 | 997 552 515 01 | Bracket | | 1 | |
| | | tunnel | | | |
| 10 | 999 073 442 01 | Screw | | X | |
| | | M 6 X 25 | | | |
| | | for | | | |
| | | Mount | | | |
| | | Bracket | | | |
| | | tunnel | | | |
| 11 | 997 552 407 01 | bracket for dash panel | left | 1 | |
| | | A-pillar | | | |
| (11) | 997 552 408 01 | bracket for dash panel | right | 1 | |
| | | A-pillar | | | |
| 12 | 900 378 176 01 | Hexagon bolt | | 4 | |
| | | M 8 X 20 | | | |
| | | for | | | |
| | | Mount | | | |
| | | Bracket | | | |
| | | A-pillar | | | |
| 13 | 999 084 630 09 | Hexagon nut | | 4 | |
| | | M 8 | | | |
| | | for | | | |
| | | Mount | | | |
| | | Bracket | | | |
| | | A-pillar | | | |
| 14 | 997 552 401 00 | Retainer for support frame | | 1 | |
| | | heater | | | |
| 15 | 999 073 155 09 | panel screw | | 1 | |
| | | ST 4,2 X 13 | | | |
| | | for | | | |
| | | Mount | | | |
| | | Bracket | | | |
| | | heater | | | |
| 16 | 997 423 299 01 | Nut | | 2 | |
| | | for | | | |
| | | Adjustment | | | |
| | | retaining frame | | | |
| | | Firewall | | | |
| 17 | 999 507 971 01 | panel nut | | 1 | |
| | | ST 4,2 | | | |
| | | for | | | |
| | | Mount | | | |
| | | Bracket | | | |
| | | heater | | | |
| 18 | 997 552 603 01 | Reinforcement plate | | 1 | |
| | | Bracket | | | |

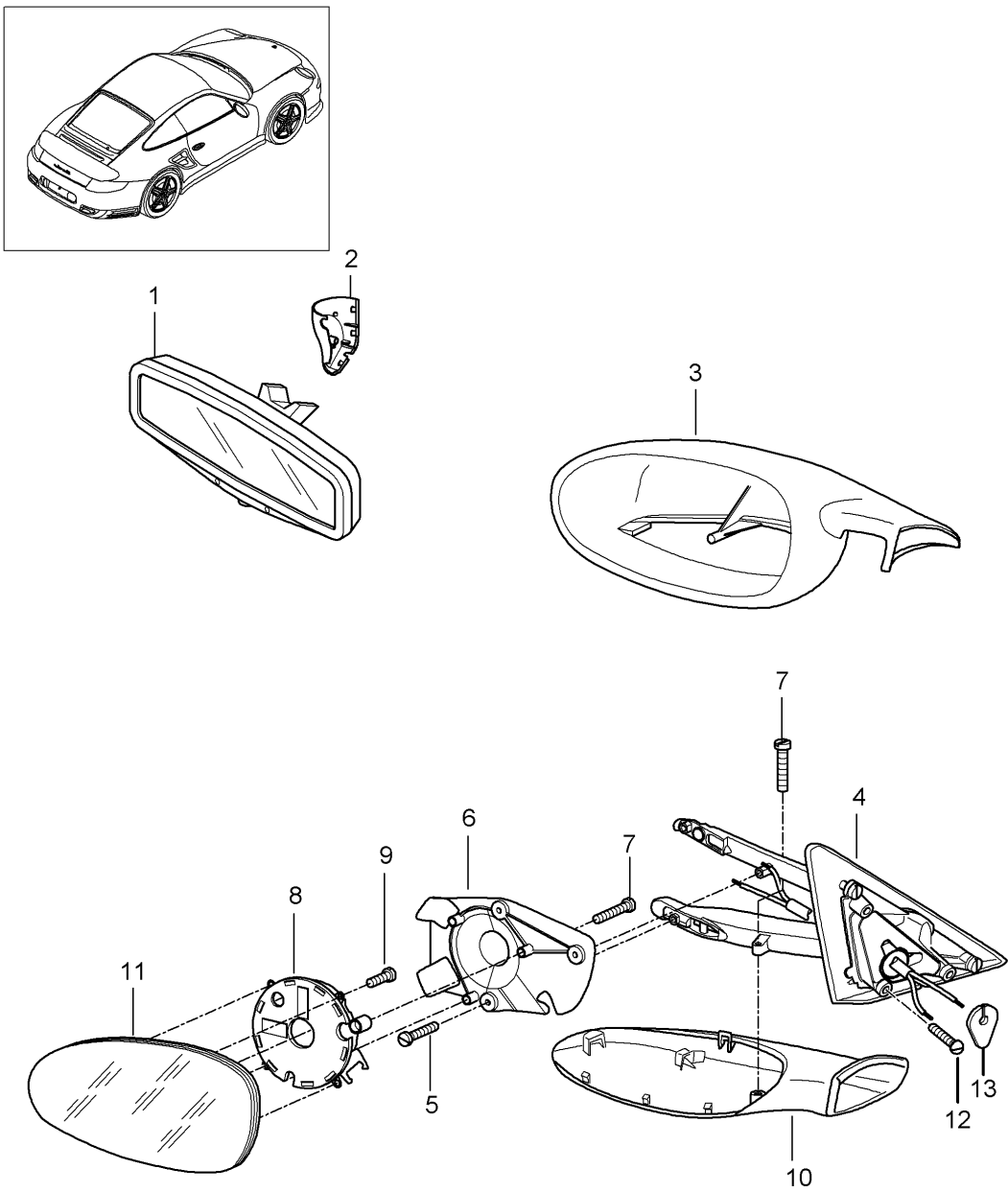
Model: 997T07

Model life 2007>>2009

| Pos | Part Number | Description | Remark | Qty | Model |
|-----|----------------|------------------------------------|--------|-----|-------|
| 19 | 900 378 222 09 | Airbag Hexagon bolt M 6 X 16 | | 4 | |
| 20 | 999 591 850 01 | panel nut ST 4,2 | | X | |
| 21 | 999 591 951 03 | panel nut ST 4,2 | | X | |

Model: 997T07

Model life 2007>>2009



Model: 997T07 Model life 2007>>2009

| Pos | Part Number | Description | Remark | Qty | Model |
|-----|--------------------|--|-----------|-----|----------------|
| 1 | 997 731 511 03 | Interior mirror | | 1 | PR:267 |
| (1) | 997 731 511 02 | Exterior mirror | | 1 | PR:101 |
| | | Interior mirror, automatic anti-dazzle | | | |
| | 997 731 511 02 01C | D - MJ 2008>> | | | |
| 2 | 997 731 811 00 | Satin black | left | 1 | |
| | | Cover | | | |
| | 997 731 811 00 01C | Interior mirror | | | |
| (2) | 997 731 812 00 | Satin black | right | 1 | |
| | | Cover | | | |
| | 997 731 812 00 01C | Interior mirror | | | |
| 3 | 997 731 619 00 | Satin black | left | 1 | |
| | | Exterior mirror housing | | | |
| | 997 731 619 00 G2L | primed | | | |
| (3) | 997 731 620 00 | Exterior mirror housing | right | 1 | |
| | | primed | | | |
| | 997 731 620 00 G2L | primed | | | |
| (4) | 997 731 219 00 | Mirror base | left lhd | 1 | PR:101,098 |
| | | Exterior mirror | | | |
| | | D - MJ 2008>> | | | |
| | 997 731 219 00 G2L | primed | | | |
| | | with: | | | |
| (4) | 997 731 220 00 | Wire set | right lhd | 1 | PR:101,098 |
| | | Mirror base | | | |
| | | Exterior mirror | | | |
| | | D - MJ 2008>> | | | |
| | 997 731 220 00 G2L | primed | | | |
| | | with: | | | |
| (4) | 997 731 219 01 | Wire set | left lhd | 1 | PR:101,537,098 |
| | | Mirror base | | | |
| | | Exterior mirror | | | |
| | | D - MJ 2008>> | | | |
| | 997 731 219 01 G2L | primed | | | |
| | | with: | | | |
| (4) | 997 731 220 01 | Wire set | right lhd | 1 | PR:101,537,098 |
| | | Mirror base | | | |
| | | Exterior mirror | | | |
| | | D - MJ 2008>> | | | |
| | 997 731 220 01 G2L | primed | | | |
| | | with: | | | |
| (4) | 997 731 219 02 | Wire set | left lhd | 1 | PR:098,267 |
| | | Mirror base | | | |
| | | Exterior mirror | | | |
| | | primed | | | |
| | 997 731 219 02 G2L | primed | | | |
| | | with: | | | |
| (4) | 997 731 220 02 | Wire set | right lhd | 1 | PR:098,267 |
| | | Mirror base | | | |
| | | Exterior mirror | | | |
| | | primed | | | |
| | 997 731 220 02 G2L | primed | | | |
| | | with: | | | |
| (4) | 997 731 219 03 | Wire set | left lhd | 1 | PR:267,537,098 |
| | | Mirror base | | | |
| | | Exterior mirror | | | |
| | | primed | | | |
| | 997 731 219 03 G2L | primed | | | |
| | | with: | | | |
| (4) | 997 731 220 03 | Wire set | right lhd | 1 | PR:267,537,098 |
| | | Mirror base | | | |
| | | Exterior mirror | | | |
| | | primed | | | |
| | 997 731 220 03 G2L | primed | | | |
| | | with: | | | |
| (4) | 997 731 219 04 | Wire set | left rhd | 1 | PR:101,099 |
| | | Mirror base | | | |
| | | Exterior mirror | | | |

Model: 997T07 Model life 2007>>2009

| Pos | Part Number | Description | Remark | Qty | Model |
|-----|--------------------|--|---------------|-----|--------------------|
| | 997 731 219 04 G2L | D - MJ 2008>> primed | | | |
| | | with: | | | |
| (4) | 997 731 220 04 | Wire set Mirror base Exterior mirror | right rhd | 1 | PR:101,099 |
| | 997 731 220 04 G2L | D - MJ 2008>> primed | | | |
| | | with: | | | |
| (4) | 997 731 219 05 | Wire set Mirror base Exterior mirror | left rhd | 1 | PR:101,538, 099 |
| | 997 731 219 05 G2L | D - MJ 2008>> primed | | | |
| | | with: | | | |
| (4) | 997 731 220 05 | Wire set Mirror base Exterior mirror | right rhd | 1 | PR:101,538, 099 |
| | 997 731 220 05 G2L | D - MJ 2008>> primed | | | |
| | | with: | | | |
| (4) | 997 731 219 06 | Wire set Mirror base Exterior mirror | left rhd | 1 | PR:099,267 |
| | 997 731 219 06 G2L | primed | | | |
| | | with: | | | |
| (4) | 997 731 220 06 | Wire set Mirror base Exterior mirror | right rhd | 1 | PR:099,267 |
| | 997 731 220 06 G2L | primed | | | |
| | | with: | | | |
| (4) | 997 731 219 07 | Wire set Mirror base Exterior mirror | left rhd | 1 | PR:267,538, 099 |
| | 997 731 219 07 G2L | primed | | | |
| | | with: | | | |
| (4) | 997 731 220 07 | Wire set Mirror base Exterior mirror | right rhd | 1 | PR:267,538, 099 |
| | 997 731 220 07 G2L | primed | | | |
| | | with: | | | |
| 5 | 999 919 024 09 | Wire set fillister hd. bolt 3,0 X 12 | | 3 | |
| 6 | 997 731 519 00 | plate Exterior mirror | left | 1 | |
| (6) | 997 731 520 00 | plate Exterior mirror | right | 1 | |
| 7 | 999 141 043 02 | fillister hd. bolt M 3 X 14 | | 4 | |
| (8) | 997 624 047 00 | Adjusting motor Discontinued part | | 2 | |
| (8) | 997 624 047 01 | Adjusting motor | | 2 | |
| 8 | 7PP 959 578 D | Adjusting motor Exterior mirror | | 2 | PR:-537,-538 |
| (8) | 997 624 048 00 | Adjusting motor Discontinued part | | 2 | PR:537,538 |
| (8) | 997 624 048 01 | Adjusting motor | | 2 | PR:537,538 |
| 9 | 999 141 043 02 | fillister hd. bolt M 3,0 X 14 | | 3 | |
| 10 | 997 731 719 00 | Trim for exterior mirror housing | left lower | 1 | |
| | 997 731 719 00 G2L | primed | | | |

Model: 997T07 Model life 2007>>2009

| Pos | Part Number | Description | Remark | Qty | Model |
|------|--------------------------------------|----------------------------------|-------------|-----|-----------------------|
| (10) | 997 731 720 00 | Trim for exterior mirror housing | right lower | 1 | |
| 11 | 997 731 720 00 G2L 997 731 035 00 | primed Mirror glass (flat) | left lhd | 1 | GT2 PR:098,270,101 |
| | | D - MJ 2008>> | | | |
| (11) | 997 731 035 01 | Mirror (aspherical) Aspherical | left lhd | 1 | PR:271,101,098 |
| | | D - MJ 2008>> | | | |
| (11) | 997 731 035 04 | Mirror glass (flat) | left lhd | 1 | PR:098,267,270 |
| | | Dimmable D - MJ 2007>> | | | |
| (11) | 997 731 035 05 | Mirror (aspherical) Aspherical | left lhd | 1 | PR:098,267,271 |
| | | Dimmable D - MJ 2007>> | | | |
| (11) | 997 731 037 00 | Mirror glass (convex) | left rhd | 1 | PR:099 GT2 |
| | | D - MJ 2008>> | | | |
| (11) | 997 731 037 02 | Mirror glass (convex) | left rhd | 1 | PR:099,267 |
| | | Dimmable | | | |
| (11) | 997 731 038 00 | Mirror glass (convex) | right lhd | 1 | PR:098 GT2 |
| (11) | 997 731 038 01 | Mirror glass (convex) | right lhd | 1 | PR:074,098 |
| (11) | 997 731 038 02 | Mirror glass (convex) | right lhd | 1 | PR:215,098 GT2 |
| | | D - MJ 2008>> | | | |
| (11) | 997 731 038 06 | Mirror glass (convex) | right lhd | 1 | PR:098,267 |
| | | Dimmable | | | |
| (11) | 997 731 038 07 | Mirror glass (convex) | right lhd | 1 | PR:267,098 "ROK" |
| | | Dimmable | | | |
| (11) | 997 731 038 05 | Mirror glass (convex) | right lhd | 1 | PR:215,267,098 |
| | | Dimmable | | | |
| (11) | 997 731 038 08 | Mirror glass (convex) | right lhd | 1 | PR:215,267,098 |
| | | D >> - MJ 2006 | | | |
| | | Dimmable | | | |
| (11) | 997 731 036 00 | Mirror glass (flat) | right rhd | 1 | PR:099,270 GT2 |
| | | D - MJ 2008>> | | | |
| (11) | 997 731 036 01 | Mirror (aspherical) Aspherical | right rhd | 1 | PR:099,271 GT2 |
| | | D - MJ 2008>> | | | |
| (11) | 997 731 036 02 | Mirror glass (flat) | right rhd | 1 | PR:099,267,270 |
| | | Dimmable | | | |
| (11) | 997 731 036 04 | Mirror glass (flat) | right rhd | 1 | PR:099,267,270 |
| | | D >> - MJ 2006 | | | |
| | | Dimmable | | | |
| (11) | 997 731 036 05 | Mirror (aspherical) Aspherical | right rhd | 1 | PR:099,267,271 |
| | | Dimmable | | | |
| 12 | 999 073 345 09 | Oval-head screw M 5 X 18 | | 3 | |
| 13 | 997 537 731 00 | Seal Cable plug | | 1 | |

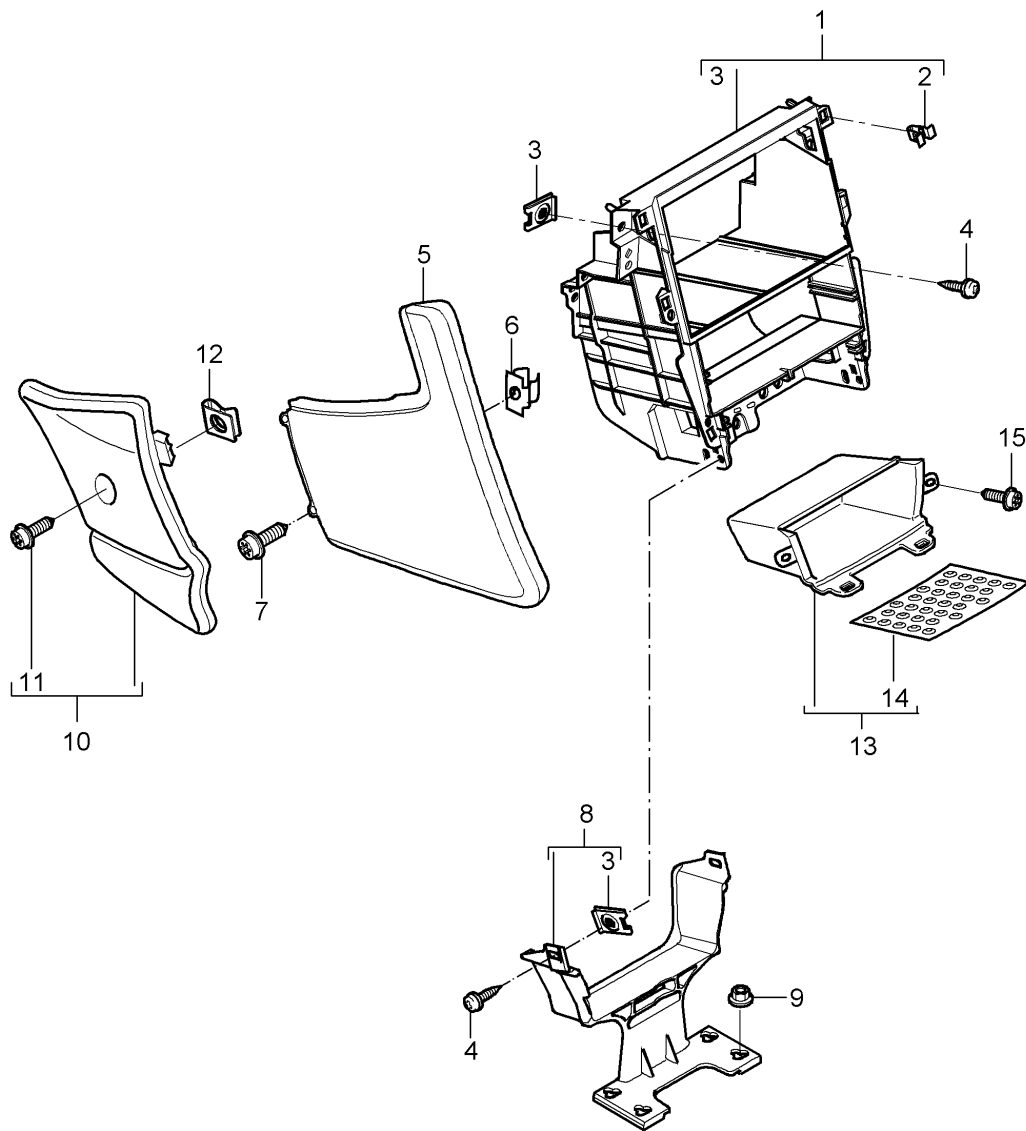
Model: 997T07

Model life 2007>>2009

| Pos | Part Number | Description | Remark | Qty | Model |
|-----|----------------|---|--------|-----|-------|
| 13 | 997 537 733 00 | Mirror base D >> - MJ 2006 Seal Cable plug Mirror base D - MJ 2007>> | | 1 | |

Model: 997T07

Model life 2007>>2009



Model: 997T07 Model life 2007>>2009

| Pos | Part Number | Description | Remark | Qty | Model |
|-----|--------------------|---|-----------------|-----|--------|
| 1 | 997 553 111 03 | Centre console Carrier | front front | 1 | |
| 2 | 999 507 476 01 | Centre console Clamp | | 6 | |
| 3 | 999 507 971 01 | 8,0 X 10,0/2,5 panel nut | | X | |
| 4 | 999 073 155 09 | st 4,2 panel screw | | X | |
| 5 | 997 553 117 06 | st 4,2 x 13 Leather panel | left side | 1 | PR:981 |
| | 997 553 117 06 FSA | black/grey | | | |
| | 997 553 117 06 FSB | Stone grey/stone grey | | | |
| | 997 553 117 06 FSC | Sand beige/sand beige | | | |
| | 997 553 117 06 FSD | Sea blue/grey | | | |
| | 997 553 117 06 FSE | Palmgreen/palmgreen | | | |
| | D | >> - MJ 2007 | | | |
| | 997 553 117 06 FSF | Terracotta/terracotta | | | |
| | 997 553 117 06 FSG | Cocoa/Cocoa | | | |
| | 997 553 117 06 FSH | Darkgrey natural/grey | | | |
| | 997 553 117 06 FSJ | Brown nat./brown nat. | | | |
| | 997 553 117 06 FSP | Carrera Red | | | |
| (5) | 997 553 118 06 | D - MJ 2008>> Leather panel | right side | 1 | PR:981 |
| | 997 553 118 06 FSA | black/grey | | | |
| | 997 553 118 06 FSB | Stone grey/stone grey | | | |
| | 997 553 118 06 FSC | Sand beige/sand beige | | | |
| | 997 553 118 06 FSD | Sea blue/grey | | | |
| | 997 553 118 06 FSE | Palmgreen/palmgreen | | | |
| | D | >> - MJ 2007 | | | |
| | 997 553 118 06 FSF | Terracotta/terracotta | | | |
| | 997 553 118 06 FSG | Cocoa/Cocoa | | | |
| | 997 553 118 06 FSH | Darkgrey natural/grey | | | |
| | 997 553 118 06 FSJ | Brown nat./brown nat. | | | |
| | 997 553 118 06 FSP | Carrera Red | | | |
| | D | MJ 2008>> | | | |
| - | | Trim | side | 1 | |
| | | with: preparation for telephone see illustration: | | | |
| 6 | 999 591 508 02 | Cage nut ST 4,2 for Mount Trim | 911-010 side | 4 | |
| | D | >> - MJ 2006 | | | |
| 6 | 999 591 508 01 | Cage nut st 4,2 for Mount Trim | side | 4 | |
| | D | MJ 2007>> | | | |
| 7 | 999 073 226 09 | panel screw ST 4,2 X 16 for Mount Trim | side | 4 | |
| 8 | 997 553 361 01 | Support | center | 1 | |
| 9 | 999 084 629 01 | Hexagon nut m 6 | | 4 | |
| 10 | 997 553 131 01 | Cover Footwell outlet vent | left | 1 | |

Model: 997T07 Model life 2007>>2009

| Pos | Part Number | Description | Remark | Qty | Model |
|------|--------------------|----------------------|-----------|-----|------------|
| | 997 553 131 01 A10 | Carpet Black | | | |
| | 997 553 131 01 B10 | Stone grey | | | |
| | 997 553 131 01 T10 | Sand beige | | | |
| | 997 553 131 01 E10 | sea blue | | | |
| | 997 553 131 01 J10 | Palm green | | | |
| | | D >> - MJ 2007 | | | |
| | 997 553 131 01 M10 | Terracotta | | | |
| | 997 553 131 01 R10 | Cocoa | | | |
| | 997 553 131 01 D11 | Dark grey/natural | | | |
| | 997 553 131 01 T11 | Brown/natural | | | |
| | 997 553 131 01 N10 | Carrera Red | | | |
| | | D - MJ 2008>> | | | |
| (10) | 997 553 132 01 | Cover | right lhd | 1 | PR:098,621 |
| | | Footwell outlet vent | | | |
| | | Carpet | | | |
| | 997 553 132 01 A10 | Black | | | |
| | 997 553 132 01 B10 | Stone grey | | | |
| | 997 553 132 01 T10 | Sand beige | | | |
| | 997 553 132 01 E10 | sea blue | | | |
| | 997 553 132 01 J10 | Palm green | | | |
| | | D >> - MJ 2007 | | | |
| | 997 553 132 01 M10 | Terracotta | | | |
| | 997 553 132 01 R10 | Cocoa | | | |
| | 997 553 132 01 D11 | Dark grey/natural | | | |
| | 997 553 132 01 T11 | Brown/natural | | | |
| | 997 553 132 01 N10 | Carrera Red | | | |
| | | D - MJ 2008>> | | | |
| (10) | 997 553 132 02 | Cover | right | 1 | |
| | | Footwell outlet vent | | | |
| | | Carpet | | | |
| | 997 553 132 02 A10 | Black | | | |
| | 997 553 132 02 B10 | Stone grey | | | |
| | 997 553 132 02 T10 | Sand beige | | | |
| | 997 553 132 02 E10 | sea blue | | | |
| | 997 553 132 02 J10 | Palm green | | | |
| | | D >> - MJ 2007 | | | |
| | 997 553 132 02 M10 | Terracotta | | | |
| | 997 553 132 02 R10 | Cocoa | | | |
| | 997 553 132 02 D11 | Dark grey/natural | | | |
| | 997 553 132 02 T11 | Brown/natural | | | |
| | 997 553 132 02 N10 | Carrera Red | | | |
| | | D - MJ 2008>> | | | |
| 11 | 999 073 223 07 | fillister hd. bolt | | 2 | |
| | | M 6 X 25 | | | |
| | | for | | | |
| | | Mount | | | |
| | | Cover | | | |
| | | Footwell outlet vent | | | |
| 12 | 999 507 766 02 | panel nut | | 2 | |
| | | M 6 | | | |
| | | for | | | |
| | | Mount | | | |
| | | Cover | | | |
| | | Footwell outlet vent | | | |
| 13 | 997 553 143 01 | Stowage compartment | front | 1 | Turbo |
| | | Centre console | | | |
| | | D >> - MJ 2008 | | | |
| | 997 553 143 01 D07 | Volcano grey | | | |
| 13 | 997 553 143 02 | Stowage compartment | front | 1 | Turbo |
| | | Centre console | | | |
| | | D - MJ 2009>> | | | |
| | 997 553 143 02 A05 | Matt black | | | |

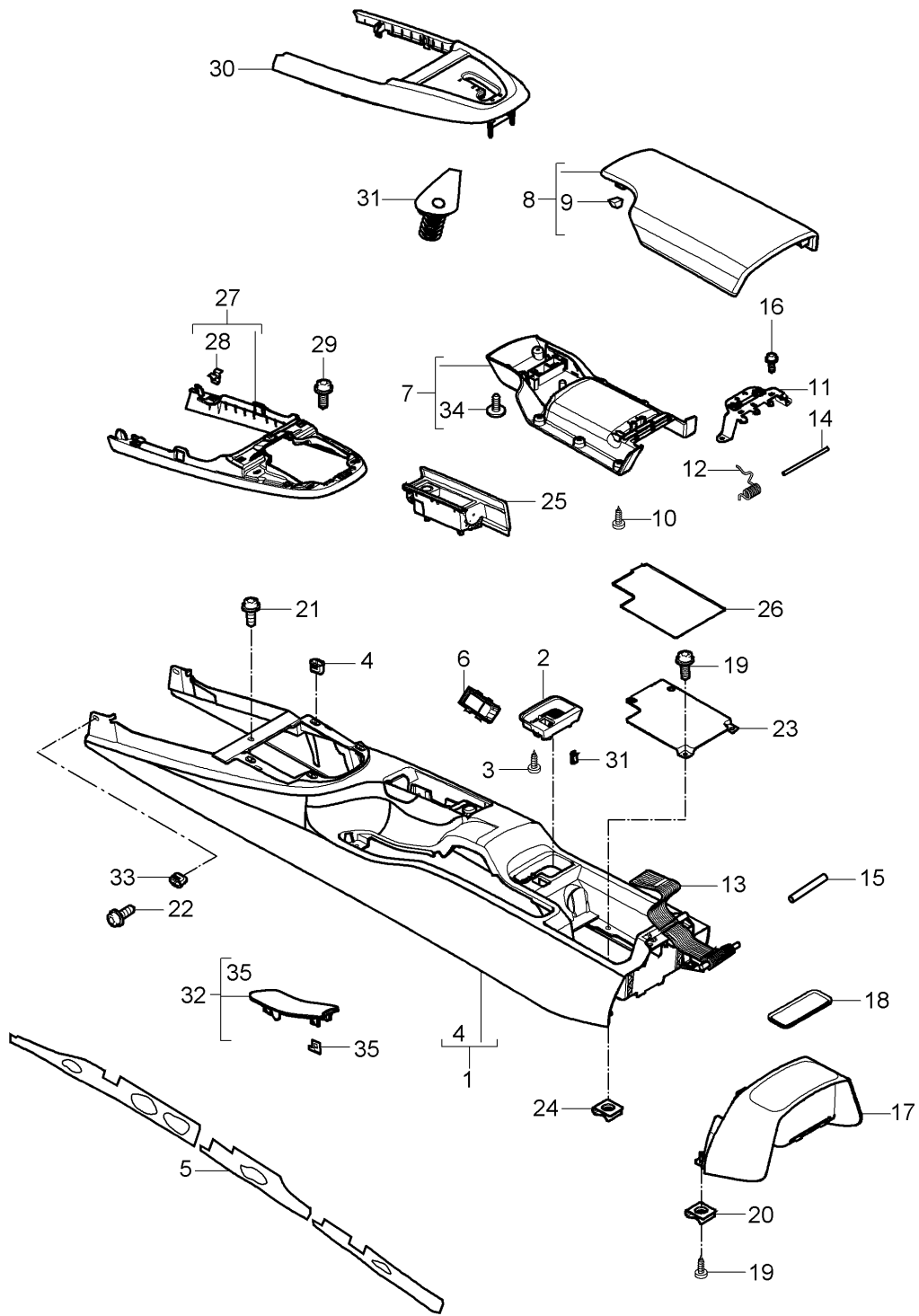
Model: 997T07

Model life 2007>>2009

| Pos | Part Number | Description | Remark | Qty | Model |
|-----|--------------------|---|--------|-----|-------|
| 13 | 997 553 143 01 | Stowage compartment Centre console | front | 1 | GT2 |
| | 997 553 143 01 D07 | Volcano grey | | | |
| 14 | 997 553 543 01 | Insert for centre console | | 1 | |
| | | Stowage compartment | | | |
| 15 | 999 919 164 09 | fillister hd. bolt 5,0 X 12,0 for Mount Stowage compartment | | 3 | |

Model: 997T07

Model life 2007>>2009



Model: 997T07 Model life 2007>>2009

| Pos | Part Number | Description | Remark | Qty | Model |
|-----|--------------------|-------------------|----------------|-----|------------------|
| (1) | 997 553 901 00 | Centre console | rear | 1 | COUPE |
| | 997 553 901 00 A03 | Black | | | |
| | 997 553 901 00 5V7 | Stone grey | | | |
| | 997 553 901 00 5Z1 | Sand beige | | | |
| | 997 553 901 00 8W7 | sea blue | | | |
| | 997 553 901 00 5Y2 | Palm green | | | |
| | | D >> - MJ 2007 | | | |
| | 997 553 901 00 8X8 | Terracotta | | | |
| | 997 553 901 00 8P9 | Cocoa | | | |
| | 997 553 901 00 T13 | Brown/natural | | | |
| | 997 553 901 00 N23 | Carrera Red | | | |
| (1) | 997 553 901 02 | Centre console | | 1 | CABRIO |
| | | use if required: | 997 613 141 10 | | |
| | | D >> - MJ 2008 | | | |
| | 997 553 901 02 A03 | Black | | | |
| | 997 553 901 02 5V7 | Stone grey | | | |
| | 997 553 901 02 5Z1 | Sand beige | | | |
| | 997 553 901 02 8W7 | sea blue | | | |
| | 997 553 901 02 5Y2 | Palm green | | | |
| | | D >> - MJ 2007 | | | |
| | 997 553 901 02 8X8 | Terracotta | | | |
| | 997 553 901 02 8P9 | Cocoa | | | |
| | 997 553 901 02 T13 | Brown/natural | | | |
| | 997 553 901 02 N23 | Carrera Red | | | |
| (1) | 997 553 901 02 | Centre console | | 1 | CABRIO |
| | | D - MJ 2009>> | | | |
| | 997 553 901 02 A03 | Black | | | |
| | 997 553 901 02 5V7 | Stone grey | | | |
| | 997 553 901 02 5Z1 | Sand beige | | | |
| | 997 553 901 02 8W7 | sea blue | | | |
| | 997 553 901 02 8X8 | Terracotta | | | |
| | 997 553 901 02 8P9 | Cocoa | | | |
| | 997 553 901 02 T13 | Brown/natural | | | |
| | 997 553 901 02 N23 | Carrera Red | | | |
| (1) | 997 553 980 69 | Centre console | | 1 | COUPE PR:XMZ |
| | | Leather | | | |
| | 997 553 980 69 A11 | Black | | | |
| | 997 553 980 69 5X6 | Stone grey | | | |
| | 997 553 980 69 8G2 | Sand beige | | | |
| | 997 553 980 69 3S9 | sea blue | | | |
| | 997 553 980 69 4P2 | Palm green | | | |
| | | D >> - MJ 2007 | | | |
| | 997 553 980 69 9S5 | Terracotta | | | |
| | 997 553 980 69 9V6 | Cocoa | | | |
| | 997 553 980 69 D12 | Dark grey/natural | | | |
| | 997 553 980 69 T12 | Brown/natural | | | |
| | 997 553 980 69 N12 | Carrera Red | | | |
| | | D - MJ 2008>> | | | |
| (1) | 997 553 980 71 | Centre console | | 1 | CABRIO PR:XMZ |
| | | Leather | | | |
| | | use if required: | 997 613 141 10 | | |
| | | D >> - MJ 2008 | | | |
| | 997 553 980 71 A11 | Black | | | |
| | 997 553 980 71 5X6 | Stone grey | | | |
| | 997 553 980 71 8G2 | Sand beige | | | |
| | 997 553 980 71 3S9 | sea blue | | | |
| | 997 553 980 71 4P2 | Palm green | | | |
| | | D >> - MJ 2007 | | | |
| | 997 553 980 71 9S5 | Terracotta | | | |
| | 997 553 980 71 9V6 | Cocoa | | | |
| | 997 553 980 71 D12 | Dark grey/natural | | | |
| | 997 553 980 71 T12 | Brown/natural | | | |

Model: 997T07 Model life 2007>>2009

| Pos | Part Number | Description | Remark | Qty | Model |
|-----|--------------------------------------|---|------------------------------------|-----|--------------------------------|
| (1) | 997 553 980 71 N12 997 553 980 71 | Carrera Red Centre console Leather D - MJ 2009>> | | 1 | CABRIO PR:XMZ |
| | 997 553 980 71 A11 | Black | | | |
| | 997 553 980 71 5X6 | Stone grey | | | |
| | 997 553 980 71 8G2 | Sand beige | | | |
| | 997 553 980 71 3S9 | sea blue | | | |
| | 997 553 980 71 9S5 | Terracotta | | | |
| | 997 553 980 71 9V6 | Cocoa | | | |
| | 997 553 980 71 D12 | Dark grey/natural | | | |
| | 997 553 980 71 T12 | Brown/natural | | | |
| (1) | 997 553 980 71 N12 997 553 980 52 | Carrera Red Centre console Carbon | | 1 | COUPE PR:XMJ |
| (1) | 997 553 980 52 A35 997 553 980 54 | Black Centre console Carbon | | 1 | CABRIO PR:XMJ |
| | 997 553 980 54 A35 | Black D >> - MJ 2008 | | | |
| (1) | 997 553 980 54 | Centre console Carbon D - MJ 2009>> | 997 613 141 10 use if required: | 1 | CABRIO PR:XMJ |
| (1) | 997 553 980 54 A35 997 553 980 02 | Black Centre console | rear | 1 | TURBO/COUPE PR:XJU, 438 |
| | 997 553 980 02 S62 | D >> - MJ 2008 Sycamore wood | | | |
| (1) | 997 553 980 32 | Centre console | rear | 1 | TURBO/COUPE PR:XJU, 376 |
| | 997 553 980 32 S62 | D >> - MJ 2008 Sycamore wood | | | |
| (1) | 997 553 980 32 | Centre console | rear | 1 | TURBO/COUPE PR:XJU, 378 |
| | 997 553 980 32 S62 | D >> - MJ 2008 Sycamore wood | | | |
| (1) | 997 553 980 32 | Centre console | rear | 1 | TURBO/COUPE PR:XJU, 389 |
| | 997 553 980 32 S62 | D - MJ 2008>> - MJ 2008 Sycamore wood | | | |
| (1) | 997 553 980 14 | Centre console | rear | 1 | TURBO/CABRIO PR:XJU, 438 |
| | 997 553 980 14 S62 | D - MJ 2008>> - MJ 2008 Sycamore wood | | | |
| (1) | 997 553 980 34 | Centre console | rear | 1 | TURBO/CABRIO PR:XJU, 376 |
| | 997 553 980 34 S62 | D - MJ 2008>> - MJ 2008 Sycamore wood | | | |
| (1) | 997 553 980 34 | Centre console | rear | 1 | TURBO/CABRIO PR:XJU, 378 |
| | 997 553 980 34 S62 | D - MJ 2008>> - MJ 2008 Sycamore wood | | | |
| (1) | 997 553 980 34 | Centre console | rear | 1 | TURBO/CABRIO 7389 PR:XJU |
| | 997 553 980 34 S62 | D - MJ 2008>> - MJ 2008 Sycamore wood | | | |
| (1) | 997 553 980 56 | Centre console | | 1 | TURBO/COUPE PR:XJT |
| (1) | 997 553 980 56 S61 997 553 980 58 | macassar Centre console D >> - MJ 2008 | | 1 | CABRIO PR:XJT |

Model: 997T07 Model life 2007>>2009

| Pos | Part Number | Description | Remark | Qty | Model |
|-----|--------------------|---|----------------|-----|-----------------------|
| | 997 553 980 58 S61 | macassar | | | |
| (1) | 997 553 980 58 | Centre console D - MJ 2009>> | 997 613 141 10 | 1 | CABRIO PR:XJT |
| | 997 553 980 58 S61 | macassar | | | |
| (1) | 997 553 980 60 | Centre console | | 1 | TURBO/COUPE PR:XCK |
| | 997 553 980 60 V04 | Galvano silver | | | |
| (1) | 997 553 980 62 | Centre console D >> - MJ 2008 | | 1 | CABRIO PR:XCK |
| | 997 553 980 62 V04 | Galvano silver | | | |
| (1) | 997 553 980 62 | Centre console D - MJ 2009>> | 997 613 141 10 | 1 | CABRIO PR:XCK |
| | 997 553 980 62 V04 | Galvano silver | | | |
| (1) | 997 553 980 64 | Centre console | | 1 | COUPE PR:XME |
| | 997 553 980 64 041 | Black | | | |
| | 997 553 980 64 84A | guards red (Porsche) | | | |
| | 997 553 980 64 B9A | Carrara white | | | |
| | 997 553 980 64 12H | Speed yellow | | | |
| | 997 553 980 64 92U | Arctic silver metallic | | | |
| | 997 553 980 64 M3W | Carmon red metallic D >> - MJ 2007 | | | |
| | 997 553 980 64 M5W | Lapis blue metallic D >> - MJ 2007 | | | |
| | 997 553 980 64 M6W | Lagoon green metallic D >> - MJ 2007 | | | |
| | 997 553 980 64 C9Z | Basalt black metallic | | | |
| | 997 553 980 64 M7X | Atlas grey metallic | | | |
| | 997 553 980 64 39C | Midnight Blue Metallic | | | |
| | 997 553 980 64 M7W | Meteor Grey Metallic | | | |
| | 997 553 980 64 2B4 | Forest green metallic D >> - MJ 2008 | | | |
| | 997 553 980 64 3C8 | Cobalt blue metallic D >> - MJ 2008 | | | |
| | 997 553 980 64 23F | Slate grey metallic D >> - MJ 2008 | | | |
| | 997 553 980 64 M7Z | GT Silver Metallic | | | |
| | 997 553 980 64 M6X | Dark olive-metallic D >> - MJ 2008 | | | |
| | 997 553 980 64 M8W | Macadamia Metallic D - MJ 2008>> | | | |
| | 997 553 980 64 8A7 | Ruby red metallic D - MJ 2008>> | | | |
| | 997 553 980 64 2B5 | Malachite Green Metallic D - MJ 2008>> | | | |
| | 997 553 980 64 22G | Racing Green Metallic D - MJ 2009>> | | | |
| | 997 553 980 64 32B | Sailing Blue Metallic D - MJ 2009>> | | | |
| | 997 553 980 64 M5R | Aqua blue metallic D - MJ 2009>> | | | |
| | 997 553 980 64 51A | cream white D - MJ 2009>> | | | |
| | 997 553 980 64 M2Z | Nordic Gold Metallic D - MJ 2009>> | | | |
| (1) | 997 553 980 66 | Centre console D >> - MJ 2008 | 997 613 141 10 | 1 | CABRIO PR:XME |
| | 997 553 980 66 041 | Black | | | |
| | 997 553 980 66 84A | guards red (Porsche) | | | |
| | 997 553 980 66 B9A | Carrara white | | | |

Model: 997T07

Model life 2007>>2009

| Pos | Part Number | Description | Remark | Qty | Model |
|-----|--------------------|---|--------|-----|------------------|
| | 997 553 980 66 12H | Speed yellow | | | |
| | 997 553 980 66 92U | Arctic silver metallic | | | |
| | 997 553 980 66 M3W | Carmon red metallic | | | |
| | 997 553 980 66 M5W | Lapis blue metallic | | | |
| | 997 553 980 66 M6W | Lagoon green metallic | | | |
| | 997 553 980 66 C9Z | Basalt black metallic | | | |
| | 997 553 980 66 M7X | Atlas grey metallic | | | |
| | 997 553 980 66 39C | Midnight Blue Metallic | | | |
| | 997 553 980 66 6B4 | Seal grey metallic | | | |
| | 997 553 980 66 M7W | Meteor Grey Metallic | | | |
| | 997 553 980 66 2B4 | Forest green metallic | | | |
| | 997 553 980 66 3C8 | Cobalt blue metallic | | | |
| | 997 553 980 66 23F | Slate grey metallic | | | |
| | 997 553 980 66 M7Z | GT Silver Metallic | | | |
| | 997 553 980 66 M6X | Dark olive-metallic | | | |
| | 997 553 980 66 M8W | Macadamia Metallic | | | |
| | 997 553 980 66 8A7 | Ruby red metallic | | | |
| (1) | 997 553 980 66 2B5 | Malachite Green Metallic | | | |
| | 997 553 980 66 | Centre console D - MJ 2009>> | | 1 | CABRIO PR:XME |
| | 997 553 980 66 041 | Black | | | |
| | 997 553 980 66 84A | guards red (Porsche) | | | |
| | 997 553 980 66 B9A | Carrara white | | | |
| | 997 553 980 66 12H | Speed yellow | | | |
| | 997 553 980 66 92U | Arctic silver metallic | | | |
| | 997 553 980 66 C9Z | Basalt black metallic | | | |
| | 997 553 980 66 M7X | Atlas grey metallic | | | |
| | 997 553 980 66 39C | Midnight Blue Metallic | | | |
| | 997 553 980 66 M7W | Meteor Grey Metallic | | | |
| | 997 553 980 66 2B4 | Forest green metallic | | | |
| | 997 553 980 66 3C8 | Cobalt blue metallic | | | |
| | 997 553 980 66 23F | Slate grey metallic | | | |
| | 997 553 980 66 M7Z | GT Silver Metallic | | | |
| | 997 553 980 66 M8W | Macadamia Metallic | | | |
| | 997 553 980 66 8A7 | Ruby red metallic | | | |
| | 997 553 980 66 2B5 | Malachite Green Metallic | | | |
| | 997 553 980 66 22G | Racing Green Metallic | | | |
| | 997 553 980 66 32B | Sailing Blue Metallic | | | |
| | 997 553 980 66 M5R | Aqua blue metallic | | | |
| | 997 553 980 66 51A | cream white | | | |
| | 997 553 980 66 M2Z | Nordic Gold Metallic | | | |
| 2 | 997 553 575 02 | Insert Locking mechanism Centre console | | 1 | |
| 3 | 997 553 575 02 01C | Satin black | | | |
| | 999 919 159 09 | fillister hd. bolt 4 X 12 for Mount Insert Locking mechanism | | 1 | |
| 4 | 999 591 210 40 | expanding nut 4,2 | | 4 | |
| 5 | 997 553 843 00 | Sound absorber | left | 1 | |
| (5) | 997 553 844 00 | Sound absorber | right | 1 | |
| 6 | 997 553 579 00 | Dummy cover Lacquered D >> - MJ 2008 | | 1 | COUPE |
| | 997 553 579 00 A03 | Black | | | |
| | 997 553 579 00 5V7 | Stone grey | | | |
| | 997 553 579 00 5Z1 | Sand beige | | | |
| | 997 553 579 00 8W7 | sea blue | | | |
| | 997 553 579 00 5Y2 | Palm green | | | |

Model: 997T07

Model life 2007>>2009

| Pos | Part Number | Description | Remark | Qty | Model |
|-----|--------------------|--|-----------|-----|---------------------|
| | | D >> - MJ 2007 | | | |
| | 997 553 579 00 8X8 | Terracotta | | | |
| | 997 553 579 00 8P9 | Cocoa | | | |
| | 997 553 579 00 T13 | Brown/natural | | | |
| | 997 553 579 00 N23 | Carrera Red | | | |
| 7 | 997 553 433 01 | cover for center console | inner | 1 | |
| | 997 553 433 01 01C | Satin black | | | |
| 8 | 997 553 231 01 | Cover (leather) | outer | 1 | TURBO |
| | 997 553 231 01 A11 | Black | | | |
| | 997 553 231 01 5X6 | Stone grey | | | |
| | 997 553 231 01 8G2 | Sand beige | | | |
| | 997 553 231 01 3S9 | sea blue | | | |
| | 997 553 231 01 4P2 | Palm green | | | |
| | | D >> - MJ 2007 | | | |
| | 997 553 231 01 9S5 | Terracotta | | | |
| | 997 553 231 01 9V6 | Cocoa | | | |
| | 997 553 231 01 D12 | Dark grey/natural | | | |
| | 997 553 231 01 T12 | Brown/natural | | | |
| | 997 553 231 01 N12 | Carrera Red | | | |
| (8) | 997 553 231 90 | D - MJ 2008>> cover for center console | outer | 1 | GT2 PR:981 |
| | | Leather Alcantara D - MJ 2008>> | | | |
| (8) | 997 553 231 90 A25 | Black | outer | 1 | TURBO PR:XPT |
| | 997 553 991 05 | Cover | | | |
| | | with: Porsche crest D - MJ 2009>> | | | |
| | 997 553 991 05 A11 | Black | | | |
| | 997 553 991 05 5X6 | Stone grey | | | |
| | 997 553 991 05 8G2 | Sand beige | | | |
| | 997 553 991 05 3S9 | sea blue | | | |
| | 997 553 991 05 9S5 | Terracotta | | | |
| | 997 553 991 05 9V6 | Cocoa | | | |
| | 997 553 991 05 D12 | Dark grey/natural | | | |
| | 997 553 991 05 T12 | Brown/natural | | | |
| | 997 553 991 05 N12 | Carrera Red | | | |
| (8) | 997 553 991 29 | Cover | outer lhd | 1 | TURBO PR:XUV,098 |
| | | with: inscription Turbo D - MJ 2009>> | | | |
| | 997 553 991 29 A11 | Black | | | |
| | 997 553 991 29 5X6 | Stone grey | | | |
| | 997 553 991 29 8G2 | Sand beige | | | |
| | 997 553 991 29 3S9 | sea blue | | | |
| | 997 553 991 29 9S5 | Terracotta | | | |
| | 997 553 991 29 9V6 | Cocoa | | | |
| | 997 553 991 29 D12 | Dark grey/natural | | | |
| | 997 553 991 29 T12 | Brown/natural | | | |
| | 997 553 991 29 N12 | Carrera Red | | | |
| (8) | 997 553 991 30 | Cover | outer rhd | 1 | TURBO PR:XUV,099 |
| | | with: inscription Turbo D - MJ 2009>> | | | |
| | 997 553 991 30 A11 | Black | | | |
| | 997 553 991 30 5X6 | Stone grey | | | |

Model: 997T07 Model life 2007>>2009

| Pos | Part Number | Description | Remark | Qty | Model |
|------|--------------------|--------------------|-----------|-----|------------|
| | 997 553 991 30 8G2 | Sand beige | | | |
| | 997 553 991 30 3S9 | sea blue | | | |
| | 997 553 991 30 9S5 | Terracotta | | | |
| | 997 553 991 30 9V6 | Cocoa | | | |
| | 997 553 991 30 D12 | Dark grey/natural | | | |
| | 997 553 991 30 T12 | Brown/natural | | | |
| | 997 553 991 30 N12 | Carrera Red | | | |
| (8) | 997 553 991 20 | Cover | outer lhd | 1 | PR:XLG,098 |
| | | Alcantara | | | |
| | | D - MJ 2009>> | | | |
| (8) | 997 553 991 20 A25 | Black | | | |
| | 997 553 991 21 | Cover | outer rhd | 1 | PR:XLG,099 |
| | | Alcantara | | | |
| | | D - MJ 2009>> | | | |
| 9 | 997 553 991 21 A25 | Black | | | |
| | 999 507 972 01 | panel nut | outer | 8 | |
| | | 3,5 | | | |
| | | for | | | |
| | | Mount | | | |
| 10 | 999 073 153 01 | Cover | outer | 8 | |
| | | panel screw | | | |
| | | 3,5 X 14 | | | |
| | | for | | | |
| | | Mount | | | |
| | | Cover | | | |
| 11 | 997 553 437 01 | Hinge | | 1 | |
| 12 | 997 553 439 00 | Leg spring | | 1 | |
| 13 | 997 553 441 00 | Belt | | 1 | |
| 14 | 997 553 447 00 | axle | | 1 | |
| 15 | 997 553 733 00 | Locking pin | | 1 | |
| 16 | 999 919 159 09 | fillister hd. bolt | | X | |
| | | M4X12 | | | |
| 17 | 997 553 221 01 | Extension for | | 1 | COUPE |
| | | centre console | | | |
| | | Lacquered | | | |
| | 997 553 221 01 A03 | Black | | | |
| | 997 553 221 01 5V7 | Stone grey | | | |
| | 997 553 221 01 5Z1 | Sand beige | | | |
| | 997 553 221 01 8W7 | sea blue | | | |
| | 997 553 221 01 5Y2 | Palm green | | | |
| | | D >> - MJ 2007 | | | |
| | 997 553 221 01 8X8 | Terracotta | | | |
| | 997 553 221 01 8P9 | Cocoa | | | |
| | 997 553 221 01 T13 | Brown/natural | | | |
| | 997 553 221 01 N23 | Carrera Red | | | |
| | | D - MJ 2008>> | | | |
| (17) | 997 553 983 06 | Extension for | | 1 | COUPE |
| | | centre console | | | PR:XMZ |
| | | Leather | | | |
| | 997 553 983 06 A11 | Black | | | |
| | 997 553 983 06 5X6 | Stone grey | | | |
| | 997 553 983 06 8G2 | Sand beige | | | |
| | 997 553 983 06 3S9 | sea blue | | | |
| | 997 553 983 06 4P2 | Palm green | | | |
| | | D >> - MJ 2007 | | | |
| | 997 553 983 06 9S5 | Terracotta | | | |
| | 997 553 983 06 9V6 | Cocoa | | | |
| | 997 553 983 06 D12 | Dark grey/natural | | | |
| | 997 553 983 06 T12 | Brown/natural | | | |
| | 997 553 983 06 N12 | Carrera Red | | | |
| | | D - MJ 2008>> | | | |

Model: 997T07 Model life 2007>>2009

| Pos | Part Number | Description | Remark | Qty | Model |
|------|--------------------|--|--------|-----|-----------------------|
| (17) | 997 553 983 01 | Extension for centre console Leather | | 1 | COUPE PR:XMJ |
| | 997 553 983 01 A11 | Black | | | |
| | 997 553 983 01 5X6 | Stone grey | | | |
| | 997 553 983 01 8G2 | Sand beige | | | |
| | 997 553 983 01 3S9 | sea blue | | | |
| | 997 553 983 01 4P2 | Palm green | | | |
| | | D >> - MJ 2007 | | | |
| | 997 553 983 01 9S5 | Terracotta | | | |
| | 997 553 983 01 9V6 | Cocoa | | | |
| | 997 553 983 01 D12 | Dark grey/natural | | | |
| | 997 553 983 01 T12 | Brown/natural | | | |
| | 997 553 983 01 N12 | Carrera Red | | | |
| | | D - MJ 2008>> | | | |
| (17) | 997 553 983 02 | Extension for centre console Leather | | 1 | TURBO/COUPE PR:XJU |
| | 997 553 983 02 A11 | Black | | | |
| | 997 553 983 02 5X6 | Stone grey | | | |
| | 997 553 983 02 8G2 | Sand beige | | | |
| | 997 553 983 02 3S9 | sea blue | | | |
| | 997 553 983 02 4P2 | Palm green | | | |
| | | D >> - MJ 2007 | | | |
| | 997 553 983 02 9S5 | Terracotta | | | |
| | 997 553 983 02 9V6 | Cocoa | | | |
| | 997 553 983 02 D12 | Dark grey/natural | | | |
| | 997 553 983 02 T12 | Brown/natural | | | |
| | 997 553 983 02 N12 | Carrera Red | | | |
| (17) | 997 553 983 03 | Extension for centre console Leather | | 1 | TURBO/COUPE PR:XJT |
| | 997 553 983 03 A11 | Black | | | |
| | 997 553 983 03 5X6 | Stone grey | | | |
| | 997 553 983 03 8G2 | Sand beige | | | |
| | 997 553 983 03 3S9 | sea blue | | | |
| | 997 553 983 03 4P2 | Palm green | | | |
| | 997 553 983 03 9S5 | Terracotta | | | |
| | 997 553 983 03 9V6 | Cocoa | | | |
| | 997 553 983 03 D12 | Dark grey/natural | | | |
| | 997 553 983 03 T12 | Brown/natural | | | |
| | 997 553 983 03 N12 | Carrera Red | | | |
| (17) | 997 553 983 04 | Extension for centre console Leather | | 1 | TURBO/COUPE PR:XCK |
| | 997 553 983 04 A11 | Black | | | |
| | 997 553 983 04 5X6 | Stone grey | | | |
| | 997 553 983 04 8G2 | Sand beige | | | |
| | 997 553 983 04 3S9 | sea blue | | | |
| | 997 553 983 04 4P2 | Palm green | | | |
| | 997 553 983 04 9S5 | Terracotta | | | |
| | 997 553 983 04 9V6 | Cocoa | | | |
| | 997 553 983 04 D12 | Dark grey/natural | | | |
| | 997 553 983 04 T12 | Brown/natural | | | |
| | 997 553 983 04 N12 | Carrera Red | | | |
| (17) | 997 553 983 05 | Extension for centre console Lacquered | | 1 | COUPE PR:XME |
| | 997 553 983 05 041 | Black | | | |
| | 997 553 983 05 84A | guards red (Porsche) | | | |
| | 997 553 983 05 B9A | Carrara white | | | |
| | 997 553 983 05 12H | Speed yellow | | | |
| | 997 553 983 05 92U | Arctic silver metallic | | | |

Model: 997T07

Model life 2007>>2009

| Pos | Part Number | Description | Remark | Qty | Model |
|-----|--------------------|--|--------|-----|-------|
| | 997 553 983 05 M3W | Carmon red metallic D - MJ 2007>> - MJ 2007 | | | |
| | 997 553 983 05 M5W | Lapis blue metallic D - MJ 2007>> - MJ 2007 | | | |
| | 997 553 983 05 M6W | Lagoon green metallic D - MJ 2007>> - MJ 2007 | | | |
| | 997 553 983 05 C9Z | Basalt black metallic | | | |
| | 997 553 983 05 M7X | Atlas grey metallic | | | |
| | 997 553 983 05 39C | Midnight Blue Metallic | | | |
| | 997 553 983 05 M7W | Meteor Grey Metallic | | | |
| | 997 553 983 05 2B4 | Forest green metallic D >> - MJ 2008 | | | |
| | 997 553 983 05 3C8 | Cobalt blue metallic D >> - MJ 2008 | | | |
| | 997 553 983 05 23F | Slate grey metallic D >> - MJ 2008 | | | |
| | 997 553 983 05 M7Z | GT Silver Metallic | | | |
| | 997 553 983 05 M6X | Dark olive-metallic D >> - MJ 2008 | | | |
| | 997 553 983 05 M8W | Macadamia Metallic D - MJ 2008>> | | | |
| | 997 553 983 05 8A7 | Ruby red metallic D - MJ 2008>> | | | |
| | 997 553 983 05 2B5 | Malachite Green Metallic D - MJ 2008>> | | | |
| | 997 553 983 05 22G | Racing Green Metallic D - MJ 2009>> | | | |
| | 997 553 983 05 32B | Sailing Blue Metallic D - MJ 2009>> | | | |
| | 997 553 983 05 M5R | Aqua blue metallic D - MJ 2009>> | | | |
| | 997 553 983 05 51A | cream white D - MJ 2009>> | | | |
| | 997 553 983 05 M2Z | Nordic Gold Metallic D - MJ 2009>> | | | |
| 18 | 997 553 625 01 | Insert for centre console Extension | | 1 | COUPE |
| 19 | 999 073 226 09 | panel screw 4,2 X 16 | | X | |
| 20 | 999 507 020 01 | panel nut 4,2 | | X | |
| 21 | 999 919 121 09 | fillister hd. bolt 5 X 16 | | 2 | |
| 22 | 999 073 155 09 | panel screw 4,2 X 13 | | 2 | |
| 23 | 997 553 615 01 | Floor Centre console | | 1 | |
| 24 | 999 507 028 01 | panel nut 4,2 | | X | |
| 25 | 997 553 141 02 | ashtray Lacquered D >> - MJ 2007 | | 1 | |
| | 997 553 141 02 A03 | Black | | | |
| | 997 553 141 02 5V7 | Stone grey | | | |
| | 997 553 141 02 5Z1 | Sand beige | | | |
| | 997 553 141 02 8W7 | sea blue | | | |
| | 997 553 141 02 5Y2 | Palm green | | | |
| | 997 553 141 02 8X8 | Terracotta | | | |
| | 997 553 141 02 8P9 | Cocoa | | | |
| | 997 553 141 02 T13 | Brown/natural | | | |
| 25 | 997 553 902 00 | ashtray Lacquered D - MJ 2008>> | | 1 | |

Model: 997T07 Model life 2007>>2009

| Pos | Part Number | Description | Remark | Qty | Model |
|------|--------------------|---|--------|-----|-----------------|
| | 997 553 902 00 A03 | Black | | | |
| | 997 553 902 00 5V7 | Stone grey | | | |
| | 997 553 902 00 5Z1 | Sand beige | | | |
| | 997 553 902 00 8W7 | sea blue | | | |
| | 997 553 902 00 8X8 | Terracotta | | | |
| | 997 553 902 00 8P9 | Cocoa | | | |
| | 997 553 902 00 T13 | Brown/natural | | | |
| | 997 553 902 00 N23 | Carrera Red | | | |
| (25) | 997 553 982 06 | ashtray Leather | | 1 | PR:XMZ |
| | 997 553 982 06 A11 | Black | | | |
| | 997 553 982 06 5X6 | Stone grey | | | |
| | 997 553 982 06 8G2 | Sand beige | | | |
| | 997 553 982 06 3S9 | sea blue | | | |
| | 997 553 982 06 4P2 | Palm green | | | |
| | 997 553 982 06 9S5 | Terracotta | | | |
| | 997 553 982 06 9V6 | Cocoa | | | |
| | 997 553 982 06 D12 | Dark grey/natural | | | |
| | 997 553 982 06 T12 | Brown/natural | | | |
| | 997 553 982 06 N12 | Carrera Red | | | |
| (25) | 997 553 982 01 | ashtray Carbon | | 1 | PR:XMJ |
| | 997 553 982 01 A35 | Black | | | |
| (25) | 997 553 982 02 | ashtray D >> - MJ 2008 | | 1 | TURBO PR:XJU |
| | 997 553 982 02 S62 | Sycamore wood | | | |
| (25) | 997 553 982 03 | ashtray | | 1 | TURBO PR:XJT |
| | 997 553 982 03 S61 | macassar | | | |
| (25) | 997 553 982 04 | ashtray Aluminium look | | 1 | TURBO PR:XCK |
| | 997 553 982 04 V04 | Galvano silver | | | |
| (25) | 997 553 982 05 | ashtray Lacquered | | 1 | PR:XME |
| | 997 553 982 05 041 | Black | | | |
| | 997 553 982 05 84A | guards red (Porsche) | | | |
| | 997 553 982 05 B9A | Carrara white | | | |
| | 997 553 982 05 12H | Speed yellow | | | |
| | 997 553 982 05 92U | Arctic silver metallic | | | |
| | 997 553 982 05 M3W | Carmon red metallic D >> - MJ 2007 | | | |
| | 997 553 982 05 M5W | Coral metallic D >> - MJ 2007 | | | |
| | 997 553 982 05 M6W | Lagoon green metallic D >> - MJ 2007 | | | |
| | 997 553 982 05 C9Z | Basalt black metallic | | | |
| | 997 553 982 05 M7X | Atlas grey metallic | | | |
| | 997 553 982 05 39C | Midnight Blue Metallic | | | |
| | 997 553 982 05 M7W | Meteor Grey Metallic | | | |
| | 997 553 982 05 2B4 | Forest green metallic D >> - MJ 2008 | | | |
| | 997 553 982 05 3C8 | Cobalt blue metallic D >> - MJ 2008 | | | |
| | 997 553 982 05 23F | Slate grey metallic D >> - MJ 2008 | | | |
| | 997 553 982 05 M7Z | GT Silver Metallic | | | |
| | 997 553 982 05 M6X | Dark olive-metallic D >> - MJ 2008 | | | |
| | 997 553 982 05 M8W | Macadamia Metallic D - MJ 2008>> | | | |
| | 997 553 982 05 8A7 | Ruby red metallic D - MJ 2008>> | | | |
| | 997 553 982 05 2B5 | Malachite Green Metallic | | | |

Model: 997T07 Model life 2007>>2009

| Pos | Part Number | Description | Remark | Qty | Model |
|------|--------------------|--|--------|-----|--------|
| | 997 553 982 05 22G | D - MJ 2008>> Racing Green Metallic | | | |
| | 997 553 982 05 32B | D - MJ 2009>> Sailing Blue Metallic | | | |
| | 997 553 982 05 M5R | D - MJ 2009>> Aqua blue metallic | | | |
| | 997 553 982 05 51A | D - MJ 2009>> cream white | | | |
| | 997 553 982 05 M2Z | D - MJ 2009>> Nordic Gold Metallic | | | |
| 26 | 997 553 611 01 | Insert for centre console | | 1 | |
| (26) | 997 553 613 00 | Insert for centre console | | 1 | PR:870 |
| 27 | 997 553 261 05 | D - MJ 2009>> Frame Lacquered | | 1 | GT2 |
| | 997 553 261 05 D07 | D - MJ 2008>> Volcano grey | | | |
| (27) | 997 553 261 06 | Frame Lacquered | | 1 | TURBO |
| 28 | 997 553 261 06 V04 | Galvano silver | | 7 | |
| | 999 507 533 02 | Clamp | | | |
| 29 | 999 073 155 09 | 8,0 X 10,0/2,5 panel screw | | 4 | |
| | | 4,2 X 13 for Mount | | | |
| 30 | 997 553 241 02 | Frame Cover | | 1 | TURBO |
| | | Shift gate Lacquered | | | PR:249 |
| | 997 553 241 02 A03 | Black | | | |
| | 997 553 241 02 5V7 | Stone grey | | | |
| | 997 553 241 02 5Z1 | Sand beige | | | |
| | 997 553 241 02 8W7 | sea blue | | | |
| | 997 553 241 02 5Y2 | Palm green | | | |
| | 997 553 241 02 8X8 | Terracotta | | | |
| | 997 553 241 02 8P9 | Cocoa | | | |
| | 997 553 241 02 T13 | Brown/natural | | | |
| | 997 553 241 02 N23 | Carrera Red | | | |
| (30) | 997 553 243 01 | Cover | | 1 | PR:480 |
| | | Shift gate Lacquered | | | |
| | 997 553 243 01 A03 | Black | | | |
| | 997 553 243 01 5V7 | Stone grey | | | |
| | 997 553 243 01 5Z1 | Sand beige | | | |
| | 997 553 243 01 8W7 | sea blue | | | |
| | 997 553 243 01 5Y2 | Palm green | | | |
| | 997 553 243 01 8X8 | Terracotta | | | |
| | 997 553 243 01 8P9 | Cocoa | | | |
| | 997 553 243 01 T13 | Brown/natural | | | |
| | 997 553 243 01 N23 | Carrera Red | | | |
| 31 | 996 552 687 00 | slide valve | | 1 | TURBO |
| | | | | | PR:249 |
| 32 | 996 552 687 00 01C | Black | | | |
| | 997 553 455 01 | Cover Brake lever Lacquered | | 1 | |
| | | D >> - MJ 2007 | | | |
| | 997 553 455 01 A03 | Black | | | |
| | 997 553 455 01 5V7 | Stone grey | | | |
| | 997 553 455 01 5Z1 | Sand beige | | | |
| | 997 553 455 01 8W7 | sea blue | | | |

Model: 997T07 Model life 2007>>2009

| Pos | Part Number | Description | Remark | Qty | Model | |
|------|--------------------|--------------------|-------------------|-----|-----------------|--|
| 32 | 997 553 455 01 5Y2 | Palm green | | 1 | | |
| | 997 553 455 01 8X8 | Terracotta | | | | |
| | 997 553 455 01 8P9 | Cocoa | | | | |
| | 997 553 455 01 T13 | Brown/natural | | | | |
| | 997 553 903 00 | Cover | | | | |
| | | Brake lever | | | | |
| | | Lacquered | | | | |
| | | D - MJ 2008>> | | | | |
| | | 997 553 903 00 A03 | Black | | | |
| | | 997 553 903 00 5V7 | Stone grey | | | |
| (32) | 997 553 903 00 5Z1 | Sand beige | | 1 | TURBO PR:XCK | |
| | 997 553 903 00 8W7 | sea blue | | | | |
| | 997 553 903 00 8X8 | Terracotta | | | | |
| | 997 553 903 00 8P9 | Cocoa | | | | |
| | 997 553 903 00 T13 | Brown/natural | | | | |
| | 997 553 903 00 N23 | Carrera Red | | | | |
| | 997 553 981 00 | Cover | | | | |
| | | Brake lever | | | | |
| | | 997 553 981 00 A11 | Black | | | |
| | | 997 553 981 00 5X6 | Stone grey | | | |
| (32) | 997 553 981 00 8G2 | Sand beige | | 1 | TURBO PR:XJT | |
| | 997 553 981 00 3S9 | sea blue | | | | |
| | 997 553 981 00 4P2 | Palm green | | | | |
| | 997 553 981 00 9S5 | Terracotta | | | | |
| | 997 553 981 00 9V6 | Cocoa | | | | |
| | 997 553 981 00 D12 | Dark grey/natural | | | | |
| | 997 553 981 00 T12 | Brown/natural | | | | |
| | 997 553 981 00 N12 | Carrera Red | | | | |
| | 997 553 981 00 | Cover | | | | |
| | | Brake lever | | | | |
| (32) | 997 553 981 00 A11 | Black | | 1 | TURBO PR:XJU | |
| | 997 553 981 00 5X6 | Stone grey | | | | |
| | 997 553 981 00 8G2 | Sand beige | | | | |
| | 997 553 981 00 3S9 | sea blue | | | | |
| | 997 553 981 00 4P2 | Palm green | | | | |
| | 997 553 981 00 9S5 | Terracotta | | | | |
| | 997 553 981 00 9V6 | Cocoa | | | | |
| | 997 553 981 00 D12 | Dark grey/natural | | | | |
| | 997 553 981 00 T12 | Brown/natural | | | | |
| | 997 553 981 00 N12 | Carrera Red | | | | |
| (32) | 997 553 981 00 | Cover | | 1 | TURBO PR:XJU | |
| | | Brake lever | | | | |
| | | 997 553 981 00 A11 | Black | | | |
| | | 997 553 981 00 5X6 | Stone grey | | | |
| | | 997 553 981 00 8G2 | Sand beige | | | |
| | | 997 553 981 00 3S9 | sea blue | | | |
| | | 997 553 981 00 4P2 | Palm green | | | |
| | | 997 553 981 00 9S5 | Terracotta | | | |
| | | 997 553 981 00 9V6 | Cocoa | | | |
| | | 997 553 981 00 D12 | Dark grey/natural | | | |
| (32) | 997 553 981 00 T12 | Brown/natural | | 1 | PR:XME | |
| | 997 553 981 00 N12 | Carrera Red | | | | |
| | 997 553 981 00 | Cover | | | | |
| | | Brake lever | | | | |
| | | 997 553 981 00 A11 | Black | | | |
| | | 997 553 981 00 5X6 | Stone grey | | | |
| | | 997 553 981 00 8G2 | Sand beige | | | |
| | | 997 553 981 00 3S9 | sea blue | | | |
| | | 997 553 981 00 4P2 | Palm green | | | |
| | | 997 553 981 00 9S5 | Terracotta | | | |
| | 997 553 981 00 9V6 | Cocoa | | | | |
| | 997 553 981 00 D12 | Dark grey/natural | | | | |
| | 997 553 981 00 T12 | Brown/natural | | | | |

Model: 997T07

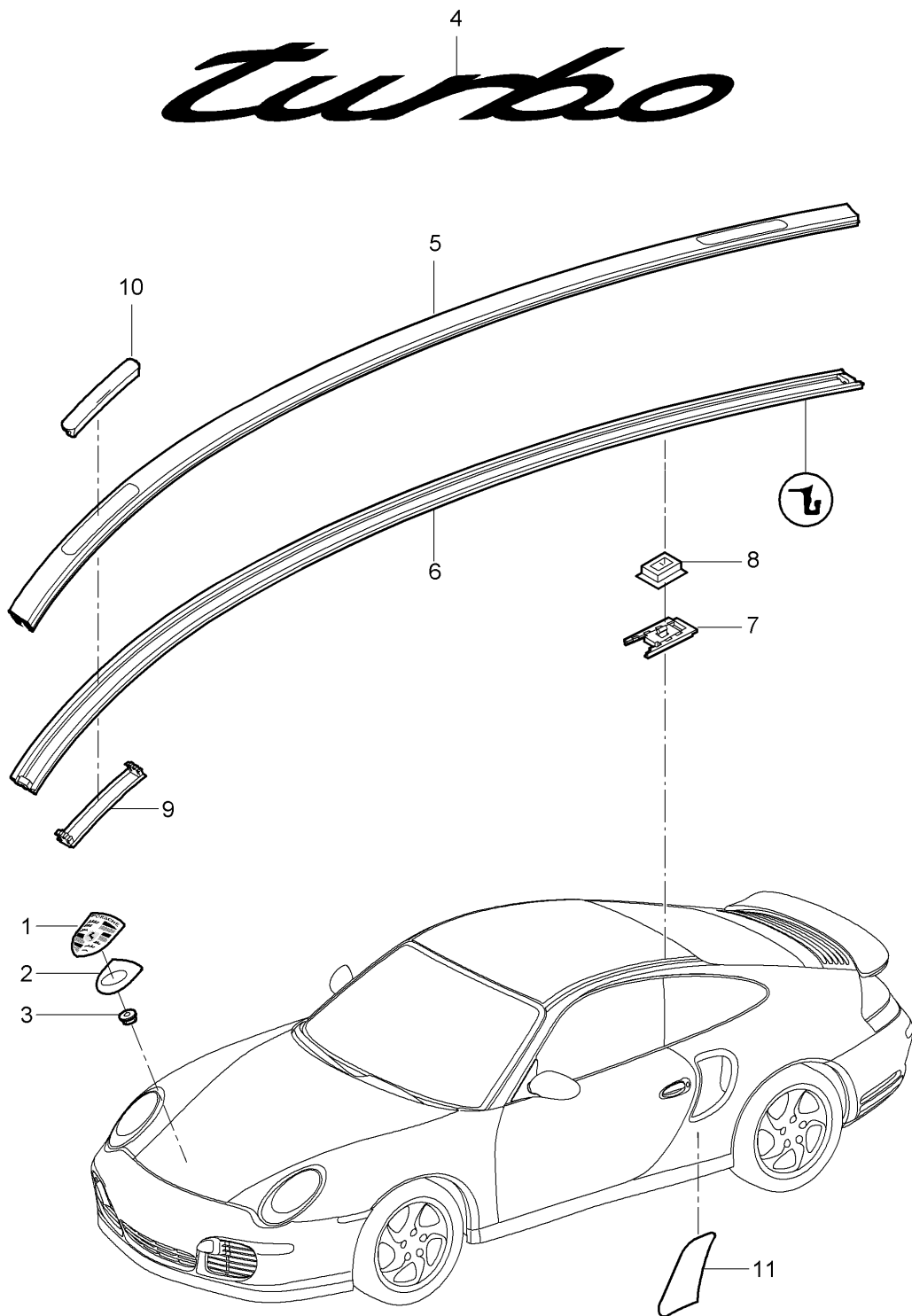
Model life 2007>>2009

| Pos | Part Number | Description | Remark | Qty | Model |
|--------------------|--------------------|------------------------|-------------|-----|--------|
| (32) | 997 553 981 00 N12 | Carrera Red | | 1 | PR:XMJ |
| | 997 553 981 00 | Cover | | | |
| | | Brake lever | | | |
| | 997 553 981 00 A11 | Black | | | |
| | 997 553 981 00 5X6 | Stone grey | | | |
| | 997 553 981 00 8G2 | Sand beige | | | |
| | 997 553 981 00 3S9 | sea blue | | | |
| | 997 553 981 00 4P2 | Palm green | | | |
| | 997 553 981 00 9S5 | Terracotta | | | |
| | 997 553 981 00 9V6 | Cocoa | | | |
| | 997 553 981 00 D12 | Dark grey/natural | | | |
| | 997 553 981 00 T12 | Brown/natural | | | |
| | (32) | 997 553 981 00 N12 | Carrera Red | | |
| 997 553 981 07 | | Cover | | | |
| | | Brake lever | | | |
| 997 553 981 07 A11 | | Black | | | |
| 997 553 981 07 5X6 | | Stone grey | | | |
| 997 553 981 07 8G2 | | Sand beige | | | |
| 997 553 981 07 3S9 | | sea blue | | | |
| 997 553 981 07 4P2 | | Palm green | | | |
| 997 553 981 07 9S5 | | Terracotta | | | |
| 997 553 981 07 9V6 | | Cocoa | | | |
| 997 553 981 07 D12 | | Dark grey/natural | | | |
| 997 553 981 07 T12 | | Brown/natural | | | |
| 997 553 981 07 N12 | | Carrera Red | | | |
| 33 | 999 591 215 40 | expanding nut 4,2 | | 2 | |
| 34 | 997 553 732 00 | Rubber buffer Cover | inner | 2 | |
| 35 | 997 553 861 00 | Clamp | | 4 | PR:XMZ |

Model: 997T07

Model life 2007>>2009

Turbo



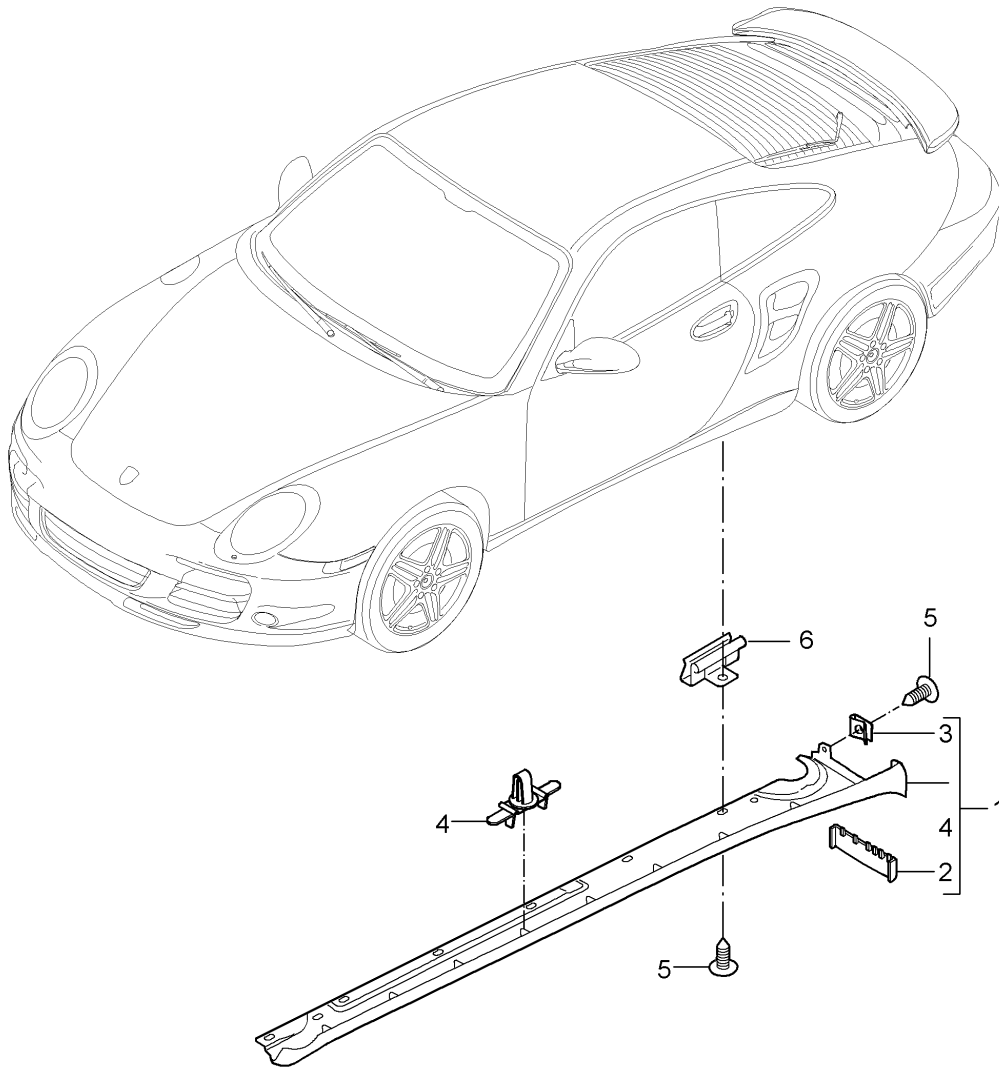
Model: 997T07

Model life 2007>>2009

| Pos | Part Number | Description | Remark | Qty | Model |
|------|--------------------|---|--------|-----|-------|
| | | inscriptions/lettering Decorative fittings Stone guard film | | | |
| 1 | 997 559 211 00 | Porsche crest | | 1 | |
| (1) | 996 559 211 01 | Porsche crest | | 1 | |
| 2 | 7L5 853 611 B | Underlay | | 1 | |
| 3 | 999 591 423 03 | Tapping nut | | 2 | |
| 4 | 997 559 237 03 | inscription *Turbo* chromed | | 1 | TURBO |
| 4 | 997 559 984 02 | inscription *Turbo* | | 1 | TURBO |
| (4) | 996 559 237 91 | primed inscription *GT2* | | 1 | GT2 |
| | | D - MJ 2008>> | | | |
| | 996 559 237 91 70C | Rally black | | | |
| 5 | 997 559 401 00 | Roof edge strip | left | 1 | |
| | 997 559 401 00 G2X | primed | | | |
| (5) | 997 559 402 00 | Roof edge strip | right | 1 | |
| | 997 559 402 00 G2X | primed | | | |
| 6 | 997 559 721 00 | Seal | left | 1 | |
| | | Roof edge strip | | | |
| (6) | 997 559 722 00 | Seal | right | 1 | |
| | | Roof edge strip | | | |
| 7 | 996 559 403 01 | Clip | | 10 | |
| 8 | 996 559 405 01 | Adapter | | 10 | |
| 9 | 996 559 729 00 | Bracket for Flap | | 4 | |
| 10 | 996 559 501 00 | Flap | front | 2 | |
| | 996 559 501 00 G2X | primed | | | |
| (10) | 996 559 503 00 | Flap | rear | 2 | |
| | 996 559 503 00 G2X | primed | | | |
| 11 | 997 504 825 03 | Stone guard film Side part Discontinued part | left | 1 | |
| (11) | 997 504 826 03 | Stone guard film Side part Discontinued part | right | 1 | |

Model: 997T07

Model life 2007>>2009



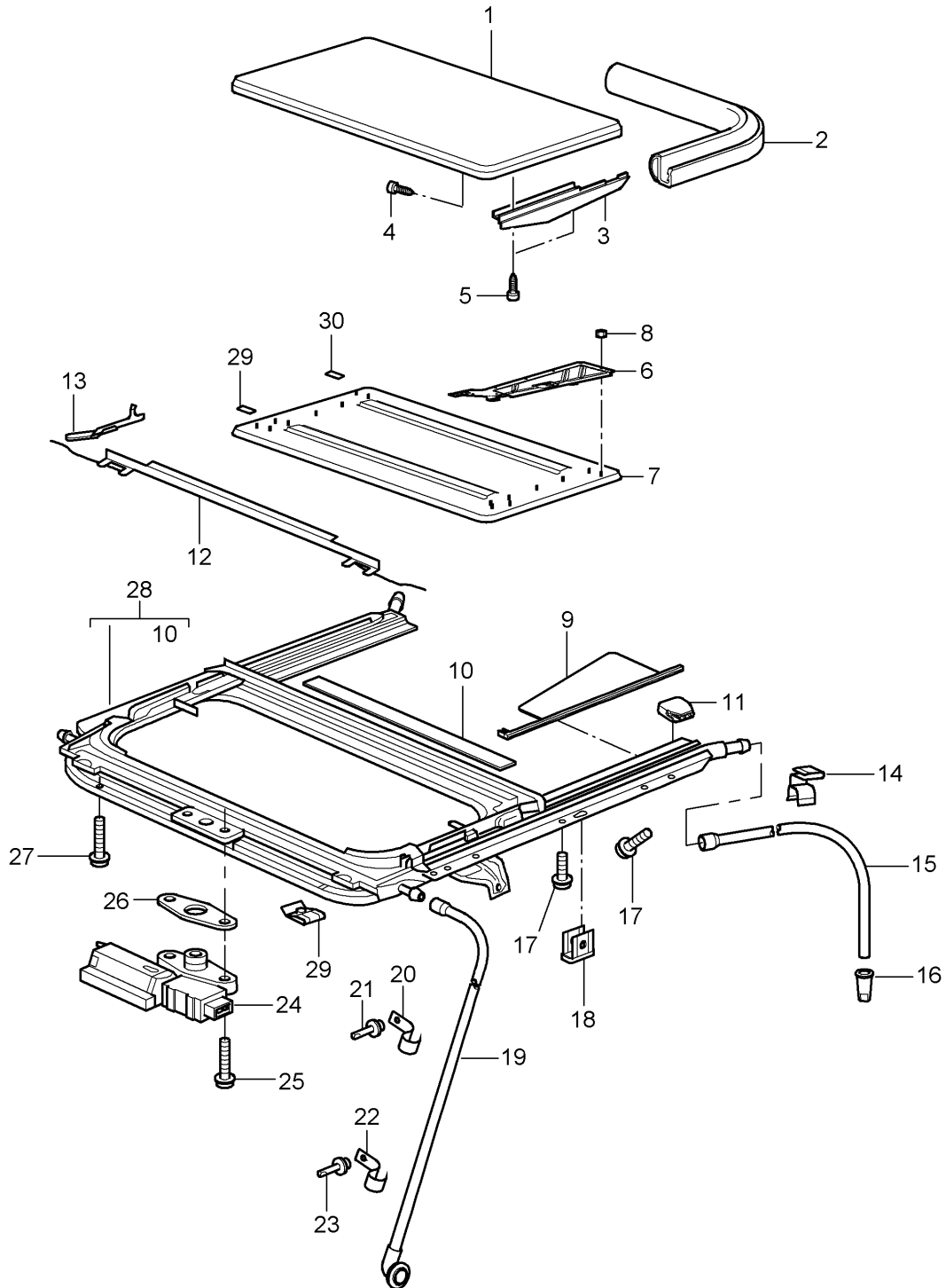
Model: 997T07

Model life 2007>>2009

| Pos | Part Number | Description | Remark | Qty | Model |
|-----|--------------------|------------------|--------|-----|-----------------|
| 1 | 997 504 363 00 | Side member trim | left | 1 | TURBO |
| | 997 504 363 00 01C | Satin black | | | |
| (1) | 997 504 364 00 | Side member trim | right | 1 | TURBO |
| | 997 504 364 00 01C | Satin black | | | |
| (1) | 997 504 363 80 | Side member trim | left | 1 | GT2 |
| | | D - MJ 2008>> | | | |
| | 997 504 363 80 01C | Satin black | | | |
| (1) | 997 504 364 80 | Side member trim | right | 1 | GT2 |
| | | D - MJ 2008>> | | | |
| | 997 504 364 80 01C | Satin black | | | |
| 1 | 997 504 981 00 | Side member trim | left | 1 | TURBO PR:XAJ |
| | 997 504 981 00 G2X | primed | | | |
| (1) | 997 504 982 00 | Side member trim | right | 1 | TURBO PR:XAJ |
| | 997 504 982 00 G2X | primed | | | |
| 1 | 997 504 981 82 | Side member trim | left | 1 | PR:XAJ |
| | | primed | | | |
| | 997 504 982 82 | Side member trim | right | 1 | PR:XAJ |
| | | primed | | | |
| | 997 504 982 82 | Side member trim | right | 1 | PR:XAJ |
| | | D - MJ 2008>> | | | |
| 2 | 997 504 863 00 | Rubber lip | left | 1 | TURBO |
| | 997 504 863 00 01C | Side member trim | | | |
| | 997 504 863 00 01C | Satin black | | | |
| (2) | 997 504 864 00 | Rubber lip | right | 1 | TURBO |
| | | Side member trim | | | |
| | 997 504 864 00 01C | Satin black | | | |
| 2 | 997 504 863 80 | Rubber lip | left | 1 | GT2 |
| | | Side member trim | | | |
| | | D - MJ 2008>> | | | |
| | 997 504 863 80 01C | Satin black | | | |
| (2) | 997 504 864 80 | Rubber lip | right | 1 | GT2 |
| | | Side member trim | | | |
| | | D - MJ 2008>> | | | |
| | 997 504 864 80 01C | Satin black | | | |
| 3 | 999 507 795 09 | panel nut | | 4 | |
| | | ST 4,8 | | | |
| 4 | 999 507 986 40 | Retaining clip | | 18 | |
| | | Side member trim | | | |
| | | 9,0 x 1,5 | | | |
| 5 | 999 073 231 09 | panel screw | | 24 | |
| | | st 4,8 x 16 | | | |
| 6 | 999 507 640 09 | U-clip | | 18 | |

Model: 997T07

Model life 2007>>2009



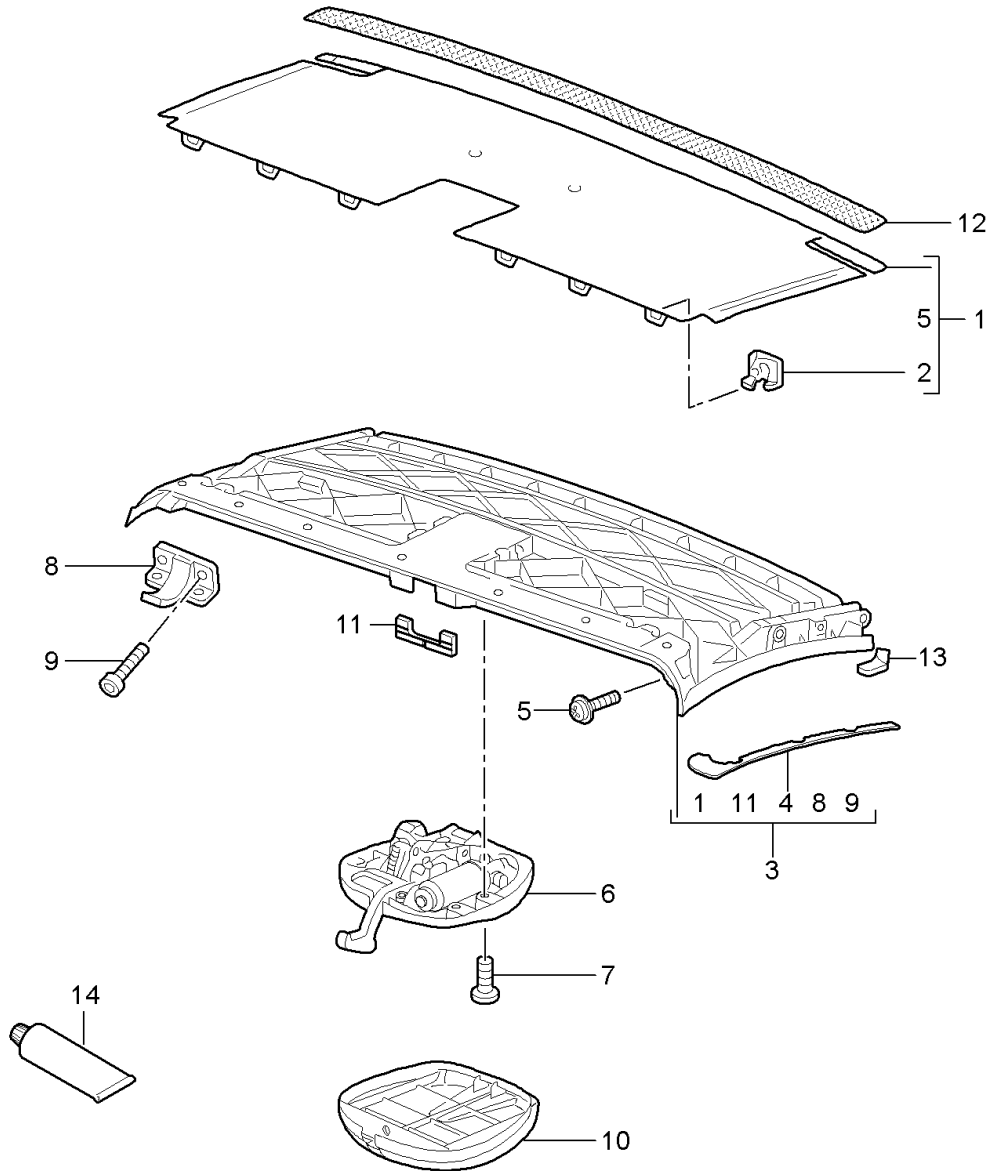
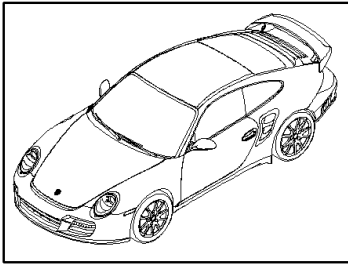
Model: 997T07

Model life 2007>>2009

| Pos | Part Number | Description | Remark | Qty | Model |
|------|--------------------|---|--------|-----|--------|
| | | Sunroof | | | PR:650 |
| 1 | 996 564 941 01 | Cover | | 1 | |
| | 996 564 941 01 GRV | primed | | | |
| 2 | 997 564 211 00 | Seal | | 1 | |
| 3 | 996 564 181 00 | Trim | left | 1 | |
| | 996 564 181 00 01C | Black | | | |
| (3) | 996 564 182 00 | Trim | right | 1 | |
| | 996 564 182 00 01C | Black | | | |
| 4 | 996 564 245 00 | Bolt with washer | | 4 | |
| 5 | 900 143 189 09 | panel screw | | 4 | |
| 6 | 996 564 321 01 | Guide plate | left | 1 | |
| (6) | 996 564 322 01 | Guide plate | right | 1 | |
| 7 | 997 564 021 00 | Roofliner | | 1 | |
| | | Alcantara | | | |
| | 997 564 021 00 A14 | Black | | | |
| | 997 564 021 00 B14 | Stone grey | | | |
| | 997 564 021 00 G14 | Metropole blue | | | |
| | 997 564 021 00 T44 | Sand beige | | | |
| | 997 564 021 00 J44 | Palm green | | | |
| (7) | 996 564 983 00 | Roofliner | | 1 | |
| | | Leather | | | |
| | 996 564 983 00 A11 | Black | | | |
| | 996 564 983 00 5X6 | Stone grey | | | |
| | 996 564 983 00 8G2 | Sand beige | | | |
| | 996 564 983 00 3S9 | sea blue | | | |
| | 996 564 983 00 4P2 | Palm green | | | |
| | 996 564 983 00 9S5 | Terracotta | | | |
| | 996 564 983 00 D12 | Dark grey/natural | | | |
| | 996 564 983 00 T12 | Natural brown | | | |
| | 996 564 983 00 9V6 | Cocoa | | | |
| | 996 564 983 00 N12 | Carrera Red | | | |
| 8 | 900 076 084 07 | Nut | | 16 | |
| 9 | 996 564 241 00 | Interior lining | left | 1 | |
| (9) | 996 564 242 00 | Interior lining | right | 1 | |
| 10 | 997 564 671 00 | Edge protection | | 11 | |
| 11 | 997 555 823 00 | Bracket | | 2 | |
| 12 | 997 564 161 00 | wind deflector | | 1 | |
| 13 | 996 564 522 01 | Toggle catch | right | 1 | |
| (13) | 996 564 521 01 | Toggle catch | left | 1 | |
| 14 | 999 507 631 02 | Cable holder | | 4 | |
| 15 | 996 564 205 01 | Water drainage hose | rear | 2 | |
| 16 | 996 561 825 00 | Water drain valve | rear | 2 | |
| 17 | 999 073 130 02 | fillister hd. bolt | | 6 | |
| 18 | 999 703 258 42 | Clip | | 2 | |
| 19 | 996 564 207 00 | Water drainage hose | front | 2 | |
| 20 | 997 564 301 00 | Retainer for coolant hose | upper | 2 | |
| 21 | 999 190 184 01 | Pop rivet 4,0X8,5 | | 2 | |
| 22 | 997 564 303 00 | Retainer for coolant hose | lower | 2 | |
| 23 | 999 190 450 37 | Pop rivet 4,0X6,3 | | 1 | |
| 24 | 997 624 211 00 | Driving mechanism | | 1 | |
| 25 | 999 073 135 07 | countersunk bolt | | 1 | |
| 26 | 996 564 213 00 | Distance piece | | 1 | |
| 27 | 999 073 366 02 | fillister hd. bolt | | 4 | |
| 28 | 997 564 911 00 | Frame for sliding sunroof aperture | | 1 | |
| | | without: | | | |
| 29 | 997 564 903 00 | Driving mechanism sound absorber piece | front | 3 | |
| 30 | 997 564 905 00 | sound absorber piece | rear | 3 | |

Model: 997T07

Model life 2007>>2009



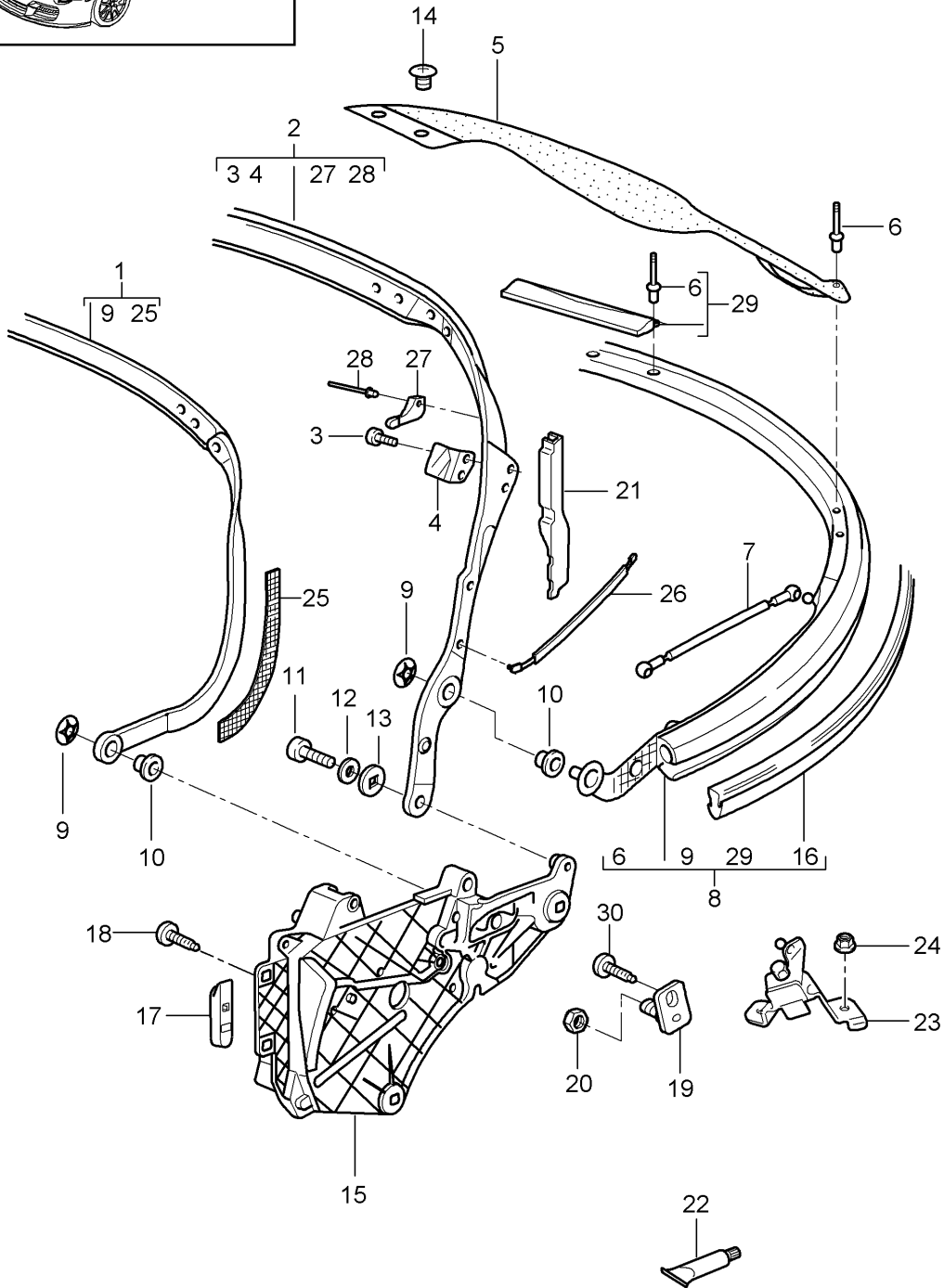
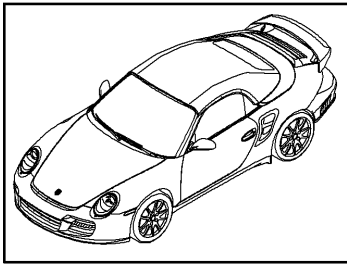
Model: 997T07

Model life 2007>>2009

| Pos | Part Number | Description | Remark | Qty | Model |
|------|--------------------|---|-----------|-----|-------|
| | | top frame | front | | |
| | | roof frame | | | |
| | | catch | | | |
| | | Lubricants | | | |
| 1 | 996 561 963 00 | shelf | | 1 | |
| 2 | 996 561 731 00 | Clip | | 6 | |
| 3 | 997 561 905 00 | roof frame | | 1 | |
| | 997 561 905 00 A09 | Black | | | |
| - | | | also use: | | |
| - | 997 561 509 00 | felt strip 60 x 25 See TPI Group 8 Nr. 53 | | 1 | |
| 4 | 996 561 807 00 | roof frame seal | left | 1 | |
| | | roof frame | | | |
| | | Plastic foam strip | | | |
| (4) | 996 561 808 00 | roof frame seal | right | 1 | |
| | | roof frame | | | |
| | | Plastic foam strip | | | |
| 5 | 999 507 497 40 | Spreader rivet | | 6 | |
| 6 | 997 561 117 00 | Soft top catch | | 1 | |
| 7 | 999 073 195 01 | flat round head bolt | | 4 | |
| 8 | 997 561 605 00 | Centring journal | left | 1 | |
| (8) | 997 561 606 00 | Centring journal | right | 1 | |
| 9 | 999 919 144 09 | fillister hd. bolt | | 4 | |
| 10 | 997 561 515 00 | Cover panel | | 1 | |
| | 997 561 515 00 01C | Black | | | |
| 11 | | Buffer | | 1 | |
| | | see illustration: | 811-009 | | |
| 12 | 000 043 207 44 | felt strip 30 mm x 5 Meter | | 1 | |
| 13 | 997 561 827 00 | Foam part | left | 1 | |
| | | D - MJ 2009>> | | | |
| (13) | 997 561 828 00 | Foam part | right | 1 | |
| | | D - MJ 2009>> | | | |
| 14 | 000 043 206 65 | Grease Krytox 1 tube 56 Gramm | | X | |
| (14) | 000 043 206 83 | Grease Optitemp LG2 1 tube 80 Gramm | | X | |
| (14) | 999 917 557 00 | Grease Osixo 30 ml | | X | |

Model: 997T07

Model life 2007>>2009



Model: 997T07 Model life 2007>>2009

| Pos | Part Number | Description | Remark | Qty | Model |
|------|----------------|-------------------------|--------|-----|-------|
| | | top frame | | | |
| | | Individual parts | | | |
| 1 | 996 561 042 01 | Roof arch | | 1 | |
| | | D >> - MJ 2008 | | | |
| 1 | 997 561 942 00 | Roof arch | | 1 | |
| | | D - MJ 2009>> | | | |
| 2 | 996 561 037 00 | Main bracing | | 1 | |
| | | D >> - MJ 2008 | | | |
| 2 | 997 561 037 00 | Main bracing | | 1 | |
| | | D - MJ 2009>> | | | |
| 3 | 900 146 003 02 | fillister hd. bolt | | 4 | |
| 4 | 996 561 959 00 | Thrust wedge | | 2 | |
| 5 | 997 561 089 01 | tensioning strap | left | 1 | |
| | | D >> - MJ 2008 | | | |
| 5 | 997 561 089 02 | tensioning strap | left | 1 | |
| | | D - MJ 2009>> | | | |
| (5) | 997 561 090 01 | tensioning strap | right | 1 | |
| | | D >> - MJ 2008 | | | |
| (5) | 997 561 090 02 | tensioning strap | right | 1 | |
| | | D - MJ 2009>> | | | |
| 6 | 999 190 446 30 | Pop rivet | | X | |
| 7 | 996 561 191 00 | tension wire | lower | 2 | |
| 8 | 997 561 041 00 | Roof arch | | 1 | |
| | | D >> - MJ 2008 | | | |
| 8 | 997 561 941 00 | Roof arch | | 1 | |
| | | with: | | | |
| | | Buffer | | | |
| | | D - MJ 2009>> | | | |
| 9 | 996 561 645 00 | fuse | | 8 | |
| 10 | 999 924 122 40 | bush | | 8 | |
| 11 | 999 073 195 01 | flat round head bolt | | 2 | |
| | | M6 X 20 | | | |
| 12 | 999 523 020 01 | Belleville spring | | 2 | |
| 13 | 999 924 131 30 | Washer | | 2 | |
| | | 8,5 X 28 X 2 | | | |
| 14 | 999 919 141 09 | fillister hd. bolt | | 4 | |
| | | M5 X 12 | | | |
| 15 | 996 561 443 00 | Convertible top support | left | 1 | |
| (15) | 996 561 444 00 | Convertible top support | right | 1 | |
| 16 | 996 561 693 00 | Gaskets | | 2 | |
| | | for | | | |
| | | Roof arch | | | |
| | | POS.8 | | | |
| 17 | 996 561 735 02 | adjusting washer | | 2 | |
| 18 | 999 075 065 09 | Hexagon bolt | | 6 | |
| | | M8x35 | | | |
| | | Mount | | | |
| | | Convertible top support | | | |
| 19 | 996 561 715 00 | Bracket | | 2 | |
| 20 | 999 084 630 09 | Hexagon nut | | 2 | |
| 21 | 996 561 259 00 | Seal | left | 1 | |
| (21) | 996 561 260 00 | Seal | right | 1 | |
| 22 | 928 101 921 00 | Loctite | | 1 | |
| 23 | 996 561 055 01 | Console | left | 1 | |
| | | for | | | |
| | | tension wire | | | |
| (23) | 996 561 056 01 | Console | right | 1 | |
| 24 | 999 084 629 01 | Hexagon nut | | 4 | |
| 25 | 997 561 897 00 | Velcro | left | 1 | |
| | | D - MJ 2009>> | | | |
| (25) | 997 561 898 00 | Velcro | right | 1 | |
| | | D - MJ 2009>> | | | |
| 26 | 997 561 531 00 | spring plate | | 2 | |

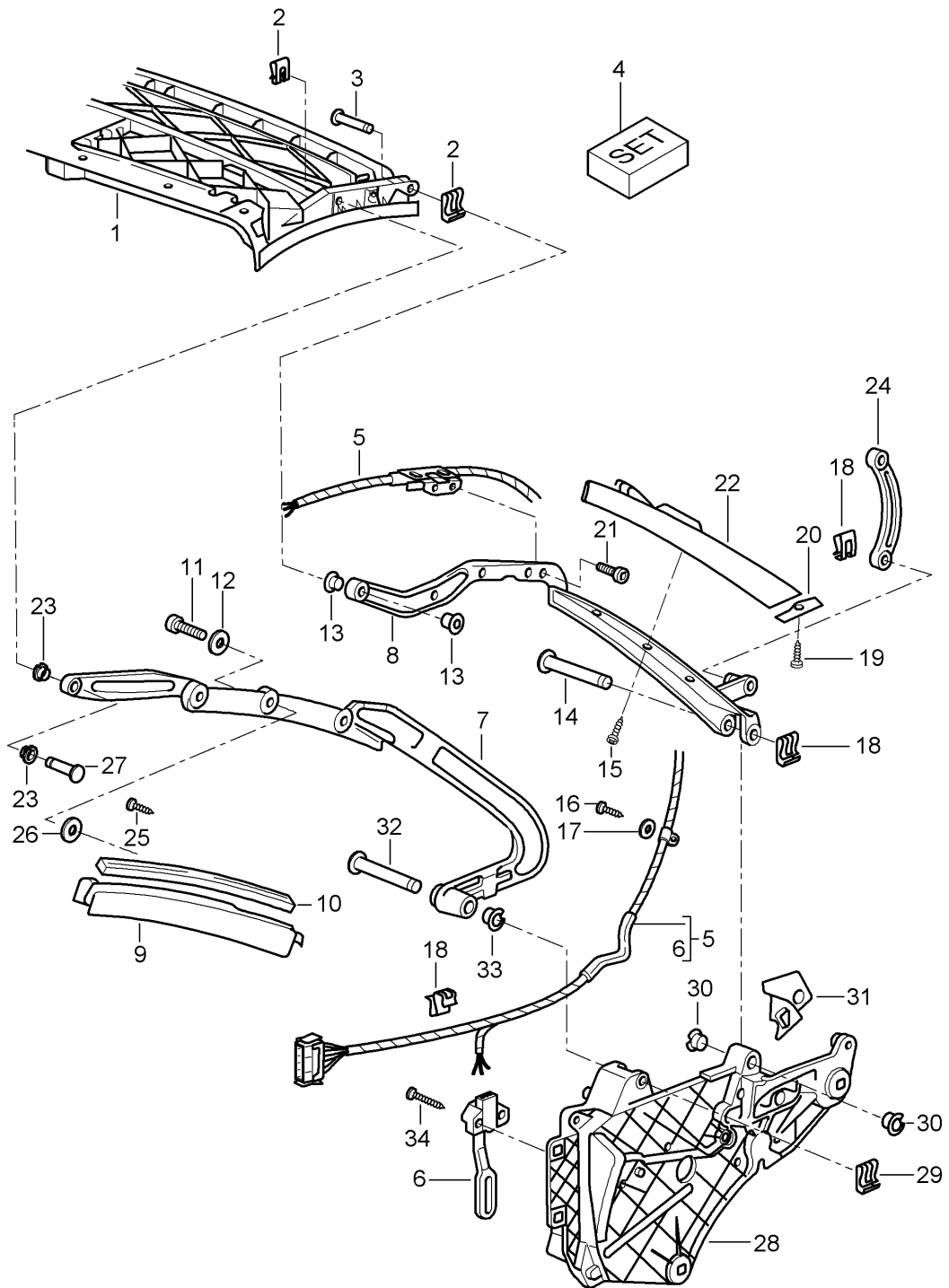
Model: 997T07

Model life 2007>>2009

| Pos | Part Number | Description | Remark | Qty | Model |
|------|----------------|--|--------|-----|-------|
| 27 | 997 561 579 00 | D - MJ 2009>> Protective plate | left | 1 | |
| (27) | 997 561 580 00 | D - MJ 2009>> Protective plate | right | 1 | |
| 28 | 999 190 494 30 | D - MJ 2009>> Rivet A 4.8x12.0 | | 2 | |
| 29 | 997 561 961 00 | D - MJ 2009>> Repair set for stop buffer | | 1 | |
| 30 | 999 073 138 01 | Set flat round head bolt M8x25 | | 1 | |

Model: 997T07

Model life 2007>>2009



Model: 997T07 Model life 2007>>2009

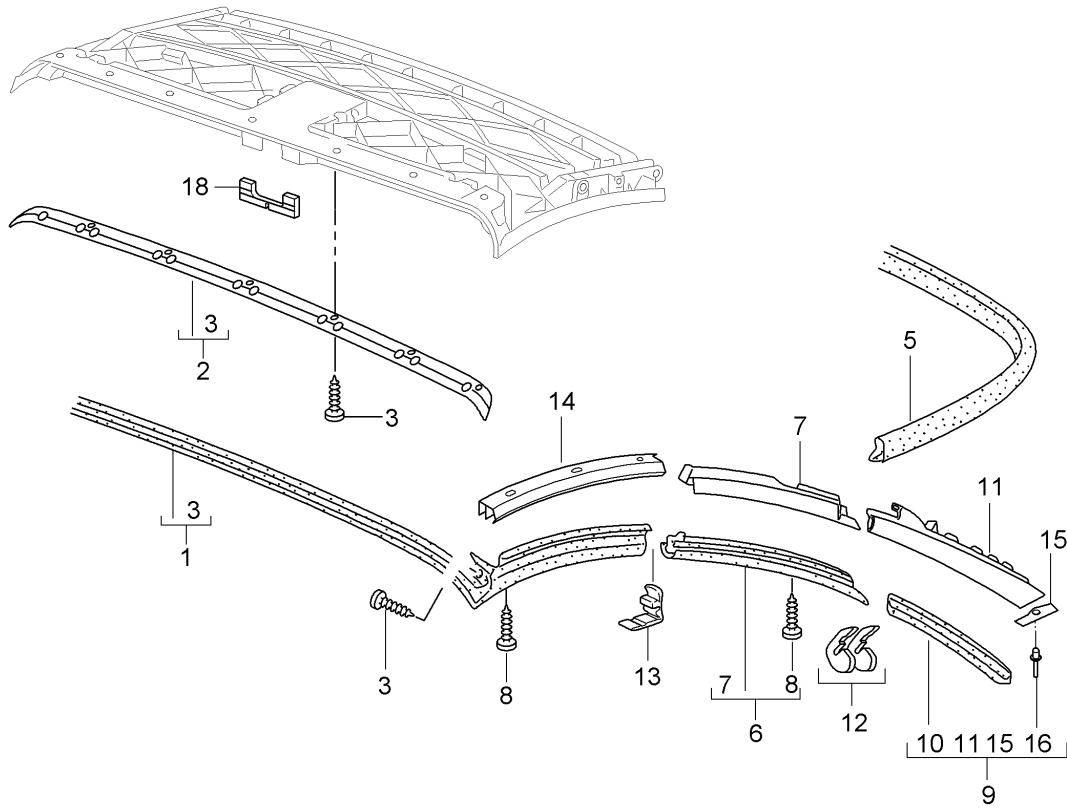
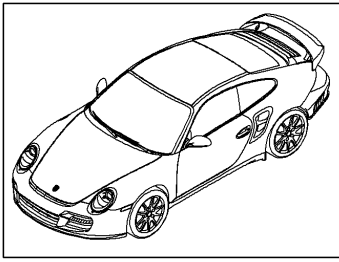
| Pos | Part Number | Description | Remark | Qty | Model |
|-----|--------------------|---|--------|-----|-------|
| 1 | 997 561 905 00 | top frame Individual parts | | 1 | |
| - | 997 561 905 00 A09 | roof frame Black | | | |
| - | | also use: | | | |
| - | 997 561 509 00 | felt strip 60 x 25 See TPI Group 8 Nr. 53 | | 1 | |
| 2 | 999 166 075 09 | securing clip | | X | |
| 3 | 999 088 050 30 | Pin 8X27,8 | | 2 | |
| 4 | 997 561 909 00 | repair set bush Pin fuse | | 1 | |
| 5 | 997 612 698 00 | Wire set Only for Convertible top Black | | 1 | |
| 5 | 997 612 698 01 | D >> - MJ 2008 Wire set Only for Convertible top Black | | 1 | |
| 5 | 997 612 698 02 | D - MJ 2009>> Wire set for Convertible top Coloured | | 1 | |
| 5 | 997 612 698 03 | D >> - MJ 2008 Wire set for Convertible top Coloured | | 1 | |
| - | 997 561 965 00 | D - MJ 2009>> Protective sleeve for Wire set | | 1 | |
| 6 | 996 613 313 02 | Potentiometer | | 1 | |
| 7 | 996 561 335 00 | roof frame | left | 1 | |
| (7) | 996 561 336 00 | roof frame | right | 1 | |
| 8 | 996 561 339 00 | roof frame D >> - MJ 2008 | left | 1 | |
| 8 | 997 561 939 00 | roof frame D - MJ 2009>> | left | 1 | |
| (8) | 996 561 340 00 | roof frame D >> - MJ 2008 | right | 1 | |
| (8) | 997 561 940 00 | roof frame D - MJ 2009>> | right | 1 | |
| 9 | 997 561 355 01 | Sealing frame | left | 1 | |
| | 997 561 355 01 A09 | Black | | | |
| (9) | 997 561 356 01 | Sealing frame | right | 1 | |
| | 997 561 356 01 A09 | Black | | | |
| 10 | 996 561 219 00 | Seal for Sealing frame | | 2 | |
| 11 | 999 073 195 01 | flat round head bolt M 6X20 | | 10 | |
| 12 | 999 523 020 01 | Belleville spring | | X | |

Model: 997T07 Model life 2007>>2009

| Pos | Part Number | Description | Remark | Qty | Model |
|------|--------------------|-------------------------|--------|-----|-------|
| 13 | 999 924 086 40 | Bearing bush | | 16 | |
| 14 | 999 088 037 30 | Pin | | 1 | |
| 15 | 999 919 153 09 | fillister hd. bolt | | X | |
| 16 | 900 144 101 02 | panel screw | | X | |
| 17 | 900 151 027 02 | Washer | | 8 | |
| 18 | 999 166 076 01 | securing clip | | 4 | |
| 19 | 999 919 141 09 | fillister hd. bolt | | 8 | |
| 20 | 996 561 239 00 | roof frame seal | left | 1 | |
| | | D >> - MJ 2008 | | | |
| 20 | 997 561 239 00 | roof frame seal | left | 1 | |
| | | D - MJ 2009>> | | | |
| (20) | 996 561 240 00 | roof frame seal | right | 1 | |
| | | D >> - MJ 2008 | | | |
| (20) | 997 561 240 00 | roof frame seal | right | 1 | |
| | | D - MJ 2009>> | | | |
| 21 | N 014 128 13 | fillister hd. bolt | | 4 | |
| | | M5X8 | | | |
| 22 | 997 561 319 01 | Sealing frame | left | 1 | |
| | | Black | | | |
| | | D >> - MJ 2008 | | | |
| 22 | 997 561 319 03 | Sealing frame | left | 1 | |
| | | D - MJ 2009>> | | | |
| | 997 561 319 03 A09 | Black | | | |
| (22) | 997 561 320 01 | Sealing frame | right | 1 | |
| | | Black | | | |
| | | D >> - MJ 2008 | | | |
| (22) | 997 561 320 03 | Sealing frame | right | 1 | |
| | | D - MJ 2009>> | | | |
| | 997 561 320 03 A09 | Black | | | |
| 23 | 999 924 086 40 | Bearing bush | | 8 | |
| 24 | 996 561 051 01 | Lever | left | 1 | |
| (24) | 996 561 052 01 | Lever | right | 1 | |
| 25 | 999 919 141 09 | fillister hd. bolt | | 8 | |
| 26 | 999 025 267 09 | Washer | | 4 | |
| 27 | 999 088 049 30 | Pin | | 2 | |
| | | 8x32,8 | | | |
| 28 | 996 561 443 00 | Convertible top support | left | 1 | |
| (28) | 996 561 444 00 | Convertible top support | right | 1 | |
| 29 | 999 166 076 02 | securing clip | | 6 | |
| | | Discontinued part | | | |
| 29 | 999 166 076 01 | securing clip | | 6 | |
| 30 | 999 924 125 40 | bush | | 2 | |
| 31 | 996 561 249 01 | Sealing strip | left | 1 | |
| (31) | 996 561 250 01 | Sealing strip | right | 1 | |
| 32 | 999 088 031 30 | Pin | | 4 | |
| 33 | 999 924 125 40 | bush | | 4 | |
| 34 | 999 919 152 09 | fillister hd. bolt | | 2 | |
| | | 3,5X8 | | | |

Model: 997T07

Model life 2007>>2009



Model: 997T07 Model life 2007>>2009

| Pos | Part Number | Description | Remark | Qty | Model |
|------|--------------------|--|---------------|-----|-------|
| 1 | 997 561 327 00 | Convertible top Seal roof frame seal | | 1 | |
| 1 | 997 561 937 00 | D >> - MJ 2008 roof frame seal | | 1 | |
| 2 | 997 561 501 00 | Set D - MJ 2009>> retaining strip | | 1 | |
| 2 | 997 561 951 00 | D >> - MJ 2008 retaining strip | | 1 | |
| 3 | 999 141 036 09 | Set D - MJ 2009>> fillister hd. bolt | | 7 | |
| 5 | 997 561 949 00 | Seal | | 1 | |
| 6 | 997 561 913 01 | Roof arch Gaskets Assembly kit | left | 1 | |
| 6 | 997 561 913 02 | D >> - MJ 2008 Gasket set Assembly kit | left | 1 | |
| (6) | 997 561 914 01 | D - MJ 2009>> Gaskets Assembly kit | right | 1 | |
| (6) | 997 561 914 02 | Gasket set Assembly kit D - MJ 2009>> | right | 1 | |
| 7 | 997 561 355 01 | Sealing frame | left | 1 | |
| (7) | 997 561 355 01 A09 | Black | | | |
| (7) | 997 561 356 01 | Sealing frame | right | 1 | |
| (7) | 997 561 356 01 A09 | Black | | | |
| 8 | 999 919 152 09 | fillister hd. bolt | | X | |
| 9 | 997 561 923 01 | roof frame seal Assembly kit | left | 1 | |
| 9 | 997 561 923 03 | D >> - MJ 2008 Gaskets Assembly kit | left | 1 | |
| (9) | 997 561 924 01 | D - MJ 2009>> roof frame seal Assembly kit | right | 1 | |
| (9) | 997 561 924 03 | D >> - MJ 2008 Gaskets Assembly kit | right | 1 | |
| 10 | 997 561 903 00 | D - MJ 2009>> roof frame seal | left | 1 | |
| (10) | 997 561 904 00 | D >> - MJ 2008 roof frame seal | right | 1 | |
| 11 | 997 561 319 01 | D >> - MJ 2008 Sealing frame | left | 1 | |
| 11 | 997 561 319 03 | D >> - MJ 2008 Sealing frame | left | 1 | |
| (11) | 997 561 319 03 A09 | D - MJ 2009>> Black | | | |
| (11) | 997 561 320 01 | Sealing frame D >> - MJ 2008 | right | 1 | |
| (11) | 997 561 320 03 | Sealing frame D - MJ 2009>> | right | 1 | |
| 12 | 997 561 320 03 A09 | Black | | | |
| 12 | 996 561 935 00 | Filler piece Set | | 2 | |
| 13 | 997 561 813 00 | Filler piece | left | 1 | |
| (13) | 997 561 814 00 | Filler piece | right | 1 | |
| 14 | 996 561 527 00 | roof frame Support | front left | 1 | |

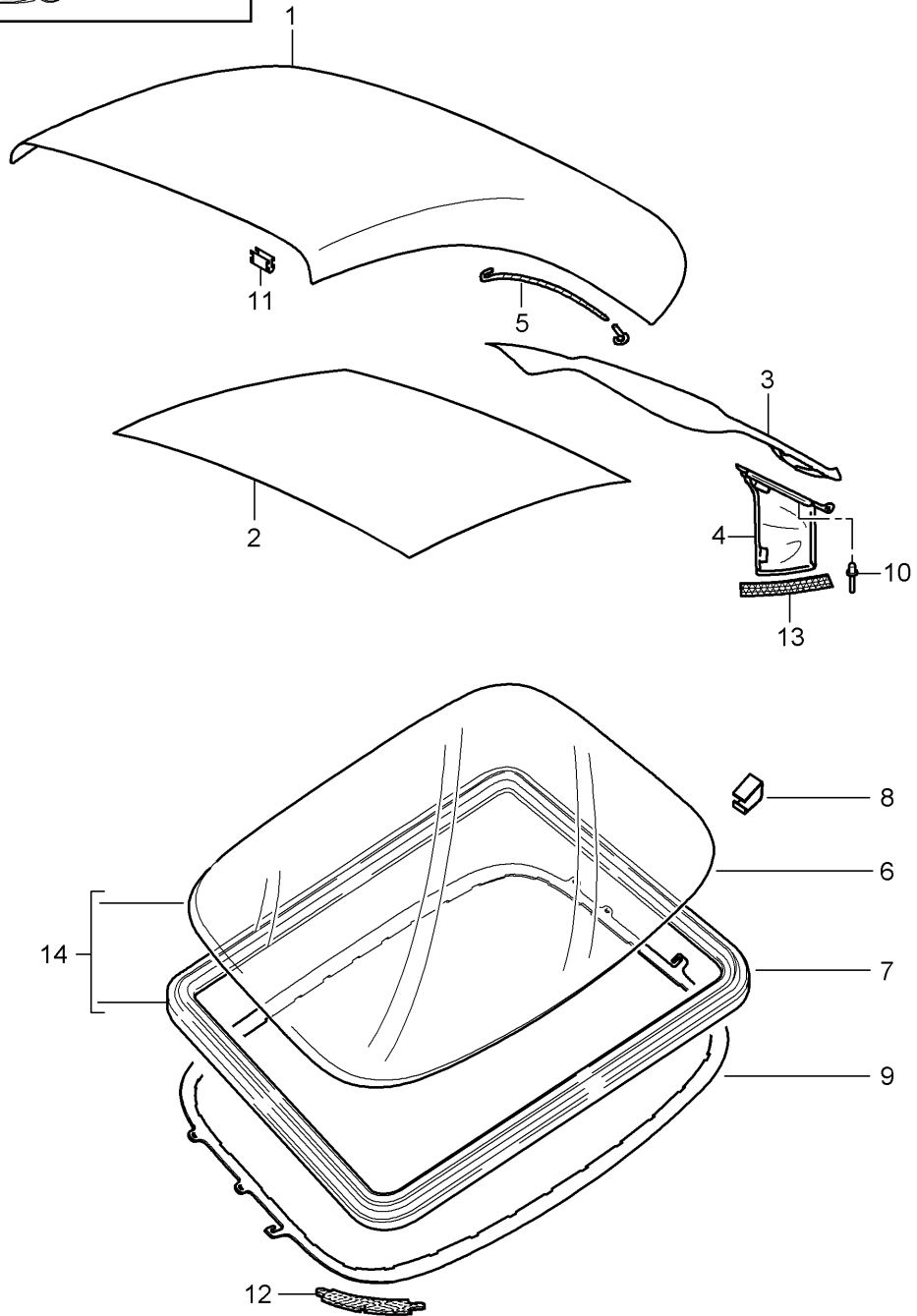
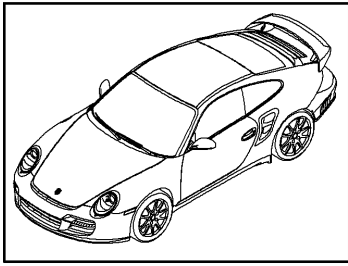
Model: 997T07

Model life 2007>>2009

| Pos | Part Number | Description | Remark | Qty | Model |
|------|----------------|--------------------|--------|-----|-------|
| (14) | 996 561 528 00 | Support | right | 1 | |
| 15 | 996 561 239 00 | roof frame seal | left | 1 | |
| | | D >> - MJ 2008 | | | |
| 15 | 997 561 239 00 | roof frame seal | left | 1 | |
| | | D - MJ 2009>> | | | |
| (15) | 996 561 240 00 | roof frame seal | right | 1 | |
| | | D >> - MJ 2008 | | | |
| (15) | 997 561 240 00 | roof frame seal | right | 1 | |
| | | D - MJ 2009>> | | | |
| 16 | 999 190 495 30 | Pop rivet | | 4 | |
| - | 999 919 152 09 | fillister hd. bolt | | 4 | |
| | | Seal | | | |
| 18 | 996 561 745 00 | Stop buffer | | 1 | |

Model: 997T07

Model life 2007>>2009



Model: 997T07 Model life 2007>>2009

| Pos | Part Number | Description | Remark | Qty | Model |
|-----|--------------------|---|---------|-----|------------|
| 1 | 997 561 901 01 | Convertible top covering Roofliner Convertible top covering without: | | 1 | |
| | | Rear window D >> - MJ 2008 | | | |
| | 997 561 901 01 A10 | Black | | | |
| | 997 561 901 01 C17 | Stone grey | | | |
| | 997 561 901 01 G02 | Metropole blue | | | |
| | 997 561 901 01 R17 | brown | | | |
| (1) | 997 561 901 02 | Convertible top covering without: | | 1 | PR:098,099 |
| | | Rear window Valid up to: | | | |
| | | F >> 99-9S770 428 | lhd | | |
| | | F >> 99-9S770 430 | rhd | | |
| | | modify in workshop see Technical information Group 6 12/09 D - MJ 2009>> | | | |
| | 997 561 901 02 A10 | Black | | | |
| | 997 561 901 02 C17 | Stone grey | | | |
| | 997 561 901 02 G02 | Metropole blue | | | |
| | 997 561 901 02 R17 | brown | | | |
| (1) | 997 561 901 03 | Convertible top covering without: | | 1 | PR:098,099 |
| | | Rear window Valid from: | | | |
| | | F 99-9S770 429>> | lhd | | |
| | | F 99-9S770 431>> | rhd | | |
| | | D - MJ 2009>> | | | |
| | 997 561 901 03 A10 | Black | | | |
| | 997 561 901 03 C17 | Stone grey | | | |
| | 997 561 901 03 G02 | Metropole blue | | | |
| | 997 561 901 03 R17 | brown | | | |
| 2 | 997 561 085 01 | Roofliner D >> - MJ 2008 | | 1 | |
| | | Discontinued part | | | |
| | 997 561 085 01 A21 | Black | | | |
| (2) | 997 561 085 02 | Moulded headliner D - MJ 2009>> | | 1 | |
| | 997 561 085 02 A21 | Black | | | |
| 3 | | tensioning strap see illustration: | 811-006 | 2 | |
| 4 | 997 561 095 01 | Pocket D >> - MJ 2008 | left | 1 | |
| | 997 561 095 01 A21 | Black | | | |
| 4 | 997 561 095 02 | Stripe D - MJ 2009>> | left | 1 | |
| | 997 561 095 02 A21 | Black | | | |
| (4) | 997 561 096 01 | Pocket D >> - MJ 2008 | right | 1 | |
| | 997 561 096 01 A21 | Black | | | |
| (4) | 997 561 096 02 | Stripe D - MJ 2009>> | right | 1 | |
| | 997 561 096 02 A21 | Black | | | |
| 5 | 996 561 931 01 | tension wire | | 2 | |
| 6 | 996 561 101 00 | Rear window D >> - MJ 2008 | | 1 | |
| 7 | 996 561 331 00 | Seal for rear window | | 1 | |

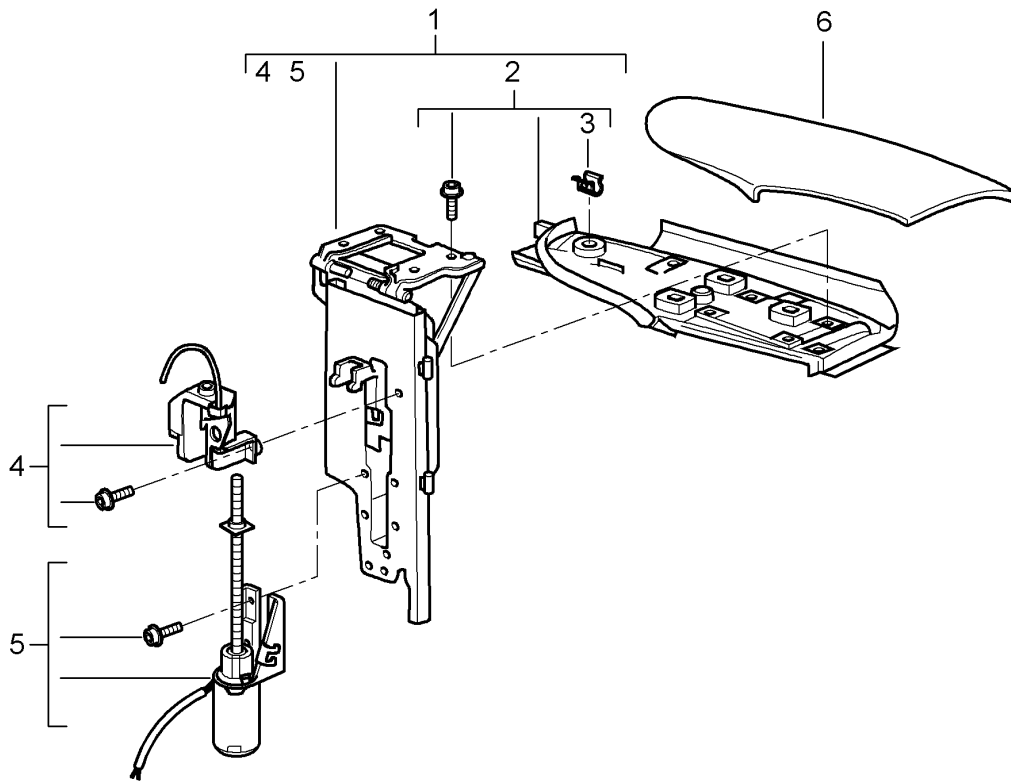
Model: 997T07

Model life 2007>>2009

| Pos | Part Number | Description | Remark | Qty | Model |
|------|----------------|--------------------------------------|----------------|-----|-------|
| | | D >> - MJ 2008 | | | |
| 8 | 996 561 205 00 | Clip | | 32 | |
| 9 | 996 561 203 00 | Rear window frame | | 1 | |
| | | also use: | 997 561 929 00 | | |
| - | 997 561 929 00 | 1 set attachment parts | | 1 | |
| 10 | 999 190 446 30 | Pop rivet | | 4 | |
| 11 | 997 561 915 00 | 1 set of retaining clips 20 Stück | | 1 | |
| 12 | 997 561 721 00 | Velcro | | 2 | |
| | | D - MJ 2009>> | | | |
| 13 | 997 561 897 00 | Velcro | left | 1 | |
| | | D - MJ 2009>> | | | |
| (13) | 997 561 898 00 | Velcro | right | 1 | |
| | | D - MJ 2009>> | | | |
| 14 | 997 561 979 00 | Seal for rear window | | 1 | |
| | | with: | | | |

Model: 997T07

Model life 2007>>2009



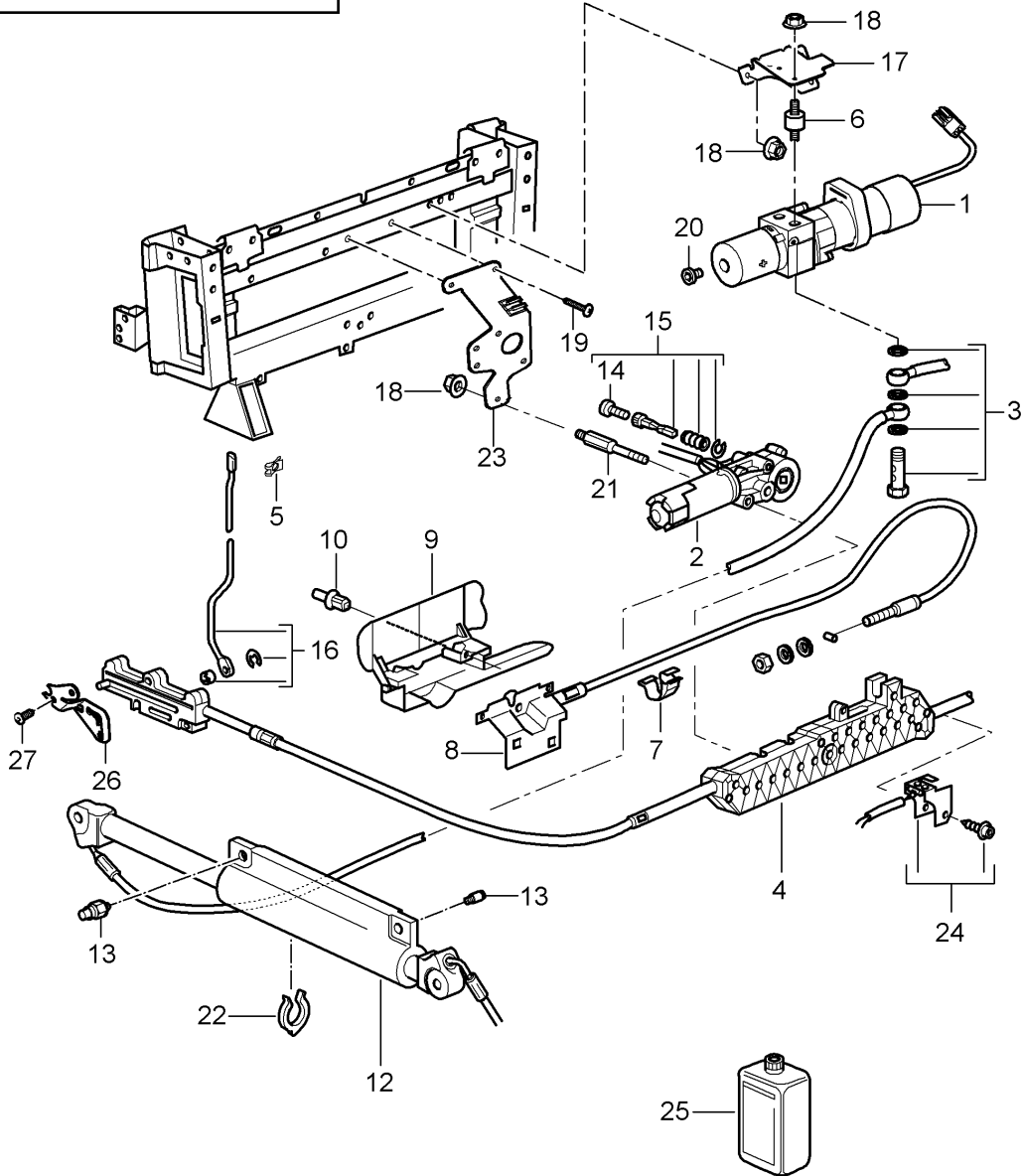
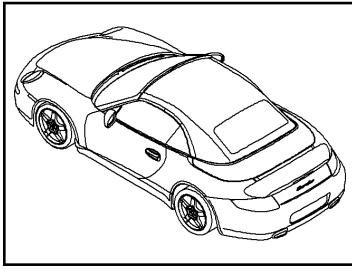
Model: 997T07

Model life 2007>>2009

| Pos | Part Number | Description | Remark | Qty | Model |
|-----|----------------|------------------------------|--------|-----|-------|
| | | Flap | side | | |
| | | Folding top | | | |
| 1 | 996 561 175 01 | Flap for soft top box | left | 1 | |
| (1) | 996 561 176 01 | Flap for soft top box | right | 1 | |
| 2 | 996 561 625 00 | Lower part | left | 1 | |
| (2) | 996 561 626 00 | Lower part | right | 1 | |
| 3 | 999 507 533 02 | Clamp | | X | |
| 4 | 996 561 685 00 | Micro switch | left | 1 | |
| (4) | 996 561 686 00 | Micro switch | right | 1 | |
| 5 | 996 561 675 00 | Driving mechanism | left | 1 | |
| (5) | 996 561 676 00 | Driving mechanism | right | 1 | |
| 6 | | see illustration: 8/07/07 | right | 1 | |

Model: 997T07

Model life 2007>>2009



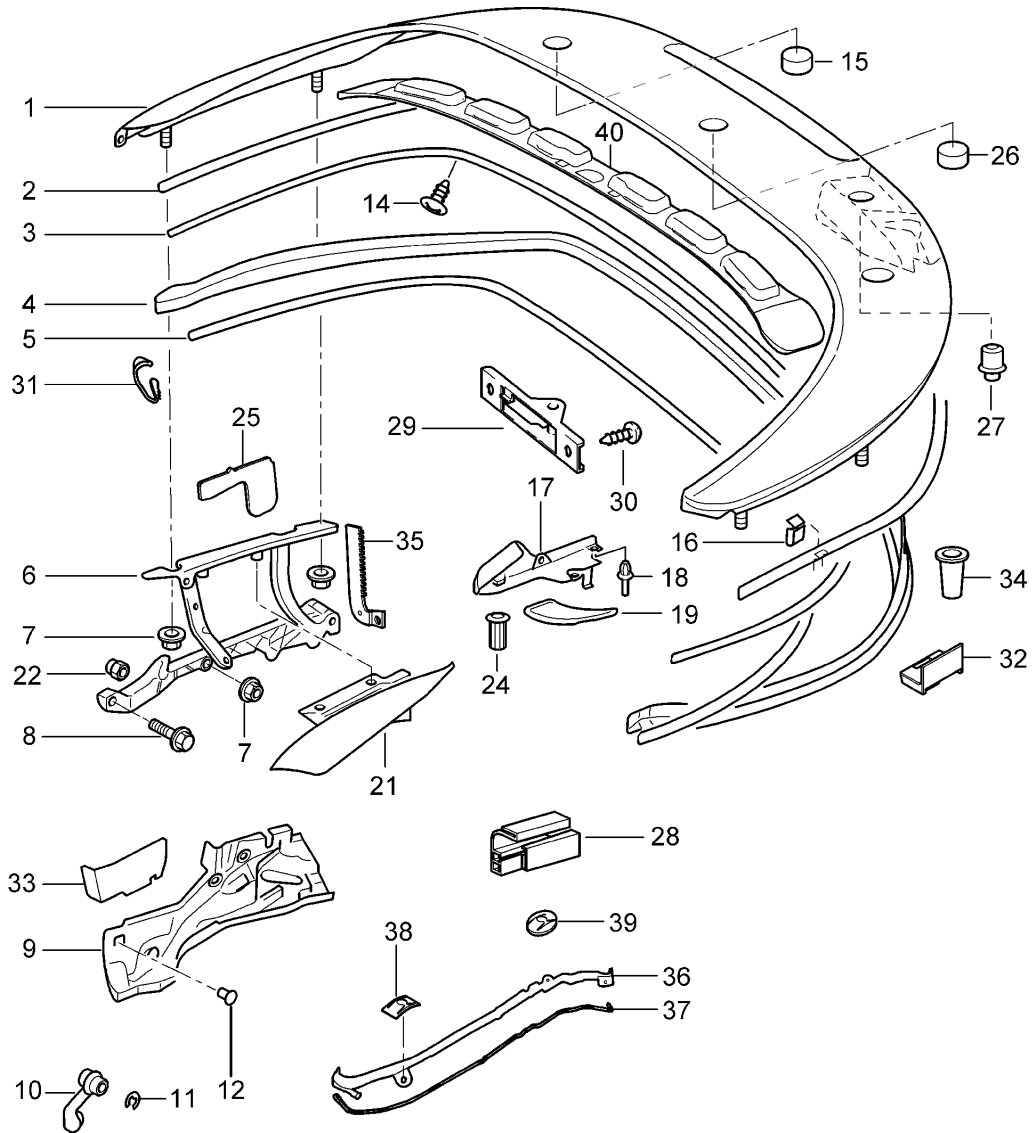
Model: 997T07

Model life 2007>>2009

| Pos | Part Number | Description | Remark | Qty | Model |
|------|----------------|-----------------------------|--------|-----|-------|
| | | Convertible top | | | |
| | | Driving mechanism | | | |
| | | Hydraulic | | | |
| 1 | 997 561 307 00 | Hydraulic unit | | 1 | |
| 2 | 996 561 933 01 | Engine | | 1 | |
| 3 | 996 561 573 00 | Banjo bolt | | 2 | |
| 4 | 996 561 021 04 | Driving mechanism | | 1 | |
| 5 | 999 166 054 01 | Sl-lock | | 2 | |
| 6 | 999 703 235 01 | Bonded rubber buffer | | 2 | |
| 7 | 999 507 683 40 | Cable holder | | X | |
| 8 | 996 561 065 01 | Locking mechanism | | 1 | |
| 9 | 996 561 265 03 | Trim | | 1 | |
| 10 | 999 591 941 40 | Spreader rivet | | X | |
| 12 | 996 561 945 02 | cylinder | | 2 | |
| 13 | 996 561 245 00 | Pin | | 1 | |
| 14 | 996 561 671 00 | Screw | | 1 | |
| 15 | 996 561 673 01 | repair set | | 1 | |
| 16 | 996 561 229 00 | slide rod | left | 1 | |
| (16) | 996 561 230 00 | slide rod | right | 1 | |
| 17 | 996 561 217 01 | Bracket | left | 1 | |
| | | Hydraulic unit | | | |
| 18 | 900 377 010 01 | Hexagon nut | | 7 | |
| | | M 6 | | | |
| 19 | 999 073 228 09 | panel screw | | 6 | |
| | | St 4,8 | | | |
| 20 | 996 561 407 01 | Oil filler screw | | 1 | |
| 21 | 996 561 863 01 | Threaded pin | | 3 | |
| 22 | 996 561 281 00 | Clamping ring | | 2 | |
| 23 | 996 561 207 01 | Retainer for pump | | 1 | |
| | | Driving mechanism | | | |
| | | convertible top stowage box | | | |
| 24 | 996 561 165 01 | Micro switch | | 1 | |
| 25 | 000 043 204 89 | Oil | | X | |
| | | 250 ML | | | |
| 26 | 996 561 221 00 | Knock-out lever | left | 1 | |
| | | gate guide | | | |
| (26) | 996 561 222 00 | Knock-out lever | right | 1 | |
| | | gate guide | | | |
| 27 | 999 919 205 09 | Torx screw | | 2 | |
| | | M6X12 | | | |

Model: 997T07

Model life 2007>>2009



Model: 997T07 Model life 2007>>2009

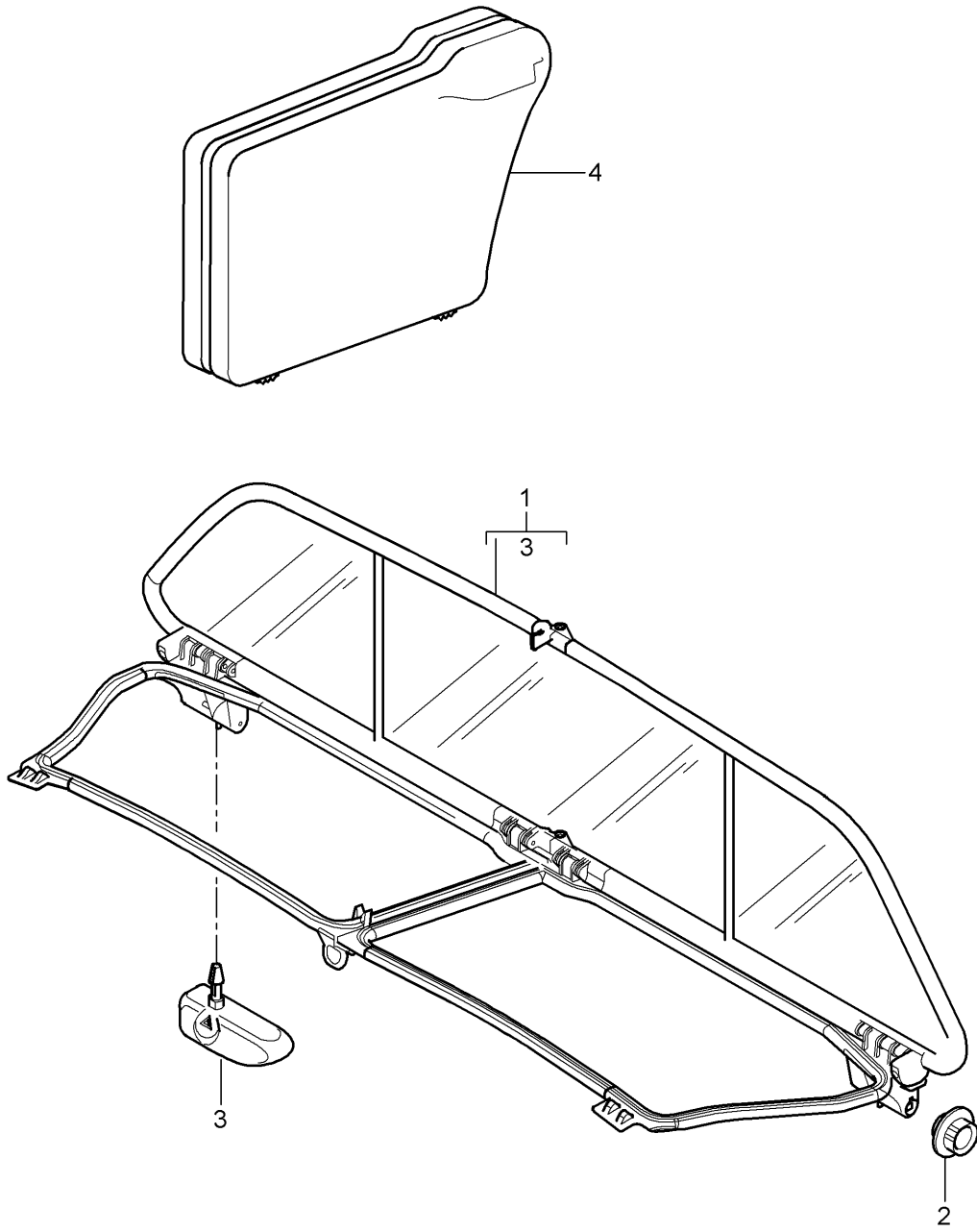
| Pos | Part Number | Description | Remark | Qty | Model |
|------|--------------------|---|----------------|-----|-------|
| 1 | 997 514 011 05 | convertible top stowage box Cover | | 1 | |
| | 997 514 011 05 GRV | Gaskets cabrio top stowage box cover | | | |
| 2 | 997 514 633 01 | primed Sealing strip | | 1 | |
| | | also use: | | | |
| - | 000 043 207 26 | Adhesive tape | | 1 | |
| 3 | 996 514 731 00 | Seal | | 1 | |
| 4 | 997 514 211 00 | seal for conv. top stowage box | | 1 | |
| 5 | 997 514 714 01 | Body | | 1 | |
| 6 | 997 561 927 00 | Edge protection | | 1 | |
| | | Hinge | left | 1 | |
| | | also use: | 996 561 904 00 | | |
| 6 | 997 561 928 00 | Hinge | right | 1 | |
| | | also use: | 996 561 904 00 | | |
| 7 | 900 377 003 03 | Hexagon nut | | 4 | |
| | | M 8 | | | |
| 8 | 900 378 180 01 | Hexagon bolt | | 2 | |
| 9 | 997 561 805 00 | Water drip pan | left | 1 | |
| 9 | 997 561 806 00 | Water drip pan | right | 1 | |
| 10 | 996 561 815 01 | Water drainage hose | left | 1 | |
| 10 | 996 561 816 01 | Water drainage hose | right | 1 | |
| 11 | 996 561 809 00 | Clip for Pos. 10 | | 2 | |
| 12 | 999 703 432 40 | Bungs | | 2 | |
| 14 | 999 073 047 02 | panel screw | | 2 | |
| 15 | 996 561 633 01 | Stop buffer | | 2 | |
| | | D >> - MJ 2008 | | | |
| 16 | 999 507 600 09 | U-clip | | 2 | |
| 17 | 997 514 651 00 | Support | left | 1 | |
| (17) | 997 514 652 00 | Support | right | 1 | |
| 18 | 999 591 712 40 | Spreader rivet | | 6 | |
| 19 | 996 504 861 00 | Cover | left | 1 | |
| | 996 504 861 00 GRV | primed | | | |
| (19) | 996 504 862 00 | Cover | right | 1 | |
| | 996 504 862 00 GRV | primed | | | |
| 21 | 996 561 061 02 | Flap for soft top box | left | 1 | |
| (21) | 996 561 062 02 | Flap for soft top box | right | 1 | |
| 22 | 999 500 086 02 | rivetted cap nut | | 4 | |
| (24) | 996 504 855 01 | Support | | 4 | |
| 25 | 996 561 904 00 | Seal | | X | |
| 26 | 986 561 633 01 | Stop buffer | | 1 | |
| | | D >> - MJ 2008 | | | |
| 27 | 999 703 140 40 | Rubber buffer | | 1 | |
| 28 | 996 561 401 00 | Stop | left | 1 | |
| (28) | 996 561 402 00 | Stop | right | 1 | |
| 29 | 996 561 465 00 | arm | | 1 | |
| 30 | 999 073 130 02 | fillister hd. bolt | | 2 | |
| 31 | 996 514 511 00 | Clip | | 2 | |
| 32 | 997 561 801 00 | Stop | | 2 | |
| | | -2MM | | | |
| 32 | 997 561 801 01 | Stop | | 2 | |
| | | -1MM | | | |
| 32 | 997 561 801 02 | Stop | | 2 | |
| | | +0 | | | |
| 32 | 997 561 801 03 | Stop | | 2 | |
| | | +1MM | | | |
| 32 | 997 561 801 04 | Stop | | 2 | |
| | | +2MM | | | |
| 32 | 997 561 801 05 | Stop | | 2 | |
| | | +3MM | | | |

Model: 997T07 Model life 2007>>2009

| Pos | Part Number | Description | Remark | Qty | Model |
|------|----------------|--|--------|-----|--------|
| 33 | 997 561 521 00 | Cover | left | 1 | |
| (33) | 997 561 522 00 | Cover | right | 1 | |
| 34 | 999 703 117 40 | Bungs | | 1 | CABRIO |
| 35 | 996 612 504 00 | Cable guide Wire set Brake light | | 1 | CABRIO |
| 36 | 997 561 755 00 | Water deflector strip with: sealing cord D >> - MJ 2007 | left | 1 | |
| 36 | 997 561 755 02 | Discontinued part Water deflector strip with: sealing cord D - MJ 2008>> | left | 1 | |
| (36) | 997 561 756 00 | Water deflector strip with: sealing cord D >> - MJ 2007 | right | 1 | |
| (36) | 997 561 756 02 | Discontinued part Water deflector strip with: sealing cord D - MJ 2008>> | right | 1 | |
| 37 | 999 911 673 41 | sealing cord | | 1 | |
| 38 | 999 507 647 01 | Clamping washer for Water deflector strip | front | 2 | |
| 39 | 999 507 208 01 | Clamping washer for Water deflector strip | rear | 2 | |
| 40 | 997 561 633 00 | Buffer Foam part D - MJ 2009>> | | 1 | |

Model: 997T07

Model life 2007>>2009



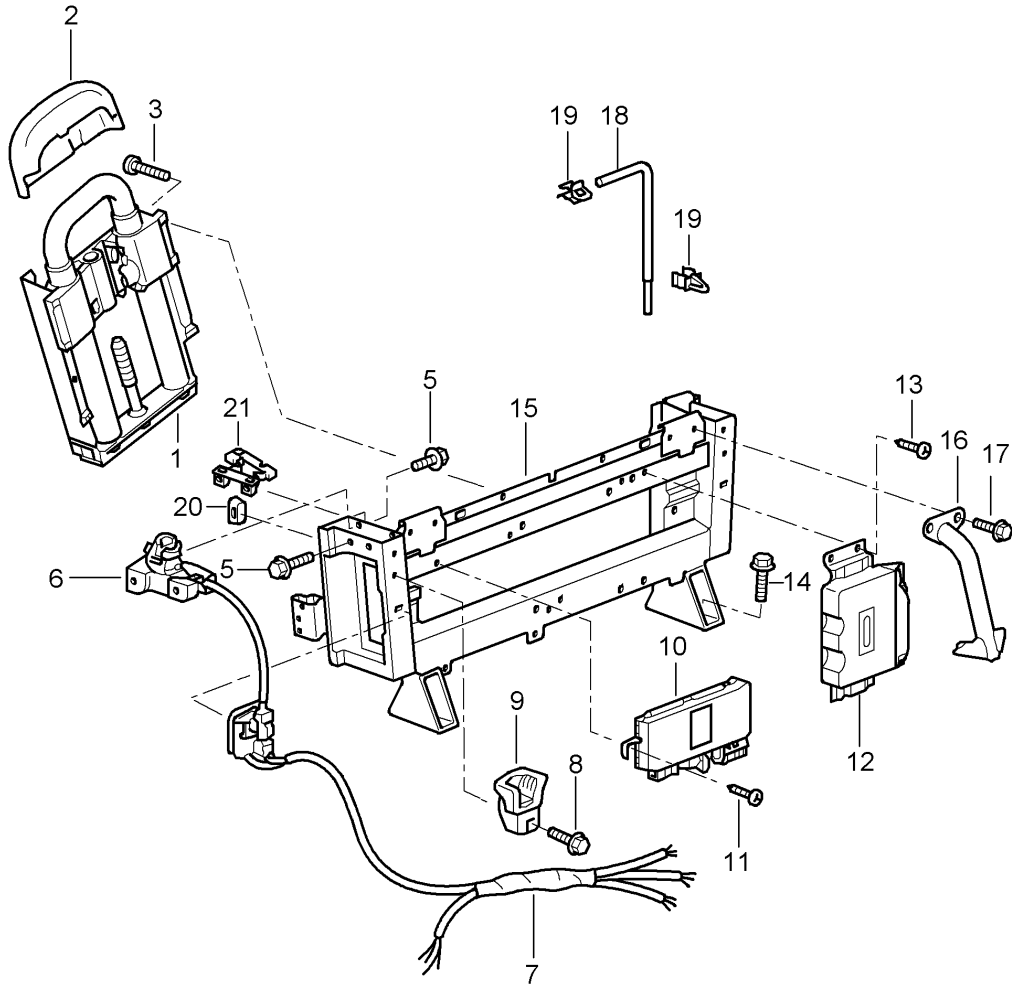
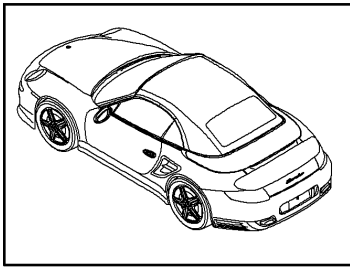
Model: 997T07

Model life 2007>>2009

| Pos | Part Number | Description | Remark | Qty | Model |
|-----|--------------------------------------|---|--------|-----|-------|
| 1 | 996 561 125 03 | Windbreak Windbreak Discontinued part | | 1 | |
| 1 | 996 561 125 03 01C 997 561 125 00 | Black Windbreak Discontinued part | | 1 | |
| 2 | 997 561 125 00 01C | Black | | | |
| 2 | 996 561 127 00 | Rosette | left | 1 | |
| 2 | 996 561 127 00 01C | Black | | | |
| 2 | 996 561 128 00 | Rosette | right | 1 | |
| 3 | 996 561 128 00 01C | Black | | | |
| 3 | 996 561 955 00 | repair set | left | 1 | |
| (3) | 996 561 956 00 | repair set | right | 1 | |
| 4 | 997 561 161 01 | Pocket Windbreak | | 1 | |

Model: 997T07

Model life 2007>>2009

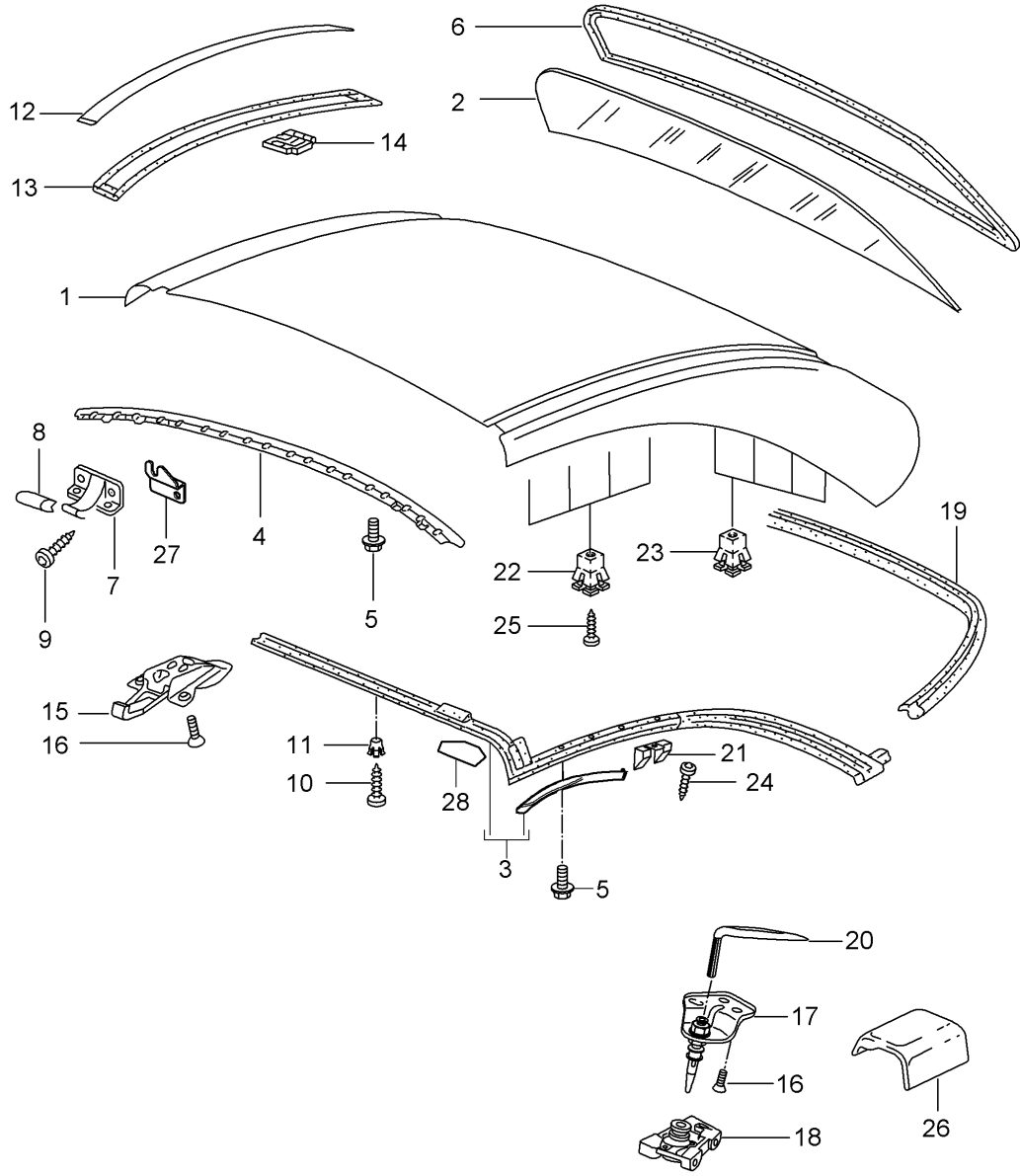
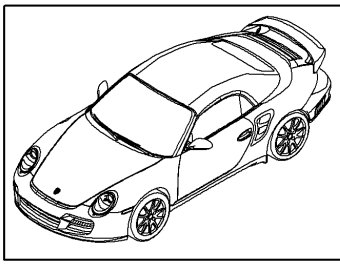


Model: 997T07 Model life 2007>>2009

| Pos | Part Number | Description | Remark | Qty | Model |
|------|----------------|---------------------------|---------|-----|--------|
| (1) | 997 580 021 02 | roll bar | | 2 | |
| 2 | 996 580 191 01 | Cassette | | 2 | |
| 3 | 900 067 394 01 | Cover | | 12 | |
| 4 | 996 561 175 01 | Socket head bolt | | 1 | |
| | | Flap for soft top box | | | |
| | | see illustration: | 811-011 | | |
| 5 | 900 378 173 01 | Hexagon bolt | | 6 | |
| 6 | | Support | | 2 | PR:550 |
| | | see illustration: | 811-016 | | |
| (6) | 996 561 654 04 | Support | right | 1 | |
| 7 | 997 612 696 00 | Wire set | | 1 | |
| 8 | 999 217 166 01 | Hexagon bolt | | 2 | |
| | | M10 X 55 | | | |
| 9 | 996 561 463 02 | Guide | left | 1 | |
| (9) | 996 561 464 02 | Guide | right | 1 | |
| 10 | 997 618 111 03 | Control unit for | | 1 | |
| | | convertible roof controls | | | |
| 11 | 999 073 060 02 | panel screw | | X | |
| 12 | | Control unit | | X | |
| | | - dme - | | | |
| | | see illustration: | 901-003 | | |
| 13 | 999 073 228 09 | panel screw | | X | |
| 14 | 999 385 006 01 | Outer hexagon round screw | | 4 | |
| 15 | 997 580 311 03 | Support frame | | 1 | |
| 16 | 997 580 331 02 | Support | left | 1 | |
| (16) | 997 580 332 02 | Support | right | 1 | |
| 17 | 900 385 097 01 | Torx screw | | X | |
| | | BM10 X 35 | | | |
| 18 | 999 571 079 03 | screwdriver | | 1 | |
| 19 | 999 507 633 40 | Clip | | 2 | |
| 20 | 997 561 457 00 | Sleeve | | 2 | |
| 21 | 996 561 297 00 | Insert | left | 1 | |
| (21) | 996 561 298 00 | Insert | right | 1 | |
| 22 | 999 650 176 40 | Clip | | 3 | |
| | | for | | | |
| | | Connector housing | | | |
| 23 | 996 610 126 00 | bracket for relay bracket | | 1 | |
| | | Relay carrier 2 | | | |
| 24 | 996 610 128 00 | Retaining clip | | 1 | |
| | | Relay carrier 2 | | | |

Model: 997T07

Model life 2007>>2009



Model: 997T07 Model life 2007>>2009

| Pos | Part Number | Description | Remark | Qty | Model |
|------|--|--|---------------------------------|-----|--------|
| | | hardtop Accessories Gaskets | | | PR:550 |
| 1 | 996 563 911 00 996 563 911 00 GRV | hardtop primed without: | | 1 | |
| 2 | 996 563 091 00 | Accessories Rear window Ready for installation | | 1 | |
| 3 | 997 563 225 00 | roof frame seal with: | rear | 1 | |
| - | 996 563 309 00 | retaining strip use if required: | | 1 | |
| - | 996 563 310 00 | retaining strip | left front right front | 1 | |
| 4 | 996 563 319 00 | retaining strip | | 1 | |
| 5 | 999 073 049 02 | panel screw for retaining strip | front | 8 | |
| 6 | 996 563 029 00 | Transverse Seal for rear window | | 1 | |
| 7 | 996 563 405 00 | Centring journal | left | 1 | |
| (7) | 996 563 406 00 | Centring journal | right | 1 | |
| 8 | 996 563 705 01 | Cap | left | 1 | |
| 8 | 996 563 706 01 | Cap | right | 1 | |
| 9 | 999 919 144 09 | fillister hd. bolt | | 4 | |
| 10 | 999 073 049 02 | panel screw | | 14 | |
| 11 | 999 507 547 40 | expanding nut | | 8 | |
| 12 | 996 563 707 00 | Cover trim | left | 1 | |
| (12) | 996 563 707 00 GRV 996 563 708 00 996 563 708 00 GRV | primed Cover trim primed | right | 1 | |
| 13 | 996 563 361 00 | Seal | left | 1 | |
| (13) | 996 563 362 00 | Seal | right | 1 | |
| 14 | 986 563 721 00 | Clip | | 8 | |
| 15 | 996 563 401 00 | catch | | 1 | |
| 16 | 900 378 030 09 | Hexagon bolt M 6X20 | | 3 | |
| 17 | 996 563 403 04 | catch | left | 1 | |
| (17) | 996 563 404 04 | catch | right | 1 | |
| 18 | 996 561 653 04 | Support | left | 1 | |
| - | 996 561 657 02 | Insert | | 1 | |
| - | 900 249 031 09 | countersunk bolt | | 6 | |
| (18) | 996 561 654 04 | Support | right | 1 | |
| - | 996 561 658 02 | Insert | | 1 | |
| 19 | 996 563 027 01 | Seal | | 1 | |
| 20 | 996 563 413 01 | Tool | | 1 | |
| 21 | 996 563 125 00 | Thrust wedge | | 2 | |
| 22 | 999 507 923 40 | expanding nut green | | 8 | |
| 23 | 999 507 924 40 | expanding nut yellow | | 8 | |
| 24 | 999 450 008 09 | panel screw | | 2 | |
| 25 | 999 073 049 02 | panel screw | | 16 | |
| 26 | 996 563 421 01 | Protective tab | | 2 | |
| - | 999 507 659 40 | expanding nut hardtop | left | 1 | |
| - | 999 507 662 40 | contact carrier expanding nut hardtop | right | 1 | |

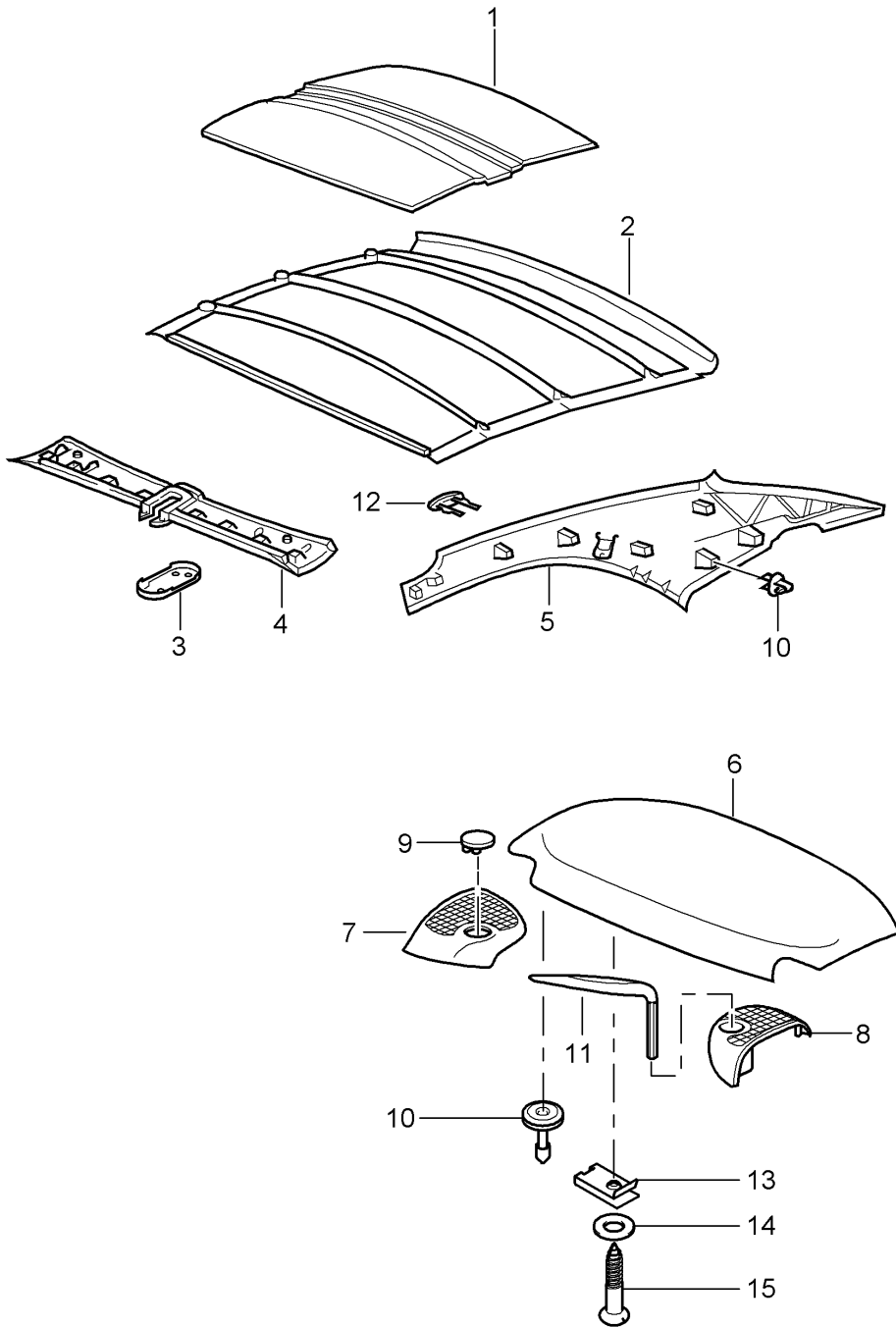
Model: 997T07

Model life 2007>>2009

| Pos | Part Number | Description | Remark | Qty | Model |
|------|----------------|---|------------------|-----|-------|
| 27 | 996 563 509 00 | contact carrier Bracket for trim | left | 1 | |
| (27) | 996 563 510 00 | see illustration: Bracket for trim | 811-017 right | 1 | |
| 28 | 997 563 539 00 | see illustration: Protective film Scuttle | 811-017 left | 1 | |
| (28) | 997 563 540 00 | Protective film Scuttle | right | 1 | |

Model: 997T07

Model life 2007>>2009

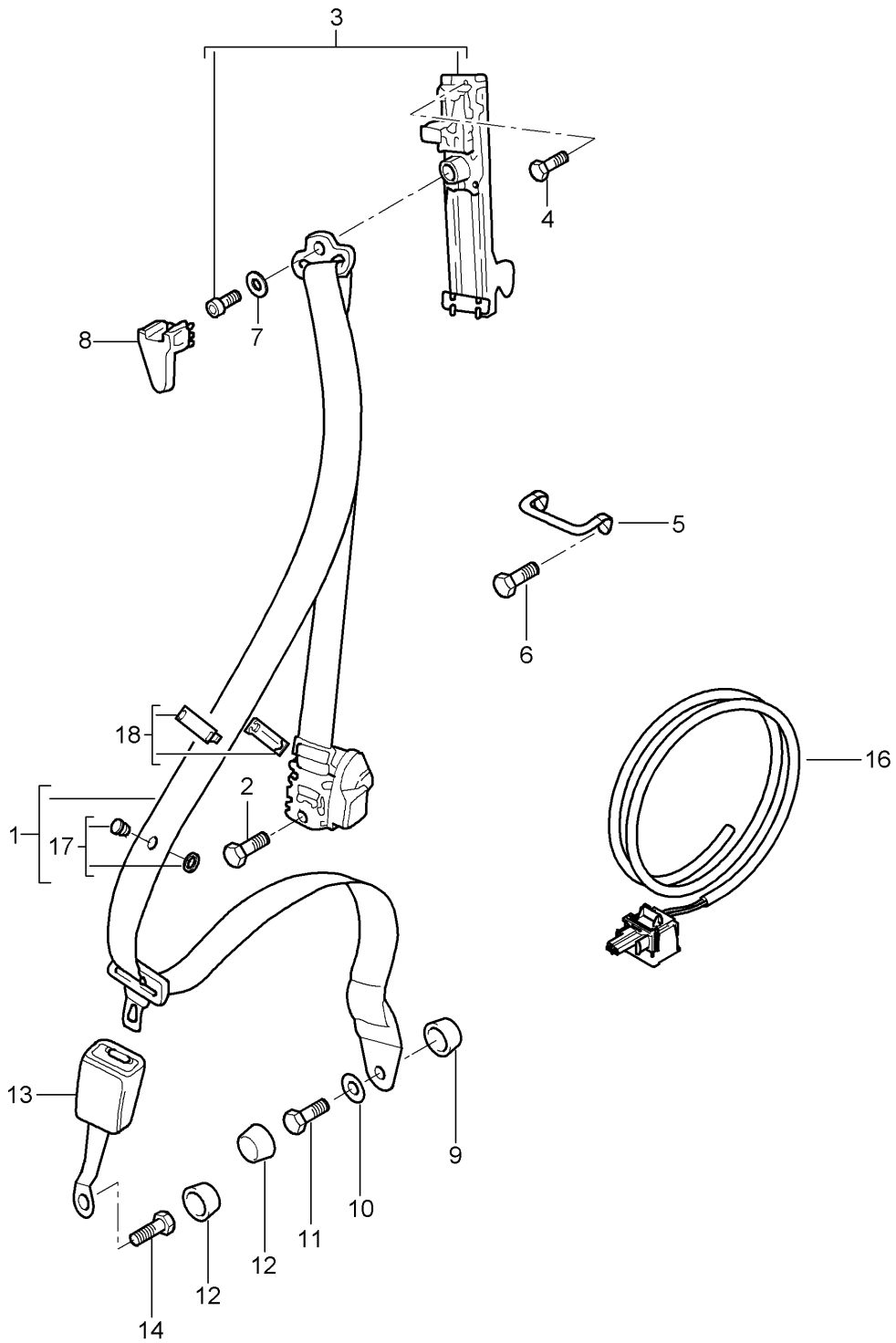


Model: 997T07 Model life 2007>>2009

| Pos | Part Number | Description | Remark | Qty | Model |
|-----|--------------------|-----------------------|--------|-----|--------|
| | | hardtop | | | PR:550 |
| 1 | 996 563 523 00 | Sound absorber | | 1 | |
| 2 | 996 563 111 01 | Moulded headliner | | 1 | |
| | 996 563 111 01 A21 | Black | | | |
| 3 | 997 563 551 00 | Cover panel | | 1 | |
| | 997 563 551 00 01C | Black | | | |
| 4 | 997 563 501 00 | Trim | | 1 | |
| | | Leatherette | | | |
| | 997 563 501 00 1MZ | Black | | | |
| | 997 563 501 00 1TK | Sand beige | | | |
| | 997 563 501 00 1VM | sea blue | | | |
| | 997 563 501 00 1YP | Stone grey | | | |
| 5 | 997 563 503 00 | Trim | left | 1 | |
| | | Leatherette | | | |
| | 997 563 503 00 1MZ | Black | | | |
| | 997 563 503 00 1TK | Sand beige | | | |
| | 997 563 503 00 1VM | sea blue | | | |
| | 997 563 503 00 1YP | Stone grey | | | |
| (5) | 997 563 504 00 | Trim | right | 1 | |
| | | Leatherette | | | |
| | 997 563 504 00 1MZ | Black | | | |
| | 997 563 504 00 1TK | Sand beige | | | |
| | 997 563 504 00 1VM | sea blue | | | |
| | 997 563 504 00 1YP | Stone grey | | | |
| 6 | 996 563 505 00 | Trim | | 1 | |
| | 996 563 505 00 A07 | Black | | | |
| | 996 563 505 00 C19 | Stone grey | | | |
| | 996 563 505 00 R18 | brown | | | |
| | 996 563 505 00 G03 | Metropole blue | | | |
| 7 | 996 563 554 00 | Trim | right | 1 | |
| | 996 563 554 00 A10 | Black | | | |
| | 996 563 554 00 5V7 | Stone grey | | | |
| | 996 563 554 00 8P9 | Cocoa | | | |
| | 996 563 554 00 G10 | Metropole blue | | | |
| 8 | 996 563 553 00 | Trim | left | 1 | |
| | 996 563 553 00 A10 | Black | | | |
| | 996 563 553 00 5V7 | Stone grey | | | |
| | 996 563 553 00 8P9 | Cocoa | | | |
| | 996 563 553 00 G10 | Metropole blue | | | |
| 9 | 996 555 457 00 | End cap | | 2 | |
| | 996 555 457 00 A10 | Black | | | |
| | 996 555 457 00 5V7 | Stone grey | | | |
| | 996 555 457 00 8P9 | Cocoa | | | |
| | 996 555 457 00 G10 | Metropole blue | | | |
| 10 | 999 507 764 40 | Clip | | X | |
| 11 | 996 563 413 01 | Tool | | 1 | |
| 12 | 996 563 561 00 | Stop buffer | | 2 | |
| | 996 563 561 00 01C | Black | | | |
| | | for | | | |
| | | sun vizors | | | |
| 13 | 999 507 139 01 | panel nut | | X | |
| 14 | 900 151 027 02 | Washer | | 2 | |
| 15 | 900 143 046 02 | oval head panel screw | | 2 | |
| | | Discontinued part | | | |
| 15 | 900 143 046 01 | oval head panel screw | | 2 | |

Model: 997T07

Model life 2007>>2009



Model: 997T07

Model life 2007>>2009

| Pos | Part Number | Description | Remark | Qty | Model |
|------|--------------------|---------------------------|--------|-----|------------|
| 1 | 997 803 033 02 | Seat belt | front | | |
| | 997 803 033 02 A23 | Three-point safety belt | left | 1 | COUPE |
| | 997 803 033 02 N13 | Black | | | PR:555 |
| | 997 803 033 02 U01 | guards red (Porsche) | | | PR:XSX |
| | 997 803 033 02 V02 | silver | | | PR:XSH |
| | 997 803 033 02 V02 | Speed yellow | | | PR:XSX |
| 1 | 997 803 033 05 | Three-point safety belt | left | 1 | |
| | 997 803 033 05 6M4 | Sand beige | | | PR:XST |
| (1) | 997 803 034 04 | Three-point safety belt | right | 1 | |
| | 997 803 034 04 A23 | Black | | | PR:555 |
| | 997 803 034 04 N13 | guards red (Porsche) | | | PR:XSX |
| | 997 803 034 04 U01 | silver | | | PR:XSH |
| | 997 803 034 04 V02 | Speed yellow | | | PR:XSX |
| (1) | 997 803 034 10 | Three-point safety belt | right | 1 | |
| | 997 803 034 10 6M4 | Sand beige | | | PR:XST |
| 2 | 999 075 070 09 | Hexagon bolt | | 2 | |
| 3 | 997 803 231 01 | Bracket | | 2 | |
| | | Front vertical adjustment | | | |
| | | with: | | | |
| | | Fastening screw | | | |
| - | 999 075 078 01 | Hexagon bolt | | 2 | |
| 4 | 900 067 131 02 | Socket head bolt | | 2 | |
| 5 | 996 803 825 01 | Deflection angle | | 2 | |
| 6 | 900 378 036 09 | Hexagon bolt | | 4 | |
| 7 | 999 028 021 01 | Spring washer | | 2 | |
| | | B 14,2 | | | |
| | | D >> - MJ 2008 | | | |
| 7 | 999 028 021 01 | Spring washer | | 2 | |
| | | B 14,2 | | | |
| | | D - MJ 2009>> | | | |
| 8 | 997 803 521 00 | Cover | | 2 | |
| | 997 803 521 00 A03 | Black | | | |
| 9 | 999 924 064 02 | spacer sleeve | | 2 | |
| | | Discontinued part | | | |
| 9 | 999 924 064 01 | spacer sleeve | | 2 | |
| (9) | 997 803 663 00 | spacer sleeve | | 1 | PR:388,389 |
| | | D - MJ 2008>> | | | |
| 10 | 211 857 771 | Washer | | 2 | |
| (10) | 999 028 022 01 | Spring washer | | 1 | PR:388,389 |
| | | D - MJ 2008>> | | | |
| - | 999 025 275 A2 | Washer | | 1 | PR:388,389 |
| | | D - MJ 2008>> | | | |
| 11 | 999 075 073 09 | Hexagon bolt | | 2 | |
| (11) | 999 075 072 09 | Hexagon bolt | | 2 | PR:388,389 |
| | | D - MJ 2008>> | | | |
| 12 | 811 857 845 | Cover cap | | 2 | |
| | 811 857 845 01C | Satin black | | | |
| 13 | 996 803 183 08 | Belt latch | | 1 | |
| | | (passenger side) | | | |
| (13) | 997 803 183 01 | Belt latch | | 1 | |
| | | (drivers side) | | | |
| 13 | 997 803 183 04 | Belt latch | | 1 | PR:388 |
| | | (drivers side) | | | |
| | | D - MJ 2008>> | | | |
| (13) | 997 803 183 04 | Belt latch | | 1 | PR:389 |
| | | (drivers side) | | | |
| | | D - MJ 2008>> | | | |
| (13) | 997 803 183 05 | Belt latch | | 1 | PR:389 |
| | | (passenger side) | | | |
| | | D - MJ 2008>> | | | |
| 13 | 997 803 183 05 | Belt latch | | 1 | PR:388 |
| | | (passenger side) | | | |
| | | D - MJ 2008>> | | | |

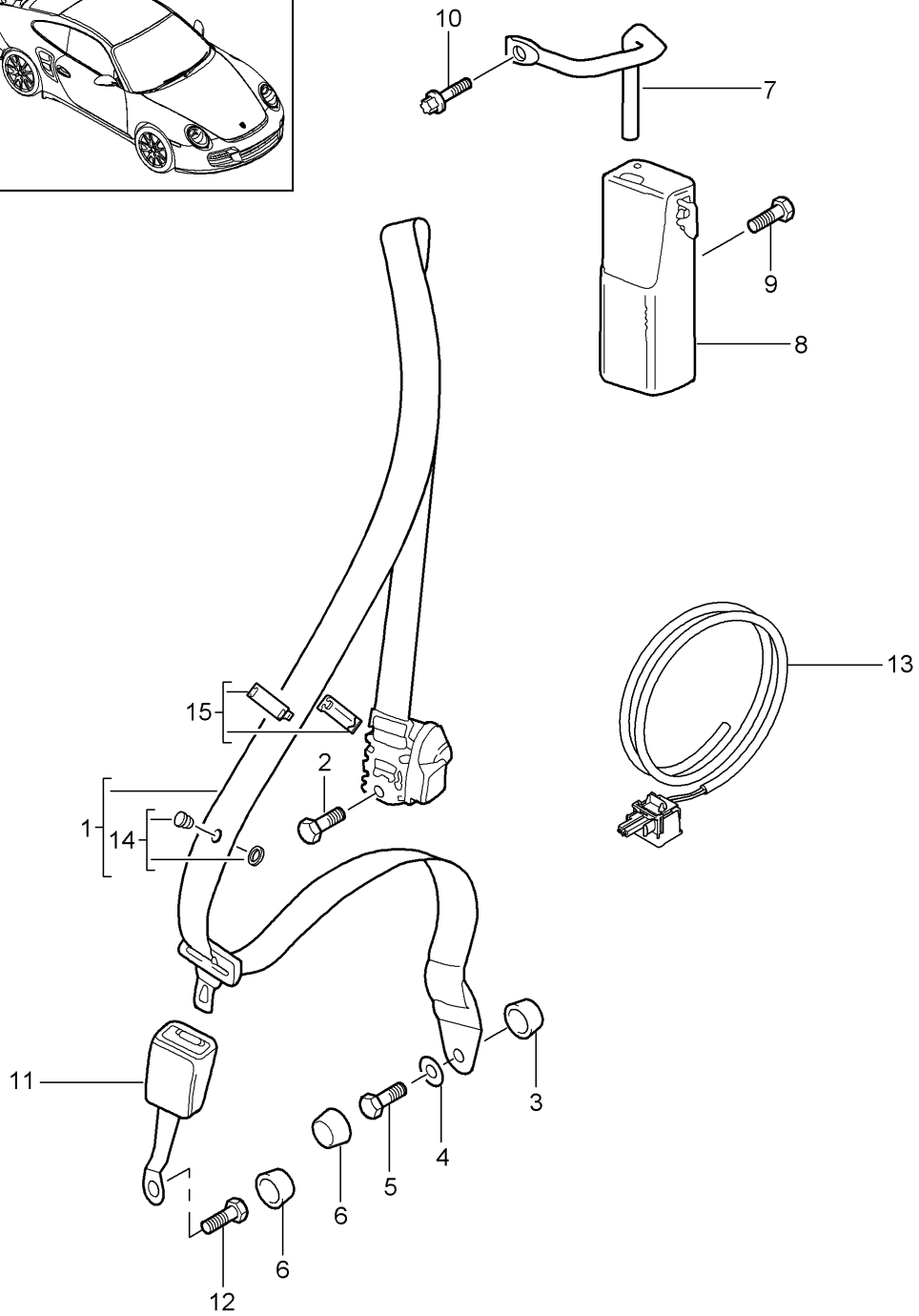
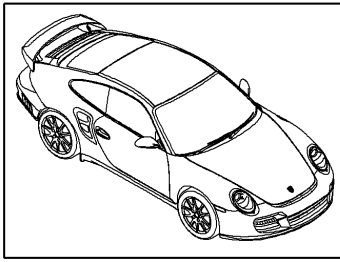
Model: 997T07

Model life 2007>>2009

| Pos | Part Number | Description | Remark | Qty | Model |
|-----|--------------------|--|---------|-----|-------|
| 14 | 999 218 101 02 | Hexagon bolt | | 2 | |
| 16 | | Cable for Seat belt tensioner see illustration: | 902-010 | X | |
| 17 | 955 803 056 00 | knob | | 2 | |
| | 955 803 056 00 HCP | Black | | | |
| 18 | 997 803 334 00 | clamping piece | | 2 | |
| | 997 803 334 00 01C | Black | | | |
| - | 000 043 206 96 | Clip See technical manual 693649 | | 2 | |

Model: 997T07

Model life 2007>>2009

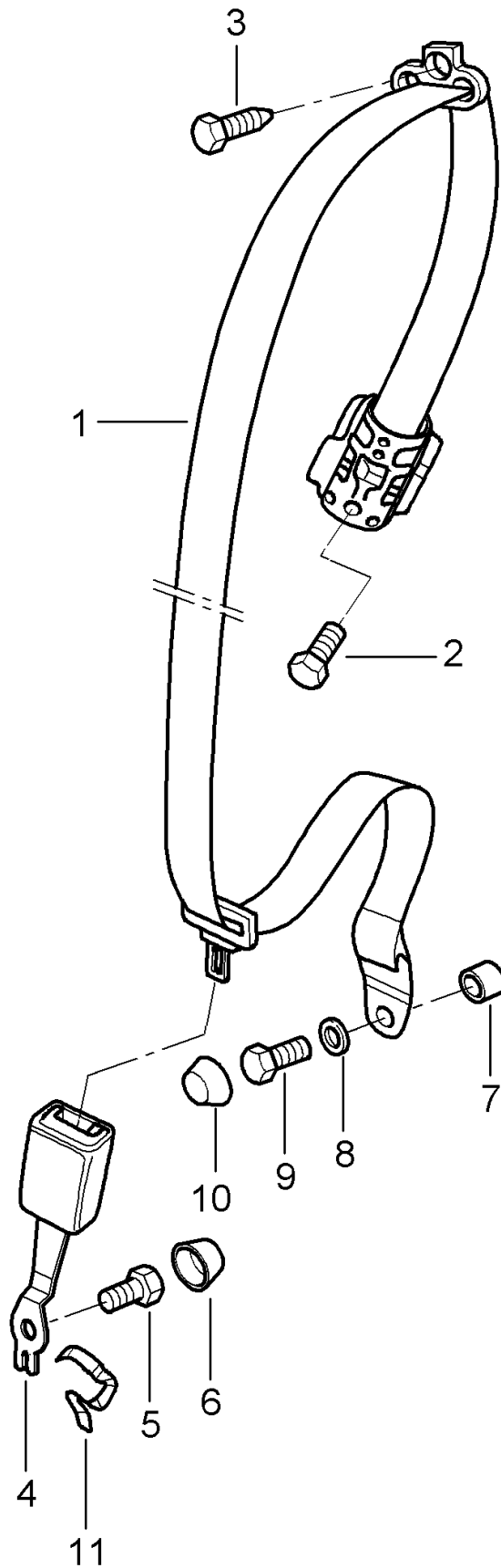


Model: 997T07 Model life 2007>>2009

| Pos | Part Number | Description | Remark | Qty | Model |
|------|--------------------|-------------------------|---------|-----|------------|
| 1 | 997 803 033 03 | Seat belt | front | | CABRIO |
| | 997 803 033 03 A23 | Three-point safety belt | left | 1 | |
| | 997 803 033 03 N13 | Black | | | PR:555 |
| | 997 803 033 03 V02 | guards red (Porsche) | | | PR:XSX |
| | 997 803 033 03 U01 | Speed yellow | | | PR:XSY |
| | 997 803 033 03 U01 | silver | | | PR:XSH |
| 1 | 997 803 033 06 | Three-point safety belt | left | 1 | |
| | 997 803 033 06 6M4 | Sand beige | | | PR:XST |
| (1) | 997 803 034 05 | Three-point safety belt | right | 1 | |
| | 997 803 034 05 A23 | Black | | | PR:555 |
| | 997 803 034 05 N13 | guards red (Porsche) | | | PR:XSX |
| | 997 803 034 05 V02 | Speed yellow | | | PR:XSY |
| | 997 803 034 05 U01 | silver | | | PR:XSH |
| (1) | 997 803 034 11 | Three-point safety belt | right | 1 | |
| | 997 803 034 11 6M4 | Sand beige | | | PR:XST |
| 2 | 999 075 070 09 | Hexagon bolt | | 2 | |
| 3 | 999 924 064 02 | spacer sleeve | | 2 | |
| | | Discontinued part | | | |
| 3 | 999 924 064 01 | spacer sleeve | | 2 | |
| (3) | 997 803 663 00 | spacer sleeve | | 1 | PR:388,389 |
| | | D - MJ 2008>> | | | |
| 4 | 211 857 771 | Washer | | 2 | |
| (4) | 999 028 022 01 | Spring washer | | 1 | PR:388,389 |
| | | D - MJ 2008>> | | | |
| - | 999 025 275 A2 | Washer | | 1 | PR:388,389 |
| | | D - MJ 2008>> | | | |
| 5 | 999 075 073 09 | Hexagon bolt | | 2 | |
| (5) | 999 075 072 09 | Hexagon bolt | | 2 | PR:388,389 |
| | | D - MJ 2008>> | | | |
| 6 | 811 857 845 | Cover cap | | 2 | |
| 7 | 996 803 815 00 | relay lever | left | 1 | |
| 7 | 996 803 816 00 | relay lever | right | 1 | |
| 8 | 996 803 581 00 | Support | left | 1 | |
| 8 | 996 803 582 00 | Support | right | 1 | |
| 9 | 999 075 065 09 | Hexagon bolt | | 4 | |
| | | M8x35 | | | |
| 10 | 900 378 017 01 | Hexagon bolt | | 2 | |
| | | M8x20 | | | |
| 11 | 996 803 183 08 | Belt latch | | 1 | |
| | | (passenger side) | | | |
| (11) | 997 803 183 01 | Belt latch | | 1 | |
| | | (drivers side) | | | |
| 11 | 997 803 183 04 | Belt latch | | 1 | PR:388 |
| | | (drivers side) | | | |
| (11) | 997 803 183 04 | Belt latch | | 1 | PR:389 |
| | | (drivers side) | | | |
| (11) | 997 803 183 05 | Belt latch | | 1 | PR:389 |
| | | (passenger side) | | | |
| | | D - MJ 2008>> | | | |
| 11 | 997 803 183 05 | Belt latch | | 1 | PR:388 |
| | | (passenger side) | | | |
| | | D - MJ 2008>> | | | |
| 12 | 999 218 101 02 | Hexagon bolt | | 2 | |
| 13 | | Cable | | X | |
| | | for | | | |
| | | Seat belt tensioner | | | |
| | | see illustration: | 902-010 | | |
| 14 | 955 803 056 00 | knob | | 2 | |
| | 955 803 056 00 HCP | Black | | | |
| 15 | 997 803 334 00 | clamping piece | | 2 | |
| | 997 803 334 00 01C | Black | | | |

Model: 997T07

Model life 2007>>2009



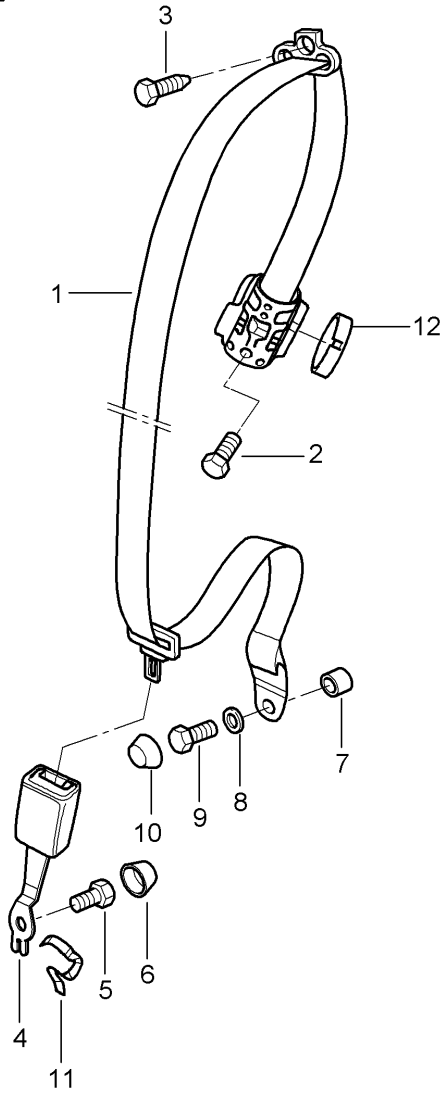
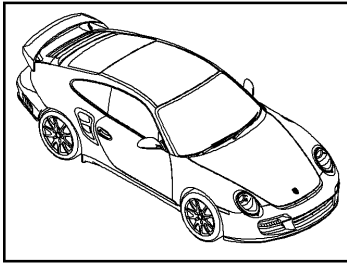
Model: 997T07

Model life 2007>>2009

| Pos | Part Number | Description | Remark | Qty | Model |
|------|--------------------|-------------------------|--------|-----|--------|
| 1 | 997 803 035 02 | Seat belt | rear | 1 | Coupe |
| | 997 803 035 02 V02 | Three-point safety belt | left | | |
| | 997 803 035 02 N13 | Speed yellow | | | |
| | 997 803 035 02 U01 | guards red (Porsche) | | | |
| | 997 803 035 02 A23 | silver | | | |
| | 997 803 035 02 6M4 | Black | | | |
| (1) | 997 803 036 02 | Seat belt | right | 1 | Coupe |
| | 997 803 036 02 V02 | Three-point safety belt | | | |
| | 997 803 036 02 N13 | Speed yellow | | | |
| | 997 803 036 02 U01 | guards red (Porsche) | | | |
| | 997 803 036 02 A23 | silver | | | |
| | 997 803 036 02 6M4 | Black | | | |
| 2 | 999 075 070 09 | Hexagon bolt | | 2 | |
| 3 | 999 075 057 09 | Hexagon bolt | | 2 | |
| 4 | 996 803 165 01 | Belt latch | left | 1 | |
| (4) | 996 803 166 01 | Belt latch | right | 1 | |
| 5 | 999 075 070 09 | Hexagon bolt | | 2 | |
| 6 | 811 857 845 | Cover cap | | 2 | |
| 7 | 999 924 064 02 | spacer sleeve | | 2 | |
| | | Discontinued part | | | |
| 7 | 999 924 064 01 | spacer sleeve | | 2 | |
| 8 | 211 857 771 | Washer | | 2 | |
| 9 | 999 075 073 09 | Hexagon bolt | | 2 | |
| 10 | 811 857 845 | Cover cap | | 2 | PR:193 |
| 11 | 996 551 745 00 | Securing clip | left | 2 | |
| (11) | 996 551 746 00 | Securing clip | right | 2 | |

Model: 997T07

Model life 2007>>2009



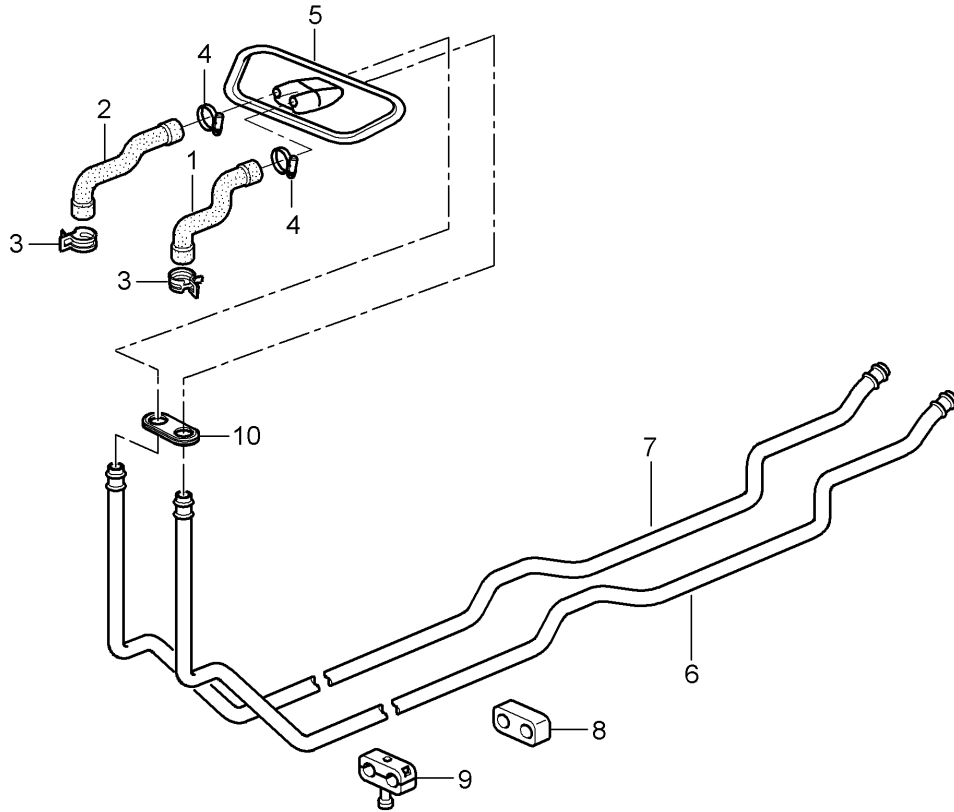
Model: 997T07

Model life 2007>>2009

| Pos | Part Number | Description | Remark | Qty | Model |
|--------------------|--------------------|-------------------------|--------|-----|------------------|
| 1 | 997 803 035 00 | Seat belt | rear | 1 | Cabrio PR:553 |
| | | Three-point safety belt | left | | |
| | 997 803 035 00 V02 | Speed yellow | | | |
| | 997 803 035 00 N13 | guards red (Porsche) | | | |
| | 997 803 035 00 U01 | silver | | | |
| | 997 803 035 00 A23 | Black | | | |
| (1) | 997 803 035 00 6M4 | Sand beige | | 1 | PR:555 PR:XST |
| | 997 803 036 00 | Three-point safety belt | right | | |
| | 997 803 036 00 V02 | Speed yellow | | | |
| | 997 803 036 00 N13 | guards red (Porsche) | | | |
| | 997 803 036 00 U01 | silver | | | |
| | 997 803 036 00 A23 | Black | | | |
| 997 803 036 00 6M4 | Sand beige | | | | |
| 2 | 999 075 070 09 | Hexagon bolt | | 2 | |
| 3 | 999 075 057 09 | Hexagon bolt | | 2 | |
| 4 | 996 803 165 01 | Belt latch | left | 1 | |
| (4) | 996 803 166 01 | Belt latch | right | 1 | |
| 5 | 999 075 070 09 | Hexagon bolt | | 2 | |
| 6 | 811 857 845 | Cover cap | | 2 | |
| 7 | 999 924 064 02 | spacer sleeve | | 2 | |
| | | Discontinued part | | | |
| 7 | 999 924 064 01 | spacer sleeve | | 2 | |
| 8 | 211 857 771 | Washer | | 2 | |
| 9 | 999 075 073 09 | Hexagon bolt | | 2 | |
| 10 | 811 857 845 | Cover cap | | 2 | |
| | 811 857 845 01C | Satin black | | | |
| 11 | 996 551 745 00 | Securing clip | | 2 | |

Model: 997T07

Model life 2007>>2009



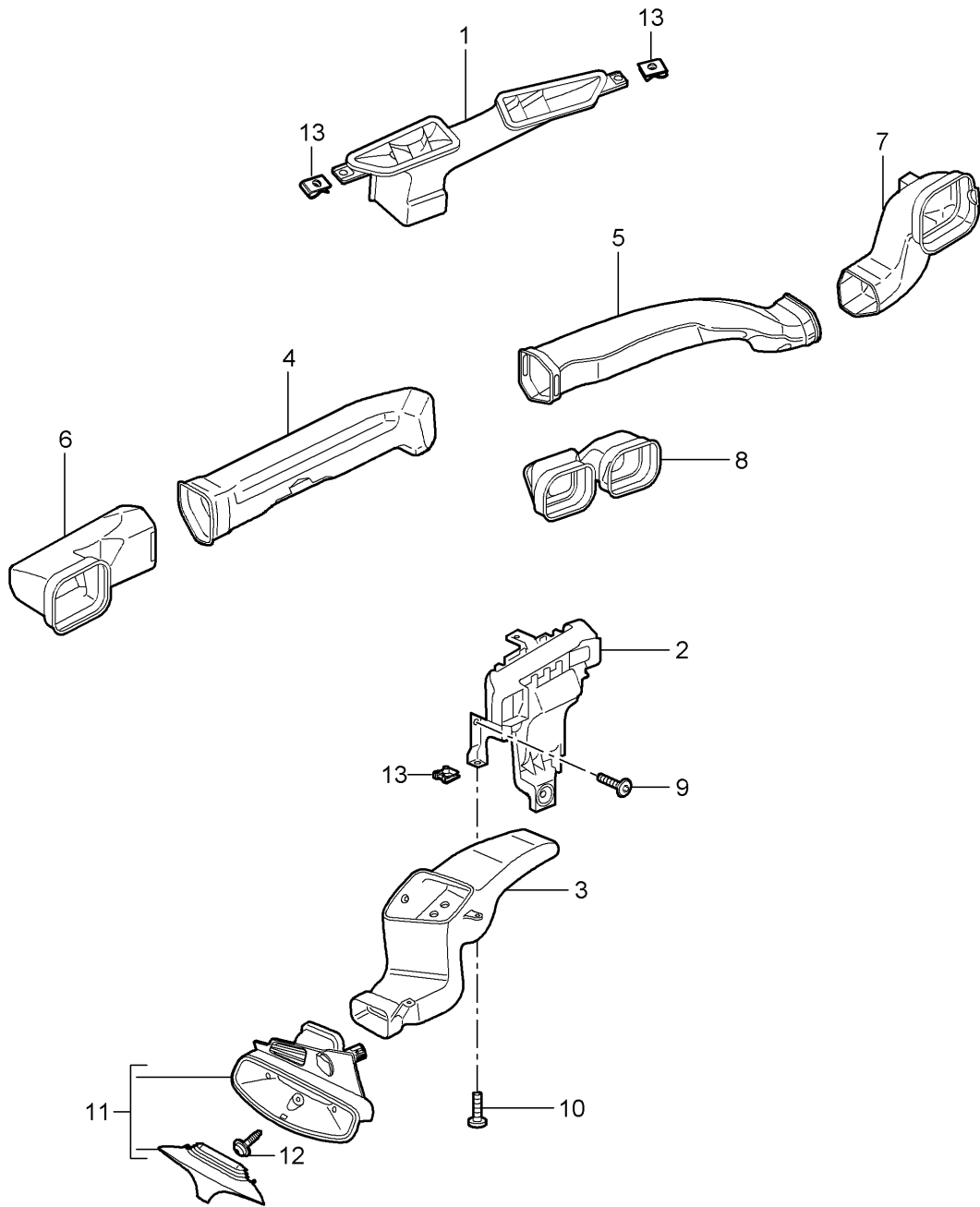
Model: 997T07

Model life 2007>>2009

| Pos | Part Number | Description | Remark | Qty | Model |
|-----|----------------|--|--------|-----|--------|
| | | Heating system 1 | | | |
| | | Feed line | | | |
| | | return line | | | |
| 1 | 996 572 583 04 | Heating hose | lhd | 1 | PR:098 |
| (1) | 996 572 583 05 | Heating hose | rhd | 1 | PR:099 |
| 2 | 996 572 585 04 | Heating hose | lhd | 1 | PR:098 |
| (2) | 996 572 585 05 | Heating hose | rhd | 1 | PR:099 |
| 3 | 999 512 656 09 | Hose clamp B25 X 12 | | 2 | |
| 4 | 999 512 346 01 | Hose clamp A16-27/9 | | 2 | |
| 5 | 996 572 263 02 | Seal | lhd | 1 | PR:098 |
| (5) | 996 572 263 03 | Seal | rhd | 1 | PR:099 |
| 6 | 997 572 681 00 | Heater pipeline Supply | | 1 | |
| 7 | 997 572 683 00 | Discontinued part Heater pipeline Return line Discontinued part | | 1 | |
| 8 | 996 572 785 00 | Distance piece | | X | |
| 9 | 999 511 230 40 | Cable holder | | 4 | |
| - | 999 511 232 41 | Rubber bush 19/19 | | 4 | |
| 10 | 996 572 765 02 | Grommet | | 1 | |

Model: 997T07

Model life 2007>>2009



Model: 997T07 Model life 2007>>2009

| Pos | Part Number | Description | Remark | Qty | Model |
|------|--------------------|--|-----------|-----|------------|
| 1 | 997 572 631 00 | Air distributor Passenger compartment Defroster nozzle for wind- screen | lhd | 1 | PR:098 |
| (1) | 997 572 631 01 | Defroster nozzle for wind- screen | rhd | 1 | PR:099 |
| 2 | 997 572 171 00 | Air distributor | lhd | 1 | PR:098 |
| (2) | 997 572 171 01 | Air distributor | rhd | 1 | PR:099 |
| 3 | 997 572 793 00 | Footwell outlet vent | lhd | 1 | PR:098 |
| (3) | 997 572 793 02 | Footwell outlet vent | lhd | 1 | PR:098,680 |
| (3) | 997 572 793 01 | Footwell outlet vent | rhd | 1 | PR:099 |
| (3) | 997 572 793 03 | Footwell outlet vent | rhd | 1 | PR:099,680 |
| 4 | 997 572 463 00 | Air guide | left lhd | 1 | PR:098 |
| (4) | 997 572 463 01 | Air guide | left rhd | 1 | PR:099 |
| 5 | 997 572 464 00 | Air guide | right lhd | 1 | PR:098 |
| (5) | 997 572 464 01 | Air guide | right rhd | 1 | PR:099 |
| 6 | 997 572 767 00 | Air guide | left lhd | 1 | PR:098 |
| (6) | 997 572 767 01 | Air guide | left rhd | 1 | PR:099 |
| 7 | 997 572 768 00 | Air guide | right rhd | 1 | PR:099 |
| (7) | 997 572 768 01 | Air guide | right lhd | 1 | PR:098 |
| 8 | 997 572 769 00 | Air guide | | 1 | |
| (8) | 997 572 769 01 | Air guide | | 1 | |
| 9 | 999 919 118 09 | fillister hd. bolt | | 2 | |
| 10 | 999 073 339 09 | panel screw | | 2 | |
| (11) | 997 572 396 02 | Trim | right lhd | 1 | PR:098,680 |
| | 997 572 396 02 01C | Satin black | | | |
| 11 | 997 572 395 02 | Trim | left rhd | 1 | PR:099,680 |
| | 997 572 395 02 01C | Satin black | | | |
| (11) | 997 572 396 03 | Trim | right lhd | 1 | PR:098,680 |
| | 997 572 396 03 5V7 | Stone grey | | | |
| | 997 572 396 03 5Y2 | Palm green | | | |
| | | D >> - MJ 2007 | | | |
| | 997 572 396 03 N23 | Carrera Red | | | |
| | | D - MJ 2008>> | | | |
| | 997 572 396 03 5Z1 | Sand beige | | | |
| | 997 572 396 03 8P9 | Cocoa | | | |
| | 997 572 396 03 8W7 | sea blue | | | |
| | 997 572 396 03 8X8 | Terracotta | | | |
| | 997 572 396 03 T13 | Brown/natural | | | |
| (11) | 997 572 395 03 | Trim | left rhd | 1 | PR:099,680 |
| | | Lacquered | | | |
| | 997 572 395 03 5V7 | Stone grey | | | |
| | 997 572 395 03 5Y2 | Palm green | | | |
| | | D >> - MJ 2007 | | | |
| | 997 572 395 03 N23 | Carrera Red | | | |
| | | D - MJ 2008>> | | | |
| | 997 572 395 03 5Z1 | Sand beige | | | |
| | 997 572 395 03 8P9 | Cocoa | | | |
| | 997 572 395 03 8W7 | sea blue | | | |
| | 997 572 395 03 8X8 | Terracotta | | | |
| | 997 572 395 03 T13 | Brown/natural | | | |
| (11) | 997 572 798 02 | Trim | right lhd | 1 | PR:098,680 |
| | 997 572 798 02 01C | Satin black | | | |
| (11) | 997 572 797 02 | Trim | left rhd | 1 | PR:099,680 |
| | 997 572 797 02 01C | Satin black | | | |
| (11) | 997 572 798 03 | Trim | lhd | 1 | PR:098,680 |
| | | Lacquered | | | |
| | 997 572 798 03 5V7 | Stone grey | | | |
| | 997 572 798 03 5Y2 | Palm green | | | |
| | | D >> - MJ 2007 | | | |
| | 997 572 798 03 N23 | Carrera Red | | | |
| | | D - MJ 2008>> | | | |
| | 997 572 798 03 5Z1 | Sand beige | | | |

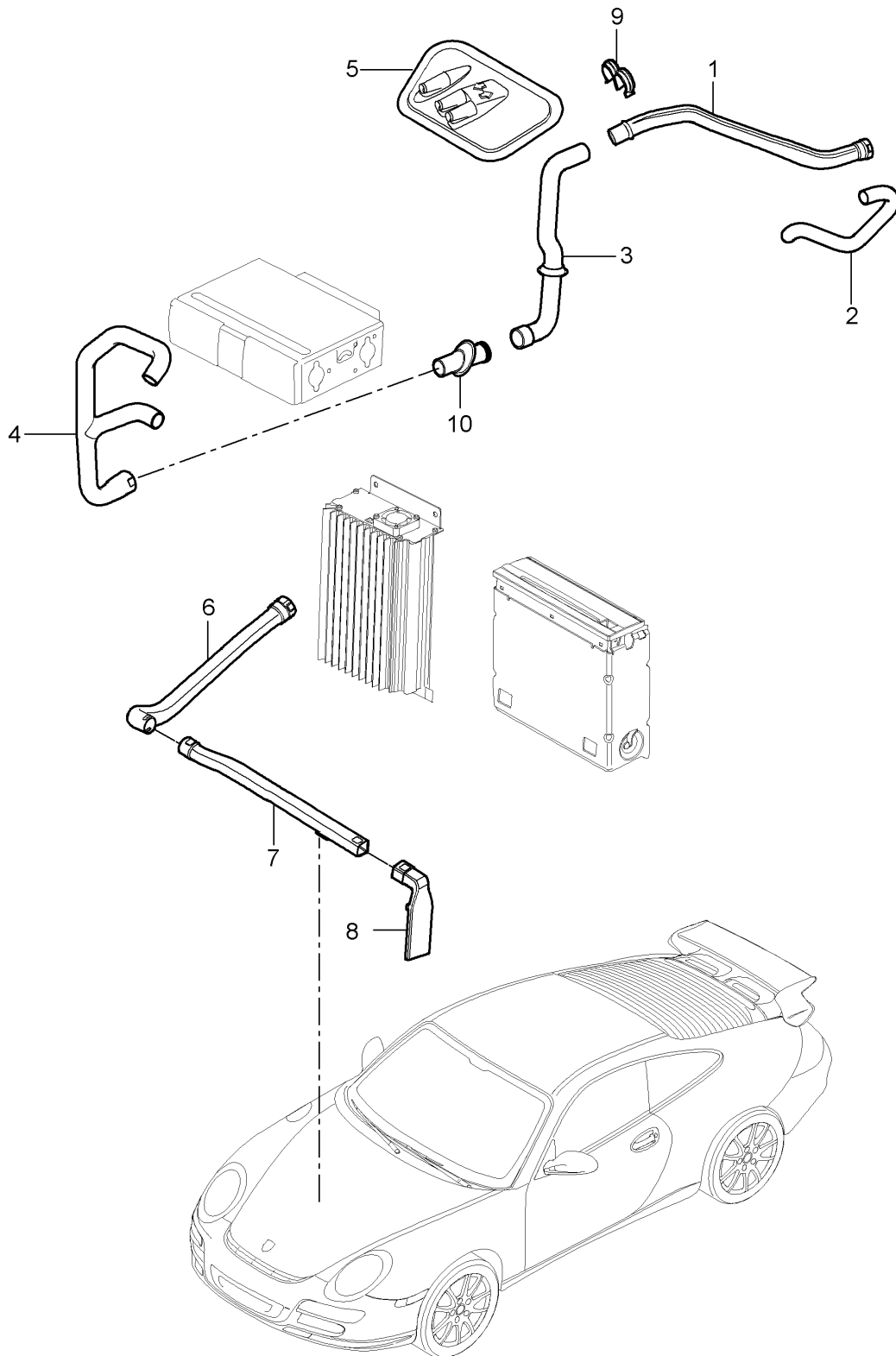
Model: 997T07

Model life 2007>>2009

| Pos | Part Number | Description | Remark | Qty | Model |
|------|--------------------|-----------------------------|--------------|-----|------------|
| (11) | 997 572 798 03 8P9 | Cocoa | | | |
| | 997 572 798 03 8W7 | sea blue | | | |
| | 997 572 798 03 8X8 | Terracotta | | | |
| | 997 572 798 03 T13 | Brown/natural | | | |
| | 997 572 797 03 | Trim | rhd | 1 | PR:099,680 |
| | | Lacquered | | | |
| | 997 572 797 03 5V7 | Stone grey | | | |
| | 997 572 797 03 5Y2 | Palm green | | | |
| | | D | >> - MJ 2007 | | |
| | 997 572 797 03 N23 | Carrera Red | | | |
| | | D - MJ 2008>> | | | |
| | 997 572 797 03 5Z1 | Sand beige | | | |
| | 997 572 797 03 8P9 | Cocoa | | | |
| | 997 572 797 03 8W7 | sea blue | | | |
| | 997 572 797 03 8X8 | Terracotta | | | |
| | 997 572 797 03 T13 | Brown/natural | | | |
| 12 | 999 073 345 09 | Oval-head screw M 5 x 18 | | 1 | PR:680 |
| 13 | 999 507 785 01 | panel nut ST 4,2 | | 3 | |

Model: 997T07

Model life 2007>>2009



Model: 997T07

Model life 2007>>2009

| Pos | Part Number | Description | Remark | Qty | Model |
|-----|----------------|---------------------|--------|-----|--------|
| | | Luggage compartment | | | PR:575 |
| | | Cooling | | | |
| 1 | 997 572 582 00 | Air guide | | 1 | |
| | | water box | | | |
| 2 | 997 572 580 00 | Air guide | | 1 | |
| | | Air conditioner | | | |
| 3 | 997 572 584 01 | Air guide | | 1 | |
| | | filler plate | | | |
| 4 | 997 572 586 02 | Air guide | | 1 | |
| | | Amplifiers | | | |
| 5 | 997 572 263 00 | Seal | | 1 | |
| 6 | 997 572 586 03 | Air guide | | 1 | PR:664 |
| | | Amplifiers | | | |
| 7 | 997 572 586 04 | Air guide | | 1 | PR:664 |
| | | Amplifiers | | | |
| 8 | 997 572 586 05 | Air guide | | 1 | PR:664 |
| | | Amplifiers | | | |
| 9 | 999 507 830 40 | Cable holder | | 1 | |
| | | 21,5 X 21,5 | | | |
| 10 | 997 572 593 01 | connection piece | | 1 | |

Model: 997T07 Model life 2007>>2009

| Pos | Part Number | Description | Remark | Qty | Model |
|------|----------------|---|--------|-------------|------------|
| 1 | 996 573 901 01 | Air conditioner Individual parts Air conditioner without: heat exchanger with: evaporator | rhd | 1 | PR:099,573 |
| 1 | 997 573 901 04 | Air conditioner without: heat exchanger with: evaporator | lhd | 1 | PR:098,573 |
| 2 | 997 572 129 00 | heat exchanger | | 1 | |
| 3 | 996 572 913 00 | Seal | | 1 | |
| 4 | 996 573 929 01 | Expansion valve | | 1 | |
| 5 | 900 143 102 02 | Bolt with washer | | X | |
| 6 | 996 573 915 00 | actuator motor for fresh air flap | lhd | 1 | PR:098,573 |
| | | fresh air flap Identification: >> >> | | 1 1 1 | |
| (6) | 996 573 915 01 | actuator motor for fresh air flap Identification: >> >> Black | rhd | 1 | PR:099,573 |
| 7 | 955 572 304 10 | Temperature sensor | | 1 | |
| 8 | 996 624 107 01 | Fan | lhd | 1 | PR:098 |
| (8) | 996 624 108 01 | Fan | rhd | 1 | PR:099 |
| 9 | 996 573 905 00 | Cover | | 1 | |
| 10 | 999 707 596 40 | O-ring 14x1,82 | | 1 | |
| 11 | 996 573 919 02 | Servomotor Temperature valve Identification: >> >> pink | lhd | 1 | PR:098 |
| (11) | 996 573 919 03 | Servomotor Temperature valve Identification: >> >> pink | rhd | 1 | PR:099 |
| 12 | 999 707 534 41 | O-ring 17x2,00 | | 1 | |
| 13 | 997 612 655 02 | Wire set D >> - MJ 2008 | lhd | 1 | PR:098,573 |
| 13 | 997 612 655 26 | Wire set D - MJ 2009>> | lhd | 1 | PR:098,573 |
| (13) | 997 612 656 02 | Wire set D >> - MJ 2007 | rhd | 1 | PR:099,573 |
| (13) | 997 612 656 04 | Wire set D - MJ 2008>> | rhd | 1 | PR:099,573 |
| (13) | 987 612 655 00 | Wire set D >> - MJ 2007 | lhd | 1 | PR:098,572 |
| (13) | 987 612 655 02 | Wire set D - MJ 2008>> | lhd | 1 | PR:098,572 |
| (13) | 987 612 656 01 | Wire set D >> - MJ 2007 | rhd | 1 | PR:099,572 |
| (13) | 987 612 656 03 | Wire set D - MJ 2008>> | rhd | 1 | PR:099,572 |
| - | 997 612 664 00 | Wire set interference suppression coil | | 1 | PR:676 |
| 14 | 996 573 921 02 | Servomotor for defroster flap Identification: >> >> | lhd | 1 | PR:098 |

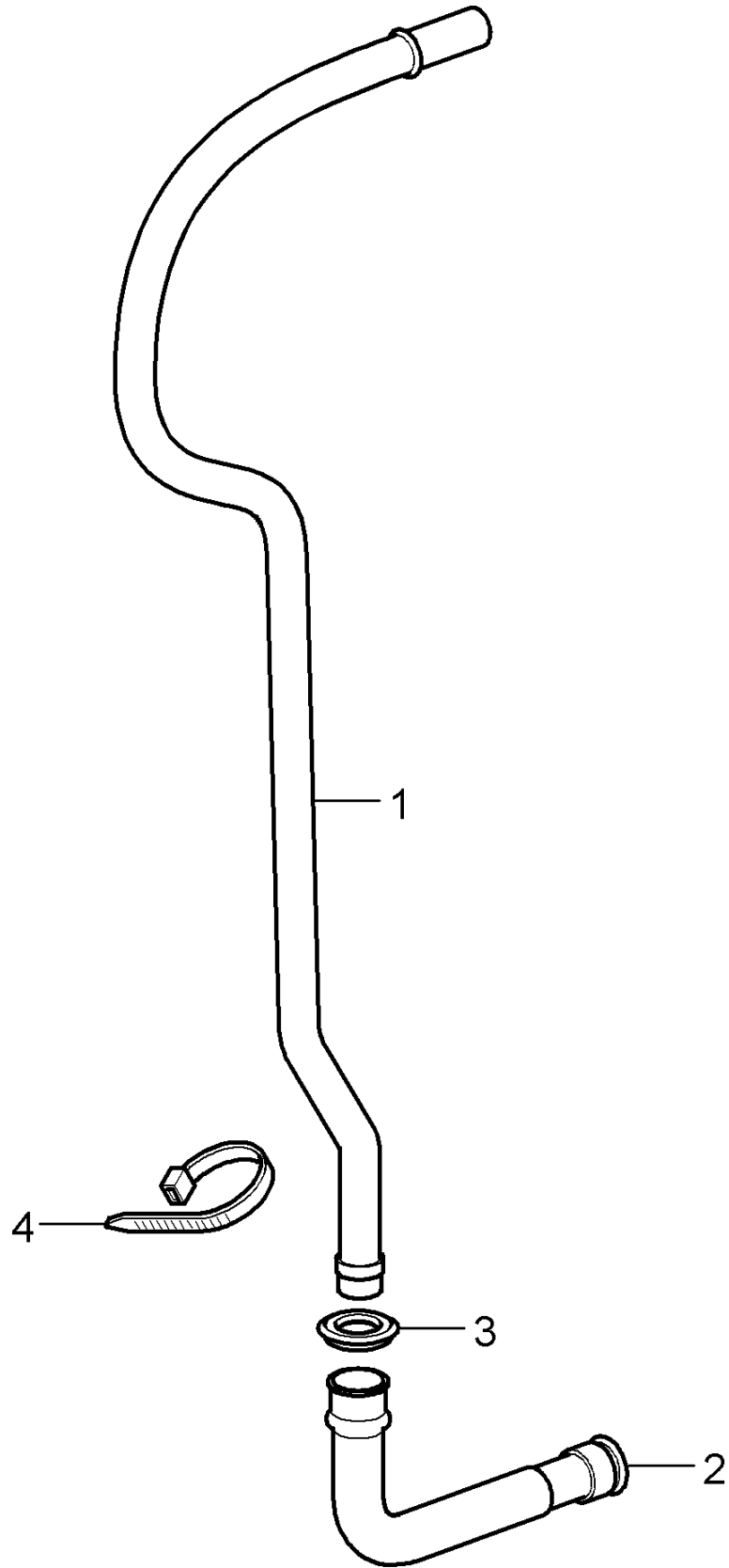
Model: 997T07

Model life 2007>>2009

| Pos | Part Number | Description | Remark | Qty | Model |
|------|----------------|---|--------|-----|--------|
| (14) | 996 573 921 03 | yellow Servomotor for defroster flap Identification: >> >> | rhd | 1 | PR:099 |
| 15 | 1H0 907 543 A | yellow Temperature sensor | | 1 | |
| 16 | 996 573 917 02 | central flap positioning motor Identification: >> >> | lhd | 1 | PR:098 |
| (16) | 996 573 917 03 | green central flap positioning motor Identification: >> >> | rhd | 1 | PR:099 |
| 17 | 996 573 923 00 | green Resistor | | 1 | |
| 18 | 997 573 935 00 | Bungs | | 1 | |
| 19 | 996 573 927 00 | Blower outlet sensor | | 1 | PR:573 |

Model: 997T07

Model life 2007>>2009



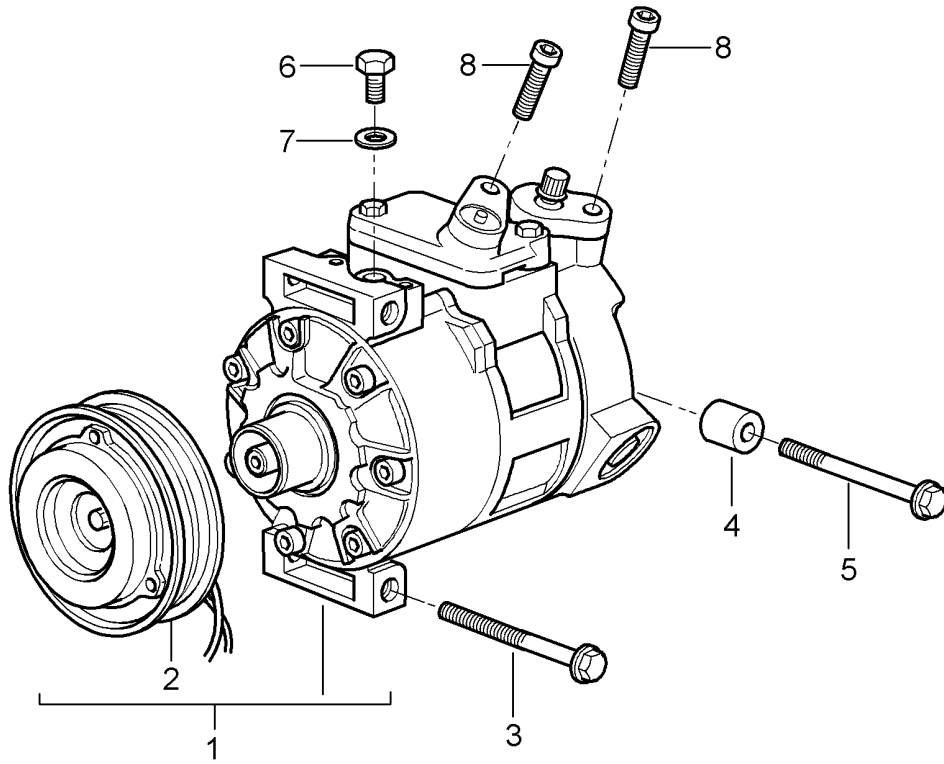
Model: 997T07

Model life 2007>>2009

| Pos | Part Number | Description | Remark | Qty | Model |
|-----|----------------|------------------|--------|-----|--------|
| | | water drain pipe | | | |
| | | Mount | | | |
| | | Air conditioner | | | |
| 1 | 996 573 793 01 | water drain pipe | lhd | 1 | PR:098 |
| 1 | 996 573 794 01 | water drain pipe | rhd | 1 | PR:099 |
| 2 | 996 573 797 02 | Connecting piece | | 1 | |
| 3 | 996 573 795 01 | Grommet | | 1 | |
| 4 | 999 513 049 40 | Cable ties | | 1 | |

Model: 997T07

Model life 2007>>2009



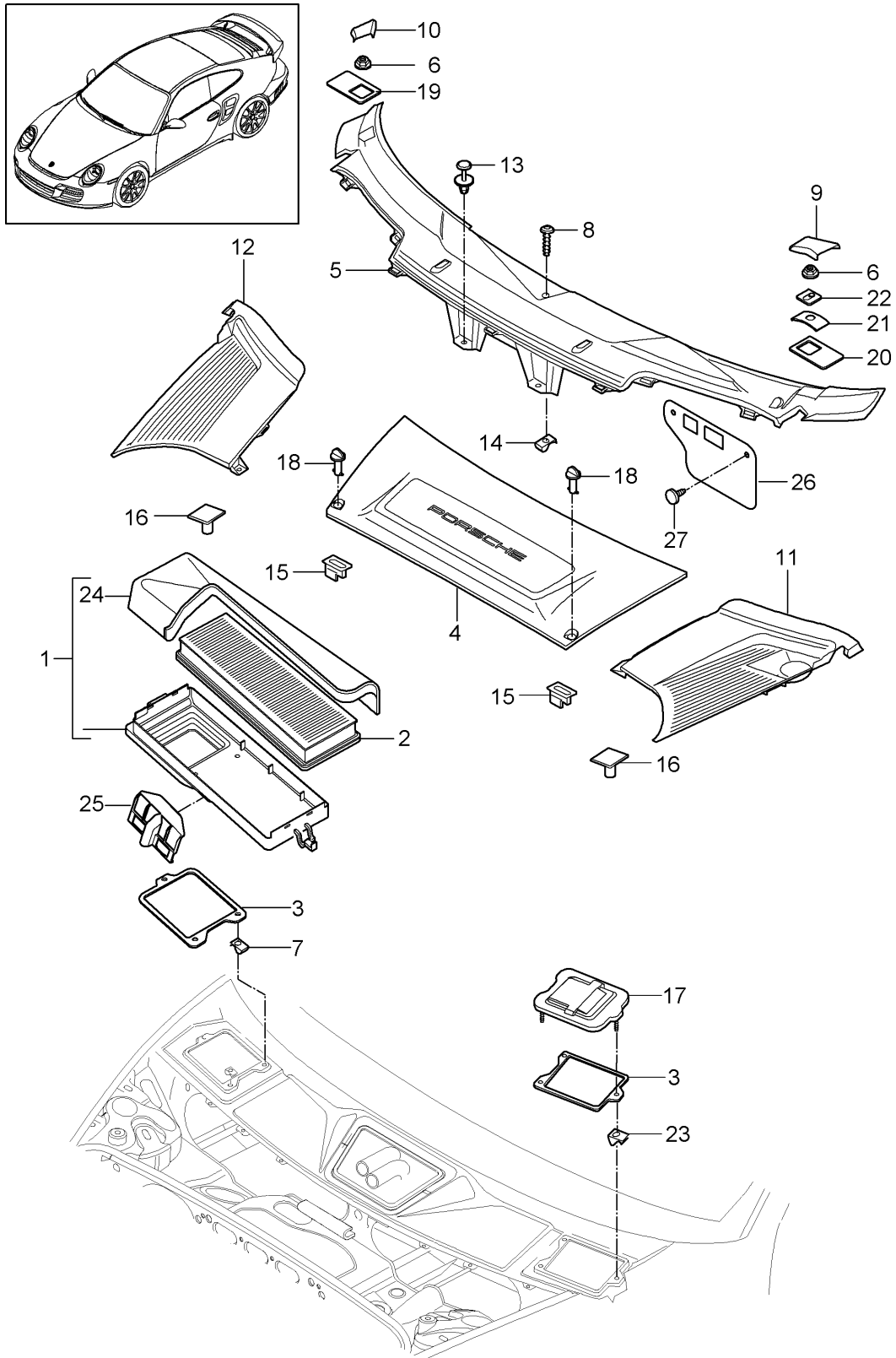
Model: 997T07

Model life 2007>>2009

| Pos | Part Number | Description | Remark | Qty | Model |
|-----|----------------|--|--------|-----|-------|
| 1 | 996 126 011 52 | Compressor | | 1 | |
| 2 | 996 573 926 00 | Compressor Magnetic coupling | | 1 | |
| 3 | 900 385 102 01 | repair set Torx screw | | 2 | |
| 4 | 996 126 102 71 | BM 8 X 90 Distance piece | | 1 | |
| 5 | 900 385 281 01 | Torx screw BM 8 X 120 | | 1 | |
| 6 | 996 573 926 01 | Oil filler screw | | 1 | |
| 7 | 996 573 926 02 | seal ring | | 1 | |
| 8 | 900 067 147 02 | Socket head bolt M8 X 25 | | 2 | |
| 8 | 900 067 147 01 | Discontinued part Socket head bolt M8 X 25 | | 2 | |
| - | 000 043 200 04 | Compressor oil 250ML | | 1 | |

Model: 997T07

Model life 2007>>2009



Model: 997T07

Model life 2007>>2009

| Pos | Part Number | Description | Remark | Qty | Model |
|------|--------------------|---------------------------------|-----------|-----|--------|
| 1 | 997 572 019 04 | Particulate filter housing | lhd | 1 | PR:098 |
| (1) | 997 572 019 05 | Cowl panel covering housing | rhd | 1 | PR:099 |
| 2 | 997 571 219 01 | Dust and pollen filter | | 1 | |
| 3 | 997 572 221 00 | Seal | | 1 | |
| 4 | 997 572 567 04 | Battery cover | | 1 | |
| | 997 572 567 04 FMT | Black Battery | | | |
| (4) | 997 572 729 02 | Dust and pollen filter insert | lhd | 1 | PR:098 |
| (4) | 997 572 729 03 | Dust and pollen filter insert | rhd | 1 | PR:099 |
| | | Particulate filter | | | |
| 5 | 997 572 563 08 | Cover | lhd | 1 | PR:098 |
| | | Scuttle | | | |
| | 997 572 563 08 FMT | Black | | | |
| 5 | 997 572 563 09 | Cover | rhd | 1 | PR:099 |
| | | Scuttle | | | |
| | 997 572 563 09 FMT | Black | | | |
| 6 | 999 076 071 02 | Hexagon nut M6 | | 2 | |
| 7 | 999 507 348 01 | panel nut | | 3 | |
| 8 | N 906 487 02 | Oval hexagon socket head bolt | | 1 | |
| 9 | 997 572 569 04 | Cover cap | left | 2 | PR:098 |
| | 997 572 569 04 FMT | Black | | | |
| (9) | 997 572 569 05 | Cover cap | left | 2 | PR:099 |
| | 997 572 569 05 FMT | Black | | | |
| 10 | 997 572 570 04 | Cover cap | right | 1 | PR:098 |
| | 997 572 570 04 FMT | Black | | | |
| (10) | 997 572 570 05 | Cover cap | right | 1 | PR:099 |
| | 997 572 570 05 FMT | Black | | | |
| 11 | 997 572 361 06 | Plenum chamber cover | left | 1 | |
| | | Discontinued part | | | |
| | 997 572 361 06 02A | Black | | | |
| 11 | 997 572 361 07 | Plenum chamber cover | left | 1 | |
| | 997 572 361 07 02A | Black | | | |
| 12 | 997 572 362 07 | Plenum chamber cover | right | 1 | |
| | | Discontinued part | | | |
| | 997 572 362 07 02A | Black | | | |
| 12 | 997 572 362 08 | Plenum chamber cover | right | 1 | |
| | 997 572 362 08 02A | Black | | | |
| 13 | 999 507 497 40 | Spreader rivet 8 X 14 | | 2 | |
| 14 | 999 507 834 41 | expanding nut ST 4,8 | | 1 | |
| 15 | 999 590 046 40 | Cam disc | | 2 | |
| 16 | 999 902 046 40 | catch | | 1 | |
| 17 | 997 572 419 02 | Cover | | 2 | |
| | | D - MJ 2007>> - MJ 2007 | | | |
| 17 | 997 572 419 03 | Cover | | 2 | |
| | | D - MJ 2008>> - MJ 2008 | | | |
| 18 | 997 572 867 00 | Locking bolt | | 2 | |
| | 997 572 867 00 02A | Black | | | |
| 18 | 997 572 867 01 | Locking bolt | | 2 | |
| | 997 572 867 01 02A | Black | | | |
| 19 | 997 572 842 00 | Pressure plate (passenger side) | | 1 | |
| | | D >> - MJ 2008 | | | |
| | | Discontinued part | | | |
| 19 | 997 572 842 01 | Pressure plate (passenger side) | right lhd | 1 | PR:098 |
| | | D - MJ 2009>> | | | |
| 19 | 997 572 842 02 | Pressure plate (passenger side) | left rhd | 1 | PR:099 |

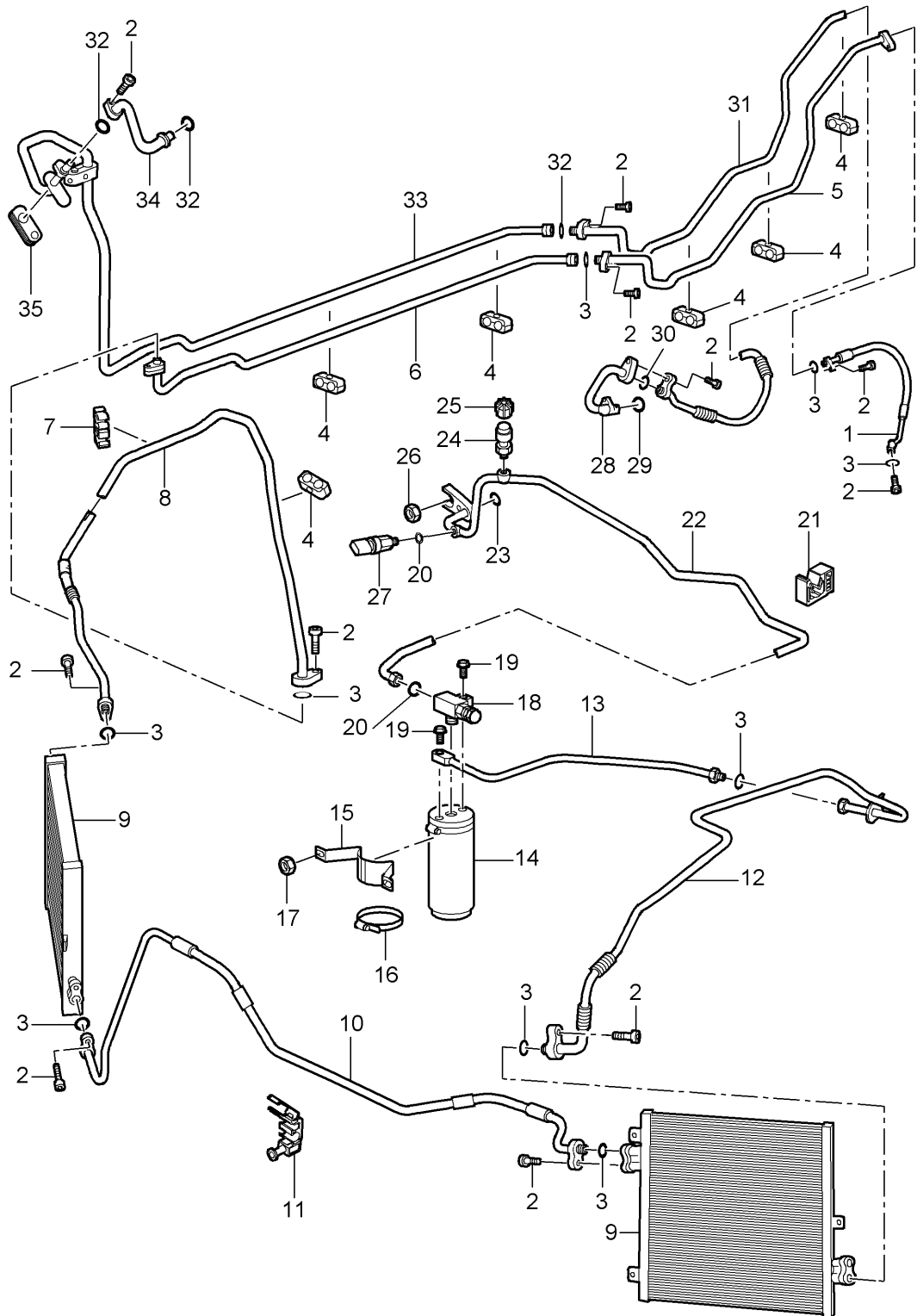
Model: 997T07

Model life 2007>>2009

| Pos | Part Number | Description | Remark | Qty | Model |
|------|----------------|---|--------|-----|--------|
| | | D - MJ 2009>> | | | |
| 20 | 997 572 841 00 | Pressure plate (drivers side) | | 1 | |
| 21 | 997 572 837 00 | spring plate (drivers side) | | 1 | |
| 22 | 997 572 533 00 | Retaining plate (drivers side) | | 1 | |
| 23 | 999 591 855 02 | panel nut | | 3 | |
| 24 | 997 572 729 02 | Dust and pollen filter insert Particulate filter | lhd | 1 | PR:098 |
| (24) | 997 572 729 03 | Dust and pollen filter insert Particulate filter | rhd | 1 | PR:099 |
| 25 | 997 572 862 01 | Support | | 1 | |
| 26 | 997 572 763 00 | Cover | | 1 | |
| 27 | 999 703 432 40 | Bungs 8,0 12,2 X 25 | | 2 | |

Model: 997T07

Model life 2007>>2009



Model: 997T07 Model life 2007>>2009

| Pos | Part Number | Description | Remark | Qty | Model |
|------|----------------|---|--------|-----|------------|
| 1 | 997 573 097 01 | refrigerant circuit Pressure line Discontinued part | | 1 | |
| 1 | 997 573 097 03 | Pressure line | | 1 | |
| 2 | 900 067 247 02 | Bolt with washer M8 X 30 Discontinued part | | X | |
| 2 | 900 067 247 01 | Bolt with washer M8 X 30 | | X | |
| 3 | 999 707 434 41 | O-ring 10,6 X 2,0 | | X | |
| 4 | 999 511 230 40 | Cable holder | | X | |
| 5 | 997 573 096 03 | Pressure line | | 1 | |
| 6 | 996 573 092 02 | Pressure line | | 1 | |
| 7 | 996 355 547 01 | Bracket | | 1 | |
| 8 | 997 573 094 01 | Pressure line | | 1 | |
| 9 | 996 573 111 03 | Condenser | | 2 | |
| 10 | 997 573 103 01 | Pressure line | | 1 | TURBO |
| (10) | 997 573 103 80 | Pressure line | | 1 | GT2 |
| 11 | 996 347 543 00 | Cable holder 4,75 / 8,0 | | 2 | |
| 12 | 997 573 105 01 | Pressure line | | 1 | |
| 13 | 996 573 106 00 | Refrigerant line Drier | | 1 | |
| 14 | 944 573 143 01 | Drier | | 1 | |
| 15 | 996 573 451 00 | bracket for drier | | 1 | |
| 16 | 999 512 349 01 | Hose clamp A50-70/9 | | 1 | |
| 17 | 900 380 015 09 | Hexagon nut M6 | | 2 | |
| 18 | 997 573 243 00 | Distributor | | 1 | |
| 19 | 900 075 340 01 | Bolt with washer M6 X 22 | | 2 | |
| 20 | 999 707 555 41 | O-ring 10,8 X 1,8 | | X | |
| 21 | 999 591 922 40 | Bracket 4,8 / 8,0 | lhd | 1 | PR:098 |
| (21) | 999 513 049 40 | Cable ties 8,0 - 30 | rhd | 1 | PR:099 |
| 22 | 997 573 108 02 | Pressure line | lhd | 1 | PR:098 |
| (22) | 997 573 108 01 | Pressure line Discontinued part | rhd | 1 | PR:099 |
| (22) | 997 573 108 03 | Pressure line | rhd | 1 | PR:099 |
| 23 | 999 707 531 41 | O-ring 7,5 X 2,04 | | X | |
| 24 | 996 573 666 00 | Valve | | 1 | |
| 25 | 944 573 663 02 | Cap | | 1 | |
| 26 | 900 377 010 09 | Hexagon nut M6 | | 2 | |
| 27 | 1K0 959 126 B | Pressure sensor Discontinued part | | 1 | |
| (27) | 955 613 137 01 | Pressure sensor Discontinued part | | 1 | |
| (27) | 955 613 137 02 | Pressure sensor | | 1 | |
| 28 | 997 573 099 03 | suction line | | 1 | |
| 29 | 999 707 439 41 | O-ring 23,8 X 2,4 | | X | |
| 30 | 999 707 558 41 | O-ring 13,7 X 2,5 | | X | |
| 31 | 997 573 095 01 | suction line M >> 627 00765 M >> 627 00889 See technical information | | 1 | PR:249,480 |

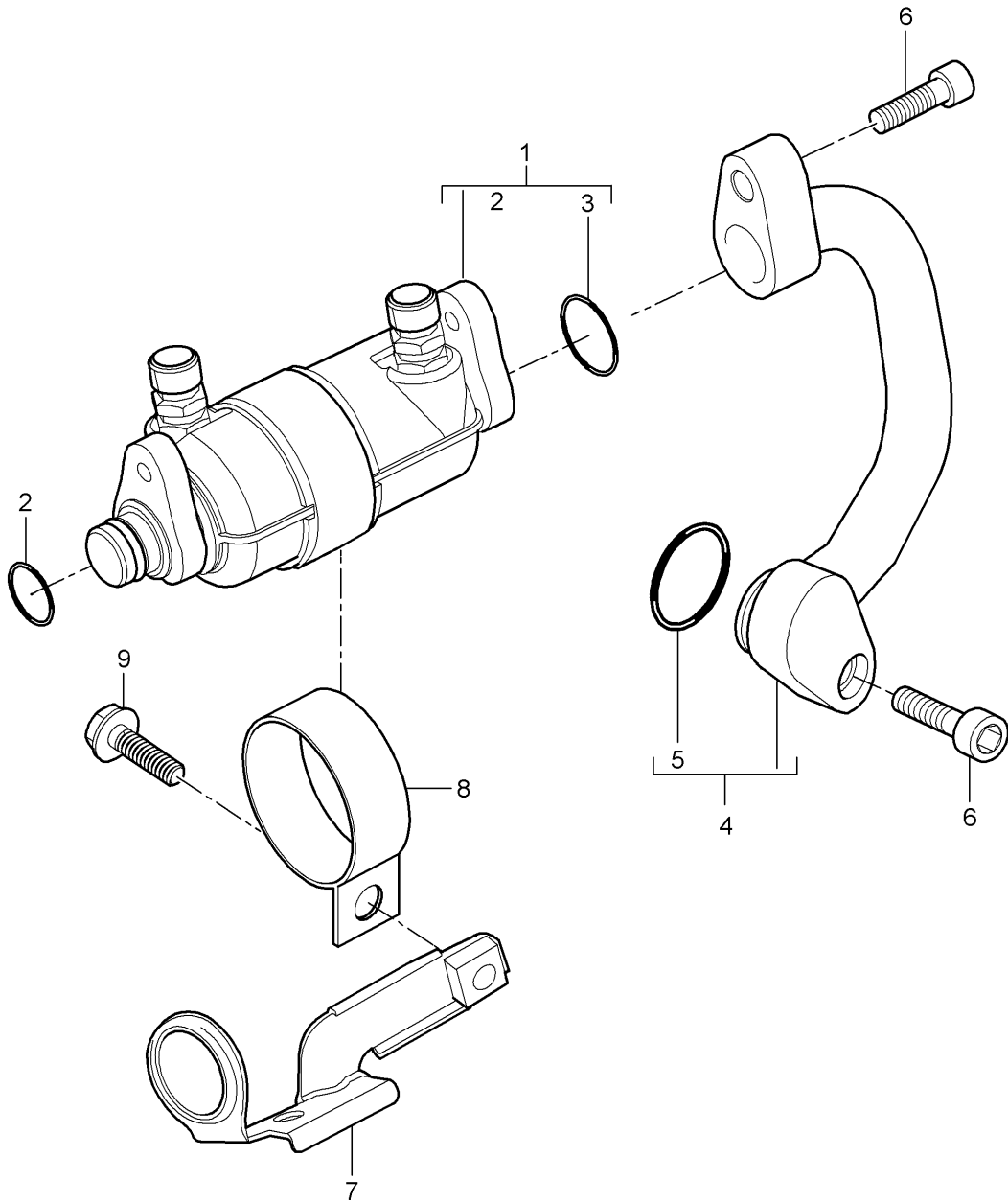
Model: 997T07

Model life 2007>>2009

| Pos | Part Number | Description | Remark | Qty | Model |
|------|----------------|--|-----------|-----|--------------------|
| 31 | 997 573 095 04 | GR. 1 , NR. 2/06 suction line for vehicles up to M >> 627 00765 M >> 627 00889 also use: see illustration, item: | 813-026,1 | 1 | PR:573,249, 480 |
| 32 | 999 707 534 41 | O-ring 17,0 X 2,0 | | X | |
| 33 | 996 573 091 01 | suction line | | 1 | |
| 34 | 996 573 093 06 | suction line | lhd | 1 | PR:098 |
| (34) | 996 573 093 07 | suction line | rh | 1 | PR:099 |
| 35 | 996 573 769 01 | Grommet | | 1 | |

Model: 997T07

Model life 2007>>2009



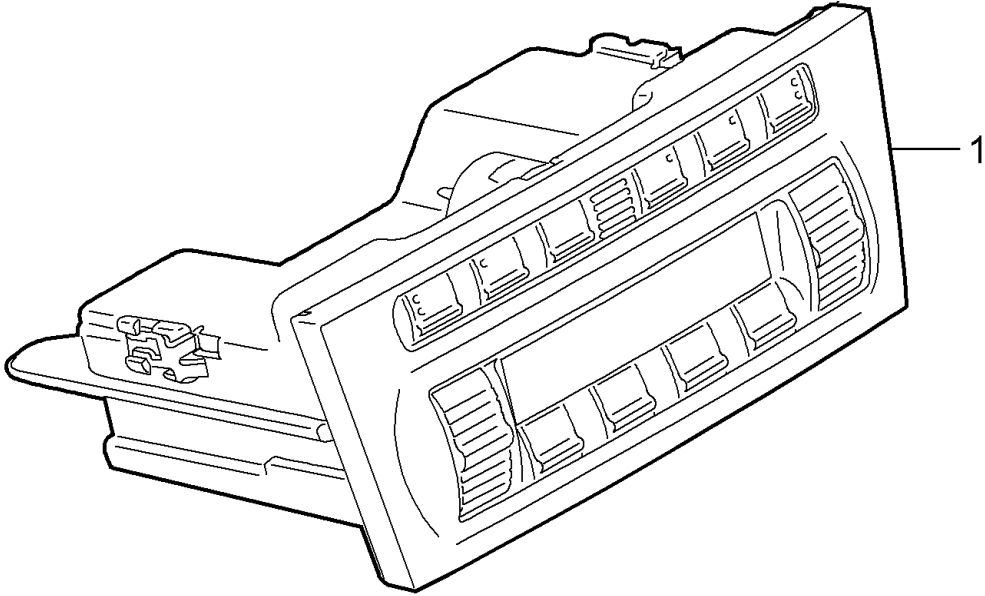
Model: 997T07

Model life 2007>>2009

| Pos | Part Number | Description | Remark | Qty | Model |
|-----|----------------|-----------------------------|--------|-----|-------|
| 1 | 997 573 069 01 | fuel cooling fuel cooler | | 1 | |
| 2 | 999 707 558 41 | O-ring 13,70 X 2,50N | | 1 | |
| 3 | 999 707 534 41 | O-ring 17,00 X 2,00N | | 1 | |
| 4 | 997 573 099 03 | suction line | | 1 | |
| 5 | 999 707 439 41 | O-ring 23,80 X 2,40N | | 1 | |
| 6 | 900 067 276 01 | Bolt with washer M8 X 35 | | 2 | |
| 7 | 997 573 231 03 | Bracket | | 1 | |
| 8 | 999 512 202 01 | Clamp B1 49 X 20 | | 1 | |
| 9 | 900 067 314 01 | Bolt with washer M8 X 25 | | 1 | |

Model: 997T07

Model life 2007>>2009

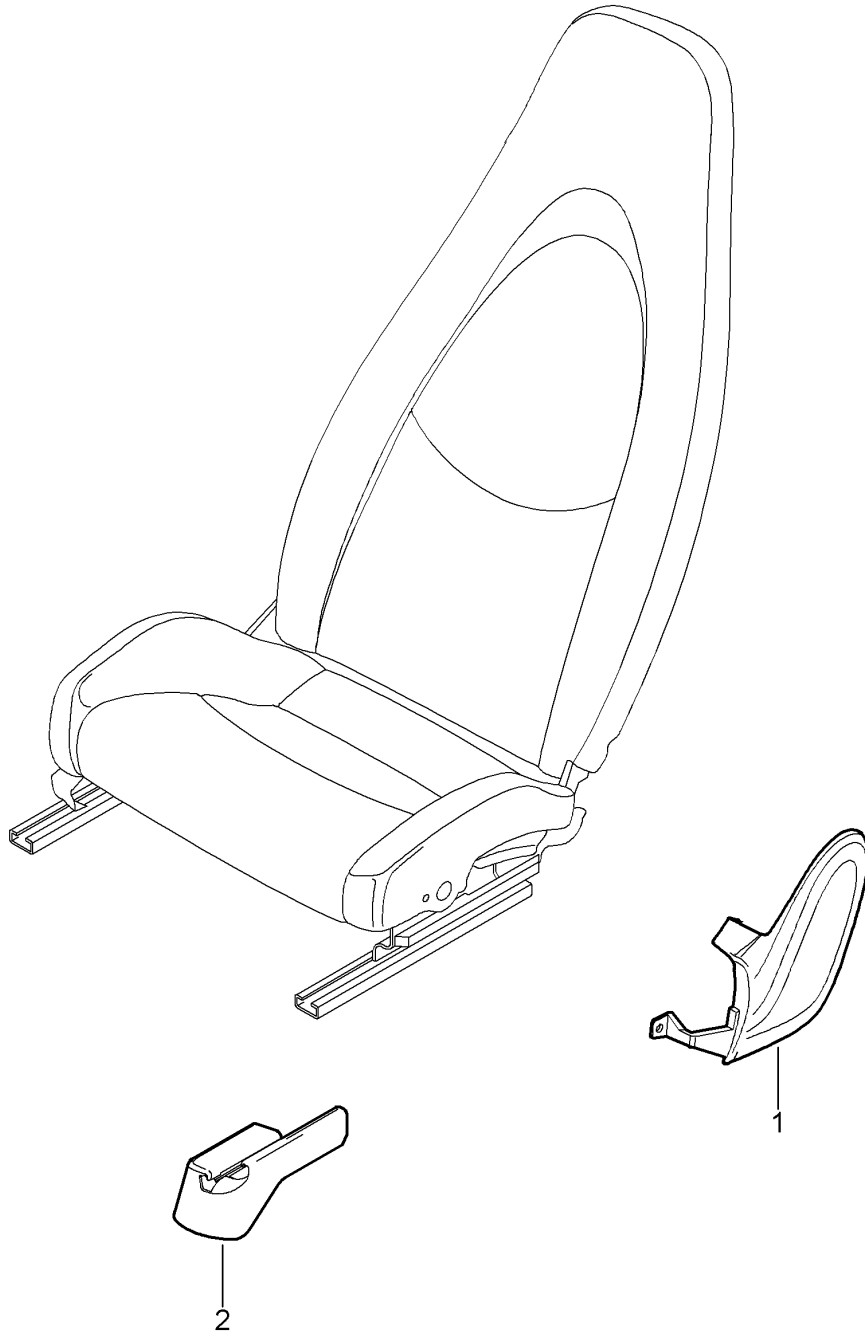


Model: 997T07 Model life 2007>>2009

| Pos | Part Number | Description | Remark | Qty | Model |
|-----|--------------------------------------|--|--------|-----|--------------------|
| 1 | 997 653 101 11 | Control switch Control panel D >> - MJ 2007 No longer use the part here | | 1 | PR:573 |
| 1 | 997 653 101 11 FMH 997 653 101 12 | Volcano Grey/Black Mat Control panel D >> - MJ 2007 | | 1 | PR:573 |
| 1 | 997 653 101 12 FMH 997 653 101 13 | Volcano Grey/Black Mat Control panel D - MJ 2008>> - MJ 2008 | | 1 | PR:573 |
| 1 | 997 653 101 13 FMH 997 653 111 11 | Volcano Grey/Black Mat Control panel D >> - MJ 2007 No longer use the part here | | 1 | PR:573,342 |
| 1 | 997 653 111 11 FMH 997 653 111 12 | Volcano Grey/Black Mat Control panel D >> - MJ 2007 | | 1 | PR:573,342 |
| 1 | 997 653 111 12 FMH 997 653 111 13 | Volcano Grey/Black Mat Control panel D - MJ 2008>> - MJ 2008 | | 1 | PR:573,342 |
| (1) | 997 653 111 13 FMH 997 653 205 02 | Volcano Grey/Black Mat Control panel D - MJ 2009>> | | 1 | PR:573 |
| (1) | 997 653 205 02 FTC 997 653 215 02 | Matt Black/Galvano Silver Mattschwarz/Galvanosilber Control panel D - MJ 2009>> | | 1 | PR:342,573 |
| (1) | 997 653 215 02 FTC 997 653 225 02 | Matt Black/Galvano Silver Mattschwarz/Galvanosilber Control panel D - MJ 2009>> | | 1 | PR:342,541, 573 |
| | 997 653 225 02 FTC | Matt Black/Galvano Silver Mattschwarz/Galvanosilber | | | |

Model: 997T07

Model life 2007>>2009



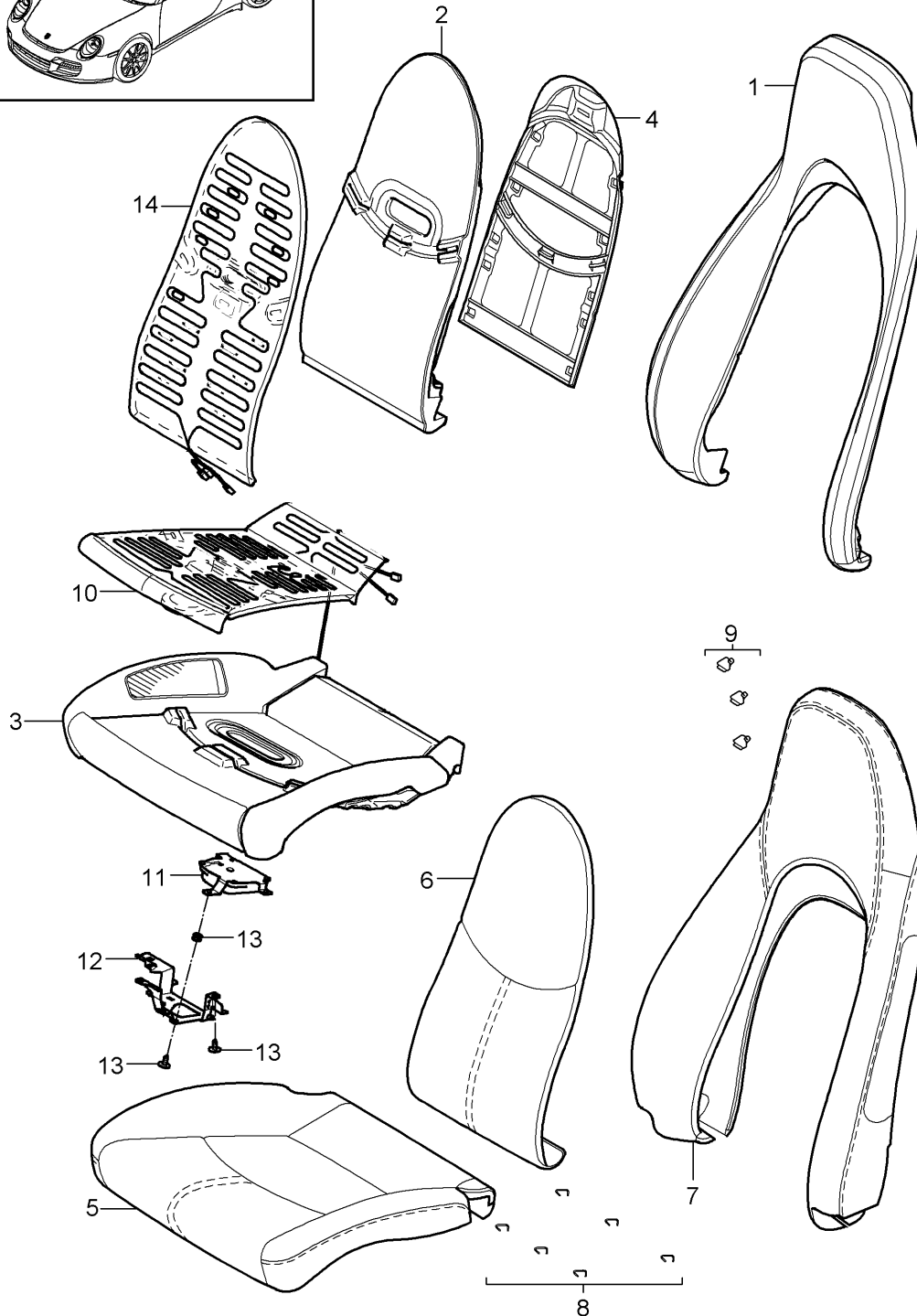
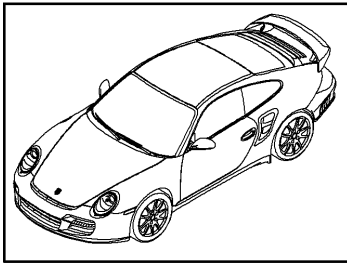
Model: 997T07

Model life 2007>>2009

| Pos | Part Number | Description | Remark | Qty | Model |
|-----|--------------------|--|--------|-----|------------------------------------|
| | | Front seat (complete) Not available D - MJ 2007>> | | | TURBO COUPE CABRIO |
| 1 | 997 521 315 02 | Cover panel | left | 1 | |
| | | Mounting component | | | |
| | 997 521 315 02 D07 | Volcano grey | | | |
| (1) | 997 521 316 02 | Cover panel | right | 1 | |
| | | Mounting component | | | |
| | 997 521 316 02 D07 | Volcano grey | | | |
| (1) | 997 521 316 03 | Cover panel | right | 1 | PR:370,376, 378,438,560 |
| | | Mounting component | | | |
| | | For vehicles with 'Advanced' airbag | | | |
| | 997 521 316 03 D07 | Volcano grey | | | |
| 2 | 997 521 361 00 | Rail | left | 1 | PR:370,376, 377,378,437, 438 |
| | | Seat rail | | | |
| | 997 521 361 00 01C | Satin black | | | |
| (2) | 997 521 362 00 | Rail | right | 1 | PR:369,375, 377,378,437, 438 |
| | | Seat rail | | | |
| | 997 521 362 00 01C | Satin black | | | |

Model: 997T07

Model life 2007>>2009



Model: 997T07 Model life 2007>>2009

| Pos | Part Number | Description | Remark | Qty | Model |
|-----|--------------------|--|--------|-----|------------------------|
| | | Foam part Cover Comfort seat Ventilation component | | | COUPE CABRIO |
| 1 | 997 521 535 00 | Foam part backrest | outer | 2 | PR:437,438 |
| (1) | 997 521 535 03 | Foam part backrest D - MJ 2009>> | outer | 2 | PR:437,438, 541 |
| 2 | 997 521 581 00 | Foam part backrest | center | 2 | PR:437,438 |
| (2) | 997 521 581 01 | Foam part backrest D - MJ 2009>> | center | 2 | PR:437,438, 541 |
| 3 | 997 521 571 00 | Foam part Seat cushion | | 1 | PR:437,438 |
| (3) | 997 521 571 06 | Foam part Seat cushion D - MJ 2009>> | | 1 | PR:437,438, 541 |
| (3) | 997 521 571 03 | Foam part Seat cushion For vehicles with 'Advanced' airbag | | 1 | PR:438,560 |
| (3) | 997 521 571 07 | Foam part Seat cushion For vehicles with 'Advanced' airbag D - MJ 2009>> | | 1 | PR:438,560, 541 |
| 4 | 997 521 551 01 | Backrest-padding support part | | 2 | PR:437,438 |
| (5) | 997 521 161 01 | Seat cover | | 2 | PR:437,438, 983 |
| | 997 521 161 01 FLC | Black | | | |
| | 997 521 161 01 FLF | Stone grey | | | |
| | 997 521 161 01 FLJ | Sand beige | | | |
| | 997 521 161 01 FLM | sea blue | | | |
| | 997 521 161 01 FLP | Palm green | | | |
| | 997 521 161 01 FLQ | Terracotta | | | |
| | 997 521 161 01 FLR | Cocoa | | | |
| | 997 521 161 01 VAA | Dark grey/natural | | | |
| | 997 521 161 01 VAB | Brown/natural | | | |
| | 997 521 161 01 VAC | Carrera Red | | | |
| (5) | 997 521 161 02 | Seat cover | | 2 | PR:437,438, 982 |
| | 997 521 161 02 FLC | Black | | | |
| | 997 521 161 02 FLF | Stone grey | | | |
| | 997 521 161 02 FLJ | Sand beige | | | |
| | 997 521 161 02 FLM | sea blue | | | |
| | 997 521 161 02 FLP | Palm green | | | |
| | 997 521 161 02 FLQ | Terracotta | | | |
| | 997 521 161 02 FLR | Cocoa | | | |
| | 997 521 161 02 VAA | Dark grey/natural | | | |
| | 997 521 161 02 VAB | Brown/natural | | | |
| | 997 521 161 02 VAC | Carrera Red | | | |
| (5) | 997 521 161 10 | Seat cover D - MJ 2009>> | | 2 | PR:437,438, 983,541 |
| | 997 521 161 10 FLC | Black | | | |
| | 997 521 161 10 FLF | Stone grey | | | |
| | 997 521 161 10 FLJ | Sand beige | | | |
| | 997 521 161 10 FLM | sea blue | | | |
| | 997 521 161 10 FLP | Palm green | | | |
| | 997 521 161 10 FLQ | Terracotta | | | |
| | 997 521 161 10 FLR | Cocoa | | | |
| | 997 521 161 10 VAA | Dark grey/natural | | | |

Model: 997T07 Model life 2007>>2009

| Pos | Part Number | Description | Remark | Qty | Model |
|--------------------|--------------------|------------------------|--------|-----|------------------------|
| (6) | 997 521 161 10 VAB | Brown/natural | | 1 | PR:437,438, 983 |
| | 997 521 161 10 VAC | Carrera Red | | | |
| | 997 521 151 00 | Backrest cushion cover | | | |
| | | Centre part | | | |
| | 997 521 151 00 8YR | Black | | | |
| | 997 521 151 00 5X5 | Stone grey | | | |
| | 997 521 151 00 8G1 | Sand beige | | | |
| | 997 521 151 00 3S8 | sea blue | | | |
| | 997 521 151 00 4P1 | Palm green | | | |
| | 997 521 151 00 9N2 | Terracotta | | | |
| (6) | 997 521 151 00 9Q3 | Cocoa | | 1 | PR:437,438, 983,541 |
| | 997 521 151 00 D11 | Dark grey/natural | | | |
| | 997 521 151 00 T11 | Brown/natural | | | |
| | 997 521 151 00 N11 | Carrera Red | | | |
| | 997 521 151 03 | Backrest cushion cover | | | |
| | | Centre part | | | |
| | | D - MJ 2009>> | | | |
| | 997 521 151 03 8YR | Black | | | |
| | 997 521 151 03 5X5 | Stone grey | | | |
| | 997 521 151 03 8G1 | Sand beige | | | |
| (6) | 997 521 151 03 3S8 | sea blue | | 1 | PR:437,438, 982 |
| | 997 521 151 03 4P1 | Palm green | | | |
| | 997 521 151 03 9N2 | Terracotta | | | |
| | 997 521 151 03 9Q3 | Cocoa | | | |
| | 997 521 151 03 D11 | Dark grey/natural | | | |
| | 997 521 151 03 T11 | Brown/natural | | | |
| | 997 521 151 03 N11 | Carrera Red | | | |
| | 997 521 151 01 | Backrest cushion cover | | | |
| | | Centre part | | | |
| | 997 521 151 01 8YR | Black | | | |
| (7) | 997 521 151 01 5X5 | Stone grey | | 1 | PR:437,982, 983 |
| | 997 521 151 01 8G1 | Sand beige | | | |
| | 997 521 151 01 3S8 | sea blue | | | |
| | 997 521 151 01 4P1 | Palm green | | | |
| | 997 521 151 01 9N2 | Terracotta | | | |
| | 997 521 151 01 9Q3 | Cocoa | | | |
| | 997 521 151 01 D11 | Dark grey/natural | | | |
| | 997 521 151 01 T11 | Brown/natural | | | |
| | 997 521 151 01 N11 | Carrera Red | | | |
| | 997 521 141 01 | Backrest cover | left | | |
| (7) | | Outer part | | 1 | PR:438,982, 983 |
| | 997 521 141 01 FLC | Black | | | |
| | 997 521 141 01 FLF | Stone grey | | | |
| | 997 521 141 01 FLJ | Sand beige | | | |
| | 997 521 141 01 FLM | sea blue | | | |
| | 997 521 141 01 FLP | Palm green | | | |
| | 997 521 141 01 FLQ | Terracotta | | | |
| | 997 521 141 01 FLR | Cocoa | | | |
| | 997 521 141 01 VAA | Dark grey/natural | | | |
| | 997 521 141 01 VAB | Brown/natural | | | |
| 997 521 141 01 VAC | Carrera Red | | | | |
| 997 521 142 01 | Backrest cover | right | | | |
| (7) | | Outer part | | 1 | PR:438,982, 983 |
| | 997 521 142 01 FLC | Black | | | |
| | 997 521 142 01 FLF | Stone grey | | | |
| | 997 521 142 01 FLJ | Sand beige | | | |
| | 997 521 142 01 FLM | sea blue | | | |
| | 997 521 142 01 FLP | Palm green | | | |
| | 997 521 142 01 FLQ | Terracotta | | | |
| | 997 521 142 01 FLR | Cocoa | | | |
| | 997 521 142 01 VAA | Dark grey/natural | | | |
| | 997 521 142 01 VAB | Brown/natural | | | |
| 997 521 142 01 VAC | Carrera Red | | | | |

Model: 997T07 Model life 2007>>2009

| Pos | Part Number | Description | Remark | Qty | Model |
|-----|--------------------|---|--------|-----|----------------------------|
| (7) | 997 521 142 05 | Backrest cover Outer part D - MJ 2009>> | right | 1 | PR:438,983, 541 |
| | 997 521 142 05 FLC | Black | | | |
| | 997 521 142 05 FLF | Stone grey | | | |
| | 997 521 142 05 FLJ | Sand beige | | | |
| | 997 521 142 05 FLM | sea blue | | | |
| | 997 521 142 05 FLP | Palm green | | | |
| | 997 521 142 05 FLQ | Terracotta | | | |
| | 997 521 142 05 FLR | Cocoa | | | |
| | 997 521 142 05 VAA | Dark grey/natural | | | |
| | 997 521 142 05 VAB | Brown/natural | | | |
| | 997 521 142 05 VAC | Carrera Red | | | |
| (7) | 997 521 141 05 | Backrest cover Outer part D - MJ 2009>> | left | 1 | PR:437,983, 541 |
| | 997 521 141 05 FLC | Black | | | |
| | 997 521 141 05 FLF | Stone grey | | | |
| | 997 521 141 05 FLJ | Sand beige | | | |
| | 997 521 141 05 FLM | sea blue | | | |
| | 997 521 141 05 FLP | Palm green | | | |
| | 997 521 141 05 FLQ | Terracotta | | | |
| | 997 521 141 05 FLR | Cocoa | | | |
| | 997 521 141 05 VAA | Dark grey/natural | | | |
| | 997 521 141 05 VAB | Brown/natural | | | |
| | 997 521 141 05 VAC | Carrera Red | | | |
| (7) | 997 521 941 01 | Backrest cover | left | 1 | PR:XSC,982, 983 |
| | 997 521 941 01 8YR | Black | | | |
| | 997 521 941 01 5X5 | Stone grey | | | |
| | 997 521 941 01 8G1 | Sand beige | | | |
| | 997 521 941 01 3S8 | sea blue | | | |
| | 997 521 941 01 4P1 | Palm green | | | |
| | 997 521 941 01 9N2 | Terracotta | | | |
| | 997 521 941 01 9Q3 | Cocoa | | | |
| | 997 521 941 01 D11 | Dark grey/natural | | | |
| | 997 521 941 01 T11 | Brown/natural | | | |
| | 997 521 941 01 N11 | Carrera Red | | | |
| (7) | 997 521 941 05 | Backrest cover Outer part | left | 1 | PR:XSC,369, 541,983,437 |
| | 997 521 941 05 8YR | Black | | | |
| | 997 521 941 05 5X5 | Stone grey | | | |
| | 997 521 941 05 8G1 | Sand beige | | | |
| | 997 521 941 05 3S8 | sea blue | | | |
| | 997 521 941 05 9N2 | Terracotta | | | |
| | 997 521 941 05 9Q3 | Cocoa | | | |
| | 997 521 941 05 D11 | Dark grey/natural | | | |
| | 997 521 941 05 T11 | Brown/natural | | | |
| | 997 521 941 05 N11 | Carrera Red | | | |
| (7) | 997 521 942 01 | Backrest cover Outer part | right | 1 | PR:XSC,982, 983 |
| | 997 521 942 01 8YR | Black | | | |
| | 997 521 942 01 5X5 | Stone grey | | | |
| | 997 521 942 01 8G1 | Sand beige | | | |
| | 997 521 942 01 3S8 | sea blue | | | |
| | 997 521 942 01 4P1 | Palm green | | | |
| | 997 521 942 01 9N2 | Terracotta | | | |
| | 997 521 942 01 9Q3 | Cocoa | | | |
| | 997 521 942 01 D11 | Dark grey/natural | | | |
| | 997 521 942 01 T11 | Brown/natural | | | |
| | 997 521 942 01 N11 | Carrera Red | | | |
| (7) | 997 521 942 05 | Backrest cover Outer part | right | 1 | PR:XSC,370, 541,983,437 |

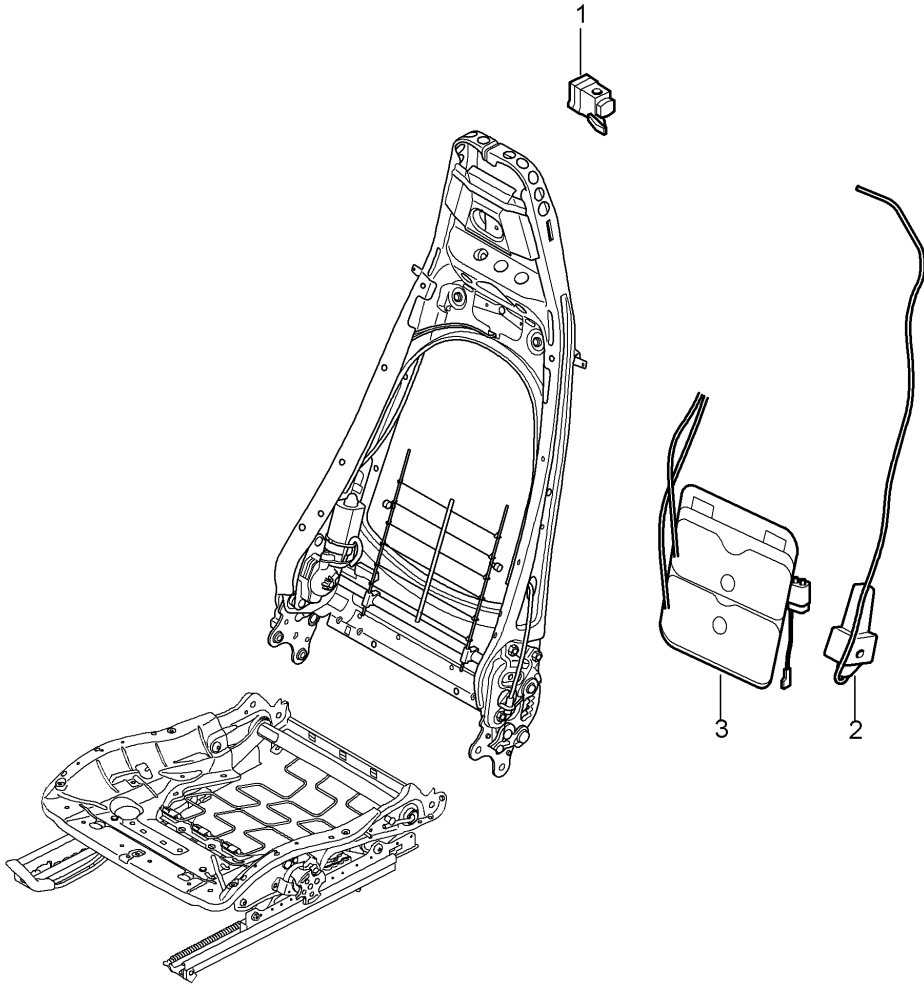
Model: 997T07

Model life 2007>>2009

| Pos | Part Number | Description | Remark | Qty | Model |
|-----|--------------------|---|--------|-----|--------------------|
| | 997 521 942 05 8YR | Black | | | |
| | 997 521 942 05 5X5 | Stone grey | | | |
| | 997 521 942 05 8G1 | Sand beige | | | |
| | 997 521 942 05 3S8 | sea blue | | | |
| | 997 521 942 05 9N2 | Terracotta | | | |
| | 997 521 942 05 9Q3 | Cocoa | | | |
| | 997 521 942 05 D11 | Dark grey/natural | | | |
| | 997 521 942 05 T11 | Brown/natural | | | |
| | 997 521 942 05 N11 | Carrera Red | | | |
| 8 | 997 521 837 00 | Clip Padding Seat | | 6 | |
| 9 | 997 521 897 00 | Clip Backrest cover | | 5 | |
| 10 | 997 521 721 00 | Airbag Seat cushion D - MJ 2009>> | | 1 | PR:437,438, 541 |
| 11 | 997 624 335 00 | Electric motor Seat cushion D - MJ 2009>> | | 1 | PR:541 |
| 12 | 997 521 661 00 | Bracket Electric motor D - MJ 2009>> | | 1 | PR:437,438, 541 |
| 13 | 000 043 207 38 | 1 set attachment parts Electric motor Seat cushion D - MJ 2009>> | | 1 | PR:541 |
| 14 | 997 521 731 00 | Airbag backrest D - MJ 2009>> | | 1 | PR:437,438, 541 |

Model: 997T07

Model life 2007>>2009



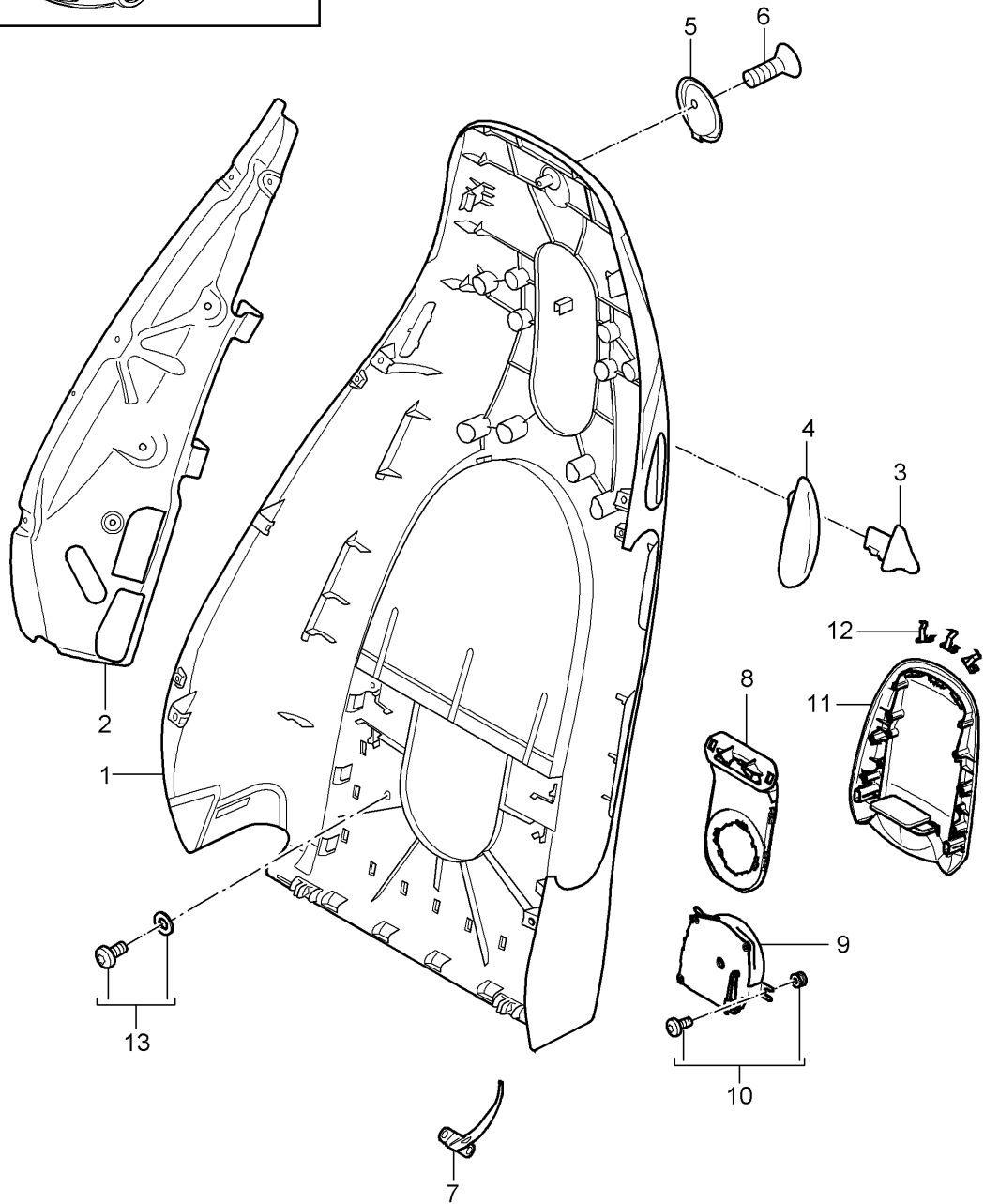
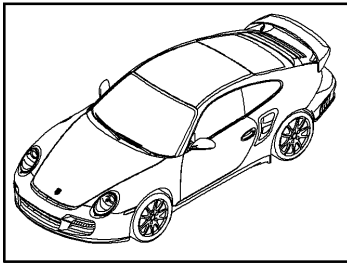
Model: 997T07

Model life 2007>>2009

| Pos | Part Number | Description | Remark | Qty | Model |
|-----|----------------|---|--------|-----|-------------------------------|
| 1 | 997 617 726 00 | Lumbar support Comfort seat Valve Lumbar support Memory | | 1 | COUPE CABRIO PR:537,538 |
| 2 | 997 620 725 00 | Compressor Lumbar | | 1 | PR:437,438 |
| 3 | 997 521 709 01 | Lumbar support Memory | | 1 | PR:437,438, 537,538 |

Model: 997T07

Model life 2007>>2009



Model: 997T07 Model life 2007>>2009

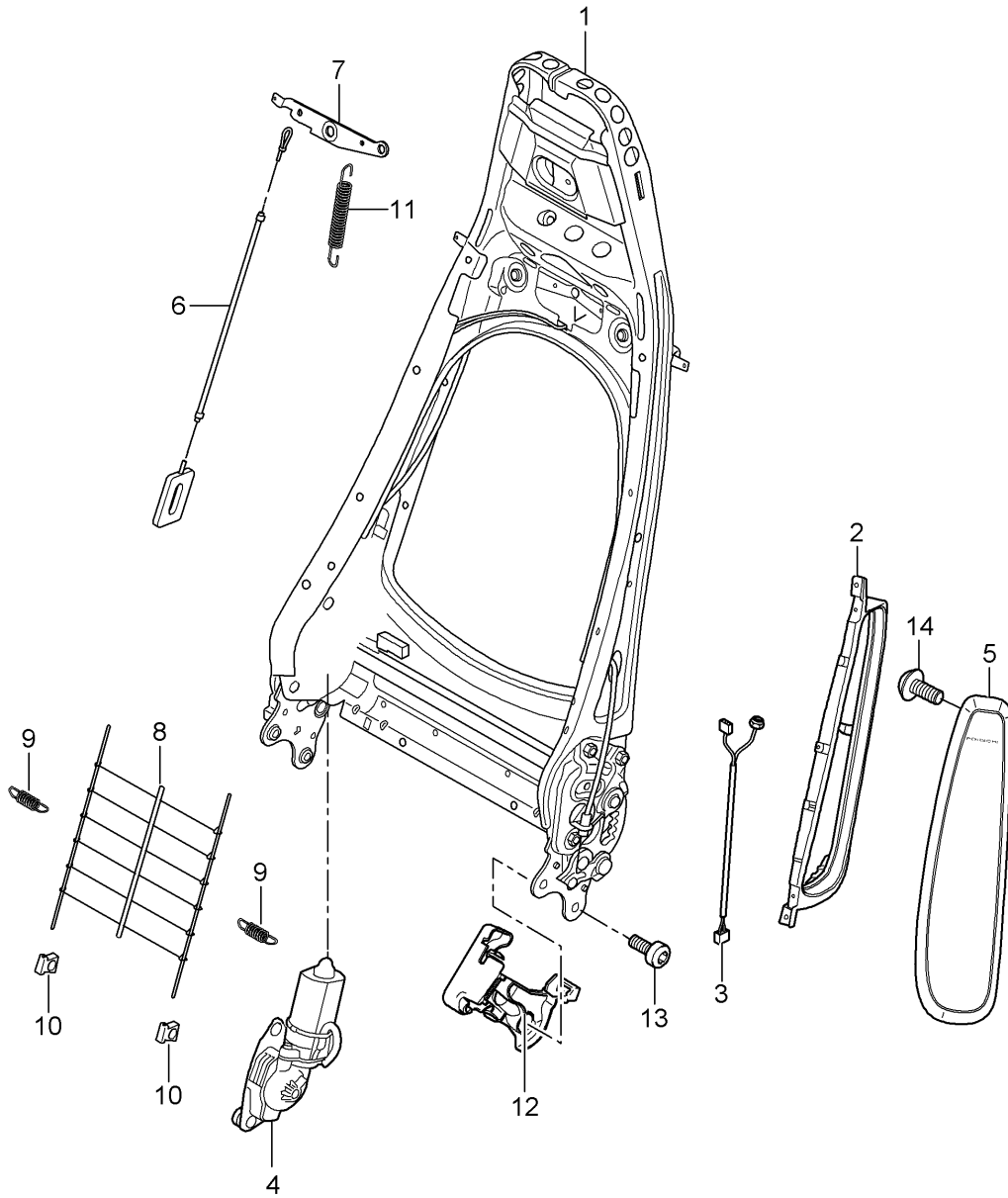
| Pos | Part Number | Description | Remark | Qty | Model |
|-----|--------------------|---|--------|-----|--------------------|
| | | Backrest shell Standard seat Comfort seat | | | COUPE CABRIO |
| (1) | 997 521 303 10 | Backrest shell Leather | left | 1 | PR:437,982, 983 |
| | 997 521 303 10 A80 | Black | | | |
| | 997 521 303 10 B80 | Stone grey | | | |
| | 997 521 303 10 T80 | Sand beige | | | |
| | 997 521 303 10 E80 | sea blue | | | |
| | 997 521 303 10 J80 | Palm green | | | |
| | 997 521 303 10 M80 | Terracotta | | | |
| | 997 521 303 10 R80 | Cocoa | | | |
| (1) | 997 521 304 10 | Backrest shell Leather | right | 1 | PR:438,982, 983 |
| | 997 521 304 10 A80 | Black | | | |
| | 997 521 304 10 B80 | Stone grey | | | |
| | 997 521 304 10 T80 | Sand beige | | | |
| | 997 521 304 10 E80 | sea blue | | | |
| | 997 521 304 10 J80 | Palm green | | | |
| | 997 521 304 10 M80 | Terracotta | | | |
| | 997 521 304 10 R80 | Cocoa | | | |
| (1) | 997 521 303 11 | Backrest shell | left | 1 | PR:437,982, 983 |
| | 997 521 303 11 D11 | Dark grey/natural | | | |
| | 997 521 303 11 T11 | Brown/natural | | | |
| | 997 521 303 11 N11 | Carrera Red | | | |
| (1) | 997 521 304 11 | Backrest shell | right | 1 | PR:438,982, 983 |
| | 997 521 304 11 D11 | Dark grey/natural | | | |
| | 997 521 304 11 T11 | Brown/natural | | | |
| (1) | 997 521 303 16 | Backrest shell | left | 1 | PR:437,983, 541 |
| | 997 521 303 16 D11 | Dark grey/natural | | | |
| | 997 521 303 16 T11 | Brown/natural | | | |
| (1) | 997 521 304 16 | Backrest shell | right | 1 | PR:438,983, 541 |
| | 997 521 304 16 D11 | Dark grey/natural | | | |
| | 997 521 304 16 T11 | Brown/natural | | | |
| (1) | 997 521 303 15 | Backrest shell | left | 1 | PR:437,983, 541 |
| | 997 521 303 15 A80 | Black | | | |
| | 997 521 303 15 B80 | Stone grey | | | |
| | 997 521 303 15 T80 | Sand beige | | | |
| | 997 521 303 15 E80 | sea blue | | | |
| | 997 521 303 15 M80 | Terracotta | | | |
| | 997 521 303 15 R80 | Cocoa | | | |
| (1) | 997 521 304 15 | Backrest shell | right | 1 | PR:438,983, 541 |
| | 997 521 304 15 A80 | Black | | | |
| | 997 521 304 15 B80 | Stone grey | | | |
| | 997 521 304 15 T80 | Sand beige | | | |
| | 997 521 304 15 E80 | sea blue | | | |
| | 997 521 304 15 M80 | Terracotta | | | |
| | 997 521 304 15 R80 | Cocoa | | | |
| (2) | 997 521 319 00 | Support | left | 1 | |
| 2 | 997 521 320 00 | Support | right | 1 | |
| 3 | 997 521 623 02 | Backrest side bolster Actuator button | left | 1 | |
| | 997 521 623 02 V05 | lever for folding backrest Galvano silver | | | |
| (3) | 997 521 624 02 | Actuator button | right | 1 | |
| | 997 521 624 02 V05 | lever for folding backrest Galvano silver | | | |

Model: 997T07 Model life 2007>>2009

| Pos | Part Number | Description | Remark | Qty | Model |
|------|--|---|--------|-----|----------------------------|
| 4 | 997 521 621 02 | Rosette lever for folding backrest | left | 1 | PR:437,438 |
| (4) | 997 521 621 02 D07 997 521 622 02 | Volcano grey Rosette lever for folding backrest | right | 1 | PR:437,438 |
| 5 | 997 521 622 02 D07 997 521 373 01 | Volcano grey Coat hook | | 2 | PR:437,438 |
| 6 | 997 521 373 01 D07 999 919 232 09 | Volcano grey Screw Coat hook | | 1 | |
| 7 | 997 521 783 00 | Support panel | left | 1 | |
| (7) | 997 521 784 00 | Support panel Backrest shell | right | 1 | |
| 8 | 997 521 733 00 | Air guide channel Backrest shell Vented D - MJ 2009>> | | 1 | PR:437,438, 541 |
| 9 | 997 624 337 00 | Electric motor Backrest shell Vented D - MJ 2009>> | | 1 | PR:541 |
| 10 | 000 043 207 38 | 1 set attachment parts Electric motor D - MJ 2009>> | | 1 | PR:541 |
| 11 | 997 521 491 01 | Cover Fan D - MJ 2009>> | | 1 | PR:437,438, 983,541 |
| (11) | 997 521 491 01 A80 997 521 491 01 B80 997 521 491 01 T80 997 521 491 01 E80 997 521 491 01 M80 997 521 491 01 R80 997 521 491 02 | Black Stone grey Sand beige sea blue Terracotta Cocoa Cover Fan D - MJ 2009>> | | 1 | PR:437,438, 983,998,541 |
| 12 | 997 521 491 02 D11 997 521 491 02 T11 997 521 491 02 N11 000 043 207 40 | Dark grey/natural Brown/natural Carrera Red Clip Mount Cover Fan D - MJ 2009>> | | 3 | PR:541 |
| 13 | 000 043 207 41 | 1 set attachment parts Mount Cover Fan D - MJ 2009>> | | 1 | PR:541 |

Model: 997T07

Model life 2007>>2009



Model: 997T07 Model life 2007>>2009

| Pos | Part Number | Description | Remark | Qty | Model |
|-----|--------------------|--|---------------|-----|-------------------------------|
| 1 | 997 521 329 00 | Backrest frame Comfort seat backrest frame | left a. right | 2 | COUPE CABRIO PR:437,438 |
| | | without: | | | |
| (1) | 997 521 329 02 | Memory D - MJ 2007>> - MJ 2007 backrest frame | left a. right | 2 | PR:437,438 |
| | | without: | | | |
| (1) | 997 521 329 01 | Memory D - MJ 2008>> backrest frame | left a. right | 2 | PR:537,538 |
| (1) | 997 521 329 03 | D - MJ 2007>> - MJ 2007 backrest frame | left a. right | 2 | PR:537,538 |
| | | with: | | | |
| 2 | 997 521 533 00 | Memory D - MJ 2008>> Cushion carrier | left | 1 | PR:437 |
| (2) | 997 521 534 00 | Cushion carrier | right | 1 | PR:438 |
| 3 | 997 612 785 02 | Side airbag unit Wire set | left | 1 | PR:537 |
| (3) | 997 612 786 02 | Side airbag unit Wire set | right | 1 | PR:538 |
| 4 | 997 624 331 00 | Side airbag unit Electric motor Backrest frame Memory | | 1 | PR:537,538 |
| 5 | 997 803 081 01 | Side airbag unit | left | 1 | PR:437 |
| | 997 803 081 01 A03 | Black | | | |
| | 997 803 081 01 5V7 | Stone grey | | | |
| | 997 803 081 01 5Z1 | Sand beige | | | |
| | 997 803 081 01 8W7 | sea blue | | | |
| | 997 803 081 01 5Y2 | Palm green | | | |
| | 997 803 081 01 8X8 | Terracotta | | | |
| | 997 803 081 01 8P9 | Cocoa | | | |
| | 997 803 081 01 T13 | Brown/natural | | | |
| | 997 803 081 01 N23 | Carrera Red | | | |
| (5) | 997 803 082 01 | D - MJ 2008>> Side airbag unit | right | 1 | PR:438 |
| | 997 803 082 01 A03 | Black | | | |
| | 997 803 082 01 5V7 | Stone grey | | | |
| | 997 803 082 01 5Z1 | Sand beige | | | |
| | 997 803 082 01 8W7 | sea blue | | | |
| | 997 803 082 01 5Y2 | Palm green | | | |
| | 997 803 082 01 8X8 | Terracotta | | | |
| | 997 803 082 01 8P9 | Cocoa | | | |
| | 997 803 082 01 T13 | Brown/natural | | | |
| | 997 803 082 01 N23 | Carrera Red | | | |
| 6 | 997 521 485 00 | D - MJ 2008>> Bowden cable | | 2 | |
| 7 | 997 521 375 00 | Backrest frame Release | | 1 | |
| 8 | 997 521 855 00 | Backrest frame Grille | | 1 | |
| 9 | 997 521 893 00 | Backrest frame tension spring | | 2 | |
| 10 | 997 521 895 00 | Inner spring Clip | | 2 | |
| 11 | 997 521 797 00 | Inner spring tension spring | | 1 | |
| 12 | 997 521 335 01 | Release backrest Trim Mounting component | left inner | 1 | PR:437 |

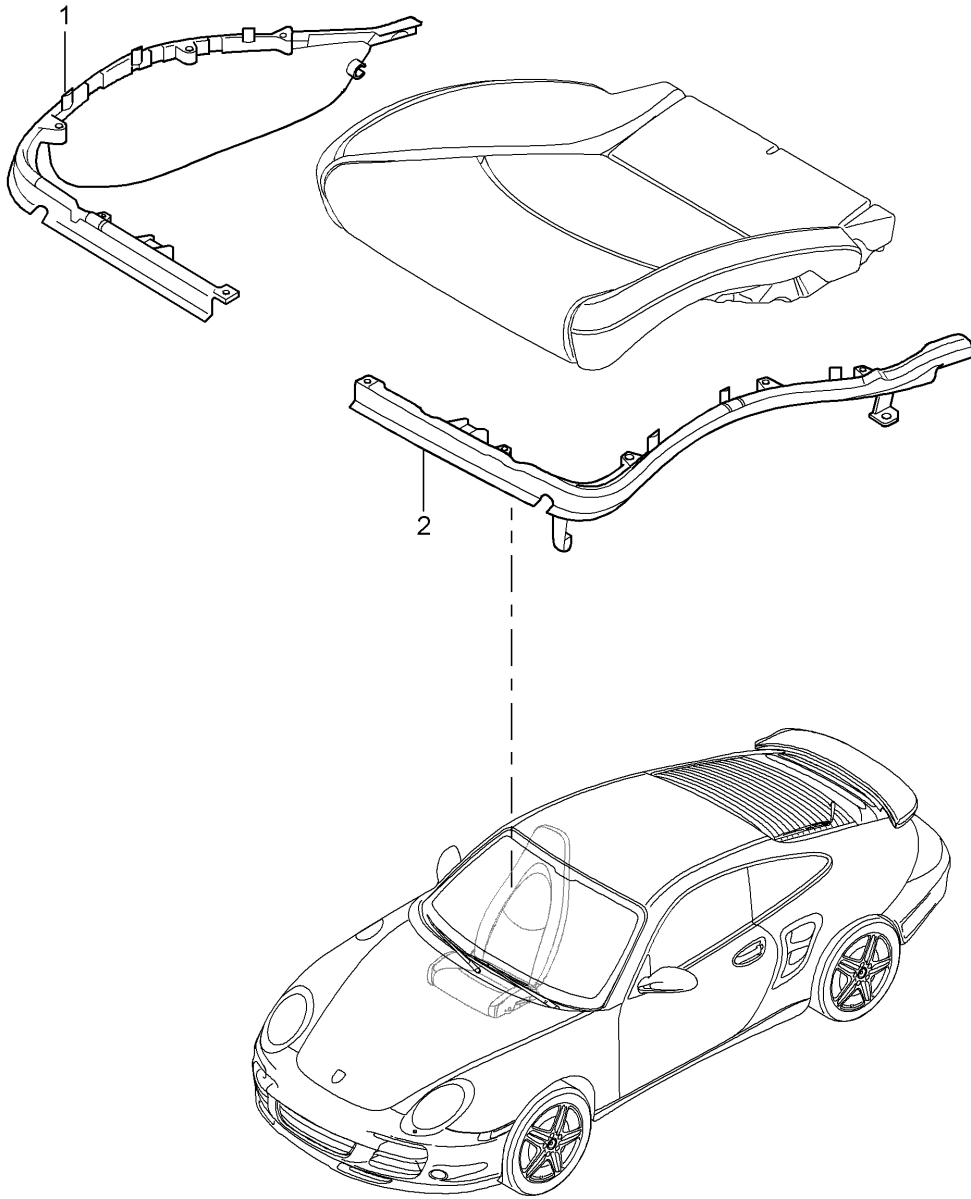
Model: 997T07

Model life 2007>>2009

| Pos | Part Number | Description | Remark | Qty | Model |
|------|--------------------------------------|--|----------------|-----|--------|
| (12) | 997 521 335 01 D07 997 521 336 01 | Volcano grey Trim Mounting component | right inner | 1 | PR:438 |
| 13 | 997 521 336 01 D07 999 073 375 09 | Volcano grey Screw Mount backrest Seat frame | | 4 | |
| 14 | 999 073 306 09 | Screw Mount Airbag | | 2 | |

Model: 997T07

Model life 2007>>2009



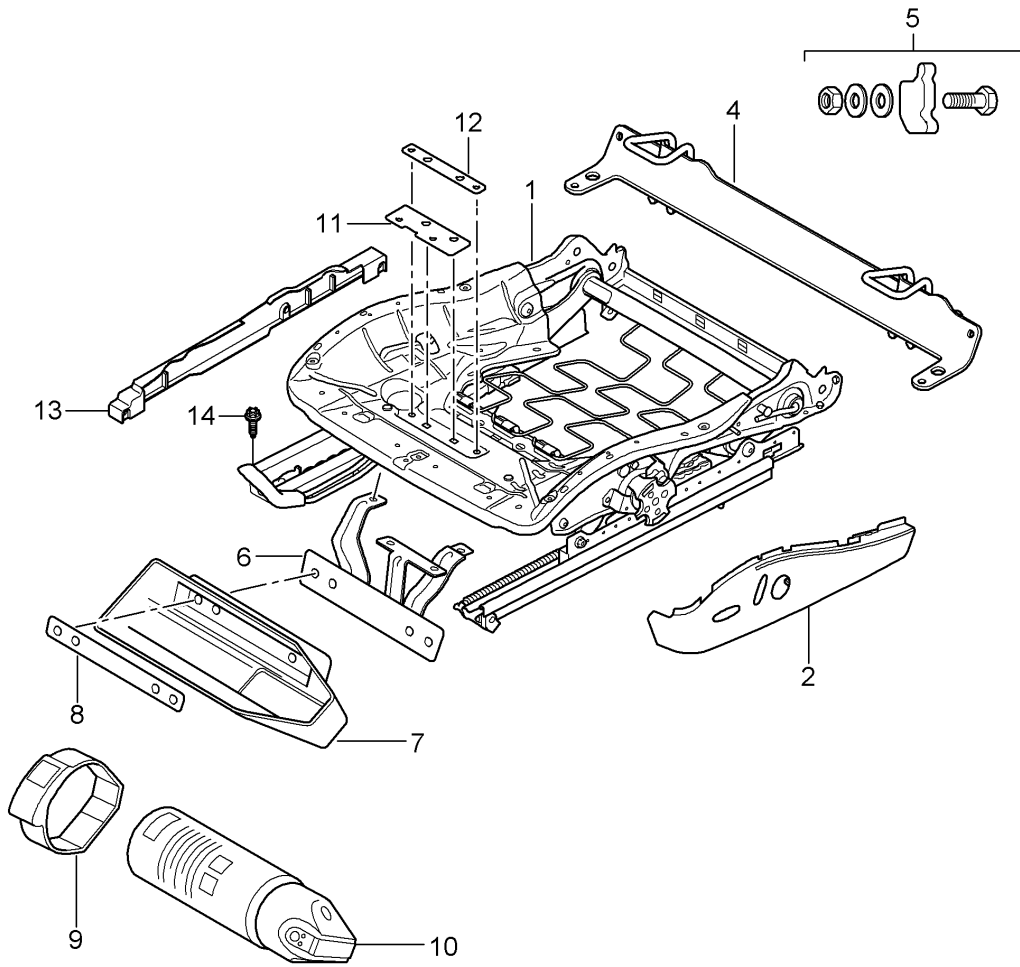
Model: 997T07

Model life 2007>>2009

| Pos | Part Number | Description | Remark | Qty | Model |
|-----|----------------|------------------------------|--------|-----|------------|
| | | Cushion carrier | | | COUPE |
| | | Frame | | | CABRIO |
| (1) | 997 521 547 00 | Seat surface | | | |
| | | Frame | left | 1 | PR:438 |
| | | | inner | | |
| 1 | 997 521 548 00 | Frame | right | 1 | PR:437 |
| | | | inner | | |
| 2 | 997 521 545 00 | Frame | left | 1 | PR:437 |
| | | | outer | | |
| | | without: | | | |
| | | For vehicles with 'Advanced' | | | |
| | | airbag | | | |
| (2) | 997 521 546 00 | Frame | right | 1 | PR:438 |
| | | | outer | | |
| | | without: | | | |
| | | For vehicles with 'Advanced' | | | |
| | | airbag | | | |
| (2) | 997 521 546 01 | Frame | right | 1 | PR:438,560 |
| | | | outer | | |
| | | with: | | | |
| | | For vehicles with 'Advanced' | | | |
| | | airbag | | | |

Model: 997T07

Model life 2007>>2009



Model: 997T07 Model life 2007>>2009

| Pos | Part Number | Description | Remark | Qty | Model |
|-----|--------------------|---|----------|-----|------------------------|
| | | Seat frame Standard seat Comfort seat | | | COUPE CABRIO |
| 1 | 997 521 201 04 | Seat frame | left | 1 | PR:437 |
| (1) | 997 521 201 12 | Seat frame | left | 1 | PR:437 |
| | | D - MJ 2007>> | | | |
| (1) | 997 521 202 10 | Seat frame | right | 1 | PR:438 |
| (1) | 997 521 202 21 | Seat frame Electric | right | 1 | PR:438 |
| | | without: | | | |
| | | Memory | | | |
| | | D - MJ 2007>> | | | |
| (1) | 997 521 201 05 | Seat frame | left | 1 | PR:437,537 |
| (1) | 997 521 201 13 | Seat frame | left | 1 | PR:437,537 |
| | | D - MJ 2007>> | | | |
| (1) | 997 521 202 11 | Seat frame | right | 1 | PR:438,538 |
| (1) | 997 521 202 22 | Seat frame Electric | right | 1 | PR:438,538 |
| | | with: | | | |
| | | Memory | | | |
| | | D - MJ 2007>> | | | |
| (1) | 997 521 202 12 | Seat frame | right | 1 | PR:438,560 |
| (1) | 997 521 202 24 | Seat frame Electric seat occupied recognition | right | 1 | PR:438,560 |
| | | D - MJ 2007>> | | | |
| (1) | 997 521 201 24 | Seat frame | left rhd | 1 | PR:437,099 |
| | | D - MJ 2008>> | | | |
| (1) | 997 521 201 26 | Seat frame Electric | left | 1 | PR:437,480, 553,541 |
| | | D - MJ 2009>> | | | |
| (1) | 997 521 201 28 | Seat frame Electric | right | 1 | PR:438 |
| | | D - MJ 2009>> | | | |
| (1) | 997 521 202 30 | Seat frame Electric | right | 1 | PR:438 |
| | | D - MJ 2009>> | | | |
| (1) | 997 521 202 32 | Seat frame Electric | right | 1 | PR:438,541 |
| | | D - MJ 2009>> | | | |
| (1) | 997 521 201 25 | Seat frame Electric | left | 1 | PR:437,537 |
| | | D - MJ 2009>> | | | |
| (1) | 997 521 202 31 | Seat frame Electric | right | 1 | PR:438,538 |
| | | D - MJ 2009>> | | | |
| (1) | 997 521 202 33 | Seat frame Electric | right | 1 | PR:438,538, 541 |
| | | D - MJ 2009>> | | | |
| 2 | 997 521 325 07 | Trim for switch | left | 1 | PR:437 |
| | | without: | | | |
| | | For vehicles with 'Advanced' airbag | | | |
| (2) | 997 521 325 07 D07 | Volcano grey | | | |
| (2) | 997 521 326 07 | Trim for switch | right | 1 | PR:438 |
| | | without: | | | |
| | | For vehicles with 'Advanced' airbag | | | |
| (2) | 997 521 326 07 D07 | Volcano grey | | | |
| (2) | 997 521 326 10 | Trim for switch | right | 1 | PR:438,560 |
| | | For vehicles with 'Advanced' airbag | | | |
| | 997 521 326 10 D07 | Volcano grey | | | |

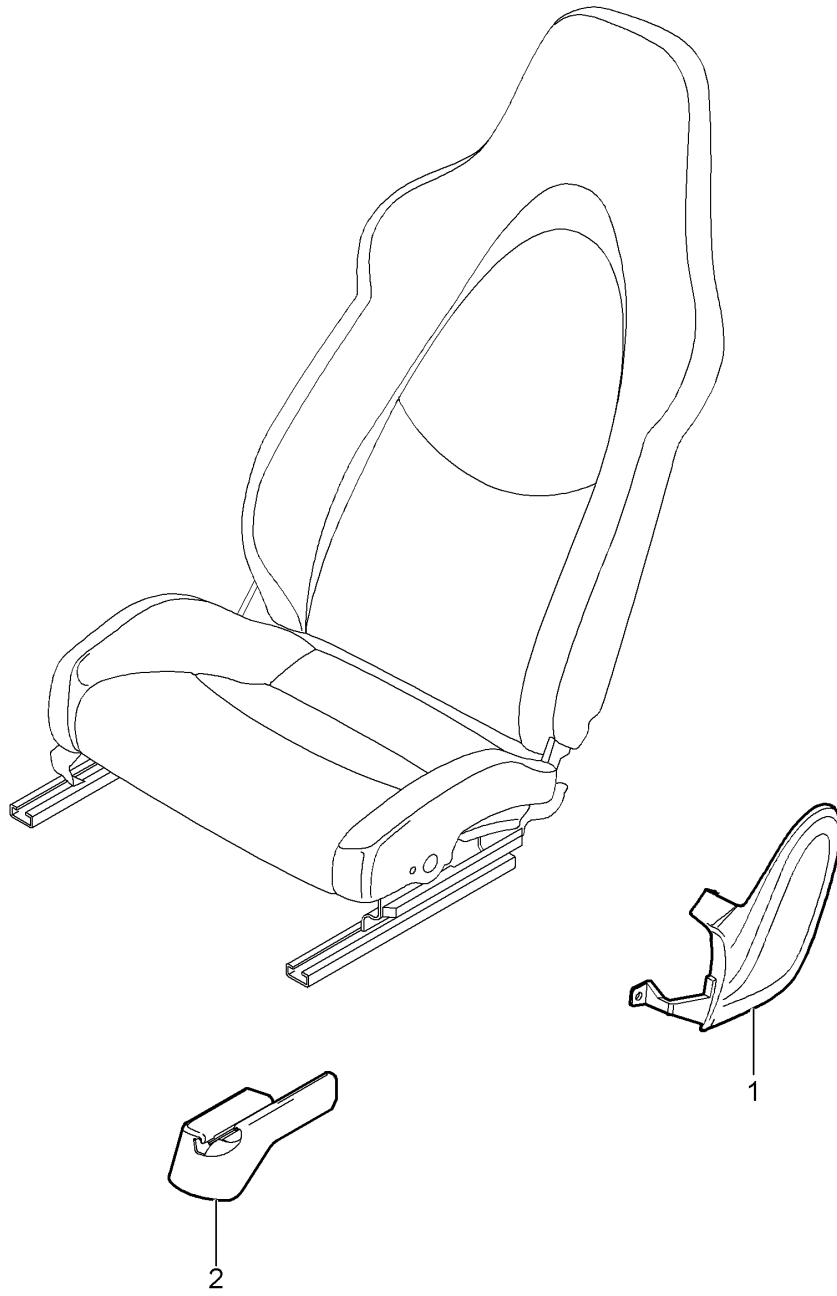
Model: 997T07

Model life 2007>>2009

| Pos | Part Number | Description | Remark | Qty | Model |
|------|--------------------------------------|--|--------|-----|------------|
| 3 | 997 521 631 01 | Actuator button backrest | | 1 | |
| 4 | 997 521 631 01 V05 997 521 061 01 | Galvano silver Retainer plate child seat ISOFIX Not for: AUSTRALIEN | | 1 | |
| 5 | 997 521 961 01 | 1 set attachment parts Retainer plate | | 1 | |
| 6 | 997 521 251 00 | Holder for fire extinguisher | | 1 | PR:098,509 |
| (6) | 997 521 252 00 | Holder for fire extinguisher | | 1 | PR:099,509 |
| 7 | 997 521 607 00 | Cup Fire extinguishers | | 1 | PR:509 |
| 8 | 997 521 881 00 | Holder for fire extinguisher Cup | | 1 | PR:509 |
| 9 | 997 521 851 00 | tensioning strap Fire extinguishers | | 1 | PR:509 |
| 10 | 996 722 115 00 | Fire extinguishers Information available | | 1 | PR:509 |
| 11 | 997 521 841 00 | Reinforcement | front | 1 | PR:509 |
| 12 | 997 521 843 00 | Reinforcement | rear | 1 | PR:509 |
| 13 | 997 521 427 01 | Cover Sensor Weight | left | 1 | PR:438,560 |
| (13) | 997 521 427 01 01C 997 521 426 01 | Satin black Cover Sensor Weight | right | 1 | PR:438,560 |
| 14 | 997 521 426 01 01C 999 141 047 01 | Satin black Torx screw Mount Seat rail | | 4 | |

Model: 997T07

Model life 2007>>2009



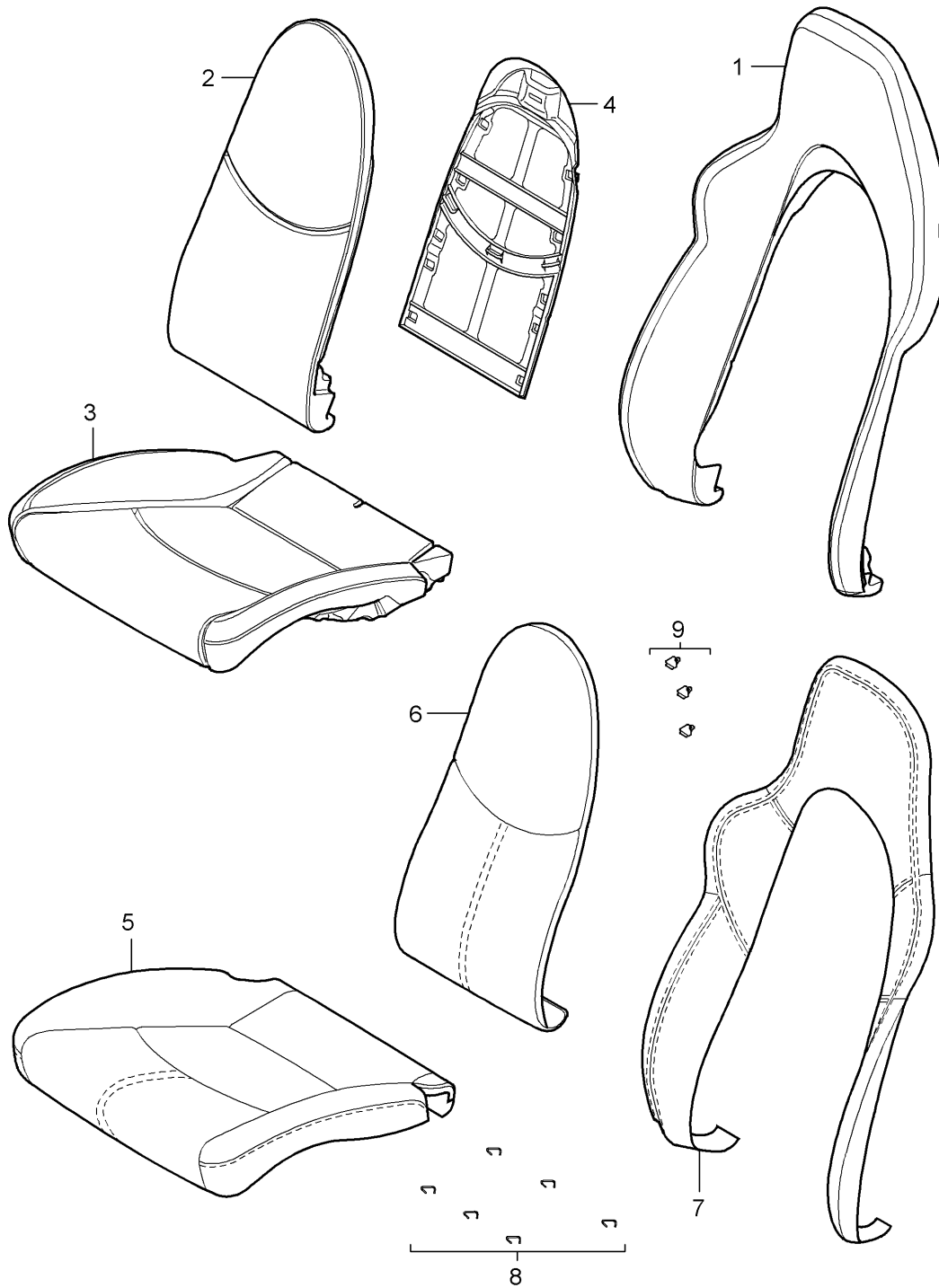
Model: 997T07

Model life 2007>>2009

| Pos | Part Number | Description | Remark | Qty | Model |
|-----|--------------------|--|--------|-----|------------------------|
| - | | Front seat (complete) Not available | | | |
| 1 | 997 521 315 02 | sports seat | | | |
| | 997 521 315 02 D07 | Cover panel | left | 1 | PR:377,437 |
| (1) | 997 521 316 02 | Volcano grey Cover panel | right | 1 | PR:376,378, 438 |
| | 997 521 316 02 D07 | Volcano grey | | | |
| (1) | 997 521 316 03 | Cover panel | | 1 | PR:376,378, 438,560 |
| | | Mounting component For vehicles with 'Advanced' airbag | | | |
| | 997 521 316 03 D07 | Volcano grey | | | |
| 2 | 997 521 359 01 | Rail | left | 1 | PR:375 |
| | 997 521 359 01 01C | Satin black | | | |
| (2) | 997 521 360 01 | Rail | right | 1 | PR:376 |
| | | Seat rail Manually | | | |
| | 997 521 360 01 01C | Satin black | | | |
| (2) | 997 521 361 00 | Rail | | 1 | PR:376,377, 378 |
| | | Seat rail | | | |
| | 997 521 361 00 01C | Satin black | | | |
| (2) | 997 521 362 00 | Rail | | 1 | PR:375,377, 378 |
| | | Seat rail | | | |
| | 997 521 362 00 01C | Satin black | | | |

Model: 997T07

Model life 2007>>2009



Model: 997T07 Model life 2007>>2009

| Pos | Part Number | Description | Remark | Qty | Model |
|-----|--------------------|---------------------------------------|--------|-----|----------------------------|
| | | Foam part Cover sports seat | | | |
| 1 | 997 521 535 01 | Foam part | | 1 | PR:375,376 |
| 1 | 997 521 535 02 | Foam part backrest | outer | 1 | PR:377,378 |
| 2 | 997 521 581 00 | Foam part backrest | center | 1 | |
| 3 | 997 521 571 01 | Foam part | | 1 | PR:375,376 |
| (3) | 997 521 571 02 | Foam part | | 1 | PR:378 |
| (3) | 997 521 571 04 | Foam part | | 1 | PR:376,560 |
| (3) | 997 521 571 05 | Foam part | | 1 | PR:378,560 |
| | | Seat cushion | | | |
| 4 | 997 521 551 01 | Backrest-padding support part | | 1 | |
| 5 | 997 521 161 03 | Seat cover | | 1 | PR:375,376, 983 |
| | 997 521 161 03 FLC | Black | | | |
| | 997 521 161 03 FLF | Stone grey | | | |
| | 997 521 161 03 FLJ | Sand beige | | | |
| | 997 521 161 03 FLM | sea blue | | | |
| | 997 521 161 03 FLP | Palm green | | | |
| | 997 521 161 03 FLQ | Terracotta | | | |
| | 997 521 161 03 FLR | Cocoa | | | |
| | 997 521 161 03 VAA | Dark grey/natural | | | |
| | 997 521 161 03 VAB | Brown/natural | | | |
| | 997 521 161 03 VAC | Carrera Red | | | |
| (5) | 997 521 161 06 | Seat cover | | 1 | PR:377,378, 983 |
| | 997 521 161 06 FLC | Black | | | |
| | 997 521 161 06 FLF | Stone grey | | | |
| | 997 521 161 06 FLJ | Sand beige | | | |
| | 997 521 161 06 FLM | sea blue | | | |
| | 997 521 161 06 FLP | Palm green | | | |
| | 997 521 161 06 FLQ | Terracotta | | | |
| | 997 521 161 06 FLR | Cocoa | | | |
| | 997 521 161 06 VAA | Dark grey/natural | | | |
| | 997 521 161 06 VAB | Brown/natural | | | |
| | 997 521 161 06 VAC | Carrera Red | | | |
| | 997 521 161 06 VAN | Espresso | | | |
| (5) | 997 521 161 08 | Seat cover | | 1 | PR:377,378, 951 |
| | 997 521 161 08 RAA | Black | | | |
| | 997 521 161 08 RAB | Dark grey/natural | | | |
| 6 | 997 521 151 00 | Backrest cushion cover Centre part | | 1 | PR:375,376, 377,378,983 |
| | 997 521 151 00 8YR | Black | | | |
| | 997 521 151 00 D11 | Dark grey/natural | | | |
| | 997 521 151 00 5X5 | Stone grey | | | |
| | 997 521 151 00 8G1 | Sand beige | | | |
| | 997 521 151 00 3S8 | sea blue | | | |
| | 997 521 151 00 4P1 | Palm green | | | |
| | 997 521 151 00 9N2 | Terracotta | | | |
| | 997 521 151 00 9Q3 | Cocoa | | | |
| | 997 521 151 00 T11 | Brown/natural | | | |
| | 997 521 151 00 N11 | Carrera Red | | | |
| (6) | 987 521 151 00 | Backrest cushion cover Centre part | | 1 | PR:377,378, 951 |
| | 987 521 151 00 A15 | Black | | | |
| (7) | 997 521 155 01 | Backrest cover Outer part | | 1 | PR:377,378, 983,375,376 |
| | 997 521 155 01 FLC | Black | | | |
| | 997 521 155 01 FLF | Stone grey | | | |
| | 997 521 155 01 FLJ | Sand beige | | | |

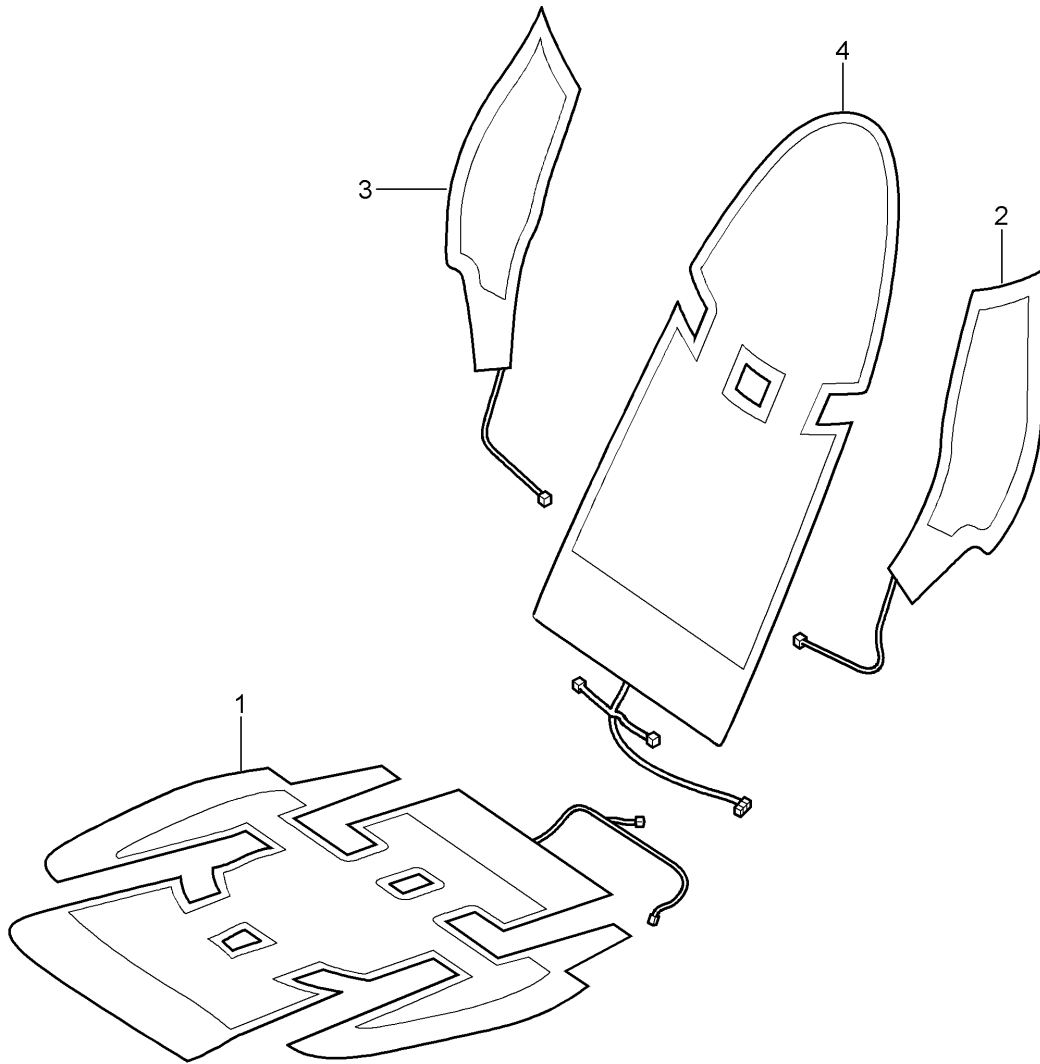
Model: 997T07

Model life 2007>>2009

| Pos | Part Number | Description | Remark | Qty | Model |
|-----|--------------------|------------------------------|--------|-----|------------------------------------|
| | 997 521 155 01 FLM | sea blue | | | |
| | 997 521 155 01 FLP | Palm green | | | |
| | 997 521 155 01 FLQ | Terracotta | | | |
| | 997 521 155 01 FLR | Cocoa | | | |
| | 997 521 155 01 VAA | Dark grey/natural | | | |
| | 997 521 155 01 VAB | Brown/natural | | | |
| | 997 521 155 01 VAC | Carrera Red | | | |
| (7) | 997 521 155 01 | Backrest cover Outer part | | 1 | PR:377,378, 951,375,376 |
| | 997 521 155 01 FLC | Black | | | |
| | 997 521 155 01 VAA | Dark grey/natural | | | |
| (7) | 997 521 941 02 | Backrest cover Outer part | | 1 | PR:XSC,983, 377,378,375, 376 |
| | 997 521 941 02 8YR | Black | | | |
| | 997 521 941 02 5X5 | Stone grey | | | |
| | 997 521 941 02 8G1 | Sand beige | | | |
| | 997 521 941 02 3S8 | sea blue | | | |
| | 997 521 941 02 4P1 | Palm green | | | |
| | 997 521 941 02 9N2 | Terracotta | | | |
| | 997 521 941 02 9Q3 | Cocoa | | | |
| | 997 521 941 02 D11 | Dark grey/natural | | | |
| | 997 521 941 02 T11 | Brown/natural | | | |
| | 997 521 941 02 N11 | Carrera Red | | | |
| 8 | 997 521 837 00 | Clip Padding Seat | | 6 | |
| 9 | 997 521 897 00 | Clip Backrest cover | | 5 | |

Model: 997T07

Model life 2007>>2009



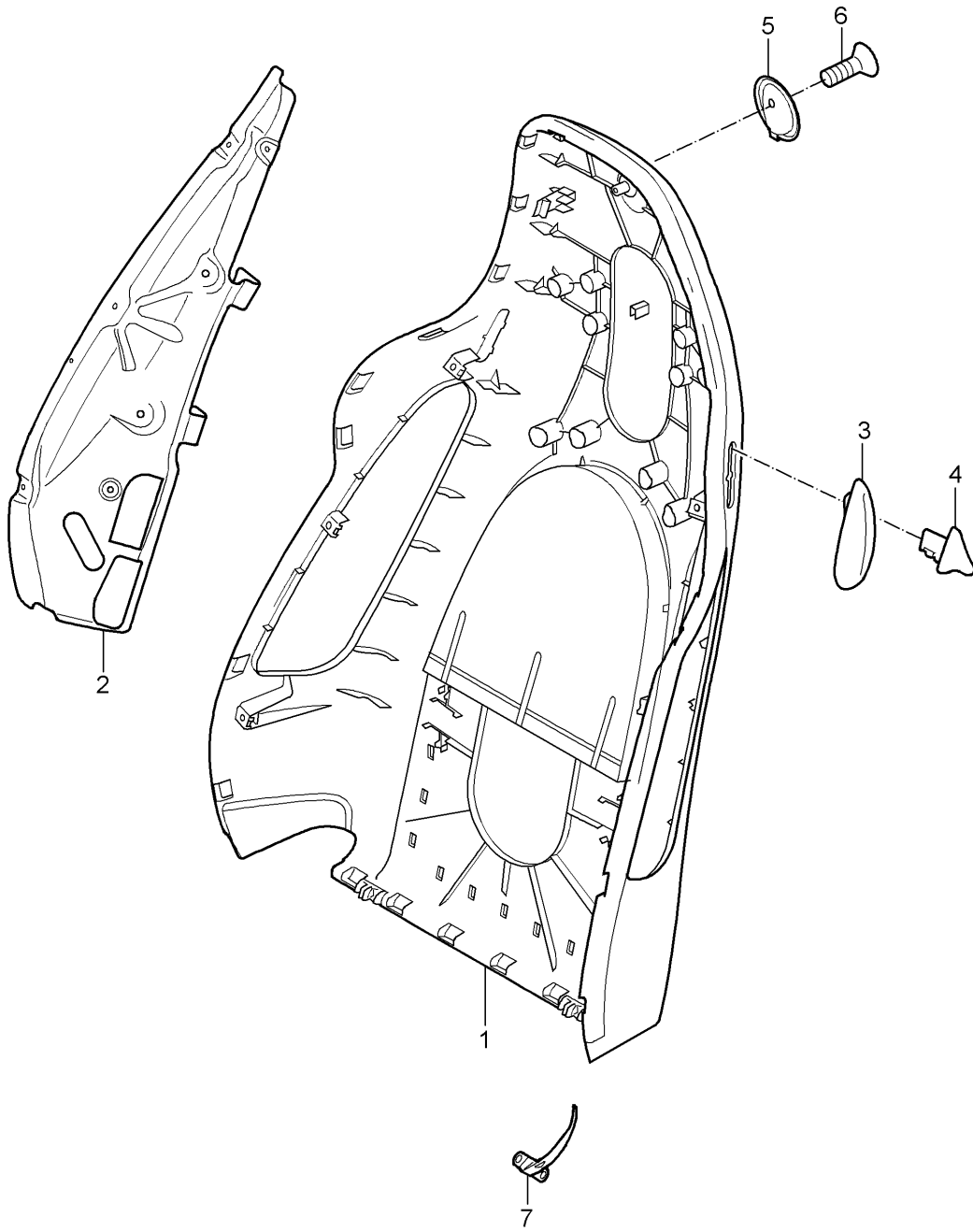
Model: 997T07

Model life 2007>>2009

| Pos | Part Number | Description | Remark | Qty | Model |
|-----|----------------|--|---------------|-----|----------------------------|
| 1 | 997 653 105 03 | heater sports seat Front seat Heating element Seat cushion | left a. right | 2 | PR:375,376, 377,378,342 |
| 2 | 997 653 109 01 | sports seat Heating element Backrest side bolster | left | 1 | PR:375,376, 377,378,342 |
| 3 | 997 653 110 01 | sports seat Heating element Backrest side bolster | right | 1 | PR:375,376, 377,378,342 |
| 4 | 997 653 107 00 | sports seat Heating element Backrest cushion | left a. right | 2 | PR:342 |

Model: 997T07

Model life 2007>>2009



Model: 997T07 Model life 2007>>2009

| Pos | Part Number | Description | Remark | Qty | Model |
|-----|--------------------|-------------------------------|--------|-----|--------------------|
| 1 | 997 521 303 13 | Backrest shell sports seat | left | 1 | PR:375,377 |
| (1) | 997 521 303 13 D07 | Volcano grey | | 1 | |
| (1) | 997 521 304 13 | Backrest shell | right | 1 | PR:376,378 |
| (1) | 997 521 304 13 D07 | Volcano grey | | 1 | |
| (1) | 997 521 981 00 | Backrest shell | | 1 | PR:375,377, XSA |
| | 997 521 981 00 M7W | Meteor Grey Metallic | | | |
| | 997 521 981 00 041 | Black | | | |
| | 997 521 981 00 84A | guards red (Porsche) | | | |
| | 997 521 981 00 12H | Speed yellow | | | |
| | 997 521 981 00 B9A | Carrara white | | | |
| | 997 521 981 00 92U | Arctic silver metallic | | | |
| | 997 521 981 00 M3W | Carmon red metallic | | | |
| | 997 521 981 00 M5W | Lapis blue metallic | | | |
| | 997 521 981 00 M6W | Lagoon green metallic | | | |
| | 997 521 981 00 C9Z | Basalt black metallic | | | |
| | 997 521 981 00 M7X | Atlas grey metallic | | | |
| | 997 521 981 00 39C | Midnight Blue Metallic | | | |
| | 997 521 981 00 2B4 | Forest green metallic | | | |
| | 997 521 981 00 3C8 | Cobalt blue metallic | | | |
| | 997 521 981 00 23F | Slate grey metallic | | | |
| | 997 521 981 00 M6X | Dark olive-metallic | | | |
| | 997 521 981 00 M7Z | GT Silver Metallic | | | |
| (1) | 997 521 982 00 | Backrest shell | | 1 | PR:376,378, XSA |
| | 997 521 982 00 M7W | Meteor Grey Metallic | | | |
| | 997 521 982 00 041 | Black | | | |
| | 997 521 982 00 84A | guards red (Porsche) | | | |
| | 997 521 982 00 12H | Speed yellow | | | |
| | 997 521 982 00 B9A | Carrara white | | | |
| | 997 521 982 00 92U | Arctic silver metallic | | | |
| | 997 521 982 00 M3W | Carmon red metallic | | | |
| | 997 521 982 00 M5W | Lapis blue metallic | | | |
| | 997 521 982 00 M6W | Lagoon green metallic | | | |
| | 997 521 982 00 C9Z | Basalt black metallic | | | |
| | 997 521 982 00 M7X | Atlas grey metallic | | | |
| | 997 521 982 00 39C | Midnight Blue Metallic | | | |
| | 997 521 982 00 2B4 | Forest green metallic | | | |
| | 997 521 982 00 3C8 | Cobalt blue metallic | | | |
| | 997 521 982 00 23F | Slate grey metallic | | | |
| | 997 521 982 00 M6X | Dark olive-metallic | | | |
| | 997 521 982 00 M7Z | GT Silver Metallic | | | |
| (1) | 997 521 981 01 | Backrest shell | | 1 | PR:375,377, XCG |
| (1) | 997 521 981 01 V04 | Galvano silver | | 1 | PR:376,378, XCG |
| (1) | 997 521 982 01 | Backrest shell | | 1 | PR:375,377, XSB |
| (1) | 997 521 982 01 V04 | Galvano silver | | 1 | PR:375,377, XSB |
| (1) | 997 521 981 02 | Backrest shell | | 1 | PR:375,377, XSB |
| | 997 521 981 02 A11 | Black | | | |
| | 997 521 981 02 5X6 | Stone grey | | | |
| | 997 521 981 02 8G2 | Sand beige | | | |
| | 997 521 981 02 3S9 | sea blue | | | |
| | 997 521 981 02 4P2 | Palm green | | | |
| | 997 521 981 02 9S5 | Terracotta | | | |
| | 997 521 981 02 9V6 | Cocoa | | | |
| | 997 521 981 02 D12 | Dark grey/natural | | | |
| | 997 521 981 02 T12 | Brown/natural | | | |
| | 997 521 981 02 N12 | Carrera Red | | | |
| | | D - MJ 2008>> | | | |

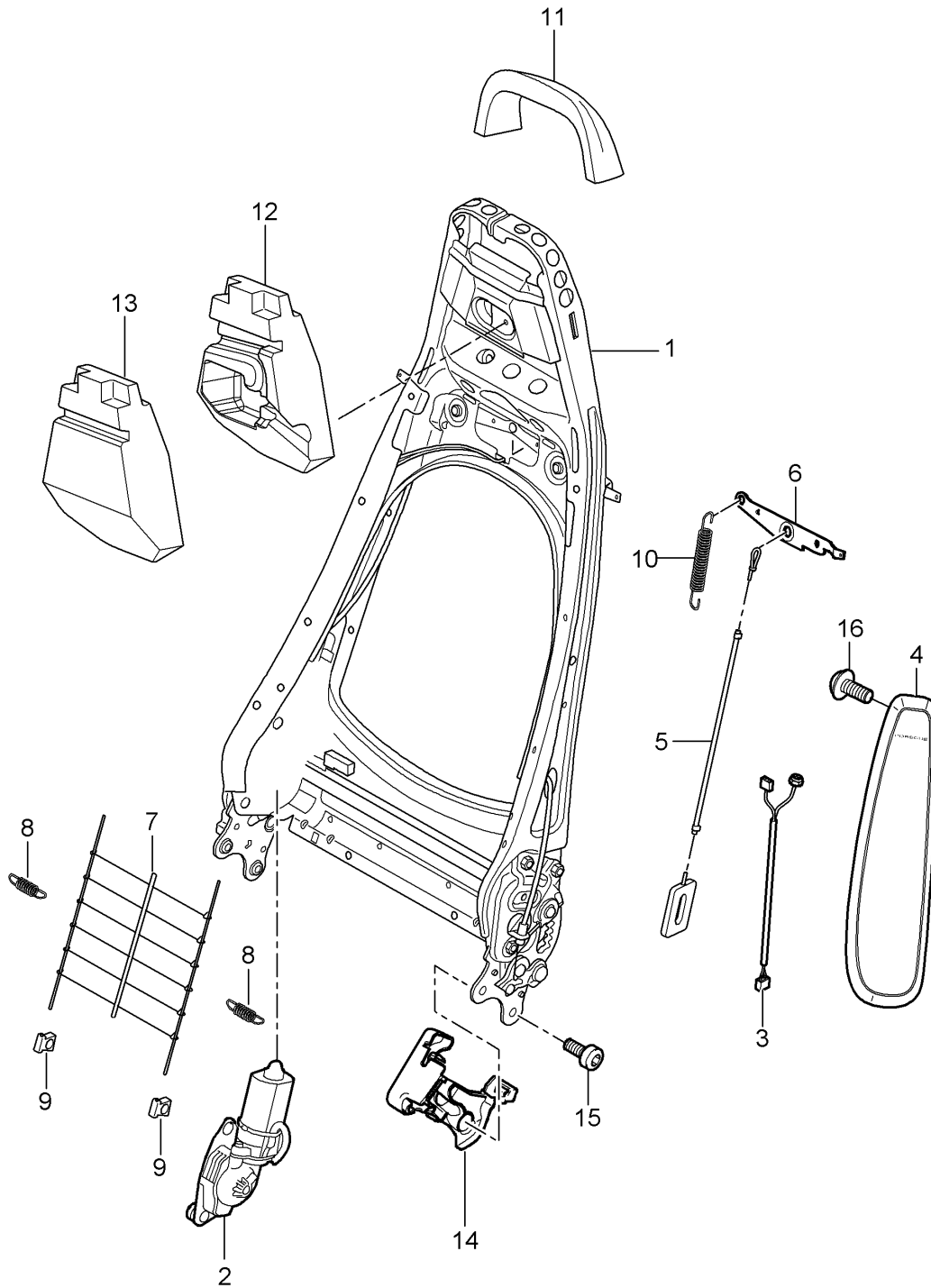
Model: 997T07

Model life 2007>>2009

| Pos | Part Number | Description | Remark | Qty | Model |
|-----|--------------------|----------------------------|---------------|-----|--------------------|
| (1) | 997 521 982 02 | Backrest shell Leather | | 1 | PR:376,378, XSB |
| | 997 521 982 02 A11 | Black | | | |
| | 997 521 982 02 5X6 | Stone grey | | | |
| | 997 521 982 02 8G2 | Sand beige | | | |
| | 997 521 982 02 3S9 | sea blue | | | |
| | 997 521 982 02 4P2 | Palm green | | | |
| | 997 521 982 02 9S5 | Terracotta | | | |
| | 997 521 982 02 9V6 | Cocoa | | | |
| | 997 521 982 02 D12 | Dark grey/natural | | | |
| | 997 521 982 02 T12 | Brown/natural | | | |
| | 997 521 982 02 N12 | Carrera Red | | | |
| | | D - MJ 2008>> | | | |
| 2 | 997 521 319 00 | Support | left | 1 | |
| (2) | 997 521 320 00 | Support | right | 1 | |
| | | Backrest side bolster | | | |
| 3 | 997 521 621 03 | Rosette | left | 1 | |
| | 997 521 621 03 D07 | Volcano grey | | | |
| (3) | 997 521 622 03 | Rosette | right | 1 | |
| | | lever for folding backrest | | | |
| | 997 521 622 03 D07 | Volcano grey | | | |
| 4 | 997 521 623 02 | Actuator button | left | 1 | |
| | 997 521 623 02 V05 | Galvano silver | | | |
| (4) | 997 521 624 02 | Actuator button | right | 1 | |
| | 997 521 624 02 V05 | Galvano silver | | | |
| 5 | 997 521 373 01 | Coat hook | left a. right | 2 | |
| | 997 521 373 01 D07 | Volcano grey | | | |
| 6 | 999 919 232 09 | Screw | | 2 | |
| | | Coat hook | | | |
| 7 | 997 521 783 00 | Support panel | left | 1 | |
| (7) | 997 521 784 00 | Support panel | right | 1 | |
| | | Backrest shell | | | |

Model: 997T07

Model life 2007>>2009



Model: 997T07 Model life 2007>>2009

| Pos | Part Number | Description | Remark | Qty | Model |
|-----|--------------------|---|---------------|-----|----------------|
| 1 | 997 521 329 00 | Backrest frame sports seat | | | |
| | | backrest frame | left a. right | 2 | |
| (1) | 997 521 329 02 | D - MJ 2007>> - MJ 2007 backrest frame | left a. right | 2 | |
| | | without: | | | |
| | | Memory | | | |
| (1) | 997 521 329 01 | D - MJ 2008>> backrest frame | left a. right | 2 | PR:537,538 |
| (1) | 997 521 329 03 | D - MJ 2007>> - MJ 2007 backrest frame | left a. right | 2 | PR:537,538 |
| | | with: | | | |
| | | Memory | | | |
| 2 | 997 624 321 00 | D - MJ 2008>> Electric motor backrest | left a. right | 1 | PR:377,378 |
| | | without: | | | |
| (2) | 997 624 331 00 | Memory Electric motor backrest | | 1 | PR:537,538 |
| | | with: | | | |
| 3 | 997 612 785 02 | Memory Wire set | left | 1 | PR:537 |
| (3) | 997 612 786 02 | Side airbag unit Wire set | right | 1 | PR:538 |
| 4 | 997 803 081 01 | Side airbag unit | left | 1 | |
| (4) | 997 803 081 01 D07 | Volcano grey | | | |
| | 997 803 082 01 | Side airbag unit | right | 1 | |
| (4) | 997 803 082 01 D07 | Volcano grey | | | |
| | 997 803 981 00 | Side airbag unit | left | 1 | PR:XSG,375,377 |
| | | D - MJ 2007>> | | | |
| | 997 803 981 00 A03 | Black | | | |
| | 997 803 981 00 5V7 | Stone grey | | | |
| | 997 803 981 00 5Z1 | Sand beige | | | |
| | 997 803 981 00 5Y2 | Palm green | | | |
| | | D - MJ 2007>> - MJ 2007 | | | |
| | 997 803 981 00 8W7 | sea blue | | | |
| | 997 803 981 00 8X8 | Terracotta | | | |
| | 997 803 981 00 8P9 | Cocoa | | | |
| | 997 803 981 00 T13 | Brown/natural | | | |
| | 997 803 981 00 N23 | Carrera Red | | | |
| (4) | 997 803 981 00 | D - MJ 2008>> Side airbag unit | left | 1 | PR:XSA,375,377 |
| | | D - MJ 2007>> | | | |
| | 997 803 981 00 A03 | Black | | | |
| | 997 803 981 00 5V7 | Stone grey | | | |
| | 997 803 981 00 5Z1 | Sand beige | | | |
| | 997 803 981 00 5Y2 | Palm green | | | |
| | | D - MJ 2007>> - MJ 2007 | | | |
| | 997 803 981 00 8W7 | sea blue | | | |
| | 997 803 981 00 8X8 | Terracotta | | | |
| | 997 803 981 00 8P9 | Cocoa | | | |
| | 997 803 981 00 T13 | Brown/natural | | | |
| | 997 803 981 00 N23 | Carrera Red | | | |
| (4) | 997 803 981 00 | D - MJ 2008>> Side airbag unit | left | 1 | PR:XSB,375,377 |
| | | D - MJ 2007>> | | | |
| | 997 803 981 00 A03 | Black | | | |
| | 997 803 981 00 5V7 | Stone grey | | | |
| | 997 803 981 00 5Z1 | Sand beige | | | |
| | 997 803 981 00 5Y2 | Palm green | | | |
| | | D - MJ 2007>> - MJ 2007 | | | |

Model: 997T07 Model life 2007>>2009

| Pos | Part Number | Description | Remark | Qty | Model |
|-----|--------------------|--|--------|-----|--------------------|
| | 997 803 981 00 8W7 | sea blue | | | |
| | 997 803 981 00 8X8 | Terracotta | | | |
| | 997 803 981 00 8P9 | Cocoa | | | |
| | 997 803 981 00 T13 | Brown/natural | | | |
| | 997 803 981 00 N23 | Carrera Red | | | |
| (4) | 997 803 982 00 | D - MJ 2008>> Side airbag unit D - MJ 2007>> | right | 1 | PR:XSG,376, 378 |
| | 997 803 982 00 A03 | Black | | | |
| | 997 803 982 00 5V7 | Stone grey | | | |
| | 997 803 982 00 5Z1 | Sand beige | | | |
| | 997 803 982 00 5Y2 | Palm green | | | |
| | | D - MJ 2007>> - MJ 2007 | | | |
| | 997 803 982 00 8W7 | sea blue | | | |
| | 997 803 982 00 8X8 | Terracotta | | | |
| | 997 803 982 00 8P9 | Cocoa | | | |
| | 997 803 982 00 T13 | Brown/natural | | | |
| | 997 803 982 00 N23 | Carrera Red | | | |
| (4) | 997 803 982 00 | D - MJ 2008>> Side airbag unit D - MJ 2007>> | right | 1 | PR:XSA,376, 378 |
| | 997 803 982 00 A03 | Black | | | |
| | 997 803 982 00 5V7 | Stone grey | | | |
| | 997 803 982 00 5Z1 | Sand beige | | | |
| | 997 803 982 00 5Y2 | Palm green | | | |
| | | D - MJ 2007>> - MJ 2007 | | | |
| | 997 803 982 00 8W7 | sea blue | | | |
| | 997 803 982 00 8X8 | Terracotta | | | |
| | 997 803 982 00 8P9 | Cocoa | | | |
| | 997 803 982 00 T13 | Brown/natural | | | |
| | 997 803 982 00 N23 | Carrera Red | | | |
| (4) | 997 803 982 00 | D - MJ 2008>> Side airbag unit D - MJ 2007>> | right | 1 | PR:XSB,376, 378 |
| | 997 803 982 00 A03 | Black | | | |
| | 997 803 982 00 5V7 | Stone grey | | | |
| | 997 803 982 00 5Z1 | Sand beige | | | |
| | 997 803 982 00 5Y2 | Palm green | | | |
| | | D - MJ 2007>> - MJ 2007 | | | |
| | 997 803 982 00 8W7 | sea blue | | | |
| | 997 803 982 00 8X8 | Terracotta | | | |
| | 997 803 982 00 8P9 | Cocoa | | | |
| | 997 803 982 00 T13 | Brown/natural | | | |
| | 997 803 982 00 N23 | Carrera Red | | | |
| | | D - MJ 2008>> | | | |
| 5 | 997 521 485 00 | Bowden cable | | 2 | |
| | | Backrest frame | | | |
| 6 | 997 521 375 00 | Release | | 2 | |
| | | Backrest frame | | | |
| 7 | 997 521 855 00 | Grille | | 2 | |
| | | Backrest frame | | | |
| 8 | 997 521 893 00 | tension spring | | 2 | |
| | | Grille | | | |
| 9 | 997 521 895 00 | Clip | | 2 | |
| | | Grille | | | |
| 10 | 997 521 797 00 | tension spring | | 1 | |
| | | Release | | | |
| | | backrest | | | |
| 11 | 997 521 885 00 | Foam part | upper | 1 | |
| | | Head restraint | | | |
| 12 | 997 521 887 01 | Foam part | center | 1 | PR:377,378 |
| | | Head restraint | | | |
| 13 | 997 521 887 00 | Foam part | center | 1 | PR:375,376 |

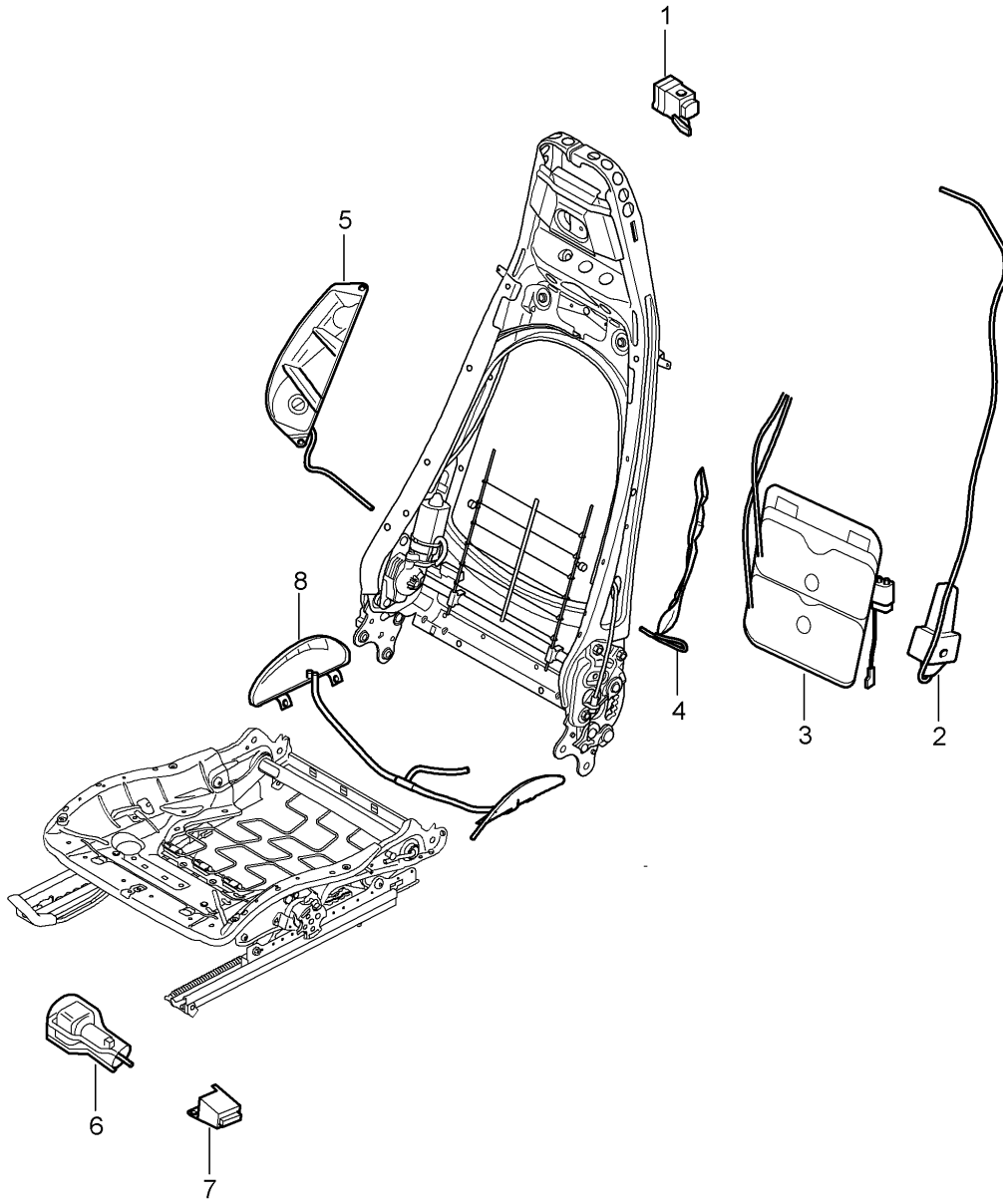
Model: 997T07

Model life 2007>>2009

| Pos | Part Number | Description | Remark | Qty | Model |
|------|--------------------|--|----------------|-----|-------|
| 14 | 997 521 335 01 | Head restraint Trim Mounting component | left inner | 1 | |
| (14) | 997 521 335 01 D07 | Volcano grey | | | |
| | 997 521 336 01 | Trim Mounting component | right inner | 1 | |
| | 997 521 336 01 D07 | Volcano grey | | | |
| 15 | 999 073 375 09 | Screw Mount backrest | | 4 | |
| 16 | 999 073 306 09 | Seat frame Screw Mount Side airbag unit | | 2 | |

Model: 997T07

Model life 2007>>2009



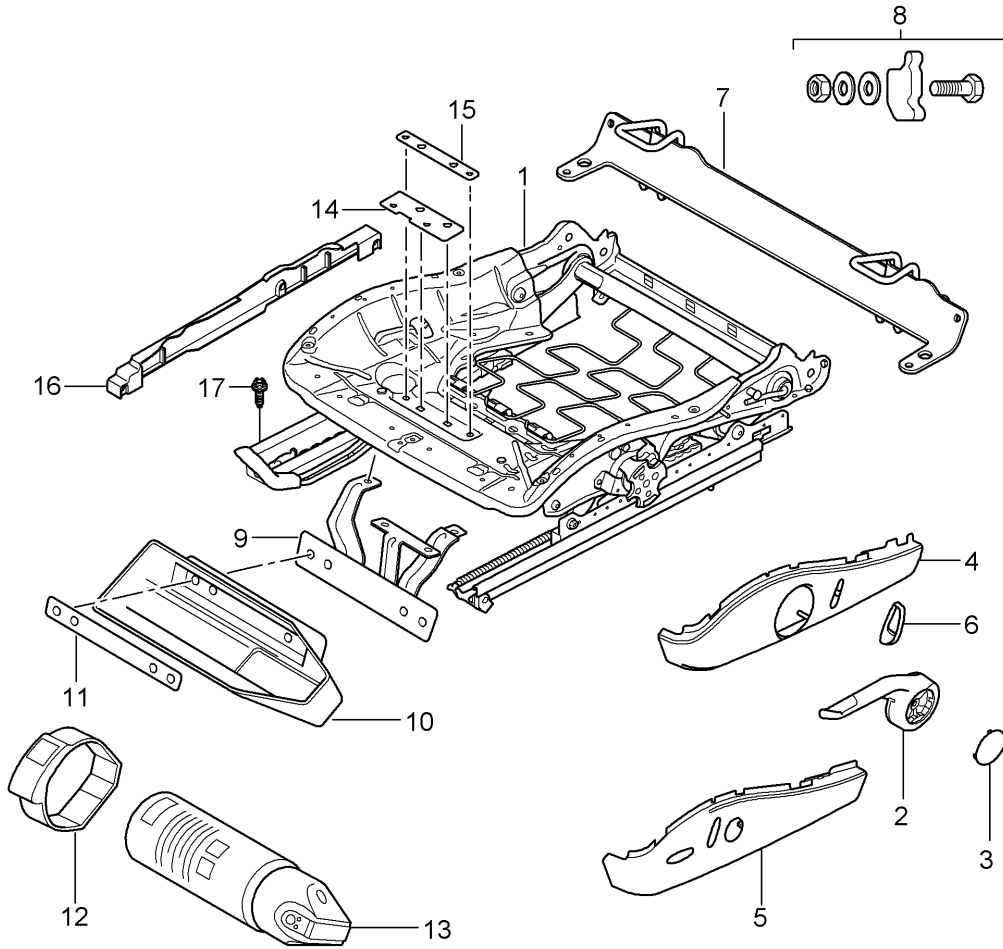
Model: 997T07

Model life 2007>>2009

| Pos | Part Number | Description | Remark | Qty | Model |
|-----|----------------|---|--------|-----|------------------------|
| 1 | 997 617 726 00 | Lumbar support sports seat Valve | | 1 | PR:537,538 |
| 2 | 997 620 725 00 | Lumbar support Compressor Lumbar | | 1 | |
| 3 | 997 521 709 01 | Lumbar support backrest | | 1 | PR:377,378, 537,538 |
| 4 | 997 521 711 00 | container Air distributor Backrest side bolster | left | 1 | PR:377,378 |
| 5 | 997 521 712 00 | container Air distributor Backrest side bolster | right | 1 | |
| 6 | 997 620 727 00 | Compressor Adjustment Seat side bolster | | 1 | |
| 7 | 997 617 727 00 | Valve Adjustment Seat | | 1 | |
| 8 | 997 521 713 01 | Wide container Air distributor Seat side bolster | | 1 | |

Model: 997T07

Model life 2007>>2009



Model: 997T07 Model life 2007>>2009

| Pos | Part Number | Description | Remark | Qty | Model |
|-----|--------------------|--|------------------|-----|------------|
| | | Seat frame sports seat Manually | | | |
| 1 | 997 521 201 00 | Seat frame | left lhd | 1 | PR:098,375 |
| (1) | 997 521 201 10 | Seat frame Manually (drivers side) | left lhd lhd | 1 | PR:098,375 |
| (1) | 997 521 202 00 | D - MJ 2007>> Seat frame Manually (drivers side) | rhd rhd | 1 | PR:099,376 |
| (1) | 997 521 202 19 | D >> - MJ 2007 Seat frame Manually (drivers side) | rhd rhd | 1 | PR:099,376 |
| (1) | 997 521 201 03 | D - MJ 2008>> Seat frame | left rhd | 1 | PR:099,375 |
| (1) | 997 521 201 11 | Seat frame Manually (passenger side) | left rhd rhd | 1 | PR:099,375 |
| (1) | 997 521 202 05 | D - MJ 2007>> Seat frame | right lhd | 1 | PR:098,376 |
| (1) | 997 521 202 20 | Seat frame Manually (passenger side) | right lhd lhd | 1 | PR:098,376 |
| (1) | 997 521 202 06 | D - MJ 2007>> Seat frame | right | 1 | PR:376,560 |
| (1) | 997 521 202 23 | Seat frame Manually seat occupied recognition | right | 1 | PR:376,560 |
| (2) | 997 521 627 01 | D - MJ 2007>> Actuating lever | left | 1 | PR:375 |
| (2) | 997 521 627 01 V05 | Galvano silver | | | |
| (2) | 997 521 628 01 | Actuating lever Height adjustment | right | 1 | PR:376 |
| | 997 521 628 01 V05 | Galvano silver | | | |
| 3 | 997 521 629 01 | Cover cap Height adjustment | left a. right | 1 | |
| | 997 521 629 01 D07 | Volcano grey | | | |
| 4 | 997 521 325 06 | Trim for switch | left | 1 | PR:375 |
| | 997 521 325 06 D07 | Volcano grey | | | |
| (4) | 997 521 326 06 | Trim for switch | right | 1 | PR:376 |
| | 997 521 326 06 D07 | Volcano grey | | | |
| 5 | 997 521 325 08 | Trim for switch Elect. backrest adjustment | | 1 | PR:377 |
| | 997 521 325 08 D07 | Volcano grey | | | |
| | 997 521 325 08 V04 | Galvano silver | | | |
| (5) | 997 521 326 08 | Trim for switch Elect. backrest adjustment | | 1 | PR:378 |
| | 997 521 326 08 D07 | Volcano grey | | | |
| | 997 521 326 08 V04 | Galvano silver | | | |
| (5) | 997 521 326 09 | Trim for switch For vehicles with 'Advanced' airbag | right | 1 | PR:376,560 |
| | 997 521 326 09 D07 | Volcano grey | | | |
| (5) | 997 521 326 11 | Trim for switch For vehicles with 'Advanced' airbag | right | 1 | PR:378,560 |
| | 997 521 326 11 D07 | Volcano grey | | | |
| (6) | 997 521 631 01 | Actuator button backrest | left a. right | 1 | |
| | 997 521 631 01 V05 | Galvano silver | | | |
| 7 | 997 521 061 01 | Retainer plate | | 1 | |

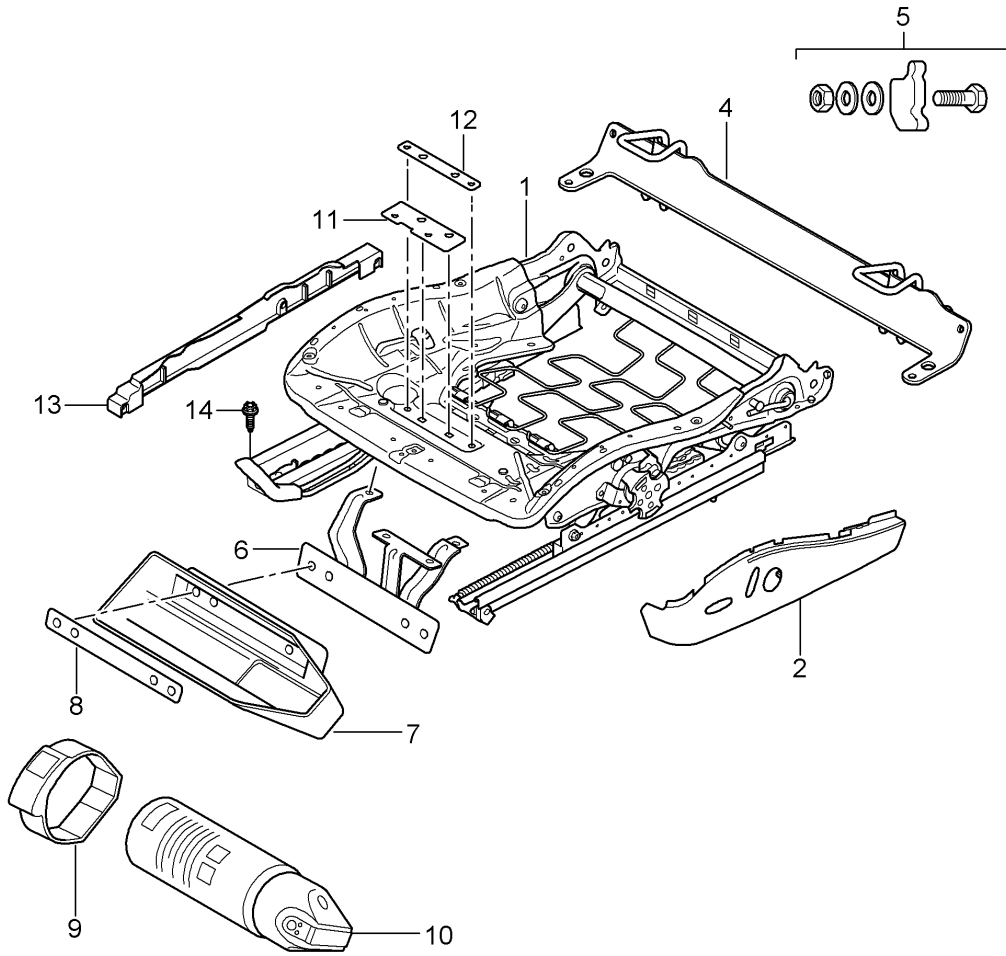
Model: 997T07

Model life 2007>>2009

| Pos | Part Number | Description | Remark | Qty | Model |
|------|--------------------|--|--------|-----|--------------------|
| 8 | 997 521 961 01 | child seat Not for: Australien 1 set attachment parts Retainer plate | | 1 | |
| 9 | 997 521 251 00 | child seat Holder for fire extinguisher | | 1 | PR:098,509 |
| (9) | 997 521 252 00 | Holder for fire extinguisher | | 1 | PR:099,509 |
| 10 | 997 521 607 00 | Cup Fire extinguishers | | 1 | PR:509 |
| 11 | 997 521 881 00 | Holder for fire extinguisher Cup | | 1 | PR:509 |
| 12 | 997 521 851 00 | tensioning strap Fire extinguishers | | 1 | PR:509 |
| 13 | 996 722 115 00 | Fire extinguishers Information available | | 1 | PR:509 |
| 14 | 997 521 841 00 | Reinforcement | front | 1 | PR:509 |
| 15 | 997 521 843 00 | Reinforcement | rear | 1 | PR:509 |
| 16 | 997 521 427 01 | Cover Sensor Weight | left | 1 | PR:376,378, 560 |
| (16) | 997 521 427 01 01C | Satin black | | | |
| | 997 521 426 01 | Cover Sensor Weight | right | 1 | PR:376,378, 560 |
| 17 | 997 521 426 01 01C | Satin black | | | |
| | 999 141 047 01 | Torx screw Mount Seat rail | | 4 | |

Model: 997T07

Model life 2007>>2009



Model: 997T07 Model life 2007>>2009

| Pos | Part Number | Description | Remark | Qty | Model |
|-----|--------------------|---|----------|-----|------------|
| 1 | 997 521 201 05 | Seat frame sports seat Elect. vertical adjustment | | | |
| (1) | 997 521 201 13 | Seat frame | left | 1 | PR:377,537 |
| | | Seat frame | left | 1 | PR:377,537 |
| | | with: | | | |
| | | Memory | | | |
| | | D - MJ 2007>> | | | |
| (1) | 997 521 202 10 | Seat frame | right | 1 | PR:378 |
| (1) | 997 521 202 21 | Seat frame | right | 1 | PR:378 |
| | | without: | | | |
| | | Memory | | | |
| | | D - MJ 2007>> | | | |
| (1) | 997 521 202 11 | Seat frame | right | 1 | PR:378,538 |
| (1) | 997 521 202 22 | Seat frame | right | 1 | PR:378,538 |
| | | with: | | | |
| | | Memory | | | |
| | | D - MJ 2007>> | | | |
| (1) | 997 521 202 12 | Seat frame | right | 1 | PR:378,560 |
| (1) | 997 521 202 24 | Seat frame | right | 1 | PR:378,560 |
| | | with: | | | |
| | | For vehicles with 'Advanced' airbag | | | |
| | | D - MJ 2007>> | | | |
| (1) | 997 521 201 24 | Seat frame | left rhd | 1 | PR:377,099 |
| | | D - MJ 2008>> | | | |
| 2 | 997 521 325 06 | Trim for switch | left | 1 | PR:375 |
| | 997 521 325 06 D07 | Volcano grey | | | |
| (2) | 997 521 326 06 | Trim for switch | right | 1 | PR:376 |
| | 997 521 326 06 D07 | Volcano grey | | | |
| (2) | 997 521 325 08 | Trim for switch | left | 1 | PR:377 |
| | 997 521 325 08 D07 | Volcano grey | | | |
| | 997 521 325 08 V04 | Galvano silver | | | |
| (2) | 997 521 326 08 | Trim for switch | right | 1 | PR:378 |
| | 997 521 326 08 D07 | Volcano grey | | | |
| | 997 521 326 08 V04 | Galvano silver | | | |
| (2) | 997 521 326 09 | Trim for switch | | 1 | PR:376,560 |
| | 997 521 326 09 D07 | Volcano grey | | | |
| | | For vehicles with 'Advanced' airbag | | | |
| (2) | 997 521 326 11 | Trim for switch | | 1 | PR:378,560 |
| | 997 521 326 11 D07 | Volcano grey | | | |
| | | For vehicles with 'Advanced' airbag | | | |
| 3 | 997 521 631 01 | Actuator button backrest | | 1 | |
| | 997 521 631 01 V05 | Galvano silver | | | |
| 4 | 997 521 061 01 | Retainer plate child seat | | 1 | |
| | | Not for: Australien | | | |
| 5 | 997 521 961 01 | 1 set attachment parts Retainer plate child seat | | 1 | |
| 6 | 997 521 251 00 | Holder for fire extinguisher | | 1 | PR:098,509 |
| (6) | 997 521 252 00 | Holder for fire extinguisher | | 1 | PR:099,509 |
| 7 | 997 521 607 00 | Cup Fire extinguishers | | 1 | PR:509 |
| 8 | 997 521 881 00 | Holder for fire extinguisher Cup | | 1 | PR:509 |
| 9 | 997 521 851 00 | tensioning strap Fire extinguishers | | 1 | PR:509 |
| 10 | 996 722 115 00 | Fire extinguishers | | 1 | PR:509 |

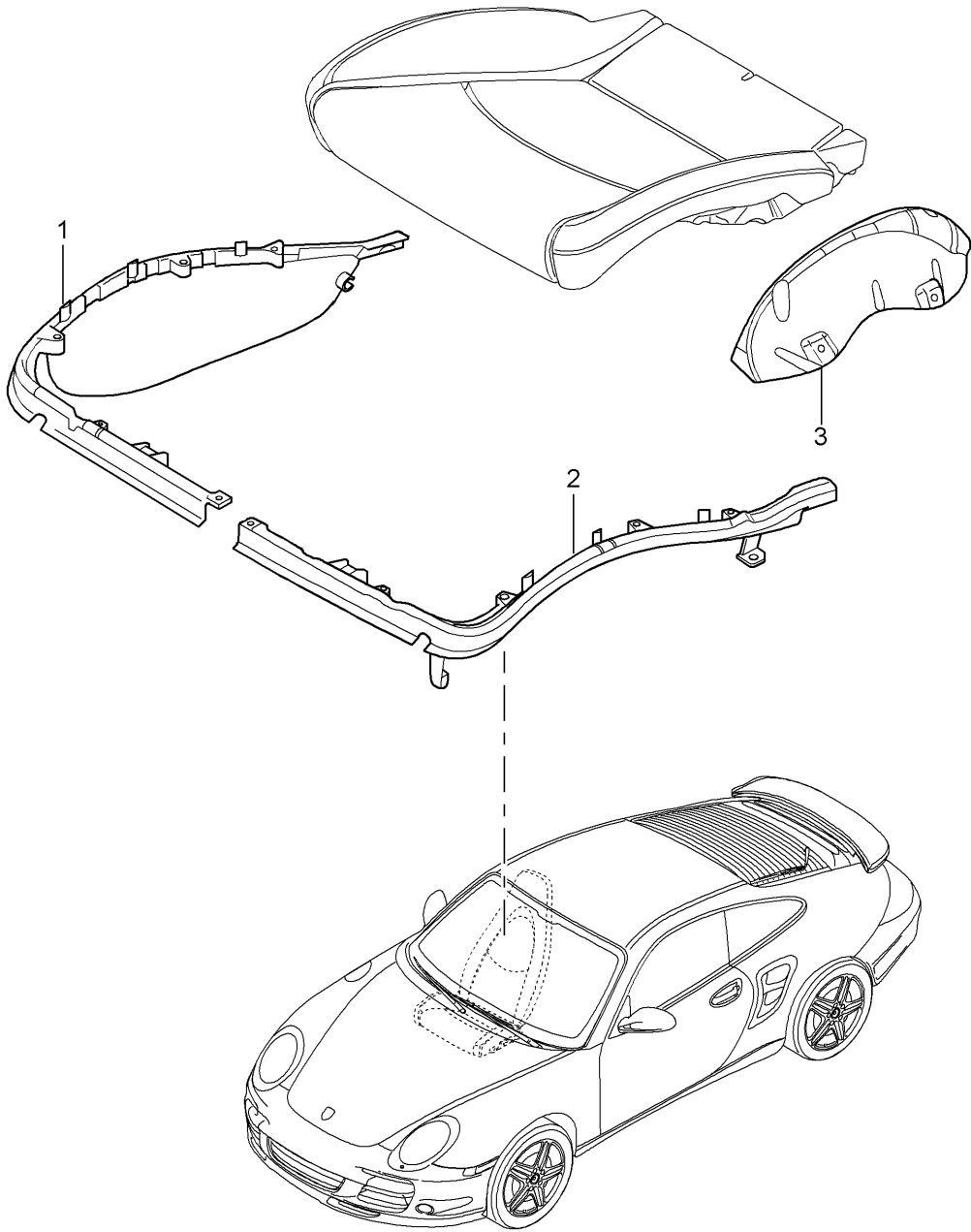
Model: 997T07

Model life 2007>>2009

| Pos | Part Number | Description | Remark | Qty | Model |
|------|--------------------|-----------------------|--------|-----|--------------------|
| | | Information available | | | |
| 11 | 997 521 841 00 | Reinforcement | front | 1 | PR:509 |
| 12 | 997 521 843 00 | Reinforcement | rear | 1 | |
| 13 | 997 521 427 01 | Cover | left | 1 | PR:376,378, 560 |
| | 997 521 427 01 01C | Satin black | | | |
| (13) | 997 521 426 01 | Cover | right | 1 | PR:376,378, 560 |
| | | Sensor | | | |
| | | Weight | | | |
| | 997 521 426 01 01C | Satin black | | | |
| 14 | 999 141 047 01 | Torx screw | | 4 | |
| | | Mount | | | |
| | | Seat rail | | | |

Model: 997T07

Model life 2007>>2009



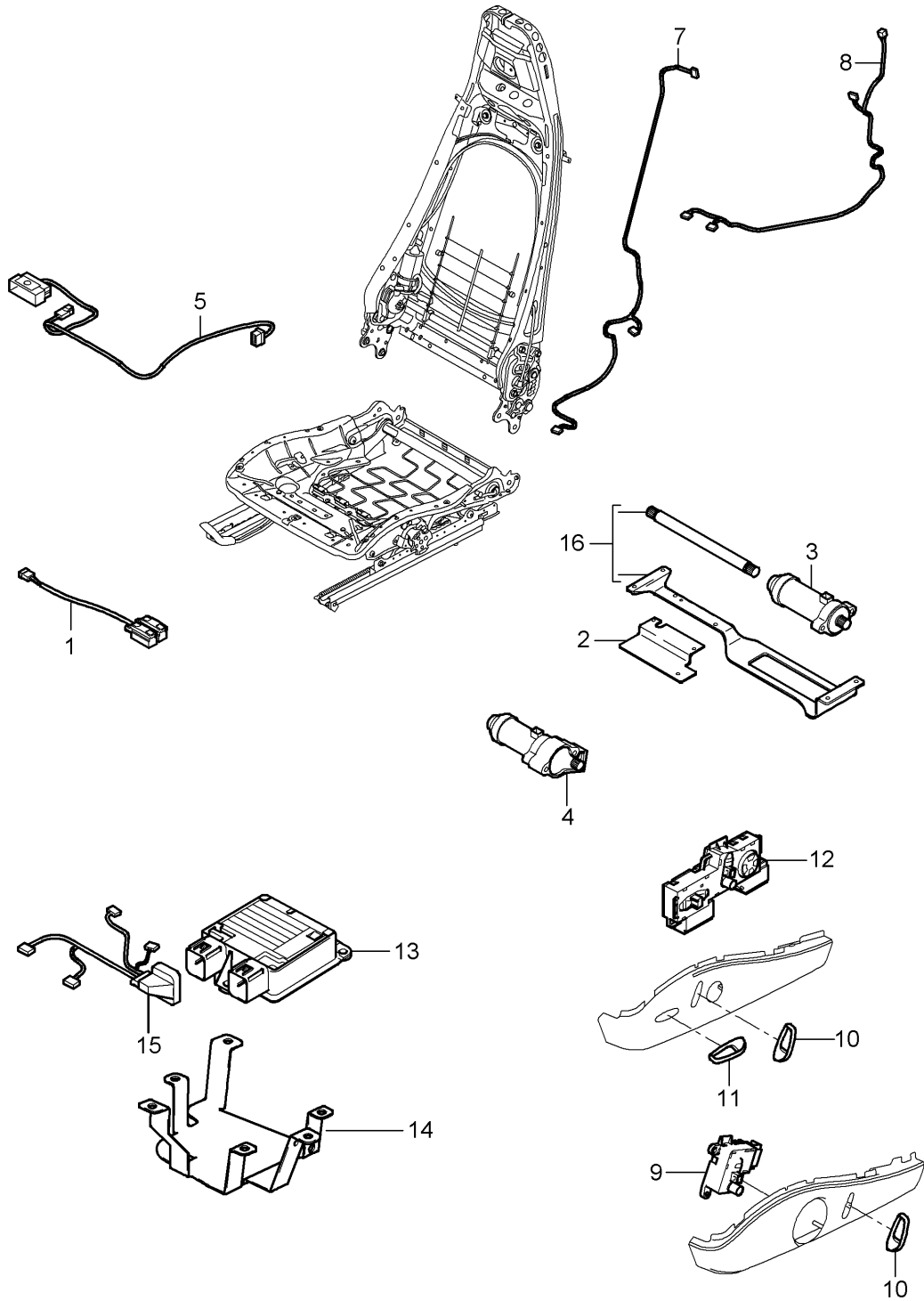
Model: 997T07

Model life 2007>>2009

| Pos | Part Number | Description | Remark | Qty | Model |
|-----|----------------|--|----------------|-----|--------------------|
| 1 | 997 521 547 00 | Cushion carrier sports seat Frame Seat cushion Frame | left inner | 1 | PR:376,378 |
| (1) | 997 521 548 00 | Frame | right inner | 1 | PR:375,377 |
| 2 | 997 521 545 00 | Frame | left outer | 1 | PR:375,377 |
| (2) | 997 521 546 00 | Frame | right outer | 1 | PR:376,378 |
| (2) | 997 521 546 01 | Frame | right outer | 1 | PR:376,378, 560 |
| 3 | 997 521 519 00 | For vehicles with 'Advanced' airbag Support plate | left | 1 | PR:377,378 |
| (3) | 997 521 520 00 | Support plate Seat cushion | right | 1 | PR:377,378 |

Model: 997T07

Model life 2007>>2009



Model: 997T07 Model life 2007>>2009

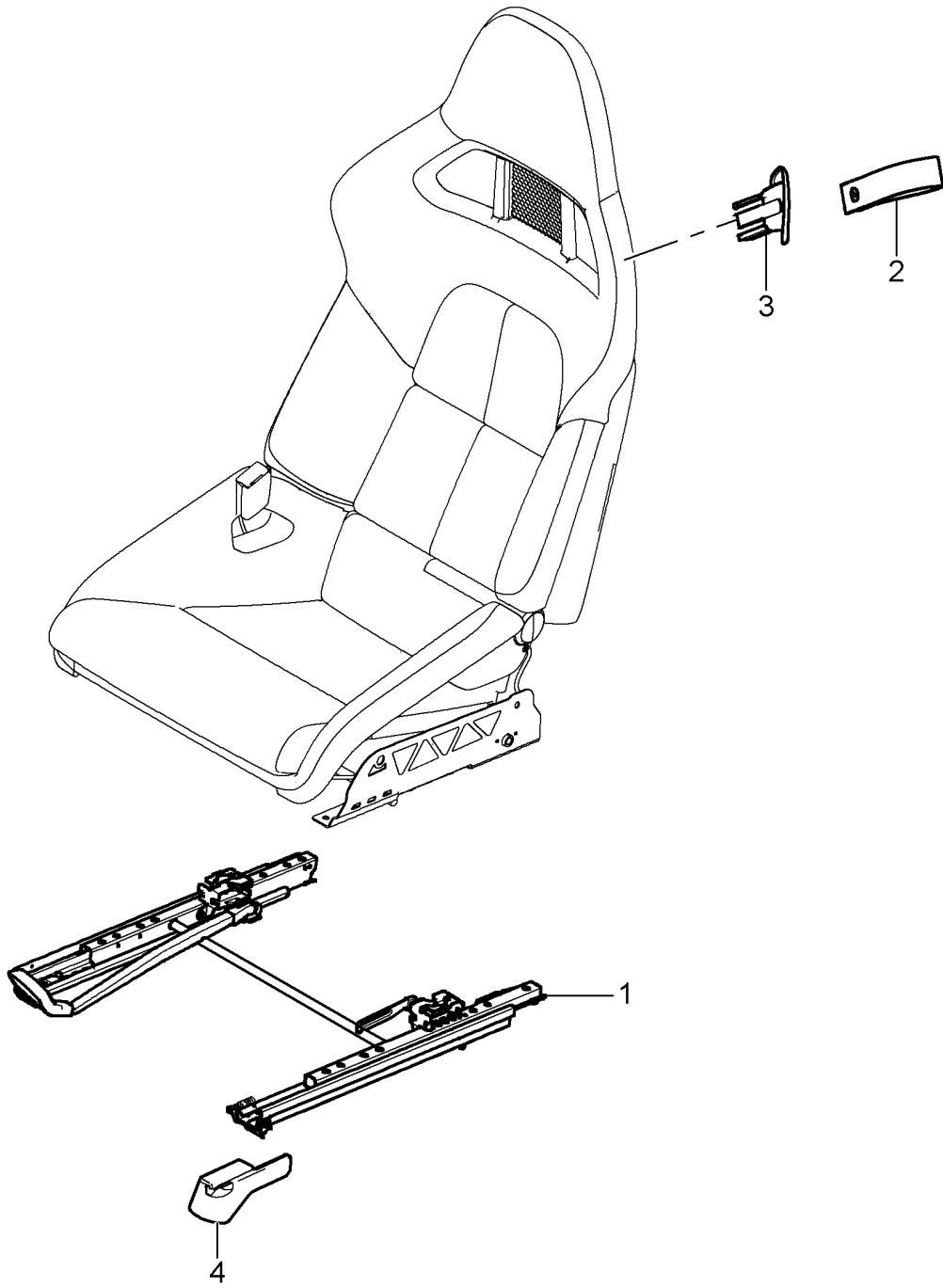
| Pos | Part Number | Description | Remark | Qty | Model |
|-----|--------------------|--|---------------------------------|-----|--------------------|
| 1 | 997 613 725 00 | Wiring looms Switch Control units sports seat Comfort seat Switch | | 1 | PR:377 |
| (1) | 997 613 725 00 V05 | Galvano silver | | 1 | PR:378 |
| | 997 613 726 00 | Switch Seat adjuster | | 1 | PR:378 |
| 2 | 997 613 726 00 V05 | Galvano silver | | 1 | PR:377,378 |
| | 997 521 343 00 | Bracket for compressor | | 1 | PR:377,378 |
| 3 | 997 624 332 00 | Electric motor Electric motor Seat adjuster | | 1 | PR:537,538 |
| (3) | 997 624 332 00 | Lengthways Memory Electric motor Seat adjuster Height adjustment Memory | | 1 | PR:537,538 |
| 4 | 997 624 333 00 | Electric motor Seat adjuster Tilt angle Memory | | 1 | PR:537,538 |
| 5 | 997 612 682 01 | Wire set Trim for switch | | 1 | PR:375,376 |
| (5) | 997 612 657 00 | Wire set Seat Standard seat Vented | | 1 | PR:541 |
| (5) | 997 612 659 00 | D - MJ 2009>> Wire set Seat Electric Vented | | 1 | PR:437,438, 541 |
| 7 | 997 612 692 00 | D - MJ 2009>> Wire set Lumbar support Memory | | 1 | PR:377,537 |
| 7 | 997 612 692 00 | D >> - MJ 2007 Wire set Lumbar support Memory | | 1 | PR:378,538 |
| 7 | 997 612 692 01 | D >> - MJ 2007 Wire set Lumbar support Memory | | 1 | PR:377,537 |
| 7 | 997 612 692 01 | D - MJ 2008>> Wire set Lumbar support Memory | | 1 | PR:378,538 |
| 8 | 997 612 685 01 | D - MJ 2008>> Wire set backrest | | 1 | PR:377 |
| (8) | 997 612 686 01 | without: Memory Wire set backrest | | 1 | PR:378 |
| 9 | 997 613 713 00 | without: Memory switch for seat adjustment also use: | left 997 521 631 02 (V05) | 1 | PR:375 |

Model: 997T07 Model life 2007>>2009

| Pos | Part Number | Description | Remark | Qty | Model |
|------|--------------------|--|----------------------------------|-----|------------------------|
| (9) | 997 613 714 00 | switch for seat adjustment also use: | right 997 521 631 02 (V05) | 1 | PR:376 |
| 10 | 997 521 631 01 | Actuator button backrest | left a. right | 1 | PR:375,376, 377,378 |
| | 997 521 631 01 V05 | Galvano silver | | | |
| 10 | 997 521 631 02 | Actuator button backrest | left a. right | 1 | PR:375,376, 377,378 |
| | 997 521 631 02 V05 | Galvano silver | | | |
| 11 | 997 521 633 02 | Actuator button Seat cushion | | 1 | PR:377,378 |
| | 997 521 633 02 V05 | Galvano silver | | | |
| 12 | 997 613 717 01 | switch for seat adjustment | | 1 | PR:377,437 |
| | 997 613 717 01 V05 | Galvano silver | | | |
| (12) | 997 613 718 01 | switch for seat adjustment without: | | 1 | PR:378,438 |
| | | Memory | | | |
| | 997 613 718 01 V05 | Galvano silver | | | |
| 13 | 997 618 233 05 | Control unit for seat occupied sensor | | 1 | PR:376,378, 560 |
| 14 | 997 521 646 00 | Retainer for control units | | 1 | PR:376,378, 560 |
| | | seat occupied recognition | | | |
| 15 | 997 612 688 00 | Wire set | | 1 | PR:376,378, 560 |
| | | seat occupied recognition | | | |
| 16 | 000 043 207 06 | Pliable shaft Adjusting motor Lengthways | | 1 | |
| (16) | 997 521 901 00 | repair set Pliable shaft | | 1 | |
| | | Console for engine mounting | | | |
| - | 999 650 973 40 | Clip Mount Wire set seat occupied recognition | | 1 | |

Model: 997T07

Model life 2007>>2009

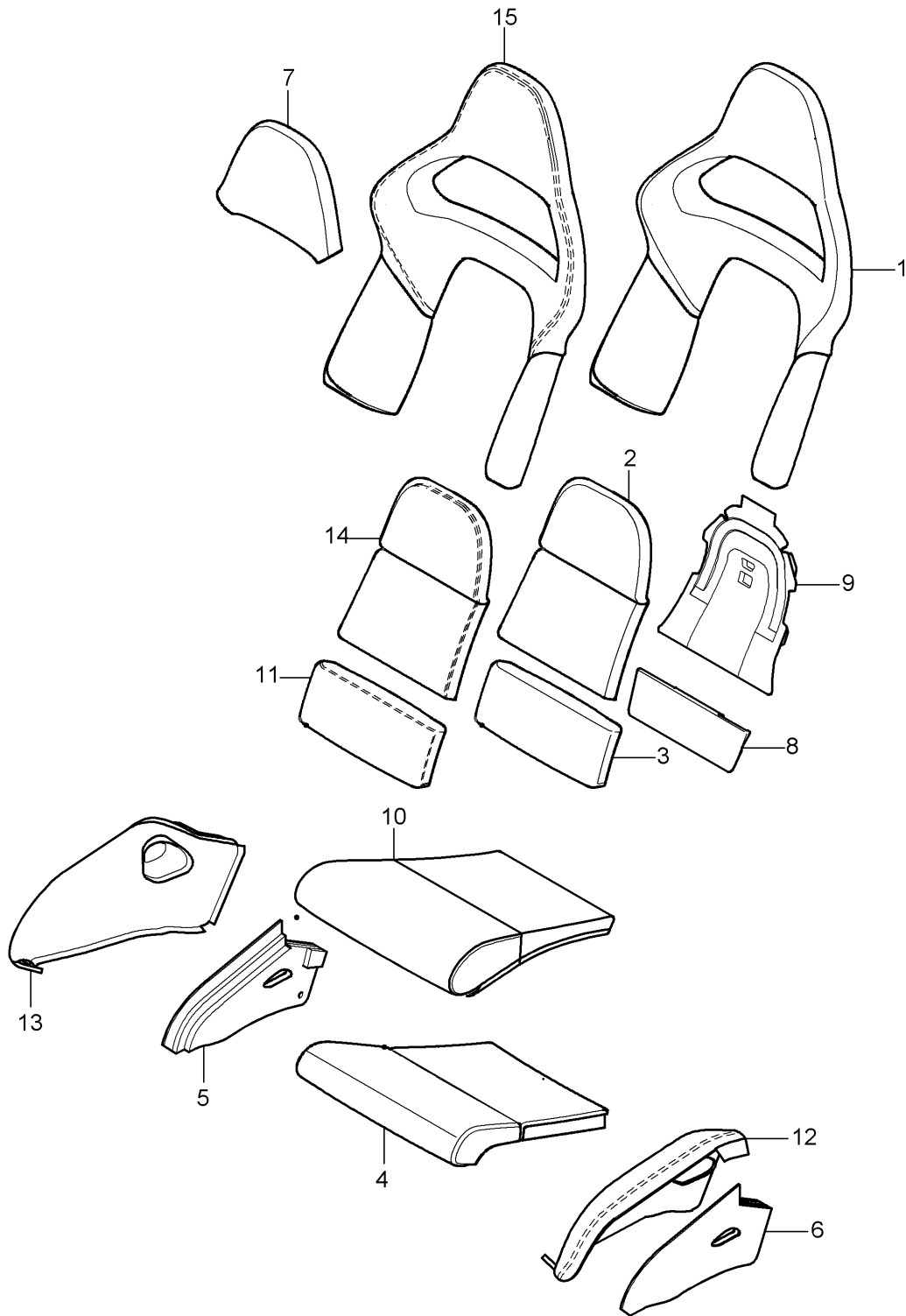


Model: 997T07 Model life 2007>>2009

| Pos | Part Number | Description | Remark | Qty | Model |
|-----|--------------------|--|-----------|-----|------------|
| | | bucket seat Collapsible (complete) Not available D - MJ 2008>> | | | TURBO |
| 1 | 997 521 429 01 | 1 set of seat rails (drivers side) | left lhd | 1 | PR:098,388 |
| (1) | 997 521 430 01 | 1 set of seat rails (passenger side) | right lhd | 1 | PR:098,389 |
| (1) | 997 521 429 02 | 1 set of seat rails (passenger side) | left rhd | 1 | PR:099,388 |
| (1) | 997 521 430 02 | 1 set of seat rails (drivers side) | right rhd | 1 | PR:099,389 |
| 2 | 997 521 539 00 | Pull loop Backrest frame | left | 1 | PR:388 |
| | 997 521 539 00 A80 | Black | | | |
| (2) | 997 521 540 00 | Pull loop Backrest frame | right | 1 | PR:389 |
| | 997 521 540 00 A80 | Black | | | |
| 3 | 997 521 538 00 | Rosette Pull loop Backrest frame | right | 1 | PR:389 |
| | 997 521 538 00 01C | Satin black | | | |
| (3) | 997 521 537 00 | Rosette Pull loop Backrest frame | left | 1 | PR:388 |
| | 997 521 537 00 01C | Satin black | | | |
| 4 | 997 521 359 01 | Rail Seat rail Manually | left | 1 | PR:388 |
| | 997 521 359 01 01C | Satin black | | | |
| (4) | 997 521 360 01 | Rail Seat rail Manually | right | 1 | PR:389 |
| | 997 521 360 01 01C | Satin black | | | |
| (4) | 997 521 361 00 | Rail Seat rail | left | 1 | PR:388 |
| | 997 521 361 00 01C | Satin black | | | |
| (4) | 997 521 362 00 | Rail Seat rail | right | 1 | PR:389 |
| | 997 521 362 00 01C | Satin black | | | |

Model: 997T07

Model life 2007>>2009



Model: 997T07 Model life 2007>>2009

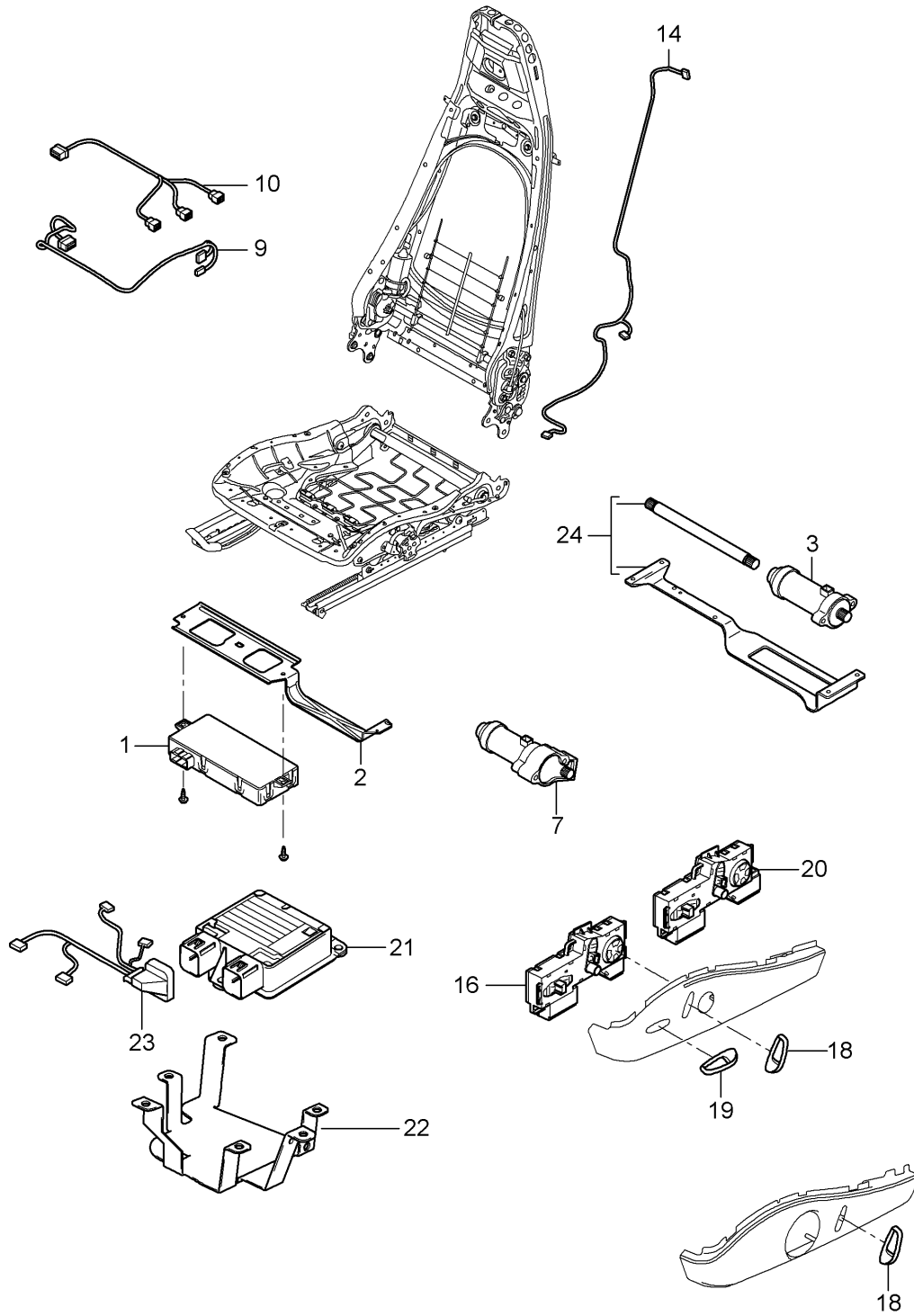
| Pos | Part Number | Description | Remark | Qty | Model |
|-----|--------------------|--|------------------------|-----|--------------------|
| | | Foam part Cover Seat and backrest surface bucket seat Collapsible D - MJ 2008>> | | | TURBO |
| 1 | 997 521 447 00 | Foam part backrest | | 2 | PR:388,389 |
| 2 | 997 521 448 00 | Outer part Foam part backrest | | 2 | PR:388,389 |
| 3 | 997 521 441 00 | Centre part Foam part | rear | 2 | PR:388,389 |
| 4 | 997 521 440 00 | Seat cushion Foam part | front | 2 | PR:388,389 |
| 5 | 997 521 443 00 | Seat cushion Foam part | side outer left | 1 | PR:388 |
| (5) | 997 521 444 00 | Foam part Seat cushion | side inner left | 1 | PR:388 |
| 6 | 997 521 446 00 | Foam part Seat cushion | side outer right | 1 | PR:389 |
| (6) | 997 521 445 00 | Foam part Seat cushion | side inner right | 1 | PR:389 |
| 7 | 997 521 458 00 | Foam part Head restraint | | 2 | PR:388,389 |
| 8 | 997 521 456 00 | Foam part Seat cushion | rear | 1 | PR:388,389 |
| 9 | 997 521 457 00 | Foam part backrest | | 1 | PR:388,389 |
| 10 | 997 521 380 00 | Seat cover | left a. right front | 1 | PR:388,389, 983 |
| | 997 521 380 00 8YR | Black | | | |
| | 997 521 380 00 5X5 | Stone grey | | | |
| | 997 521 380 00 8G1 | Sand beige | | | |
| | 997 521 380 00 3S8 | sea blue | | | |
| | 997 521 380 00 9N2 | Terracotta | | | |
| | 997 521 380 00 9Q3 | Cocoa | | | |
| | 997 521 380 00 D11 | Dark grey/natural | | | |
| | 997 521 380 00 T11 | Brown/natural | | | |
| | 997 521 380 00 N11 | Carrera Red | | | |
| 11 | 997 521 381 00 | Seat cover | rear | 1 | PR:388,389, 983 |
| | 997 521 381 00 8YR | Black | | | |
| | 997 521 381 00 5X5 | Stone grey | | | |
| | 997 521 381 00 8G1 | Sand beige | | | |
| | 997 521 381 00 3S8 | sea blue | | | |
| | 997 521 381 00 9N2 | Terracotta | | | |
| | 997 521 381 00 9Q3 | Cocoa | | | |
| | 997 521 381 00 D11 | Dark grey/natural | | | |
| | 997 521 381 00 T11 | Brown/natural | | | |
| | 997 521 381 00 N11 | Carrera Red | | | |
| 12 | 997 521 383 00 | Cover | left side outer | 1 | PR:388,983 |
| | 997 521 383 00 8YR | Black | | | |
| | 997 521 383 00 5X5 | Stone grey | | | |
| | 997 521 383 00 8G1 | Sand beige | | | |
| | 997 521 383 00 3S8 | sea blue | | | |

Model: 997T07 Model life 2007>>2009

| Pos | Part Number | Description | Remark | Qty | Model |
|------|--------------------|-------------------------------|------------------------|-----|--------------------|
| 13 | 997 521 383 00 9N2 | Terracotta | left side inner | 1 | PR:388,983 |
| | 997 521 383 00 9Q3 | Cocoa | | | |
| | 997 521 383 00 D11 | Dark grey/natural | | | |
| | 997 521 383 00 T11 | Brown/natural | | | |
| | 997 521 383 00 N11 | Carrera Red | | | |
| | 997 521 384 00 | Seat cover (leather) | | | |
| | 997 521 384 00 8YR | Black | | | |
| | 997 521 384 00 5X5 | Stone grey | | | |
| | 997 521 384 00 8G1 | Sand beige | | | |
| | 997 521 384 00 3S8 | sea blue | | | |
| (13) | 997 521 384 00 9N2 | Terracotta | right side outer | 1 | PR:389,983 |
| | 997 521 384 00 9Q3 | Cocoa | | | |
| | 997 521 384 00 D11 | Dark grey/natural | | | |
| | 997 521 384 00 T11 | Brown/natural | | | |
| | 997 521 384 00 N11 | Carrera Red | | | |
| | 997 521 386 00 | Cover | | | |
| | 997 521 386 00 8YR | Black | | | |
| | 997 521 386 00 5X5 | Stone grey | | | |
| | 997 521 386 00 8G1 | Sand beige | | | |
| | 997 521 386 00 3S8 | sea blue | | | |
| (13) | 997 521 386 00 9N2 | Terracotta | right side inner | 1 | PR:389,983 |
| | 997 521 386 00 9Q3 | Cocoa | | | |
| | 997 521 386 00 D11 | Dark grey/natural | | | |
| | 997 521 386 00 T11 | Brown/natural | | | |
| | 997 521 386 00 N11 | Carrera Red | | | |
| | 997 521 385 00 | Seat cover (leather) | | | |
| | 997 521 385 00 8YR | Black | | | |
| | 997 521 385 00 5X5 | Stone grey | | | |
| | 997 521 385 00 8G1 | Sand beige | | | |
| | 997 521 385 00 3S8 | sea blue | | | |
| 14 | 997 521 385 00 9N2 | Terracotta | outer | 1 | PR:388,389, 983 |
| | 997 521 385 00 9Q3 | Cocoa | | | |
| | 997 521 385 00 D11 | Dark grey/natural | | | |
| | 997 521 385 00 T11 | Brown/natural | | | |
| | 997 521 385 00 N11 | Carrera Red | | | |
| | 997 521 387 00 | Backrest centre part w. cover | | | |
| | 997 521 387 00 8YR | Black | | | |
| | 997 521 387 00 5X5 | Stone grey | | | |
| | 997 521 387 00 8G1 | Sand beige | | | |
| | 997 521 387 00 3S8 | sea blue | | | |
| 15 | 997 521 387 00 9N2 | Terracotta | outer | 1 | PR:388,389, 983 |
| | 997 521 387 00 9Q3 | Cocoa | | | |
| | 997 521 387 00 D11 | Dark grey/natural | | | |
| | 997 521 387 00 T11 | Brown/natural | | | |
| | 997 521 387 00 N11 | Carrera Red | | | |
| | 997 521 388 00 | backrest cover (leather) | | | |
| | 997 521 388 00 8YR | Black | | | |
| | 997 521 388 00 5X5 | Stone grey | | | |
| | 997 521 388 00 8G1 | Sand beige | | | |
| | 997 521 388 00 3S8 | sea blue | | | |
| | 997 521 388 00 9N2 | Terracotta | | | |
| | 997 521 388 00 9Q3 | Cocoa | | | |
| | 997 521 388 00 D11 | Dark grey/natural | | | |
| | 997 521 388 00 T11 | Brown/natural | | | |
| | 997 521 388 00 N11 | Carrera Red | | | |

Model: 997T07

Model life 2007>>2009



Model: 997T07 Model life 2007>>2009

| Pos | Part Number | Description | Remark | Qty | Model |
|------|--------------------|--|--------|-----|------------------------|
| 1 | 997 618 537 07 | Wiring looms Switch Control unit Electric motor Comfort seat Control unit | | 1 | PR:537,538 |
| 2 | 997 521 643 00 | Seating position control Retainer for control units Seating position control | | 1 | PR:537,538 |
| 3 | 997 624 332 00 | Electric motor Seat adjuster Lengthways Memory | | 1 | PR:537,538 |
| (3) | 997 624 332 00 | Electric motor Seat adjuster Height adjustment Memory | | 1 | PR:537,538 |
| 7 | 997 624 333 00 | Electric motor Seat adjuster Tilt angle | | 1 | PR:537,538 |
| | | with: | | | |
| 9 | 997 612 684 00 | Memory Wire set Seat adjuster Memory | | 1 | PR:537,538 |
| 10 | 997 612 690 00 | Wire set Lengthways Height adjustment Memory | | 1 | PR:537,538 |
| 14 | 997 612 687 00 | Wire set Lumbar backrest Memory | | 1 | PR:437,438, 537,538 |
| 16 | 997 613 721 01 | switch for seat adjustment | left | 1 | PR:437,537, 377 |
| | 997 613 721 01 V05 | Memory switch Galvano silver | | | |
| (16) | 997 613 722 01 | switch for seat adjustment | right | 1 | PR:438,538, 378 |
| | 997 613 722 01 V05 | Memory switch Galvano silver | | | |
| 18 | 997 521 631 01 | Actuator button | | 1 | PR:437,438 |
| | 997 521 631 01 V05 | Galvano silver | | | |
| 19 | 997 521 633 02 | Actuator button | | 1 | PR:437,438 |
| | 997 521 633 02 V05 | Galvano silver | | | |
| 20 | 997 613 717 01 | switch for seat adjustment | left | 1 | PR:437,377 |
| | | without: | | | |
| | 997 613 717 01 V05 | Memory Galvano silver | | | |
| (20) | 997 613 718 01 | switch for seat adjustment | right | 1 | PR:438,378 |
| | | without: | | | |
| | 997 613 718 01 V05 | Memory Galvano silver | | | |
| (21) | 997 618 233 05 | Control unit for seat occupied sensor | | 1 | PR:438,560 |
| (22) | 997 521 646 00 | Retainer for control units seat occupied recognition | | 1 | PR:438,560 |
| 23 | 997 612 688 00 | Wire set seat occupied recognition | | 1 | PR:438,560 |
| 24 | 000 043 207 06 | Pliable shaft Adjusting motor Lengthways | | 1 | |
| (24) | 997 521 901 00 | repair set | | 1 | |

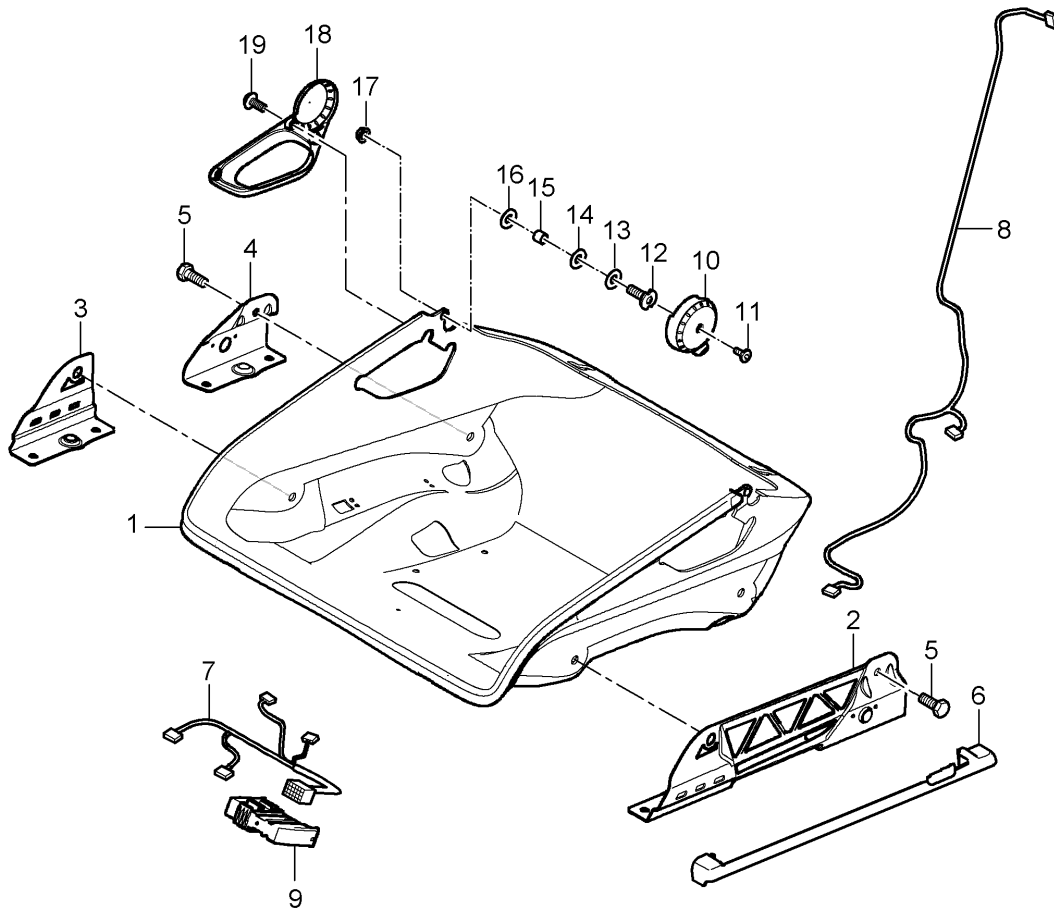
Model: 997T07

Model life 2007>>2009

| Pos | Part Number | Description | Remark | Qty | Model |
|-----|----------------|--|--------|-----|-------|
| - | 999 650 973 40 | Pliable shaft Console for engine mounting Clip Mount Wire set seat occupied recognition | | 1 | |

Model: 997T07

Model life 2007>>2009



Model: 997T07 Model life 2007>>2009

| Pos | Part Number | Description | Remark | Qty | Model |
|------|--------------------------------------|--|-----------------------|-----|--------------------|
| | | bucket seat Collapsible Seat frame Accessories D - MJ 2008>> | | | TURBO |
| 1 | 997 521 281 00 | Cup Seat frame | left a. right | 2 | PR:388,389 |
| (1) | 997 521 182 00 | without: seat occupied recognition Cup Seat frame | right | 1 | PR:389,560 |
| 2 | 997 521 433 00 | with: seat occupied recognition Adapter Seat frame | outer left | 1 | PR:388,389, 560 |
| (2) | 997 521 434 00 | Discontinued part Adapter Seat frame | outer right | 1 | PR:389 |
| 3 | 997 521 436 00 | Discontinued part Adapter Seat frame | front, inner right | 1 | PR:388 |
| (3) | 997 521 435 00 | Discontinued part Adapter Seat frame | front, inner left | 1 | PR:389 |
| 4 | 997 521 438 00 | without: seat occupied recognition Discontinued part Adapter Seat frame | rear, inner right | 1 | PR:388 |
| (4) | 997 521 437 00 | Discontinued part Adapter Seat frame | rear, inner left | 1 | PR:389 |
| 5 | 999 217 168 01 | without: seat occupied recognition Discontinued part Hexagon bolt M 8 X 16 Mount Seat rail | | 4 | |
| 6 | 997 521 427 03 | bucket seat Cover Sensor | left | 1 | PR:389,560 |
| (6) | 997 521 427 03 01C 997 521 426 03 | seat occupied recognition Satin black Cover Sensor | right | 1 | PR:389,560 |
| 7 | 997 521 426 03 01C 997 612 688 10 | seat occupied recognition Satin black Wire set | | 1 | PR:389,560 |
| 8 | 997 612 785 10 | seat occupied recognition Wire set | left a. right | 1 | PR:388,389 |
| 9 | 997 618 233 05 | Side airbag unit Control unit for seat occupied sensor | | 1 | |
| 10 | 997 521 563 00 | Trim Hinge | left inner | 1 | |
| (10) | 997 521 563 00 01C 997 521 564 00 | Satin black Trim Hinge | right inner | 1 | |
| 11 | 997 521 564 00 01C 999 073 456 01 | Satin black flat round head bolt M4 X 12 Mount | inner | 2 | |

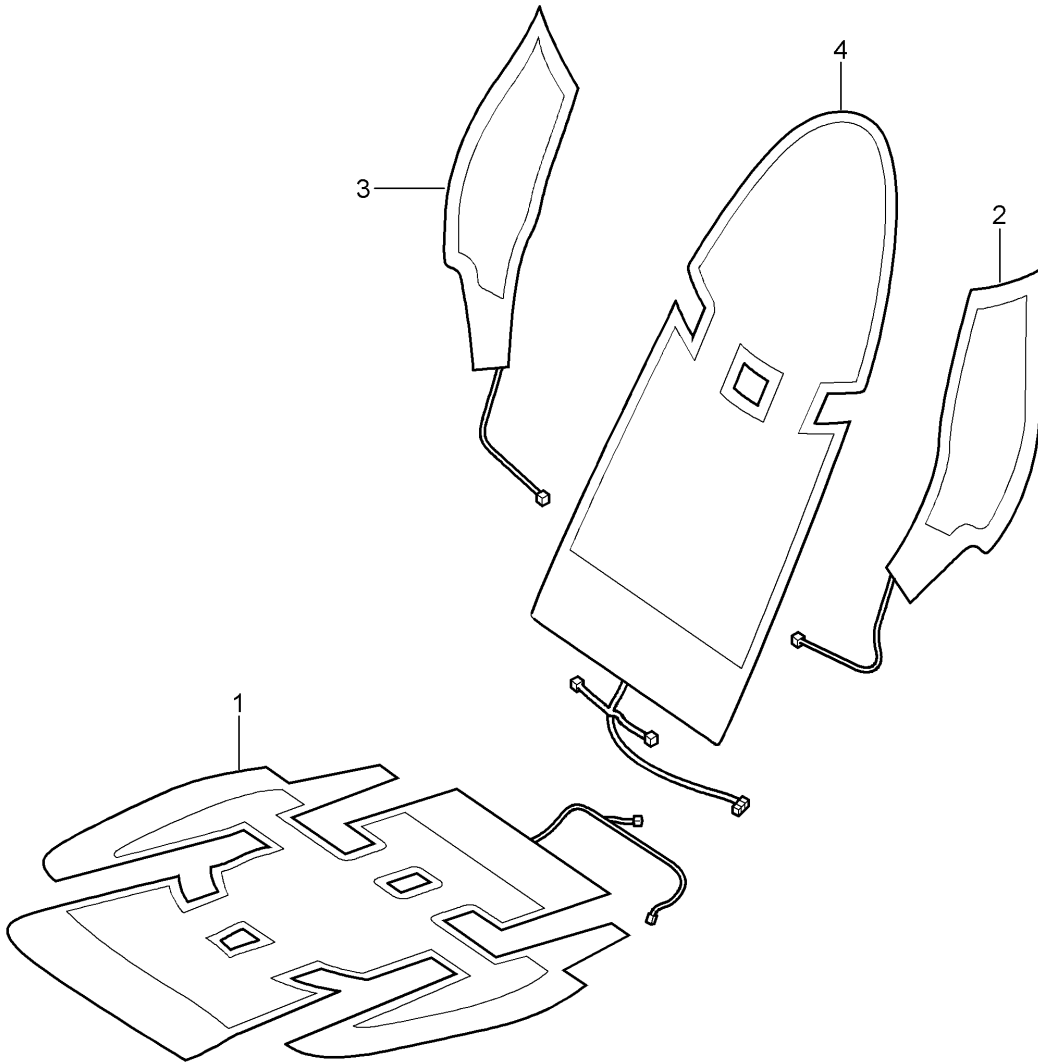
Model: 997T07

Model life 2007>>2009

| Pos | Part Number | Description | Remark | Qty | Model |
|------|--------------------|--|----------------|-----|-------|
| 12 | 997 521 690 00 | Trim bearing pin Backrest shell Cup | lower | 2 | |
| 13 | 999 523 019 01 | Belleville spring A25 | | 2 | |
| 14 | 999 234 034 00 | fitted washer 12 X 18 X 0,2 | | 2 | |
| 15 | 999 924 136 40 | Plain bearing F12 X 5 X 14 | | 2 | |
| 16 | 999 025 122 40 | thrust washer 20 X 12 X 0,5 | | 2 | |
| 17 | 900 380 024 01 | Outer hexagon round nut M8 | | 2 | |
| 18 | 997 521 561 00 | Trim Seat belt | left lower | 1 | |
| | 997 521 561 00 01C | Satin black | | | |
| (18) | 997 521 562 00 | Trim Seat belt | right lower | 1 | |
| | 997 521 562 00 01C | Satin black | | | |
| 19 | 999 141 049 01 | Oval-head screw M5 X 10 Mount Trim | | 3 | |

Model: 997T07

Model life 2007>>2009



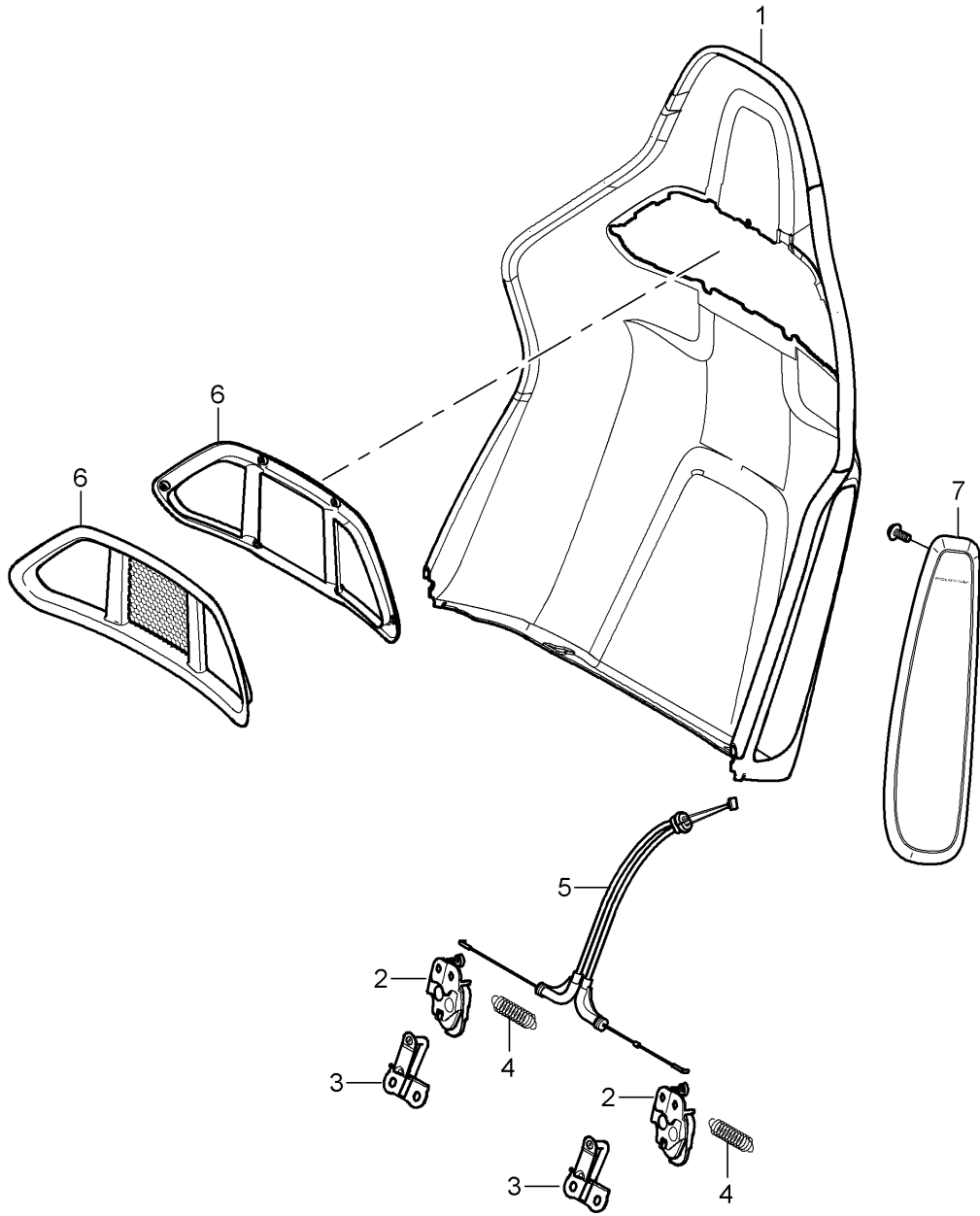
Model: 997T07

Model life 2007>>2009

| Pos | Part Number | Description | Remark | Qty | Model |
|-----|----------------|--|---------------|-----|------------|
| 1 | 997 653 105 02 | heater Front seat Comfort seat Heating element Seat cushion Standard seat Comfort seat | left a. right | 2 | PR:437,438 |
| 2 | 997 653 109 00 | Heating element Backrest side bolster Standard seat Comfort seat | left | 1 | PR:437,438 |
| 3 | 997 653 110 00 | Heating element Backrest side bolster Standard seat Comfort seat | right | 1 | PR:437,438 |
| 4 | 997 653 107 00 | Heating element Backrest cushion | left a. right | 2 | PR:437,438 |

Model: 997T07

Model life 2007>>2009

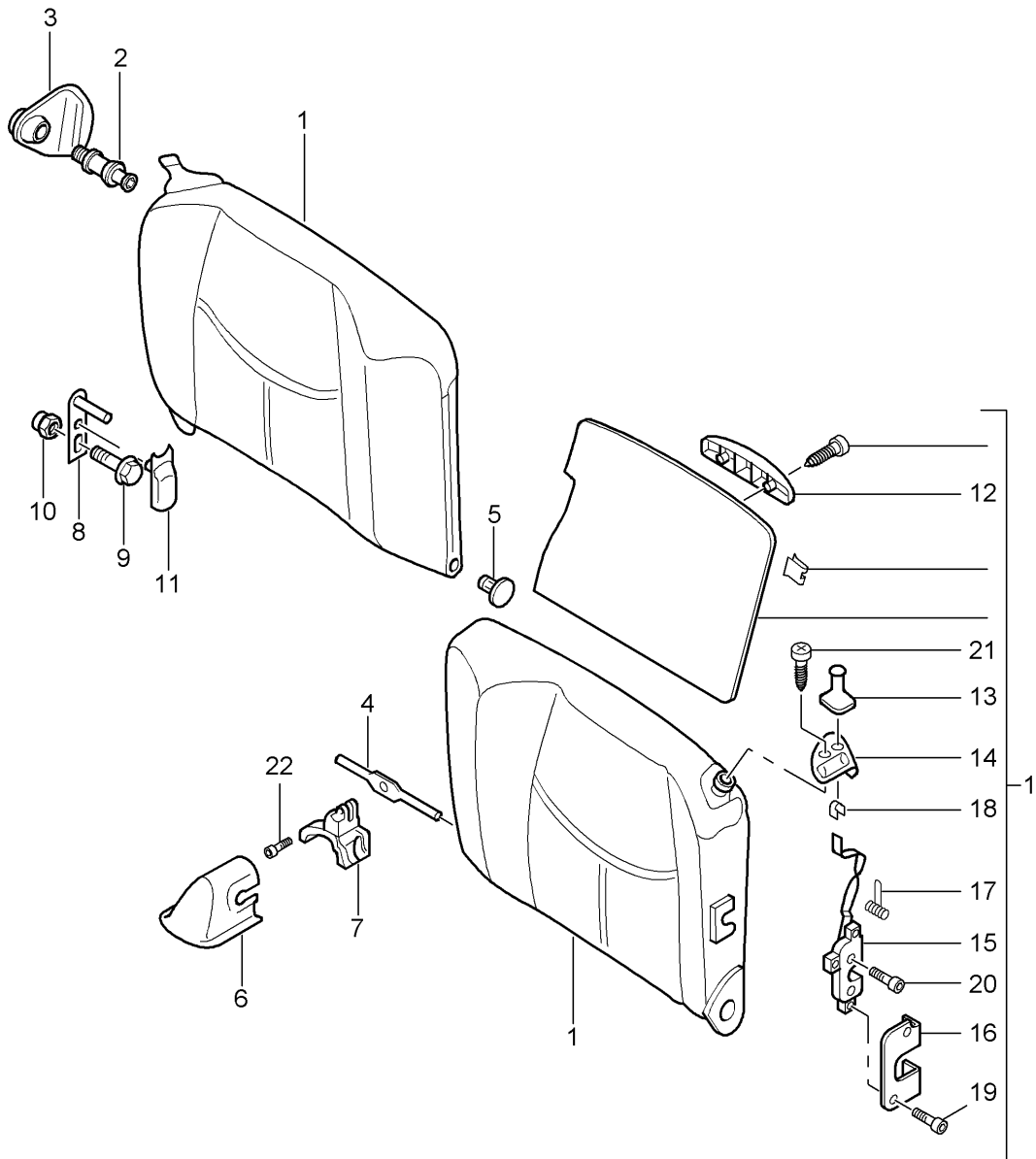


Model: 997T07 Model life 2007>>2009

| Pos | Part Number | Description | Remark | Qty | Model |
|-----|--------------------|--|---------------|-----|------------|
| | | Backrest shell bucket seat Collapsible Accessories D - MJ 2008>> | | | TURBO/GT2 |
| 1 | 997 521 271 00 | Backrest shell bucket seat Collapsible | left | 1 | PR:388 |
| (1) | 997 521 272 00 | Backrest shell bucket seat Collapsible | right | 1 | PR:389 |
| 2 | 997 521 651 00 | backrest lock | left | 1 | PR:388,389 |
| (2) | 997 521 652 00 | backrest lock | right | 1 | PR:388,389 |
| 3 | 997 521 660 00 | Closing element lock | left a. right | 1 | PR:388,389 |
| 4 | 997 521 650 00 | Backrest shell tension spring lock | left a. right | 1 | PR:388,389 |
| 5 | 997 521 640 00 | backrest Bowden cable Release backrest | left a. right | 1 | PR:388,389 |
| 6 | 997 521 330 00 | Trim Seat belt | front | 1 | PR:388,389 |
| (6) | 997 521 330 00 01C | Satin black | | | |
| | 997 521 531 00 | Trim Seat belt | rear | 1 | PR:388,389 |
| 7 | 997 521 531 00 01C | Satin black | | | |
| | 997 803 081 01 | Side airbag unit | left | 1 | PR:388 |
| (7) | 997 803 081 01 A03 | Black | | | |
| | 997 803 082 01 | Side airbag unit | right | 1 | PR:389 |
| | 997 803 082 01 A03 | Front seat Black | | | |

Model: 997T07

Model life 2007>>2009



Model: 997T07 Model life 2007>>2009

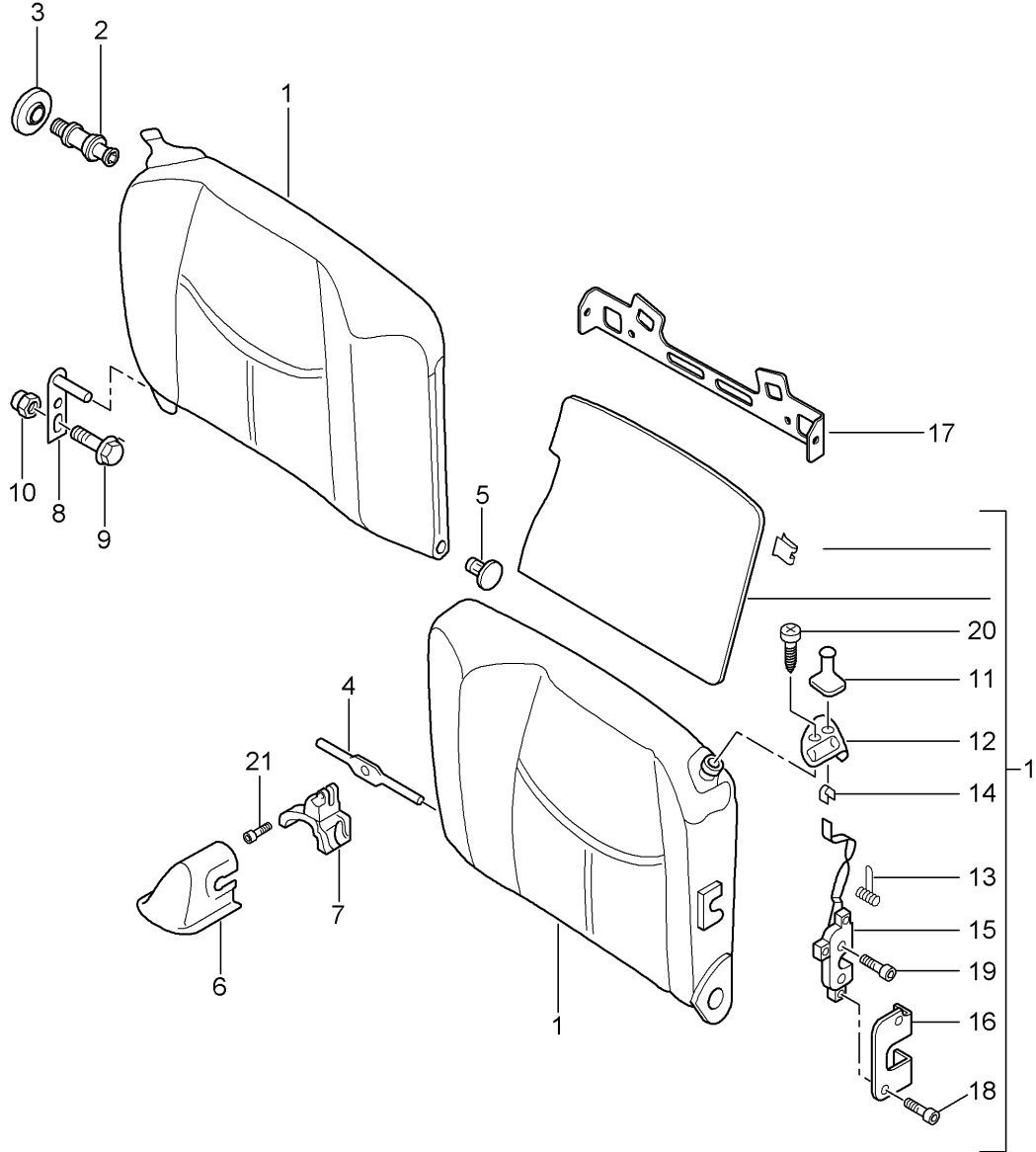
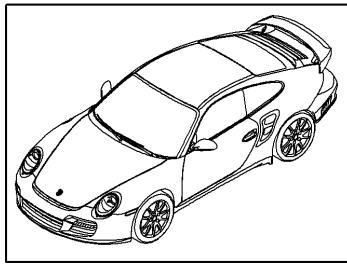
| Pos | Part Number | Description | Remark | Qty | Model |
|-----|--------------------|----------------------------------|--------|-----|------------|
| | | Emergency seat backrest Coupe | | | |
| 1 | 997 522 011 07 | Emergency seat backrest | left | 1 | PR:685,936 |
| | 997 522 011 07 8YR | Black | | | |
| | 997 522 011 07 5X5 | Stone grey | | | |
| | 997 522 011 07 8G1 | Sand beige | | | |
| | 997 522 011 07 3S8 | sea blue | | | |
| | 997 522 011 07 4P1 | Palm green | | | |
| | 997 522 011 07 9N2 | Terracotta | | | |
| | 997 522 011 07 9Q3 | Cocoa | | | |
| | 997 522 011 07 D11 | Dark grey/natural | | | |
| | 997 522 011 07 T11 | Brown/natural | | | |
| | 997 522 011 07 N11 | Carrera Red | | | |
| | | D - MJ 2008>> | | | |
| (1) | 997 522 012 07 | Emergency seat backrest | right | 1 | PR:685,936 |
| | 997 522 012 07 8YR | Black | | | |
| | 997 522 012 07 5X5 | Stone grey | | | |
| | 997 522 012 07 8G1 | Sand beige | | | |
| | 997 522 012 07 3S8 | sea blue | | | |
| | 997 522 012 07 4P1 | Palm green | | | |
| | 997 522 012 07 9N2 | Terracotta | | | |
| | 997 522 012 07 9Q3 | Cocoa | | | |
| | 997 522 012 07 D11 | Dark grey/natural | | | |
| | 997 522 012 07 T11 | Brown/natural | | | |
| | 997 522 012 07 N11 | Carrera Red | | | |
| | | D - MJ 2008>> | | | |
| (1) | 997 522 011 08 | Emergency seat backrest | left | 1 | PR:685,939 |
| | 997 522 011 08 8YR | Black | | | |
| | 997 522 011 08 5X5 | Stone grey | | | |
| | 997 522 011 08 8G1 | Sand beige | | | |
| | 997 522 011 08 3S8 | sea blue | | | |
| | 997 522 011 08 4P1 | Palm green | | | |
| | 997 522 011 08 9N2 | Terracotta | | | |
| | 997 522 011 08 9Q3 | Cocoa | | | |
| | 997 522 011 08 D11 | Dark grey/natural | | | |
| | 997 522 011 08 T11 | Brown/natural | | | |
| | 997 522 011 08 N11 | Carrera Red | | | |
| | | D - MJ 2008>> | | | |
| (1) | 997 522 012 08 | Emergency seat backrest | right | 1 | PR:685,939 |
| | 997 522 012 08 8YR | Black | | | |
| | 997 522 012 08 5X5 | Stone grey | | | |
| | 997 522 012 08 8G1 | Sand beige | | | |
| | 997 522 012 08 3S8 | sea blue | | | |
| | 997 522 012 08 4P1 | Palm green | | | |
| | 997 522 012 08 9N2 | Terracotta | | | |
| | 997 522 012 08 9Q3 | Cocoa | | | |
| | 997 522 012 08 D11 | Dark grey/natural | | | |
| | 997 522 012 08 T11 | Brown/natural | | | |
| | 997 522 012 08 N11 | Carrera Red | | | |
| | | D - MJ 2008>> | | | |
| 2 | 996 522 267 06 | Pin | | 2 | PR:685 |
| | | Locking mechanism | | | |
| 3 | 997 522 095 00 | Stop | left | 1 | PR:685 |
| | 997 522 095 00 01C | Satin black | | | |
| (3) | 997 522 096 00 | Stop | right | 1 | PR:685 |
| | 997 522 096 00 01C | Satin black | | | |
| 4 | 997 522 615 00 | Bearing shaft | | 1 | PR:685 |
| | | D >> - MJ 2007 | | | |
| (4) | 997 522 615 01 | Bearing shaft | | 1 | PR:685 |
| | | D - MJ 2008>> | | | |
| - | 999 073 436 01 | Bolt with washer | | 1 | PR:685 |
| | | Bearing shaft | | | |
| | | D - MJ 2008>> | | | |

Model: 997T07 Model life 2007>>2009

| Pos | Part Number | Description | Remark | Qty | Model |
|------|--------------------|----------------------|--------|-----|--------|
| 5 | 996 522 571 00 | Protection washer | | 1 | PR:685 |
| | 996 522 571 00 01C | Protection washer | | | |
| 6 | 996 522 431 02 | Cover | | 1 | PR:685 |
| | 996 522 431 02 01C | Black | | | |
| 7 | 996 522 333 00 | Console | | 1 | PR:685 |
| 8 | 996 522 211 01 | Mounting | | 2 | PR:685 |
| | | D >> - MJ 2007 | | | |
| (8) | 997 522 211 00 | Mounting | outer | 2 | PR:685 |
| | | D - MJ 2008>> | | | |
| 9 | 999 073 138 01 | flat round head bolt | | 2 | PR:685 |
| | | M 8 X 25 | | | |
| 10 | 996 522 271 00 | bush | | 2 | PR:685 |
| 11 | 996 522 425 01 | Cover | | 1 | PR:685 |
| | 996 522 425 01 01C | Black | | | |
| 12 | 996 522 421 00 | Stop | | 2 | PR:685 |
| | | Backrest | | | |
| | 996 522 421 00 01C | Satin black | | | |
| 13 | 997 522 321 00 | Actuating lever | left | 1 | PR:685 |
| | | Backrest | | | |
| | 997 522 321 00 01C | Satin black | | | |
| (13) | 997 522 322 00 | Actuating lever | right | 1 | PR:685 |
| | | Backrest | | | |
| | 997 522 322 00 01C | Satin black | | | |
| 14 | 996 522 315 00 | Rosette | left | 1 | PR:685 |
| | | Actuator button | | | |
| | 996 522 315 00 01C | Satin black | | | |
| (14) | 996 522 316 00 | Rosette | right | 1 | PR:685 |
| | | Actuator button | | | |
| | 996 522 316 00 01C | Satin black | | | |
| 15 | 996 522 281 02 | lock | left | 1 | PR:685 |
| | | Backrest | | | |
| (15) | 996 522 282 02 | lock | right | 1 | PR:685 |
| | | Backrest | | | |
| 16 | 997 522 771 00 | Cover panel | left | 1 | PR:685 |
| | | lock | | | |
| | 997 522 771 00 01C | Satin black | | | |
| (16) | 997 522 772 00 | Cover panel | right | 1 | PR:685 |
| | | lock | | | |
| | 997 522 772 00 01C | Satin black | | | |
| 17 | 996 522 653 00 | Spring | | 2 | PR:685 |
| | | lock | | | |
| 18 | 999 507 630 01 | Clip | | 2 | PR:685 |
| | | Actuator button | | | |
| 19 | 999 073 049 02 | panel screw | | 4 | PR:685 |
| | | ST 3,5 X 16 | | | |
| 20 | 900 269 028 03 | countersunk bolt | | 4 | PR:685 |
| | | M 8 X 30 | | | |
| 21 | 900 145 041 07 | panel screw | | 4 | PR:685 |
| | | B 3,5 X 16 | | | |
| 22 | 900 067 358 09 | Bolt with washer | | 1 | PR:685 |
| | | M 5 X 16 | | | |

Model: 997T07

Model life 2007>>2009



Model: 997T07 Model life 2007>>2009

| Pos | Part Number | Description | Remark | Qty | Model |
|------|--------------------|--|--------|-----|-------------------|
| | | Emergency seat backrest | | | CARRERA CABRIO |
| (1) | 997 522 011 10 | D - MJ 2008>> Emergency seat backrest | left | 1 | PR:685,936 |
| | 997 522 011 10 8YR | Black | | | |
| | 997 522 011 10 5X5 | Stone grey | | | |
| | 997 522 011 10 8G1 | Sand beige | | | |
| | 997 522 011 10 3S8 | sea blue | | | |
| | 997 522 011 10 9N2 | Terracotta | | | |
| | 997 522 011 10 9Q3 | Cocoa | | | |
| | 997 522 011 10 D11 | Dark grey/natural | | | |
| | 997 522 011 10 T11 | Brown/natural | | | |
| | 997 522 011 10 N11 | Carrera Red | | | |
| (1) | 997 522 012 10 | Emergency seat backrest | right | 1 | PR:685,936 |
| | 997 522 012 10 8YR | Black | | | |
| | 997 522 012 10 5X5 | Stone grey | | | |
| | 997 522 012 10 8G1 | Sand beige | | | |
| | 997 522 012 10 3S8 | sea blue | | | |
| | 997 522 012 10 9N2 | Terracotta | | | |
| | 997 522 012 10 9Q3 | Cocoa | | | |
| | 997 522 012 10 D11 | Dark grey/natural | | | |
| | 997 522 012 10 T11 | Brown/natural | | | |
| | 997 522 012 10 N11 | Carrera Red | | | |
| (1) | 997 522 011 11 | Emergency seat backrest | left | 1 | PR:685,939 |
| | 997 522 011 11 8YR | Black | | | |
| | 997 522 011 11 5X5 | Stone grey | | | |
| | 997 522 011 11 8G1 | Sand beige | | | |
| | 997 522 011 11 3S8 | sea blue | | | |
| | 997 522 011 11 9N2 | Terracotta | | | |
| | 997 522 011 11 9Q3 | Cocoa | | | |
| | 997 522 011 11 D11 | Dark grey/natural | | | |
| | 997 522 011 11 T11 | Brown/natural | | | |
| | 997 522 011 11 N11 | Carrera Red | | | |
| (1) | 997 522 012 11 | Emergency seat backrest | right | 1 | PR:685,939 |
| | 997 522 012 11 8YR | Black | | | |
| | 997 522 012 11 5X5 | Stone grey | | | |
| | 997 522 012 11 8G1 | Sand beige | | | |
| | 997 522 012 11 3S8 | sea blue | | | |
| | 997 522 012 11 9N2 | Terracotta | | | |
| | 997 522 012 11 9Q3 | Cocoa | | | |
| | 997 522 012 11 D11 | Dark grey/natural | | | |
| | 997 522 012 11 T11 | Brown/natural | | | |
| | 997 522 012 11 N11 | Carrera Red | | | |
| 2 | 996 522 267 07 | Pin | | 2 | PR:685 |
| | | Locking mechanism | | | |
| 3 | 996 522 097 08 | Rosette | | 2 | PR:685 |
| | 996 522 097 08 01C | Satin black | | | |
| 4 | 997 522 615 01 | Bearing shaft | | 1 | PR:685 |
| - | 999 073 436 01 | Bolt with washer | | 1 | PR:685 |
| | | Bearing shaft | | | |
| 5 | 996 522 571 00 | Protection washer | | 1 | PR:685 |
| | 996 522 571 00 01C | Protection washer | | | |
| 6 | 996 522 431 02 | Cover | | 1 | PR:685 |
| | 996 522 431 02 01C | Black | | | |
| 7 | 996 522 041 00 | Mounting | | 1 | PR:685 |
| 8 | 997 522 211 00 | Mounting | outer | 2 | PR:685 |
| 9 | 999 073 138 01 | flat round head bolt | | 2 | |
| | | M 8 X 25 | | | |
| 10 | 996 522 271 00 | bush | | 2 | PR:685 |
| 11 | 997 522 321 00 | Actuating lever | left | 1 | PR:685 |
| | 997 522 321 00 01C | Satin black | | | |
| (11) | 997 522 322 00 | Actuating lever | right | 1 | PR:685 |
| | 997 522 322 00 01C | Satin black | | | |

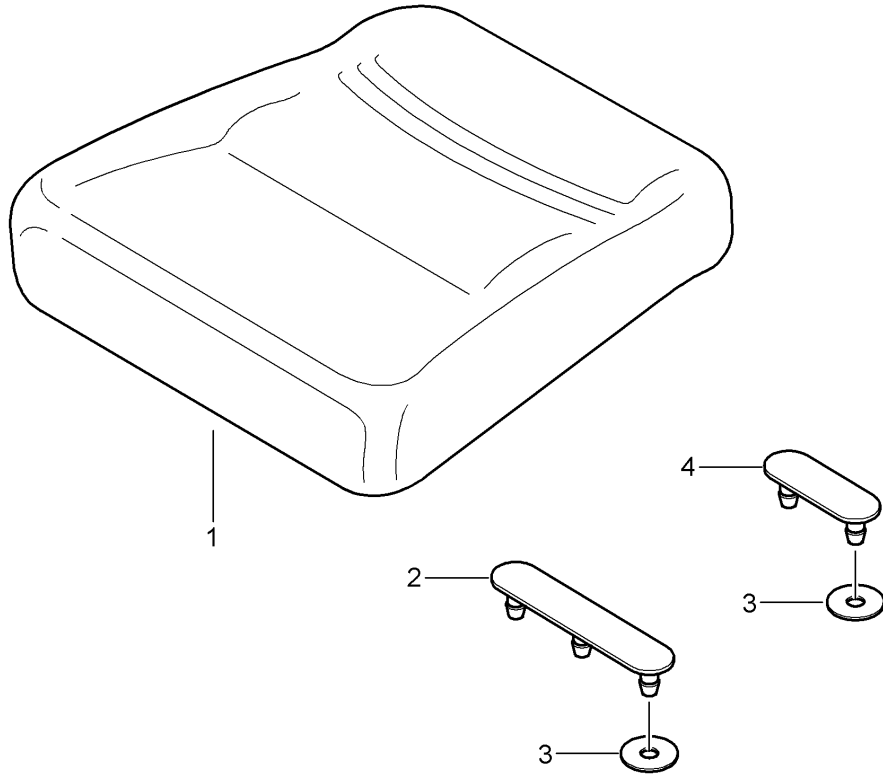
Model: 997T07

Model life 2007>>2009

| Pos | Part Number | Description | Remark | Qty | Model |
|------|--------------------|--|--------|-----|------------|
| 12 | 996 522 315 00 | Rosette | left | 1 | PR:685 |
| | 996 522 315 00 01C | Satin black | | | |
| (12) | 996 522 316 00 | Rosette | right | 1 | PR:685 |
| | 996 522 316 00 01C | Satin black | | | |
| 13 | 996 522 653 00 | Spring lock | | 2 | PR:685 |
| 14 | 999 507 630 01 | Clip Actuator button | | 2 | PR:685 |
| 15 | 996 522 281 02 | lock Backrest | left | 1 | PR:685 |
| (15) | 996 522 282 02 | lock Backrest | right | 1 | PR:685 |
| 16 | 997 522 771 00 | Cover panel | left | 1 | PR:685 |
| | 997 522 771 00 01C | Satin black | | | |
| (16) | 997 522 772 00 | Cover panel | right | 1 | PR:685 |
| | 997 522 772 00 01C | Satin black | | | |
| 17 | 997 803 721 00 | bracket for child seat Connecting plate Back seat backrest | | 1 | PR:335,479 |
| 18 | 999 073 049 02 | panel screw ST 4,3 X 16 | | 4 | PR:685 |
| 19 | 900 269 028 03 | countersunk bolt M 8 X 30 | | 4 | PR:685 |
| 20 | 900 145 041 07 | panel screw B 3,5 X 16 | | 4 | PR:685 |
| 21 | 900 067 358 09 | Bolt with washer M 5 X 16 | | 1 | PR:685 |

Model: 997T07

Model life 2007>>2009

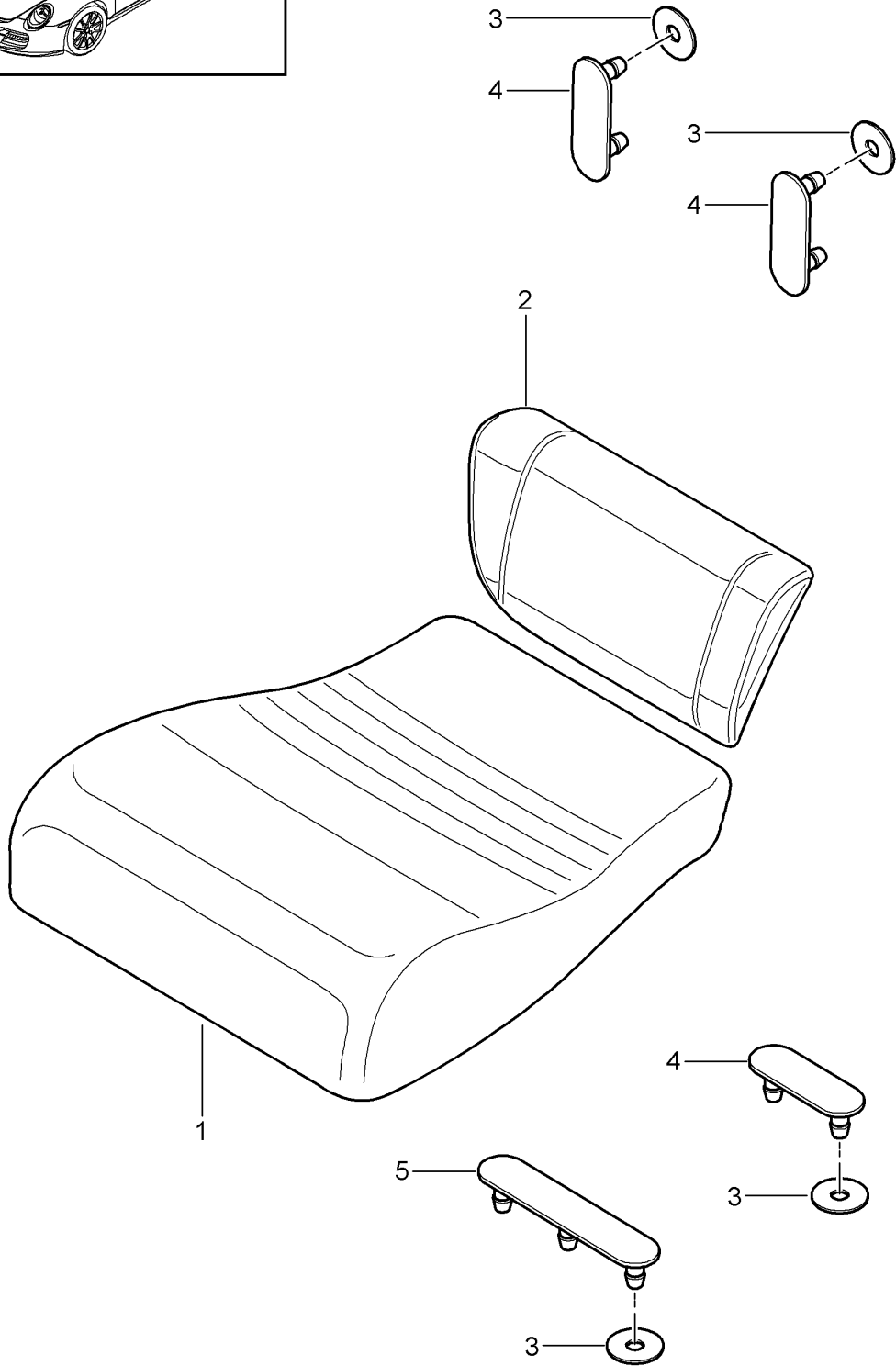
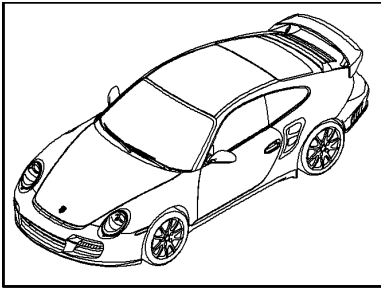


Model: 997T07 Model life 2007>>2009

| Pos | Part Number | Description | Remark | Qty | Model |
|-----|--------------------|----------------------------|--------|-----|------------|
| (1) | 997 522 051 01 | Back seat cushion Coupe | left | 1 | PR:685,936 |
| | 997 522 051 01 8YR | Black | | | |
| | 997 522 051 01 5X5 | Stone grey | | | |
| | 997 522 051 01 8G1 | Sand beige | | | |
| | 997 522 051 01 3S8 | sea blue | | | |
| | 997 522 051 01 4P1 | Palm green | | | |
| | 997 522 051 01 9N2 | Terracotta | | | |
| | 997 522 051 01 9Q3 | Cocoa | | | |
| | 997 522 051 01 D11 | Dark grey/natural | | | |
| | 997 522 051 01 T11 | Brown/natural | | | |
| | 997 522 051 01 N11 | Carrera Red | | | |
| | | D - MJ 2008>> | | | |
| (1) | 997 522 052 01 | Back seat cushion | right | 1 | PR:685,936 |
| | 997 522 052 01 8YR | Black | | | |
| | 997 522 052 01 5X5 | Stone grey | | | |
| | 997 522 052 01 8G1 | Sand beige | | | |
| | 997 522 052 01 3S8 | sea blue | | | |
| | 997 522 052 01 4P1 | Palm green | | | |
| | 997 522 052 01 9N2 | Terracotta | | | |
| | 997 522 052 01 9Q3 | Cocoa | | | |
| | 997 522 052 01 D11 | Dark grey/natural | | | |
| | 997 522 052 01 T11 | Brown/natural | | | |
| | 997 522 052 01 N11 | Carrera Red | | | |
| | | D - MJ 2008>> | | | |
| (1) | 997 522 051 02 | Back seat cushion | left | 1 | PR:685,939 |
| | 997 522 051 02 8YR | Black | | | |
| | 997 522 051 02 5X5 | Stone grey | | | |
| | 997 522 051 02 8G1 | Sand beige | | | |
| | 997 522 051 02 3S8 | sea blue | | | |
| | 997 522 051 02 4P1 | Palm green | | | |
| | 997 522 051 02 9N2 | Terracotta | | | |
| | 997 522 051 02 9Q3 | Cocoa | | | |
| | 997 522 051 02 D11 | Dark grey/natural | | | |
| | 997 522 051 02 T11 | Brown/natural | | | |
| | 997 522 051 02 N11 | Carrera Red | | | |
| | | D - MJ 2008>> | | | |
| (1) | 997 522 052 02 | Back seat cushion | right | 1 | PR:685,939 |
| | 997 522 052 02 8YR | Black | | | |
| | 997 522 052 02 5X5 | Stone grey | | | |
| | 997 522 052 02 8G1 | Sand beige | | | |
| | 997 522 052 02 3S8 | sea blue | | | |
| | 997 522 052 02 4P1 | Palm green | | | |
| | 997 522 052 02 9N2 | Terracotta | | | |
| | 997 522 052 02 9Q3 | Cocoa | | | |
| | 997 522 052 02 D11 | Dark grey/natural | | | |
| | 997 522 052 02 T11 | Brown/natural | | | |
| | 997 522 052 02 N11 | Carrera Red | | | |
| | | D - MJ 2008>> | | | |
| 2 | 997 551 893 01 | Clip Triple | | X | PR:685 |
| (3) | 997 551 897 01 | Retaining washer | | X | PR:685 |
| 4 | 997 551 895 01 | Clip Double | | X | PR:685 |

Model: 997T07

Model life 2007>>2009



Model: 997T07 Model life 2007>>2009

| Pos | Part Number | Description | Remark | Qty | Model |
|-----|--------------------|------------------------------------|--------|-----|-------------------|
| | | Back seat cushion | | | CARRERA CABRIO |
| (1) | 997 522 051 10 | D - MJ 2008>> Back seat cushion | left | 1 | PR:685,936 |
| | 997 522 051 10 8YR | Black | | | |
| | 997 522 051 10 5X5 | Stone grey | | | |
| | 997 522 051 10 8G1 | Sand beige | | | |
| | 997 522 051 10 3S8 | sea blue | | | |
| | 997 522 051 10 9N2 | Terracotta | | | |
| | 997 522 051 10 9Q3 | Cocoa | | | |
| | 997 522 051 10 D11 | Dark grey/natural | | | |
| | 997 522 051 10 T11 | Brown/natural | | | |
| | 997 522 051 10 N11 | Carrera Red | | | |
| (1) | 997 522 052 10 | Back seat cushion | right | 1 | PR:685,936 |
| | 997 522 052 10 8YR | Black | | | |
| | 997 522 052 10 5X5 | Stone grey | | | |
| | 997 522 052 10 8G1 | Sand beige | | | |
| | 997 522 052 10 3S8 | sea blue | | | |
| | 997 522 052 10 9N2 | Terracotta | | | |
| | 997 522 052 10 9Q3 | Cocoa | | | |
| | 997 522 052 10 D11 | Dark grey/natural | | | |
| | 997 522 052 10 T11 | Brown/natural | | | |
| | 997 522 052 10 N11 | Carrera Red | | | |
| (1) | 997 522 051 11 | Back seat cushion | left | 1 | PR:685,939 |
| | 997 522 051 11 8YR | Black | | | |
| | 997 522 051 11 5X5 | Stone grey | | | |
| | 997 522 051 11 8G1 | Sand beige | | | |
| | 997 522 051 11 3S8 | sea blue | | | |
| | 997 522 051 11 9N2 | Terracotta | | | |
| | 997 522 051 11 9Q3 | Cocoa | | | |
| | 997 522 051 11 D11 | Dark grey/natural | | | |
| | 997 522 051 11 T11 | Brown/natural | | | |
| | 997 522 051 11 N11 | Carrera Red | | | |
| (1) | 997 522 052 11 | Back seat cushion | right | 1 | PR:685,939 |
| | 997 522 052 11 8YR | Black | | | |
| | 997 522 052 11 5X5 | Stone grey | | | |
| | 997 522 052 11 8G1 | Sand beige | | | |
| | 997 522 052 11 3S8 | sea blue | | | |
| | 997 522 052 11 9N2 | Terracotta | | | |
| | 997 522 052 11 9Q3 | Cocoa | | | |
| | 997 522 052 11 D11 | Dark grey/natural | | | |
| | 997 522 052 11 T11 | Brown/natural | | | |
| | 997 522 052 11 N11 | Carrera Red | | | |
| 2 | 997 522 235 01 | Centre part | left | 1 | PR:685,936 |
| | | Back seat backrest | | | |
| | 997 522 235 01 8YR | Black | | | |
| | 997 522 235 01 5X5 | Stone grey | | | |
| | 997 522 235 01 8G1 | Sand beige | | | |
| | 997 522 235 01 3S8 | sea blue | | | |
| | 997 522 235 01 9N2 | Terracotta | | | |
| | 997 522 235 01 9Q3 | Cocoa | | | |
| | 997 522 235 01 D11 | Dark grey/natural | | | |
| | 997 522 235 01 T11 | Brown/natural | | | |
| | 997 522 235 01 N11 | Carrera Red | | | |
| (2) | 997 522 236 01 | Centre part | right | 1 | PR:685,936 |
| | | Back seat backrest | | | |
| | 997 522 236 01 8YR | Black | | | |
| | 997 522 236 01 5X5 | Stone grey | | | |
| | 997 522 236 01 8G1 | Sand beige | | | |
| | 997 522 236 01 3S8 | sea blue | | | |
| | 997 522 236 01 9N2 | Terracotta | | | |
| | 997 522 236 01 9Q3 | Cocoa | | | |
| | 997 522 236 01 D11 | Dark grey/natural | | | |

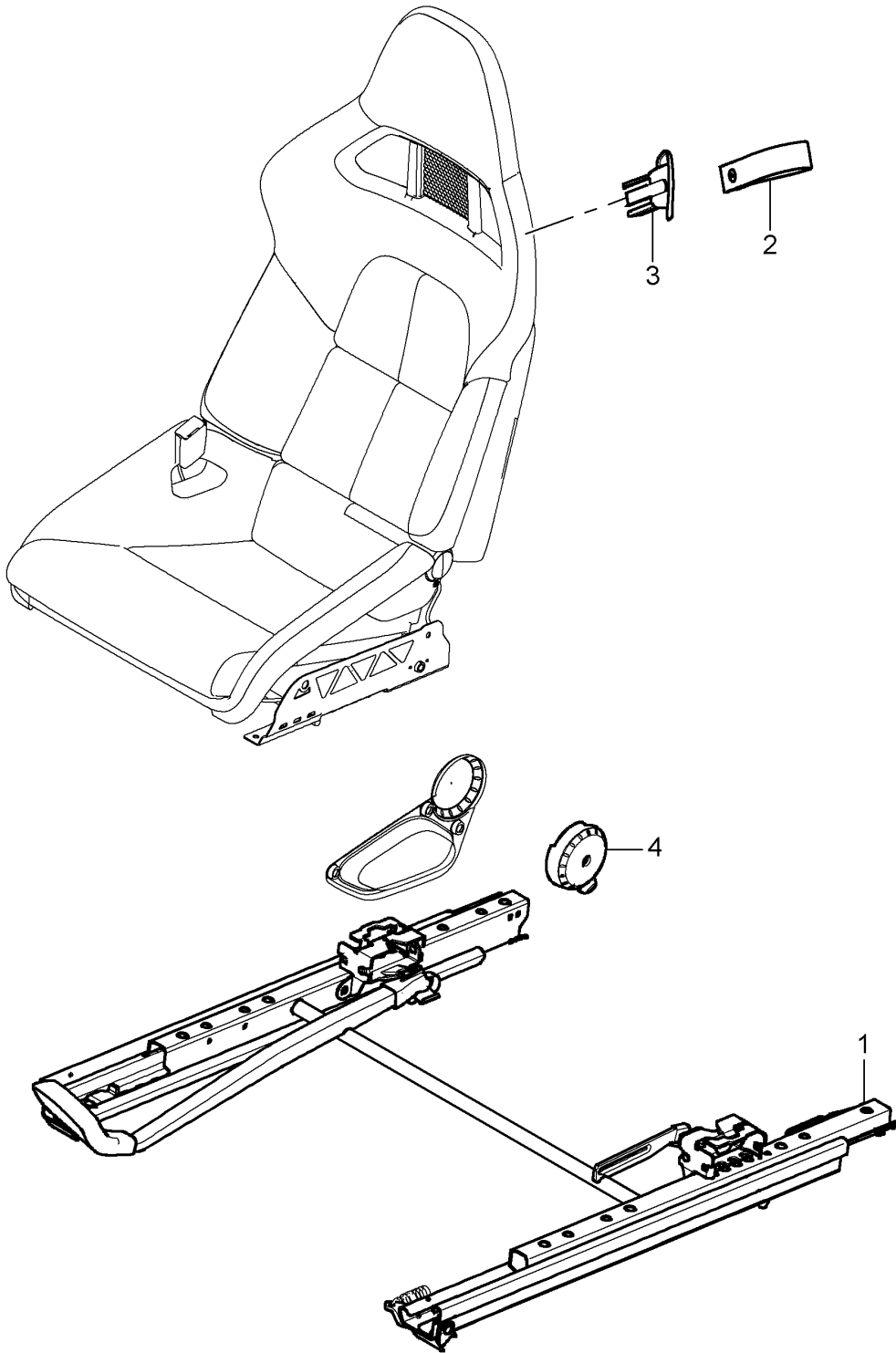
Model: 997T07

Model life 2007>>2009

| Pos | Part Number | Description | Remark | Qty | Model | | | | |
|--------|--------------------|--------------------|--------|-----|------------|------------------|--|---|--------|
| (2) | 997 522 236 01 T11 | Brown/natural | left | 1 | PR:685,939 | | | | |
| | 997 522 236 01 N11 | Carrera Red | | | | | | | |
| | 997 522 235 02 | Centre part | | | | | | | |
| | | Back seat backrest | | | | | | | |
| | 997 522 235 02 8YR | Black | | | | | | | |
| | 997 522 235 02 5X5 | Stone grey | | | | | | | |
| | 997 522 235 02 8G1 | Sand beige | | | | | | | |
| | 997 522 235 02 3S8 | sea blue | | | | | | | |
| | 997 522 235 02 9N2 | Terracotta | | | | | | | |
| | 997 522 235 02 9Q3 | Cocoa | | | | | | | |
| | 997 522 235 02 D11 | Dark grey/natural | | | | | | | |
| | 997 522 235 02 T11 | Brown/natural | | | | | | | |
| | 997 522 235 02 N11 | Carrera Red | | | | | | | |
| | 997 522 236 02 | Centre part | | | | | | | |
| (2) | 997 522 236 02 | Back seat backrest | right | 1 | PR:685,939 | | | | |
| | 997 522 236 02 8YR | Black | | | | | | | |
| | 997 522 236 02 5X5 | Stone grey | | | | | | | |
| | 997 522 236 02 8G1 | Sand beige | | | | | | | |
| | 997 522 236 02 3S8 | sea blue | | | | | | | |
| | 997 522 236 02 9N2 | Terracotta | | | | | | | |
| | 997 522 236 02 9Q3 | Cocoa | | | | | | | |
| | 997 522 236 02 D11 | Dark grey/natural | | | | | | | |
| | 997 522 236 02 T11 | Brown/natural | | | | | | | |
| | 997 522 236 02 N11 | Carrera Red | | | | | | | |
| | 3 | 997 551 897 01 | | | | Retaining washer | | X | PR:685 |
| | 4 | 997 551 895 01 | | | | Clip | | X | |
| | | | | | | Double | | | |
| | 5 | 997 551 893 01 | | | | Clip | | X | PR:685 |
| Triple | | | | | | | | | |

Model: 997T07

Model life 2007>>2009



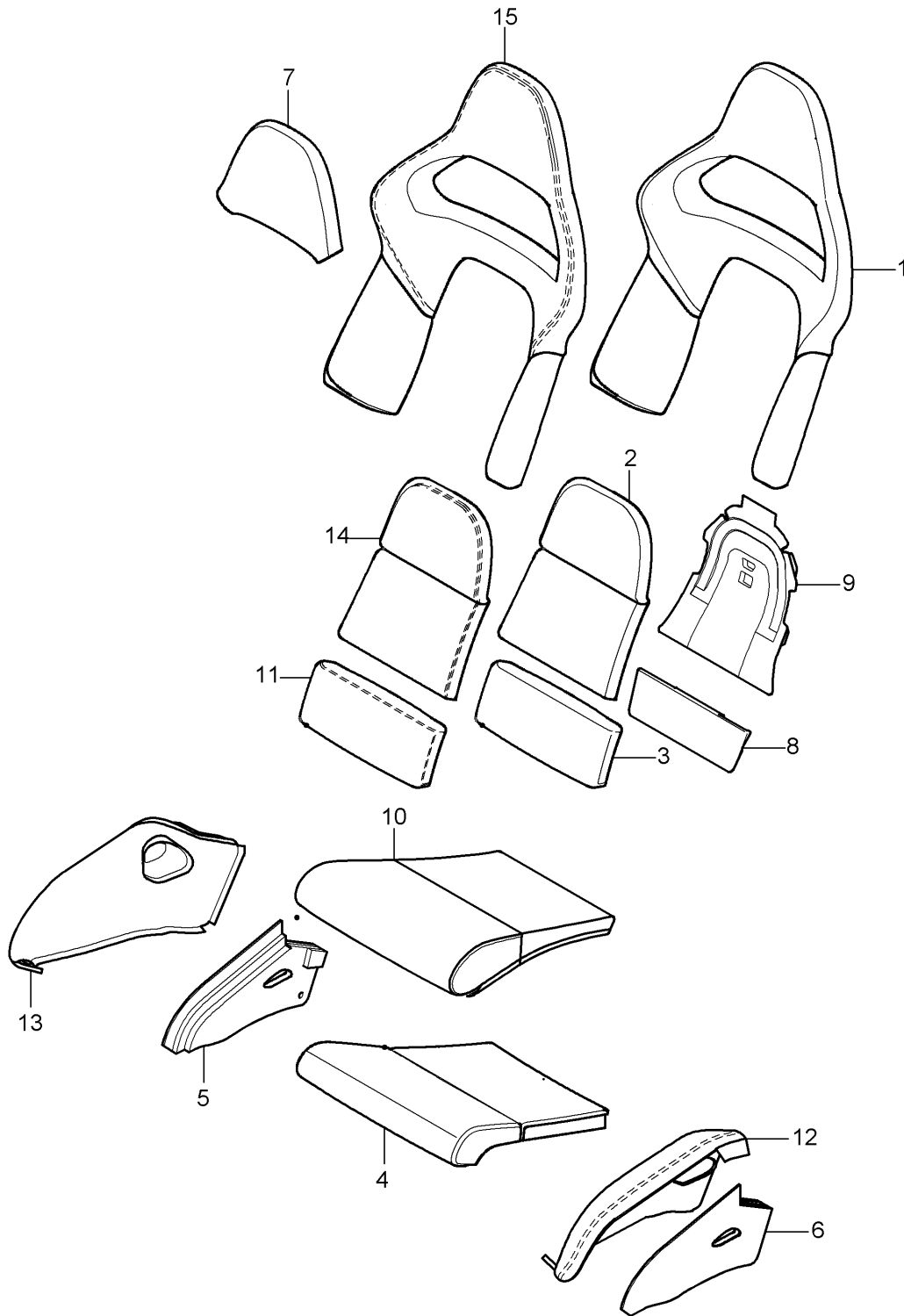
Model: 997T07

Model life 2007>>2009

| Pos | Part Number | Description | Remark | Qty | Model |
|-----|--------------------|--|----------------|-----|------------|
| | | bucket seat Collapsible (complete) Not available D - MJ 2008>> | | | GT2 |
| 1 | 997 521 429 01 | 1 set of seat rails (drivers side) | left lhd | 1 | PR:098,388 |
| (1) | 997 521 430 01 | 1 set of seat rails Seat rail (passenger side) | right lhd | 1 | PR:098,389 |
| (1) | 997 521 429 02 | 1 set of seat rails Seat rail (passenger side) | left rhd | 1 | PR:099,388 |
| (1) | 997 521 430 02 | 1 set of seat rails Seat rail (drivers side) | right rhd | 1 | PR:099,389 |
| 2 | 997 521 539 00 | Pull loop Backrest frame | left | 1 | PR:388 |
| (2) | 997 521 539 00 A80 | Black | | | |
| (2) | 997 521 540 00 | Pull loop Backrest frame | right | 1 | PR:389 |
| | 997 521 540 00 A80 | Black | | | |
| 3 | 997 521 538 00 | Rosette Pull loop Backrest frame | right | 1 | PR:389 |
| (3) | 997 521 538 00 01C | Satin black | | | |
| (3) | 997 521 537 00 | Rosette Pull loop Backrest frame | left | 1 | PR:388 |
| | 997 521 537 00 01C | Satin black | | | |
| 4 | 997 521 563 00 | Trim Hinge | left inner | 1 | PR:388,389 |
| (4) | 997 521 563 00 01C | Satin black | | | |
| (4) | 997 521 564 00 | Trim Hinge | right inner | 1 | PR:388,389 |
| | 997 521 564 00 01C | Satin black | | | |

Model: 997T07

Model life 2007>>2009



Model: 997T07 Model life 2007>>2009

| Pos | Part Number | Description | Remark | Qty | Model |
|------|--------------------|--|--------------------------------|-----|--------------------|
| | | Foam part Cover Seat and backrest surface bucket seat Collapsible D - MJ 2008>> | | | GT2 |
| 1 | 997 521 447 00 | Foam part backrest | | 2 | PR:388,389 |
| 2 | 997 521 448 00 | Outer part Foam part backrest | | 2 | PR:388,389 |
| 3 | 997 521 441 00 | Centre part Foam part | rear | 2 | PR:388,389 |
| 4 | 997 521 440 00 | Seat cushion Foam part | front | 2 | PR:388,389 |
| 5 | 997 521 443 00 | Seat cushion Foam part | left side | 1 | PR:388 |
| (5) | 997 521 444 00 | Seat cushion Foam part | outer side | 1 | PR:388 |
| 6 | 997 521 446 00 | Seat cushion Foam part | inner left side | 1 | PR:389 |
| (6) | 997 521 445 00 | Seat cushion Foam part | outer right side | 1 | PR:389 |
| 7 | 997 521 458 00 | Head restraint Foam part | rear | 2 | PR:388,389 |
| 8 | 997 521 456 00 | Seat cushion Foam part | rear | 1 | PR:388,389 |
| 9 | 997 521 457 00 | backrest Foam part | | 1 | PR:388,389 |
| 10 | 997 521 380 01 | Seat cover | left a. right front | 1 | PR:388,389, 951 |
| | 997 521 380 01 A15 | Black | | | |
| 10 | 997 521 380 02 | Seat cover | left a. right front | 1 | PR:388,389, 990 |
| 11 | 997 521 381 01 | Cloth Seat cover | left a. right rear | 1 | PR:388,389, 951 |
| | 997 521 381 01 A15 | Black | | | |
| (11) | 997 521 381 02 | Seat cover | left a. right rear | 1 | PR:388,389, 990 |
| 12 | 997 521 383 00 | Cloth Cover | left side | 1 | PR:388,951 |
| | 997 521 383 00 8YR | Black | | | |
| | 997 521 383 00 D11 | Dark grey/natural | | | |
| (12) | 997 521 383 01 | Seat covering (fabric) | left a. right side outer | 1 | PR:388,990 |
| 13 | 997 521 384 00 | Seat cover (leather) | left side inner | 1 | PR:388,951 |
| | 997 521 384 00 8YR | Black | | | |
| | 997 521 384 00 D11 | Dark grey/natural | | | |
| (13) | 997 521 384 01 | Seat covering (fabric) | left inner | 1 | PR:388,990 |
| (13) | 997 521 386 00 | Cover | right side | 1 | PR:389,951 |

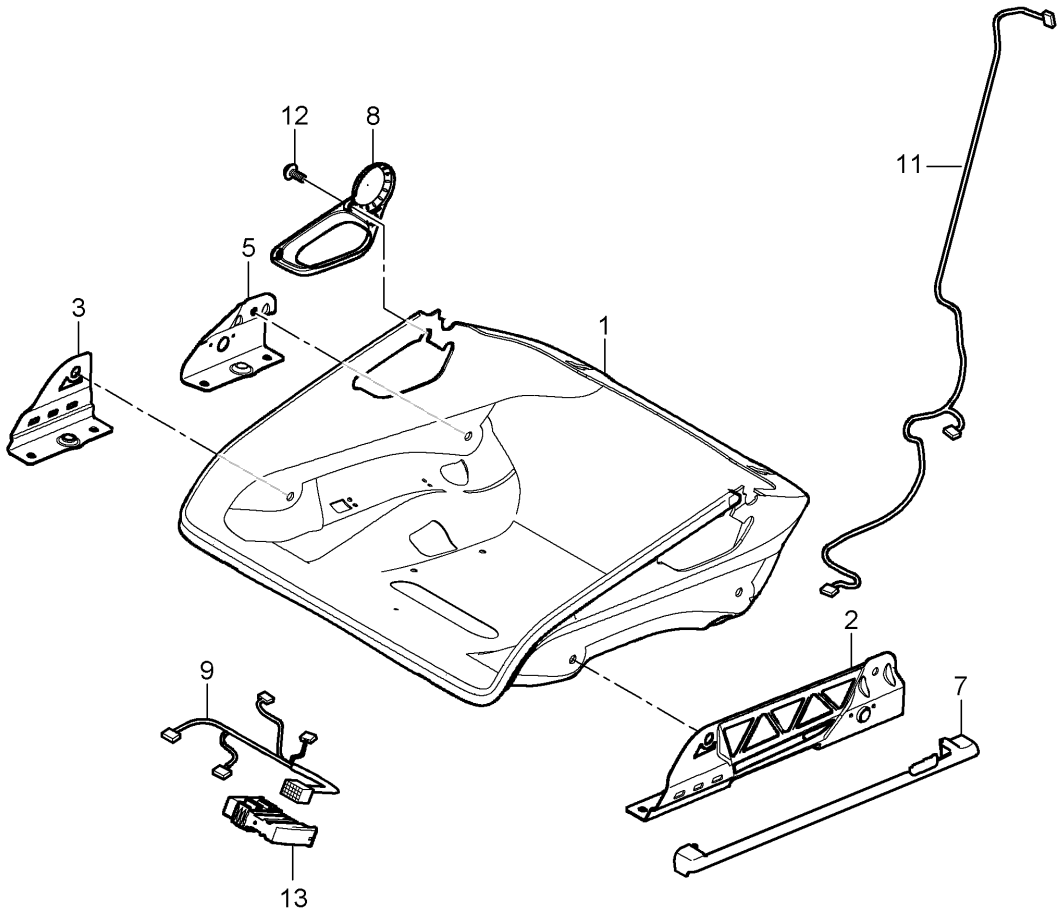
Model: 997T07

Model life 2007>>2009

| Pos | Part Number | Description | Remark | Qty | Model |
|------|--------------------|-------------------------------|---------------|-----|----------------|
| | 997 521 386 00 8YR | Black | outer | | |
| | 997 521 386 00 D11 | Dark grey/natural | | | |
| (13) | 997 521 386 01 | Seat covering (fabric) | side | 1 | PR:389,990 |
| | | | outer | | |
| (13) | 997 521 385 00 | Seat cover (leather) | right | 1 | PR:389,951 |
| | | | side | | |
| | | | inner | | |
| | 997 521 385 00 8YR | Black | | | |
| | 997 521 385 00 D11 | Dark grey/natural | | | |
| (13) | 997 521 385 01 | Seat covering (fabric) | left a. right | 1 | PR:389,990 |
| | | | side | | |
| | | | inner | | |
| 14 | 997 521 387 01 | Backrest centre part w. cover | left a. right | 1 | PR:388,389,951 |
| | 997 521 387 01 A15 | Black | | | |
| (14) | 997 521 387 02 | Backrest centre part w. cover | left a. right | 1 | PR:388,389,990 |
| | | Cloth | | | |
| 15 | 997 521 388 00 | backrest cover (leather) | outer | 1 | PR:388,389,951 |
| | 997 521 388 00 8YR | Black | | | |
| | 997 521 388 00 D11 | Dark grey/natural | | | |
| (15) | 997 521 388 01 | Backrest cover | left a. right | 1 | PR:388,389,990 |
| | | | outer | | |
| | | Cloth | | | |

Model: 997T07

Model life 2007>>2009

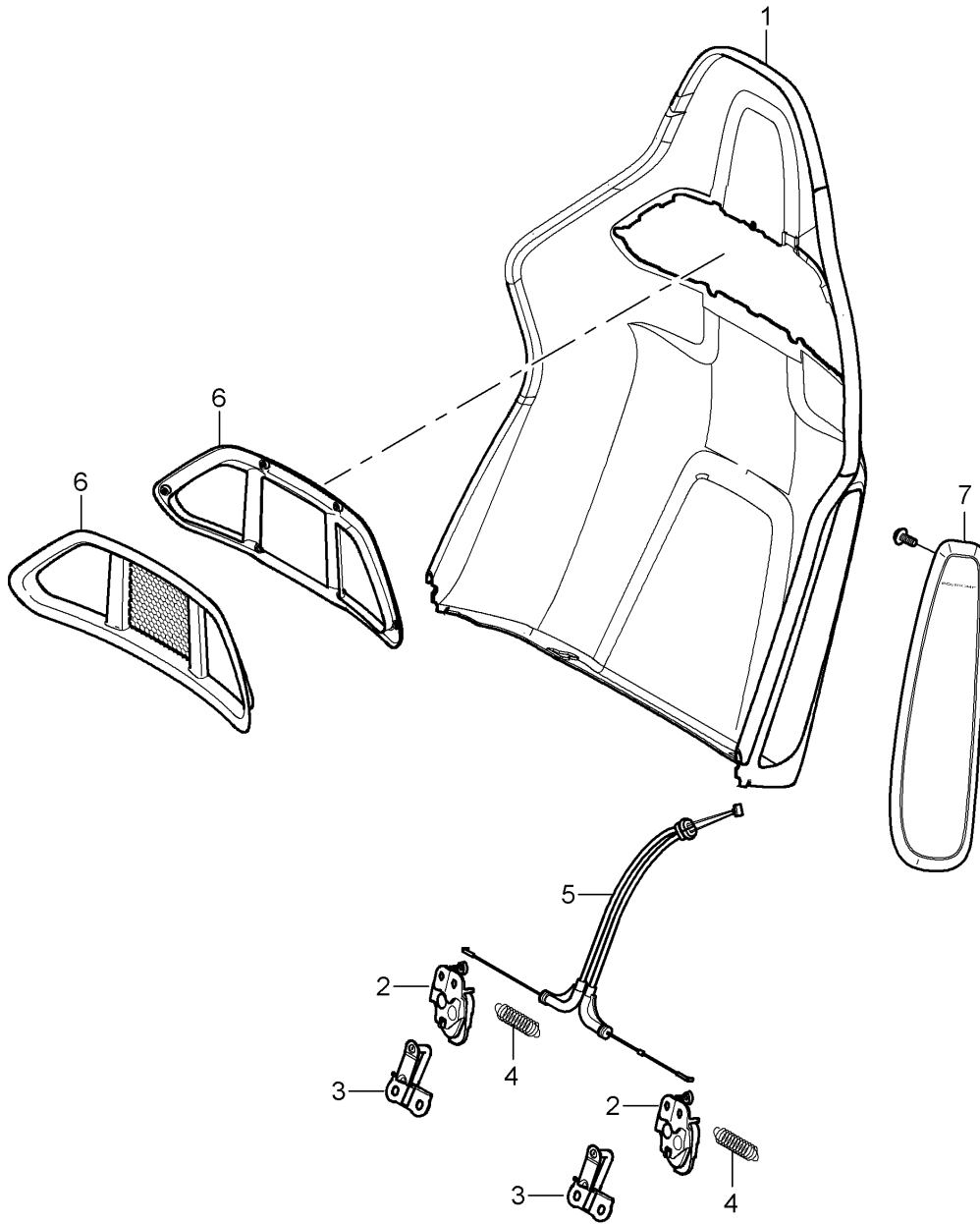


Model: 997T07 Model life 2007>>2009

| Pos | Part Number | Description | Remark | Qty | Model |
|-----|--------------------------------------|--|-----------------------|-----|--------------------|
| | | bucket seat Collapsible Seat frame Accessories D - MJ 2008>> | | | GT2 |
| 1 | 997 521 281 00 | Cup Seat frame | left a. right | 2 | PR:388,389 |
| (1) | 997 521 182 00 | without: seat occupied recognition Cup Seat frame | right | 1 | PR:389,560 |
| 2 | 997 521 433 00 | with: seat occupied recognition and Seat rail Adapter Seat frame Discontinued part | outer left | 1 | PR:388,389, 560 |
| (2) | 997 521 434 00 | Adapter Seat frame Discontinued part | outer right | 1 | PR:389 |
| 3 | 997 521 436 00 | Adapter Seat frame Discontinued part | front, inner right | 1 | PR:388 |
| 4 | 997 521 435 00 | Adapter Seat frame | front, inner left | 1 | PR:389 |
| 5 | 997 521 438 00 | without: seat occupied recognition Discontinued part Adapter Seat frame Discontinued part | rear, inner right | 1 | PR:388 |
| 6 | 997 521 437 00 | Adapter Seat frame | rear, inner left | 1 | PR:389 |
| 7 | 997 521 427 03 | without: seat occupied recognition Discontinued part Cover Sensor seat occupied recognition | left | 1 | PR:389,560 |
| (7) | 997 521 427 03 01C 997 521 426 03 | Satin black Cover Sensor seat occupied recognition | right | 1 | PR:389,560 |
| 8 | 997 521 426 03 01C 997 521 561 00 | Satin black Trim Seat belt | left lower | 1 | PR:388,389 |
| (8) | 997 521 561 00 01C 997 521 562 00 | Satin black Trim Seat belt | right lower | 1 | PR:388,389 |
| 9 | 997 521 562 00 01C 997 612 688 10 | Satin black Wire set seat occupied recognition | | 1 | PR:389,560 |
| 11 | 997 612 785 10 | Wire set | left a. right | 1 | PR:388,389 |
| 12 | 999 141 049 01 | Side airbag unit Oval-head screw Mount Trim Belt Seat cushion | | 3 | |
| 13 | 997 618 233 05 | Control unit for seat occupied sensor | | 1 | PR:560 |

Model: 997T07

Model life 2007>>2009

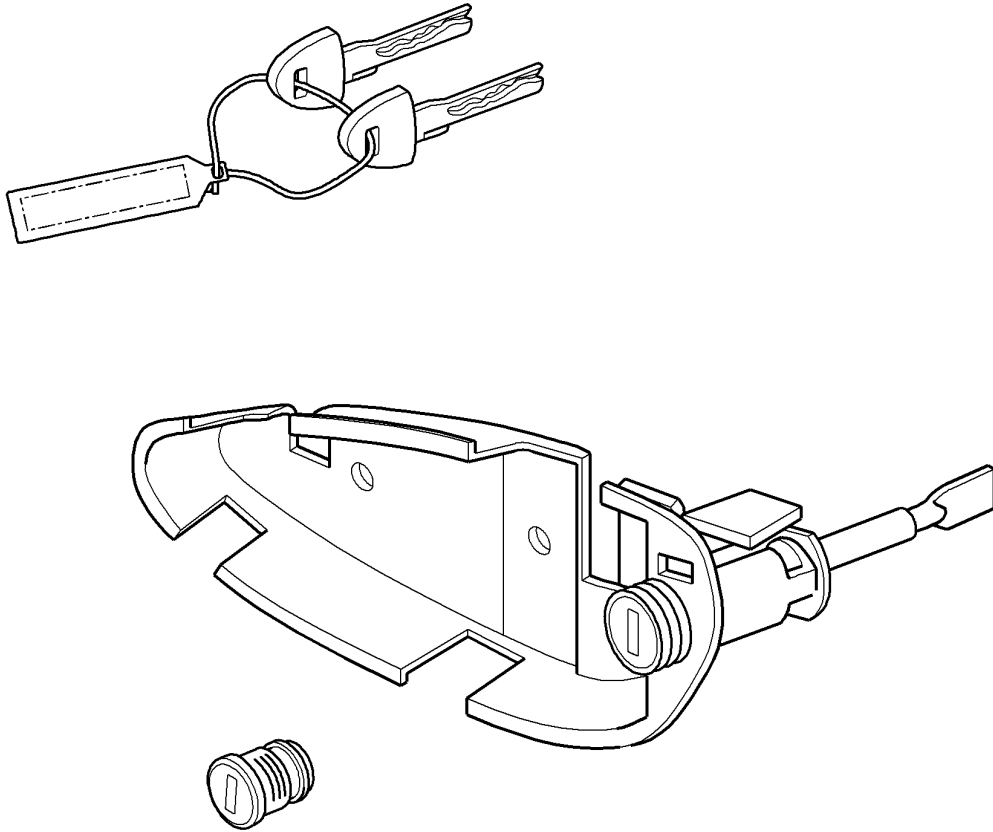


Model: 997T07 Model life 2007>>2009

| Pos | Part Number | Description | Remark | Qty | Model |
|-----|--------------------|--|---------------|-----|------------|
| | | Backrest shell bucket seat Collapsible Accessories D - MJ 2008>> | | | GT2 |
| 1 | 997 521 271 00 | Backrest shell bucket seat Collapsible | left | 1 | PR:388 |
| (1) | 997 521 272 00 | Backrest shell bucket seat Collapsible | right | 1 | PR:389 |
| 2 | 997 521 651 00 | backrest lock | left | 1 | PR:388,389 |
| (2) | 997 521 652 00 | backrest lock | right | 1 | PR:388,389 |
| 3 | 997 521 660 00 | Closing element lock | left a. right | 1 | PR:388,389 |
| 4 | 997 521 650 00 | Backrest shell tension spring lock | left a. right | 1 | PR:388,389 |
| 5 | 997 521 640 00 | backrest Bowden cable Release backrest | left a. right | 1 | PR:388,389 |
| 6 | 997 521 330 00 | Trim Seat belt | front | 1 | PR:388,389 |
| (6) | 997 521 330 00 01C | Satin black | | | |
| | 997 521 531 00 | Trim Seat belt | rear | 1 | PR:388,389 |
| 7 | 997 521 531 00 01C | Satin black | | | |
| | 997 803 081 01 | Side airbag unit | left | 1 | PR:388 |
| (7) | 997 803 081 01 A03 | Black | | | |
| | 997 803 082 01 | Side airbag unit | right | 1 | PR:389 |
| | 997 803 082 01 A03 | Front seat Black | | | |

Model: 997T07

Model life 2007>>2009



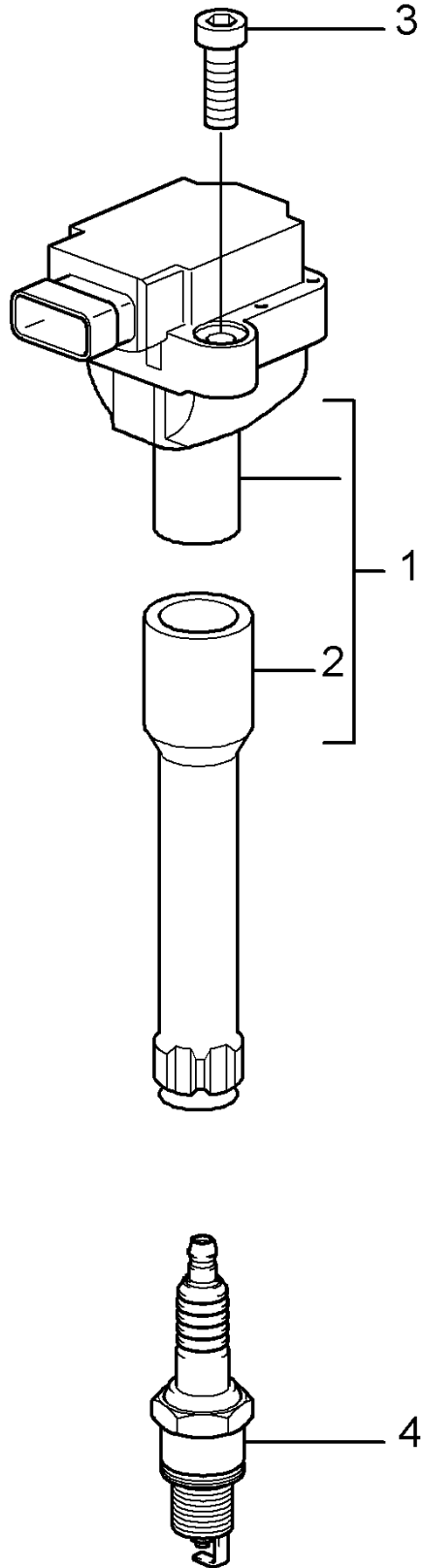
Model: 997T07

Model life 2007>>2009

| Pos | Part Number | Description | Remark | Qty | Model |
|-----|----------------|--|--------|-----|--------|
| | | repair kits Set of locks comprising: Bracket Door handle, exterior Glove compartment lock key Key fob | | | |
| - | 997 538 011 00 | 1 set of lock cylinders with handheld trans. & emerg. key | | 1 | PR:098 |
| - | 997 538 011 01 | 1 set of lock cylinders with handheld trans. & emerg. key | | 1 | PR:099 |

Model: 997T07

Model life 2007>>2009



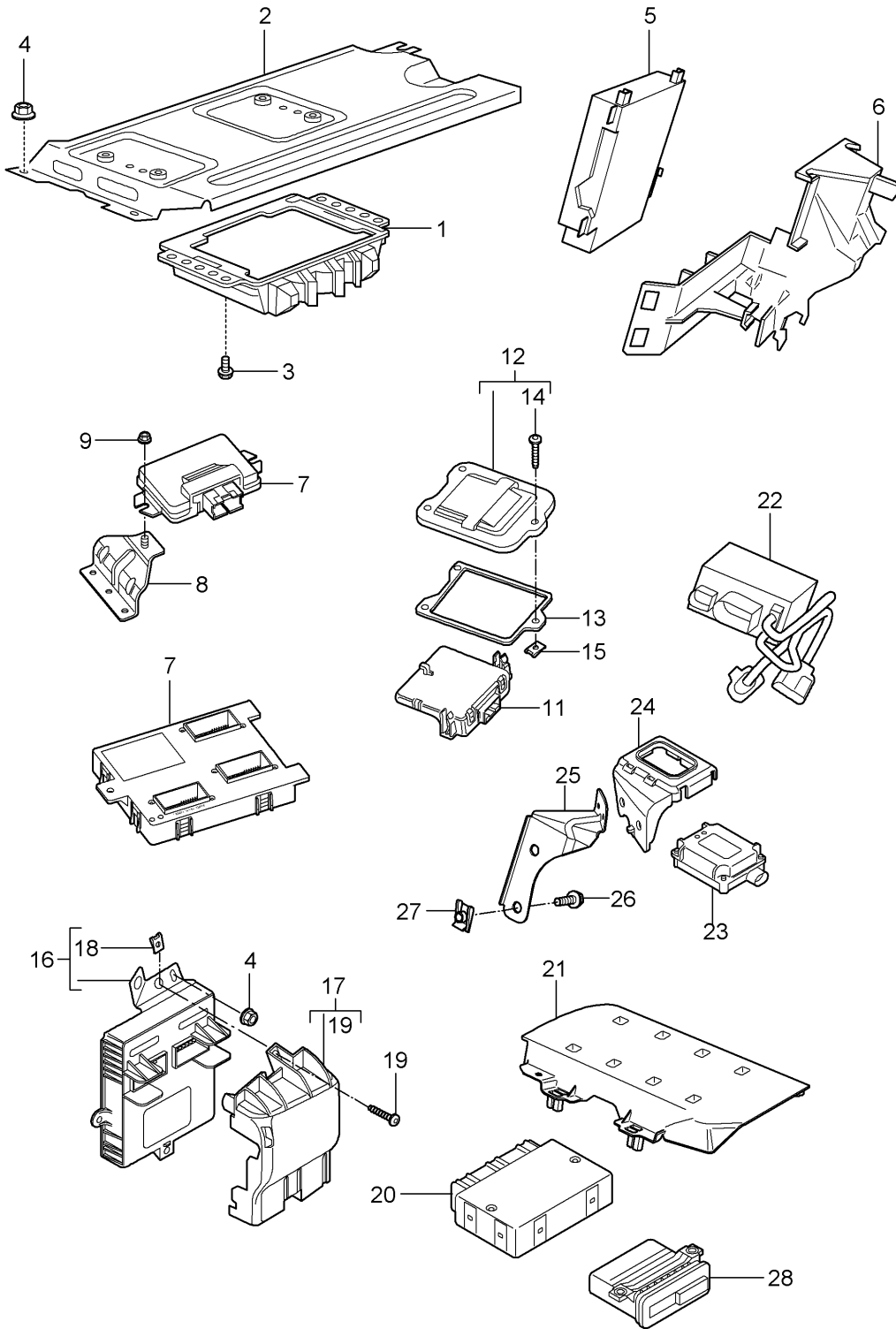
Model: 997T07

Model life 2007>>2009

| Pos | Part Number | Description | Remark | Qty | Model |
|-----|----------------|---|----------------|-----|-------|
| 1 | 997 602 104 00 | Ignition system ignition coil with spark plug connector | | 1 | |
| (1) | 997 602 104 02 | ignition coil with spark plug connector | | 5 | |
| | | | 900 385 025 01 | 10 | |
| | | also use: | | | |
| 2 | 996 602 105 00 | spark plug connector | | 6 | |
| 3 | 900 387 008 01 | Socket head bolt M 6 X 25 | | 2 | |
| (3) | 900 385 025 01 | Torx screw M 6 X 40 | | 10 | |
| 4 | 999 170 103 90 | Spark plug FR6 DPP332 | | 6 | 9770 |

Model: 997T07

Model life 2007>>2009



Model: 997T07

Model life 2007>>2009

| Pos | Part Number | Description | Remark | Qty | Model |
|-----|----------------|--|---------|-----|--------|
| 1 | 997 618 602 03 | Control units Control unit | | 1 | |
| 2 | 996 618 129 01 | - dme - Retainer for control units | | 1 | COUPE |
| (2) | 996 618 131 00 | - dme - Retainer for control units | | 1 | CABRIO |
| 3 | 999 073 189 01 | - dme - flat round head bolt M 6 X 12 | | 4 | COUPE |
| (3) | 999 073 060 02 | panel screw 4,8 X 13 | | X | CABRIO |
| 4 | 999 084 629 01 | Hexagon nut M 6 | | 3 | COUPE |
| 5 | 997 618 180 14 | Control unit Tiptronic | | 1 | PR:249 |
| 6 | 996 618 257 01 | Retainer for control units Tiptronic | | 1 | PR:249 |
| - | | Control unit Convertible top control see illustration: | 811-015 | 1 | CABRIO |
| 7 | 997 618 195 04 | Control unit for four-wheel drive | | 1 | |
| 8 | 997 618 117 00 | Bracket Control unit All-wheel | | 2 | |
| 9 | 900 377 010 02 | Hexagon nut M 6 | | 2 | |
| 10 | 997 610 102 06 | Onboard supply control unit No longer use the part here | | 1 | |
| 10 | 997 618 516 01 | Onboard supply control unit | | 1 | |
| 11 | 997 610 107 04 | Control unit for gateway | | 1 | |
| 12 | 997 572 419 03 | Cover | | 1 | |
| 13 | 997 572 221 00 | Seal | | 1 | |
| 14 | 900 143 094 09 | panel screw ST 4,8 X 19 | | 3 | |
| 15 | 999 591 855 01 | panel nut ST 4,8 | | 3 | |
| 16 | 997 618 513 01 | Control unit FRONT luggage compartment | | 1 | |
| 17 | 997 551 736 01 | Cover for control unit | | 1 | |
| 18 | 999 507 462 09 | panel nut 4,8 | | 1 | |
| 19 | 999 073 061 02 | panel screw 4,8 X 16 | | 1 | |
| 20 | 997 618 260 08 | Control unit Rear end | | 1 | |
| 21 | 997 618 371 01 | Retainer for control units | | 1 | |
| 22 | 997 618 436 01 | Control unit Cooling air control Discontinued part | | 1 | TURBO |
| 22 | 997 618 436 02 | Control unit Cooling air control | | 1 | TURBO |
| 22 | 997 618 436 92 | Control unit Cooling air control | | 1 | GT2 |
| 23 | 997 618 225 03 | Control unit for opening garage door | | 1 | PR:608 |
| 23 | 997 618 227 02 | Control unit for opening garage door Discontinued part | | 1 | PR:607 |
| 23 | 997 618 227 03 | Control unit for opening garage door | | 1 | PR:607 |
| 24 | 997 618 257 00 | Bracket Control unit | | 1 | |

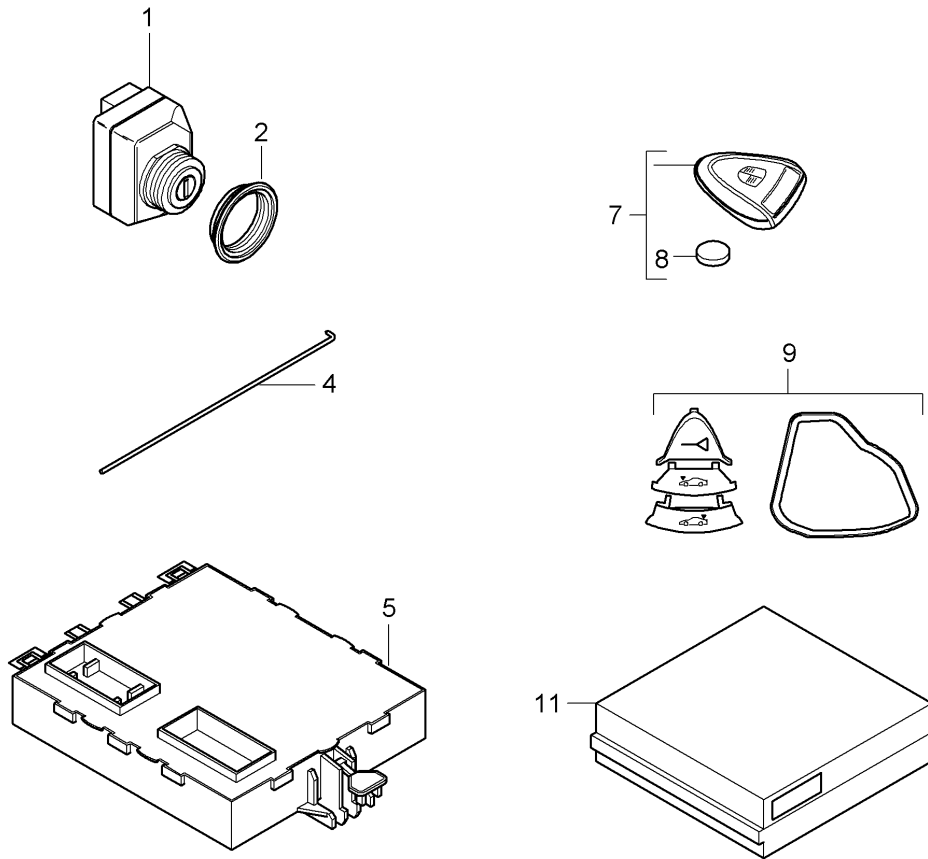
Model: 997T07

Model life 2007>>2009

| Pos | Part Number | Description | Remark | Qty | Model |
|-----|----------------|--|---------|-----|--------|
| 25 | 997 618 367 80 | Garage door opener Bracket Control unit | | 1 | GT2 |
| 26 | 900 075 505 01 | Garage door opener Bolt with washer M 6 X 20 | | 2 | |
| 27 | 999 591 882 01 | panel nut M 6 | | 2 | |
| 28 | 996 618 171 03 | Control unit for parking aid | | 1 | PR:635 |
| - | | Sensor see illustration: | 802-005 | | PR:635 |

Model: 997T07

Model life 2007>>2009



Model: 997T07

Model life 2007>>2009

| Pos | Part Number | Description | Remark | Qty | Model |
|-----|----------------|---|--------|-----|------------|
| 1 | 997 618 159 04 | Control units Ignition/starter switch PORSCHE ACCES SYSTEM Control unit | | 1 | |
| 2 | 997 618 759 00 | Ignition/starter switch Nut | | 1 | |
| - | 997 618 361 00 | Cover Release | | 1 | |
| 4 | 970 618 761 00 | Handheld transmitter Emergency operation Release | | 1 | |
| 5 | 997 618 171 14 | Ignition/starter switch Control unit for central locking PORSCHE ACCESS SYSTEM D - MJ 2007>> - MJ 2007 Discontinued part | | 1 | PR:534 |
| 5 | 997 618 171 15 | Control unit for central locking PORSCHE ACCESS SYSTEM | | 1 | PR:534 |
| 5 | 997 618 171 15 | Control unit for central locking PORSCHE ACCESS SYSTEM D - MJ 2009>> - MJ 2009 | | 1 | PR:524 |
| 5 | 997 618 172 14 | Control unit for central locking PORSCHE ACCESS SYSTEM D - MJ 2007>> - MJ 2007 Discontinued part | | 1 | PR:535 |
| 5 | 997 618 172 15 | Control unit for central locking PORSCHE ACCESS SYSTEM D >> - MJ 2008 Discontinued part | | 1 | PR:535 |
| 5 | 997 618 172 16 | Control unit for central locking PORSCHE ACCESS SYSTEM D >> - MJ 2008 | | 1 | PR:535 |
| 5 | 997 618 172 15 | Control unit for central locking PORSCHE ACCESS SYSTEM D - MJ 2009>> - MJ 2009 Discontinued part | | 1 | PR:525 |
| 5 | 997 618 172 16 | Control unit for central locking PORSCHE ACCESS SYSTEM D - MJ 2009>> - MJ 2009 Discontinued part | | 1 | PR:525 |
| - | 997 612 053 00 | Connecting line Aerial amplifier Control unit POS. 5 D >> - MJ 2008 | lhd | 1 | PR:098,534 |
| - | 997 612 053 00 | Connecting line Aerial amplifier Control unit POS. 5 D - MJ 2009>> - MJ 2009 | lhd | 1 | PR:098,665 |
| - | 997 612 053 01 | Connecting line Aerial amplifier Control unit POS. 5 D >> - MJ 2008 | lhd | 1 | PR:098,535 |
| - | 997 612 053 01 | Connecting line | lhd | 1 | PR:098,675 |

Model: 997T07 Model life 2007>>2009

| Pos | Part Number | Description | Remark | Qty | Model |
|-----|----------------|--|--------|-----|--------------------------|
| - | 997 612 054 00 | Aerial amplifier Control unit POS. 5 D - MJ 2009>> - MJ 2009 | rhd | 1 | PR:099,534 |
| - | 997 612 054 00 | Connecting line Aerial amplifier Control unit POS. 5 D >> - MJ 2008 | rhd | 1 | PR:099,665 |
| - | 997 612 054 01 | Connecting line Aerial amplifier Control unit POS. 5 D - MJ 2009>> - MJ 2009 | rhd | 1 | PR:099,535 |
| - | 997 612 054 01 | Connecting line Aerial amplifier Control unit POS. 5 D >> - MJ 2008 | rhd | 1 | PR:099,675 |
| - | 997 612 064 51 | D - MJ 2009>> - MJ 2009 Aerial cable | | 1 | PR:674 |
| 7 | 997 637 244 46 | Handheld transmitter | | 1 | COUPE PR:534 |
| 7 | 997 637 244 46 | No longer use the part here Handheld transmitter | | 1 | CABRIO PR:533,534 |
| 7 | 997 637 107 01 | No longer use the part here Handheld transmitter | | 1 | COUPE PR:534 |
| 7 | 997 637 107 01 | D >> - MJ 2008 Handheld transmitter | | 1 | COUPE PR:524 |
| 7 | 997 637 107 01 | D - MJ 2009>> - MJ 2009 Handheld transmitter | | 1 | CABRIO PR:533,534 |
| 7 | 997 637 107 01 | D >> - MJ 2008 Handheld transmitter | | 1 | CABRIO PR:524,533 |
| 7 | 997 637 244 47 | D - MJ 2009>> - MJ 2009 Handheld transmitter | | 1 | COUPE PR:535 |
| 7 | 997 637 244 47 | No longer use the part here Handheld transmitter | | 1 | CABRIO PR:533,535 |
| 7 | 997 637 109 01 | No longer use the part here Handheld transmitter | | 1 | COUPE PR:535 |
| 7 | 997 637 109 01 | D >> - MJ 2008 Handheld transmitter | | 1 | COUPE PR:525 |
| 7 | 997 637 109 01 | D - MJ 2009>> - MJ 2009 Handheld transmitter | | 1 | CABRIO PR:533,535 |
| 7 | 997 637 109 01 | D >> - MJ 2008 Handheld transmitter | | 1 | CABRIO PR:525,533 |
| 7 | 997 637 244 48 | D - MJ 2009>> - MJ 2009 Handheld transmitter | | 1 | COUPE PR:535 |
| 7 | 997 637 111 01 | No longer use the part here Handheld transmitter | | 1 | "J.." COUPE PR:535 |
| 7 | 997 637 111 01 | D >> - MJ 2008 Handheld transmitter | | 1 | "J.." COUPE |

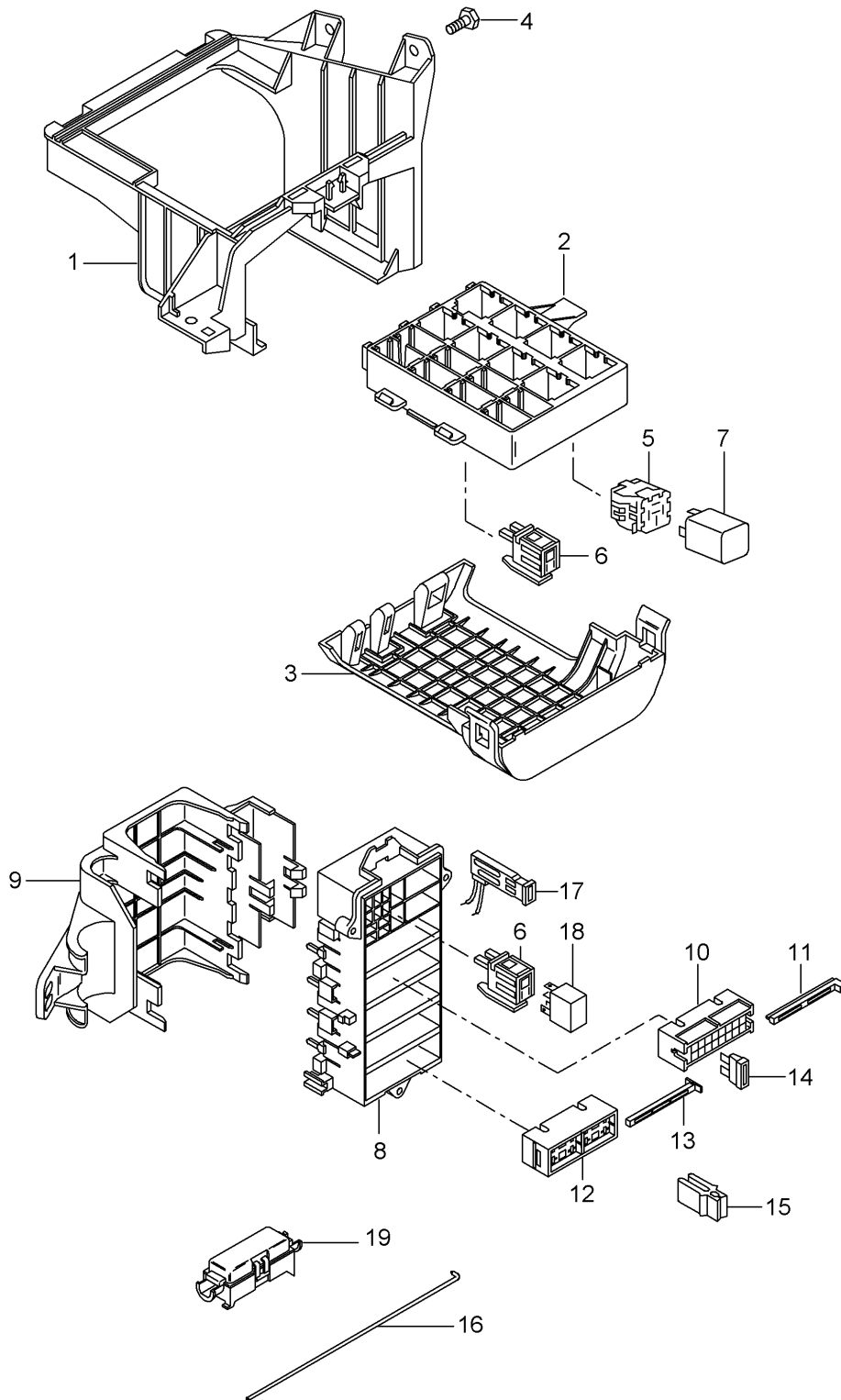
Model: 997T07

Model life 2007>>2009

| Pos | Part Number | Description | Remark | Qty | Model |
|-----|----------------|---|---------|-----|---------------------------|
| (7) | 997 637 244 36 | D - MJ 2009>> - MJ 2009 Handheld transmitter No longer use the part here | | 1 | PR:525 "J.." CABRIO |
| (7) | 997 637 101 01 | Handheld transmitter D >> - MJ 2008 | | 1 | PR:534 CABRIO |
| (7) | 997 637 101 01 | Handheld transmitter D - MJ 2009>> - MJ 2009 | | 1 | PR:534 CABRIO |
| (7) | 997 637 244 37 | Handheld transmitter No longer use the part here | | 1 | PR:524 CABRIO |
| (7) | 997 637 103 01 | Handheld transmitter D >> - MJ 2008 | | 1 | PR:535 CABRIO |
| (7) | 997 637 103 01 | Handheld transmitter D - MJ 2009>> - MJ 2009 | | 1 | PR:535 CABRIO |
| (7) | 997 637 244 38 | Handheld transmitter No longer use the part here | | 1 | PR:525 CABRIO |
| (7) | 997 637 105 01 | Handheld transmitter D >> - MJ 2008 | | 1 | PR:535 "J.." CABRIO |
| (7) | 997 637 105 01 | Handheld transmitter D - MJ 2009>> - MJ 2009 | | 1 | PR:535 "J.." CABRIO |
| 8 | 999 611 108 00 | Battery for hand sender | | 1 | |
| 9 | 000 043 400 14 | repair set Key Handheld transmitter Version Grey See workshop manual KD-NR.: 966237 | | 1 | |
| 11 | 997 618 210 01 | Sensor for interior monitoring | | 1 | |
| - | | Alarm horn Tilt angle sensor see illustration: | 903-000 | | PR:536 |

Model: 997T07

Model life 2007>>2009



Model: 997T07 Model life 2007>>2009

| Pos | Part Number | Description | Remark | Qty | Model |
|------|----------------|----------------------------------|--------|-----|--------|
| | | central electrics dashboard | | | |
| 1 | 997 610 117 01 | bracket for relay bracket | lhd | 1 | PR:098 |
| (1) | 997 610 118 00 | bracket for relay bracket | rhd | 1 | PR:099 |
| 2 | 997 610 110 01 | relay plate Mounting frame | | 1 | |
| 3 | 997 610 112 00 | Cover Mounting frame | | 1 | |
| 4 | 900 378 155 01 | Hexagon bolt M 6 X 16 ASP | | 2 | |
| (4) | 900 377 010 01 | Hexagon nut M 6 | | 1 | |
| 5 | 928 610 511 00 | relay plate | | X | |
| 6 | 999 650 538 40 | relay plate | | X | |
| 7 | | Relay | | | |
| (7) | 999 657 014 90 | Relay KL. X | | 1 | |
| | | relay location/code no.: | S4 | | |
| (7) | 999 657 015 90 | Relay KL. 86S | | 1 | |
| | | relay location/code no.: | S6 | | |
| (7) | 999 657 015 90 | Relay Fuel pump | | 1 | |
| | | relay location/code no.: | S7 | | |
| (7) | 999 657 015 90 | Relay Fuel pump | | 1 | |
| | | relay location/code no.: | S8 | | |
| (7) | 999 657 013 90 | Relay - dme - | | 1 | |
| | | relay location/code no.: | S11 | | |
| (7) | 999 657 013 90 | Relay heater | | 1 | |
| | | relay location/code no.: | S12 | | |
| (7) | 999 657 013 90 | Relay Headlight washer system | | 1 | PR:288 |
| | | relay location/code no.: | S14 | | |
| (7) | 999 657 013 90 | Relay Starter | | 1 | |
| | | relay location/code no.: | S15 | | |
| (7) | 999 657 013 90 | Relay KL. 15 | | 1 | |
| | | relay location/code no.: | S16 | | |
| 8 | 997 610 340 00 | Carrier | | 1 | |
| 9 | 997 610 341 00 | Cover | | 1 | |
| 10 | 999 650 209 40 | fuse holder | | 4 | |
| 11 | 999 650 210 40 | slide valve | | 4 | |
| 12 | 999 650 750 40 | fuse holder | | 1 | |
| 13 | 999 650 749 40 | slide valve | | 1 | |
| 14 | 999 607 082 00 | fuse | | X | |
| | | 5 A | | | |
| (14) | 999 607 083 00 | fuse | | X | |
| | | 7 , 5 A | | | |
| (14) | 999 607 084 00 | fuse | | X | |
| | | 10 A | | | |
| (14) | 999 607 085 00 | fuse | | X | |
| | | 15 A | | | |
| (14) | 999 607 087 00 | fuse | | X | |
| | | 25 A | | | |
| (14) | 999 607 088 00 | fuse | | X | |
| | | 30 A | | | |
| (14) | 999 607 072 00 | fuse | | X | |
| | | 30 A Large | | | |

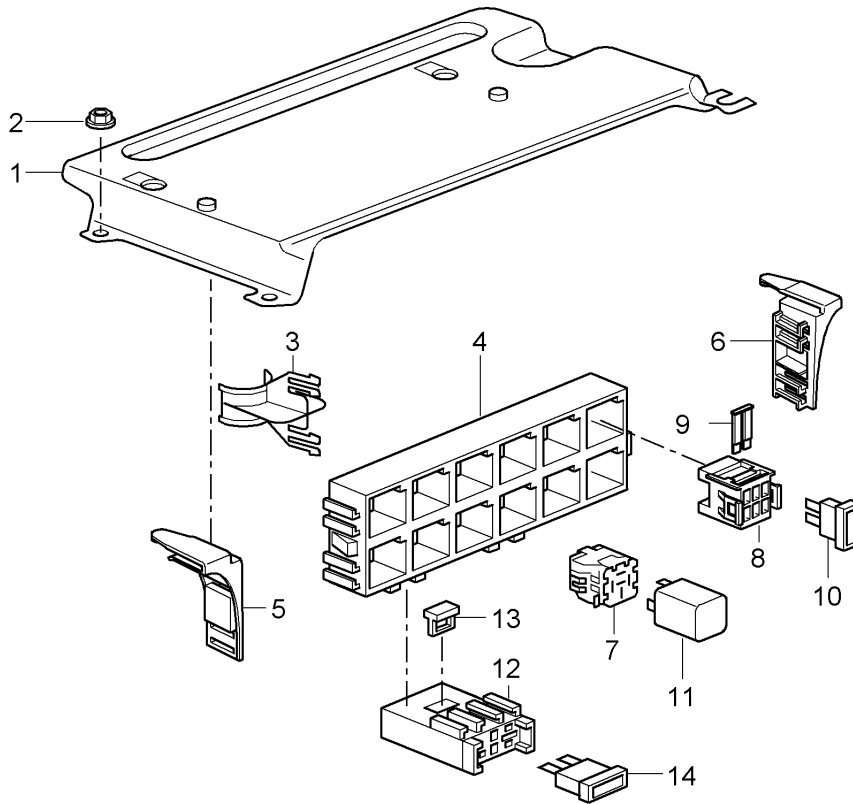
Model: 997T07

Model life 2007>>2009

| Pos | Part Number | Description | Remark | Qty | Model |
|------|----------------|---|---------|-----|-------|
| (14) | 999 607 073 00 | fuse 40 A Large | | X | |
| 15 | 999 107 300 40 | Tool | | X | |
| - | 997 610 195 07 | Assignment sticker D >> - MJ 2008 | | X | |
| - | 997 610 195 25 | Assignment sticker fuse D - MJ 2009>> - MJ 2009 | | X | |
| 16 | 997 618 761 00 | Emergency operation Release Ignition/starter switch Discontinued part | | 1 | |
| 16 | 970 618 761 00 | Emergency operation Release Ignition/starter switch | | 1 | |
| - | | Emergency operation Cover | | | |
| 17 | 996 610 240 00 | Terminal clamp | | 1 | |
| 18 | 999 657 014 90 | Relay | | 1 | |
| 19 | 997 610 915 00 | fuse holder | | 1 | |
| - | | with: fuse 80 A for Cooling air control Cover for housing fuse see illustration: | 807-002 | X | |

Model: 997T07

Model life 2007>>2009



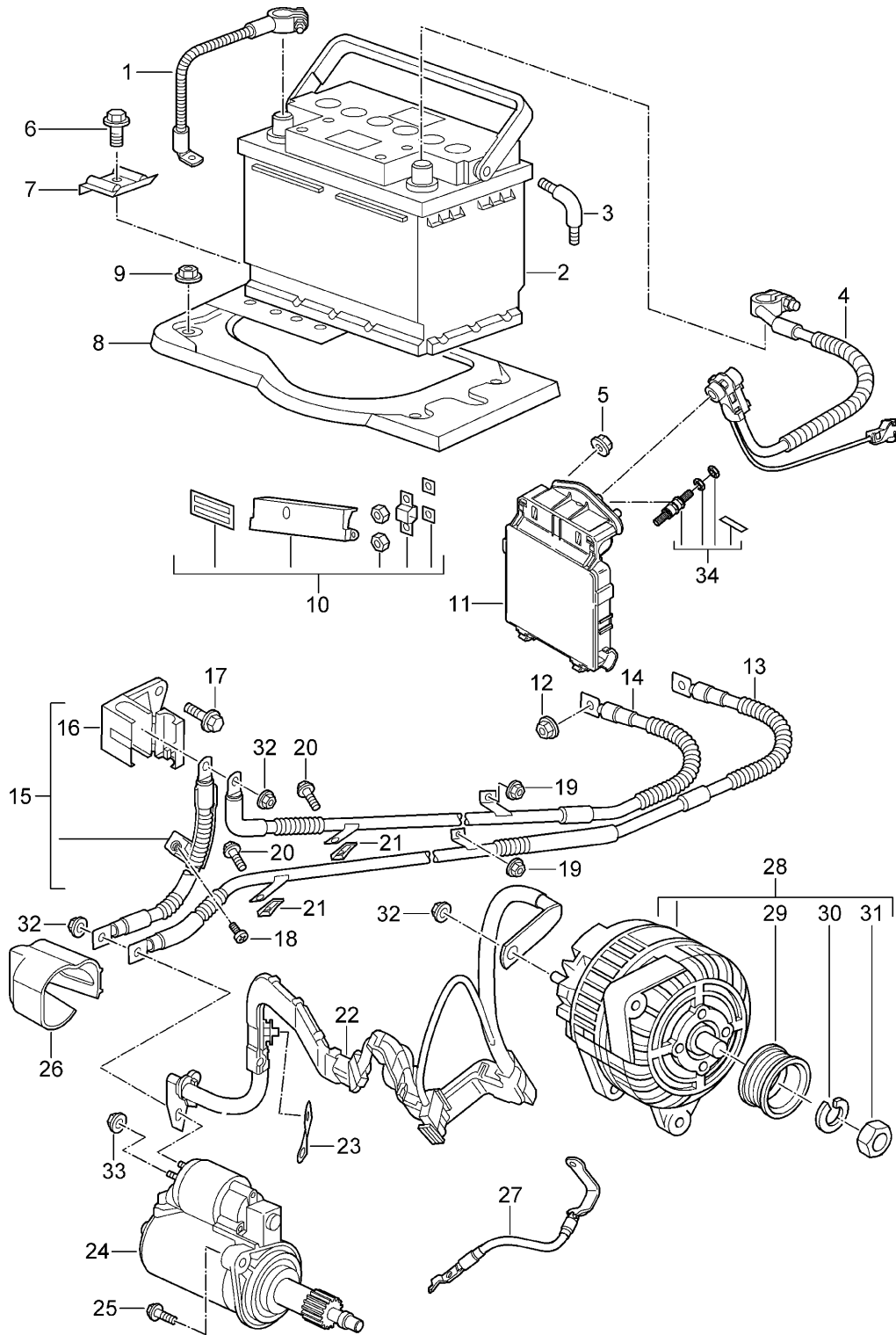
Model: 997T07

Model life 2007>>2009

| Pos | Part Number | Description | Remark | Qty | Model |
|------|----------------|---------------------------|--------|-----|--------|
| | | central electrics | | | |
| | | Rear end | | | |
| (1) | 996 610 229 03 | mounting plate | | 1 | COUPE |
| 2 | 999 084 629 01 | Hexagon nut | | 2 | |
| | | M 6 | | | |
| 3 | 996 610 112 00 | Cable holder | | 1 | |
| 4 | 996 610 111 00 | relay plate | | X | |
| | | Mounting frame | | | |
| 5 | 987 610 118 00 | bracket for relay bracket | right | 1 | COUPE |
| (5) | 996 610 126 00 | bracket for relay bracket | right | 1 | CABRIO |
| 6 | 987 610 117 00 | bracket for relay bracket | left | 1 | COUPE |
| (6) | 996 610 127 00 | bracket for relay bracket | left | 1 | CABRIO |
| - | 996 610 128 00 | Retaining clip | | 2 | CABRIO |
| - | 999 074 059 01 | flat round head bolt | | 2 | CABRIO |
| | | M 5 | | | |
| 7 | 928 610 511 00 | relay plate | | X | |
| 8 | 999 650 747 40 | fuse holder | | 1 | |
| 9 | 999 650 748 40 | Locking mechanism | | 1 | |
| 10 | 999 607 083 00 | fuse | | X | |
| | | 7,5 A | | | |
| 10 | 999 607 085 00 | fuse | | X | |
| | | 15 A | | | |
| 11 | | Relay | | | |
| (11) | 999 657 009 90 | Relay | | 1 | COUPE |
| | | Rear window heating | | | |
| | | relay location/code no.: | S1 | | |
| | | Discontinued part | | | |
| (11) | 999 657 013 90 | Relay | | 1 | COUPE |
| | | Rear window heating | | | |
| | | relay location/code no.: | S1 | | |
| (11) | 996 615 112 00 | Relay | | 1 | CABRIO |
| | | Rear window heating | | | |
| | | relay location/code no.: | S2 | | |
| (11) | 964 615 215 00 | Relay | | 1 | PR:573 |
| | | Air conditioning | | | |
| | | relay location/code no.: | S3 | | |
| | | Discontinued part | | | |
| (11) | 999 657 018 90 | relay for air conditioner | | 1 | PR:573 |
| | | relay location/code no.: | S3 | | |
| (11) | 999 657 011 90 | Relay | | 1 | |
| | | Fan | | | |
| | | Engine bay | | | |
| | | relay location/code no.: | S8 | | |
| | | Discontinued part | | | |
| (11) | 999 657 016 90 | Relay | | 1 | |
| | | Fan | | | |
| | | Engine bay | | | |
| | | relay location/code no.: | S8 | | |
| (11) | 999 657 008 90 | Relay | | 1 | PR:661 |
| | | Secondary pump | | | |
| | | relay location/code no.: | S9 | | |
| | | Discontinued part | | | |
| (11) | 999 657 017 90 | Relay | | 1 | PR:661 |
| | | Secondary pump | | | |
| | | relay location/code no.: | S9 | | |
| 12 | 999 650 193 40 | fuse holder | | 3 | |
| 13 | 999 650 371 40 | Locking mechanism | | 3 | |
| 14 | 999 607 073 00 | fuse | | X | |
| | | 40 A | | | |
| | | Large | | | |
| 14 | 999 607 077 00 | fuse | | X | PR:661 |
| | | 60 A | | | |
| | | Large | | | |

Model: 997T07

Model life 2007>>2009



Model: 997T07 Model life 2007>>2009

| Pos | Part Number | Description | Remark | Qty | Model |
|-----|----------------|--|--------|-----|--------|
| | | Battery Power distributor Starter Alternator Battery main switch | | | |
| 1 | 997 611 090 00 | Earth line | lhd | 1 | PR:098 |
| (1) | 997 611 091 00 | Earth line | rhd | 1 | PR:099 |
| - | 900 377 010 01 | Hexagon nut M 6 | | 1 | |
| (2) | 999 611 070 20 | Battery 70 AH | | 1 | |
| 2 | 999 611 080 20 | Battery 80 AH | | 1 | |
| (2) | 999 611 095 20 | Battery 95 AH | | 1 | PR:200 |
| 3 | 893 915 507 | Elbow fitting | | 1 | |
| 4 | 997 612 993 00 | repair set Wire set Battery Power distributor | lhd | 1 | PR:098 |
| (4) | 997 612 995 00 | Discontinued part repair set Wire set Battery Power distributor | rhd | 1 | PR:099 |
| (4) | 997 612 908 00 | Discontinued part repair set Wire set Battery Power distributor | lhd | 1 | PR:098 |
| (4) | 997 612 909 00 | see Technical information 9789 repair set Wire set Battery Power distributor | rhd | 1 | PR:099 |
| 5 | 900 380 005 01 | Nut VM 8 | | 2 | |
| 6 | 900 378 017 01 | Hexagon bolt M 8 X 20 | | 1 | |
| 7 | 996 611 209 00 | Rail Battery | | 1 | |
| (8) | 997 504 151 01 | Carrier plate for battery | | 1 | |
| - | 996 504 622 01 | Seal Carrier plate for battery | | 1 | |
| 9 | 999 084 630 01 | Hexagon nut VM 8 SB | | 4 | |
| 10 | 997 610 912 00 | repair set Replacement Fuse element | | 1 | |
| - | | comprising: Fuse element 50 AMPERE | | 1 | |
| - | | Fuse element 70 AMPERE | | 1 | |
| - | | Fuse element 80 AMPERE | | 1 | |
| - | | Hexagon nut | | 4 | |

Model: 997T07 Model life 2007>>2009

| Pos | Part Number | Description | Remark | Qty | Model |
|------|----------------|---|--------|-----|------------|
| - | | M 5 square washer | | 4 | |
| - | | Cover blue | | 1 | |
| - | | Seal label red | | 1 | |
| (10) | 997 610 913 00 | repair set Replacement Fuse element comprising: | | 1 | |
| - | | Fuse element 150 AMPERE | | 1 | |
| - | | Hexagon nut M 8 | | 2 | |
| - | | square washer | | 2 | |
| - | | Cover blue | | 1 | |
| - | | Seal label red | | 1 | |
| 11 | 997 610 911 00 | repair set Replacement Power distributor comprising: | | 1 | |
| - | | Power distributor without: | | 1 | |
| - | | Fuse element Hexagon nut M 5 | | 8 | |
| - | | Hexagon nut M 8 | | 3 | |
| - | | Seal label red | | 1 | |
| 12 | 900 084 123 02 | Hexagon nut M 8 | | 1 | |
| 13 | 997 612 092 01 | Cable Power distributor | lhd | 1 | PR:098,480 |
| (13) | 997 612 098 00 | Cable Power distributor Starter | rhd | 1 | PR:099,480 |
| 14 | 997 612 091 03 | Cable Power distributor Connection point | lhd | 1 | PR:098,249 |
| (14) | 997 612 097 00 | Cable Power distributor Connection point | rhd | 1 | PR:099,249 |
| 15 | 997 607 033 00 | Wire set with: | | 1 | PR:249 |
| - | | Connection point Starter | | | |
| 16 | 997 607 301 00 | Connection point (complete) | | 1 | PR:249 |
| 17 | 900 385 009 01 | Torx screw BM 6 X 16 | | 2 | PR:249 |
| 18 | 999 919 121 09 | fillister hd. bolt 5 X 16 | | 2 | PR:249 |
| 19 | 999 084 629 01 | Hexagon nut M 6 | | 1 | |
| 20 | 900 075 497 01 | Bolt with washer M 5 X 10 | | 1 | |
| 21 | 999 507 702 01 | panel nut M 5 | | 1 | |
| 22 | 997 607 032 00 | Wire set Starter | | 1 | PR:249 |

Model: 997T07 Model life 2007>>2009

| Pos | Part Number | Description | Remark | Qty | Model |
|------|----------------|---|--------|-----|------------------|
| (22) | 997 607 031 00 | Alternator Wire set Starter | | 1 | PR:480 |
| 23 | 996 607 042 01 | Alternator Bracket | | 1 | PR:249 |
| 24 | 996 604 107 01 | Starter Discontinued part | | 1 | |
| 24 | 996 604 107 02 | Starter | | 1 | |
| 24 | 996 604 107 BX | Starter | | 1 | |
| 25 | 900 385 097 01 | Torx screw BM 10 X 35 | | 2 | |
| 26 | 996 604 118 00 | Protective cap | | 1 | PR:480 |
| (26) | 996 604 117 00 | Protective cap | | 1 | PR:249 |
| 27 | 997 607 034 03 | Earth line Engine Body | | 1 | |
| 28 | 997 603 022 04 | Alternator pulley with: without: | | 1 | PR:249 |
| 28 | 997 603 022 DX | Freewheel D - MJ 2007>> Alternator pulley with: without: | | 1 | PR:249 |
| 28 | 997 603 022 05 | Freewheel D - MJ 2007>> Alternator pulley with: | | 1 | PR:480 |
| 28 | 997 603 022 EX | Freewheel Alternator pulley with: | | 1 | PR:480 -"CN." |
| 29 | 996 603 151 55 | Freewheel pulley without: | | 1 | PR:249 |
| (29) | 997 603 154 00 | Freewheel pulley with: | | 1 | PR:480 |
| 30 | N 012 016 1 | Freewheel spring ring | | 1 | |
| 31 | 900 034 013 01 | B 16 Hexagon nut M 16 X 1,5 | | 1 | |
| - | 996 603 113 00 | Protective cap for 3-phase alternator | | 1 | PR:249 |
| - | 996 603 153 50 | Protective cap | | 1 | PR:480 |
| - | | Fasteners | | | |
| - | 900 385 004 01 | Alternator Torx screw BM 10 X 60 | | 1 | |
| - | 900 385 124 01 | Torx screw BM 10 X 110 | | 1 | |
| 32 | 900 377 003 01 | Hexagon nut M 8 | | 3 | |
| 33 | 900 377 010 02 | Hexagon nut M 6 | | 1 | |
| - | | Battery main switch | | | GT2 |
| - | 997 611 027 70 | Assembly kit | | 1 | GT2 |
| - | 997 611 227 70 | Battery main switch | | 1 | GT2 |

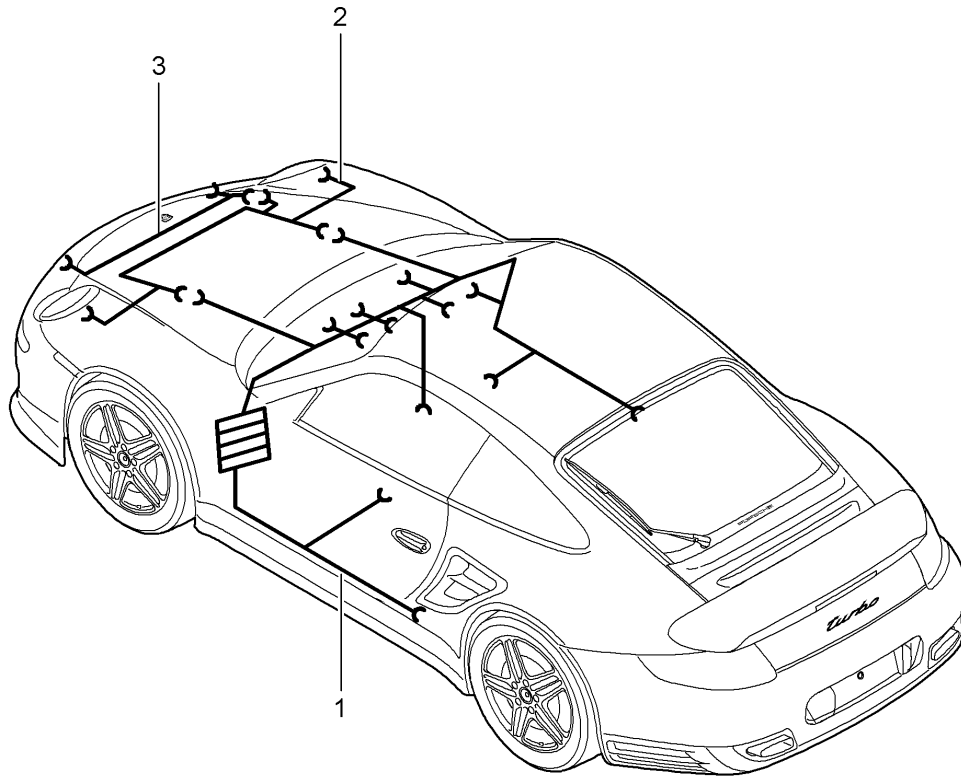
Model: 997T07

Model life 2007>>2009

| Pos | Part Number | Description | Remark | Qty | Model |
|-----|----------------|---------------------|--------|-----|-------|
| - | 997 613 183 70 | Battery main switch | outer | 1 | GT2 |
| - | 997 613 187 70 | Battery main switch | inner | 1 | GT2 |
| 34 | 997 610 916 00 | repair set | | 1 | |
| | | Screw bolt | | | |
| | | Power distributor | | | |
| | | comprising: | | | |
| | | Screw bolt | | 1 | |
| | | Nut | | 2 | |
| | | Seal label | | 1 | |

Model: 997T07

Model life 2007>>2009



Model: 997T07 Model life 2007>>2009

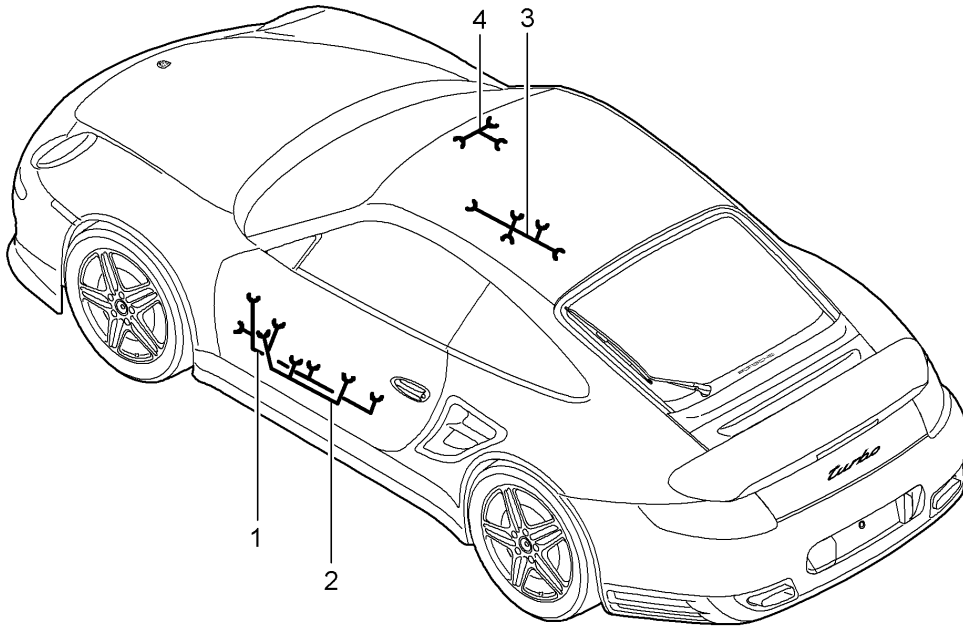
| Pos | Part Number | Description | Remark | Qty | Model |
|-----|----------------|---|--------|-----|-----------------|
| 1 | 997 622 903 00 | Wiring looms Passenger compartment FRONT luggage compartment Trim Airbag Seat belt tensioner repair kits Shock absorbers anti-locking brake syst. -abs- brake pad wear display Front axle | front | 1 | |
| - | 996 610 120 01 | Wire set Passenger compartment Vehicle Ident. No. Indicate | | 1 | |
| - | 999 651 302 40 | Bracket Socket Diagnostic connector | | X | |
| - | 999 651 284 40 | Retaining clip Wire set Passenger compartment Sill | | X | |
| 2 | 997 622 521 10 | Retaining clip Wire set Passenger compartment Sill | | 1 | TURBO PR:601 |
| 2 | 997 622 521 25 | Wire set FRONT luggage compartment D >> - MJ 2008 | | 1 | TURBO PR:601 |
| 2 | 997 622 521 10 | D - MJ 2009>> - MJ 2009 Wire set FRONT luggage compartment D >> - MJ 2008 | | 1 | GT2 PR:601 |
| 2 | 997 622 521 75 | Wire set FRONT luggage compartment D - MJ 2009>> - MJ 2009 | | 1 | GT2 PR:601 |
| - | 997 610 215 01 | Cable guide for Sensor Airbag | | 2 | |
| 3 | 997 622 501 00 | Wire set Trim | front | 1 | TURBO |
| (3) | 997 622 501 80 | Wire set Trim | front | 1 | GT2 |
| - | 997 612 781 25 | Wire set Airbag (passenger side) Setting 1 Connector green | | 1 | |
| - | 997 612 783 00 | Wire set Airbag (passenger side) Setting2 Connector yellow D - MJ 2007>> - MJ 2007 | | 1 | |
| - | 997 612 783 25 | Discontinued part Wire set Airbag (passenger side) | | 1 | |

Model: 997T07 Model life 2007>>2009

| Pos | Part Number | Description | Remark | Qty | Model |
|-----|----------------|---|-------------|-----|-----------------|
| - | 997 612 992 00 | Setting2 Connector yellow Wire set Control unit Airbag Connection point Door | | 2 | |
| - | | Wire set Airbag Seat See group 8/17/15 8/17/40 | | | |
| - | 997 612 793 01 | Wire set | | 2 | |
| - | 997 612 950 00 | Seat belt tensioner repair set | front | 2 | TURBO PR:475 |
| - | 997 612 950 70 | Wire set Shock absorbers repair set | front | 2 | GT2 PR:475 |
| - | | Wire set Shock absorbers repair set | | | |
| - | 997 612 965 00 | Wire set anti-locking brake syst. -abs- brake pad wear display Front axle Repair set for front axle | left front | 1 | |
| - | 997 612 964 00 | Wire set Repair set for front axle Wire set | right front | 1 | |
| - | 999 513 049 40 | use if required: Cable ties repair set Wire set Rear axle | | 4 | |
| - | | see illustration: | 902-020 | | |

Model: 997T07

Model life 2007>>2009



Model: 997T07 Model life 2007>>2009

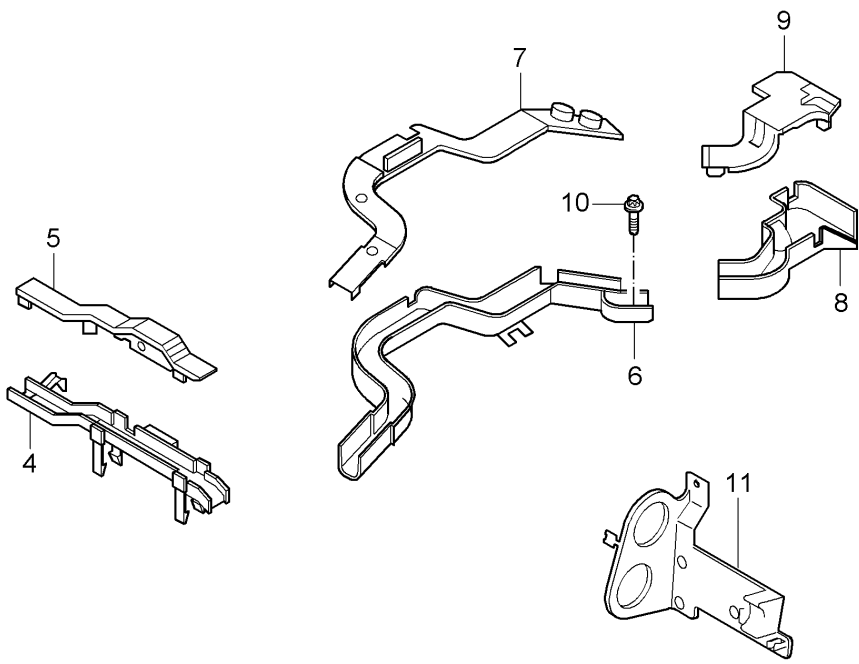
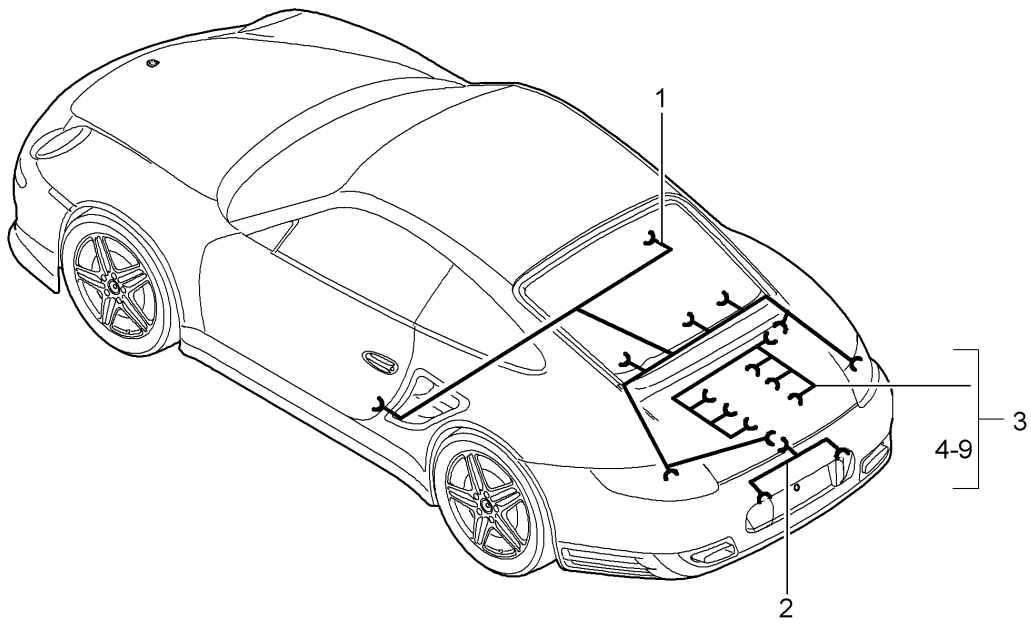
| Pos | Part Number | Description | Remark | Qty | Model |
|-----|----------------|--|--------|-----|--------|
| 1 | 997 612 642 05 | Wiring looms doors Airbag Centre console Glove box Convertible top control Support frame Wire set | lhd | 1 | PR:098 |
| (1) | 997 612 644 55 | Assembly frame Driver's door F >> 99-7S780 823 Wire set | rhd | 1 | PR:099 |
| 1 | 997 612 642 07 | Assembly frame Driver's door F >> 99-7S780 823 Wire set | lhd | 1 | PR:098 |
| (1) | 997 612 644 57 | Assembly frame Driver's door F 99-7S780 824>> Wire set | rhd | 1 | PR:099 |
| (1) | 997 612 643 55 | Assembly frame Driver's door F 99-7S780 824>> Wire set | lhd | 1 | PR:098 |
| (1) | 997 612 645 05 | Assembly frame Passenger's door F >> 99-7S780 823 Wire set | rhd | 1 | PR:099 |
| (1) | 997 612 643 57 | Assembly frame Passenger's door F 99-7S780 824>> Wire set | lhd | 1 | PR:098 |
| (1) | 997 612 645 07 | Assembly frame Passenger's door F 99-7S780 824>> Wire set | rhd | 1 | PR:099 |
| - | 997 612 780 16 | Wire set | | 2 | |
| 2 | 997 612 647 05 | Airbag Wire set door panel Driver's door F >> 99-7S780 823 | lhd | 1 | PR:098 |
| (2) | 997 612 650 05 | Wire set door panel Driver's door F >> 99-7S780 823 | rhd | 1 | PR:099 |
| 2 | 997 612 647 07 | Wire set door panel Driver's door F 99-7S780 824>> D >> - MJ 2008 | lhd | 1 | PR:098 |
| (2) | 997 612 650 07 | Wire set door panel Driver's door F 99-7S780 824>> D >> - MJ 2008 | rhd | 1 | PR:099 |
| 2 | 997 612 647 10 | Wire set door panel Driver's door D - MJ 2009>> - MJ 2009 | lhd | 1 | PR:098 |

Model: 997T07 Model life 2007>>2009

| Pos | Part Number | Description | Remark | Qty | Model |
|-----|----------------|--|---------|-----|--------|
| (2) | 997 612 650 10 | Wire set door panel Driver's door D - MJ 2009>> - MJ 2009 | rhd | 1 | PR:099 |
| (2) | 997 612 648 05 | Wire set door panel Passenger's door F >> 99-7S780 823 | lhd | 1 | PR:098 |
| (2) | 997 612 649 05 | Wire set door panel Passenger's door F >> 99-7S780 823 | rhd | 1 | PR:099 |
| (2) | 997 612 648 07 | Wire set door panel Passenger's door F 99-7S780 824>> D >> - MJ 2008 | lhd | 1 | PR:098 |
| (2) | 997 612 649 07 | Wire set door panel Passenger's door F 99-7S780 824>> D >> - MJ 2008 | rhd | 1 | PR:099 |
| (2) | 997 612 648 10 | Wire set door panel Passenger's door D - MJ 2009>> - MJ 2009 | lhd | 1 | PR:098 |
| (2) | 997 612 649 10 | Wire set door panel Passenger's door D - MJ 2009>> - MJ 2009 | rhd | 1 | PR:099 |
| 3 | 997 612 652 75 | Wire set Centre console | | 1 | |
| 4 | 997 612 651 00 | Wire set Glove box | | 1 | |
| - | | Wire set Convertible top control see illustration: | 811-007 | 1 | CABRIO |
| - | | Wire set Support frame see illustration: | 811-015 | 1 | CABRIO |

Model: 997T07

Model life 2007>>2009



Model: 997T07 Model life 2007>>2009

| Pos | Part Number | Description | Remark | Qty | Model |
|------|----------------|---|--------|-----|--------|
| 1 | 997 622 905 00 | Wiring looms Rear end Rear lid Licence plate light Engine Gearbox repair kits Shock absorbers anti-locking brake syst. -abs- brake pad wear display Rear axle | | 1 | |
| - | 997 622 670 70 | Wire set Rear end Vehicle Ident. No. Indicate | | 1 | GT2 |
| 2 | 997 612 660 01 | Wire set Licence plate light | | 1 | |
| (2) | 997 612 661 00 | Wire set Parking aid | | 1 | PR:635 |
| (2) | 997 612 661 01 | Licence plate light Wire set Parking aid | | 1 | PR:635 |
| - | 999 507 944 40 | Licence plate light Retaining clip for Connection point POS.2 | | 1 | |
| 3 | 997 607 015 03 | Wire set Engine | | 1 | |
| - | 999 702 324 40 | Grommet | | 1 | |
| 4 | 997 607 141 00 | Air mass meter Cable guide Cyl. 1 - 3 | | 1 | |
| 5 | 997 607 151 00 | Cover Cable guide Cyl. 1 - 3 | | 1 | |
| 6 | 997 607 143 00 | Cable guide | center | 1 | |
| 7 | 997 607 153 00 | Cover | center | 1 | |
| 8 | 997 607 142 00 | Cable guide Cable guide Cyl. 4 - 6 for | | 1 | |
| 8 | 997 607 142 01 | Wiring looms 997.607.015.01/02 Cable guide Cyl. 4 - 6 for | | 1 | |
| 9 | 997 607 152 00 | Wire set 997.607.015.03 Cover | | 1 | |
| 10 | 900 385 009 01 | Cable guide Cyl. 4 - 6 Torx screw BM 6 X 16 | | 2 | |
| (11) | 997 610 131 00 | Bracket Connection point | | 1 | |
| - | 997 622 663 00 | Wire set Engine | | 1 | PR:249 |
| - | 999 507 752 40 | Gearbox Cable holder | | 1 | PR:249 |

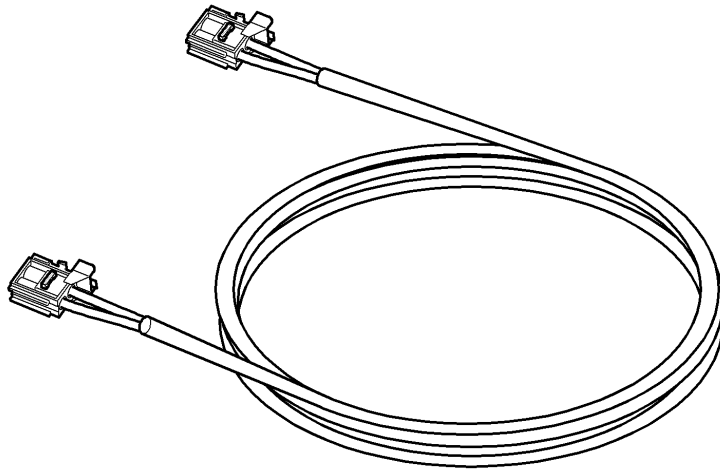
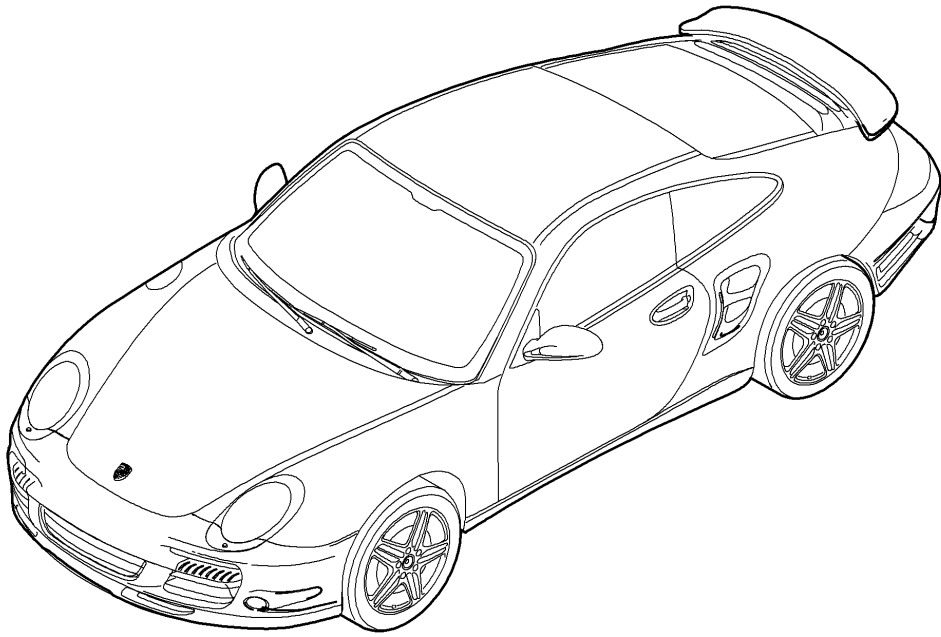
Model: 997T07

Model life 2007>>2009

| Pos | Part Number | Description | Remark | Qty | Model |
|-----|----------------|---|------------|-----|--------|
| - | 999 591 746 02 | for Wire set Gearbox Cable fastener | | 4 | |
| - | 999 591 746 01 | for Wire set Gearbox Discontinued part Cable fastener | | 4 | |
| 9 | 999 591 746 03 | for Wire set Gearbox Cable fastener | | 3 | |
| - | 997 612 950 00 | repair set Wire set Shock absorbers | rear | 2 | PR:475 |
| - | | repair set Wire set anti-locking brake syst. -abs- brake pad wear display Rear axle | | | |
| - | 997 612 967 00 | Repair set for rear axle Wire set | left rear | 1 | |
| - | 997 612 966 00 | Repair set for rear axle Wire set | right rear | 1 | |
| - | | repair set Wire set Front axle see illustration: | 902-010 | | |

Model: 997T07

Model life 2007>>2009



Model: 997T07

Model life 2007>>2009

| Pos | Part Number | Description | Remark | Qty | Model |
|-----|----------------|---|--------|-----|------------------------------------|
| - | | fibre optic wave conductor D >> - MJ 2008 Module Passenger compartment | | | |
| - | 997 622 701 00 | fibre optic wave conductor Module | lhd | 1 | PR:098,670, 672,680,689, 692 |
| - | 997 622 701 50 | fibre optic wave conductor Module | rhd | 1 | PR:099,670, 672,680,689, 692 |
| - | 997 622 702 00 | fibre optic wave conductor Module | lhd | 1 | PR:098,666, 689 |
| - | 997 622 702 50 | fibre optic wave conductor Module | rhd | 1 | PR:099,666, 689 |
| - | 997 622 703 00 | fibre optic wave conductor Module | lhd | 1 | PR:098,666, 670,672,680, 692 |
| - | 997 622 703 50 | fibre optic wave conductor Module | rhd | 1 | PR:099,666, 670,672,680, 692 |
| - | 999 650 091 40 | Plug inserts fibre optic wave conductor Module | | X | |
| - | 997 610 122 00 | FRONT luggage compartment Bracket Connection point | | 1 | |
| - | 996 610 132 00 | Cable guide t-piece FRONT luggage compartment | | X | |
| - | 997 622 723 00 | fibre optic wave conductor Module | lhd | 1 | PR:098,670, 672 |
| - | 997 622 723 50 | fibre optic wave conductor Module | rhd | 1 | PR:099,670, 672 |
| - | 997 622 705 00 | fibre optic wave conductor Module | lhd | 1 | PR:098,680 |
| - | 997 622 705 50 | fibre optic wave conductor Module | rhd | 1 | PR:099,680 |
| - | 997 622 721 00 | fibre optic wave conductor Module | lhd | 1 | PR:098,692 |
| - | 997 622 721 50 | fibre optic wave conductor Module | rhd | 1 | PR:099,692 |
| - | 997 622 722 00 | fibre optic wave conductor Module | lhd | 1 | PR:098,664, 670,672 |
| - | 997 622 726 00 | fibre optic wave conductor Module | lhd | 1 | PR:098,664, 680 |
| - | 997 622 728 00 | fibre optic wave conductor Module | lhd | 1 | PR:098,664, 692 |
| - | 997 622 718 00 | fibre optic wave conductor Module | lhd | 1 | PR:098,670, 672,680 |
| - | 997 622 718 50 | fibre optic wave conductor Module | rhd | 1 | PR:099,670, 672,680 |
| - | 997 622 717 00 | fibre optic wave conductor Module | lhd | 1 | PR:098,664, 670,672,680 |
| - | 997 622 724 00 | fibre optic wave conductor Module | lhd | 1 | PR:098,670, 672,692 |
| - | 997 622 724 50 | fibre optic wave conductor Module | rhd | 1 | PR:099,670, 672,692 |
| - | 997 622 725 00 | fibre optic wave conductor Module | lhd | 1 | PR:098,664, 670,672,692 |
| - | 997 622 716 00 | fibre optic wave conductor Module | lhd | 1 | PR:098,680, 692 |
| - | 997 622 716 50 | fibre optic wave conductor Module | rhd | 1 | PR:099,680, 692 |

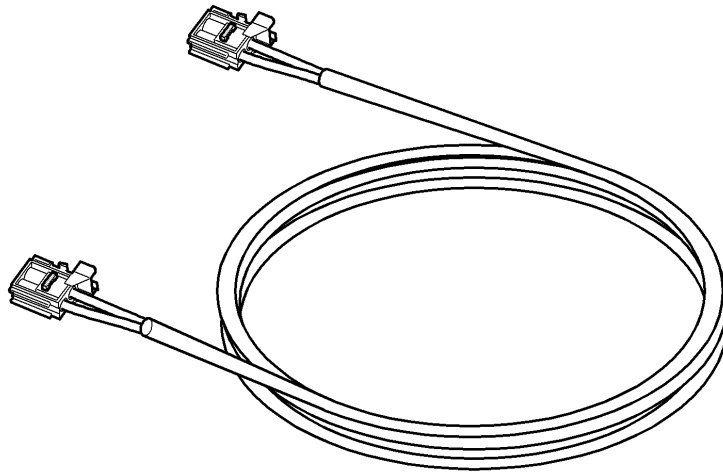
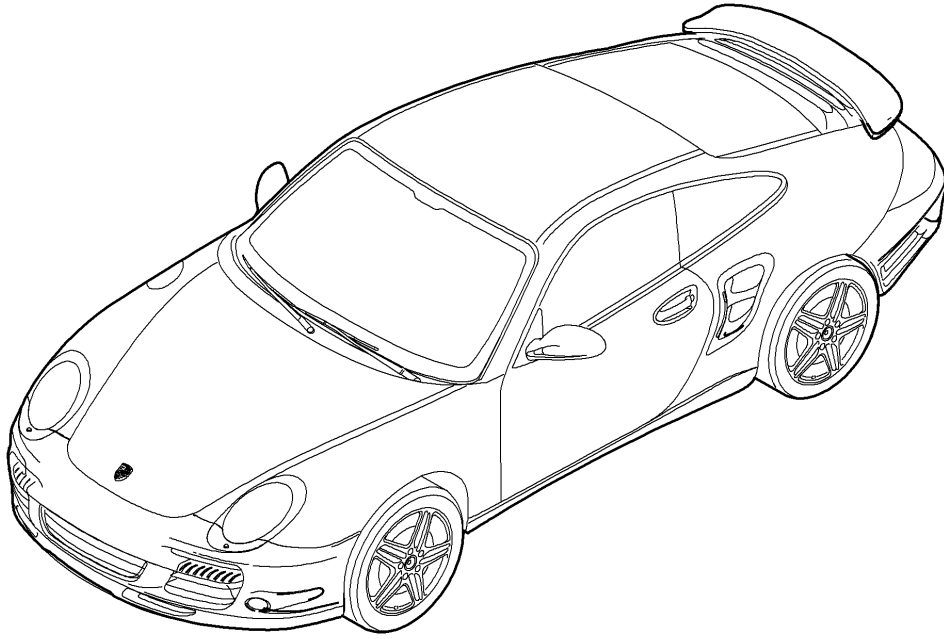
Model: 997T07

Model life 2007>>2009

| Pos | Part Number | Description | Remark | Qty | Model |
|-----|----------------|--------------------------------------|--------|-----|------------------------------------|
| - | 997 622 727 00 | fibre optic wave conductor Module | lhd | 1 | PR:098,664, 680,692 |
| - | 997 622 719 00 | fibre optic wave conductor Module | lhd | 1 | PR:098,670, 672,680,692 |
| - | 997 622 719 50 | fibre optic wave conductor Module | rhd | 1 | PR:099,670, 672,680,692 |
| - | 997 622 720 00 | fibre optic wave conductor Module | lhd | 1 | PR:098,664, 670,672,680, 692 |

Model: 997T07

Model life 2007>>2009



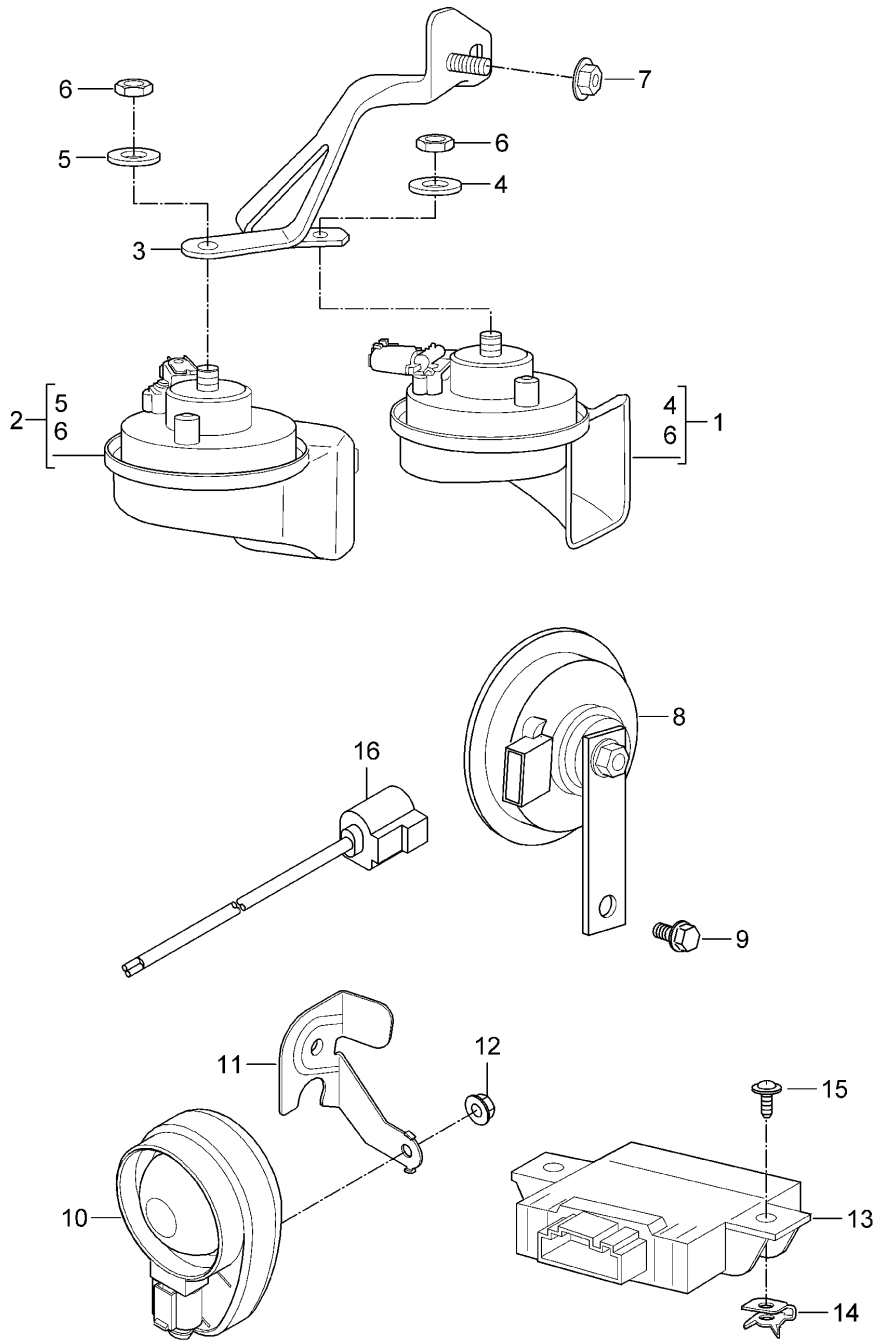
Model: 997T07

Model life 2007>>2009

| Pos | Part Number | Description | Remark | Qty | Model |
|-----|----------------|---|--------|-----|--------------------|
| - | 997 622 701 25 | fibre optic wave conductor D - MJ 2009>> - MJ 2009 fibre optic wave conductor Module | lhd | 1 | PR:098,665,680 |
| - | 997 622 701 75 | fibre optic wave conductor Module | rhd | 1 | PR:099,665,680 |
| - | 997 622 704 25 | fibre optic wave conductor Module | lhd | 1 | PR:098,665,676,680 |
| - | 997 622 704 75 | fibre optic wave conductor Module | rhd | 1 | PR:099,665,676,680 |
| - | 997 622 705 25 | fibre optic wave conductor Module | lhd | 1 | PR:098,490,665,676 |
| - | 997 622 705 75 | fibre optic wave conductor Module | rhd | 1 | PR:099,490,665,676 |
| - | 999 650 091 40 | Plug inserts fibre optic wave conductor | | X | |

Model: 997T07

Model life 2007>>2009



Model: 997T07 Model life 2007>>2009

| Pos | Part Number | Description | Remark | Qty | Model |
|-----|----------------|--|---------------|-----|-------|
| 1 | 997 635 206 03 | Fanfare Signal horn alarm system | | 1 | |
| 1 | 997 635 206 04 | Fanfare High-pitched Discontinued part | | 1 | |
| 1 | 997 635 216 00 | Fanfare High-pitched No longer use the part here | | 1 | |
| - | 997 612 947 00 | Adapter cable see Technical information GR.9 NR.100/13 KD-NR.9050 | | 1 | |
| 2 | 997 635 205 03 | Fanfare Low-pitched Discontinued part | | 1 | |
| 2 | 997 635 205 04 | Fanfare Low-pitched No longer use the part here | | 1 | |
| (2) | 997 635 215 00 | Fanfare Low-pitched see Technical information GR.9 NR.100/13 KD-NR.9050 | | 1 | |
| - | 997 612 947 00 | Adapter cable see Technical information GR.9 NR.100/13 KD-NR.9050 | | 1 | |
| 3 | 997 635 150 04 | Bracket for fanfare Discontinued part | | 1 | |
| 3 | 997 635 150 05 | Bracket for fanfare | | 1 | |
| 4 | | Washer High-pitched | | 1 | |
| 5 | | Washer Low-pitched | | 1 | |
| 6 | 900 034 001 03 | Nut M 8 D - MJ 2007>> - MJ 2007 Discontinued part | | 2 | |
| 6 | 900 034 001 04 | Nut M 8 | | 2 | |
| 7 | 900 377 003 03 | Hexagon nut M 8 | | 1 | |
| 8 | 996 637 117 03 | Signal horn for alarm system | | 1 | |
| 8 | 996 637 117 05 | Signal horn for alarm system Replacement for 996.637.117.03 | | 1 | |
| 9 | 900 075 459 01 | Bolt with washer use if required: | 9P1 998 003 A | 1 | |

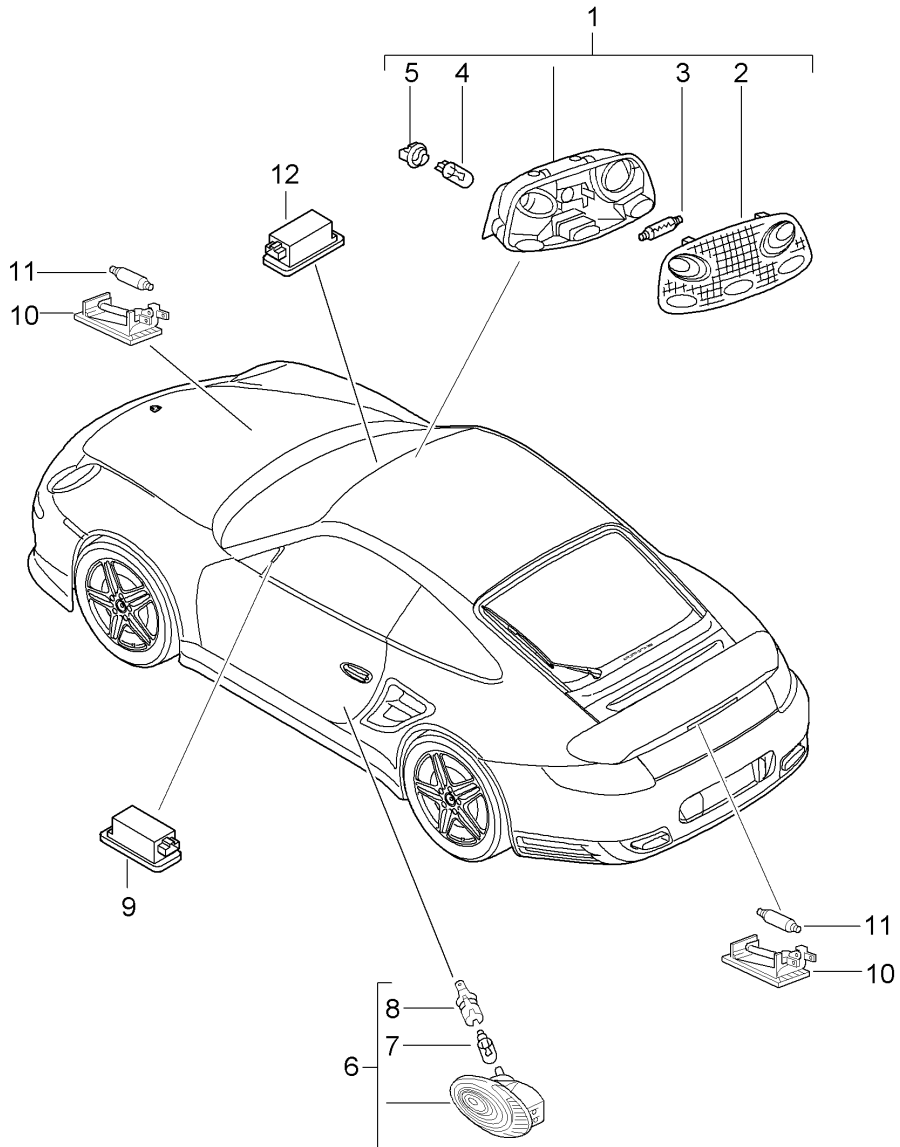
Model: 997T07

Model life 2007>>2009

| Pos | Part Number | Description | Remark | Qty | Model |
|-----|----------------|---|--------|-----|------------|
| 10 | 955 618 237 01 | M 6 X 12 Z2 Alarm horn | | 1 | PR:536 |
| 11 | 997 637 419 01 | Bracket | | 1 | PR:536 |
| 12 | 900 380 015 01 | Hexagon nut M 6 | | 1 | PR:536 |
| 13 | 997 618 265 00 | Control unit Tilt angle sensor | | 1 | PR:521,536 |
| 14 | 999 591 742 01 | panel nut 4,2 | | 2 | PR:521,536 |
| 15 | 999 073 155 09 | panel screw 4,2 X 13 | | 2 | PR:521,536 |
| 16 | 9P1 998 003 A | Wire set Modification kit Signal horn | | 1 | |

Model: 997T07

Model life 2007>>2009



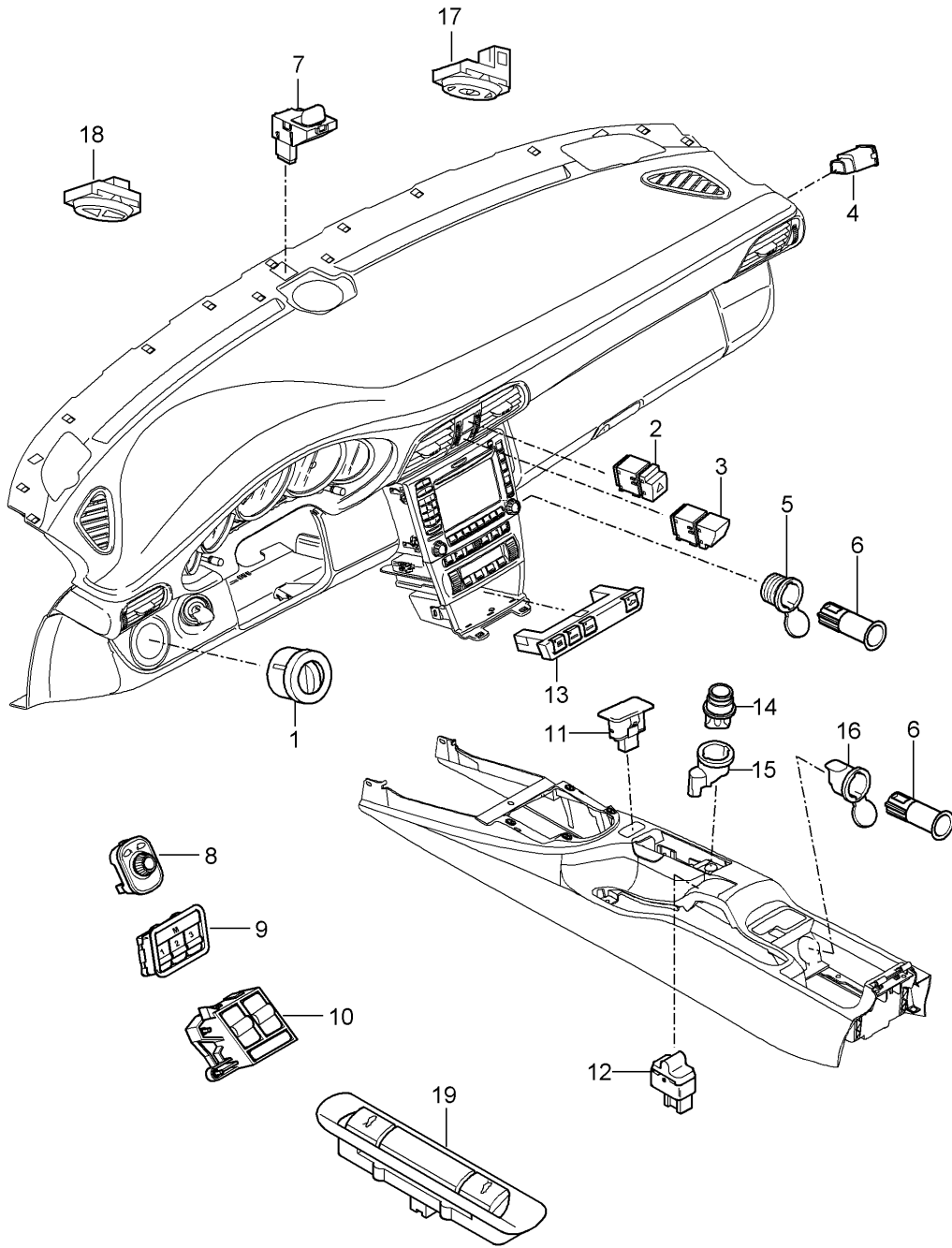
Model: 997T07

Model life 2007>>2009

| Pos | Part Number | Description | Remark | Qty | Model |
|-----|----------------|--------------------------|--------|-----|-------|
| | | Interior lights | | | |
| | | Luggage compartment lamp | | | |
| | | Engine compartment light | | | |
| | | Glove box light | | | |
| | | Footwell light | | | |
| 1 | 997 632 051 00 | interior light | | 1 | |
| 2 | 996 632 151 00 | Lens | | 1 | |
| 3 | 900 631 106 90 | Linolite lamp | | 1 | |
| | | 10 W | | | |
| 4 | 999 631 134 90 | bulb | | 2 | |
| | | 6 W | | | |
| 5 | 999 632 018 00 | Bulb holder | | 2 | |
| 6 | 996 632 132 01 | Door warning light | | 2 | |
| 7 | 999 631 032 90 | bulb | | 2 | |
| | | 5 W | | | |
| 8 | 161 949 111 | Bulb holder | | 2 | |
| 9 | 955 632 202 00 | Light | | 2 | |
| | | Footwell | | | |
| 10 | 997 632 201 00 | Light | | 2 | |
| | | Engine bay | | | |
| | | Luggage compartment | | | |
| 11 | 900 631 106 90 | Linolite lamp | | 2 | |
| | | 10 W | | | |
| 12 | 997 632 071 00 | Glove box light | | 1 | |
| - | 999 631 147 90 | bulb | | 4 | |
| | | 3 W | | | |
| | | Vanity mirror | | | |

Model: 997T07

Model life 2007>>2009



Model: 997T07 Model life 2007>>2009

| Pos | Part Number | Description | Remark | Qty | Model |
|------|--------------------|---|--------|-----|------------------|
| 1 | 997 613 535 01 | Switch switch for lighting | | 1 | TURBO |
| | 997 613 535 01 A05 | Matt black | | | |
| 1 | 997 613 525 00 | switch for lighting | | 1 | GT2 |
| | 997 613 525 00 A05 | Matt black | | | |
| 2 | 997 613 120 02 | Hazard warning light sw. Discontinued part | | 1 | |
| | 997 613 120 02 A05 | Matt black | | | |
| 2 | 997 613 120 03 | Hazard warning light sw. | | 1 | |
| | 997 613 120 03 A05 | Matt black | | | |
| 3 | 997 613 143 00 | Switch Central locking system | | 1 | |
| | 997 613 143 00 A05 | Matt black | | | |
| 4 | 955 613 165 02 | Switch Airbag | | 1 | |
| | 955 613 165 02 9B9 | Satin black | | | |
| 5 | 997 652 103 00 | clamping ring | | 1 | |
| | | with: | | | |
| 6 | 955 652 107 00 | Cover Socket | | 2 | |
| 7 | 997 653 251 00 | Sensor Air conditioning | | 1 | PR:573 |
| 8 | 997 613 241 01 | Switch Exterior mirror | | 1 | |
| | 997 613 241 01 A05 | Matt black | | | |
| 9 | 997 613 103 01 | Memory switch | left | 1 | PR:537 |
| | 997 613 103 01 A05 | Matt black | | | |
| (9) | 997 613 104 00 | Memory switch | right | 1 | PR:538 |
| | 997 613 104 00 A05 | Matt black | | | |
| 10 | 997 613 151 05 | Switch for electric window regulator (drivers side) | lhd | 1 | COUPE PR:098 |
| | 997 613 151 05 A05 | Matt black | | | |
| 10 | 997 613 151 05 | Switch for electric window regulator (drivers side) | lhd | 1 | COUPE PR:098 |
| | 997 613 151 05 A05 | Matt black | | | |
| (10) | 997 613 152 05 | Switch for electric window regulator (drivers side) | rhd | 1 | COUPE PR:099 |
| | 997 613 152 05 A05 | Matt black | | | |
| (10) | 997 613 153 05 | Switch for electric window regulator (drivers side) | lhd | 1 | CABRIO PR:098 |
| | 997 613 153 05 A05 | Matt black | | | |
| (10) | 997 613 153 05 | Switch for electric window regulator (drivers side) | lhd | 1 | CABRIO PR:098 |
| | 997 613 153 05 A05 | Matt black | | | |
| (10) | 997 613 154 05 | Switch for electric window regulator (drivers side) | rhd | 1 | CABRIO PR:099 |
| | 997 613 154 05 A05 | Matt black | | | |
| (10) | 997 613 156 05 | Switch for electric window regulator (passenger side) | lhd | 1 | PR:098 |
| | 997 613 156 05 A05 | Matt black | | | |
| (10) | 997 613 156 05 | Switch for electric window regulator (passenger side) | lhd | 1 | PR:098 |
| | 997 613 156 05 A05 | Matt black | | | |
| (10) | 997 613 155 04 | Switch for electric window regulator | rhd | 1 | PR:099 |

Model: 997T07 Model life 2007>>2009

| Pos | Part Number | Description | Remark | Qty | Model |
|------|--|---|---------|-----|-----------------------------|
| (10) | 997 613 155 04 A05 997 613 155 05 | (passenger side) Matt black Switch for electric window regulator (passenger side) | rhd | 1 | PR:099 |
| 11 | 997 613 155 05 A05 997 641 165 01 | Matt black warning lamp Airbag | | 1 | |
| 12 | 997 641 165 01 A05 997 613 141 01 | Matt black Switch for convertible roof control D >> - MJ 2008 | | 1 | CABRIO |
| (12) | 997 613 141 01 A05 997 613 141 12 | Matt black Switch for convertible roof control D - MJ 2009>> - MJ 2009 | | 1 | CABRIO |
| (12) | 997 613 141 12 A05 | Matt black Dummy cover | | | COUPE |
| 13 | 997 613 139 00 | see illustration: Combined switch D >> - MJ 2008 | 809-020 | 1 | TURBO PR:475,476,639,640 |
| (13) | 997 613 139 00 FMH 997 613 135 00 | Volcano Grey/Black Mat Combined switch D >> - MJ 2008 | | 1 | TURBO PR:475,476 |
| (13) | 997 613 135 00 FMH 997 613 127 80 | Volcano Grey/Black Mat Combined switch D >> - MJ 2008 | | 1 | GT2 PR:475 |
| (13) | 997 613 127 80 FMH 997 613 547 00 | Volcano Grey/Black Mat Combined switch D - MJ 2009>> - MJ 2009 | | 1 | TURBO PR:475,476,639,640 |
| (13) | 997 613 547 00 A05 997 613 547 01 | Matt black Combined switch D - MJ 2009>> - MJ 2009 | | 1 | TURBO PR:475,476,639,640 |
| (13) | 997 613 547 01 A05 997 613 545 00 | Matt black Combined switch D - MJ 2009>> - MJ 2009 | | 1 | TURBO PR:475,476 |
| (13) | 997 613 545 00 A05 997 613 539 80 | Matt black Combined switch D - MJ 2009>> - MJ 2009 | | 1 | GT2 PR:475 |
| 14 | 997 613 539 80 A05 997 652 101 00 | Matt black Cigarette lighter | | 1 | |
| 15 | 997 652 101 00 A05 997 652 102 00 | Matt black Headlight unit | | 1 | |
| 16 | 997 652 104 00 | clamping ring with: | | 1 | |
| 17 | 997 613 147 01 | Cover Switch Sunroof | | 1 | PR:650 |
| 18 | 997 613 147 01 A05 997 613 225 02 | Matt black Switch Garage door opener | left | 1 | PR:607,608 |
| (18) | 997 613 225 02 A05 997 613 227 02 | Matt black Switch Garage door opener | right | 1 | PR:607,608 |
| (18) | 997 613 227 02 A05 997 613 235 00 997 613 235 00 01C | Matt black Dummy cover Satin black | | 2 | |

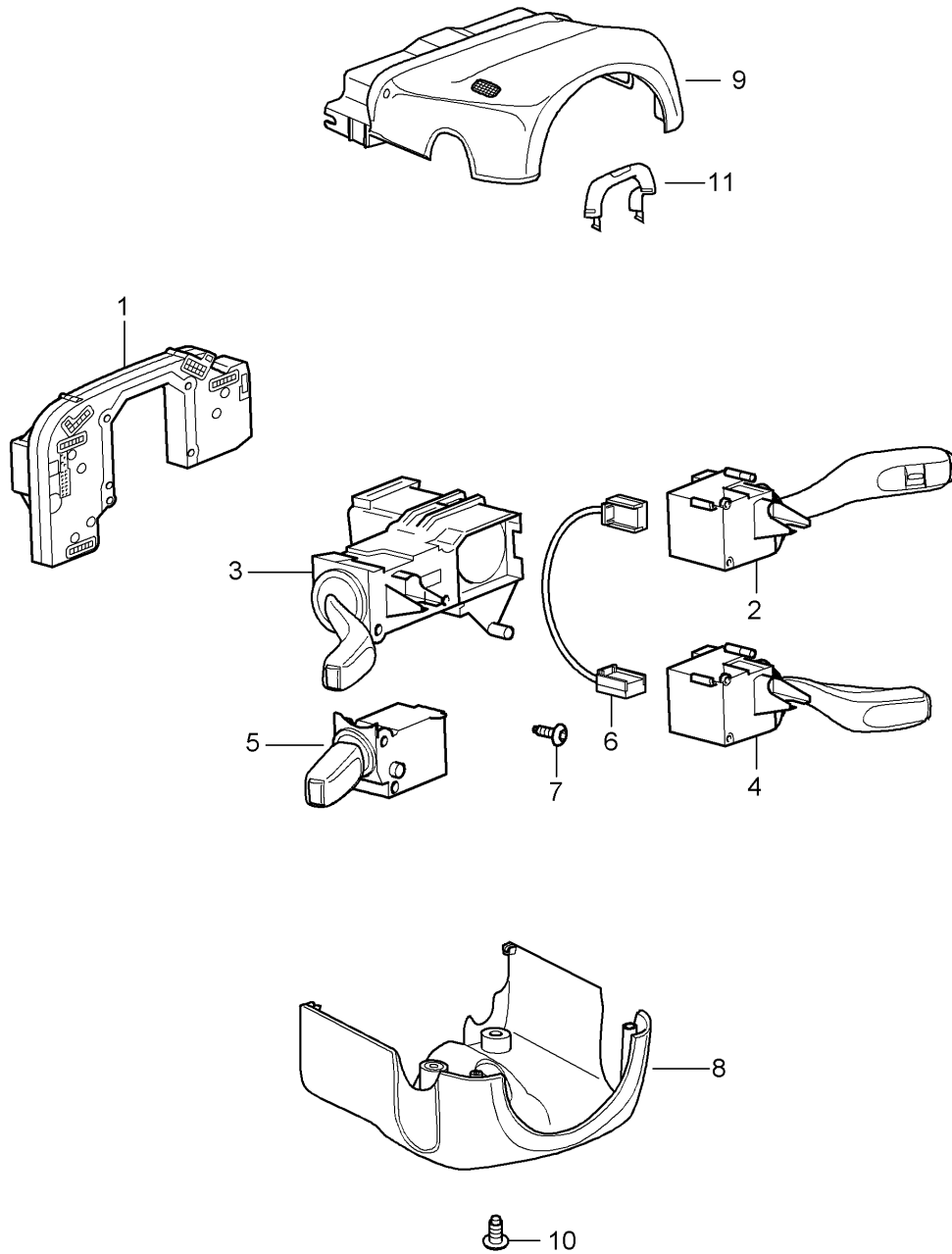
Model: 997T07

Model life 2007>>2009

| Pos | Part Number | Description | Remark | Qty | Model |
|-----|--------------------------------------|-------------------------------|----------------|-----|-------|
| 19 | 997 613 105 02 997 613 105 02 A05 | Switch Cover Matt black | front and rear | 1 | |

Model: 997T07

Model life 2007>>2009



Model: 997T07 Model life 2007>>2009

| Pos | Part Number | Description | Remark | Qty | Model |
|-----|--------------------|--|--------|-----|------------|
| 1 | 997 613 297 02 | Steering column switch Electronic unit Discontinued part | | 1 | |
| 1 | 997 613 297 03 | Electronic unit | | 1 | |
| 2 | 997 613 253 00 | Wiper switch | | 1 | PR:288 |
| | 997 613 253 00 01C | Satin black | | | |
| (2) | 997 613 257 00 | Wiper switch | | 1 | PR:288,425 |
| | 997 613 257 00 01C | Satin black | | | |
| 3 | 997 613 245 00 | Direction indicator switch | | 1 | |
| | 997 613 245 00 01C | Satin black | | | |
| 4 | 997 613 261 00 | Switch Cruise control | | 1 | PR:454 |
| | 997 613 261 00 01C | Satin black | | | |
| 5 | 997 613 265 00 | switch for on-board computer | | 1 | PR:659 |
| | 997 613 265 00 01C | Satin black | | | |
| 5 | 997 613 267 00 | switch for on-board computer D - MJ 2009>> - MJ 2009 | | 1 | PR:659,671 |
| | 997 613 267 00 01C | Satin black | | | |
| 6 | 997 622 674 00 | Wire set Cruise control | | 1 | PR:454 |
| 7 | N 909 068 01 | Hex socket head locating bolt M 2,5 X 2,6 X 43,5-D | | X | |
| 8 | 997 552 475 02 | Switch housing | lower | 1 | |
| | 997 552 475 02 A03 | Black | | | |
| (8) | 997 552 475 03 | Switch housing | lower | 1 | PR:454 |
| | 997 552 475 03 A03 | Black | | | |
| 8 | 997 552 979 00 | Switch housing Leather | lower | 1 | PR:XNS |
| | 997 552 979 00 A11 | Black | | | |
| | 997 552 979 00 5X6 | Stone grey | | | |
| | 997 552 979 00 8G2 | Sand beige | | | |
| | 997 552 979 00 3S9 | sea blue | | | |
| | 997 552 979 00 4P2 | Palm green | | | |
| | 997 552 979 00 9S5 | Terracotta | | | |
| | 997 552 979 00 9V6 | Cocoa | | | |
| | 997 552 979 00 D12 | Dark grey/natural | | | |
| | 997 552 979 00 T12 | Brown/natural | | | |
| | 997 552 979 00 N12 | Carrera Red | | | |
| (8) | 997 552 979 01 | Switch housing Leather | lower | 1 | PR:XNS,454 |
| | 997 552 979 01 A11 | Black | | | |
| | 997 552 979 01 5X6 | Stone grey | | | |
| | 997 552 979 01 8G2 | Sand beige | | | |
| | 997 552 979 01 3S9 | sea blue | | | |
| | 997 552 979 01 4P2 | Palm green | | | |
| | 997 552 979 01 9S5 | Terracotta | | | |
| | 997 552 979 01 9V6 | Cocoa | | | |
| | 997 552 979 01 D12 | Dark grey/natural | | | |
| | 997 552 979 01 T12 | Brown/natural | | | |
| | 997 552 979 01 N12 | Carrera Red | | | |
| 9 | 997 552 273 02 | Switch housing | upper | 1 | |
| | 997 552 273 02 A03 | Black | | | |
| 9 | 997 552 997 00 | Switch housing Leather | upper | 1 | PR:XNS |
| | 997 552 997 00 A11 | Black | | | |
| | 997 552 997 00 5X6 | Stone grey | | | |
| | 997 552 997 00 8G2 | Sand beige | | | |
| | 997 552 997 00 3S9 | sea blue | | | |
| | 997 552 997 00 4P2 | Palm green | | | |
| | 997 552 997 00 9S5 | Terracotta | | | |
| | 997 552 997 00 9V6 | Cocoa | | | |
| | 997 552 997 00 D12 | Dark grey/natural | | | |
| | 997 552 997 00 T12 | Brown/natural | | | |

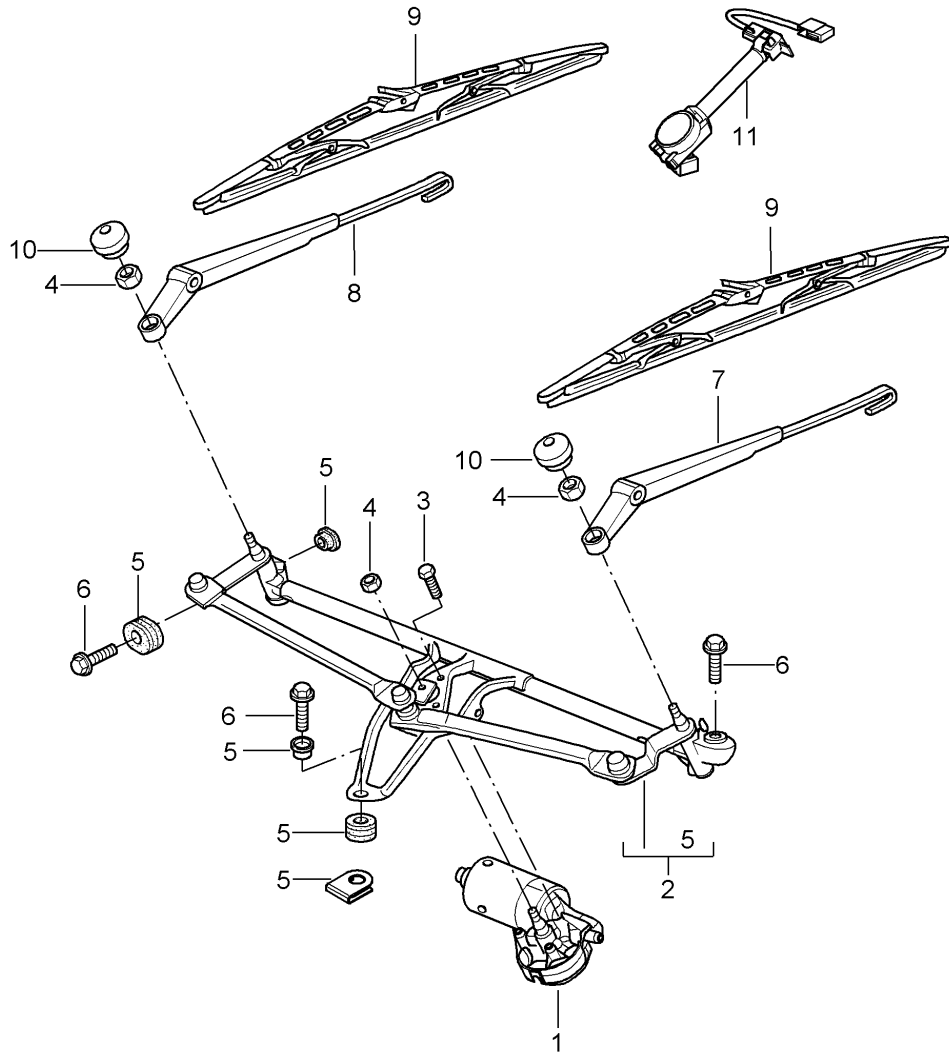
Model: 997T07

Model life 2007>>2009

| Pos | Part Number | Description | Remark | Qty | Model |
|-----|--------------------------------------|---|--------|-----|-------|
| 10 | 997 552 997 00 N12 999 919 136 01 | Carrera Red fillister hd. bolt 3,5 X 18 | | 3 | |
| 11 | 997 610 206 00 | Cable guide | | 1 | |

Model: 997T07

Model life 2007>>2009



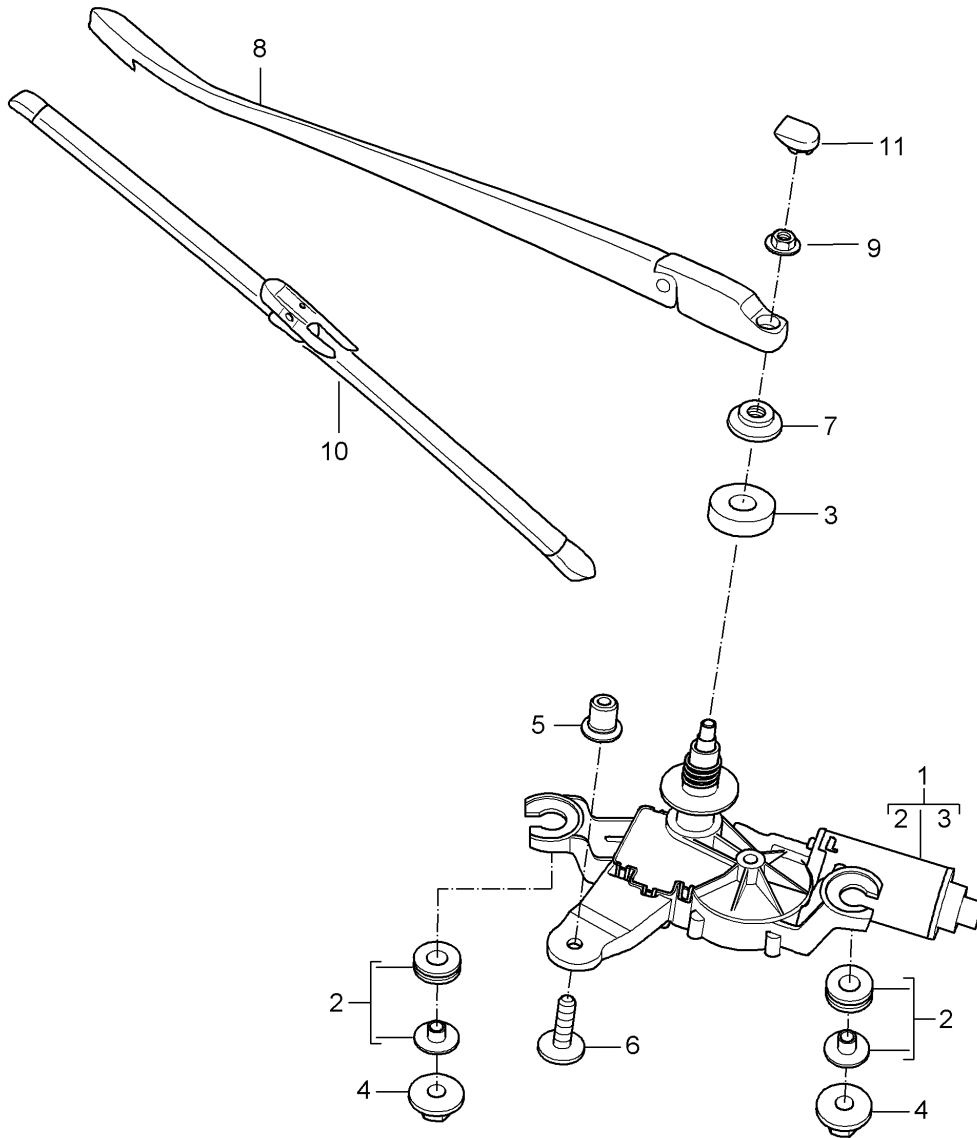
Model: 997T07

Model life 2007>>2009

| Pos | Part Number | Description | Remark | Qty | Model |
|------|----------------|--|--------|-----|----------------------|
| | | Windscreen wiper system, compl | | | |
| | | Rain sensor | | | |
| 1 | 997 624 105 01 | Wiper motor | lhd | 1 | PR:098 |
| (1) | 997 624 106 01 | Wiper motor | rhd | 1 | PR:099 |
| 2 | 997 628 235 01 | Crank drive | lhd | 1 | PR:098 |
| (2) | 997 628 236 00 | Crank drive | rhd | 1 | PR:099 |
| | | D - MJ 2007>> - MJ 2007 | | | |
| | | Discontinued part | | | |
| (2) | 997 628 236 01 | Crank drive | rhd | 1 | PR:099 |
| 3 | 999 073 152 02 | Torx screw | | 3 | |
| | | M 6 X 18 | | | |
| 4 | 900 076 064 02 | Hexagon nut | | 3 | |
| | | M 8 | | | |
| 5 | 997 628 928 00 | repair set | | 1 | |
| | | comprising: | | | |
| - | | Bearing sleeve | | 1 | |
| - | | Rubber bush | | 1 | |
| - | | Bearing sleeve | | 1 | |
| - | | Rubber bush | | 1 | |
| - | | Clip | | 2 | |
| 6 | 999 075 075 01 | Bolt with washer | | 3 | |
| | | M 6 X 22 SC | | | |
| 7 | 997 628 027 00 | Wiper arm | lhd | 1 | PR:098 |
| | | (drivers side) | | | |
| (7) | 997 628 030 00 | Wiper arm | rhd | 1 | PR:099 |
| | | (passenger side) | | | |
| 8 | 997 628 029 00 | Wiper arm | lhd | 1 | PR:098 |
| | | (passenger side) | | | |
| (8) | 997 628 028 00 | Wiper arm | rhd | 1 | PR:099 |
| | | (drivers side) | | | |
| 9 | 996 628 901 08 | 1 set: wiper blades | front | 1 | |
| | | (drivers side) | | | |
| | | (passenger side) | | | |
| 10 | 944 628 305 01 | Cover cap | | 2 | |
| 11 | 997 612 694 00 | Rain sensor | | 1 | COUPE PR:267,268 |
| | | with: | | | |
| (11) | 997 612 694 25 | Wire set Rain sensor | | 1 | CABRIO PR:267,268 |
| | | with: | | | |
| (11) | 997 612 693 00 | Wire set Rain sensor | | 1 | GT2 PR:268 |
| | | with: | | | |
| - | 000 043 204 65 | Wire set Adhesive film for | | 1 | |
| | | Rain sensor | | | |
| (11) | 997 612 695 00 | Wire set | | 1 | GT2 |
| | | with: | | | |
| | | Light for cars without Rain sensor | | | |

Model: 997T07

Model life 2007>>2009



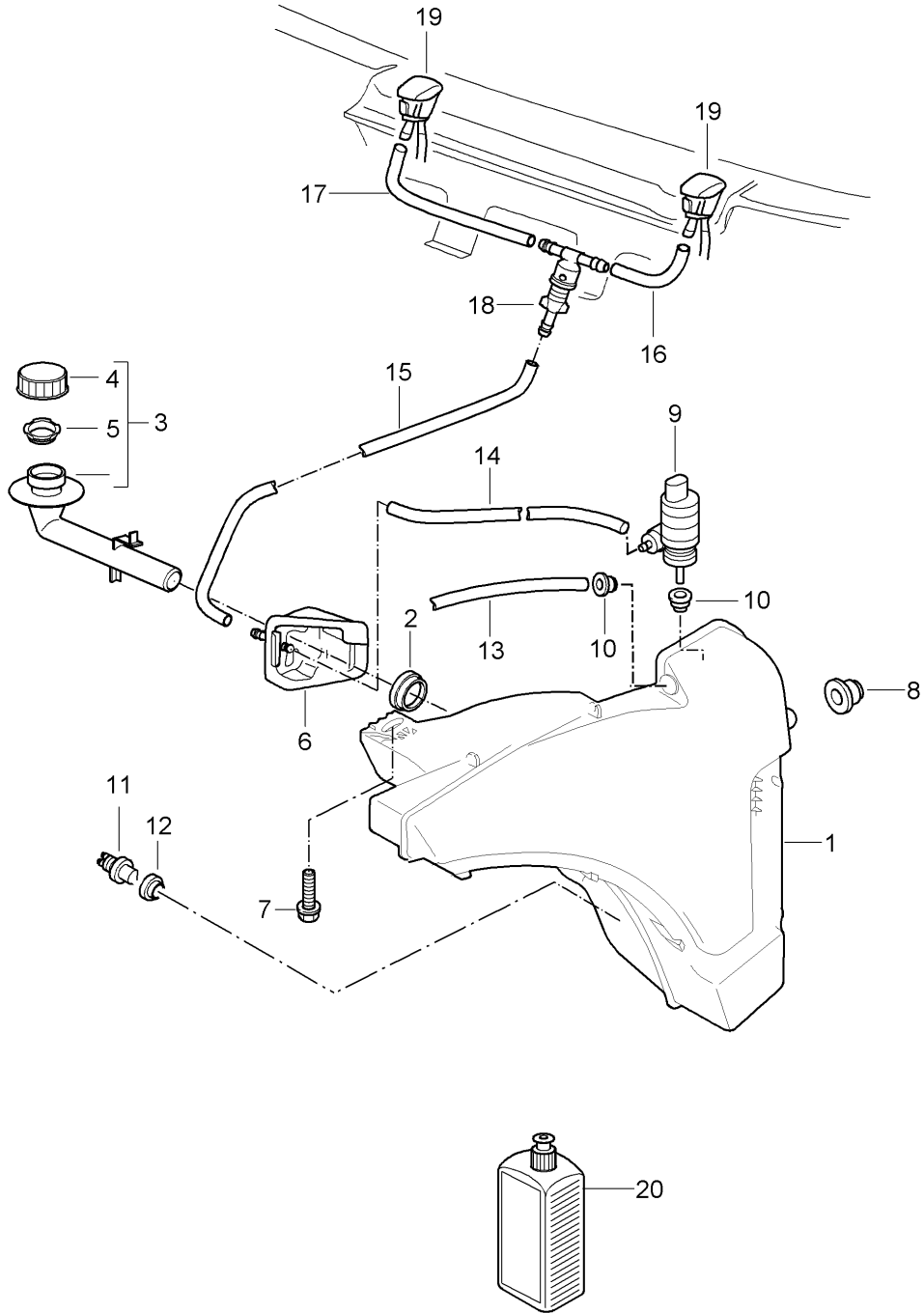
Model: 997T07

Model life 2007>>2009

| Pos | Part Number | Description | Remark | Qty | Model |
|-----|----------------|-------------------|--------|-----|--------|
| | | Rear window wiper | | | PR:425 |
| 1 | 997 628 080 00 | Wiper motor | | 1 | |
| 2 | 997 628 908 00 | repair set | | 1 | |
| - | | comprising: | | | |
| - | | Grommet | | 2 | |
| - | | bush | | 2 | |
| 3 | 997 628 910 00 | seal ring | | 1 | |
| 4 | 999 076 078 01 | Hexagon nut | | 2 | |
| | | M 6 | | | |
| 5 | 999 500 078 00 | press insert nut | | 1 | |
| 6 | 999 073 468 01 | Bolt with washer | | 1 | |
| | | M 6 X 22 SC | | | |
| 7 | 997 628 273 00 | Grommet | | 1 | |
| 8 | 997 628 169 00 | Wiper arm | | 1 | |
| 9 | 900 377 003 03 | Hexagon nut | | 1 | |
| 10 | 997 628 189 00 | wiper blade | rear | 1 | |
| 11 | 997 628 122 00 | Cover cap | | 1 | |

Model: 997T07

Model life 2007>>2009



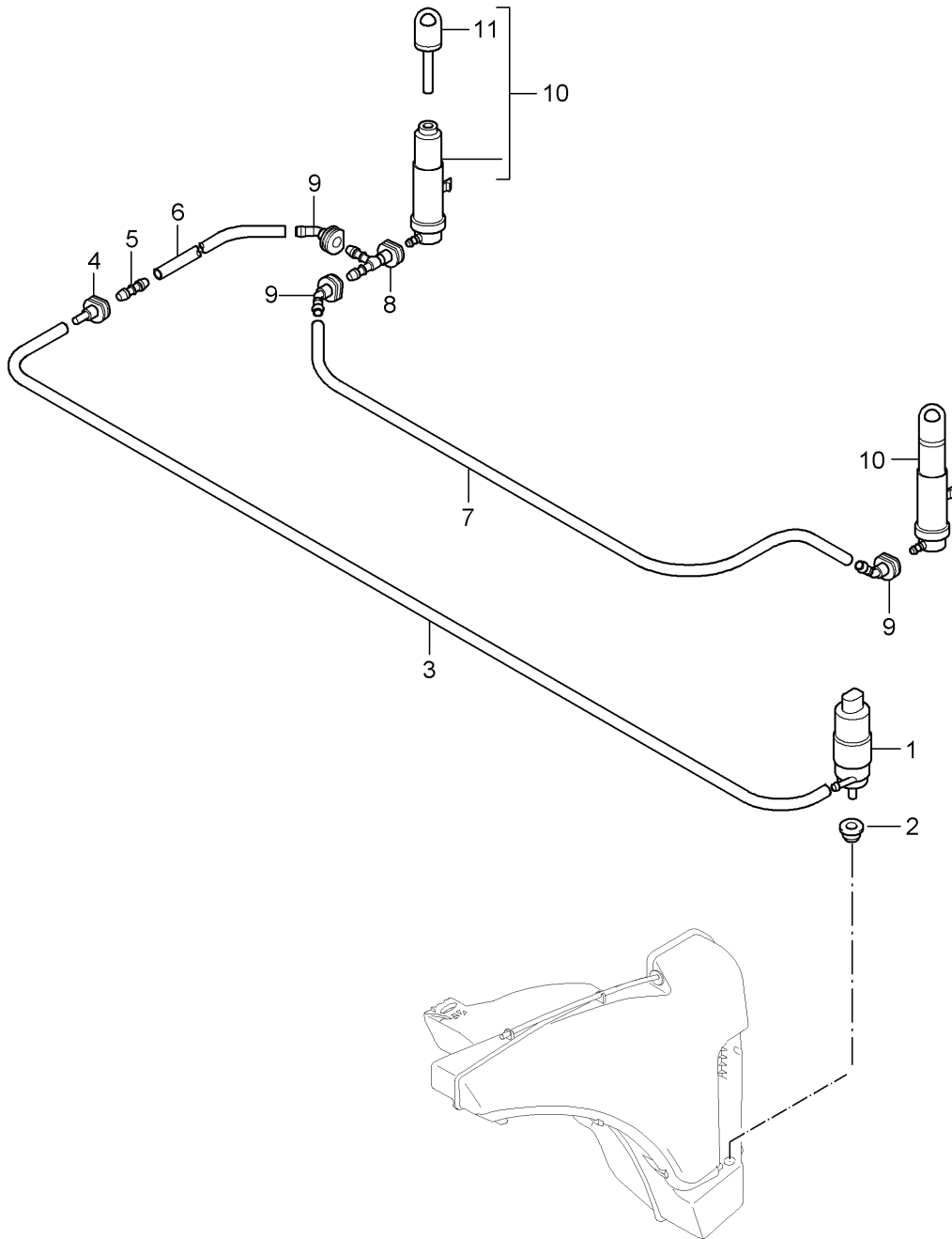
Model: 997T07

Model life 2007>>2009

| Pos | Part Number | Description | Remark | Qty | Model |
|------|----------------|-------------------------------|--------|-----|-------|
| | | Windscreen washer system | | | |
| 1 | 997 528 701 01 | Water reservoir | | 1 | |
| 2 | 996 528 711 00 | Seal | | 1 | |
| 3 | 997 528 605 00 | fuel filler neck | | 1 | |
| 4 | 996 528 607 00 | Cover | | 1 | |
| 5 | 997 528 621 00 | strainer | | 1 | |
| 6 | 996 528 615 01 | Console | | 1 | |
| - | 999 137 091 40 | Connector union | | X | |
| | | Repair material | | | |
| | | for | | | |
| | | Console | | | |
| | | 996.528.615.01 | | | |
| 7 | 900 378 154 01 | Hexagon bolt | | 1 | |
| | | AM 8 X 35 SB | | | |
| 8 | 999 702 221 40 | Grommet | | 2 | |
| 9 | 997 628 182 00 | Windscreen washer system pump | | 1 | |
| 10 | 431 955 465 B | seal ring | | 2 | |
| 11 | 955 628 105 00 | Water level switch | | 1 | |
| 12 | 955 528 721 00 | Seal | | 1 | |
| 13 | 999 181 347 40 | Breather line | | * | |
| | | 273 MM | | | |
| - | 999 181 815 40 | Hose | | * | |
| | | 5,0 X 2,5 | | | |
| 14 | | shorten to: | 375 MM | 1 | |
| 15 | | shorten to: | 650 MM | 1 | |
| 16 | | shorten to: | 97 MM | 1 | |
| 17 | | shorten to: | 347 MM | 1 | |
| (18) | 999 137 005 40 | t-piece | | 1 | |
| 19 | 996 628 077 03 | jet | | 2 | |
| | | D - MJ 2007>> - MJ 2007 | | | |
| 19 | 997 628 077 00 | jet | | 2 | |
| | | D - MJ 2008>> | | | |
| 20 | 999 901 017 42 | Window cleaning solution | | X | |
| | | 250 ML | | | |
| | | Summer | | | |

Model: 997T07

Model life 2007>>2009



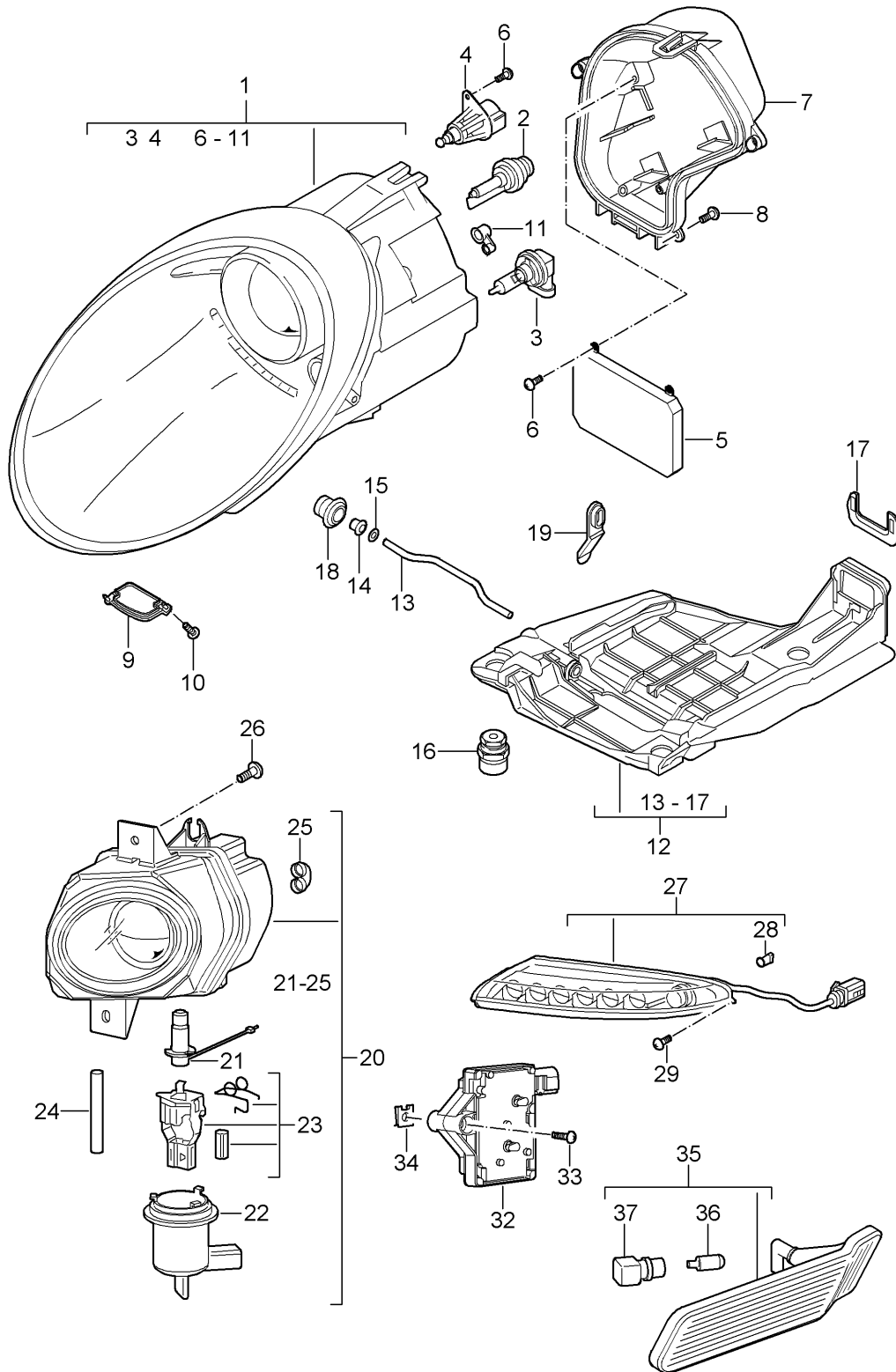
Model: 997T07

Model life 2007>>2009

| Pos | Part Number | Description | Remark | Qty | Model |
|-----|----------------|----------------------------------|---------|-----|--------|
| | | Headlight washer system | | | PR:288 |
| 1 | 997 624 502 00 | Pump for headlight-washer system | | 1 | |
| 2 | 928 628 193 00 | Seal | | 1 | |
| - | 000 043 204 79 | Hose 8 X 3 | | * | |
| 3 | | shorten to: | 890 MM | 1 | |
| 4 | 996 628 204 00 | Coupling | | 1 | |
| 5 | 997 628 208 00 | Hose connector | | 1 | |
| - | 999 181 760 40 | Hose 10 X 3 | | * | |
| 6 | | shorten to: | 405 MM | | |
| 7 | | shorten to: | 2340 MM | | |
| 8 | 997 628 207 00 | t-piece | | 1 | |
| 9 | 997 628 205 00 | Coupling | | 3 | |
| 10 | 997 628 133 00 | jet | | 2 | |
| | | D >> - MJ 2007 | | | |
| | | Discontinued part | | | |
| 10 | 997 628 133 01 | jet | | 2 | |
| 11 | 997 628 231 00 | Nozzle head | | 2 | |

Model: 997T07

Model life 2007>>2009



Model: 997T07 Model life 2007>>2009

| Pos | Part Number | Description | Remark | Qty | Model |
|-----|----------------|--|--------|-----|------------|
| - | | Headlights Fog lights Turn signal indicator side marker light Turn signal repeater Headlights | | | PR:601 |
| | | without: Control unit and bulb XENON | | | |
| 1 | 997 631 157 03 | Headlights F >> 99-8S782 391 F >> 99-8S787 772 F >> 99-8S794 318 D >> - MJ 2008 | left | 1 | PR:601 |
| 1 | 997 631 157 07 | Headlights F 99-8S782 392>> 99-9S760 152 F 99-8S787 773>> 99-9S770 128 F 99-8S794 319>> 99-9S776 082 D - MJ 2008>> | left | 1 | PR:601 |
| 1 | 997 631 157 03 | Headlights F 99-9S760 153>> F 99-9S770 129>> F 99-9S776 083>> D - MJ 2009>> - MJ 2009 | left | 1 | PR:601 |
| 1 | 997 631 157 07 | Headlights F 99-9S760 153>> F 99-9S770 129>> F 99-9S776 083>> D - MJ 2009>> - MJ 2009 | left | 1 | PR:601,676 |
| (1) | 997 631 158 03 | Headlights F >> 99-8S782 391 F >> 99-8S787 772 F >> 99-8S794 318 D >> - MJ 2008 | right | 1 | PR:601 |
| (1) | 997 631 158 07 | Headlights F 99-8S782 392>> 99-9S760 152 F 99-8S787 773>> 99-9S770 128 F 99-8S794 319>> 99-9S776 082 D - MJ 2008>> | right | 1 | PR:601 |
| (1) | 997 631 158 03 | Headlights F 99-9S760 153>> F 99-9S770 129>> F 99-9S776 083>> D - MJ 2009>> - MJ 2009 | right | 1 | PR:601 |
| (1) | 997 631 158 07 | Headlights F 99-9S760 153>> F 99-9S770 129>> F 99-9S776 083>> D - MJ 2009>> - MJ 2009 | right | 1 | PR:601,676 |
| 1 | 997 631 157 13 | Headlights F >> 99-8S782 435 F >> 99-8S787 806 F >> 99-8S794 332 D >> - MJ 2008 | left | 1 | PR:492,601 |
| 1 | 997 631 157 17 | Headlights F 99-8S782 436>> 99-9S760 151 F 99-8S787 807>> 99-9S770 131 F 99-8S794 333>> 99-9S776 084 D - MJ 2008>> | left | 1 | PR:492,601 |
| 1 | 997 631 157 13 | Headlights F 99-9S760 152>> | left | 1 | PR:492,601 |

Model: 997T07 Model life 2007>>2009

| Pos | Part Number | Description | Remark | Qty | Model |
|-----|----------------|---|--------|-----|--------------------|
| 1 | 997 631 157 17 | F 99-9S770 132>> F 99-9S776 085>> D - MJ 2009>> - MJ 2009 Headlights | left | 1 | PR:492,601, 676 |
| (1) | 997 631 158 13 | F 99-9S760 152>> F 99-9S770 132>> F 99-9S776 085>> D - MJ 2009>> - MJ 2009 Headlights | right | 1 | PR:492,601 |
| (1) | 997 631 158 17 | F >> 99-8S782 435 F >> 99-8S787 806 F >> 99-8S794 332 D >> - MJ 2008 Headlights | right | 1 | PR:492,601 |
| (1) | 997 631 158 13 | F 99-8S782 436>> 99-9S760 151 F 99-8S787 807>> 99-9S770 131 F 99-8S794 333>> 99-9S776 084 D - MJ 2008>> Headlights | right | 1 | PR:492,601 |
| (1) | 997 631 158 17 | F 99-9S760 152>> F 99-9S770 132>> F 99-9S776 085>> D - MJ 2009>> - MJ 2009 Headlights | | 1 | PR:492,601, 676 |
| 2 | 999 631 036 90 | D - MJ 2009>> - MJ 2009 Gas discharge lamp | | 2 | |
| 3 | 999 631 144 91 | - PHILIPS - Halogen bulb | | 2 | |
| 4 | 997 631 141 00 | H 11 Servomotor | | 2 | |
| 5 | 997 631 183 00 | Headlight range control Control unit | | 2 | PR:601,492 |
| 5 | 997 631 283 01 | F >> 99-8S782 391 F >> 99-8S782 435 F >> 99-8S787 772 F >> 99-8S787 806 F >> 99-8S794 318 F >> 99-8S794 332 D >> - MJ 2008 Control unit | | 2 | PR:601,492 |
| 5 | 997 631 183 00 | F 99-8S782 392>> 99-9S760 152 F 99-8S782 436>> 99-9S760 151 F 99-8S787 773>> 99-9S770 128 F 99-8S787 807>> 99-9S770 131 F 99-8S794 319>> 99-9S776 082 F 99-8S794 333>> 99-9S776 084 D - MJ 2008>> Control unit | | 2 | PR:601,492 |
| 5 | 997 631 283 01 | F 99-9S760 153>> F 99-9S760 152>> F 99-9S770 129>> F 99-9S770 132>> F 99-9S776 083>> F 99-9S776 085>> D - MJ 2009>> - MJ 2009 Control unit | | 2 | PR:601,676, 492 |
| 5 | 997 631 283 01 | F 99-9S760 153>> F 99-9S760 152>> F 99-9S770 129>> F 99-9S770 132>> F 99-9S776 083>> F 99-9S776 085>> D - MJ 2009>> - MJ 2009 Control unit | | 2 | PR:601,676, 492 |

Model: 997T07

Model life 2007>>2009

| Pos | Part Number | Description | Remark | Qty | Model |
|------|----------------|-------------------------------|--------|-----|-------|
| 6 | 997 631 199 00 | Screw | | 6 | |
| 7 | 997 631 101 00 | Protective hood | left | 1 | |
| (7) | 997 631 102 00 | Protective hood | right | 1 | |
| 8 | 997 631 191 00 | Screw | | 8 | |
| 9 | 997 631 149 00 | Ventilation component | left | 1 | |
| | | Discontinued part | | | |
| 9 | 997 631 149 10 | Ventilation component | left | 1 | |
| (9) | 997 631 150 00 | Ventilation component | right | 1 | |
| | | Discontinued part | | | |
| (9) | 997 631 150 10 | Ventilation component | right | 1 | |
| 10 | 997 631 153 00 | Screw | | 4 | |
| 11 | 997 631 249 00 | Ventilation component | | 2 | |
| 12 | 997 631 073 02 | Mounting for main beam headl. | left | 1 | |
| (12) | 997 631 074 02 | Mounting for main beam headl. | right | 1 | |
| 13 | 997 631 273 01 | Retainer bracket | | 2 | |
| 14 | 997 631 272 00 | Bearing bush | | 2 | |
| 15 | 900 116 004 09 | Retaining washer | | 2 | |
| 16 | 997 631 194 00 | Securing element | | 6 | |
| | | Discontinued part | | | |
| 17 | 997 631 245 00 | Locking mechanism | | 2 | |
| | | Connector housing | | | |
| 18 | 999 703 413 40 | Bungs | | 2 | |
| 19 | 993 631 170 03 | Bungs | | 4 | |
| - | | Fog lights | | | |
| 20 | 997 631 071 02 | Fog lights | left | 1 | |
| | | D >> - MJ 2008 | | | |
| | | Discontinued part | | | |
| 20 | 997 631 071 03 | Fog lights | left | 1 | |
| (20) | 997 631 072 02 | Fog lights | right | 1 | |
| | | D >> - MJ 2008 | | | |
| | | Discontinued part | | | |
| (20) | 997 631 072 03 | Fog lights | right | 1 | |
| 21 | 900 631 126 90 | Halogen bulb | | 2 | |
| | | H 3 | | | |
| 22 | 997 631 171 01 | Cover cap | | 2 | |
| 23 | 997 631 919 01 | repair set | | 2 | |
| | | Bulb holder | | | |
| 24 | 997 631 304 01 | Vent hose | | 2 | |
| 25 | 997 631 302 00 | ventilation union | | 2 | |
| 26 | 999 073 231 09 | panel screw | | 4 | |
| | | 4,8 X 16 | | | |
| - | | Turn signal indicator | | | |
| 27 | 997 631 091 01 | Turn signal indicator | left | 1 | |
| | | No longer use the part here | | | |
| 27 | 997 631 091 03 | Turn signal indicator | left | 1 | |
| | | use if required: | | | |
| - | 999 902 057 40 | Velcro fastener | | 2 | |
| | | 25 X 30 | | | |
| (27) | 997 631 092 01 | Turn signal indicator | right | 1 | |
| | | No longer use the part here | | | |
| (27) | 997 631 092 03 | Turn signal indicator | right | 1 | |
| | | use if required: | | | |
| - | 999 902 057 40 | Velcro fastener | | 2 | |
| | | 25 X 30 | | | |
| 28 | 999 631 033 90 | bulb | | 2 | |
| | | 5 W | | | |
| | | Position light | | | |
| | | for | | | |
| | | Turn signal indicator | | | |
| | | 997.631.091/092.02 | | | |
| 28 | 999 631 040 90 | bulb | | 2 | |
| | | 5 W | | | |
| | | Position light | | | |

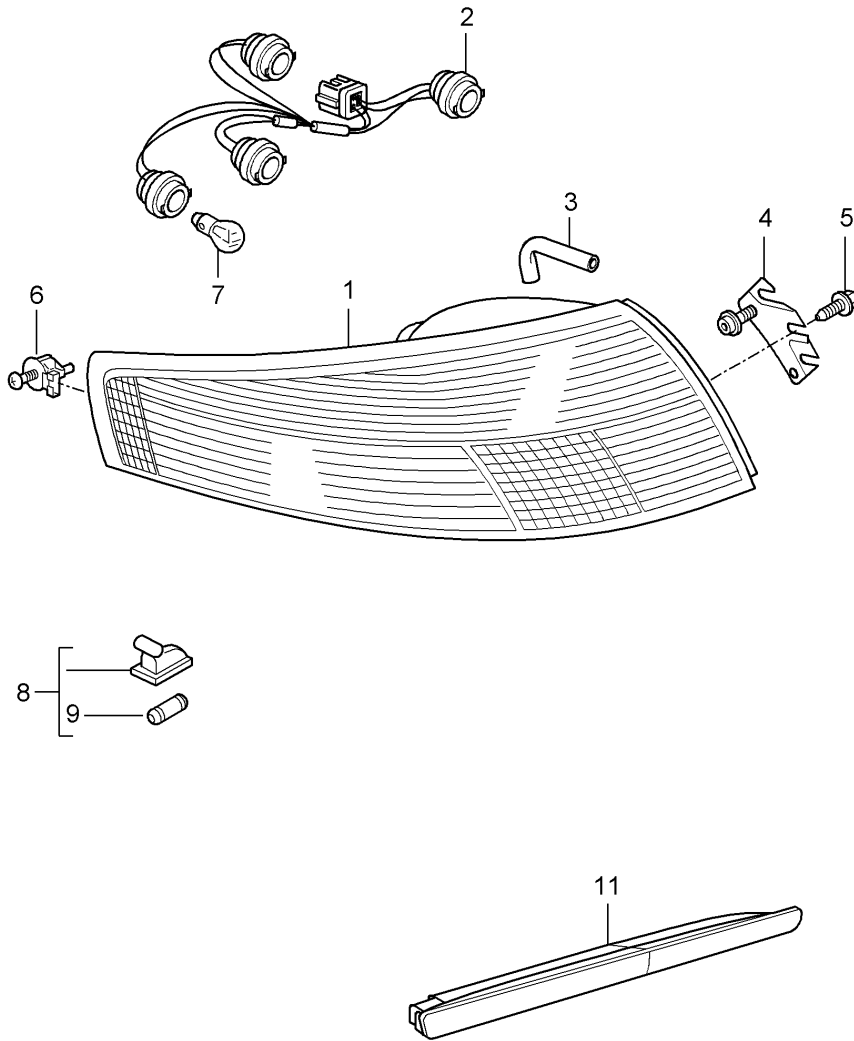
Model: 997T07

Model life 2007>>2009

| Pos | Part Number | Description | Remark | Qty | Model |
|------|----------------|-----------------------|--------|-----|-------|
| | | for | | | |
| | | Turn signal indicator | | | |
| | | 997.631.091/092.03 | | | |
| 29 | 999 073 080 02 | Bolt with washer | | 2 | |
| | | 4,2 X 16 | | | |
| 32 | 997 618 201 00 | Control unit | | 2 | |
| | | Turn signal indicator | | | |
| 33 | 999 073 376 01 | panel screw | | 2 | |
| | | 6,3 X 45 | | | |
| 34 | 999 507 003 01 | panel nut | | 2 | |
| | | 6,3 | | | |
| 35 | 997 631 033 02 | Turn signal repeater | left | 1 | |
| (35) | 997 631 034 02 | Turn signal repeater | right | 1 | |
| 36 | 999 631 138 90 | bulb | | 2 | |
| | | 5 W | | | |
| | | yellow | | | |
| 37 | 997 631 133 00 | Bulb holder | | 2 | |

Model: 997T07

Model life 2007>>2009



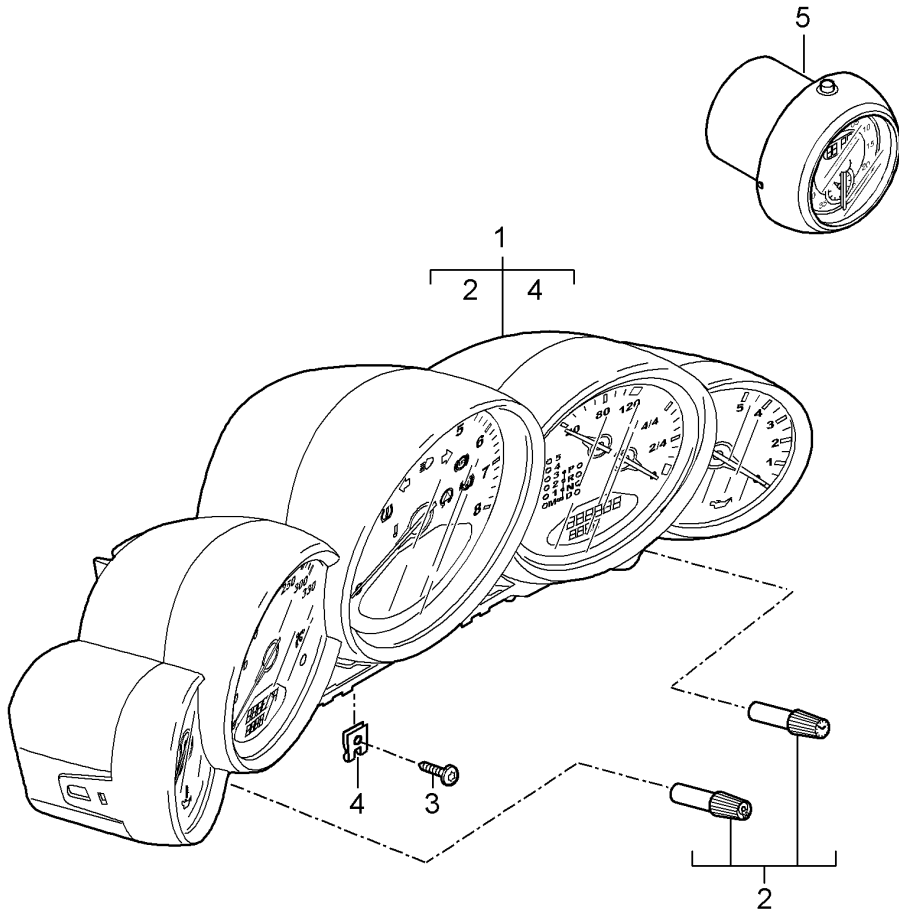
Model: 997T07

Model life 2007>>2009

| Pos | Part Number | Description | Remark | Qty | Model |
|-----|----------------|--------------------------|--------|-----|--------|
| | | Rear light | | | |
| | | Licence plate light | | | |
| | | Additional brake light | | | |
| 1 | 997 631 485 03 | Tail light housing | left | 1 | |
| (1) | 997 631 486 03 | Tail light housing | right | 1 | |
| (1) | 997 631 981 00 | Rear light (complete) | left | 1 | PR:XXF |
| | | D - MJ 2008>> | | | |
| (1) | 997 631 982 00 | Rear light (complete) | right | 1 | PR:XXF |
| | | D - MJ 2008>> | | | |
| 2 | 997 631 436 00 | Wire set | | 2 | |
| 3 | 997 631 451 00 | ventilation union | | 4 | |
| 4 | 997 631 463 01 | Bracket | left | 1 | |
| (4) | 997 631 464 01 | Bracket | right | 1 | |
| 5 | 900 146 075 09 | Screw M 6 X 12 | | 2 | |
| 6 | 997 631 471 00 | Support | | 2 | |
| 7 | 900 631 018 90 | bulb 21 W white | | 1 | |
| | | Back-up light | | | |
| 7 | 900 631 021 90 | bulb 21 W yellow | | 1 | |
| | | Turn signal indicator | | | |
| (7) | 900 631 022 90 | bulb 21/5 W | | 1 | |
| | | Tail light | | | |
| 7 | 900 631 017 90 | bulb 21/4 W | | 1 | |
| | | Rear fog light | | | |
| | | Tail light | | | |
| 7 | 900 631 017 91 | bulb 21/4 W | | 1 | |
| | | Brake light | | | |
| | | Tail light | | | |
| 8 | 997 631 620 01 | Licence plate light | | 2 | |
| | | Discontinued part | | | |
| 8 | 997 631 620 02 | Licence plate light | | 2 | |
| 9 | 900 631 025 90 | bulb 12V 5W | | 2 | |
| 11 | 997 631 052 01 | Additional brake light | | 1 | |

Model: 997T07

Model life 2007>>2009



Model: 997T07 Model life 2007>>2009

| Pos | Part Number | Description | Remark | Qty | Model |
|-----|--------------------------------------|--|--------|-----|------------------------------|
| - | | Instruments Stopwatch See technical information GR. 9 NR. 5/09 KD - NR. 9025 | | | |
| (1) | 997 641 135 33 | Combi-instrument (complete) D >> - MJ 2008 | | 1 | TURBO PR:023,480 |
| (1) | 997 641 135 33 D07 997 641 135 34 | Volcano grey Combi-instrument (complete) D - MJ 2009>> - MJ 2009 | | 1 | TURBO PR:023,480 |
| (1) | 997 641 135 34 D07 997 641 105 82 | Volcano grey Combi-instrument (complete) D - MJ 2008>> - MJ 2008 | | 1 | GT2 PR:022,480 |
| (1) | 997 641 105 82 D07 997 641 105 83 | Volcano grey Combi-instrument (complete) D - MJ 2009>> - MJ 2009 | | 1 | GT2 PR:022,480 |
| 1 | 997 641 105 83 D07 997 641 136 33 | Volcano grey Combi-instrument (complete) D >> - MJ 2008 | | 1 | TURBO PR:023,249 |
| 1 | 997 641 136 33 D07 997 641 136 34 | Volcano grey Combi-instrument (complete) D - MJ 2009>> - MJ 2009 | | 1 | TURBO PR:023,249 |
| (1) | 997 641 136 34 D07 997 641 137 33 | Volcano grey Combi-instrument (complete) D >> - MJ 2008 | | 1 | TURBO PR:023,480 "GB." |
| (1) | 997 641 137 33 D07 997 641 137 34 | Volcano grey Combi-instrument (complete) D - MJ 2009>> - MJ 2009 | | 1 | TURBO PR:023,480 "GB." |
| (1) | 997 641 137 34 D07 997 641 107 82 | Volcano grey Combi-instrument (complete) D - MJ 2008>> - MJ 2008 | | 1 | GT2 PR:022,480 "GB." |
| (1) | 997 641 107 82 D07 997 641 107 83 | Volcano grey Combi-instrument (complete) D - MJ 2009>> - MJ 2009 | | 1 | GT2 PR:022,480 "GB." |
| 1 | 997 641 107 83 D07 997 641 138 33 | Volcano grey Combi-instrument (complete) D >> - MJ 2008 | | 1 | TURBO PR:023,249 "GB." |
| 1 | 997 641 138 33 D07 997 641 138 34 | Volcano grey Combi-instrument (complete) D - MJ 2009>> - MJ 2009 | | 1 | TURBO PR:023,249 "GB." |
| 1 | 997 641 138 34 D07 | Volcano grey | | | |

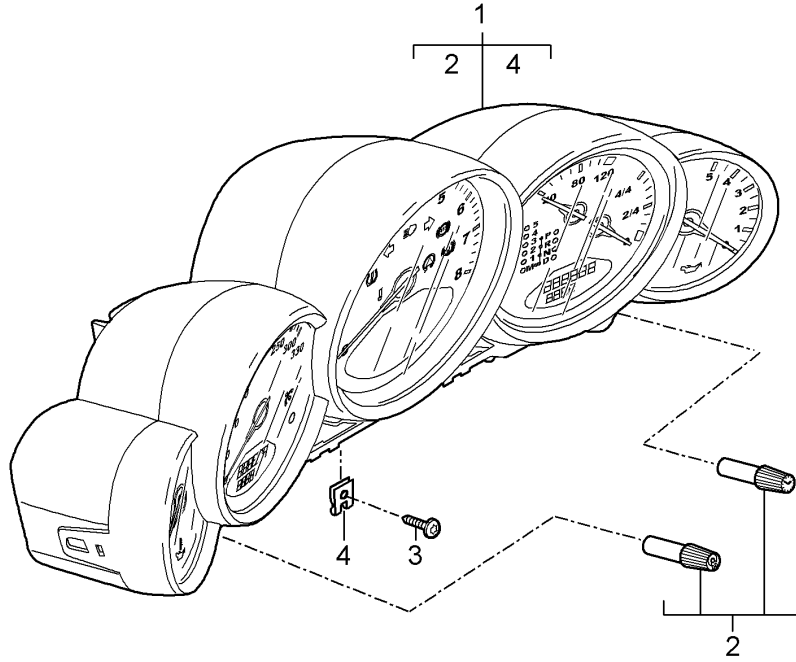
Model: 997T07

Model life 2007>>2009

| Pos | Part Number | Description | Remark | Qty | Model |
|-----|--------------------|--|--------|-----|-----------------------------|
| 2 | 997 641 911 00 | knob throttle control element Trip meter and Clock | | 1 | |
| 3 | 999 073 155 09 | panel screw 4,2 X 19 | | 2 | |
| 4 | 999 507 403 02 | U-clip | | 2 | |
| - | | Stopwatch | | | |
| 5 | 997 641 311 26 | Stopwatch | | 1 | TURBO PR:026,639, 640 |
| | 997 641 311 26 V05 | Galvano silver | | | |
| (5) | 997 641 301 94 | Stopwatch | | 1 | GT2 PR:639,640 |
| | | Discontinued part | | | |
| | 997 641 301 94 V05 | Galvano silver | | | |
| (5) | 997 641 301 95 | Stopwatch | | 1 | GT2 PR:639,640 |
| | 997 641 301 95 V05 | Galvano silver | | | |

Model: 997T07

Model life 2007>>2009



Model: 997T07 Model life 2007>>2009

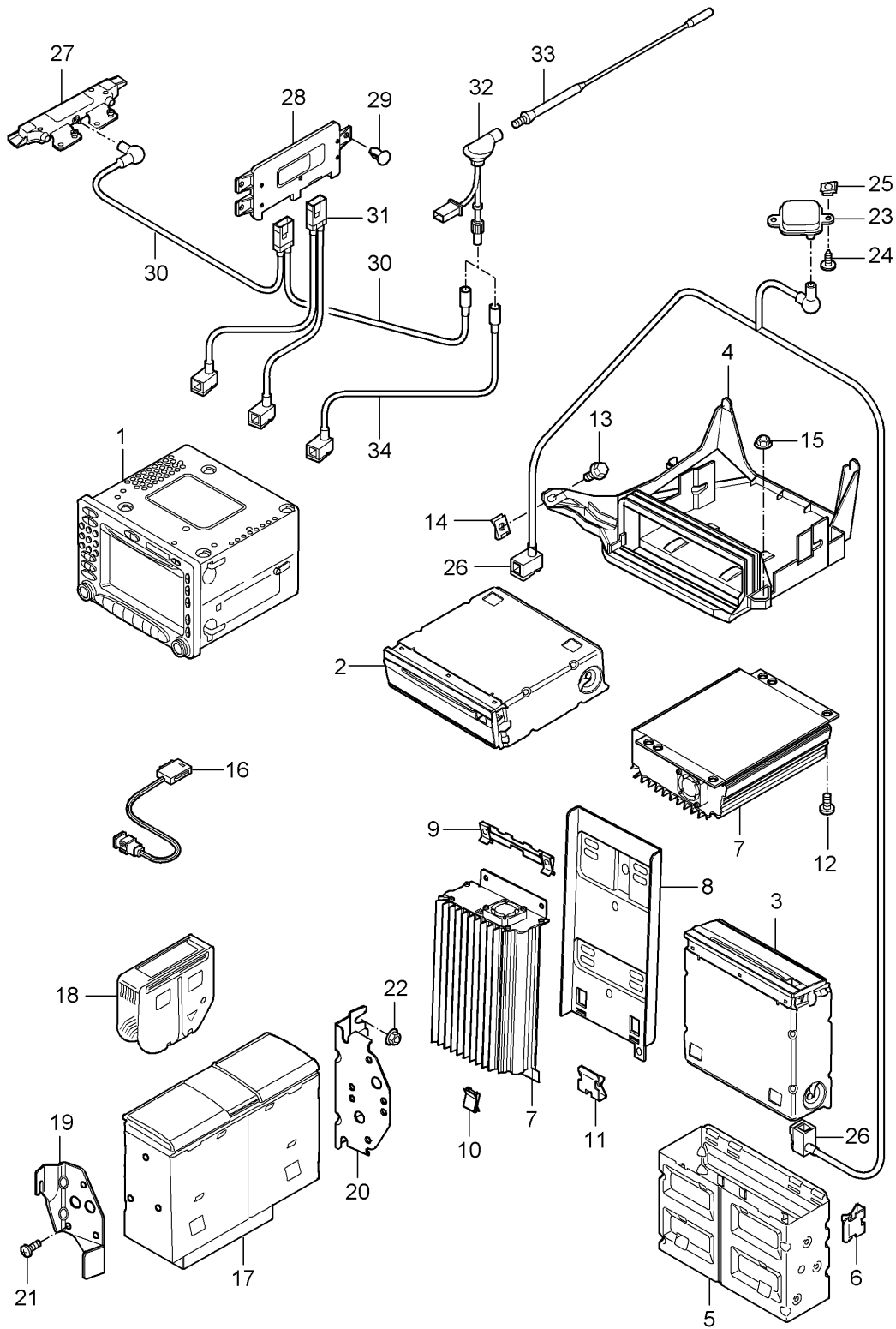
| Pos | Part Number | Description | Remark | Qty | Model |
|-----|--------------------|--|--------|-----|--------------------------|
| - | | Instruments Exclusive programme See technical information GR. 9 NR. 5/09 KD - NR. 9025 | | | |
| - | | for Turbo | | | |
| (1) | 997 641 985 25 | Combi-instrument (complete) Dial Lacquered D >> - MJ 2008 | | 1 | TURBO PR:480 |
| | 997 641 985 25 5Z1 | Sand beige | | | PR:XFD |
| | 997 641 985 25 12H | Speed yellow | | | PR:XFH |
| | 997 641 985 25 B9A | Carrara white | | | PR:XFJ |
| (1) | 997 641 985 35 | Combi-instrument (complete) Dial Lacquered D - MJ 2009>> - MJ 2009 | | 1 | TURBO PR:480 |
| | 997 641 985 35 5Z1 | Sand beige | | | PR:XFD |
| | 997 641 985 35 12H | Speed yellow | | | PR:XFH |
| | 997 641 985 35 B9A | Carrara white | | | PR:XFJ |
| | 997 641 985 35 84A | guards red (Porsche) | | | PR:XFG |
| 1 | 997 641 985 26 | Combi-instrument (complete) Dial Lacquered D >> - MJ 2008 | | 1 | TURBO PR:249 |
| | 997 641 985 26 5Z1 | Sand beige | | | PR:XFD |
| | 997 641 985 26 12H | Speed yellow | | | PR:XFH |
| | 997 641 985 26 B9A | Carrara white | | | PR:XFJ |
| 1 | 997 641 985 36 | Combi-instrument (complete) Dial Lacquered D - MJ 2009>> - MJ 2009 | | 1 | TURBO PR:249 |
| | 997 641 985 36 5Z1 | Sand beige | | | PR:XFD |
| | 997 641 985 36 12H | Speed yellow | | | PR:XFH |
| | 997 641 985 36 B9A | Carrara white | | | PR:XFJ |
| | 997 641 985 36 84A | guards red (Porsche) | | | PR:XFG |
| (1) | 997 641 985 27 | Combi-instrument (complete) Dial Lacquered D >> - MJ 2008 | | 1 | TURBO PR:480 "GB." |
| | 997 641 985 27 5Z1 | Sand beige | | | PR:XFD |
| | 997 641 985 27 12H | Speed yellow | | | PR:XFH |
| | 997 641 985 27 B9A | Carrara white | | | PR:XFJ |
| (1) | 997 641 985 37 | Combi-instrument (complete) Dial Lacquered D - MJ 2009>> - MJ 2009 | | 1 | TURBO PR:480 "GB." |
| | 997 641 985 37 5Z1 | Sand beige | | | PR:XFD |
| | 997 641 985 37 12H | Speed yellow | | | PR:XFH |
| | 997 641 985 37 B9A | Carrara white | | | PR:XFJ |
| | 997 641 985 37 84A | guards red (Porsche) | | | PR:XFG |
| 1 | 997 641 985 28 | Combi-instrument (complete) | | 1 | TURBO PR:249 "GB." |

Model: 997T07 Model life 2007>>2009

| Pos | Part Number | Description | Remark | Qty | Model |
|-----|--|---|--------|-----|--|
| 1 | 997 641 985 28 5Z1 997 641 985 28 12H 997 641 985 28 B9A 997 641 985 38 | Dial Lacquered D >> - MJ 2008 Sand beige Speed yellow Carrara white Combi-instrument | | 1 | PR:XFD PR:XFH PR:XFJ TURBO PR:249 "GB." |
| - | 997 641 985 38 5Z1 997 641 985 38 12H 997 641 985 38 B9A 997 641 985 38 84A | (complete) Dial Lacquered D - MJ 2009>> - MJ 2009 Sand beige Speed yellow Carrara white guards red (Porsche) | | | PR:XFD PR:XFH PR:XFJ PR:XFG |
| (1) | 997 641 991 15 | GT2 Combi-instrument (complete) Dial Lacquered D - MJ 2008>> - MJ 2008 | | 1 | GT2 PR:480 |
| (1) | 997 641 991 15 84A 997 641 991 25 | guards red (Porsche) Combi-instrument (complete) Dial Lacquered D - MJ 2009>> - MJ 2009 | | 1 | PR:XFG GT2 PR:480 |
| (1) | 997 641 991 25 84A 997 641 991 17 | guards red (Porsche) Combi-instrument (complete) Dial Lacquered D - MJ 2008>> - MJ 2008 | | 1 | PR:XFG GT2 PR:480 "GB." |
| (1) | 997 641 991 17 84A 997 641 991 27 | guards red (Porsche) Combi-instrument (complete) Dial Lacquered D - MJ 2009>> - MJ 2009 | | 1 | PR:XFG GT2 PR:480 "GB." |
| 2 | 997 641 991 27 84A 997 641 911 00 | guards red (Porsche) knob throttle control element Trip meter and Clock | | 1 | PR:XFG |
| 3 | 999 073 155 09 | panel screw 4,2 X 19 | | 2 | |
| 4 | 999 507 403 02 | U-clip | | 2 | |

Model: 997T07

Model life 2007>>2009



Model: 997T07 Model life 2007>>2009

| Pos | Part Number | Description | Remark | Qty | Model |
|-----|--------------------------------------|---|--------|-----|--------------------|
| - | | Radio unit Control panel Navigation system Amplifiers D >> - MJ 2008 | | | |
| 1 | 997 642 141 03 997 642 141 03 FMH | Radio unit See catalogue T E Q U I P M E N T Control panel Volcano Grey/Black Mat F >> 99-7S780 789 F >> 99-7S783 403 | | 1 | PR:665 |
| 1 | 997 642 143 03 997 642 143 03 FMH | Control panel Volcano Grey/Black Mat F >> 99-7S780 789 F >> 99-7S783 403 | | 1 | PR:665,680 |
| 1 | 997 642 141 10 997 642 141 10 FMH | Control panel Volcano Grey/Black Mat F 99-7S780 790>> F 99-7S783 404>> | | 1 | PR:665 |
| 1 | 997 642 143 10 997 642 143 10 FMH | Control panel Volcano Grey/Black Mat F 99-7S780 790>> F 99-7S783 404>> | | 1 | PR:665,680 |
| - | 997 642 201 00 997 642 201 00 A05 | Rot. knob Matt black for Control panel See technical information GR. 9 , NR. 6/04 | left | 1 | |
| - | 997 642 202 00 997 642 202 00 A05 | Rot. knob Matt black for Control panel See technical information GR. 9 , NR. 6/04 | right | 1 | |
| - | 997 642 941 00 | Trim drawer SIM card for | | 1 | |
| - | 900 187 038 02 | Control panel panel screw ST4,2 X 19 for Mount Radio unit and Control panel Centre console | | 1 | |
| 2 | 997 642 137 02 | DVD-player Navigation system F >> 99-7S780 789 F >> 99-7S783 403 | lhd | 1 | PR:098,670, 672 |
| 2 | 997 642 157 01 | DVD-player Navigation system F 99-7S780 790>> F 99-7S783 404>> | lhd | 1 | PR:098,670, 672 |
| 3 | 997 642 139 02 | DVD-player Navigation system | rhd | 1 | PR:099,670, 672 |

Model: 997T07 Model life 2007>>2009

| Pos | Part Number | Description | Remark | Qty | Model |
|-----|----------------|--|--------|-----|--------------------|
| 3 | 997 642 139 02 | F >> 99-7S780 789 DVD-player Navigation system F >> 99-7S780 789 F >> 99-7S783 403 | | 1 | PR:664,670, 672 |
| 3 | 997 642 159 01 | DVD-player Navigation system F 99-7S780 790>> F 99-7S783 404>> | rhhd | 1 | PR:099,670, 672 |
| 3 | 997 642 159 01 | DVD-player Navigation system F 99-7S780 790>> F 99-7S783 404>> | | 1 | PR:664,670, 672 |
| - | 997 642 255 03 | DVD-ROM for navigation system F >> 99-7S780 789 F >> 99-7S783 403 | | 1 | PR:610 |
| - | 997 642 259 02 | DVD-ROM for navigation system F >> 99-7S780 789 F >> 99-7S783 403 | | 1 | PR:611 |
| - | 997 642 261 02 | DVD-ROM for navigation system F >> 99-7S780 789 F >> 99-7S783 403 | | 1 | PR:612 |
| - | 997 642 263 02 | DVD-ROM for navigation system F >> 99-7S780 789 F >> 99-7S783 403 | | 1 | PR:613 |
| - | 997 642 265 03 | DVD-ROM for navigation system F >> 99-7S780 789 F >> 99-7S783 403 | | 1 | PR:614 |
| - | 997 642 255 05 | DVD-ROM for navigation system F 99-7S780 790>> F 99-7S783 404>> | | 1 | PR:610 |
| - | 997 642 259 04 | D >> - MJ 2007 DVD-ROM for navigation system F 99-7S780 790>> F 99-7S783 404>> | | 1 | PR:611 |
| - | 997 642 261 04 | D >> - MJ 2007 DVD-ROM for navigation system F 99-7S780 790>> F 99-7S783 404>> | | 1 | PR:612 |
| - | 997 642 263 04 | D >> - MJ 2007 DVD-ROM for navigation system F 99-7S780 790>> F 99-7S783 404>> | | 1 | PR:613 |
| - | 997 642 265 05 | D >> - MJ 2007 DVD-ROM for navigation system F 99-7S780 790>> F 99-7S783 404>> | | 1 | PR:614 |
| - | 997 642 267 04 | D >> - MJ 2007 DVD-ROM for navigation | | 1 | PR:616 |

Model: 997T07 Model life 2007>>2009

| Pos | Part Number | Description | Remark | Qty | Model |
|------|----------------|--|--------|-----|----------------------------|
| - | 997 642 255 06 | system F 99-7S780 790>> F 99-7S783 404>> D >> - MJ 2007 DVD-ROM for navigation | | 1 | PR:610 |
| - | 997 642 259 05 | system D - MJ 2008>> - MJ 2008 DVD-ROM for navigation | | 1 | PR:611 |
| - | 997 642 261 05 | system D - MJ 2008>> - MJ 2008 DVD-ROM for navigation | | 1 | PR:612 |
| - | 997 642 263 05 | system D - MJ 2008>> - MJ 2008 DVD-ROM for navigation | | 1 | PR:613 |
| - | 997 642 265 06 | system D - MJ 2008>> - MJ 2008 DVD-ROM for navigation | | 1 | PR:614 |
| - | 997 642 267 05 | system D - MJ 2008>> - MJ 2008 DVD-ROM for navigation | | 1 | PR:616 |
| - | 997 642 148 02 | system D - MJ 2008>> - MJ 2008 CD-ROM for electronic driver's logbook | | 1 | PR:641 |
| 4 | 997 645 351 00 | Holder for amplifier DVD device and | lhd | 1 | PR:098,490, 670,672,680 |
| 5 | 997 642 231 00 | Bracket DVD device | | 1 | PR:664,670, 672 |
| (5) | 997 642 335 00 | Bracket DVD device | rhd | 1 | PR:099,670, 672 |
| 6 | 997 645 342 01 | U-clip | | 4 | PR:664,670, 672 |
| (7) | 997 645 331 01 | Amplifiers | | 1 | COUPE PR:490 |
| (7) | 997 645 332 00 | Amplifiers | | 1 | CABRIO PR:490 |
| 7 | 997 645 334 33 | Amplifiers Note coding | | 1 | PR:680 |
| 8 | 997 645 341 01 | Holder for amplifier | | 1 | PR:490,664, 680 |
| 9 | 997 645 340 00 | Securing clip | | 1 | PR:490,664, 680 |
| 9 | 997 645 340 00 | Securing clip | rhd | 1 | PR:099,490, 680 |
| 10 | 999 507 532 01 | U-clip | | 2 | PR:490,664, 680 |
| 10 | 999 507 532 01 | U-clip | rhd | 2 | PR:099,490, 680 |
| 11 | 997 645 342 01 | U-clip | | 4 | PR:490,664, 680 |
| 12 | 999 919 164 09 | fillister hd. bolt 5,0 X 12,0 | lhd | X | PR:098,490, 680 |
| 13 | 900 378 179 09 | Hexagon bolt M 6 X 16 | lhd | 1 | PR:098,490, 670,680 |
| 14 | 999 507 766 02 | panel nut M 6 | lhd | 1 | PR:098,490, 670,680 |
| 15 | 999 084 638 01 | Hexagon nut M 6 | lhd | 1 | PR:098,490, 670,680 |
| 16 | 997 646 307 02 | microphone | | 1 | PR:680 |
| (16) | 997 646 307 01 | microphone | | 1 | PR:618,666, 680 |
| - | 997 610 233 00 | Cable guide | | 1 | |

Model: 997T07 Model life 2007>>2009

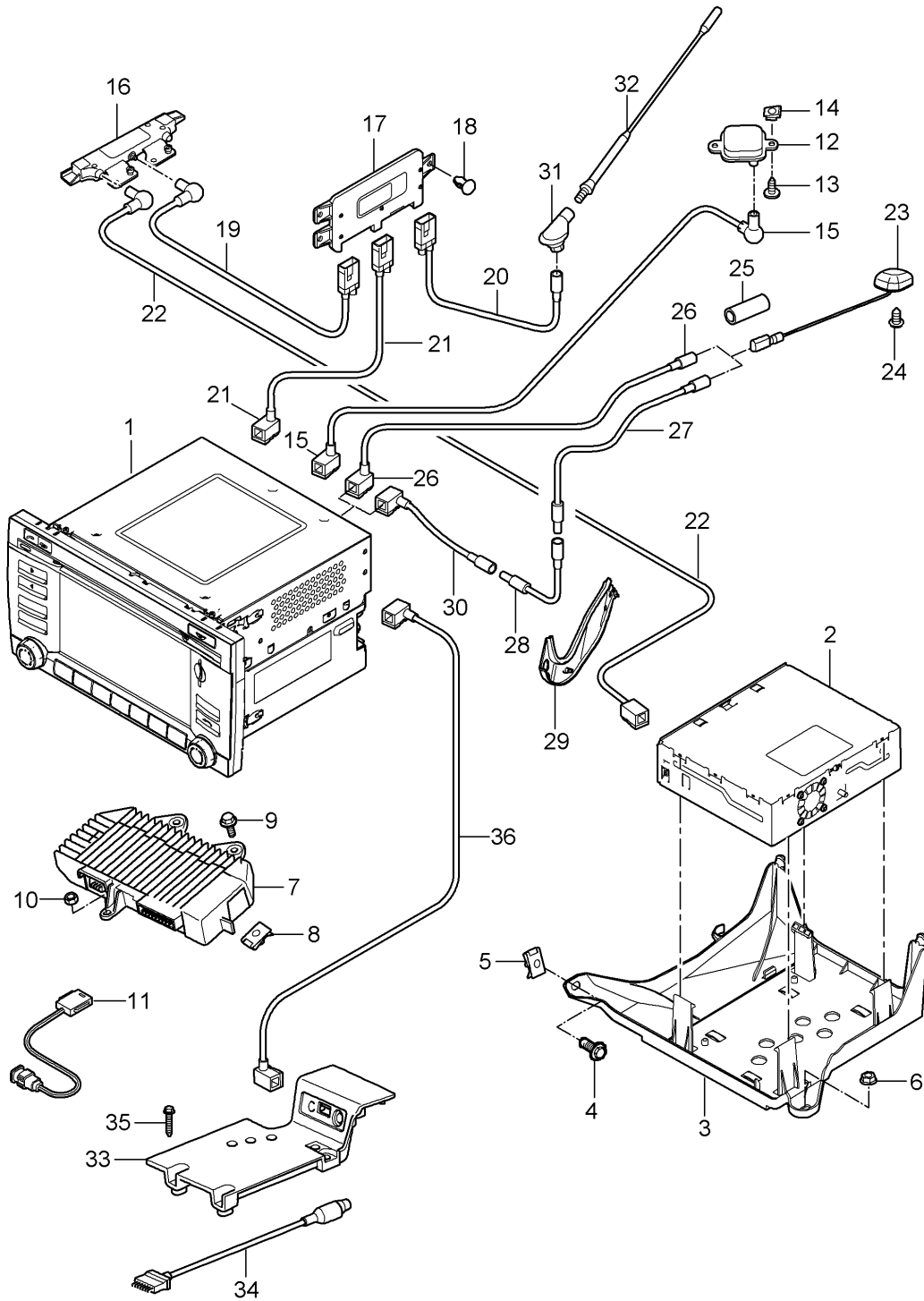
| Pos | Part Number | Description | Remark | Qty | Model |
|------|----------------|---|--------|-----|------------------------------|
| - | 997 610 233 01 | microphone D >> - MJ 2007 Cable guide microphone | | 1 | |
| 17 | 997 645 140 03 | D - MJ 2008>> - MJ 2008 CD changers CDC 4 | | 1 | PR:692 |
| - | | Installation Attention | | | |
| 18 | 996 645 113 00 | Magazine CD changers | | 1 | PR:692 |
| 19 | 997 645 233 00 | bracket for cd-changer | lhd | 1 | PR:098,692 |
| (19) | 997 645 234 00 | bracket for cd-changer | rhd | 1 | PR:099,692 |
| 20 | 997 645 235 00 | bracket for cd-changer | | 1 | PR:692 |
| 21 | 900 146 024 01 | flat round head bolt M 5 X 8 | | 6 | PR:692 |
| 22 | 999 084 638 01 | Hexagon nut M 6 | | 3 | PR:692 |
| 23 | 997 642 105 00 | Aerial GPS | | 1 | PR:670,672 |
| 24 | 999 073 210 00 | panel screw 4,8 X 13 | | 1 | PR:670,672 |
| 25 | 999 507 441 01 | panel nut 4,8 | | 1 | PR:670,672 |
| 26 | 997 612 060 25 | Aerial connection line DVD device Navigation system | | 1 | PR:670,672 |
| 27 | 997 647 117 00 | Aerial amplifier | left | 1 | PR:440 |
| (27) | 997 647 118 00 | Aerial amplifier | right | 1 | PR:440 |
| 28 | 997 647 124 00 | Control unit | | 1 | PR:440 |
| 29 | 999 591 904 40 | Securing element | | 2 | PR:440 |
| 30 | 997 612 069 00 | Connecting line | lhd | 1 | COUPE PR:098,461, 665 |
| 30 | 997 612 069 50 | Aerial amplifier Control unit Connecting line | rhd | 1 | COUPE PR:099,461, 665 |
| 30 | 997 612 066 00 | Aerial amplifier Control unit Connecting line | lhd | 1 | CABRIO PR:098,461, 665 |
| 30 | 997 612 066 50 | Aerial amplifier Control unit Connecting line | rhd | 1 | CABRIO PR:099,461, 665 |
| (30) | 997 612 055 00 | Aerial amplifier Control unit Connecting line | lhd | 1 | PR:098,665 |
| (30) | 997 612 056 00 | Aerial amplifier Control unit Connecting line | rhd | 1 | PR:099,665 |
| (30) | 997 612 062 50 | Aerial amplifier Control unit Connecting line | | 1 | PR:694 |
| 31 | 997 612 058 00 | Aerial amplifier Control unit Connecting line | | 1 | PR:665 |
| (31) | 997 612 052 00 | Control panel Connecting line Control unit | | 1 | PR:694 |
| 32 | 997 647 231 00 | Radio unit aerial base | | 1 | COUPE |

Model: 997T07 Model life 2007>>2009

| Pos | Part Number | Description | Remark | Qty | Model |
|------|----------------|---|--------|-----|--|
| (32) | 997 647 221 00 | aerial base | | 1 | PR:461 CABRIO |
| 33 | 997 647 233 00 | rod-type aerial | | 1 | PR:461 COUPE |
| (33) | 997 647 223 00 | rod-type aerial | | 1 | PR:461 CABRIO |
| 34 | 997 612 070 00 | Connecting line | | 1 | PR:461 COUPE |
| (34) | 997 612 068 00 | aerial base Radio unit Connecting line | lhd | 1 | PR:461,694 CABRIO PR:098,461, 694 |
| (34) | 997 612 068 50 | aerial base Radio unit Connecting line | rhd | 1 | CABRIO PR:099,461, 694 |
| (34) | 997 612 067 01 | aerial base Radio unit Connecting line aerial base Power supply | | 1 | CABRIO PR:461 |

Model: 997T07

Model life 2007>>2009



Model: 997T07 Model life 2007>>2009

| Pos | Part Number | Description | Remark | Qty | Model |
|-----|------------------------------------|---|---------|-----|------------------------------|
| - | | Control panel Navigation system Receiving part TV Amplifiers D - MJ 2009>> - MJ 2009 | | | |
| 1 | 997 642 960 X 997 642 960 X FTC | Control panel Only in exchange Matt Black/Galvano Silver We take back: 997.642.960.00.FTC | | 1 | PR:665 |
| 1 | 997 642 962 X 997 642 962 X FTC | Control panel Matt Black/Galvano Silver We take back: 997.642.962.00.FTC | | 1 | PR:665,693 -"CN." |
| 1 | 997 642 970 X 997 642 970 X FTC | Control panel Matt Black/Galvano Silver We take back: 997.642.970.00.FTC | | 1 | PR:665,672 |
| 1 | 997 642 972 X 997 642 972 X FTC | Control panel Matt Black/Galvano Silver We take back: 997.642.972.00.FTC | | 1 | PR:665,672, 693 |
| 1 | 997 642 974 X 997 642 974 X FTC | Control panel Matt Black/Galvano Silver We take back: 997.642.974.00.FTC | | 1 | PR:665,673 |
| 1 | 997 642 975 X 997 642 975 X FTC | Control panel Matt Black/Galvano Silver We take back: 997.642.975.00.FTC | | 1 | PR:665,673, 693 -"CN." |
| - | | Control unit Telephone see illustration: | 911-011 | | |
| - | 997 642 929 00 | Rot. knob for Control panel | left | 1 | PR:665 |
| - | 997 642 930 00 | Rot. knob for Control panel | right | 1 | PR:665 |
| - | 997 642 125 00 | Adapter -CAN- | | 1 | PR:673 |
| - | 999 591 941 40 | Spreader rivet for Mount Adapter -CAN- | | 1 | PR:673 |
| - | 997 642 148 02 | CD-ROM for electronic driver's logbook | | 1 | PR:641 |
| - | 997 642 271 50 | DVD-ROM for navigation system for Software | | 1 | PR:610 |
| - | | See technical information GR. 9 NR. 52/09 KD - NR. 9110 | | | |
| - | 997 642 271 51 | DVD-ROM for navigation system | | 1 | PR:610 |

Model: 997T07

Model life 2007>>2009

| Pos | Part Number | Description | Remark | Qty | Model |
|-----|----------------|--|--------|-----|--------|
| - | | for Software See technical information GR. 9 NR. 52/09 KD - NR. 9110 | | | |
| - | 997 642 271 52 | DVD-ROM for navigation system for Software | | 1 | PR:610 |
| - | 997 642 271 53 | DVD-ROM for navigation system for Software | | 1 | PR:610 |
| - | 997 642 275 50 | DVD-ROM for navigation system for Software | | 1 | PR:611 |
| - | | See technical information GR. 9 NR. 52/09 KD - NR. 9110 | | | |
| - | 997 642 275 51 | DVD-ROM for navigation system for Software | | 1 | PR:611 |
| - | | See technical information GR. 9 NR. 52/09 KD - NR. 9110 | | | |
| - | 997 642 275 52 | DVD-ROM for navigation system for Software | | 1 | PR:611 |
| - | 997 642 275 53 | DVD-ROM for navigation system for Software | | 1 | PR:611 |
| - | 997 642 277 50 | 7PP.919.193.AN DVD-ROM for navigation system for Software | | 1 | PR:612 |
| - | | See technical information GR. 9 NR. 52/09 KD - NR. 9110 | | | |
| - | 997 642 277 51 | DVD-ROM for navigation system for Software | | 1 | PR:612 |
| - | | See technical information GR. 9 NR. 52/09 KD - NR. 9110 | | | |
| - | 997 642 277 52 | DVD-ROM for navigation system for Software | | 1 | PR:612 |
| - | 997 642 277 53 | DVD-ROM for navigation system for Software | | 1 | PR:612 |
| - | 997 642 279 50 | DVD-ROM for navigation system for Software | | 1 | PR:613 |
| - | | See technical information | | | |

Model: 997T07

Model life 2007>>2009

| Pos | Part Number | Description | Remark | Qty | Model |
|-----|----------------|---|--------|-----|--------|
| - | 997 642 279 51 | GR. 9 NR. 52/09 KD - NR. 9110 DVD-ROM for navigation system for Software | | 1 | PR:613 |
| - | | See technical information | | | |
| - | 997 642 279 52 | GR. 9 NR. 52/09 KD - NR. 9110 DVD-ROM for navigation system for Software | | 1 | PR:613 |
| - | 997 642 279 53 | DVD-ROM for navigation system for Software | | 1 | PR:613 |
| - | 997 642 281 50 | DVD-ROM for navigation system for Software | | 1 | PR:614 |
| - | | See technical information | | | |
| - | 997 642 281 51 | GR. 9 NR. 52/09 KD - NR. 9110 DVD-ROM for navigation system for Software | | 1 | PR:614 |
| - | | See technical information | | | |
| - | 997 642 281 52 | GR. 9 NR. 52/09 KD - NR. 9110 DVD-ROM for navigation system for Software | | 1 | PR:614 |
| - | 997 642 281 53 | DVD-ROM for navigation system for Software | | 1 | PR:614 |
| - | 997 642 283 50 | DVD-ROM for navigation system for Software | | 1 | PR:616 |
| - | | See technical information | | | |
| - | 997 642 283 51 | GR. 9 NR. 52/09 KD - NR. 9110 DVD-ROM for navigation system for Software | | 1 | PR:616 |
| - | | See technical information | | | |
| - | 997 642 283 52 | GR. 9 NR. 52/09 KD - NR. 9110 DVD-ROM for navigation system for Software | | 1 | PR:616 |
| - | 997 642 283 53 | DVD-ROM for navigation system for Software | | 1 | PR:616 |
| 2 | 7PP 919 148 | Receiving part TV | | 1 | PR:676 |

Model: 997T07 Model life 2007>>2009

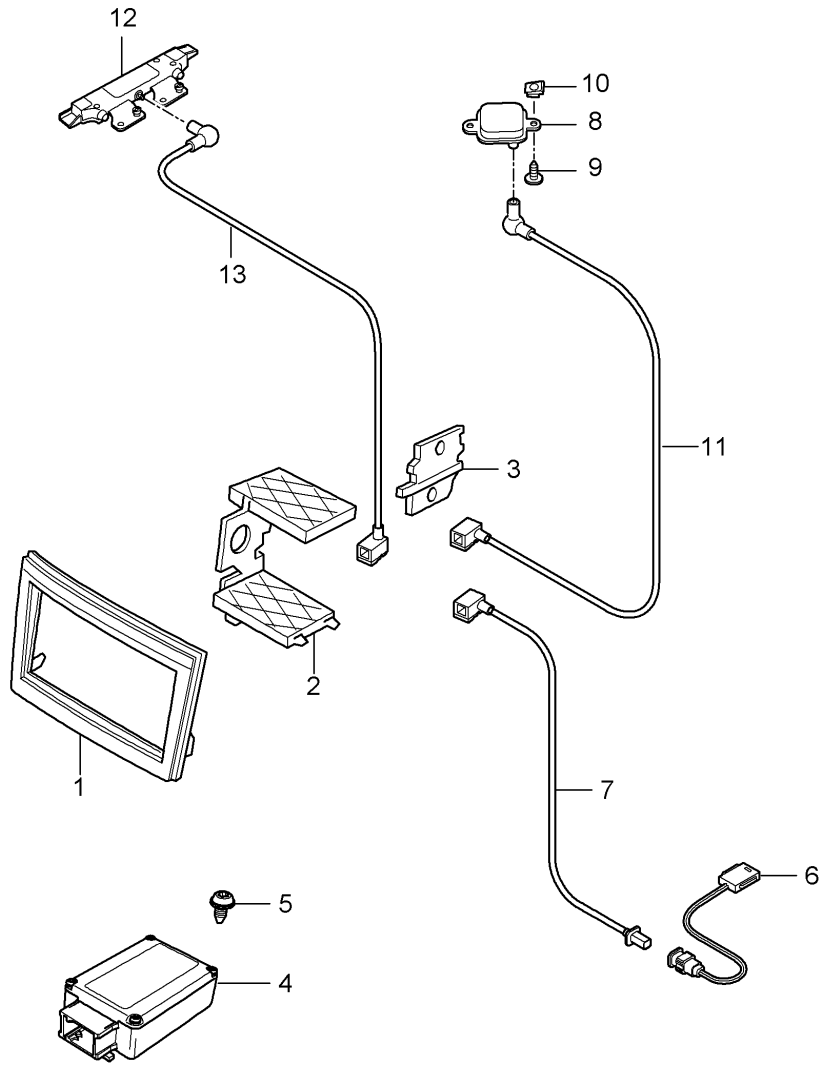
| Pos | Part Number | Description | Remark | Qty | Model |
|------|----------------|---|-----------------|-----|----------------------------|
| 2 | 7PP 919 148 A | Discontinued part Receiving part TV | | 1 | PR:676 |
| 3 | 997 642 333 00 | Bracket Receiving part TV | lhd | 1 | PR:676,098 |
| 3 | 997 642 339 00 | Bracket Navigation system | | 1 | PR:673 |
| (3) | 997 642 332 00 | Bracket Receiving part TV | rhd | 1 | PR:676,099 |
| 4 | 900 378 179 09 | Hexagon bolt M 6 X 16 | lhd | 1 | PR:673,676, 098 |
| 5 | 999 507 766 02 | panel nut M 6 | lhd | 1 | PR:673,676, 098 |
| 6 | 999 084 638 01 | Hexagon nut M 6 | lhd | 1 | PR:673,676, 098 |
| 7 | 997 645 441 01 | Amplifiers | | 1 | COUPE |
| 7 | 997 645 442 00 | Amplifiers | | 1 | CABRIO |
| 7 | 997 645 442 01 | Discontinued part Amplifiers | | 1 | PR:490 CABRIO |
| (7) | 7PP 035 223 K | Amplifiers Note coding | | 1 | PR:680 |
| 8 | 999 507 766 02 | panel nut M 6 | | 2 | TURBO PR:490,680 |
| (8) | 999 500 078 00 | press insert nut M 6 | | 2 | GT2 PR:490,680 |
| 9 | 900 378 035 01 | Hexagon bolt M 6 X 16 | | 2 | TURBO PR:490,680 |
| 9 | 900 378 188 09 | Hexagon bolt M 6 X 20 | | 2 | GT2 PR:490,680 |
| 10 | 999 084 638 01 | Hexagon nut M 6 | | 1 | PR:490,680 |
| 11 | 997 646 313 00 | microphone | | 1 | PR:490,618, 619,666,671 |
| 11 | 997 646 315 00 | microphone | | 1 | PR:618,619, 666,671,680 |
| 11 | 997 646 317 00 | microphone | | 1 | PR:680 |
| 11 | 997 646 319 00 | microphone | | 1 | PR:618,619, 665,666,671 |
| - | 997 610 233 01 | Cable guide microphone | | 1 | |
| 12 | 997 642 105 00 | Aerial GPS | | 1 | PR:672,673 |
| 13 | 999 073 210 00 | panel screw 4,8 X 13 | | 1 | PR:672,673 |
| 14 | 999 507 441 01 | panel nut 4,8 | | 1 | PR:672,673 |
| 15 | 997 612 030 75 | Aerial connection line Control panel | | 1 | PR:672 |
| (15) | 997 612 073 25 | Aerial connection line Control panel | | 1 | PR:673 |
| 16 | 997 647 117 00 | Aerial amplifier | left | 1 | PR:440 |
| (16) | 997 647 118 00 | Aerial amplifier | right | 1 | PR:440 |
| (16) | 997 647 119 00 | Aerial amplifier | left | 1 | PR:440,676 |
| (16) | 997 647 120 00 | Aerial amplifier | right | 1 | PR:440,676 |
| 17 | 997 618 122 00 | Control unit | | 1 | PR:440 |
| 18 | 999 591 904 40 | Securing element | | 2 | PR:440 |
| 19 | 997 612 069 25 | Connecting line | lhd | 1 | PR:098,461 |
| 19 | 997 612 069 75 | Aerial amplifier Control unit Connecting line | left rhd | 1 | PR:099,461 |

Model: 997T07 Model life 2007>>2009

| Pos | Part Number | Description | Remark | Qty | Model |
|------|--------------------|--|--------------|-----|------------|
| 19 | 997 612 055 25 | Aerial amplifier Control unit Connecting line | left lhd | 1 | PR:098,665 |
| 19 | 997 612 056 25 | Aerial amplifier Control unit Connecting line | left lhd | 1 | PR:098,665 |
| 19 | 997 612 055 75 | Aerial amplifier Control unit Connecting line | right rhd | 1 | PR:099,665 |
| 19 | 997 612 056 75 | Aerial amplifier Control unit Connecting line | left rhd | 1 | PR:099,665 |
| 20 | 997 612 066 25 | Aerial amplifier Control unit Connecting line | right | 1 | PR:461 |
| (20) | 997 612 067 01 | aerial base Control unit Connecting line | | 1 | PR:461 |
| 21 | 997 612 057 25 | Power supply Connecting line Control unit | lhd | 1 | PR:098,665 |
| 21 | 997 612 057 75 | Control panel Connecting line Control unit | rhd | 1 | PR:099,665 |
| 22 | 997 612 089 25 | Control panel Connecting line Aerial amplifier | lhd | 1 | PR:098,676 |
| 22 | 997 612 089 75 | Receiving part TV Connecting line Aerial amplifier | rhd | 1 | PR:099,676 |
| (22) | 997 612 074 25 | Receiving part TV Connecting line Control panel | | 1 | PR:673 |
| (22) | 997 612 072 25 | Computer Navigation system Connecting line Computer | | 1 | PR:673 |
| 31 | 997 647 221 00 | Navigation system - IR - Sensor | | 1 | PR:461 |
| 32 | 997 647 223 00 | aerial base | | 1 | PR:461 |
| 33 | 997 642 465 00 | rod-type aerial Adapter | | 1 | PR:870 |
| 34 | 997 642 465 00 01C | Multimedia interface Satin black | | 1 | PR:870 |
| 34 | 997 612 471 02 | Connection cable iPOD | | 1 | PR:870 |
| 35 | 999 073 429 01 | panel screw 4,2 X 25 | | 3 | PR:870 |
| 36 | 997 612 049 75 | Connecting line Multimedia interface Control panel | | 1 | PR:870 |

Model: 997T07

Model life 2007>>2009

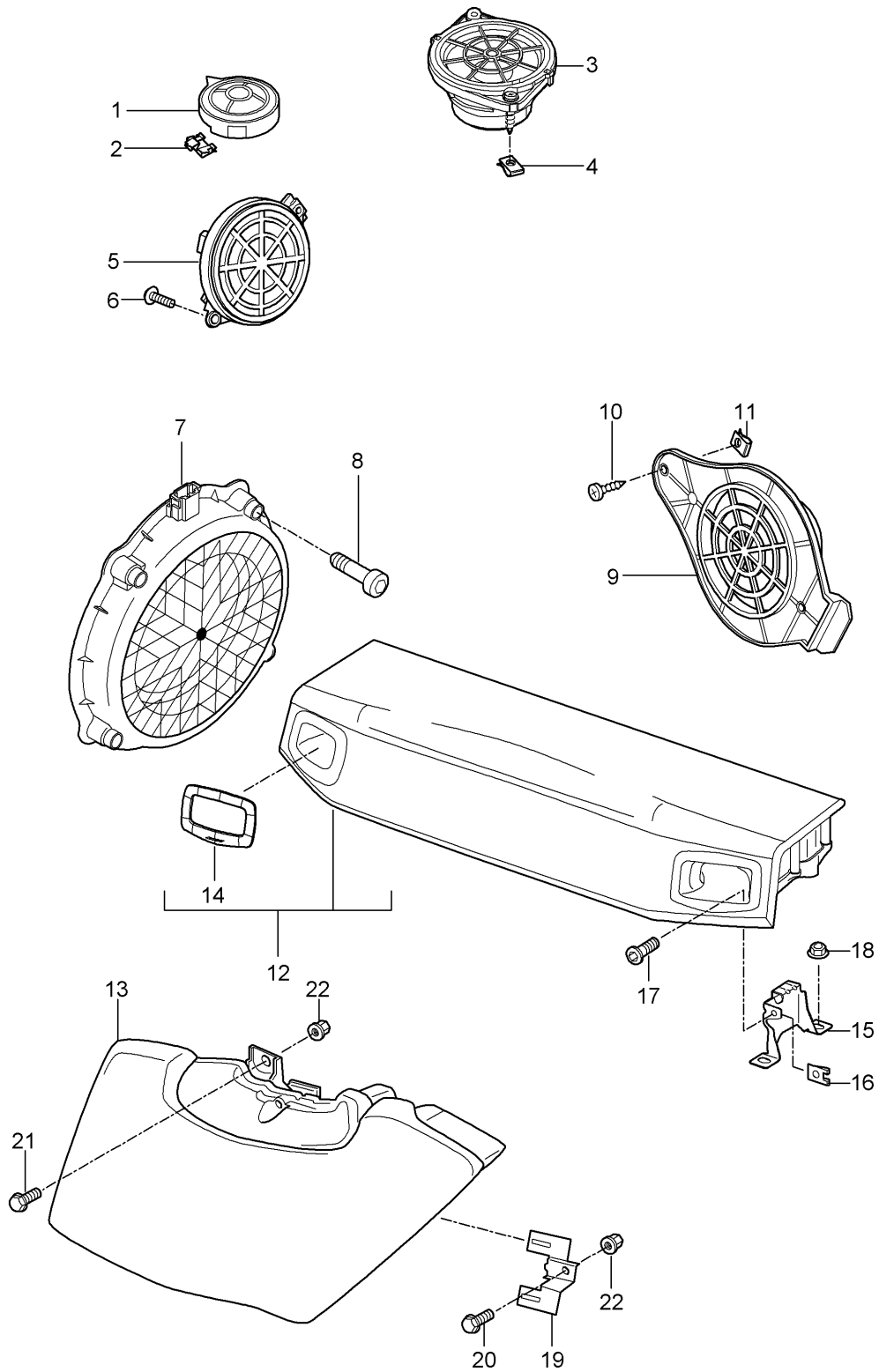


Model: 997T07 Model life 2007>>2009

| Pos | Part Number | Description | Remark | Qty | Model |
|------|--------------------|--|-----------|-----|------------|
| | | Preparation Navigation system Japan D - MJ 2009>> - MJ 2009 | | | PR:675 |
| 1 | 997 642 913 00 | Front frame | | 1 | PR:675 |
| | 997 642 913 00 A05 | Matt black | | | |
| 2 | 997 642 905 00 | Bracket | | 2 | PR:675 |
| 3 | 997 642 907 00 | Guide rail | | 2 | PR:675 |
| 4 | 997 642 915 01 | Adapter - CAN - | | 1 | PR:675 |
| | | Discontinued part | | | |
| 4 | 997 642 127 00 | Adapter - CAN - | | 1 | PR:675 |
| 5 | 999 591 941 40 | Spreader rivet | | 1 | PR:675 |
| 6 | 997 646 309 00 | microphone | | 1 | PR:675 |
| - | 997 610 233 01 | Cable guide microphone | | 1 | PR:675 |
| 7 | 997 612 075 75 | Connecting line microphone | | 1 | PR:675 |
| (7) | 997 612 046 25 | Control panel Connecting line Card reader TV | | 1 | PR:675 |
| 8 | 997 642 105 00 | Control panel Aerial | | 1 | PR:675 |
| 9 | 999 073 210 00 | Navigation system panel screw 4,8 X 13 | | 1 | PR:675 |
| 10 | 999 507 441 01 | panel nut 4,8 | | 1 | PR:675 |
| 11 | 997 612 079 75 | Aerial connection line Navigation system | | 1 | PR:675 |
| 12 | 997 647 109 00 | Control panel Aerial amplifier | left | 1 | PR:675 |
| (12) | 997 647 110 00 | Aerial amplifier | right | 1 | PR:675 |
| 13 | 997 612 076 25 | Connecting line Aerial amplifier | left | 1 | PR:675 |
| | | Control panel Radio unit | | | |
| (13) | 997 612 077 25 | Connecting line Aerial amplifier | left | 1 | PR:675 |
| | | Control panel TV | | | |
| (13) | 997 612 078 25 | Connecting line Aerial amplifier | right lhd | 1 | PR:675,098 |
| | | Control panel TV | | | |
| (13) | 997 612 078 75 | Connecting line Aerial amplifier | right rhd | 1 | PR:675,099 |
| | | Control panel TV | | | |
| (13) | 997 612 047 25 | Aerial connection line - VICS BEACON - Control panel | | 1 | PR:675 |

Model: 997T07

Model life 2007>>2009



Model: 997T07 Model life 2007>>2009

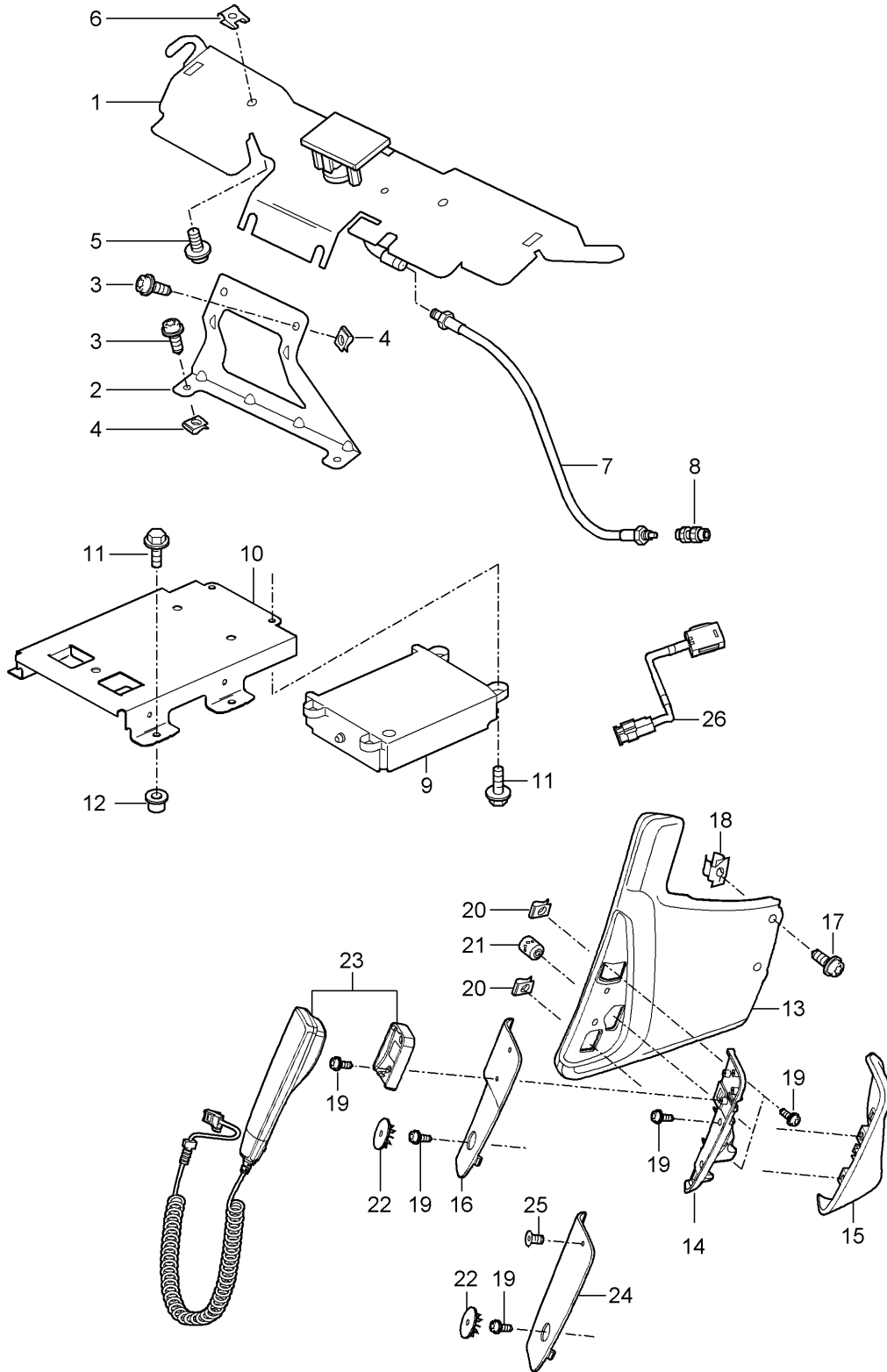
| Pos | Part Number | Description | Remark | Qty | Model |
|------|--------------------|--|--------|-----|----------------------|
| 1 | 997 645 021 00 | Loudspeaker Treble speaker dashboard | | 2 | PR:490 |
| (1) | 997 645 025 00 | Treble speaker dashboard | | 2 | PR:680 |
| 2 | 999 591 303 01 | U-clip | | 4 | |
| 3 | 997 645 033 00 | Loudspeaker dashboard | center | 1 | PR:490 |
| (3) | 997 645 035 00 | Loudspeaker dashboard | center | 1 | PR:680 |
| 4 | 999 507 971 01 | panel nut 4,2 | | 4 | |
| 5 | 997 645 543 00 | Mid tone speaker Door | | 2 | PR:490 |
| (5) | 997 645 545 00 | Mid tone speaker Door | | 2 | PR:680 |
| 6 | 999 919 164 09 | fillister hd. bolt 5,0 X 12 | | 4 | |
| 7 | 997 645 551 00 | Bass loudspeaker | | 2 | GT2 PR:441 |
| 7 | 997 645 553 00 | Bass loudspeaker | | 2 | PR:490 |
| (7) | 997 645 555 00 | Bass loudspeaker | | 2 | PR:680 |
| 8 | 900 067 012 03 | Socket head bolt M 6 X 30 | | 8 | |
| 9 | 997 645 041 01 | Loudspeaker | rear | 2 | PR:490 |
| (9) | 997 645 045 01 | Loudspeaker | rear | 2 | PR:680 |
| 10 | 999 073 225 09 | panel screw 4,8 X 16 | | 2 | |
| 11 | 999 507 441 09 | panel nut 4,8 | | 2 | |
| - | | Subwoofer | | | |
| 12 | 997 645 564 00 | Subwoofer | | 1 | COUPE PR:680 |
| | 997 645 564 00 FMF | Black | | | |
| | 997 645 564 00 FMG | Stone grey | | | |
| | 997 645 564 00 FMM | Sand beige | | | |
| | 997 645 564 00 FMN | sea blue | | | |
| | 997 645 564 00 FMO | Palm green | | | |
| | 997 645 564 00 FMP | Terracotta | | | |
| | 997 645 564 00 FMQ | Cocoa | | | |
| | 997 645 564 00 FMR | Dark grey/natural | | | |
| | 997 645 564 00 FMS | Brown/natural | | | |
| | 997 645 564 00 FTA | Carrera Red | | | |
| 13 | 997 645 566 00 | Subwoofer | lhd | 1 | CABRIO PR:098,680 |
| | 997 645 566 00 A10 | Black | | | |
| | 997 645 566 00 B10 | Stone grey | | | |
| | 997 645 566 00 T10 | Sand beige | | | |
| | 997 645 566 00 E10 | sea blue | | | |
| | 997 645 566 00 J10 | Palm green | | | |
| | 997 645 566 00 M10 | Terracotta | | | |
| | 997 645 566 00 R10 | Cocoa | | | |
| | 997 645 566 00 D11 | Dark grey/natural | | | |
| | 997 645 566 00 T11 | Brown/natural | | | |
| | 997 645 566 00 N10 | Carrera Red | | | |
| (13) | 997 645 567 00 | Subwoofer | rhd | 1 | CABRIO PR:099,680 |
| | 997 645 567 00 A10 | Black | | | |
| | 997 645 567 00 B10 | Stone grey | | | |
| | 997 645 567 00 T10 | Sand beige | | | |
| | 997 645 567 00 E10 | sea blue | | | |
| | 997 645 567 00 J10 | Palm green | | | |
| | 997 645 567 00 M10 | Terracotta | | | |

Model: 997T07 Model life 2007>>2009

| Pos | Part Number | Description | Remark | Qty | Model |
|---------------------|-----------------------|--------------------------------------|--------|-----------------|------------------|
| 14 | 997 645 567 00 R10 | Cocoa | | 2 | COUPE PR:680 |
| | 997 645 567 00 D11 | Dark grey/natural | | | |
| | 997 645 567 00 T11 | Brown/natural | | | |
| | 997 645 567 00 N10 | Carrera Red | | | |
| | 996 645 568 00 | Rosette | | | |
| | 996 645 568 00 A03 | Black | | | |
| | 996 645 568 00 5V7 | Stone grey | | | |
| | 996 645 568 00 5Z1 | Sand beige | | | |
| | 996 645 568 00 8W7 | sea blue | | | |
| | 996 645 568 00 5Y2 | Palm green | | | |
| 996 645 568 00 8X8 | Terracotta | | | | |
| 996 645 568 00 8P9 | Cocoa | | | | |
| 996 645 568 00 T13 | Brown/natural | | | | |
| 996 645 568 00 N23 | Carrera Red | | | | |
| (15) 996 645 245 00 | Bracket for subwoofer | left | 1 | COUPE PR:680 | |
| 15 | 996 645 246 00 | Bracket for subwoofer | right | 1 | COUPE PR:680 |
| 16 | 999 507 766 02 | panel nut M 6 | | 2 | COUPE PR:680 |
| 17 | 999 073 113 09 | fillister hd. bolt M 6,0 X 50 ASP | | 2 | COUPE PR:680 |
| 18 | 900 380 015 01 | Hexagon nut VM 6 | | 4 | COUPE PR:680 |
| 19 | 997 645 569 00 | Bracket for subwoofer | | 2 | CABRIO PR:680 |
| 20 | 900 378 035 01 | Hexagon bolt M 6 X 16 | | 2 | CABRIO PR:680 |
| 21 | 999 073 223 01 | Bolt with washer M 6 X 25 | | 1 | CABRIO PR:680 |
| 22 | 999 500 069 01 | rivettted cap nut M 6 | | 3 | CABRIO PR:680 |

Model: 997T07

Model life 2007>>2009



Model: 997T07 Model life 2007>>2009

| Pos | Part Number | Description | Remark | Qty | Model |
|------|--------------------|--|--------|-----|------------|
| | | Telephone D >> - MJ 2008 | | | |
| 1 | 997 647 125 01 | Telephone aerial | lhd | 1 | PR:098 |
| (1) | 997 647 126 01 | Telephone aerial | rhd | 1 | PR:099 |
| 2 | 997 647 127 00 | Bracket | lhd | 1 | PR:098 |
| (2) | 997 647 128 00 | Bracket | rhd | 1 | PR:099 |
| 3 | 999 073 236 0A | fillister hd. bolt M 6 X 10 | | 4 | |
| 4 | 999 507 550 01 | panel nut M 6 | | 4 | |
| 5 | 999 073 210 00 | panel screw 4,8 X 13 | | 2 | |
| 6 | 999 507 441 01 | panel nut 4,8 | | 2 | |
| (7) | 997 612 989 05 | Connecting line | | 1 | PR:666 |
| 8 | 964 646 318 00 | Adapter plug | | 1 | PR:618 |
| 9 | 997 646 208 13 | Control unit for telephone F >> 99-7S780 789 F >> 99-7S783 403 | | 1 | PR:666 |
| 9 | 997 646 209 00 | Control unit for telephone F 99-7S780 790>> F 99-7S783 403>> | | 1 | PR:666 |
| 10 | 997 642 216 00 | Bracket | | 1 | PR:618,666 |
| 11 | 900 378 035 01 | Hexagon bolt M 6 X 16 | | 4 | PR:618,666 |
| 12 | 999 500 078 00 | press insert nut M 6 | | 2 | PR:618,666 |
| (12) | 999 507 766 02 | panel nut M 6 | | 2 | PR:618,666 |
| 13 | 997 553 118 07 | Leather panel | lhd | 1 | PR:098 |
| | | | side | | |
| | 997 553 118 07 FSA | black/grey | | | |
| | 997 553 118 07 FSB | Stone grey/stone grey | | | |
| | 997 553 118 07 FSC | Sand beige/sand beige | | | |
| | 997 553 118 07 FSD | Sea blue/grey | | | |
| | 997 553 118 07 FSE | Palmgreen/palmgreen | | | |
| | 997 553 118 07 FSF | Terracotta/terracotta | | | |
| | 997 553 118 07 FSG | Cocoa/Cocoa | | | |
| | 997 553 118 07 FSH | Darkgrey natural/grey | | | |
| | 997 553 118 07 FSJ | Brown nat./brown nat. | | | |
| | 997 553 118 07 FSP | Carrera Red/Carrera Red | | | |
| (13) | 997 553 117 07 | Leather panel | rhd | 1 | PR:099 |
| | | | side | | |
| | 997 553 117 07 FSA | black/grey | | | |
| | 997 553 117 07 FSB | Stone grey/stone grey | | | |
| | 997 553 117 07 FSC | Sand beige/sand beige | | | |
| | 997 553 117 07 FSD | Sea blue/grey | | | |
| | 997 553 117 07 FSE | Palmgreen/palmgreen | | | |
| | 997 553 117 07 FSF | Terracotta/terracotta | | | |
| | 997 553 117 07 FSG | Cocoa/Cocoa | | | |
| | 997 553 117 07 FSH | Darkgrey natural/grey | | | |
| | 997 553 117 07 FSJ | Brown nat./brown nat. | | | |
| | 997 553 117 07 FSP | Carrera Red/Carrera Red | | | |
| 14 | 997 553 520 00 | Adapter | lhd | 1 | PR:098 |
| (14) | 997 553 519 00 | Adapter | rhd | 1 | PR:099 |
| 15 | 997 553 418 01 | Trim | lhd | 1 | PR:098 |
| | 997 553 418 01 A11 | Black | | | |
| | 997 553 418 01 5X6 | Stone grey | | | |
| | 997 553 418 01 8G2 | Sand beige | | | |
| | 997 553 418 01 3S9 | sea blue | | | |
| | 997 553 418 01 4P2 | Palm green | | | |
| | 997 553 418 01 9S5 | Terracotta | | | |
| | 997 553 418 01 9V6 | Cocoa | | | |

Model: 997T07 Model life 2007>>2009

| Pos | Part Number | Description | Remark | Qty | Model | |
|--------------------|--------------------|---------------------|---------------|-----|----------------|----------------|
| (15) | 997 553 418 01 D12 | Dark grey/natural | | | | |
| | 997 553 418 01 T12 | Brown/natural | | | | |
| | 997 553 418 01 N12 | Carrera Red | | | | |
| | 997 553 417 01 | Trim | rhd | 1 | PR:099 | |
| | 997 553 417 01 A11 | Black | | | | |
| | 997 553 417 01 5X6 | Stone grey | | | | |
| | 997 553 417 01 8G2 | Sand beige | | | | |
| | 997 553 417 01 3S9 | sea blue | | | | |
| | 997 553 417 01 4P2 | Palm green | | | | |
| | 997 553 417 01 9S5 | Terracotta | | | | |
| | 997 553 417 01 9V6 | Cocoa | | | | |
| | 997 553 417 01 D12 | Dark grey/natural | | | | |
| 997 553 417 01 T12 | Brown/natural | | | | | |
| 997 553 417 01 N12 | Carrera Red | | | | | |
| 16 | 997 553 522 00 | Carrier plate | lhd | 1 | PR:098,668 | |
| (16) | 997 553 522 00 01C | Satin black | | | | |
| | 997 553 521 00 | Carrier plate | rhd | 1 | PR:099,668 | |
| 16 | 997 553 521 00 01C | Satin black | | | | |
| | 997 553 986 00 | Carrier plate | lhd | 1 | PR:XEA,098,668 | |
| | | Leather | | | | |
| | 997 553 986 00 A11 | Black | | | | |
| | 997 553 986 00 5X6 | Stone grey | | | | |
| | 997 553 986 00 8G2 | Sand beige | | | | |
| | 997 553 986 00 3S9 | sea blue | | | | |
| | 997 553 986 00 4P2 | Palm green | | | | |
| | 997 553 986 00 9S5 | Terracotta | | | | |
| | 997 553 986 00 9V6 | Cocoa | | | | |
| | 997 553 986 00 D12 | Dark grey/natural | | | | |
| | 997 553 986 00 T12 | Brown/natural | | | | |
| | 997 553 986 00 N12 | Carrera Red | | | | |
| | (16) | 997 553 985 00 | Carrier plate | rhd | 1 | PR:XEA,099,668 |
| | | Leather | | | | |
| | 997 553 985 00 A11 | Black | | | | |
| | 997 553 985 00 5X6 | Stone grey | | | | |
| | 997 553 985 00 8G2 | Sand beige | | | | |
| 997 553 985 00 3S9 | sea blue | | | | | |
| 997 553 985 00 4P2 | Palm green | | | | | |
| 997 553 985 00 9S5 | Terracotta | | | | | |
| 997 553 985 00 9V6 | Cocoa | | | | | |
| 997 553 985 00 D12 | Dark grey/natural | | | | | |
| 997 553 985 00 T12 | Brown/natural | | | | | |
| 997 553 985 00 N12 | Carrera Red | | | | | |
| 17 | 999 073 226 09 | panel screw | | 2 | | |
| | | 4,2 X 16 | | | | |
| 18 | 999 591 508 01 | Cage nut | | 2 | | |
| | | 4,2 | | | | |
| 19 | 999 073 155 09 | panel screw | | 7 | | |
| | | 4,2 X 13 | | | | |
| 20 | 999 507 028 01 | panel nut | | 2 | | |
| | | 4,2 | | | | |
| 21 | 999 507 645 02 | Threaded piece | | 1 | | |
| | | 4,2 | | | | |
| 22 | 997 553 751 00 | Cover cap | | 1 | | |
| | 997 553 751 00 01C | Satin black | | | | |
| 22 | 997 553 984 00 | Cover cap (leather) | | 1 | PR:XEA | |
| | 997 553 984 00 A11 | Black | | | | |
| | 997 553 984 00 5X6 | Stone grey | | | | |
| | 997 553 984 00 8G2 | Sand beige | | | | |
| | 997 553 984 00 3S9 | sea blue | | | | |
| | 997 553 984 00 4P2 | Palm green | | | | |
| | 997 553 984 00 9S5 | Terracotta | | | | |
| | 997 553 984 00 9V6 | Cocoa | | | | |
| | 997 553 984 00 D12 | Dark grey/natural | | | | |

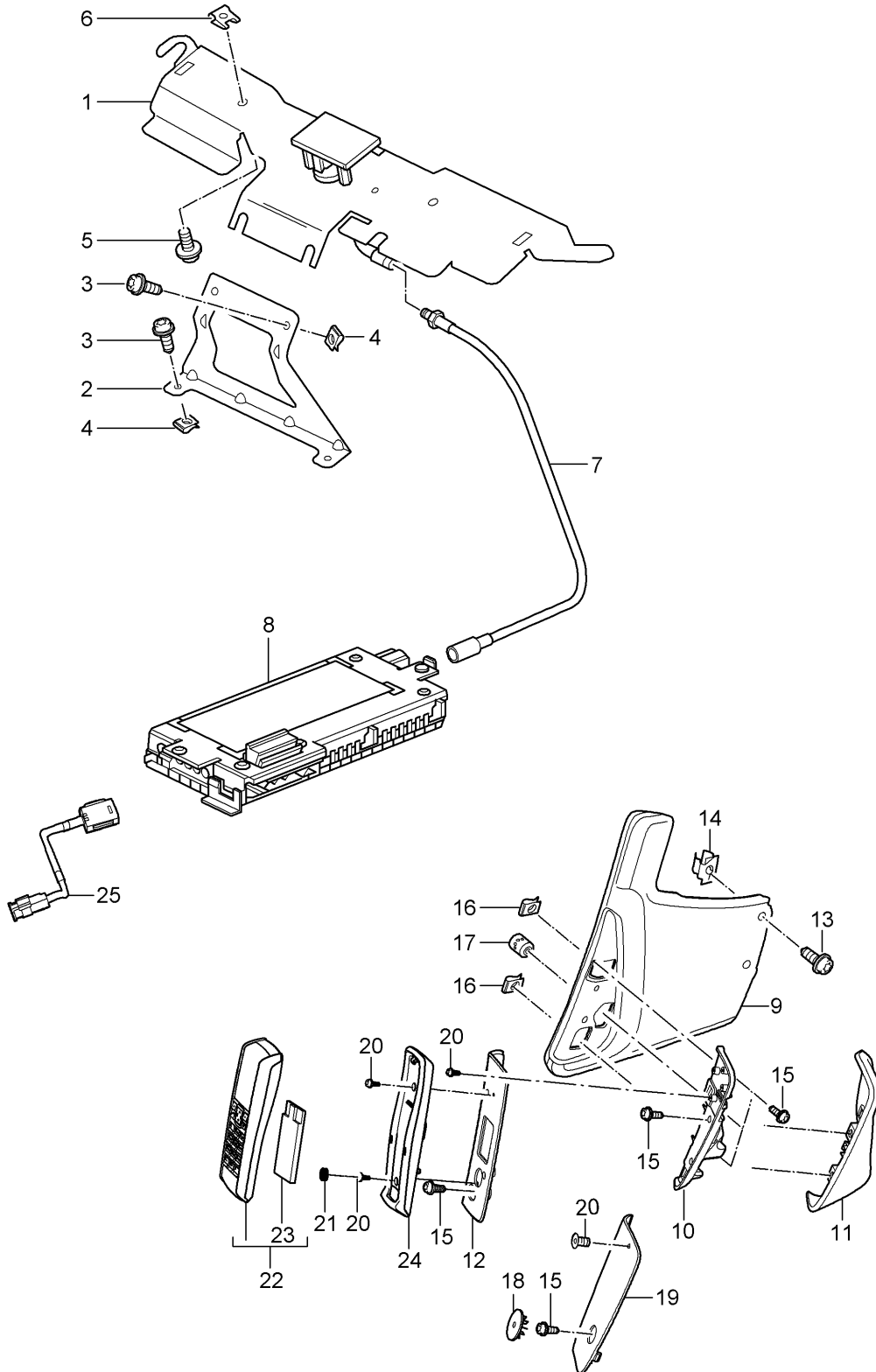
Model: 997T07

Model life 2007>>2009

| Pos | Part Number | Description | Remark | Qty | Model |
|------|--------------------|--|--------|-----|--------------------|
| | 997 553 984 00 T12 | Brown/natural | | | |
| | 997 553 984 00 N12 | Carrera Red | | | |
| 23 | 996 642 212 02 | Telephone controls/receiver | | 1 | PR:668 |
| 23 | 996 642 980 15 | Telephone controls/receiver Leather | | 1 | PR:XEA,668 |
| | 996 642 980 15 A11 | Black | | | |
| | 996 642 980 15 5X6 | Stone grey | | | |
| | 996 642 980 15 8G2 | Sand beige | | | |
| | 996 642 980 15 3S9 | sea blue | | | |
| | 996 642 980 15 4P2 | Palm green | | | |
| | 996 642 980 15 9S5 | Terracotta | | | |
| | 996 642 980 15 9V6 | Cocoa | | | |
| | 996 642 980 15 D12 | Dark grey/natural | | | |
| | 996 642 980 15 T12 | Brown/natural | | | |
| | 996 642 980 15 N12 | Carrera Red | | | |
| 24 | 997 553 522 01 | Carrier plate | lhd | 1 | PR:098,618 |
| | 997 553 522 01 01C | Satin black | | | |
| (24) | 997 553 521 01 | Carrier plate | rhd | 1 | PR:099,618 |
| | 997 553 521 01 01C | Satin black | | | |
| 25 | 999 919 230 00 | countersunk bolt 3 X 10 | | 1 | PR:618 |
| 26 | 997 646 307 01 | microphone | | 1 | PR:618,666, 680 |
| (26) | 997 646 309 00 | microphone | | 1 | PR:675 |
| | | D - MJ 2008>> - MJ 2008 | | | |
| - | 997 610 233 00 | Cable guide microphone | | 1 | |
| | | D >> - MJ 2007 | | | |
| - | 997 610 233 01 | Cable guide microphone | | 1 | |
| | | D - MJ 2008>> - MJ 2008 | | | |

Model: 997T07

Model life 2007>>2009



Model: 997T07 Model life 2007>>2009

| Pos | Part Number | Description | Remark | Qty | Model |
|------|--------------------|---|--------|-----|------------|
| | | Telephone D - MJ 2009>> - MJ 2009 | | | |
| 1 | 997 647 125 01 | Telephone aerial | lhd | 1 | PR:098 |
| (1) | 997 647 126 01 | Telephone aerial | rhd | 1 | PR:099 |
| 2 | 997 647 127 00 | Bracket | lhd | 1 | PR:098 |
| (2) | 997 647 128 00 | Bracket | rhd | 1 | PR:099 |
| 3 | 999 073 236 0A | fillister hd. bolt M 6 X 10 | | 4 | |
| 4 | 999 507 550 01 | panel nut M 6 | | 4 | |
| 5 | 999 073 210 00 | panel screw 4,8 X 13 | | 2 | |
| 6 | 999 507 441 01 | panel nut 4,8 | | 2 | |
| 7 | 997 612 065 75 | Connecting line | | 1 | PR:666 |
| (7) | 997 612 061 25 | Aerial connection line | | 1 | PR:618,619 |
| 8 | 997 646 218 01 | Control unit for telephone Discontinued part | | 1 | PR:666 |
| 8 | 7PP 035 730 B | Control unit for telephone Discontinued part | | 1 | PR:666,IY2 |
| 8 | 7PP 035 730 C | Control unit for telephone | | 1 | PR:666,IY2 |
| 9 | 997 553 118 07 | Leather panel | lhd | 1 | PR:098 |
| | | | side | | |
| | 997 553 118 07 FSA | black/grey | | | |
| | 997 553 118 07 FSB | Stone grey/stone grey | | | |
| | 997 553 118 07 FSC | Sand beige/sand beige | | | |
| | 997 553 118 07 FSD | Sea blue/grey | | | |
| | 997 553 118 07 FSF | Terracotta/terracotta | | | |
| | 997 553 118 07 FSG | Cocoa/Cocoa | | | |
| | 997 553 118 07 FSH | Darkgrey natural/grey | | | |
| | 997 553 118 07 FSJ | Brown nat./brown nat. | | | |
| | 997 553 118 07 FSP | Carrera Red/Carrera Red | | | |
| (9) | 997 553 117 07 | Leather panel | rhd | 1 | PR:099 |
| | | | side | | |
| | 997 553 117 07 FSA | black/grey | | | |
| | 997 553 117 07 FSB | Stone grey/stone grey | | | |
| | 997 553 117 07 FSC | Sand beige/sand beige | | | |
| | 997 553 117 07 FSD | Sea blue/grey | | | |
| | 997 553 117 07 FSF | Terracotta/terracotta | | | |
| | 997 553 117 07 FSG | Cocoa/Cocoa | | | |
| | 997 553 117 07 FSH | Darkgrey natural/grey | | | |
| | 997 553 117 07 FSJ | Brown nat./brown nat. | | | |
| | 997 553 117 07 FSP | Carrera Red/Carrera Red | | | |
| 10 | 997 553 520 00 | Adapter | lhd | 1 | PR:098,618 |
| (10) | 997 553 516 00 | Adapter | lhd | 1 | PR:098,669 |
| (10) | 997 553 519 00 | Adapter | rhd | 1 | PR:099,618 |
| (10) | 997 553 515 00 | Adapter | rhd | 1 | PR:099,669 |
| 11 | 997 553 418 01 | Trim | lhd | 1 | PR:098,618 |
| | 997 553 418 01 A11 | Black | | | |
| | 997 553 418 01 5X6 | Stone grey | | | |
| | 997 553 418 01 8G2 | Sand beige | | | |
| | 997 553 418 01 3S9 | sea blue | | | |
| | 997 553 418 01 9S5 | Terracotta | | | |
| | 997 553 418 01 9V6 | Cocoa | | | |
| | 997 553 418 01 D12 | Dark grey/natural | | | |
| | 997 553 418 01 T12 | Brown/natural | | | |
| | 997 553 418 01 N12 | Carrera Red | | | |
| (11) | 997 553 416 00 | Trim | lhd | 1 | PR:098,669 |
| | 997 553 416 00 A11 | Black | | | |
| | 997 553 416 00 5X6 | Stone grey | | | |
| | 997 553 416 00 8G2 | Sand beige | | | |
| | 997 553 416 00 3S9 | sea blue | | | |
| | 997 553 416 00 9S5 | Terracotta | | | |

Model: 997T07

Model life 2007>>2009

| Pos | Part Number | Description | Remark | Qty | Model |
|------|--------------------|---|--------|-----|------------------------------------|
| | 997 553 416 00 9V6 | Cocoa | | | |
| | 997 553 416 00 D12 | Dark grey/natural | | | |
| | 997 553 416 00 T12 | Brown/natural | | | |
| | 997 553 416 00 N12 | Carrera Red | | | |
| (11) | 997 553 417 01 | Trim | rhd | 1 | PR:099,618 |
| | 997 553 417 01 A11 | Black | | | |
| | 997 553 417 01 5X6 | Stone grey | | | |
| | 997 553 417 01 8G2 | Sand beige | | | |
| | 997 553 417 01 3S9 | sea blue | | | |
| | 997 553 417 01 9S5 | Terracotta | | | |
| | 997 553 417 01 9V6 | Cocoa | | | |
| | 997 553 417 01 D12 | Dark grey/natural | | | |
| | 997 553 417 01 T12 | Brown/natural | | | |
| | 997 553 417 01 N12 | Carrera Red | | | |
| (11) | 997 553 415 00 | Trim | rhd | 1 | PR:099,669 |
| | 997 553 415 00 A11 | Black | | | |
| | 997 553 415 00 5X6 | Stone grey | | | |
| | 997 553 415 00 8G2 | Sand beige | | | |
| | 997 553 415 00 3S9 | sea blue | | | |
| | 997 553 415 00 9S5 | Terracotta | | | |
| | 997 553 415 00 9V6 | Cocoa | | | |
| | 997 553 415 00 D12 | Dark grey/natural | | | |
| | 997 553 415 00 T12 | Brown/natural | | | |
| | 997 553 415 00 N12 | Carrera Red | | | |
| 12 | 997 553 524 00 | Carrier plate | lhd | 1 | PR:098,669 |
| | 997 553 524 00 01C | Satin black | | | |
| (12) | 997 553 523 00 | Carrier plate | rhd | 1 | PR:099,669 |
| | 997 553 523 00 01C | Satin black | | | |
| 13 | 999 073 226 09 | panel screw 4,2 X 16 | | 2 | |
| 14 | 999 591 508 01 | Cage nut 4,2 | | 2 | |
| 15 | 999 073 155 09 | panel screw 4,2 X 13 | | 7 | |
| 16 | 999 507 971 01 | panel nut 4,2 | | 2 | |
| 17 | 999 507 645 02 | Threaded piece 4,2 | | 1 | |
| 18 | 997 553 751 00 | Cover cap | | 1 | PR:618 |
| | 997 553 751 00 01C | Satin black | | | |
| 19 | 997 553 522 01 | Carrier plate | lhd | 1 | PR:098,618 |
| | 997 553 522 01 01C | Satin black | | | |
| (19) | 997 553 521 01 | Carrier plate | rhd | 1 | PR:099,618 |
| | 997 553 521 01 01C | Satin black | | | |
| 20 | 999 919 230 00 | countersunk bolt 3 X 10 | | 4 | |
| 21 | 997 646 311 00 | Bungs | | 2 | PR:669 |
| 22 | 7PP 035 725 | Telephone controls/receiver Discontinued part | | 1 | PR:669 |
| 22 | 7PP 035 725 B | Telephone controls/receiver | | 1 | PR:669 |
| 23 | 997 646 216 00 | Battery Discontinued part | | 1 | PR:669 |
| 23 | 997 646 916 00 | Battery | | 1 | PR:669 |
| 24 | 997 646 214 00 | Support for cellphone receiver Discontinued part | | 1 | PR:669 |
| | 997 646 214 00 A05 | Black | | | |
| 24 | 955 646 214 00 | Support for cellphone receiver | | 1 | PR:669 |
| (25) | 997 646 313 00 | microphone | | 1 | PR:441,490, 618,619,666, 671 |
| (25) | 997 646 315 00 | microphone | | 1 | PR:618,619, |

Model: 997T07

Model life 2007>>2009

| Pos | Part Number | Description | Remark | Qty | Model |
|------|----------------|---------------------------|--------|-----|----------------------------|
| (25) | 997 646 319 00 | microphone | | 1 | 666,671,680 |
| - | 997 610 233 01 | Cable guide microphone | | 1 | PR:618,619, 665,666,671 |