

Model: ATK**Model life 1963>>2012**

ORDER INFO

THIS PARTS CATALOGUE CONTAINS ORDERING INFORMATION ON THE
REPLACEMENT PROGRAMM FOR ALL VEHICLE TYPES AS OF MODEL 1963.

IT IS AVAILABLE IN THE FOLLOWING LANGUAGES:

- DEUTSCH ORDER-NO. WET 615 610
- * - ENGLISCH ORDER-NO. WET 615 620
- FRANZOESISCH ORDER-NO. WET 615 630
- ITALIENISCH ORDER-NO. WET 615 640
- SPANISCH ORDER-NO. WET 615 650

UPDATING IS BEING PERFORMED BY CHANGING OF FICHE.

THE EDITION CAN BE RECOGNIZED BY THE CURRENT NO. AND CALENDAR
YEAR IN THE BOTTOM LINE OF SUBJECT FICHE.

THE PREVIOUS FICHE SHOULD NO LONGER BE USED.

ALL ILLUSTRATIONS ARE SUBJECT TO CHANGE WITHOUT OBLIGATION.

Model: ATK

Model life 1963>>2012

EXPLANAT.- VIN

EXPLANATION OF THE ABRIDGED VERSION OF THE VEHICLE IDENT. NUMBERS (VIN)

=====
USED IN THE CATALOGUE TYPE 914
=====

DIGIT: 1 2 3 4 5 6 7 8 9 10

EXAMPLE: 4 7 0 2 9 0 0 0 0 1

=== = === =====

! ! ! !

VEHICLE TYPE-----+ ! ! !

! ! !

MODEL YEAR-----+ ! !

! !

INDEX OF VARIANTS-----+ !

!

SERIAL NUMBER-----+

EXPLANATION OF THE ABRIDGED VERSION OF THE VEHICLE IDENT. NUMBERS (VIN)

=====
USED IN THE CATALOGUE TYPE 914/6
=====

DIGIT: 1 2 3 4 5 6 7 8 9 10

EXAMPLE: 9 1 4 0 4 3 0 0 0 1

===== = = =====

! ! ! !

VEHICLE TYPE-----+ ! ! !

! ! !

MODEL YEAR-----+ ! !

! !

BODY AND ENGINE VERSION-----+ !

!

SERIAL NUMBER-----+

Model: ATK

Model life 1963>>2012

SUMMARY TYPES

VEHICLE TYPE	MY	VEHICLE IDENT NR.	ENGINE TYPE
914	70 0	47029 00001>>	022
914-6	70 0	91404 30001>>	901.36/37
914-6 (USA)	70 0	91404 30001>>	901.38/39
914	71 1	47129 00001>>	022
914-6	71 1	91414 30001>>	901.36/37
914-6 (USA)	71 1	91414 30001>>	901.38/39
914	72 2	47229 00001>>	022
914-6 (USA)	72 2	91424 30001>>	901.38
914-1.7	73 3	47329 00001>>	022
914-2.0	73 3	47329 00001>>	039
914-1.8	74 4	47429 00001>>	022
914-1.8V	74 4	47429 00001>>	021
914-2.0	74 4	47429 00001>>	039
914-1.8	75 5	47529 00001>>	022
914-1.8V	75 5	47529 00001>>	021
914-2.0	75 5	47529 00001>>	039
914-1.8	76 6	47629 00001>>	022
914-1.8V	76 6	47629 00001>>	021
914-2.0	76 6	47629 00001>>	039

Model: ATK

Model life 1963>>2012

EXPLANAT.-VIN

EXPLANATION OF THE VERSION OF THE VEHICLE IDENT. NUMBERS (VIN)
 =====
 USED IN THE CATALOGUE
 =====

DIGIT:	1	2	3	4	5	6	7	8	9	10
--------	---	---	---	---	---	---	---	---	---	----

EXAMPLE:	9	2	4	9	1	0	0	2	5	3
	=====			=	=			=====		

		!	!	!		!				
VEHICLE TYPE-----+			!	!		!				
			!	!		!				
MODEL YEAR-----+				!		!				
				!		!				
CODE FOR BODY AND ENGINE-----+						!				
						!				
SERIAL NUMBER-----+										

Model: **ATK** Model life **1963>>2012**

SUMMARY TYPES

FAHRZEUGTYP	MJ	FAHRZEUG-IDENT.NR	MOTORTYP
924	76 6	92461 00051>05149	047.8 92 KW
924	77 7	92471 00051>	047.8/9 92 KW
924 (USA)(CDN)(CAL)	77 7	92472 00051>	047.6 74 KW
924 (USA)(CDN)(CAL)	77 7	92472 30051>	047.4/5 85 KW
924 (J)	77 7	92473 00051>	047.6 74 KW
924 (J)	77 7	92473 30051>	047.4/5 85 KW
924	78 8	92481 00051>	047.8/9 92 KW
924 (USA)(CDN)(CAL)	78 8	92482 00051>	047.4/5 85 KW
924 (J)	78 8	92483 30051>	047.4/5 85 KW
924	79 9	92491 00051>	047.8/9 92 KW
924 (USA)(CDN)(CAL)	79 9	92491 00051>	047.4/5 85 KW
924 (J)	79 9	92793 30051>	047.4/5 85 KW
924 TURBO	79 9	92494 00051>	M31.01 125 KW
924	80 A	92A04 10001>19999	047.8/9 92 KW
924 TURBO	80 A	93A01 40001>49999	M31.01 125 KW
924 (USA)(CDN)(J)	80 A	92A04 30001>39999	047.E/F 85 KW
924 TURBO (USA)(CDN)(J)	80 A	93A01 50001>59999	M31.02 110 KW
924	81 B	92BN4 00001>09999	047.8/9 92 KW
924 TURBO	81 B	93BN1 00001>09999	M31.03 130 KW
924 CARRERA GT	81 B	93BN7 00001>09999	M31.50 154 KW
924 (USA)(CDN)(J)	81 B	92BN4 50001>59999	047.E/F 85 KW
924 TURBO (USA)(CDN)(J)	81 B	93BN1 50001>59999	M31.04 115 KW
924	82 C	92CN4 00001>09999	047.8/9 92 KW
924 TURBO	82 C	93CN1 00001>09999	M31.03 130 KW
924 (USA)(CDN)	82 C	92CN4 50001>59999	047.E/F 85 KW
924 TURBO (USA)(CDN)	82 C	93CN1 50001>59999	M31.04 115 KW
924 (J)	82 C	92CN4 00001>09999	047.E/F 85 KW
924 TURBO (J)	82 C	93CN1 00001>09999	M31.04 115 KW
924	83 D	92DN4 00001>09999	047.8/9 92 KW
924 TURBO (I)	83 D	93DN1 00001>09999	M31.03 130 KW
924	84 E	92EN4 00001>09999	047.8/9 92 KW
924 TURBO	84 E	93EN1 00001>09999	M31.03 130 KW
924	85 F	92FN4 00001>09999	047.8/9 92 KW
924 S	86 G	92GN4 00001>09999	M44.07/08 110 KW
924 S	87 H	92HN4 00001>09999	M44.07/08 110 KW
924 S (USA)(CDN)(J)	87 H	92HN4 50001>59999	M44.07/08 110 KW
924 S	88 J	92JN4 00001>09999	M44.09/10 118 KW
924 S (USA)(CDN)(J)	88 J	92JN4 50001>59999	M44.09/10 118 KW

Model: ATK

Model life 1963>>2012

EXPLANAT.- VIN

EXPLANATION OF THE ABRIDGED VERSION OF THE VEHICLE IDENT. NUMBERS (VIN)
 =====
 USED IN THE CATALOGUE
 =====

DIGIT:		1	2	3	4	5	6	7	8	9	10	11	12	13	14	15	16	17
--------	--	---	---	---	---	---	---	---	---	---	----	----	----	----	----	----	----	----

EXAMPLE:		W	P	O	Z	Z	Z	9	4	Z	F	N	4	0	0	1	2	5
----------	--	---	---	---	---	---	---	---	---	---	---	---	---	---	---	---	---	---

								===			=		=						
--	--	--	--	--	--	--	--	-----	--	--	---	--	---	--	--	--	--	--	--

								!			!		!					!	
--	--	--	--	--	--	--	--	---	--	--	---	--	---	--	--	--	--	---	--

VEHICLE TYPE 1ST+2ND DIGIT-----+											!		!					!	
----------------------------------	--	--	--	--	--	--	--	--	--	--	---	--	---	--	--	--	--	---	--

											!		!					!	
--	--	--	--	--	--	--	--	--	--	--	---	--	---	--	--	--	--	---	--

MODEL YEAR-----+											!		!					!	
------------------	--	--	--	--	--	--	--	--	--	--	---	--	---	--	--	--	--	---	--

											!		!					!	
--	--	--	--	--	--	--	--	--	--	--	---	--	---	--	--	--	--	---	--

MANUFACTURING LOCATION-----+											!		!					!	
------------------------------	--	--	--	--	--	--	--	--	--	--	---	--	---	--	--	--	--	---	--

											!		!					!	
--	--	--	--	--	--	--	--	--	--	--	---	--	---	--	--	--	--	---	--

VEHICLE TYPE 3RD DIGIT-----+																		!	
------------------------------	--	--	--	--	--	--	--	--	--	--	--	--	--	--	--	--	--	---	--

																		!	
--	--	--	--	--	--	--	--	--	--	--	--	--	--	--	--	--	--	---	--

SERIAL NUMBER-----+																		!	
---------------------	--	--	--	--	--	--	--	--	--	--	--	--	--	--	--	--	--	---	--

Model: **ATK** Model life **1963>>2012**

SUMMARY TYPES

VEHICLE TYPE	MY	VEHICLE IDENT.NR.	ENGINE TYPE		
944	82 C	94CN4 00051>5000	M44.01/03	120	KW
944	83 D	94DN4 00051>9999	M44.01/03	120	KW
944 (USA)(CDN)	83 D	94DN4 50051>9999	M44.02/04	110	KW
944 (J)	83 D	94DN4 00051>9999	M44.02/04	110	KW
944	84 E	94EN4 00051>20000	M44.01/03	120	KW
944 (USA)(CDN)	84 E	94EN5 00051>20000	M44.02/04	110	KW
944 (J)	84 E	94EN4 00051>20000	M44.02/04	110	KW
944	85 F	94FN4 20051>50000	M44.01/03	120	KW
944 (USA)(CDN)	85 F	94FN4 70051>50000	M44.02/04	110	KW
944 (J)	85 F	94FN4 20051>50000	M44.02/04	110	KW
944	85 F	94FN4 00001>30000	M44.05/06	120	KW
944 (USA)(CDN)	85 F	94FN4 50001>80000	M44.07/08	110	KW
944 (J)	85 F	94FN4 00001>30000	M44.07/08	110	KW
944	86 G	94GN4 00001>30000	M44.05/06	120	KW
944 M298 (J)	86 G	94GN4 00001>30000	M44.07	110	KW
944 M299	86 G	94GN4 00001>30000	M44.08	110	KW
944 (USA)(CDN)	86 G	94GN4 50001>80000	M44.07/08	110	KW
944 TURBO	86 G	95GN1 40001>50000	M44.50	162	KW
944 TURBO	86 G	95GN1 00001>40000	M44.51	162	KW
944 TURBO (USA)(CDN)	86 G	95GN1 50001>70000	M44.51	162	KW
944	87 H	94HN4 20001>50000	M44.05/06	120	KW
944 M298	87 H	94HN4 20001>50000	M44.07	110	KW
944 M299	87 H	94HN4 20001>50000	M44.08	110	KW
944 S	87 H	94HN4 00001>08000	M44.40	140	KW
944 S M637	87 H	94HN4 08001>20000	M44.40	140	KW
944 S (USA)(CDN)	87 H	94HN4 50001>60000	M44.40	135	KW
944 S (USA)(CDN) M637	87 H	94HN4 60001>65000	M44.40	135	KW
944 S (USA)(CDN) M562	87 H	94HN4 65001>80000	M44.40	135	KW
944 TURBO	87 H	95HN1 00001>04000	M44.51	162	KW
944 TURBO M637	87 H	95HN1 04001>50000	M44.51	162	KW
944 TURBO (USA)	87 H	95HN1 50001>60000	M44.51	162	KW
944 TURBO (CDN)	87 H	95HN1 60001>65000	M44.51	162	KW
944 TURBO (CDN) M637	87 H	95HN1 65001>70000	M44.51	162	KW
944	88 J	94JN4 20001>70000	M44.09/10	118	KW
944 (USA)(CDN)	88 J	94JN4 70001>80000	M44.09/10	118	KW
944 (USA)(CDN) M562/563	88 J	94JN4 80001>90000	M44.10	118	KW
944 S	88 J	94JN4 00001>08000	M44.40	140	KW
944 S M637	88 J	94JN4 08001>50000	M44.40	140	KW
944 S (USA)(CDN) M637	88 J	94JN4 50001>65000	M44.40	140	KW
944 S (USA)(CDN) M562/563	88 J	94JN4 65001>80000	M44.40	140	KW
944 TURBO	88 J	95JN1 00001>04000	M44.51	162	KW
944 TURBO M637	88 J	95JN1 04001>10000	M44.51	162	KW
944 TURBO (USA)	88 J	95JN1 50001>60000	M44.51	162	KW
944 TURBO (CDN)	88 J	95JN1 60001>65000	M44.51	162	KW
944 TURBO (CDN) M637	88 J	95JN1 65001>80000	M44.51	162	KW
944 TURBO S	88 J	95JN1 04001>50000	M44.52	184	KW
944 TURBO S (USA)	88 J	95JN1 50001>60000	M44.52	184	KW

Model: ATK

Model life 1963>>2012

SUMMARY TYPES

VEHICLE TYPE	MY	VEHICLE IDENT.NR.	ENGINE TYPE	
944 COUPE	89 K	94KN4 00001>30000	M44.11/12	121 KW
944 S2 COUPE	89 K	94KN4 00001>30000	M44.41	155 KW
944 S2 CABRIO	89 K	94KN4 30001>50000	M44.41	155 KW
944 TURBO COUPE	89 K	95KN1 00001>50000	M44.52	184 KW
944 COUPE (USA)(CDN)	89 K	94KN4 50001>80000	M44.11/12	121 KW
944 S2 COUPE (USA)(CDN)	89 K	94KN4 50001>80000	M44.41	155 KW
944 S2 CABRIO (USA)(CDN)	89 K	94KN4 80001>99999	M44.41	155 KW
944 TURBO COUPE (USA)(CDN)	89 K	95KN1 50001>99999	M44.52	184 KW
944 S2 COUPE	90 L	94LN4 00001>30000	M44.41	155 KW
944 S2 CABRIO	90 L	94LN4 30001>50000	M44.41	155 KW
944 TURBO COUPE	90 L	95LN1 00001>30000	M44.52	184 KW
944 S2 COUPE (USA)(CDN)	90 L	94LN4 50001>80000	M44.41	155 KW
944 S2 CABRIO (USA)(CDN)	90 L	94LN4 80001>99999	M44.41	155 KW
944 TURBO COUPE (CDN)	90 L	95LN1 50001>79999	M44.52	184 KW

NECKARSULM

944 S2 COUPE	91 M	94MN4 00001>10000	M44.41	155 KW
944 S2 CABRIO	91 M	94MN4 30001>40000	M44.41	155 KW
944 TURBO COUPE	91 M	95MN1 00001>30000	M44.52	184 KW
944 TURBO CABRIO	91 M	95MN1 30001>40000	M44.52	184 KW
944 S2 COUPE (USA)(CDN)	91 M	94MN4 10001>20000	M44.41	155 KW
944 S2 CABRIO (USA)(CDN)	91 M	94MN4 40001>50000	M44.41	155 KW

STUTTGART

944 S2 COUPE	91 M	94MS4 00001>10000	M44.41	155 KW
944 S2 CABRIO	91 M	94MS4 30001>40000	M44.41	155 KW

Model: ATK

Model life 1963>>2012

SUMMARY TYPES

VEHICLE TYPE	MY	VEHICLE IDENT.NR.	ENGINE TYPE	
968 COUPE	92 N	96NS8 00061>05000	M44.43/44	176 KW
968 CABRIO	92 N	96NS8 30061>35000	M44.43/44	176 KW
968 COUPE (USA)(CDN)	92 N	96NS8 20061>25000	M44.43/44	176 KW
968 CABRIO (USA)(CDN)	92 N	96NS8 40061>45000	M44.43/44	176 KW
968 COUPE	93 P	96PS8 00061>05000	M44.43/44	176 KW
968 COUPE CS		P 96PS8 15061>19000	M44.43	176 KW
968 CABRIO	93 P	96PS8 30061>34000	M44.43/44	176 KW
968 COUPE (USA)(CDN)	93 P	96PS8 20061>24000	M44.43/44	176 KW
968 CABRIO (USA)(CDN)	93 P	96PS8 40061>45000	M44.43/44	176 KW
968 COUPE	94 R	96RS8 00061>05000	M44.43/44	176 KW
968 COUPE CS	94 R	96RS8 15061>19000	M44.43	176 KW
968 CABRIO	94 R	96RS8 30061>34000	M44.43/44	176 KW
968 COUPE (USA)(CDN)	94 R	96RS8 20061>25000	M44.43/44	176 KW
968 CABRIO (USA)(CDN)	94 R	96RS8 40061>44000	M44.43/44	176 KW
968 COUPE	95 S	96SS8 00061>05000	M44.43/44	176 KW
968 COUPE CS	95 S	96SS8 15061>15800	M44.43	176 KW
968 CABRIO	95 S	96SS8 30061>34000	M44.43/44	176 KW
968 COUPE (USA)(CDN)	95 S	96SS8 20061>25000	M44.43/44	176 KW
968 CABRIO (USA)(CDN)	95 S	96SS8 40061>44000	M44.43/44	176 KW

Model: **ATK** Model life **1963>>2012**

SUMMARY TYPES

FAHRZEUGTYP	MJ	FAHRZEUG-IDENT.NR	MOTORTYP
911 COUPE	74 4	91141 00001>>	911.92/911.97 SPM
911 TARGA	74 4	91141 10001>>	911.92/911.97 SPM
911S COUPE	74 4	91143 00001>>	911.93/911.98 SPM
911S TARGA	74 4	91143 10001>>	911.93/911.98 SPM
911 CARRERA COUPE	74 4	91146 00001>>	911.83
911 CARRERA TARGA	74 4	91146 10001>>	911.83
911 CARRERA COUPE (USA)(CDN)	74 4	91144 00001>>	911.93/911.98 SPM
911 CARRERA TARGA (USA)(CDN)	74 4	91144 10001>>	911.93/911.98 SPM
911 COUPE	75 5	91151 00001>>	911.41/911.46 SPM
911 TARGA	75 5	91151 10001>>	911.41/911.46 SPM
911S COUPE	75 5	91153 00001>>	911.42/911.47 SPM
911S TARGA	75 5	91153 10001>>	911.42/911.47 SPM
911 CARRERA COUPE	75 5	91156 00001>>	911.83
911 CARRERA TARGA	75 5	91156 10001>>	911.83
911S COUPE (USA)(CDN)	75 5	91152 00001>>	911.43/911.48 SPM
911S TARGA (USA)(CDN)	75 5	91152 10001>>	911.43/911.48 SPM
911 CARRERA COUPE (USA)(CDN)	75 5	91154 00001>>	911.43/911.48 SPM
911 CARRERA TARGA (USA)(CDN)	75 5	91154 10001>>	911.43/911.48 SPM
911S COUPE (CAL)	75 5	91152 00001>>	911.44/911.49 SPM
911S TARGA (CAL)	75 5	91152 10001>>	911.44/911.49 SPM
911 CARRERA COUPE (CAL)	75 5	91154 00001>>	911.44/911.49 SPM
911 CARRERA TARGA (CAL)	75 5	91154 10001>>	911.41/911.49 SPM
911 TURBO	75 5	93057 00001>>	930.50
911 COUPE	76 6	91163 00001>>	911.81/911.86 SPM
911 TARGA	76 6	91163 10001>>	911.81/911.86 SPM
911 CARRERA COUPE	76 6	91166 09001>>	911.83
911 CARRERA TARGA	76 6	91166 19001>>	911.83
911 CARRERA COUPE	76 6	91166 00001>>	930.02/930.12 SPM
911 CARRERA TARGA	76 6	91166 10001>>	930.02/930.12 SPM
912E COUPE (USA)(CDN)	76 6	91260 00001>>	923.02
911S COUPE (USA)(CDN)	76 6	91162 00001>>	911.82/911.89 SPM
911S TARGA (USA)(CDN)	76 6	91162 10001>>	911.82/911.89 SPM
911S COUPE (CAL)	76 6	91162 00001>>	911.84
911S TARGA (CAL)	76 6	91162 10001>>	911.84
911 COUPE (J)	76 6	91161 00001>>	911.41
911 TARGA (J)	76 6	91161 10001>>	911.41
911S COUPE (J)	76 6	91163 00001>>	911.81/911.86 SPM
911S TARGA (J)	76 6	91163 10001>>	911.81/911.86 SPM
911 TURBO	76 6	93067 00001>>	930.52
911 TURBO (J)	76 6	93067 00001>>	930.52
911 TURBO CARRERA (USA)(CDN)	76 6	93068 00001>>	930.51
911 COUPE	77 7	91173 00001>>	911.81/911.86 SPM
911 TARGA	77 7	91173 10001>>	911.81/911.86 SPM
911 CARRERA COUPE	77 7	91176 00001>>	930.02/930.12 SPM
911 CARRERA TARGA	77 7	91176 10001>>	930.02/930.12 SPM
911S COUPE (USA)(CDN)	77 7	91172 00001>>	911.85/911.90 SPM
911S TARGA (USA)(CDN)	77 7	91172 10001>>	911.85/911.90 SPM
911S COUPE (J)	77 7	91173 00001>>	911.94/911.99 SPM
911S TARGA (J)	77 7	91173 10001>>	911.94/911.99 SPM

Model: ATK **Model life 1963>>2012**

911	TURBO	77	7	93077	00001>>	930.52
911	TURBO	77	7	93077	00001>>	930.54
911	TURBO CARRERA (USA)(CDN)	77	7	93078	00001>>	930.53

Model: ATK Model life 1963>>2012

SUMMARY TYPES

VEHICLE TYPE	MY	VIN	ENGINE TYPE
911 SC COUPE	78 8	91183 00001>10000	930.03/13 132KW
911 SC TARGA	78 8	91183 10001>>	930.03/13 132KW
911 TURBO	78 8	93087 00001>>	930.60 221KW
911 SC COUPE (USA)(CDN)(CAL)	78 8	91182 00001>10000	930.04/06 132KW
911 SC TARGA (USA)(CDN)(CAL)	78 8	91182 10001>>	930.04/06 132KW
911 TURBO (USA)(CDN)(CAL)	78 8	93088 00001>>	930.61/63 195KW
911 SC COUPE (J)	78 8	91183 09501>19500	930.05/15 132KW
911 SC TARGA (J)	78 8	91183 19501>>	930.05/15 132KW
911 TURBO (J)	78 8	93087 09501>>	930.62 195KW
911 SC COUPE	79 9	91193 00001>10000	930.03/13 132KW
911 SC TARGA	79 9	91193 10000>>	930.03/13 132KW
911 TURBO	79 9	93097 00001>>	930.60 221KW
911 SC COUPE (USA)(CDN)(CAL)	79 9	91192 00001>10000	930.04/06 132KW
911 SC TARGA (USA)(CDN)(CAL)	79 9	91192 10001>>	930.04/06 132KW
911 TURBO (USA)(CDN)(CAL)	79 9	93098 00001>>	930.64/63 195KW
911 SC COUPE (J)	79 9	91193 09501>>	930.05/15 132KW
911 SC TARGA (J)	79 9	91193 19501>>	930.05/15 132KW
911 TURBO (J)	79 9	93097 09501>>	930.65 195KW
911 SC	80 A	91A01 30001>39999	930.09/19 138KW
911 TURBO	80 A	93A00 70001>79999	930.60 221KW
911 SC (USA)(CDN)	80 A	91A01 40001>49999	930.07 132KW
911 SC (J)	80 A	91A01 30001>39999	930.08 132KW
911 TURBO (J)	80 A	93A00 70001>79999	930.65 195KW
911 SC COUPE	81 B	91BS1 00001>05000	930.10 150KW
911 SC TARGA	81 B	91BS1 40001>45000	930.10 150KW
911 TURBO	81 B	93BS0 00001>02000	930.60 221KW
911 SC COUPE (USA)(CDN)	81 B	91BS1 20001>25000	930.16 132KW
911 SC TARGA (USA)(CDN)	81 B	91BS1 60001>65000	930.16 132KW
911 TURBO (CDN)	81 B	93BS0 50001>52000	930.60 221KW
911 SC COUPE (J)	81 B	91BS1 29500>29999	930.17 132KW
911 SC TARGA (J)	81 B	91BS1 69500>69999	930.17 132KW
911 SC COUPE	82 C	91CS1 00001>05000	930.10 150KW
911 SC TARGA	82 C	91CS1 40001>45000	930.10 150KW
911 TURBO	82 C	93CS0 00001>02000	930.60 221KW
911 SC COUPE (USA)(CDN)	82 C	91CS1 20001>25000	930.16 132KW
911 SC TARGA (USA)(CDN)	82 C	91CS1 60001>65000	930.16 132KW
911 TURBO (CDN)	82 C	93CS0 50001>52000	930.60 221KW
911 SC COUPE (J)	82 C	91CS1 09500>09999	930.17 132KW
911 SC TARGA (J)	82 C	91CS1 49500>49999	930.17 132KW
911 SC COUPE	83 D	91DS1 00001>05000	930.10 150KW
911 SC TARGA	83 D	91DS1 40001>45000	930.10 150KW
911 SC CABRIO	83 D	91DS1 50001>55000	930.10 150KW
911 TURBO	83 D	93DS0 00001>02000	930.66 221KW
911 SC COUPE (USA)(CDN)	83 D	91DS1 20001>25000	930.16 132KW
911 SC TARGA (USA)(CDN)	83 D	91DS1 60001>65000	930.16 132KW
911 SC CABRIO (USA)(CDN)	83 D	91DS1 70001>75000	930.16 132KW
911 TURBO (CDN)	83 D	93DS0 50001>52000	930.66 221KW
911 SC (J)	83 D	91DS1 09501>09999	930.17 132KW
911 SC TARGA (J)	83 D	91DS1 49501>49999	930.17 132KW

Model: ATK**Model life 1963>>2012**

911 SC CABRIO (J)

83 D 91DS1 59501>59999 930.17

132KW

Model: ATK Model life 1963>>2012

SUMMARY TYPES

VEHICLE TYPE	MY	VEHICLE IDENT.NR.	ENGINE	TYPE
911 CARRERA COUPE/TURBO-LOOK	84 E	91ES1 00001>05000	930.20	170 KW
911 CARRERA TARGA	84 E	91ES1 40001>45000	930.20	170 KW
911 CARRERA CABRIO	84 E	91ES1 50001>55000	930.20	170 KW
911 CARRERA COUPE/TURBO-LOOK (J)	84 E	91ES1 09501>09999	930.21	152 KW
911 CARRERA TARGA (J)	84 E	91ES1 49501>49999	930.21	152 KW
911 CARRERA CABRIO (J)	84 E	91ES1 59501>59999	930.21	152 KW
911 CARRERA COUPE/TURBO-LOOK (USA)(CDN)	84 E	91ES1 20001>25000	930.21	152 KW
911 CARRERA TARGA (USA)(CDN)	84 E	91ES1 60001>65000	930.21	152 KW
911 CARRERA CABRIO (USA)(CDN)	84 E	91ES1 70001>75000	930.21	152 KW
911 TURBO COUPE	84 E	93ES0 00001>01000	930.66	221 KW
911 TURBO COUPE (CDN)	84 E	93ES0 50001>52000	930.66	221 KW
911 CARRERA COUPE	85 F	91FS1 00001>05000	930.20	170 KW
911 CARRERA TARGA	85 F	91FS1 40001>45000	930.20	170 KW
911 CARRERA CABRIO	85 F	91FS1 50001>55000	930.20	170 KW
911 CARRERA COUPE M298	85 F	91FS1 00001>05000	930.21	152 KW
911 CARRERA TARGA M298	85 F	91FS1 40001>45000	930.21	152 KW
911 CARRERA CABRIO M298	85 F	91FS1 50001>55000	930.21	152 KW
911 CARRERA COUPE (AUS)(S)(CH)	85 F	91FS1 00001>05000	930.26	170 KW
911 CARRERA TARGA (AUS)(S)(CH)	85 F	91FS1 40001>45000	930.26	170 KW
911 CARRERA CABRIO (AUS)(S) (CH)	85 F	91FS1 50001>55000	930.26	170 KW
911 CARRERA COUPE (J)	85 F	91FS1 09501>09999	930.21	152 KW
911 CARRERA TARGA (J)	85 F	91FS1 49501>49999	930.21	152 KW
911 CARRERA CABRIO (J)	85 F	91FS1 59501>59999	930.21	152 KW
911 CARRERA COUPE (USA)(CDN)	85 F	91FS1 20001>25000	930.21	152 KW
911 CARRERA TARGA (USA)(CDN)	85 F	91FS1 60001>65000	930.21	152 KW
911 CARRERA CABRIO (USA)(CDN)	85 F	91FS1 70001>75000	930.21	152 KW
911 TURBO COUPE	85 F	93FS0 00001>02000	930.66	221 KW
911 TURBO COUPE (CDN)	85 F	93FS0 50001>52000	930.66	221 KW
911 CARRERA COUPE	86 G	91GS1 00001>05000	930.20	170 KW
911 CARRERA TARGA	86 G	91GS1 40001>45000	930.20	170 KW
911 CARRERA CABRIO	86 G	91GS1 50001>55000	930.20	170 KW
911 CARRERA COUPE M298	86 G	91GS1 00001>05000	930.21	152 KW
911 CARRERA TARGA M298	86 G	91GS1 40001>45000	930.21	152 KW
911 CARRERA CABRIO M298	86 G	91GS1 50001>55000	930.21	152 KW
911 CARRERA COUPE (S)(CH)	86 G	91GS1 00001>05000	930.26	170 KW
911 CARRERA TARGA (S)(CH)	86 G	91GS1 40001>45000	930.26	170 KW
911 CARRERA CABRIO (S)(CH)	86 G	91GS1 50001>55000	930.26	170 KW
911 CARRERA COUPE (J)	86 G	91GS1 09501>09999	930.21	152 KW
911 CARRERA TARGA (J)	86 G	91GS1 49501>49999	930.21	152 KW
911 CARRERA CABRIO (J)	86 G	91GS1 59501>59999	930.21	152 KW
911 CARRERA COUPE (USA)(CDN)	86 G	91GS1 20001>25000	930.21	152 KW
911 CARRERA TARGA (USA)(CDN)	86 G	91GS1 60001>65000	930.21	152 KW
911 CARRERA CABRIO (USA)(CDN)	86 G	91GS1 70001>75000	930.21	152 KW
911 TURBO COUPE	86 G	93GS0 00001>02000	930.66	221 KW

Model: ATK

Model life 1963>>2012

911 TURBO COUPE (CDN)	86 G 93GS0 55001>57000 930.66 221 KW
911 TURBO COUPE (USA)	86 G 93GS0 50001>52000 930.68 209 KW

Model: ATK

Model life 1963>>2012

SUMMARY TYPES

VEHICLE TYPE	MY	VIN	ENGINE TYPE
959 COUPE	87 H	95HS9 00001>01000	959.50, 330 KW
959 COUPE	88 J	95JS9 00001>01000	959.50, 330 KW

Model: **ATK** Model life **1963>>2012**

SUMMARY TYPES

VEHICLE TYPE	MY	VEHICLE IDENT.NR.	ENGINE TYPE		
944	82 C	94CN4 00051>5000	M44.01/03	120	KW
944	83 D	94DN4 00051>9999	M44.01/03	120	KW
944 (USA)(CDN)	83 D	94DN4 50051>9999	M44.02/04	110	KW
944 (J)	83 D	94DN4 00051>9999	M44.02/04	110	KW
944	84 E	94EN4 00051>20000	M44.01/03	120	KW
944 (USA)(CDN)	84 E	94EN5 00051>20000	M44.02/04	110	KW
944 (J)	84 E	94EN4 00051>20000	M44.02/04	110	KW
944	85 F	94FN4 20051>50000	M44.01/03	120	KW
944 (USA)(CDN)	85 F	94FN4 70051>50000	M44.02/04	110	KW
944 (J)	85 F	94FN4 20051>50000	M44.02/04	110	KW
944	85 F	94FN4 00001>30000	M44.05/06	120	KW
944 (USA)(CDN)	85 F	94FN4 50001>80000	M44.07/08	110	KW
944 (J)	85 F	94FN4 00001>30000	M44.07/08	110	KW
944	86 G	94GN4 00001>30000	M44.05/06	120	KW
944 M298 (J)	86 G	94GN4 00001>30000	M44.07	110	KW
944 M299	86 G	94GN4 00001>30000	M44.08	110	KW
944 (USA)(CDN)	86 G	94GN4 50001>80000	M44.07/08	110	KW
944 TURBO	86 G	95GN1 40001>50000	M44.50	162	KW
944 TURBO	86 G	95GN1 00001>40000	M44.51	162	KW
944 TURBO (USA)(CDN)	86 G	95GN1 50001>70000	M44.51	162	KW
944	87 H	94HN4 20001>50000	M44.05/06	120	KW
944 M298	87 H	94HN4 20001>50000	M44.07	110	KW
944 M299	87 H	94HN4 20001>50000	M44.08	110	KW
944 S	87 H	94HN4 00001>08000	M44.40	140	KW
944 S M637	87 H	94HN4 08001>20000	M44.40	140	KW
944 S (USA)(CDN)	87 H	94HN4 50001>60000	M44.40	135	KW
944 S (USA)(CDN) M637	87 H	94HN4 60001>65000	M44.40	135	KW
944 S (USA)(CDN) M562	87 H	94HN4 65001>80000	M44.40	135	KW
944 TURBO	87 H	95HN1 00001>04000	M44.51	162	KW
944 TURBO M637	87 H	95HN1 04001>50000	M44.51	162	KW
944 TURBO (USA)	87 H	95HN1 50001>60000	M44.51	162	KW
944 TURBO (CDN)	87 H	95HN1 60001>65000	M44.51	162	KW
944 TURBO (CDN) M637	87 H	95HN1 65001>70000	M44.51	162	KW
944	88 J	94JN4 20001>70000	M44.09/10	118	KW
944 (USA)(CDN)	88 J	94JN4 70001>80000	M44.09/10	118	KW
944 (USA)(CDN) M562/563	88 J	94JN4 80001>90000	M44.10	118	KW
944 S	88 J	94JN4 00001>08000	M44.40	140	KW
944 S M637	88 J	94JN4 08001>50000	M44.40	140	KW
944 S (USA)(CDN) M637	88 J	94JN4 50001>65000	M44.40	140	KW
944 S (USA)(CDN) M562/563	88 J	94JN4 65001>80000	M44.40	140	KW
944 TURBO	88 J	95JN1 00001>04000	M44.51	162	KW
944 TURBO M637	88 J	95JN1 04001>10000	M44.51	162	KW
944 TURBO (USA)	88 J	95JN1 50001>60000	M44.51	162	KW
944 TURBO (CDN)	88 J	95JN1 60001>65000	M44.51	162	KW
944 TURBO (CDN) M637	88 J	95JN1 65001>80000	M44.51	162	KW
944 TURBO S	88 J	95JN1 04001>50000	M44.52	184	KW
944 TURBO S (USA)	88 J	95JN1 50001>60000	M44.52	184	KW

Model: ATK Model life 1963>>2012

SUMMARY TYPES

VEHICLE TYPE	MY	VIN	ENGINE TYPE
911 CARRERA 4 COUPE	89	K 96KS4 00061>05000	M64.01 184 KW
911 CARRERA 4 COUPE (USA)(CDN)	89	K 96KS4 50061>55000	M64.01 184 KW
911 CARRERA 2 COUPE	90	L 96LS4 00061>05000	M64.01/02 184 KW
911 CARRERA 2 TARGA	90	L 96LS4 10061>15000	M64.01/02 184 KW
911 CARRERA 2 CABRIO	90	L 96LS4 20061>25000	M64.01/02 184 KW
911 CARRERA 4 COUPE	90	L 96LS4 00061>05000	M64.01 184 KW
911 CARRERA 4 TARGA	90	L 96LS4 10061>15000	M64.01 184 KW
911 CARRERA 4 CABRIO	90	L 96LS4 20061>25000	M64.01 184 KW
911 CARRERA 2 COUPE (USA)(CDN)	90	L 96LS4 50061>59500	M64.01/02 184 KW
911 CARRERA 2 TARGA (USA)(CDN)	90	L 96LS4 60061>69500	M64.01/02 184 KW
911 CARRERA 2 CABRIO(USA)(CDN)	90	L 96LS4 70061>79500	M64.01/02 184 KW
911 CARRERA 4 COUPE (USA)(CDN)	90	L 96LS4 50061>59500	M64.01 184 KW
911 CARRERA 4 TARGA (USA)(CDN)	90	L 96LS4 60061>69500	M64.01 184 KW
911 CARRERA 4 CABRIO(USA)(CDN)	90	L 96LS4 70061>79500	M64.01 184 KW
911 CARRERA 2 COUPE	91	M 96MS4 00061>08000	M64.01/02 184 KW
911 CARRERA 2 TARGA	91	M 96MS4 30061>38000	M64.01/02 184 KW
911 CARRERA 2 CABRIO	91	M 96MS4 50061>58000	M64.01/02 184 KW
911 CARRERA 4 COUPE	91	M 96MS4 00061>08000	M64.01 184 KW
911 CARRERA 4 TARGA	91	M 96MS4 30061>38000	M64.01 184 KW
911 CARRERA 4 CABRIO	91	M 96MS4 50061>58000	M64.01 184 KW
911 TURBO	91	M 96MS4 70061>75000	M30.69 235 KW
911 CARRERA 2 COUPE (USA)(CDN)	91	M 96MS4 10061>18000	M64.01/02 184 KW
911 CARRERA 2 TARGA (USA)(CDN)	91	M 96MS4 40061>48000	M64.01/02 184 KW
911 CARRERA 2 CABRIO(USA)(CDN)	91	M 96MS4 60061>68000	M64.01/02 184 KW
911 CARRERA 4 COUPE (USA)(CDN)	91	M 96MS4 10061>18000	M64.01 184 KW
911 CARRERA 4 TARGA (USA)(CDN)	91	M 96MS4 40061>48000	M64.01 184 KW
911 CARRERA 4 CABRIO(USA)(CDN)	91	M 96MS4 60061>68000	M64.01 184 KW
911 TURBO (USA)(CDN)	91	M 96MS4 80061>85000	M30.69 235 KW
911 CARRERA 2 COUPE	92	N 96NS4 00061>08000	M64.01/02 184 KW
911 CARRERA 2 TARGA	92	N 96NS4 30061>38000	M64.01/02 184 KW
911 CARRERA 2 CABRIO	92	N 96NS4 50061>58000	M64.01/02 184 KW
911 CARRERA 2 RS	92	N 96NS4 90061>96000	M64.03 191 KW
911 CARRERA 2 RS M002(TOURING)	92	N 96NS4 90061>96000	M64.03 191 KW
911 CARRERA 4 COUPE	92	N 96NS4 00061>08000	M64.01 184 KW
911 CARRERA 4 TARGA	92	N 96NS4 30061>38000	M64.01 184 KW
911 CARRERA 4 CABRIO	92	N 96NS4 50061>58000	M64.01 184 KW
911 TURBO	92	N 96NS4 70061>75000	M30.69 235 KW
911 CARRERA 2 COUPE (USA)(CDN)	92	N 96NS4 20061>28000	M64.01/02 184 KW
911 CARRERA 2 TARGA (USA)(CDN)	92	N 96NS4 40061>48000	M64.01/02 184 KW
911 CARRERA 2 CABRIO(USA)(CDN)	92	N 96NS4 60061>68000	M64.01/02 184 KW
911 CARRERA 2 RS AMERICA (USA)(CDN)	92	N 96PS4 18061>18999	M64.01 184 KW
911 CARRERA 4 COUPE (USA)(CDN)	92	N 96NS4 20061>28000	M64.01 184 KW
911 CARRERA 4 TARGA (USA)(CDN)	92	N 96NS4 40061>48000	M64.01 184 KW
911 CARRERA 4 CABRIO(USA)(CDN)	92	N 96NS4 60061>68000	M64.01 184 KW
911 TURBO (USA)(CDN)	92	N 96NS4 80061>85000	M30.69 235 KW

Model: ATK

Model life 1963>>2012

SUMMARY TYPES

VEHICLE TYPE	MY	VEHICLE IDENT.NR.	ENGINE TYPE	
911 CARRERA 2 COUPE	93 P	96PS4 00061>08000	M64.01/02	184 KW
911 CARRERA 2 TARGA	93 P	96PS4 30061>35000	M64.01/02	184 KW
911 CARRERA 2 CABRIO	93 P	96PS4 50061>54000	M64.01/02	184 KW
911 SPEEDSTER	93 P	96RS4 55061>58000	M64.01/02	184 KW
911 CARRERA 4 COUPE	93 P	96PS4 00061>08000	M64.01	184 KW
911 CARRERA 4 TARGA	93 P	96PS4 30061>35000	M64.01	184 KW
911 CARRERA 4 CABRIO	93 P	96PS4 50061>54000	M64.01	184 KW
911 CARRERA 2 COUPE (USA)(CDN)	93 P	96PS4 20061>28000	M64.01/02	184 KW
911 CARRERA 2 TARGA (USA)(CDN)	93 P	96PS4 40061>45000	M64.01/02	184 KW
911 CARRERA 2 CABRIO(USA)(CDN)	93 P	96PS4 60061>64000	M64.01/02	184 KW
911 SPEEDSTER (USA)(CDN)	93 P	96RS4 65061>68000	M64.01/02	184 KW
911 CARRERA 2 RS AMERICA (USA)(CDN)	93 P	96PS4 19061>19999	M64.01	184 KW
911 CARRERA 4 COUPE (USA)(CDN)	93 P	96PS4 20061>28000	M64.01	184 KW
911 CARRERA 4 TARGA (USA)(CDN)	93 P	96PS4 40061>45000	M64.01	184 KW
911 CARRERA 4 CABRIO(USA)(CDN)	93 P	96PS4 60061>64000	M64.01	184 KW
911 TURBO 3.6 COUPE	93 P	96PS4 70061>75000	M64.50	265 KW
911 TURBO 3.6 COUPE (USA)(CDN)	93 P	96RS4 80061>85000	M64.50	265 KW
911 CARRERA 2 CABRIO	94 R	96RS4 50061>54000	M64.01/02	184 KW
911 CARRERA 2 SPEEDSTER	94 R	96RS4 55061>58000	M64.01/02	184 KW
911 CARRERA 4 COUPE	94 R	96RS4 00061>08000	M64.01	184 KW
911 CARRERA 2 COUPE (USA)(CDN)	94 R	96RS4 20061>28000	M64.01/02	184 KW
911 CARRERA 2 CABRIO(USA)(CDN)	94 R	96RS4 60061>64000	M64.01/02	184 KW
911 CARRERA 2 SPEEDSTER (USA)(CDN)	94 R	96RS4 65061>68000	M64.01/02	184 KW
911 CARRERA 2 RS AMERICA (USA)(CDN)	94 R	96RS4 19061>19999	M64.01	184 KW
911 CARRERA 4 COUPE (USA)(CDN)	94 R	96RS4 20061>28000	M64.01	184 KW
911 TURBO 3.6 COUPE	94 R	96RS4 70061>75000	M64.50	265 KW
911 TURBO 3.6 COUPE (USA)(CDN)	94 R	96RS4 80061>85000	M64.50	265 KW

Model: ATK Model life 1963>>2012

SUMMARY TYPES

VEHICLE TYPE	MY	VIN	ENGINE TYPE
911 CARRERA COUPE	94 R	99RS3 10061>19000	M64.05/06 200 KW
911 CARRERA COUPE (USA) (CDN)	94 R	99SS3 20061>29000	M64.07/08 200 KW
911 CARRERA CABRIO	94 R	99RS3 30061>39000	M64.05/06 200 KW
911 CARRERA CABRIO(USA) (CDN)	94 R	99SS3 40061>49000	M64.07/08 200 KW
911 CARRERA COUPE	95 S	99SS3 10061>19000	M64.05/06 200 KW
911 CARRERA COUPE (USA) (CDN)	95 S	99SS3 20061>29000	M64.07/08 200 KW
911 CARRERA RS	95 S	99SS3 90061>90207	M64.20 220 KW
911 CARRERA RS	95 S	99TS3 90061>90640	M64.20 220 KW
911 CARRERA CABRIO	95 S	99SS3 30061>39000	M64.05/06 200 KW
911 CARRERA CABRIO(USA) (CDN)	95 S	99SS3 40061>49000	M64.07/08 200 KW
911 CARRERA 4 COUPE	95 S	99SS3 10061>19000	M64.05 200 KW
911 CARRERA 4 COUPE (USA) (CDN)	95 S	99SS3 20061>29000	M64.07 200 KW
911 CARRERA 4 CABRIO	95 S	99SS3 30061>39000	M64.05 200 KW
911 CARRERA 4 CABRIO(USA) (CDN)	95 S	99SS3 40061>49000	M64.07 200 KW
911 TURBO COUPE(S)(CH)(AG)	95 S	99SS3 70061>73000	M64.60 300 KW
911 TURBO COUPE	95 S	99TS3 70061>71089	M64.60 300 KW
911 TURBO COUPE (USA) (CDN)	95 S	99TS3 75001>75544	M64.60 300 KW
911 CARRERA COUPE	96 T	99TS3 10061>19000	M64.21/22 210 KW
911 CARERRA COUPE (USA) (CDN)	96 T	99TS3 20061>29000	M64.23/24 210 KW
911 CARRERA RS	96 T	99SS3 90208>90999	M64.20 220 KW
911 CARRERA RS	96 T	99TS3 90641>90800	M64.20 220 KW
911 CARRERA CABRIO	96 T	99TS3 30061>39000	M64.21/22 210 KW
911 CARRERA CABRIO(USA) (CDN)	96 T	99TS3 40061>49000	M64.23/24 210 KW
911 CARRERA TARGA	96 T	99TS3 80061>85000	M64.21/22 210 KW
911 CARRERA TARGA (USA) (CDN)	96 T	99TS3 85061>89000	M64.23/24 210 KW
911 CARRERA 4 COUPE	96 T	99TS3 10061>19000	M64.21 210 KW
911 CARRERA 4 COUPE (USA) (CDN)	96 T	99TS3 20061>29000	M64.23 210 KW
911 CARRERA 4 CABRIO	96 T	99TS3 30061>39000	M64.21 210 KW
911 CARRERA 4 CABRIO(USA) (CDN)	96 T	99TS3 40061>49000	M64.23 210 KW
911 TURBO COUPE	96 T	99TS3 71090>73000	M64.60 300 KW
911 TURBO COUPE (USA) (CDN)	96 T	99TS3 75545>76000	M64.60 300 KW
911 CARRERA COUPE	97 V	99VS3 10061>19000	M64.21/22 210 KW
911 CARRERA COUPE (USA) (CDN)	97 V	99VS3 20061>29000	M64.23/24 210 KW
911 CARRERA CABRIO	97 V	99VS3 30061>39000	M64.21/22 210 KW
911 CARRERA CABRIO(USA) (CDN)	97 V	99VS3 40061>49000	M64.23/24 210 KW
911 CARRERA TARGA	97 V	99VS3 80061>85000	M64.21/22 210 KW

Model: ATK

Model life 1963>>2012

911 CARRERA TARGA (USA)(CDN) 97 V 99VS3 85061>89000 M64.23/24 210 KW

Model: ATK**Model life 1963>>2012**

SUMMARY TYPES

VEHICLE TYPE	MY	VIN	ENGINE TYPE
911 CARRERA 4 COUPE	97 V	99VS3 10061>19000	M64.21 210 KW
911 CARRERA 4 COUPE (USA) (CDN)	97 V	99VS3 20061>29000	M64.23 210 KW
911 CARRERA 4 CABRIO	97 V	99VS3 30061>39000	M64.21 210 KW
911 CARRERA 4 CABRIO(USA) (CDN)	97 V	99VS3 40061>49000	M64.21 210 KW
911 TURBO COUPE	97 V	99VS3 70061>73000	M64.60 300 KW
911 TURBO COUPE (USA) (CDN)	97 V	99VS3 75061>76000	M64.60 300 KW

Model: ATK Model life 1963>>2012

SUMMARY TYPES

VEHICLE TYPE	MY	VIN	ENGINE TYPE
911 CARRERA TARGA	97 V	99VS3 80061>85000	M64.21/22 210 KW
911 CARRERA TARGA (USA) (CDN)	97 V	99VS3 85061>89000	M64.23/24 210 KW
911 CARRERA TARGA (BR)	97 V	99VS3 89801>89999	M64.23/24 210 KW
911 CARRERA 4 COUPE	97 V	99VS3 10061>19000	M64.21 210 KW
911 CARRERA 4 COUPE (USA) (CDN)	97 V	99VS3 20061>29000	M64.23 210 KW
911 CARRERA 4 COUPE (BR)	97 V	99VS3 29401>29999	M64.23 210 KW
911 CARRERA 4 CABRIO	97 V	99VS3 30061>39000	M64.21 210 KW
911 CARRERA 4 CABRIO(USA) (CDN)	97 V	99VS3 40061>49000	M64.23 210 KW
911 CARRERA 4 CABRIO(BR)	97 V	99VS3 49801>49999	M64.23 210 KW
911 TURBO COUPE	97 V	99VS3 70061>73000	M64.60 300 KW
911 TURBO COUPE (USA) (CDN)	97 V	99VS3 75061>76000	M64.60 300 KW
911 TURBO COUPE (BR)	97 V	99VS3 79801>79999	M64.60 300 KW
911 CARRERA COUPE	98 W	99WS3 10061>19000	M64.21/22 210 KW
911 CARRERA COUPE (USA) (CDN)	98 W	99WS3 20061>29000	M64.23/24 210 KW
911 CARRERA COUPE (BR)	98 W	99WS3 29201>29999	M64.23/24 210 KW
911 CARRERA CABRIO	98 W	99WS3 30061>39000	M64.21/22 210 KW
911 CARRERA CABRIO(USA) (CDN)	98 W	99WS3 40061>49000	M64.23/24 210 KW
911 CARRERA CABRIO(BR)	98 W	99WS3 49601>49999	M64.23/24 210 KW
911 CARRERA TARGA	98 W	99WS3 80061>85000	M64.21/22 210 KW
911 CARRERA TARGA (USA) (CDN)	98 W	99WS3 85061>89000	M64.23/24 210 KW
911 CARRERA TARGA (BR)	98 W	99WS3 89801>89999	M64.23/24 210 KW
911 CARRERA 4 COUPE	98 W	99WS3 10061>19000	M64.21 210 KW
911 CARRERA 4 COUPE (USA) (CDN)	98 W	99WS3 20061>29000	M64.23 210 KW
911 CARRERA 4 COUPE (BR)	98 W	99WS3 29401>29999	M64.23 210 KW
911 CARRERA 4 CABRIO	98 W	99WS3 30061>39000	M64.21 210 KW
911 CARRERA 4 CABRIO(USA) (CDN)	98 W	99WS3 40061>49000	M64.23 210 KW
911 CARRERA 4 CABRIO(BR)	98 W	99WS3 49801>49999	M64.23 210 KW
911 TURBO COUPE	98 W	99WS3 70061>73000	M64.60 300 KW
911 TURBO COUPE (USA) (CDN)	98 W	99VS3 75061>77000	M64.60 300 KW
911 TURBO COUPE (MEX)	98 W	99WS3 75061>77000	M64.60 300 KW
911 TURBO COUPE (BR)	98 W	99WS3 79801>79999	M64.60 300 KW

Model: ATK

Model life 1963>>2012

SUMMARY TYPES

FAHRZEUGTYP	MJ	FAHRZEUG-IDENT.NR	MOTORTYP	
928	78 8	92881 00001>	M28.01/02	177KW
928 (USA)(CDN)	78 8	92882 00001>09500	M28.03/04	169KW
928 (J)	78 8	92882 09501>	M28.03/04	169KW
928	79 9	92891 00001>	M28.01/02	177KW
928 (USA)(CDN)	79 9	92892 00001>09500	M28.03/04	169KW
928 (J)	97 9	92892 09501>	M28.03/04	169KW
928	80 A	92A08 00001>05000	M28.09/10	177KW
928 S	80 A	92A08 20001>25000	M28.11/12	221KW
928 (USA)(CDN)	80 A	92A08 10001>15000	M28.13/14	170KW
928 (J)	80 A	92A08 00001>05000	M28.13/14	170KW
928	81 B	92BD8 00001>05000	M28.09/10	177KW
928 S	81 B	92BS8 40001>45000	M28.11/12	221KW
928 (USA)(CDN)	81 B	92BS8 20001>25000	M28.15/16	170KW
928 (J)	81 B	92BS8 29500>29999	M28.17/18	170KW
928	82 C	92CS8 00001>05000	M28.09/10	177KW
928 S	82 C	92CN8 40001>45000	M28.11/12	221KW
928 (USA)(CDN)	82 C	92CN8 20001>25000	M28.15/16	170KW
928 (J)	82 C	92CN8 09501>09999	M28.17/18	170KW
928 S	83 D	92DS8 40001>45000	M28.11/12	221KW
928 S (USA)(CDN)	83 D	92DS8 60001>65000	M28.19/20	178KW
928 S (J)	83 D	92DS8 49501>49999	M28.20	178KW
928 S	84 E	92ES8 40001>45000	M28.21/22	228KW
928 S (USA)(CDN)	84 E	92ES8 60001>65000	M28.19/20	178KW
928 S (J)	84 E	92ES8 49501>49999	M28.20	178KW
928 S	85 F	92FS8 40001>45000	M28.21/22	228KW
928 S M298/299	85 F	92FS8 40001>45000	M28.43/44	200KW
928 S (USA)(CDN)	85 F	92FS8 60001>65000	M28.43/44	200KW
928 S (J)	85 F	92FS8 49501>49999	M28.44	200KW
928 S	86 G	92GS8 40001>45000	M28.21/22	228KW
928 S M298/299	86 G	92GS8 40001>45000	M28.45/46	212KW
928 S (USA)(CDN)	86 G	92GS8 60001>65000	M28.43/44	215KW
928 S (J)	86 G	92GS8 49501>49999	M28.44	215KW

Model: ATK

Model life 1963>>2012

SUMMARY TYPES

VEHICLE TYPE	MY	VIN	ENGINE TYPE
928 S4	87 H	92HS8 40001>45000	M28.41/42, 235 KW
928 S4 (J)	87 H	92HS8 49501>49999	M28.42, 235 KW
928 S4 (USA)(CDN)	87 H	92HS8 60001>65000	M28.41/42, 235 KW
928 S4	88 J	92JS8 40001>45000	M28.41/42, 235 KW
928 CS M637	88 J	92JS8 45001>46000	M28.41, 235 KW
928 S4 (J)	88 J	92JS8 49501>49999	M28.42, 235 KW
928 S4 (USA)(CDN)	88 J	92JS8 60001>65000	M28.41/42, 235 KW
928 CS M637 (USA)(CDN)	88 J	92JS8 65001>66000	M28.41, 235 KW
928 S4/CS	89 K	92KS8 40001>45000	M28.41/42, 235 KW
928 GT	89 K	92KS8 40001>45000	M28.47, 243 KW
928 S4/CS (USA)(CDN)	89 K	92KS8 60001>65000	M28.41/42, 235 KW
928 GT (USA)(CDN)	89 K	92KS8 60001>65000	M28.47, 243 KW
928 S4	90 L	92LS8 40001>49500	M28.42, 235 KW
928 GT	90 L	92LS8 40001>49500	M28.47, 243 KW
928 S4 (USA)(CDN)	90 L	92LS8 60001>69500	M28.42, 235 KW
928 GT (USA)(CDN)	90 L	92LS8 60001>69500	M28.47, 243 KW
928 S4	91 M	92MS8 00001>05000	M28.42, 235 KW
928 GT	91 M	92MS8 00001>05000	M28.47, 243 KW
928 S4 (USA)(CDN)	91 M	92MS8 10001>15000	M28.42, 235 KW
928 GT (USA)(CDN)	91 M	92MS8 10001>15000	M28.47, 243 KW

Model: ATK

Model life 1963>>2012

SUMMARY TYPES

VEHICLE TYPE	MY	VIN	ENGINE TYPE
928 GTS	92 N	92NS8 00061>05000	M28.49/50 257 KW
928 GTS (USA) (CDN)	92 N	92PS8 15061>19999	M28.49/50 257 KW
928 GTS	93 P	92PS8 00061>05000	M28.49/50 257 KW
928 GTS (USA) (CDN)	93 P	92PS8 20061>25000	M28.49/50 257 KW
928 GTS	94 R	92RS8 00061>05000	M28.49/50 257 KW
928 GTS (USA) (CDN)	94 R	92RS8 20061>25000	M28.49/50 257 KW
928 GTS	95 S	92SS8 00061>05000	M28.49/50 257 KW
928 GTS (USA) (CDN)	95 S	92SS8 20061>25000	M28.49/50 257 KW

Model: ATK

Model life 1963>>2012

SUMMARY TYPES

VEHICLE TYPE	MY	VIN	ENGINE TYPE
BOXSTER	97 V	98VS6 00061>10000	M96.20 150 KW
BOXSTER (USA) (CDN)	97 V	98VS6 20061>30000	M96.20 150 KW
BOXSTER (BR)	97 V	98TS6 29801>30000	M96.20 150 KW
BOXSTER (BR)	97 V	98VS6 29801>30000	M96.20 150 KW
BOXSTER	98 W	98WS6 00061>10000	M96.20 150 KW
BOXSTER	98 W	98WU6 00061>10000	M96.20 150 KW
BOXSTER (USA) (CDN) (MEX)	98 W	98WS6 20061>30000	M96.20 150 KW
BOXSTER (USA) (CDN)	98 W	98WU6 20061>30000	M96.20 150 KW
BOXSTER (BR)	98 W	98WS6 29801>30000	M96.20 150 KW
BOXSTER (BR)	98 W	98WU6 29801>30000	M96.20 150 KW

Model: **ATK**

Model life **1963>>2012**

SUMMARY TYPES

VEHICLE TYPE	MY	VIN	ENGINE TYPE
996	98 W	99WS6 00061>10000	M96.01 220 KW
996 (MEX)	98 W	99WS6 20061>30000	M96.01 220 KW
996 (USA)(CDN)	98 W	99XS6 20061>30000	M96.01 220 KW
996 (BR)	98 W	99VS6 29801>30000	M96.01 220 KW
996 (BR)	98 W	99WS6 29801>30000	M96.01 220 KW

Model: ATK

Model life 1963>>2012

EXPL. ENGINE-NO.

EXPLANATION OF THE MOTOR-NUMBERS USED IN THE CATALOGUE TYPE 914

```

=====
DIGIT:                1 2 3 4 5 6 7 8 9
EXAMPLE:              E A 0 0 0 0 3 9 1
                      ===  =====
                      !           !
IDENTIFICATION LETTERS-----+           !
                      !
SERIAL NUMBER-----+

```

EXPLANATION OF THE MOTOR-NUMBERS USED IN THE CATALOGUE 914/6

```

=====
DIGIT:                1 2 3 4 5 6 7
EXAMPLE:              6 4 0 0 3 9 1
                      = = =  =====
                      ! ! !           !
ENGINE TYPE (6 = 6-CYL.-ENGINE)-----+ ! !           !
                      ! !           !
ENGINE VERSION-----+ !           !
                      !           !
MODEL YEAR-----+           !
                      !
SERIAL NUMBER-----+

```

Model: ATK

Model life 1963>>2012

SUMMARY ENGINES

VEHICLE TYPE	ENGINE		ENGINE NO.	TECHNICAL DATA
	TYPE	MY		
914	022	70 0 W0	000 001 >>	4CYL/1,7L/59KW
914-6	901.36	70 0 640	0001 >>	6CYL/2,0L/81KW
914-6 SPM	901.37	70 0 640	3001 >>	6CYL/2,0L/81KW
914-6 (USA)	901.38	70 0 640	4001 >>	6CYL/2,0L/81KW
914-6 (USA) SPM	901.39	70 0 640	7001 >>	6CYL/2,0L/81KW
914	022	71 1 W	057461 >>	4CYL/1,7L/59KW
914-6	901.36	71 1 641	0001 >>	6CYL/2,0L/81KW
914-6 SPM	901.37	71 1 641	3001 >>	6CYL/2,0L/81KW
914-6 (USA)	901.38	71 1 641	4001 >>	6CYL/2,0L/81KW
914-6 (USA) SPM	901.39	71 1 641	7001 >>	6CYL/2,0L/81KW
914	022	72 2 W0	129 582 >>	4CYL/1,7L/59KW
914	022	72 2 EA0	000 001>>	4CYL/1,7L/59KW
914-6 (USA)	901.38	72 2 642	0001 >>	6CYL/2,0L/81KW
914	022	73 3 W0	170 001 >>	4CYL/1,7L/59KW
914 (USA)	022	73 3 EA0	057001 >>	4CYL/1,7L/59KW
914 (CAL)	022	73 3 EB0	000 001>>	4CYL/1,7L/53KW
914-2,0 (USA)	039	73 3 GA0	000 001>>	4CYL/2,0L/70KW
914-2,0	039	73 3 GB0	000 001>>	4CYL/2,0L/74KW
914-1,8V	021	74 4 AN0	000 001>>	4CYL/1,8L/63KW
914-1,8 (USA) (CAL)	022	74 4 EC0	000 001>>	4CYL/1,8L/56KW
914-2,0 (USA)	039	74 4 GA0	006 766>>	4CYL/2,0L/70KW
914-2,0	039	74 4 GB0	007 402>>	4CYL/2,0L/74KW
914-1,8V	021	75 5 AN0	008 798>>	4CYL/1,8L/63KW
914-1,8 (USA) (CAL)	022	75 5 EC0	037 552>>	4CYL/1,8L/56KW
914-2,0	039	75 5 GB0	009 822>>	4CYL/2,0L/74KW
914-2,0 (USA) (CAL)	039	75 5 GC0	000 001>>	4CYL/2,0L/65KW
914-1,8V	021	76 6 AN0	008 899>>	4CYL/1,8L/63KW
914-1,8 (USA) (CAL)	022	76 6 EC0	045 073>>	4CYL/1,8L/56KW
914-2,0	039	76 6 GB0	010 779>>	4CYL/2,0L/74KW
914-2,0	039	76 6 GC0	002 915>>	4CYL/2,0L/65KW

Model: ATK

Model life 1963>>2012

EXPL. ENGINE-NO.

EXPLANATION OF THE MOTOR-NUMBERS USED IN THE CATALOGUE
 =====

DIGIT: 1 2 3 4 5 6 7 8

EXAMPLE: X K 0 0 2 1 3 6

	===		=====
		!	!
ENGINE TYPE-----	+		!
SERIAL NUMBER-----			!
			+

Model: ATK

Model life 1963>>2012

SUMMARY ENGINES

VEHICLE TYPE	ENGINE		ENGINE NO.	TECHNICAL DATA
	TYPE	MY		
924	047.8	76 6	XK 000001>>	4ZYL/2,0L/ 92KW
924	047.8	77 7	XK 000001>>	4ZYL/2,0L/ 92KW
924 M249	047.9	77 7	XK 000001>>	4ZYL/2,0L/ 92KW
924 (GB) (AUS)	047.8	77 7	XJ 000001>>	4ZYL/2,0L/ 92KW
924 M249 (GB) (AUS)	047.9	77 7	XJ 000001>>	4ZYL/2,0L/ 92KW
924 (USA) (CDN)	047.6	77 7	XH 000001>>	4ZYL/2,0L/ 74KW
924 (USA) (CDN)	047.4	77 7	XG 300001>>	4ZYL/2,0L/ 85KW
924 M249 (USA) (CDN)	047.5	77 7	XG 300001>>	4ZYL/2,0L/ 85KW
924 (CAL) (J)	047.6	77 7	XF 000001>>	4ZYL/2,0L/ 74KW
924 (CAL)	047.4	77 7	XE 100050>>	4ZYL/2,0L/ 85KW
924 M249 (CAL)	047.5	77 7	XE 100050>>	4ZYL/2,0L/ 85KW
924 (J)	047.4	77 7	XG 300050>>	4ZYL/2,0L/ 85KW
924 M249 (J)	047.5	77 7	XG 300050>>	4ZYL/2,0L/ 85KW
924	047.8	78 8	XK 000001>>	4ZYL/2,0L/ 92KW
924	047.8	78 8	XJ 000001>>	4ZYL/2,0L/ 92KW
924 M249	047.9	78 8	XK 000001>>	4ZYL/2,0L/ 92KW
924 M249	047.9	78 8	XJ 000001>>	4ZYL/2,0L/ 92KW
924 (USA) (CDN) (J)	047.4	78 8	XG 000001>>	4ZYL/2,0L/ 85KW
924 M249 (USA) (CDN) (J)	047.5	78 8	XG 000001>>	4ZYL/2,0L/ 85KW
924 (CAL)	047.4	78 8	XE 000001>>	4ZYL/2,0L/ 85KW
924 M249 (CAL)	047.5	78 8	XE 000001>>	4ZYL/2,0L/ 85KW
924	047.8	79 9	XK 000001>>	4ZYL/2,0L/ 92KW
924	047.8	79 9	XJ 000001>>	4ZYL/2,0L/ 92KW
924 M249	047.9	79 9	XK 000001>>	4ZYL/2,0L/ 92KW
924 M249	047.9	79 9	XJ 000001>>	4ZYL/2,0L/ 92KW
924 (USA) (CDN) (J)	047.4	79 9	XG 000001>>	4ZYL/2,0L/ 85KW
924 M249 (USA) (CDN) (J)	047.5	79 9	XG 000001>>	4ZYL/2,0L/ 85KW
924 (CAL)	047.4	79 9	XE 000001>>	4ZYL/2,0L/ 85KW
924 M249 (CAL)	047.5	79 9	XE 000001>>	4ZYL/2,0L/ 85KW
924 TURBO	M31.01	79 9	31 010001>>	4ZYL/2,0L/125KW

Model: ATK

Model life 1963>>2012

SUMMARY ENGINES

VEHICLE TYPE	ENGINE		ENGINE-NUMBER	TECNICAL DATA
	TYPE	MY		
924	047.8	80 A	XK.....	4ZYL/2,0L/ 92KW
924	047.8	80 A	XJ.....	4ZYL/2,0L/ 92KW
924 M249	047.9	80 A	XK.....	4ZYL/2,0L/ 92KW
924 M249	047.9	80 A	XJ.....	4ZYL/2,0L/ 92KW
924 TURBO	M31.01	80 A	00001>09999	4ZYL/2,0L/125KW
924 (USA)(CDN)(J)	047E	80 A	VC.....	4ZYL/2,0L/ 85KW
924 M249 (USA)(CDN)(J)	047F	80 A	VC.....	4ZYL/2,0L/ 85KW
924 TURBO (USA)(CDN)(J)	M31.02	80 A	00001>09999	4ZYL/2,0L/110KW
924	047.8	81 B	XK.....	4ZYL/2,0L/ 92KW
924	047.8	81 B	XJ.....	4ZYL/2,0L/ 92KW
924 M249	047.9	81 B	XK.....	4ZYL/2,0L/ 92KW
924 M249	047.9	81 B	XJ.....	4ZYL/2,0L/ 92KW
924 TURBO	M31.03	81 B	00001>09999	4ZYL/2,0L/130KW
924 CARRERA GT	M31.50	81 B	00001>09999	4ZYL/2,0L/154KW
924 (USA)(CDN)(J)	047.E	81 B	VC.....	4ZYL/2,0L/ 85KW
924 M249 (USA)(CDN)(J)	047.F	81 B	VC.....	4ZYL/2,0L/ 85KW
924 TURBO (USA)(CDN)(J)	M31.04	81 B	00001>09999	4ZYL/2,0L/115KW
924	047.8	82 C	XK.....	4ZYL/2,0L/ 92KW
924	047.8	82 C	XJ.....	4ZYL/2,0L/ 92KW
924 M249	047.9	82 C	XK.....	4ZYL/2,0L/ 92KW
924 M249	047.9	82 C	XJ.....	4ZYL/2,0L/ 92KW
924 TURBO	M31.03	82 C	00001>09999	4ZYL/2,0L/130KW
924 (USA)(CDN)(J)	047.E	82 C	VC.....	4ZYL/2,0L/ 85KW
924 (USA)(CDN)(J)	047.F	82 C	VC.....	4ZYL/2,0L/ 85KW
924 TURBO (USA)(CDN)(J)	M31.04	82 C	00001>09999	4ZYL/2,0L/115KW
924	047.8	83 D	XK.....	4ZYL/2,0L/ 92KW
924	047.8	83 D	XJ.....	4ZYL/2,0L/ 92KW
924 M249	047.9	83 D	XJ.....	4ZYL/2,0L/ 92KW
924 TURBO (I)	M31.03	83 D	00001>09999	4ZYL/2,0L/130KW
924	047.8	84 E	XK.....	4ZYL/2,0L/ 92KW
924	047.8	84 E	XJ.....	4ZYL/2,0L/ 92KW
924 M249	047.9	84 E	XJ.....	4ZYL/2,0L/ 92KW
924 TURBO (I)	M31.03	84 E	00001>09999	4ZYL/2,0L/130KW
924	047.8	85 F	XK.....	4ZYL/2,0L/ 92KW
924	047.8	85 F	XJ.....	4ZYL/2,0L/ 92KW
924 M249	047.9	85 F	XJ.....	4ZYL/2,0L/ 92KW
924 S	M44.07	86 G	43G 00001>60000	4ZYL/2,5L/110KW
924 S	M44.08	86 G	43G 60001>90000	4ZYL/2,5L/110KW
924 S	M44.07	87 H	43H 00001>60000	4ZYL/2,5L/110KW
924 S	M44.08	87 H	43H 60001>90000	4ZYL/2,5L/110KW
924 S	M44.09	88 J	46J 00001>60000	4ZYL/2,5L/118KW
924 S	M44.10	88 J	46J 60001>70000	4ZYL/2,5L/118KW

Model: ATK

Model life 1963>>2012

SUMMARY ENGINES

VEHICLE TYPE	ENGINE		ENGINE-NUMBER	TECHNICAL DATA
	TYPE	MY		
944	M44.01	82 C 41C	0001>5000	4ZYL/2,5L/120KW
944 M249	M44.03	82 C 41C	5001>8000	4ZYL/2,5L/120KW
944	M44.01	83 D 41D	0001>E999	4ZYL/2,5L/120KW
944 M249	M44.03	83 D 41D	5001>9999	4ZYL/2,5L/120KW
944 (USA)(CDN)(J)	M44.02	83 D 43D	0001>J999	4ZYL/2,5L/110KW
944 M249 (USA)(CDN)(J)	M44.04	83 D 43D	5001>9999	4ZYL/2,5L/110KW
944	M44.01	84 E 41E	00001>20000	4ZYL/2,5L/120KW
944 M249	M44.03	84 E 41E	20001>30000	4ZYL/2,5L/120KW
944 (USA)(CDN)(J)	M44.02	84 E 43E	00001>20000	4ZYL/2,5L/110KW
944 M249 (USA)(CDN)(J)	M44.04	84 E 43E	20001>30000	4ZYL/2,5L/110KW
944	M44.01	85 F 41F	40001>50000	4ZYL/2,5L/120KW
944 M249	M44.03	85 F 41F	50001>60000	4ZYL/2,5L/120KW
944 (USA)(CDN)(J)	M44.02	85 F 43F	40001>50000	4ZYL/2,5L/110KW
944 M249 (USA)(CDN)(J)	M44.04	85 F 43F	50001>60000	4ZYL/2,5L/110KW
944	M44.05	85 F 41F	00001>20000	4ZYL/2,5L/120KW
944 M249	M44.06	85 F 41F	20001>30000	4ZYL/2,5L/120KW
944	M44.07	85 F 43F	00001>20000	4ZYL/2,5L/110KW
944 M249	M44.08	85 F 43F	20001>30000	4ZYL/2,5L/110KW
944	M44.05	86 G 41G	00001>20000	4ZYL/2,5L/120KW
944 M298	M44.06	86 G 41G	20001>30000	4ZYL/2,5L/120KW
944 M298	M44.07	86 G 43G	00001>60000	4ZYL/2,5L/110KW
944 M299	M44.08	86 G 43G	60001>90000	4ZYL/2,5L/110KW
944 TURBO	M44.50	86 G 44G	00001>00400	4ZYL/2,5L/162KW
944 TURBO	M44.51	86 G 45G	00001>20000	4ZYL/2,5L/162KW
944	M44.05	87 H 41H	00001>20000	4ZYL/2,5L/120KW
944 M249	M44.06	87 H 41H	20001>30000	4ZYL/2,5L/120KW
944 M298	M44.07	87 H 43H	00001>60000	4ZYL/2,5L/110KW
944 M299	M44.08	87 H 43H	60001>90000	4ZYL/2,5L/110KW
944 S	M44.40	87 H 42H	00001>50000	4ZYL/2,5L/140KW
944 TURBO	M44.51	87 H 45H	00001>10000	4ZYL/2,5L/162KW
944	M44.09	87 J 46J	00001>60000	4ZYL/2,5L/118KW
944 M249	M44.10	87 J 46J	60001>70000	4ZYL/2,5L/118KW
944 S	M44.40	87 J 42J	00001>50000	4ZYL/2,5L/140KW
944 TURBO	M44.51	87 J 45J	00001>10000	4ZYL/2,5L/162KW
944 TURBO S	M44.52	87 J 47J	00061>10000	4ZYL/2,5L/184KW

Model: ATK

Model life 1963>>2012

MOT. -NR.UEBERS.

FAHRZEUGTYP	MOTOR			TECHNISCHE DATEN
	TYP	MJ	MOTOR-NUMMER	
944	M44.11	89 K	46K 00001>60000	4ZYL/2,7L/121KW
944 M249	M44.12	89 K	46K 60001>70000	4ZYL/2,7L/121KW
944 S2	M44.41	89 K	42K 00001>50000	4ZYL/3,0L/155KW
944 TURBO	M44.52	89 K	47K 00001>10000	4ZYL/2,5L/184KW
944 S2	M44.41	90 L	42L 00001>50000	4ZYL/3,0L/155KW
944 TURBO	M44.52	90 L	47L 00001>10000	4ZYL/2,5L/184KW
944 S2	M44.41	91 M	42M 00001>50000	4ZYL/3,0L/155KW
944 TURBO	M44.52	91 M	47M 00001>01000	4ZYL/2,5L/184KW
968	M44.43	92 N	42N 00501>20000	4ZYL/3,0L/176KW
968 M249	M44.44	92 N	42N 50501>60000	4ZYL/3,0L/176KW
968	M44.43	93 P	42P 00501>20000	4ZYL/3,0L/176KW
968M249	M44.44	93 P	42P 50501>60000	4ZYL/3,0L/176KW
968	M44.43	94 R	42R 00501>20000	4ZYL/3,0L/176KW
968 M249	M44.44	94 R	42R 50501>60000	4ZYL/3,0L/176KW
968	M44.43	95 S	42S 00501>20000	4ZYL/3,0L/176KW
968 M249	M44.44	95 S	42S 50501>60000	4ZYL/3,0L/176KW

Model: ATK

Model life 1963>>2012

SUMMARY ENGINES

VEHICLE TYPE	ENGINES			TECHNICAL DATA
	TYPE	MY	ENGINE-NUMBER	
911	911.92	74 4	614 0001>>	6ZYL/2,7L/110KW
911 SPM	911.97	74 4	614 9001>>	6ZYL/2,7L/110KW
911S	911.93	74 4	634 0001>>	6ZYL/2,7L/129KW
911S SPM	911.98	74 4	634 9001>>	6ZYL/2,7L/129KW
911 CARRERA 2.7	911.83	74 4	664 0001>>	6ZYL/2,7L/154KW
911 CARRERA (USA)(CDN)	911.93	74 4	634 0001>>	6ZYL/2,7L/129KW
911 CARRERA SPM (USA)(CDN)	911.98	74 4	634 9001>>	6ZYL/2,7L/129KW
911	911.41	75 5	615 0001>>	6ZYL/2,7L/110KW
911 SPM	911.46	75 5	615 9001>>	6ZYL/2,7L/110KW
911S	911.42	75 5	635 0001>>	6ZYL/2,7L/129KW
911S SPM	911.47	75 5	635 9001>>	6ZYL/2,7L/129KW
911 CARRERA 2.7	911.83	75 5	665 0001>>	6ZYL/2,7L/154KW
911S CARRERA (USA)(CDN)	911.43	75 5	645 0001>>	6ZYL/2,7L/121KW
911S CARRERA SPM (USA)(CDN)	911.48	75 5	645 9001>>	6ZYL/2,7L/121KW
911S CARRERA (CAL)	911.44	75 5	655 0001>>	6ZYL/2,7L/118KW
911S CARRERA SPM (CAL)	911.49	75 5	655 9001>>	6ZYL/2,7L/118KW
911 TURBO	930.50	75 5	675 0001>>	6ZYL/3,0L/191KW
911	911.81	76 6	636 0001>>	6ZYL/2,7L/121KW
911 SPM	911.86	76 6	636 9001>>	6ZYL/2,7L/121KW
911 CARRERA 2.7	911.83	76 6	666 8001>>	6ZYL/2,7L/154KW
911 CARRERA 3.0	930.02	76 6	666 0001>>	6ZYL/3,0L/147KW
911 CARRERA 3.0 SPM	930.12	76 6	666 9001>>	6ZYL/3,0L/147KW
912E	923.02	76 6	406 0001>>	4ZYL/2,0L/ 66KW
911S (USA)(CDN)	911.82	76 6	646 0001>>	6ZYL/2,7L/121KW
911S SPM (USA)(CDN)	911.89	76 6	656 9001>>	6ZYL/2,7L/121KW
911S (CAL)	911.84	76 6	656 0001>>	6ZYL/2,7L/121KW
911 (J)	911.41	76 6	616 0001>>	6ZYL/2,7L/110KW
911S (J)	911.81	76 6	636 0001>>	6ZYL/2,7L/121KW
911S SPM (J)	911.86	76 6	636 9001>>	6ZYL/2,7L/121KW
911 TURBO	930.50	76 6	676 0001>>	6ZYL/3,0L/191KW
911 TURBO	930.52	76 6	676 0301>>	6ZYL/3,0L/191KW
911 TURBO CARRERA (USA)(CDN)	930.51	76 6	686 0001>>	6ZYL/3,0L/180KW
911	911.81	77 7	637 0001>>	6ZYL/2,7L/121KW
911 SPM	911.86	77 7	637 9001>>	6ZYL/2,7L/121KW
911 CARRERA 3.0	930.02	77 7	667 0001>>	6ZYL/3,0L/147KW
911 CARRERA 3.0 SPM	930.12	77 7	667 9001>>	6ZYL/3,0L/147KW
911S (USA)(CDN)	911.85	77 7	627 0001>>	6ZYL/2,7L/121KW
911S SPM (USA)(CDN)	911.90	77 7	627 9001>>	6ZYL/2,7L/121KW
911S (J)	911.94	77 7	617 0001>>	6ZYL/2,7L/121KW
911S SPM (J)	911.99	77 7	617 9001>>	6ZYL/2,7L/121KW
911 TURBO	930.52	77 7	677 0001>>	6ZYL/3,0L/191KW
911 TURBO CARRERA (USA)(CDN)	930.53	77 7	687 0001>>	6ZYL/3,0L/180KW
911 TURBO (J)	930.54	77 7	677 2001>>	6ZYL/3,0L/180KW

Model: ATK

Model life 1963>>2012

SUMMARY ENGINES

VEHICLE TYPE	ENGINE		ENGINE NO.	TECHNICAL DATA
	TYPE	MY		
911 SC	930.03	78 8	638 0001>9000	6-ZYL/3,0L/132KW
911 SC SPM	930.13	78 8	638 9001>>	6-ZYL/3,0L/132KW
911 TURBO	930.60	78 8	678 0001>>	6-ZYL/3,3L/221KW
911 SC (USA)(CDN)	930.04	78 8	628 0001>>	6-ZYL/3,0L/132KW
911 TURBO (USA)(CDN)	930.61	78 8	688 0001>>	6-ZYL/3,3L/195KW
911 SC (CAL)	930.06	78 8	658 0001>>	6-ZYL/3,0L/132KW
911 TURBO (CAL)	930.63	78 8	688 1001>>	6-ZYL/3,3L/195KW
911 SC (J)	930.05	78 8	618 0001>9000	6-ZYL/3,0L/132KW
911 SC SPM	930.15	78 8	618 9001>>	6-ZYL/3,0L/132KW
911 TURBO	930.62	78 8	678 2001>>	6-ZYL/3,3L/195KW
911 SC	930.03	79 9	639 0001>9000	6-ZYL/3,0L/132KW
911 SC SPM	930.13	79 9	639 9001>>	6-ZYL/3,0L/132KW
911 TURBO	930.60	79 9	679 0001>>	6-ZYL/3,3L/221KW
911 SC (USA)(CDN)	930.04	79 9	629 0001>>	6-ZYL/3,0L/132KW
911 TURBO (USA)(CDN)	930.64	79 9	689 0001>>	6-Z>L/3,3L/195KW
911 SC (CAL)	930.06	79 9	659 0001>>	6-ZYL/3,0L/132KW
911 TURBO (CAL)	930.63	79 9	689 1001>2000	6-ZYL/3,3L/195KW
911 SC (J)	930.05	79 9	619 0001>9000	6-ZYL/3,0L/132KW
911 SC SPM	930.15	79 9	619 9001>>	6-ZYL/3,0L/132KW
911 TURBO (J)	930.65	79 9	679 1001>2000	6-ZYL/3,3L/195KW
911 SC	930.09	80 A	630 0001>8000	6-ZYL/3,0L/138KW
911 SPM	930.19	80 A	630 9001>9999	6-ZYL/3,0L/138KW
911 TURBO	930.60	80 A	670 0001>1000	6-Z>L/3,3L/221KW
911 SC (USA)(CDN)	930.07	80 A	640 0001>9999	6-ZYL/3,0L/132KW
911 SC (J)	930.08	80 A	630 8001>9000	6-ZYL/3,0L/132KW
911 TURBO (J)	930.65	80 A	670 8001>9000	6-ZYL/3,3L/195KW
911 SC	930.10	81 B	631 0001>8000	6-ZYL/3,0L/150KW
911 TURBO	930.60	81 B	671 0001>1000	6-ZYL/3,3L/221KW
911 SC (USA)(CDN)	930.16	81 B	641 0001>9999	6-ZYL/3,0L/132KW
911 TURBO (CDN)	930.60	81 B	671 0001>1000	6-ZYL/3,3L/221KW
911 SC (J)	930.17	81 B	631 8001>9000	6-ZYL/3,0L/132KW
911 SC	930.10	82 C	63C 0001>8000	6-ZYL/3,0L/150KW
911 TURBO	930.60	82 C	67C 0001>1000	6-ZYL/3,3L/221KW
911 SC (USA)(CDN)	930.16	82 C	64C 0001>9999	6-ZYL/3,0L/132KW
911 TURBO (CDN)	930.60	82 C	67C 0001>1000	6-ZYL/3,3L/221KW
911 SC	930.17	82 C	63C 8001>9000	6-ZYL/3,0L/132KW
911 SC	930.10	83 D	63D 0001>8000	6-ZYL/3,0L/150KW
911 TURBO	930.66	83 D	67D 0001>1000	6-ZYL/3,3L/221KW
911 SC (USA)(CDN)	930.16	83 D	64D 0001>9999	6-ZYL/3,0L/132KW
911 TURBO (CDN)	930.66	83 D	67D 0001>1000	6-ZYL/3,3L/221KW
911 SC (J)	930.17	83 D	63D 8001>9000	6-ZYL/3,0L/132KW

Model: ATK

Model life 1963>>2012

SUMMARY ENGINES

FAHRZEUGTYP	MOTOR			TECHNISCHE DATEN
	TYP	MJ	MOTOR-NUMMER	
911 CARRERA	930.20	84 E	63E 00001>10000	6CYL/3,2L/170 KW
911 CARRERA (USA)(CDN)(J)	930.21	84 E	64E 00001>10000	6CYL/3,2L/152 KW
911 TURBO	930.66	84 E	67E 00001>01000	6CYL/3,3L/221 KW^
911 CARRERA	930.20	85 F	63F 00001>10000	6CYL/3,2L/170 KW
911 CARRERA (USA)(CDN)(J)/M298	930.21	85 F	64F 00001>10000	6CYL/3,2L/152 KW
911 CARRERA (AUS)(S)(CH)	930.26	85 F	63F 10001>11000	6CYL/3,2L/170 KW
911 TURBO	930.66	85 F	67F 00001>01000	6CYL/3,3L/221 KW
911 CARRERA	930.20	86 G	63G 00001>10000	6CYL/3,2L/170 KW
911 CARRERA(USA)(CDN)(J)(AUS) /M298	930.21	86 G	64G 00001>10000	6CYL/3,2L/152 KW
911 CARRERA (S)(CH)	930.26	86 G	63G 10001>11000	6CYL/3,2L/170 KW
911 TURBO	930.66	86 G	67G 00001>02000	6CYL/3,3L/221 KW
911 TURBO (USA)	930.68	86 G	68G 00001>02000	6CYL/3,3L/209 KW
911 CARRERA	930.20	87 H	63H 00001>10000	6CYL/3,2L/170 KW
911 CARRERA KATALYSATOR	930.25	87 H	64H 00001>10000	6CYL/3,2L/160 KW
911 CARRERA (S)	930.26	87 H	63H 10001>11000	6CYL/3,2L/170 KW
911 TURBO	930.66	87 H	67H 00001>05000	6CYL/3,3L/221 KW
911 TURBO USA	930.68	87 H	68H 00001>05000	6CYL/3,3L/221 KW
911 CARRERA	930.20	88 J	63J 00001>10000	6CYL/3,2L/170 KW
911 CARRERA KATALYSATOR	930.25	88 J	64J 00001>10000	6CYL/3,2L/160 KW
911 CARRERA (S)	930.26	88 J	63J 10001>11000	6CYL/3,2L/170 KW
911 TURBO	930.66	88 J	67J 00001>05000	6CYL/3,3L/221 KW
911 TURBO (USA)	930.68	88 J	68J 00001>05000	6CYL/3,3L/221 KW
911 CARRERA	930.20	89 K	63K 00001>10000	6CYL/3,2L/170KW
911 CARRERA KATALYSATOR	930.25	89 K	64K 00001>10000	6CYL/3,2L/160KW
911 TURBO	930.66	89 K	67K 00001>05000	6CYL/3,3L/221KW
911 TURBO (USA)(CDN)	930.68	89 K	68K 00001>05000	6CYL/3,3L/210KW

Model: ATK

Model life 1963>>2012

SUMMARY ENGINES

VEHICLE TYPE	ENGINE		ENGINE NO.	TECHNICAL DATA
	TYPE	MY		
911 CARRERA 4	M64.01	89 K 62K	00501>10000	6CYL/3.6L/184 KW
911 CARRERA 2/4	M64.01	90 L 62L	00501>50000	6CYL/3.6L/184 KW
911 CARRERA 2 TIPTRONIC	M64.02	90 L 62L	50501>60000	6CYL/3.6L/184 KW
911 CARRERA 2/4	M64.01	91 M 62M	00501>20000	6CYL/3.6L/184 KW
911 CARRERA 2 TIPTRONIC	M64.02	91 M 62M	50501>60000	6CYL/3.6L/184 KW
911 TURBO	M30.69	91 M 61M	00501>50000	6CYL/3.3L/235 KW
911 CARRERA 2/4	M64.01	92 N 62N	00501>20000	6CYL/3.6L/184 KW
911 CARRERA 2 TIPTRONIC	M64.02	92 N 62N	50501>60000	6CYL/3.6L/184 KW
911 CARRERA RS	M64.03	92 N 62N	80501>90000	6CYL/3.6L/191 KW
911 TURBO	M30.69	92 N 61N	00501>20000	6CYL/3.3L/235 KW
911 CARRERA 2/4	M64.01	93 P 62P	00501>20000	6CYL/3.6L/184 KW
911 CARRERA 2 TIPTRONIC	M64.02	93 P 62P	50501>60000	6CYL/3.6L/184 KW
911 TURBO 3.6	M64.50	93 P 61P	00501>20000	6CYL/3.6L/265 KW
911 CARRERA 2/4	M64.01	94 R 62R	00501>20000	6CYL/3.6L/184 KW
911 CARRERA 2 TIPTRONIC	M64.02	94 R 62R	50501>60000	6CYL/3.6L/184 KW
911 TURBO 3.6	M64.50	94 R 61R	00501>20000	6CYL/3.6L/265 KW

Model: ATK

Model life 1963>>2012

SUMMARY ENGINES

VEHICLE TYPE	ENGINE		ENGINE NO.	TECHNICAL DATA
	TYPE	MY		
911 CARRERA	M64.05	94 R 63R	00501>20000	6ZYL/3,6L /200 KW
911 CARRERA (USA)(CDN)	M64.07	94 R 64R	00501>20000	6ZYL/3,6L /200 KW
911 CARRERA TIPTRONIC	M64.06	94 R 63R	50501>60000	6ZYL/3,6L /200 KW
911 CARRERA TIPTRONIC (USA)(CDN)	M64.08	94 R 64R	50501>60000	6ZYL/3,3L /200 KW
911 CARRERA	M64.05	95 S 63S	00501>20000	6ZYL/3,6L /200 KW
911 CARRERA (USA)(CDN)	M64.07	95 S 64S	00501>20000	6ZYL/3,6L /200 KW
911 CARRERA RS	M64.20	95 S 63S	85501>90000	6ZYL/3,75L/220 KW
911 CARRERA TIPTRONIC	M64.06	95 S 63S	50501>60000	6ZYL/3,6L /200 KW
911 CARRERA TIPTRONIC (USA)(CDN)	M64.08	95 S 64S	50501>60000	6ZYL/3,6L /200 KW
911 CARRERA 4	M64.05	95 S 63S	00501>20000	6ZYL/3,6L /200 KW
911 CARRERA 4 (USA)(CDN)	M64.07	95 S 64S	00501>20000	6ZYL/3,6L /200 KW
911 TURBO	M64.60	95 S 61T	00501>20000	6ZYL/3,6L /300 KW
911 CARRERA	M64.21	96 T 63T	00501>20000	6ZYL/3,6L /210 KW
911 CARRERA (USA)(CDN)	M64.23	96 T 64T	00501>20000	6ZYL/3,6L /210 KW
911 CARRERA RS	M64.20	96 T 63T	85501>90000	6ZYL/3,75L/220 KW
911 CARRERA TIPTRONIC	M64.22	96 T 63T	50501>60000	6ZYL/3,6L /210 KW
911 CARRERA TIPTRONIC	M64.24	96 T 64T	50501>60000	6ZYL/3,6L /210 KW
911 CARRERA 4	M64.21	96 T 63T	00501>20000	6ZYL/3,6L /210 KW
911 CARRERA 4 (USA)(CDN)	M64.23	96 T 64T	00501>20000	6ZYL/3,6L /210 KW
911 TURBO	M64.60	96 T 61T	00501>20000	6ZYL/3,6L /300 KW
911 CARRERA	M64.21	97 V 63V	00501>20000	6ZYL/3,6L /210 KW
911 CARRERA (USA)(CDN)	M64.23	97 V 64V	00501>20000	6ZYL/3,6L /210 KW
911 CARRERA TIPTRONIC	M64.22	97 V 63V	50501>60000	6ZYL/3,6L /210 KW
911 CARRERA TIPTRONIC (USA)(CDN)	M64.24	97 V 64V	50501>60000	6ZYL/3,6L /210 KW
911 CARRERA 4	M64.21	97 V 63V	00501>20000	6ZYL/3,6L /210 KW
911 CARRERA 4 (USA)(CDN)	M64.23	97 V 64V	00501>20000	6ZYL/3,6L /210 KW
911 TURBO	M64.60	97 V 61V	00501>20000	6ZYL/3,6L /300 KW

Model: ATK

Model life 1963>>2012

SUMMARY ENGINES

VEHICLE TYPE	ENGINE			TECHNICAL DATA
	TYPE	MY	ENGINE NO.ER	
911 CARRERA	M64.21	98 W 63W	00501>20000	6ZYL/3,6L /210 KW
911 CARRERA (USA)(CDN)	M64.23	98 W 64W	00501>20000	6ZYL/3,6L /210 KW
911 CARRERA TIPTRONIC	M64.22	98 W 63W	50501>60000	6ZYL/3,6L /210 KW
911 CARRERA TIPTRONIC (USA)(CDN)	M64.24	98 W 64W	50501>60000	6ZYL/3,6L /210 KW
911 CARRERA 4	M64.21	98 W 63W	00501>20000	6ZYL/3,6L /210 KW
911 CARRERA 4 (USA)(CDN)	M64.23	98 W 64W	00501>20000	6ZYL/3,6L /210 KW
911 TURBO	M64.60	98 W 61W	00501>20000	6ZYL/3,6L /300 KW

Model: **ATK**

Model life **1963>>2012**

SUMMARY ENGINES

VEHICLE TYPE	ENGINE		ENGINE NO.	TECHNICAL DATA
	TYPE	MY		
928	M28.01	78 8	818 0001>9000	8ZYL/4,5L/177KW
928 M249	M28.02	78 8	818 9001>9999	8ZYL/4,5L/177KW
928 (USA)(CDN)(J)	M28.03	78 8	828 0001>9000	8ZYL/4,5L/169KW
928 M249 (USA)(CDN)(J)	M28.04	78 8	828 9001>9999	8ZYL/4,5L/169KW
928	M28.01	79 9	819 0001>5000	8ZYL/4,5L/177KW
928 M249	M28.02	79 9	819 5001>9999	8ZYL/4,5L/177KW
928 (USA)(CDN)(J)	M28.03	79 9	829 0001>5000	8ZYL/4,5L/169KW
928 M249 (USA)(CDN)(J)	M28.04	79 9	829 5001>9999	8ZYL/4,5L/169KW
928	M28.09	80 A	800 0001>5000	8ZYL/4,5L/177KW
928 M249	M28.10	80 A	800 5001>5999	8ZYL/4,5L/177KW
928 S	M28.11	80 A	820 0001>1000	8ZYL/4,7L/221KW
928 S M249	M28.12	80 A	820 5001>6000	8ZYL/4,7L/221KW
928 (USA)(CDN)(J)	M28.13	80 A	810 0001>5000	8ZYL/4,5L/170KW
928 M249 (USA)(CDN)(J)	M28.14	80 A	810 5001>9999	8ZYL/4,5L/170KW
928	M28.09	81 B	801 0001>5000	8ZYL/4,5L/177KW
928 M249	M28.10	81 B	801 5001>8000	8ZYL/4,5L/177KW
928 S	M28.11	81 B	821 0001>5000	8ZYL/4,7L/221KW
928 S M249	M28.12	81 B	821 5001>8000	8ZYL/4,7L/221KW
928 (USA)(CDN)	M28.15	81 B	811 0001>5000	8ZYL/4,5L/170KW
928 M249 (USA)(CDN)	M28.16	81 B	811 5001>8000	8ZYL/4,5L/170KW
928 (J)	M28.17	81 B	801 8001>9000	8ZYL/4,5L/170KW
928 M249 (J)	M28.18	81 B	801 9001>9999	8ZYL/4,5L/170KW
928	M28.09	82 C	80C 0001>5000	8ZYL/4,5L/177KW
928 M249	M28.10	82 C	80C 5001>8000	8ZYL/4,5L/177KW
928 S	M28.11	82 C	82C 0001>5000	8ZYL/4,7L/221KW
928 S M249	M28.12	82 C	82C 5001>8000	8ZYL/4,7L/221KW
928 (USA)(CDN)	M28.15	82 C	81C 0001>5000	8ZYL/4,5L/170KW
928 M249 (USA)(CDN)	M28.16	82 C	81C 5001>8000	8ZYL/4,5L/170KW
928 (J)	M28.17	82 C	80C 8001>9000	8ZYL/4,5L/170KW
928 M249 (J)	M28.18	82 C	80C 9001>9999	8ZYL/4,5L/170KW

Model: ATK

Model life 1963>>2012

SUMMARY ENGINES

VEHICLE TYPE	ENGINE		ENGINE NO.	TECHNICAL DATA
	TYPE	MY		
928 S	M28.11	83 D	82D 0001>5000	8ZYL/4,7L/221KW
928 S M249	M28.12	83 D	82D 5001>8000	8ZYL/4,7L/221KW
928 S (USA)(CDN)	M28.19	83 D	81D 0001>5000	8ZYL/4,7L/178KW
928 S M249 (USA)(CDN)	M28.20	83 D	81D 5001>8000	8ZYL/4,7L/178KW
928 S (J)	M28.20	83 D	81D 9001>9999	8ZYL/4,7L/178KW
928 S	M28.21	84 E	82E 00001>05000	8ZYL/4,7L/228KW
928 S M249	M28.22	84 E	82E 05001>10000	8ZYL/4,7L/228KW
928 S (USA)(CDN)	M28.19	84 E	81E 00001>05000	8ZYL/4,7L/178KW
928 S M249 (USA)(CDN)	M28.20	84 E	81E 05001>10000	8ZYL/4,7L/178KW
928 S (J)	M28.20	84 E	81E 05001>10000	8ZYL/4,7L/178KW
928 S	M28.21	85 F	82F 00001>05000	8ZYL/4,7L/228KW
928 S M249	M28.22	85 F	82F 05001>10000	8ZYL/4,7L/228KW
928 S M298	M28.43	85 F	81F 00001>05000	8ZYL/4,7L/200KW
928 S M299	M28.44	85 F	81F 05001>10000	8ZYL/4,7L/200KW
928 S (USA)(CDN)	M28.43	85 F	81F 00001>05000	8ZYL/4,7L/200KW
928 S M249 (USA)(CDN)	M28.44	85 F	81F 05001>10000	8ZYL/4,7L/200KW
928 S (J)	M28.44	85 F	81F 05001>10000	8ZYL/4,7L/200KW
928 S	M28.21	86 G	82G 00001>05000	8ZYL/4,7L/228KW
928 S M249	M28.22	86 G	82G 05001>10000	8ZYL/4,7L/228KW
928 S M298	M28.45	86 G	89G 00001>05000	8ZYL/4,7L/212KW
928 S M299	M28.46	86 G	89G 05001>10000	8ZYL/4,7L/212KW
928 S M251 (CH)(S)	M28.22	86 G	82G 05001>10000	8ZYL/4,7L/228KW
928 S (AUS)	M28.46	86 G	89G 05001>10000	8ZYL/4,7L/212KW
928 S (USA)(CDN)	M28.43	86 G	81G 00001>05000	8ZYL/4,7L/215KW
928 S M249 (USA)(CDN)	M28.44	86 G	81G 05001>10000	8ZYL/4,7L/215KW
928 S (J)	M28.44	86 G	81G 05001>10000	8ZYL/4,7L/215KW

Model: ATK

Model life 1963>>2012

SUMMARY ENGINES

VEHICLE TYPE	ENGINE		ENGINE-NUMBER	TECHNICAL DATA
	TYPE	MY		
928 S4	M28.41	87 H 81H	00001>05000	8ZYL/5,0L/235KW
928 S4 M249	M28.42	87 H 81H	05001>10000	8ZYL/5,0L/235KW
928 S4/CS M637	M28.41	88 J 81J	00001>05000	8ZYL/5,0L/235KW
928 S4 M249	M28.42	88 J 81J	05001>10000	8ZYL/5,0L/235KW
928 S4/CS M637	M28.41	89 K 81K	00001>05000	8ZYL/5,0L/235KW
928 S4 M249	M28.42	89 K 81K	05001>10000	8ZYL/5,0L/235KW
928 GT	M28.47	89 K 85K	00061>50000	8ZYL/5,0L/243KW
928 S4	M28.42	90 L 81L	50001>60000	8ZYL/5,0L/235KW
928 GT	M28.47	90 L 85L	00061>50000	8ZYL/5,0L/243KW
928 S4	M28.42	91 M 81M	50001>60000	8ZYL/5,0L/235KW
928 GT	M28.47	91 M 85M	00001>50000	8ZYL/5,0L/243KW
928 GTS	M28.49	92 N 85N	00501>20000	8ZYL/5,4L/257KW
928 GTS M249	M28.50	92 N 81N	50501>60000	8ZYL/5,4L/257KW
928 GTS	M28.49	93 P 85P	00501>20000	8ZYL/5,4L/257KW
928 GTS M249	M28.50	93 P 81P	50501>60000	8ZYL/5,4L/257KW
928 GTS	M28.49	94 R 85R	00501>20000	8ZYL/5,4L/257KW
928 GTS M249	M28.50	94 R 81R	50501>60000	8ZYL/5,4L/257KW
928 GTS	M28.49	95 S 85S	00501>20000	8ZYL/5,4L/257KW
928 GTS M249	M28.50	95 S 81S	00501>20000	8ZYL/5,4L/257KW

Model: ATK**Model life 1963>>2012**

SUMMARY ENGINES

VEHICLE TYPE	ENGINE			TECHNICAL DATA
	TYPE	MY	ENGINE NO.	
BOXSTER	M96.20	97 V	65V 00501>60000	6ZYL/2,5L /150 KW
BOXSTER	M96.20	98 W	65W 00501>60000	6ZYL/2,5L /150 KW

Model: ATK**Model life 1963>>2012**

SUMMARY ENGINES

VEHICLE TYPE	ENGINE		ENGINE NO.	TECHNICAL DATA
	TYPE	MY		
911 CARRERA	M96.01	98 W 66W	00501>60000	6ZYL/3,4L /220 KW

Model: **ATK** Model life 1963>>2012

EXPL. TRANSMISS.
 EXPLANATION OF THE TRANSMISSION-NUMBERS USED IN THE CATALOGUE TYPE 914
 =====
 UP TO MODEL YEAR 1973
 =====

DIGIT:	1	2	3	4	5	6	7	8	9
EXAMPLE:	H	A	0	0	0	0	3	9	1
	=	=	=====						
	!	!				!			
TRANSMISSION TYPE-----+	!					!			
		!				!			
TRANSMISSION VERSION-----+						!			
						!			
SERIAL NUMBER-----+									

EXPLANATION OF THE TRANSMISSION-NUMBERS USED IN THE CATALOGUE TYPE 914
 =====
 FROM MODEL YEAR 1974
 =====

DIGIT:	1	2	3	4	5	6	7
EXAMPLE:	H	A	0	8	1	2	4
	=	=	===	===	=		
	!	!	!	!	!		
TRANSMISSION TYPE-----+	!	!	!	!	!		
		!	!	!	!		
TRANSMISSION VERSION-----+			!	!	!		
			!	!	!		
MANUFACTURING DAY-----+				!	!		
					!	!	
MANUFACTURING MONTH-----+						!	
						!	
MANUFACTURING YEAR-----+							

EXPLANATION OF THE TRANSMISSION-NUMBERS USED IN THE CATALOGUE TYPE 914/6
 =====

DIGIT:	1	2	3	4	5	6	7
EXAMPLE:	7	5	0	0	3	9	1
	=	=	=	=====			
	!	!	!		!		
TRANSMISSION TYPE-----+	!	!			!		
		!	!		!		
TRANSMISSION VERSION-----+		!			!		
			!		!		
MODEL YEAR-----+					!		
					!		
SERIAL NUMBER-----+							

Model: **ATK** Model life **1963>>2012**

SUMM. TRANSMISS.

VEHICLE TYPE	TRANSM. TYPE	MY	TRANSMISSION NO.	TECHNICAL DATA
914	914. 300.11	70 0	HA0 000 001>>	5-SPEED
914	914. 300.11	70 0	HBO 000 001>>	5-SPEED (LIM. SLIP DIFFERENTIAL)
914-6	914. 300.01	70 0	750 0001 >>	5-SPEED
914-6	914. 300.05	70 0	780 0001 >>	4-SPEED (SPORTOMATIC)
914	914. 300.11	70 0	HA0 014 826>>	5-SPEED
914	914. 300.11	70 0	HBO 000 004>>	5-SPEED (LIM. SLIP DIFFERENTIAL)
914-6	914. 300.01	71 1	751 0001 >>	5-SPEED
914-6	914. 300.05	71 1	761 0001 >>	4-SPEED (SPORTOMATIC)
914	914. 300.11	72 2	HA0 030 094>>	5-SPEED
914-6	914. 300.01	72 2	752 0001 >>	5-SPEED
914-1,7/2,0	914. 300.12	73 3	HA0 051 316>>	5-SPEED
914-1,8/1,8V/2,0	914. 300.12	74 4	HA 13 08 3 >>	5-SPEED
914-1,8/1,8V/2,0	914. 300.12	75 5	HA 05 08 4 >>	5-SPEED
914-1,8/1,8V/2,0	914. 300.12	76 6	HA 05 08 5 >>	5-SPEED

Model: **ATK**

Model life 1963>>2012

EXPL. TRANSM. NO.

EXPLANATION OF THE TRANSMISSION-NUMBERS USED IN THE CATALOGUE

```

=====
DIGIT:                1 2   3 4   5 6   7
EXAMPLE:              Y R   1 9   0 2   9
                      ===  ===  ===  =
                      !   !   !   !
                      !   !   !   !
IDENTIFICATION LETTER-----+   !   !   !
                      !   !   !
MANUFACTURING DAY-----+   !   !
                      !   !
MANUFACTURING MONTH-----+   !
                      !
MANUFACTURING YEAR-----+
    
```

G31.01

=====

```

DIGIT:                1 2 3 4   5 6 7 8 9   (10 11)
EXAMPLE:              3 1 0 1   0 1 2 9 1   ( 1 2 )
                      =====  =====  =====
                      !           !           !
TRANSMISSION VERSION-----+           !           !
                      !           !
SERIAL NUMBER-----+           !
                      !
LIMITED SLIP DIFFERENTIAL-----+
    
```

Model: ATK

Model life 1963>>2012

SUMM. TRANSMISS

VEHICLE TYPE	TRANSM.			TECHNICAL DATA
	TYPE	MY	TRANSMISSION NO.	
924	088/6	76 6 YR	00001>>	4-SPEED
924	088/6	77 7 YR	00001>>	4-SPEED
924 M249	087/3	77 7 RK	00001>>	3-SPEED
924 (USA) (CDN) (CAL) (J)	088/A	77 7 XT	00001>>	4-SPEED
924 M249 (USA) (CDN) (CAL) (J)	087/6	77 7 RL	00001>>	3-SPEED
924	088/6	78 8 YR	00001>>	4-SPEED
924	016 Z	78 8 VA	00001>>	5-SPEED
924 M249	087/3	78 8 RK	00001>>	3-SPEED
924 (USA) (CDN) (CAL) (J)	088/A	78 8 XT	00001>>	4-SPEED
924 M249 (USA) (CDN) (CAL) (J)	087/6	78 8 RL	00001>>	3-SPEED
924	088/6	79 9 YR	00001>>	4-SPEED
924	016 Z	79 9 VA	00001>>	5-SPEED
924 M249	087/3	79 9 RK	00001>>	3-SPEED
924 (USA) (CDN) (CAL) (J)	016 Y	79 9 VB	00001>>	5-SPEED
924 M249 (USA) (CDN) (CAL) (J)	087/6	79 9 RL	00001>>	3-SPEED
924 TURBO	G31.01	79 9 31	0100001>>	5-SPEED

Model: **ATK** Model life **1963>>2012**

SUMM. TRANSMISS

VEHICLE TYPE	TRANSM.		TRANSMISSION NO.	TECHNICAL DATA
	TYPE	MY		
924	016.8	80 A	VQ.....	5-SPEED
924 M249	087.3	80 A	RK.....	3-SPEED
924 TURBO	G31.01	80 A	00001>99999	5-SPEED
924 (USA)(CDN)	016.9	80 A	UV.....	5-SPEED
924 M249 (USA)(CDN)	087.6	80 A	RL.....	3-SPEED
924 TURBO (USA)(CDN)	G31.02	80 A	00001>99999	5-SPEED
924 (J)	016.9	80 A	VR.....	5-SPEED
924 M249 (J)	087.6	80 A	RL.....	3-SPEED
924 TURBO (J)	G31.02	80 A	00001>99999	5-SPEED
924	016.8	81 B	MD.....	5-SPEED
924	087.3	81 B	RK.....	3-SPEED
924 TURBO	G31.01	81 B	00001>99999	5-SPEED
924 CARRERA GT	G31.03	81 B	00001>99999	5-SPEED
924 (USA)(CDN)	016.9	81 B	MF.....	5-SPEED
924 M249 (USA)(CDN)	087.6	81 B	RL.....	3-SPEED
924 TURBO (USA)(CDN)	016.G	81 B	MB.....	5-SPEED
924 (J)	016.9	81 B	ME.....	5-SPEED
924 M249 (J)	087.6	81 B	RL.....	3-SPEED
924 TURBO (J)	016.G	81 B	MX.....	5-SPEED
924	016.8	82 C	MD.....	5-SPEED
924 M220	016.8	82 C	4Q.....	5-SPEED
924 M249	087.3	82 C	RK.....	3-SPEED
924 TURBO	G31.01	82 C	00001>99999	5-SPEED
924 TURBO M220	G31.01	82 C	00001>99999(12)	5-SPEED
924 (USA)(CDN)	016.9	82 C	MF.....	5-SPEED
924 M220 (USA)(CDN)	016.9	82 C	5Q.....	5-SPEED
924 M249 (USA)(CDN)	087.6	82 C	RL.....	3-SPEED
924 TURBO (USA)(CDN)	016.G	82 C	MB.....	5-SPEED
924 TURBO M220 (USA)(CDN)	016.G	82 C	6Q.....	5-SPEED
924 (J)	016.9	82 C	ME.....	5-SPEED
924 M220 (J)	016.9	82 C	5Q.....	5-SPEED
924 M249 (J)	087.6	82 C	RL.....	3-SPEED
924 TURBO (J)	016.G	82 C	MX.....	5-SPEED
924 TURBO M220 (J)	016.G	82 C	6Q.....	5-SPEED
924	016.9	83 D	MD.....	5-SPEED
924 M220	016.8	83 D	4Q.....	5-SPEED
924 M249	087.3	83 D	RCC.....	3-SPEED
924 TURBO (I)	G31.01	83 D	00001>99999	5-SPEED
924 TURBO M220 (I)	G31.01	83 D	00001>99999(12)	5-SPEED
924	016.8	84 E	MD.....	5-SPEED
924 M220	016.8	84 E	4Q.....	5-SPEED
924 M249	087.3	84 E	RCC.....	3-SPEED
924 TURBO (I)	G31.01	84 E	00001>99999	5-SPEED
924 TURBO M220 (I)	G31.01	84 E	00001>99999(12)	5-SPEED
924	016.8	85 F	MD.....	5-SPEED
924 M220	016.8	85 F	4Q.....	5-SPEED
924 M249	087.3	85 F	RCC.....	3-SPEED

Model: ATK

Model life 1963>>2012

SUMM. TRANSMISS.

VEHICLE TYPE	TRANSM.			TRANSMISSION NO.	TECHNICAL DATA
	TYPE	MY			
924 S	016 J	86	QK	5-SPEED
924 S M220	016 J	86	7Q	5-SPEED
924 S M249	087 M	86	RCD	3-SPEED
924 S	016 J	87	QK	5-SPEED
924 S M220	016 J	87	7Q	5-SPEED
924 S M249	087 M	87	RCD	3-SPEED
924 S M249 (USA) (CDN) (J)	087 N	87	RCB	3-SPEED
924 S	016 J	88	QK	5-SPEED
924 S M220	016 J	88	7Q	5-SPEED
924 S M249	087 M	88	RCD	3-SPEED
924 S M249 (USA) (CDN) (J)	087 N	88	RCB	3-SPEED

Model: **ATK** Model life **1963>>2012**

SUMM. TRANSMISS

VEHICLE TYPE	TRANSM.			TECHNICAL DATA
	TYPE	MY	TRANSMISSION NO.	
944	016 J	82 C	QK.....	5-SPEED
944 M220	016 J	82 C	7Q.....	5-SPEED
944 M249	087 M	82 C	RH.....	3-SPEED
944	016 J	83 D	QK.....	5-SPEED
944 M220	016 J	83 D	7Q.....	5-SPEED
944 M249	087 M	83 D	RH.....	3-SPEED
944 M249	087 M	83 D	RCA 07102>>	3-SPEED
944 (USA) (CDN)	016 J	83 D	QM.....	5-SPEED
944 M220 (USA) (CDN)	016 J	83 D	8Q.....	5-SPEED
944 M249 (USA) (CDN) (J)	087 N	83 D	RCB.....	3-SPEED
944 (J)	016 K	83 D	QL.....	5-SPEED
944 M220 (J)	016 K	83 D	4M.....	5-SPEED
944	016 J	84 E	QK.....	5-SPEED
944 M220	016 J	84 E	7Q.....	5-SPEED
944 M249	087 M	84 E	RCA.....	3-SPEED
944 M249	087 M	84 E	RCD 21123>>	3-SPEED
944 (USA) (CDN)	016 K	84 E	QM.....	5-SPEED
944 M220 (USA) (CDN)	016 K	84 E	8Q.....	5-SPEED
944 M249 (USA) (CDN) (J)	087 N	84 E	RCB.....	3-SPEED
944 (J)	016 K	84 E	QL.....	5-SPEED
944 M220 (J)	016 K	84 E	4M.....	5-SPEED
944	016 J	85 F	QK.....	5-SPEED
944 M220	016 J	85 F	7Q.....	5-SPEED
944 M249	087 M	85 F	RCD.....	3-SPEED
944 (USA) (CDN)	016 K	85 F	QM.....	5-SPEED
944 M220 (USA) (CDN)	016 K	85 F	8Q.....	5-SPEED
944 M249 (USA) (CDN) (J)	087 N	85 F	RCB.....	3-SPEED
944 (J)	016 K	85 F	QL.....	5-SPEED
944 M220	016 K	85 F	4M.....	5-SPEED

Model: ATK

Model life 1963>>2012

SUMM. TRANSMISS.

VEHICLE TYPE	TRANSM.			TECHNICAL DATA
	TYPE	MY	TRANSMISSION NO.	
944	016 J	85 F	5Y>	5-SPEED
944 M220	016 J	85 F	5Z>	5-SPEED
944 M249	087 M	85 F	RCE.. .. .>	3-SPEED
944 (USA)(CDN)(J)	016 K	85 F	5S>	5-SPEED
944 (USA)(CDN)(J)M220	016 K	85 F	7V>	5-SPEED
944 (USA)(CDN)(J)M249	087 N	85 F	RCF.. .. .>	3-SPEED
944	016 J	86 G	5Y>	5-SPEED
944 M220	016 J	86 G	5Z>	5-SPEED
944 M249	087 M	86 G	RCE.. .. .>	3-SPEED
944 TURBO	016 R	86 G	5P>	5-SPEED
944 TURBO M220	016 R	86 G	5R>	5-SPEED
944 (USA)(CDN)(J)	016 K	86 G	5S>	5-SPEED
944 (USA)(CDN)(J)M220	016 K	86 G	7V>	5-SPEED
944 (USA)(CDN)(J)M249	087 N	86 G	RCF.. .. .>	3-SPEED
944	016 J	87 H	5Y>	5-SPEED
944 M220	016 J	87 H	5Z>	5-SPEED
944 M249	087 M	87 H	RCE.. .. .>	3-SPEED
944 S	083 D	87 H	AGP.. .. .>	5-SPEED
944 S M220	083 D	87 H	AGR.. .. .>	5-SPEED
944 TURBO	016 R	87 H	5P>	5-SPEED
944 TURBO M220	016 R	87 H	5R>	5-SPEED
944 TURBO	016 S	87 H	UY>	5-SPEED
944 TURBO M220	016 S	87 H	9U>	5-SPEED
944 (USA)(CDN)	016 K	87 H	5S>	5-SPEED
944 (USA)(CDN) M220	016 K	87 H	7V>	5-SPEED
944 (USA)(CDN) M249	087 N	87 H	RCF.. .. .>	3-SPEED
944	016 J	88 J	5Y>	5-SPEED
944 M220	016 J	88 J	5Z>	5-SPEED
944 M249	087 M	88 J	RCE.. .. .>	3-SPEED
944 S	083 D	88 J	AGP.. .. .>	5-SPEED
944 S M220	083 D	88 J	AGR.. .. .>	5-SPEED
944 TURBO	016 R	88 J	5P>	5-SPEED
944 TURBO M220	016 R	88 J	5R>	5-SPEED
944 TURBO	016 S	88 J	UY>	5-SPEED
944 TURBO M220	016 S	88 J	9U>	5-SPEED
944 TURBO S	016 R	88 J	5R>AOR	5-SPEED
944 (USA)(CDN)	087 N	88 J	RCF.. .. .>	3-SPEED

Model: ATK

Model life 1963>>2012

SUMM. TRANSMISS.

VEHICLE TYPE	TRANSM.		TRANSMISSION NO.	TECHNICAL DATA
	TYPE	MY		
944	016 J	89	ASG.. . . .>ASG.. . . .	5-SPEED
944 M220	016 J	89	ASH.. . . .>ASH.. . . .	5-SPEED
944 M249	087 M	89	RCE.. . . .>RCE.. . . .	3-SPEED
944 M249 (USA) (CDN)	087 N	89	RCF.. . . .>RCF.. . . .	3-SPEED
944 S2	083 F	89	AOS.. . . .>AOS.. . . .	5-SPEED
944 S2 M220	083 F	89	AOT.. . . .>AOT.. . . .	5-SPEED
944 TURBO	016 R	89	AOR.. . . .>AOR.. . . .	5-SPEED
944 S2	083 J	90	AOS.. . . .>AOS.. . . .	5-SPEED
944 S2 M220	083 F	90	AOT.. . . .>AOT.. . . .	5-SPEED
944 S2 (CH)	083 F	90	ASV.. . . .>ASV.. . . .	5-SPEED
944 S2 M220 (CH)	083 F	90	ASW.. . . .>ASW.. . . .	5-SPEED
944 TURBO	016 R	90	AOR.. . . .>AOR.. . . .	5-SPEED
944 S2	083 J	91	AOS.. . . .>AOS.. . . .	5-SPEED
944 S2 M220	083 F	91	AOT.. . . .>AOT.. . . .	5-SPEED
944 S2 (CH)	083 F	91	ASV.. . . .>ASV.. . . .	5-SPEED
944 S2 M220 (CH)	083 F	91	ASW.. . . .>ASW.. . . .	5-SPEED
944 TURBO	016 R	91	AOR.. . . .>AOR.. . . .	5-SPEED

Model: **ATK**

Model life **1963>>2012**

EXPL. TRANSM. NO.

EXPLANATION OF THE TRANSMISSION-NUMBERS USED IN THE CATALOGUE

=====

DIGIT:	1	2	3	4	5	6	7	8	9	10	11	12
EXAMPLE:	G	4	4	0	0	3	0	0	2	5	4	3
	=	=====				=	=====					
	!		!			!				!		!
	!		!			!				!		!
TRANSMISSION TYPE-----+			!			!				!		!
			!			!				!		!
TRANSMISSION VERSION-----+						!				!		!
						!				!		!
INDEX OF VARIANTS-----+										!		!
										!		!
SERIEL NUMBER-----+												!

Model: ATK

Model life 1963>>2012

SUMM. TRANSMISS.

VEHICLE TYPE	TRANSM.		TRANSMISSION NO.	TECHNICAL DATA
	TYPE	MY		
968	G44.00	92 N	G4400 1002001>999999	6-SPEED
968 M220	G44.00	92 N	G4400 2002001>999999	6-SPEED
968 TIPTRONIC	A44.00	92 N	A4400 1002001>999999	4-SPEED
968	G44.00	93 P	G4400 1002001>999999	6-SPEED
968 M220	G44.00	93 P	G4400 2002001>999999	6-SPEED
968 TIPTRONIC	A44.00	93 P	A4400 1002001>999999	4-SPEED
968	G44.00	94 R	G4400 1002001>999999	6-SPEED
968 M220	G44.00	94 R	G4400 2002001>999999	6-SPEED
968 TIPTRONIC	A44.00	94 R	A4400 1002001>999999	4-SPEED
968	G44.00	95 S	G4400 1002001>999999	6-SPEED
968 M220	G44.00	95 S	G4400 2002001>999999	6-SPEED
968 TIPTRONIC	A44.00	95 S	A4400 1002001>999999	4-SPEED

Model: **ATK** Model life **1963>>2012**

SUMM. TRANSMISS.

VEHICLE TYPE	TRANSM.			TRANSMISSION NO.	TECHNICAL DATA
	TYPE	MJ			
911/911S/CARRERA	915.16	74 4	724	0001>>	4-SPEED
911/911S/CARRERA	915.06	74 4	734	0001>>	5-SPEED
911/911S/CARRERA SPM	925.02	74 4	764	0001>>	4-SPEED
911	915.48	75 5	745	0001>>	4-SPEED
911	915.43	75 5	725	0001>>	5-SPEED
911S	915.45	75 5	735	0001>>	4-SPEED
911S	915.40	75 5	715	0001>>	5-SPEED
911/911S SPM	925.02	75 5	765	2001>>	4-SPEED
911 CARRERA 2.7	915.16	75 5	785	5001>>	4-SPEED
911 CARRERA 2.7	915.06	75 5	785	0001>>	5-SPEED
911 CARRERA (USA)(CDN) (CAL)	915.45	75 5	735	0001>>	4-SPEED
911 CARRERA (USA)(CDN) (CAL)	915.40	75 5	715	0001>>	5-SPEED
911S/CARRERA SPM (USA) (CDN)(CAL)	925.10	75 5	765	0001>>	3-SPEED
911	915.45	76 6	726	1001>>	4-SPEED(MECAN. SPEEDOMETER)
911	915.40	76 6	716	7001>>	5-SPEED(MECAN. SPEEDOMETER)
911 CARRERA 2.7/911 (J)	915.43	76 6	716	9501>>	5-SPEED
911/CARRERA 3.0/911S (J)	915.49	76 6	726	0001>>	4-SPEED(ELECTR. SPEEDOMETER)
911/CARRERA 3.0/911S	915.44	76 6	716	0001>>	5-SPEED(ELECTR. SPEEDOMETER)
911 SPM	925.09	76 6	766	2001>>	3-SPEED(MECAN. SPEEDOMETER)
911/911S SPM	925.12	76 6	766	0001>>	3-SPEED(ELECTR. SPEEDOMETER)
911 CARRERA 3.0 SPM	925.13	76 6	766	1001>>	3-SPEED
912 E	923.05	76 6	506	0001>>	5-SPEED
911/911S	915.65	77 7	727	0001>>	4-SPEED(WITHOUT CLUTCH SPRING)
911/911S	915.60	77 7	707	0001>>	5-SPEED(WITHOUT CLUTCH SPRING)
911/911S/CARRERA 3.0	915.66	77 7	727	1001>>	4-SPEED(WITH CLUTCH SPRING)
911/911S/CARRERA 3.0	915.61	77 7	717	0001>>	5-SPEED(WITH CLUTCH SPRING)
911 SPM	925.15	77 7	767	0001>>	3-SPEED
911 CARRERA 3.0 SPM	925.16	77 7	767	1001>>	3-SPEED
911S SPM (USA)(CDN)(J)	925.17	77 7	767	0501>>	3-SPEED

Model: **ATK** Model life **1963>>2012**

SUMM. TRANSMISS.

VEHICLE TYPE	TRANSM.			TRANSMISSION NO.	TECHNICAL DATA
	TYPE	MY			
911 SC	915.61	78 8	718	0001>>	5-SPEED
911 SC SPM	925.16	78 8	768	0001>>	3-SPEED
911 TURBO	930.34	78 8	778	0001>>	4-SPEED
911 SC	915.61	79 9	719	0001>>	5-SPEED
911 SC SPM	925.16	79 9	769	0001>>	3-SPEED
911 TURBO	930.34	79 9	779	0001>>	4-SPEED
911 SC	915.62	80 A	730	0001>9999	5-SPEED
911 SC SPM	925.16	80 A	760	0001>2000	3-SPEED
911 TURBO	930.34	80 A	770	0001>2000	4-SPEED
911 SC (USA) (CDN)	915.63	80 A	740	0001>9999	5-SPEED
911 SC (J)	915.62	80 A	730	0001>9999	5-SPEED
911 SC	915.62	81 B	731	0001>9999	5-SPEED
911 TURBO	930.34	81 B	771	0001>2000	4-SPEED
911 SC (USA) (CDN)	915.63	81 B	741	0001>9999	5-SPEED
911 SC	915.62	82 C	73C	0001>9999	5-SPEED
911 TURBO	930.34	82 C	77C	0001>2000	4-SPEED
911 SC (USA) (CDN) (J)	915.63	82 C	74C	0001>9999	5-SPEED
911 SC	915.62	83 D	73D	0001>9999	5-SPEED
911 TURBO	930.34	83 D	77D	0001>2000	4-SPEED
911 SC (USA) (CDN) (J)	915.63	83 D	74D	0001>9999	5-SPEED
911 CARRERA	915.67	84 E	73E	00001>10000	5-SPEED
911 CARRERA	915.69	84 E	73E	00001>10000	5-SPEED
911 CARRERA (USA) (CDN) (J)	915.68	84 E	74E	00001>10000	5-SPEED
911 CARRERA TURBO-LOOK (USA) (CDN) (J)	915.70	84 E	74E	10001>11000	5-SPEED
911 TURBO	930.34	84 E	77E	00001>02000	4-SPEED
911 CARRERA	915.72	85 E	73F	00001>10000	5-SPEED
911 CARRERA (USA) (CDN) (J)	915.68	85 F	74F	00001>10000	5-SPEED
911 CARRERA (USA) (CDN) (J) M298	915.73	85 F	74F	00001>10000	5-SPEED
911 TURBO	930.36	85 F	77F	00001>02000	4-SPEED
911 TURBO (CH)	930.67	85 F	77F	00001>02000	4-SPEED
911 CARRERA	915.72	86 G	73G	00001>10000	5-SPEED
911 CARRERA (USA) (CDN) (J) (AUS) M298	915.73	86 G	74G	00001>10000	5-SPEED
911 TURBO	930.36	86 G	77G	00001>02000	4-SPEED
911 TURBO (CH)	930.37	86 G	77G	00001>02000	4-SPEED

Model: **ATK** Model life **1963>>2012**

SUMM. TRANSMISS.

VEHICLE TYPE	TRANSM.		TRANSMISSION NO.	TECNICAL DATA
	TYPE	MY		
911 CARRERA	G50.00	87 H	73H 00001 > 73H 20000	5-SPEED
911 CARRERA (USA)(CDN) (AUS)(J)	G50.01	87 H	74H 00001 > 74H 20000	5-SPEED
911 CARRERA (CH)	G50.02	87 H	73H 20001 > 73H 25000	5-SPEED
911 TURBO	930.36	87 H	77H 00001 > 77H 10000	4-SPEED
911 CARRERA	G50.00	88 J	G5000 1J00001>1J10000	5-SPEED
911 CARRERA M220	G50.00	88 J	G5000 2J10001>2J20000	5-SPEED
911 CARRERA (USA)(CDN) (AUS)(J)	G50.01	88 J	G5001 1J00001>1J10000	5-SPEED
911 CARRERA (USA)(CDN) (AUS)(J) M220	G50.01	88 J	G5001 2J10001>2J20000	5-SPEED
911 CARRERA (CH)	G50.02	88 J	G5002 1J00001>1J10000	5-SPEED
911 CARRERA (CH) M220	G50.02	88 J	G5002 2J10001>2J20000	5-SPEED
911 TURBO	930.36	88 J	93036 1J00001>1J10000	4-SPEED
911 TURBO M220	930.36	88 J	93036 2J10000>2J20000	4-SPEED
911 CARRERA	G50.50	89 K	G5000 1K00001>1K10000	5-SPEED
911 CARRERA M220	G50.50	89 K	G5000 2K00001>2K20000	5-SPEED
911 CARRERA (USA)(CDN) (AUS)(J)	G50.01	89 K	G5001 1K00001>1K10000	5-SPEED
911 CARRERA (USA)(CDN) (AUS)(J) M220	G50.01	89 K	G5001 1K00001>2K20000	5-SPEED
911 CARRERA (CH)	G50.02	89 K	G5002 1K00001>1K10000	5-SPEED
911 CARRERA (CH) M220	G50.02	89 K	G5002 2K00001>2K20000	5-SPEED
911 TURBO	G50.50	89 K	G5050 1K00001>1K10000	5-SPEED
911 TURBO M220	G50.50	89 K	G5050 2K00001>2K20000	5-SPEED

Model: **ATK** Model life **1963>>2012**

SUMM. TRANSMISS.

VEHICLE TYPE	TRANSM. TYPE	MY	TRANSMISSION NO.	TECHNICAL DATA
911 CARRERA 4	G64.00	89 K	G6400 3K00501>3K20000	5-SPEED
911 CARRERA 4 (CH)	G64.01	89 K	G6401 3K00501>3K20000	5-SPEED
911 CARRERA 4 FRONT AXLE TRANSMISS.	Z64.00	89 K	Z6400 1K00501>1K20000	1-SPEED
911 CARRERA 2	G50.03	90 L	G5003 1L00501>1L20000	5-SPEED
911 CARRERA 2 M220	G50.03	90 L	G5003 2L00501>2L20000	5-SPEED
911 CARRERA 2 (CH)	G50.04	90 L	G5004 1L00501>1L20000	5-SPEED
911 CARRERA 2 (CH) M220	G50.04	90 L	G5004 2L00501>2L20000	5-SPEED
911 CARRERA 2 TIPTRONIC	A50.01	90 L	A5001 1L00501>1L01944	4-SPEED
911 CARRERA 4	G64.00	90 L	G6400 3L00501>3L20000	5-SPEED
911 CARRERA 4 (CH)	G64.01	90 L	G6401 3L00501>3L20000	5-SPEED
911 CARRERA 4 FRONT AXLE TRANSMISS.	Z64.00	90 L	Z6400 1L00501>1L20000	1-SPEED
911 CARRERA 2	G50.03	91 M	G5003 1M00501>1M20000	5-SPEED
911 CARRERA 2 M220	G50.03	91 M	G5003 2M00501>2M20000	5-SPEED
911 CARRERA 2 (CH)	G50.04	91 M	G5004 1M00501>1M20000	5-SPEED
911 CARRERA 2 (CH) M220	G50.04	91 M	G5004 2M00501>2M20000	5-SPEED
911 CARRERA 2 TIPTRONIC	A50.01	91 M	A5001 1001945>1099999	4-SPEED
911 CARRERA 4	G64.00	91 M	G6400 3M00501>3M20000	5-SPEED
911 CARRERA 4 (CH)	G64.01	91 M	G6401 3M00501>3M20000	5-SPEED
911 TURBO	G50.52	91 M	G5052 1M00501>1M20000	5-SPEED
911 CARRERA 2	G50.03	92 N	G5003 1000501>9 99999	5-SPEED
911 CARRERA 2 M220	G50.03	92 N	G5003 2000501>9 99999	5-SPEED
911 CARRERA 2 (CH) (RC)	G50.04	92 N	G5004 1000501>9 99999	5-SPEED
911 CARRERA 2 (CH) (RC) M220	G50.04	92 N	G5004 2000501>9 99999	5-SPEED
911 CARRERA 2 (USA) (CDN)	G50.05	92 N	G5005 1002001>9 99999	5-SPEED
911 CARRERA 2 (USA) (CDN) M220	G50.05	92 N	G5005 2002001>9 99999	5-SPEED
911 CARRERA 2 TIPTRONIC	A50.02	92 N	A5002 1002001>9 99999	4-SPEED
911 CARRERA 2 TIPTRONIC (USA) (CDN)	A50.03	92 N	A5003 1002001>9 99999	4-SPEED
911 CARRERA 2 RS	G50.10	92 N	G5010 2002001>9 99999	5-SPEED
911 CARRERA 4	G64.00	92 N	G6400 3000501>9 99999	5-SPEED
911 CARRERA 4 (CH)	G64.01	92 N	G6401 3000501>9 99999	5-SPEED
911 CARRERA 4 (RC)	G64.02	92 N	G6402 3002001>9 99999	5-SPEED
911 TURBO	G50.52	92 N	G5052 2000501>9 99999	5-SPEED

Model: **ATK** Model life **1963>>2012**

SUMM. TRANSMISS.

VEHICLE TYPE	TRANSM. TYPE	MY	TRANSMISSION NO.	TECHNICAL DATA
911 CARRERA 2	G50.03	93 P	G5003 1002001>9	99999 5-SPEED
911 CARRERA 2 M220	G50.03	93 P	G5003 2002001>9	99999 5-SPEED
911 CARRERA 2 (CH) (RC)	G50.04	93 P	G5004 1002001>9	99999 5-SPEED
911 CARRERA 2 (CH) (RC) M220	G50.04	93 P	G5004 2002001>9	99999 5-SPEED
911 CARRERA 2 (USA) (CDN)	G50.05	93 P	G5005 1002001>9	99999 5-SPEED
911 CARRERA 2 (USA) (CDN) M220	G50.05	93 P	G5005 2002001>9	99999 5-SPEED
911 CARRERA 2 TIPTRONIC	A50.02	93 P	A5002 1002001>9	99999 4-SPEED
911 CARRERA 2 TIPTRONIC (USA) (CDN) (RC)	A50.03	93 P	A5003 1002001>9	99999 4-SPEED
911 CARRERA 4	G64.00	93 P	G6400 3002001>9	99999 5-SPEED
911 CARRERA 4 (CH)	G64.01	93 P	G6401 3002001>9	99999 5-SPEED
911 CARRERA 4 (RC)	G64.02	93 P	G6402 3002001>9	99999 5-SPEED
911 TURBO 3.6	G50.52	93 P	G5052 2002001>9	99999 5-SPEED
911 CARRERA 2	G50.03	94 R	G5003 1002001>9	99999 5-SPEED
911 CARRERA 2 M220	G50.03	94 R	G5003 2002001>9	99999 5-SPEED
911 CARRERA 2 (CH) (RC)	G50.04	94 R	G5004 1002001>9	99999 5-SPEED
911 CARRERA 2 (CH) (RC) M220	G50.04	94 R	G5004 2002001>9	99999 5-SPEED
911 CARRERA 2 (USA) (CDN)	G50.05	94 R	G5005 1002001>9	99999 5-SPEED
911 CARRERA 2 (USA) (CDN) M220	G50.05	94 R	G5005 2002001>9	99999 5-SPEED
911 CARRERA 2 TIPTRONIC	A50.02	94 R	A5002 1002001>9	99999 4-GANG
911 CARRERA 2 TIPTRONIC (USA) (CDN) (RC)	A50.03	94 R	A5003 1002001>9	99999 4-GANG
911 CARRERA 4	G64.00	94 R	G6400 3002001>9	99999 5-GANG
911 TURBO 3.6	G50.52	94 R	G5252 2002001>9	99999 5-GANG

Model: **ATK** Model life **1963>>2012**

SUMMARY TYPES

VEHICLE TYPE	TYPE	MY	TRANSMISSION NO.	TECNICAL DATA
911 CARRERA (USA) (CDN) (CH) (A)	G50.20	94 R	G5020 1 002001>999999	6-SPEED
911 CARRERA (USA) (CDN) (CH) (A) M220	G50.20	94 R	G5020 2 002001>999999	6-SPEED
911 CARRERA	G50.21	94 R	G5021 1 002001>999999	6-SPEED
911 CARRERA M220	G50.21	94 R	G5021 2 002001>999999	6-SPEED
911 CARRERA TIPTRONIC	A50.04	94 R	A5004 1 002001>999999	4-SPEED
911 CARRERA TIPTRONIC (USA) (RC)	A50.05	94 R	A5005 1 002001>999999	4-SPEED
911 CARRERA (USA) (CDN) (CH) (A)	G50.20	95 S	G5020 1 002001>999999	6-SPEED
911 CARRERA (USA) (CDN) (CH) (A) M220	G50.20	95 S	G5020 2 002001>999999	6-SPEED
911 CARRERA	G50.21	95 S	G5021 1 002001>999999	6-SPEED
911 CARRERA M220	G50.21	95 S	G5021 2 002001>999999	6-SPEED
911 CARRERA RS	G50.31	95 S	G5031 2 002001>999999	6-SPEED
911 CARRERA TIPTRONIC	A50.04	95 S	A5004 1 002001>999999	4-SPEED
911 CARRERA TIPTRONIC (USA) (CDN)	A50.05	95 S	A5005 1 002001>999999	4-SPEED
911 CARRERA 4 (USA) (CDN) (CH) (A) M220	G64.20	95 S	G6420 2 002001>999999	6-SPEED
911 CARRERA 4 M220	G64.21	95 S	G6421 2 002001>999999	6-SPEED
911 TURBO M220	G64.51	95 S	G6451 2 002001>999999	6-SPEED
911 CARRERA (USA)	G50.20	96 T	G5020 1 002001>999999	6-SPEED
911 CARRERA (USA) M220	G50.20	96 T	G5020 2 002001>999999	6-SPEED
911 CARRERA	G50.21	96 T	G5021 1 002001>999999	6-SPEED
911 CARRERA M220	G5021	96 T	G5021 2 002001>999999	6-SPEED
911 CARRERA TIPTRONIC	A50.04	96 T	A5004 1 002001>999999	4-SPEED
911 CARRERA TIPTRONIC (USA) (RC)	A50.05	96 T	A5005 1 002001>999999	4-SPEED
911 CARRERA 4 (USA) (CH) (A) M220	G64.20	96 T	G6420 2 002001>999999	6-SPEED
911 CARRERA 4 M220	G64.21	96 T	G6421 2 002001>999999	6-SPEED
911 TURBO M220	G64.51	96 T	G6451 2 002001>999999	6-SPEED
911 CARRERA	G50.20	97 V	G5020 1 002001>999999	6-SPEED
911 CARRERA M220	G50.20	97 V	G5020 2 002001>999999	6-SPEED
911 CARRERA TIPTRONIC	A50.04	97 V	A5004 1 002001>999999	4-SPEED
911 CARRERA TIPTRONIC (USA) (RC)	A50.05	97 V	A5005 1 002001>999999	4-SPEED
911 CARRERA 4 M220	G64.20	97 V	G6420 2 002001>999999	6-SPEED
911 TURBO M220	G64.51	97 V	G6451 2 002001>999999	6-SPEED

Model: ATK

Model life 1963>>2012

SUMM. TRANSMISS.

VEHICLE TYPE	TRANSM.		TRANSMISSION NO.	TECHNICAL DATA
	TYPE	MY		
928	G28.03	78 8	118 0001>>	5-SPEED
928 M249	A22.01	78 8	168 0001>>	3-SPEED
928 (USA) (CDN) (J)	A22.02	78 8	168 1001>>	3-SPEED
928	G28.03	79 9	119 0001>>	5-SPEED
928 M249	A22.01	79 9	169 0001>>	3-SPEED
928 (USA) (CDN) (J)	A22.02	79 9	169 3001>>	3-SPEED
928	G28.03	80 A	11 00001>05000	5-SPEED
928	G28.05	80 A	11 05001>09999	5-SPEED
928 M249	A22.01	80 A	16 00001>03000	3-SPEED
928 S	G28.05	80 A	11 05001>09999	5-SPEED
928 S M249	A22.04	80 A	16 00001>03000	3-SPEED
928	G28.05	81 B	11 10001>19999	5-SPEED
928 M249	A22.01	81 B	16 10001>15000	3-SPEED
928 S M249	A22.04	81 B	16 15001>19999	3-SPEED
928 M249 (USA) (CDN) (J)	A22.01	81 B	16 10001>15000	3-SPEED
928	G28.09	82 C	11C 0001>9999	5-SPEED
928 M249	A22.01	82 C	16C 0001>5000	3-SPEED
928 S	G28.05	82 C	11C 0001>9999	5-SPEED
928 S M249	A22.04	82 C	16C 5001>9999	3-SPEED

Model: ATK

Model life 1963>>2012

SUMM. TRANSMISS.

VEHICLE TYPE	TYPE	MY	TRANSMISSION NO.	TECHNICAL DATA
911 CARRERA	G50.20	98 W	G5020 1 002001>999999	6-SPEED
911 CARRERA M220	G50.20	98 W	G5020 2 002001>999999	6-SPEED
911 CARRERA TIPTRONIC	A50.04	98 W	A5004 1 002001>999999	4-SPEED
911 CARRERA TIPTRONIC (USA) (RC)	A50.05	98 W	A5004 1 002001>999999	4-SPEED
911 CARRERA 4/4S	G64.20	98 W	G6420 2 002001>999999	6-SPEED
911 TURBO M220	G64.51	98 W	G6451 2 002001>999999	6-SPEED
911 TURBO M220 (RC)	G64.42	98 W	G6452 2 002001>999999	6-SPEED

Model: ATK

Model life 1963>>2012

SUMM. TRANSMISS

VEHICLE TYPE	TRANSM.		TRANSMISSION NO.	TECHNICAL DATA
	TYPE	MY		
928 S	G28.07	83	11D 0001>5000	5-SPEED
928 S M249	A22.04	83	16D 0001>5000	3-SPEED
928 S (USA) (CDN)	G28.08	83	11D 5001>9999	5-SPEED
928 S M249 (USA) (CDN)	A28.01	83	16D 5001>9999	4-SPEED
928 S (J)	A28.01	83	16D 5001>9999	4-SPEED
928 S	G28.07	84	11E 00001>05000	5-SPEED
928 S M249	A28.02	84	16E 05001>10000	4-SPEED
928 S M249	A28.03	84	16E 10001>11000	4-SPEED
928 S (USA) (CDN)	G28.08	84	11E 05001>10000	5-SPEED
928 S M249 (USA) (CDN)	A28.01	84	16E 00001>05000	4-SPEED
928 S (J)	A28.01	84	16E 00001>05000	4-SPEED
928 S	G28.10	85	11F 00001>05000	5-SPEED
928 S M249	A28.05	85	16F 05001>10000	4-SPEED
928 S M249	A28.06	85	16F 10001>11000	4-SPEED
928 S M298	G28.11	85	11F 05001>10000	5-SPEED
928 S M299	A28.04	85	16F 00001>05000	4-SPEED
928 S (USA) (CDN)	G28.11	85 F	11F 05001>10000	5-SPEED
928 S (USA) (CDN)	A28.04	85 F	16F 00001>05000	4-SPEED
928 S (J)	A28.04	85 F	16F 00001>05000	4-SPEED
928 S	G28.10	86 G	11G 00001>05000	5-SPEED
928 S M249	A28.08	86 G	16G 05001>10000	4-SPEED
928 S M298	G28.10	86 G	11G 00001>05000	5-SPEED
928 S M299	A28.11	86 G	16G 15001>20000	4-SPEED
928 S M251 (CH) (S) (AUS)	A28.09	86 G	16G 10001>11000	4-SPEED
928 S (USA) (CDN)	G28.11	86 G	11G 05001>10000	5-SPEED
928 S M249 (USA) (CDN)	A28.07	86 G	16G 00001>05000	4-SPEED
928 S (J)	A28.07	86 G	16G 00001>05000	4-SPEED
928 S (AUS)	A28.11	86 G	16G 15001>20000	4-SPEED

Model: **ATK** Model life **1963>>2012**

SUMM. TRANSMISS.

VEHICLE TYPE	TRANSM.		TRANSMISSION NO.	TECHNICAL DATA
	TYPE	MY		
928 S4	G28.12	87 H	11H 00001>11H 05000	5-SPEED
928 S4 (USA) (CDN)	G28.13	87 H	11H 00001>11H 10000	5-SPEED
928 S4 M249	A28.14	87 H	16H 10001>16H 15000	4-SPEED
928 S4 (USA) (CDN) M249	A28.12	87 H	16H 00001>16H 05000	4-SPEED
928 S4	G28.12	88 J	G2812 1J00001>1J10000	5-SPEED
928 S4 M220	G28.12	88 J	G2812 2J10001>2J20000	5-SPEED
928 CS M637	G28.55	88 J	G2855 2J10001>2J11000	5-SPEED
928 S4 (USA) (CDN)	G28.13	88 J	G2813 1J00001>1J10000	5-SPEED
928 S4 (USA) (CDN) M220	G28.13	88 J	G2813 2J10001>2J20000	5-SPEED
928 S4 M249	A28.14	88 J	A2814 1J00001>1J10000	4-SPEED
928 S4 M249/220	A28.14	88 J	A2814 2J10001>2J20000	4-SPEED
928 S4 (USA) (CDN) (J) M249	A28.12	88 J	A2812 1J00001>1J10000	4-SPEED
928 S4 (USA) (CDN) (J) M249 M220	A28.12	88 J	A2812 2J10001>2J20000	4-SPEED
928 S4	G28.12	89 K	G2812 1K00001>1K10000	5-SPEED
928 S4 M220	G28.12	89 K	G2812 2K00001>2K20000	5-SPEED
928 CS M637/ 928 GT	G28.55	89 K	G2855 2K00001>2K01000	5-SPEED
928 S4 M249	A28.16	89 K	A2816 1K00001>1K10000	4-SPEED
928 S4 M249/220	A28.16	89 K	A2816 2K00001>2K20000	4-SPEED
928 S4	A28.16	90 L	A2816 3L00001>3L20000	4-SPEED
928 GT	G28.55	90 L	G2855 3L00001>3L20000	5-SPEED
928 S4	A28.16	91 M	A2816 3M00001>3M20000	4-SPEED
928 GT	G28.55	91 M	G2855 3M00001>3M20000	5-SPEED
928 GTS	G28.57	92 N	G2850 3002001>9999999	5-SPEED
928 GTS M249	A28.18	92 N	A2818 3002001>9999999	4-SPEED
928 GTS	G28.57	93 P	G2857 3002001>9999999	5-SPEED
928 GTS M249	A28.18	93 P	A2818 3002001>9999999	4-SPEED
928 GTS	G28.57	94 R	G2857 3002001>9999999	5-SPEED
928 GTS M249	A28.18	94 R	A2818 3002001>9999999	4-SPEED
928 GTS	G28.57	95 S	G2857 3002001>9999999	5-SPEED
928 GTS M249	A28.18	95 S	A2818 3002001>9999999	4-SPEED

Model: ATK

Model life 1963>>2012

SUMM. TRANSMISS.

VEHICLE TYPE	TYPE	MY	TRANSMISSION NO.	TECNICAL DATA
BOXSTER	G86.00	97 V	G8600 1 002001>999999	5-GANG
BOXSTER TIPTRONIC	A86.00	97 V	A8601 1 002001>999999	5-GANG
BOXSTER	G86.00	98 W	G8600 1 002001>999999	5-GANG
BOXSTER TIPTRONIC	A86.00	98 W	A8600 1 002001>999999	5-GANG

Model: ATK**Model life 1963>>2012**

SUMM. TRANSMISS.

VEHICLE TYPE	TYPE	MY	TRANSMISSION NO.	TECHNICAL DATA
911 CARRERA	G96.00	98 W	G9600 1 002001>999999	6-SPEED
911 CARRERA M220	G96.00	98 W	G9600 2 002001>999999	6-SPEED
911 CARRARA TIPTRONIC	A96.00	98 W	A9600 1 002001>999999	5-SPEED

Model: ATK

Model life 1963>>2012

LEGENDS/NOTICES

LEGENDS AND NOTICES

=====

IN COLUMN -S- STATUS

- N NEW ADDITION
TO BE CARRIED
- A STOCK TO BE USED UP
- U DELETED WITHOUT REPLACEMENT

IN COLUMN - ILL. -

- 1 IDENTIFICATION NO. IN ILLUSTRATION
- (1) PART ONLY SIMILAR AS ILLUSTRATED
- PART IS NOT ILLUSTRATED

FIG.-NUMBERS FOR WHICH THERE IS SHOWN NO TEXT ARE NOT VALID FOR THIS EDITION OF CATALOGUE

IN COLUMN -PART NUMBER/CODE-

000 000 000 00 PART NUMBER EQUALS ORDERING NO.,

IN COLUMN -TEXT

INSTALLATION WITH ENGINE OR CHASSIS NUMBER-RANGE

EXAMPLE:

M 62L 00389>> FROM ENGINE NO.
 F >>96LS4 00889 UP TO CHASSIS NO.

Model: ATK

Model life 1963>>2012

LEGENDS/NOTICES

IN COLUMN - A -

IDENTIFICATION LETTER FOR PERIOD OF INSTALLATION
THAT IS REPEATED SEVERAL TIMES IN THE CATALOG GROUP.

EXPLANATION PLEASE FIND IN TEXT COLUMN OF THE CATALOG GROUP

IN COLUMN - QU - = NO. OF PIECES

1 NUMBER PER APPLICATION

IN COLUMN - MODEL/SYMBOL -

-90 LIMITATION OF MODEL YEAR FOR INSTANCE: VALID UP TO
END OF MODEL YEAR 1990

/LL LHD

/RL RHD

/V FRONT I
I

/H REAR I

/L LEFT I I----> APPLIES TO
DIRECTION OF TRAVEL
I

/R RIGHT I
-----+

C2 CARRERA 2

C4 CARRERA 4

AUT. AUTOMATIC

Model: ATK

Model life 1963>>2012

COUNTRY-EQIPM.

EQUIPMENT BY COUNTRY REGULATIONS

=====

(A)	AUSTRIA
(AG)	ARABIAN GULF STATES
(AUS)	AUSTRALIA
(B)	BELGIUM
(CDN)	CANADA
(CH)	SWITZERLAND
(D)	FEDERAL REPUBLIC OF GERMANY
(DK)	DENMARK
(E)	SPAIN
(F)	FRANCE
(GB)	GREAT BRITAIN
(GR)	GREECE
(HK)	HONGKONG
(I)	ITALY
(J)	JAPAN
(L)	LUXEMBURG
(N)	NORWAY
(NL)	NETHERLANDS
(NZ)	NEW ZEALAND
(P)	PORTUGAL
(RC)	TAIWAN
(S)	SWEDEN
(SA)	SAUDI ARABIA
(SF)	FINLAND
(USA)	UNITED STATES OF AMERICA
(ZA)	SOUTH AFRICA

Model: ATK Model life 1963>>2012

NR	Description
ID5V	8-cylinder petrol engine 4.8 l/280 kW V8 FSI
ID5Z	8-cylinder petrol engine 4.8 l/368 kW V8 biturbo
ID9J	6-cylinder petrol engine, 3.2 l/177 kW (24 valves)
ID9K	8-cylinder petrol engine, 4.5 l/250 kW (V 8)
ID9L	8-cylinder petrol engine, 4.5 l/330 kW (V 8) biturbo
IE16	Special model 'Cayenne S Titanium'
IE81	Enhanced performance engine
IG0L	6-speed manual transmission for all-wheel drive vehicle
IG0R	Tiptronic s
IT31	Components for basic engine, unit M 022Y
IT90	Units for engine PR No. D9L
IT91	Units for engine PR No. D9K
IU5B	Instrument insert, mph indication, GB
IU5C	Instrument insert, mph indication, USA
IU5D	Instrument insert, km/h indication, Canada
IX50	Powerkit 331/340 kW
IX51	Powerkit 250 kW
IX75	Differential lock (exclusive)
I0AW	Front and rear anti-roll bars with active Body control -PDCC-
I0GD	Emissions compliance EU 2, (CN)
I004	RS version
I022	Black-coloured instrument dials, instrument cluster
I098	Left-hand drive version
I099	Right-hand drive version
I1N3	Speed-dependent power-assisted steering (servotronic)
I1Y1	Differential lock, rear, centre differential lock
I101	Special GT2 engine parts
I114	Version for Taiwan
I145	Compression variant
I219	Differential
I220	Locking differential 40 %
I249	Tiptronic transmission
I338	Rear-wheel drive
I339	All-wheel drive
I450	Ceramic brake (PCCB)
I454	Automatic speed control
I480	6-speed manual transmission
I481	5th-speed manual transmission
I490	Sound system "ASK"
I574	Without air conditioner
I660	Obd 2
I661	Stricter emission-control concept
I664	Orvr
I665	-2008 PCM 2, 2009- PCM 3 basic module incl. radio
I666	-2008 PCM 2, 2009- PCM 3 telephone (GSM)

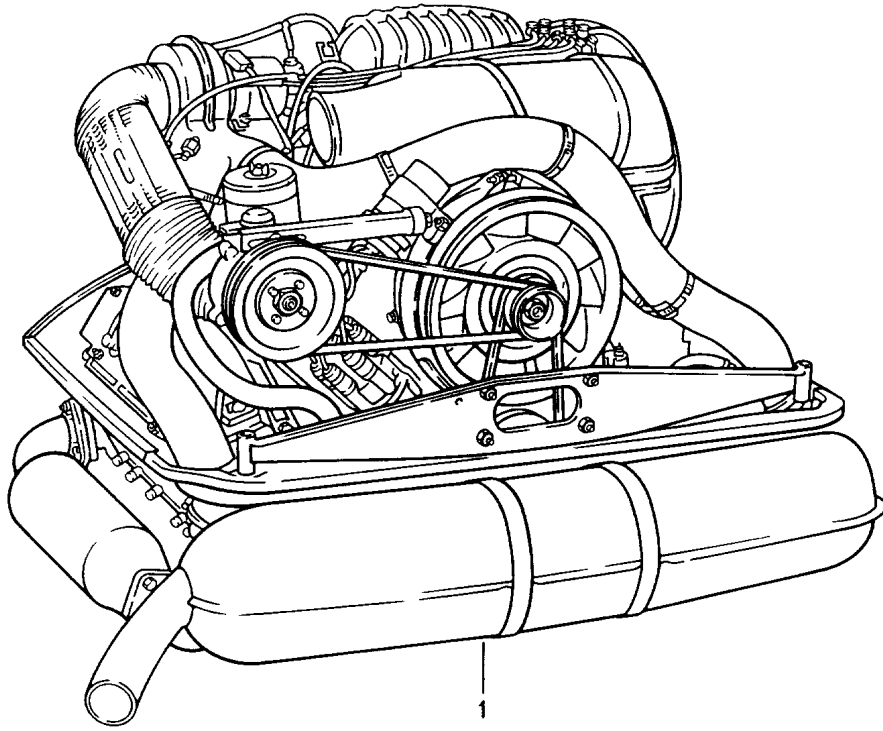
Model: ATK

Model life 1963>>2012

NR	Description
I670	PCM2 navigation
I672	-2008 PCM 2, 2009- PCM 3 Offroad navigation
I680	BOSE sound package
I692	CD autochanger "Porsche"
I694	CD radio "PORSCHE CDR 24"
I697	CD radio "Porsche CDR-23"
I7Q2	PCM navigation module
I7T1	Offroad navigation, with course calculator showing latitude and longitude
I8DQ	Basic radio/PCM terminal, USA, double-DIN colour display
I8DV	Basic radio/PCM terminal, RoW, double-DIN colour display
I8GH	190-A generator
I8GR	150-A generator
I8T1	Cruise control
M002	Touring equipment for Carrera RS e. g. electric window opener central locking system underbody protection
M198	Starter 1.7 kW
M219	Differential
M220	Locking differential 40 %
M221	Porsche locking differential
M249	Tiptronic transmission
M334	Radio/cassette player Bremen RCM 42
M481	5th-speed manual transmission
M491	Turbo Look
M637	Club Sport "CS"
M639	Version "GT"
M692	CD autochanger "Porsche "

Model: ATK

Model life 1963>>2012



1

Model: ATK Model life 1963>>2012

Pos	Part Number	Description	Remark	Qty	Model
		Overhauled engine	69- -89		911 2000 CCM - - 3200 CCM
(1)	901 100 130 X	Ready for installation without Compressor Overhauled engine	69	1	2000 CCM 901.13 SPM
		Overhauled engine 80 KW 110 DIN-PS Carburettor We take back: 901.100.130.00			WEBER
(1)	911 100 152 X	Overhauled engine	72	1	2400 CCM 911.52
		Overhauled engine 121 KW 165 DIN-PS Mechanical injection We take back: 911.100.152.00			
(1)	911 100 153 AX	Overhauled engine	73	1	911.53
		140 KW 190 DIN-PS Mechanical injection We take back: 911.100.153.01			
(1)	911 100 183 X	Overhauled engine	73	1	2700 CCM 911.83
		Overhauled engine 154 KW 210 DIN-PS Mechanical injection We take back: 911.100.183.00			
(1)	911 100 183 AX	Overhauled engine	74-	1	911.83
		154 KW 210 DIN-PS Mechanical injection We take back: 911.100.183.01			
1	911 100 192 X	Overhauled engine	74	1	911.92
		110 KW 150 DIN-PS K-jetronic We take back: 911.100.192.00			
1	911 100 193 X	Overhauled engine	74	1	911.93
		129 KW 175 DIN-PS K-jetronic We take back: 911.100.193.00			
1	911 100 141 X	Overhauled engine	75	1	911.41
		110 KW 150 DIN-PS K-jetronic We take back: 911.100.141.00			
1	911 100 142 X	Overhauled engine	75	1	911.42
		129 KW 175 DIN-PS K-jetronic We take back: 911.100.142.00			
1	911 100 181 X	Overhauled engine	76	1	911.81
		121 KW 165 DIN-PS K-jetronic We take back: 911.100.181.00			
1	911 100 181 AX	Overhauled engine	77	1	911.81
		121 KW 165 DIN-PS K-jetronic			

Model: **ATK** Model life **1963>>2012**

Pos	Part Number	Description	Remark	Qty	Model
1	930 100 202 X	We take back: 911.100.181.00 Overhauled engine Overhauled engine 147 KW 200 DIN-PS K-jetronic	76	1	3000 CCM 930.02
1	930 100 202 AX	We take back: 930.100.202.00 Overhauled engine 147 KW 200 DIN-PS K-jetronic	77	1	930.02
1	930 100 203 X	We take back: 930.100.202.00 Overhauled engine 132 KW 180 DIN-PS K-jetronic	78-	1	930.03
1	930 100 209 X	We take back: 930.100.203.00 Overhauled engine 138 KW 188 DIN-PS K-jetronic	80	1	930.09
1	930 100 210 X	We take back: 930.100.209.00 Overhauled engine 150 KW 204 DIN-PS K-jetronic	81-	1	930.10 COUPE/TARGA
1	930 100 210 AX	We take back: 930.100.210.00 Overhauled engine 150 KW 204 DIN-PS K-jetronic	83	1	930.10 CABRIO
1	930 100 220 X	We take back: 930.100.210.01 Overhauled engine Overhauled engine 170 KW 231 DIN-PS L-jetronic	84-	1	3200 CCM 930.20 COUPE/TARGA
1	930 100 221 X	We take back: 930.100.220.00 Overhauled engine 152 KW 207 DIN-PS L-jetronic	84-	1	930.21 COUPE/TARGA
1	930 100 220 AX	We take back: 930.100.221.00 Overhauled engine 170 KW 231 DIN-PS L-jetronic	84-	1	930.20 CABRIO
1	930 100 220 BX	We take back: 930.100.220.01 Overhauled engine 170 KW 231 DIN-PS L-jetronic	87-	1	930.20 COUPE/TARGA
1	930 100 220 CX	We take back: 930.100.220.00 Overhauled engine 170 KW 231 DIN-PS L-jetronic	87-	1	930.20 CABRIO
1	930 100 225 X	We take back: 930.100.220.01 Overhauled engine 160 KW 217 DIN-PS L-jetronic	87-	1	930.25 COUPE/TARGA
		We take back:			

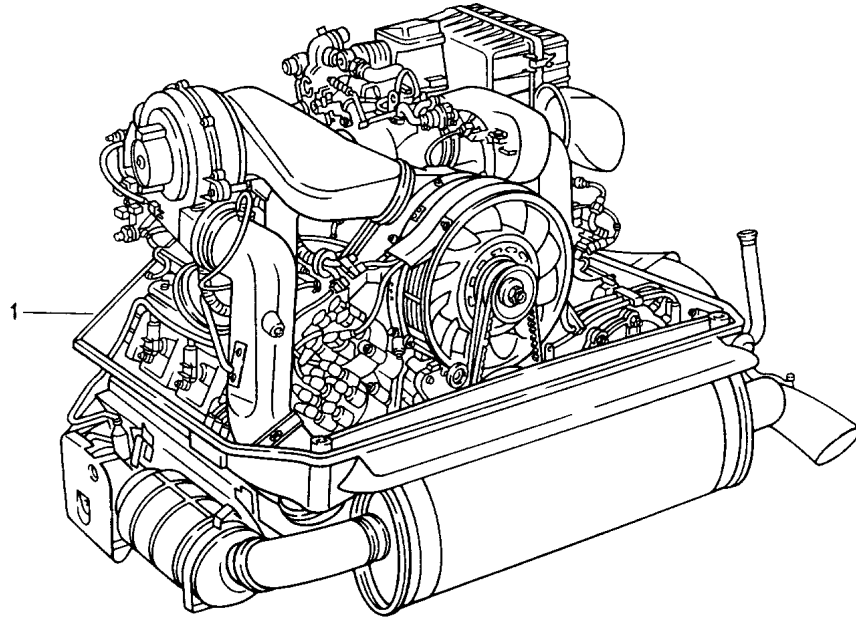
Model: ATK

Model life 1963>>2012

Pos	Part Number	Description	Remark	Qty	Model
1	930 100 225 AX	930.100.225.00 Overhauled engine 160 KW 217 DIN-PS L-jetronic We take back:	87-	1	930.25 CABRIO
1	930 100 225 DX	930.100.225.01 Overhauled engine 160 KW 217 DIN-PS L-jetronic We take back:	(CH) 87-	1	930.25 COUPE/TARGA
1	930 100 225 EX	930.100.225.04 Overhauled engine 160 KW 217 DIN-PS L-jetronic We take back: 930.100.225.05	(CH) 87-	1	930.25 CABRIO

Model: ATK

Model life 1963>>2012



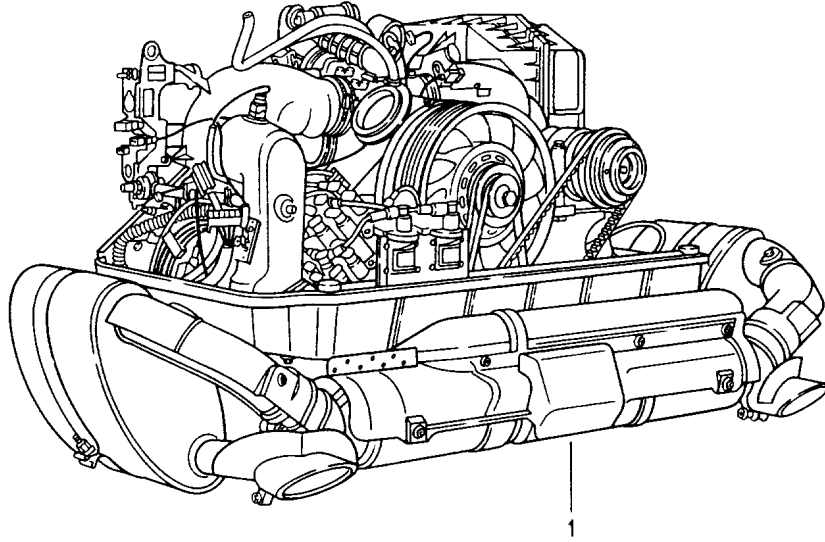
Model: ATK

Model life 1963>>2012

Pos	Part Number	Description	Remark	Qty	Model
		Overhauled engine	89- -94		CARRERA 2/4 M64.01 M64.02 M64.03
1	964 100 264 AX	Ready for installation without Compressor Overhauled engine	89	1	M64.01
1	964 100 264 DX	184 KW 250 DIN-PS We take back: 964.100.264.01 Overhauled engine	90	1	M64.01
1	964 100 264 BX	184 KW 250 DIN-PS We take back: 964.100.264.31 Overhauled engine	90- -94	1	M64.02
1	964 100 264 EX	184KW 250 DIN-PS We take back: 964.100.264.02 Overhauled engine	91- -94	1	M64.01
1	964 100 264 CX	191 KW 260 DIN-PS We take back: 964.100.264.41 Overhauled engine	92- -93	1	M64.03 CARRERA RS
1	964 100 264 FX	191 KW 260 DIN-PS We take back: 964.100.264.03 Overhauled engine	92- -93	1	M64.03 M002
		964.100.264.43			

Model: ATK

Model life 1963>>2012



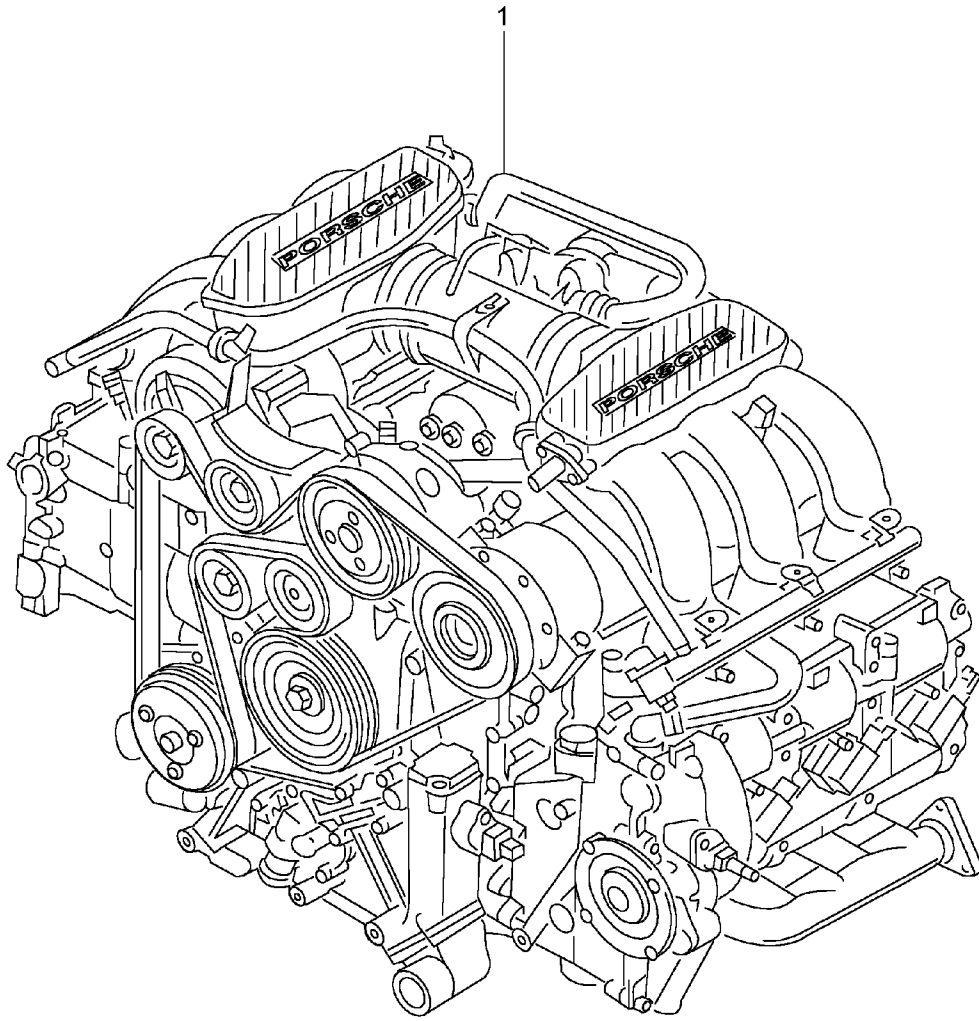
Model: ATK

Model life 1963>>2012

Pos	Part Number	Description	Remark	Qty	Model
		Overhauled engine	94- -98		CARRERA M64.05 M64.06
1	993 100 264 EX	Ready for installation without Compressor Overhauled engine 200 KW 272 DIN-PS Manual transmission We take back: 993.100.264.05	94-	1	M64.05
1	993 100 264 FX	Overhauled engine 200 KW 272 DIN-PS Tiptronic We take back: 993.100.264.06	94-	1	M64.06

Model: ATK

Model life 1963>>2012



Model: ATK Model life 1963>>2012

Pos	Part Number	Description	Remark	Qty	Model
		Replacement engine 05- 06- 06- 07- 08- Not Ready for installation without Compressor Flywheel Clutch We take back: 996.840.001.00 We take back: 986.100.920.00 We take back: 996.840.001.02 We take back: 986.100.920.01			BOXSTER CAYMAN -24 M96.20 M 96.25-26 M97.21 M97.20 M97.22
1	986 100 921 X	Replacement engine 185 KW / 252 PS We take back: 986.100.921.00	00	1	M96.21 M481
1	986 100 921 AX	Replacement engine 185 KW / 252 PS We take back: 986.100.921.01	00	1	M96.21 M249
1	986 100 922 X	Replacement engine 162 KW / 220 PS We take back: 986.100.922.00	00	1	M96.22 M481
1	986 100 922 AX	Replacement engine 162 KW / 220 PS We take back: 986.100.922.01	00	1	M96.22 M249
1	986 100 921 DX	Replacement engine 185 KW / 252 PS We take back: 986.100.921.04	01	1	M96.21 M481
1	986 100 921 EX	Replacement engine 185 KW / 252 PS We take back: 986.100.921.05	01	1	M96.21 M249
1	986 100 922 DX	Replacement engine 162 KW / 220 PS We take back: 986.100.922.04	01	1	M96.22 M481
1	986 100 922 EX	Replacement engine 162 KW / 220 PS We take back: 986.100.922.05	01	1	M96.22 M249
1	986 100 921 HX	Replacement engine 185 KW / 252 PS We take back: 986.100.921.08	02	1	M96.21 M481
1	986 100 921 JX	Replacement engine 185 KW / 252 PS We take back: 986.100.921.09	02	1	M96.21 M249
1	986 100 922 HX	Replacement engine	02	1	M96.22

Model: **ATK** Model life **1963>>2012**

Pos	Part Number	Description	Remark	Qty	Model
		162 KW / 220 PS We take back:			M481
1	986 100 922 JX	986.100.922.08 Replacement engine	02	1	M96.22 M249
		162 KW / 220 PS We take back:			
1	986 100 924 X	986.100.922.09 Replacement engine	03	1	M96.24 M481
		191 KW / 260 PS We take back:			
1	986 100 924 AX	986.100.924.00 Replacement engine	03	1	M96.24 M249
		191 KW / 260 PS We take back:			
1	986 100 923 X	986.100.924.01 Replacement engine	03	1	M96.23 M481
		168 KW / 228 PS We take back:			
1	986 100 923 AX	986.100.923.00 Replacement engine	03	1	M96.23 M249
		168 KW / 228 PS We take back:			
1	986 100 924 DX	986.100.923.01 Replacement engine	04	1	M96.24 M481
		191 KW / 260 PS We take back:			
1	986 100 924 EX	986.100.924.00/04 Replacement engine	04	1	M96.24 M249
		191 KW / 260 PS We take back:			
1	986 100 923 DX	986.100.924.01/05 Replacement engine	04	1	M96.23 M481
		168 KW / 228 PS We take back:			
1	986 100 923 EX	986.100.923.00/04 Replacement engine	04	1	M96.23 M249
		168 KW / 228 PS We take back:			
1	986 100 924 HX	986.100.923.01/05 Replacement engine	04	1	M96.24 M481 M091
		195 KW / 266 PS We take back:			
1	986 100 924 JX	986.100.924.08 Replacement engine	04	1	M96.24 M249 M091
		195 KW / 266 PS We take back:			
		986.100.924.09 Technical information			
		Group 1			
		NR. 1/04			
		To			
		M 96.25/M 96.26			
		Attention			
1	987 100 925 X	Replacement engine	05	1	M96.25 I481
		176 KW / 240 PS We take back:			
1	987 100 925 BX	987.100.925.00 Replacement engine	05	1	M96.25 I480
		176 KW / 240 PS			

Model: **ATK** Model life **1963>>2012**

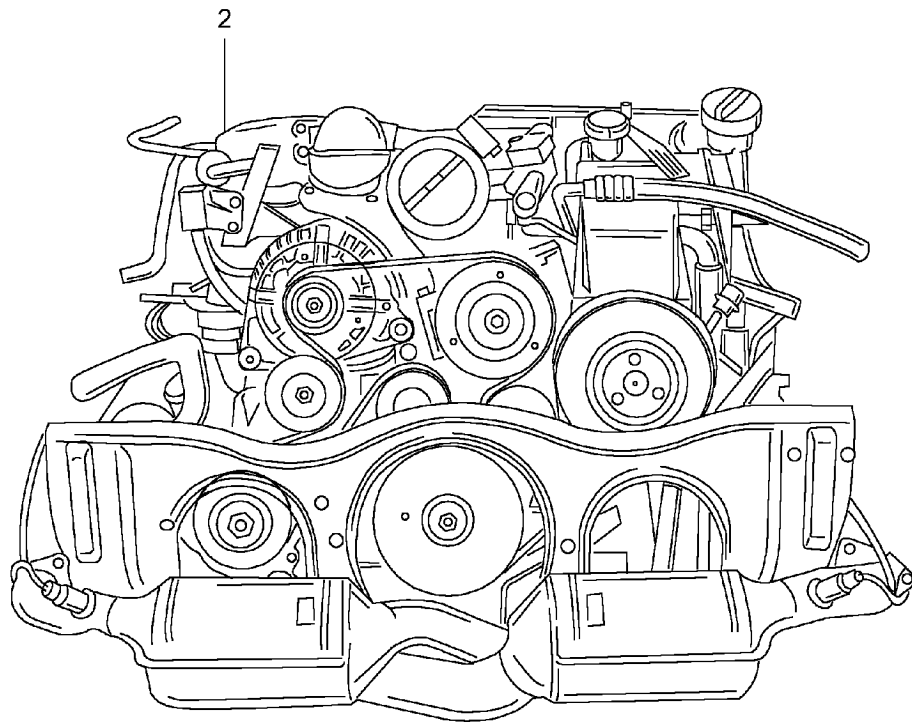
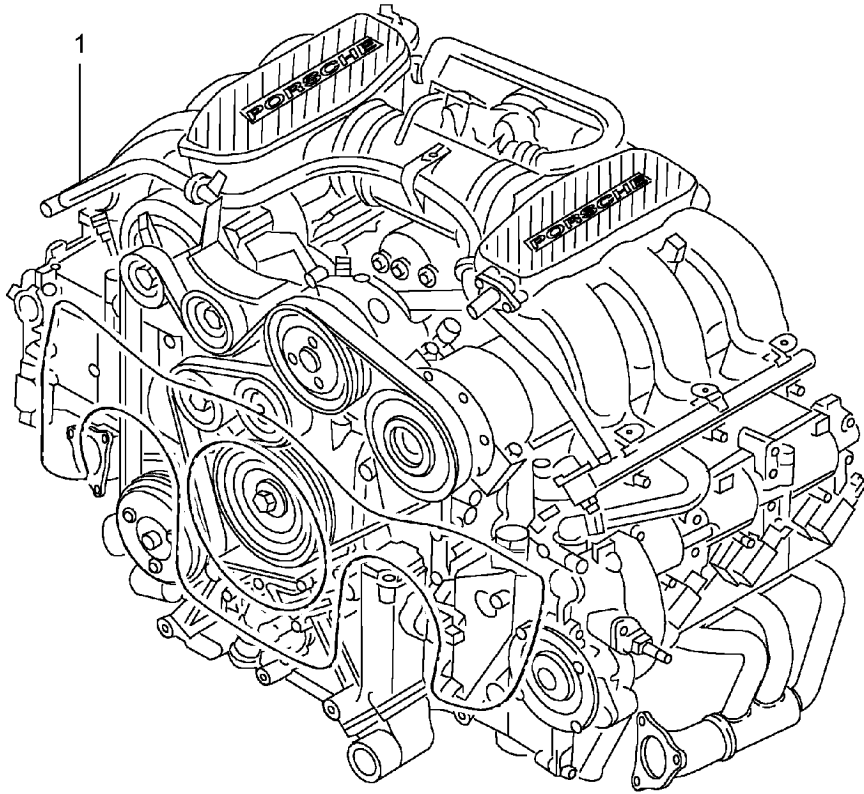
Pos	Part Number	Description	Remark	Qty	Model
1	987 100 925 AX	We take back: 987.100.925.02 Replacement engine 176 KW / 240 PS	05	1	M96.25 I249
1	987 100 926 X	We take back: 987.100.925.01 Replacement engine 206 KW / 280 PS	05	1	M96.26 I480
1	987 100 926 AX	We take back: 987.100.926.00 Replacement engine 206 KW / 280 PS	05	1	M96.26 I249
1	987 100 925 CX	We take back: 987.100.926.01 Replacement engine 176 KW / 240 PS	06	1	M96.25 I481
1	987 100 925 EX	We take back: 987.100.925.03 Replacement engine 176 KW / 240 PS	06	1	M96.25 I480
1	987 100 925 DX	We take back: 987.100.925.05 Replacement engine 176 KW / 240 PS	06	1	M96.25 I249
1	987 100 926 BX	We take back: 987.100.925.01/04 Replacement engine 206 KW / 280 PS	06	1	M96.26 I480
1	987 100 926 CX	We take back: 987.100.926.02 Replacement engine 206 KW / 280 PS	06	1	M96.26 I249
1	987 100 921 X	We take back: 987.100.926.03 Replacement engine 216 KW / 295 PS	06-	1	M97.21 I480 I661
1	987 100 921 AX	We take back: 987.100.921.00 Replacement engine 216 KW / 295 PS	06-	1	M97.21 I249 I661
1	987 100 920 X	We take back: 987.100.921.01 Replacement engine	07-	1	M97.20 I481 I661
1	987 100 920 AX	We take back: 987.100.920.00 Replacement engine	07-	1	M97.20 I249 I661
1	987 100 920 EX	We take back: 987.100.920.01 Replacement engine	07-	1	M97.20 I480 I661
1	987 100 921 DX	We take back: 987.100.920.05 Replacement engine	07-	1	M97.21 I480 I661
		We take back: 987.100.921.04			

Model: **ATK** Model life **1963>>2012**

Pos	Part Number	Description	Remark	Qty	Model
1	987 100 921 EX	Replacement engine We take back: 987.100.921.05	07-	1	M97.21 I249 I661
1	987 100 920 FX	Replacement engine We take back: 987.100.920.00 987.100.920.06	08-	1	M97.20 I481 I661
1	987 100 920 HX	Replacement engine We take back: 987.100.920.01 987.100.920.08	08-	1	M97.20 I249 I661
1	987 100 920 KX	Replacement engine We take back: 987.100.920.05 987.100.920.10	08-	1	M97.20 I480 I661
1	987 100 921 HX	Replacement engine We take back: 987.100.921.04 987.100.921.08	08-	1	M97.21 I480 I661
1	987 100 921 KX	Replacement engine We take back: 987.100.921.05 987.100.921.10	08-	1	M97.21 I249 I661
1	987 100 922 X	Replacement engine We take back: 987.100.922.00	08	1	M97.22 I480 I661
1	987 100 922 BX	Replacement engine We take back: 987.100.922.02	08	1	M97.22 I249 I661

Model: ATK

Model life 1963>>2012



Model: ATK Model life 1963>>2012

Pos	Part Number	Description	Remark	Qty	Model
		Replacement engine	98-		CARRERA -05
			05-		M96.01 CARRERA S
			00-		M97.01 GT3 M96.76/79
		Ready for installation without Compressor with Cruise control			
1	996 840 001 AX	Replacement engine 220 KW / 300 PS	-99	1	M96.01 M338 M480
		We take back: 996.840.001.01			
1	996 840 001 FX	Replacement engine 220 KW / 300 PS	-99	1	M96.01 M338 M249
		We take back: 996.840.001.06			
1	996 100 996 X	Replacement engine 220 KW / 300 PS	-99	1	M96.01 M338 M249/480
		We take back: 996.100.996.00			
1	996 840 001 SX	Replacement engine 220 KW / 300 PS	99	1	M96.01 M339 M480
		We take back: 996.840.001.09			
1	996 840 001 JX	Replacement engine 220 KW / 300 PS	99	1	M96.01 M339 M249
		We take back: 996.840.001.10			
1	996 100 996 AX	Replacement engine 220 KW / 300 PS	99	1	M96.02/04 M339 M249/480 M620
			00		M96.02/04 I339/M338 M249/480 M620
		We take back: 996.100.996.01			
1	996 840 051 AX	Replacement engine 235 KW / 320 PS	-99	1	M96.01 M338 M480 X 51
		We take back: 996.840.051.01			
1	996 100 951 AX	Replacement engine 235 KW / 320 PS	-99	1	M96.01 M338 M480 X 51
		We take back: 996.840.051.01			
		996.100.951.01			
1	996 100 951 CX	Replacement engine 235 KW / 320 PS	-99	1	M96.01 M338 M480

Model: ATK

Model life 1963>>2012

Pos	Part Number	Description	Remark	Qty	Model
					X 51
1	996 840 051 BX	We take back: 996.840.051.01 996.100.951.01 Replacement engine 235 KW / 320 PS	00-	1	M96.02 M480 M620 X 51
1	996 100 951 BX	We take back: 996.840.051.02 Replacement engine 235 KW / 320 PS	00-	1	M96.02 M480 M620 X 51
1	996 100 951 DX	We take back: 996.840.051.02 996.100.951.02 Replacement engine 235 KW / 320 PS	00-	1	M96.02 M480 M620 X 51
1	996 100 996 LX	We take back: 996.840.051.02 996.100.951.02 Replacement engine 220 KW / 300 PS	01	1	M96.04 M480 M620
1	996 100 996 MX	We take back: 996.100.996.11 Replacement engine 220 KW / 300 PS	01	1	M96.04 M249 M480 M620
1	996 100 996 DX	We take back: 996.100.996.12 Not Ready for installation without Compressor Flywheel Clutch Replacement engine 235 KW / 320 PS	02	1	M96.03 I661/M660 M480
1	996 100 996 EX	We take back: 996.100.996.04 Replacement engine 235 KW / 320 PS	02	1	M96.03 I661/M660 M249
1	996 100 996 GX	We take back: 996.100.996.05 Replacement engine 235 KW / 320 PS	02	1	M96.03 I661/M660 M480
1	996 100 996 HX	We take back: 996.100.996.04/07 Replacement engine 235 KW / 320 PS	02	1	M96.03 I661/M660 M249
1	996 100 996 JX	We take back: 996.100.996.05/08 Replacement engine 235 KW / 320 PS	03	1	M96.03 I661/M660 M480

Model: ATK Model life 1963>>2012

Pos	Part Number	Description	Remark	Qty	Model
1	996 100 996 KX	We take back: 996.100.996.04/07/09 Replacement engine 235 KW / 320 PS	03	1	M96.03 I661/M660 M249
1	996 100 996 RX	We take back: 996.100.996.05/08/10 Replacement engine 235 KW / 320 PS	03	1	M96.03 I661/M660 M480
1	996 100 996 SX	We take back: 996.100.996.04/07/09/16 Replacement engine 235 KW / 320 PS	03	1	M96.03 I661/M660 M249
1	996 100 996 QX	We take back: 996.100.996.05/08/10/17 Replacement engine 254 KW / 346 PS	03	1	M96.03 M480 I661/M660 X 51
1	996 100 996 VX	We take back: 996.100.996.14 Replacement engine 235 KW / 320 PS	04	1	M96.03 I661/M660 M480
1	996 100 996 YX	We take back: 996.100.996.04/07/09 996.100.996.16/18 Replacement engine 254 KW / 346 PS	04	1	M96.03 M480 I661/M660 X 51
1	996 100 996 WX	We take back: 996.100.996.14/20 Replacement engine 235 KW / 320 PS	04	1	M96.03 I661/M660 M249
1	996 100 995 X	We take back: 996.100.996.05/08/10/17 996.100.996.19 Technical information Group 1 NR. 04/04 To M 96.03/M 96.03 X51 M 96.05 Attention Replacement engine 235 KW / 320 PS	05	1	M96.03 M480
1	996 100 996 9X	We take back: 996.100.996.04/07/09/16/ 18/25 Replacement engine 235 KW / 320 PS	05	1	M96.03 M249
1	996 100 995 AX	We take back: 996.100.996.05/08/10/17 996.100.996.19/26 Replacement engine 254 KW / 346 PS	05	1	M96.03 M480 X 51
		We take back: 996.100.996.14/20/27			

Model: ATK Model life 1963>>2012

Pos	Part Number	Description	Remark	Qty	Model
1	996 100 995 DX	Replacement engine 235 KW / 320 PS We take back: 996.100.996.25/28	05	1	M96.03 M480
1	996 100 995 BX	Replacement engine 235 KW / 320 PS We take back: 996.100.996.05/08/10/17 996.100.996.19/26/29	05	1	M96.03 M249
1	996 100 995 CX	Replacement engine 254 KW / 346 PS We take back: 996.100.996.27/30	05	1	M96.03 M480 X 51
1	996 100 996 7X	Replacement engine 239 KW / 325 PS We take back: 996.100.996.21	05-	1	M96.05 I480
1	996 100 996 8X	Replacement engine 239 KW / 325 PS We take back: 996.100.996.22	05	1	M96.05 I249
1	996 100 995 EX	Replacement engine 239 KW / 325 PS We take back: 996.100.996.21/31	05-	1	M96.05 I480
1	996 100 997 BX	Replacement engine 239 KW / 325 PS We take back: 996.100.996.21/31 996.100.997.02	06	1	M96.05 I480
1	996 100 995 FX	Replacement engine 239 KW / 325 PS We take back: 996.100.996.22/32	05	1	M96.05 I249
1	996 100 997 CX	Replacement engine 239 KW / 325 PS We take back: 996.100.996.22/32 996.100.997.03	06	1	M96.05 I249
1	996 100 997 DX	Replacement engine We take back: 996.100.997.04	07-	1	M96.05 I480
1	996 100 997 EX	Replacement engine We take back: 996.100.997.05	07-	1	M96.05 I249
1	996 100 997 FX	Replacement engine We take back: 996.100.997.06	08-	1	M96.05 I480
1	996 100 997 GX	Replacement engine We take back: 996.100.997.07 Ready for installation with Compressor	08-	1	M96.05 I249
1	997 100 997 X	Replacement engine 261 KW / 355 PS We take back: 997.100.997.00	05-	1	M97.01 I480

Model: **ATK** Model life 1963>>2012

Pos	Part Number	Description	Remark	Qty	Model
1	997 100 997 BX	Replacement engine 261 KW / 355 PS We take back: 997.100.997.00/02	06	1	M97.01 I480
1	997 100 997 AX	Replacement engine 261 KW / 355 PS We take back: 997.100.997.01	05-	1	M97.01 I249
1	997 100 997 CX	Replacement engine 261 KW / 355 PS We take back: 997.100.997.01/03	06	1	M97.01 I249
1	997 100 997 1X	Replacement engine 280 KW / 381 PS We take back: 997.100.997.40	06	1	M97.01 IX51 I480
1	997 100 997 2X	Replacement engine 280 KW / 381 PS We take back: 997.100.997.41	06	1	M97.01 IX51 I249
1	997 100 997 DX	Replacement engine We take back: 997.100.997.04	07-	1	M97.01 I480
1	997 100 997 EX	Replacement engine We take back: 997.100.997.05	07-	1	M97.01 I249 I660 I661
1	997 100 997 3X	Replacement engine We take back: 997.100.997.42	07-	1	M97.01 I480 IX51
1	997 100 997 4X	Replacement engine We take back: 997.100.997.43	07-	1	M97.01 I249 IX51
1	997 100 997 FX	Replacement engine We take back: 997.100.997.04 997.100.997.06	08-	1	M97.01 I480 I660 I661
1	997 100 997 GX	Replacement engine We take back: 997.100.997.05 997.100.997.07	08-	1	M97.01 I249 I660 I661
1	997 100 997 5X	Replacement engine We take back: 997.100.997.42 997.100.997.44	08-	1	M97.01 I480 I660 I661
1	997 100 997 6X	Replacement engine We take back: 997.100.997.43 997.100.997.45 Ready for installation without Compressor	08-	1	IX51 M97.01 I249 I660 I661 IX51

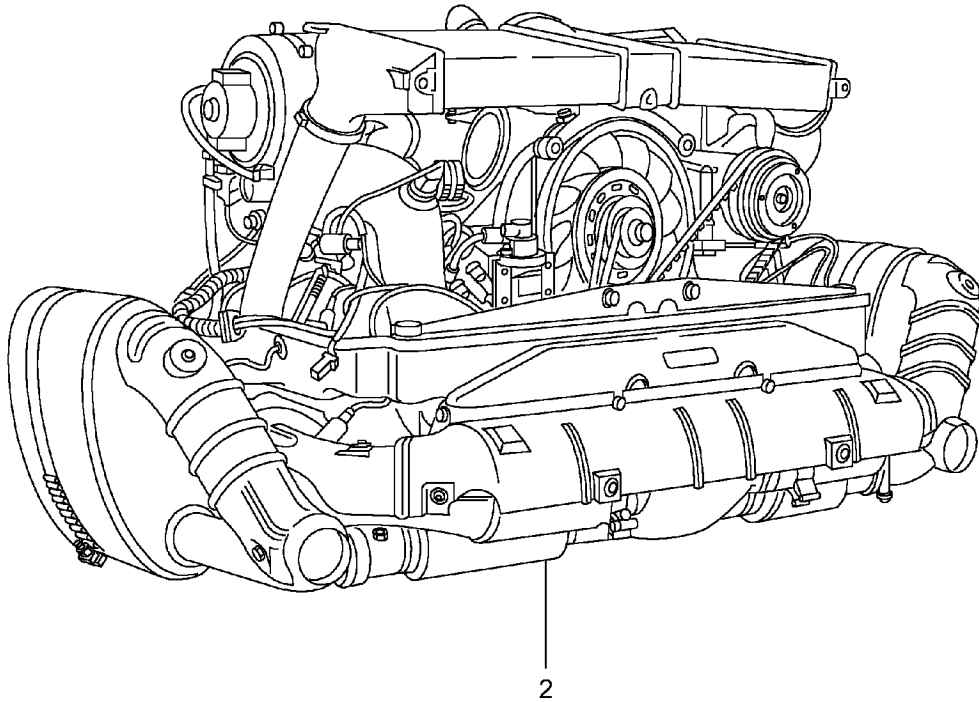
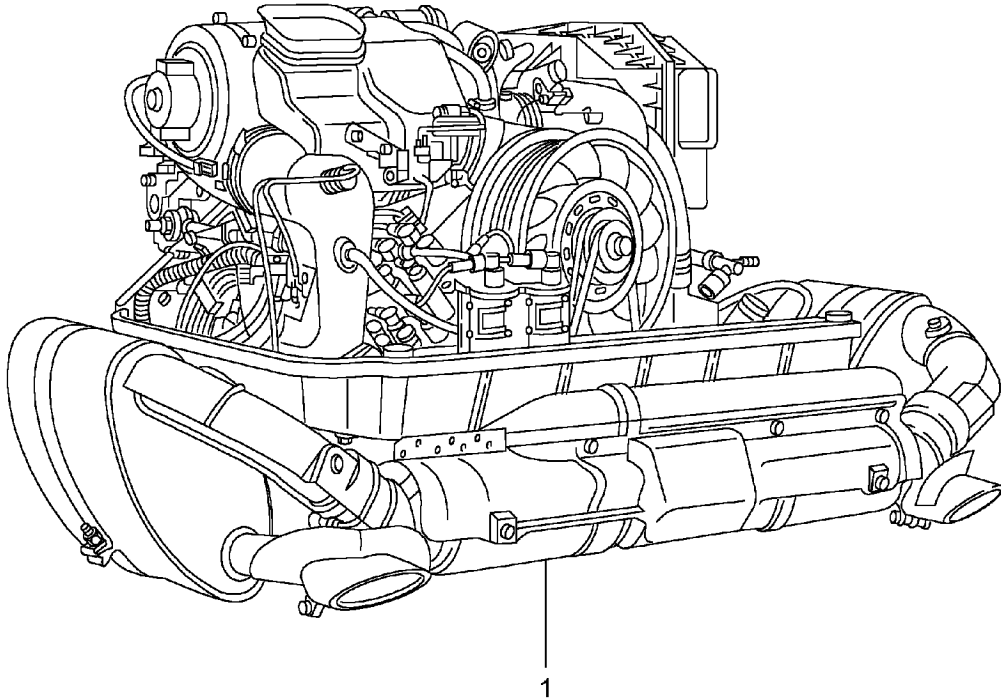
Model: ATK

Model life 1963>>2012

Pos	Part Number	Description	Remark	Qty	Model
2	996 100 976 X	Replacement engine 265 KW / 360 PS We take back: 996.100.976.00	00-	1	M96.76 GT3 M480
2	996 100 979 X	Replacement engine 280 KW / 381 PS We take back: 996.100.979.00	04	1	M96.79 GT3 M480
2	996 100 979 AX	Replacement engine 280 KW / 381 PS We take back: 996.100.979.90	04	1	M96.79 GT3 RS M480 M004
2	996 100 979 BX	Replacement engine 280 KW / 381 PS We take back: 996.100.979.01	05	1	M96.79 GT3 M480
2	997 100 976 X	Replacement engine We take back: 997.100.976.00	07-	1	M97.76 GT3
2	997 100 976 1X	Replacement engine We take back: 997.100.976.90	07-	1	M97.76 I004 GT3 RS
2	997 100 976 BX	Replacement engine We take back: 997.100.976.00/02	08-	1	M97.76 GT3
2	997 100 976 CX	Replacement engine We take back: 997.100.976.00/02/03	08-	1	M97.76 GT3 RS I004
2	997 100 976 2X	Replacement engine We take back: 997.100.976.90/91	08-	1	M97.76 GT3 RS I004
2	997 100 976 3X	Replacement engine We take back: 997.100.976.90/91/92	08-	1	M97.76 GT3 RS I004

Model: ATK

Model life 1963>>2012

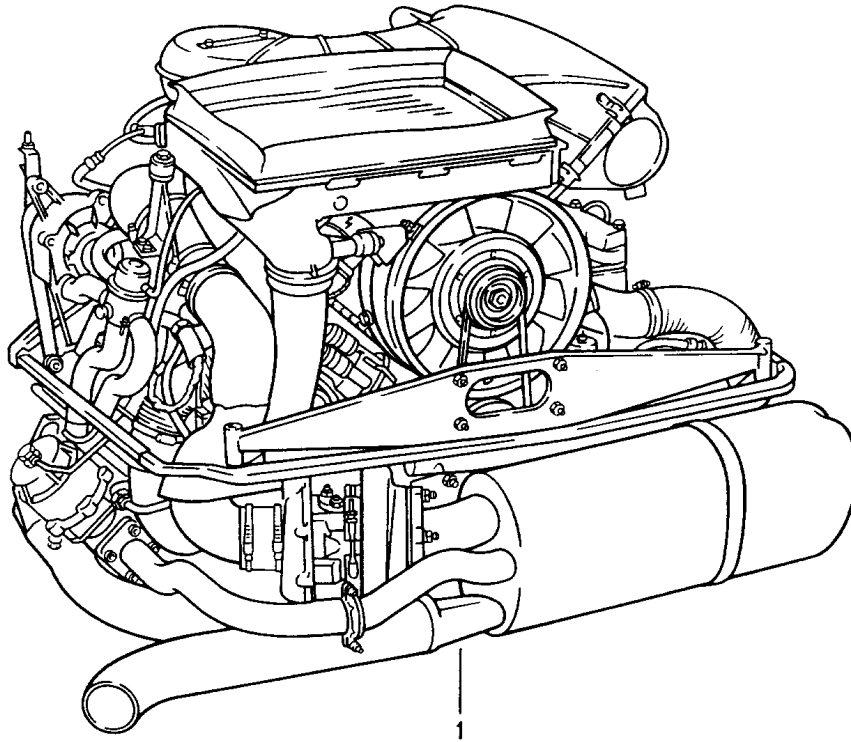


Model: **ATK** Model life **1963>>2012**

Pos	Part Number	Description	Remark	Qty	Model
		Short engine	89- -98 93- -95 96- -98 89-		CARRERA 964 TURBO 993 TURBO
(1)	964 100 964 X	Short engine 184 KW 250 DIN-PS without Flywheel We take back: 964.100.964.00		1	M64.01/02 CARRERA
(1)	964 100 964 CX	Short engine 191 KW 260 DIN-PS without Flywheel We take back: 964.100.964.03	92	1	M64.03 CARRERA RS
(2)	964 100 964 EX	Short engine 265 KW 360 DIN-PS without Flywheel We take back: 964.100.964.50	93-	1	M64.50 TURBO
(1)	993 100 964 EX	Short engine 200 KW 272 DIN-PS without Flywheel We take back: 993.100.964.05	94-	1	M64.05/06 CARRERA
(1)	993 100 964 TX	Short engine 221 KW 300 DIN-PS without Flywheel We take back: 964.100.964.20	95 96-	1	M64.20 CARRERA RS M64.21 IX51
(2)	993 100 964 FX	Short engine 300 KW 408 DIN-PS without Flywheel We take back: 993.100.964.60	96-	1	M64.60 TURBO
(1)	993 100 964 WX	Short engine 210 KW 285 DIN-PS without Flywheel We take back: 993.100.964.21	96-	1	M64.21/22 CARRERA

Model: ATK

Model life 1963>>2012

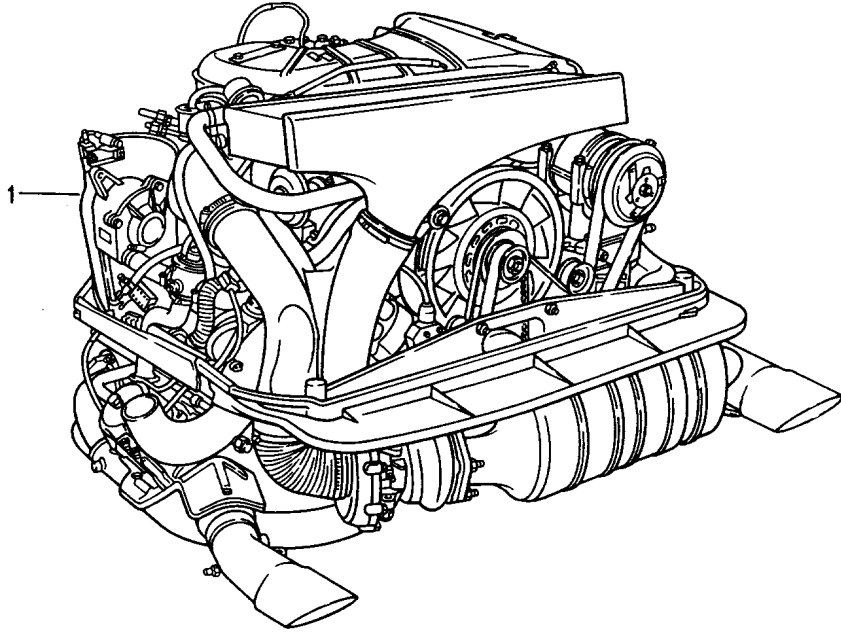


Model: ATK Model life 1963>>2012

Pos	Part Number	Description	Remark	Qty	Model
		Overhauled engine	75- -88		911 TURBO 3000 CCM 3300 CCM
1	930 100 150 X	Ready for installation without Compressor Overhauled engine	75	1	3000 CCM 930.50
1	930 100 152 X	Overhauled engine 191 KW 260 DIN-PS K-jetronic Turbocharger We take back: 930.100.150.00	76	1	930.52
1	930 100 152 AX	Overhauled engine 191 KW 260 DIN-PS K-jetronic Turbocharger Air injection We take back: 930.100.152.00	77	1	930.52
1	930 100 260 X	Overhauled engine Overhauled engine 220 KW 300 DIN-PS K-jetronic Turbocharger Air injection Charge air cooler We take back: 930.100.260.00	78-	1	3300 CCM 930.60
1	930 100 266 CX	Overhauled engine 220 KW 300 DIN-PS K-jetronic Turbocharger Air injection Charge air cooler We take back: 930.100.266.00/02/04	83-	1	930.66
1	930 100 266 CX	Overhauled engine 220 KW 300 DIN-PS K-jetronic Turbocharger Air injection Charge air cooler We take back: 930.100.266.04	83-	1	930.66 COUPE/TARGA
1	930 100 266 AX	Overhauled engine 220 KW 300 DIN-PS K-jetronic Turbocharger Air injection Charge air cooler We take back: 930.100.266.01/03	87-	1	930.66 CABRIO

Model: ATK

Model life 1963>>2012

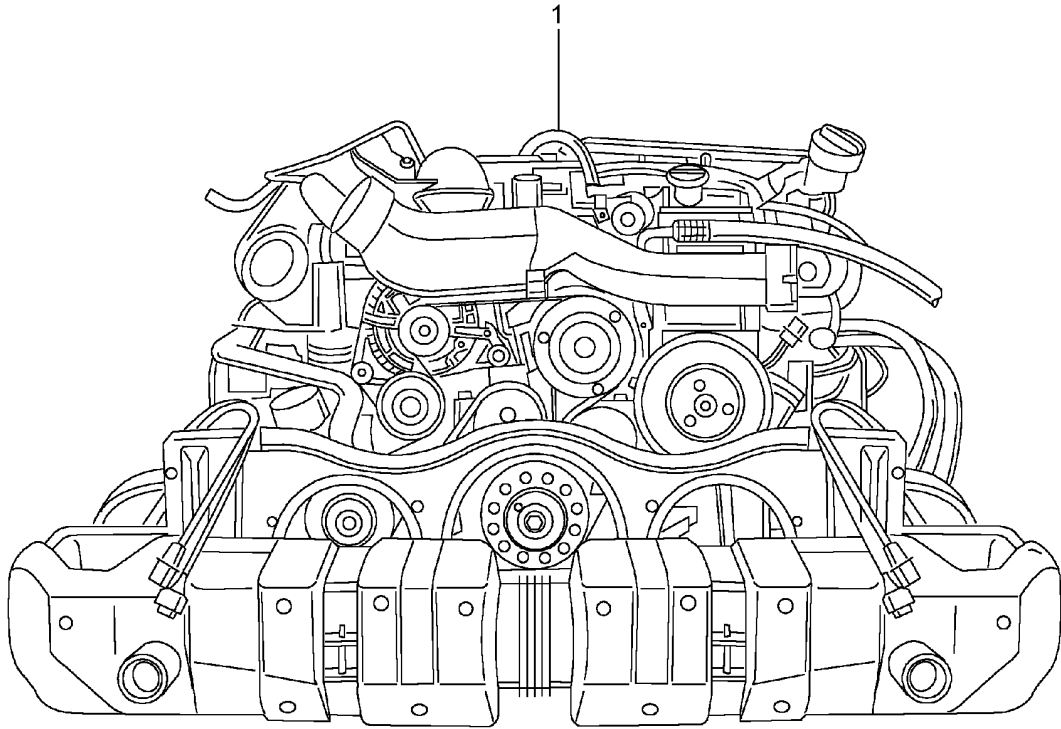


Model: ATK Model life 1963>>2012

Pos	Part Number	Description	Remark	Qty	Model
		Overhauled engine	91- -94		911 TURBO 3300 CCM 3600 CCM
1	930 100 269 X	Ready for installation without Compressor Overhauled engine Engine 235 KW 320 DIN-PS K-jetronic Turbocharger Air injection Charge air cooler We take back: 930.100.269.00	91-	1	3300 CCM M30.69
1	964 100 264 X	Overhauled engine Overhauled engine 265 KW 360 DIN-PS K-jetronic Turbocharger Air injection Charge air cooler We take back: 964.100.264.50	93-	1	3600 CCM M64.50

Model: ATK

Model life 1963>>2012



Model: ATK Model life 1963>>2012

Pos	Part Number	Description	Remark	Qty	Model
		Replacement engine	01-		996 TURBO
			01-		M96.70
			02-		996 GT2
					M96.70S
					M101
			07-		996 TURBO
					M96.70E
					X 50
					997 TURBO
					M97.70
		Replacement engine Ready for installation with Compressor See technical information Group 1 NR.3/01			
1	996 100 970 X	Replacement engine	01	1	M96.70 M480 M152
		We take back: 996.100.970.00			
1	996 100 970 AX	Replacement engine	01	1	M96.70 M249 M152
		We take back: 996.100.970.01			
1	996 100 970 BX	Replacement engine	02	1	M96.70 M480 M152
		We take back: 996.100.970.00/02			
1	996 100 970 CX	Replacement engine	02	1	M96.70 M249 M152
		We take back: 996.100.970.01/03			
1	996 100 970 NX	Replacement engine	03	1	M96.70 M480 M152
		We take back: 996.100.970.13			
1	996 100 970 PX	Replacement engine	03	1	M96.70 M249 M152
		We take back: 996.100.970.01/03/14			
1	996 100 970 1X	Replacement engine	04	1	M96.70 M480 M152
		We take back: 996.100.970.00/02/13/21			
1	996 100 970 2X	Replacement engine	04	1	M96.70 M249 M152
		We take back: 996.100.970.01/03/14/22			
1	996 100 971 X	Replacement engine	05	1	M96.70 M480 M152
		We take back: 996.100.970.29			
1	996 100 971 AX	Replacement engine	05	1	M96.70

Model: ATK

Model life 1963>>2012

Pos	Part Number	Description	Remark	Qty	Model
1	996 100 970 FX	We take back: 996.100.970.30 Replacement engine	01	1	M249 M152 M96.70S M480 M101 M152
1	996 100 970 GX	We take back: 996.100.970.06 Replacement engine	02	1	M96.70S M480 M101 M152
1	996 100 970 TX	We take back: 996.100.970.06/07 Replacement engine	03	1	M96.70S M480 M101 M152
1	996 100 970 7X	We take back: 996.100.970.06/07/17 Replacement engine	04	1	M96.70S M480 M101 M152
1	996 100 971 FX	We take back: 996.100.970.06/07/17/27 Replacement engine	05	1	M96.70 M480 M101 M152
1	996 100 970 JX	We take back: 996.100.970.06/07/17/27/35 Replacement engine	02	1	M96.70E X 50 M480 M152
1	996 100 970 KX	We take back: 996.100.970.09 Replacement engine	02	1	M96.70E X 50 M249 M152
1	996 100 970 WX	We take back: 996.100.970.10 Replacement engine	03	1	M96.70E X 50 M480 M152
1	996 100 970 ZX	We take back: 996.100.970.09/11/19 Replacement engine	03	1	M96.70E X 50 M249 M152
1	996 100 970 5X	We take back: 996.100.970.12/10/26 Replacement engine	04	1	M96.70E X 50 M480 M152
		We take back:			

Model: ATK Model life 1963>>2012

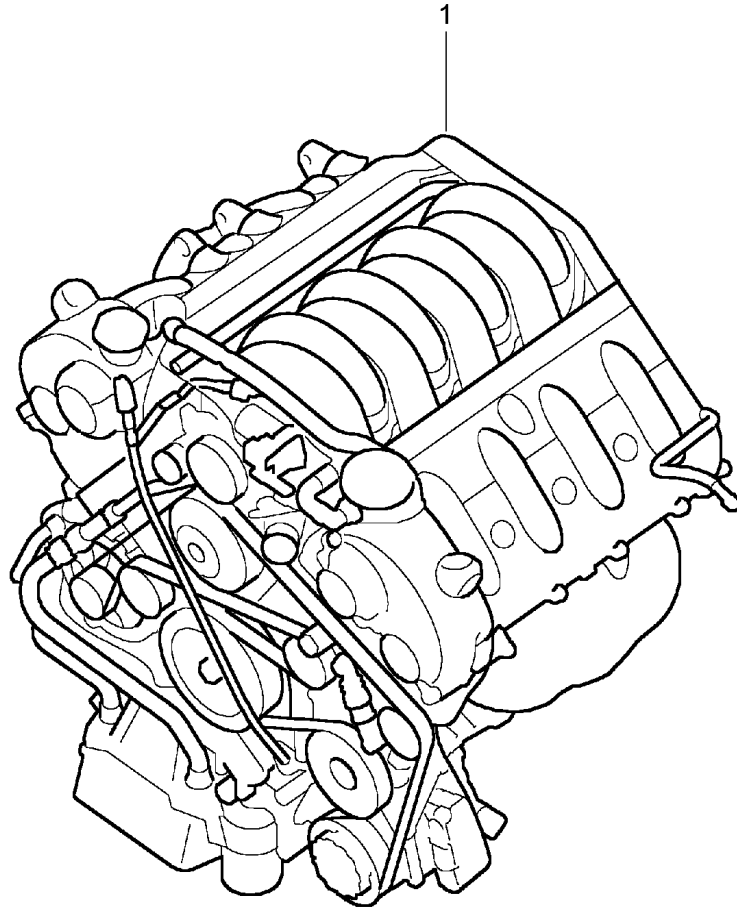
Pos	Part Number	Description	Remark	Qty	Model
1	996 100 970 6X	996.100.970.09/11/19/25 Replacement engine	04	1	M96.70E X 50 M249 M152
1	996 100 971 DX	We take back: 996.100.970.12/10/20/26 Replacement engine	05	1	M96.70E X 50 M480 M152
1	996 100 971 EX	We take back: 996.100.970.33 Replacement engine	05	1	M96.70E X 50 M249 M152
1	997 100 970 X	We take back: 996.100.970.34 Replacement engine	07-	1	M97.70 I480
1	997 100 970 AX	We take back: 997.100.970.04 Replacement engine	07-	1	M97.70 I249
1	997 100 970 BX	We take back: 997.100.970.05 Replacement engine	(RC) 07-	1	M97.70 I114 I480
1	997 100 970 CX	We take back: 997.100.970.06 Replacement engine	(RC) 07-	1	M97.70 I114 I249
1	997 100 970 DX	We take back: 997.100.970.07 Replacement engine	08-	1	M97.70 I480 TOP
1	997 100 970 EX	We take back: 997.100.970.04 997.100.970.08 Replacement engine	08-	1	M97.70 I249 TOP
1	997 100 970 FX	We take back: 997.100.970.05 997.100.970.09 Replacement engine	08-	1	M97.70 I480 I101 GT2
1	997 100 970 LX	We take back: 997.100.970.10 Replacement engine	09-	1	I480 TOP
1	997 100 970 MX	We take back: 997.100.970.04 997.100.970.06 997.100.970.08 997.100.970.11 Replacement engine	09-	1	I249 TOP
1	997 100 970 NX	We take back: 997.100.970.05 997.100.970.09 997.100.970.12 Replacement engine	09-	1	

Model: **ATK** Model life **1963>>2012**

Pos	Part Number	Description	Remark	Qty	Model
		We take back: 997.100.970.10 997.100.970.13			I480 I101 GT2 GT2

Model: ATK

Model life 1963>>2012



Model: ATK Model life 1963>>2012

Pos	Part Number	Description	Remark	Qty	Model
		Replacement engine	03-		CAYENNE
			03-		M48.00
			04-		CAYENNE
					M48.50
					CAYENNE
					M 02.2Y
		Replacement engine without Drive plate Tiptronic			
		Replacement engine without Flywheel			
		Manual transmission			
1	948 100 948 X	Replacement engine 251 KW / 340 PS	03	1	M48.00 IG0L IG0R
		We take back: 948.100.948.00			
1	948 100 948 AX	Replacement engine 251 KW / 340 PS	04	1	M48.00 IG0L IG0R
		We take back: 948.100.948.00/01			
1	948 100 948 BX	Replacement engine 251 KW / 340 PS	05	1	M48.00 IG0L IG0R
		We take back: 948.100.948.00/01/02			
1	948 100 948 CX	Replacement engine 251 KW / 340 PS	-06	1	M48.00 IG0L IG0R
		We take back: 948.100.948.00/01/02/03			
1	948 100 948 EX	Replacement engine 251 KW / 340 PS	06	1	M48.00 IG0L IG0R
		We take back: 948.100.948.00/01/02/03/05			
(1)	948 100 950 X	Replacement engine 331 KW / 450 PS	03	1	M48.50 IG0R
		We take back: 948.100.950.00			
(1)	948 100 950 AX	Replacement engine 331 KW / 450 PS	04	1	M48.50 IG0R
		We take back: 948.100.950.00/01			
(1)	948 100 950 BX	Replacement engine 331 KW / 450 PS	05	1	M48.50 IG0R
		We take back: 948.100.950.00/01/02			
(1)	948 100 950 CX	Replacement engine 331 KW / 450 PS 367 KW / 500 PS	05	1	M48.50 IE81
		We take back: 948.100.950.00/01/02/40			
(1)	948 100 950 DX	Replacement engine 331 KW / 450 PS 368 KW / 500 PS	-06	1	M48.50 IE81
		We take back: 948.100.950.00/01/02/40/41			
(1)	948 100 950 FX	Replacement engine 331 KW / 450 PS	06	1	M48.50

Model: ATK Model life 1963>>2012

Pos	Part Number	Description	Remark	Qty	Model
		368 KW / 500 PS for cars with Country equipment China See technical information Service Group 2 Document 2870 (9/08) We take back: 948.100.950.00/01/02/40/41 948.100.950.43	(CN)		IE81
-	955 100 011 X	Replacement engine 183 KW / 250 PS Together with Tiptronic Not Ready for installation We take back: 955.100.011.00		1	M 02.2Y IGOR
-	955 100 011 EX	Replacement engine 183 KW / 250 PS Together with Tiptronic Not Ready for installation We take back: 955.100.011.05	(CN)	1	M 02.2Y IGOR IOGD
-	955 100 011 AX	Replacement engine 183 KW / 250 PS Together with Tiptronic Not Ready for installation We take back: 955.100.011.01	04-	1	M 02.2Y IGOR I8GR
-	955 100 012 AX	Replacement engine 183 kw / 250 ps Together with Tiptronic Not Ready for installation for vehicles up to Model year 2005 with Generator Delphi Use also: 955.603.193.00 We take back: 955.100.012.01	04-	1	M 02.2Y IGOR I8GH
-	955 100 011 FX	Replacement engine 183 KW / 250 PS Together with Tiptronic Not Ready for installation We take back: 955.100.011.05/06	(CN) 04-	1	M 02.2Y IOGD I8GR
-	955 100 012 FX	Replacement engine 183 KW / 250 PS Together with	(CN) 04-	1	M 02.2Y IOGD I8GH

Model: ATK Model life 1963>>2012

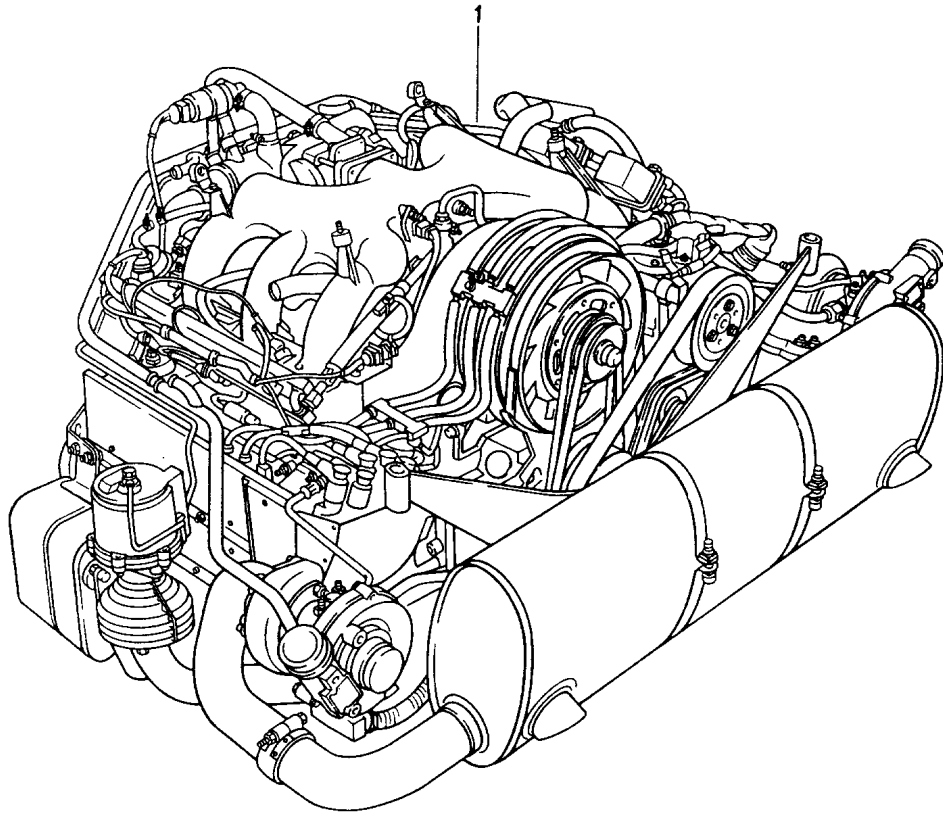
Pos	Part Number	Description	Remark	Qty	Model
-	955 100 011 BX	Tiptronic Not Ready for installation for vehicles up to Model year 2005 with Generator Delphi Use also: 955.603.193.00 We take back: 955.100.012.06 Replacement engine 183 KW / 250 PS Together with Manual transmission Not Ready for installation We take back: 955.100.011.20	-05	1	M 02.2Y IG0L
-	955 100 011 5X	Replacement engine 183 kw / 250 ps Together with Manual transmission Not Ready for installation We take back: 955.100.011.25	(CN)	1	M 02.2Y IG0L IOGD
-	955 100 011 1X	Replacement engine 183 KW / 250 PS Together with Manual transmission Not Ready for installation We take back: 955.100.011.21	-06	1	M 02.2Y IG0L I8GR
-	955 100 012 1X	Replacement engine 183 KW / 250 PS Together with Manual transmission Not Ready for installation for vehicles up to Model year 2005 with Generator Delphi Use also: 955.603.193.00 We take back: 955.100.012.21	-06	1	M 02.2Y IG0L I8GH
-	955 100 011 6X	Replacement engine 183 KW / 250 PS Together with Manual transmission Not Ready for installation We take back: 955.100.011.26	(CN) -06	1	M 02.2Y IG0L IOGD I8GR
-	955 100 012 6X	Replacement engine 183 KW / 250 PS	(CN) -06	1	M 02.2Y IG0L

Model: **ATK** Model life 1963>>2012

Pos	Part Number	Description	Remark	Qty	Model
		Together with Manual transmission Not Ready for installation for vehicles up to Model year 2005 with Generator Delphi Use also: 955.603.193.00 We take back: 955.100.012.26			I0GD I8GH

Model: ATK

Model life 1963>>2012



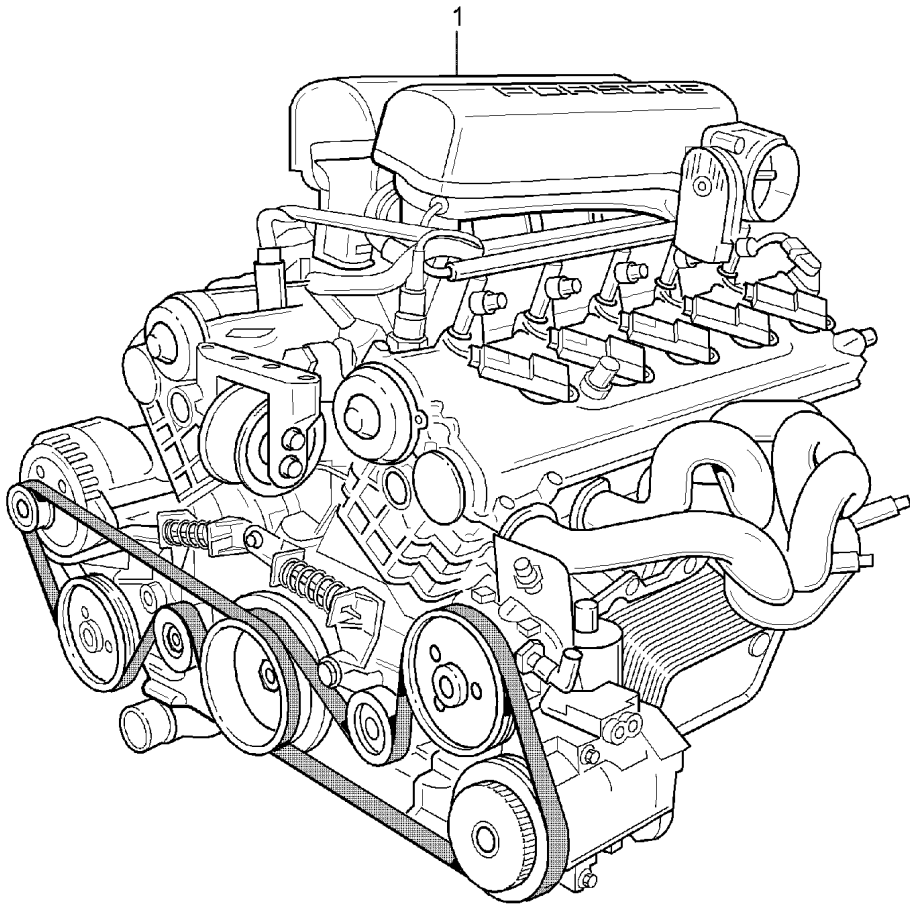
Model: ATK

Model life 1963>>2012

Pos	Part Number	Description	Remark	Qty	Model
1	959 100 050 X	Overhauled engine Ready for installation without Compressor Overhauled engine 330 KW 450 DIN-PS L-jetronic Turbocharger with Power-steering pump And Compressor console We take back: 959.100.050.00	87- -88	1	959 959.50 959.50

Model: ATK

Model life 1963>>2012



Model: ATK Model life 1963>>2012

Pos	Part Number	Description	Remark	Qty	Model
1	980 100 970 X	Replacement engine Not Ready for installation Replacement engine with Flywheel without Clutch without Compressor Air conditioner And without Poly-rib belt We take back: 980.100.970.00 Vehicle without air conditioner Use also: 980.147.153.00 980.106.421.00 980.101.411.00 980.102.252.02 980.102.253.00 Vehicle with air conditioner Use also: 980.102.252.02 980.102.251.02 Use also:	04	1	CARERRA GT M80.01 M80.01 I574 I574
-	000 043 300 59	Set Stopper for Return delivery See technical manual		1	

Model: ATK

Model life 1963>>2012



Model: ATK

Model life 1963>>2012

Pos	Part Number	Description	Remark	Qty	Model
1	022 100 058 DX	Overhauled engine	71- -73	1	914/4
		Ready for installation without Exhaust system Overhauled engine	71-		1700 CCM
		59 KW 80 DIN-PS D-JETRONIC Use also: F >>47229 21580 022.129.607.H We take back: 022.100.027.D M W0 002 545 >> W0 129 581 022.100.027.T M W0 129 582 >> W0 163 425 022.100.058.D M W0 170 001 >> W0 217 364		1	W M022

Model: ATK

Model life 1963>>2012



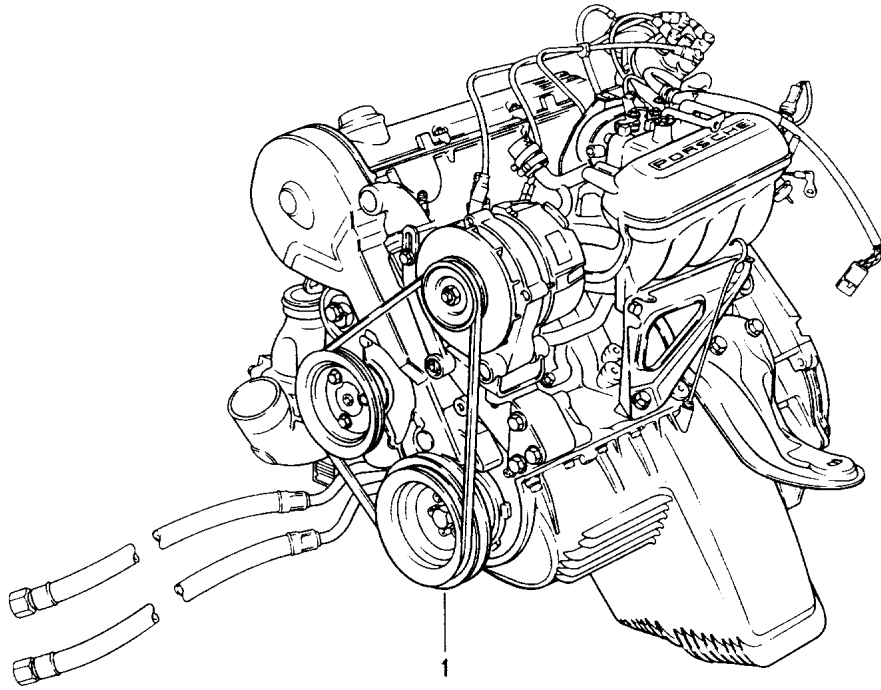
Model: ATK

Model life 1963>>2012

Pos	Part Number	Description	Remark	Qty	Model
1	021 100 032 PX	Short engine 63 KW 85 DIN-PS Carburettor with Cylinder head Oil cooler Flywheel We take back: 021.100.027.P	70- -73	1	914/4 1700 CCM - - 2000 CCM 021.AN 1800 CCM
1	PCG 100 031 X	Short engine 74 KW 100 DIN-PS D-JETRONIC with Cylinder head Oil cooler Flywheel We take back: 039.100.031	73-	1	039.GB 2000 CCM

Model: ATK

Model life 1963>>2012

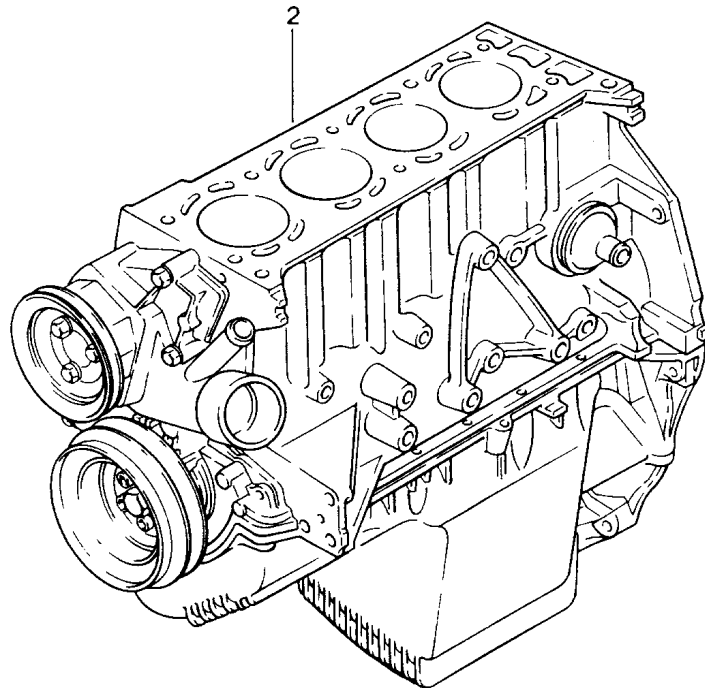
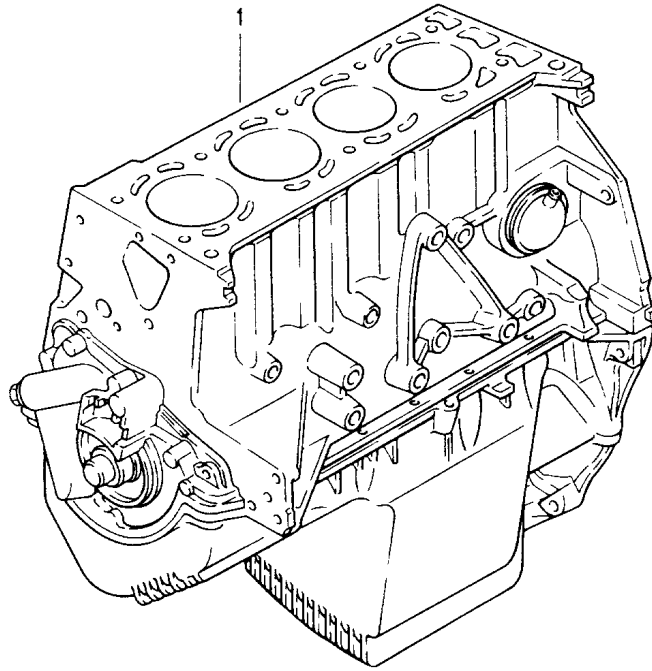


Model: **ATK** Model life **1963>>2012**

Pos	Part Number	Description	Remark	Qty	Model
		Overhauled engine	79- -81		924 TURBO/GT M31.01 M31.03 M31.50
1	931 100 201 X	Ready for installation without Air conditioner Overhauled engine	/LL 79-	1	M31.01 I098
		125 KW 170 DIN-PS K-jetronic Turbocharger without Pressure pipe 1 + 2 We take back: 931.100.201.00			
1	931 100 203 X	Overhauled engine	/LL 81-	1	M31.03 I098
		130 KW 177 DIN-PS K-jetronic Turbocharger without Pressure pipe 1 + 2 We take back: 931.100.203.00	(I) 83- -84		
1	931 100 250 X	Overhauled engine	/LL 81	1	M31.50 I098
		154 KW 210 DIN-PS K-jetronic Turbocharger without Charge air cooler We take back: 931.100.250.00			

Model: ATK

Model life 1963>>2012

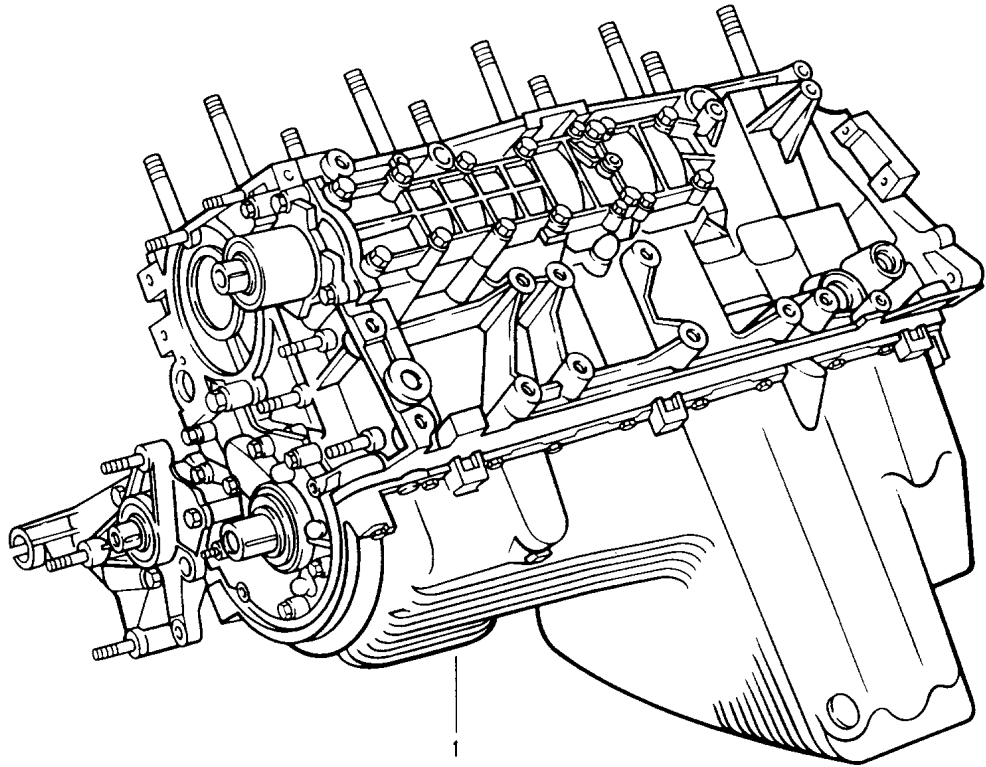


Model: **ATK** Model life **1963>>2012**

Pos	Part Number	Description	Remark	Qty	Model
		Short engine	76- -85 79- -84		924 924 TURBO
1	047 100 103 FX	with Crankshaft Piston Oil pump Water pump Short engine 92 KW 125 DIN-PS K-jetronic Use also:	76- -81	1 1 1 1 1	XJ/XK
		931.107.063.00 We take back:	82- -85	1	
2	047 100 031 X	047.100.103 047.100.103.F Short engine 125 KW 170 DIN-PS K-jetronic Turbocharger We take back:	79-	1	M31.01/02 M31.01
		047.100.031 047.100.031.A			
2	047 100 031 BX	Short engine 130 KW 177 DIN-PS K-jetronic Turbocharger We take back:	81- -84 (I) 83- -84	1	M31.03
		047.100.031.B			

Model: ATK

Model life 1963>>2012

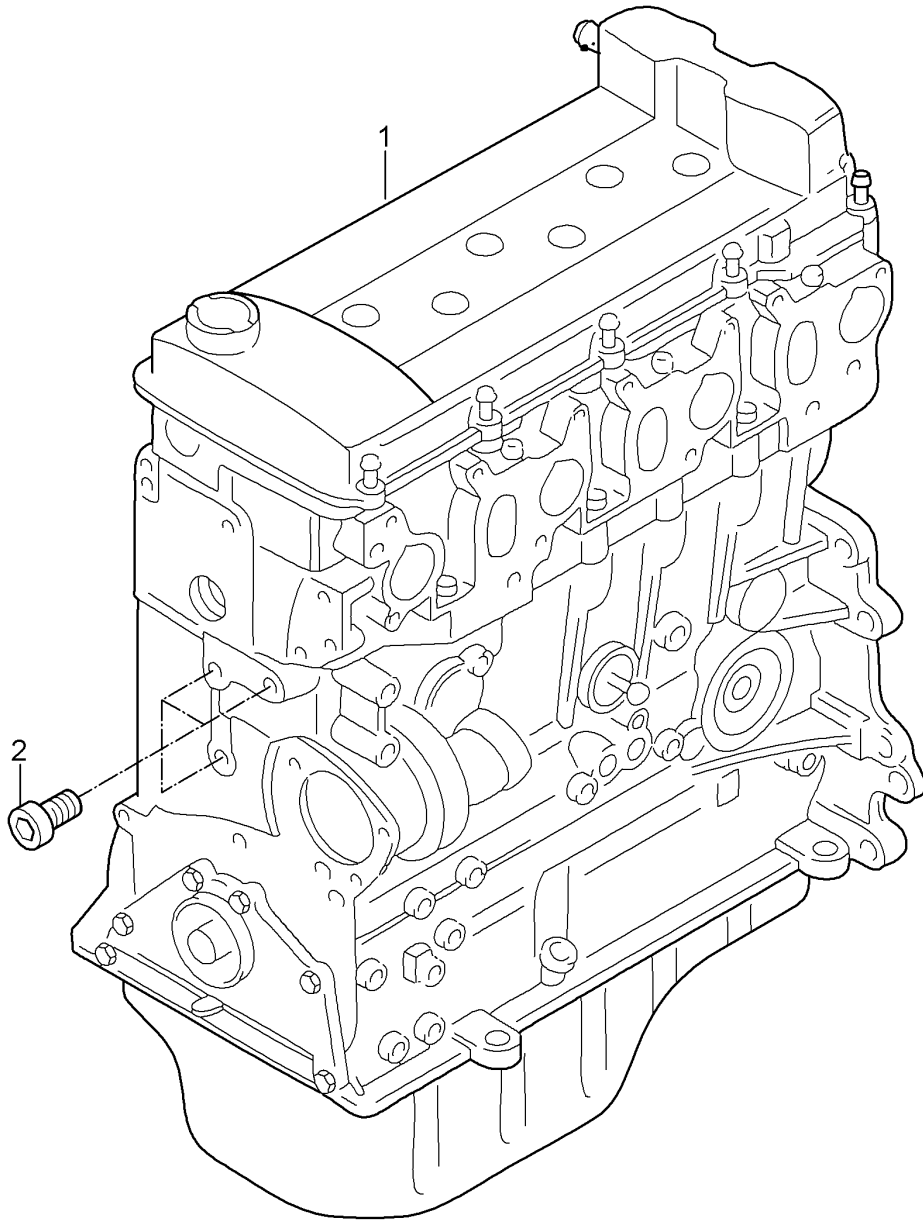


Model: **ATK** Model life 1963>>2012

Pos	Part Number	Description	Remark	Qty	Model
		Short engine	82- 87- 86- 92-		944 / 924S 944 S 944 TURBO 968
1	944 100 902 X	See TPI GR.1 NR.19/19A NOV.1986 Short engine 120 KW 163 DIN-PS L-jetronic	82-	1	M44.01/03 M44.05/06 944 M 44..A
1	944 100 902 AX	We take back: 944.100.902.00 944.100.911.00/01/02 944.100.913.00/01/02 944.100.925./926.00 Short engine 110 KW 150 DIN-PS L-jetronic	82-	1	M44.02/04 M44.07/08 M 44..B 924 S/944 M298/299
1	944 100 902 CX	We take back: 944.100.902.01 944.100.927./928.00 Short engine 140 KW 190 DIN-PS L-jetronic	87-	1	M44.40 M 44..D 944 S
1	944 100 902 DX	We take back: 944.100.902.03 Short engine 118 KW 160 DIN-PS Lh-jetronic	88	1	M44.09/10 M 44..E 924 S/944
1	944 100 902 EX	We take back: 944.100.902.04 Short engine 121 KW 165 DIN-PS Lh-jetronic	89	1	M44.11/12 M 44..F 944
1	944 100 902 FX	We take back: 944.100.902.05 Short engine 155 KW 211 DIN-PS L-jetronic	89-	1	M44.41 M 44..G 944 S 2
1	944 100 902 BX	We take back: 944.100.902.06 Short engine 184 KW 250 DIN-PS L-jetronic	86-	1	M44.50/51 M44.52 M 44..C 944 TURBO
1	944 100 902 GX	We take back: 944.100.921.00 944.100.902.02 Short engine 176 KW 240 DIN-PS L-jetronic	92-	1	M44.43/44 M 44..H 968
		We take back: 944.100.902.07			

Model: ATK

Model life 1963>>2012



Model: ATK Model life 1963>>2012

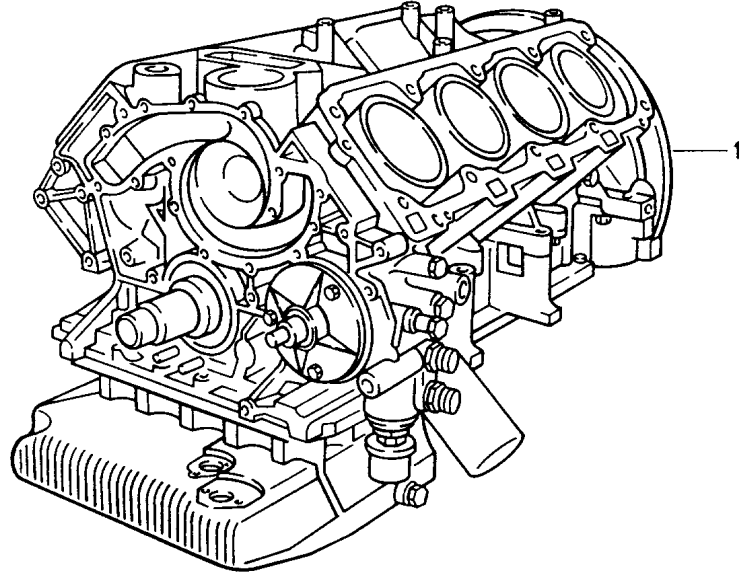
Pos	Part Number	Description	Remark	Qty	Model
1	955 100 034 X	Short engine Short engine Together with Manual transmission Not Ready for installation We take back: 955.100.034.00	04-	1	CAYENNE M02.2Y IG0L
(1)	955 100 035 X	Short engine Together with Manual transmission Not Ready for installation Use also: 955.102.243.01 N .010.087.6 When required order also: N .105.271.02 We take back: 955.100.035.00		1 1 3	IG0L
(1)	955 100 034 X	Short engine Together with Manual transmission Not Ready for installation Spark plug Replace Use also: 955.170.219.00 We take back: 955.100.034.00	(CN)	1 6	IG0L/0GD
(1)	955 100 035 X	Short engine Together with Manual transmission Not Ready for installation Spark plug Replace Use also: 955.170.219.00 955.102.243.01 N .010.087.6 When required order also: N .105.271.02 We take back: 955.100.035.00	(CN)	1 6 1 1 3	IG0L/0GD
(1)	955 100 034 AX	Short engine Together with Tiptronic Not Ready for installation We take back: 955.100.034.01		1	IG0R
(1)	955 100 036 X	Short engine Together with Tiptronic Not Ready for installation Use also: 955.102.243.01 N .010.087.6 When required order also:		1 1	IG0R

Model: ATK Model life 1963>>2012

Pos	Part Number	Description	Remark	Qty	Model
		N .105.271.02 We take back:		3	
(1)	955 100 034 AX	955.100.036.00 Short engine Together with Tiptronic Not Ready for installation Spark plug Replace Use also: 955.170.219.00	(CN)	1	IGOR/OGD
(1)	955 100 036 X	We take back: 955.100.034.01 Short engine Together with Tiptronic Not Ready for installation Spark plug Replace Use also: 955.170.219.00 955.102.243.01 N .010.087.6 When required order also: N .105.271.02 We take back: 955.100.036.00	(CN)	1	IGOR/OGD
2	N 105 271 02	Pan-head screw M 10 X 10		6 1 1 3 3	

Model: ATK

Model life 1963>>2012



Model: ATK Model life 1963>>2012

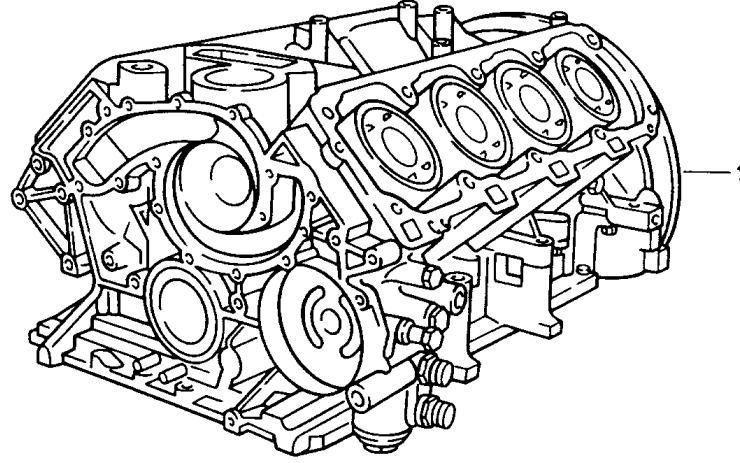
Pos	Part Number	Description	Remark	Qty	Model
		Short engine	78- -91 92- -95		928 928 GTS
1	928 100 911 X	See technical information GR.1 NR.1/85 GR.1 NR.2/86 Short engine 177 KW 240 DIN-PS K-jetronic Use also: 928.101.231.01 928.101.233.01 We take back: 928.100.911.00	78-	1 18 2	M28.01 M28.01/02
1	928 100 911 AX	Short engine 177 KW K-jetronic Use also: 928.101.231.01 928.101.233.01 We take back: 928.100.911.01	80-	1 18 2	M28.09/10
1	928 100 911 BX	Short engine 221 KW K-jetronic Use also: 928.101.231.01 928.101.233.01 We take back: 928.100.911.02	80-	1 18 2	M28.11/12
1	928 100 911 DX	Short engine 221 KW K-jetronic Use also: 928.101.231.01 928.101.233.01 We take back: 928.100.911.04	83	1 18 2	M28.11/12
1	928 100 911 FX	Short engine 228 KW Lh-jetronic Use also: 928.101.231.01 928.101.233.01 We take back: 928.100.911.06	84	1 18 2	M28.21/22
1	928 100 911 GX	Short engine 228 KW Lh-jetronic Use also: 928.101.231.01 928.101.233.01 We take back: 928.100.911.07	85-	1 18 2	M28.21/22
1	928 100 911 HX 928 100 911 HX TPP	Short engine 235 KW 235 KW Lh-jetronic Use also: 928.101.231.01	-91 -89 87-	1	M28.41 M28.42/47

Model: ATK Model life 1963>>2012

Pos	Part Number	Description	Remark	Qty	Model
		928.101.233.01 M >> 81K 00120 M >> 81K 05328 928.101.231.02 928.101.233.02 M 81K 00121 >> M 81K 05239 >> We take back: 928.100.911.12/14/15			M28.41 M28.42
1	928 100 911 QX	Short engine		1	M28.41 M28.42 M28.47
1	928 100 911 JX	We take back: 928.100.911.12/14/15/17 Short engine 257 KW	92	1	M28.49/50
1	928 100 911 PX	We take back: 928 100 911 13 Short engine 257 KW We take back: 928.100.911.13/16	92- -95	1	M28.49/50

Model: ATK

Model life 1963>>2012

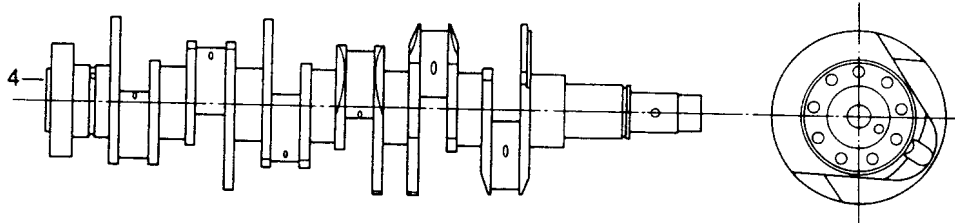
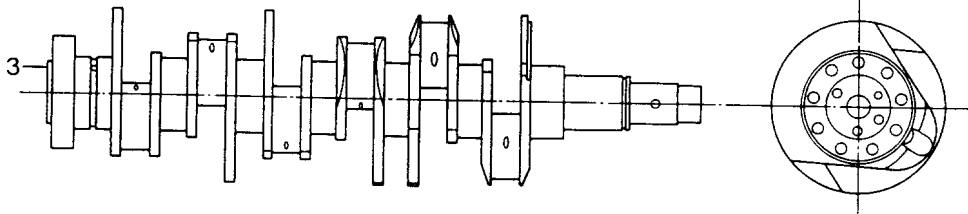
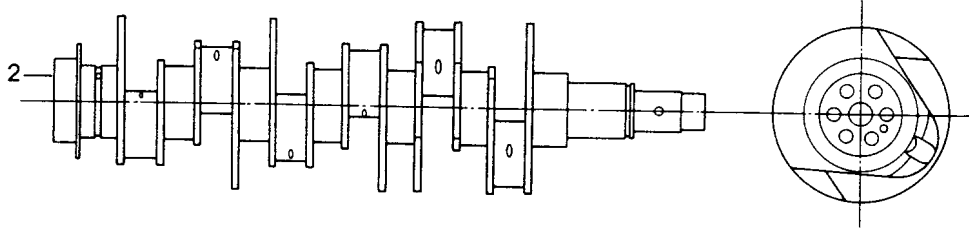
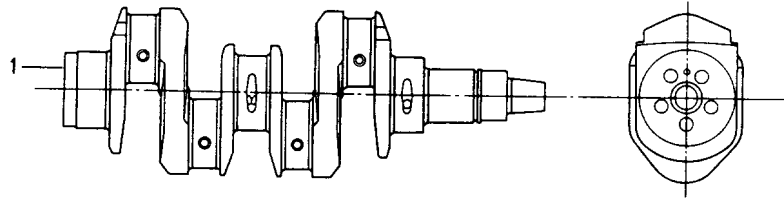


Model: **ATK** Model life **1963>>2012**

Pos	Part Number	Description	Remark	Qty	Model
		Crankcase	78- -91 92- -95 78-		928 928 GTS
1	928 101 905 AX	Crankcase with pistons 177 KW 240 DIN-PS We take back: 928.101.905.00/01		1	M28.01/02
1	928 101 906 AX	Crankcase with pistons 177 KW 240 DIN-PS We take back: 928.101.906.00/01	80-	1	M28.09/10
1	928 101 907 AX	Crankcase with pistons 221 KW 300 DIN-PS We take back: 928.101.907.00/01	80-	1	M28.11/12
1	928 101 907 BX	Crankcase with pistons 221 KW 300 DIN-PS We take back: 928.101.907.02	83	1	M28.11/12
1	928 101 907 CX	Crankcase with pistons 228 KW 310 DIN-PS We take back: 928.101.907.03	84	1	M28.21/22
1	928 101 907 DX	Crankcase with pistons 228 KW 310 DIN-PS We take back: 928.101.907.04	85-	1	M28.21/22
1	928 101 908 CX	Crankcase with pistons 200 KW 272 DIN-PS We take back: 928.101.908.03	85	1	M28.43/44
1	928 101 907 EX	Crankcase		1	M28.41
	928 101 907 EX TPP	with pistons	-89 87- -89		M28.42/47
		235 KW 320 DIN-PS 243 KW 330 DIN-PS We take back: 928.101.907.06/07/09/10			
1	928 101 907 LX	Crankcase with pistons 243 KW 330 DIN-PS We take back: 928.101.907.06/07/09/10/12	90-	1	M28.42/47
1	928 101 907 FX	Crankcase with pistons 257 KW 350 DIN-PS We take back: 928.101.907.08	92-	1	M28.49/50
1	928 101 907 KX	Crankcase 257 KW 350 DIN-PS We take back: 928.101.907.08/11		1	M28.49/50

Model: ATK

Model life 1963>>2012



Model: ATK Model life 1963>>2012

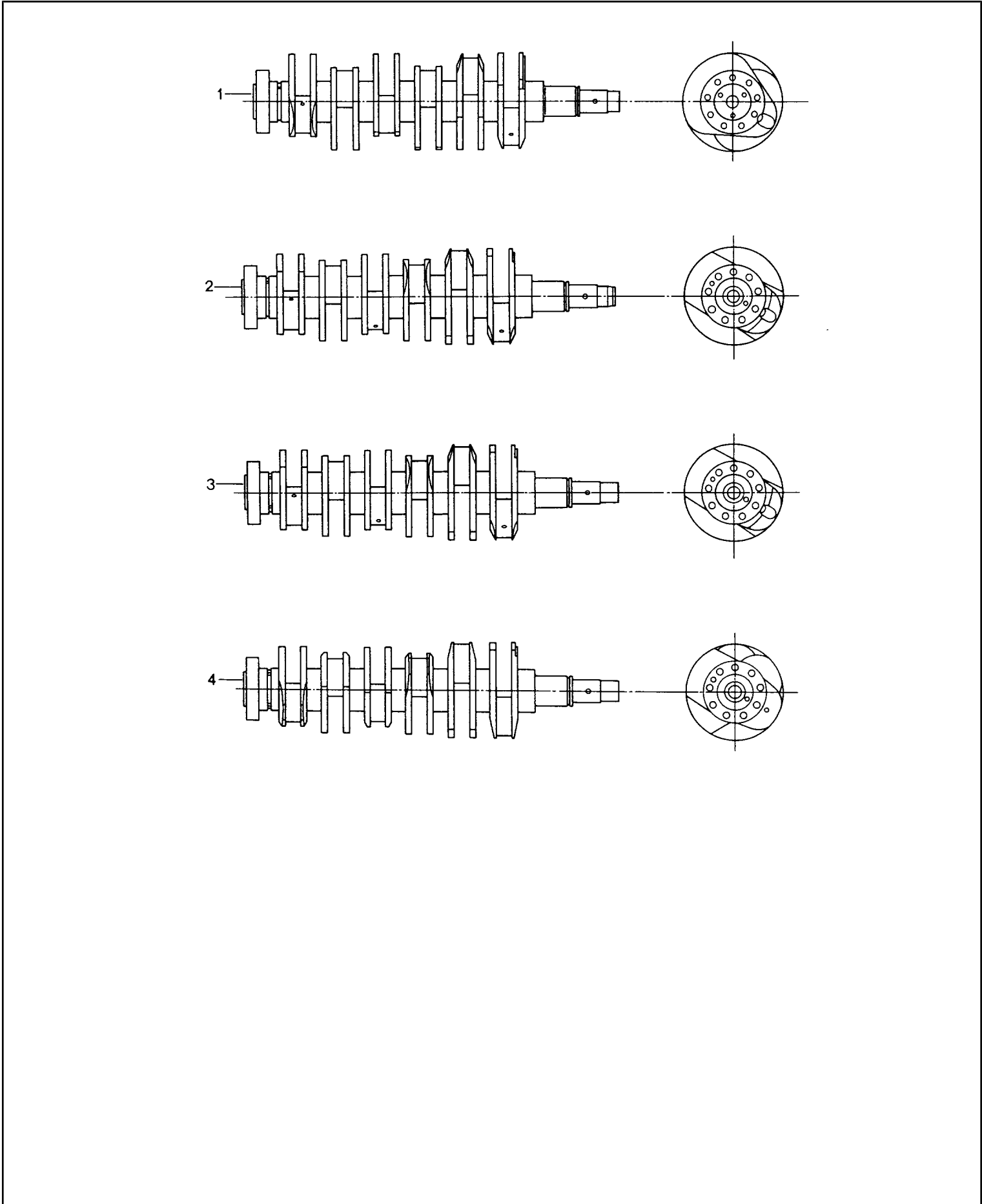
Pos	Part Number	Description	Remark	Qty	Model
		Crankshaft	70- -76 72- -89		914
1	021 198 351 AX	with Bearing Air cooling Crankshaft	70-	1	W/EA/EB M022
		without Balancing weights Connecting-rod bearing 54-55 MM We take back: 021.105.101	(J) 74- -76		021.AN
1	039 198 351 AX	Crankshaft without Balancing weights Connecting-rod bearing 49-50 MM We take back: 039.105.101.A	73-	1	039.GB
2	916 102 917 X	Crankshaft with Balancing weights	72- 72- -77	1	911.51-96 911.41-88
		with Main bearing 911.101.901.00/50/55/65 We take back: 916.102.016.00			
2	916 102 917 AX	Crankshaft with Balancing weights	72- 72- -77	1	911.51-96 911.41-88
		with Main bearing 911.101.902.00/50/55/65 for Crankcase 911.101.915.00 930.101.913/914.00 We take back: 916.102.016.00	76- -77 76- -77		930.02/12 930.50-54
3	930 102 902 X	Crankshaft with Balancing weights Connecting-rod bearing 53 MM Bush Mount Flywheel M >> 619 0293 M >> 629 2280 M >> 631 4605 M >> 129 1575 We take back: 930.102.015.01	78- 78- -79	1	930.03-06 930.13-15
(3)	930 102 901 X	Crankshaft with Balancing weights Connecting-rod bearing 55 MM Bush Mount	78-	1	930.60-63/65

Model: ATK Model life 1963>>2012

Pos	Part Number	Description	Remark	Qty	Model
4	930 102 902 AX	Flywheel M >> 679 0895 M >> 689 1231 M >> 689 0504 We take back: 930.102.014.00 Crankshaft with Balancing weights Connecting-rod bearing 53 MM Bush Mount Crankshaft M 619 0294 >> M 692 0281 >> M 631 4606 >> M 659 1576 >> We take back: 930.102.015.05	80- 80- -83	1	930.07-10 930.16-19
(4)	930 102 901 DX	Crankshaft with Balancing weights Connecting-rod bearing 55 MM Bush Mount Crankshaft M 679 0896 >> 67D 0001 M 689 1232 >> M 689 0505 >> We take back: 930.102.014.04/10	80- 88- -89	1	930.60/65/66 930.68
(4)	930 102 901 BX	Crankshaft with Balancing weights Connecting-rod bearing 55 MM Bush Mount Crankshaft M >> 63F 02174 M >> 64F 01688 M >> 63F 10288 We take back: 930.102.014.08/09	84-	1	930.20/21/26
(4)	930 102 901 CX	Crankshaft with Balancing weights Connecting-rod bearing 55 MM Bush Mount Crankshaft M 63F 02175 >> M 64F 01689 >> M 64F 10289 >> We take back: 930.102.014.09	85- 87- -89	1	930.20/21 930.25/26

Model: ATK

Model life 1963>>2012

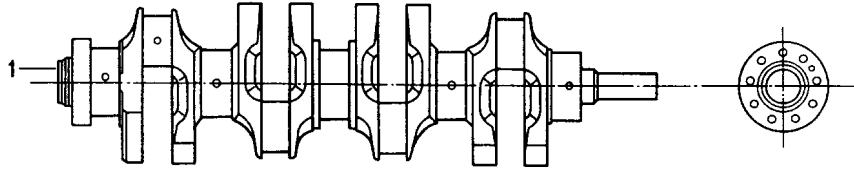


Model: ATK Model life 1963>>2012

Pos	Part Number	Description	Remark	Qty	Model
		Crankshaft	89- -94 94- -98 91- -92		CARRERA 2/4 CARRERA 911 TURBO
1	930 102 901 CX	with Bearing Crankshaft Connecting-rod bearing 55 MM We take back: 930.102.014.09	91-	1	M30.69
2	964 102 901 X	Crankshaft Connecting-rod bearing 55 MM We take back: 964.102.021.04	89- -94 92- -93 93- -94	1	M64.01/02 M64.03 M64.50
3	993 102 921 AX	Crankshaft Connecting-rod bearing 55 MM We take back: 993.102.021.01	94	1	M64.05/06
4	993 102 921 BX	Crankshaft Connecting-rod bearing 55 MM We take back: 993.102.021.02	95-	1	-08 M64.05/08 -24 M64.20/24 M64.60

Model: ATK

Model life 1963>>2012

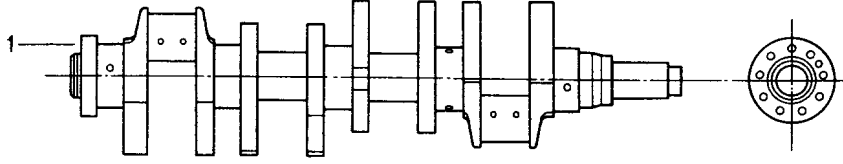


Model: **ATK** Model life **1963>>2012**

Pos	Part Number	Description	Remark	Qty	Model
		Crankshaft	82- -91 92- -95		944 968
1	944 102 901 AX	with Bearing Crankshaft	82- 87- -88 86- -91	1	-12 M44.01 M44.40 -52 M44.50
1	944 102 901 BX	We take back: 944.102.015.13 Crankshaft	89-	1	M44.41
1	944 102 901 CX	We take back: 944.102.015.11 Crankshaft We take back: 944.102.015.15	92-	1	M44.43/44

Model: ATK

Model life 1963>>2012



Model: ATK Model life 1963>>2012

Pos	Part Number	Description	Remark	Qty	Model
		Crankshaft	78- -91 92- -95		928 928 GTS
1	928 102 901 X	with Bearing Water cooling Crankshaft	78-	1	M28.01/02
		with Balancing weights Bearing Divided Crank pin without Lubrication recess We take back: 928.102.011.14/16	78- -79	6 1	M28.03/04
1	928 102 901 AX	Crankshaft	80-	1	-12 M28.09
		with Balancing weights Bearing Divided Crank pin with Lubrication recess We take back: 928.102.011.21/28		6 1	
1	928 102 901 BX	Crankshaft	80-	1	-12 M28.09
		with Balancing weights Bearing Closed Crank pin with Lubrication recess M >> 82D 0709 M >> 82D 5938 We take back: 928.102.011.21/28		6 1	
1	928 102 901 CX	Crankshaft	83	1	M28.11/12 M28.21/22
		with Balancing weights Bearing Closed Crank pin with Lubrication recess M 82D 0710 >> M 82D 5939 >> M 82E 00001 >> M 82E 05001 >> We take back: 928.102.011.26/28	-86	6 1	
1	928 102 901 DX	Crankshaft	86 -91	1	M28.45/46 M28.41
		with Balancing weights Bearing Closed We take back: 928.102.011.27	-89 87- -91	6 1	M28.42/47
1	928 102 901 EX	Crankshaft	92-	1	M28.49/50

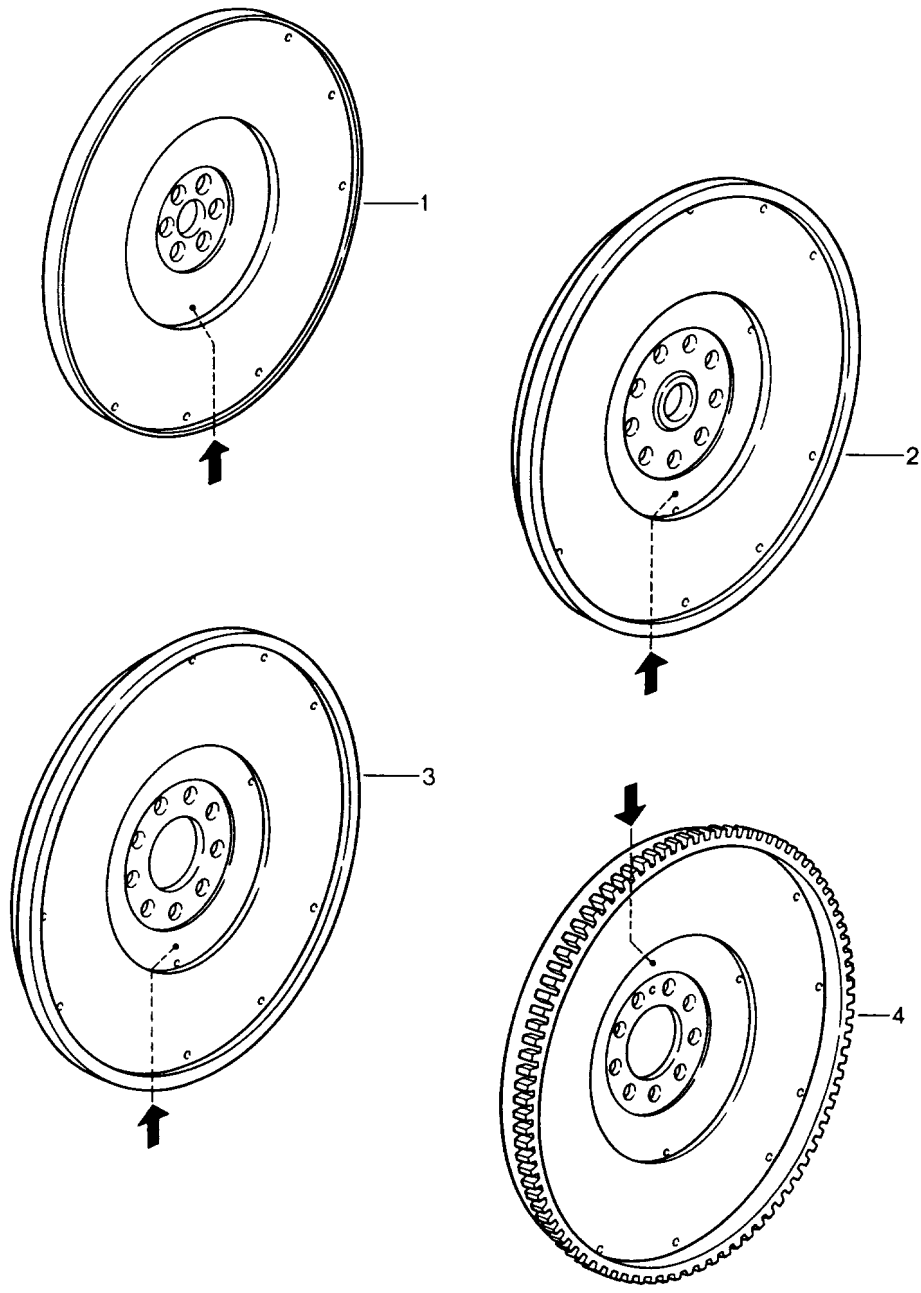
Model: ATK

Model life 1963>>2012

Pos	Part Number	Description	Remark	Qty	Model
		We take back: 928.102.028.03			

Model: ATK

Model life 1963>>2012

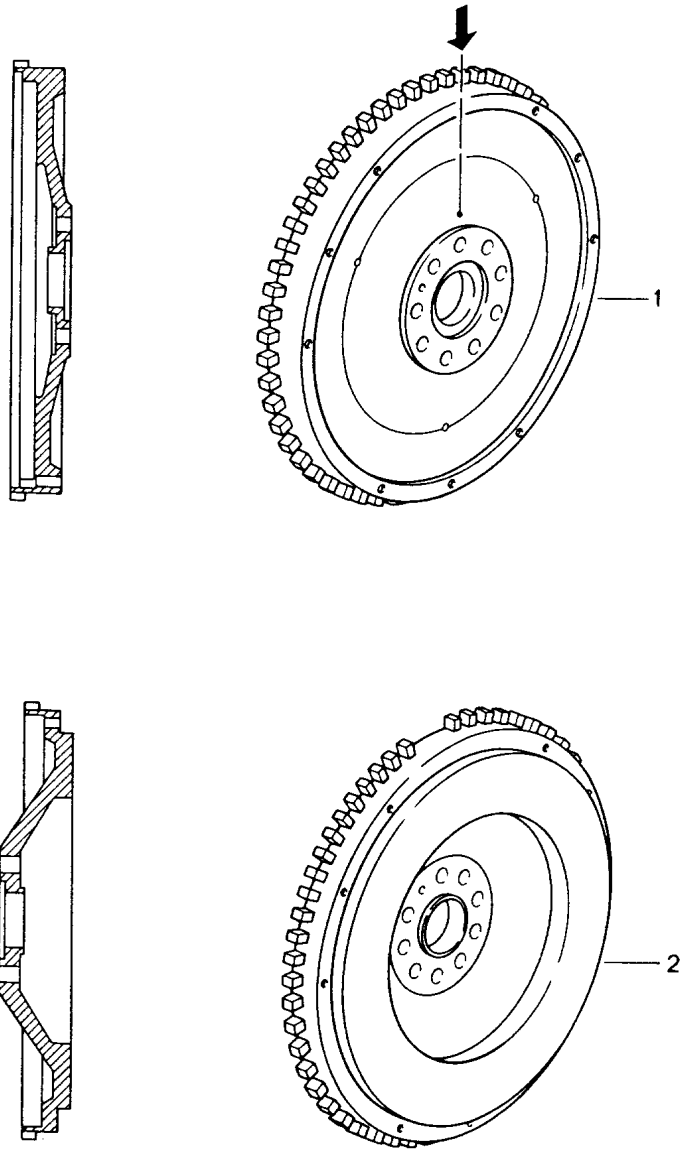


Model: ATK Model life 1963>>2012

Pos	Part Number	Description	Remark	Qty	Model
1	911 102 201 AX	Flywheel without Ring gear 201.1R Embedded We take back: 911.102.201.01/11	70- -89 70-	1	911
2	930 102 204 X	Flywheel without Ring gear 204.0R Embedded Bush with Flywheel M >> 619 0293 M >> 629 2280 M >> 639 4605 M >> 659 1575 We take back: 930.102.204.00	78- 78- -79	1	930.03-06 930.13-15
3	930 102 215 X	Flywheel without Ring gear Bush with Crankshaft 215.0R Embedded M 619 0294 >> M 629 2281 >> M 639 4606 >> M 659 1576 >> We take back: 930.102.215.00	80- 80- -83	1	930.07-10 930.16/17/19
4	930 102 033 AX	Flywheel with ring gear Bush with Crankshaft 233.0R Embedded We take back: 930.102.033.01	84-	1	930.20/21/26
4	930 102 033 BX	Flywheel with ring gear Bush with Crankshaft 233.3R Embedded We take back: 930.102.033.03	87-	1	930.20/25/26

Model: ATK

Model life 1963>>2012



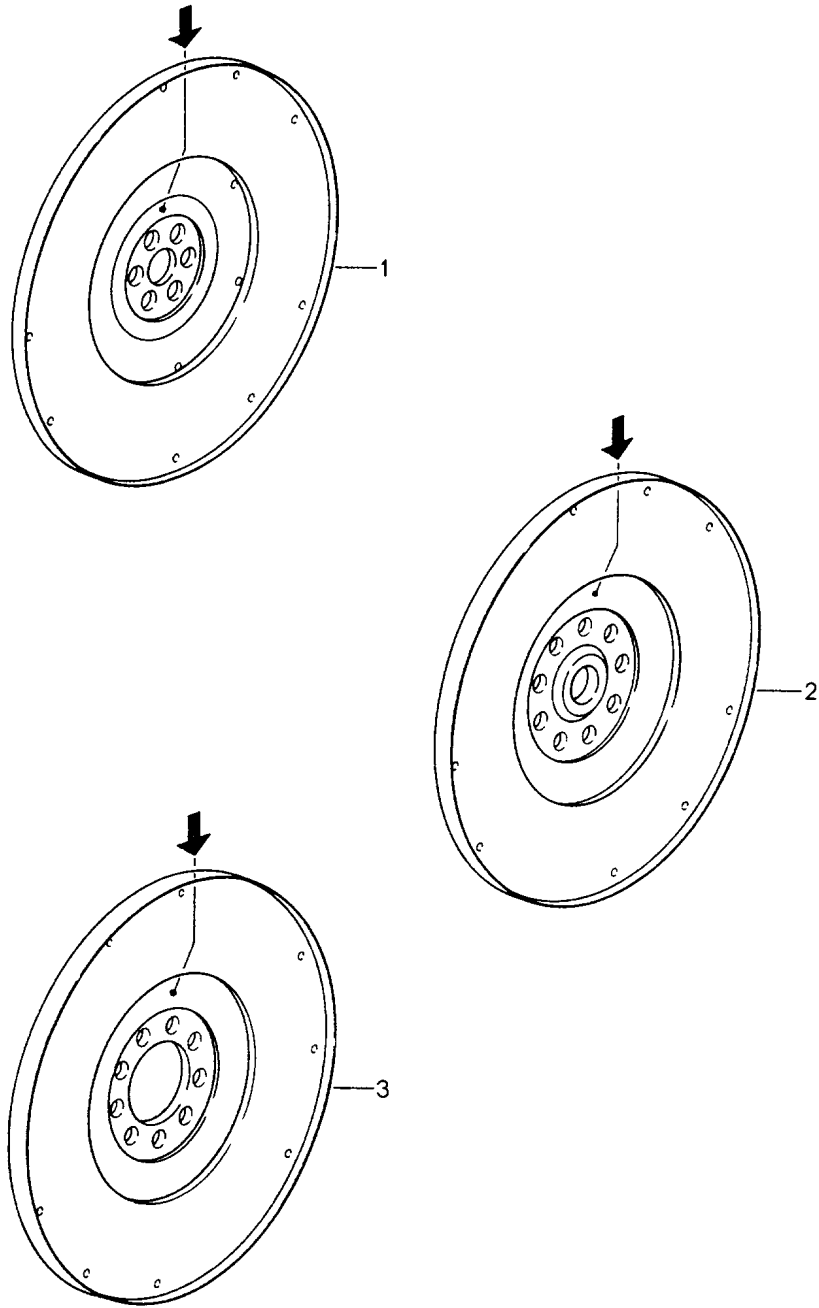
Model: ATK

Model life 1963>>2012

Pos	Part Number	Description	Remark	Qty	Model
1	964 102 239 X	Flywheel Flywheel with ring gear 239.0R Embedded We take back: 964.102.239.00	89- -94 89	1	CARRERA 2/4 M64.01
2	964 102 239 AX	Flywheel with Ring gear We take back: 964.102.239.31	92-	1	M64.03 CARRERA RS

Model: ATK

Model life 1963>>2012

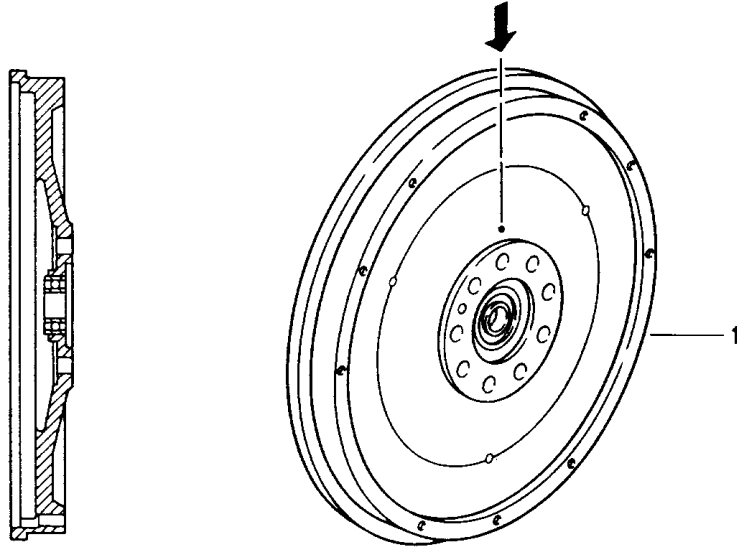


Model: ATK Model life 1963>>2012

Pos	Part Number	Description	Remark	Qty	Model
1	930 102 201 AX	Flywheel Flywheel without Ring gear 201.0R Embedded We take back: 930.102.201.00/01	76- -88 76-	1	911 TURBO 930.50-54
2	930 102 202 AX	Flywheel without Ring gear Bush with Flywheel 202.1R Embedded M >> 679 0895 M >> 689 1231 M >> 689 0504 We take back: 930.102.202.01	78-	1	930.60-65
3	930 102 213 X	Flywheel without Ring gear Bush with Crankshaft 213.0R Embedded M 679 0896 >> M 689 1232 >> M 689 0505 >> We take back: 930.102.213.00	80- 83- -88	1	930.60/65 930.66/68

Model: ATK

Model life 1963>>2012

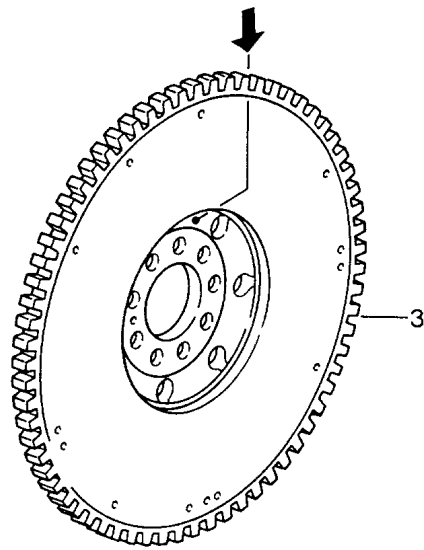
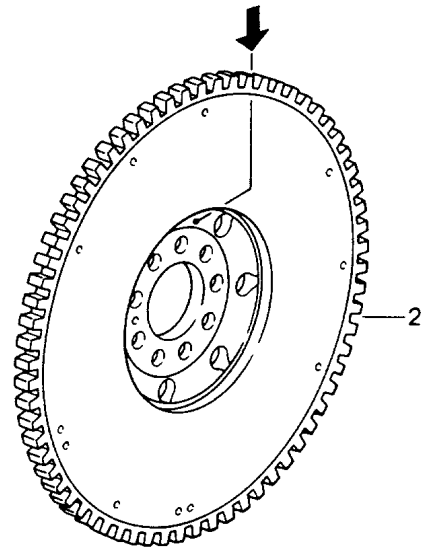
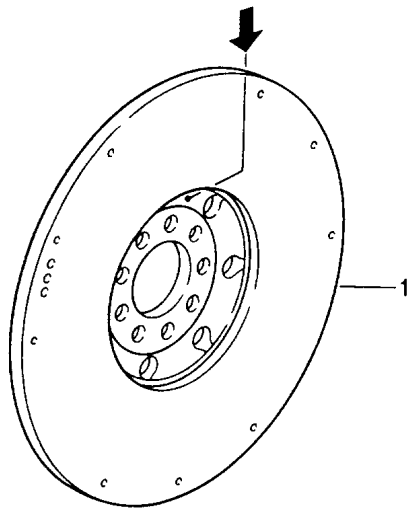


Model: **ATK** Model life **1963>>2012**

Pos	Part Number	Description	Remark	Qty	Model
1	930 102 027 X	Flywheel Flywheel without Ring gear 239.0R Embedded We take back: 930.102.027.00/239.02	89 89	1	911 TURBO 930.66/68

Model: ATK

Model life 1963>>2012

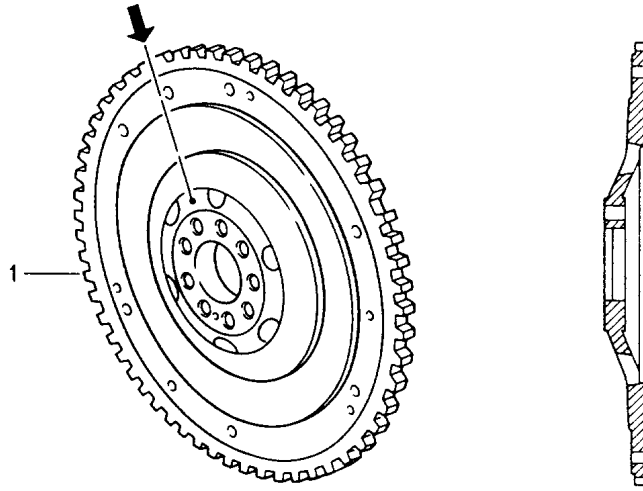


Model: ATK Model life 1963>>2012

Pos	Part Number	Description	Remark	Qty	Model
1	928 102 202 AX	Flywheel without Ring gear with Centring collar We take back: 928.102.202.04	78- -86 78-	1	928 M28.01/03
2	928 102 202 CX	Flywheel without Ring gear without Centring collar We take back: 928.102.202.08/10	80-83	1	M28.09/11 M28.15/17
3	928 102 078 X	Flywheel with ring gear without Centring collar 202.4R Embedded We take back: 928.102.078.00/01	84- 85- -86	1	M28.21 M28.43/45

Model: ATK

Model life 1963>>2012

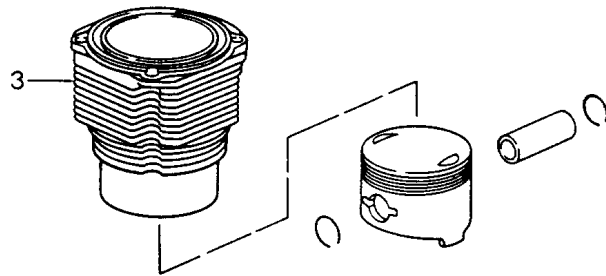
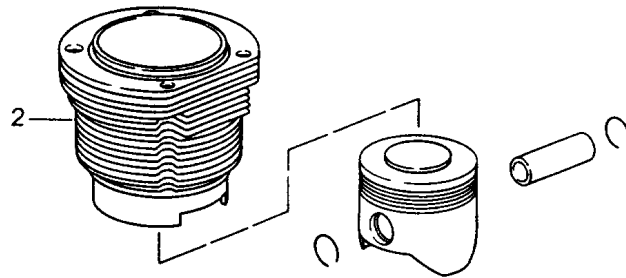
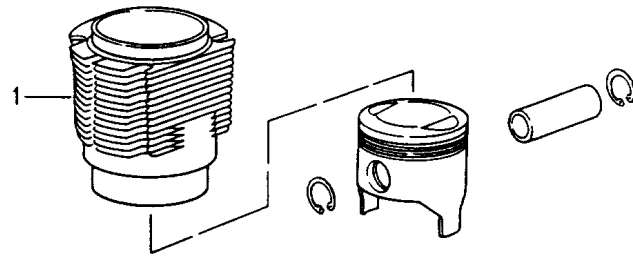


Model: ATK Model life 1963>>2012

Pos	Part Number	Description	Remark	Qty	Model
1	928 102 208 AX	Flywheel Flywheel with ring gear 208.3R Embedded We take back: 928.102.208.03	87- -95 87- 89- -91 92- -95	1	928 M28.41 M28.47 M28.49

Model: ATK

Model life 1963>>2012

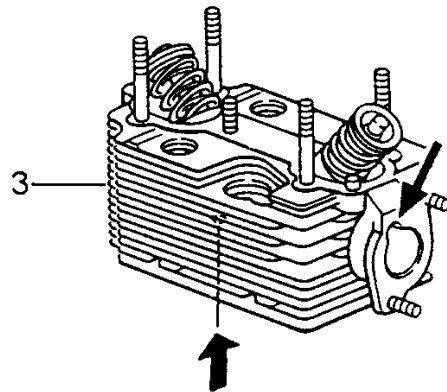
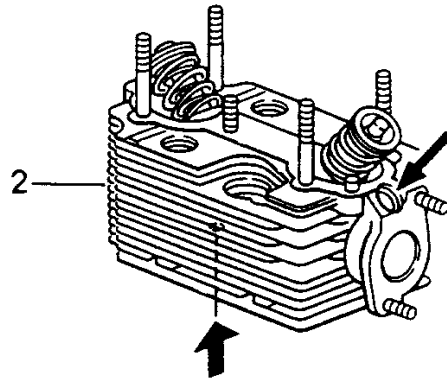
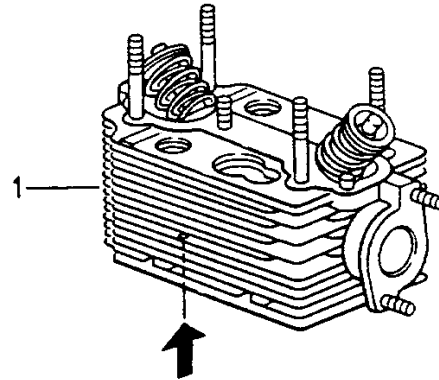


Model: **ATK** Model life **1963>>2012**

Pos	Part Number	Description	Remark	Qty	Model
1	616 103 904 AX	Cylinder with piston Set Cylinder 82,5 MM BIRAL Cylinder We take back: 616.103.904.03-06		4	356/912 914/4 911:2400 CCM 616.16/36 616.39/40 1600 CCM
2	022 198 077 X	Cylinder with piston Set Cylinder 90 MM 021.101.301.A Embedded We take back: 021.101.301.A-309.A		4	W M022 1700 CCM
3	911 103 942 X	Cylinder with piston Set Cylinder 84 MM BIRAL Cylinder We take back: 911.103.942.01/02/05/06		6	911.51/57 911.61/67 911: 2400CCM
3	911 103 943 X	Cylinder with piston Cylinder 84 MM BIRAL Cylinder We take back: 911.103.943.01		6	911.52/62

Model: ATK

Model life 1963>>2012

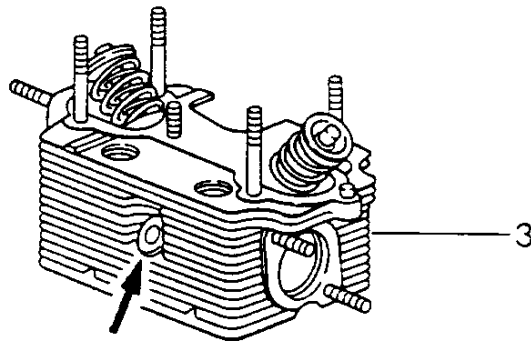
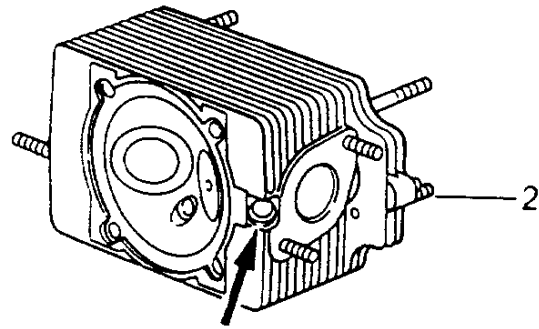
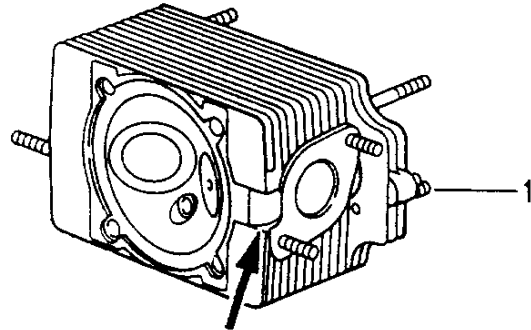


Model: ATK Model life 1963>>2012

Pos	Part Number	Description	Remark	Qty	Model
		Cylinder head	65- -77		911 0 CCM - I220 - 2700 CCM
1	901 104 003 EX	Cylinder head with Valves Ready for installation Carburettor We take back: 901.104.003.05/06 See technical information GR.1 NR.18/77	65-	6	901.01/05-07 2000 CCM
1	911 104 006 AX	Cylinder head with Valves Ready for installation Carburettor We take back: 911.104.006.01	70- 72- -73	6	911.03/06-08 0 CCM I220 911.57/67 2400 CCM
2	911 104 007 X	Cylinder head with Valves Ready for installation Mechanical injection We take back: 911.104.007.00	70- 72- -73	6	911.01/04 0 CCM I220 911.52/62 2400 CCM
2	911 104 008 X	Cylinder head with Valves Ready for installation Mechanical injection Intake valve 36 MM Exhaust valve 35 MM We take back: 911.104.008.00	70- 72- -73 74- -76	6	911.02 0 CCM I220 911.53/63 2400 CCM /88 911.83 2700 CCM
3	911 104 013 X	Cylinder head with Valves Ready for installation K-jetronic Intake valve Exhaust valve 32 MM We take back: 911.104.013.00	74	6	911.92/97 911.41/46 2700 CCM
3	911 104 014 X	Cylinder head with Valves Ready for installation K-jetronic Intake valve Exhaust valve 34 MM We take back: 911.104.014.00	74 76- -77	6	911.93/98 911.42/47 911.81/86 2700 CCM

Model: ATK

Model life 1963>>2012



Model: ATK Model life 1963>>2012

Pos	Part Number	Description	Remark	Qty	Model
		Cylinder head	77- -89		911 3000 CCM - - 3200 CCM
1	930 104 019 BX	See technical information GR.1 NR.18/77 Cylinder head with Valves Ready for installation K-jetronic Intake valve 39 MM Exhaust valve 35 MM without Bore for Air injection We take back: 930.104.019.02	77	6	930.02/12
2	930 104 019 HX	Cylinder head with Valves Ready for installation K-jetronic Intake valve 39 MM Exhaust valve 35 MM with Bore for Air injection We take back: 930.104.019.05/08/029.08	78- (J) 78- -79 80- -83 (J) 81- -83	6	930.03/04/13 930.05/15 930.09/10 930.17
3	930 104 011 BX	Cylinder head with Valves Ready for installation Lh-jetronic Intake valve 42 MM Exhaust valve 41 MM with Bore for Temperature sensor We take back: 930.104.011.02/033.02/06	84- 85- -89	6	930.20/21 930.25
(3)	930 104 011 CX	Cylinder head with Valves Ready for installation Lh-jetronic Intake valve 42 MM Exhaust valve 41 MM with Bore for	85-	6	930.26

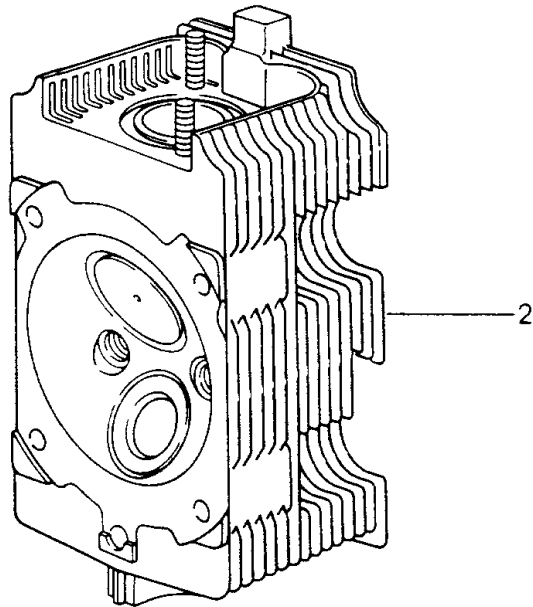
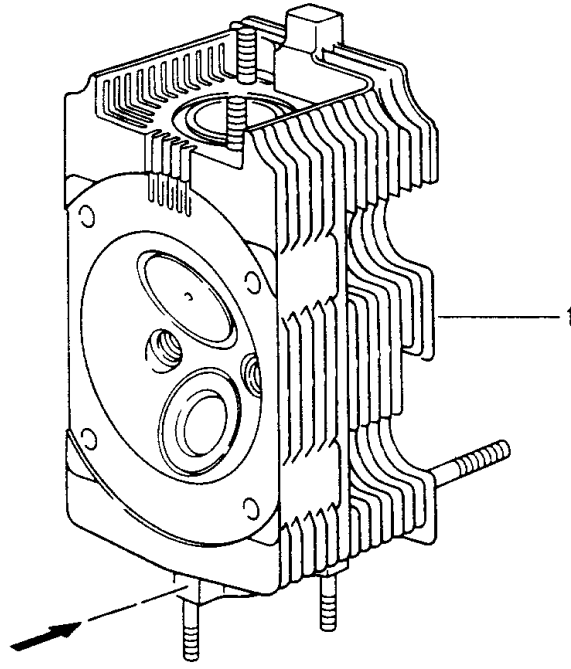
Model: ATK

Model life 1963>>2012

Pos	Part Number	Description	Remark	Qty	Model
		Temperature sensor And Air injection We take back: 930.104.011.04/033.04/07			

Model: ATK

Model life 1963>>2012



Model: ATK Model life 1963>>2012

Pos	Part Number	Description	Remark	Qty	Model
		Cylinder head	91- -94 94- -98		CARRERA 2/4 CARRERA
1	964 104 011 RX	See TPI GR.1 NR.28 See technical information Group 1 NR.2/00 Cylinder head with Valves Ready for installation without Identification We take back: 964.104.295.2R/7R 964.104.033.06/08	91-	6	M64.01/02/03
1	964 104 011 PX	Cylinder head with Valves Ready for installation Identification -0,10 We take back: 964.104.295.2R/7R 964.104.033.06/08	91-	6	M64.01/02/03
1	964 104 011 QX	Cylinder head with Valves Ready for installation Identification -0,20 We take back: 964.104.295.2R/7R 964.104.033.06/08	91-	6	M64.01/02/03
2	993 104 011 X	Cylinder head with Valves Ready for installation without Identification Intake valve 49,0 MM Valve seat ring 50,1 MM We take back: 993.104.295.1R/2R/5R 993.104.033.01	94-	6	M64.05/06
2	993 104 011 AX	Cylinder head with Valves Ready for installation Identification -0,10 Intake valve 49,0 MM Valve seat ring 50,1 MM We take back: 993.104.295.1R/2R/5R 993.104.033.01	94-	1	M64.05/06
2	993 104 015 FX	Cylinder head	96-	6	M64.21/22

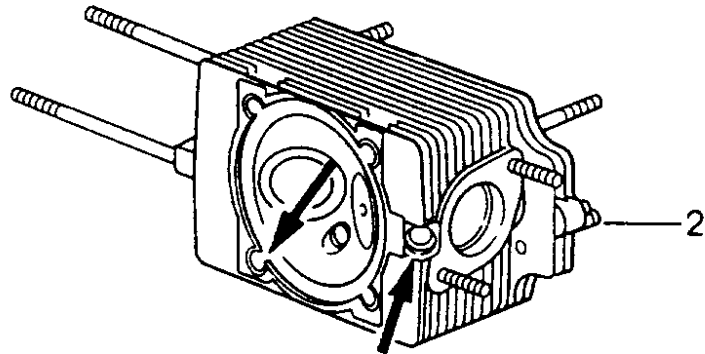
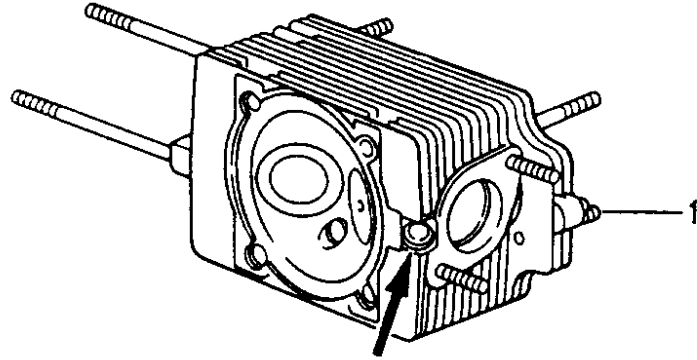
Model: ATK

Model life 1963>>2012

Pos	Part Number	Description	Remark	Qty	Model
		with Valves Ready for installation without Identification Intake valve 50,0 MM Valve seat ring 50,5 MM We take back: 993.104.295.6R 993.104.035.06			

Model: ATK

Model life 1963>>2012

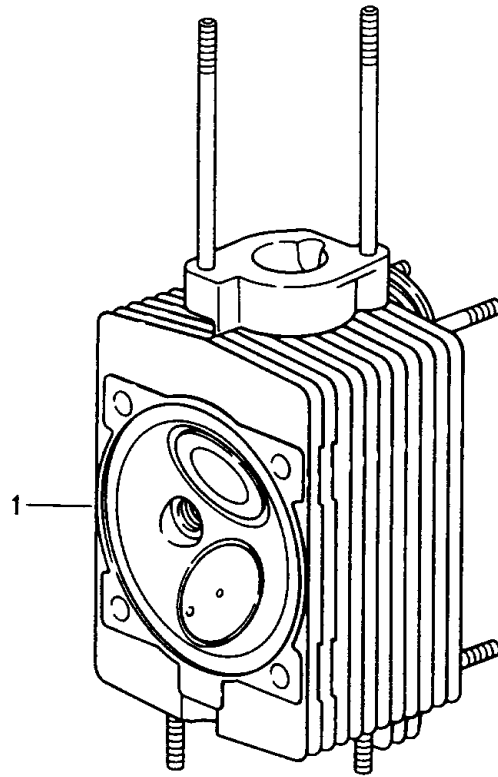


Model: ATK Model life 1963>>2012

Pos	Part Number	Description	Remark	Qty	Model
1	930 104 023 FX	Cylinder head Cylinder head with Valves Ready for installation Intake valve 32 MM Exhaust valve 38 MM with Bore for Air injection We take back: 930.104.023.06	76- -89 76-	6	911 TURBO 930.51/52 3000 CCM
2	930 104 023 GX	Cylinder head with Valves Intake valve 32 MM Exhaust valve 38 MM with Bore for Air injection We take back: 930.104.023.09	78- 83- -89	6	930.60-63 930.66/68 3300 CCM

Model: ATK

Model life 1963>>2012

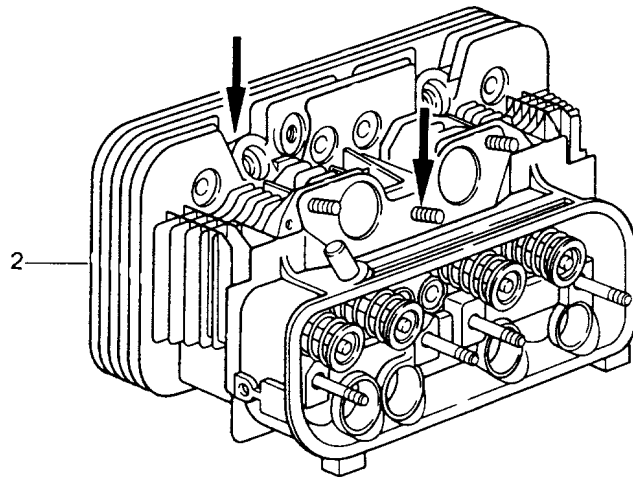
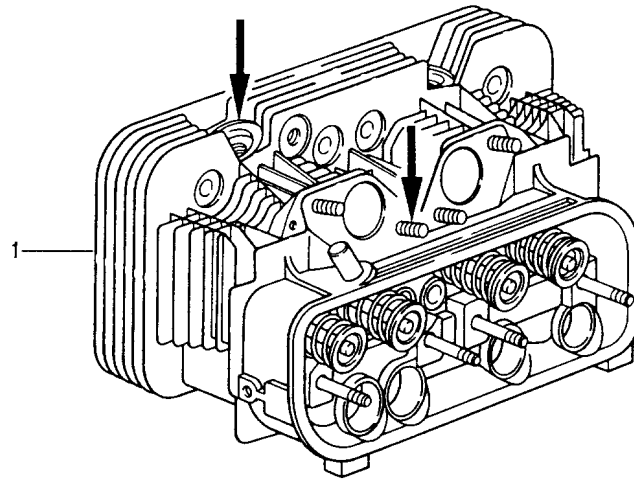


Model: **ATK** Model life **1963>>2012**

Pos	Part Number	Description	Remark	Qty	Model
1	930 104 023 NX	Cylinder head with Valves Intake valve 49 MM Exhaust valve 41,5 MM without Identification We take back: 930.104.023.13/043.13	91- -98 91-	6	911 TURBO M30.69 3300 CCM
1	964 104 011 TX	Cylinder head with Valves Ready for installation without Identification We take back: 964.104.011.21/033.20	93-	6	M64.50 3600 CCM
(1)	993 104 011 CX	Cylinder head with Valves Ready for installation We take back: 993.104.033.52	96-	6	M64.60 3600 CCM

Model: ATK

Model life 1963>>2012

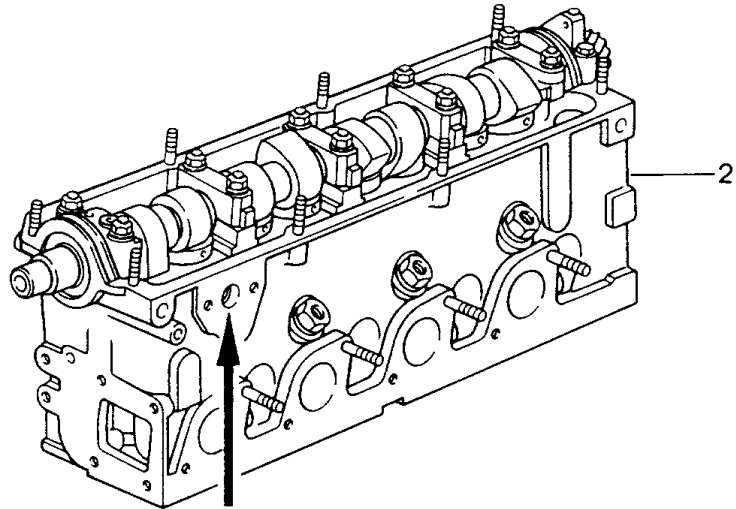
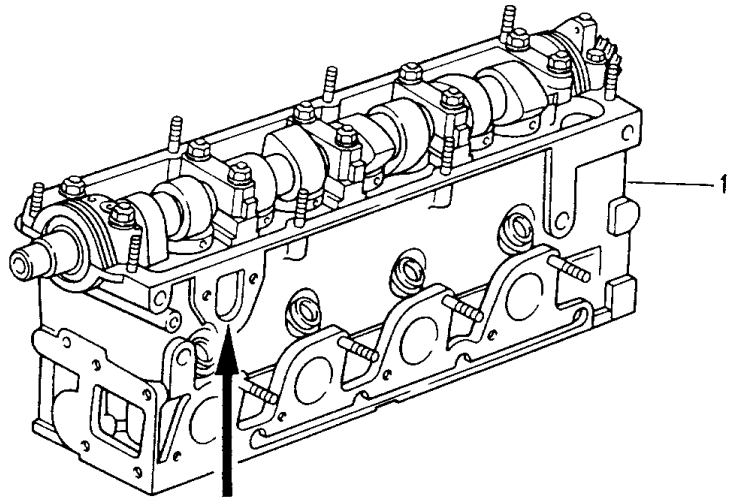


Model: ATK Model life 1963>>2012

Pos	Part Number	Description	Remark	Qty	Model
(1)	022 101 061 CX	Cylinder head Cylinder head with Valves D-JETRONIC M W0 002 545 >> W0 129 581 Cam follower Protective tube 31,7 MM 022.101.372 Embedded We take back: 022.101.061.C/062.C	70- -74 70-	2	914/4 W M022 1700 CCM
1	022 101 061 DX	Cylinder head with Valves D-JETRONIC M W0 129 582 >> W0 217 365 Cam follower Protective tube 31,7 MM 022.101.372 Embedded We take back: 022.101.061.D/062.D	72- 72- -73	2	W M022 EA/EB M022 1700 CCM
2	039 101 061 HX	Cylinder head with Valves D-JETRONIC Intake valve 42 MM Exhaust valve 36 MM Cam follower Protective tube 31,7 MM We take back: 039.101.061.H/062.H	73- 73- -74	2	039.GB 039.GA 2000 CCM

Model: ATK

Model life 1963>>2012

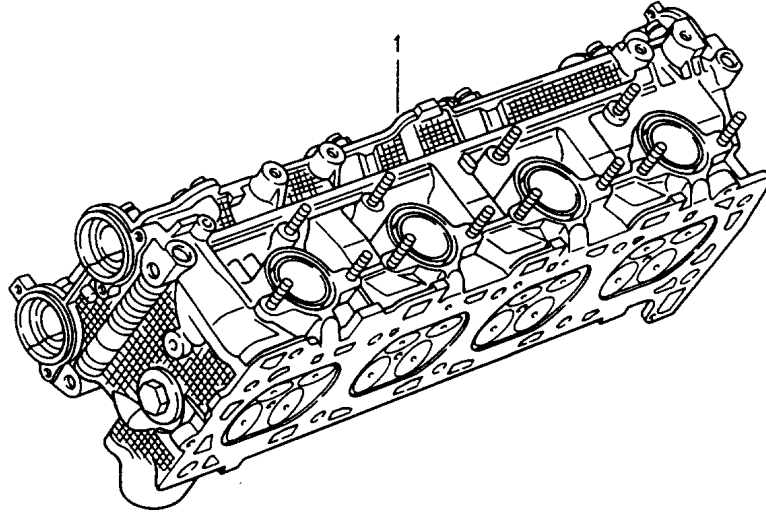


Model: ATK Model life 1963>>2012

Pos	Part Number	Description	Remark	Qty	Model
1	047 103 265 X	Cylinder head with Valves And Camshaft Ready for installation 046.103.373/A 047.103.373/A/C Embedded Use also: 059.127.311.A 047.103.113.A We take back: 047.103.353/C	76- -85 79- -84 76- 80- -82	1	924 924 TURBO XJ/XK VC 924
2	931 104 903 CX	Cylinder head with Valves And Camshaft Ready for installation Use also: 059.127.311.A 047.103.113.A We take back: 931.104.901.00/01/03	79- 80- -82 79- -81	1 1 1 1	M31.01/03 M31.02/04 924 TURBO

Model: ATK

Model life 1963>>2012



Model: ATK Model life 1963>>2012

Pos	Part Number	Description	Remark	Qty	Model
		Cylinder head	82- -91 92- -95		944 968
(1)	944 104 003 FX	Cylinder head with Valves Ready for installation Intake valve 45 MM Exhaust valve 40 MM 303.6R Embedded We take back: 944.104.033.05	82- 83- -85	1	M44.01/03 M44.02/04
(1)	944 104 003 GX	Cylinder head with Valves Ready for installation Intake valve 45 MM Exhaust valve 40 MM 303.7R/8R Embedded We take back: 944.104.033.06/08	85-	1	-10 M44.05
(1)	944 104 001 CX	Cylinder head with Valves Ready for installation Intake valve 37 MM Exhaust valve 33 MM 413.3R/4R Embedded We take back: 944.104.013.03	87-	1	M44.40
(1)	944 104 011 BX	Cylinder head with Valves Ready for installation 310.2R Embedded We take back: 944.104.040.02	89	1	M44.11/12 944
(1)	951 104 008 BX	Cylinder head with Valves Ready for installation 303.1R/2R/4R Embedded We take back: 951.104.038.01/02/04	89-	1	M44.51/52 944 TURBO
1	944 104 001 EX	Cylinder head with Valves And Bearing saddles Ready for installation	89-	1	M44.41 944 S 2

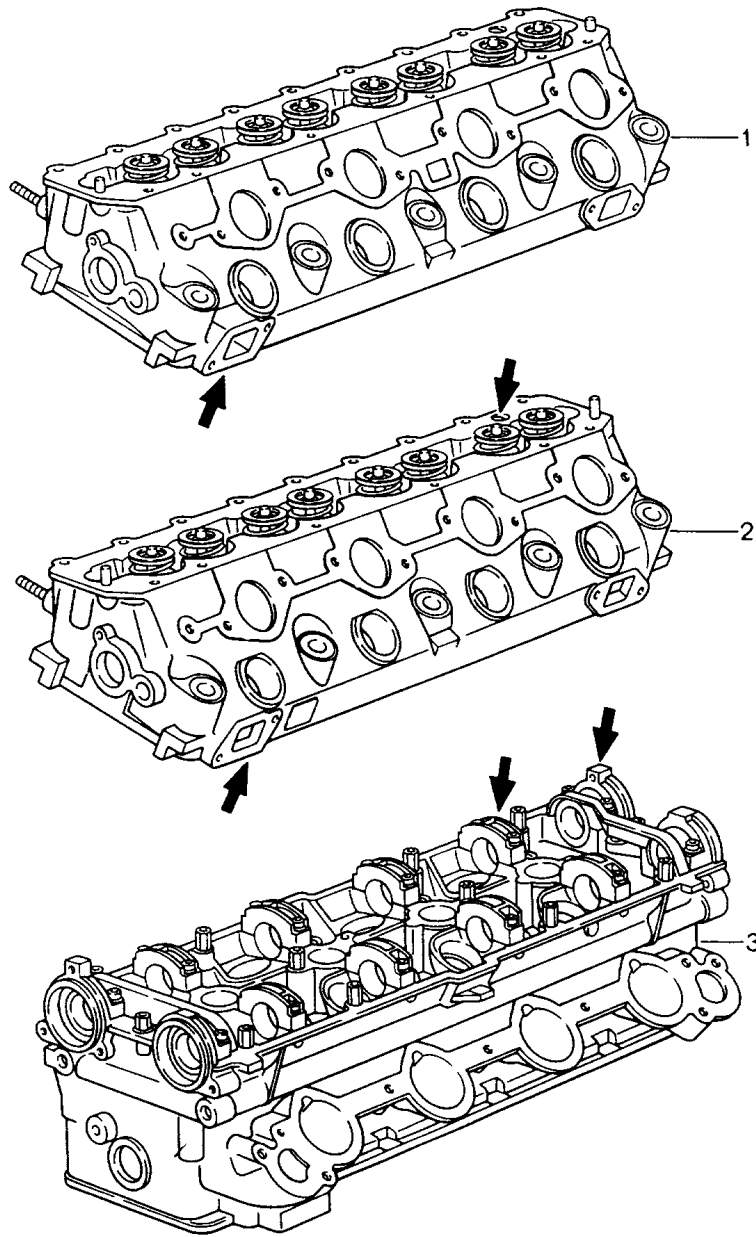
Model: ATK

Model life 1963>>2012

Pos	Part Number	Description	Remark	Qty	Model
1	944 104 014 X	413.7R/8R/9R 412.0R Embedded We take back: 944.104.013.05 Cylinder head with Valves And Bearing saddles Ready for installation 414.1R Embedded We take back: 944.104.054.00	92-	1	M44.43/44 968

Model: ATK

Model life 1963>>2012



Model: ATK Model life 1963>>2012

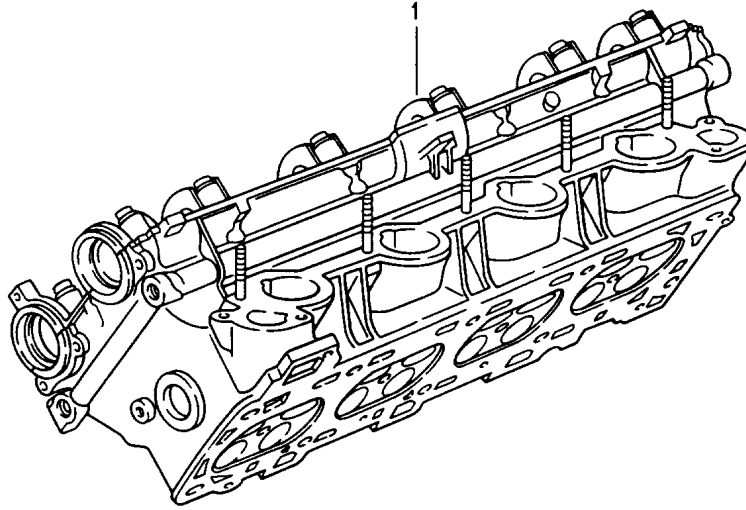
Pos	Part Number	Description	Remark	Qty	Model
		Cylinder head	78- -86		928
1	928 104 004 DX	See technical information GR.1 NR.1/85 Cylinder head with Valves Ready for installation without Check valve Intake valve 43 MM Exhaust valve 38 MM We take back: 928.104.046.04	78-	2	-04 M28.01
1	928 104 008 AX	Cylinder head with Valves Ready for installation without Check valve Intake valve 45 MM Exhaust valve 40 MM M >> 821 0515 M >> 821 5502 We take back: 928.104.055.02	80-	2	M28.11/12
2	928 104 009 X	Cylinder head with Valves Ready for installation with KUGELRUECKSCHLAGVENTIL Intake valve 43 MM Exhaust valve 38 MM We take back: 928.104.053.01	80-	2	M28.09/10
(2)	928 104 008 CX	Cylinder head with Valves Ready for installation with KUGELRUECKSCHLAGVENTIL Intake valve 45 MM Exhaust valve 40 MM M 821 0516 >> 82D 0849 M 821 5503 >> 82D 6090 We take back: 928.104.055.03	80-	2	M28.11/12
2	928 104 008 DX	Cylinder head with Valves Ready for installation with KUGELRUECKSCHLAGVENTIL	80- 84- -86	2	M28.11/12 M28.21/22

Model: **ATK** Model life 1963>>2012

Pos	Part Number	Description	Remark	Qty	Model
3	928 104 059 X	Intake valve 45 MM Exhaust valve 40 MM Identification M 82D 0850 >> M 82D 6090 >> We take back: 928.104.055.05 Cylinder head with Valves Ready for installation Intake valve 35 MM Exhaust valve 32 MM 928.104.411.3R Embedded We take back: 928.104.050.01	85- 86	2	VB M28.43/44 M28.45/46

Model: ATK

Model life 1963>>2012

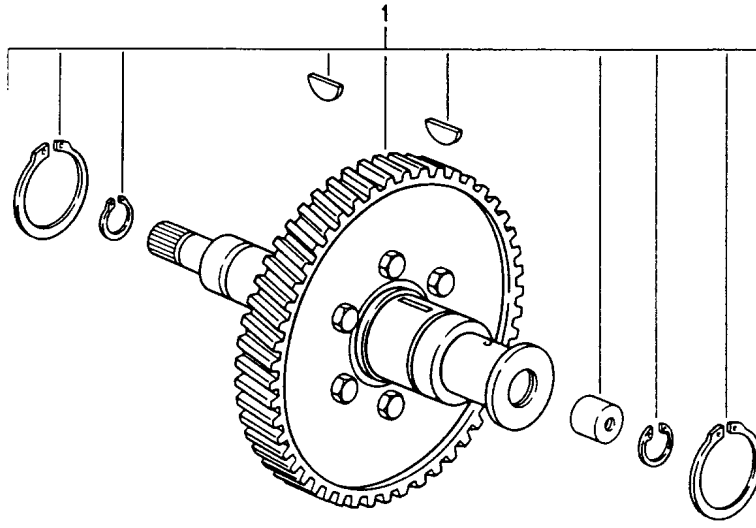


Model: **ATK** Model life **1963>>2012**

Pos	Part Number	Description	Remark	Qty	Model
		Cylinder head	87- -91 92- -95		928 S4/GT 928 GTS
1	928 104 067 CX	See q-information GR.1 NR.4/88 Cylinder head with Valves And Bearing saddles Ready for installation 928.104.413.2R/3R/4R Embedded We take back: 928.104.014.02/03/04/05	87- 89- -91	1	M28.41/42 M28.47
1	928 104 067 DX	Cylinder head with Valves And Bearing saddles Ready for installation 928.104.413.5R Embedded We take back: 928.104.014.06	92-	1	M28.49/50

Model: ATK

Model life 1963>>2012

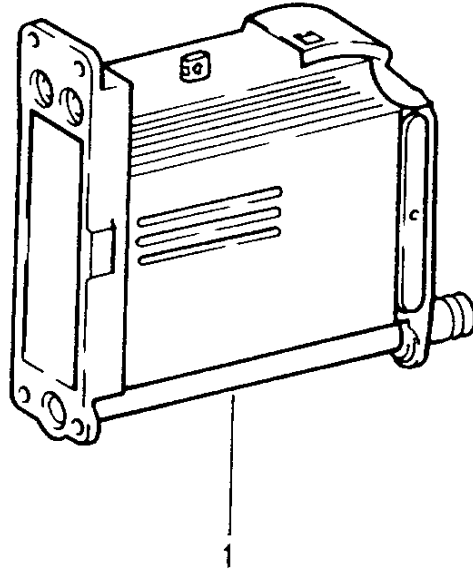


Model: **ATK** Model life **1963>>2012**

Pos	Part Number	Description	Remark	Qty	Model
		Intermediate shaft	72-		911/TURBO
1	930 105 901 X	Intermediate shaft without Sprocket Size 0 When required order also: 901.105.125.04 We take back: 911.105.013.03 930.105.013.01	-89	1	2400 CCM - 3000 CCM -
1	930 105 901 AX	Intermediate shaft without Sprocket Size 1 When required order also: 901.105.125.04 We take back: 911.105.013.13 930.105.013.11		2	
				1	2400 CCM - 3000 CCM -
				2	

Model: ATK

Model life 1963>>2012

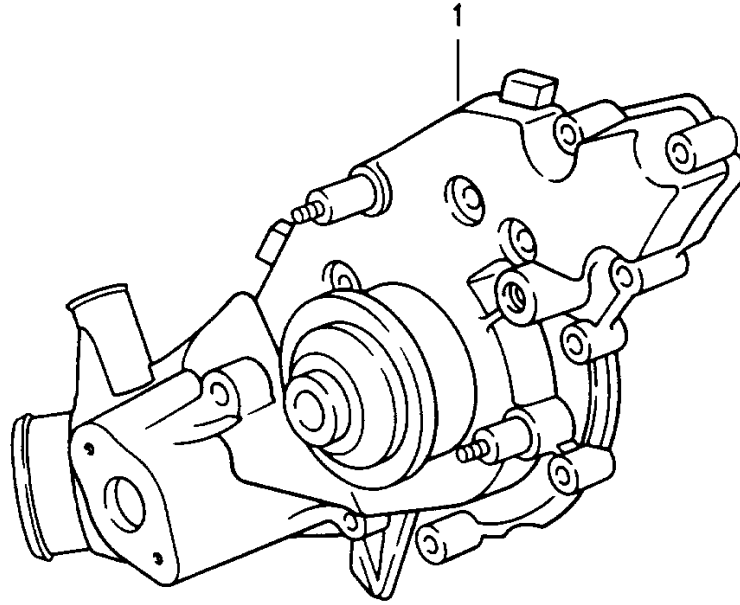


Model: **ATK** Model life **1963>>2012**

Pos	Part Number	Description	Remark	Qty	Model
1	911 107 041 X	Oil cooler Oil cooler Intake connection without Threaded insert We take back: 911.107.041.00	72- -89	1	911/TURBO

Model: ATK

Model life 1963>>2012

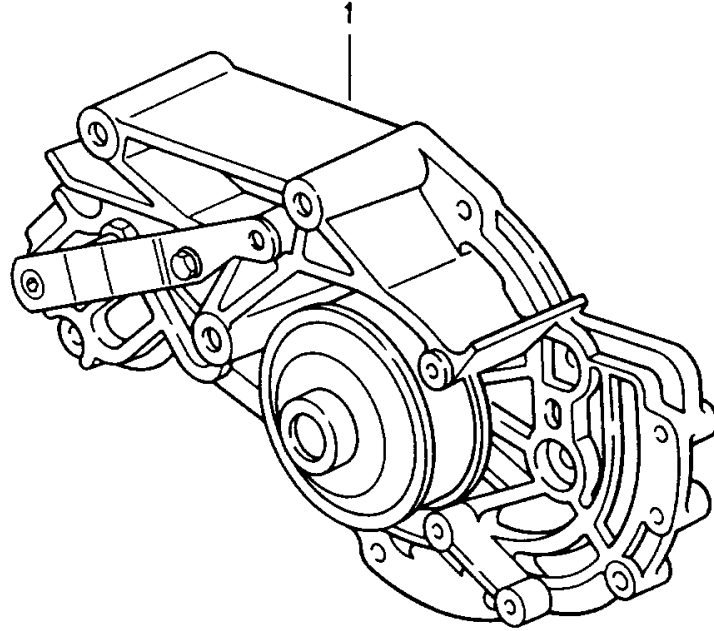


Model: ATK Model life 1963>>2012

Pos	Part Number	Description	Remark	Qty	Model
		Water pump	76- -85 86- -88 82- -91 92- -95 76-		924 924 S 944 968 924
(1)	060 121 010 X	Water pump with Gasket without Pulley 048.121.013 Embedded We take back: 048.121.011 060.121.011		1	
1	944 106 921 X	Water pump with Installation parts 944.106.124.2R Embedded We take back: 944.106.021.24	2,7LTR. 3,0LTR.	1	M44.11/12 M44.41
1	951 106 921 X	Water pump with Installation parts 944.106.124.3R Embedded We take back: 951.106.021.10	2,5LTR.	1	-10 M44.01 M44.40 -52 M44.50
(1)	944 106 921 AX	Water pump with Installation parts 944.106.124.4R Embedded We take back: 944.106.003.00	92-	1	M44.43/44

Model: ATK

Model life 1963>>2012

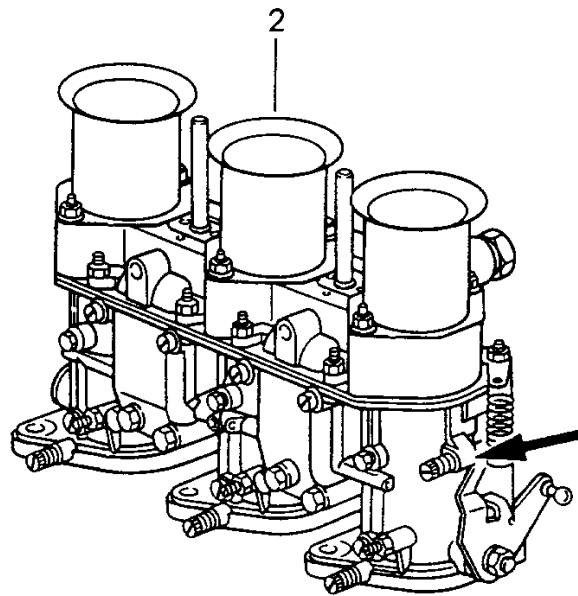
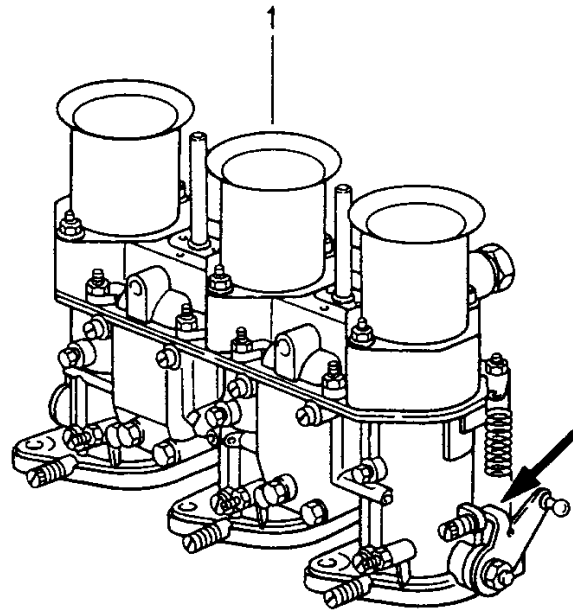


Model: **ATK** Model life **1963>>2012**

Pos	Part Number	Description	Remark	Qty	Model
1	928 106 915 X	Water pump See technical information GRUPPE 1 NR.4/90 Water pump with Installation parts 928.106.140.0R We take back: 928.106.015.20		1	928 M28.41/42 M28.47 M28.49/50
1	928 106 915 AX	Water pump with Installation parts 928.106.122.8R/9R We take back: 928.106.015.22 928.106.015.16 928.106.015.11		1	M28.21/43/44 M28.45/46 M28.11/12/13 M28.14/15 M28.01/02/03 M28.09/10 M28.16/17/18 M28.19/20

Model: ATK

Model life 1963>>2012

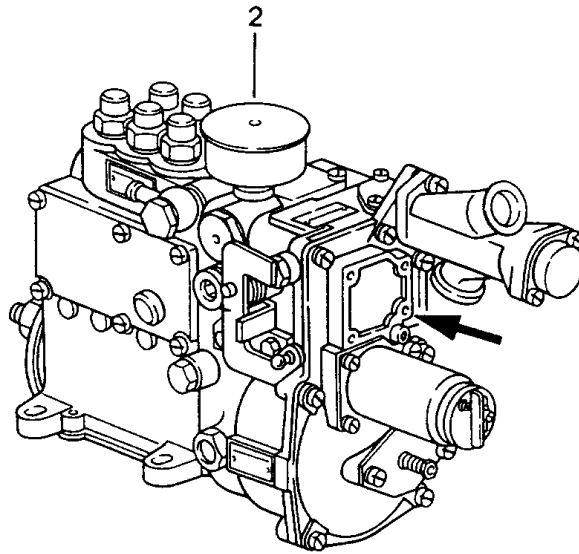
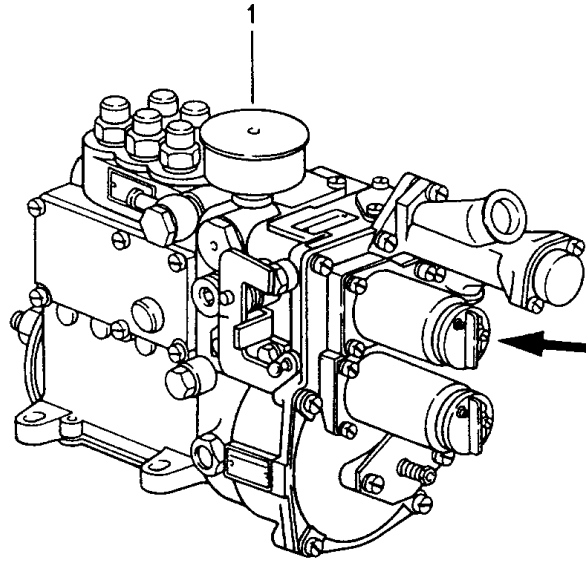


Model: ATK Model life 1963>>2012

Pos	Part Number	Description	Remark	Qty	Model
1	901 108 107 X	Carburettor WEBER Carburettor WEBER 40 IDA 3C1 with Intake trumpet We take back: 901.108.107.00	67- -71 /L	1	911 901.05-07
(1)	901 108 108 X	Carburettor WEBER 40 IDA 3C with Intake trumpet We take back: 901.108.108.00	/R	1	901.05-07
1	901 108 117 X	Carburettor WEBER 40 IDT 3C1 with Intake trumpet We take back: 901.108.117.00	/L 68	1	901.03/13
(1)	901 108 118 X	Carburettor WEBER 40 IDT 3C with Intake trumpet We take back: 901.108.118.00	/R 68	1	901.03/13
2	901 108 117 AX	Carburettor WEBER 40 IDT P3C1 with Intake trumpet We take back: 901.108.117.01	/L 69	1	901.03/13 901.16/19
(2)	901 108 118 AX	Carburettor WEBER 40 IDT P3C with Intake trumpet We take back: 901.108.118.01	/R 69	1	901.03/13 901.16/19

Model: ATK

Model life 1963>>2012

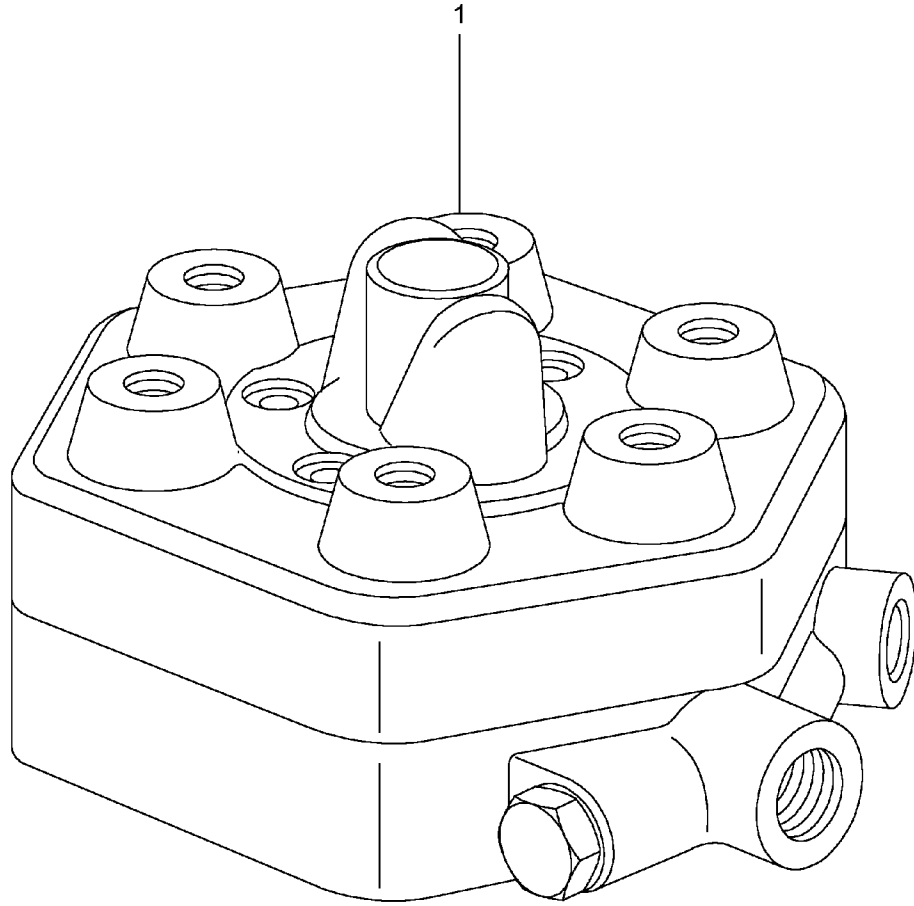


Model: **ATK** Model life **1963>>2012**

Pos	Part Number	Description	Remark	Qty	Model
		Injection pump	69- -76		911
1	901 110 226 AX	Injection pump BOSCH 0408 126 006 We take back: 901.110.226.01	69	1	901.09/11
2	911 110 221 X	Injection pump BOSCH 0408 126 010 We take back: 911.110.221.00	70- -71	1	911.01/04
2	911 110 222 X	Injection pump BOSCH 0408 126 009 We take back: 911.110.222.00	70- -71	1	911.02
2	911 110 251 X	Injection pump BOSCH 0408 126 015 We take back: 911.110.251.00	72- -73	1	911.51/61
2	911 110 252 X	Injection pump BOSCH 0408 126 014 We take back: 911.110.252.00	72- -73	1	911.52/62
2	911 110 253 X	Injection pump BOSCH 0408 126 013/021 We take back: 911.110.253.00	72- -73	1	911.53/63
2	911 110 254 X	Injection pump BOSCH 0408 126 019 We take back: 911.110.254.00	74- -76	1	/88 911.83

Model: ATK

Model life 1963>>2012



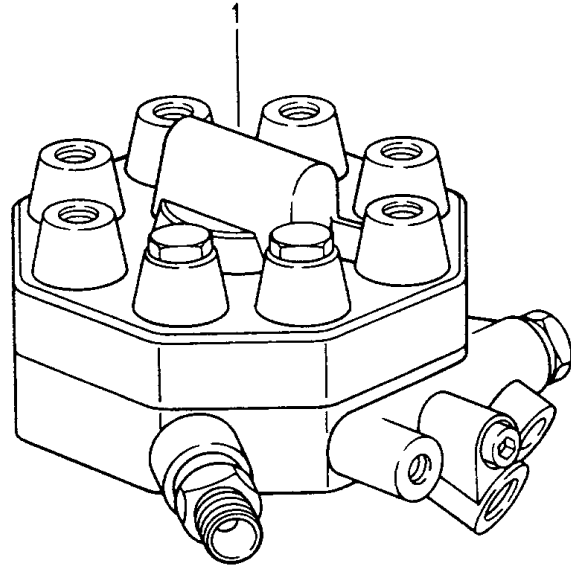
Model: ATK

Model life 1963>>2012

Pos	Part Number	Description	Remark	Qty	Model
1	930 110 802 X	Fuel distributor Fuel distributor BOSCH 0438 100 010 We take back: 930.110.802.00	76- -77 76- -77	1	911 930.02/12

Model: ATK

Model life 1963>>2012



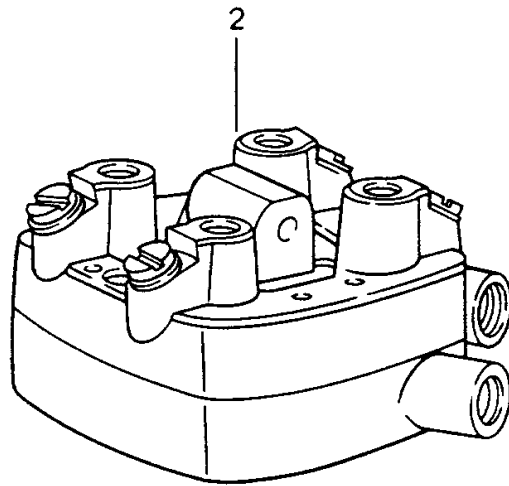
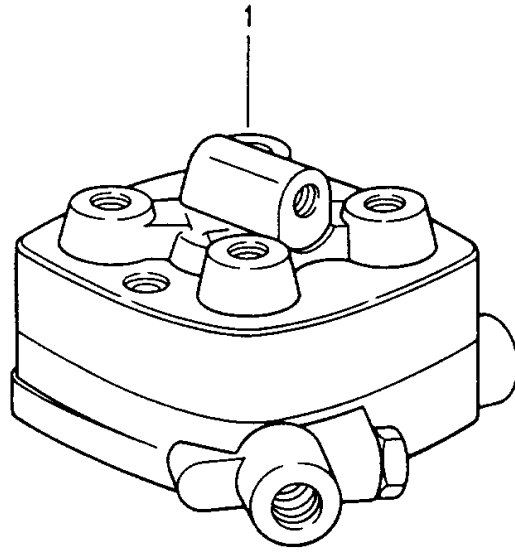
Model: ATK

Model life 1963>>2012

Pos	Part Number	Description	Remark	Qty	Model
		Fuel distributor	76- -94		911 TURBO
1	930 110 804 X	Fuel distributor BOSCH 0438 100 016 We take back: 930.110.804.00	76- -77	1	930.51-54
1	930 110 909 X	Fuel distributor BOSCH 0438 100 037 We take back: 930.110.909.00	78- -89	1	930.60-66
1	930 110 923 X	Fuel distributor BOSCH 0438 100 145 We take back: 930.110.923.00	91- 93- -94	1	M30.69 M64.50

Model: ATK

Model life 1963>>2012



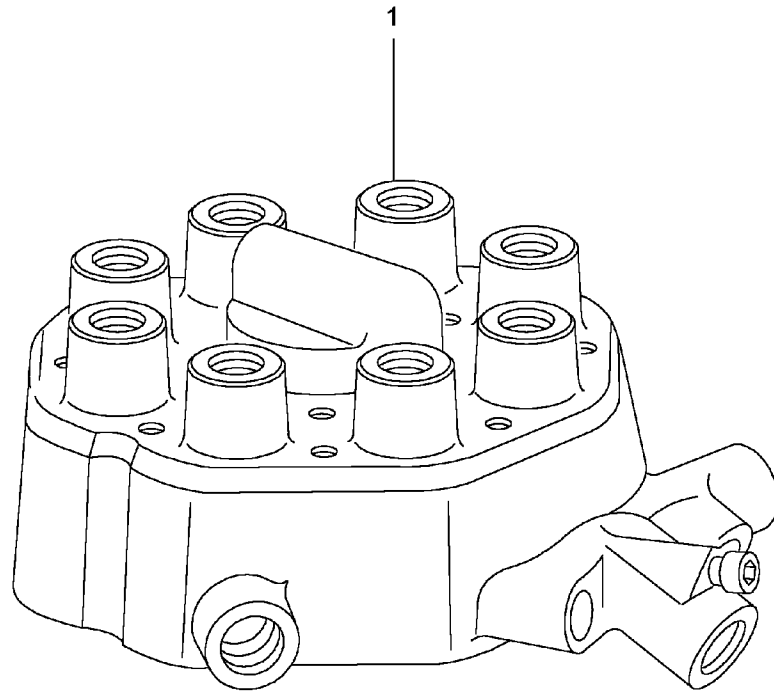
Model: ATK

Model life 1963>>2012

Pos	Part Number	Description	Remark	Qty	Model
1	063 133 481 X	Fuel distributor BOSCH 0438 100 005/039 We take back: 063.133.481	76- -85 80 76- -85	1	924 924 TURBO XJ/XK
2	931 110 907 X	Fuel distributor BOSCH 0438 100 047 We take back: 931.110.907.00	80	1	M31.01

Model: ATK

Model life 1963>>2012



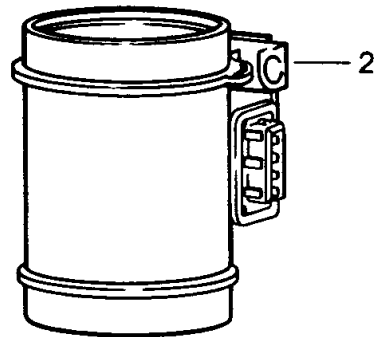
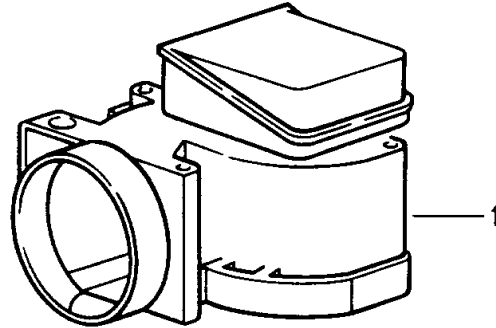
Model: ATK

Model life 1963>>2012

Pos	Part Number	Description	Remark	Qty	Model
1	928 110 906 X	Fuel distributor See technical information GR.2 NR.9 09.02.81 Fuel distributor BOSCH 0438 100 027 We take back: 928.110.906.00	78- -83 78- 80- -83	1	928/928S -04 M28.01 -12 M28.09

Model: ATK

Model life 1963>>2012

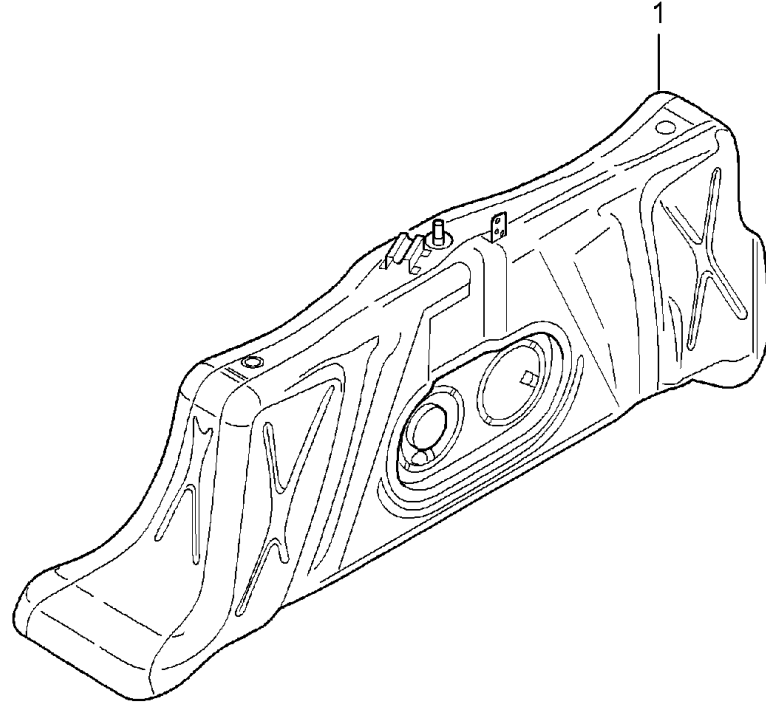


Model: ATK Model life 1963>>2012

Pos	Part Number	Description	Remark	Qty	Model
		Mass air flow meter			911 928 944/TURBO 968
1	930 606 123 X	Mass air flow meter Use also: 4 X 900.081.060.02 930.606.123.00 BOSCH 0280.203.023	84- 85- 89- 90-	1	930.20/21 930.25/26 M64.01 M64.02/03
1	964 606 050 X	Mass air flow meter Use also: 4 X 900.081.060.02 964.606.050.00	84- 85- 89- 90-	1 1	930.20./21 930.25/26 M64.01 M64.02/03
1	930 606 123 X	Mass air flow meter Use also: 4 X 900.081.060.02 964.606.050.00	84-	1 1	930.20./21 930.25/26 M64.01 M64.02/03
1	944 606 121 X	Mass air flow meter We take back: 944.606.121.00 BOSCH 0280.202.028	82-	1 1	-04 M44.01
1	944 606 121 AX	Mass air flow meter We take back: 944.606.121.01 BOSCH 0280.202.064	85-	1	-12 M44.05
1	951 606 121 AX	Mass air flow meter We take back: 951.606.121.01 BOSCH 0280.203.026	86-	1	-52 M44.50
1	944 606 124 X	Mass air flow meter We take back: 944.606.124.00 BOSCH 0280.203.029	87-	1	M44.40/41
2	951 606 125 BX	Mass air flow meter We take back: 951.606.125.01/02 BOSCH 0280.213.017	92-	1	M44.43/44
2	928 606 141 X	Mass air flow meter We take back: 928.606.141.00 BOSCH 0280.214.001	84- 85- -91 92-	1	M28.21/22 -47 M28.41 M28.49/50
(2)	993 606 123 X	Mass air flow meter We take back: 993.606.123.00 BOSCH 0280.217.803	94-	1	M 64.04-08 M 64.11-14

Model: ATK

Model life 1963>>2012

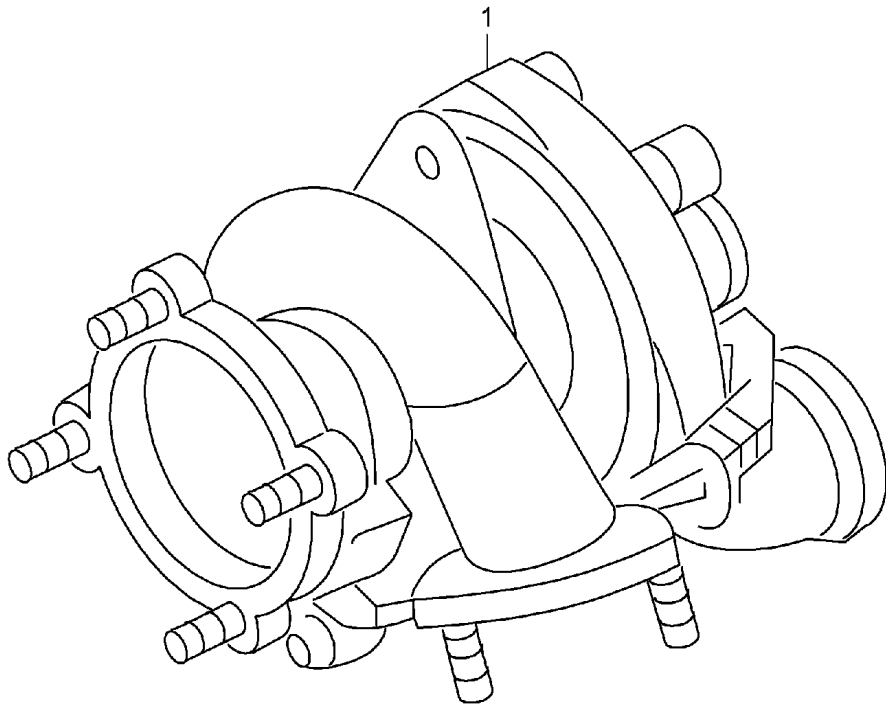


Model: **ATK** Model life **1963>>2012**

Pos	Part Number	Description	Remark	Qty	Model
		Fuel tank Complete	04		CARRERA GT
1	980 201 013 CX	Fuel tank		1	
1	980 201 013 DX	Fuel tank We take back: 980.201.013.03		1	

Model: ATK

Model life 1963>>2012

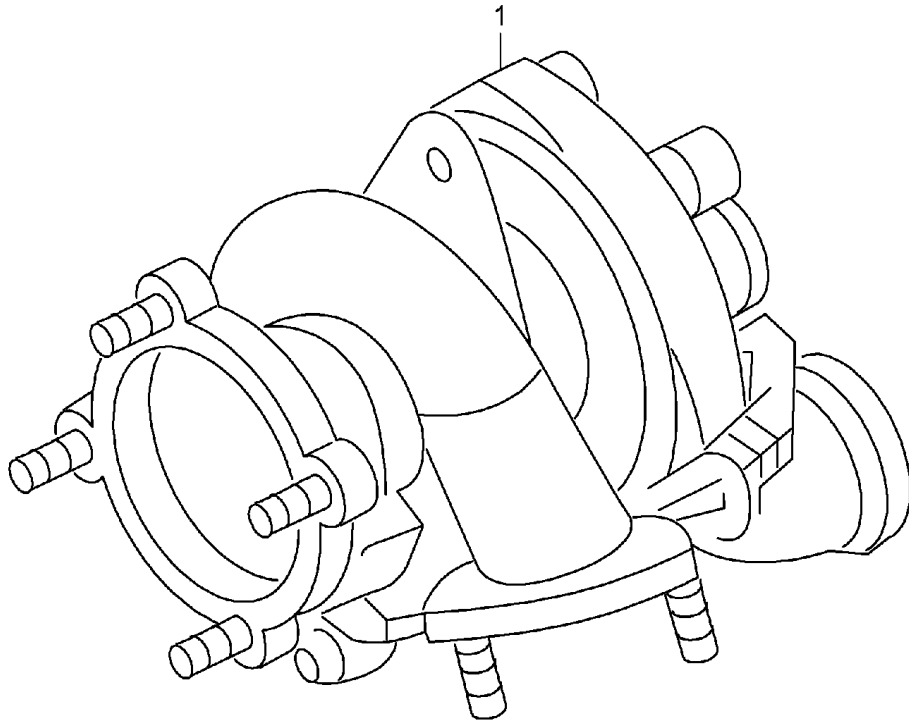


Model: **ATK** Model life 1963>>2012

Pos	Part Number	Description	Remark	Qty	Model
1	930 123 002 X	Turbocharger KKK 2802 We take back: 930.123.002.00	75- -94 75- -77	1	911 TURBO 930.50-54
1	930 123 003 AX	Turbocharger KKK 3100 We take back: 930.123.003.01	78- -89	1	930.60-68
1	930 123 003 BX	Turbocharger KKK 5327 015 07 29 We take back: 930.123.003.02	91- 93- -94	1	M30.69 M64.50

Model: ATK

Model life 1963>>2012

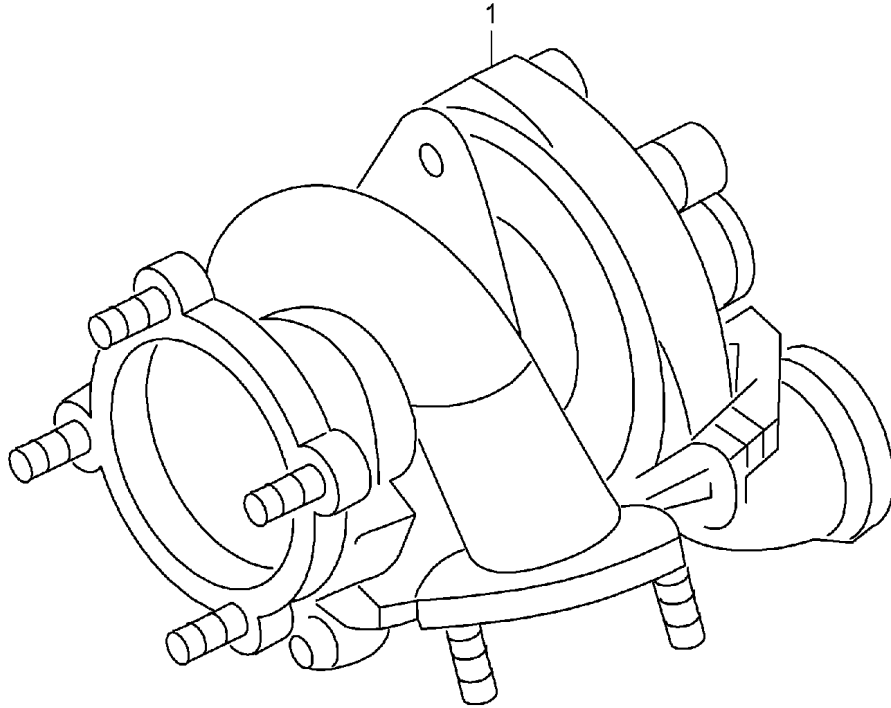


Model: **ATK** Model life 1963>>2012

Pos	Part Number	Description	Remark	Qty	Model
1	931 123 002 FX	Turbocharger KKK 7007 We take back: 931.123.002.02/05/06/09	80- -84 80	1	924 TURBO M31.01
1	931 123 004 BX	Turbocharger KKK 6022 We take back: 931.123.004.02/07	81- -84	1	M31.03/04

Model: ATK

Model life 1963>>2012



Model: **ATK** Model life 1963>>2012

Pos	Part Number	Description	Remark	Qty	Model
		Turbocharger	86- -91		944 TURBO
1	951 123 131 AX	Turbocharger KKK 6720 We take back: 951.123.131.01	86- -88	1	M44.51
1	951 123 131 BX	Turbocharger KKK 6720 We take back: 951.123.131.01/02		1	M44.51
1	951 123 131 CX	Turbocharger KKK 7041	89-	1	M44.52
1	951 123 131 EX	Turbocharger KKK 7041 We take back: 951.123.131.03	89-	1	M44.52

Model: ATK

Model life 1963>>2012

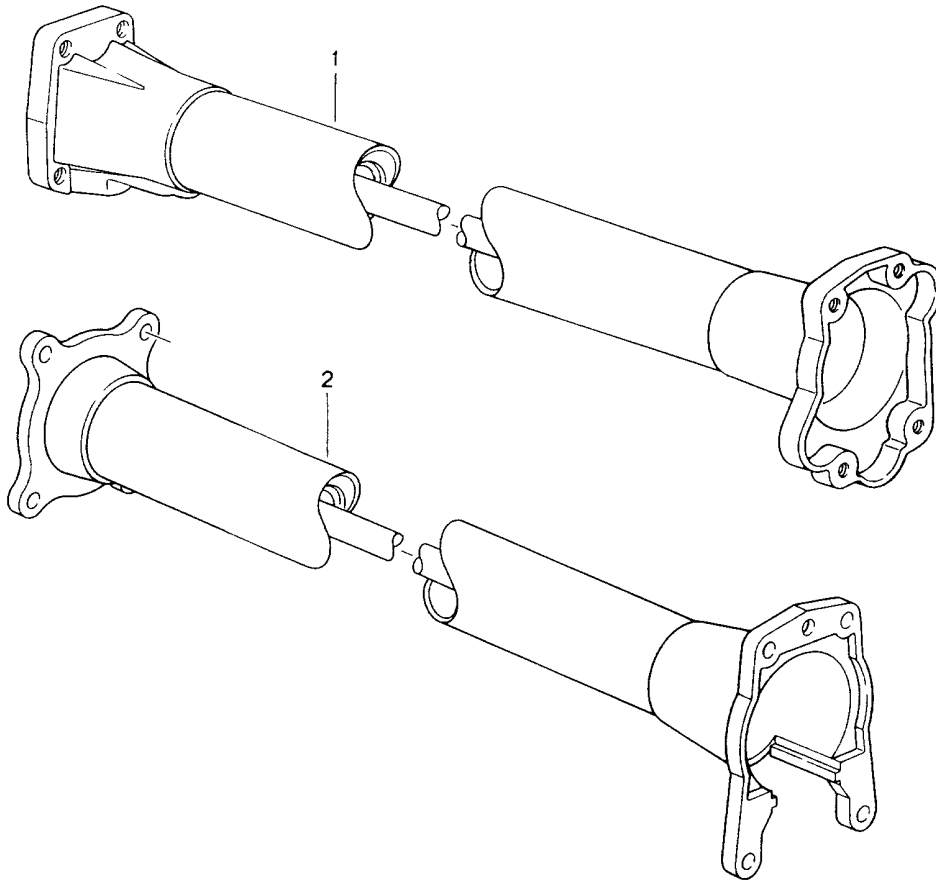


Model: **ATK** Model life **1963>>2012**

Pos	Part Number	Description	Remark	Qty	Model
-	997 123 013 X	Turbocharger Cyl. 1 - 3 We take back: 997.123.013.75	08- 08- 08-	1	911 TURBO 911 GT2
-	997 123 014 X	Turbocharger Cyl. 4 - 6 We take back: 997.123.014.75	08-	1	
-	997 123 077 X	Turbocharger Cyl. 1 - 3 We take back: 997.123.077.72	08-	1	I101
-	997 123 078 X	Turbocharger Cyl. 4 - 6 We take back: 997.123.078.72	08-	1	I101

Model: ATK

Model life 1963>>2012

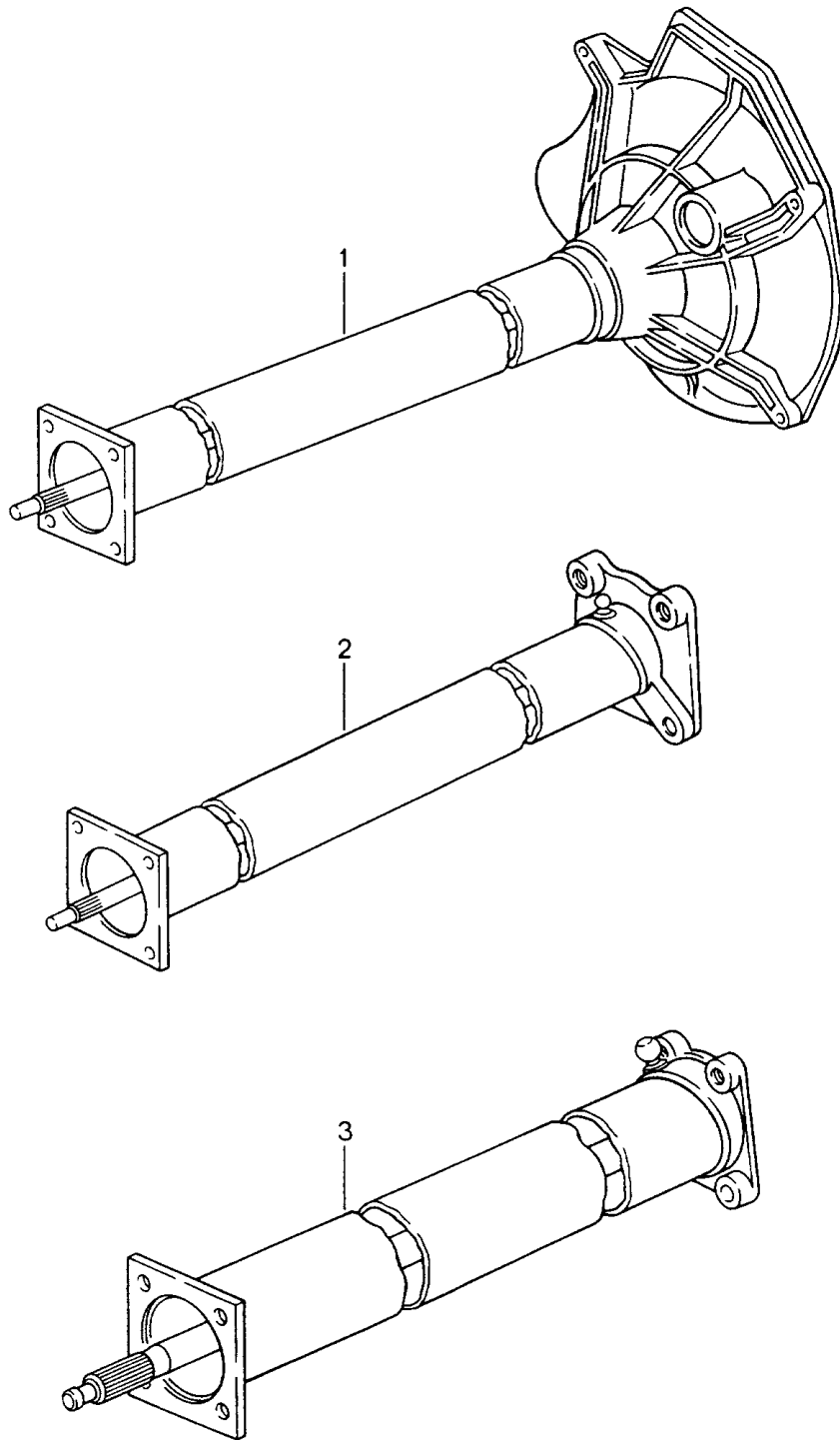


Model: **ATK** Model life **1963>>2012**

Pos	Part Number	Description	Remark	Qty	Model
1	964 421 012 X	Central tube Ready for installation 1401MM We take back: 964.421.012.21	89- -98 89-	1	CARRERA 4
2	964 421 012 AX	Central tube Ready for installation We take back: 964.421.012.24	95- -98	1	

Model: ATK

Model life 1963>>2012

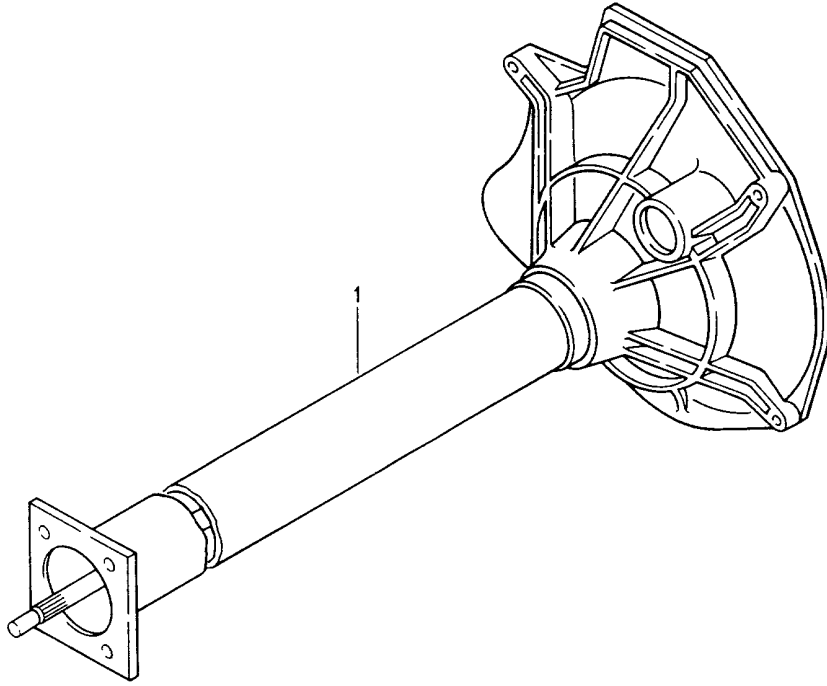


Model: **ATK** Model life **1963>>2012**

Pos	Part Number	Description	Remark	Qty	Model
		Central tube Manual transmission	76- -85 79- -84		924 924 TURBO/GT
1	477 521 230 BX	Central tube Ready for installation	76-	1	924 VQ/MD/UV/MF XT/YR
2	477 521 230 AX	We take back: 477.521.230/230.B Central tube Ready for installation Only together with Porsche 5th gear Transmission We take back: 477.521.230.A	78-	1	924 VA/VB
3	931 421 012 AX	Central tube Ready for installation We take back: 931.421.012.01	79- -84	1	TURBO/GT -03 G31.01

Model: ATK

Model life 1963>>2012



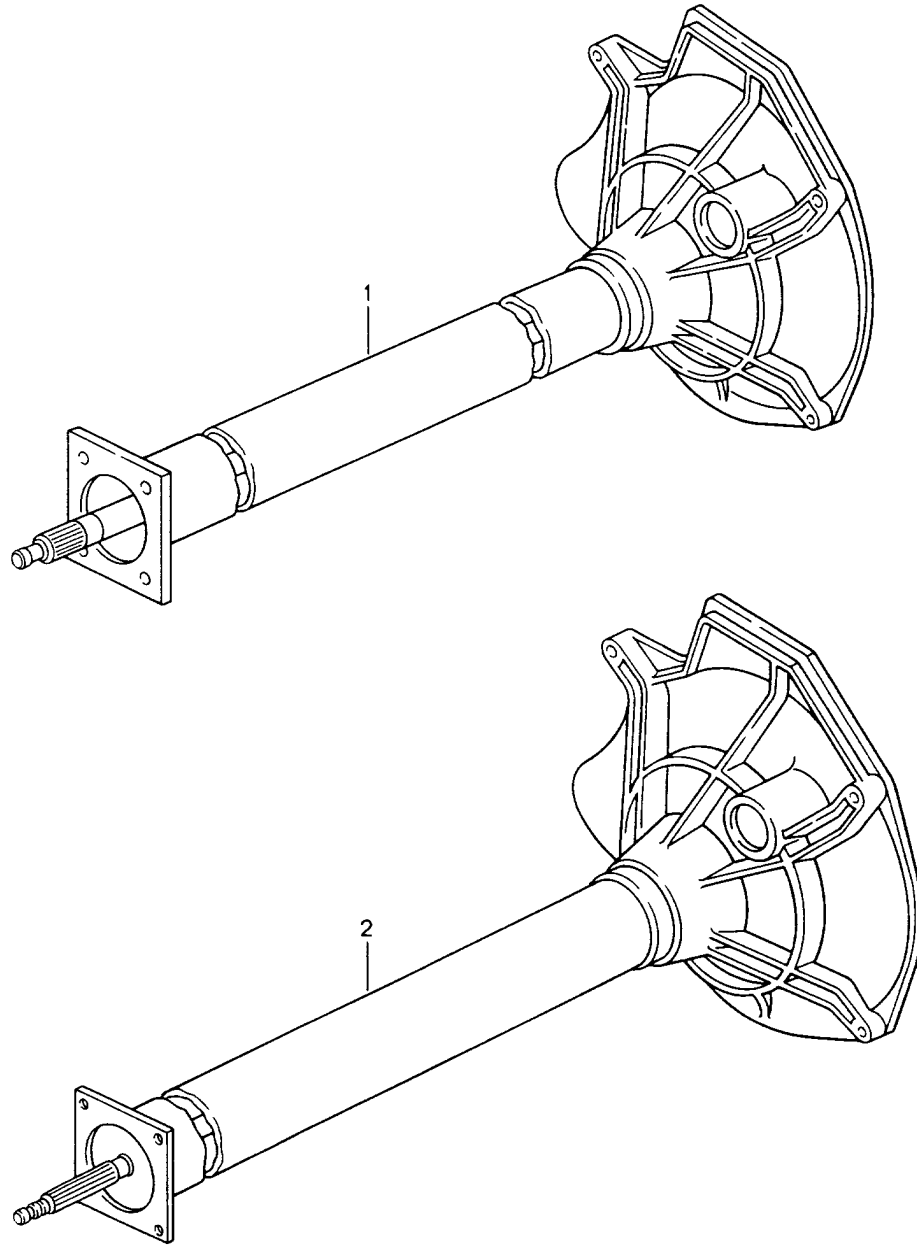
Model: ATK

Model life 1963>>2012

Pos	Part Number	Description	Remark	Qty	Model
1	477 521 130 CX	Central tube Automatic transmission Central tube Ready for installation Automatic We take back: 477.521.130.B/130.C	77- -85 77-	1	924 RK/RL/RCC

Model: ATK

Model life 1963>>2012

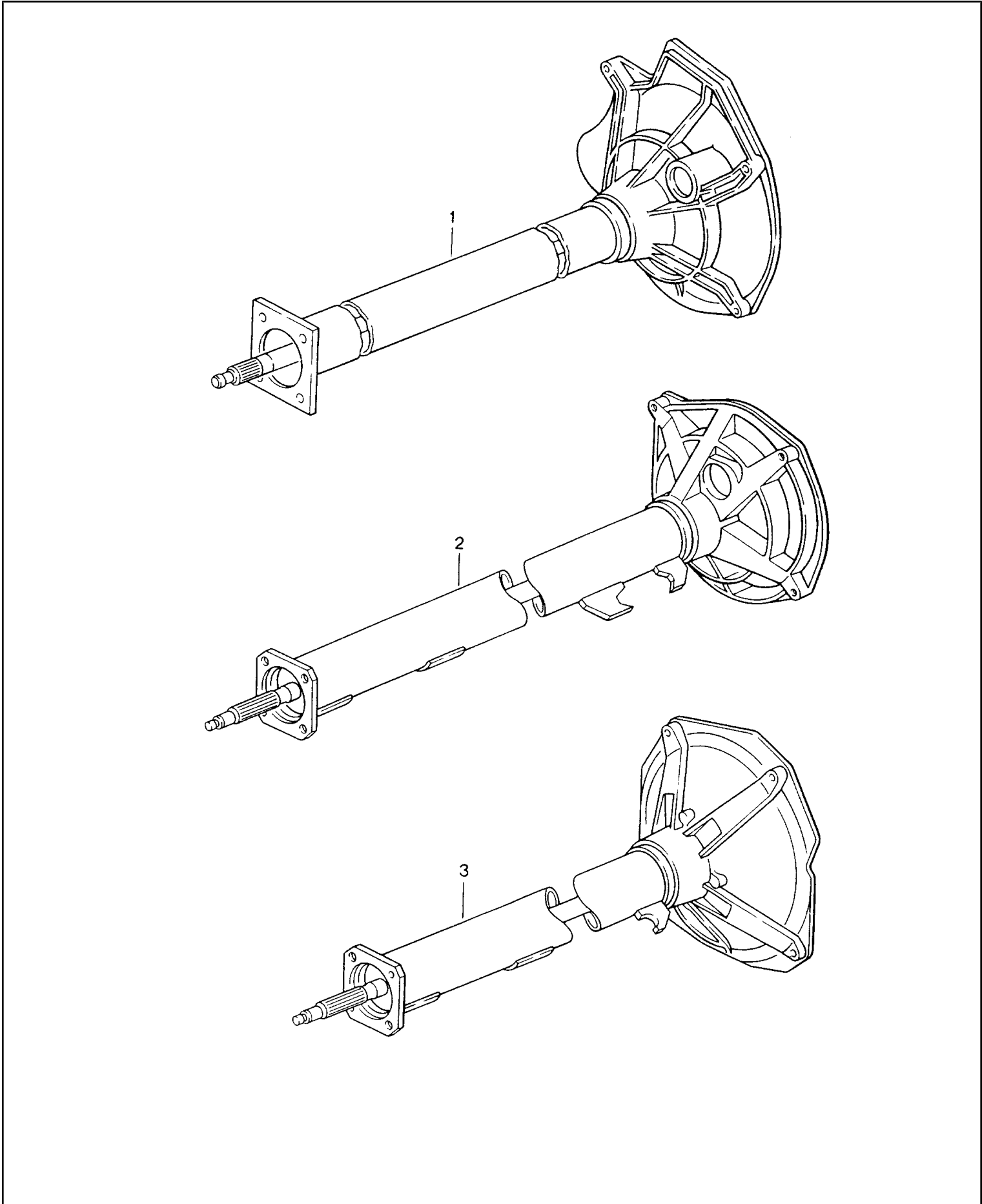


Model: ATK Model life 1963>>2012

Pos	Part Number	Description	Remark	Qty	Model
1	944 421 012 X	Central tube for Manual transmission And Automatic transmission Central tube Ready for installation for Manual transmission without Hook We take back: 944.421.012.00	82- -89 86- -91 82- 86- -88	1	924 S/944 944 TURBO 944 QK/QM/QL 7Q/8Q/4M 924 S
(1)	944 421 012 BX	Central tube Ready for installation for Manual transmission with Hook We take back: 944.421.012.02	85- 86- -91	1	944 944 TURBO 5Y/5Z/5S 7V/5P/5R
2	944 421 107 AX	Central tube Ready for installation for Automatic transmission without Hook We take back: 944.421.107.00/01	82- 86- -88	1	944 AUT. RH/RCA/RCB 924 S AUT.
(2)	944 421 107 CX	Central tube Ready for installation for Automatic transmission with Hook We take back: 944.421.107.03	85-	1	944 AUT. RCE/RCF

Model: ATK

Model life 1963>>2012

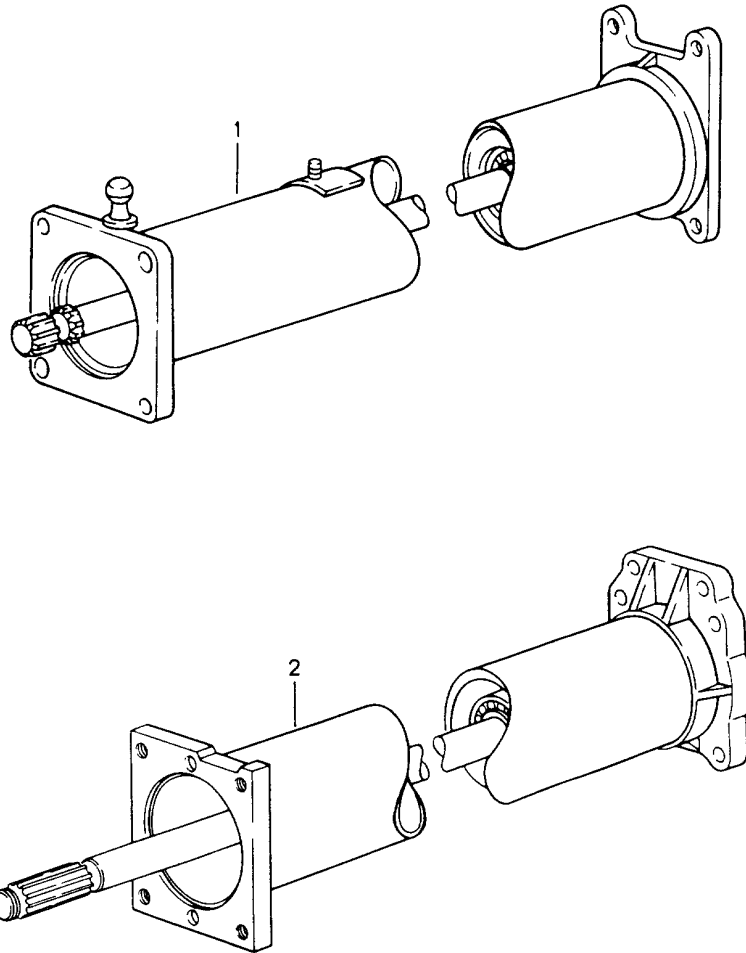


Model: **ATK** Model life **1963>>2012**

Pos	Part Number	Description	Remark	Qty	Model
		Central tube for Manual transmission And Automatic transmission	89- -91 92- -95		944 S 2 968
1	944 421 012 DX	Central tube	89- -91	1	944 S 2
1	944 421 012 EX	Central tube Ready for installation for Manual transmission We take back:	89-	1	944 S 2
2	944 421 012 CX	944.421.012.05/15 Central tube Ready for installation for Manual transmission We take back:	92-	1	968
3	944 421 107 EX	944.421.012.19/21 Central tube Ready for installation for Tiptronic We take back: 944.421.107.05	92-	1	968

Model: ATK

Model life 1963>>2012

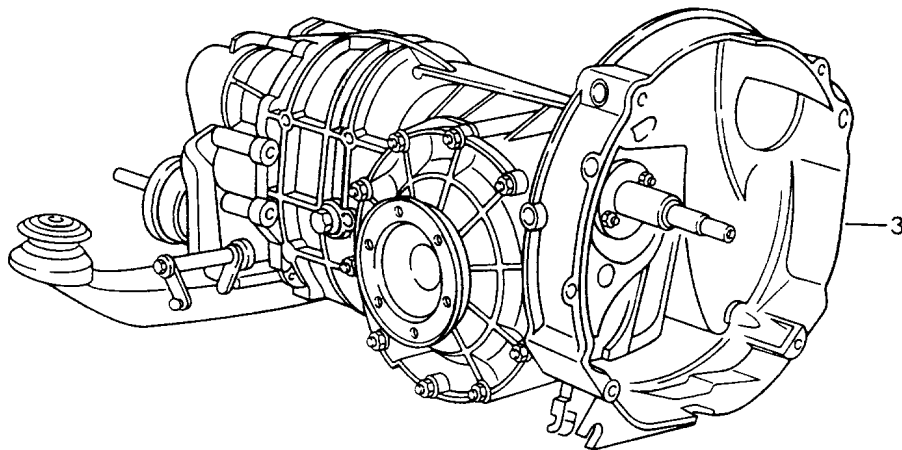
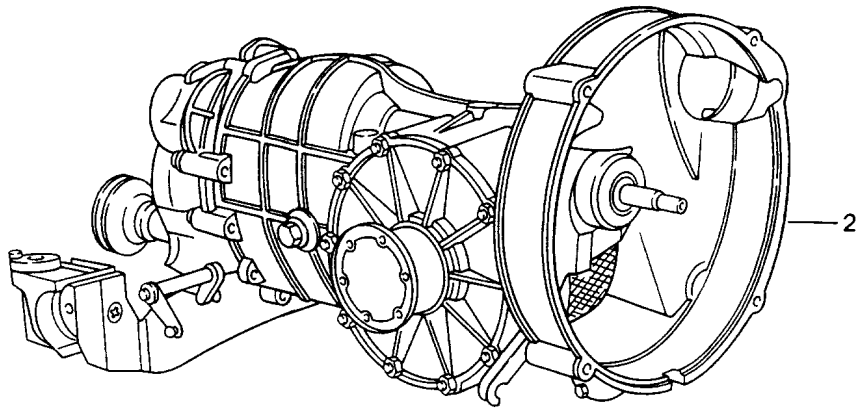
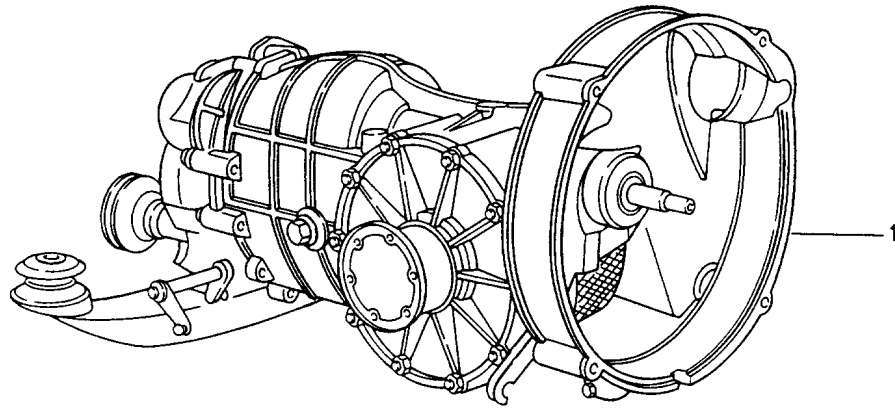


Model: ATK Model life 1963>>2012

Pos	Part Number	Description	Remark	Qty	Model
		Central tube	78- -95		928
		Technical information Group 3 NR.9 Attention			
1	928 421 012 CX	Central tube Ready for installation for Manual transmission 1446 MM We take back: 928.421.012.12-14	78-	1	G28.03
1	928 421 012 DX	Central tube Ready for installation for Manual transmission 1416 MM We take back: 928.421.012.20/26	81- 87- 83- -86 87-	1	G28.05/07 G28.08/10 -57 G28.12
2	922 421 012 X	Central tube Ready for installation for Automatic transmission 1128 MM We take back: 922.421.012.00	78-	1	A22.01/02
2	922 421 012 CX	Central tube Ready for installation for Automatic transmission 1128 MM We take back: 922.421.012.00/03	78- 80- -83	1	A22.01/02 A22.04
2	960 421 012 BX	Central tube Ready for installation for Automatic transmission 1181 MM We take back: 960.421.012.002/04/05/07	83- 88- -91 92- -95	1	-12 A28.01 A28.14/16 A28.18

Model: ATK

Model life 1963>>2012

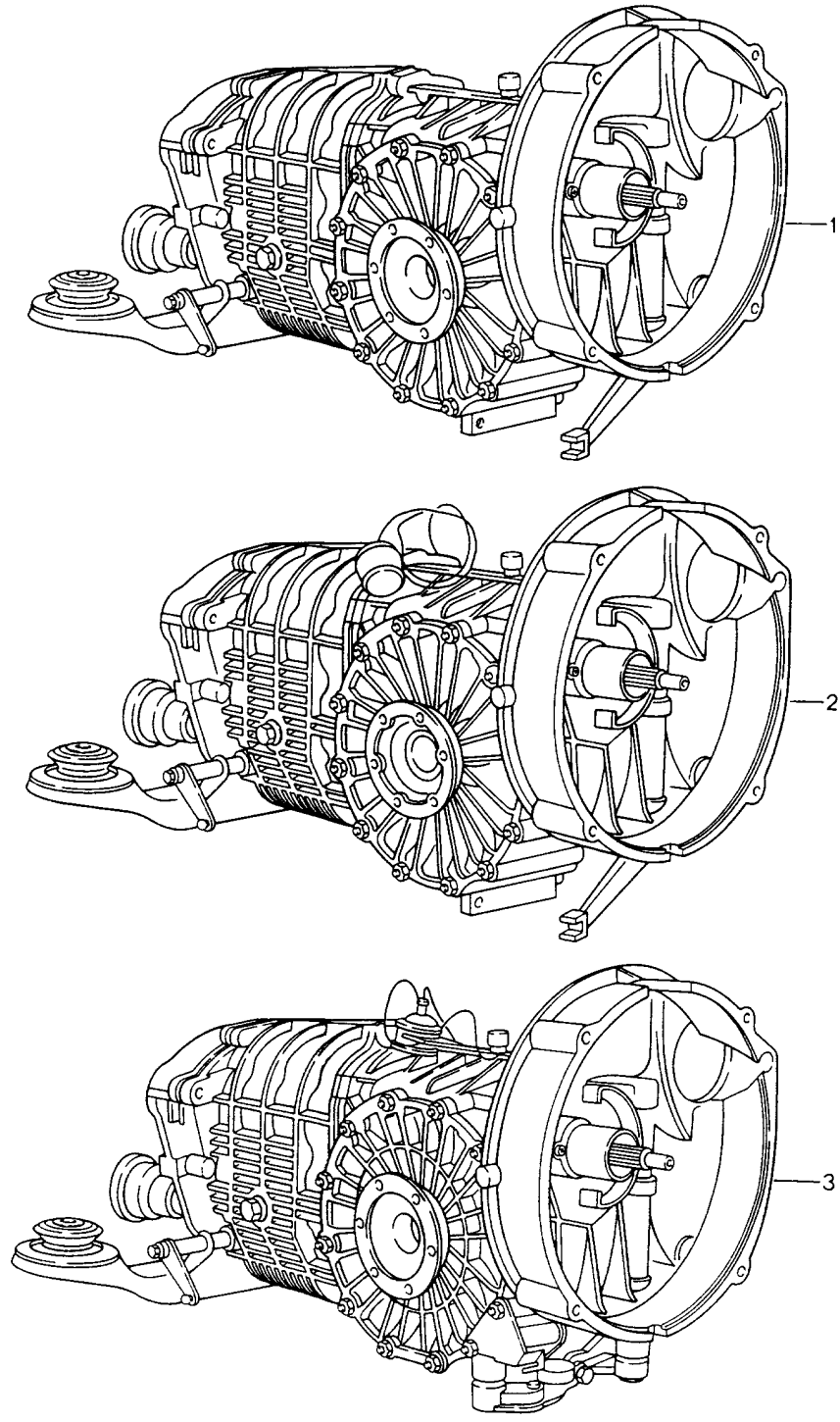


Model: **ATK** Model life **1963>>2012**

Pos	Part Number	Description	Remark	Qty	Model
		Manual transmission	65- -71		911/912
1	901 300 902 X	Manual transmission 5th gear Ready for installation We take back: 901.300.902.00	65	1	902.1-05 911.01 902.1
2	902 300 010 AX	Manual transmission 4th speed Ready for installation We take back: 902.300.010.01	68	1	902.01
2	902 300 010 DX	Manual transmission 4th speed Ready for installation We take back: 902.300.010.04	69	1	902.04
2	902 300 012 EX	Manual transmission 5th gear Ready for installation We take back: 902.300.012.05	69	1	902.05
3	911 300 012 AX	Manual transmission 5th gear Ready for installation We take back: 911.300.012.01	70-	1	911.01

Model: ATK

Model life 1963>>2012



Model: **ATK** Model life 1963>>2012

Pos	Part Number	Description	Remark	Qty	Model
		Manual transmission	72- -86		911
1	915 300 010 MX	Manual transmission 4th speed Ready for installation We take back: 915.300.010.12	72-	1	915.02-73 915.12
1	915 300 010 BX	Manual transmission 5th gear Ready for installation We take back: 915.300.010.02	72-	1	915.02
1	915 300 010 RX	Manual transmission 4th speed Ready for installation We take back: 915.300.010.16	74	1	915.16
1	915 300 010 FX	Manual transmission 5th gear Ready for installation We take back: 915.300.010.06	74	1	915.06
1	915 300 010 GX	Manual transmission 4th speed Ready for installation We take back: 915.300.010.48	75	1	915.48
1	915 300 010 AX	Manual transmission 5th gear Ready for installation We take back: 915.300.010.40	75	1	915.40
2	915 300 010 DX	Manual transmission 5th gear Ready for installation Electric speedometer We take back: 915.300.010.44	76	1	915.44
2	915 300 010 KX	Manual transmission 5th gear Ready for installation Electric speedometer We take back: 915.300.010.60	77	1	915.60
3	915 300 010 SX	Manual transmission 4th speed Ready for installation Electric speedometer Clutch spring We take back: 915.300.010.66	77-	1	915.66
3	915 300 010 LX	Manual transmission 5th gear Ready for installation Electric speedometer Clutch spring We take back: 915.300.010.61	77-	1	915.61
3	915 300 010 NX	Manual transmission 5th gear Ready for installation Electric speedometer	80-	1	915.62

Model: ATK Model life 1963>>2012

Pos	Part Number	Description	Remark	Qty	Model
3	915 300 913 BX	Clutch spring We take back: 915.300.010.62 Manual transmission	80-	1	/12 915.62
(3)	915 300 010 QX	5th gear Ready for installation Limited-slip differential Electric speedometer Clutch spring We take back: 915.300.913.62 Manual transmission	84	1	915.67
(3)	915 300 020 QX	5th gear Ready for installation Electric speedometer Clutch spring Radiator coil We take back: 915.300.010.67 Manual transmission	84	1	/12 915.67
(3)	915 300 001 X	5th gear Limited-slip differential Ready for installation Electric speedometer Clutch spring Radiator coil Oil pump Lateral We take back: 915.300.020.67 Manual transmission	85-	1	915.72
(3)	915 300 001 CX	5th gear Ready for installation Electric speedometer Clutch spring Radiator coil Oil pump Lateral We take back: 915.300.010.72 Manual transmission	85-	1	/12 915.72
(3)	915 300 001 AX	5th gear Limited-slip differential Ready for installation Electric speedometer Clutch spring Radiator coil Oil pump Lateral We take back: 915.300.020.72 Manual transmission	85- (J)	1	915.73 M298
(3)	915 300 001 BX	5th gear Ready for installation Electric speedometer Clutch spring We take back: 915.300.010.73 Manual transmission	85-	1	/12 915.73

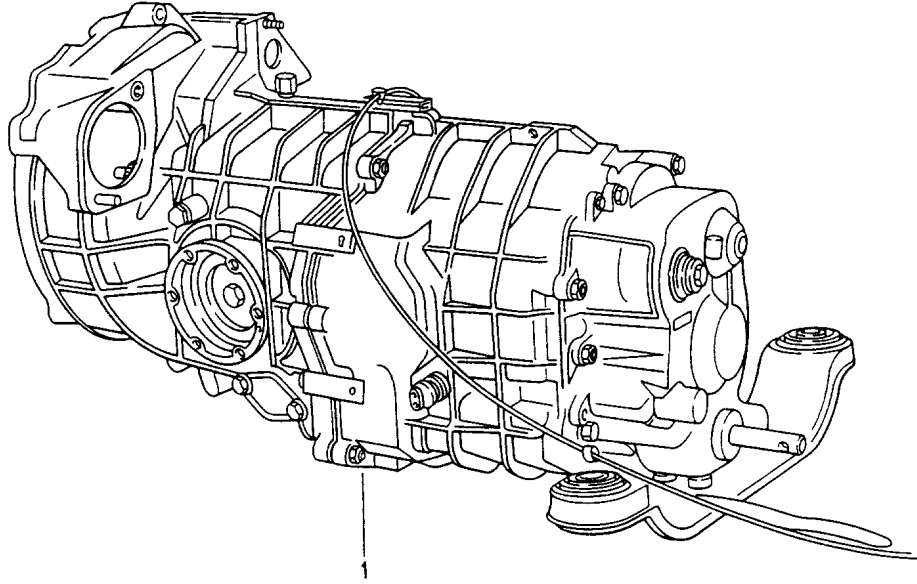
Model: ATK

Model life 1963>>2012

Pos	Part Number	Description	Remark	Qty	Model
		5th gear Limited-slip differential Ready for installation Electric speedometer Clutch spring We take back: 915.300.020.73	(J)		M298

Model: ATK

Model life 1963>>2012

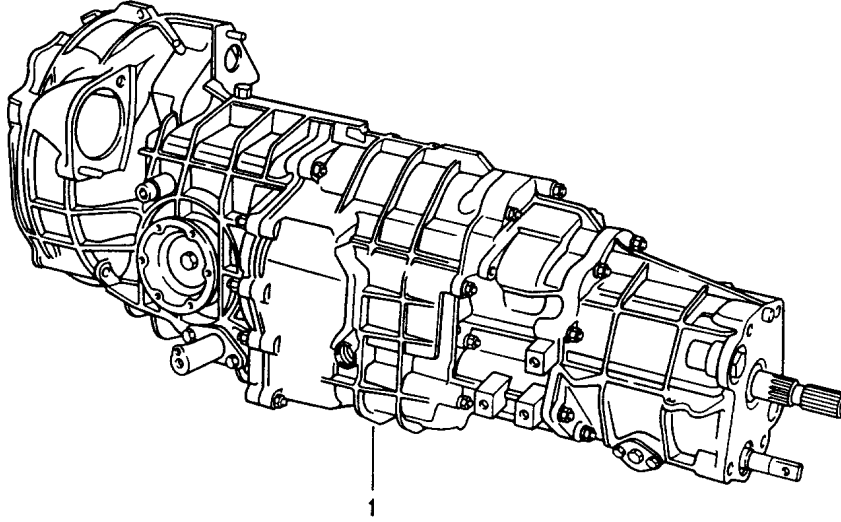


Model: ATK Model life 1963>>2012

Pos	Part Number	Description	Remark	Qty	Model
		Manual transmission	87- -88 87- -89		959 911 G50.00 .12 G50.00 G50.02 .12 G50.02 959
-	959 300 030 X	Replacement transmission We take back: 959.300.030.01	87-	1	959
1	950 300 010 X	Manual transmission 5th gear Ready for installation Electric speedometer We take back: 950.300.010.00/05	87-	1	G50.00
1	950 300 020 X	Manual transmission 5th gear Limited-slip differential Ready for installation Electric speedometer We take back: 950.300.020.00/05	87-	1	G 50/00.12
1	950 300 010 BX	Manual transmission 5th gear Ready for installation Electric speedometer We take back: 950.300.010.02	87- (CH)	1	G50.02
1	950 300 020 BX	Manual transmission 5th gear Limited-slip differential Ready for installation Electric speedometer We take back: 950.300.020.02	87- (CH)	1	G 50/02.12

Model: ATK

Model life 1963>>2012



Model: ATK Model life 1963>>2012

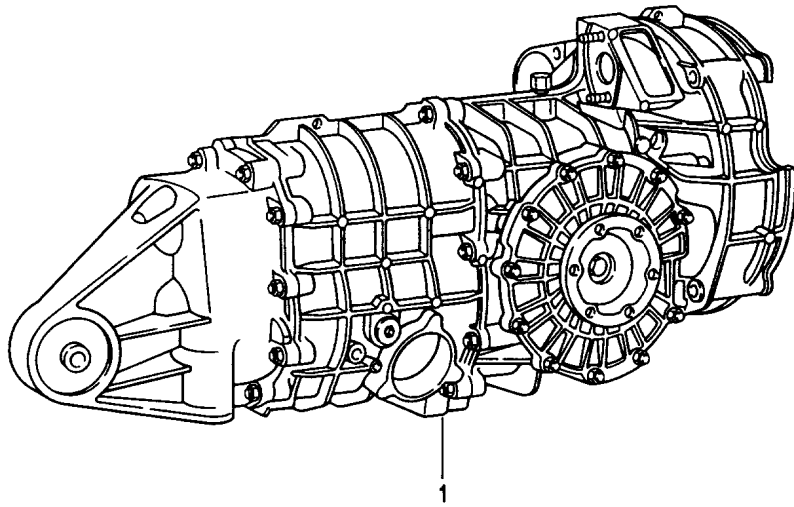
Pos	Part Number	Description	Remark	Qty	Model
		Manual transmission	89- -98		CARRERA 4 G64.00 G64.01 G64.20 G64.21 G64.00
1	964 300 030 X	Manual transmission Ready for installation Limited-slip differential We take back: 964.300.030.00	89	1	G64.01
1	964 300 030 AX	Manual transmission Ready for installation Limited-slip differential We take back: 964.300.030.01	89 (CH)	1	G64.01
1	964 300 030 BX	Manual transmission Ready for installation Limited-slip differential We take back: 964.300.030.02	90	1	G64.00
1	964 300 030 CX	Manual transmission Ready for installation Limited-slip differential We take back: 964.300.030.03	90 (CH)	1	G64.01
1	964 300 030 DX	Manual transmission Ready for installation Limited-slip differential Use also: 1X 950.116.080.07 1X 950.116.813.06 We take back: 964.300.030.04/07	91-	1	G64.00
1	964 300 030 EX	Manual transmission Ready for installation Limited-slip differential Use also: 1X 950.116.080.07 1X 950.116.813.06 We take back: 964.300.030.05/08	91- (CH)	1	G64.01
1	964 300 030 FX	Manual transmission Ready for installation Limited-slip differential We take back: 964.300.030.10	93-	1	G64.00 M491
1	964 300 030 GX	Manual transmission Ready for installation Limited-slip differential We take back: 964.300.030.11	93- (CH)	1	G64.01 M491
(1)	964 300 020 HX	Manual transmission 6th gear Ready for installation Limited-slip differential We take back: 964.300.020.20	95-	1	G64.20
(1)	964 300 020 JX	Manual transmission 6th gear Ready for installation Limited-slip differential We take back:	95-	1	G64.21

Model: **ATK** Model life **1963>>2012**

Pos	Part Number	Description	Remark	Qty	Model
		964.300.020.21			

Model: ATK

Model life 1963>>2012

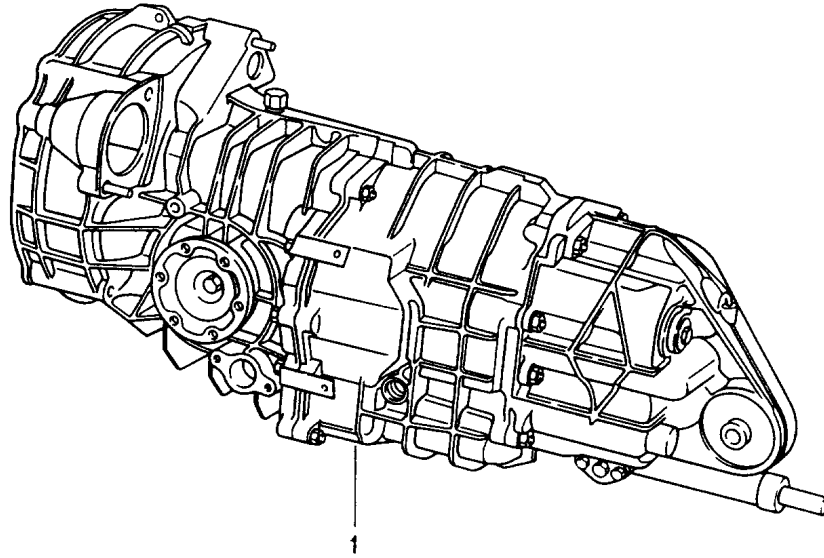


Model: **ATK** Model life **1963>>2012**

Pos	Part Number	Description	Remark	Qty	Model
		Manual transmission	90- -94		CARRERA 2 G50.03 G50.04 G50.10 G50.03
1	950 300 010 CX	Manual transmission Ready for installation We take back: 950.300.010.03	90	1	G50.03
1	950 300 020 CX	Manual transmission Ready for installation Limited-slip differential We take back: 950.300.020.03	90	1	G50.03
1	950 300 010 HX	Manual transmission Ready for installation Use also: 1X 950.116.080.07 1X 950.116.813.06 We take back: 950.300.010.08/13	91-	1	G50.03
1	950 300 020 HX	Manual transmission Ready for installation Limited-slip differential Use also: 1X 950.116.080.07 1X 950.116.813.06 We take back: 950.300.020.08/13	91-	1	G50.03
1	950 300 010 DX	Manual transmission Ready for installation We take back: 950.300.010.04	90 (CH)	1	G50.04
1	950 300 020 DX	Manual transmission Ready for installation Limited-slip differential We take back: 950.300.020.04	90 (CH)	1	G50.04
1	950 300 010 JX	Manual transmission Ready for installation Use also: 1X 950.116.080.07 1X 950.116.813.06 We take back: 950.300.010.09/14	91- (CH)	1	G50.04
1	950 300 020 JX	Manual transmission Ready for installation Limited-slip differential Use also: 1X 950.116.080.07 1X 950.116.813.06 We take back: 950.300.020.09/14	91- (CH)	1	G50.04
1	950 300 020 KX	Manual transmission Ready for installation Limited-slip differential We take back: 950.300.020.10	92-	1	G50.10 CARRERA RS

Model: ATK

Model life 1963>>2012



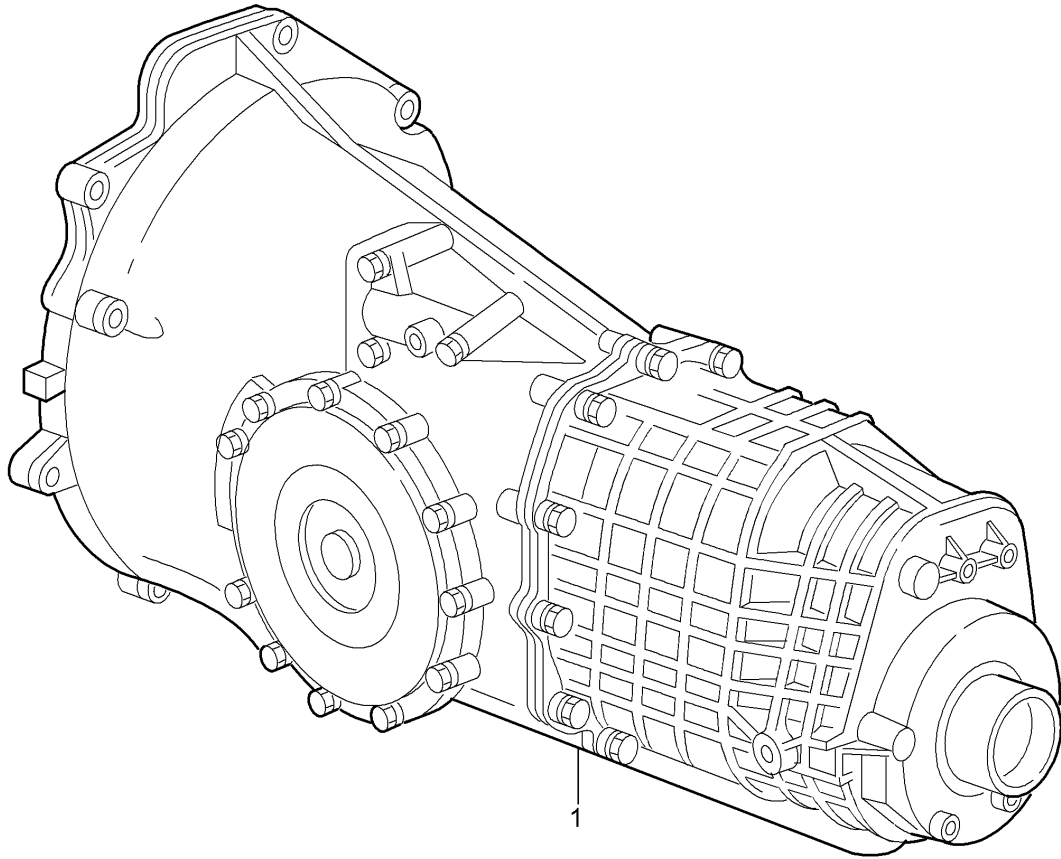
Model: ATK

Model life 1963>>2012

Pos	Part Number	Description	Remark	Qty	Model
		Manual transmission	94- -98 95-		911 CARRERA CARRERA RS G50.20/21 G50.31/32 G50.33
1	950 300 010 LX	6th gear Manual transmission Ready for installation We take back: 950.300.010.20	94- (A) (CH) -98	1	G50.20
1	950 300 020 LX	Manual transmission Ready for installation Limited-slip differential We take back: 950.300.020.20	94- (A) (CH)	1	G50.20
1	950 300 010 MX	Manual transmission Ready for installation We take back: 950.300.010.21	94- -96	1	G50.21
1	950 300 020 MX	Manual transmission Ready for installation Limited-slip differential We take back: 950.300.020.21	-96	1	G50.21
1	950 300 020 NX	Manual transmission Ready for installation Limited-slip differential We take back: 950.300.020.31	95	1	G50.31 CARRERA RS
1	950 300 020 PX	Manual transmission Ready for installation Limited-slip differential We take back: 950.300.020.33	(CH) 95	1	G50.33 CARRERA RS
1	950 300 020 QX	Manual transmission Ready for installation Limited-slip differential We take back: 950.300.020.32	95-	1	G50.32 CARRERA RS

Model: ATK

Model life 1963>>2012



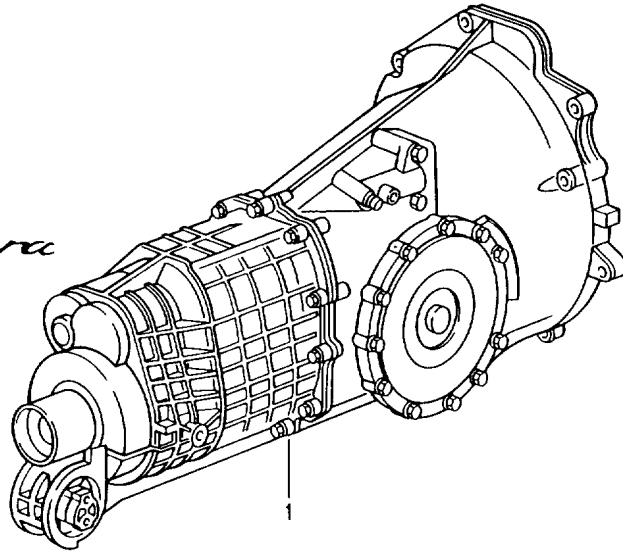
Model: **ATK** Model life **1963>>2012**

Pos	Part Number	Description	Remark	Qty	Model
		Manual transmission	97- 00- 06-		BOXSTER BOXSTER S CAYMAN S
1	986 300 010 X	Not Ready for installation Manual transmission	-98	1	G86.00 M481
1	986 300 010 BX	We take back: 986.300.010.00 (VW 012.300.050.N)"CWA" Manual transmission	99	1	G86.00 M481
1	986 300 010 FX	We take back: 986.300.010.01/02 (VW 012.300.054.G)"DVY" Manual transmission Threaded joint Drive shaft M8	00-	1	G86.01 M481
1	986 300 010 GX	We take back: 986.300.010.05 (VW 012.300.058)"EFD" Manual transmission Threaded joint Drive shaft M10	02-	1	G86.01 M481
1	986 300 010 HX	We take back: 986.300.010.07 (VW 012.300.060.N)"GDW" Manual transmission Threaded joint Drive shaft M10	03-	1	G86.01 M481
1	986 300 010 AX	We take back: 986.300.010.06 (VW 012.300.061.Q)"GFW" Manual transmission	00-	1	G86.20 M480
1	986 300 010 LX	We take back: 986.300.010.21 (GETRAG 256.0.0006.03) Manual transmission	03-	1	G86.20 M480
1	987 300 010 X	We take back: 986.300.010.22 (GETRAG 256.0.0006.03) Manual transmission	05-	1	G87.01 I481
1	987 300 010 AX	We take back: 987.300.010.00 (VW 012.300.062.G) Manual transmission	05-	1	G87.20 I480
(1)	987 300 010 1X	We take back: 987.300.010.22 (GETRAG 466.0.0004.11) Manual transmission	06-	1	G87.21 I480
		We take back: 987.300.010.23			

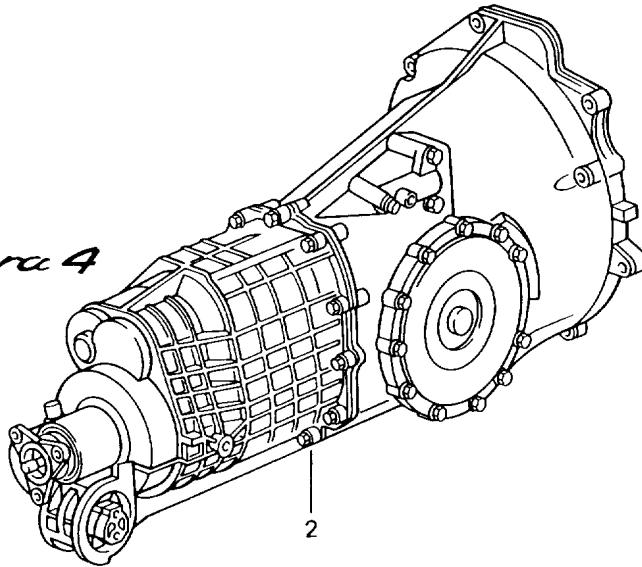
Model: ATK

Model life 1963>>2012

Carrera



Carrera 4



Model: ATK Model life 1963>>2012

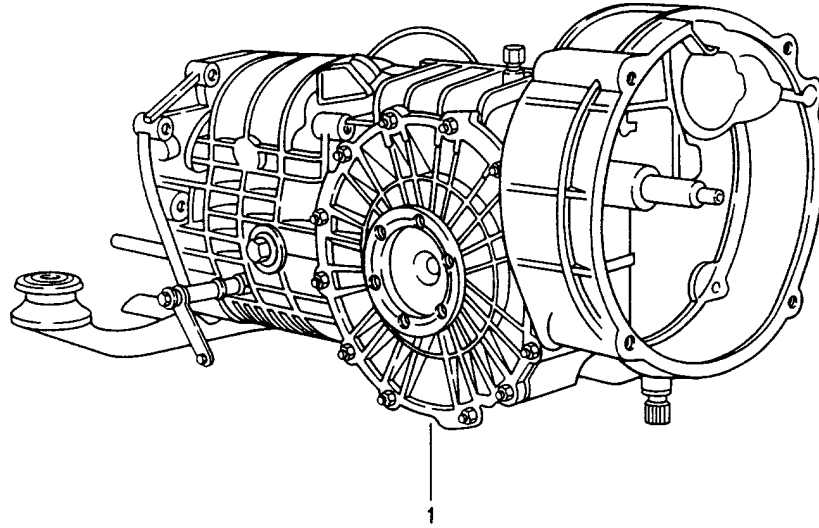
Pos	Part Number	Description	Remark	Qty	Model
1	996 300 010 AX	Manual transmission Transmission Ready for installation NR.292.0.0006.00 F >>99WS6 05722 F >>99WS6 05672 F >>99WS6 21599 F >>99WS6 21561 We take back: 996.300.010.01	98- 00- 98	1	CARRERA GT3 M480 G96.00 M219 M338
1	996 300 020 X	Transmission Ready for installation Limited-slip differential NR.292.0.0006.10 F >>99WS6 05722 F >>99WS6 05672 F >>99WS6 21599 F >>99WS6 21561 We take back: 996.300.020.00	98	1	G96.00 M220 M338
1	996 300 010 BX	Transmission Ready for installation NR.292.0.0006.01 F 99WS6 05723>> F 99WS6 05673>> F 99WS6 21600>> F 99WS6 21562>> We take back: 996.300.010.01/02	-98	1	G96.00 M219 M338
1	996 300 020 AX	Transmission Ready for installation Limited-slip differential NR.292.0.0006.11 F 99WS6 05723>> F 99WS6 05673>> F 99WS6 21600>> F 99WS6 21562>> We take back: 996.300.020.01	-98	1	G96.00 M220 M338
1	996 300 010 CX	Manual transmission Ready for installation NR.292.0.0006.02 We take back: 996.300.010.01/02/03	99-	1	G96.00 M219 M338
(1)	996 300 010 DX	Manual transmission Ready for installation NR.450.0.0093.00 We take back: 996.300.010.06	02-	1	G96.01 M219 M338
1	996 300 020 BX	Manual transmission Ready for installation NR.292.0.006.12 Use also: 996.424.041.11 We take back: 996.300.020.00/01/02	99	1	G96.00 M220 M338
2	996 300 010 MX	Manual transmission Ready for installation NR.292.0.004.02 We take back: 996.300.010.33	99-	1	G96.30 M219 M339

Model: **ATK** Model life **1963>>2012**

Pos	Part Number	Description	Remark	Qty	Model
(2)	996 300 010 EX	Manual transmission Ready for installation NR.450.0.0093.40 We take back: 996.300.010.36	02-	1	G96.31 M219 M339
(1)	996 300 010 DX	Manual transmission Ready for installation NR.450.0.0093.00 We take back: 996.300.010.06	02-	1	G96.01 M219 M338
(1)	996 300 020 JX	Transmission Ready for installation with Limited-slip differential We take back: 996.300.020.90	00-	1	G96.90 M220
(1)	996 300 020 MX	Transmission Ready for installation with Limited-slip differential We take back: 996.300.020.94		1	G96.90 M220 M003
(1)	996 300 020 GX	Transmission Ready for installation with Limited-slip differential We take back: 996.300.020.07	04	1	G96.01 M220
(1)	996 300 020 FX	Manual transmission Ready for installation with Limited-slip differential We take back: 996.300.020.96	04-	1	G96.96
(1)	996 300 020 1X	Manual transmission with Limited-slip differential We take back: 996.300.020.37		1	G96.31 I339 IX75
(1)	997 300 010 X	Manual transmission We take back: 997.300.010.01	05-	1	G97.01 I219 I480
(1)	997 300 020 X	Manual transmission with Limited-slip differential We take back: 997.300.020.01	05-	1	G97.01 I220 I480
(2)	997 300 010 AX	Manual transmission We take back: 997.300.010.31	06-	1	G97.31 I219
(1)	997 300 020 AX	Manual transmission with Limited-slip differential We take back: 997.300.020.31	06-	1	G97.31 I220
(1)	997 300 020 OX	Manual transmission with Limited-slip differential We take back: 997.300.020.90		1	G97.90

Model: ATK

Model life 1963>>2012

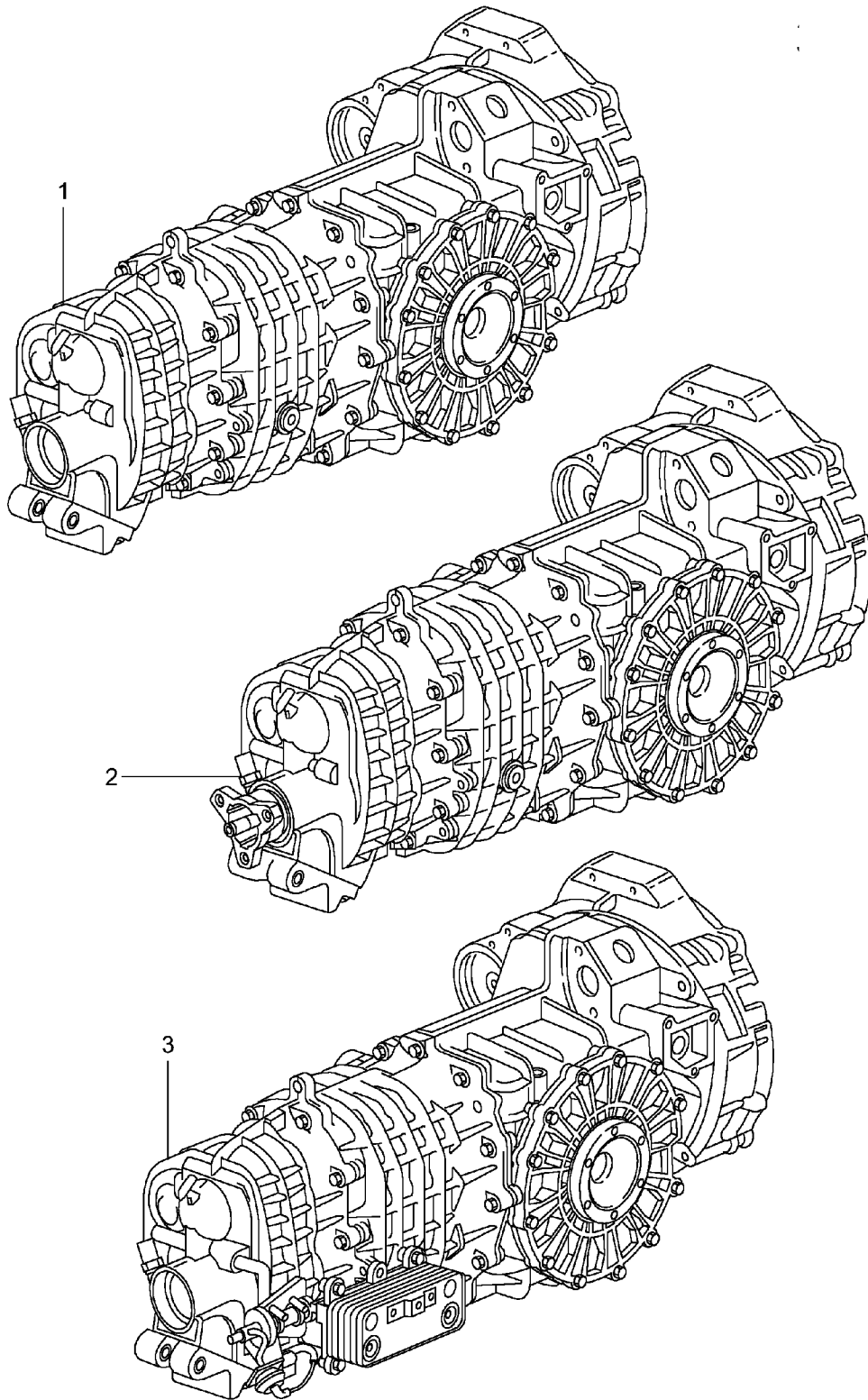


Model: ATK Model life 1963>>2012

Pos	Part Number	Description	Remark	Qty	Model
		Manual transmission	78- -88		911 TURBO 930.34 930.12 930.34 930.36 930.12 930.36 930.34
1	930 300 010 DX	Manual transmission 4th speed Ready for installation Electric speedometer Clutch spring We take back: 930.300.010.34	78-	1	
1	930 300 911 DX	Manual transmission 4th speed Limited-slip differential Ready for installation Electric speedometer Clutch spring We take back: 930.300.911.34	78-	1	930.12 930.34
1	930 300 010 EX	Manual transmission 4th speed Ready for installation Electric speedometer Clutch spring We take back: 930.300.010.36	85-	1	930.36
1	930 300 020 FX	Manual transmission 4th speed Limited-slip differential Ready for installation Electric speedometer Clutch spring We take back: 930.300.020.36	85-	1	930.12 930.36

Model: ATK

Model life 1963>>2012

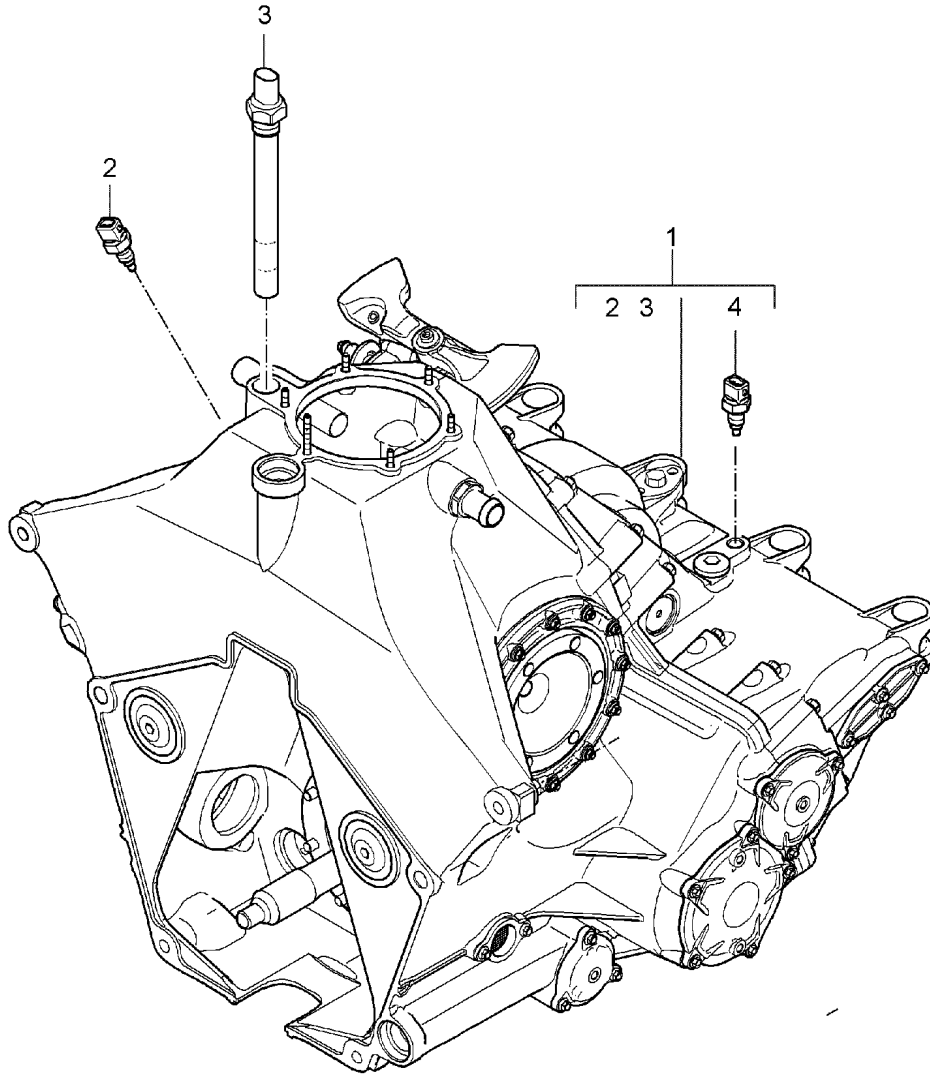


Model: ATK Model life 1963>>2012

Pos	Part Number	Description	Remark	Qty	Model
		Manual transmission			911 TURBO 911 GT2 TURBO TURBO GT2 TURBO IX50 TURBO IX75 G50.50
1	950 300 010 TX	Manual transmission 5th gear Ready for installation We take back: 950.300.010.50	89-	1	
1	950 300 020 TX	Manual transmission 5th gear Ready for installation Limited-slip differential We take back: 950.300.020.50	88-	1	.12 G50.50
1	950 300 020 SX	Manual transmission 5th gear Ready for installation Limited-slip differential We take back: 950.300.020.52/53	91-	1	G50.52 M220
(1)	964 300 020 AX	Manual transmission 6th gear Ready for installation Limited-slip differential We take back: 964.300.020.51	96-	1	G64.51 M220
2	996 300 010 X	Manual transmission 6th gear Ready for installation We take back: 996.300.010.50	01-	1	G96.50
2	996 300 010 FX	Manual transmission 6th gear Ready for installation We take back: 996.300.010.55	02-	1	G96.50 IX50
2	996 300 020 LX	Manual transmission 6th gear Ready for installation We take back: 996.300.020.55	04-	1	G96.50 IX75
3	996 300 020 CX	Manual transmission 6th gear Ready for installation We take back: 996.300.020.88	01-	1	G96.88
-	997 300 010 1X	Manual transmission without Limited-slip differential We take back: 997.300.010.50	07-	1	G97.50 I219
-	997 300 020 1X	Manual transmission with Limited-slip differential We take back: 997.300.020.50	07-	1	G97.50 I220

Model: ATK

Model life 1963>>2012

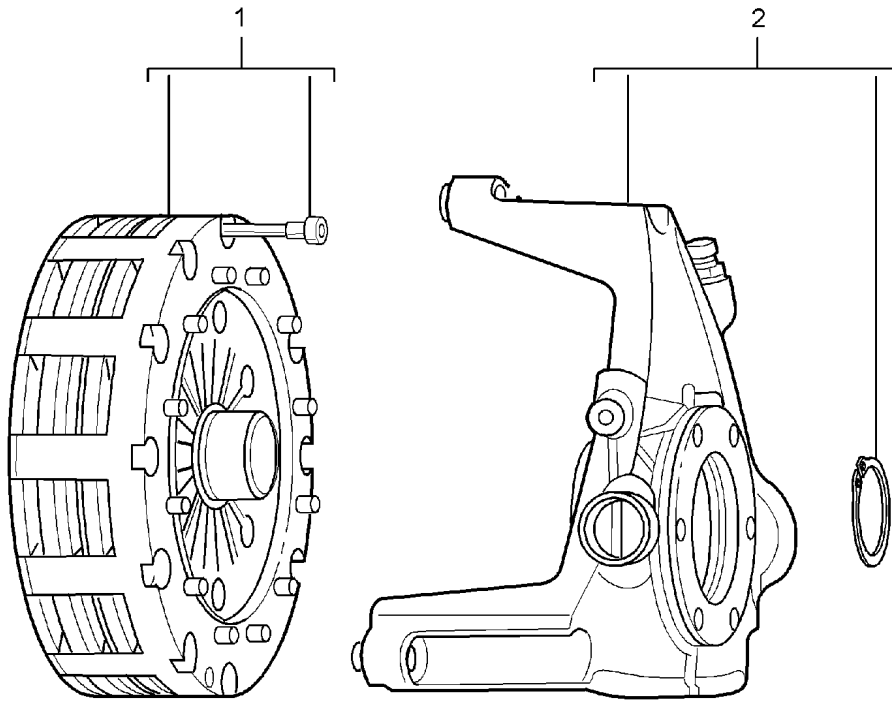


Model: ATK Model life 1963>>2012

Pos	Part Number	Description	Remark	Qty	Model
		Manual transmission	04		CARRERA GT
1	980 300 020 X	Manual transmission 6th gear Complete We take back: 980.300.020.02		1	G80.01 G80.01
1	980 300 020 AX	Manual transmission 6th gear Complete We take back: 980.300.020.02/04		1	G80.01

Model: ATK

Model life 1963>>2012



Model: **ATK** Model life 1963>>2012

Pos	Part Number	Description	Remark	Qty	Model
1	980 116 001 FX	Clutch And Release module 1 PCCC (clutch) Ready for installation Complete We take back: 980.116.001.36	04	1	CARRERA GT M80.01
2	980 116 002 BX	Release module Ready for installation Complete We take back: 980.116.002.02		1	M80.01
2	980 116 002 CX	Release module Ready for installation Complete We take back: 980.116.002.02/03		1	M80.01

Model: ATK

Model life 1963>>2012



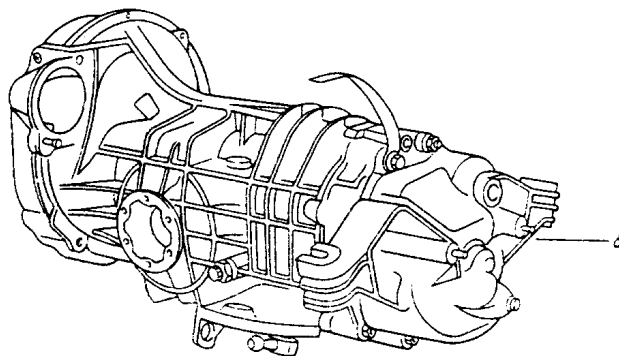
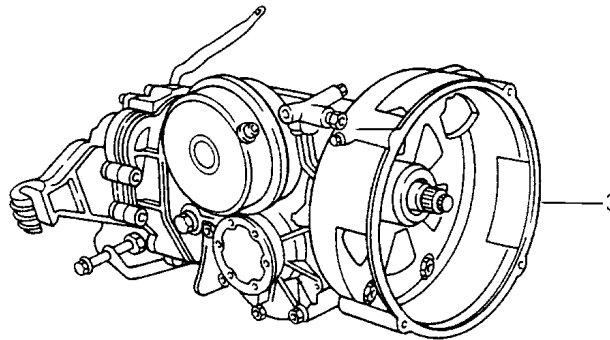
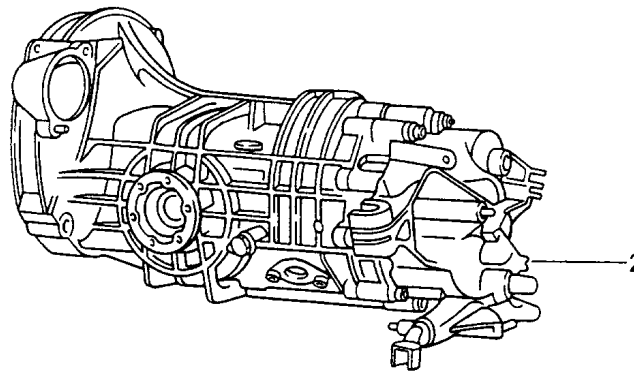
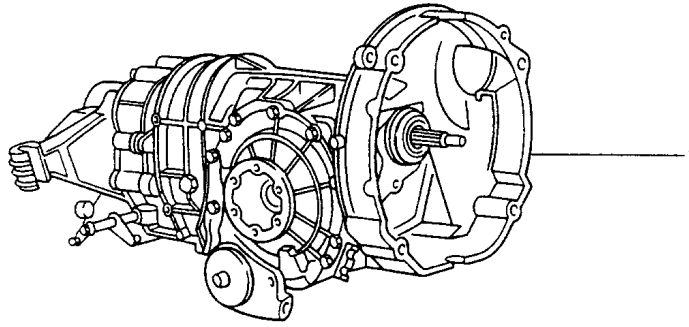
Model: ATK

Model life 1963>>2012

Pos	Part Number	Description	Remark	Qty	Model
-	955 300 010 X	Manual transmission Ready for installation without Limited-slip differential We take back: 955.300.010.20	03-	1	CAYENNE G48.00
-	955 300 010 AX	Manual transmission Ready for installation without Limited-slip differential We take back: 955.300.010.21	03-	1	CAYENNE G48.00

Model: ATK

Model life 1963>>2012

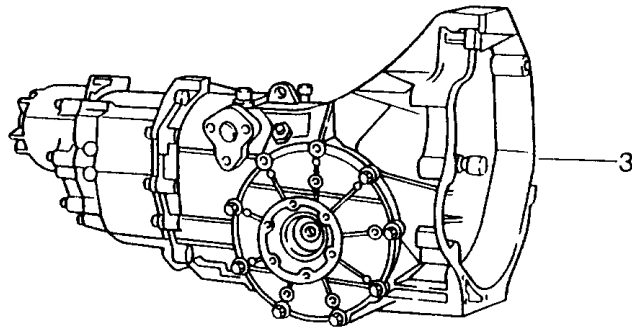
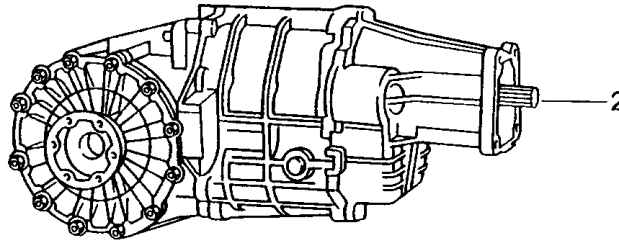
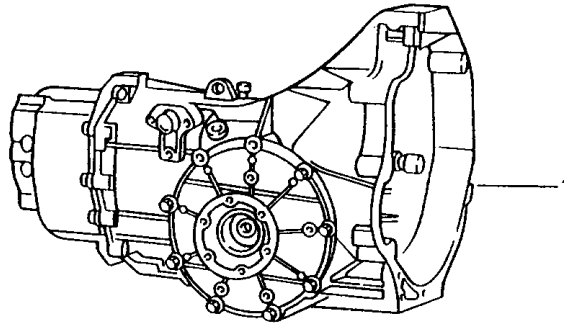


Model: ATK Model life 1963>>2012

Pos	Part Number	Description	Remark	Qty	Model
		Manual transmission	70- -76		914 914/4 914.11/12 914/6 914.01/05
1	914 300 012 CX	Manual transmission 5th gear Ready for installation We take back: 914.300.012.03	70-	1	914/6 914.01
2	914 300 012 X	Manual transmission 5th gear Ready for installation We take back: 914.300.012.13	70-	1	914/4 914.11 HA
3	914 300 010 EX	Manual transmission 4th speed Sportomatic without Converter We take back: 914.300.010.05	70-	1	914/6 914.05
4	914 300 012 AX	Manual transmission 5th gear Ready for installation We take back: 914.300.012.15	73-	1	914/4 914.12 HA

Model: ATK

Model life 1963>>2012

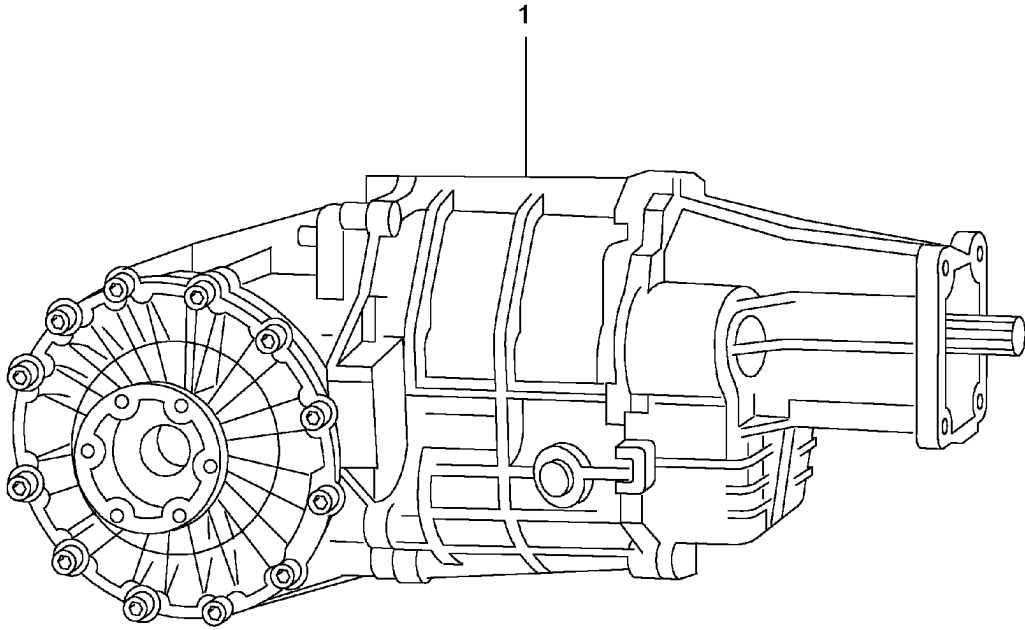


Model: ATK Model life 1963>>2012

Pos	Part Number	Description	Remark	Qty	Model
		Manual transmission	76- -85		924
1	088 300 041 LX	TYP 016/088 Manual transmission 4th speed Ready for installation We take back: 088.300.041.L/043.J	76-	1	YR/VA/VB/MD YR
2	477 300 010 X	Manual transmission 5th gear Ready for installation We take back: 477.300.010	78-	1	VA
3	016 300 043 KX	Manual transmission 5th gear Ready for installation We take back: 016.300.043.K	81-	1	MD

Model: ATK

Model life 1963>>2012



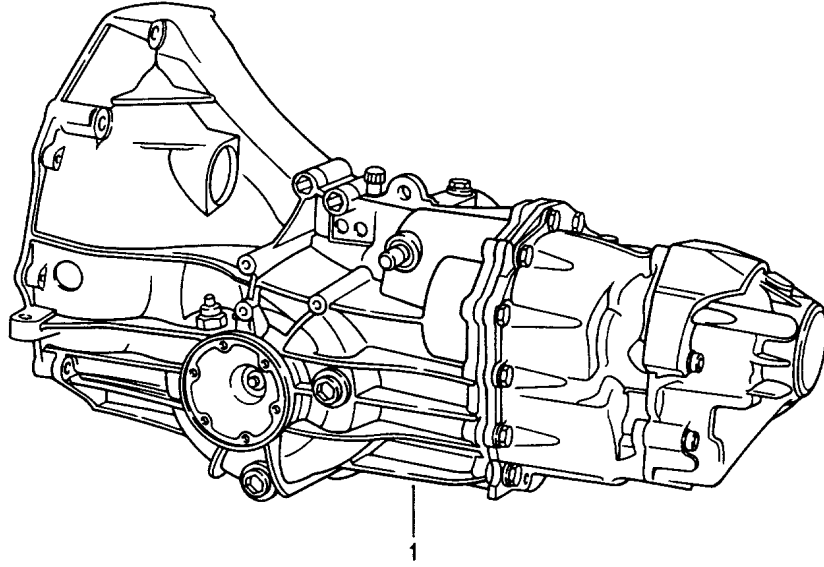
Model: ATK

Model life 1963>>2012

Pos	Part Number	Description	Remark	Qty	Model
		Manual transmission	79- -84		924 TURBO G31.01 G31.01/12
1	931 300 010 X	TYP G 31 Manual transmission 5th gear Ready for installation	79- (I) 83- -84	1	G31.01
1	931 300 010 BX	We take back: 931.300.010.00 Manual transmission 5th gear Limited-slip differential Ready for installation We take back: 931.300.010.02	79- -84 (I) 83- -84	1	G31.01/12

Model: ATK

Model life 1963>>2012



Model: ATK Model life 1963>>2012

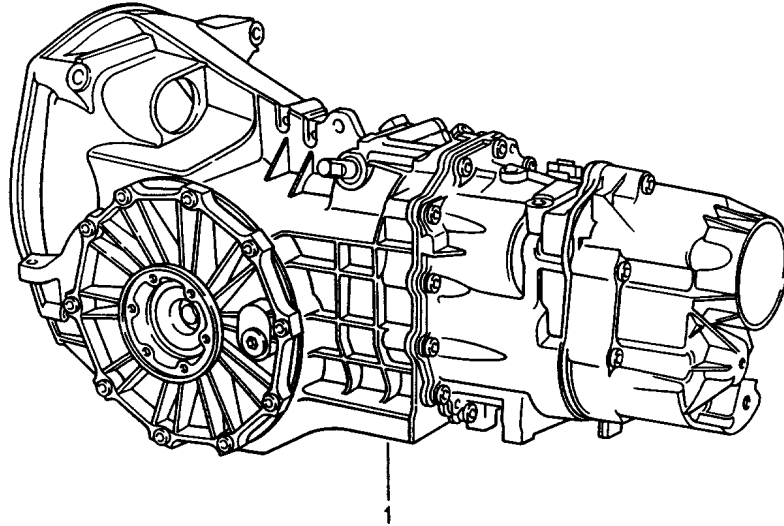
Pos	Part Number	Description	Remark	Qty	Model
		Manual transmission	82- -91		944/TURBO/S
			86- -88		924 S
1	016 300 045 CX	Manual transmission 5th gear Ready for installation	-85 86- -88	1	QK 944
		We take back: 016.300.045.C			924 S
1	016 300 045 QX	Manual transmission 5th gear Ready for installation	-88 -88	1	7Q 924 S
		We take back: 016.300.045.Q			
1	016 300 046 LX	Manual transmission 5th gear Ready for installation	-88	1	5Y 944
		Electric speedometer We take back: 016.300.046.L			
1	016 300 046 MX	Manual transmission 5th gear Limited-slip differential Ready for installation	-88	1	5Z 944
		We take back: 016.300.046.M			
1	016 300 047 X	Manual transmission 5th gear Ready for installation	-88	1	5P 944 TURBO
		Electric speedometer Prepared for Oil cooler We take back: 016.300.047			
1	016 300 047 AX	Manual transmission 5th gear Limited-slip differential Ready for installation	-88	1	5R 944 TURBO
		Electric speedometer Prepared for Oil cooler We take back: 016.300.047.A			
1	016 300 047 BX	Manual transmission 5th gear Ready for installation	-88	1	UY 944 TURBO
		Electric speedometer without Oil cooling We take back: 016.300.047.B			
1	016 300 047 CX	Manual transmission 5th gear Limited-slip differential Ready for installation	-88	1	9U 944 TURBO
		Electric speedometer without Oil cooling We take back: 016.300.047.C			
1	016 300 048 GX	Manual transmission 5th gear		1	AGR 944 S

Model: ATK Model life 1963>>2012

Pos	Part Number	Description	Remark	Qty	Model
1	016 300 048 FX	Limited-slip differential Ready for installation Electric speedometer We take back: 016.300.048.G Manual transmission 5th gear	-88	1	AGP 944 S
1	016 300 049 RX	Ready for installation Electric speedometer We take back: 016.300.048.F Manual transmission 5th gear	-88	1	5R/AOR 944 TURBO S
1	016 300 049 SX	Limited-slip differential Ready for installation Electric speedometer Prepared for Oil cooler We take back: 016.300.049.R Manual transmission Ready for installation 5th gear	-91	1	ASG
1	016 300 049 TX	We take back: 016.300.049.S Manual transmission Ready for installation 5th gear	89	1	ASH
1	016 300 049 PX	Limited-slip differential We take back: 016.300.049.T Manual transmission Ready for installation 5th gear	89-	1	AOS
1	016 300 049 QX	We take back: 016.300.049.P Manual transmission Ready for installation 5th gear	89-	1	AOT
1	016 300 049 RX	Limited-slip differential We take back: 016.300.049.Q Manual transmission Ready for installation 5th gear Limited-slip differential Prepared for Oil cooler We take back: 016.300.049.R	89-	1	AOR

Model: ATK

Model life 1963>>2012



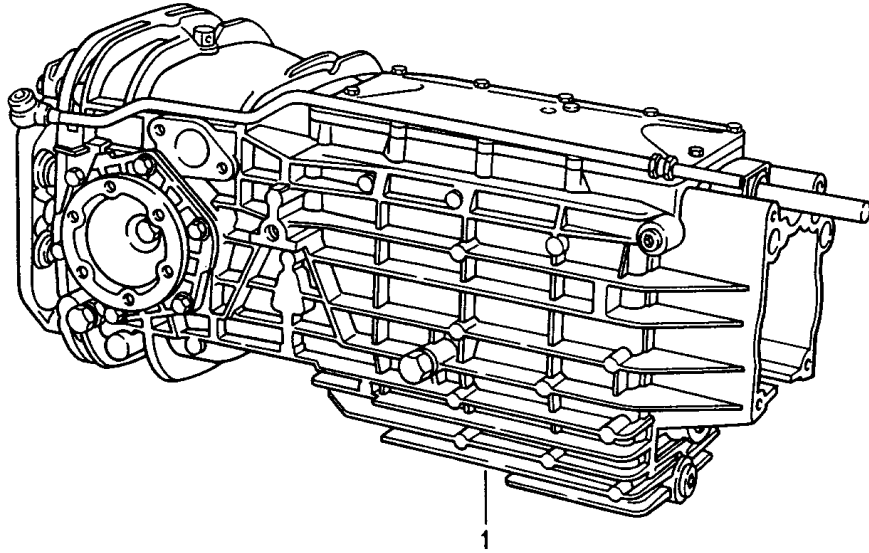
Model: ATK

Model life 1963>>2012

Pos	Part Number	Description	Remark	Qty	Model
		Manual transmission	92- -95		968
1	01E 300 042 JX	Manual transmission Ready for installation 6th gear We take back: 01E.300.042.J	92-	1	G44.00 G44.00
1	01E 300 042 KX	Transmission	92- -95	1	G44.00
1	01E 300 042 SX	Manual transmission Ready for installation 6th gear Limited-slip differential We take back: 01E.300.042.K/042.S	92-	1	G44.00

Model: ATK

Model life 1963>>2012



Model: **ATK** Model life **1963>>2012**

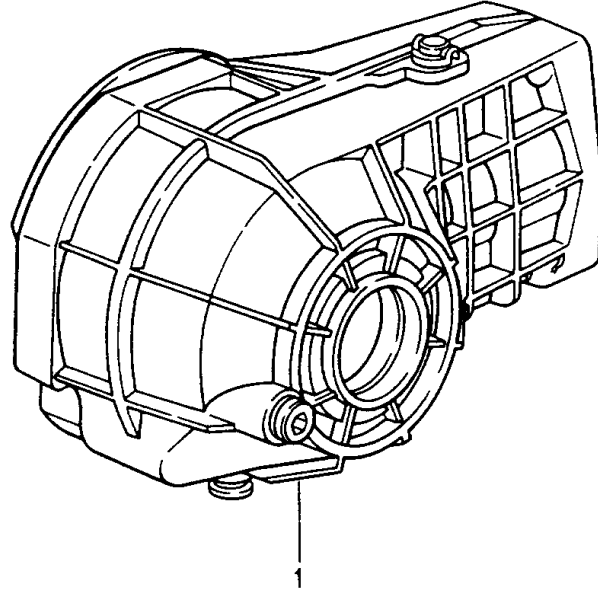
Pos	Part Number	Description	Remark	Qty	Model
		Manual transmission	78- -95		928 -57 G28.03 G28.03
1	928 300 005 CX	Manual transmission 5th gear Ready for installation We take back: 928.300.005.03	78-	1	G28.03/12
1	928 300 905 CX	Manual transmission 5th gear Limited-slip differential Ready for installation We take back: 928.300.905.03	78-	1	G28.05
1	928 300 005 EX	Manual transmission 5th gear Ready for installation We take back: 928.300.005.05	80-	1	G28.05/12
1	928 300 905 EX	Manual transmission 5th gear Limited-slip differential Ready for installation We take back: 928.300.905.05	80-	1	G28.07
1	928 300 005 GX	Manual transmission 5th gear Ready for installation We take back: 928.300.005.07	83-	1	G28.07/12
1	928 300 905 GX	Manual transmission 5th gear Limited-slip differential Ready for installation We take back: 928.300.905.07	83-	1	G28.10
1	928 300 005 KX	Manual transmission 5th gear Ready for installation We take back: 928.300.005.10	85-	1	G28.10/12
1	928 300 015 KX	Manual transmission 5th gear Limited-slip differential Ready for installation We take back: 928.300.015.10	85-	1	G28.11 M298
1	928 300 005 LX	Manual transmission 5th gear Ready for installation We take back: 928.300.005.11	(J) 85-	1	G28.11/12
1	928 300 015 LX	Manual transmission 5th gear Limited-slip differential Ready for installation We take back: 928.300.015.11	85- (J)	1	G28.12
1	928 300 005 MX	Manual transmission Ready for installation 5th gear We take back:	87-	1	

Model: **ATK** Model life **1963>>2012**

Pos	Part Number	Description	Remark	Qty	Model
1	928 300 015 MX	928.300.005.12 Manual transmission Ready for installation 5th gear Limited-slip differential We take back: 928.300.015.12	87-	1	G28.12
1	928 300 015 TX	928.300.015.12 Manual transmission Ready for installation 5th gear Limited-slip differential We take back: 928.300.015.55	89	1	G28.55 M637/639
1	928 300 030 TX	928.300.030.55 Manual transmission Ready for installation 5th gear Porsche Limited-slip differential We take back: 928.300.030.55	90	1	G28.55 M221
1	928 300 030 SX	928.300.030.55 Manual transmission Ready for installation 5th gear Porsche Limited-slip differential We take back: 928.300.030.56	91	1	G28.55 M221
1	928 300 030 RX	928.300.030.56 Manual transmission Ready for installation 5th gear Porsche Limited-slip differential We take back: 928.300.030.57	92-	1	G28.57 M221

Model: ATK

Model life 1963>>2012



Model: ATK Model life 1963>>2012

Pos	Part Number	Description	Remark	Qty	Model
		Front-axle final drive	89- -98		CARRERA 4
					Z64.00
					Z64.20
			87- -88		959
1	964 349 010 X	Front-axle final drive Ready for installation ZWN-NR.2940104900 We take back: 964.349.010.00	89-	1	Z64.00
1	964 349 010 AX	Front-axle final drive Ready for installation ZWN-NR.2940104922 We take back: 964.349.010.22	95	1	Z64.20
1	964 349 010 BX	Front-axle final drive Ready for installation See technical information Group 4 NR.3/95 ZWN-NR.2940104923 We take back: 964.349.010.23	95-	1	Z64.20
-	959 349 001 AX	Front-axle final drive We take back: 959.349.001.51		1	959

Model: ATK

Model life 1963>>2012

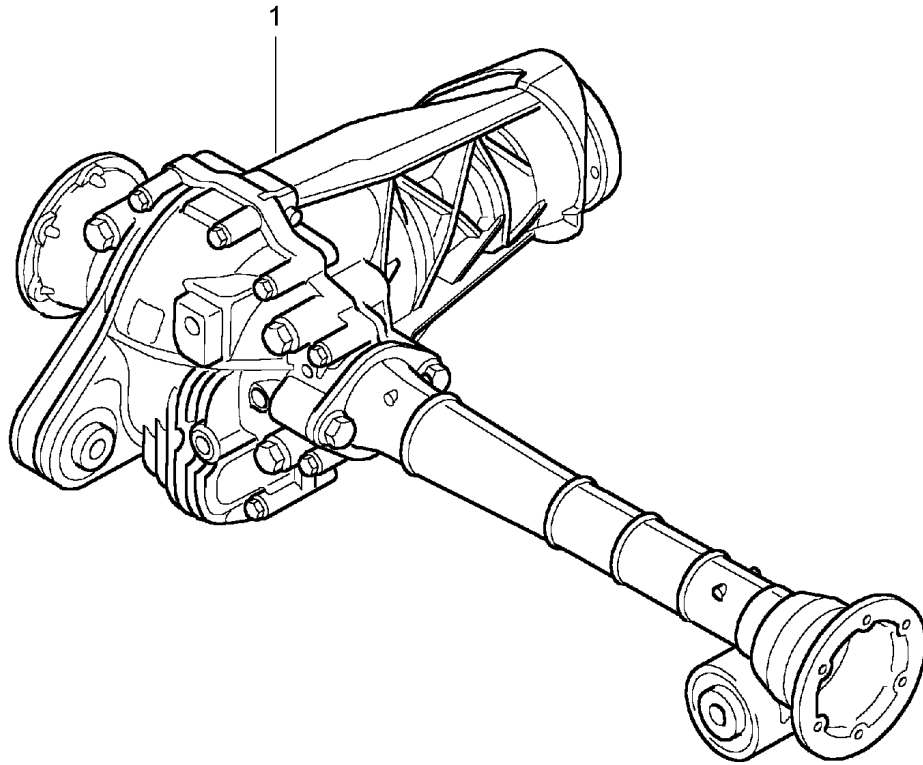


Model: **ATK** Model life 1963>>2012

Pos	Part Number	Description	Remark	Qty	Model
1	996 349 010 BX	Front-axle final drive Ready for installation We take back: 996.349.010.02	99- 01- 99-04	1	CARRERA 4 911 TURBO Z96.00 Z96.00
(1)	996 349 010 CX	Front-axle final drive Ready for installation We take back: 996.349.010.02/03	05-	1	Z96.00

Model: ATK

Model life 1963>>2012

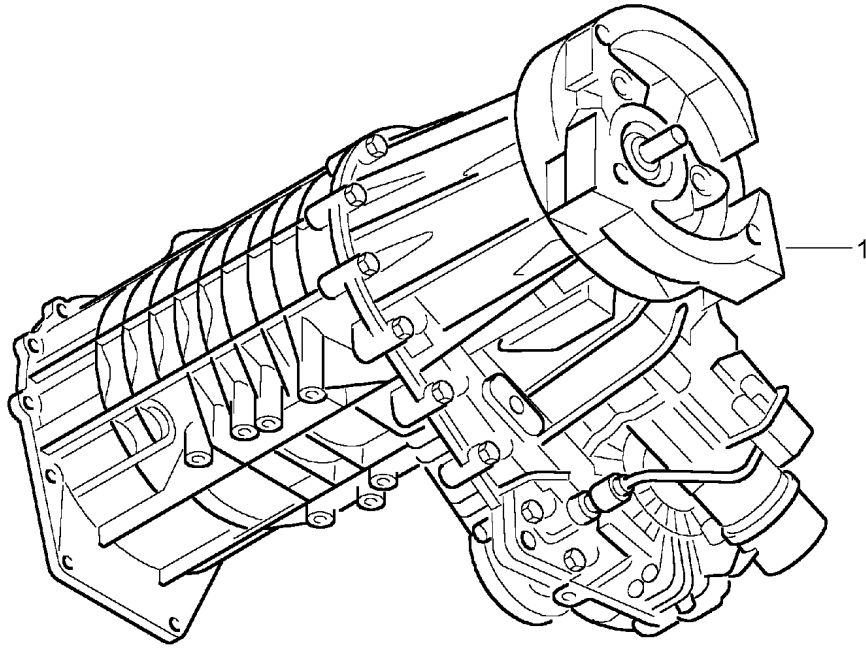


Model: ATK Model life 1963>>2012

Pos	Part Number	Description	Remark	Qty	Model
1	955 349 010 X	Front-axle final drive Ready for installation I = 4,1	03- 03- 03- 04- 03- 04-	1	CAYENNE V48.00 V48.50 V48.20 V48.00 V48.20 IG0L
1	955 349 010 EX	We take back: 955.349.010.00 Front-axle final drive Ready for installation I = 3,7	03- 03-	1	V48.50 IG0R V48.00 IG0L
1	955 349 010 JX	We take back: 955.349.010.50 Front-axle final drive Ready for installation I = 4,5 We take back: 955.349.010.20	04-	1	V48.20 IG0R

Model: ATK

Model life 1963>>2012

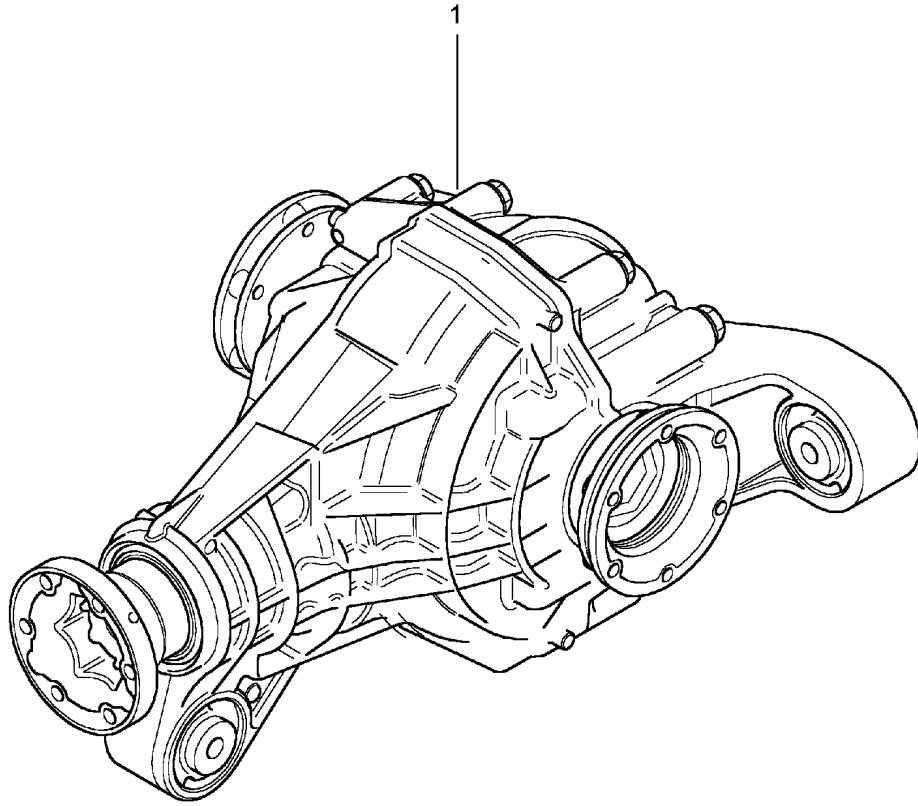


Model: ATK Model life 1963>>2012

Pos	Part Number	Description	Remark	Qty	Model
1	955 341 040 X	Transfer box Transfer box Ready for installation We take back: 955.341.040.00	03-06	1	CAYENNE ID9K
1	955 341 040 AX	Transfer box Ready for installation We take back: 955.341.040.00/01		1	ID9K
1	955 341 040 BX	Transfer box Ready for installation We take back: 955.341.040.00/01/02		1	ID9K
1	955 341 040 EX	Transfer box Ready for installation We take back: 955.341.040.50		1	ID9L
1	955 341 040 FX	Transfer box Ready for installation We take back: 955.341.040.50/51		1	ID9L
1	955 341 040 GX	Transfer box Ready for installation We take back: 955.341.040.50/51/52		1	ID9L
1	955 341 040 1X	Transfer box Ready for installation We take back: 955.341.040.10		1	ID9J/G0R
1	955 341 040 3X	Transfer box Ready for installation We take back: 955.341.040.10/11		1	ID9J/G0R
1	955 341 040 2X	Transfer box Ready for installation We take back: 955.341.040.20		1	ID9J/G0L
1	955 341 040 4X	Transfer box Ready for installation We take back: 955.341.040.20/21		1	ID9J/G0L

Model: ATK

Model life 1963>>2012



Model: ATK Model life 1963>>2012

Pos	Part Number	Description	Remark	Qty	Model
		Rear axle differential	03-		CAYENNE S H48.00
			03-		CAYENNE TURBO H48.50
			04-		CAYENNE H48.20
1	955 332 010 X	Rear axle differential Ready for installation I = 4,1 We take back:	03-	1	H48.00 IGOR
		955.332.010.00			
1	955 332 010 AX	Rear axle differential Ready for installation I = 4,1 We take back:	03-	1	H48.00 IGOR
		955.332.010.00/01			
(1)	955 332 010 EX	Rear axle differential Ready for installation I = 3,7 We take back:	03-	1	H48.50 IGOR
		955.332.010.50			
(1)	955 332 010 FX	Rear axle differential Ready for installation I = 3,7 We take back:	03-	1	H48.50 IGOR
		955.332.010.50/51			
(1)	955 332 020 EX	Rear axle differential Ready for installation I = 3,7 with Limited-slip differential Electric	03-	1	H48.00 IGOL I1Y1 H48.50 IGOR I1Y1
		We take back:			
		955.332.020.50			
(1)	955 332 020 1X	Rear axle differential Ready for installation I = 3,7 with Limited-slip differential Electric	03-	1	H48.00 IGOL I1Y1 H48.50 IGOR I1Y1
		We take back:			
		955.332.020.50/51			
(1)	955 332 020 X	Rear axle differential Ready for installation I = 4,1 with Limited-slip differential Electric	04-	1	H48.00 IGOR I1Y1
		We take back:			
		955.332.020.00			
(1)	955 332 020 AX	Rear axle differential Ready for installation I = 4,1 with Limited-slip differential Electric	04-	1	H48.00 IGOR I1Y1
		We take back:			
		955.332.020.00/01			
(1)	955 332 010 2X	Rear axle differential Ready for installation I = 4,56 We take back:	04-	1	H48.20 IGOR

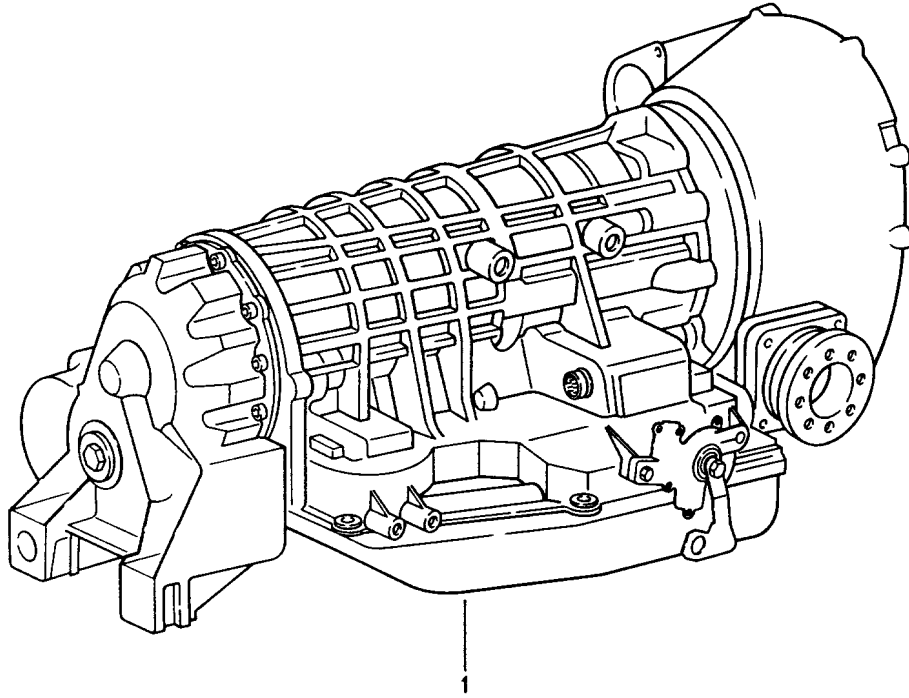
Model: ATK

Model life 1963>>2012

Pos	Part Number	Description	Remark	Qty	Model
(1)	955 332 010 3X	955.332.010.20 Rear axle differential Ready for installation I = 4,1 We take back:	04-	1	H48.20 IG0L
(1)	955 332 020 6X	955.332.010.30 Rear axle differential Ready for installation with Limited-slip differential Electric We take back:	04-	1	H48.20 IG0L I1Y1
(1)	955 332 020 7X	955.332.020.20/21 Rear axle differential Ready for installation with Limited-slip differential Electric We take back: 955.332.020.30	04-	1	H48.20 IG0R I1Y1

Model: ATK

Model life 1963>>2012

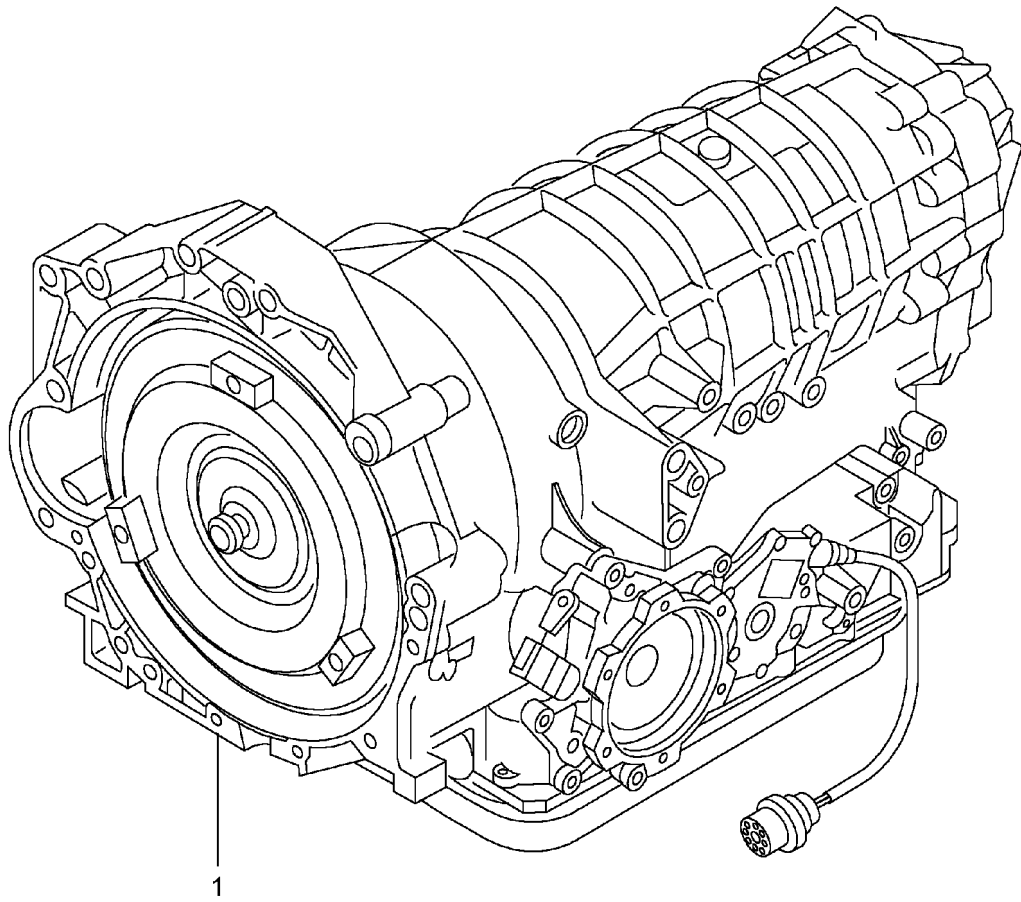


Model: ATK Model life 1963>>2012

Pos	Part Number	Description	Remark	Qty	Model
		Replacement transmission Tiptronic	90- -98		911 CARRERA A50.01 A50.02/03 A50.04
1	943 300 010 AX	We take back: Only together with Retaining bar Replacement transmission Ready for installation 4th speed with converter ZF 1043 050 006 We take back: 943.300.010.01	90-	1	A50.01
1	943 300 010 BX	Replacement transmission Ready for installation 4th speed with converter ZF 1043 050 007 We take back: 943.300.010.02	92-	1	A50.02
1	943 300 010 CX	Replacement transmission Ready for installation 4th speed with converter ZF 1043 050 008 We take back: 943.300.010.03	92-	1	A50.03
1	943 300 010 DX	Replacement transmission Ready for installation 4th speed with converter ZF 1043 050 009 We take back: 943.300.010.04	94-	1	A50.04
1	943 300 010 FX	Replacement transmission Ready for installation 4th speed with converter ZF 1043 050 013 We take back: 943.300.010.06	97-	1	A50.04

Model: ATK

Model life 1963>>2012



Model: ATK Model life 1963>>2012

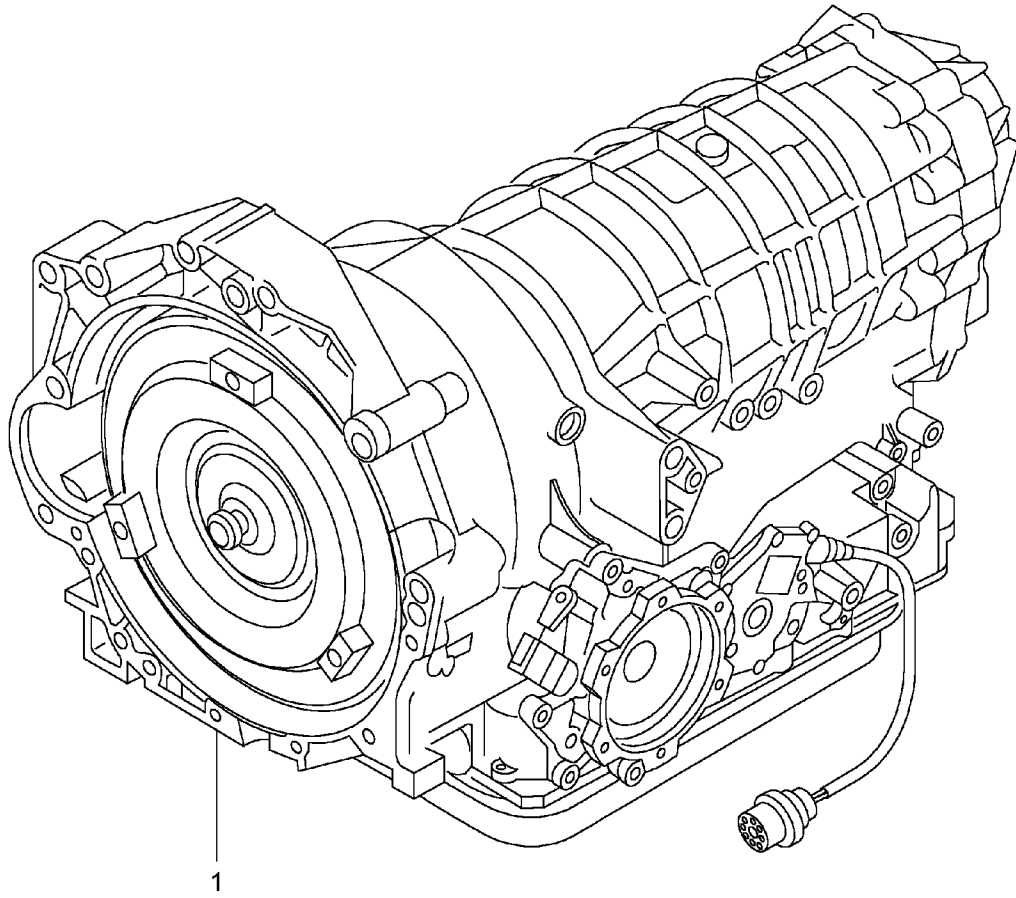
Pos	Part Number	Description	Remark	Qty	Model
		Replacement transmission Tiptronic	97-		BOXSTER CAYMAN A86.00 A86.05 A86.20 A87.01 A87.02 A87.20 A87.21
1	986 300 911 AX	See technical information Group 3 NR. 2 / 2A /98 Transmission Ready for installation	97	1	A86.00 M249
1	986 300 011 AX	We take back: 986.300.911.01 Transmission Not Ready for installation	97	1	A86.00 M249
1	986 300 011 BX	We take back: 986.300.011.01/911.01 (ZF 1060 030 009) Transmission Not Ready for installation	98	1	A86.00 M249
1	986 300 011 CX	We take back: 986.300.011.01/02/911.01 (ZF 1060 030 031) Transmission Not Ready for installation	99	1	A86.00 M249
1	986 300 011 EX	We take back: 986.300.011.03 (ZF 1060 030 053) Transmission Not Ready for installation	00-	1	A86.05 M249
1	986 300 011 TX	We take back: 986.300.011.05 (ZF 1060 030 050) Transmission Not Ready for installation	00-	1	A86.20 M249
1	987 300 011 X	We take back: 986.300.011.20 (ZF 1060 030 030) Transmission Not Ready for installation	05	1	A87.01 I249
1	987 300 011 BX	We take back: 987.300.011.00 (ZF 1060 030 109) Transmission Not Ready for installation	06	1	A87.01 I249
1	987 300 011 AX	We take back: 987.300.011.02 (ZF 1060 030 109) Transmission Not Ready for installation	-06	1	A87.20 I249

Model: ATK Model life 1963>>2012

Pos	Part Number	Description	Remark	Qty	Model
1	987 300 011 CX	987.300.011.20 (ZF 1060 030 110) Transmission Ready for installation We take back:	07-	1	A87.02
1	987 300 011 DX	987.300.011.01 Transmission Ready for installation We take back: 987.300.011.21	07-	1	A87.21

Model: ATK

Model life 1963>>2012



Model: ATK Model life 1963>>2012

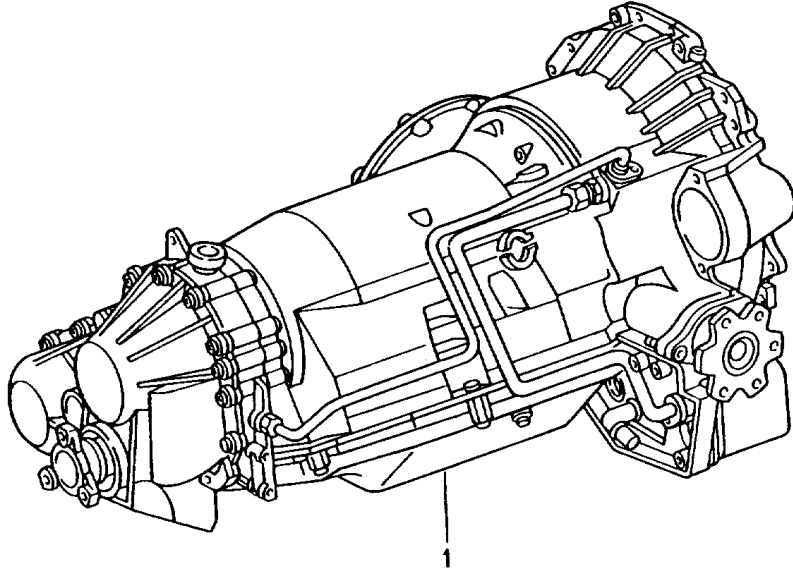
Pos	Part Number	Description	Remark	Qty	Model
		Replacement transmission Tiptronic	98-		CARRERA 2 A96.00 A96.10
			99-		CARRERA 4 A96.30 A96.35
1	996 300 911 X	Replacement transmission Ready for installation 5th gear with converter ZF 1060 085 005 We take back: 996.300.911.00	98	1	A96.00
1	996 300 011 X	Replacement transmission Not Ready for installation with converter ZF 1060 050 002 We take back: 996.300.011.00	98	1	A96.00
1	996 300 011 AX	Replacement transmission Not Ready for installation with converter ZF-NR.1060 050 003 We take back: 996.300.011.02	99-	1	A96.00
(1)	996 300 011 CX	Transmission Not Ready for installation with converter ZF-NR:1060 060 002 We take back: 996.300.011.30	99	1	A96.30 C 4
(1)	996 300 011 DX	Replacement transmission Not Ready for installation with converter ZF-NR:1060 650 002 F >>99XS6 00762 F >>99XS6 40394 Use also: 996.618.114.02 We take back: 996.300.011.03	01	1	A96.00
(1)	996 300 011 MX	Replacement transmission Not Ready for installation with converter ZF-NR:1060 660 001 We take back: 996.300.011.33/30	00-	1	A96.30 C 4
(1)	722 270 050 0X	Replacement transmission Not Ready for installation with converter And Oil cooler We take back: 722.270.050.0	02-	1	A96.10 C 2
(1)	722 270 060 0X	Replacement transmission Not Ready for installation	02-	1	A96.35 C 4

Model: ATK Model life 1963>>2012

Pos	Part Number	Description	Remark	Qty	Model
		with converter And Oil cooler We take back: 722.270.060.0			

Model: ATK

Model life 1963>>2012



Model: ATK Model life 1963>>2012

Pos	Part Number	Description	Remark	Qty	Model
1	722 270 070 0X	Replacement transmission Tiptronic Replacement transmission Not Ready for installation 5th gear with converter We take back: 722.270.070.0	01-	1	911 TURBO A96.50 A96.50 X 50

Model: ATK

Model life 1963>>2012

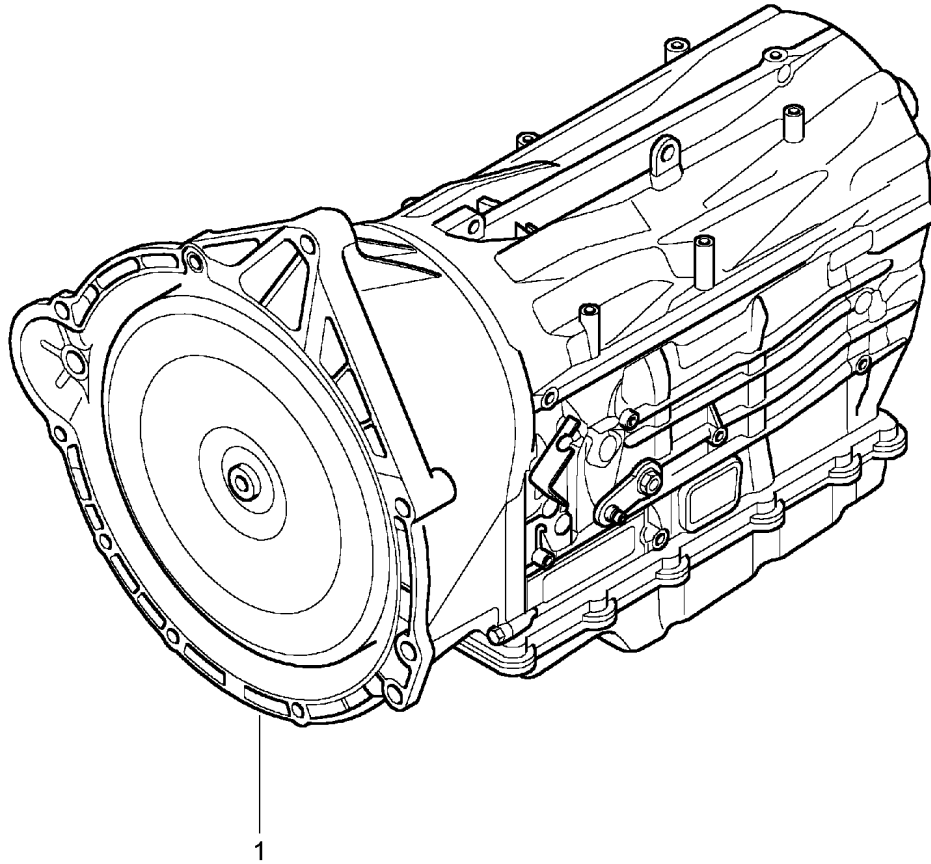


Model: **ATK** Model life **1963>>2012**

Pos	Part Number	Description	Remark	Qty	Model
1	722 270 230 0X	Replacement transmission Tiptronic	05- 06- 05-	1	CARRERA A97.01 A97.31 A97.01 I338
(1)	722 270 230 1X	Replacement transmission Not Ready for installation 5-speed with converter We take back: 722.270.230.0	06-	1	A97.31 I339

Model: ATK

Model life 1963>>2012



Model: **ATK** Model life **1963>>2012**

Pos	Part Number	Description	Remark	Qty	Model
		Replacement transmission Tiptronic			CAYENNE A48.00 A48.50 A48.20
(1)	955 300 011 AX	Technical information Group 3 NR. 3/04 Attention Replacement transmission Ready for installation We take back: 955.300.011.21		1	A48.00
(1)	955 300 011 CX	Replacement transmission Ready for installation We take back: 955.300.011.21/23		1	A48.00
(1)	955 300 011 BX	Replacement transmission Ready for installation We take back: 955.300.011.22		1	A48.50
(1)	955 300 011 DX	Replacement transmission Ready for installation We take back: 955.300.011.22/24		1	A48.50
(1)	955 300 011 1X	Replacement transmission Ready for installation We take back: 955.300.011.01		1	A48.20
(1)	955 300 011 2X	Replacement transmission Ready for installation for vehicles up to F >>9P6LA 03709 Use also: 955.618.020.21 We take back: 955.300.011.01/02/06		1	A48.20
(1)	955 300 011 EX	Replacement transmission Ready for installation We take back: 955.300.011.25		1	A48.00
(1)	955 300 011 HX	Replacement transmission Ready for installation for vehicles up to F >>9P6LA 43715 Use also: 955.618.022.21 We take back: 955.300.011.25/27/32		1	A48.00
(1)	955 300 011 FX	Replacement transmission Ready for installation We take back: 955.300.011.22/24/26		1	A48.50
(1)	955 300 011 GX	Replacement transmission Ready for installation We take back: 955.300.011.22/24/26/50	04-	1	A48.50
(1)	955 300 011 JX	Replacement transmission Ready for installation for vehicles up to F >>9P6LA 81706 Use also: 955.618.021.21 We take back:		1	A48.50

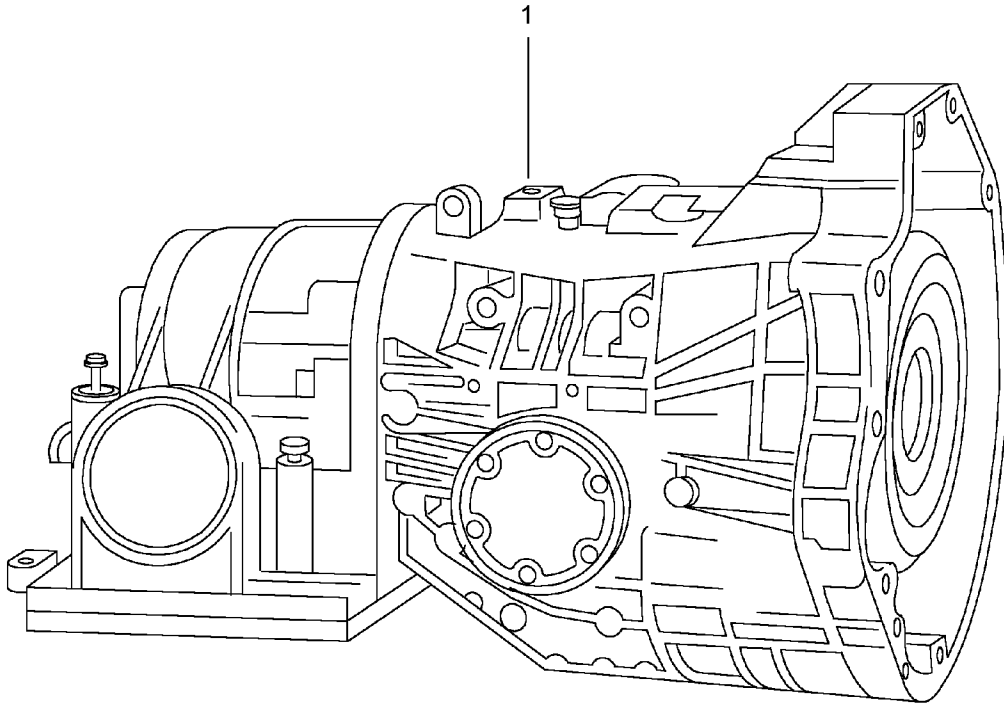
Model: ATK

Model life 1963>>2012

Pos	Part Number	Description	Remark	Qty	Model
		955.300.011.22/24/26/50/51 955.300.011.55			

Model: ATK

Model life 1963>>2012



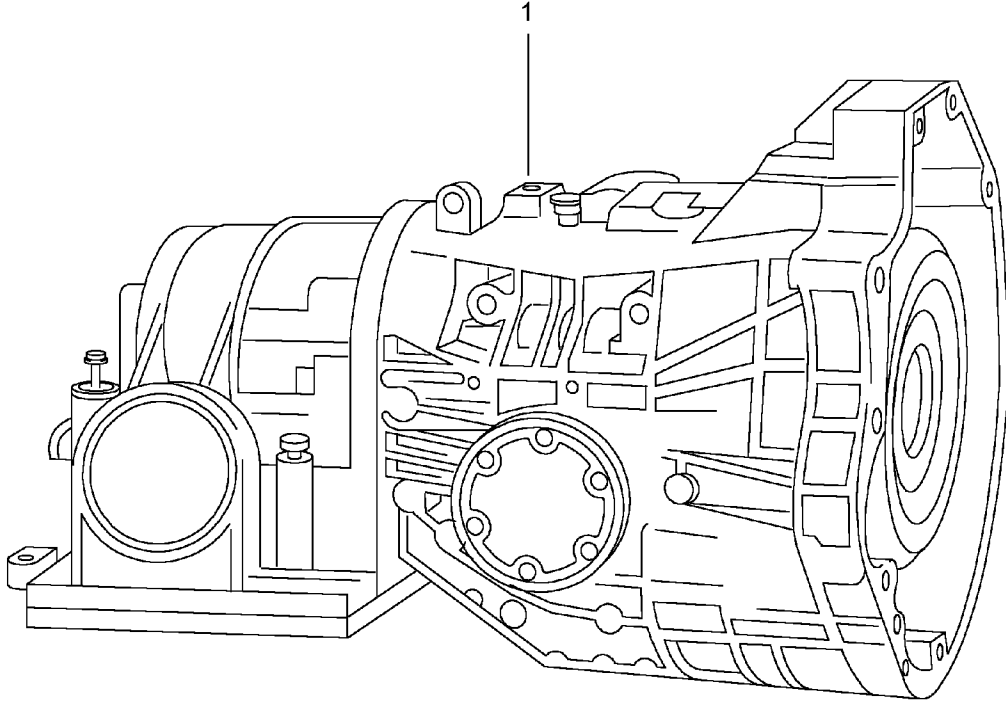
Model: ATK

Model life 1963>>2012

Pos	Part Number	Description	Remark	Qty	Model
1	087 300 035 MX	Automatic transmission TYP 087 Automatic transmission 3rd gear with converter Ready for installation Use also: 911.423.147.00 477.609.715 477.713.265.C N 011.005.4 N 011.665.5 N 015.526.2 We take back: 087.300.035.M	77- -82 77- (GB) -82 77- -80	1 1 1 1 1 1 1	924 RK

Model: ATK

Model life 1963>>2012

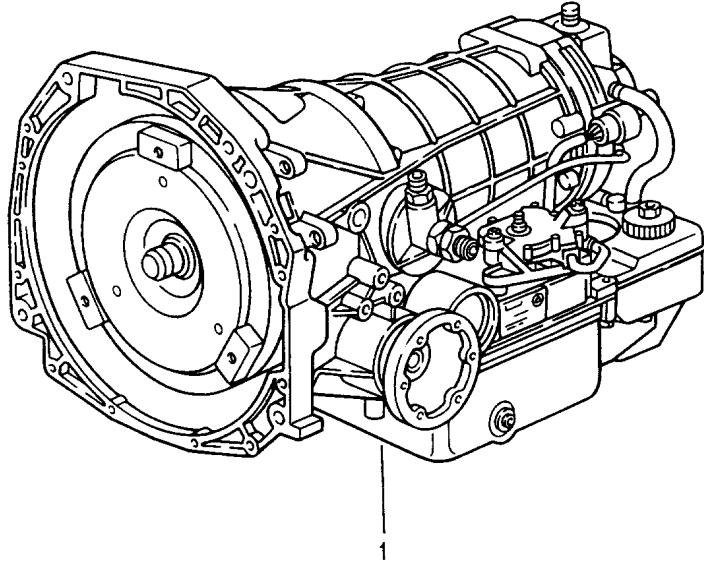


Model: **ATK** Model life **1963>>2012**

Pos	Part Number	Description	Remark	Qty	Model
1	087 300 038 X	Automatic transmission TYP 087 Automatic transmission 3rd gear with converter Ready for installation with Return-side cooling G >>RCA 20 12 3 We take back: 087.300.035.S 087.300.038	82- -89 82-	1	924S/944 RCA 944
1	087 300 038 CX	Automatic transmission 3rd gear with converter Ready for installation with Flow-side cooling G RCD 21 12 3>>RCD 28 12 4 G RCD 15 07 5>> We take back: 087.300.038.C	84- -88 86- -88	1	RH RCA RCD 944 924 S
1	087 300 038 DX	Automatic transmission 3rd gear with converter Ready for installation with Flow-side cooling Electric speedometer GRCE19124>> We take back: 087.300.038.D	85-	1	RCE 944

Model: ATK

Model life 1963>>2012

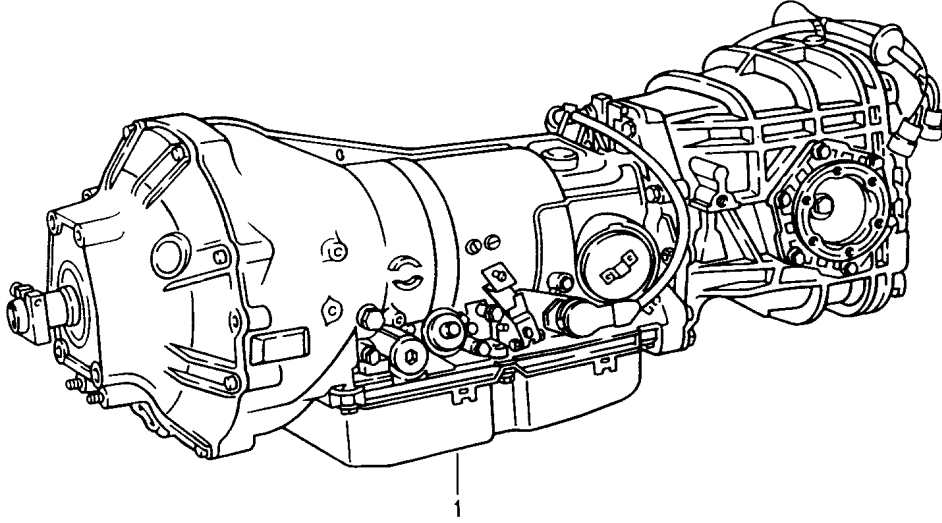


Model: **ATK** Model life **1963>>2012**

Pos	Part Number	Description	Remark	Qty	Model
		Replacement transmission Tiptronic	92- -95		968
1	944 300 010 X	Replacement transmission Ready for installation 4th speed with converter ZF 1050.012.001 We take back: 944.300.010.00	92	1	A44.00 A44.00
1	944 300 010 AX	Transmission Ready for installation 4th speed with converter ZF 1050.012.004 We take back: 944.300.010.01	92-	1	A44.00

Model: ATK

Model life 1963>>2012



Model: ATK Model life 1963>>2012

Pos	Part Number	Description	Remark	Qty	Model
		Automatic transmission	78- -95		928 -18 A22.01
(1)	922 300 003 AX	Complete TYP A 22/A 28 Automatic transmission 3rd gear with converter Ready for installation We take back: 922.300.003.01	78- -82 (J) 80- -82	1	A22.01
(1)	922 300 903 AX	Automatic transmission 3rd gear Limited-slip differential with converter Ready for installation We take back: 922.300.903.01	78- (J) 80- -82	1	A22.01/12
(1)	922 300 003 DX	Automatic transmission 3rd gear with converter Ready for installation We take back: 922.300.003.04	80-	1	A22.04
(1)	922 300 903 DX	Automatic transmission 3rd gear Limited-slip differential with converter Ready for installation We take back: 922.300.903.04	80-	1	A22.04/12
1	960 300 004 AX	Automatic transmission 4th speed with converter Ready for installation We take back: 960.300.004.01	(J) 83-	1	A28.01
1	960 300 014 AX	Automatic transmission 4th speed Limited-slip differential with converter Ready for installation We take back: 960.300.014.01	83- (J)	1	A28.01/12
1	960 300 004 BX	Automatic transmission 4th speed with converter Ready for installation We take back: 960.300.004.02	84	1	A28.02
1	960 300 014 BX	Automatic transmission 4th speed Limited-slip differential with converter Ready for installation We take back: 960.300.014.02	84	1	A28.02/12
1	960 300 004 CX	Automatic transmission 4th speed with converter Ready for installation We take back:	84	1	A28.03

Model: ATK Model life 1963>>2012

Pos	Part Number	Description	Remark	Qty	Model
1	960 300 014 CX	960.300.004.03 Automatic transmission 4th speed Limited-slip differential with converter Ready for installation We take back: 960.300.014.03	84	1	A28.03/12
1	960 300 004 DX	960.300.004.04 Automatic transmission 4th speed with converter Ready for installation We take back: 960.300.004.04	85	1	A28.04
1	960 300 004 EX	960.300.004.05 Automatic transmission 4th speed with converter Ready for installation We take back: 960.300.004.05	85	1	A28.05
1	960 300 014 EX	960.300.014.06 Automatic transmission 4th speed Limited-slip differential with converter Ready for installation We take back: 960.300.014.06	85	1	A28.05/12
1	960 300 004 FX	960.300.014.07 Automatic transmission 4th speed with converter Ready for installation We take back: 960.300.014.07	85	1	A28.06
1	960 300 014 FX	960.300.014.08 Automatic transmission 4th speed Limited-slip differential with converter Ready for installation We take back: 960.300.014.08	85	1	A28.06/12
1	960 300 004 GX	960.300.014.09 Automatic transmission 4th speed with converter Ready for installation We take back: 960.300.014.09	(J) 86	1	A28.07
1	960 300 014 GX	960.300.014.10 Automatic transmission 4th speed Limited-slip differential with converter Ready for installation We take back: 960.300.014.10	86 (J)	1	A28.07/12
1	960 300 004 HX	960.300.014.11 Automatic transmission 4th speed with converter Ready for installation We take back: 960.300.014.11	86	1	A28.08
1	960 300 014 HX	960.300.014.12 Automatic transmission 4th speed Limited-slip differential with converter	86	1	A28.08/12

Model: **ATK** Model life **1963>>2012**

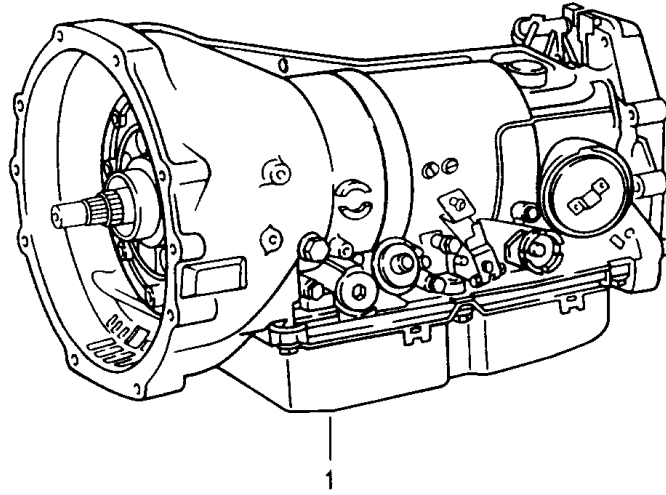
Pos	Part Number	Description	Remark	Qty	Model
1	960 300 004 JX	Ready for installation We take back: 960.300.014.08 Automatic transmission 4th speed with converter Ready for installation We take back: 960.300.004.09	86	1	A28.09
1	960 300 014 JX	Automatic transmission 4th speed Limited-slip differential with converter Ready for installation We take back: 960.300.014.09	86	1	A28.09/12
1	960 300 004 LX	Automatic transmission 4th speed with converter Ready for installation We take back: 960.300.014.09	86	1	A28.11
1	960 300 014 LX	Automatic transmission 4th speed Limited-slip differential with converter Ready for installation We take back: 960.300.004.11	86	1	A28.11/12
1	960 300 004 MX	Automatic transmission 4th speed with converter Ready for installation We take back: 960.300.014.11	(J) 87-88	1	A28.12
1	960 300 014 MX	Automatic transmission 4th speed Limited-slip differential with converter Ready for installation We take back: 960.300.004.12	87- (J)	1	A28.12
1	960 300 004 PX	Automatic transmission 4th speed with converter Ready for installation We take back: 960.300.014.12	87-	1	A28.14
1	960 300 014 PX	Automatic transmission 4th speed Limited-slip differential with converter Ready for installation We take back: 960.300.004.14	87-	1	A28.12/14
1	960 300 004 QX	Automatic transmission Ready for installation 4th speed with converter We take back: 960.300.014.14	89	1	A28.16
1	960 300 014 QX	Automatic transmission Ready for installation	89	1	A28.16

Model: **ATK** Model life **1963>>2012**

Pos	Part Number	Description	Remark	Qty	Model
1	960 300 030 QX	4th speed Limited-slip differential with converter We take back: 960.300.014.16 Automatic transmission Ready for installation 4th speed Porsche Limited-slip differential with converter We take back: 960.300.030.16	90	1	A28.16 M221
1	960 300 030 SX	Transmission Ready for installation 4th speed Porsche Limited-slip differential with converter We take back: 960.300.030.17	91	1	A28.16 M221
1	960 300 030 TX	Transmission Ready for installation 4th speed Porsche Limited-slip differential with converter We take back: 960.300.030.18	92-	1	A28.18 M221

Model: ATK

Model life 1963>>2012



Model: ATK Model life 1963>>2012

Pos	Part Number	Description	Remark	Qty	Model
		Short transmission Automatic TYP A 22/A 28	78- -95		928
(1)	722 270 030 1X	Short transmission 3rd gear without converter and Differential We take back: 722.270.030.1	78- -82 (J) 80- -82	1	A22.01
(1)	722 270 060 1X	Short transmission 3rd gear without converter and Differential We take back: 722.270.060.1	80-	1	A22.04
1	722 270 120 1X	Short transmission 4th speed without converter and Differential We take back: 722.270.120.1	(J) 83-	1	A28.01
1	722 270 140 1X	Short transmission 4th speed without converter and Differential We take back: 722.270.140.1	84	1	A28.02/03
1	722 270 170 1X	Short transmission 4th speed without converter and Differential We take back: 722.270.170.1	85	1	A28.04
1	722 270 180 1X	Short transmission 4th speed without converter and Differential We take back: 722.270.180.1	85	1	A28.05/06
1	722 270 250 1X	Short transmission 4th speed without converter and Differential We take back: 722.270.250.1	86 (J)	1	A28.07/11
1	722 270 260 1X	Short transmission 4th speed without converter and Differential We take back: 722.270.260.1	86	1	A28.08/09
1	722 270 210 1X	Short transmission 4th speed without converter and Differential We take back: 722.270.210.1	87-	1	A28.12/14
1	722 270 320 1X	Short transmission 4th speed without converter and Differential We take back: 722.270.320.1	89-	1	A28.16

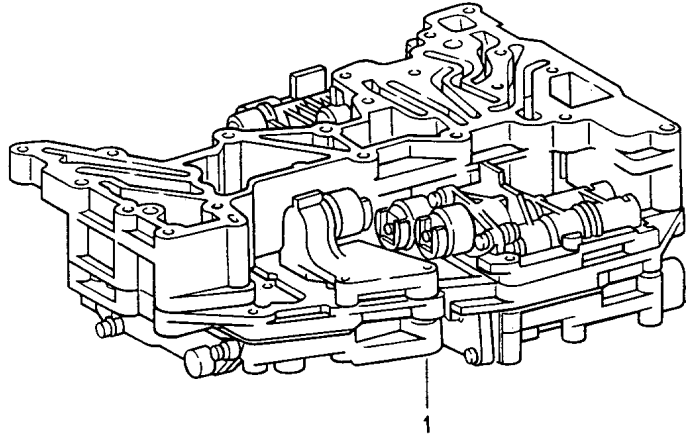
Model: ATK

Model life 1963>>2012

Pos	Part Number	Description	Remark	Qty	Model
1	722 270 340 1X	Short transmission 4th speed without converter and Differential We take back: 722.270.340.1	92-	1	A28.18

Model: ATK

Model life 1963>>2012

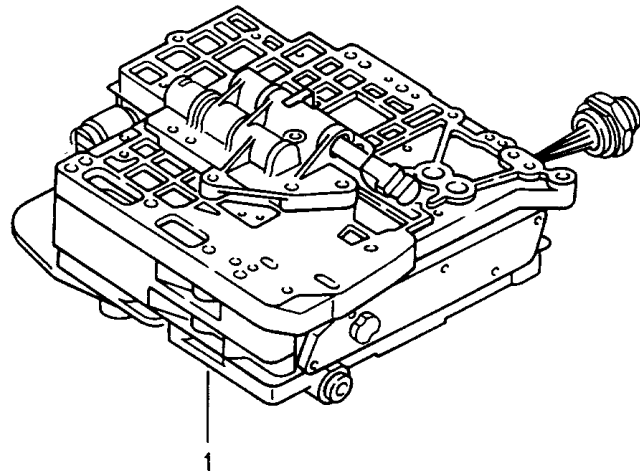


Model: ATK Model life 1963>>2012

Pos	Part Number	Description	Remark	Qty	Model
		Switch unit	90- -98		CARRERA 2
1	943 325 001 X	Switch unit Ready for installation ZF 1043 128 035 We take back: 943.325.001.00	90-	1	-05 A50.01 A50.01
1	943 325 001 AX	Switch unit Ready for installation ZF 1043 128 054 We take back: 943.325.001.01	92-	1	A50.02/03
1	943 325 001 BX	Switch unit Ready for installation ZF 1043 128 066/079 See technical information Group 3 NR. 1/95 We take back: 943.325.001.02/03	94-	1	A50.04/05

Model: ATK

Model life 1963>>2012



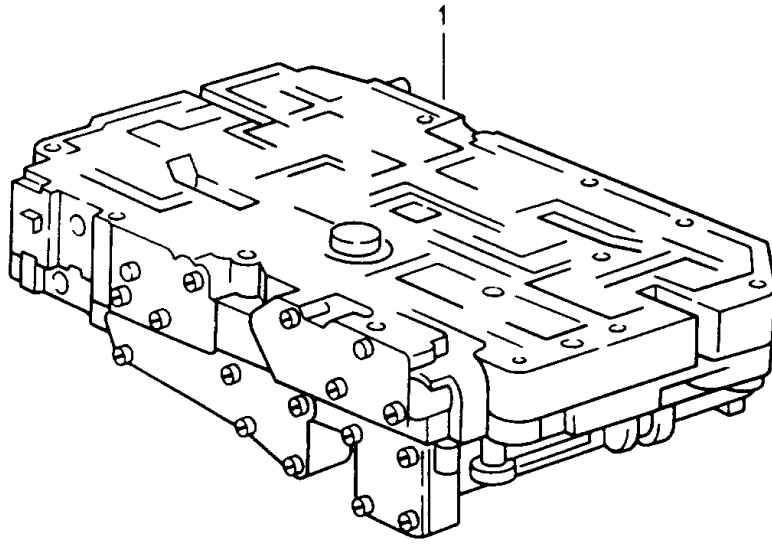
Model: ATK

Model life 1963>>2012

Pos	Part Number	Description	Remark	Qty	Model
1	944 325 001 X	Switch unit Ready for installation ZF 1050 127 016 We take back: 944.325.001.00	92- -95 92-	1	968 A44.00 A44.00

Model: ATK

Model life 1963>>2012

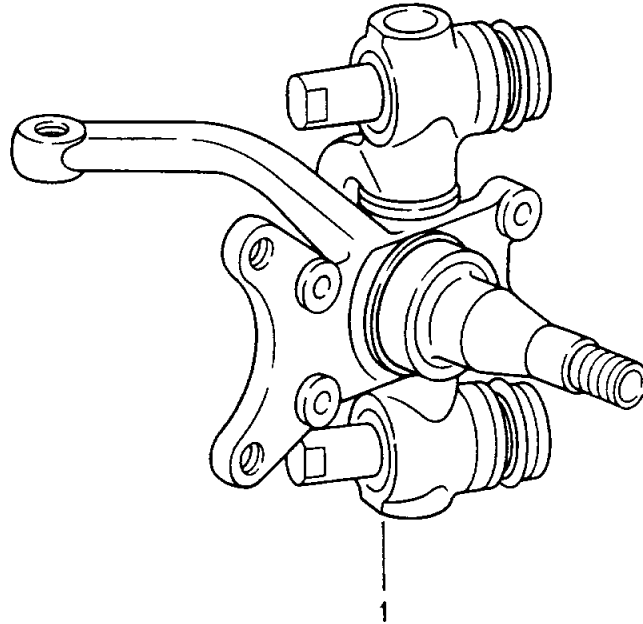


Model: ATK Model life 1963>>2012

Pos	Part Number	Description	Remark	Qty	Model
		Shift-valve body	78- -95		928 -04 A22.01 -18 A28.02
(1)	722 270 110 7X	TYP A 22/A 28 Shift-valve body Ready for installation We take back: 722.270.110.7	81- -83	1	A22.04
1	722 270 200 7X	Shift-valve body Ready for installation A >> 547 628 We take back: 722.270.200.7	84-	1	A28.01/04
1	722 270 300 7X	Shift-valve body Ready for installation A 547 629 >> Use also: 1 X 126.277.961.4 1 X 126.277.108.0 1 X 126.270.105.0 1 X 126.270.267.9 We take back: 722.270.190.7/250.7/300.7	84-	1	-09 A28.02 A28.11
1	722 270 340 7X	Shift-valve body Ready for installation We take back: 722.270.340.7	87- -88	1	A28.12/14
1	722 270 380 7X	Shift-valve body Ready for installation A >> 3 547 142 We take back: 722.270.380.7	89-	1	A28.16/18
1	722 270 430 7X	Shift-valve body Ready for installation A 3 547 143 >> A 3 540 623 >> 3 540 632 We take back: 722.270.430.7	-95	1	A28.18

Model: ATK

Model life 1963>>2012



Model: ATK

Model life 1963>>2012

Pos	Part Number	Description	Remark	Qty	Model
1	695 341 997 X	Steering knuckle Supporting bow with Supporting bow Ready for installation We take back: 695.341.997.00	/V 63- -66 /V /L	1	356 C
1	695 341 998 X	Supporting bow with Supporting bow We take back: 695.341.998.00	/V /R	1	

Model: ATK

Model life 1963>>2012



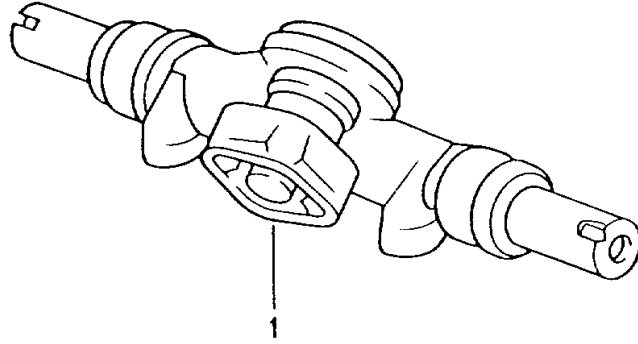
Model: ATK

Model life 1963>>2012

Pos	Part Number	Description	Remark	Qty	Model
-	959 343 501 CX	Vibration damper Front axle Vibration damper We take back: 959.343.501.03	87- -88	2	959 SPORT
-	959 343 511 CX	Vibration damper We take back: 959.343.511.03		2	
-	959 343 501 LX	Vibration damper We take back: 959.343.501.11		2	OPTION USA

Model: ATK

Model life 1963>>2012

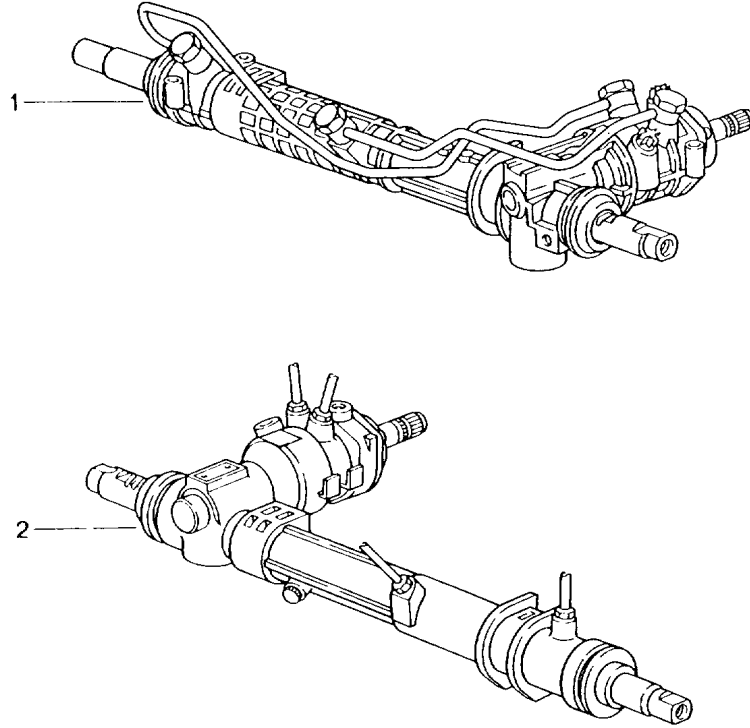


Model: **ATK** Model life 1963>>2012

Pos	Part Number	Description	Remark	Qty	Model
		Steering gear without	70- -89		911
1	914 347 010 EX	Power steering Steering gear ZF 7840 955 112 We take back: 914.347.010.05	70- -89	1	
1	914 347 010 FX	Steering gear ZF 7840 955 112 We take back: 914.347.010.06	70- -89	1	
(1)	930 347 010 X	Steering gear ZF 7820 955 114 We take back: 930.347.010.00	75- -89	1	

Model: ATK

Model life 1963>>2012

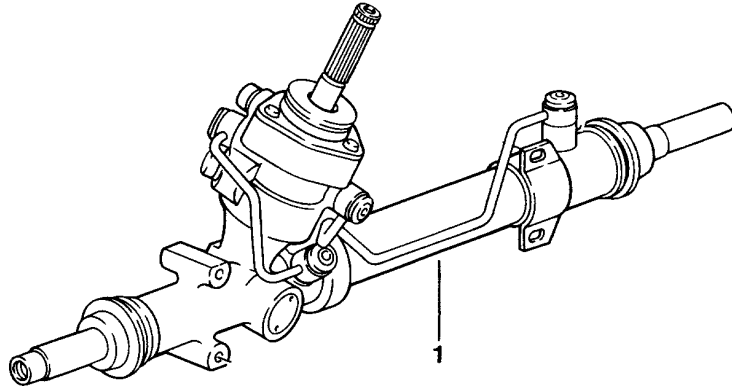


Model: **ATK** Model life **1963>>2012**

Pos	Part Number	Description	Remark	Qty	Model
		Steering gear	89- -94 92		CARRERA 2/4
1	964 347 009 BX	Steering gear ZF 7840 955 119 We take back: 964.347.009.02	/LL 89- -91	1	CARRERA RS I098
1	964 347 009 DX	Steering gear ZF 7832 955 160 We take back: 964.347.009.04	/LL 92- -94	1	I098
(1)	964 347 011 X	Steering gear ZF 7810 955 122 We take back: 964.347.011.02	/LL 92	1	CARRERA RS I098
2	964 347 012 DX	Steering gear ZF 7849 955 120 We take back: 964.347.012.04	/RL 89- -91	1	I099
2	964 347 012 EX	Steering gear ZF 7840 955 124 Use also:	/RL 92- -94	1	I099
-	964 347 223 08	Clip		2	
-	964 347 223 10	Clip		2	
-	964 347 137 07	Rubber insert		2	
-	999 218 053 08	Pan-head screw M 8 X 60 Micro-self-locking		4	
-	900 031 001 02	Washer 8,4 We take back: 964.347.012.05		4	

Model: ATK

Model life 1963>>2012

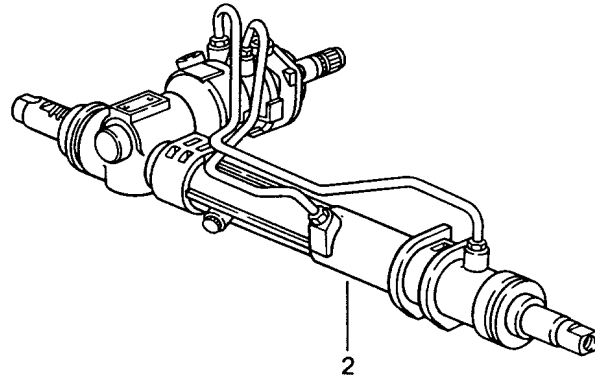
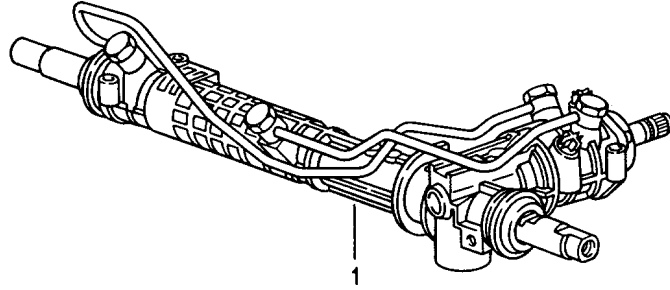


Model: ATK Model life 1963>>2012

Pos	Part Number	Description	Remark	Qty	Model
1	959 347 010 KX	Steering gear ZF 7840 955 116 We take back: 959.347.010.20	87- -88	1	959

Model: ATK

Model life 1963>>2012

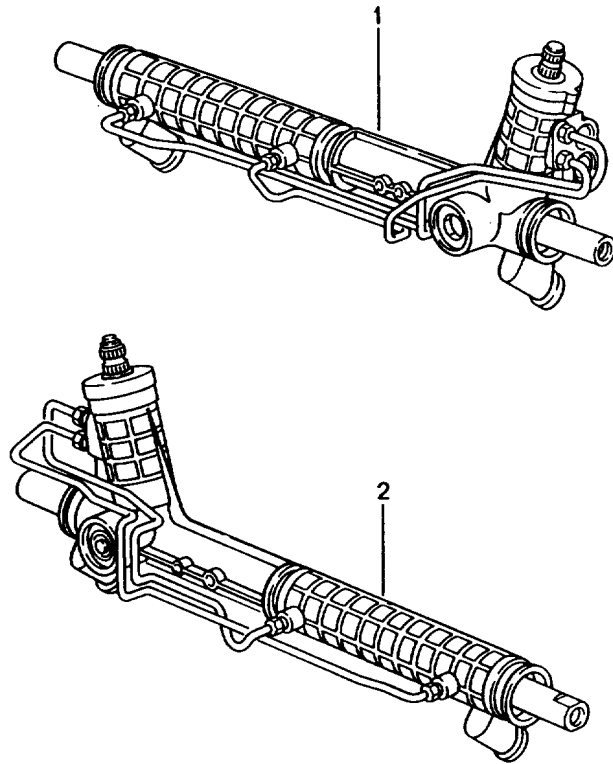


Model: **ATK** Model life **1963>>2012**

Pos	Part Number	Description	Remark	Qty	Model
1	993 347 011 X	Steering gear ZF 7832 501 203 We take back: 993.347.011.00	94- -98 95 /LL 94- -98	1	CARRERA CARRERA RS I098
1	964 347 009 DX	Steering gear ZF 7832 988 231 We take back: 964.347.009.04	/LL 95	1	CARRERA RS I098
2	993 347 012 X	Power steering ZF 7840 955 126 We take back: 993.347.012.00	/RL 94	1	I099
2	993 347 012 DX	Steering gear ZF 7840 955 126 We take back: 993.347.012.00/01/02/03/04 Until 05 / 96 Use also:	/RL 95-	1	I099
-	993 347 458 04	Pressure line		1	
2	964 347 012 EX	Steering gear ZF 7840 955 124 We take back: 964.347.012.05	/RL 95	1	CARRERA RS I099

Model: ATK

Model life 1963>>2012

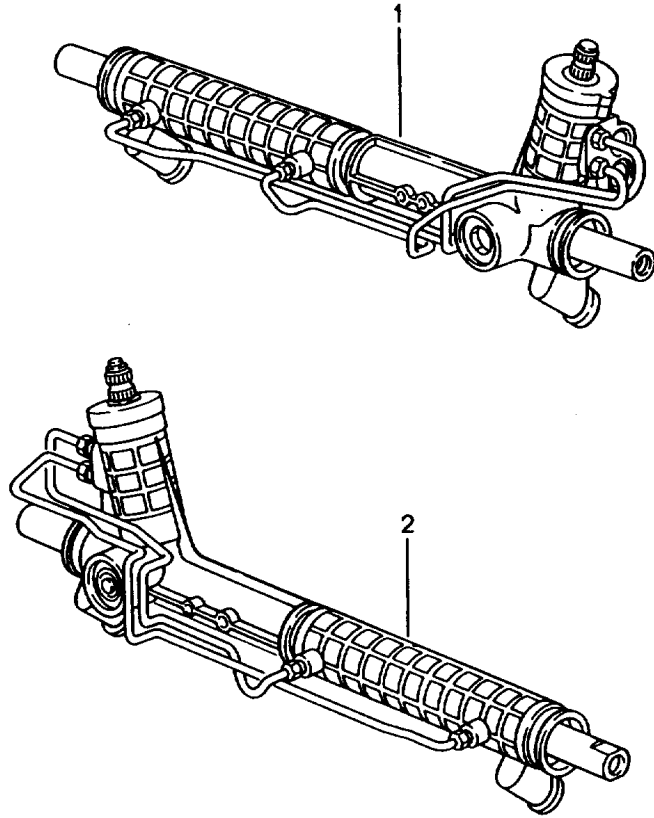


Model: **ATK** Model life **1963>>2012**

Pos	Part Number	Description	Remark	Qty	Model
1	996 347 011 DX	Steering gear Steering gear We take back: 996.347.011.04	97- /LL 97-	1	BOXSTER I098
1	996 347 011 EX	Steering gear We take back: 996.347.011.05	/LL 98	1	I098
1	996 347 011 FX	Steering gear We take back: 996.347.011.06	/LL 98-	1	I098
1	996 347 011 GX	Steering gear We take back: 996.347.011.06/07	/LL 97-	1	I098
2	996 347 012 DX	Steering gear We take back: 996.347.012.04	/RL 97-	1	I099
2	996 347 012 EX	Steering gear We take back: 996.347.012.05	/RL 98-	1	I099
2	996 347 012 FX	Steering gear We take back: 996.347.012.06	/RL 98-	1	I099
2	996 347 012 GX	Steering gear We take back: 996.347.012.07	/RL 00-	1	I099
2	996 347 012 HX	Steering gear We take back: 996.347.012.07/08	/RL 97-	1	I099

Model: ATK

Model life 1963>>2012



Model: **ATK** Model life **1963>>2012**

Pos	Part Number	Description	Remark	Qty	Model
		Steering gear	98- 01- 02-		996 CARRERA 996 TURBO 996 GT2
1	996 347 011 DX	Steering gear We take back: 996.347.011.04	/LL 98	1	I098
1	996 347 011 EX	Steering gear We take back: 996.347.011.04/05	/LL 98-	1	I098
1	996 347 011 FX	Steering gear We take back: 996.347.011.04/05/06	/LL 98-	1	I098
1	996 347 011 GX	Steering gear We take back: 996.347.011.04/05/06/07	/LL 00-	1	I098
2	996 347 012 DX	Steering gear We take back: 996.347.012.04	/RL 98	1	I099
2	996 347 012 EX	Steering gear We take back: 996.347.012.04/05	/RL 98-	1	I099
2	996 347 012 FX	Steering gear We take back: 996.347.012.04/05/06	/RL 98-	1	I099
2	996 347 012 GX	Steering gear We take back: 996.347.012.04/05/06/07	/RL 00-	1	I099
2	996 347 012 HX	Steering gear We take back: 996.347.012.04/05/06/07/08	/RL 98-	1	I099

Model: ATK

Model life 1963>>2012

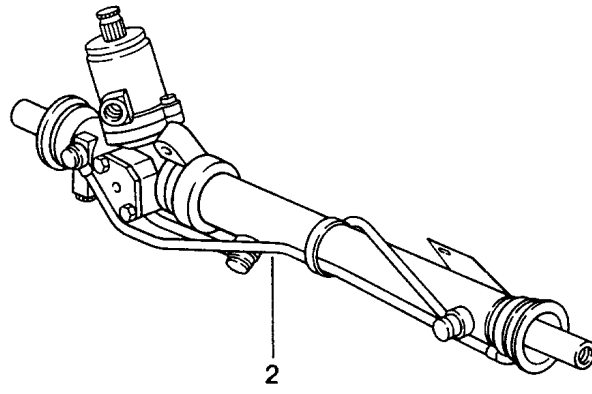
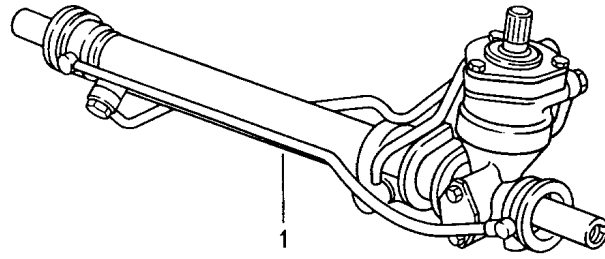


Model: **ATK** Model life **1963>>2012**

Pos	Part Number	Description	Remark	Qty	Model
-	997 347 011 FX	Steering gear Power steering We take back: 997.347.011.03/04/05/06	05- 07- 07- 05- /LL	1	997 CARRERA 997 TOP 997 GT3 987 I098
1	997 347 012 EX	Steering gear Power steering We take back: 997.347.012.02/03/04/05	/RL	1	I099

Model: ATK

Model life 1963>>2012

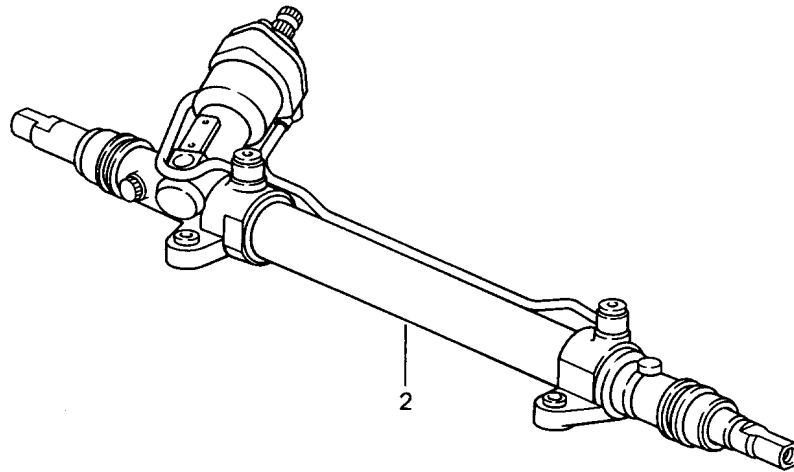
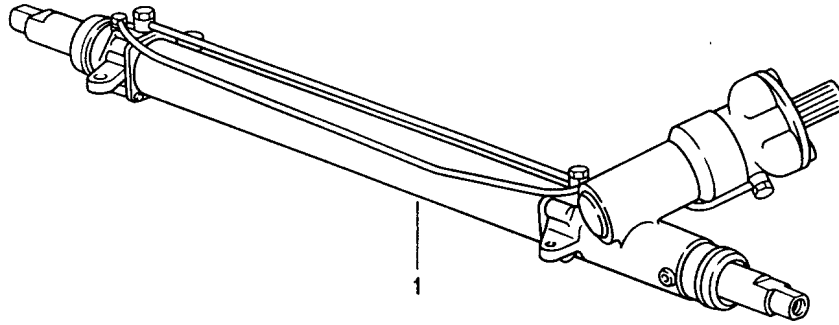


Model: **ATK** Model life **1963>>2012**

Pos	Part Number	Description	Remark	Qty	Model
1	944 347 011 AX	Steering gear Steering gear ZF 7840 955 200/201 We take back: 944.347.011.21/22	/LL -88	1	924/944/968 I098
1	944 347 011 BX	Steering gear ZF 7840 955 202 We take back: 944.347.011.21/22/24 944.347.011.AU	/LL 89-	1	I098
2	945 347 011 BX	Steering gear ZF 7830 955 104 ZF 7830 955 113 ZF 7830 974 107 We take back: 945.347.011.20/22	/RL 82-	1	I099

Model: ATK

Model life 1963>>2012

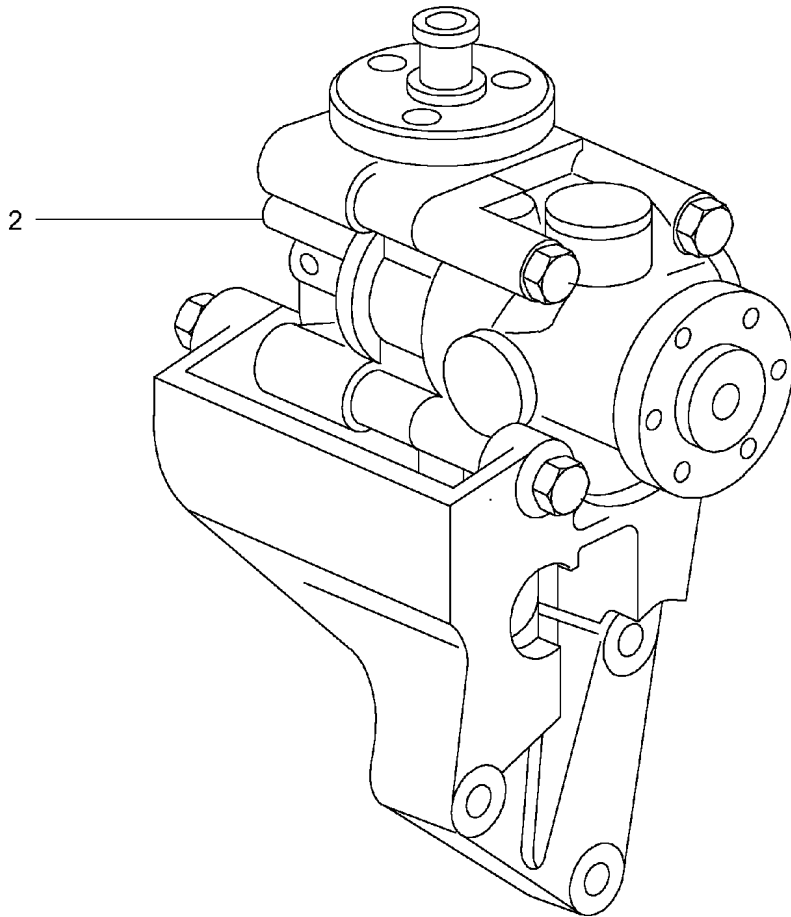
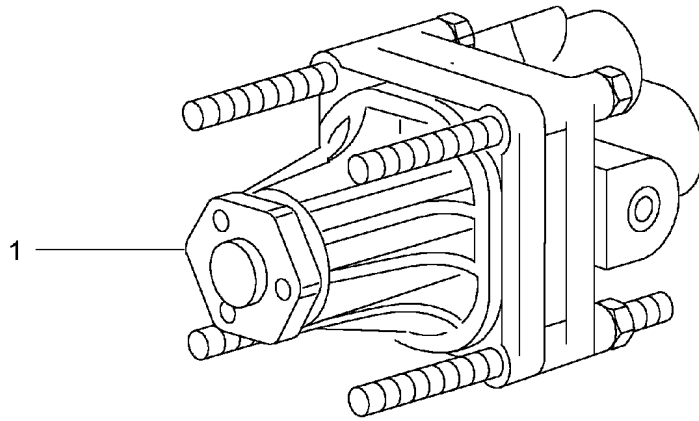


Model: **ATK** Model life **1963>>2012**

Pos	Part Number	Description	Remark	Qty	Model
		Steering gear See technical information GR.4 NR.20			928
(1)	928 347 010 BX	Steering gear ZF 7840 955 104/105/110 F >>92BS8 00259 F >>92BS8 40439 We take back: 928.347.010.22	/LL	1	I098
1	928 347 010 CX	Steering gear ZF 7840 955 112/114 F 92BS8 00260>> F 92BS8 40440>> We take back: 928.347.010.24	/LL -90	1	I098
1	928 347 010 DX	Steering gear ZF 7840 955 121 ZF 7840 955 123	/LL 91-	1	I098
1	928 347 010 CX	Steering gear ZF 7840 955 121 ZF 7840 955 123 We take back: 928.347.010.26/27	/LL 91-	1	I098
2	927 347 010 BX	Steering gear ZF 7840 955 106/113 F >>92BS8 00259 F >>92BS8 40439 Use also: 928.347.329.03 We take back: 927.347.010.20/22	/RL -90	1	I099
2	927 347 010 CX	Steering gear ZF 7840 955 122 We take back: 927.347.010.26	/RL 91-	1	I099

Model: ATK

Model life 1963>>2012



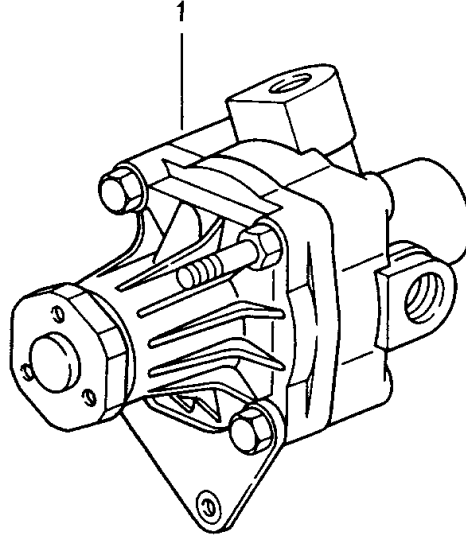
Model: ATK

Model life 1963>>2012

Pos	Part Number	Description	Remark	Qty	Model
		Power-steering pump	87- -88 89- -94 98		959 CARRERA 2/4 TURBO
1	964 347 432 AX	Tandem pump Power-steering pump ZF 7681 955 179 We take back: 964.347.432.01	87- -88 89-	1	959 CARRERA 2/4
1	964 347 432 BX	Power-steering pump ZF 7681 955 245 We take back: 964.347.432.02	92-	1	CARRERA 2/4
1	964 347 432 CX	Power-steering pump ZF 7681 955 245 We take back: 964.347.432.BX	92-	1	CARRERA 2/4
(1)	993 314 050 JX	Power-steering pump ZF 8692 955 123 We take back: 993.314.050.10	98	1	TURBO
2	959 347 089 X	Tandem pump VICKERS VTP64 SK-302-85 We take back: 959.347.089.00	87-	1	959 KOMFORT
-	959 347 090 X	Vane type pump We take back: 959.347.090.00	87-	1	959 SPORT

Model: ATK

Model life 1963>>2012



Model: ATK

Model life 1963>>2012

Pos	Part Number	Description	Remark	Qty	Model
1	944 347 432 X	Power-steering pump Vane type pump ZF 7681 955 109/115 We take back: 944.347.432.00	-83	1	944/S/TURBO 924 S 968 944
(1)	944 347 432 DX	Power-steering pump ZF 7681 955 139 with Bore for Idle-speed adjuster We take back: 944.347.432.04	87-	1	944 S
1	944 347 432 CX	Power-steering pump ZF 7681 955 119/196/251 We take back: 944.347.432.03/08	84- -88 92- -95	1	944/TURBO 924 S 968

Model: ATK

Model life 1963>>2012

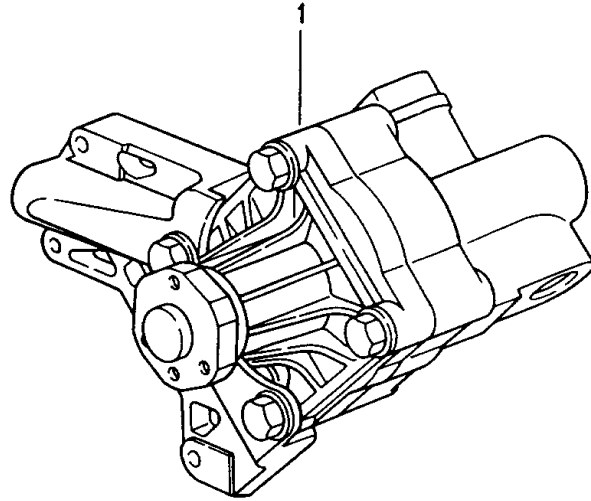


Model: **ATK** Model life **1963>>2012**

Pos	Part Number	Description	Remark	Qty	Model
		Power-steering pump	94- 99- 01- 01-		BOXSTER CAYMAN S CARRERA GT3 911 TURBO GT2 CARRERA GT
1	993 314 050 X	Power-steering pump We take back: 993.314.050.27	94-	1	CARRERA
(1)	996 314 050 X	Power-steering pump We take back: 996.314.050.02	07- 98-	1	BOXSTER CAYMAN S CARRERA
(1)	996 314 050 AX	Power-steering pump We take back: 996.314.050.51	99- 01-	1	GT3 911 TURBO M249
(1)	996 314 040 X	Power-steering pump We take back: 996.314.040.01	01- 01-	1	GT2 911 TURBO M480
(1)	980 314 050 X	Power-steering pump We take back: 980.314.050.03	04-	1	CARRERA GT M80.01

Model: ATK

Model life 1963>>2012

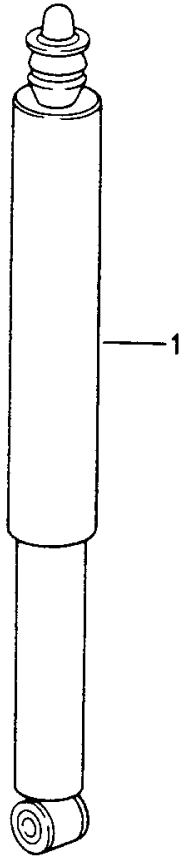


Model: ATK Model life 1963>>2012

Pos	Part Number	Description	Remark	Qty	Model
		Power-steering pump	78- -95		928
1	928 347 431 EX	Power-steering pump ZF 7671 955 146 We take back: 928.347.431.05	-84	1	
1	928 347 089 X	Vane type pump ZF 7681 955 118 We take back: 928.347.089.00	85-90	1	
1	928 347 089 BX	Power-steering pump We take back: 928.347.089. X	85-90	1	
1	928 347 089 AX	Power-steering pump VICKERS 516 268 We take back: 928.347.089.01	91-95	1	

Model: ATK

Model life 1963>>2012



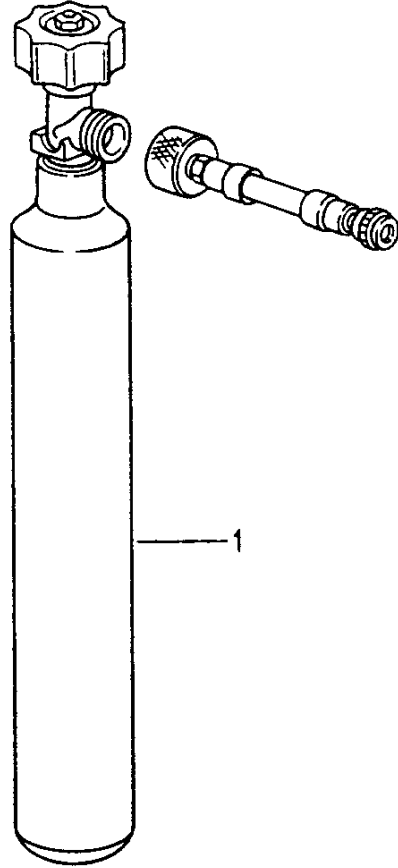
Model: ATK

Model life 1963>>2012

Pos	Part Number	Description	Remark	Qty	Model
1	901 333 051 AX	Vibration damper Rear axle Vibration damper BOGE We take back: 901.333.051.01	67- -68 68	2	911/912 911/911 T
1	902 333 051 AX	Vibration damper BOGE We take back: 902.333.051.00/01	67- -68	2	912
1	901 333 051 NX	Vibration damper KONI We take back: 901.333.051.12/13	67- -68	2	911/912

Model: ATK

Model life 1963>>2012



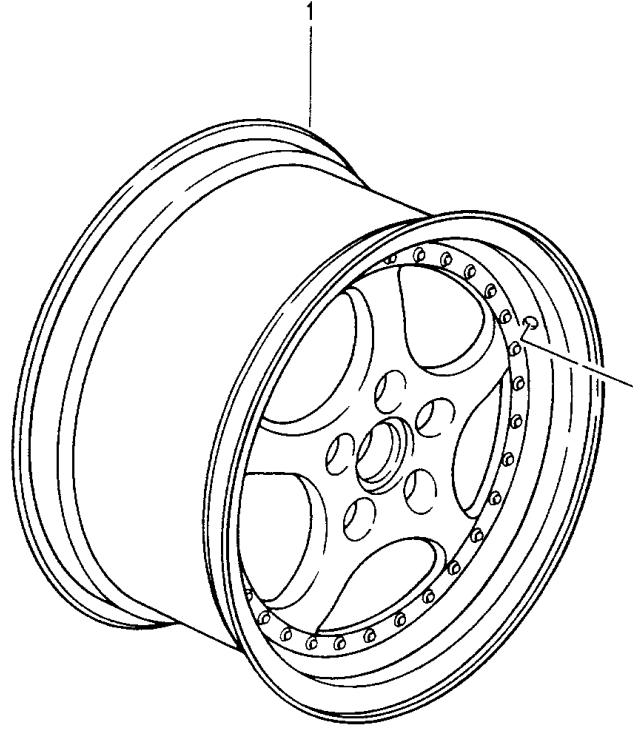
Model: ATK

Model life 1963>>2012

Pos	Part Number	Description	Remark	Qty	Model
1	911 361 511 AX	Compressed air bottle Compressed air bottle for emergency wheel with Hose piece Valve And Nut We take back: 911.361.511.00/01	74- -77 74-	1	911

Model: ATK

Model life 1963>>2012

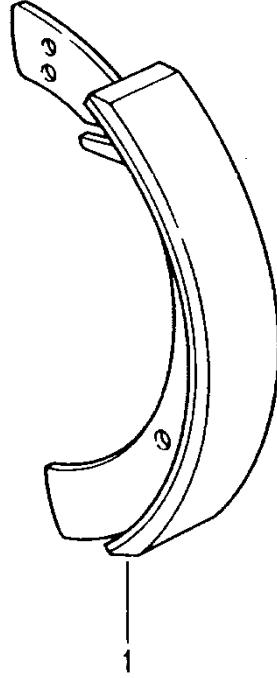


Model: ATK Model life 1963>>2012

Pos	Part Number	Description	Remark	Qty	Model
		Alloy wheels	93- -94 95- -96		911 TURBO CARRERA RS
1	965 362 136 X	Alloy wheel Silver metallic Rim flange polished 8 J X 18 ET 52 We take back: 965.362.136.00	/V 93-	2	TURBO
1	965 362 136 AX	Alloy wheel Polished 8 J X 18 ET 52 We take back: 965.362.136.01	/V 93-	2	TURBO
1	965 362 140 X	Alloy wheel Silver metallic Rim flange polished 10 J X 18 ET 61 We take back: 965.362.140.00	/H 93-	2	TURBO
1	965 362 140 AX	Alloy wheel Polished 10 J X 18 ET 61 We take back: 965.362.140.01	/H 93-	2	TURBO
(1)	993 362 136 X	Alloy wheel Silver metallic 8 J X 18 ET 52 We take back: 993.362.136.81	/V 95-	2	CARRERA RS
(1)	993 362 140 X	Alloy wheel Silver metallic 10 J X 18 ET 65 We take back: 993.362.140.81	/H 95-	2	CARRERA RS

Model: ATK

Model life 1963>>2012



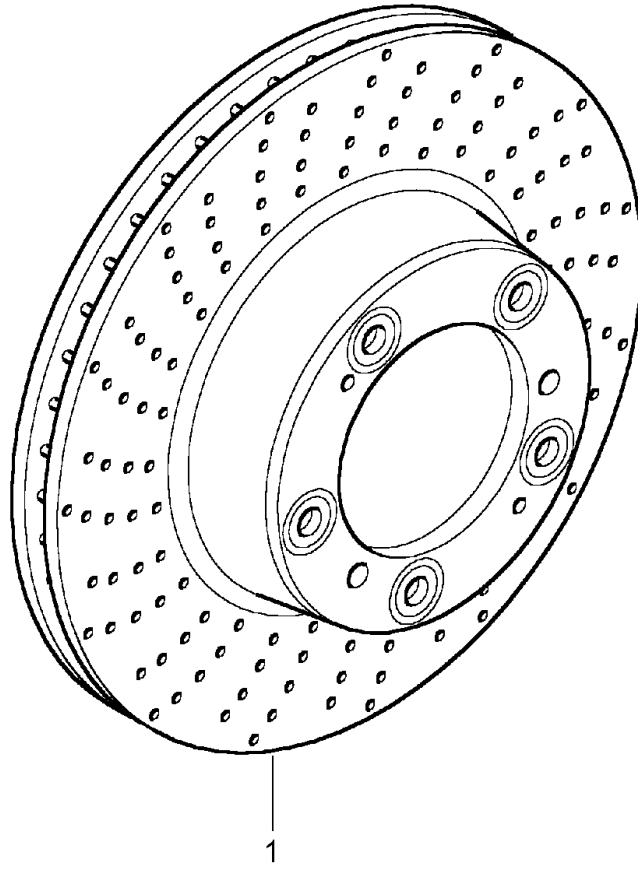
Model: ATK

Model life 1963>>2012

Pos	Part Number	Description	Remark	Qty	Model
1	695 351 033 AX	Brake shoe Brake shoe Brake pad 7,0 MM We take back: 695.351.033.01	/V /H	1	356 A/B
1	695 351 033 BX	Brake shoe Brake pad 7,5 MM We take back: 695.351.033.01	/V /H	1	

Model: ATK

Model life 1963>>2012



Model: ATK Model life 1963>>2012

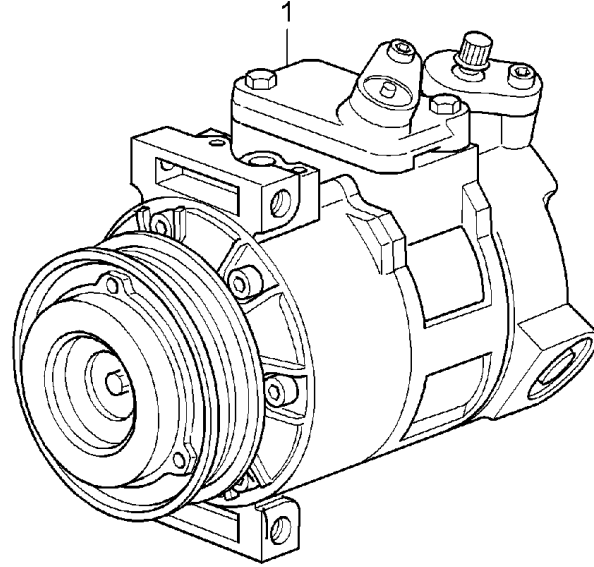
Pos	Part Number	Description	Remark	Qty	Model
		Brake disc PCCB	01- 01- 03- 03- 05- 05- 05-		911 TURBO 911 GT2 911 GT3 911 C4-S 911 C2 911 C2-S BOXSTER S I450
1	996 351 031 BX	Installation instructions Attention Brake disc	/V /L 01- /V /L	1	911 TURBO 911 C4-S
1	996 351 032 BX	We take back: 996.351.031.02 Brake disc	/V /R 01- /V /R	1	911 TURBO 911 C4-S
1	996 351 031 CX	We take back: 996.351.032.02 Brake disc	/V /L 01- /V /L /V /L 05- /V /L 05- /V /L 05-	1	911 TURBO 911 C4-S 911 C2 911 C2-S BOXSTER S
1	996 351 032 CX	We take back: 996.351.031.02/03 Brake disc	/V /R 01- /V /R /V /R 05- /V /R 05- /V /R 05-	1	911 TURBO 911 C4-S 911 C2 911 C2-S BOXSTER S
1	996 351 031 DX	We take back: 996.351.032.02/03 Brake disc	/V /L 01- /V /L 05- /V /L 05- /V /L 05- /V /L 05-	1	911 TURBO 911 C4-S 911 C2 911 C2-S BOXSTER S
1	996 351 032 DX	We take back: 996.351.031.02/03/04 Brake disc	/V /R 01- /V /R 05- /V /R 05- /V /R 05- /V /R 05-	1	911 TURBO 911 C4-S 911 C2 911 C2-S BOXSTER S
1	996 352 031 BX	We take back: 996.351.032.02/03/04 Brake disc	/H /L 01- /H /L /H /L 03- /H /L 03-	1	911 TURBO 911 GT2 911 GT3 911 C4-S
1	996 352 032 BX	We take back: 996.352.031.02 Brake disc	/H /R 01- /H /R /H /R 03- /H /R 03-	1	911 TURBO 911 GT2 911 GT3 911 C4-S
1	996 352 031 CX	We take back: 996.352.032.02 Brake disc	/H /L 01- /H /L /H /L 03- /H /L 03- /H /L 05-	1	911 TURBO 911 GT2 911 GT3 911 C4-S 911 C2

Model: **ATK** Model life **1963>>2012**

Pos	Part Number	Description	Remark	Qty	Model
1	996 352 032 CX	We take back: 996.352.031.02/03 Brake disc	/H /L 05- /H /R 01- /H /R /H /R 03- /H /R 03- /H /R 05- /H /R 05-	1	911 C2-S 911 TURBO 911 GT2 911 GT3 911 C4-S 911 C2 911 C2-S
1	996 352 031 DX	We take back: 996.352.032.02/03 Brake disc	/H /L 01- /H /L /H /L 03- /H /L 03- /H /L 05- /H /L 05-	1	911 TURBO 911 GT2 911 GT3 911 C4-S 911 C2 911 C2-S
1	996 352 032 DX	We take back: 996.352.031.02/03/04 Brake disc	/H /R 01- /H /R /H /R 03- /H /R 03- /H /R 05- /H /R 05-	1	911 TURBO 911 GT2 911 GT3 911 C4-S 911 C2 911 C2-S
1	996 351 031 X	We take back: 996.352.032.02/03/04 Brake disc	/V /L 01- /V /L	1	911 GT2 911 GT3
1	996 351 032 X	We take back: 996.351.031.92 Brake disc	/V /R 01- /V /R	1	911 GT2 911 GT3
1	996 351 031 AX	We take back: 996.351.032.92 Brake disc	/V /L 01- /V /L	1	911 GT2 911 GT3
1	996 351 032 AX	We take back: 996.351.031.92/93 Brake disc	/V /R 01- /V /R	1	911 GT2 911 GT3
1	996 351 031 2X	We take back: 996.351.032.92/93 Brake disc	/V /L 01- /V /L	1	911 GT2 911 GT3
1	996 351 032 2X	We take back: 996.351.031.92/93/94 Brake disc	/V /R 01- /V /R	1	911 GT2 911 GT3
1	987 352 031 X	We take back: 996.351.032.92/93/94 Brake disc	/H /L 05-	1	BOXSTER S
1	987 352 032 X	We take back: 987.352.031.00 Brake disc We take back: 987.352.032.00	/H /R 05-	1	BOXSTER S

Model: ATK

Model life 1963>>2012

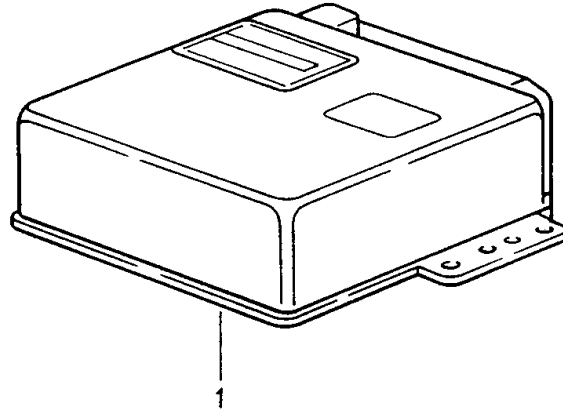


Model: ATK Model life 1963>>2012

Pos	Part Number	Description	Remark	Qty	Model
		Compressor Air conditioner	97- 98- 01- 05- 05- 07- 03- -06		986 996 996 TURBO 987 997 997 TURBO CAYENNE
1	996 126 011 BX	Compressor DENSO 7S BU 16 We take back: 996.126.011.52		1	986 / 996 987 / 997
(1)	955 126 011 X	Compressor We take back: 955.126.011.00	-04	1	ID9J
(1)	955 126 011 AX	Compressor We take back: 955.126.011.00/01	05-	1	ID9J

Model: ATK

Model life 1963>>2012



Model: ATK Model life 1963>>2012

Pos	Part Number	Description	Remark	Qty	Model
		Control units	84- -89 89- -94 90- -94 94- -98 84-		911 CARRERA 2/4 TURBO
1	911 618 111 HX	Control unit DME BOSCH 0986 261 056 We take back: 911.618.111.00/04/08		1	930.20
1	911 618 111 KX	Control unit DME BOSCH 0261 200 052 We take back: 911.618.111.02/06/10	84- (CH) (S)	1	930.20/26
1	911 618 111 JX	Control unit DME BOSCH 0261 200 051 We take back: 911.618.111.03/07/09	84- (B) (F) (GB) (E) (I) (L) (GR)	1	930.20 (P) (SA)(HK)
1	911 618 111 EX	Control unit DME BOSCH 0261 200 050 We take back: 911.618.111.01/05	86 (A) (D) (AUS) (CH)	1	930.21 M298
1	911 618 111 LX	Control unit Dme-911 BOSCH 0986 261 066 We take back: 911.618.111.18	87-	1	930.20/26
1	911 618 111 PX	Control unit Dme-911 BOSCH 0986 261 068 We take back: 911.618.111.14/20	87-	1	930.25
1	964 618 124 CX	Control unit DME BOSCH 0986 261 100 We take back: 964.618.124.03	91-	1	M64.01/02
1	911 618 124 DX	Control unit Dme-911 BOSCH 0986 261 098 We take back: 911.618.124.04	89-	1	M64.01/02
1	965 602 706 AX	Control unit DME BOSCH 0986 261 624 We take back: 965.602.706.01	-92	1	M64.50
1	965 602 706 JX	Control unit DME BOSCH 0986 261 637 We take back: 965.602.706.02	93-	1	M64.50
1	993 618 604 JX	Control unit DME We take back: 99361860410	94-97	1	M64.23/24

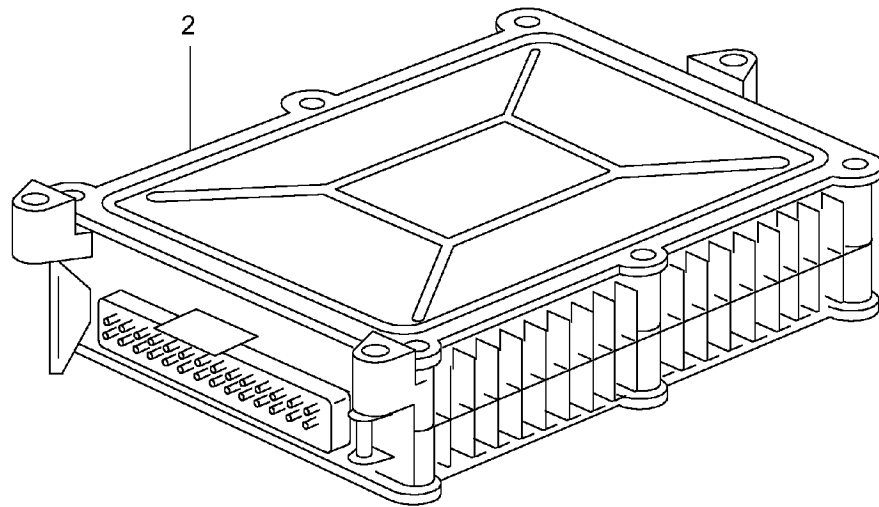
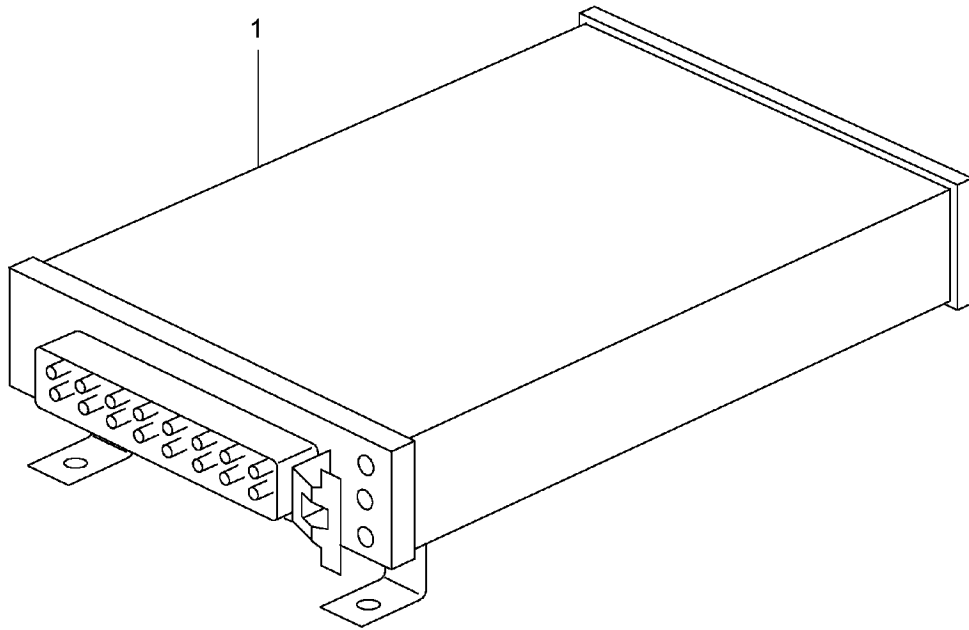
Model: ATK

Model life 1963>>2012

Pos	Part Number	Description	Remark	Qty	Model
1	993 618 604 KX	Control unit DME We take back: 99361860411	98-	1	M64.23/24

Model: ATK

Model life 1963>>2012

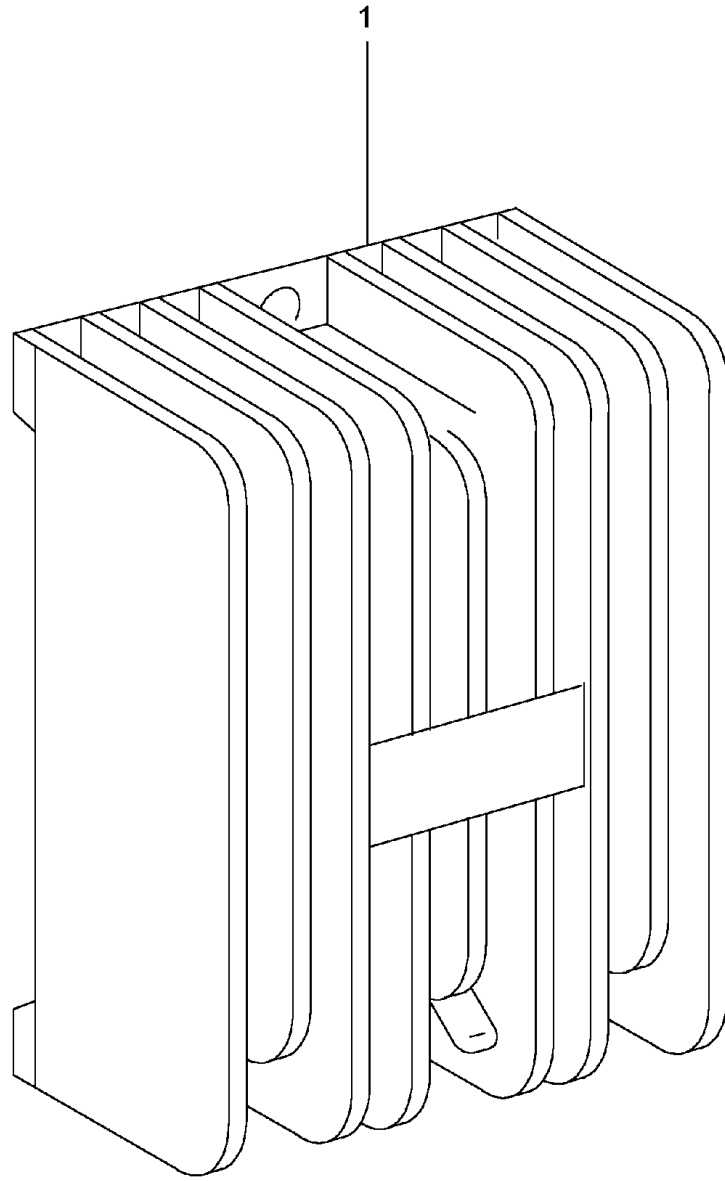


Model: **ATK** Model life **1963>>2012**

Pos	Part Number	Description	Remark	Qty	Model
		Control units	87- -88		959
1	959 618 130 X	Control unit Function-drive VDO 461.207/001/001 We take back: 959.618.130.00/01	87- -88	1	
2	959 618 119 X	Control unit Anti-lock brake system WABCO:884/900/1530 We take back: 959.618.119.00	87- -88	1	
-	959 618 301 X	Control unit Level adjustment We take back: 959.618.301.00	87- -88	1	
-	959 618 151 X	Control unit Tyre pressure monitoring We take back: 959.618.151.00	87- -88	1	
-	959 618 120 X	Control unit Boost pressure We take back: 959.618.120.00	87- -88	1	
-	959 618 111 X	Control unit - dme - We take back: 959.618.111.00	87- -88	1	

Model: ATK

Model life 1963>>2012



Model: ATK

Model life 1963>>2012

Pos	Part Number	Description	Remark	Qty	Model
		Control unit	69- -73 78- -83		911 914/6 911/TURBO
1	901 602 702 X	Control unit BOSCH 0227 200 001/002 We take back: 901.602.702.00	69-	1	911 914/6
1	930 602 702 X	Control unit BOSCH 0227 300 004 We take back: 930.602.702.00	78-	1	911/TURBO

Model: ATK

Model life 1963>>2012

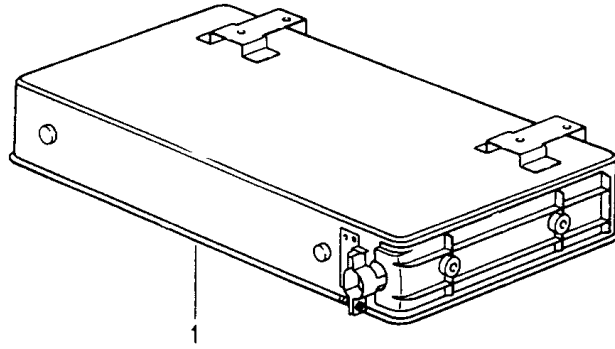


Model: **ATK** Model life **1963>>2012**

Pos	Part Number	Description	Remark	Qty	Model
		Control units Tiptronic Transmission	03- 03- 03-		CAYENNE CAYENNE S CAYENNE TURBO
1	955 618 020 AX	Technical information Group 3 NR. 3/04 Attention Control unit		1	A48.20 IGOR
1	955 618 020 BX	F >>9P4LA 01743 We take back: 955.618.020.01/02/03 Control unit		1	A48.20 IGOR
1	955 618 020 CX	F 9P4LA 01744>> F >>9P6LA 03709 We take back: 955.618.020.10/11/12 Control unit		1	ID9J IGOR
1	955 618 022 AX	F 9P6LA 03710>> We take back: 955.618.020.10/11/12/21 Control unit		1	A48.00 IGOR
1	955 618 022 BX	F >>9P4LA 48466 We take back: 955.618.022.00/01/02/03 Control unit		1	A48.00 IGOR
1	955 618 022 CX	F 9P4LA 48467>> F >>9P6LA 43715 We take back: 955.618.022.10/11/12 Control unit		1	ID9K IGOR
1	955 618 021 AX	F 9P6LA 43716>> We take back: 955.618.022.10/11/12/21 Control unit		1	A48.50 IGOR
1	955 618 021 BX	F >>9P4LA 83830 We take back: 955.618.021.00/01/02/03 Control unit		1	A48.50 IGOR
		F 9P4LA 83831>> We take back: 955.618.021.10/11/12			

Model: ATK

Model life 1963>>2012



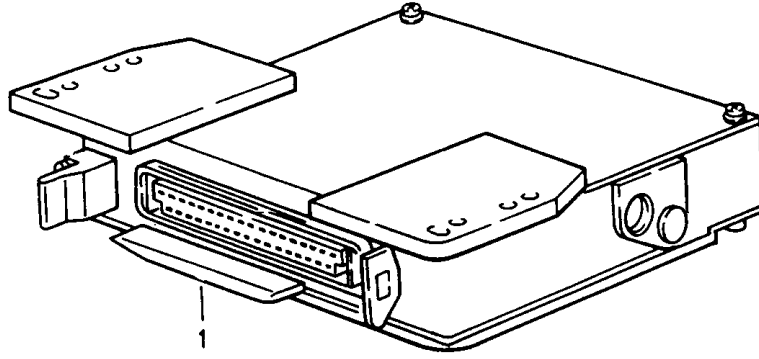
Model: ATK

Model life 1963>>2012

Pos	Part Number	Description	Remark	Qty	Model
1	022 906 021 AX	Control units Control unit BOSCH 0280 000 013 M >> W0 129 581 We take back: 022.906.021.A		1	914/4 W M022

Model: ATK

Model life 1963>>2012



Model: **ATK** Model life **1963>>2012**

Pos	Part Number	Description	Remark	Qty	Model
		Control units	82- -91 92- -95		944 968
1	944 618 111 X	Control unit DME BOSCH 0261 200 006 We take back: 944.618.111.00	82- 82 (CH) 82	1	M44.01/03
1	944 618 111 BX	Control unit DME BOSCH 0261 200 016 We take back: 944.618.111.02	(CH) -85 (AUS) (S) 82- -85	1	M44.01/03 (HK)(NZ)
1	944 618 111 CX	Control unit DME BOSCH 0261 200 006 We take back: 944.618.111.03	82- (B) (F) (GB) (E) (I) (L)	1	M44.01/03 (P)
1	944 618 121 CX	Control unit DME BOSCH 0986 261 064 We take back: 944.618.121.01/03 BOSCH 0261 200 057/076	85-	1	M44.05/06
1	944 618 121 DX	Control unit DME BOSCH 0986 261 065 We take back: 944.618.121.02/04 BOSCH 0261 200 058/077	86- (J)	1	M44.07/08
1	951 618 121 BX	Control unit DME BOSCH 0261 200 075 We take back: 951.618.121.00-02/08	86-	1	M44.50/51
(1)	951 618 113 BX	Control unit KLR BOSCH 0261 201 014 We take back: 951.618.113.00-02	86- -88	1	M44.50/51
1	944 618 124 X	Control unit DME BOSCH 0261 200 080 We take back: 944.618.124.00/01	87-	1	M44.40
1	944 618 124 BX	Control unit DME BOSCH 0261 200 195 We take back: 944.618.124.02	90	1	M44.41
1	944 618 124 EX	Control unit DME BOSCH 0261 200 458 We take back: 944.618.124.05	91	1	M44.41
1	944 618 123 BX	Control unit DME BOSCH 0986 261 126 We take back:	92-	1	M44.43/44

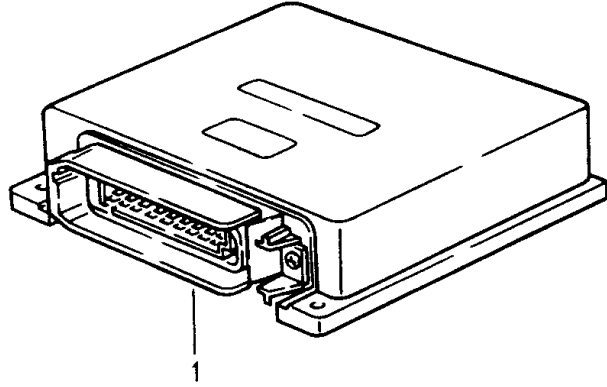
Model: ATK

Model life 1963>>2012

Pos	Part Number	Description	Remark	Qty	Model
		944.618.123.02			

Model: ATK

Model life 1963>>2012

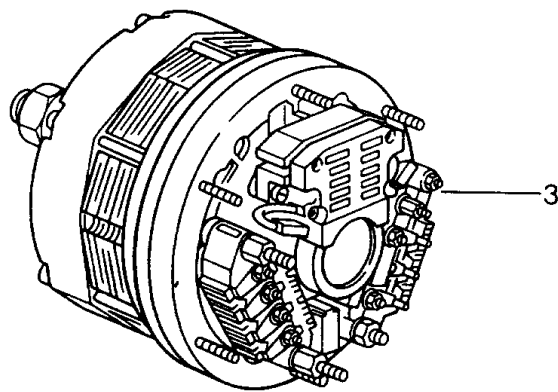
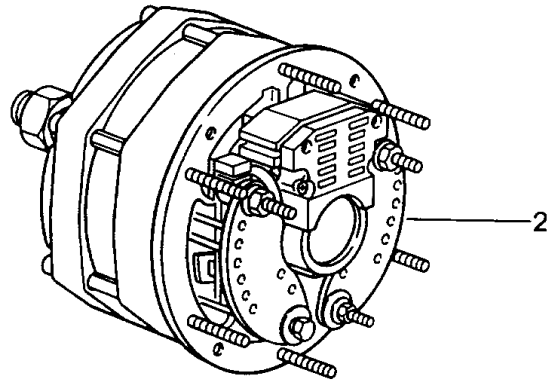
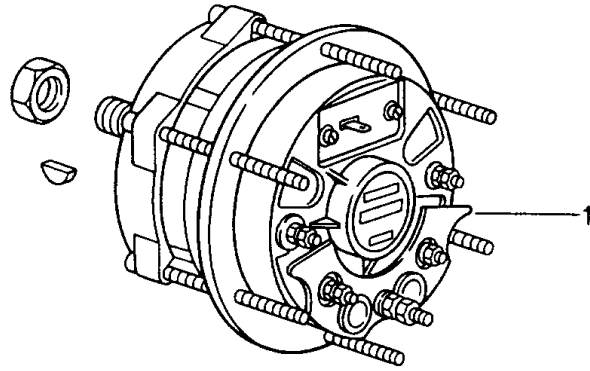


Model: **ATK** Model life **1963>>2012**

Pos	Part Number	Description	Remark	Qty	Model
		Control units	84-		928S/S4/GTS
(1)	928 618 124 CX	Control unit EFZ BOSCH 0986 261 600 We take back: 928.618.124.03	-95 84-	1	M28.21/22
(1)	928 618 124 DX	Control unit EZF BOSCH 0227 400 014 We take back: 928.618.124.02/04	84	1	M28.21/22 M154
1	928 618 123 LX	Control unit Lh-jetronic BOSCH 0280 002 504 We take back: 928.618.123.10/11	87-	1	M28.41/42
1	928 618 123 NX	Control unit Lh-jetronic BOSCH 0280 002 507 We take back: 928.618.123.11/13	89-	1	M28.41/42
1	928 618 123 MX	Control unit Lh-jetronic BOSCH 0280 002 560 We take back: 928.618.123.14	89-	1	M28.41/42 M637/639
1	928 618 123 PX	Control unit Lh-jetronic BOSCH 0280 002 508 We take back: 928.618.123.25	91	1	M28.42 M249
1	928 618 123 RX	Control unit Lh-jetronic BOSCH 0280 002 509 We take back: 928.618.123.26	91	1	M28.41 M481
1	928 618 123 GX	Control unit Lh-jetronic BOSCH 0280 002 514 We take back: 928.618.123.30	92-	1	M28.49/50

Model: ATK

Model life 1963>>2012

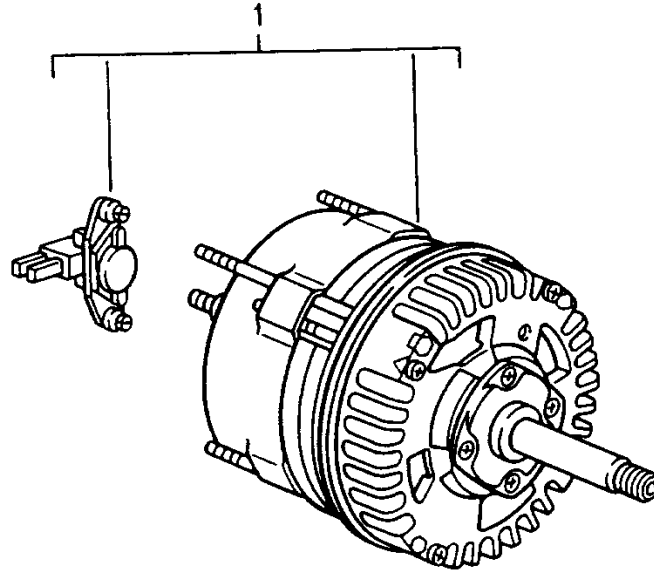


Model: ATK Model life 1963>>2012

Pos	Part Number	Description	Remark	Qty	Model
		Generator	70- -73 70- -89 87- -88 70-		914/6 911/TURBO 959 911 914/6
1	911 603 118 X	Generator 14 V 55 A BOSCH 0120 400 725 We take back: 911.603.118.00		1	
1	911 603 120 X	Generator 14 V 55 A MOTOROLA 071 223 702 We take back: 911.603.120.00	70-	1	911
1	911 603 120 BX	Generator 14 V 70 A SEV-MARCHAL 712 330 02 See technical information Group 2 NR.28 We take back: 911.603.120.02	75-	1	911/TURBO
2	911 603 120 DX	Generator 14 V 75 A PARIS-RHONE J1 A14 N11	82-	1	911/TURBO
2	911 603 120 HX	Generator 14 V 75 A PARIS-RHONE J1 A14 N11 We take back: 911.603.120.04	82-	1	911/TURBO
3	911 603 120 EX	Generator 14 V 90 A PARIS-RHONE A14 N67	84-	1	911/TURBO
3	911 603 120 GX	Generator 14 V 90 A PARIS-RHONE A14 N67 We take back: 911.603.120.05	84-	1	911/TURBO
-	959 603 121 AX	Generator We take back: 959.603.121.01	87-	1	959

Model: ATK

Model life 1963>>2012

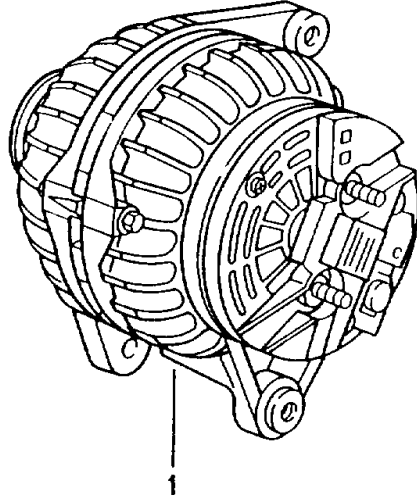


Model: ATK Model life 1963>>2012

Pos	Part Number	Description	Remark	Qty	Model
		Generator	89- -94 91- -94 94- -98 95 96- -98		CARRERA 2/4 911 TURBO CARRERA CARRERA RS 911 TURBO
1	964 603 156 AX	Generator	93- 93- 94- 95- 95- 96-	1	CARRERA 2/4 911 TURBO CARRERA CARRERA CARRERA RS 911 TURBO
		We take back: 964.603.156.01 BOSCH 0 120 468 125			
1	964 603 156 BX	Generator	93-	1	CARRERA 2/4 911 TURBO CARRERA CARRERA CARRERA RS 911 TURBO
		We take back: 964.603.156.01 BOSCH 0 120 468 125			

Model: ATK

Model life 1963>>2012



Model: ATK Model life 1963>>2012

Pos	Part Number	Description	Remark	Qty	Model
1	996 603 012 X	Generator We take back: 996.603.012.00 BOSCH 120 516 010	97- 98- 98- 01- 01- 04 97	1	BOXSTER CARRERA 996 GT3 996 TOP 996 GT2 CARRERA GT BOXSTER CARRERA
1	996 603 012 AX	Generator We take back: 996.603.012.00/01 BOSCH 0 124 515 015	-99	1	BOXSTER CARRERA
1	996 603 012 CX	Generator with Pulley without Free wheel lock M >> 654 06009 M >> 674 06125 M >> 664 12967 M >> 684 02282	00- -02	1	BOXSTER CARRERA M249 996 GT3 M480 BOXSTER BOXSTER CARRERA CARRERA IX51
1	997 603 012 X	Generator with Pulley without Free wheel lock M 654 06010 >> M 674 06126 >> M 664 12968 >> M 684 02283 >>	05- 01- 03- 04	1	BOXSTER CARRERA 996 TOP M249 996 GT3 CARRERA GT M480 BOXSTER BOXSTER CARRERA CARRERA IX51
1	997 603 012 BX	Generator We take back: 997.603.012.00 996.603.012.00/01/03 BOSCH 0 124 0AB 1TB		1	
1	996 603 012 BX	Generator with Pulley Free wheel lock M >> 654 06009 M >> 674 06125 M >> 664 12967 M >> 684 02282	00-	1	BOXSTER CARRERA /M 480 M481 BOXSTER BOXSTER CARRERA CARRERA IX51
1	996 603 012 2X	Generator with Pulley Free wheel lock We take back: 996.603.012.02	00-	1	BOXSTER CARRERA M249 M480 M481

Model: ATK Model life 1963>>2012

Pos	Part Number	Description	Remark	Qty	Model
			-02		996 GT3 M480 BOXSTER BOXSTER CARRERA CARRERA IX51
1	997 603 012 AX	M >> 654 06009 M >> 674 06125 M >> 664 12967 M >> 684 02282 We take back: 996.603.012.00/01/02/03 Generator with Pulley Free wheel lock	05- 05- 01- 01-	1	BOXSTER CARRERA 996 TOP 996 GT2 I480/481 BOXSTER BOXSTER CARRERA CARRERA IX51
1	997 603 012 CX	M 654 06010 >> M 674 06126 >> M 664 12968 >> M 684 02283 >> We take back: 997.603.012.01 996.603.012.02 BOSCH 0 124 0AB 1UB Generator		1	
1	997 603 022 BX	Generator with Pulley without Free wheel lock We take back: 997.603.022.02	07-	1	I249 987 987 CAYMAN 997 997 TURBO
1	997 603 022 CX	Generator with Pulley Free wheel lock We take back: 997.603.022.01/03	07-	1	I480/481 987 987 CAYMAN 997 997 TURBO

Model: ATK

Model life 1963>>2012



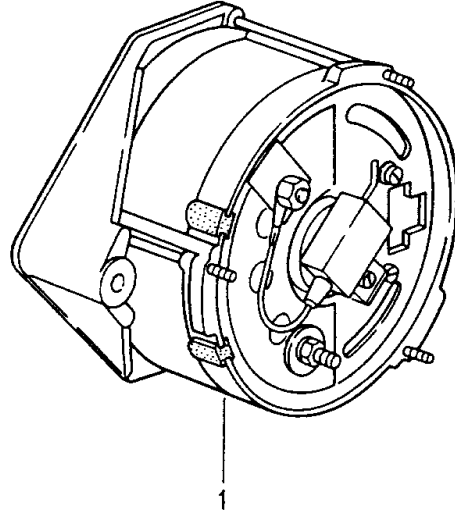
Model: ATK

Model life 1963>>2012

Pos	Part Number	Description	Remark	Qty	Model
-	948 603 015 EX	Generator Generator See technical manual Group 2 Nr. 2722 We take back: 948.603.015.04/05	-07	1	CAYENNE ID9L ID9K
-	955 603 016 AX	Generator See technical manual Group 2 Nr. 2722 We take back: 955.603.016.01	-07	1	ID9J I8GH
-	955 603 016 1X	Generator See technical manual Group 2 Nr. 2722 We take back: 955.603.016.10	-07	1	ID9J I8GH
-	955 603 017 X	Generator We take back: 955.603.017.00	-07	1	ID9J I8GR

Model: ATK

Model life 1963>>2012



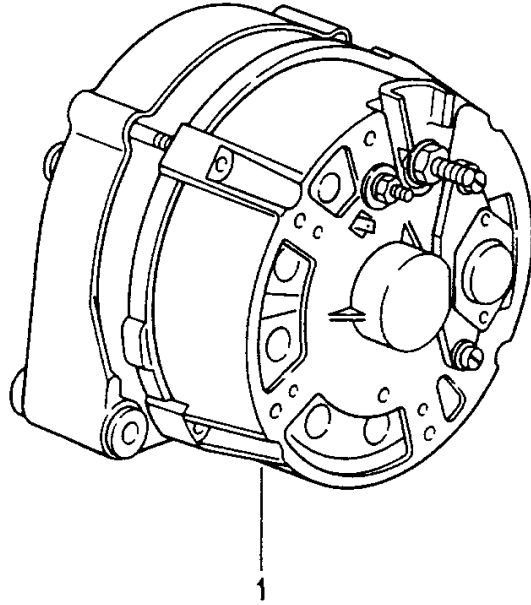
Model: ATK

Model life 1963>>2012

Pos	Part Number	Description	Remark	Qty	Model
1	022 903 023 X	Generator Generator 14 V 50 A BOSCH 0120 400 726/727 without Pulley And Fan M >> W0 250 000 M >>EA0 098 793 M >>EB0 010 020 M >>EC0 037 551 M >>AN0 008 797 M >>GA0 016 000 M >>GB0 009 821 We take back: 022.903.023		1	914/4 W/EA/EB M022 EC M022 021.AN 039.GA/GB
1	022 903 023 AX	Generator 14 V 50 A BOSCH 0120 400 895/896 without Pulley And Fan M AN0 008 798>> M EC0 037 552>> M GB0 009 822>> M GC0 000 001>> We take back: 022.903.023.A		1	EC M022 021.AN 039.GB/GC

Model: ATK

Model life 1963>>2012

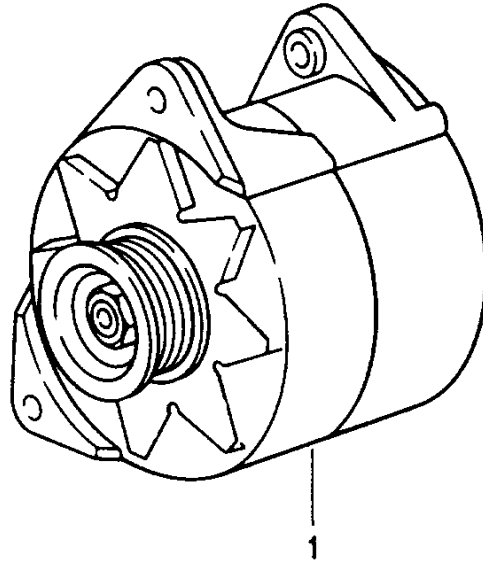


Model: ATK Model life 1963>>2012

Pos	Part Number	Description	Remark	Qty	Model
1	063 903 017 X	Generator Generator 14 V 75 A BOSCH 0120 469 502/528 without Pulley And Fan We take back: 035.903.015.A 063.903.017 068.903.017.D	76- -84	1	924 924 924 TURBO 924 GT

Model: ATK

Model life 1963>>2012

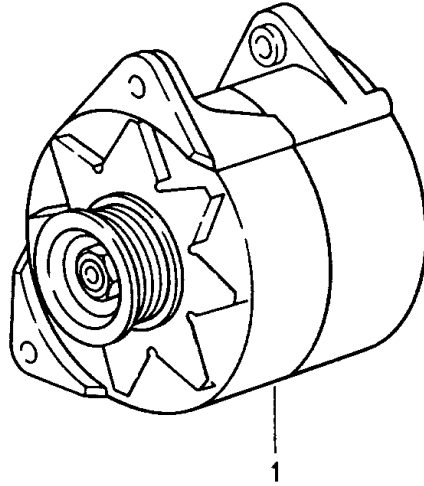


Model: **ATK** Model life **1963>>2012**

Pos	Part Number	Description	Remark	Qty	Model
		Generator	82- -95		944/924S/968
1	944 603 108 AX	Pulley Attention Generator 14 V 90 A BOSCH 0120 469 559 We take back: 944.603.108.01	82- -84	1	944
1	944 603 109 X	Generator 14 V 90 A BOSCH 0120 469 754 We take back: 944.603.109.00	86- -88	1	924 S
1	944 603 019 X	Generator	85- -91	1	944
1	928 603 011 EX	Generator Pulley Attention BOSCH 0 120 468 003/005 We take back: 944.603.019.00/01	85-	1	944
1	944 603 109 X	Generator BOSCH 0 120 469 754 We take back: 944.603.109.00	92-	1	968 CS
1	928 603 011 DX	Generator BOSCH 0 120 468 006 We take back: 928.603.011.04	92-	1	968

Model: ATK

Model life 1963>>2012

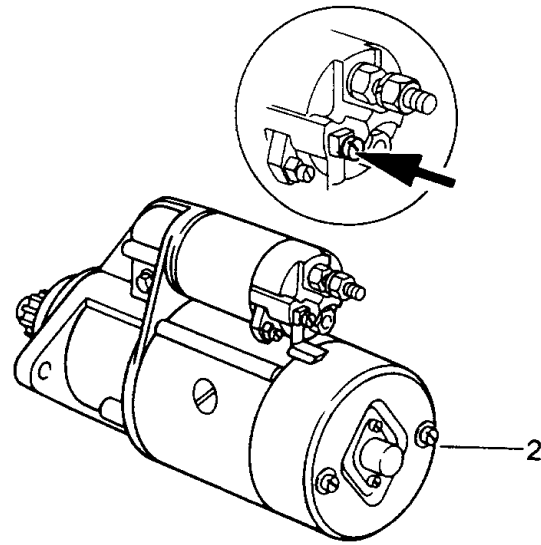
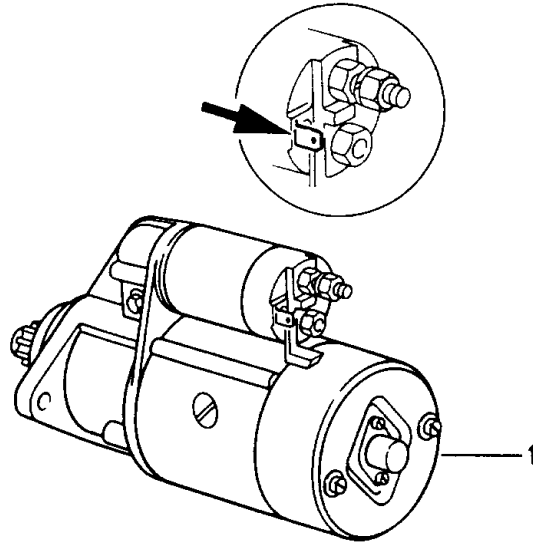


Model: **ATK** Model life **1963>>2012**

Pos	Part Number	Description	Remark	Qty	Model
		Generator	78- -95		928
(1)	928 603 113 CX	Generator 14 V 85 A SEV-MARCHALL 712 360 02 We take back: 928.603.113.03	78- -81	1	
(1)	928 603 114 X	Generator 14 V 90 A PARIS-RHONE K1 A14 N38 We take back: 928.603.114.00/01	82- -83	1	
(1)	928 603 114 AX	Generator 14 V 90 A	84	1	
(1)	928 603 114 BX	Generator 14 V 90 A PARIS-RHONE A14 N71 We take back: 928.603.114.01	84-	1	
1	928 603 011 X	Generator 14 V 115 A BOSCH 0 120 468 002 We take back: 928.603.011.00/01/02	85- -91	1	
1	928 603 011 EX	Generator BOSCH 0 120 468 005 We take back: 928.603.011.00/01/02/05	85-	1	

Model: ATK

Model life 1963>>2012

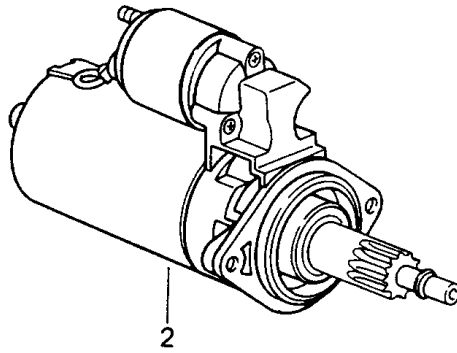
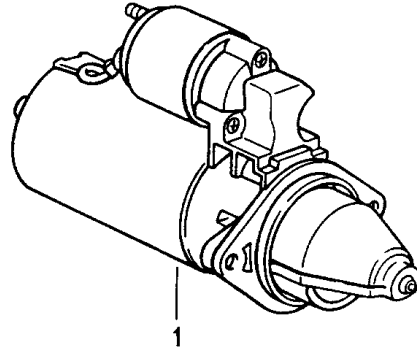


Model: ATK Model life 1963>>2012

Pos	Part Number	Description	Remark	Qty	Model
		Starter			914/6
1	901 604 102 CX	Starter 12 V 0,6 KW	-89	1	911/TURBO
1	901 604 102 DX	Starter 12 V 0,6 KW		1	911 SPM
1		Starter 12 V 0,6 KW		1	912 914/6
		BOSCH 0001 212 005			911 SPM
		We take back: 901.604.102.03			912 914/6
1	916 604 101 X	Starter 12 V 1,5 KW	-83	1	911/TURBO
1	916 604 101 BX	Starter 12 V 1,5 KW		1	911/TURBO
		BOSCH 0001 312 100			
		We take back: 916.604.101.00			
2	911 604 101 AX	Starter 12 V 1,5 KW	84-	1	911/TURBO
		BOSCH 0001 312 110			
		We take back: 911.604.101.01			

Model: ATK

Model life 1963>>2012

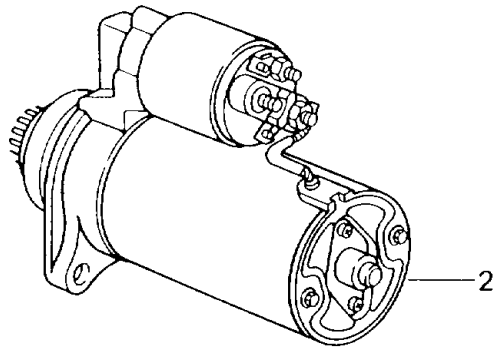
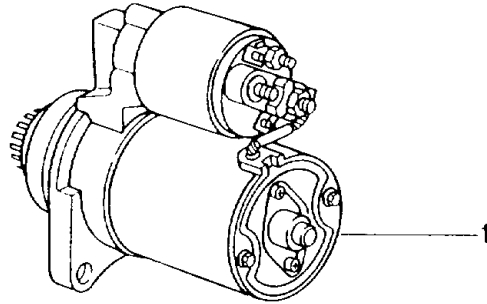


Model: **ATK** Model life **1963>>2012**

Pos	Part Number	Description	Remark	Qty	Model
1	911 604 102 AX	Starter BOSCH A 001 117 255 BOSCH 0 001 110 047 We take back: 911.604.102.01	89- -98 91- -98 90- -94 94-	1	CARRERA 2/4 911 TURBO CARRERA 2/4 M64.01 M64.02 M64.06/08
2	964 604 104 X	Starter BOSCH A 001 117 272 BOSCH 0 001 110 059 We take back: 964.604.104.00	90- -98 92- -93 95 96- -98	1	M64.01 /04 M64.03 CARRERA RS TURBO
(2)	996 604 107 X	Starter BOSCH 0 001 115 011 We take back: 964.604.104.00 996.604.107.00	90- 90-	1	CARRERA /04 M64.01/03 M64.05/07 M64.20/60 M64.21/23
2	965 604 104 X	Starter BOSCH 0 001 110 081 We take back: 965.604.104.00	91- 93- -94	1	M30.69 M64.50

Model: ATK

Model life 1963>>2012

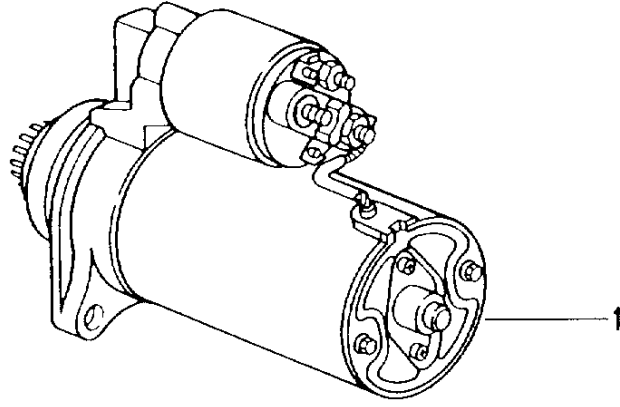


Model: **ATK** Model life **1963>>2012**

Pos	Part Number	Description	Remark	Qty	Model
1	986 604 104 X	Starter Starter 1,2 KW BOSCH 0001 121 003 We take back: 986.604.104.00	97- 97-	1	BOXSTER M481
2	996 604 104 X	Starter 1,8 KW BOSCH 0001 124 015 We take back: 986.604.104.00 996.604.104.00	97-	1	M249
2	996 604 103 X	Starter 1,7 KW BOSCH 0001 123 001	97-	1	
2	996 604 103 AX	Starter 1,7 KW BOSCH 0001 123 001 We take back: 996.604.104.00 996.604.103.00	97-	1	

Model: ATK

Model life 1963>>2012



Model: ATK Model life 1963>>2012

Pos	Part Number	Description	Remark	Qty	Model
1	996 604 103 X	Starter 1,7 KW BOSCH 0 001 123 001 We take back: 996.604.103.00 996.604.104.00 986.604.104.00	98- 01- 03- 98-	1	CARRERA 996 TOP 996 GT3 CARRERA
(1)	996 604 107 X	Starter 1,7 KW BOSCH 0 001 115 011 We take back: 996.604.107.00	01-	1	996 TOP 996 GT3

Model: ATK

Model life 1963>>2012



Model: **ATK** Model life **1963>>2012**

Pos	Part Number	Description	Remark	Qty	Model
		Starter	03- -06		CAYENNE
-	948 604 106 X	Starter We take back: 948.604.106.00		1	IT90/T91
-	955 604 107 X	Starter We take back: 955.604.107.00		1	IT31

Model: ATK

Model life 1963>>2012

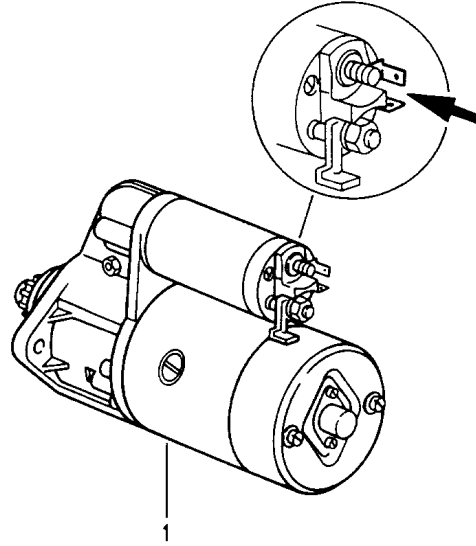


Model: **ATK** Model life **1963>>2012**

Pos	Part Number	Description	Remark	Qty	Model
-	997 613 261 X 997 613 261 X 01C	Steering column switch Switch Cruise control Satin black We take back: 997.613.261.00.01C		1	I454 987 997 I454 997 GT3 997 TURBO
-	955 613 261 X 955 613 261 X B41	Switch Cruise control Satin black We take back: 955.613.261.00.B41		1	I8T1 CAYENNE

Model: ATK

Model life 1963>>2012



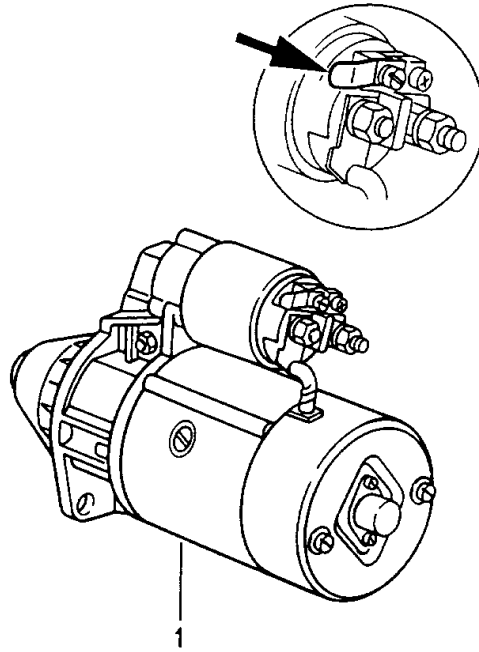
Model: ATK

Model life 1963>>2012

Pos	Part Number	Description	Remark	Qty	Model
1	003 911 023 BX	Starter Starter 12 V 0,6 KW BOSCH 0001 212 005/006 We take back: 003.911.023.A/B		1	914/4 W/EA/EB M022 EC M022 021.AN
1	039 911 023 X	Starter 12 V 0,6 KW BOSCH 0001 212 012/013 We take back: 039.911.023		1	039.GA/GB/GC

Model: ATK

Model life 1963>>2012



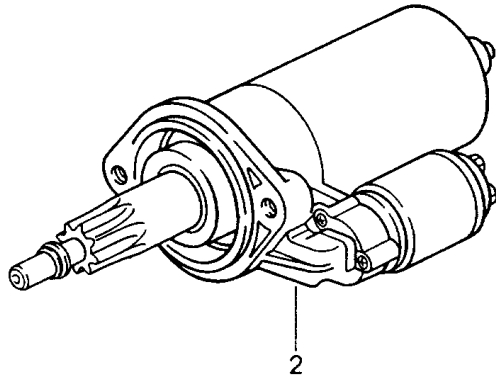
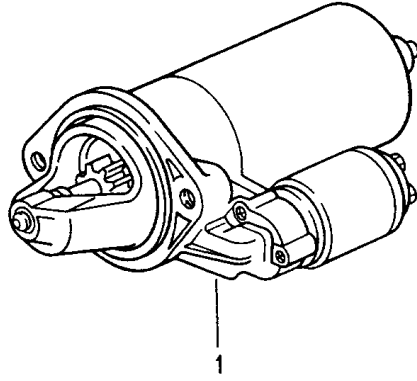
Model: ATK

Model life 1963>>2012

Pos	Part Number	Description	Remark	Qty	Model
		Starter	-85		924/TURBO
(1)	059 911 023 FX	Starter 12 V 0,6 KW BOSCH 0001 208 200/216/217 We take back: 059.911.023.F 060.911.023	-85	1	924 GT 924
(1)	046 911 023 X	Starter 12 V 1,1 KW BOSCH 0001 311 118/122 We take back: 046.911.023	79- -85	1	924 AUT.
1	047 911 023 AX	Starter 12 V 1,1 KW BOSCH 0001 311 134/135 We take back: 047.911.023.A	82- -84	1	924 TURBO 924 GT

Model: ATK

Model life 1963>>2012

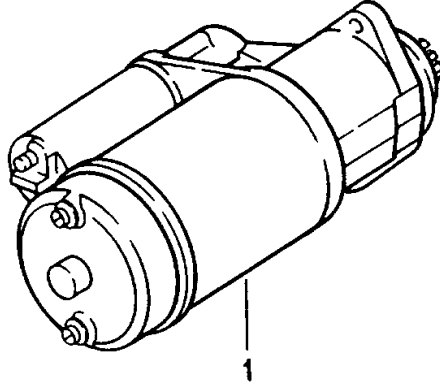


Model: ATK Model life 1963>>2012

Pos	Part Number	Description	Remark	Qty	Model
		Starter	82- -91 86- -95		944/TURBO 924 S/968
(1)	047 911 023 AX	Starter 12 V 1,1 KW BOSCH 0001 311 134/135 We take back: 931.604.101.00 BOSCH 0001 208 221/222	82- -84	1	944
1	951 604 101 X	Starter 1,4 KW	85-	1	944/TURBO 924 S
1	951 604 101 AX	Starter 1,4 KW BOSCH 0 001 108 021/022 We take back: 951.604.101.00	85-	1	944/TURBO 924 S
2	944 604 104 X	Starter for Manual transmission	92-	1	968
2	944 604 104 AX	Starter for Manual transmission BOSCH 0 001 110 073 We take back: 944.604.104.00	92-	1	968
(2)	944 604 103 X	Starter for Tiptronic	92-	1	968
(2)	944 604 103 AX	Starter for Tiptronic We take back: 944.604.103.00	92-	1	968

Model: ATK

Model life 1963>>2012

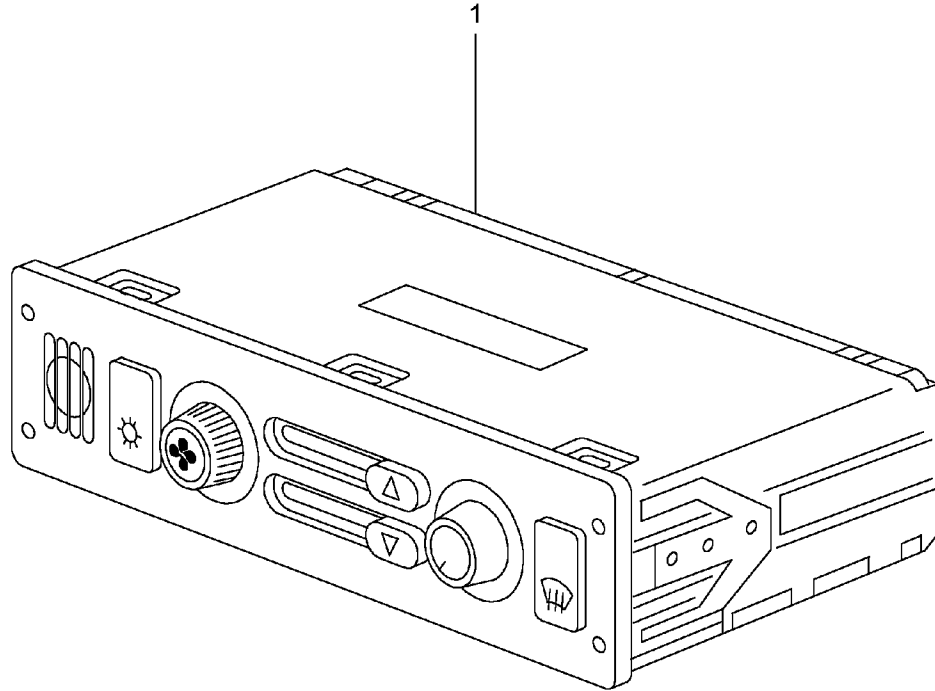


Model: ATK Model life 1963>>2012

Pos	Part Number	Description	Remark	Qty	Model
		Starter	78- -95		928
1	928 604 103 AX	Starter 12 V 1,5 KW BOSCH 0001 312 102 We take back: 928.604.103.01/04	78- -86	1	
1	928 604 103 DX	Starter BOSCH 0 001 312 111	87-	1	
1	928 604 103 EX	Starter BOSCH 0 001 312 111 We take back: 928.604.103.04 928.604.103.05	87-	1	

Model: ATK

Model life 1963>>2012

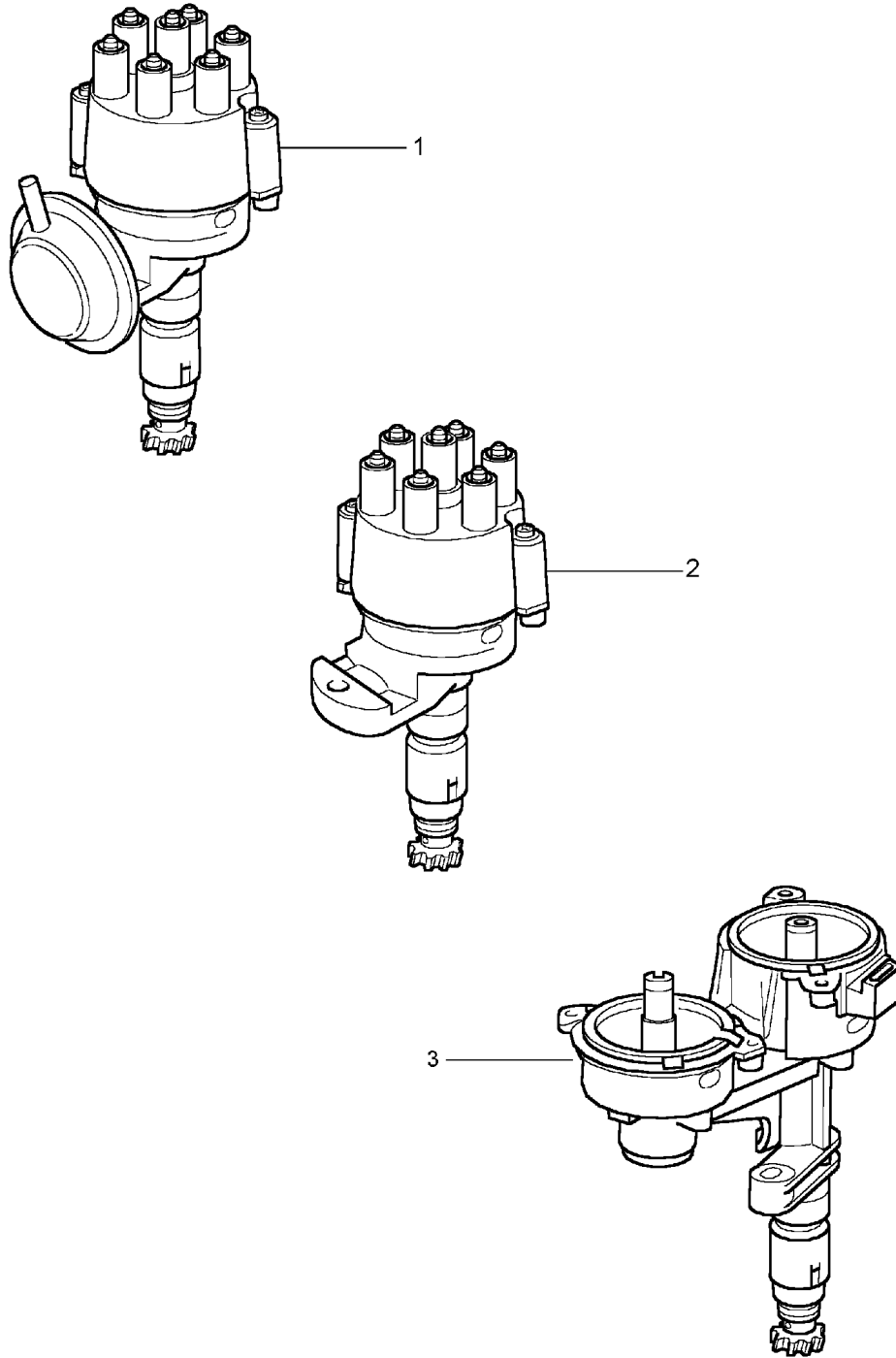


Model: ATK Model life 1963>>2012

Pos	Part Number	Description	Remark	Qty	Model
		Control switch 89- -98 See technical information GR.8 NR.2/91 for vehicles up to MOD.90 See workshop manual S.87-27			
(1)	993 659 045 X	Control switch Heater HELLA A 005 716-05 We take back: 993.659.045.00	/LL 89- -94	1	I098
(1)	993 659 046 X	Control switch Heater HELLA A 005 716-15 We take back: 993.659.046.00	/RL 89- -94	1	I099
1	993 659 047 X	Control switch Air conditioner HELLA A 005 716-04 We take back: 993.659.047.00	/LL 89- -94	1	I098
(1)	993 659 048 X	Control switch Air conditioner HELLA A 005 716-14 We take back: 993.659.048.00	/RL 89- -94	1	I099
(1)	993 659 045 AX	Control switch Heater HELLA 5 HB 005 716-07 We take back: 993.659.045.01	/LL 95- -98	1	I098
(1)	993 659 046 AX	Control switch Heater HELLA 5 HB 005 716-17 We take back: 993.659.046.01	/RL 95- -98	1	I099
1	993 659 047 AX	Control switch Air conditioner HELLA 5 HB 005 716-06 We take back: 993.659.047.01	/LL 95- -98	1	I098
(1)	993 659 048 AX	Control switch Air conditioner HELLA 5 HB 005 716-16 We take back: 993.659.048.01	/RL 95- -98	1	I099

Model: ATK

Model life 1963>>2012



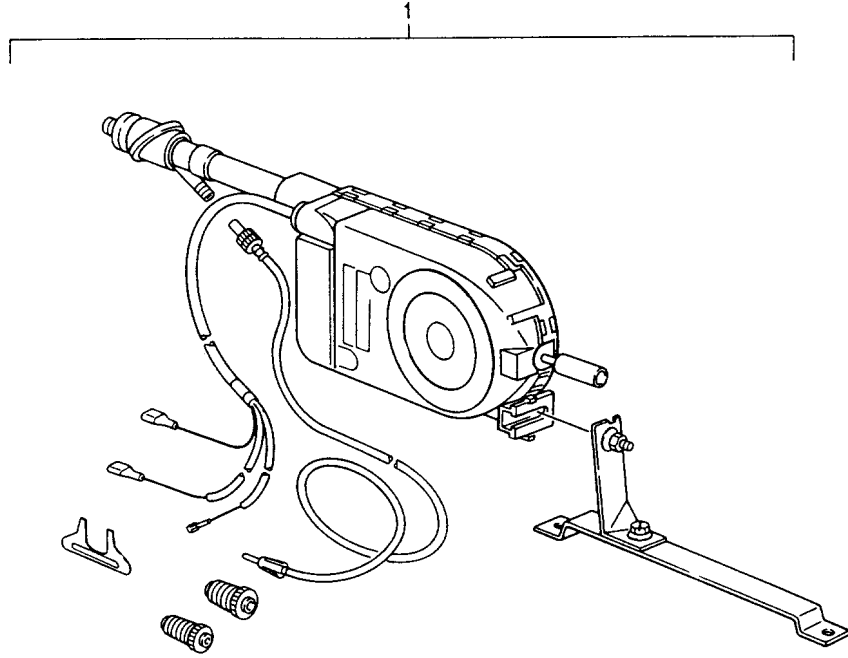
Model: ATK

Model life 1963>>2012

Pos	Part Number	Description	Remark	Qty	Model
		Distributor	78- -98 89- -98		TURBO CARRERA 2/4
1	930 602 103 X	Distributor BOSCH 0.986.237.404 We take back: 930.602.103.00	78- -89	1	TURBO M30.66
1	930 602 023 X	Distributor BOSCH 0.986.237.617 We take back: 930.602.023.00	91- -92	1	TURBO M30.69
1	965 602 024 X	Distributor BOSCH 0.986.237.620 We take back: 965.602.024.00	93- -94	1	TURBO M64.50
1	993 602 016 X	Distributor BOSCH 0.986.237.613 We take back: 993.602.016.00	94- -98	1	TURBO M64.60
2	930 602 023 X	Distributor BOSCH 0.986.237.617 M 63E 00701 >> We take back: 930.602.023.00	84-	1	CARRERA M30.20/21 M30.25/26
3	930 602 015 AX	Distributor BOSCH 0.986.237.901 We take back: 930.602.015.01	89-	1	CARRERA M64.01/02/03 M64.04-08 -24 M64.20

Model: ATK

Model life 1963>>2012



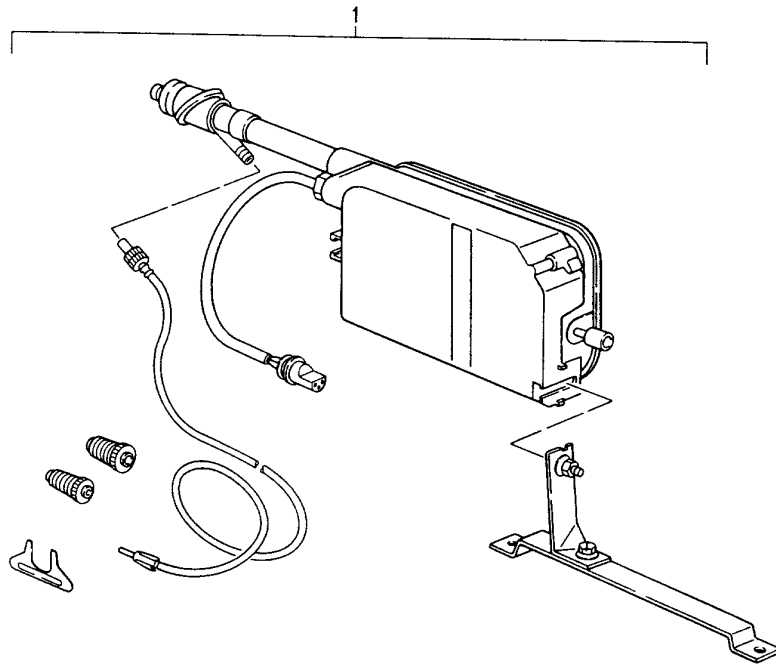
Model: ATK

Model life 1963>>2012

Pos	Part Number	Description	Remark	Qty	Model
1	477 035 507 X	Automatic antenna HIRSCHMANN 854 We take back: 477.035.507/510	-85	1	924/TURBO 944/924 S 924/TURBO 944
(1)	944 645 911 X	Automatic antenna HIRSCHMANN 854 Housing Black We take back: 944.645.911.00	86- -85	1	924 S 924/944

Model: ATK

Model life 1963>>2012

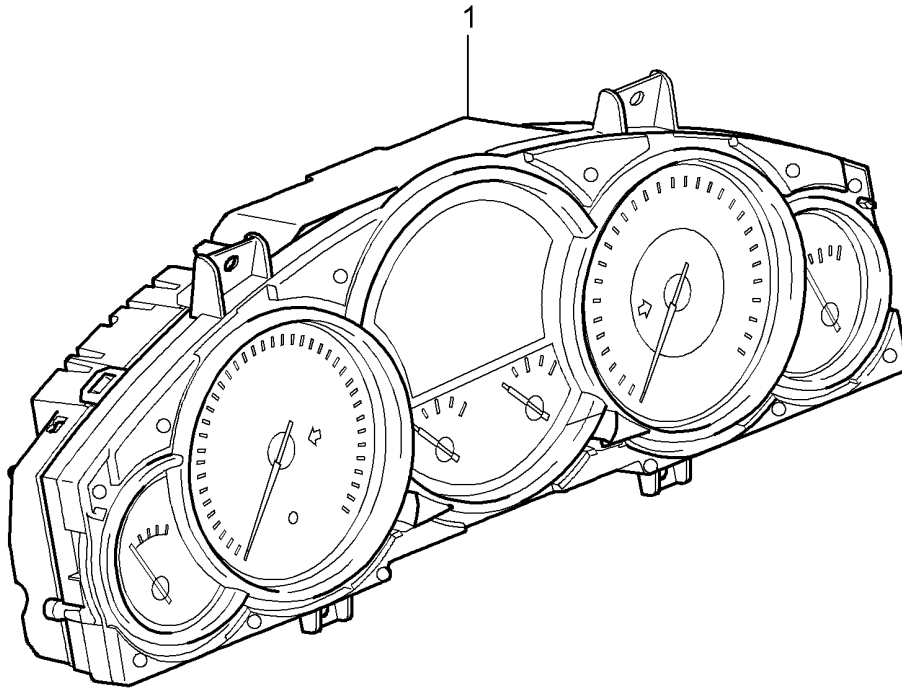


Model: **ATK** Model life **1963>>2012**

Pos	Part Number	Description	Remark	Qty	Model
1	928 645 035 X	Automatic antenna HIRSCHMANN 863 Cable plug White We take back: 928.645.035.00	78- -84 -79	1	928
1	928 645 035 AX	Automatic antenna HIRSCHMANN 863 Cable plug Black We take back: 928.645.035.01	80-	1	

Model: ATK

Model life 1963>>2012



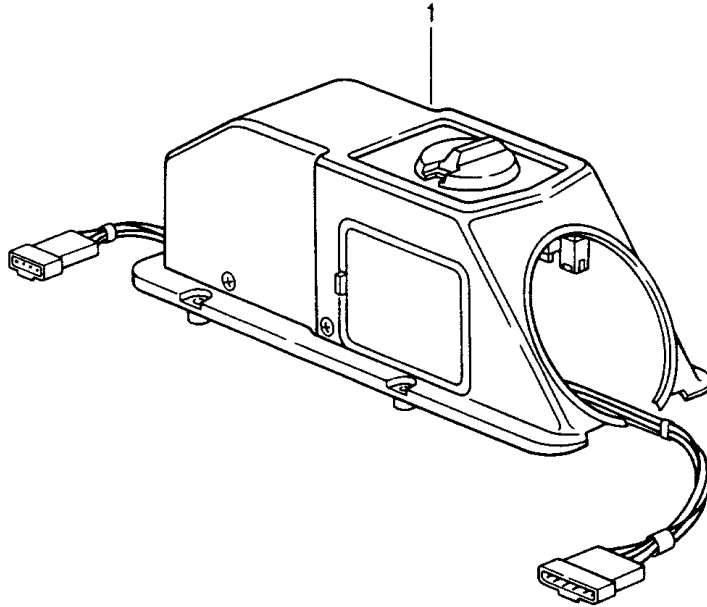
Model: ATK

Model life 1963>>2012

Pos	Part Number	Description	Remark	Qty	Model
1	955 641 104 X	Instrument cluster Instrument cluster We take back: 955.641.104.00	-04	1	CAYENNE ID9J
1	955 641 105 X	Instrument cluster We take back: 955.641.105.00	-04	1	ID9J/U5B
1	955 641 204 AX	Instrument cluster We take back: 955.641.204.01	-04	1	ID9K
1	955 641 205 AX	Instrument cluster We take back: 955.641.205.01	-04	1	ID9K/U5B
1	955 641 114 X	Instrument cluster We take back: 955.641.114.00	05-	1	ID9J
1	955 641 115 X	Instrument cluster We take back: 955.641.115.00	05-	1	ID9J/U5B
1	955 641 214 X	Instrument cluster We take back: 955.641.214.00	05-	1	ID9K
1	955 641 215 X	Instrument cluster We take back: 955.641.215.00	05-	1	ID9K/U5B
1	955 641 304 AX	Instrument cluster We take back: 955.641.304.01	-04	1	ID9L
1	955 641 305 AX	Instrument cluster We take back: 955.641.305.01	-04	1	ID9L/U5B
1	955 641 314 X	Instrument cluster We take back: 955.641.314.00	05-	1	ID9L
1	955 641 315 X	Instrument cluster We take back: 955.641.315.00	05-	1	ID9L/U5B

Model: ATK

Model life 1963>>2012



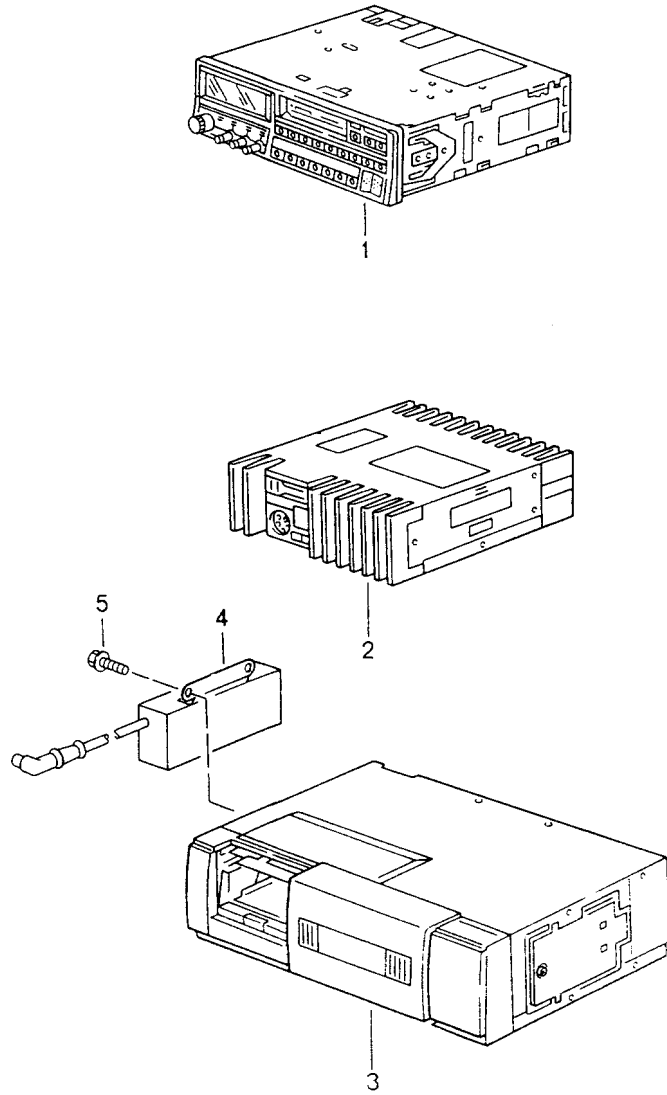
Model: ATK

Model life 1963>>2012

Pos	Part Number	Description	Remark	Qty	Model
1	911 659 049 BX	Control mechanism Heating Control mechanism Automatic BEHR 9 1575 40 002 We take back: 911.659.049.02	84 84	1	911 COUPE/TARGA

Model: ATK

Model life 1963>>2012



Model: **ATK** Model life **1963>>2012**

Pos	Part Number	Description	Remark	Qty	Model
1	911 645 158 X	Car radio Booster CD changer Radio BOSTON SQM 23 W/o motorist radio information BLAUPUNKT 7 643 848 070 We take back: 911.645.158.00	85- 85-	1	
1	911 645 168 X	Radio LUDWIGSBURG SQM 26 BLAUPUNKT 7 645 857 070 We take back: 911.645.168.00	87- -89	1	
1	911 645 071 AX	Radio BERLIN IQR 88 BLAUPUNKT 7 647 997 070 We take back: 911.645.071.01	88- -90	1	
1	911 645 159 AX	Radio BREMEN SQR 46 BLAUPUNKT 7 646 898 070 We take back: 911.645.159.01	87- -90	1	
1	911 645 139 BX	Radio TORONTO SQR 46 BLAUPUNKT 7 646 888 070 We take back: 911.645.139.02	87- -90	1	
1	964 645 101 X	Radio SYMPHONY BLAUPUNKT 7 649 898 70 We take back: 964.645.101.00	91	1	
1	964 645 103 X	Radio SYMPHONY RDS BLAUPUNKT 7 649 894 070 We take back: 964.645.103.00	92- -93	1	
1	964 645 107 X	Radio LONDON RDM 42 BLAUPUNKT 7 641 795 010 We take back: 964.645.107.00	93- -94	1	
1	993 645 101 X	Radio BREMEN RCM 43 BLAUPUNKT 7 642 898 310 We take back: 993.645.101.00	94- -95	1	M334
1	993 645 103 X	Radio BREMEN RCM 43 BLAUPUNKT 7 642 898 310 We take back: 993.645.103.00	94- -95	1	M334
1	993 645 107 X	Radio LONDON RDM 42 Use also:	93- 93 93	1	
-	993 645 901 00	Connector housing BLAUPUNKT 7 641 795 010 We take back: 993.645.107.00		1	
1	993 645 108 X	Radio PARIS RCR 42	94	1	

Model: **ATK** Model life **1963>>2012**

Pos	Part Number	Description	Remark	Qty	Model
1	993 645 106 X	BLAUPUNKT 7 641 774 010 We take back: 993.645.108.00 Radio CR 10 BECKER 1211.528-814 We take back: 993.645.106.00	95	1	
1	993 645 110 X	Radio MUENCHEN RD 104 BLAUPUNKT 7643 790 510 We take back: 993.645.110.00	95	1	
1	993 645 109 X	Radio DUESSELDORF RCR 84 BLAUPUNKT 7643 773 010 We take back: 993.645.109.00	95	1	
(1)	993 645 118 X	Radio CR 31 BECKER 1224 840-814 We take back: 993.645.118.00	96	1	M330
(1)	993 645 118 AX	Radio CR 31 BECKER 1249 940-814 We take back: 993.645.118.01	97- -98	1	M330
(1)	993 645 116 X	Radio CR 21 BECKER 1224 808-815 We take back: 993.645.116.00	96	1	M326
(1)	993 645 116 AX	Radio CR 21 BECKER 1249 908-815 We take back: 993.645.116.01	97- -98	1	M326
(1)	993 645 115 X	Radio CR 11 BECKER 1224 794-815 We take back: 993.645.115.00	96	1	M320
(1)	993 645 115 AX	Radio CR 11 BECKER 1249 894-815 We take back: 993.645.115.01	97- -98	1	M320
(1)	993 645 119 X	Radio CDR 21 BECKER 1224 824-815 We take back: 993.645.119.00	96	1	M686
(1)	993 645 119 AX	Radio CDR 21 BECKER 1249 924-815 We take back: 993.645.119.00 993.645.119.01	97- -98	1	M686
(1)	996 645 121 X	Radio CR 22 BECKER 1278.371 We take back:	99- -02	1	M321

Model: **ATK** Model life **1963>>2012**

Pos	Part Number	Description	Remark	Qty	Model
(1)	996 645 122 X	996.645.121.00 Radio CDR 22 BECKER 1278.398 We take back: 996.645.122.00	99- -02	1	M695
(1)	996 645 122 AX	Radio CDR 22 BECKER 1378.392 We take back: 996.645.122.10	03-	1	M695
(1)	996 645 128 X	Radio CDR 23 We take back: 996.645.128.02	03-	1	M 697
(1)	996 645 128 AX	Radio CDR 23 We take back: 996.645.128.02/03	03-	1	M 697
(1)	996 645 128 BX	Radio CDR 23 We take back: 996.645.128.02/03/04	03-	1	M 697
(1)	996 645 128 CX	Radio CDR 23 We take back: 996.645.128.02/03/04/05	03-	1	M 697
(1)	996 645 128 DX	Radio CDR 23 We take back: 996.645.128.02/03/04/05/06	05-	1	M 697
(1)	996 645 129 X	Radio CDR 23 We take back: 996.645.129.02	03-	1	M 697 M490 M 697 M680
(1)	996 645 129 AX	Radio CDR 23 We take back: 996.645.129.02/03	03-	1	M 697 M490 M 697 M680
(1)	996 645 129 BX	Radio CDR 23 We take back: 996.645.129.02/03/04	03-	1	M 697 M490 M 697 M680
(1)	996 645 129 CX	Radio CDR 23 We take back: 996.645.129.02/03/04/05	03-	1	M 697 M490 M 697 M680
(1)	997 645 128 DX 997 645 128 DX FMH	Radio CDR 24 We take back: 997.645.128.03/04.FMH	05-	1	I694
(1)	997 645 128 EX 997 645 128 EX FMH	Radio CDR 24 We take back: 997.645.128.03/04/05.FMH		1	I694

Model: **ATK** Model life **1963>>2012**

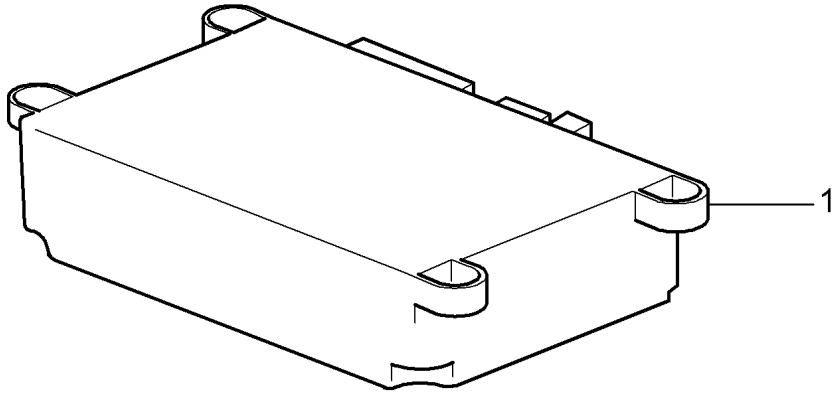
Pos	Part Number	Description	Remark	Qty	Model
(1)	997 645 128 FX 997 645 128 FX FMH	Radio CDR 24 We take back: 997.645.128.03/04/05/ 06.FMH		1	I694
(1)	997 645 128 GX 997 645 128 GX FMH	Radio CDR 24 We take back: 997.645.128.03/04/05/ 06/07.FMH		1	I694
(1)	955 645 128 CX	Radio CDR 23 We take back: 955.645.128.03	03-	1	
(1)	955 645 128 DX	Radio CDR 23 We take back: 955.645.128.03/04	03-	1	
(1)	955 645 128 EX	Radio CDR 23 We take back: 955.645.128.03/04/05	03-	1	
(1)	955 645 128 FX	Radio CDR 23 We take back: 955.645.128.03/04/05/06	03-	1	
(1)	955 645 128 GX	Radio CDR 23 We take back: 955.645.128.03/04/05/06/07		1	
(1)	996 645 123 X	Radio CDR 32 BECKER 1278.401 We take back: 996.645.123.00	99-	1	M698
(1)	996 645 124 X	Radio MDR 32 BECKER 1286.986 We take back: 996.645.124.00	99-	1	M699
2	944 645 417 AX	Booster BLAUPUNKT 7 607 390 570 We take back: 944.645.417.01	87- -91	1	
2	944 645 417 BX	Booster BLAUPUNKT 7 607 577 510 We take back: 944.645.417.02	87-	1	
2	944 645 301 X	Booster ALPINE AMP-02U We take back: 944.645.301.00	92-	1	
2	928 645 435 X	Booster BLAUPUNKT 7 607 533 070 BLAUPUNKT 7 607 533 071 We take back: 928.645.435.00/01	-95	1	
2	928 645 405 BX	Booster BLAUPUNKT 7 607 367 0010 We take back: 928.645.405.02	-94	1	
3	928 645 018 X	CD player CD-10	89-	1	

Model: **ATK** Model life **1963>>2012**

Pos	Part Number	Description	Remark	Qty	Model
3	964 645 111 X	with Installation set ALPINE MF 9 PR 720 We take back: 928.645.018.00 CD changer ALPINE CDP-1	-94	1	
3	993 645 111 X	We take back: 964.645.111.00 CD changer ALPINE CDC-2	95	1	
(3)	993 645 130 X	We take back: 993.645.111.00 CD changer CDC 3 BECKER 1227 734-818	96-	1	
(3)	996 645 140 AX	We take back: 993.645.130.00 CD changer CDC 4	03-	1	
(3)	996 645 140 BX	We take back: 996.645.140.01 CD changer CDC 4	03-	1	I692
(3)	997 645 140 BX	We take back: 996.645.140.01/02 CD changer CDC 4	/LL 05- /RL 05-	1	I098/692 I099/338
(3)	997 645 140 CX	We take back: 997.645.140.02 CD changer CDC 4	06-	1	I692
4	964 645 112 X	We take back: 997.645.140.02/04 Adapter SYMPHONY RDS BLAUPUNKT 8 607 210 012	-95	1	M334
5	900 075 440 07	We take back: 964.645.112.00 Combination screw M 4 X 8Z1	-95	X	

Model: ATK

Model life 1963>>2012

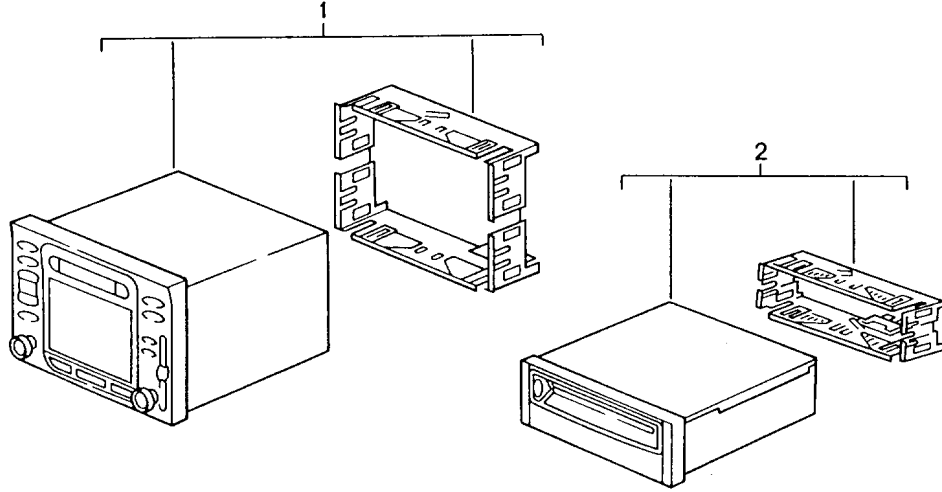


Model: **ATK** Model life **1963>>2012**

Pos	Part Number	Description	Remark	Qty	Model
1	997 646 208 DX	Telephone Control unit Control unit Telephone F 995S6 00355>> F 995S6 30091>> F 995S6 40516>> F 995S6 80190>> F 995S6 70168>> F 985U7 20254>>985U7 22919 F >>985U7 02718 F 985S7 00062>>985S7 20584 F 995S7 01789>>995S7 50848 F 995S7 32292>>995S7 37431 F >>995S7 61191 See technical information Group 9 NR. 14/05 NR. 18/05 We take back: 997.646.208.04		1	I666
1	997 646 208 MX	Control unit Telephone F 985U7 22920>>986U7 23352 F 985U7 02719>>986U7 04749 F 985S7 20585>> F 995S7 50849>>996S7 51980 F 995S7 37432>>996S7 38110 F 995S7 61192>>996S7 17268 F 995S7 17614>>996S7 75014 F >>996S7 03170 F >>996S7 38109 F >>996S7 75016 F >>986U7 77190 F >>997S7 80789 F >>997S7 83403 See technical information Group 9 NR. 14/05 NR. 17/05 NR. 18/05 We take back: 997.646.208.04/13		1	I666
(1)	997 646 209 X	Control unit Telephone F 986U7 23353>> F 986U7 04750>> F 996S7 51981>> F 996S7 38111>> F 996S7 17269>> F 996S7 75015>> F 996S7 03171>> F 996S7 38110>> F 996S7 75017>> F 986U7 77191>> F 997S7 80790>> F 997S7 83403>> We take back: 997.646.209.00		1	I666

Model: ATK

Model life 1963>>2012



Model: **ATK** Model life 1963>>2012

Pos	Part Number	Description	Remark	Qty	Model
		Navigation system	98- 98- 01- 03- 98		BOXSTER CARRERA 911 TURBO CAYENNE
1	996 642 104 AX 996 642 104 AX EFR	Control part Gloss black SIEMENS-NR. 65 61 29.40.01 We take back: 996.642.104.00/01		1	
1	996 642 104 BX 996 642 104 BX EFR	Control part Gloss black SIEMENS-NR. 65 61 29.40.01 We take back: 996.642.104.01/02 EFR	-99	1	
1	996 642 904 CX 996 642 904 CX EFR	Control part Gloss black SIEMENS-NR. 5WK78000A We take back: 996.642.904.03 EFR	-99	1	
1	996 642 904 DX 996 642 904 DX EFR	Control part Gloss black SIEMENS-NR. 5WK780003E We take back: 996.642.904.04 EFR	00-	1	
1	996 642 944 X 996 642 944 X EWD	Control part Black mat SIEMENS-NR. 5WM 780 015-E We take back: 996.642.944.00 EWD	02	1	
1	996 642 204 BX 996 642 204 BX A05	Control part Black mat BECKER-NR. 1413 988 6631 We take back: 996.642.204.02 A05	03	1	
1	996 642 204 CX 996 642 204 CX A05	Control part Black mat BECKER-NR. 1413 996 6632 We take back: 996.642.204.02/03 A05	03	1	
1	996 642 204 DX 996 642 204 DX A05	Control part Black mat We take back: 996.642.204.02/03/04 A05	03	1	
1	996 642 204 EX 996 642 204 EX A05	Control part Black mat We take back: 996.642.204.02/03 A05 996.642.204.04/05 A05	04	1	
1	996 642 204 FX 996 642 204 FX A05	Control part Black mat We take back: 996.642.204.02/03/04 A05 996.642.204.05/06 A05	05	1	
1	996 642 204 GX 996 642 204 GX A05	Control part Black mat We take back:	05	1	

Model: **ATK** Model life **1963>>2012**

Pos	Part Number	Description	Remark	Qty	Model
1	996 642 214 BX 996 642 214 BX A05	996.642.204.02/03 A05 996.642.204.04/05 A05 996.642.204.06/07 A05 Control part Black mat BECKER-NR. 1413 996 6632 We take back: 996.642.214.02/03 A05	03	1	
1	996 642 214 CX 996 642 214 CX A05	Control part Black mat BECKER-NR. 1413 996 6632 We take back: 996.642.214.03 A05	03	1	
1	996 642 214 DX 996 642 214 DX A05	Control part Black mat We take back: 996.642.214.02/03/04 A05	03	1	
1	996 642 214 EX 996 642 214 EX A05	Control part Black mat We take back: 996.642.214.02/03 A05 996.642.214.04/05 A05	04	1	
1	996 642 214 FX 996 642 214 FX A05	Control part Black mat We take back: 996.642.214.02/03 A05 996.642.214.04/05 A05 996.642.214.06.A05	05	1	
1	996 642 214 GX 996 642 214 GX A05	Control part Black mat We take back: 996.642.214.02/03 A05 996.642.214.04/05 A05 996.642.214.06/07 A05	05	1	
(1)	997 642 101 X 997 642 101 X FMH	Control part Volcano Grey/Black Mat We take back: 997.642.101.05.FMH	05	1	997 I665 PCM 2.1
(1)	997 642 101 AX 997 642 101 AX FMH	Control part Volcano Grey/Black Mat F >>985S7 00061 F >>985U7 00847 F >>985U7 20253 See technical information Group 9 Nr. 1/04 F >>995S7 01791 F >>995S7 32290 See technical information Group 9 Nr. 7/04 We take back: 997.642.101.05/06.FMH	05	1	987 / 997 I665 PCM 2.1
(1)	997 642 103 X 997 642 103 X FMH	Control part Volcano Grey/Black Mat We take back: 997.642.103.05.FMH	05	1	997 I680 I I680 PCM 2.1

Model: **ATK** Model life **1963>>2012**

Pos	Part Number	Description	Remark	Qty	Model
(1)	997 642 103 AX 997 642 103 AX FMH	Control part Volcano Grey/Black Mat F >>985S7 00061 F >>985U7 00273 F >>985S7 20299 See technical information Group 9 Nr. 1/04 F >>995S7 01788 F >>995S7 32293 See technical information Group 9 Nr. 7/04 We take back: 997.642.103.05/06.FMH	05	1	987 / 997 I665 PCM 2.1
(1)	997 642 101 BX 997 642 101 BX FMH	Control part Volcano Grey/Black Mat F 985S7 00062>>985S7 20584 F 985U7 00848>>985U7 02718 F 985U7 20254>>985U7 22919 F 995S7 01792>>995S7 50848 F 995S7 32291>>995S7 37431 F 995S7 16151>>995S7 17613 F 995S7 41125>>995S7 61191 We take back: 997.642.101.05/06/11.FMH 997.642.131.05/06.FMH	05-	1	987 / 997 I665 PCM 2.1
(1)	997 642 103 BX 997 642 103 BX FMH	Control part Volcano Grey/Black Mat F 985S7 00062>>985S7 20584 F 985U7 00274>>985U7 02718 F 985U7 20300>>985U7 22919 F 995S7 01789>>995S7 50848 F 995S7 32294>>995S7 37431 F 995S7 16131>>995S7 17613 F 995S7 41124>>995S7 61191 We take back: 997.642.133.05/06.FMH 997.642.103.11.FMH	05-	1	987 / 997 I665 PCM 2.1
(1)	997 642 141 BX 997 642 141 BX FMH	Control part Volcano Grey/Black Mat F 985S7 20585>> F 985U7 02719>> F 985U7 22920>>	05-	1	987 / 997 I665 PCM 2.1
(1)	997 642 141 CX 997 642 141 CX FMH	Control part Volcano Grey/Black Mat F 985S7 20585>> F 985U7 02719>> F 985U7 22920>> F 995S7 50849>> F 995S7 37432>> F 995S7 17614>> F 995S7 61192>> We take back: 997.642.141.02/03.FMH	05-	1	987 / 997 I665 PCM 2.1
(1)	997 642 143 BX 997 642 143 BX FMH	Control part Volcano Grey/Black Mat F 985S7 20585>>	05-	1	987 / 997 I665 PCM 2.1

Model: **ATK** Model life **1963>>2012**

Pos	Part Number	Description	Remark	Qty	Model
(1)	997 642 143 CX 997 642 143 CX FMH	F 985U7 02719>> F 985U7 22920>> Control part Volcano Grey/Black Mat F 985S7 20585>> F 985U7 02719>> F 985U7 22920>> F 995S7 50849>> F 995S7 37432>> F 995S7 17614>> F 995S7 61192>> We take back: 997.642.143.02/03.FMH	05-	1	987 / 997 I665 PCM 2.1
(1)	997 642 141 DX 997 642 141 DX FMH	Control part Volcano Grey/Black Mat F 986U7 04750>> F 986U7 23353>> F 986U7 77191>> F 996S7 51981>> F 996S7 38111>> F 996S7 17269>> F 996S7 75015>> F 996S7 03171>> F 996S7 57897>> F 996S7 43974>> F 996S7 03172>> F 996S7 38110>> F 996S7 51982>> F 996S7 75017>> F 997S7 80790>> F 997S7 83404>> We take back: 997.642.141.10.FMH		1	987 / 997 I665
(1)	997 642 143 DX 997 642 143 DX FMH	Control part Volcano Grey/Black Mat F 986U7 04750>> F 986U7 23353>> F 986U7 77191>> F 996S7 51981>> F 996S7 38111>> F 996S7 17269>> F 996S7 75015>> F 996S7 03171>> F 996S7 57897>> F 996S7 43974>> F 997S7 03172>> F 997S7 38110>> F 996S7 51982>> F 996S7 75017>> F 997S7 80790>> F 997S7 83404>> We take back: 997.643.143.10.FMH		1	987 / 997 I665/680
(2)	997 642 135 DX	DVD device Navigation system F >>985S7 20584 F >>985U7 02718 F >>985U7 22919 F >>995S7 50848	05-	1	987 / 997 CAYENNE I670

Model: **ATK** Model life **1963>>2012**

Pos	Part Number	Description	Remark	Qty	Model
(2)	997 642 137 BX	F >>995S7 37431 F >>995S7 17613 F >>995S7 61191 We take back: 997.642.135.03/04 DVD device Navigation system	/LL 05-	1	987 / 997 I098 CAYENNE I670
(2)	997 642 159 X	F 985S7 20585>> F 985U7 02719>> F 985U7 22920>> F 995S7 50849>> F 995S7 37432>> F 995S7 17614>> F 995S7 61192>> We take back: 997.642.137.02 DVD device Navigation system	/RL /RL	1 1	997 I099/670/672 I664/670/672 I099/670 I664/670
(2)	997 642 157 X	We take back: 997.642.159.00 DVD device Navigation system		1	987/997/9PA I670/672 I098/670/672 I098/670 I8DQ/8DV I7Q2/7T1
(1)	955 642 203 X	F 986U7 04750>> F 986U7 23353>> F 986U7 77191>> F 996S7 51981>> F 996S7 38111>> F 996S7 17269>> F 996S7 75015>> F 996S7 03171>> F 996S7 57897>> F 996S7 43974>> F 996S7 03172>> F 996S7 38110>> F 996S7 51982>> F 996S7 75017>> F 997S7 80790>> F 997S7 83404>> We take back: 997.642.157.00 Control part	03-	1	
(1)	955 642 203 AX	We take back: 955.642.203.00 Control part	03-	1	
(1)	955 642 203 BX	We take back: 955.642.203.00/01 Control part	03-	1	
(1)	955 642 203 CX	We take back: 955.642.203.00/01/02 Control part We take back: 955.642.203.00/01/02/05	-04	1	

Model: **ATK** Model life **1963>>2012**

Pos	Part Number	Description	Remark	Qty	Model
(1)	955 642 203 DX	Control part See technical information Group 9 NR. 6/03 We take back: 955.642.203.00/01/02/05/06	-04	1	I8DV
(1)	955 642 203 EX	Control part We take back: 955.642.203.10/11	05-	1	I8DV
(1)	955 642 210 X	Control part F >>9P6LA 08079 F >>9P6LA 49270 F >>9P6LA 83929 We take back: 955.642.210.00	06-	1	
(1)	955 642 210 AX	Control part F 9P6LA 08080>> F 9P6LA 49271>> F 9P6LA 83930>> We take back: 955.642.210.01/10		1	
2	996 642 122 X 996 642 122 X EFR	Computer Gloss black SIEMENS-NR. 65 61 04.40.01 We take back: 996.642.122.00 EFR	-99	1	
2	996 642 122 AX 996 642 122 AX EFR	Computer Gloss black F >>991S6 82634 F >>991S6 86837 SIEMENS-NR. 5WK 760 10 We take back: 996.642.122.01 EFR	00-	1	
2	996 642 122 CX 996 642 122 CX EFR	Computer Gloss black F 991S6 82635>> F 991S6 86838>> SIEMENS-NR. 5WK 760 22 We take back: 996.642.122.03 EFR	01	1	
2	996 642 122 LX 996 642 122 LX EWD	Computer Black mat We take back: 996.642.122.12 EWD	02	1	
-	996 642 205 X	Module Navigation system We take back: 996.642.205.02	-04	1	M670